

FireBridge II

82C814

Docking Station Controller

Data Book

Revision: 1.0
912-3000-047
January 08, 1998

Copyright

Copyright © 1997, OPTi Inc. All rights reserved. No part of this publication may be reproduced, transmitted, transcribed, stored in a retrieval system, or translated into any language or computer language, in any form or by any means, electronic, mechanical, magnetic, optical, chemical, manual, or otherwise, without the prior written permission of OPTi Incorporated, 888 Tasman Drive, Milpitas, CA 95035.

Disclaimer

OPTi Inc. makes no representations or warranties with respect to the design and documentation herein described and especially disclaims any implied warranties of merchantability or fitness for any particular purpose. Further, OPTi Inc. reserves the right to revise the design and associated documentation and to make changes from time to time in the content without obligation of OPTi Inc. to notify any person of such revisions or changes.

Note: Before designing contact OPTi for latest Product Alerts, Applications Notes, and Errata for this product line.

Trademarks

OPTi and OPTi Inc. are registered trademarks of OPTi Inc. All other trademarks and copyrights are the property of their respective holders.

OPTi Inc.

888 Tasman Drive
Milpitas, CA 95035
Tel: (408) 486-8000
Fax: (408) 486-8001
www.opti.com

Table of Contents

1.0	Features	1
2.0	Overview	1
3.0	Signal Definitions	2
3.1	Terminology/Nomenclature Conventions	2
3.2	Signal Descriptions	6
3.2.1	Host Interface PCI Signals	6
3.2.2	Docking Control and Sense Signals	7
3.2.3	PCI Docking Interface Pins	7
3.2.4	Interrupt Interface Pins	9
3.2.5	Power and Ground Pins	9
3.3	Strap-Selected Interface Options	10
3.4	Internal Resistors	11
4.0	Functional Description	13
4.1	OPTi Docking Station Controller Chipset.....	13
4.2	Chipset Compatibility	13
4.3	Interface Overview	13
4.4	Device Type Detection Logic.....	14
4.5	Primary PCI Bus.....	15
4.6	PCI-to-CardBus Bridge.....	15
4.6.1	Configuration Cycle	15
4.6.1.1	Translation Between Type 0 and Type 1 Configuration Cycles	15
4.6.2	Cycle from Host to Docking Interface	16
4.6.3	Master Cycle from Docking Interface	16
4.6.4	Inability to Complete a Posted Write	16
4.6.5	Cycle Termination by Target	16
4.6.5.1	Posted Write Termination	16
4.6.5.2	Non-Posted Write Termination.....	16
4.6.5.3	Read (Prefetched or Non-Prefetched) Termination	16

Table of Contents (cont.)

4.7	PCI Docking Station Operation	17
4.7.1	Introduction	17
4.7.2	Procedure	17
4.7.3	Initial Setup	17
4.7.4	Action Upon Attachment of Dock	18
4.8	Status Change Service Routine	19
4.8.1	Docking Event	19
4.8.2	Undocking Event	19
4.8.3	Notes on Undocking	19
4.8.4	Retest	19
4.8.5	PCI Clock Buffering	20
4.9	Interrupt Support	20
4.9.1	PCI INTx# Implementation	20
4.9.2	IRQ Driveback Logic	20
4.9.3	Compaq Serial IRQ Implementation	21
	4.9.3.1 Operation	21
5.0	82C814 Register Set	23
5.1	Register State on Device Removal	23
5.2	Base Register Group	23
5.3	82C814-Specific Register Group	31
5.3.1	CLKRUN#	31
5.3.2	Slot Buffer Enable, Slew Rate, and Threshold Control	31
5.3.3	Dual ISA Buses	31
5.4	CardBus Register Group	34
5.4.1	Power Control	34
5.5	Docking Station Window Selection Group	36
5.5.1	Docking Station Window Registers	36
	5.5.1.1 Cycle Decoding	37
	5.5.1.2 Cycle Trapping	37
	5.5.1.3 ISA Window Selection	37
5.6	PCI Power Management Register Group	41

Table of Contents (cont.)

6.0	Electrical Ratings	43
6.1	Absolute Maximum Ratings.....	43
6.2	DC Characteristics: VCC = 3.3V or 5.0V \pm 5%, TA = 0°C to +70°C.....	43
6.3	AC Characteristics.....	44
6.4	AC Timing Diagrams	45
7.0	Mechanical Package Outline	47
Appendix A	IRQ Driveback Protocol	49
A.1	Driveback Cycle Format.....	49
A.2	Edge vs Level Mode, IRQ Polarity.....	50
A.3	Host Handling of IRQ Driveback Information.....	50

Table of Contents (cont.)

List of Figures

Figure 2-1	Multiple ISA Bus Support and Cascadeable Docking.....	1
Figure 3-1	Pin Diagram.....	3
Figure 3-2	Power-Up Timing.....	11
Figure 4-1	82C814 Organization.....	13
Figure 6-1	Setup Timing Waveform.....	45
Figure 6-2	Hold Timing Waveform.....	45
Figure 6-3	Output Delay Timing Waveform.....	45
Figure 7-1	144-Pin LQFP, Low-Profile Quad Flat Pack.....	47
Figure A-1	IRQ Driveback Cycle High-Priority Request.....	49

List of Tables

Table 3-1	Signal Definitions Legend	2
Table 3-2	Numerical Pin Cross-Reference List.....	4
Table 3-3	Alphabetical Pin Cross-Reference List	5
Table 3-4	Strap Options for 82C814 Configurations.....	10
Table 3-5	Internal Keeper Resistor Scheme.....	11
Table 4-1	Device Detection (CardBus Rules)	14
Table 4-2	CLKRUN# Control Bits	15
Table 4-3	Translation Feature Configuration Bit.....	15
Table 4-4	Write Posting Associated Registers.....	16
Table 4-5	Summary of Typical Settings (using IRQ5 for SMI).....	18
Table 4-6	Register used to Delay Internal PCICLK to Compensate for Trace Delays.....	20
Table 4-7	Compaq SIRQ Control Bits.....	21
Table 5-1	Base Register Group - PCICFG 00h-4Fh	23
Table 5-2	Specific Register Group - PCICFG 50h-5Fh.....	32
Table 5-3	CardBus Register Set in System Memory	34
Table 5-4	CardBus Register Group - PCICFG 60h-74h / MEMOFST 00h-7Fh	35
Table 5-5	Docking Station Access Windows	37
Table 5-6	Docking Station Window Registers - PCICFG 80h-EFh	37
Table 5-7	PCI Power Management Registers - PCICFG F0h-FFh.....	41
Table A-1	Information Provided on a Driveback Cycle.....	49
Table A-2	Information Provided on a Optional Data Phase 2 of IRQ Driveback Cycle	50

Docking Station Controller

1.0 Features

- Provides true hot docking and undocking
- PCI Power Management Compliant
- Supports 3.3V or 5.0V PCI dock
- Host PCI bus can be 3.3V or 5.0V
- Host and Docking PCI buses can be asynchronous
- Works in conjunction with OPTi PCI-to-ISA bridge to provide reliable ISA support on the dock
- Provides eight windows, selectable for memory or I/O
- Offers additional fixed window for VGA
- Supports INTA#, INTB#, INTC#, INTD#
- Supports four bus masters
- Generates PCI clocks for four devices
- Supports cascadeable docking with multiple 82C814 controllers
- Bridge solution increases primary PCI bus bandwidth by off-loading transactions into buffers
- Supports external bus arbiter for secondary PCI bus
- Packaged in 144-pin LQFP (Low-profile Quad Flat Pack)

2.0 Overview

This document describes the OPTi 82C814 Docking Station Controller, a true bridge docking solution that allows software to treat the docking station like a dynamically insertable/removable CardBus card.

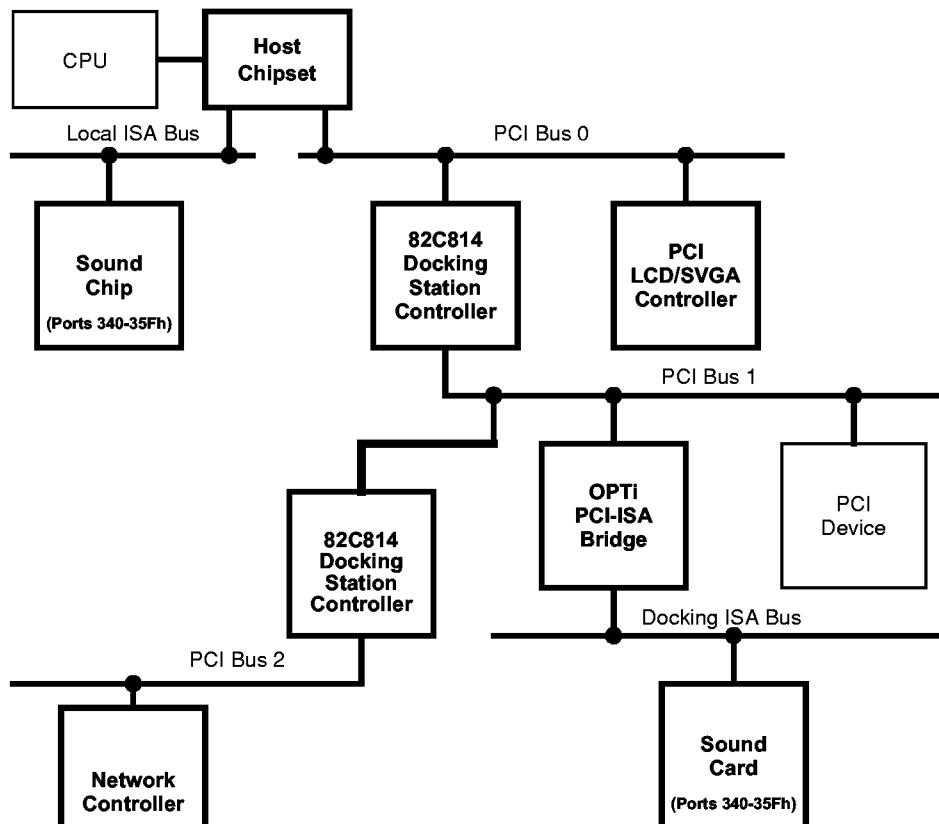
The PCI software interface conforms to the CardBus header layout, instead of the PCI-to-PCI bridge header layout, to overcome the limitations of PCI-to-PCI bridges.

The docking controller implements a true PCI-PCI bridge with full buffering and synchronous or asynchronous operation.

Figure 2-1 illustrates the flexibility of the device, including its ability to support multiple ISA buses when used with an OPTi PCI-to-ISA Bridge.

Note: This document describes Revision 1.0 of the 82C814 chip.

Figure 2-1 Multiple ISA Bus Support and Cascadeable Docking



3.0 Signal Definitions

The 82C814 chip provides a primary interface which is PCI-based. It also provides an independent attachment interface, which can be switched on and off dynamically.

3.1 Terminology/Nomenclature Conventions

The “#” symbol at the end of a signal name indicates that the active, or asserted state occurs when the signal is at a low voltage level. When “#” is not present after the signal name, the signal is asserted when at the high voltage level.

The terms “assertion” and “negation” are used extensively. This is done to avoid confusion when working with a mixture of “active low” and “active high” signals. The term “assert”, or “assertion” indicates that a signal is active, independent of whether that level is represented by a high or low voltage. The term “negate”, or “negation” indicates that a signal is inactive.

The 82C814 has some pins that have multiple functions (denoted by “+” in the pin name). These functions are either:

- cycle-multiplexed (always enabled and available when a particular cycle is in progress),
- a strap option (configured at reset),
- or selected via register programming.

The tables in this section use several common abbreviations. Table 3-1 lists the mnemonics and their meanings.

Table 3-1 Signal Definitions Legend

Mnemonic	Description
CMOS	CMOS-level compatible
Dcdr	Decoder
Ext	External
G	Ground
I	Input
I/O	Input/Output
Int	Internal
Mux	Multiplexer
O	Output
OD	Open drain (open-collector) CMOS-level compatible
P	Power
PD	Pull-down resistor
PU	Pull-up resistor
S	Schmitt-trigger TTL-level compatible
TTL	TTL-level compatible

Figure 3-1 Pin Diagram

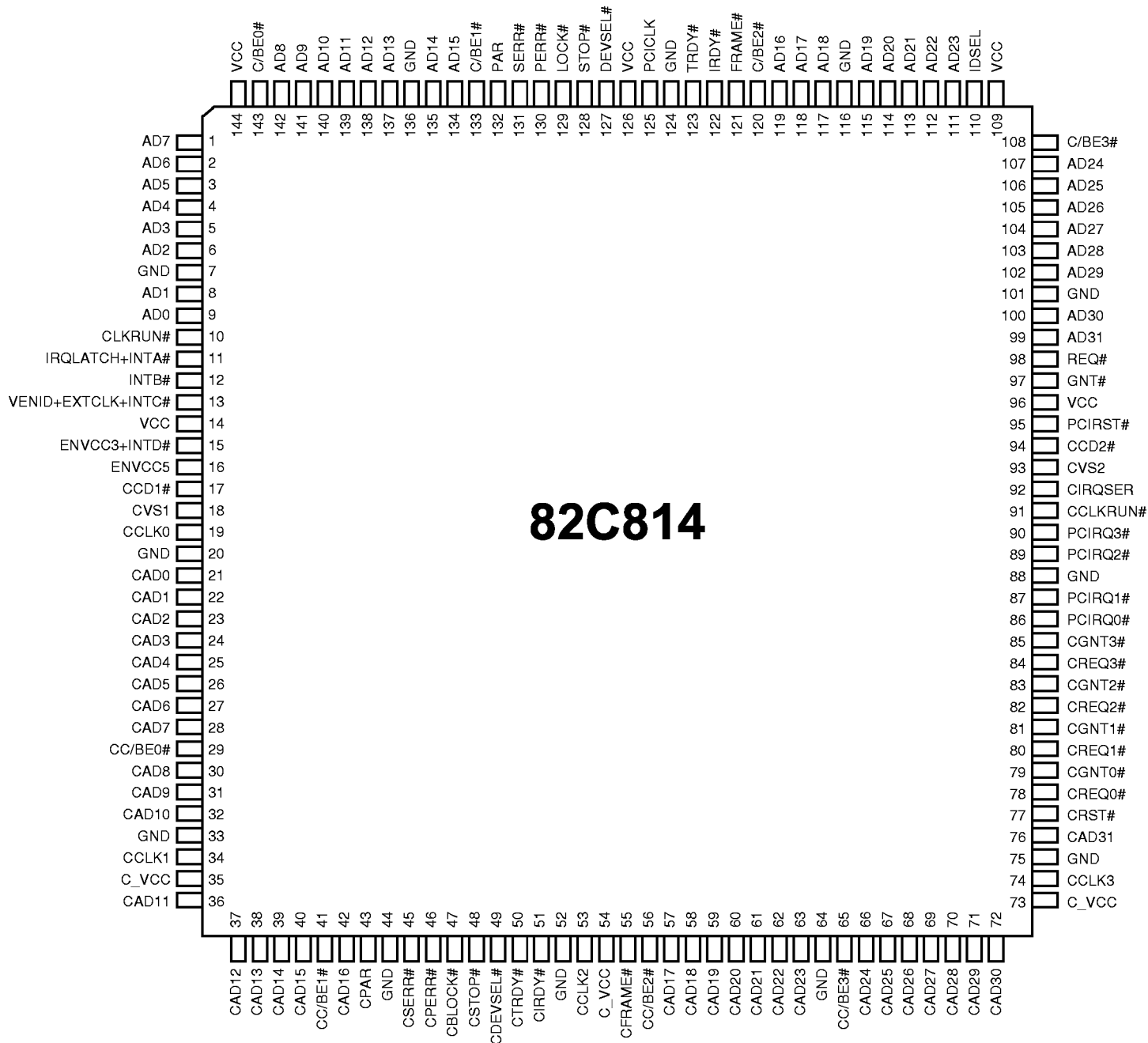


Table 3-2 Numerical Pin Cross-Reference List

Pin No.	Pin Name	Pin Type	Pin No.	Pin Name	Pin Type	Pin No.	Pin Name	Pin Type	Pin No.	Pin Name	Pin Type
1	AD7	I/O	35	C_VCC	P	73	C_VCC	P	111	AD23	I/O
2	AD6	I/O	36	CAD11	I/O	74	CCLK3	O	112	AD22	I/O
3	AD5	I/O	37	CAD12	I/O	75	GND	G	113	AD21	I/O
4	AD4	I/O	38	CAD13	I/O	76	CAD31	I/O	114	AD20	I/O
5	AD3	I/O	39	CAD14	I/O	77	CRST#	O	115	AD19	I/O
6	AD2	I/O	40	CAD15	I/O	78	CREQ0#	I	116	GND	G
7	GND	G	41	CC/BE1#	I/O	79	CGNT0#	O	117	AD18	I/O
8	AD1	I/O	42	CAD16	I/O	80	CREQ1#	I	118	AD17	I/O
9	AD0	I/O	43	CPAR	I/O	81	CGNT1#	O	119	AD16	I/O
10	CLKRUN#	I/O	44	GND	G	82	CREQ2#	I	120	C/BE2#	I/O
11	IRQLATCH	I/O	45	CSERR#	I/O	83	CGNT2#	O	121	FRAME#	I/O
	INTA#	I/O	46	CPERR#	I/O	84	CREQ3#	I	122	IRDY#	I/O
12	INTB#	I/O	47	CBLOCK#	I/O	85	CGNT3#	O	123	TRDY#	I/O
13	VENID	O	48	CSTOP#	I/O	86	PCIRQ0#	I	124	GND	G
	EXTCLK	I	49	CDEVSEL#	I/O	87	PCIRQ1#	I	125	PCICLK	I
	INTC#	I/O	50	CTRDY#	I/O	88	GND	G	126	VCC	P
14	VCC	P	51	CIRDY#	I/O	89	PCIRQ2#	I	127	DEVSEL#	I/O
15	ENVCC3	O	52	GND	G	90	PCIRQ3#	I	128	STOP#	I/O
	INTD#	I/O	53	CCLK2	O	91	CCLKRUN#	I	129	LOCK#	I/O
16	ENVCC5	O	54	C_VCC	P	92	CIRQSER	I/O	130	PERR#	I/O
17	CCD1#	I	55	CFRAME#	I/O	93	CVS2	I	131	SERR#	O/OD
18	CVS1	I	56	CC/BE2#	I/O	94	CCD2#	I	132	PAR	I/O
19	CCLK0	O	57	CAD17	I/O	95	PCIRST#	I	133	C/BE1#	I/O
20	GND	G	58	CAD18	I/O	96	VCC	P	134	AD15	I/O
21	CAD0	I/O	59	CAD19	I/O	97	GNT#	I	135	AD14	I/O
22	CAD1	I/O	60	CAD20	I/O	98	REQ#	O	136	GND	G
23	CAD2	I/O	61	CAD21	I/O	99	AD31	I/O	137	AD13	I/O
24	CAD3	I/O	62	CAD22	I/O	100	AD30	I/O	138	AD12	I/O
25	CAD4	I/O	63	CAD23	I/O	101	GND	G	139	AD11	I/O
26	CAD5	I/O	64	GND	G	102	AD29	I/O	140	AD10	I/O
27	CAD6	I/O	65	CC/BE3#	I/O	103	AD28	I/O	141	AD9	I/O
28	CAD7	I/O	66	CAD24	I/O	104	AD27	I/O	142	AD8	I/O
29	CC/BE0#	I/O	67	CAD25	I/O	105	AD26	I/O	143	C/BE0#	I/O
30	CAD8	I/O	68	CAD26	I/O	106	AD25	I/O	144	VCC	P
31	CAD9	I/O	69	CAD27	I/O	107	AD24	I/O			
32	CAD10	I/O	70	CAD28	I/O	108	C/BE3#	I/O			
33	GND	G	71	CAD29	I/O	109	VCC	P			
34	CCLK1	O	72	CAD30	I/O	110	IDSEL	I			



Table 3-3 Alphabetical Pin Cross-Reference List

Pin No.	Pin Name	Pin Type	Pin No.	Pin Name	Pin Type	Pin No.	Pin Name	Pin Type	Pin No.	Pin Name	Pin Type
9	AD0	I/O	27	CAD6	I/O	34	CCLK1	O	64	GND	G
8	AD1	I/O	28	CAD7	I/O	53	CCLK2	O	75	GND	G
6	AD2	I/O	30	CAD8	I/O	74	CCLK3	O	88	GND	G
5	AD3	I/O	31	CAD9	I/O	91	CCLKRUN#	I	101	GND	G
4	AD4	I/O	32	CAD10	I/O	49	CDEVSEL#	I/O	116	GND	G
3	AD5	I/O	36	CAD11	I/O	55	CFRAME#	I/O	124	GND	G
2	AD6	I/O	37	CAD12	I/O	79	CGNT0#	O	136	GND	G
1	AD7	I/O	38	CAD13	I/O	81	CGNT1#	O	97	GNT#	I
142	AD8	I/O	39	CAD14	I/O	83	CGNT2#	O	110	IDSEL	I
141	AD9	I/O	40	CAD15	I/O	85	CGNT3#	O	12	INTB#	I/O
140	AD10	I/O	42	CAD16	I/O	10	CLKRUN#	I/O	122	IRDY#	I/O
139	AD11	I/O	57	CAD17	I/O	51	CIRDY#	I/O	11	IRQLATCH+ INTA#	I/O
138	AD12	I/O	58	CAD18	I/O	92	CIRQSER	I/O	129	LOCK#	I/O
137	AD13	I/O	59	CAD19	I/O	43	CPAR	I/O	132	PAR	I/O
135	AD14	I/O	60	CAD20	I/O	46	CPERR#	I/O	125	PCICLK	I
134	AD15	I/O	61	CAD21	I/O	78	CREQ0#	I	86	PCIRQ0#	I
119	AD16	I/O	62	CAD22	I/O	80	CREQ1#	I	87	PCIRQ1#	I
118	AD17	I/O	63	CAD23	I/O	82	CREQ2#	I	89	PCIRQ2#	I
117	AD18	I/O	66	CAD24	I/O	84	CREQ3#	I	90	PCIRQ3#	I
115	AD19	I/O	67	CAD25	I/O	77	CRST#	O	95	PCIRST#	I
114	AD20	I/O	68	CAD26	I/O	45	CSERR#	I/O	130	PERR#	I/O
113	AD21	I/O	69	CAD27	I/O	48	CSTOP#	I/O	98	REQ#	O
112	AD22	I/O	70	CAD28	I/O	50	CTRDY#	I/O	131	SERR#	O/OD
111	AD23	I/O	71	CAD29	I/O	35	C_VCC	P	128	STOP#	I/O
107	AD24	I/O	72	CAD30	I/O	54	C_VCC	P	123	TRDY#	I/O
106	AD25	I/O	76	CAD31	I/O	73	C_VCC	P	14	VCC	P
105	AD26	I/O	143	C/BE0#	I/O	18	CVS1	I	96	VCC	P
104	AD27	I/O	133	C/BE1#	I/O	93	CVS2	I	109	VCC	P
103	AD28	I/O	120	C/BE2#	I/O	127	DEVSEL#	I/O	126	VCC	P
102	AD29	I/O	108	C/BE3#	I/O	15	ENVCC3+ INTD#	O	144	VCC	P
100	AD30	I/O	47	CBLOCK#	I/O	16	ENVCC5	O	13	VENID+ EXTCLK+ INTC#	I/O
99	AD31	I/O	29	CC/BE0#	I/O	121	FRAME#	I/O			
21	CAD0	I/O	41	CC/BE1#	I/O	7	GND	G			
22	CAD1	I/O	56	CC/BE2#	I/O	20	GND	G			
23	CAD2	I/O	65	CC/BE3#	I/O	33	GND	G			
24	CAD3	I/O	17	CCD1#	I	44	GND	G			
25	CAD4	I/O	94	CCD2#	I	52	GND	G			
26	CAD5	I/O	19	CCLK0	O						



82C814

3.2 Signal Descriptions

3.2.1 Host Interface PCI Signals

Signal Name	Pin No.	Signal Type	Signal Description
AD[31:0]	99, 100, 102:107, 111:115, 117:119, 134, 135, 137:142, 1:6, 8, 9	I/O	Address and Data Lines 31 through 0: This bus carries the address during the address phase and the data during the data phase of a PCI cycle. During the address phase these pins are inputs only and during the data phase they are I/Os.
C/BE[3:0]#	108, 120, 133, 143	I/O	Bus Command and Byte Enables 3 through 0: These inputs provide the command type information during the address phase and carry the byte enable information during the data phase.
PAR	132	I/O	Parity: This bit carries parity information for both the address and data phases of PCI cycles. During the address or data write phase of a PCI cycle this pin is an input only. During the data read phase it acts as an output only.
PCICLK	125	I	PCI Clock: Provides timing for all transactions on the host PCI bus; normally 33MHz. This same clock can be used for timing the slot interfaces, or can be divided. The slot interfaces can also run from the alternative EXTCLK input.
VENID#	13	O	Drive Vendor ID: This pin can be used to enable an external tristate buffer to drive vendor ID bits onto the PCI bus. This feature allows system card designers to drive a unique PCI card ID for identification by software.
EXTCLK		I	External Clock: Provides alternative clock source for transactions on the slot interface PCI bus. The frequency can be any value but is usually 20MHz or 25MHz. It should be tied low if not used. This pin is automatically sensed just after reset time to determine whether an external clock frequency is being applied. If not, the function defaults to VENID#.
INTC#		I/O	See Section 3.2.4 for interrupt information.
CLKRUN#	10	I/O	Clock Run: Pulled low by any device needing to use the PCI bus. If no devices pull this pin low, the host PCI bus controller is allowed to stop the PCICLK signal. The interrupt logic of the 82C814 uses this signal to request a restart of PCICLK in order to send an interrupt request.
IRQLATCH	11	I/O	Interrupt Latch: For use on chipsets without IRQ driveback capability, the 82C814 logic can drive this line low to drive ISA IRQ lines using an external latch. This pin is also a strap option, refer to Section 5.3
INTA#		I/O	See Section 3.2.4 for interrupt information.
FRAME#	121	I/O	Cycle Frame: Driven by PCI bus masters to indicate the beginning and duration of an access.
IRDY#	122	I/O	Initiator Ready: Asserted by the PCI bus master to indicate that it is ready to complete the current data phase of the transaction.
TRDY#	123	I/O	Target Ready: Asserted by the PCI bus target (when the 82C814 is a slave) to indicate that it is ready to complete the current data phase of the transaction. PCI-type devices on the slot interfaces return CTRDY# to the 82C814, which in turn drives TRDY# to the host. The 82C814 logic drives TRDY# directly for 82C814 configuration register accesses.



3.2.1 Host Interface PCI Signals (cont.)

Signal Name	Pin No.	Signal Type	Signal Description
STOP#	128	I/O	Stop: Used by the target to request that the master stop the current transaction and retry it later. The 82C814 logic uses this mechanism to back-off from a claimed cycle and generate, for example, an SMI through the IRQ driveback cycle.
LOCK#	129	I/O	Lock: Indicates an atomic operation that may require multiple transactions to complete. The signal can be asserted to the 82C814 by any host bus PCI master, and is driven by the 82C814 logic in response to the current slot interface bus master driving its CBLOCK# signal.
DEVSEL#	127	I/O	Device Select: Driven by the 82C814 logic when it decodes its address as the target of the current access via either positive or subtractive decoding.
PERR#	130	I/O	Parity Error: All devices use this signal to report data parity errors during any PCI transaction except a Special Cycle.
SERR#	131	O/OD	System Error: The 82C814 logic uses this line to report address parity errors, data parity errors on the Special Cycle command, or any other system error where the result will be catastrophic. This pin has an open drain output.
REQ#	98	O	Bus Request: The 82C814 logic uses this signal to gain control of the PCI bus. The logic also uses this pin to generate an interrupt driveback request.
GNT#	97	I	Bus Grant: The system grants the bus to the 82C814 chip using this signal.
IDSEL	110	I	ID Select: This signal is the "chip select" for the controller. This input simply connects to one of the upper address lines to select the controller for configuration cycles.
PCIRST#	95	I	Reset: Main chip reset input.

3.2.2 Docking Control and Sense Signals

Signal Name	Pin No.	Signal Type	Signal Description
CCD1#	17	I	Connection Detect 1 and 2, Voltage Sense 1 and 2: CCD1-2# and CVS1-2 are used to determine proper dock attachment and to sense its voltage.
CCD2#	94	I	
CVS1	18	I	
CVS2	93	I	
ENVCC5	16	O	5.0V VCC Enable: Used to turn on power to 5.0V dock.
ENVCC3	15	O	3.3V VCC Enable: Used to turn on power to 3.3V dock.
INTD#		I/O	See Section 3.2.4 for interrupt information.

3.2.3 PCI Docking Interface Pins

Signal Name	Pin No.	Signal Type	Signal Description
CAD[31:0]	76, 72:66, 63:57, 42, 40:36, 32:30, 28:21	I/O	Multiplexed Address and Data Lines 31 through 0: These pins are the multiplexed PCI address and data lines. During the address phase, these pins are outputs for PCI slave cycles and inputs for PCI master cycles. During the data phase, these pins are outputs during PCI write cycles and inputs during PCI reads.



82C814

3.2.3 PCI Docking Interface Pins (cont.)

Signal Name	Pin No.	Signal Type	Signal Description
CRST#	77	O	Reset: Used to reset the docking station PCI bus. This signal defaults to "asserted" until specifically programmed to go high.
CC/BE[3:0]#	65, 56, 41, 29	I/O	Bus Command and Byte Enables 3 through 0: These pins are the multiplexed PCI command and byte enable lines. Normally outputs, these pins are inputs during master cycles.
CPAR	43	I/O	Parity: This signal is an input either during PCI slave cycles for address and write data phases or during PCI master cycle for read data phase; otherwise it is an output.
CCLK[3:0]	74, 53, 34, 19	O	Clock 3 through 0: These pins generate individual clocks to each PCI device on the dock.
CFRAME#	55	I/O	Cycle Frame: The 82C814 drives this signal to indicate the beginning and duration of an access.
CIRDY#	51	I/O	Initiator Ready: The 82C814 drives this signal to indicate its ability to complete the current data phase of the transaction.
CTRDY#	50	I/O	Target Ready: The 82C814 monitors this input from the slot interface slave device to determine when it can complete the cycle. PCI devices on the slots return CTRDY# to the 82C814 which in turn drives host TRDY#.
CSTOP#	48	I/O	Stop: This signal is used by the target to request the master to stop the current transaction. The 82C814 will back-off the current cycle and retry it later.
CBLOCK#	47	I/O	Bus Lock: The 82C814 uses this signal to indicate an atomic operation that may require multiple transactions to complete.
CDEVSEL#	49	I/O	Device Select: This signal is normally an input from the slot interface device claiming the cycle. The 82C814 claims the cycle ahead of time on the host side.
CPERR#	46	I/O	Parity Error: All slot interface devices use this signal to report data parity errors, during any PCI transaction except a Special Cycle.
CSERR#	45	I/O	System Error: All slot interface devices use this signal to report address parity errors, data parity errors on the Special Cycle command, or any other system error where the result will be catastrophic.
CEXT_GNT#	84	I	External Arbiter Grant Input: This signal is asserted by an external arbiter to grant the secondary PCI bus to the 82C814. When using an external arbiter CREQ[2:0]# and CGNT[2:0]# are not functional and should be pulled high.
CREQ3#		I	Bus Master Request Line 3: Request/grant signal pairs are provided to accommodate up to four PCI bus masters on the docking station.
CREQ[2:0]#	82, 80, 78	I	Bus Master Request Lines 2 through 0: Request/grant signal pairs are provided to accommodate up to four PCI bus masters on the docking station.
CEXT_REQ#	85	O	External Arbiter Request Output: The 82C814 asserts this signal to request the secondary PCI bus from an external arbiter. When using an external arbiter CREQ[2:0]# and CGNT[2:0]# are not functional and should be pulled high.
CGNT3#		O	Bus Grant Line 3: Request/grant signal pairs are provided to accommodate up to four PCI bus masters on the docking station.
CGNT[2:0]#	83, 81, 79	O	Bus Grant Lines 2 through 0: Request/grant signal pairs are provided to accommodate up to four PCI bus masters on the docking station.



3.2.3 PCI Docking Interface Pins (cont.)

Signal Name	Pin No.	Signal Type	Signal Description
CCLKRUN#	91	I/O	CLKRUN signal for docking PCI devices: Pulled low by any device needing the PCI bus. If no devices pull this pin low, the 82C814 logic is allowed to stop its CCLK0-3 outputs.

3.2.4 Interrupt Interface Pins

Signal Name	Pin No.	Signal Type	Signal Description
PCIRQ0#	86	I	PCI Interrupt 0: From docking station, routed according to PCICFG 48h
PCIRQ1#	87	I	PCI Interrupt 1: From docking station, routed according to PCICFG 49h
PCIRQ2#	89	I	PCI Interrupt 2: From docking station, routed according to PCICFG 4Ah
PCIRQ3#	90	I	PCI Interrupt 3: From docking station, routed according to PCICFG 4Bh
CIRQSER	92	I/O	IRQ Serial: Single-wire Serial IRQ for docking station devices using serial IRQs
INTA#	11	I/O	INTA#: IRQLATCH reassigned as Primary PCI INTA#. See Table 3-4 for strap options.
INTB#	12	I/O	INTB#: NC pin reassigned as Primary PCI INTB#. See Table 3-4 for strap options.
INTC#	13	I/O	INTC#: VENID# pin reassigned as Primary PCI INTC#. See Table 3-4 for strap options.
INTD#	15	I/O	INTD#: ENVCC3 pin reassigned as Primary PCI INTD#. See Table 3-4 for strap options.
IRQSER			IRQ Serial: INTD# reassigned as IRQSER - provides serial IRQ connection to host bus core logic. Enabled in PCICFG 4Eh.

3.2.5 Power and Ground Pins

Signal Name	Pin No.	Signal Type	Signal Description
GND	7, 20, 33, 44, 52, 64, 75, 88, 101, 116, 124, 136	G	Ground Connection
VCC	14, 96, 109, 126, 144	P	Power Connection: For Host Interface
C_VCC	35, 54, 73	P	Power Connection: For Docking Interface

82C814

3.3 Strap-Selected Interface Options

The 82C814 CardBus Controller can be strapped to operate in one of several different modes depending on its implementation in the system.

Strap options are registered at chip reset time. The selection straps are normally 10k ohm resistors engaged full-time.

The strapping possibilities are listed in Table 3-4.

Note: For 5.0V core and PCI host interface designs that use host PCI interrupts INTA#-D#, it may not be possible to strap the 82C814 into 5.0V mode if there is an external pull-up on the host INTA# signal. For these designs it is necessary to program the core voltage to 5.0V by writing PCICFG 5Eh[4] = 1.

Table 3-4 Strap Options for 82C814 Configurations

Strap Selection	Feature	No Strap	Pulled by 10k ohm Resistor at Reset
IRQLATCH (PCI INTA#) Pin 11	Core Voltage Select	3.3V Core and PCI host interface (internal pull up)	5.0V Core and PCI host interface (external 10k ohm pull down)
PCI INTB# Pin 12	PCI Interrupts	Use IRQ Driveback or IRQLATCH# (internal pull down)	Provide INTA#-D# (external 10k ohm pull up)



3.4 Internal Resistors

The 82C814 slot interfaces are provided with pull-up and pull-down resistors internal to the chip. The resistors are active at the times indicated in Table 3-5.

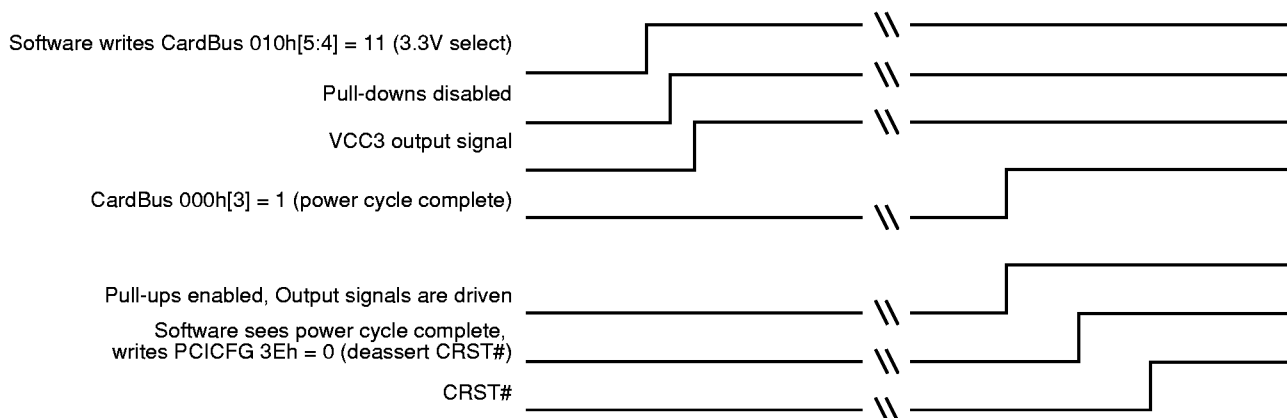
Table 3-5 refers to the chip state with no card inserted, a powered-down card inserted, or a docking station attached.

Figure 3-2 shows the functional timing relationships of software power-up and reset commands to the signals output by the power cycle state machine.

Table 3-5 Internal Keeper Resistor Scheme

Signal Group	82C814 Action with No Attachment	82C814 Action after Detecting Docking Station
Dock Detect: CCD1-2#	Pull up to core VCC to detect dock insertion/removal	Pull up to core VCC
Address/Data: CAD[31:0] CC/BE[3:0]# CPAR	Pull down	Pull down until interface is powered up
Reset: CRST#	Driven low	Driven according to PCICFG 3Eh[6]
Frame: CFRAME#	Pull down	None
PCI Control/Status: CIRDY# CTRDY# CDEVSEL# CSTOP# CPERR# CBLOCK#	Pull down	None
Clock: CCLK[3:0]	Pull down	Disable pull-down (clock input is always driven)
Request: CREQ[3:0]#	Pull up to card VCC	None
Open Drain: CSERR#	Pull up to card VCC	None

Figure 3-2 Power-Up Timing



4.0 Functional Description

4.1 OPTi Docking Station Controller Chipset

The OPTi Docking Station solution is comprised of two devices. The minimum configuration requires one chip, the 82C814 part.

- The 144-pin 82C814 Docking Controller handles the signal transfer for a complete PCI bus, including interrupts and clock generation.
- The OPTi PCI-ISA Bridge converts PCI signals back into ISA signals. No OPTi PCI-ISA Bridge is required in the system, but one can be added as an option to support ISA peripherals in an attached docking station that connects through the PCI bus interface. The OPTi PCI-ISA Bridges are discussed in a separate document.

The multiple interface arrangement offers the maximum in system design flexibility.

4.2 Chipset Compatibility

Because the OPTi Docking Station Controller Chipset is based on a PCI host interface, it can be used with any PCI-

compliant system. ISA DMA may require special software support on non-OPTi systems.

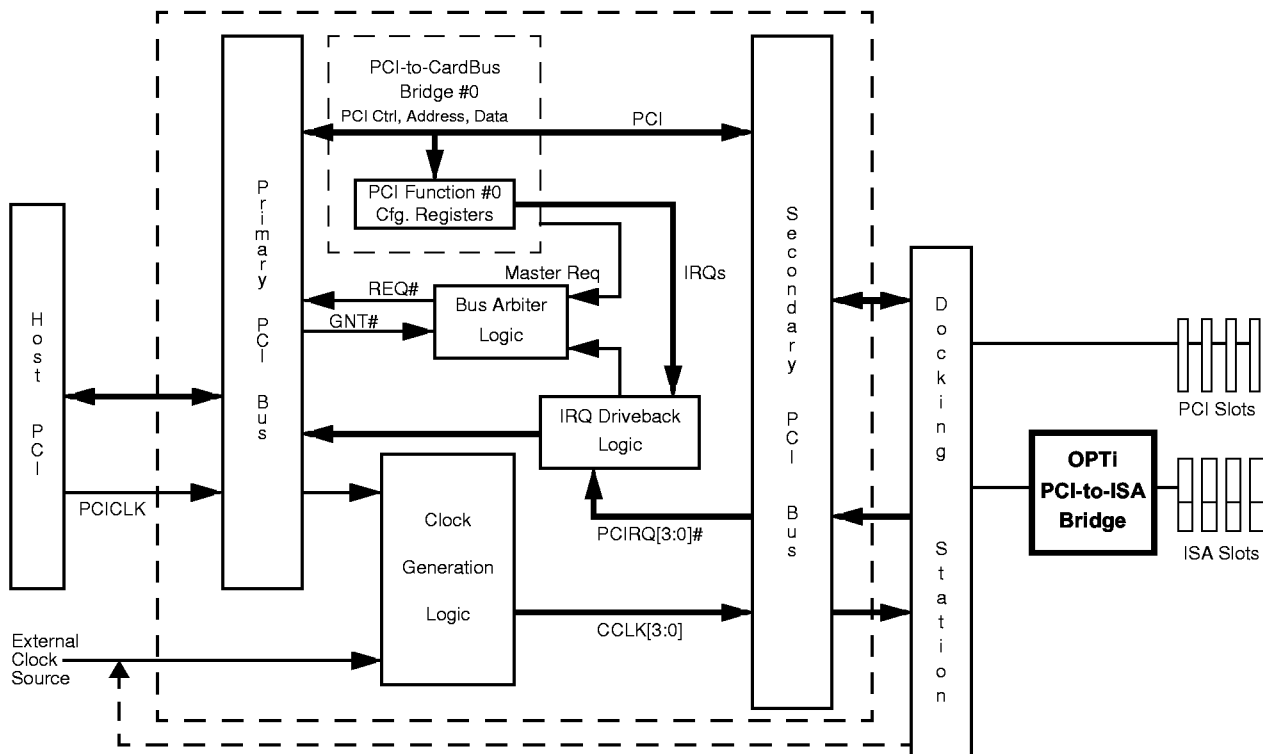
4.3 Interface Overview

The OPTi 82C814 Docking Station Controller Chipset uses two independent external interfaces. The terms *host interface* and *docking interface* are used throughout this document to describe these interfaces.

- The **host interface** provides industry standard PCI signals to the host system. The interface also can be programmed to return interrupt requests from the docking interfaces.
- The **docking interface** duplicates the primary PCI signal set. It is completely isolated from the primary PCI bus.

The interface signal groups used to integrate the OPTi Docking Station Controller Chipset into the standard system are described in the following sections. Figure 4-1 illustrates the interaction of the logic modules of the OPTi Docking Station Controller Chipset.

Figure 4-1 82C814 Organization



82C814

The logic implements several functional blocks that interact as indicated. The functional blocks shown in the diagram are briefly described below.

- The 82C814 takes its control, address, and data information from its **primary PCI bus**, which is usually controlled by the host PCI interface but can also be controlled by a master on the docking interface.
- The 82C814 logic implements a **PCI-to-PCI (Card Bus) bridge** controlled by **PCI Configuration Registers**. These configuration registers are accessed from the primary PCI bus. Any bus master, including a master on the docking interface, can program these registers. The PCI Configuration Registers consist of standard CardBus registers at indexes 00h-47h and OPTi 82C814 architecture-specific registers at indexes 48h-FFh. Settings in these registers control host interface operations, select architecture-specific settings such as interrupt routing to the host, and provide PCI status to the host on request. The register set is accessed as PCI Function 0 of the 82C814 device.
- The PCI-to-PCI bridge serves to connect the primary PCI bus to an independent secondary PCI bus. It is this secondary bus that interfaces externally to a docking station. If no dock is attached, software can still access the configuration registers for the bridge.
- The **bus arbiter logic** takes master requests for bus ownership for the purpose of giving PCI master control to one of the secondary PCI buses.

- Devices connected to the docking interface can transmit interrupts to the host system directly or through serial IRQs. Docking station PCI devices can generate INTA#, INTB#, INTC#, and INTD# which the 82C814 logic converts to an interrupt.
- **Clock generation logic** is provided to use either the primary PCICLK input for synchronous operation, or an external clock input for asynchronous operation. Four separate output clocks are provided, and can be skew-compensated to adjust for varying board trace lengths.

The logic subsystems of the 82C814 Docking Station Controller are described in detail in the following sections.

4.4 Device Type Detection Logic

The 82C814 logic includes attachment detection logic and a power control state machine to determine what type of dock has been attached to the docking interface.

The power control state machine follows the algorithm provided by the CardBus specification, with a slight modification for docking station detection. Table 4-1 lists the device determination rules. Although the state machine follows the rules for CardBus device detection, only docking stations are considered valid attachments.

Table 4-1 Device Detection (CardBus Rules)

CCD2#	CCD1#	CVS2	CVS1	Key	Card Type
GND	Short to CVS1	Open	Short to CCD1#	LV	3.3V CardBus
Short to CVS2	GND	Short to CCD2#	GND	LV	3.3/x.xV CardBus
Short to CVS1	GND	GND	Short to CCD2#	LV	3.3/x.x/y.yV CardBus
Short to CVS2	GND	Short to CCD2#	Open	LV	x.xV CardBus
GND	Short to CVS2	Short to CCD1#	Open	LV	x.x/y.yV CardBus
Short to CVS1	GND	Open	Short to CCD2#	LV	y.yV CardBus
GND	Short to CVS1	GND	Short to CCD1#	--	3.3V Docking Station
GND	Short to CVS2	Short to CCD1#	GND	--	5.0V Docking Station
GND	GND	Open	Open	5.0V	5.0V PCMCIA
GND	GND	Open	GND	LV	3.3V PCMCIA
GND	GND	Open	GND	5.0V	3.3/5.0V PCMCIA
GND	GND	GND	Open	LV	x.xV PCMCIA
GND	GND	GND	GND	LV	x.x/3.3V PCMCIA
GND	GND	GND	GND	5.0V	x.x/3.3/5.0V PCMCIA



4.5 Primary PCI Bus

The host interfaces to the 82C814 chip through the primary PCI bus. This bus operates according to PCI standards, including the later addition of the CLKRUN# signal. CLKRUN# is normally controlled by the host, but at certain times can be driven low by the 82C814 chip when the chip is requesting that PCICLK be restarted or sped up. Refer to the PCI Mobile Design Guide for the requirements of CLKRUN#.

CLKRUN# is controlled by PCICFG 50h[2].

4.6 PCI-to-CardBus Bridge

The PCI-to-CardBus bridge circuit of the 82C814 chip recognizes the cycle being performed by the current system bus master and responds as required.

4.6.1 Configuration Cycle

If the access is a configuration cycle, the PCI bridge simply accesses the local PCI Configuration Register set directly. The PCI cycle controller claims all configuration accesses to PCI Function 0 of the 82C814 chip.

4.6.1.1 Translation Between Type 0 and Type 1 Configuration Cycles

The 82C814 logic converts Type 1 configuration cycles on the host PCI bus to Type 1, Type 0, or a Special Cycle as is typically required of a PCI-to-PCI bridge. However, in a PCI-to-PCI bridge, Type 1 configuration cycles on the secondary PCI bus can be converted only to Type 1 or Special Cycles on the primary bus, never to Type 0.

The 82C814 logic is different from the standard PCI-to-PCI bridge in this regard. The 82C814 allows the secondary to act as a primary. PCICFG 52h[0] is used to enable this feature.

With this feature selected, master devices on the docking station interface can program the PCI configuration registers of the 82C814 (and any other PCI device on the host PCI bus). To do so, the secondary bus master must generate a Type 1 configuration cycle. The 82C814 logic will pass this to the primary as a Type 0 configuration cycle. Since the 82C814 PCI configuration registers sit on the primary, they are also accessible this way. Thus, on the primary the 82C814 acts as both initiator by generating the configuration cycle, and as target by claiming the cycle it just generated.

Note that secondary bus masters can access PCI configuration registers on any primary bus device, not just the 82C814.

Table 4-2 CLKRUN# Control Bits

7	6	5	4	3	2	1	0
PCICFG 50h							
PCI Host Feature Control Register							
Default = 01h							
					CLKRUN# (on host interface): 0 = Enabled per PCI 1 = Disabled, CLKRUN# tristated		

Table 4-3 Translation Feature Configuration Bit

7	6	5	4	3	2	1	0
PCICFG 52h							
Docking Feature Control Register 2							
Default = 0Fh							
							Type 1 to Type 0 conversion blocked from secondary to primary: 0 = No 1 = Yes (Default)

4.6.2 Cycle from Host to Docking Interface

For a cycle from the host to a docking interface with a docking station attached, the PCI bridge resynchronizes the cycle and passes it to the external PCI device. Docking PCI devices can run either synchronously at the host PCI frequency, or asynchronously at any speed using an external clock. The bridge claims the cycle if it falls into one of the ranges programmed in the Window Registers of the PCI Configuration Register set.

4.6.3 Master Cycle from Docking Interface

For a master cycle from the docking interface, the 82C814 logic presents the cycle on the host PCI bus as master.

If the cycle is directed to a device on the other docking interface, the 82C814 logic claims the cycle immediately, as a slave, since the address ranges are already programmed into the Base Address Registers for that docking station.

If the cycle is not claimed by the other docking station and no host device claims it, the 82C814 generates a master abort.

4.6.4 Inability to Complete a Posted Write

The 82C814 logic provides write posting in both the downstream and upstream PCI directions. There is a special situation that arises when the target of posted write data is unable to complete the transaction. Normally, a target retry or a disconnect will result in the 82C814 logic retrying the access until it has completed the transfer of posted data.

However, after the programmed number of retries has been attempted, the logic must report the error condition back to the host. The 82C814 provides only one mechanism to return the error: the SERR# pin. The host must then decide how to handle the SERR# generation, either by generation of an NMI or some other means.

The 82C814 PCI configuration register set provides a register to program the number of retries before the logic gives up and generates SERR#, as shown in Table 4-4.

4.6.5 Cycle Termination by Target

The PCI-to-CardBus bridge logic responds to cycle termination by target devices in various ways for each transaction type being terminated.

4.6.5.1 Posted Write Termination

Retry or Disconnect - The 82C814 logic retries the write cycle at least 256 times, and may continue trying indefinitely, according to the setting of PCICFG 5Eh[2:0]. When the logic reaches the retry limit, it generates SERR# on the master interface. No target abort will be signalled in the PCI Status Register, but software can read 82C814-Specific Register 5Fh to determine whether the retry limit was exceeded.

Target Abort or No Response - The logic generates SERR#+CSERR# on the master interface. Software reads the PCI Status Register to determine that a target abort occurred.

4.6.5.2 Non-Posted Write Termination

Retry, Disconnect, or Target Abort - The logic simply conveys the target response to the initiator.

No Response - If PCICFG 3Eh[5] = 0, the 82C814 logic terminates the cycle to the initiator normally. If bit 3Eh[5] = 1, the logic generates target abort to the initiator.

4.6.5.3 Read (Prefetched or Non-Prefetched) Termination

Retry, Disconnect, or Target Abort - The logic simply conveys the target response to the initiator.

No Response - If PCICFG 3Eh[5] = 0, the 82C814 logic terminates the cycle to the initiator normally and returns FFFFFFFFh as the data read. If bit 3Eh[5] = 1, the logic generates target abort to the initiator.

Table 4-4 Write Posting Associated Registers

7	6	5	4	3	2	1	0
PCICFG 5Eh Primary Retry Limit Register Default = 07h							
Retry Limit: These bits relate to the number of times that the 82C814, as a slave, will retry accesses on the primary. If this limit is exceeded, the 82C814 generates SERR# to the host.							
				000=2 ⁸ 100=2 ¹⁶ 001=2 ¹⁰ 101=2 ²⁰ 010=2 ¹² 110=2 ²⁴ 011=2 ¹⁴ 111= Infinite retries (Default)			



Table 4-4 Write Posting Associated Registers (cont.)

7	6	5	4	3	2	1	0
PCICFG 5Fh 82C814 Retry Count Readback Register (RO) Default = 00h							
<ul style="list-style-type: none"> - This register returns the number of retry attempts made. - More than 256 retries are indicated by FFh. - Used for diagnostic purposes. Read-only. - Separate counts are maintained for primary and secondary. Bit 5Eh[3] selects the count being read back. 							
PCICFG 3Eh Bridge Control Register - Byte 0 Default = 40h							
		Response to master abort on slot interface: 0 = Ignore 1 = Signal with target abort or SERR#					

4.7 PCI Docking Station Operation

OPTi docking is based on the CardBus concept: the docking station can be treated like a CardBus card being plugged into or removed from the system at any time. The docking interface is fully isolated and allows the host system to recover in case of problems on the dock.

Windows 98 and NT 5.0 fully supports 82C814 docking. When using other operating systems, BIOS support software is required. The rest of this section describes the basics of the support software needed.

4.7.1 Introduction

The 82C814 register set follows the Yenta standard; the registers are virtually the same whether in CardBus mode or in Docking mode. However, there are two differences from a programming point of view.

- A CardBus card can be identified as PCICFG 68h[5:4] = 10. A Docking Station is identified by PCICFG 68h[5:4] = 11.
- A CardBus card has only one interrupt, mapped to PCIRQ0#. A Docking Station has four interrupt pins, mapped through PCIRQ[3:0]#.

When a docking station is attached to the interface, the power control state machine of the 82C814 recognizes the docking station. A docking station is the only valid attachment to the 82C814 chip.

4.7.2 Procedure

The docking concept follows the Yenta specification. However, a more flexible set of registers is available for docking that allows eight windows instead of the four offered by Yenta. Either the Yenta window registers (PCICFG 1C-3Bh) or the docking registers (PCICFG 80-BFh) can be used. The docking window registers also allow finer control over window sizes than do the Yenta window registers.

4.7.3 Initial Setup

The following programming should be performed at system initialization time, and does not need to be repeated.

- **Enable Host Chipset Bus Preemption.** Write SYSCFG 1Eh[3] = 1 on the Viper-N+ and FireStar chipsets.
- **Establish Status Change Interrupt.** Write PCICFG 4Ch with the IRQ that should be generated when the dock is attached or removed. Any available IRQ can be used. On FireStar, selecting IRQ2 will generate an SMI and IRQ13 will generate an NMI. These selections are not available on Viper-N+. However, normal IRQs can be programmed on the Viper-N+ chipset to generate an SMI or NMI if desired, through the following approach:

1. Use SYSCFG 64h and A4h to select the IRQ to use for SMI generation.
2. Write SYSCFG 57h[6] = 1 to enable INTRGRP to generate PMI#6 when the selected IRQ goes active.
3. Write SYSCFG 59h[5:4] = 11 to enable PMI#6 to generate SMI.

82C814

- **Establish IRQ Driveback Address.** Write PCICFG 54-57h with an I/O address to use for IRQ driveback. The default value is 33333330h, but any unused value is fine. Ideally the address should be greater than FFFFh to prevent conflicts with ISA I/O address space.

Write the same value to the IRQ Driveback registers in the host chipset (Viper-N+ or FireStar). The registers are at the same PCI offset, but different PCI device: PCIDV1 54-57h.

- **Select PCI Bus Number of Docking Station.** PCICFG 19h selects the PCI bus number on the secondary side of the bridge. A value of 01h is typical.
- **Select Total Number of Downstream Buses.** PCICFG 1Ah selects the number of the last downstream PCI bus. A value of 01h is typical.
- **Program the Time-out Value.** PCICFG 1Bh should be set to FFh.
- **Program the Latency Timer.** PCICFG 0Dh should be set to FFh.
- **Select the Status Change Events.** PCICFG 64h[3:0] select the events that will cause a status change interrupt in the future. Typically writing PCICFG 64h = 06h is ade-

quate. Also write PCICFG 60h = 0Fh to clear any pending events.

Table 4-5 summarizes the typical settings for system initialization.

4.7.4 Action Upon Attachment of Dock

At idle, with no device attached, the CD1-2# pins are pulled high internal to the 82C814 chip. CVS1-2 are driven low. All other interface lines are pulled low at this time; the docking interface itself can remain unpowered. The 82C814 monitors the CD1-2 lines to determine a docking event.

When a docking station is attached, the 82C814 sees CD1# and CD2# go low, because the docking station connector has these lines hard-wired as follows:

- CD1# is connected to CVS1 for a 3.3V docking station, or to CVS2 for a 5.0V docking station.
- CD2# is connected to ground.

The 82C814 card detection sequencer waits for the time set in PCICFG 50h[3], then performs a test on these lines to determine the type of device attached. Once the test is complete, the 82C814 generates an interrupt to the IRQ configured in PCICFG 4Ch.

Table 4-5 Summary of Typical Settings (using IRQ5 for SMI)

Register	Byte 3	Byte 2	Byte 1	Byte 0
82C814 Register				
PCICFG 4Ch	--	--	--	15h (IRQ5)
PCICFG 54h	33h	33h	33h	30h
PCICFG 0Ch	--	--	FFh	--
PCICFG 18h	FFh	01h	01h	00h
PCICFG 64h	--	--	--	06h
PCICFG 60h	--	--	--	0Fh
Viper N+ Register (assuming IRQ5)				
PCIDV1 54h	33h	33h	33h	30h
SYSCFG 64h	--	--	--	****1***b(IRQ5)
SYSCFG 57h	--	--	--	01**0000b
SYSCFG 59h	--	--	--	**11****b
SYSCFG 1Eh	--	--	--	****1***b

* These bits should be read first, then written to the same value.



4.8 Status Change Service Routine

Interrupt or SMI service software should perform the following steps:

1. Read PCICFG 68h[7, 5:4] to determine whether a docking station has been recognized.
 Test: PCICFG 68h[7] = 0?
 Yes - Device recognized.
 No - Device not recognized. Go to "Retest" section.
 Test: PCICFG 68[5:4] = 11?
 Yes - Docking station recognized.
 No - Not a docking station. Exit procedure so that Card-Bus software can handle event.
2. Read PCICFG 68h[2:1]. The card detection sequencer drives CVS1 and CVS2 low after detection, so CD1-2# will stay low.
 Test: PCICFG 68h[2:1] = 00?
 Yes - Docking confirmed.
 No - A non zero value indicates that the connection is not valid or that an undock event has taken place.
3. Read PCICFG 60h to determine the event that caused the interrupt. Write this same value back to the register to clear these events, and cause the IRQ line that was active to go inactive. Also clear PMI event on host chipset if this was an SMI.
4. Test: Was docking confirmed in step 2?
 Yes - Go to "Docking Event" section.
 No - Force a retest by writing PCICFG 6Dh[6] = 1, and go to step 1. If this is the second time through, then proceed to "Undocking Event" section.

4.8.1 Docking Event

1. Read PCICFG 69h to determine the docking station voltage.
2. Power up the interface by writing PCICFG 70h[6:4] with the correct VCC value. PCICFG 70h is typically written to 20h for a 5.0V docking station.
3. Read PCICFG 68h again to check power cycling.
 Test: PCICFG 68h[3] = 1?
 Yes - Continue to next step.
 No - There is a problem. Check PCICFG 69h[1] to see if the VCC value chosen is allowable. If necessary, force a retest and then start over at step 1.

4. Select PCICLK skew through PCICFG 52h[7:4]. This value will have to be determined according to the design of the docking station. Depending on the type of PCICLK routing used on the docking station, the internal clock may need to be skewed 1-15ns.
5. Write PCICFG 3Eh[6] = 0 to deassert PCIRST# to the dock.

The Docking Station devices can now be configured in the usual manner for PCI devices.

4.8.2 Undocking Event

The following step should be followed if an undock event has been detected.

1. Test whether PCICFG 69h[0] = 1. If so, data may have been lost in the undocking event.

On an undock event, no other steps are necessary. The controller automatically powers down the dock, tristates the interface, and asserts the CRST# line.

4.8.3 Notes on Undocking

When undocking, the user can notify the system software (Windows 95) first so that the system software can turn off the 82C814 docking side to make a graceful undock. This is the safest scheme to implement but is not always practical in a real system because of cost.

If hot undocking is required without notifying the system software, shorter CD1-2# pins are required on the docking connector. The CD1-2# pins will change first. The 82C814 will complete the current cycle on the secondary, and will not attempt to start another.

The undocking event generates an interrupt to the system, so that software can check to determine if any posted write data was left in the FIFO. PCICFG 5Fh returns the number of retries attempted in flushing the FIFO, which can be used to determine whether any data was left after the hot undock.

4.8.4 Retest

Whenever the result of a test is ambiguous, software should force the controller to retest the detection pins. Force a retest by writing PCICFG 6Dh[6] = 1, then start the full service routine over again. If after several times through this retest sequence the status cannot be determined, assume an "undocked" state.

4.8.5 PCI Clock Buffering

The 82C814 logic provides register settings PCICFG 52h[7:4] to compensate for trace delays. Some compensation is gen-

erally required. Table 4-6 highlights the register used for compensating trace delays.

Table 4-6 Register used to Delay Internal PCICLK to Compensate for Trace Delays

7	6	5	4	3	2	1	0	
PCICFG 52h				Docking Feature Control Register 2			Default = 0Fh	
Secondary PCICLK Skew: This value selects the approximate delay, in nanoseconds, that the internal secondary PCICLK must be skewed in order to compensate for external buffer delays. 0000 = No delay 0001 = 1ns 0010 = 2ns 1101 = 13ns 1110 = 14ns 1111 = 15ns								

4.9 Interrupt Support

The 82C814 supports a total of three interrupt schemes from the secondary PCI bus.

1. **PCI** interrupts INTA#, INTB#, INTC#, and INTD# can be mapped internally to system PCIRQ[3:0]# lines.
2. **PCI IRQ driveback** cycles can generate any ISA interrupt. The OPTi PCI-ISA Bridge uses this scheme to generate interrupts in a parallel format back to the host controller via the 82C814 chip.
3. The **Compaq Serial IRQ** scheme uses a single wire, IRQSER, along with the PCICLK to transmit interrupts in a serial format.

The available schemes are described below.

4.9.1 PCI INTx# Implementation

The PCI INTA#, INTB#, INTC#, and INTD# lines can be mapped to any of the primary side PCIRQ[3:0]# lines. PCICFG 48-4Ch provide controls for this mapping.

4.9.2 IRQ Driveback Logic

A detailed overview of the IRQ driveback cycle is provided in Appendix A. The logic used to implement this mechanism is relatively simple. The trigger events for a driveback cycle are any transition on an interrupt line, or an SMI event as enabled by the 82C814 configuration registers. The request goes to the Request Arbiter logic, which always gives the driveback cycle top priority. Once the REQ# pin is available, the Request Arbiter asserts REQ# on behalf of the IRQ Driveback logic and toggles REQ# according to the driveback protocol discussed in Appendix A.

Once the host PCI controller returns GNT#, the driveback logic writes to the IRQ driveback address location specified in the PCI configuration registers as shown in Appendix A.

4.9.3 Compaq Serial IRQ Implementation

The 82C814 chip supports the Compaq standard of Serial IRQs. This one wire approach is very compact compared to the Intel two-wire approach, but if two devices on the line want to share the same interrupt, there may be brief contention since both devices drive the line low on one clock and

high on the clock that immediately follows. Because of this contention, OPTi cannot guarantee against chip hardware failure if interrupts are shared in this mode.

The Compaq Serial IRQ scheme requires the register bits shown in Table 4-7.

Table 4-7 Compaq SIRQ Control Bits

7	6	5	4	3	2	1	0
PCICFG 4Eh							
Serial IRQ Control Register 1							
Default = 00h							
Compaq SIRQ HALT mode request: 0 = Active 1 = Halt	Compaq SIRQ QUIET mode request: 0 = Continuous 1 = Quiet		Compaq SIRQ data frame slots. Change only when the Serial IRQ logic is disabled or in Halt state. 0 = 17 slots 1 = 21 slots	Compaq SIRQ Start frame width in PCI clocks. Change this setting only when Serial IRQ is disabled or in Halt state. 00 = 4 PCI clocks 01 = 6 PCI clocks 10 = 8 PCI clocks 11 = Reserved			Compaq SIRQ (Compaq Serial IRQ scheme): 0 = Disable 1 = Enable
PCICFG 4Fh							
Serial IRQ Control Register 2							
Default = 00h							
Compaq SIRQ in HALT state (RO)? 0 = No 1 = Yes	Compaq SIRQ in QUIET state (RO)? 0 = No 1 = Yes						

QUIET - PCICFG 4Eh[6] requests the next Serial IRQ cycle to be Continuous or Quiet mode. In mobile applications, use Continuous mode only. This is to guarantee that the host gains control of the Serial IRQ for suspend and APM stop clock. In application where the PCI clock never stops, use either mode. PCICFG 4Fh[6] can be read to determine the current state of the logic.

HALT - PCICFG 4Eh[7] requests a temporary halt of the Serial IRQ controller as soon as the current cycle has returned to Idle state. Once in Halt state, the Serial IRQ configuration can be changed. After the logic has been put in Halt state, upon clearing this bit the logic will return to Continuous mode. PCICFG 4Fh[7] can be read to determine the current state of the logic.

4.9.3.1 Operation

The Compaq Serial IRQ protocol requires one additional PCI sustained Tri-State pin, the IRQSER signal. For detailed Serial IRQ operation, refer to the "Serialized IRQ for PCI Systems" specification.

After setting PCICFG 4Eh[0] = 1 to enable Compaq Serial IRQ (CSIRQ) mode, the CSIRQ controller initiates a Continuous mode Start frame. During the Data frame, the CSIRQ logic samples the IRQSER input for the corresponding SMI, IOCHCK#, and IRQ values, and then passes the sampled values to the primary.

At the end of the Data frame, the CSIRQ controller will sample the QUIET and HALT bits to determine whether the next Compaq Serial IRQ cycle will be Continuous mode, Quiet mode, or a temporary Halt state.

- If the next cycle is sampled to be Continuous mode, IRQSER is asserted for three PCI clocks. Once the logic enters Idle state, it checks whether the PMU stop PCI clock request is pending. If so, the CSIRQ logic will stay in the Idle state until the PMU request is removed.
- If the next cycle is sampled to be Quiet mode, IRQSER is asserted for two PCI clocks. Once the logic enters Idle state, it samples the IRQSER input to begin the Quiet mode cycle. Since the 82C814 has no control of the Start frame, this mode is not recommended for mobile application.
- If the HALT bit is sampled active, then the CSIRQ logic asserts IRQSER for three PCI clocks to tell all the Serial IRQ devices that next cycle will be Continuous mode; the logic then enters Halt state. In Halt state, CSIRQ configuration can be changed. Clearing the HALT bit will immediately cause a Continuous mode Start frame to be generated.

Once enabled, the Compaq Serial IRQ logic operates all the time when docked; no clock stop synchronization is needed.



5.0 82C814 Register Set

The 82C814 Docking Controller chip provides a single group of programming registers, PCI-to-CardBus Bridge 0 Register Group, accessed through a PCI Configuration Cycle to Function 0 of the chip. Consists of CardBus Controller Base Register Group at PCICFG 00h-4Fh, 82C814-specific registers at 50h-5Fh, CardBus Control and Status Register Group at 60h-7Fh, and Docking Station Window Register Group at 80h-FFh. Note that the CardBus Control and Status Register Group can also be accessed in system memory space.

This register group is defined in the following subsections.

5.1 Register State on Device Removal

As a general rule, all PCI configuration registers default to their power-on reset value when the card or docking station is

disconnected from the interface (CCD1# and CCD2# both high). However, the 82C814-specific registers at PCICFG 48h-5Fh control global configuration and remain set to their programmed values even after a device is removed.

5.2 Base Register Group

The registers below represent the standard group required for PCI peripheral device identification and configuration for a PCI-to-CardBus bridge.

Note: In the tables that follow, all bits are R/W and their default value is zero, unless otherwise specified.
R/W = Read/Write, RO = Read-only, and
WO = Write-only

Table 5-1 Base Register Group - PCICFG 00h-4Fh

7	6	5	4	3	2	1	0	
PCICFG 00h Vendor Identification Register (RO) - Byte 0								Default = 45h
PCICFG 01h Vendor Identification Register (RO) Byte 1								Default = 10h
PCICFG 02h Device ID (RO) - Byte 0								Default = 14h
PCICFG 03h Device ID (RO) - Byte 1								Default = C8h
PCICFG 04h PCI Command Register - Byte 0								Default = 04h
Address/data stepping: 0 = Disable (always)	PERR# generation: 0 = Disable 1 = Enable	VGA palette snoop: 0 = Disable 1 = Enable	Mem write and Invalidate (RO): 0 = Disable (always)	Special Cycle (RO): 0 = Disable (always)	Bus master by docking interfaces: 1 = Enable (always)	Respond to PCI mem accesses: 0 = No 1 = Yes	Respond to PCI I/O accesses: 0 = No 1 = Yes	
PCICFG 05h PCI Command Register - Byte 1								Default = 00h
Reserved: Write bits as read.						Fast back-to-back (RO): 0 = Disable (always)	SERR# generation: 0 = Disable 1 = Enable	
PCICFG 06h PCI Status Register - Byte 0								Default = 10h
Fast back-to-back capability (RO): 0 = No (always)	Reserved (RO)		PCI Power Management Capability (RO) 1 = Yes (always)	Reserved (RO)				
PCICFG 07h PCI Status Register - Byte 1								Default = 02h
Parity error: 0 = No 1 = Yes Write 1 to clear	System error: 0 = No 1 = Yes Write 1 to clear	Received master abort: 0 = No 1 = Yes Write 1 to clear	Received target abort: 0 = No 1 = Yes Write 1 to clear	Signalled target abort: 0 = No 1 = Yes Write 1 to clear	DEVSEL# timing (RO): 00 = Fast 01 = Medium (always) 10 = Slow 11 = Reserved		PERR# active as master: 0 = No 1 = Yes Write 1 to clear	

Table 5-1 Base Register Group - PCICFG 00h-4Fh (cont.)

7	6	5	4	3	2	1	0	
PCICFG 08h							Revision Register (RO) Revision 1.0	Default = 10h
PCICFG 09h							Programming Interface Class Code Register (RO)	Default = 00h
PCICFG 0Ah							Class Code Register (RO) - Byte 0 Subclass Code bits: = 07h (PCI-to-Cardbus Bridge)	Default = 07h
PCICFG 0Bh							Class Code Register (RO) - Byte 1 Base Class Code bits: = 06h (Bus Bridge)	Default = 06h
PCICFG 0Ch							Cache Line Size Register Not implemented	Default = 00h
PCICFG 0Dh							Latency Timer Register Indicates the time-out value for the primary PCI interface.	Default = 00h
PCICFG 0Eh							Header Type Register	Default = 02h
Multi-function device (RO): 0 = No (always)		Layout type for 10-3Fh bytes bits [6:0] = 02h (PCI-to-CardBus Header Layout)						
PCICFG 0Fh							BIST Register Not implemented	Default = 00h
PCICFG 10h							CardBus Base Address Register - Byte 0: Address Bits [7:0]	Default = 00h
CardBus Socket Status and Control Base Address Bits:								
<ul style="list-style-type: none"> - The 32-bit Cardbus Base Address Register selects the starting address in memory space of the CardBus socket status and control registers. - Actual register addresses are calculated by adding the MEMOFST of the register to this base address. - Bits [11:0] are read-only and are always 0, to indicate that the registers occupy 4KB of non prefetchable system memory space and starts on a 4KB boundary. 								
PCICFG 11h							CardBus Base Address Register - Byte 1: Address Bits [15:8]	Default = 00h
PCICFG 12h							CardBus Base Address Register - Byte 2: Address Bits [23:16]	Default = 00h
PCICFG 13h							CardBus Base Address Register - Byte 3: Address Bits [31:24]	Default = 00h
PCICFG 14h							Capabilities Pointer (RO)	Default = F0h
Indicates the offset in the PCICFG space for the location of the first item in the Capabilities Linked List. This location is PCICFG F0h.								
PCICFG 15h							Reserved	Default = 00h

Table 5-1 Base Register Group - PCICFG 00h-4Fh (cont.)

7	6	5	4	3	2	1	0
PCICFG 16h PCI Secondary Bus Status Register - Byte 0 Default = 00h							
Fast back-to-back capability on docking interface PCI bus (RO): 0 = No (always)	Reserved (RO)						
PCICFG 17h PCI Secondary Bus Status Register - Byte 1 Default = 02h							
Parity error on docking interface PCI bus: 0 = No 1 = Yes Write 1 to clear	Received system error on docking interface PCI bus: 0 = No 1 = Yes Write 1 to clear	Received master abort on docking interface PCI bus (RO): 0 = No 1 = Yes	Received target abort on docking interface PCI bus (RO): 0 = No 1 = Yes	Signalled target abort on docking interface PCI bus: 0 = No 1 = Yes Write 1 to clear	DEVSEL# timing on docking interface PCI bus (RO): 00 = Fast 01 = Medium (always) 10 = Slow 11 = Reserved	PERR# active as master on docking interface PCI bus (RO): 0 = No 1 = Yes	
PCICFG 18h Primary PCI Bus Number Register Default = 00h							
<ul style="list-style-type: none"> - Indicates the number of the PCI bus to which the host interface of the 82C814 chip is connected. - Defaults to 0. - The logic uses this value to determine whether Type 1 configuration transactions on the docking interface should be converted to Special Cycle transactions on the host interface. 							
PCICFG 19h Secondary PCI Bus Number Register Default = 00h							
<ul style="list-style-type: none"> - Indicates the number of the PCI bus to which the docking interface of the 82C814 chip is connected. - Defaults to 0. - The logic uses this value to determine whether Type 1 configuration transactions on the host interface should be converted to Type 0 transactions on the docking interface. 							
PCICFG 1Ah Subordinate Bus Number Register Default = 00h							
<ul style="list-style-type: none"> - Indicates the number of the highest-numbered PCI bus on the docking interface side. - The 82C814 logic uses this value in conjunction with the Secondary Bus Number to determine when to respond to Type 1 configuration transactions on the host interface and pass them onto the docking interface. - Defaults to 0. 							
PCICFG 1Bh Latency Timer Register Default = 00h							
Indicates the time-out value for the docking interface.							
PCICFG 1Ch Memory Window 0 Base Address Register - Byte 0: Address Bits [7:0] Default = 00h							
Memory Window 0 Base Address Bits:							
<ul style="list-style-type: none"> - The 32-bit Memory Window 0 Base Address Register selects the start address of one of two possible CardBus memory windows to the slot interface. - Bits [11:0] are read-only and are always 0. - The memory windows are globally enabled by bit 04h[1] (Command Register). - Prefetching is enabled by bit 3Fh[0] (Bridge Control Register) and defaults to "enabled." - The Limit address can be set below the Base address to individually disable a window. 							
PCICFG 1Dh Memory Window 0 Base Address Register - Byte 1: Address Bits [15:8] Default = F0h							
PCICFG 1Eh Memory Window 0 Base Address Register - Byte 2: Address Bits [23:16] Default = FFh							
PCICFG 1Fh Memory Window 0 Base Address Register - Byte 3: Address Bits [31:24] Default = FFh							



Table 5-1 Base Register Group - PCICFG 00h-4Fh (cont.)

7	6	5	4	3	2	1	0
PCICFG 20h Memory Window 0 Limit Address Register - Byte 0: Address Bits [7:0] Default = 00h							
Memory Window 0 Limit Address Bits:							
<ul style="list-style-type: none"> - The 32-bit Memory Window 0 Limit Address Register selects the end address of Memory Window 0. - Bits [11:0] are read-only and are always 0. - The minimum window size is always 4KB. 							
PCICFG 21h Memory Window 0 Limit Address Register - Byte 1: Address Bits [15:8] Default = 00h							
PCICFG 22h Memory Window 0 Limit Address Register - Byte 2: Address Bits [23:16] Default = 00h							
PCICFG 23h Memory Window 0 Limit Address Register - Byte 3: Address Bits [31:24] Default = 00h							
PCICFG 24h Memory Window 1 Base Address Register - Byte 0: Address Bits [7:0] Default = 00h							
Memory Window 1 Base Address Bits:							
<ul style="list-style-type: none"> - The 32-bit Memory Window 1 Base Address Register selects the start address of one of two possible CardBus memory windows to the slot interface. - Bits [11:0] are read-only and are always 0. - The memory windows are globally enabled by bit 04h[1] (Command Register). - Prefetching is enabled by bit 3Fh[1] (Bridge Control Register) and defaults to "enabled." - The Limit address can be set below the Base address to individually disable a window. 							
PCICFG 25h Memory Window 1 Base Address Register - Byte 1: Address Bits [15:8] Default = F0h							
PCICFG 26h Memory Window 1 Base Address Register - Byte 2: Address Bits [23:16] Default = FFh							
PCICFG 27h Memory Window 1 Base Address Register - Byte 3: Address Bits [31:24] Default = FFh							
PCICFG 28h Memory Window 1 Limit Address Register - Byte 0: Address Bits [7:0] Default = 00h							
Memory Window 1 Limit Address Bits:							
<ul style="list-style-type: none"> - The 32-bit Memory Window 1 Limit Address Register selects the end address of Memory Window 1. - Bits [11:0] are read-only and are always 0. - The minimum window size is always 4KB. 							
PCICFG 29h Memory Window 1 Limit Address Register - Byte 1: Address Bits [15:8] Default = 00h							
PCICFG 2Ah Memory Window 1 Limit Address Register - Byte 2: Address Bits [23:16] Default = 00h							
PCICFG 2Bh Memory Window 1 Limit Address Register - Byte 3: Address Bits [31:24] Default = 00h							
PCICFG 2Ch I/O Window 0 Base Address Register - Byte 0: Address Bits [7:0] Default = 00h							
I/O Window 0 Base Address Bits:						RO:	Decoding:
<ul style="list-style-type: none"> - The 32-bit I/O Window 0 Base Address Register selects the start address of one of two possible CardBus I/O windows to the slot interface. - The I/O windows are globally enabled by bit 04h[0] (Command Register). 						Always returns 0.	0 = 16-bit (AD[31:16] = 0) 1 = 32-bit
PCICFG 2Dh I/O Window 0 Base Address Register - Byte 1: Address Bits [15:8] Default = F0h							
PCICFG 2Eh I/O Window 0 Base Address Register - Byte 2: Address Bits [23:16] Default = FFh							
PCICFG 2Fh I/O Window 0 Base Address Register - Byte 3: Address Bits [31:24] Default = FFh							

Table 5-1 Base Register Group - PCICFG 00h-4Fh (cont.)

7	6	5	4	3	2	1	0
PCICFG 30h I/O Window 0 Limit Address Register - Byte 0: Address Bits [7:0] Default = 00h							
I/O Window 0 Limit Address Bits: - The 32-bit I/O Window 0 Limit Address Register selects the end address of I/O Window 0. - The minimum window size is always 4 bytes.						RO: Always returns 0.	
PCICFG 31h I/O Window 0 Limit Address Register - Byte 1: Address Bits [15:8] Default = 00h							
PCICFG 32h I/O Window 0 Limit Address Register - Byte 2: Address Bits [23:16] Default = 00h							
PCICFG 33h I/O Window 0 Limit Address Register - Byte 3: Address Bits [31:24] Default = 00h							
PCICFG 34h I/O Window 1 Base Address Register - Byte 0: Address Bits [7:0] Default = 00h							
I/O Window 1 Base Address Bits: - The 32-bit I/O Window 1 Base Address Register selects the start address of one of two possible CardBus I/O windows to the slot interface. - The I/O windows are globally enabled by bit 04h[0] (Command Register).						RO: Always returns 0.	Decoding: 0 = 16-bit (AD[31:16] = 0) 1 = 32-bit
PCICFG 35h I/O Window 1 Base Address Register - Byte 1: Address Bits [15:8] Default = F0h							
PCICFG 36h I/O Window 1 Base Address Register - Byte 2: Address Bits [23:16] Default = FFh							
PCICFG 37h I/O Window 1 Base Address Register - Byte 3: Address Bits [31:24] Default = FFh							
PCICFG 38h I/O Window 1 Limit Address Register - Byte 0: Address Bits [7:0] Default = 00h							
I/O Window 1 Limit Address Bits: - The 32-bit I/O Window 1 Limit Address Register selects the end address of I/O Window 1. - The minimum window size is always 4 bytes.						RO: Always returns 0.	
PCICFG 39h I/O Window 1 Limit Address Register - Byte 1: Address Bits [15:8] Default = 00h							
PCICFG 3Ah I/O Window 1 Limit Address Register - Byte 2: Address Bits [23:16] Default = 00h							
PCICFG 3Bh I/O Window 1 Limit Address Register - Byte 3: Address Bits [31:24] Default = 00h							
PCICFG 3Ch Interrupt Line Register for Status Change Default = 00h							
- This register is readable and writable per the PCI specification. - The logic does not use the value written to this register.							
PCICFG 3Dh Interrupt Pin Register for Status Change Default = 01h							
RO: - This register reflects the value written to PCICFG 4Ch. - It defaults to 01h, selecting PCIRQ0# for the status change (docking station attach/detach) interrupt. - If PCICFG 4Ch is written to select an ISA interrupt or no interrupt, this register returns 00h.							
PCICFG 3Eh Bridge Control Register - Byte 0 Default = 40h							
Reserved	Force CRST# cycling on slot interface: 0 = CRST# high 1 = Assert CRST# (Default)	Response to master abort on slot interface: 0 = Ignore 1 = Signal with target abort or SERR#	Reserved: Write as read.	Pass VGA addresses A0000-BFFFFh, 3B0-3BBh, 3C0-3DFh: 0 = No 1 = Yes	Reserved	Forwarding of SERR# from slot interface to primary PCI bus: 0 = Disable 1 = Enable	Response to parity errors on slot interface: 0 = Ignore 1 = Enable



82C814

Table 5-1 Base Register Group - PCICFG 00h-4Fh (cont.)

7	6	5	4	3	2	1	0
PCICFG 3Fh Bridge Control Register - Byte 1 Default = 03h							
Reserved. Write as read.				Write posting: 0 = Disable 1 = Enable		Memory Win- dow 1 prefetch: 0 = Disable 1 = Enable (Default)	Memory Win- dow 0 prefetch: 0 = Disable 1 = Enable (Default)
PCICFG 40h Subsystem Vendor Register - Byte 0: Bits [7:0] Default = 00h							
Subsystem Vendor Bits:							
<ul style="list-style-type: none"> - The chipset responds to reads of this register with the first value written. The register can be written only once, then becomes read only. - If the option is selected, the EXTCLK pin can be used as DRVVENID# to enable external logic to drive this data onto the bus. In this case, the chipset claims the access but does not drive any data. 							
PCICFG 41h Subsystem Vendor Register - Byte 1: Bits [15:8] Default = 00h							
PCICFG 42h Subsystem ID Register - Byte 0: Bits [7:0]: Default = 00h							
Subsystem ID							
<ul style="list-style-type: none"> - The chipset responds to reads of this register with the first value written. The register can be written only once, then becomes read only. - If the option is selected, the EXTCLK pin can be used as DRVVENID# to enable external logic to drive this data onto the bus. In this case, the chipset claims the access but does not drive any data. 							
PCICFG 43h Subsystem ID Register - Byte 1: Bits [15:8] Default = 00h							
PCICFG 44h - 47h Reserved Default = 00h							
PCICFG 48h Docking PCIRQ0# Interrupt Assignment Register Default = 01h							
Reserved		Using OPTi IRQ driveback mechanism: Docking Interrupt Assignment (PCIRQ0# Default) - Interrupts from the docking PCIRQ0# pin are mapped to this interrupt. Note that if an IRQ (an edge-mode interrupt) is selected, this IRQ must be programmed to Level mode on the host chipset. Level Mode: 00000 = Disabled 00010 = PCIRQ1# 00100 = PCIRQ3# 00001 = PCIRQ0# (Default) 00011 = PCIRQ2# 00101-01111 = Rsvrd					
		Edge Mode: (Viper-N+) 10000 = IRQ0 10110 = IRQ6 11011 = IRQ11 10001 = IRQ1 10111 = IRQ7 11100 = IRQ12 10010 = IRQ2 11000 = IRQ8 11101 = IRQ13 10011 = IRQ3 11001 = IRQ9 11110 = IRQ14 10100 = IRQ4 11010 = IRQ10 11111 = IRQ15 10101 = IRQ5					
Reserved				Using Host PCI INTA#-D# (PCICFG 50h[6]=1) 000 = Disabled 011 = INTC# 001 = INTA# (default) 100 = INTD# 010 = INTB# 101-111 = Reserved			



Table 5-1 Base Register Group - PCICFG 00h-4Fh (cont.)

7	6	5	4	3	2	1	0
<p>PCICFG 49h Docking PCIRQ1# Interrupt Assignment Register Default = 02h</p>							
Reserved				<p>Using OPTi IRQ driveback mechanism: Docking PCIRQ1# Interrupt Assignment (PCIRQ1# Default) - Interrupts from the docking PCIRQ1# pin are mapped to this interrupt. Note that if an IRQ (an edge-mode interrupt) is selected, this IRQ must be programmed to Level mode on the host chipset.</p> <p>Level Mode: 00000 = Disabled 00010 = PCIRQ1# (Default) 00100 = PCIRQ3# 00001 = PCIRQ0# 00011 = PCIRQ2# 00101-01111 = Rsrvd</p> <p>Edge Mode: (Viper-N+) 10000 = IRQ0 10110 = IRQ6 11011 = IRQ11 10001 = IRQ1 10111 = IRQ7 11100 = IRQ12 10010 = IRQ2 11000 = IRQ8 11101 = IRQ13 10011 = IRQ3 11001 = IRQ9 11110 = IRQ14 10100 = IRQ4 11010 = IRQ10 11111 = IRQ15 10101 = IRQ5</p>			
Reserved				<p>Using Host PCI INTA#-D# (PCICFG 50h[6]=1) 000 = Disabled 011 = INTC# 001 = INTA# 100 = INTD# 010 = INTB# (default) 101-111 = Reserved</p>			
<p>PCICFG 4Ah Docking PCIRQ2# Interrupt Assignment Register Default = 03h</p>							
Reserved				<p>Using OPTi IRQ driveback mechanism: Docking PCIRQ2# Interrupt Assignment (PCIRQ2# Default) - Interrupts from the docking PCIRQ2# pin are mapped to this interrupt. Note that if an IRQ (an edge-mode interrupt) is selected, this IRQ must be programmed to Level mode on the host chipset.</p> <p>Level Mode: 00000 = Disabled 00010 = PCIRQ1# 00100 = PCIRQ3# 00001 = PCIRQ0# 00011 = PCIRQ2# (Default) 00101-01111 = Rsrvd</p> <p>Edge Mode: (Viper-N+) 10000 = IRQ0 10110 = IRQ6 11011 = IRQ11 10001 = IRQ1 10111 = IRQ7 11100 = IRQ12 10010 = IRQ2 11000 = IRQ8 11101 = IRQ13 10011 = IRQ3 11001 = IRQ9 11110 = IRQ14 10100 = IRQ4 11010 = IRQ10 11111 = IRQ15 10101 = IRQ5</p>			
Reserved				<p>Using Host PCI INTA#-D# (PCICFG 50h[6]=1) 000 = Disabled 011 = INTC# (default) 001 = INTA# 100 = INTD# 010 = INTB# 101-111 = Reserved</p>			



Table 5-1 Base Register Group - PCICFG 00h-4Fh (cont.)

7	6	5	4	3	2	1	0
PCICFG 4Bh Docking PCIRQ3# Interrupt Assignment Register Default = 04h							
Reserved			Using OPTi IRQ driveback mechanism: Docking PCIRQ3# Interrupt Assignment (PCIRQ3# Default) - Interrupts from the docking PCIRQ3# pin are mapped to this interrupt. Note that if an IRQ (an edge-mode interrupt) is selected, this IRQ must be programmed to Level mode on the host chipset. Level Mode: 00000 = Disabled 00010 = PCIRQ1# 00100 = PCIRQ3# (Default) 00001 = PCIRQ0# 00011 = PCIRQ2# 00101-01111 = Rsrvd Edge Mode: (Viper-N+) 10000 = IRQ0 10110 = IRQ6 11011 = IRQ11 10001 = IRQ1 10111 = IRQ7 11100 = IRQ12 10010 = IRQ2 11000 = IRQ8 11101 = IRQ13 10011 = IRQ3 11001 = IRQ9 11110 = IRQ14 10100 = IRQ4 11010 = IRQ10 11111 = IRQ15 10101 = IRQ5				
Reserved			Using Host PCI INTA#-D# (PCICFG 50h[6]=1) 000 = Disabled 011 = INTC# 001 = INTA# 100 = INTD# (default) 010 = INTB# 101-111 = Reserved				
PCICFG 4Ch Docking Detect Interrupt Assignment Register Default = 01h							
Host controller type: 0 = FireStar (burst two data phases) 1 = Viper-N+ (send single data phase on IRQ driveback)	Interrupt Pin Requested in PCICFG 3Dh 0 = equal to Level Mode selections in PCICFG 4Ch[4:0] 1 = Always 01	Reserved	Using OPTi IRQ driveback mechanism: Docking Detect Interrupt Assignment - If attachment of a docking station is detected, or if the device attached could not be determined, this interrupt will be generated. This same interrupt will be generated when the docking station is removed. Level Mode: 00000 = Disabled 00100 = PCIRQ3# 00111 = ACPI2 00001 = PCIRQ0# (Default) 00101 = ACPI0 01000 = ACPI3 00010 = PCIRQ1# 00110 = ACPI1 01001-01111 = Rsrvd 00011 = PCIRQ2# Edge Mode: (Viper-N+) 10000 = IRQ0 10110 = IRQ6 11011 = IRQ11 10001 = IRQ1 10111 = IRQ7 11100 = IRQ12 10010 = IRQ2 11000 = IRQ8 11101 = IRQ13 10011 = IRQ3 11001 = IRQ9 11110 = IRQ14 10100 = IRQ4 11010 = IRQ10 11111 = IRQ15 10101 = IRQ5				
Reserved			Using Host PCI INTA#-D# (PCICFG 50h[6]=1) 000 = Disabled 011 = INTC# 001 = INTA# (default) 100 = INTD# 010 = INTB# 101-111 = Reserved				
PCICFG 4Dh Serial IRQ Enable Register Default = 00h							
Test Bits (for factory use only)						Reserved	IRQSER on pin 15 0 = Disabled 1 = Enabled
PCICFG 4Eh Serial IRQ Control Register 1 Default = 00h							



Table 5-1 Base Register Group - PCICFG 00h-4Fh (cont.)

7	6	5	4	3	2	1	0
Compaq SIRQ HALT mode request: 0 = Active 1 = Halt	Compaq SIRQ QUIET mode request: 0 = Continuous 1 = Quiet	Reserved	Compaq SIRQ data frame slots. Change only when the Serial IRQ logic is disabled or in Halt state. 0 = 17 slots 1 = 21 slots	Compaq SIRQ Start frame width in PCI clocks. Change this setting only when Serial IRQ is disabled or in Halt state. 00 = 4 PCI clocks 01 = 6 PCI clocks 10 = 8 PCI clocks 11 = Reserved	Reserved	Reserved	Compaq SIRQ (Compaq Serial IRQ scheme): 0 = Disable 1 = Enable
PCICFG 4Fh Serial IRQ Control Register 2 And External Arbitrator Enable Default = 00h							
Compaq SIRQ in HALT state (RO)? 0 = No 1 = Yes	Compaq SIRQ in QUIET state (RO)? 0 = No 1 = Yes	Reserved					External Arbitrator on secondary PCI: 0 = Disable 1 = Enable

5.3 82C814-Specific Register Group

The 82C814 defines many special functions that require enabling and monitoring through a dedicated register set. The 82C814-specific registers at PCICFG 50h-5Fh remain set to their programmed values even after a device is removed from the slot. Also, PCICFG 50h is common to both slot interfaces (i.e. changing the bit in one PCI register set changes it in the other).

The following subsections discuss some of the special functions located in the 82C814-Specific Register Group.

5.3.1 CLKRUN#

PCICFG 50h[2] selects whether the CLKRUN# signal to the host will toggle. Normally it will be set for automatic operation. In this mode, the 82C814 logic asserts CLKRUN# only when it wants bus ownership for master cycles, or when it has an interrupt it must send to the host. At all other times, it leaves CLKRUN# tristated and depends on the current PCI bus master to assert CLKRUN# and keep the clock running.

5.3.2 Slot Buffer Enable, Slew Rate, and Threshold Control

PCICFG 51h[2:0] are automatically updated by the card insertion state machine according to whether a 5.0V or 3.3V dock has been detected using CD1-2# and VS1-2. Once the card has been inserted and detected, and the interface automatically set appropriately, software can still override the automatic settings by reading and then writing PCICFG 51h[2:0] as desired.

5.3.3 Dual ISA Buses

Dual ISA buses are possible with the 82C814 chip used in conjunction with the OPTi PCI-ISA Bridge chips. This feature depends on the ISA Windows feature of the 82C814 chip, which allows cycles destined for the remote docking ISA bus to be claimed with positive decoding from the primary PCI bus and then retried. If the cycle turns out not to be destined for the docking ISA bus, the 82C814 chip ignores the next retry so that the cycle will be claimed using subtractive decode by the host chipset.

The FireStar chip provides an additional feature that allows positive decode of cycles to known local ISA devices. This feature would conflict with the positive decode used by the 82C814 chip. Therefore, the 82C814 chip has the option of decoding on the slow clock instead of on the medium clock. This feature is enabled by writing PCICFG 5Eh[7] = 1.

When the feature is selected, the 82C814 logic will monitor the DEVSEL# line to determine whether FireStar (or anyone else) has claimed the cycle by fast or medium decode. Only if DEVSEL# remains high through the medium decode clock will the 82C814 chip claim the cycle.

The slow decode feature works only for windows enabled as ISA windows. Other windows will continue to use a medium decode.

Table 5-2 Specific Register Group - PCICFG 50h-5Fh

7	6	5	4	3	2	1	0
PCICFG 50h PCI Host Feature Control Register Default = 00h							
Reserved	Primary INTA#-INTD# Select 0 = No (pin 12 pulled down) 1 = Yes (pin 12 pulled up)	Vendor ID feature selected: 0 = No 1 = Yes	IRQLATCH function 0 = Disable (default) 1 = Enable	Docking detect debounce: 0 = 1.0 sec 1 = 0.25 sec	CLKRUN# (on host interface): 0 = Enabled per PCI 1 = Disabled, CLKRUN# tristated	CRST# and ENVCC5 Control 0 = Normal 1 = Force both signals high, ignore PCICFG 3Eh[6] and MEMOFST 070h	MEMOFST 010 bits [2:0] 0 = Read/Write 1 = Read only
PCICFG 51h Docking Feature Control Register 1 Default = 04h							
Dock Interface clock divisor: 00 = 1 (Default) 01 = 2 10 = 3 11 = 4		Dock Interface-clock source: 0 = PCICLK 1 = EXTCLK	Mode select: 0 = Automatic 1 = Force async	CCLKRUN# on dock interface 0 = Disabled 1 = Enabled	Dock Interface threshold voltage: 0 = 3.3V 1 = 5.0V	Output Drive Select: 00 = Reserved 01 = Reserved 10 = 3.3V PCI dock 11 = 5.0V PCI dock	
These bits retain their previously written value regardless of dock attachment/removal.							
PCICFG 52h Docking Feature Control Register 2 Default = 4Fh							
Secondary PCICLK Skew: This value selects the approximate delay, in nanoseconds, that the internal secondary PCICLK must be skewed in order to compensate for external buffer delays. 0000 = No delay 0001 = 1ns 0010 = 2ns 1101 = 13ns 1110 = 14ns 1111 = 15ns			Block Prefetch on Downstream Transactions 0 = No 1 = Yes (default) Controls memory windows 0 & 1 only	Block Posted Writes on Downstream Transactions 0 = No 1 = Yes (default) Controls memory windows 0 & 1 only	Enabled delayed Transactions 0 = Only when window selected as ISA window 1 = On all windows whenever retry count exceeds 50% of retry limit (PCICFG 5Eh[2:0]). (default)	Type 1 to Type 0 conversion blocked from secondary to primary: 0 = No 1 = Yes (Default)	
PCICFG 53h Docking Feature Control Register 3 Default = 00h							
Event signalled when PCICFG 3Eh[6] is changed 00 = None 01 = SMI# 10 = ACPI1 (DOCK#) 11 = ACPI2 (STSCHG#)		Event signalled when CD1-2# change states 00 = None 01 = SMI# 10 = ACPI1 (DOCK#) 11 = ACPI2 (STSCHG#)		Event signalled on read of MEMOFST 0-FFFh 00 = None 01 = SMI# 10 = ACPI1 (DOCK#) 11 = ACPI2 (STSCHG#)		Event signalled on write of MEMOFST 0-FFFh 00 = None 01 = SMI# 10 = ACPI1 (DOCK#) 11 = ACPI2 (STSCHG#)	
Note: SMI# is available through IRQ Driveback or Serial IRQ; ACPI1 and ACPI2 are available only through IRQ Driveback							



Table 5-2 Specific Register Group - PCICFG 50h-5Fh (cont.)

7	6	5	4	3	2	1	0
PCICFG 54h IRQ Driveback Address Register - Byte 0: Address Bits [7:0] Default = 30h							
IRQ Driveback Protocol Address Bits:							
<ul style="list-style-type: none"> - When the 82C814 logic must generate an interrupt from any source, it follows the IRQ Driveback Protocol and toggles the REQ# line to the host. Once it has the bus, it writes the changed IRQ information to the 32-bit I/O address specified in this register. The host interrupt controller claims this cycle and latches the new IRQ values. - Bits 2:0 are reserved to be 000 and are read-only. - This register defaults to a value of 33333330h. 							
PCICFG 55h IRQ Driveback Address Register - Byte 1: Address Bits [15:8] Default = 33h							
PCICFG 56h IRQ Driveback Address Register - Byte 2: Address Bits [23:16] Default = 33h							
PCICFG 57h IRQ Driveback Address Register - Byte 3: Address Bits [31:24] Default = 33h							
PCICFG 58h DRQ Remap Base Address Register - Byte 0: Address Bits [7:0] Default = 00h							
DRQ Remap Base Address Bits:							
<ul style="list-style-type: none"> - The distributed DMA protocol requires DMA controller registers for each DMA channel to be individually mapped into I/O space outside the range claimed by ISA devices. Bits A[31:0] of this register specify that base; bits 7:0 are reserved (write 0) because the base address can fall only on 256 byte boundaries. - The 82C814 logic uses this base address to forward accesses across the bridge to remote devices specified in the DMA Channel Selector Register. 							
PCICFG 59h DRQ Remap Base Address Register - Byte 1: Address Bits [15:8] Default = 00h							
PCICFG 5Ah DRQ Remap Base Address Register - Byte 2: Address Bits [23:16] Default = 00h							
PCICFG 5Bh DRQ Remap Base Address Register - Byte 3: Address Bits [31:24] Default = 00h							
PCICFG 5Ch DMA Channel Selector Register Default = 00h							
Channel 7 (DMAC2): 0 = Not claimed 1 = On slot interface	Channel 6 (DMAC2): 0 = Not claimed 1 = On slot interface	Channel 5 (DMAC2): 0 = Not claimed 1 = On slot interface	DMAC responsibility (RO): 0 = Secondary (always) 1 = Master	Channel 3 (DMAC1): 0 = Not claimed 1 = On slot interface	Channel 2 (DMAC1): 0 = Not claimed 1 = On slot interface	Channel 1 (DMAC1): 0 = Not claimed 1 = On slot interface	Channel 0 (DMAC1): 0 = Not claimed 1 = On slot interface
PCICFG 5Dh SMI Status Register (Write 1 to clear bit) Default = 00h							
Toggling of PCICFG 3Eh[6] Generated SMI 0 = No 1 = Yes	Dock/Undock Event Generated SMI 0 = No 1 = Yes	Read of Card-Bus Registers (MEMOFST 0=FFFh) Generated SMI 0 = No 1 = Yes	Write of Card-Bus Registers (MEMOFST 0=FFFh) Generated SMI 0 = No 1 = Yes	Docking Window 3 generated SMI: 0 = No 1 = Yes	Docking Window 2 generated SMI: 0 = No 1 = Yes	Docking Window 1 generated SMI: 0 = No 1 = Yes	Docking Window 0 generated SMI: 0 = No 1 = Yes

Table 5-2 Specific Register Group - PCICFG 50h-5Fh (cont.)

7	6	5	4	3	2	1	0	
PCICFG 5Eh Primary Retry Limit Register Default = 00h								
Slow decode for ISA windows: 0 = Disable 1 = Enable	Prefetch on upstream transactions: 0 = Disable 1 = Enable	Posted writes on upstream transactions: 0 = Disable 1 = Enable	Core voltage: 0 = 3.3V 1 = 5.0V	Retry count readback control: 0 = Write post-ing retries on secondary 1 = Retries on primary	Retry Limit: These bits relate to the number of times that the 82C814, as a slave, will retry accesses on the primary. If this limit is exceeded, the 82C814 generates SERR# to the host.			
					000=2 ⁸	100=2 ¹⁶		
					001=2 ¹⁰	101=2 ²⁰		
					010=2 ¹²	110=2 ²⁴		
					011=2 ¹⁴	111= Infinite retries (Default)		
PCICFG 5Fh 82C814 Retry Count Readback Register (RO) Default = 00h								
<ul style="list-style-type: none"> - This register returns the number of retry attempts made. - More than 256 retries are indicated by FFh. - Used for diagnostic purposes. Read-only. - Separate counts are maintained for primary and secondary. Bit 5Eh[3] selects the count being read back. 								
Write-Only: This register is also writable, for factory diagnostic purposes only.								
Status Change Initialization		When PCICFG 51h[3]=1	PCI Retry Test	Prototype test mode:	Force FIFO clear	Retry test times:	Power-up and detect timer:	
0 = Old scheme 1 = New	0 = Original 1 = Variation	0 = Automatic Mode 1 = Sync mode	0 = Disable 1 = Enable	0 = Disable 1 = Enable		0 = Normal 1 = Quick*	0 = Normal 1 = Quick	
* Quick Mode will not function unless PCICFG 5Eh[2:0] is zero.								

5.4 CardBus Register Group

The CardBus-style control and status register group is accessible through two different means. It is always accessible as part of the PCI configuration space at the indexes shown in Table 5-4. In addition, when the CardBus register base address at PCICFG 14h is written to any value other than zero, these same registers can be accessed through the system memory space selected (see Table 5-3).

Note that when accessing these registers in PCI memory space, they start from an offset of 00h, not 60h, from the register base address programmed.

5.4.1 Power Control

PCICFG 70h[6:4] set the external VCC5 and VCC3 pin levels. Because only these two pins are available on the 82C814 interface, the system must be designed to interpret these signals properly and select the correct voltage for the application.

Table 5-3 CardBus Register Set in System Memory

CardBus Base Address plus:	Name
000h	Socket Event Register
004h	Socket Mask Register
008h	Socket Present State Register
00Ch	Force Event Register
010h	Control Register
014-7FFh	Reserved



Table 5-4 CardBus Register Group - PCICFG 60h-74h / MEMOFST 00h-7Fh

7	6	5	4	3	2	1	0
PCICFG 60h / MEMOFST 00h							
Socket Event Register - Byte 0				Default = 00h			
Reserved: Write as read.				Power cycle complete: 0 = No 1 = Yes Write 1 to clear	CCD2# status change: 0 = No 1 = Yes Write 1 to clear	CCD1# status change: 0 = No 1 = Yes Write 1 to clear	Reserved:
PCICFG 61h / MEMOFST 01h							
Socket Event Register - Byte 1				Default = 00h			
Reserved: Write as read.							
PCICFG 62h / MEMOFST 02h							
Socket Event Register - Byte 2				Default = 00h			
Reserved: Write as read.							
PCICFG 63h / MEMOFST 03h							
Socket Event Register - Byte 3				Default = 00h			
Reserved. Write as read.							
PCICFG 64h / MEMOFST 04h							
Socket Mask Register - Byte 0				Default = 00h			
Reserved: Write as read.				Power cycle status change event: 0 = Mask 1 = Enable	CCD2# status change event: 0 = Mask 1 = Enable	CCD1# status change event: 0 = Mask 1 = Enable	Reserved
PCICFG 65h / MEMOFST 05h							
Socket Mask Register - Byte 1				Default = 00h			
Reserved: Write as read.							
PCICFG 66h / MEMOFST 06h							
Socket Mask Register - Byte 2				Default = 00h			
Reserved: Write as read.							
PCICFG 67h / MEMOFST 07h							
Socket Mask Register - Byte 3				Default = 00h			
Reserved: Write as read.							
PCICFG 68h / MEMOFST 08h							
Socket Present State Register (RO) - Byte 0				Default = 00h			
Dock recog- nized - updated only on card insertion: 0 = Yes 1 = No	PCIRQ# Status 0 = At least one of PCIRQ0-3# is low 1 = PCIRQ0-3# are all high	Device type - updated only on card insertion: 11 = Docking station All other combinations reserved	Power cycle status: 0 = Not suc- cessful 1 = Successful	CCD2-1# state: 00 = Dock attached 01 = No dock attached 10 = No dock attached 11 = No dock attached		Reserved	
PCICFG 69h / MEMOFST 09h							
Socket Present State Register - Byte 1				Default = 00h			
Reserved: Write as read.	Reserved		3.3V dock detected: 0 = No 1 = Yes	5.0V dock detected: 0 = No 1 = Yes	Bad VCC request (outside CVS1-2, CCD1-2# range): 0 = No 1 = Yes	Data lost (dock detached before transac- tion completed): 0 = No 1 = Maybe	
PCICFG 6Ah / MEMOFST 0Ah							
Socket Present State Register - Byte 2				Default = 00h			
Reserved: Write as read.							
PCICFG 6Bh / MEMOFST 0Bh							
Socket Present State Register - Byte 3 (bits are writeable)				Default = 30h			



Table 5-4 CardBus Register Group - PCICFG 60h-74h / MEMOFST 00h-7Fh

7	6	5	4	3	2	1	0
Socket can supply Voltage Y: 0 = No 1 = Yes	Socket can supply Voltage X: 0 = No 1 = Yes	Socket can supply 3.3V: 0 = No 1 = Yes	Socket can supply 5.0V: 0 = No 1 = Yes	Reserved: Write as read.			
PCICFG 6Ch / MEMOFST 0Ch Force Event Register - Byte 0 Default = 00h							
Force dock recognized bit to 1: 0 = No 1 = Yes	Reserved: Write as read.	Force device type: 11 = Docking station All other combinations reserved		Force power cycle event: 0 = No 1 = Yes	Force CCD2# event: 0 = No 1 = Yes	Force CCD1# event: 0 = No 1 = Yes	Reserved
PCICFG 6Dh / MEMOFST 0Dh Force Event Register - Byte 1 Default = 00h							
Reserved: Write as read.	Force retest of CVS1-2, CCD1-2# pins (or force bits): 0 = No 1 = Yes	Reserved		Force 3.3V dock detected bit to 1: 0 = No 1 = Yes	Force 5.0V dock detected bit to 1: 0 = No 1 = Yes	Force bad VCC request bit to 1: 0 = No 1 = Yes	Force data lost bit to 1: 0 = No 1 = Yes
PCICFG 6Eh / MEMOFST 0Eh Force Event Register - Byte 2 Default = 00h							
Reserved: Write as read.							
PCICFG 6Fh / MEMOFST 0Fh Force Event Register - Byte 3 Default = 00h							
Reserved: Write as read.							
PCICFG 70h / MEMOFST 10h Control Register - Byte 0 Default = 00h							
Reserved: Write as read.	Dock VCC power request: 000 = Power off 100 = Voltage X 001 = Reserved 101 = Voltage Y 010 = 5.0V 11x = Reserved 011 = 3.3V			Reserved: Write as read.	Dock VPP Power Request Read/write bits; do not have any function. If PCICFG 50h[0] = 1, these bits always return 0.		
PCICFG 71h / MEMOFST 11h Control Register - Byte 1 Default = 00h							
Reserved: Write as read.							
PCICFG 72h / MEMOFST 12h Control Register - Byte 2 Default = 00h							
Reserved: Write as read.							
PCICFG 73h / MEMOFST 13h Control Register - Byte 3 Default = 00h							
Reserved: Write as read.							
PCICFG 74h / MEMOFST 14h Reserved Default = 00h							

5.5 Docking Station Window Selection Group

One block of the 82C814 PCI-to-CardBus configuration registers is used to select the memory or I/O address ranges that will be claimed by the bridge and passed onto the secondary PCI bus for use with the OPTi PCI-to-ISA Bridge.

Windows 4-7, which were available in Rev 0.0 of the 82C814 chip and overlapped the CardBus windows, are no longer available. Table 5-5 summarizes the features.

The docking station access windows allow far more flexibility in cycle selection, masking, etc. than do the CardBus window registers.

5.5.1 Docking Station Window Registers

The docking station registers are listed in Table 5-5. Table 5-6 follows and includes the default settings for each register.



Table 5-5 Docking Station Access Windows

Docking Station Access Window #	Default Mask	Bits Decoded	Memory or I/O Selectable?	Can Generate SMI#?
0	000FFFh	A[31:2]	Yes - Defaults to Memory	Yes
1	000FFFh	A[31:2]	Yes - Defaults to Memory	Yes
2	000003h	A[31:2]	Yes - Defaults to I/O	Yes
3	000003h	A[31:2]	Yes - Defaults to I/O	Yes

5.5.1.1 Cycle Decoding

Each window can select either memory or I/O decoding, and allows for a decode range anywhere from one dword to the entire address space. Upper address bits from A31 on down can be masked in the comparison, allowing any desired degree of aliasing.

5.5.1.2 Cycle Trapping

Instead of passing a claimed cycle onto the intended slave PCI interface, the cycle controller can generate a STOP# or CSTOP# on the master PCI interface (primary PCI interface or slot interface) and cause the controlling device to back off. At the same time, the cycle controller generates an IRQ driveback cycle with SMI# active, therefore converting the cycle into a System Management Interrupt trap.

At this point, the master will most likely retry the cycle, at which time the 82C814 will allow it to proceed. It may or may not be able to deliver valid data. The host chipset can then run its SMM code. The SMM code can read the SMI Status Register from the 82C814 to determine the window access that caused the SMI. Once the value has been read, the host must write a 1 back to each SMI indicator bit to re-enable trapping and SMI generation on that window.

5.5.1.3 ISA Window Selection

All docking station windows contain the ISA Window Selection bit. When set to 1, the window operation is modified as follows.

- When a cycle initiated on the primary is claimed through this window, the cycle will be immediately and automatically retried.
- On the docking station side, the OPTi PCI-ISA Bridge will claim the cycle and wait for positive decode on the ISA bus.
 - If positive decode is determined, the OPTi PCI-ISA Bridge logic will terminate the cycle normally.
 - If no positive decode can be achieved, the OPTi PCI-ISA Bridge logic will terminate the cycle with a Target Abort. Once this occurs, the 82C814 chip will simply ignore the next retry attempt on its primary and allow the cycle to pass to the local ISA bus of the host controller.

The retries occur up to the limit defined in PCICFG 5Eh[2:0] before SERR# is generated.

Table 5-6 Docking Station Window Registers - PCICFG 80h-EFh

7	6	5	4	3	2	1	0
PCICFG 80h Window 0 Start Address Register - Byte 0: Address Bits [7:0] Default = 00h							
Window Start Address Bits: <ul style="list-style-type: none"> - Register bits [31:0] indicate the start address for Window 0. - The selection between memory or I/O, as well as other feature selections, are made through the Window 0 Control Register. 						RO: Always returns 0	If memory: reads 0. If I/O: Decoding 0 = 16-bit AD[31:16] = 0 1 = 32-bit
PCICFG 81h Window 0 Start Address Register - Byte 1: Address Bits [15:8] Default = FFh							
PCICFG 82h Window 0 Start Address Register - Byte 2: Address Bits [23:16] Default = FFh							
PCICFG 83h Window 0 Start Address Register - Byte 3: Address Bits [31:24] Default = FFh							
PCICFG 84h Window 0 Stop Address Register - Byte 0: Address Bits [7:0] Default = 00h							
Window 0 Address Bits: <ul style="list-style-type: none"> - Register bits [31:0] indicate the stop address for one of the eight memory or I/O windows. 						RO: Always returns 0	

Table 5-6 Docking Station Window Registers - PCICFG 80h-EFh (cont.)

7	6	5	4	3	2	1	0	
PCICFG 85h							Window 0 Stop Address Register - Byte 1: Address Bits [15:8]	Default = 00h
PCICFG 86h							Window 0 Stop Address Register - Byte 2: Address Bits [23:16]	Default = 00h
PCICFG 87h							Window 0 Stop Address Register - Byte 3: Address Bits [31:24]	Default = 00h
PCICFG 88h							Window 0 Mask Register - Byte 0: Mask Bits [7:0]	Default = 03h
Window 0 Mask Bits: - Mask register bits [23:2] allow Window 0 to be aliased throughout the memory or I/O address space. - Setting any bit to a 1 masks out the comparison on this bit. - The register should be written to 0 to decode the entire address. - Bits [1:0] are always 11 (masked).						RO: Always returns 1.		
PCICFG 89h							Window 0 Mask Register - Byte 1: Mask Bits [15:8]	Default = 00h
PCICFG 8Ah							Window 0 Mask Register - Byte 2: Mask Bits [23:16]	Default = 00h
PCICFG 8Bh							Window 0 Control Register	Default = 48h
Window points to ISA bus: 0 = No 1 = Yes	Reads are prefetchable: 0 = No 1 = Yes Set to 0 for I/O window	Writes can be posted: 0 = No 1 = Yes Set to 0 for I/O window	Reserved	Cycle qualifier: 0 = I/O 1 = Memory (Default)	Window 0 Trap/SMI#: 0 = Disable 1 = Enable	Reserved		
PCICFG 8Ch-8Fh							Reserved	Default = 00h
PCICFG 90h							Window 1 Start Address Register - Byte 0: Address Bits [7:0]	Default = 00h
Window 1 Start Address Bits: - Register bits [31:0] indicate the start address for Window 1. - The selection between memory or I/O, as well as other feature selections, are made through the Window 1 Control Register.						RO: Always returns 0	If memory: reads 0. If I/O: Decoding 0 = 16-bit AD[31:16] = 0 1 = 32-bit	
PCICFG 91h							Window 1 Start Address Register - Byte 1: Address Bits [15:8]	Default = FFh
PCICFG 92h							Window 1 Start Address Register - Byte 2: Address Bits [23:16]	Default = FFh
PCICFG 93h							Window 1 Start Address Register - Byte 3: Address Bits [31:24]	Default = FFh
PCICFG 94h							Window 1 Stop Address Register - Byte 0: Address Bits [7:0]	Default = 00h
Window 1 Stop Address Bits: - Register bits [31:0] indicate the stop address for one of the eight memory or I/O windows.						RO: Always returns 0		
PCICFG 95h							Window 1 Stop Address Register - Byte 1: Address Bits [15:8]	Default = 00h
PCICFG 96h							Window 1 Stop Address Register - Byte 2: Address Bits [23:16]	Default = 00h
PCICFG 97h							Window 1 Stop Address Register - Byte 3: Address Bits [31:24]	Default = 00h
PCICFG 98h							Window 1 Mask Register - Byte 0: Mask Bits [7:0]	Default = 03h



Table 5-6 Docking Station Window Registers - PCICFG 80h-EFh (cont.)

7	6	5	4	3	2	1	0
Window 1 Mask Bits: <ul style="list-style-type: none"> - Mask register bits [23:2] allow Window 0 to be aliased throughout the memory or I/O address space. - Setting any bit to a 1 masks out the comparison on this bit. - The register should be written to 0 to decode the entire address. - Bits [1:0] are always 11 (masked). 						RO: Always returns 1.	
PCICFG 99h		Window 1 Mask Register - Byte 1: Mask Bits [15:8]				Default = 00h	
PCICFG 9Ah		Window 1 Mask Register - Byte 2: Mask Bits [23:16]				Default = 00h	
PCICFG 9Bh		Window 1 Control Register				Default = 48h	
Window points to ISA bus: 0 = No 1 = Yes	Reads are prefetchable: 0 = No 1 = Yes Set to 0 for I/O window	Writes can be posted: 0 = No 1 = Yes Set to 0 for I/O window	Reserved	Cycle qualifier: 0 = I/O 1 = Memory (Default)	Window 1 Trap/SML#: 0 = Disable 1 = Enable	Reserved	
PCICFG 9Ch-9Fh		Reserved				Default = 00h	
PCICFG A0h		Window 2 Start Address Register - Byte 0: Address Bits [7:0]				Default = 00h	
Window 2 Address Bits: <ul style="list-style-type: none"> - Register bits [31:0] indicate the start address for Window 2. - The selection between memory or I/O, as well as other feature selections, are made through the Window 2 Control Register. 						RO: Always returns 0	If memory: reads 0. If I/O: Decoding 0 = 16-bit AD[31:16] = 0 1 = 32-bit
PCICFG A1h		Window 2 Start Address Register - Byte 1: Address Bits [15:8]				Default = FFh	
PCICFG A2h		Window 2 Start Address Register - Byte 2: Address Bits [23:16]				Default = FFh	
PCICFG A3h		Window 2 Start Address Register - Byte 3: Address Bits [31:24]				Default = FFh	
PCICFG A4h		Window 2 Stop Address Register - Byte 0: Address Bits [7:0]				Default = 00h	
Window 2 Stop Address Bits: <ul style="list-style-type: none"> - Register bits [31:0] indicate the stop address for one of the eight memory or I/O windows. 						RO: Always returns 0	
PCICFG A5h		Window 2 Stop Address Register - Byte 1: Address Bits [15:8]				Default = 00h	
PCICFG A6h		Window 2 Stop Address Register - Byte 2: Address Bits [23:16]				Default = 00h	
PCICFG A7h		Window 2 Stop Address Register - Byte 3: Address bits [31:24]				Default = 00h	
PCICFG A8h		Window 2 Mask Register - Byte 0: Mask Bits [7:0]				Default = 03h	
Window 2 Mask Bits: <ul style="list-style-type: none"> - Mask register bits [23:2] allow Window 0 to be aliased throughout the memory or I/O address space. - Setting any bit to a 1 masks out the comparison on this bit. - The register should be written to 0 to decode the entire address. - Bits [1:0] are always 11 (masked). 						RO: Always returns 1.	
PCICFG A9h		Window 2 Mask Register - Byte 1: Mask Bits [15:8]				Default = 00h	
PCICFG AAh		Window 2 Mask Register - Byte 2: Mask Bits [23:16]				Default = 00h	



82C814

Table 5-6 Docking Station Window Registers - PCICFG 80h-EFh (cont.)

7	6	5	4	3	2	1	0
PCICFG ABh Window 2 Control Register Default = 00h							
Window points to ISA bus: 0 = No 1 = Yes	Reads are prefetchable: 0 = No 1 = Yes Set to 0 for I/O window	Writes can be posted: 0 = No 1 = Yes Set to 0 for I/O window	Reserved	Cycle qualifier: 0 = I/O (Default) 1 = Memory	Window 2 Trap/SMI#: 0 = Disable 1 = Enable	Reserved	
PCICFG ACh-AFh Reserved Default = 00h							
PCICFG B0h Window 3 Start Address Register - Byte 0: Address Bits [7:0] Default = 00h							
Window 3 Address Bits: - Register bits [31:0] indicate the start address for Window 3. - The selection between memory or I/O, as well as other feature selections, are made through the Window 3 Control Register.						RO: Always returns 0	If memory: reads 0. If I/O: Decoding 0 = 16-bit AD[31:16] = 0 1 = 32-bit
PCICFG B1h Window 3 Start Address Register - Byte 1: Address Bits [15:8] Default = FFh							
PCICFG B2h Window 3 Start Address Register - Byte 2: Address Bits [23:16] Default = FFh							
PCICFG B3h Window 3 Start Address Register - Byte 3: Address Bits [31:24] Default = FFh							
PCICFG B4h Window 3 Stop Address Register - Byte 0: Address Bits [7:0] Default = 00h							
Window 3 Stop Address Bits: - Register bits [31:0] indicate the stop address for one of the eight memory or I/O windows.						RO: Always returns 0	
PCICFG B5h Window 3 Stop Address Register - Byte 1: Address Bits [15:8] Default = 00h							
PCICFG B6h Window 3 Stop Address Register - Byte 2: Address Bits [23:16] Default = 00h							
PCICFG B7h Window 3 Stop Address Register - Byte 3: Address Bits [31:24] Default = 00h							
PCICFG B8h Window 3 Mask Register - Byte 0: Mask Bits [7:0] Default = 03h							
Window 3 Mask Bits: - Mask register bits [23:2] allow Window 0 to be aliased throughout the memory or I/O address space. - Setting any bit to a 1 masks out the comparison on this bit. - The register should be written to 0 to decode the entire address. - Bits [1:0] are always 11 (masked). - Bit 23 is always 0						RO: Always returns 1.	
PCICFG B9h Window 3 Mask Register - Byte 1: Mask Bits [15:8] Default = 00h							
PCICFG BAh Window 3 Mask Register - Byte 2: Mask Bits [23:16] Default = 00h							
Bit 23 Reserved	Bits [22:16]						
PCICFG BBh Window 3 Control Register Default = 00h							



Table 5-6 Docking Station Window Registers - PCICFG 80h-EFh (cont.)

7	6	5	4	3	2	1	0
Window points to ISA bus: 0 = No 1 = Yes	Reads are prefetchable: 0 = No 1 = Yes Set to 0 for I/O window	Writes can be posted: 0 = No 1 = Yes Set to 0 for I/O window	Reserved	Cycle qualifier: 0 = I/O (Default) 1 = Memory	Window 3 Trap/SMI#: 0 = Disable 1 = Enable	Reserved	
PCICFG BCh-EFh			Reserved				Default = 00h

5.6 PCI Power Management Register Group

the following registers comprise the PCI Power Management Register Group.

Table 5-7 PCI Power Management Registers - PCICFG F0h-FFh

PCICFG F0h		Capabilities ID Register (RO)		Default = 01h	
This register always returns 01h to identify the Linked List item as being the PCI Power Management Registers.					
PCICFG F1h		Next Item Pointer Register (RO)		Default = 00h	
Value of 0 indicates no additional items in Capabilities List					
PCICFG F2h		Power Management Capabilities Register - Byte 0		Default = 01h	
Reserved	Device Specific Individualization 0 = No (always)	Reserved	Returns 001b to indicate Rev 1.0 of PCI Power Management Specification		
PCICFG F3h		Power Management Capabilities Register - Byte 1		Default = 06h	
Reserved			Supports D2 Power Management State 1 = Yes (always)	Support D1 Power Management State 1 = Yes (always)	Reserved
PCICFG F4h		Power Management Control/Status Register - Byte 0		Default = 00h	
Reserved			Power State 00 = State D0 01 = State D1 10 = State D2 11 = State D3hot		
PCICFG F5h		Power Management Control/Status Register - Byte 1		Default = 00h	
PME Status 0 = Inactive 1 = Active Write 1 to clear	Data Register (not Implemented)			PME# PCI Function 0 = Disable 1 = Enabled	



Table 5-7 PCI Power Management Registers - PCICFG F0h-FFh (cont.)

PCICFG F6h		PCI-to-PCI Bridge Support Extensions Register (RO)	Default = C0h
Bus Power Clock Control 1 = Enabled (always)	B2/B3 Support for D3hot 1 = Enable (always)*	Reserved	
* Indicates that when Power State is programmed to D3hot, secondary PCI clocks will be stopped.			
PCICFG F7h		Data Register (RO)	Default = 00h
		Data Register not implemented	
PCICFG F8h-FFh		Reserved	Default = 00h

6.0 Electrical Ratings

Stresses above those listed in the following tables may cause permanent damage to the device. These are stress ratings only and functional operation of the device at these or any

other conditions above those indicated in the operational sections of this specification are not implied.

6.1 Absolute Maximum Ratings

Symbol	Parameter	5.0 Volt		3.3 Volt		Unit
		Min	Max	Min	Max	
VCC	Supply Voltage		+6.5		+4.0	V
VI	Input Voltage	-0.5	VCC + 0.5	-0.5	VCC + 0.5	V
VO	Output Voltage	-0.5	VCC + 0.5	-0.5	VCC + 0.5	V
TOP	Operating Temperature	0	+70	0	+70	°C
TSTG	Storage Temperature	-40	+125	-40	+125	°C

6.2 DC Characteristics: VCC = 3.3V or 5.0V \pm 5%, TA = 0°C to +70°C

Symbol	Parameter	Min	Max	Unit	Condition
VIL	Input low Voltage	-0.5	+0.8	V	
VIH	Input high Voltage	+2.0	VCC + 0.5	V	
VOL	Output low Voltage		+0.4	V	IOL = 4.0mA
VOH	Output high Voltage	+2.4		V	IOH = -1.6mA
IIL	Input Leakage Current		+10.0	μ A	VIN = VCC
IOZ	Tristate Leakage Current		+10.0	μ A	
CIN	Input Capacitance		+10.0	pF	
COU	Output Capacitance		+10.0	pF	
ICC	Power Supply Current 3.3V Core 5.0V Core		100 150	mA	Fully active

6.3 AC Characteristics

Sym	Parameter	Min	Max	Unit	Figure
Primary PCI Bus					
t100	C/BE[3:0]#, AD[31:0], FRAME#, IRDY#, TRDY#, STOP#, DEVSEL#, LOCK#, PAR, SERR#, PERR# setup time to PCICLK rising	7		ns	6-1
t101	C/BE[3:0]#, AD[31:0], FRAME#, IRDY#, TRDY#, STOP#, DEVSEL#, LOCK#, PAR, SERR#, PERR# hold time from PCICLK rising	0		ns	6-2
t102	C/BE[3:0]#, AD[31:0], FRAME#, IRDY#, TRDY#, STOP#, DEVSEL#, LOCK#, PAR, SERR#, PERR# valid delay from PCICLK rising	2	11	ns	6-3
t103	REQ# setup time to PCICLK rising	12		ns	6-1
t104	REQ# hold time from PCICLK rising	0		ns	6-2
t105	GNT# valid delay from PCICLK rising	2	12	ns	6-3
Secondary PCI Bus					
t200	CC/BE[3:0]#, CAD[31:0], CFRAME#, CIRDY#, CTRDY#, CSTOP#, CDEVSEL#, CBLOCK#, CPAR, CSERR#, CPERR# setup time to PCICLK rising	7		ns	6-1
t201	CC/BE[3:0]#, CAD[31:0], CFRAME#, CIRDY#, CTRDY#, CSTOP#, CDEVSEL#, CBLOCK#, CPAR, CSERR#, CPERR# hold time from PCICLK rising	0		ns	6-2
t202	CC/BE[3:0]#, CAD[31:0], CFRAME#, CIRDY#, CTRDY#, CSTOP#, CDEVSEL#, CBLOCK#, CPAR, CSERR#, CPERR# valid delay from PCICLK rising	2	11	ns	6-3
t203	CREQ[3:0]# setup time to PCICLK rising	12		ns	6-1
t204	CREQ[3:0]# hold time from PCICLK rising	0		ns	6-2
t205	CGNT[3:0]# valid delay from PCICLK rising	2	12	ns	6-3
t206	PCIRQ[3:0]# setup time to PCICLK rising	5		ns	6-1
t207	PCIRQ[3:0]# hold time from PCICLK rising	3		ns	6-2
t208	PCIRQ[3:0]# valid delay from PCICLK rising	2	16	ns	6-3

6.4 AC Timing Diagrams

Figure 6-1 Setup Timing Waveform

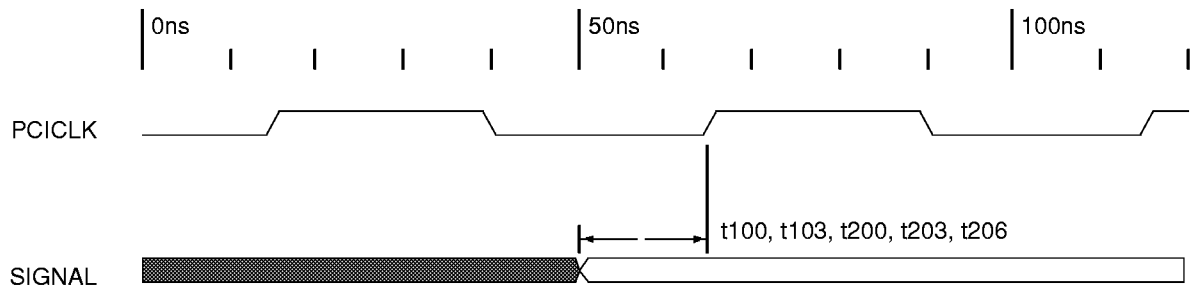


Figure 6-2 Hold Timing Waveform

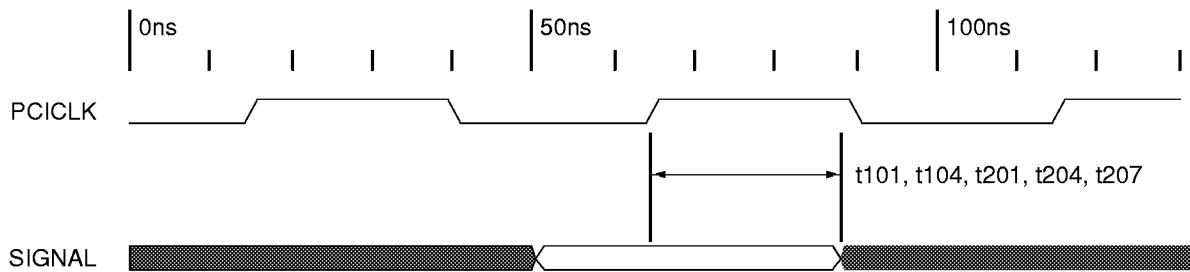
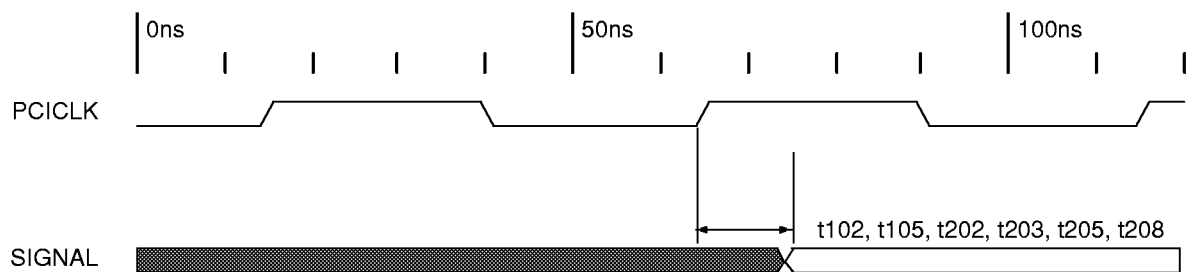
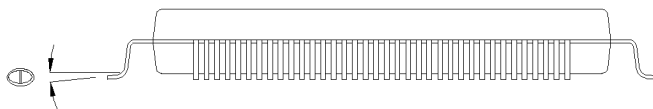
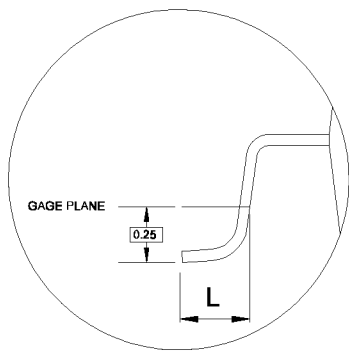
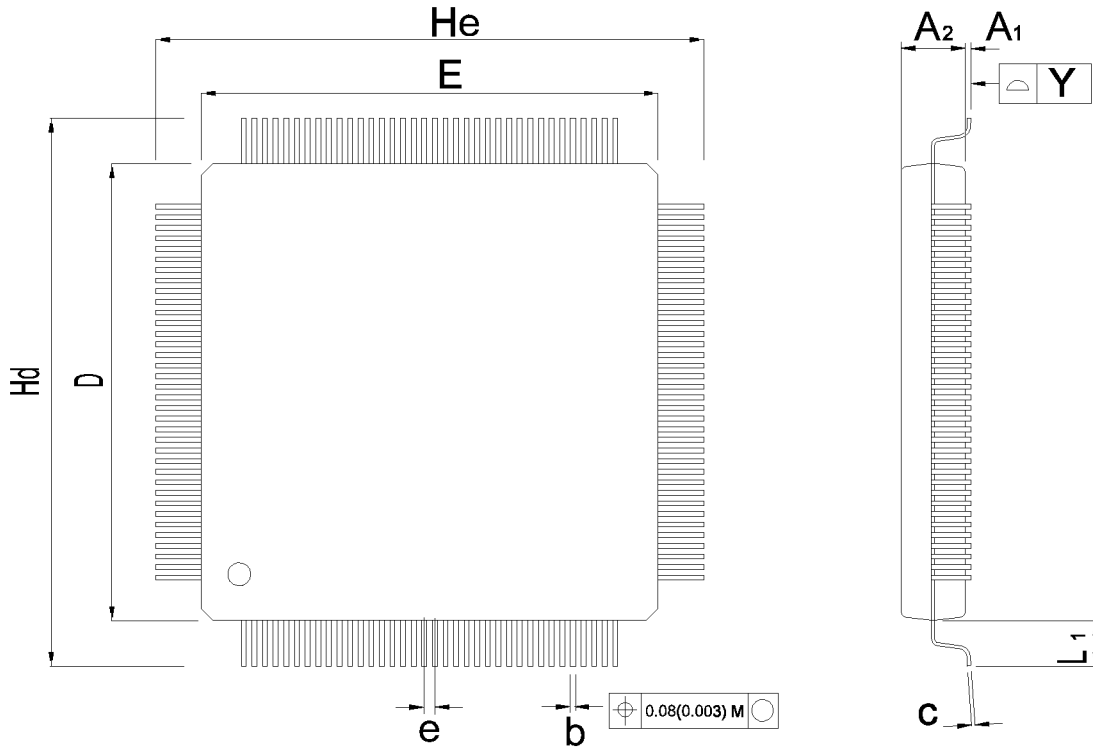


Figure 6-3 Output Delay Timing Waveform



7.0 Mechanical Package Outline

Figure 7-1 144-Pin LQFP, Low-Profile Quad Flat Pack



SYMBOL	MILLIMETER			INCH		
	MIN.	NOM.	MAX.	MIN.	NOM.	MAX.
A ₁	0.05	0.10	0.15	0.002	0.004	0.006
A ₂	1.35	1.40	1.45	0.053	0.055	0.057
b	0.17	0.22	0.27	0.007	0.009	0.011
c	0.090		0.200	0.004		0.008
D	19.90	20.00	20.10	0.783	0.787	0.791
E	19.90	20.00	20.10	0.783	0.787	0.791
e		0.50			0.020	
Hd	21.90	22.00	22.10	0.862	0.866	0.870
He	21.90	22.00	22.10	0.862	0.866	0.870
L	0.45	0.60	0.75	0.018	0.024	0.030
L ₁		1.00			0.039	
Y			0.08			0.003
⊖	0		7	0		7

Dwg. No.:	AS144LQFP-001	
Dwg. Rev.:	0	Unit: MM / INCH



Appendix A IRQ Driveback Protocol

The OPTi PCI IRQ Driveback cycle provides a clean and simple way to convey interrupt and DMA status information to the host. The protocol is reliable and does not in any way compromise PCI compatibility.

1. Whenever a PCI peripheral device must signal an IRQ or SMI# to the system, it asserts its REQ# line to the host for one PCI clock, deasserts it for one PCI clock, then asserts it again and keeps it low until acknowledged.
2. The host recognizes this sequence as a high-priority request and immediately removes all other bus grants (GNT# lines). Once the previous bus owner is off the bus, the host acknowledges the high-priority request with GNT# as usual.
3. The peripheral device logic runs an I/O write cycle to the IRQ Driveback address specified in the PCI configuration registers, and releases REQ#.
4. The host latches the information on AD[31:0] and sets the IRQ lines appropriately.
5. An optional second burst data cycle can take place to convey additional interrupt information.

PCI-type devices on the secondary side of bridge chips can use this same protocol to convey their interrupt requests through the bridge to the host. The format of the driveback

cycle request is illustrated in the figure. A second data phase is also possible.

A.1 Driveback Cycle Format

The charts below illustrate the interrupt information indicated. IRQ bits indicate whether that IRQ line is being driven high or low. The EN# bits indicate whether that IRQ is enabled to be changed or not. When the EN# bit is low, the value on the IRQ bit is valid. The device containing the central interrupt controller claims this I/O write cycle, and can then change its internal IRQ line state to match the value sent.

When a PCI device needs to generate an interrupt to the system, it runs a driveback cycle with the Enable bit low for each IRQ line under its control. For example, a device on PCI could run a driveback cycle with IRQ3 high and EN3# low to generate IRQ3 to the system. When the interrupt has been serviced and the device deasserts its interrupt, it starts another driveback cycle with IRQ3 low and EN3# low.

During both of these instances, if the device controls interrupts other than IRQ3, it must set its EN# bits low for **all** channels it controls, not just for the interrupt whose state has changed. The other IRQs must be driven with their previously used values.

Figure A-1 IRQ Driveback Cycle High-Priority Request

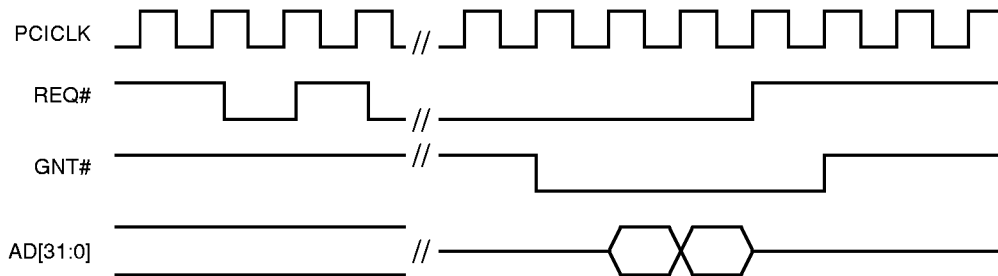


Table A-1 Information Provided on a Driveback Cycle

Low Word	AD15	AD14	AD13	AD12	AD11	AD10	AD9	AD8	AD7	AD6	AD5	AD4	AD3	AD2	AD1	AD0
	IRQ15	IRQ14	IRQ13	IRQ12	IRQ11	IRQ10	IRQ9	IRQ8	IRQ7	IRQ6	IRQ5	IRQ4	IRQ3	IRQ2	IRQ1	IRQ0
High Word	AD31	AD30	AD29	AD28	AD27	AD26	AD25	AD24	AD23	AD22	AD21	AD20	AD19	AD18	AD17	AD16
	EN15#	EN14#	EN13#	EN12#	EN11#	EN10#	EN9#	EN8#	EN7#	EN6#	EN5#	EN4#	EN3#	EN2#	EN1#	EN0#

IRQ Driveback

There is a convention for assignment of otherwise unusable IRQs:

- IRQ2 generates an SMI#. Note that the sense of IRQ2 is still active high. In this way, devices that use IRQ driveback can generate SMI# simply by routing their normal interrupt to IRQ2 without needing to change the polarity of the interrupt generation logic.
- IRQ13 generates an NMI. This feature allows PCI-to-ISA bridges such as the 82C825 chip to return the CHCK# signal

from the ISA bus across the PCI bus. The sense of IRQ13 is active high.

Table A-2 illustrates the format of the optional second data phase of the IRQ driveback cycle. This phase is presently reserved for returning the PCI interrupts and ACPI Events. If the device needs to send back level-mode interrupts, it bursts the information on the PCI clock following data phase one. The IRQ driveback address automatically increments to (base +4) per PCI requirements. It is also allowable for devices to drive back only phase 2, by directly accessing the (base +4) address.

Table A-2 Information Provided on a Optional Data Phase 2 of IRQ Driveback Cycle

Low Word	AD15	AD14	AD13	AD12	AD11	AD10	AD9	AD8	AD7	AD6	AD5	AD4	AD3	AD2	AD1	AD0
	Rsvd	Rsvd	Rsvd	Rsvd	Rsvd	Rsvd	Rsvd	Rsvd	Rsvd	ACPI3	ACPI2	ACPI1	ACPI0	PCIRQ 3	PCIRQ 2	PCIRQ 1
High Word	AD31	AD30	AD29	AD28	AD27	AD26	AD25	AD24	AD23	AD22	AD21	AD20	AD19	AD18	AD17	AD16
	Rsvd	Rsvd	Rsvd	Rsvd	Rsvd	Rsvd	Rsvd	Rsvd	Rsvd	EN ACPI3#	EN ACPI2#	EN ACPI1#	EN ACPI0#	ENP3#	ENP2#	ENP1#

A.2 Edge vs Level Mode, IRQ Polarity

The IRQs driven back in data phase 1 are interpreted as edge-mode interrupts, as expected for AT compatibility. The AD[15:0] signals are interpreted as active when high (1); the Enable (EN#) signals AD[31:16] are active when low (0).

In optional data phase 2, the PCIRQ0-3 bits are interpreted as level-mode interrupts by the host hardware. As with data phase 1, the controls indicated by AD[15:0] are interpreted as active when **high**; the Enable (EN#) controls on AD[31:16] are active when **low**. Note that PCI signals INTA-D# are active low by definition.

However, the INTA-D# lines can be shared by multiple devices on the PCI bus. Thus, one device could perform an IRQ driveback to set the INTx# line active for its purposes, while another device could follow immediately by setting the same INTx# line inactive. Therefore, the host is required to implement a counter in this case, so that it considers the line inactive only after it has received the same number of active-going drivebacks as it has inactive-going drivebacks.

A three-bit counter can be considered sufficient to handle the situation, since this would allow up to seven devices to chain to the same interrupt. It is unlikely that system requirements would exceed this number given the latency penalty incurred.

A.3 Host Handling of IRQ Driveback Information

The host chipset must handle the IRQ driveback information differently depending on whether the selected interrupt is sharable or not. Generally the ISA IRQ lines need no special consideration.





Sales Information

HEADQUARTERS:

OPTi Inc.
888 Tasman Drive
Milpitas, CA 95035
tel: 408-486-8000
fax: 408-486-8011

SALES OFFICES:

Japan

OPTi Japan KK
Murata Building 6F, 2-22-7
Ohhashi Meguro-ku
Tokyo 153, Japan
tel: 81-3-5454-0178
fax: 81-3-5454-0168

Taiwan

OPTi Inc.
9F, No 303, Sec 4, Hsin Yih Road
Taipei, Taiwan, ROC
tel: 886-2-325-8520
fax: 886-2-325-6520

United States

OPTi Inc.
20405 State Highway 249, Ste. #220
Houston, TX 77070
tel: 281-257-1856
fax: 281-257-1825

REPRESENTATIVES:

United States

Alabama/Mississippi
Concord Component Reps
190 Line Quarry Rd., Ste. #102
Madison, AL 35758
tel: 205-772-8883
fax: 205-772-8262

Florida

Engineered Solutions Ind., Inc.
1000 E. Atlantic Blvd., Ste. #202
Pompano Beach, FL 33060
tel: 305-784-0078
fax: 305-781-7722

Georgia

Concord Component Reps
6825 Jimmy Carter Blvd., Ste. #1303
Norcross, GA 30071
tel: 770-416-9597
fax: 770-441-0790

Illinois

Micro-Tex, Inc.
1870 North Roselle Rd., Ste. #107
Schaumburg, IL 60195-3100
tel: 708-885-8200
fax: 708-885-8210

Massachusetts

S-J Associates, Inc.
267 Boston Road
Corporate Place, Ste. #3
N. Billerica, MA 01862
tel: 508-670-8899
fax: 508-670-8711

Michigan

Jay Marketing
44752 Helm Street., Ste. A
Plymouth, MI 48170
tel: 313-459-1200
fax: 313-459-1697

New Jersey

S-J Associates, Inc.
131-D Gaither Dr.
Mt. Laurel, NJ 08054
tel: 609-866-1234
fax: 609-866-8627

New York

S-J Associates, Inc.
265 Sunrise Highway
Rockville Centre, NY 11570
tel: 516-536-4242
fax: 516-536-9638

S-J Associates, Inc.

735 Victor-Pittsford
Victor, NY 14564
tel: 716-924-1720

North & South Carolina

Concord Component Reps
10608 Dunhill Terrace
Raleigh, NC 27615
tel: 919-846-3441
fax: 919-846-3401

Ohio/W. Pennsylvania

Lyons Corp.
4812 Fredrick Rd., Ste. #101
Dayton, OH 45414
tel: 513-278-0714
fax: 513-278-3609

Lyons Corp.

4615 W. Streetsboro
Richfield, OH 44286
tel: 216-659-9224
fax: 216-659-9227

Lyons Corp.

248 N. State St.
Westerville, OH 43081
tel: 614-895-1447
fax: Same

Texas

Axxis Technology Marketing, Inc.
701 Brazos, Suite 500
Austin, TX 78701
tel: 512-320-9130
fax: 512-320-5730

Axxis Technology Marketing, Inc.

6804 Ashmont Drive
Plano, TX 75023
tel: 214-491-3577
fax: 214-491-2508

Virginia

S-J Associates, Inc.
900 S. Washington St., Ste. #307
Falls Church, VA 22046
tel: 703-533-2233
fax: 703-533-2236

Wisconsin

Micro-Tex, Inc.
22660 Broadway, Ste. #4A
Waukesha, WI 53186
tel: 414-542-5352
fax: 414-542-7934

International

Australia

Braemac Pty. Ltd.
Unit 6, 111 Moore St., Leichhardt
Sydney, 2040 Australia
tel: 61-2-550-6600
fax: 61-2-550-6377

China

Legend Electronic Components. Ltd.
Unit 413, Hong Kong Industrial
Technology Centre
72 Tat Chee Avenue
Kowloon Tong, Hong Kong
tel: 852-2776-7708
fax: 852-2652-2301

France

Tekelec Airtronic, France
5, Rue Carle Vernet
92315 Sevres Cedex
France
tel: 33-1-46-23-24-25
fax: 33-1-45-07-21-91

Germany

Kamaka
Rheinsrasse 22
76870 Kandel
Germany
tel: 49-7275-958211
fax: 49-7275-958220

India

Spectra Innovation
Unit S-822 Manipal Centre
47 Dickenson Road
Bangalore 560-042
Karnataka, India
tel: 91-80-558-8323/3977
fax: 91-80-558-6872

Israel

Ralco Components (1994) Ltd.
11 Benyamini St.
67443 Tel Aviv
Israel
tel: 972-3-6954126
fax: 972-3-6951743

Korea

Woo Young Tech Co., Ltd.
5th Floor Koami Bldg
13-31 Yoido-Dong
Youngduengpo-Ku
Seoul, Korea 150-010
tel: 02-369-7099
fax: 02-369-7091

Singapore

Instep Microsolutions Pte Ltd.
18, Tannery Lane, #05-02
Lian Tong Building
Singapore 347780
tel: 65-741-7507
fax: 65-741-1478

South America

Uniao Digital
Rua Guido Caloi
Bloco B, Piso 3
Sao Paulo-SP, CEP 05802-140 Brazil
tel: 55-11-5514-3355
fax: 55-11-5514-1088

Switzerland

Datacomp AG
Silbernstrasse 10
8953 Dietikon
Switzerland
tel: 41-1-740-5140
fax: 41-1-741-3423

United Kingdom

Spectrum
2 Grange Mews,
Station Road
Launton, Bicester
Oxfordshire, OX6 0DX
UK
tel: 44-1869-325174
fax: 44-1869-325175

MMD

3 Bennet Court,
Bennet Road
Reading
Berkshire, RG2 0QX
UK
tel: 44 1734 313232
fax: 44 1734 313255

The information contained within this document is subject to change without notice. OPTi Inc. reserves the right to make changes in this manual at any time as well as in the products it describes, at any time without notice or obligation. OPTi Inc. assumes no responsibility for any errors contained within. In no event will OPTi Inc. be liable for any damages, direct, indirect, incidental or consequential resulting from any error, defect, or omission in this specification.

Copyright © 1997 by OPTi Inc. All rights reserved. OPTi is a trademark of OPTi Incorporated. All other brand and product names are trademarks or copyrights of their respective owners. June 27, 1997

OPTi Inc.

888 Tasman Drive
Milpitas, CA 95035
Tel: (408) 486-8000
Fax: (408) 486-8001
www.opti.com
