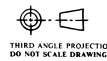
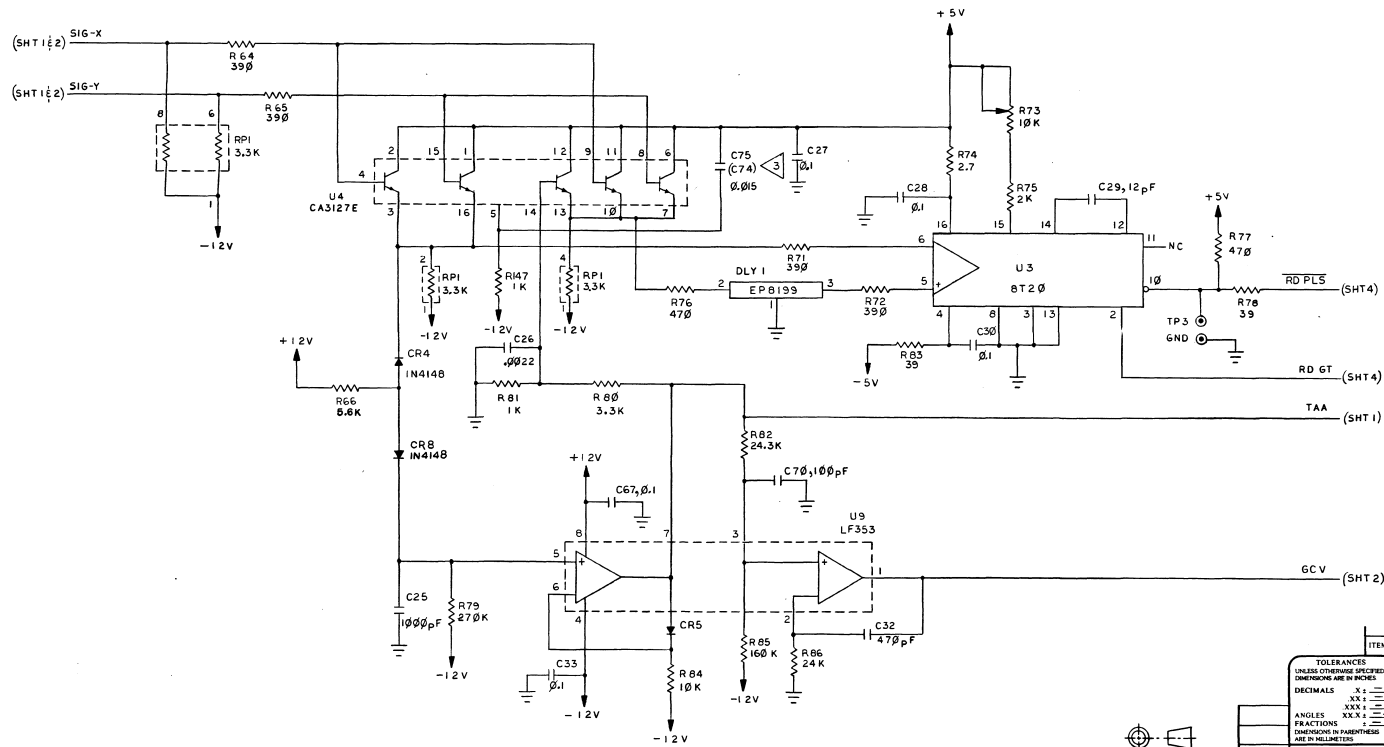


NOTE: UNLESS OTHERWISE SPECIFIED

REV	ECO	REVISION	APP'D	DATE
		SEE SHEET 1		



THIRD ANGLE PROJECTION
DO NOT SCALE DRAWING

ITEM	QTY	PART NUMBER	DESCRIPTION
TOLERANCES: DRAWN BY: DATE: UNLESS OTHERWISE SPECIFIED: J.REIS 10-27-83 DIMENSIONS ARE IN INCHES. CHECKED BY: DATE: DECIMALS: X 1: 11/2/83 ANGLES: XXX: 11-2-83 FRACTIONS: XXX: 11-2-83 DIMENSIONS IN PARENTHESES ARE IN MILLIMETERS. RELEASED BY: DATE: MATERIAL: DRAWING NUMBER: NEXT ASSY: FINISH: SCALE: SHEET 3 OF 4			



apple computer inc.
SCHEMATIC,
R/W BOARD,
WIDGET

050-5028-C
 4P 4