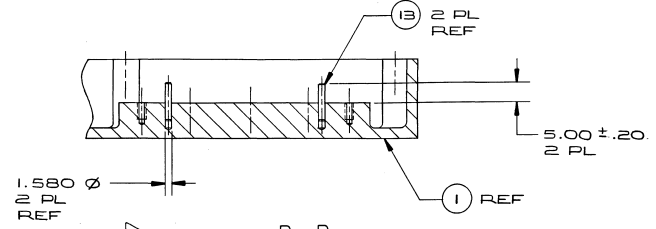
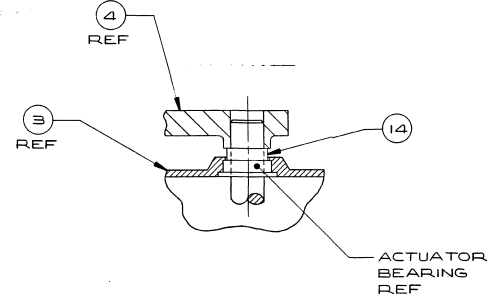


NOTE: UNLESS OTHERWISE SPECIFIED

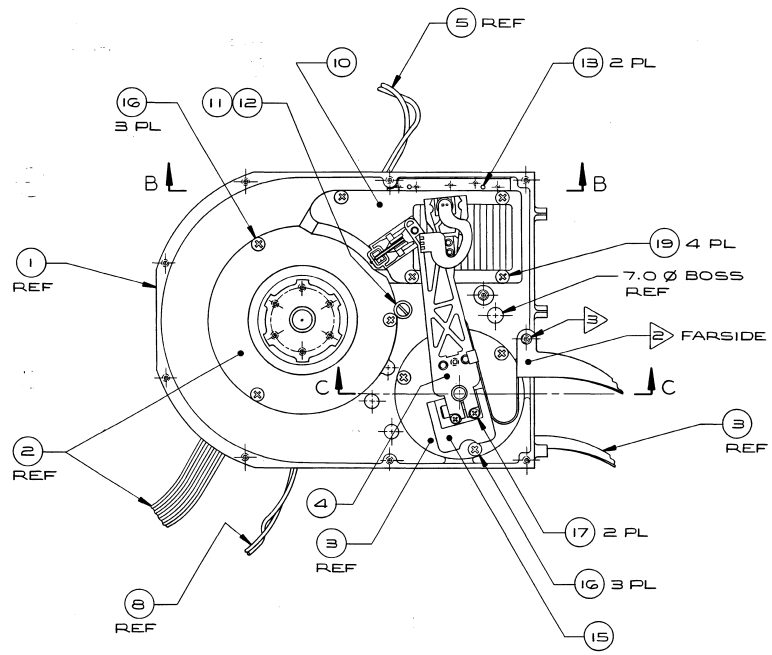
REV	ZONE	ECO #	REVISION	APPRO
			SEE SHEET 1	



SECTION B-B  
SCALE: 2X



SECTION C-C  
SCALE: 2X



VIEW A-A  
SCALE: FULL

METRIC <small>DESIGNING IN MILLIMETERS</small> mm ANGLES IN DEGREES		apple computer inc. NOTICE OF PROPRIETARY PROPERTY <small>THE INFORMATION CONTAINED HEREIN IS THE PROPRIETARY PROPERTY OF APPLE COMPUTER, INC. THE FURNISHING OF THIS DOCUMENT IS IN CONFIDENCE AND NOT TO BE REPRODUCED OR COPIED IN ANY MANNER WITHOUT THE WRITTEN PERMISSION OF APPLE COMPUTER, INC.</small>	
DESIGNED BY: ANDERSON DRAWN BY: [signature] CHECKED BY: [signature] RELEASE BY: [signature]	DATE: 11/80 SCALE: 1:1 TITLE: SUBASSY, HEAD/DISK, WIDGET	PART NUMBER: G77-5016-A REV: 2	DRAWING NUMBER: G77-5016-A REV: 2

G77-5016-A-2/2