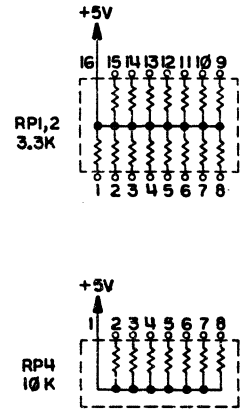
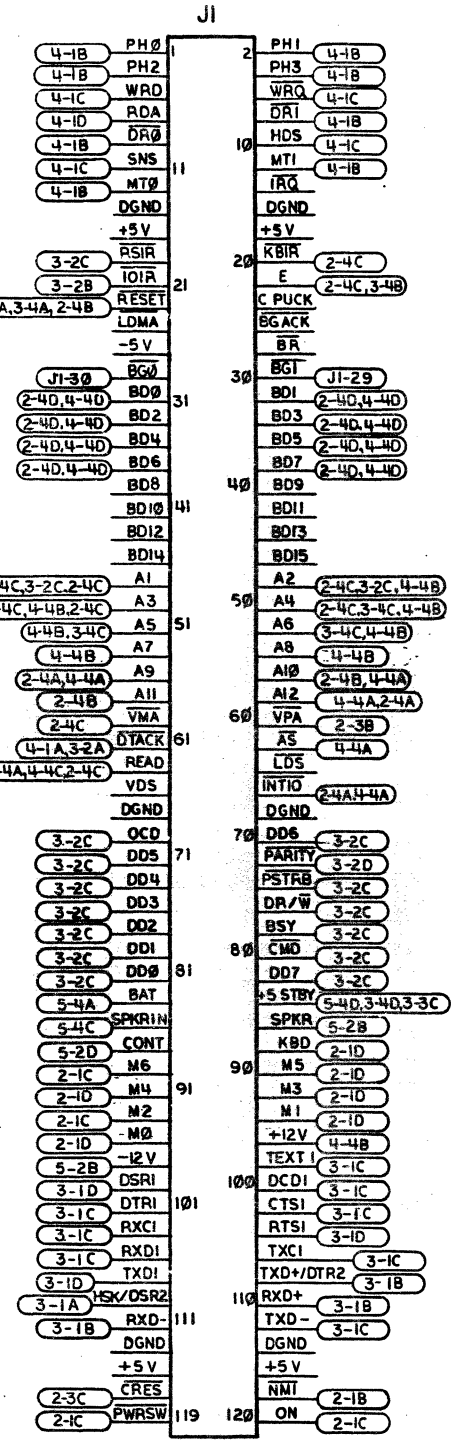
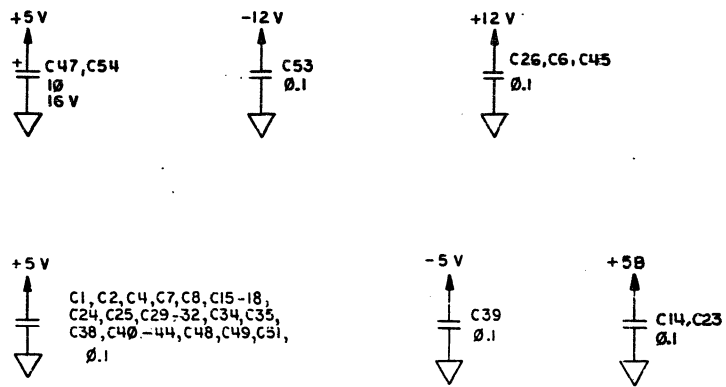


NOTE: UNLESS OTHERWISE SPECIFIED

- 1 RESISTOR VALUES ARE IN OHMS 1/4 W ±5%
- 2 ALL CAPACITORS ARE IN MICROFARADS.



LAST USED	NOT USED
D D9	
Q Q11	Q10
J J1	
R R47	R29,30,33
C C55	
RP RP4	
SW SW1	
L LI	
Y Y3	



DEVICE	NAME	+5V PIN	+5V GND	+12V OTHER
74LS00	U7B,10B	14	7	
74LS04	U8A,12D,3F	14	7	
74LS09	U10D	14	7	
74LS32	U2D	14	7	
74LS38	U11D, 5E	14	7	
74LS86	U9A	14	7	
74LS109	U6B, 6E	16	8	
74LS132	U6A	14	7	
74LS139	U5A, 4E	16	8	
74LS153	U8E	16	8	
74LS157	U2C,3C,4C	16	8	
74LS161	U7A	16	8	
74LS174	U5B	16	8	
74LS244	U4F	20	10	
74LS245	U3D,4D,6F	20	10	
74LS259	U2E, 3E	16	8	
74LS280	U5F, 7E	14	7	
74LS323	U3B	20	10	
74LS393	U1E	14	7	
26LS30	U10E	1	5	-5V,8
26LS32	U11E	16	8	GND,4
74C174	U9B	8		+5B2,16
4011B	U14B	7		BATV,14
444C-3	U1B,2B	9		+5B,16
MICRO-CONTROLLER	COPS 421	U9F	1	+5B,9
PROM STATE MACHINE	U4B	20	10	
TL074	U10A		4	-12V,11
4193	U14A	4		BATV,5
1489	U11F	14	7	
7417	U7F	7		+5B2,14
8T97	U2F	16	8	
6504	U3A	4	2	
6522	U5C,7C	20	1	
8530	U9C	9	31	
1488	U10F	7	14	-12V,1
9512	U11B	2	1	16
EPROM DISK BOOT	U1A	24	12	
PULL UPS	RPI,RP2	16		
PULL UPS	RP4	8		

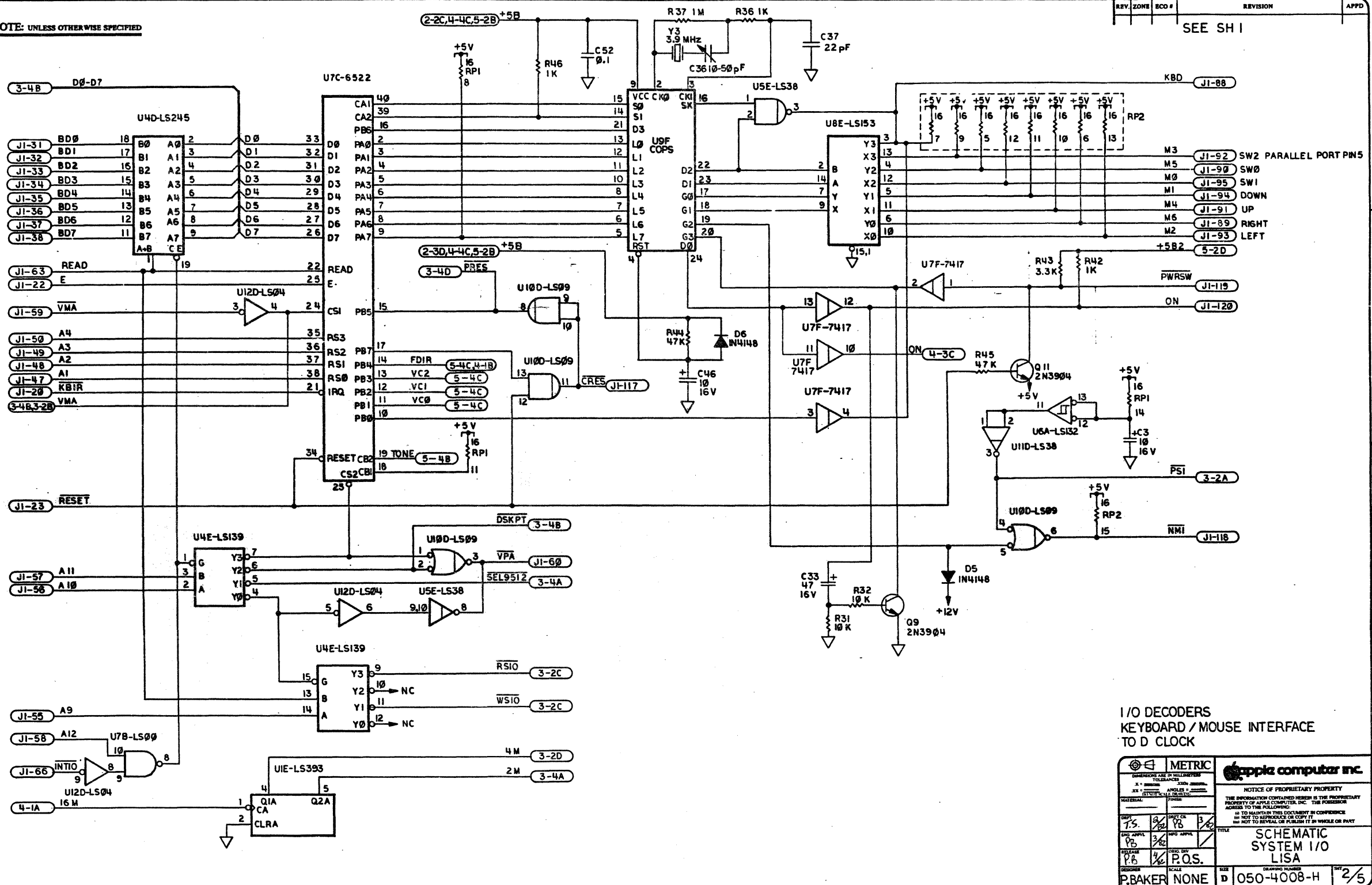
REV	ZONE	ECO #	REVISION	DATE	APPD
A	—	B083	INITIAL RELEASE	4/82	PB
B	3C	B096	SH2-DELETED RPI-13, R42 1K WAS R42 3.3K, DELETED D1 IN 414B, +12V WAS +5V	6/82	PB
C	2A-B	B116	SHT1- PROM, STATE MACHINE WAS PPOM, P6A, BT97 WAS LS367; EPROM, DISK BOOT WAS 2732. SHT 3-SWITCHED ATXCB WITH TRXCB. SHT 4- U1A 341-013B WAS U1A 2732A-3; U4B 341-0172 WAS U4B-P6A; U2F-BT97 WAS U2F-LS367		
D	3C	B116	SHT 3- ADDED C55.	6/82	PB
E	2B	B181	SH2- C33 WAS 10 UF	7/82	PB
F	2B	B211	SH2-C33 WAS TO +5V	3/83	PB
H	2C	B234	SH1- J1-120 ON WAS TO 4-3C. SH2- C33 WAS; 68MF. ADDED U7F PIN 10 + 11.	6/84	PB

METRIC		apple computer inc.	
NOTICE OF PROPRIETARY PROPERTY			
THE INFORMATION CONTAINED HEREIN IS THE PROPRIETARY PROPERTY OF APPLE COMPUTER, INC. THE RESSOR AGREES TO THE FOLLOWING:			
1. I WILL MAINTAIN THIS DOCUMENT IN CONFIDENCE			
2. I WILL NOT REPRODUCE OR COPY IT			
3. I WILL NOT REVEAL OR PUBLISH IT IN WHOLE OR PART			
TITLE		SCHEMATIC SYSTEM I/O LISA	
DESIGNED	SCALE	SIZE	GRAPHIC NUMBER
P.BAKER	NONE	D	050-4008-H
SHEET			1/5

1/5 H-8008-050

NOTE: UNLESS OTHERWISE SPECIFIED

REV.	ZONE	ECO #	REVISION	APPD
			SEE SH 1	

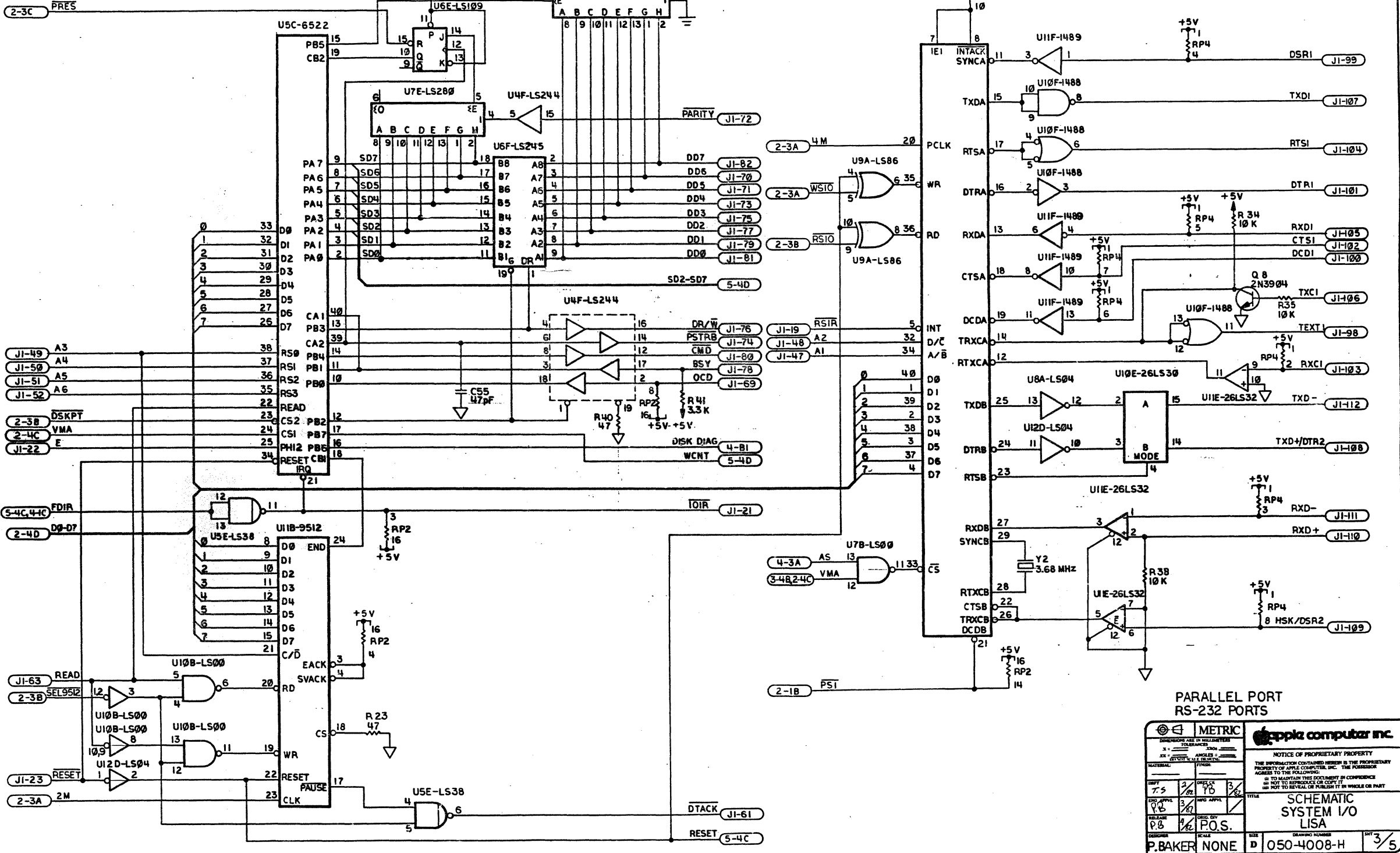


I/O DECODERS
KEYBOARD / MOUSE INTERFACE
TO D CLOCK

METRIC		apple computer inc.	
NOTICE OF PROPRIETARY PROPERTY			
THE INFORMATION CONTAINED HEREIN IS THE PROPRIETARY PROPERTY OF APPLE COMPUTER, INC. THE FORFEITURE OF THIS DOCUMENT IS THE PROPERTY OF APPLE COMPUTER, INC. THE FORFEITURE OF THIS DOCUMENT IS THE PROPERTY OF APPLE COMPUTER, INC.			
NO TO BE REPRODUCED OR TRANSMITTED IN ANY FORM OR BY ANY MEANS, ELECTRONIC OR MECHANICAL, INCLUDING PHOTOCOPYING, RECORDING, OR BY ANY INFORMATION STORAGE AND RETRIEVAL SYSTEM.			
DATE	DESIGNER	CHECKED	DATE
7.5	P.B.	P.B.	3/82
REV.	BY	DATE	
P.B.			
RELEASE	BY	DATE	
P.B.			
TITLE		SCALE	
SCHEMATIC SYSTEM I/O LISA		NONE	
DESIGNED	SCALE	SIZE	DRAWING NUMBER
P.BAKER	NONE	D	050-4008-H
			SHEET 2/5

5/2 H-BOOH-050

NOTE: UNLESS OTHERWISE SPECIFIED

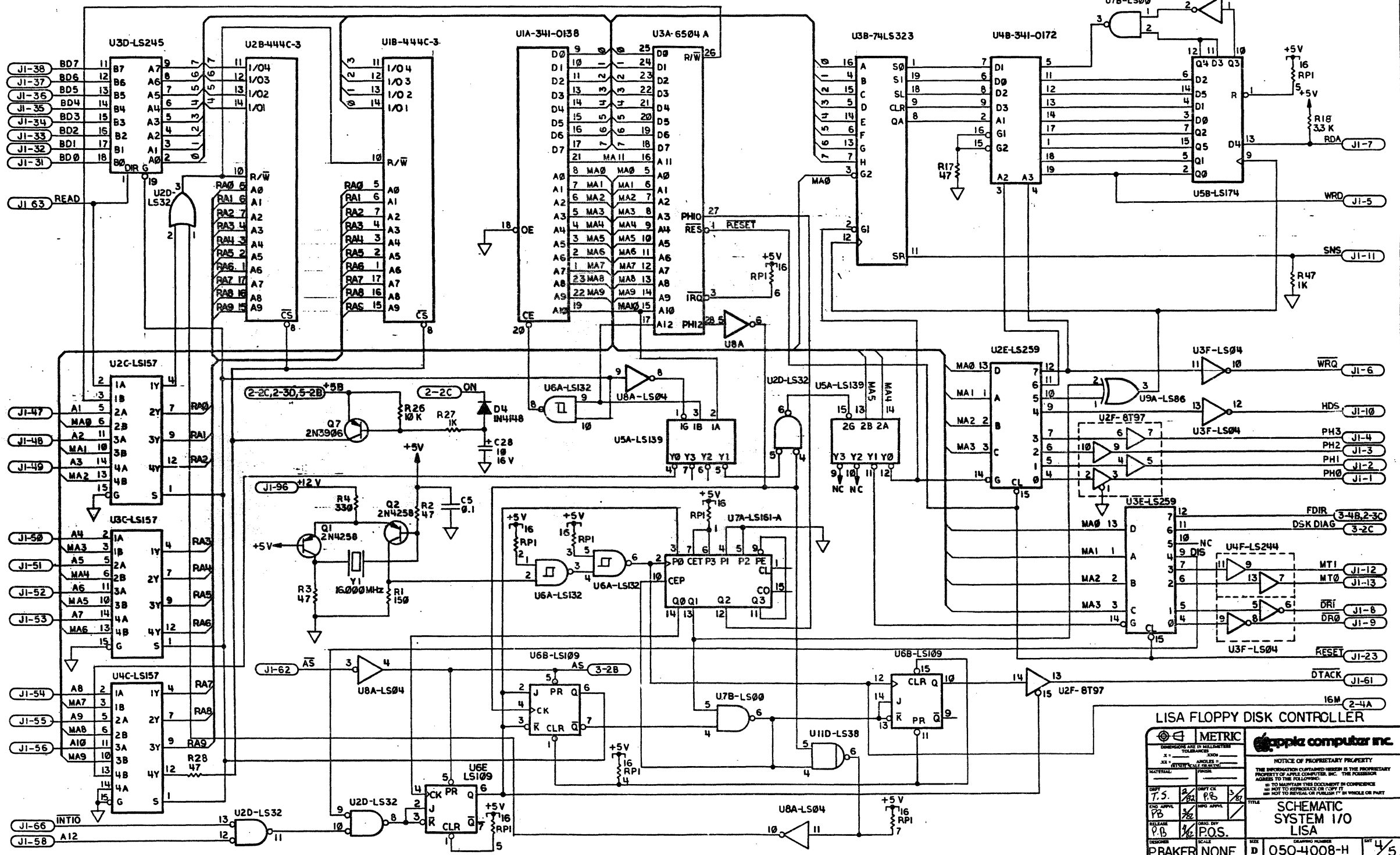


PARALLEL PORT RS-232 PORTS

<p>NOTICE OF PROPRIETARY PROPERTY</p> <p>THE INFORMATION CONTAINED HEREIN IS THE PROPRIETARY PROPERTY OF APPLE COMPUTER, INC. THE POSSESSOR AGREES TO THE FOLLOWING:</p> <p>1. TO MAINTAIN THIS DOCUMENT IN CONFIDENCE</p> <p>2. NOT TO REPRODUCE OR COPY IT</p> <p>3. NOT TO REVEAL OR PUBLISH IT IN WHOLE OR PART</p>			
<p>DATE: 7-5</p> <p>DESIGNER: P.B.</p> <p>ENGINEER: P.B.</p> <p>RELEASE: P.B.</p> <p>DESIGNER: P.B.</p> <p>SCALE: NONE</p>		<p>DATE: 7-5</p> <p>INFO APPL: P.B.</p> <p>DATE: 7-5</p> <p>SCALE: NONE</p>	
<p>TITLE: SCHEMATIC SYSTEM I/O LISA</p>		<p>SIZE: D</p> <p>DRAWING NUMBER: 050-4008-H</p> <p>SHEET: 3/5</p>	

050-4008-H-3/5

NOTE: UNLESS OTHERWISE SPECIFIED

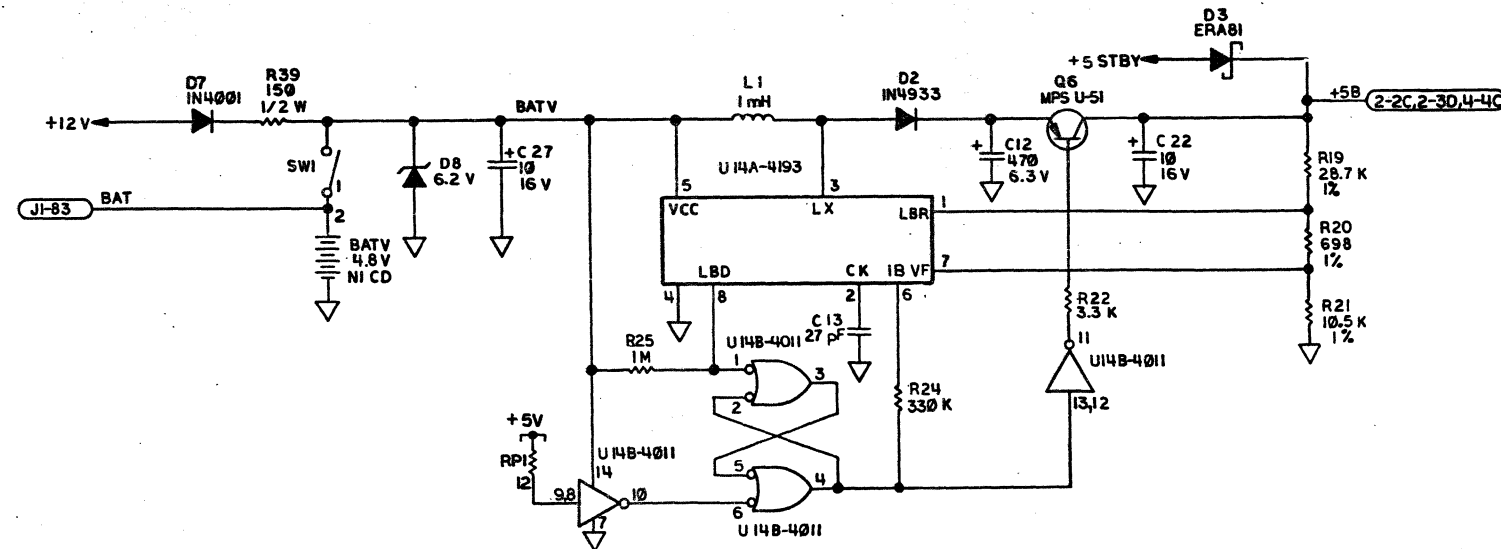
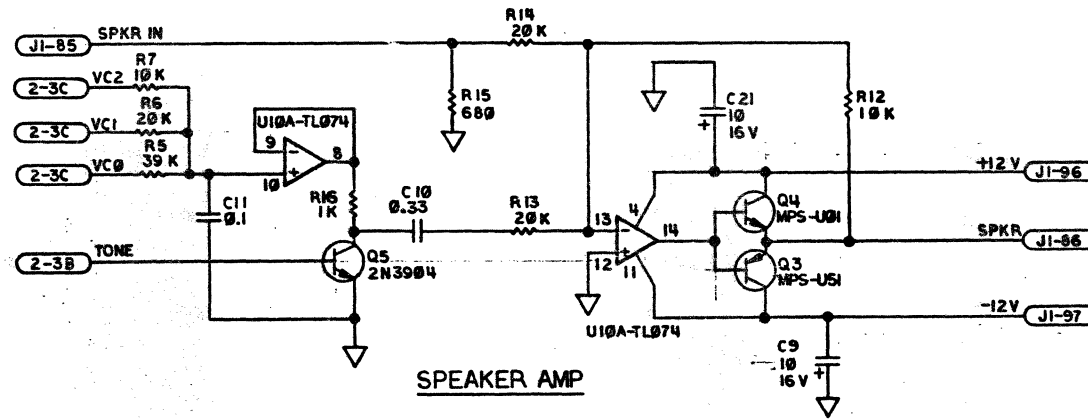
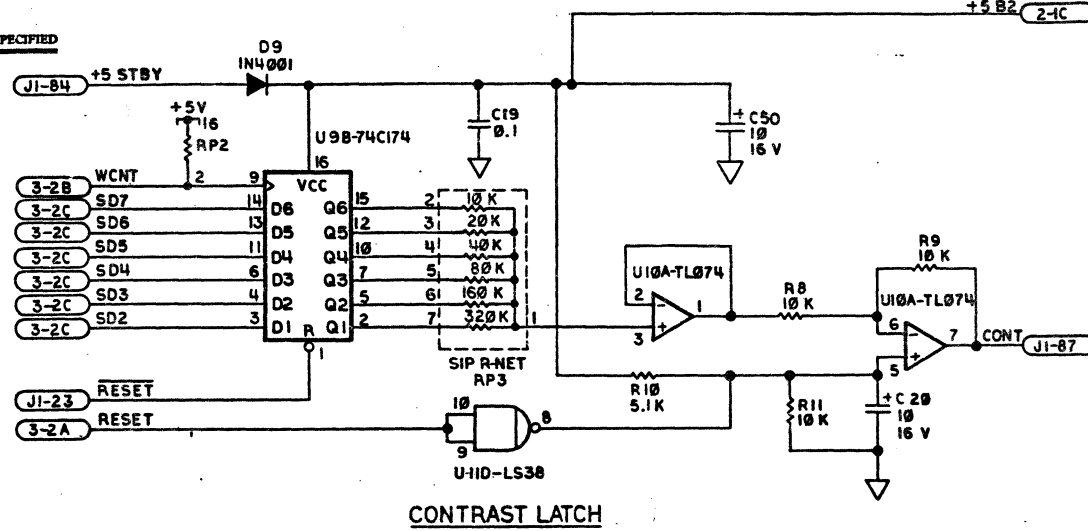


LISA FLOPPY DISK CONTROLLER

METRIC		apple computer inc.	
DIMENSIONS ARE IN MILLIMETERS			
TOLERANCES UNLESS OTHERWISE SPECIFIED			
MATERIAL: FINISH: PARTS:			
DATE: 7.5	BY: P.B.	CHKD: P.B.	APPD: P.B.
REV: P.B.	SCALE: 1/8"	TITLE: SCHEMATIC SYSTEM I/O LISA	
DESIGNER: P.BAKER	SCALE: NONE	SIZE: D	DRAWING NUMBER: 050-4008-H
			SHEET 4/5

NOTE: UNLESS OTHERWISE SPECIFIED

SEE SH 1



ANALOG CIRCUITS

<p>NOTICE OF PROPRIETARY PROPERTY</p> <p>THE INFORMATION CONTAINED HEREIN IS THE PROPRIETARY PROPERTY OF APPLE COMPUTER, INC. THE POSSESSION AND USE OF THIS INFORMATION IS LIMITED TO THE INDIVIDUAL OR ENTITY TO WHOM IT IS LOANED AND IS NOT TO BE REPRODUCED OR COPIED IN ANY MANNER WITHOUT THE WRITTEN PERMISSION OF APPLE COMPUTER, INC.</p>			
DRAFT: 1/5 DATE: 8/8 RELEASE: 9/8	DRAFT CL: 2/6 DATE: 3/22 P.O.S.: 1/22	DRAFT CL: 3/6 DATE: 3/22 P.O.S.: 1/22	TITLE: SCHEMATIC SYSTEM I/O LISA SCALE: NONE SHEET: 5/5
PBAKER NONE		D 050-4008-H	

050-4008-H 5/5