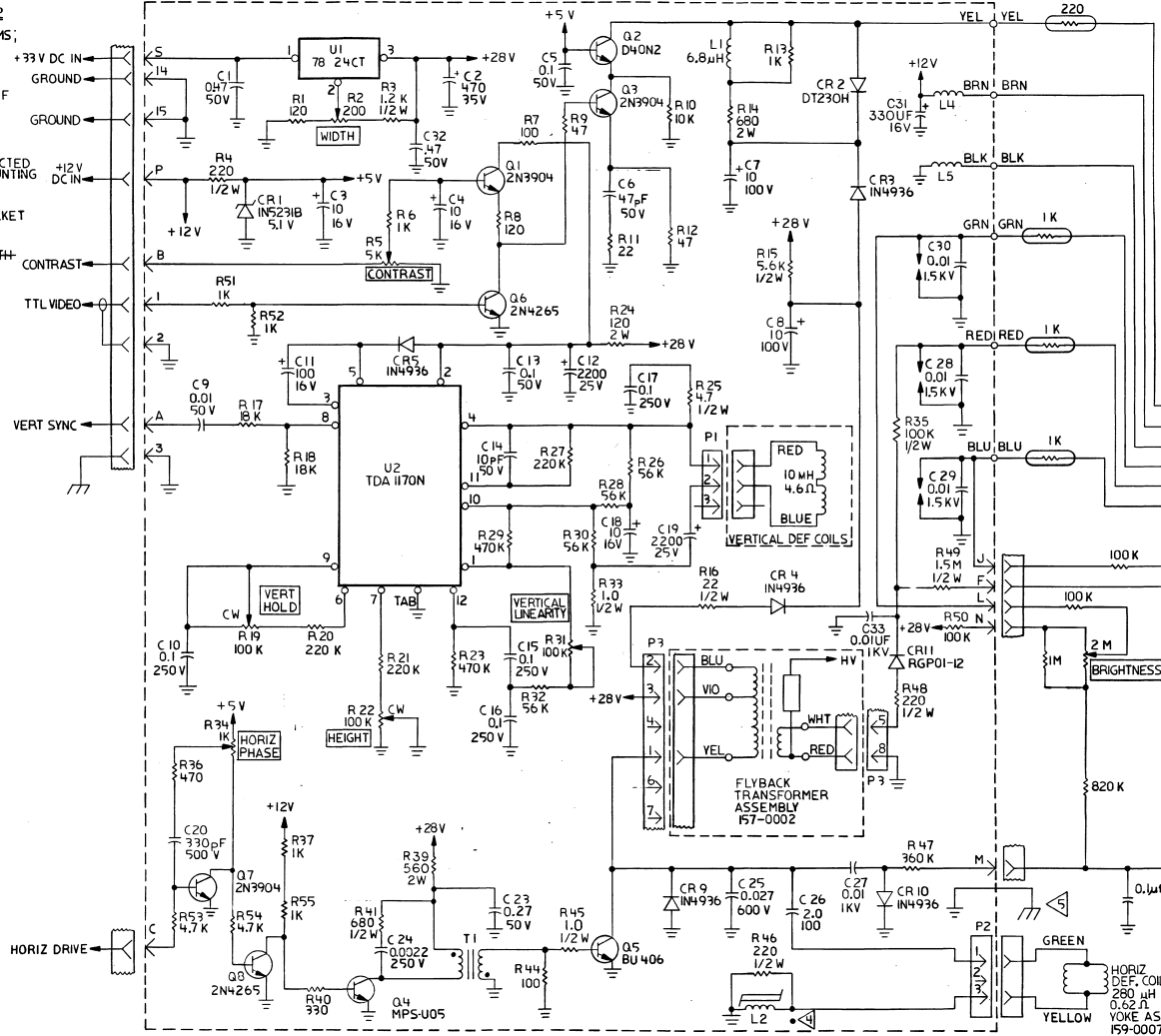
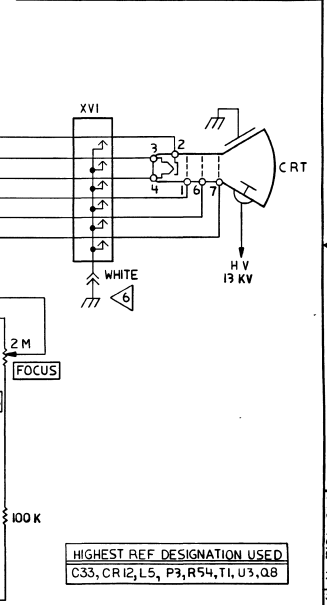


NOTE: UNLESS OTHERWISE SPECIFIED

1. RESISTOR VALUES ARE IN OHMS; 1/4 WATTS $\pm 5\%$.
 2. ALL CAPACITORS ARE IN MICROFARADS.
 3. ALL COMPONENTS SHOWN OFF THE BOARD ARE FOR REF ONLY.
- 4 POLARITY DOT ON LINEARITY COIL.
 - 5 PC BOARD GROUND CONNECTED TO CHASSIS GROUND BY MOUNTING SCREWS.
 - 6 CRT EXTERNAL CONDUCTIVE COATING AND ARC-GAP SOCKET ARE GROUNDED TO CHASSIS FRAME.
 - 7 RESISTOR R10 NOT USED WITH TDA170 VERTICAL I.C.



REV	ZONE	ECO#	REVISION	DATE	APPD
A	—	B085	INITIAL RELEASE	—	—
B	4C	B098	PIN 3 WAS PIN 2, ADDED PIN 2, ADDED SHIELD ON TTL VIDEO	1/11/82	MB
C	3D,C	B176	C14 WAS 47 μ F, C2 WAS 220 50V, R33+45 WERE 1.2 OHM.	1/11/82	MB
D	3D	B205	C1+C2 WAS 100V 5%	2/24/82	MB
E	3C,A	B230	R24 WAS 150 Ω , CR12 WAS R55, ADDED CAP TO P.5.	3/18/82	MB
F	2A	B356	C25 VALUE WAS 0.03, DELETED COIL L3, U1/L2 VALUE CHANGE	7/19/82	MB
H	3C	B400	TDA1170 N WAS TDA1170; DELETED NOTE 7. ALSO DELETED HORIZONTAL SHUT DOWN CIRCUIT. ADDED R18 AND R55.	1/16/83	MB



HIGHEST REF DESIGNATION USED
C33, CR12, L5, P3, R54, T1, U3, Q8

METRIC		apple computer inc.	
NOTICE OF PROPRIETARY PROPERTY			
THE INFORMATION CONTAINED HEREIN IS THE PROPRIETARY PROPERTY OF APPLE COMPUTER, INC. AND IS LOANED TO YOU UNDER A LICENSE. IT IS NOT TO BE REPRODUCED OR PUBLISHED IN WHOLE OR PART.			
DATE	BY	REV	APPD
1/11/82	MB	1	MB
TITLE		SCHEMATIC, VIDEO BOARD LISA	
DESIGNED BY		G. BAKER	
CHECKED BY			
DATE		050-4012-H	