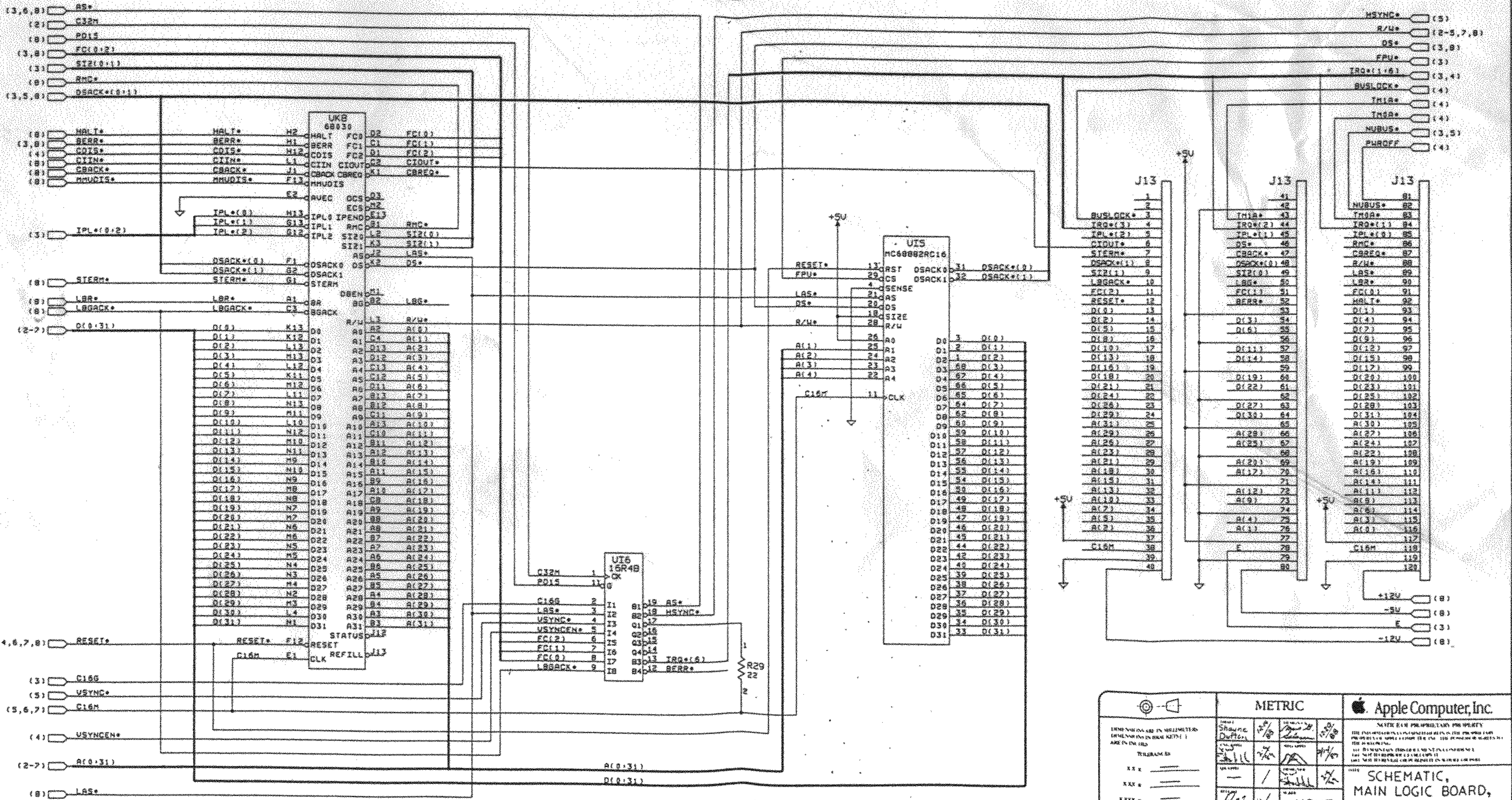


NOTE: UNLESS OTHERWISE SPECIFIED

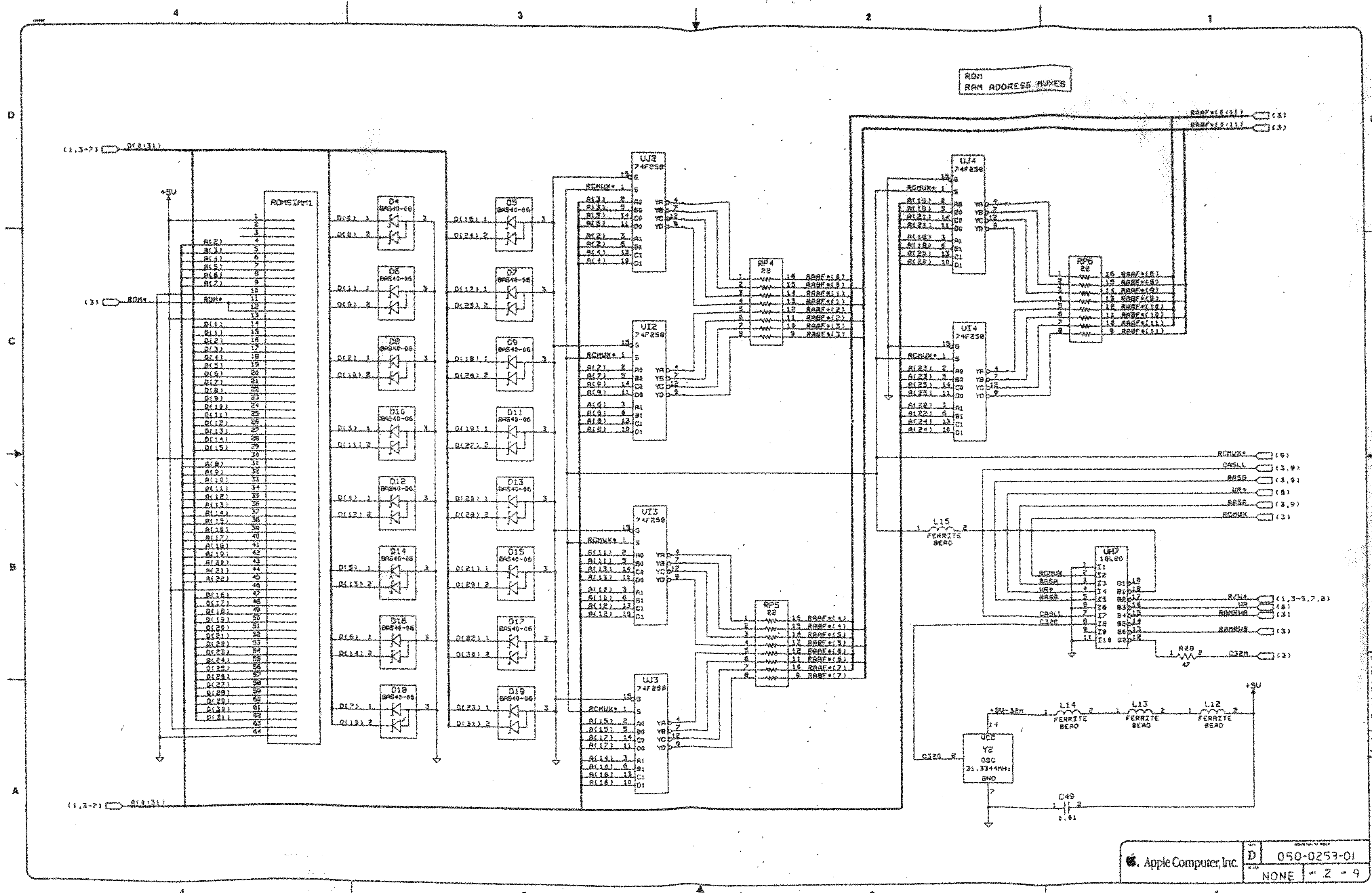
REV	DATE	DESCRIPTION	APP'D	DATE
01	V1690	ENGINEERING RELEASE		7/28/85

1. ALL RESISTANCE VALUES ARE IN OHMS, +/- 5%, 1/8 WATT.
2. ALL CAPACITANCE VALUES ARE IN MICROFARADS.
3. () DENOTES SHEET TO SHEET REFERENCES.
4. COLD & HOT GROUND ARE CONNECTED TOGETHER AT TWO LOCATIONS, NEAR THE ADB CONNECTORS AND AT THE SOUND CIRCUIT.

CPU (68030)
FPU (68881/68882)

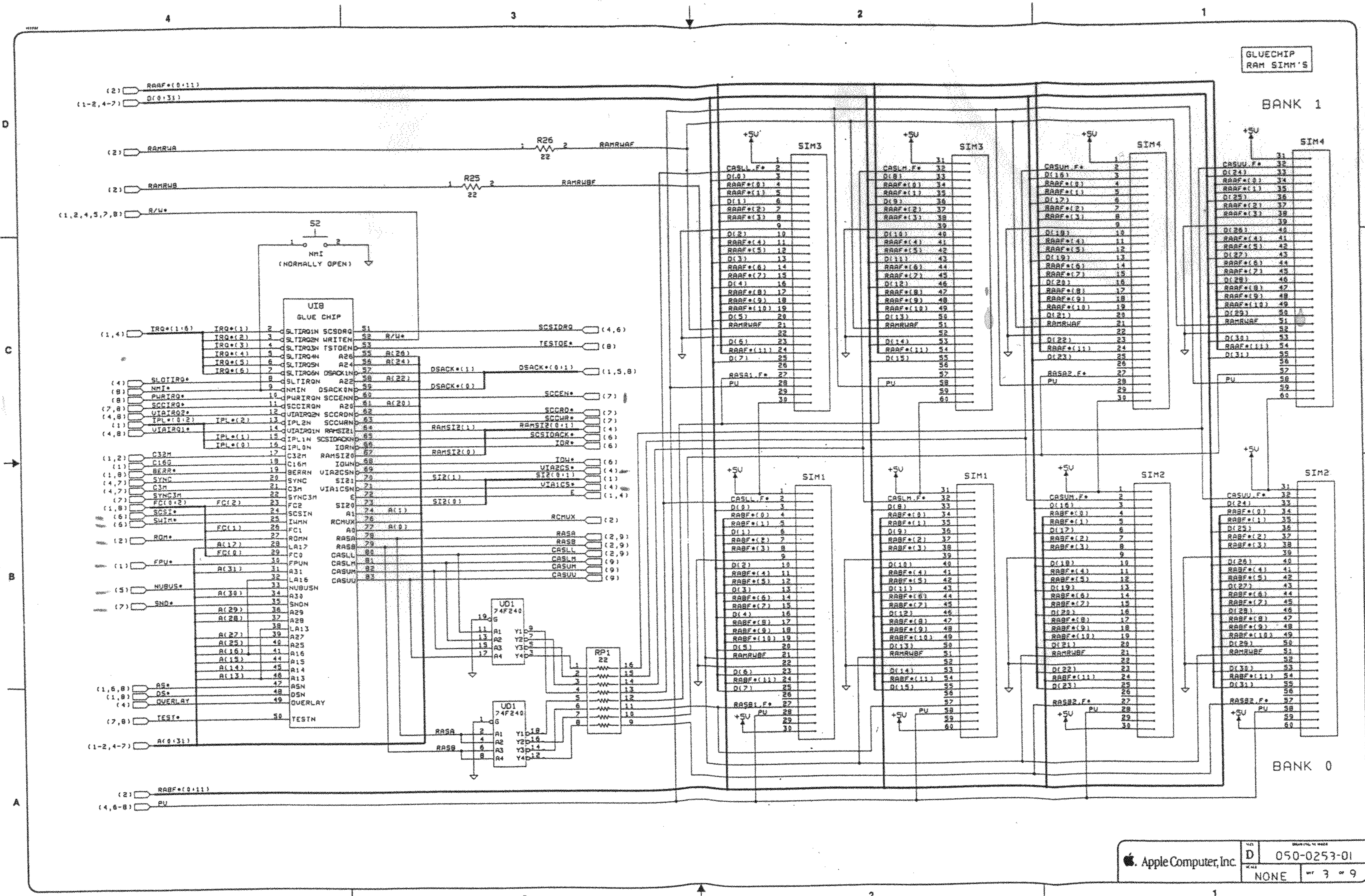


		METRIC			
DIMENSIONS ARE IN MILLIMETERS DIMENSIONS IN INCHES ARE IN PARENTHESES ARE IN PARENTHESES		THIS PRODUCT IS THE PROPERTY OF APPLE COMPUTER, INC. IT IS TO BE USED ONLY FOR THE PURPOSES SPECIFIED BY APPLE COMPUTER, INC. IT IS NOT TO BE REPRODUCED OR TRANSMITTED IN ANY FORM OR BY ANY MEANS, ELECTRONIC OR MECHANICAL, INCLUDING PHOTOCOPYING, RECORDING, OR BY ANY INFORMATION STORAGE AND RETRIEVAL SYSTEM.		SCHMATIC, MAIN LOGIC BOARD, MAC SE/30	
TOLERANCES:		NONE		DRAWING NO. 050-0253-01	
XX ± _____ XXX ± _____ XXXX ± _____ ANGLES ± _____		MATERIALS: NONE FINISH: NONE		DATE: _____ BY: _____	
DO NOT SCALE DRAWING.		APPR. DATE: _____ BY: _____		050-0253-01 1/9	



ROM
RAM ADDRESS MUXES

050-0253-01 2/

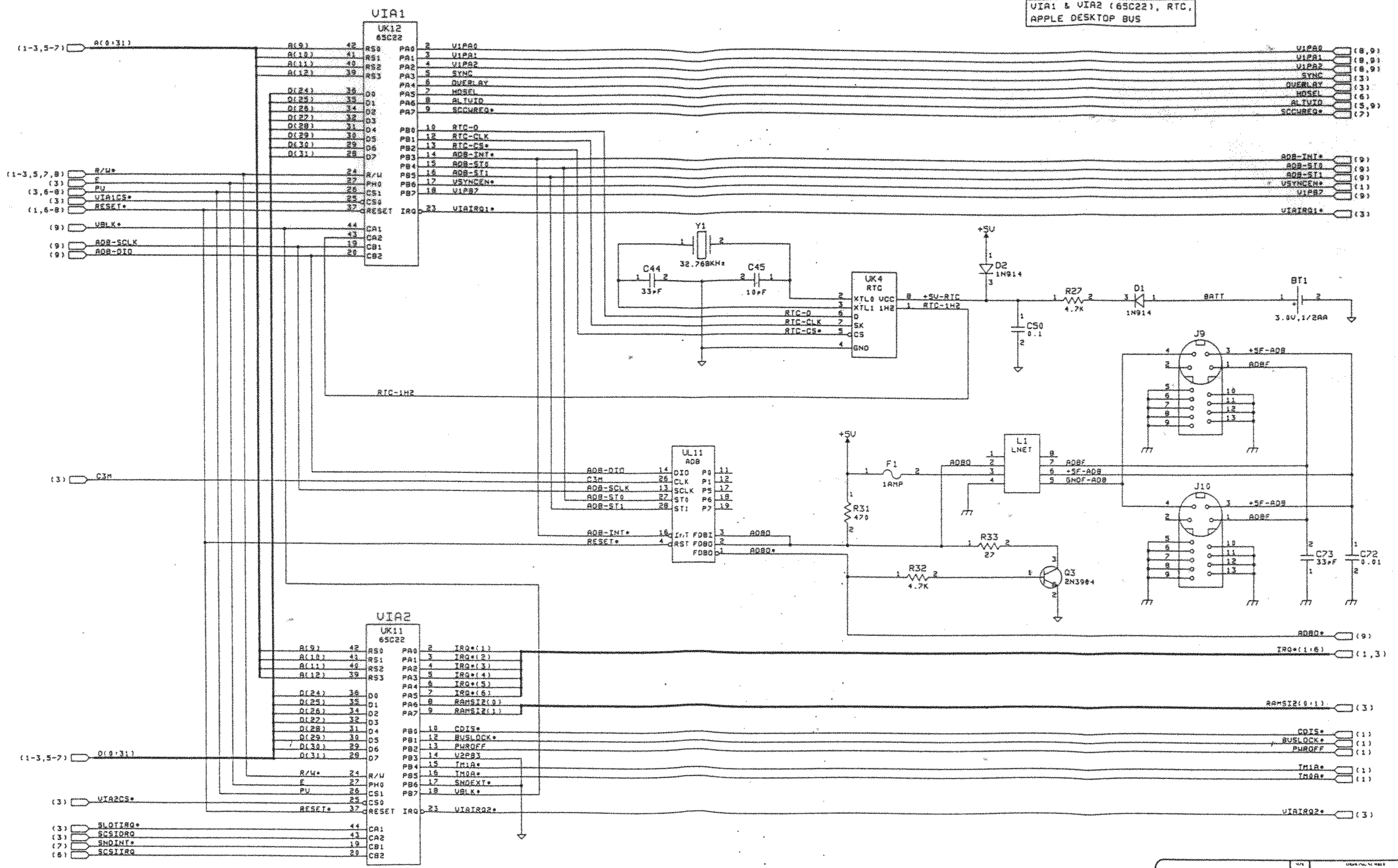


GLUECHIP
RAM SIMM'S

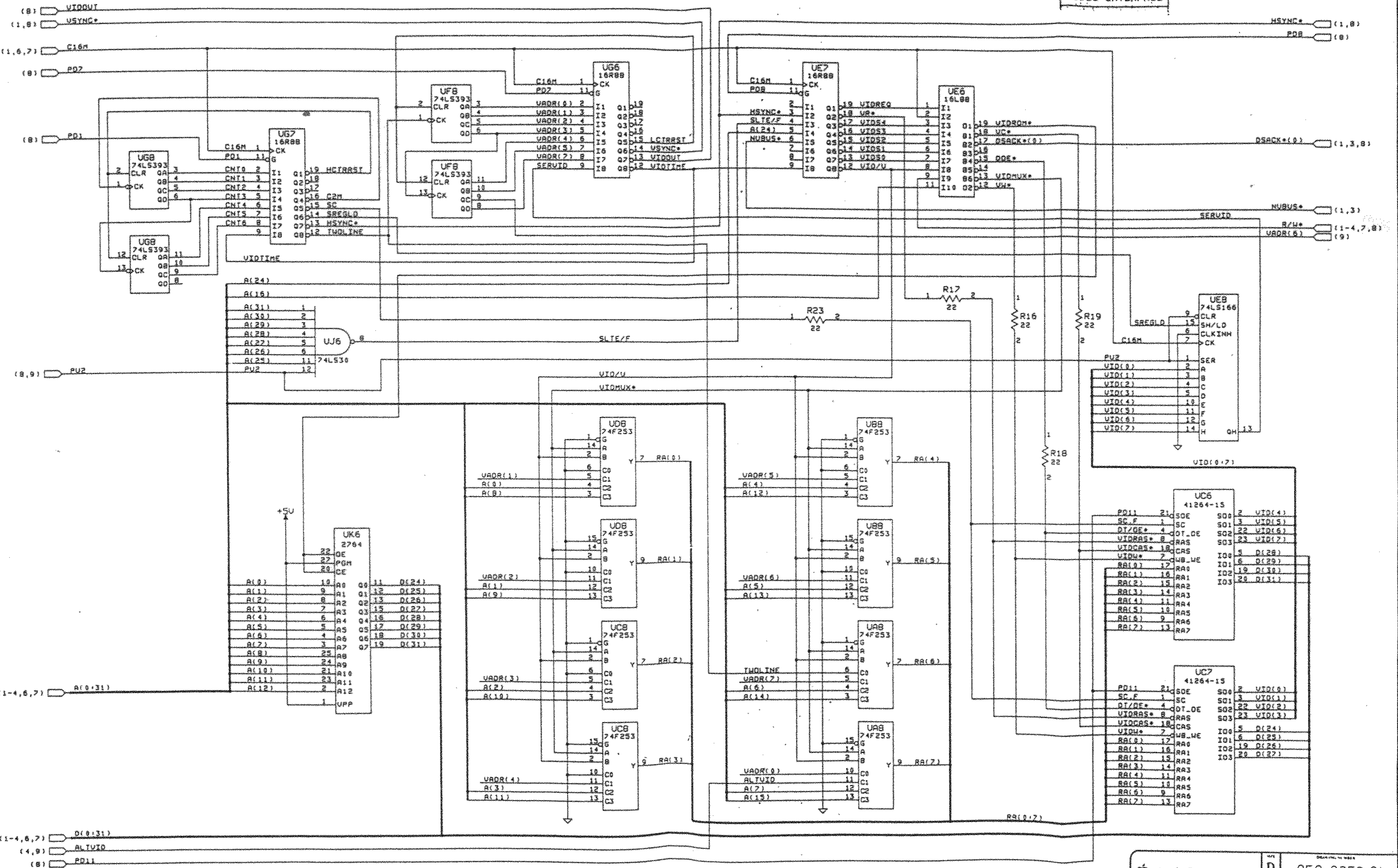
BANK 1

BANK 0

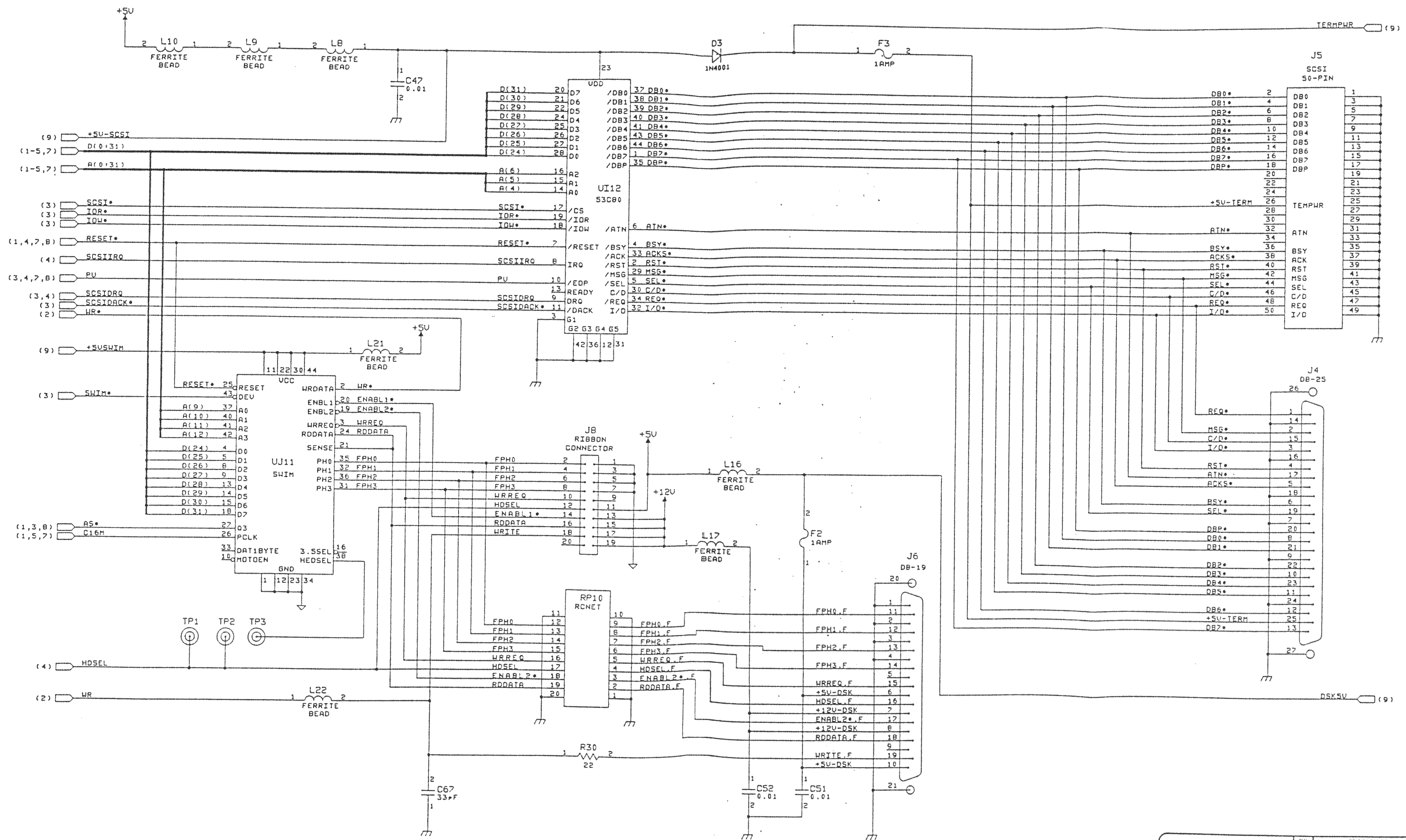
VIA1 & VIA2 (65C22), RTC,
APPLE DESKTOP BUS



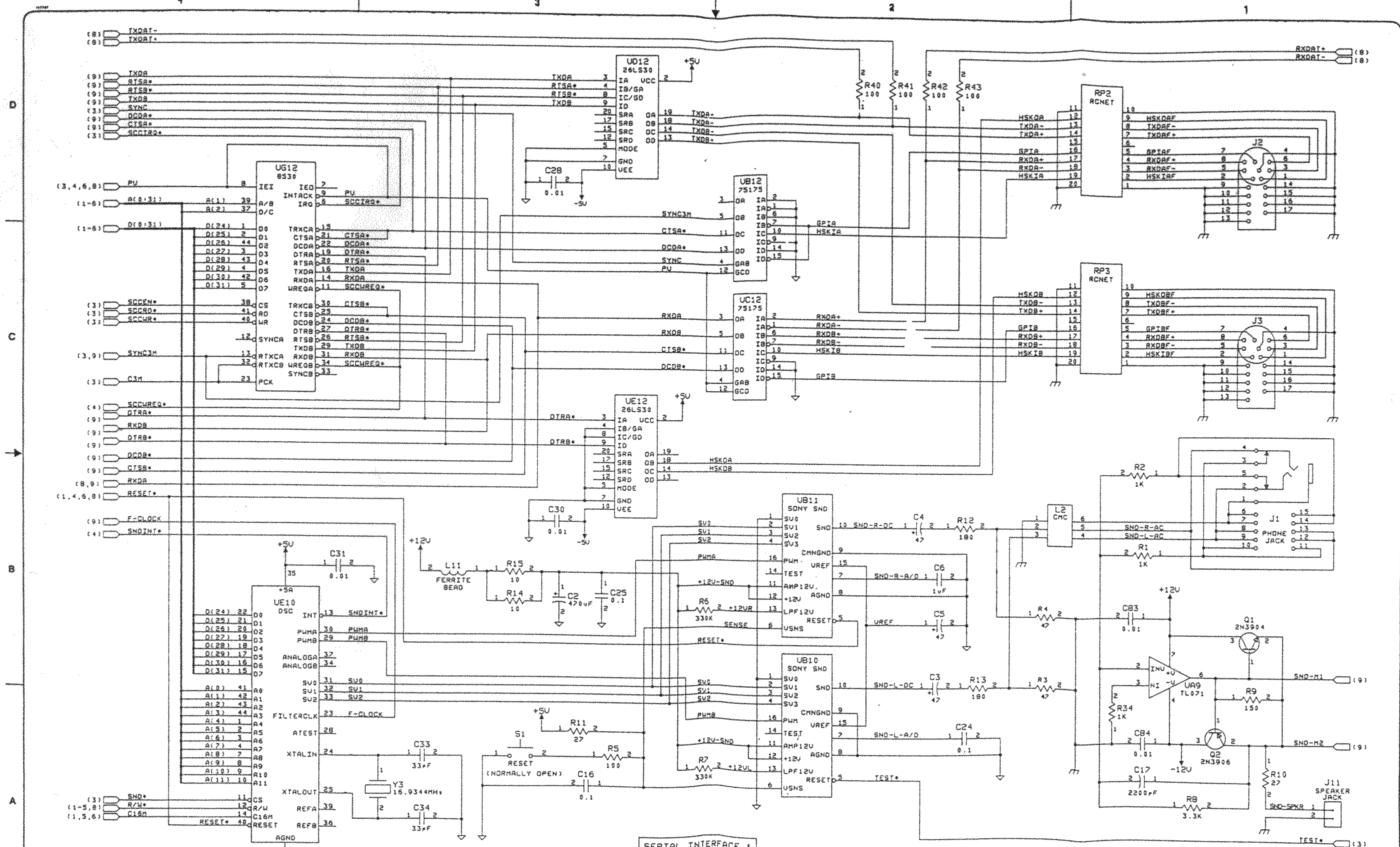
VIDEO INTERFACE



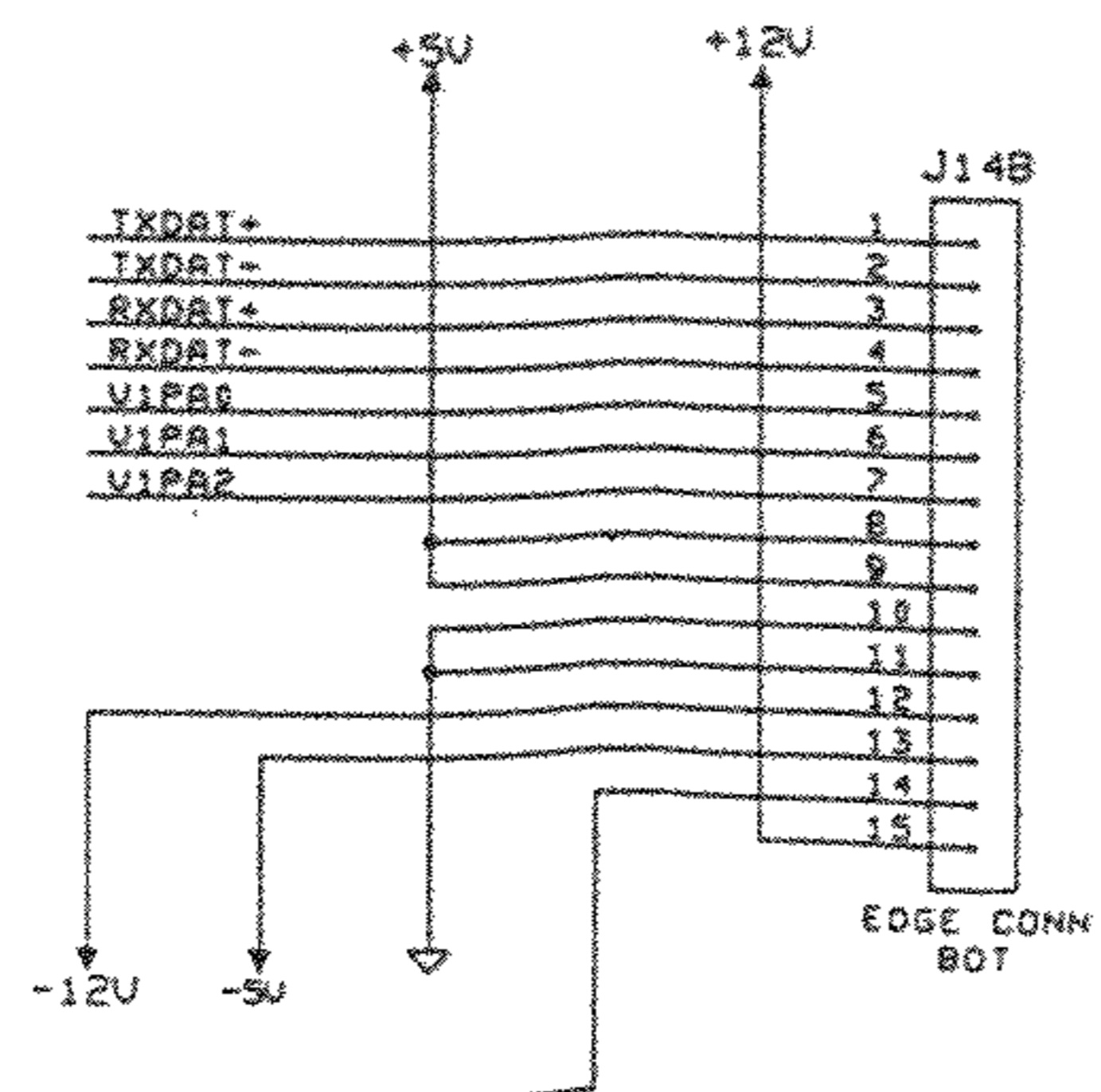
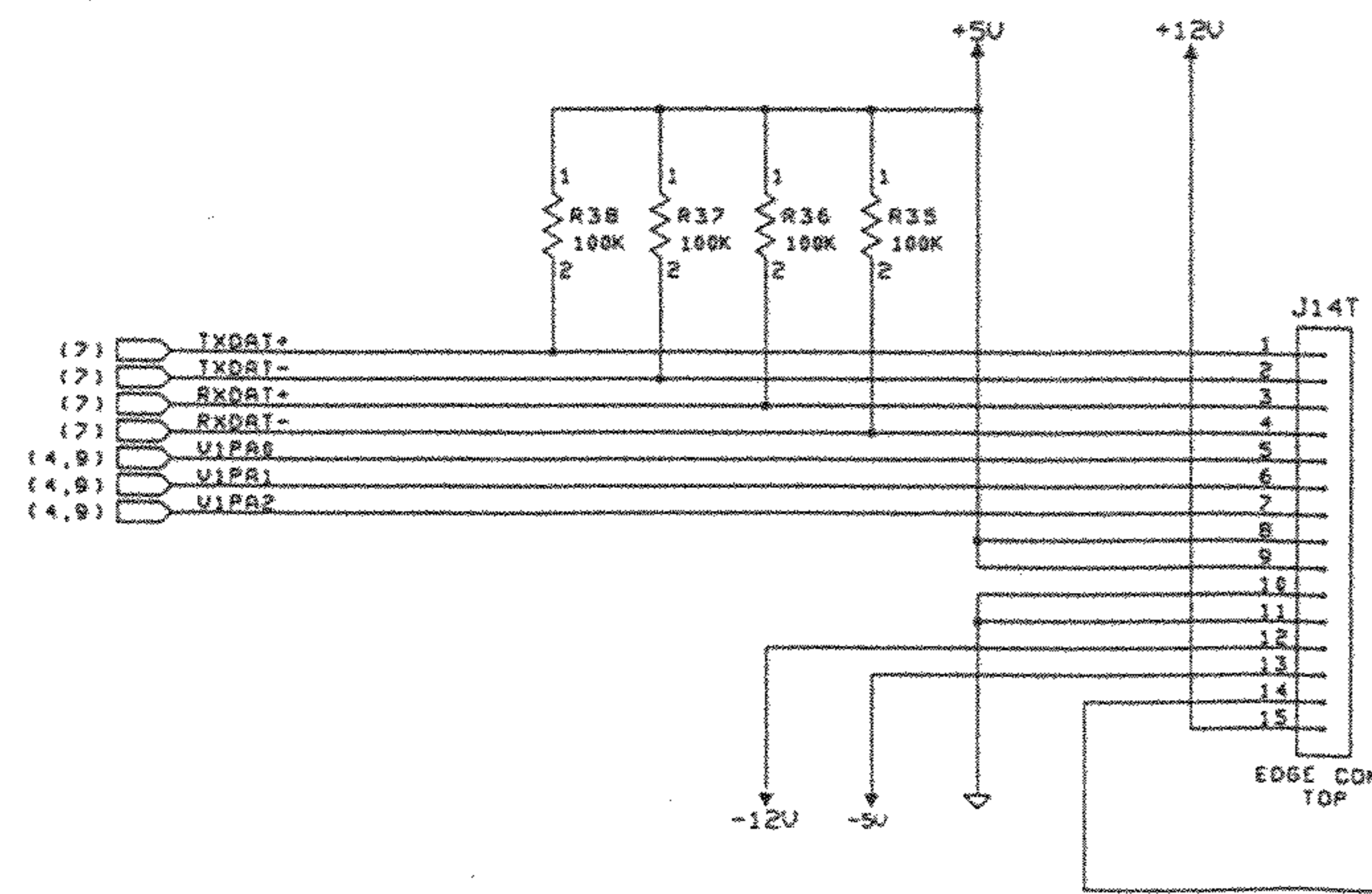
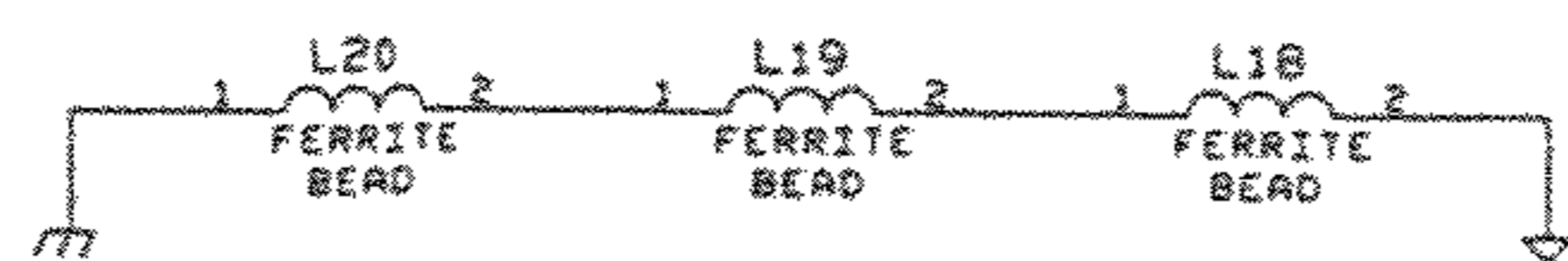
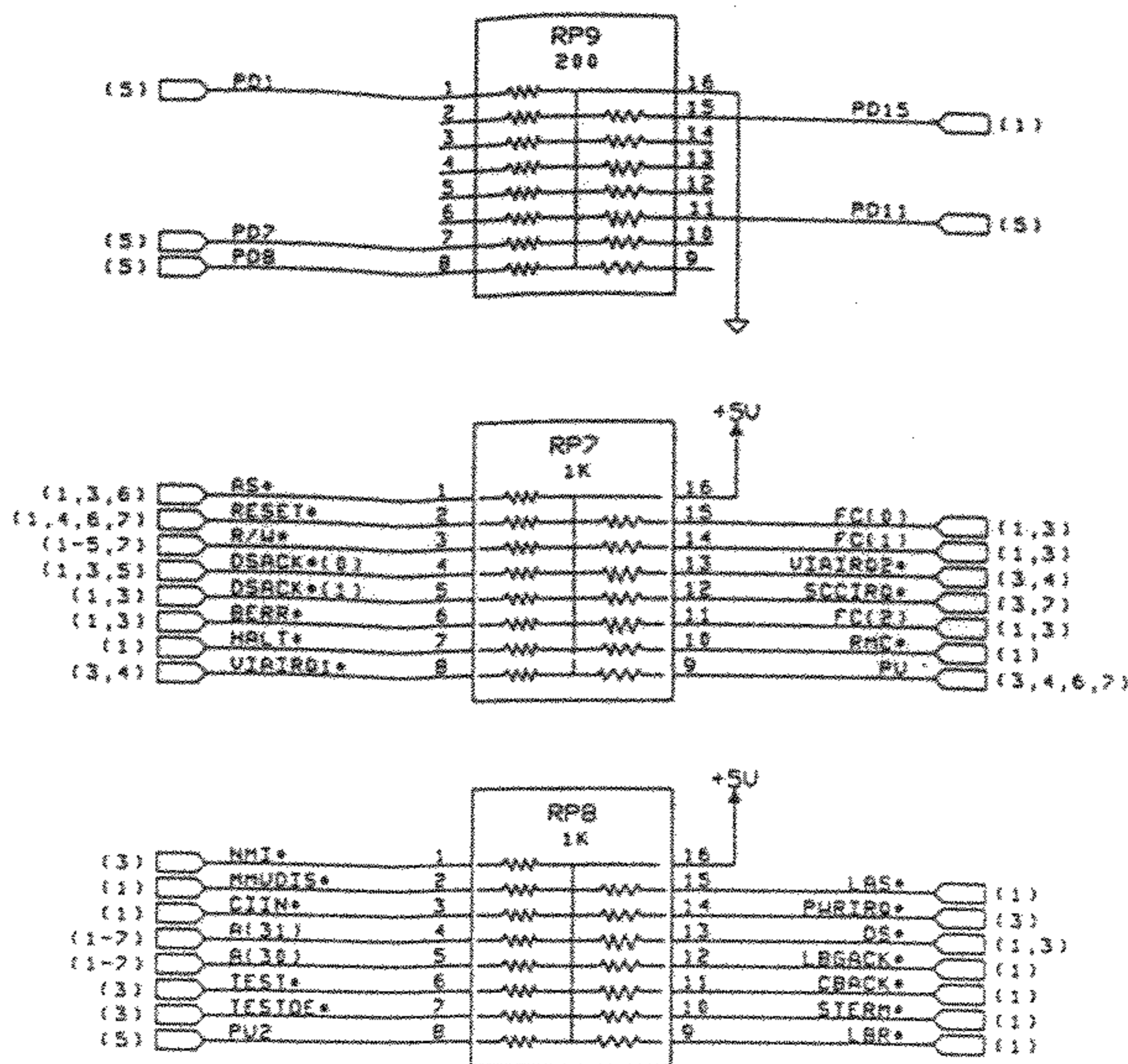
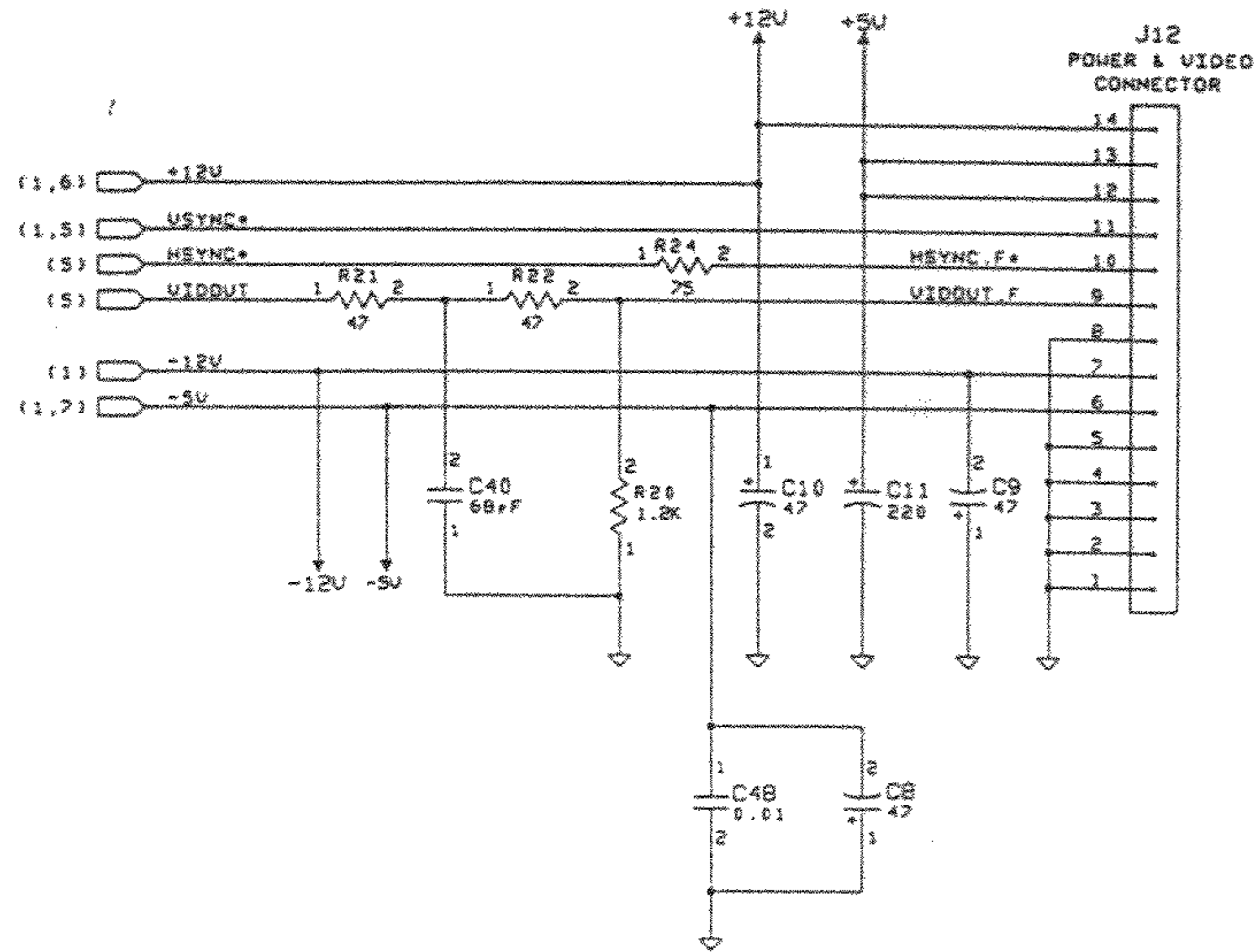
SWIM & SCSI INTERFACE



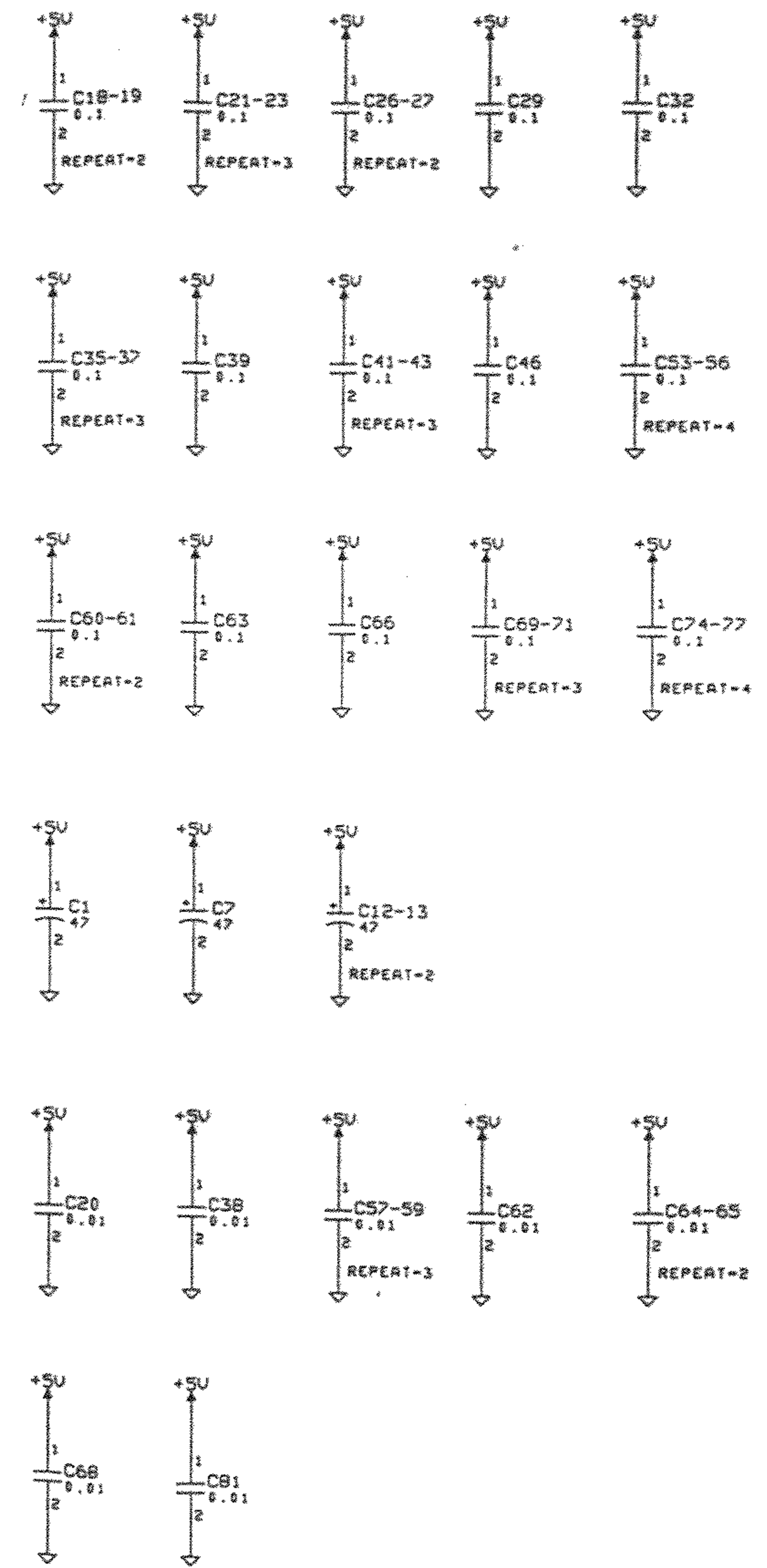
050-0253-01 6/9



050-0253-01 7/9



POWER CONNECTOR, PULLUPS & PULLDOWNS



050-0253-01 B/9