

# **CONTROL DATA® 6600 COMPUTER SYSTEM**

6601A-J, 6604-A/B/C  
6613-A/B/C, 6614-A/B/C

**Chassis 6**

**CARD PLACEMENT  
WIRE LISTS  
CHASSIS TABS**

63017400

# RECORD of REVISIONS

REVISION	NOTES
A (4-12-65)	This printing obsoletes all previous editions. This printing includes Chippewa change notices 19, 20, 28, 29, 32, and 92.
B (12-6-65)	This revision obsoletes previous editions and includes wiring corrections and additional signal annotations. This printing includes all changes through and including C O 11855. Product designations covered are as follows: 6601-A06, 6601-B06, 6601-C06, 6601-D06, 6601-E06, 6601-F06, 6601-H06, 6604-A06, 6604-B06.
C (4-1-66)	Change Order 11303. (Previously incorporated in Rev B).
D (4-1-66)	Change Order 11468. (Previously incorporated in Rev B).
E (4-1-66)	Change Order 11486. (Previously incorporated in Rev B).
F (4-1-66)	Change Order 11487. (Previously incorporated in Rev B).
G (4-1-66)	Change Order 12298. New Product Designations: 6601-A18, 6601-B18, 6601-C18, 6601-D18, 6601-F18, 6601-F18, 6601-H23, 6604-A24, 6604-B18. Pages D15 and O15 revised.
H (4-1-66)	Change Order 12659, which did not affect the Product Designation. Pages G29 and I32 revised.
J (4-1-66)	Publications Change Order 13085. Revised format for cover and title page.
K (4-27-66)	Field Change Order 13113, which was voided by Field Change Order 13423.
L (4-27-66)	Field Change Order 13423. New Product Designations: 6601-A20, 6601-B20, 6601-C20, 6601-D20, 6601-E20, 6601-F20, 6601-H28, 6604-A30, 6604-B21, 6605-A09. Pages A25, F17, L08, and R25 revised.
M (11-30-66)	Change Order 14087, which did not affect the Product Designation. Pages I22 and J22 revised.
N (11-30-66)	Field Change Order 14153, which advanced the Product Designation to 6601-A37, 6601-B38, 6601-C38, 6601-D38, 6601-E38, 6601-F38, 6601-H56, 6604-A55, 6604-B39, 6613-A15 and 6614-A15. Pages G12, H09, I09, J09, K09 and L12 revised.
P (11-30-66)	Publications Change Order 15242 which did not affect the Product Designation. Cover and title page revised.
R (5-24-67)	Change Order 15213. No Product Designation change. Pages A25, I08, I32, J08, J32, K14, and R25 revised.
S (5-24-67)	Field Change Order 15191, which advanced the Product Designations to 6601-A44, 6601-B45, 6601-C45, 6601-D45, 6601-E45, 6601-F45, 6601-H71, 6601-J11, 6604-A67, 6604-B46, 6604-C10, 6613-A30, 6613-B11, 6614-A27 and 6614-B10. Pages E23, I38, L09, L26, N29, N34, P05 and R22 revised.
T (5-24-67)	Field Change Order 15968, which advanced the Product Designations to 6601-A48, 6601-B49, 6601-C49, 6601-D49, 6601-E49, 6601-F49, 6601-H77, 6601-J17, 6604-A74, 6604-B51, 6604-C17, 6613-A36, 6613-B17, 6613-C06, 6614-A34, 6614-B17 and 6614-C07. Pages: Card Placement C02, E25, F06, F07, F28, H20, I07, I08, I23, I26, J07, J08, J23, J27, K20, L08, M28, N25 and P02 revised. J26, new.
U (5-24-67)	Publications Change Order 16489, no Product Designation change. Cover, Title page, I22, I25, I27, K20 and comment sheet revised.
V (1-2-68)	Change Order 17250. No Product Designation affected. Pages I27 and K09 revised.

FORM CA230 REV. 1-67

Pub No. 63017400  
© 1965, 1966, 1967.  
by Control Data Corporation

Printed in United States of America

Address comments concerning this manual to:

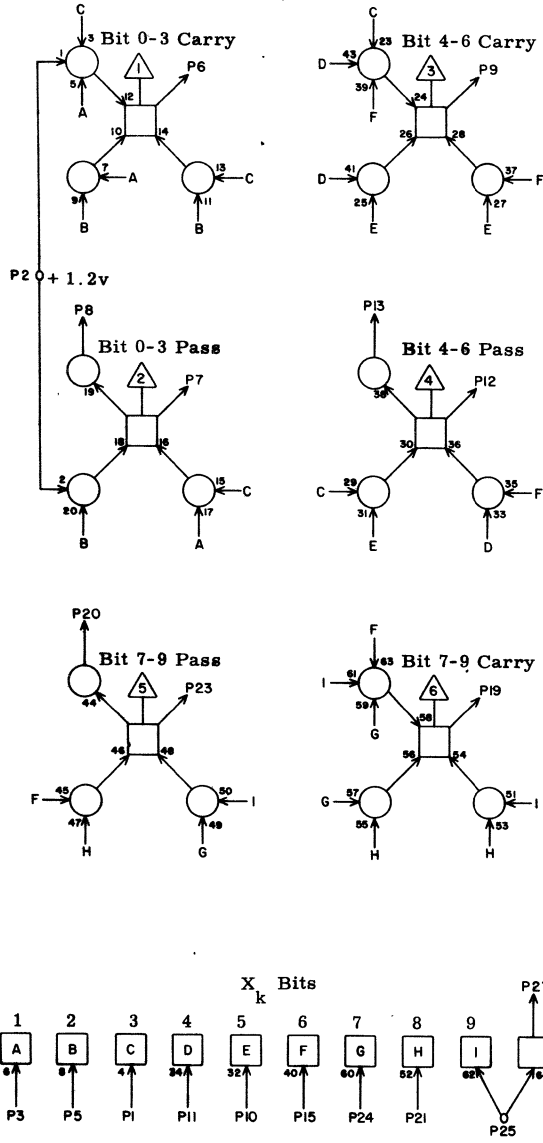
Control Data Corporation  
Technical Publications Department  
4201 North Lexington Avenue  
St. Paul, Minnesota 55112

or use Comment Sheet in the back of this manual.





$X_k + 2X_k$  ADDER, PASS AND CARRIES



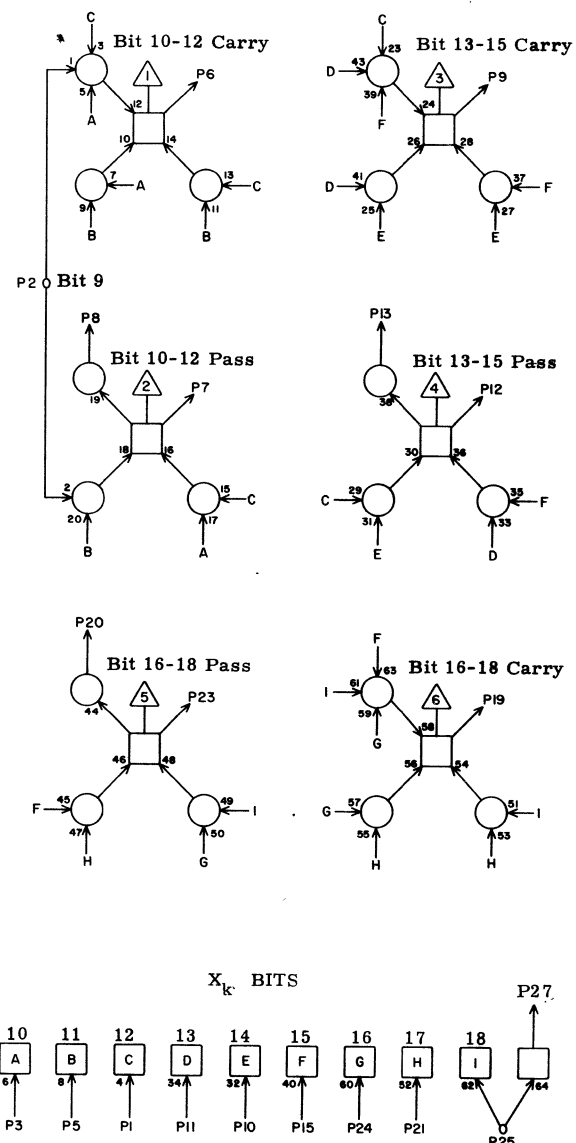
ME **6A1**

1	C2	28	15
2	I15	27	33
3	C1	23	13
4			
5	C1	18	13
6	B5	2	7
7	A5	16	7
8	A4	21	7
9	B5	1	7
10	C2	18	13
11	C2	23	13
12	B5	4	7
13	A4	27	7
14			
15	C3	28	13
16			
17			
18			
19	B5	8	7
20	A4	25	7
21	C3	18	11
22			
23	B5	3	7
24	C3	23	13
25	C4	28	13
26			
27	A2	2	5
28			

JACK PIN LG

63017400 Rev. B

$X_k + 2X_k$  ADDER, PASS AND CARRIES



ME **6A2**

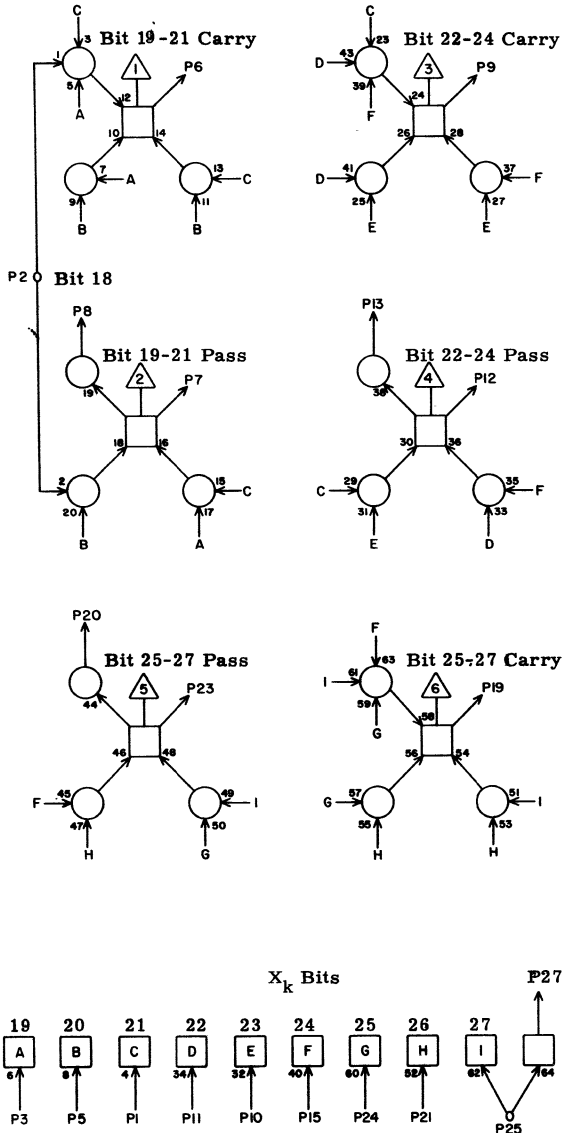
1	C 5	28	15
2	A 1	27	5
3	C 4	23	13
4			
5	C 4	18	13
6	B 5	27	11
7	A 5	7	7
8	A 4	23	7
9	B 5	28	9
10	C 5	18	13
11	C 5	23	13
12	B 5	25	11
13	A 4	17	5
14			
15	C 6	28	13
16			
17			
18			
19	B 5	23	7
20	A 4	19	7
21	C 6	18	13
22			
23	B 5	26	7
24	C 6	23	13
25	C 7	28	13
26			
27	A 3	2	5
28			

JACK PIN LG

6A2

63017400 Rev. B

$X_k + 2X_k$  ADDER, PASS AND CARRIES



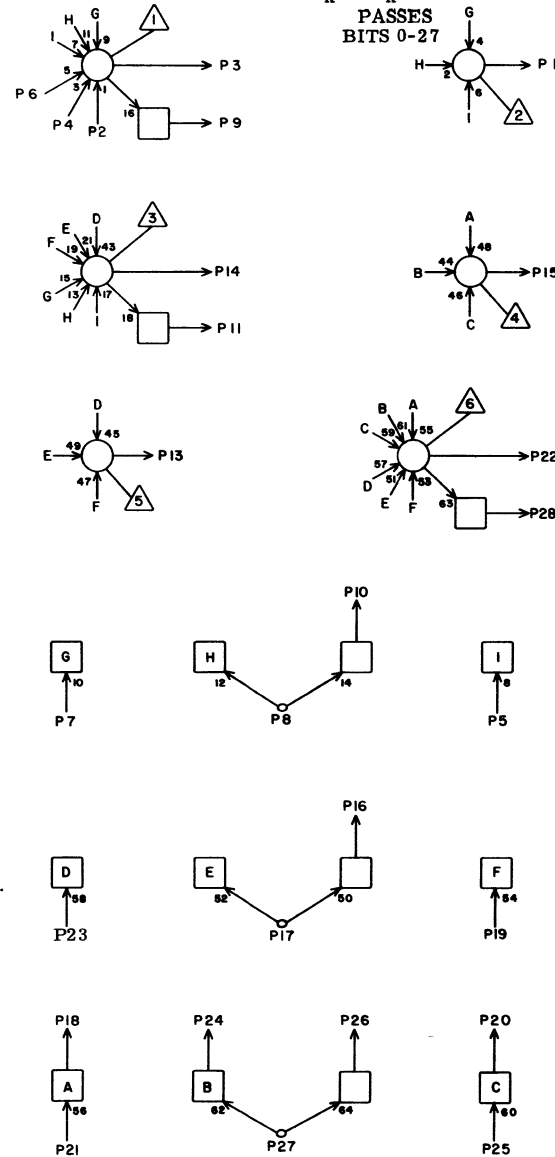
ME 6 A3

1	C 8	28	15
2	A 2	27	5
3	C 7	23	13
4			
5	C07	18	13
6	B 6	2	7
7	A 6	16	5
8	A 4	7	3
9	B06	1	7
10	C08	18	13
11	C08	23	13
12	B06	4	7
13	A04	8	3
14			
15	C09	28	15
16			
17			
18			
19	B06	8	7
20	A04	5	5
21	C09	18	13
22			
23	B06	3	7
24	C09	23	13
25	D 1	28	15
26			
27	B01	2	7
28			

JACK PIN LG

$X_k + 2X_k$  ADDER

PASSES  
BITS 0-27

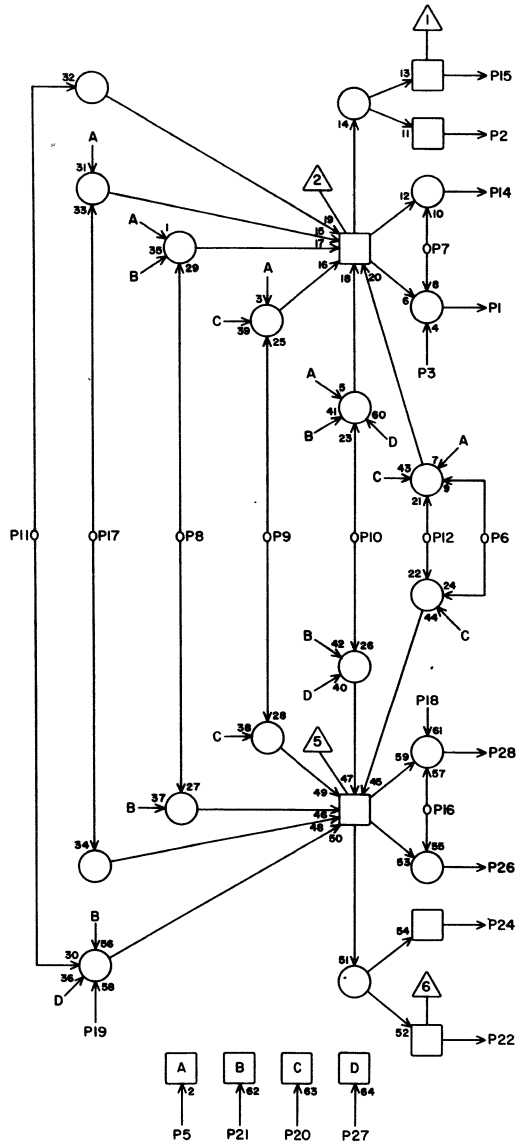


MI 6 A4

1	A 6	5	5
2	B 4	20	9
3	A 7	20	7
4	B 4	24	9
5	A 3	20	5
6	B 4	18	9
7	A 3	8	3
8	A 3	13	3
9	A 5	6	3
10	A 6	18	5
11	A 5	19	3
12			
13	A 6	21	5
14	A 7	27	7
15	A 5	5	5
16	A 5	3	5
17	A 2	13	5
18	B 4	6	9
19	A 2	20	7
20	B 4	2	5
21	A 1	8	7
22	A 6	20	5
23	A 2	8	7
24	B 4	4	7
25	A 1	20	7
26	A 5	18	5
27	A 3	13	7
28	A 7	6	7

JACK PIN LG

$X_k + 2X_k$  ADDER

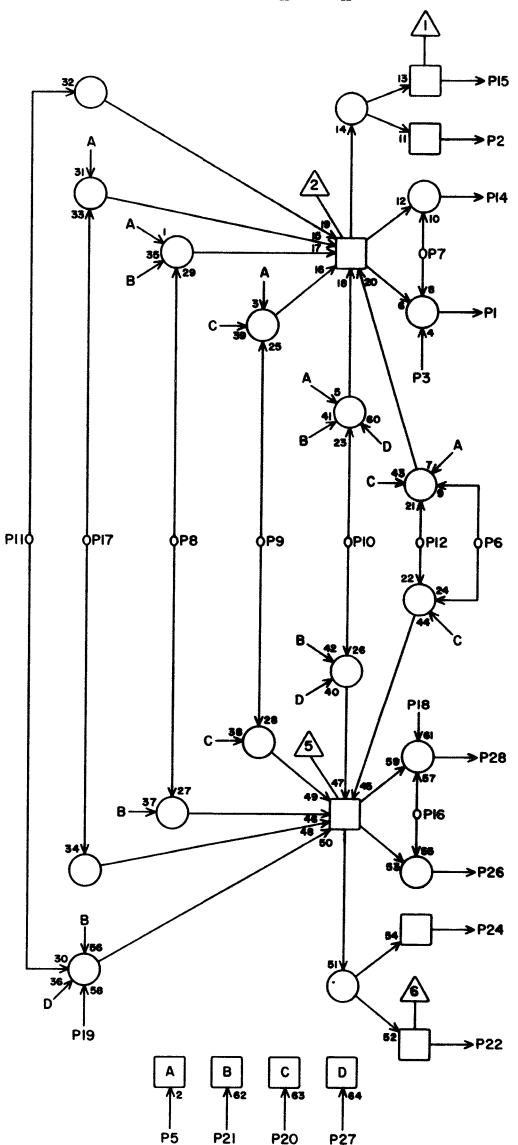


MJ 6A 5

1	B 5	17	9
2	B10	7	11
3	A 4	16	5
4			
5	A 4	15	5
6	A 4	9	3
7	A 2	7	7
8	B 7	7	7
9	B 6	20	9
10	B 6	7	7
11	B 5	7	7
12	B 5	20	9
13			
14	B 5	21	9
15	C 4	27	13
16	A 1	7	7
17	B 7	20	9
18	A 4	26	5
19	A 4	11	3
20	B 4	14	7
21	B 4	1	7
22			
23			
24			
25			
26	B 5	10	7
27	B 4	22	7
28	B 5	11	7

JACK PIN LG

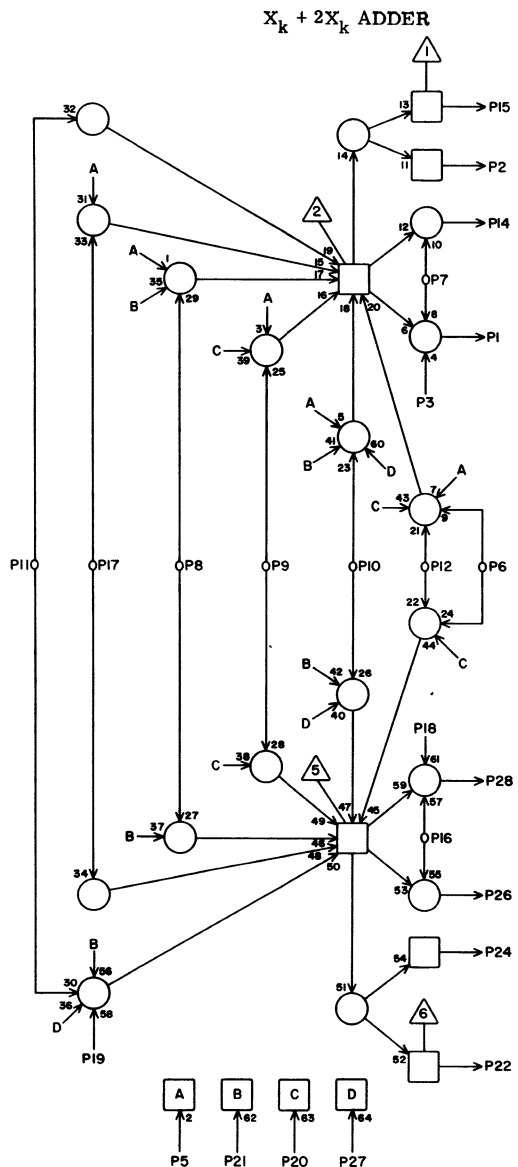
$X_k + 2X_k$  ADDER



MJ 6A 6

1	B 6	17	9
2	D10	7	17
3	B 4	26	11
4			
5	A 4	1	5
6	B 4	11	9
7	B 1	7	11
8	B 5	9	7
9	B 7	19	9
10	B 7	9	7
11	B 6	9	7
12	B 6	19	9
13			
14	B 6	21	9
15	B 1	27	17
16	A 3	7	5
17	B 5	19	7
18	A 4	10	5
19	B 4	22	5
20	A 4	22	5
21	A 4	13	5
22	C10	7	11
23			
24	C 7	27	13
25			
26	B 6	10	7
27	B 4	3	7
28	B 6	11	7

JACK PIN LG



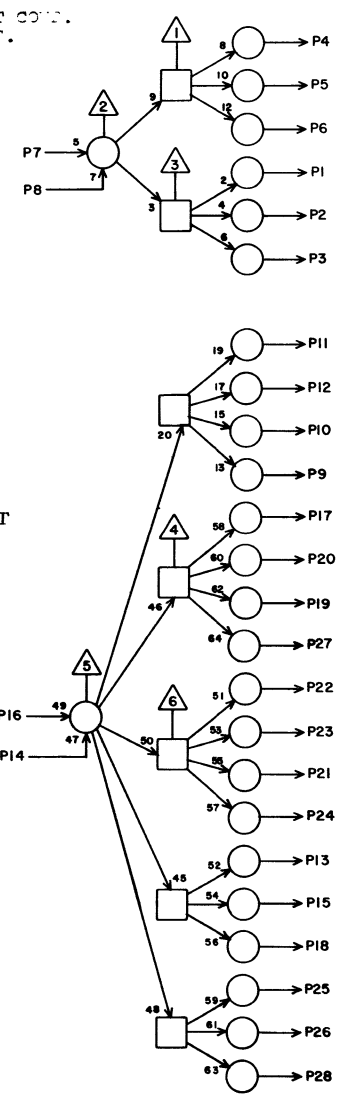
MJ 6A 7

1			
2	F10	7	23
3	B 4	10	9
4			
5	B 4	13	9
6	A 4	28	7
7	B 3	7	9
8	B 6	14	7
9	B 5	15	9
10	B 5	14	9
11	B 7	14	7
12	B 7	15	7
13			
14	B 7	21	9
15	D 7	27	17
16	B 2	7	9
17	B 6	15	7
18	B 4	16	9
19	B 4	9	7
20	A 4	3	7
21	B 4	15	9
22	E10	7	17
23			
24	D 4	27	15
25			
26	B 7	10	7
27	A 4	14	7
28	B 7	11	5

JACK    PIN    LG

63017400 Rev. B

LEFT SHIFT COND.  
MULT → REC.



Bit 4, 5  
 $3X_k$   
FANOUT

CB 6AB

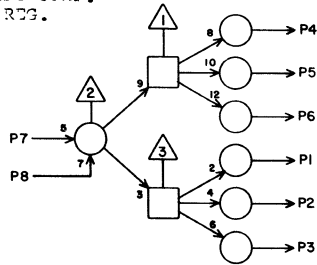
1	E 1	9	21
2	E 2	9	21
3	E 3	9	19
4	E 4	9	19
5	E 5	9	19
6	E 6	9	19
7	L 8	20	49
8	H22	23	84
9	B10	19	7
10	A12	19	7
11	A10	19	5
12	A11	19	5
13	E10	19	19
14	A08	x	2
15	E11	19	19
16	I 8	8	33
17	B11	19	7
18	E12	19	19
19	C10	19	11
20	B12	19	9
21	D11	19	15
22	C12	19	11
23	D10	19	15
24	D12	19	15
25	F10	19	21
26	F11	19	23
27	C11	19	11
28			

JACK    PIN    LG

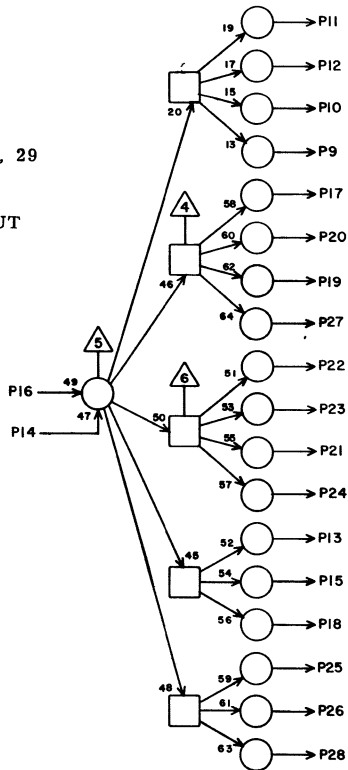
63017400 Rev. B



LEFT SHIFT COMP.  
MULT. → REG.



BIT 28, 29  
 $1 X_k$   
FANOUT



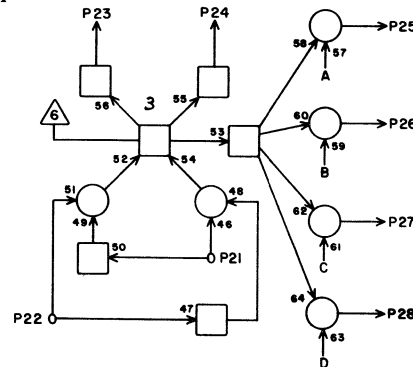
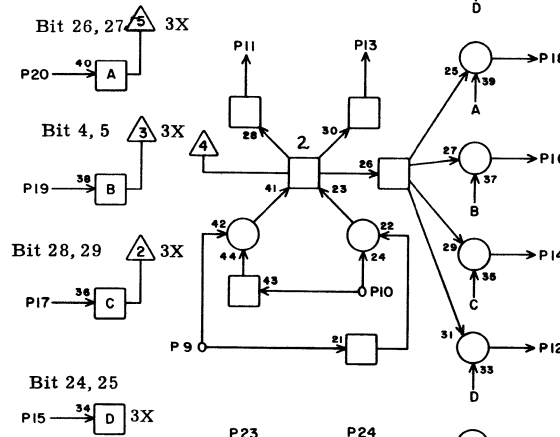
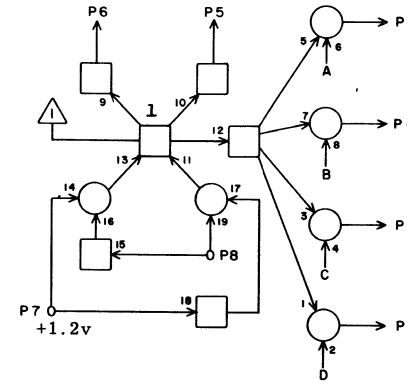
CB 6A9

1	E 7	9	19
2	F 1	9	25
3	F 2	9	23
4	F 3	9	23
5	F 4	9	23
6	F 5	9	23
7	L 8	18	41
8	H22	26	34
9	F20	5	25
10	F19	5	25
11	E24	5	23
12	F18	5	23
13	G22	5	29
14	A00	x	2
15	G23	5	29
16	I 8	15	33
17	F21	5	25
18	G24	5	29
19	F23	5	25
20	F22	5	25
21	G20	5	27
22	G18	5	27
23	G19	5	27
24	G21	5	27
25	H18	5	29
26	H19	5	29
27	F24	5	25
28			

JACK PIN LG

63017400 Rev. B

$X_k + 2X_k$  ADDER; SELECT  $3X_k$



6A10

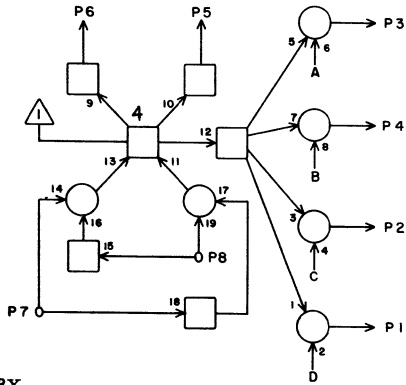
MF 6A10

1	A18	4	11
2	E24	4	23
3	C21	4	15
4	E24	21	25
5	A18	23	11
6	C21	23	17
7	I 1	27	37
8	C 1	5	15
9	C 1	25	15
10	C 1	8	15
11	A18	27	11
12	A18	3	11
13	C21	27	17
14	E24	3	23
15	H12	11	29
16	E24	24	23
17	B 9	11	7
18	C21	23	17
19	A 8	11	3
20	H23	1	31
21	C 2	1	13
22	C 1	21	15
23	A19	9	13
24	C22	9	17
25	C22	15	27
26	F18	18	23
27	F18	15	23
28	A19	15	13

JACK PIN LG

63017400 Rev. B

$X_k + 2X_k$  ADDER; SELECT  $3X_k$

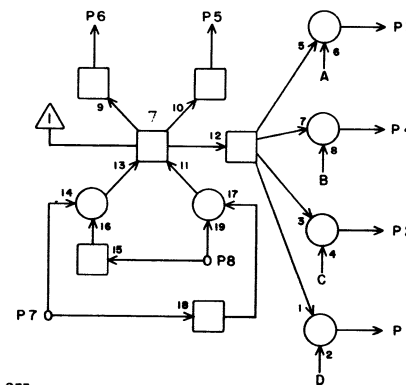


MF 6A11

1	A19	4	11
2	F19	4	23
3	C22	4	15
4	F18	21	23
5	A19	23	11
6	C22	23	17
7	B 5	5	11
8	C 2	5	15
9	C 2	25	15
10	C 2	8	15
11	A19	27	11
12	A19	3	11
13	C22	27	17
14	F18	3	23
15	H12	12	29
16	F18	24	23
17	B 9	12	7
18	C22	3	17
19	A 8	12	5
20	H23	2	31
21	C 3	1	15
22	C 2	21	15
23	A20	9	13
24	C23	9	17
25	C23	15	17
26	F19	18	27
27	F19	15	23
28	A20	15	11

JACK PIN LG  
63017400 Rev. B

$X_k + 2X_k$  ADDER; SELECT  $3X_k$

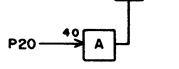


MF 6A12

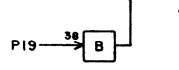
1	A20	4	11
2	F19	4	23
3	C23	4	15
4	F19	21	25
5	A20	23	11
6	C23	23	17
7	B 5	13	13
8	C 3	5	15
9	C 3	25	15
10	C 3	8	15
11	A20	27	11
12	A20	3	11
13	C23	27	17
14	F19	3	23
15	H12	10	29
16	F19	24	23
17	B 9	10	9
18	C23	3	17
19	A 8	10	7
20	H23	3	31
21	C 4	1	15
22	C 3	21	15
23	A21	9	13
24	C24	9	17
25	C24	15	17
26	F20	18	23
27	F20	15	23
28	A21	15	13

JACK PIN LG  
63017400 Rev. B

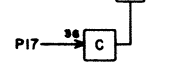
Bit 26, 27 3X



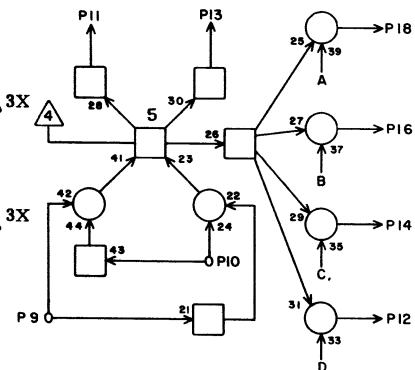
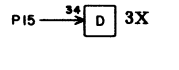
Bit 4, 5 3X



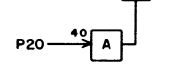
Bit 28, 29 3X



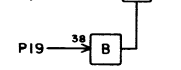
Bit 24, 25 3X



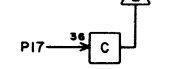
Bit 26, 27 3X



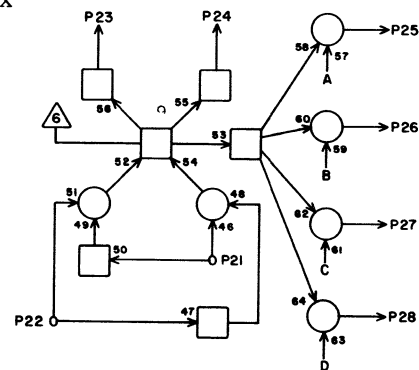
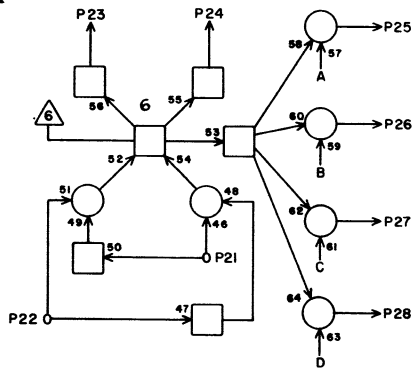
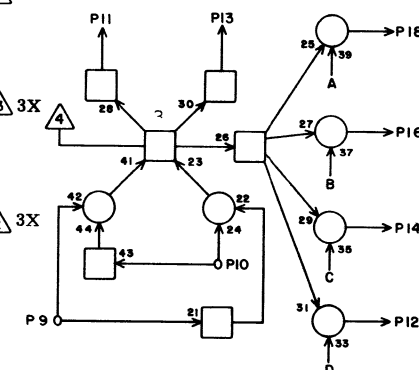
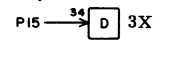
Bit 4, 5 3X



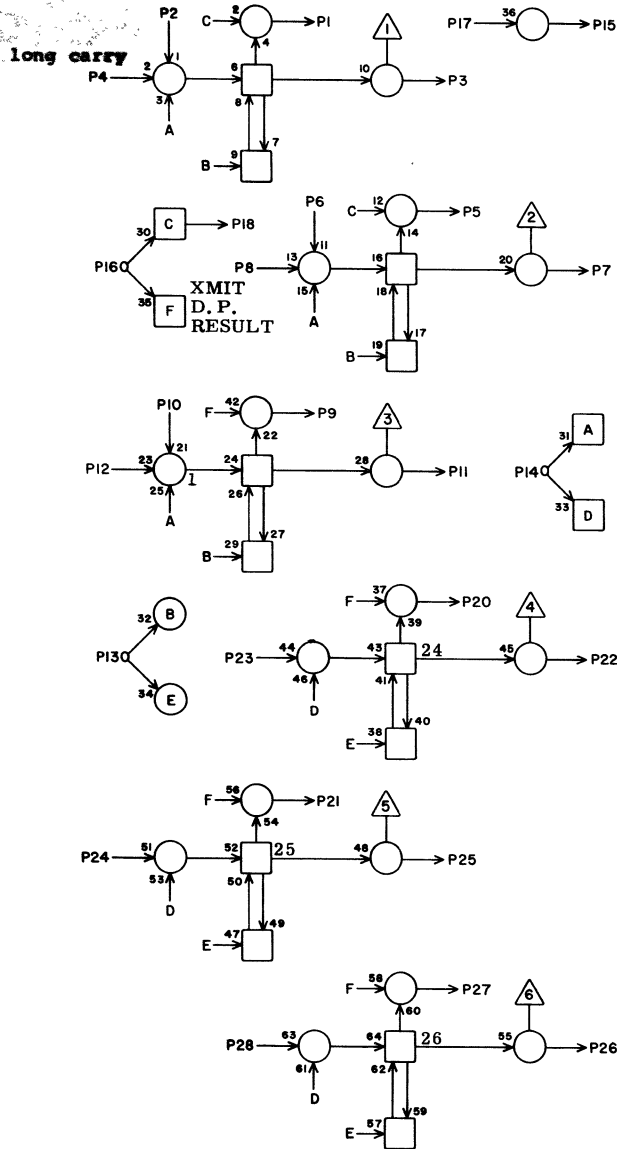
Bit 28, 29 3X



Bit 24, 25 3X



Lower Product Register

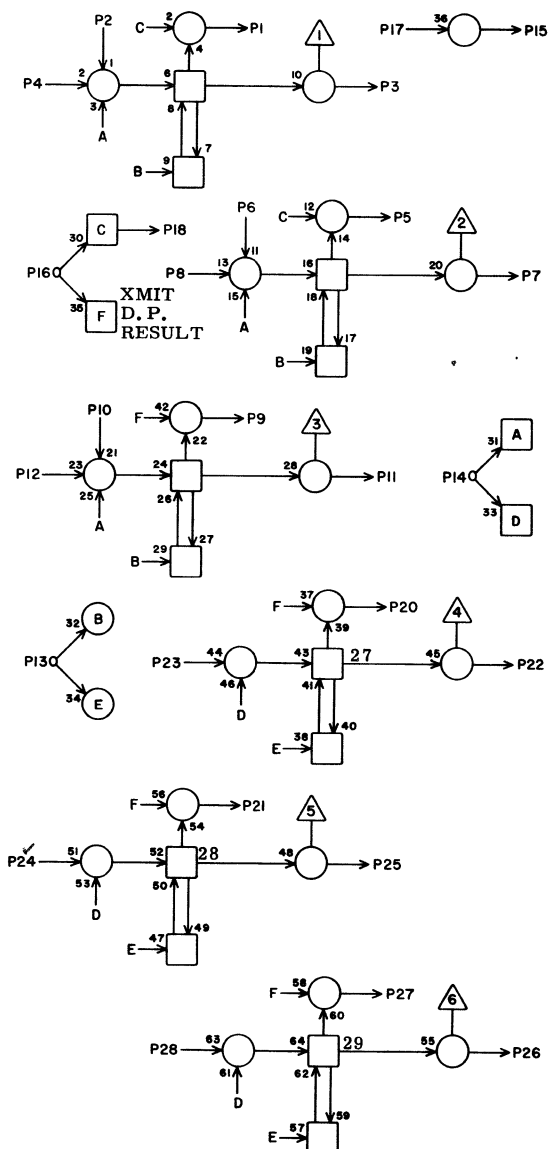


NJ 6A13

1			
2			
3	A26	27	15
4	D28	25	23
5			
6	A30	2	19
7	E 8	5	19
8	A30	4	19
9			
10	A31	2	19
11	E 8	24	21
12	A31	4	19
13	F 8	1	23
14	H20	1	31
15	I14	8	33
16	H22	2	31
17	H22	12	31
18	I10	8	33
19			
20	L 6	23	45
21	L 6	17	45
22	A27	27	17
23	A30	5	19
24	A31	5	19
25	A28	27	17
26	A29	27	19
27	L 7	23	49
28	A32	5	21

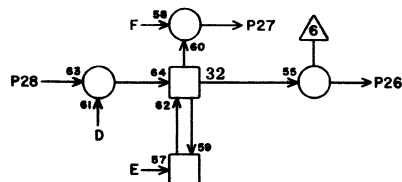
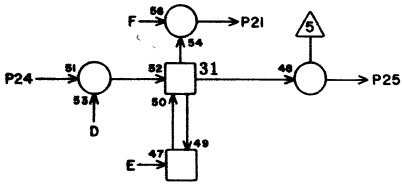
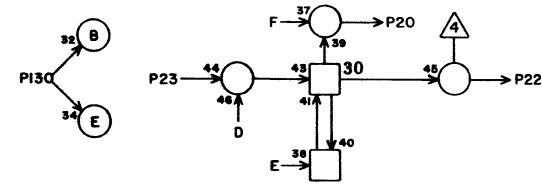
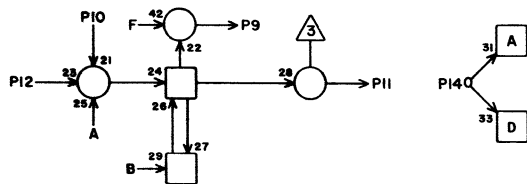
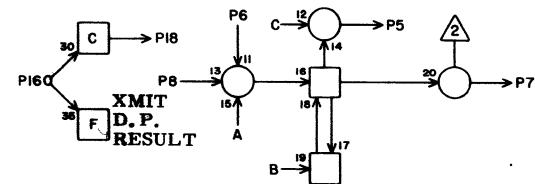
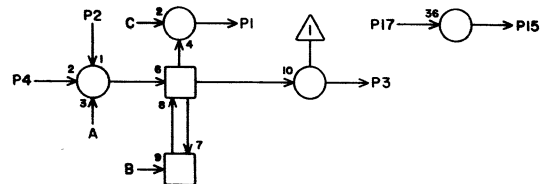
JACK PIN LG

NJ 6A14



1			
2	A32	2	19
3	E 8	23	21
4	A32	4	19
5			
6	A33	2	21
7	E 8	17	21
8	A33	4	21
9			
10	A34	2	21
11	E 8	13	21
12	A34	4	21
13	F 8	2	23
14	H20	2	29
15	I14	18	33
16	H22	4	31
17	H22	15	31
18	I10	18	33
19			
20	L 7	17	45
21	M 1	23	49
22	H26	27	17
23	A33	5	21
24	A34	5	21
25	B27	27	17
26	B28	27	17
27	M 1	17	29
28	A35	5	23

JACK PIN LG

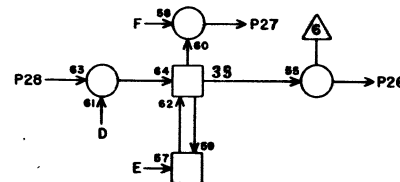
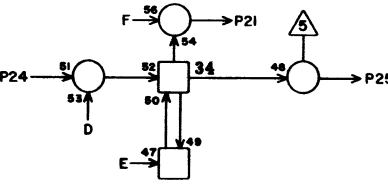
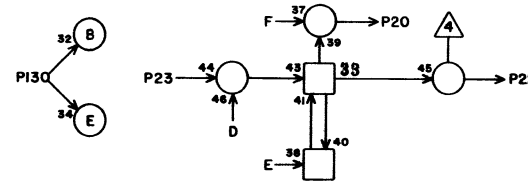
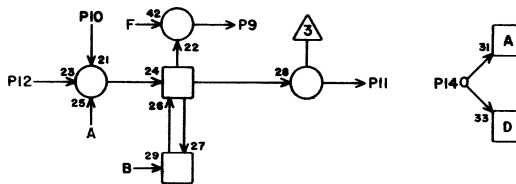
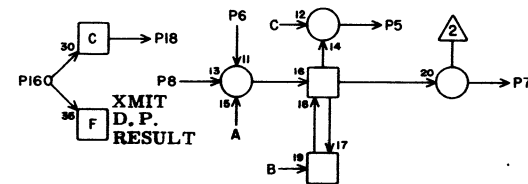
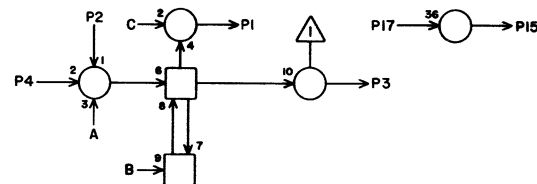


NJ 6A15

1			
2	A35	2	21
3	A30	26	17
4	A35	4	21
5			
6	A36	2	23
7	A31	26	17
8	A36	4	23
9			
10	A37	2	23
11	A32	26	19
12	A37	4	23
13	F 8	3	23
14	H20	3	23
15	I15	8	33
16	H22	6	29
17	H22	7	29
18	I11	8	33
19			
20	M 2	23	49
21	M 2	17	49
22	A30	25	17
23	A36	5	23
24	A37	5	23
25	A31	25	17
26	A32	25	19
27	M 3	23	49
28	A38	5	23

JACK PIN LG

63017400 Rev. 3

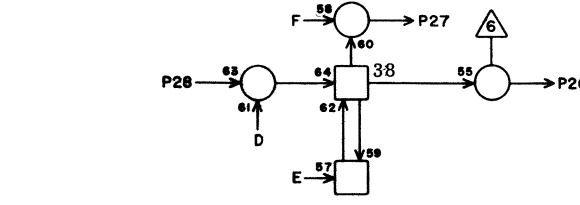
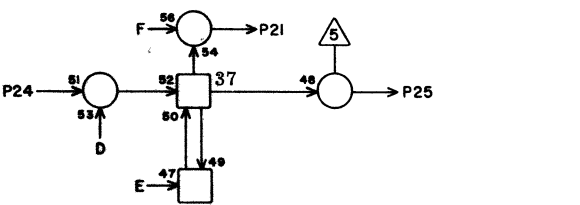
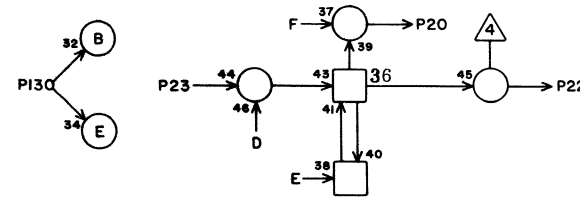
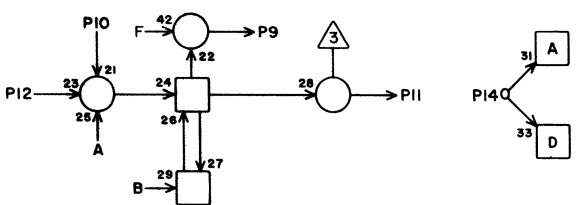
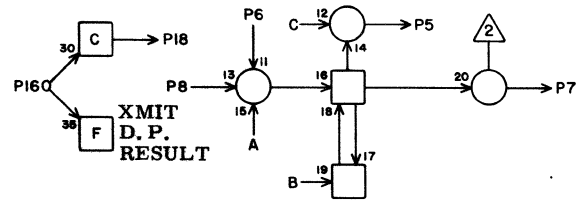
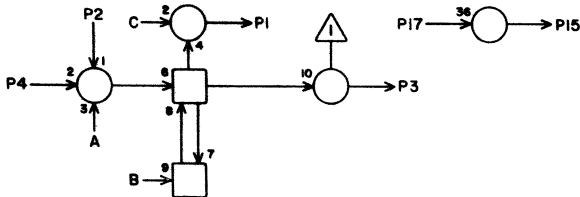


NJ 6A16

1			
2	A38	2	23
3	A33	26	19
4	A38	4	23
5			
6	A39	2	23
7	A34	26	21
8	A39	4	23
9			
10	A40	2	25
11	A35	26	21
12	A40	4	25
13	F08	4	23
14	H20	4	23
15	I15	10	33
16	H22	9	29
17	H22	1	29
18	I11	10	33
19			
20	H03	17	49
21	M 4	23	49
22	A33	25	19
23	A39	5	23
24	A40	5	25
25	A34	25	19
26	A35	25	21
27	H04	17	49
28	A41	5	25

JACK PIN LG

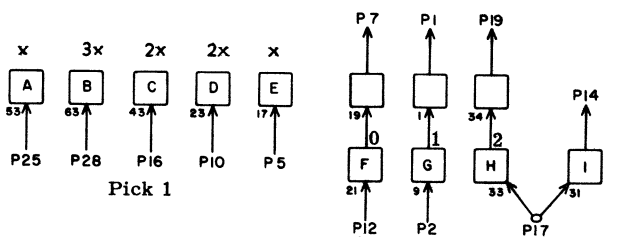
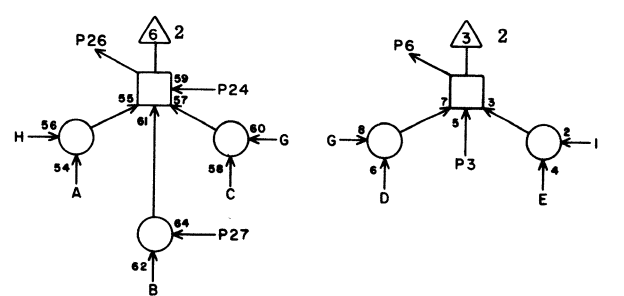
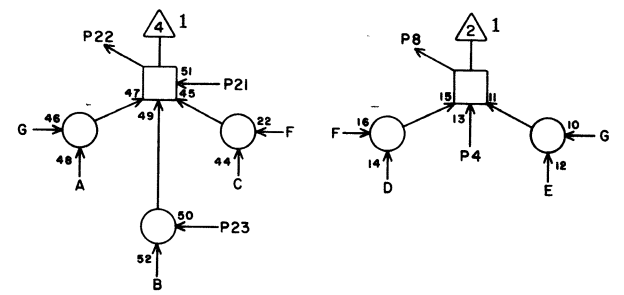
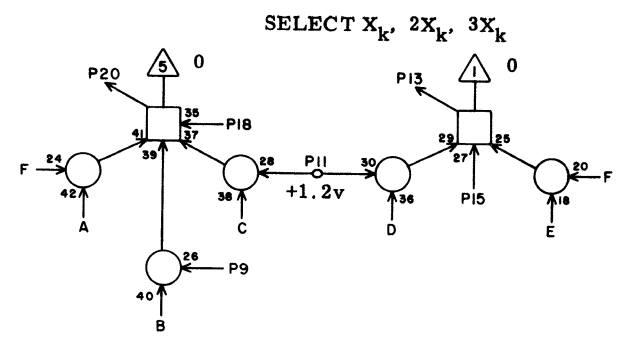
63017400 Rev. 3



NJ 6A17

1			
2	A41	2	25
3	A36	26	23
4	A41	4	25
5			
6	A42	2	27
7	A37	26	25
8	A42	4	27
9			
10	B30	2	15
11	A38	26	23
12	B30	4	17
13	F 8	5	23
14	H20	5	29
15	N 7	5	60
16	H22	11	29
17	I24	10	33
18	I12	8	33
19			
20	M 5	23	49
21	M 5	17	49
22	A36	25	21
23	A42	5	27
24	B30	5	17
25	A37	25	21
26	A38	25	23
27	M 6	23	49
28	B31	5	17

JACK PIN LG

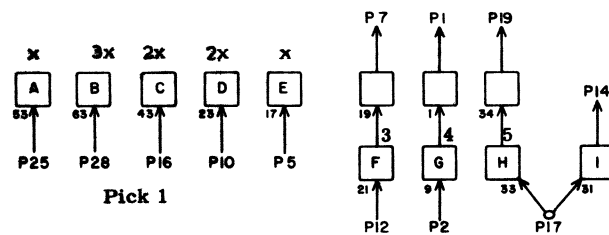
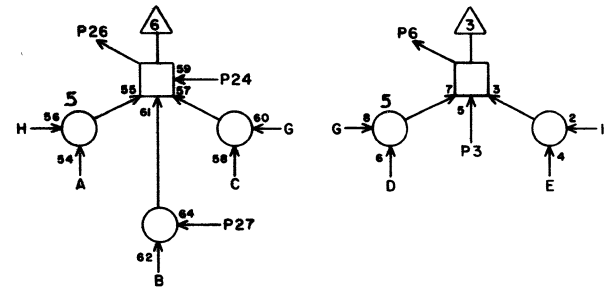
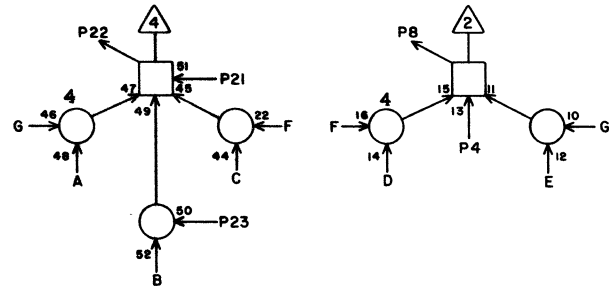
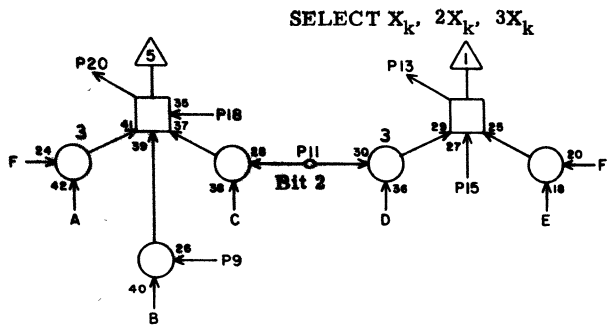


Pick 1

MB 6A18

1	C21	2	13
2	C01	9	21
3	A10	12	11
4	A10	1	11
5	H13	11	31
6	E37	27	27
7	C21	12	13
8	E36	27	27
9	F11	23	25
10	H14	11	31
11	G 5	27	29
12	C 1	12	21
13	E35	27	25
14	A19	11	5
15	F11	28	25
16	B25	11	13
17	C 1	16	21
18	I17	20	33
19	C21	17	13
20	A30	27	15
21	I17	26	33
22	A31	27	17
23	A10	5	4
24	I18	4	31
25	A25	11	11
26	A32	27	17
27	A10	11	11
28	C25	11	13

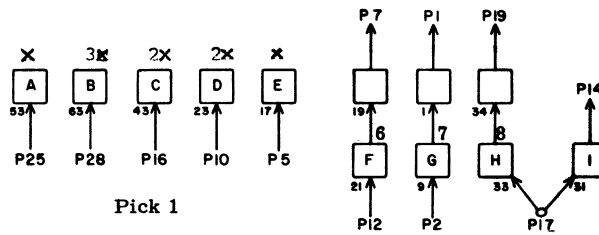
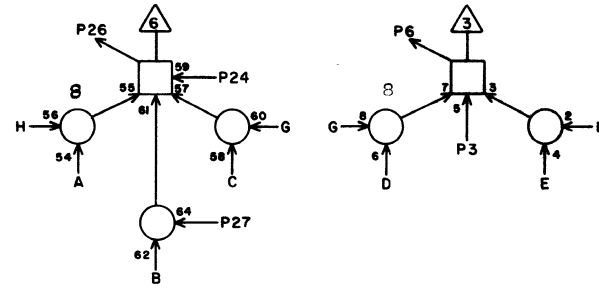
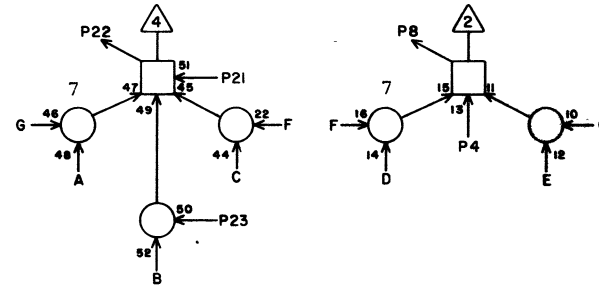
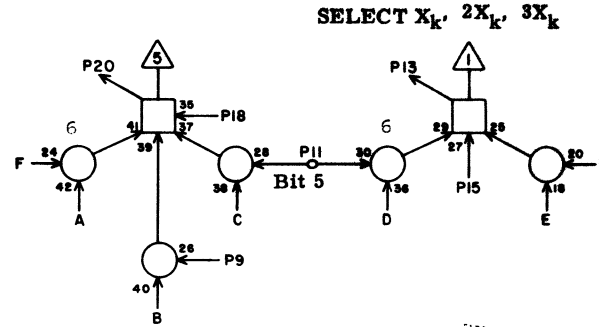
JACK PIN LG



MB 6 **A19**

1	C22	2	13
2	C 2	9	19
3	A11	12	11
4	A11	1	11
5	H13	12	31
6	E40	27	29
7	C22	12	13
8	E39	27	29
9	A10	23	13
10	H14	12	31
11	A18	14	5
12	C 2	12	17
13	E38	27	27
14	A20	11	3
15	A10	28	13
16	B25	12	11
17	C 2	16	21
18	I18	11	33
19	C22	17	13
20	A33	27	19
21	I18	20	33
22	A34	27	19
23	A11	5	11
24	I18	26	33
25	A25	12	11
26	A35	27	19
27	A11	11	11
28	C25	12	13
	JACK	PIN	LG

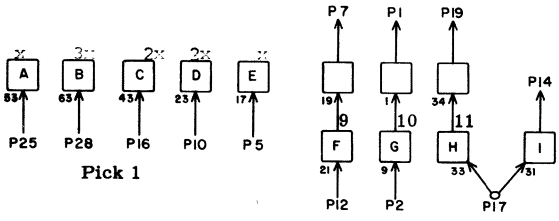
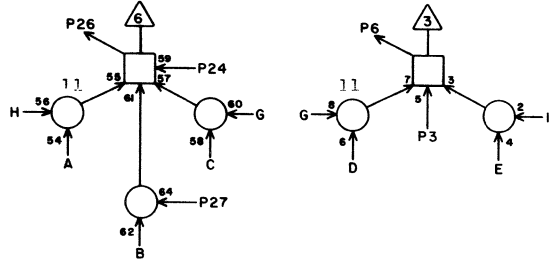
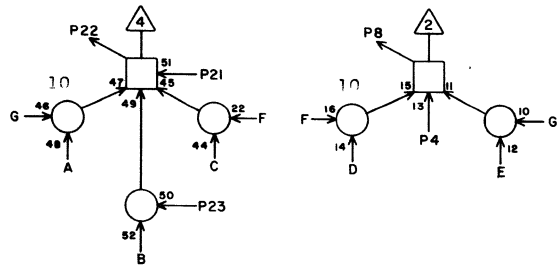
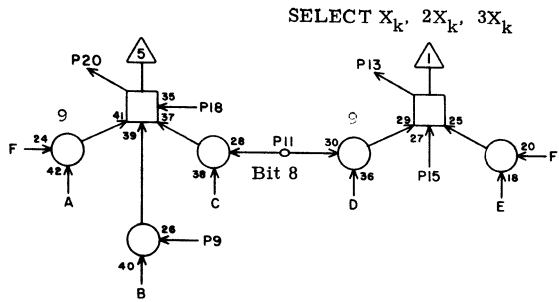
63017400 Rev. B



MB 6 **A20**

1	C23	2	13
2	C 3	9	19
3	A12	12	11
4	A12	1	11
5	H13	10	31
6	F30	27	27
7	C23	12	13
8	E42	27	29
9	A11	23	11
10	H14	10	31
11	A19	14	3
12	C 3	12	19
13	E41	27	27
14	A21	11	9
15	A11	28	11
16	B25	10	11
17	C 3	16	21
18	I19	11	33
19	C23	17	13
20	A36	27	19
21	I19	11	33
22	A37	27	19
23	A12	5	11
24	I19	20	33
25	A25	10	9
26	A38	27	19
27	A12	11	11
28	C25	10	13
	JACK	PIN	LG

63017400 Rev. B

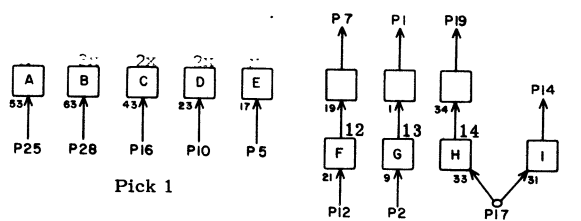
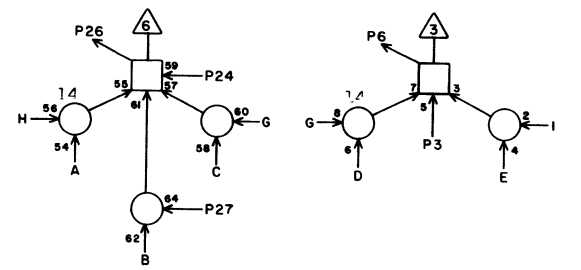
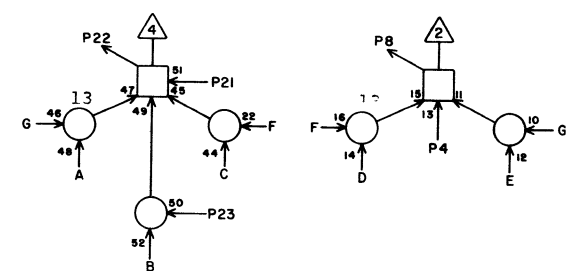
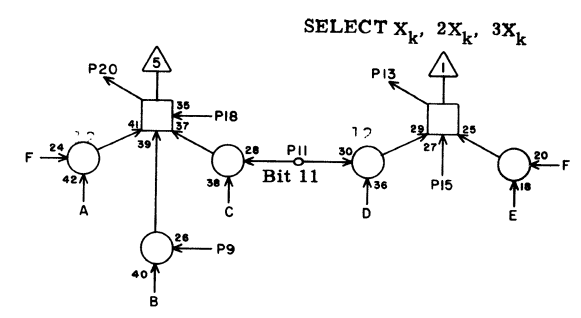


MB 6 **A21**

1	C24	2	13
2	C 4	9	19
3	B10	12	17
4	B10	1	15
5	H13	9	31
6	F33	27	27
7	C24	12	13
8	F32	27	27
9	A12	23	13
10	H14	9	31
11	A20	14	5
12	C 4	12	21
13	F31	27	27
14	A22	11	5
15	A12	28	13
16	B25	9	9
17	C 4	16	21
18	I19	26	33
19	C24	17	13
20	A39	27	19
21	I20	4	33
22	A40	27	21
23	B10	5	15
24	I20	11	33
25	A25	9	7
26	A41	27	21
27	B10	11	15
28	C25	9	11

JACK PIN LG

63017400 Rev. B



6A22

MB 6 **A22**

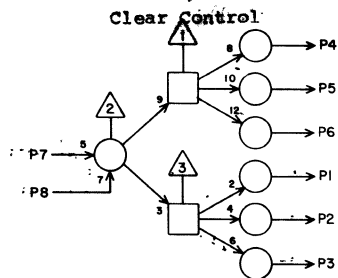
1	D18	2	15
2	C 5	9	21
3	B11	12	15
4	B11	1	15
5	H13	17	31
6	F36	27	27
7	D18	12	17
8	F35	27	27
9	B10	23	17
10	H14	17	31
11	A21	14	5
12	C 5	12	21
13	F34	27	27
14	A23	11	5
15	B10	28	17
16	B25	17	9
17	C 5	16	21
18	I20	20	33
19	D18	17	17
20	A42	27	21
21	I20	26	33
22	B30	27	11
23	B11	5	15
24	I21	4	31
25	A25	17	7
26	B31	27	13
27	B11	11	15
28	C25	17	11

JACK PIN LG

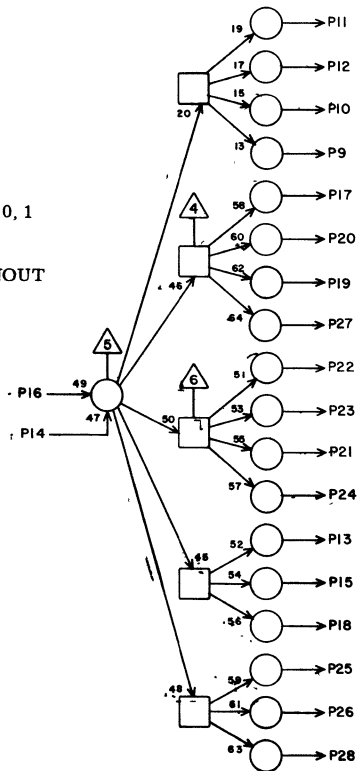
63017400 Rev. B







BIT 0, 1  
1X<sub>k</sub>  
FANOUT

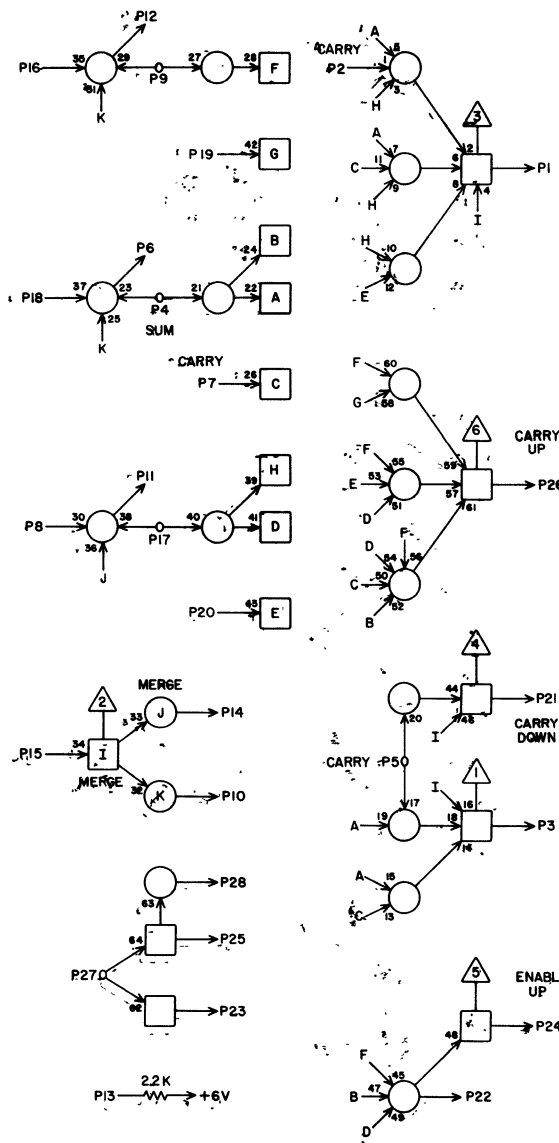


CB 6A25

1	I 7	2	39
2	I 8	2	108
3	I 8	22	37
4	I 9	2	37
5			
6			
7	H20	23	180
8			
9	A21	25	7
10	A20	25	9
11	A18	25	11
12	A19	25	11
13	B23	25	11
14	A25	x	2
15	B24	25	9
16	I 7	11	37
17	A22	25	7
18	C18	25	15
19	A24	25	5
20	A23	25	5
21	B21	25	11
22	B19	25	11
23	B20	25	11
24	B22	25	9
25	C19	25	13
26	C20	25	13
27	B18	25	11
28			

JACK PIN LG

63017400 Rev. R



6A26

MM 6A26

1	G26	9	29
2	I28	13	35
3	G26	23	29
4	A30	7	7
5	I28	11	33
6	A31	6	9
7			
8	A31	11	9
9	A32	7	9
10	E24	28	25
11	A32	6	9
12	A33	6	11
13			
14	D26	15	15
15	C25	1	15
16	A32	11	9
17	A31	7	9
18	A30	11	7
19	A31	18	9
20	A30	18	7
21	G26	11	27
22	G27	21	29
23			
24	I28	5	31
25	E 8	8	25
26	H26	2	29
27	A13	3	15
28	E 8	10	25

JACK PIN LG

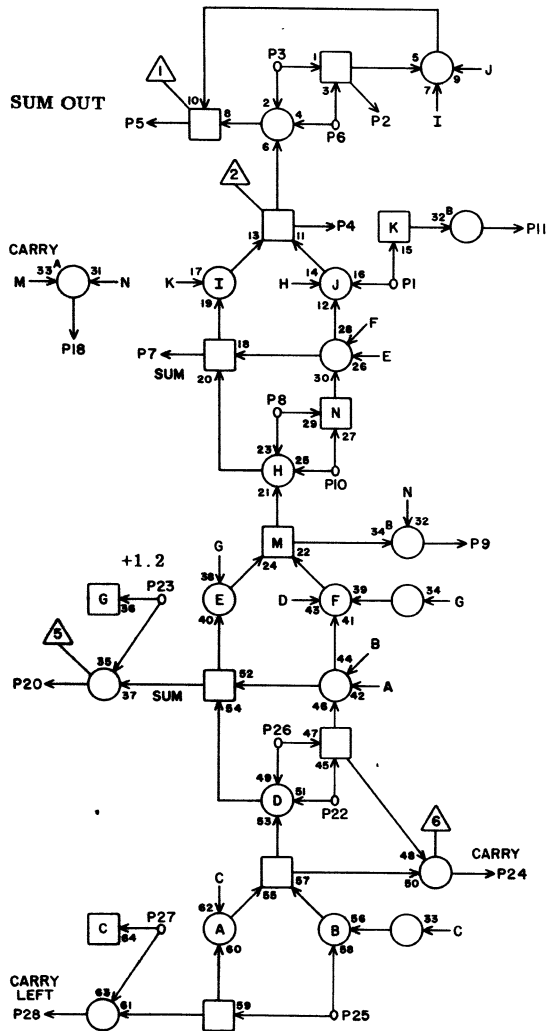
63017400 Rev. R





LOWER 3-LEVEL ADDER

BIT 1



MC 6 A31

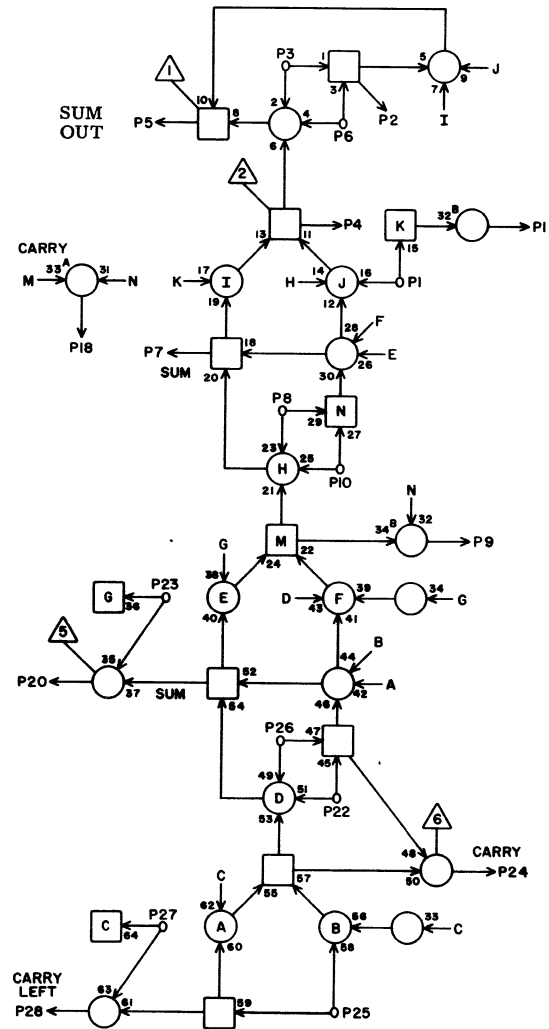
1	G26	22	29
2	A12	10	10
3	A30	9	1
4	A13	12	19
5	A13	24	19
6	A26	1	0
7	A26	17	9
8	A30	24	5
9	A32	3	5
10	A30	20	5
11	A26	8	9
12			
13			
14			
15			
16			
17			
18	A26	19	9
19			
20	A32	10	5
21			
22	A30	28	5
23	B27	13	11
24	A32	8	5
25	A15	25	17
26	A15	7	17
27	A18	22	17
28	A32	22	5

JACK PIN LG

63017400 Rev. B

LOWER 3-LEVEL ADDER

BIT 2



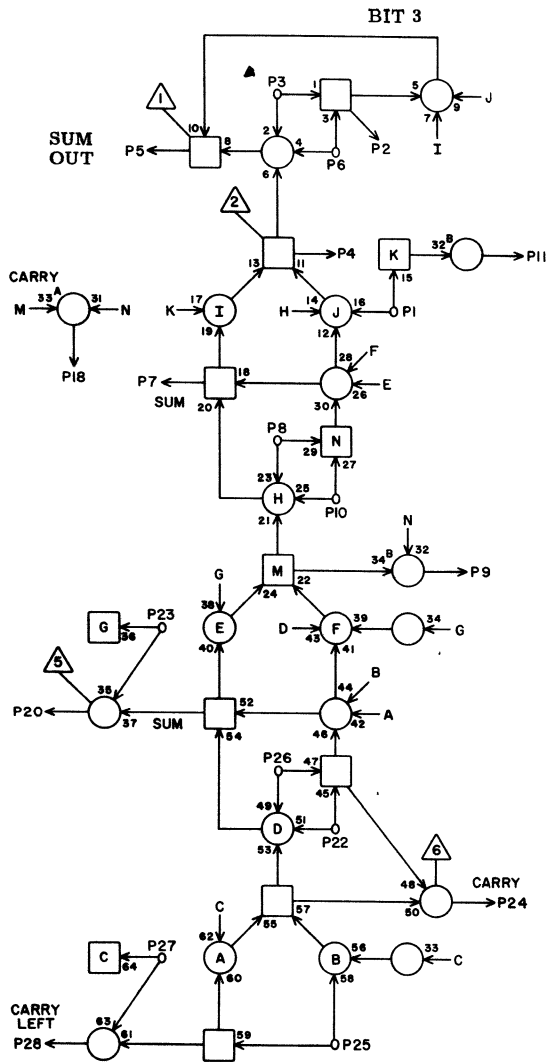
MC 6 A32

1	G26	20	29
2	A14	2	19
3	A31	9	5
4	A14	4	19
5	A13	28	21
6	A26	11	9
7	A26	9	9
8	A31	24	5
9	A33	3	5
10	A31	20	5
11	A26	16	9
12			
13			
14			
15			
16			
17			
18	A27	7	9
19			
20	A33	10	5
21			
22	A31	28	5
23	C21	20	15
24	A33	8	5
25	A15	26	19
26	A15	11	19
27	A18	26	17
28	A33	22	5

JACK PIN LG

63017400 Rev. B

LOWER 3-LEVEL ADDER



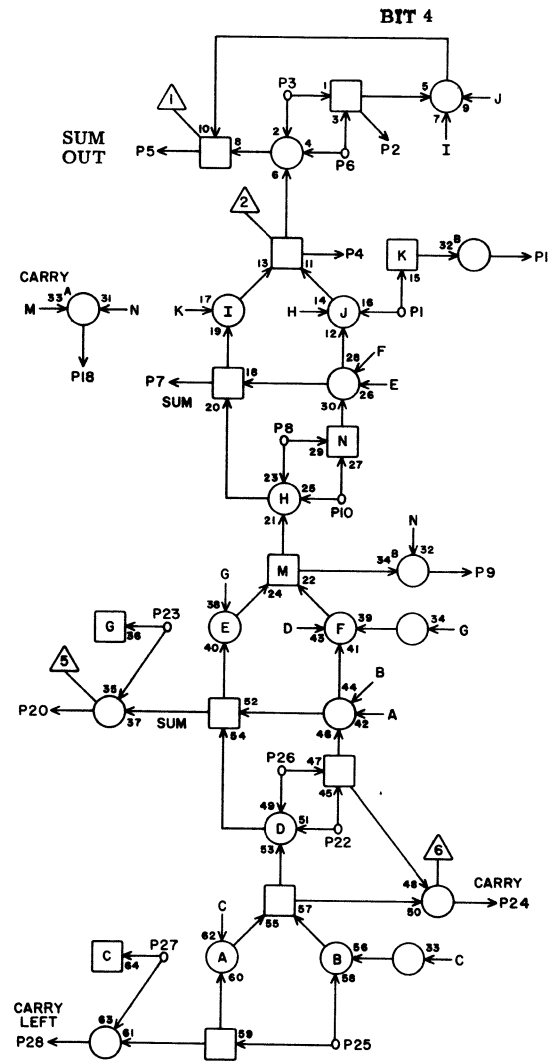
MC 6 A33

1	G26	26	29
2	A14	16	21
3	A32	9	5
4	A14	8	21
5	A14	23	21
6	A26	12	11
7	A27	4	9
8	A32	24	5
9	A34	3	5
10	A32	20	5
11	A27	18	9
12			
13			
14			
15			
16			
17			
18	A27	20	9
19			
20	A34	10	5
21			
22	A32	28	5
23	C21	22	17
24	A34	8	5
25	A16	27	19
26	A16	3	19
27	A19	20	19
28	A34	22	5

JACK PIN LG

63017400 Rev. B

LOWER 3-LEVEL ADDER



MC 6 A34

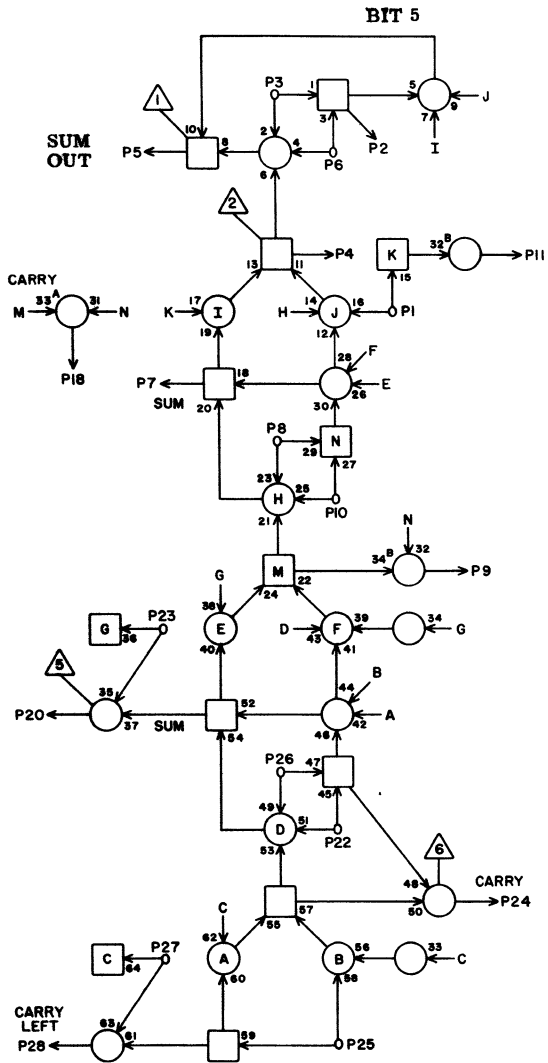
1	E24	20	23
2	A14	10	21
3	A33	9	5
4	A14	12	21
5	A14	24	21
6	A27	6	11
7	A27	17	11
8	A33	24	5
9	A35	3	5
10	A33	20	5
11	A27	8	11
12			
13			
14			
15			
16			
17			
18	A27	19	11
19			
20	A35	10	5
21			
22	A33	28	5
23	C21	26	17
24	A35	8	5
25	A16	25	19
26	A16	7	21
27	A19	22	19
28	A35	22	5

JACK PIN LG

6A34

63017400 Rev. B

LOWER 3-LEVEL ADDER

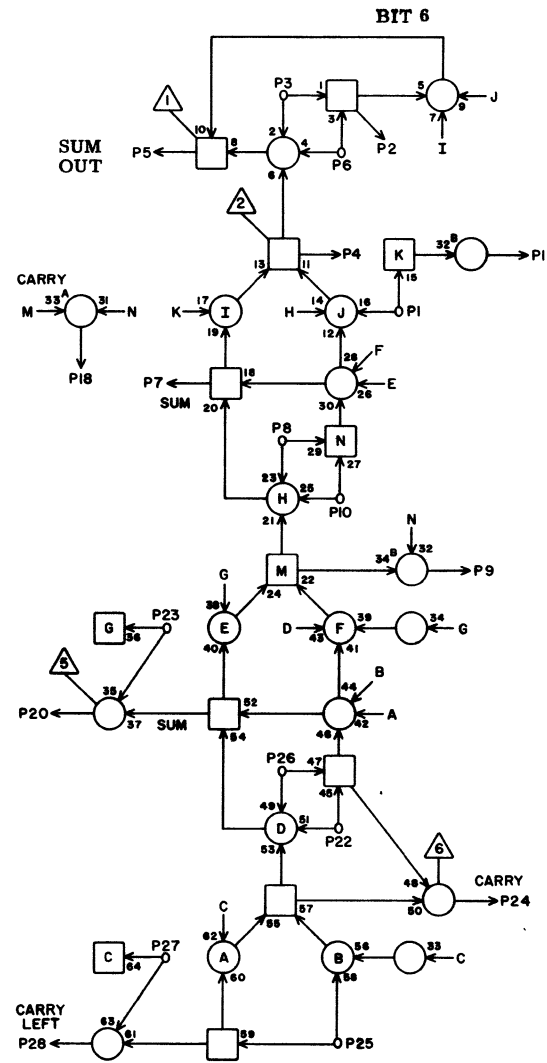


MC 6A35

	JACK	PIN	LG
1	E24	22	23
2	A15	2	21
3	A34	9	5
4	A15	4	21
5	A14	28	23
6	A27	11	11
7	A27	9	11
8	A34	24	5
9	A36	3	5
10	A34	20	5
11	A27	16	11
12			
13			
14			
15			
16			
17			
18	A28	7	11
19			
20	A36	10	5
21			
22	A34	28	5
23	C22	20	17
24	A36	8	5
25	A16	26	21
26	A16	11	21
27	A19	26	19
28	A36	22	5

63017400 Rev. B

LOWER 3-LEVEL ADDER



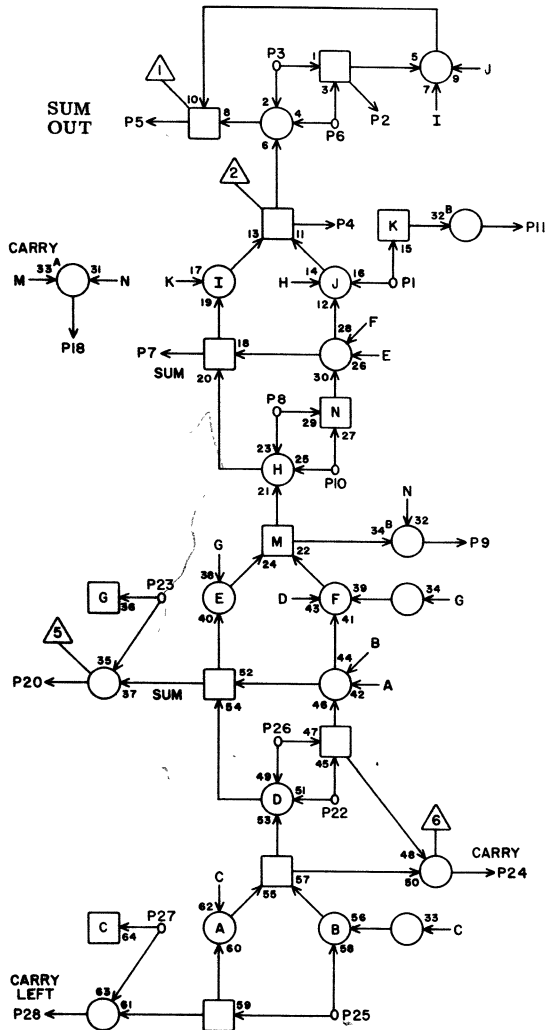
MC 6A36

	JACK	PIN	LG
1	E24	26	23
2	A15	6	23
3	A35	9	5
4	A15	8	23
5	A15	23	23
6	A27	12	13
7	A28	4	11
8	A35	24	5
9	A37	3	5
10	A35	20	5
11	A28	18	11
12			
13			
14			
15			
16			
17			
18	A28	20	11
19			
20	A37	10	5
21			
22	A35	28	5
23	C22	22	19
24	A37	8	5
25	A17	22	21
26	A17	3	21
27	A20	20	19
28	A37	22	5

63017400 Rev. B

LOWER 3-LEVEL ADDER

BIT 7

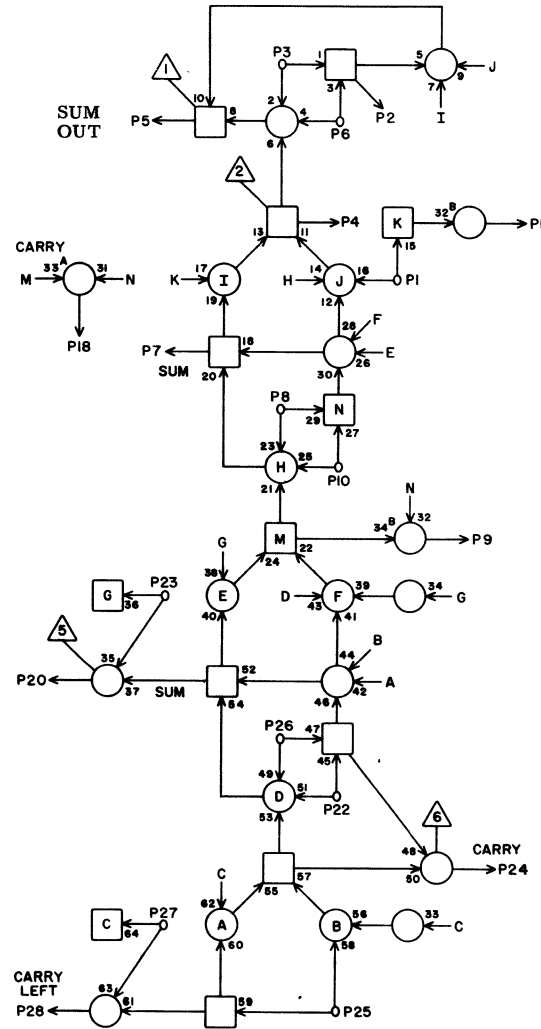


MC 6 A37

1	F18	20	31
2	A15	10	23
3	A36	9	5
4	A15	12	23
5	A15	24	23
6	A28	6	13
7	A28	17	13
8	A36	24	5
9	A38	3	5
10	A36	20	5
11	A28	8	13
12			
13			
14			
15			
16			
17			
18	A28	19	11
19			
20	A38	10	5
21			
22	A36	28	5
23	C22	26	19
24	A38	8	5
25	A17	25	21
26	A17	7	25
27	A20	22	19
28	A38	22	5

JACK PIN LG

LOWER 3-LEVEL ADDER  
BIT 8

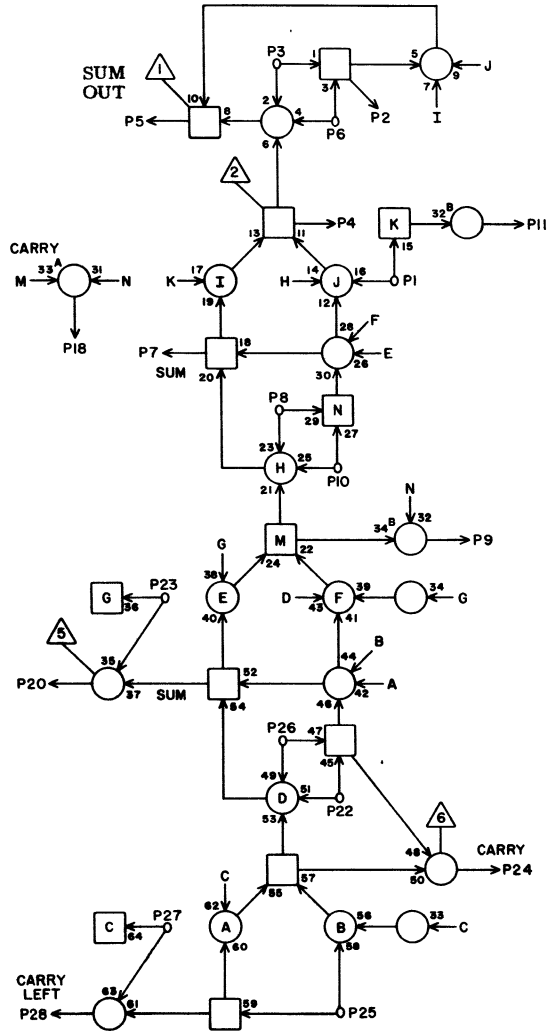


MC 6 A38

1	F18	22	31
2	A16	2	23
3	A37	9	5
4	A16	4	23
5	A15	28	23
6	A28	11	13
7	A28	9	13
8	A37	24	5
9	A39	3	5
10	A37	20	5
11	A28	16	13
12			
13			
14			
15			
16			
17			
18	A29	7	13
19			
20	A39	10	5
21			
22	A37	28	5
23	C23	20	19
24	A39	8	5
25	A17	26	23
26	A17	11	23
27	A20	26	19
28	A39	22	5

JACK PIN LG

LOWER 3-LEVEL ADDER  
BIT 9

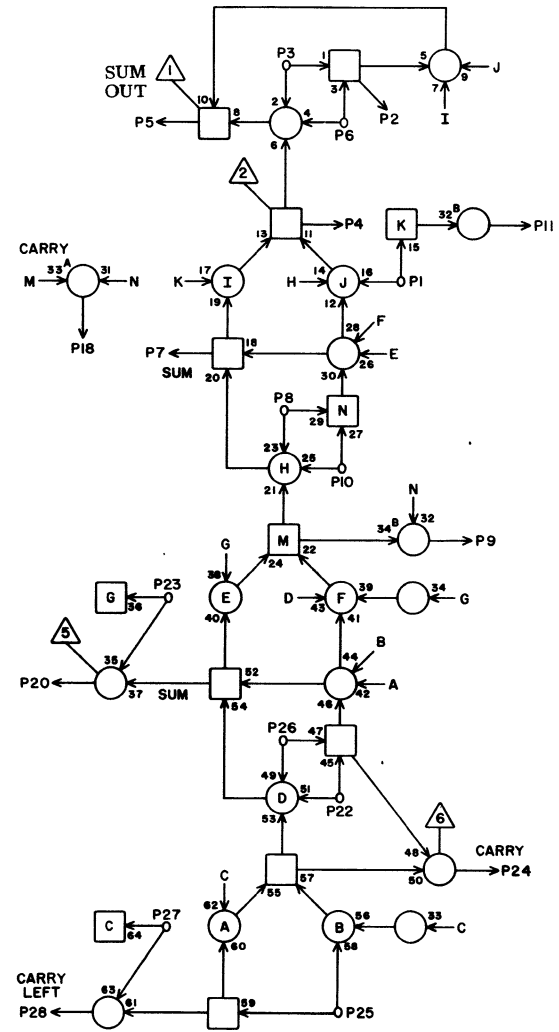


MC 6A39

1	F18	26	31
2	A16	6	23
3	A38	9	5
4	A16	8	23
5	A16	23	23
6	A28	12	13
7	A29	4	13
8	A38	24	5
9	A40	3	5
10	A38	20	5
11	A29	18	13
12			
13			
14			
15			
16			
17			
18	A29	20	13
19			
20	A40	10	5
21			
22	A38	28	5
23	C23	22	19
24	A40	8	5
25	B13	22	27
26	B13	3	27
27	A21	20	19
28	A40	22	5
	JACK	PIN	LG

63017400 Rev. B

LOWER 3-LEVEL ADDER  
BIT 10



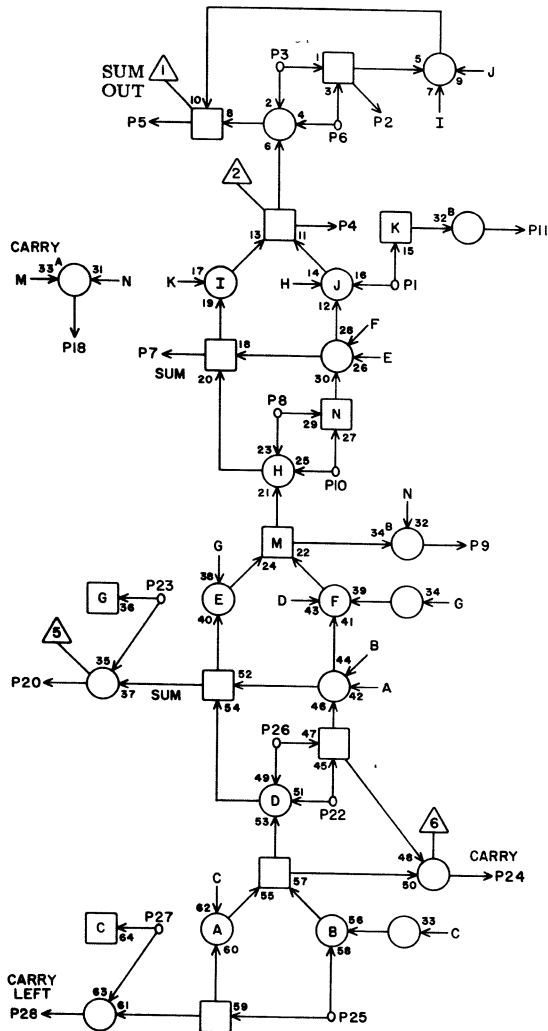
MC 6A40

1	F19	20	31
2	A16	10	25
3	A39	9	5
4	A16	12	25
5	A16	24	25
6	A29	6	13
7	A29	17	13
8	A39	24	5
9	A41	3	5
10	A39	20	5
11	A29	8	13
12			
13			
14			
15			
16			
17			
18	A29	19	13
19			
20	A41	10	5
21			
22	A39	28	5
23	C23	26	21
24	A41	8	5
25	B13	25	27
26	B13	7	27
27	A21	22	21
28	A41	22	5
	JACK	PIN	LG

63017400 Rev. B



LOWER 3-LEVEL ADDER  
BIT 11



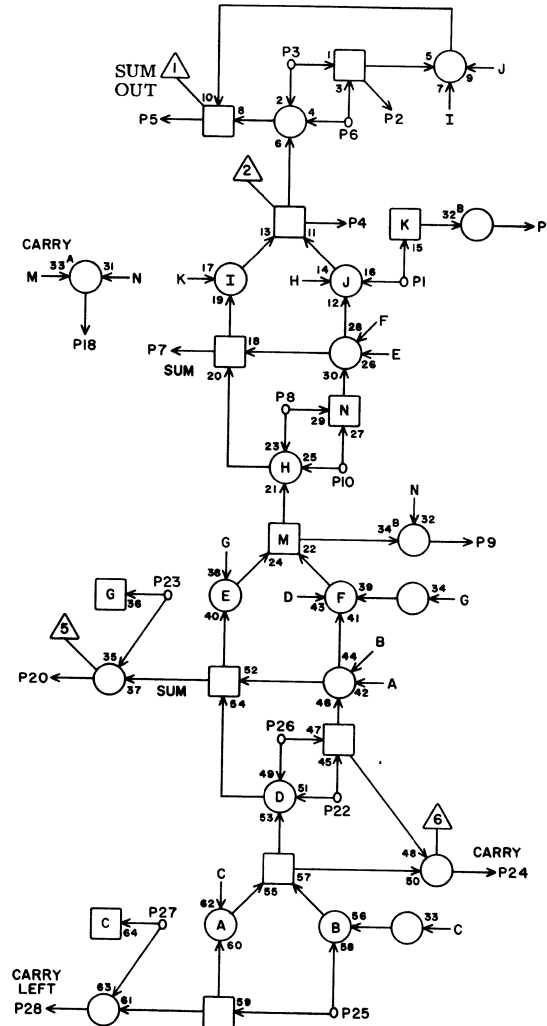
MC 6A41

1	F19	22	33
2	A17	2	25
3	A40	9	5
4	A17	4	25
5	A16	23	25
6	A29	11	15
7	A29	9	15
8	A40	24	5
9	A42	3	5
10	A40	20	5
11	A29	16	15
12			
13			
14			
15			
16			
17			
18	B26	7	17
19			
20	A42	10	5
21			
22	A40	28	5
23	C24	20	21
24	A42	8	5
25	B13	26	27
26	B13	11	27
27	A21	26	21
28	A42	22	5

JACK PIN LG

63017400 Rev. B

LOWER 3-LEVEL ADDER  
BIT 12



MC 6A42

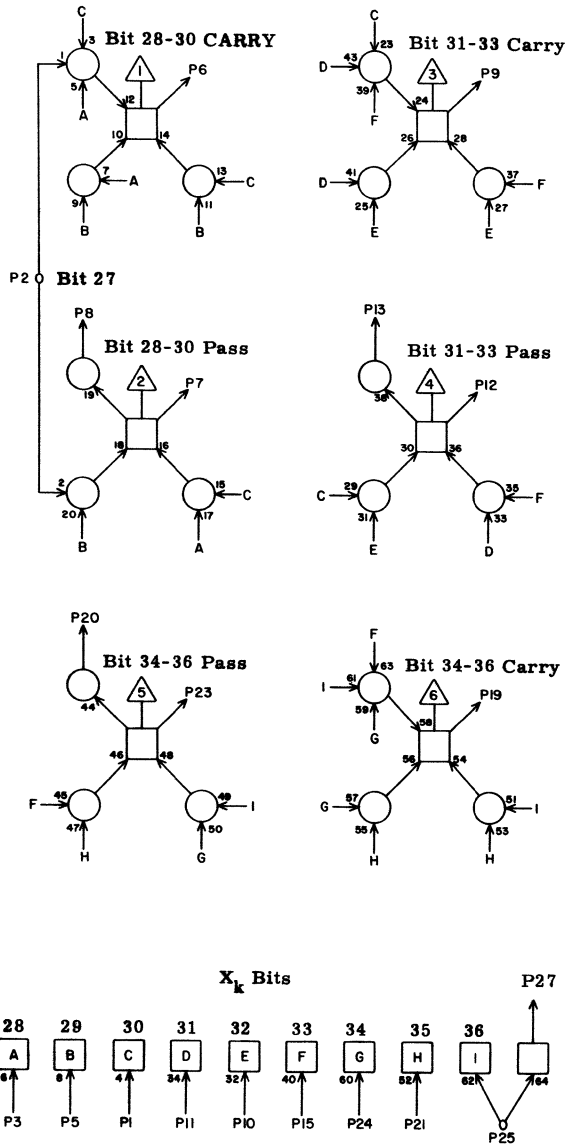
1	F19	26	33
2	A17	6	27
3	A41	9	5
4	A17	8	27
5	A17	23	27
6	A29	12	15
7	B26	4	19
8	A41	24	5
9	B30	3	15
10	A41	20	5
11	B26	18	19
12			
13			
14			
15			
16			
17			
18	B26	20	19
19			
20	B30	10	15
21			
22	A41	28	5
23	C24	22	21
24	B30	8	15
25	B14	22	29
26	B14	3	27
27	A22	20	21
28	B30	22	15

JACK PIN LG

63017400 Rev. B

6A42

$X_k + 2X_k$  ADDER, PASS AND CARRIES

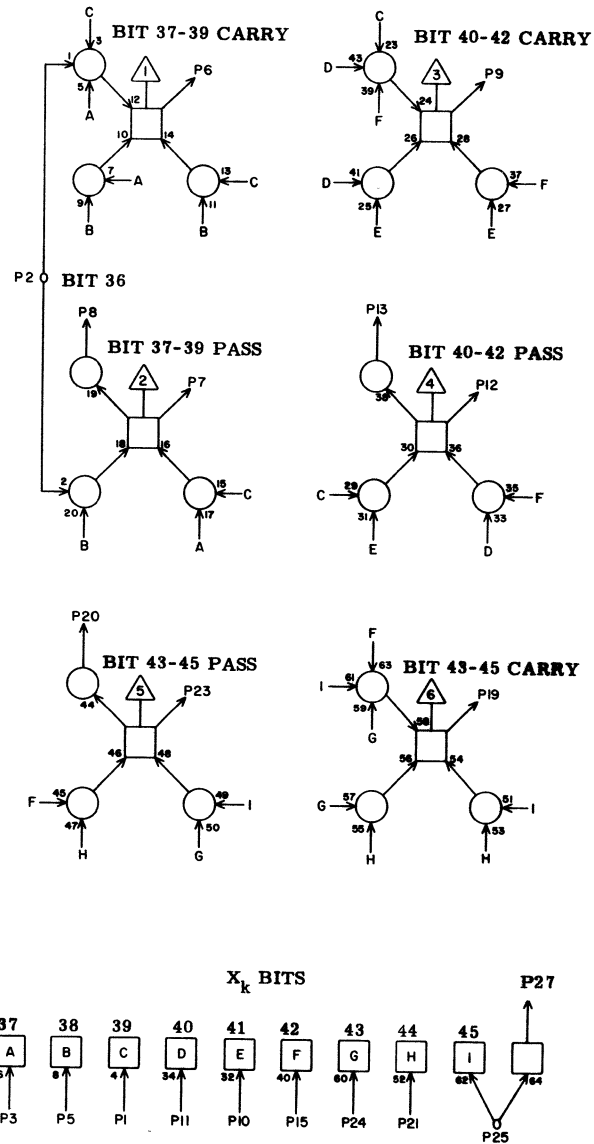


ME 6 B1

1	D 2	28	15
2	A 3	27	7
3	D 1	23	12
4			
5	D 1	19	12
6	B 6	27	9
7	A 6	7	11
8	B 4	21	7
9	B 6	28	9
10	D 2	18	13
11	D 2	23	13
12	B 6	25	9
13	B 4	27	7
14			
15	D 3	28	13
16			
17			
18			
19	B 6	23	9
20	B 4	25	7
21	D 3	18	11
22			
23	B 6	26	7
24	D 3	23	13
25	D 4	28	13
26			
27	B 2	?	5
28			

63017400 Rev. B

$X_k + 2X_k$  ADDER, PASS AND CARRIES

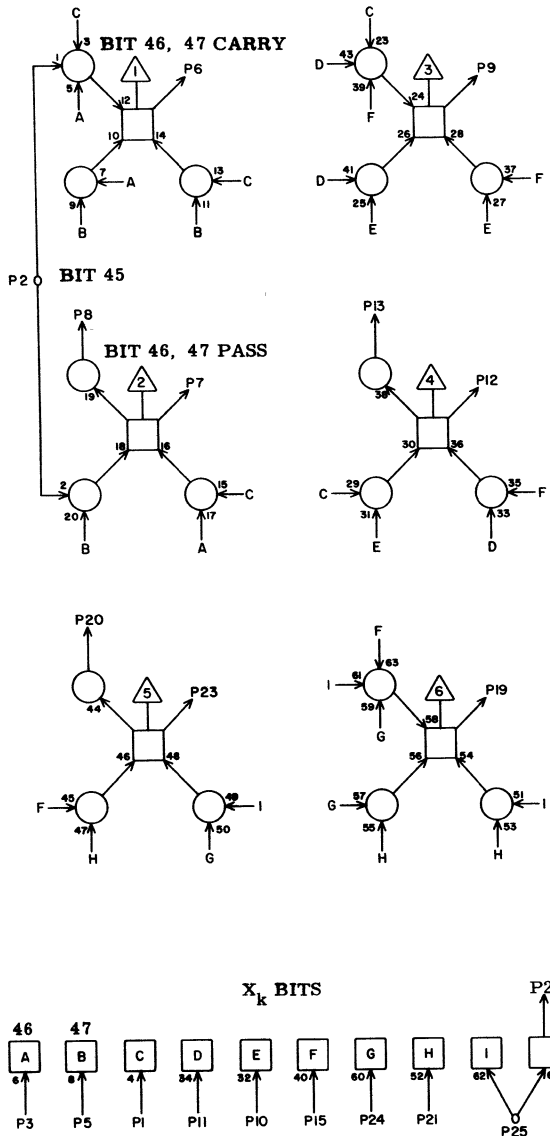


ME 6 B2

1	D 5	28	13
2	B 1	27	5
3	D 4	23	13
4			
5	D 4	18	13
6	B 7	2	9
7	A 7	16	9
8	B 4	23	7
9	B 7	1	9
10	D 5	18	13
11	D 5	23	13
12	B 7	4	9
13	B 4	17	5
14			
15	D 6	28	13
16			
17			
18			
19	B 7	8	9
20	B 4	19	7
21	D 6	18	13
22			
23	B 7	3	9
24	D 6	23	13
25	D 7	28	13
26			
27	B 3	2	5
28			

63017400 Rev. B

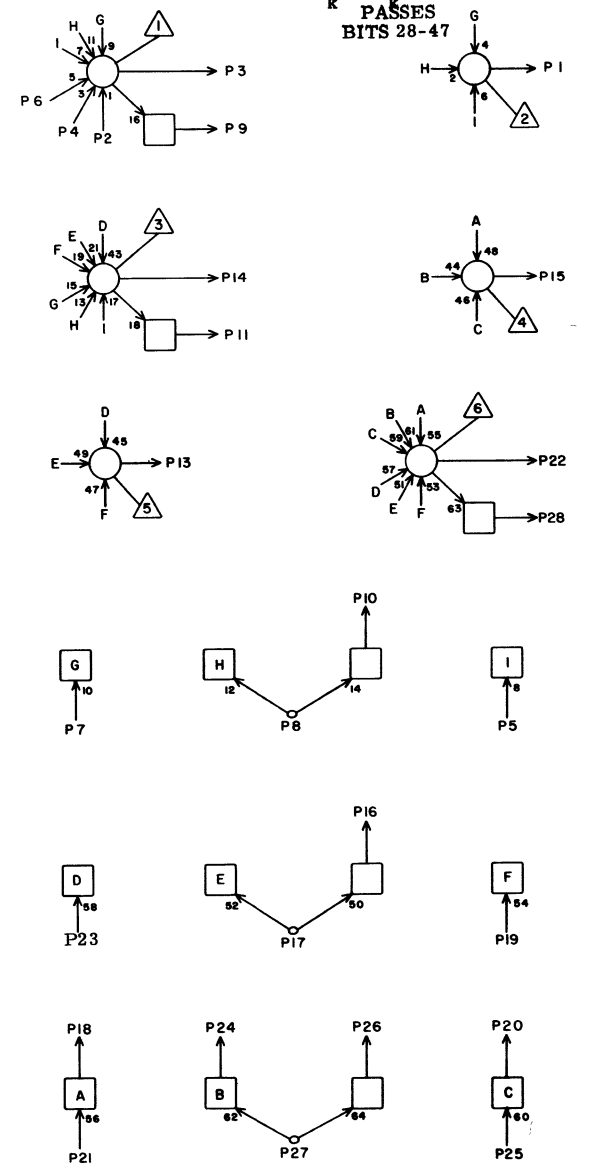
$X_k + 2X_k$  ADDER, PASS AND CARRIES



ME 6B3

1			
2	B 2	27	5
3	D 7	22	17
4			
5	D 7	19	13
6	B 7	27	9
7	A 7	7	9
8	B 4	7	3
9			
10			
11			
12			
13			
14			
15			
16			
17			
18			
19			
20			
21			
22			
23			
24			
25			
26			
27			
28			

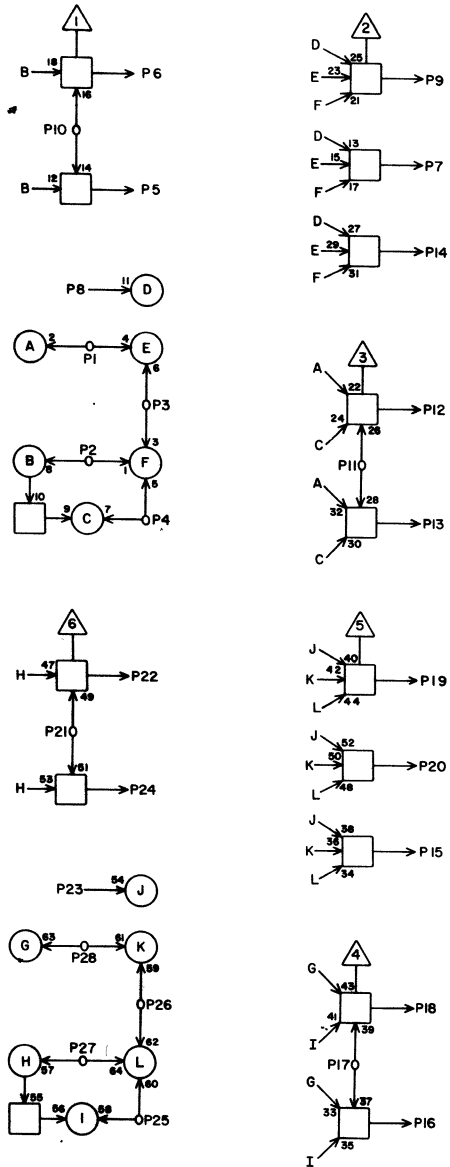
$X_k + 2X_k$  ADDER  
PASSES  
BITS 28-47



MI 6B4

1	A 5	21	7
2	A 4	20	5
3	A 6	27	7
4	A 4	24	7
5			
6	A 4	18	9
7	B 3	8	3
8			
9	A 7	19	7
10	A 7	3	9
11	A 6	6	9
12			
13	A 7	5	9
14	A 5	20	7
15	A 7	21	9
16	A 7	18	9
17	B 2	13	5
18	A 4	6	9
19	B 2	20	7
20	A 4	2	9
21	B 1	8	7
22	A 5	27	7
23	B 2	8	7
24	A 4	4	9
25	B 1	20	7
26	A 5	3	11
27	B 1	13	7
28	A 6	19	9

$X_k + 2X_k$  ADDER, CARRIES



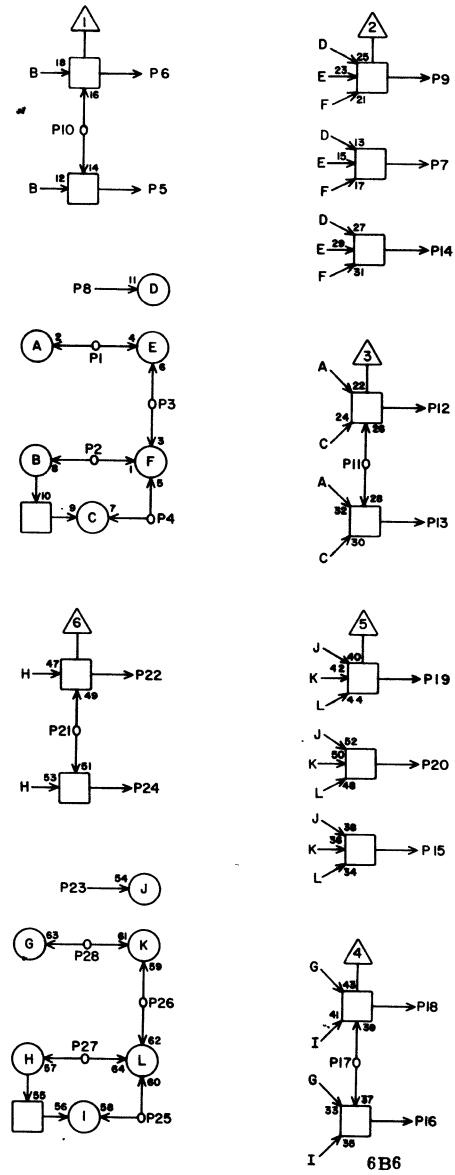
MH **6B 5**

1	A 1	9	7
2	A 1	6	7
3	A 1	23	7
4	A 1	12	7
5	A 11	7	11
6	C 2	27	11
7	A 5	11	7
8	A 1	19	7
9	A 6	8	7
10	A 5	26	7
11	A 5	28	7
12	C 3	27	9
13	A 12	7	13
14	A 7	10	9
15	A 7	9	9
16	B 12	7	11
17	A 5	1	9
18	C 6	27	9
19	A 6	17	7
20	A 5	12	9
21	A 5	14	9
22	B 11	7	9
23	A 2	19	7
24	C 5	27	9
25	A 2	12	11
26	A 2	23	7
27	A 2	6	11
28	A 2	9	9

JACK PIN LG

63017400 Rev. B

$X_k + 2X_k$  ADDER



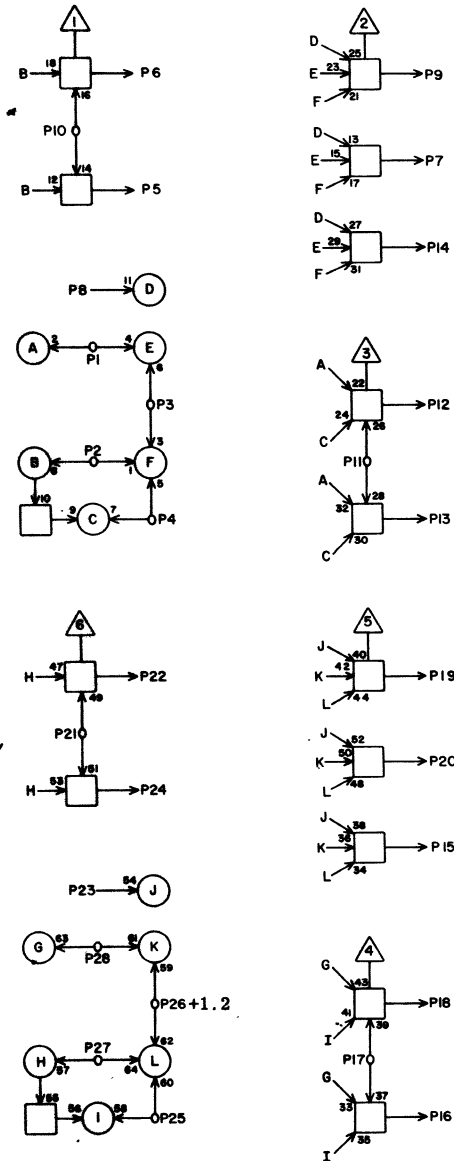
MH **6B 6**

1	A 3	9	7
2	A 3	6	7
3	A 3	23	7
4	A 3	12	7
5	C 11	7	9
6	C 8	27	9
7	A 5	10	7
8	A 3	19	7
9	A 6	11	7
10	A 6	26	7
11	A 6	28	7
12	C 9	27	9
13	C 12	7	9
14	A 7	8	7
15	A 7	17	7
16	B 12	7	13
17	A 6	1	9
18	B 3	27	13
19	A 6	12	9
20	A 5	9	9
21	A 6	14	9
22	D 11	7	13
23	B 1	19	9
24	B 8	27	15
25	B 1	12	9
26	B 1	23	7
27	B 1	6	9
28	B 1	9	9

JACK PIN LG

63017400 Rev. B

$X_k + 2X_k$  ADDER



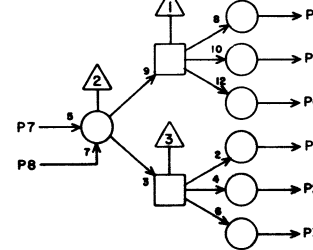
MH 6B 7

1	B 2	9	9
2	B 2	6	9
3	B 2	23	9
4	B 2	12	9
5	E 11	7	17
6	D 5	27	13
7	A 5	8	7
8	B 2	19	9
9	A 6	10	7
10	A 7	26	7
11	A 7	28	5
12	D 6	27	13
13	E 12	7	15
14	A 7	11	7
15	A 7	12	7
16			
17			
18			
19	A 6	9	9
20	A 5	17	9
21	A 7	14	9
22	F 11	7	17
23	C 1	3	11
24	D 8	27	13
25			
26	H 4	27	27
27	B 3	6	9
28			

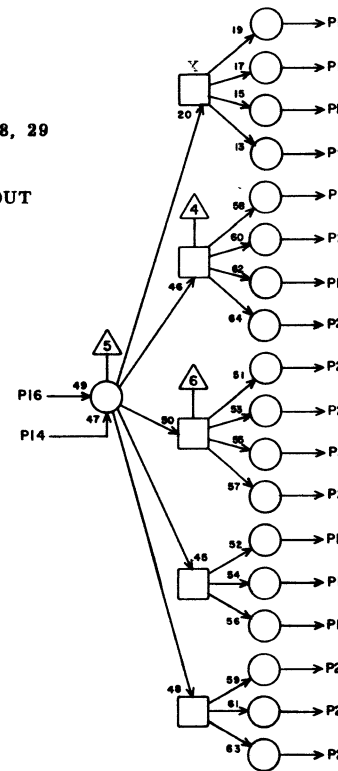
JACK PIN LG

63017400 Rev. B

LEFT SHIFT NORM  
MULT → REG.



BIT 28, 29  
 $2X_k$   
FANOUT



6B8

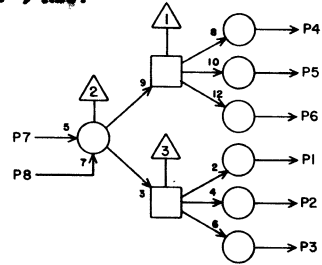
C8 6B8

1	E 1	21	21
2	E 2	21	17
3	E 3	21	17
4	E 4	21	17
5	E 5	21	17
6	E 6	21	17
7	L 8	13	47
8	H 22	24	84
9	F 20	10	21
10	F 19	10	23
11	E 24	10	21
12	F 18	10	21
13	G 22	10	25
14	B 8	x	2
15	G 21	10	25
16	I 8	19	29
17	F 21	10	23
18	G 24	10	27
19	F 23	10	23
20	F 22	10	23
21	G 20	10	25
22	G 18	10	23
23	G 19	10	23
24	G 21	10	23
25	H 18	10	25
26	H 19	10	27
27	F 24	10	23
28			

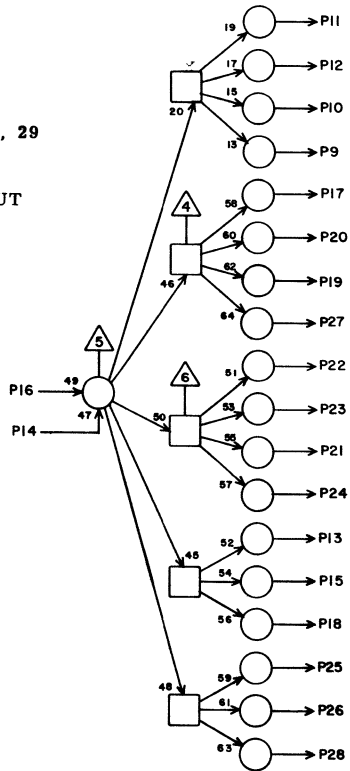
JACK PIN LG

63017400 Rev. B

LEFT SHIFT NORM  
MULT → REG.



BIT 28, 29  
 $3X_k$   
FANOUT



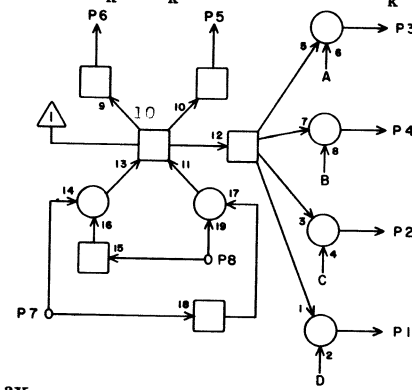
CB 6B9

1	E 7	21	17
2	F 1	21	21
3	F 2	21	21
4	F 3	21	21
5	F 4	21	21
6	F 5	21	21
7	L 8	11	47
8	H22	22	84
9	E10	17	5
10	A12	17	9
11	A10	17	7
12	A11	17	7
13	E10	17	15
14	B00	x	2
15	E11	17	15
16	I 8	18	20
17	B11	17	5
18	E12	17	15
19	C10	17	9
20	B12	17	7
21	D11	17	9
22	C12	17	9
23	D10	17	11
24	D12	17	11
25	F10	17	19
26	F11	17	19
27	C11	17	11
28			

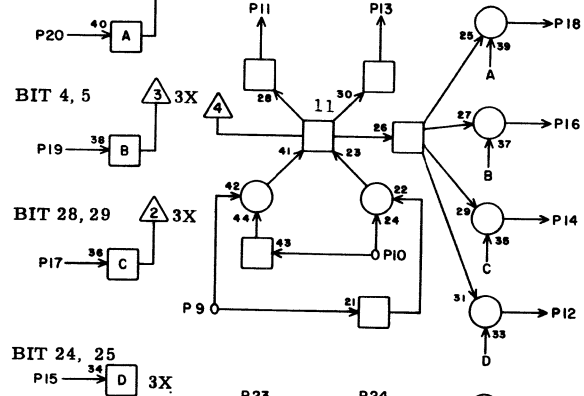
JACK PIN LG

63017400 Rev. B

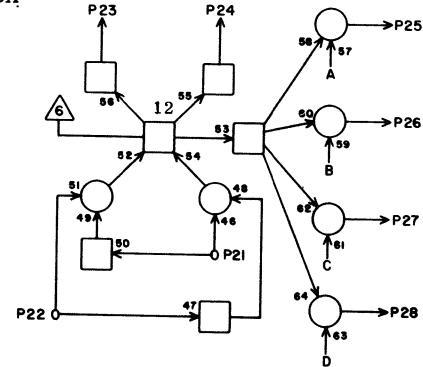
$X_k + 2X_k$  ADDER; SELECT  $3X_k$



BIT 26, 27  $3X$



BIT 24, 25  $3X$



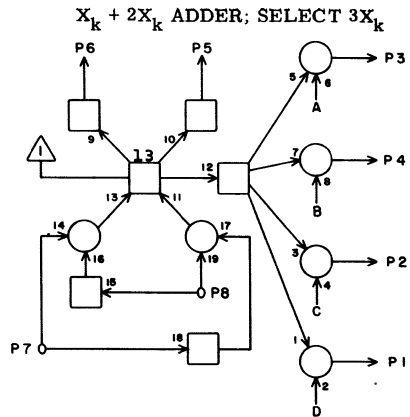
6B10

MF 6B10

1	A21	4	15
2	F20	4	21
3	C24	4	17
4	F20	21	21
5	A21	23	15
6	C24	23	17
7	A 5	2	11
8	C 4	5	11
9	C 4	25	11
10	C 4	8	11
11	A21	27	15
12	A21	3	17
13	C24	27	17
14	F20	3	21
15	H12	9	27
16	F20	24	21
17	B 9	9	5
18	C24	3	17
19	A 8	9	7
20	H23	4	27
21	C 5	1	9
22	C 4	21	11
23	A22	9	17
24	D18	9	13
25	D18	15	13
26	F21	18	21
27	F21	15	21
28	A22	15	17

JACK PIN LG

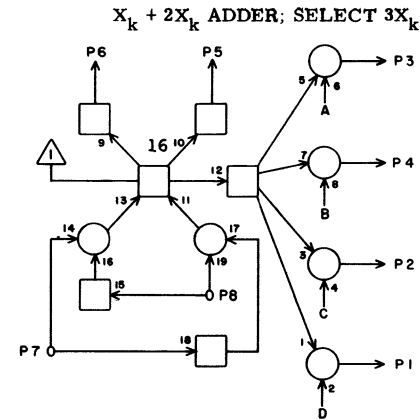
63017400 Rev. B



MF 6B11

1	A22	4	15
2	F21	4	21
3	D19	4	15
4	F21	21	21
5	A22	23	15
6	D18	23	15
7	B 5	22	9
8	C 5	5	11
9	C 5	25	11
10	C 5	8	13
11	A22	27	15
12	A22	3	15
13	D18	27	15
14	F21	3	21
15	H12	17	27
16	F21	24	21
17	B 9	17	5
18	D18	3	15
19	A 8	17	7
20	H23	5	27
21	C 6	1	9
22	C 5	21	11
23	A23	9	17
24	D19	9	15
25	D19	15	15
26	F22	18	21
27	F22	15	21
28	A23	15	17

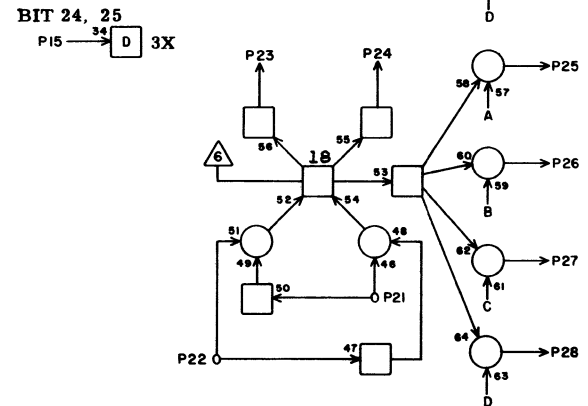
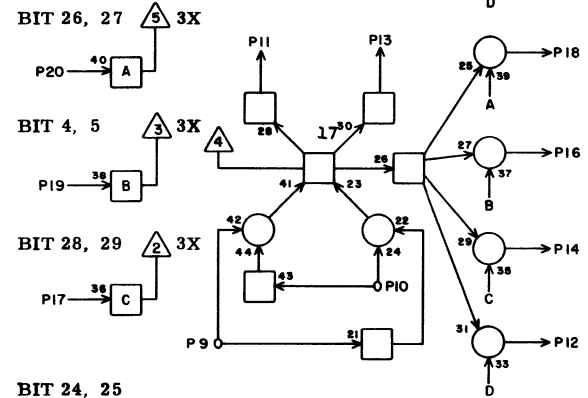
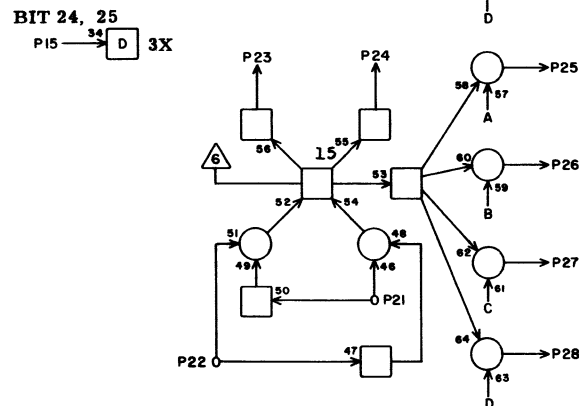
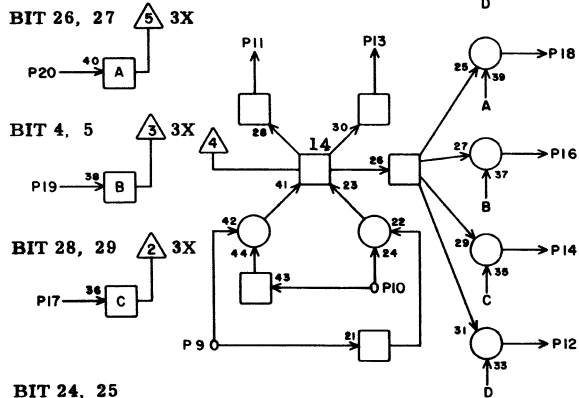
63017400 Rev. B



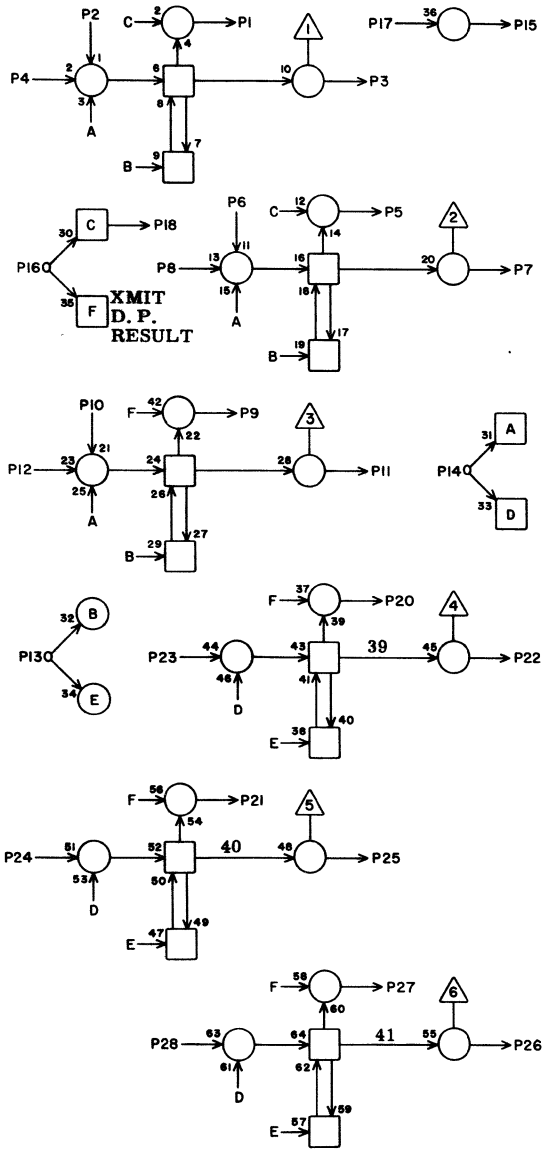
MF 6B12

1	A23	4	15
2	F22	4	21
3	D19	4	15
4	F22	21	21
5	A23	23	15
6	D19	23	15
7	B 5	16	11
8	C 6	5	11
9	C 6	25	11
10	C 6	8	11
11	A23	27	15
12	A23	3	15
13	D19	27	15
14	F22	3	21
15	H12	20	27
16	F22	24	21
17	B 9	20	7
18	D19	3	15
19	A 8	20	9
20	H23	7	27
21	C 7	1	11
22	C 6	21	11
23	A24	9	17
24	D20	9	15
25	D20	15	15
26	F23	18	23
27	F23	15	23
28	A24	15	15

63017400 Rev. B



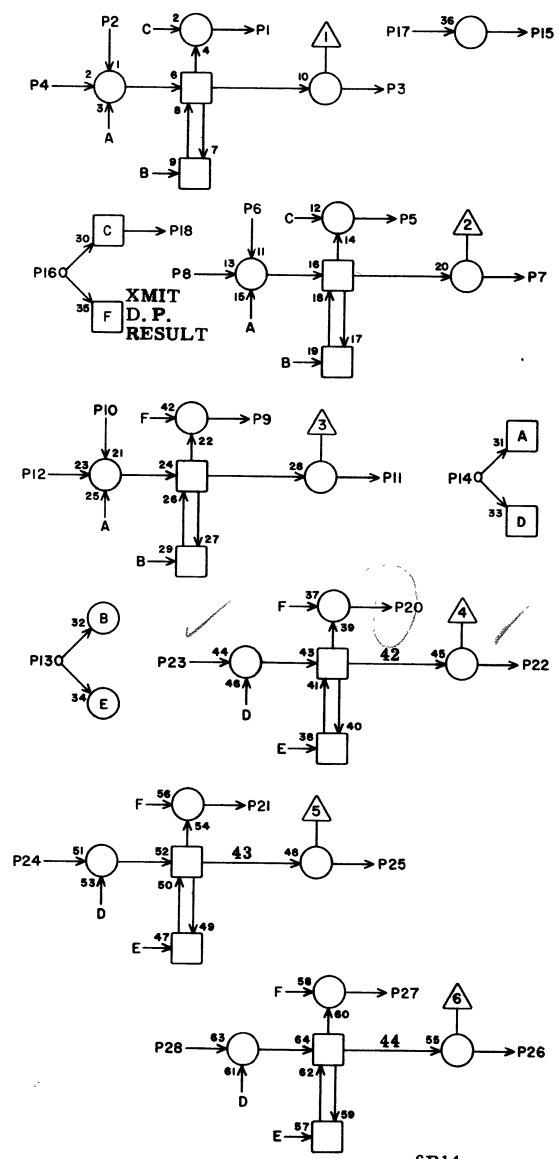
6B12



NJ 6B13

1			
2	B31	2	19
3	A39	26	27
4	B31	4	19
5			
6	B32	2	21
7	A40	26	27
8	B32	4	21
9			
10	B33	2	21
11	A41	26	27
12	B33	4	21
13	F 8	7	19
14	H20	6	27
15			
16	H22	13	27
17			
18	I12	18	29
19			
20	M 6	17	43
21	M 7	23	43
22	A39	25	27
23	B32	5	21
24	B33	5	21
25	A40	25	27
26	A41	25	27
27	M 7	17	43
28	B34	5	21
JACK    PIN    LG			

63017400 Rev. B



NJ 6B14

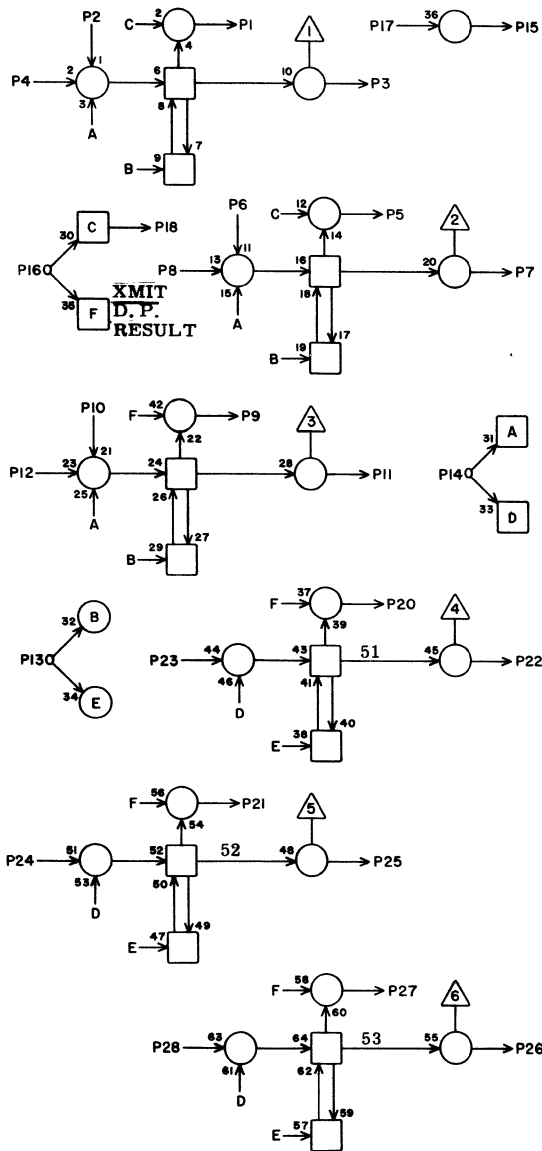
1			
2	B34	2	21
3	A42	26	27
4	B34	4	21
5			
6	B35	2	23
7	B30	26	19
8	B35	4	23
9			
10	B36	2	23
11	B31	26	19
12	B36	4	23
13	F 8	9	19
14	H20	7	27
15	D37	25	27
16	H22	8	27
17	D15	7	11
18	I13	8	29
19			
20	N 1	23	47
21	N 1	17	47
22	A42	25	29
23	B35	5	23
24	B36	5	23
25	B30	25	19
26	B31	25	19
27	V 2	23	47
28	B37	5	25
JACK    PIN    LG			

6B14

63017400 Rev. B





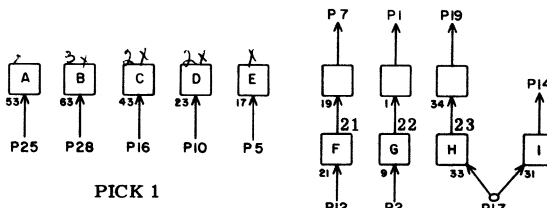
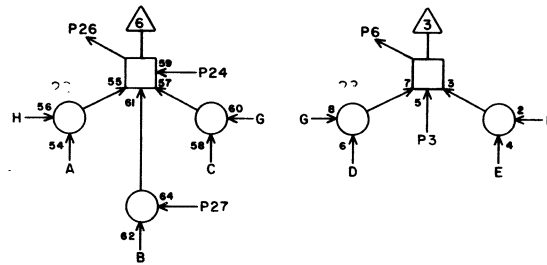
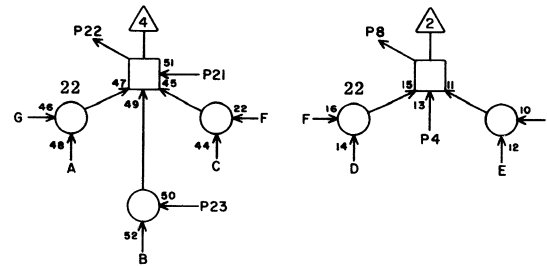
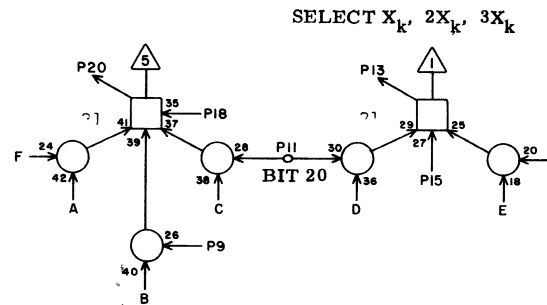


NJ 6B17

1			
2	C30	2	17
3	B38	26	23
4	C30	4	17
5			
6	C31	2	17
7	B39	26	23
8	C31	4	17
9			
10	C32	2	17
11	B40	26	25
12	C32	4	17
13	F 8	14	21
14	H20	10	27
15	D38	25	25
16	I23	4	29
17	D15	10	11
18			
19			
20	K 2	19	41
21	K 3	24	41
22	B38	25	23
23	C31	5	17
24	C32	5	17
25	B39	25	23
26	B40	25	25
27	K 3	19	41
28	C33	5	19

JACK PIN LG

63017400 Rev. B



PICK 1

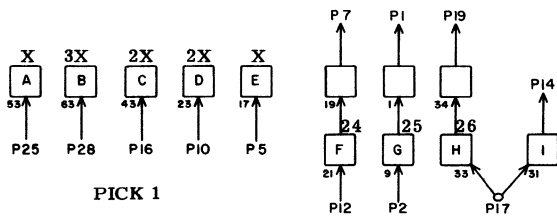
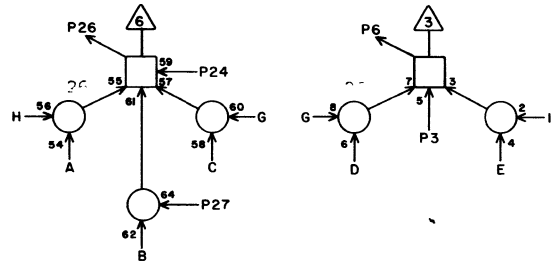
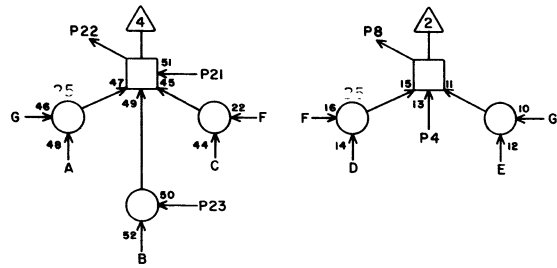
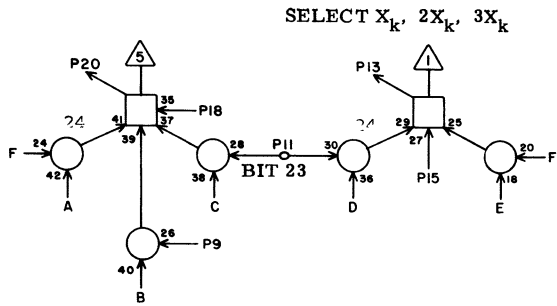
6B18

MB 6B18

1	D21	2	11
2	C 8	9	13
3	C11	12	13
4	C11	1	13
5	H13	27	27
6	G32	27	29
7	D21	12	11
8	G31	27	27
9	C10	23	13
10	H14	27	27
11	A24	14	11
12	C 8	12	13
13	G30	27	27
14	B19	11	5
15	C10	29	13
16	B25	27	11
17	C 8	16	13
18	E13	20	17
19	D21	17	11
20	B38	27	21
21	E13	21	17
22	B39	27	23
23	C11	5	13
24	E13	27	17
25	A25	27	11
26	B40	27	23
27	C11	11	13
28	C25	27	11

JACK PIN LG

63017400 Rev. B

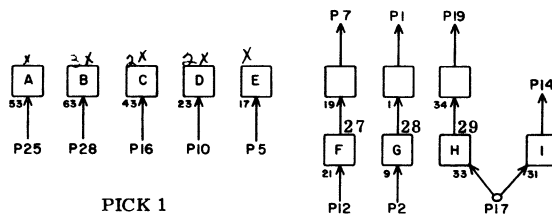
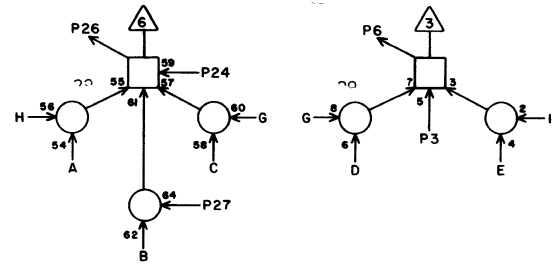
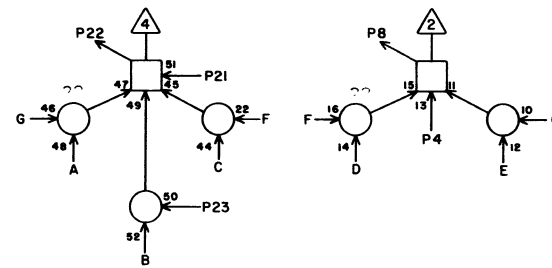
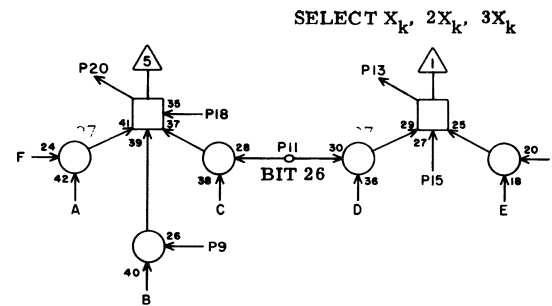


MB 6B19

1	D22	2	11
2	C 9	9	15
3	C12	12	13
4	C12	1	13
5	H13	22	27
6	G35	27	29
7	D22	12	11
8	G34	27	29
9	C11	23	13
10	H14	22	27
11	E18	14	5
12	C 9	12	15
13	G33	27	29
14	B20	11	5
15	C11	28	13
16	B25	22	11
17	C 9	16	15
18	E14	20	15
19	D22	17	11
20	B41	27	25
21	E14	21	17
22	B42	27	25
23	C12	5	13
24	E14	27	15
25	A25	22	11
26	C30	27	15
27	C12	11	13
28	C25	22	11

JACK PIN LG

63017400 Rev. B



6B20

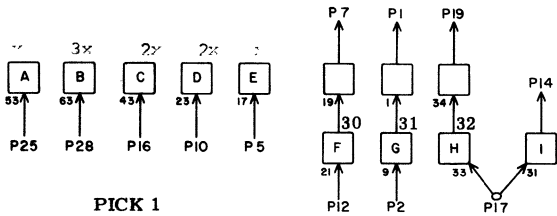
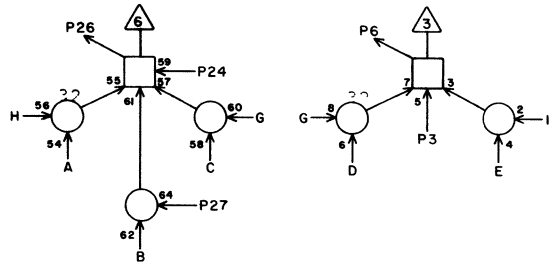
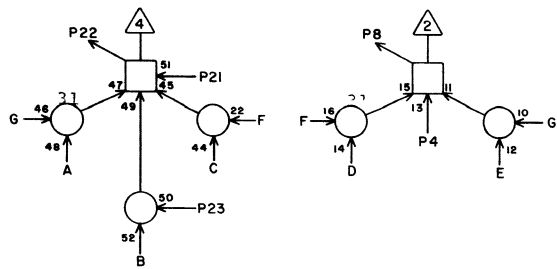
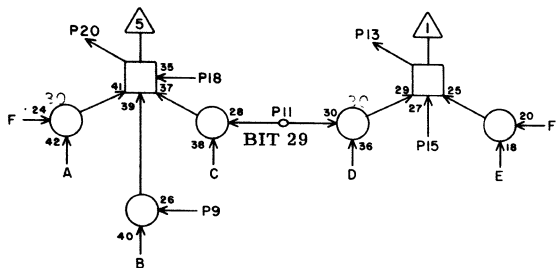
MB 6B20

1	D23	2	11
2	D 1	9	23
3	D10	12	17
4	D10	1	17
5	H13	23	29
6	G38	27	29
7	D23	12	11
8	G37	27	29
9	C12	23	13
10	H14	23	29
11	B19	14	5
12	D 1	12	23
13	G36	27	29
14	B21	11	5
15	C12	28	13
16	B25	23	9
17	D 1	16	23
18	E15	20	17
19	D23	17	11
20	C31	27	15
21	E15	21	17
22	C32	27	15
23	D10	5	17
24	E15	27	17
25	A25	23	11
26	C33	27	15
27	D10	11	17
28	C25	23	11

JACK PIN LG

63017400 Rev. B

SELECT  $X_k$ ,  $2X_k$ ,  $3X_k$



PICK 1

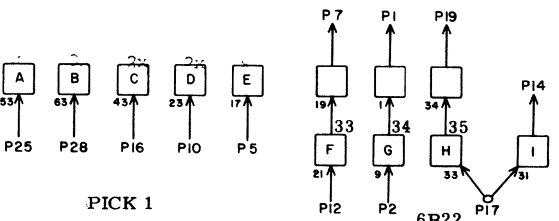
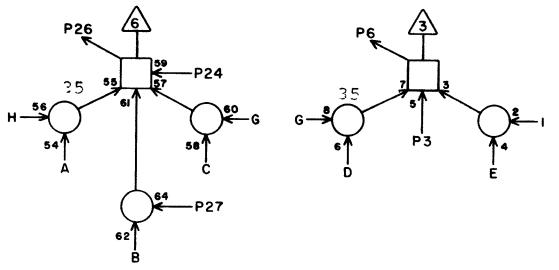
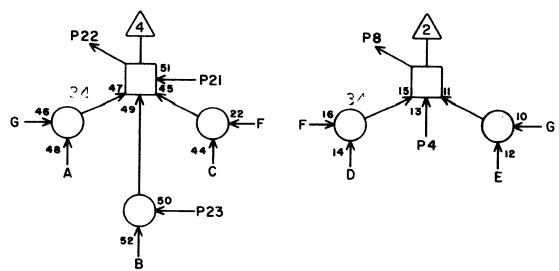
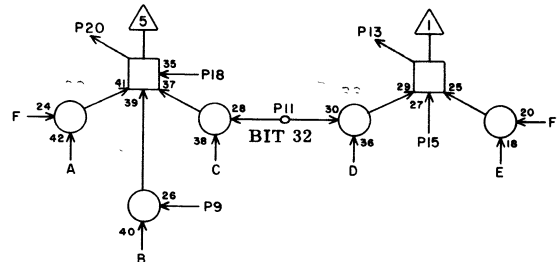
MB 6B21

1	D24	2	11
2	D 2	9	23
3	D11	12	17
4	D11	1	17
5	H13	21	27
6	G41	27	29
7	D24	12	11
8	G40	27	29
9	D10	23	17
10	H14	21	27
11	B20	14	5
12	D 2	12	23
13	G39	27	29
14	B22	11	5
15	D10	28	17
16	B25	21	7
17	D 2	16	23
18	E16	20	17
19	D24	17	11
20	C34	27	17
21	E16	21	17
22	C35	27	17
23	D11	5	17
24	E16	27	17
25	A25	21	11
26	C36	27	17
27	D11	11	17
28	C25	21	9

JACK PIN LG

63017400 Rev. B

SELECT  $X_k$ ,  $2X_k$ ,  $3X_k$



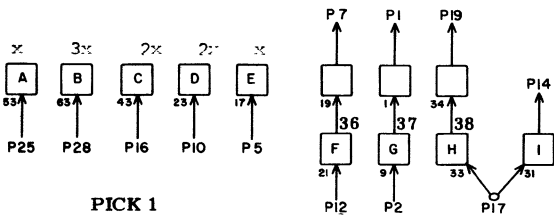
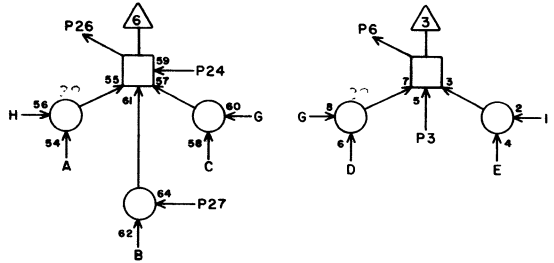
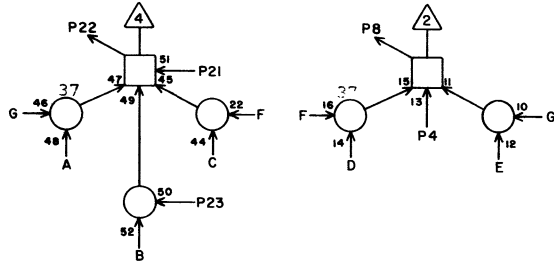
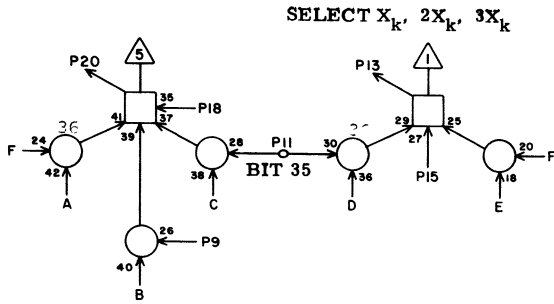
PICK 1

MB 6B22

1	E18	2	17
2	D 3	9	23
3	D12	12	17
4	D12	1	17
5	H13	24	29
6	H31	27	29
7	E18	12	17
8	H30	27	29
9	D11	23	17
10	H14	24	29
11	B21	14	5
12	D 3	12	23
13	G42	27	29
14	B23	11	5
15	D11	28	17
16	B25	24	7
17	D 3	16	23
18	E17	20	17
19	E18	17	17
20	C37	27	19
21	E17	21	17
22	C38	27	19
23	D12	5	17
24	E17	27	17
25	A25	24	9
26	C39	27	19
27	D12	11	17
28	C25	24	7

JACK PIN LG

63017400 Rev. B

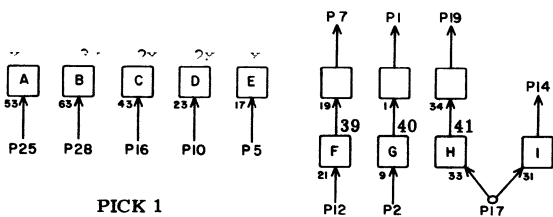
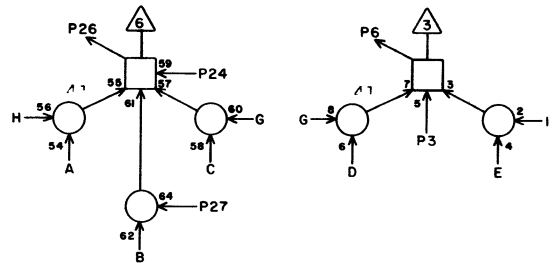
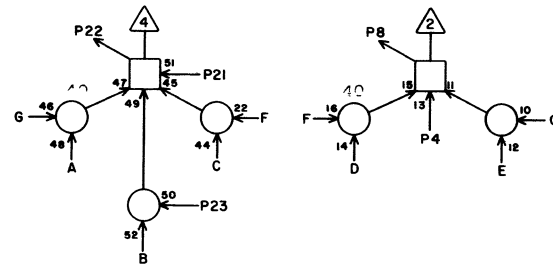
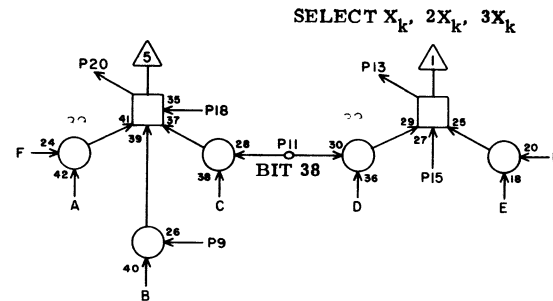


MB **6B23**

1	E19	2	17
2	D 4	9	23
3	E10	12	21
4	E10	1	21
5	H13	13	29
6	H34	27	29
7	E19	12	17
8	H33	27	29
9	D12	23	17
10	H14	13	29
11	B22	14	5
12	D 4	12	23
13	H32	27	29
14	B24	11	5
15	D12	28	17
16	B25	13	7
17	D 4	16	23
18	F13	20	23
19	E19	17	17
20	C40	27	19
21	F13	21	23
22	C41	27	21
23	E10	5	21
24	F13	27	23
25	A25	13	11
26	C42	27	21
27	E10	11	21
28	C25	13	7

JACK PIN LG

63017400 Rev. B



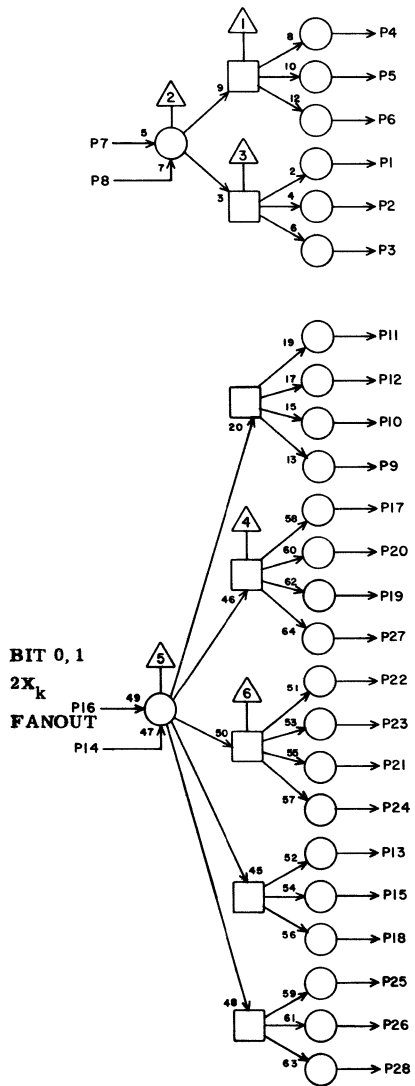
6B24

MB **6B24**

1	E20	2	17
2	D 5	9	21
3	E11	12	21
4	E11	1	21
5	H13	15	29
6	H37	27	31
7	E20	12	17
8	H36	27	31
9	E10	23	23
10	H14	15	29
11	B23	14	5
12	D 5	12	23
13	H25	27	31
14	C18	11	13
15	E10	28	23
16	P25	15	5
17	D 5	16	23
18	F14	20	23
19	E20	17	23
20	D30	27	15
21	F14	21	23
22	D31	27	15
23	E11	5	23
24	F14	27	23
25	A25	15	9
26	D32	27	15
27	E11	11	23
28	C25	15	7

JACK PIN LG

63017400 Rev. B

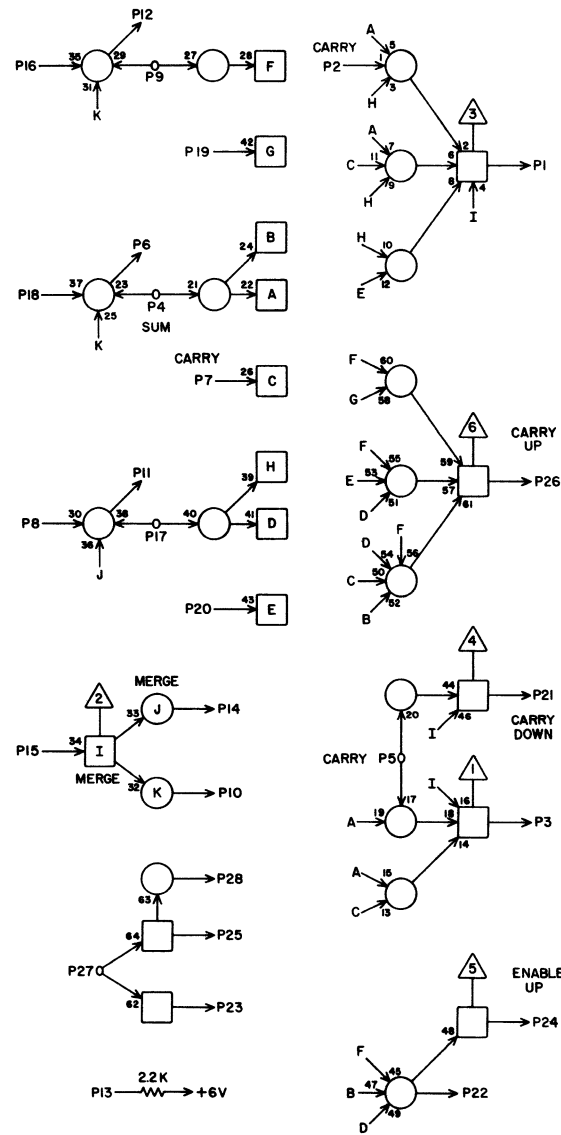


**CB**      **6B25**

1	I16	17	33
2	I17	17	33
3	I19	17	31
4	I19	17	31
5	I20	17	31
6	I21	17	31
7	E28	23	17
8	I25	4	29
9	A21	16	9
10	A20	16	11
11	A18	16	13
12	A19	16	11
13	B23	16	7
14	B24	x	2
15	B24	16	5
16	I 7	10	35
17	A22	16	9
18	C18	16	13
19	A24	16	9
20	A23	16	9
21	B21	16	7
22	B19	16	11
23	B20	16	9
24	B22	16	7
25	C19	16	13
26	C20	16	11
27	B18	16	11
28			

**JACK    PIN    IO**

63017400 Rev. B



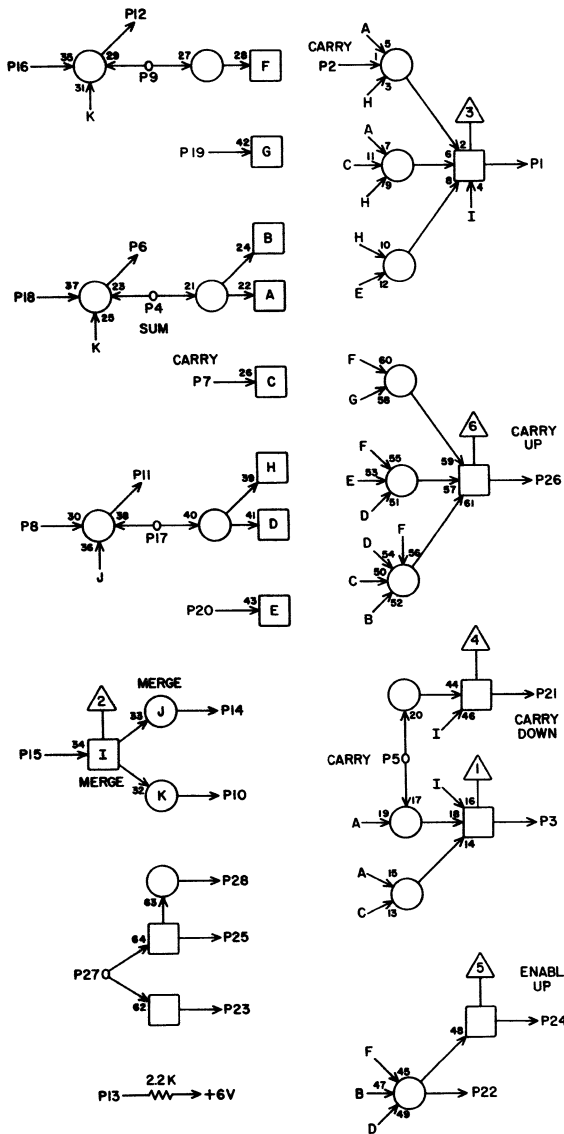
6B26

**MM**      **6B26**

1	F20	23	21
2	H26	24	29
3	F20	9	21
4	A42	7	19
5	H26	22	29
6	B30	6	7
7	A41	18	17
8	B30	11	7
9	B31	7	7
10	F21	30	25
11	B31	5	7
12	B32	6	8
13	A30	23	11
14	E26	15	17
15	C25	8	7
16	B31	11	7
17	B30	7	7
18	A42	11	19
19	B30	18	7
20	A42	18	19
21	F19	27	21
22	G27	17	23
23			
24	H26	25	29
25	E 8	18	25
26	H26	30	29
27	A14	23	17
28	E 8	22	25

**JACK    PIN    IO**

63017400 Rev. B

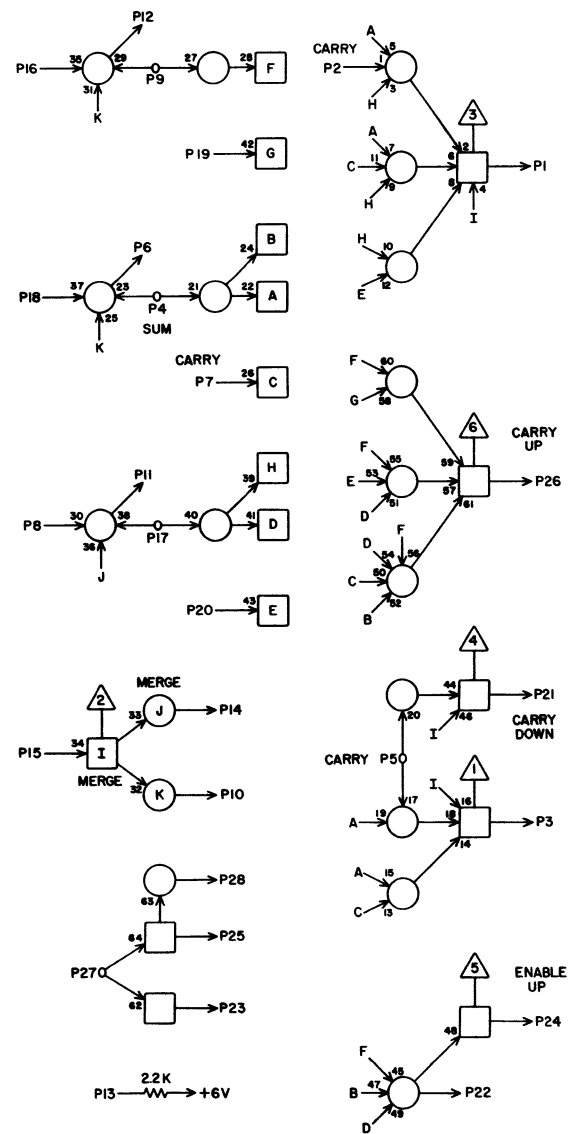


MM **6B27**

1	F21	23	21
2	H26	18	29
3	F21	9	21
4	B32	7	9
5	H26	16	27
6	B33	6	9
7	B31	18	7
8	B33	11	9
9	B34	7	11
10	F22	28	21
11	B34	6	11
12	B35	6	11
13	A31	23	11
14	B27	15	17
15	C25	6	7
16	B34	11	11
17	B33	7	9
18	B32	11	9
19	B33	18	9
20	B32	18	9
21	F20	27	21
22	G27	19	23
23			
24	H26	26	27
25	E 8	15	25
26	H26	23	27
27	A14	25	17
28	E 8	19	25

JACK PIN LG

63017400 Rev. B



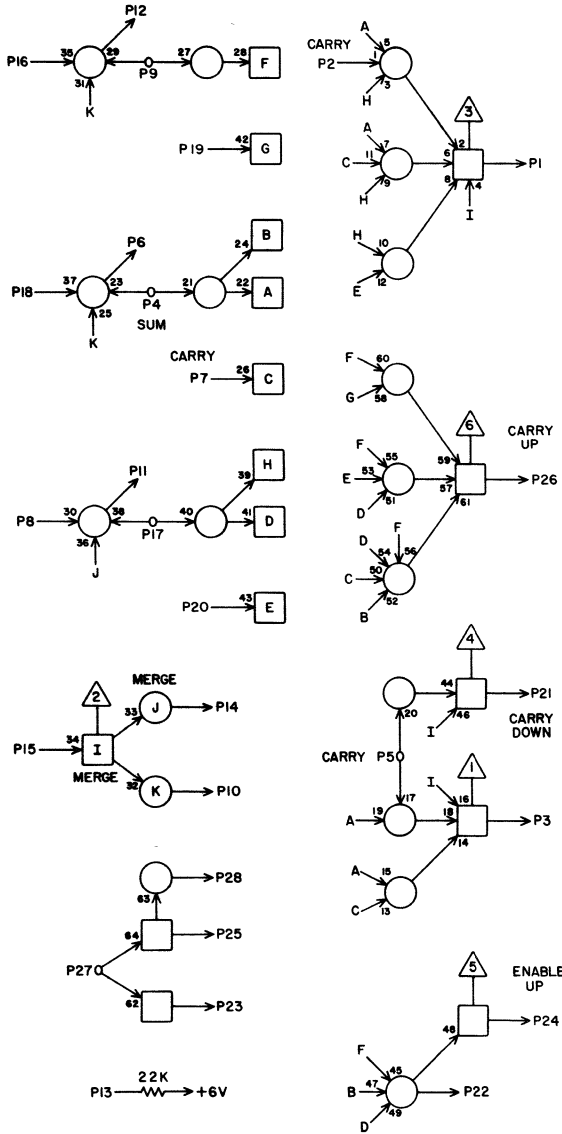
6B28

MM **6B28**

1	F22	23	21
2	I29	11	31
3	F22	9	21
4	B35	7	11
5	I29	13	31
6	B36	6	11
7	B34	18	7
8	B36	11	11
9	B37	7	13
10	F23	28	21
11	B37	6	13
12	B38	6	13
13	B39	1	14
14	B28	15	17
15	B35	1	14
16	B37	11	13
17	B36	7	11
18	B38	11	11
19	B36	18	11
20	B35	18	11
21	F21	27	21
22	G27	7	23
23			
24	I29	5	31
25	E 8	11	25
26	B37	7	25
27	A14	26	17
28	E 8	14	25

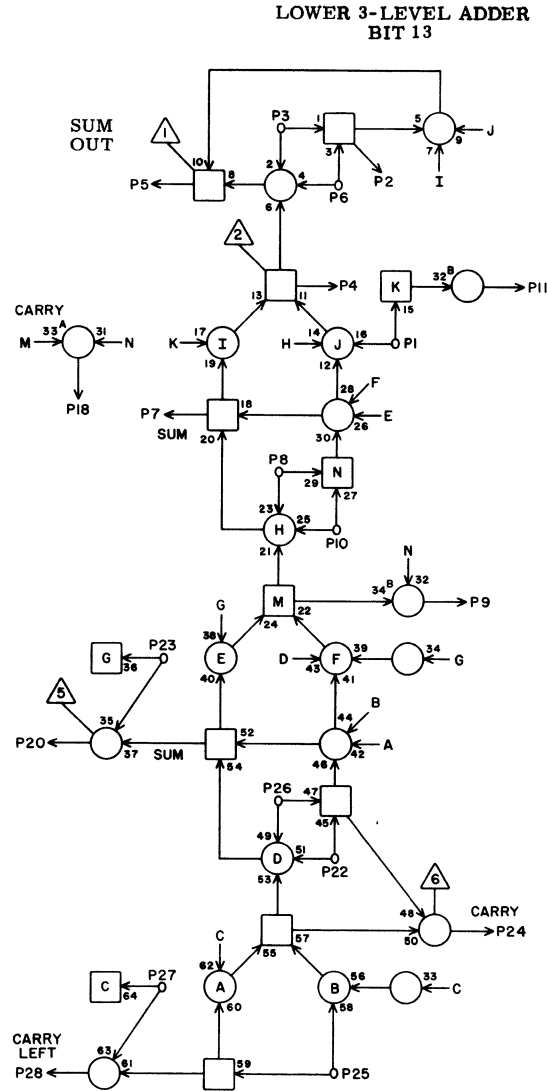
JACK PIN LG

63017400 Rev. B



MM		6B29	
JACK	PIN	LG	
1	F23	23	21
2	H27	6	27
3	F23	9	21
4	B38	7	13
5	H27	5	27
6	B39	6	13
7	B37	13	11
8	B39	11	13
9	B40	7	15
10	F24	28	21
11	B40	6	15
12	B41	6	15
13	E35	23	17
14	E29	15	17
15	D25	2	13
16	B40	11	15
17	B39	7	13
18	B38	11	13
19	B39	18	13
20	B38	18	13
21	F22	27	21
22	G27	8	23
23			
24	H27	4	27
25	E 9	6	25
26	H27	1	27
27	D17	3	17
28	E 9	10	25

63017400 Rev. B



6B30

MC		6B30	
JACK	PIN	LG	
1	F20	20	23
2	A17	10	15
3	A42	9	15
4	A17	12	17
5	A17	24	17
6	B26	6	7
7	B26	17	7
8	A42	24	15
9	B31	3	5
10	A42	20	15
11	B26	8	7
12			
13			
14			
15			
16			
17			
18	B26	19	7
19			
20	B31	10	5
21			
22	A42	28	15
23	C24	26	13
24	B31	8	5
25	B14	25	19
26	B14	7	19
27	A22	22	11
28	B31	22	5

63017400 Rev. B



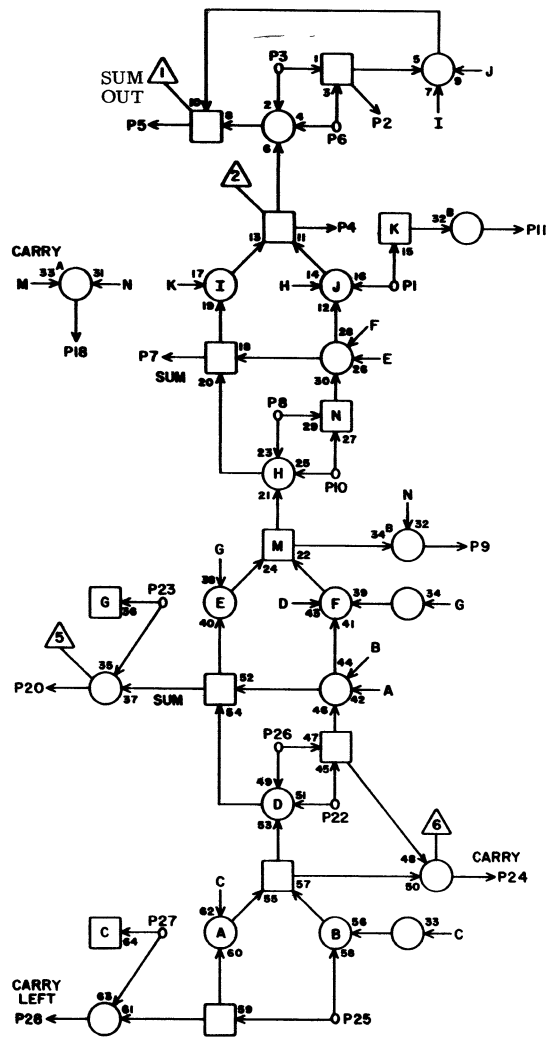
LS 63064200  
ASSY

C  
REV

LOWER 3-LEVEL ADDER  
Bit 14

MC

6B31



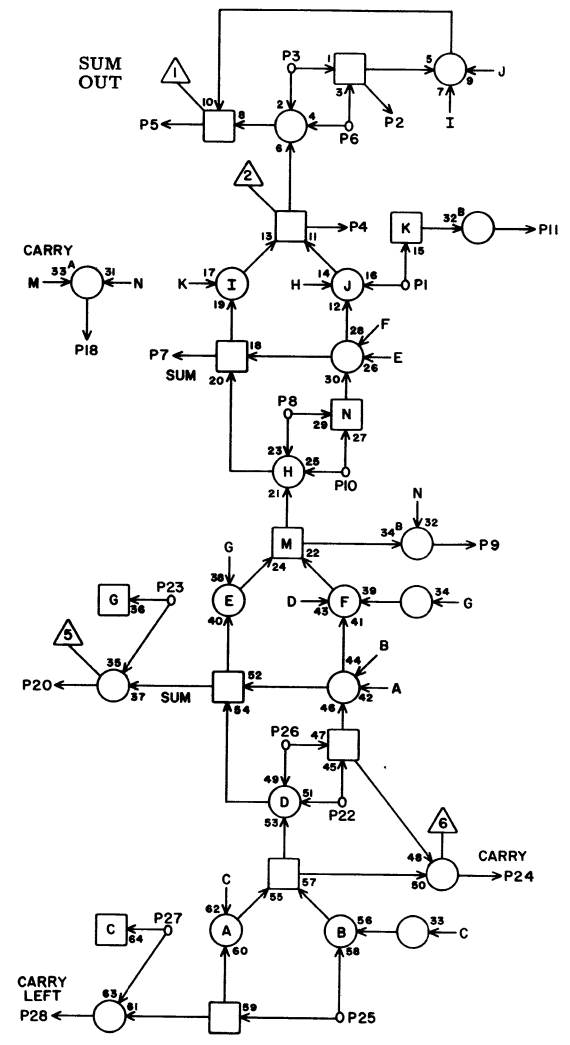
JACK	PIN	LG
1	F20	22 23
2	B13	2 19
3	B30	9 5
4	B13	4 19
5	A17	28 17
6	B26	11 7
7	B26	9 7
8	B30	24 5
9	B32	3 5
10	B30	20 5
11	B26	16 7
12		
13		
14		
15		
16		
17		
18	B27	7 7
19		
20	B32	10 5
21		
22	B30	28 5
23	D18	20 17
24	B32	8 5
25	B14	26 19
26	B14	11 19
27	A22	26 13
28	B32	22 5

CIRCUIT SPECIFICATION 11827600

LOWER 3-LEVEL ADDER  
BIT 15

MC

6B32



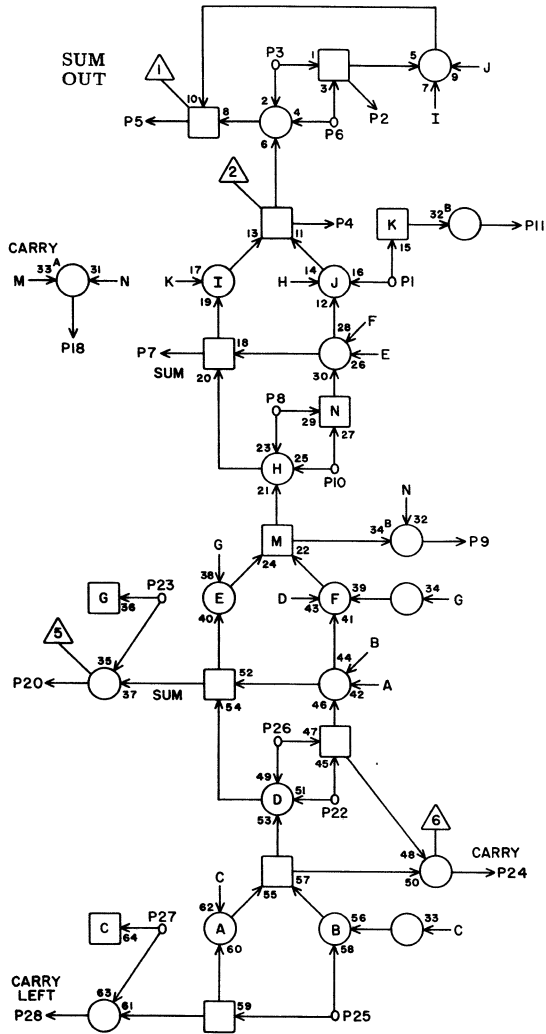
JACK	PIN	LG
1	F20	26 25
2	B13	6 21
3	B31	9 5
4	B13	8 21
5	B13	23 21
6	B26	12 9
7	B27	4 9
8	B31	24 5
9	B33	3 5
10	B31	20 5
11	B27	18 9
12		
13		
14		
15		
16		
17		
18	B27	20 9
19		
20	B33	10 5
21		
22	B31	28 5
23	D18	22 19
24	B33	8 5
25	B15	27 19
26	B15	3 23
27	A23	20 13
28	B33	22 5

CIRCUIT SPECIFICATION 11827600

6B32

63017400 Rev. B

LOWER 3-LEVEL ADDER  
BIT 16



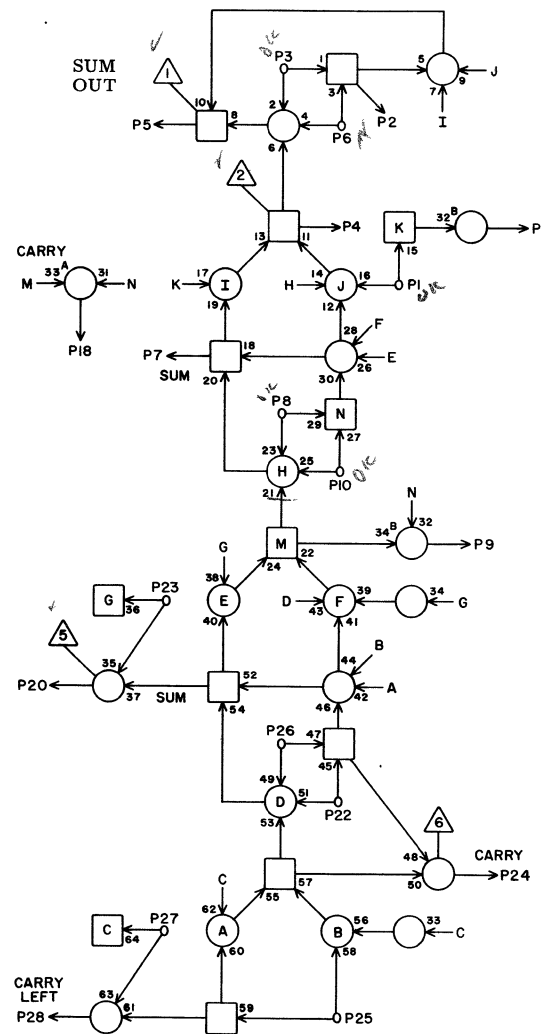
MC 6B33

1	F21	20	23
2	B13	10	21
3	B22	9	5
4	B13	10	21
5	B13	24	21
6	B27	6	9
7	B27	17	9
8	B32	24	5
9	B34	3	5
10	B32	20	5
11	B27	8	9
12			
13			
14			
15			
16			
17			
18	B27	19	9
19			
20	B34	10	5
21			
22	B32	28	5
23	D19	26	19
24	B34	9	5
25	B15	25	19
26	B15	7	19
27	B23	22	15
28	B34	22	5

JACK PIN LG

63017400 Rev. B

LOWER 3-LEVEL ADDER  
BIT 17



MC 6B34

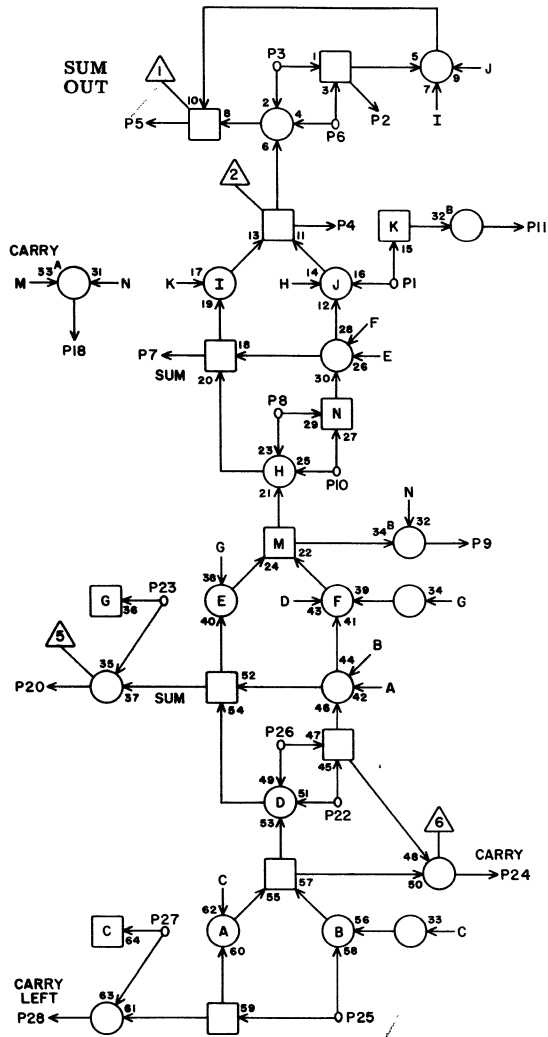
1	F21	22	25
2	B14	2	21
3	B33	9	5
4	B14	4	21
5	B13	28	21
6	B27	11	11
7	B27	9	11
8	B33	24	5
9	B35	3	5
10	B33	20	5
11	B27	16	11
12			
13			
14			
15			
16			
17			
18	B28	7	9
19			
20	B35	10	5
21			
22	B33	28	5
23	D19	20	19
24	B35	8	5
25	B15	26	21
26	B15	11	21
27	B23	26	15
28	B35	22	5

JACK PIN LG

6B34

63017400 Rev. B

LOWER 3-LEVEL ADDER  
BIT 18



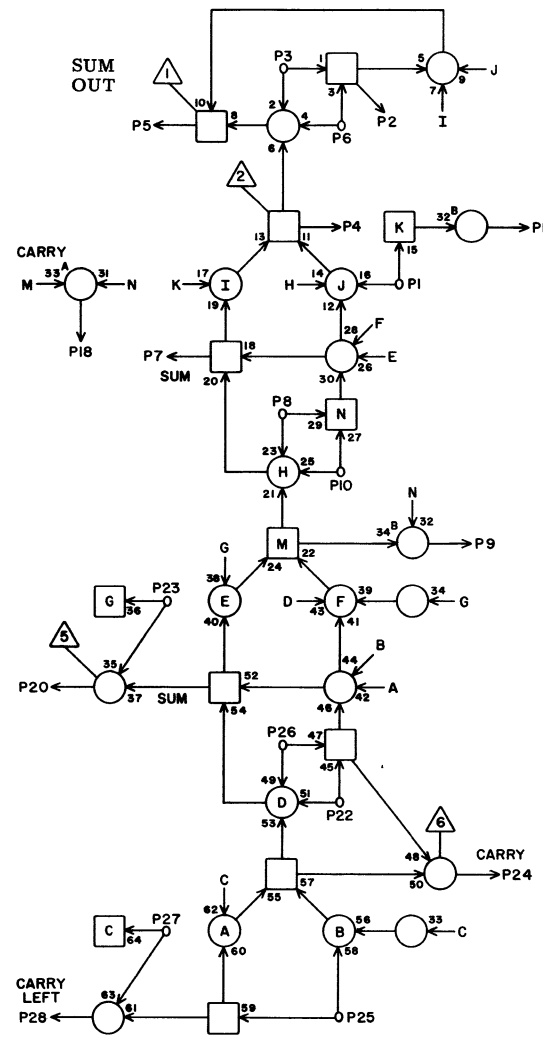
MC **6B35**

1	F21	26	25
2	B14	6	23
3	B34	9	5
4	B14	8	23
5	B14	23	23
6	B27	12	11
7	B28	4	11
8	B34	24	5
9	B36	3	5
10	B34	20	5
11	F28	18	11
12			
13			
14			
15			
16			
17			
18	B28	20	11
19			
20	B36	10	5
21			
22	B34	29	5
23	D19	22	19
24	B36	8	5
25	B16	22	21
26	B16	3	21
27	A24	20	15
28	B36	22	5

JACK PIN LG

63017400 Rev. B

LOWER 3-LEVEL ADDER  
BIT 19



MC **6B36**

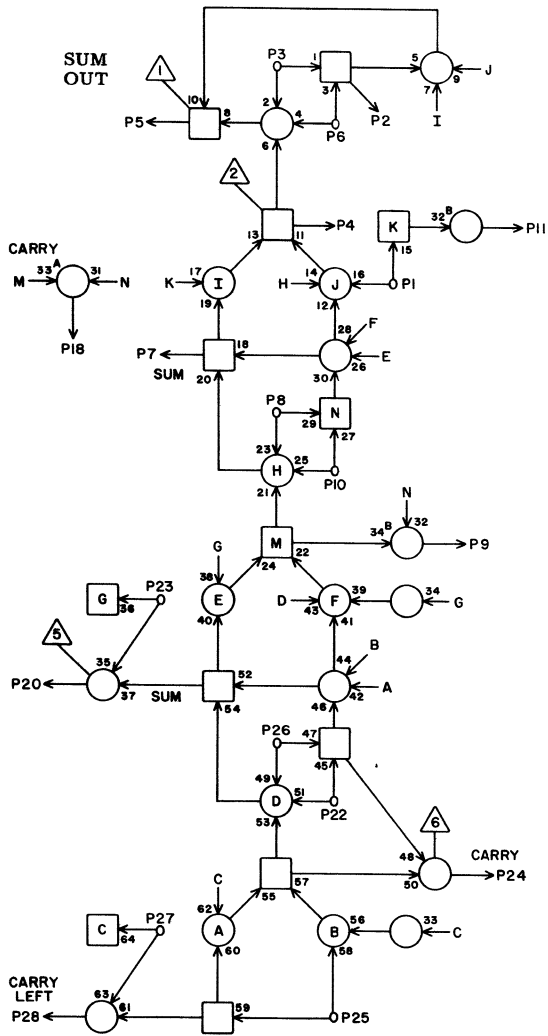
1	F22	20	25
2	B14	10	23
3	B35	9	5
4	B14	12	23
5	B14	24	23
6	B28	6	11
7	B28	17	11
8	B35	24	5
9	B37	3	5
10	B35	20	5
11	B28	8	11
12			
13			
14			
15			
16			
17			
18	B28	19	11
19			
20	B37	10	5
21			
22	B35	28	5
23	D19	26	21
24	B37	8	5
25	B16	25	21
26	B16	7	21
27	A24	22	15
28	B37	22	5

JACK PIN LG

6B36

63017400 Rev. B

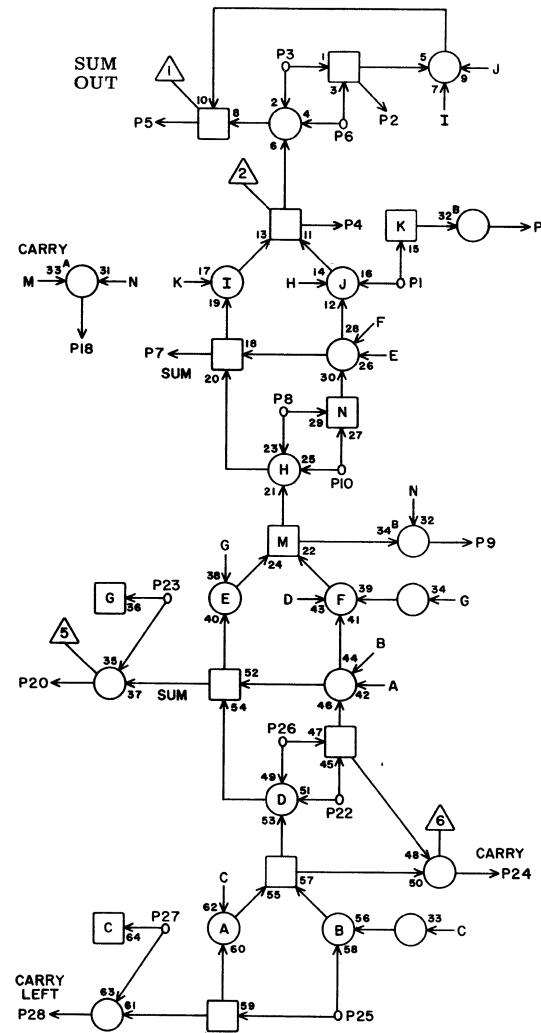
LOWER 3-LEVEL ADDER  
BIT 20



MC			6B37
1	F22	22	25
2	B25	2	23
3	B36	9	5
4	B15	4	25
5	B14	28	25
6	B28	11	13
7	B28	9	13
8	B36	24	5
9	B38	3	5
10	B36	20	5
11	B28	16	13
12			
13			
14			
15			
16			
17			
18	B29	7	11
19			
20	B38	10	5
21			
22	B36	28	5
23	D20	20	21
24	B38	8	5
25	B26	26	23
26	B16	11	23
27	A24	26	19
28	B38	22	5
	JACK	PIN	LG

63017400 Rev. B

LOWER 3-LEVEL ADDER  
BIT 21

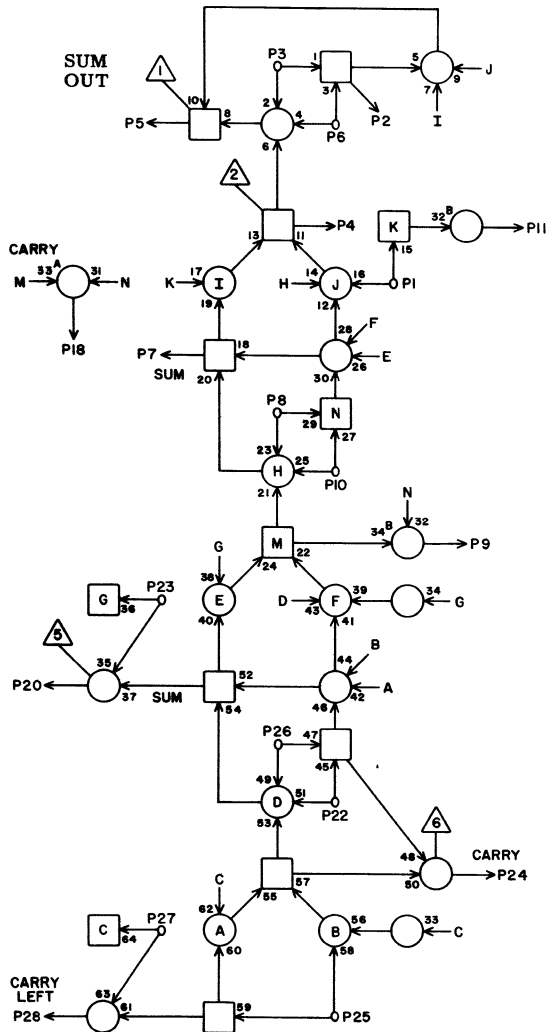


MC			6B38
1	F22	26	27
2	B15	6	25
3	B37	9	5
4	B15	8	25
5	B15	23	25
6	B28	12	13
7	B29	4	13
8	B37	24	5
9	B39	3	5
10	B37	20	5
11	B29	18	13
12			
13			
14			
15			
16			
17			
18	B29	20	13
19			
20	B39	10	5
21			
22	B37	28	5
23	D20	27	23
24	B39	8	5
25	B17	27	23
26	B17	3	23
27	B18	20	21
28	B39	22	5
	JACK	PIN	LG

6B38

63017400 Rev. B

LOWER 3-LEVEL ADDER  
BIT 22

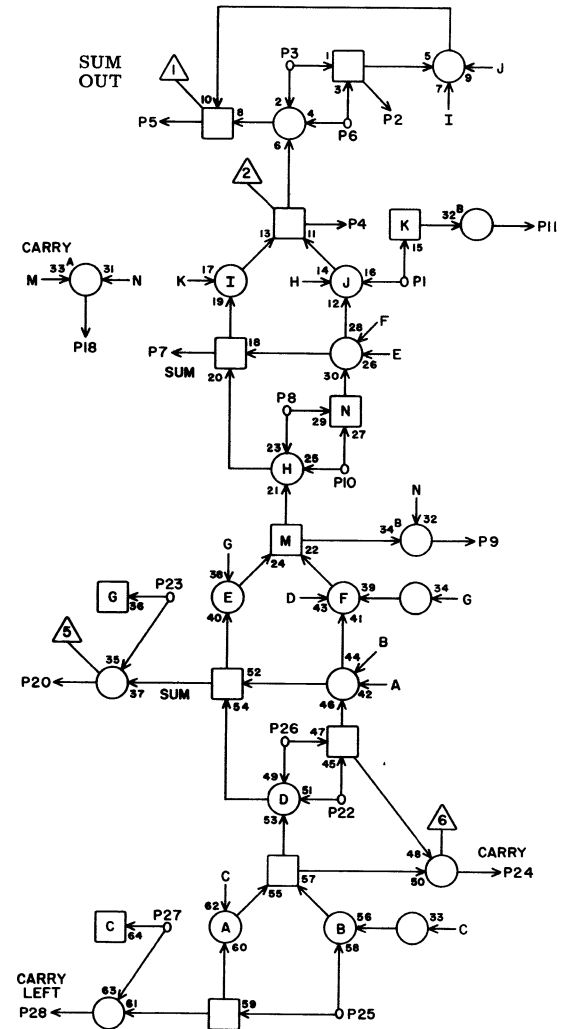


MC 6B39

1	F23	20	27
2	P15	10	25
3	P39	9	5
4	P15	12	25
5	B15	24	25
6	B29	6	13
7	B29	17	13
8	B39	24	5
9	B40	3	5
10	B38	20	5
11	B29	8	13
12			
13			
14			
15			
16			
17			
18	P29	19	13
19			
20	B40	10	5
21			
22	P38	28	5
23	P20	26	23
24	B40	8	5
25	P17	25	23
26	B17	7	23
27	P18	22	23
28	B40	22	5

JACK PIN LG

LOWER 3-LEVEL ADDER  
BIT 23

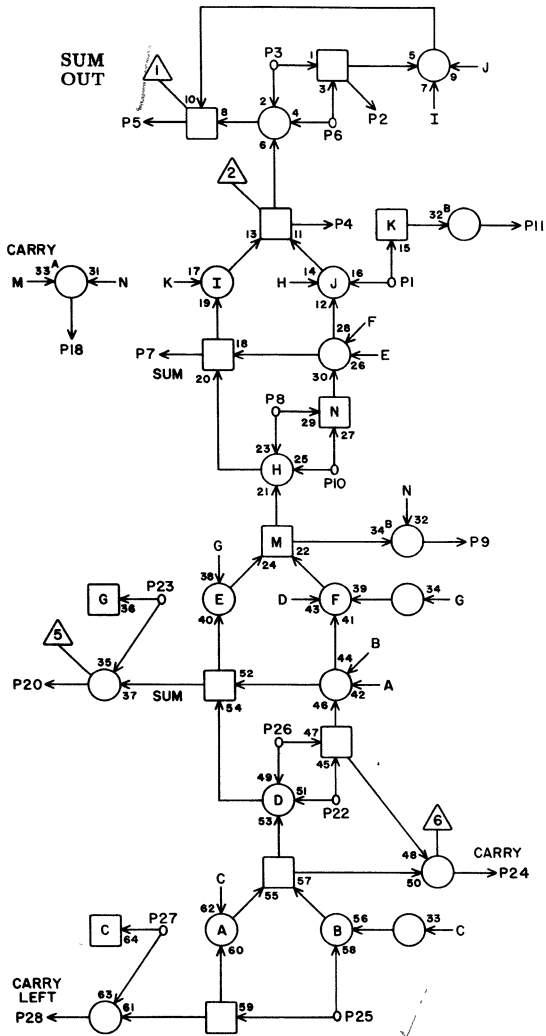


MC 6B40

1	F23	22	27
2	B16	2	25
3	B39	9	5
4	B16	4	25
5	B15	28	27
6	B29	11	15
7	B29	9	15
8	B39	24	5
9	B41	3	5
10	B39	20	5
11	B29	16	15
12			
13			
14			
15			
16			
17			
18	C26	7	17
19			
20	B41	10	5
21			
22	B39	28	5
23	D21	20	23
24	B41	8	5
25	B17	26	25
26	B17	11	25
27	B18	26	23
28	B41	22	5

JACK PIN LG

LOWER 3-LEVEL ADDER  
BIT 24



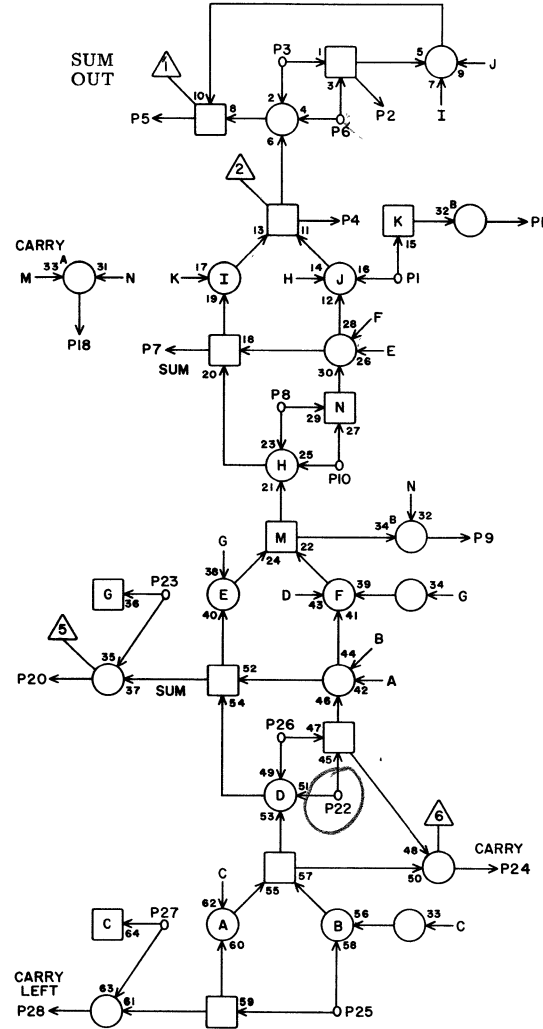
MC 6 B41

1	F23	26	27
2	B16	6	27
3	B40	9	5
4	D16	8	27
5	B16	23	27
6	B29	12	15
7	C26	4	19
8	B40	24	5
9	B42	3	5
10	B40	20	5
11	C26	18	19
12			
13			
14			
15			
16			
17			
18	C26	20	19
19			
20	B42	10	5
21			
22	B40	28	5
23	D21	22	23
24	B42	9	5
25	C13	27	29
26	C13	3	29
27	B19	20	25
28	B42	22	5

JACK PIN LG

63017400 Rev. B

LOWER 3-LEVEL ADDER  
BIT 25



MC 6B42

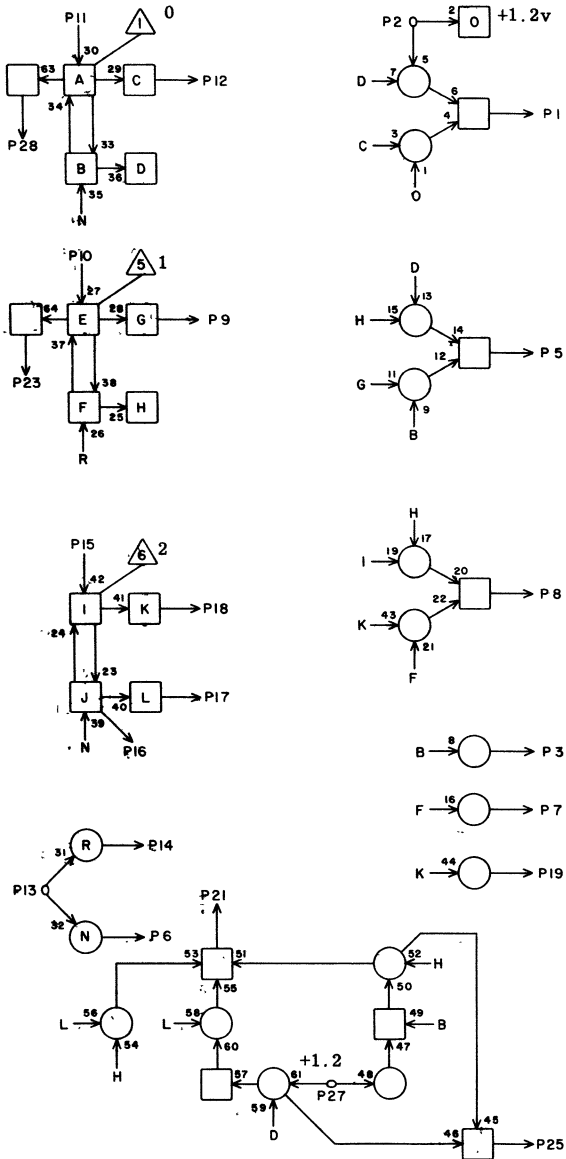
1	F24	20	27
2	B16	10	27
3	B41	9	5
4	B16	12	27
5	B16	24	27
6	C26	6	19
7	C26	17	19
8	B41	24	55
9	C30	3	15
10	B41	20	5
11	C26	8	19
12			
13			
14			
15			
16			
17			
18	C26	19	19
19			
20	C30	10	15
21			
22	B41	28	5
23	D21	26	25
24	C30	8	15
25	C13	25	29
26	C13	7	29
27	B19	22	25
28	C30	22	17

JACK PIN LG

63017400 Rev. B

6B42

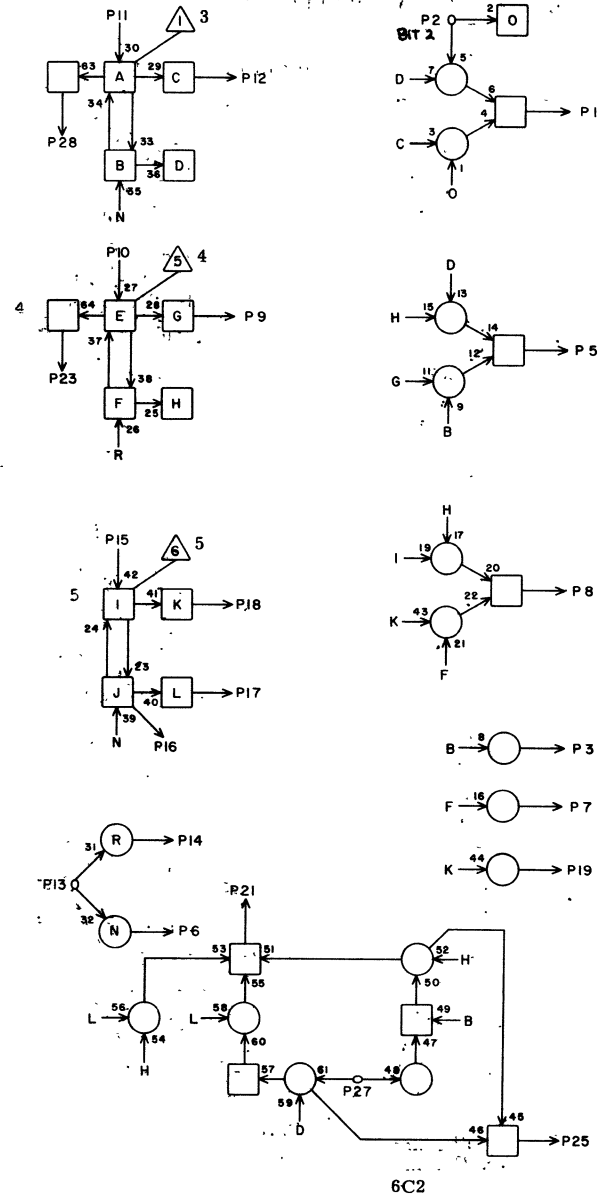
$X_k$  FEEDER REG.,  $X_k + 2X_k$  ADDER



MA 6C1			
JACK	PIN	LG	
1	F11	21	19
2	C 1	X	2
3	B 7	23	11
4			
5	A10	8	15
6	F12	8	120
7			
8	A10	10	15
9	A18	2	21
10	G 1	3	19
11	G 1	1	19
12	A18	12	21
13	F12	11	19
14	F25	8	120
15	G 1	5	19
16	A18	17	21
17	C 2	2	3
18	A 1	5	13
19			
20			
21	A10	22	15
22			
23	A 1	3	13
24			
25	A10	9	15
26			
27	H 2	27	23
28			

63017400 Rev. B

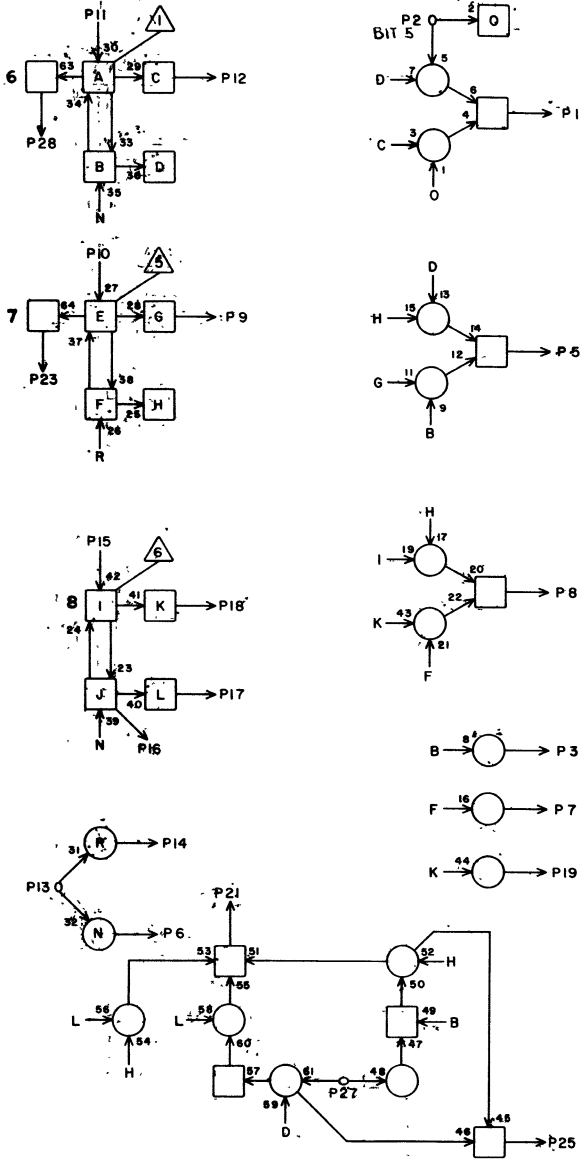
$X_k$  FEEDER REG.,  $X_k + 2X_k$  ADDER



MA 6C2			
JACK	PIN	LG	
1	A10	21	13
2	C1	17	3
3			
4			
5	A11	8	15
6	I7	22	25
7			
8	A11	10	15
9	A19	2	19
10	G2	1	19
11	G1	7	19
12	A19	12	19
13	F12	12	17
14	J 26	7	39
15	G2	3	17
16	A19	17	21
17	C3	2	5
18	A1	10	13
19			
20			
21	A11	22	15
22			
23	A1	11	13
24			
25	A11	9	15
26			
27	B5	6	11
28	A1	1	13

63017400 Rev. T

$X_k$  FEEDER REG.,  $X_k + 2X_k$  ADDER

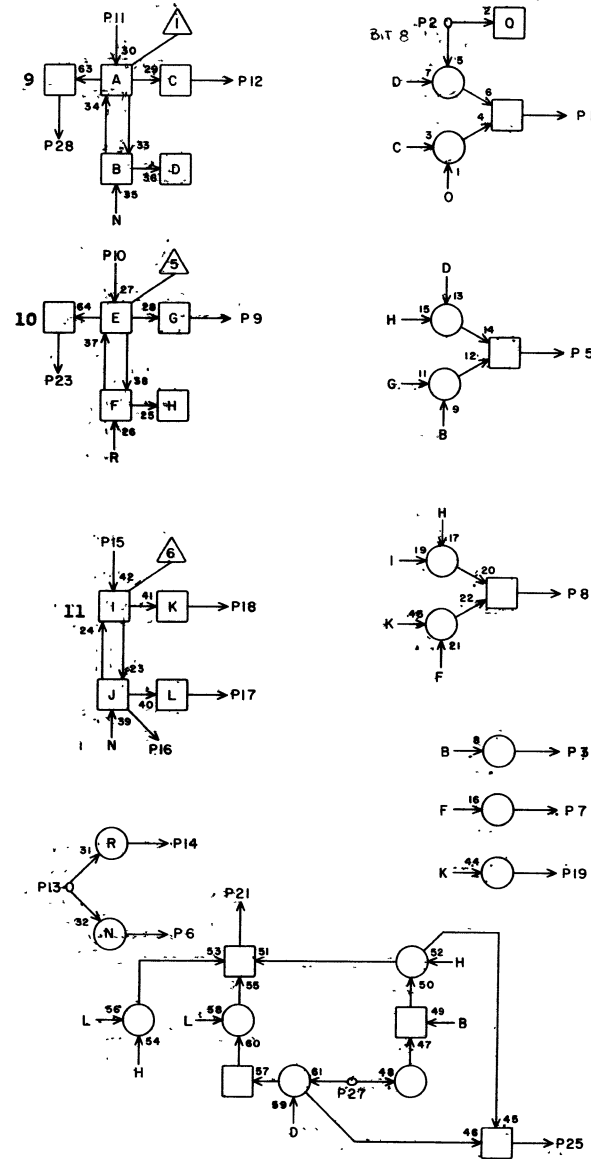


MA 6C3			
1	A11	21	15
2	C2	17	5
3			
4			
5	A12	8	15
6			
7			
8	A12	10	15
9	A20	2	19
10	G2	7	19
11	G2	5	19
12	A20	12	19
13	F12	10	17
14			
15	G3	1	17
16	A20	17	21
17	C4	2	5
18	A1	21	11
19			
20			
21	A12	22	15
22			
23	A1	24	13
24			
25	A12	9	15
26			
27	B5	12	9
28	A1	15	13

JACK PIN LG

63017400 Rev. B

$X_k$  FEEDER REG.,  $X_k + 2X_k$  ADDER



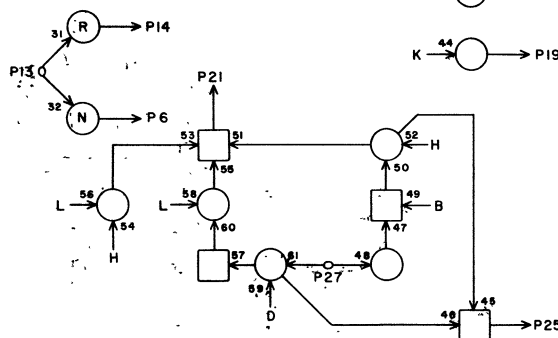
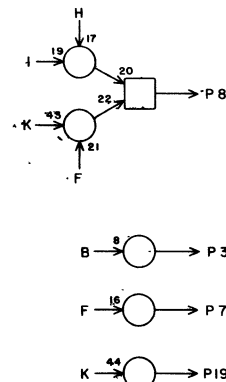
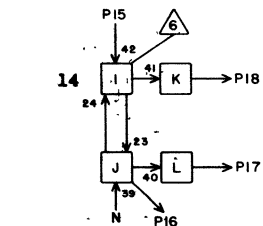
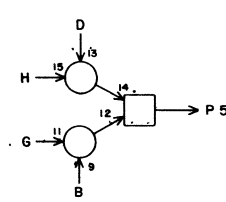
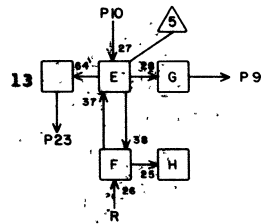
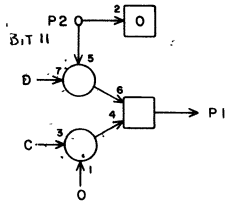
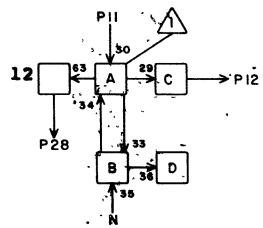
MA 6C4			
1	A12	21	15
2	C3	17	5
3			
4			
5	B10	8	11
6			
7			
8	B10	10	11
9	A21	2	19
10	G3	5	19
11	G3	3	19
12	A21	12	21
13	F12	9	17
14			
15	G3	7	19
16	A21	17	21
17	C5	2	5
18	A2	5	13
19			
20			
21	B10	22	11
22			
23	A2	3	13
24			
25	B10	9	11
26			
27	A5	15	13
28	A1	25	13

JACK PIN LG

63017400 Rev. B



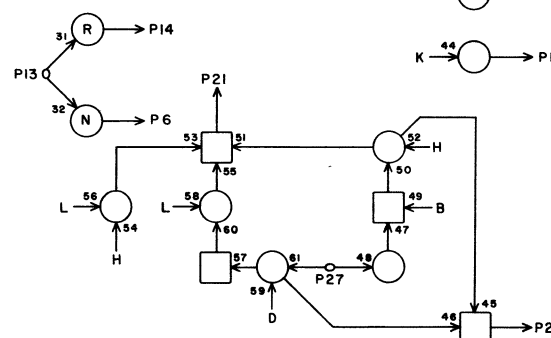
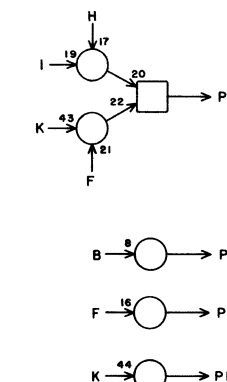
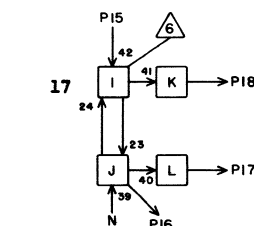
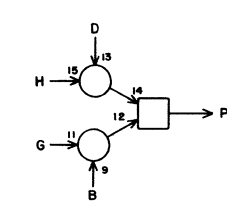
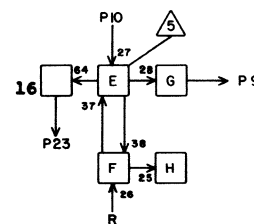
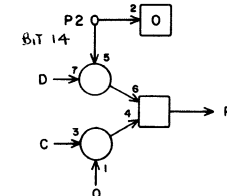
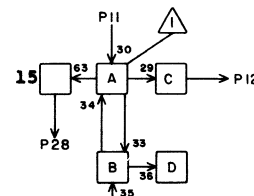
$X_k$  FEEDER REG.,  $X_k + 2X_k$  ADDER



MA		6C5	
JACK	PIN	LG	
1	B10	21	9
2	C4	17	5
3			
4			
5	B11	8	11
6			
7			
8	B11	10	13
9	A22	2	21
10	G4	3	19
11	G4	1	19
12	A22	12	21
13	F12	17	17
14			
15	G4	5	19
16	A22	17	21
17	C6	2	5
18	A2	10	18
19			
20			
21	B11	22	11
22			
23	A7	11	13
24			
25	B11	9	11
26			
27	B5	24	9
28	A2	1	15

63017400 Rev. B

$X_k$  FEEDER REG.,  $X_k + 2X_k$  ADDER

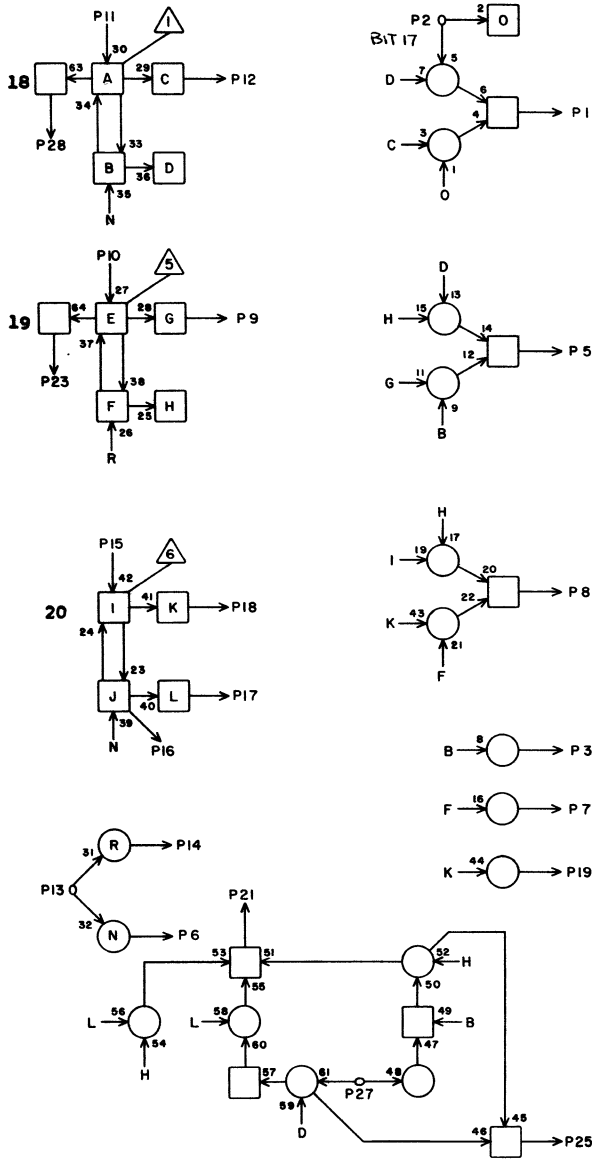


MA		6C6	
JACK	PIN	LG	
1	B11	21	9
2	C5	17	5
3			
4			
5	B12	8	11
6			
7			
8	B12	10	11
9	A23	2	21
10	G5	1	19
11	G4	7	19
12	A23	12	21
13	F12	20	17
14			
15	G5	3	19
16	A23	17	21
17	C7	2	5
18	A2	21	13
19			
20			
21	B12	22	11
22			
23	A2	24	13
24			
25	B12	9	11
26			
27	B5	18	9
28	A2	15	13

6C6

63017400 Rev. B

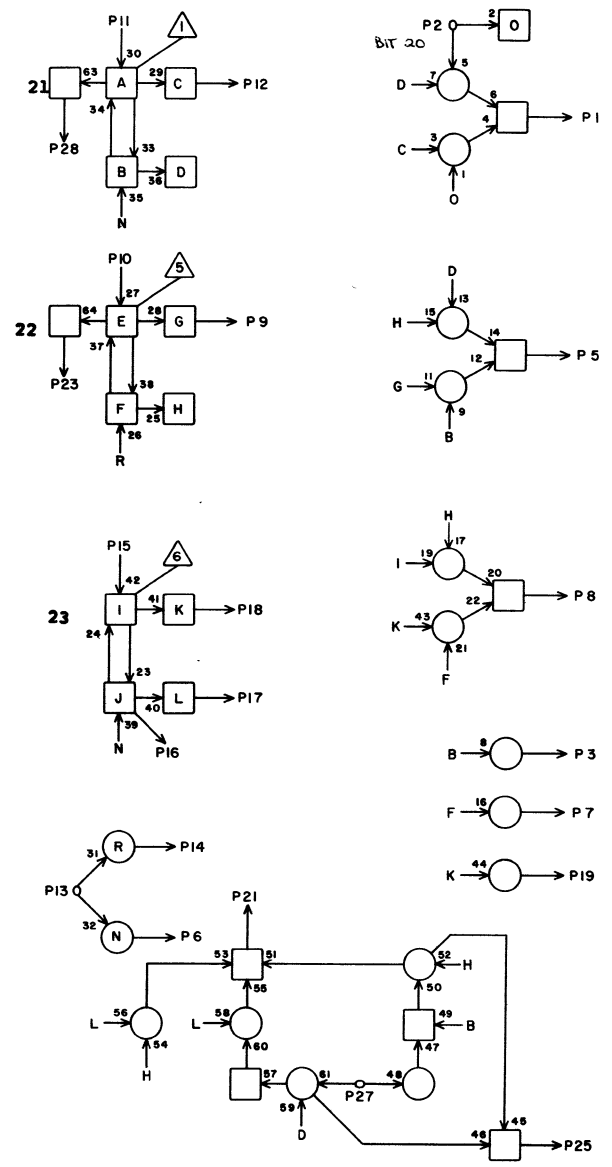
$X_k$  FEEDER REG.,  $X_k + 2X_k$  ADDER



MA		6C7	
JACK	PIN	LG	
1	B12	21	11
2	C6	17	5
3			
4			
5	C10	8	7
6			
7			
8	C10	10	7
9	A24	2	21
10	G5	7	19
11	G5	5	19
12	A24	12	21
13	F12	19	17
14			
15	G6	1	17
16	A24	17	21
17	C8	2	5
18	A3	5	13
19			
20			
21	C10	22	7
22			
23	A3	3	13
24			
25	C10	9	7
26			
27	A6	24	13
28	A2	25	13

63017400 Rev. B

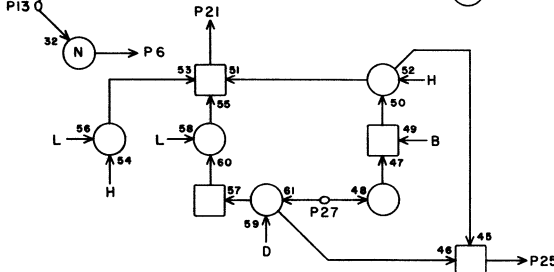
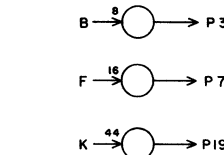
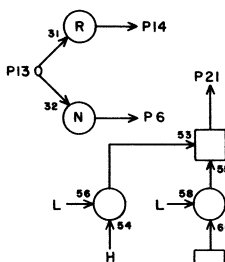
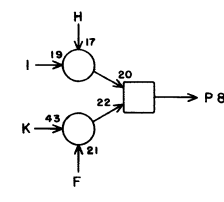
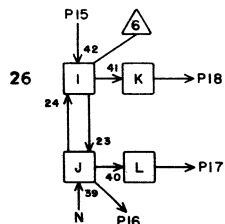
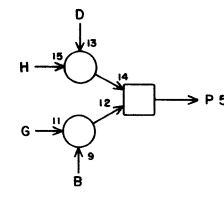
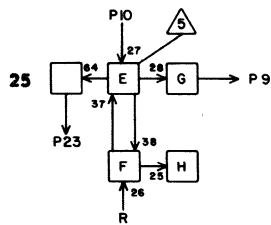
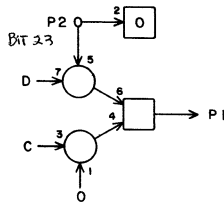
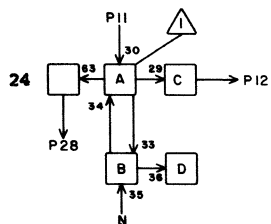
$X_k$  FEEDER REG.,  $X_k + 2X_k$  ADDER



MA		6C8	
JACK	PIN	LG	
1	C10	21	7
2	C7	17	5
3			
4			
5	C11	8	7
6			
7			
8	C11	10	7
9	B18	2	13
10	G6	5	19
11	G6	3	19
12	B18	12	13
13	F12	27	17
14			
15	G6	7	19
16	B18	17	13
17	C9	2	5
18	A3	10	13
19			
20			
21	C11	22	7
22			
23	A3	11	13
24			
25	C11	9	7
26			
27	B6	6	9
28	A3	1	15

63017400 Rev. B

$X_k$  FEEDER REG.,  $X_k + 2X_k$  ADDER



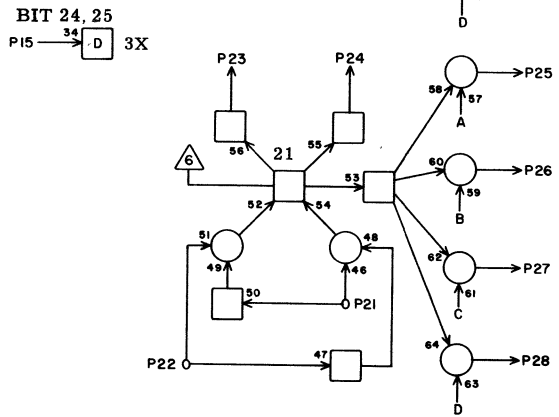
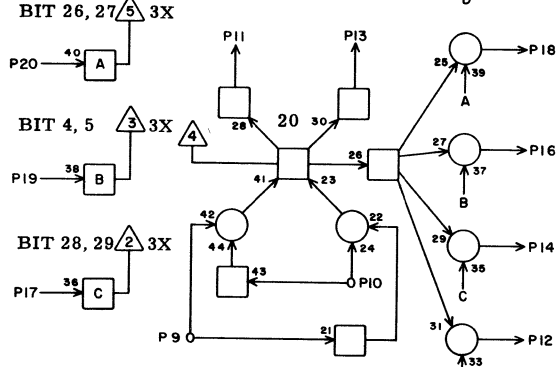
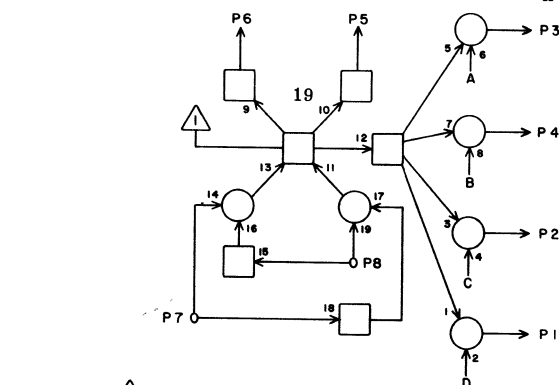
MA 6C9

1	C11	21	7
2	CB	17	5
3			
4			
5	C12	8	7
6			
7			
8	C12	10	7
9	B19	2	15
10	H1	3	23
11	H1	1	23
12	B19	12	15
13	F12	22	17
14			
15	H1	5	23
16	B19	17	15
17	D1	7	13
18	A3	21	13
19			
20			
21	C12	22	7
22			
23	A3	24	13
24			
25	C12	9	7
26			
27	B6	12	9
28	A3	15	15

JACK PIN LG

63017400 Rev. B

$X_k + 2X_k$  ADDER; SELECT  $3X_k$



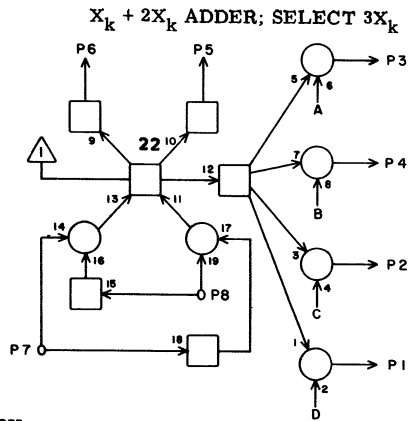
6C10

MF 6C10

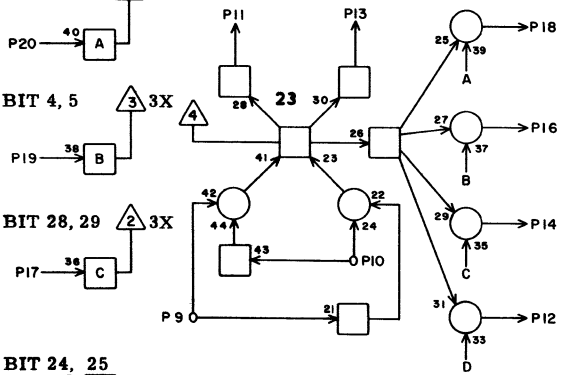
1	A24	4	19
2	F23	4	21
3	D20	4	13
4	F23	21	21
5	A24	23	19
6	D20	23	13
7	A6	22	11
8	C7	5	7
9	C7	25	7
10	C7	8	7
11	A24	27	19
12	A24	3	19
13	D20	27	15
14	F23	3	21
15	H12	19	23
16	F23	24	21
17	B9	19	9
18	D20	3	15
19	A8	19	11
20	H23	9	25
21	CB	1	7
22	C7	21	7
23	B18	9	13
24	D21	9	15
25	D21	15	15
26	F24	18	21
27	F24	15	21
28	B18	15	13

JACK PIN LG

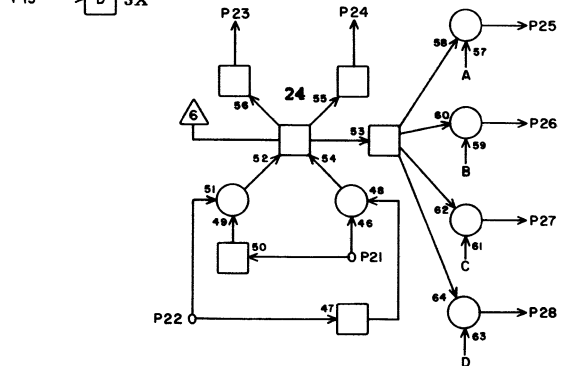
63017400 Rev. B



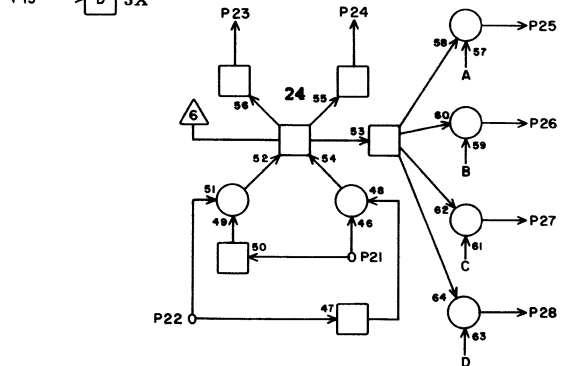
BIT 26, 27  $\Delta$  3X



BIT 28, 29  $\Delta$  2 3X



BIT 24, 25  $\Delta$  3X

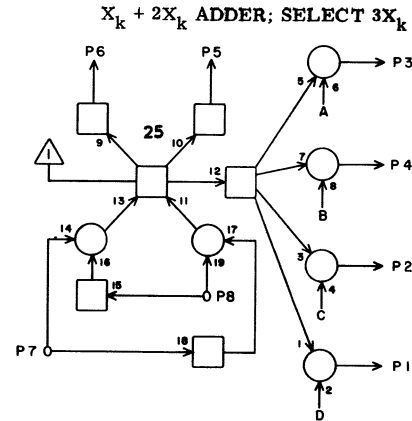


MF **6C11**

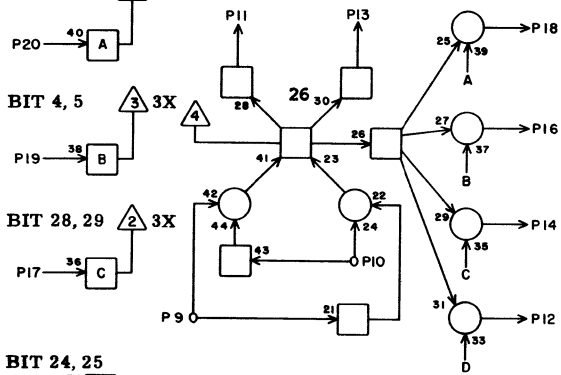
1	B18	4	13
2	F24	4	21
3	D21	4	13
4	F24	21	21
5	B18	23	13
6	D21	23	13
7	B6	5	9
8	C8	5	7
9	C8	25	7
10	C8	8	7
11	B18	27	13
12	B18	3	13
13	D21	27	13
14	F24	3	21
15	H12	27	23
16	F24	24	21
17	B9	27	11
18	D21	3	13
19	A8	27	11
20	H23	11	25
21	C9	1	7
22	C8	21	7
23	B19	9	13
24	D22	9	15
25	D22	15	15
26	G18	18	21
27	G18	15	23
28	B19	15	13

JACK PIN LG

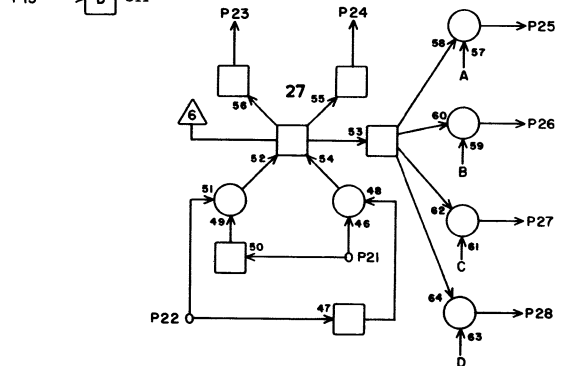
63017400 Rev. B



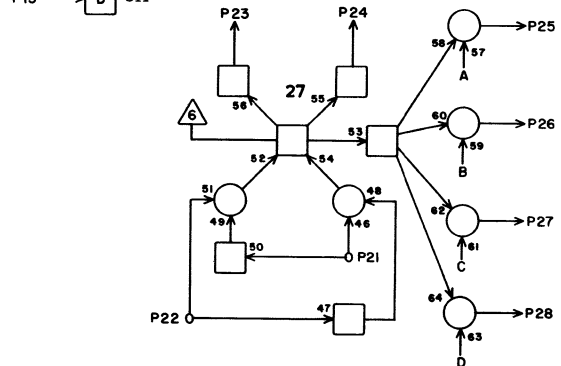
BIT 26, 27  $\Delta$  3X



BIT 28, 29  $\Delta$  2 3X



BIT 24, 25  $\Delta$  3X

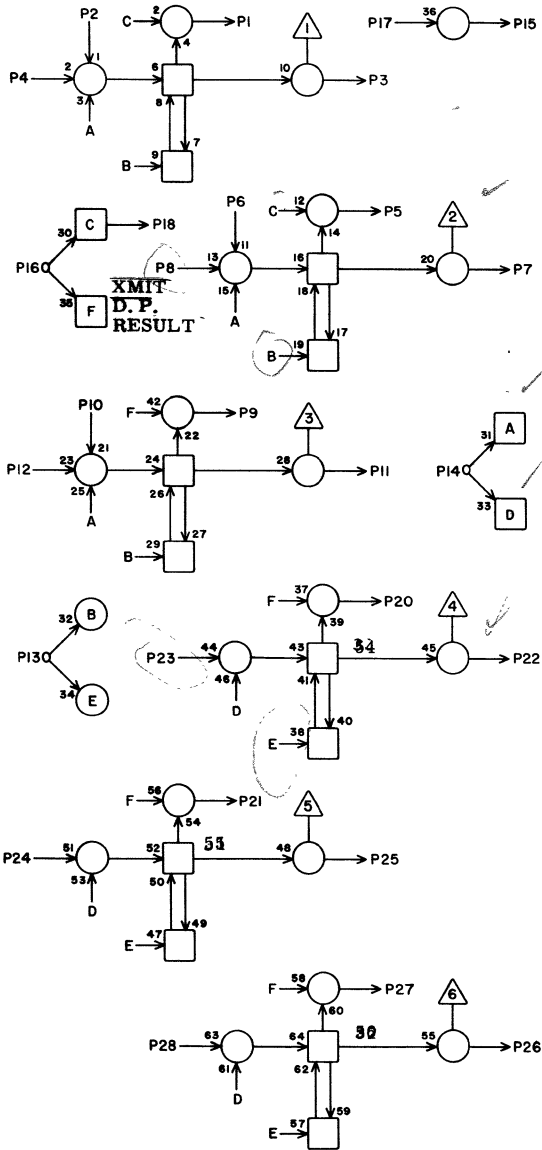


MF **6C12**

1	B19	4	13
2	G18	4	21
3	D22	4	13
4	G18	21	21
5	B19	23	13
6	D22	23	13
7	B6	13	9
8	C9	5	7
9	C9	25	7
10	C9	8	7
11	B19	27	13
12	B19	3	13
13	D22	27	13
14	G18	3	21
15	H12	22	23
16	G18	24	21
17	B9	22	9
18	D22	3	13
19	A8	22	11
20	H23	13	25
21	D1	1	15
22	C9	21	7
23	B20	9	13
24	D23	9	15
25	D23	15	15
26	G19	18	21
27	G19	15	21
28	B20	15	13

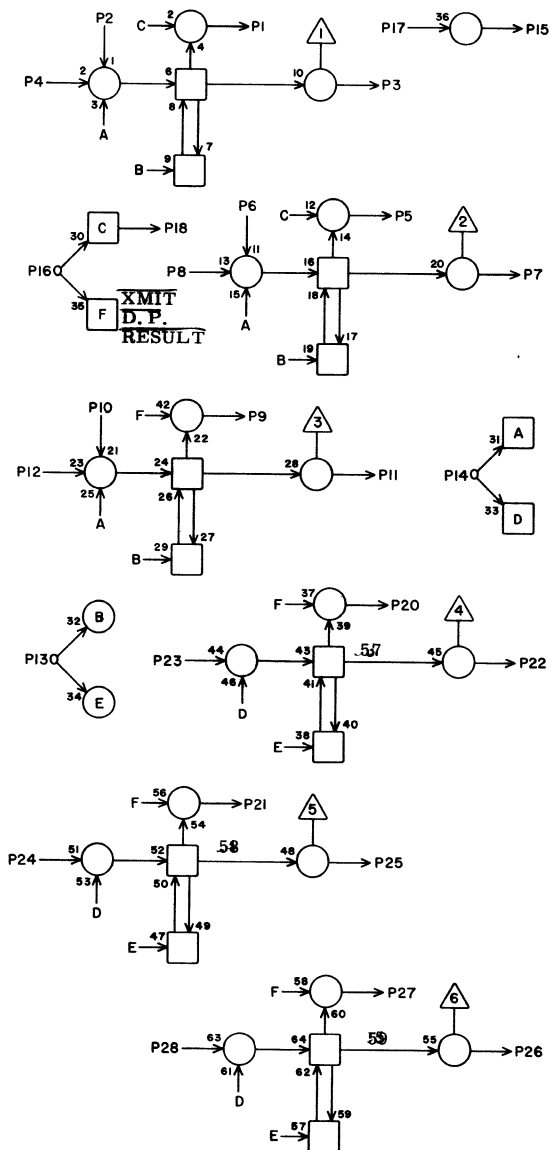
JACK PIN LG

63017400 Rev. B



NJ		6C13	
1			
2	C33	2	21
3	B41	26	29
4	C33	4	21
5			
6	C34	2	23
7	B42	26	29
8	C34	4	23
9			
10	C35	2	23
11	C30	26	19
12	C35	4	23
13	F8	15	17
14	H20	11	23
15	I9	22	27
16	I23	6	27
17	I22	1	27
18	G9	20	19
19			
20	K4	24	35
21	K4	19	35
22	B41	25	29
23	C34	5	23
24	C35	5	23
25	B42	25	29
26	C30	25	19
27	K5	24	35
28	C36	5	25
	JACK	PIN	LG

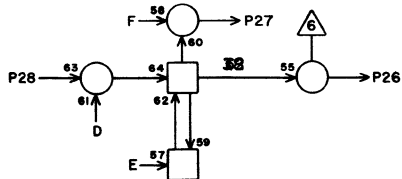
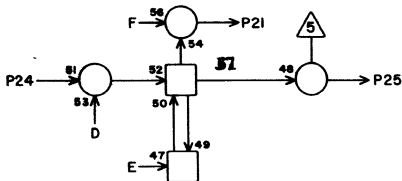
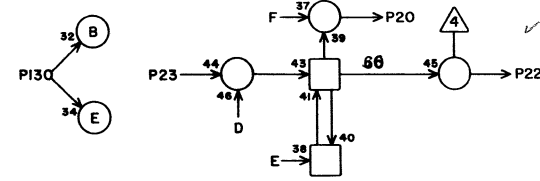
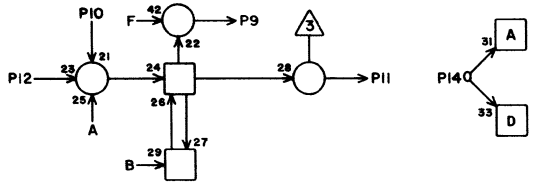
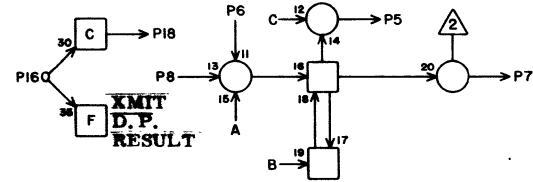
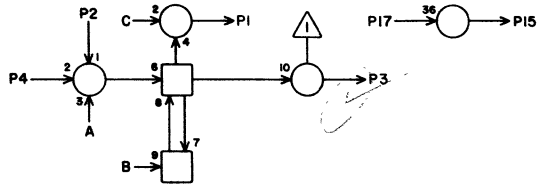
63017400 Rev. B



NJ		6C14	
1			
2	C36	2	23
3	C31	26	19
4	C36	4	23
5			
6	C37	2	25
7	C32	26	19
8	C37	4	25
9			
10	C38	2	25
11	C33	26	21
12	C38	4	25
13	F8	16	17
14	H20	13	23
15	F7	12	17
16	I23	9	27
17	G8	27	19
18	G10	20	19
19			
20	K5	19	35
21	K6	24	35
22	C31	25	19
23	C37	5	25
24	C38	5	25
25	C32	25	19
26	C33	25	19
27	K6	19	35
28	C39	5	27
	JACK	PIN	LG

6C14

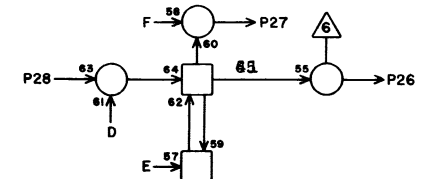
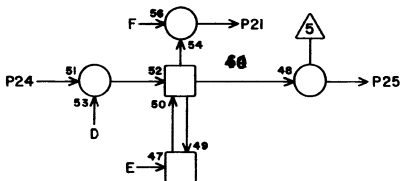
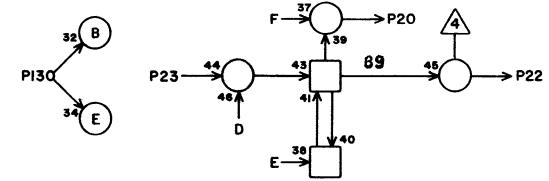
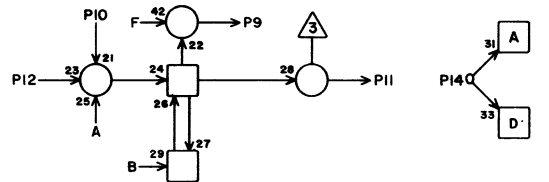
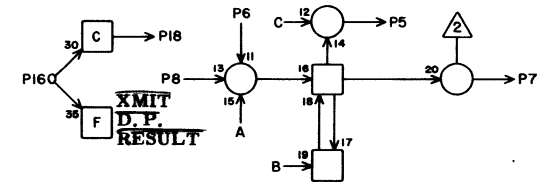
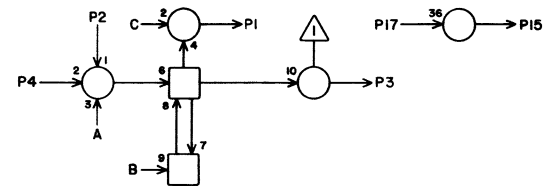
63017400 Rev. B



NJ 6C15

1			
2	C39	2	15
3	C34	26	21
4	C39	4	25
5			
6	C40	2	25
7	C35	26	21
8	C40	4	25
9			
10	C41	2	27
11	C36	26	23
12	C41	4	27
13	F8	17	17
14	H20	15	23
15	D36	26	23
16	I23	11	27
17	D15	19	7
18	G11	20	19
19			
20	K7	24	35
21	K7	19	27
22	C34	25	21
23	C40	5	27
24	C41	5	27
25	C35	25	23
26	C36	25	23
27	L 1	24	39
28	C42	5	27
JACK    PIN    LG			

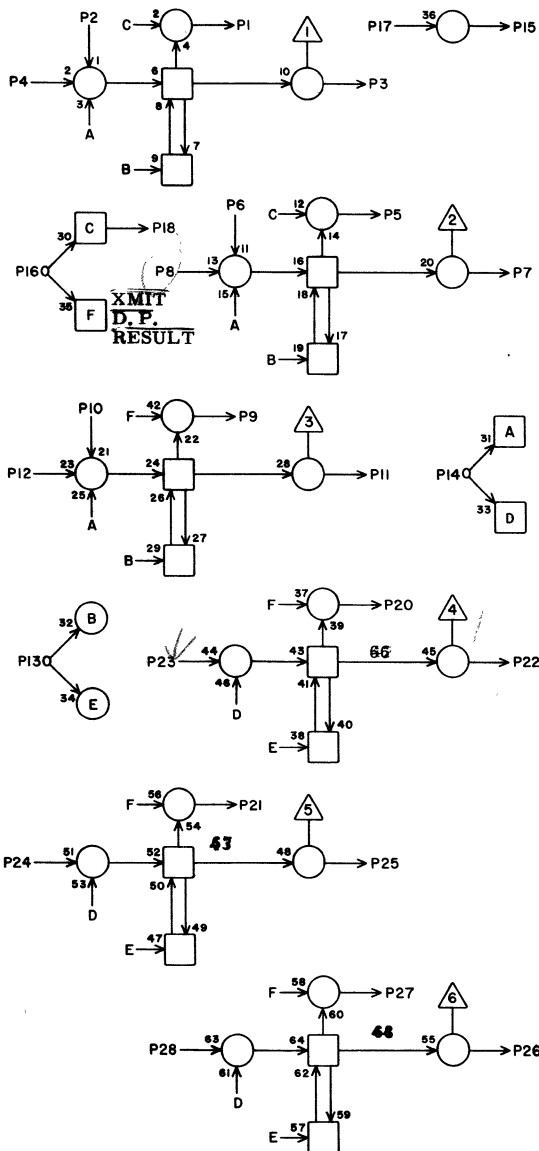
63017400 Rev. B



NJ 6C16

1			
2	C42	2	27
3	C37	36	23
4	C42	4	27
5			
6	D30	2	19
7	C38	26	23
8	D30	4	17
9			
10	D31	2	17
11	C39	26	25
12	D31	4	17
13	F8	18	17
14	H20	17	23
15	D37	26	23
16	I23	13	27
17	D15	15	7
18	G12	20	19
19			
20	L1	19	39
21	L2	24	39
22	C37	25	23
23	D30	5	17
24	D31	5	17
25	C38	25	25
26	C39	25	25
27	L2	19	39
28	D32	5	19
JACK    PIN    LG			

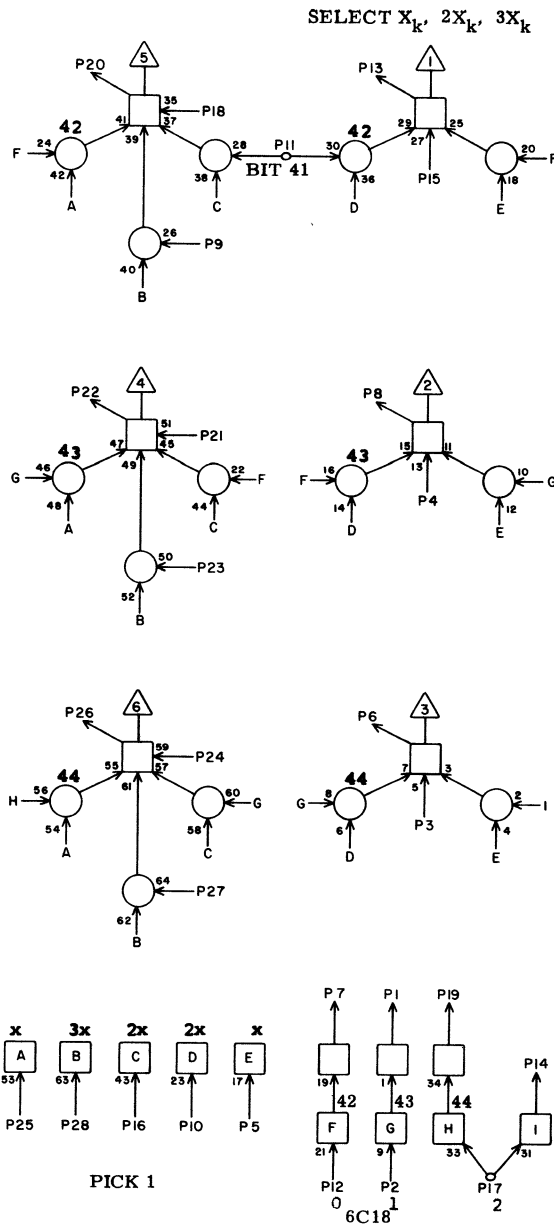
63017400 Rev. B



NJ 6C17

1			
2	D32	2	17
3	C40	26	25
4	D32	4	17
5			
6	D33	2	19
7	C41	26	25
8	D33	4	19
9			
10	D34	2	19
11	C42	26	27
12	D34	4	19
13	F8	19	19
14	H20	18	23
15	D39	26	23
16	I23	8	25
17	D15	25	9
18	G9	16	21
19			
20	L3	24	39
21	L3	19	39
22	C40	25	25
23	D33	5	19
24	D34	5	19
25	C41	25	27
26	C42	25	27
27	L4	24	39
28	D35	5	19
	JACK	PIN	LG

63017400 Rev. B



MB 6C18

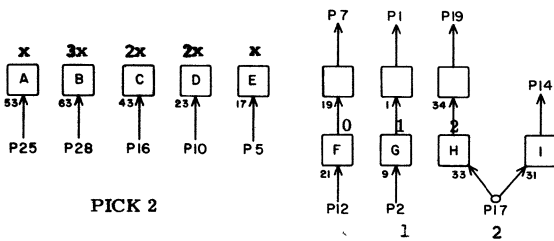
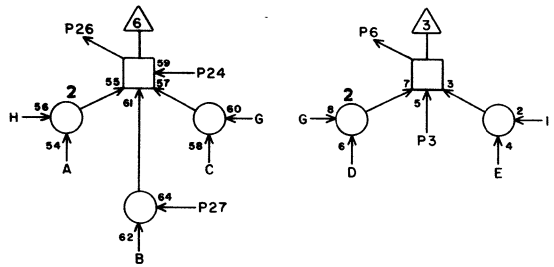
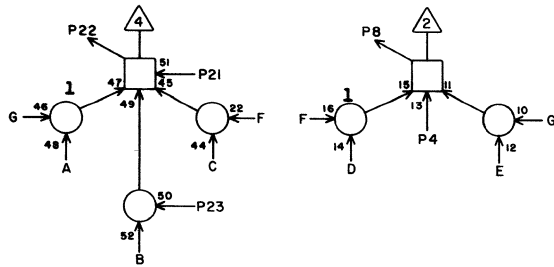
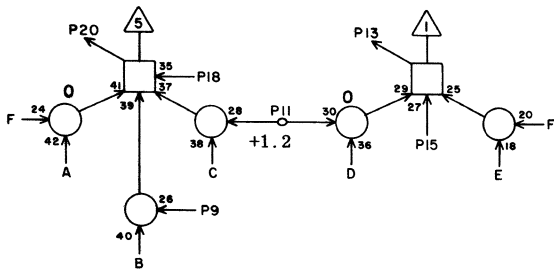
1	E21	2	11
2	D6	9	15
3	E12	12	13
4	E12	1	13
5	H13	18	23
6	H40	27	33
7	E21	12	13
8	H39	27	31
9	E11	23	15
10	H14	18	23
11	B24	14	13
12	D6	12	15
13	H38	27	29
14	C19	11	13
15	E11	28	15
16	B25	18	13
17	D6	16	15
18	F15	20	17
19	E21	17	13
20	D33	27	17
21	F15	21	17
22	D34	27	19
23	E12	5	13
24	F15	27	17
25	A25	18	15
26	D35	27	19
27	E12	11	13
28	C25	18	11
	JACK	PIN	LG

63017400 Rev. B





SELECT  $X_k$ ,  $2X_k$ ,  $3X_k$



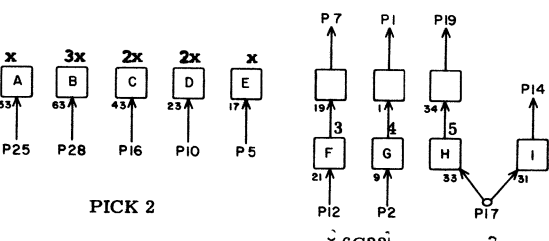
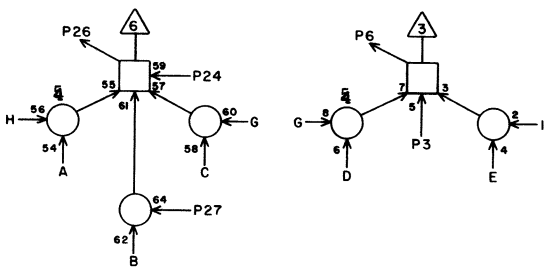
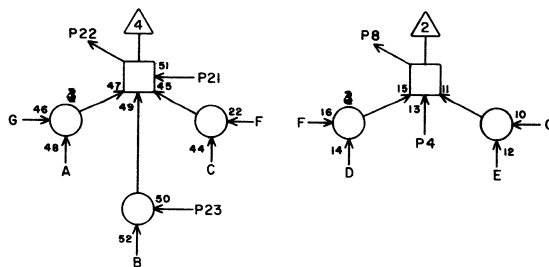
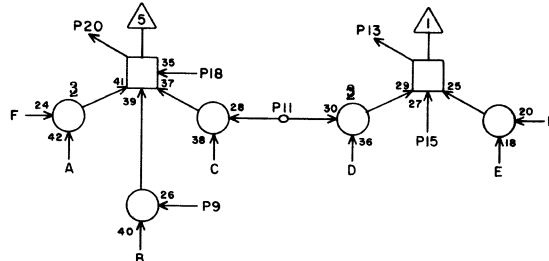
PICK 2

MB 6C21

1	E24	2	11
2	A18	1	13
3	A10	18	17
4	A10	3	15
5	H24	1	23
6	E39	23	23
7	E24	12	13
8	F38	23	21
9	F11	24	17
10	H25	1	23
11	G1	27	27
12	A18	7	13
13	E37	23	21
14	C22	11	5
15	F11	25	19
16	E25	11	13
17	A18	19	13
18	C21	x	2
19	E24	17	13
20	A32	13	15
21	C21	x	2
22	A33	23	17
23	A10	6	17
24	C21	x	2
25	D25	11	9
26	A34	23	17
27	A10	13	17
28	F25	11	17

63017400 Rev. B

SELECT  $X_k$ ,  $2X_k$ ,  $3X_k$



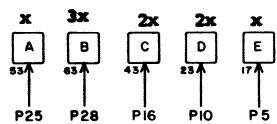
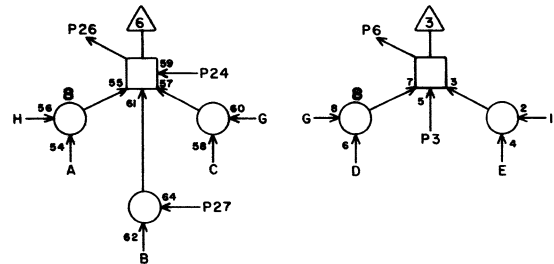
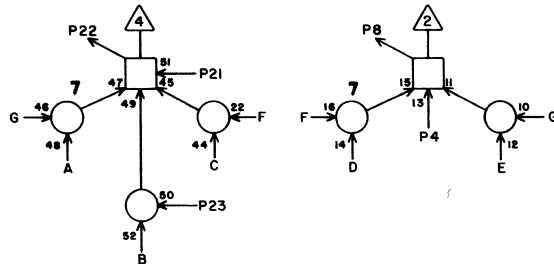
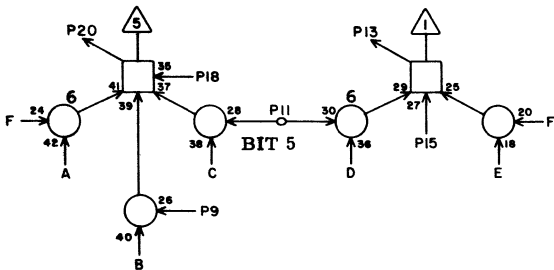
PICK 2

MB 6C22

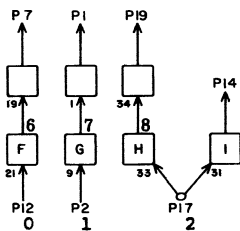
1	F18	2	17
2	A19	1	13
3	A11	18	17
4	A11	3	15
5	H24	2	23
6	E42	23	23
7	F18	12	17
8	E41	23	23
9	A10	24	17
10	H25	2	23
11	C21	14	5
12	A19	7	13
13	E40	23	23
14	C23	11	5
15	A10	25	27
16	E25	12	13
17	A19	19	13
18	C22	x	2
19	F18	17	17
20	A35	23	17
21	C22	x	2
22	A36	23	19
23	A11	6	17
24	C22	x	2
25	D25	12	9
26	A37	23	19
27	A11	13	17
28	F25	12	17

63017400 Rev. B

SELECT  $X_k$ ,  $2X_k$ ,  $3X_k$



PICK 2

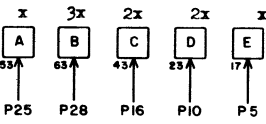
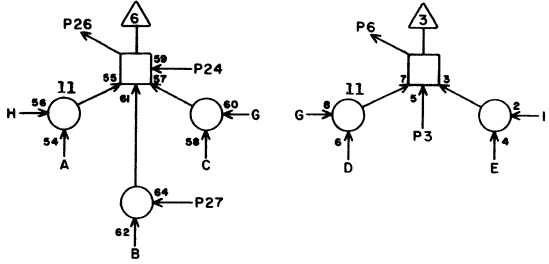
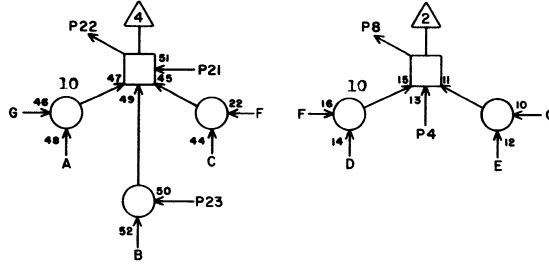
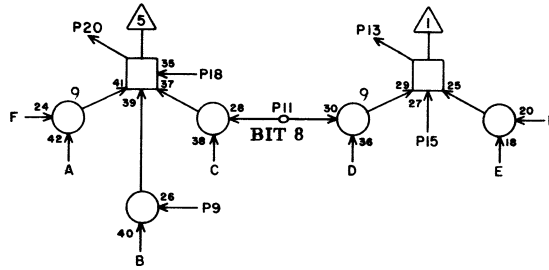


MB **6C23**

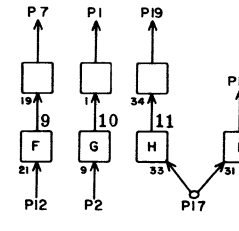
1	F19	2	17
2	A20	1	13
3	A12	18	17
4	A12	3	15
5	H24	3	23
6	F32	23	19
7	F19	12	17
8	F31	23	19
9	A11	24	17
10	H25	3	23
11	C22	14	5
12	A20	7	13
13	F30	23	17
14	C24	11	5
15	A11	25	17
16	E25	10	13
17	A20	19	13
18	<b>C23</b>	x	2
19	F19	17	17
20	A38	23	19
21	<b>C23</b>	x	2
22	A39	23	19
23	A12	6	17
24	<b>C23</b>	x	2
25	D25	10	7
26	A40	23	31
27	A12	13	17
28	F25	10	13

63017400 Rev. B

SELECT  $X_k$ ,  $2X_k$ ,  $3X_k$



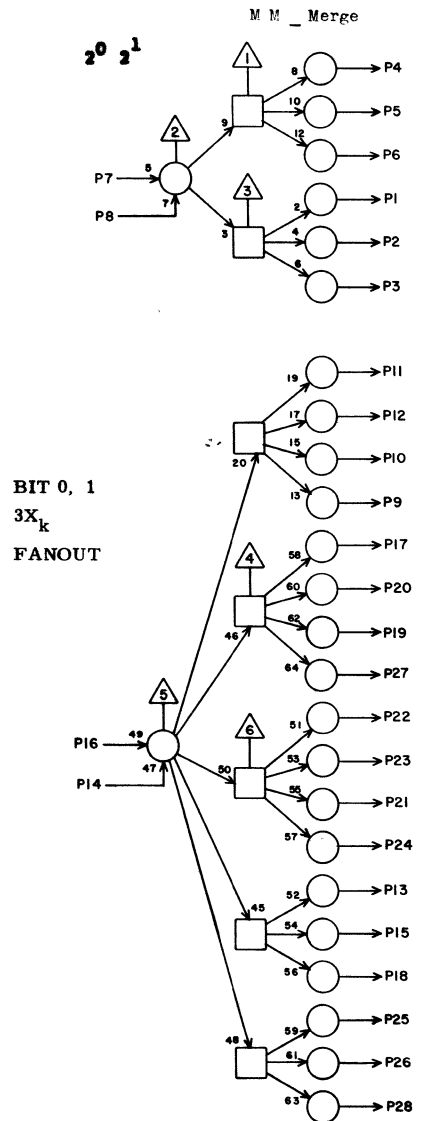
PICK 2



MB **6C24**

1	F20	2	17
2	A21	1	13
3	B10	18	17
4	B10	3	17
5	H24	4	23
6	F35	23	19
7	F20	12	17
8	F34	23	19
9	A12	24	17
10	H22	4	23
11	C23	14	5
12	A21	7	13
13	F33	23	19
14	D18	11	11
15	A12	25	17
16	E25	9	11
17	A21	19	13
18	<b>C24</b>	x	2
19	F20	17	17
20	A41	23	21
21	<b>C24</b>	x	2
22	A42	23	21
23	B10	6	17
24		x	2
25	D25	9	7
26	B30	23	13
27	B10	13	17
28	F25	9	11

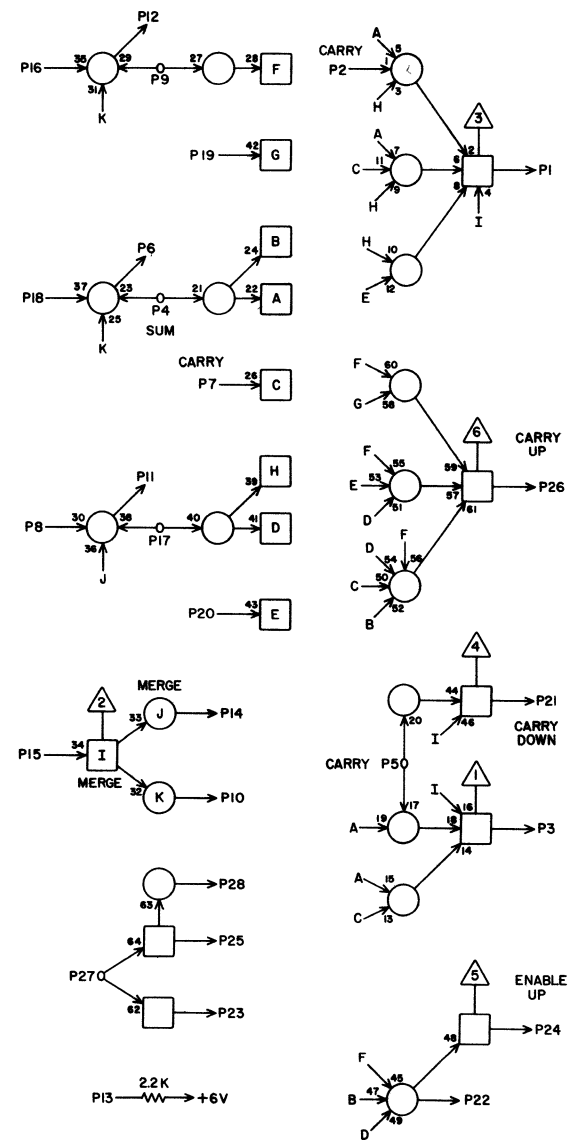
63017400 Rev. B



CB		6C25	
1	A26	15	11
2	A27	15	11
3	A28	15	11
4	A29	15	13
5	B26	15	7
6	B27	15	7
7	F9	28	23
8			
9	A21	28	11
10	A20	28	13
11	A18	28	13
12	A19	28	13
13	B23	28	7
14	C15	x	2
15	B24	28	7
16	I7	B	31
17	A22	28	11
18	C18	28	11
19	A24	28	13
20	A23	28	11
21	B21	28	9
22	B19	28	11
23	B20	28	11
24	B22	28	7
25	C19	28	9
26	G20	28	7
27	B18	28	11
28			

JACK PIN LG

63017400 Rev. B

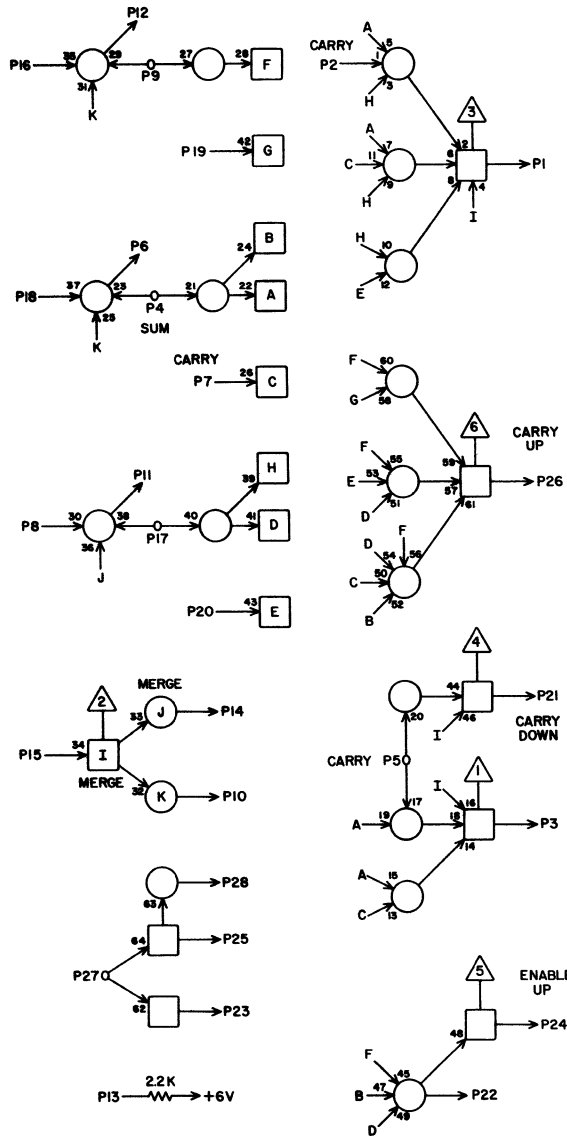


6C26

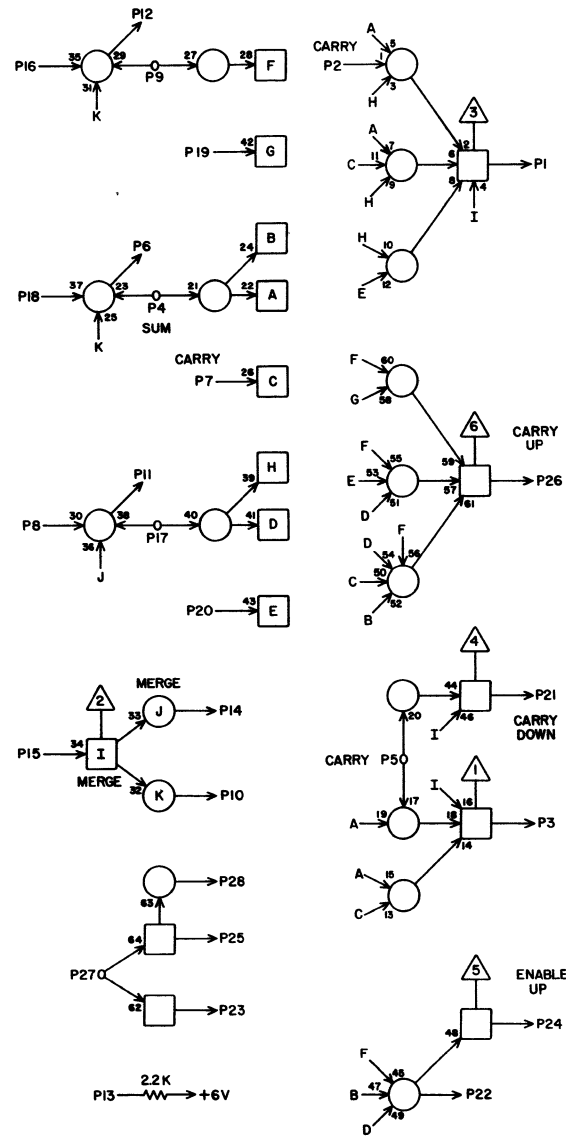
MM		6C26	
1	F24	23	17
2	H27	12	23
3	F24	9	17
4	B41	7	19
5	H27	13	25
6	B42	6	19
7	B40	18	17
8	B42	11	19
9	C30	7	7
10	G18	28	25
11	C30	6	7
12	C31	6	9
13	E36	1	15
14	F26	15	17
15	D25	3	7
16	C30	11	7
17	B42	7	19
18	B41	11	19
19	B42	18	19
20	B41	18	19
21	F23	27	17
22	G27	5	19
23			
24	H27	3	23
25	E9	6	21
26	H27	8	23
27	D17	22	15
28	E9	7	21

JACK PIN LG

63017400 Rev. B



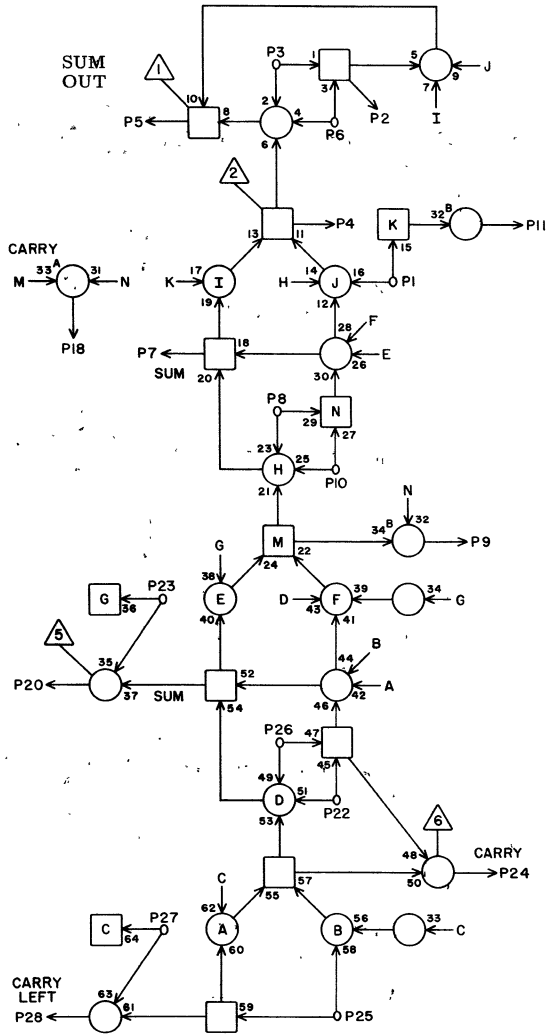
MM		6C27	
JACK	PIN	LG	
1	G18	23	23
2	I29	20	27
3	G18	9	23
4	C31	7	7
5	I29	22	27
6	C32	6	9
7	C30	18	7
8	C32	11	9
9	C33	7	9
10	G19	28	25
11	C33	6	9
12	C34	6	11
13	E36	23	15
14	F27	15	15
15	D25	4	7
16	C33	11	9
17	C32	7	9
18	C31	11	7
19	C32	18	9
20	C31	18	7
21	F24	27	17
22	G28	21	19
23			
24	I29	27	27
25	E 9	4	21
26	H27	27	23
27	D17	25	15
28	E 9	3	21



MM		6C28	
JACK	PIN	LG	
1	G19	23	23
2	H27	24	25
3	G19	9	23
4	C34	7	9
5	H27	22	25
6	C35	6	11
7	C33	18	9
8	C35	11	11
9	C36	7	11
10	G20	28	23
11	C36	6	11
12	C37	6	13
13	E37	1	15
14	F28	15	17
15	D25	5	9
16	C36	11	11
17	C35	7	11
18	C34	11	9
19	C35	18	11
20	C34	18	9
21	G18	27	13
22	G28	27	21
23			
24	H27	25	23
25	E 9	26	23
26	H27	28	23
27	D17	26	15
28	E 9	25	23



LOWER 3-LEVEL ADDER  
BIT 27



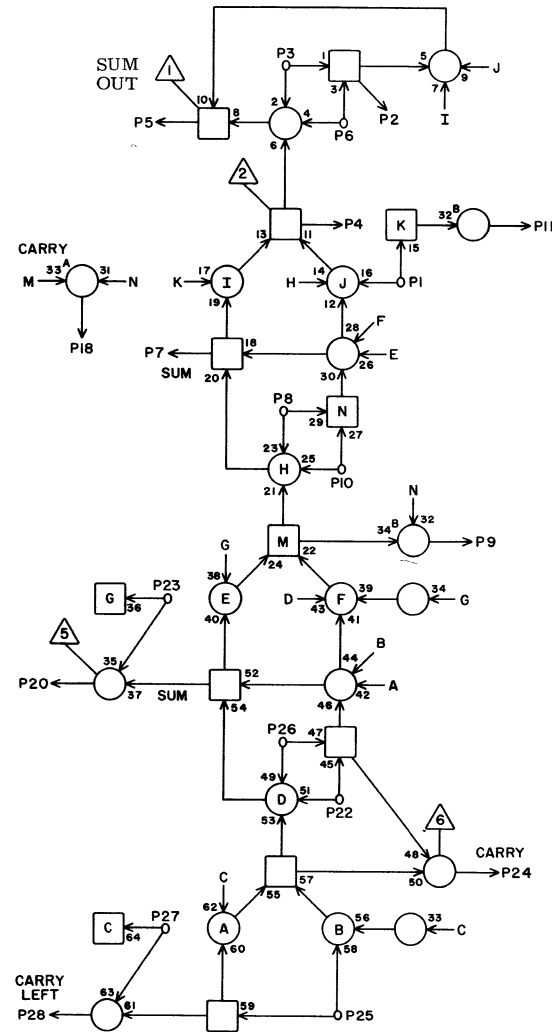
MC **6C31**

1	F24	26	21
2	B17	6	17
3	C30	9	5
4	B17	8	17
5	B17	23	17
6	C26	12	9
7	C27	4	7
8	C30	24	5
9	C32	3	5
10	C30	20	5
11	C27	18	7
12			
13			
14			
15			
16			
17			
18	C27	20	7
19			
20	C32	10	5
21			
22	C30	28	5
23	D22	22	13
24	C32	8	5
25	C14	22	19
26	C14	3	19
27	B20	20	15
28	C32	22	15

JACK PIN LG

63017400 Rev. B

LOWER 3-LEVEL ADDER  
BIT 28



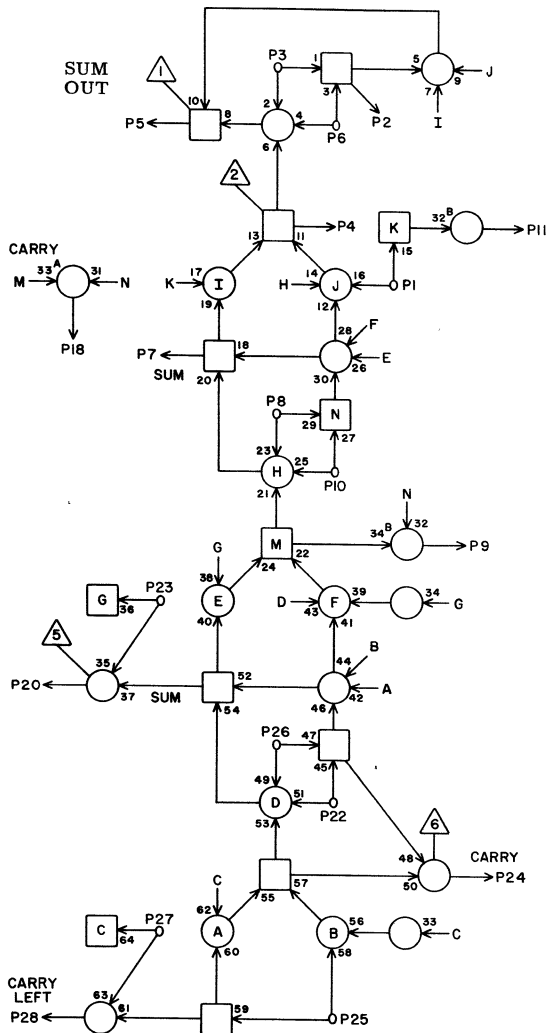
MC **6C32**

1	G18	20	25
2	B17	10	17
3	C31	9	5
4	B17	12	17
5	B17	24	17
6	C27	6	9
7	C27	17	9
8	C31	24	5
9	C33	3	5
10	C31	20	5
11	C27	8	9
12			
13			
14			
15			
16			
17			
18	C27	19	9
19			
20	C33	10	5
21			
22	C31	28	5
23	D22	26	15
24	C33	8	5
25	C14	25	19
26	C14	7	19
27	B20	22	15
28	C33	22	5

JACK PIN LG

63017400 Rev. B

LOWER 3-LEVEL ADDER  
BIT 29



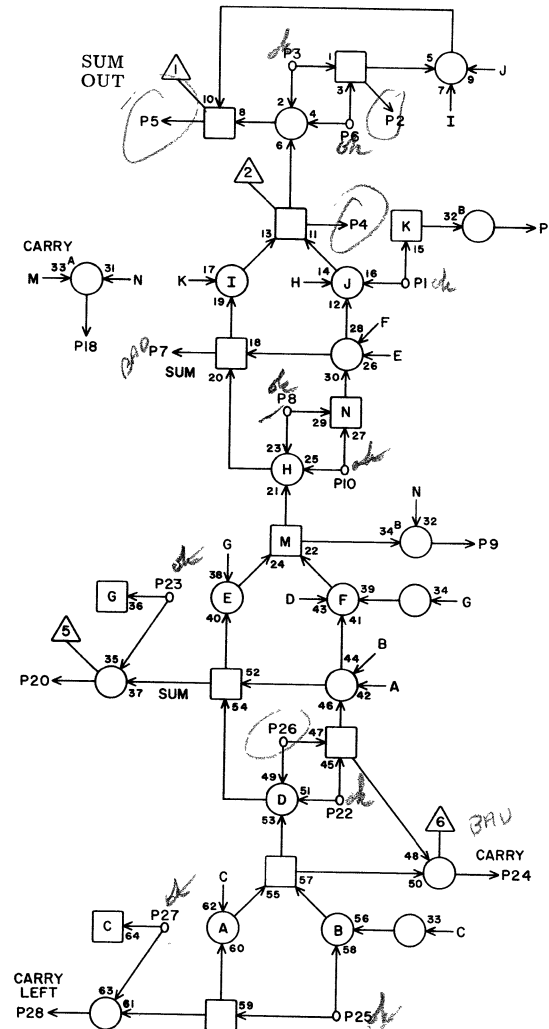
MC **6C33**

1	G18	22	25
2	C13	2	21
3	C32	9	5
4	C13	4	21
5	B17	28	19
6	C27	11	9
7	C27	9	9
8	C32	24	5
9	C34	3	5
10	C32	20	5
11	C27	16	9
12			
13			
14			
15			
16			
17			
18	C28	7	9
19			
20	C34	10	5
21			
22	C32	28	5
23	D23	20	15
24	C34	8	5
25	C14	26	19
26	C14	11	21
27	B20	26	15
28	C34	22	5

JACK PIN LG

63017400 Rev. B

LOWER 3-LEVEL ADDER  
BIT 30



MC **6C 34**

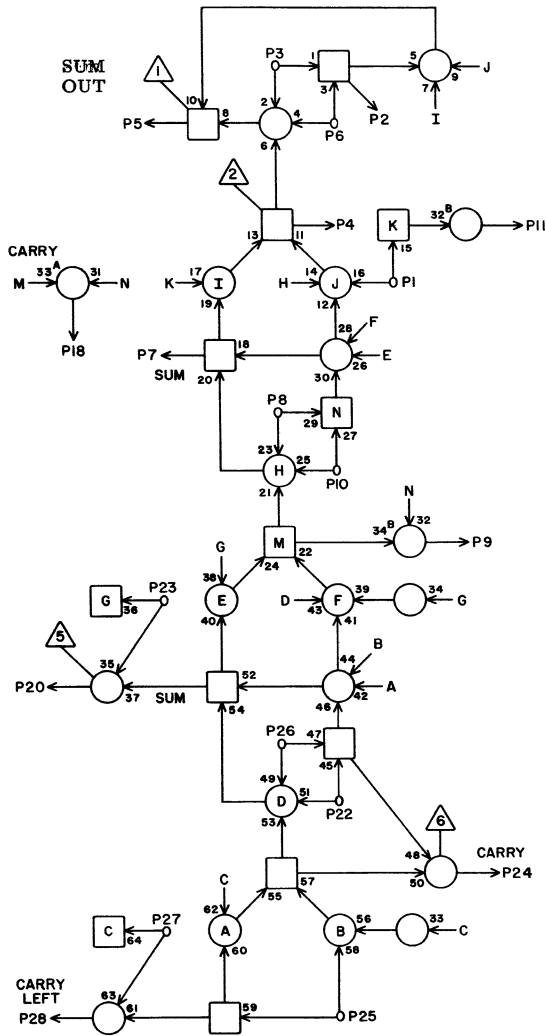
1	G18	26	27
2	C13	6	23
3	C33	9	5
4	C13	8	23
5	C13	23	23
6	C27	12	11
7	C28	4	9
8	C33	24	5
9	C35	3	5
10	C33	20	5
11	C28	18	9
12			
13			
14			
15			
16			
17			
18	C28	20	9
19			
20	C35	10	5
21			
22	C33	28	5
23	D23	22	15
24	C35	8	5
25	C15	22	21
26	C15	3	21
27	B21	20	17
28	C35	22	5

JACK PIN LG

63017400 Rev. B

6C34

LOWER 3-LEVEL ADDER  
BIT 31

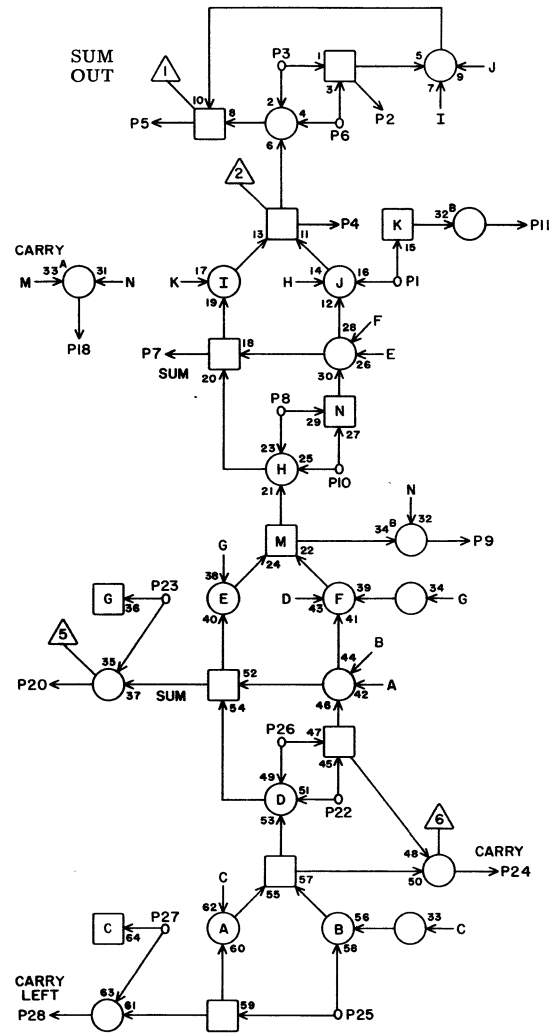


MC **6C 35**

1	G19	20	27
2	C13	10	23
3	C34	9	5
4	C13	12	23
5	C28	24	23
6	C28	6	11
7	C28	17	11
8	C34	24	5
9	C36	3	5
10	C34	20	5
11	C28	8	11
12			
13			
14			
15			
16			
17			
18	C28	19	11
19			
20	C36	10	5
21			
22	C34	28	5
23	D23	26	17
24	C36	8	5
25	C15	25	23
26	C15	7	21
27	B21	22	17
28	C36	22	5

JACK PIN LG

LOWER 3-LEVEL ADDER  
BIT 32



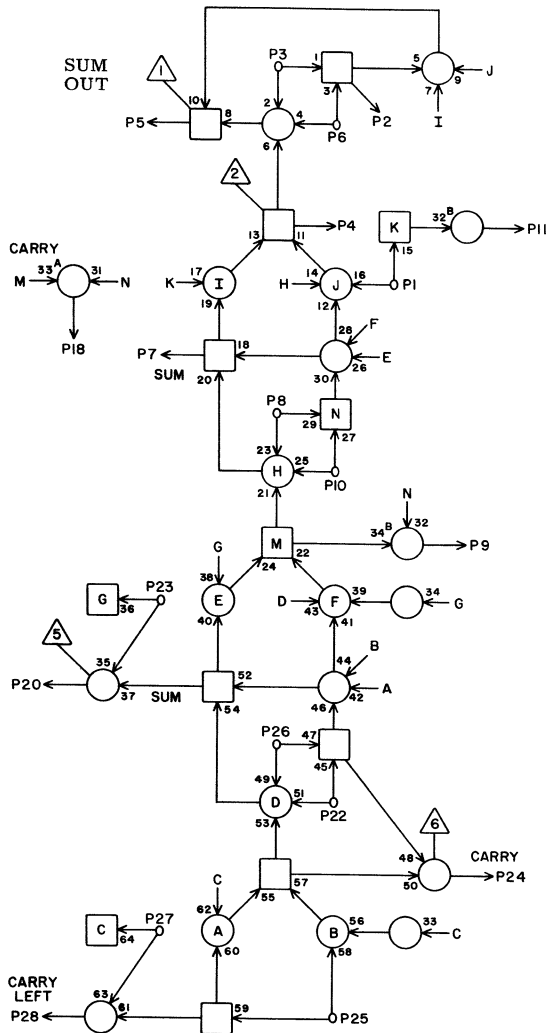
MC **6C 36**

1	G19	22	27
2	C14	2	23
3	C35	9	5
4	C14	4	23
5	C13	28	25
6	C28	11	11
7	C28	8	11
8	C35	24	5
9	C37	3	5
10	C35	20	5
11	C28	16	11
12			
13			
14			
15			
16			
17			
18	C29	7	11
19			
20	C37	10	5
21			
22	C35	28	5
23	D24	20	17
24	C37	8	5
25	C15	26	23
26	C15	11	23
27	B21	26	17
28	C37	22	5

JACK PIN LG



LOWER 3-LEVEL ADDER  
BIT 33



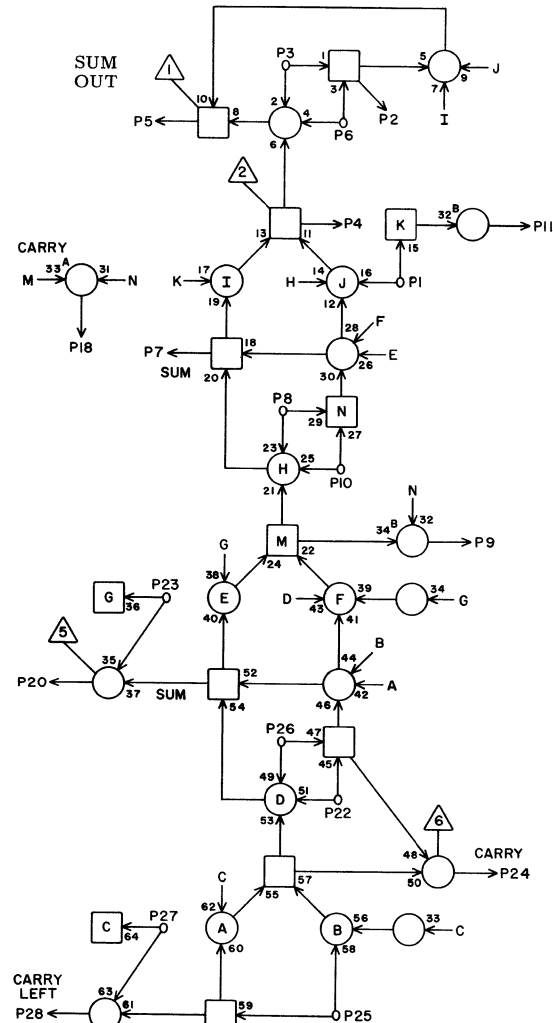
MC **6C 37**

1	G19	26	27
2	C14	6	25
3	C36	9	5
4	C14	8	25
5	C14	23	25
6	C28	12	13
7	C29	4	13
8	C36	24	5
9	C38	3	5
10	C36	20	5
11	C29	18	13
12			
13			
14			
15			
16			
17			
18	C29	20	13
19			
20	C38	10	5
21			
22	C36	28	5
23	D24	22	17
24	C38	8	5
25	C16	22	23
26	C16	3	23
27	B22	20	19
28	C38	22	5

JACK PIN LG

63017400 Rev. B

LOWER 3-LEVEL ADDER  
BIT 34



MC **6C 38**

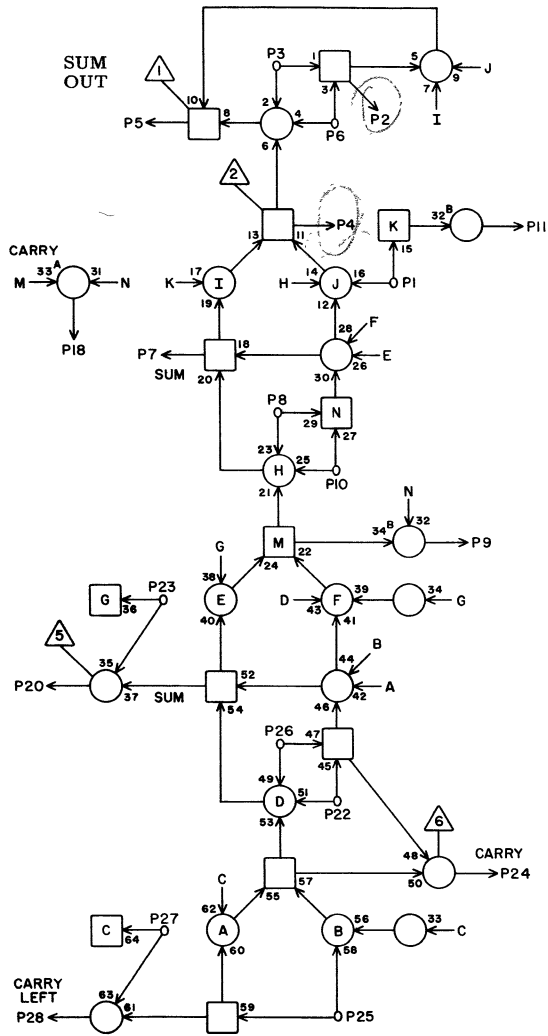
1	G20	20	27
2	C14	10	25
3	C37	9	5
4	C14	12	25
5	C14	24	25
6	C29	6	13
7	C29	17	13
8	C37	24	5
9	C39	3	5
10	C37	20	5
11	C29	8	13
12			
13			
14			
15			
16			
17			
18	C29	19	13
19			
20	C39	10	8
21			
22	C37	28	5
23	D24	26	17
24	C39	8	5
25	C16	25	25
26	C16	7	23
27	B22	22	19
28	C39	22	5

JACK PIN LG

6C38

63017400 Rev. B

LOWER 3-LEVEL ADDER  
BIT 35



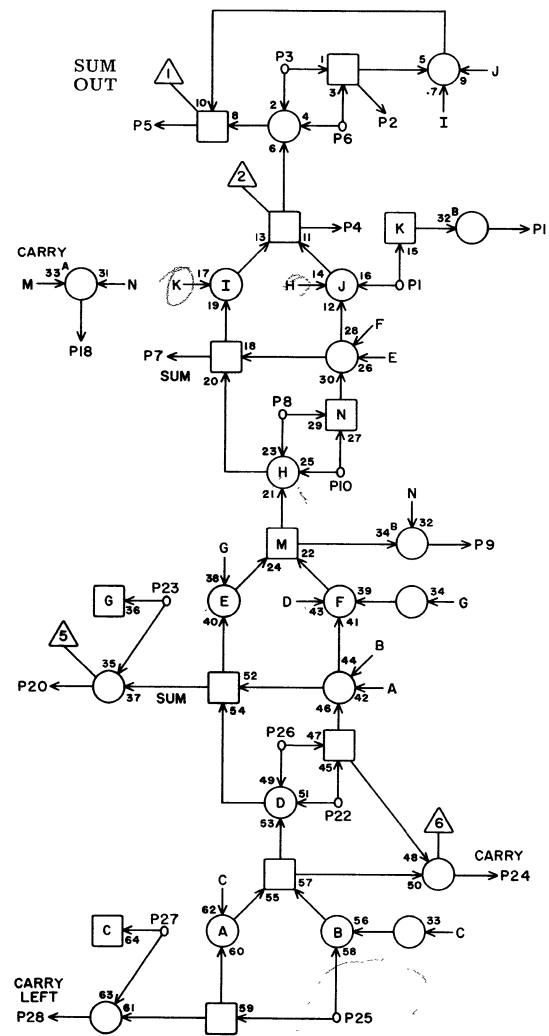
MC **6C 39**

1	G20	22	29
2	C15	2	25
3	C38	9	5
4	C15	4	25
5	C14	28	25
6	C29	11	13
7	C29	9	13
8	C38	24	5
9	C40	3	5
10	C38	20	5
11	C29	16	13
12			
13			
14			
15			
16			
17			
18	D26	7	17
19			
20	C40	10	5
21			
22	C38	28	5
23	B18	20	25
24	C40	8	5
25	C16	26	25
26	C16	11	25
27	B22	26	19
28	C40	22	5

JACK PIN LG

63017400 Rev. B

LOWER 3-LEVEL ADDER  
BIT 36



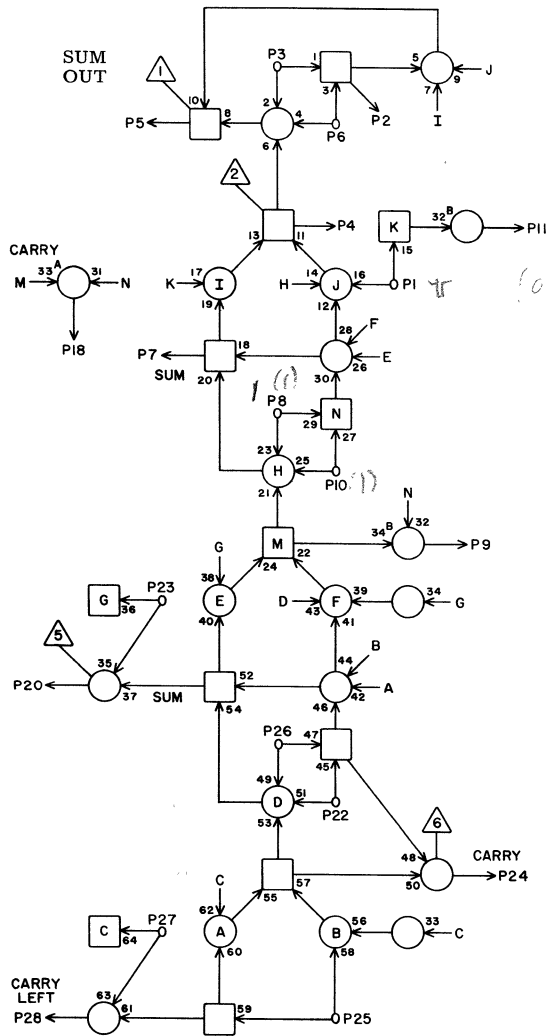
MC **6C 40**

1	G20	26	29
2	C15	6	25
3	C39	9	5
4	C15	8	25
5	C15	22	25
6	C29	12	15
7	D26	4	17
8	C39	24	5
9	C41	3	5
10	C39	20	5
11	D26	18	17
12			
13			
14			
15			
16			
17			
18	D26	20	17
19			
20	C41	10	5
21			
22	C39	28	5
23	B18	22	25
24	C41	8	5
25	C17	22	25
26	C17	3	25
27	B23	20	19
28	C41	22	5

JACK PIN LG

63017400 Rev. B

LOWER 3-LEVEL ADDER  
BIT 37



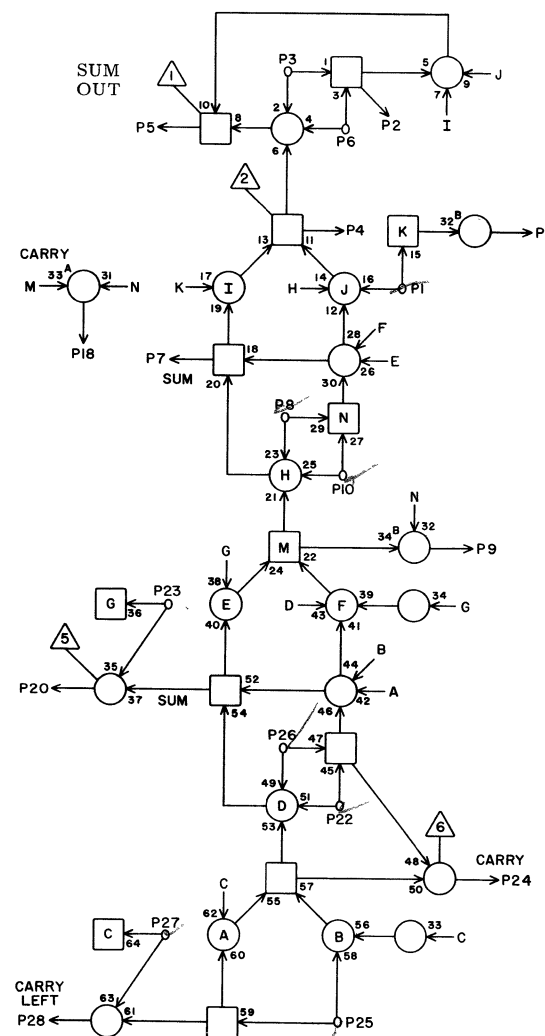
MC **6C 41**

1	G21	20	29
2	C15	10	27
3	C40	9	5
4	C15	12	27
5	C15	24	27
6	D26	6	19
7	D26	17	19
8	C40	24	5
9	C42	3	5
10	C40	20	5
11	D26	8	19
12			
13			
14			
15			
16			
17			
18	D26	19	19
19			
20	C42	10	5
21			
22	C40	28	5
23	E18	26	25
24	C42	8	5
25	C17	25	27
26	C17	7	25
27	B23	22	21
28	C42	22	5

JACK PIN LG

63017400 Rev. B

LOWER 3-LEVEL ADDER  
BIT 38



MC **6C 42**

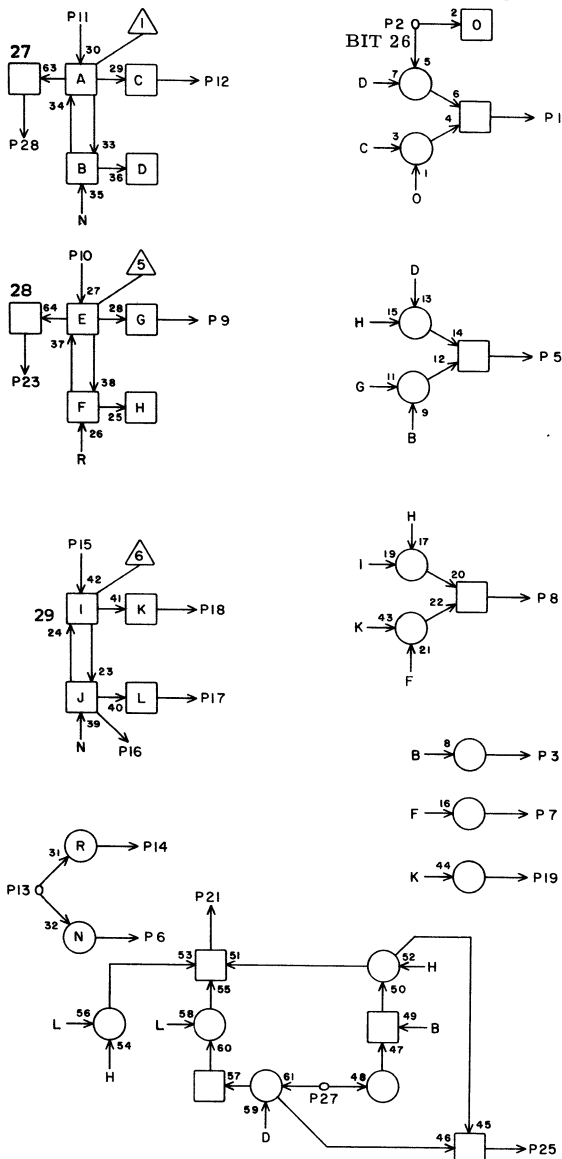
1	G21	22	29
2	C16	2	27
3	C41	9	5
4	C16	4	27
5	C15	28	27
6	D26	11	19
7	D26	9	19
8	C41	24	5
9	D30	3	15
10	C41	20	5
11	D26	16	19
12			
13			
14			
15			
16			
17			
18	D27	7	17
19			
20	D30	10	15
21			
22	C41	28	5
23	E19	20	27
24	D30	8	15
25	C17	26	27
26	C17	11	27
27	B23	26	21
28	D30	22	17

JACK PIN LG

63017400 Rev. B

6C42

$X_k$  FEEDER REG.,  $X_k + 2X_k$  ADDER

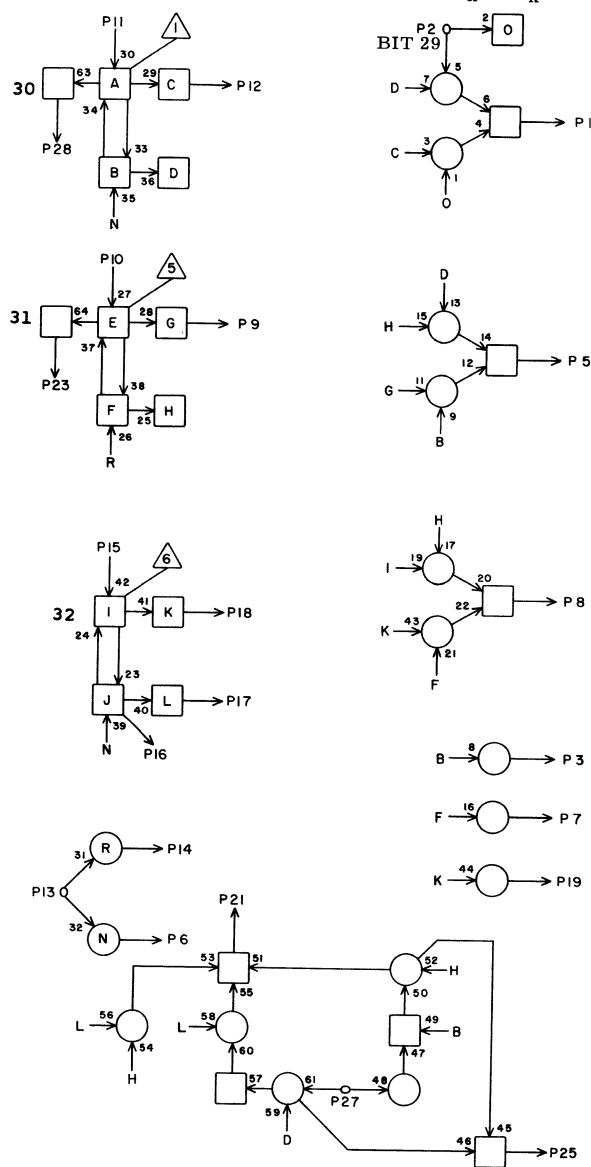


MA		6D 1	
1	C12	21	15
2	C 9	17	13
3			
4			
5	D10	8	11
6	H10	2	21
7			
8	D10	10	13
9	B20	2	23
10	H 2	1	19
11	H 1	7	19
12	B20	12	23
13	F12	23	17
14			
15	H 2	3	17
16	B20	17	23
17	D 2	2	5
18	B 1	5	13
19			
20			
21	D10	22	13
22			
23	B 1	3	13
24			
25	D10	9	13
26			
27	A 6	15	17
28	A 3	25	15

JACK PIN LG

63017400 Rev. B

$X_k$  FEEDER REG.,  $X_k + 2X_k$  ADDER



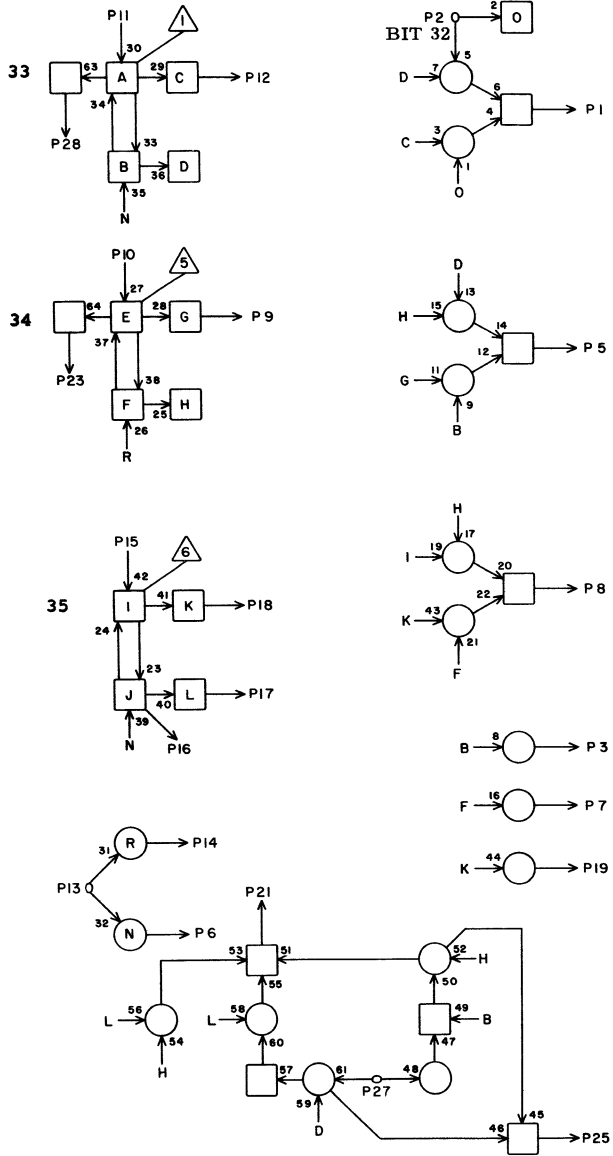
MA		6D 2	
1	D 1	21	13
2	D 1	17	5
3			
4			
5	D11	8	13
6			
7			
8	D11	10	13
9	B21	2	23
10	H 2	7	19
11	H 2	8	19
12	B21	12	23
13	F12	21	17
14			
15	H 3	1	17
16	B21	17	23
17	D 3	2	5
18	B 1	10	13
19			
20			
21	D11	22	13
22			
23	B 1	11	13
24			
25	D11	9	13
26			
27	B 6	24	15
28	B 1	1	15

JACK PIN LG

63017400 Rev. B

6D2

$X_k$  FEEDER REG.,  $X_k + 2X_k$  ADDER

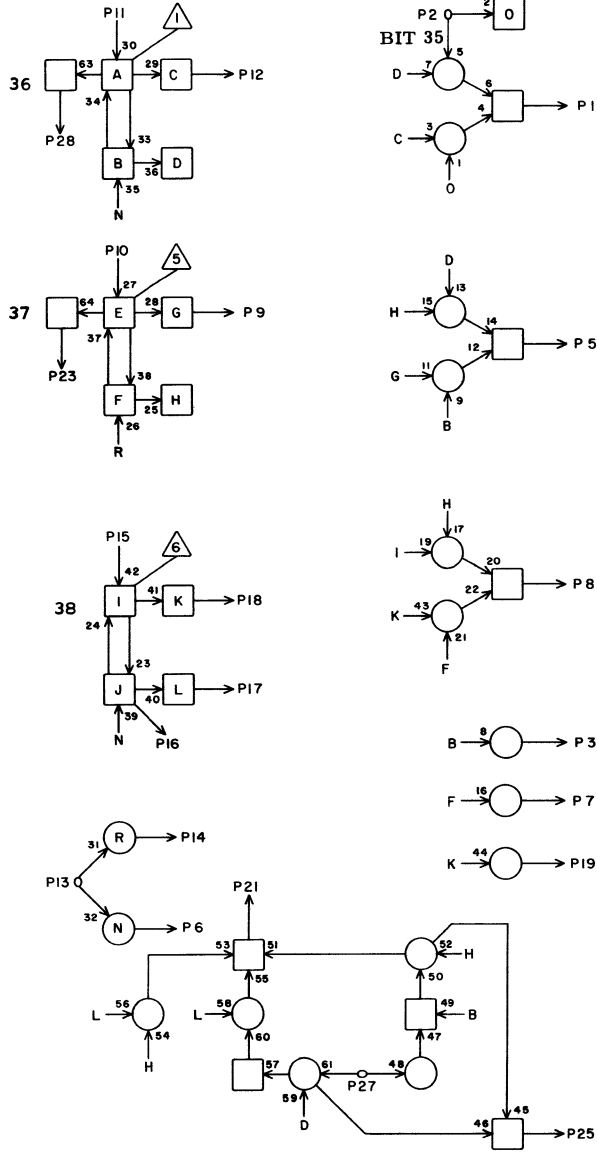


MA **6D 3**

1	D11	21	13
2	D 2	17	5
3			
4			
5	D12	8	13
6			
7			
8	D12	10	13
9	B22	2	23
10	H 3	5	19
11	H 3	3	19
12	B22	12	23
13	F12	24	15
14			
15	H 3	7	19
16	B22	17	23
17	D 4	2	5
18	B 1	21	11
19			
20			
21	D12	22	11
22			
23	B 1	24	13
24			
25	D12	9	13
26			
27	B 6	18	13
28	B 1	15	13

63017400 Rev. B

$X_k$  FEEDER REG.,  $X_k + 2X_k$  ADDER



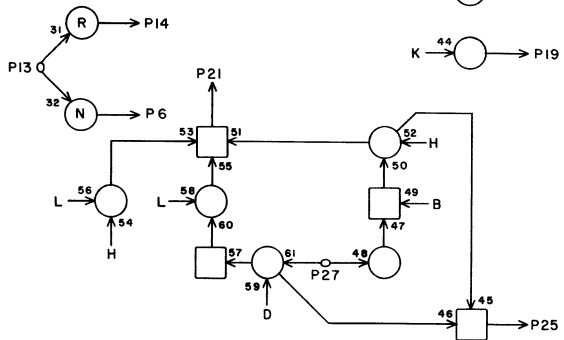
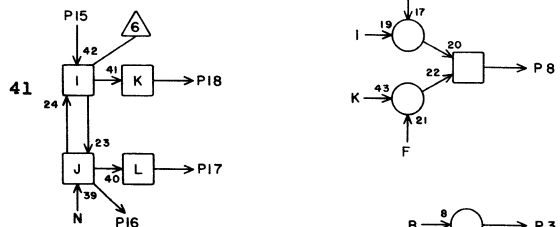
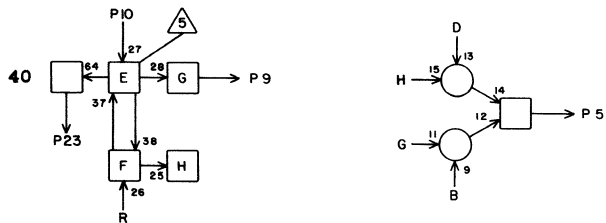
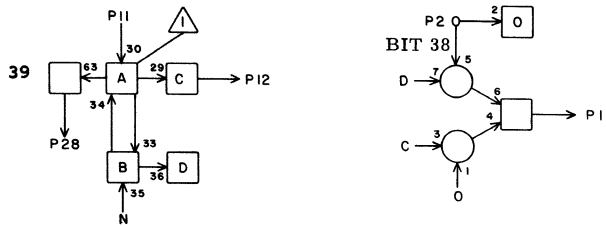
MA **6D 4**

1	D12	21	11
2	D 3	17	5
3			
4			
5	B10	8	11
6			
7			
8	B10	10	11
9	B23	2	23
10	H 4	3	19
11	H 4	1	19
12	B23	12	23
13	F12	13	15
14			
15	H 4	5	19
16	B23	17	23
17	D 5	2	5
18	B 2	5	13
19			
20			
21	B10	22	11
22			
23	B 2	3	13
24			
25	B10	9	9
26			
27	A 7	24	15
28	B 1	25	13

63017400 Rev. B

6D4

$X_k$  FEEDER REG.,  $X_k + 2X_k$  ADDER

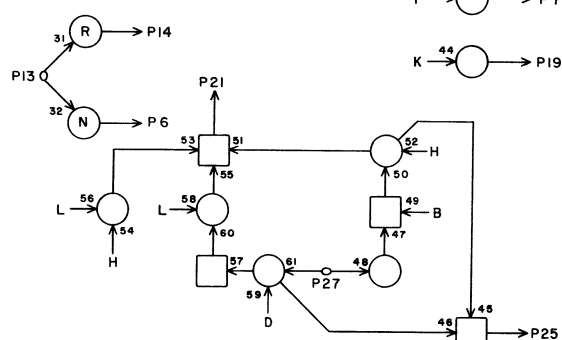
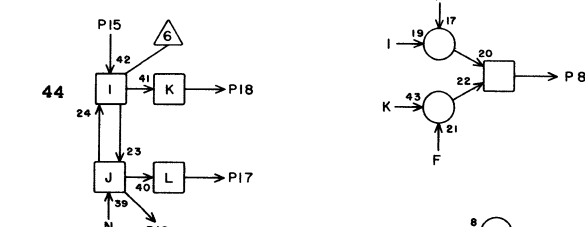
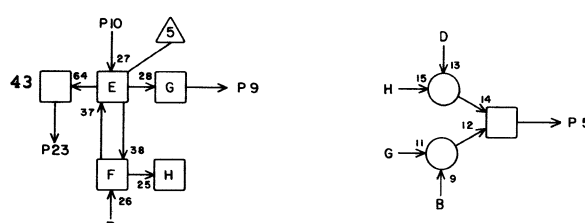
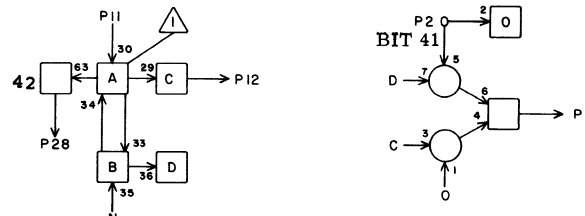


MA **6D 5**

1	<b>E10</b>	<b>21</b>	<b>11</b>
2	<b>D 4</b>	<b>17</b>	<b>5</b>
3			
4			
5	<b>E11</b>	<b>8</b>	<b>11</b>
6			
7			
8	<b>E11</b>	<b>10</b>	<b>11</b>
9	<b>B24</b>	<b>2</b>	<b>21</b>
10	<b>H 5</b>	<b>1</b>	<b>19</b>
11	<b>H 4</b>	<b>7</b>	<b>19</b>
12	<b>B24</b>	<b>12</b>	<b>23</b>
13	<b>F12</b>	<b>15</b>	<b>13</b>
14			
15	<b>H 5</b>	<b>3</b>	<b>19</b>
16	<b>B24</b>	<b>17</b>	<b>23</b>
17	<b>D 6</b>	<b>2</b>	<b>5</b>
18	<b>B 2</b>	<b>10</b>	<b>13</b>
19			
20			
21	<b>E11</b>	<b>22</b>	<b>9</b>
22			
23	<b>B2</b>	<b>11</b>	<b>13</b>
24			
25	<b>E11</b>	<b>9</b>	<b>9</b>
26			
27	<b>B 7</b>	<b>6</b>	<b>13</b>
28	<b>B 2</b>	<b>1</b>	<b>13</b>

JACK PIN LG

$X_k$  FEEDER REG.,  $X_k + 2X_k$  ADDER

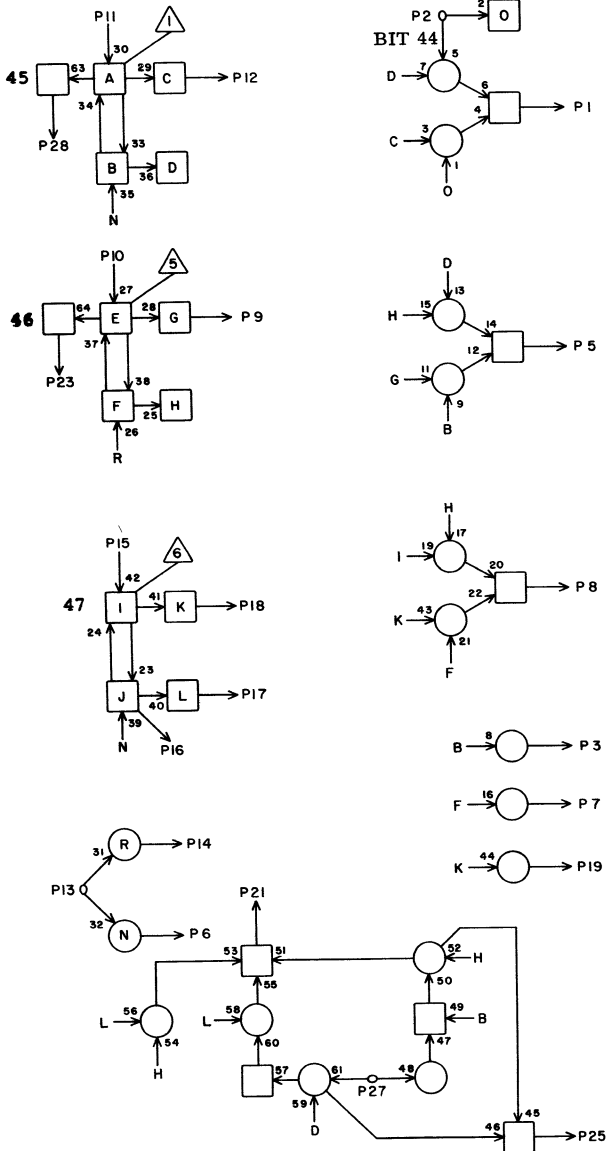


MA **D 6**

1	<b>E11</b>	<b>21</b>	<b>11</b>
2	<b>D 5</b>	<b>17</b>	<b>5</b>
3			
4			
5	<b>E12</b>	<b>8</b>	<b>11</b>
6			
7			
8	<b>E12</b>	<b>10</b>	<b>11</b>
9	<b>C18</b>	<b>2</b>	<b>15</b>
10	<b>H 5</b>	<b>7</b>	<b>19</b>
11	<b>H 5</b>	<b>5</b>	<b>19</b>
12	<b>C18</b>	<b>12</b>	<b>15</b>
13	<b>F12</b>	<b>18</b>	<b>13</b>
14			
15	<b>H 6</b>	<b>1</b>	<b>19</b>
16	<b>C18</b>	<b>17</b>	<b>15</b>
17	<b>D 7</b>	<b>2</b>	<b>5</b>
18	<b>B 2</b>	<b>21</b>	<b>13</b>
19			
20			
21	<b>E12</b>	<b>22</b>	<b>11</b>
22			
23	<b>B 2</b>	<b>24</b>	<b>13</b>
24			
25	<b>E12</b>	<b>9</b>	<b>9</b>
26			
27	<b>B 7</b>	<b>12</b>	<b>13</b>
28	<b>B 2</b>	<b>15</b>	<b>13</b>

JACK PIN LG

$X_k$  FEEDER REG.,  $X_k + 2X_k$  ADDER



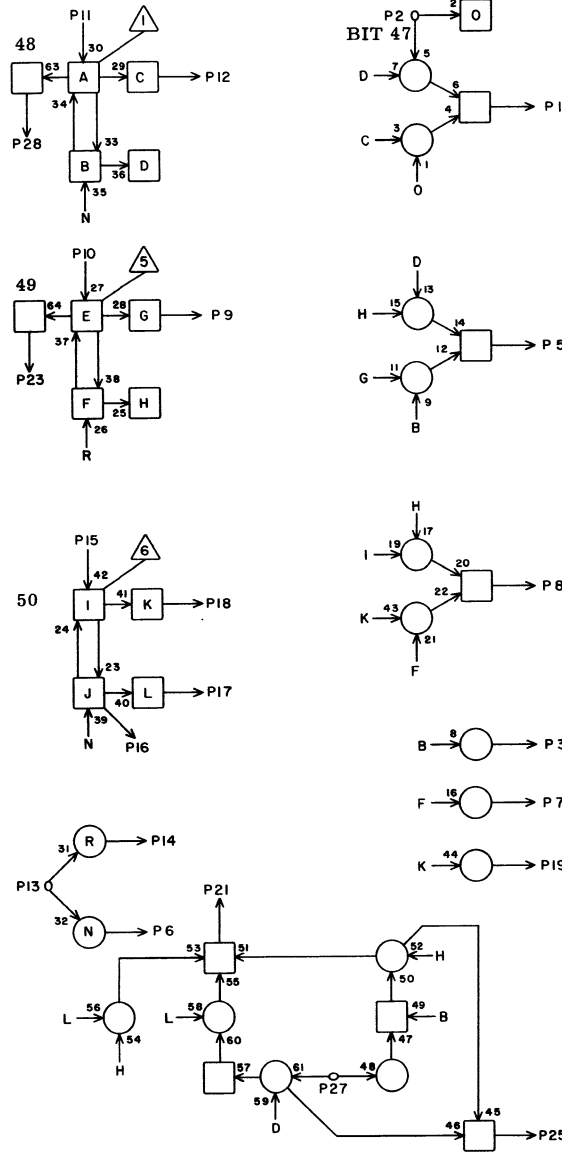
MA **6D 7**

1	<b>E12</b>	<b>21</b>	<b>13</b>
2	<b>D 6</b>	<b>17</b>	<b>5</b>
3			
4			
5	<b>F10</b>	<b>8</b>	<b>13</b>
6			
7			
8	<b>F10</b>	<b>10</b>	<b>13</b>
9	<b>C19</b>	<b>2</b>	<b>17</b>
10	<b>H 6</b>	<b>5</b>	<b>19</b>
11	<b>H 6</b>	<b>3</b>	<b>19</b>
12	<b>C19</b>	<b>12</b>	<b>17</b>
13	<b>F12</b>	<b>25</b>	<b>13</b>
14			
15	<b>H 6</b>	<b>7</b>	<b>19</b>
16	<b>C19</b>	<b>17</b>	<b>17</b>
17	<b>D 8</b>	<b>2</b>	<b>5</b>
18	<b>B 3</b>	<b>5</b>	<b>13</b>
19	<b>H24</b>	<b>20</b>	<b>25</b>
20			
21	<b>F10</b>	<b>22</b>	<b>13</b>
22			
23	<b>B 3</b>	<b>3</b>	<b>15</b>
24			
25	<b>F10</b>	<b>9</b>	<b>13</b>
26			
27	<b>A 7</b>	<b>15</b>	<b>17</b>
28	<b>B 2</b>	<b>25</b>	<b>13</b>

JACK PIN LG

63017400 Rev. B

$X_k$  FEEDER REG.,  $X_k + 2X_k$  ADDER



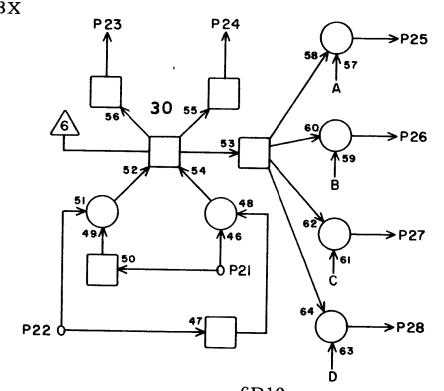
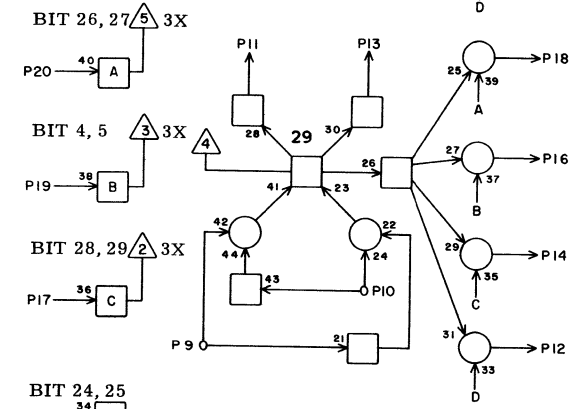
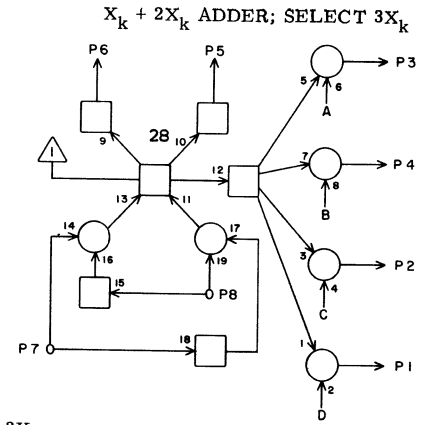
MA **6D 8**

1	<b>F10</b>	<b>21</b>	<b>13</b>
2	<b>D 7</b>	<b>17</b>	<b>5</b>
3			
4			
5	<b>F11</b>	<b>8</b>	<b>13</b>
6			
7			
8	<b>F11</b>	<b>10</b>	<b>13</b>
9	<b>C20</b>	<b>2</b>	<b>15</b>
10			
11			
12	<b>C20</b>	<b>12</b>	<b>15</b>
13			
14			
15			
16	<b>C20</b>	<b>17</b>	<b>15</b>
17			
18			
19			
20			
21			
22			
23			
24			
25	<b>F11</b>	<b>9</b>	<b>11</b>
26			
27	<b>B 7</b>	<b>24</b>	<b>13</b>
28			

JACK PIN LG

63017400 Rev. B

6D8

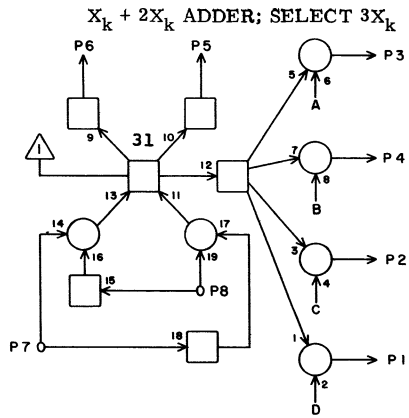


6D10

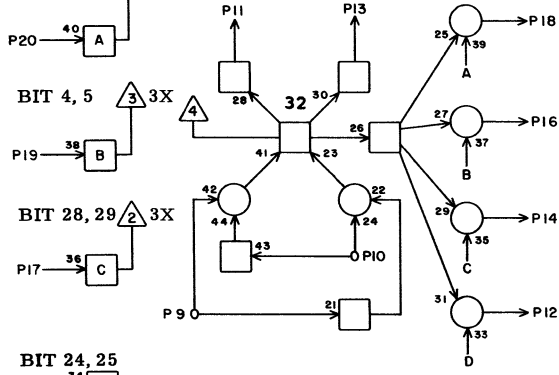
MF **6D10**

1	B20	4	17
2	G19	4	17
3	D23	4	15
4	G19	21	19
5	B20	23	17
6	D23	23	15
7	A 6	2	17
8	D 1	5	13
9	D 1	25	13
10	D 1	8	13
11	B20	27	17
12	B20	3	17
13	D23	27	15
14	G19	3	17
15	H12	23	19
16	G19	24	19
17	B 9	23	11
18	D23	3	15
19	A 8	23	15
20	H23	14	23
21	D 2	1	13
22	D 1	21	13
23	B21	9	17
24	D24	9	15
25	D24	15	15
26	G20	18	17
27	G20	15	19
28	B21	15	17
	JACK	PIN	LG

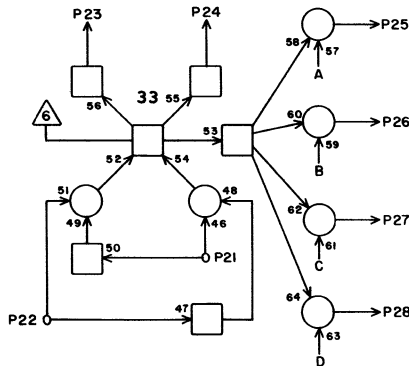




BIT 26, 27/5 3X

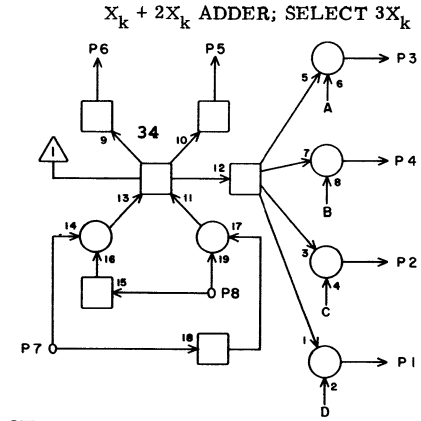


BIT 24, 25  
P15 → 34 D 3X

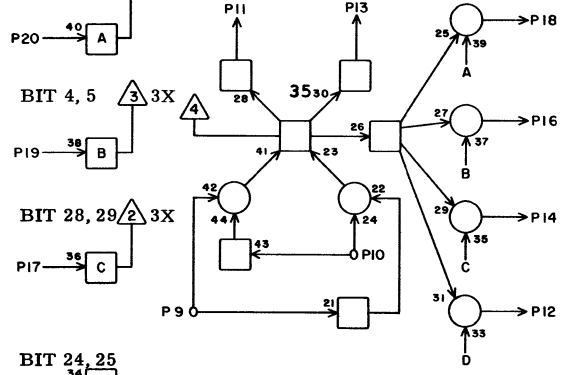


MF		6D 11	
JACK	PIN	LG	
1	B21	4	17
2	G20	4	17
3	D24	4	15
4	G20	21	19
5	B21	23	17
6	D24	23	15
7	B 6	22	13
8	D 2	5	13
9	D 2	25	13
10	D 2	8	13
11	B21	27	17
12	B21	23	17
13	D24	27	15
14	G20	23	17
15	H12	21	19
16	G20	24	17
17	B 9	21	9
18	D24	3	15
19	A 8	21	15
20	H23	15	23
21	D 3	1	13
22	D 2	21	13
23	B22	9	17
24	E18	9	11
25	E18	15	11
26	G21	18	19
27	G21	15	19
28	B22	15	17

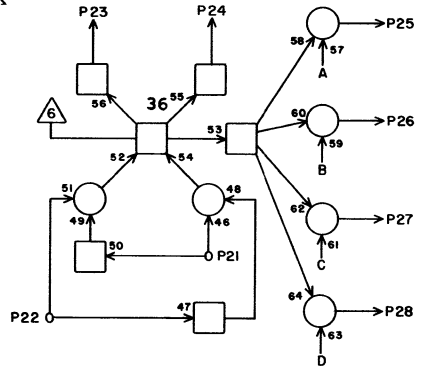
63017400 Rev. B



BIT 26, 27/5 3X



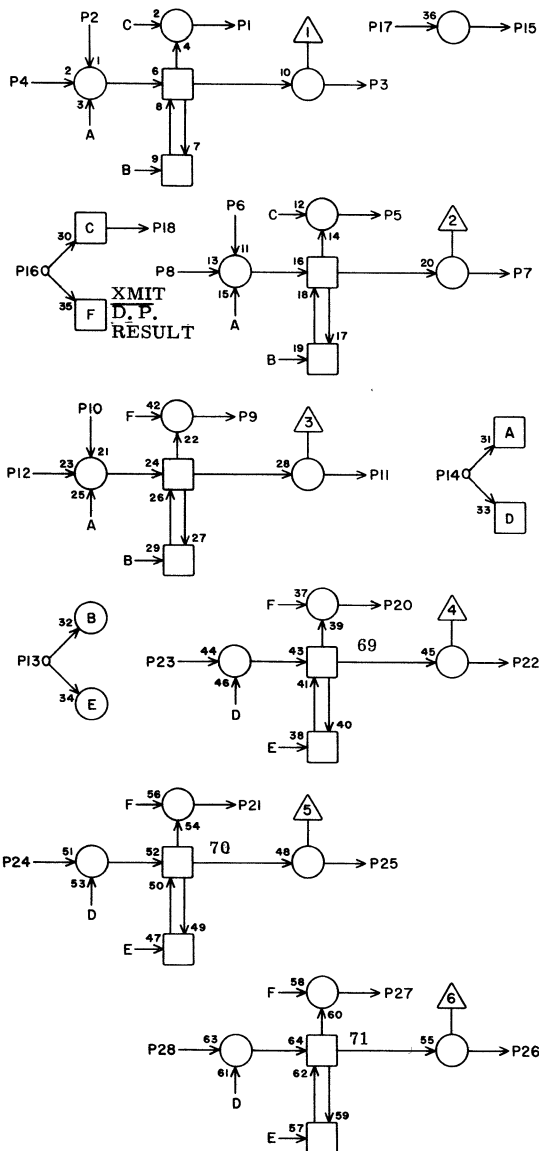
BIT 24, 25  
P15 → 34 D 3X



MF		6D 12	
JACK	PIN	LG	
1	B22	4	17
2	G21	4	17
3	E18	4	11
4	G21	21	19
5	B22	23	17
6	E18	23	11
7	B 6	16	13
8	D 3	5	13
9	D 3	25	13
10	D 3	8	13
11	B22	27	17
12	B22	3	17
13	E18	27	11
14	G21	3	17
15	B22	24	10
16	G21	24	17
17	B 9	24	11
18	E18	3	11
19	A 8	24	15
20	H23	16	21
21	D 4	1	11
22	D 3	21	11
23	B23	9	17
24	E19	9	11
25	E19	15	11
26	G22	18	19
27	G22	15	19
28	B23	15	17

63017400 Rev. B

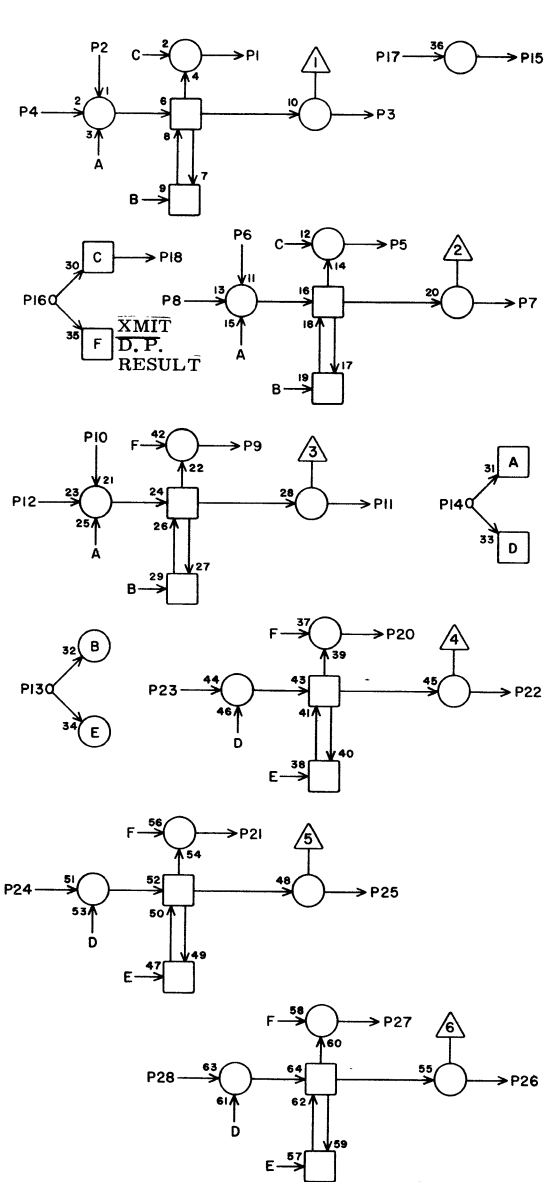
6D12



NJ 6D 13

1			
2	<b>D35</b>	<b>2</b>	<b>23</b>
3	<b>D30</b>	<b>26</b>	<b>19</b>
4	<b>D35</b>	<b>4</b>	<b>23</b>
5			
6	<b>D36</b>	<b>2</b>	<b>25</b>
7	<b>D31</b>	<b>26</b>	<b>19</b>
8	<b>D36</b>	<b>4</b>	<b>25</b>
9			
10	<b>D37</b>	<b>2</b>	<b>25</b>
11	<b>D32</b>	<b>26</b>	<b>19</b>
12	<b>D37</b>	<b>4</b>	<b>27</b>
13	<b>F 8</b>	<b>21</b>	<b>13</b>
14	<b>H20</b>	<b>24</b>	<b>21</b>
15	<b>H25</b>	<b>26</b>	<b>23</b>
16	<b>I23</b>	<b>10</b>	<b>25</b>
17	<b>H10</b>	<b>22</b>	<b>19</b>
18	<b>G11</b>	<b>16</b>	<b>17</b>
19			
20	<b>L 4</b>	<b>19</b>	<b>35</b>
21	<b>L 5</b>	<b>24</b>	<b>35</b>
22	<b>D30</b>	<b>25</b>	<b>19</b>
23	<b>D36</b>	<b>5</b>	<b>25</b>
24	<b>D37</b>	<b>5</b>	<b>25</b>
25	<b>D31</b>	<b>25</b>	<b>19</b>
26	<b>D32</b>	<b>25</b>	<b>23</b>
27	<b>L 5</b>	<b>19</b>	<b>35</b>
28	<b>D38</b>	<b>5</b>	<b>27</b>
	JACK	PIN	LG

63017400 Rev. B

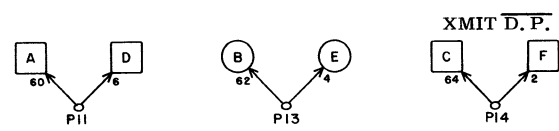
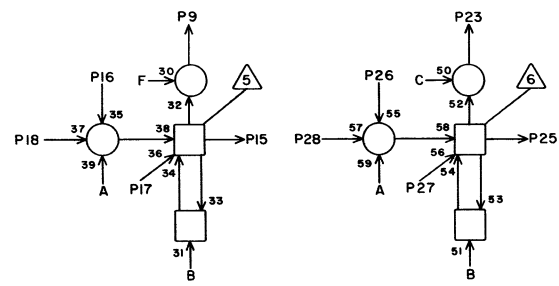
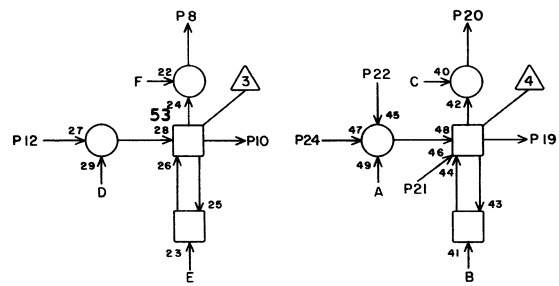
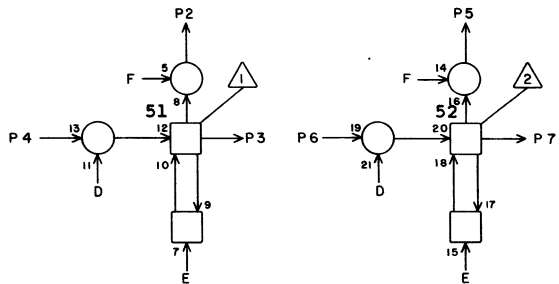


NJ 6D 14

1			
2	<b>D38</b>	<b>2</b>	<b>25</b>
3	<b>D33</b>	<b>26</b>	<b>21</b>
4	<b>D38</b>	<b>4</b>	<b>25</b>
5			
6	<b>D39</b>	<b>2</b>	<b>25</b>
7	<b>D34</b>	<b>26</b>	<b>21</b>
8	<b>D39</b>	<b>4</b>	<b>25</b>
9			
10	<b>D40</b>	<b>2</b>	<b>27</b>
11	<b>D35</b>	<b>26</b>	<b>23</b>
12	<b>D40</b>	<b>4</b>	<b>27</b>
13	<b>F 8</b>	<b>23</b>	<b>15</b>
14	<b>H20</b>	<b>20</b>	<b>21</b>
15	<b>I24</b>	<b>22</b>	<b>25</b>
16	<b>I23</b>	<b>12</b>	<b>23</b>
17	<b>F17</b>	<b>18</b>	<b>15</b>
18	<b>G10</b>	<b>16</b>	<b>19</b>
19			
20	<b>L 6</b>	<b>24</b>	<b>35</b>
21	<b>L 6</b>	<b>19</b>	<b>35</b>
22	<b>D33</b>	<b>25</b>	<b>21</b>
23	<b>D39</b>	<b>5</b>	<b>25</b>
24	<b>D40</b>	<b>5</b>	<b>27</b>
25	<b>D34</b>	<b>25</b>	<b>21</b>
26	<b>D35</b>	<b>25</b>	<b>23</b>
27	<b>L 7</b>	<b>24</b>	<b>35</b>
28	<b>D41</b>	<b>5</b>	<b>27</b>
	JACK	PIN	LG

63017400 Rev. B

6D14

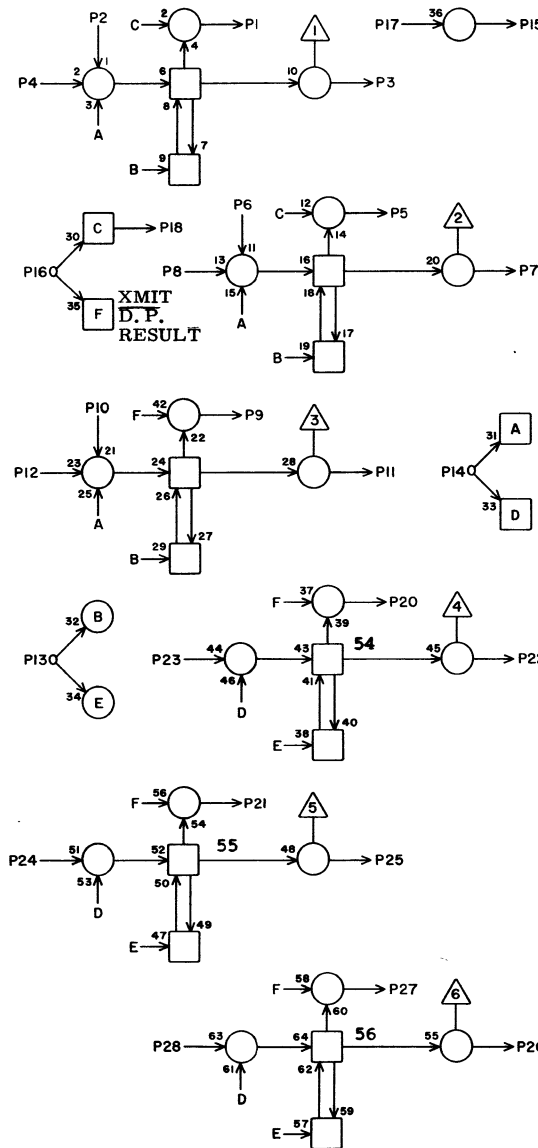


MD 6D15

1			
2	L 7	19	35
3	B16	17	11
4	D42	5	27
5	M 1	24	39
6	E30	5	17
7	B14	17	11
8	M 1	19	39
9			
10	B17	17	11
11	H20	26	21
12	E31	5	19
13	F 8	25	15
14	I23	15	25
15	C16	17	7
16	D42	2	27
17	H11	28	19
18	D42	4	27
19	C15	17	7
20			
21	D15	x	2
22	D41	2	27
23			
24	D41	4	27
25	C17	17	9
26	E30	2	17
27	D15	X	2
28	E30	4	17
	JACK	PIN	LG

63017400 Rev. G

NJ 6D16

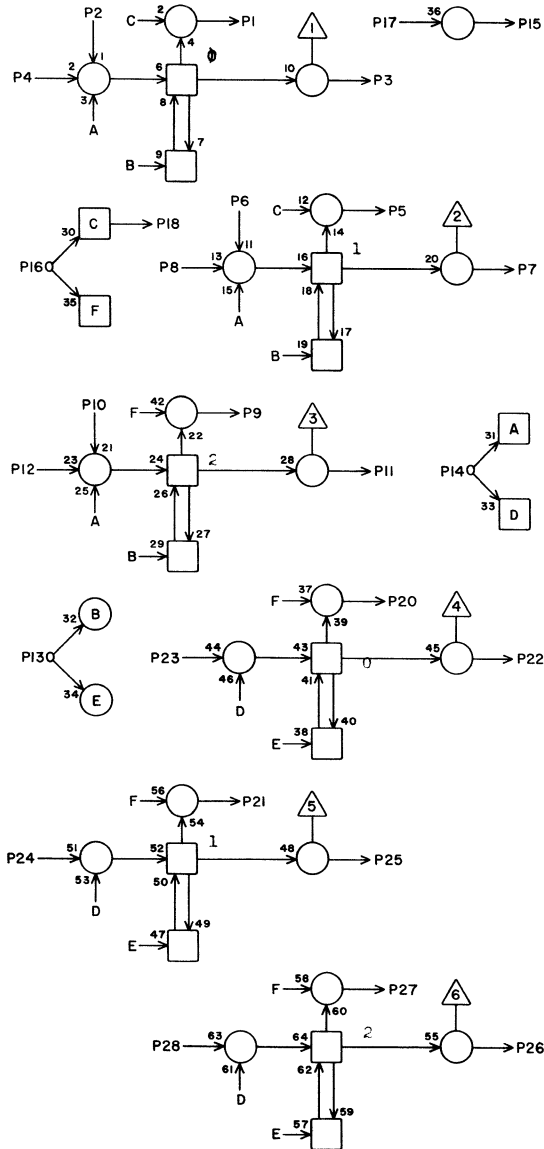


1			
2	E31	2	19
3	D39	26	25
4	E31	4	19
5			
6	E32	2	19
7	D40	26	25
8	E32	4	19
9			
10	E33	2	19
11	D41	26	25
12	E33	4	19
13	F 8	27	15
14	H20	22	21
15	I30	14	27
16	I23	7	23
17	H10	20	19
18	G12	16	17
19			
20	M 2	24	39
21	M 2	19	39
22	D39	25	25
23	E32	5	19
24	E33	5	19
25	D40	25	25
26	D41	25	25
27	M 3	24	39
28	E34	5	19
	JACK	PIN	LG

63017400 Rev. B

6D16

UPPER PRODUCT REGISTER



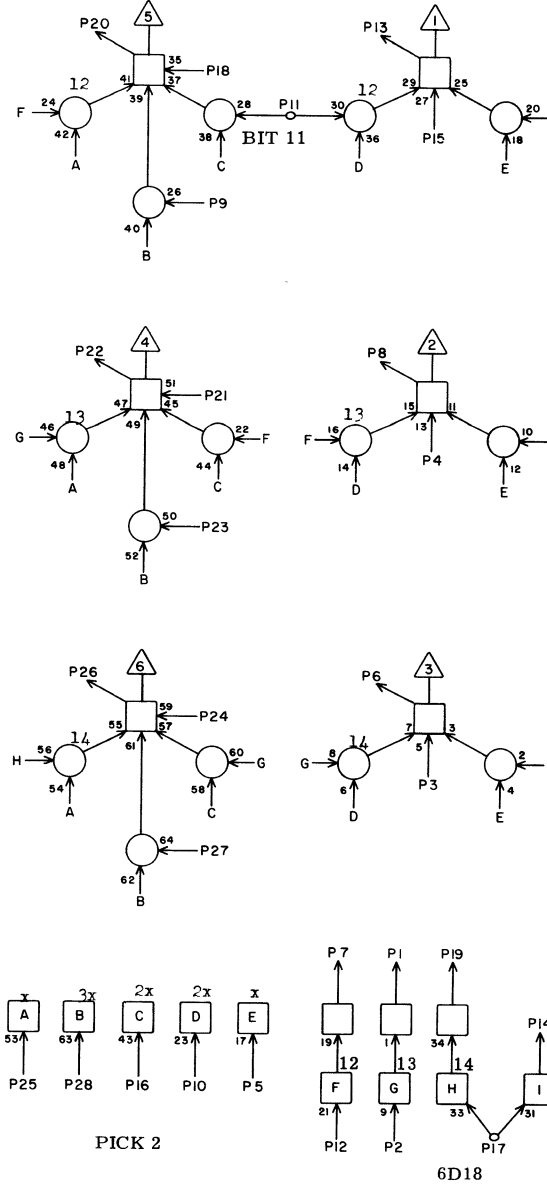
NJ D17

1	D19	21	7
2			
3	B29	27	17
4	D17	15	5
5	D19	24	7
6	E35	2	19
7	E9	5	13
8	E35	4	21
9	D20	18	7
10	E36	2	21
11	E9	24	13
12	E36	4	21
13	F 9	1	15
14	H21	8	19
15	D17	4	5
16	I24	1	23
17	E 9	16	13
18	I17	18	23
19			
20	A24	28	17
21	A 24	21	17
22	C26	27	15
23	E35	5	21
24	E36	5	21
25	C27	27	15
26	C28	27	23
27	A24	24	17
28	E37	5	21

JACK PIN LG

63017400 Rev. B

SELECT  $X_k, 2X_k, 3X_k$



PICK 2

6D18

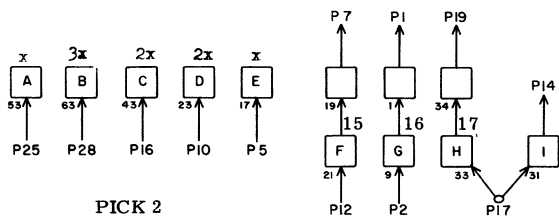
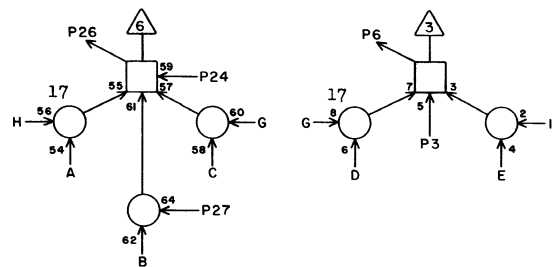
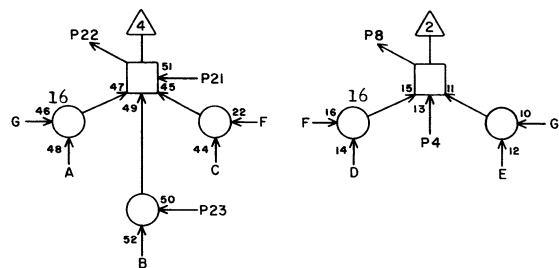
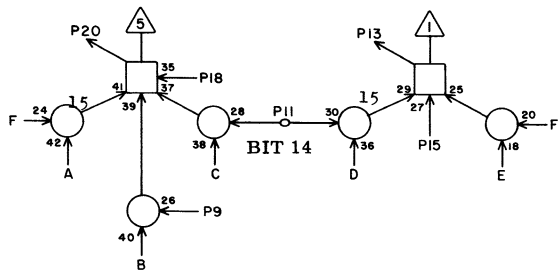
MB 6D 18

1	F21	2	11
2	A22	1	15
3	B11	18	15
4	B11	3	15
5	H24	5	19
6	F38	23	23
7	F21	12	11
8	F37	23	23
9	B10	24	13
10	H25	5	19
11	C24	14	11
12	A22	7	17
13	F36	23	21
14	D19	11	5
15	B10	25	13
16	H25	17	11
17	A22	19	17
18	D18	x	2
19	F21	17	11
20	B31	23	17
21	D18	x	2
22	B32	23	19
23	B11	6	15
24	D18	x	2
25	D25	17	9
26	B33	23	19
27	B11	13	15
28	F25	17	13

JACK PIN LG

63017400 Rev. B

SELECT  $X_k$ ,  $2X_k$ ,  $3X_k$



PICK 2

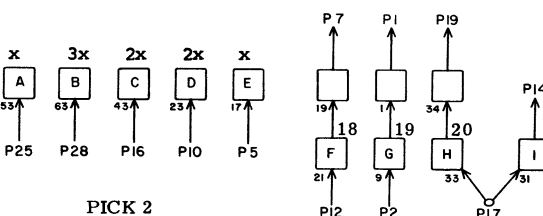
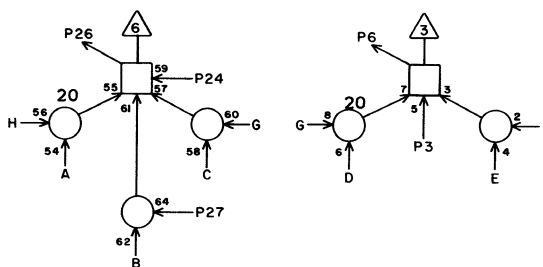
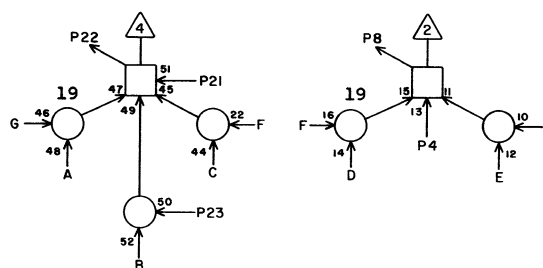
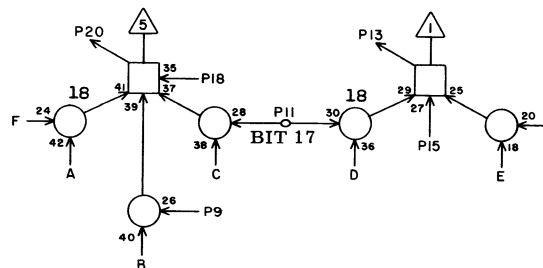
MB 6D19

1	F22	2	11
2	A23	1	15
3	B12	18	15
4	B12	3	15
5	H24	7	19
6	F41	23	25
7	F22	12	13
8	F40	23	25
9	B11	24	15
10	H25	7	19
11	D18	14	5
12	A23	7	17
13	F39	23	25
14	D20	11	5
15	B11	25	15
16	E25	20	11
17	A23	19	15
18	D19	x	2
19	F22	17	13
20	B34	23	19
21	D17	1	7
22	B35	23	19
23	B12	6	15
24	D17	5	7
25	D25	20	9
26	B36	23	21
27	B12	13	15
28	F25	20	13

JACK PIN LG

63017400 Rev. B

SELECT  $X_k$ ,  $2X_k$ ,  $3X_k$



PICK 2

6D20

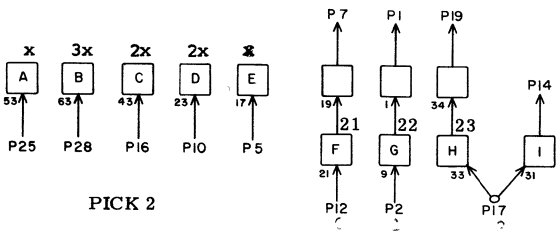
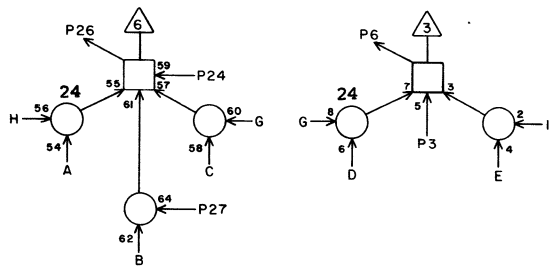
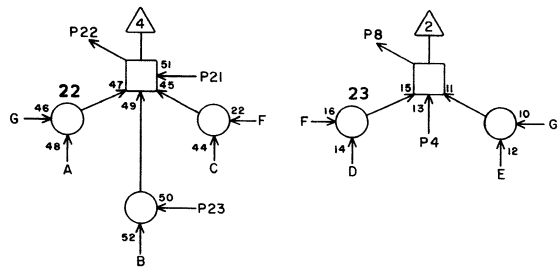
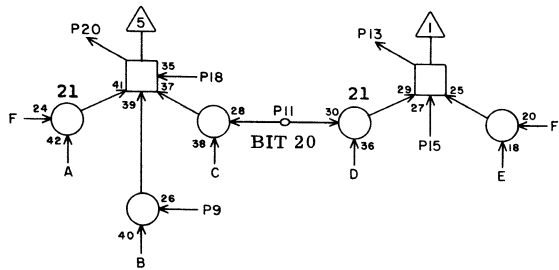
MB 6D 20

1	F23	2	11
2	A24	1	15
3	C10	18	15
4	C10	3	13
5	H24	9	21
6	G31	23	21
7	F23	12	13
8	G30	23	21
9	B12	24	15
10	H25	9	21
11	D19	14	5
12	A24	7	17
13	F42	23	15
14	D21	11	5
15	B12	25	15
16	E25	19	11
17	A24	19	15
18	D17	9	7
19	F23	17	13
20	B37	23	21
21	E13	1	11
22	B38	23	23
23	C10	6	13
24	E13	5	11
25	D25	19	17
26	B39	23	23
27	C10	13	15
28	F25	19	13

JACK PIN LG

63017400 Rev. B

SELECT  $X_k, 2X_k, 3X_k$



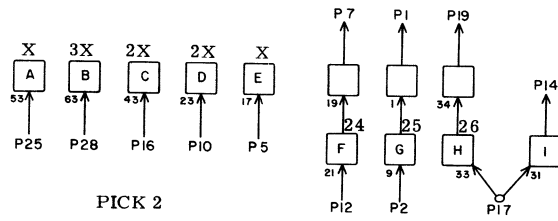
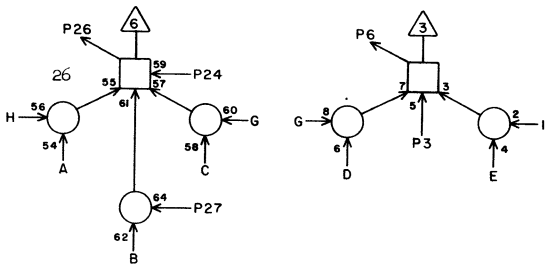
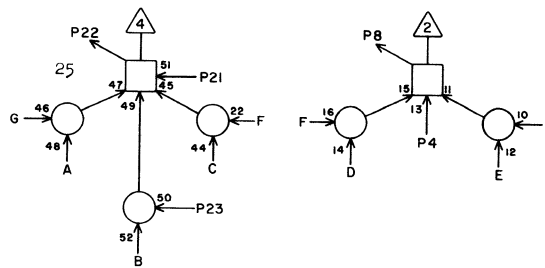
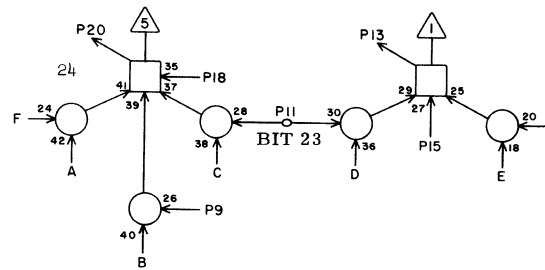
PICK 2

MB 6D 21

1	F24	2	11
2	B18	1	11
3	C11	18	13
4	C11	3	13
5	H24	11	19
6	G34	23	21
7	F24	12	13
8	G33	23	23
9	C10	24	15
10	H25	11	21
11	D20	14	5
12	B18	7	11
13	G32	23	23
14	D22	11	5
15	C10	25	15
16	E23	27	11
17	B16	19	11
18	E13	9	13
19	F24	17	13
20	B40	23	23
21	E14	1	11
22	B41	23	23
23	C11	6	13
24	E14	5	11
25	D25	27	7
26	B42	23	25
27	C11	13	13
28	F25	27	13

63017400 Rev. B

SELECT  $X_k, 2X_k, 3X_k$



PICK 2

6D22

MB 6D22

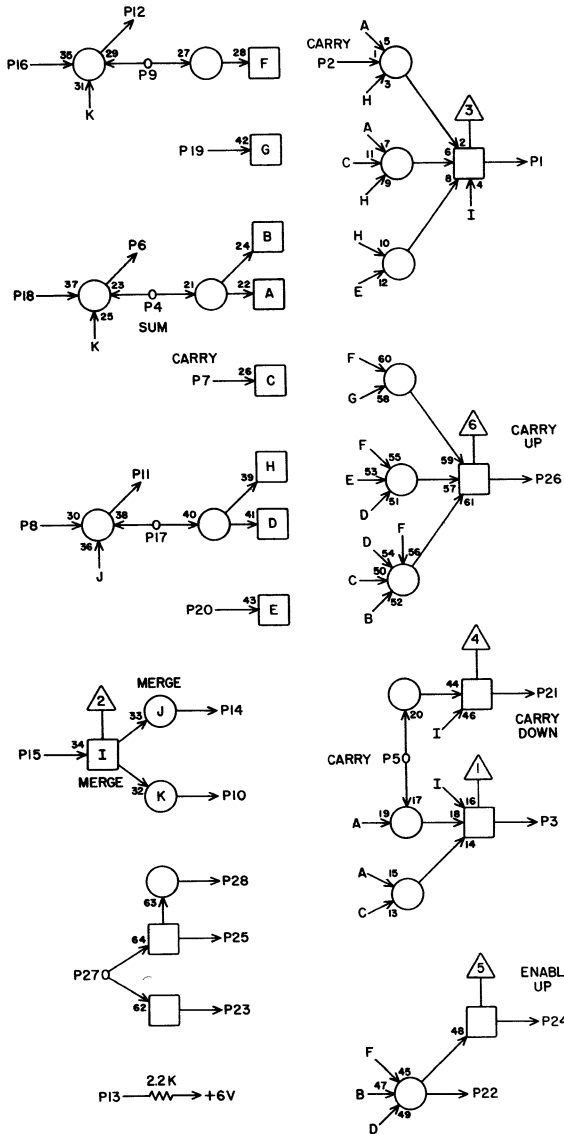
1	G18	2	15
2	B19	1	11
3	C12	18	13
4	C12	3	13
5	H24	13	21
6	G37	23	23
7	G18	12	15
8	G36	23	23
9	C11	24	15
10	H25	13	21
11	D21	14	5
12	B19	7	11
13	G35	23	21
14	D23	11	5
15	C11	25	15
16	H25	22	9
17	B19	19	11
18	E14	9	13
19	G18	17	17
20	C30	23	13
21	E15	1	11
22	C31	23	13
23	C12	6	13
24	E15	5	11
25	D25	22	7
26	C32	23	15
27	C12	13	13
28	F25	22	13

63017400 Rev. B





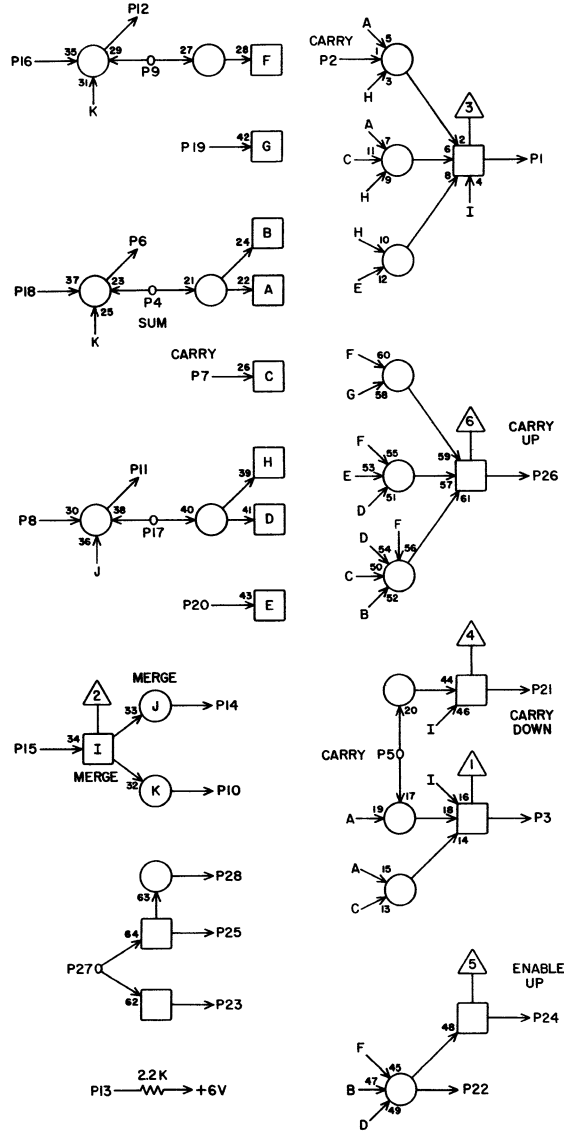




MM 6D27

	JACK	PIN	LG
1	G22	23	17
2	H28	6	19
3	G22	9	17
4	D30	7	7
5	H28	5	19
6	D31	6	7
7	C42	18	17
8	D31	11	7
9	D32	7	9
10	G23	28	17
11	D32	6	9
12	D33	6	9
13	E30	27	9
14	E26	27	9
15	A27	14	15
16	D32	11	9
17	D31	7	7
18	D30	11	7
19	D31	18	7
20	D30	18	7
21	G21	27	17
22	G28	17	17
23			
24	H28	4	19
25	E 9	11	21
26	H28	1	19
27	E13	26	17
28	E 9	14	21

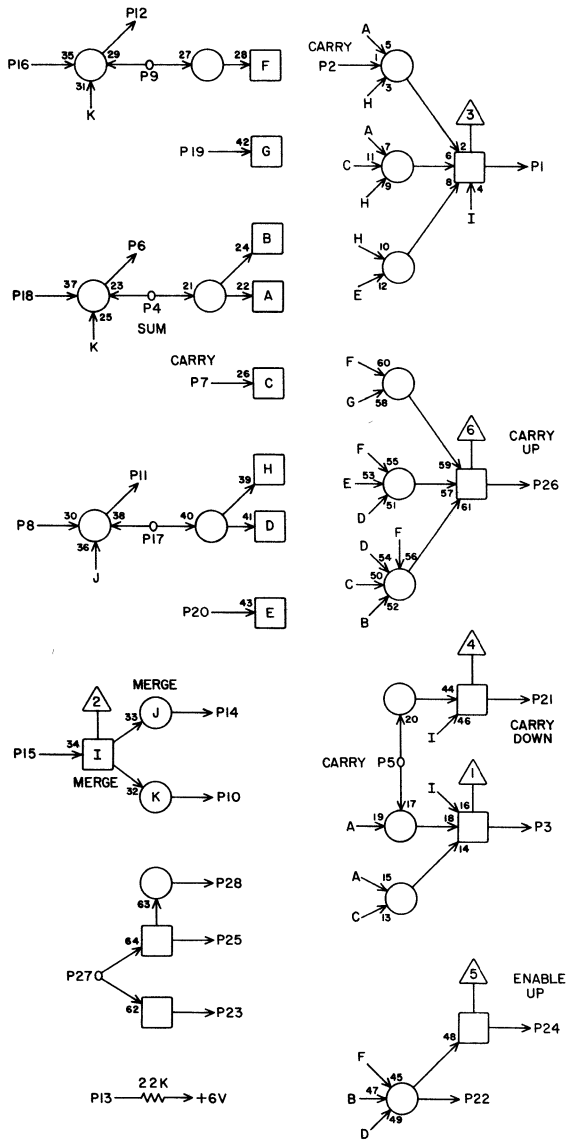
63017400 Rev. B



MM 6D28

	JACK	PIN	LG
1	G23	23	17
2	H28	12	19
3	G23	9	17
4	D33	7	9
5	H28	13	19
6	D34	6	9
7	D32	18	7
8	D34	11	9
9	D35	7	11
10	G24	28	17
11	D35	6	11
12	D36	6	11
13	I39	27	27
14			
15	A28	14	15
16	D35	11	11
17	D34	7	9
18	D33	11	9
19	D34	18	9
20	D33	18	9
21	G22	27	17
22	G28	19	17
23	I25	28	23
24	H28	3	19
25	A13	4	23
26	H28	8	19
27	E 8	16	23
28			

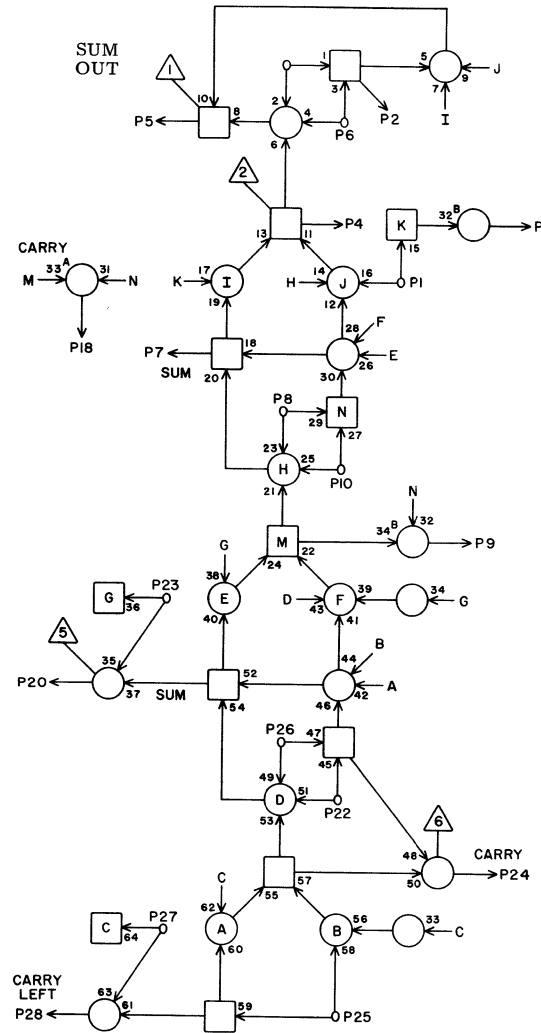
63017400 Rev. B



MM		6D29	
JACK	PIN	LG	
1	G24	23	17
2	I31	11	23
3	G24	9	17
4	D36	7	11
5	I31	13	23
6	D37	6	11
7	D35	18	9
8	D37	11	11
9	D38	7	13
10	H18	28	23
11	D38	6	13
12	D39	6	13
13	I40	27	27
14			
15	A29	14	15
16	D38	11	13
17	D37	7	11
18	D36	11	11
19	D37	18	11
20	D36	18	11
21	G23	27	17
22	G28	7	17
23	I30	20	23
24	I31	5	23
25			
26	H28	27	19
27	H23	28	19
28	F12	7	21

63017400 Rev. B

LOWER 3-LEVEL ADDER  
BIT 39

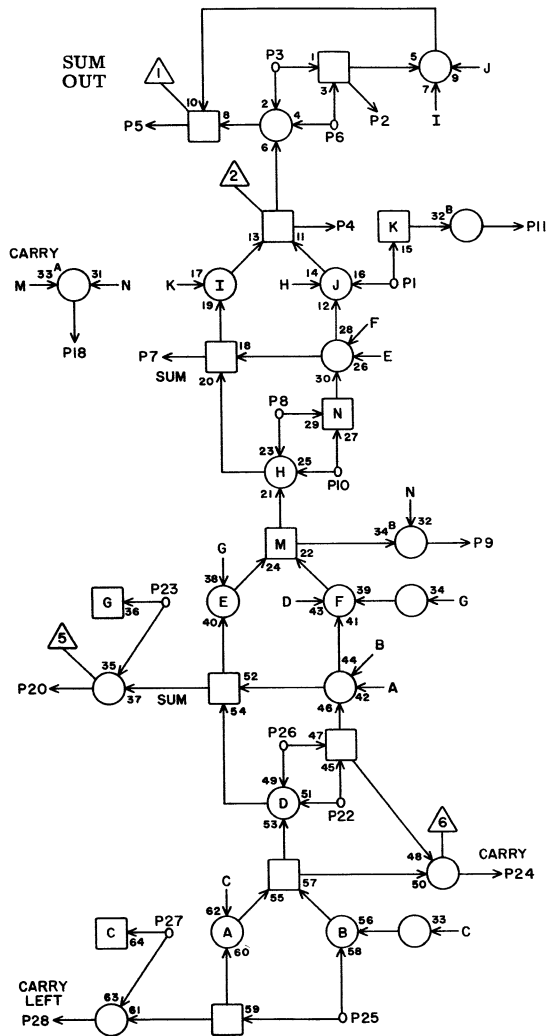


6D30

MC		6D30	
JACK	PIN	LG	
1	G21	26	19
2	C16	6	17
3	C42	9	15
4	C16	8	17
5	C16	23	17
6	D26	12	7
7	D27	4	7
8	C42	24	15
9	D31	3	5
10	C42	20	15
11	D27	18	7
12			
13			
14			
15			
16			
17			
18	D27	20	7
19			
20	D31	10	5
21			
22	C42	28	17
23	E19	22	15
24	D31	8	5
25	D13	22	19
26	D13	3	19
27	B24	20	15
28	D31	22	5

63017400 Rev. B

LOWER 3-LEVEL ADDER  
BIT 40



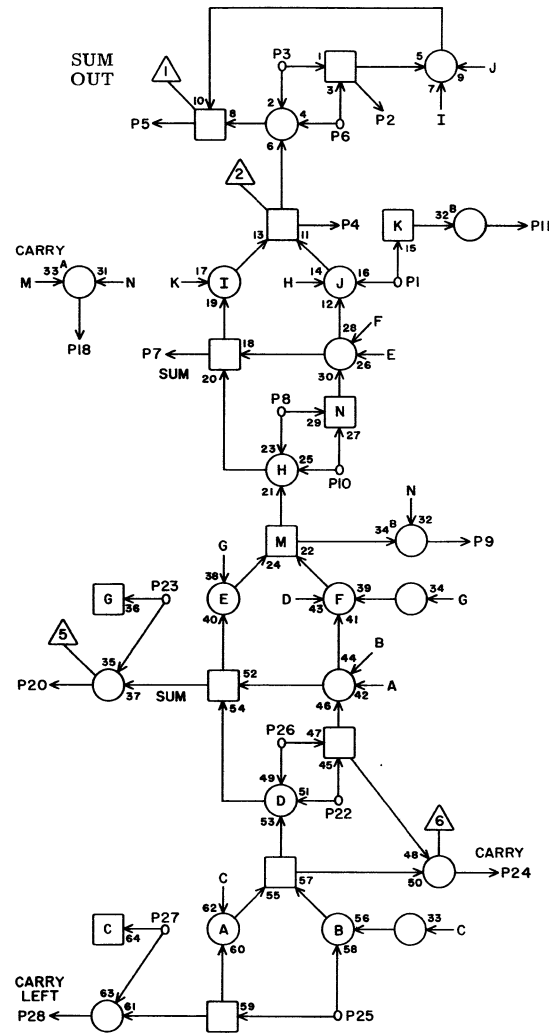
MC **6D 31**

1	G22	20	19
2	C16	10	17
3	D30	9	5
4	C16	12	17
5	C16	24	17
6	D27	6	7
7	D27	17	7
8	D30	24	5
9	D32	3	5
10	D30	20	5
11	D27	8	7
12			
13			
14			
15			
16			
17			
18	D27	19	7
19			
20	D32	10	5
21			
22	D30	28	5
23	E19	26	15
24	D32	8	5
25	D13	25	19
26	D13	7	19
27	B24	22	15
28	D32	22	5

JACK PIN LG

63017400 Rev. B

LOWER 3-LEVEL ADDER  
BIT 41



MC **6D 32**

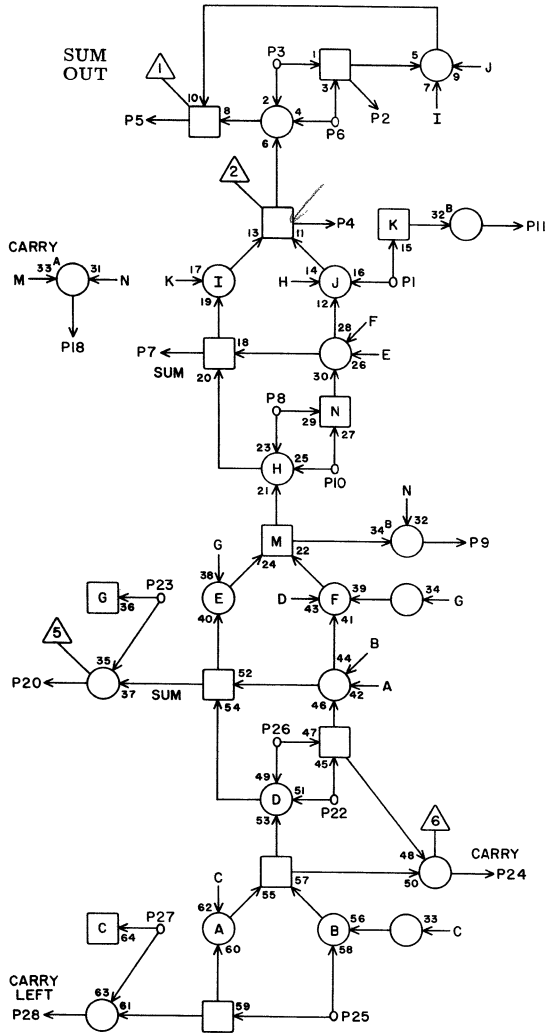
1	G22	22	19
2	C17	2	17
3	D31	9	5
4	C17	4	17
5	C16	28	19
6	D27	11	9
7	D27	9	9
8	D31	24	5
9	D33	3	5
10	D31	20	5
11	D27	16	9
12			
13			
14			
15			
16			
17			
18	D28	7	7
19			
20	D33	10	5
21			
22	D31	28	5
23	E20	20	15
24	D33	8	5
25	D13	26	23
26	D13	11	19
27	B24	26	15
28	D33	22	5

JACK PIN LG

6D32

63017400 Rev. B

LOWER 3-LEVEL ADDER  
BIT 42



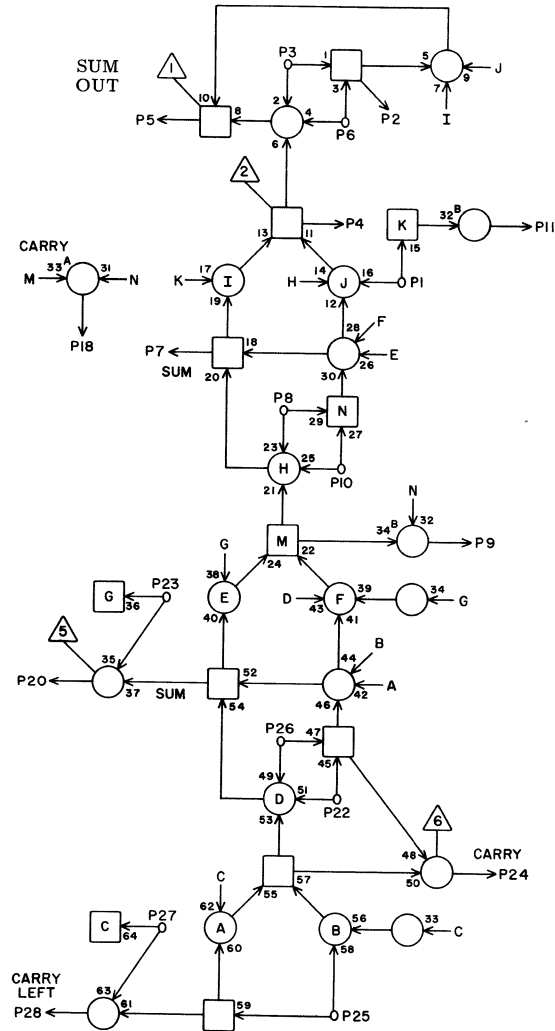
MC **6D 33**

1	G22	26	21
2	C17	6	19
3	D32	9	5
4	C17	8	19
5	C17	23	19
6	D27	12	9
7	D28	4	9
8	D32	24	5
9	D34	3	5
10	D32	20	5
11	D28	18	9
12			
13			
14			
15			
16			
17			
18	D28	20	9
19			
20	D34	10	5
21			
22	D32	28	5
23	E20	22	17
24	D34	8	5
25	D14	22	21
26	D14	3	21
27	C18	20	17
28	D34	22	5

JACK PIN LG

63017400 Rev. B

LOWER 3-LEVEL ADDER  
BIT 43



MC **6D 34**

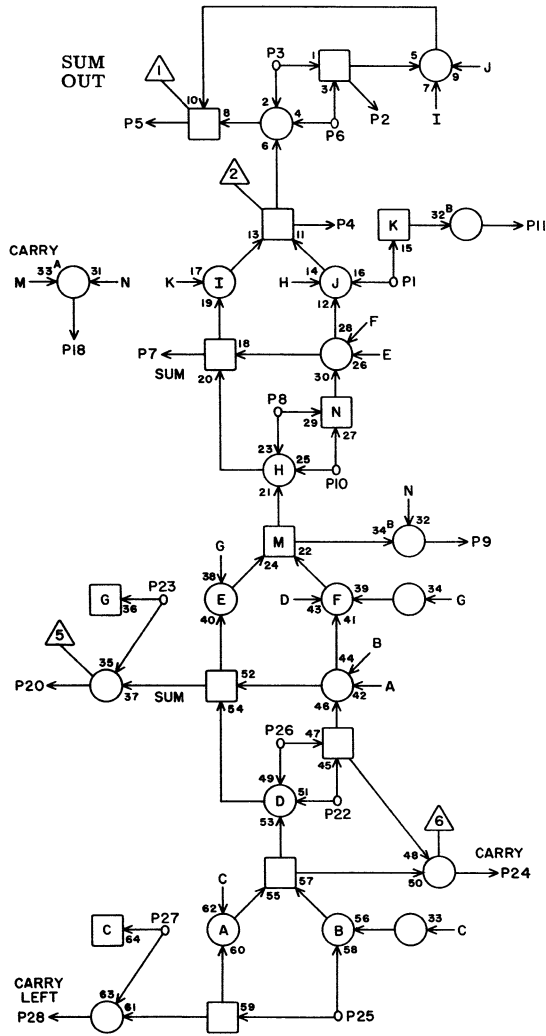
1	G23	20	19
2	C17	10	19
3	D33	9	5
4	C17	12	19
5	C17	24	19
6	D28	6	9
7	D28	17	9
8	D33	24	5
9	D35	3	5
10	D33	20	5
11	D28	8	9
12			
13			
14			
15			
16			
17			
18	D28	19	9
19			
20	D35	10	5
21			
22	D33	28	5
23	E20	26	17
24	D35	8	5
25	D14	25	21
26	D14	7	21
27	C18	22	19
28	D35	22	5

JACK PIN LG

6D34

63017400 Rev. B

LOWER 3-LEVEL ADDER  
BIT 44



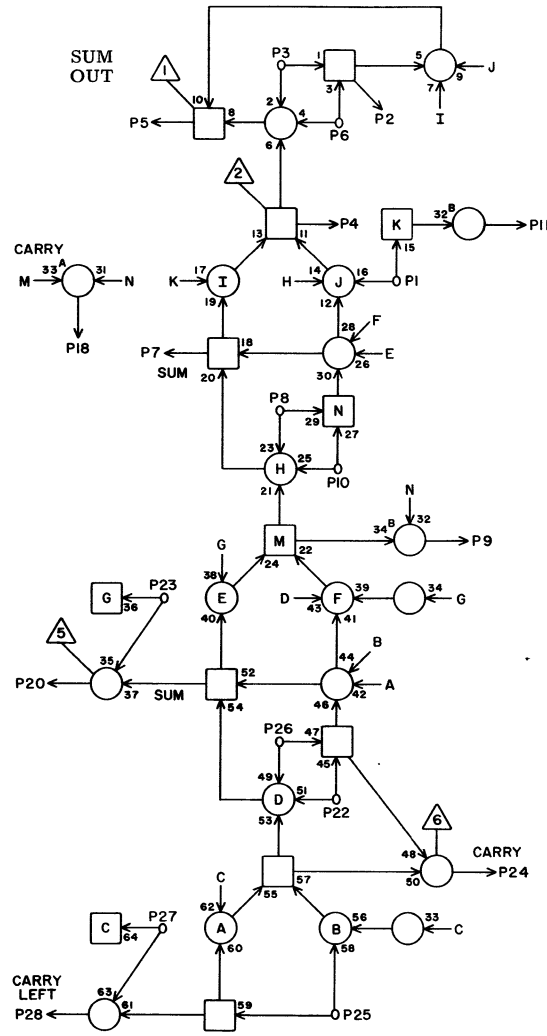
MC **6D35**

1	G23	22	21
2	D13	2	23
3	D34	9	5
4	D13	4	23
5	C17	28	19
6	D28	11	11
7	D28	9	11
8	D34	24	5
9	D36	3	5
10	D34	20	5
11	D28	16	11
12			
13			
14			
15			
16			
17			
18	D29	7	9
19			
20	B36	10	5
21			
22	D34	28	5
23	E21	20	17
24	D36	8	5
25	D14	26	23
26	D14	11	23
27	C18	26	19
28	D36	22	5

JACK PIN LG

63017400 Rev. B

LOWER 3-LEVEL ADDER  
BIT 45



MC **6D 36**

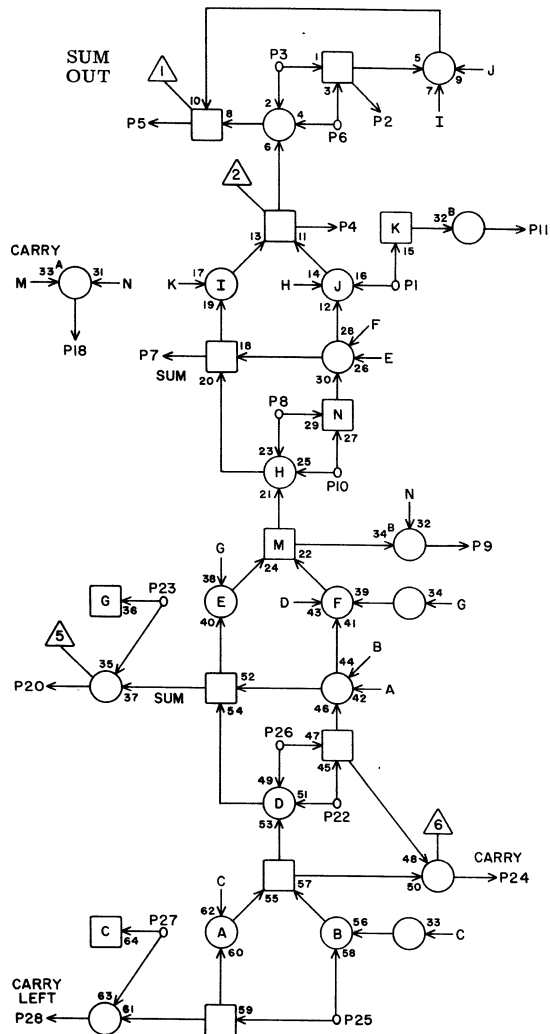
1	G23	26	21
2	D13	6	25
3	D35	9	5
4	D13	8	25
5	D13	23	25
6	D28	12	11
7	D29	4	11
8	D35	24	5
9	D37	3	5
10	D35	20	5
11	D29	18	11
12			
13			
14			
15			
16			
17			
18	D29	20	11
19			
20	D37	10	5
21			
22	D35	28	5
23	E21	22	19
24	D37	8	5
25	B16	15	23
26	C15	15	23
27	C19	20	19
28	D37	22	5

JACK PIN LG

6D36

63017400 Rev. B

LOWER 3-LEVEL ADDER  
BIT 46



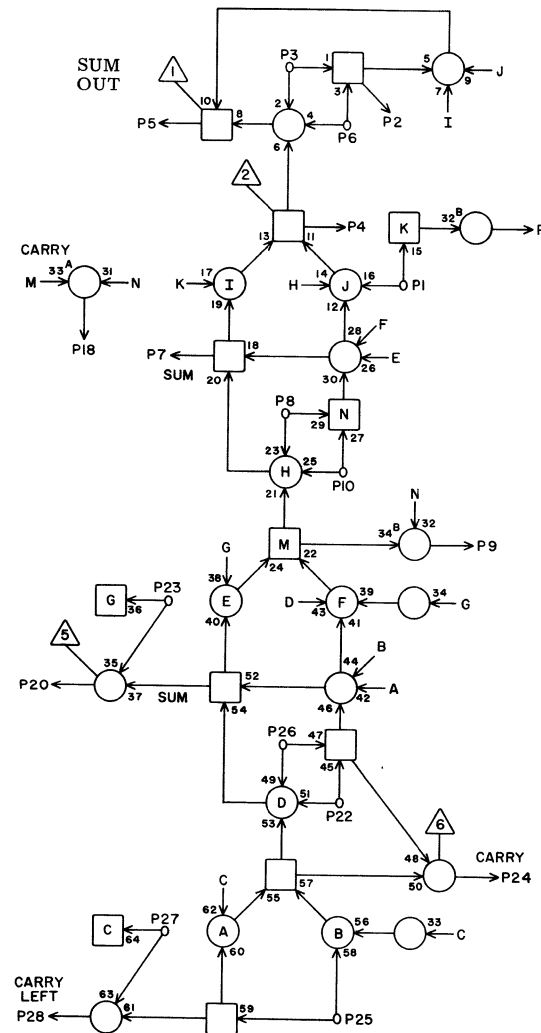
MC **6D 37**

1	G24	20	21
2	D13	10	25
3	D36	9	5
4	D13	12	27
5	D13	24	25
6	D29	6	11
7	D29	17	11
8	D36	24	5
9	D38	3	5
10	D36	20	5
11	D29	8	11
12			
13			
14			
15			
16			
17			
18	D29	19	11
19			
20	D38	10	5
21			
22	D36	28	5
23	E21	26	19
24	D38	8	5
25	B14	15	27
26	C16	15	23
27	C19	22	19
28	D38	22	5

JACK PIN LG

63017400 Rev. B

LOWER 3-LEVEL ADDER  
BIT 47



MC **6D 38**

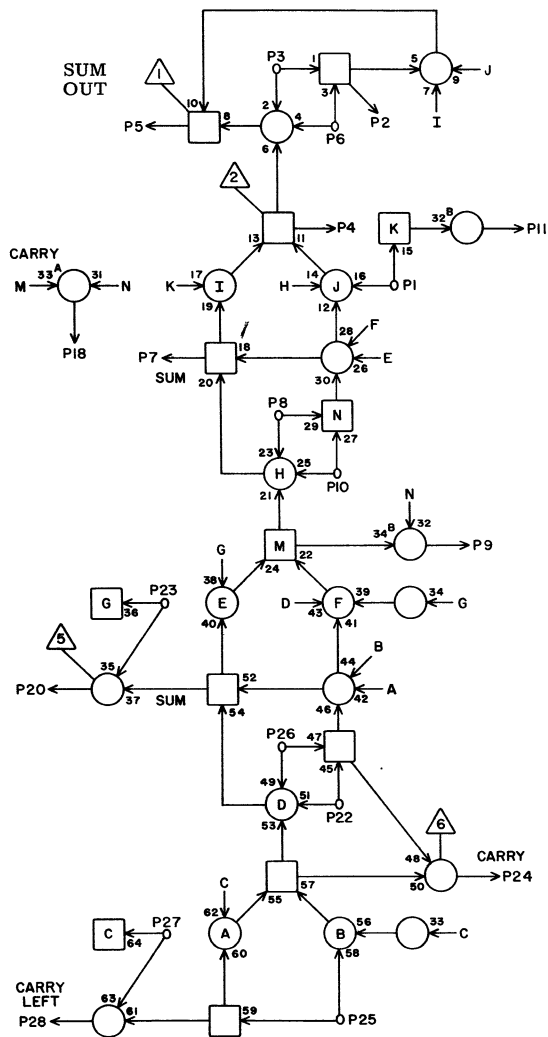
1	G24	22	21
2	D14	2	25
3	D37	9	5
4	D14	4	25
5	D13	28	27
6	D29	11	13
7	D29	9	13
8	D37	24	5
9	D39	3	5
10	D37	20	5
11	D29	16	13
12			
13			
14			
15			
16			
17			
18	E26	7	15
19			
20	D39	10	5
21			
22	D37	28	5
23	E22	20	19
24	D39	8	5
25	B17	15	25
26	C17	15	23
27	C19	26	21
28	D39	22	5

JACK PIN LG

6D38

63017400 Rev. B

LOWER 3-LEVEL ADDER  
BIT 48



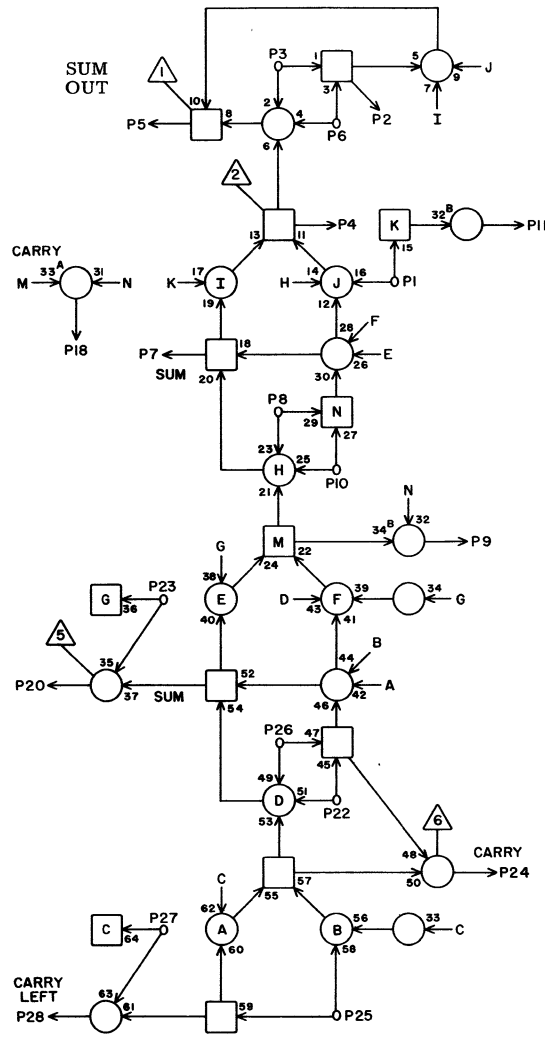
MC **6D 39**

1	G24	26	23
2	D14	6	25
3	D38	9	5
4	D14	8	25
5	D14	23	25
6	D29	12	13
7	E26	4	17
8	D38	24	5
9	D40	3	5
10	D38	20	5
11	E26	18	17
12			
13			
14			
15			
16			
17			
18	E26	20	17
19			
20	D40	10	5
21			
22	D38	28	5
23	E22	22	19
24	D40	8	5
25	D16	22	25
26	D16	3	25
27	C20	20	21
28	D40	22	5

JACK PIN LG

63017400 Rev. B

LOWER 3-LEVEL ADDER  
BIT 49



MC **6D 40**

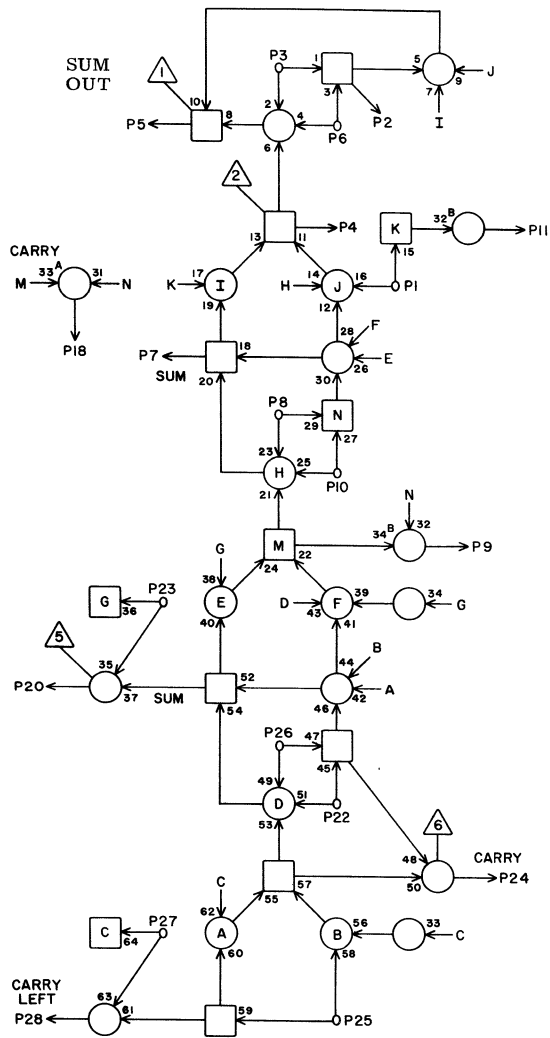
1	H18	20	31
2	D14	10	27
3	D39	9	5
4	D14	12	27
5	D14	24	27
6	E26	6	17
7	E26	17	17
8	D39	24	5
9	D41	3	5
10	D39	20	5
11	E26	8	17
12			
13			
14			
15			
16			
17			
18	E26	19	17
19			
20	D41	10	5
21			
22	D39	28	5
23	E22	26	21
24	D41	8	5
25	D16	25	25
26	D16	7	25
27	C20	22	23
28	D41	22	5

JACK PIN LG

63017400 Rev. B

6D40

LOWER 3-LEVEL ADDER  
BIT 50



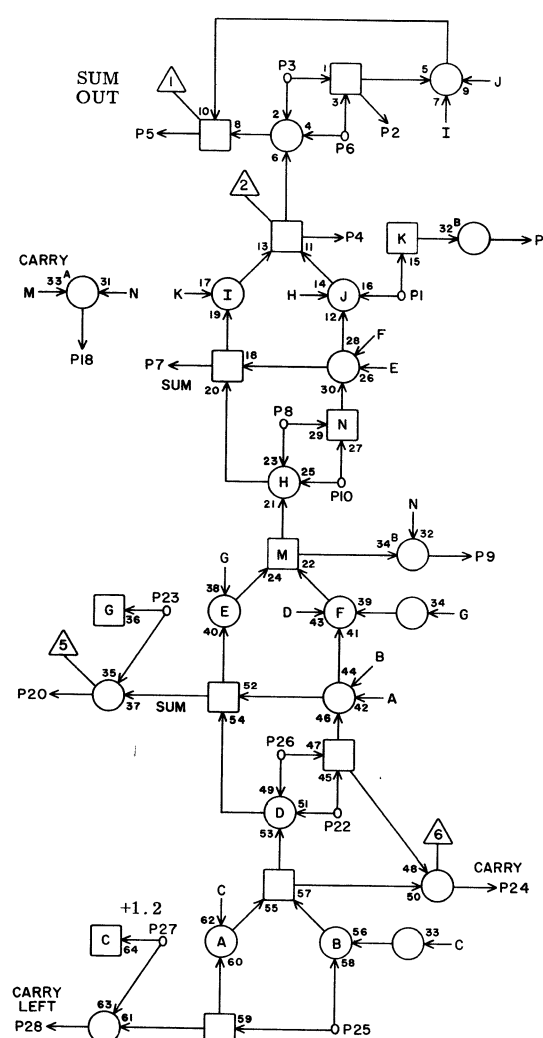
MC **6D 41**

1	H18	22	31
2	D15	22	27
3	D40	9	5
4	D15	24	27
5	D14	28	27
6	E26	11	19
7	E26	9	17
8	D40	24	5
9	D42	3	5
10	D40	20	5
11	E26	16	17
12			
13			
14			
15			
16			
17			
18	E27	7	17
19			
20	D42	10	5
21			
22	D40	28	5
23	E23	20	21
24	D42	8	5
25	D16	26	25
26	D16	11	25
27	C20	26	23
28	D42	22	5

JACK PIN LG

63017400 Rev. B

LOWER 3-LEVEL ADDER  
BIT 51



MC **6D 42**

1	H18	26	31
2	D15	16	27
3	D41	9	5
4	D15	18	27
5	D15	4	27
6	E26	12	19
7	E27	4	19
8	D41	24	5
9	E30	3	15
10	D41	20	5
11	E27	18	19
12			
13			
14			
15			
16			
17			
18	E27	20	19
19			
20	E30	10	15
21			
22	D41	28	5
23	E23	22	21
24	E30	8	15
25	G13	20	31
26	D42	x	2
27	D26	13	19
28	E30	22	17

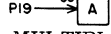
JACK PIN LG

63017400 Rev. B

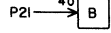
6D42



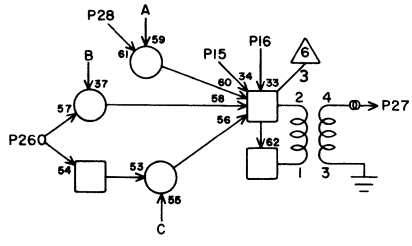
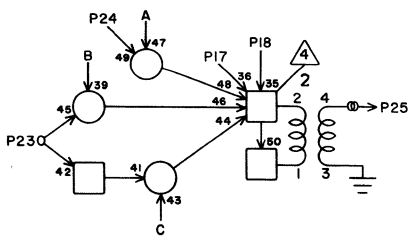
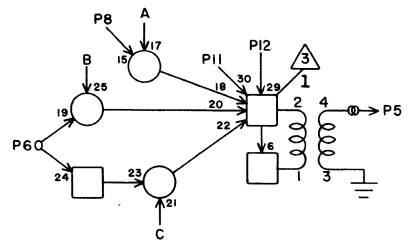
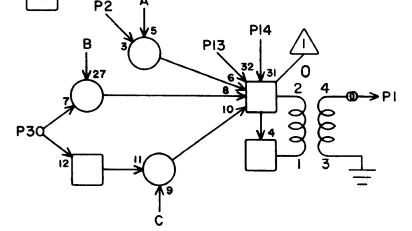
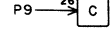
DIVIDE TO  $X_1$



MULTIPLY NORMAL



MULTIPLY COMP.



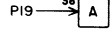
MULTIPLY TRUNK TO  $X_1$

MR **6E 1**

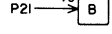
1	W10	90	
2	K1	9	27
3	F 9	10	13
4			
5	W10	91	
6	K 1	28	27
7			
8	K 1	7	27
9	A B	1	21
10			
11	K 1	16	27
12	K 1	18	27
13	K 1	27	27
14	K 1	22	27
15	K 2	16	27
16	K 2	18	27
17	K 2	22	27
18	K 2	27	27
19	Q B	1	47
20			
21	B 8	1	21
22			
23	K 1	15	25
24	K 2	9	27
25	W10	92	
26	K 2	28	27
27	W10	93	
28	K 2	7	27

JACK PIN LG

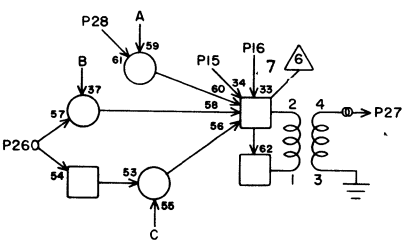
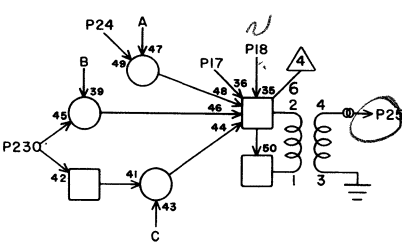
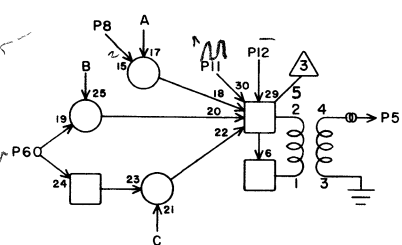
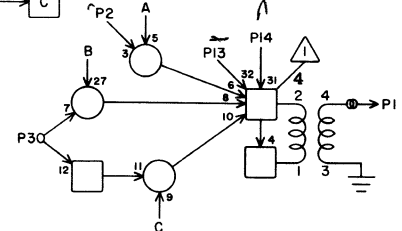
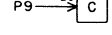
DIVIDE TO  $X_1$



MULTIPLY NORMAL



MULTIPLY COMP.



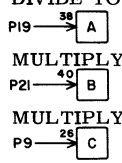
MULTIPLY TRUNK TO  $X_1$

MR **6E 2**

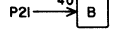
1	W10	94	
2	K 3	9	27
3	K 2	15	25
4			
5	W10	95	
6	K 3	28	27
7			
8	K 3	7	27
9	A B	2	21
10			
11	K 3	16	27
12	K 3	18	27
13	K 3	27	27
14	K 3	22	27
15	K 4	16	27
16	K 4	18	27
17	K 4	22	27
18	K 4	27	27
19	Q B	2	47
20			
21	B 8	2	17
22			
23	K 3	15	27
24	K 4	9	27
25	W10	96	
26	K 4	28	27
27	W10	97	
28	K 4	7	27

JACK PIN LG

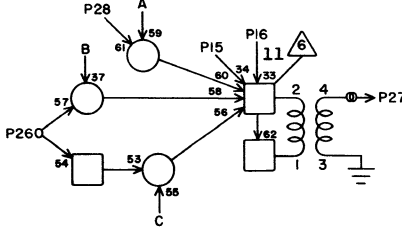
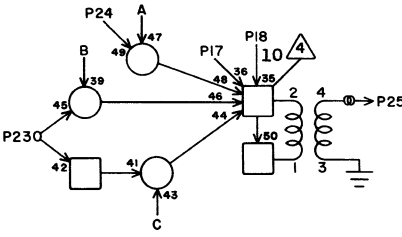
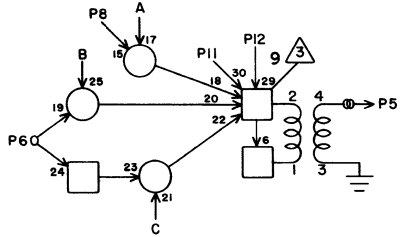
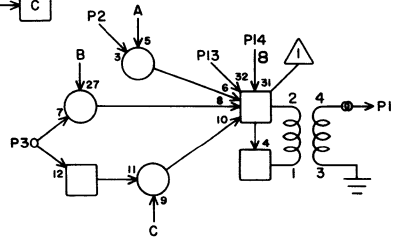
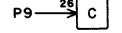
DIVIDE TO  $X_i$   
 MULTIPLY TRUNK TO  $X_i$



MULTIPLY NORMAL



MULTIPLY COMP.



MR **6E 3**

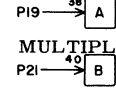
1	W10	98	
2	K 5	9	27
3	K 4	15	27
4			
5	W10	99	
6	K 5	28	27
7			
8	K 5	7	27
9	A 8	3	19
10			
11	K 5	16	27
12	K 5	18	27
13	K 5	27	27
14	K 5	22	27
15	K 6	16	27
16	K 6	18	27
17	K 6	22	27
18	K 6	27	27
19	Q 8	3	45
20			
21	B 8	3	17
22			
23	K 5	15	27
24	K 6	9	27
25	W10	900	
26	K 6	28	29
27	W10	901	
28	K 6	7	27

JACK PIN LG

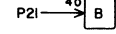
63017400 Rev. B

MULTIPLY TRUNK TO  $X_i$

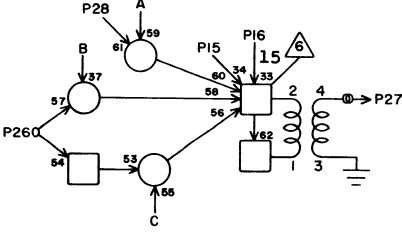
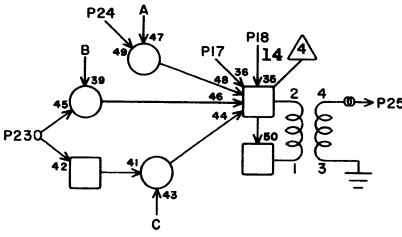
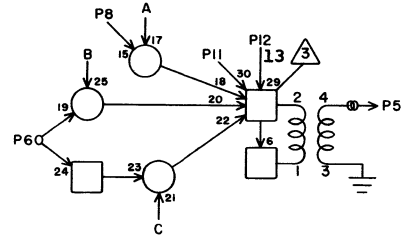
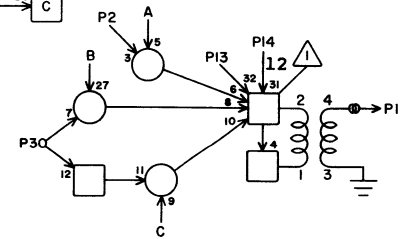
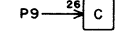
DIVIDE TO  $X_i$   
 MULTIPLY NORMAL



MULTIPLY NORMAL



MULTIPLY COMP.



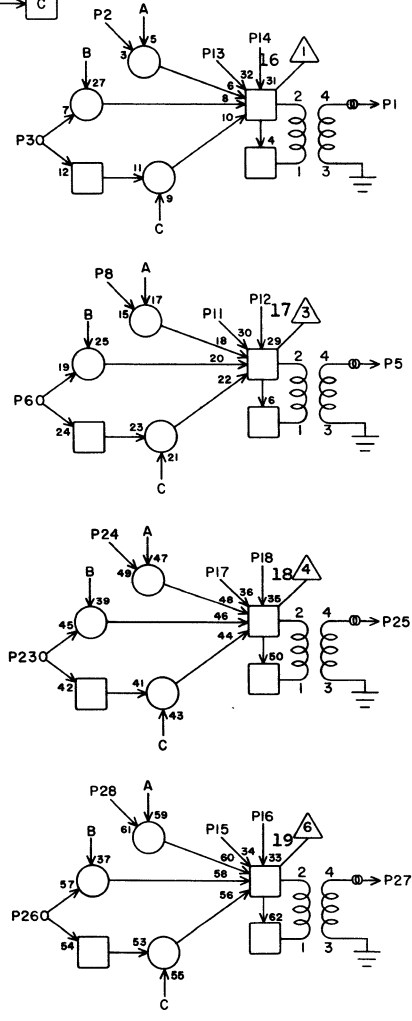
MR **6E 4**

1	W10	902	
2	K 7	9	27
3	K 6	15	27
4			
5	W10	903	
6	K 7	28	27
7			
8	K 7	7	27
9	A 8	4	19
10			
11	K 7	16	27
12	K 7	18	27
13	K 7	27	27
14	K 7	22	27
15	L 1	16	27
16	L 1	18	31
17	L 1	22	31
18	<del>B 8</del>	<del>27</del>	<del>27</del>
19	Q 8	4	45
20			
21	B 8	4	17
22			
23	K 7	15	27
24	L 1	9	31
25	W10	904	
26	L 1	28	31
27	W10	905	
28	L 1	7	31

JACK PIN LG

63017400 Rev. B

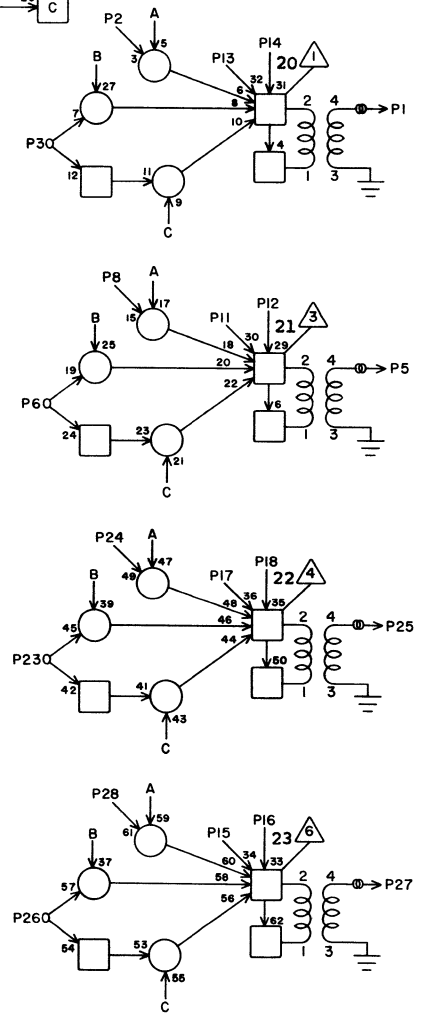
DIVIDE TO  $X_1$   
 P19 → 38 A  
 MULTIPLY NORMAL  
 P21 → 40 B  
 MULTIPLY COMP.  
 P9 → 26 C



MR		6E 5	
1	W10	906	
2	L 2	9	31
3	L 1	15	31
4			
5	W10	907	
6	L 2	28	31
7			
8	L 2	7	31
9	A 8	5	19
10			
11	L 2	16	31
12	L 2	18	31
13	L 2	27	31
14	L 2	22	31
15	L 3	16	29
16	L 3	18	29
17	L 3	22	29
18	L 3	27	31
19	Q 8	5	47
20			
21	B 8	5	17
22			
23	L 2	15	29
24	L 3	9	29
25	W11	90	
26	L 3	28	29
27	W11	91	
28	L 3	7	29
	JACK	PIN	LG

63017400 Rev. B

DIVIDE TO  $X_1$   
 P19 → 38 A  
 MULTIPLY NORMAL  
 P21 → 40 B  
 MULTIPLY COMP.  
 P9 → 26 C

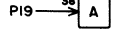


MR		6E 6	
1	W11	92	
2	L 4	9	31
3	L 3	15	31
4			
5	W11	93	
6	L 4	28	31
7			
8	L 4	7	31
9	A 8	6	19
10			
11	L 4	16	31
12	L 4	18	31
13	L 4	27	31
14	L 4	22	31
15	L 5	16	29
16	L 5	18	29
17	L 5	22	29
18	L 5	27	31
19	Q 8	6	47
20			
21	B 8	6	17
22			
23	L 4	15	29
24	L 5	9	29
25	W11	94	
26	L 5	28	29
27	W11	95	
28	L 5	7	29
	JACK	PIN	LG

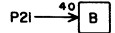
63017400 Rev. B

6E6

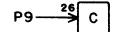
DIVIDE TO  $X_1$



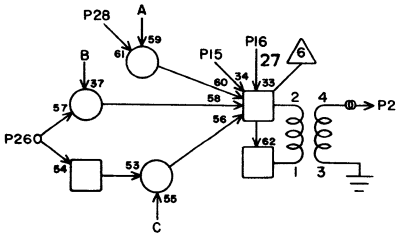
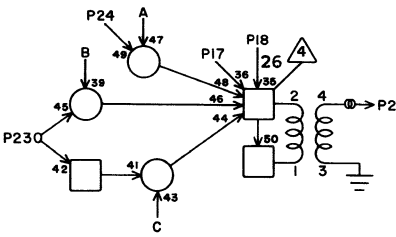
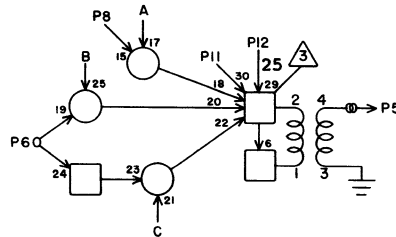
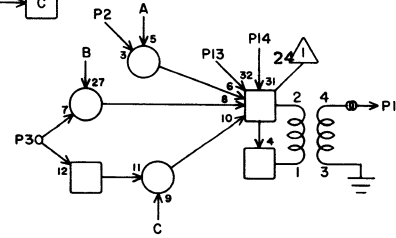
MULTIPLY NORMAL



MULTIPLY COMP.



MULTIPLY TRUNK TO  $X_1$



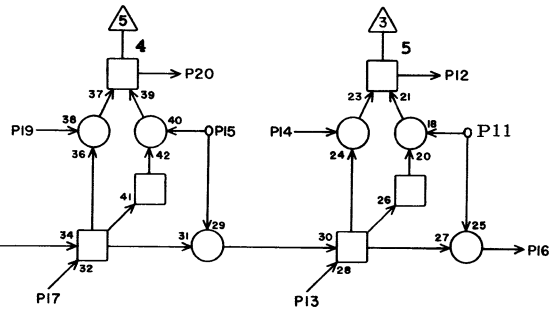
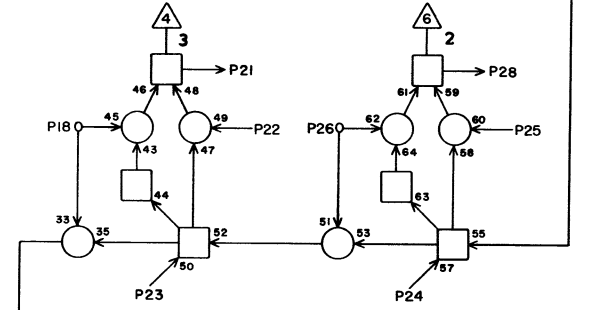
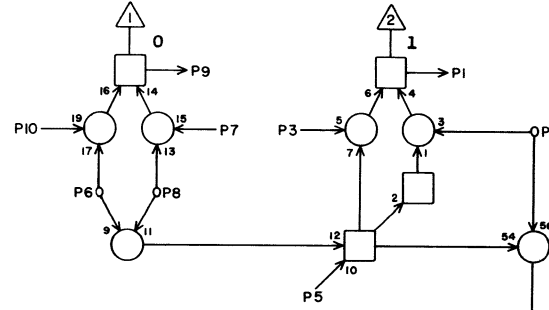
MR **6E 7**

1	W11	96	
2	L 6	9	31
3	L 5	15	31
4			
5	W11	97	
6	L 6	28	31
7			
8	L 6	7	31
9	A 9	1	19
10			
11	L 6	16	29
12	L 6	18	31
13	L 6	27	31
14	L 6	22	31
15	L 7	16	29
16	L 7	18	29
17	L 7	22	29
18	L 7	27	31
19	Q 9	1	47
20			
21	B 9	1	17
22			
23	L 6	15	29
24	L 7	9	29
25	W11	98	
26	L 7	28	29
27	W11	99	
28	L 7	7	29

JACK PIN LG

63017400 Rev. B

PARTIAL SUM + PARTIAL CARRY  
6 BIT ADDER (LOWER)



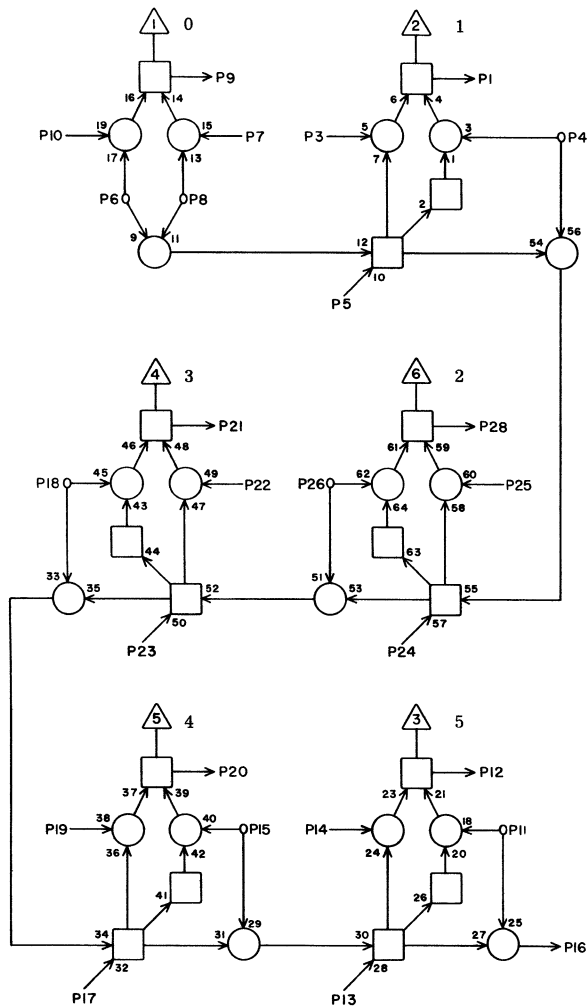
MO **6E 8**

1	I14	28	21
2			
3	A28	28	25
4	A28	25	27
5	A13	7	19
6	A27	25	25
7	A27	28	25
8	A26	28	25
9	I14	21	21
10	A26	28	25
11	B28	25	25
12	I15	28	21
13	A14	11	21
14	B28	28	25
15	B27	25	25
16	D28	27	23
17	A14	7	21
18	B26	25	25
19	B27	28	25
20	I15	21	21
21	I15	23	21
22	B26	28	25
23	A14	3	21
24	A13	11	21
25	A29	28	29
26	A29	25	27
27			
28	I15	1	19

JACK PIN LG

63017400 Rev. B

PARTIAL SUM + PARTIAL CARRY  
6 BIT ADDER (UPPER)



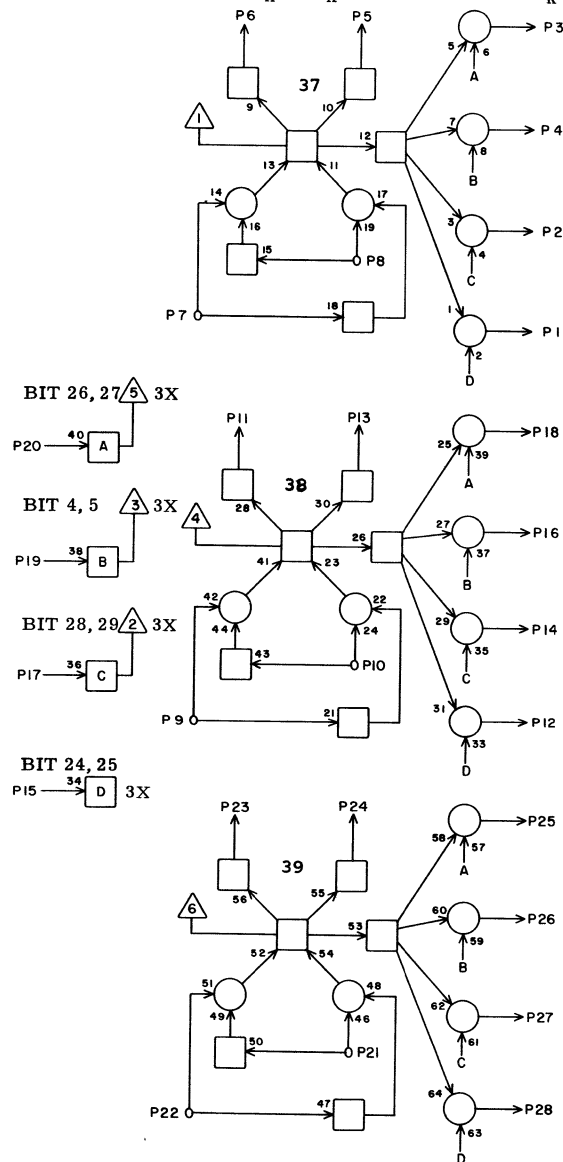
MO **6E 9**

1	I20	28	23
2			
3	C27	28	21
4	C27	25	21
5	D17	7	13
6	C26	25	21
7	C26	28	21
8	B29	25	25
9	I20	21	23
10	B29	28	25
11	D27	25	21
12	I21	28	23
13	E13	11	7
14	D27	28	21
15	D26	25	19
16	D17	17	13
17	E13	7	7
18	C29	25	23
19	D26	28	19
20	I21	21	21
21	I21	12	21
22	C29	28	23
23	E13	3	9
24	D17	11	13
25	C28	28	23
26	C28	25	23
27			
28	I21	1	21

JACK PIN LG

63017400 Rev. B

$X_k + 2X_k$  ADDER; SELECT  $3X_k$



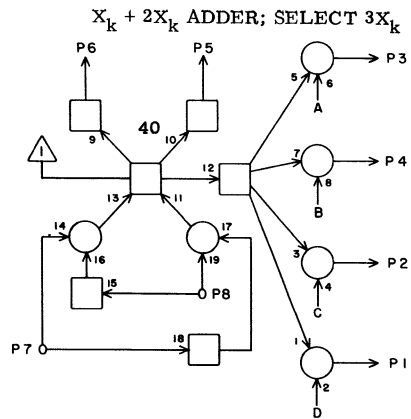
6E10

MF **6E 10**

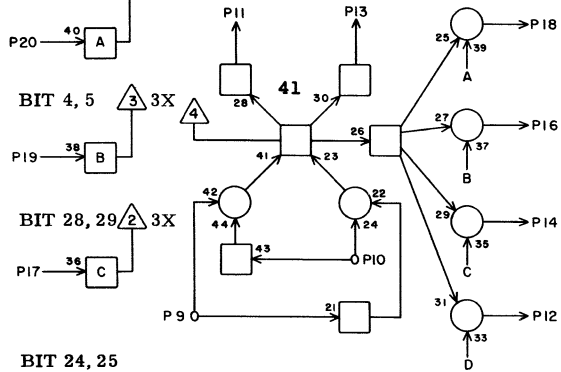
1	B23	4	21
2	G22	4	17
3	E19	4	13
4	G22	21	17
5	B23	23	21
6	E19	23	13
7	A 7	22	17
8	D 4	5	11
9	D 4	25	9
10	D 4	8	11
11	B23	27	21
12	B23	3	21
13	E19	27	13
14	G22	3	17
15	H12	13	15
16	G22	24	17
17	B 9	13	15
18	E19	3	13
19	A 8	13	16
20	H23	17	19
21	D 5	1	11
22	D 4	21	11
23	B24	9	23
24	E20	9	13
25	E20	15	13
26	G23	18	17
27	G23	15	17
28	B24	15	23

JACK PIN LG

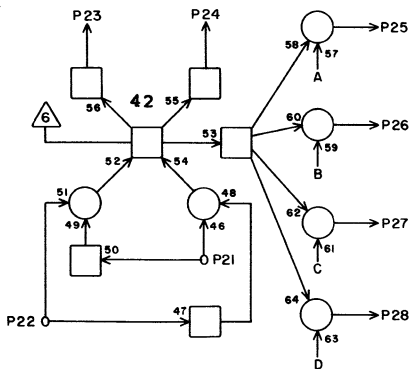
63017400 Rev. B



BIT 26, 27/5 3X



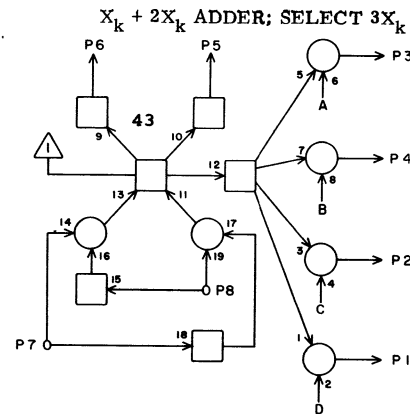
BIT 24, 25  
P15 → D 3X



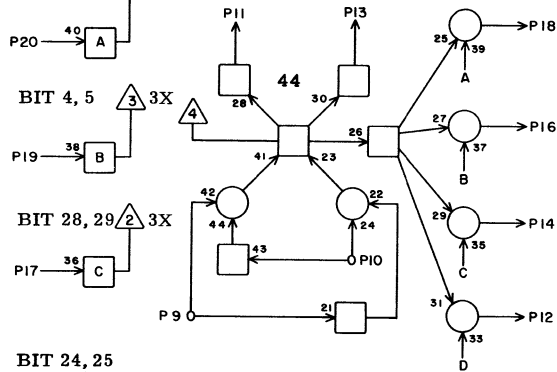
MF **6E11**

1	B24	4	21
2	G23	4	17
3	E20	4	11
4	G23	21	17
5	B24	23	23
6	E20	23	11
7	B 7	5	17
8	D 5	5	11
9	D 5	25	9
10	D 5	8	11
11	B24	27	23
12	B24	3	21
13	E20	27	11
14	G23	3	17
15	H12	15	15
16	G23	24	17
17	B 9	15	15
18	E20	3	13
19	A 8	15	19
20	H23	18	19
21	D 6	1	11
22	D 5	21	9
23	C18	9	15
24	E21	9	13
25	E21	15	13
26	G24	18	17
27	G24	15	17
28	C18	15	15
	JACK	PIN	LG

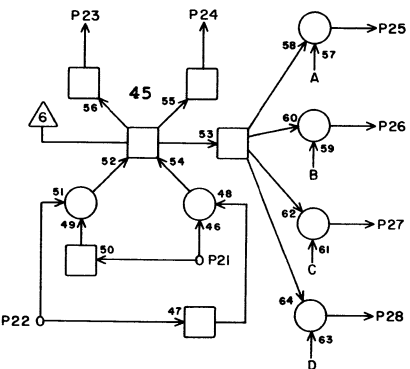
63017400 Rev. B



BIT 26, 27/5 3X



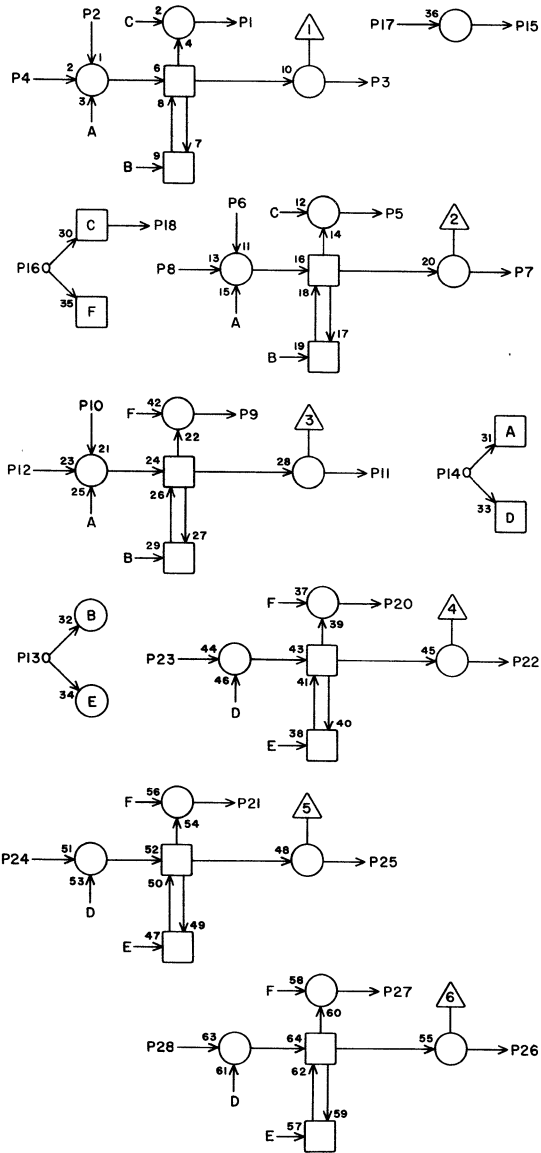
BIT 24, 25  
P15 → D 3X



MF **6E12**

1	C18	4	13
2	G24	4	17
3	E21	4	13
4	G24	21	17
5	C18	23	13
6	E21	23	13
7	B7	13	15
8	D6	5	11
9	D6	25	9
10	D6	8	11
11	C18	27	13
12	C18	3	13
13	E21	27	13
14	G24	3	17
15	H12	18	15
16	G24	24	17
17	B9	18	15
18	E21	3	13
19	AB	18	19
20	H23	19	21
21	D7	1	11
22	D6	21	11
23	C19	9	15
24	E22	9	13
25	E22	15	13
26	H18	18	17
27	H18	15	17
28	C19	15	15
	JACK	PIN	LG

63017400 Rev. B

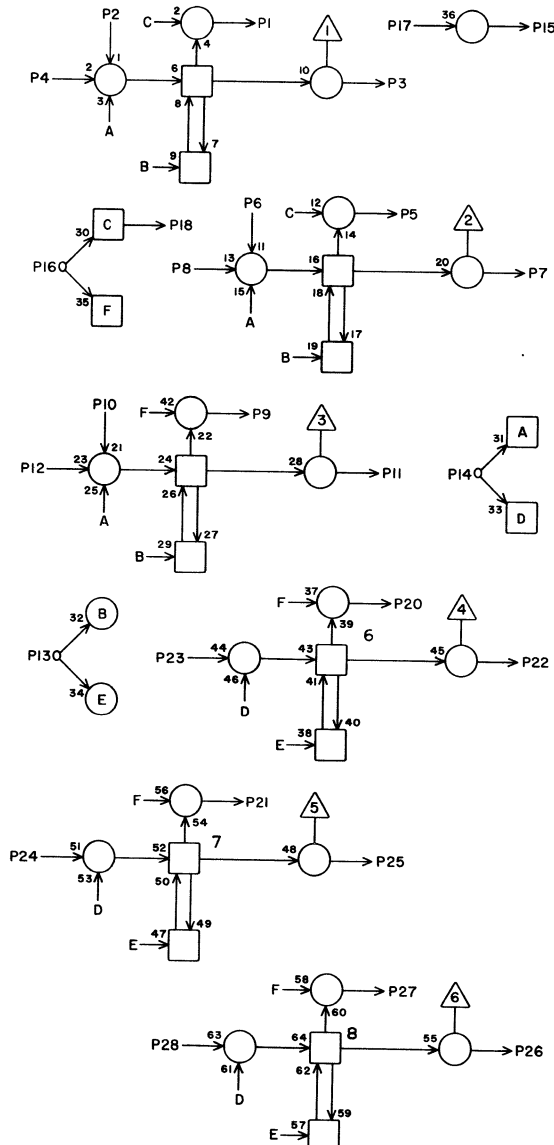


NJ **6E13**

1	<b>D20</b>	<b>21</b>	<b>11</b>
2	<b>E37</b>	<b>2</b>	<b>25</b>
3	<b>E9</b>	<b>23</b>	<b>9</b>
4	<b>E37</b>	<b>4</b>	<b>25</b>
5	<b>D20</b>	<b>24</b>	<b>11</b>
6	<b>E38</b>	<b>2</b>	<b>25</b>
7	<b>E9</b>	<b>17</b>	<b>7</b>
8	<b>E38</b>	<b>4</b>	<b>25</b>
9	<b>D21</b>	<b>18</b>	<b>13</b>
10	<b>E39</b>	<b>2</b>	<b>27</b>
11	<b>E9</b>	<b>13</b>	<b>7</b>
12	<b>E39</b>	<b>4</b>	<b>27</b>
13	<b>F9</b>	<b>2</b>	<b>9</b>
14	<b>H21</b>	<b>24</b>	<b>19</b>
15	<b>I28</b>	<b>8</b>	<b>23</b>
16	<b>I24</b>	<b>2</b>	<b>21</b>
17	<b>I23</b>	<b>24</b>	<b>23</b>
18	<b>I18</b>	<b>8</b>	<b>19</b>
19			
20	<b>B18</b>	<b>18</b>	<b>17</b>
21	<b>B18</b>	<b>21</b>	<b>17</b>
22	<b>C29</b>	<b>27</b>	<b>21</b>
23	<b>E38</b>	<b>5</b>	<b>25</b>
24	<b>E39</b>	<b>5</b>	<b>27</b>
25	<b>D26</b>	<b>27</b>	<b>17</b>
26	<b>D27</b>	<b>27</b>	<b>17</b>
27	<b>B18</b>	<b>24</b>	<b>17</b>
28	<b>B40</b>	<b>5</b>	<b>27</b>

JACK PIN LG

63017400 Rev. B



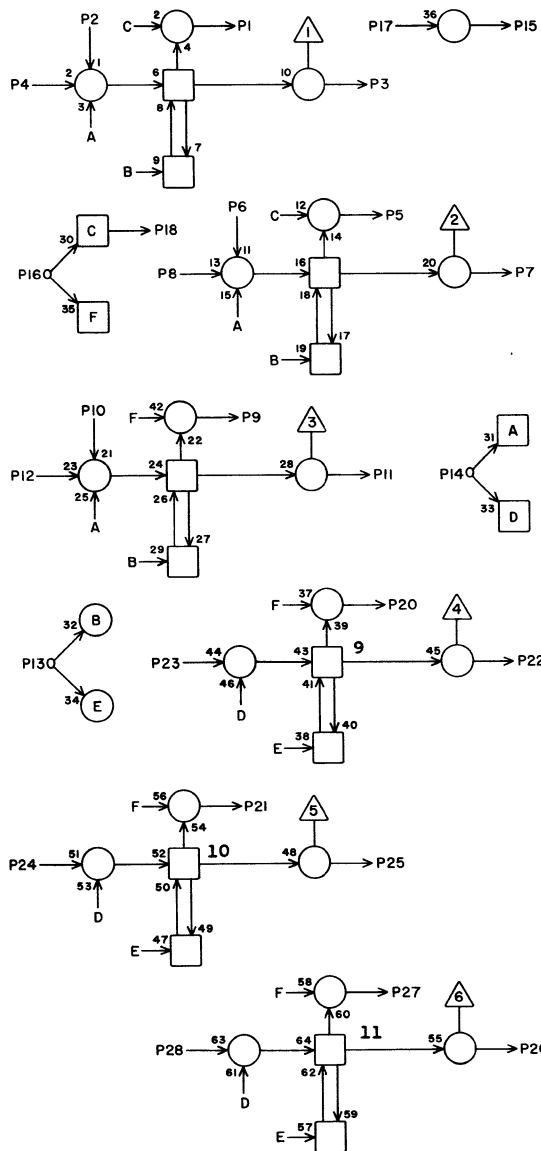
NJ **6E14**

1	<b>D21</b>	<b>21</b>	<b>11</b>
2	<b>E40</b>	<b>2</b>	<b>27</b>
3	<b>E35</b>	<b>26</b>	<b>23</b>
4	<b>E40</b>	<b>4</b>	<b>27</b>
5	<b>D21</b>	<b>24</b>	<b>11</b>
6	<b>E41</b>	<b>2</b>	<b>27</b>
7	<b>E36</b>	<b>26</b>	<b>23</b>
8	<b>E41</b>	<b>4</b>	<b>27</b>
9	<b>D22</b>	<b>18</b>	<b>13</b>
10	<b>E42</b>	<b>2</b>	<b>27</b>
11	<b>E37</b>	<b>26</b>	<b>25</b>
12	<b>E42</b>	<b>4</b>	<b>27</b>
13	<b>F9</b>	<b>3</b>	<b>11</b>
14	<b>H21</b>	<b>25</b>	<b>19</b>
15	<b>E33</b>	<b>1</b>	<b>19</b>
16	<b>I24</b>	<b>3</b>	<b>21</b>
17	<b>F8</b>	<b>10</b>	<b>11</b>
18	<b>I18</b>	<b>18</b>	<b>21</b>
19			
20	<b>B19</b>	<b>18</b>	<b>17</b>
21	<b>E38</b>	<b>21</b>	<b>17</b>
22	<b>E35</b>	<b>25</b>	<b>23</b>
23	<b>E41</b>	<b>5</b>	<b>27</b>
24	<b>E42</b>	<b>5</b>	<b>27</b>
25	<b>E36</b>	<b>25</b>	<b>23</b>
26	<b>E37</b>	<b>25</b>	<b>25</b>
27	<b>B19</b>	<b>24</b>	<b>17</b>
28	<b>F30</b>	<b>5</b>	<b>19</b>

JACK PIN LG

63017400 Rev. B

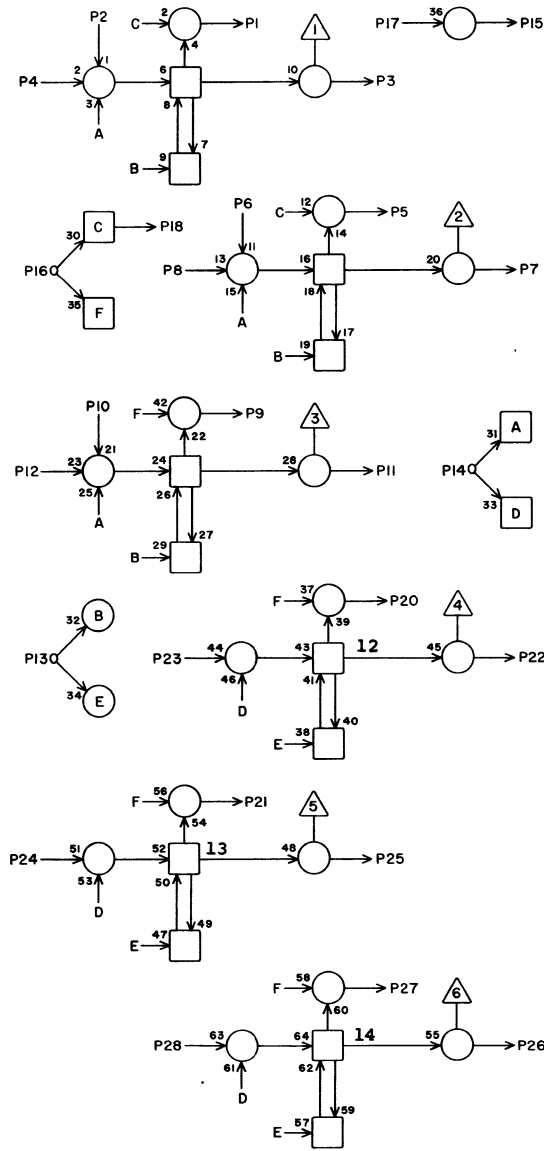
6E14



NJ **6E15**

1	<b>D22</b>	<b>21</b>	<b>11</b>
2	<b>F30</b>	<b>2</b>	<b>21</b>
3	<b>E38</b>	<b>26</b>	<b>23</b>
4	<b>F30</b>	<b>4</b>	<b>19</b>
5	<b>D22</b>	<b>24</b>	<b>11</b>
6	<b>F31</b>	<b>2</b>	<b>19</b>
7	<b>E39</b>	<b>26</b>	<b>25</b>
8	<b>F31</b>	<b>4</b>	<b>19</b>
9	<b>D23</b>	<b>18</b>	<b>13</b>
10	<b>F32</b>	<b>2</b>	<b>19</b>
11	<b>E40</b>	<b>26</b>	<b>27</b>
12	<b>F32</b>	<b>4</b>	<b>19</b>
13	<b>F9</b>	<b>4</b>	<b>11</b>
14	<b>H21</b>	<b>26</b>	<b>17</b>
15	<b>E34</b>	<b>1</b>	<b>21</b>
16	<b>I24</b>	<b>4</b>	<b>21</b>
17	<b>H11</b>	<b>10</b>	<b>15</b>
18	<b>I19</b>	<b>8</b>	<b>21</b>
19			
20	<b>B20</b>	<b>18</b>	<b>17</b>
21	<b>B20</b>	<b>21</b>	<b>17</b>
22	<b>E38</b>	<b>25</b>	<b>25</b>
23	<b>F31</b>	<b>5</b>	<b>19</b>
24	<b>F32</b>	<b>5</b>	<b>19</b>
25	<b>E39</b>	<b>25</b>	<b>25</b>
26	<b>E40</b>	<b>25</b>	<b>25</b>
27	<b>B20</b>	<b>24</b>	<b>17</b>
28	<b>F33</b>	<b>5</b>	<b>21</b>

JACK PIN LG

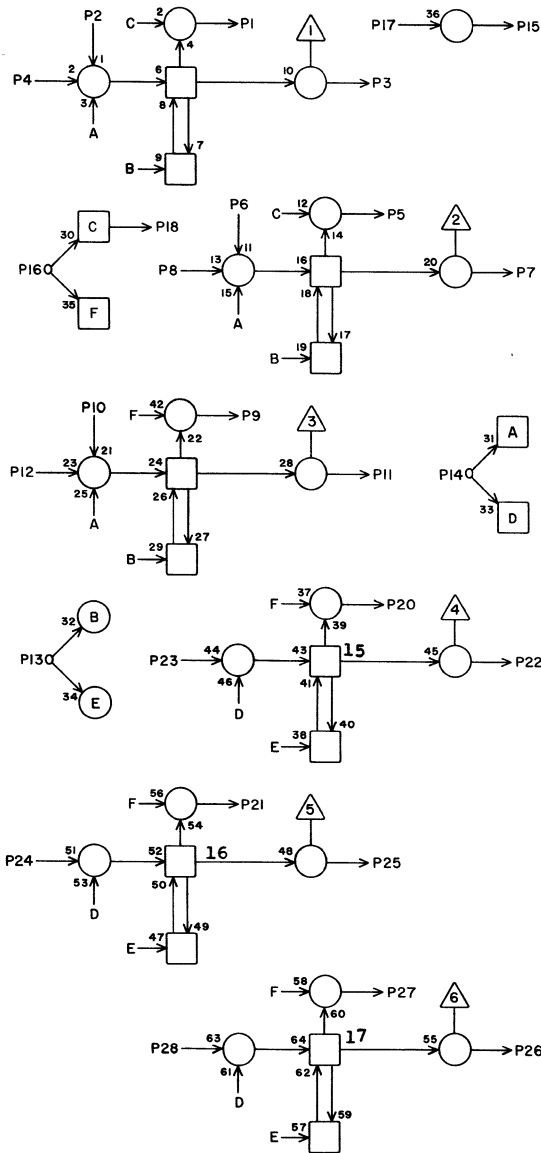


NJ **6E16**

1	<b>D23</b>	<b>21</b>	<b>11</b>
2	<b>F33</b>	<b>2</b>	<b>19</b>
3	<b>E41</b>	<b>26</b>	<b>27</b>
4	<b>F33</b>	<b>4</b>	<b>19</b>
5	<b>D23</b>	<b>24</b>	<b>11</b>
6	<b>F34</b>	<b>2</b>	<b>21</b>
7	<b>E42</b>	<b>26</b>	<b>27</b>
8	<b>F34</b>	<b>4</b>	<b>27</b>
9	<b>D24</b>	<b>18</b>	<b>13</b>
10	<b>F35</b>	<b>2</b>	<b>21</b>
11	<b>F30</b>	<b>26</b>	<b>17</b>
12	<b>F35</b>	<b>4</b>	<b>21</b>
13	<b>F9</b>	<b>5</b>	<b>11</b>
14	<b>H21</b>	<b>27</b>	<b>17</b>
15	<b>I29</b>	<b>8</b>	<b>23</b>
16	<b>I24</b>	<b>5</b>	<b>19</b>
17	<b>I23</b>	<b>22</b>	<b>23</b>
18	<b>I19</b>	<b>18</b>	<b>19</b>
19			
20	<b>B21</b>	<b>18</b>	<b>17</b>
21	<b>B21</b>	<b>21</b>	<b>17</b>
22	<b>E41</b>	<b>25</b>	<b>25</b>
23	<b>F34</b>	<b>5</b>	<b>21</b>
24	<b>F35</b>	<b>5</b>	<b>21</b>
25	<b>E42</b>	<b>25</b>	<b>27</b>
26	<b>F30</b>	<b>25</b>	<b>17</b>
27	<b>B21</b>	<b>24</b>	<b>17</b>
28	<b>F36</b>	<b>5</b>	<b>27</b>

JACK PIN LG





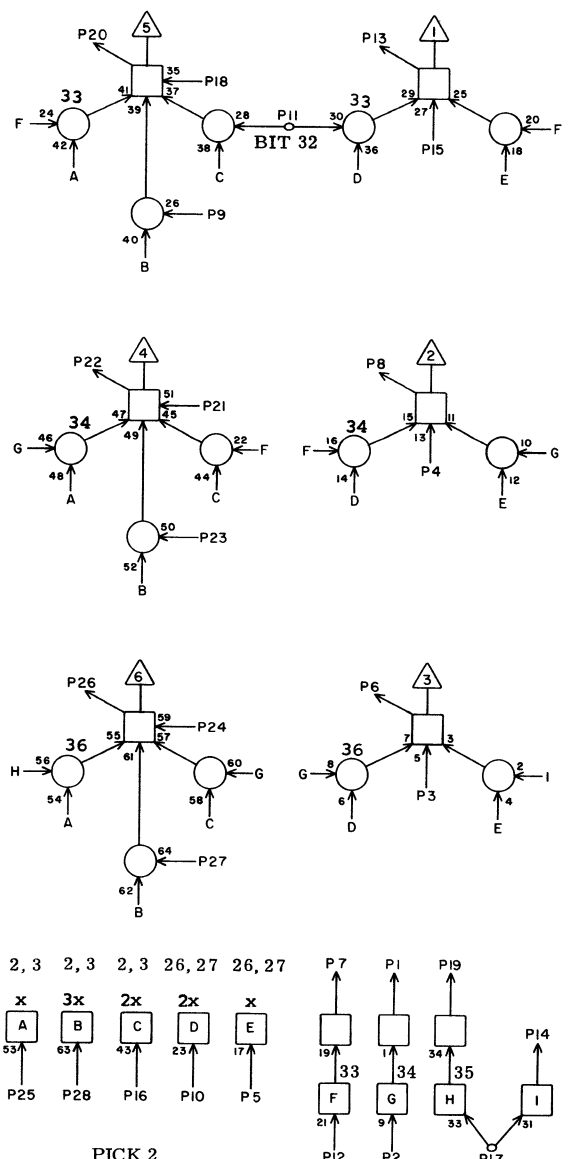
NJ **6E17**

1	D24	21	11
2	F36	2	21
3	F31	26	17
4	F36	4	21
5	D24	24	11
6	F37	2	23
7	F32	26	19
8	F37	4	23
9	E18	18	5
10	F38	2	23
11	F33	26	19
12	F38	4	23
13	F9	7	13
14	H21	28	17
15	I31	8	23
16	I24	7	19
17	I23	21	19
18	I20	8	19
19			
20	B22	18	17
21	B22	21	17
22	F31	25	17
23	F37	5	23
24	F38	5	23
25	F32	25	17
26	F33	25	19
27	B22	24	17
28	F39	5	23

JACK PIN LG

63017400 Rev. B

SELECT  $X_k, 2X_k, 3X_k$

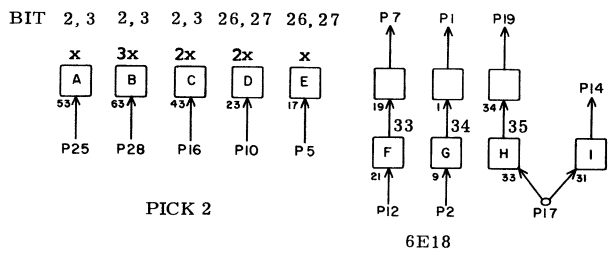


MB **6E18**

1	G21	2	13
2	B22	1	17
3	D12	18	11
4	D12	3	11
5	H24	16	17
6	H33	23	23
7	G21	12	13
8	H32	23	21
9	D11	24	11
10	H25	16	17
11	D24	14	11
12	B22	7	17
13	H31	23	23
14	E19	11	5
15	D11	25	11
16	E25	24	11
17	B22	19	17
18	E17	0	5
19	G21	17	13
20	C39	23	25
21	F13	1	9
22	C40	23	25
23	D12	6	11
24	F13	5	9
25	D25	24	13
26	C41	23	25
27	D12	13	11
28	F25	24	13

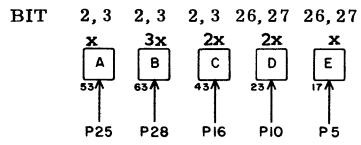
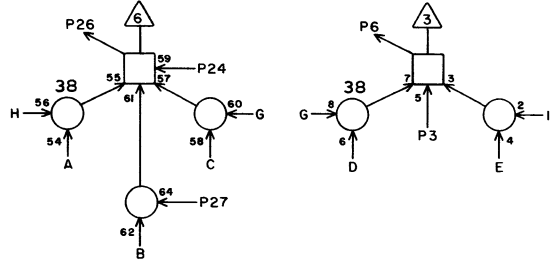
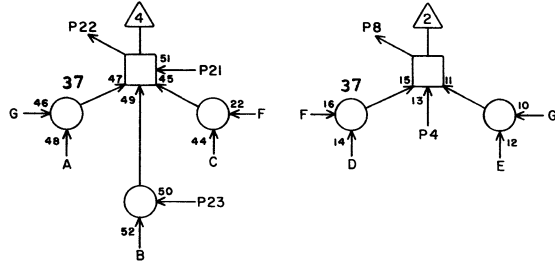
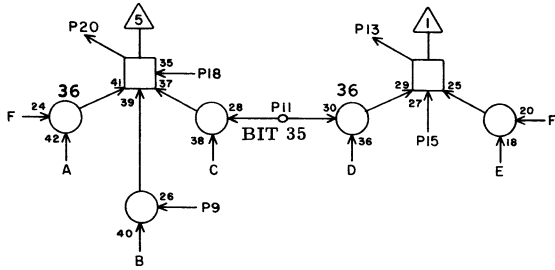
JACK PIN LG

63017400 Rev. B

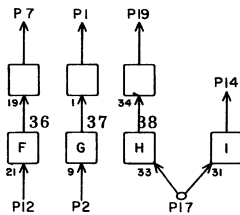


6E18

SELECT  $X_k, 2X_k, 3X_k$



PICK 2

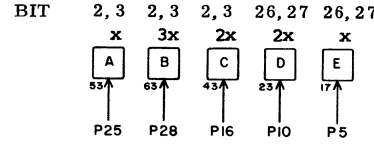
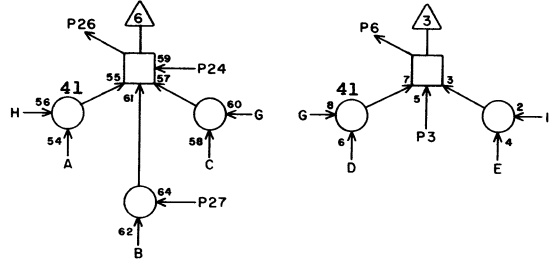
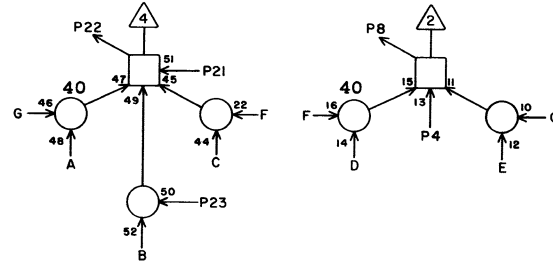
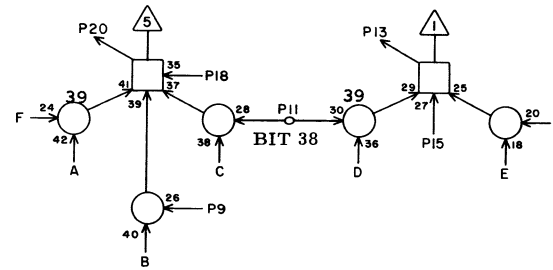


MB **6E19**

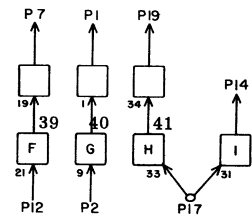
1	G22	2	13
2	B23	1	17
3	E10	18	13
4	E10	3	13
5	H24	17	17
6	H36	29	23
7	G22	12	13
8	H35	23	23
9	D12	24	11
10	H25	17	17
11	E18	14	5
12	B23	7	17
13	H34	23	23
14	E20	11	5
15	D12	25	11
16	E25	13	9
17	B23	19	17
18	F13	9	11
19	G22	17	13
20	C42	23	27
21	F14	1	9
22	D30	23	15
23	E10	6	13
24	F14	5	9
25	D25	13	11
26	D31	23	15
27	E10	13	13
28	F25	13	11

63017400 Rev. B

SELECT  $X_k, 2X_k, 3X_k$



PICK 2

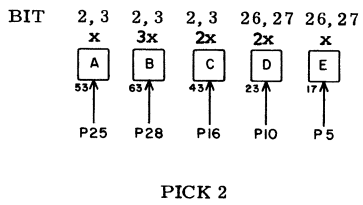
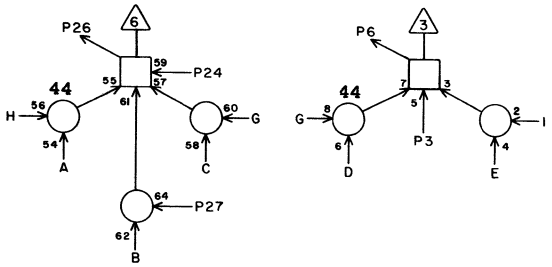
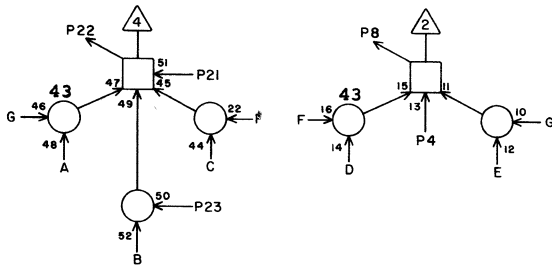
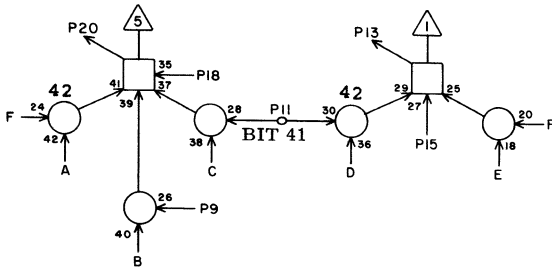


MB **6E20**

1	G23	2	13
2	B24	1	17
3	E11	18	13
4	E11	3	11
5	H24	18	17
6	H39	23	25
7	G23	12	13
8	H38	23	25
9	E10	24	13
10	H25	18	17
11	E19	14	5
12	B24	7	17
13	H37	23	23
14	E21	11	5
15	E10	25	13
16	E25	15	9
17	B24	19	23
18	F14	9	11
19	G23	17	13
20	D32	23	15
21	F15	1	11
22	D33	23	17
23	E11	6	11
24	F15	5	11
25	D25	15	11
26	D34	23	17
27	E11	13	11
28	F25	15	11

63017400 Rev. B

SELECT  $X_k$ ,  $2X_k$ ,  $3X_k$



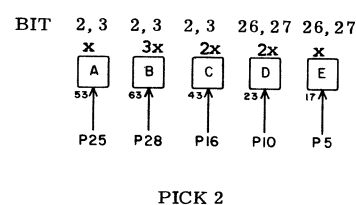
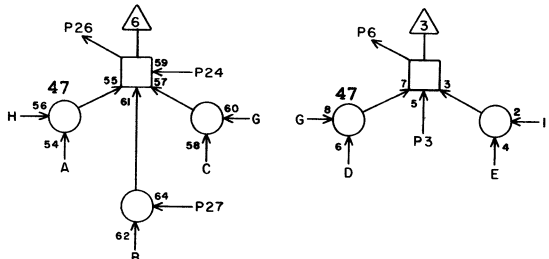
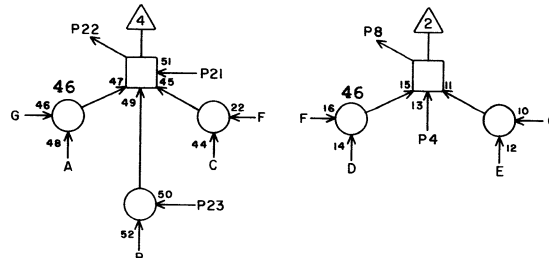
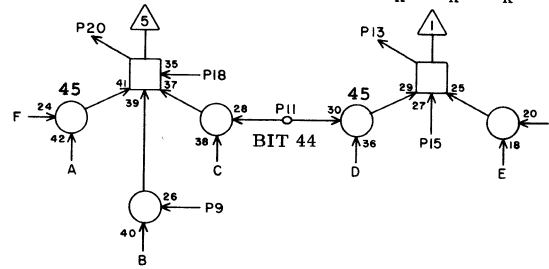
MB **6E21**

1	G24	2	11
2	C18	1	11
3	E12	18	13
4	E12	3	13
5	H24	19	17
6	H24	23	25
7	G24	12	13
8	H41	23	25
9	E11	24	13
10	H25	19	17
11	E20	14	5
12	C18	7	13
13	H40	23	25
14	E22	11	5
15	E11	25	13
16	E25	18	7
17	C18	19	13
18	E15	9	11
19	G24	17	13
20	D35	23	17
21	F16	1	11
22	D36	23	19
23	E12	6	13
24	F16	5	9
25	D25	18	11
26	D37	23	19
27	E12	13	13
28	F25	18	11

JACK PIN LG

63017400 Rev. B

SELECT  $X_k$ ,  $2X_k$ ,  $3X_k$



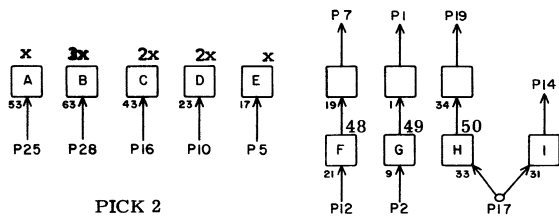
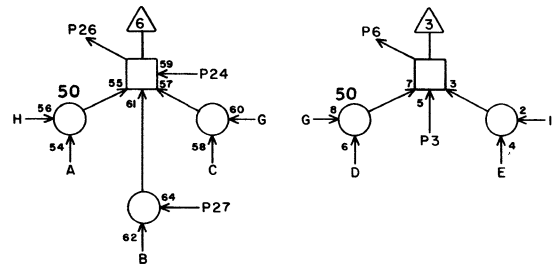
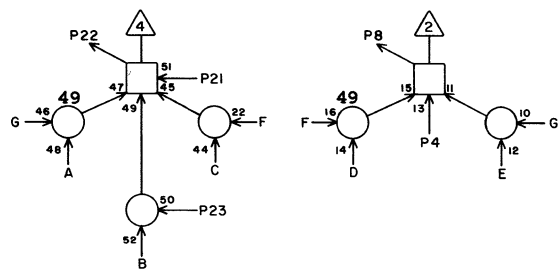
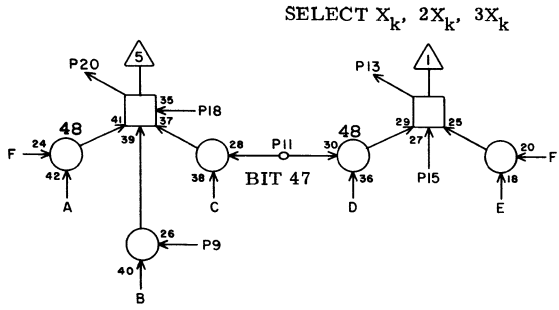
6E22

MB **6E22**

1	H18	2	15
2	C19	1	11
3	F10	18	17
4	F10	3	17
5	H24	21	17
6	I35	23	23
7	H18	12	17
8	I34	23	23
9	E12	24	13
10	H25	21	17
11	E21	14	5
12	C19	7	13
13	I33	23	23
14	F23	11	5
15	E12	25	13
16	E25	25	7
17	C19	19	13
18	F16	9	11
19	H18	17	17
20	D38	23	19
21	F17	1	9
22	D39	23	19
23	F10	6	17
24	F17	5	9
25	D25	25	9
26	D40	23	21
27	F10	13	17
28	F25	25	11

JACK PIN LG

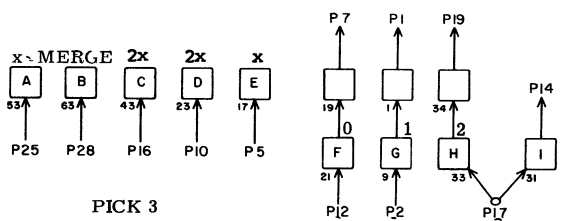
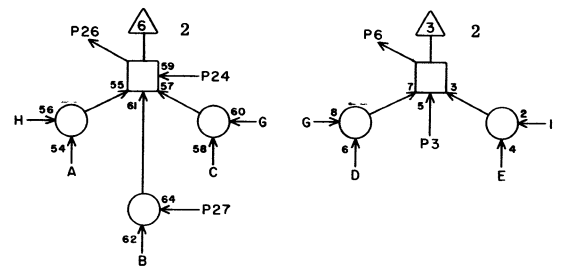
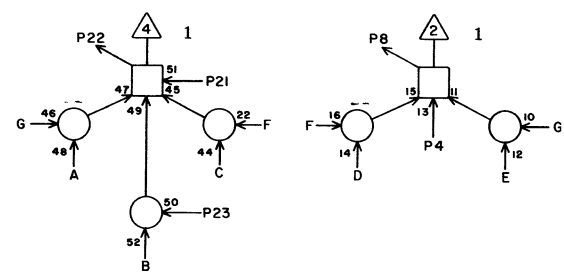
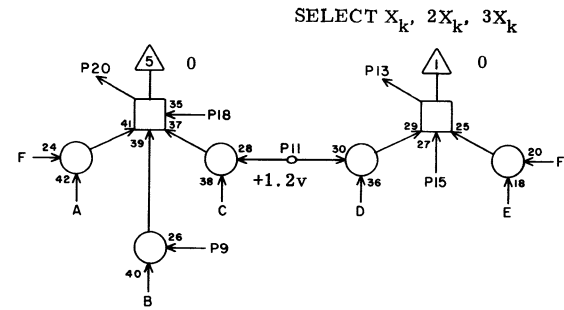
63017400 Rev. B



MB **6E23**

1	H19	2	15
2	C20	1	11
3	F11	18	15
4	F11	3	15
5	H24	23	17
6	I38	23	25
7	H19	12	17
8	I37	23	25
9	F10	24	17
10	H25	23	17
11	E22	14	5
12	C20	7	13
13	I36	23	23
14			
15	F10	25	17
16	E25	26	7
17	C20	19	13
18	F17	9	11
19	H19	17	17
20	D41	23	21
21	G13	1	15
22	D42	23	21
23	F11	6	15
24	G13	5	15
25	D25	26	9
26	E30	23	11
27	F11	13	15
28	F25	26	9
	JACK	PIN	LG

63017400 Rev. S



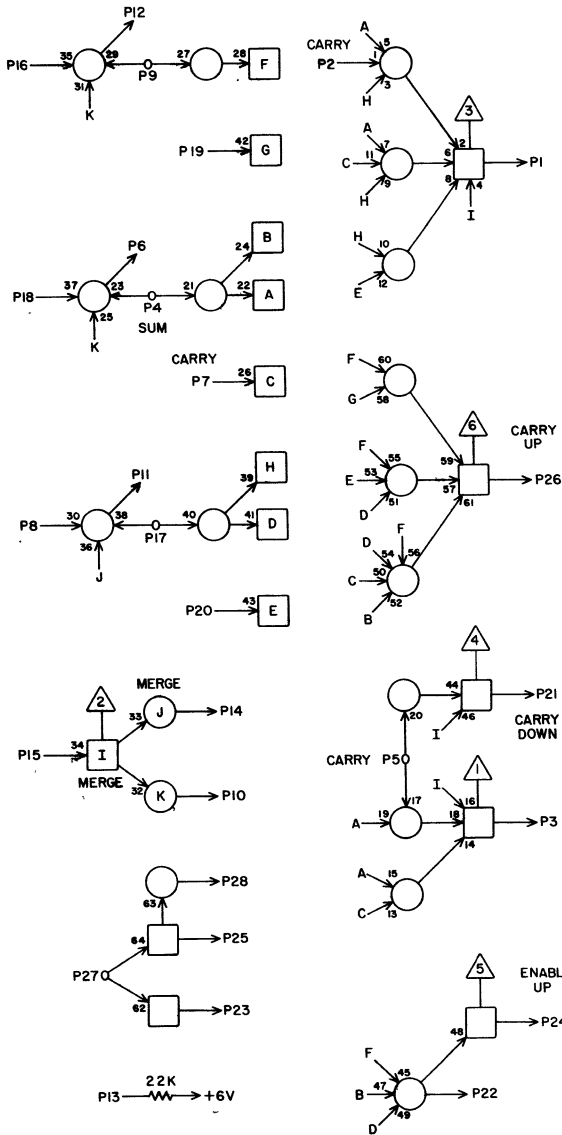
PICK 3

MB **6E24**

1			
2	C21	1	11
3	A10	14	23
4	A10	2	23
5	A9	11	23
6	E41	1	19
7			
8	E40	1	19
9	A27	3	19
10	B8	11	21
11	G3	27	25
12	C21	7	13
13	E39	1	19
14	F18	11	11
15	F11	27	17
16	H11	1	19
17	C21	19	13
18	F11	26	17
19			
20	A34	1	23
21	A10	4	25
22	A35	1	23
23	A27	1	25
24	A10	16	23
25	G25	11	13
26	A36	1	23
27	A28	21	19
28	A26	10	25
	JACK	PIN	LG

63017400 Rev. B



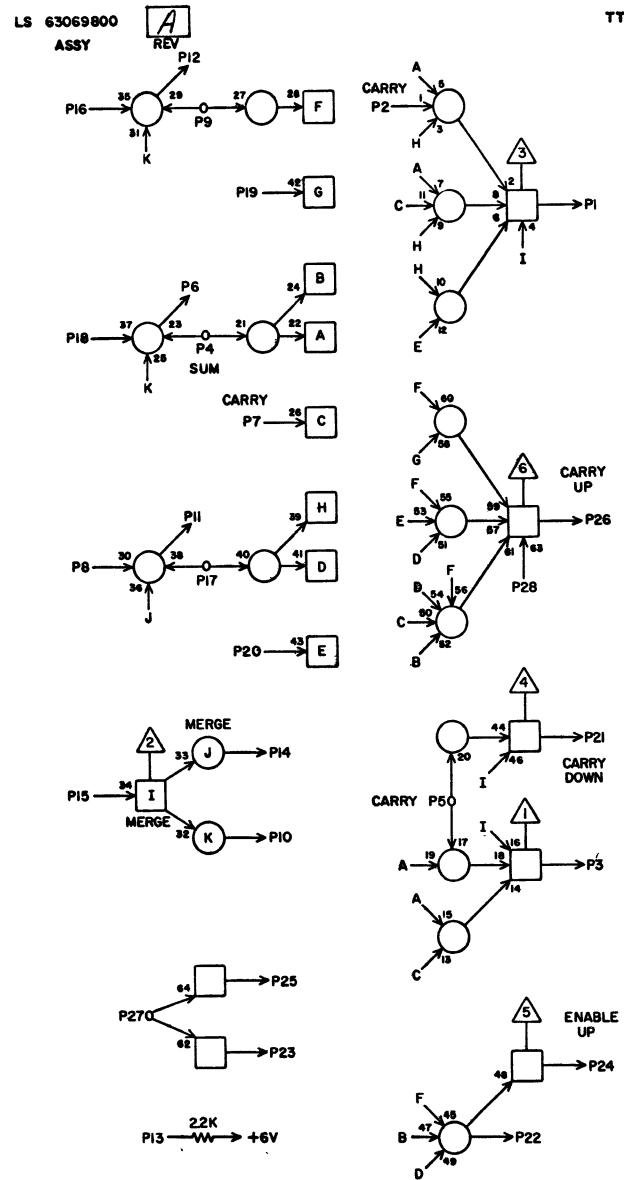


MM 6E27

1	H19	23	19
2	H28	18	17
3	H19	9	19
4	D42	7	19
5	H28	16	17
6	E30	6	5
7	D41	18	17
8	E30	11	5
9	E31	7	7
10			
11	E31	6	5
12	E32	6	9
13	E32	23	9
14			
15	B27	14	17
16	E31	11	7
17	E30	7	5
18	D42	11	19
19	E30	18	7
20	D42	18	19
21	H18	27	19
22	G28	5	11
23	H10	10	23
24	H28	26	17
25	I24	20	19
26	H28	23	17
27	H 9	28	23
28	G 8	12	23

JACK PIN LG

63017400 Rev. B



TT 6E28

1	H11	6	23
2	I31	22	21
3	F8	6	23
4	E32	7	7
5	I31	20	21
6	E33	6	9
7	E31	18	7
8	E33	11	9
9	E34	7	9
10			
11	E34	6	9
12			
13	E33	23	9
14			
15	B28	14	17
16	E34	11	9
17	E33	7	9
18	E32	11	7
19	E33	18	9
20	E32	18	7
21	H19	27	19
22	G29	21	13
23	B25	7	17
24	I31	27	21
25	E25	7	5
26	H29	2	15
27	H10	4	23
28	I26	16	17

JACK PIN LG

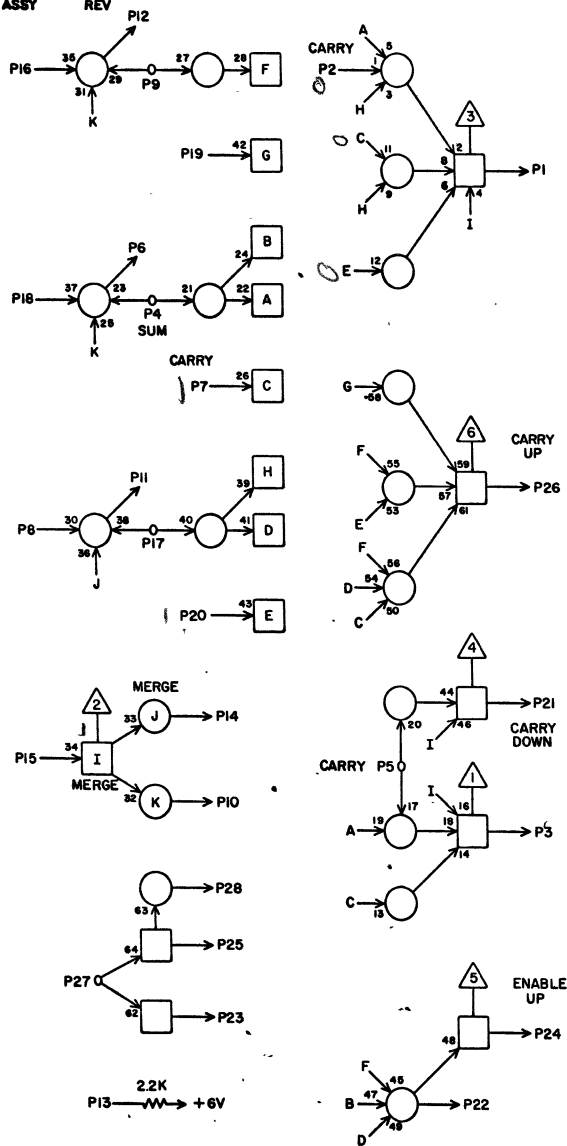
CIRCUIT SPECIFICATION 11827600  
63017400 Rev. B

LS 63069900  
ASSY



TS

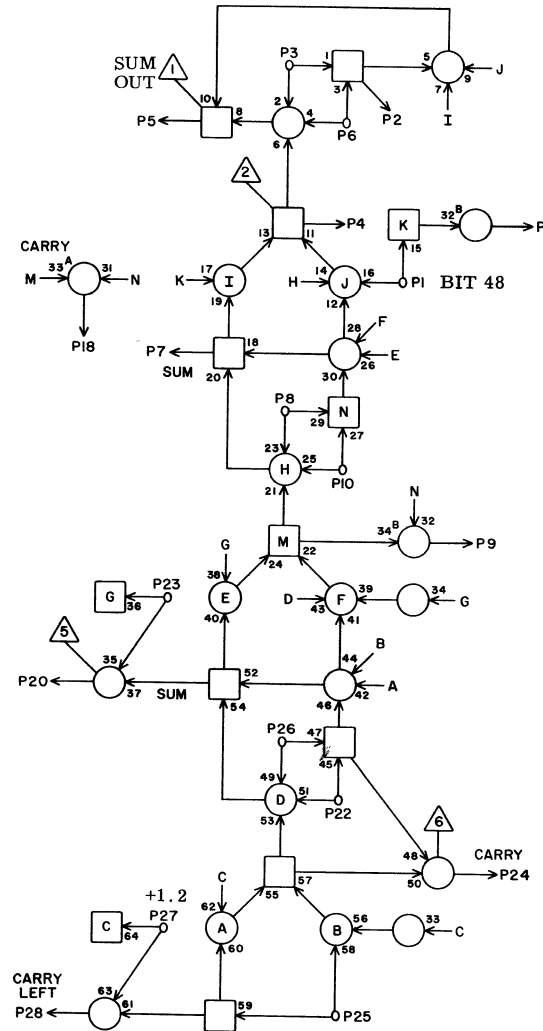
6E29



1	G9	19	23
2	H29	6	15
3	G9	6	23
4	G9	7	23
5	H29	5	15
6			
7	G15	15	19
8			
9	G9	17	23
10	G26	10	13
11			
12			
13	E34	23	9
14	G26	28	13
15	B29	14	17
16			
17	G9	9	23
18			
19	G15	19	19
20	G15	16	19
21	G9	1	23
22	G29	27	13
23	H21	14	17
24	H29	4	15
25	H20	12	15
26	H29	1	15
27	H9	22	25
28	H11	24	23

CIRCUIT SPECIFICATION 11827600  
63017400 Rev. B

LOWER 3-LEVEL ADDER  
BIT 52



6E30

MC

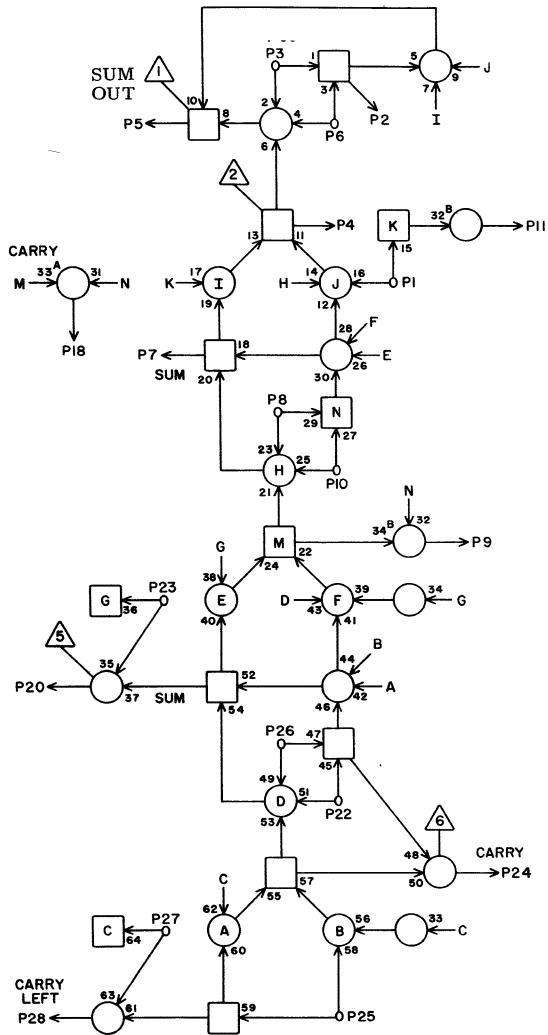
6E30

1	H19	20	19
2	D15	26	17
3	D42	9	15
4	D15	28	17
5	D15	6	17
6	E27	6	5
7	E27	17	5
8	D42	24	15
9	E31	3	5
10	D42	20	15
11	E27	8	5
12			
13			
14			
15			
16			
17			
18	E27	19	7
19			
20	E31	10	5
21			
22	D42	28	17
23	E23	26	11
24	E31	8	5
25	G13	21	21
26			
27	D27	13	9
28	E31	22	5

JACK PIN LG

63017400 Rev. B

LOWER 3-LEVEL ADDER  
BIT 53



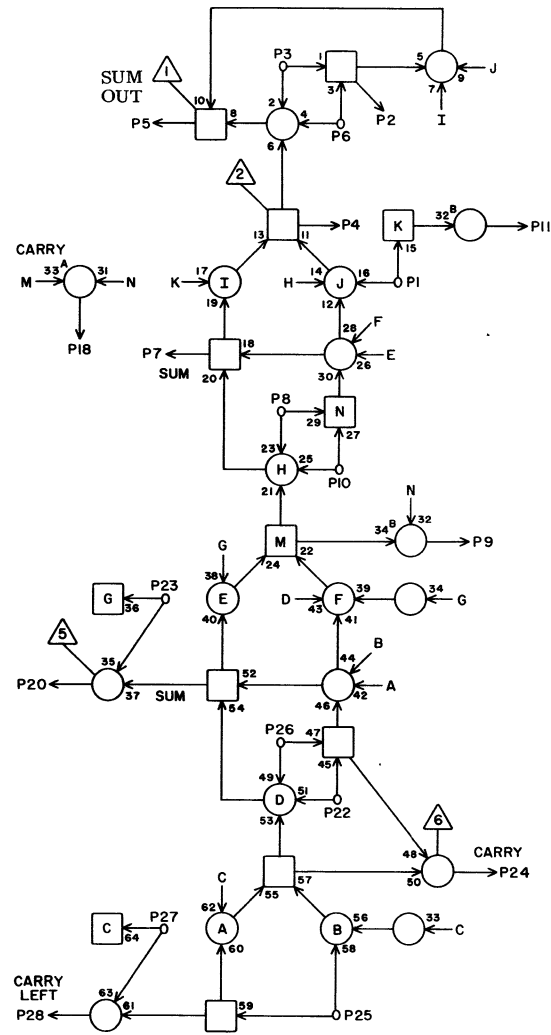
MC **6E 31**

1	H19	22	19
2	D16	2	19
3	E30	9	5
4	D16	4	19
5	D15	12	19
6	E27	11	5
7	E27	9	7
8	E30	24	5
9	E32	3	5
10	E30	20	5
11	E27	16	7
12			
13			
14			
15			
16			
17			
18	E28	7	7
19			
20	E32	10	5
21			
22	E30	28	5
23	E26	13	9
24	E32	8	5
25	G13	27	21
26	E31	X	2
27	G13	15	21
28	E32	22	5

JACK PIN LG

63017400 Rev. B

LOWER 3-LEVEL ADDER  
BIT 55



MC **6E 32**

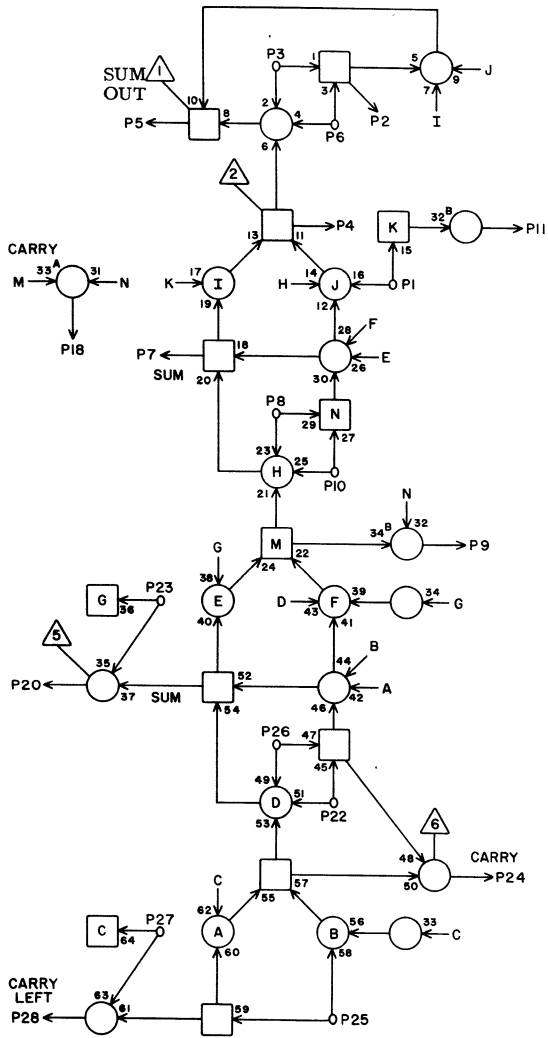
1	H19	26	21
2	D16	6	19
3	E31	9	5
4	D16	8	19
5	D16	23	19
6	E27	12	9
7	E28	4	7
8	E31	24	5
9	E33	3	5
10	E31	20	5
11	E28	18	7
12			
13			
14			
15			
16			
17			
18	E28	20	7
19			
20	E33	10	5
21			
22	E31	28	5
23	E27	13	9
24	E33	8	5
25	G14	20	21
26	E32	X	2
27	G14	15	21
28	E33	22	5

JACK PIN LG

63017400 Rev. B



LOWER 3-LEVEL ADDER  
BIT 55



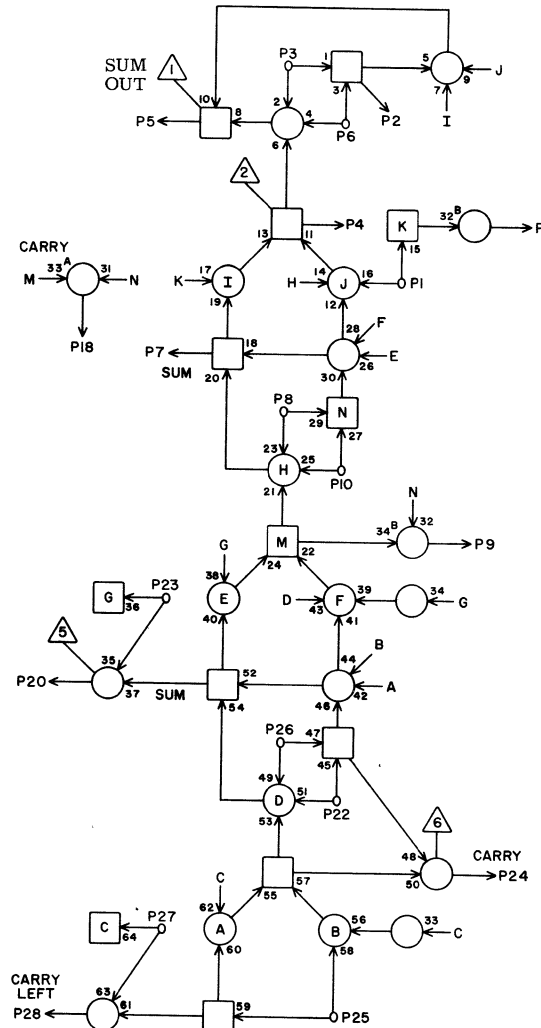
MC **6E 33**

1	E14	15	19
2	D16	10	19
3	E32	9	5
4	D16	12	19
5	D16	24	19
6	E28	6	9
7	E28	17	9
8	E32	24	5
9	E34	3	5
10	E32	20	5
11	E28	8	9
12			
13			
14			
15			
16			
17			
18	E28	19	9
19			
20	E34	10	5
21			
22	E32	28	5
23	E28	13	9
24	E34	8	5
25	G14	21	23
26	E33	X	2
27	G9	13	27
28	E34	22	5

JACK PIN LG

63017400 Rev. B

LOWER 3-LEVEL ADDER  
BIT 56



MC **6E 34**

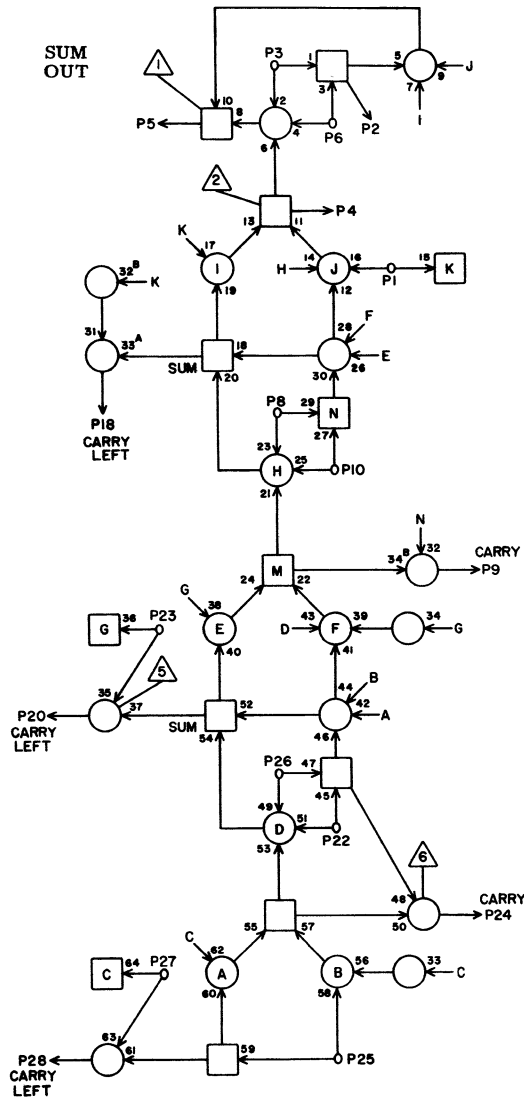
1	E15	15	21
2			
3	E33	9	5
4			
5	D16	28	19
6	E28	11	9
7	E28	9	9
8	E33	24	5
9			
10	E33	20	5
11	E28	16	9
12			
13			
14			
15			
16			
17			
18	I26	27	19
19			
20			
21			
22	E33	28	5
23	E29	13	9
24	I26	25	19
25	G14	27	23
26	E34	X	2
27	<del>G9</del>	<del>13</del>	<del>27</del>
28	I26	21	19

JACK PIN LG

6E34

63017400 Rev. B

UPPER 3-LEVEL ADDER  
BIT 0

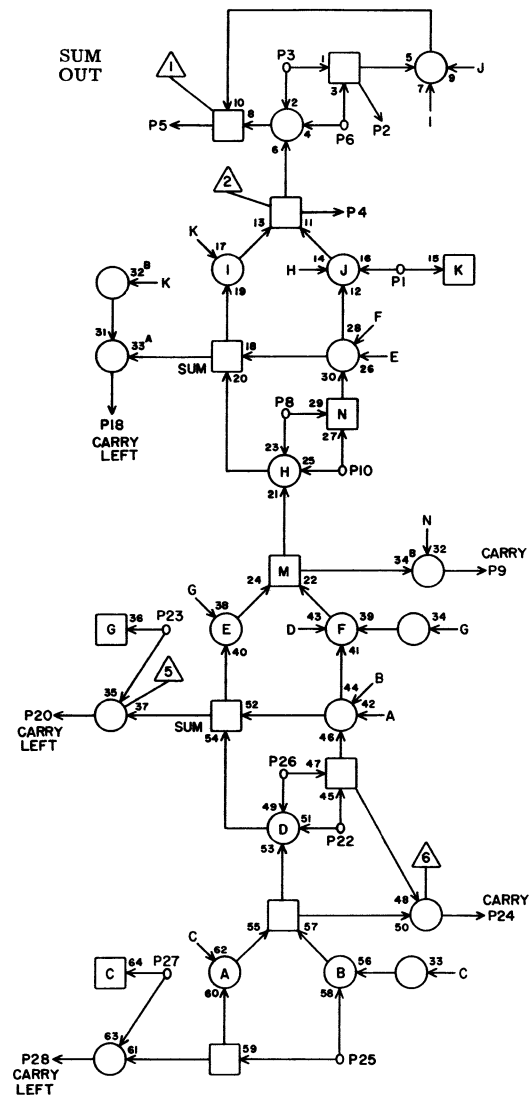


MG **6E35**

1	B28	13	15
2	D17	6	19
3	E35	X	2
4	D17	8	21
5	D17	23	21
6	E35	X	2
7			
8	E35	X	2
9	E36	3	5
10	E35	X	2
11			
12			
13			
14			
15			
16			
17			
18	E36	6	5
19			
20	E36	10	5
21			
22	E35	X	2
23	B29	13	17
24	E36	8	5
25	E14	22	23
26	E14	3	23
27	A18	13	25
28	E36	22	5
	JACK	PN	LG

63017400 Rev. B

UPPER 3-LEVEL ADDER  
BIT 1

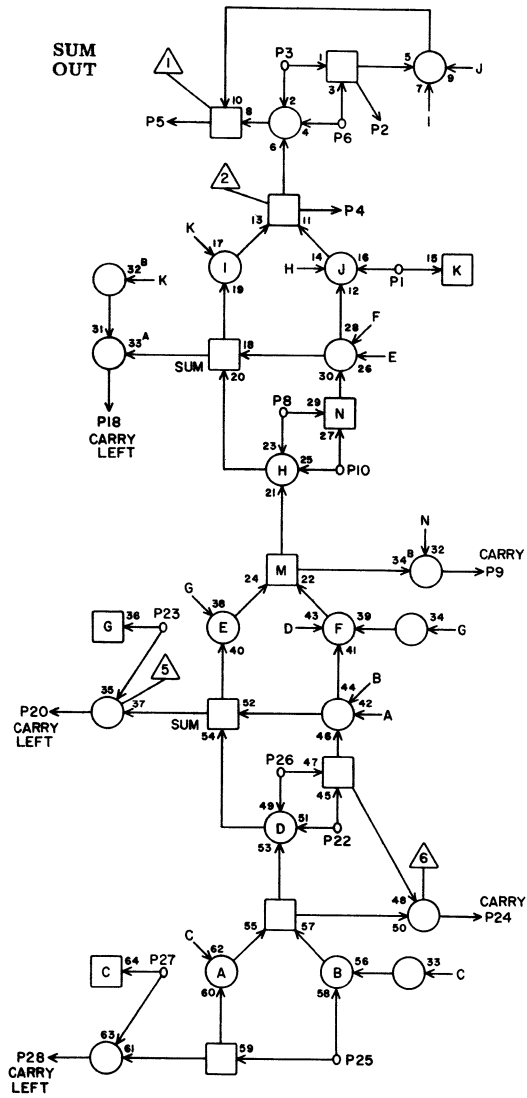


MG **6E36**

1	C26	13	15
2	D17	10	21
3	E35	9	5
4	D17	12	21
5	D17	24	21
6	E35	18	5
7			
8	E35	24	5
9	E37	3	5
10	E35	20	5
11			
12			
13			
14			
15			
16			
17			
18	E37	6	5
19			
20	E37	10	5
21			
22	E35	28	5
23	C27	13	15
24	E37	8	5
25	E14	25	23
26	E14	7	23
27	A18	8	27
28	E37	22	5
	JACK	PN	LG

63017400 Rev. B

UPPER 3-LEVEL ADDER  
BIT 2

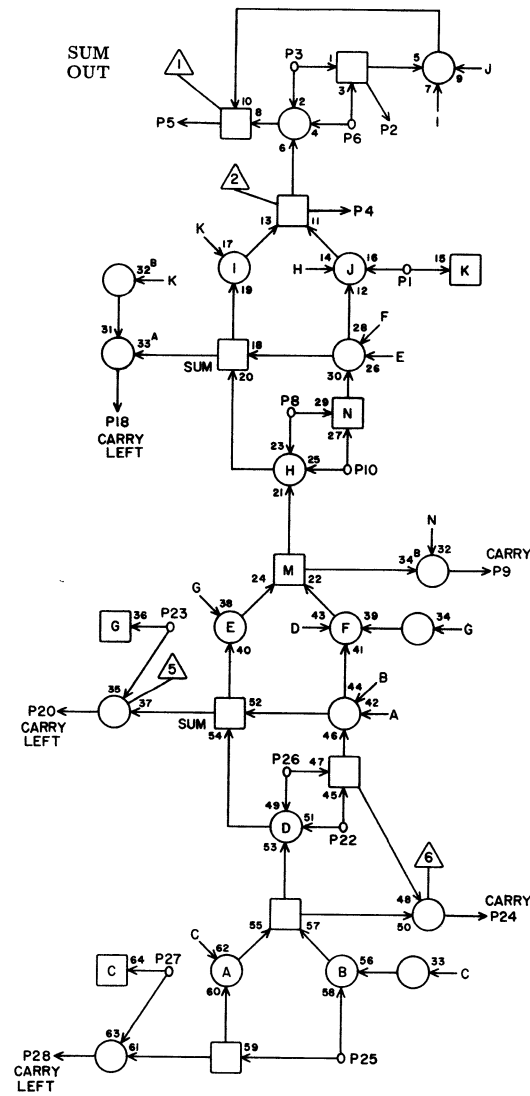


MG 6E37

1	C28	13	15
2	E13	2	25
3	E36	9	5
4	E13	4	25
5	D17	28	21
6	E36	18	5
7			
8	E36	24	5
9	E38	3	5
10	E36	20	5
11			
12			
13			
14			
15			
16			
17			
18	E38	6	5
19			
20	E38	10	5
21			
22	E36	28	5
23	C21	13	21
24	E38	8	5
25	E14	26	25
26	E14	11	25
27	A18	6	27
28	E38	22	5
	JACK	PIN	LG

63017400 Rev. B

UPPER 3-LEVEL ADDER  
BIT 3



MG 6E38

1	C29	13	15
2	E13	6	25
3	E37	9	5
4	E13	8	25
5	E13	23	25
6	E37	18	5
7			
8	E37	24	5
9	E39	3	5
10	E37	20	5
11			
12			
13			
14			
15			
16			
17			
18	E39	6	5
19			
20	E39	10	5
21			
22	E37	28	5
23	C21	8	21
24	E39	8	5
25	E15	22	25
26	E15	3	23
27	A19	13	27
28	E39	22	5
	JACK	PIN	LG

63017400 Rev. B

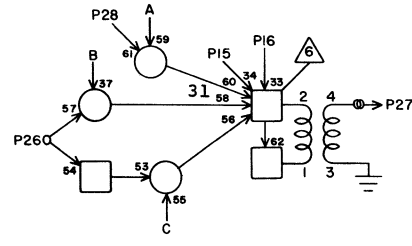
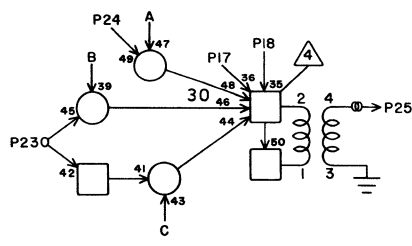
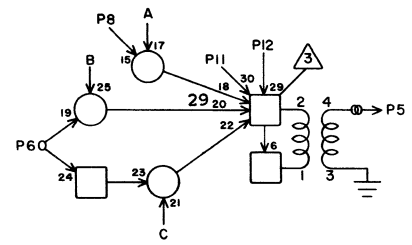
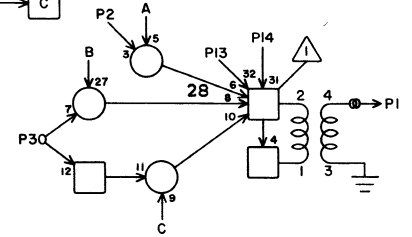
6E38





DIVIDE TO  $X_i$   
 MULTIPLY TRUNK TO  $X_i$

P19 → 39 A  
 MULTIPLY NORMAL  
 P21 → 40 B  
 MULTIPLY COMP.  
 P9 → 28 C



MR 6F1

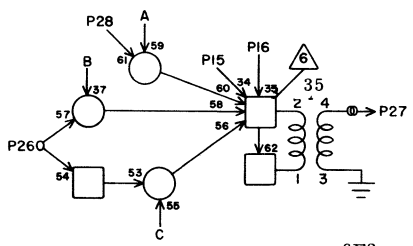
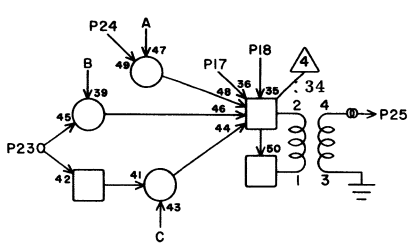
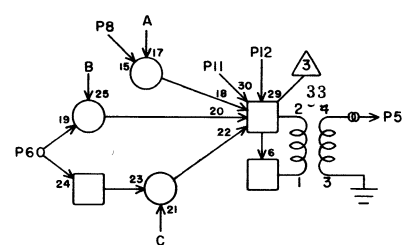
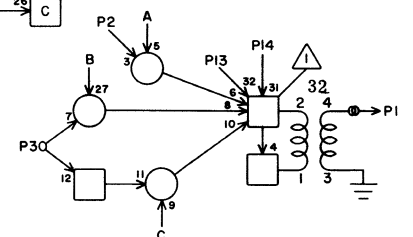
1	W11	900	
2	M 1	9	31
3	L 7	15	27
4			
5	W11	901	
6	M 1	28	31
7			
8	M 1	7	31
9	A 9	2	25
10			
11	M 1	16	31
12	M 1	18	31
13	M 1	27	31
14	M 1	22	31
15	M 2	16	29
16	M 2	18	29
17	M 2	22	31
18	M 2	27	31
19	Q 9	2	43
20			
21	B 9	2	21
22			
23	M 1	15	29
24	M 2	9	29
25	W11	902	
26	M 2	28	29
27	W11	903	
28	M 2	7	29

JACK PIN LG

63017400 Rev. B

DIVIDE TO  $X_i$   
 MULTIPLY TRUNK TO  $X_i$

P19 → 38 A  
 MULTIPLY NORMAL  
 P21 → 40 B  
 MULTIPLY COMP.  
 P9 → 26 C



MR 6F2

1	W11	904	
2	M 3	9	31
3	M 2	15	31
4			
5	W11	905	
6	M 3	28	31
7			
8	M 3	7	31
9	A 9	3	23
10			
11	M 3	16	31
12	M 3	18	31
13	M 3	27	31
14	M 3	22	31
15	M 4	16	29
16	M 4	18	29
17	M 4	22	31
18	M 4	27	31
19	Q 9	3	43
20			
21	B 9	3	21
22			
23	M 3	15	29
24	M 4	99	29
25	W11	906	
26	M 4	28	29
27	W11	907	
28	M 4	7	29

JACK PIN LG

63017400 Rev. B

6F2

DIVIDE TO  $X_1$       MULTIPLY TRUNK TO  $X_1$

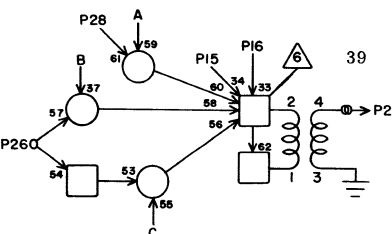
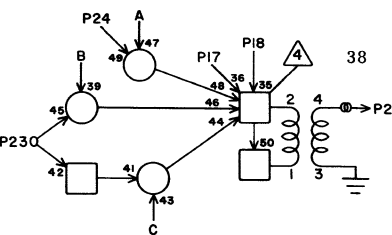
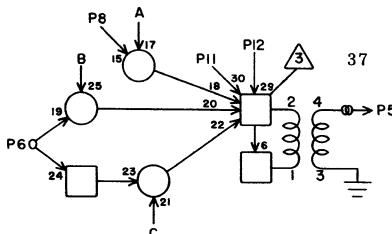
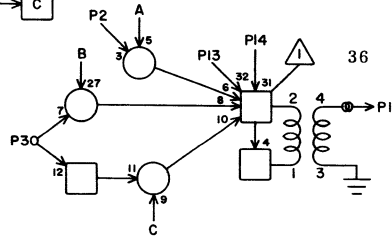
P19 → **A**

MULTIPLY NORMAL

P21 → **B**

MULTIPLY COMP.

P9 → **C**



MR **6F3**

1	W08	90	
2	M 5	9	31
3	M 4	15	31
4			
5	W08	91	
6	M 5	28	31
7			
8	M 5	7	31
9	A 9	4	23
10			
11	M 5	16	31
12	M 5	18	31
13	M 5	27	31
14	M 5	22	31
15	M 6	16	29
16	M 6	18	31
17	M 6	22	31
18	M 6	27	31
19	Q 9	4	43
20			
21	B 9	4	21
22			
23	M 5	15	29
24	M 6	9	29
25	W08	92	
26	M 6	28	29
27	W08	93	
28	M 6	7	29

JACK    PIN    LG

63017400 Rev. B

MULTIPLY TRUNK TO  $X_1$

DIVIDE TO  $X_1$

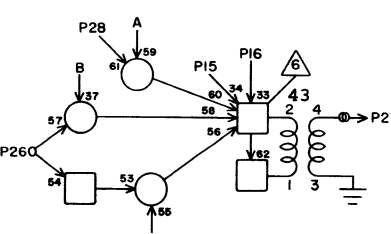
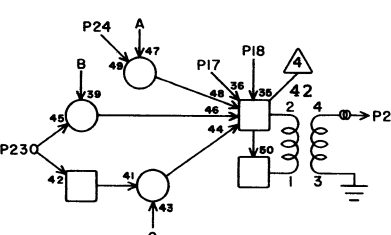
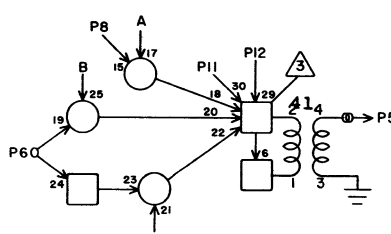
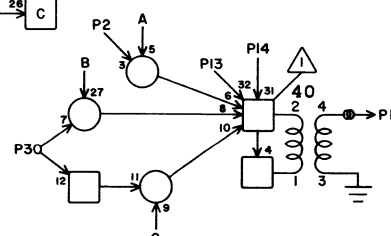
P19 → **A**

MULTIPLY NORMAL

P21 → **B**

MULTIPLY COMP.

P9 → **C**



MR **6F4**

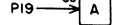
1	W08	94	
2	M 7	9	31
3	M 6	15	31
4			
5	W08	95	
6	M 7	28	31
7			
8	M 7	7	31
9	A 9	5	23
10			
11	M 7	16	31
12	M 7	18	31
13	M 7	27	31
14	M 7	22	31
15	N 1	16	33
16	N 1	18	33
17	N 1	22	33
18	N 1	27	33
19	Q 9	5	43
20			
21	B 9	5	21
22			
23	M 7	15	29
24	N 1	9	33
25	W08	96	
26	N 1	28	33
27	W08	97	
28	N 1	7	33

JACK    PIN    LG

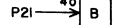
6F4

63017400 Rev. B

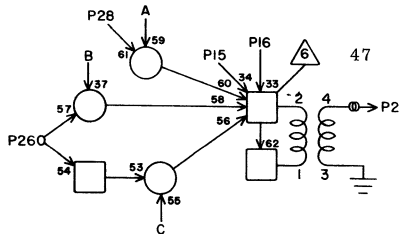
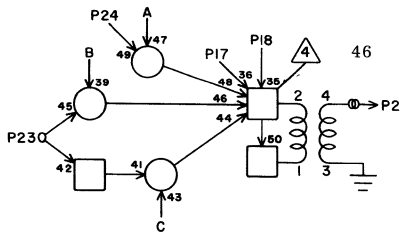
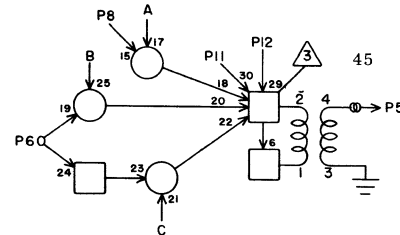
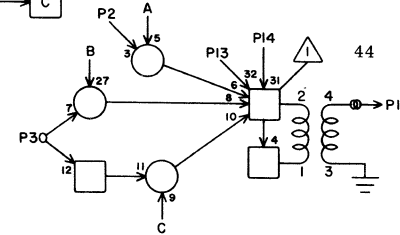
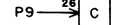
DIVIDE TO  $X_1$



MULTIPLY NORMAL



MULTIPLY COMP.



MULTIPLY TRUNK TO  $X_1$

MR

6F 5

1	W08	98	
2	N 2	9	33
3	N 1	15	33
4			
5	W08	99	
6	N 2	28	35
7			
8	N 2	7	33
9	A 9	6	23
10			
11	N 2	16	33
12	N 2	18	33
13	N 2	27	33
14	N 2	22	33
15	N 3	16	33
16	N 3	18	33
17	N 3	22	33
18	N 3	27	33
19	Q 9	6	43
20			
21	B 9	6	21
22			
23	N 2	15	33
24	N 3	9	33
25	W08	900	
26	N 3	28	33
27	W08	901	
28	N 3	7	33

JACK PIN LG

63017400 Rev. B

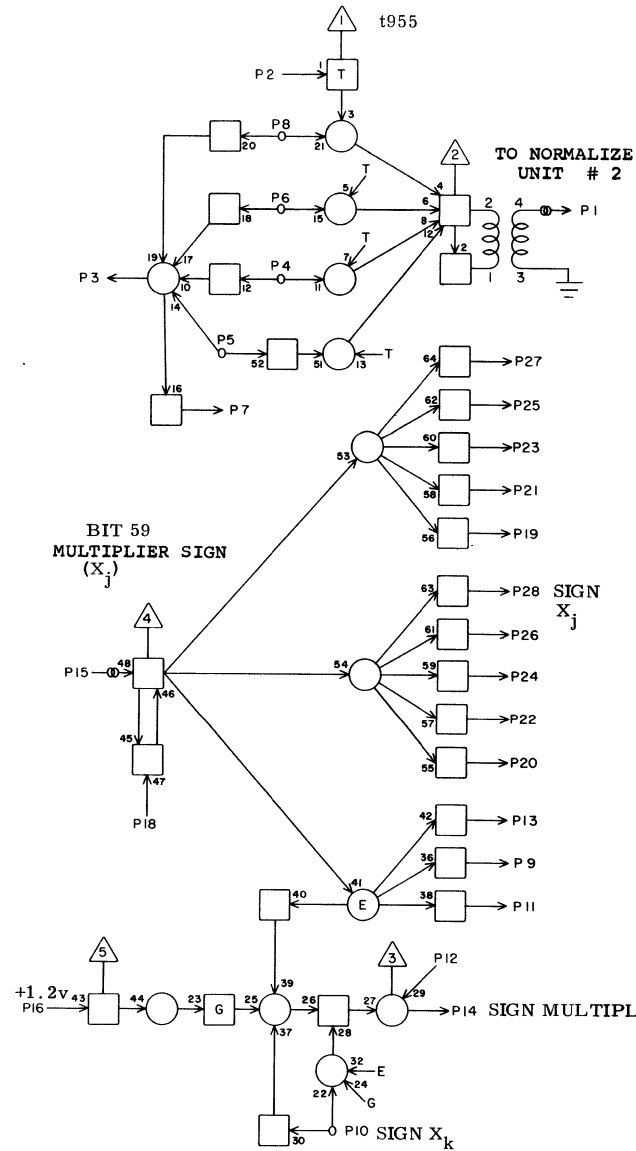
MS

6F06

1	W22	902	
2	K24	10	29
3	J26	27	29
4	J32	26	31
5	J07	1	19
6	K17	15	27
7	J26	20	27
8	L12	17	29
9	J 6	11	21
10	F 7	11	5
11	F 7	10	5
12	P14	15	41
13	J 5	11	19
14	J 8	5	19
15	W09	902	
16	K22	19	35
17			
18	I23	25	23
19	I 5	11	17
20	J 4	11	21
21	I 4	11	17
22	J 3	11	21
23	I 3	11	17
24	J 2	11	21
25	I 2	11	17
26	J 1	11	21
27	I 1	11	17
28	I 6	11	17

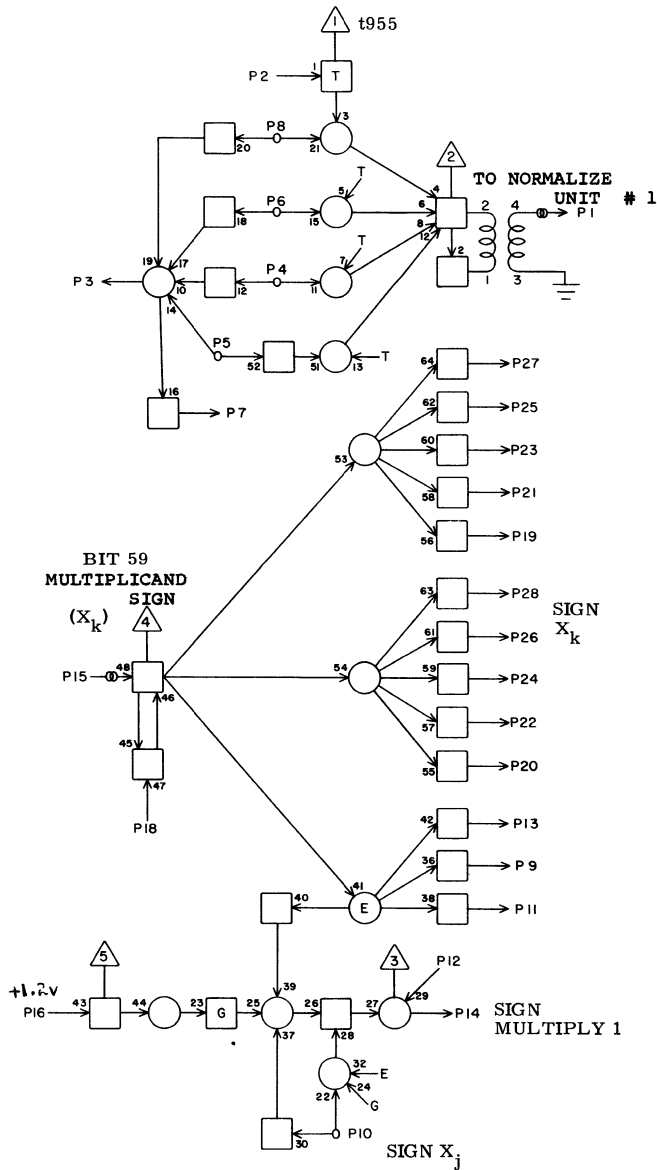
JACK PIN LG

63017400 Rev. T



6F6

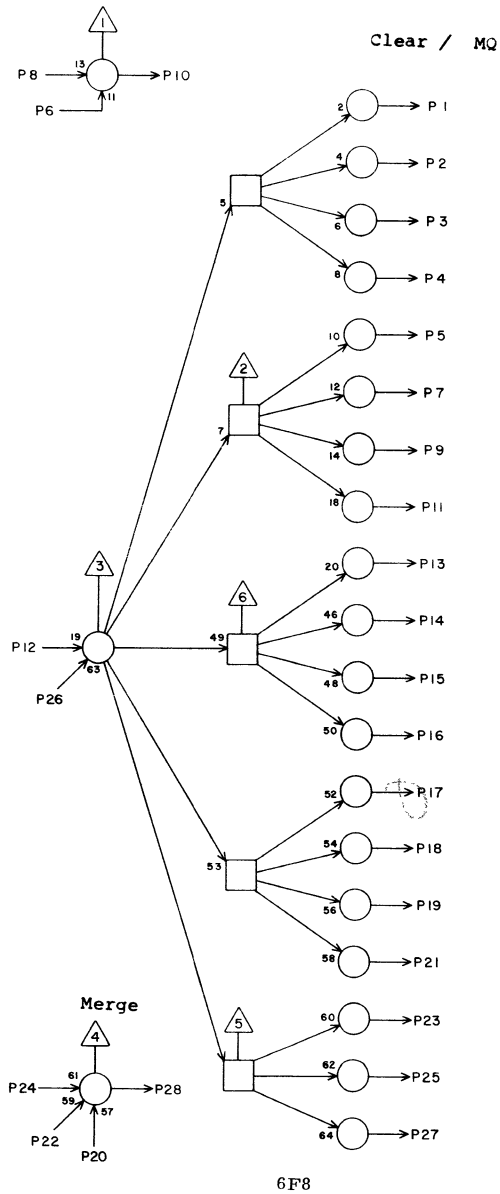




MS **6F 7**

	JACK	PIN	LG
1	W21	908	
2	H24	10	21
3	J26	4	27
4	I32	26	29
5	I07	1	15
6	HL7	15	17
7	J26	9	27
8	G12	17	11
9	H06	11	13
10	F06	11	5
11	F06	10	5
12	C14	15	17
13	H05	11	13
14	I08	5	17
15	W07	902	
16	K22	21	29
17			
18	I23	23	23
19	G05	11	9
20	H04	11	13
21	G04	11	9
22	H03	11	13
23	G03	11	11
24	H02	11	13
25	G02	11	11
26	H01	11	15
27	G01	11	11
28	G06	11	11

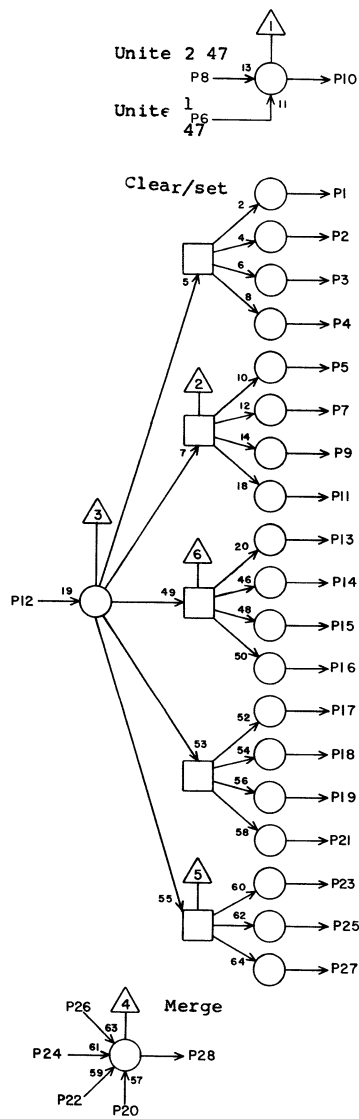
63017400 Rev T



QN **6F 8**

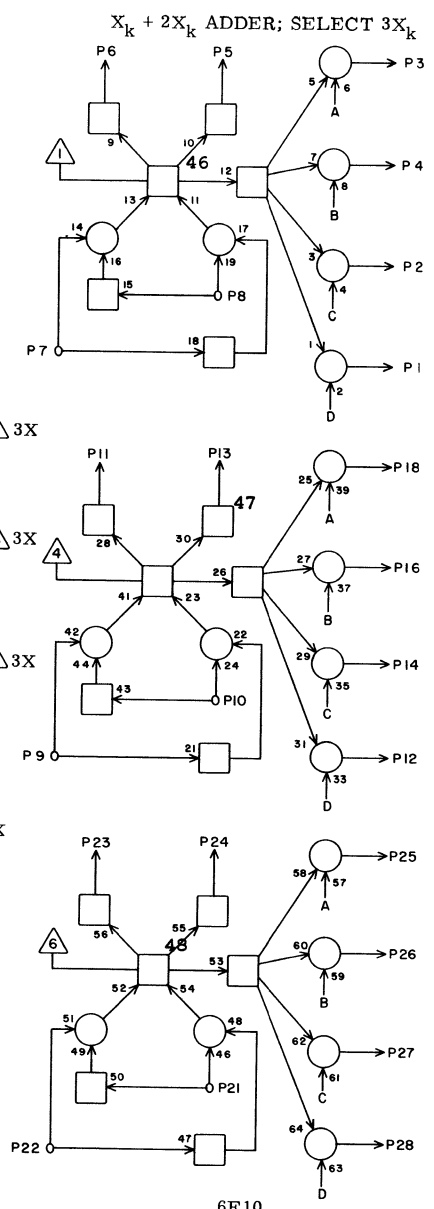
	JACK	PIN	LG
1	A13	13	23
2	A14	13	23
3	A15	13	23
4	A16	13	23
5	A17	13	23
6	E28	3	23
7	B13	13	19
8	E26	25	21
9	B14	13	19
10	E14	17	11
11	B15	13	19
12	I27	6	23
13	B16	13	21
14	B17	13	21
15	C13	13	17
16	C14	13	17
17	C15	13	17
18	C16	13	17
19	C17	13	19
20			
21	D13	13	15
22			
23	D14	13	15
24			
25	D15	13	15
26	L08	15	60
27	D16	13	15
28			

63017400 Rev. B



CC		6F 9	
1	D17	13	15
2	E13	13	9
3	E14	13	11
4	E15	13	11
5	E16	13	11
6	Q15	15	51
7	E17	13	13
8	B15	15	19
9	F13	13	7
10	E 1	3	13
11	F14	13	9
12	I27	5	23
13	F15	13	11
14	F16	13	11
15	F17	13	13
16	G13	13	9
17	G14	13	11
18	G15	13	11
19	G16	13	13
20	I25	19	23
21	G17	13	13
22	F29	23	23
23	H15	13	13
24			
25	H16	13	15
26			
27	H17	13	15
28	C25	7	23
	JACK	PIN	LG

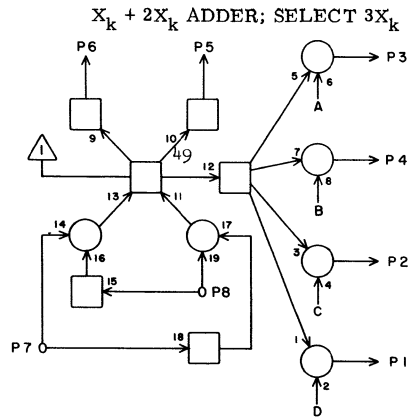
63017400 Rev. B



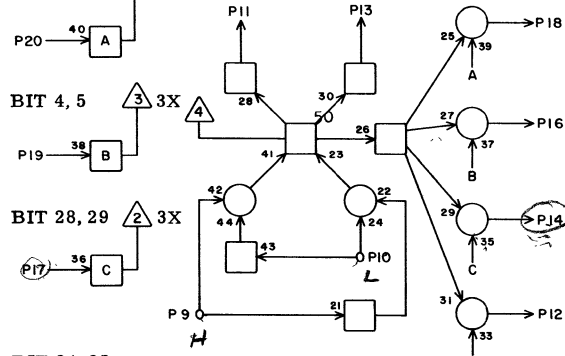
6F10

MF		6F10	
1	C19	4	19
2	H18	4	15
3	E22	4	17
4	H18	21	15
5	C19	23	19
6	E22	23	17
7	A 7	2	23
8	D 7	5	13
9	D 7	25	13
10	D 7	8	13
11	C19	27	19
12	C19	3	19
13	E22	27	17
14	H18	3	15
15	H12	25	13
16	H18	24	15
17	B 9	25	19
18	E22	3	17
19	A 8	25	21
20	H23	21	19
21	D 8	1	15
22	D 7	21	13
23	C20	9	19
24	E23	9	17
25	E23	15	17
26	H19	18	17
27	H19	15	17
28	C20	15	19
	JACK	PIN	LG

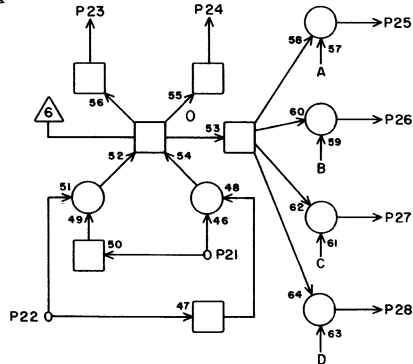
63017400 Rev. B



BIT 26, 27  $\Delta$  3X



BIT 24, 25  $\Delta$  3X

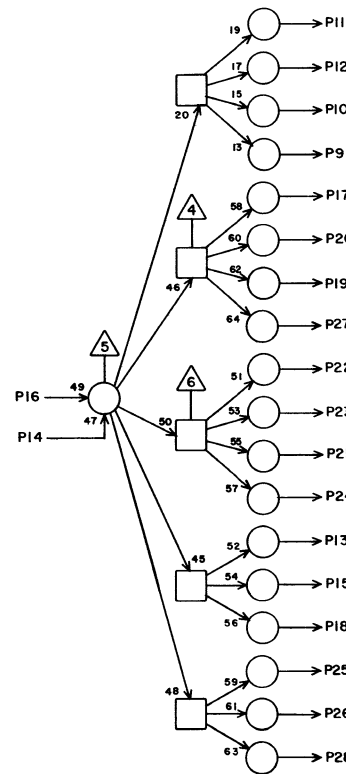
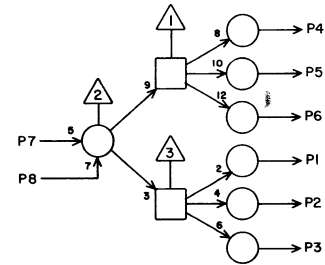


MF **6F11**

1	C20	4	19
2	H19	4	15
3	E23	4	15
4	H19	21	15
5	C20	23	17
6	E23	23	15
7	B 7	22	17
8	D 8	5	13
9	D 8	25	11
10	D 8	8	13
11	C20	27	17
12	C20	3	19
13	E23	27	15
14	H19	3	15
15	H12	26	13
16	H19	24	15
17	B 9	26	19
18	E23	3	15
19	A 8	26	23
20	H23	23	17
21	C 1	1	19
22	F11	x	2
23	A18	9	25
24	C21	9	19
25	C21	15	19
26	E24	18	17
27	E24	15	19
28	A18	15	25
	JACK	PIN	LG

63017400 Rev. B

Clear MA



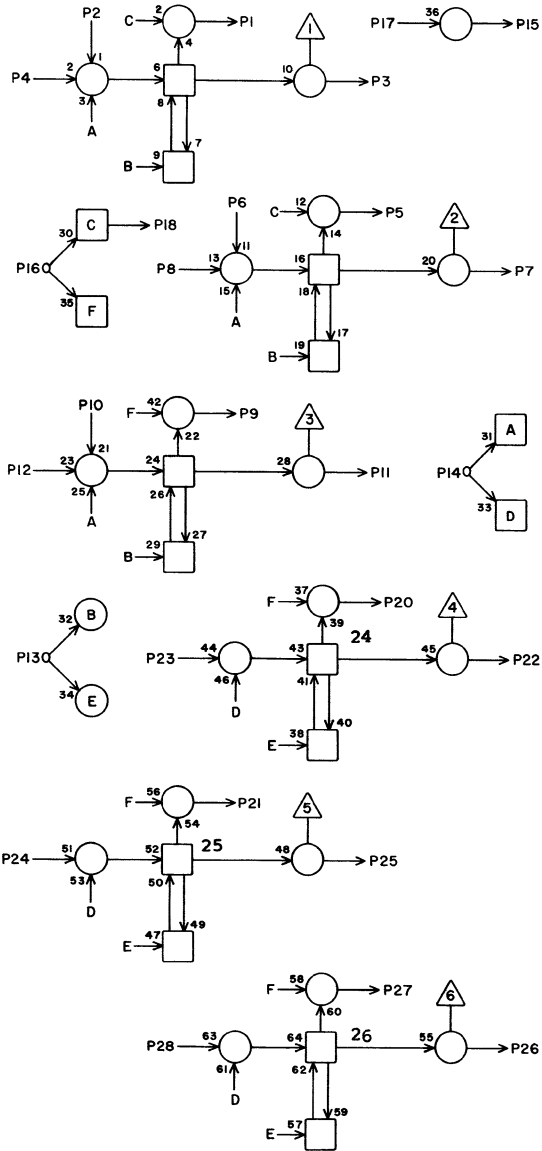
6F12

CB **6F12**

1	I10	16	17
2	I11	16	17
3	I12	16	17
4	I13	16	17
5	I14	16	17
6	I15	16	17
7	D29	28	21
8	C 1	6	120
9	C 4	13	17
10	C 3	13	17
11	C 1	13	19
12	C 2	13	17
13	D 4	14	15
14	I 9	24	17
15	D 5	13	13
16	F12	x	2
17	C 5	13	17
18	D 6	13	13
19	C 7	13	17
20	C 6	13	17
21	D 2	13	17
22	C 9	13	17
23	D 1	13	17
24	D 3	13	15
25	D 7	13	13
26	I32	20	23
27	C 8	13	17
28	H10	7	11
	JACK	PIN	LG

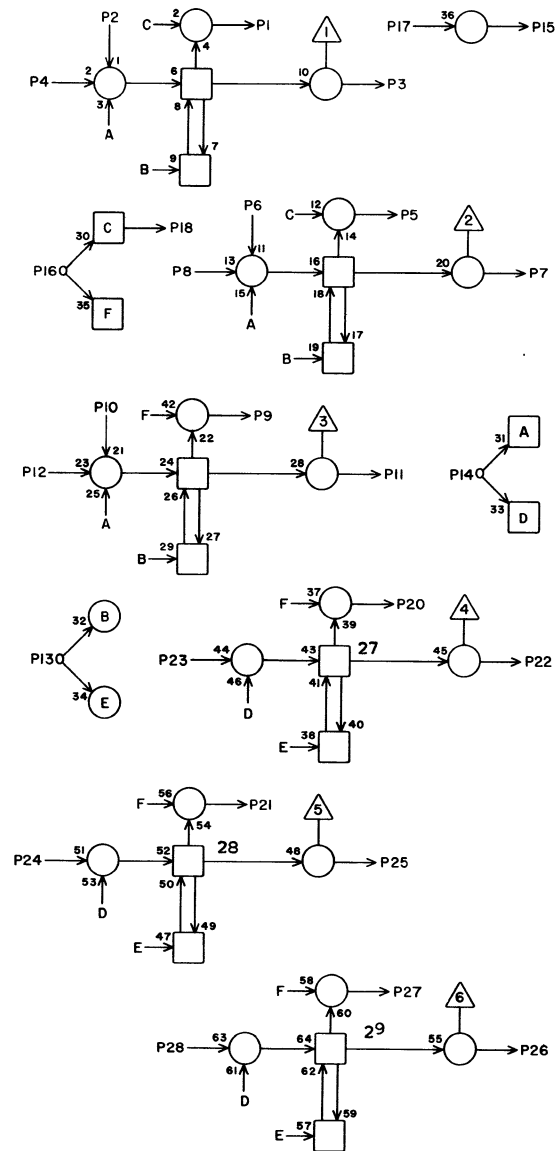
63017400 Rev. B





NJ		6F15	
	JACK	PIN	LG
1	E20	21	11
2	G32	2	19
3	F40	26	27
4	G32	4	19
5	E20	24	11
6	G33	2	21
7	F41	26	27
8	G33	4	21
9	E21	18	11
10	G34	2	21
11	F42	26	27
12	G34	4	21
13	F 9	13	11
14	H21	11	13
15	H21	16	13
16	I24	13	19
17	I27	7	19
18	I21	18	17
19			
20	C18	18	17
21	C18	21	17
22	F40	25	27
23	G33	5	21
24	G34	5	21
25	F41	25	27
26	F42	25	27
27	C18	24	17
28	G35	5	25

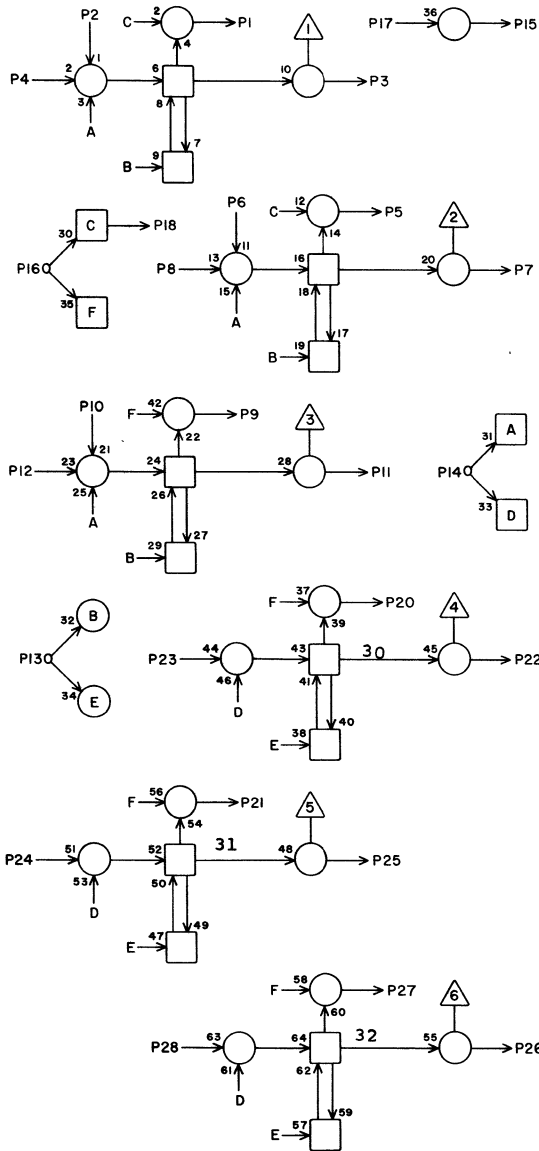
63017400 Rev. B



NJ		6F16	
	JACK	PIN	LG
1	E21	21	11
2	G35	2	21
3	G30	26	17
4	G35	4	21
5	E21	24	9
6	G36	2	23
7	G31	26	19
8	G36	4	23
9	E22	18	11
10	G37	2	23
11	G32	26	19
12	G37	4	23
13	F 9	14	11
14	H21	7	13
15	I27	28	17
16	I24	14	17
17	I23	26	15
18			
19			
20	C19	18	17
21	C19	21	17
22	G30	25	19
23	G36	5	23
24	G37	5	23
25	G31	25	19
26	G32	25	19
27	C19	24	17
28	G38	5	25

63017400 Rev. B

6F16



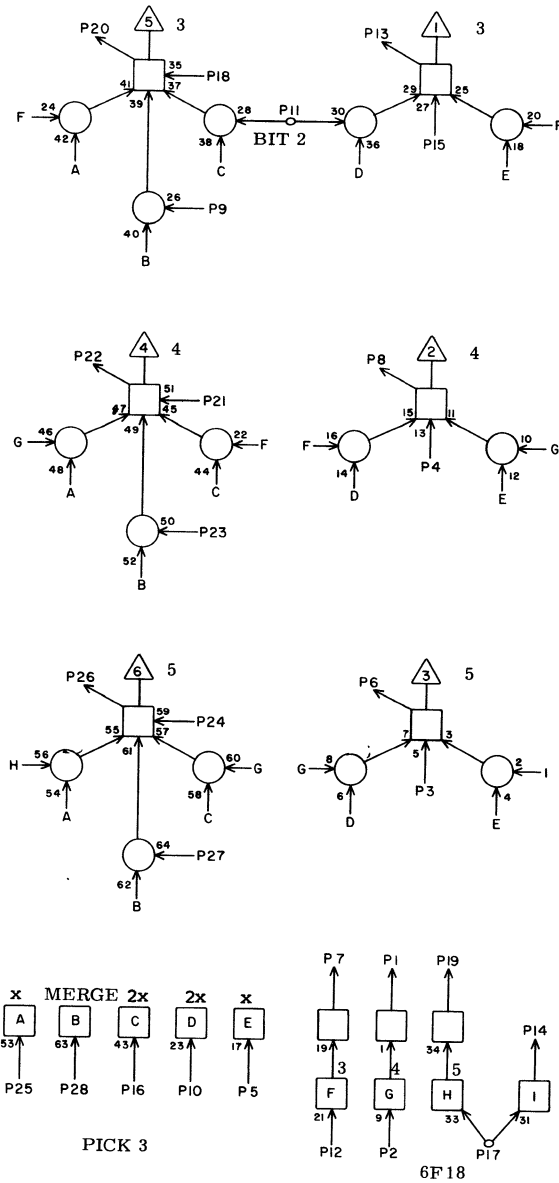
NJ **6F17**

1	E22	21	9
2	G38	2	23
3	G33	26	19
4	G38	4	23
5	E22	24	9
6	G39	2	23
7	G34	26	19
8	G39	4	23
9	E23	18	11
10	G40	2	25
11	G35	26	21
12	G40	4	25
13	F 9	15	13
14	H21	13	13
15	H22	14	39
16	I24	15	17
17	I22	8	33
18	D14	17	15
19			
20	C20	18	17
21	C20	21	17
22	G33	25	19
23	G39	5	23
24	G40	5	25
25	G34	25	19
26	G35	25	21
27	C20	24	17
28	G41	5	27

JACK PIN LG

63017400 Rev. L

SELECT  $X_k$ ,  $2X_k$ , MERGE



PICK 3

6F18

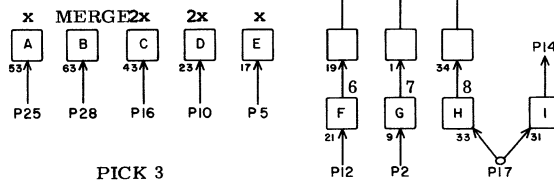
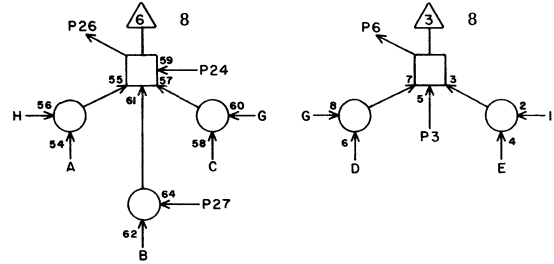
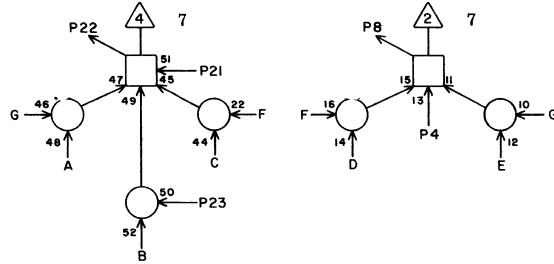
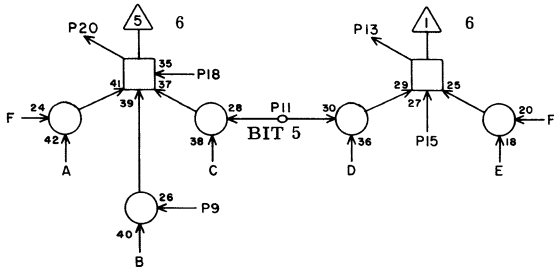
MB **6F18**

1			
2	C22	1	17
3	A11	14	23
4	A11	2	23
5	A 9	12	23
6	F31	1	17
7			
8	F30	1	17
9	A28	3	27
10	B 8	12	21
11	E24	14	11
12	C22	7	17
13	E42	1	27
14	F19	11	5
15	A10	27	23
16	A11	2	13
17	C22	19	17
18	A10	26	23
19			
20	A37	1	31
21	A11	4	23
22	A38	1	31
23	A28	1	27
24	A11	16	23
25	G25	12	13
26	A39	1	31
27	A29	21	25
28	A27	10	27

JACK PIN LG

63017400 Rev. B

SELECT  $X_k$ ,  $2X_k$ , MERGE



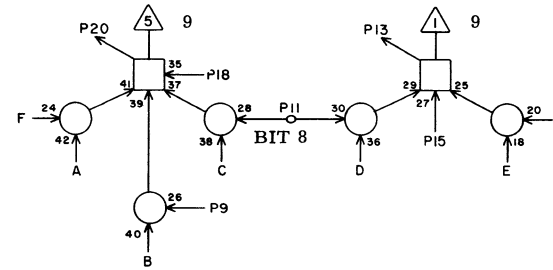
PICK 3

MB **6F19**

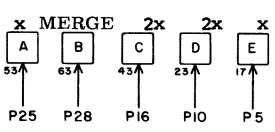
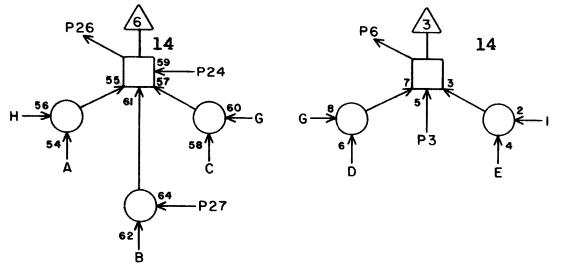
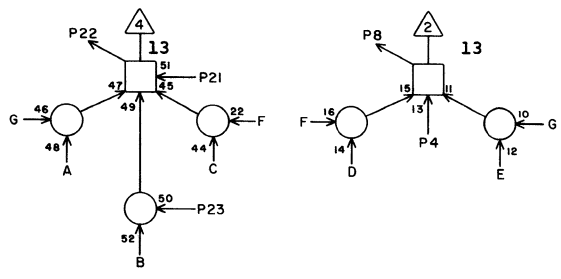
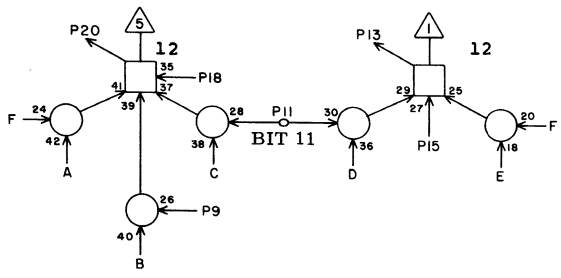
1			
2	C23	1	17
3	A12	14	23
4	A12	2	23
5	A 9	10	25
6	F34	1	17
7			
8	F33	1	17
9	A29	3	27
10	B 8	10	21
11	F18	14	5
12	C23	7	17
13	F32	1	15
14	F20	11	5
15	A11	27	23
16	H11	3	15
17	C23	19	17
18	A11	26	27
19			
20	A40	1	31
21	A12	4	25
22	A41	1	33
23	A29	1	29
24	A12	16	23
25	G25	10	11
26	A42	1	33
27	B26	21	21
28	A28	10	27
	JACK	PIN	LG

63017400 Rev. B

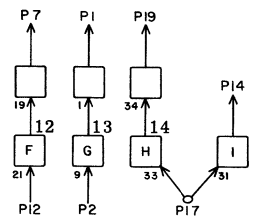
SELECT  $X_k$ ,  $2X_k$ , MERGE



SELECT  $X_k$ ,  $2X_k$ , MERGE



PICK 3



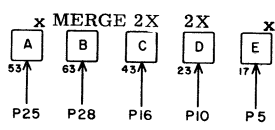
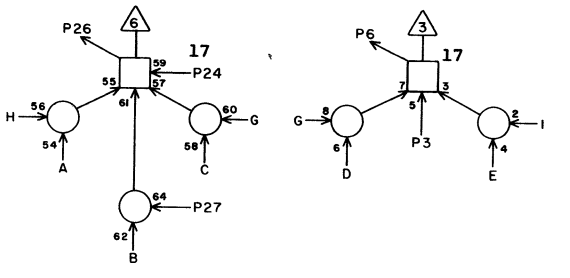
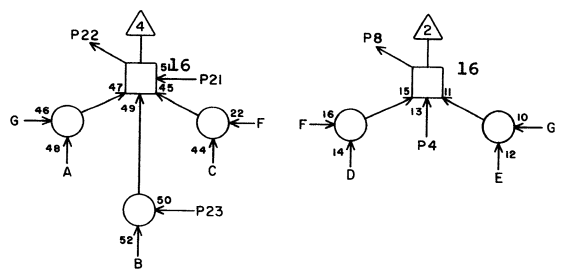
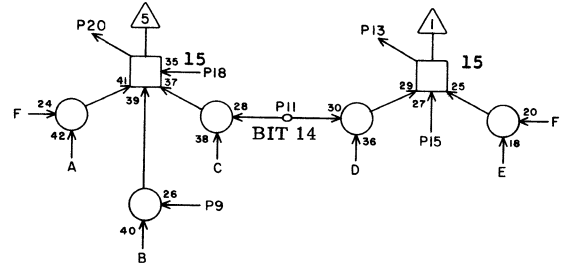
MB 6F21

1			
2	D18	i	11
3	B11	14	21
4	B11	2	21
5	A 9	17	25
6	F40	1	21
7			
8	F39	1	21
9	B27	3	21
10	B 8	17	23
11	F20	14	5
12	D18	7	11
13	F38	1	19
14	F22	11	5
15	B10	27	21
16	H11	5	15
17	D18	19	11
18	B10	26	21
19			
20	B33	1	23
21	B11	4	21
22	B34	1	25
23	B27	1	21
24	B11	16	21
25	G25	17	9
26	B35	1	25
27	B28	21	21
28	B26	10	25

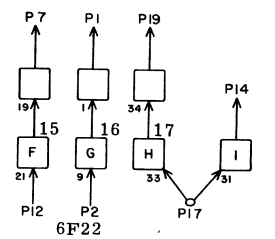
JACK PIN LG

63017400 Rev. B

SELECT  $X_k$ ,  $2X_k$ , MERGE



PICK 3



6F22

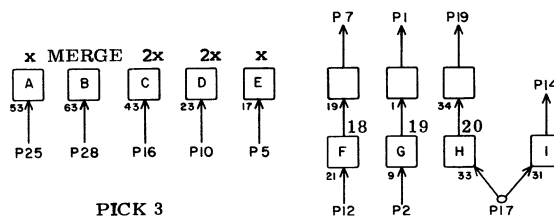
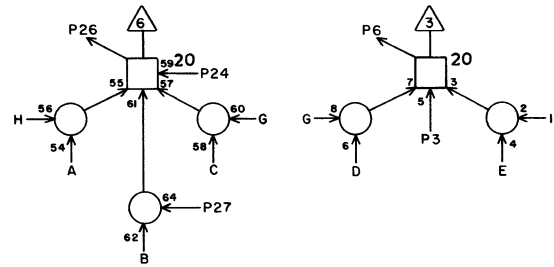
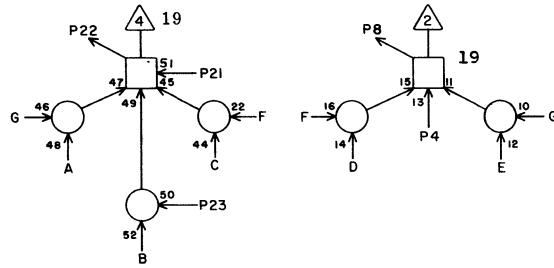
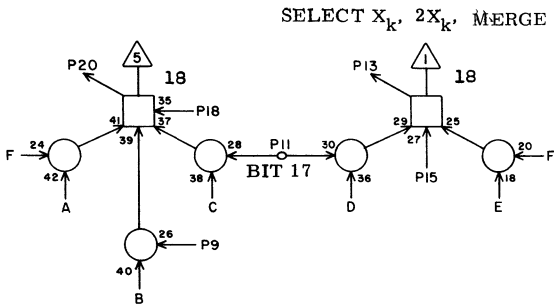
MB 6F22

1			
2	D19	1	11
3	B12	14	21
4	B12	2	21
5	A 9	20	25
6	G30	1	13
7			
8	F42	1	23
9	B28	3	21
10	B 8	20	23
11	F21	14	5
12	D19	7	13
13	F41	1	23
14	F23	11	5
15	B11	27	21
16	H11	7	17
17	D19	19	13
18	B11	26	21
19			
20	B36	1	25
21	B12	4	21
22	B37	1	25
23	B28	1	21
24	B12	16	21
25	G25	20	9
26	B38	1	27
27	B29	21	21
28	B27	10	21

JACK PIN LG

63017400 Rev. B

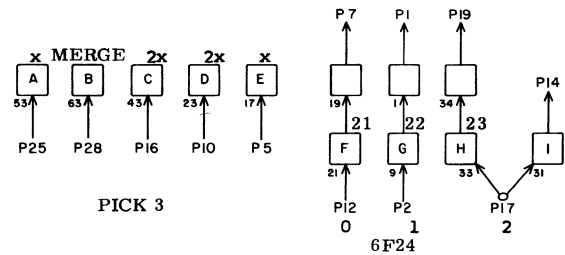
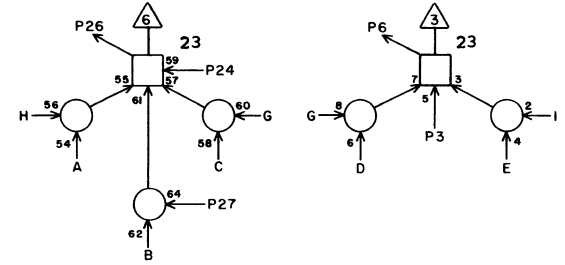
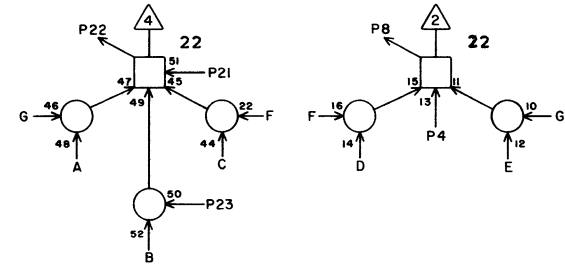
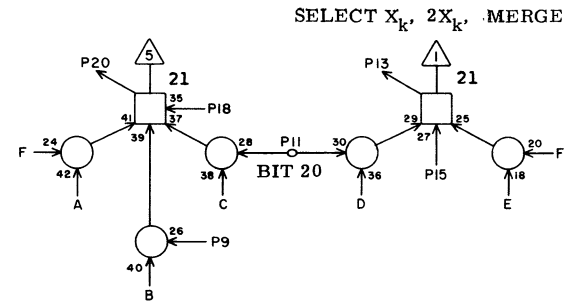




MB 6 **F23**

1			
2	D20	1	11
3	C10	14	21
4	C10	2	21
5	A 9	19	25
6	G33	1	15
7			
8	G32	1	13
9	B29	3	21
10	B 8	19	23
11	F22	14	5
12	D20	7	13
13	G31	1	13
14	F24	11	5
15	B12	27	23
16	H11	9	17
17	D20	19	13
18	B12	26	23
19			
20	B39	1	27
21	C10	4	21
22	B40	1	27
23	B29	1	21
24	C10	16	21
25	G25	19	9
26	B41	1	27
27	C26	21	17
28	B28	10	21

JACK PIN LG  
63017400 Rev. B



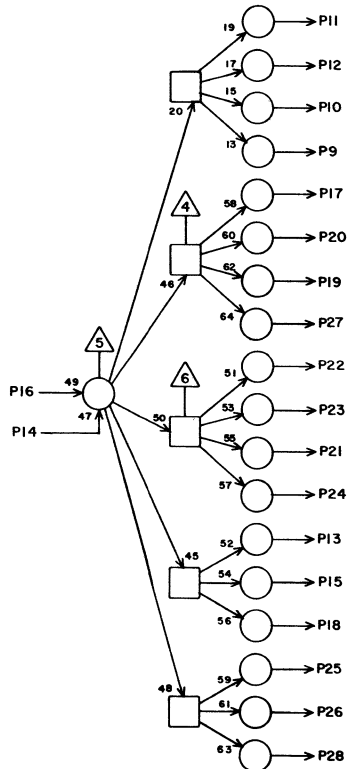
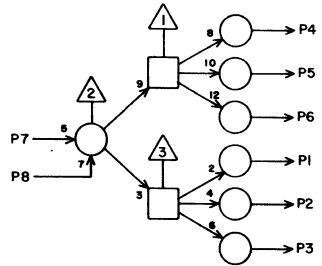
MB 6 **F24**

1			
2	D21	1	11
3	C11	14	21
4	C11	2	21
5	A 9	27	25
6	G36	1	15
7			
8	G35	1	15
9	C26	3	17
10	B 8	27	23
11	F23	14	5
12	D21	7	13
13	G34	1	15
14	G18	11	13
15	C10	27	21
16	H11	11	19
17	D21	19	13
18	C10	26	21
19			
20	B42	1	27
21	C11	4	21
22	C30	1	17
23	C26	1	17
24	C11	16	21
25	G25	27	9
26	C31	1	21
27	C27	21	17
28	B29	10	21

JACK PIN LG  
63017400 Rev. B

LS 63040700  
ASSY

C  
REV



BIT 2, 3  
3X<sub>K</sub>  
FANOUT

CB

6 F25

1	I16	16	19
2	I17	16	19
3	I18	16	17
4	I19	16	17
5	I20	16	17
6	I21	16	17
7	I30	12	17
8	C1	14	120
9	C24	28	11
10	C23	28	13
11	C21	28	17
12	C22	28	17
13	E19	28	11
14	E25	x	2
15	E20	28	11
16	I9	8	25
17	D18	28	13
18	E21	28	11
19	D20	28	13
20	D19	28	13
21	D24	28	13
22	D22	28	13
23	D23	28	13
24	E18	28	13
25	E22	28	11
26	E23	28	9
27	D21	28	13
28			

JACK PIN LG

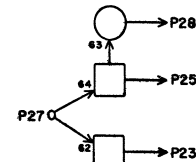
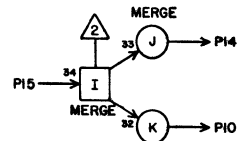
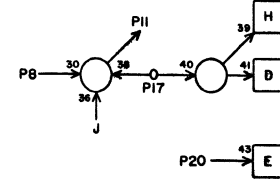
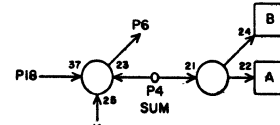
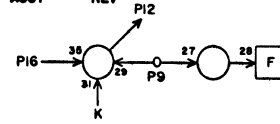
CIRCUIT SPECIFICATION 11827600  
63017400 Rev B

LS 63069900  
ASSY

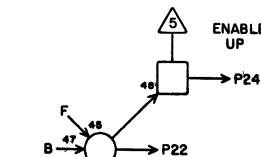
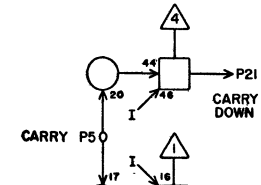
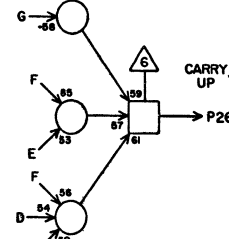
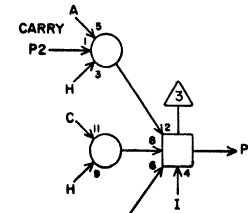
A  
REV

TS

6 F26



2.2K  
P13 → +6V



6 F26

CIRCUIT SPECIFICATION 11827600  
63017400 Rev. B

1	G10	6	19
2	H29	12	13
3	G10	1	19
4	G9	21	21
5	H29	13	13
6			
7	G16	15	17
8			
9	G10	9	19
10			
11			
12			
13	I37	27	19
14			
15	C26	14	17
16			
17	G10	7	19
18			
19	G16	19	19
20	G16	16	19
21	G9	25	21
22	G29	25	11
23	I8	14	25
24	H29	3	13
25	I7	14	25
26	H29	8	13
27	I24	28	17
28	I9	26	23

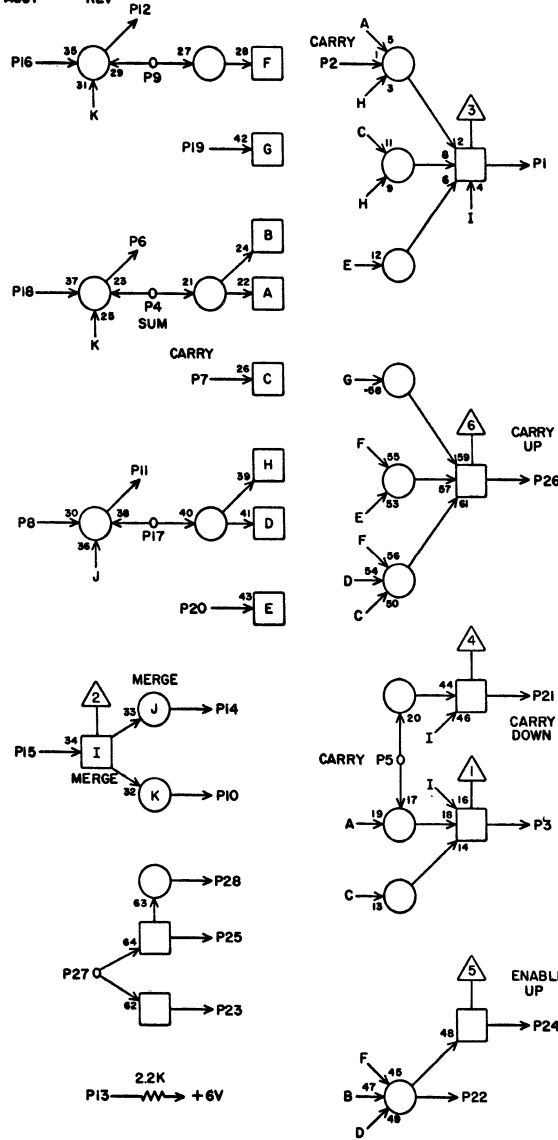
JACK PIN LG

LS 63069900  
ASSY



TS

6F27



JACK	PIN	LG
1	G11	1 19
2	I32	11 17
3	G10	25 19
4	G10	17 19
5	I32	9 17
6		
7	G17	15 18
8		
9	G11	7 19
10		
11		
12		
13	I38	27 19
14	H25	24 13
15	C27	14 15
16		
17	G10	21 21
18		
19	G17	19 19
20	G17	16 17
21	G10	19 21
22	G29	23 9
23	K12	7 27
24	I32	5 17
25	H12	7 17
26	H29	27 13
27	I22	21 25
28		

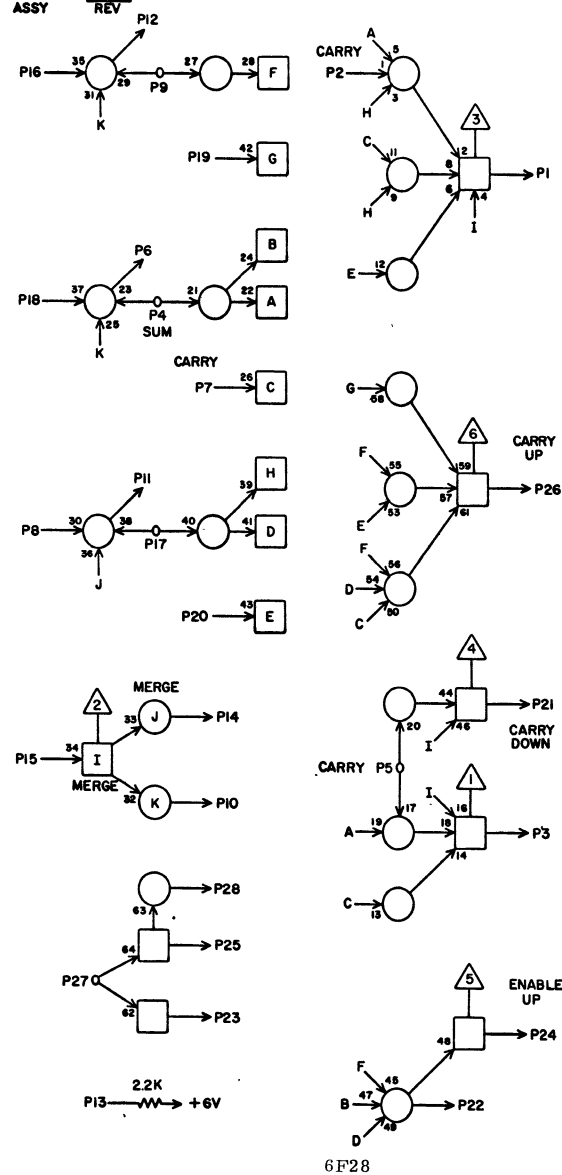
CIRCUIT SPECIFICATION 11827600  
63017400 Rev. B

LS 63069900  
ASSY



TS

6F28



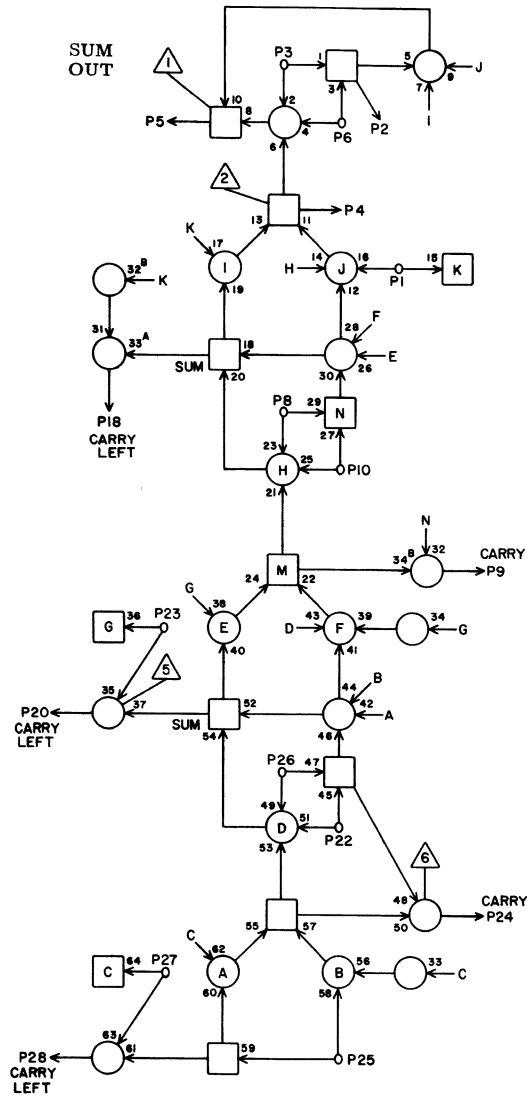
JACK	PIN	LG
1	G11	25 21
2	H29	24 13
3	G11	19 21
4	G11	9 21
5	H29	22 13
6		
7	H15	15 21
8		
9	G11	21 21
10		
11		
12		
13	I30	28 17
14		
15	C28	14 17
16		
17	G11	17 21
18		
19	H15	16 21
20	H15	19 21
21	G11	6 21
22	G29	17 9
23	I24	8 15
24	H29	25 11
25		
26	H29	28 11
27	I8	24 25
28	J26	5 15

CIRCUIT SPECIFICATION 11827600  
63017400 Rev. T





UPPER 3-LEVEL ADDER  
BIT 11

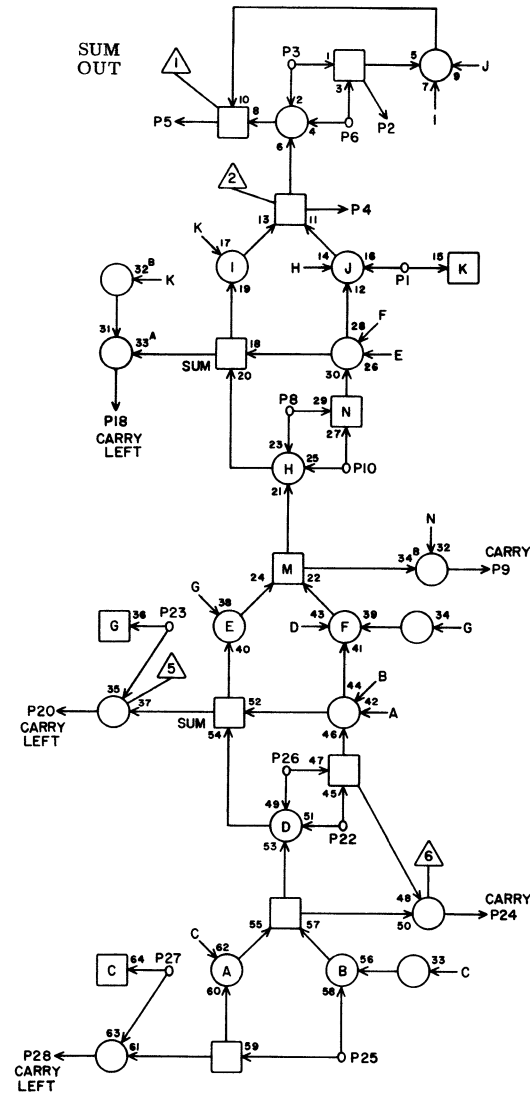


MG **6F33**

	JACK	PIN	LG
1	F19	8	17
2	E16	2	19
3	F32	9	5
4	E16	4	19
5	E15	28	21
6	F32	18	5
7			
8	F32	24	5
9	F34	3	5
10	F32	20	5
11			
12			
13			
14			
15			
16			
17			
18	F34	6	5
19			
20	F34	00	5
21			
22	F32	28	5
23	C24	13	19
24	F34	8	5
25	E17	26	19
26	E17	11	19
27	A21	6	27
28	F34	22	5

63017400 Rev. B

UPPER 3-LEVEL ADDER  
BIT 12



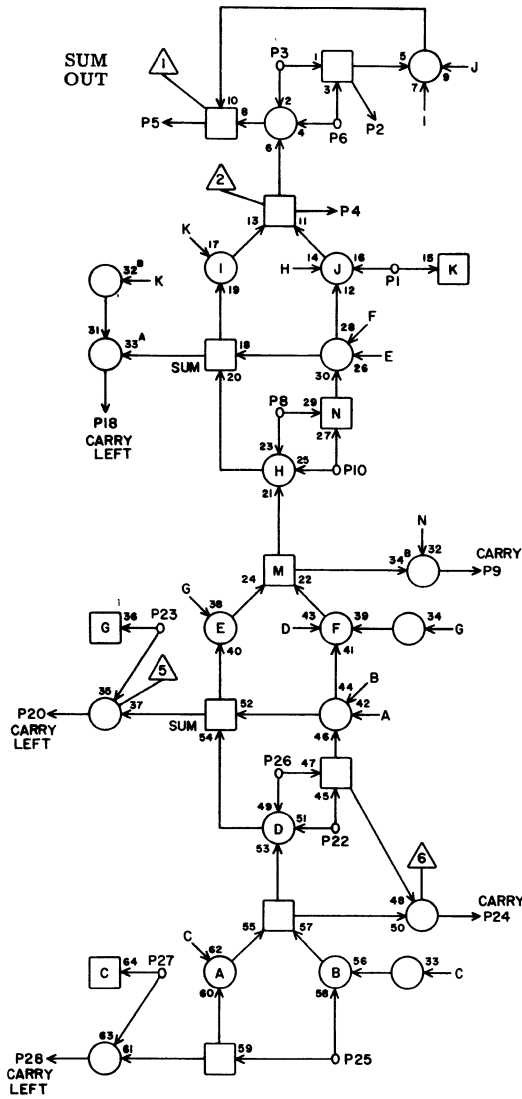
MG **6F34**

	JACK	PIN	LG
1	F19	6	17
2	E16	6	21
3	F33	9	5
4	E16	8	27
5	E16	23	21
6	F33	18	5
7			
8	F33	24	5
9	F35	3	5
10	F33	20	5
11			
12			
13			
14			
15			
16			
17			
18	F35	6	5
19			
20	F35	10	5
21			
22	F33	28	5
23	C24	8	19
24	F35	8	5
25	F13	22	23
26	F13	3	23
27	A22	13	27
28	F35	22	5

63017400 Rev. B

6F34

UPPER 3-LEVEL ADDER  
BIT 13



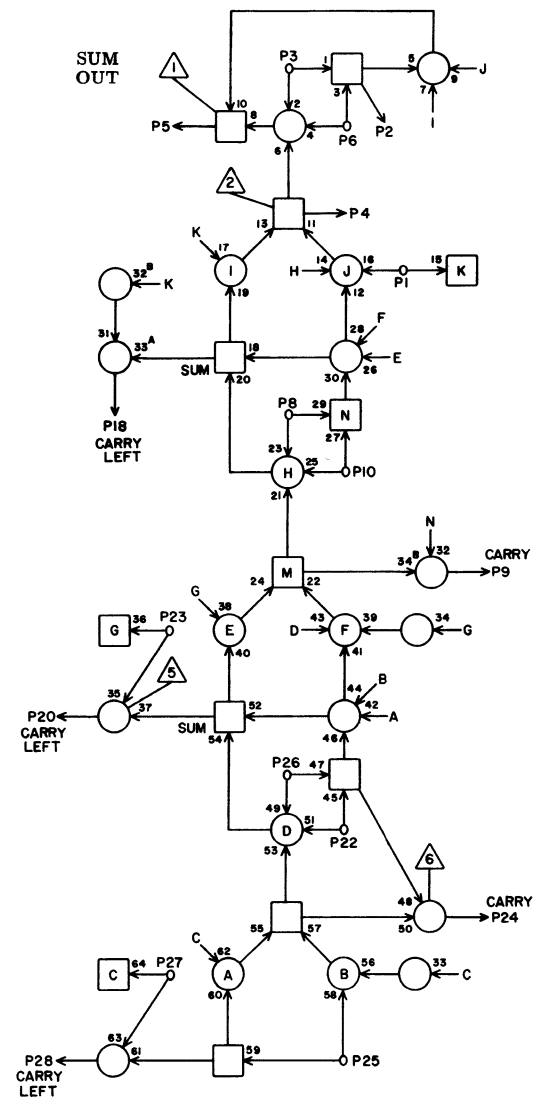
M6 **6F35**

1	F20	13	17
2	E16	10	21
3	F34	9	5
4	E16	12	21
5	E16	24	21
6	F34	18	5
7			
8	F34	24	5
9	F36	3	3
10	F34	20	5
11			
12			
13			
14			
15			
16			
17			
18	F36	6	5
19			
20	F36	10	3
21			
22	F34	28	3
23	C24	6	19
24	F36	8	5
25	F13	25	23
26	F13	7	23
27	A22	8	27
28	F36	22	3

JACK PIN LG

63017400 Rev. B

UPPER 3-LEVEL ADDER  
BIT 14



M6 **6F36**

1	F20	8	19
2	E17	2	21
3	F35	9	3
4	E17	4	21
5	E16	28	21
6	F35	18	5
7			
8	F35	24	5
9	F37	3	3
10	F35	20	3
11			
12			
13			
14			
15			
16			
17			
18	F37	6	5
19			
20	F37	10	5
21			
22	F35	28	3
23	D18	13	21
24	F37	8	5
25	F13	26	23
26	F13	11	25
27	A22	6	27
28	F37	22	3

JACK PIN LG

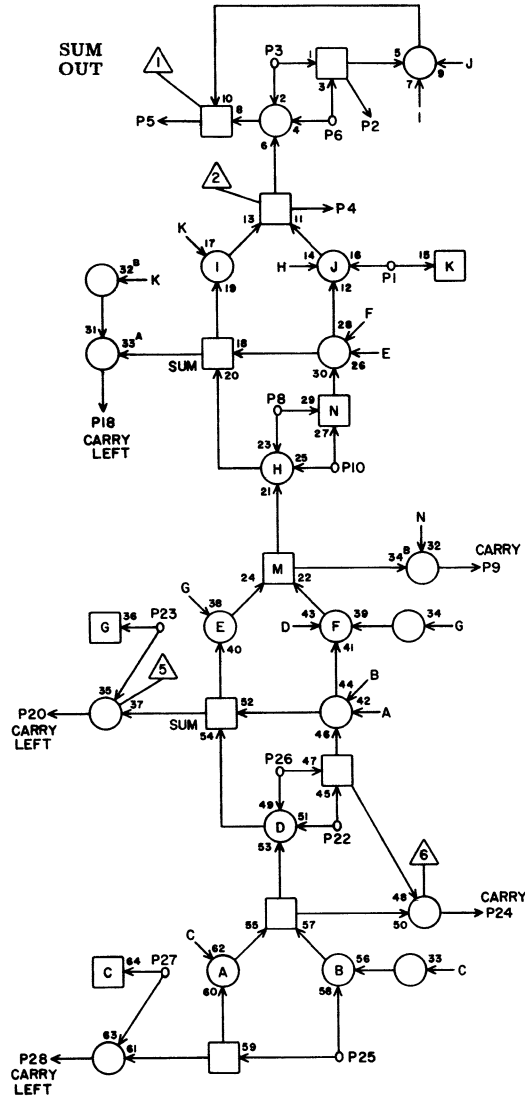
6F36

63017400 Rev. B





UPPER 3-LEVEL ADDER  
BIT 17



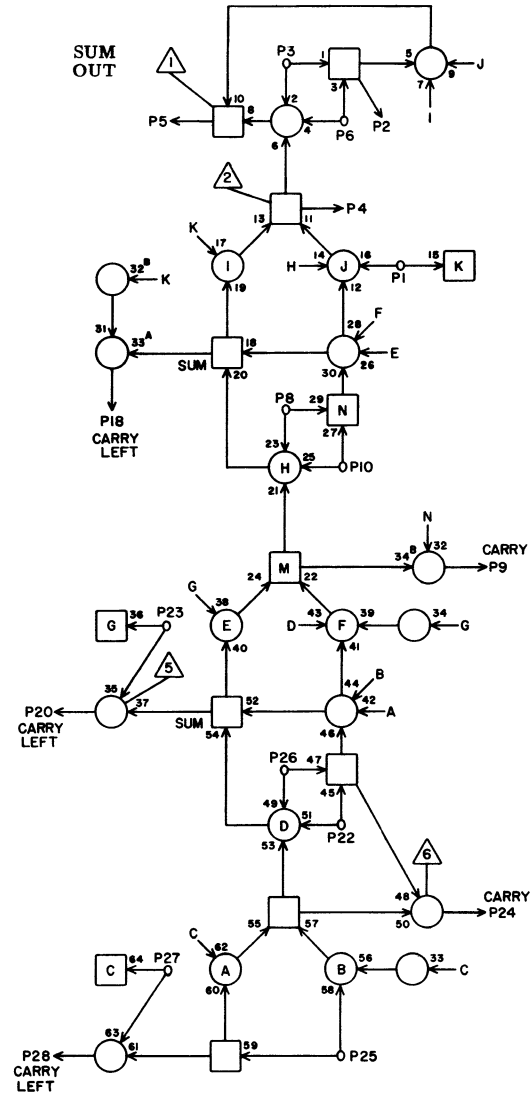
M6 **6F39**

1	F21	8	21
2	F13	2	27
3	F38	9	3
4	F13	4	27
5	E17	28	23
6	F38	18	5
7			
8	F38	24	5
9	F40	3	3
10	F38	20	3
11			
12			
13			
14			
15			
16			
17			
18	F40	6	5
19			
20	F40	10	5
21			
22	F38	28	3
23	D19	13	25
24	F40	8	5
25	F14	26	27
26	F14	11	27
27	A23	6	29
28	F40	22	3

JACK PIN LG

63017400 Rev. B

UPPER 3-LEVEL ADDER  
BIT 18



M6 **6F40**

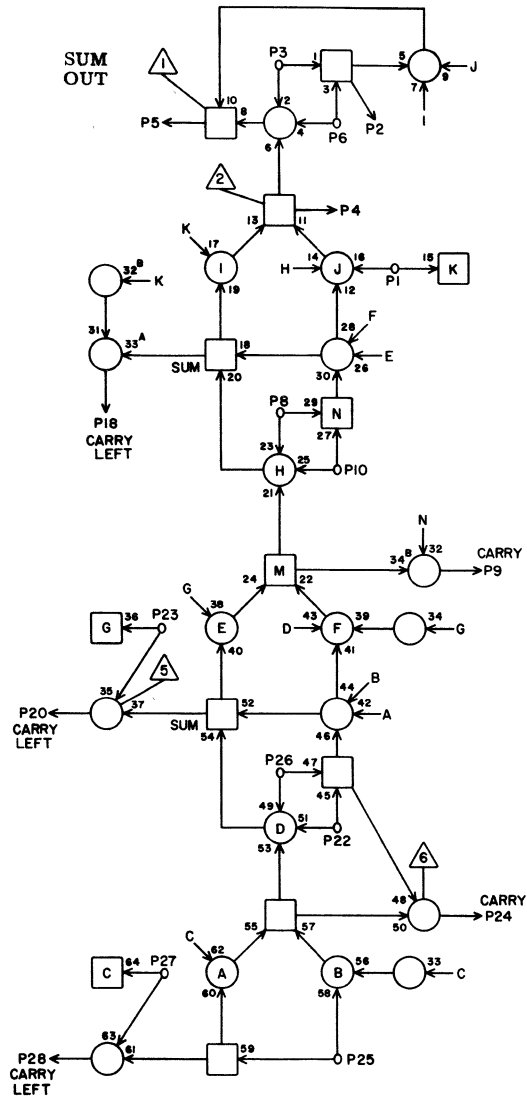
1	F21	6	21
2	F13	6	27
3	F39	9	3
4	F13	8	27
5	F13	23	27
6	F39	18	5
7			
8	F39	24	5
9	F41	3	3
10	F39	20	5
11			
12			
13			
14			
15			
16			
17			
18	F41	6	5
19			
20	F41	10	3
21			
22	F39	28	3
23	D19	8	25
24	F41	8	5
25	F15	22	27
26	F15	3	27
27	A24	13	29
28	F41	22	3

JACK PIN LG

63017400 Rev. B

6F40

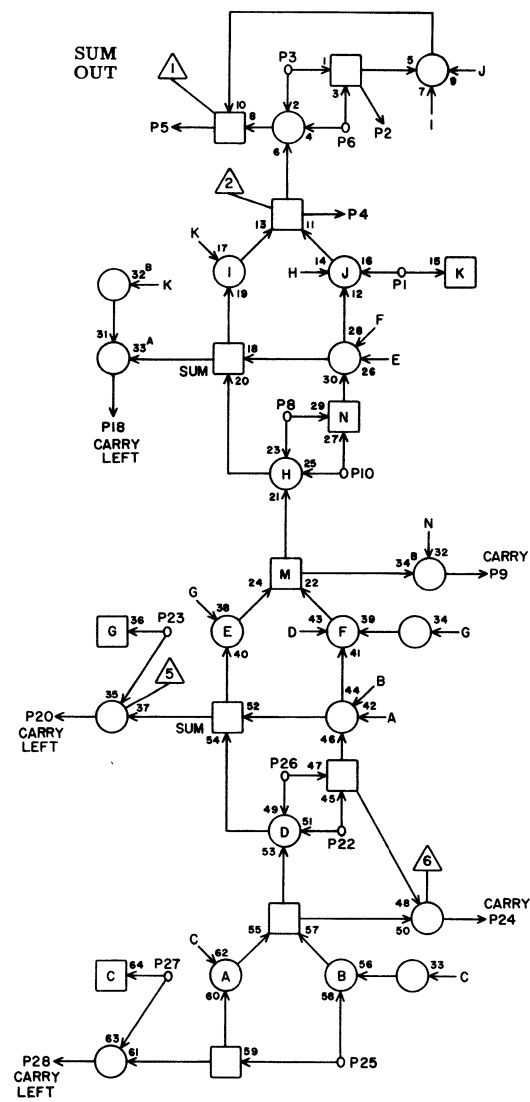
UPPER 3-LEVEL ADDER  
BIT 19



MG		6F41	
1	F22	13	23
2	F13	10	29
3	F40	9	3
4	F13	12	29
5	F13	24	27
6	F40	18	5
7			
8	F40	24	5
9	F42	3	3
10	F40	20	3
11			
12			
13			
14			
15			
16			
17			
18	F42	6	5
19			
20	F42	10	5
21			
22	F40	28	3
23	D19	6	25
24	F42	8	5
25	F15	25	27
26	F15	7	27
27	A24	8	29
28	F42	22	3
	JACK	PIN	LG

63017400 Rev. B

UPPER 3-LEVEL ADDER  
BIT 20

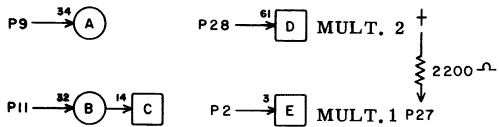
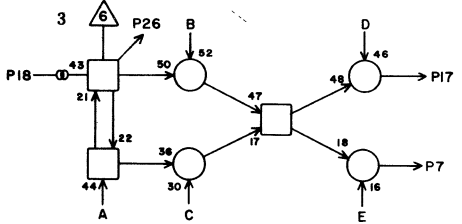
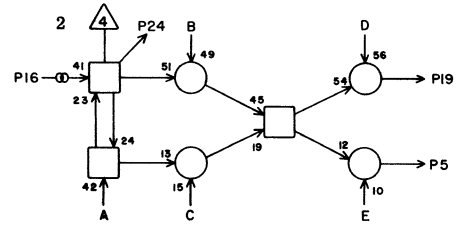
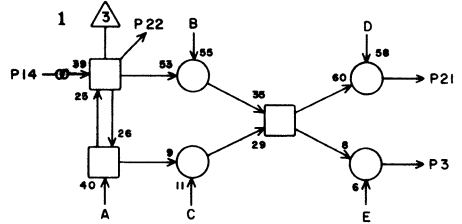
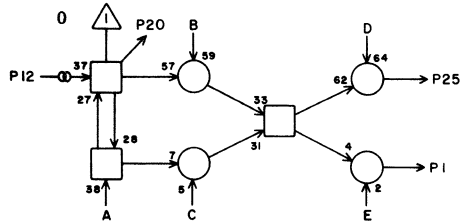


MG		6F42	
1	F22	8	23
2	F14	2	29
3	F41	9	3
4	F14	3	29
5	F13	28	29
6	F41	18	5
7			
8	F41	24	5
9	G30	3	15
10	F41	20	5
11			
12			
13			
14			
15			
16			
17			
18	G30	6	15
19			
20	G30	10	17
21			
22	F41	28	3
23	D20	13	25
24	G30	8	15
25	F15	26	27
26	F15	11	27
27	A24	6	29
28	G30	22	17
	JACK	PIN	LG

63017400 Rev. B

6F42

$X_k$  TO MULTIPLY AND DIVIDE



SIGN

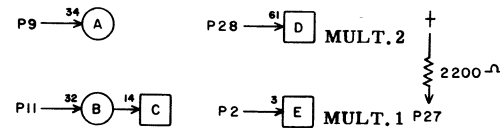
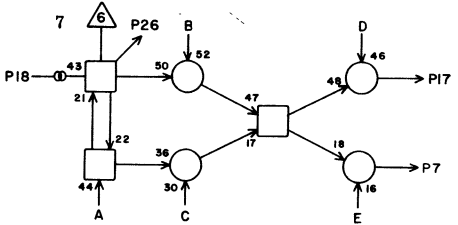
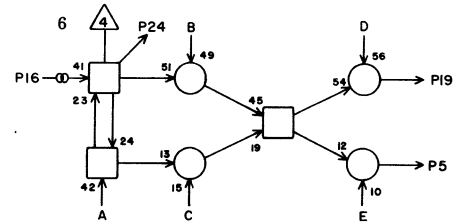
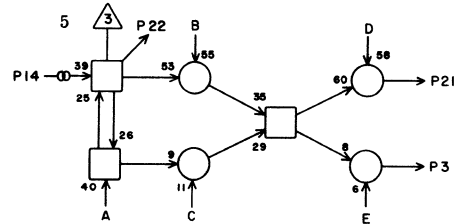
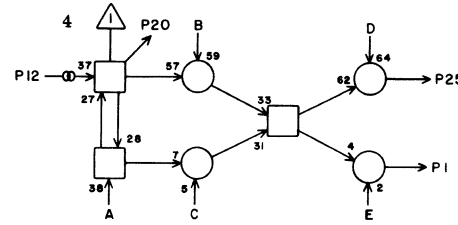
GA **6G1**

1	C 1	11	19
2	G 8	1	11
3	C 1	10	19
4			
5	C 1	15	19
6			
7	C 2	11	19
8			
9	G 7	2	9
10			
11	F 7	27	11
12	W12	90	
13			
14	W12	91	
15			
16	W12	92	
17	P 2	11	37
18	W12	93	
19	F 1	15	37
20	K 1	55	17
21	P 1	10	35
22	K 1	6	17
23			
24	K 1	4	17
25	P 1	11	35
26	K 2	5	17
27	C21	11	27
28	H 7	1	9

JACK PIN LG

63017400 Rev. B

$X_k$  TO MULTIPLY AND DIVIDE



SIGN

GA **6G2**

1	C 2	10	19
2	G 8	3	9
3	C 2	15	17
4			
5	C 3	11	19
6			
7	C 3	10	19
8			
9	G 7	4	9
10			
11	F 7	25	11
12	W12	94	
13			
14	W12	95	
15			
16	W12	96	
17	P 3	10	37
18	W12	97	
19	P 3	11	37
20	K 2	6	17
21	P 2	15	37
22	K 2	4	17
23			
24	K 3	5	17
25	P 2	10	35
26	K 3	6	17
27	P21	11	41
28	H 7	3	9

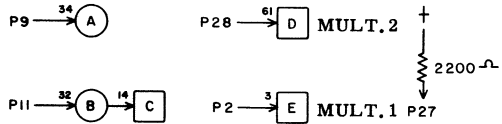
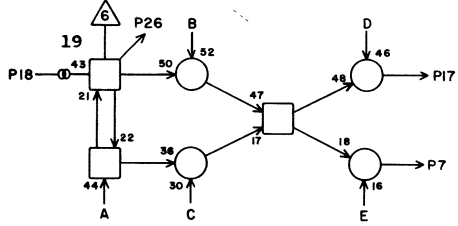
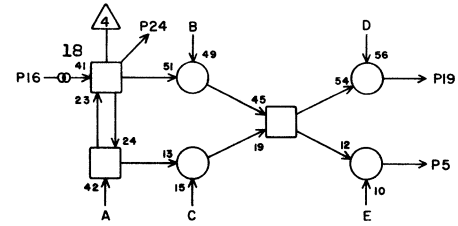
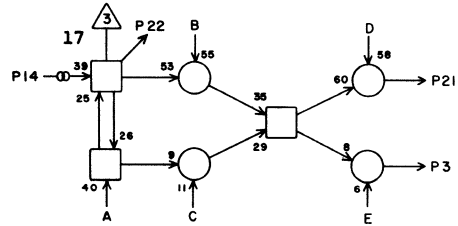
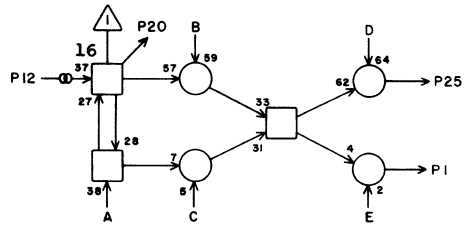
JACK PIN LG

63017400 Rev. B

6G2



$X_k$  TO MULTIPLY AND DIVIDE



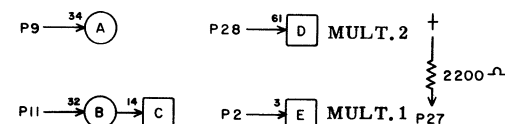
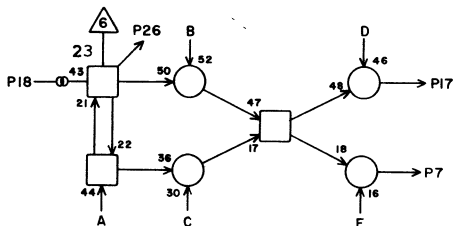
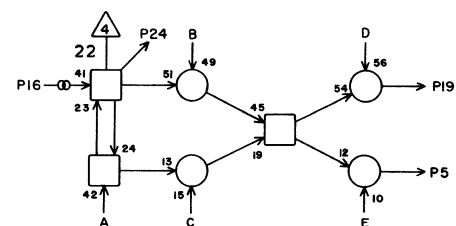
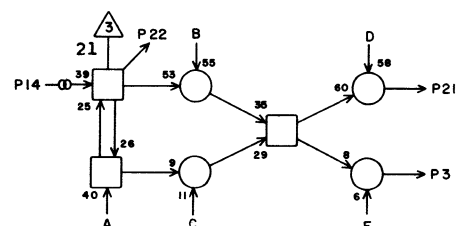
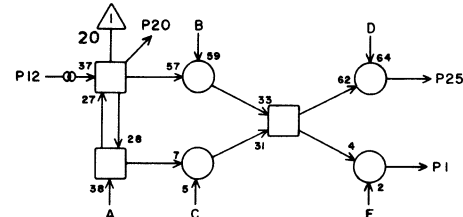
SIGN

GA **6G 5**

1	C 6	10	19
2	G 8	9	7
3	C 6	15	19
4			
5	C 7	11	19
6			
7	C 7	10	19
8			
9	G 7	10	3
10			
11	F 7	19	9
12	W 12	906	
13			
14	W 12	907	
15			
16	W 15	90	
17	P 7	10	37
18	W 15	91	
19	P 7	11	37
20	K 6	6	17
21	P 6	15	37
22	K 6	4	17
23			
24	K 7	5	17
25	P 6	10	35
26	K 7	6	17
27	A 18	11	29
28	H 7	9	7

63017400 Rev. B

$X_k$  TO MULTIPLY AND DIVIDE



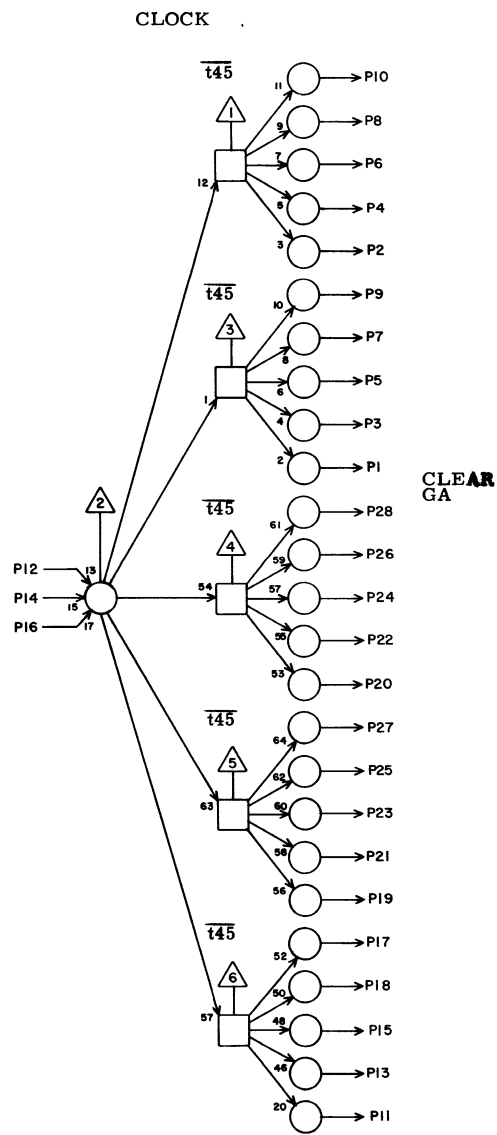
SIGN

GA **6G 6**

1	C 7	185	17
2	G 8	2	5
3	C 8	11	19
4			
5	C 8	10	19
6			
7	C 8	15	19
8			
9	G 7	1	3
10			
11	F 7	28	11
12	W 15	92	
13			
14	W 15	93	
15			
16	W 15	94	
17	P 8	15	37
18	W 15	95	
19	P 8	10	35
20	K 7	4	17
21	P 8	11	37
22	L 1	5	23
23			
24	L 1	6	23
25	P 7	15	37
26	L 1	4	21
27	R 18	11	29
28	H 7	2	7

63017400 Rev. B

6G6

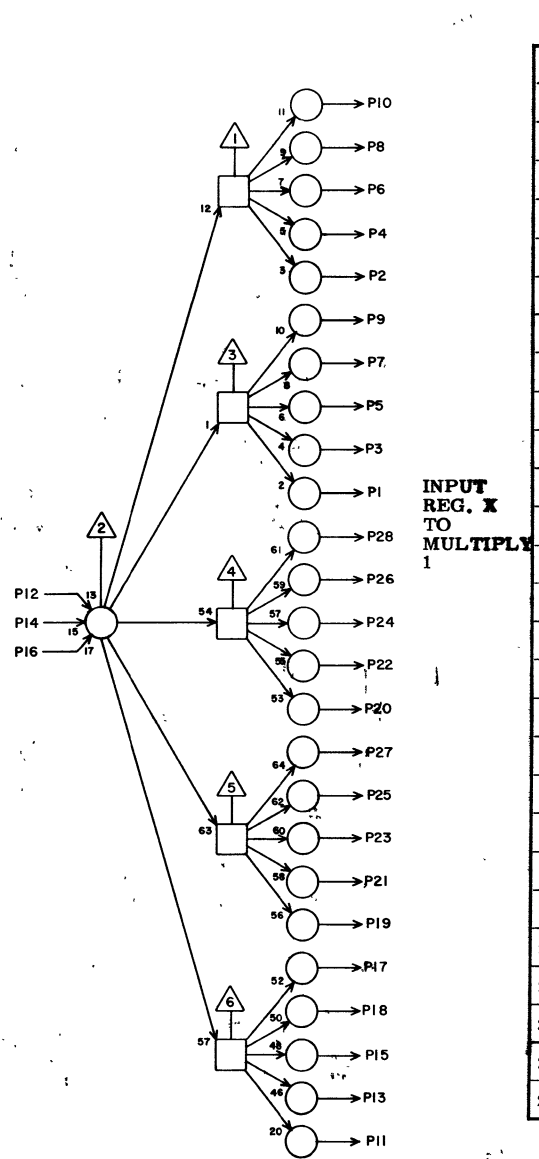


CA **6G 7**

1	G 6	9	3
2	G 1	9	9
3	H 1	9	11
4	G 2	9	9
5	H 2	9	11
6	G 3	9	7
7	H 3	9	9
8	G 4	9	9
9	H 4	9	7
10	G 5	9	3
11	H 5	9	7
12	I 7	28	13
13	H 6	9	7
14	G 07	x	2
15	I 1	9	15
16	G 07	x	2
17	I 3	9	11
18	I 2	9	15
19	J 3	9	17
20	I 4	9	11
21	J 4	9	17
22	I 5	9	13
23	J 5	9	17
24	I 6	9	11
25	J 6	9	17
26	J 1	9	17
27	L 08	10	51
28	J 2	9	17

JACK PIN LG

63017400 Rev. B



CA **6G 8**

1	G 1	2	11
2	G 6	2	5
3	G 2	2	9
4	H 1	2	9
5	G 3	2	9
6	H 2	2	9
7	G 4	2	9
8	H 3	2	9
9	G 5	2	7
10	H 4	2	9
11	H 5	2	7
12	E 27	28	23
13	H 6	2	7
14	I 27	20	84
15	I 1	2	13
16	G 08	x	2
17	I 3	2	13
18	I 2	2	13
19	J 3	2	15
20	I 4	2	11
21	J 4	2	15
22	I 5	2	11
23	J 5	2	13
24	I 6	2	9
25	J 6	2	13
26	J 1	2	15
27	C 14	17	19
28	J 2	2	13

JACK PIN LG

63017400 Rev. B



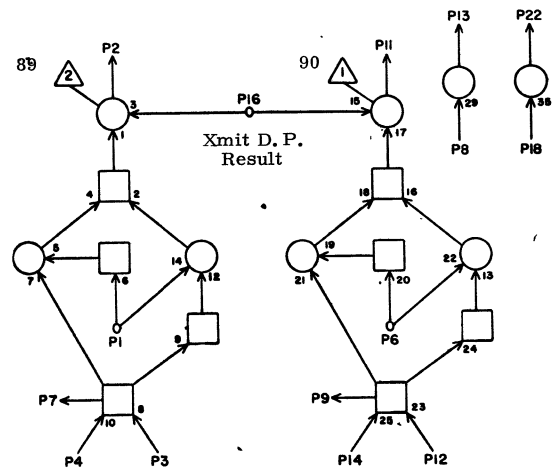
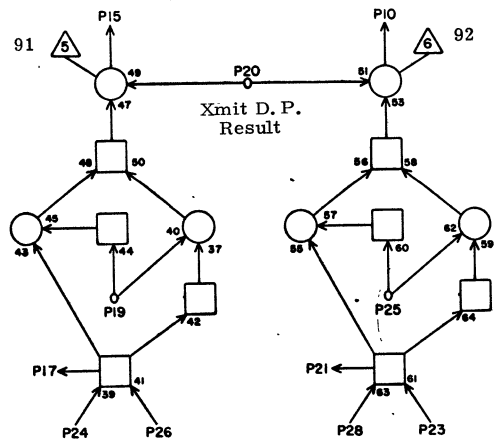
LS 63069700  
ASSY

A  
REV

PARTIAL SUM + PARTIAL  
CARRY ADDER

RU

6G11



1	F27	1	19
2	M7	19	29
3	G17	9	11
4	G17	27	11
5			
6	F28	21	21
7	F27	9	19
8	I22	6	17
9	F28	4	21
10	N2	24	33
11	N1	24	33
12	H15	1	9
13	H14	7	7
14	H15	20	11
15	N1	19	33
16	D13	18	17
17	F28	17	21
18			
19	F28	3	21
20	C15	18	19
21	F28	9	21
22			
23	H15	27	11
24	H15	21	11
25	F28	1	21
26	H15	5	9
27			
28	H15	9	9

JACK PIN LG

CIRCUIT SPECIFICATION 11827600  
63017400 Rev. B

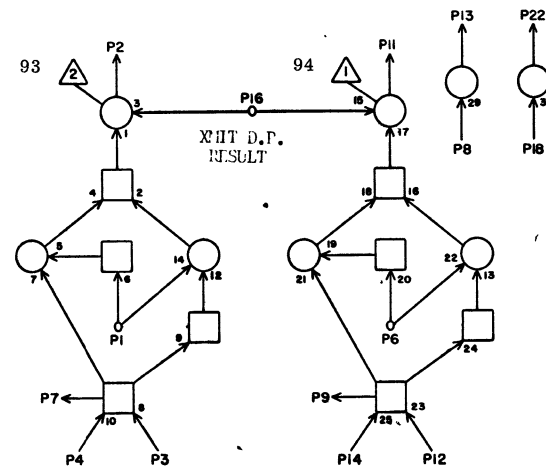
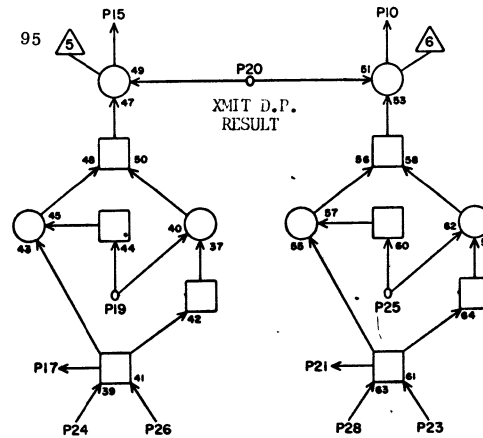
LS 63069700  
ASSY

A  
REV

PARTIAL SUM + PARTIAL  
CARRY ADDER

RU

6G12

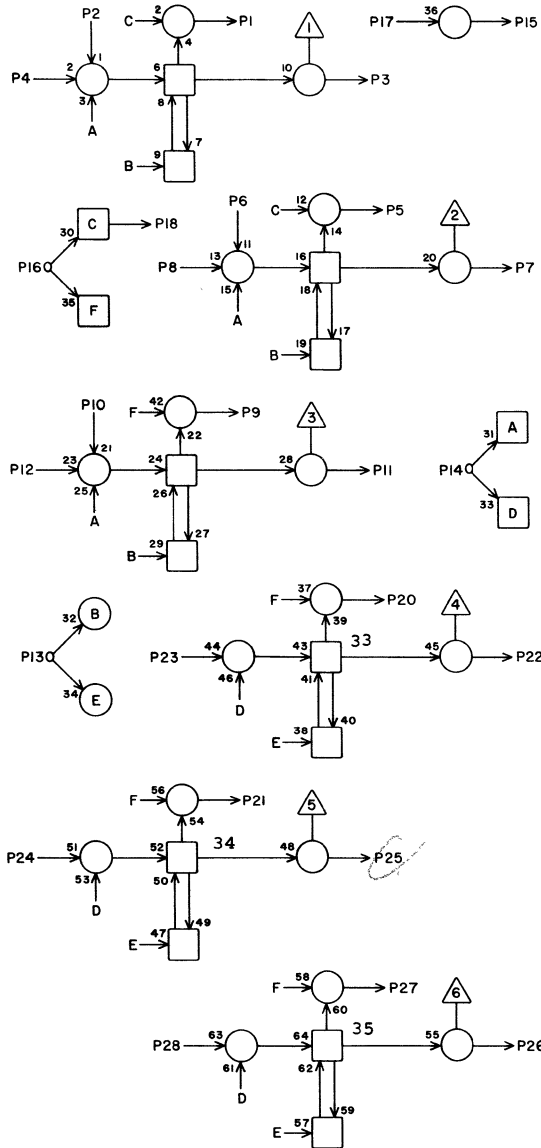


1	F29	21	21
2	N2	19	33
3	H16	1	9
4	H16	20	11
5			
6	F29	3	21
7	F29	4	21
8	I09	25	108
9	F29	17	21
10			
11	N3	28	33
12	H16	5	9
13	G12	18	3
14	H16	21	11
15	N3	19	31
16	D16	18	17
17	F7	8	11
18	G12	13	3
19	F29	1	21
20	C16	18	19
21			
22	H09	27	108
23			
24	H16	27	11
25			
26	H16	9	9
27			
28			

JACK PIN LG

CIRCUIT SPECIFICATION 11827600  
63017400 Rev. N

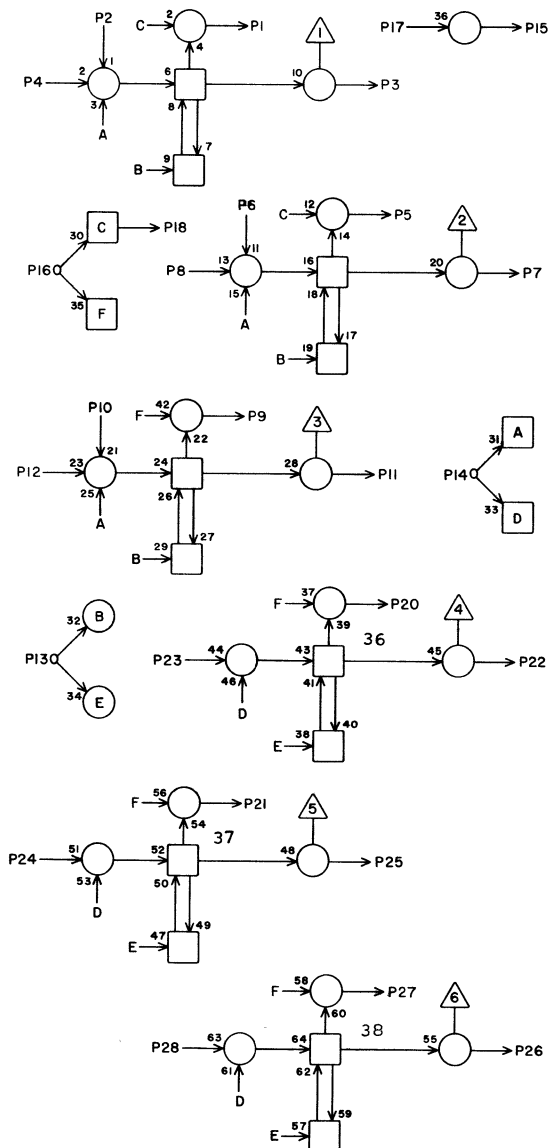




NJ **6G 13**

1	<b>E23</b>	<b>21</b>	<b>15</b>
2	<b>G41</b>	<b>2</b>	<b>29</b>
3	<b>G36</b>	<b>26</b>	<b>25</b>
4	<b>G41</b>	<b>4</b>	<b>29</b>
5	<b>E23</b>	<b>24</b>	<b>15</b>
6	<b>G42</b>	<b>2</b>	<b>29</b>
7	<b>G37</b>	<b>26</b>	<b>25</b>
8	<b>G42</b>	<b>4</b>	<b>29</b>
9	<b>G13</b>	<b>17</b>	<b>3</b>
10	<b>H30</b>	<b>2</b>	<b>19</b>
11	<b>G38</b>	<b>26</b>	<b>27</b>
12	<b>H30</b>	<b>4</b>	<b>19</b>
13	<b>F 9</b>	<b>16</b>	<b>9</b>
14	<b>H21</b>	<b>15</b>	<b>13</b>
15	<b>E31</b>	<b>27</b>	<b>21</b>
16	<b>I24</b>	<b>16</b>	<b>17</b>
17	<b>G13</b>	<b>9</b>	<b>3</b>
18			
19			
20	<b>D42</b>	<b>25</b>	<b>31</b>
21	<b>E30</b>	<b>25</b>	<b>21</b>
22	<b>G36</b>	<b>25</b>	<b>25</b>
23	<b>G42</b>	<b>5</b>	<b>29</b>
24	<b>H30</b>	<b>5</b>	<b>19</b>
25	<b>G37</b>	<b>25</b>	<b>25</b>
26	<b>G38</b>	<b>25</b>	<b>25</b>
27	<b>E31</b>	<b>25</b>	<b>21</b>
28	<b>H31</b>	<b>5</b>	<b>19</b>

JACK PIN LG



NJ **6G 14**

1	<b>G14</b>	<b>17</b>	<b>3</b>
2	<b>H31</b>	<b>2</b>	<b>19</b>
3	<b>G39</b>	<b>26</b>	<b>27</b>
4	<b>H31</b>	<b>4</b>	<b>19</b>
5	<b>G9</b>	<b>8</b>	<b>7</b>
6	<b>H32</b>	<b>2</b>	<b>21</b>
7	<b>G40</b>	<b>26</b>	<b>27</b>
8	<b>H32</b>	<b>4</b>	<b>21</b>
9	<b>G9</b>	<b>18</b>	<b>7</b>
10	<b>H33</b>	<b>2</b>	<b>21</b>
11	<b>G41</b>	<b>26</b>	<b>27</b>
12	<b>H33</b>	<b>4</b>	<b>21</b>
13	<b>F 9</b>	<b>17</b>	<b>11</b>
14	<b>H21</b>	<b>17</b>	<b>13</b>
15	<b>E32</b>	<b>27</b>	<b>21</b>
16	<b>I24</b>	<b>17</b>	<b>17</b>
17	<b>G14</b>	<b>1</b>	<b>3</b>
18			
19			
20	<b>E32</b>	<b>25</b>	<b>21</b>
21	<b>E33</b>	<b>25</b>	<b>23</b>
22	<b>G39</b>	<b>25</b>	<b>27</b>
23	<b>H32</b>	<b>5</b>	<b>21</b>
24	<b>H33</b>	<b>5</b>	<b>21</b>
25	<b>G40</b>	<b>25</b>	<b>27</b>
26	<b>G41</b>	<b>25</b>	<b>27</b>
27	<b>E34</b>	<b>25</b>	<b>23</b>
28	<b>H34</b>	<b>5</b>	<b>21</b>

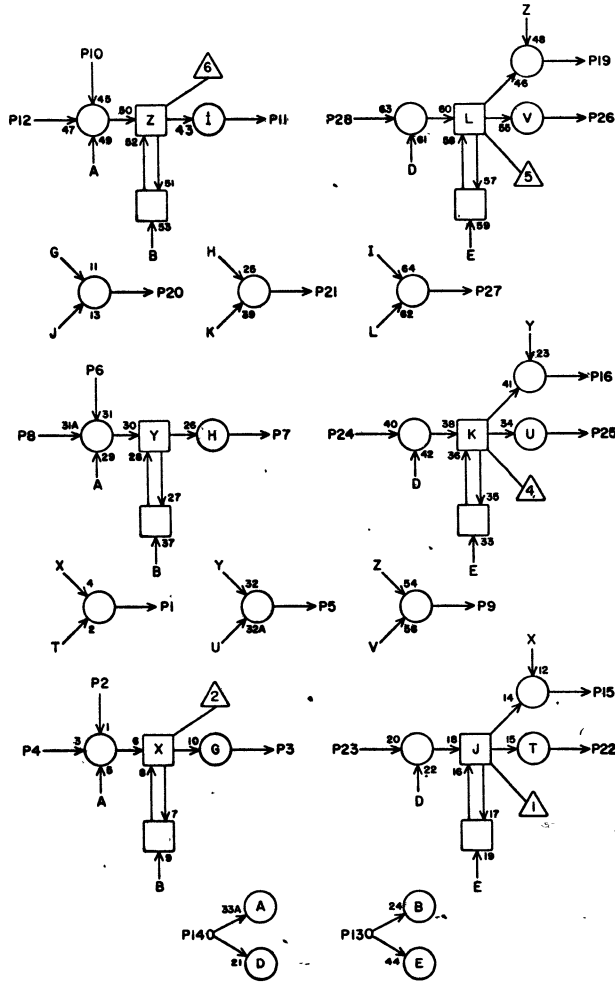
JACK PIN LG

LS 63069600  
ASSY

**A**  
REV

RT

6G15



1	G9	3	9
2	H34	2	21
3	G42	26	27
4	H34	4	21
5	G9	12	11
6	H35	2	21
7	H30	26	19
8	H35	4	23
9	G9	26	11
10	H36	2	23
11	H31	26	19
12	H36	4	23
13	F9	18	11
14	H21	18	11
15	E29	7	19
16	E29	20	19
17			
18			
19	E29	19	19
20	G9	4	11
21	G9	14	11
22	G42	25	27
23	H35	5	23
24	H36	5	23
25	H30	25	19
26	H31	25	19
27	G9	24	21
28	H37	5	25

JACK PIN LG

CIRCUIT SPECIFICATION 11827600

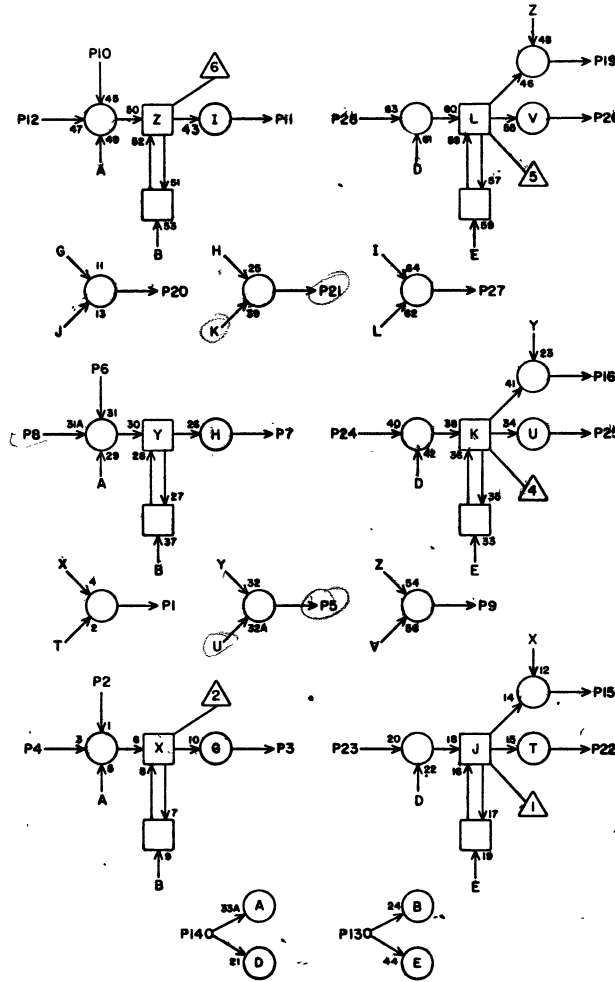
63017400 Rev. B

LS 63069600  
ASSY

**A**  
REV

RT

6G16



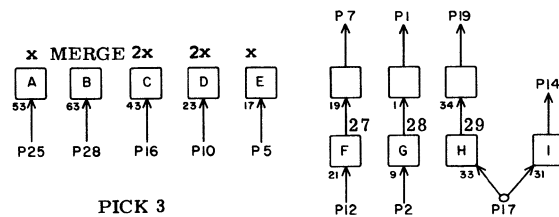
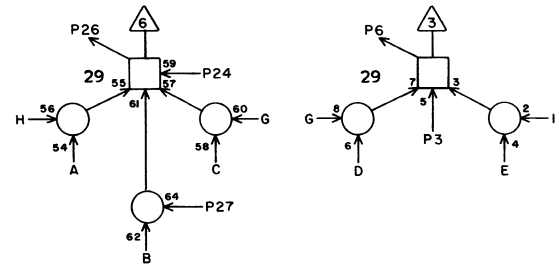
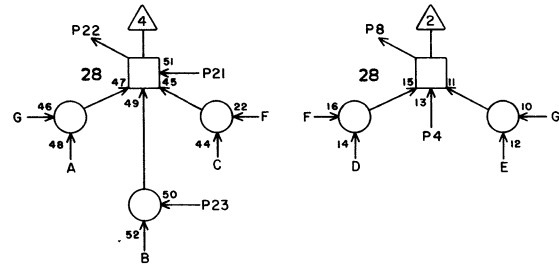
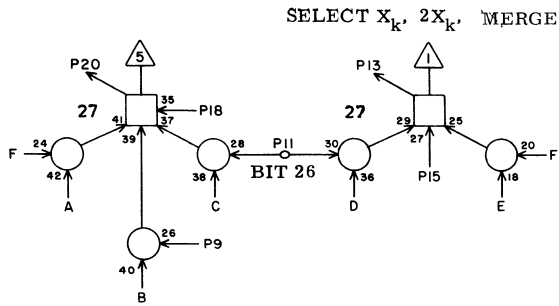
1	G9	28	11
2	H37	2	23
3	H32	26	19
4	H37	4	23
5	G10	3	11
6	H38	2	23
7	H33	26	17
8	H38	4	23
9	G10	12	11
10	H39	2	25
11	H34	26	21
12	H39	4	25
13	F9	19	13
14	H21	19	11
15	F26	7	17
16	F26	20	19
17			
18			
19	F29	19	19
20	G9	23	11
21	G10	4	11
22	H32	25	19
23	H38	5	25
24	H39	5	25
25	H33	25	19
26	H34	25	19
27	G10	14	11
28	H40	5	25

JACK PIN LG

CIRCUIT SPECIFICATION 11827600

63017400 Rev. B

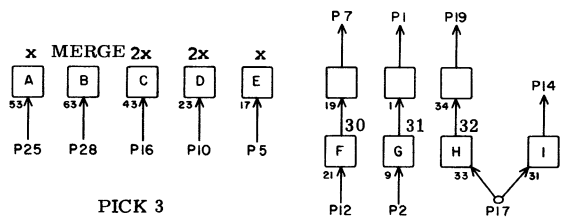
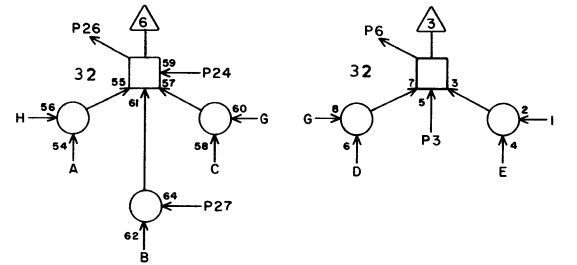
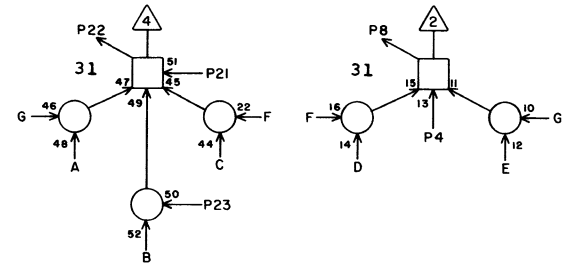
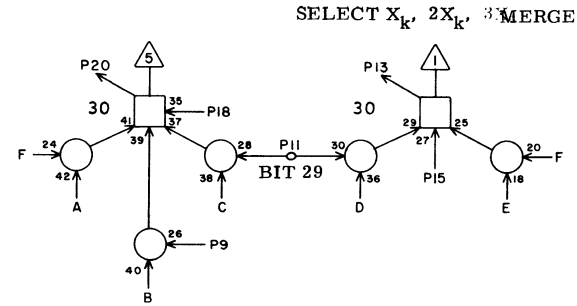




MB **6G 19**

1			
2	D23	1	15
3	D10	14	17
4	D10	2	17
5	A 9	23	27
6	G42	1	25
7			
8	G41	1	23
9	C28	3	23
10	B 8	23	23
11	G18	14	3
12	D23	7	17
13	G40	1	21
14	G20	11	3
15	C12	27	21
16	H11	14	13
17	D23	19	17
18	C12	26	21
19			
20	C35	1	27
21	D10	4	19
22	C36	1	27
23	C28	1	23
24	D10	16	19
25	G25	23	11
26	C37	1	27
27	C29	21	23
28	C27	10	25
	JACK	PIN	LG

63017400 Rev. B

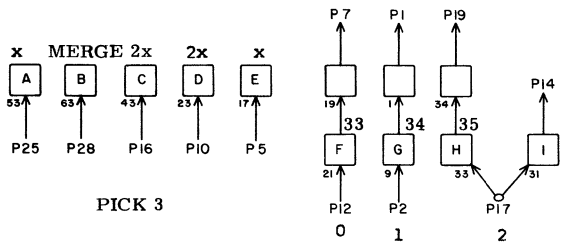
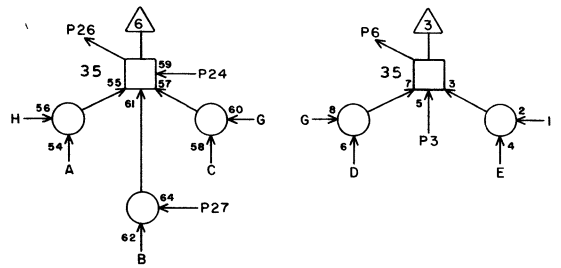
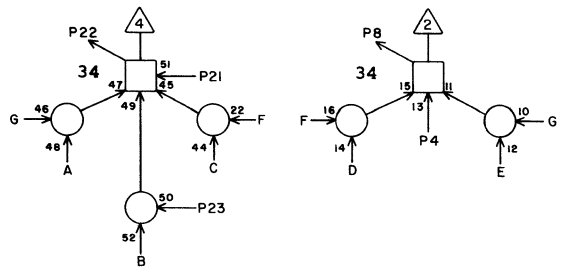
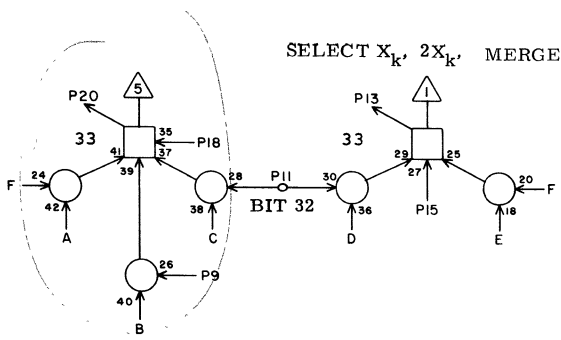


PICK 3

MB **6G 20**

1			
2	D24	1	17
3	D11	14	17
4	D11	2	17
5	A 9	21	27
6	H32	1	15
7			
8	H31	1	15
9	C29	3	23
10	B 8	21	25
11	G19	14	3
12	D24	7	17
13	H30	1	15
14	G21	11	3
15	D10	27	19
16	H11	15	15
17	D24	19	17
18	D10	26	11
19			
20	C38	1	27
21	D11	4	19
22	C39	1	29
23	C29	1	23
24	D11	16	17
25	C25	21	9
26	C40	1	29
27	D26	21	17
28	C28	10	23
	JACK	PIN	LG

63017400 Rev. B



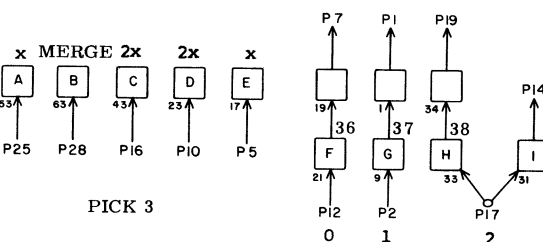
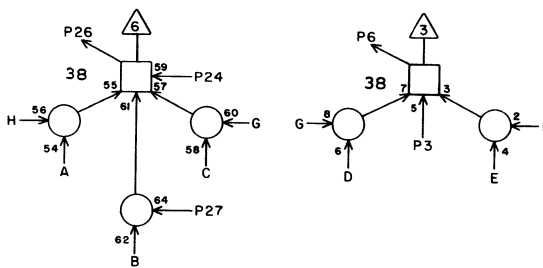
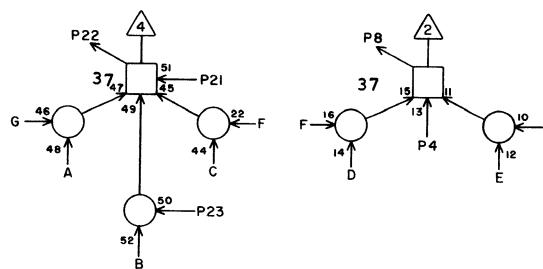
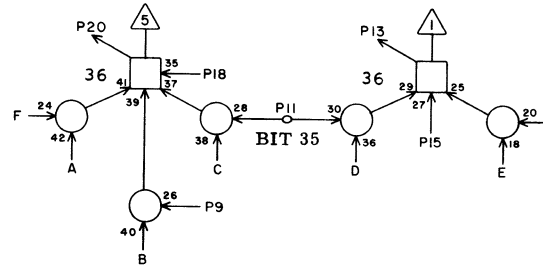
MB **6G 21**

1			
2	E18	1	13
3	D12	14	17
4	D12	2	17
5	A 9	24	27
6	H35	1	17
7			
8	H34	1	17
9	D26	3	17
10	B 8	24	23
11	G20	14	3
12	E18	7	13
13	H33	1	17
14	G22	11	3
15	D11	27	19
16	H11	16	15
17	E18	19	13
18	D11	26	19
19			
20	C41	1	29
21	D12	4	17
22	C42	1	29
23	D26	1	17
24	D12	16	17
25	G25	24	9
26	D30	1	19
27	D27	21	17
28	C29	10	23

JACK PIN LG

63017400 Rev. B

SELECT  $X_k, 2X_k, \text{MERGE}$



MB **6G 22**

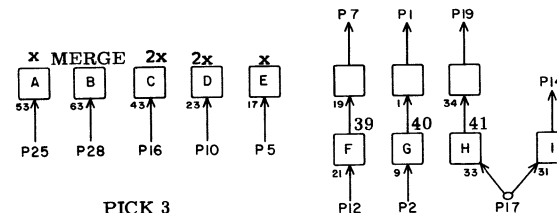
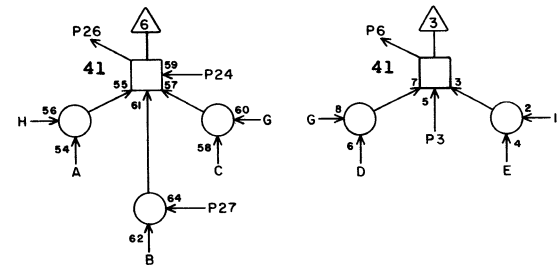
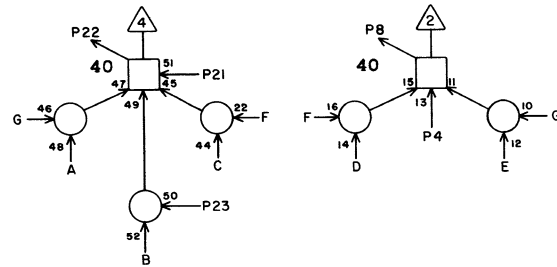
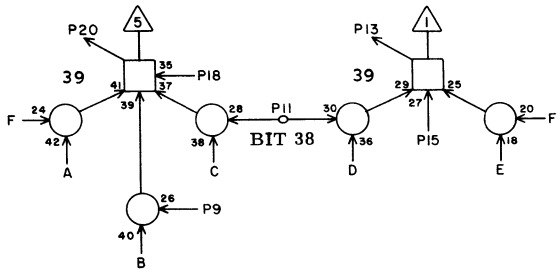
1			
2	E19	1	13
3	E10	14	17
4	E10	2	17
5	A 9	13	29
6	H38	1	17
7			
8	H37	1	17
9	D27	3	17
10	B 8	13	25
11	G21	14	3
12	E19	7	13
13	H36	1	17
14	G23	11	3
15	D12	27	19
16	H11	17	15
17	E19	19	13
18	D12	26	19
19			
20	D31	1	19
21	E10	4	17
22	D32	1	19
23	D27	1	17
24	E10	16	17
25	G25	13	9
26	D33	1	21
27	D28	21	17
28	D26	10	17

JACK PIN LG

63017400 Rev. B

6G22

SELECT  $X_k$ ,  $2X_k$ , MERGE



PICK 3

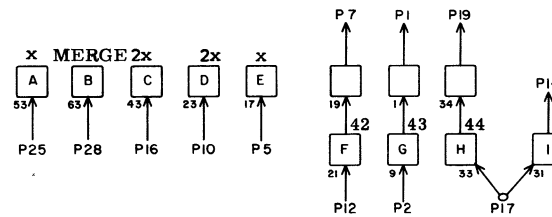
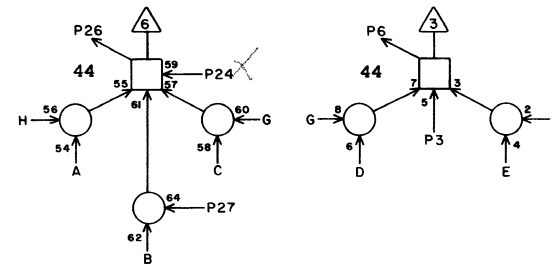
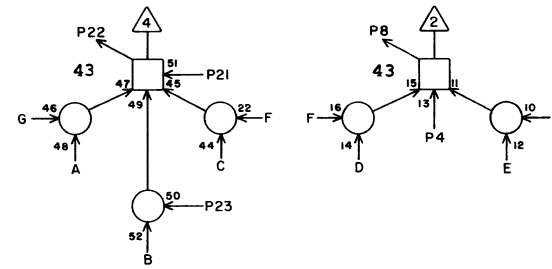
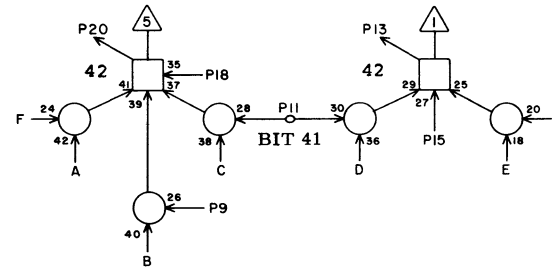
MB 6G 23

1			
2	E20	1	13
3	E11	14	17
4	E11	2	17
5	A 9	15	29
6	H41	1	21
7			
8	H40	1	21
9	D28	3	17
10	B 8	15	25
11	G22	14	3
12	E20	7	13
13	H39	1	21
14	G24	11	3
15	E10	27	17
16	H11	18	17
17	E20	19	13
18	E10	26	17
19			
20	D34	1	19
21	E11	4	17
22	D35	1	21
23	D28	1	17
24	E11	16	17
25	G25	15	5
26	D36	1	21
27	D29	21	17
28	D27	10	17

JACK PIN LG

63017400 Rev. B

SELECT  $X_k$ ,  $2X_k$ , MERGE

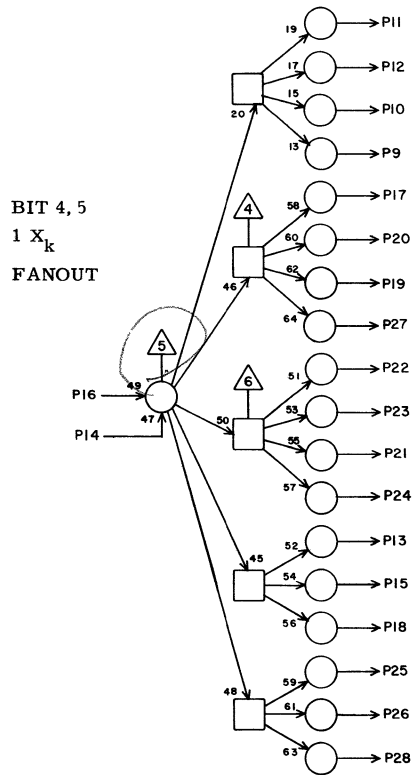
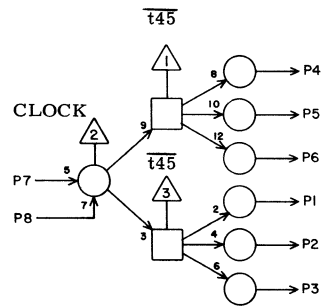


MB 6G 24

1			
2	E21	1	11
3	E12	14	17
4	E12	2	17
5	A 9	18	29
6	I34	1	17
7			
8	I33	1	17
9	D29	3	17
10	B 8	18	27
11	G23	14	3
12	E21	7	13
13	H42	1	21
14	H18	11	11
15	E11	27	17
16	H11	19	17
17	E21	19	13
18	E11	26	17
19			
20	D37	1	21
21	E12	4	17
22	D38	1	21
23	D29	1	17
24	E12	16	17
25	G25	18	3
26	D39	1	23
27	E26	21	13
28	D28	10	17

JACK PIN LG

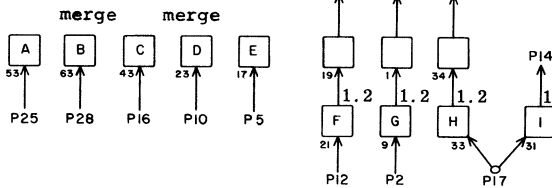
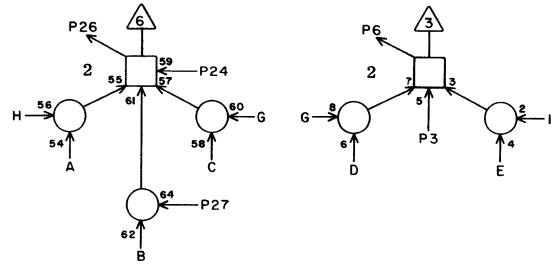
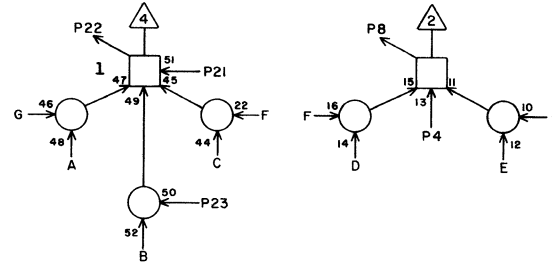
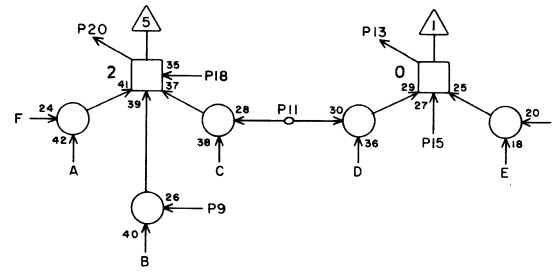
63017400 Rev. B



CB 6G 25

1			
2			
3			
4			
5			
6			
7	F14	15	15
8	G25	x	2
9	F20	25	11
10	F19	25	11
11	E24	25	13
12	F18	25	13
13	G22	25	9
14	G25	x	2
15	G23	25	5
16	I 8	11	23
17	F21	25	9
18	G24	25	3
19	F23	25	9
20	F22	25	9
21	G20	25	9
22	G18	25	11
23	G19	25	11
24	G21	25	9
25	H18	25	13
26	H19	25	13
27	F24	25	9
28			
	JACK	PIN	LG

63017400 Rev. B

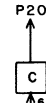
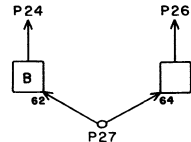
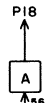
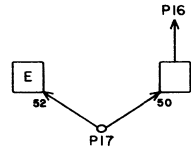
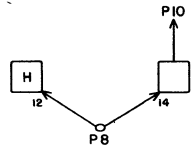
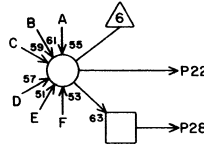
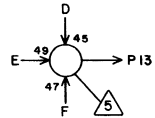
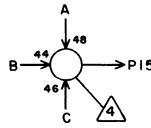
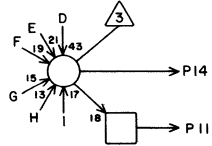
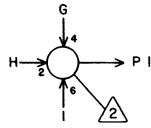
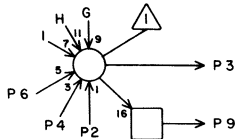


6G26

MB 6G 26

1			
2			
3			
4			
5			
6			
7			
8			
9	A26	1	29
10	E29	10	13
11	A26	21	27
12			
13	A30	1	29
14			
15			
16			
17			
18			
19			
20	A32	1	29
21			
22	A31	1	29
23	A26	3	29
24			
25			
26	A33	1	29
27	A27	21	27
28	E29	14	13
	JACK	PIN	LG

63017400 Rev. B



24, 25, 26

21, 27, 24

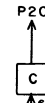
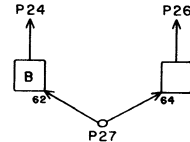
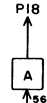
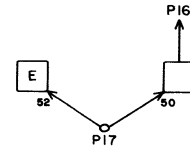
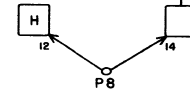
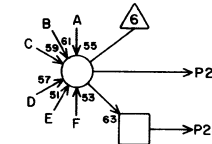
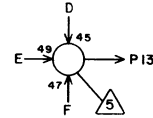
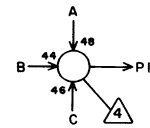
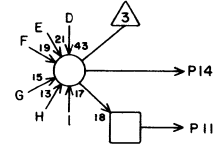
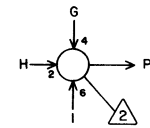
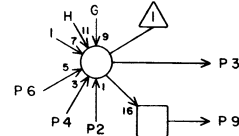
30, 31, 32

MI 6G 27

1	I29	21	13
2	G28	20	5
3	I30	23	13
4	G28	24	5
5	C26	22	19
6	G28	18	5
7	B28	22	23
8	B29	22	23
9			
10	I29	7	13
11			
12			
13	I29	18	13
14	I30	7	13
15	I28	21	13
16	I28	19	13
17	B26	22	23
18			
19	B27	22	23
20			
21	A26	22	27
22	I29	15	13
23	A29	22	27
24	I28	7	13
25	A28	22	27
26			
27	A27	22	29
28	I30	16	13

JACK PIN LG

63017400 Rev. B



24, 25, 26

21, 27, 24

30, 31, 32

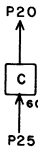
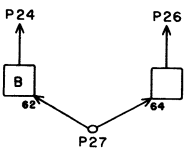
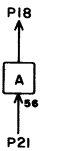
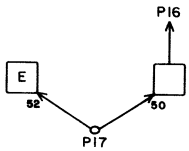
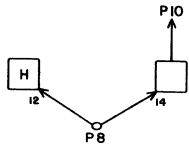
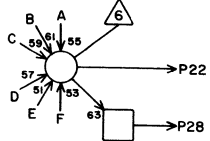
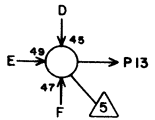
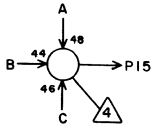
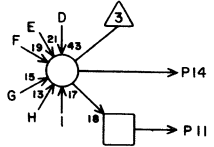
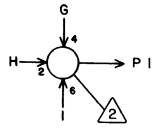
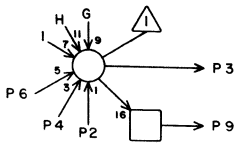
MI 6G 28

1	I31	21	13
2	G29	20	5
3	I32	23	13
4	G29	24	5
5	E27	22	11
6	G29	18	5
7	D29	22	17
8	E26	22	13
9			
10	I31	7	13
11			
12			
13	I31	18	13
14	I32	7	13
15	I30	25	13
16	I30	13	13
17	D27	22	17
18	G27	6	5
19	D28	22	17
20	G27	2	5
21	C27	22	19
22			
23	D26	22	17
24	G27	4	5
25	C29	22	21
26	I29	19	13
27	C28	22	21
28			

JACK PIN LG

63017400 Rev. B





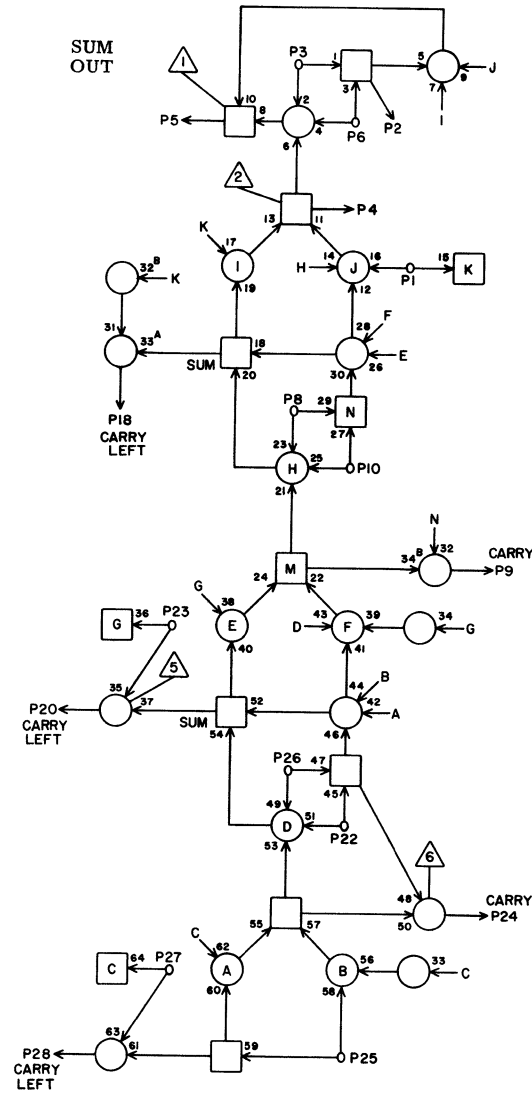
MI 6G 29

1			
2			
3			
4			
5			
6			
7			
8			
9			
10			
11			
12			
13	I32	15	13
14			
15	I32	25	13
16	I32	13	11
17	F28	22	9
18	G28	6	5
19	F29	22	9
20	G28	2	5
21	E28	22	13
22			
23	F27	22	9
24	G28	4	5
25	F26	22	11
26	I31	19	13
27	E29	22	13
28			

JACK    PIN    LG

63017400 Rev. H

UPPER 3-LEVEL ADDER  
BIT 21



6G30

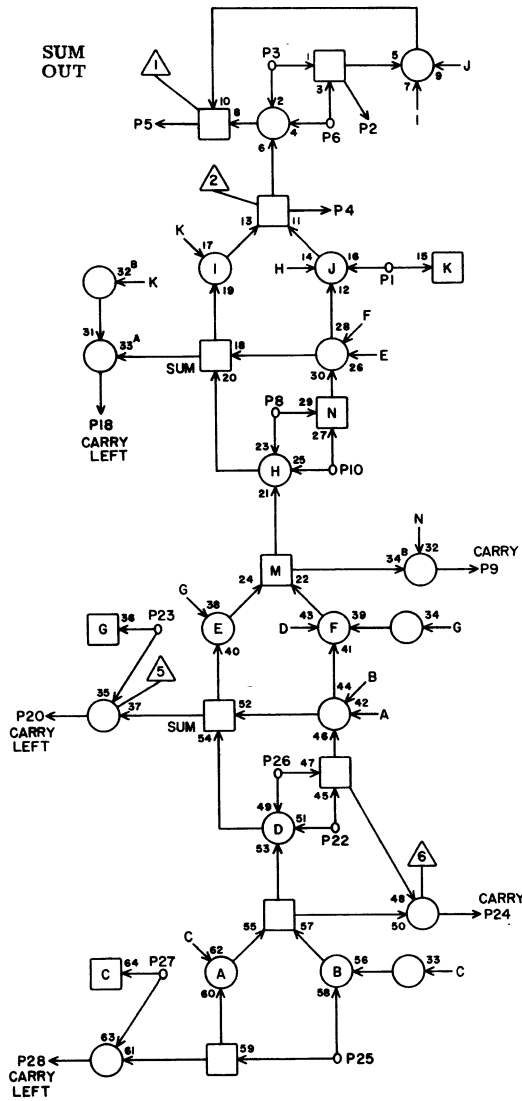
MG 6G30

1	F22	6	13
2	F14	6	19
3	F42	9	15
4	F14	8	19
5	F14	23	19
6	F42	18	15
7			
8	F42	24	15
9	G31	3	3
10	F42	20	17
11			
12			
13			
14			
15			
16			
17			
18	G31	6	3
19			
20	G31	10	3
21			
22	F42	28	17
23	D20	8	21
24	G31	8	5
25	F16	22	19
26	F16	3	17
27	B18	13	27
28	G31	22	3

JACK    PIN    LG

63017400 Rev. B

UPPER 3-LEVEL ADDER  
BIT 22

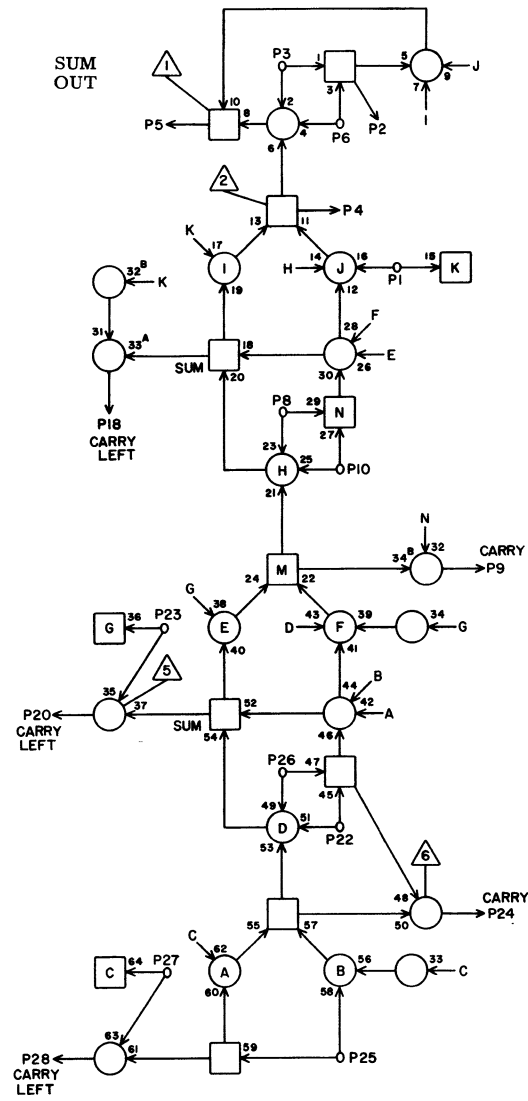


MG **6G31**

1	F23	13	13
2	F14	-10	19
3	G30	9	3
4	F14	12	19
5	F14	24	19
6	G30	18	3
7			
8	G30	24	5
9	G32	3	3
10	G30	20	3
11			
12			
13			
14			
15			
16			
17			
18	G32	6	3
19			
20	G32	10	3
21			
22	G30	28	3
23	D20	6	21
24	G32	8	5
25	F16	7	19
26	F16	7	19
27	B18	8	27
28	G32	22	3
	JACK	PIN	LG

63017400 Rev. B

UPPER 3-LEVEL ADDER  
BIT 23



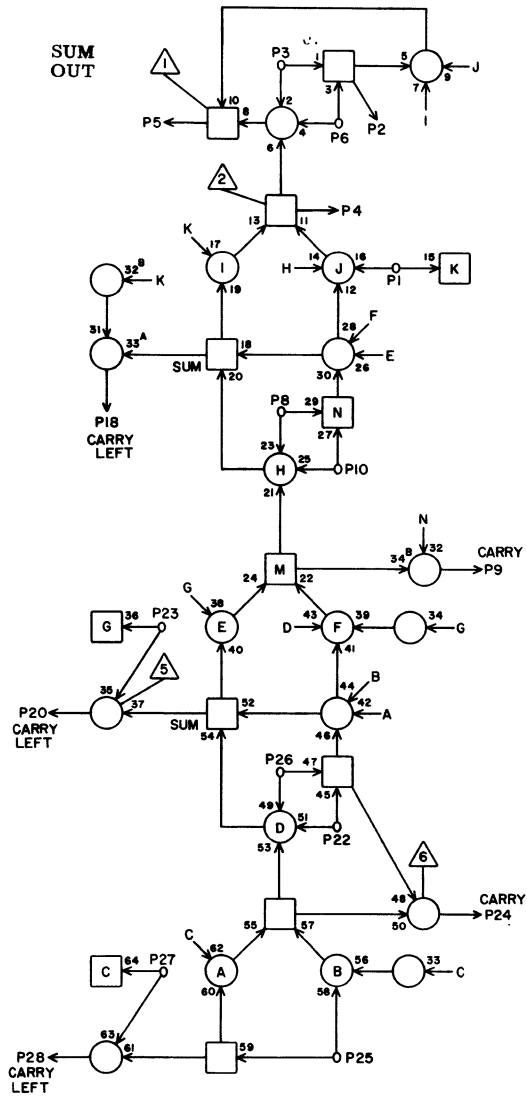
MG **6G32**

1	F23	8	13
2	F15	2	19
3	G31	9	3
4	F15	4	19
5	F14	28	21
6	G31	18	3
7			
8	G31	24	5
9	G33	3	3
10	G31	20	3
11			
12			
13			
14			
15			
16			
17			
18	G33	6	3
19			
20	G33	10	3
21			
22	G31	28	3
23	D21	13	23
24	G33	8	5
25	F16	26	19
26	F16	11	19
27	B18	6	29
28	G33	22	3
	JACK	PIN	LG

63017400 Rev. B



UPPER 3-LEVEL ADDER  
BIT 26

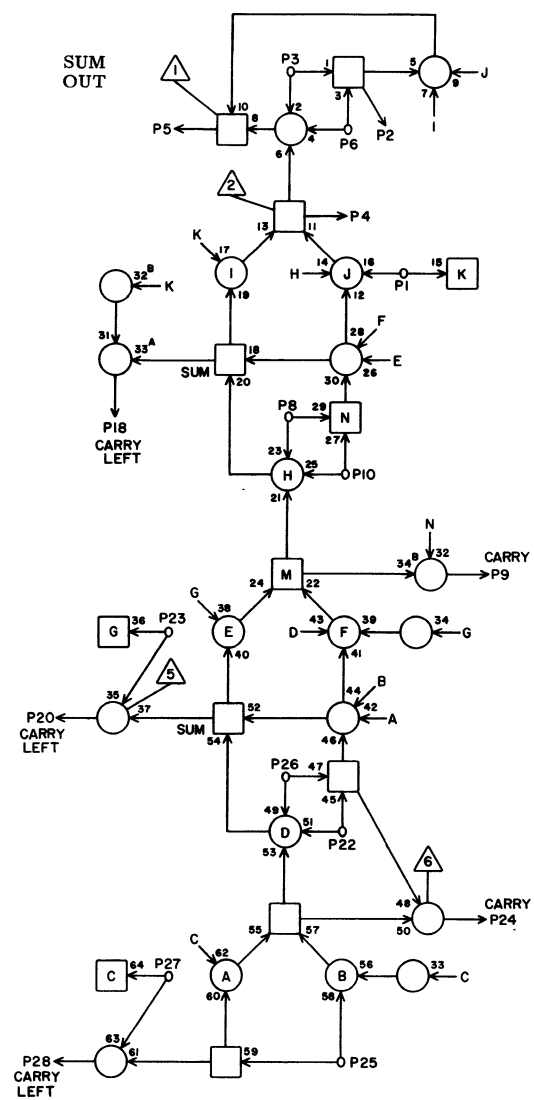


MG 6G35

1	F24	8	15
2	F16	2	21
3	G34	9	3
4	F16	4	21
5	F15	20	23
6	G34	18	3
7			
8	G34	24	5
9	G36	3	3
10	G34	20	3
11			
12			
13			
14			
15			
16			
17			
18	G36	6	3
19			
20	G36	10	3
21			
22	G34	28	3
23	D22	13	21
24	G36	8	5
25	F17	26	21
26	F17	11	21
27	B19	6	20
28	G36	22	3
	JACK	PIN	LG

63017400 Rev. B

UPPER 3-LEVEL ADDER  
BIT 27



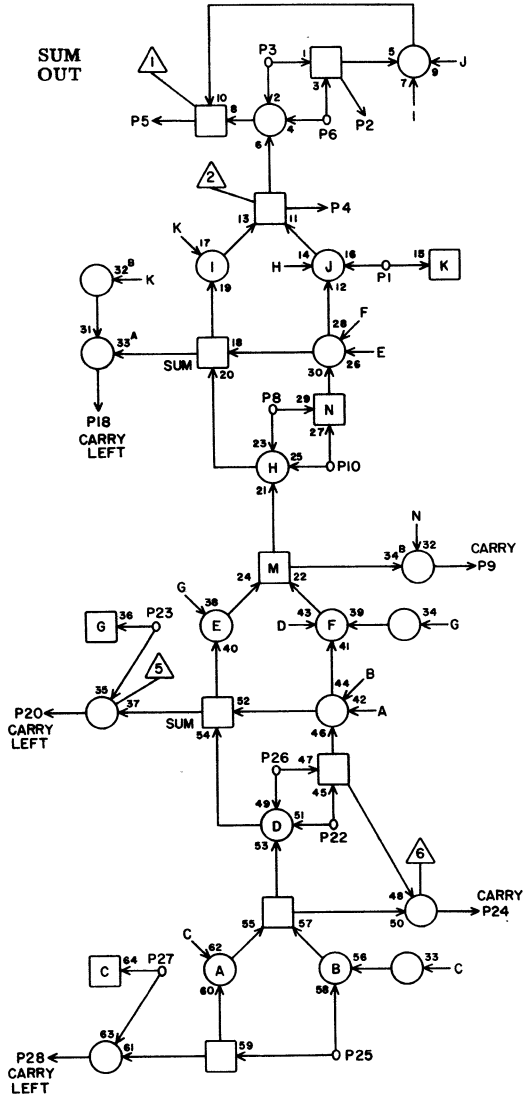
MG 6G36

1	F24	6	15
2	F16	6	23
3	G35	9	3
4	F16	8	23
5	F16	23	23
6	G35	18	3
7			
8	G35	24	5
9	G37	3	7
10	G35	20	3
11			
12			
13			
14			
15			
16			
17			
18	G37	6	5
19			
20	G37	10	5
21			
22	G35	28	3
23	D22	8	23
24	G37	8	5
25	G13	22	25
26	G13	3	25
27	B20	13	29
28	G37	22	3
	JACK	PIN	LG

63017400 Rev. B



UPPER 3-LEVEL ADDER  
BIT 30



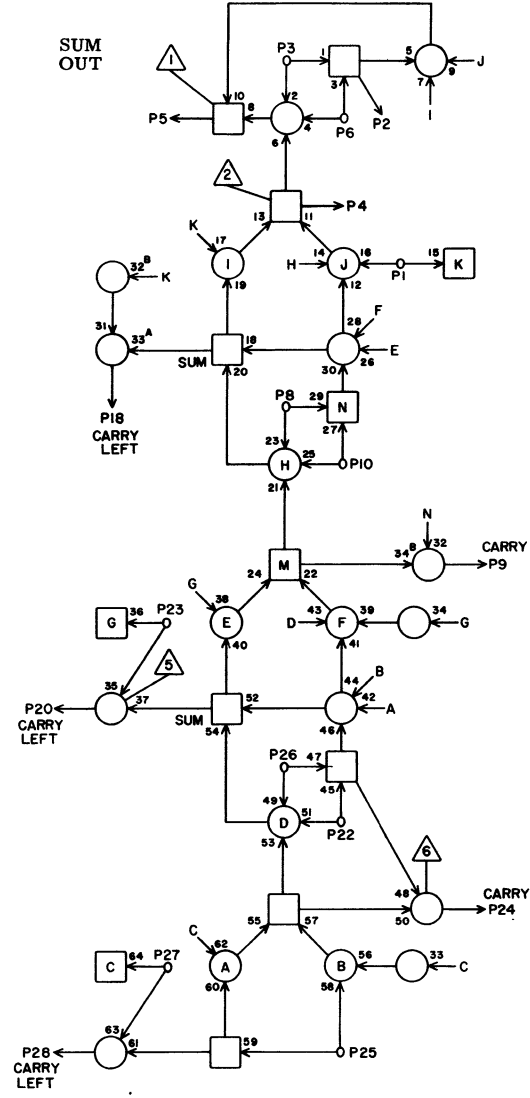
MG **6039**

1	G18	6	23
2	F17	6	23
3	G38	9	3
4	F17	8	23
5	F17	23	23
6	G38	18	3
7			
8	G38	24	5
9	G40	3	3
10	G38	20	3
11			
12			
13			
14			
15			
16			
17			
18	G40	6	3
19			
20	G40	10	3
21			
22	G38	28	3
23	D23	8	23
24	G40	8	5
25	G14	22	27
26	G14	3	27
27	B21	13	29
28	G40	22	3

JACK PIN LG

63017400 Rev. B

UPPER 3-LEVEL ADDER  
BIT 31



MG **6040**

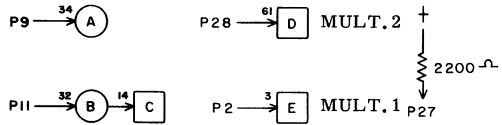
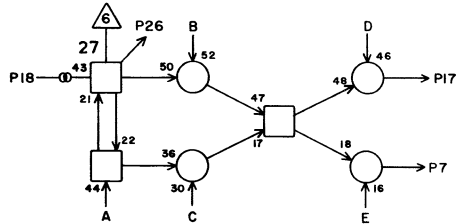
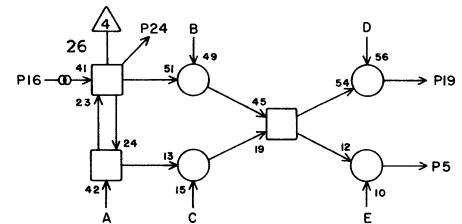
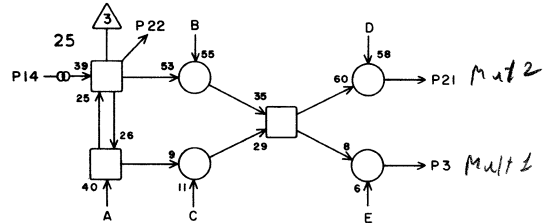
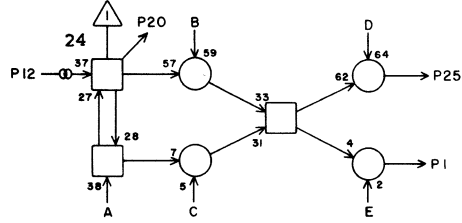
1	G19	13	21
2	F17	10	25
3	G39	9	3
4	F17	12	25
5	F17	24	25
6	G39	18	3
7			
8	G39	24	5
9	G41	3	3
10	G39	20	3
11			
12			
13			
14			
15			
16			
17			
18	G41	6	3
19			
20	G41	10	3
21			
22	G39	28	3
23	D23	6	23
24	G41	8	5
25	G14	25	27
26	G14	7	27
27	B21	8	29
28	G41	22	3

JACK PIN LG

63017400 Rev. B



X<sub>k</sub> TO MULTIPLY AND DIVIDE

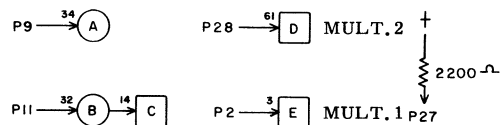
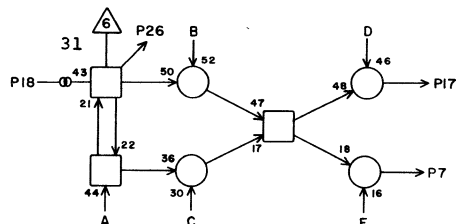
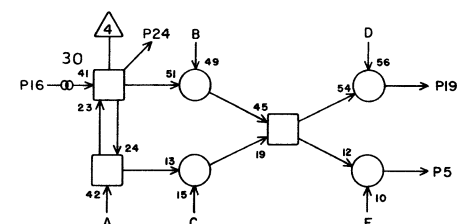
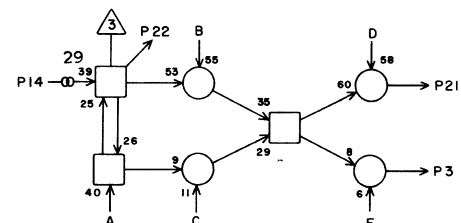
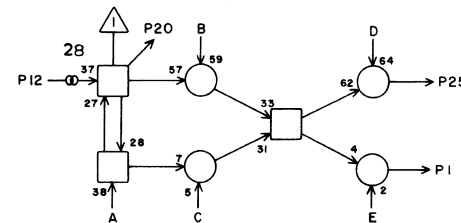


GA 6H 1

1	C 9	11	23
2	G 8	4	9
3	C 9	10	23
4			
5	C 9	15	23
6			
7	D 1	11	19
8			
9	G 7	3	11
10			
11	F 7	26	15
12	W15	96	
13			
14	W15	97	
15			
16	W15	98	
17	O 1	11	29
18	W15	99	
19	P 9	15	37
20	L 2	5	17
21	P 9	10	33
22	L 2	6	17
23			
24	L 2	4	17
25	P 9	11	33
26	L 3	5	17
27	I39	23	37
28	H 7	4	9

JACK PIN LG

X<sub>k</sub> TO MULTIPLY AND DIVIDE



SIGN

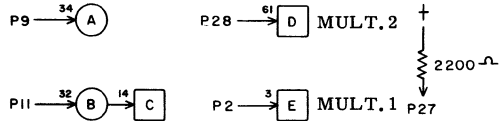
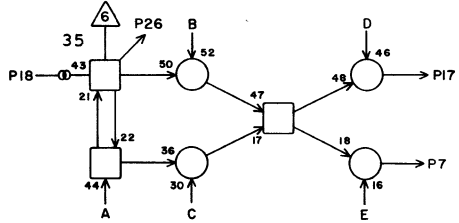
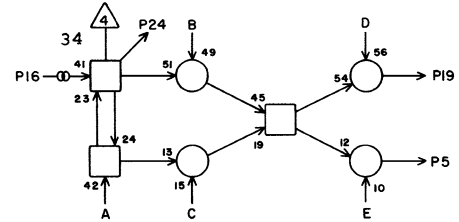
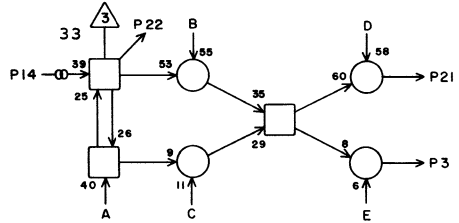
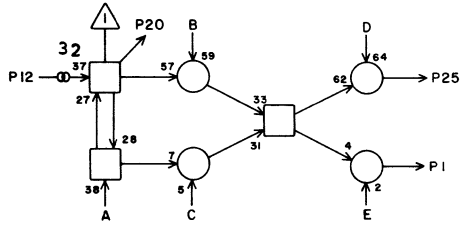
GA 6H 2

1	D 1	10	19
2	G 8	6	9
3	D 1	15	17
4			
5	D 2	11	19
6			
7	D 2	10	19
8			
9	G 7	5	11
10			
11	F 7	24	13
12	W15	900	
13			
14	W15	901	
15			
16	W15	902	
17	O 2	10	29
18	W15	903	
19	O 2	11	29
20	L 3	6	17
21	O 1	15	33
22	L 3	4	17
23			
24	L 4	5	17
25	O 1	10	29
26	L 4	6	17
27	C 1	27	23
28	H 7	6	9

JACK PIN LG



X<sub>k</sub> TO MULTIPLY AND DIVIDE



SIGN

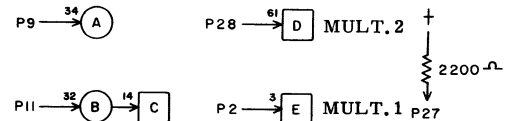
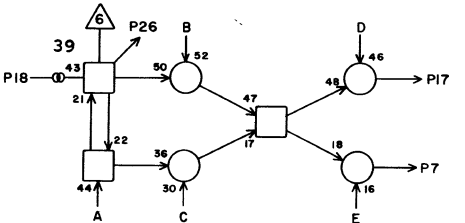
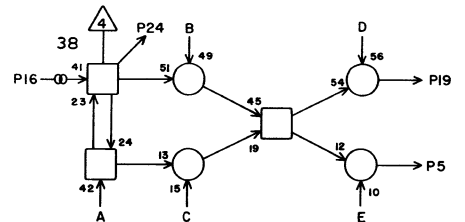
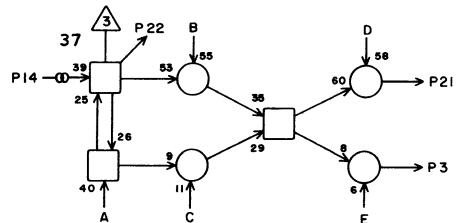
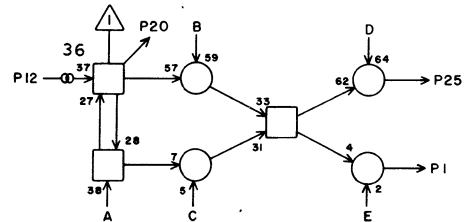
GA **6H 3**

1	D 2	15	17
2	G 8	8	9
3	D 3	11	19
4			
5	D 3	10	19
6			
7	D 3	15	19
8			
9	G 7	7	9
10			
11	F 7	22	13
12	W15	904	
13			
14	W15	905	
15			
16	W15	906	
17	O 3	15	29
18	W15	907	
19	O 3	10	29
20	L 4	4	17
21	O 3	11	29
22	L 5	5	17
23			
24	L 5	6	17
25	O 2	15	29
26	L 5	4	17
27	I41	27	37
28	H 7	8	7

JACK PIN LG

63017400 Rev. B

X<sub>k</sub> TO MULTIPLY AND DIVIDE



SIGN

GA **6H 4**

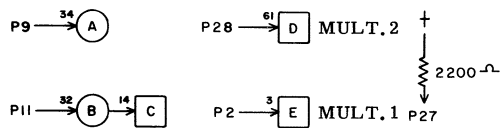
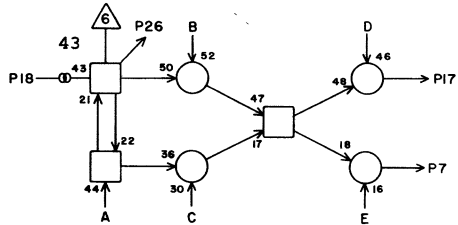
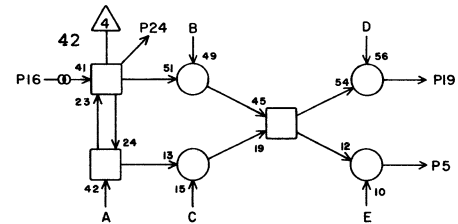
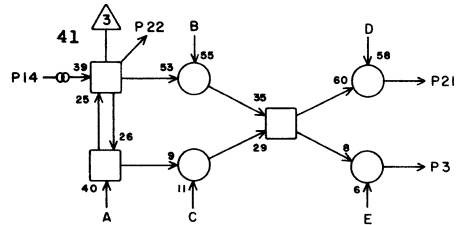
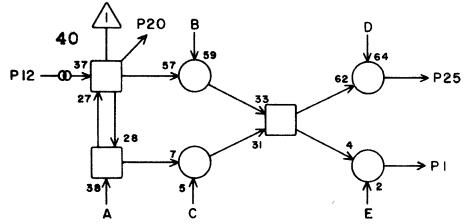
1	D 4	11	19
2	G 8	10	9
3	D 4	10	19
4			
5	D 4	15	19
6			
7	D 5	11	19
8			
9	G 7	9	7
10			
11	F 7	20	13
12	W07	90	
13			
14	W07	91	
15			
16	W07	92	
17	O 5	11	29
18	W07	93	
19	O 4	15	29
20	L 6	5	17
21	O 4	10	29
22	L 6	6	17
23			
24	L 6	4	17
25	O 4	11	29
26	L 7	5	17
27	B 7	26	27
28	H 7	10	7

JACK PIN LG

6H4

63017400 Rev. B

X<sub>k</sub> TO MULTIPLY AND DIVIDE



SIGN

GA

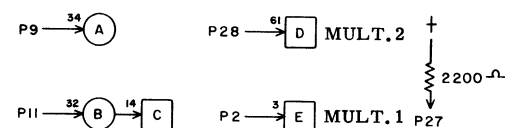
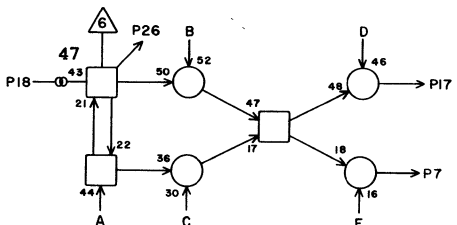
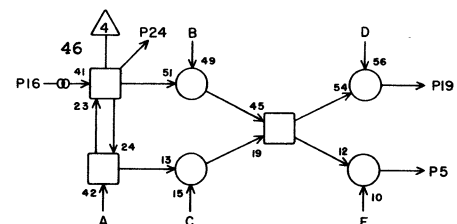
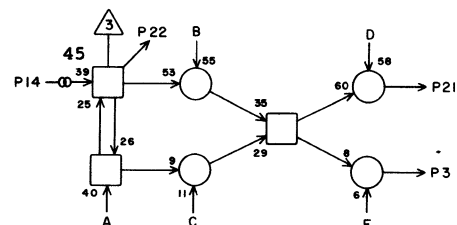
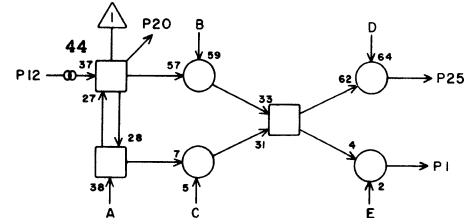
6H 5

1	D 5	10	19
2	G 8	11	7
3	D 5	15	19
4			
5	D 6	11	19
6			
7	D 6	10	19
8			
9	G 7	11	7
10			
11	F 7	13	13
12	W07	94	
13			
14	W07	95	
15			
16	W07	96	
17	O 6	10	29
18	W07	97	
19	O 6	11	29
20	L 7	6	17
21	O 5	15	29
22	L 7	4	17
23			
24	M 1	5	21
25	O 5	10	29
26	M 1	6	21
27	A 1	2	33
28	H 7	11	5

JACK PIN LG

63017400 Rev. B

X<sub>k</sub> TO MULTIPLY AND DIVIDE



SIGN

GA

6H 6

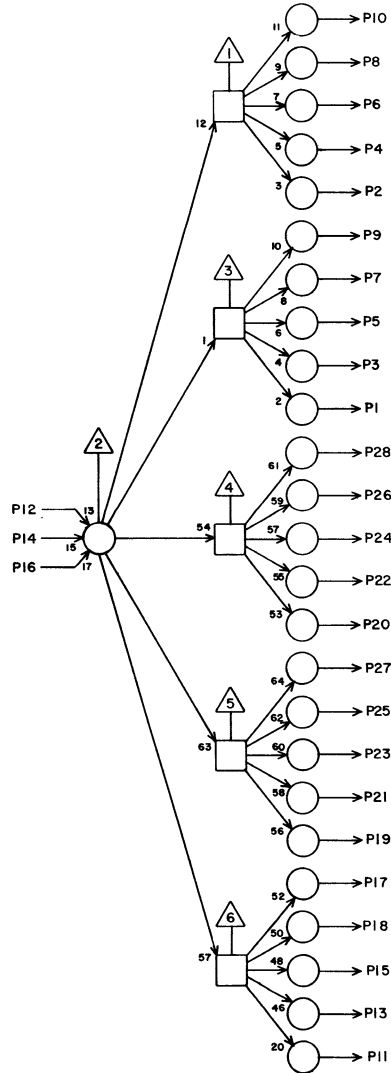
1	D 6	15	19
2	G 8	13	7
3	D 7	11	19
4			
5	D 7	10	19
6			
7	D 7	15	19
8			
9	G 7	13	7
10			
11	F 7	9	13
12	W07	98	
13			
14	W07	99	
15			
16	W07	900	
17	O 7	15	29
18	W07	901	
19	O 7	10	29
20	M 1	4	21
21	O 7	11	29
22	M 2	5	21
23			
24	M 2	6	21
25	O 6	15	29
26	M 2	4	21
27	I42	27	35
28	H 7	13	5

JACK PIN LG

6H6

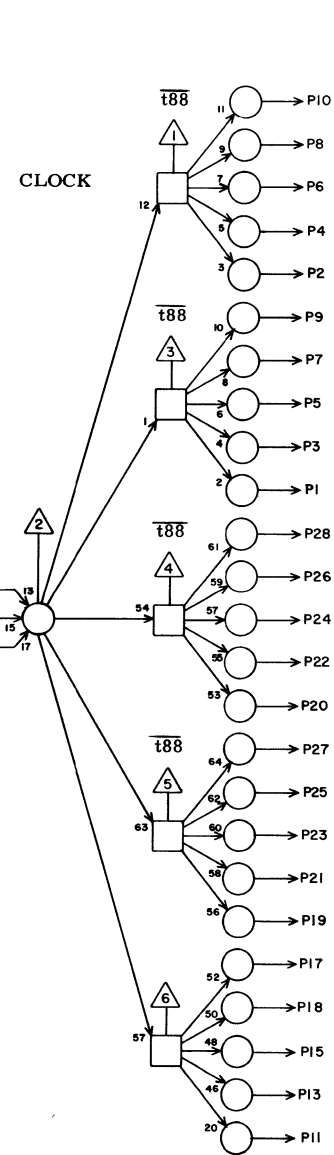
63017400 Rev. B

G.A. → Unit 2



CA		6H 7	
JACK	PIN	LG	
1	G 1	28	9
2	G 6	28	7
3	G 2	28	9
4	H 1	28	9
5	G 3	28	7
6	H 2	28	9
7	G 4	28	7
8	H 3	28	7
9	G 5	28	7
10	H 4	28	7
11	H 5	28	5
12	N27	28	33
13	H 6	28	5
14	I27	22	75
15	I 1	28	11
16	H07	x	2
17	I 3	28	11
18	I 2	28	11
19	J 3	28	15
20	I 4	28	9
21	J 4	28	13
22	I 5	28	9
23	J 5	28	13
24	I 6	28	9
25	J 6	28	15
26	J 1	28	13
27	P14	17	33
28	J 2	28	13

63017400 Rev. B

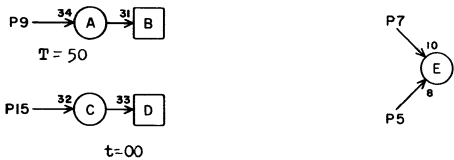
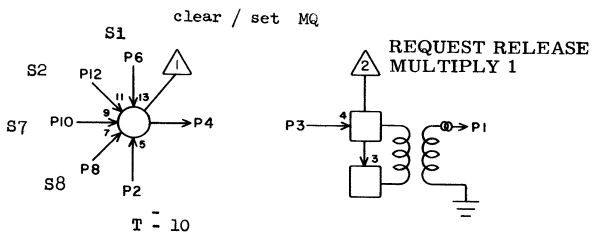
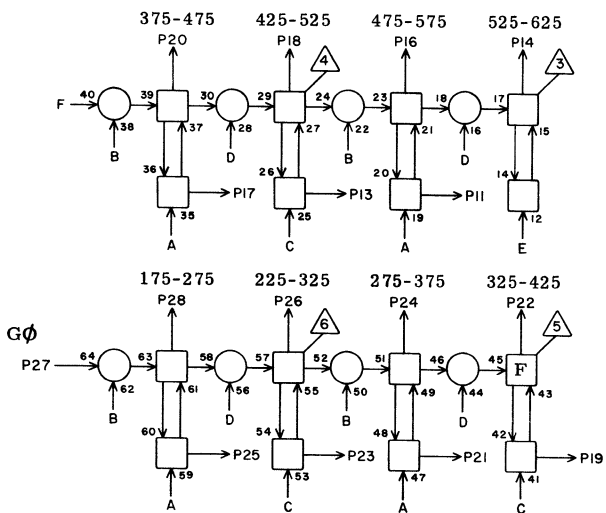


6H8

CA		6H 8	
JACK	PIN	LG	
1	K 1	8	17
2	K 6	8	17
3	K 2	8	17
4	K 7	8	17
5	K 3	8	17
6	L 1	8	21
7	K 4	8	17
8	L 2	8	19
9	K 5	8	17
10	L 3	8	19
11	L 4	8	19
12	K14	1	17
13	L 5	8	19
14	H08	x	2
15	L 6	8	19
16	H08	x	2
17	M 1	8	23
18	L 7	8	19
19	M 7	8	23
20	M 2	8	23
21	N 1	8	25
22	M 3	8	23
23	N 2	8	25
24	M 4	8	21
25	N 3	8	25
26	M 5	8	21
27			
28	M 6	8	21

63017400 Rev. B

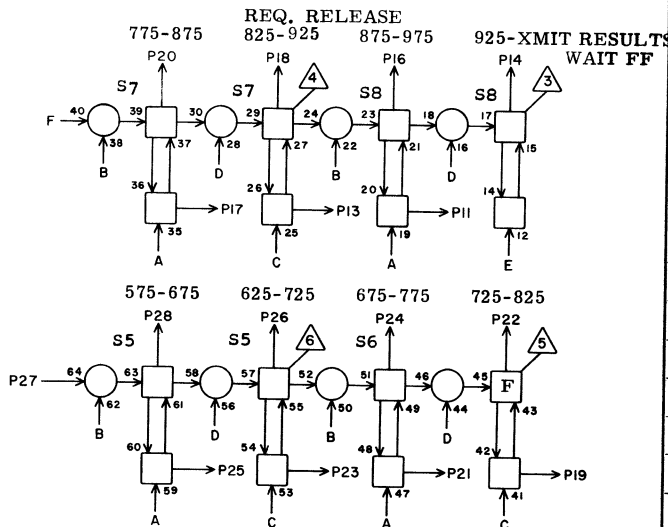
MULTIPLY 1 TIMING CHAIN



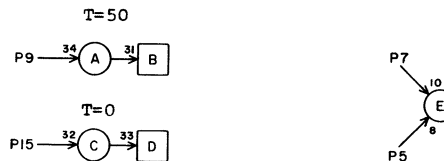
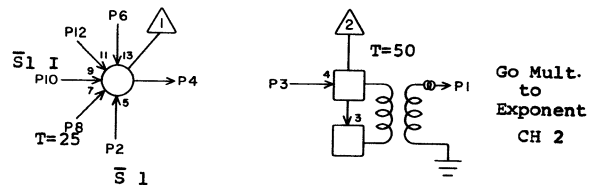
ML 6H 9

1	W16	95	
2	I27	15	60
3	H25	10	19
4	I30	3	23
5	I22	25	17
6	I25	13	19
7			
8	I25	20	19
9	J22	23	19
10	I25	2	19
11			
12			
13			
14	H10	27	5
15	H12	3	5
16			
17			
18			
19			
20			
21			
22	E29	27	25
23			
24	H24	24	17
25	H23	24	17
26	I24	6	17
27	G12	22	108
28	E27	27	23
	JACK	PIN	LG

MULTIPLY 1 TIMING CHAIN

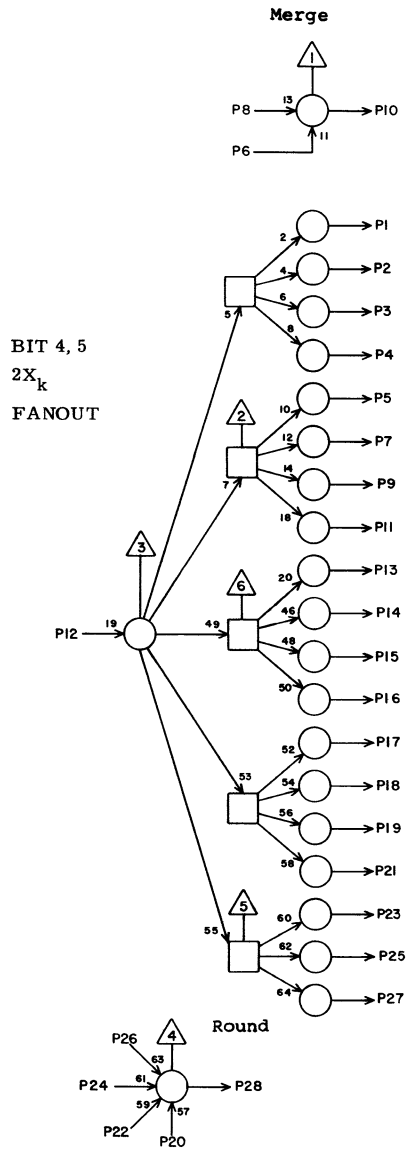


Enter MK



ML 6H 10

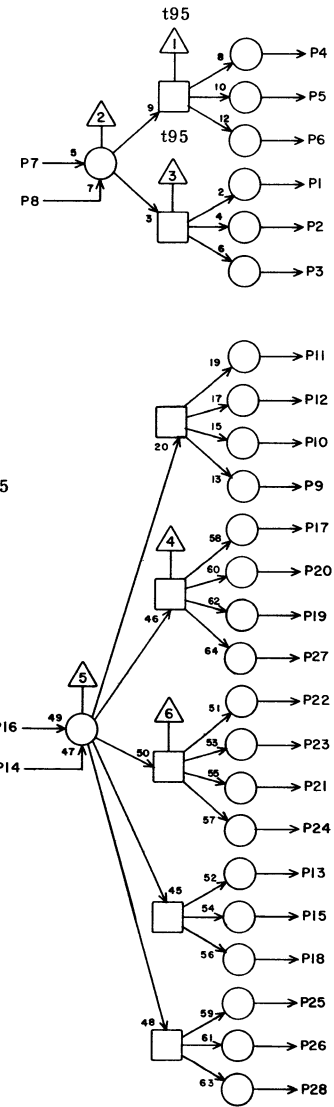
1	W22	905	
2	D 1	6	21
3	I32	12	23
4	E28	27	23
5			
6	I25	18	19
7	F12	28	11
8	I25	5	19
9	J22	19	17
10	E27	23	23
11	I25	6	17
12	H12	6	84
13	I25	26	17
14	F29	27	23
15	H12	4	5
16			
17	I25	3	17
18	H25	6	17
19			
20	D16	17	19
21	I24	26	17
22	D13	17	18
23			
24			
25			
26			
27	H 9	14	5
28			
	JACK	PIN	LG



BIT 4, 5  
 $2X_k$   
 FANOUT

CC		6 H11	
1	E24	16	19
2	F18	16	13
3	F19	16	15
4	F20	16	15
5	F21	16	15
6	E28	1	23
7	F22	16	17
8	E26	23	21
9	F23	16	17
10	E15	17	15
11	F24	16	19
12	I 8	10	11
13	G18	16	13
14	G19	16	13
15	G20	16	15
16	G21	16	15
17	G22	16	15
18	G23	16	17
19	G24	16	17
20			
21	H18	16	11
22			
23	H19	16	11
24	E29	28	23
25			
26	I 9	1	5
27			
28	D15	17	19
	JACK	PIN	LG

63017400 Rev. B

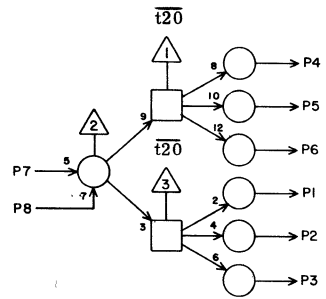


BIT 24, 25  
 $3X_k$   
 FANOUT

6H12

CB		6 H 12	
1	H23	26	15
2			
3	H 9	15	5
4	H10	15	5
5	I 7	13	132
6	H10	12	84
7	F27	25	17
8	H12	x	2
9	B10	15	27
10	A12	15	29
11	A10	15	29
12	A11	15	29
13	E10	15	17
14	H12	x	2
15	E11	15	15
16	I 7	18	11
17	B11	15	27
18	E12	15	15
19	C10	15	23
20	B12	15	27
21	D11	15	19
22	C12	15	23
23	D10	15	19
24	D12	15	19
25	F10	15	13
26	F11	15	13
27	C11	15	23
28			
	JACK	PIN	LG

63017400 Rev. W



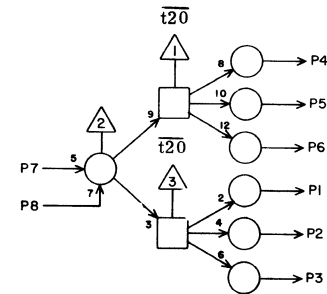
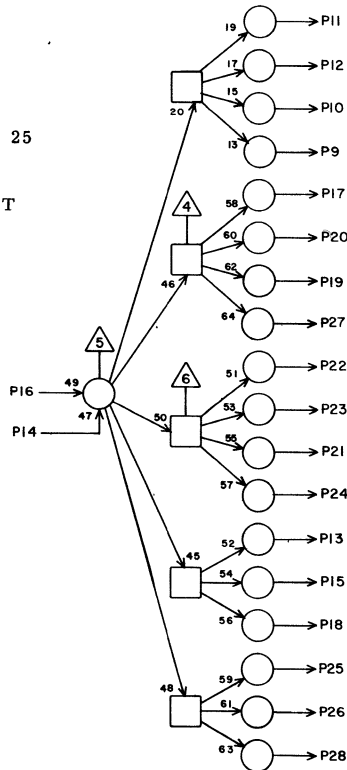
CB **6H 13**

1	H24	6	60
2	H24	22	156
3	K24	6	60
4			
5			
6	I 7	26	13
7	G10	22	9
8	H13	x	2
9	A21	5	31
10	A20	5	31
11	A18	5	31
12	A19	5	31
13	B23	5	29
14	H13	x	2
15	B24	5	29
16	I 7	15	11
17	A22	5	31
18	C18	5	23
19	A24	5	31
20	A23	5	33
21	B21	5	27
22	B19	5	27
23	B20	5	29
24	B22	5	29
25	C19	5	25
26	C20	5	25
27	B18	5	27
28			

JACK PIN LG

63017400 Rev. Y

BIT 24, 25  
1X<sub>k</sub>  
FANOUT



CB **6H 14**

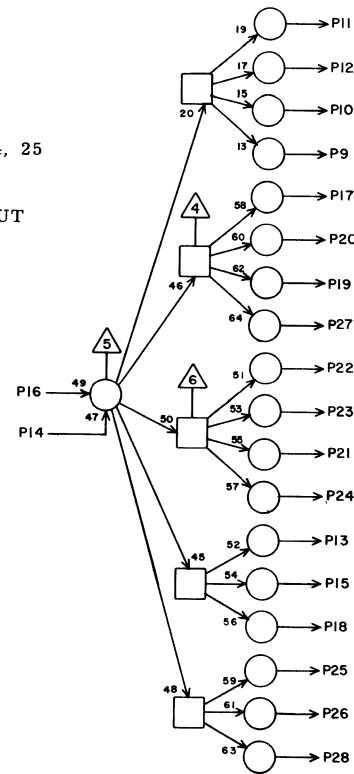
1	J 8	13	15
2	I 8	13	15
3	H25	8	15
4	K25	8	19
5	I 9	13	11
6	J 9	13	13
7	C11	13	7
8	H14	x	2
9	A21	10	31
10	A20	10	31
11	A18	10	31
12	A19	10	31
13	B23	10	29
14	H14	x	2
15	B24	10	29
16	I 7	19	11
17	A22	10	31
18	C18	10	23
19	A24	10	31
20	A23	10	31
21	B21	10	27
22	B19	10	27
23	B20	10	29
24	B22	10	29
25	C19	10	25
26	C20	10	25
27	B18	10	27
28			

JACK PIN LG

6H14

63017400 Rev. W

BIT 24, 25  
2X<sub>k</sub>  
FANOUT

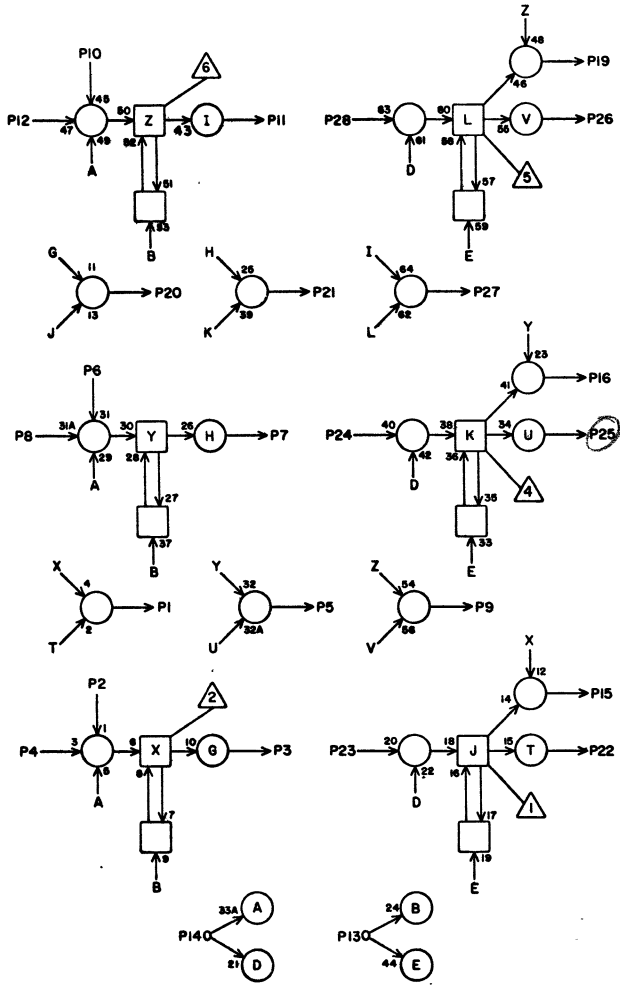


LS 63069600  
ASSY

A  
REV

RT

6H15



JACK	PIN	LG
1	G11	12 9
2	I33	2 21
3	H38	26 25
4	I33	4 21
5	G11	26 9
6	I34	2 21
7	H39	26 25
8	I34	4 21
9	G11	28 9
10	I35	2 21
11	H40	26 25
12	I35	4 21
13	F9	23 13
14	H21	21 11
15	F28	20 21
16		
17		
18		
19	F28	19 21
20	G11	14 11
21	G11	24 11
22	H38	25 25
23	I34	5 21
24	I35	5 23
25	H39	25 25
26	H40	25 25
27	G11	23 11
28	I36	5 23

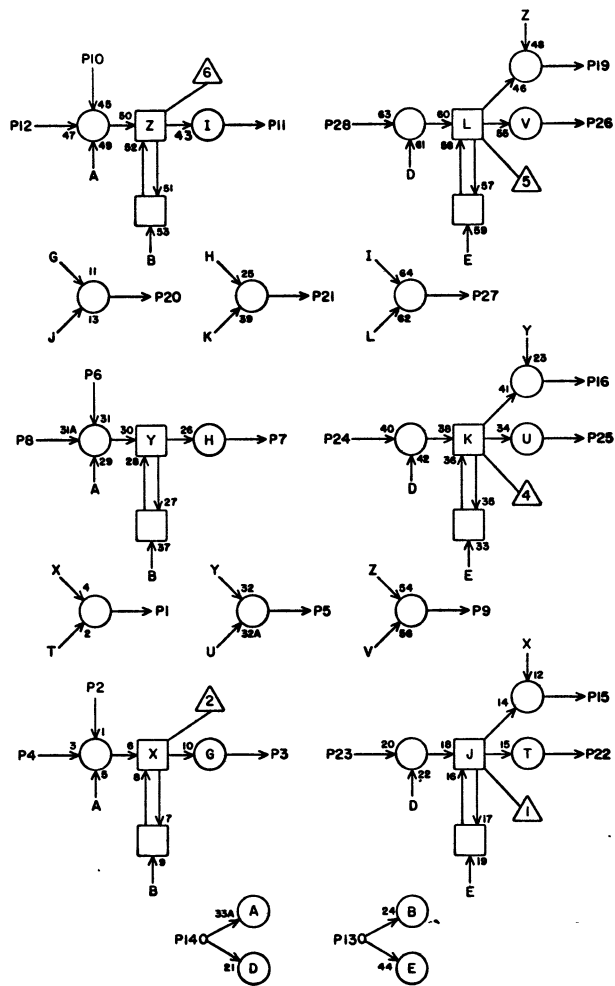
CIRCUIT SPECIFICATION 11827600  
63017400 Rev B

LS 63069600  
ASSY

A  
REV

RT

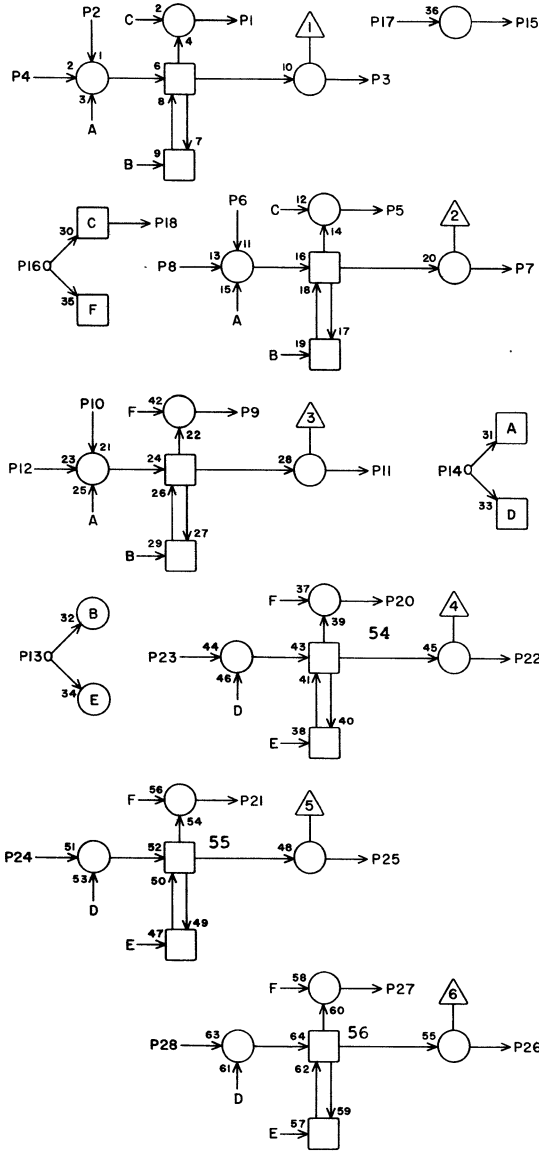
6H16



JACK	PIN	LG
1	G12	3 9
2	I36	2 23
3	H41	26 29
4	I36	4 23
5	G12	12 9
6	I37	2 23
7	H42	26 27
8	I37	4 23
9	G12	26 9
10	I38	2 23
11	I33	26 19
12	I38	4 23
13	F9	25 15
14	H21	22 11
15	F29	7 21
16	F29	20 21
17		
18		
19	H17	17 21
20	G12	4 11
21	G12	14 11
22	H41	25 27
23	I37	5 23
24	I38	5 23
25	H42	25 27
26	I33	25 19
27	G12	24 11
28	I39	5 25

CIRCUIT SPECIFICATION 11827600  
63017400 Rev B

6H16



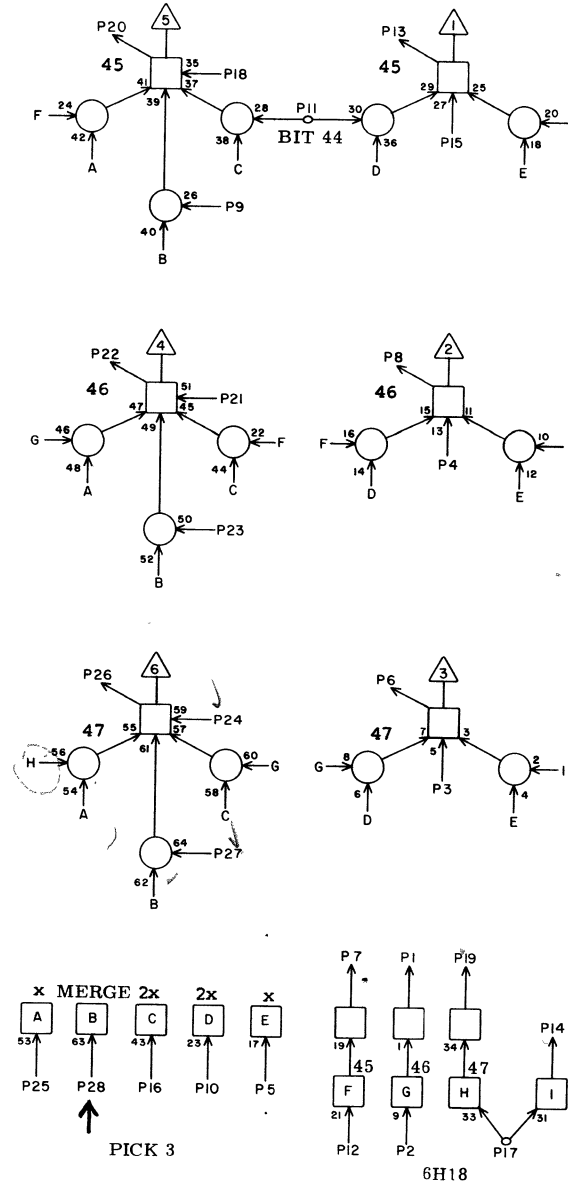
NJ 6H 17

1			
2	I39	2	23
3	I34	26	19
4	I39	4	25
5			
6	I40	2	25
7	I35	26	21
8	I40	4	25
9			
10	I41	2	25
11	I36	26	21
12	I41	4	25
13	F 9	27	15
14	H21	23	9
15	F 7	6	17
16	I24	27	13
17	H16	19	21
18			
19			
20			
21			
22	I34	25	19
23	I40	5	25
24	I41	5	25
25	I35	25	21
26	I36	25	21
27			
28	I42	5	25

JACK PIN LG

63017400 Rev. B

SELECT  $X_k$ ,  $2X_k$ , MERGE



MB 6H 18

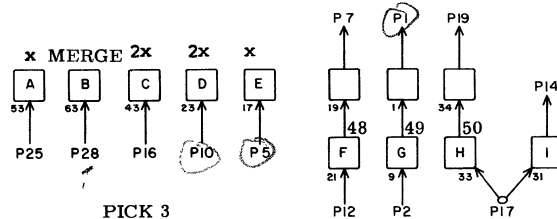
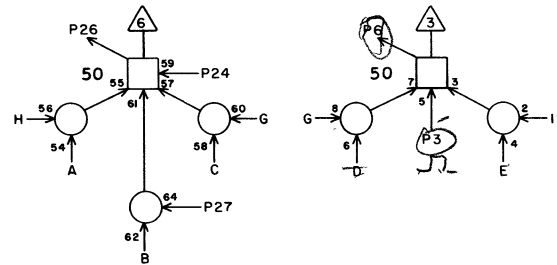
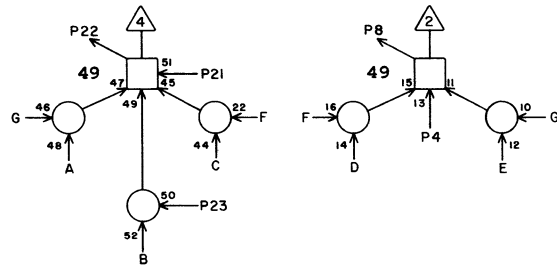
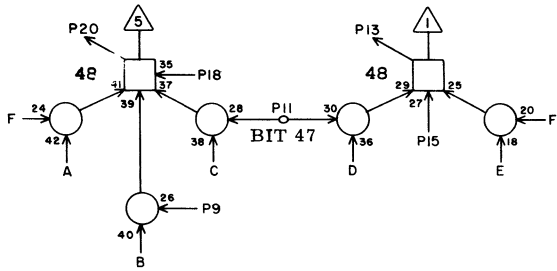
1			
2	E22	1	15
3	F10	14	15
4	F10	2	15
5	A 9	25	29
6	I37	1	21
7			
8	I36	1	21
9	E26	3	19
10	B 8	25	25
11	G24	14	11
12	E22	7	17
13	I35	1	19
14	H19	11	3
15	E12	27	17
16	H11	21	11
17	E22	19	17
18	E12	26	17
19			
20	D40	1	31
21	F10	4	15
22	D41	1	31
23	E26	1	19
24	F10	16	15
25	G25	25	13
26	D42	1	31
27	E27	21	19
28	D29	10	23

JACK PIN LG

63017400 Rev. B



SELECT  $X_k$ ,  $2X_k$ , MERGE



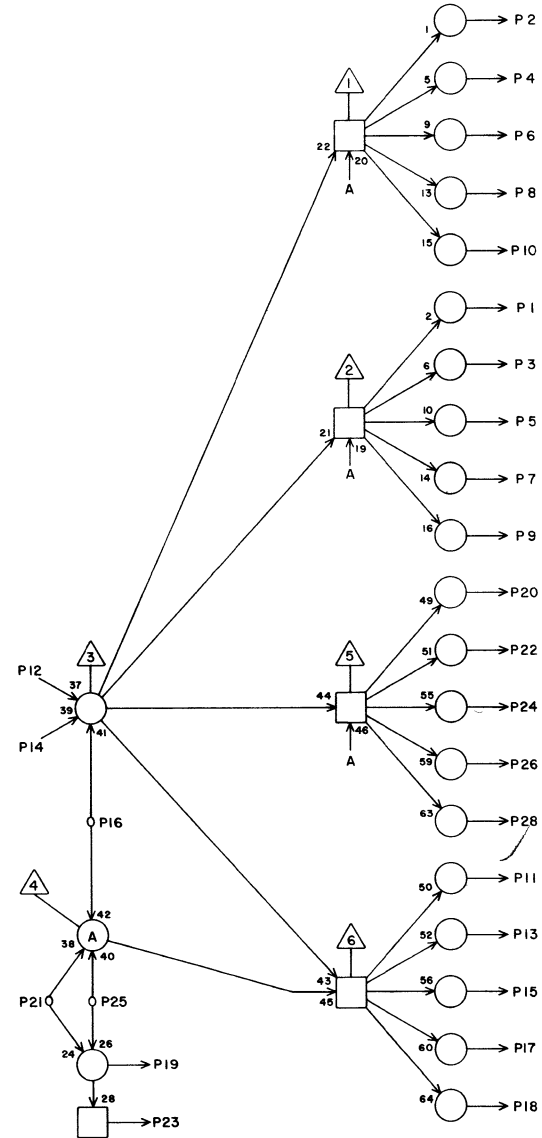
MB 6H 19

1				
2	E23	1	15	
3	F11	14	15	
4	F11	2	15	
5	A	9	26	29
6	I40	1	23	
7				
8	I39	1	23	
9	E27	3	19	
10	B	8	26	27
11	H18	14	3	
12	E23	7	17	
13	I38	1	21	
14				
15	F10	27	17	
16	H11	23	11	
17	E23	19	17	
18	F10	26	17	
19				
20	E30	1	19	
21	F11	4	15	
22	E31	1	19	
23	E27	1	19	
24	F11	16	15	
25	G25	26	13	
26	E32	1	21	
27	E28	21	19	
28	E26	10	19	

JACK PIN LG

63017400 Rev. B

Set product register lower



6H20

QP

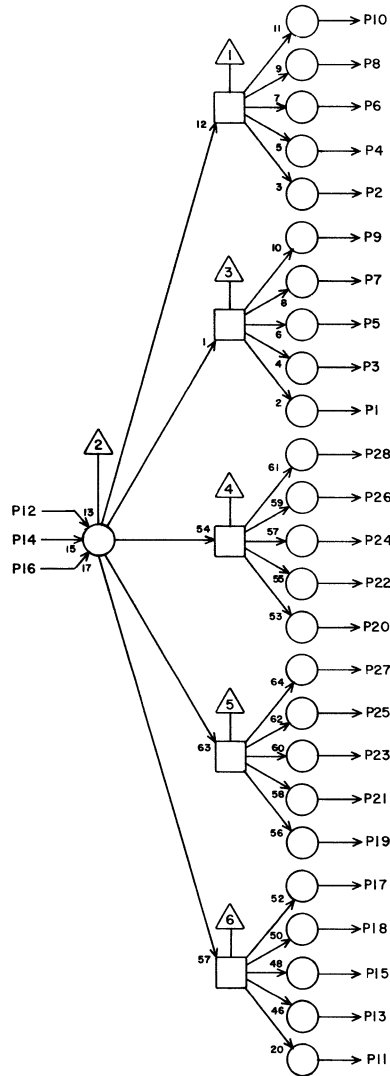
6H20

1	A13	14	31
2	A14	14	29
3	A15	14	29
4	A16	14	29
5	A17	14	29
6	B13	14	27
7	B14	14	27
8	B15	14	27
9	B16	14	27
10	B17	14	27
11	C13	14	23
12	E29	25	15
13	C14	14	23
14	F13	15	13
15	C15	14	23
16			
17	C16	14	23
18	C17	14	23
19			
20	D14	14	21
21	L08	17	96
22	D16	14	21
23	A25	7	180
24	D13	14	21
25			
26	D15	11	21
27			
28			

JACK PIN LG

63017400 Rev. U

Set Product Reg. Upper



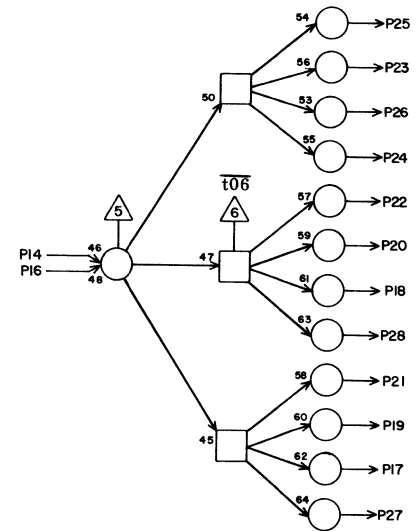
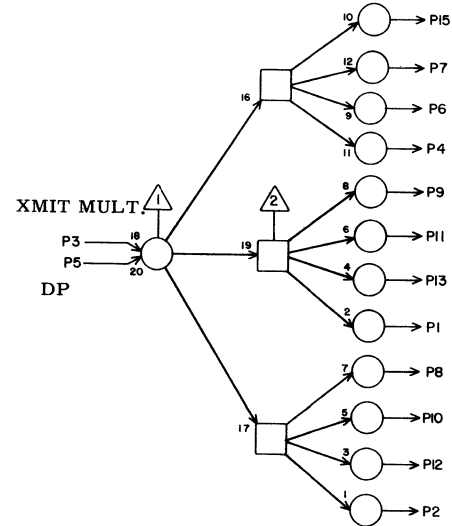
CA **6H 21**

1			
2			
3			
4			
5			
6			
7	<b>F16</b>	<b>14</b>	<b>13</b>
8	<b>D17</b>	<b>14</b>	<b>19</b>
9	<b>F13</b>	<b>14</b>	<b>15</b>
10	<b>F14</b>	<b>14</b>	<b>15</b>
11	<b>F15</b>	<b>14</b>	<b>13</b>
12			
13	<b>F17</b>	<b>14</b>	<b>13</b>
14	<b>E29</b>	<b>23</b>	<b>17</b>
15	<b>G13</b>	<b>14</b>	<b>13</b>
16	<b>F15</b>	<b>15</b>	<b>13</b>
17	<b>G14</b>	<b>14</b>	<b>13</b>
18	<b>G15</b>	<b>14</b>	<b>11</b>
19	<b>G16</b>	<b>14</b>	<b>11</b>
20	<b>G17</b>	<b>14</b>	<b>9</b>
21	<b>H15</b>	<b>14</b>	<b>11</b>
22	<b>H16</b>	<b>14</b>	<b>11</b>
23	<b>H17</b>	<b>14</b>	<b>9</b>
24	<b>E13</b>	<b>14</b>	<b>19</b>
25	<b>E14</b>	<b>14</b>	<b>19</b>
26	<b>E15</b>	<b>14</b>	<b>17</b>
27	<b>E16</b>	<b>14</b>	<b>17</b>
28	<b>E17</b>	<b>14</b>	<b>17</b>

JACK PIN LG

63017400 Rev. B

$2^0 - 2^{47}$  output unit # 1



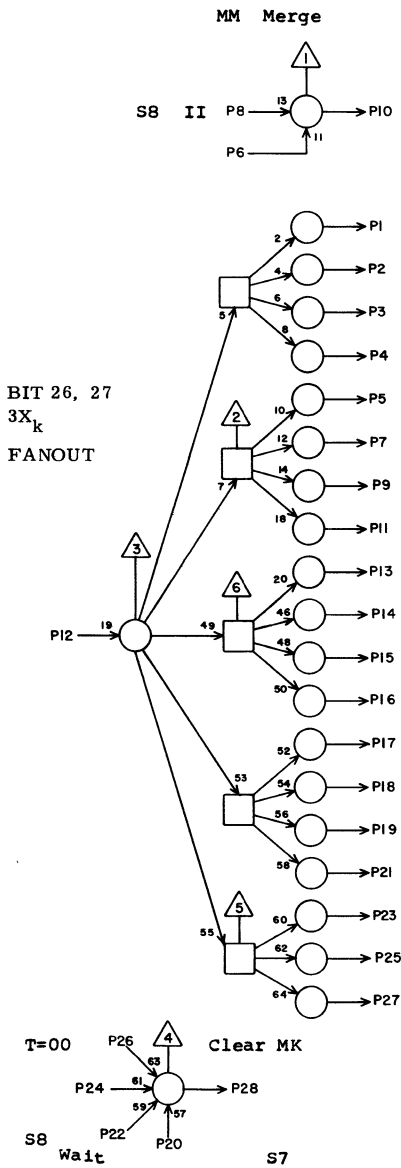
6H22

TC **6H 22**

1	<b>A16</b>	<b>17</b>	<b>29</b>
2	<b>A13</b>	<b>16</b>	<b>31</b>
3	<b>L 8</b>	<b>25</b>	<b>23</b>
4	<b>A14</b>	<b>16</b>	<b>31</b>
5	<b>I 8</b>	<b>25</b>	<b>17</b>
6	<b>A15</b>	<b>16</b>	<b>29</b>
7	<b>A15</b>	<b>17</b>	<b>29</b>
8	<b>B14</b>	<b>16</b>	<b>27</b>
9	<b>A16</b>	<b>16</b>	<b>29</b>
10	<b>B15</b>	<b>16</b>	<b>27</b>
11	<b>A17</b>	<b>16</b>	<b>29</b>
12	<b>A13</b>	<b>17</b>	<b>31</b>
13	<b>B13</b>	<b>16</b>	<b>27</b>
14	<b>F17</b>	<b>15</b>	<b>39</b>
15	<b>A14</b>	<b>17</b>	<b>31</b>
16	<b>H22</b>	<b>X</b>	<b>2</b>
17			
18	<b>Q 8</b>	<b>7</b>	<b>41</b>
19			
20	<b>O 9</b>	<b>14</b>	<b>31</b>
21			
22	<b>B 9</b>	<b>8</b>	<b>84</b>
23	<b>A 8</b>	<b>8</b>	<b>84</b>
24	<b>B 8</b>	<b>8</b>	<b>84</b>
25	<b>K 8</b>	<b>14</b>	<b>21</b>
26	<b>A 9</b>	<b>8</b>	<b>84</b>
27			
28	<b>Q 9</b>	<b>7</b>	<b>39</b>

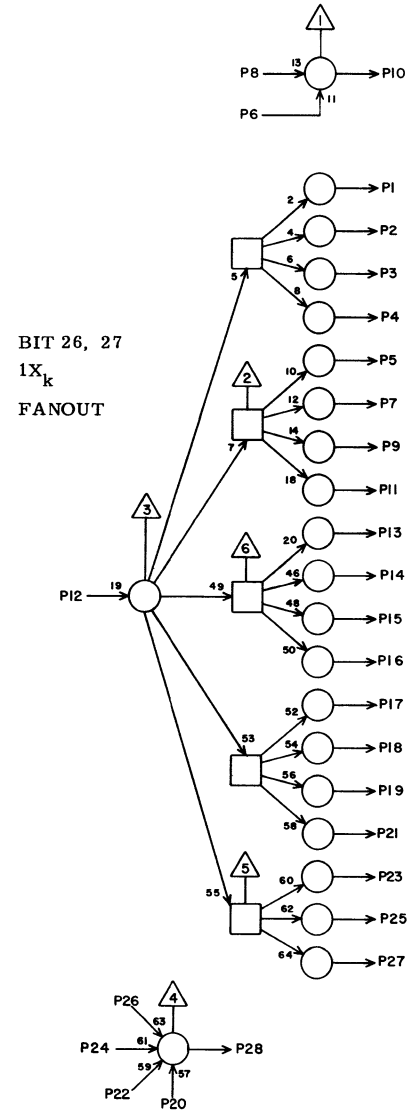
JACK PIN LG

63017400 Rev. B



CC		6H23	
1	A10	20	31
2	A11	20	31
3	A12	20	31
4	B10	20	27
5	B11	20	27
6	I25	23	120
7	B12	20	27
8	I25	24	9
9	C10	20	25
10	D25	7	19
11	C11	20	25
12	I 9	18	17
13	C12	20	25
14	D10	20	23
15	D11	20	23
16	D12	20	21
17	E10	20	19
18	E11	20	19
19	E12	20	21
20	I25	27	9
21	F10	20	19
22	I25	16	9
23	F11	20	17
24	H 9	25	17
25			
26	H12	1	15
27			
28	D29	27	19
	JACK	PIN	LG

63017400 Rev. B

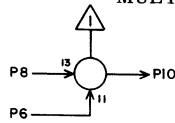


6H24

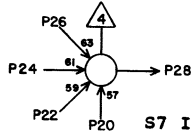
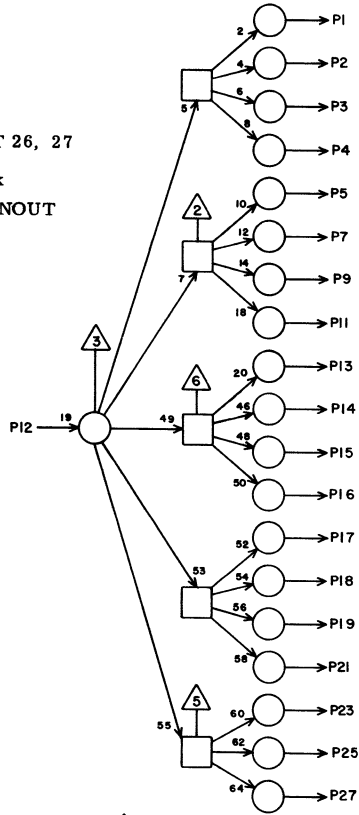
CC		6H24	
1	C21	5	23
2	C22	5	23
3	C23	5	23
4	C24	5	23
5	D18	5	19
6	H13	1	60
7	D19	5	19
8	G10	13	17
9	D20	5	21
10	F 7	2	31
11	D21	5	21
12	I 9	15	17
13	D22	5	21
14	D23	5	23
15	D24	5	21
16	E18	5	17
17	E19	5	17
18	E20	5	17
19	E21	5	17
20	D 7	19	25
21	E22	5	17
22	H13	2	156
23	E23	5	17
24	H 9	24	17
25			
26	I 8	28	19
27			
28	I 7	5	19
	JACK	PIN	LG

63017400 Rev. Y

REQUEST RELEASE  
MULTIPLY 1



BIT 26, 27  
2X<sub>k</sub>  
FANOUT

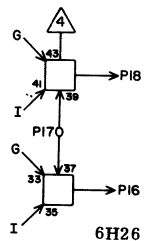
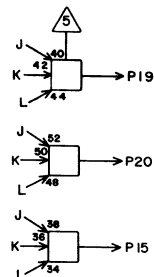
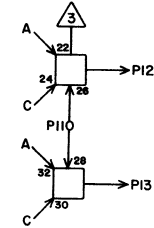
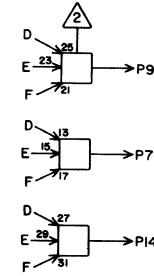
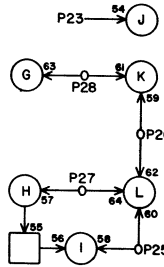
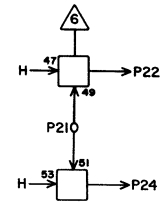
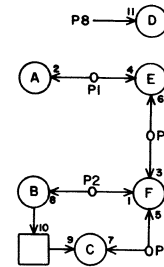
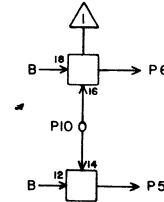


CC **6H25**

1	C21	10	23
2	C22	10	23
3	C23	10	23
4	C24	10	23
5	D18	10	19
6	H10	18	17
7	D19	10	19
8	H14	3	15
9	D20	10	21
10	H 9	3	19
11	D21	10	21
12	I 9	19	19
13	D22	10	21
14	D23	10	21
15	D24	10	21
16	E18	10	17
17	E19	10	17
18	E20	10	17
19	E21	10	17
20	I25	12	5
21	E22	10	15
22	I25	17	5
23	E23	10	17
24	F27	14	13
25			
26	D13	15	13
27			
28	I24	12	96

JACK PIN LG

63017400 Rev. B



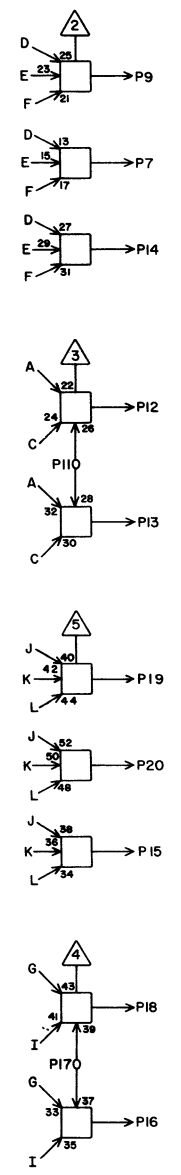
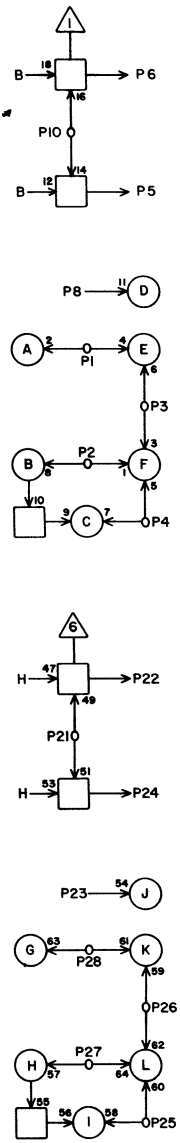
6H26

MH **6H26**

1	A27	26	29
2	A26	26	29
3	A28	24	29
4	A27	24	29
5	A27	2	31
6	A27	5	29
7	I28	17	9
8	A28	26	29
9	I29	23	9
10	I28	12	9
11	I28	10	9
12	A28	5	29
13	A28	2	31
14	I30	22	9
15			
16	B27	5	27
17	I28	24	9
18	B27	2	29
19	I30	19	9
20	I29	9	9
21	I28	26	9
22	B26	5	29
23	B27	26	27
24	B26	2	29
25	B26	24	29
26	B27	24	27
27	A29	26	29
28	B26	26	29

JACK PIN LG

63017400 Rev. B

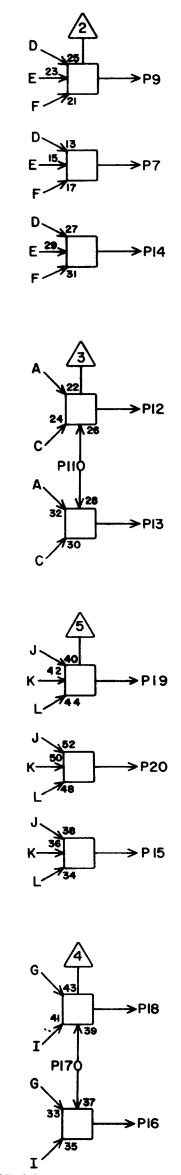
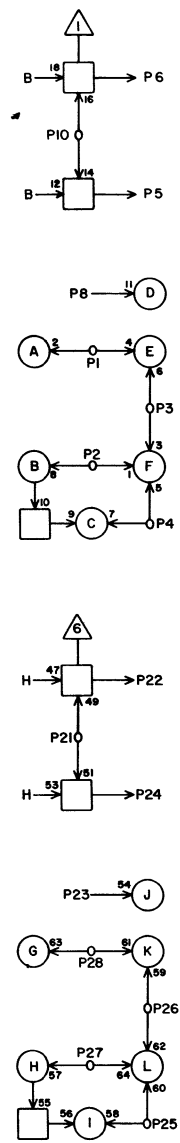


MH **6H27**

1	B29	26	27
2	B28	26	25
3	C26	24	23
4	B29	24	27
5	B29	5	27
6	B29	2	27
7	I29	17	9
8	C26	26	23
9	I30	21	9
10	I29	12	9
11	I29	10	9
12	C26	2	23
13	C26	5	25
14			
15			
16	C29	5	23
17	I29	24	9
18	C29	2	23
19			
20	I30	24	9
21	I29	26	9
22	C28	5	25
23	C29	26	23
24	C28	2	25
25	C28	24	23
26	C29	24	23
27	C27	26	23
28	C28	26	23

JACK PIN LG

63017400 Rev. B



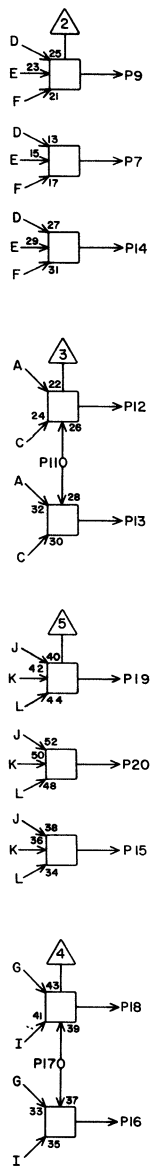
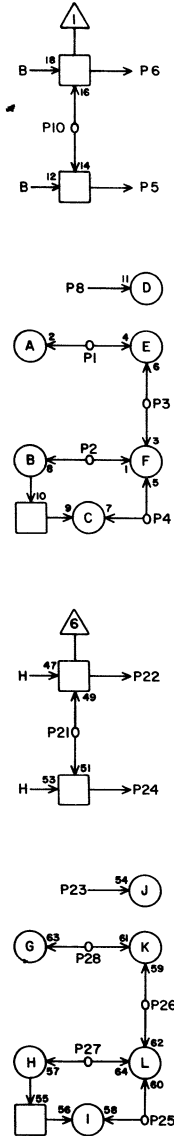
MH **6H28**

1	D27	26	19
2	D26	26	17
3	D28	24	19
4	D27	24	19
5	D27	5	19
6	D27	8	19
7	I31	9	9
8	D28	26	19
9	I32	19	9
10	I30	10	9
11	I30	18	9
12	D28	2	19
13	D28	5	19
14			
15			
16	B27	5	17
17	I31	10	9
18	B27	2	17
19	I32	21	9
20	I31	17	9
21	I31	12	9
22	B26	5	17
23	B27	26	17
24	B26	2	17
25	B26	24	17
26	B27	24	17
27	B29	26	19
28	B26	26	17

JACK PIN LG

63017400 Rev. B

6H28

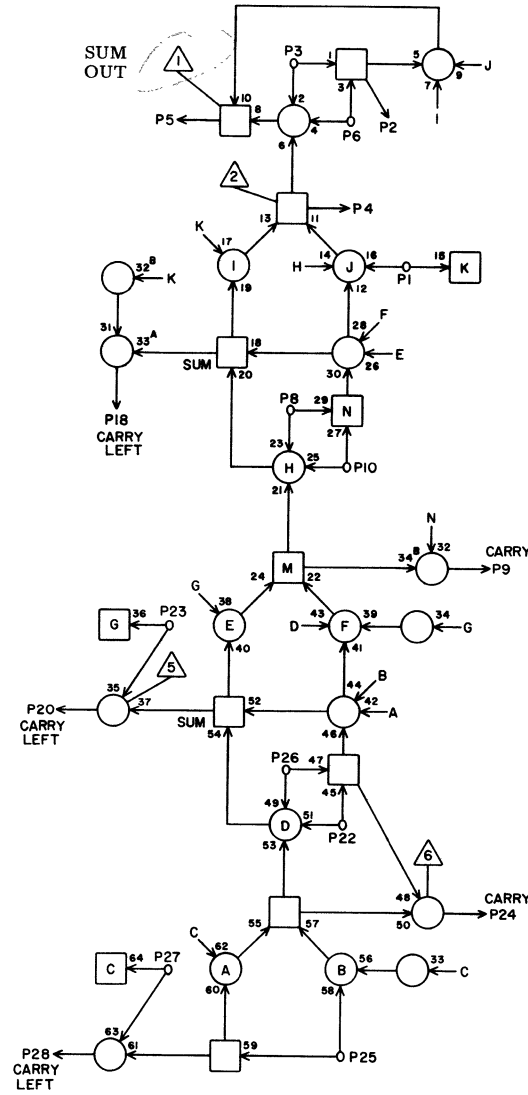


MH 6H29

1	F29	26	15
2	F28	26	15
3	F26	24	13
4	F29	24	15
5	F39	5	15
6	F29	2	15
7	I32	24	11
8	F26	26	13
9			
10	I31	26	11
11	I31	24	11
12	F26	2	13
13	F26	5	13
14			
15			
16	F29	5	13
17	I32	18	7
18	F29	2	13
19			
20	I32	28	11
21	I32	10	7
22	F28	5	13
23	F29	26	13
24	F28	2	13
25	F28	24	11
26	F29	24	13
27	F27	26	13
28	F28	26	11
	JACK	PIN	LG

63017400 Rev. B

UPPER 3-LEVEL ADDER  
BIT 34



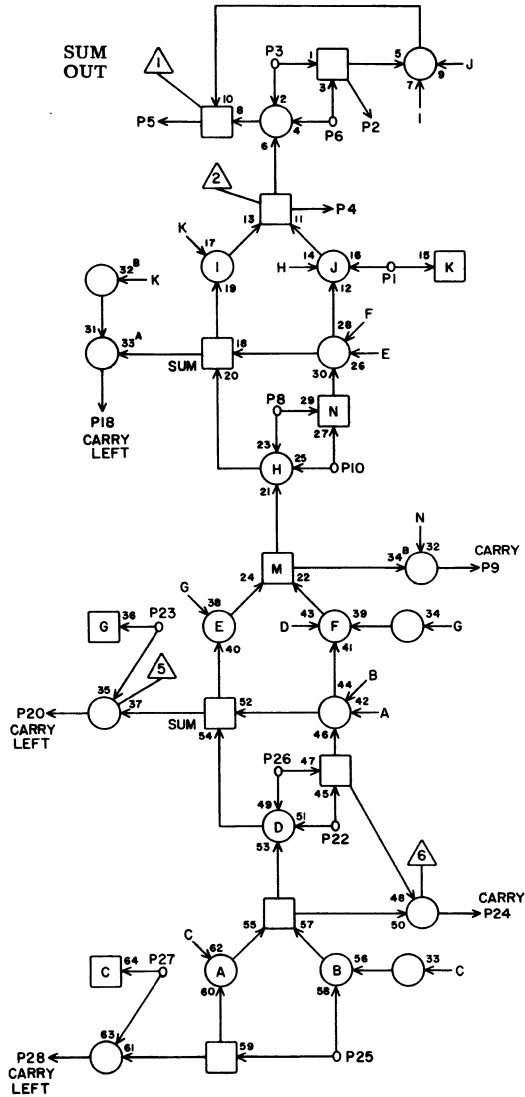
6H30

MG 6H30

1	G20	13	15
2	G13	10	19
3	G42	9	15
4	G13	12	19
5	G13	24	19
6	G42	18	15
7			
8	G42	24	15
9	H31	3	3
10	G42	20	15
11			
12			
13			
14			
15			
16			
17			
18	H31	6	3
19			
20	H31	10	3
21			
22	G42	28	15
23	D24	6	21
24	H31	8	3
25	G15	25	19
26	G15	7	19
27	B22	8	29
28	H31	22	3
	JACK	PIN	LG

63017400 Rev. B

UPPER 3-LEVEL ADDER  
BIT 35

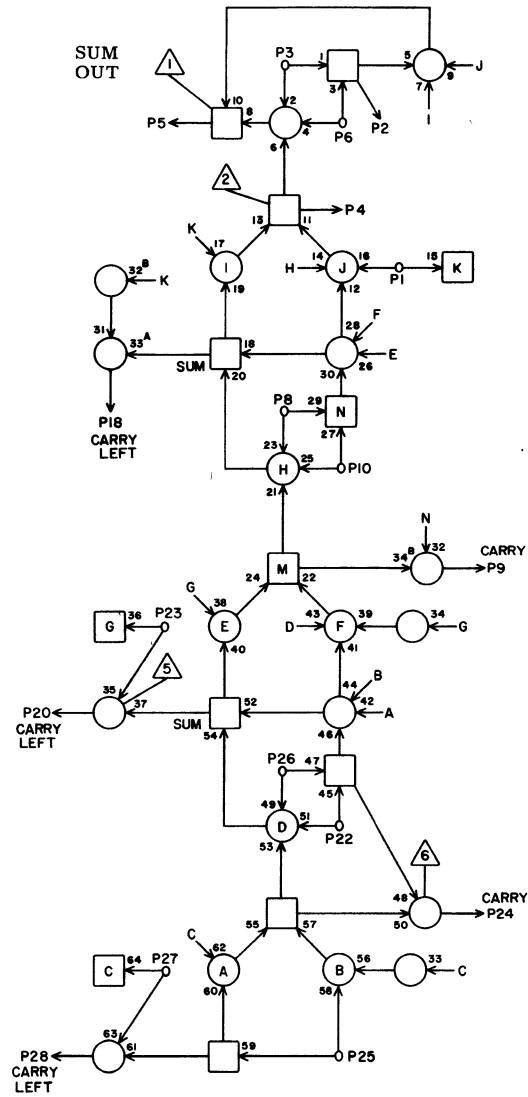


MG **6H31**

1	G20	8	15
2	G14	2	19
3	H30	9	3
4	G14	4	19
5	G13	28	19
6	H30	18	3
7			
8	H30	24	5
9	H32	3	3
10	H30	20	3
11			
12			
13			
14			
15			
16			
17			
18	H32	6	3
19			
20	H32	10	3
21			
22	H30	28	3
23	H18	13	23
24	H32	8	5
25	G15	26	19
26	G15	11	19
27	H22	6	29
28	H32	22	3
	JACK	PIN	LG

63017400 Rev. B

UPPER 3-LEVEL ADDER  
BIT 36



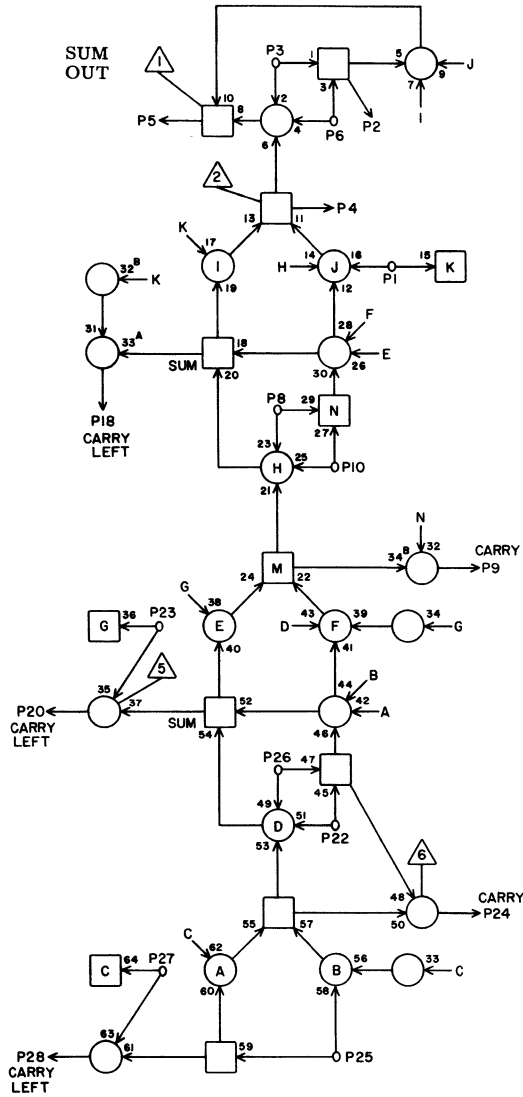
MG **6H32**

1	G20	6	15
2	G14	6	21
3	H31	9	3
4	G14	8	21
5	G14	23	21
6	H31	18	3
7			
8	H31	24	5
9	H33	3	3
10	H31	20	3
11			
12			
13			
14			
15			
16			
17			
18	H33	6	3
19			
20	H33	10	3
21			
22	H31	28	3
23	H18	8	21
24	H33	8	5
25	G16	22	19
26	G16	3	19
27	H23	13	29
28	H33	22	3
	JACK	PIN	LG

63017400 Rev. B

6H32

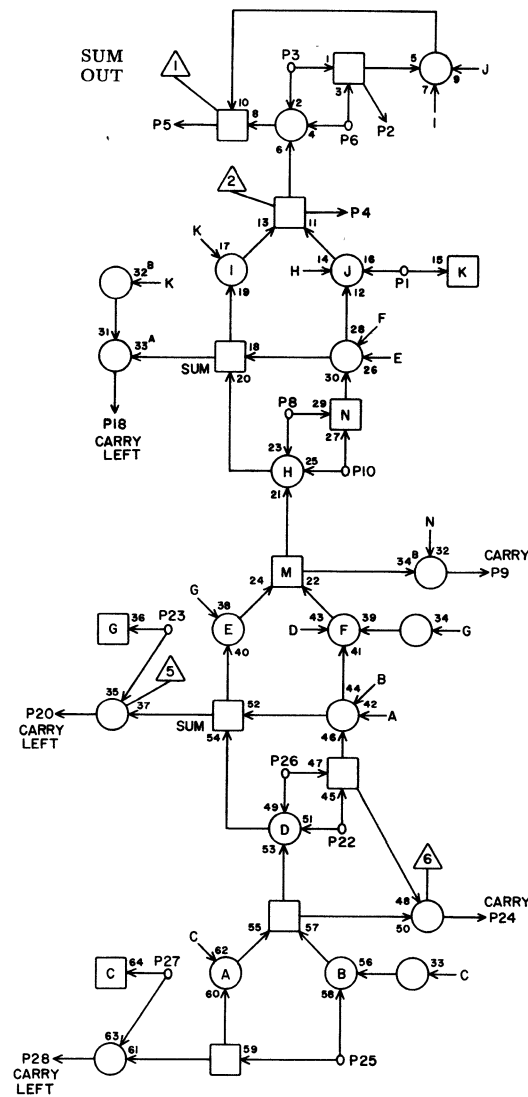
UPPER 3-LEVEL ADDER  
BIT 37



MG **6H33**

	JACK	PIN	LG
1	G21	13	17
2	G14	10	21
3	H32	.9	21
4	G14	12	21
5	G14	24	21
6	H32	18	3
7			
8	H32	24	5
9	H34	3	3
10	H32	20	3
11			
12			
13			
14			
15			
16			
17			
18	H34	6	3
19			
20	H34	10	3
21			
22	H32	28	3
23	H18	6	23
24	H34	8	5
25	G16	25	19
26	G16	7	17
27	B23	8	29
28	H34	22	3

UPPER 3-LEVEL ADDER  
BIT 38

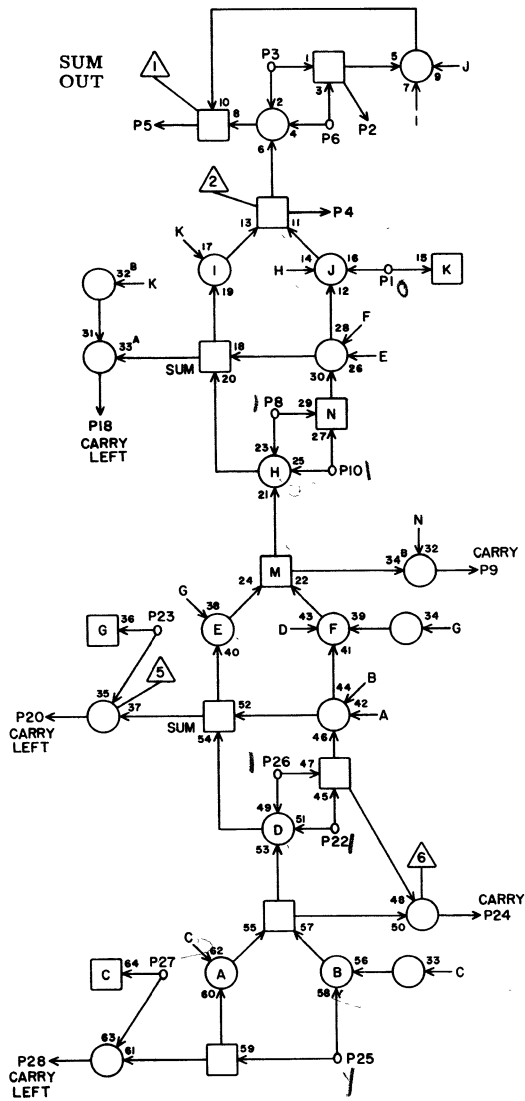


MG **6H34**

	JACK	PIN	LG
1	G21	8	17
2	G15	2	21
3	H33	9	3
4	G15	4	21
5	G14	28	21
6	H33	18	3
7			
8	H33	24	5
9	H35	3	3
10	H33	20	3
11			
12			
13			
14			
15			
16			
17			
18	H35	6	3
19			
20	H35	10	3
21			
22	H33	28	3
23	H19	13	23
24	H35	8	5
25	G16	26	19
26	G16	11	21
27	B23	6	29
28	H35	22	3



UPPER 3-LEVEL ADDER  
BIT 39



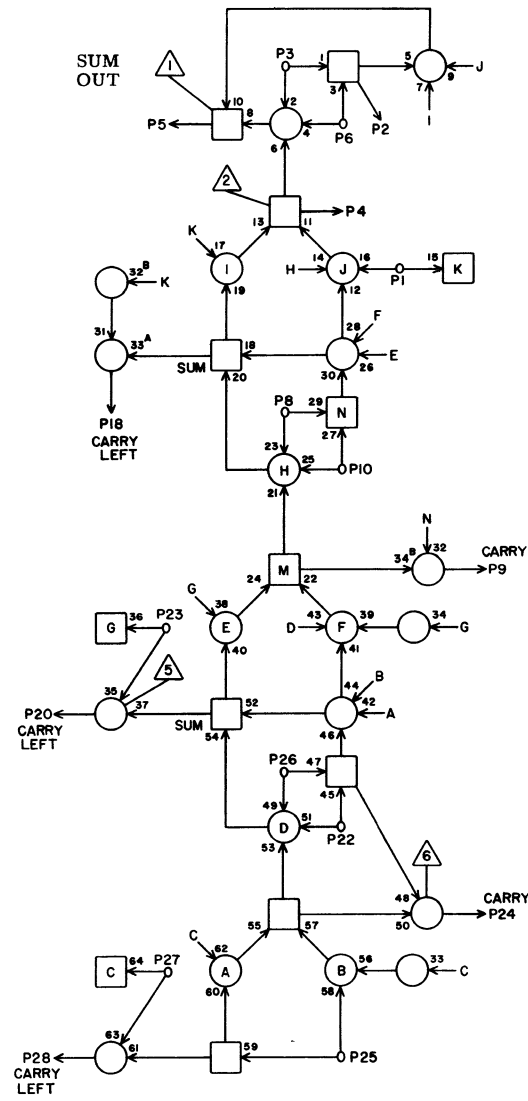
MG **6H35**

1	G21	6	17
2	G15	6	21
3	H34	9	3
4	G15	8	23
5	G15	23	23
6	H34	18	3
7			
8	H34	24	5
9	H36	3	3
10	H34	20	3
11			
12			
13			
14			
15			
16			
17			
18	H36	6	3
19			
20	H36	10	3
21			
22	H34	28	3
23	E19	8	23
24	H36	8	5
25	G17	22	21
26	B17	3	21
27	B24	13	31
28	H36	22	3

JACK PIN LG

63017400 Rev. B

UPPER 3-LEVEL ADDER  
BIT 40



MG **6H36**

1	G22	13	19
2	G15	10	23
3	H35	9	3
4	G15	12	23
5	G15	24	23
6	H35	18	3
7			
8	H35	24	5
9	H37	3	3
10	H35	20	3
11			
12			
13			
14			
15			
16			
17			
18	H37	6	3
19			
20	H37	10	3
21			
22	H35	28	3
23	E19	6	23
24	H37	8	5
25	G17	25	21
26	G17	7	21
27	B24	8	31
28	H37	22	3

JACK PIN LG

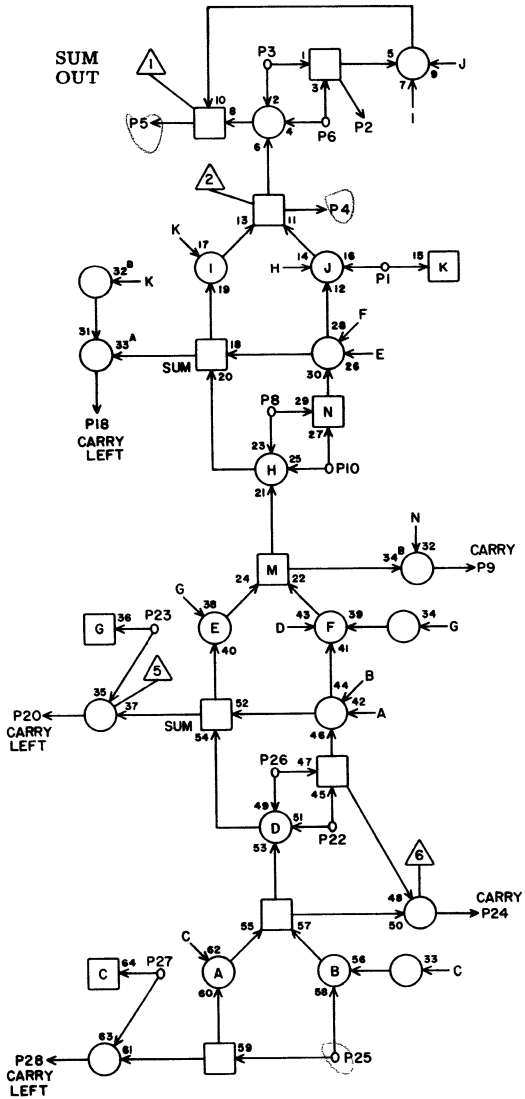
63017400 Rev. B

6H36



2 2 3

UPPER 3-LEVEL ADDER  
BIT 43



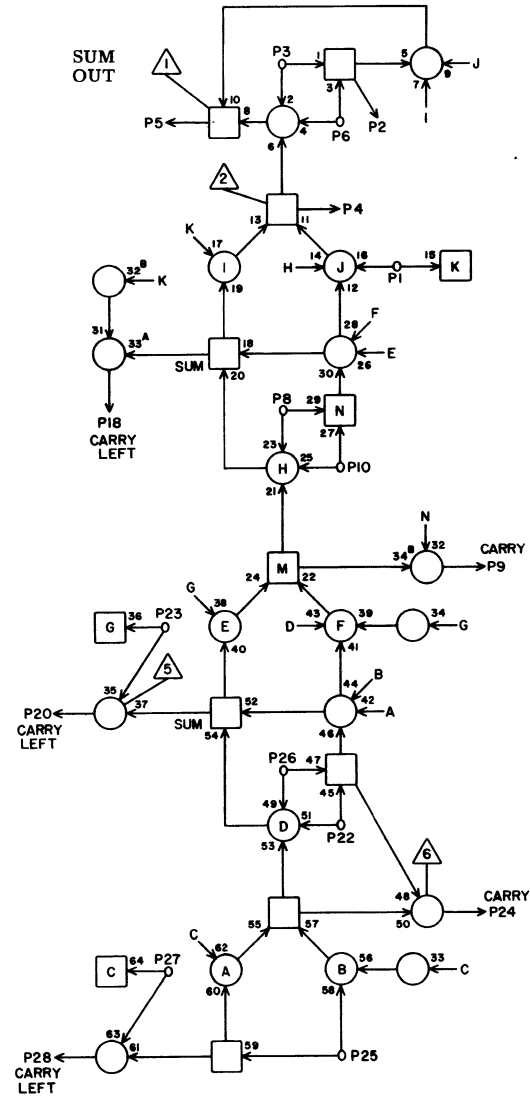
MG **6H39**

1	G23	13	21
2	G16	10	25
3	H38	9	3
4	G16	12	25
5	G16	24	25
6	H38	18	3
7			
8	H38	24	5
9	H40	3	3
10	H38	20	3
11			
12			
13			
14			
15			
16			
17			
18	H40	6	3
19			
20	H40	10	3
21			
22	H38	28	3
23	H20	6	25
24	H40	8	5
25	H15	25	25
26	H15	7	25
27	C18	8	31
28	H40	22	3

JACK PIN LG

63017400 Rev. B

UPPER 3-LEVEL ADDER  
BIT 44



MG **6H40**

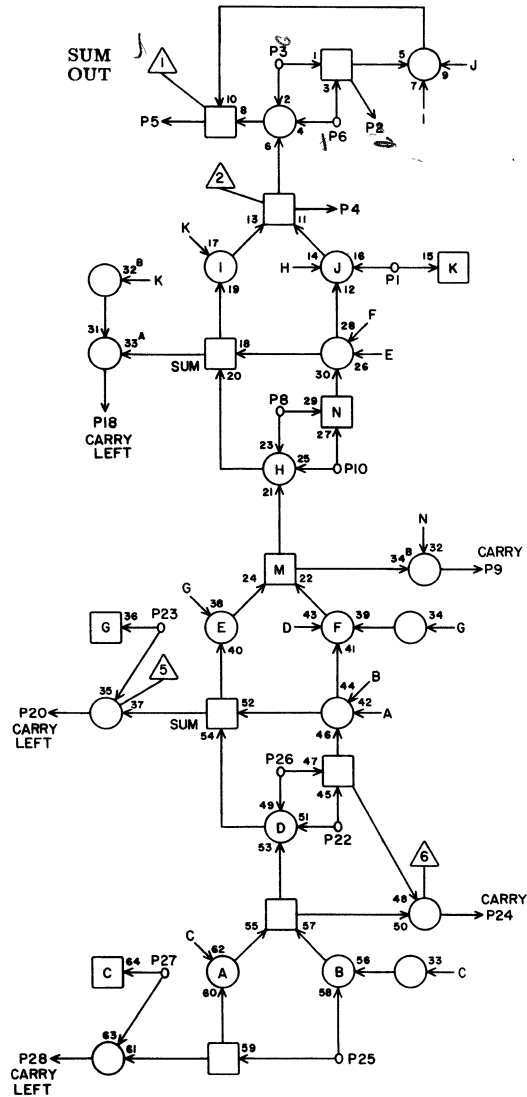
1	G23	8	21
2	G17	2	25
3	H39	9	3
4	G17	4	25
5	G16	28	25
6	H39	18	3
7			
8	H39	24	5
9	H41	3	3
10	H39	20	3
11			
12			
13			
14			
15			
16			
17			
18	H41	6	3
19			
20	H41	10	3
21			
22	H39	28	3
23	H21	13	25
24	H41	8	5
25	H15	26	25
26	H15	11	25
27	C18	6	33
28	H41	22	3

JACK PIN LG

63017400 Rev. B

6H40

UPPER 3-LEVEL ADDER  
BIT 45



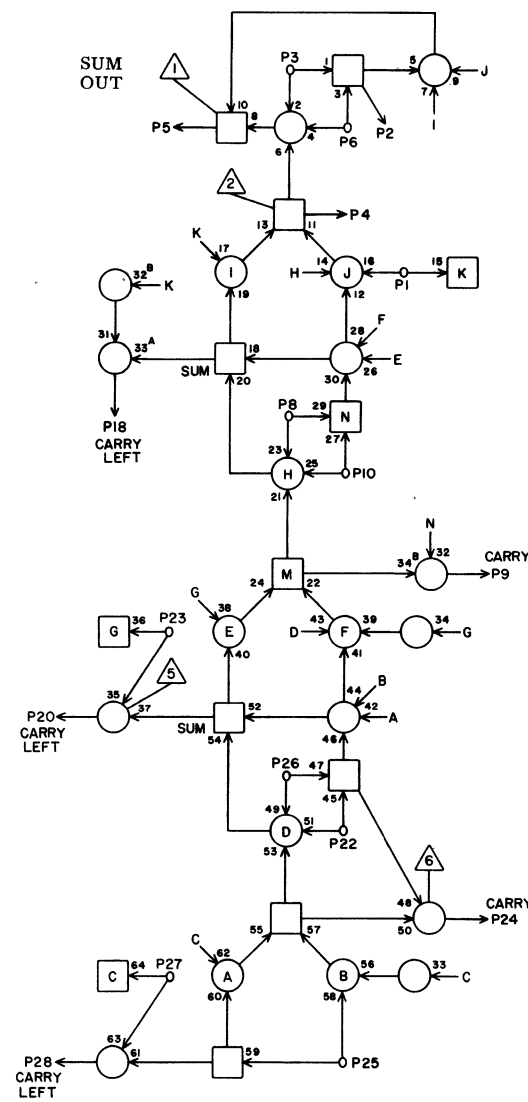
MG **6H41**

1	G23	6	21
2	G17	6	25
3	H40	9	3
4	G17	8	25
5	G17	23	25
6	H40	18	3
7			
8	H40	24	5
9	H42	3	3
10	H40	20	3
11			
12			
13			
14			
15			
16			
17			
18	H42	6	3
19			
20	H42	10	3
21			
22	H40	28	3
23	E21	8	25
24	H42	8	5
25	H16	22	27
26	H16	3	29
27	C19	13	31
28	H42	22	3

JACK PIN LG

63017400 Rev. B

UPPER 3-LEVEL ADDER  
BIT 46



MG **6H42**

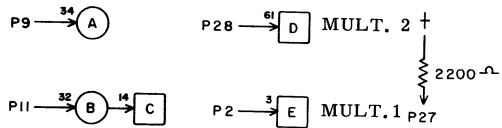
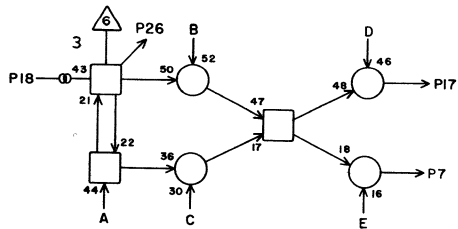
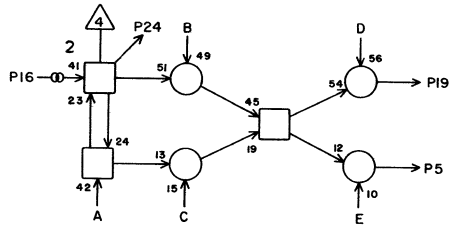
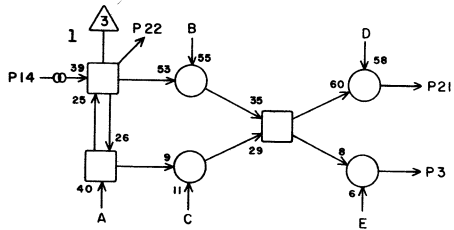
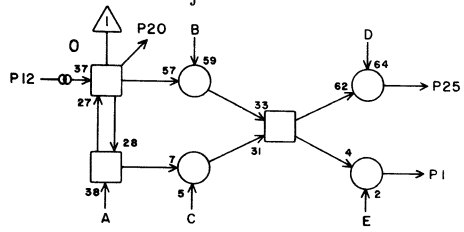
1	G24	13	21
2	G17	10	25
3	H41	9	3
4	G17	12	25
5	G17	24	25
6	H41	18	3
7			
8	H41	24	5
9	I33	3	13
10	H41	20	3
11			
12			
13			
14			
15			
16			
17			
18	I33	6	13
19			
20	I33	10	13
21			
22	H41	28	3
23	E21	6	25
24	I33	8	13
25	H16	25	27
26	H16	7	27
27	C19	8	31
28	I33	22	13

JACK PIN LG

63017400 Rev. B

6H42

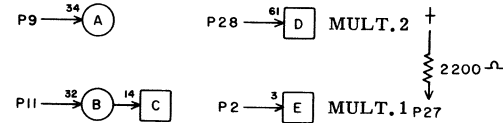
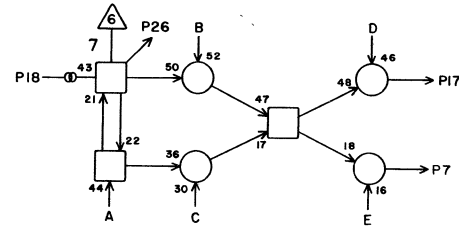
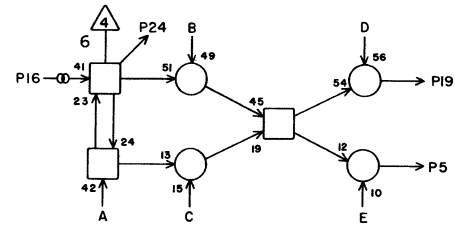
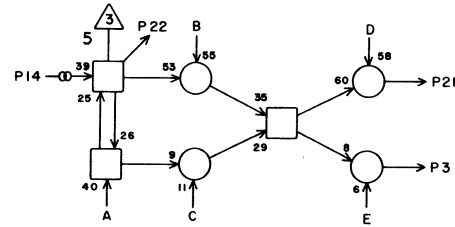
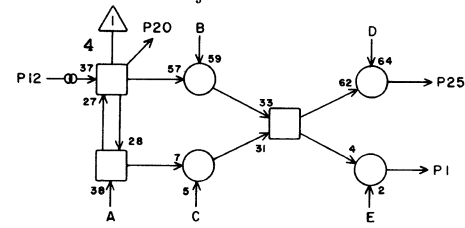
$X_j$  TO MULTIPLY AND DIVIDE



GA **6I 1**

1	I10	2	13
2	G 8	15	13
3	I10	13	13
4			
5	I10	19	13
6			
7	I10	27	13
8			
9	G 7	15	15
10			
11	F 6	27	17
12	W14	90	
13			
14	W14	91	
15			
16	W14	92	
17	J10	27	13
18	W14	93	
19	J10	19	13
20	M 3	5	17
21	J10	13	13
22	M 3	6	17
23			
24	M 3	4	17
25	J10	2	13
26	M 4	5	17
27	A10	7	37
28	H 7	15	11

$X_j$  TO MULTIPLY AND DIVIDE



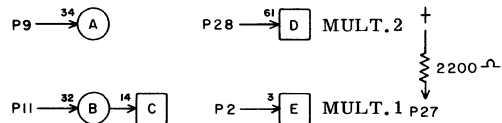
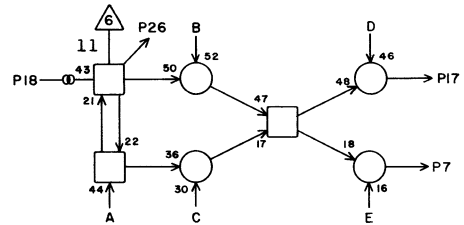
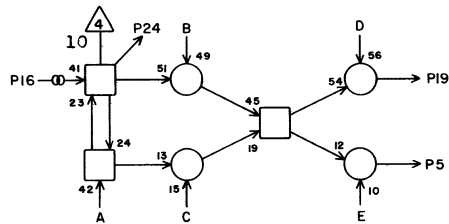
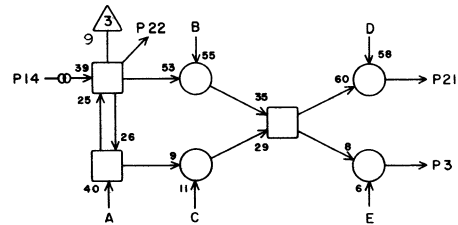
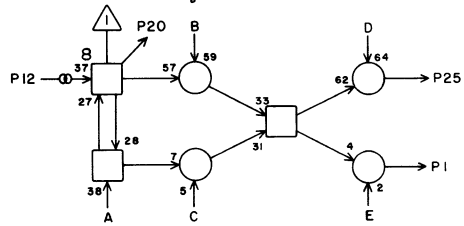
SIGN

GA **6I 2**

1	I11	2	13
2	G 8	18	13
3	I11	13	13
4			
5	I11	19	13
6			
7	I11	27	13
8			
9	G 7	18	15
10			
11	F 6	25	17
12	W14	94	
13			
14	W14	95	
15			
16	W14	96	
17	J11	27	13
18	W14	97	
19	J11	19	13
20	M 4	6	17
21	J11	13	13
22	M 4	4	17
23			
24	M 5	5	17
25	J11	2	13
26	M 5	6	17
27	I40	23	37
28	H 7	18	11

JACK PIN LG

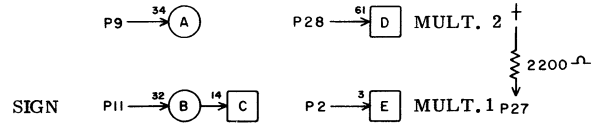
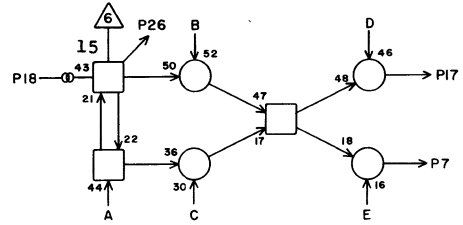
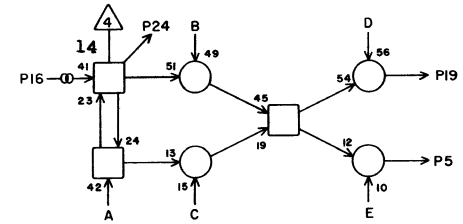
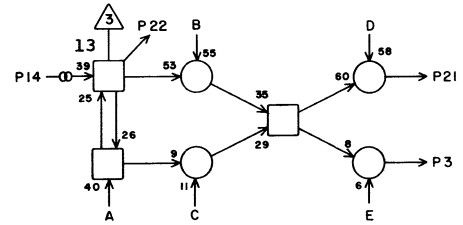
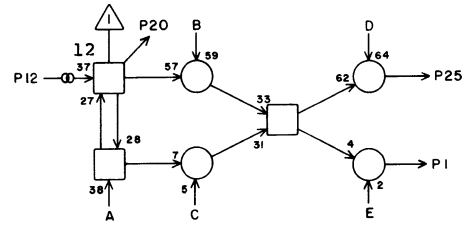
X<sub>j</sub> TO MULTIPLY AND DIVIDE



GA 6I 3

1	I12	2	11
2	G 8	17	13
3	I12	13	13
4			
5	I12	19	13
6			
7	I12	27	13
8			
9	G 7	17	11
10			
11	F 6	23	17
12	W14	98	
13			
14	W14	99	
15			
16	W14	900	
17	J12	27	13
18	W14	901	
19	J12	19	13
20	M 5	4	17
21	J12	13	21
22	M 6	5	17
23			
24	M 6	6	17
25	J12	2	13
26	M 6	4	17
27	I41	23	37
28	H 7	17	11
	JACK	PIN	LG

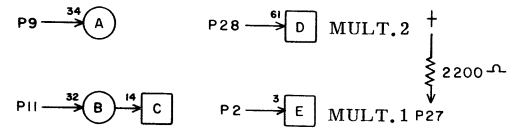
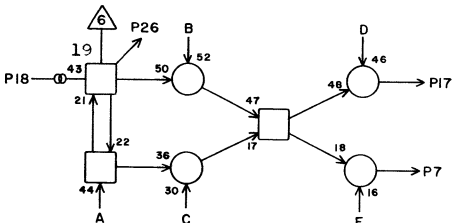
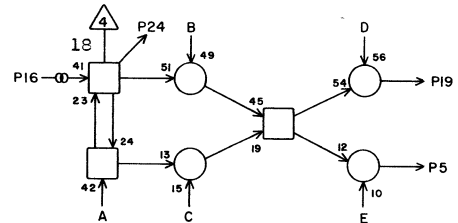
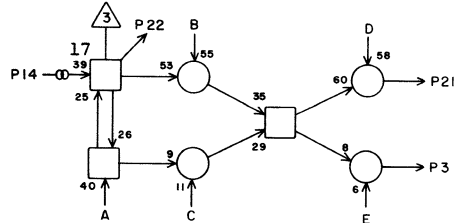
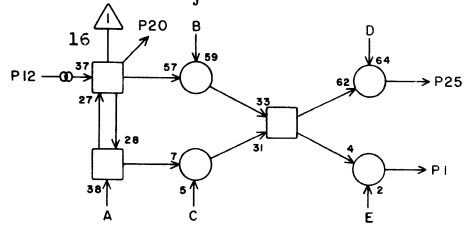
X<sub>j</sub> TO MULTIPLY AND DIVIDE



GA 6I 4

1	I13	2	13
2	G 8	20	11
3	I13	13	13
4			
5	I13	19	13
6			
7	I13	27	13
8			
9	G 7	20	11
10			
11	F 6	21	17
12	W14	902	
13			
14	W14	903	
15			
16	W14	904	
17	J13	27	13
18	W14	905	
19	J13	19	13
20	M 7	5	17
21	J13	13	13
22	M 7	6	19
23			
24	M 7	4	17
25	J13	2	13
26	N 1	5	21
27	I42	23	37
28	H 7	20	9
	JACK	PIN	LG

X<sub>j</sub> TO MULTIPLY AND DIVIDE

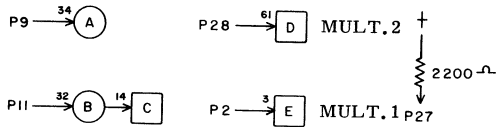
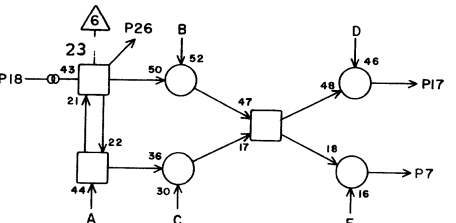
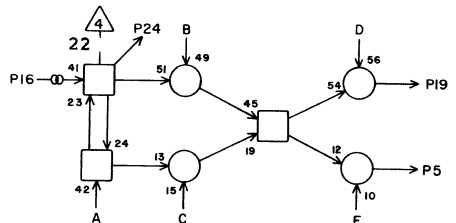
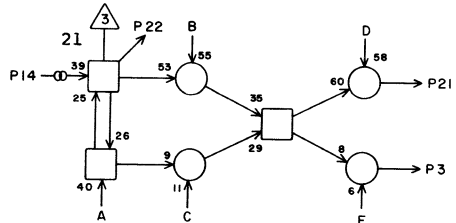
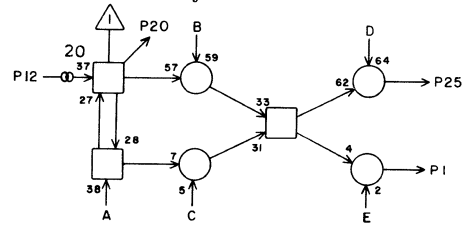


GA 6I 5

1	I14	2	11
2	G 8	22	11
3	I14	13	13
4			
5	I14	19	13
6			
7	I14	27	13
8			
9	G 7	22	13
10			
11	F 6	19	17
12	W14	906	
13			
14	W14	907	
15			
16	W13	90	
17	J14	27	13
18	W13	91	
19	J14	19	13
20	N 1	6	23
21	J14	13	13
22	N 1	4	21
23			
24	N 2	5	21
25	J14	2	13
26	N 2	6	21
27	I41	1	35
28	H 7	22	9

JACK PIN LG

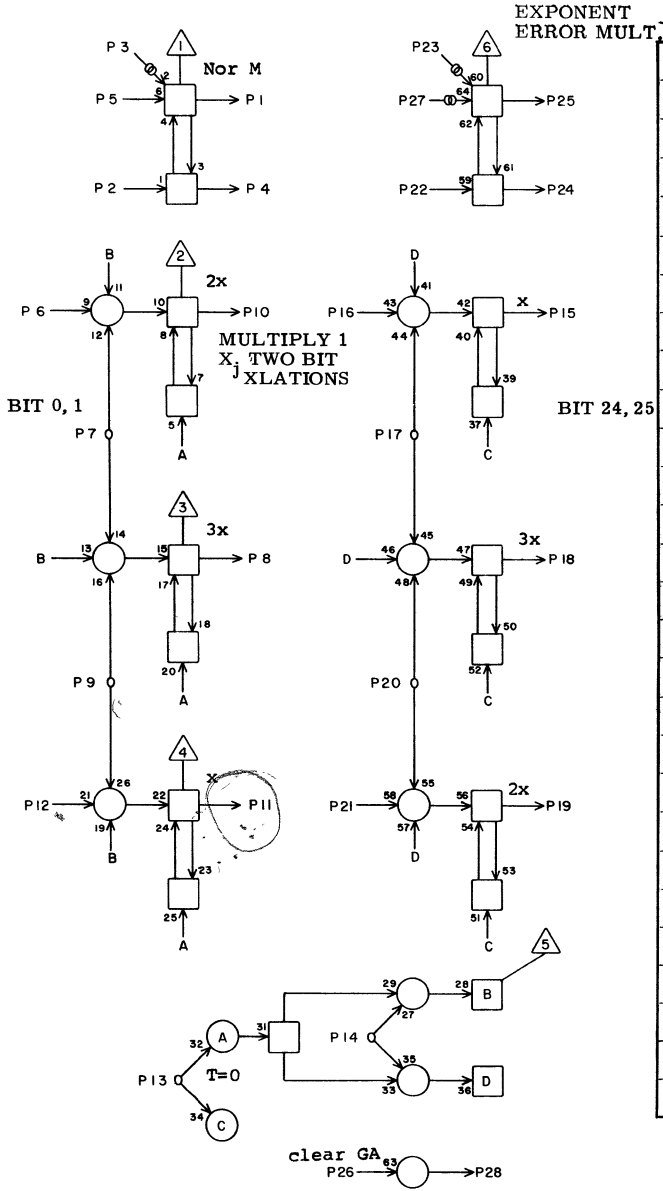
X<sub>j</sub> TO MULTIPLY AND DIVIDE



GA 6I 6

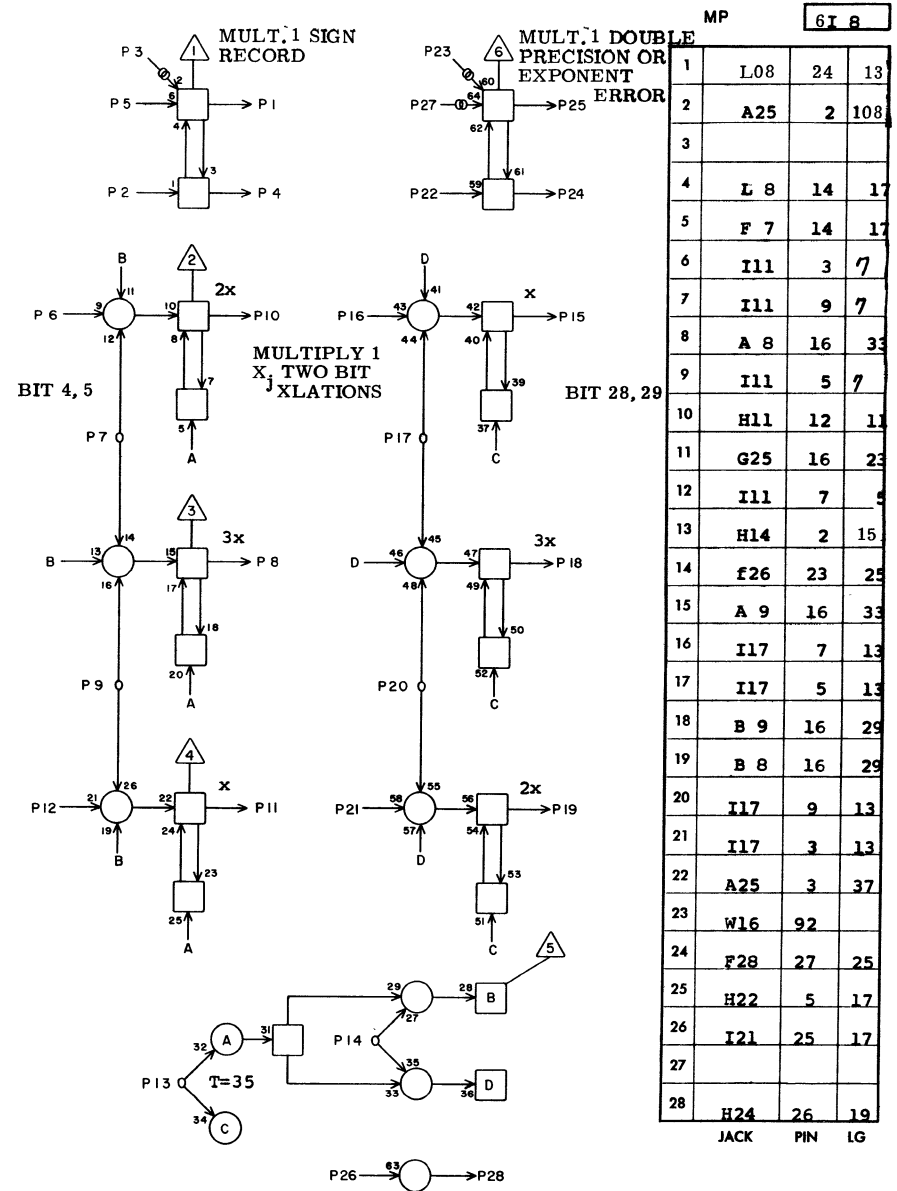
1	I15	2	11
2	G 8	24	9
3	I15	13	13
4			
5	I15	19	13
6			
7	I15	27	13
8			
9	G 7	24	11
10			
11	F 6	28	17
12	W13	92	
13			
14	W13	93	
15			
16	W13	94	
17	J15	27	13
18	W13	95	
19	J15	19	13
20	N 2	4	21
21	J15	13	13
22	N 3	5	21
23			
24	N 3	6	21
25	J15	2	13
26	N 3	4	21
27	I42	1	35
28	H 7	24	9

JACK PIN LG



	MP		6I 7
1	F 7	5	15
2	A25	1	39
3	I07	x	2
4			
5	H24	28	19
6	I10	3	5
7	I10	9	7
8	C25	16	31
9	I10	5	7
10	B25	16	35
11	A25	16	37
12	I10	7	7
13	H12	5	132
14	F26	25	25
15	H13	16	11
16	I16	7	13
17	I16	5	13
18	H12	16	11
19	H14	16	11
20	I16	9	13
21	I16	3	13
22	C 2	6	25
23	W28	98	
24			
25	J26	8	23
26	H13	6	13
27			
28	G 7	12	13
	JACK	PIN	LG

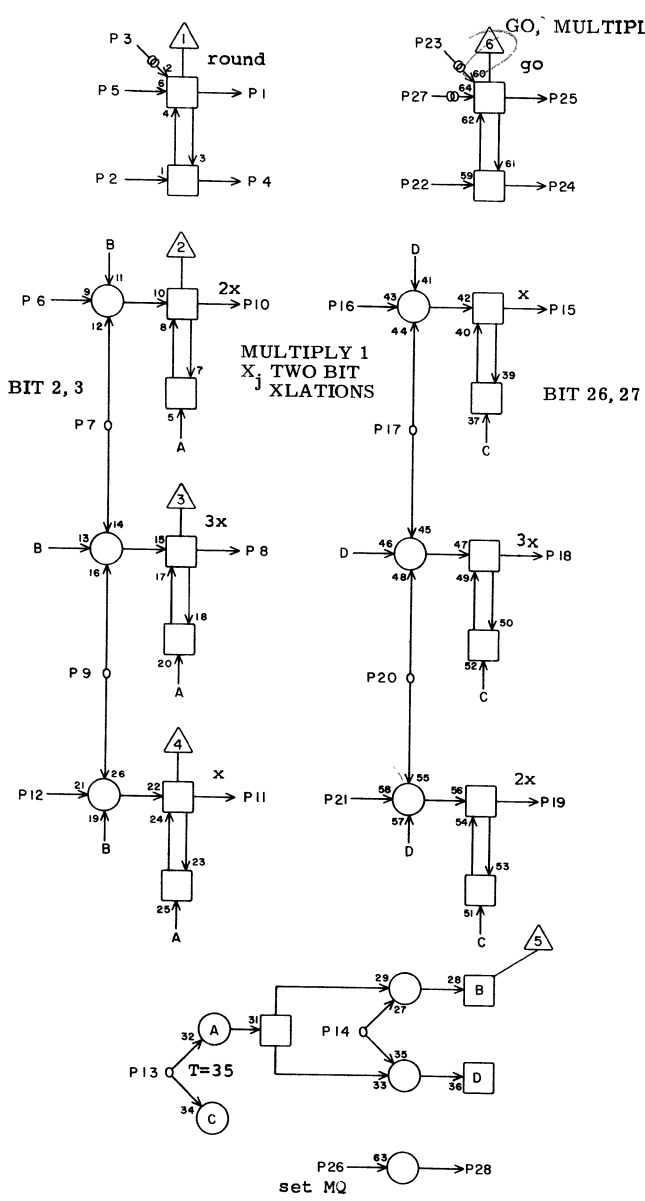
63017400 Rev. W



	MP		6I 8
1	L08	24	13
2	A25	2	108
3			
4	L 8	14	17
5	F 7	14	17
6	I11	3	7
7	I11	9	7
8	A 8	16	33
9	I11	5	7
10	H11	12	11
11	G25	16	23
12	I11	7	5
13	H14	2	15
14	f26	23	25
15	A 9	16	33
16	I17	7	13
17	I17	5	13
18	B 9	16	29
19	B 8	16	29
20	I17	9	13
21	I17	3	13
22	A25	3	37
23	W16	92	
24	F28	27	25
25	H22	5	17
26	I21	25	17
27			
28	H24	26	19
	JACK	PIN	LG

63017400 Rev. W



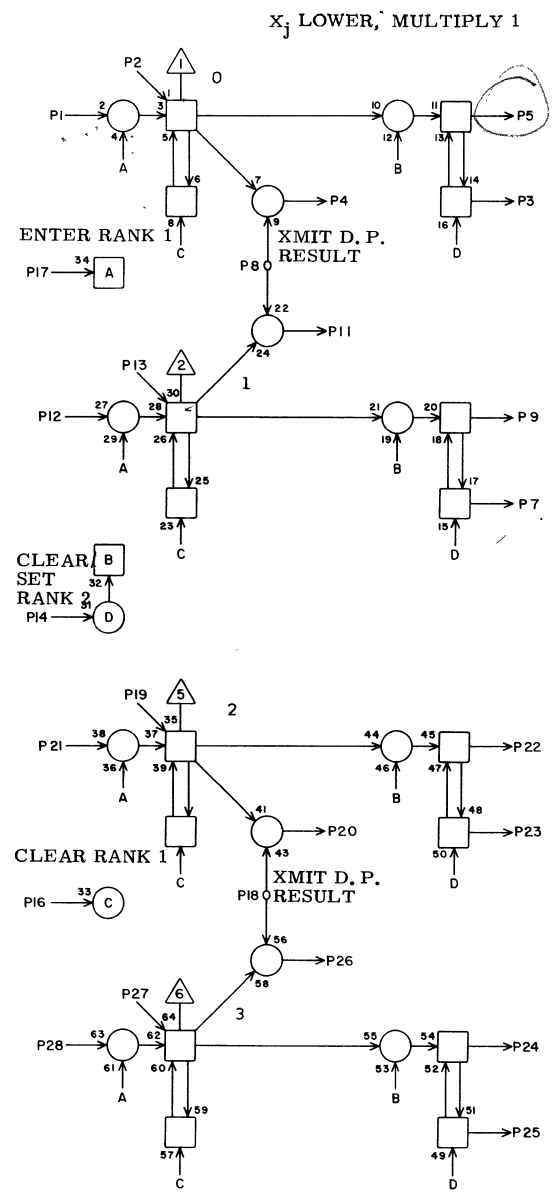


MP 6I 9

1	H11	26	7
2	A25	4	37
3	W16	91	
4			
5			
6	I10	23	7
7	I10	24	3
8	F25	16	25
9	I10	22	3
10	E25	16	25
11	D25	16	27
12	I10	25	5
13	H14	5	11
14	I 9	28	5
15	H24	12	17
16	I16	25	11
17	I16	22	11
18	H23	12	17
19	H25	12	19
20	I16	24	11
21	I16	23	11
22	C13	15	27
23	W16	90	
24	F12	14	17
25	G12	8	108
26	F26	28	23
27			
28	I 9	14	3

JACK PIN LG

63017400 Rev. N



6I10

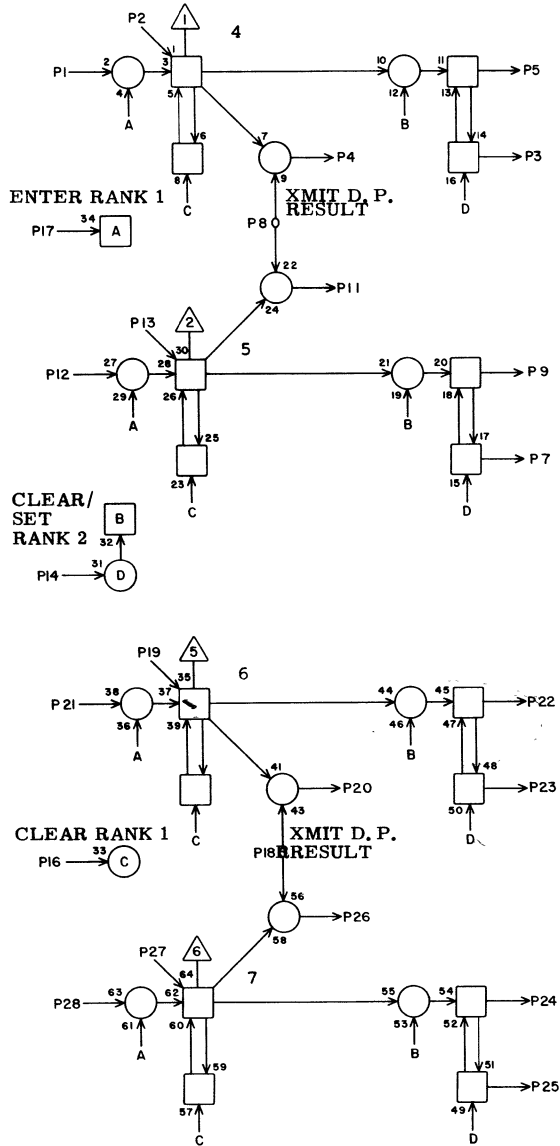
MK 6I10

1	I11	22	5
2	I 1	1	13
3	I 7	6	5
4	K 1	23	17
5	I 7	9	7
6			
7	I 7	12	7
8	A13	18	33
9	I 7	7	7
10			
11	K 1	17	15
12	I11	24	3
13	I 1	3	13
14	I28	1	21
15			
16	F12	1	17
17	E25	1	25
18	A14	18	33
19	I 1	5	13
20	K 2	23	15
21	I12	5	5
22	I 9	9	3
23	I 9	6	7
24	I 9	7	3
25	I 9	12	5
26	K 2	17	15
27	I 1	7	13
28	I12	9	5

JACK PIN LG

63017400 Rev. B

X<sub>j</sub> LOWER, MULTIPLY 1



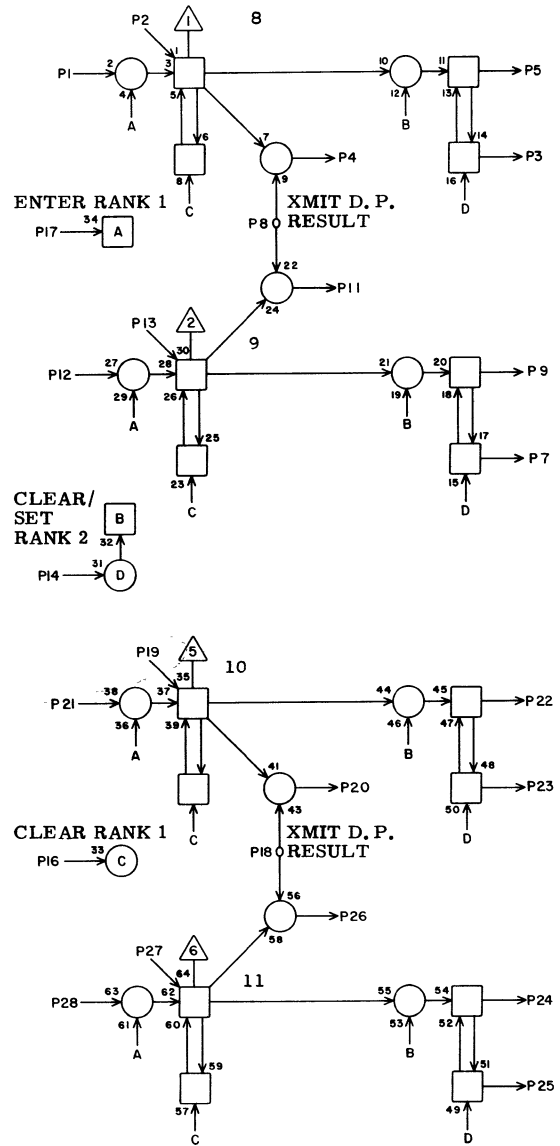
MK 6I11

1	I12	22	5
2	I 2	1	13
3	I 8	6	7
4	K 3	23	17
5	I 8	9	7
6			
7	I 8	12	5
8	A15	18	33
9	I 8	7	7
10			
11	K 3	17	15
12	I12	24	3
13	I 2	3	13
14	I28	2	21
15			
16	F12	2	17
17	E25	2	25
18	A16	18	33
19	I 2	5	13
20	K 4	23	15
21	I13	5	5
22	I10	1	5
23			
24	I10	12	3
25			
26	K 4	17	13
27	I 2	7	13
28	I13	7	5

JACK PIN LG

63017400 Rev. B

X<sub>j</sub> LOWER, MULTIPLY 1

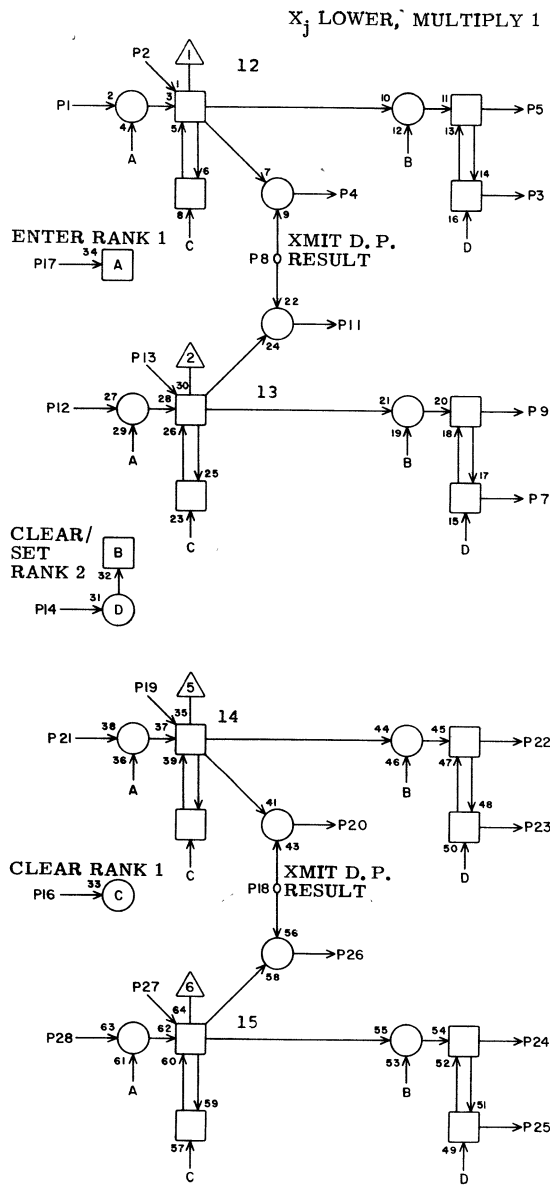


MK 6I12

1	I13	22	5
2	I 3	1	11
3			
4	K 5	23	15
5	I10	21	5
6			
7			
8	A17	18	33
9	I10	28	5
10			
11	K 5	17	15
12	I13	24	3
13	I 3	3	13
14	I28	3	19
15			
16	F12	3	17
17	E25	3	25
18	B13	18	29
19	I 3	5	13
20	K 6	23	15
21	I14	5	7
22	I11	1	5
23			
24	I11	12	3
25			
26	K 6	17	13
27	I 3	7	13
28	I14	9	7

JACK PIN LG

63017400 Rev. B

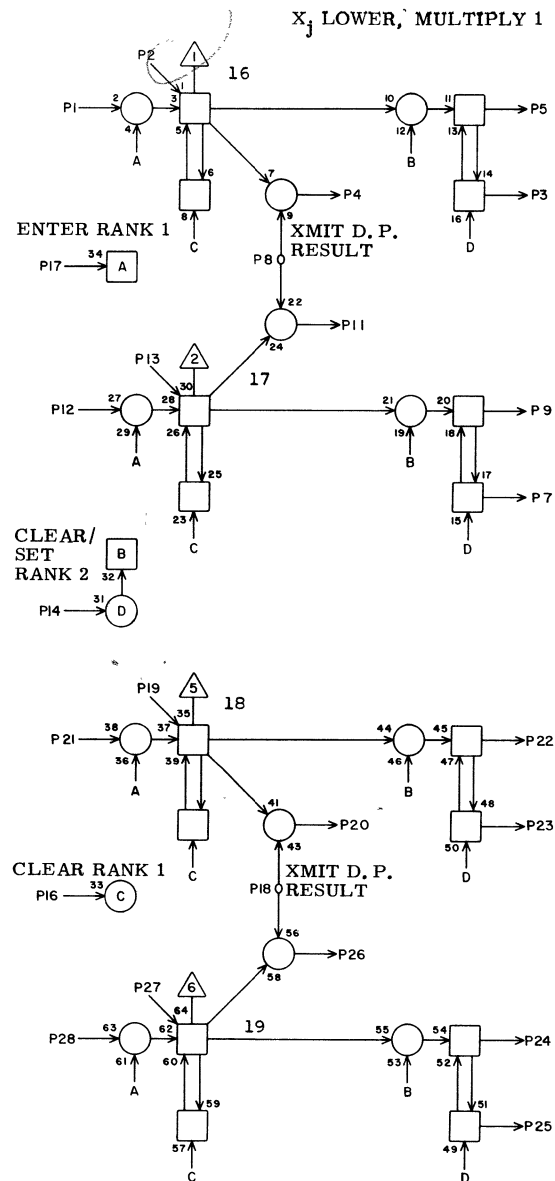


MK 6I13

1	I14	22	5
2	I 4	1	13
3			
4	K 7	23	15
5	I11	21	5
6			
7			
8	B14	18	29
9	I11	28	5
10			
11	K 7	17	15
12	I14	24	3
13	I 4	3	13
14	I28	4	17
15			
16	F12	4	17
17	E25	4	23
18	B15	18	29
19	I 4	5	13
20	L 1	23	19
21	I15	5	7
22	I12	1	5
23			
24	I12	12	3
25			
26	L 1	17	19
27	I 4	7	13
28	I15	9	7

JACK    PIN    LG

63017400 Rev. B



MK 6I14

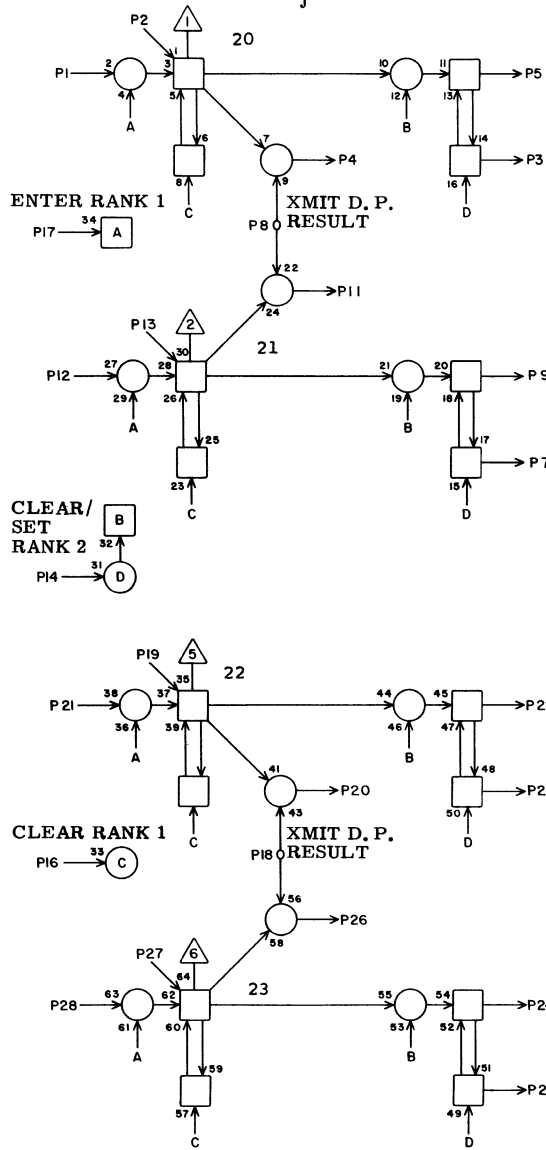
1	I15	22	5
2	I 5	1	11
3			
4	L 2	23	21
5	I12	21	7
6			
7			
8	A13	15	33
9	I12	28	7
10			
11	L 2	17	21
12	I15	24	3
13	I 5	3	13
14	I28	6	17
15			
16	F12	5	17
17	E25	5	23
18	A14	15	33
19	I 5	5	13
20	L 3	23	19
21	E 8	9	21
22	I 13	1	5
23			
24	I13	12	3
25			
26	L 3	17	19
27	I 5	7	13
28	E 8	1	21

JACK    PIN    LG

63017400 Rev. B

6I14

$X_j$  LOWER, MULTIPLY 1

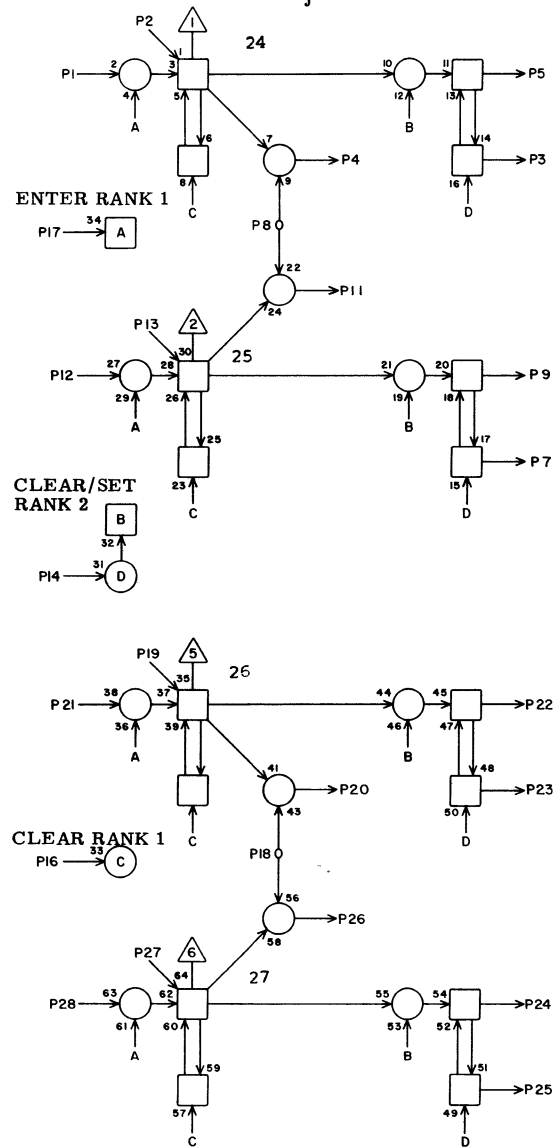


MK **6I15**

1	E 8	28	19
2	I 6	1	11
3			
4	L 4	23	21
5	I13	21	7
6			
7			
8	A15	15	33
9	I13	28	7
10			
11	L 4	17	19
12	E 8	21	21
13	I 6	3	13
14	I29	1	17
15			
16	F12	6	17
17	E25	6	23
18	A16	15	33
19	I06	5	13
20	L 5	23	19
21	E 8	20	21
22	I14	1	5
23			
24	I14	12	3
25			
26	L 5	17	17
27	I 6	7	13
28	E 8	12	21
	JACK	PIN	LG

63017400 Rev. B

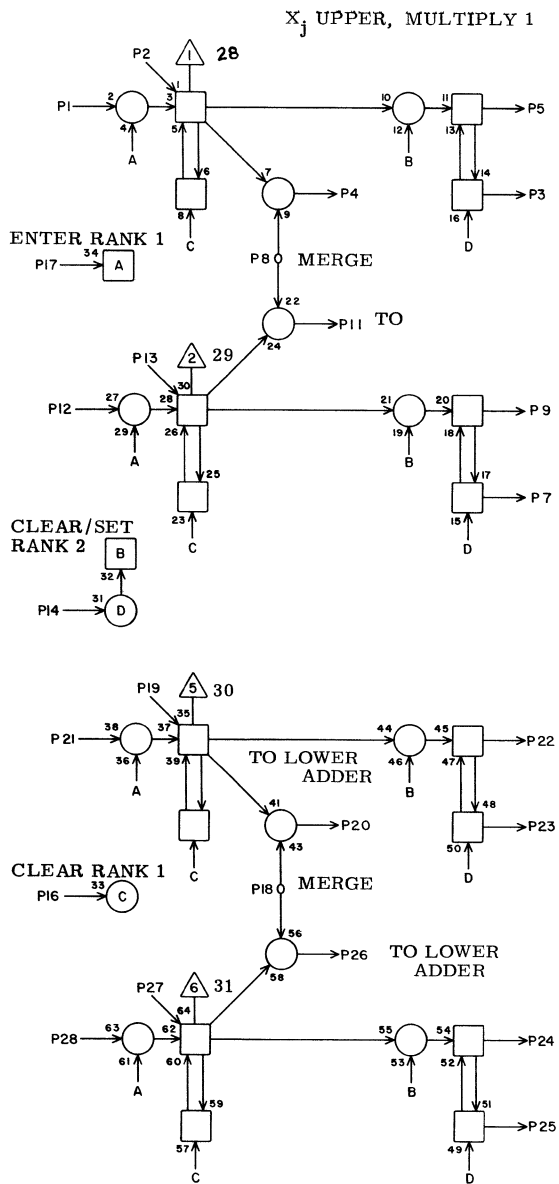
$X_j$  UPPER, MULTIPLY 1



MK **6I16**

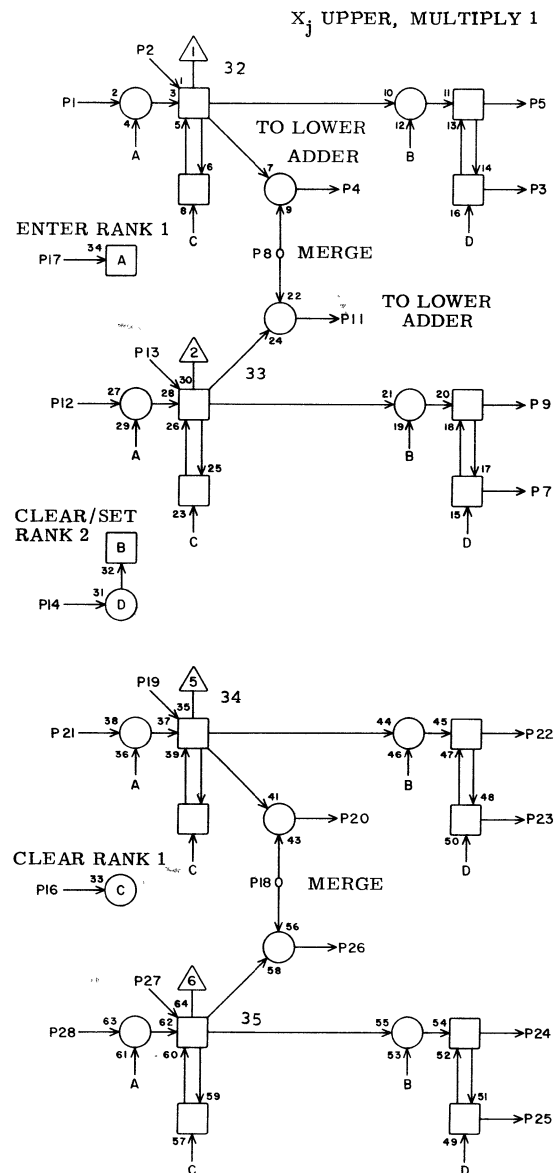
1	I17	22	5
2	J 1	1	17
3	I 7	21	13
4			
5	I 7	17	13
6			
7	I 7	16	13
8			
9	I 7	20	13
10			
11			
12	I17	24	3
13	J 1	3	17
14	I29	1	15
15			
16	F25	1	19
17	B25	1	33
18			
19	J 1	5	17
20			
21	I18	5	5
22	I 9	17	11
23	I 9	21	11
24	I 9	20	11
25	I 9	16	11
26			
27	J 1	7	17
28	I18	9	7
	JACK	PIN	LG

63017400 Rev. B



MK		6117		
1	I18	22	5	
2	J 2	1	17	
3	I 8	21	13	
4				
5	I 8	17	13	
6				
7	I 8	16	13	
8				
9	I 8	20	13	
10				
11				
12	I18	24	3	
13	J 2	3	17	
14	I29	3	15	
15				
16	F25	2	19	
17	B25	2	33	
18	D17	18	23	
19	J 2	5	17	
20	<b>A18</b>	<b>18</b>	<b>33</b>	
21	I19	5	5	
22	I16	1	5	
23				
24	I16	12	3	
25				
26	A18	21	33	
27	J 2	7	17	
28	I19	9	7	
	JACK	PIN	LG	

63017400 Rev. B

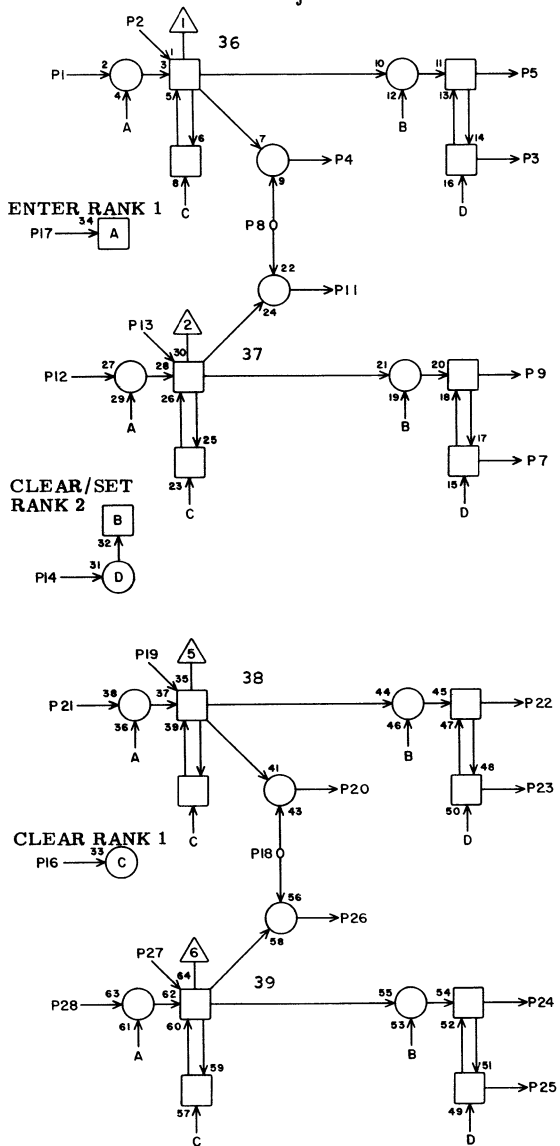


MK		6118		
1	I19	22	5	
2	J 3	1	17	
3				
4	A18	24	31	
5	I16	21	5	
6				
7				
8	E13	18	19	
9	I16	28	7	
10				
11	A19	18	33	
12	I19	24	3	
13	J 3	3	17	
14	I29	4	15	
15				
16	F25	3	17	
17	B25	3	31	
18	E14	18	21	
19	J 3	5	17	
20	A19	21	33	
21	I20	5	5	
22	I17	1	5	
23				
24	I17	12	3	
25				
26	A19	24	33	
27	J 3	7	17	
28	I20	9	7	
	JACK	PIN	LG	

63017400 Rev. B

6118

X<sub>j</sub> UPPER, MULTIPLY 1

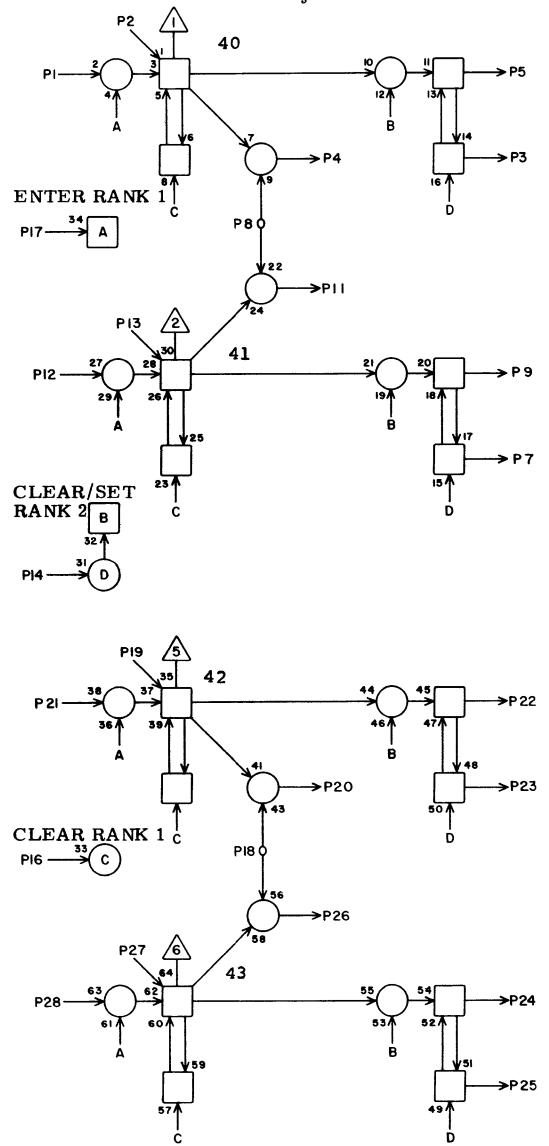


MK **6119**

1	I20	22	5
2	J 4	1	17
3			
4	A20	18	33
5	I17	21	5
6			
7			
8	E15	18	21
9	I17	28	7
10			
11	A20	21	33
12	I20	24	3
13	J 4	3	17
14	I29	6	13
15			
16	F25	4	17
17	B25	4	31
18	E16	18	19
19	J 4	5	17
20	A20	24	33
21	I21	5	7
22	I18	1	5
23			
24	I18	12	3
25			
26	A21	18	33
27	J 4	7	17
28	I21	9	5

JACK PIN LG

X<sub>j</sub> UPPER, MULTIPLY 1

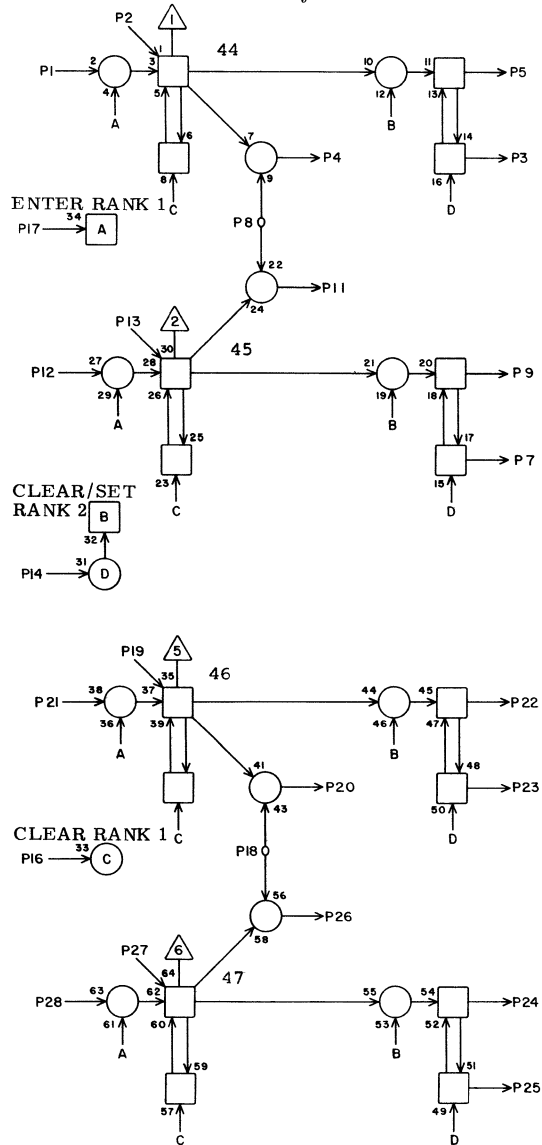


MK **6120**

1	I21	22	5
2	J 5	1	17
3			
4	A21	21	33
5	I18	21	5
6			
7			
8	E17	18	19
9	I18	28	7
10			
11	A21	24	33
12	I21	24	3
13	J 5	3	17
14	I31	1	13
15			
16	F25	5	17
17	B25	5	31
18	F13	18	19
19	J 5	5	17
20	A22	18	33
21	E 9	9	23
22	I19	1	5
23			
24	I19	12	3
25			
26	A22	21	33
27	J 5	7	17
28	E 9	1	23

JACK PIN LG

X<sub>j</sub> UPPER, MULTIPLY 1



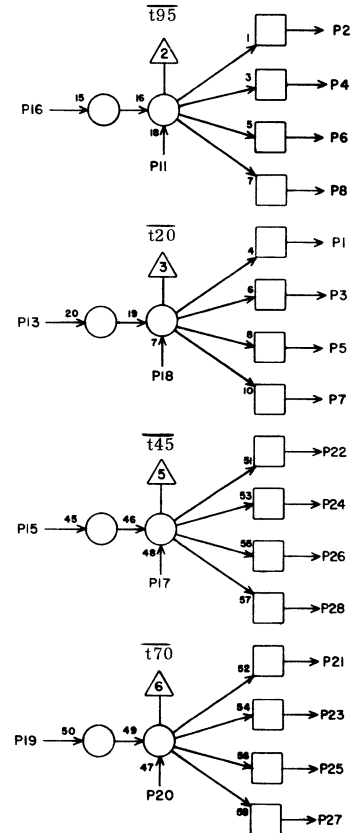
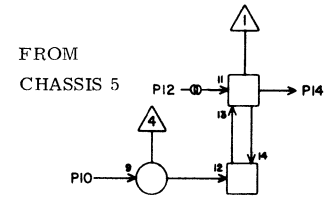
MK **6I21**

1	E 9	28	21
2	J 6	1	17
3			
4	A22	24	31
5	I19	21	7
6			
7			
8	F14	18	17
9	I19	28	5
10			
11	A23	18	33
12	E 9	21	21
13	J 6	3	17
14	I31	2	13
15			
16	F25	6	17
17	B25	6	31
18	F15	18	17
19	J 6	5	17
20	A23	21	33
21	E 9	20	21
22	I20	1	5
23			
24	I20	12	3
25	I 8	26	17
26	A23	24	33
27	J 6	7	17
28	E 9	12	23

JACK PIN LG

63017400 Rev. B

CHAS. 6 CLOCK



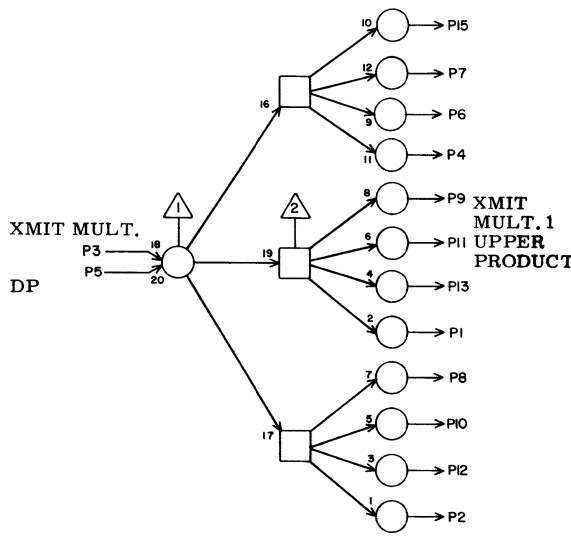
6I22

HQ **6I 22**

1	C13	17	27
2	G10	18	17
3	I25	1	5
4	L10	18	17
5	F14	17	17
6			
7	J22	26	34
8	F17	17	33
9			
10	J22	7	84
11	J22	14	7
12	W16	96	
13	J22	21	9
14	J22	1	84
15	J22	12	7
16	J22	9	5
17	J22	22	84
18	J22	5	84
19	J22	16	7
20	J22	2	5
21	F27	27	25
22	I23	14	5
23	I27	25	120
24			
25	H 9	5	17
26	L11	8	19
27	K 9	5	17
28			

JACK PIN LG

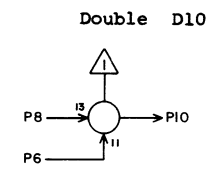
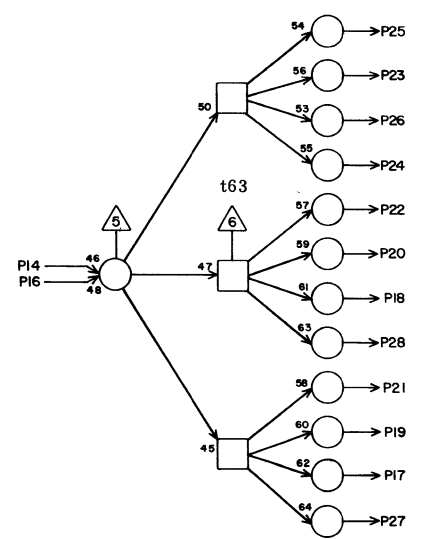
63017400 Rev. Y



TC **6I 23**

JACK	PIN	LG
1		
2	B16	16 31
3	L 8	28 23
4	B17	16 29
5	J26	6 7
6	C13	16 27
7	D16	16 23
8	C17	16 25
9	C14	16 27
10	D13	16 25
11	C15	16 27
12	D14	16 23
13	C16	16 27
14	I22	22 3
15	D15	14 25
16		
17	N13	17 25
18		
19		
20	N17	17 23
21	E17	17 19
22	E16	17 23
23	F 7	18 23
24	E13	17 23
25	F 6	18 23
26	F16	17 15
27	N16	17 23
28		

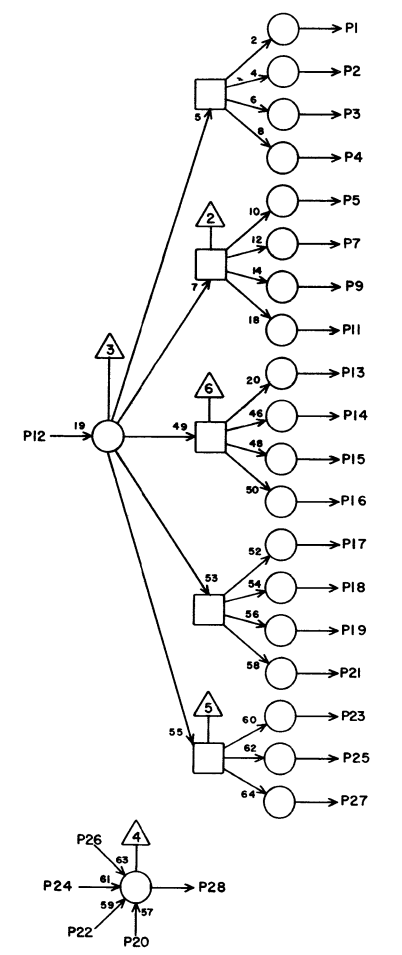
63017400 Rev. T



CC **6I24**

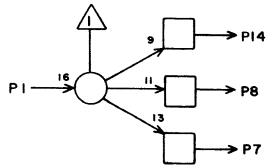
JACK	PIN	LG
1	D17	16 23
2	E13	16 21
3	E14	16 21
4	E15	16 21
5	E16	16 19
6	H 9	26 17
7	E17	16 19
8	F28	23 15
9	F13	16 19
10	A17	17 33
11	F14	16 19
12	H25	28 96
13	F15	16 19
14	F16	16 17
15	F17	16 17
16	G13	16 17
17	G14	16 17
18		
19		
20	E27	25 19
21		
22	D14	15 25
23		
24	I25	10 3
25		
26	H10	21 17
27	H17	16 13
28	F26	27 17

63017400 Rev. B

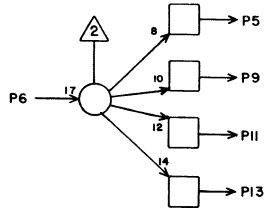




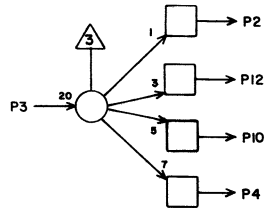
t32



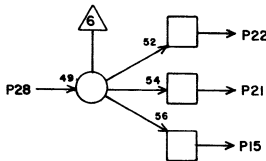
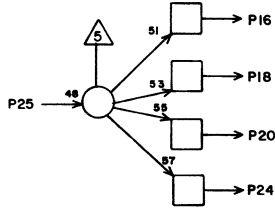
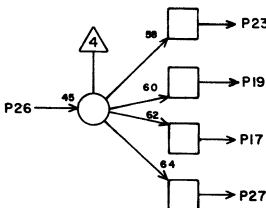
t875-975



t775-875



t825-925



TH

6I25

1	I22	3	5
2	H 9	10	19
3	H10	17	17
4	B25	8	29
5	H10	8	19
6	H10	11	17
7	M 8	24	25
8	L08	27	23
9			
10	I24	24	3
11	G10	8	17
12	H25	20	5
13	H 9	6	19
14			
15	I30	17	9
16	H23	22	9
17	H25	22	9
18	H10	6	19
19	F 9	20	23
20	H 9	8	19
21	I29	16	5
22	I28	9	5
23	H23	6	120
24	H23	8	9
25	F29	25	17
26	H10	13	17
27	H23	20	9
28	D28	23	23

JACK PIN LG

63017400 Rev. U

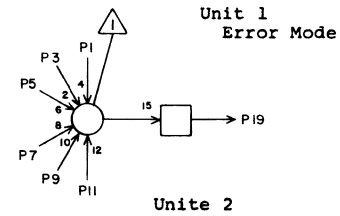
TB

6I26

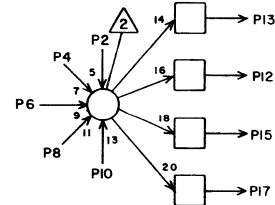
1	J27	20	7
2			
3	J26	16	7
4	N34	28	25
5			
6	N34	24	25
7			
8	N34	18	25
9			
10			
11			
12			
13	N28	28	19
14			
15			
16	E28	28	17
17			
18			
19	L08	19	25
20	L08	6	25
21	E34	28	19
22			
23			
24	J27	19	7
25	E34	24	19
26	J26	13	7
27	E34	18	19
28			

JACK PIN LG

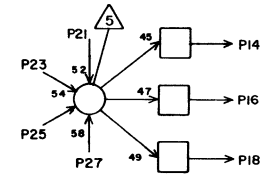
63017400 Rev. T



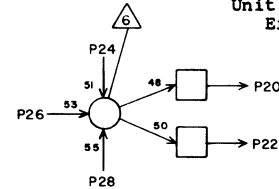
Unit 2



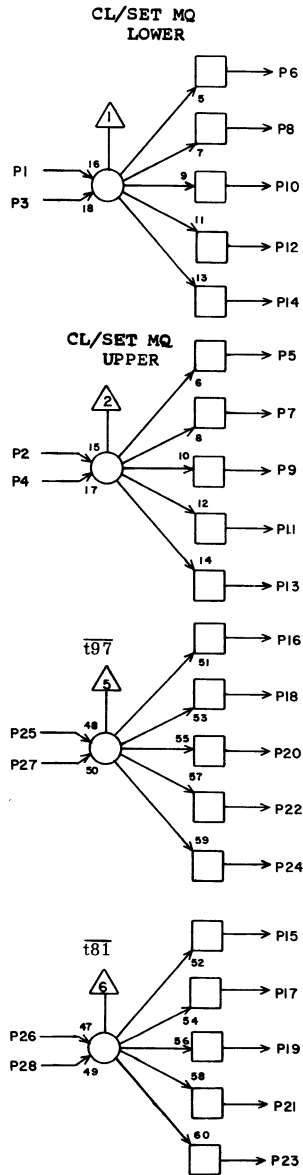
Unit 1



Unit 2 Error Mode



6I26

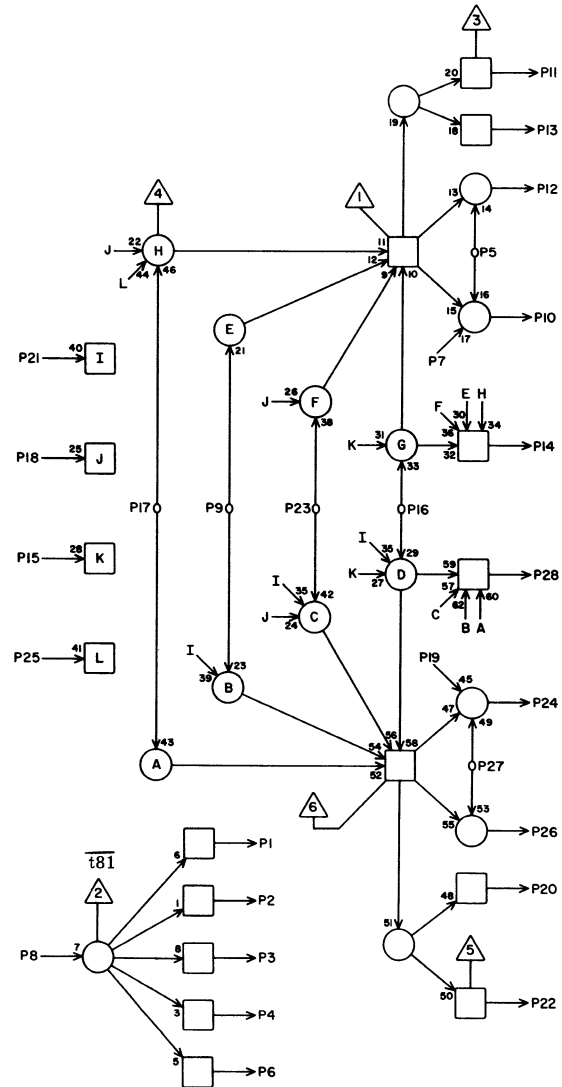


T D 6 I 27

1			
2	I 30	2	5
3	I 30	1	5
4			
5	F 9	12	23
6	F 8	12	23
7	F 15	17	19
8			
9			
10	F 13	17	19
11			
12			
13			
14			
15	H 9	2	60
16			
17	K 09	2	96
18			
19			
20	G 8	14	72
21			
22	H 7	14	75
23			
24			
25	I 22	23	120
26			
27			
28	F 16	15	17

JACK    PIN    LG

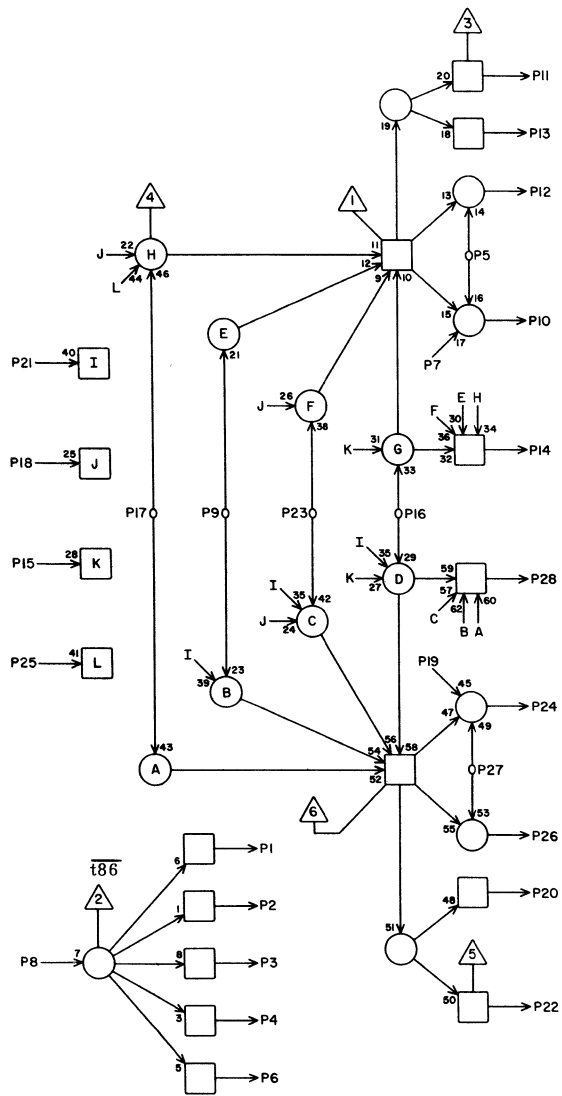
63017400 Rev V



MU 6 I 28

1	I 10	14	21
2	I 11	14	21
3	I 12	14	19
4	I 13	14	17
5	A 26	24	31
6	I 14	14	17
7	G 27	24	13
8	E 13	15	23
9	I 25	22	5
10	H 26	11	9
11	A 26	5	33
12	H 26	10	9
13	A 26	2	35
14			
15	I 28	X	2
16			
17	H 26	7	9
18	I 28	X	2
19	G 27	16	13
20	A 29	2	33
21	G 27	15	13
22	A 29	5	33
23			
24	H 26	17	9
25	I 28	X	2
26	H 26	21	9
27	A 29	24	33
28			

JACK    PIN    LG

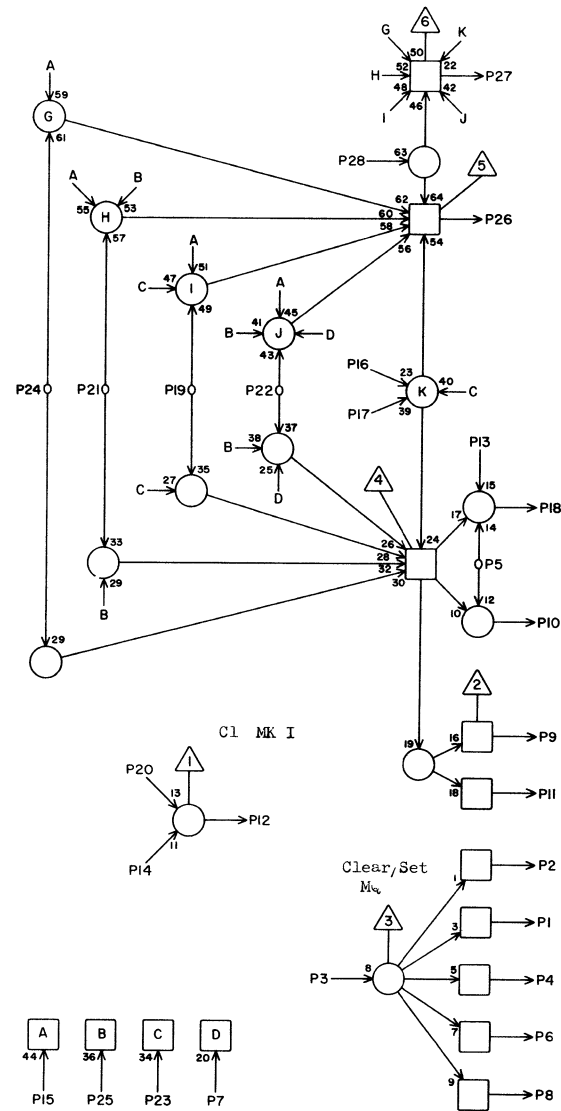


MU 6I29

1	I15	14	17
2	I16	14	15
3	I17	14	15
4	I18	14	15
5	B28	24	31
6	I19	14	13
7	G27	10	13
8	E16	15	23
9	H26	20	9
10	H27	11	9
11	B28	2	31
12	H27	10	9
13	B28	5	31
14			
15	G27	22	13
16	I25	21	5
17	H27	7	9
18	G27	13	13
19	G28	26	13
20	C27	2	27
21	G27	1	13
22	C27	5	27
23	H26	9	9
24	H27	17	9
25	I29	X	2
26	H27	21	9
27	C27	24	27
28			

JACK PIN LG

63017400 Rev. B



MV 6I30

1	I27	3	5
2	I27	2	5
3	H 9	4	23
4			
5	D26	24	23
6			
7	G27	14	13
8			
9	D26	2	23
10	H28	10	9
11	D26	5	25
12	F25	7	17
13	G28	16	13
14	D16	15	27
15	F29	13	17
16	G27	28	13
17	I25	15	9
18	H28	11	9
19	H26	19	9
20	D29	23	23
21	H27	9	9
22	H26	14	9
23	G27	3	13
24	H27	20	9
25	G28	15	13
26	I31	23	5
27	I32	22	5
28	F28	13	17

JACK PIN LG

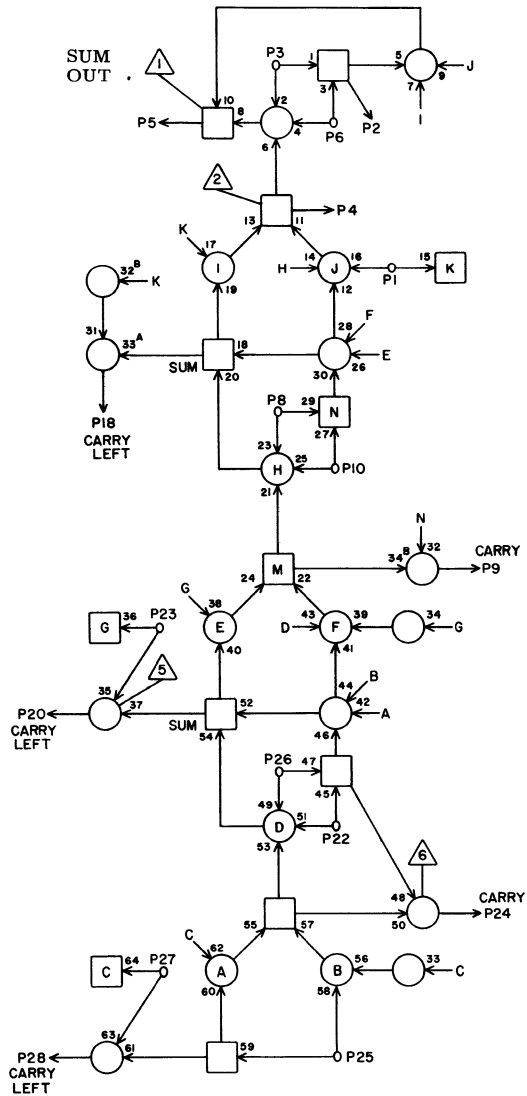
6I30

63017400 Rev. B





UPPER 3-LEVEL ADDER  
BIT 49



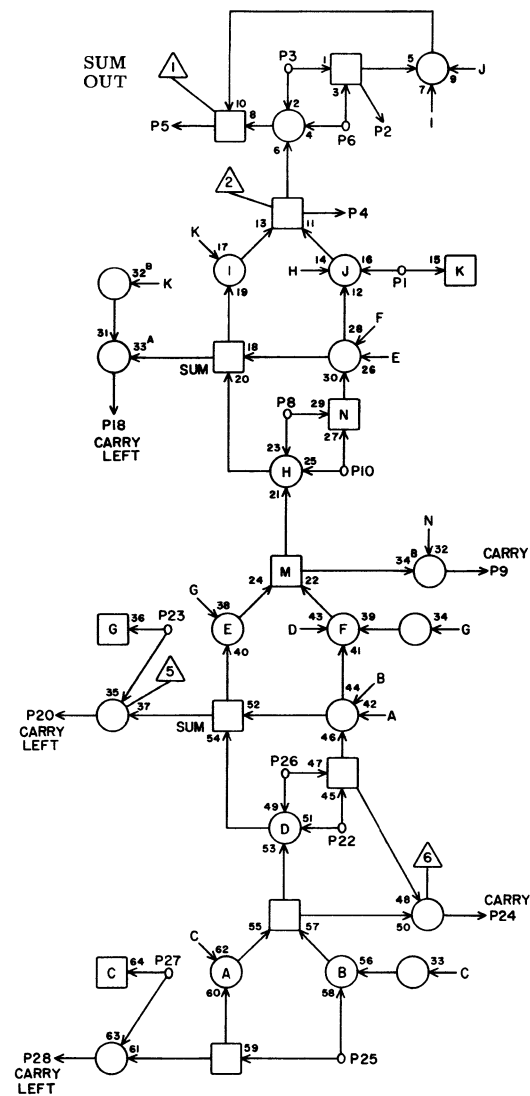
MG 6I35

1	H18	13	19
2	H15	10	21
3	I34	9	3
4	H15	12	21
5	H15	24	23
6	I34	18	3
7			
8	I34	24	5
9	I36	3	3
10	I34	20	3
11			
12			
13			
14			
15			
16			
17			
18	I36	6	3
19			
20	I36	10	3
21			
22	I34	28	3
23	E22	6	23
24	I36	8	5
25	H17	25	21
26	H17	7	21
27	C20	8	31
28	I36	22	3

JACK PIN LG

63017400 Rev. B

UPPER 3-LEVEL ADDER  
BIT 50



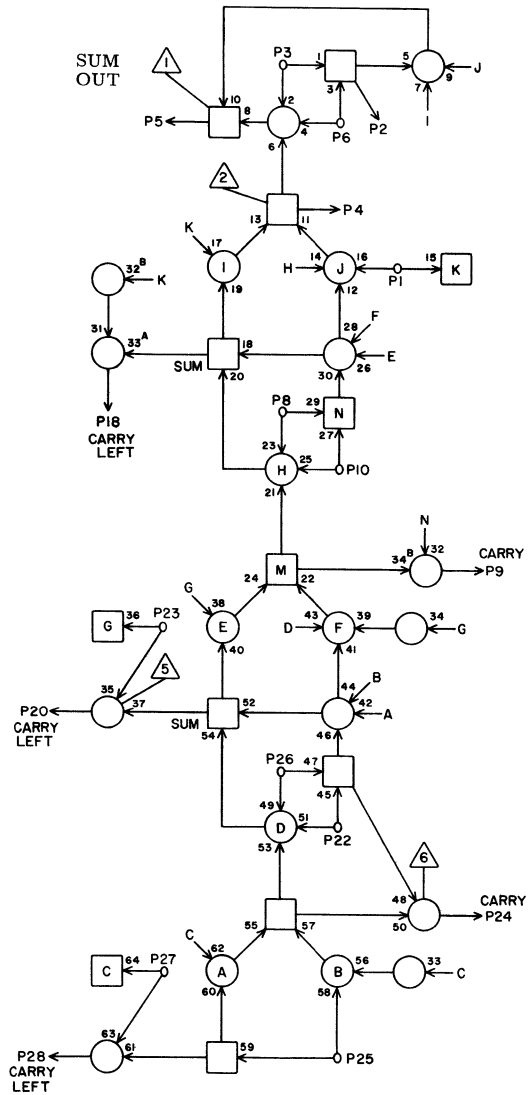
MG 6I36

1	H18	8	21
2	H16	2	23
3	I35	9	3
4	H16	4	23
5	H15	28	23
6	I35	18	3
7			
8	I35	24	5
9	I37	3	3
10	I35	20	3
11			
12			
13			
14			
15			
16			
17			
18	I37	6	3
19			
20	I37	10	3
21			
22	I35	28	3
23	E23	13	23
24	I37	8	5
25	H17	26	21
26	H17	11	21
27	C20	6	31
28	I37	22	3

JACK PIN LG

63017400 Rev. B

UPPER 3-LEVEL ADDER  
BIT 51

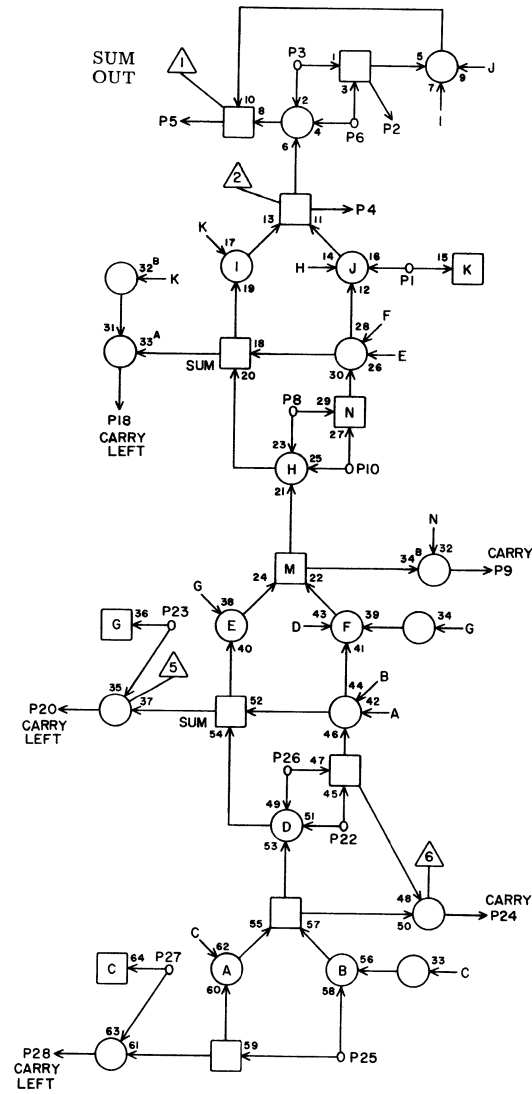


MG 6I37

	JACK	PIN	LG
1	H18	6	21
2	H16	6	23
3	I36	9	3
4	H16	8	23
5	H16	23	23
6	I36	18	3
7			
8	I36	24	5
9	I38	3	3
10	I36	20	3
11			
12			
13			
14			
15			
16			
17			
18	I38	6	3
19			
20	I38	10	3
21			
22	I36	28	3
23	E23	8	25
24	I38	8	5
25			
26			
27	F26	13	19
28	I38	22	3

63017400 Rev. B

UPPER 3-LEVEL ADDER  
BIT 52



MG 6I38

	JACK	PIN	LG
1	H19	13	21
2	H16	10	23
3	I37	9	3
4	H16	12	23
5	H16	24	23
6	I37	18	3
7			
8	I37	24	5
9	I39	3	3
10	I37	20	3
11			
12			
13			
14			
15			
16			
17			
18	I39	6	3
19			
20	I39	10	3
21			
22	I37	28	3
23	E23	6	25
24	I39	8	5
25			
26			
27	F27	13	19
28	I39	22	3

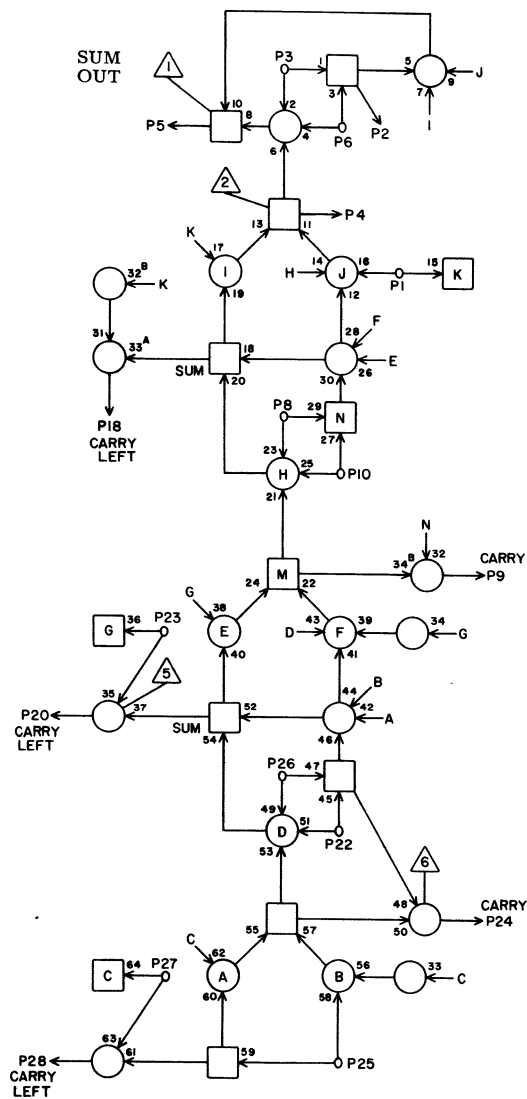
63017400 Rev. S

6I38



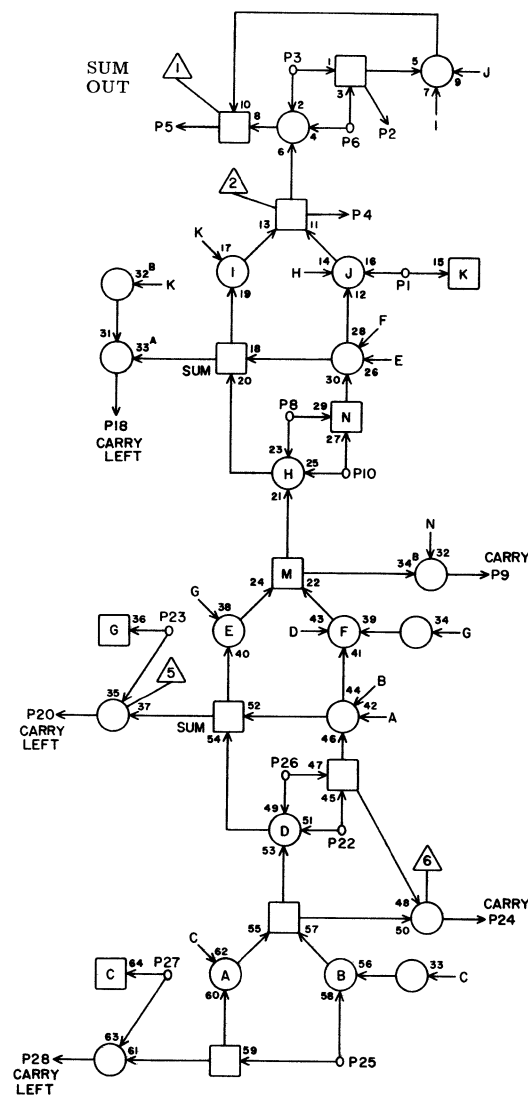


UPPER 3-LEVEL ADDER  
BIT 55

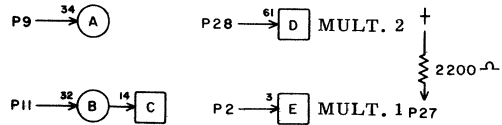
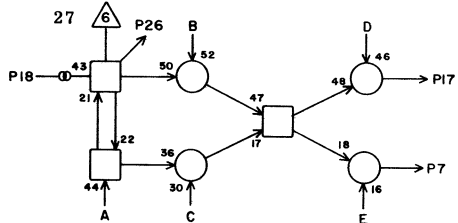
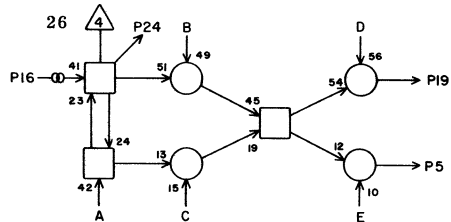
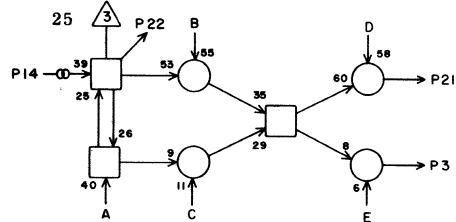
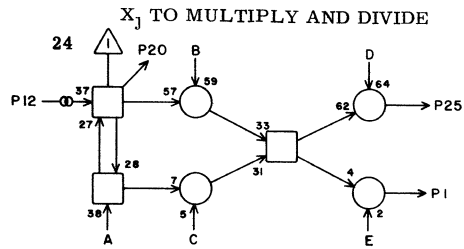


MG		6I41	
1	I 5	27	35
2	H17	10	25
3	I40	9	3
4	H17	12	25
5	H17	24	25
6	I40	18	3
7			
8	I40	24	5
9	I42	3	3
10	I40	20	3
11			
12			
13			
14			
15			
16			
17			
18	I42	6	3
19			
20	I42	10	3
21			
22	I40	28	3
23	I 3	27	37
24	I42	8	5
25			
26			
27	H 3	27	37
28	I42	22	3
	JACK	PIN	LG

UPPER 3-LEVEL ADDER  
BIT 56



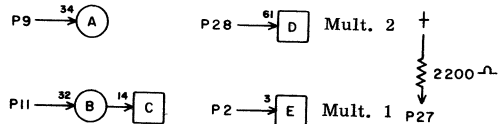
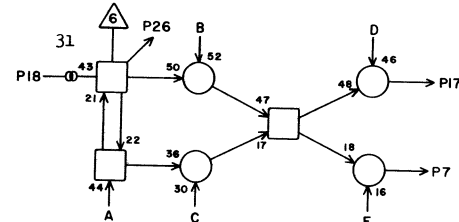
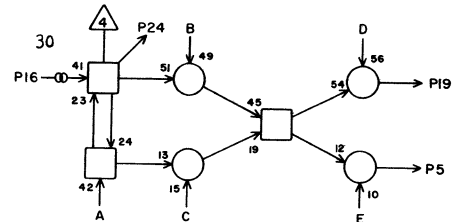
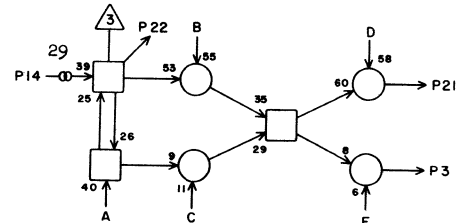
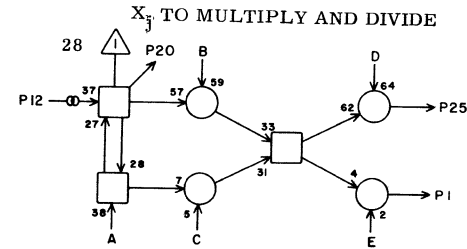
MG		6I42	
1	I06	27	35
2			
3	I41	9	3
4			
5	H17	28	25
6	I41	18	5
7			
8	I41	24	3
9			
10	I41	20	3
11			
12			
13			
14			
15			
16			
17			
18			
19			
20			
21			
22	I41	28	3
23	I 4	27	37
24			
25			
26			
27	H06	27	35
	JACK	PIN	LG



GA 6J 1

1	I16	2	17
2	G 8	26	15
3	I16	13	17
4			
5	I16	19	17
6			
7	I16	27	17
8			
9	G 7	26	17
10			
11	F 6	26	21
12	W13	96	
13			
14	W13	97	
15			
16	W13	98	
17	J16	27	17
18	W14	99	
19	J16	19	17
20	N 4	9	19
21	J16	13	17
22	N 4	11	19
23			
24	N 4	13	19
25	J16	2	17
26	N 4	18	19
27	R10	7	33
28	H 7	26	13
	JACK	PIN	LG

63017400 Rev. B

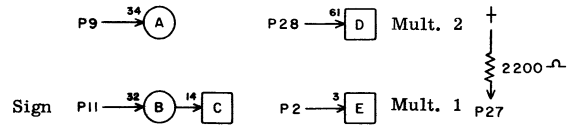
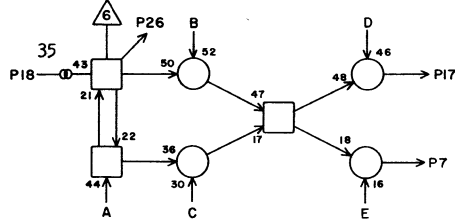
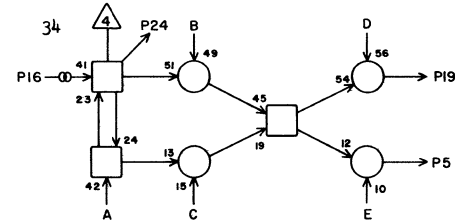
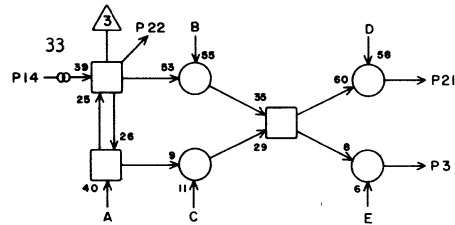
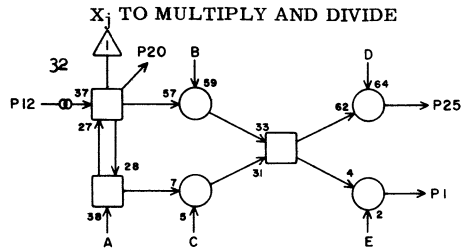


GA 6J 2

1	I17	2	17
2	G 8	28	13
3	I17	13	17
4			
5	I17	19	17
6			
7	I17	27	17
8			
9	G 7	28	17
10			
11	F 6	24	21
12	W13	900	
13			
14	W13	901	
15			
16	W13	902	
17	J17	27	17
18	W13	903	
19	J17	19	17
20	N 4	20	19
21	J17	13	17
22	N 4	22	19
23			
24	N 5	9	19
25	J17	2	17
26	N 5	11	17
27	P 1	27	27
28	H 7	28	13
	JACK	PIN	LG

6J2

63017400 Rev. B

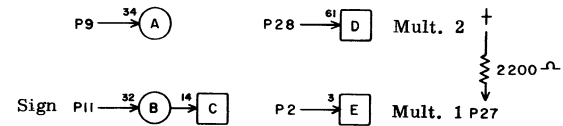
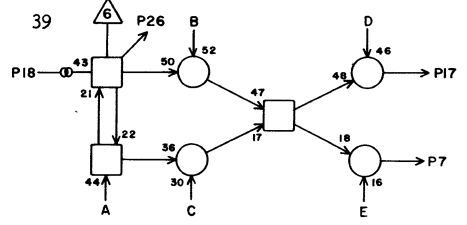
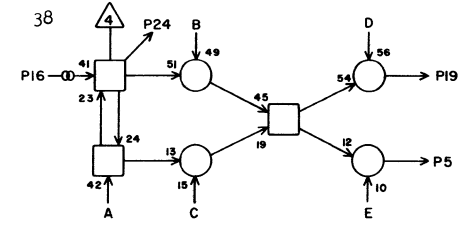
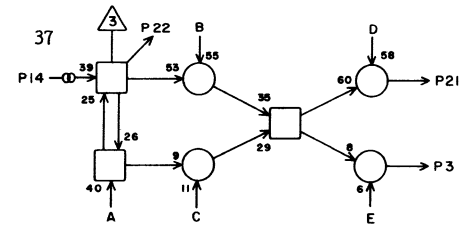
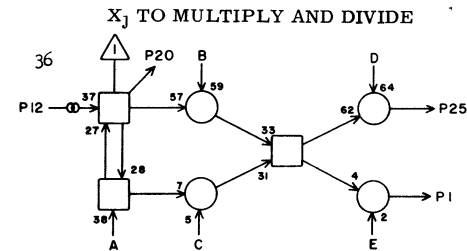


GA 6J 3

1	I18	2	17
2	G 8	19	15
3	I18	13	17
4			
5	I18	19	17
6			
7	I18	27	17
8			
9	G 7	19	17
10			
11	F 6	22	21
12	W13	904	
13			
14	W13	905	
15			
16	W13	906	
17	J18	27	17
18	W13	907	
19	J18	19	17
20	N 5	13	19
21	J18	13	17
22	N 5	18	19
23			
24	N 5	20	19
25	J18	2	17
26	N 5	22	19
27	Q 7	26	31
28	H 7	19	15

JACK PIN LG

63017400 Rev. B



6J4

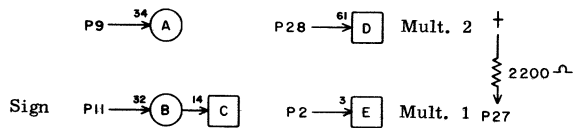
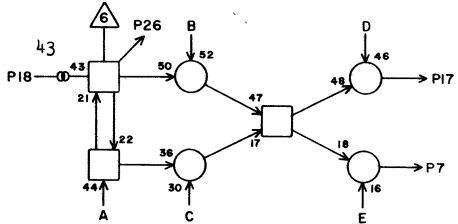
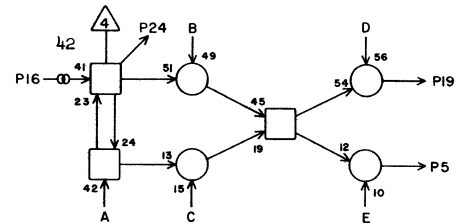
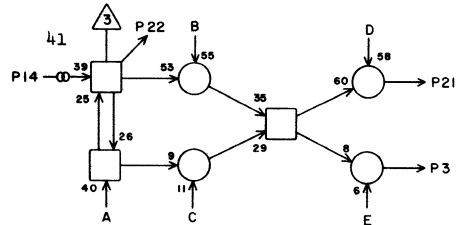
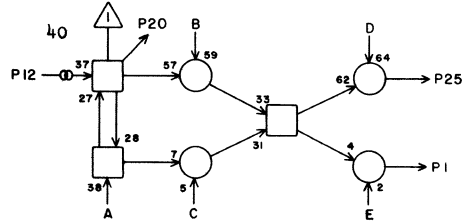
GA 6J 4

1	I19	2	17
2	G 8	21	15
3	I19	13	17
4			
5	I19	19	17
6			
7	I19	27	17
8			
9	G 7	21	17
10			
11	F 6	20	21
12	W09	90	
13			
14	W09	91	
15			
16	W09	92	
17	J19	27	17
18	W09	93	
19	J19	19	17
20	N 6	9	17
21	J19	13	17
22	N 6	11	19
23			
24	N 6	13	19
25	J19	2	17
26	N 6	18	19
27	R 1	2	31
28	H 7	21	13

JACK PIN LG

63017400 Rev. B

X<sub>J</sub> TO MULTIPLY AND DIVIDE

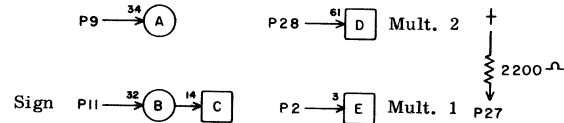
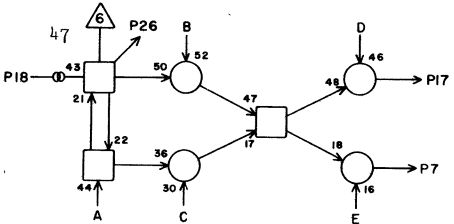
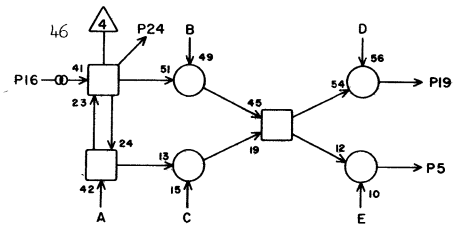
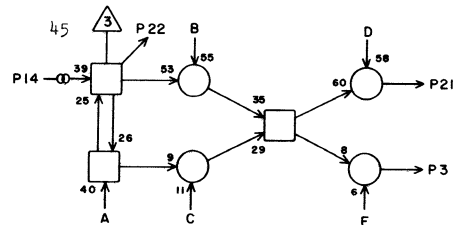
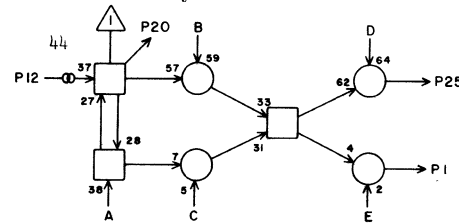


GA **6J 5**

1	I20	2	17
2	G 8	23	13
3	I20	13	17
4			
5	I20	19	17
6			
7	I20	27	17
8			
9	G 7	23	15
10			
11	F 6	13	19
12	W09	94	
13			
14	W09	95	
15			
16	W09	96	
17	J20	27	17
18	W09	97	
19	J20	19	17
20	N 6	20	19
21	J20	13	17
22	N 6	22	19
23			
24	N 7	9	17
25	J20	2	17
26	N 7	11	17
27	J41	27	35
28	H 7	23	13

JACK PIN LG

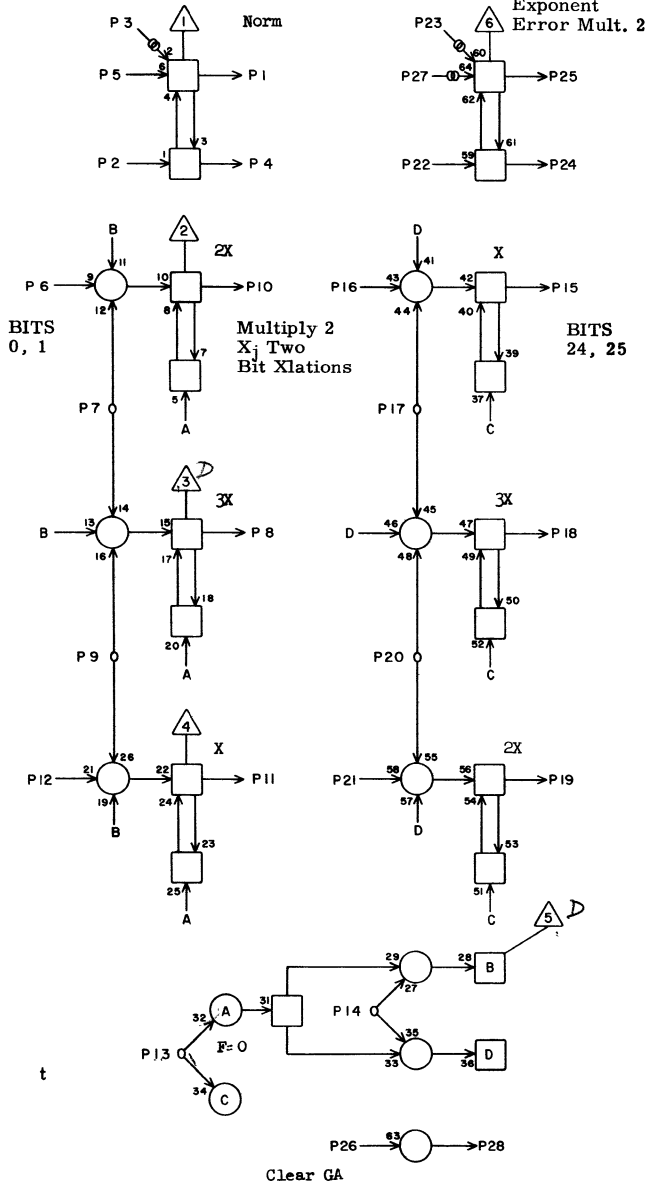
X<sub>J</sub> TO MULTIPLY AND DIVIDE



GA **6J 6**

1	I21	2	17
2	G 8	25	13
3	I21	13	17
4			
5	I21	19	17
6			
7	I21	27	17
8			
9	G 7	25	17
10			
11	F 6	9	21
12	W09	98	
13			
14	W09	99	
15			
16	W09	900	
17	J21	27	17
18	W09	901	
19	J21	19	17
20	N 7	13	19
21	J21	13	17
22	N 7	18	19
23			
24	N 7	20	19
25	J21	2	17
26	N 7	22	19
27	J42	27	35
28	H 7	25	15

JACK PIN LG

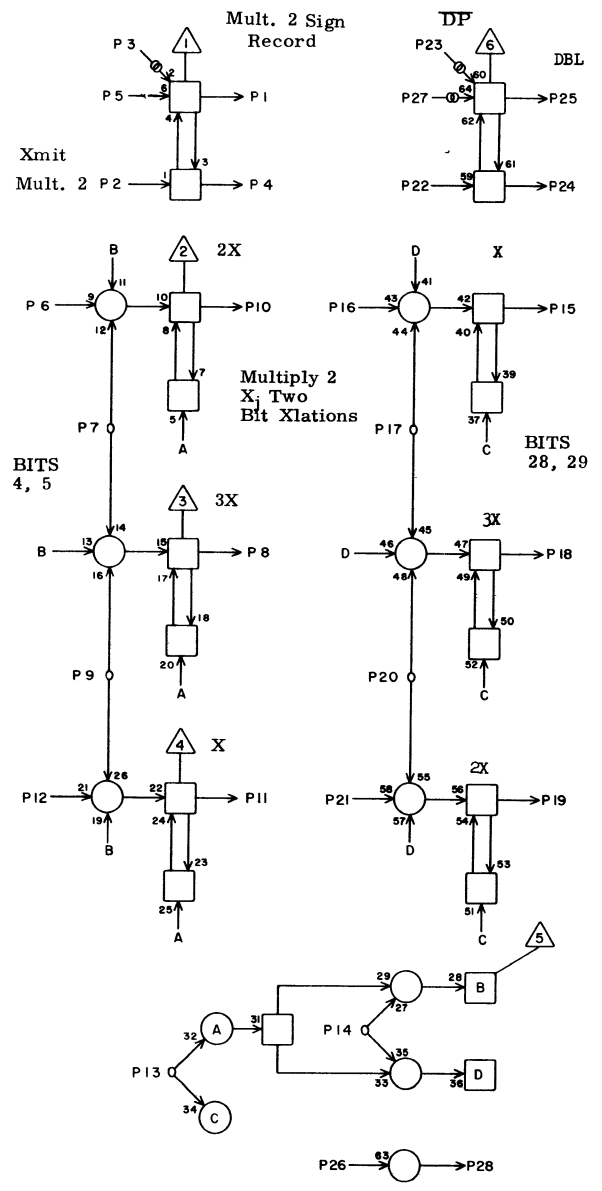


MP **6J 7**

1	F 6	5	19
2	R25	1	37
3	J07	X	2
4			
5	K24	28	21
6	J10	3	5
7	J10	9	5
8	P25	16	33
9	J10	5	5
10	Q25	16	35
11	R25	16	39
12	J10	7	5
13	K12	5	132
14	M26	25	25
15	K13	16	11
16	J16	7	13
17	J16	5	13
18	K12	16	9
19	K14	16	11
20	J16	9	13
21	J16	3	13
22	P 2	6	29
23	W28	99	
24			
25	J26	21	23
26	K13	6	9
27			
28			

JACK PIN LG

63017400 Rev W

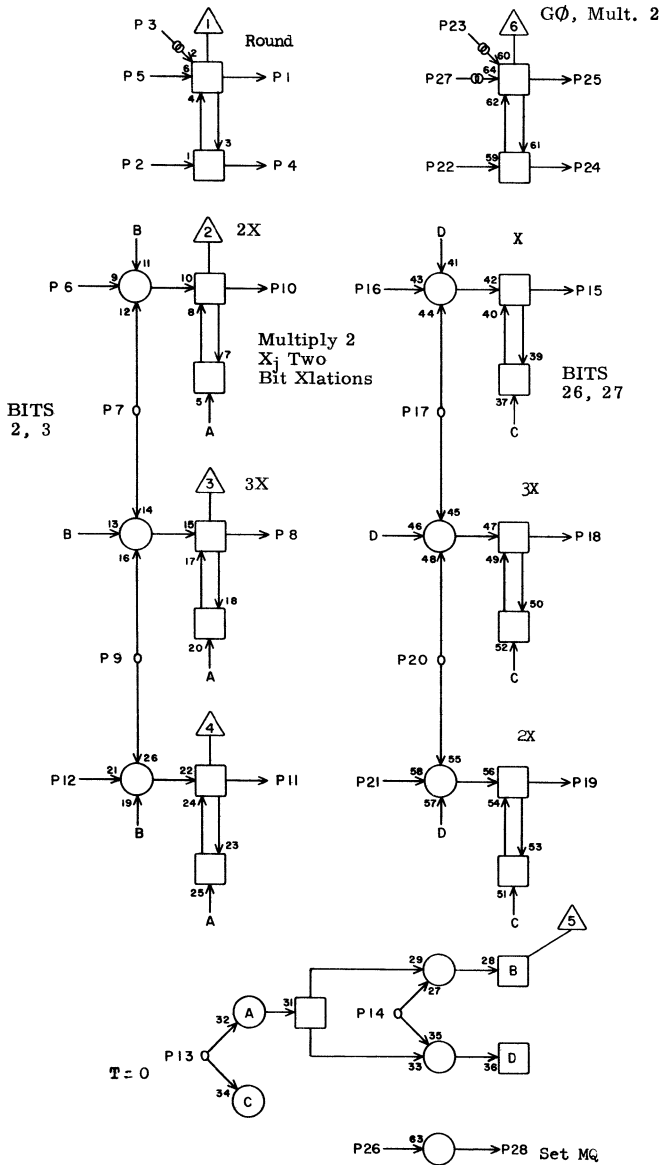


MP **6J 8**

1	L08	7	13
2	R25	2	108
3			
4	L 8	4	13
5	F06	14	19
6	J11	3	5
7	J11	9	5
8	R 8	16	35
9	J11	5	5
10	K11	12	7
11	L25	16	21
12	J11	7	5
13	H14	1	13
14	M26	23	25
15	R 9	16	33
16	J17	7	13
17	J17	5	13
18	Q 9	16	31
19	Q 8	16	31
20	J17	9	13
21	J17	3	13
22	R25	3	35
23	W16	902	
24	M28	27	25
25	K22	5	17
26	J21	25	17
27			
28	K24	26	19

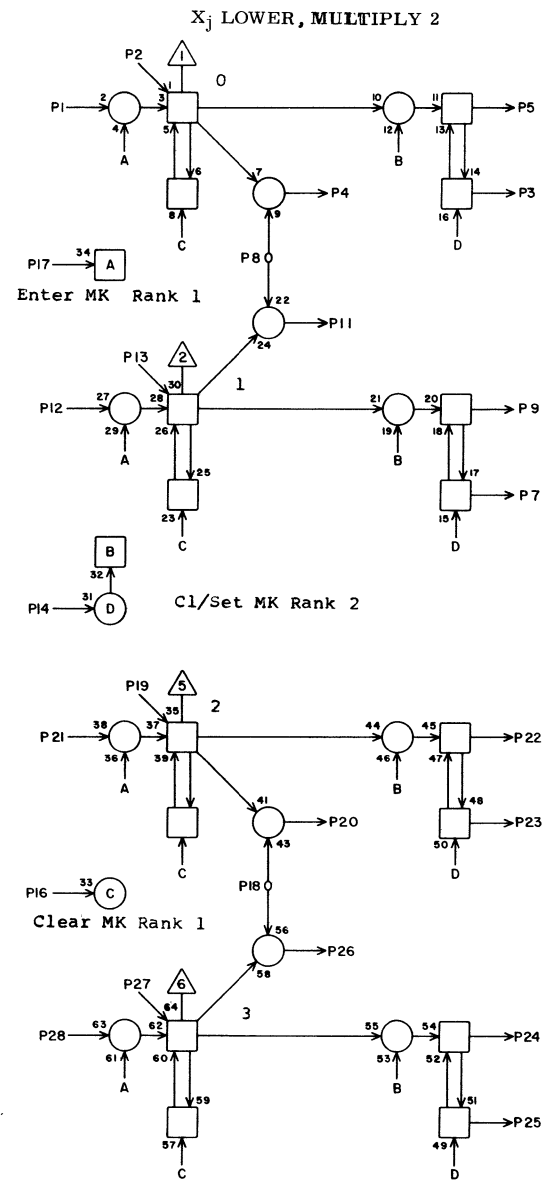
JACK PIN LG

63017400 Rev. W



MP			
6J9			
1	K11	26	11
2	R25	4	37
3	W16	901	
4			
5			
6	J10	23	5
7	J10	24	5
8	M25	16	23
9	J10	22	5
10	M25	16	25
11	Q25	16	29
12	J10	25	5
13	H14	6	13
14	J9	28	3
15	K24	12	17
16	J16	25	11
17	J16	22	11
18	K23	12	33
19	K25	12	19
20	J16	24	11
21	J16	23	11
22	P13	15	25
23	W16	900	
24	M12	14	15
25	L12	8	108
26	M26	28	23
27			
28	J9	14	3
	JACK	PIN	LG

63017400 Rev. N

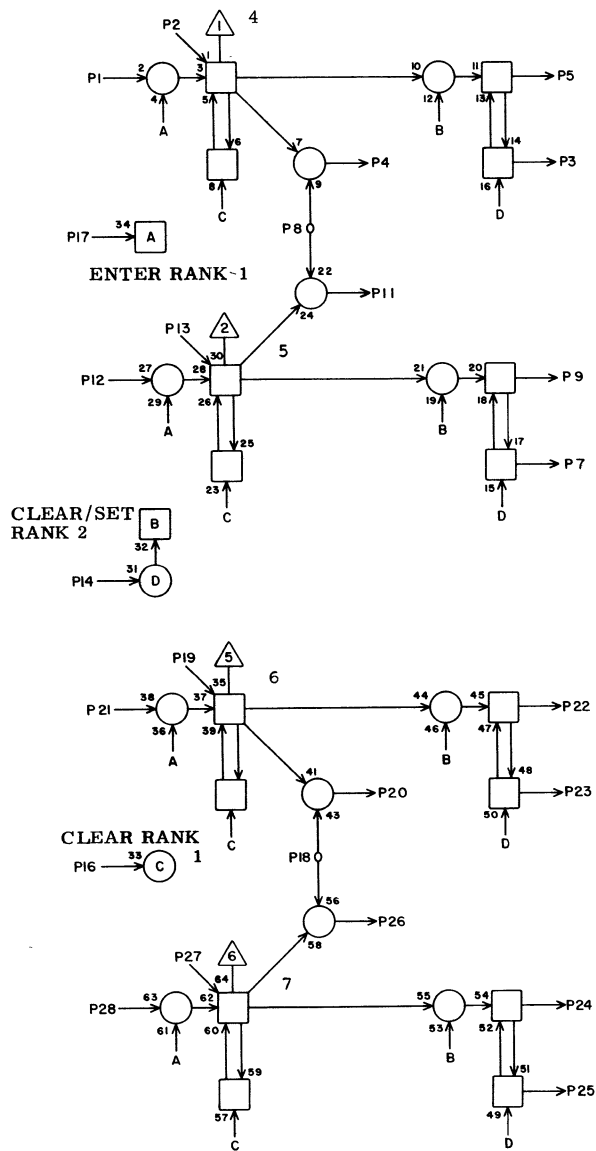


MK			
6J10			
1	J11	22	5
2	I1	25	13
3	J7	6	5
4	K1	25	15
5	J7	9	5
6			
7	J7	12	5
8	R13	18	35
9	J7	7	5
10			
11	K1	20	15
12	J11	24	5
13	I1	21	13
14	J28	1	21
15			
16	M12	1	15
17	N25	1	23
18	R14	18	33
19	I1	19	13
20	K2	25	13
21	J12	5	7
22	J9	9	5
23	J9	6	5
24	J9	7	5
25	J9	12	5
26	K2	20	13
27	I1	17	13
28	J12	9	5
	JACK	PIN	LG

63017400 Rev. B

6J10

X<sub>j</sub> LOWER, MULTIPLY 2

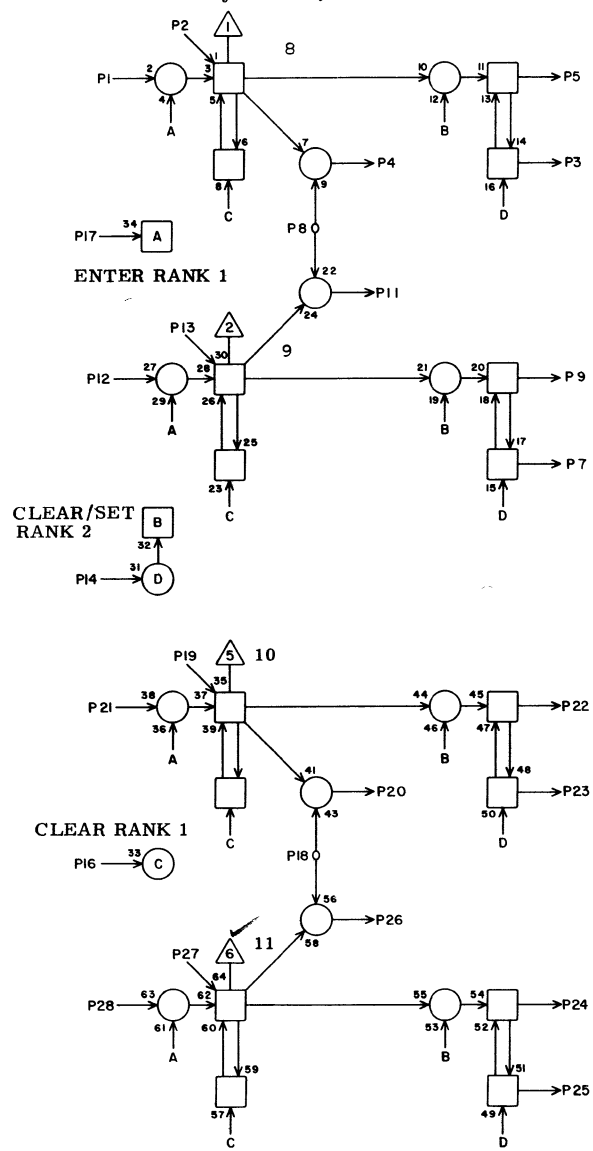


MK **6J11**

1	J12	22	5
2	I 2	25	13
3	J 8	6	5
4	K 3	25	13
5	J 8	9	5
6			
7	J 8	12	5
8	R15	18	33
9	J 8	7	5
10			
11	K 3	20	13
12	J12	24	5
13	I 2	21	13
14	J28	2	19
15			
16	M12	2	15
17	N25	2	23
18	R16	18	33
19	I 2	19	13
20	K 4	25	13
21	J13	5	5
22	J10	1	5
23			
24	J10	12	5
25			
26	K 4	20	13
27	I 2	17	13
28	J13	9	5

63017400 Rev. B

X<sub>j</sub> LOWER, MULTIPLY 2



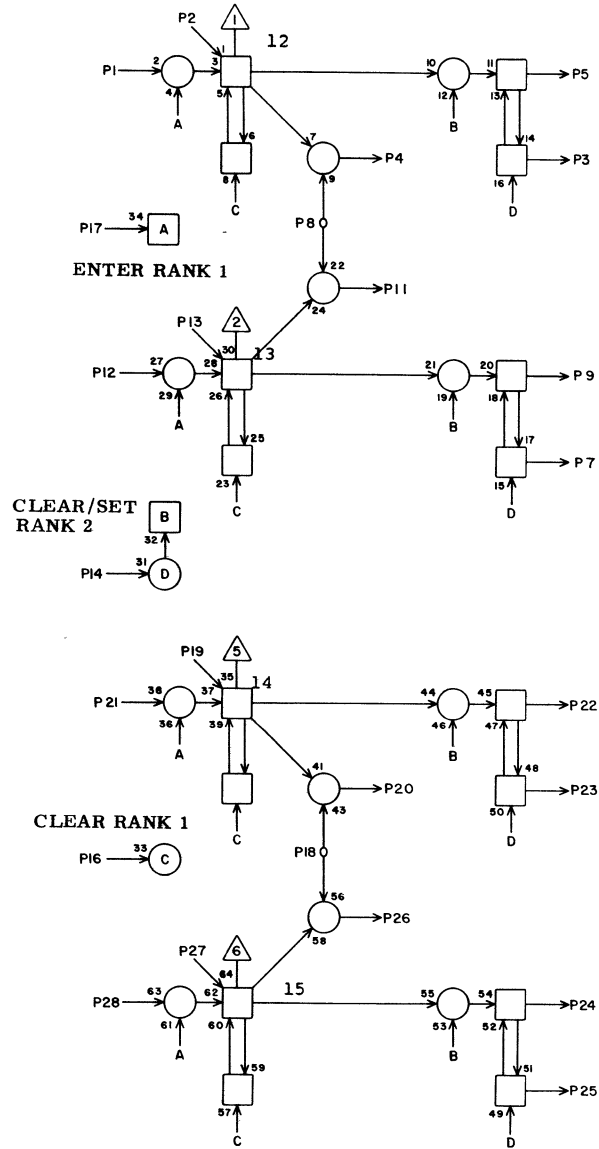
MK **6J12**

1	J13	22	5
2	I 3	25	13
3			
4	K 5	25	13
5	J10	21	7
6			
7			
8	R17	18	35
9	J10	28	5
10			
11	K 5	20	13
12	J13	24	5
13	I 3	21	21
14	J28	3	19
15			
16	M12	3	15
17	N25	3	21
18	Q13	18	31
19	I 3	19	13
20	K 6	25	11
21	J14	5	7
22	J11	1	5
23			
24	J11	12	5
25			
26	K 6	20	11
27	I 3	17	13
28	J14	9	5

63017400 Rev. B

6J12

X<sub>j</sub> LOWER, MULTIPLY 2



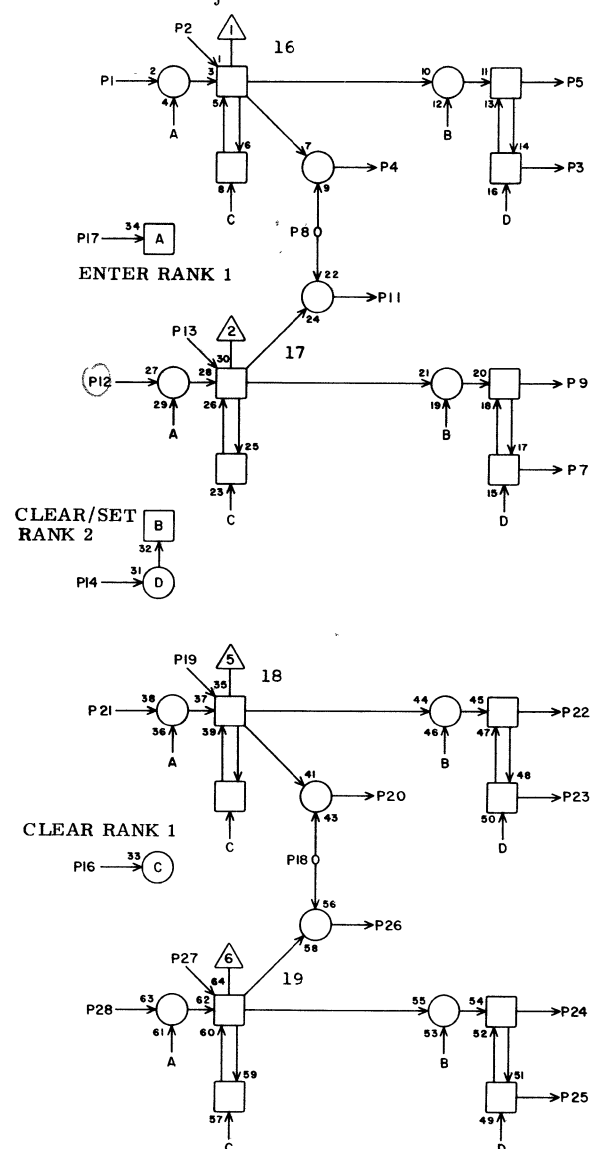
MK **6J13**

1	J14	22	5
2	I 4	25	13
3			
4	K 7	25	13
5	J11	21	5
6			
7			
8	Q14	18	31
9	J11	28	5
10			
11	K 7	20	13
12	J14	24	5
13	I 4	21	13
14	J28	4	17
15			
16	M12	4	15
17	N25	4	21
18	Q15	18	31
19	I 4	19	13
20	L 1	25	17
21	J15	5	5
22	J12	1	5
23			
24	J12	12	5
25			
26	L 1	20	17
27	I 4	17	13
28	J15	9	5

JACK PIN LG

63017400 Rev. B

X<sub>j</sub> LOWER, MULTIPLY 2



MK **6J14**

1	J15	22	5
2	I 5	25	13
3			
4	L 2	25	19
5	J12	21	7
6			
7			
8	R13	15	35
9	J12	28	5
10			
11	L 2	20	19
12	J15	24	5
13	I 5	21	13
14	J28	6	15
15			
16	M12	5	15
17	N25	5	21
18	R14	15	33
19	I 5	19	13
20	L 3	25	17
21	N 8	9	19
22	J13	1	5
23			
24	J13	12	5
25			
26	L 3	20	17
27	I 5	17	13
28	N 8	1	19

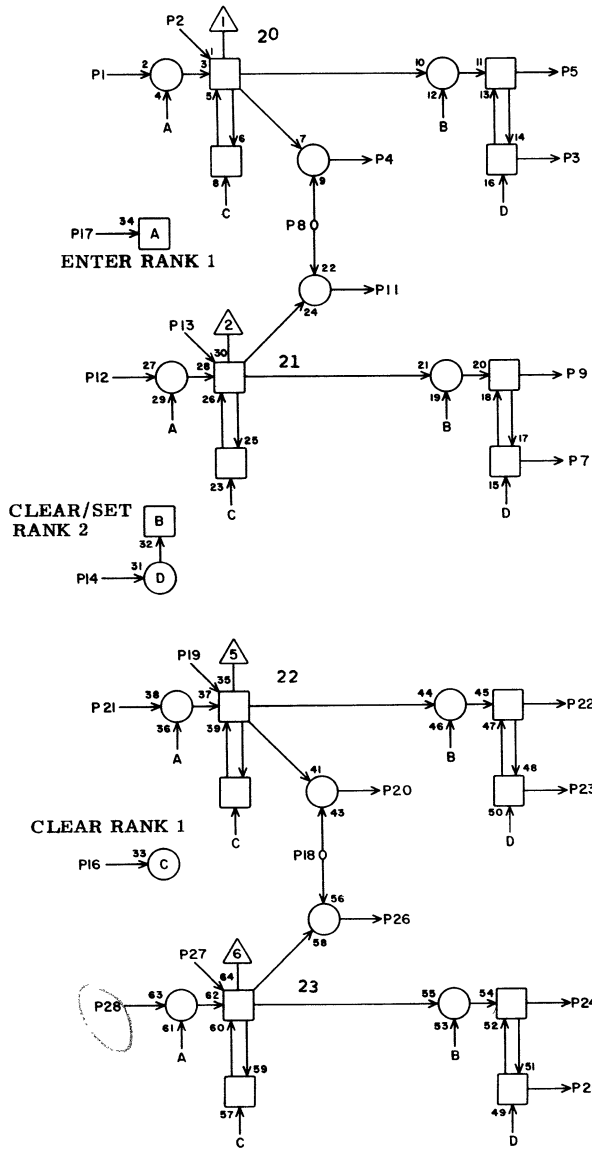
JACK PIN LG

6J14

63017400 Rev. B



X<sub>j</sub> LOWER, MULTIPLY 2



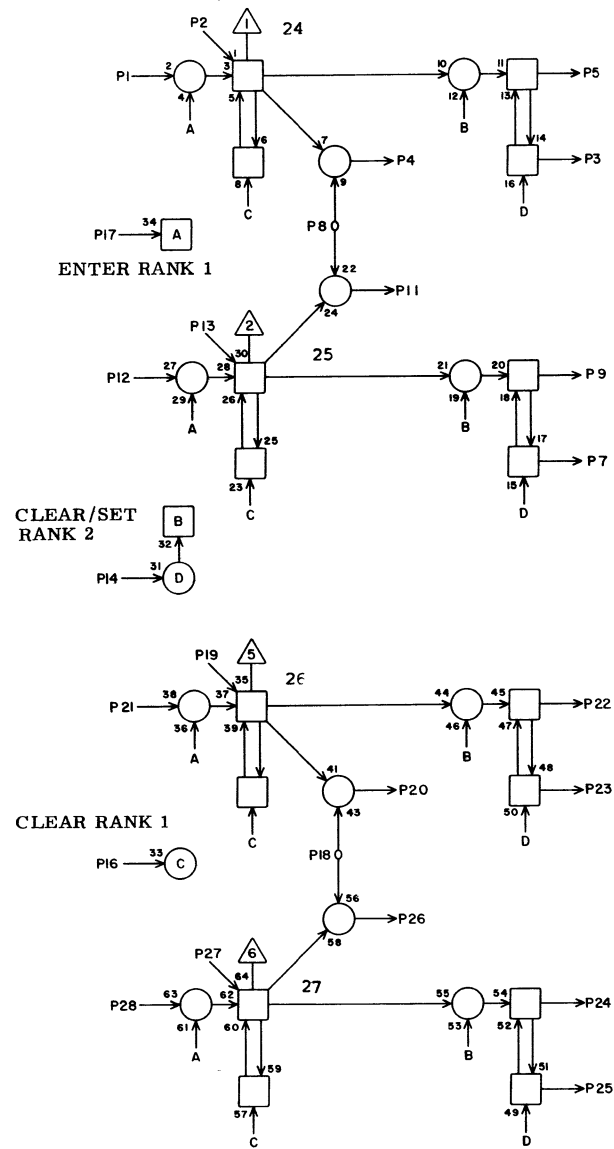
MK **6J15**

1	N 8	28	23
2	I 6	25	13
3			
4	L 4	25	17
5	J13	21	5
6			
7			
8	R15	15	35
9	J13	28	5
10			
11	L 4	20	17
12	N 8	21	21
13	I 6	21	13
14	J29	1	17
15			
16	M12	6	15
17	N25	6	21
18	R16	15	33
19	I 6	19	13
20	L 5	25	17
21	N 8	20	21
22	J14	1	5
23			
24	J14	12	5
25			
26	L 5	20	15
27	I 6	17	13
28	N 8	12	19

JACK PIN LG

63017400 Rev. B

X<sub>j</sub> LOWER, MULTIPLY 2



MK **6J16**

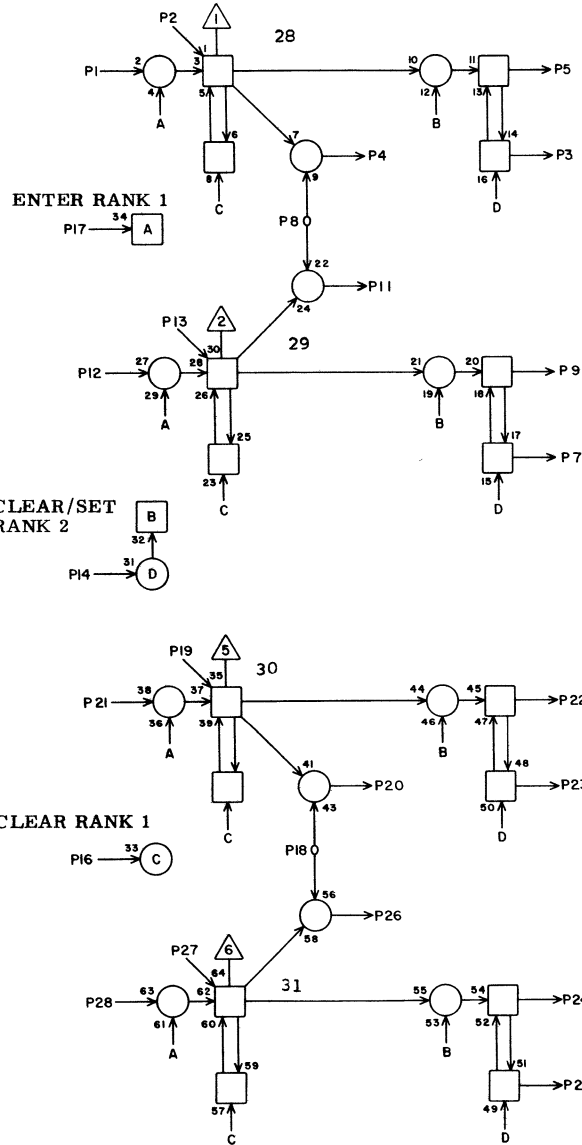
1	J17	22	5
2	J 1	25	17
3	J 7	21	13
4			
5	J 7	17	13
6			
7	J 7	16	13
8			
9	J 7	20	13
10			
11			
12	J17	24	5
13	J 1	21	17
14	J29	2	17
15			
16	M25	1	17
17	Q25	1	31
18			
19	J 1	19	17
20			
21	J18	5	5
22	J 9	17	11
23	J 9	21	11
24	J 9	20	11
25	J 9	16	11
26			
27	J 1	17	17
28	J18	9	5

JACK PIN LG

63017400 Rev. B

6J16

Xj UPPER, MULTIPLY 2



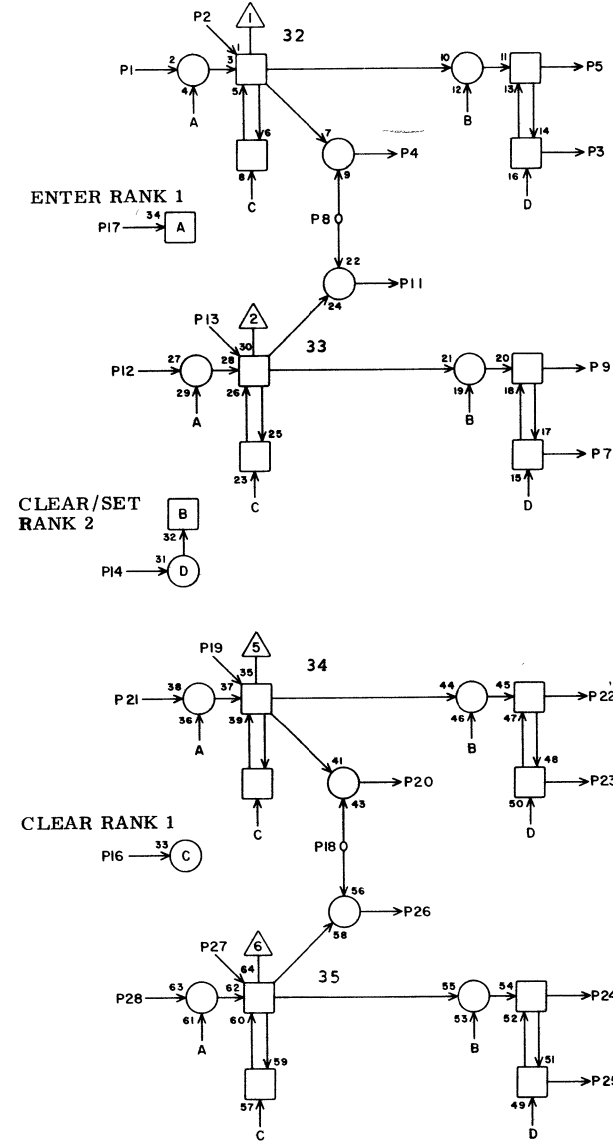
MK 6J17

1	J18	22	5
2	J 2	25	17
3	J 8	21	13
4			
5	J 8	17	13
6			
7	J 8	16	13
8			
9	J 8	20	13
10			
11			
12	J18	24	5
13	J 2	21	17
14	J29	3	15
15			
16	M25	2	17
17	Q25	2	29
18	O17	18	23
19	J 2	19	17
20	R18	18	33
21	J19	5	5
22	J16	1	5
23			
24	J16	12	5
25			
26	R18	21	33
27	J 2	17	17
28	J19	9	5

JACK PIN LG

63017400 Rev. B

Xj UPPER, MULTIPLY 2



MK 6J18

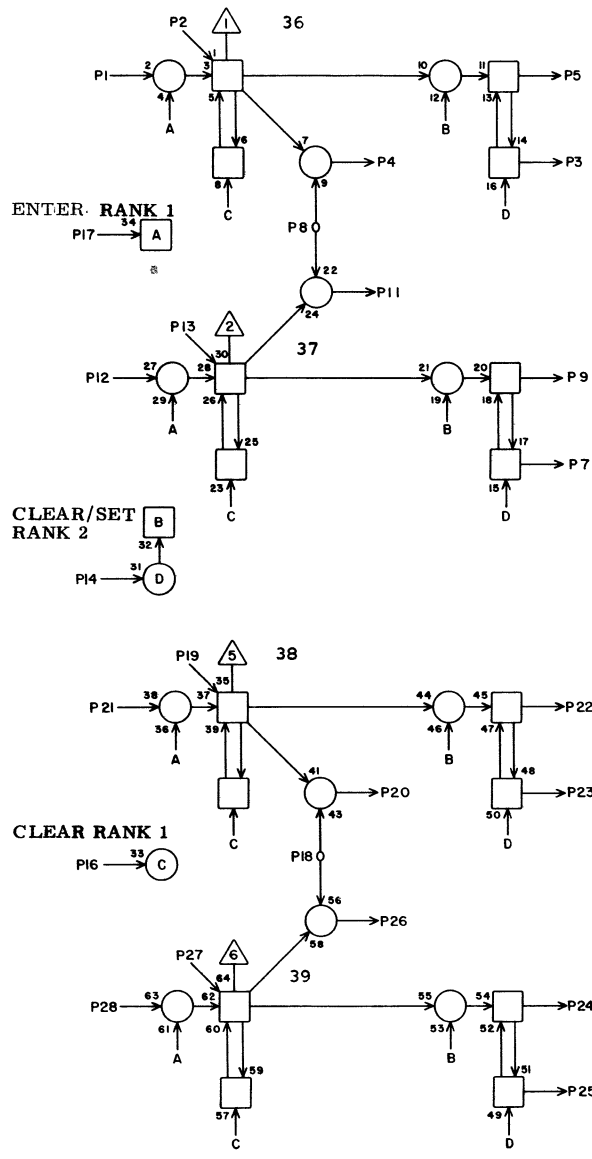
1	J19	22	5
2	J 3	25	17
3			
4	R18	24	35
5	J16	21	5
6			
7			
8	N13	18	23
9	J16	28	5
10			
11	R19	18	33
12	J19	24	5
13	J 3	21	17
14	J29	4	15
15			
16	M25	3	17
17	Q25	3	29
18	N14	18	19
19	J 3	19	17
20	R19	21	33
21	J20	5	5
22	J17	1	5
23			
24	J17	12	5
25			
26	R19	24	33
27	J 3	17	17
28	J20	9	5

JACK PIN LG

63017400 Rev. B

6J18

X<sub>j</sub> UPPER, MULTIPLY 2

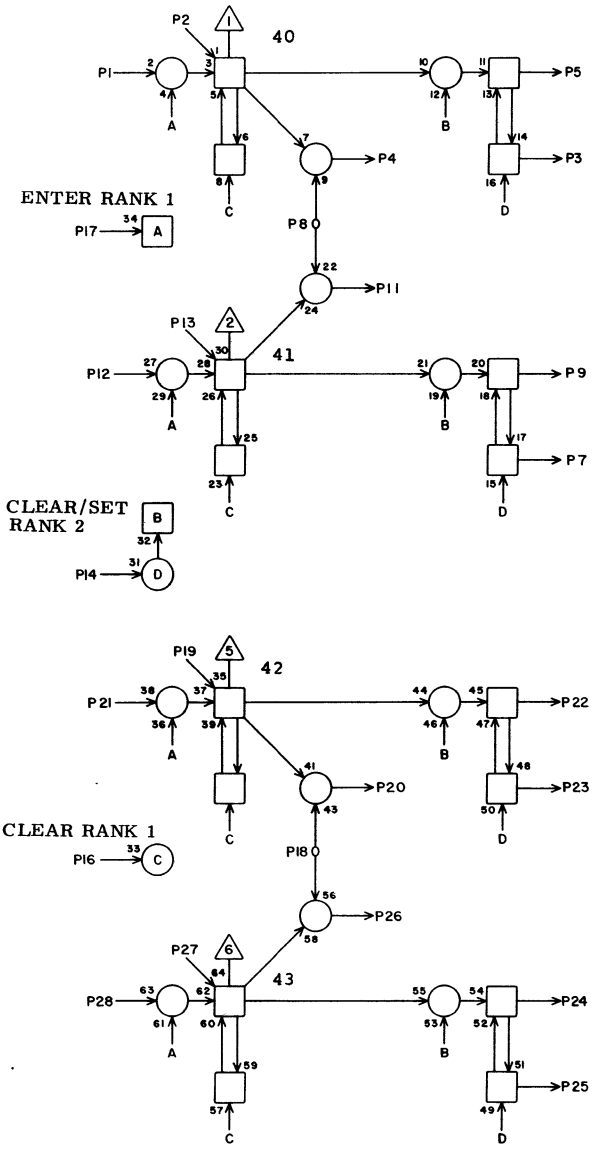


MK **6J19**

1	J20	22	5
2	J 4	25	17
3			
4	R20	18	35
5	J17	21	5
6			
7			
8	M15	18	21
9	J17	28	5
10			
11	R20	21	35
12	J20	24	5
13	J 4	21	17
14	J29	6	13
15			
16	M25	4	15
17	Q25	4	29
18	M16	18	19
19	J 4	19	17
20	R20	24	35
21	J21	5	5
22	J18	1	5
23			
24	J18	12	5
25			
26	R21	18	33
27	J 4	17	17
28	J21	9	5

JACK PIN LG

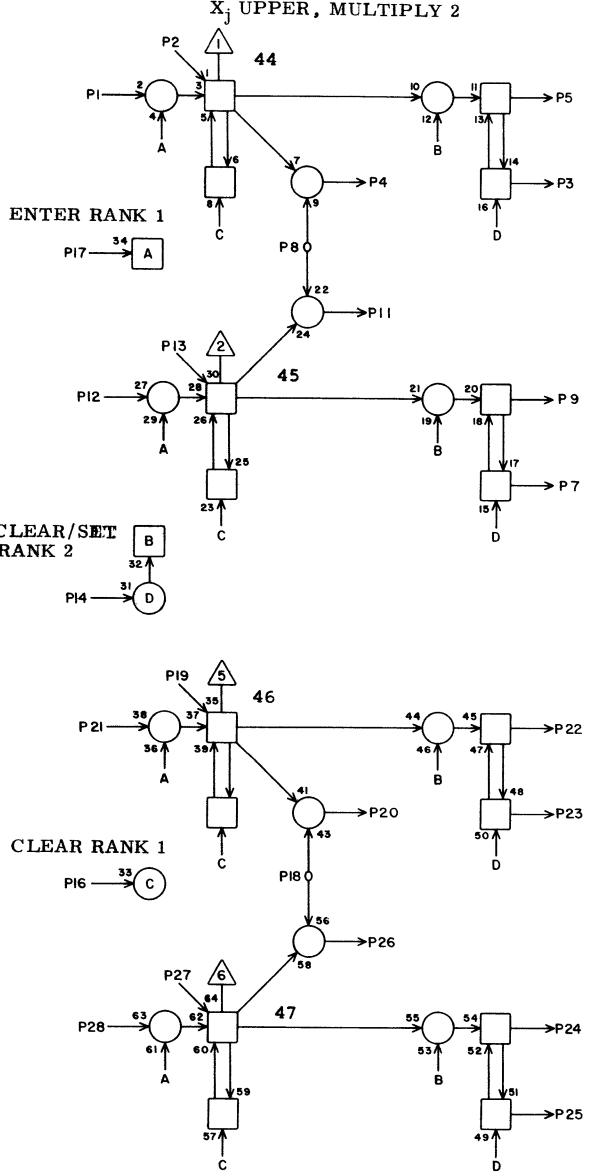
X<sub>j</sub> UPPER, MULTIPLY 2



MK **6J20**

1	J21	22	5
2	J 5	25	17
3			
4	R21	21	35
5	J18	21	5
6			
7			
8	M17	18	21
9	J18	28	5
10			
11	R21	24	35
12	J21	24	5
13	J 5	21	17
14	J31	1	15
15			
16	M25	5	15
17	Q25	5	29
18	M13	18	17
19	J 5	19	17
20	R22	18	33
21	N 9	9	21
22	J19	1	5
23			
24	J19	12	5
25			
26	R22	21	33
27	J 5	17	17
28	N 9	1	19

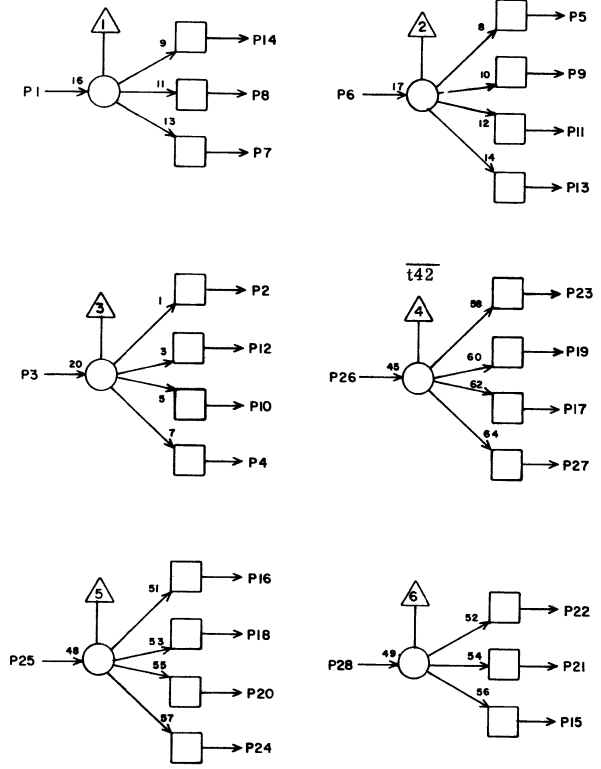
JACK PIN LG



MK			
6J21			
JACK	PIN	LG	
1	N 9	28	25
2	J 6	25	17
3			
4	R22	24	35
5	J19	21	5
6			
7			
8	M14	18	17
9	J19	28	5
10			
11	R23	18	35
12	N 9	21	23
13	J 6	21	17
14	J31	2	13
15			
16	M25	6	15
17	Q25	6	29
18	M15	18	17
19	J 6	19	17
20	R23	21	33
21	N 9	20	21
22	J20	1	5
23			
24	J20	12	5
25	J 8	26	17
26	R23	24	33
27	J 6	17	17
28	N 9	12	21

63017400 Rev. B

CHASSIS 6  
CLOCK

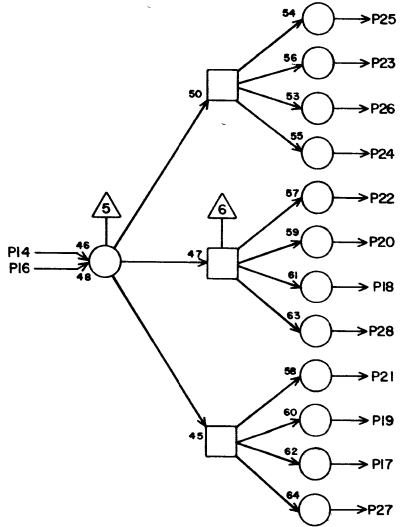
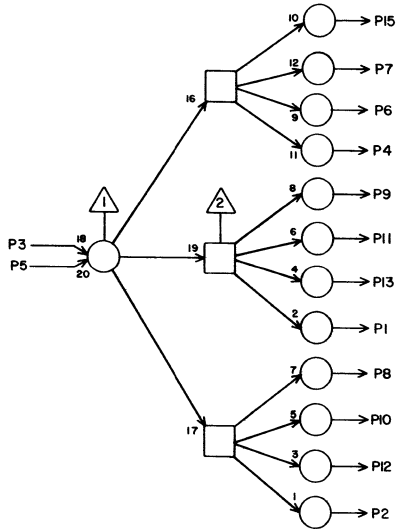


6J22

TM			
6J22			
JACK	PIN	LG	
1	I22	14	84
2	I22	20	5
3	J22	15	84
4			
5	I22	18	7
6	J22	8	84
7	I22	10	84
8	J22	6	84
9	I22	16	5
10	J22	25	84
11	J22	28	84
12	I22	15	7
13			
14	I22	11	7
15	J22	3	84
16	I22	19	7
17	K 9	9	17
18			
19	H10	9	17
20			
21	I22	13	9
22	I22	17	84
23	H 9	9	19
24			
25	J22	10	84
26	I22	7	84
27	K10	9	15
28	J22	11	84

63017400 Rev. M

MN, MQ → SEL UNIT #2



TC **6J23**

1			
2	Q16	16	31
3	L 8	8	19
4	Q17	16	31
5	J26	23	7
6	P13	16	29
7	O16	16	25
8	P17	16	27
9	P14	16	29
10	O13	16	25
11	P15	16	25
12	O14	16	25
13	P16	16	27
14			
15	O15	14	25
16			
17			
18			
19			
20			
21			
22			
23			
24			
25			
26			
27			
28			

JACK PIN LG

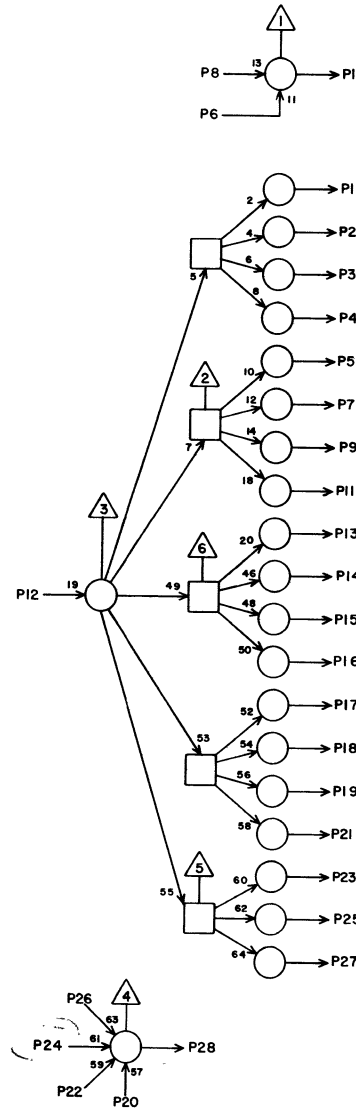
63017400 Rev T

CC **6J24**

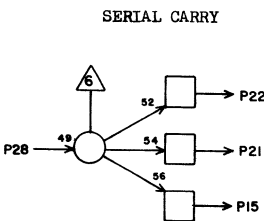
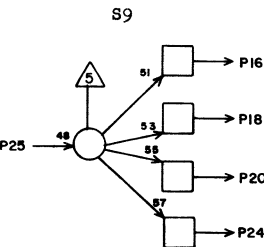
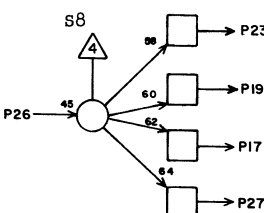
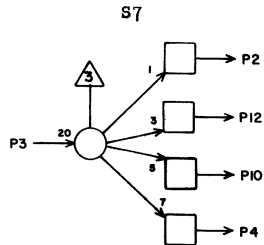
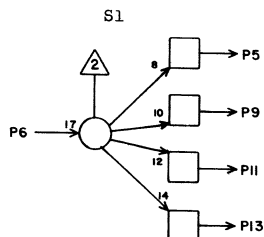
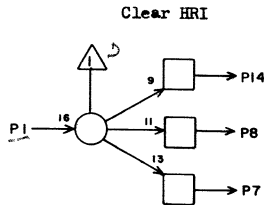
1	O17	16	25
2	N13	16	23
3	N14	16	23
4	N15	16	23
5	N16	16	21
6	K 9	26	19
7	N17	16	21
8	M28	23	17
9	M13	16	19
10	R17	17	35
11	M14	16	19
12	K25	28	96
13	M15	16	19
14	M16	16	17
15	M17	16	17
16	L13	16	17
17	L14	16	17
18			
19			
20	N27	25	19
21			
22	O14	15	23
23			
24	J25	10	5
25			
26	K10	21	17
27	K17	16	11
28	M26	27	15

JACK PIN LG

63017400 Rev. B



6J24

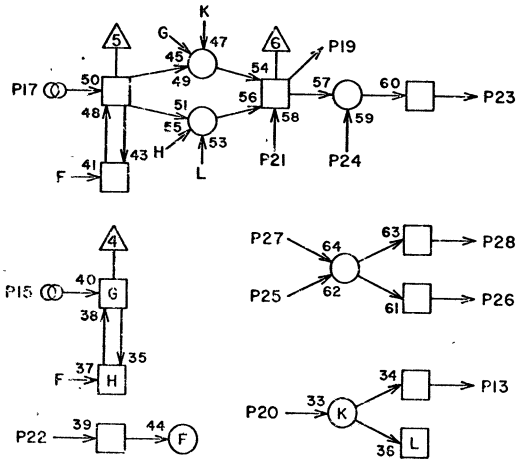
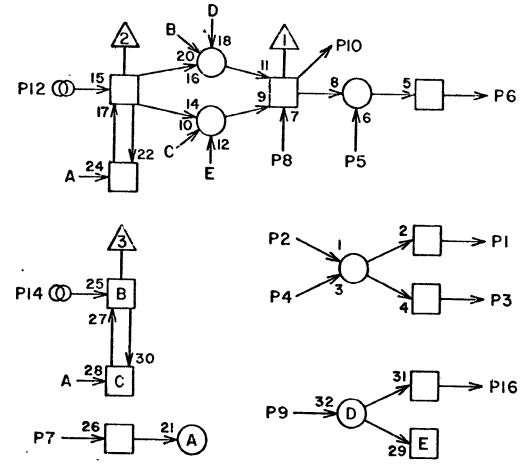


6J25

TM			
6J25			
JACK	PIN	LG	
1			
2	K 9	10	19
3	K10	17	19
4	Q25	8	31
5	K10	8	19
6	K10	11	19
7			
8			
9			
10	J24	24	5
11	L10	8	17
12	K25	20	9
13	K 9	6	19
14			
15	J30	17	9
16	K23	22	9
17	K25	22	9
18	K10	6	19
19	M 9	20	23
20	K 9	8	19
21	J29	16	5
22	J28	9	5
23	K23	6	120
24	K23	8	7
25	M29	25	17
26	K10	13	17
27	K23	20	7
28	O28	23	23

JACK PIN LG  
63017400 Rev. B

LS 18550000  
ASSY REV



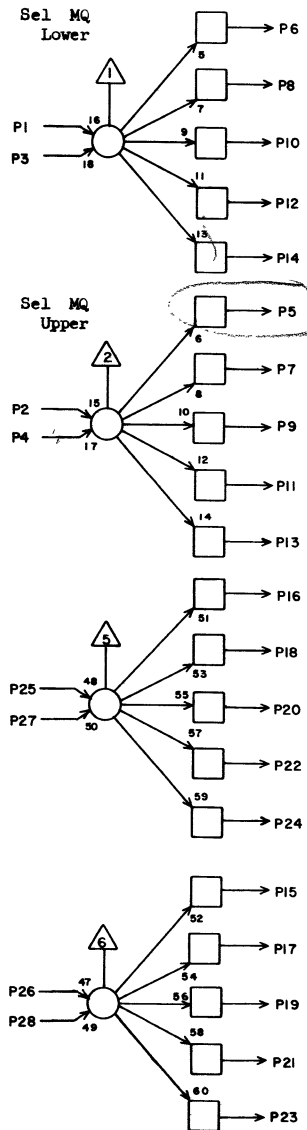
RR

6J26

1	L08	23	29
2	J27	16	7
3			
4	F07	3	27
5	F28	28	15
6	I23	5	7
7	C02	14	39
8	I07	25	23
9	F07	7	27
10	J27	25	5
11			
12	W28	902	
13	I26	26	7
14	W28	903	
15	W28	905	
16	I26	3	7
17	W28	904	
18			
19	J27	26	3
20	F06	7	27
21	J07	25	23
22	P02	14	39
23	J23	5	7
24	M28	28	15
25	J27	15	7
26	L08	5	29
27	F06	3	29
28			

JACK PIN LG  
SEE CIRCUIT SPECIFICATION  
11827600

63017400 Rev. T



~~ERROR~~  
MULTIPLY 1

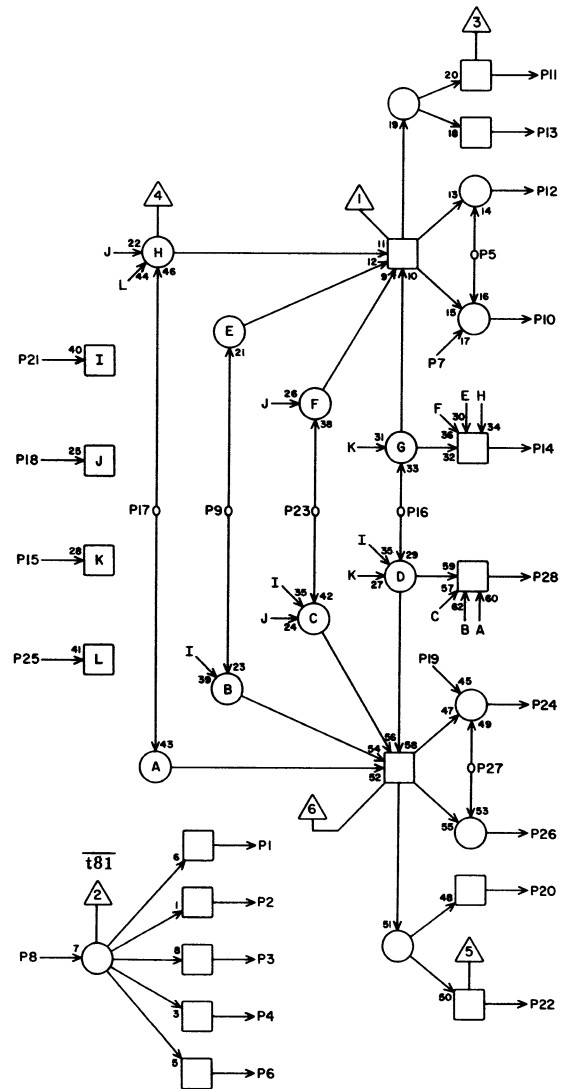
~~ERROR~~  
MULTIPLY 2

T D 6J27

1			
2	J30	2	5
3	J30	1	5
4			
5	M 9	12	25
6	M 8	12	25
7	M15	17	21
8	M13	17	21
9			
10			
11			
12			
13			
14			
15	J26	25	7
16	J26	2	7
17			
18			
19	I26	24	7
20	I26	1	7
21			
22			
23			
24			
25	J26	10	5
26	J26	19	3
27			
28			

JACK    PIN    LG

63017400 Rev. T



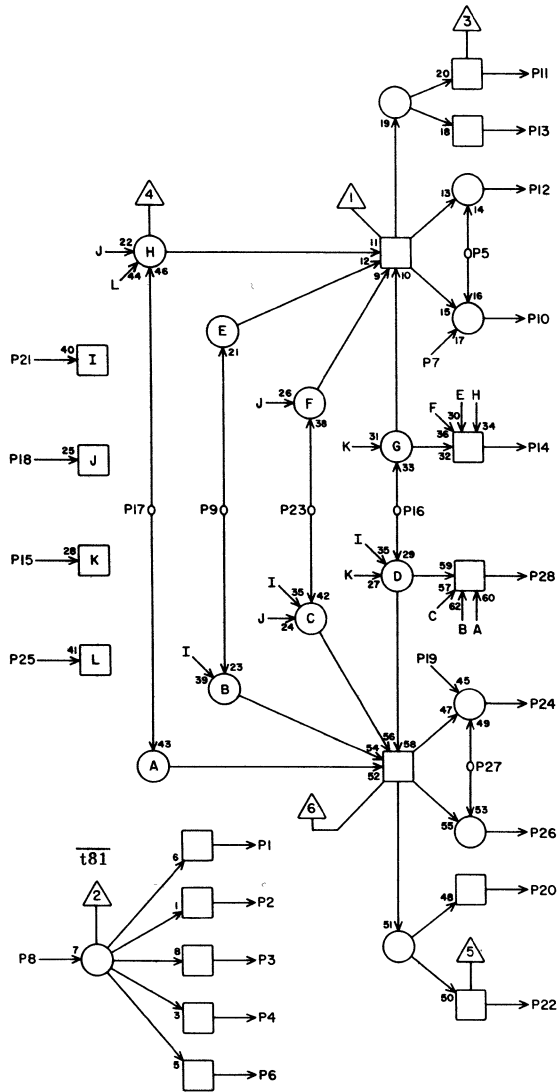
6J28

MU 6J28

1	J10	14	21
2	J11	14	19
3	J12	14	19
4	J13	14	17
5	R26	24	35
6	J14	14	15
7	L27	24	13
8	M13	15	25
9	J25	22	7
10	K26	11	9
11	R26	5	33
12	K26	10	9
13	R26	2	33
14			
15	J28	X	2
16			
17	K26	7	7
18	J28	X	2
19	L27	16	13
20	R29	2	33
21	L27	15	13
22	R29	5	33
23			
24	K26	17	7
25	J28	X	2
26	K26	21	7
27	R29	24	33
28			

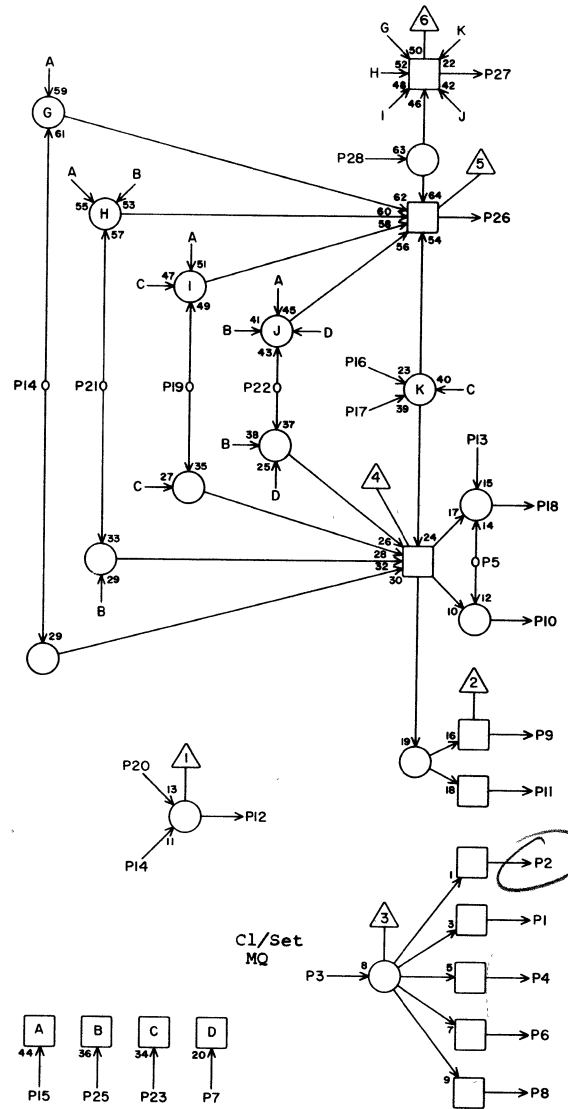
JACK    PIN    LG

63017400 Rev. B



MU		6J29	
JACK	PIN	LG	
1	J15	14	17
2	J16	14	17
3	J17	14	15
4	J18	14	15
5	Q28	24	31
6	J19	14	13
7	L27	10	13
8	N16	15	23
9	K26	20	11
10	K27	11	9
11	Q28	2	29
12	K27	10	9
13	Q28	5	29
14			
15	L27	22	15
16	J25	21	5
17	K27	7	7
18	L27	13	13
19	L28	26	13
20	P27	2	25
21	L27	1	11
22	P27	5	25
23	K26	9	7
24	K27	17	7
25	J29	X	2
26	K27	21	9
27	P27	24	27
28			

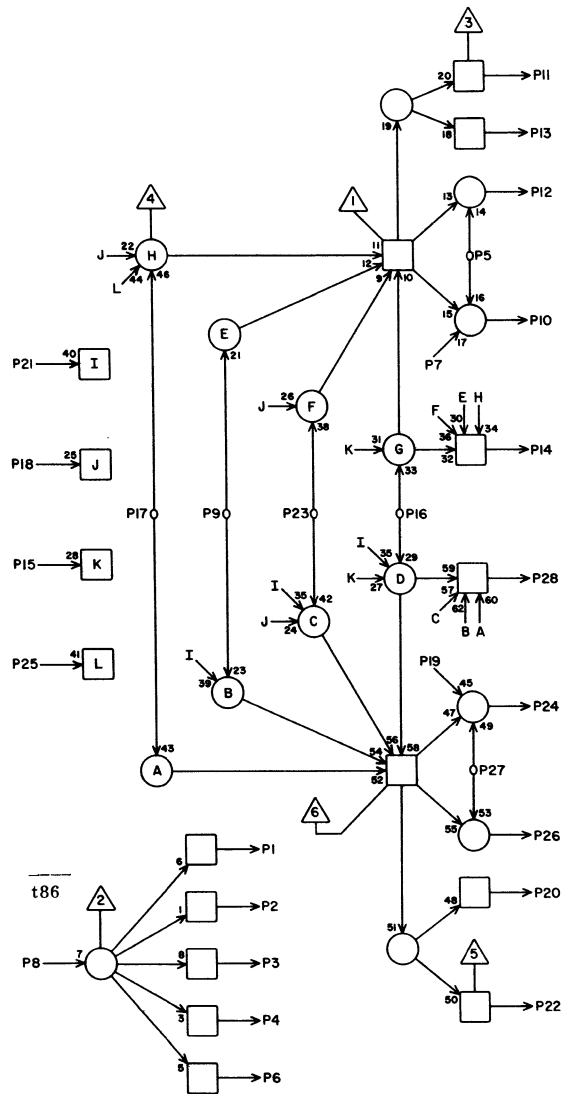
63017400 Rev. B



MV		6J30	
JACK	PIN	LG	
1	J27	3	5
2	J27	2	5
3	K9	4	23
4			
5	O26	24	25
6			
7	L27	14	13
8			
9	O26	2	23
10	K28	10	9
11	O26	5	23
12	M25	7	17
13	L28	16	13
14	O16	15	27
15	M29	13	15
16	L27	28	13
17	J25	15	9
18	K28	11	7
19	K26	19	9
20	O29	23	23
21	K27	9	9
22	K26	14	9
23	L27	3	11
24	K27	20	9
25	L28	15	11
26	J31	23	3
27	J32	22	3
28	M28	13	15

63017400 Rev. B



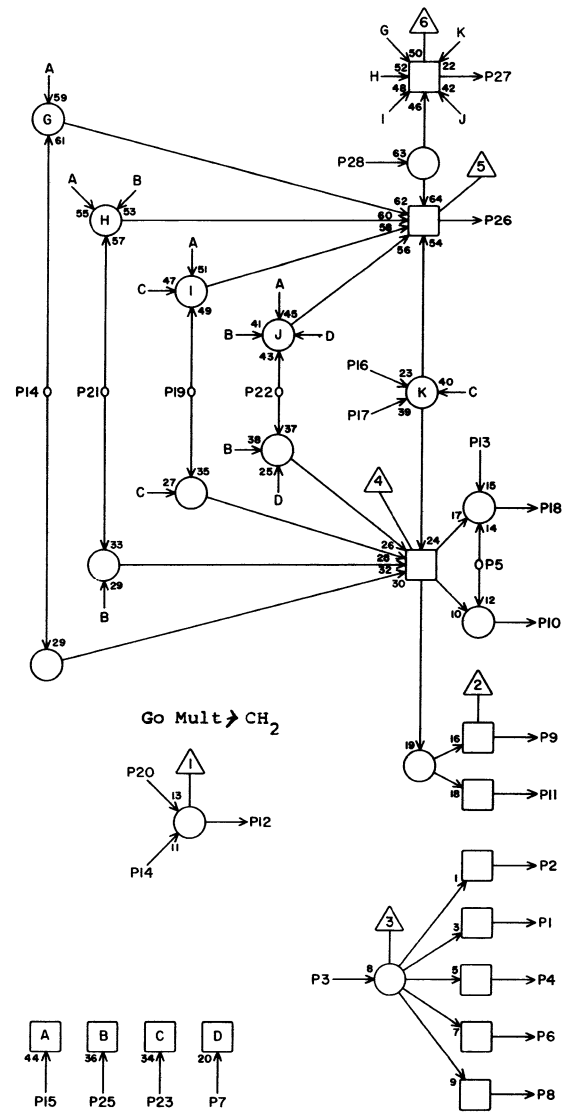


MU **6J31**

1	J20	14	15
2	J21	14	13
3			
4			
5	029	24	25
6			
7	L28	10	13
8	M17	15	23
9	K28	7	9
10	K28	17	9
11	029	2	23
12	K28	21	9
13	029	5	23
14			
15	J31	X	2
16			
17	K28	20	9
18	L28	13	13
19	L29	26	13
20	K28	5	19
21	L28	1	11
22	M28	2	17
23	J30	26	3
24	K29	11	5
25	J31	X	2
26	K29	10	5
27	M28	24	19
28			

JACK PIN LG

63017400 Rev. B



6J32

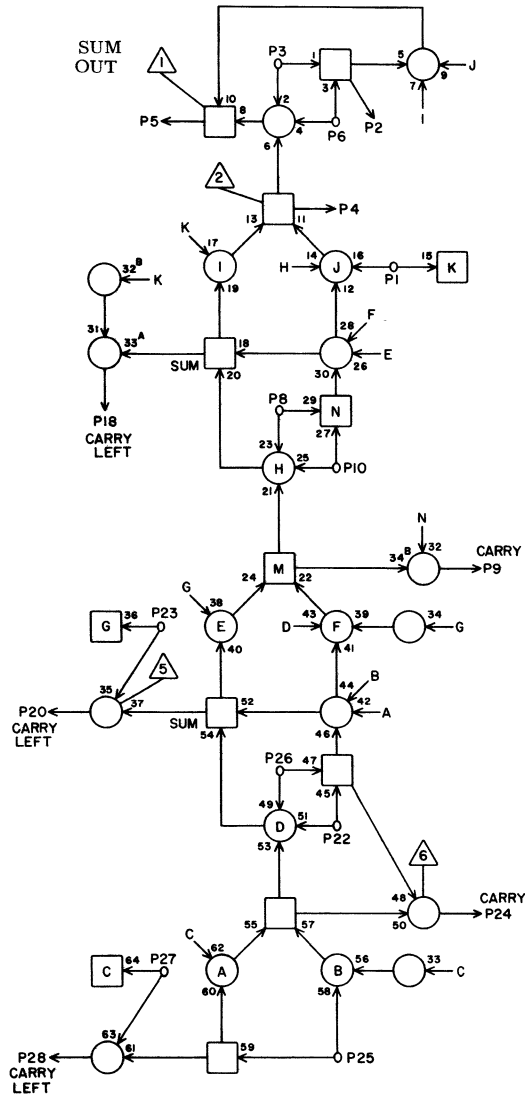
MV **6J32**

1			
2			
3			
4			
5	M27	24	17
6			
7	L28	14	13
8			
9	M27	5	17
10	K29	21	9
11	M27	2	17
12	K10	3	23
13	L29	16	11
14	K14	3	180
15	L29	13	13
16	K22	18	15
17			
18	K29	17	7
19	K28	9	9
20	M12	26	27
21	K28	19	9
22	J30	27	3
23	L28	3	11
24	K29	7	7
25	L29	15	13
26	F 6	4	31
27			
28	K29	20	9

JACK PIN LG

63017400 Rev. R

UPPER 3-LEVEL ADDER  
BIT 47



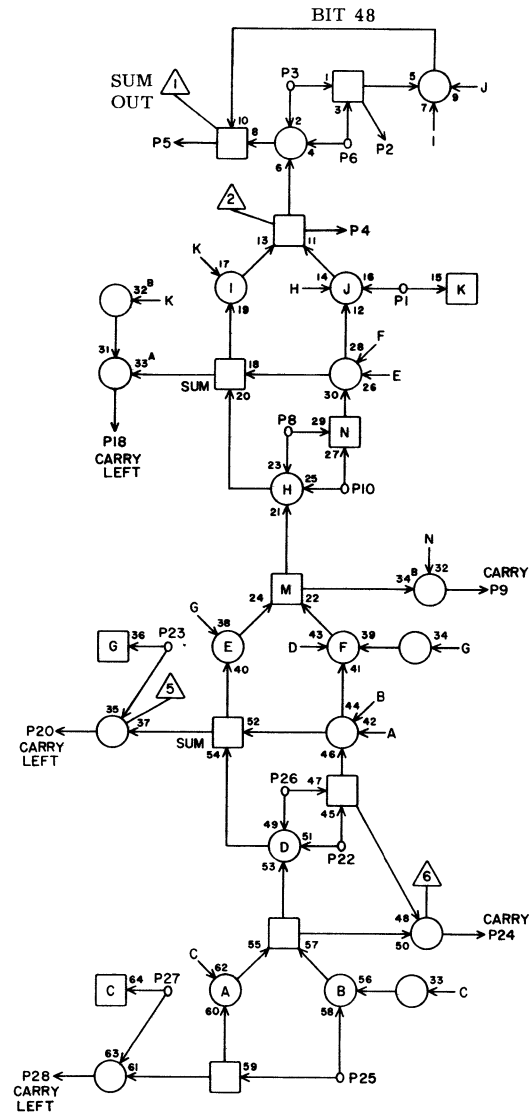
MG **6J 33**

1	L24	8	17
2	K15	2	21
3	K42	9	13
4	K15	4	21
5	L17	28	21
6	K42	18	13
7			
8	K42	24	13
9	J34	3	3
10	K42	20	13
11			
12			
13			
14			
15			
16			
17			
18	J34	6	3
19			
20	J34	10	3
21			
22	K42	28	13
23	N22	13	23
24	J34	8	5
25	K16	26	19
26	K16	11	19
27	P19	6	29
28	J34	22	3

JACK PIN LG

63017400 Rev. B

UPPER 3-LEVEL ADDER  
BIT 48



MG **6J 34**

1	L24	6	17
2	K15	6	21
3	J33	9	3
4	K15	8	21
5	K15	23	23
6	J33	18	3
7			
8	J33	24	5
9	J35	3	3
10	J33	20	3
11			
12			
13			
14			
15			
16			
17			
18	J35	6	3
19			
20	J35	10	3
21			
22	J33	28	3
23	N22	8	21
24	J35	8	5
25	K17	22	19
26	K17	3	19
27	P20	13	29
28	J35	22	3

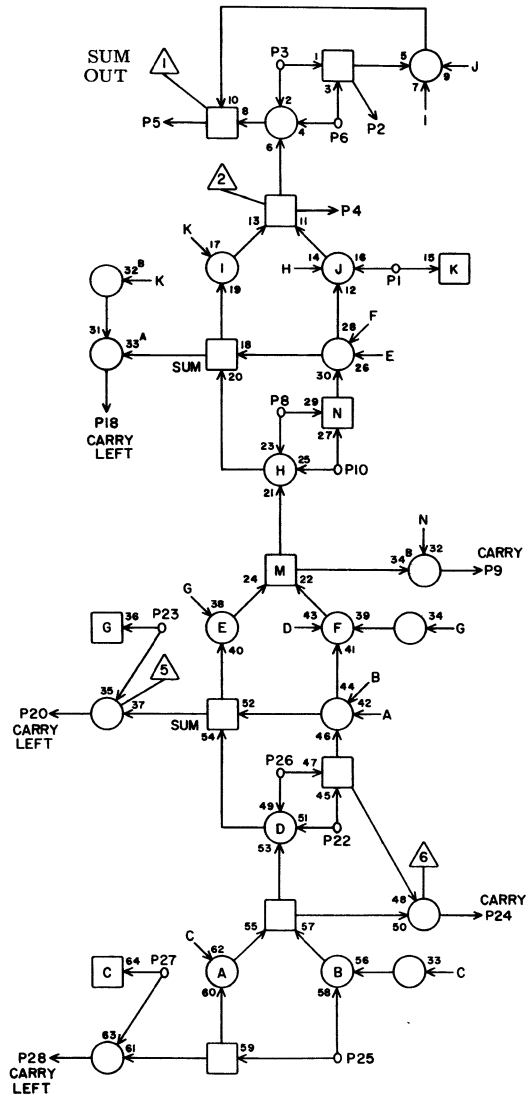
JACK PIN LG

6J34

63017400 Rev. B

UPPER 3-LEVEL ADDER

BIT 49



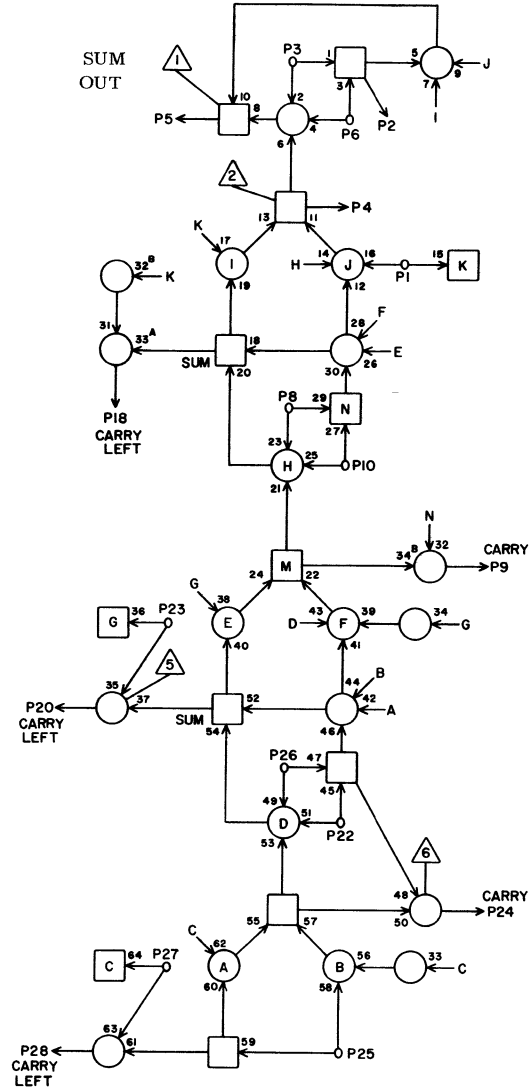
MG 6J 35

1	K18	13	19
2	K15	10	23
3	J34	9	3
4	K15	12	23
5	K15	24	23
6	J34	18	3
7			
8	J34	24	5
9	J36	3	3
10	J34	20	3
11			
12			
13			
14			
15			
16			
17			
18	J36	6	3
19			
20	J36	10	3
21			
22	J34	28	3
23	N22	6	23
24	J36	8	5
25	K17	25	21
26	K17	7	21
27	P20	8	29
28	J36	22	3

JACK PIN LG

UPPER 3-LEVEL ADDER

BIT 50

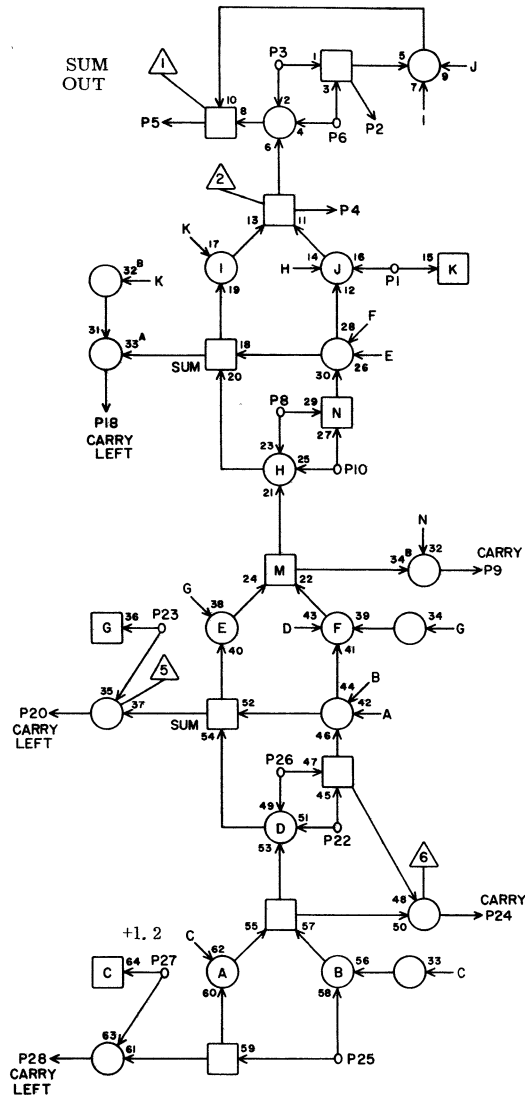


MG 6J 36

1	K18	8	21
2	K16	2	23
3	J35	9	3
4	K16	4	23
5	K15	28	23
6	J35	18	3
7			
8	J35	24	5
9	J37	3	3
10	J35	20	3
11			
12			
13			
14			
15			
16			
17			
18	J37	6	3
19			
20	J37	10	3
21			
22	J35	28	3
23	N23	13	23
24	J37	8	5
25	K17	26	21
26	K17	11	21
27	P20	6	29
28	J37	22	3

JACK PIN LG

UPPER 3-LEVEL ADDER  
BIT 51



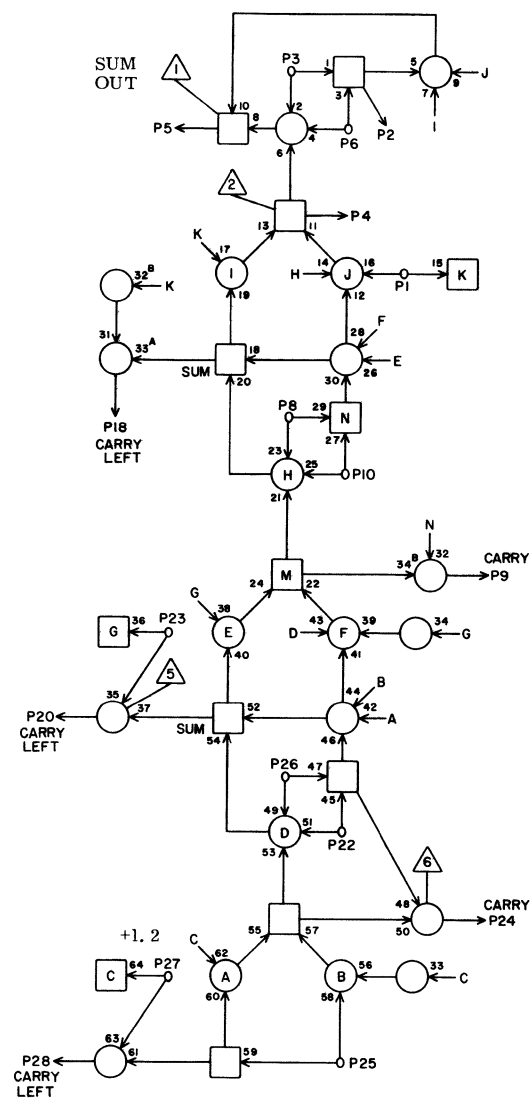
MG **6J 37**

1	K18	6	21
2	K16	6	23
3	J36	9	3
4	K16	8	23
5	K16	23	23
6	J36	18	5
7			
8	J36	24	5
9	J38	3	3
10	J36	20	5
11			
12			
13			
14			
15			
16			
17			
18	J38	6	3
19			
20	J38	10	3
21			
22	J36	28	3
23	N23	8	23
24	J38	8	5
25			
26			
27	M26	13	19
28	J38	22	3

JACK PIN LG

63017400 Rev. B

UPPER 3-LEVEL ADDER  
BIT 52



MG **6J 38**

1	K19	13	21
2	K16	10	23
3	J37	9	3
4	K16	12	23
5	K16	24	25
6	J37	18	3
7			
8	J37	24	5
9	J39	3	3
10	J37	20	5
11			
12			
13			
14			
15			
16			
17			
18	J39	6	3
19			
20	J39	10	3
21			
22	J37	28	3
23	N23	6	23
24	J39	8	5
25			
26			
27	M27	13	19
28	J39	22	3

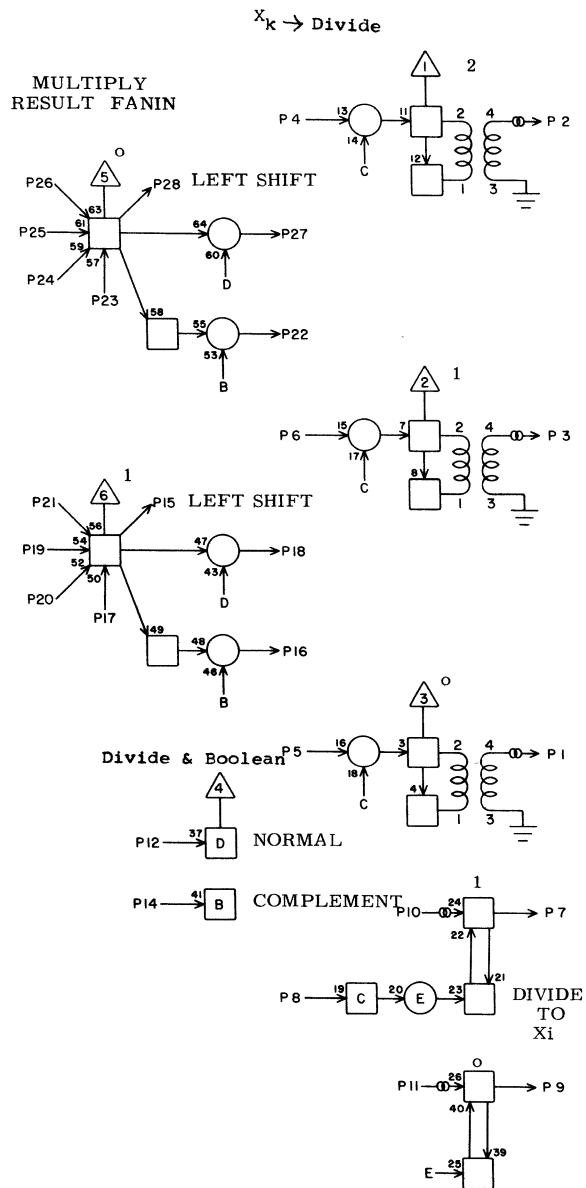
JACK PIN LG

6J38

63017400 Rev. B



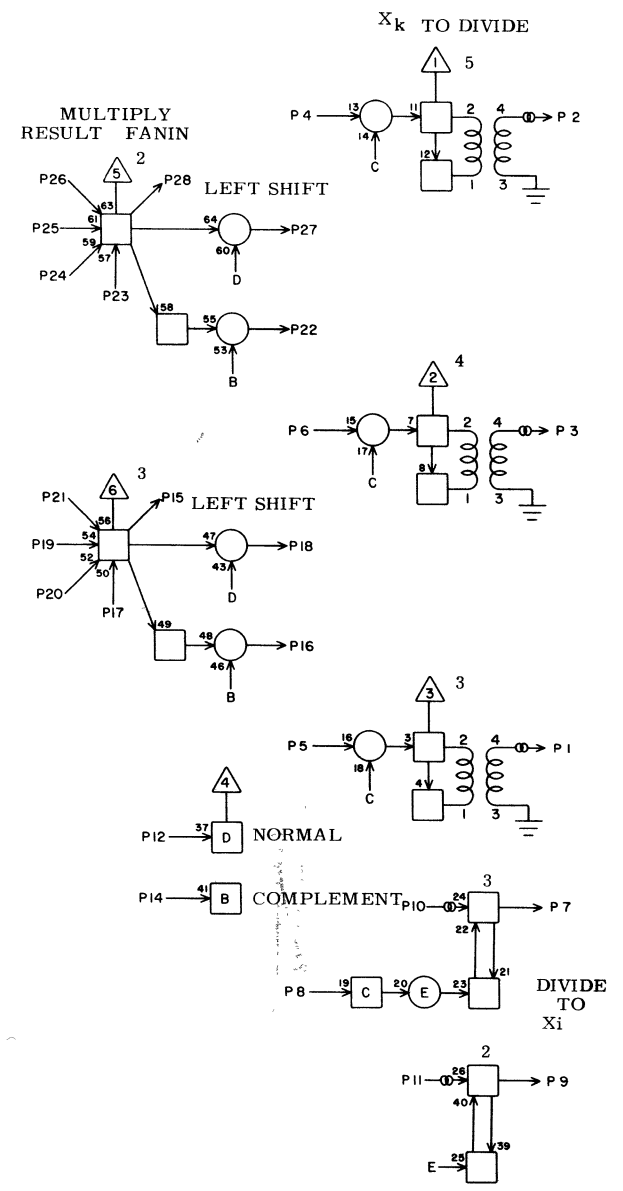




MT 6K 1

	JACK	PIN	LG
1	W23	90	
2	W23	92	
3	W23	91	
4	G 1	24	17
5	G 1	20	17
6	G 1	22	17
7	E 1	8	27
8	H 8	1	17
9	E 1	2	27
10	W20	91	
11	W20	90	
12	K 8	1	11
13			
14	009	1	19
15	E 1	23	25
16	E 1	11	27
17	I10	11	15
18	E 1	12	27
19	B16	21	39
20	J10	11	15
21	Q16	21	29
22	E 1	14	27
23	I10	4	17
24	B16	20	39
25	J10	4	15
26	Q16	20	29
27	E 1	13	27
28	E 1	6	27

JACK PIN LG



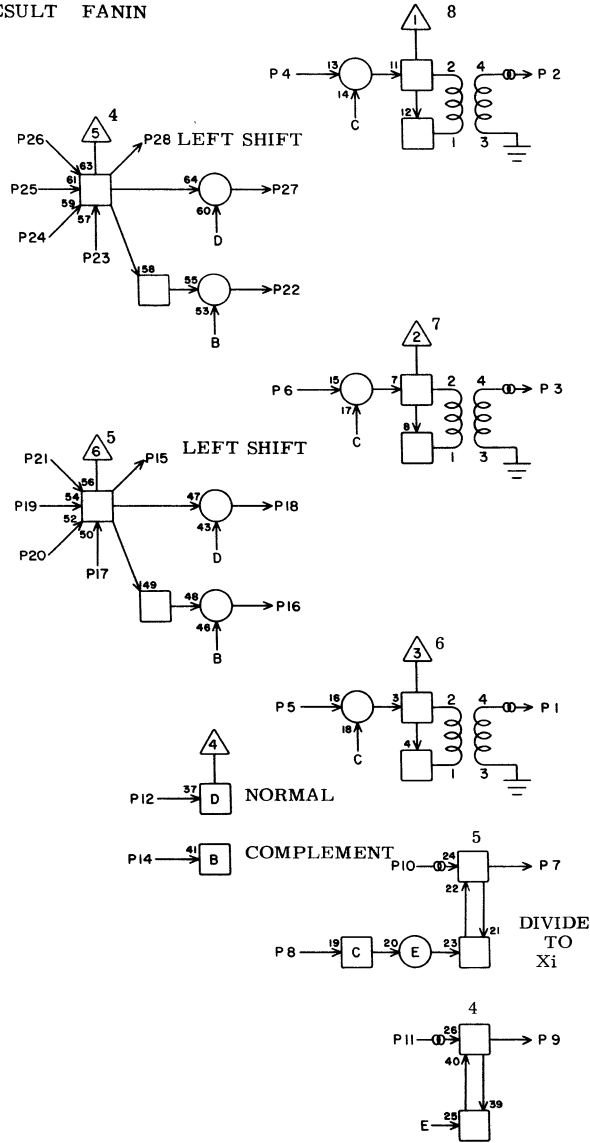
MT 6K 2

	JACK	PIN	LG
1	W23	93	
2	W23	95	
3	W23	94	
4	G 2	22	17
5	G 1	26	17
6	G 2	20	17
7	E 1	28	27
8	H 8	3	17
9	E 1	24	27
10	W20	93	
11	W20	92	
12	K 8	3	11
13			
14	0 9	3	19
15	E 2	3	27
16	E 1	15	27
17	I10	26	15
18	E 1	16	27
19	B17	20	41
20	J10	26	13
21	Q17	20	29
22	E 1	17	27
23	I10	20	15
24	B16	27	39
25	J10	20	13
26	Q16	27	29
27	E 1	18	27
28	E 1	26	27

JACK PIN LG

MULTIPLY  
RESULT FANIN

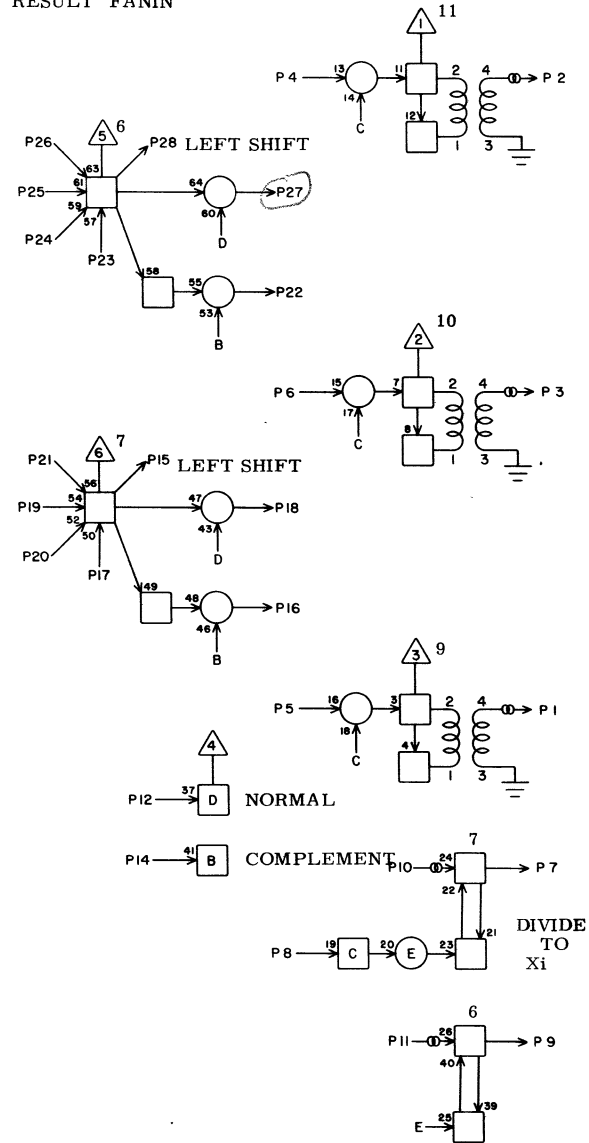
$X_k$  TO DIVIDE



MT		6K 3	
1	W23	96	
2	W23	98	
3	W23	97	
4	G 3	20	17
5	G 2	24	17
6	G 2	26	17
7	E 2	8	27
8	H 8	5	17
9	E 2	2	27
10	W20	95	
11	W20	94	
12	K 8	5	9
13			
14	O 9	5	19
15	E 2	23	25
16	E 2	11	27
17	I11	11	15
18	E 2	12	27
19	B17	27	41
20	J11	11	13
21	Q17	27	29
22	E 2	14	27
23	I11	4	17
24	B17	21	41
25	J11	4	13
26	Q17	21	29
27	E 2	13	27
28	E 2	6	27
	JACK	PIN	LG

MULTIPLY  
RESULT FANIN

$X_k$  TO DIVIDE

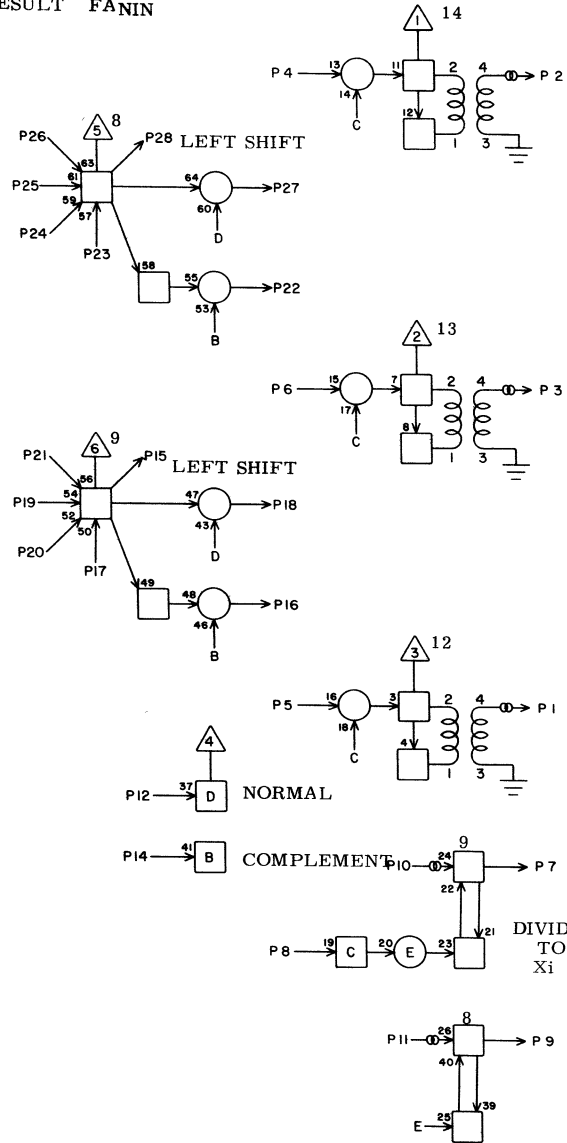


MT		6K 4	
1	W23	99	
2	W23	901	
3	W23	900	
4	G 3	26	17
5	G 3	22	17
6	G 3	24	17
7	E 2	28	27
8	H 8	7	17
9	E 2	24	27
10	W20	97	
11	W20	96	
12	K 8	7	7
13			
14	O 9	7	19
15	E 3	3	27
16	E 2	15	27
17	I11	26	13
18	E 2	16	27
19	C13	21	35
20	J11	26	13
21	P13	21	25
22	E 2	17	27
23	I11	20	15
24	C13	20	35
25	J11	20	13
26	P13	20	25
27	E 2	18	27
28	E 2	26	27
	JACK	PIN	LG



MULTIPLY  
RESULT FANIN

$X_k$  TO DIVIDE



MT **6K 5**

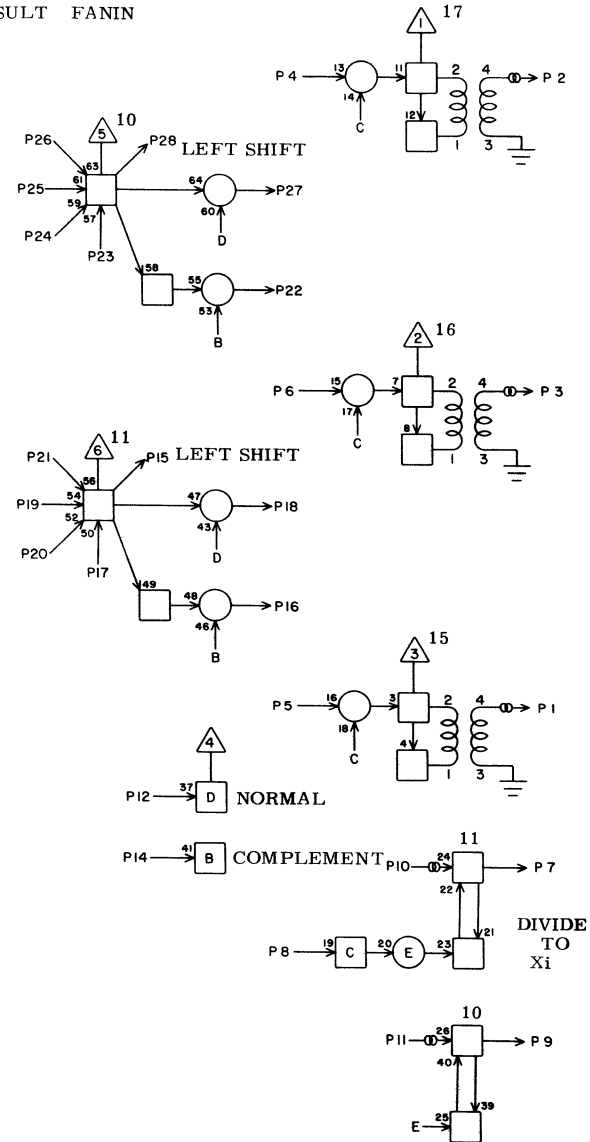
1	W23	902	
2	W23	904	
3	W23	903	
4	G 4	24	17
5	G 4	20	17
6	G 4	22	17
7	E 3	8	27
8	H 8	9	17
9	E 3	2	27
10	W20	99	
11	W20	98	
12	K 8	9	5
13			
14	O 9	9	19
15	E 3	23	27
16	E 3	11	27
17	I12	11	15
18	E 3	12	27
19	C14	20	35
20	J12	11	13
21	P14	20	25
22	E 3	14	27
23	I12	4	15
24	C13	27	35
25	J12	4	13
26	P13	27	25
27	E 3	13	27
28	E 3	6	27

JACK PIN LG

63017400 Rev. B

MULTIPLY  
RESULT FANIN

$X_k$  TO DIVIDE



MT **6K 6**

1	W23	905	
2	W23	907	
3	W23	906	
4	G 5	22	17
5	G 4	26	17
6	G 5	20	17
7	E 3	28	27
8	H 8	2	17
9	E 3	24	29
10	W20	901	
11	W20	900	
12	K 8	2	5
13			
14	O 9	2	19
15	E 4	3	27
16	E 3	15	27
17	I12	26	13
18	E 3	16	27
19	C14	27	35
20	J12	26	11
21	P14	27	25
22	E 3	17	27
23	I12	20	15
24	C14	21	35
25	J12	20	11
26	P14	21	25
27	E 3	18	27
28	E 3	26	29

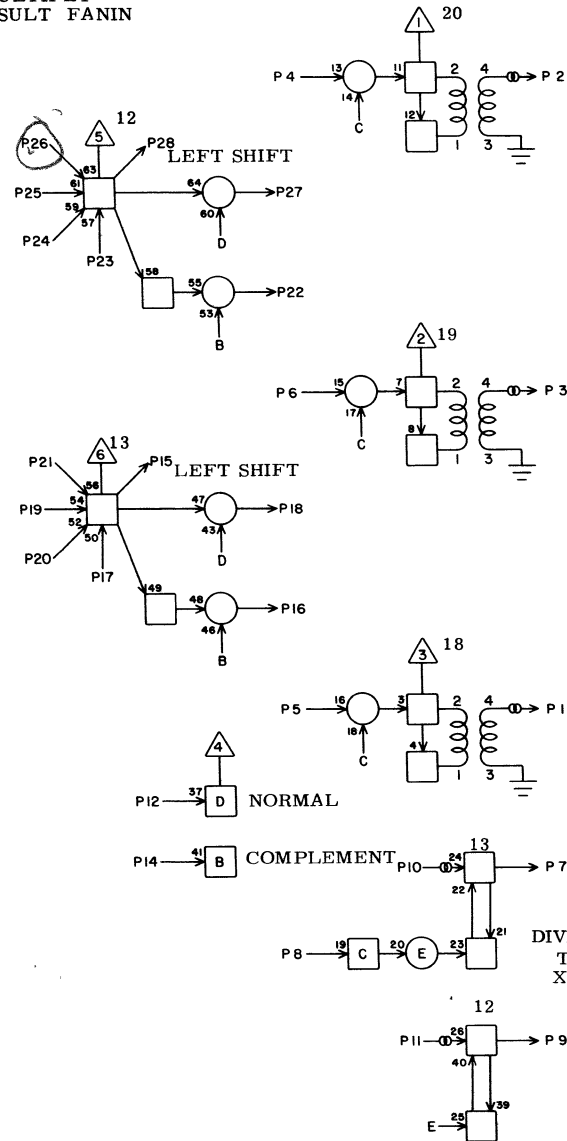
JACK PIN LG

63017400 Rev. B

6K6

MULTIPLY  
RESULT FANIN

$X_k$  TO DIVIDE



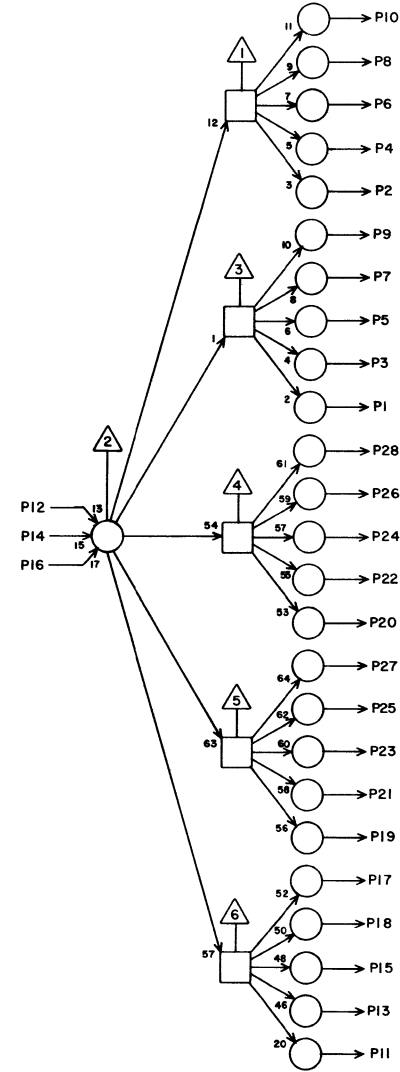
MT **6K 7**

1	W24	90	
2	W24	92	
3	W24	91	
4	G 6	20	17
5	G 5	24	17
6	G 5	26	17
7	E 4	8	27
8	H 8	4	17
9	E 4	2	27
10	W20	903	
11	W20	902	
12	K 8	4	3
13			
14	O 9	4	19
15	E 4	23	27
16	E 4	11	27
17	I13	11	15
18	E 4	12	27
19	C15	21	27
20	J13	11	13
21	P15	21	25
22	E 4	14	27
23	I13	4	15
24	C15	20	35
25	J13	4	13
26	P15	20	25
27	E 4	13	27
28	E 4	6	27

JACK PIN LG

63017400 Rev. B

NO SHIFT NORMAL MULTI → REG



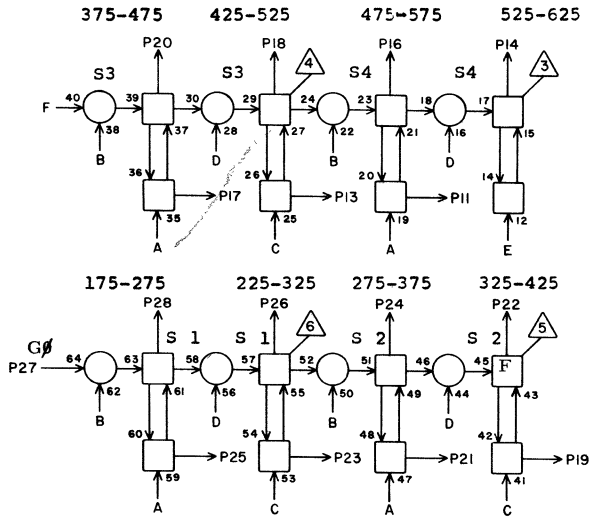
CA **6K 8**

1	K 1	12	11
2	K 6	12	5
3	K 2	12	11
4	K 7	12	3
5	K 3	12	9
6	L 1	12	13
7	K 4	12	7
8	L 2	12	11
9	K 5	12	5
10	L 3	12	11
11	L 4	12	11
12	L 8	22	9
13	L 5	12	9
14	H22	25	21
15	L 6	12	9
16	K08	X	2
17	M 1	12	15
18	L 7	12	7
19	M 7	12	11
20	M 2	12	13
21	N 1	12	17
22	M 3	12	13
23	N 2	12	17
24	M 4	12	13
25	N 3	12	15
26	M 5	12	11
27			
28	M 6	12	11

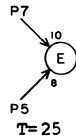
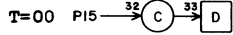
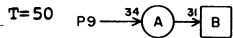
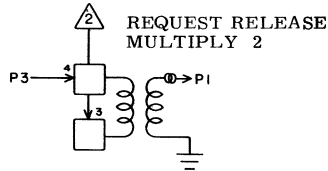
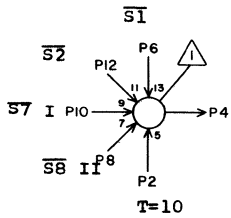
JACK PIN LG

63017400 Rev. B

MULTIPLY 2 TIMING CHAIN



Check set MQ



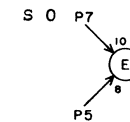
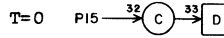
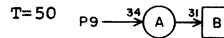
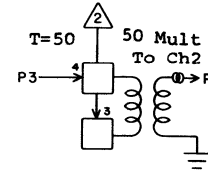
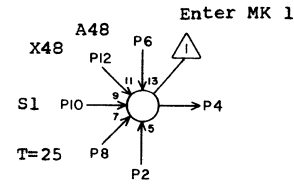
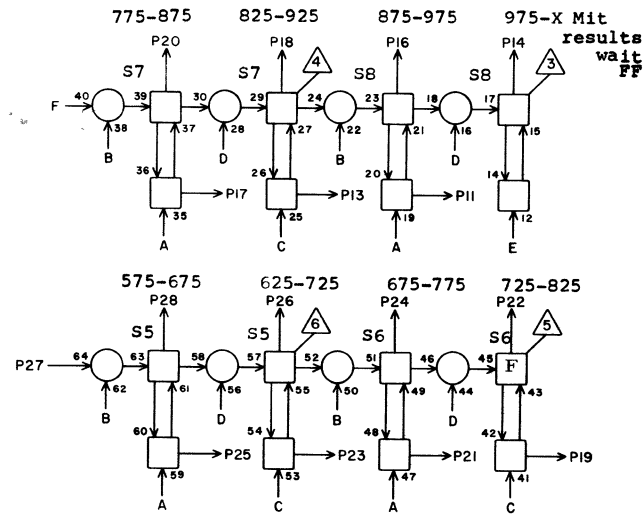
ML 6K9

1	W16	905	
2	I27	17	96
3	K25	10	17
4	J30	3	23
5	I22	27	17
6	J25	13	19
7			
8	J25	20	19
9	J22	17	17
10	J25	2	19
11			
12			
13			
14	K10	27	5
15	K12	3	3
16			
17			
18			
19			
20			
21			
22	N29	27	25
23			
24	K24	24	17
25	K23	24	17
26	J24	6	19
27	L12	22	108
28	N27	27	23

JACK PIN LG

63017400 Rev. V

MULTIPLY 2 TIMING CHAIN



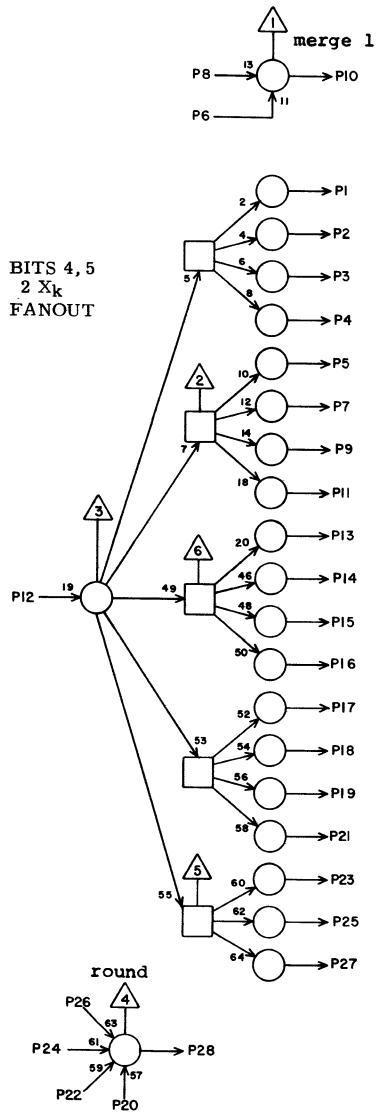
ML 6K10

1	W22	906	
2	O01	6	21
3	J32	12	23
4	N28	27	23
5			
6	J25	18	19
7	M12	28	15
8	J25	5	19
9	J22	27	15
10	N27	23	23
11	J25	6	19
12	K12	6	84
13	J25	26	17
14	M29	27	23
15	K12	4	5
16			
17	J25	3	19
18	K25	6	17
19			
20	O16	17	19
21	J24	26	17
22	O13	17	19
23			
24			
25			
26			
27	K 9	14	5
28			

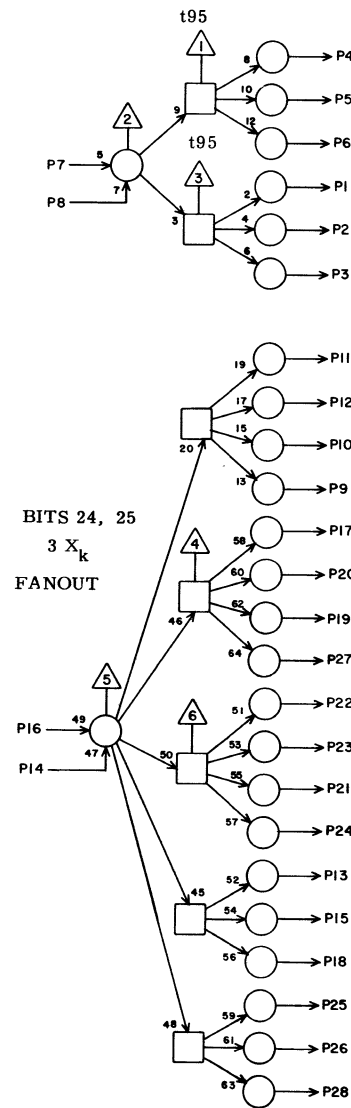
JACK PIN LG

6K10

63017400 Rev. B



BITS 4, 5  
2 X<sub>k</sub>  
FANOUT



BITS 24, 25  
3 X<sub>k</sub>  
FANOUT

CC		6K 11	
1	N24	16	21
2	M18	16	15
3	M19	16	15
4	M20	16	15
5	M21	16	15
6	N28	1	23
7	M22	16	17
8	N26	23	23
9	M23	16	17
10	N15	17	17
11	M24	16	17
12	J 8	10	7
13	L18	16	11
14	L19	16	13
15	L20	16	13
16	L21	16	13
17	L22	16	15
18	L23	16	15
19	L24	16	15
20			
21	K18	16	11
22			
23	K19	16	11
24	N29	28	23
25			
26	J 9	1	11
27			
28	O15	17	19

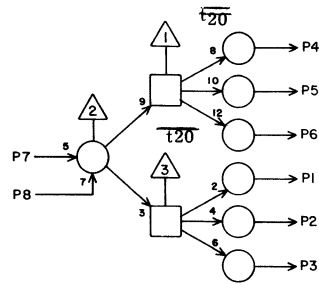
JACK PIN LG

63017400 Rev. B

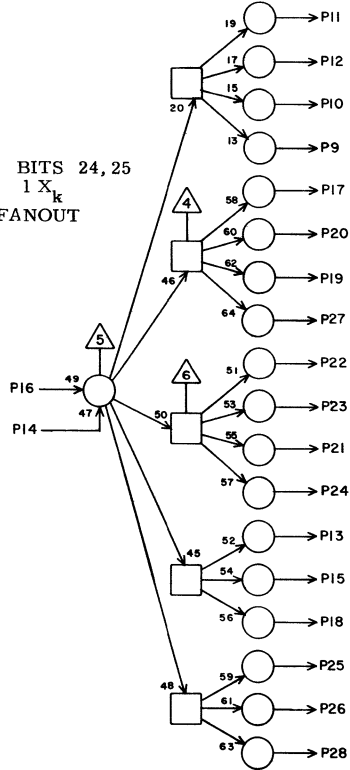
CB		6K12	
1	K23	26	15
2			
3	K 9	15	5
4	K10	15	5
5	J 7	13	132
6	K10	12	84
7	F27	23	27
8	K12	X	2
9	Q10	15	27
10	R12	15	31
11	R10	15	31
12	R11	15	31
13	M10	15	17
14	K12	X	2
15	N11	15	17
16	J 7	18	9
17	Q11	15	27
18	N12	15	17
19	P10	15	23
20	Q12	15	27
21	O11	15	27
22	P12	15	23
23	O10	15	27
24	O12	15	23
25	M10	15	13
26	M11	15	13
27	P11	15	23
28			

JACK PIN LG

63017400 Rev W



BITS 24, 25  
1 X<sub>k</sub>  
FANOUT

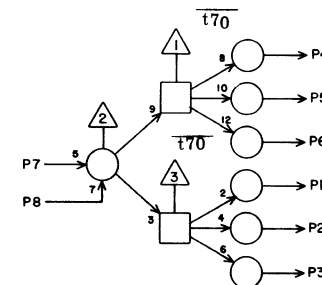


CB **6K13**

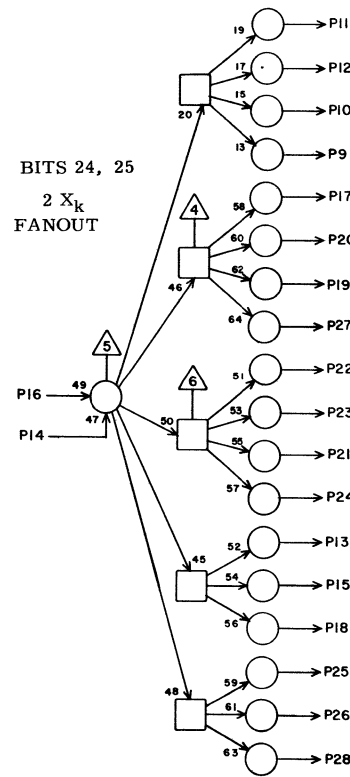
1	P13	17	23
2	K24	22	156
3			
4			
5			
6	J 7	26	9
7	L10	22	9
8	K13	X	2
9	R21	5	31
10	R20	5	31
11	R18	5	29
12	R19	5	29
13	Q23	5	27
14	K13	X	2
15	Q24	5	27
16	J 7	15	11
17	R22	5	31
18	P18	5	23
19	R24	5	31
20	R23	5	31
21	Q21	5	27
22	Q19	5	27
23	Q20	5	27
24	Q22	5	27
25	P19	5	23
26	P20	5	23
27	Q18	5	27
28			

JACK PIN LG

63017400 Rev. B



BITS 24, 25  
2 X<sub>k</sub>  
FANOUT



CB **6K14**

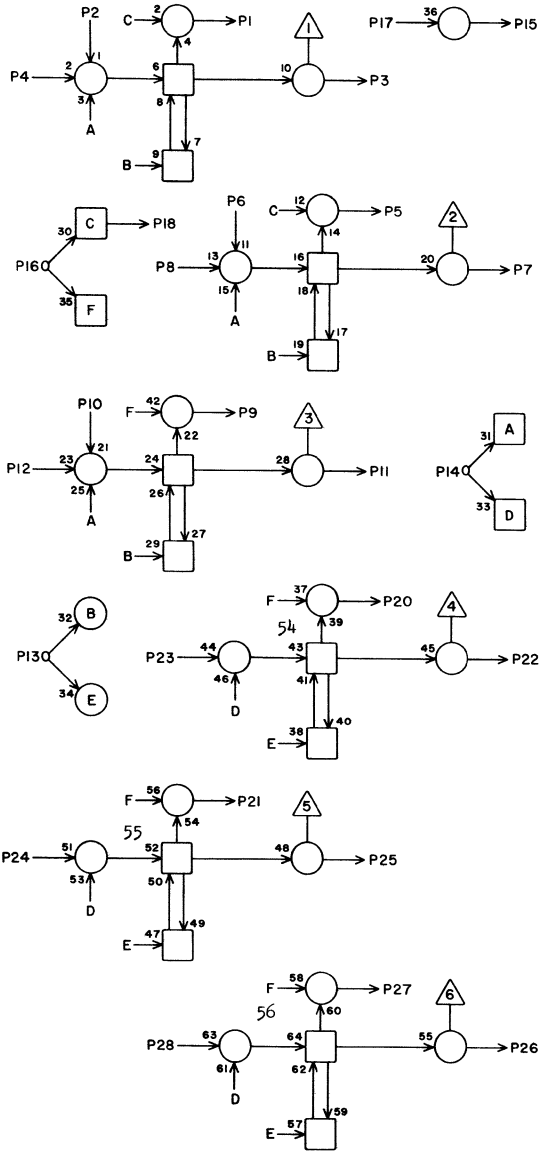
1	H 8	12	17
2	I32	3	23
3	J32	14	180
4			
5			
6			
7	L11	13	7
8	K14	X	2
9	R21	10	31
10	R20	10	31
11	R18	10	31
12	R19	10	31
13	Q23	10	27
14	K14	X	2
15	Q24	10	27
16	J 7	19	11
17	R22	10	31
18	P18	10	23
19	R24	10	31
20	R23	10	31
21	Q21	10	27
22	Q19	10	27
23	Q20	10	27
24	Q22	10	27
25	P19	10	23
26	P20	10	23
27	Q18	10	27
28			

JACK PIN LG

63017400 Rev. R

6K14





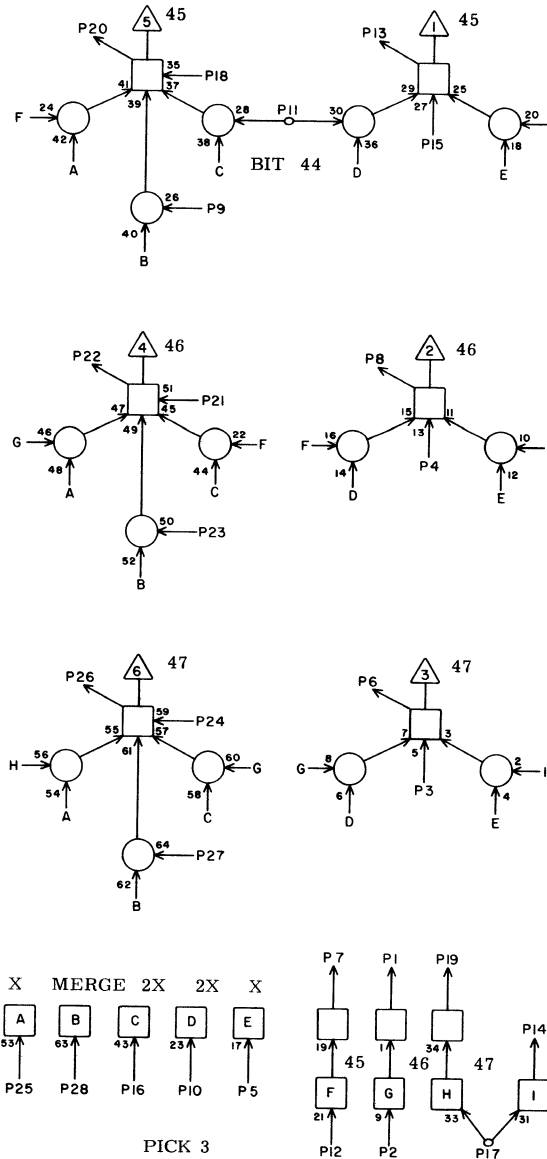
NJ 6K17

1			
2	J39	2	23
3	J34	26	19
4	J39	4	23
5			
6	J40	2	25
7	J35	26	21
8	J40	4	25
9			
10	J41	2	25
11	J36	26	21
12	J41	4	25
13	M 9	27	15
14	K21	23	7
15	F 6	6	27
16	J24	27	11
17	K16	19	15
18			
19			
20			
21			
22	J34	25	19
23	J40	5	25
24	J41	5	25
25	J35	25	21
26	J36	25	21
27			
28	J42	5	27

JACK PIN LG

63017400 Rev. B

SELECT  $X_k$ ,  $2X_k$ , MERGE



MB 6K18

1			
2	N22	1	15
3	M10	14	15
4	M10	2	15
5	R 9	25	31
6	J37	1	21
7			
8	J36	1	21
9	N26	3	17
10	Q 8	25	29
11	L24	14	11
12	N22	7	15
13	J35	1	19
14	K19	11	3
15	N12	27	17
16	K11	21	11
17	N22	19	17
18	N12	26	17
19			
20	O40	1	27
21	M10	4	15
22	O41	1	27
23	N26	1	17
24	M10	16	17
25	L25	25	13
26	O42	1	29
27	N27	21	19
28	O29	10	23

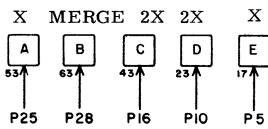
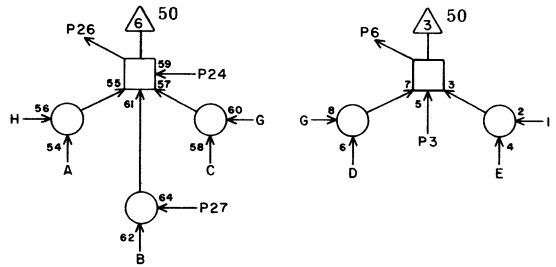
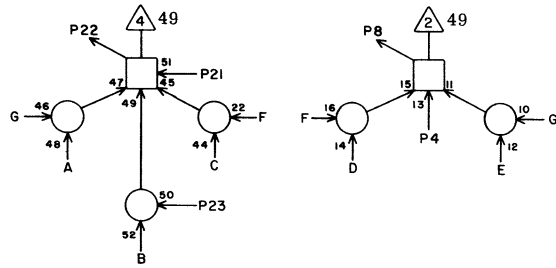
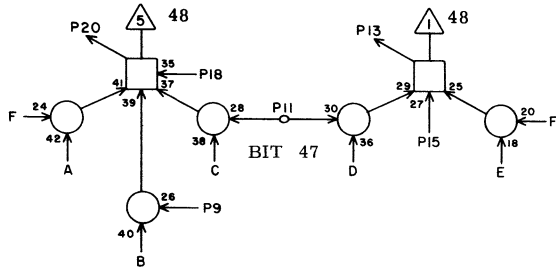
JACK PIN LG

63017400 Rev. B

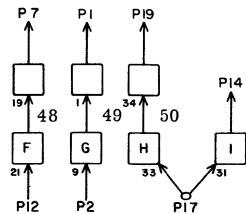
PICK 3

6K18

SELECT  $X_k$ ,  $2X_k$ , MERGE



PICK 3



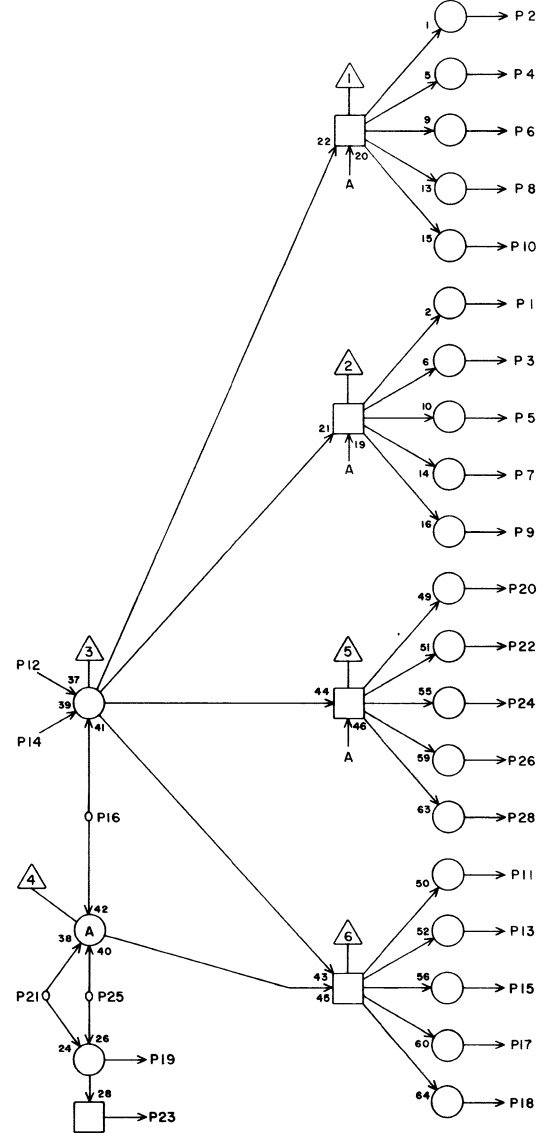
MB 6K19

1			
2	N23	1	15
3	M11	14	15
4	M11	2	15
5	R 9	26	33
6	J40	1	23
7			
8	J39	1	23
9	N27	3	19
10	Q 8	26	29
11	K18	14	3
12	N23	7	15
13	J38	1	21
14			
15	M10	27	15
16	K11	23	11
17	N23	19	17
18	M10	26	17
19			
20	N30	1	19
21	M11	4	15
22	N31	1	19
23	N27	1	17
24	M11	16	15
25	L25	26	11
26	N32	1	21
27	N28	21	19
28	N26	10	15

JACK PIN LG

63017400 Rev. B

Set Project Reg.



QP 6K20

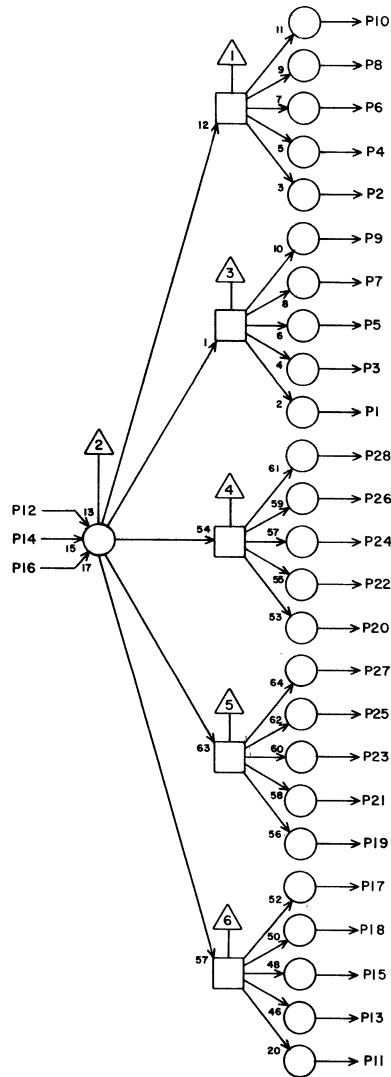
1	R13	14	31
2	R14	14	31
3	R15	14	31
4	R16	14	31
5	R17	14	31
6	Q13	14	27
7	Q14	14	27
8	Q15	14	27
9	Q16	14	27
10	Q17	14	27
11	P13	14	23
12	N29	25	19
13	P14	14	23
14	M13	15	13
15	P15	14	23
16			
17	P16	14	23
18	P17	14	23
19			
20	O14	14	19
21	L08	1	96
22	O16	14	19
23	R25	7	180
24	O13	14	19
25			
26	O15	11	19
27			
28			

JACK PIN LG

63017400 Rev. U



Set Product Reg Upper

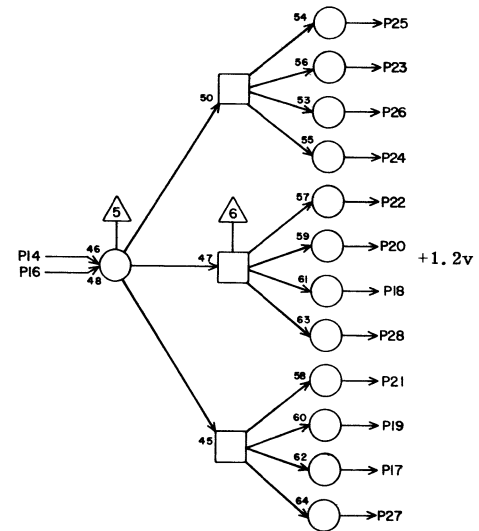
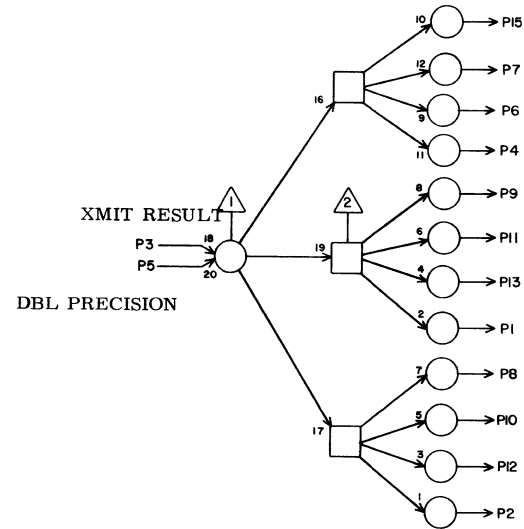


CA 6K21

1			
2			
3			
4			
5			
6			
7	M16	14	15
8	O17	14	21
9	M13	14	15
10	M14	14	15
11	M15	14	15
12			
13	M17	14	13
14	N29	23	17
15	L13	14	13
16	M15	15	13
17	L14	14	13
18	L15	14	13
19	L16	14	11
20	L17	14	11
21	K15	14	9
22	K16	14	9
23	K17	14	7
24	M13	14	17
25	M14	14	17
26	M15	14	17
27	M16	14	15
28	M17	14	15
	JACK	PIN	LG

63017400 Rev. B

$2^0 - 2^{47}$  Output

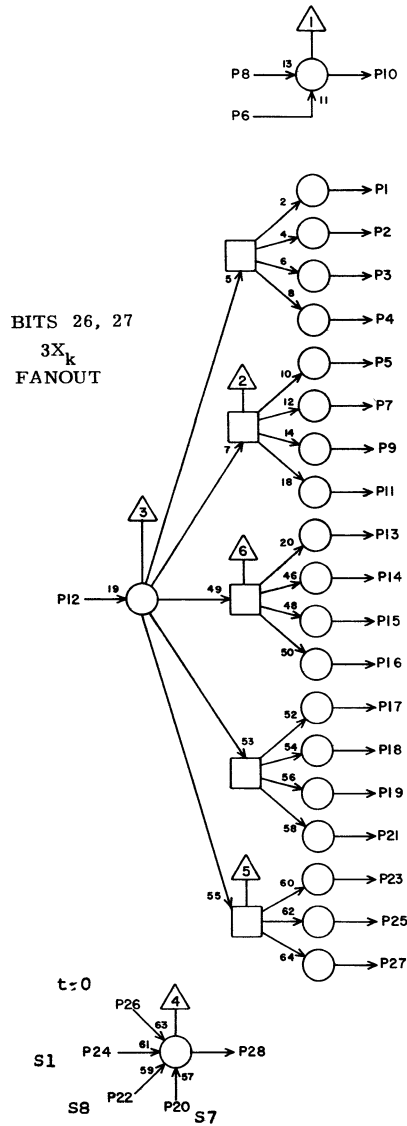


6K22

TC 6K22

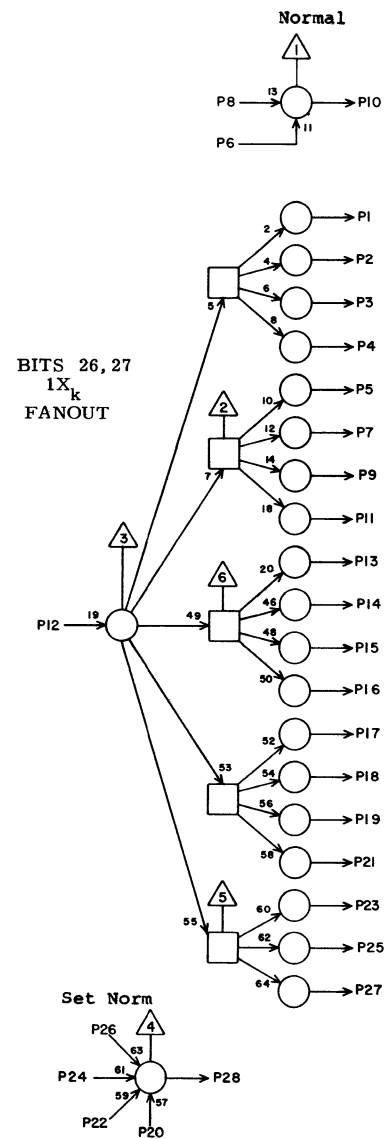
1	R16	17	31
2	R13	16	31
3	L 8	12	19
4	R14	16	31
5	J 8	25	17
6	R15	16	31
7	R15	17	31
8	Q14	16	29
9	R16	16	31
10	Q15	16	29
11	R17	16	31
12	R13	17	31
13	Q13	16	29
14	K22	X	2
15	R14	17	31
16	K22	X	2
17	I32	16	17
18	J32	16	15
19	F 6	16	25
20	J42	1	23
21	F 7	16	29
22	J41	1	23
23	J40	23	21
24	J42	23	23
25	J39	23	19
26	J41	23	23
27			
28			
	JACK	PIN	LG

63017400 Rev. B



CC		6K23	
1	R10	20	23
2	R11	20	33
3	R12	20	33
4	Q10	20	29
5	Q11	20	29
6	J25	23	120
7	Q12	20	29
8	J25	24	7
9	P10	20	27
10	O25	7	19
11	P11	20	29
12	J 9	18	33
13	P12	20	27
14	O10	20	23
15	O11	20	23
16	O12	20	23
17	N10	20	21
18	N11	20	21
19	N12	20	21
20	J25	27	7
21	M10	20	19
22	J25	16	9
23	M11	20	19
24	K 9	25	17
25			
26	K12	1	15
27			
28	O29	27	25
	JACK	PIN	LG

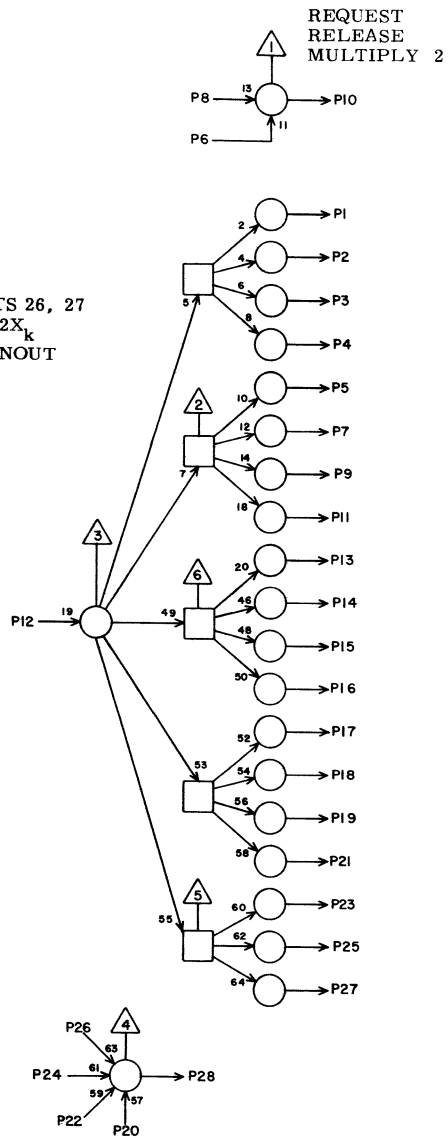
63017400 Rev. B



CC		6K24	
1	P21	5	23
2	P22	5	23
3	P23	5	23
4	P24	5	23
5	O18	5	19
6	H13	3	60
7	O19	5	19
8	L10	13	13
9	O20	5	19
10	F 6	2	29
11	O21	5	19
12	J 9	15	17
13	O22	5	19
14	O23	5	19
15	O24	5	19
16	N18	5	17
17	N19	5	17
18	N20	5	17
19	N21	5	17
20	O 7	19	25
21	N22	5	15
22	K13	2	144
23	N23	5	15
24	K 9	24	17
25			
26	J 8	28	19
27			
28	J 7	5	21
	JACK	PIN	LG

63017400 Rev. Y

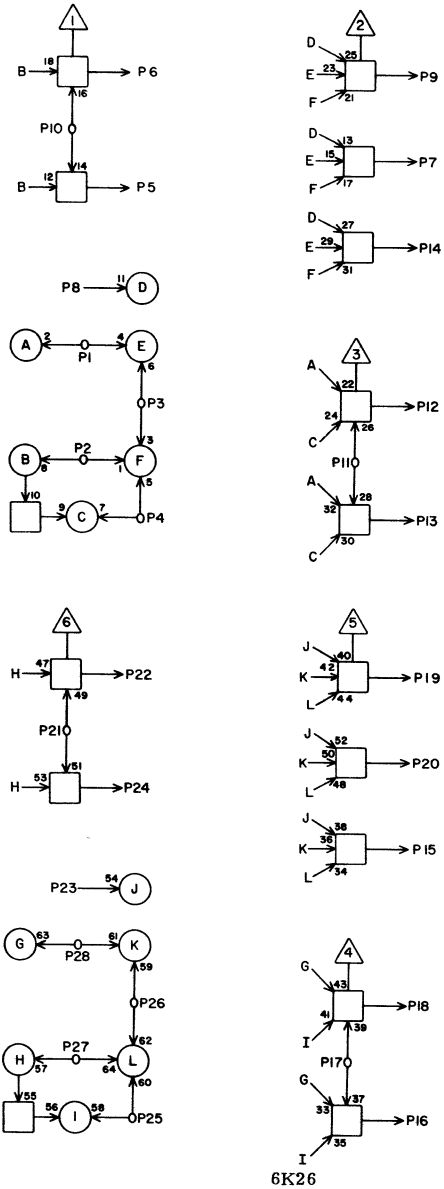
BITS 26, 27  
2X<sub>k</sub>  
FANOUT



CC **6K25**

1	P21	10	23
2	P22	10	23
3	P23	10	23
4	P24	10	23
5	O18	10	21
6	K10	18	17
7	O19	10	21
8	H14	4	19
9	O20	10	21
10	K 9	3	17
11	O21	10	21
12	J 9	19	19
13	O22	10	19
14	O23	10	19
15	O24	10	19
16	N18	10	17
17	N19	10	17
18	N20	10	17
19	N21	10	15
20	J25	12	9
21	N22	10	15
22	J25	17	9
23	N23	10	15
24	M27	14	11
25			
26	O13	15	120
27			
28	J24	12	96
	JACK	PIN	LG

63017400 Rev. B

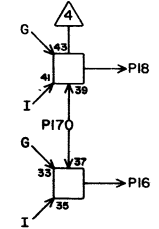
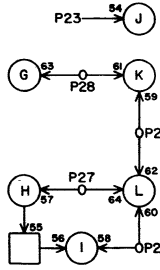
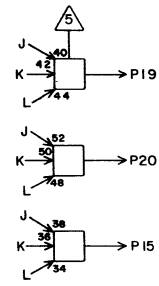
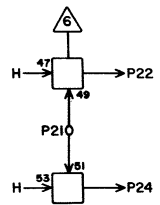
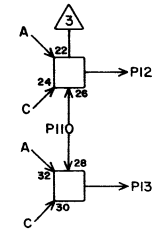
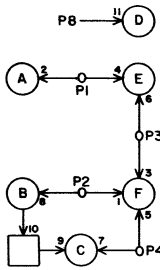
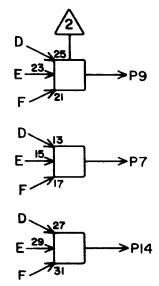
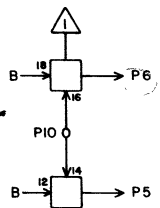


6K26

MH **6K26**

1	R27	26	31
2	R26	26	31
3	R28	24	31
4	R27	24	31
5	R27	2	31
6	R27	5	31
7	J28	17	7
8	R28	26	31
9	J29	23	7
10	J28	12	9
11	J28	10	9
12	R28	5	29
13	R28	2	29
14	J30	22	9
15			
16	Q27	5	27
17	J28	24	7
18	Q27	2	27
19	J30	19	9
20	J29	9	11
21	J28	26	7
22	Q26	5	27
23	Q27	26	27
24	Q26	2	27
25	Q26	24	27
26	Q27	24	27
27	R29	26	31
28	Q26	26	27
	JACK	PIN	LG

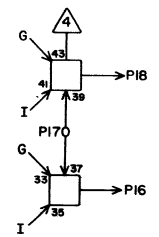
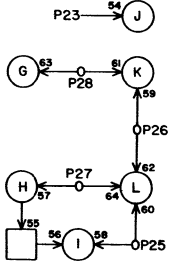
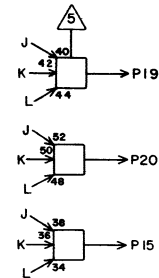
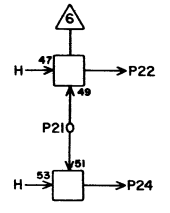
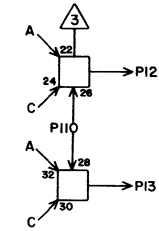
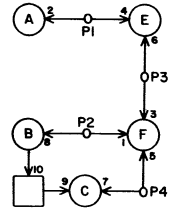
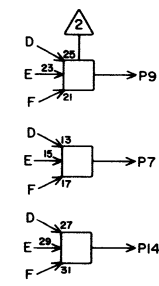
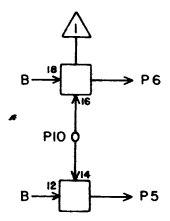
63017400 Rev. B



MH 6K27

1	Q29	26	29
2	Q28	26	29
3	P26	24	25
4	Q29	24	29
5	Q29	5	27
6	Q29	2	29
7	J29	17	7
8	P26	26	23
9	J30	21	9
10	J29	12	9
11	J29	10	9
12	P26	2	23
13	P26	5	23
14			
15			
16	P29	5	23
17	J29	24	7
18	P29	2	23
19			
20	J30	24	9
21	J29	26	9
22	P28	5	23
23	P29	26	23
24	P28	2	23
25	P28	24	23
26	P29	24	23
27	P27	26	23
28	P28	26	23
	JACK	PIN	LG

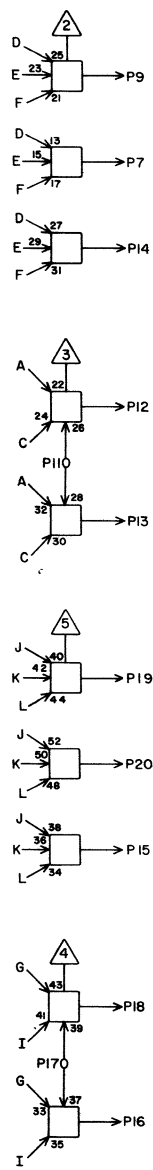
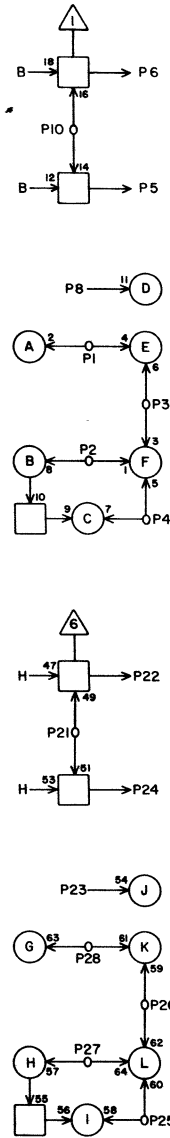
63017400 Rev. B



MH 6K28

1	O27	26	21
2	O26	26	21
3	O28	24	21
4	O27	24	21
5	O27	5	21
6	O27	2	19
7	J31	9	9
8	O28	26	21
9	J32	19	9
10	J30	10	9
11	J30	18	7
12	O28	2	19
13	O28	5	19
14			
15			
16	N27	5	15
17	J31	10	9
18	N27	2	15
19	J32	21	9
20	J31	17	9
21	J31	12	9
22	N26	5	15
23	N27	26	17
24	N26	2	15
25	N26	24	17
26	N27	24	17
27	O29	26	19
28	N26	26	17
	JACK	PIN	LG

63017400 Rev. B

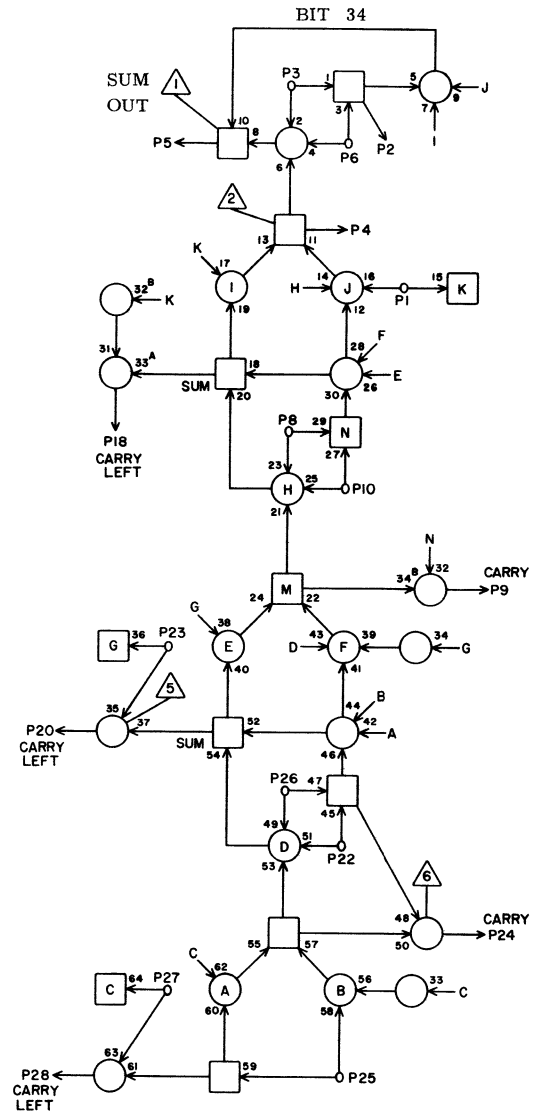


MH 6K29

	JACK	PIN	LG
1	N29	26	17
2	N28	26	17
3	M26	24	13
4	N29	24	17
5	N29	5	15
6	N29	2	15
7	J32	24	7
8	M26	26	13
9			
10	J31	26	5
11	J31	24	5
12	M26	2	13
13	M26	5	13
14			
15			
16	M29	5	11
17	J32	18	7
18	M29	2	11
19			
20	J32	28	9
21	J32	10	9
22	M28	5	11
23	M29	26	13
24	M28	2	11
25	M28	24	13
26	M29	24	13
27	M27	26	13
28	M28	26	13

63017400 Rev. B

UPPER 3-LEVEL ADDER



6K30

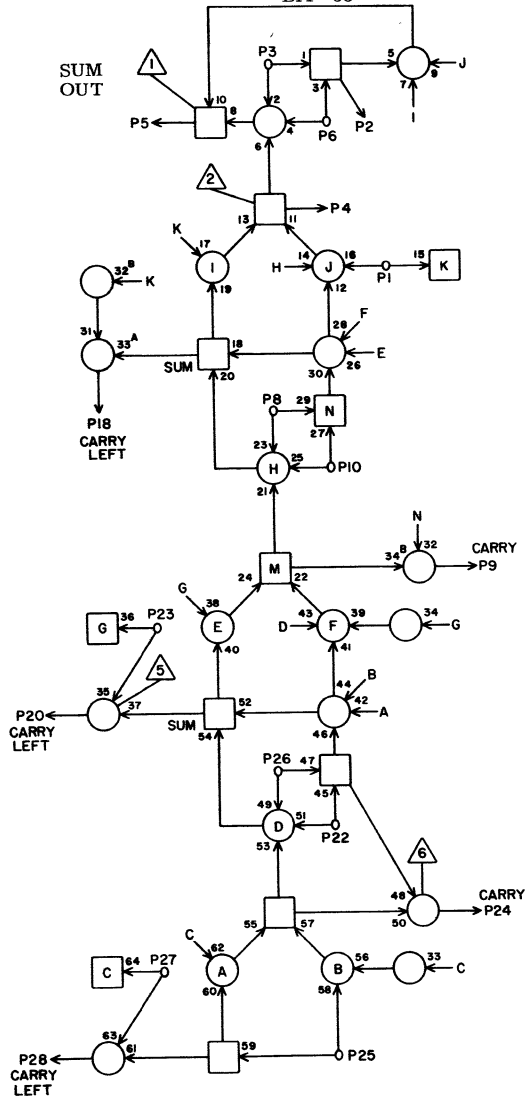
M6 6K30

	JACK	PIN	LG
1	L20	13	15
2	L13	10	19
3	L42	9	15
4	L13	12	19
5	L13	24	19
6	L42	18	15
7			
8	L42	24	15
9	K71	3	3
10	L42	20	15
11			
12			
13			
14			
15			
16			
17			
18	K31	6	3
19			
20	K31	10	3
21			
22	L42	28	15
23	O24	6	19
24	K31	8	5
25	L15	25	19
26	L15	7	17
27	Q22	8	29
28	K31	22	3

63017400 Rev. B

UPPER 3-LEVEL ADDER

BIT 35



MG 6K31

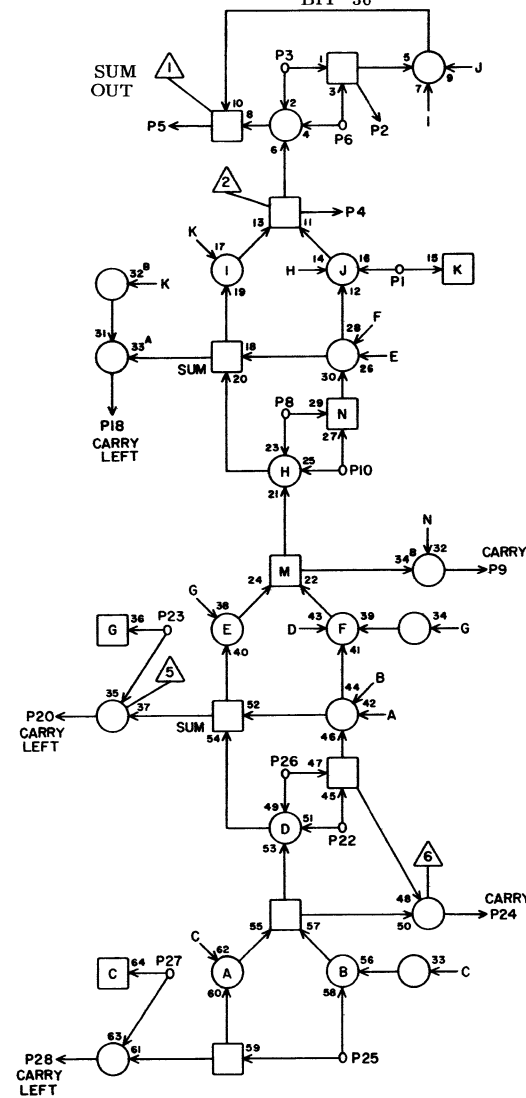
1	L20	8	15
2	L14	2	19
3	K30	9	3
4	L14	4	19
5	L13	28	21
6	K30	18	3
7			
8	K30	24	5
9	K32	3	3
10	K30	20	3
11			
12			
13			
14			
15			
16			
17			
18	K32	6	3
19			
20	K32	10	3
21			
22	K30	28	3
23	N18	13	21
24	K32	8	5
25	L15	26	19
26	L15	11	19
27	Q22	6	29
28	K32	22	3

JACK PIN LG

63017400 Rev. B

UPPER 3-LEVEL ADDER

BIT 36



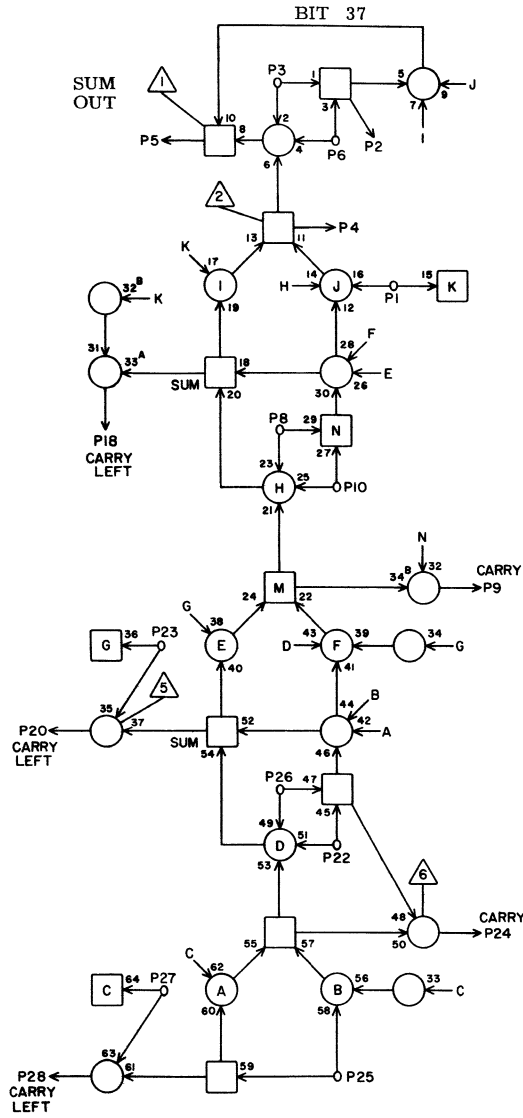
MG 6K32

1	L20	6	17
2	L14	6	21
3	K31	9	3
4	L14	8	21
5	L14	23	21
6	K31	18	3
7			
8	K31	24	5
9	K33	3	3
10	K31	20	3
11			
12			
13			
14			
15			
16			
17			
18	K33	6	3
19			
20	K33	10	3
21			
22	K31	28	3
23	N18	8	21
24	K33	8	5
25	L16	22	19
26	L16	3	19
27	Q23	13	29
28	K33	22	3

JACK PIN LG

63017400 Rev. B

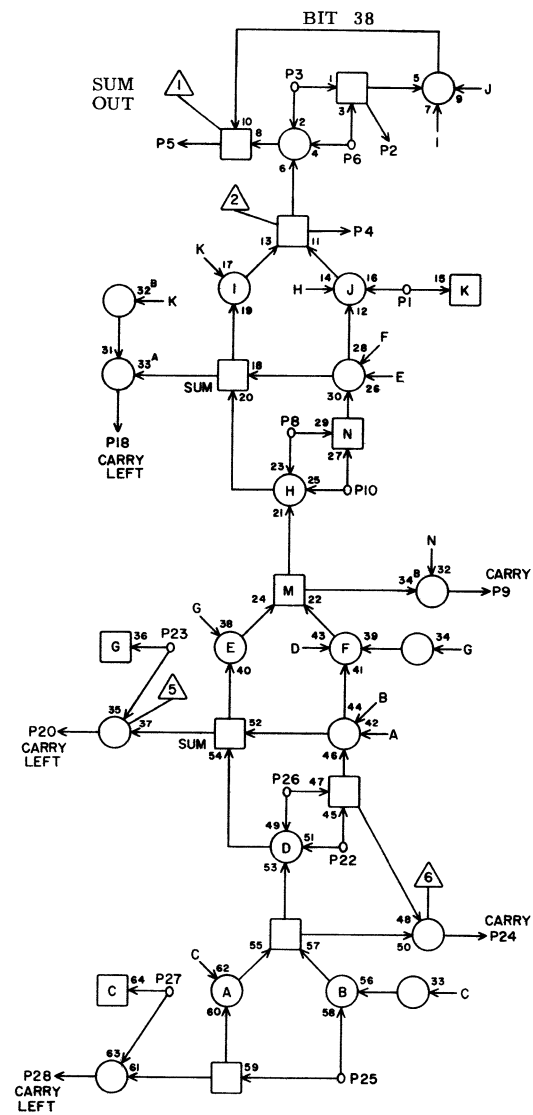
UPPER 3-LEVEL ADDER



MG **6K33**

1	L21	13	15
2	L14	10	23
3	K32	9	3
4	L14	12	23
5	L14	24	23
6	K32	18	3
7			
8	K32	24	5
9	K34	3	3
10	K32	20	3
11			
12			
13			
14			
15			
16			
17			
18	K34	6	3
19			
20	K34	10	3
21			
22	K32	28	3
23	N18	6	21
24	K34	8	5
25	L16	25	19
26	L16	7	19
27	Q23	8	27
28	K34	22	3
	JACK	PIN	LG

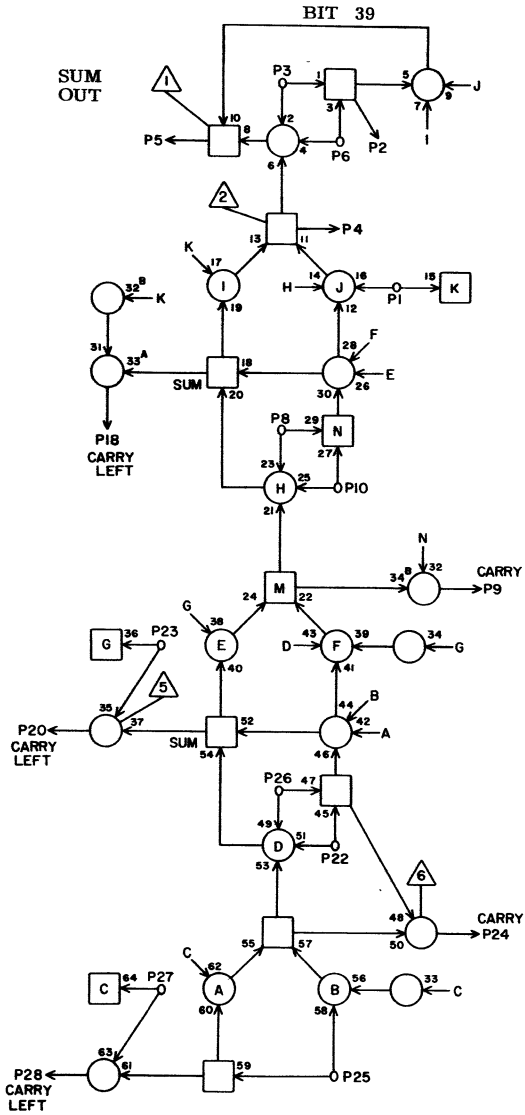
UPPER 3-LEVEL ADDER



MG **6K34**

1	L21	8	17
2	L15	2	21
3	K32	9	3
4	L15	4	21
5	L14	28	21
6	K33	18	3
7			
8	K33	24	5
9	K35	3	3
10	K33	20	3
11			
12			
13			
14			
15			
16			
17			
18	K35	6	3
19			
20	K35	10	3
21			
22	K33	28	3
23	N19	13	21
24	K35	8	5
25	L16	26	21
26	L16	11	21
27	Q23	6	27
28	K35	22	3
	JACK	PIN	LG

UPPER 3-LEVEL ADDER

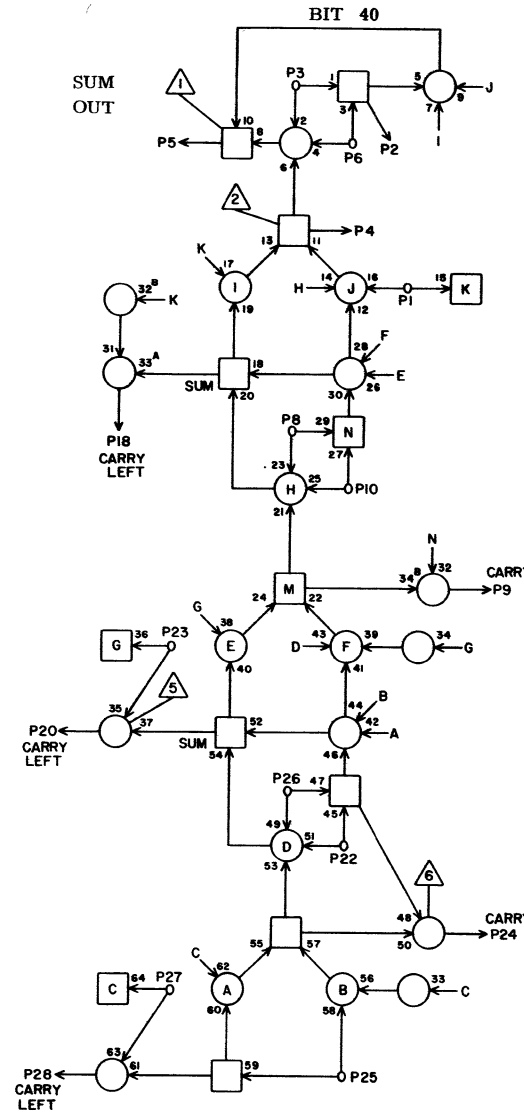


MG		6K35	
1	L21	6	17
2	L15	6	23
3	K34	9	3
4	L15	8	23
5	L15	23	23
6	K34	18	3
7			
8	K34	24	5
9	K36	3	3
10	K34	20	3
11			
12			
13			
14			
15			
16			
17			
18	K36	6	3
19			
20	K36	10	3
21			
22	K34	28	3
23	N19	8	23
24	K36	8	5
25	L17	22	21
26	L17	3	21
27	Q24	13	27
28	K36	22	3

JACK PIN LG

63017400 Rev. B

UPPER 3-LEVEL ADDER



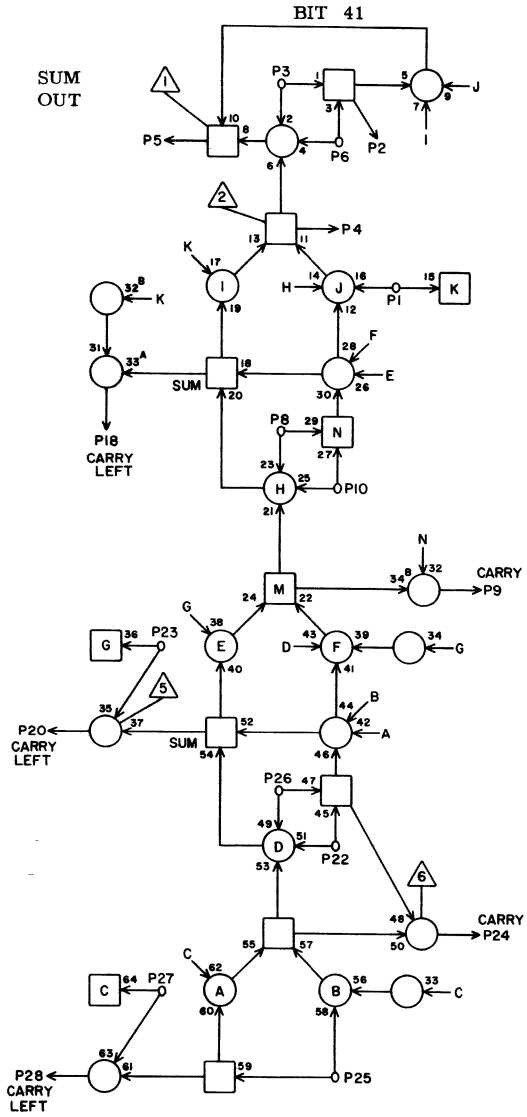
MG		6K36	
1	L22	13	17
2	L15	10	23
3	K35	9	3
4	L15	12	23
5	L15	24	23
6	K35	18	3
7			
8	K35	24	5
9	K37	3	3
10	K35	20	3
11			
12			
13			
14			
15			
16			
17			
18	K37	6	3
19			
20	K37	10	3
21			
22	K35	28	3
23	N19	6	23
24	K37	8	5
25	L17	25	21
26	L17	7	21
27	Q24	8	27
28	K37	22	3

JACK PIN LG

63017400 Rev. B



UPPER 3-LEVEL ADDER



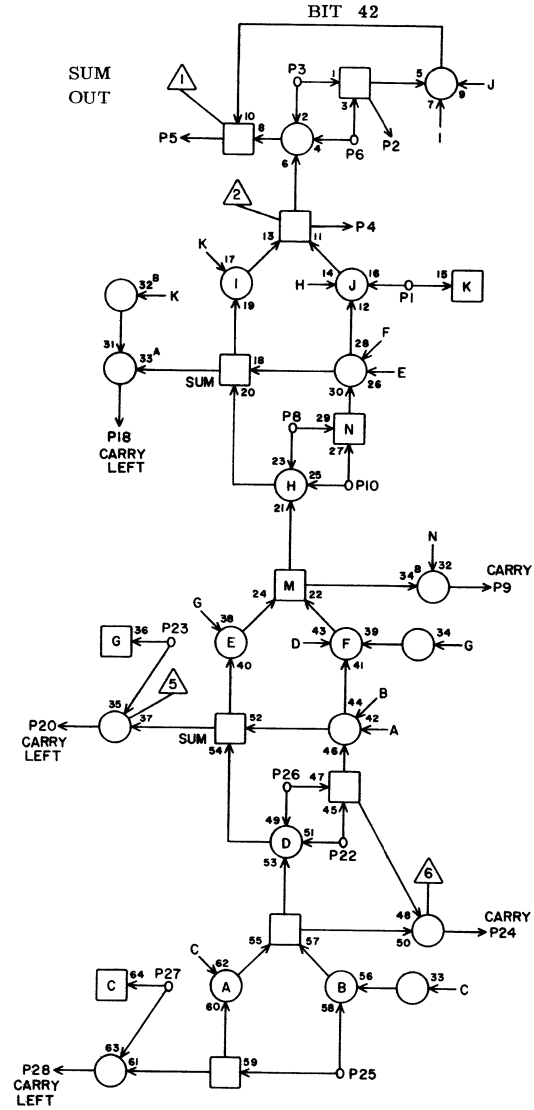
MG **6K37**

1	L22	8	19
2	L16	2	23
3	K38	9	3
4	L16	4	23
5	L15	28	25
6	K36	18	3
7			
8	K36	24	5
9	K38	3	3
10	K36	20	3
11			
12			
13			
14			
15			
16			
17			
18	K38	6	3
19			
20	K38	10	3
21			
22	K36	28	3
23	N20	13	23
24	K38	8	5
25	L17	26	23
26	L17	11	23
27	Q24	6	27
28	K38	22	3

JACK PIN LG

63017400 Rev. B

UPPER 3-LEVEL ADDER



MG **6K38**

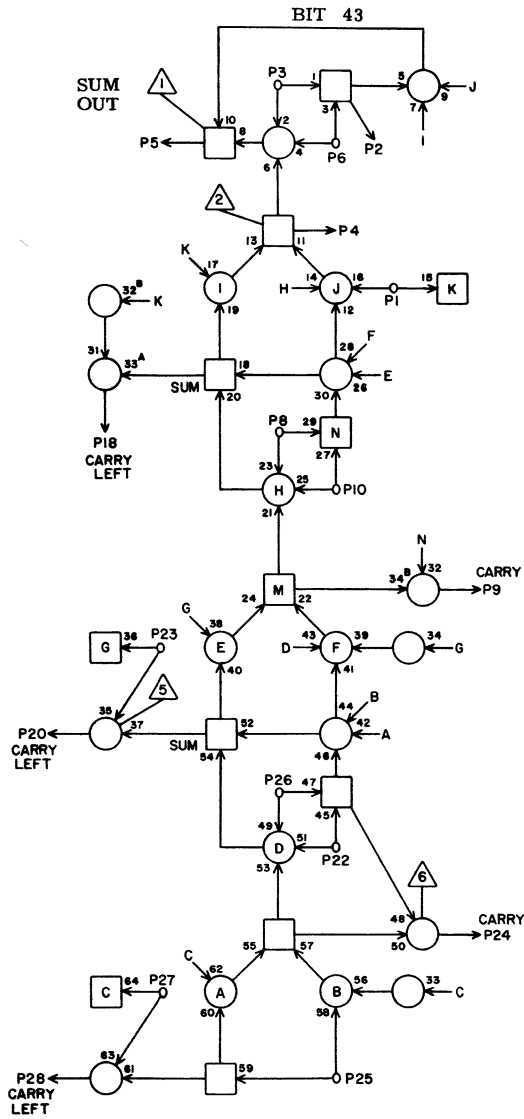
1	L22	6	19
2	L16	6	25
3	K37	9	3
4	L16	8	25
5	L16	23	25
6	K37	18	5
7			
8	K37	24	5
9	K39	3	3
10	K37	20	3
11			
12			
13			
14			
15			
16			
17			
18	K39	6	3
19			
20	K39	10	3
21			
22	K37	28	3
23	N20	8	23
24	K39	8	5
25	K15	22	23
26	K15	3	23
27	P18	13	31
28	K39	22	3

JACK PIN LG

63017400 Rev. B

6K38

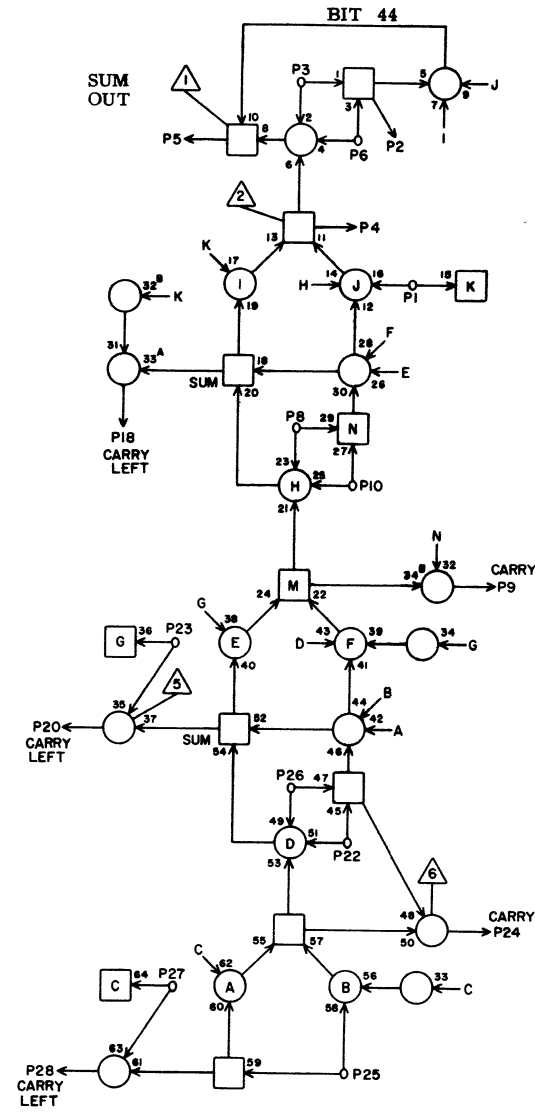
UPPER 3-LEVEL ADDER



MG		6K39	
JACK	PIN	LG	
1	L23	13	19
2	L16	10	25
3	K38	9	3
4	L16	12	25
5	L16	24	25
6	K38	18	3
7			
8	K38	24	5
9	K40	3	3
10	K38	20	3
11			
12			
13			
14			
15			
16			
17			
18	K40	6	3
19			
20	K40	10	3
21			
22	K38	28	3
23	N20	6	25
24	K40	8	5
25	K15	25	25
26	K15	7	25
27	P18	8	29
28	K40	22	3

63017400 Rev. B

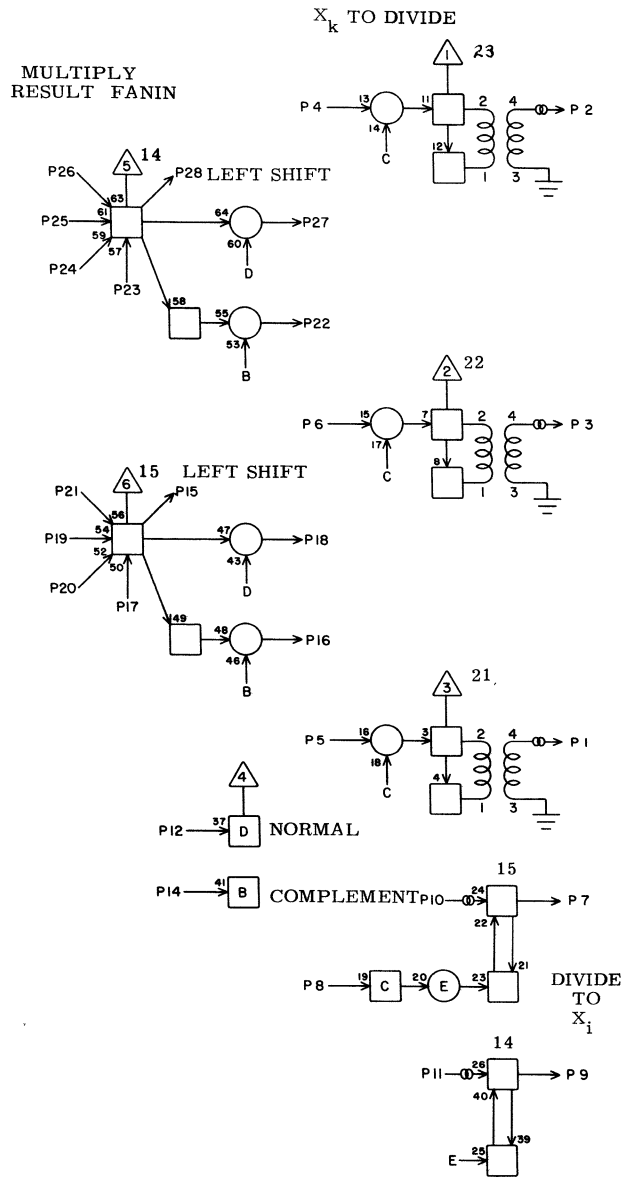
UPPER 3-LEVEL ADDER



MG		6K40	
JACK	PIN	LG	
1	L23	8	19
2	L17	2	25
3	K39	9	3
4	L17	4	25
5	L16	28	25
6	K39	18	3
7			
8	K39	24	5
9	K41	3	3
10	K39	20	3
11			
12			
13			
14			
15			
16			
17			
18	K41	6	3
19			
20	K41	10	3
21			
22	K39	28	3
23	N21	13	25
24	K41	8	5
25	K15	26	25
26	K15	11	25
27	P18	6	31
28	K41	22	3

63017400 Rev. B

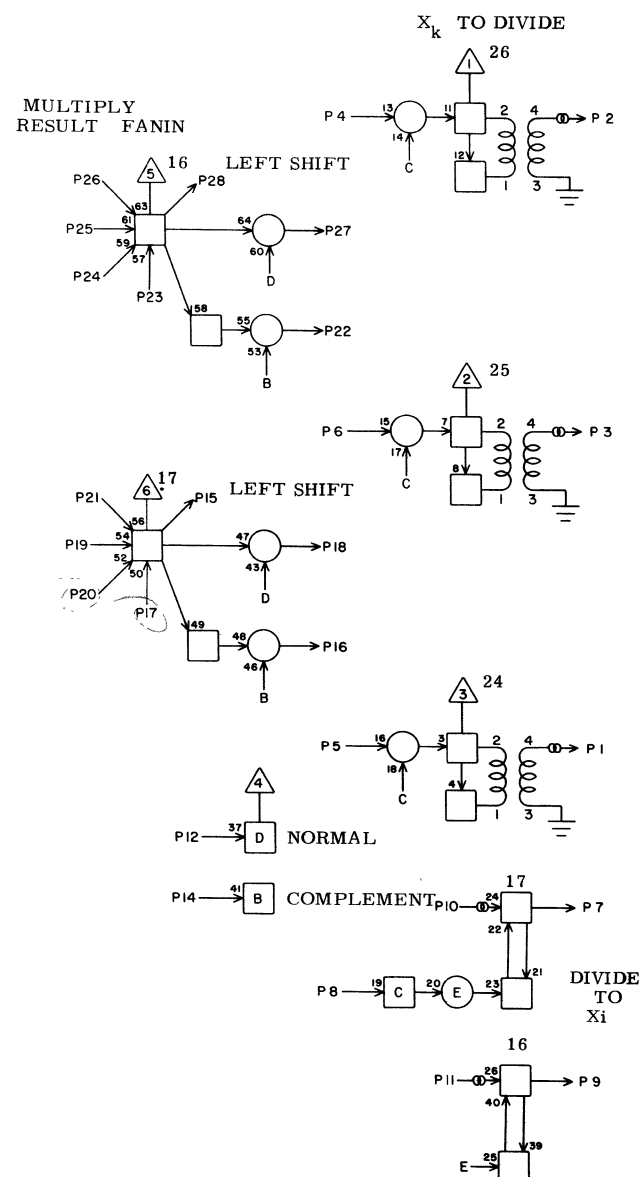




MT 6 **L 1**

1	W24	93	
2	W24	95	
3	W24	94	
4	G 6	26	21
5	G 6	22	23
6	G 6	24	23
7	E 4	28	31
8	H 8	6	21
9	E 4	24	31
10	W20	905	
11	W20	904	
12	K 8	6	13
13			
14	O 9	6	17
15	E 5	3	31
16	E 4	15	29
17	I13	26	19
18	E 4	16	31
19	C16	20	39
20	J13	26	17
21	P16	20	25
22	E 4	17	31
23	I13	20	19
24	C15	27	39
25	J13	20	17
26	P15	27	25
27	E 4	18	31
28	E 4	26	31
	JACK	PIN	LG

63017400 Rev. B



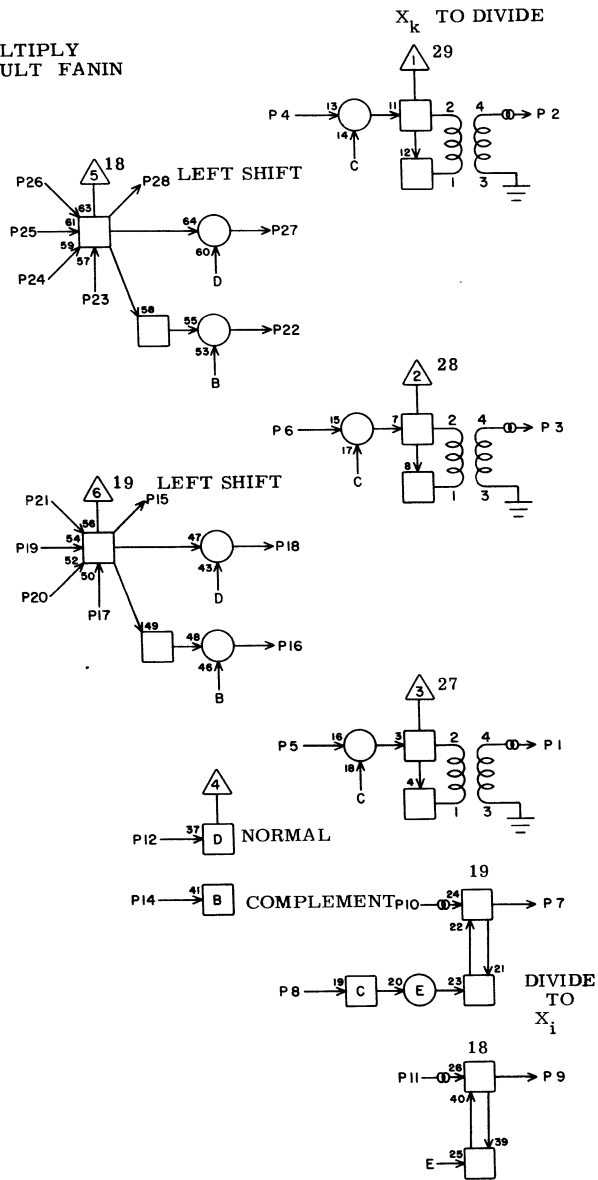
MT 6 **L 2**

1	W24	96	
2	W24	98	
3	W24	97	
4	H 1	24	17
5	H 1	20	17
6	H 1	22	17
7	E 5	8	31
8	H 8	8	19
9	E 5	2	31
10	W20	907	
11	W20	906	
12	K 8	8	11
13			
14	O 9	8	17
15	E 5	23	29
16	E 5	11	31
17	I14	11	21
18	E 5	12	31
19	C16	27	39
20	J14	11	19
21	P16	27	25
22	E 5	14	31
23	I14	4	21
24	C16	21	39
25	J14	4	19
26	P16	21	25
27	E 5	13	31
28	E 5	6	31
	JACK	PIN	LG

63017400 Rev. B

6L2

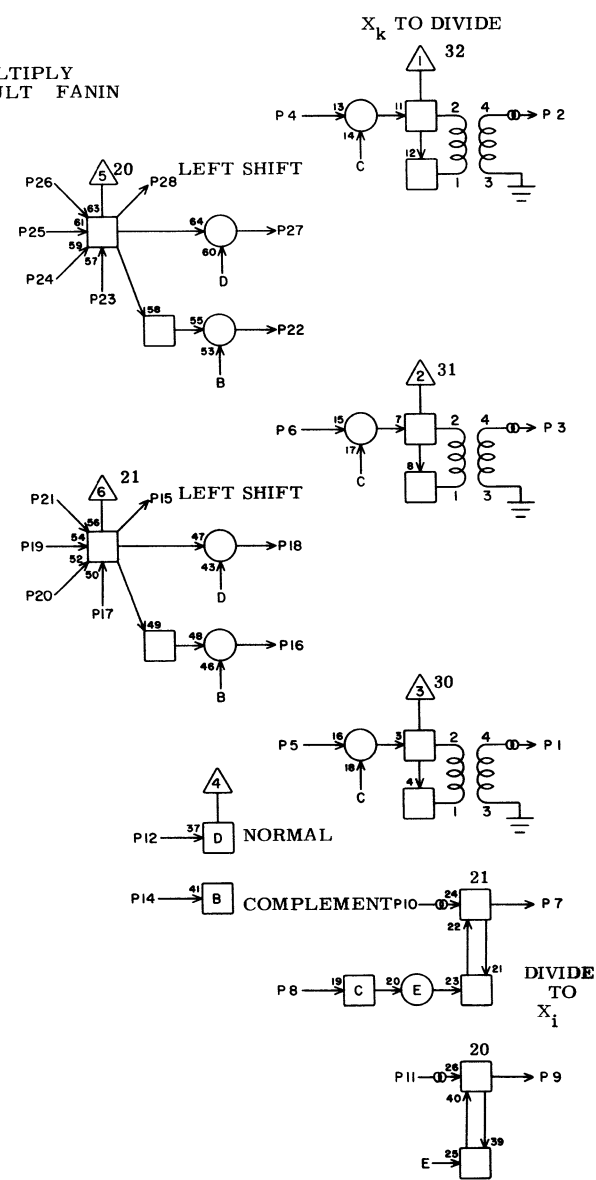
MULTIPLY  
RESULT FANIN



MT 6 **L 3**

JACK	PIN	LG
1	W24	99
2	W24	901
3	W24	900
4	H 2	22 17
5	H 1	26 17
6	H 2	20 17
7	E 5	28 29
8	H 8	10 19
9	E 5	24 29
10	W21	91
11	W21	90
12	K 8	10 11
13		
14	O 9	10 15
15	E 6	3 31
16	E 5	15 29
17	I14	26 19
18	E 5	16 29
19	C17	21 39
20	J14	26 17
21	P17	21 23
22	E 5	17 29
23	I14	20 19
24	C17	20 39
25	J14	20 17
26	P17	20 23
27	E 5	18 31
28	E 5	26 39

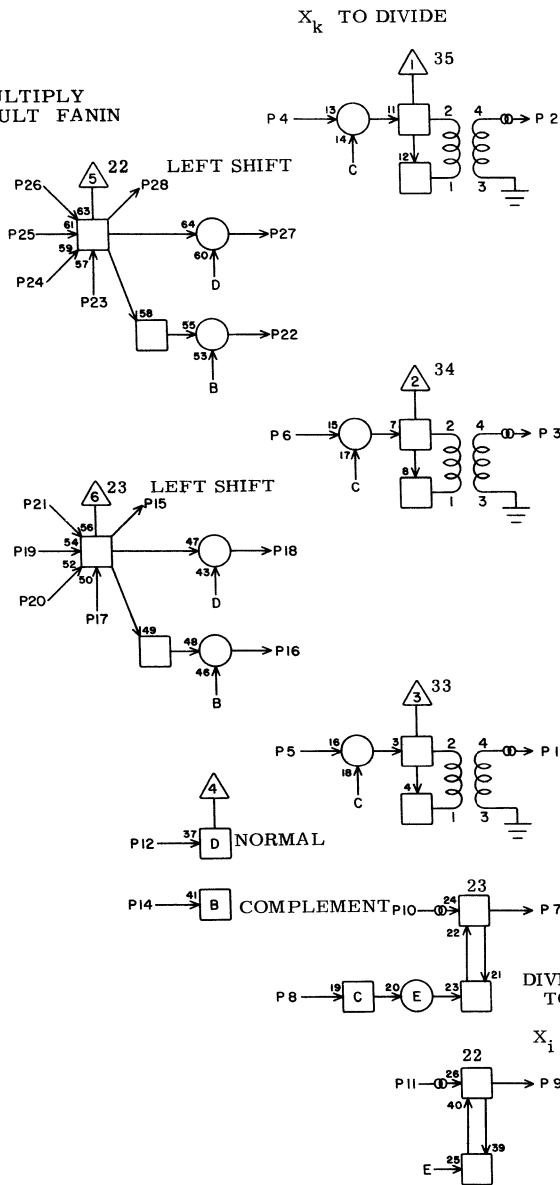
MULTIPLY  
RESULT FANIN



MT **L 4**

JACK	PIN	LG
1	W24	902
2	W24	904
3	W24	903
4	H 3	20 17
5	H 2	24 17
6	H 2	26 17
7	E 6	8 31
8	H 8	11 19
9	E 6	2 31
10	W21	93
11	W21	92
12	K 8	11 11
13		
14	O 9	11 15
15	E 6	23 29
16	E 6	11 31
17	I15	11 19
18	E 6	12 31
19	D13	20 35
20	J15	11 17
21	O13	20 17
22	E 6	14 31
23	I15	4 21
24	C17	27 39
25	J15	4 17
26	P17	27 23
27	E 6	13 31
28	E 6	6 31

MULTIPLY  
RESULT FANIN



$X_k$  TO DIVIDE

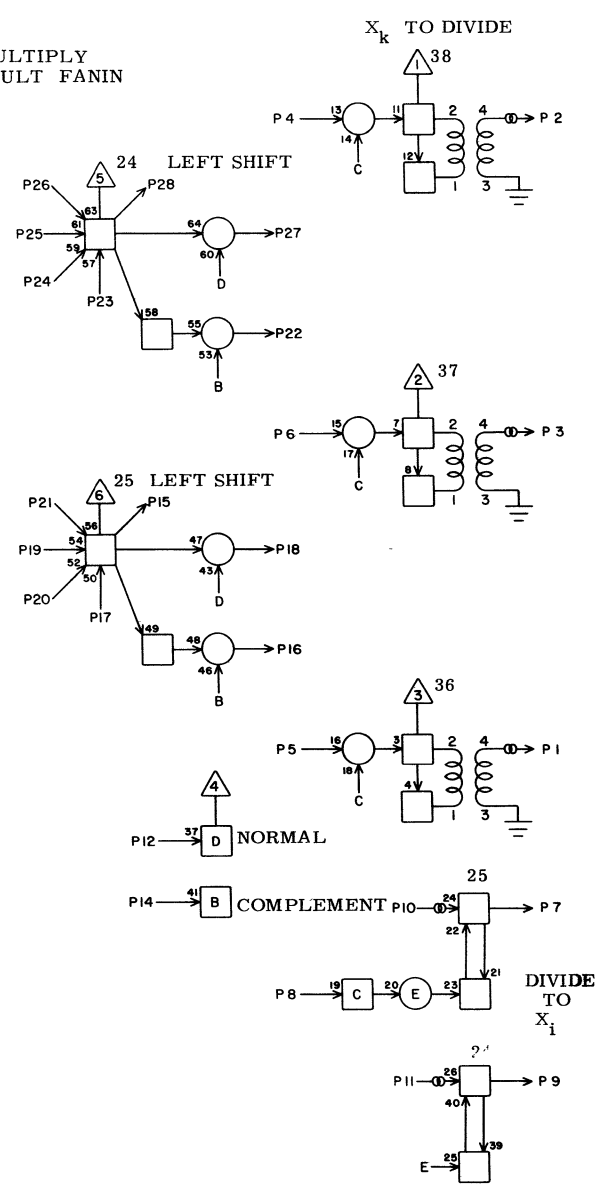
MT **6L 5**

1	W24	905	
2	W24	907	
3	W24	906	
4	H 3	26	17
5	H 3	22	17
6	H 3	24	17
7	E 6	28	29
8	H 8	13	19
9	E 6	24	29
10	W21	95	
11	W21	94	
12	K 8	13	9
13			
14	O 9	13	17
15	E 7	3	31
16	E 6	15	29
17	I15	26	17
18	E 6	16	29
19	D13	27	35
20	J15	26	15
21	O13	27	17
22	E 6	17	29
23	I15	20	19
24	D13	21	35
25	J15	20	17
26	O13	21	17
27	E 6	18	31
28	E 6	26	29

JACK PIN LG

63017400 Rev. B

MULTIPLY  
RESULT FANIN



$X_k$  TO DIVIDE

MT **6L 6**

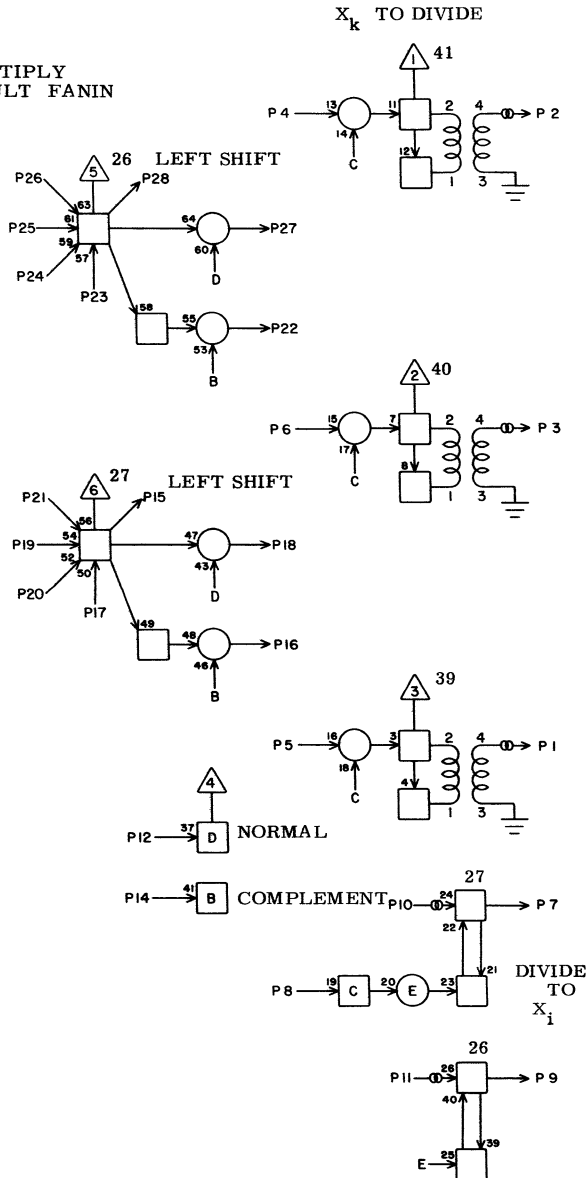
1	W25	90	
2	W25	92	
3	W25	91	
4	H 4	24	17
5	H 4	20	17
6	H 4	22	17
7	E 7	8	31
8	H 8	15	19
9	E 7	2	31
10	W21	97	
11	W21	96	
12	K 8	15	9
13			
14	O 9	15	17
15	E 7	23	29
16	E 7	11	29
17	A13	21	45
18	E 7	12	31
19	D14	21	35
20	R13	21	29
21	O14	21	17
22	E 7	14	31
23	A13	20	45
24	D14	20	35
25	R13	20	29
26	O14	20	17
27	E 7	13	31
28	E 7	6	31

JACK PIN LG

63017400 Rev. B

6L6

MULTIPLY  
RESULT FANIN



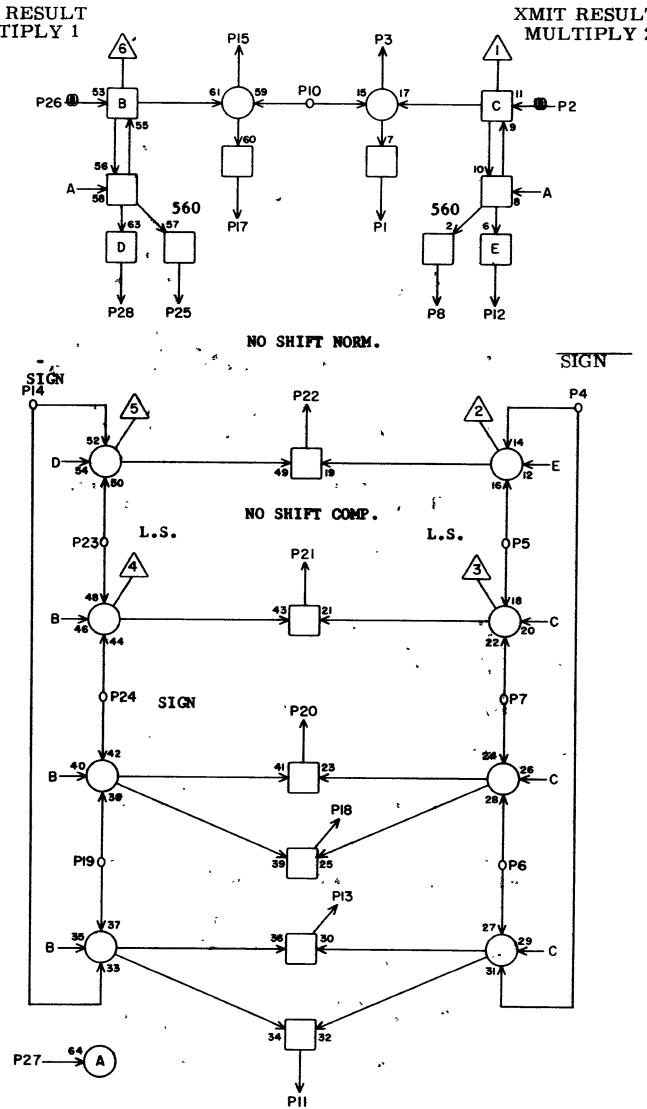
MT **6L 7**

1	W25	93	
2	W25	95	
3	W25	94	
4	H 5	22	17
5	H 4	26	17
6	H 5	20	17
7	E 7	28	29
8	H 8	18	19
9	E 7	24	29
10	W21	99	
11	W21	98	
12	K 8	18	7
13			
14	O 9	18	17
15	F 1	3	27
16	E 7	15	29
17	A14	20	45
18	E 7	16	29
19	D15	2	35
20	R14	20	29
21	O15	2	17
22	E 7	17	29
23	A13	27	49
24	D14	27	35
25	R13	27	29
26	O14	27	17
27	E 7	18	31
28	E 7	26	29

JACK PIN LG

63017400 Rev. B

XMIT RESULT  
MULTIPLY 1



6L8

MW

**6L 8**

1	K20	21	96
2	W16	94	
3	H08	26	60
4	J 8	4	13
5	J26	26	29
6	I26	20	25
7	J08	1	13
8	J23	3	19
9			
10	G07	27	31
11	B 9	7	47
12	K22	3	19
13	B 8	7	47
14	I 8	4	17
15	F08	26	80
16			
17	H20	21	96
18	A 9	7	41
19	I26	19	25
20	A 8	7	49
21	O 9	12	15
22	K 8	12	9
23	J26	1	29
24	J08	1	13
25	H22	3	23
26	W16	93	
27	I25	8	23
28	I23	3	23

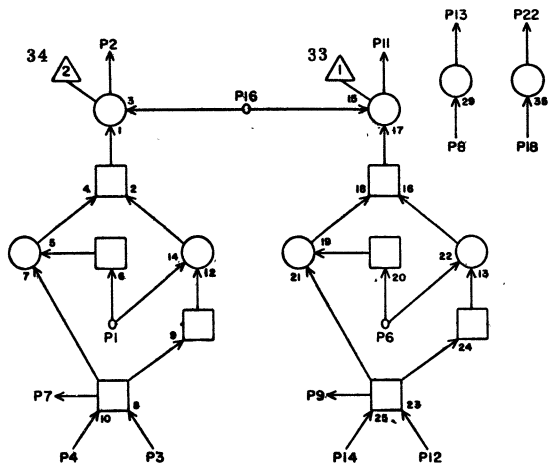
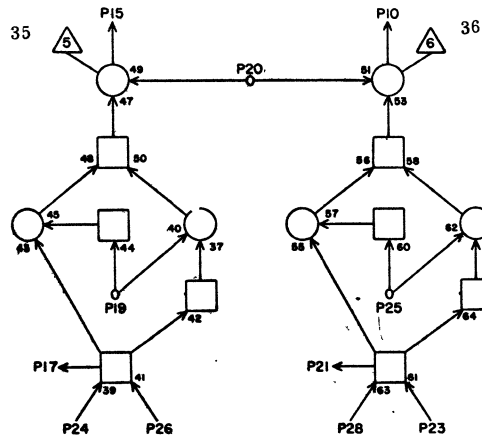
JACK PIN LG

63017400 Rev. T

LS 63069700  
ASSY

A  
REV

PARTIAL SUM + PARTIAL  
CARRY ADDER



RU

6L9

1	N29	21	23
2	M3	21	11
3	L15	1	9
4	L15	20	9
5			
6	N29	3	23
7	N29	4	23
8	L14	5	7
9	N29	17	23
10	M5	26	11
11	M4	26	11
12	L15	5	9
13	N33	27	27
14	L15	21	9
15	M4	21	11
16	P17	18	21
17	N29	9	23
18	L14	9	7
19	N29	1	23
20	P13	18	19
21	M26	4	19
22	N34	27	27
23	L16	20	11
24	L15	27	9
25	M26	21	19
26	L15	9	9
27			
28	L16	1	11

JACK PIN LG

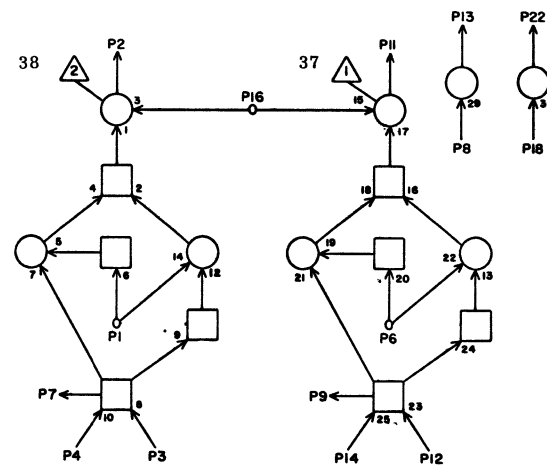
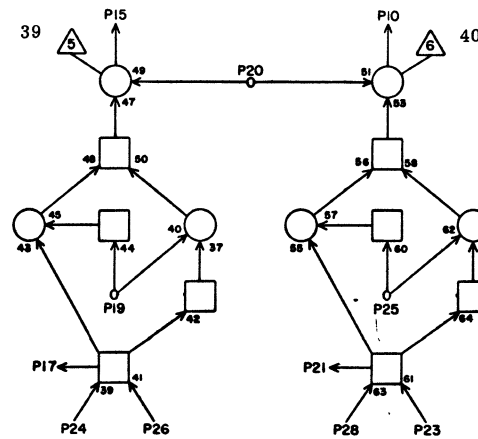
CIRCUIT SPECIFICATION 11827600

63017400 Rev. S

LS 63069700  
ASSY

A  
REV

PARTIAL SUM + PARTIAL  
CARRY ADDER



RU

6L10

1	M26	3	19
2	M5	21	11
3	L16	5	9
4	L16	21	9
5			
6	M26	1	19
7	M26	17	19
8	J25	11	17
9	M26	9	19
10	M7	26	9
11	M6	26	11
12	L16	9	9
13	K24	8	17
14	L16	27	9
15	M6	21	11
16	O14	18	17
17	M27	4	19
18	I22	4	17
19	M27	21	19
20	P14	18	19
21	M27	17	19
22	K13	7	9
23	L17	21	11
24	L17	20	11
25	M27	3	19
26	L17	1	11
27			
28	L17	5	11

JACK PIN LG

CIRCUIT SPECIFICATION 11827600

63017400 Rev. B



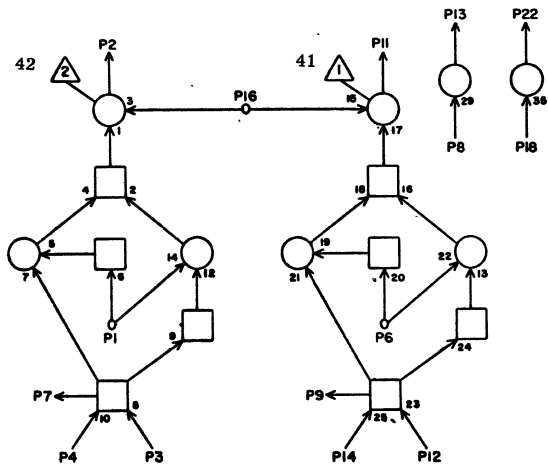
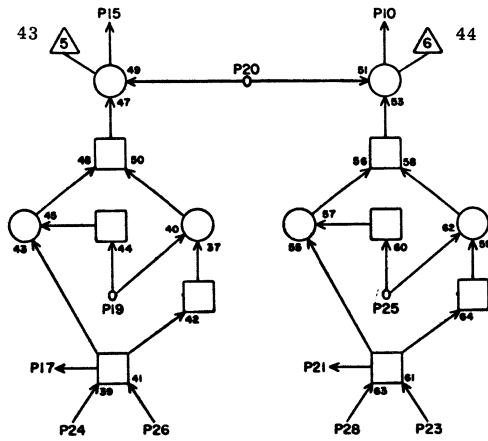
LS 63069700  
ASSY

A  
REV

PARTIAL SUM + PARTIAL  
CARRY ADDER

RU

6L11



1	M27	1	19
2	M 7	21	11
3	L17	9	9
4	L17	27	9
5			
6	M28	21	19
7	M27	9	19
8	I22	26	19
9	M28	4	19
10	N 2	26	15
11	N 1	26	17
12	K15	1	9
13	K14	7	7
14	K15	20	9
15	N 1	21	17
16	O13	18	17
17	M28	17	19
18			
19	M28	3	19
20	P15	18	21
21	M28	9	19
22			
23	K15	27	11
24	K15	21	11
25	M28	1	19
26	K15	5	11
27			
28	K15	9	11

JACK PIN LG

CIRCUIT SPECIFICATION 11827600

63017400 Rev. B

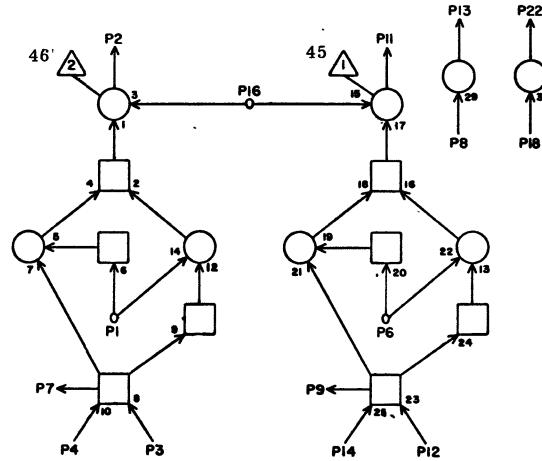
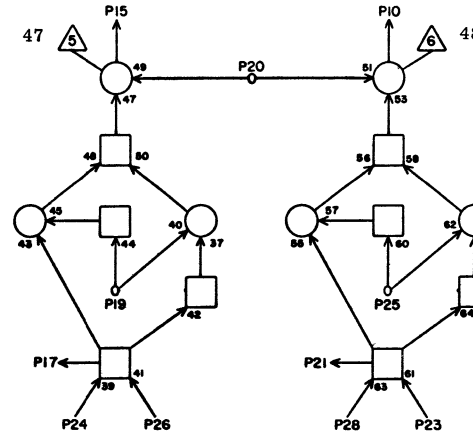
LS 63069700  
ASSY

A  
REV

PARTIAL SUM + PARTIAL  
CARRY ADDER

RU

6L12

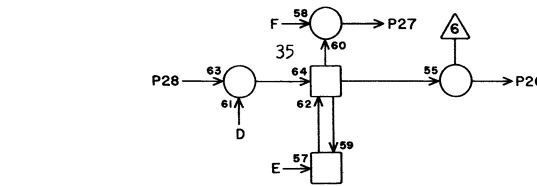
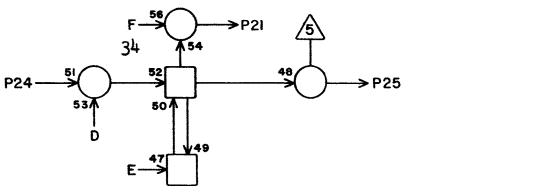
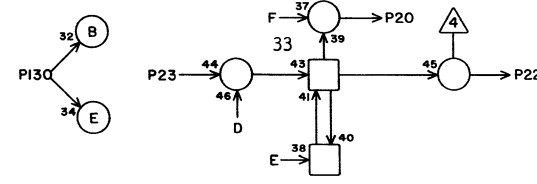
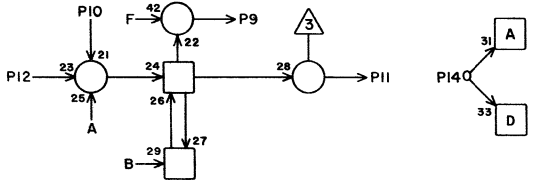
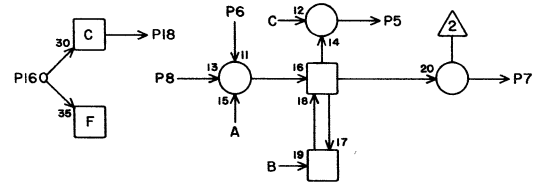
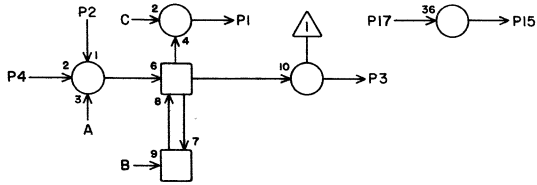


1	M29	21	19
2	N 2	21	17
3	K16	1	9
4	K16	20	9
5			
6	M29	3	19
7	M29	4	19
8	J09	25	108
9	M29	17	19
10			
11	N 3	26	17
12	K16	5	9
13	L12	18	3
14	K16	21	9
15	N 3	21	17
16	O16	18	17
17	F 6	8	29
18	L12	13	3
19	M29	1	21
20	P16	18	21
21			
22	K09	27	108
23			
24	K16	27	11
25			
26	K16	9	11
27			
28			

JACK PIN LG

CIRCUIT SPECIFICATION 11827600

63017400 Rev. N

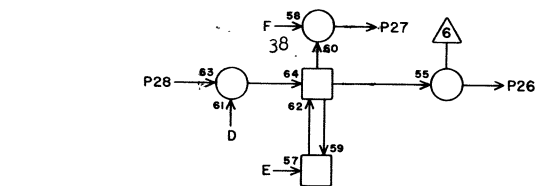
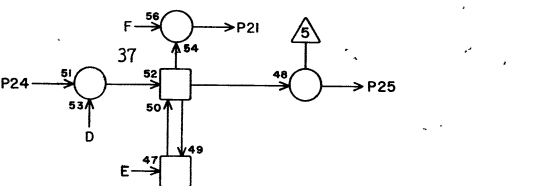
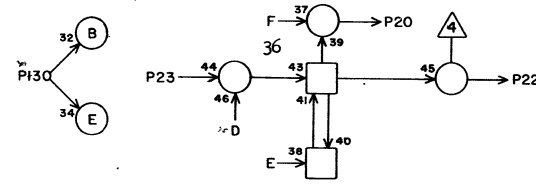
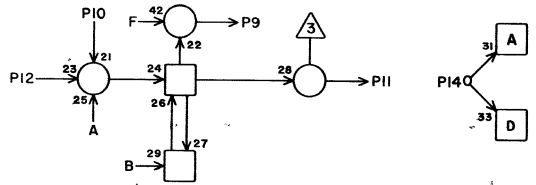
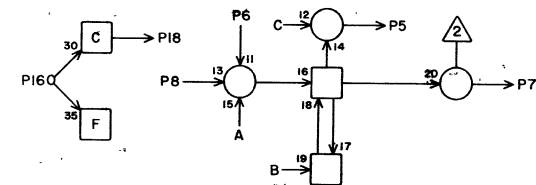
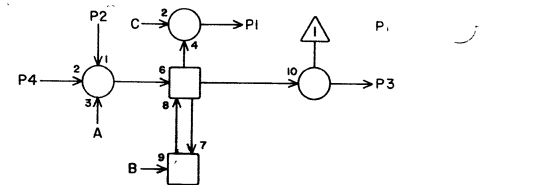


NJ 6L13

1	N23	21	17
2	L41	2	29
3	L36	26	23
4	L41	4	29
5	N23	24	17
6	L42	2	29
7	L37	26	25
8	L42	4	29
9	L13	17	3
10	K30	2	19
11	L38	26	25
12	K30	4	19
13	M 9	16	9
14	K21	15	13
15	N31	27	23
16	J24	16	17
17	L13	9	3
18			
19			
20	O42	25	31
21	N30	25	21
22	L36	25	23
23	L42	5	29
24	K30	5	19
25	L37	25	25
26	L38	25	25
27	N31	25	21
28	K31	5	21

JACK PIN LG

63017400 Rev. B



NJ 6L14

1	L14	17	3
2	K31	2	19
3	L39	26	25
4	K31	4	19
5	L9	17	3
6	K32	2	21
7	L40	26	27
8	K32	4	21
9	L09	17	3
10	K33	2	23
11	L41	26	29
12	K33	4	23
13	M 9	17	11
14	K21	17	13
15	N32	27	23
16	J24	17	17
17	L14	1	3
18			
19			
20	N32	25	23
21	N33	25	23
22	L39	25	27
23	K32	5	21
24	K33	5	23
25	L40	25	27
26	L41	25	29
27	N34	25	23
28	K34	5	21

JACK PIN LG

6L14

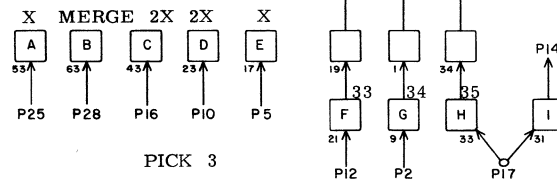
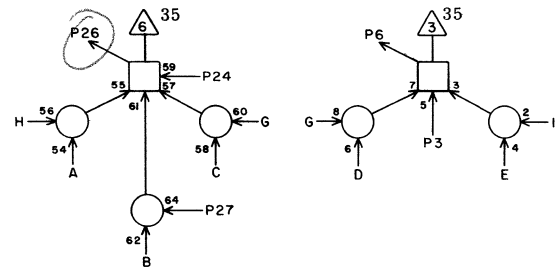
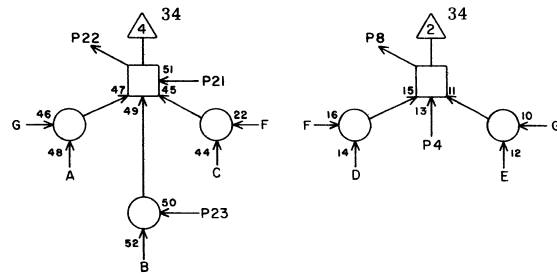
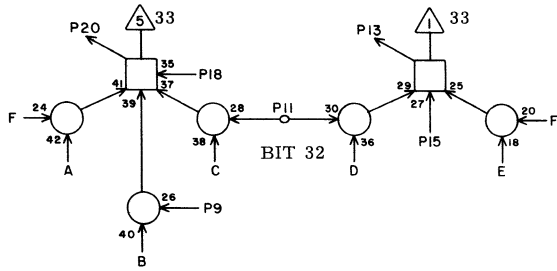
63017400 Rev. B







SELECT  $X_k$ ,  $2X_k$ , MERGE

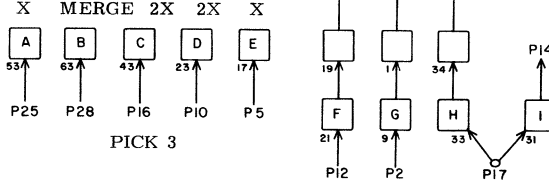
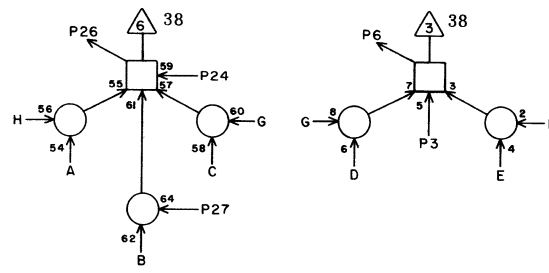
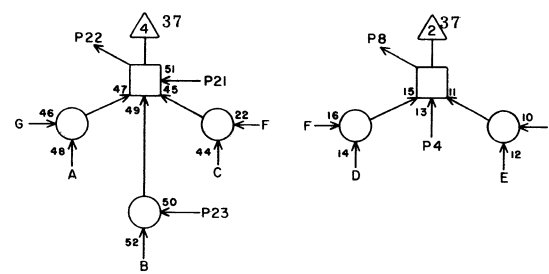
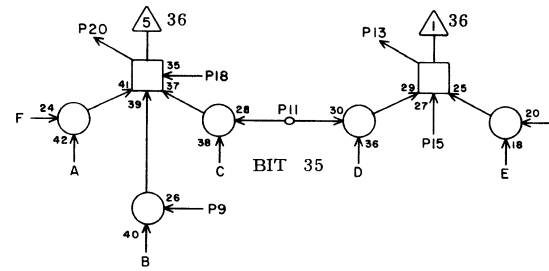


MB 6L21

1			
2	N18	1	11
3	O12	14	17
4	O12	2	17
5	R 9	24	29
6	K35	1	17
7			
8	K34	1	17
9	O26	3	15
10	Q 8	24	27
11	L20	14	3
12	N18	7	13
13	K33	1	15
14	L22	11	3
15	O11	27	19
16	K11	16	13
17	N18	19	13
18	O11	26	19
19			
20	P41	1	27
21	O12	4	17
22	P42	1	29
23	O26	1	15
24	O12	16	17
25	L25	24	5
26	O30	1	17
27	O27	21	17
28	P29	10	19

JACK PIN LG  
63017400 Rev. B

SELECT  $X_k$ ,  $2X_k$ , MERGE



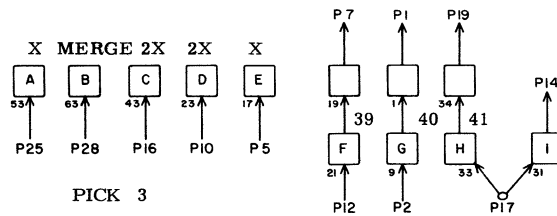
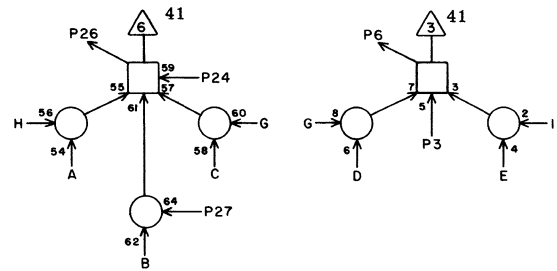
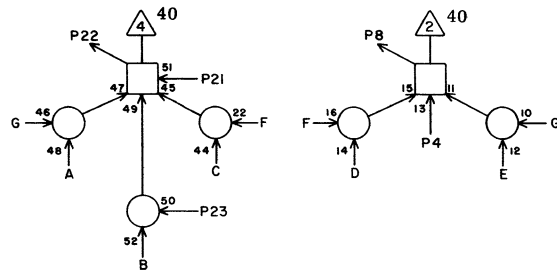
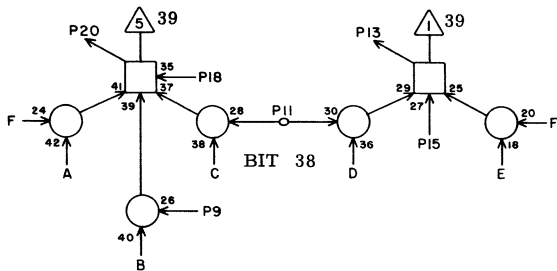
MB 6L22

1			
2	N19	1	11
3	N10	14	17
4	N10	2	17
5	R 9	13	29
6	K38	1	19
7			
8	K37	1	19
9	O27	3	17
10	Q 8	13	27
11	L21	14	3
12	N19	7	11
13	K36	1	17
14	L23	11	3
15	O12	27	19
16	K11	17	15
17	N19	19	13
18	O12	26	19
19			
20	O31	1	17
21	N10	4	17
22	O32	1	17
23	O27	1	17
24	N10	16	17
25	L25	13	5
26	O33	1	17
27	O28	21	17
28	O26	10	15

JACK PIN LG  
63017400 Rev. B

6L22

SELECT  $X_k$ ,  $2X_k$ ,  $3X_k$  MERGE



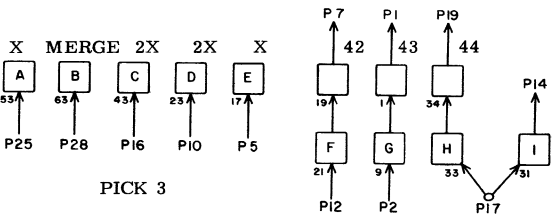
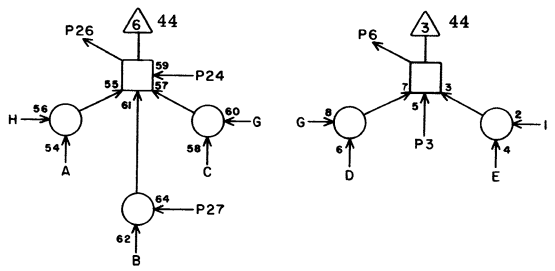
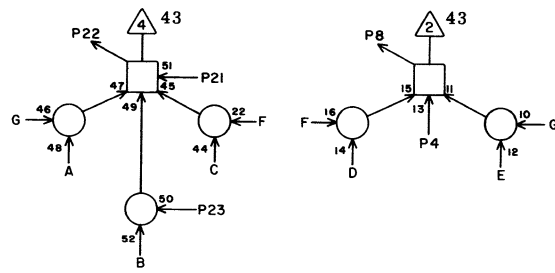
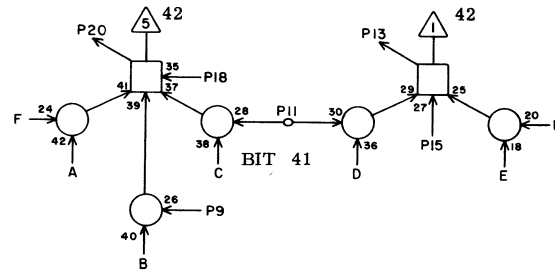
MB **6L23**

1			
2	N20	1	11
3	N11	14	17
4	N11	13	17
5	R 9	15	31
6	K41	1	21
7			
8	K40	1	19
9	O28	3	15
10	Q 8	15	27
11	L22	14	3
12	N20	7	11
13	K39	1	19
14	L24	11	3
15	N10	27	19
16	K11	18	15
17	N20	19	13
18	N10	26	19
19			
20	O34	1	17
21	N11	4	19
22	O35	1	17
23	O28	1	15
24	N11	16	17
25	L25	15	5
26	O36	1	19
27	O29	21	17
28	O27	10	13

JACK PIN LG

63017400 Rev. B

SELECT  $X_k$ ,  $2X_k$ ,  $3X_k$  MERGE



MB **6L24**

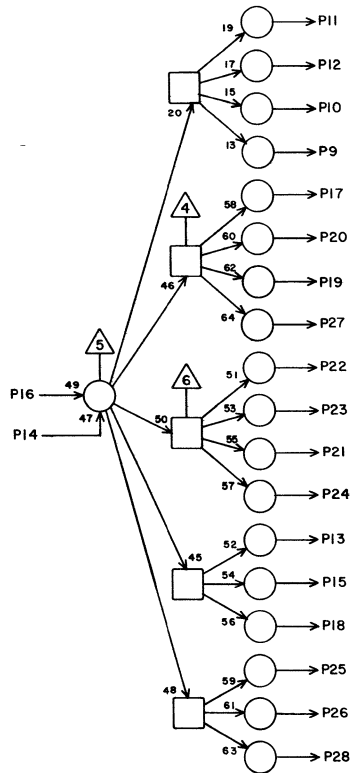
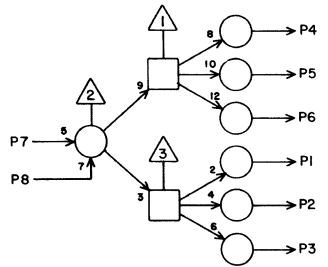
1			
2	N21	1	13
3	N12	14	17
4	N12	2	17
5	R 9	18	31
6	J34	1	17
7			
8	J38	1	17
9	O29	2	17
10	Q 8	14	27
11	L23	14	3
12	N21	7	13
13	K42	1	21
14	K18	11	11
15	N11	27	17
16	K11	19	15
17	N21	19	13
18	N11	26	17
19			
20	O37	1	21
21	N12	4	17
22	O38	1	21
23	O29	1	15
24	N12	16	17
25	L25	18	5
26	O39	1	21
27	N26	21	13
28	O28	10	15

JACK PIN LG

63017400 Rev. B

6L24

BITS 4, 5  
IX<sub>k</sub>  
FANOUT

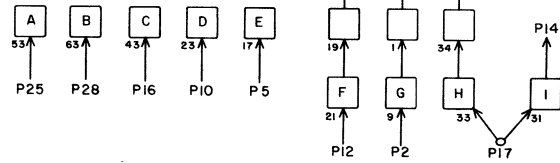
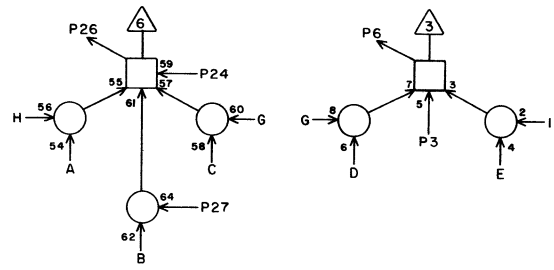
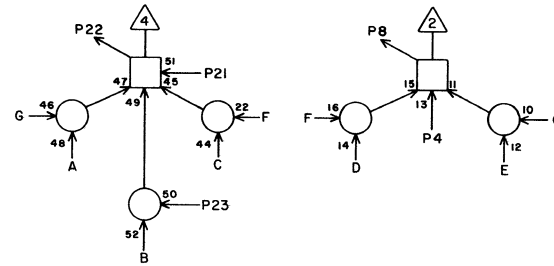
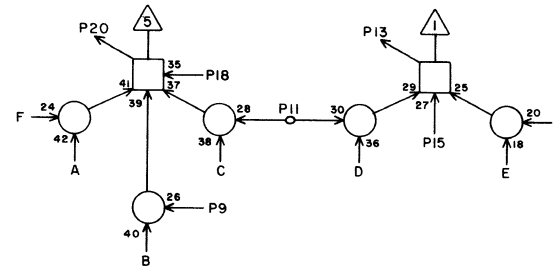


CB **6L25**

1			
2			
3			
4			
5			
6			
7	M14	15	15
8			
9	M20	25	13
10	M19	25	13
11	M24	25	13
12	M18	25	13
13	L22	25	5
14	L25	X	2
15	L23	25	5
16	J 8	11	21
17	M21	25	13
18	L24	25	5
19	M23	25	11
20	M22	25	11
21	L20	25	9
22	L18	25	11
23	L19	25	11
24	L21	25	5
25	K18	25	13
26	K19	25	11
27	M24	25	9
28			

JACK PIN LG

63017400 Rev. B



6L26

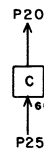
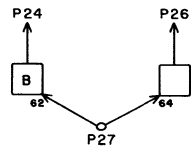
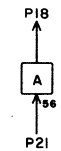
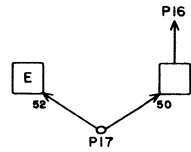
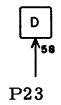
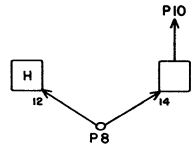
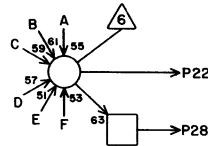
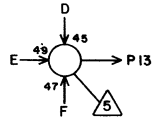
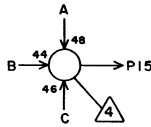
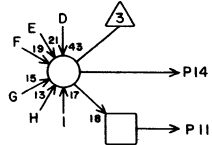
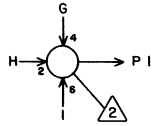
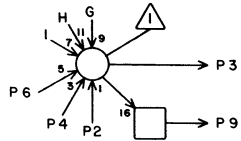
MB **6L26**

1			
2			
3			
4			
5			
6			
7			
8			
9	R26	1	27
10	N29	10	11
11	R26	21	25
12			
13	R30	1	27
14			
15			
16			
17			
18			
19			
20	R32	1	23
21			
22	R31	1	25
23	R26	3	27
24			
25			
26	R33	1	25
27	R27	21	25
28	N29	14	11

JACK PIN LG

63017400 Rev. S



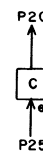
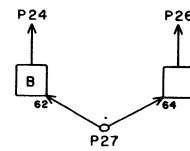
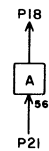
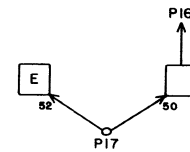
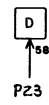
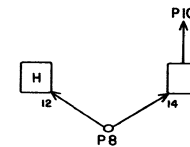
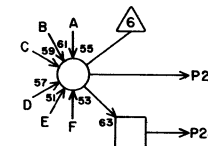
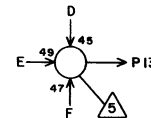
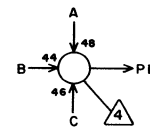
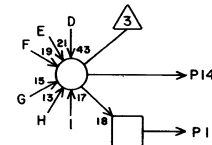
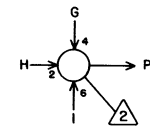
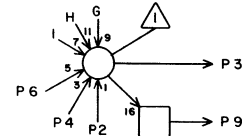


MI **6L27**

1	J29	21	11
2	L28	20	5
3	J30	23	11
4	L28	24	5
5	P26	22	19
6	L28	18	3
7	Q28	22	28
8	Q29	22	28
9			
10	J29	7	13
11			
12			
13	J29	18	13
14	J30	7	13
15	J28	21	13
16	J28	19	13
17	Q26	22	23
18			
19	Q27	22	23
20			
21	R26	22	27
22	J29	15	15
23	R29	22	27
24	J28	7	13
25	R28	22	27
26			
27	R27	22	27
28	J30	16	13

JACK PIN LG

63017400 Rev. B



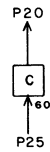
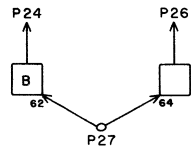
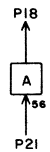
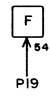
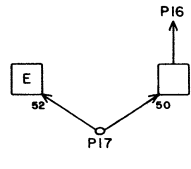
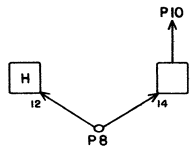
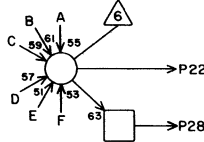
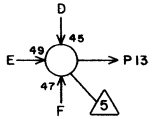
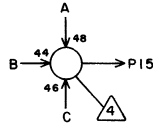
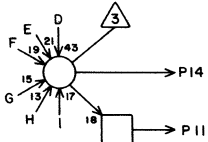
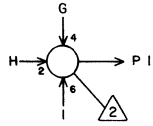
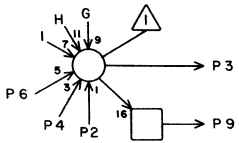
MI **6L28**

1	J31	21	11
2	L29	20	5
3	J32	23	11
4	L29	24	5
5	N27	22	13
6	L29	18	3
7	O29	22	17
8	N26	22	13
9			
10	J31	7	13
11			
12			
13	J31	18	13
14	J32	7	13
15	J30	25	11
16	J30	13	18
17	O27	22	15
18	L27	6	3
19	O28	22	18
20	L27	2	57
21	P27	22	21
22			
23	O26	22	15
24	L27	4	5
25	P29	22	21
26	J29	19	13
27	P28	22	21
28			

JACK PIN LG

63017400 Rev. B

6L28

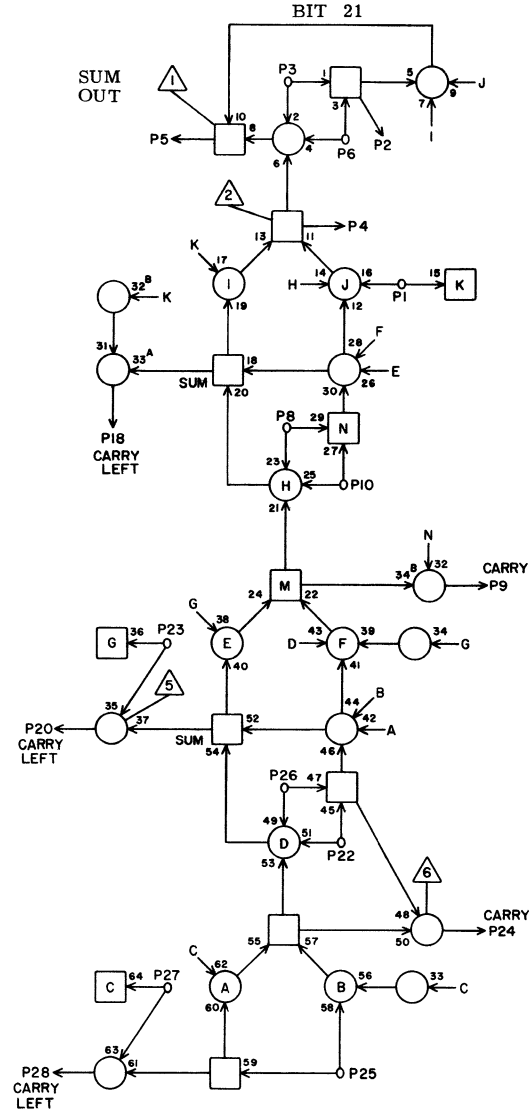


MI 6L29

1			
2			
3			
4			
5			
6			
7			
8			
9			
10			
11			
12			
13	J32	15	13
14			
15	J32	25	13
16	J32	13	11
17	M28	22	9
18	L28	6	3
19	M29	22	9
20	L28	2	5
21	N28	22	13
22			
23	M27	22	11
24	L28	4	5
25	M26	22	11
26	J31	19	13
27	N29	22	13
28			
	JACK	PIN	LG

63017400 Rev. B

UPPER 3-LEVEL ADDER



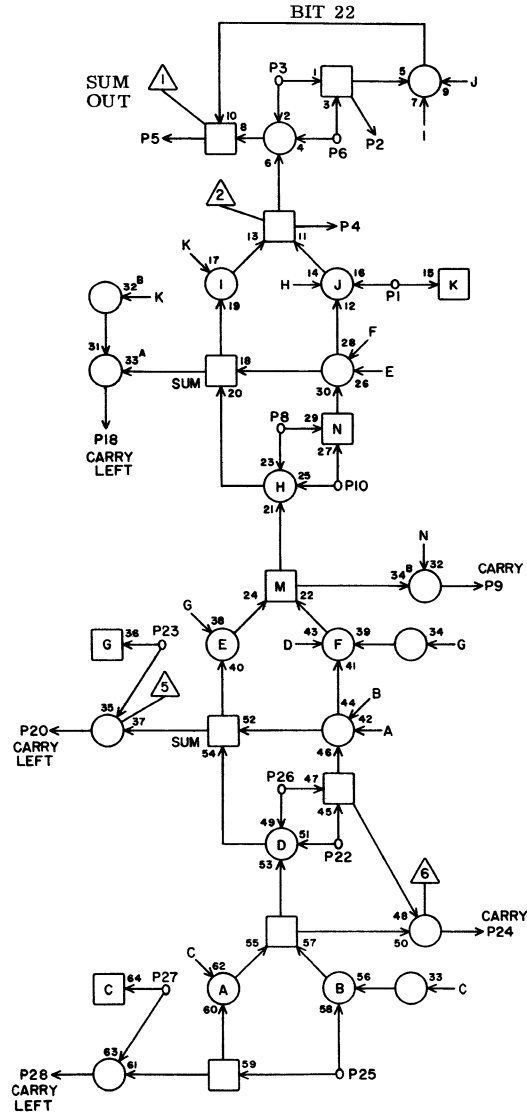
6L30

MG 6L30

1	M22	6	13
2	M14	6	19
3	M42	9	15
4	M14	8	19
5	M14	23	19
6	M42	18	15
7			
8	M42	24	15
9	L31	3	3
10	M42	20	15
11			
12			
13			
14			
15			
16			
17			
18	L31	6	3
19			
20	L31	10	3
21			
22	M42	28	15
23	Q20	8	19
24	L31	8	5
25	M16	22	17
26	M16	3	17
27	Q18	13	25
28	L31	22	3
	JACK	PIN	LG

63017400 Rev. B

UPPER 3-LEVEL ADDER

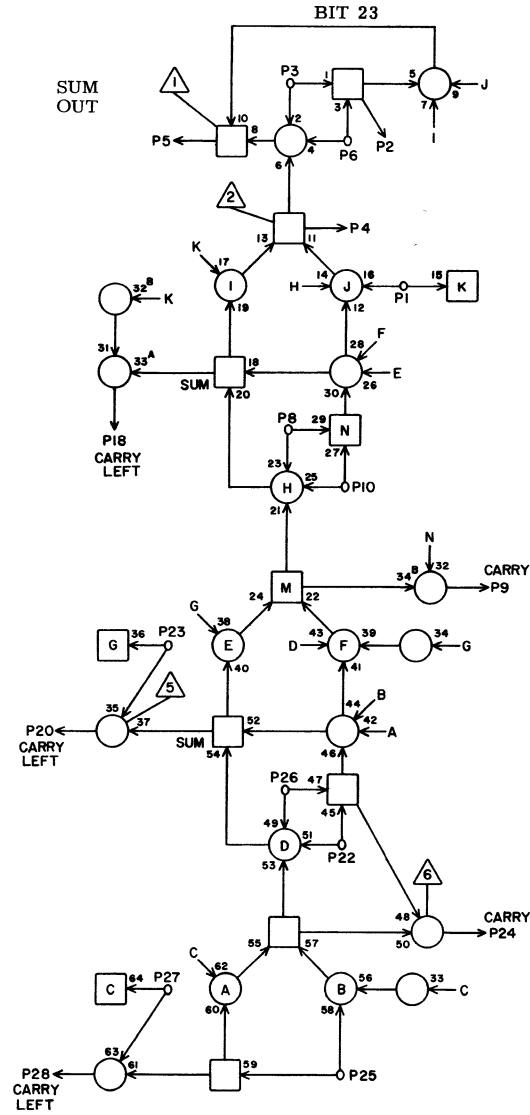


MG 6 **L31**

1	M23	13	13
2	M14	10	21
3	L30	9	3
4	M14	12	21
5	M14	24	21
6	L30	18	3
7			
8	L30	24	5
9	L32	3	3
10	L30	20	3
11			
12			
13			
14			
15			
16			
17			
18	L32	6	3
19			
20	L32	10	3
21			
22	L30	28	3
23	O20	6	19
24	L32	8	5
25	M16	25	19
26	M16	7	19
27	Q18	8	25
28	L32	22	3
	JACK	PIN	IG

63017400 Rev. B

UPPER 3-LEVEL ADDER



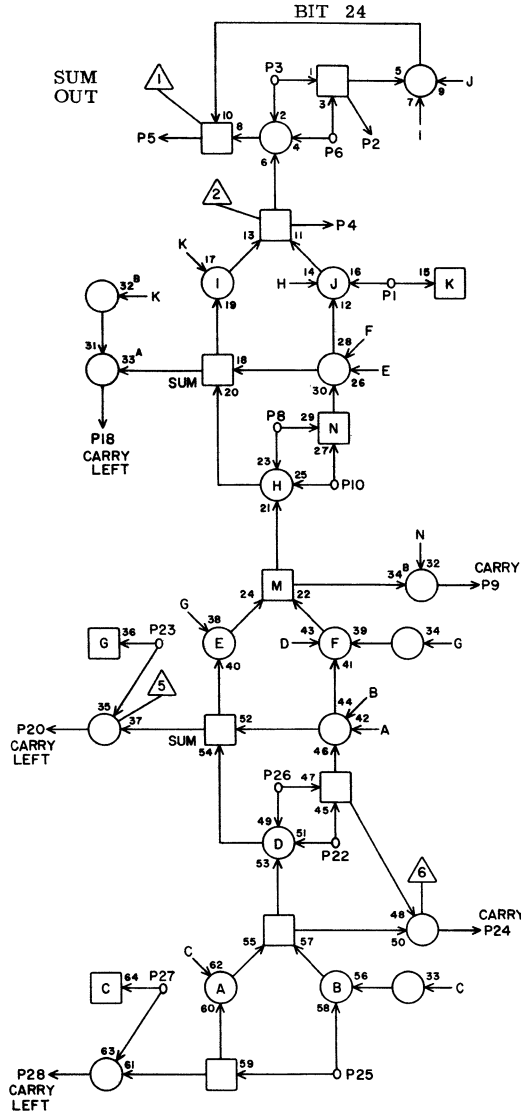
MG 6 **L32**

1	M23	8	15
2	M15	2	21
3	L31	9	3
4	M15	4	21
5	M14	28	21
6	L31	18	3
7			
8	L31	24	5
9	L33	3	3
10	L31	20	3
11			
12			
13			
14			
15			
16			
17			
18	L33	6	5
19			
20	L33	10	3
21			
22	L31	28	3
23	O21	13	19
24	L33	8	5
25	M16	26	19
26	M16	11	19
27	Q18	6	27
28	L33	22	3
	JACK	PIN	IG

63017400 Rev. B

6L32

UPPER 3-LEVEL ADDER



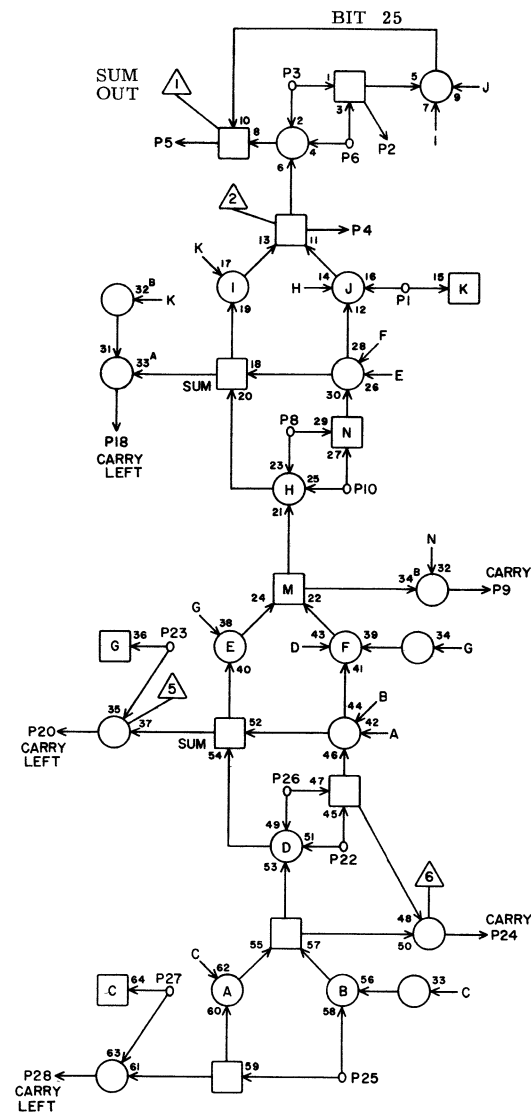
MG

6L33

1	M23	6	15
2	M15	6	21
3	L32	9	3
4	M15	8	21
5	M15	23	21
6	L32	18	5
7			
8	L32	24	5
9	L34	3	3
10	L32	20	3
11			
12			
13			
14			
15			
16			
17			
18	L34	6	3
19			
20	L34	10	3
21			
22	L32	28	3
23	O21	8	19
24	L34	8	5
25	M17	22	19
26	M17	3	19
27	Q19	13	27
28	L34	22	3

JACK PIN LG

UPPER 3-LEVEL ADDER



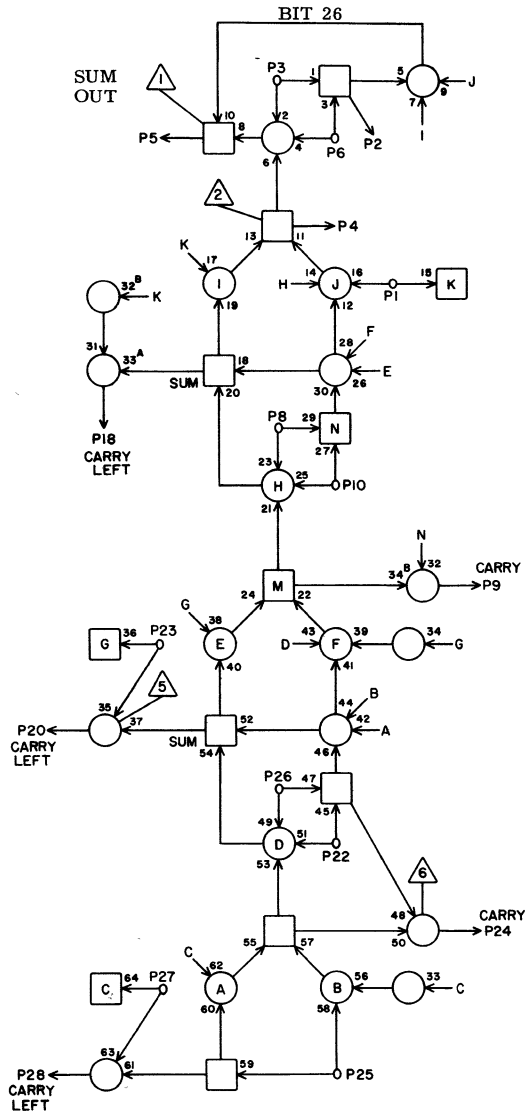
MG

6L34

1	M24	13	15
2	M15	10	23
3	L33	9	3
4	M15	12	23
5	M15	24	25
6	L33	18	3
7			
8	L33	24	5
9	L35	3	3
10	L33	20	3
11			
12			
13			
14			
15			
16			
17			
18	L35	6	3
19			
20	L35	10	3
21			
22	L33	28	3
23	O21	6	21
24	L35	8	5
25	M17	25	21
26	M17	7	21
27	Q19	8	27
28	L35	22	3

JACK PIN LG

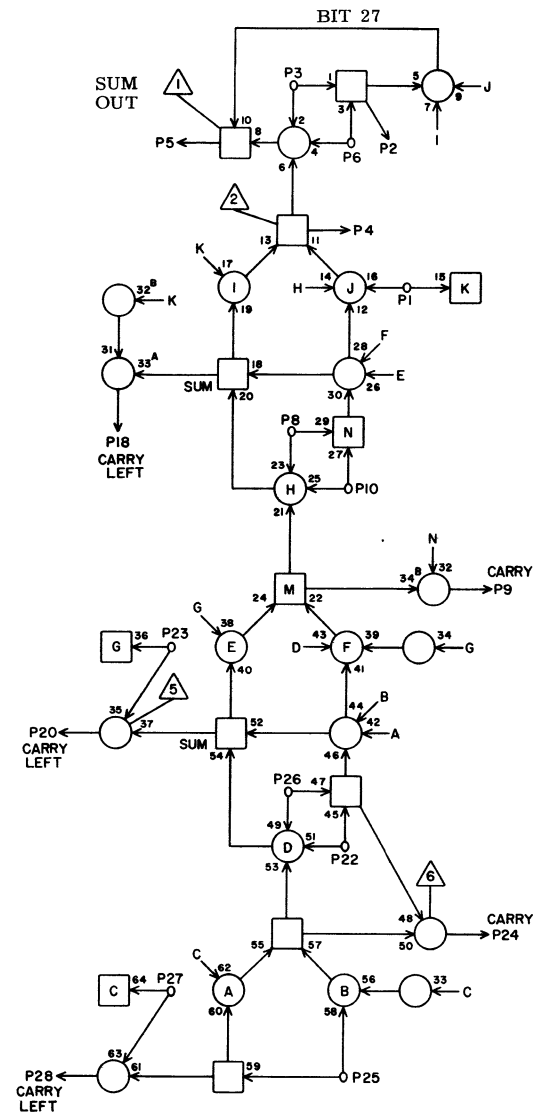
UPPER 3-LEVEL ADDER



MG **L35**

	JACK	PIN	LG
1	M24	8	15
2	M16	2	23
3	L34	9	3
4	M16	4	23
5	M15	28	23
6	L34	18	3
7			
8	L34	24	5
9	L36	3	3
10	L34	20	3
11			
12			
13			
14			
15			
16			
17			
18	L36	6	3
19			
20	L36	10	3
21			
22	L34	28	3
23	O22	13	21
24	L36	8	5
25	M17	26	21
26	M17	11	21
27	Q19	6	27
28	L36	22	3

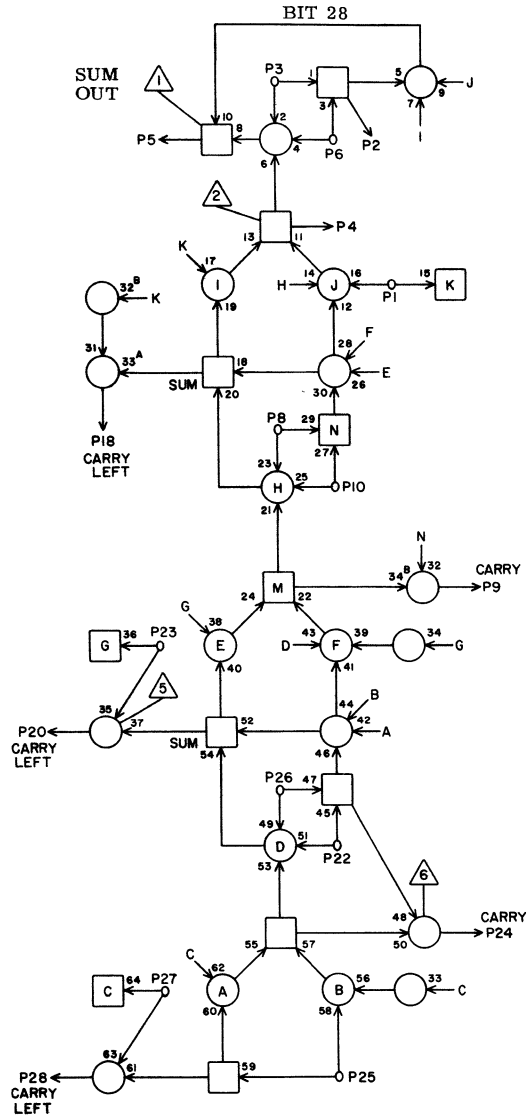
UPPER 3-LEVEL ADDER



MG **L36**

	JACK	PIN	LG
1	M24	6	17
2	M16	6	23
3	L35	9	3
4	M16	8	23
5	M16	23	23
6	L35	18	3
7			
8	L35	24	5
9	L37	3	3
10	L35	20	3
11			
12			
13			
14			
15			
16			
17			
18	L37	6	3
19			
20	L37	10	3
21			
22	L35	28	3
23	O22	8	21
24	L37	8	5
25	L13	22	23
26	L13	3	23
27	Q20	13	29
28	L37	22	3

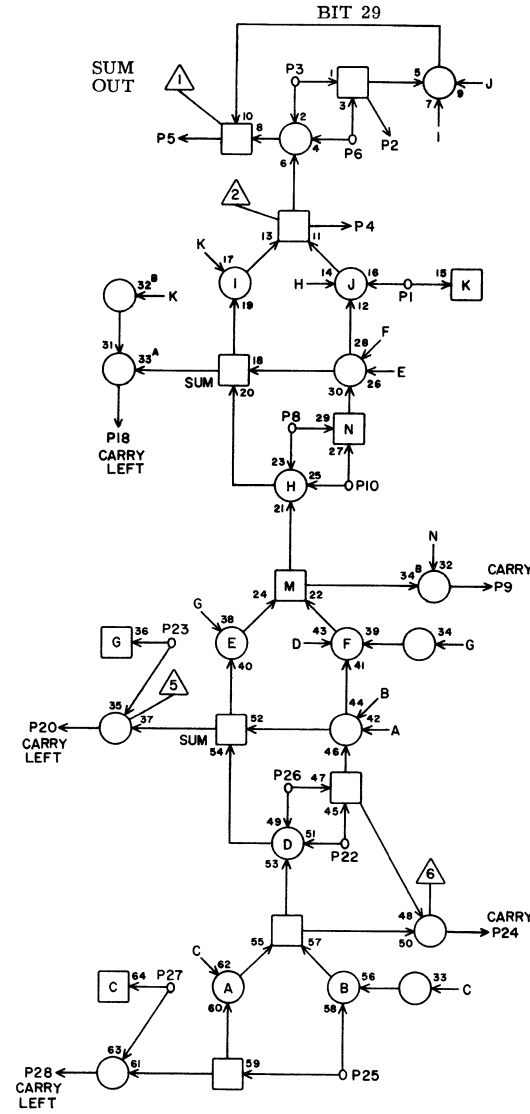
UPPER 3-LEVEL ADDER



MG 6 L37

	JACK	PIN	LG
1	L18	13	21
2	M16	10	23
3	L36	9	3
4	M16	12	23
5	M16	24	23
6	L36	18	3
7			
8	L36	24	5
9	L38	3	3
10	L36	20	3
11			
12			
13			
14			
15			
16			
17			
18	L38	6	3
19			
20	L38	10	3
21			
22	L36	28	3
23	Q22	6	23
24	L38	8	5
25	L13	25	25
26	L13	7	25
27	Q20	8	29
28	L38	22	3

UPPER 3-LEVEL ADDER

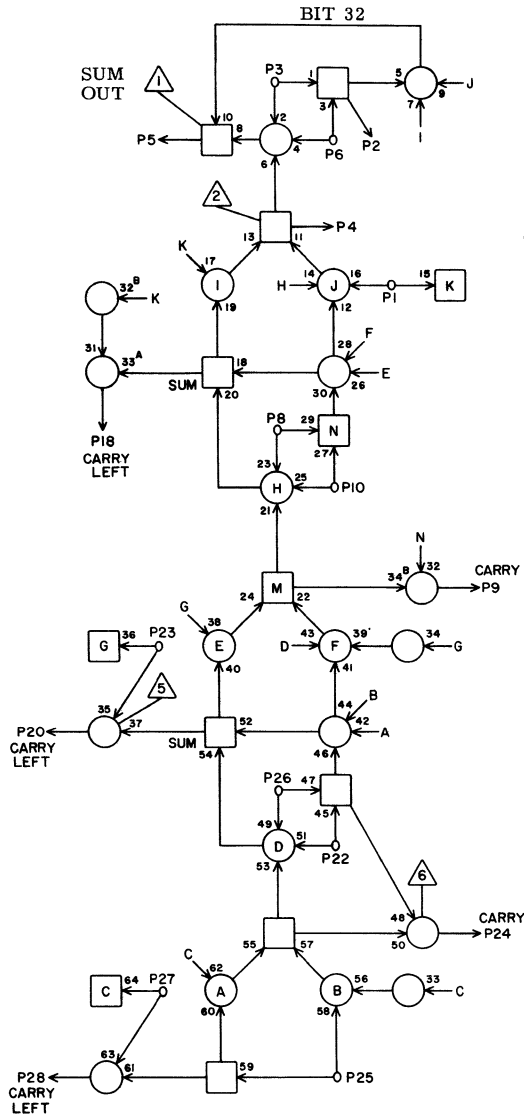


MG 6 L38

	JACK	PIN	LG
1	L18	8	23
2	M17	2	23
3	L37	9	3
4	M17	4	23
5	M16	28	23
6	L37	18	3
7			
8	L37	24	5
9	L39	3	3
10	L37	20	5
11			
12			
13			
14			
15			
16			
17			
18	L39	6	3
19			
20	L39	10	3
21			
22	L37	28	3
23	Q23	13	23
24	L39	8	5
25	L13	26	25
26	L13	11	25
27	Q20	6	29
28	L39	22	3



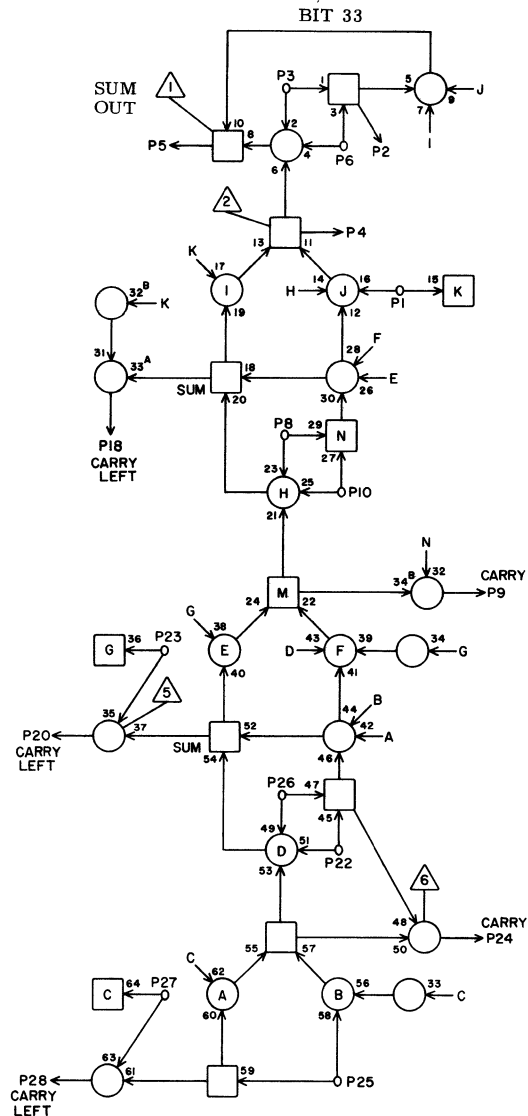
UPPER 3-LEVEL ADDER



MG 6L41

1	L19	8	25
2	L13	2	29
3	L40	9	3
4	L13	4	29
5	M17	28	27
6	L40	18	3
7			
8	L40	24	5
9	L42	3	3
10	L40	20	3
11			
12			
13			
14			
15			
16			
17			
18	L42	6	3
19			
20	L42	10	5
21			
22	L40	28	3
23	O24	13	23
24	L42	8	5
25	L14	26	29
26	L14	11	29
27	Q21	6	31
28	L42	22	3
	JACK	PIN	LG

UPPER 3-LEVEL ADDER



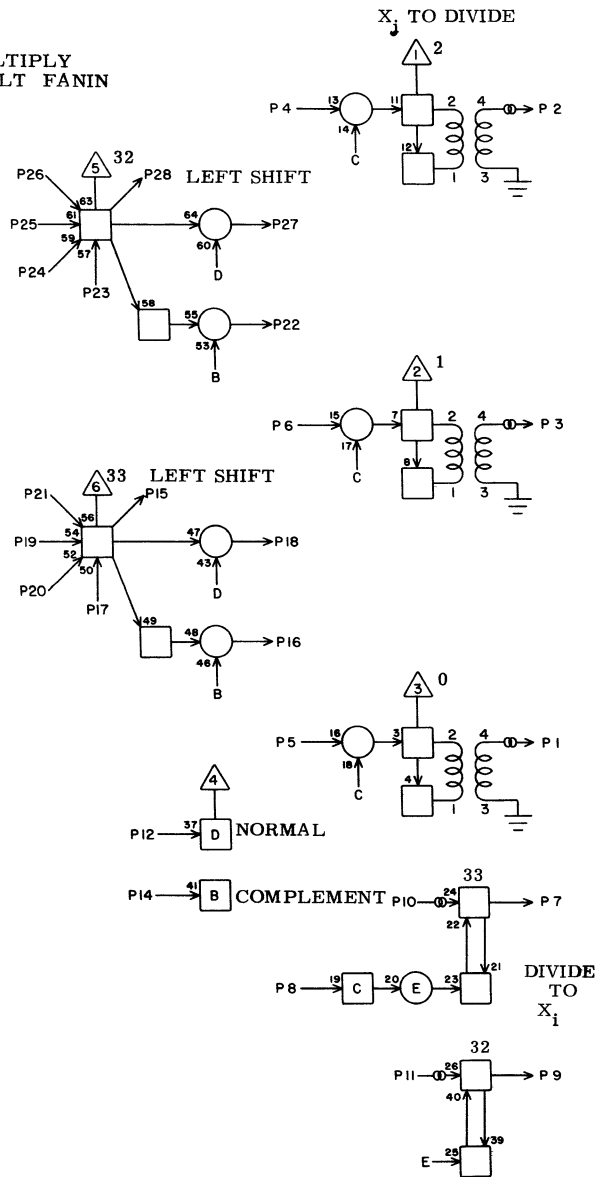
MG 6L42

1	L19	6	25
2	L13	6	29
3	L41	9	3
4	L13	8	29
5	L13	23	29
6	L41	18	3
7			
8	L41	24	5
9	K30	3	15
10	L41	20	5
11			
12			
13			
14			
15			
16			
17			
18	K30	6	15
19			
20	K30	10	15
21			
22	L41	28	3
23	O24	8	23
24	K30	8	15
25	L15	22	27
26	L15	3	27
27	Q22	13	31
28	K30	22	15
	JACK	PIN	LG





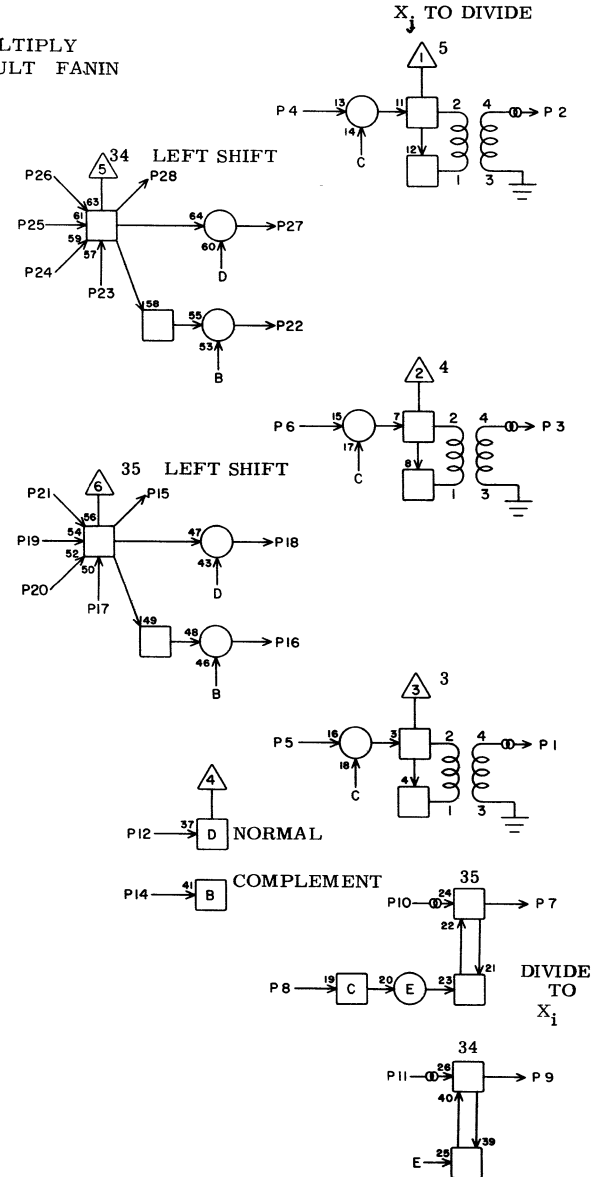
MULTIPLY  
RESULT FANIN



MT		6M3	
1	W25	903	
2	W25	905	
3	W25	904	
4	I 1	24	17
5	I 1	20	17
6	I 1	22	17
7	F 2	8	31
8	H 8	22	23
9	F 2	2	31
10	W21	905	
11	W21	904	
12	K 8	22	13
13			
14	O 9	22	15
15	F 2	23	29
16	F 2	11	31
17	A16	20	49
18	F 2	12	31
19	G 9	2	29
20	R16	20	27
21	L 9	2	11
22	F 2	14	31
23	A15	27	49
24	D16	27	39
25	R15	27	27
26	O16	27	19
27	F 2	13	31
28	F 2	6	31

JACK PIN LG  
63017400 Rev. B

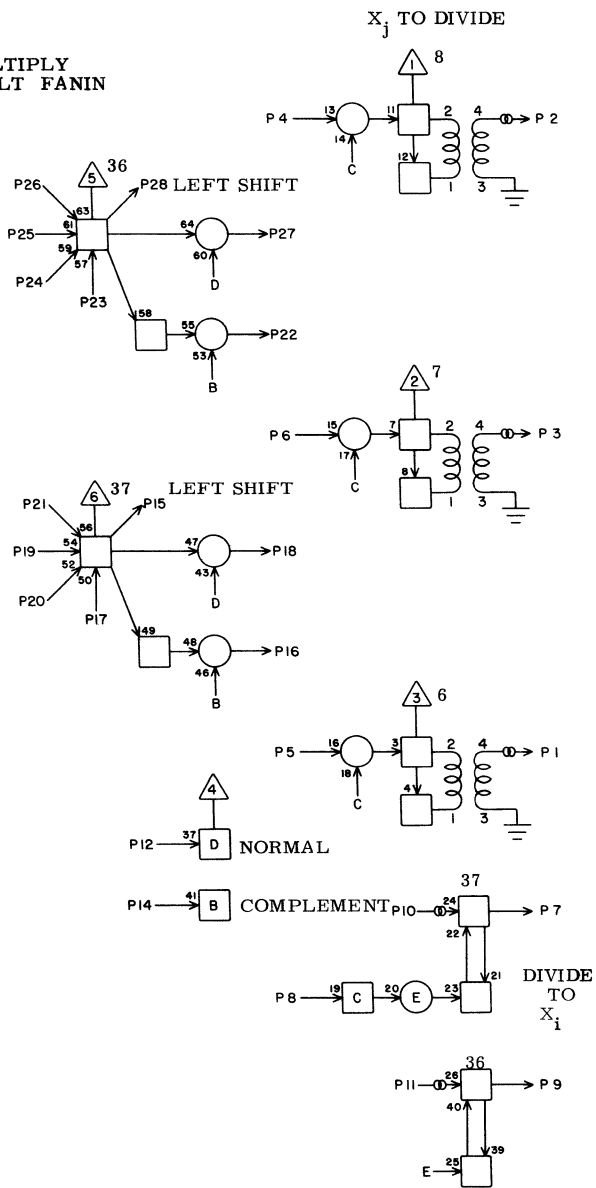
MULTIPLY  
RESULT FANIN



MT		6M4	
1	W25	906	
2	W25	90	
3	W25	907	
4	I 2	22	17
5	I 1	26	17
6	I 2	20	17
7	F 2	28	29
8	H 8	24	21
9	F 2	24	29
10	W21	907	
11	W21	906	
12	K 8	24	13
13			
14	O 9	24	15
15	F 3	3	31
16	F 2	15	29
17	A16	27	49
18	F 2	16	29
19	G 9	15	27
20	R16	27	27
21	L 9	15	11
22	F 2	17	31
23	A16	21	49
24	G 9	11	29
25	R16	21	27
26	L 9	11	11
27	F 2	18	31
28	F 2	26	29

JACK PIN LG  
63017400 Rev. B

MULTIPLY  
RESULT FANIN



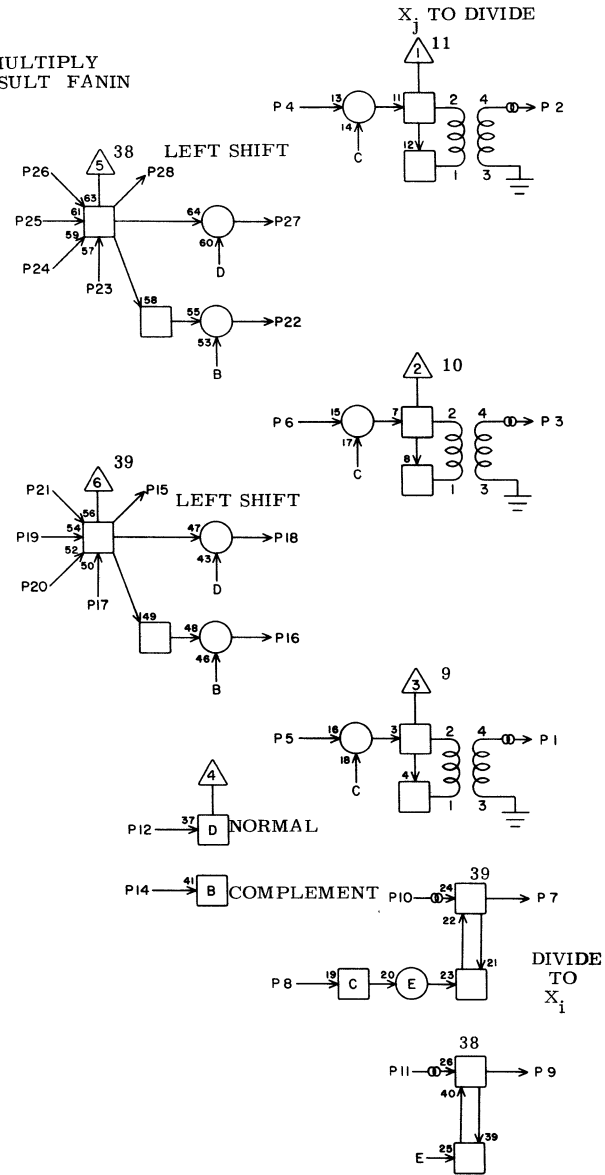
MT 6M5

1	W26	91	
2	W26	93	
3	W26	92	
4	I 3	20	17
5	I 2	24	17
6	I 2	26	17
7	F 3	8	31
8	H 8	26	21
9	F 3	2	31
10	W22	91	
11	W22	90	
12	K 8	26	11
13			
14	O 9	26	15
15	F 3	23	29
16	F 3	11	31
17	A17	21	49
18	F 3	12	31
19	G10	2	29
20	R17	21	27
21	L10	2	11
22	F 3	14	31
23	A17	20	49
24	G 9	10	29
25	R17	20	27
26	L 9	10	11
27	F 3	13	31
28	F 3	6	31

JACK PIN LG

63017400 Rev. B

MULTIPLY  
RESULT FANIN



MT 6M6

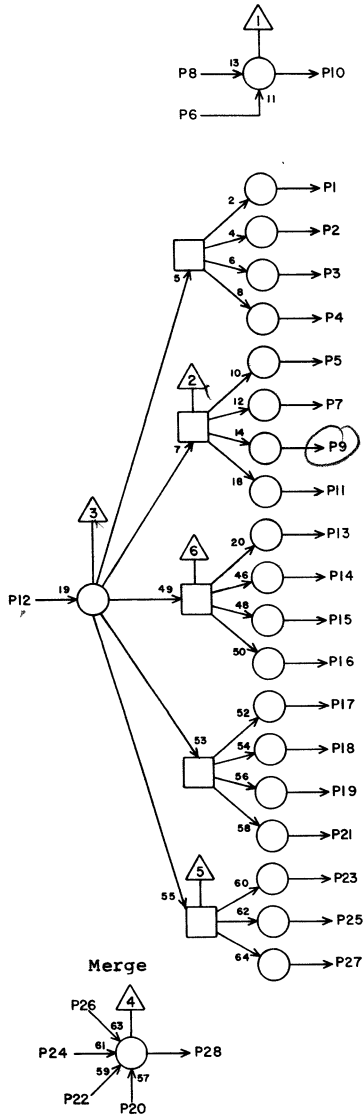
1	W26	94	
2	W26	96	
3	W26	95	
4	I 3	26	17
5	I 3	22	17
6	I 3	24	17
7	F 3	28	29
8	H 8	28	21
9	F 3	24	29
10	W22	93	
11	W22	92	
12	K 8	28	11
13			
14	O 9	28	13
15	F 4	3	31
16	F 3	15	29
17	B13	20	43
18	F 3	16	31
19	G10	15	29
20	Q13	20	21
21	L10	15	11
22	F 3	17	31
23	A17	27	49
24	G10	11	29
25	R17	27	27
26	L10	11	11
27	F 3	18	31
28	F 3	26	29

JACK PIN LG

63017400 Rev. B

6M6



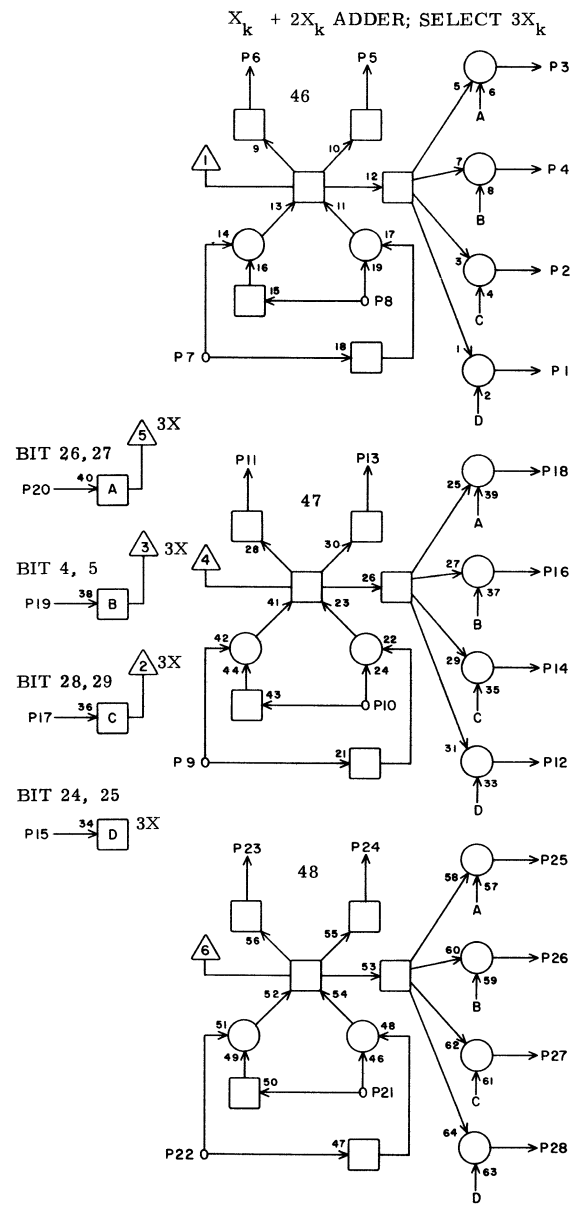


CC **6M9**

1	O17	13	15
2	N13	13	9
3	N14	13	11
4	N15	13	11
5	N16	13	11
6	M28	25	21
7	N17	13	13
8			
9	M13	13	5
10			
11	M14	13	9
12	J27	5	25
13	M15	13	9
14	M16	13	11
15	M17	13	11
16	L13	13	9
17	L14	13	11
18	L15	13	11
19	L16	13	13
20	J25	19	23
21	L17	13	13
22	M29	23	23
23	K15	13	15
24			
25	K16	13	15
26			
27	K17	13	15
28	P25	7	23

JACK PIN LG

63017400 Rev. B



6M10

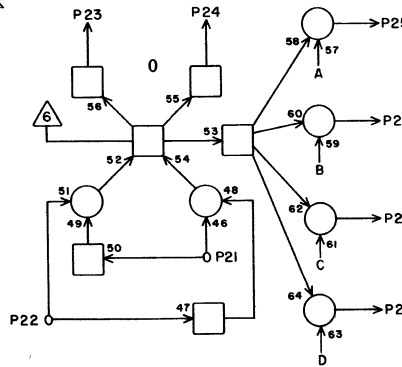
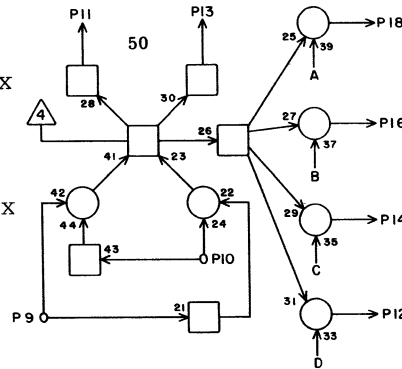
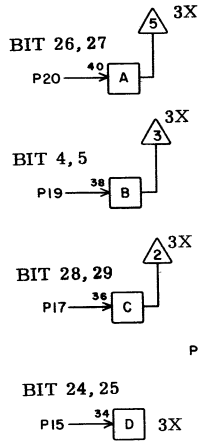
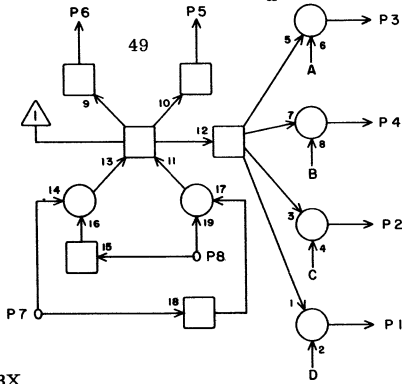
MF **6M10**

1	P19	4	17
2	K18	4	15
3	N22	4	15
4	K18	21	15
5	P19	23	19
6	N22	23	15
7	R 7	2	23
8	O 7	5	13
9	O 7	25	13
10	O 7	8	13
11	P19	27	19
12	P19	3	17
13	N22	27	15
14	K18	3	15
15	K12	25	13
16	K18	24	17
17	Q 9	25	21
18	N22	3	15
19	R 8	25	25
20	K23	21	19
21	O 8	1	11
22	O 7	21	13
23	P20	9	17
24	N23	9	15
25	N23	15	15
26	K19	18	17
27	K19	15	15
28	P20	15	19

JACK PIN LG

63017400 Rev. B

$X_k + 2X_k$  ADDER; SELECT  $3X_k$



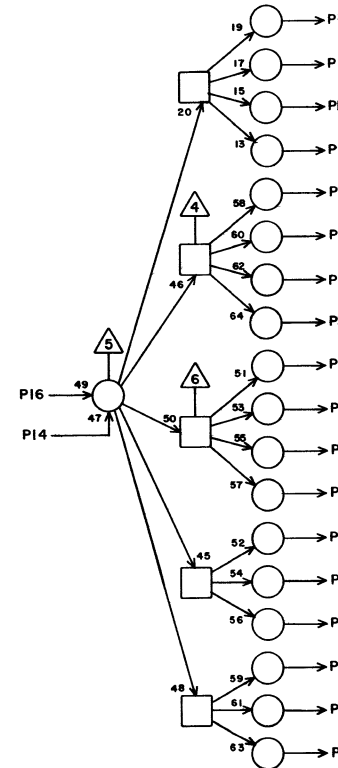
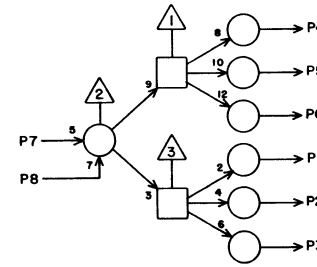
MF **M11**

1	P20	4	17
2	K19	4	15
3	N23	4	15
4	K19	21	15
5	P20	23	19
6	N23	23	15
7	Q 7	22	21
8	O 8	5	13
9	O 8	25	13
10	O 8	8	13
11	P20	27	19
12	P20	3	17
13	N23	27	15
14	K19	3	15
15	K12	26	13
16	K19	24	15
17	Q 9	26	21
18	N23	3	15
19	R 8	26	25
20	K23	23	19
21	P 1	1	17
22	M11	X	2
23	R18	9	23
24	P21	9	17
25	P21	15	17
26	N24	18	17
27	N24	15	17
28	R18	15	23

JACK PIN LG

63017400 Rev. B

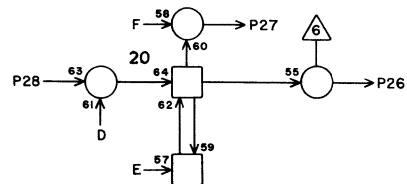
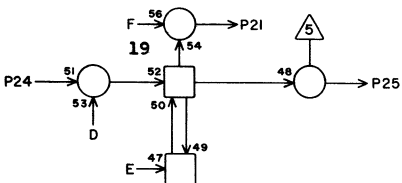
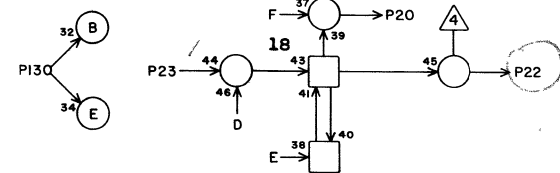
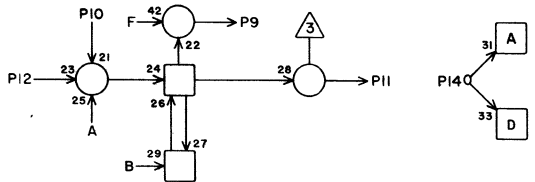
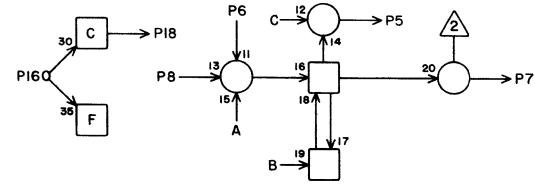
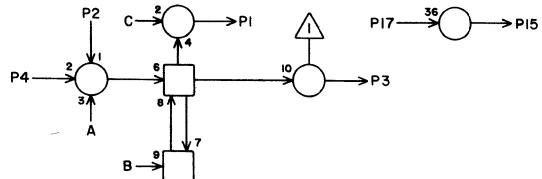
CB **GMI2**



1	J10	16	15
2	J11	16	15
3	J12	16	15
4	J13	16	15
5	J14	16	15
6	J15	16	15
7	O29	28	21
8	P 1	6	120
9	P 4	13	17
10	P 3	13	19
11	P 1	13	19
12	P 2	13	19
13	O 4	13	15
14	J 9	24	15
15	O 5	13	15
16	M12	X	2
17	P 5	13	17
18	O 6	13	15
19	P 7	13	17
20	P 6	13	17
21	O 2	13	15
22	P 9	13	17
23	O 1	13	17
24	O 3	13	15
25	O 7	13	13
26	J32	20	27
27	P 8	13	17
28	K10	7	15

JACK PIN LG

63017400 Rev. B

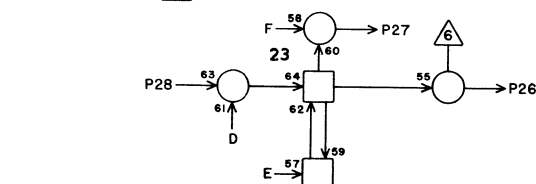
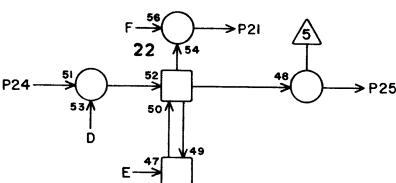
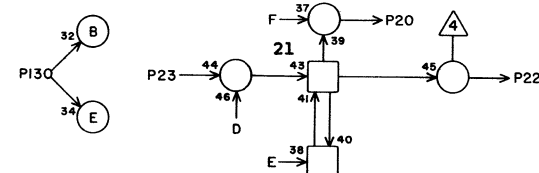
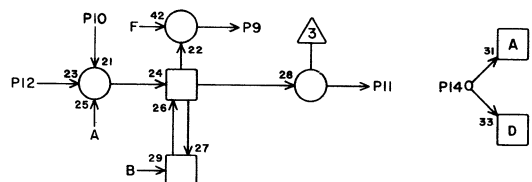
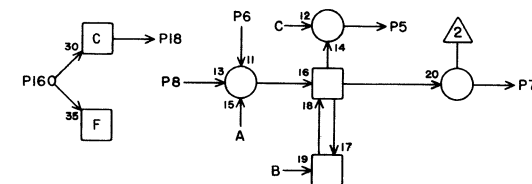
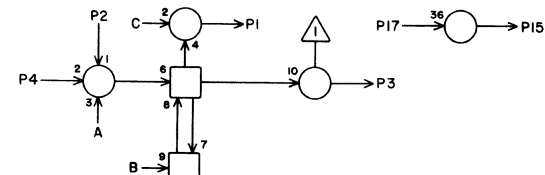


NJ **6M13**

1	<b>N18</b>	<b>21</b>	<b>11</b>
2	<b>M39</b>	<b>2</b>	<b>27</b>
3	<b>M34</b>	<b>26</b>	<b>23</b>
4	<b>M39</b>	<b>4</b>	<b>27</b>
5	<b>N18</b>	<b>24</b>	<b>11</b>
6	<b>M40</b>	<b>2</b>	<b>29</b>
7	<b>M35</b>	<b>26</b>	<b>23</b>
8	<b>M40</b>	<b>4</b>	<b>29</b>
9	<b>N19</b>	<b>18</b>	<b>11</b>
10	<b>M41</b>	<b>2</b>	<b>29</b>
11	<b>M36</b>	<b>26</b>	<b>23</b>
12	<b>M41</b>	<b>4</b>	<b>29</b>
13	<b>M 9</b>	<b>9</b>	<b>5</b>
14	<b>K21</b>	<b>9</b>	<b>15</b>
15	<b>K20</b>	<b>14</b>	<b>13</b>
16	<b>J24</b>	<b>9</b>	<b>19</b>
17	<b>J27</b>	<b>8</b>	<b>21</b>
18	<b>J20</b>	<b>18</b>	<b>17</b>
19			
20	<b>Q23</b>	<b>18</b>	<b>21</b>
21	<b>Q23</b>	<b>21</b>	<b>21</b>
22	<b>M34</b>	<b>25</b>	<b>23</b>
23	<b>M40</b>	<b>5</b>	<b>29</b>
24	<b>M41</b>	<b>5</b>	<b>29</b>
25	<b>M35</b>	<b>25</b>	<b>23</b>
26	<b>M36</b>	<b>25</b>	<b>25</b>
27	<b>Q23</b>	<b>24</b>	<b>21</b>
28	<b>M42</b>	<b>5</b>	<b>29</b>

JACK PIN LG

63017400 Rev. B



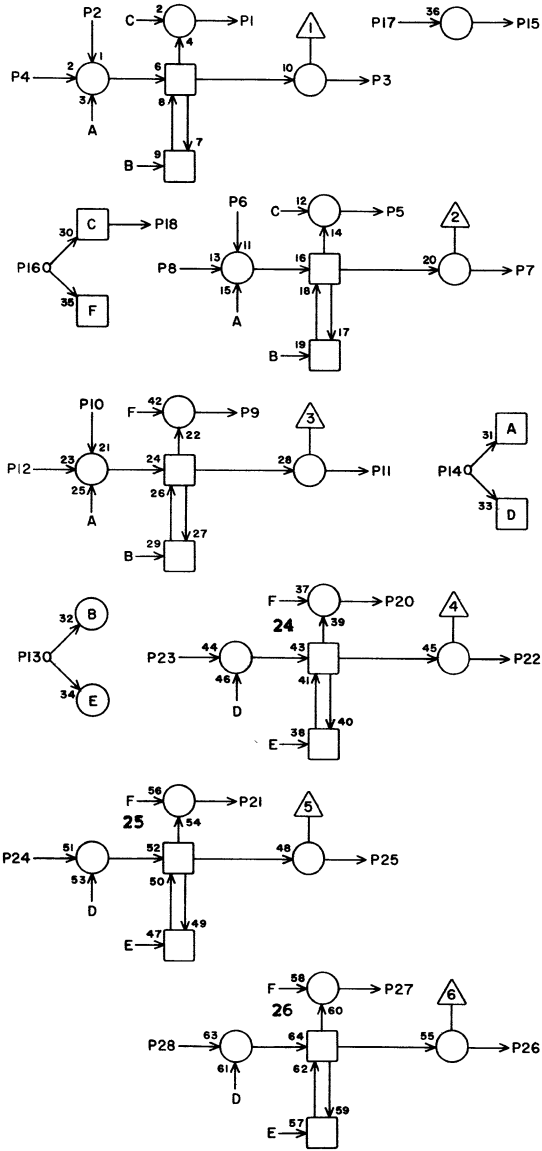
NJ **6M14**

1	<b>M19</b>	<b>21</b>	<b>11</b>
2	<b>M42</b>	<b>2</b>	<b>29</b>
3	<b>M37</b>	<b>26</b>	<b>25</b>
4	<b>M42</b>	<b>4</b>	<b>29</b>
5	<b>M19</b>	<b>24</b>	<b>11</b>
6	<b>L30</b>	<b>2</b>	<b>19</b>
7	<b>M38</b>	<b>26</b>	<b>25</b>
8	<b>L30</b>	<b>4</b>	<b>19</b>
9	<b>M20</b>	<b>18</b>	<b>11</b>
10	<b>L31</b>	<b>2</b>	<b>21</b>
11	<b>M39</b>	<b>26</b>	<b>27</b>
12	<b>L31</b>	<b>4</b>	<b>21</b>
13	<b>M 9</b>	<b>11</b>	<b>9</b>
14	<b>K21</b>	<b>10</b>	<b>15</b>
15	<b>L25</b>	<b>7</b>	<b>15</b>
16	<b>J24</b>	<b>11</b>	<b>19</b>
17			
18	<b>J21</b>	<b>8</b>	<b>17</b>
19			
20	<b>Q24</b>	<b>18</b>	<b>21</b>
21	<b>Q24</b>	<b>21</b>	<b>21</b>
22	<b>M37</b>	<b>25</b>	<b>25</b>
23	<b>L30</b>	<b>5</b>	<b>19</b>
24	<b>L31</b>	<b>5</b>	<b>21</b>
25	<b>M38</b>	<b>25</b>	<b>25</b>
26	<b>M39</b>	<b>25</b>	<b>27</b>
27	<b>Q24</b>	<b>24</b>	<b>21</b>
28	<b>L32</b>	<b>5</b>	<b>21</b>

JACK PIN LG

63017400 Rev. B

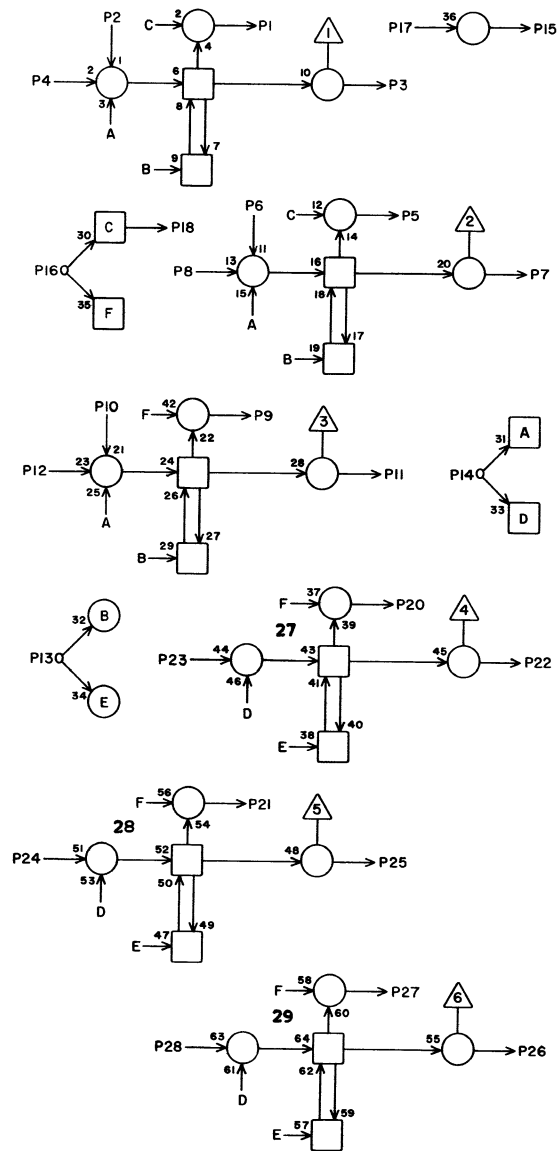
6M14



NJ 6M15

1	<b>N20</b>	<b>21</b>	<b>11</b>
2	<b>L32</b>	<b>2</b>	<b>21</b>
3	<b>M40</b>	<b>26</b>	<b>27</b>
4	<b>L32</b>	<b>4</b>	<b>21</b>
5	<b>N20</b>	<b>24</b>	<b>11</b>
6	<b>L33</b>	<b>2</b>	<b>21</b>
7	<b>M41</b>	<b>26</b>	<b>27</b>
8	<b>L33</b>	<b>4</b>	<b>21</b>
9	<b>N21</b>	<b>18</b>	<b>11</b>
10	<b>L34</b>	<b>2</b>	<b>23</b>
11	<b>M42</b>	<b>26</b>	<b>27</b>
12	<b>L34</b>	<b>4</b>	<b>23</b>
13	<b>M 9</b>	<b>13</b>	<b>9</b>
14	<b>K21</b>	<b>11</b>	<b>15</b>
15	<b>K21</b>	<b>16</b>	<b>13</b>
16	<b>J24</b>	<b>13</b>	<b>19</b>
17	<b>J27</b>	<b>7</b>	<b>21</b>
18	<b>J21</b>	<b>18</b>	<b>17</b>
19			
20	<b>P18</b>	<b>18</b>	<b>17</b>
21	<b>P18</b>	<b>21</b>	<b>17</b>
22	<b>M40</b>	<b>25</b>	<b>27</b>
23	<b>L33</b>	<b>5</b>	<b>21</b>
24	<b>L34</b>	<b>5</b>	<b>25</b>
25	<b>M41</b>	<b>25</b>	<b>27</b>
26	<b>M42</b>	<b>25</b>	<b>27</b>
27	<b>P18</b>	<b>24</b>	<b>17</b>
28	<b>L35</b>	<b>5</b>	<b>23</b>
JACK    PIN    LG			

63017400 Rev. B

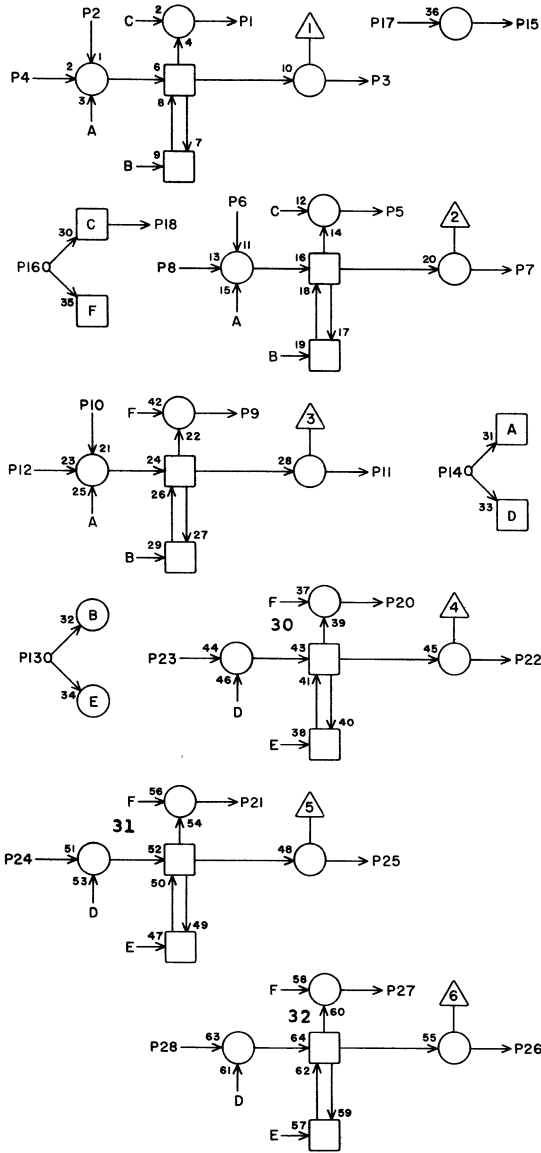


NJ 6M16

1	<b>N21</b>	<b>21</b>	<b>11</b>
2	<b>L35</b>	<b>2</b>	<b>23</b>
3	<b>L30</b>	<b>26</b>	<b>17</b>
4	<b>L35</b>	<b>4</b>	<b>23</b>
5	<b>N21</b>	<b>24</b>	<b>11</b>
6	<b>L36</b>	<b>2</b>	<b>23</b>
7	<b>L31</b>	<b>26</b>	<b>19</b>
8	<b>L36</b>	<b>4</b>	<b>23</b>
9	<b>N22</b>	<b>18</b>	<b>11</b>
10	<b>L37</b>	<b>2</b>	<b>23</b>
11	<b>L32</b>	<b>26</b>	<b>19</b>
12	<b>L37</b>	<b>4</b>	<b>23</b>
13	<b>M9</b>	<b>14</b>	<b>11</b>
14	<b>K21</b>	<b>7</b>	<b>15</b>
15			
16	<b>J24</b>	<b>14</b>	<b>17</b>
17			
18			
19			
20	<b>P19</b>	<b>18</b>	<b>18</b>
21	<b>P19</b>	<b>21</b>	<b>17</b>
22	<b>L30</b>	<b>25</b>	<b>17</b>
23	<b>L36</b>	<b>5</b>	<b>23</b>
24	<b>L37</b>	<b>5</b>	<b>23</b>
25	<b>L31</b>	<b>25</b>	<b>19</b>
26	<b>L32</b>	<b>25</b>	<b>19</b>
27	<b>P19</b>	<b>24</b>	<b>17</b>
28	<b>L38</b>	<b>5</b>	<b>23</b>
JACK    PIN    LG			

63017400 Rev. B



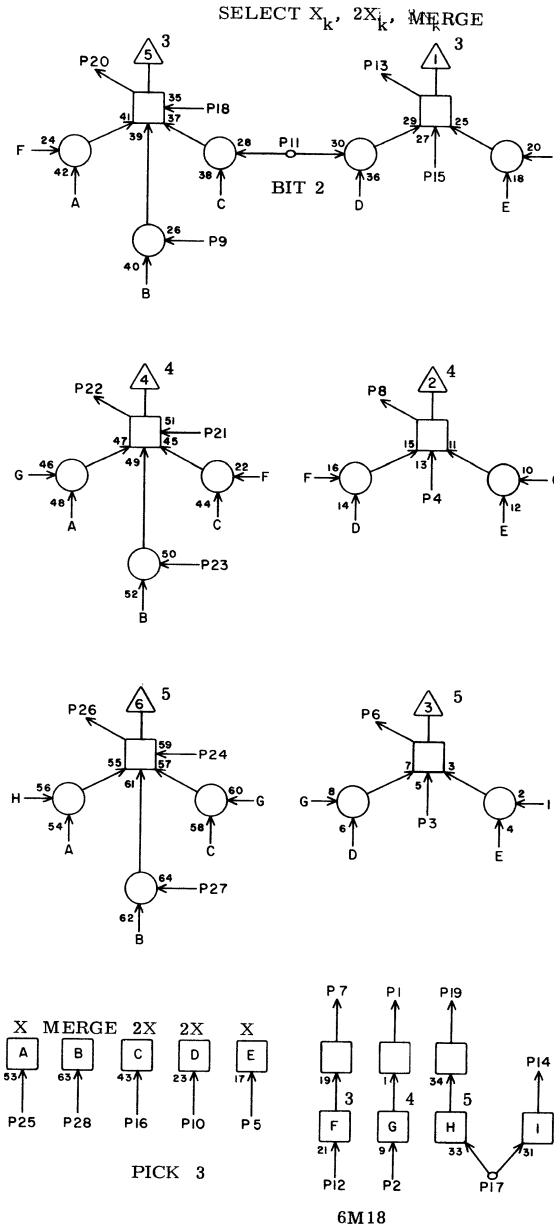


**NJ**      **6M17**

1	<b>N22</b>	<b>21</b>	<b>11</b>
2	<b>L38</b>	<b>2</b>	<b>23</b>
3	<b>L33</b>	<b>26</b>	<b>19</b>
4	<b>L38</b>	<b>4</b>	<b>23</b>
5	<b>N22</b>	<b>24</b>	<b>11</b>
6	<b>L39</b>	<b>2</b>	<b>25</b>
7	<b>L34</b>	<b>26</b>	<b>21</b>
8	<b>L39</b>	<b>4</b>	<b>25</b>
9	<b>N23</b>	<b>18</b>	<b>11</b>
10	<b>L40</b>	<b>2</b>	<b>25</b>
11	<b>L35</b>	<b>26</b>	<b>21</b>
12	<b>L40</b>	<b>4</b>	<b>25</b>
13	<b>M9</b>	<b>15</b>	<b>11</b>
14	<b>K21</b>	<b>13</b>	<b>13</b>
15			
16	<b>J24</b>	<b>15</b>	<b>17</b>
17			
18	<b>O14</b>	<b>17</b>	<b>15</b>
19			
20	<b>P20</b>	<b>18</b>	<b>17</b>
21	<b>P20</b>	<b>21</b>	<b>17</b>
22	<b>L33</b>	<b>25</b>	<b>19</b>
23	<b>L39</b>	<b>5</b>	<b>25</b>
24	<b>L40</b>	<b>5</b>	<b>25</b>
25	<b>L34</b>	<b>25</b>	<b>21</b>
26	<b>L35</b>	<b>25</b>	<b>21</b>
27	<b>P20</b>	<b>24</b>	<b>17</b>
28	<b>L41</b>	<b>5</b>	<b>27</b>

JACK    PIN    LG

63017400 Rev. B



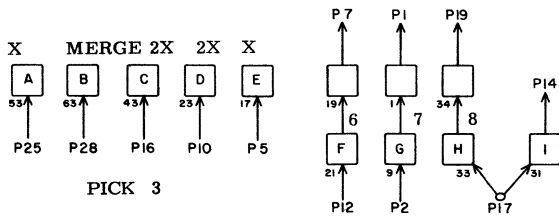
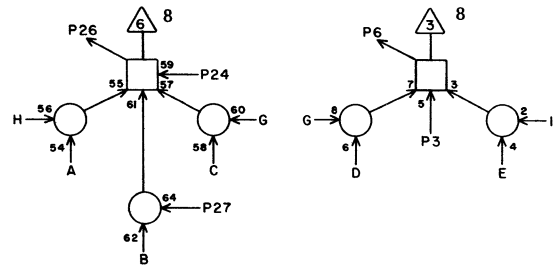
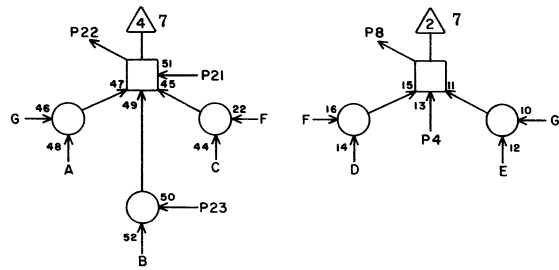
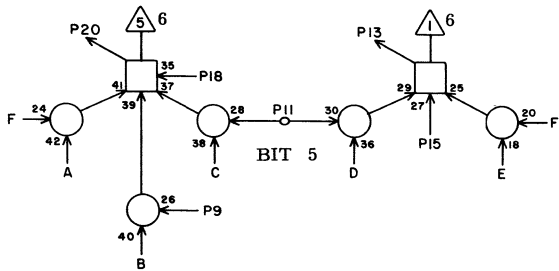
**MB**      **6M18**

1			
2	<b>P22</b>	<b>1</b>	<b>15</b>
3	<b>R11</b>	<b>14</b>	<b>25</b>
4	<b>R11</b>	<b>2</b>	<b>25</b>
5	<b>R9</b>	<b>12</b>	<b>25</b>
6	<b>M31</b>	<b>1</b>	<b>15</b>
7			
8	<b>M30</b>	<b>1</b>	<b>15</b>
9	<b>R28</b>	<b>3</b>	<b>23</b>
10	<b>Q8</b>	<b>12</b>	<b>21</b>
11	<b>N24</b>	<b>14</b>	<b>11</b>
12	<b>P22</b>	<b>7</b>	<b>15</b>
13	<b>N42</b>	<b>1</b>	<b>25</b>
14	<b>M19</b>	<b>11</b>	<b>3</b>
15	<b>R10</b>	<b>27</b>	<b>25</b>
16	<b>K11</b>	<b>2</b>	<b>15</b>
17	<b>P22</b>	<b>19</b>	<b>17</b>
18	<b>R10</b>	<b>26</b>	<b>25</b>
19			
20	<b>R37</b>	<b>1</b>	<b>29</b>
21	<b>R11</b>	<b>4</b>	<b>25</b>
22	<b>R38</b>	<b>1</b>	<b>29</b>
23	<b>R28</b>	<b>1</b>	<b>23</b>
24	<b>R11</b>	<b>16</b>	<b>25</b>
25	<b>L25</b>	<b>12</b>	<b>13</b>
26	<b>R39</b>	<b>1</b>	<b>29</b>
27	<b>R29</b>	<b>21</b>	<b>25</b>
28	<b>R27</b>	<b>10</b>	<b>25</b>

JACK    PIN    LG

63017400 Rev. B

SELECT  $X_k$ ,  $2X_k$ , MERGE

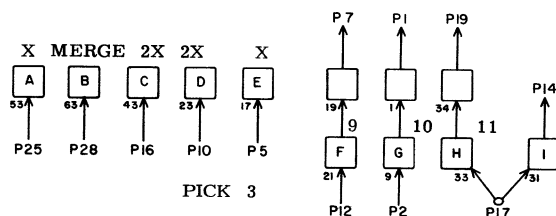
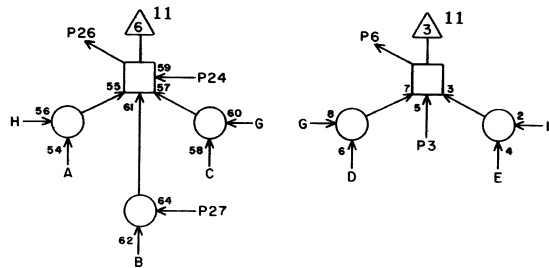
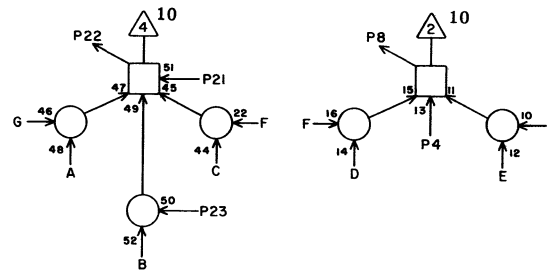
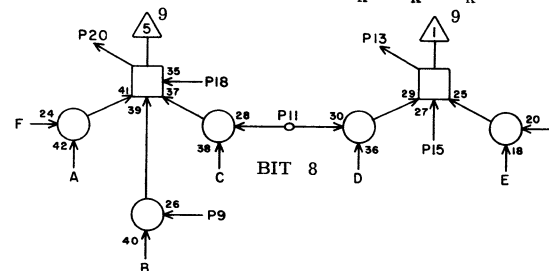


MB **6M19**

1			
2	<b>P23</b>	<b>1</b>	<b>15</b>
3	<b>R12</b>	<b>14</b>	<b>25</b>
4	<b>R12</b>	<b>2</b>	<b>25</b>
5	<b>R 9</b>	<b>10</b>	<b>25</b>
6	<b>M34</b>	<b>1</b>	<b>17</b>
7			
8	<b>M33</b>	<b>1</b>	<b>17</b>
9	<b>R29</b>	<b>3</b>	<b>25</b>
10	<b>Q 8</b>	<b>10</b>	<b>23</b>
11	<b>M18</b>	<b>14</b>	<b>3</b>
12	<b>P23</b>	<b>7</b>	<b>15</b>
13	<b>M32</b>	<b>1</b>	<b>15</b>
14	<b>M20</b>	<b>11</b>	<b>3</b>
15	<b>R11</b>	<b>27</b>	<b>15</b>
16	<b>K11</b>	<b>3</b>	<b>15</b>
17	<b>P23</b>	<b>19</b>	<b>17</b>
18	<b>R11</b>	<b>26</b>	<b>25</b>
19			
20	<b>R40</b>	<b>1</b>	<b>31</b>
21	<b>R12</b>	<b>4</b>	<b>23</b>
22	<b>R41</b>	<b>1</b>	<b>31</b>
23	<b>R29</b>	<b>1</b>	<b>23</b>
24	<b>R12</b>	<b>16</b>	<b>23</b>
25	<b>L25</b>	<b>10</b>	<b>13</b>
26	<b>R42</b>	<b>1</b>	<b>31</b>
27	<b>Q26</b>	<b>21</b>	<b>19</b>
28	<b>R28</b>	<b>10</b>	<b>23</b>
	JACK	PIN	LG

63017400 Rev. B

SELECT  $X_k$ ,  $2X_k$ , MERGE

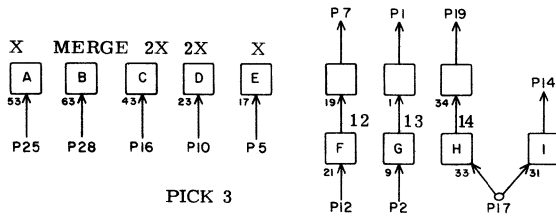
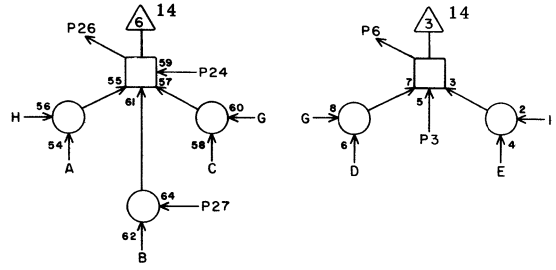
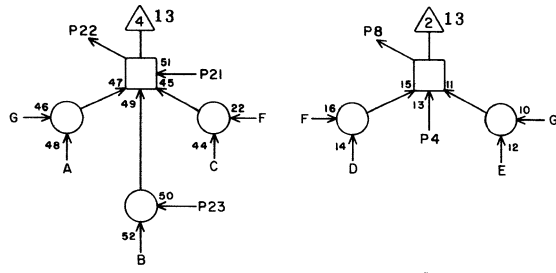
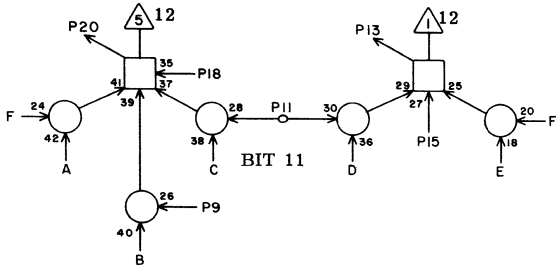


MB **6M20**

1			
2	<b>P24</b>	<b>1</b>	<b>17</b>
3	<b>Q10</b>	<b>14</b>	<b>23</b>
4	<b>Q10</b>	<b>2</b>	<b>23</b>
5	<b>R 9</b>	<b>9</b>	<b>23</b>
6	<b>M37</b>	<b>1</b>	<b>19</b>
7			
8	<b>M36</b>	<b>1</b>	<b>17</b>
9	<b>Q26</b>	<b>3</b>	<b>19</b>
10	<b>Q 8</b>	<b>9</b>	<b>23</b>
11	<b>M19</b>	<b>14</b>	<b>3</b>
12	<b>P24</b>	<b>7</b>	<b>17</b>
13	<b>M35</b>	<b>1</b>	<b>17</b>
14	<b>M21</b>	<b>11</b>	<b>3</b>
15	<b>R12</b>	<b>27</b>	<b>25</b>
16	<b>K11</b>	<b>4</b>	<b>15</b>
17	<b>P24</b>	<b>19</b>	<b>17</b>
18	<b>R12</b>	<b>26</b>	<b>25</b>
19			
20	<b>Q30</b>	<b>1</b>	<b>19</b>
21	<b>Q10</b>	<b>4</b>	<b>21</b>
22	<b>Q31</b>	<b>1</b>	<b>21</b>
23	<b>Q26</b>	<b>1</b>	<b>19</b>
24	<b>Q10</b>	<b>16</b>	<b>21</b>
25	<b>L25</b>	<b>9</b>	<b>13</b>
26	<b>Q27</b>	<b>1</b>	<b>23</b>
27	<b>Q27</b>	<b>21</b>	<b>21</b>
28	<b>R29</b>	<b>10</b>	<b>23</b>
	JACK	PIN	LG

63017400 Rev. B

SELECT  $X_k$ ,  $2X_k$ , MERGE



PICK 3

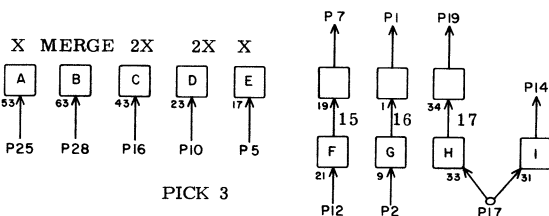
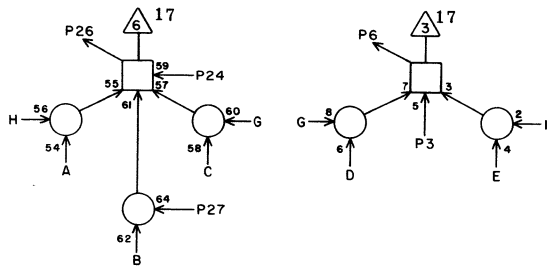
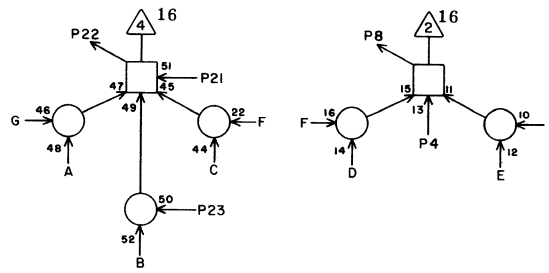
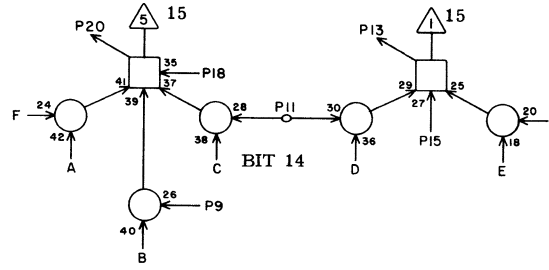
MB **6M21**

1			
2	O18	1	13
3	Q11	14	23
4	Q11	2	23
5	R 9	17	27
6	M40	1	21
7			
8	M39	1	21
9	Q27	3	19
10	Q 8	17	23
11	M20	14	3
12	O18	7	13
13	M38	1	19
14	M22	11	3
15	Q10	27	23
16	K11	5	15
17	O18	19	13
18	Q10	26	23
19			
20	Q33	1	23
21	Q11	4	21
22	Q34	1	23
23	Q27	1	19
24	Q11	16	21
25	L25	17	13
26	Q35	1	23
27	Q28	21	21
28	Q26	10	21

JACK PIN LG

63017400 Rev. B

SELECT  $X_k$ ,  $2X_k$ , MERGE



PICK 3

6M22

MB **6M22**

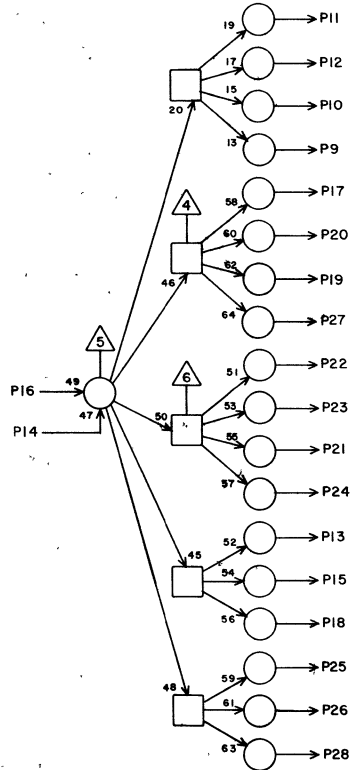
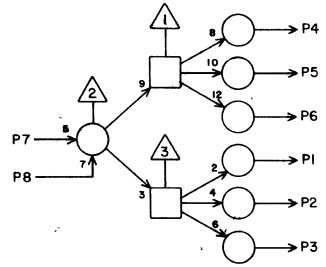
1			
2	O19	1	13
3	Q12	14	23
4	Q12	1	23
5	R 9	20	27
6	L30	1	13
7			
8	M42	1	25
9	Q28	3	19
10	Q 8	20	25
11	M21	14	3
12	O19	7	13
13	M41	1	21
14	M23	11	3
15	Q11	27	23
16	K11	7	17
17	O19	19	15
18	Q11	26	23
19			
20	Q36	1	23
21	Q12	4	21
22	Q37	1	25
23	Q28	1	19
24	Q12	16	23
25	L25	20	11
26	Q38	1	25
27	Q29	21	21
28	Q27	10	21

JACK PIN LG

63017400 Rev. B



Clear MK Rank I



BITS 2, 3  
3X<sub>K</sub>  
FANOUT

CB 6M25

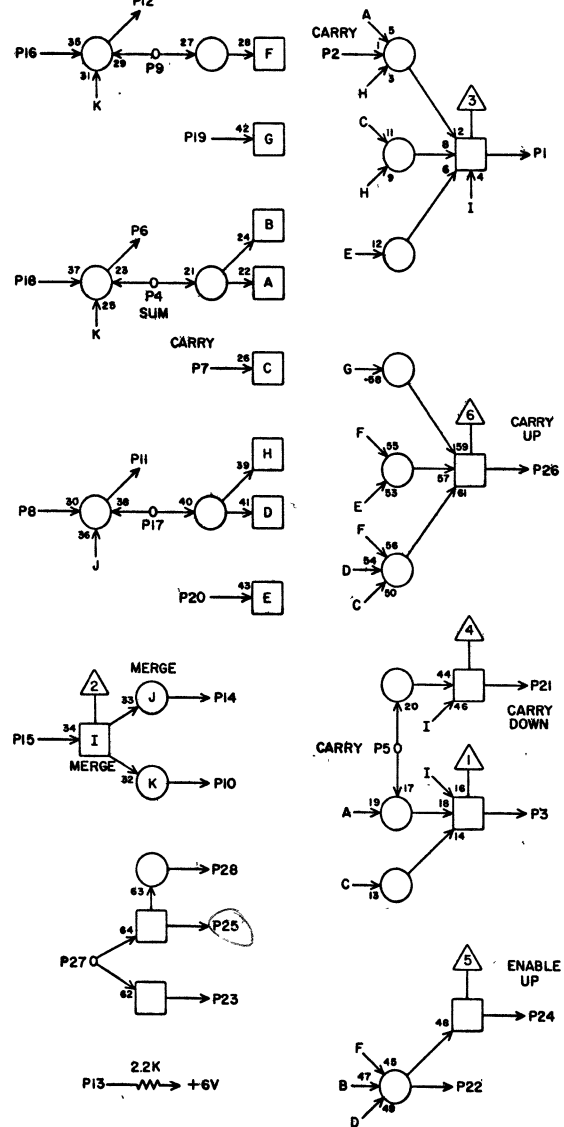
1	J16	16	17
2	J17	16	17
3	J18	16	17
4	J19	16	15
5	J20	16	15
6	J21	16	15
7	J30	12	17
8	P 1	14	120
9	P24	28	17
10	P23	28	17
11	P21	28	17
12	P22	28	17
13	N19	28	13
14	M25	X	2
15	N20	28	11
16	J 9	8	23
17	O18	28	15
18	N21	28	11
19	O20	28	15
20	O19	28	15
21	O24	28	13
22	O22	28	13
23	O23	28	13
24	N18	28	13
25	N22	28	11
26	N23	28	11
27	O21	28	11
28			

JACK PIN LG

63017400 Rev. B

LS 63069900  
ASSY

REV A



TS

6M26

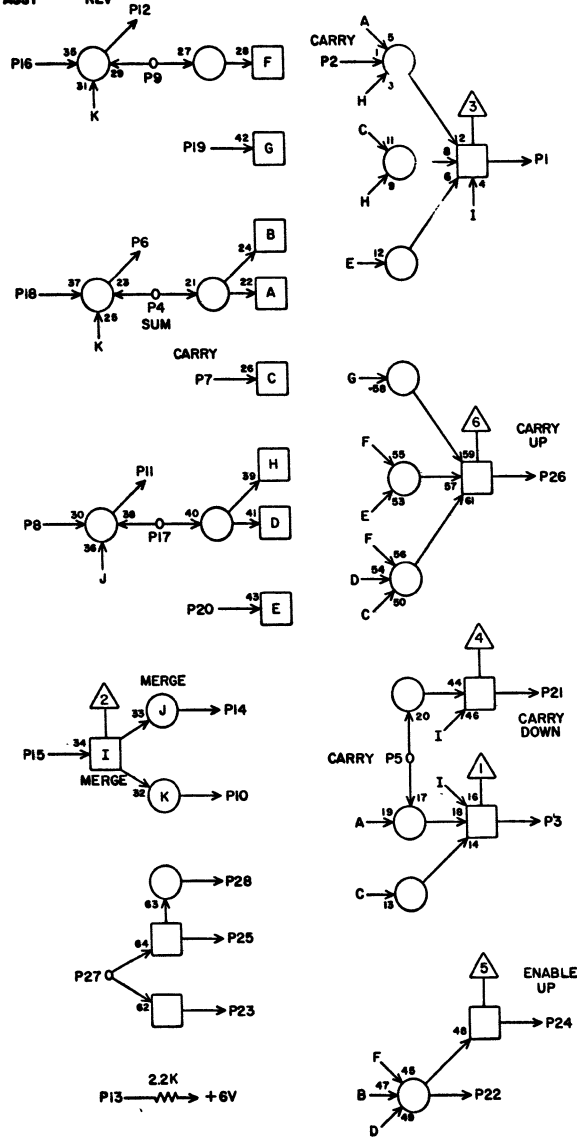
1	L10	6	19
2	K29	12	13
3	L10	1	19
4	L 9	21	19
5	K29	13	13
6			
7			
8			
9	L10	9	19
10			
11			
12			
13	J37	27	19
14			
15	P26	14	17
16			
17	L10	7	19
18			
19	L16	19	19
20	L16	16	19
21	L 9	25	19
22	L29	25	11
23	J 8	14	25
24	K29	3	13
25	J 7	14	25
26	K29	8	13
27	J24	28	15
28	J 9	26	23

JACK PIN LG

CIRCUIT SPECIFICATION 11827600

63017400 Rev. B

LS 63069900  
ASSY



TS

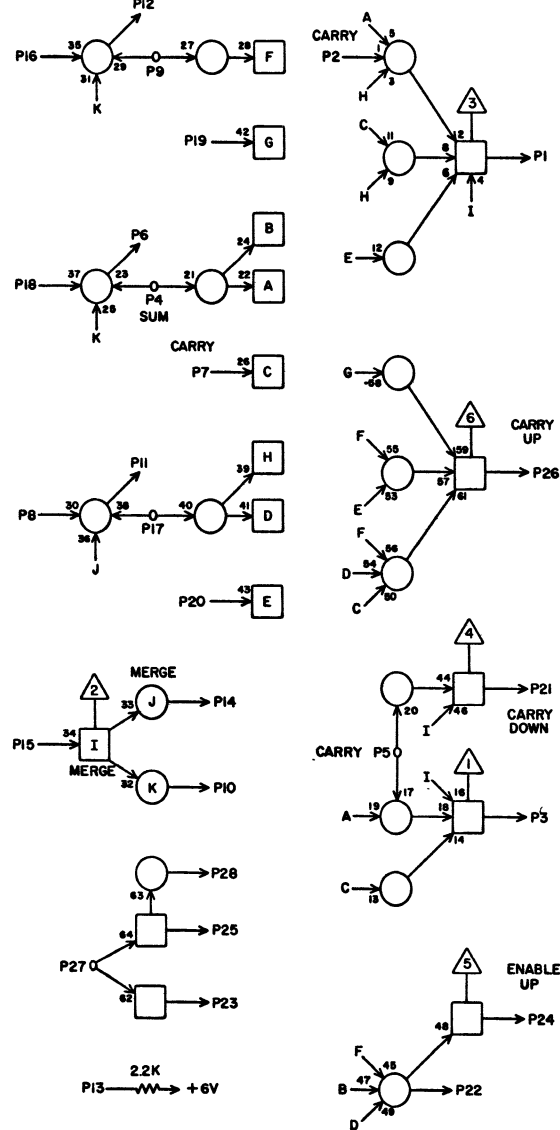
6M27

1	L11	1	19
2	J32	11	17
3	L10	25	19
4	L10	17	19
5	J32	9	17
6			
7	L17	15	21
8			
9	L11	7	19
10			
11			
12			
13	J38	27	19
14	K25	24	11
15	P27	14	17
16			
17	L10	21	19
18			
19	L17	19	19
20	L17	16	17
21	L10	19	19
22	L29	23	11
23			
24	J32	5	17
25			
26	K29	27	13
27			
28			

CIRCUIT SPECIFICATION H827600

63017400 Rev. B

LS 63069900  
ASSY



TS

6M28

1	L11	25	19
2	K29	24	11
3	L11	19	19
4	L11	9	19
5	K29	22	11
6			
7	K15	15	21
8			
9	L11	21	19
10			
11			
12			
13	J30	28	15
14			
15	P28	14	17
16			
17	L11	17	19
18			
19	K15	19	21
20	K15	16	21
21	L11	6	19
22	L29	17	9
23	J24	8	17
24	K29	25	13
25	M9	6	21
26	K29	28	13
27	J8	24	25
28	J26	24	15

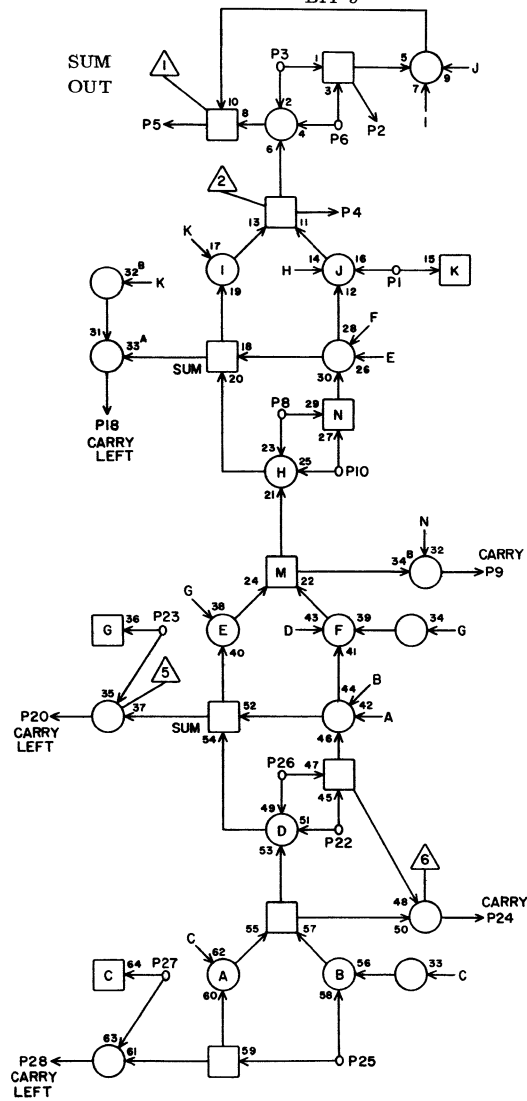
CIRCUIT SPECIFICATION H827600

63017400 Rev T



UPPER 3-LEVEL ADDER

BIT 9



MG 6M31

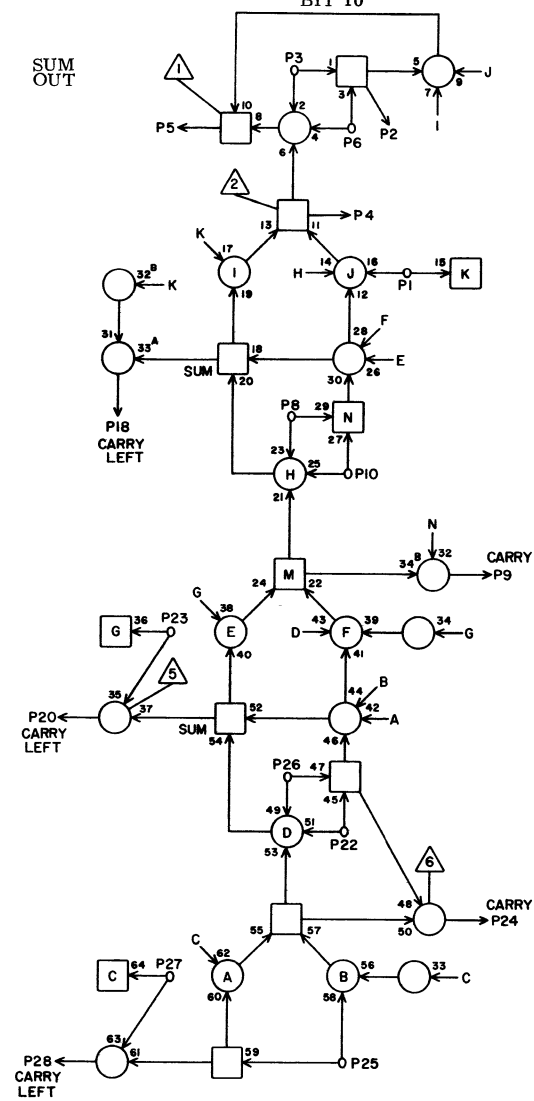
1	M18	6	15
2	N15	6	19
3	M30	9	3
4	N15	8	19
5	N15	23	19
6	M30	18	3
7			
8	M30	24	5
9	M32	3	3
10	M30	20	3
11			
12			
13			
14			
15			
16			
17			
18	M32	6	3
19			
20	M32	10	3
21			
22	M30	28	3
23	P23	8	17
24	M32	8	5
25	N17	22	17
26	N17	3	17
27	R21	13	25
28	M32	22	3

JACK PIN LG

63017400 Rev. B

UPPER 3-LEVEL ADDER

BIT 10



MG 6M32

1	M19	13	15
2	M15	10	19
3	M31	9	3
4	N15	12	19
5	N15	24	19
6	M31	18	3
7			
8	M31	24	5
9	M33	3	3
10	M31	20	3
11			
12			
13			
14			
15			
16			
17			
18	M33	6	3
19			
20	M33	10	3
21			
22	M31	28	3
23	P23	6	19
24	M33	8	5
25	N17	25	19
26	N17	7	19
27	R21	8	25
28	M33	22	3

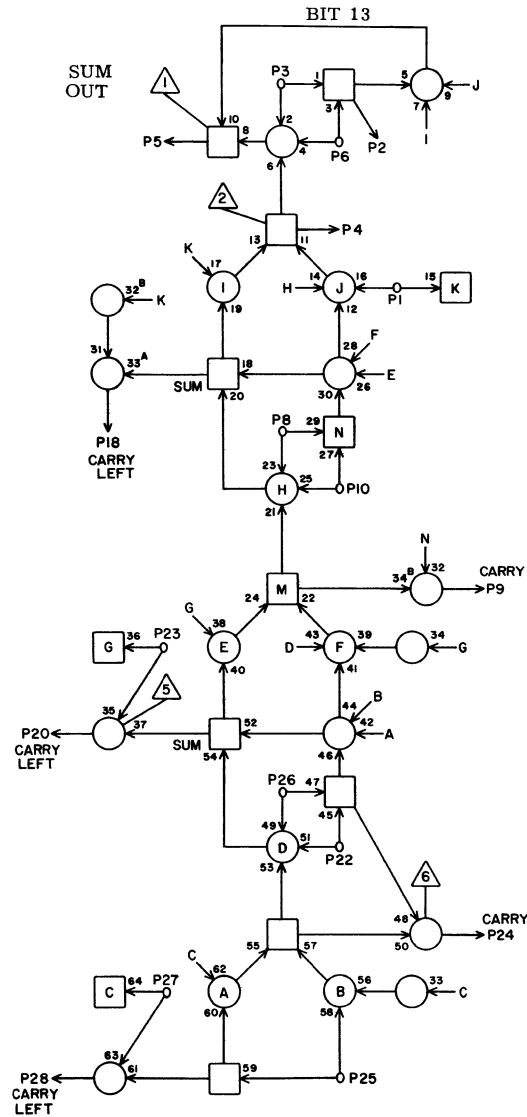
JACK PIN LG

63017400 Rev. B





UPPER 3-LEVEL ADDER

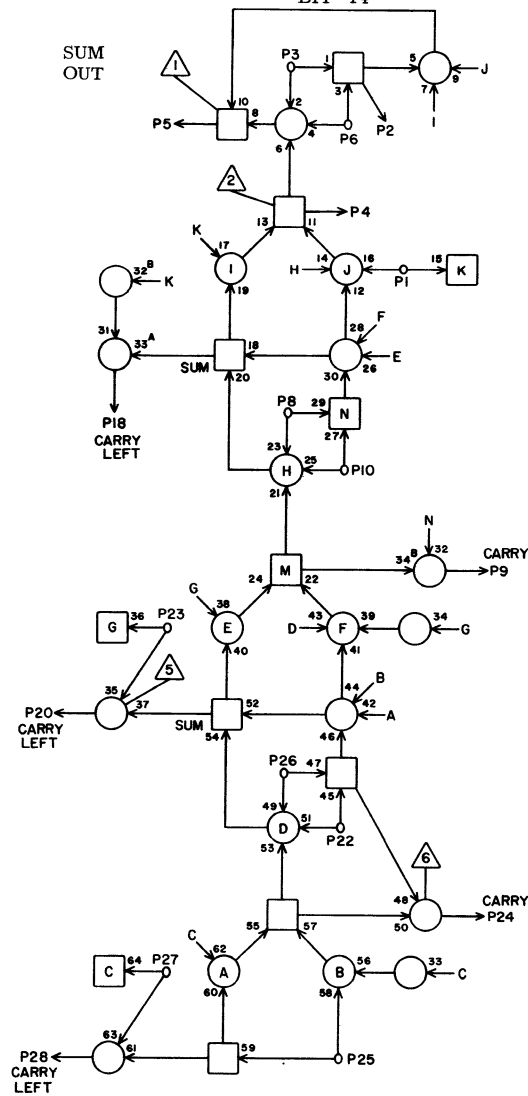


MG 6 **M35**

	JACK	PIN	LG
1	M20	13	17
2	N16	10	23
3	M34	9	3
4	N16	12	23
5	N16	24	23
6	M34	18	3
7			
8	M34	24	5
9	M36	3	3
10	M34	20	3
11			
12			
13			
14			
15			
16			
17			
18	M36	6	3
19			
20	M36	10	3
21			
22	M34	28	3
23	P24	6	19
24	M36	8	5
25	M13	25	23
26	M13	7	23
27	R22	8	25
28	M36	22	3

63017400 Rev. B

UPPER 3-LEVEL ADDER  
BIT 14



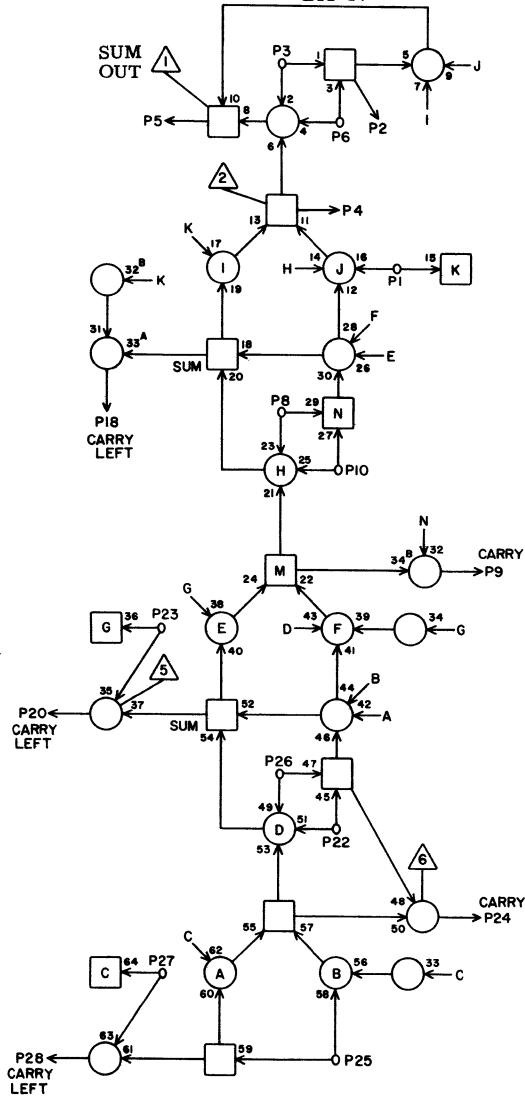
MG 6 **M36**

	JACK	PIN	LG
1	M20	8	17
2	N17	2	23
3	M35	9	3
4	N17	4	23
5	N16	28	23
6	M35	18	3
7			
8	M35	24	5
9	M37	3	3
10	M35	20	3
11			
12			
13			
14			
15			
16			
17			
18	M37	6	3
19			
20	M37	10	3
21			
22	M35	28	3
23	O18	17	23
24	M37	8	5
25	M13	26	25
26	M13	11	23
27	R22	6	25
28	M37	22	13

63017400 Rev. B



UPPER 3-LEVEL ADDER  
BIT 17

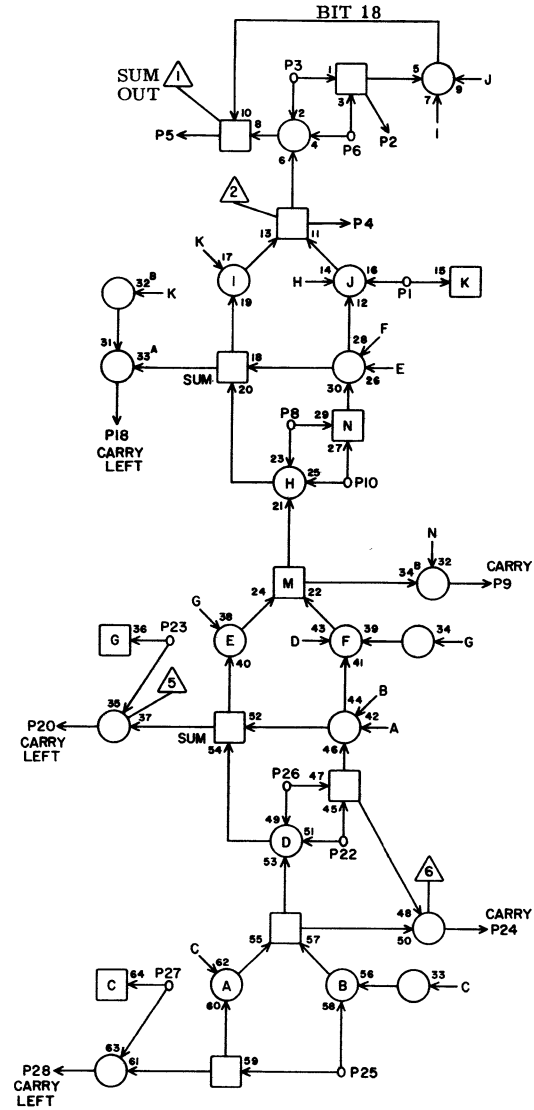


MG 6 **M39**

1	M21	8	21
2	M13	2	27
3	M38	9	3
4	M13	4	27
5	N17	28	25
6	M38	18	3
7			
8	M38	24	5
9	M40	3	3
10	M38	20	3
11			
12			
13			
14			
15			
16			
17			
18	M40	6	3
19			
20	M40	10	3
21			
22	M38	28	3
23	O19	13	25
24	M40	8	5
25	M14	26	27
26	M14	11	27
27	R23	6	25
28	M40	22	3
	JACK	PIN	LG

63017400 Rev. B

UPPER 3-LEVEL ADDER  
BIT 18

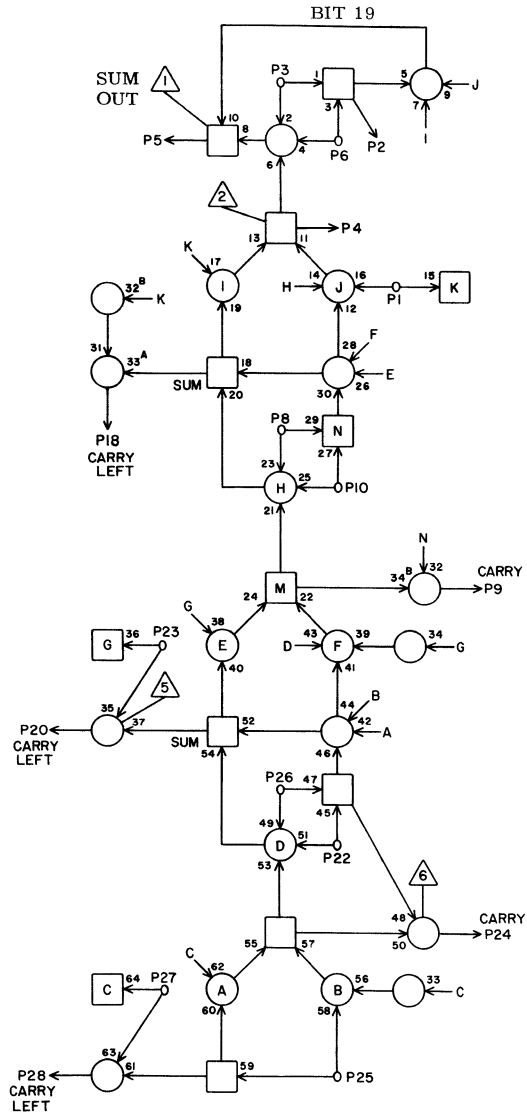


MG 6 **M40**

1	M21	6	21
2	M13	6	29
3	M39	9	3
4	M13	8	29
5	M13	23	29
6	M39	18	3
7			
8	M39	24	5
9	M41	3	3
10	M39	20	3
11			
12			
13			
14			
15			
16			
17			
18	M41	6	3
19			
20	M41	10	3
21			
22	M39	28	3
23	O19	8	25
24	M41	8	5
25	M15	22	27
26	M15	3	27
27	R24	13	25
28	M41	22	3
	JACK	PIN	LG

63017400 Rev. B

UPPER 3-LEVEL ADDER



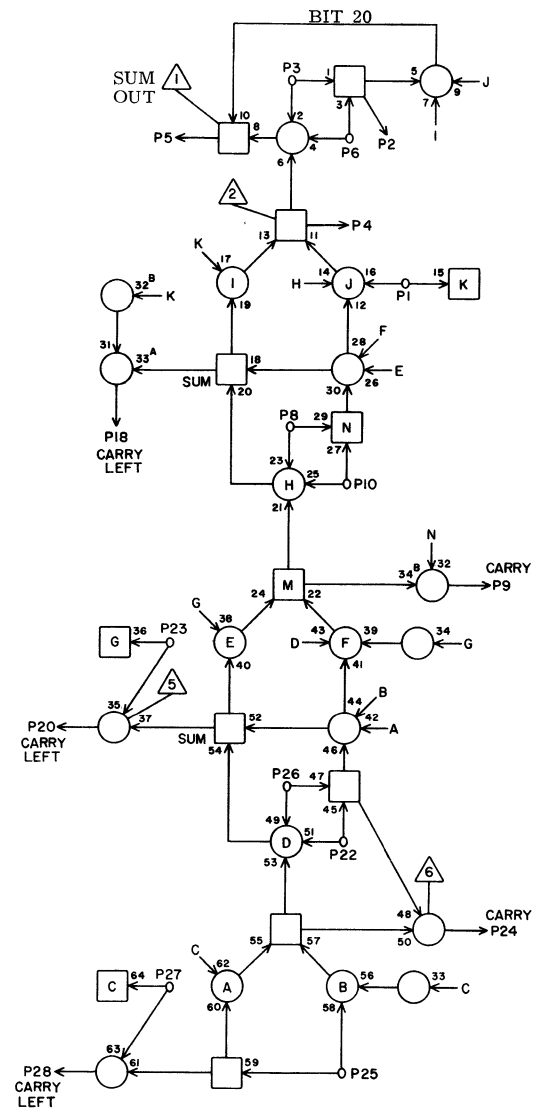
MG **6M41**

1	M22	13	21
2	M13	10	29
3	M40	9	3
4	M13	12	29
5	M13	24	29
6	M40	18	3
7			
8	M40	24	5
9	M42	3	3
10	M40	20	3
11			
12			
13			
14			
15			
16			
17			
18	M42	6	3
19			
20	M42	10	3
21			
22	M40	28	3
23	O19	6	25
24	M42	8	5
25	M15	25	27
26	M15	7	27
27	R24	8	25
28	M42	22	3

JACK PIN LG

63017400 Rev. B

UPPER 3-LEVEL ADDER



MG **6M42**

1	M22	8	15
2	M14	2	29
3	M41	9	3
4	M14	4	29
5	M13	28	31
6	M41	18	3
7			
8	M41	24	5
9	L30	3	15
10	M41	20	3
11			
12			
13			
14			
15			
16			
17			
18	L30	6	15
19			
20	L30	10	15
21			
22	M41	28	3
23	O20	13	25
24	L30	8	15
25	M15	26	27
26	M15	11	27
27	R24	6	25
28	L30	22	15

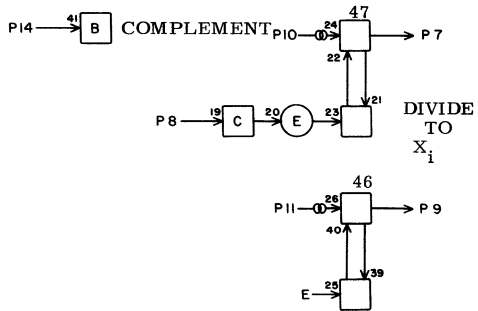
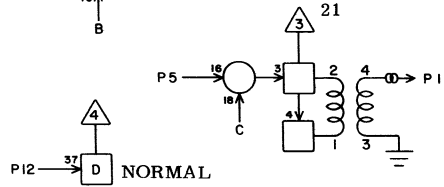
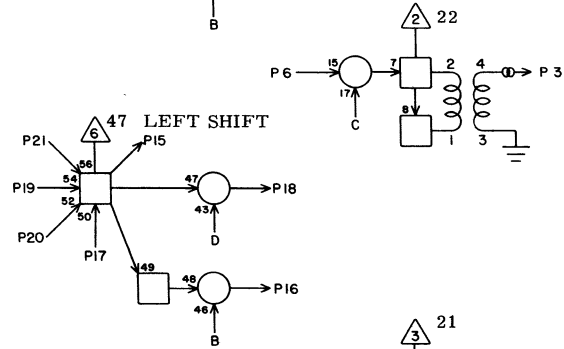
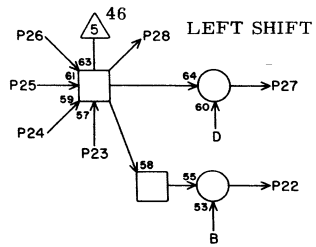
JACK PIN LG

63017400 Rev. B

6M42



MULTIPLY  
RESULT FANIN

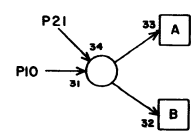
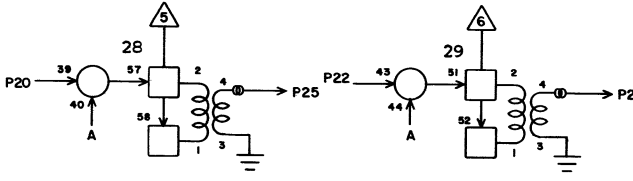
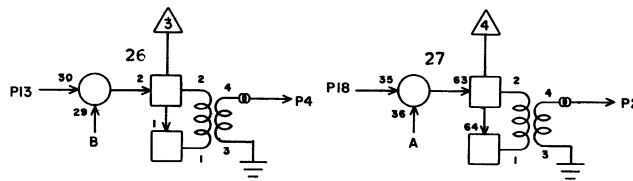
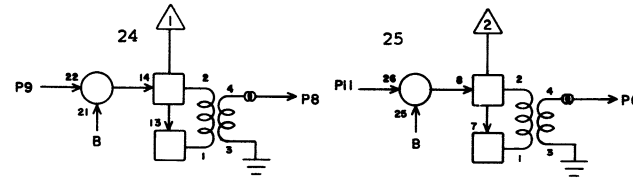


MT **6N 3**

1	W26	906	
2	W27	90.	
3	W26	907	
4	I 6	26	21
5	I 6	22	21
6	I 6	24	21
7	F 5	28	33
8	H 8	25	25
9	F 5	24	33
10	W22	901	
11	W22	900	
12	K 8	25	15
13			
14	O 9	25	11
15			
16	F 5	15	33
17	B15	27	47
18	F 5	16	33
19	G12	15	31
20	Q15	27	21
21	L12	15	17
22	F 5	17	33
23	B15	21	47
24	G12	11	33
25	Q15	21	21
26	L12	11	17
27	F 5	18	33
28	F 5	26	33
	JACK	PIN	LG

63017400 Rev. B

$X_j$  TO DIVIDE



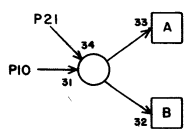
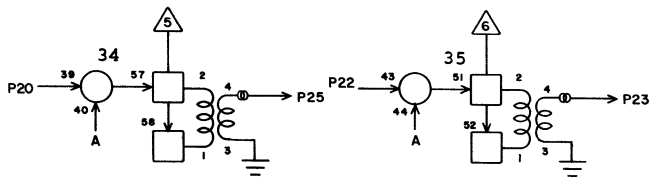
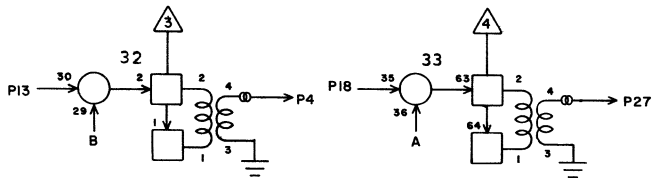
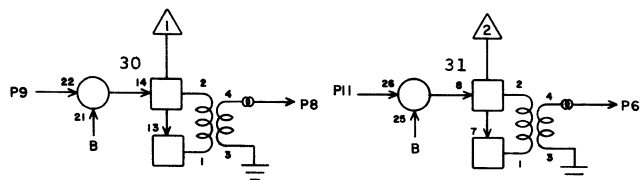
6N4

PL **6N 4**

1			
2			
3			
4	W27	93	
5			
6	W27	92	
7			
8	W27	91	
9	J 1	20	19
10	I32	2	35
11	J 1	22	19
12			
13	J 1	24	19
14			
15			
16			
17			
18	J 1	26	19
19			
20	J 2	20	19
21	N04	X	2
22	J 2	22	19
23	W27	96	
24			
25	W27	95	
26			
27	W27	94	
28			
	JACK	PIN	LG

63017400 Rev. B

$X_j$  TO DIVIDE

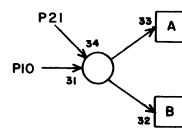
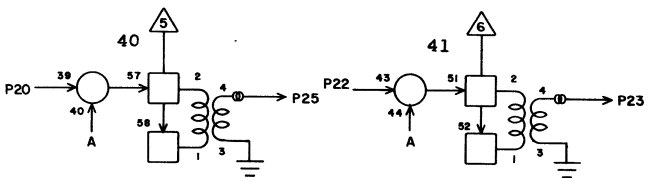
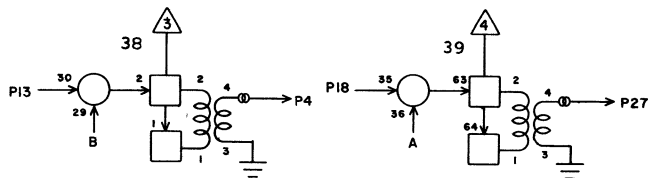
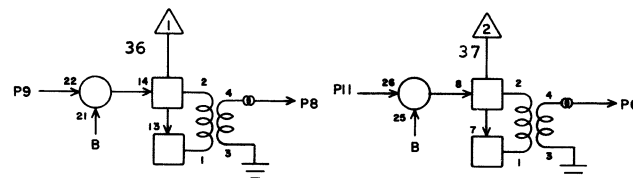


PL		6N 5	
1			
2			
3			
4	W 27	99	
5			
6	W 27	98	
7			
8	W27	97	
9	J 2	24	19
10	I32	1	35
11	J 2	26	17
12			
13	J 3	20	19
14			
15			
16			
17			
18	J 3	22	19
19			
20	J 3	24	19
21	N05	X	2
22	J 3	26	19
23	W27	902	
24			
25	W27	901	
26			
27	W27	900	
28			

JACK PIN LG

63017400 Rev. B

$X_j$  TO DIVIDE



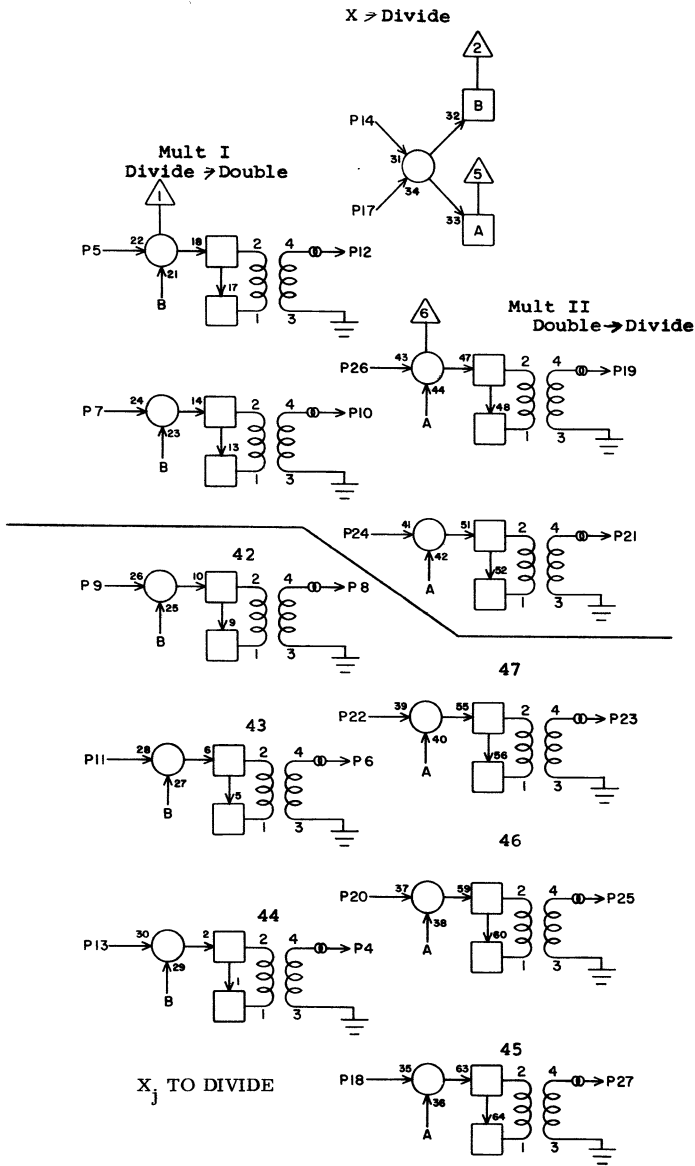
PL		6N 6	
1			
2			
3			
4	W27	905	
5			
6	W27	904	
7			
8	W27	903	
9	J 4	20	17
10	I32	4	33
11	J 4	22	19
12			
13	J 4	24	19
14			
15			
16			
17			
18	J 4	26	19
19			
20	J 5	20	19
21	N06	X	2
22	J 5	22	19
23	W28	90	
24			
25	W27	907	
26			
27	W27	906	
28			

JACK PIN LG

6N6

63017400 Rev. B



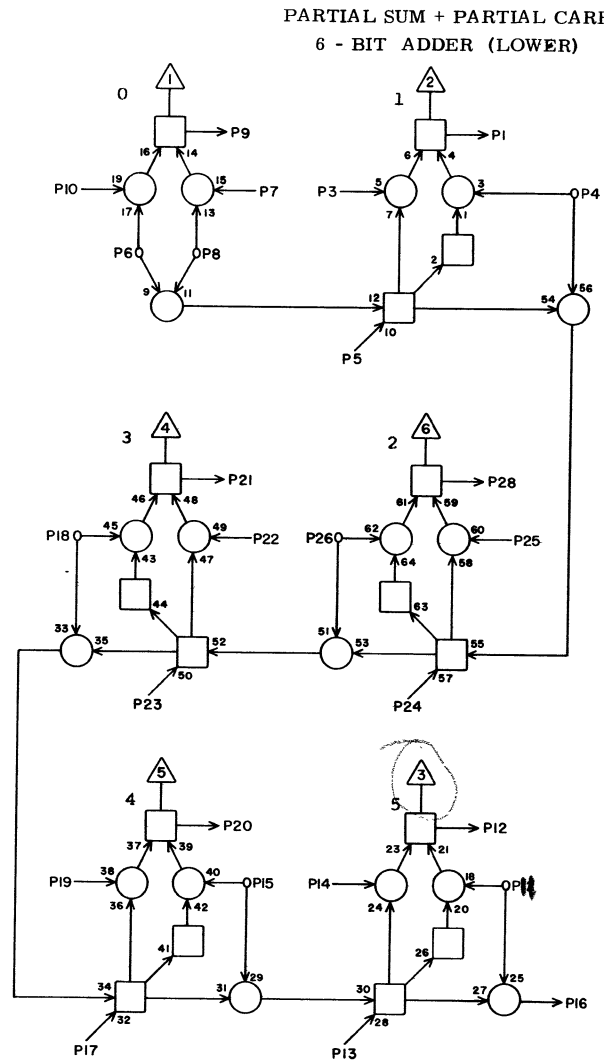


**JQ**      **6N7**

1			
2			
3			
4	W28	93	
5	A17	15	60
6	W28	92	
7			
8	W28	91	
9	J 5	24	17
10			
11	J 5	26	17
12	W22	907	
13	J 6	20	19
14	I32	6	33
15			
16			
17			
18	J 6	22	19
19	W22	908	
20	J 6	24	19
21			
22	J 6	26	19
23	W28	96	
24			
25	W28	95	
26	R17	15	21
27	W28	94	
28			

JACK    PIN    LG

63017400 Rev. B



6N8

**MO**      **6N8**

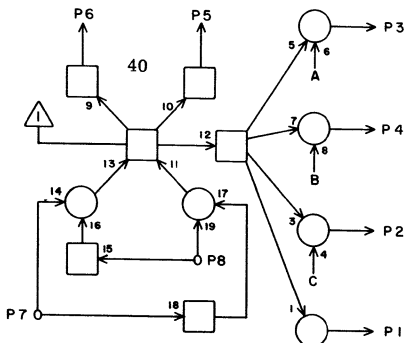
1	J14	28	19
2			
3	R28	28	29
4	R28	25	29
5	R13	7	19
6	R27	25	27
7	R27	28	27
8	R26	25	27
9	J14	21	19
10	R26	28	27
11	Q28	25	25
12	J15	28	19
13	R14	11	19
14	Q28	28	25
15	Q27	25	25
16	Q28	27	25
17	R14	7	19
18	Q26	25	25
19	Q27	28	25
20	J15	21	21
21	J15	12	21
22	Q26	28	25
23	R14	3	19
24	R13	11	19
25	R29	28	29
26	R29	25	29
27			
28	J15	1	23

JACK    PIN    LG

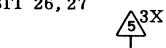
63017400 Rev. B



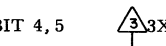
$X_k + 2X_k$  ADDER; SELECT  $3X_k$



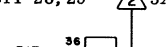
BIT 26, 27



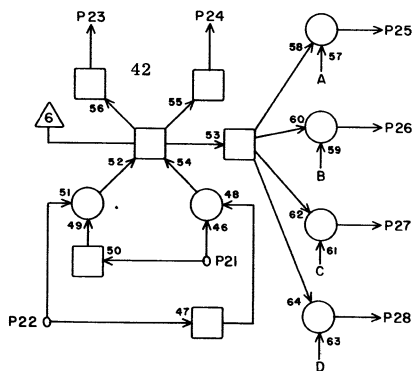
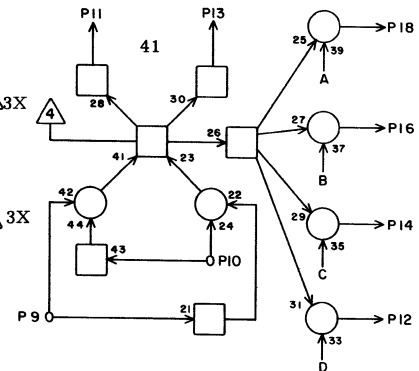
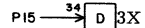
BIT 4, 5



BIT 28, 29



BIT 24, 25



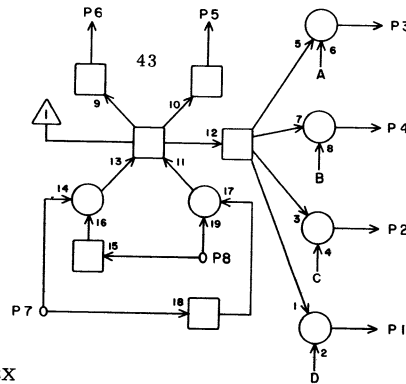
MF **6N11**

1	Q24	4	21
2	L23	4	17
3	N20	4	13
4	L23	21	19
5	Q24	23	21
6	N20	23	13
7	Q 7	5	17
8	O 5	5	11
9	O 5	25	11
10	O 5	8	11
11	Q24	27	21
12	Q24	3	19
13	N20	27	13
14	L23	3	17
15	K12	15	17
16	L23	24	17
17	Q 9	15	17
18	N20	3	13
19	R 8	15	21
20	K23	18	21
21	O 6	1	11
22	O 5	21	11
23	P18	9	13
24	N21	9	13
25	N21	15	13
26	L24	18	17
27	L24	15	17
28	P18	15	13

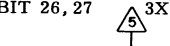
JACK PIN LG

63017400 Rev. B

$X_k + 2X_k$  ADDER; SELECT  $3X_k$



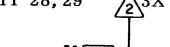
BIT 26, 27



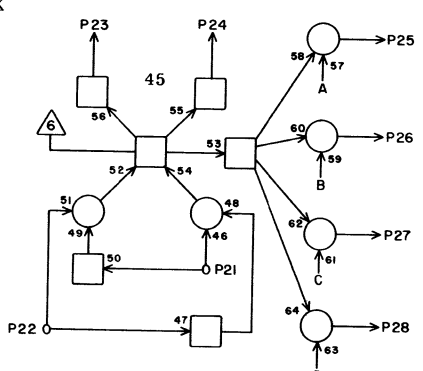
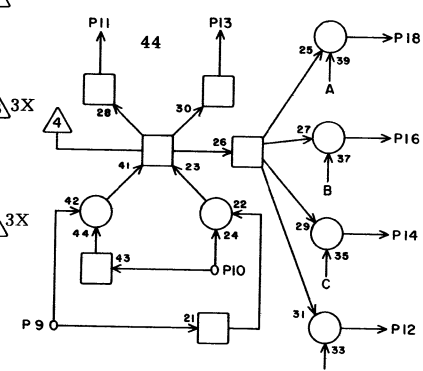
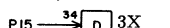
BIT 4, 5



BIT 28, 29



BIT 24, 25



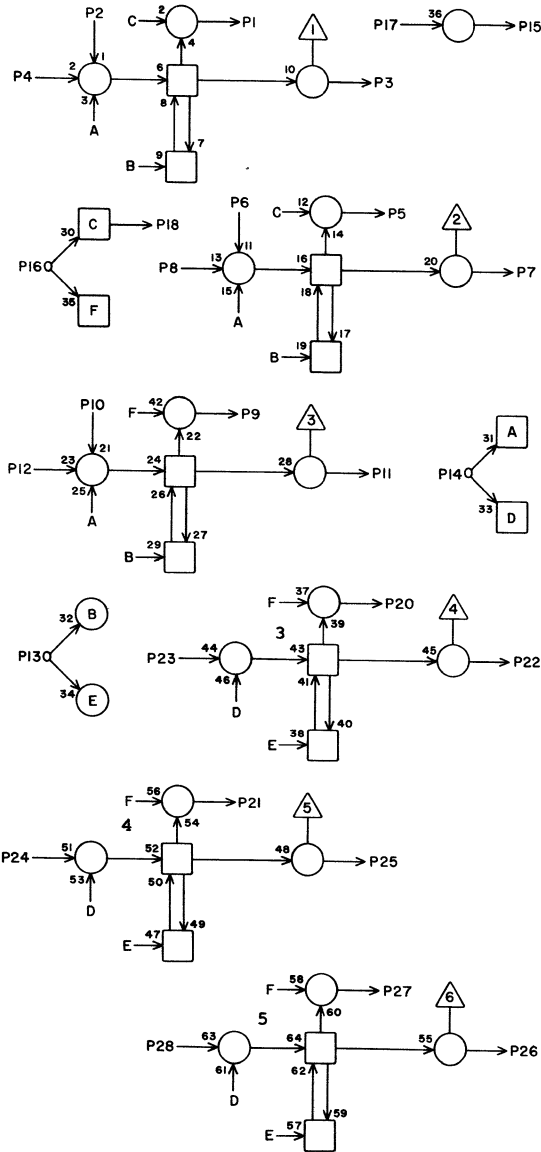
MF **6N12**

1	P18	4	13
2	L24	4	17
3	N21	4	13
4	L24	21	17
5	P18	23	13
6	N21	23	13
7	Q 7	13	17
8	O 6	5	11
9	O 6	25	11
10	O 6	8	13
11	P18	27	15
12	P18	3	13
13	N21	27	13
14	L24	3	17
15	K12	18	17
16	L24	24	17
17	Q 9	18	17
18	N21	3	13
19	R 8	18	21
20	K23	19	21
21	O 7	1	11
22	O 6	21	11
23	P19	9	15
24	N22	9	13
25	N22	15	13
26	K18	18	17
27	K18	15	17
28	P19	15	15

JACK PIN LG

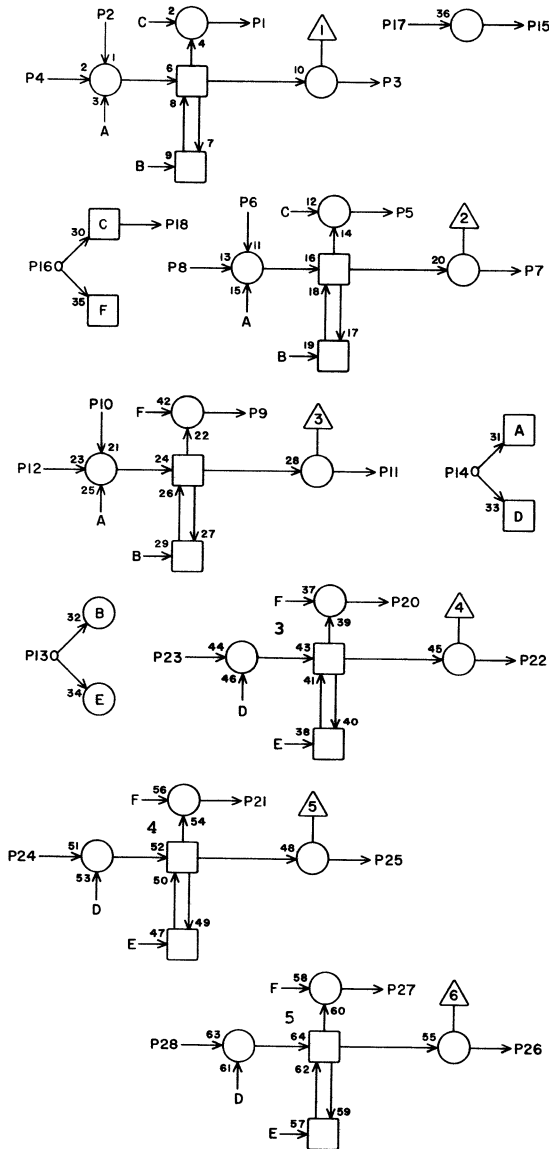
63017400 Rev. B

6N12



NJ		6N13	
JACK	PIN	PIN	LG
1	O20	21	13
2	N37	2	25
3	N 9	23	7
4	N37	4	25
5	O20	24	13
6	N38	2	27
7	N 9	17	5
8	N38	4	27
9	O21	18	13
10	N39	2	27
11	N 9	13	5
12	N39	4	27
13	M 9	2	9
14	K21	24	17
15	J28	8	25
16	J24	2	23
17	I23	17	25
18	J18	8	23
19			
20	Q18	18	17
21	Q18	21	17
22	P29	27	21
23	N38	5	27
24	N39	5	27
25	O26	27	17
26	O27	27	17
27	Q18	24	17
28	N40	5	27

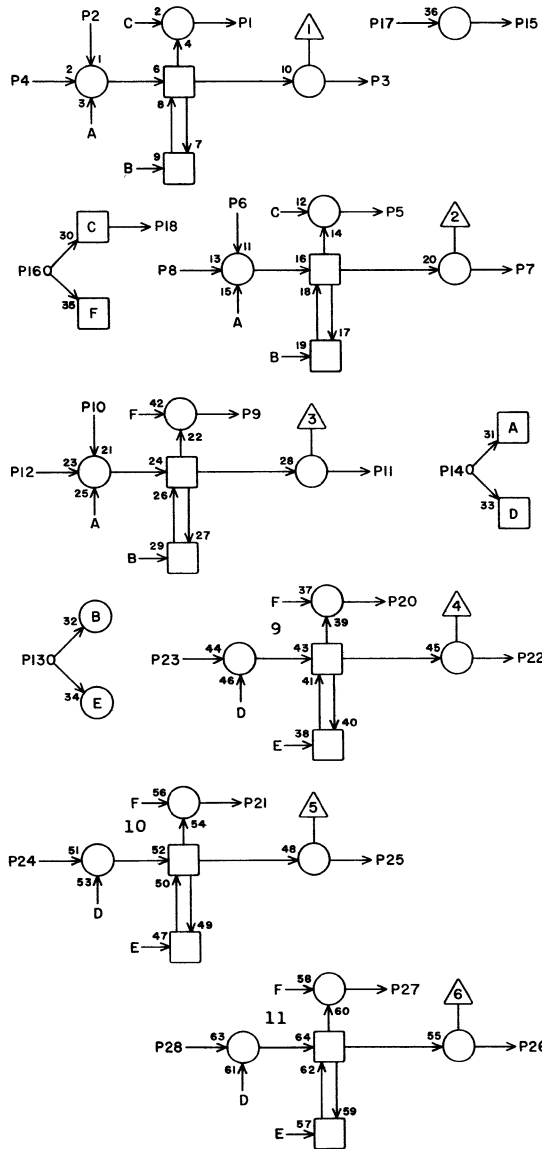
63017400 Rev. B



NJ		6N14	
JACK	PIN	PIN	LG
1	O21	21	13
2	N40	2	27
3	N35	26	21
4	N40	4	27
5	O21	24	13
6	N41	2	27
7	N36	26	23
8	N41	4	27
9	O22	18	13
10	N42	2	29
11	N37	26	23
12	N42	4	29
13	M 9	3	11
14	K21	25	17
15	N33	1	21
16	J24	3	23
17	M 8	10	13
18	J18	18	19
19			
20	Q19	18	17
21	Q19	21	17
22	N35	25	27
23	N41	5	27
24	N42	5	29
25	N36	25	23
26	N37	25	23
27	Q19	24	17
28	M30	5	19

6N14

63017400 Rev. B

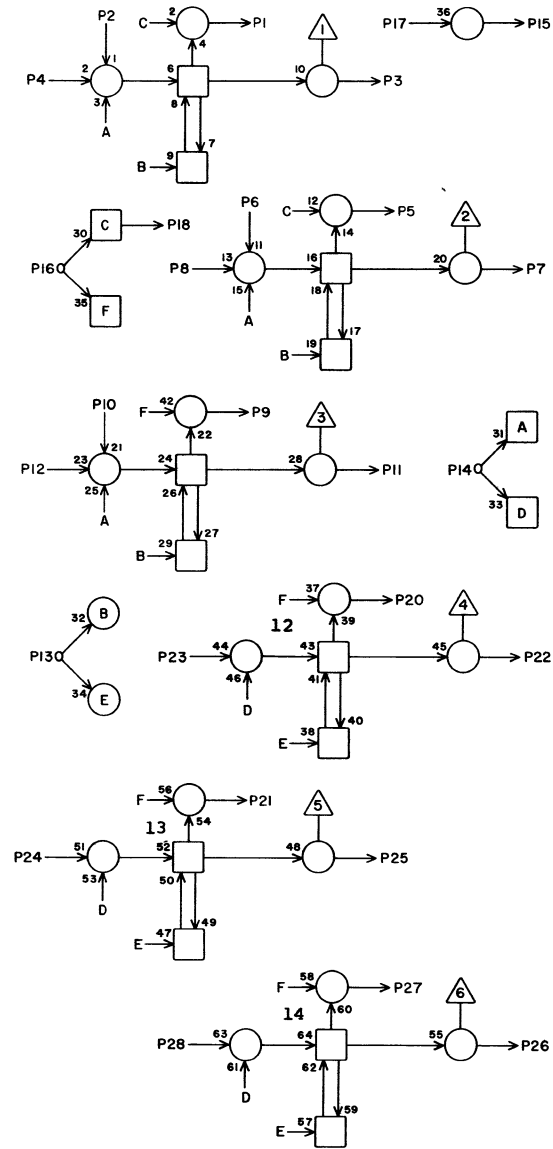


NJ **6N15**

1	O22	21	13
2	M30	2	19
3	N38	26	25
4	M30	4	19
5	O22	24	13
6	M31	2	19
7	N39	26	25
8	M31	4	19
9	O23	18	13
10	M32	2	19
11	N40	26	27
12	M32	4	19
13	M 9	4	11
14	K21	26	17
15	N34	1	21
16	J24	4	23
17	K11	10	17
18	J19	8	21
19			
20	Q20	18	17
21	Q20	21	17
22	N38	25	25
23	M31	5	19
24	M32	5	19
25	N39	25	25
26	N40	25	27
27	Q20	24	17
28	M33	5	21

JACK PIN LG

63017400 Rev. B



NJ **6N16**

1	O23	21	13
2	M33	2	19
3	N41	26	27
4	M33	4	19
5	O23	24	13
6	M34	2	21
7	N42	26	27
8	M34	4	21
9	O24	18	13
10	M35	2	23
11	M30	26	17
12	M35	4	23
13	M 9	5	11
14	K21	27	15
15	J29	8	23
16	J24	5	21
17	I23	27	23
18	J19	18	19
19			
20	Q21	18	17
21	Q21	21	17
22	N41	25	27
23	M34	5	21
24	M35	5	23
25	N42	25	27
26	M30	25	17
27	Q21	24	21
28	M36	5	23

JACK PIN LG

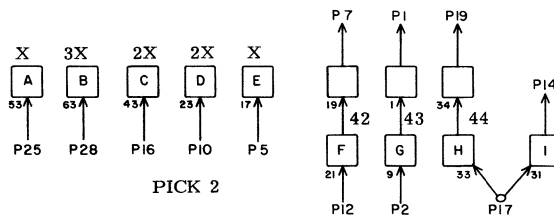
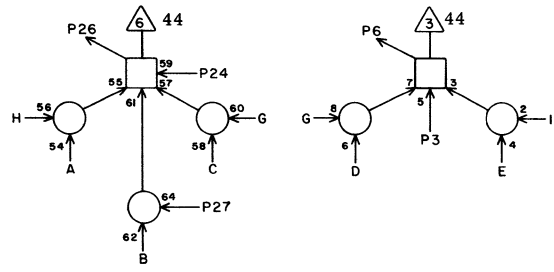
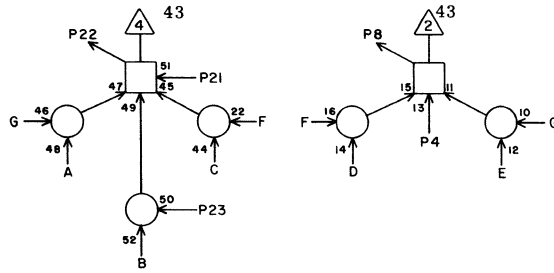
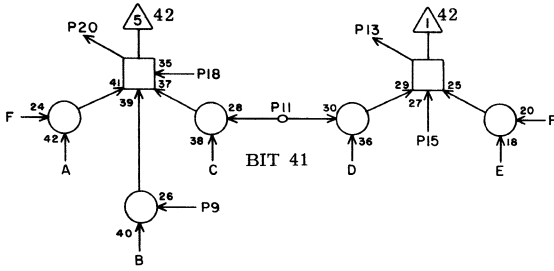
6N16

63017400 Rev. B





SELECT  $X_k, 2X_k, 3X_k$



PICK 2

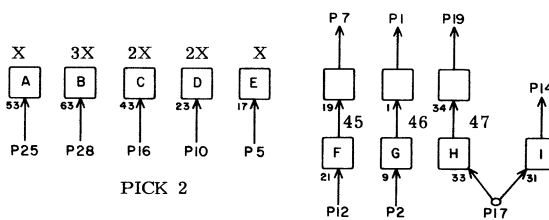
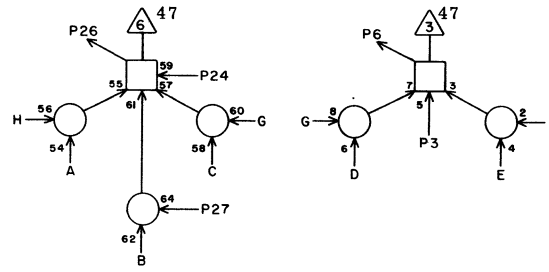
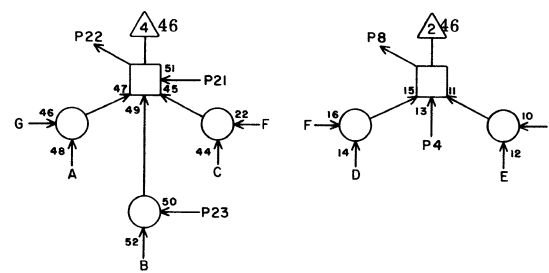
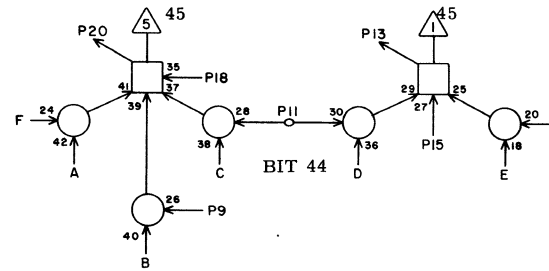
MB 6N21

1	L24	2	13
2	P18	1	13
3	N12	18	13
4	N12	3	13
5	K24	19	17
6	K42	23	25
7	L24	12	13
8	K41	23	25
9	N11	24	13
10	K25	19	15
11	N20	14	3
12	P18	7	13
13	K40	23	25
14	N22	11	3
15	N11	25	13
16	N25	18	5
17	P18	19	13
18	M15	9	11
19	L24	17	13
20	O35	23	17
21	M16	1	11
22	O36	23	17
23	N12	6	13
24	M16	5	11
25	O25	18	9
26	O37	23	17
27	N12	13	13
28	M25	18	11

JACK PIN LG

63017400 Rev. B

SELECT  $X_k, 2X_k, 3X_k$



PICK 2

MB 6N22

1	K18	2	15
2	P19	1	13
3	M10	18	15
4	M10	3	15
5	K24	21	15
6	J35	23	23
7	K18	12	15
8	J34	23	21
9	N12	24	13
10	K25	21	15
11	N21	14	3
12	P19	7	13
13	J33	23	23
14	N23	11	3
15	N12	25	13
16	N25	25	5
17	P19	19	13
18	M16	9	11
19	K18	17	17
20	O38	23	19
21	M17	1	11
22	O39	23	19
23	M10	6	15
24	M17	5	11
25	O25	25	9
26	O40	23	21
27	M10	13	15
28	M25	25	11

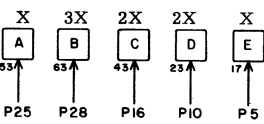
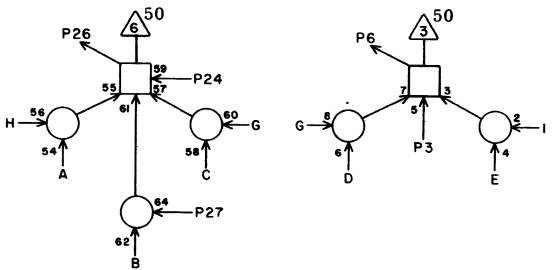
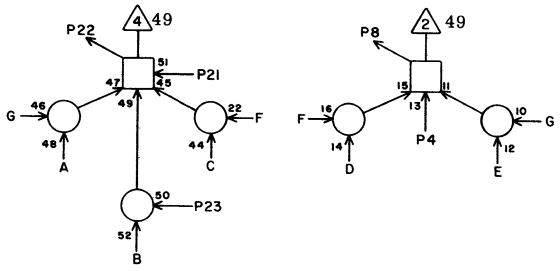
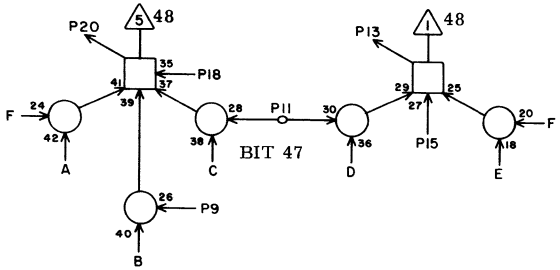
JACK PIN LG

63017400 Rev. B

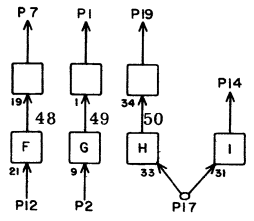
6N22



SELECT  $X_k$ ,  $2X_k$ ,  $3X_k$



PICK 2



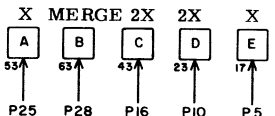
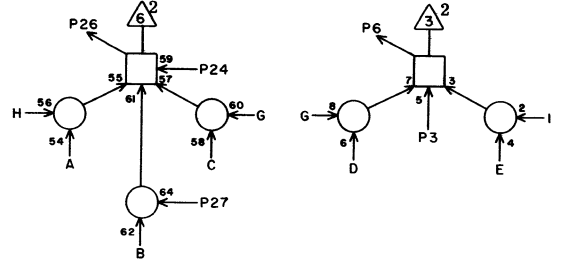
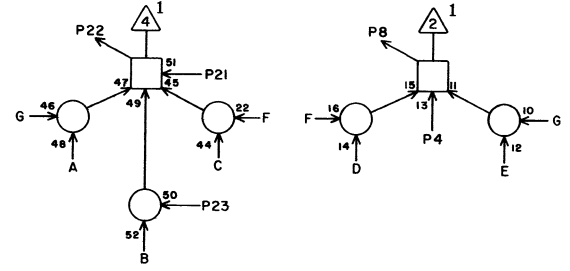
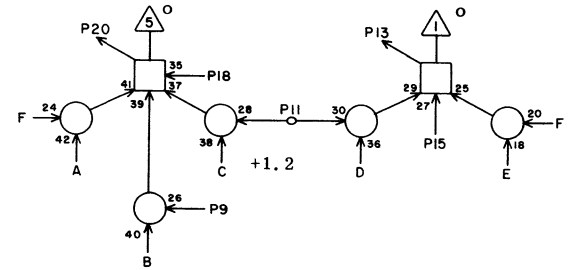
MB 6N23

1	K19	2	15
2	P20	1	13
3	M11	4	15
4	M11	3	15
5	K24	23	15
6	J38	23	23
7	K19	12	15
8	J37	23	23
9	M10	24	15
10	K25	23	15
11	N22	14	3
12	P20	7	13
13	J36	23	23
14			
15	M10	25	15
16	N25	26	5
17	P20	19	13
18	M17	9	11
19	K19	17	17
20	O41	23	21
21	L13	1	17
22	O42	23	23
23	M11	6	15
24	L13	5	17
25	O25	26	9
26	N30	23	11
27	M11	13	15
28	M25	26	11

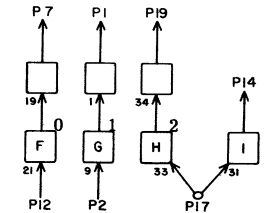
JACK PIN LG

63017400 Rev. B

SELECT  $X_k$ ,  $2X_k$ , MERGE



PICK 3



6N24

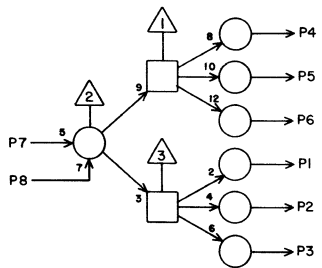
MB 6N24

1			
2	P21	1	13
3	R10	14	25
4	R10	2	23
5	R 9	11	25
6	N41	1	21
7			
8	N40	1	19
9	R27	3	19
10	Q 8	11	23
11	G 4	27	37
12	P21	7	13
13	N39	1	19
14	M18	11	11
15	M11	27	17
16	K11	1	21
17	P21	19	13
18	M11	26	17
19			
20	R34	1	21
21	R10	4	23
22	R35	1	23
23	R27	1	19
24	R10	16	25
25	L25	11	13
26	R36	1	23
27	R28	21	21
28	R26	10	21

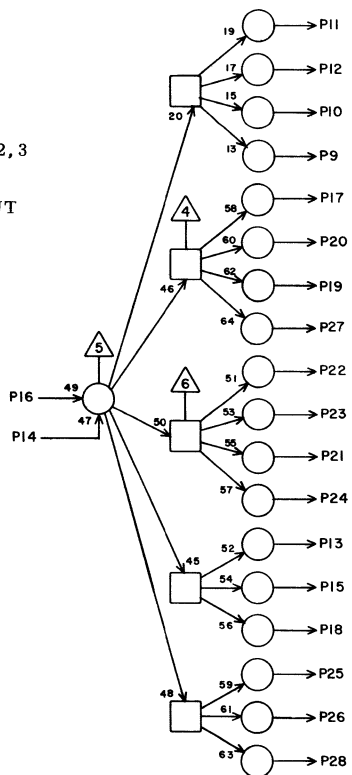
JACK PIN LG

63017400 Rev. B

Enter MK Rank I



BITS 2, 3  
2X<sub>k</sub>  
FANOUT

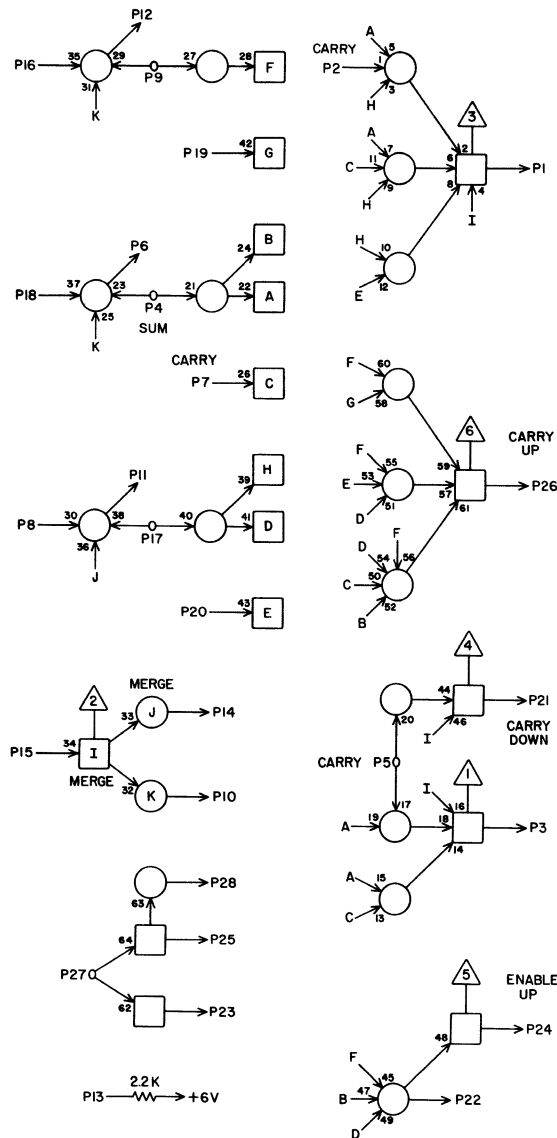


CB **6N25**

1	J10	17	23
2	J11	17	23
3	J12	17	21
4	J13	17	21
5	J15	17	21
6	J15	17	21
7	N28	25	5
8			
9	P24	16	13
10	P23	16	13
11	P21	16	13
12	P22	16	13
13	N19	16	9
14	N25	X	2
15	N20	16	9
16	J09	10	25
17	O18	16	13
18	N21	16	5
19	O20	16	11
20	O19	16	13
21	O24	16	9
22	O22	16	11
23	O23	16	9
24	N18	16	11
25	N22	16	5
26	N23	16	5
27	O21	16	11
28			

JACK PIN LG

63017400 Rev T



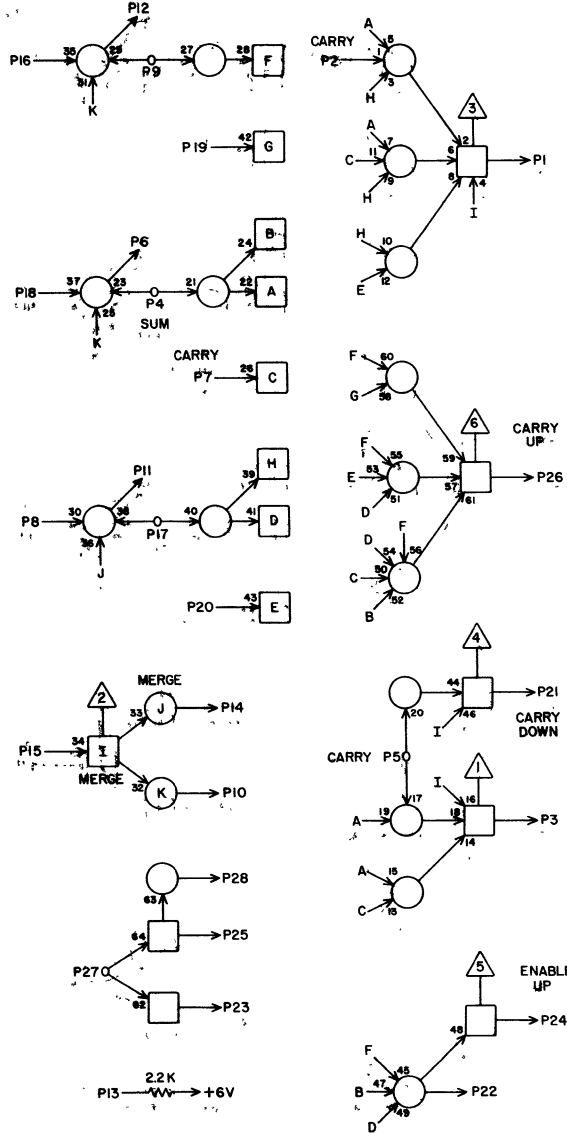
6N26

MM **6N26**

1	K18	23	17
2	K28	24	15
3	K18	9	17
4	O39	7	15
5	K28	22	15
6	O40	6	17
7	O38	18	15
8	O40	11	17
9	O41	7	19
10	K19	28	15
11	O41	6	19
12	O42	6	19
13	N31	23	9
14			
15	Q26	14	15
16	O41	11	19
17	O40	7	19
18	O39	11	15
19	O40	18	19
20	O39	18	15
21	L24	27	13
22	L28	8	13
23	K11	8	23
24	K28	25	17
25	M 8	8	21
26	K28	28	17
27	O27	14	5
28			

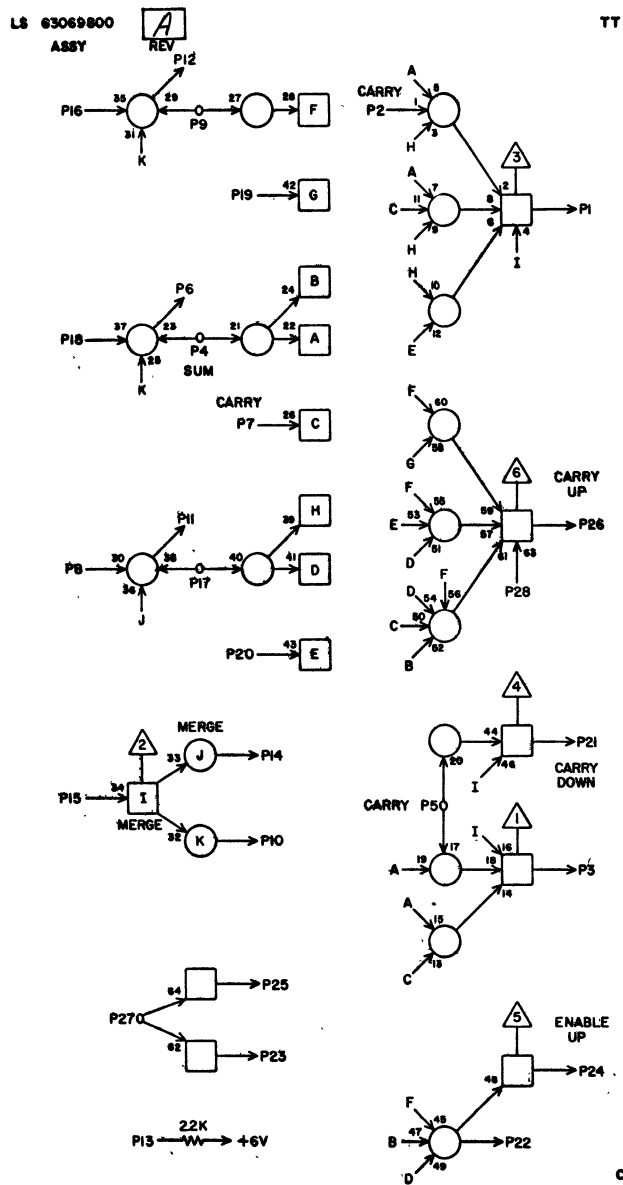
JACK PIN LG

63017400 Rev. B



MM			
6 N27			
1	K19	23	17
2	K28	18	15
3	K19	9	19
4	O42	7	19
5	K28	16	15
6	N30	6	7
7	O41	18	19
8	N30	11	5
9	N31	7	5
10			
11	N31	6	5
12	N32	6	9
13	N32	23	9
14			
15	Q27	14	17
16	N31	11	5
17	N30	7	5
18	O42	11	19
19	N30	18	5
20	O42	18	19
21	K18	27	19
22	L28	5	13
23	K10	10	23
24	K28	26	17
25	J24	20	19
26	K28	23	17
27	K 9	28	23
28	H 7	12	33
	JACK	PIN	LG

63017400 Rev. B



TT			
6 N28			
1	K11	6	23
2	J31	22	17
3	M 8	6	23
4	N32	7	9
5	J31	20	19
6	N33	6	9
7	N31	18	5
8	N33	11	9
9	N34	7	9
10			
11	N34	6	9
12			
13	N33	23	9
14			
15	Q28	14	15
16	N34	11	9
17	N33	7	7
18	N32	11	7
19	N33	18	7
20	N32	18	7
21	K19	27	19
22	L29	21	13
23	Q25	7	15
24	J31	27	19
26	N23	7	5
26	K29	2	17
27	K10	4	23
28			
	JACK	PIN	LG

CIRCUIT SPECIFICATION 11027000

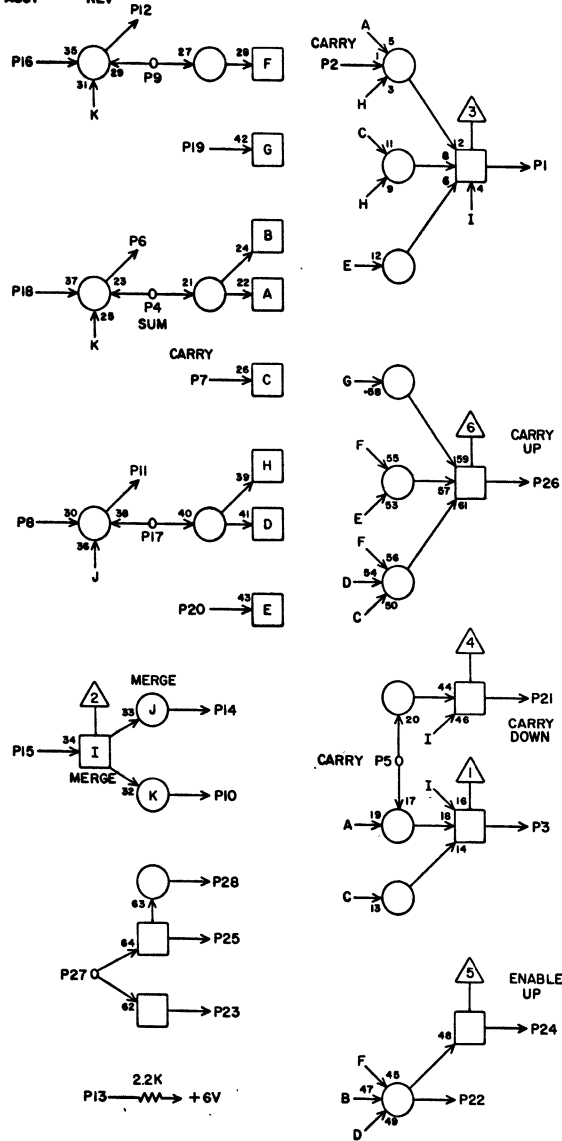
63017400 Rev. B

LS 63069900  
ASSY



TS

6N29

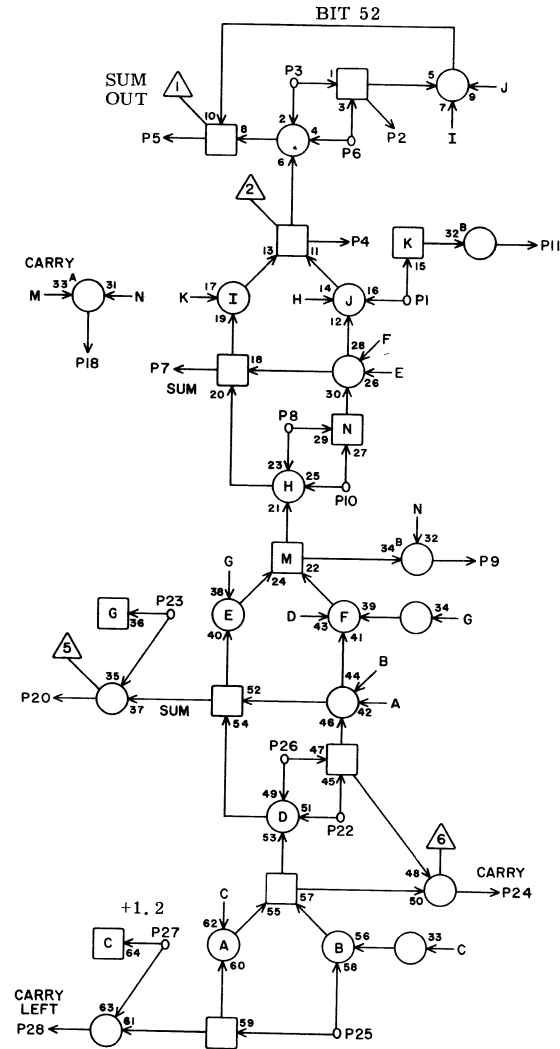


	JACK	PIN	LG
1	L9	19	23
2	K29	6	15
3	L9	6	23
4	L9	7	23
5	K29	5	15
6			
7	L15	15	19
8			
9	L9	17	23
10	L26	8	11
11			
12			
13	N34	23	9
14	L26	28	11
15	Q29	14	17
16			
17	L9	9	23
18			
19	L15	19	19
20	L15	16	19
21	L9	1	23
22	L29	27	13
23	K21	14	17
24	K29	4	17
25	K20	12	19
26	K29	1	17
27	K9	22	25
28	K11	24	23

CIRCUIT SPECIFICATION 11627600

63017400 Rev S

LOWER 3-LEVEL ADDER



6N30

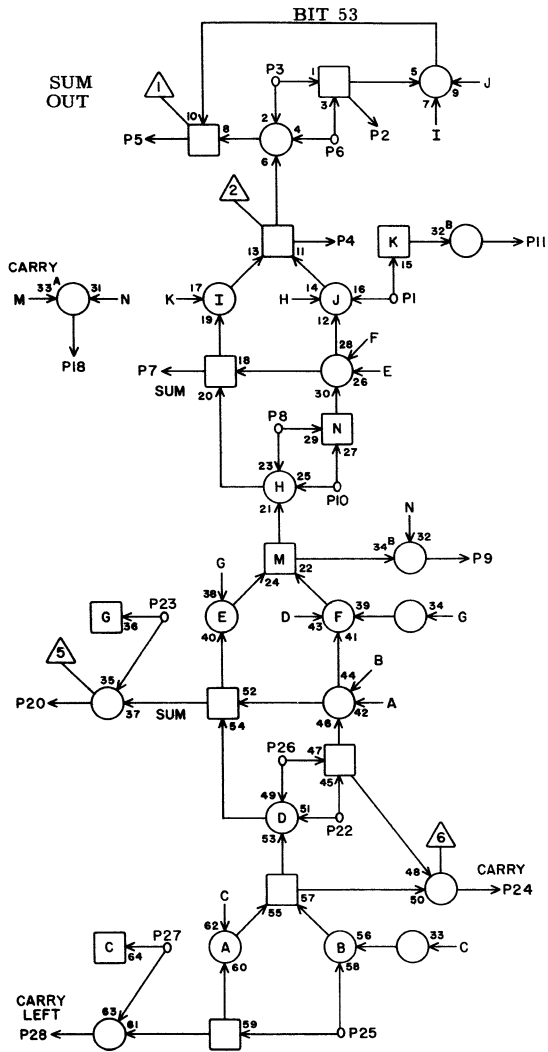
MC

6N30

	JACK	PIN	LG
1	K19	20	19
2	O15	26	17
3	O42	9	15
4	O15	28	17
5	O15	6	17
6	N27	6	7
7	N27	17	5
8	O42	24	15
9	N31	3	3
10	O42	20	15
11	N27	8	5
12			
13			
14			
15			
16			
17			
18	N27	19	5
19			
20	N31	10	3
21			
22	O42	28	15
23	N23	26	11
24	N31	8	5
25	L13	21	21
26	N30	X	2
27	O27	13	7
28	N31	22	3

63017400 Rev. B

LOWER 3-LEVEL ADDER



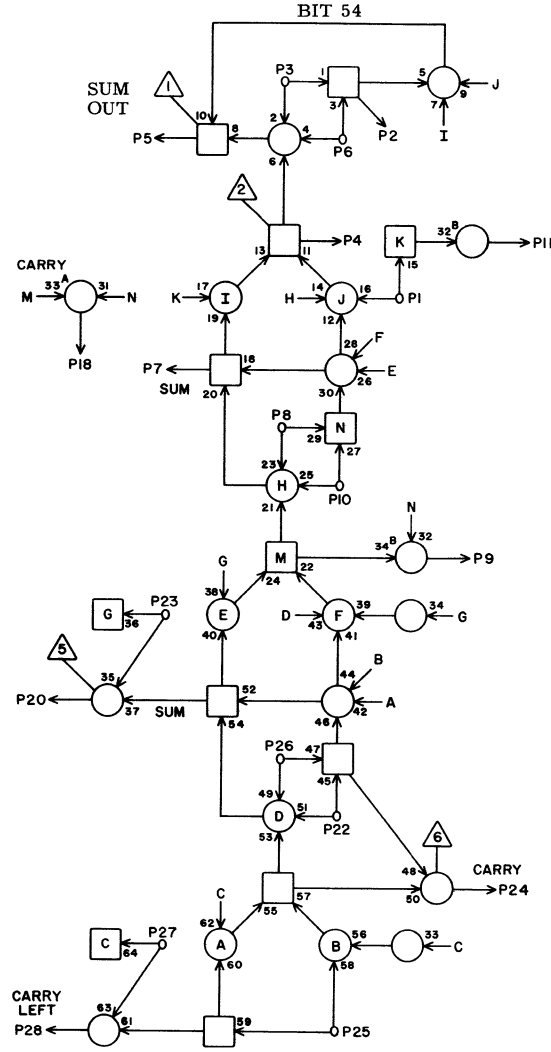
MC **6N31**

1	K19	22	19
2	O16	2	17
3	N30	9	3
4	O16	4	17
5	O15	12	17
6	N27	11	5
7	N27	9	5
8	N30	24	5
9	N32	3	3
10	N30	20	3
11	N27	16	5
12			
13			
14			
15			
16			
17			
18	N28	7	5
19			
20	N32	10	3
21			
22	N30	28	3
23	N26	13	9
24	N32	8	5
25	L13	27	21
26	N31	X	2
27	L13	15	23
28	N32	22	3

JACK PIN LG

63017400 Rev. B

LOWER 3-LEVEL ADDER



MC **6N32**

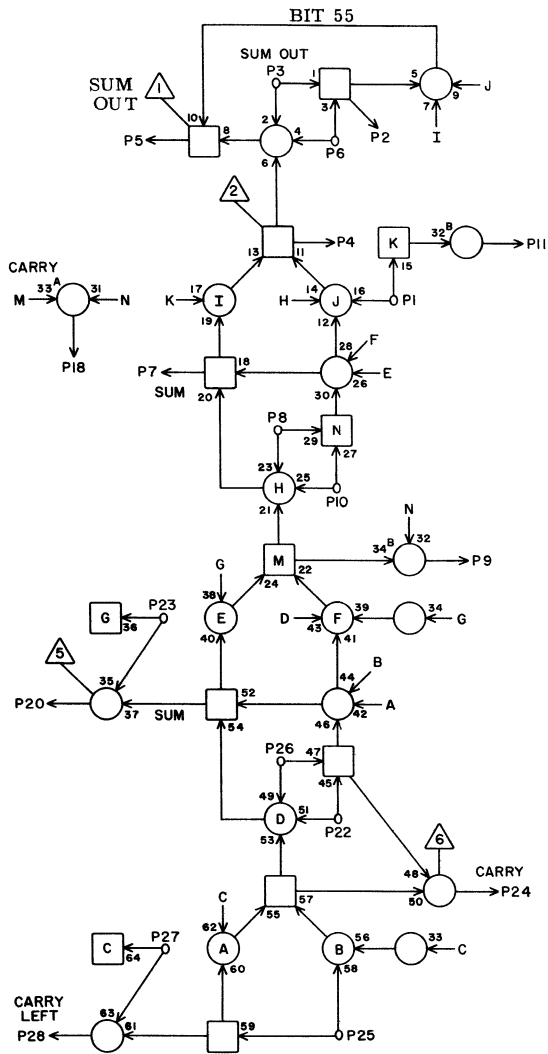
1	K19	26	21
2	O16	6	17
3	N31	9	3
4	O16	8	17
5	O16	23	19
6	N27	12	9
7	N28	4	9
8	N31	24	5
9	N33	3	3
10	N31	20	3
11	N28	18	7
12			
13			
14			
15			
16			
17			
18	N28	20	7
19			
20	N33	10	5
21			
22	N31	28	3
23	N27	13	9
24	N33	8	5
25	L14	20	23
26	N32	X	2
27	L14	15	23
28	N33	22	3

JACK PIN LG

6N32

63017400 Rev. B

LOWER 3-LEVEL ADDER



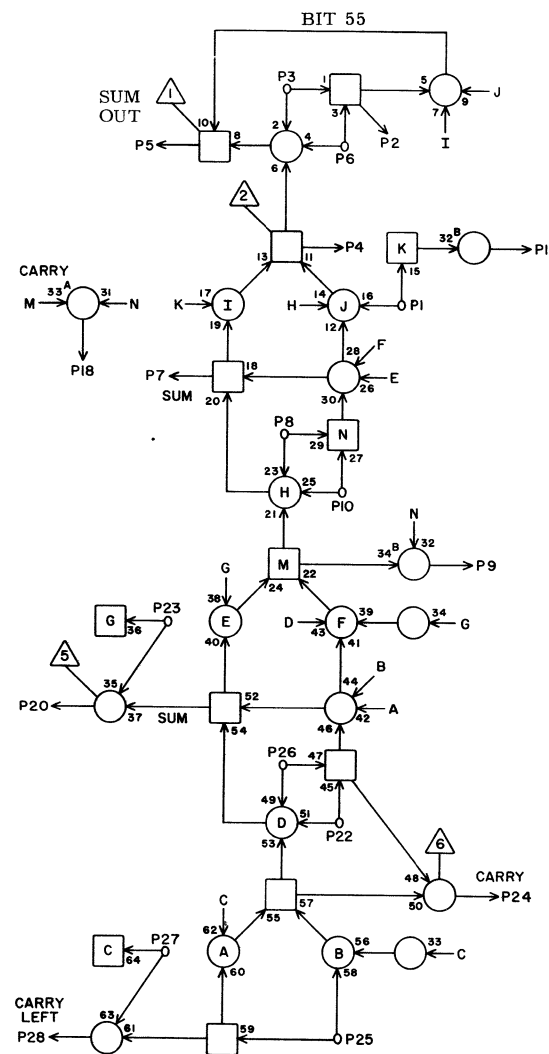
MC **6N33**

1	N14	15	21
2	O16	10	19
3	N32	9	3
4	O16	12	19
5	O16	24	19
6	N28	6	9
7	N28	17	7
8	N32	24	5
9	N34	3	3
10	N32	20	3
11	N28	8	9
12			
13			
14			
15			
16			
17			
18	N28	19	7
19			
20	N34	10	3
21			
22	N32	28	7
23	N28	13	9
24	N34	8	5
25	L14	21	23
26	N33	X	2
27	L9	13	27
28	N34	22	3

JACK PIN LG

63017400 Rev. B

LOWER 3-LEVEL ADDER



MC **6N34**

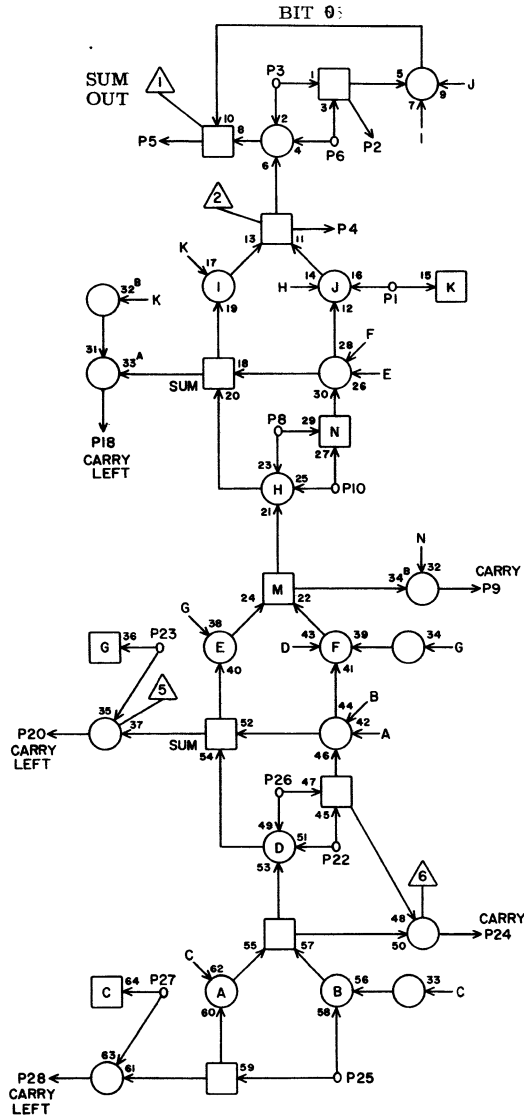
1	N15	15	21
2			
3	N33	9	3
4			
5	O16	28	21
6	N28	11	9
7	N28	9	9
8	N33	24	5
9			
10	N33	20	3
11	N28	16	9
12			
13			
14			
15			
16			
17			
18	I26	8	25
19			
20			
21			
22	N33	28	3
23	N29	13	9
24	I26	6	25
25	L14	27	23
26	N34	X	2
27	L09	22	27
28	I26	4	25

JACK PIN LG

6N34

63017400 Rev. S

UPPER 3-LEVEL ADDER

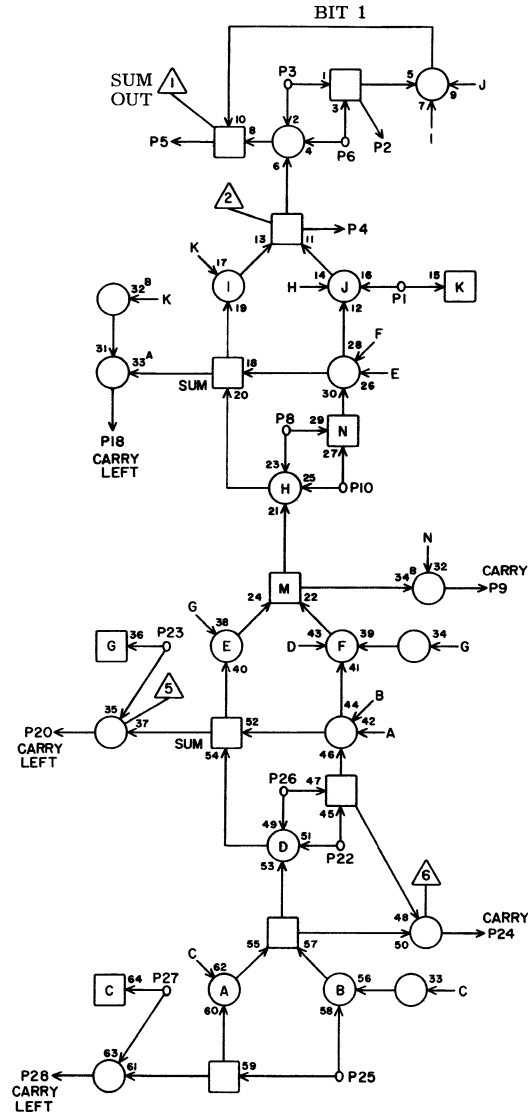


MG 6N35

1	Q28	13	19
2	017	6	23
3	N35	X	2
4	017	8	23
5	017	23	23
6	N35	X	2
7			
8	N35	X	2
9	N36	3	3
10	N35	X	2
11			
12			
13			
14			
15			
16			
17			
18	N36	6	3
19			
20	N36	10	3
21			
22	N35	X	2
23	Q29	13	19
24	N36	8	5
25	N14	22	27
26	N14	3	21
27	R18	13	25
28	N36	22	3
	JACK	PIN	LG

63017400 Rev. B

UPPER 3-LEVEL ADDER



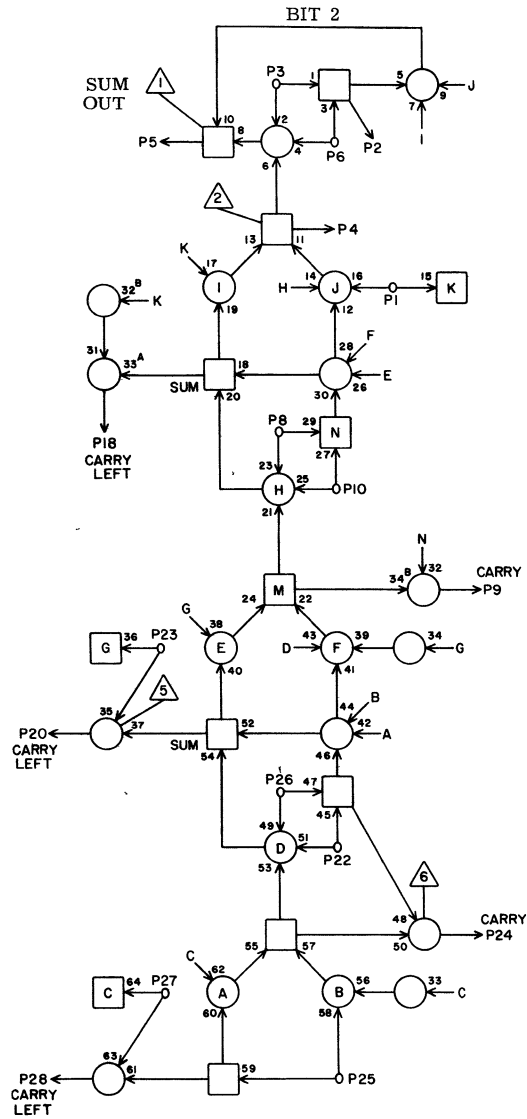
MG 6N36

1	P26	13	17
2	017	10	23
3	N35	9	3
4	017	12	23
5	017	23	23
6	N35	18	3
7			
8	N35	24	5
9	N37	3	3
10	N35	20	3
11			
12			
13			
14			
15			
16			
17			
18	N37	6	3
19			
20	N37	10	3
21			
22	N35	28	3
23	P27	13	17
24	N37	8	5
25	N14	25	23
26	N14	7	23
27	R18	8	27
28	N37	22	3
	JACK	PIN	LG

63017400 Rev. B

6N36

UPPER 3-LEVEL ADDER



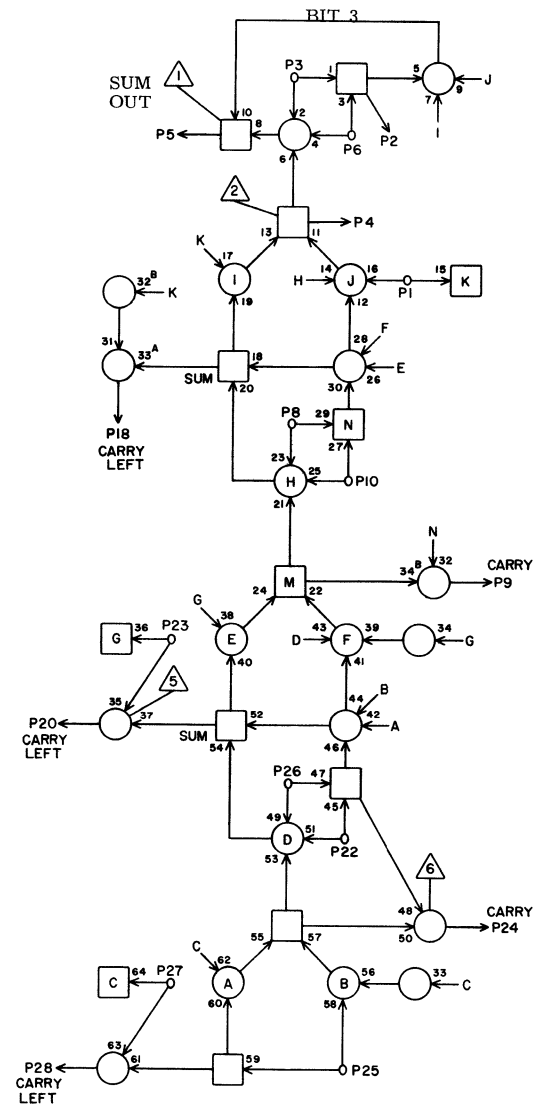
MG 6N37

1	P28	13	17
2	N13	2	25
3	N36	9	3
4	N13	4	25
5	O17	28	23
6	N36	18	3
7			
8	N36	24	5
9	N38	3	3
10	N36	20	3
11			
12			
13			
14			
15			
16			
17			
18	N38	6	3
19			
20	N38	10	3
21			
22	N36	28	3
23	P21	13	21
24	N38	8	5
25	N14	26	23
26	N14	11	23
27	R18	6	27
28	N38	22	3

JACK PIN LG

63017400 Rev. B

UPPER 3-LEVEL ADDER



MG 6N38

1	P29	13	17
2	N13	6	27
3	N37	9	3
4	N13	8	27
5	N13	23	27
6	N37	18	3
7			
8	N37	24	5
9	N39	3	3
10	N37	20	3
11			
12			
13			
14			
15			
16			
17			
18	N39	6	3
19			
20	N39	10	3
21			
22	N37	28	3
23	P21	8	23
24	N39	8	5
25	N15	22	25
26	N15	3	25
27	R19	13	27
28	N39	22	3

JACK PIN LG

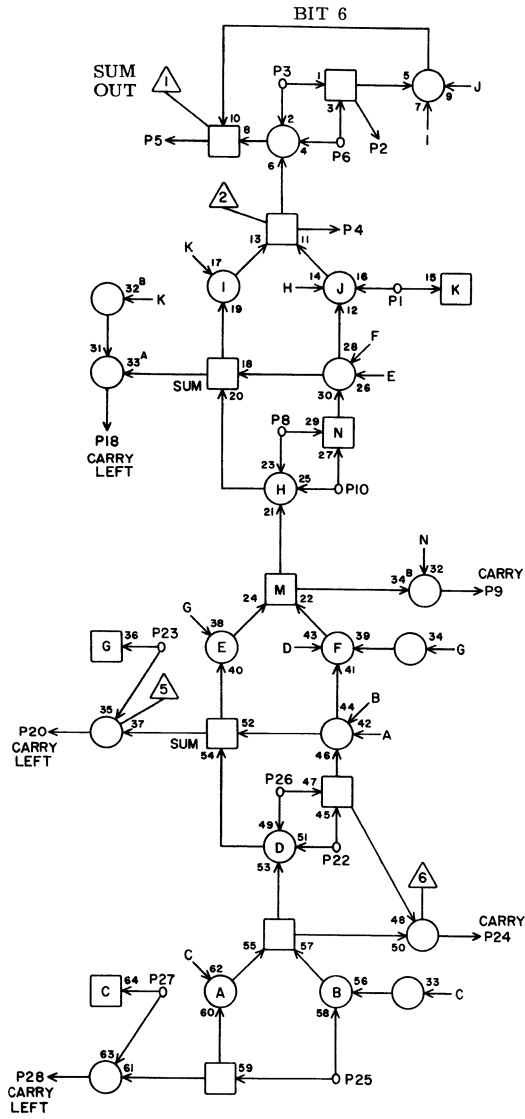
6N38

63017400 Rev. B





UPPER 3-LEVEL ADDER

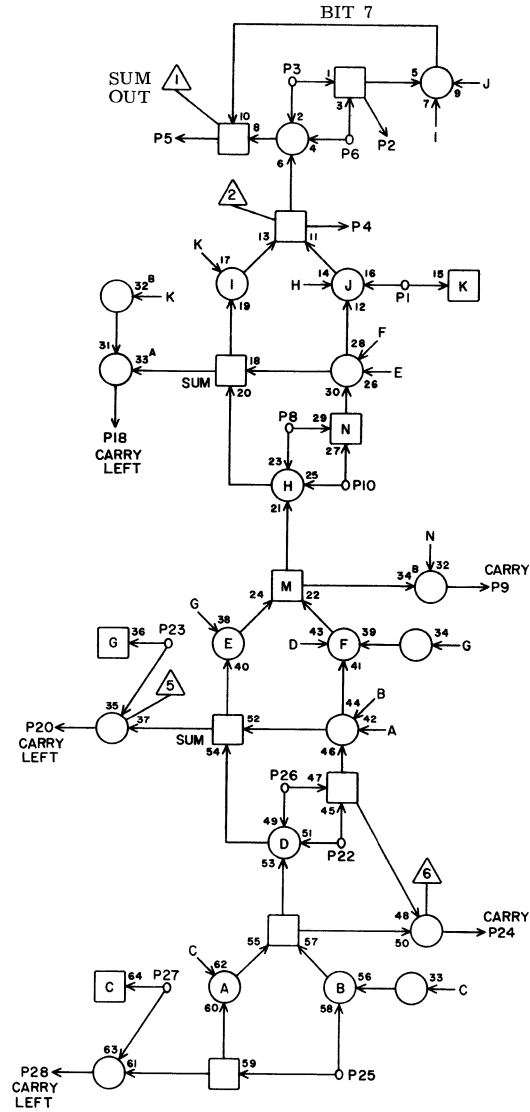


MG **6N41**

1	N24	6	21
2	N14	6	27
3	N40	9	3
4	N14	8	27
5	N14	23	27
6	N40	18	3
7			
8	N40	24	5
9	N42	3	3
10	N40	20	3
11			
12			
13			
14			
15			
16			
17			
18	N42	6	5
19			
20	N42	10	5
21			
22	N40	28	3
23	P22	8	23
24	N42	8	5
25	N16	22	27
26	N16	3	27
27	R20	13	29
28	N42	22	3
	JACK	PIN	LG

63017400 Rev. B

UPPER 3-LEVEL ADDER



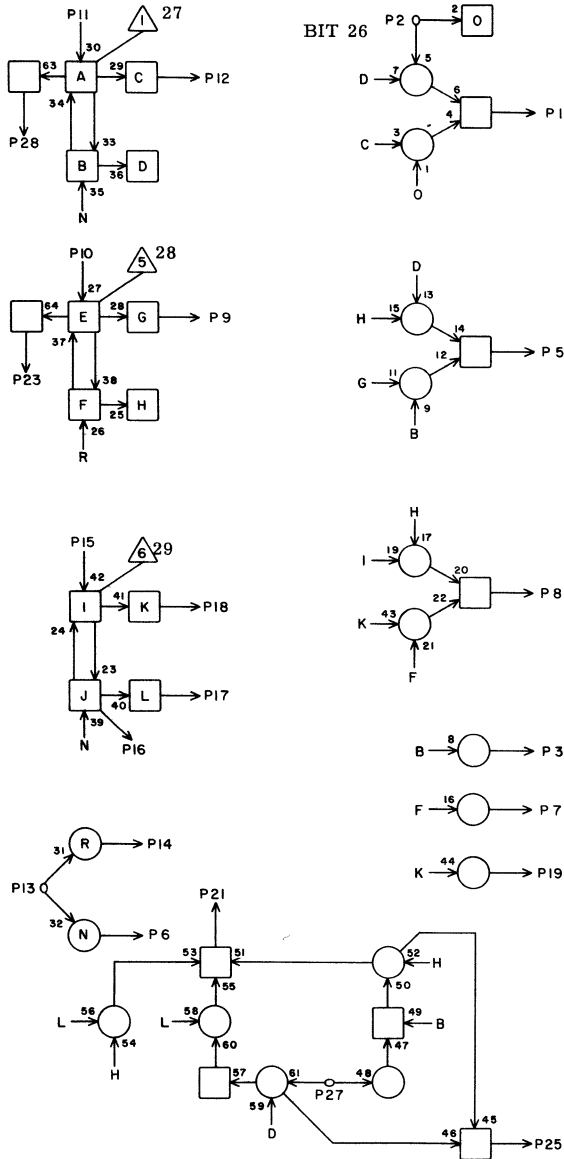
MG **6N42**

1	M18	13	25
2	N14	10	29
3	N41	9	3
4	N14	12	29
5	N14	24	29
6	N41	18	5
7			
8	N41	24	5
9	M30	3	15
10	N41	20	5
11			
12			
13			
14			
15			
16			
17			
18	M30	6	15
19			
20	M30	10	15
21			
22	N41	28	3
23	P22	6	23
24	M30	8	15
25	N16	25	27
26	N16	7	27
27	R20	8	29
28	M30	22	15
	JACK	PIN	LG

6N42

63017400 Rev. B

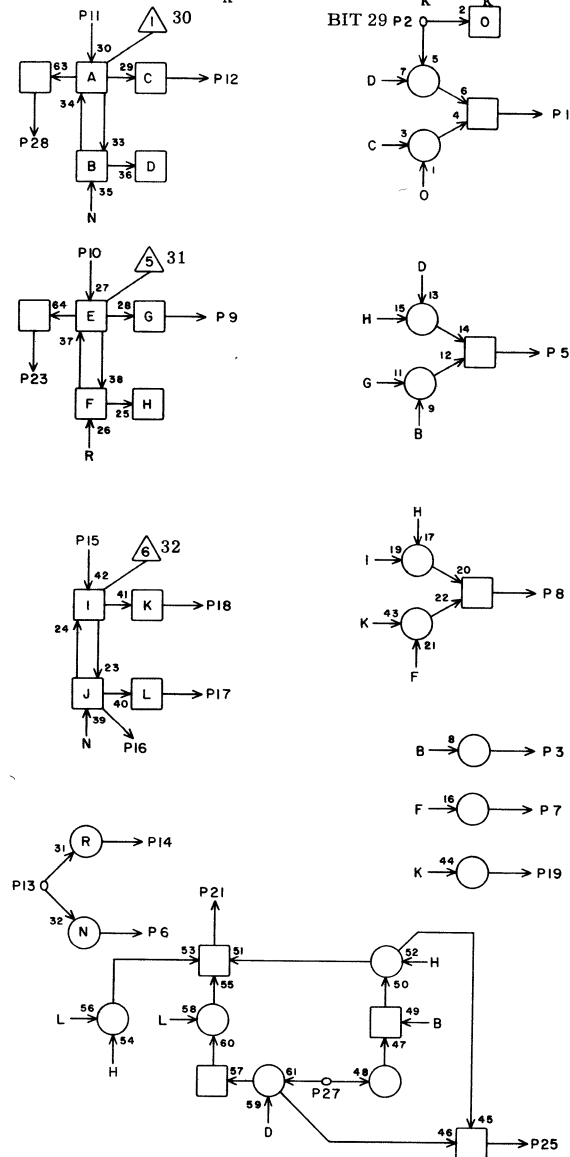
$X_k$  FEEDER REG.,  $X_k + 2X_k$  ADDER



MA 601			
	JACK	PIN	LG
1	P12	21	15
2	P 9	17	11
3			
4			
5	O10	8	13
6	K10	2	21
7			
8	O10	10	13
9	Q20	2	25
10	H 2	25	29
11	H 1	17	29
12	Q20	12	25
13	M12	23	17
14			
15	H 2	21	33
16	Q20	17	25
17	O 2	2	3
18	Q 1	5	13
19			
20			
21	O10	22	13
22			
23	Q 1	3	13
24			
25	O10	9	13
26			
27	R 6	15	17
28	R 3	25	17

63017400 Rev. B

$X_k$  FEEDER REG.,  $X_k + 2X_k$  ADDER



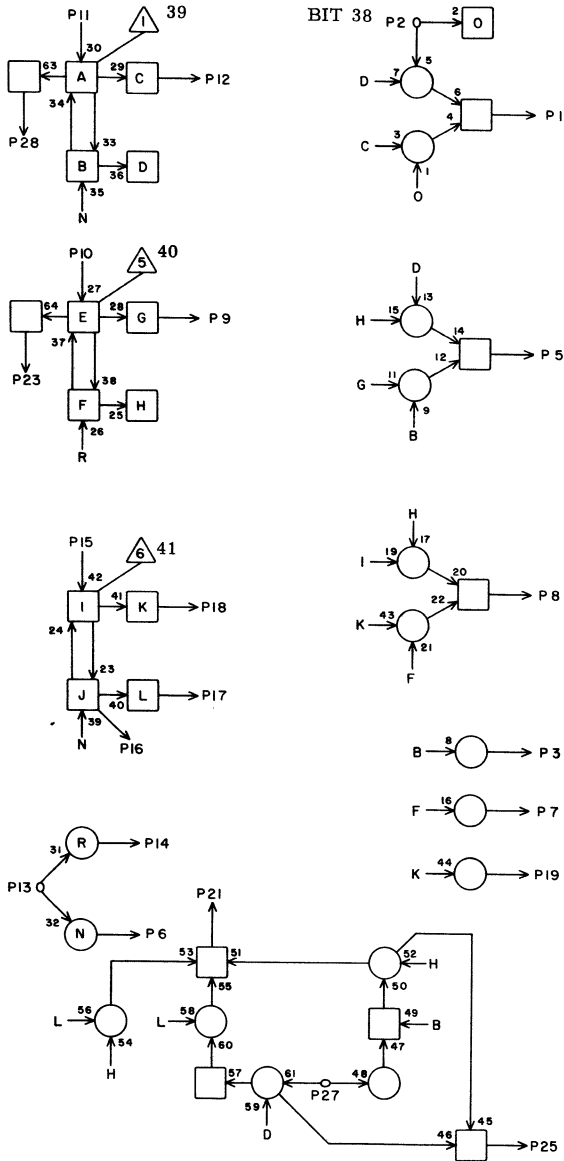
MA 602			
	JACK	PIN	LG
1	O10	21	11
2	O 1	17	3
3			
4			
5	O11	8	11
6			
7			
8	O11	10	11
9	Q21	2	25
10	H 2	17	29
11	H 2	19	29
12	Q21	12	25
13	M12	21	15
14			
15	H 3	25	29
16	Q21	17	25
17	O 3	2	3
18	Q 1	10	15
19			
20			
21	O11	22	11
22			
23	Q 1	11	13
24			
25	O11	9	13
26			
27	Q26	24	15
28	Q 1	1	13

63017400 Rev. B

602



$X_k$  FEEDER REG.;  $X_k + 2X_k$  ADDER

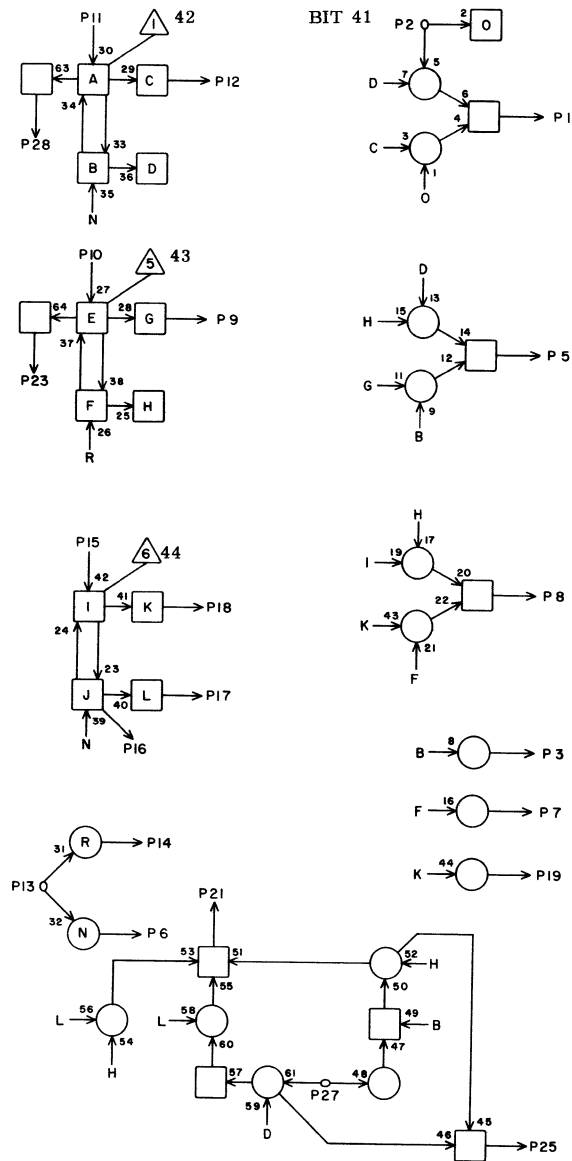


MA 605

1	N10	21	9
2	O 4	17	3
3			
4			
5	N11	8	11
6			
7			
8	N11	10	11
9	Q24	2	21
10	H 5	25	29
11	H 4	17	29
12	Q24	12	23
13	M12	15	15
14			
15	H 5	21	29
16	Q24	17	23
17	O 6	2	3
18	Q 2	10	13
19			
20			
21	N11	22	11
22			
23	Q 2	11	13
24			
25	N11	9	11
26			
27	Q 7	6	11
28	Q 2	1	13

JACK PIN LG  
63017400 Rev. B

$X_k$  FEEDER REG.;  $X_k + 2X_k$  ADDER



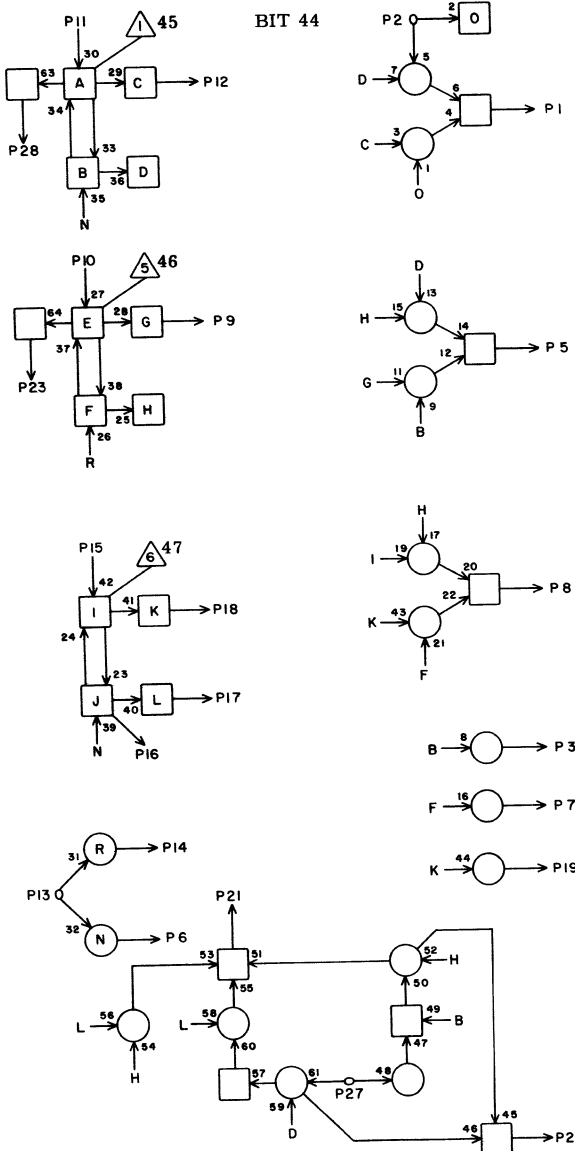
MA 606

1	N11	21	11
2	O 5	17	3
3			
4			
5	N12	8	11
6			
7			
8	N12	10	13
9	P18	2	15
10	H 5	17	29
11	H 5	19	29
12	P18	12	15
13	M12	18	15
14			
15	H 6	25	29
16	P18	17	15
17	O 7	2	3
18	Q 2	21	13
19			
20			
21	N12	22	11
22			
23	Q 2	24	13
24			
25	N12	9	11
26			
27	Q 7	12	11
28	Q 2	15	13

JACK PIN LG  
63017400 Rev. B

606

$X_k$  FEEDER REG.;  $X_k + 2X_k$  ADDER

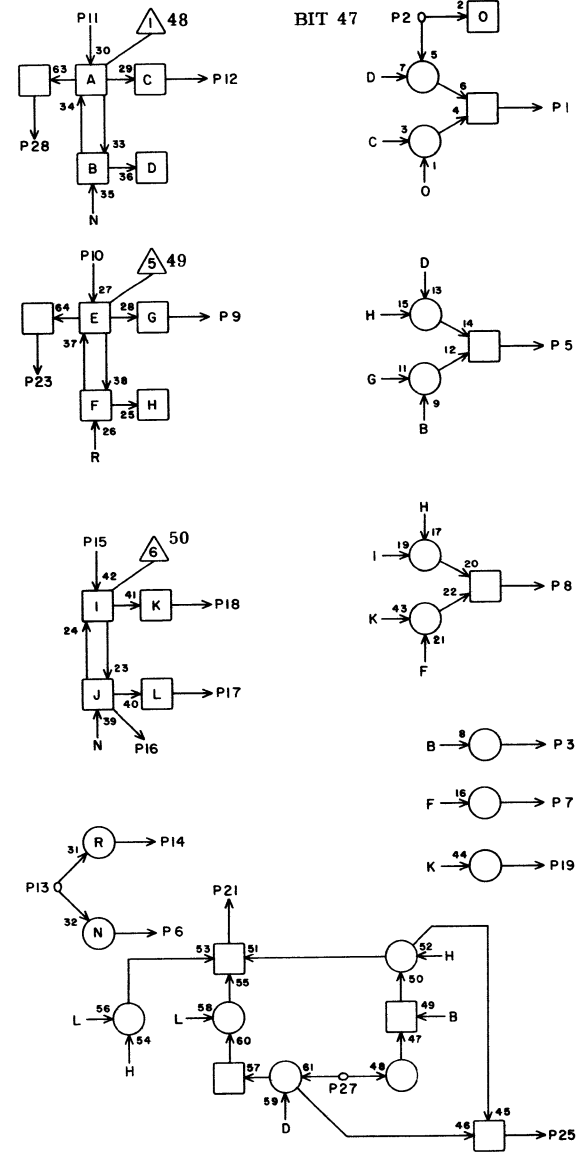


MA **60 7**

1	M12	21	11
2	O 6	17	3
3			
4			
5	M10	8	13
6			
7			
8	M10	10	13
9	P19	2	15
10	H 6	19	29
11	H 6	21	29
12	P19	12	15
13	M12	25	13
14			
15	H 6	17	29
16	P19	17	15
17	O 8	2	3
18	Q 3	5	13
19	K24	20	25
20			
21	M10	22	13
22			
23	Q 3	3	13
24			
25	M10	9	13
26			
27	R 7	15	15
28	Q 2	25	13

JACK PIN LG

$X_k$  FEEDER REG.;  $X_k + 2X_k$  ADDER

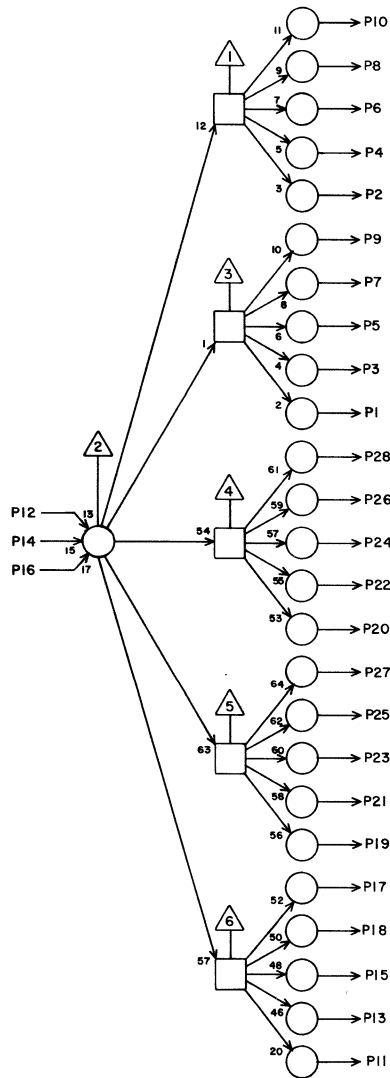


MA **60 8**

1	M10	21	11
2	O 7	17	3
3			
4			
5	M11	8	13
6			
7			
8	M11	10	13
9	P20	2	15
10			
11			
12	P20	12	15
13			
14			
15			
16	P20	17	15
17			
18			
19			
20			
21			
22			
23			
24			
25	M11	9	13
26			
27	Q 7	24	13
28			

JACK PIN LG

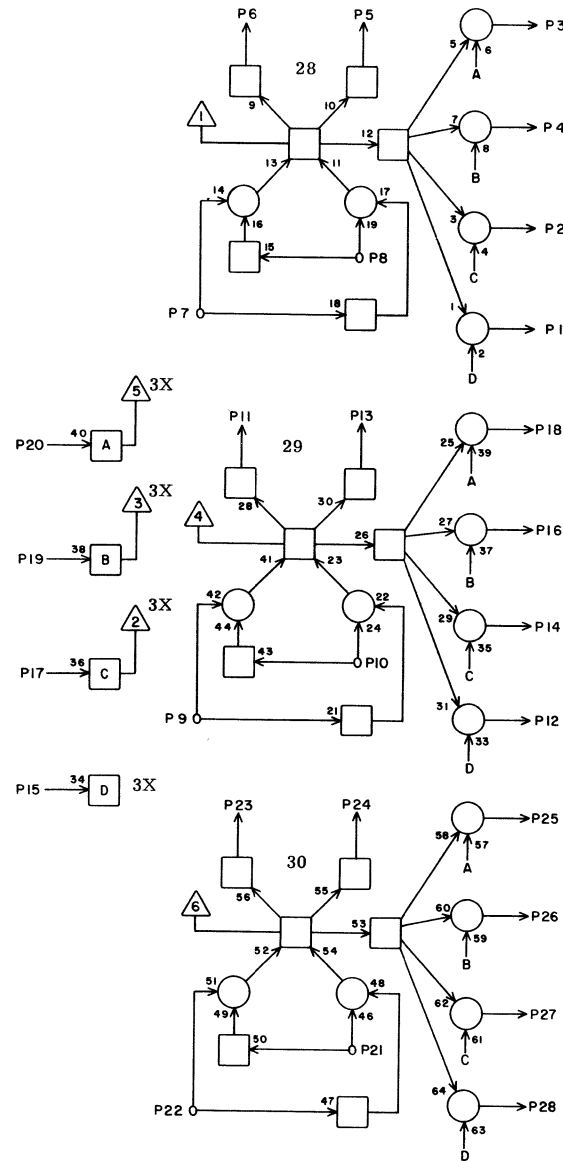
MULTIPLY  
NO SHIFT RESULT COMPLEMENT



CA		609	
1	K 1	14	19
2	K 6	14	19
3	K 2	14	19
4	K 7	14	19
5	K 3	14	19
6	L 1	14	17
7	K 4	14	19
8	L 2	14	17
9	K 5	14	19
10	L 3	14	15
11	L 4	14	15
12	L 8	21	15
13	L 5	14	17
14	H22	20	31
15	L 6	14	17
16	09	X	2
17	M 1	14	15
18	L 7	14	17
19	M 7	14	13
20	M 2	14	15
21	N 1	14	13
22	M 3	14	15
23	N 2	14	13
24	M 4	14	15
25	N 3	14	11
26	M 5	14	15
27			
28	M 6	14	13
	JACK	PIN	LG

63017400 Rev. B

$X_k + 2X_k$  ADDER; SELECT  $3X_k$

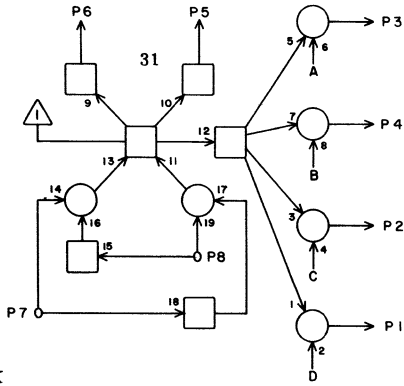


6010

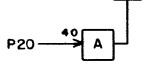
MF		6010	
1	Q20	4	15
2	L19	4	17
3	O23	4	17
4	L19	21	25
5	Q20	23	15
6	O23	23	15
7	R 6	2	17
8	O 1	5	13
9	O 1	25	13
10	O 1	8	13
11	Q20	27	17
12	Q20	3	15
13	O23	27	15
14	L19	3	19
15	K12	23	27
16	L19	24	25
17	Q 9	23	13
18	O23	3	15
19	R 8	23	17
20	K23	14	23
21	O 2	1	11
22	O 1	21	13
23	Q21	9	15
24	O24	9	19
25	O24	15	19
26	L20	18	19
27	L20	15	19
28	Q21	15	15
	JACK	PIN	LG

63017400 Rev. B

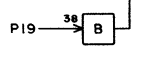
$X_k + 2X_k$  ADDER; SELECT  $3X_k$



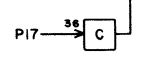
BIT 26, 27  $\Delta 5 \cdot 3X$



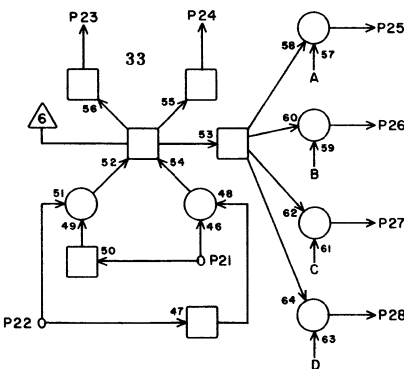
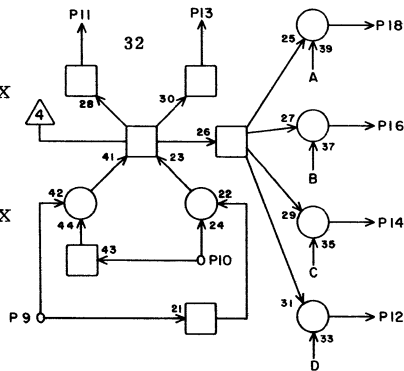
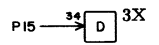
BIT 4, 5  $\Delta 3 \cdot 3X$



BIT 28, 29  $\Delta 2 \cdot 3X$



BIT 24, 25

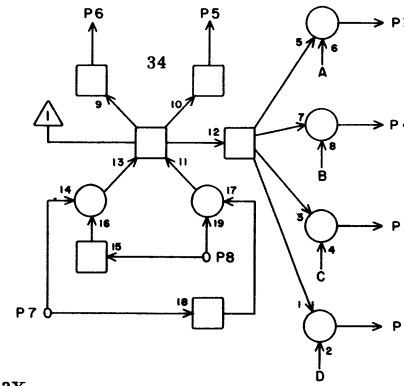


MF **6011**

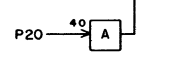
JACK	PIN	LG
1	Q21	4 15
2	L20	4 19
3	O24	4 15
4	L20	21 19
5	Q21	23 15
6	O24	23 15
7	Q 6	22 15
8	O 2	5 11
9	O 2	25 13
10	O 2	8 11
11	Q21	27 15
12	Q21	3 15
13	O24	27 15
14	L20	3 19
15	K12	21 27
16	L20	24 19
17	Q 9	21 15
18	O24	3 15
19	R 8	21 17
20	K23	15 23
21	O 3	1 11
22	O 2	21 11
23	Q22	9 15
24	N18	9 13
25	N18	15 13
26	L21	18 19
27	L21	15 19
28	Q22	15 15

63017400 Rev. B

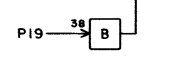
$X_k + 2X_k$  ADDER; SELECT  $3X_k$



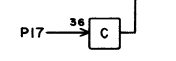
BIT 26, 27  $\Delta 5 \cdot 3X$



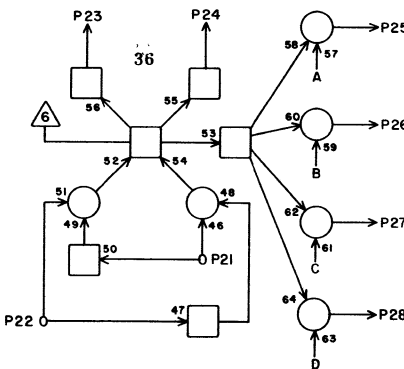
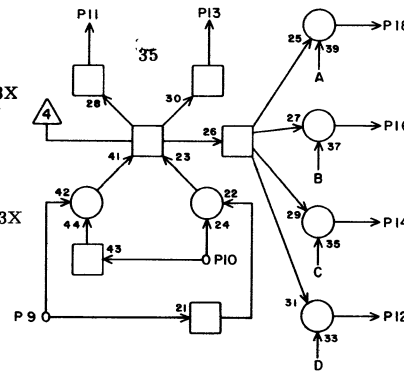
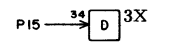
BIT 4, 5  $\Delta 3 \cdot 3X$



BIT 28, 29  $\Delta 2 \cdot 3X$



BIT 24, 25

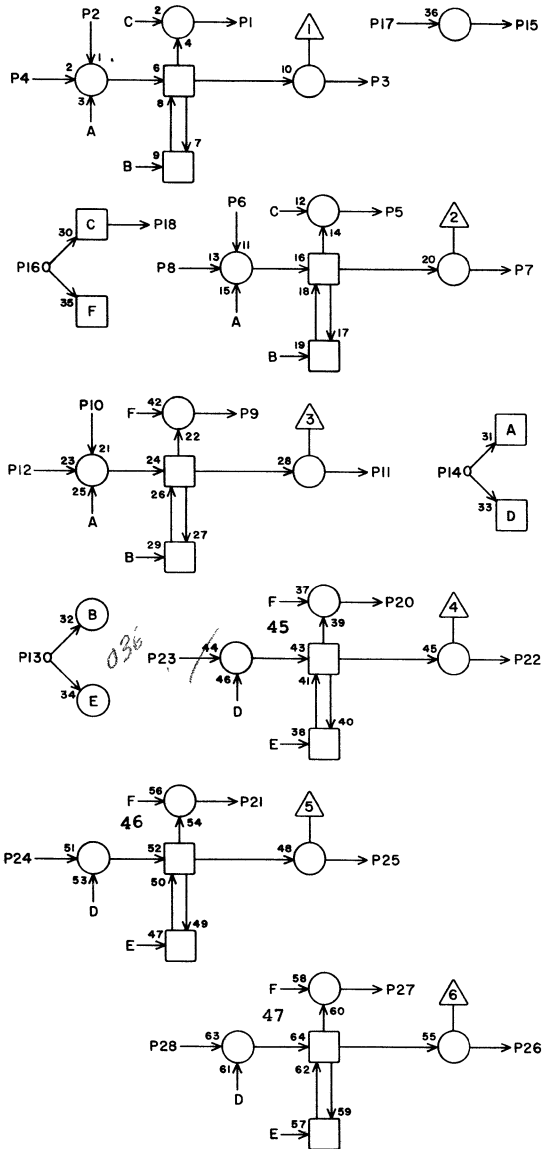


MF **6012**

JACK	PIN	LG
1	Q22	4 15
2	L21	4 17
3	N18	4 11
4	L21	21 17
5	Q22	23 15
6	N18	23 11
7	Q 6	16 15
8	O 3	5 11
9	O 3	25 13
10	O 3	8 11
11	Q22	27 17
12	Q22	3 17
13	N18	27 13
14	L21	3 17
15	K12	24 23
16	L21	24 17
17	Q 9	24 13
18	N18	3 11
19	R 8	24 17
20	K23	16 23
21	O 4	1 11
22	O 3	21 11
23	Q23	9 17
24	N19	9 13
25	N19	15 13
26	L22	18 19
27	L22	15 19
28	Q23	15 17

63017400 Rev. B

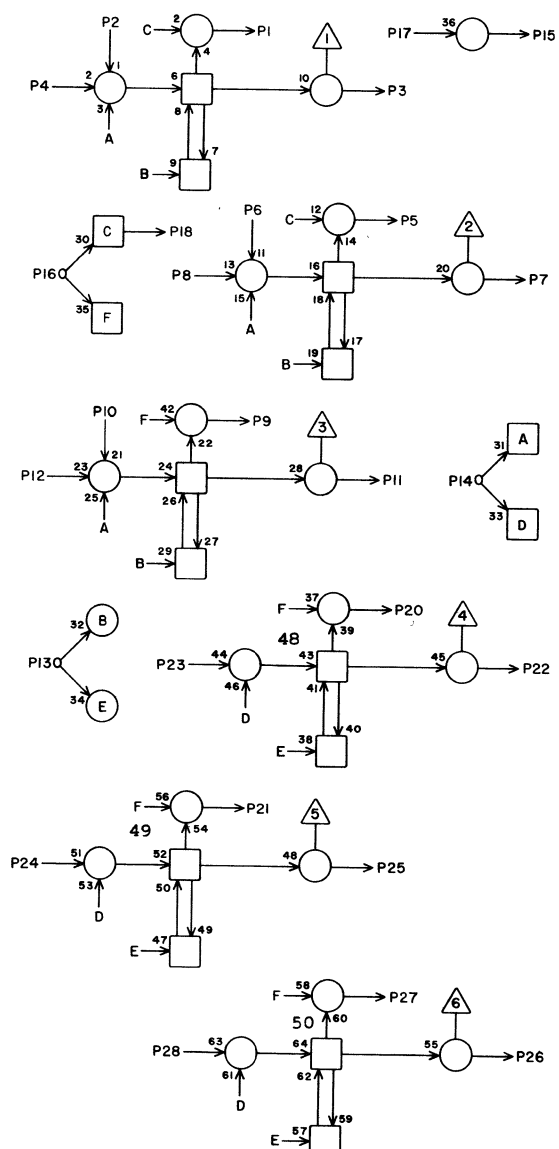




NJ **6013**

1			
2	O35	2	23
3	O30	26	19
4	O35	4	23
5			
6	O36	2	25
7	O31	26	19
8	O36	4	25
9			
10	O37	2	25
11	O32	26	21
12	O37	4	25
13	M 8	21	13
14	K20	24	19
15	K25	26	120
16	J23	10	25
17	K10	22	19
18	L11	16	17
19			
20	L 4	21	17
21	L 5	26	17
22	O30	25	19
23	O36	5	25
24	O37	5	27
25	O31	25	21
26	O32	25	21
27	L 5	21	17
28	O38	5	27

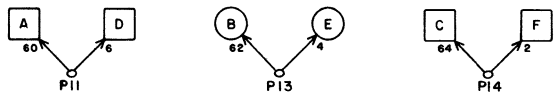
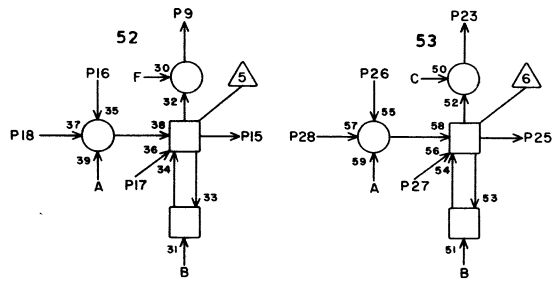
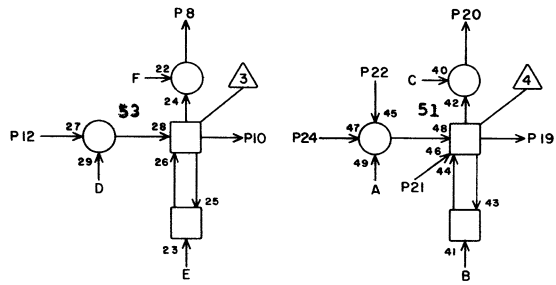
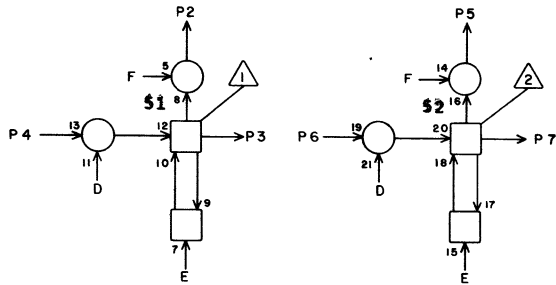
JACK PIN LG



NJ **6014**

1			
2	O38	2	27
3	O33	26	21
4	O38	4	27
5			
6	O39	2	27
7	O34	26	21
8	O39	4	27
9			
10	O40	2	27
11	O35	26	23
12	O40	4	27
13	M 8	23	13
14	K20	20	19
15	J24	22	23
16	J23	12	25
17	M17	18	15
18	L10	16	17
19			
20	L 6	26	17
21	L 6	21	17
22	O33	25	21
23	O39	5	27
24	O40	5	27
25	O34	25	21
26	O35	25	23
27	L 7	26	17
28	O41	5	29

JACK PIN LG



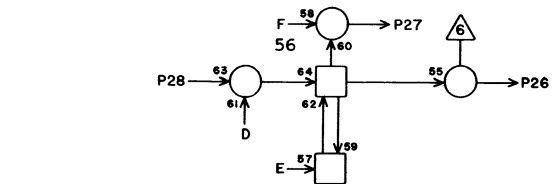
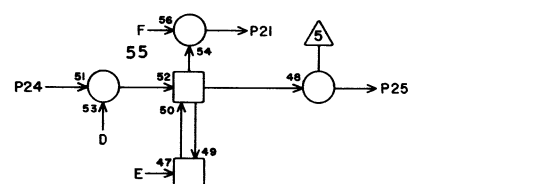
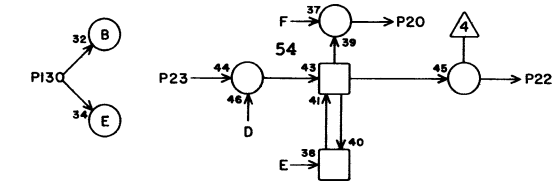
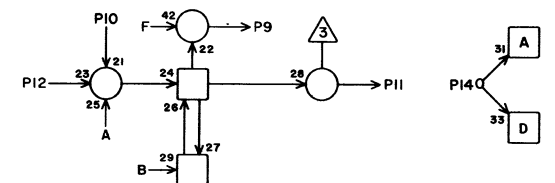
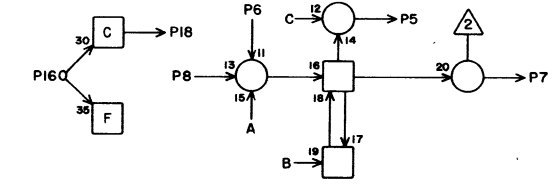
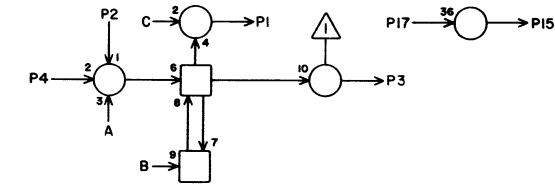
MD 6Q15

1			
2	L 7	21	17
3	Q16	17	13
4	O42	5	29
5	M 1	26	19
6	N30	5	17
7	Q14	17	13
8	M01	21	19
9			
10	Q17	17	13
11	K20	26	19
12	N31	5	17
13	M 8	25	15
14	J23	15	25
15	P16	17	9
16	O42	2	29
17	K13	28	19
18	O42	4	29
19	P15	17	9
20			
21	O15	X	2
22	O41	2	27
23			
24	O41	4	27
25	P17	17	9
26	N30	2	17
27	D15	X	2
28	N30	4	17

JACK PIN LG

63017400 Rev. G

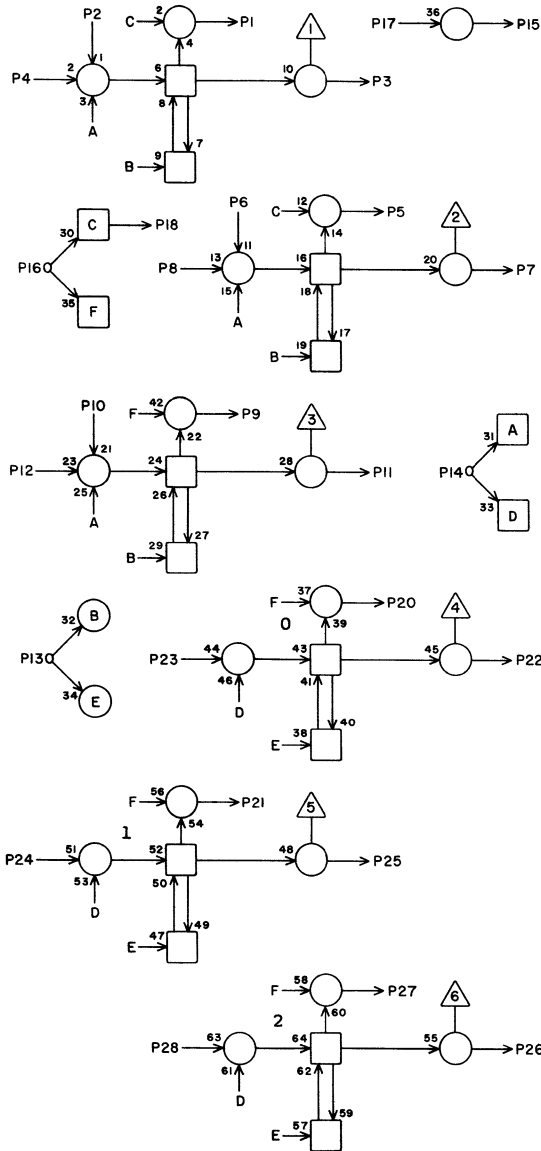
NJ 6Q16



1			
2	N31	2	17
3	O39	26	25
4	N31	4	17
5			
6	N32	2	17
7	O40	26	25
8	N32	4	17
9			
10	N33	2	19
11	O41	26	27
12	N33	4	19
13	M 8	27	15
14	K20	22	19
15	J30	14	27
16	J23	7	25
17	K10	20	19
18	L12	16	17
19			
20	M 2	26	19
21	M 2	21	19
22	O39	25	25
23	N32	5	19
24	N33	5	19
25	O40	25	25
26	O41	25	27
27	M 3	26	19
28	N34	5	21

JACK PIN LG

63017400 Rev. B

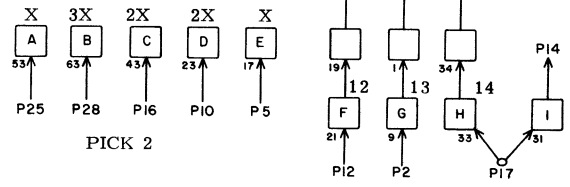
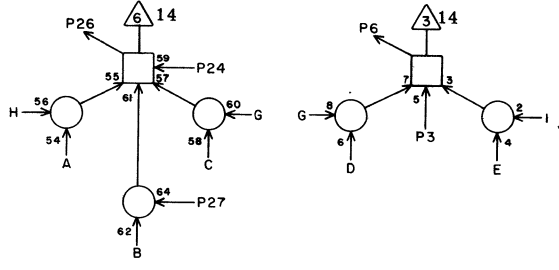
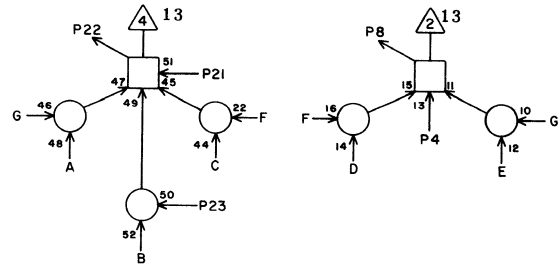
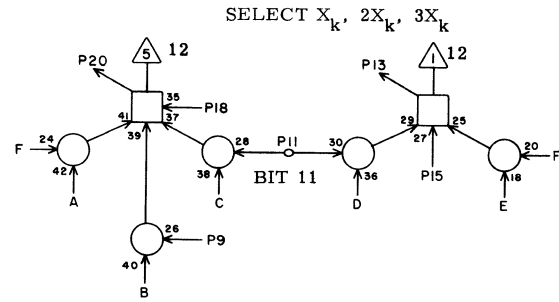


NJ **6017**

1	O19	21	5
2			
3	Q29	27	19
4	O17	15	3
5			
6	N35	2	23
7	N 9	5	13
8	N35	4	23
9	O20	18	5
10	N36	2	23
11	N 9	24	13
12	N36	4	23
13	M 9	1	15
14	K21	8	21
15	O17	4	3
16	J24	1	25
17	N 9	16	13
18	J17	18	23
19			
20	R24	18	17
21	R24	21	17
22	P26	27	13
23	N35	5	23
24	N36	5	23
25	P27	27	13
26	P28	27	13
27	R24	24	17
28	N37	5	23

JACK PIN LG

63017400 Rev. B



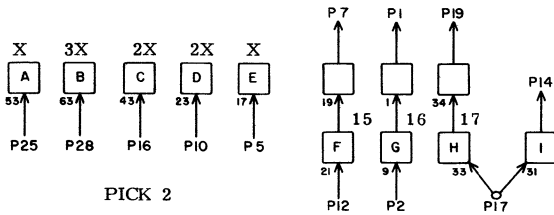
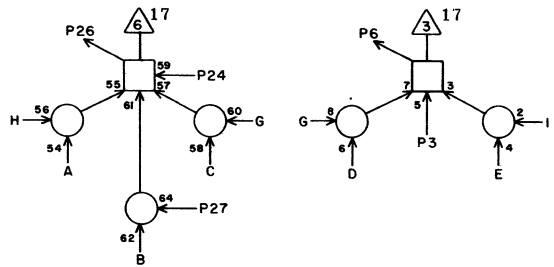
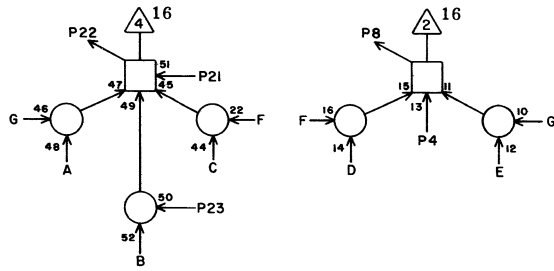
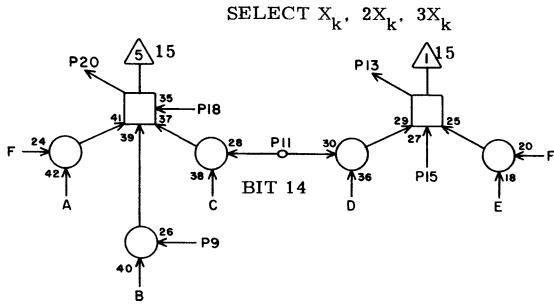
6018

MB **6018**

1	M21	2	13
2	R22	1	15
3	Q11	18	15
4	Q11	3	15
5	K24	5	19
6	M38	23	25
7	M21	12	13
8	M37	23	23
9	Q10	24	15
10	K25	5	21
11	P24	14	11
12	R22	7	15
13	M36	23	23
14	O19	11	3
15	Q10	25	17
16	M25	17	13
17	R22	19	17
18	O18	X	2
19	M21	17	13
20	Q31	23	19
21	O18	X	2
22	Q32	23	19
23	Q11	6	15
24	O18	X	2
25	O25	17	11
26	Q33	23	21
27	Q11	13	15
28	M25	17	15

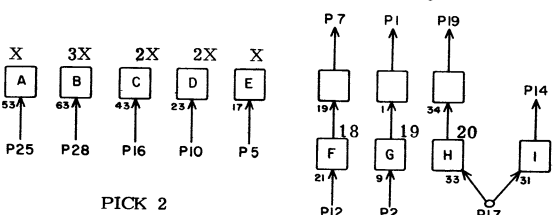
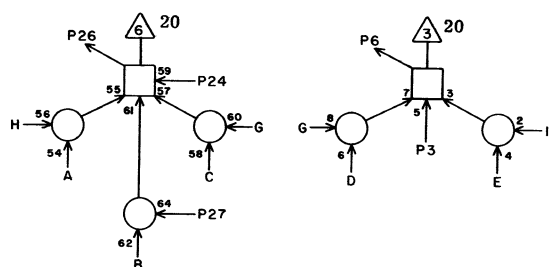
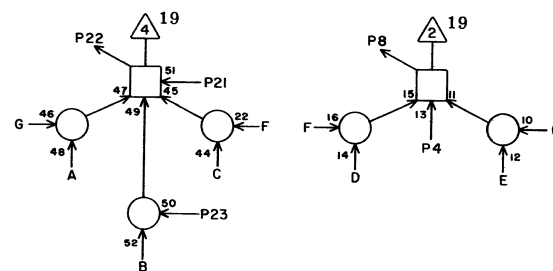
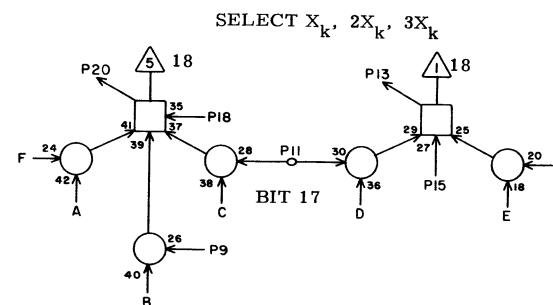
JACK PIN LG

63017400 Rev. B



MB 6019			
JACK	PIN	LG	
1	M22	2	13
2	R23	1	17
3	Q12	18	15
4	Q12	3	15
5	K24	7	19
6	M41	23	25
7	M22	12	13
8	M40	23	25
9	Q11	24	17
10	K25	7	21
11	O18	14	3
12	R23	7	15
13	M39	23	25
14	O20	11	3
15	Q11	25	17
16	N25	20	13
17	R23	19	17
18	O19	X	2
19	M22	17	15
20	Q34	23	19
21	O17	1	5
22	Q35	23	21
23	Q12	6	17
24			
25	O25	20	9
26	Q36	23	21
27	Q12	13	17
28	M25	20	15

63017400 Rev. B

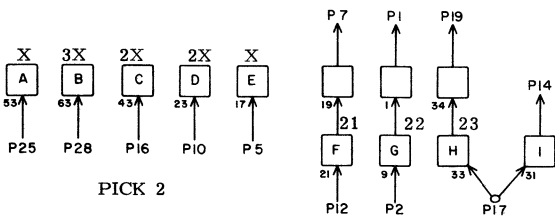
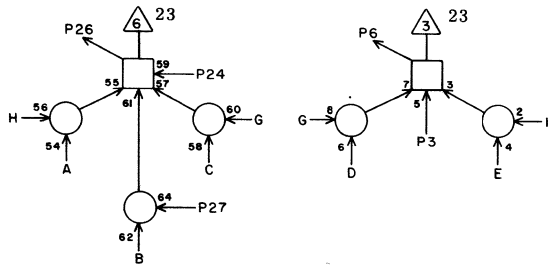
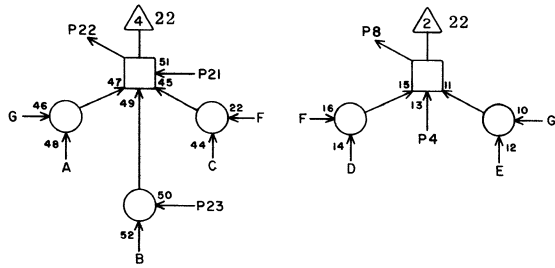
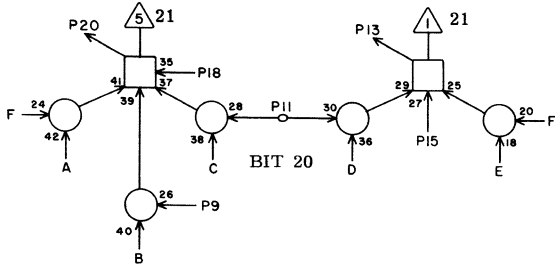


PICK 2

MB 6020			
JACK	PIN	LG	
1	M23	2	13
2	R24	1	15
3	P10	18	15
4	P10	3	15
5	K24	9	19
6	L31	23	19
7	M23	12	13
8	L30	23	19
9	Q12	24	17
10	K25	9	21
11	O19	14	3
12	R24	7	17
13	M42	23	25
14	O21	11	3
15	Q12	25	17
16	N25	19	11
17	R24	19	17
18	O17	9	5
19	M23	17	13
20	Q37	23	21
21	N13	1	13
22	Q38	23	21
23	P10	6	15
24	N13	5	13
25	O25	19	9
26	Q39	23	23
27	P10	13	15
28	M25	19	15

63017400 Rev. B

SELECT  $X_k, 2X_k, 3X_k$



PICK 2

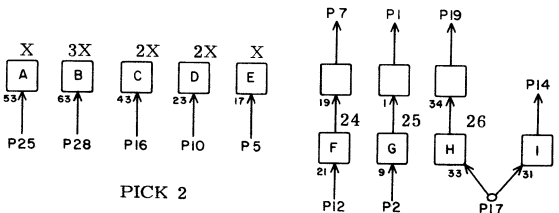
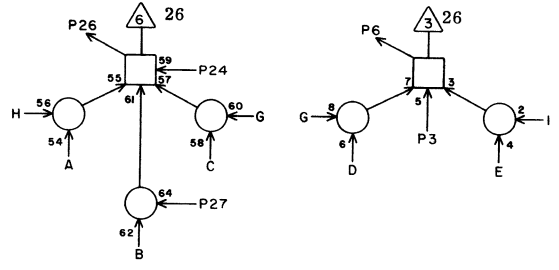
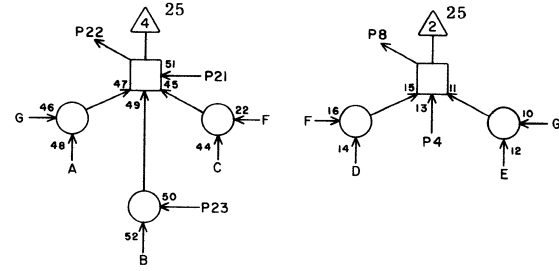
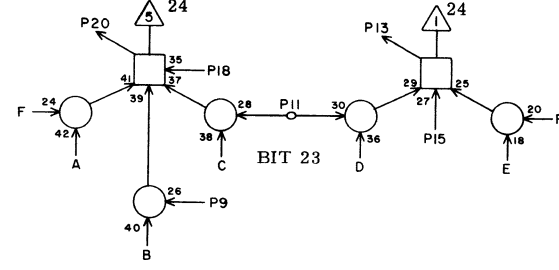
MB 6021

1	M24	2	13
2	Q18	1	13
3	P11	18	15
4	P11	3	15
5	K24	11	19
6	L34	23	21
7	M24	12	13
8	L33	23	19
9	P10	24	15
10	K25	11	21
11	O20	14	3
12	Q18	7	13
13	L32	23	19
14	O22	11	3
15	P10	25	15
16	N25	27	11
17	Q18	19	13
18	N13	9	13
19	M24	17	13
20	Q40	23	23
21	N14	1	13
22	Q41	23	23
23	P11	6	15
24	N14	5	13
25	O25	27	7
26	Q42	23	23
27	P11	13	15
28	M25	27	11

JACK PIN LG

63017400 Rev. B

SELECT  $X_k, 2X_k, 3X_k$



PICK 2

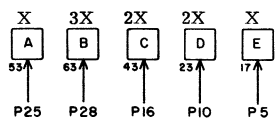
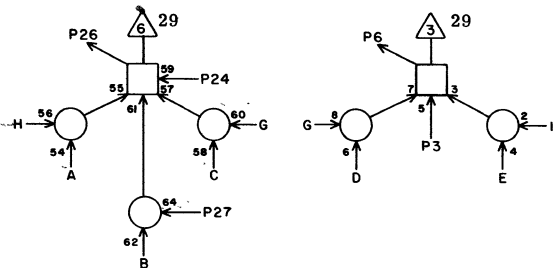
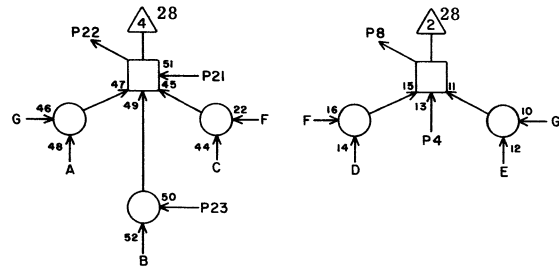
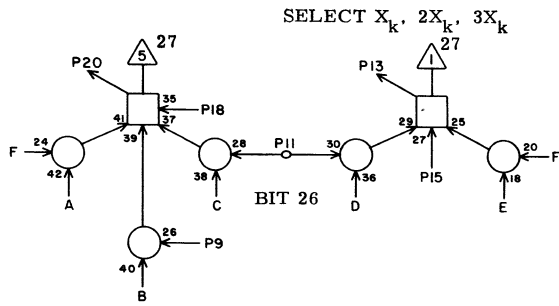
6022

MB 6022

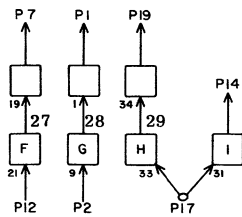
1	L18	2	15
2	Q19	1	13
3	P12	18	15
4	P12	3	15
5	K24	13	19
6	L37	23	23
7	L18	12	15
8	L36	23	21
9	P11	24	15
10	K25	13	19
11	O21	14	3
12	Q19	7	13
13	L35	23	21
14	O23	11	3
15	P11	25	15
16	N25	22	11
17	Q19	19	13
18	N14	9	13
19	L18	17	17
20	P30	23	13
21	M15	1	13
22	P31	23	13
23	P12	6	15
24	N15	5	13
25	Q25	22	5
26	P32	23	15
27	P12	13	15
28	M25	22	13

JACK PIN LG

63017400 Rev. B

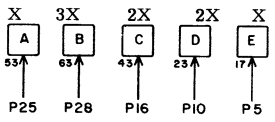
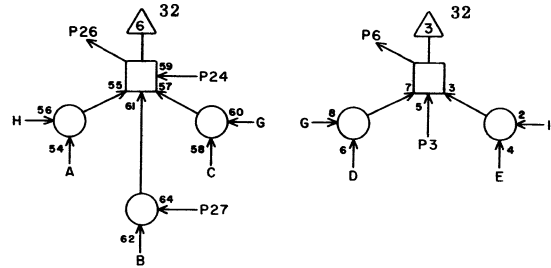
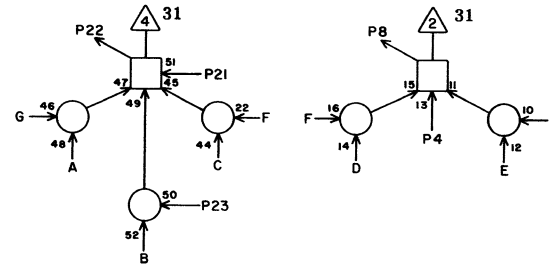
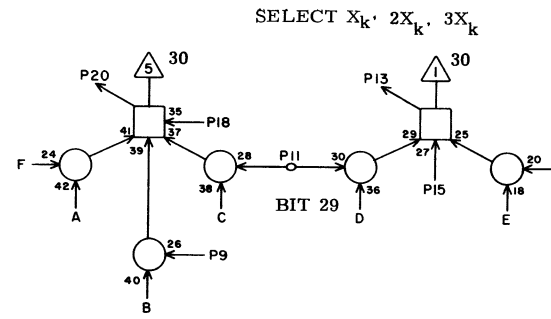


PICK 2

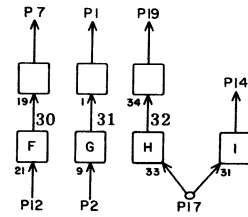


MB 6023			
JACK	PIN	LG	
1	L19	2	17
2	Q20	1	13
3	O10	18	15
4	O10	3	17
5	K24	14	19
6	L40	23	23
7	L19	12	17
8	L39	23	23
9	P12	24	15
10	K25	14	19
11	O22	14	3
12	Q20	7	13
13	L38	23	23
14	O24	11	3
15	P12	25	15
16	N25	23	9
17	Q20	19	13
18	N15	9	13
19	L19	17	17
20	P33	23	13
21	N16	1	13
22	P34	23	15
23	O10	6	15
24	N16	5	13
25	O25	23	5
26	P35	23	15
27	O10	13	15
28	M25	23	13

63017400 Rev. B

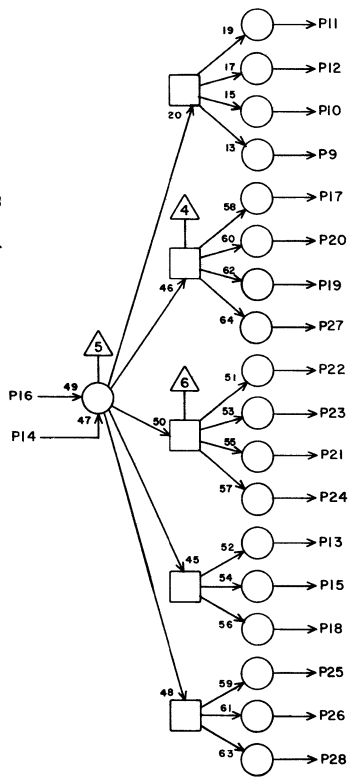
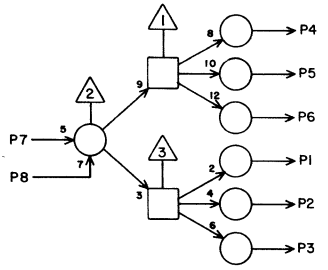


PICK 2



MB 6024			
JACK	PIN	LG	
1	L20	2	15
2	Q21	1	13
3	O11	18	15
4	O11	3	15
5	K24	15	19
6	K30	23	19
7	L20	12	15
8	L42	23	23
9	O10	24	19
10	K25	15	19
11	O23	14	3
12	Q21	7	13
13	L41	23	23
14	N18	11	11
15	O10	25	19
16	N25	21	9
17	Q21	19	13
18	N16	9	13
19	L20	17	17
20	P36	23	15
21	N17	1	13
22	P37	23	15
23	O11	6	15
24	N17	5	13
25	O25	21	3
26	P38	23	17
27	O11	13	15
28	M25	21	13

63017400 Rev. B

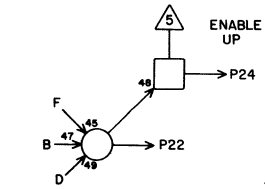
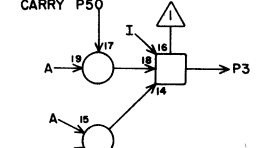
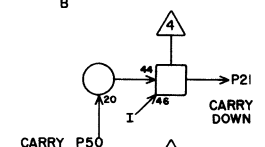
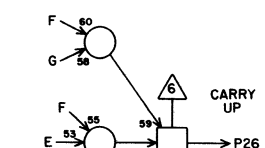
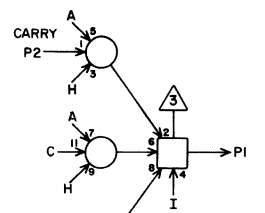
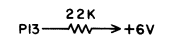
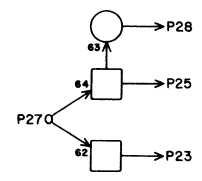
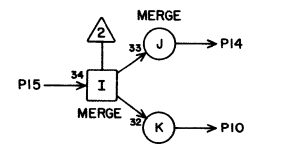
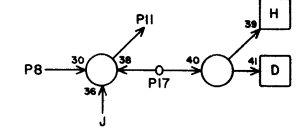
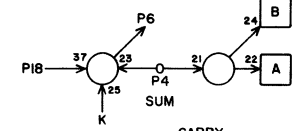
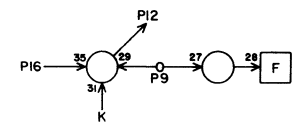


BITS 2, 3  
1X<sub>K</sub>  
FANOUT

CB 6025

	JACK	PIN	LG
1	Q28	15	13
2	Q29	15	13
3	P26	15	9
4	P27	15	9
5	P28	15	9
6	P29	15	9
7	K23	10	19
8			
9	P24	25	9
10	P23	25	9
11	P21	25	11
12	P22	25	11
13	N19	25	13
14	O25	X	2
15	N20	25	9
16	J 9	11	29
17	O18	25	11
18	N21	25	9
19	O20	25	9
20	O19	25	9
21	O24	25	3
22	O22	25	5
23	O23	25	5
24	N18	25	13
25	N22	25	9
26	N23	25	9
27	O21	25	7
28			

63017400 Rev. B



6026

MM 6026

	JACK	PIN	LG
1	L21	23	15
2	J30	9	23
3	L21	9	15
4	P40	7	19
5	J30	11	23
6	P41	6	19
7	P39	18	19
8	P41	11	19
9	P42	7	19
10	L22	28	15
11	P42	6	19
12	O30	6	9
13	O42	27	19
14			
15	R26	14	17
16	P42	11	19
17	P41	7	19
18	P40	11	19
19	P41	18	19
20	P40	18	19
21	L20	27	17
22	L28	23	15
23			
24	J30	5	25
25	N 9	15	19
26	K28	2	21
27	N13	25	17
28	N 9	19	19

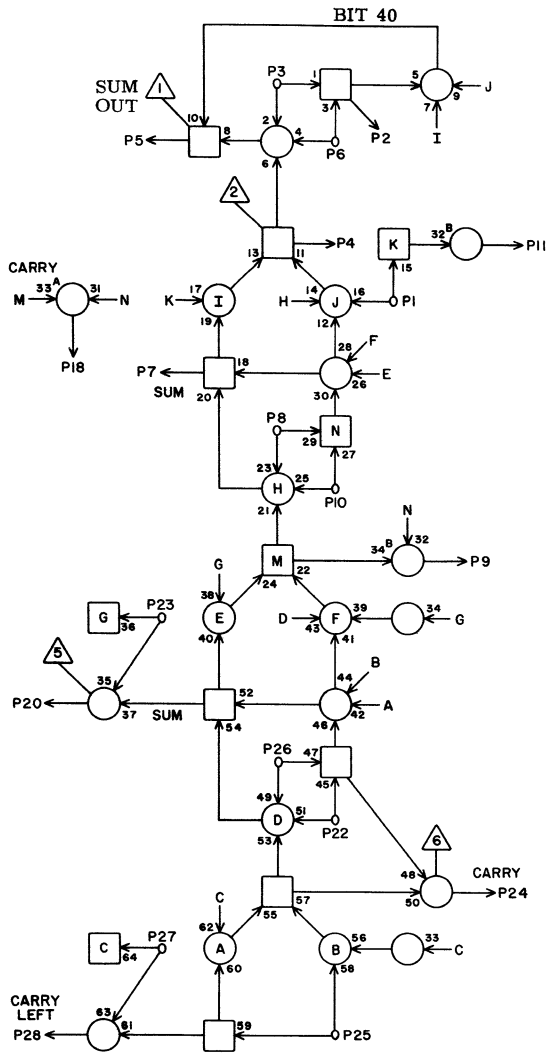
63017400 Rev. B







LOWER 3-LEVEL ADDER

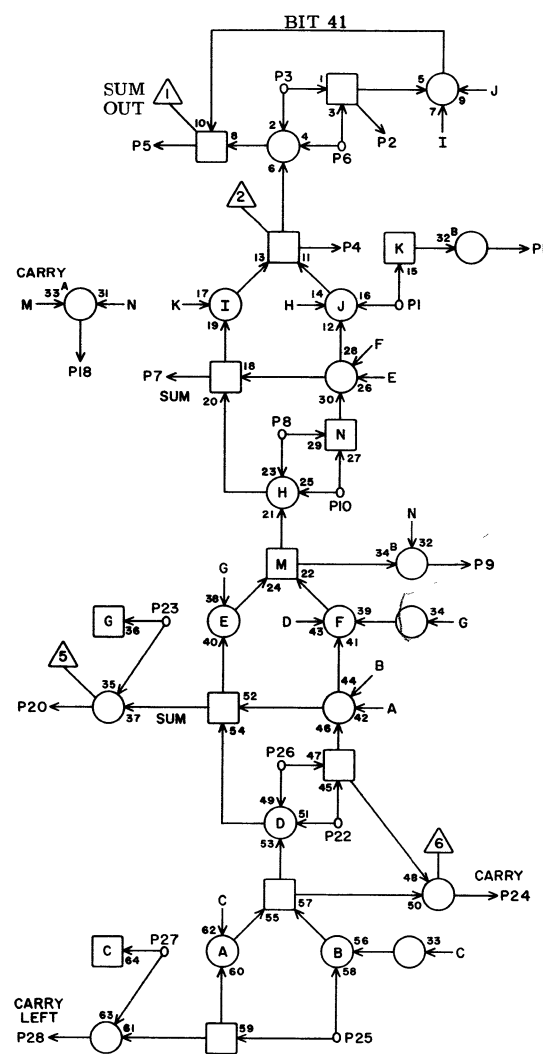


MC **6031**

1	L22	20	17
2	P16	10	17
3	O30	9	3
4	P16	12	17
5	P16	24	19
6	O27	6	7
7	O27	17	7
8	O30	24	5
9	O32	3	3
10	O30	20	3
11	O27	8	7
12			
13			
14			
15			
16			
17			
18	O27	19	5
19			
20	O32	10	3
21			
22	O30	28	3
23	N19	26	15
24	O32	8	5
25	O13	25	21
26	O13	7	19
27	Q24	22	13
28	O32	22	3

JACK PIN LG

LOWER 3-LEVEL ADDER

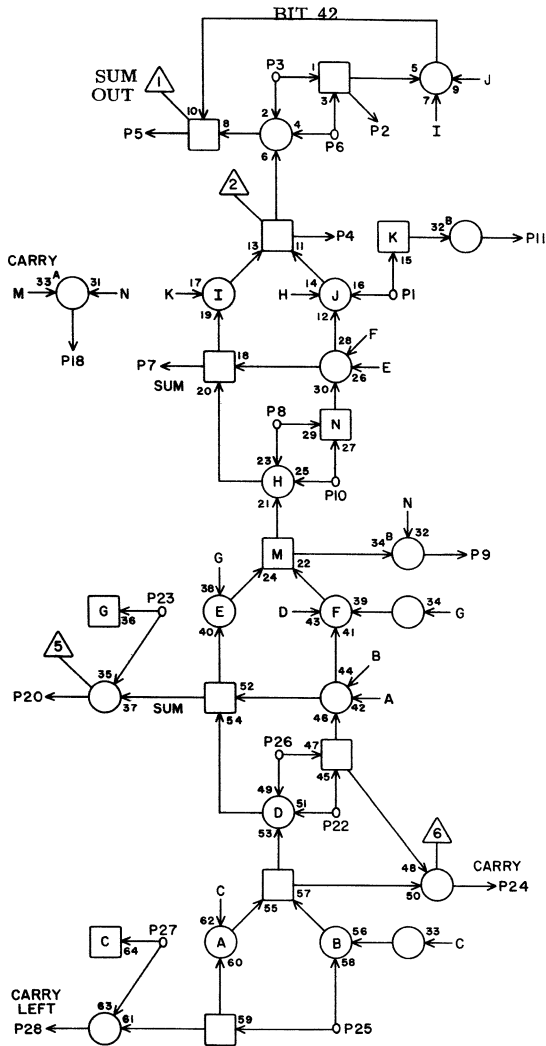


MC **6032**

1	L22	22	17
2	P17	2	17
3	O31	9	3
4	P17	4	17
5	P16	28	19
6	O27	11	9
7	O27	9	9
8	O31	24	5
9	O33	3	3
10	O31	20	3
11	O27	16	9
12			
13			
14			
15			
16			
17			
18	O28	7	9
19			
20	O33	10	3
21			
22	O31	28	3
23	N20	20	15
24	O33	8	5
25	O13	26	21
26	O13	11	21
27	Q24	26	13
28	O33	22	3

JACK PIN LG

LOWER 3-LEVEL ADDER



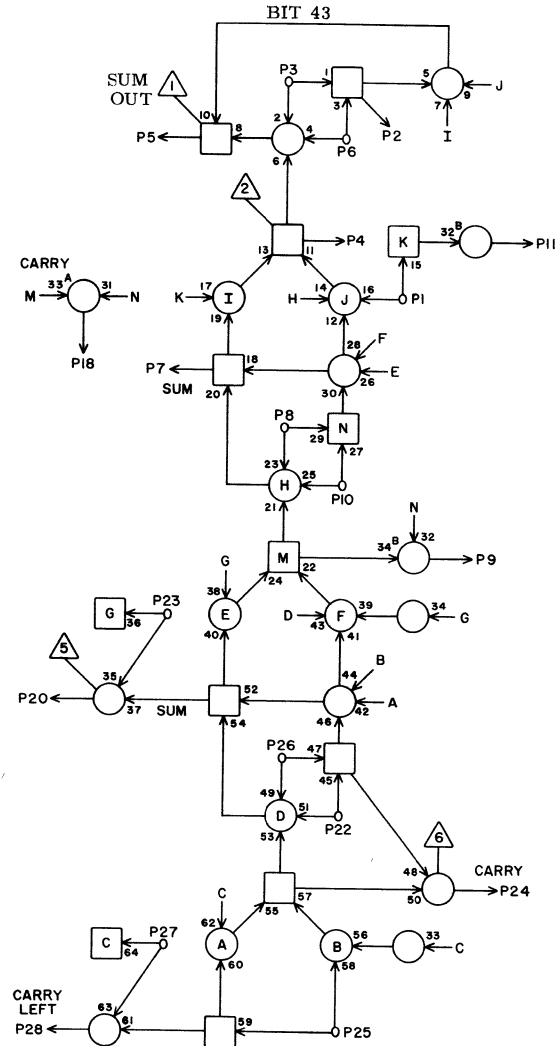
MC **6033**

1	L22	26	17
2	P17	6	19
3	O32	9	3
4	P17	8	19
5	P17	23	19
6	O27	12	9
7	O28	4	9
8	O32	24	5
9	O34	3	3
10	O32	20	3
11	O28	18	9
12			
13			
14			
15			
16			
17			
18	O28	20	9
19			
20	O34	10	3
21			
22	O32	28	3
23	N20	22	17
24	O34	8	5
25	O14	22	21
26	O14	3	21
27	P18	20	19
28	O34	22	3

JACK PIN LG

63017400 Rev. B

LOWER 3-LEVEL ADDER



MC **6034**

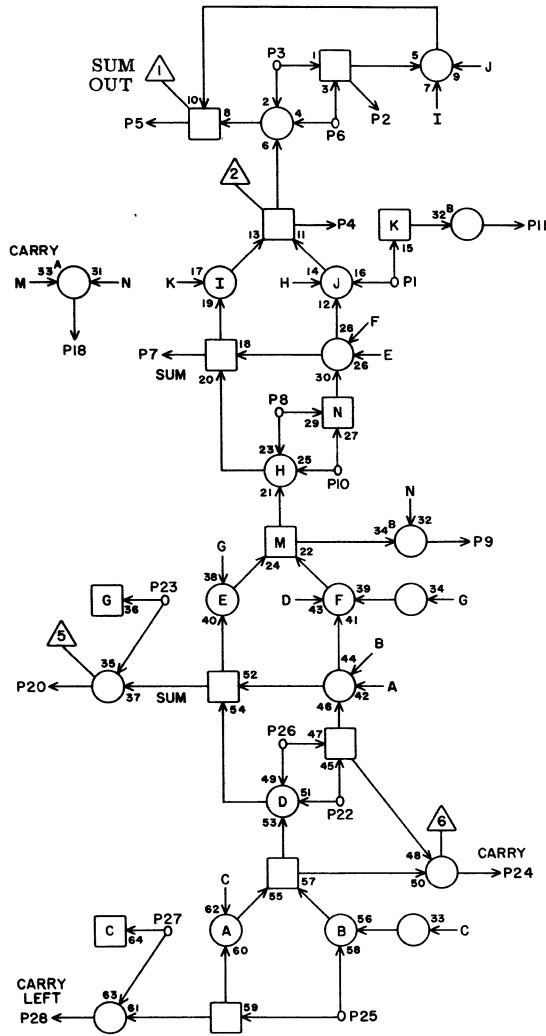
1	L23	20	17
2	P17	10	19
3	O33	9	3
4	P17	12	19
5	P17	24	19
6	O28	6	9
7	O28	17	9
8	O33	24	5
9	O35	3	3
10	O33	20	3
11	O28	8	9
12			
13			
14			
15			
16			
17			
18	O28	19	9
19			
20	O35	10	3
21			
22	O33	28	3
23	N20	26	17
24	O35	8	5
25	O14	25	21
26	O14	7	21
27	P18	22	19
28	O35	22	3

JACK PIN LG

6034

63017400 Rev. B

LOWER 3-LEVEL ADDER  
BIT 44



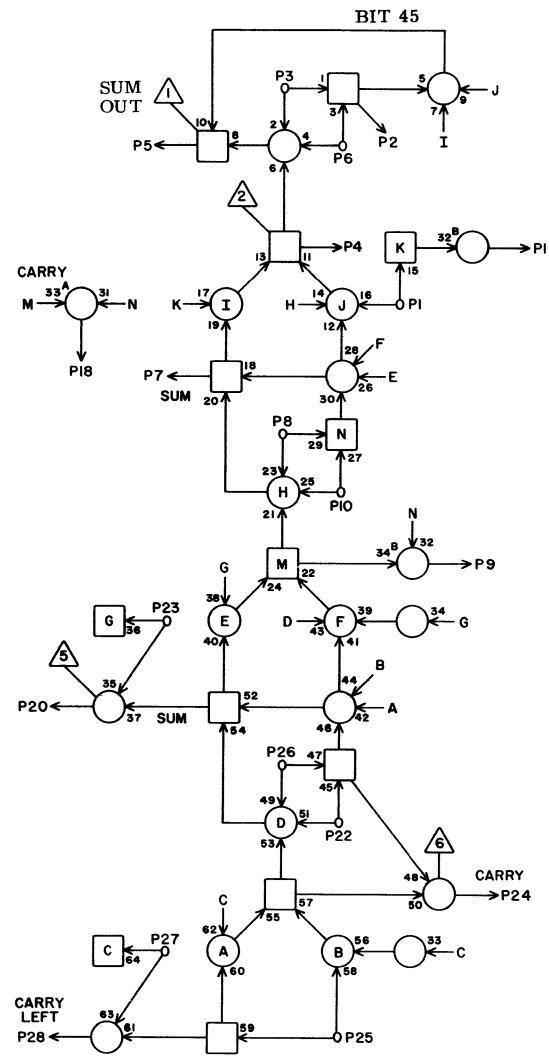
MC 6035

1	L23	22	17
2	013	2	23
3	034	9	3
4	013	4	23
5	P17	28	19
6	028	11	9
7	028	9	9
8	034	24	5
9	036	3	3
10	034	20	3
11	028	16	9
12			
13			
14			
15			
16			
17			
18	029	7	11
19			
20	036	10	3
21			
22	034	28	3
23	N21	20	17
24	036	8	5
25	014	26	23
26	014	11	23
27	P18	26	19
28	036	22	3

JACK PIN LG

63017400 Rev. B

LOWER 3-LEVEL ADDER



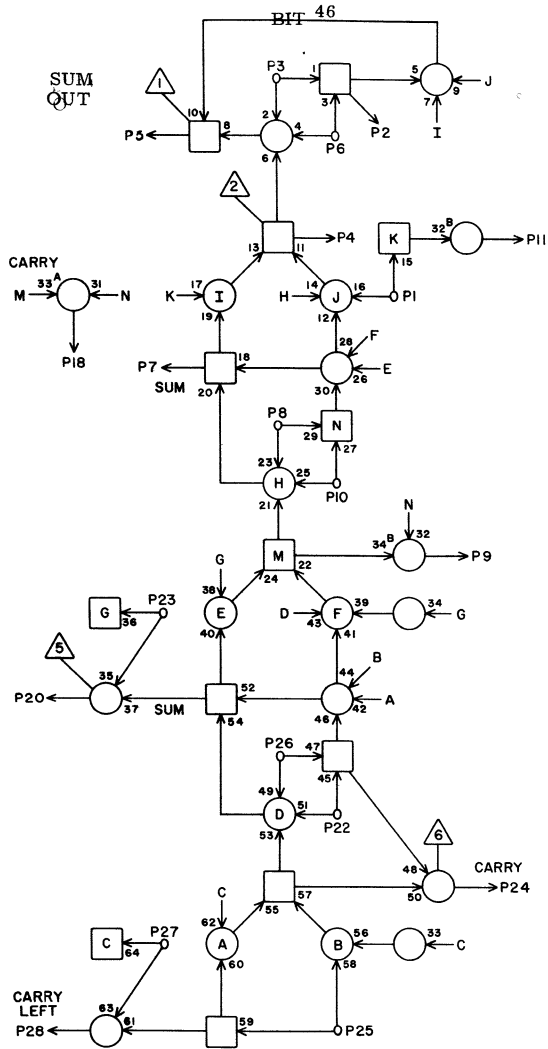
MC 6036

1	L23	26	19
2	013	6	25
3	035	9	3
4	013	6	25
5	013	23	25
6	028	12	9
7	029	4	11
8	035	24	5
9	037	3	3
10	035	20	3
11	029	18	11
12			
13			
14			
15			
16			
17			
18	029	20	11
19			
20	037	10	3
21			
22	035	26	3
23	N21	22	17
24	037	8	5
25	Q16	15	23
26	P15	15	23
27	P19	20	19
28	037	22	3

JACK PIN LG

63017400 Rev. B

LOWER 3-LEVEL ADDER

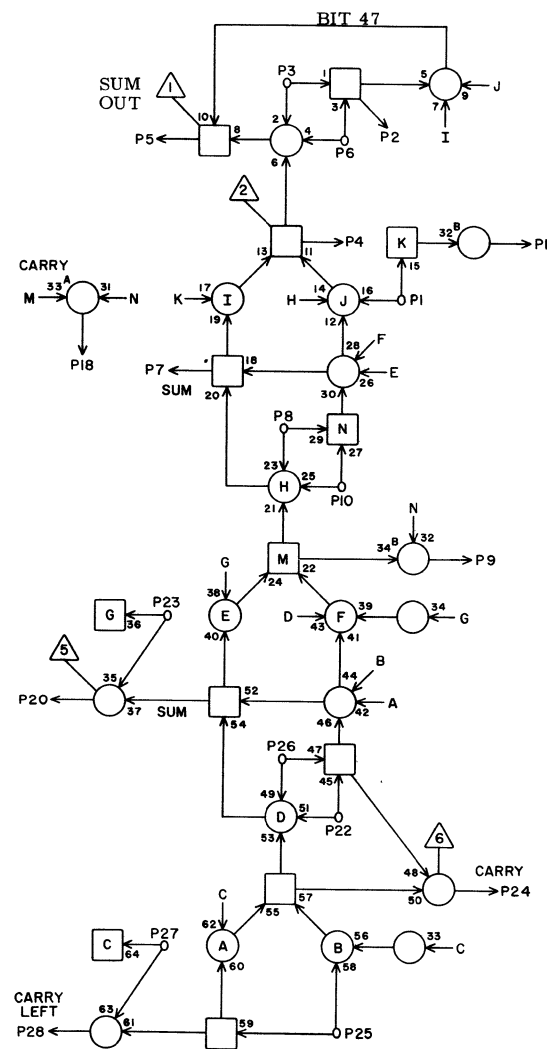


MC		6037	
1	L24	20	21
2	O13	10	25
3	O36	9	3
4	O13	12	25
5	O13	24	27
6	O29	6	11
7	O29	17	11
8	O36	24	5
9	O38	3	3
10	O36	20	3
11	O29	8	11
12			
13			
14			
15			
16			
17			
18	O29	19	11
19			
20	O38	10	3
21			
22	O36	28	3
23	N21	26	17
24	O38	8	5
25	Q14	15	25
26	P16	15	23
27	P19	22	19
28	O38	22	3

JACK PIN LG

63017400 Rev. B

LOWER 3-LEVEL ADDER



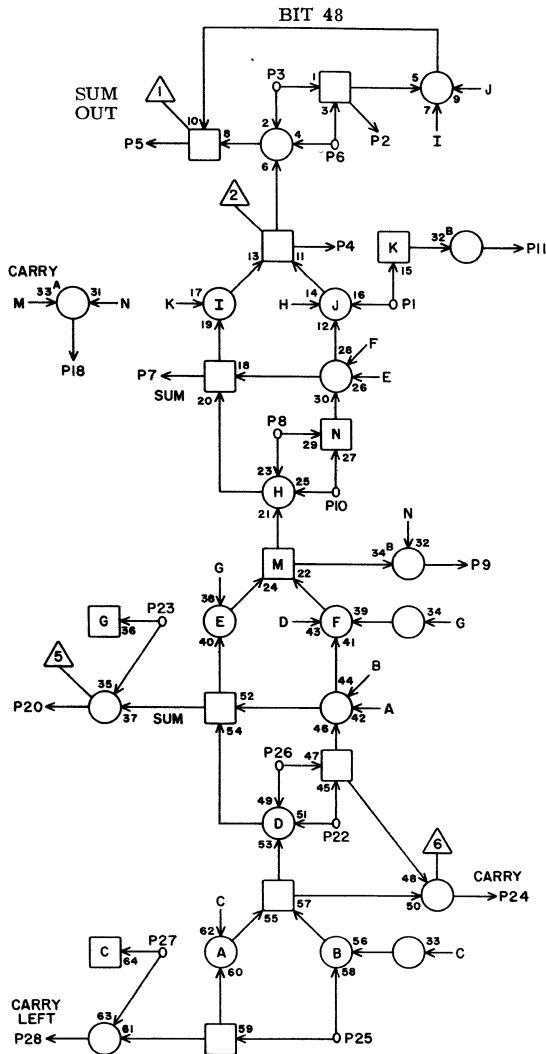
MC		6038	
1	L24	22	21
2	O14	2	27
3	O37	9	3
4	O14	4	27
5	O13	28	27
6	O29	11	11
7	O29	9	11
8	O37	24	5
9	O39	3	3
10	O37	20	3
11	O29	16	11
12			
13			
14			
15			
16			
17			
18	N26	7	15
19			
20	O39	10	3
21			
22	O37	28	3
23	N22	20	19
24	O39	8	5
25	Q17	15	25
26	P17	15	23
27	P19	26	21
28	O39	22	3

JACK PIN LG

6038

63017400 Rev. B

LOWER 3-LEVEL ADDER

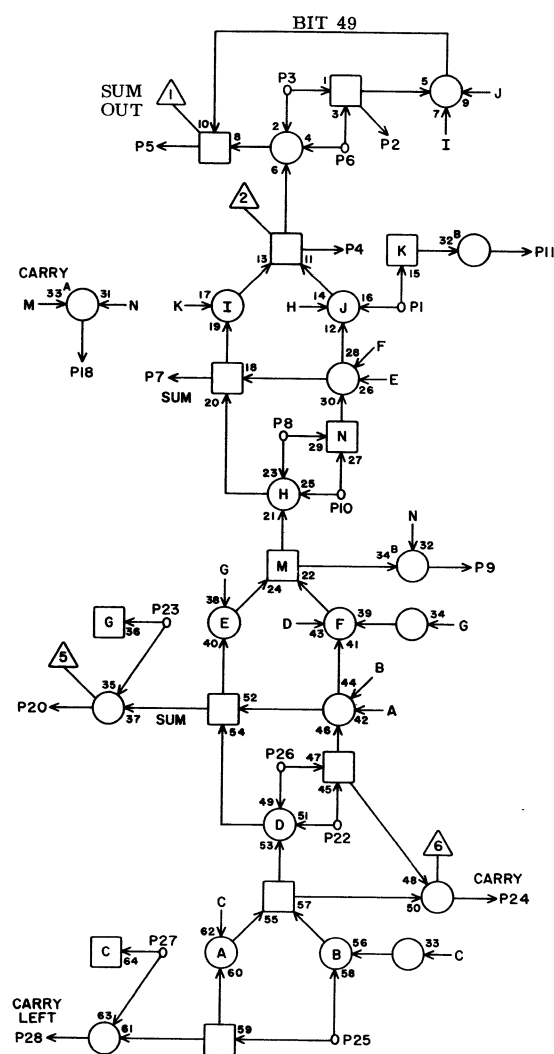


MC 6039

1	L24	26	21
2	O14	6	27
3	O38	9	3
4	O14	8	27
5	O14	23	27
6	O29	12	11
7	N26	4	15
8	O38	24	5
9	O40	3	3
10	O38	20	3
11	N26	18	15
12			
13			
14			
15			
16			
17			
18	N26	20	15
19			
20	O40	10	3
21			
22	O38	28	3
23	N22	22	19
24	O40	8	5
25	O16	22	25
26	O16	3	25
27	P20	20	21
28	O40	22	3

JACK PIN LG

LOWER 3-LEVEL ADDER

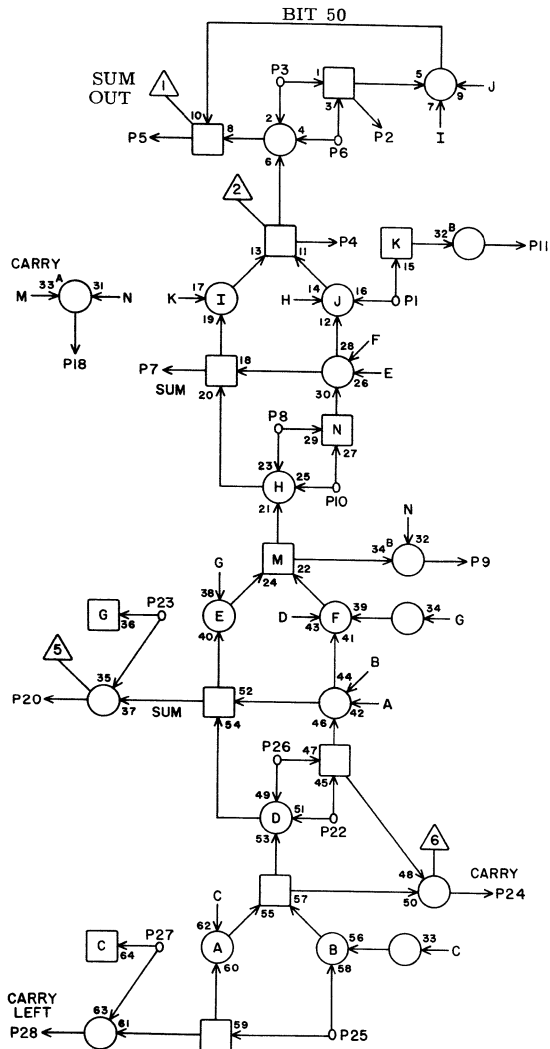


MC 6040

1	K18	20	27
2	O14	10	27
3	O39	9	3
4	O14	12	27
5	O14	24	27
6	N26	6	17
7	N26	17	19
8	O39	24	5
9	O41	3	3
10	O39	20	3
11	N26	8	17
12			
13			
14			
15			
16			
17			
18	N26	19	19
19			
20	O41	10	3
21			
22	O39	28	3
23	N22	26	21
24	O41	8	5
25	O16	25	25
26	O16	7	25
27	P20	22	21
28	O41	22	3

JACK PIN LG

LOWER 3-LEVEL ADDER

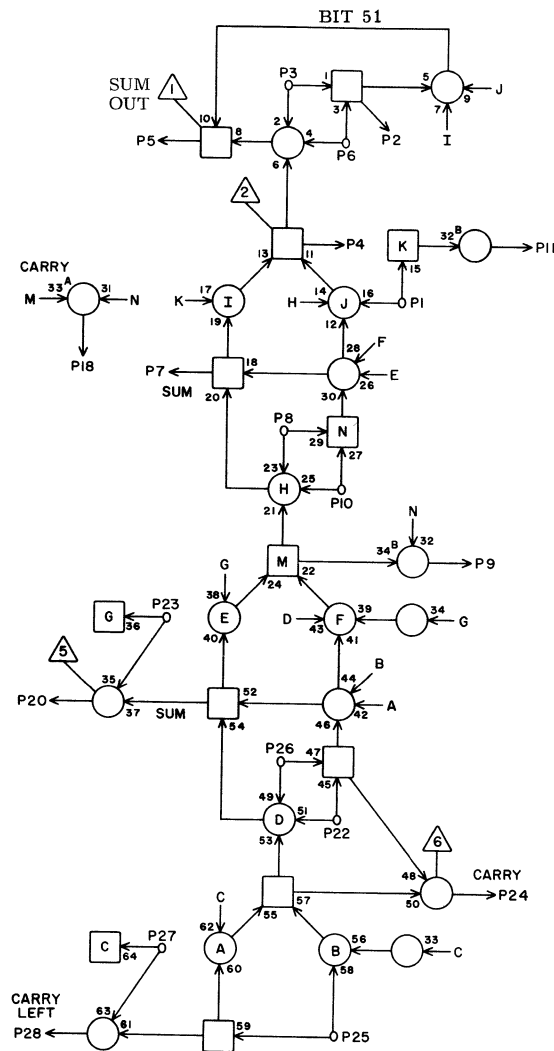


MC 6041

1	K18	22	27
2	O15	22	27
3	O40	9	3
4	O15	24	27
5	O14	28	29
6	N26	11	19
7	N26	9	19
8	O40	24	5
9	O42	3	3
10	O40	20	3
11	N26	16	19
12			
13			
14			
15			
16			
17			
18	N27	7	19
19			
20	O42	10	3
21			
22	O40	28	3
23	N23	20	21
24	O42	8	5
25	O16	26	27
26	O16	11	27
27	P20	26	23
28	O42	22	3

JACK PIN LG

LOWER 3-LEVEL ADDER

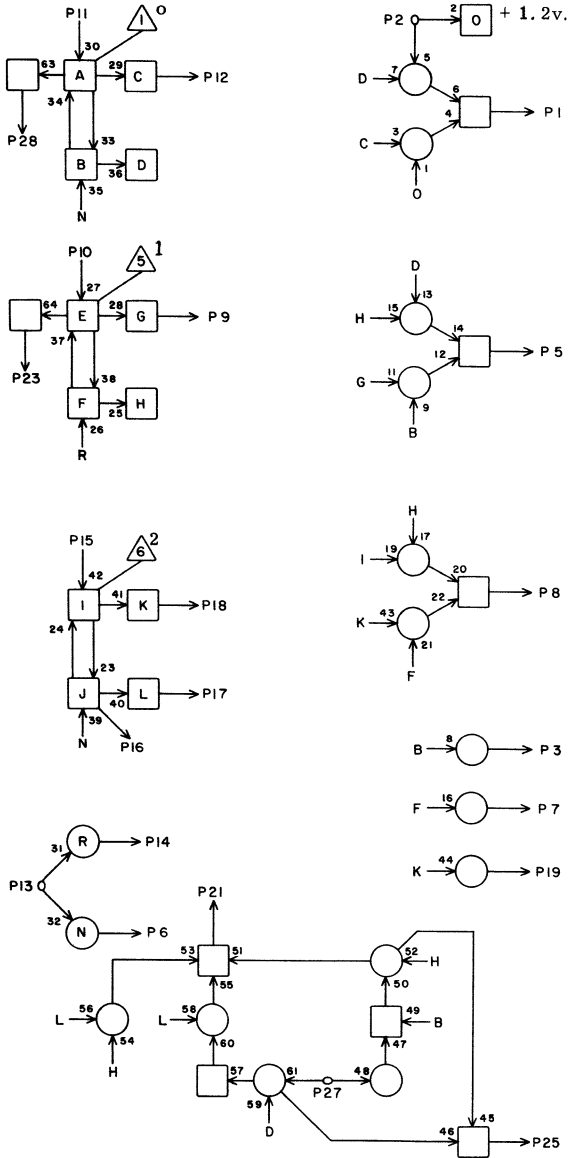


MC 6042

1	K18	26	29
2	O15	16	29
3	O41	9	3
4	O15	18	29
5	O15	4	29
6	N26	12	19
7	N27	4	19
8	O41	24	5
9	N30	3	15
10	O41	20	3
11	N27	18	19
12			
13			
14			
15			
16			
17			
18	N27	20	19
19			
20	N30	10	15
21			
22	O41	28	3
23	N23	22	23
24	N30	8	15
25	L13	20	31
26	O42	X	2
27	O26	13	19
28	N30	22	15

JACK PIN LG

$X_k$  FEEDER REG.;  $X_k + 2X_k$  ADDER

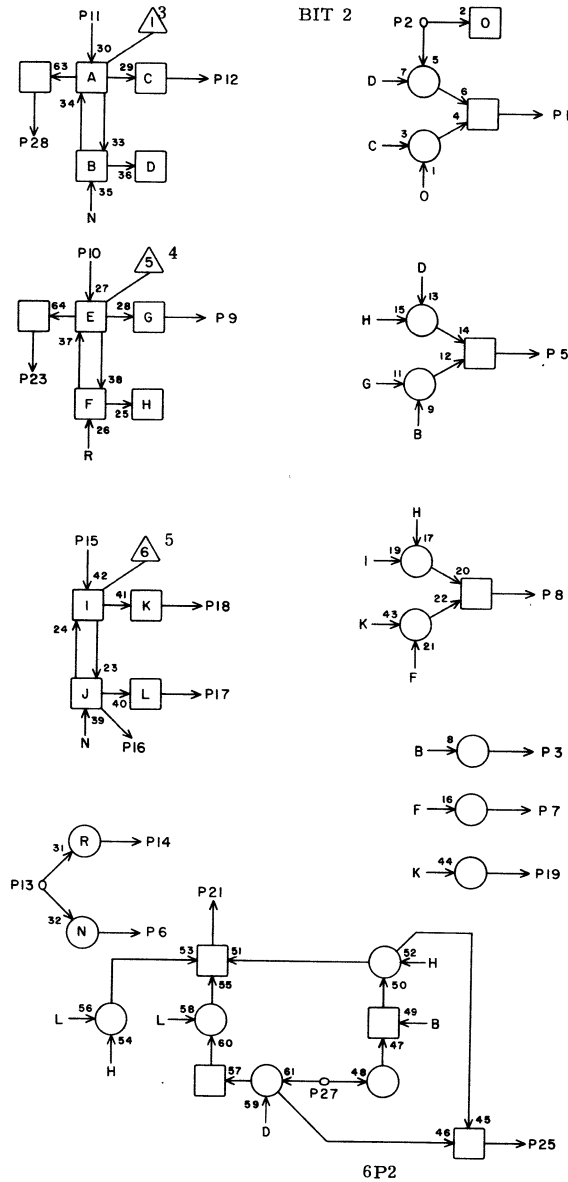


MA **6P 1**

1	M11	21	17
2	P 1	X	2
3	Q 7	23	13
4			
5	R10	8	15
6	M12	8	120
7			
8	R10	10	17
9	R18	2	19
10	G 1	21	35
11	G 1	25	35
12	R18	12	21
13	M12	11	19
14	M25	8	120
15	G 1	19	37
16	R18	17	21
17	P 2	2	3
18	R 1	5	11
19			
20			
21	R10	22	15
22			
23	R 1	3	9
24			
25	R10	9	13
26			
27	J 2	27	27
28			

JACK PIN LG  
63017400 Rev. B

$X_k$  FEEDER REG.;  $X_k + 2X_k$  ADDER



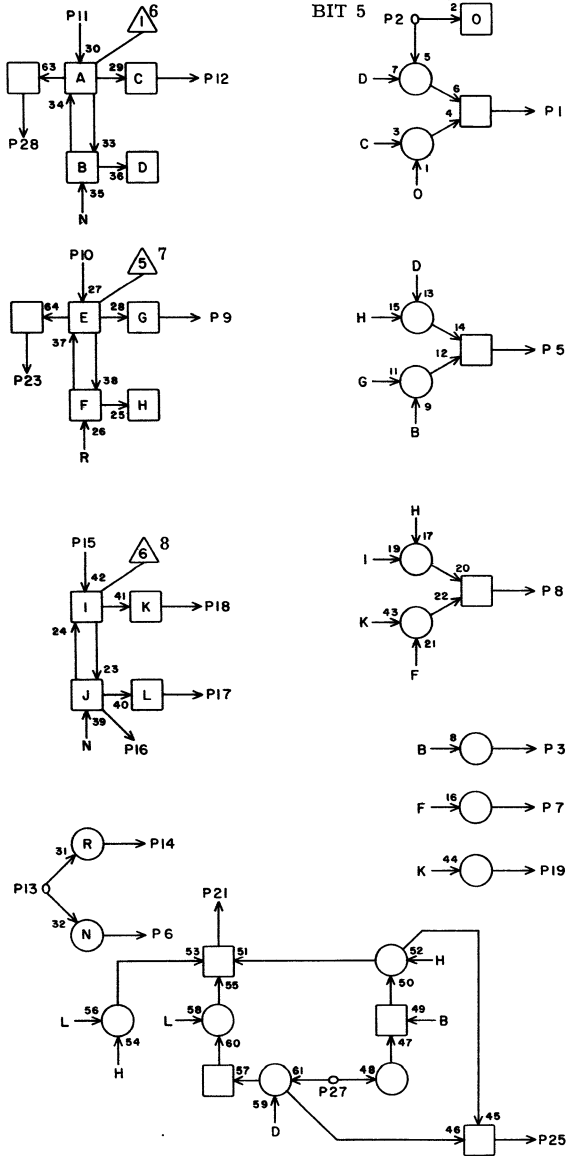
MA **6P 2**

1	R10	21	15
2	P 1	17	3
3			
4			
5	R11	8	15
6	J 7	22	29
7			
8	R11	10	15
9	R19	2	19
10	G 2	25	35
11	G 1	17	37
12	R19	12	21
13	M12	12	19
14	J26	22	39
15	G 2	21	37
16	R19	17	21
17	P 3	2	3
18	R 1	10	11
19			
20			
21	R11	22	15
22			
23	R 1	11	11
24			
25	R11	9	15
26			
27	Q 5	6	5
28	R 1	1	9

JACK PIN LG  
63017400 Rev T



$X_k$  FEEDER REG.;  $X_k + 2X_k$  ADDER

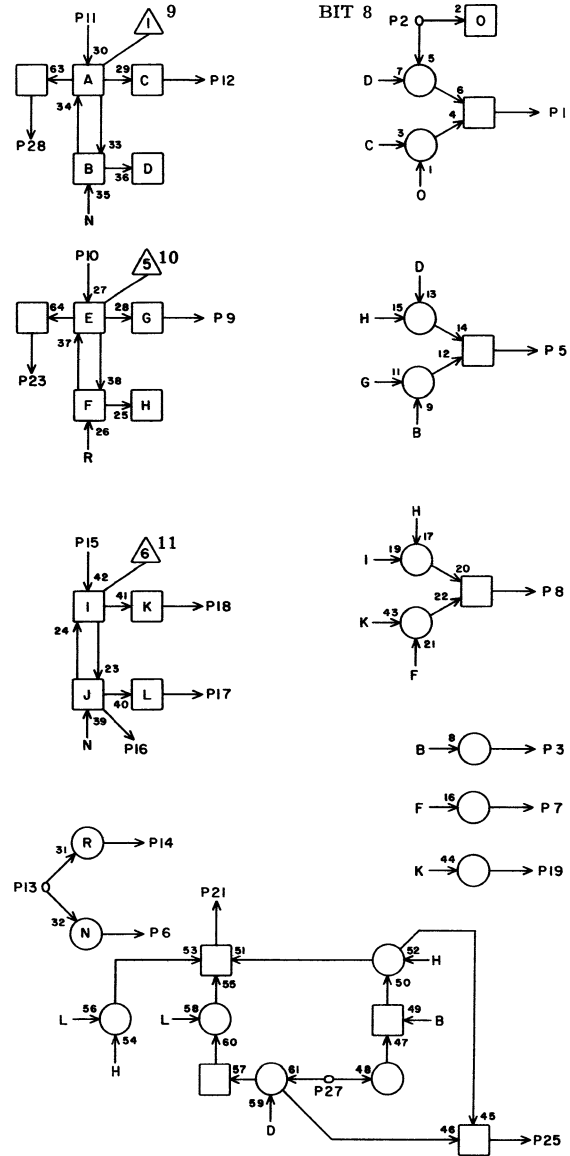


MA **6P 3**

1	R11	21	15
2	P 2	17	3
3			
4			
5	R12	8	15
6			
7			
8	R12	10	15
9	R20	2	19
10	G 2	17	37
11	G 2	19	37
12	R20	12	21
13	M12	10	19
14			
15	G 3	25	35
16	R20	17	21
17	P 4	2	3
18	R 1	21	13
19			
20			
21	R12	22	15
22			
23	R 1	24	13
24			
25	R12	9	15
26			
27	Q 5	12	7
28	R 1	15	11

63017400 Rev. B

$X_k$  FEEDER REG.;  $X_k + 2X_k$  ADDER



MA **6P 4**

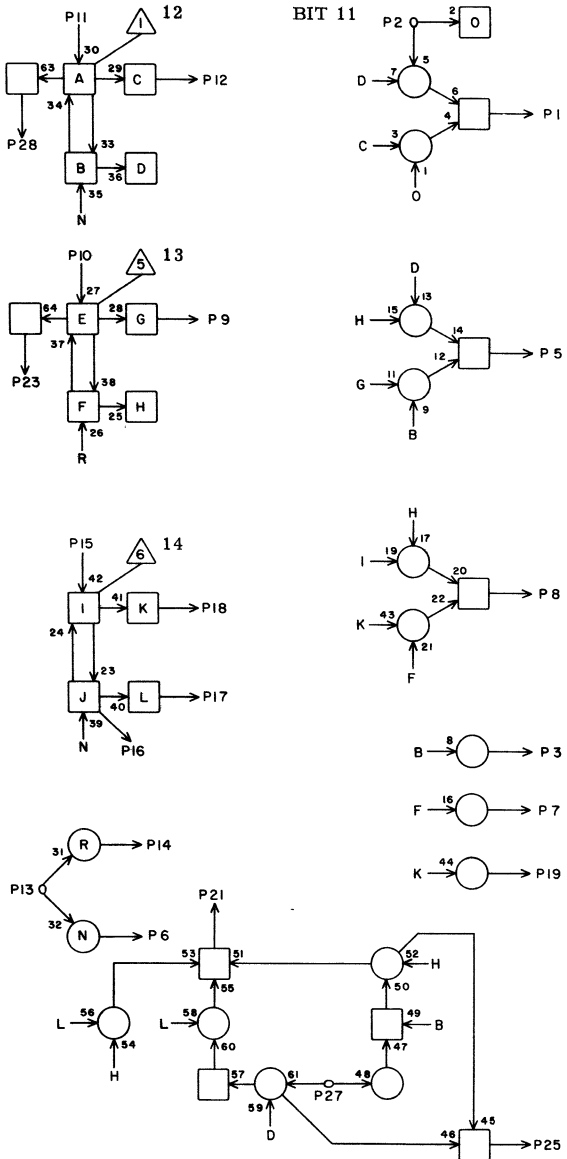
1	R12	21	15
2	P 3	17	3
3			
4			
5	Q10	8	11
6			
7			
8	Q10	10	11
9	R21	2	19
10	G 3	19	37
11	G 3	21	32
12	R21	12	21
13	M12	9	17
14			
15	G 3	17	37
16	R21	17	21
17	P 5	2	3
18	R 2	5	11
19			
20			
21	Q10	22	11
22			
23	R 2	3	11
24			
25	Q10	9	9
26			
27	R 5	15	11
28	R 1	25	13

63017400 Rev. B

6P4

$X_k$  FEEDER REG.;  $X_k + 2X_k$  ADDER

MA 6P 5

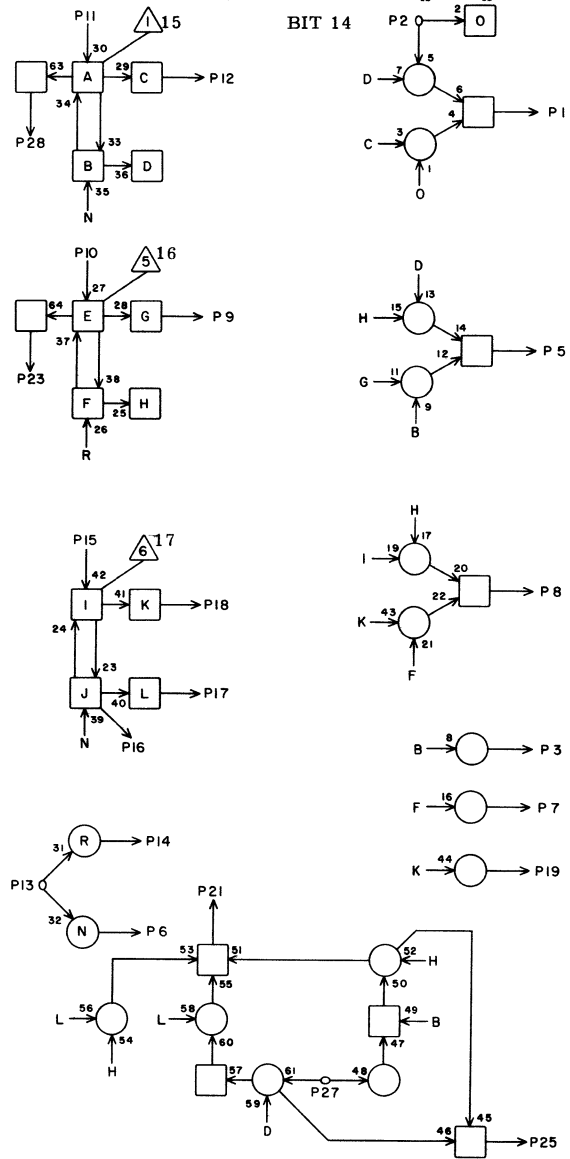


	Q	P	R	M	G	L
1	Q10	21	11			
2	P 4	17	3			
3						
4						
5	Q11	8	11			
6						
7						
8	Q11	10	13			
9	R22	2	19			
10	G 4	21	35			
11	G 4	25	35			
12	R22	12	21			
13	M12	17	17			
14						
15	G 4	19	37			
16	R22	17	21			
17	P 6	2	3			
18	R 2	10	11			
19						
20						
21	Q11	22	11			
22						
23	R 2	11	11			
24						
25	Q11	9	9			
26						
27	Q 5	24	5			
28	R 2	1	11			

63017400 Rev. S

$X_k$  FEEDER REG.;  $X_k + 2X_k$  ADDER

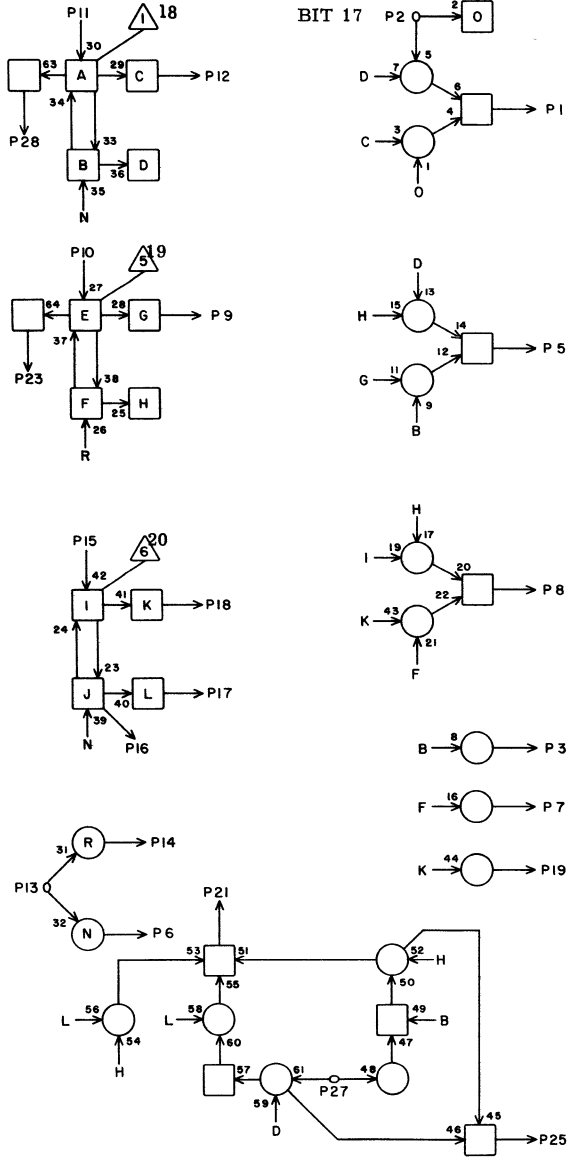
MA 6P 6



	Q	P	R	M	G	L
1	Q11	21	11			
2	P 5	17	3			
3						
4						
5	Q12	8	11			
6						
7						
8	Q12	10	13			
9	R23	2	19			
10	G 5	25	35			
11	G 4	17	37			
12	R23	12	21			
13	M12	20	17			
14						
15	G 5	21	37			
16	R23	17	21			
17	P 7	2	3			
18	R 2	21	13			
19						
20						
21	Q12	22	11			
22						
23	R 2	24	13			
24						
25	Q12	9	11			
26						
27	Q 5	18	5			
28	R 2	15	11			

63017400 Rev. B

$X_k$  FEEDER REG.;  $X_k + 2X_k$  ADDER

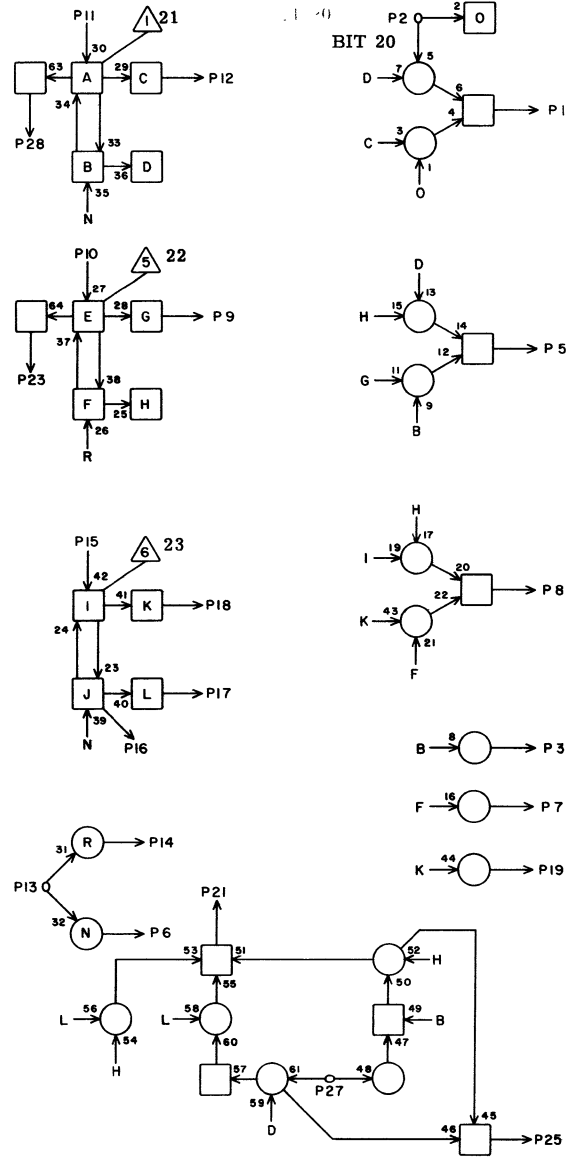


MA 6P7

1	Q12	21	11
2	P 6	17	3
3			
4			
5	F10	8	7
6			
7			
8	F10	10	7
9	R24	2	19
10	G 5	17	37
11	G 5	19	37
12	R24	12	21
13	M12	19	17
14			
15	G 6	25	37
16	R24	17	21
17	P 8	2	5
18	R 3	5	11
19			
20			
21	P10	22	5
22			
23	R 3	3	11
24			
25	P10	9	5
26			
27	R 6	24	11
28	R 2	25	13

JACK PIN LG  
63017400 Rev. R

$X_k$  FEEDER REG.;  $X_k + 2X_k$  ADDER

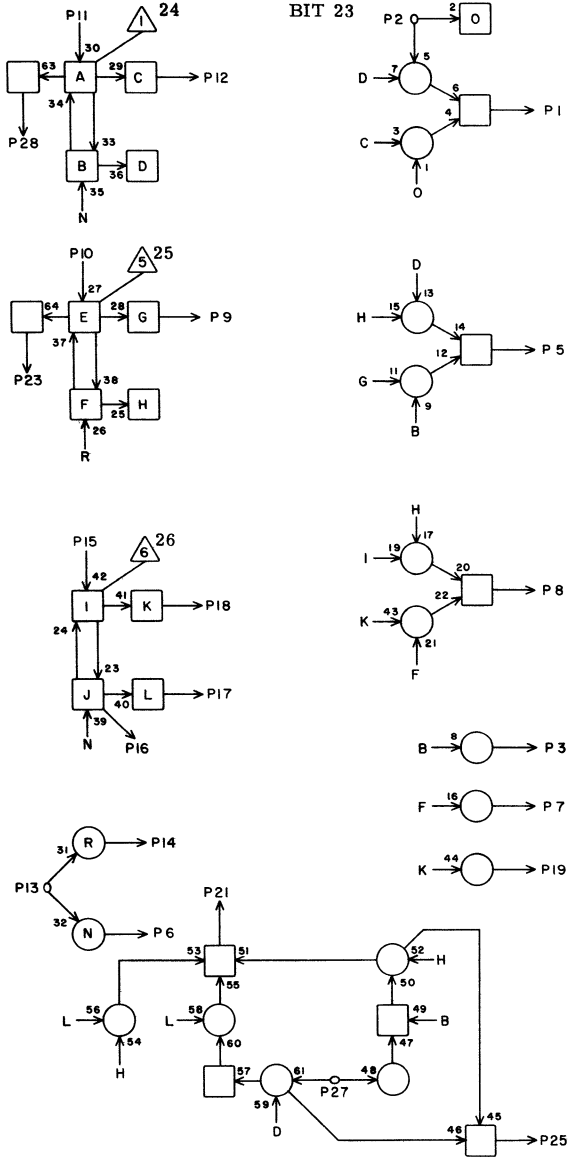


MA 6P8

1	F10	21	5
2	P 7	17	5
3			
4			
5	F11	8	7
6			
7			
8	F11	10	5
9	Q18	2	13
10	G 6	19	35
11	G 6	21	37
12	Q18	12	13
13	M12	27	17
14			
15	G 6	17	37
16	Q18	17	15
17	P 9	2	3
18	R 3	10	13
19			
20			
21	F11	22	5
22			
23	R 3	11	13
24			
25	P11	9	5
26			
27	Q 6	6	5
28	R 3	1	11

JACK PIN LG  
63017400 Rev. R

$X_k$  FEEDER REG.;  $X_k + 2X_k$  ADDER



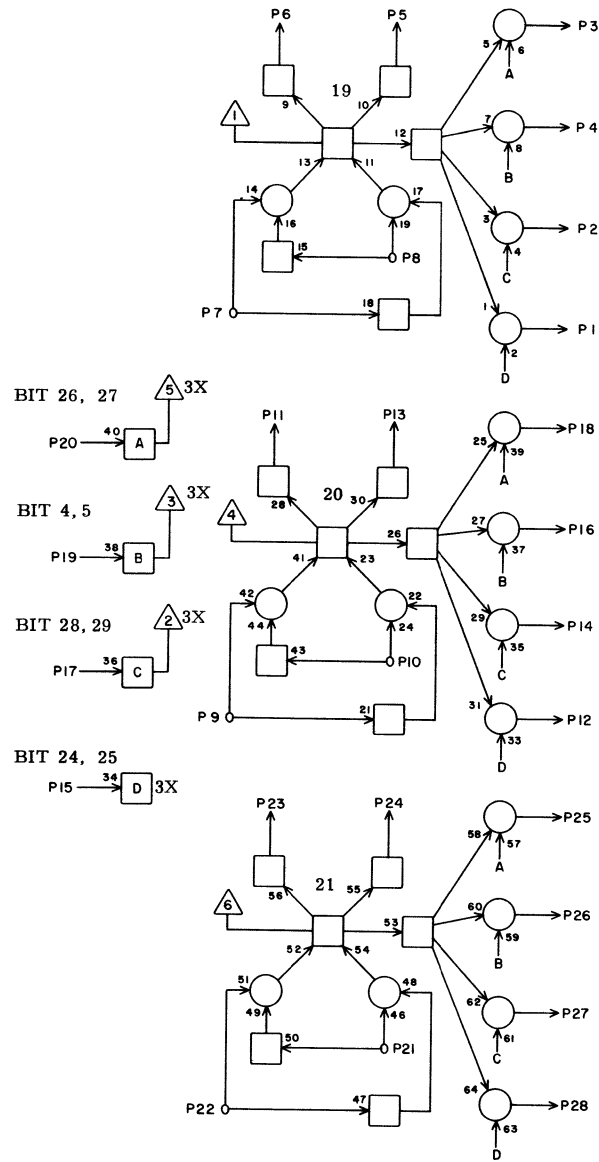
MA 6P 9

1	P11	21	5
2	P 8	17	3
3			
4			
5	P12	8	5
6			
7			
8	P12	10	5
9	Q19	2	13
10	H 1	21	33
11	H 1	25	33
12	Q19	12	13
13	M12	22	17
14			
15	H 1	19	37
16	Q19	17	13
17	O 1	2	11
18	R 3	21	15
19			
20			
21	P12	22	5
22			
23	R 3	24	15
24			
25	P12	9	5
26			
27	Q 6	12	9
28	R 3	15	13

JACK PIN LG

63017400 Rev. B

$X_k + 2X_k$  ADDER; SELECT 3X



6P10

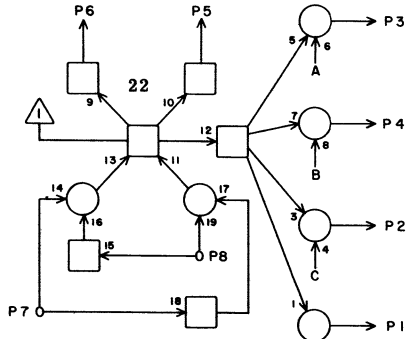
MF 6P10

1	R24	4	19
2	M23	4	21
3	O20	4	15
4	M23	21	11
5	R24	23	19
6	O20	23	15
7	R 6	22	13
8	P 7	5	7
9	P 7	25	5
10	P 7	8	7
11	R24	27	19
12	R24	3	19
13	O20	27	15
14	M23	3	21
15	K12	19	23
16	M23	24	21
17	Q 9	19	9
18	O20	3	15
19	R 8	19	13
20	K23	9	27
21	P 8	1	5
22	P 7	21	5
23	Q18	9	13
24	O21	9	15
25	O21	15	15
26	M24	18	23
27	M24	15	23
28	Q18	15	13

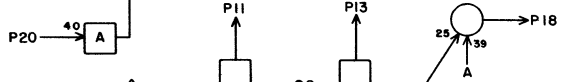
JACK PIN LG

63017400 Rev. B

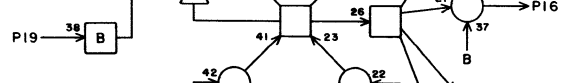
$X_k + 2X_k$  ADDER; SELECT  $3X_k$



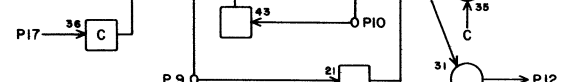
BIT 26, 27  $\Delta 5$  3X



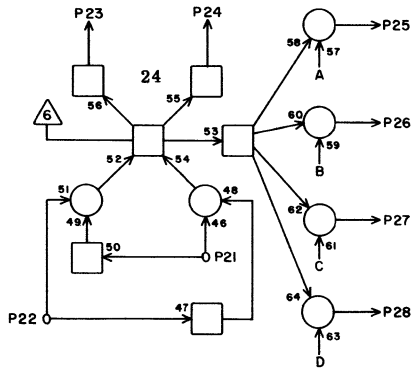
BIT 4, 5  $\Delta 3$  3X



BIT 28, 29  $\Delta 2$  3X



BIT 24, 25  $\Delta 3$  3X



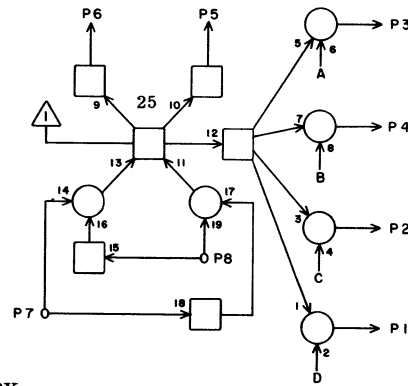
MF **6P11**

1	Q18	4	11
2	M24	4	21
3	O21	4	15
4	M24	21	19
5	Q18	23	13
6	O21	23	15
7	Q 6	5	11
8	P 8	5	7
9	P 8	25	5
10	P 8	8	5
11	Q18	27	13
12	Q18	3	13
13	O21	27	15
14	M24	3	21
15	K12	27	23
16	M24	24	21
17	Q 9	27	9
18	O21	3	15
19	R 8	27	13
20	K23	11	29
21	P 9	1	5
22	P 8	21	5
23	Q19	9	13
24	O22	9	15
25	O22	15	15
26	L18	18	21
27	L18	15	21
28	Q19	15	13

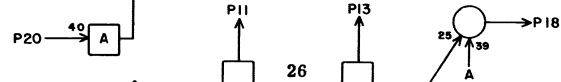
JACK PIN LG

63017400 Rev. B

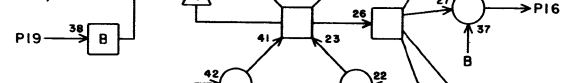
$X_k + 2X_k$  ADDER; SELECT  $3X_k$



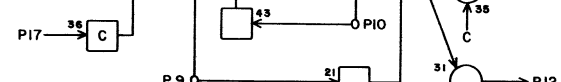
BIT 26, 27  $\Delta 5$  3X



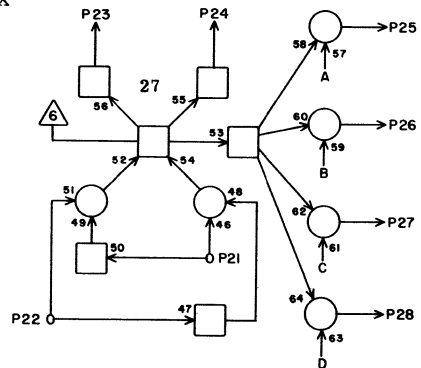
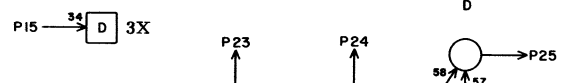
BIT 4, 5  $\Delta 3$  3X



BIT 28, 29  $\Delta 2$  3X



BIT 24, 25  $\Delta 3$  3X



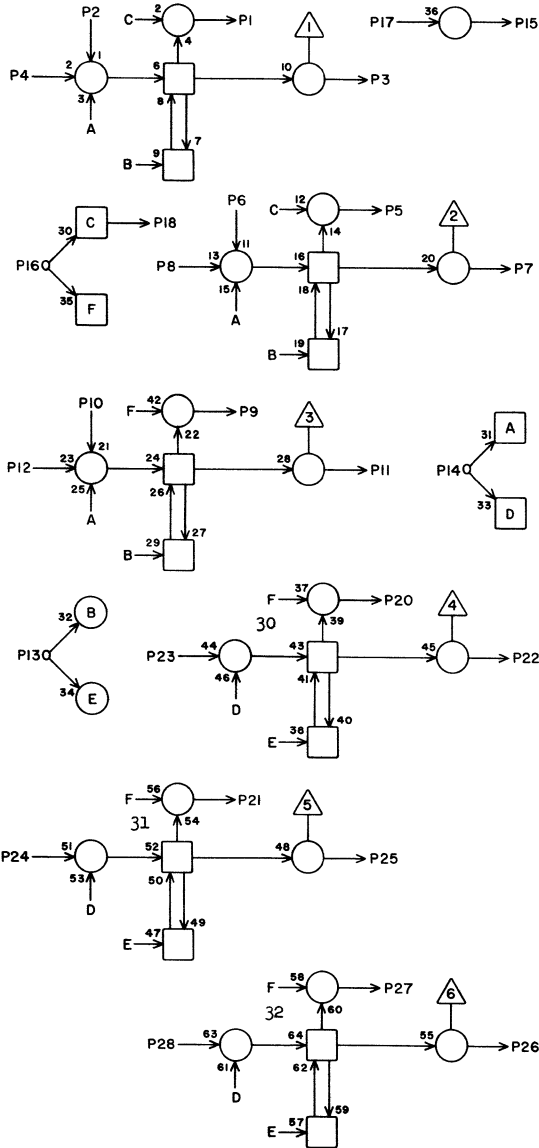
MF **6P12**

1	Q19	4	11
2	L18	4	21
3	O22	4	15
4	L18	21	21
5	Q19	23	13
6	O22	23	15
7	Q 6	13	11
8	P 9	5	5
9	P 9	25	5
10	P 9	8	5
11	Q19	27	13
12	Q19	3	13
13	O22	27	15
14	L18	3	21
15	K12	22	23
16	L18	24	21
17	Q 9	22	9
18	O22	3	15
19	R 8	22	13
20	K23	13	27
21	O 1	1	15
22	P 9	21	5
23	Q20	9	13
24	O23	9	15
25	O23	15	15
26	L19	18	21
27	L19	15	21
28	Q20	15	13

JACK PIN LG

63017400 Rev. B

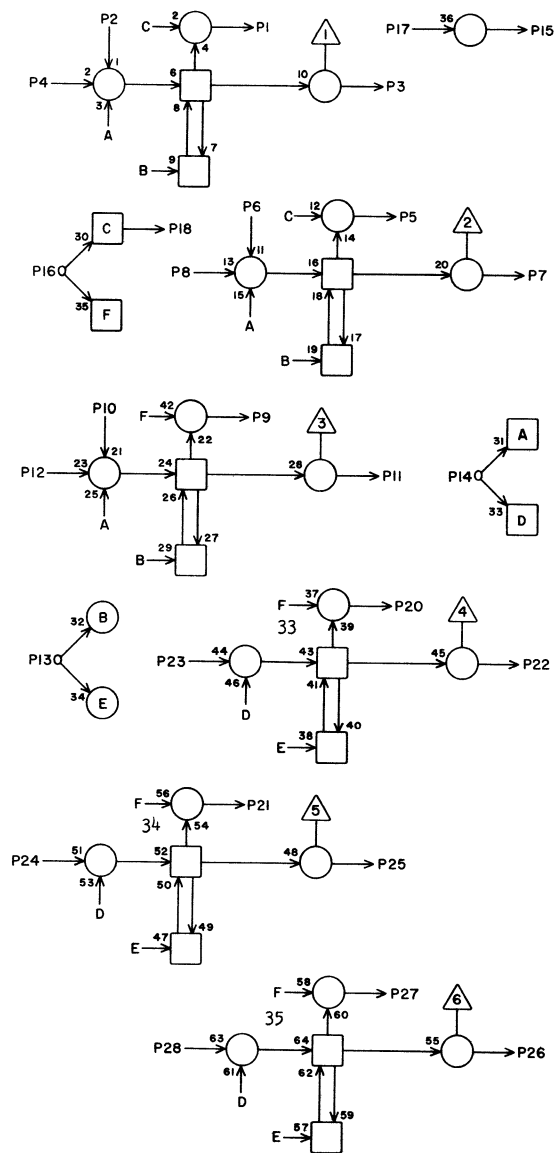
6P12



NJ 6P13

1			
2	P33	2	23
3	Q41	26	29
4	P33	4	23
5			
6	P34	2	23
7	Q42	26	29
8	P34	4	23
9			
10	P35	2	23
11	P30	26	19
12	P35	4	23
13	M 8	15	17
14	K20	11	23
15	J 9	22	25
16	J23	6	29
17	K13	1	23
18	L 9	20	19
19			
20	K 4	26	25
21	K 4	21	25
22	Q41	25	29
23	P34	5	23
24	P35	5	23
25	Q42	25	29
26	P30	25	19
27	K 5	26	25
28	P36	5	25
	JACK	PIN	LG

63017400 Rev. B

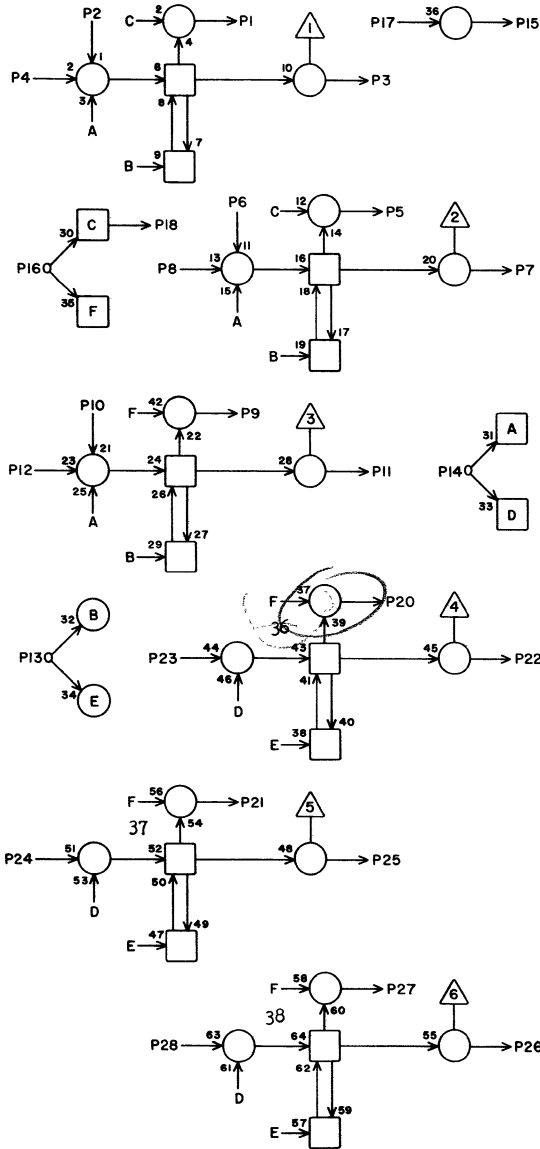


NJ 6P14

1			
2	P36	2	23
3	P31	26	19
4	P36	4	23
5			
6	P37	2	25
7	P32	26	19
8	P37	4	25
9			
10	P38	2	25
11	P33	26	21
12	P38	4	25
13	M 8	16	17
14	K20	13	23
15	P 6	12	41
16	J23	9	29
17	H 7	27	33
18	L10	20	19
19			
20	K 5	21	25
21	K 6	26	25
22	P31	25	19
23	P37	5	25
24	P38	5	25
25	P32	25	19
26	P33	25	19
27	K 6	21	25
28	P39	5	25
	JACK	PIN	LG

63017400 Rev. B

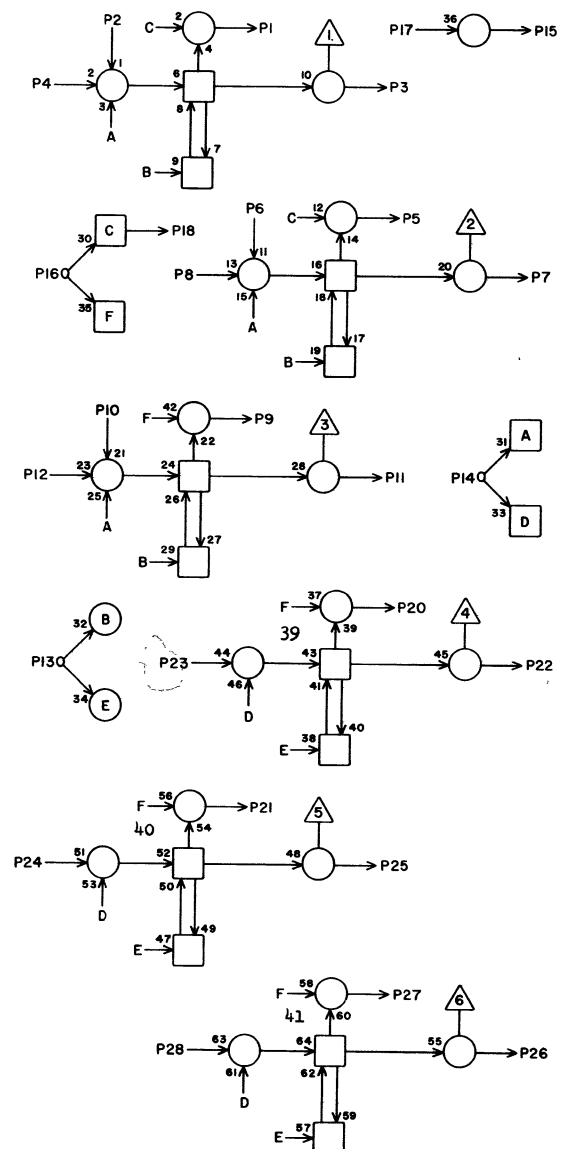
6P14



NJ 6P15

1			
2	<b>P39</b>	2	25
3	<b>P34</b>	26	19
4	<b>P39</b>	4	25
5			
6	<b>P40</b>	2	25
7	<b>P35</b>	26	19
8	<b>P40</b>	4	25
9			
10	<b>P41</b>	2	27
11	<b>P36</b>	26	21
12	<b>P41</b>	4	27
13	<b>M 8</b>	17	17
14	<b>K20</b>	15	23
15	<b>036</b>	26	23
16	<b>J23</b>	11	27
17	<b>015</b>	19	9
18	<b>L11</b>	20	21
19			
20	<b>K 7</b>	26	25
21	<b>K 7</b>	21	25
22	<b>P34</b>	25	19
23	<b>P40</b>	5	25
24	<b>P41</b>	5	27
25	<b>P35</b>	25	21
26	<b>P36</b>	25	21
27	<b>L 1</b>	26	25
28	<b>P42</b>	5	27
	JACK	PIN	LG

63017400 Rev. B



6P16

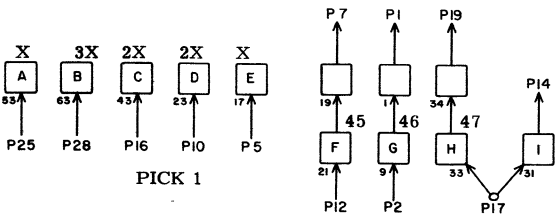
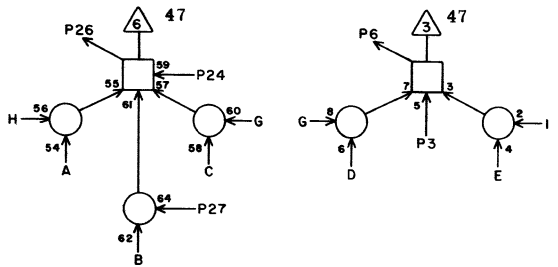
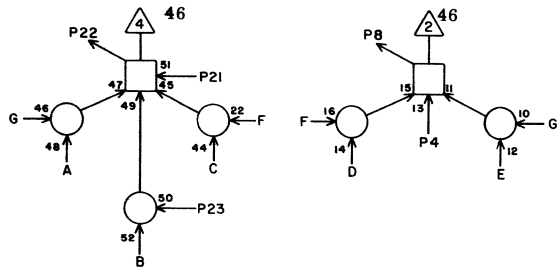
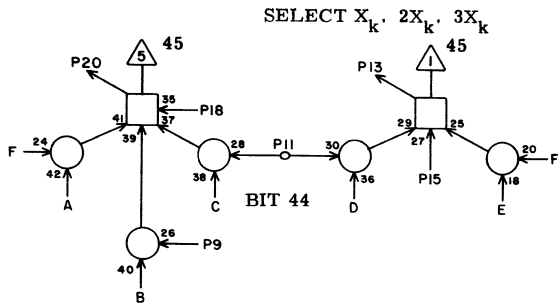
NJ 6P16

1			
2	<b>P42</b>	2	27
3	<b>P37</b>	26	23
4	<b>P42</b>	4	27
5			
6	<b>030</b>	2	17
7	<b>P38</b>	26	23
8	<b>030</b>	4	17
9			
10	<b>031</b>	2	17
11	<b>P39</b>	26	25
12	<b>031</b>	4	17
13	<b>M 8</b>	18	17
14	<b>K20</b>	17	23
15	<b>037</b>	26	23
16	<b>J23</b>	13	27
17	<b>015</b>	15	9
18	<b>L12</b>	20	21
19			
20	<b>L 1</b>	21	25
21	<b>L 2</b>	26	25
22	<b>P37</b>	25	23
23	<b>030</b>	5	17
24	<b>031</b>	5	19
25	<b>P38</b>	25	23
26	<b>P39</b>	25	25
27	<b>L 2</b>	21	25
28	<b>032</b>	5	17
	JACK	PIN	LG

63017400 Rev. B

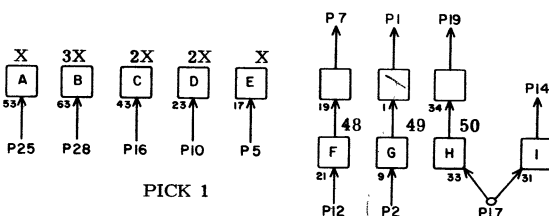
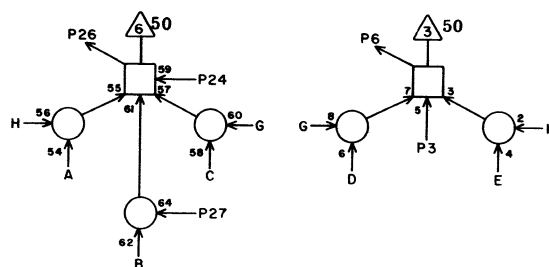
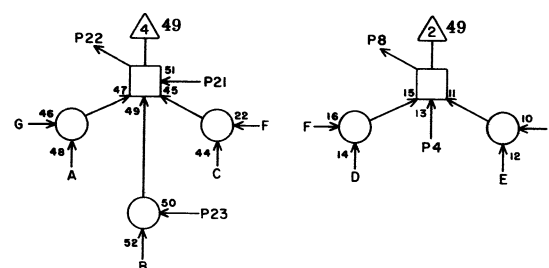
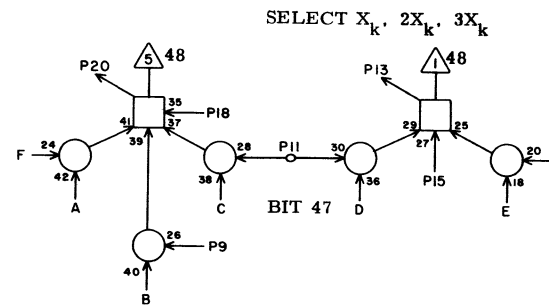






MB		6P19	
1	M22	2	13
2	0 7	9	15
3	M10	12	17
4	M10	1	17
5	K13	25	23
6	J33	27	29
7	M22	12	13
8	K42	27	31
9	M12	23	15
10	K14	25	23
11	P18	14	3
12	0 7	12	15
13	K41	27	31
14	P20	11	3
15	M12	28	15
16	Q25	25	11
17	0 7	16	15
18	M16	20	17
19	M22	17	13
20	036	27	19
21	M16	21	17
22	037	27	19
23	M10	5	19
24	M16	27	17
25	R25	25	15
26	038	27	21
27	M10	11	19
28	P25	25	9
	JACK	PIN	LG

63017400 Rev. B

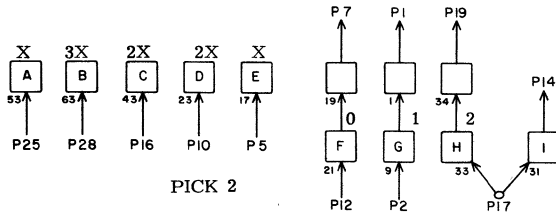
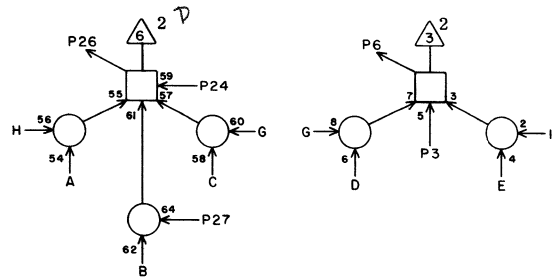
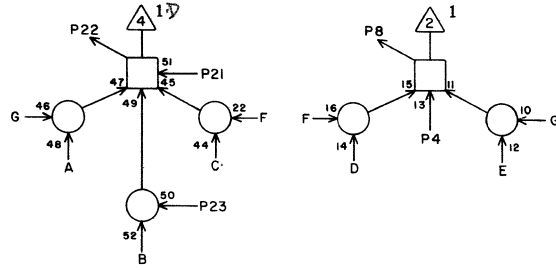
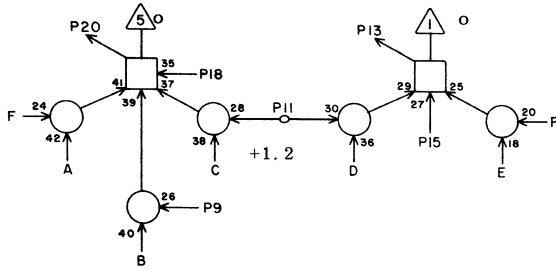


6P20

MB		6P20	
1	M23	2	13
2	0 8	9	15
3	M11	12	17
4	M11	1	17
5	K13	26	23
6	J36	27	29
7	M23	12	13
8	J35	27	29
9	M10	23	17
10	K14	26	23
11	P19	14	13
12	0 8	12	15
13	J34	27	29
14			
15	M10	28	19
16	Q25	26	11
17	0 8	16	15
18	M17	20	17
19	M23	17	13
20	039	27	21
21	M17	21	17
22	040	27	21
23	M11	5	19
24	M17	27	17
25	R25	26	15
26	041	27	23
27	M11	11	19
28	P25	26	9
	JACK	PIN	LG

63017400 Rev. B

SELECT  $X_k$ ,  $2X_k$ ,  $3X_k$



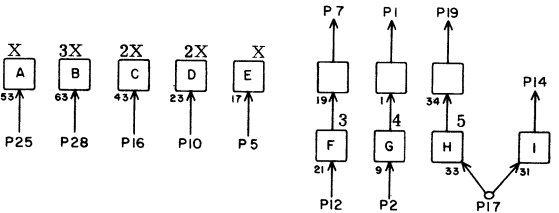
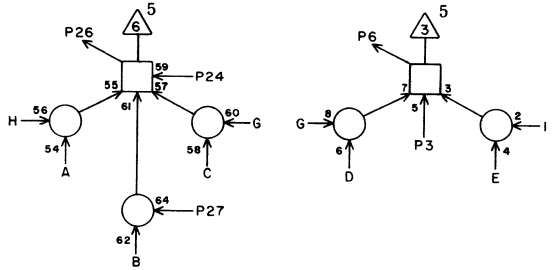
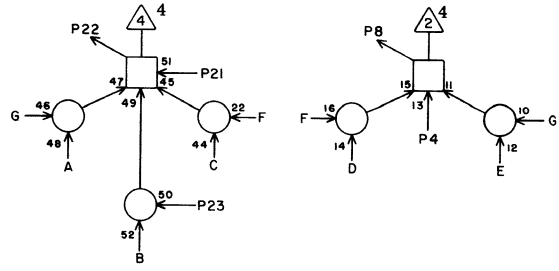
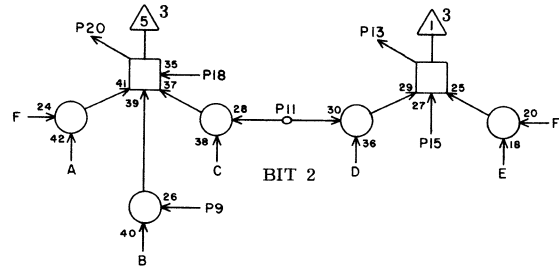
MB 6P21

1	N24	2	13
2	R18	1	13
3	R10	18	17
4	R10	3	17
5	K24	1	23
6	N39	23	23
7	N24	12	13
8	N38	23	23
9	M11	24	17
10	K25	1	23
11	G 2	27	41
12	R18	7	13
13	N37	23	21
14	P22	11	3
15	M11	25	17
16	N25	11	13
17	R18	19	13
18	P21	X	2
19	N24	17	13
20	R32	23	17
21	P21	X	2
22	R33	23	17
23	R10	6	17
24	P21	X	2
25	O25	11	11
26	R34	23	17
27	R10	13	17
28	M25	11	17

JACK PIN LG

63017400 Rev. B

SELECT  $X_k$ ,  $2X_k$ ,  $3X_k$



MB 6P22

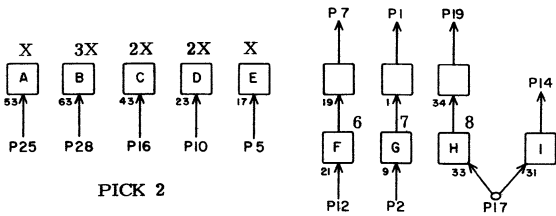
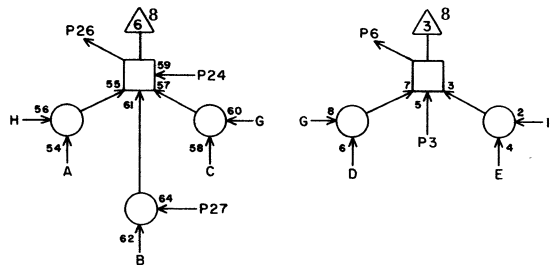
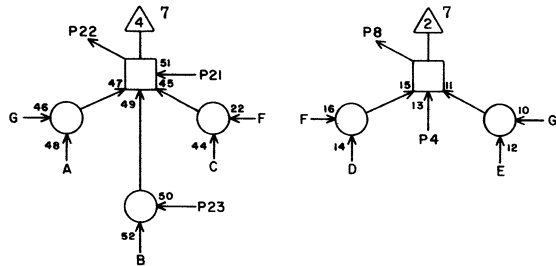
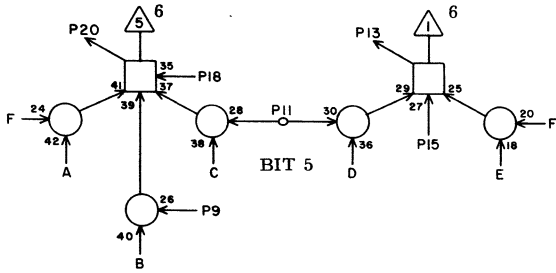
1	M18	2	15
2	R19	1	13
3	R11	18	17
4	R11	3	17
5	K24	2	23
6	N42	23	23
7	M18	12	15
8	N41	23	23
9	R10	24	17
10	K25	2	23
11	P21	14	5
12	R19	7	13
13	N40	23	23
14	P23	11	5
15	R10	25	17
16	N25	12	13
17	R19	19	13
18	P22	X	2
19	M18	17	17
20	R35	23	17
21	P22	X	2
22	R36	23	19
23	R11	6	17
24	P22	X	2
25	O25	12	11
26	R37	23	19
27	R11	13	17
28	M25	12	17

JACK PIN LG

63017400 Rev. B

6P22

SELECT  $X_k$ ,  $2X_k$ ,  $3X_k$



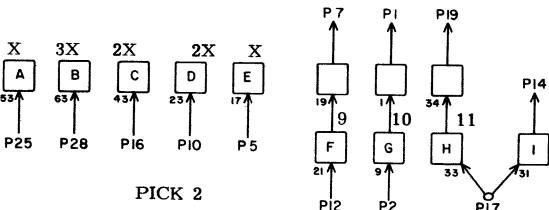
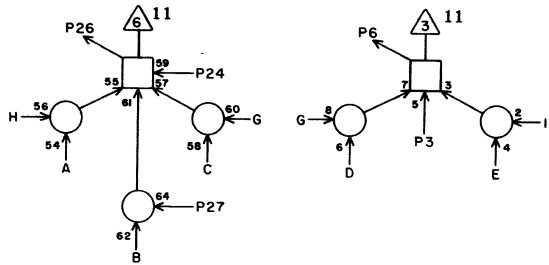
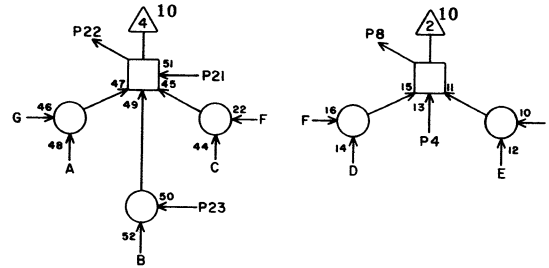
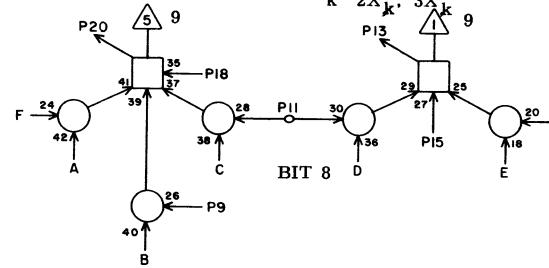
PICK 2

MB 6P23

1	M19	2	15
2	R20	1	13
3	R12	18	17
4	R12	3	17
5	K24	3	23
6	M32	23	19
7	M19	12	15
8	M31	23	17
9	R11	24	17
10	K25	3	23
11	P22	14	5
12	R20	7	13
13	M30	23	17
14	P24	11	3
15	R11	25	17
16	M25	10	13
17	R20	19	15
18	P23	X	2
19	M19	17	17
20	R38	23	19
21	P23	X	2
22	R39	23	19
23	R12	6	17
24	P23	X	2
25	Q25	10	9
26	R40	23	21
27	R12	13	17
28	M25	10	17
	JACK	PIN	LG

63017400 Rev. B

SELECT  $X_k$ ,  $2X_k$ ,  $3X_k$



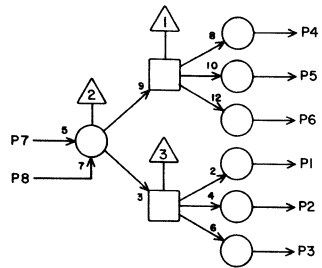
PICK 2

6P24

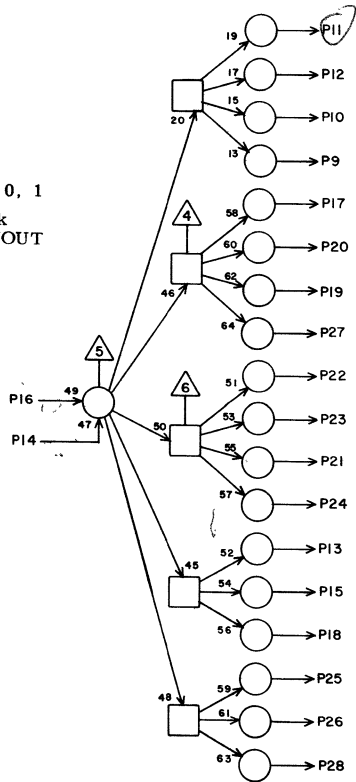
MB 6P24

1	M20	2	17
2	R21	1	13
3	Q10	18	17
4	Q10	3	17
5	K24	4	23
6	M35	23	19
7	M20	12	17
8	M34	23	19
9	R12	24	19
10	K25	4	23
11	P23	14	3
12	R21	7	13
13	M33	23	19
14	Q18	11	11
15	R12	25	19
16	M25	9	13
17	R21	19	15
18	P24	X	2
19	M20	17	17
20	R41	23	21
21	P24	X	2
22	R42	23	21
23	Q10	6	17
24	P24	X	2
25	Q25	9	9
26	Q30	23	15
27	Q10	13	17
28	M25	9	17
	JACK	PIN	LG

63017400 Rev. B



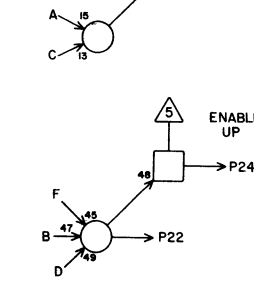
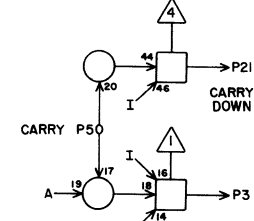
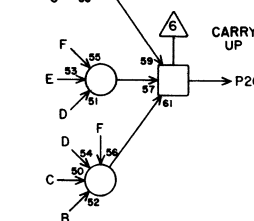
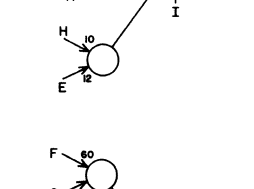
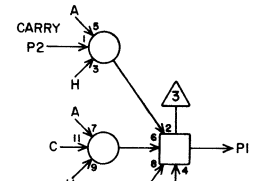
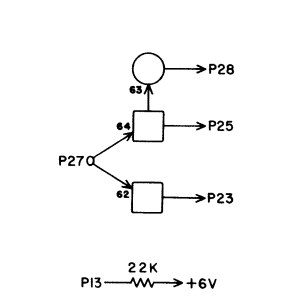
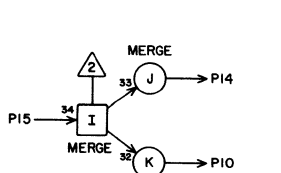
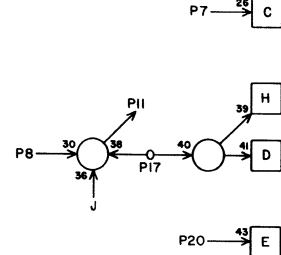
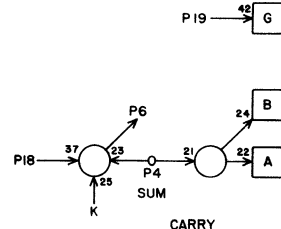
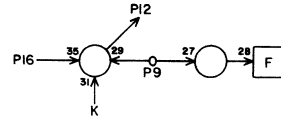
BITS 0, 1  
3x<sub>K</sub>  
FANOUT



CB 6P25

JACK	PIN	LG
1	R26	15 13
2	R27	15 13
3	R28	15 13
4	R29	15 13
5	Q26	15 11
6	Q27	15 11
7	M 9	28 23
8		
9	R21	28 15
10	R20	28 15
11	R18	28 17
12	R19	28 15
13	Q23	28 11
14	P25	X 2
15	Q24	28 11
16	J 7	8 33
17	R22	28 15
18	F18	28 9
19	R24	28 15
20	R23	28 15
21	Q21	28 11
22	Q19	28 11
23	Q20	28 11
24	Q22	28 11
25	P19	28 9
26	P20	28 9
27	Q18	29 13
28		

63017400 Rev. B

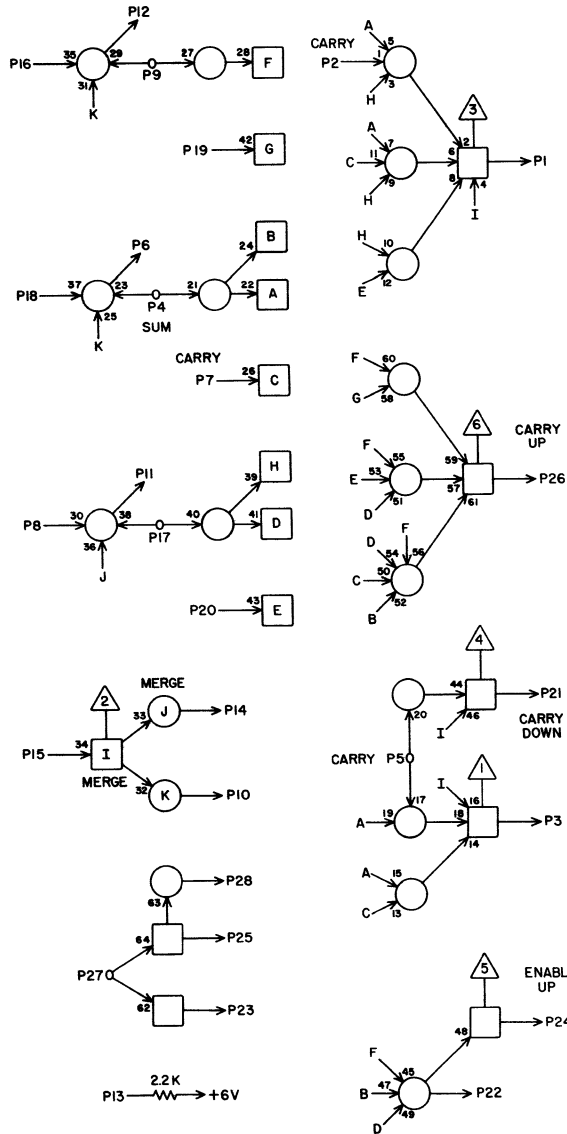


MM 6P26

JACK	PIN	LG
1	M24	23 15
2	K27	12 23
3	M24	9 15
4	Q41	7 19
5	K27	13 23
6	Q42	6 19
7	Q40	18 17
8	Q42	11 19
9	P30	7 9
10	L18	28 25
11	P30	6 9
12	P31	6 9
13	N36	1 17
14	M26	15 17
15	O25	3 9
16	P30	11 9
17	Q42	7 19
18	Q41	11 19
19	Q42	18 19
20	Q41	18 19
21	M23	27 17
22	L27	5 19
23		
24	K27	3 25
25	N 9	6 23
26	K27	8 23
27	O17	22 13
28	N 9	7 23

63017400 Rev. B

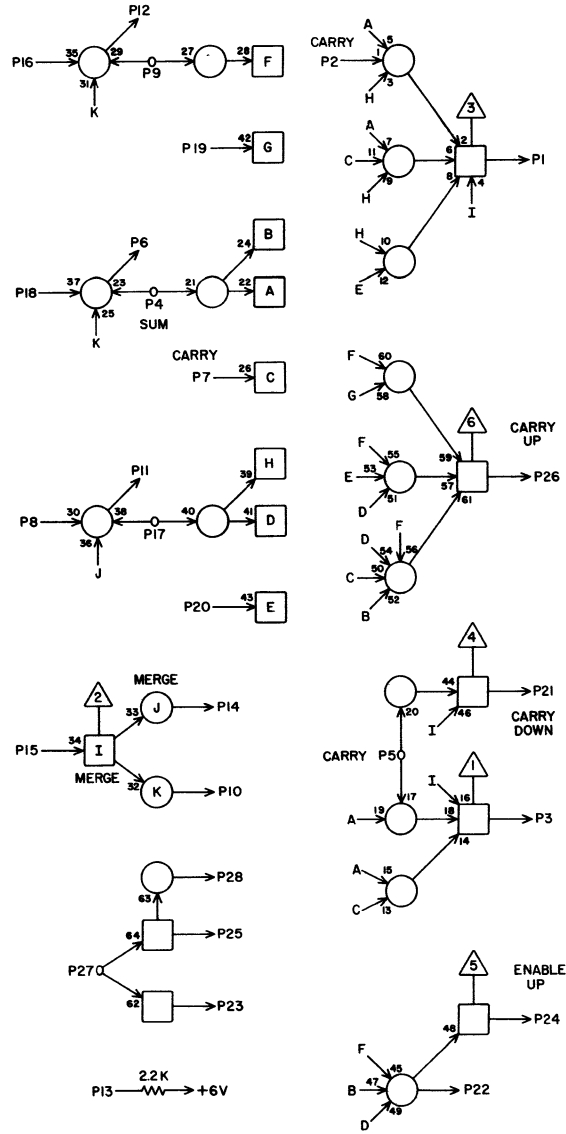
6P26



MM 6P27

1	L18	23	21
2	J29	20	25
3	L18	9	21
4	P31	7	9
5	J29	22	25
6	P32	6	9
7	P30	18	9
8	P32	11	9
9	P33	7	9
10	L19	28	17
11	P33	6	9
12	P34	6	9
13	N36	23	17
14	M27	15	17
15	O25	4	9
16	P33	11	9
17	P32	7	9
18	P31	11	9
19	P32	18	9
20	P31	18	9
21	M24	27	17
22	L28	21	21
23			
24	J29	27	27
25	N 9	4	23
26	K27	27	23
27	O17	25	13
28	N 9	3	23

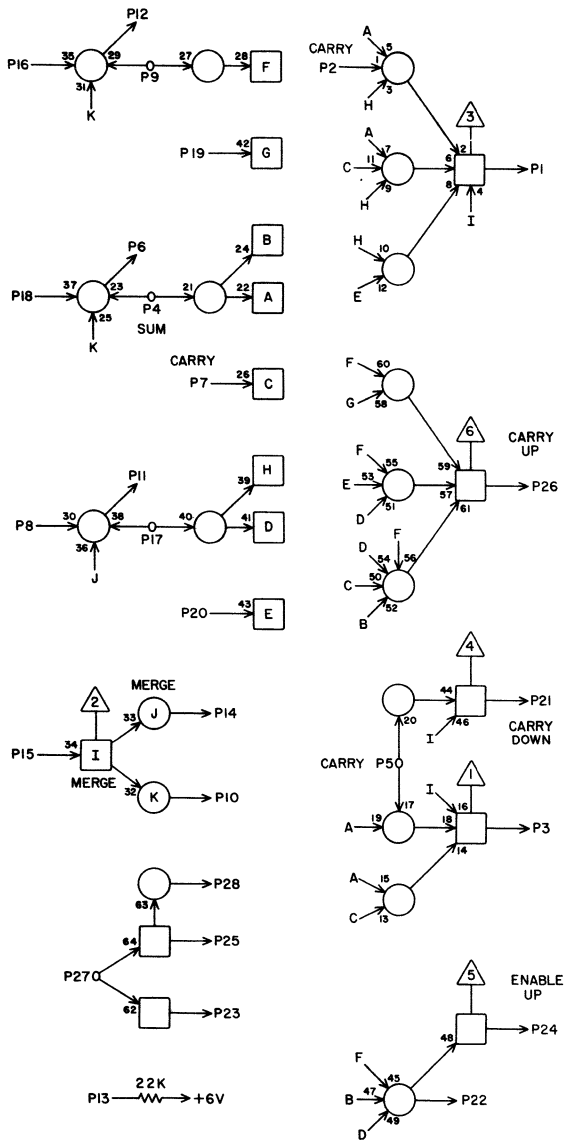
JACK PIN LG



MM 6P28

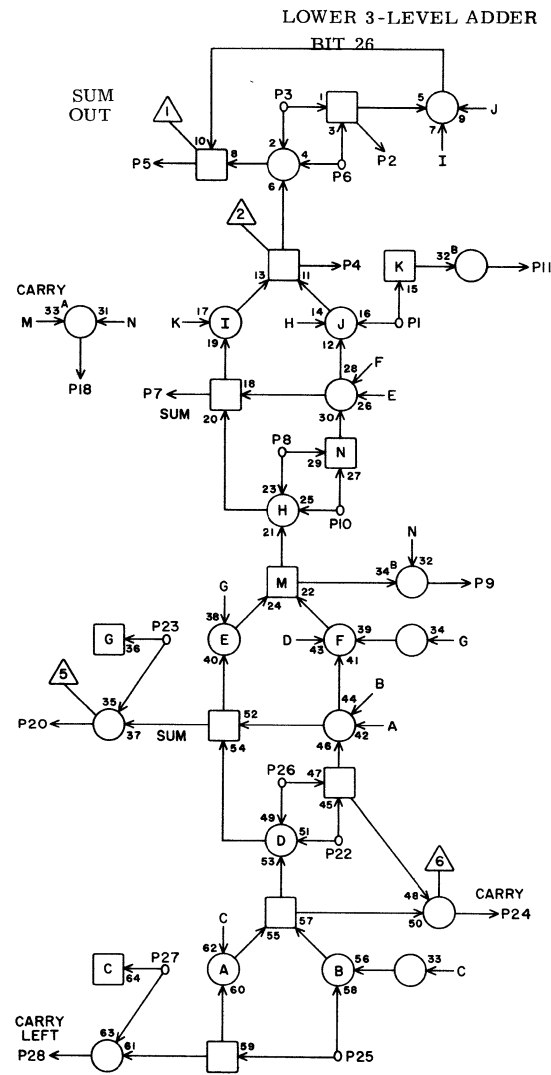
1	L19	23	21
2	K27	24	23
3	L19	9	21
4	P34	7	9
5	K27	22	23
6	P35	6	9
7	P33	18	9
8	P35	11	9
9	P36	7	9
10	L20	28	17
11	P36	6	9
12	P37	6	13
13	N37	1	17
14	M28	15	17
15	O25	5	9
16	P36	11	9
17	P35	7	9
18	P34	11	9
19	P35	18	9
20	P34	18	9
21	L18	27	25
22	L28	27	21
23			
24	K27	25	23
25	N 9	26	25
26	K27	28	23
27	O17	26	13
28	N 9	25	25

JACK PIN LG



MM		6P29	
JACK	PIN	LG	
1	L20	23	21
2	K27	18	23
3	L20	9	21
4	P37	7	9
5	K27	16	23
6	P38	6	9
7	P36	18	9
8	P38	11	13
9	P39	7	13
10	L21	28	19
11	P39	6	13
12	P40	6	15
13	N38	1	17
14	M29	15	17
15	O25	6	9
16	P39	11	13
17	P38	7	13
18	P37	11	11
19	P38	18	13
20	P37	18	11
21	L19	27	27
22	L28	25	21
23			
24	K27	26	23
25	N 9	18	25
26	K27	23	23
27	N13	22	21
28	N 9	22	25

63017400 Rev. B

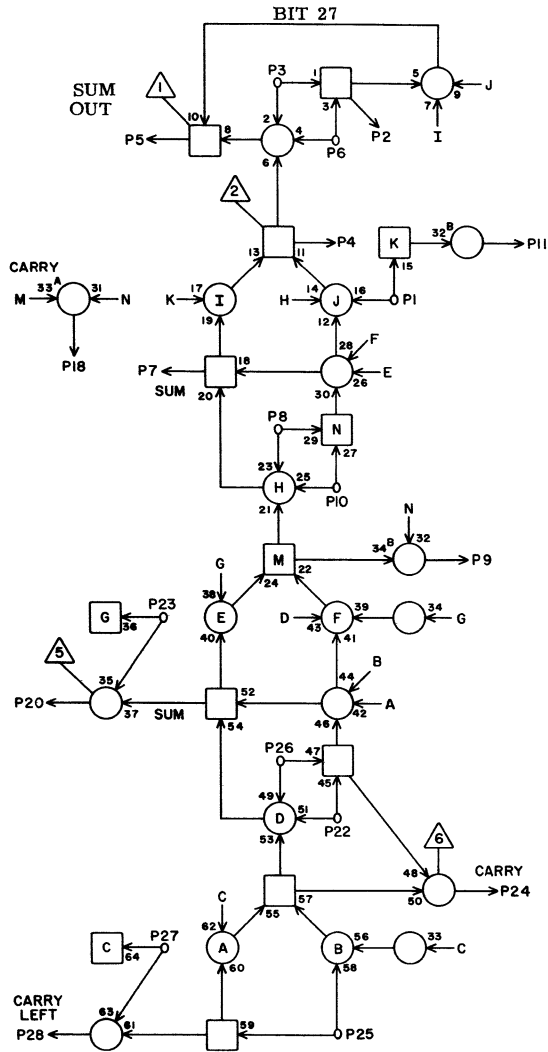


6P30

MC		6P30	
JACK	PIN	LG	
1	M24	22	17
2	Q17	2	15
3	Q42	9	15
4	Q17	4	17
5	Q16	28	17
6	P26	11	9
7	P26	9	9
8	Q42	24	15
9	P31	3	3
10	Q42	20	15
11	P26	16	9
12			
13			
14			
15			
16			
17			
18	P27	7	9
19			
20	P31	10	3
21			
22	Q42	28	15
23	O22	20	13
24	P31	8	5
25	P13	26	19
26	P13	11	19
27	Q19	26	15
28	P31	22	3

63017400 Rev. B

LOWER 3-LEVEL ADDER

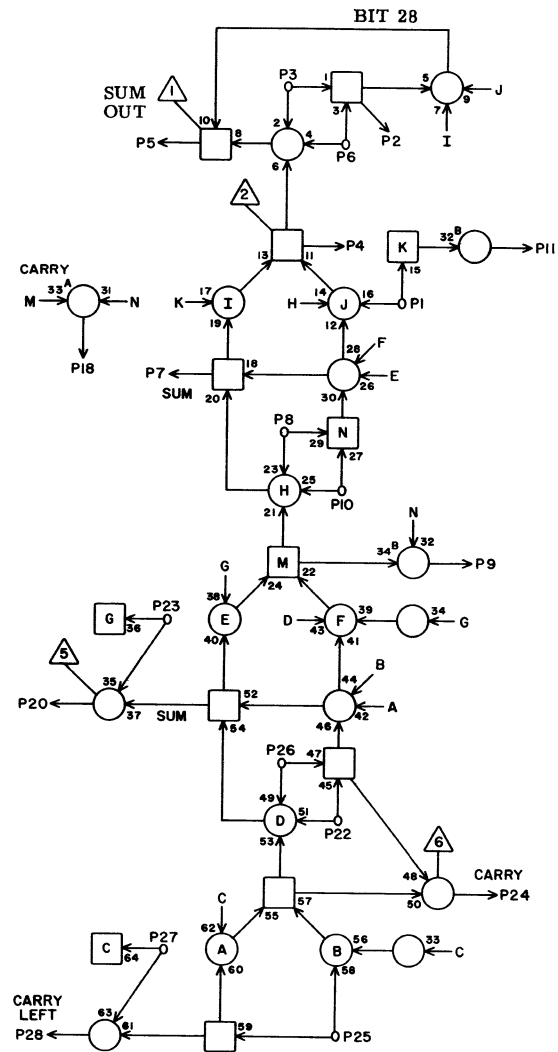


MC **6P31**

1	M24	26	17
2	Q17	6	17
3	P30	9	3
4	Q17	8	17
5	Q17	23	17
6	P26	12	9
7	P27	4	9
8	P30	24	5
9	P32	3	3
10	P30	20	3
11	P27	18	9
12			
13			
14			
15			
16			
17			
18	P27	20	9
19			
20	P32	10	3
21			
22	P30	28	3
23	Q22	22	13
24	P32	8	5
25	P14	22	19
26	P14	3	19
27	Q20	20	15
28	P32	22	3

JACK PIN LG

LOWER 3-LEVEL ADDER

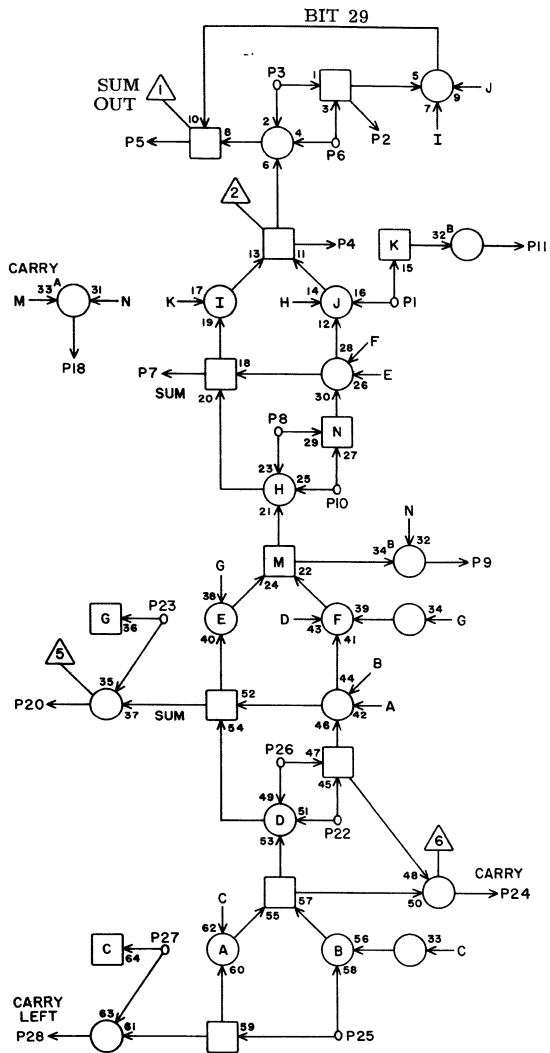


MC **6P32**

1	L18	20	23
2	Q17	10	17
3	P31	9	3
4	Q17	12	17
5	Q17	24	17
6	P27	6	9
7	P27	17	9
8	P31	24	5
9	P33	3	3
10	P31	20	3
11	P27	8	9
12			
13			
14			
15			
16			
17			
18	P27	19	9
19			
20	P33	10	3
21			
22	P31	28	3
23	Q22	26	15
24	P33	8	5
25	P14	25	19
26	P14	7	19
27	Q20	22	15
28	P33	22	3

JACK PIN LG

LOWER 3-LEVEL ADDER

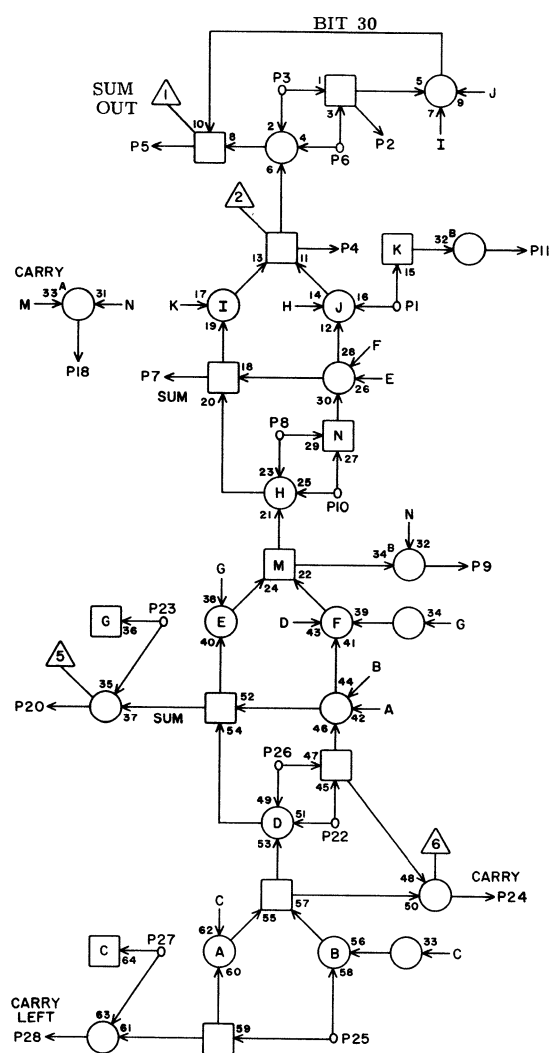


MC **6P33**

JACK	PIN	LG
1	L18	22 23
2	P13	2 23
3	P32	9 3
4	P13	4 23
5	Q17	28 19
6	P27	11 9
7	P27	9 9
8	P32	24 5
9	P34	3 3
10	P32	20 3
11	P27	16 9
12		
13		
14		
15		
16		
17		
18	P28	7 9
19		
20	P34	10 3
21		
22	P32	28 3
23	Q23	20 13
24	P34	8 5
25	P14	26 19
26	P14	11 21
27	Q20	26 17
28	P34	22 3

JACK PIN LG

LOWER 3-LEVEL ADDER



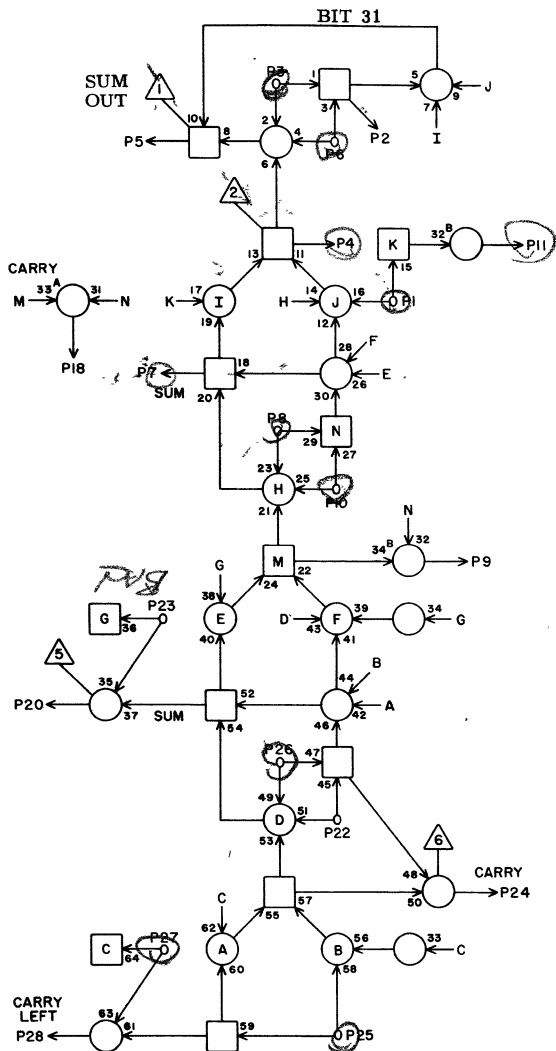
MC **6P34**

JACK	PIN	LG
1	L18	26 23
2	P13	6 23
3	P33	9 3
4	P13	8 23
5	P13	23 23
6	P27	12 9
7	P28	4 9
8	P33	24 5
9	P35	3 3
10	P33	20 3
11	P28	18 9
12		
13		
14		
15		
16		
17		
18	P28	20 9
19		
20	P35	10 3
21		
22	P33	28 3
23	Q23	22 15
24	P35	8 5
25	P15	22 19
26	P15	3 19
27	Q21	20 17
28	P35	22 3

JACK PIN LG



LOWER 3-LEVEL ADDER

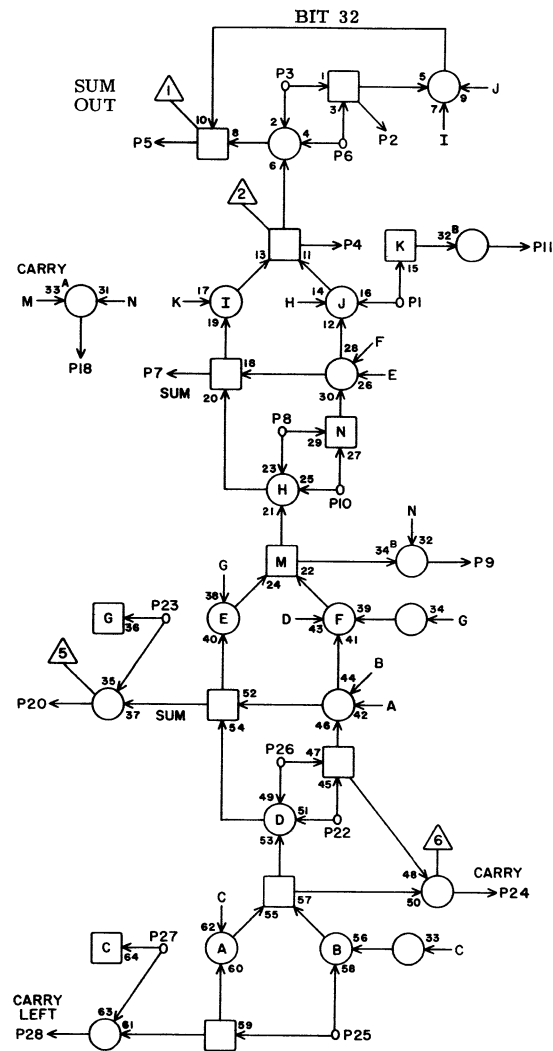


MC **6P35**

1	L19	20	27
2	P13	10	23
3	P34	9	3
4	P13	12	23
5	P13	24	23
6	P28	6	9
7	P28	17	9
8	P34	24	5
9	P36	3	3
10	P34	20	3
11	P28	8	9
12			
13			
14			
15			
16			
17			
18	<del>P28</del>	19	9
19			
20	P36	10	3
21			
22	P34	28	3
23	Q23	26	15
24	P36	8	5
25	P15	25	21
26	P15	7	19
27	Q21	22	17
28	P36	22	3

JACK PIN LG

LOWER 3-LEVEL ADDER

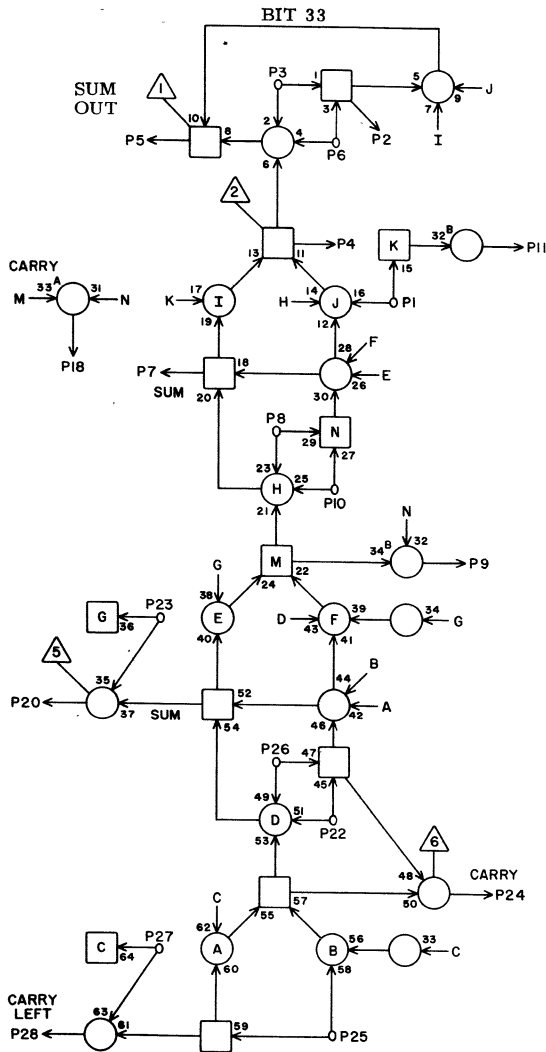


MC **6P36**

1	L19	22	27
2	P14	2	23
3	P35	9	3
4	P14	4	23
5	P13	28	25
6	P28	11	9
7	P28	9	9
8	P35	24	5
9	P37	3	3
10	P35	20	3
11	P28	16	9
12			
13			
14			
15			
16			
17			
18	P29	7	9
19	P37	10	3
20			
21			
22	P35	28	3
23	Q24	20	15
24	P37	8	5
25	P15	26	21
26	P15	11	21
27	Q21	26	19
28	P37	22	3

JACK PIN LG

LOWER 3-LEVEL ADDER

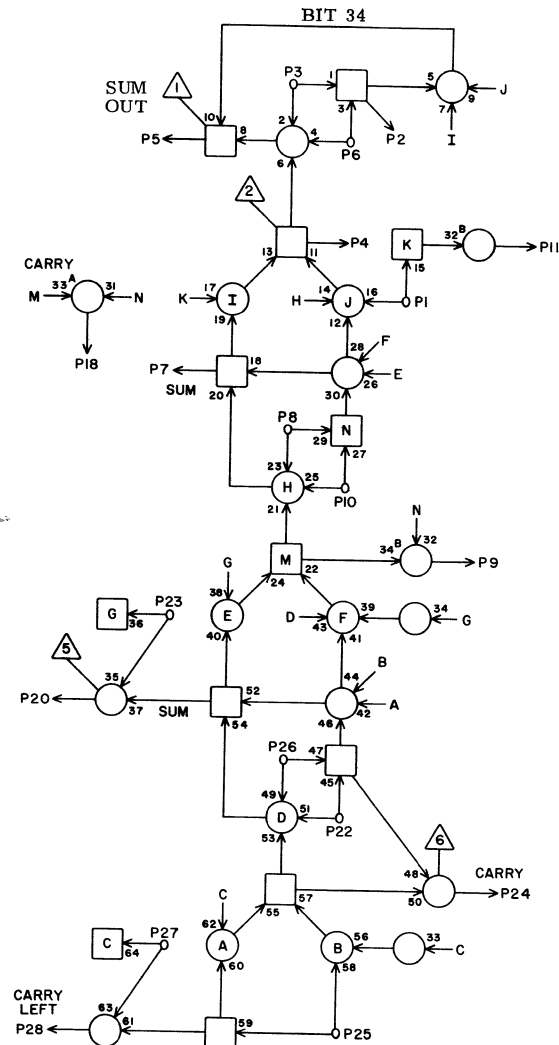


MC 6P37

	JACK	PIN	LG
1	L19	26	27
2	P14	6	25
3	P36	9	3
4	P14	8	25
5	P14	23	25
6	P28	12	13
7	P29	4	9
8	P36	24	5
9	P38	3	3
10	P36	20	3
11	P29	18	11
12			
13			
14			
15			
16			
17			
18	P29	20	11
19			
20	P38	10	3
21			
22	P36	28	3
23	Q24	22	17
24	P38	8	5
25	P16	22	23
26	P16	3	23
27	Q22	20	17
28	P38	22	3

63017400 Rev. B

LOWER 3-LEVEL ADDER



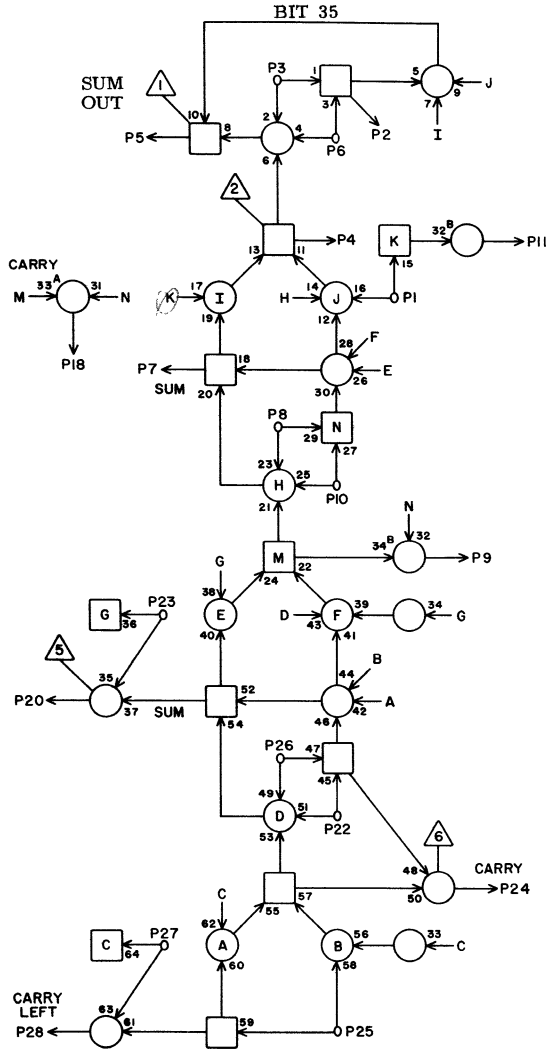
MC 6P38

	JACK	PIN	LG
1	L20	20	27
2	P14	10	25
3	P37	9	3
4	P14	12	25
5	P14	24	25
6	P29	6	19
7	P29	17	13
8	P37	24	5
9	P39	3	3
10	P37	20	3
11	P29	8	13
12			
13			
14			
15			
16			
17			
18	P29	19	13
19			
20	P39	10	3
21			
22	P37	28	3
23	Q24	26	17
24	P39	8	5
25	P16	25	23
26	P16	7	23
27	Q22	22	19
28	P39	22	3

63017400 Rev. B

6P38

LOWER 3-LEVEL ADDER

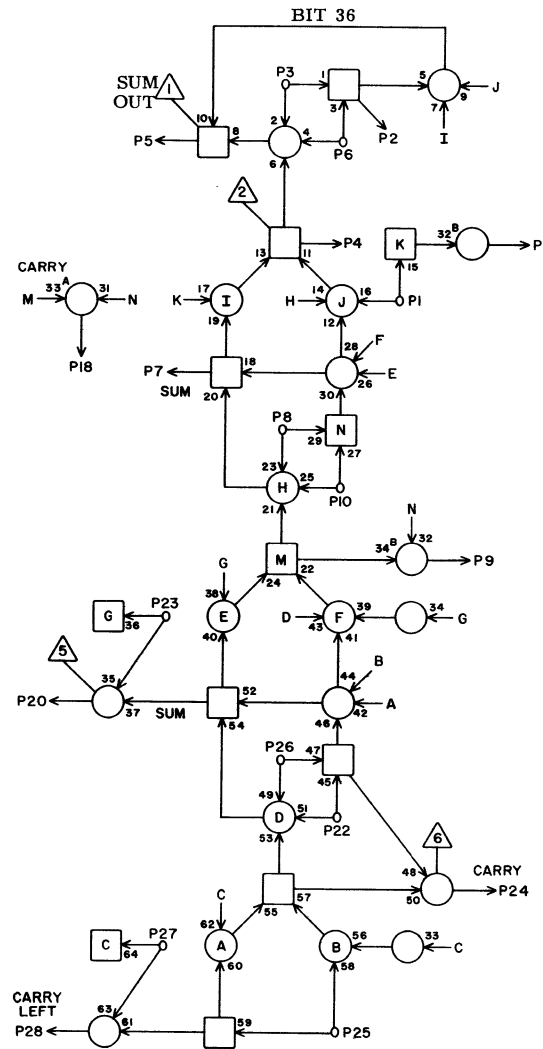


MC **6P39**

1	L20	22	27
2	P15	2	25
3	P38	9	3
4	P15	4	25
5	P14	28	25
6	P29	11	13
7	P29	9	13
8	P38	24	5
9	P40	3	3
10	P38	20	3
11	P29	16	13
12			
13			
14			
15			
16			
17			
18	Q26	7	19
19			
20	P40	10	3
21			
22	P38	28	3
23	N18	20	25
24	P40	8	5
25	P16	26	25
26	P16	11	25
27	Q22	26	19
28	P40	22	3

JACK PIN LG

LOWER 3-LEVEL ADDER

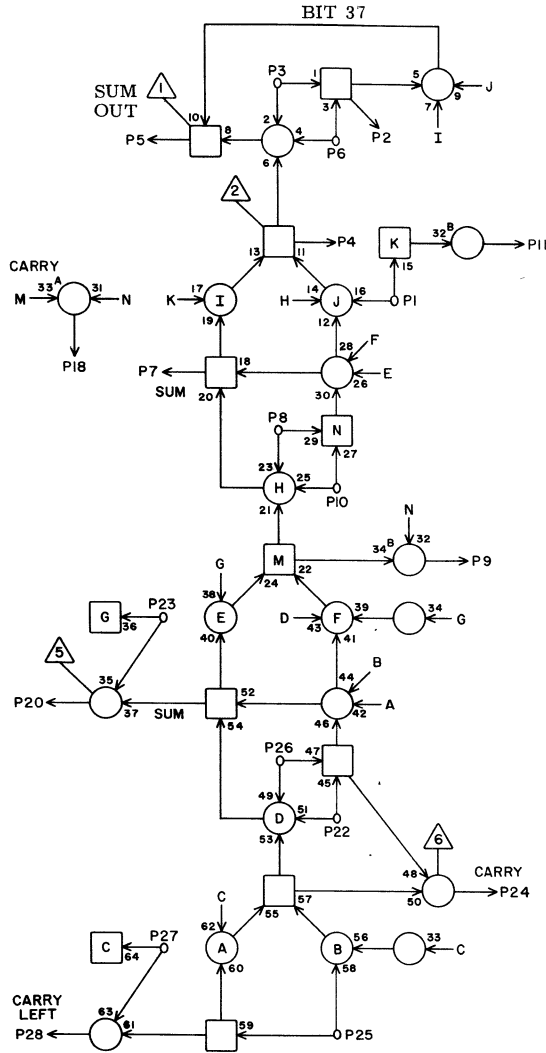


MC **6P40**

1	L20	26	27
2	P15	6	25
3	P39	9	3
4	P15	8	25
5	P15	23	25
6	P29	12	15
7	Q26	4	19
8	P39	24	5
9	P41	3	3
10	P39	20	3
11	Q26	18	19
12			
13			
14			
15			
16			
17			
18	Q26	20	19
19			
20	P41	10	3
21			
22	P39	28	3
23	N18	22	25
24	P41	8	5
25	P17	22	25
26	P17	3	25
27	Q23	20	19
28	P41	22	3

JACK PIN LG

LOWER 3-LEVEL ADDER

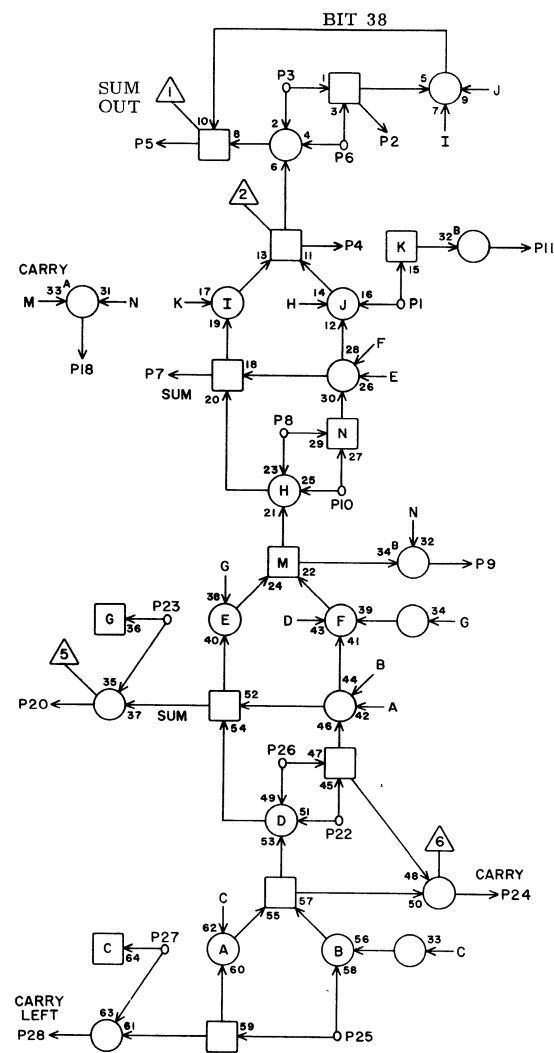


MC 6P41

1	L21	20	27
2	P15	10	27
3	P40	9	3
4	P15	12	27
5	P15	24	27
6	Q26	6	19
7	Q26	17	19
8	P40	24	5
9	P42	3	3
10	P40	20	3
11	Q26	8	19
12			
13			
14			
15			
16			
17			
18	Q26	19	19
19			
20	P42	10	3
21			
22	P40	28	3
23	N18	26	27
24	P42	8	5
25	P17	25	25
26	P17	7	25
27	Q23	22	21
28	P42	22	5

JACK PIN LG

LOWER 3-LEVEL ADDER

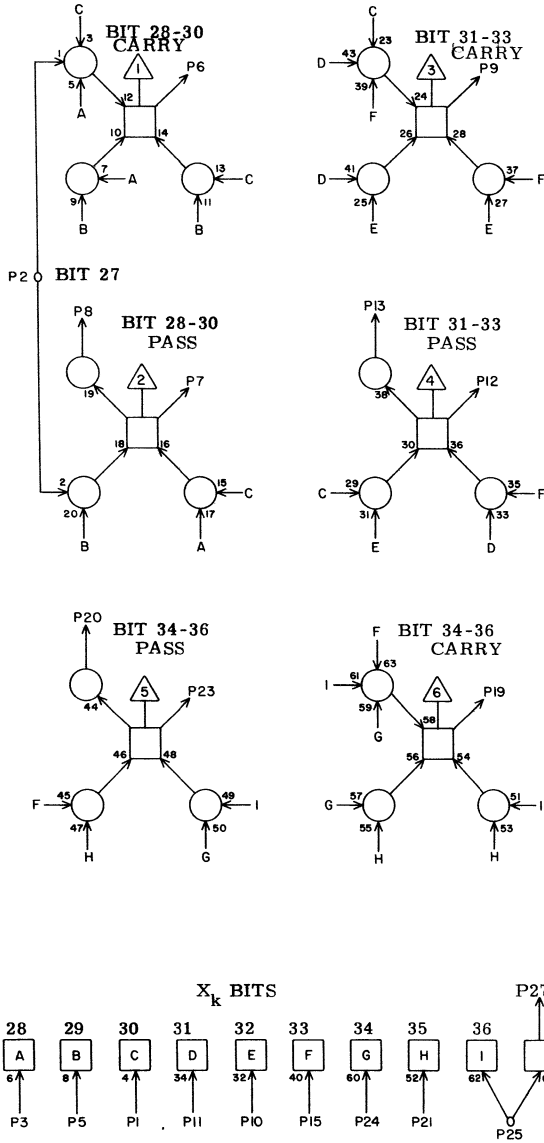


MC 6P42

1	L21	22	29
2	P16	2	27
3	P41	9	3
4	P16	4	27
5	P15	28	27
6	Q26	11	19
7	Q26	9	19
8	P41	24	5
9	Q30	3	15
10	P41	20	3
11	Q26	16	19
12			
13			
14			
15			
16			
17			
18	Q27	7	19
19			
20	Q30	10	15
21			
22	P41	28	3
23	N19	20	27
24	Q30	8	15
25	P17	26	25
26	P17	11	25
27	Q23	26	21
28	Q30	22	15

JACK PIN LG

$X_k + 2X_k$  ADDER. PASS AND CARRIES



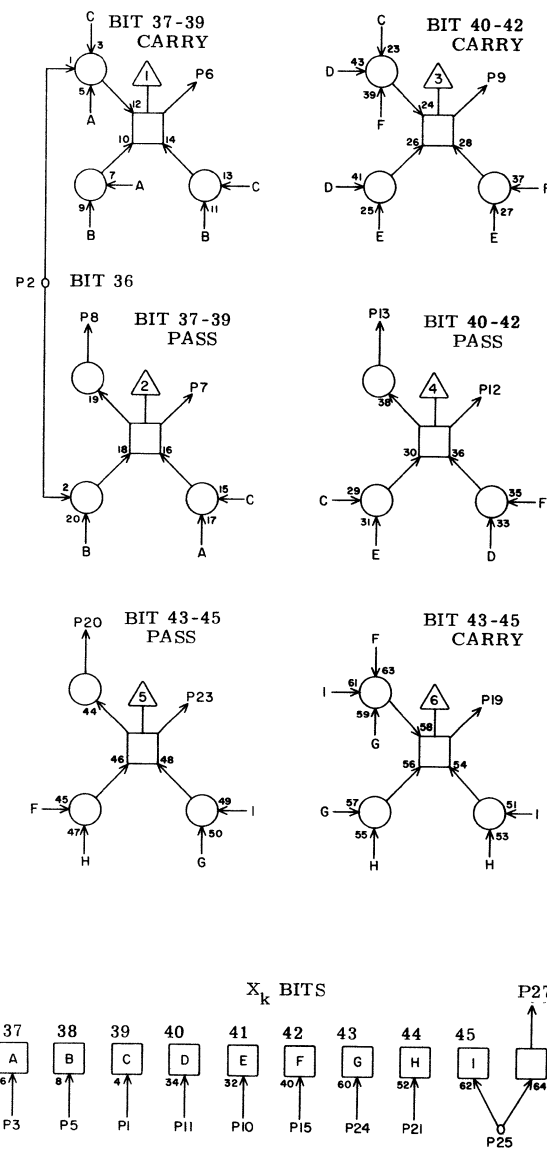
ME **6Q 1**

1	O 2	28	13
2	R 3	27	11
3	O 1	23	13
4			
5	O 1	18	13
6	Q 6	27	9
7	R 6	7	9
8	Q 4	21	5
9	Q 6	28	9
10	O 2	18	15
11	O 2	23	13
12	Q 6	25	9
13	Q 4	27	5
14			
15	O 3	28	15
16			
17			
18			
19	Q 6	23	9
20	Q 4	25	5
21	O 3	18	15
22			
23	Q 6	26	7
24	O 3	23	15
25	O 4	28	11
26			
27	Q 2	2	5
28			

JACK PIN LG

63017400 Rev. B

$X_k + 2X_k$  ADDER. PASS AND CARRIES



6Q2

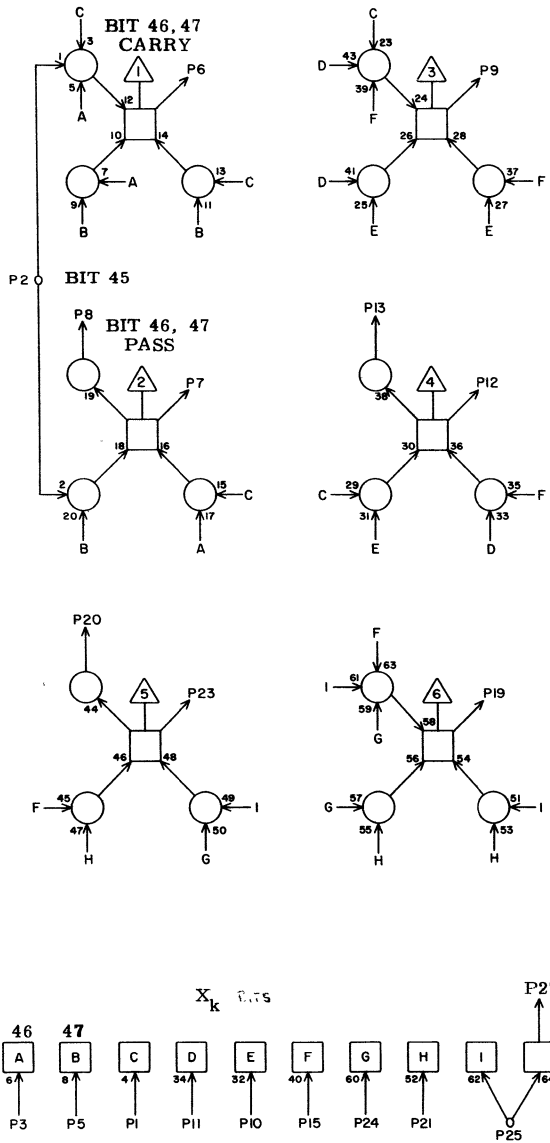
ME **6Q 2**

1	O 5	28	13
2	Q 1	27	5
3	O 4	23	11
4			
5	O 4	18	11
6	Q 7	2	9
7	R 7	16	11
8	Q 4	23	5
9	Q 7	1	9
10	O 5	18	13
11	O 5	23	13
12	Q 7	4	9
13	Q 4	17	5
14			
15	O 6	28	13
16			
17			
18			
19	Q 7	8	9
20	Q 4	19	5
21	O 6	18	13
22			
23	Q 7	3	9
24	O 6	23	13
25	O 7	28	13
26			
27	Q 3	2	5
28			

JACK PIN LG

63017400 Rev. B

$X_k + 2X_k$  ADDER, PASS AND CARRIES

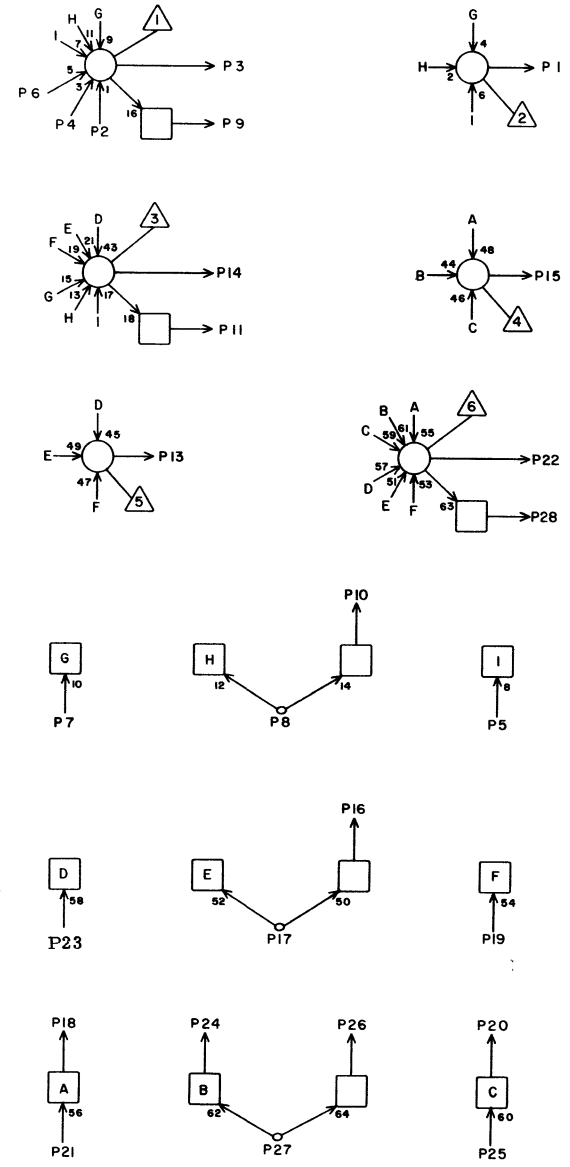


ME 6Q 3

1			
2	Q 2	27	5
3	0 7	23	13
4			
5	0 7	18	13
6	Q 7	27	9
7	R 7	7	9
8	Q 4	7	3
9			
10			
11			
12			
13			
14			
15			
16			
17			
18			
19			
20			
21			
22			
23			
24			
25			
26			
27			
28			

JACK PIN LG

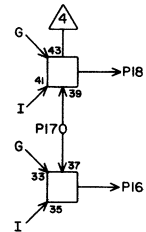
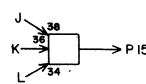
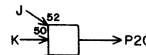
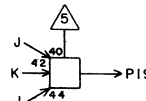
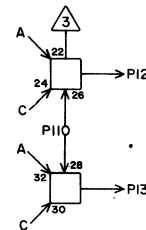
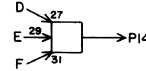
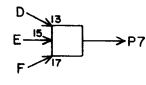
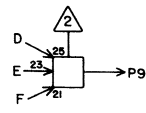
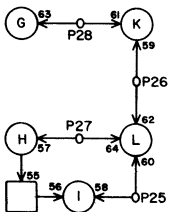
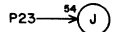
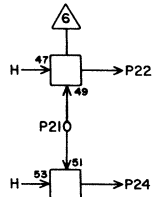
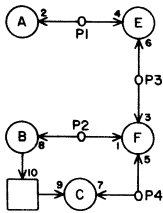
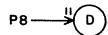
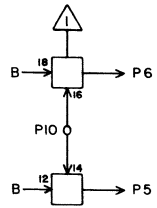
$X_k + 2X_k$  ADDER; PASSES, BITS 28-47



MI 6Q 4

1	R 5	21	9
2	R 4	20	9
3	R 6	27	11
4	R 4	24	9
5			
6	R 4	18	9
7	Q 3	8	3
8			
9	R 7	19	9
10	R 7	3	9
11	R 6	6	5
12			
13	R 7	5	7
14	R 5	20	9
15	R 7	21	9
16	R 7	18	9
17	Q 2	13	5
18	R 4	6	5
19	Q 2	20	5
20	R 4	2	5
21	Q 1	8	5
22	R 5	27	9
23	Q 2	8	5
24	R 4	4	5
25	Q 1	20	5
26	R 6	3	5
27	Q 1	13	5
28	R 6	19	7

JACK PIN LG

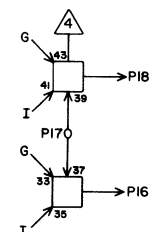
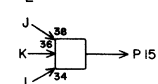
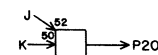
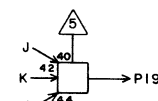
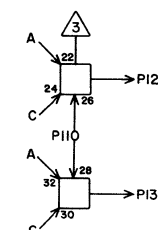
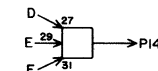
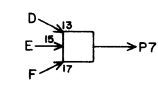
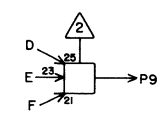
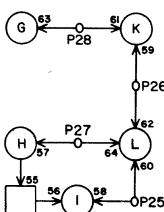
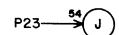
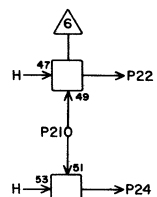
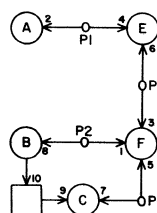
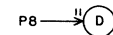
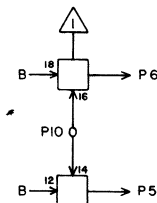


MH 6Q 5

1	R 1	9	9
2	R 1	6	9
3	R 1	23	9
4	R 1	12	9
5	R11	7	11
6	P 2	27	5
7	R 5	11	11
8	R 1	19	9
9	R 6	8	9
10	R 5	26	11
11	R 5	28	11
12	P 3	27	7
13	R12	7	11
14	R 7	10	9
15	R 7	9	9
16	Q12	7	9
17	R 5	1	9
18	P 6	27	5
19	R 6	17	11
20	R 5	12	11
21	R 5	14	11
22	Q11	7	9
23	R 2	19	7
24	P 5	27	5
25	R 2	12	7
26	R 2	23	7
27	R 2	6	7
28	R 2	9	5

JACK PIN LG

63017400 Rev. B



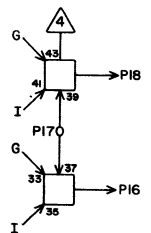
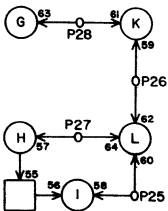
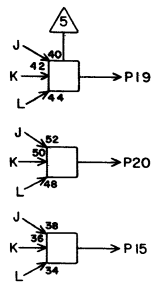
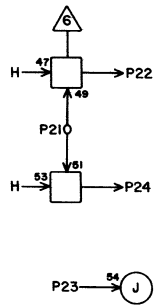
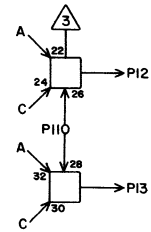
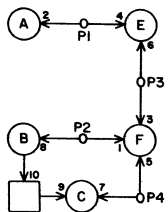
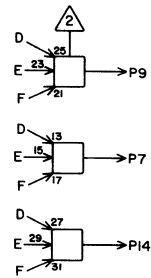
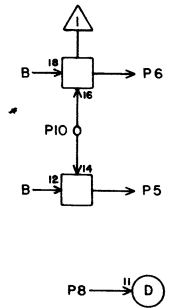
MH 6Q 6

1	R 3	9	11
2	R 3	6	11
3	R 3	23	11
4	R 3	12	11
5	P11	7	11
6	P 8	27	5
7	R 5	10	9
8	R 3	19	11
9	R 6	11	9
10	R 6	26	11
11	R 6	28	11
12	P 9	27	9
13	P12	7	11
14	R 7	8	11
15	R 7	17	11
16	Q12	7	11
17	R 6	1	9
18	Q 3	27	13
19	R 6	12	11
20	R 5	9	9
21	R 6	14	11
22	Q11	7	15
23	Q 1	19	9
24	Q 2	27	15
25	Q 1	12	9
26	Q 1	23	7
27	Q 1	6	9
28	Q 1	9	9

JACK PIN LG

63017400 Rev. B

6Q6

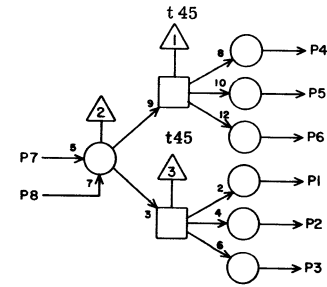


MH 6Q 7

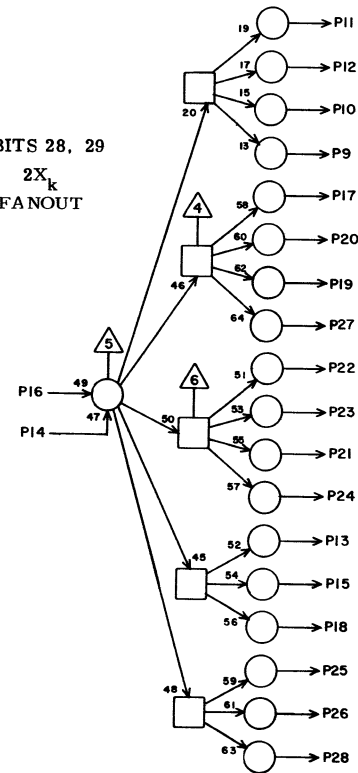
1	Q 2	9	9
2	Q 2	6	9
3	Q 2	23	9
4	Q 2	12	9
5	M11	7	17
6	O 5	27	11
7	R 5	8	9
8	Q 2	19	9
9	R 6	10	9
10	R 7	26	11
11	R 7	28	11
12	O 6	27	11
13	M12	7	17
14	R 7	11	9
15	R 7	12	9
16			
17			
18			
19	R 6	9	9
20	R 5	17	9
21	R 7	14	9
22	M11	7	21
23	P 1	3	13
24	O 8	27	13
25			
26	J 3	27	31
27	Q 3	6	9
28			

JACK PIN LG

63017400 Rev. B



BITS 28, 29  
2X<sub>k</sub>  
FANOUT



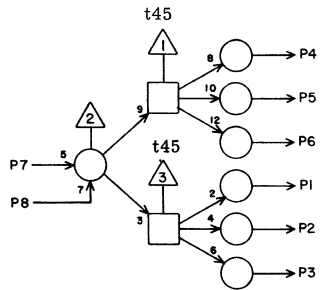
CB 6Q 8

1	E 1	19	47
2	E 2	19	47
3	E 3	19	45
4	E 4	19	45
5	E 5	19	47
6	E 6	19	47
7	M22	18	41
8	Q 8	X	2
9	M20	10	23
10	M19	10	23
11	M24	10	23
12	M18	10	21
13	L22	10	27
14	Q 8	X	2
15	L23	10	27
16	J 8	19	31
17	M21	10	23
18	L24	10	27
19	M23	10	25
20	M22	10	25
21	L20	10	25
22	L18	10	27
23	L19	10	27
24	L21	10	27
25	K18	10	29
26	M24	10	25
27	M24	10	25
28			

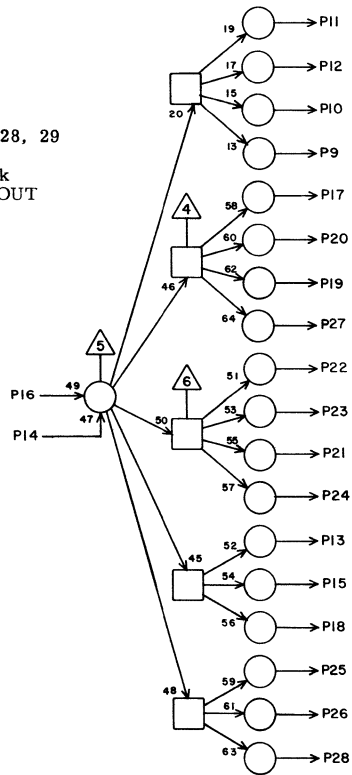
JACK PIN LG

63017400 Rev. B





BITS 28, 29  
 $3X_k$   
 FANOUT

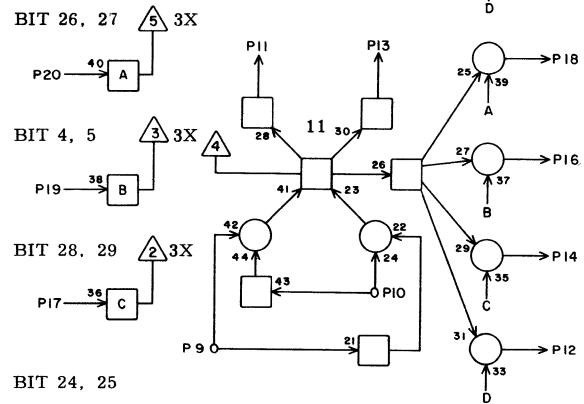
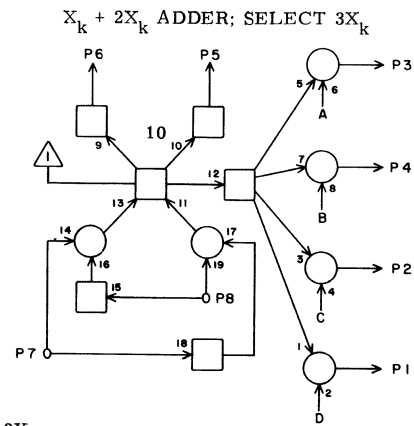


CB **6Q 9**

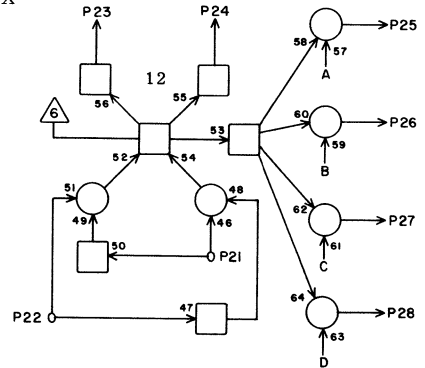
1	E 7	19	47
2	F 1	19	43
3	F 2	19	43
4	F 3	19	43
5	F 4	19	43
6	F 5	19	43
7	H22	28	39
8	Q9	X	2
9	Q10	17	3
10	R12	17	13
11	R10	17	11
12	R11	17	13
13	M10	17	17
14	Q9	X	2
15	M11	17	17
16	J 8	18	31
17	Q11	17	5
18	M12	17	17
19	P10	17	9
20	Q12	17	11
21	O11	17	15
22	P12	17	9
23	O10	17	13
24	O12	17	13
25	M10	17	21
26	M11	17	21
27	P11	17	9
28			

JACK PIN LG

63017400 Rev. B



BIT 24, 25  
 P15 → D 3X



6Q10

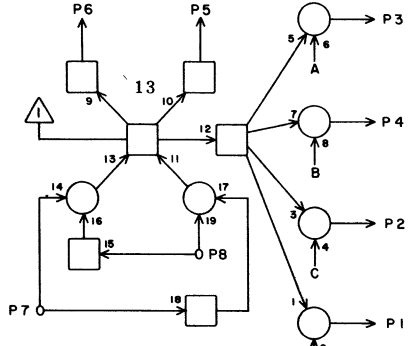
MF **6Q 10**

1	R21	4	15
2	M20	4	23
3	P24	4	17
4	M20	21	21
5	R21	23	15
6	P24	23	17
7	R 5	2	11
8	P 4	5	11
9	P 4	25	9
10	P 4	8	11
11	R21	27	15
12	R21	3	15
13	P24	27	17
14	M20	3	23
15	K12	9	27
16	M20	24	21
17	Q 9	9	3
18	P24	3	17
19	R 8	9	9
20	K23	4	29
21	P 5	1	11
22	P 4	21	11
23	R22	9	15
24	O18	9	15
25	O18	15	17
26	M21	18	23
27	M21	15	23
28	R22	15	15

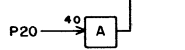
JACK PIN LG

63017400 Rev. B

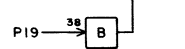
$X_k + 2X_k$  ADDER; SELECT  $3X_k$



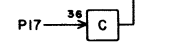
BIT 26, 27  $3X$



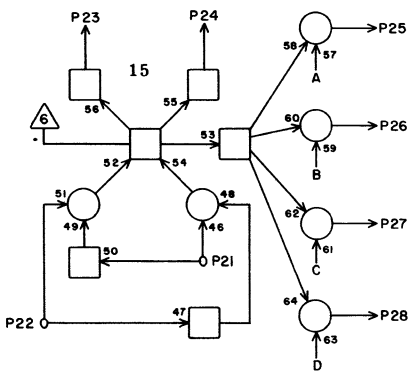
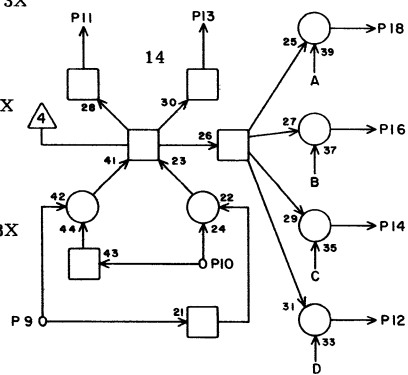
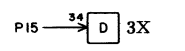
BIT 4, 5  $3X$



BIT 28, 29  $3X$



BIT 24, 25  $3X$

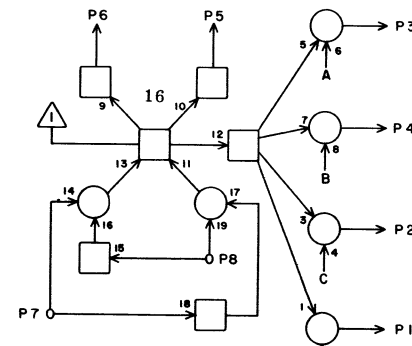


MF 6Q11

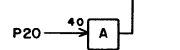
	JACK	PIN	LG
1	R22	4	15
2	M21	4	23
3	O18	4	15
4	M21	21	21
5	R22	23	15
6	O18	23	15
7	Q 5	22	9
8	P 5	5	11
9	P 5	25	9
10	P 5	8	13
11	R22	27	15
12	R22	3	15
13	O18	27	15
14	M21	3	23
15	K12	17	27
16	M21	24	21
17	Q 9	17	5
18	O18	4	15
19	R 8	17	9
20	K23	5	29
21	P 6	1	11
22	P 5	21	11
23	R23	9	15
24	O19	9	17
25	O19	15	17
26	M22	18	23
27	M22	15	23
28	R23	15	15

63017400 Rev. B

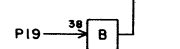
$X_k + 2X_k$  ADDER; SELECT  $3X_k$



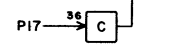
BIT 26, 27  $3X$



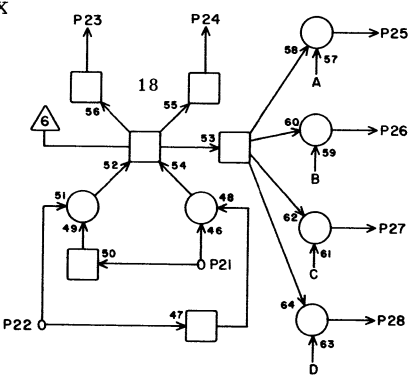
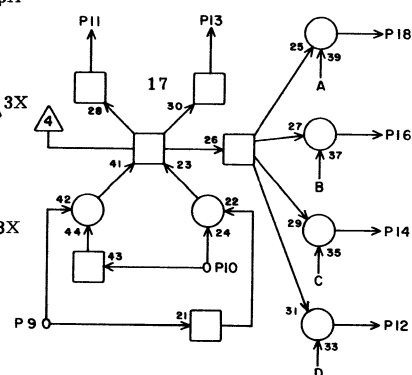
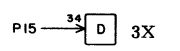
BIT 4, 5  $3X$



BIT 28, 29  $3X$



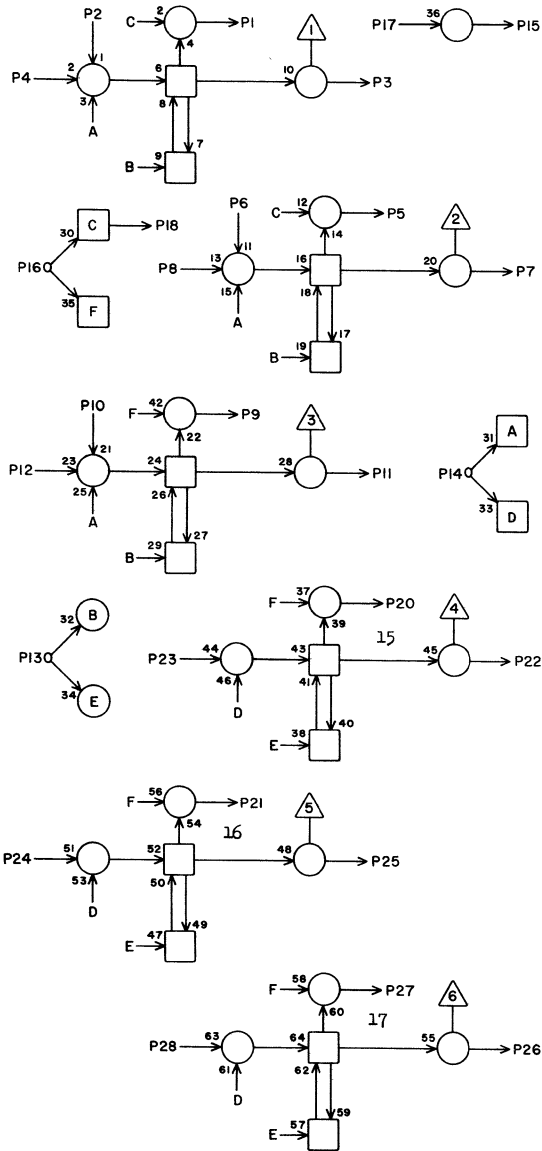
BIT 24, 25  $3X$



MF 6Q12

	JACK	PIN	LG
1	R23	4	17
2	M22	4	23
3	O19	4	15
4	M22	21	21
5	R23	23	17
6	O19	23	17
7	Q 5	26	9
8	P 6	5	11
9	P 6	25	11
10	P 6	8	13
11	R23	27	17
12	R23	3	17
13	O19	27	17
14	M22	3	23
15	K12	20	27
16	M22	24	23
17	Q 9	20	11
18	O19	3	15
19	R 8	20	9
20	K23	7	29
21	P 7	1	11
22	P 6	21	11
23	R24	9	17
24	O20	9	17
25	O20	15	17
26	M23	18	23
27	M23	15	23
28	R24	15	19

63017400 Rev. B

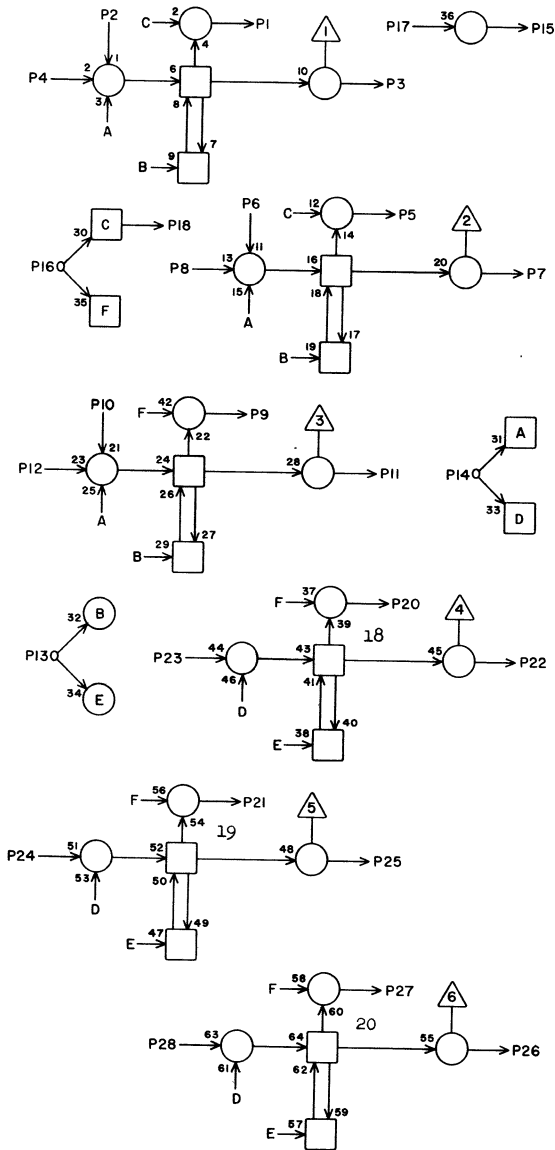


NJ **6Q13**

1			
2	Q31	2	19
3	R39	26	27
4	Q31	4	19
5			
6	Q32	2	21
7	R40	26	27
8	Q32	4	21
9			
10	Q33	2	21
11	R41	26	27
12	Q33	4	21
13	M 8	7	19
14	K20	6	27
15			
16	K22	13	29
17			
18	J12	18	31
19			
20	M 6	20	21
21	M 7	25	21
22	R39	25	27
23	Q32	5	21
24	Q33	5	21
25	R40	25	27
26	R41	25	27
27	M 7	20	21
28	Q34	5	23

JACK PIN LG

63017400 Rev. B



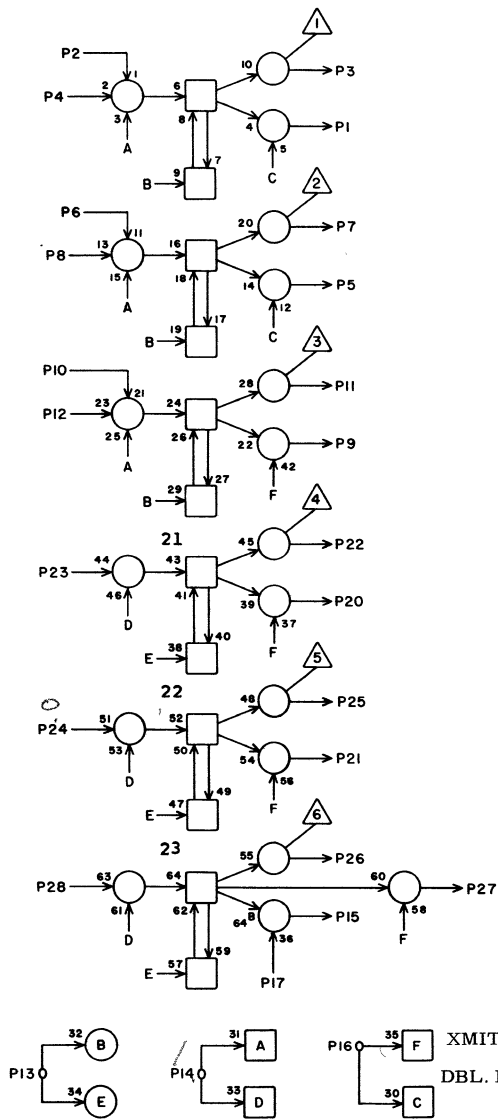
NJ **6Q14**

1			
2	Q34	2	21
3	R42	26	29
4	Q34	4	21
5			
6	Q35	2	23
7	Q30	26	19
8	Q35	4	23
9			
10	Q36	2	23
11	Q31	26	19
12	Q36	4	23
13	M 8	9	19
14	K20	7	27
15	O37	25	25
16	K22	8	29
17	O15	7	13
18	J13	8	31
19			
20	M 1	25	21
21	M 1	20	21
22	R42	25	29
23	Q35	5	23
24	Q36	5	23
25	Q30	25	19
26	Q31	25	19
27	N 2	25	21
28	Q37	5	23

JACK PIN LG

63017400 Rev. B

6Q14

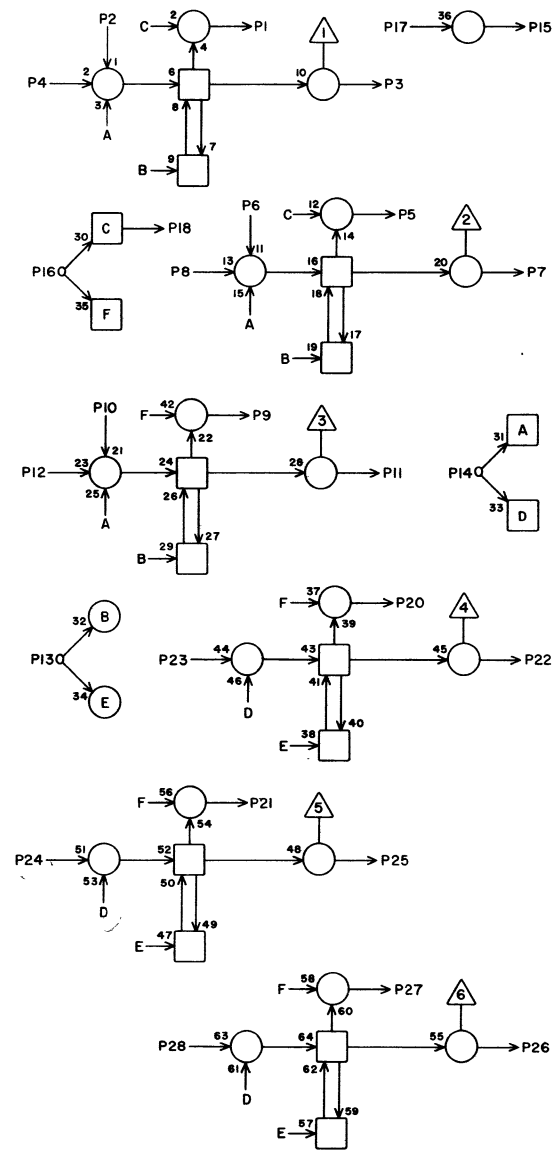


NL 6Q15

1			
2	Q37	2	23
3	Q32	26	19
4	Q37	4	23
5			
6	Q38	2	25
7	Q33	26	19
8	Q38	4	25
9			
10	Q39	2	25
11	Q34	26	21
12	Q39	4	25
13	M 8	11	19
14	K20	8	27
15	F 9	6	51
16	K22	10	29
17	Q16	18	3
18	J13	18	31
19			
20	N 2	20	21
21	N 3	25	21
22	Q32	25	19
23	Q38	5	25
24	Q39	5	25
25	Q33	25	19
26	Q34	25	21
27	N 3	20	21
28	Q40	5	27

XMIT RESULT  
DBL. PRECISION

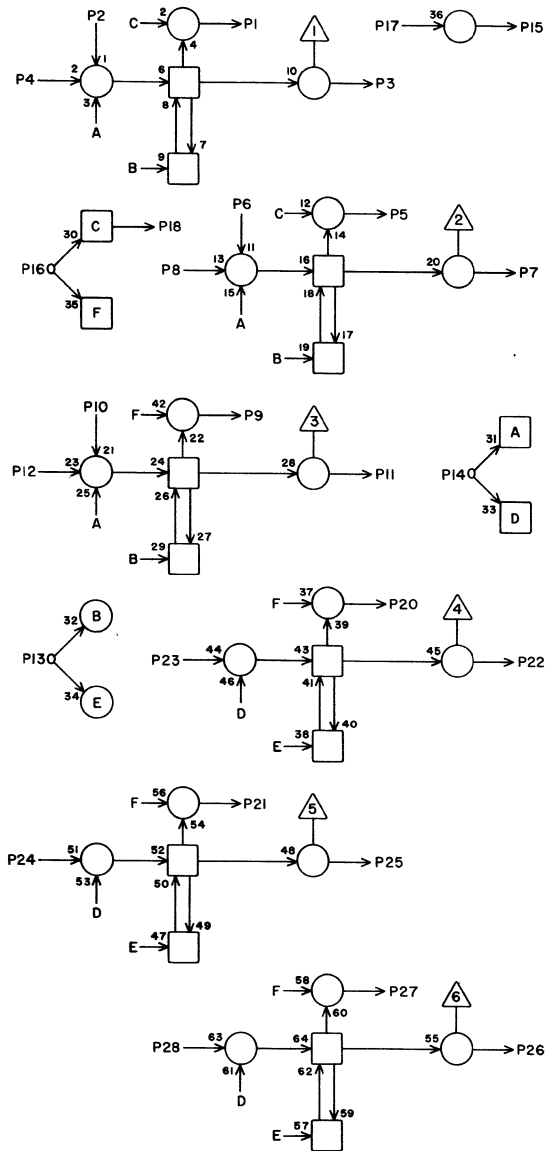
JACK PIN LG



NJ 6Q16

1			
2	Q40	2	25
3	Q35	26	21
4	Q40	4	25
5			
6	Q41	2	27
7	Q36	26	21
8	Q41	4	27
9			
10	Q42	2	27
11	Q37	26	23
12	Q42	4	27
13	M 8	13	21
14	K20	9	27
15	Q36	25	23
16	J23	2	31
17	Q15	3	13
18	Q15	17	3
19			
20	K 1	26	29
21	K 1	21	29
22	Q35	25	21
23	Q41	5	29
24	Q42	5	27
25	Q36	25	21
26	Q37	25	23
27	K 2	26	29
28	P30	5	17

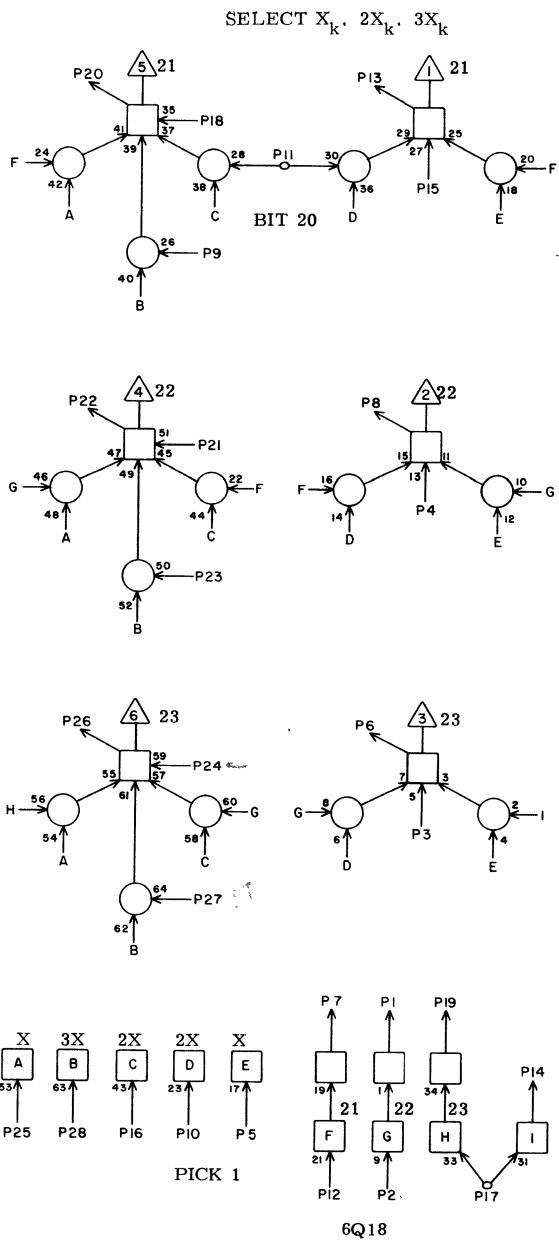
JACK PIN LG



NJ 6Q17

1			
2	P30	2	15
3	Q38	26	23
4	P30	4	17
5			
6	P31	2	17
7	Q39	26	23
8	P31	4	17
9			
10	P32	2	17
11	Q40	26	25
12	P32	4	17
13	M 8	14	21
14	K20	10	27
15	O38	25	25
16	J23	4	31
17	O15	10	13
18			
19			
20	K 2	21	29
21	K 3	26	29
22	Q38	25	23
23	P31	5	17
24	P32	5	19
25	Q39	25	23
26	Q40	25	25
27	K 3	21	29
28	P33	5	19
JACK    PIN    LG			

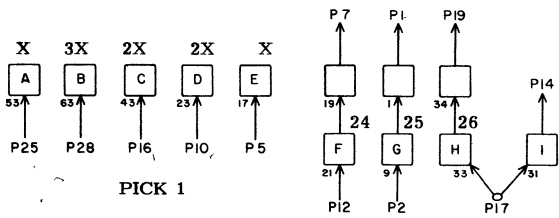
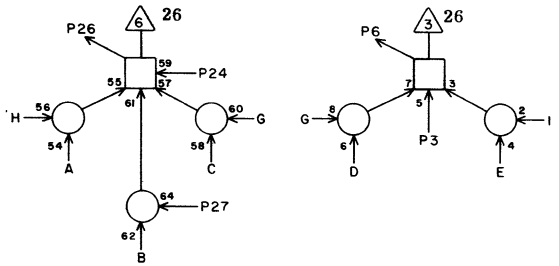
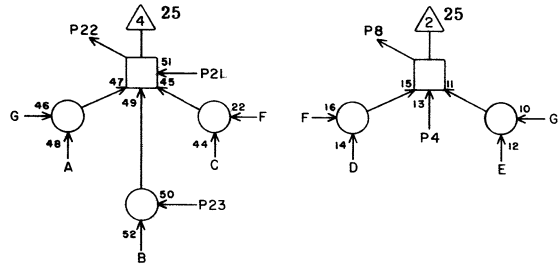
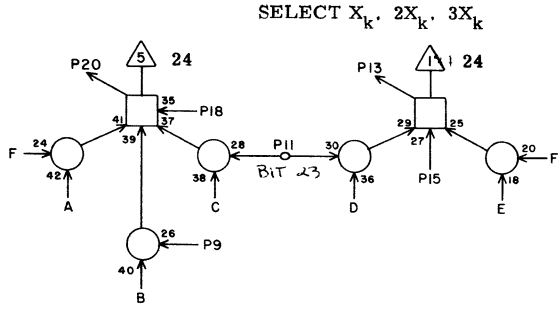
63017400 Rev. B



MB 6Q18

1	O21	2	13
2	P 8	9	13
3	P11	12	13
4	P11	1	11
5	K13	27	27
6	L32	27	27
7	O21	12	13
8	L31	27	25
9	P10	23	13
10	K14	27	27
11	M4	14	11
12	P 8	12	13
13	L30	27	25
14	Q19	11	3
15	P10	28	13
16	Q25	27	11
17	P 8	16	15
18	M13	20	17
19	O21	17	13
20	Q38	27	21
21	M13	21	17
22	Q39	27	23
23	P11	5	13
24	M13	27	17
25	R25	27	13
26	Q40	27	23
27	P11	11	13
28	P25	27	13
JACK    PIN    LG			

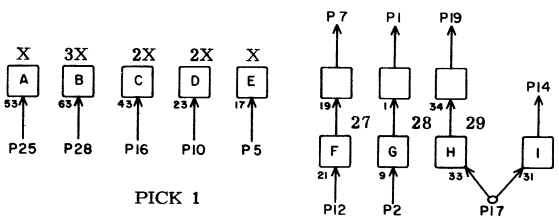
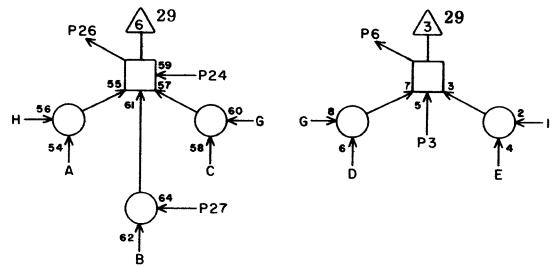
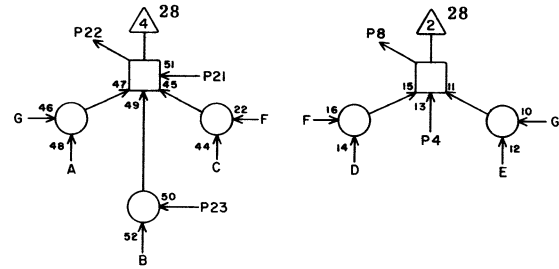
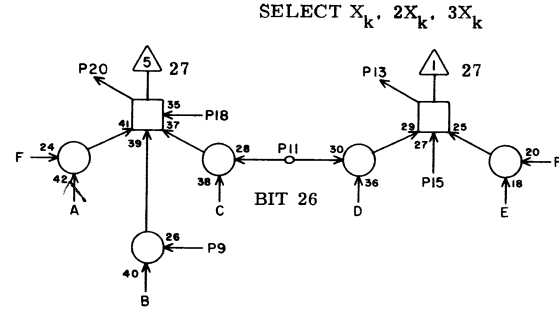
63017400 Rev. B



MB **6019**

1	022	2	13
2	P 9	9	13
3	P12	12	13
4	P12	1	11
5	K13	22	27
6	L35	27	27
7	022	12	13
8	L34	27	27
9	P11	23	13
10	K14	22	27
11	Q18	14	3
12	P 9	12	13
13	L33	27	27
14	Q20	11	3
15	P11	28	13
16	Q25	22	11
17	P 9	16	13
18	N14	20	17
19	022	17	13
20	Q41	27	23
21	N14	21	17
22	Q42	27	23
23	P12	5	13
24	N14	27	17
25	R25	22	13
26	P30	27	15
27	P12	11	13
28	P25	22	11
	JACK	PIN	LG

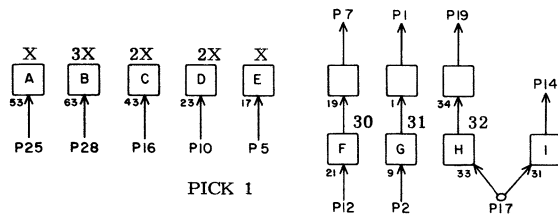
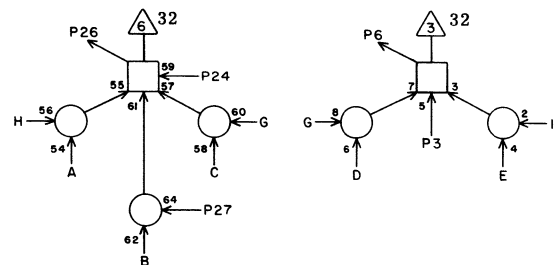
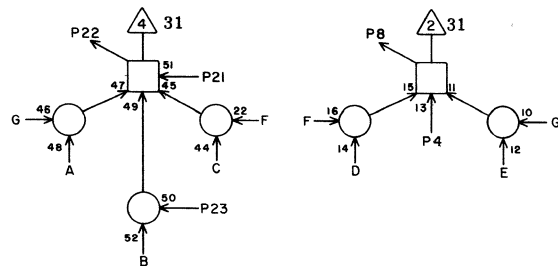
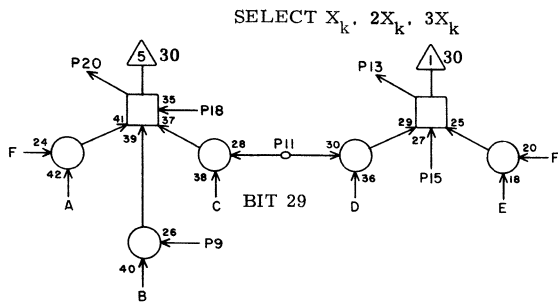
63017400 Rev. B



MB **6020**

1	023	2	13
2	0 1	9	25
3	010	12	15
4	010	1	15
5	K13	23	27
6	L38	27	29
7	023	12	13
8	L37	27	29
9	P12	23	13
10	K14	23	27
11	Q19	14	3
12	0 1	12	25
13	L36	27	29
14	Q21	11	3
15	P12	28	13
16	Q25	23	9
17	0 1	16	25
18	N15	20	17
19	023	17	13
20	P31	27	15
21	N15	21	17
22	P32	27	15
23	010	5	15
24	N15	27	17
25	R25	23	11
26	P33	27	17
27	010	11	17
28	P25	23	11
	JACK	PIN	LG

63017400 Rev. B

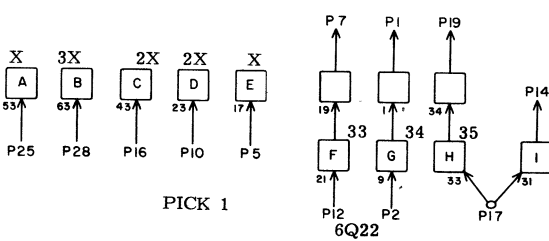
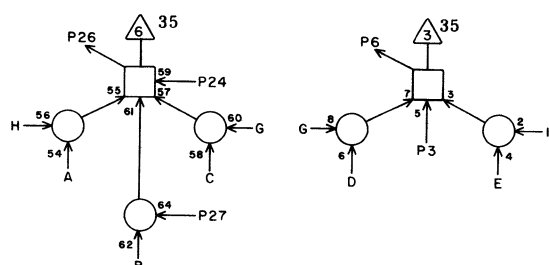
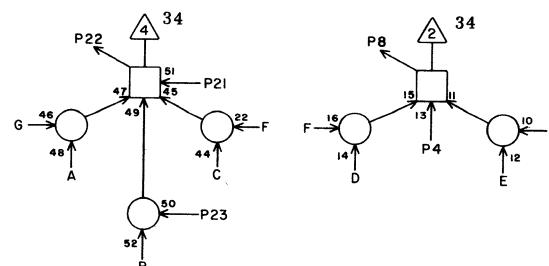
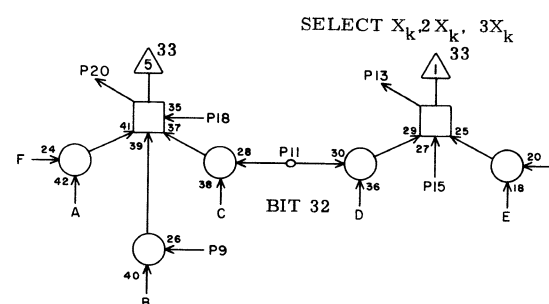


MB **6Q21**

1	024	2	13
2	0 2	9	25
3	011	12	15
4	011	1	15
5	K13	21	27
6	L41	27	31
7	024	12	13
8	L40	27	29
9	010	23	15
10	K14	21	27
11	Q20	14	3
12	0 2	12	25
13	L39	27	29
14	Q22	11	3
15	010	28	15
16	Q25	21	9
17	0 2	16	25
18	N16	20	17
19	024	17	13
20	P34	27	17
21	N16	21	17
22	P35	27	17
23	011	5	15
24	N16	27	21
25	R25	21	11
26	P36	27	19
27	011	11	15
28	P25	21	11

JACK PIN LG

63017400 Rev. B



PICK 1

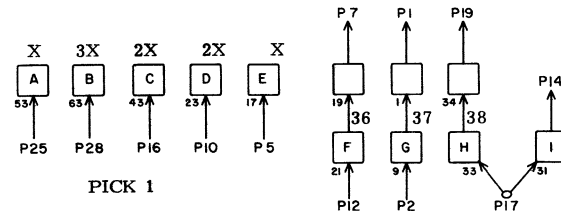
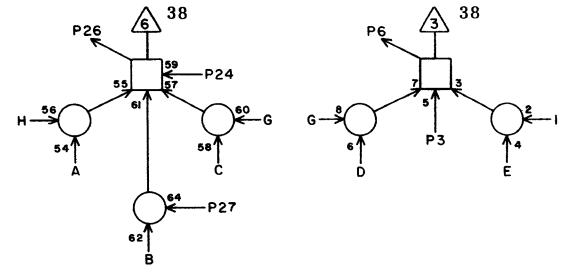
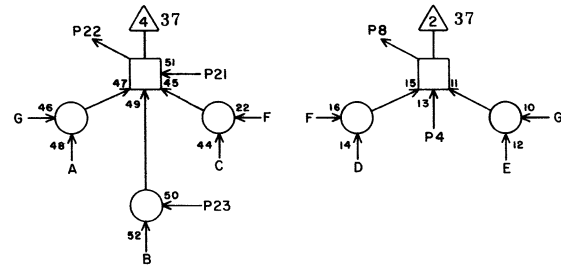
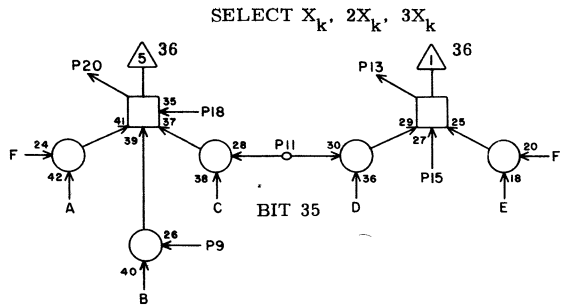
6Q22

MB **6Q22**

1	N18	2	15
2	0 3	9	23
3	012	12	17
4	012	1	15
5	K13	24	27
6	K31	27	29
7	N18	12	15
8	K30	27	29
9	011	23	15
10	K14	24	27
11	Q21	14	3
12	0 3	12	23
13	L42	27	31
14	Q23	11	3
15	011	28	15
16	Q25	24	5
17	0 3	16	23
18	N17	20	17
19	N18	17	17
20	P37	27	17
21	N17	21	17
22	P38	27	19
23	012	5	15
24	N17	27	17
25	R25	24	11
26	P39	27	19
27	012	11	17
28	P25	24	11

JACK PIN LG

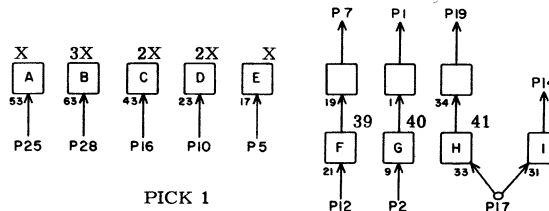
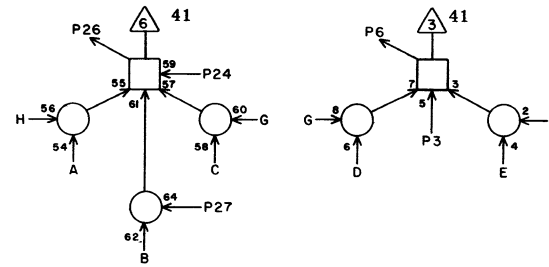
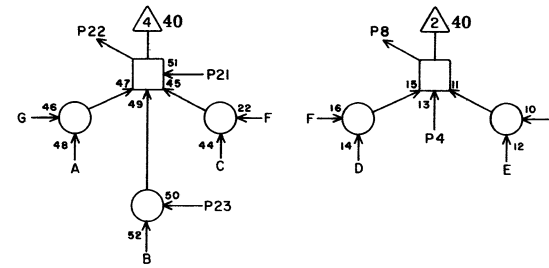
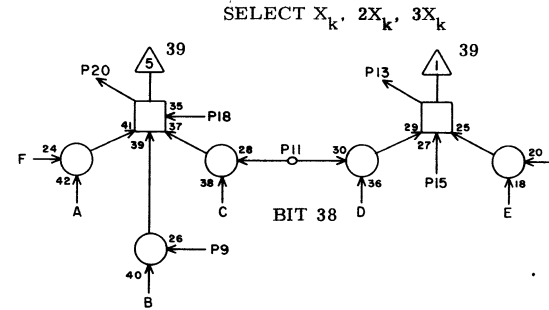
63017400 Rev. B



MB 6Q23

1	N19	2	19
2	0 4	9	21
3	N10	12	21
4	N10	1	19
5	K13	13	27
6	K34	27	27
7	N19	12	15
8	K33	27	27
9	012	23	17
10	K14	13	27
11	Q22	14	3
12	0 4	12	21
13	K32	27	29
14	Q24	11	3
15	012	28	17
16	Q25	13	5
17	0 4	16	21
18	M13	20	21
19	N19	17	17
20	P 40	27	19
21	M13	21	21
22	P41	27	21
23	N10	5	21
24	M13	27	21
25	R25	13	9
26	P42	27	21
27	N10	11	21
28	P25	13	11
	JACK	PIN	LG

63017400 Rev. B



PICK 1

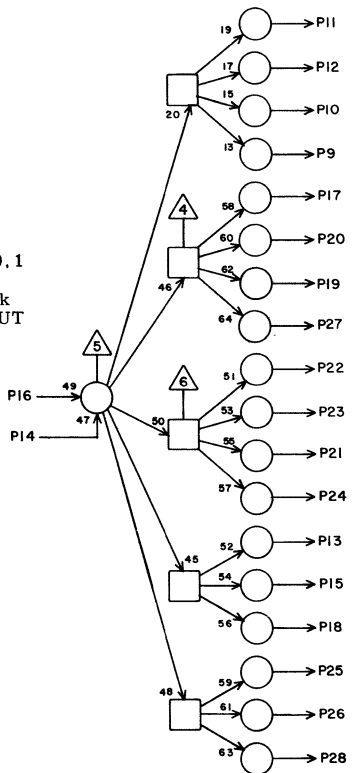
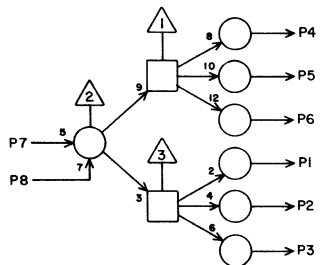
MB 6Q24

1	M20	2	19
2	0 5	9	21
3	N11	12	19
4	N11	1	21
5	K13	15	27
6	K37	27	27
7	N20	12	15
8	K36	27	27
9	N10	23	21
10	K14	15	27
11	Q23	14	3
12	0 5	12	23
13	K35	27	27
14	P18	11	11
15	N10	28	21
16	Q25	15	3
17	0 5	16	23
18	M14	20	21
19	M20	17	17
20	030	27	13
21	M14	21	21
22	031	27	13
23	N11	5	21
24	M14	27	21
25	R25	15	9
26	032	27	13
27	N11	11	21
28	P25	15	11
	JACK	PIN	LG

63017400 Rev. B



BITS 0, 1  
2X<sub>k</sub>  
FANOUT

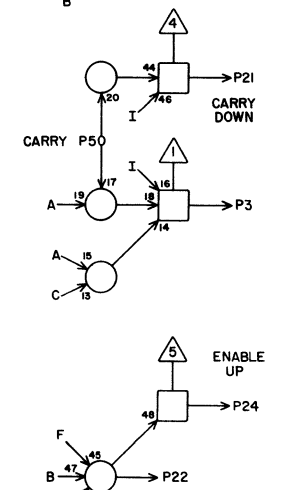
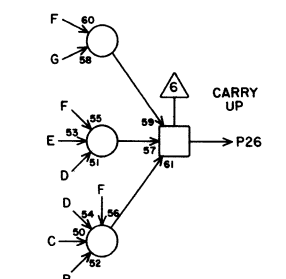
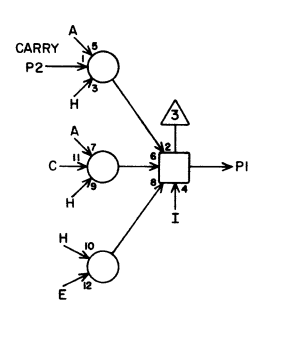
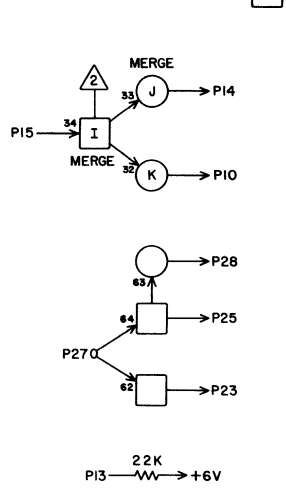
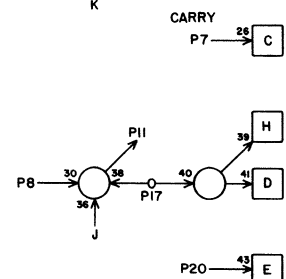
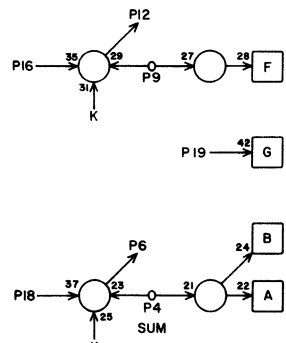


CB **6Q25**

1	J16	17	31
2	J17	17	29
3	J18	17	29
4	J19	17	29
5	J20	17	29
6	J21	17	29
7	N28	23	15
8	J25	4	31
9	N21	16	11
10	N20	16	11
11	N18	16	13
12	N19	16	13
13	Q23	16	5
14	Q25	X	2
15	Q24	16	3
16	J 7	10	35
17	N22	16	11
18	P18	16	11
19	N24	16	9
20	N23	16	9
21	Q21	16	9
22	Q19	16	11
23	Q20	16	9
24	Q22	16	5
25	P19	16	11
26	P20	16	11
27	Q18	16	11
28			

JACK PIN LG

63017400 Rev. B



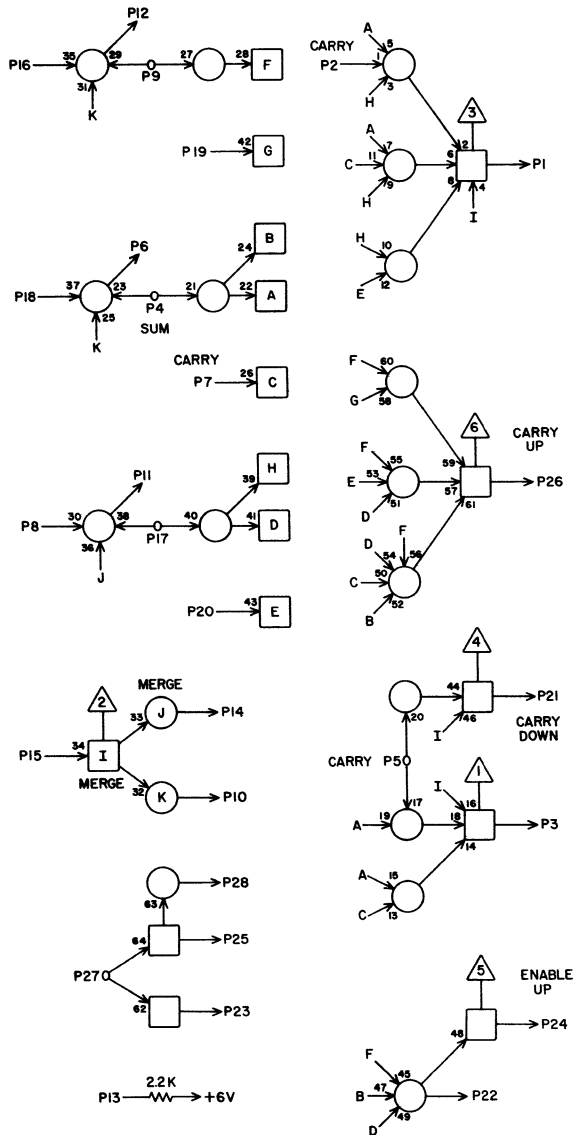
MM **6Q26**

1	M20	23	19
2	K26	24	27
3	M20	9	19
4	R42	7	19
5	K26	22	27
6	Q30	6	11
7	R41	18	17
8	Q30	11	11
9	Q31	7	11
10	M21	28	21
11	Q31	6	11
12	Q32	6	11
13	R30	23	11
14	N26	15	15
15	P25	5	11
16	Q31	11	13
17	Q30	7	11
18	R42	11	19
19	Q30	18	11
20	R42	18	19
21	M19	27	19
22	L27	17	23
23			
24	K26	25	27
25	N 8	18	25
26	K26	28	27
27	R14	22	15
28	N 8	22	25

JACK PIN LG

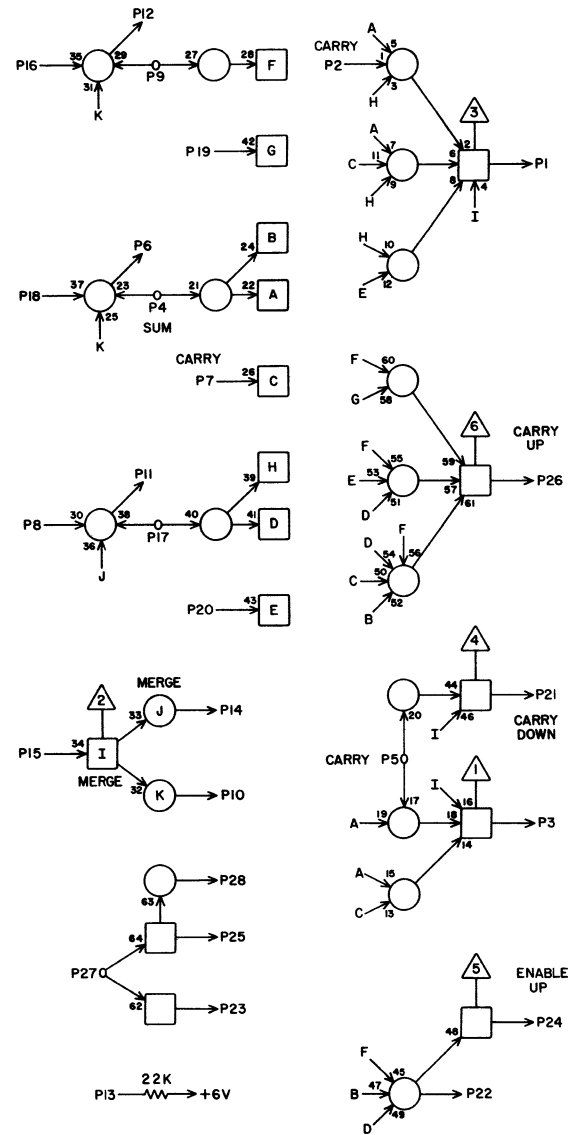
63017400 Rev. B

6Q26



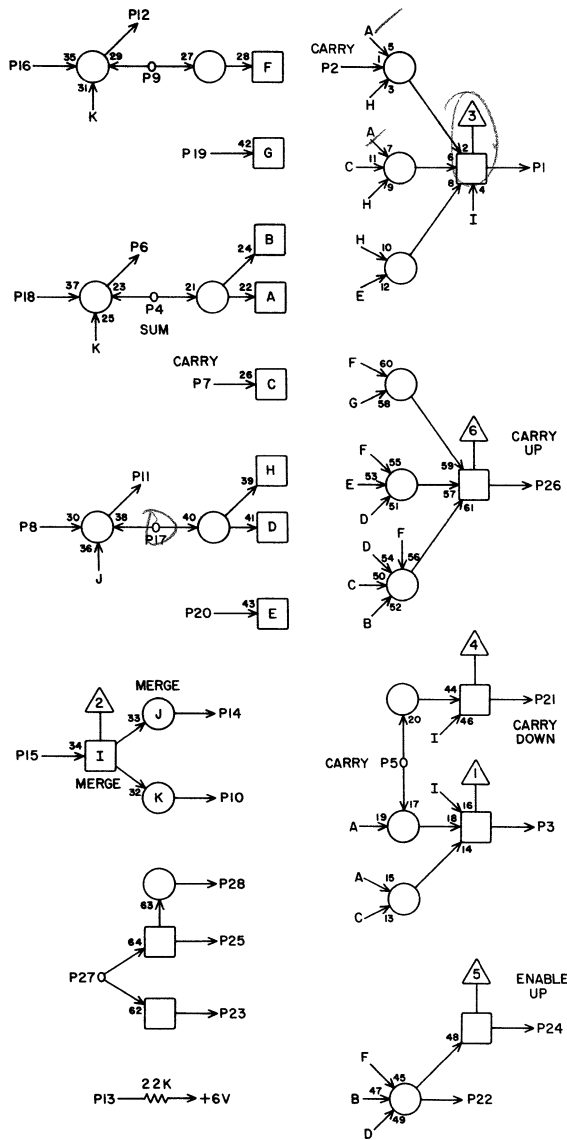
MM		6Q27	
JACK	PIN	LG	
1	M21	23	19
2	K26	18	27
3	M21	9	19
4	Q32	7	11
5	K26	16	27
6	Q33	6	11
7	Q31	18	11
8	Q33	11	11
9	Q34	7	11
10	M22	28	21
11	Q34	6	11
12	Q35	6	13
13	R31	23	11
14	N27	15	17
15	P25	6	11
16	Q34	11	11
17	Q33	7	11
18	Q32	11	11
19	Q33	18	11
20	Q32	18	11
21	M20	27	21
22	L27	19	23
23			
24	K26	26	27
25	N 8	15	25
26	K26	23	27
27	R14	25	17
28	N 8	19	25

63017400 Rev. B



MM		6Q28	
JACK	PIN	LG	
1	M22	23	19
2	J29	11	29
3	M22	9	19
4	Q35	7	13
5	J29	13	29
6	Q36	6	13
7	Q34	18	13
8	Q36	11	13
9	Q37	7	13
10	M23	28	17
11	Q37	6	13
12	Q38	6	13
13	N35	1	19
14	N28	15	15
15	Q25	1	13
16	Q37	11	13
17	Q36	7	13
18	Q35	11	13
19	Q36	18	13
20	Q35	18	13
21	M21	27	21
22	L27	7	25
23			
24	J29	5	31
25	N 8	11	25
26	K27	2	29
27	R14	26	17
28	N 8	14	25

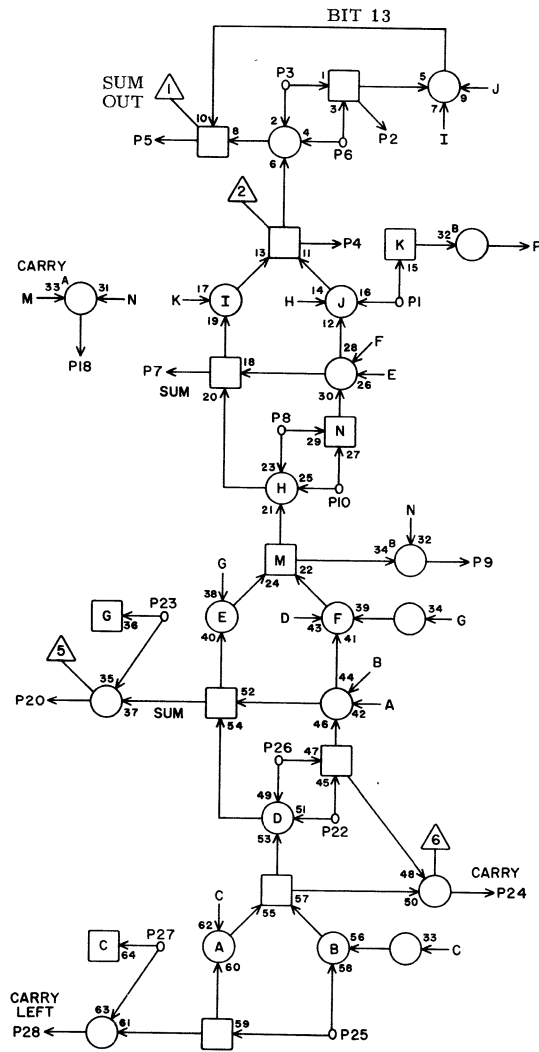
63017400 Rev. B



MM		6Q29	
JACK	PIN	LG	
1	M23	23	19
2	K27	6	29
3	M23	9	19
4	Q38	7	13
5	K27	5	27
6	Q39	6	13
7	Q37	18	13
8	Q39	11	13
9	Q40	7	15
10	M24	28	17
11	Q40	6	15
12	Q41	6	15
13	N35	23	19
14	N29	15	17
15	O25	2	13
16	Q40	11	15
17	Q39	7	15
18	Q38	11	13
19	Q39	18	15
20	Q38	18	13
21	M22	27	21
22	L27	8	25
23			
24	K27	4	29
25	N 9	8	25
26	K27	1	29
27	O17	3	19
28	N 9	10	25

63017400 Rev. B

LOWER 3-LEVEL ADDER

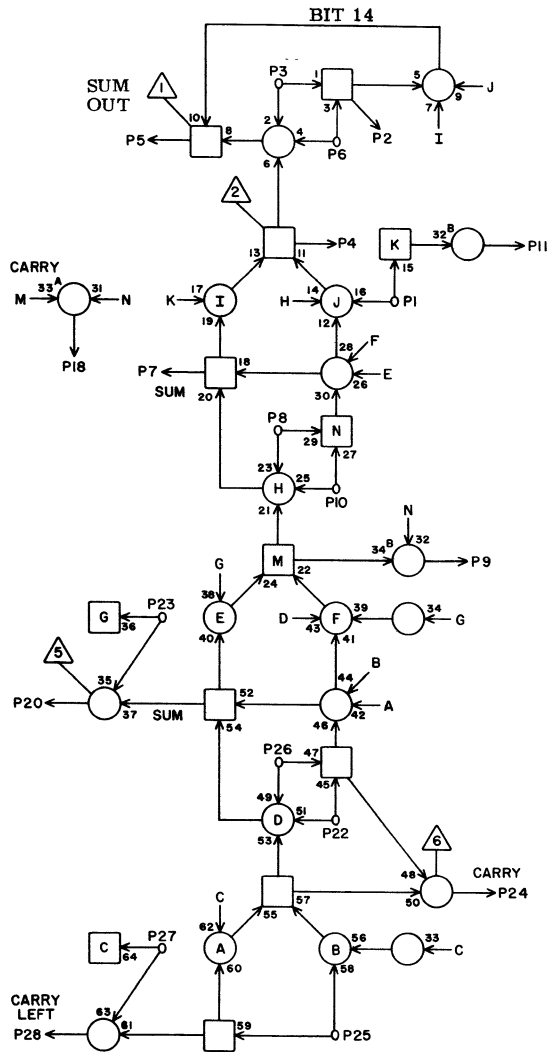


MC		6Q30	
JACK	PIN	LG	
1	M20	20	19
2	R17	10	17
3	R42	9	15
4	R17	12	17
5	R17	24	17
6	Q26	6	11
7	Q26	17	11
8	R42	24	15
9	Q31	3	3
10	R42	20	15
11	Q26	8	11
12			
13			
14			
15			
16			
17			
18	Q26	19	11
19			
20	Q31	10	3
21			
22	R42	28	15
23	P24	26	15
24	Q31	8	5
25	Q14	25	19
26	Q14	7	19
27	R22	22	13
28	Q31	22	5

63017400 Rev. B

6Q30

LOWER 3-LEVEL ADDER

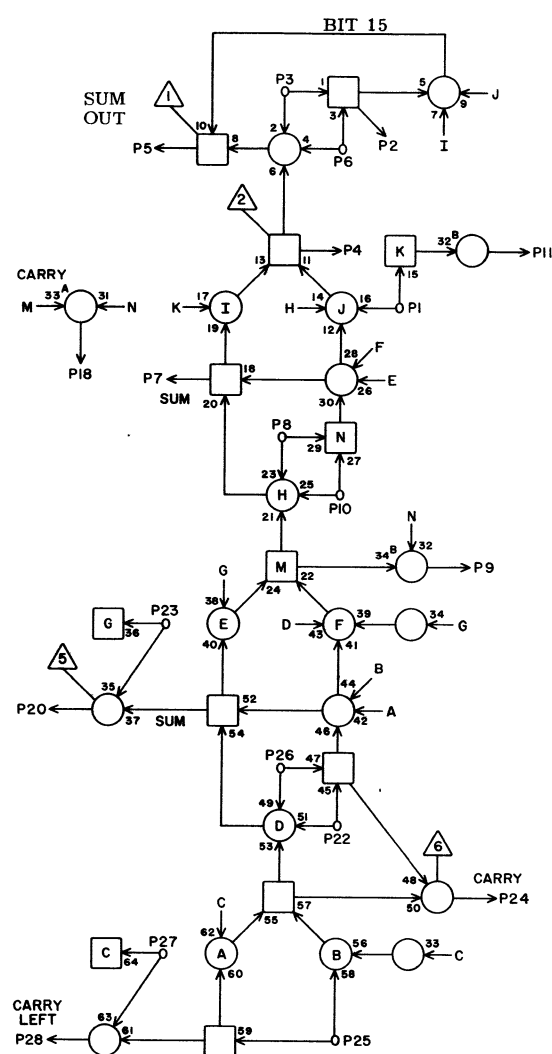


MC 6Q31

1	M20	22	21
2	Q13	2	19
3	Q30	9	3
4	Q13	4	19
5	R17	28	17
6	Q26	11	11
7	Q26	9	11
8	Q30	24	5
9	Q32	3	3
10	Q30	20	3
11	Q26	16	13
12			
13			
14			
15			
16			
17			
18	Q27	7	11
19			
20	Q32	10	3
21			
22	Q30	28	5
23	018	20	19
24	Q32	8	5
25	Q14	26	19
26	Q14	11	19
27	R22	26	13
28	Q32	22	3

JACK PIN LG

LOWER 3-LEVEL ADDER

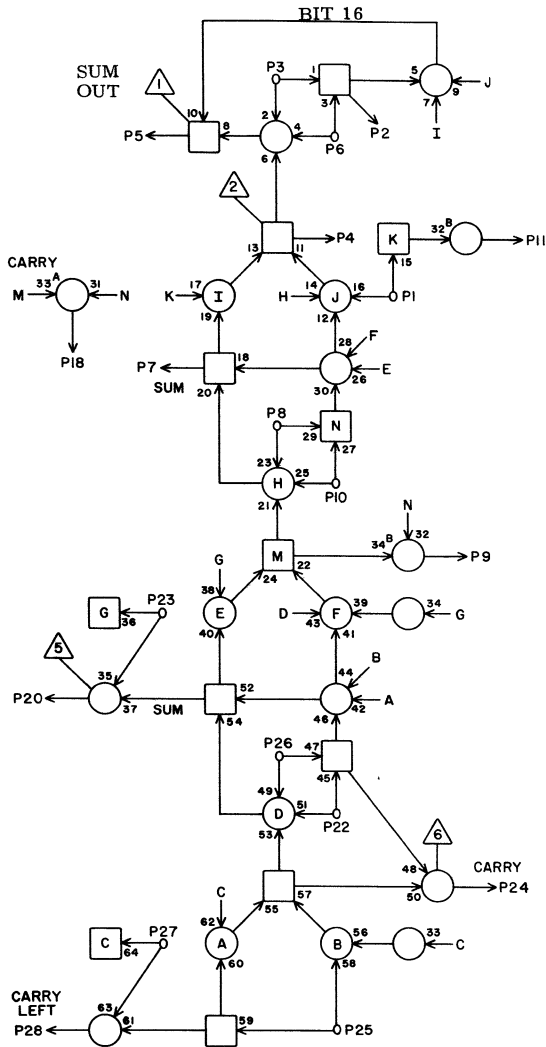


MC 6Q32

1	M20	26	23
2	Q13	6	21
3	Q31	9	3
4	Q13	8	21
5	Q13	23	21
6	Q26	12	11
7	Q27	4	11
8	Q31	24	5
9	Q33	3	3
10	Q31	20	3
11	Q27	18	11
12			
13			
14			
15			
16			
17			
18	Q27	20	11
19			
20	Q33	10	3
21			
22	Q31	28	3
23	018	22	19
24	Q33	8	5
25	Q15	22	19
26	Q15	3	19
27	R23	20	13
28	Q33	22	3

JACK PIN LG

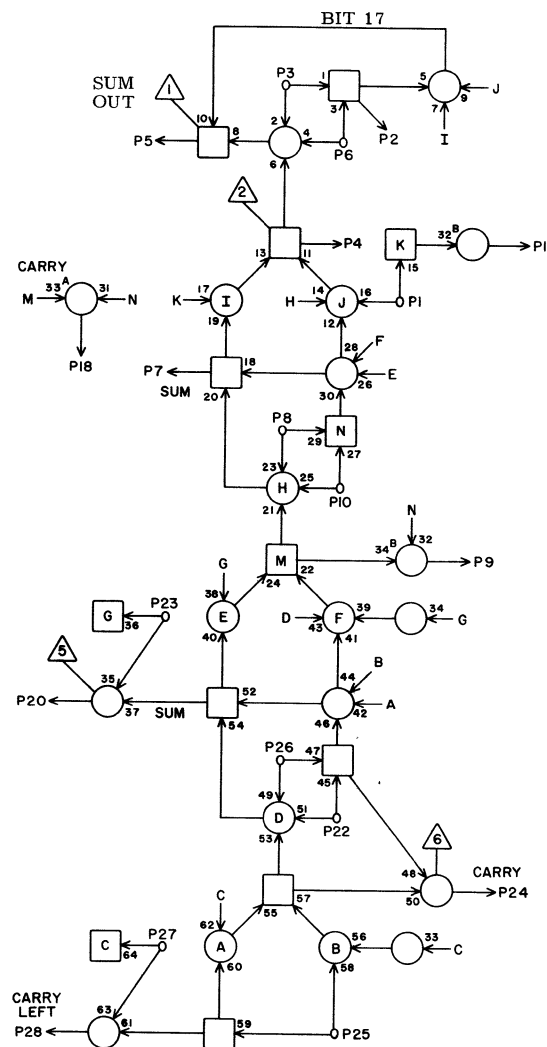
LOWER 3-LEVEL ADDER



MC 6Q33

	JACK	PIN	LG
1	M21	20	23
2	Q13	10	21
3	Q32	9	3
4	Q13	12	21
5	Q13	24	21
6	Q27	6	11
7	Q27	17	11
8	Q32	24	5
9	Q34	3	3
10	Q32	20	3
11	Q27	8	11
12			
13			
14			
15			
16			
17			
18	Q27	19	11
19			
20	Q34	10	3
21			
22	Q32	28	3
23	O18	26	21
24	Q34	8	5
25	Q15	25	19
26	Q15	7	19
27	R23	22	15
28	Q34	22	3

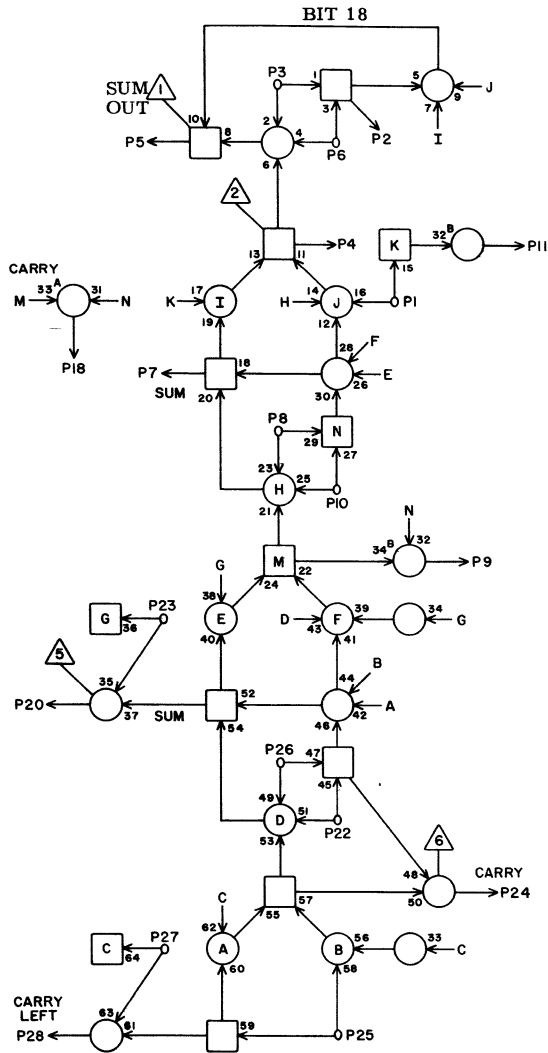
LOWER 3-LEVEL ADDER



MC 6Q34

	JACK	PIN	LG
1	M21	22	23
2	Q14	2	21
3	Q33	9	3
4	Q14	4	21
5	Q13	28	23
6	Q27	11	11
7	Q27	9	11
8	Q33	24	5
9	Q35	3	3
10	Q33	20	3
11	Q27	16	11
12			
13			
14			
15			
16			
17			
18	Q28	7	13
19			
20	Q35	10	3
21			
22	Q33	28	3
23	O19	20	19
24	Q35	8	5
25	Q15	26	21
26	Q15	11	21
27	R23	26	15
28	Q35	22	5

LOWER 3-LEVEL ADDER

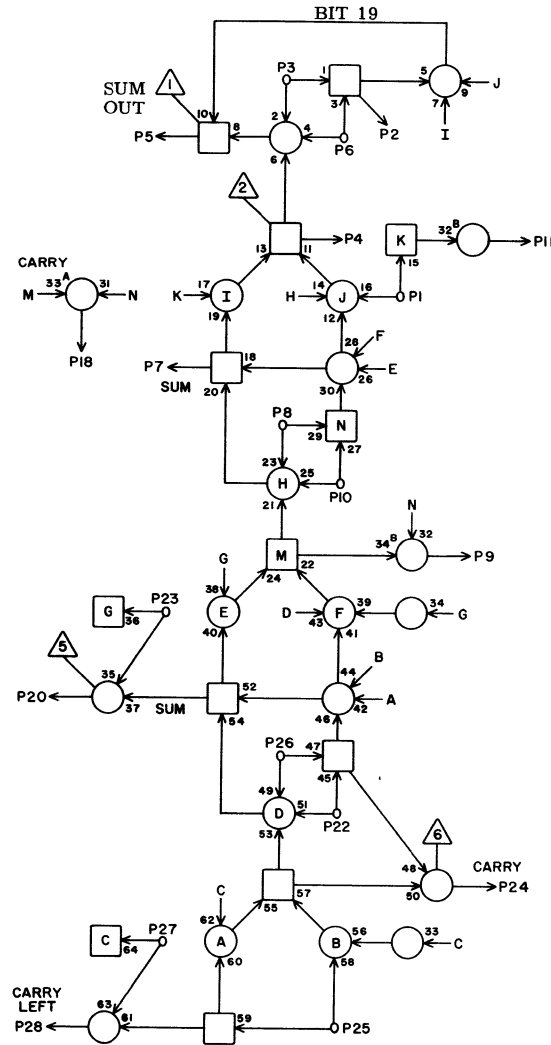


MC **6Q35**

	JACK	PIN	LG
1	M21	26	23
2	Q14	6	23
3	Q34	9	3
4	Q14	8	23
5	Q14	23	23
6	Q27	12	13
7	Q28	4	13
8	Q34	24	5
9	Q36	3	3
10	Q34	20	3
11	Q28	18	13
12			
13			
14			
15			
16			
17			
18	Q28	20	13
19			
20	Q36	10	3
21			
22	Q34	28	3
23	Q19	22	21
24	Q36	8	5
25	Q16	22	21
26	Q16	3	21
27	R24	20	15
28	Q36	22	3

63017400 Rev. B

LOWER 3-LEVEL ADDER

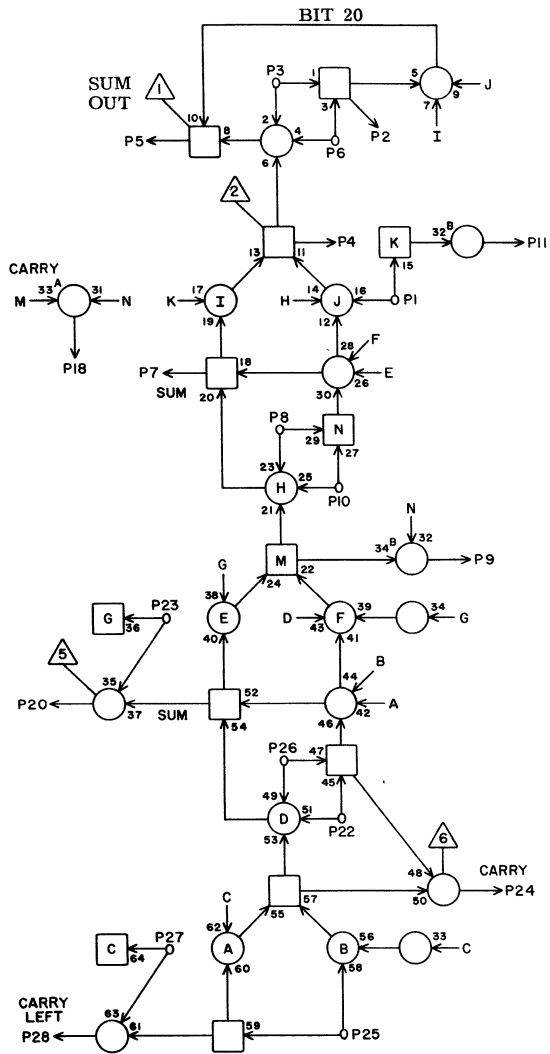


MC **6Q36**

	JACK	PIN	LG
1	M22	20	23
2	Q14	10	23
3	Q35	9	3
4	Q14	12	23
5	Q14	24	23
6	Q28	6	13
7	Q28	17	13
8	Q35	24	5
9	Q37	3	3
10	Q35	20	3
11	Q28	8	13
12			
13			
14			
15			
16			
17			
18	Q28	19	13
19			
20	Q37	10	3
21			
22	Q35	28	3
23	Q19	26	21
24	Q37	8	5
25	Q16	25	21
26	Q16	7	21
27	R24	22	15
28	Q37	22	3

63017400 Rev. B

LOWER 3-LEVEL ADDER

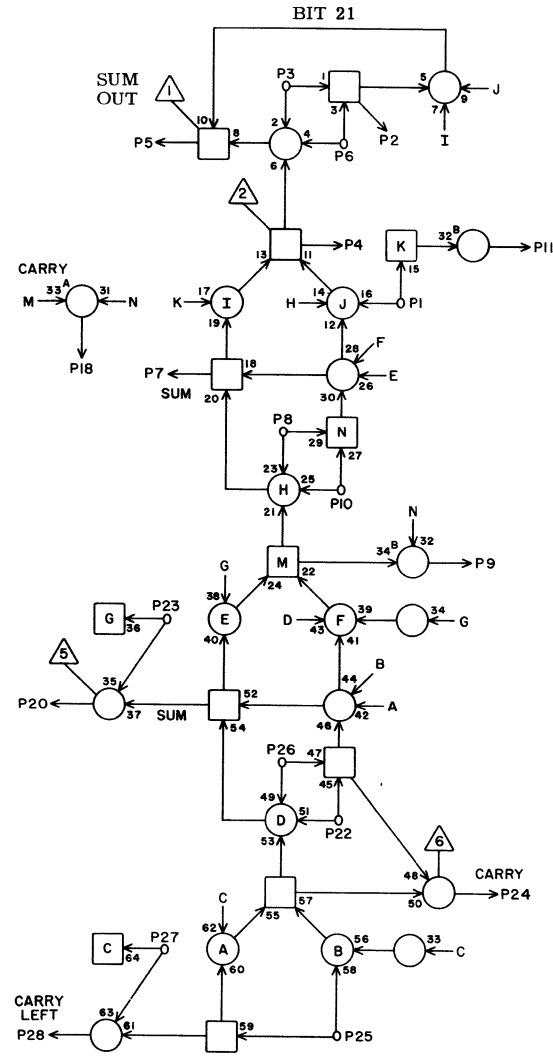


MC		6Q37	
1	M22	22	25
2	Q15	2	23
3	Q36	9	3
4	Q15	4	23
5	Q14	28	23
6	Q28	11	13
7	Q28	9	13
8	Q36	24	5
9	Q38	3	3
10	Q36	20	3
11	Q28	16	13
12			
13			
14			
15			
16			
17			
18	Q29	7	13
19			
20	Q38	10	3
21			
22	Q36	28	3
23	Q20	20	21
24	Q38	8	5
25	Q16	26	23
26	Q16	11	23
27	R24	26	17
28	Q38	22	3

JACK PIN LG

63017400 Rev. B

LOWER 3-LEVEL ADDER



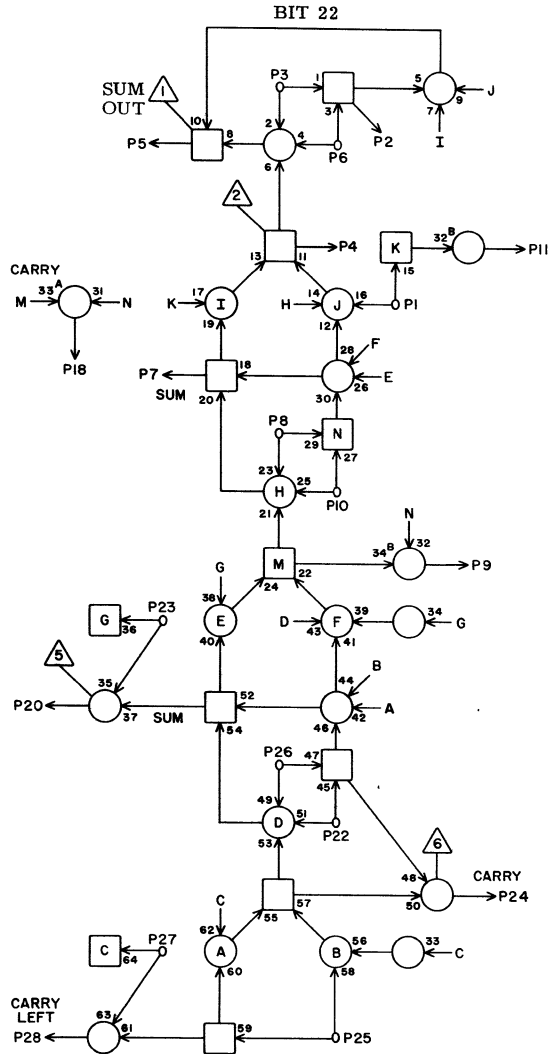
MC		6Q38	
1	M22	26	25
2	Q15	6	25
3	Q37	9	3
4	Q15	8	25
5	Q15	23	25
6	Q28	12	13
7	Q29	4	13
8	Q37	24	5
9	Q39	3	3
10	Q37	20	3
11	Q29	18	13
12			
13			
14			
15			
16			
17			
18	Q29	20	13
19			
20	Q39	10	3
21			
22	Q37	28	3
23	Q20	22	21
24	Q39	8	5
25	Q17	22	23
26	Q17	3	23
27	Q18	20	21
28	Q39	22	3

JACK PIN LG

63017400 Rev. B

6Q38

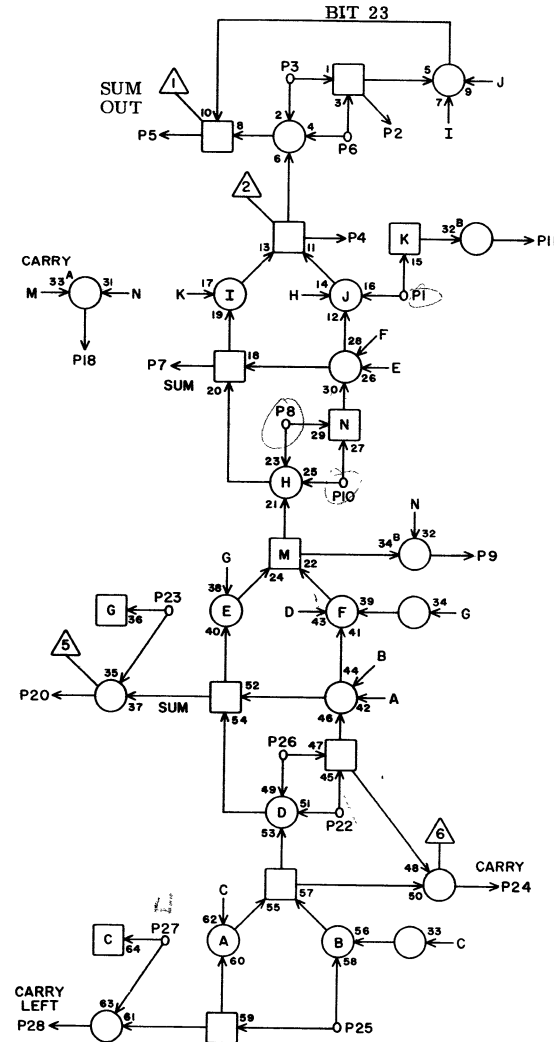
LOWER 3-LEVEL ADDER



MC 6Q33

JACK	PIN	LG
1	M23	20
2	Q15	10
3	Q38	9
4	Q15	12
5	Q15	24
6	Q29	6
7	Q29	17
8	Q38	24
9	Q40	3
10	Q38	20
11	Q29	8
12		
13		
14		
15		
16		
17		
18	Q29	19
19		
20	Q40	10
21		
22	Q38	28
23	Q20	26
24	Q40	8
25	Q17	25
26	Q17	7
27	Q18	22
28	Q40	22

LOWER 3-LEVEL ADDER

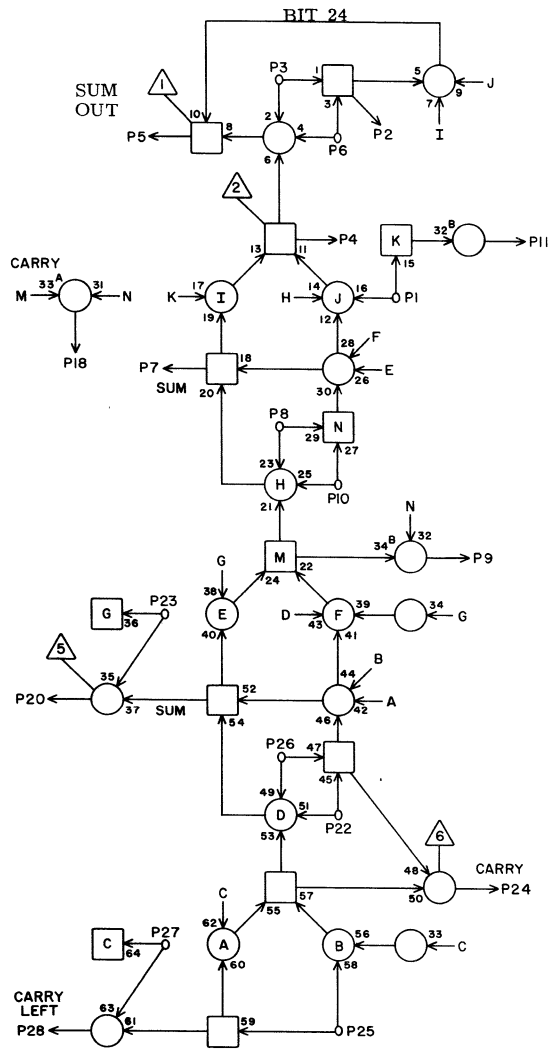


MC 6Q40

JACK	PIN	LG
1	M23	22
2	Q16	2
3	Q39	9
4	Q16	4
5	Q15	28
6	Q29	11
7	Q29	9
8	Q39	24
9	Q41	3
10	Q39	20
11	Q29	16
12		
13		
14		
15		
16		
17		
18	P26	7
19		
20	Q41	10
21		
22	Q39	28
23	Q21	20
24	Q41	8
25	Q17	26
26	Q17	11
27	Q18	26
28	Q41	22



LOWER 3-LEVEL ADDER



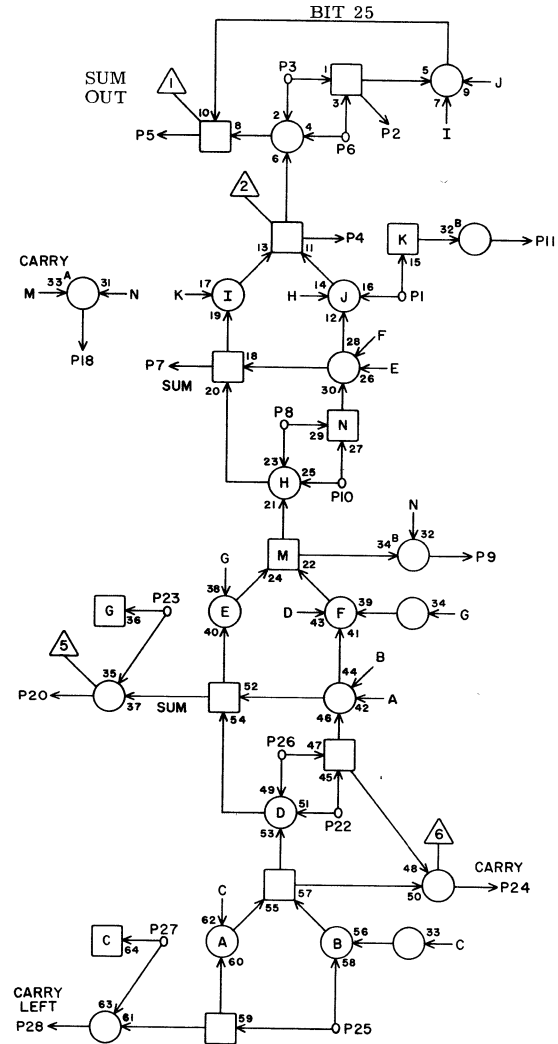
MC 6Q41

1	M23	26	27
2	Q16	6	27
3	Q40	9	3
4	Q16	8	27
5	Q16	23	29
6	Q29	12	15
7	P26	4	19
8	Q40	24	5
9	Q42	3	3
10	Q40	20	3
11	P26	18	19
12			
13			
14			
15			
16			
17			
18	P26	20	19
19			
20	Q42	10	3
21			
22	Q40	28	3
23	Q21	22	23
24	Q42	8	5
25	P13	22	29
26	P13	3	29
27	Q19	20	23
28	Q42	22	3

JACK PIN LG

63017400 Rev. B

LOWER 3-LEVEL ADDER



MC 6Q42

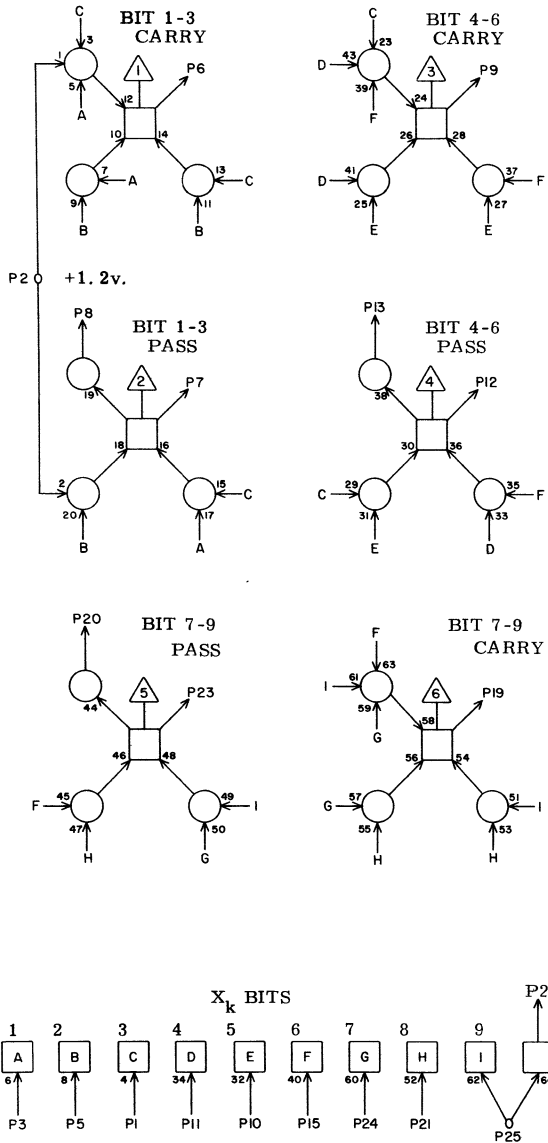
1	M24	20	27
2	Q16	10	27
3	Q41	9	3
4	Q16	12	27
5	Q16	24	27
6	P26	6	19
7	P26	17	19
8	Q41	24	5
9	P30	3	15
10	Q41	20	3
11	P26	8	19
12			
13			
14			
15			
16			
17			
18	P26	19	19
19			
20	P30	10	15
21			
22	Q41	28	3
23	Q21	26	23
24	P30	8	15
25	P13	25	29
26	P13	7	29
27	Q19	22	23
28	P30	22	15

JACK PIN LG

63017400 Rev. B

6Q42

$X_k + 2X_k$  ADDER, PASS AND CARRIES

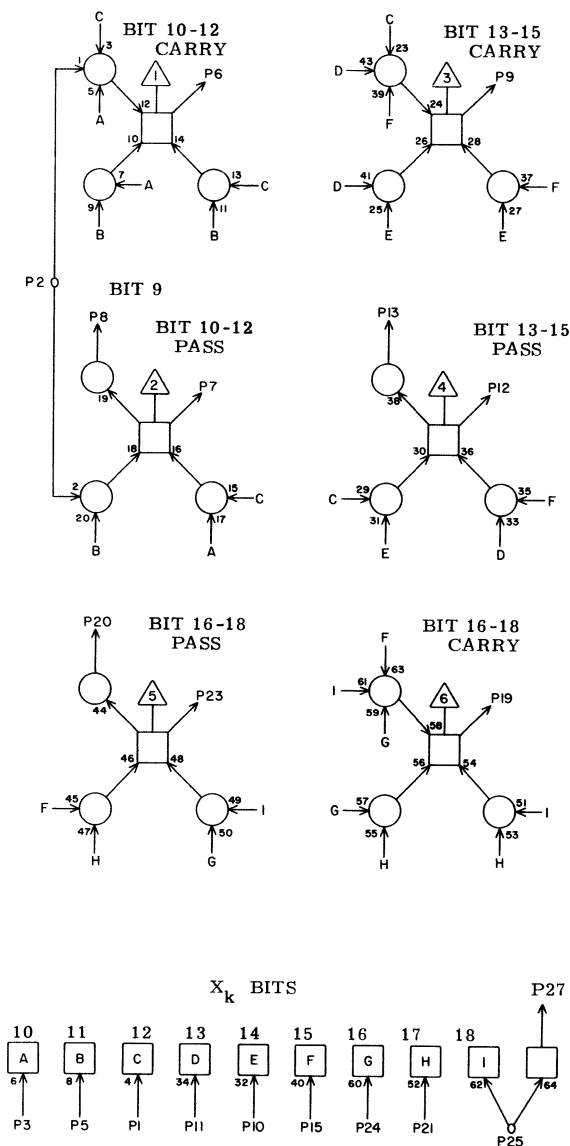


ME 6R 1

1	P 2	28	9
2	J 4	27	31
3	P 1	23	9
4			
5	P 1	18	11
6	Q 5	2	9
7	R 5	16	9
8	R 4	21	5
9	Q 5	1	9
10	P 2	18	11
11	P 2	23	11
12	Q 5	4	9
13	R 4	27	5
14			
15	P 3	28	11
16			
17			
18			
19	Q 5	8	9
20	R 4	25	5
21	P 3	18	13
22			
23	Q 5	3	9
24	P 3	23	13
25	P 4	28	13
26			
27	R 2	2	5
28			

JACK PIN LG

$X_k + 2X_k$  ADDER

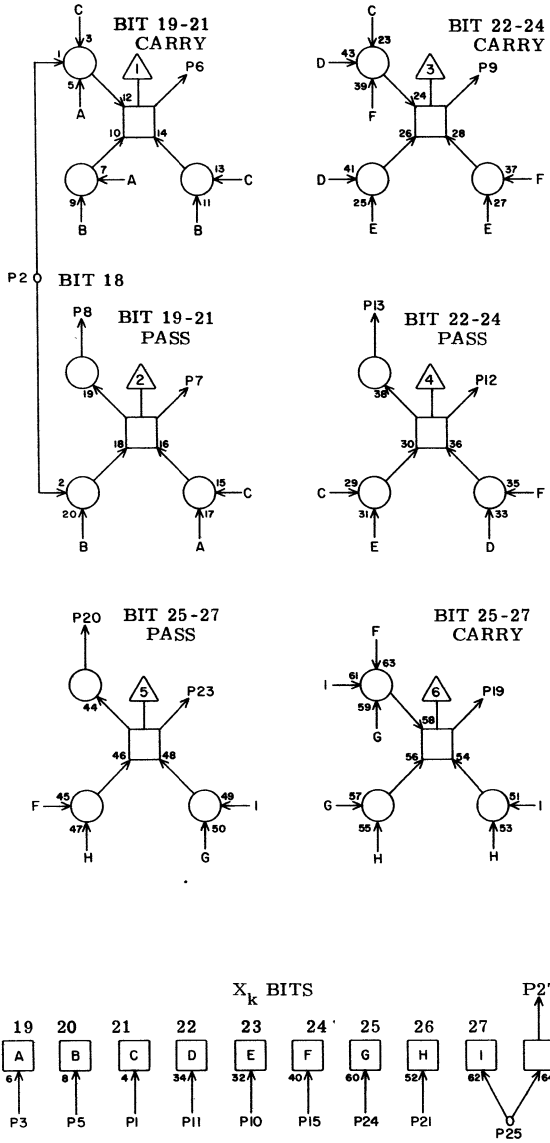


ME 6R 2

1	P 5	28	11
2	R 1	27	5
3	P 4	23	11
4			
5	P 4	18	11
6	Q 5	27	7
7	R 5	7	5
8	R 4	23	5
9	Q 5	28	5
10	P 5	18	11
11	P 5	23	11
12	Q 5	25	7
13	R 4	17	5
14			
15	P 6	28	11
16			
17			
18			
19	Q 5	23	7
20	R 4	19	5
21	P 6	18	13
22			
23	Q 5	26	7
24	P 6	23	13
25	P 7	28	13
26			
27	R 3	2	5
28			

JACK PIN LG

$X_k + 2X_k$  ADDER



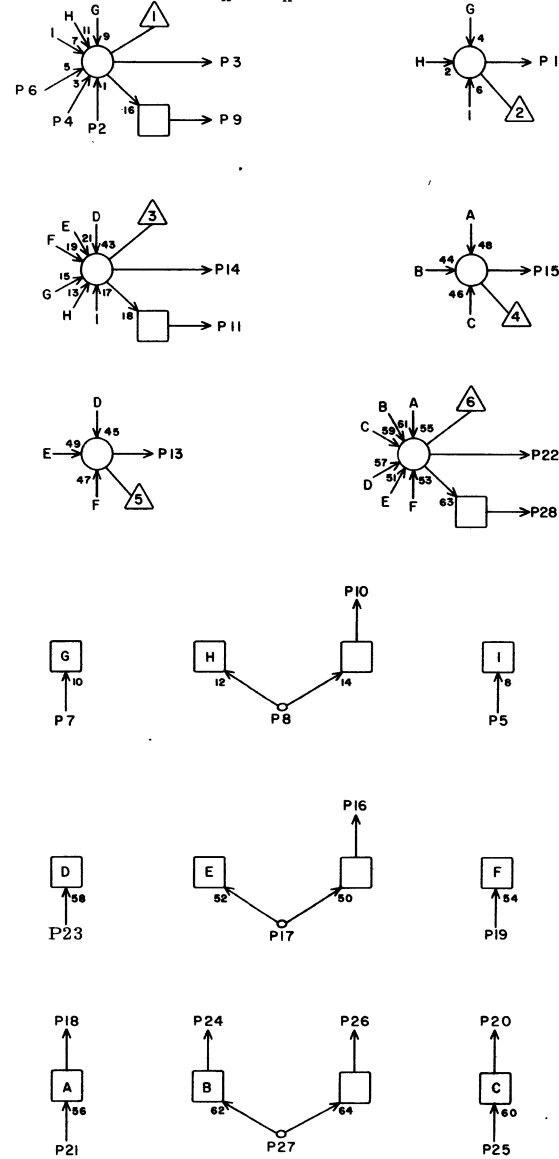
ME 6R 3

1	P 8	28	11
2	R 2	27	5
3	F 7	23	11
4			
5	P 7	18	11
6	Q 6	2	11
7	R 6	16	9
8	R 4	7	3
9	Q 6	1	11
10	P 8	18	13
11	P 8	23	13
12	Q 6	4	11
13	R 4	8	3
14			
15	P 9	28	13
16			
17			
18			
19	Q 6	8	13
20	R 4	5	5
21	P 9	18	15
22			
23	Q 6	3	13
24	P 9	23	15
25	O 1	28	17
26			
27	Q 1	2	11
28			

JACK      PIN      LG

63017400 Rev. B

$X_k + 2X_k$  ADDER; PASSES, BIT 0-27



6R4

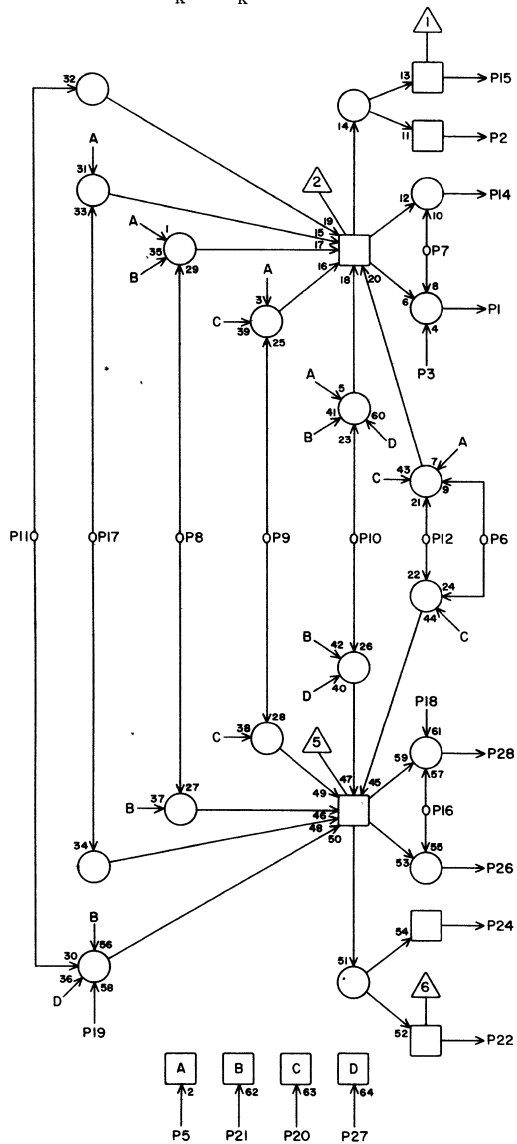
MI 6R 4

1	R 6	5	5
2	Q 4	20	5
3	R 7	20	5
4	Q 4	24	5
5	R 3	20	5
6	Q 4	18	5
7	R 3	8	3
8	R 3	13	3
9	R 5	6	3
10	R 6	18	5
11	R 5	19	3
12			
13	R 6	21	5
14	R 7	27	9
15	R 5	5	5
16	R 5	3	5
17	R 2	13	5
18	Q 4	6	9
19	R 2	20	5
20	Q 4	2	9
21	R 1	8	5
22	R 6	20	5
23	R 2	8	5
24	Q 4	4	9
25	R 1	20	5
26	R 5	18	3
27	R 1	13	5
28	R 7	6	5

JACK      PIN      LG

63017400 Rev. B

$X_k + 2X_k$  ADDER

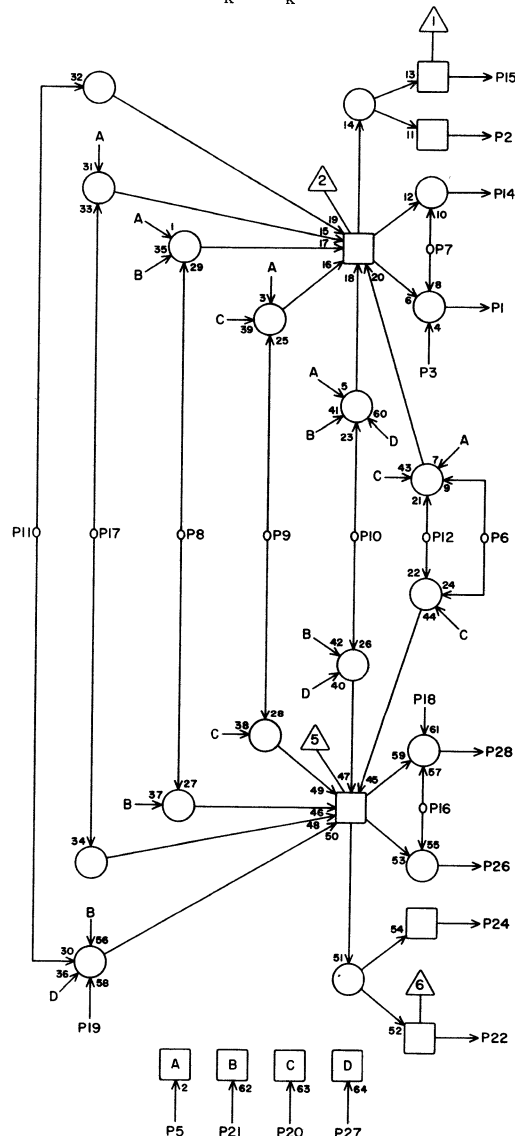


MJ **6R 5**

1	Q 5	17	9
2	Q10	7	11
3	R 4	16	5
4			
5	R 4	15	5
6	R 4	9	3
7	R 2	7	5
8	Q 7	7	9
9	Q 6	20	9
10	Q 6	7	9
11	Q 6	7	9
12	Q 5	20	11
13			
14	Q 5	21	11
15	P 4	27	11
16	R 1	7	9
17	Q 7	20	9
18	R 4	26	3
19	R 4	11	3'
20	Q 4	14	9
21	Q4	1	9
22			
23			
24			
25			
26	Q 5	10	11
27	Q 4	22	9
28	Q 5	11	11

JACK PIN LG

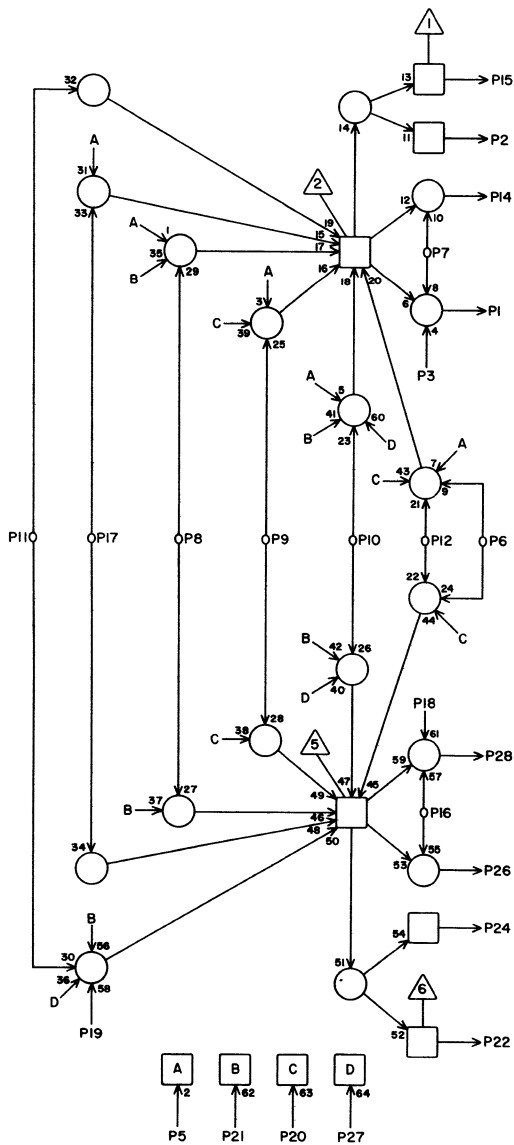
$X_k + 2X_k$  ADDER



MJ **6R 6**

1	Q 6	17	9
2	Q10	7	17
3	Q 4	26	5
4			
5	R 4	1	5
6	Q 4	11	5
7	Q 1	7	9
8	Q 5	9	9
9	Q 7	19	9
10	Q 7	9	9
11	Q 6	9	9
12	Q 6	19	11
13			
14	Q 6	21	11
15	Q1	27	17
16	R 3	7	9
17	Q 5	19	11
18	R 4	10	5
19	Q 4	28	7
20	R 4	22	5
21	R 4	13	5
22	P10	7	13
23			
24	P 7	27	11
25			
26	Q 6	10	11
27	Q 4	3	11
28	Q 6	11	11

JACK PIN LG

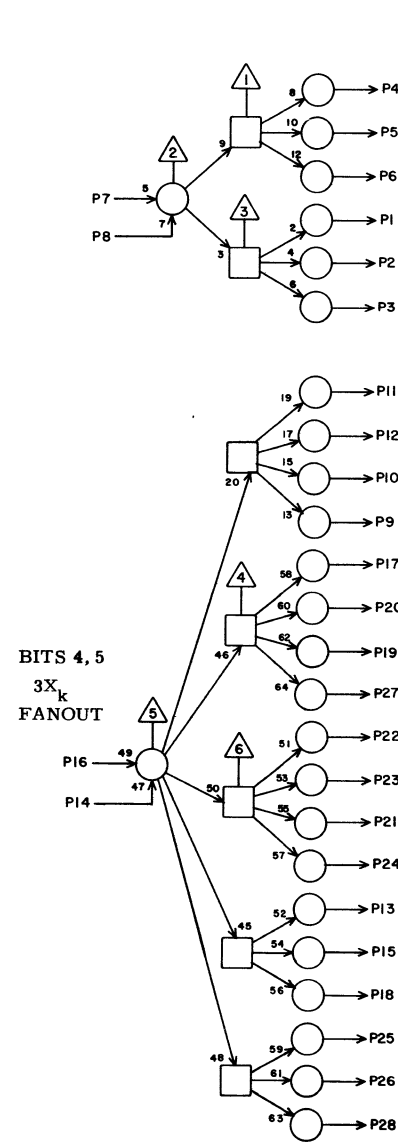


**MJ** 6R 7

1			
2	M10	7	23
3	Q 4	10	9
4			
5	Q 4	13	7
6	R 4	28	5
7	Q 3	7	9
8	Q 6	14	11
9	Q 5	15	9
10	Q 5	14	9
11	Q 7	14	9
12	Q 7	15	9
13			
14	Q 7	21	9
15	0 7	27	15
16	Q 2	7	11
17	Q 6	15	11
18	Q 4	16	9
19	Q 4	9	9
20	R 4	3	5
21	Q 4	15	9
22	M10	7	21
23			
24	0 4	27	17
25			
26	Q 7	10	11
27	R 4	14	9
28	Q 7	11	11

JACK    PIN    LG

63017400 Rev. B



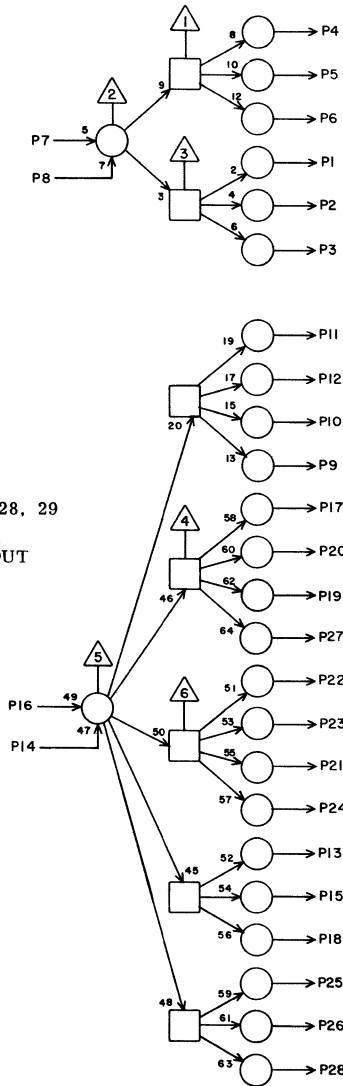
6R8

1			
2			
3			
4			
5			
6			
7			
8			
9	Q10	19	9
10	R12	19	7
11	R10	19	5
12	R11	19	5
13	M10	19	21
14	R 8	X	2
15	M11	19	21
16	J 8	8	35
17	Q11	19	9
18	M12	19	21
19	P10	19	13
20	Q12	19	9
21	O11	19	17
22	P12	19	13
23	O10	19	17
24	O12	19	17
25	M10	19	25
26	M11	19	25
27	P11	19	13
28			

JACK    PIN    LG

63017400 Rev. B

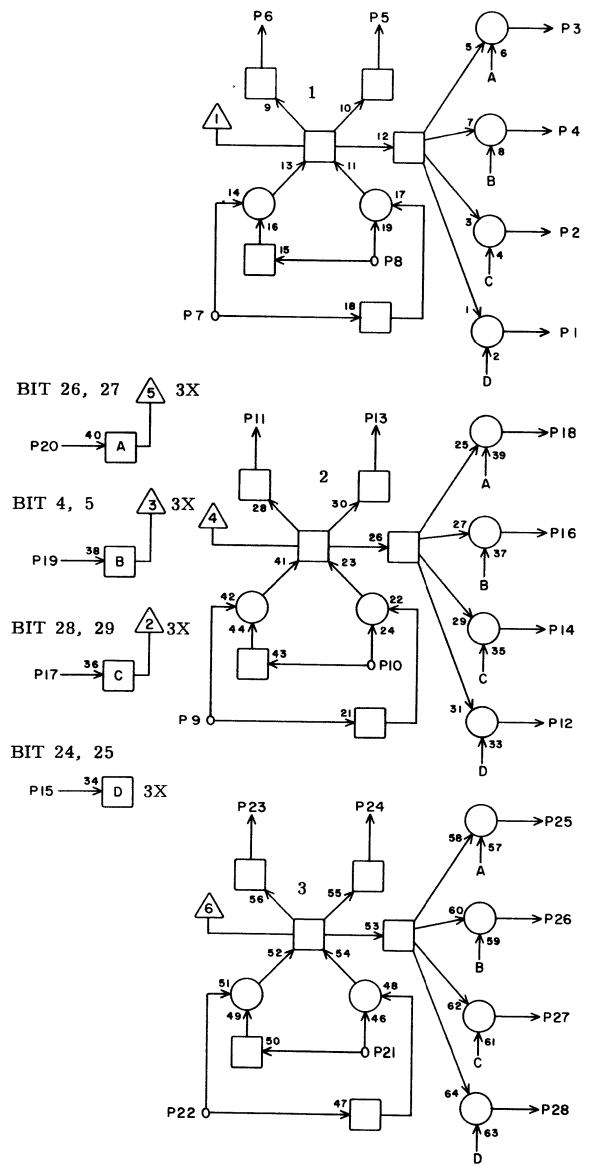
BITS 28, 29  
 $1X_k$   
 FANOUT



CB		6R 9	
1			
2			
3			
4			
5			
6			
7			
8			
9	M20	5	25
10	M19	5	25
11	M24	5	25
12	M18	5	25
13	L22	5	29
14	R9	X	2
15	L23	5	31
16	J 8	15	33
17	M21	5	27
18	L24	5	31
19	M23	5	27
20	M22	5	27
21	L20	5	29
22	L18	5	29
23	L19	5	29
24	L21	5	29
25	K18	5	31
26	K19	5	33
27	M24	5	27
28			
	JACK	PIN	LG

63017400 Rev. B

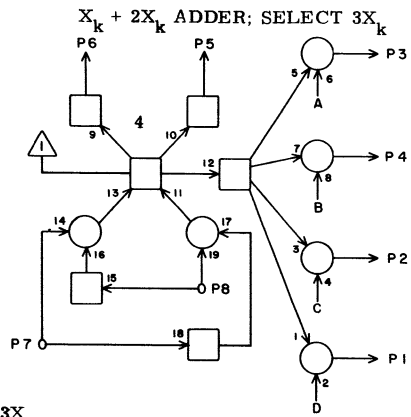
$X_k + 2X_k$  ADDER; SELECT  $3X_k$



6R10

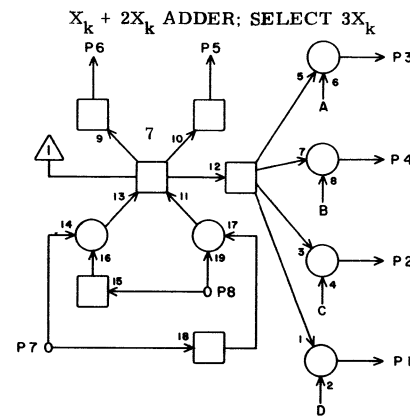
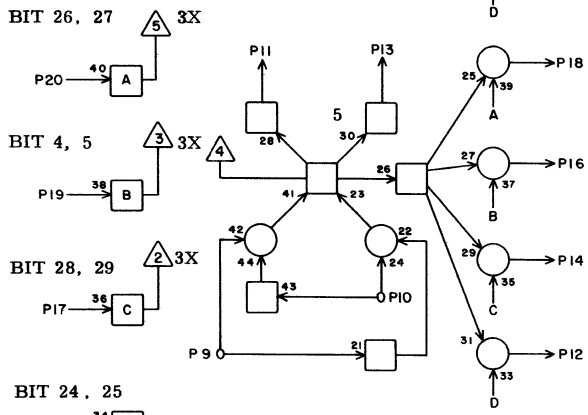
MF		6R10	
1	R18	4	11
2	M24	4	23
3	P21	4	17
4	M24	21	23
5	R18	23	11
6	P21	23	17
7	J 1	27	33
8	P 1	5	15
9	P 1	25	13
10	P 1	8	17
11	R18	27	11
12	R18	3	11
13	P21	27	17
14	M24	3	25
15	K12	11	31
16	M24	24	25
17	Q 9	11	11
18	P21	3	17
19	R 8	11	6
20	K23	1	33
21	P 2	1	15
22	P 1	21	15
23	R19	9	13
24	P22	9	17
25	P22	15	17
26	M18	18	25
27	M18	15	25
28	R19	15	13
	JACK	PIN	LG

63017400 Rev. B



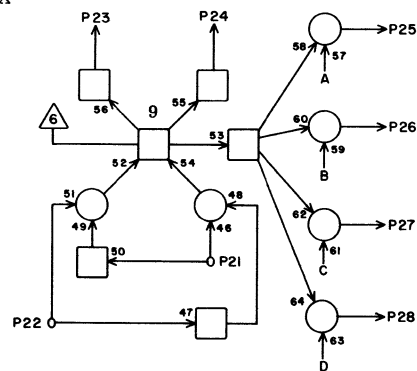
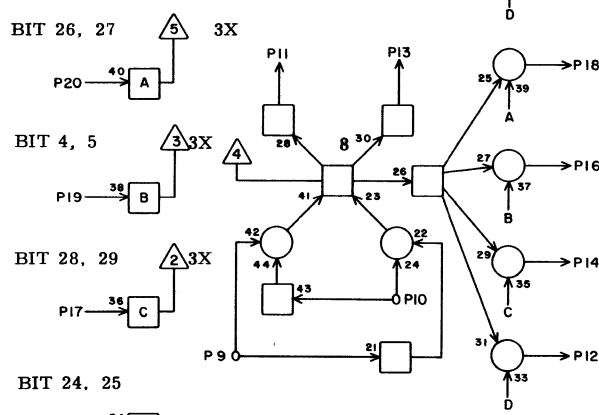
MF <b>6R11</b>			
JACK	PIN	LG	
1	R19	4	11
2	M18	4	25
3	P22	4	17
4	M18	21	25
5	R19	23	11
6	P22	23	17
7	Q 5	5	11
8	P 2	5	15
9	P 2	25	15
10	P 2	8	15
11	R19	27	11
12	R19	3	11
13	P22	27	17
14	M18	3	25
15	K12	12	31
16	M18	24	25
17	Q 9	12	13
18	P22	3	17
19	R 8	12	5
20	K23	2	33
21	P 3	1	15
22	P 2	21	15
23	R20	9	13
24	P23	9	17
25	P23	15	17
26	M19	18	25
27	M19	15	25
28	R20	15	13

63017400 Rev. B

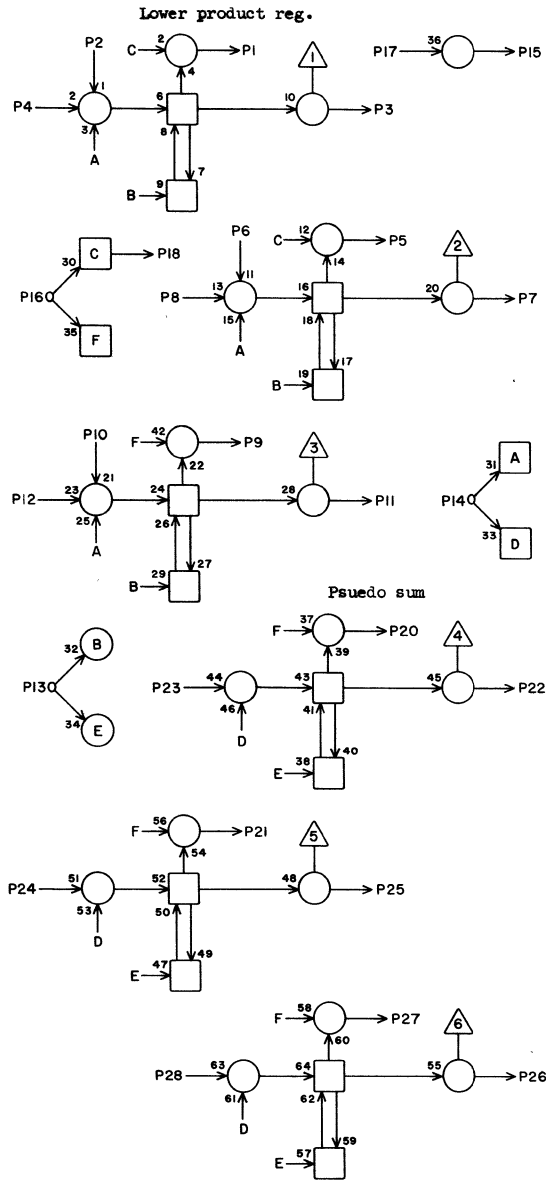


MF <b>6R12</b>			
JACK	PIN	LG	
1	R20	4	11
2	M19	4	25
3	P23	4	17
4	M19	21	25
5	R20	23	11
6	P23	23	17
7	Q 5	13	11
8	P 3	5	15
9	P 3	25	15
10	P 3	8	15
11	R20	27	11
12	R20	3	11
13	P23	27	17
14	M19	3	25
15	K12	10	31
16	M19	24	23
17	Q 9	10	13
18	P23	3	17
19	R 8	10	7
20	K23	3	33
21	P 4	1	15
22	P 3	21	15
23	R21	9	13
24	P24	9	19
25	P24	15	19
26	R20	18	25
27	R20	15	25
28	R21	15	13

63017400 Rev. B



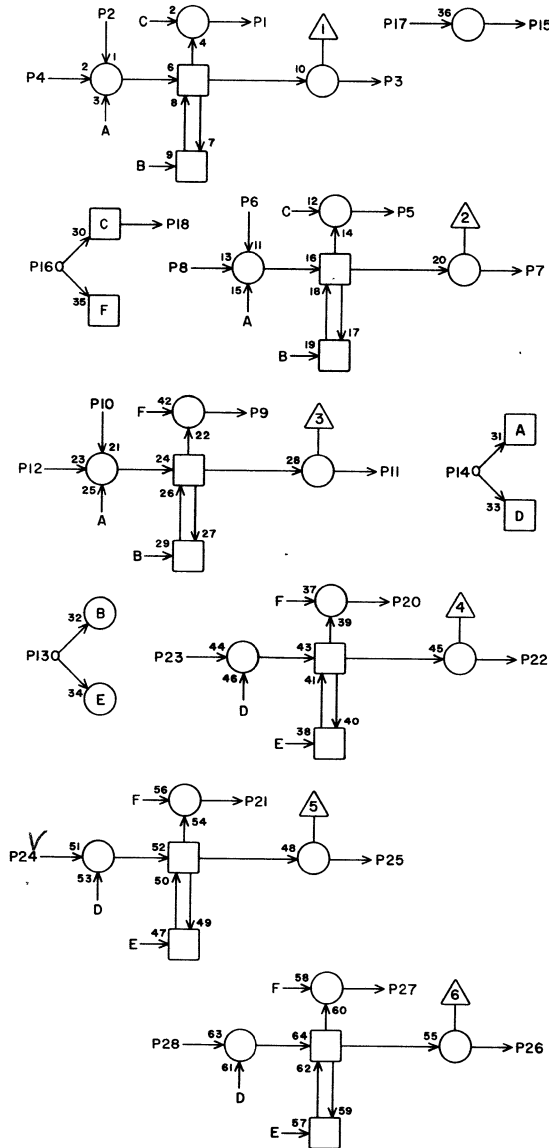
6R12



NJ 6R13

1			
2			
3	R26	27	15
4	Q28	25	21
5			
6	R30	2	19
7	M 8	5	19
8	R30	4	19
9			
10	R31	2	19
11	M 8	24	19
12	R31	4	21
13	M 8	1	23
14	K20	1	31
15	J14	8	35
16	K22	2	31
17	K22	12	31
18	J10	8	35
19			
20	L 6	25	29
21	L 6	20	29
22	R27	27	17
23	R30	5	19
24	R31	5	19
25	R28	27	17
26	R29	27	19
27	L 7	25	29
28	R32	5	21

JACK PIN LG

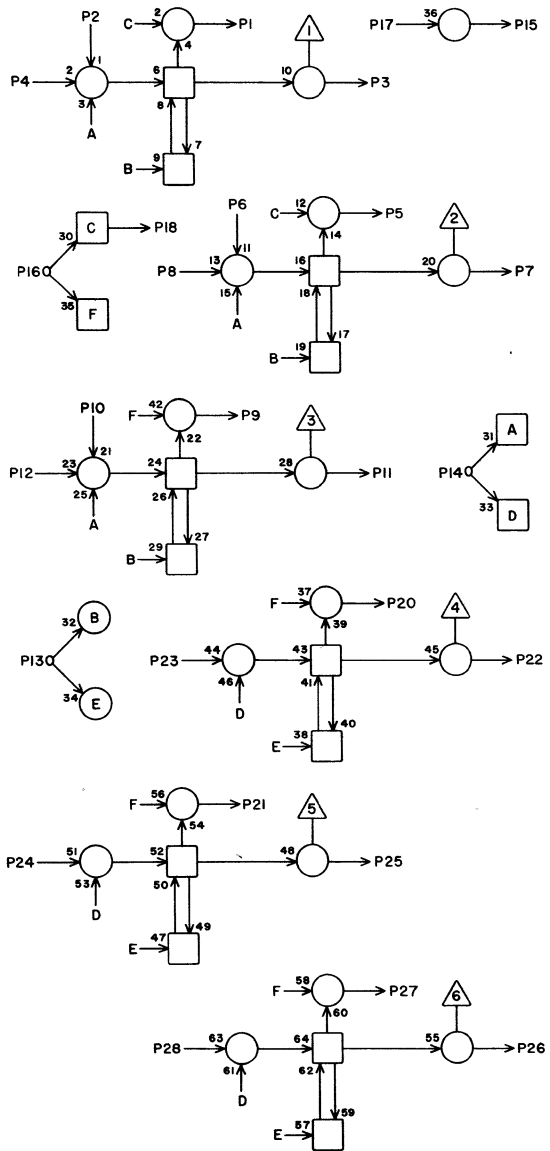


NJ 6R14

1			
2	R32	2	19
3	M 8	23	19
4	R32	4	19
5			
6	R33	2	21
7	M 8	17	19
8	R33	4	21
9			
10	R34	2	21
11	M 8	13	19
12	R34	4	21
13	M 8	2	23
14	K20	2	31
15	J14	18	33
16	K22	4	31
17	K22	15	31
18	J10	18	33
19			
20	L 7	20	29
21	M 1	25	27
22	Q26	27	15
23	R33	5	21
24	R34	5	21
25	Q27	27	17
26	Q28	27	17
27	M 1	20	28
28	R35	5	23

JACK PIN LG

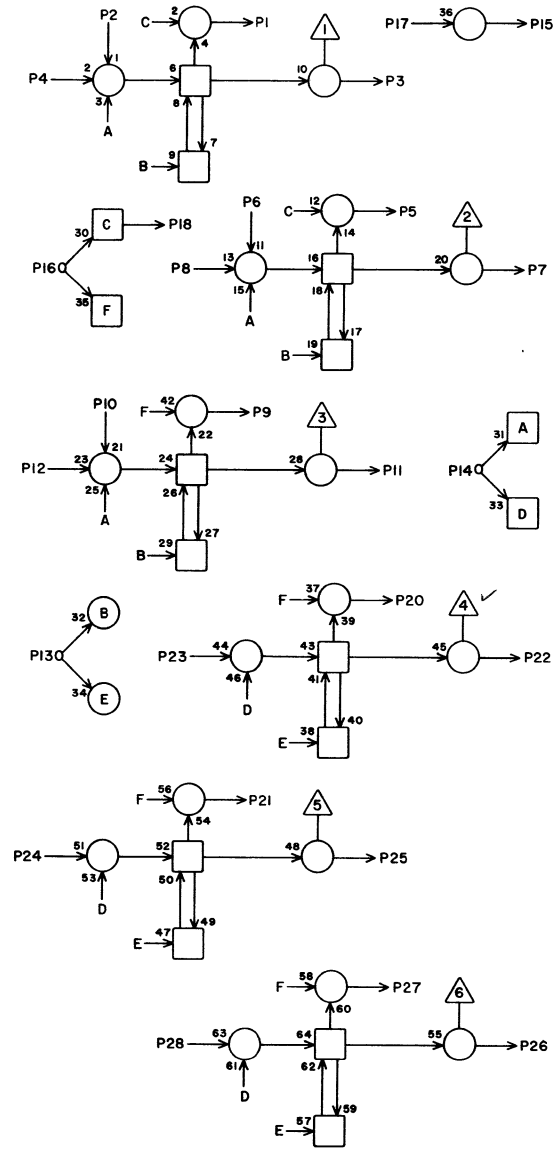




NJ 6R15

1			
2	R35	2	21
3	R30	26	17
4	R35	4	21
5			
6	R36	2	23
7	R31	26	17
8	R36	4	23
9			
10	R37	2	25
11	R32	26	19
12	R37	4	25
13	M 8	3	23
14	K20	3	31
15	J15	8	35
16	K22	6	31
17	K22	7	31
18	J11	8	33
19			
20	M 2	25	27
21	M 2	20	27
22	R30	25	17
23	R36	5	23
24	R37	5	25
25	R31	25	19
26	R32	25	19
27	M 3	25	27
28	R38	5	23
	JACK	PIN	LG

63017400 Rev. B

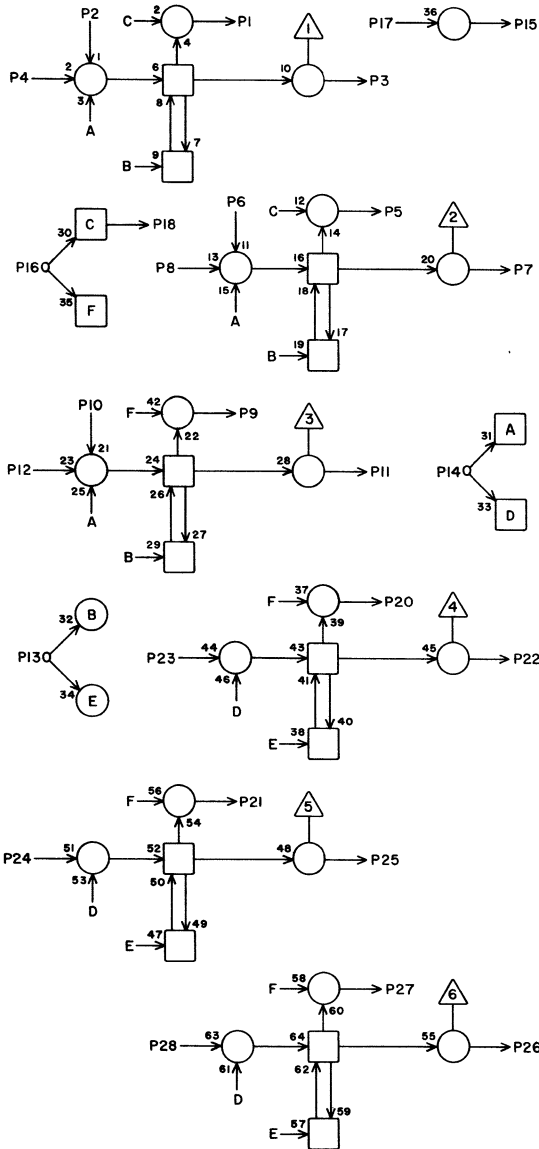


NJ 6R16

1			
2	R38	2	23
3	R33	26	19
4	R38	4	23
5			
6	R39	2	25
7	R34	26	19
8	R39	4	25
9			
10	R40	2	25
11	R35	26	21
12	R40	4	25
13	M 8	4	23
14	K20	4	31
15	J15	18	33
16	K22	9	31
17	K22	1	31
18	J11	18	33
19			
20	M 3	20	27
21	M 4	25	27
22	R33	25	19
23	R39	5	25
24	R40	5	27
25	R34	25	19
26	R35	25	21
27	M 4	20	27
28	R41	5	27
	JACK	PIN	LG

63017400 Rev. B

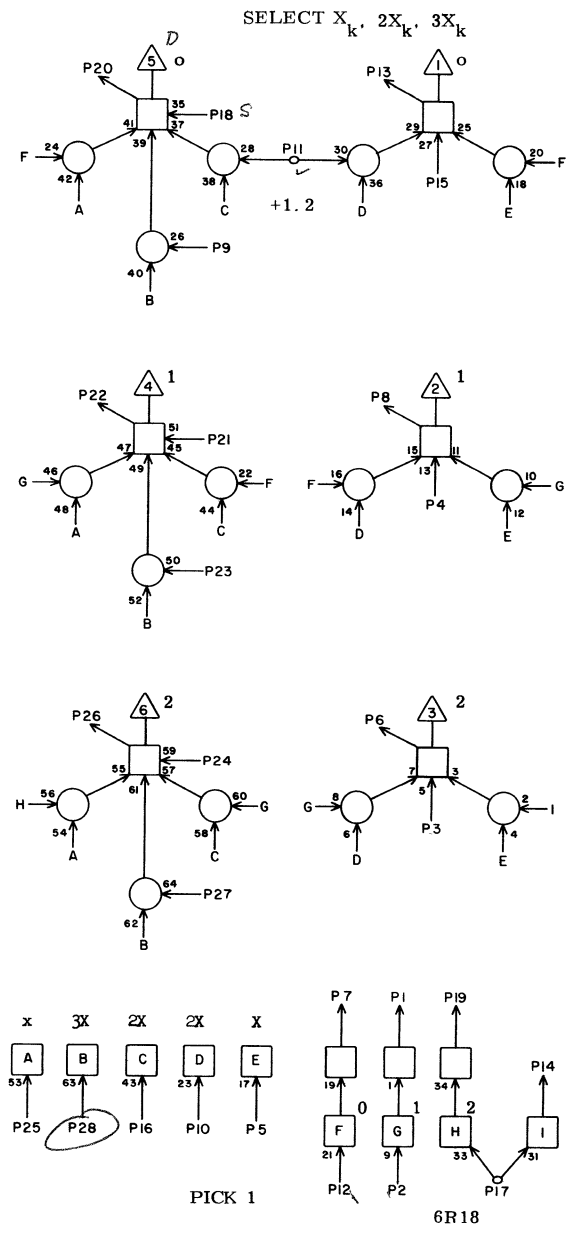
6R16



NJ **6R17**

1			
2	R41	2	25
3	R36	26	21
4	R41	4	25
5			
6	R42	2	27
7	R37	26	21
8	R42	4	27
9			
10	Q30	2	17
11	R38	26	23
12	Q30	4	17
13	M 8	5	25
14	K20	5	31
15	M 7	26	21
16	K22	11	31
17	J24	10	35
18	J12	8	35
19			
20	M 5	25	27
21	M 5	20	27
22	R36	25	21
23	R42	5	27
24	Q30	5	17
25	R37	25	23
26	R38	25	23
27	M 6	25	27
28	Q31	5	17

JACK PIN LG

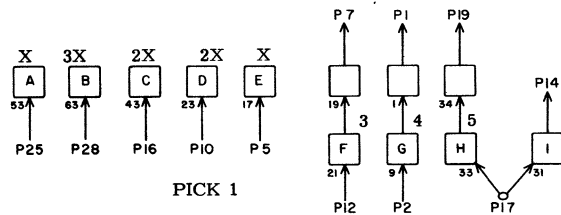
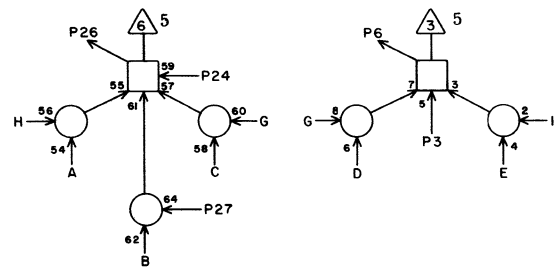
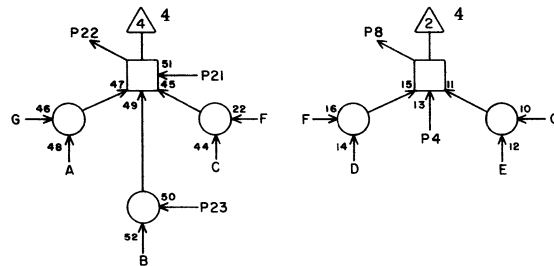
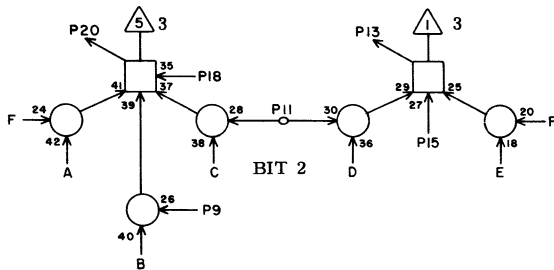


MB **6R18**

1	P21	2	13
2	P 1	9	19
3	R10	12	11
4	R10	1	11
5	K13	11	29
6	H37	27	27
7	P21	12	13
8	H36	27	27
9	M11	23	23
10	K14	11	31
11	G 6	27	45
12	P 1	12	21
13	H35	27	25
14	R19	11	3
15	M11	28	23
16	Q25	11	13
17	P 1	18	21
18	J17	20	33
19	P21	17	13
20	R30	27	15
21	J17	26	33
22	R31	27	15
23	R10	5	11
24	J18	4	35
25	R25	11	11
26	R32	27	17
27	R10	11	11
28	P25	11	17

JACK PIN LG

SELECT  $X_k$ ,  $2X_k$ ,  $3X_k$

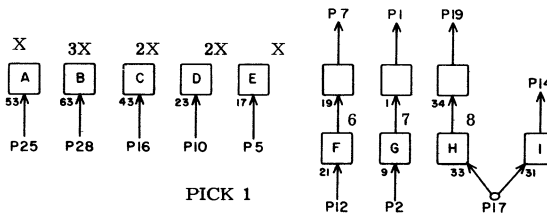
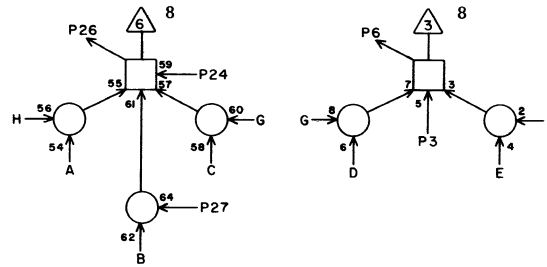
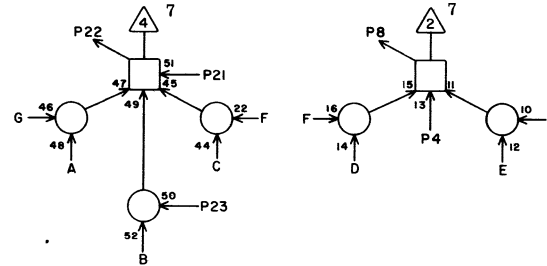
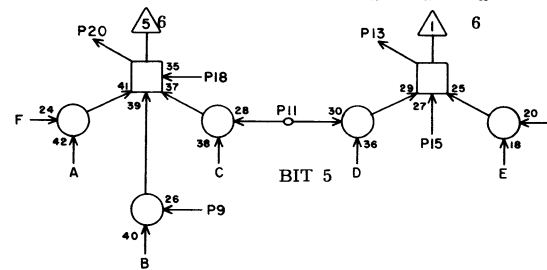


MB **6R19**

1	P22	2	13
2	P 2	9	19
3	R11	12	11
4	R11	1	11
5	K13	12	29
6	N40	27	29
7	P22	12	13
8	N39	27	27
9	R10	23	13
10	K14	12	31
11	R18	14	3
12	P 2	12	21
13	N38	27	27
14	R20	11	3
15	R10	<del>28</del>	<del>13</del>
16	Q25	12	13
17	P 2	16	21
18	J18	11	33
19	P22	17	13
20	R33	27	17
21	J18	20	33
22	R34	27	17
23	R11	5	11
24	J18	26	33
25	R25	12	9
26	R35	27	19
27	R11	11	11
28	P25	12	15
	JACK	PIN	LG

63017400 Rev. B

SELECT  $X_k$ ,  $2X_k$ ,  $3X_k$



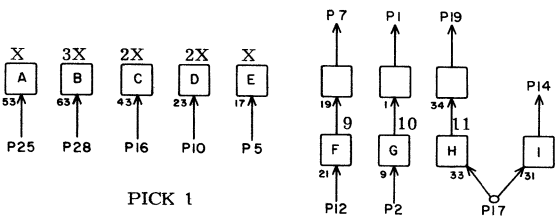
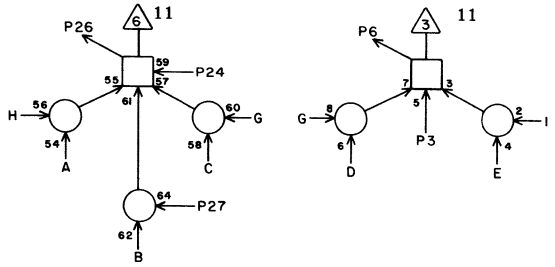
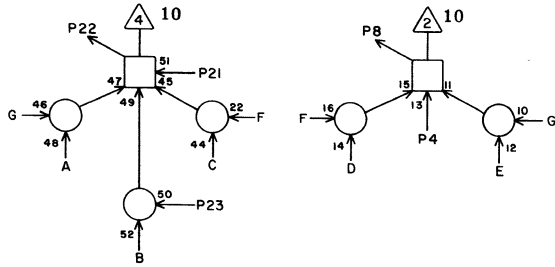
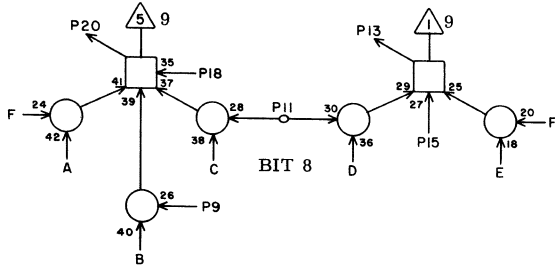
6R20

MB **6R20**

1	P23	2	13
2	P 3	9	19
3	R12	12	11
4	R12	1	11
5	K13	10	31
6	N30	27	25
7	P23	12	13
8	N42	27	29
9	R11	23	13
10	K14	10	31
11	R19	14	3
12	P 3	12	21
13	N41	27	29
14	R21	11	3
15	R11	<del>28</del>	<del>13</del>
16	Q25	10	11
17	P 3	16	21
18	J19	4	35
19	P23	17	15
20	R36	27	19
21	J19	11	35
22	R37	27	19
23	R12	5	11
24	J19	20	35
25	R25	10	9
26	R38	27	21
27	R12	11	11
28	P25	10	15
	JACK	PIN	LG

63017400 Rev. B

SELECT  $X_k$ ,  $2X_k$ ,  $3X_k$

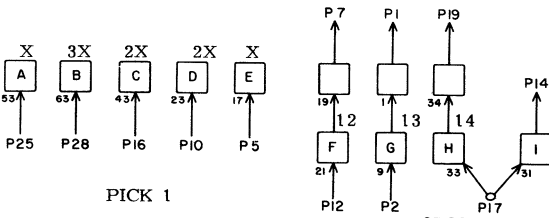
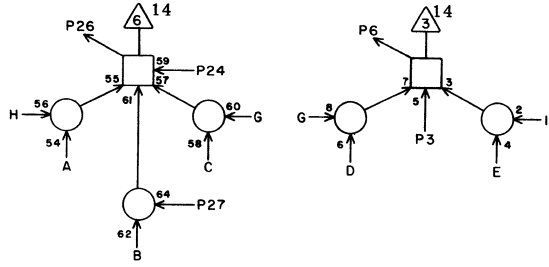
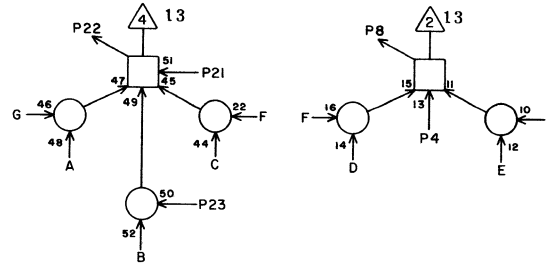
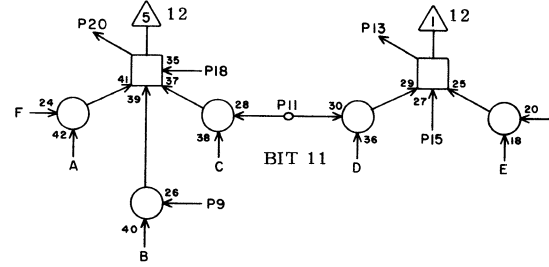


MB 6R21

1	P24	2	13
2	P 4	9	19
3	Q10	12	15
4	Q10	1	15
5	K13	9	31
6	M33	27	25
7	P24	12	13
8	M32	27	25
9	R12	23	13
10	K14	9	31
11	R20	14	3
12	P 4	12	21
13	M31	27	25
14	R22	11	3
15	R12	28	13
16	Q25	9	11
17	P 4	16	21
18	J19	26	33
19	P24	17	15
20	R39	27	21
21	J20	4	35
22	R40	27	21
23	Q10	5	15
24	J20	11	35
25	R25	9	9
26	R41	27	23
27	Q10	11	15
28	P25	9	15
	JACK	PIN	LG

63017400 Rev. B

SELECT  $X_k$ ,  $2X_k$ ,  $3X_k$



PICK 1

6R22

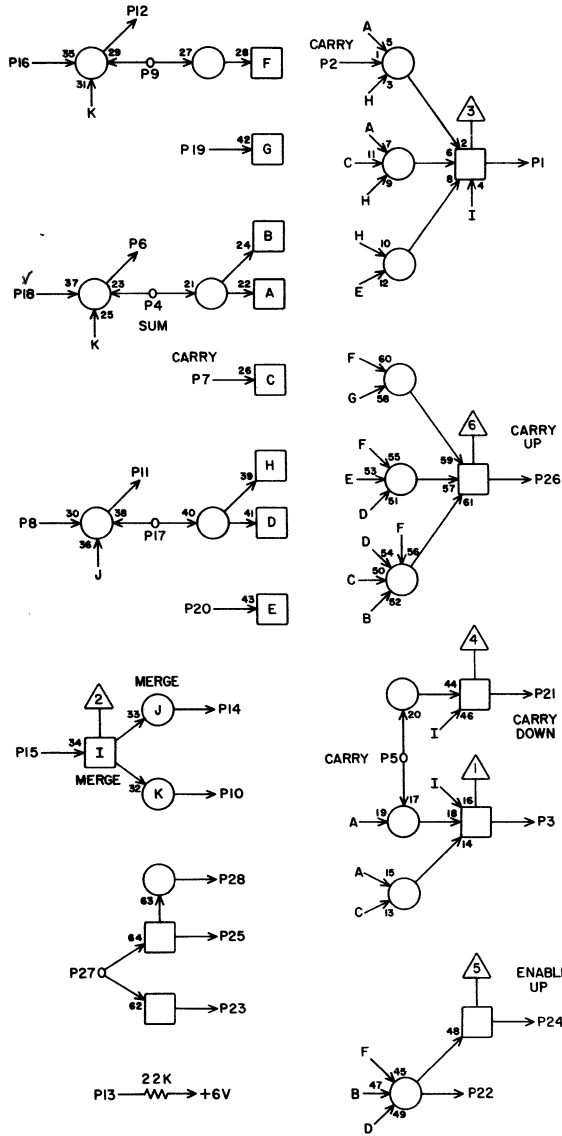
MB 6R22

1	018	2	15
2	P 5	9	19
3	Q11	12	15
4	Q11	1	15
5	K13	17	31
6	M36	27	25
7	018	12	15
8	M35	27	25
9	Q10	23	15
10	K14	17	31
11	R21	14	3
12	P 5	12	21
13	M34	27	25
14	R23	11	3
15	Q10	28	15
16	Q25	17	11
17	P05	16	21
18	J20	20	33
19	018	17	17
20	R42	27	21
21	J20	26	33
22	Q30	27	13
23	Q11	5	15
24	J21	4	35
25	R25	17	5
26	Q31	27	13
27	Q11	11	15
28	P25	17	15
	JACK	PIN	LG

63017400 Rev. S

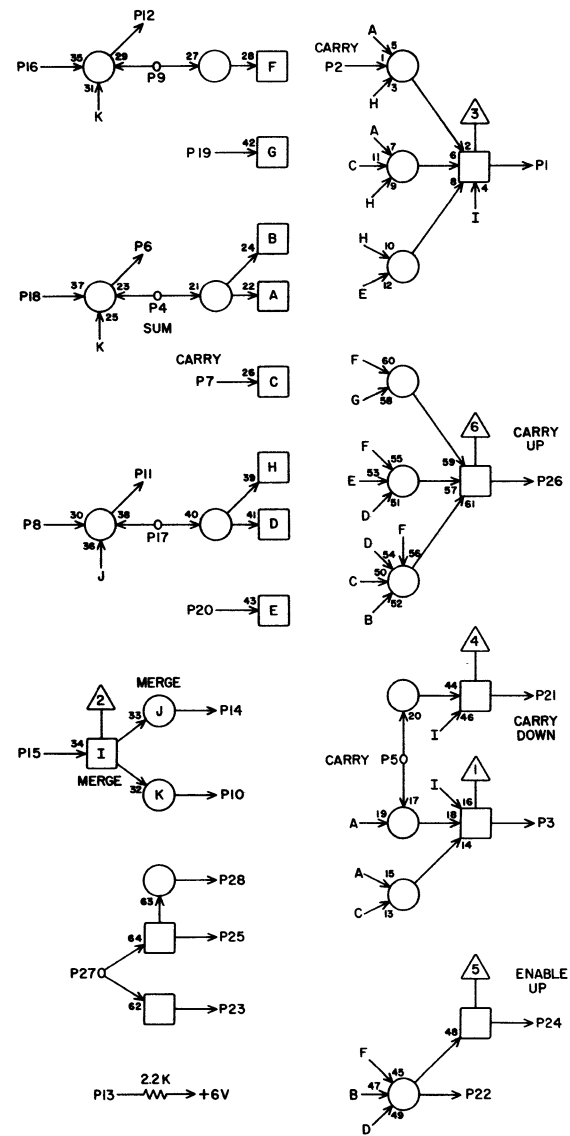






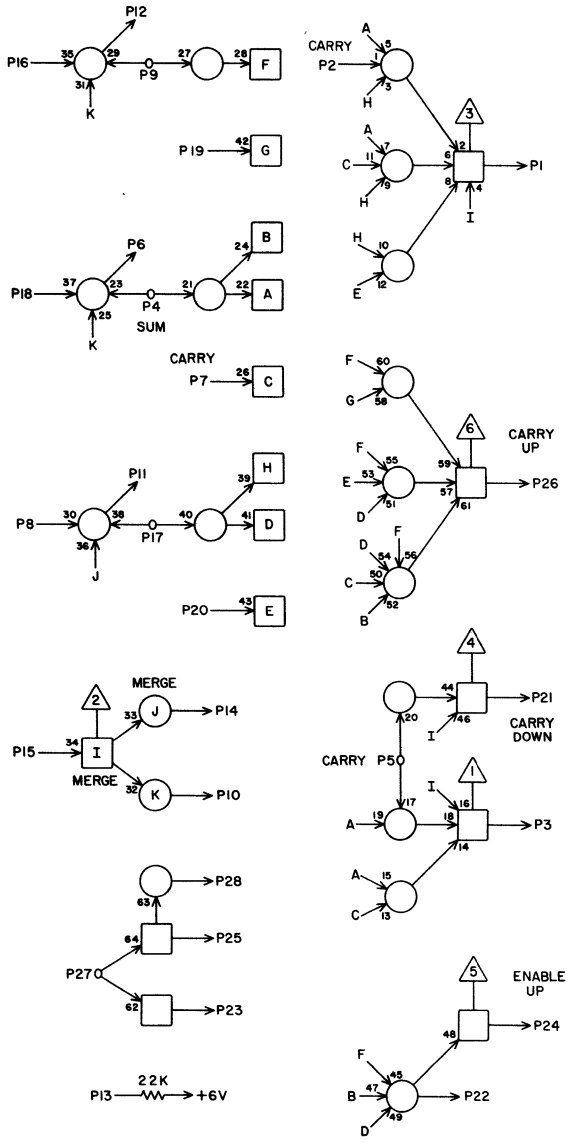
MM **6R27**

	JACK	PIN	LG
1	N24	23	19
2	K26	5	31
3	N24	9	19
4	R33	7	9
5	K26	6	31
6	R34	6	11
7	R32	18	9
8	R34	11	11
9	R35	7	11
10	M18	28	25
11	R35	6	11
12	R36	6	11
13			
14	O27	15	17
15	P25	2	13
16	R35	11	11
17	R34	7	11
18	R33	11	9
19	R34	18	11
20	R33	18	9
21	L26	27	27
22	L27	27	27
23			
24	K26	4	31
25	N 8	6	27
26	K26	1	31
27	R13	22	17
28	N 8	7	27



MM **6R28**

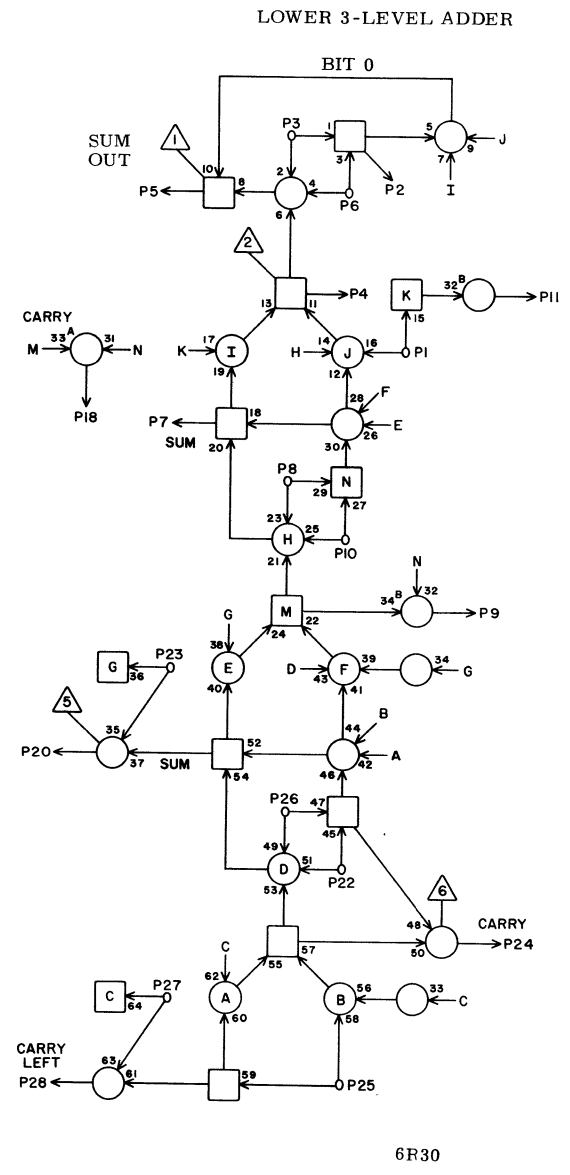
	JACK	PIN	LG
1	M18	23	23
2	K26	13	29
3	M18	9	23
4	R36	7	11
5	K26	12	29
6	R37	6	11
7	R35	18	11
8	R37	11	11
9	R38	7	11
10	M19	28	23
11	R38	6	11
12	R39	6	11
13			
14	O28	15	17
15	P25	3	13
16	R38	11	11
17	R37	7	11
18	R36	11	11
19	R37	18	11
20	R36	18	11
21	N24	27	21
22	L27	25	27
23			
24	K26	3	31
25	N 8	4	29
26	K26	8	31
27	R13	25	17
28	N 8	3	29



MM 6R29

JACK	PIN	LG
1	M19	23 23
2	J28	20 33
3	M19	9 25
4	R39	7 13
5	J28	22 33
6	R40	6 13
7	R38	18 13
8	R40	11 13
9	R41	7 15
10	M20	28 21
11	R41	6 15
12	R42	6 15
13		
14	O29	15 17
15	P25	4 13
16	R41	11 15
17	R40	7 15
18	R39	11 15
19	R40	18 15
20	R39	18 15
21	M18	27 25
22	L27	23 27
23		
24	J28	27 33
25	N 8	26 29
26	K26	27 31
27	R13	26 19
28	N 8	25 29

63017400 Rev. B



6R30

MC 6R30

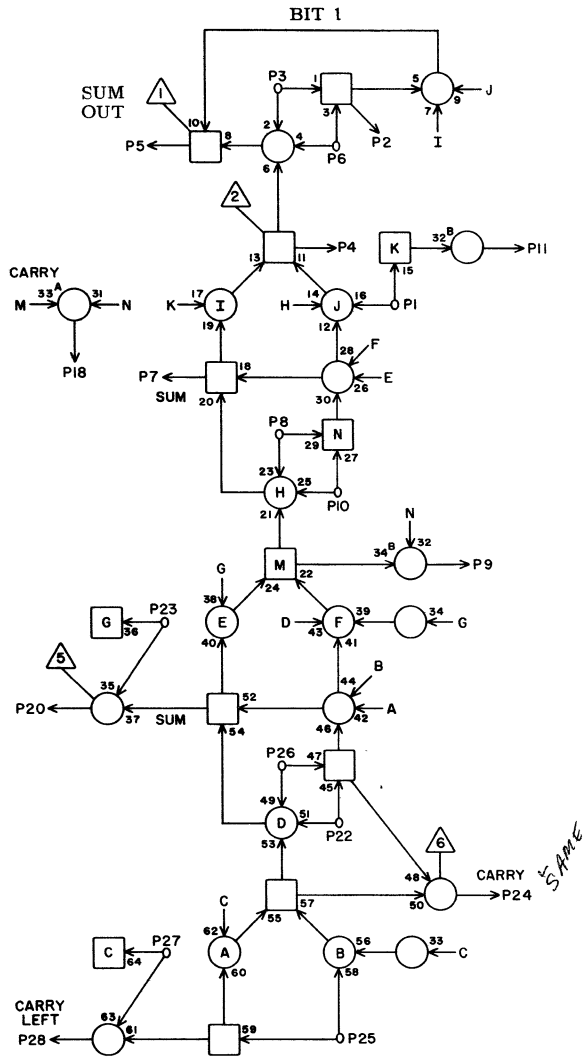
JACK	PIN	LG
1	L26	13 27
2	R13	6 19
3	R30	X 2
4	R13	8 19
5	R13	23 19
6	R30	X 2
7	R26	4 9
8	R30	X 2
9	R31	3 3
10	R30	X 2
11	R26	18 9
12		
13		
14		
15		
16		
17		
18	R26	20 9
19		
20	R31	10 3
21		
22	R30	X 2
23	Q26	13 11
24	R31	8 5
25	R15	22 17
26	R15	3 17
27	R18	20 15
28	R31	22 3

63017400 Rev. B



*Handwritten mark*

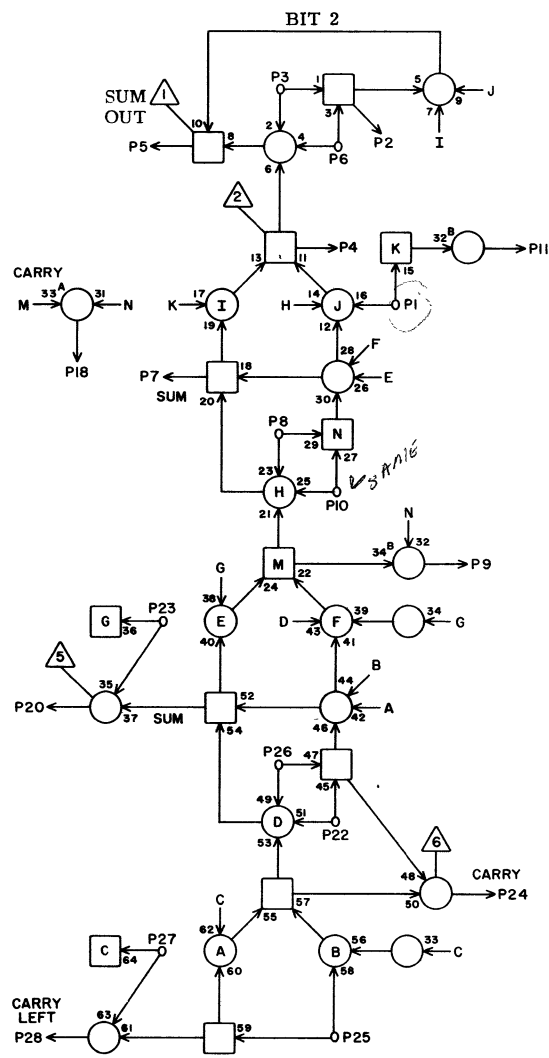
LOWER 3-LEVEL ADDER



MC 6R31

JACK	PIN	LG
1	L26	22 27
2	R13	10 19
3	R30	9 3
4	R13	12 21
5	R13	24 19
6	R26	6 9
7	R26	17 9
8	R30	24 5
9	R32	3 3
10	R30	20 3
11	R26	8 9
12		
13		
14		
15		
16		
17		
18	R26	19 9
19		
20	R32	10 3
21		
22	R30	28 3
23	Q27	13 11
24	R32	8 5
25	R15	25 19
26	R15	7 17
27	R18	22 15
28	R32	22 3

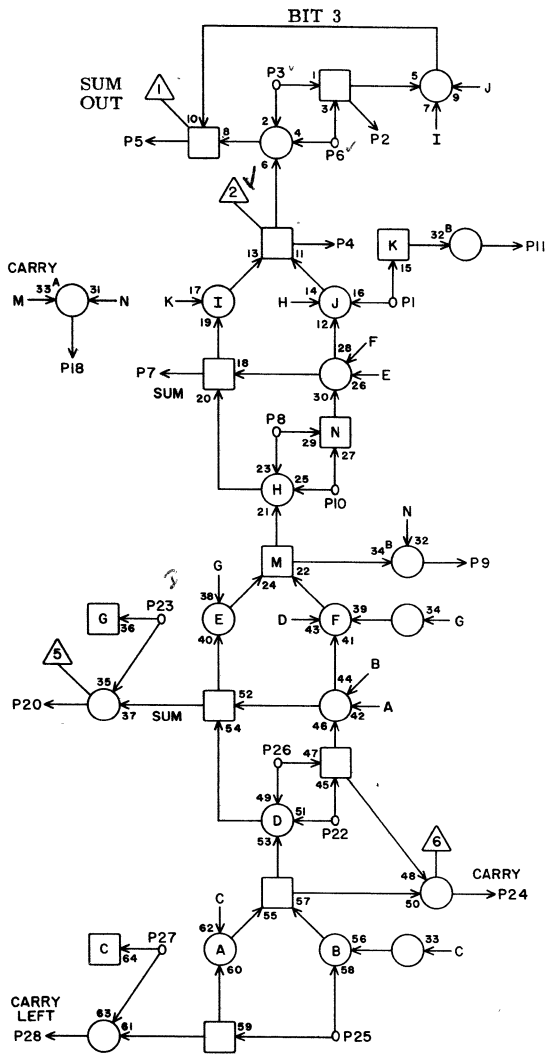
LOWER 3-LEVEL ADDER



MC 6R32

JACK	PIN	LG
1	L26	20 27
2	R14	2 19
3	R31	9 3
4	R14	4 19
5	R13	28 21
6	R26	11 9
7	R26	9 9
8	R31	24 5
9	R33	3 3
10	R31	20 3
11	R26	16 9
12		
13		
14		
15		
16		
17		
18	R27	7 9
19		
20	R33	10 3
21		
22	R31	28 3
23	P21	20 17
24	R33	8 5
25	R15	26 19
26	R15	11 19
27	R18	26 17
28	R33	32 3

LOWER 3-LEVEL ADDER



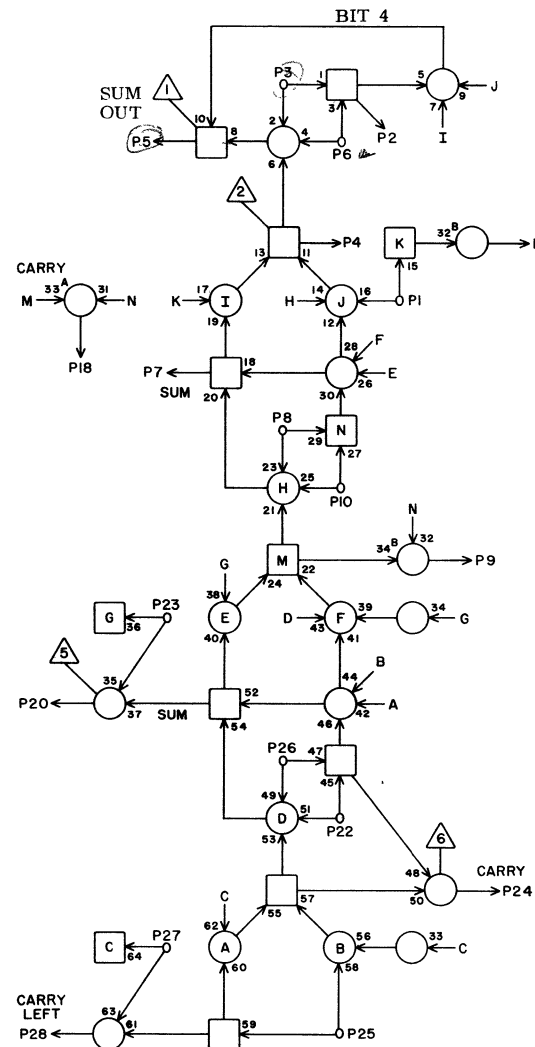
MC **6R33**

1	L26	26	27
2	R14	6	21
3	R32	9	3
4	R14	8	21
5	R14	23	21
6	R26	12	9
7	R27	4	9
8	R32	24	5
9	R34	3	3
10	R32	20	3
11	R27	18	9
12			
13			
14			
15			
16			
17			
18	R27	20	9
19			
20	R34	10	5
21			
22	R32	28	3
23	P21	22	17
24	R34	8	5
25	R16	22	19
26	R16	3	19
27	R19	20	17
28	R34	22	3

JACK PIN LG

63017400 Rev. B

LOWER 3-LEVEL ADDER



MC **6R34**

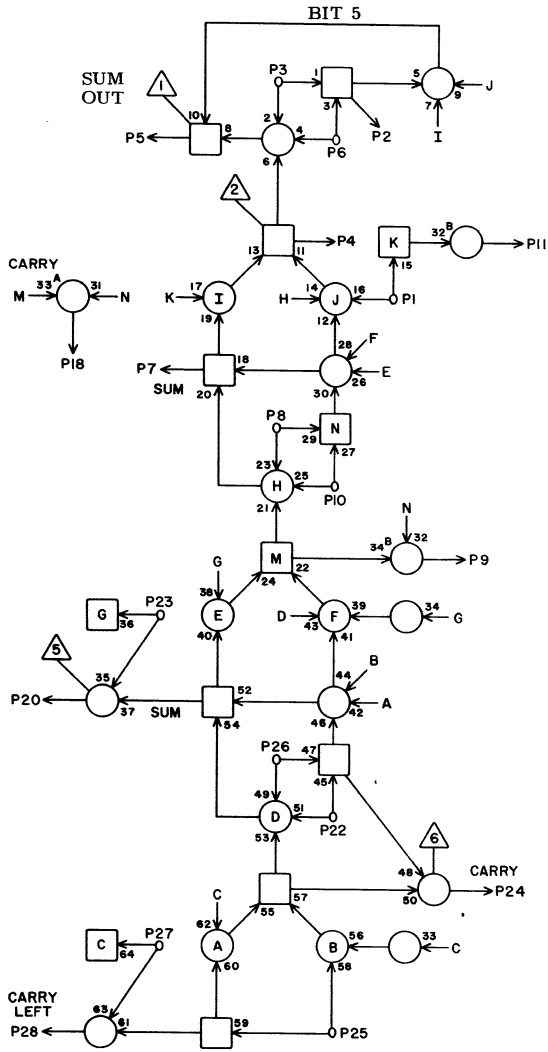
1	R24	20	21
2	R14	10	21
3	R33	9	3
4	R14	12	21
5	R14	24	21
6	R27	6	11
7	R27	17	11
8	R33	24	5
9	R35	3	3
10	R33	20	5
11	R27	8	11
12			
13			
14			
15			
16			
17			
18	R27	19	11
19			
20	R35	10	5
21			
22	R33	28	3
23	P21	26	17
24	R35	8	5
25	R16	25	19
26	R16	7	19
27	R19	22	17
28	R35	22	3

JACK PIN LG

6R34

63017400 Rev. B

LOWER 3-LEVEL ADDER

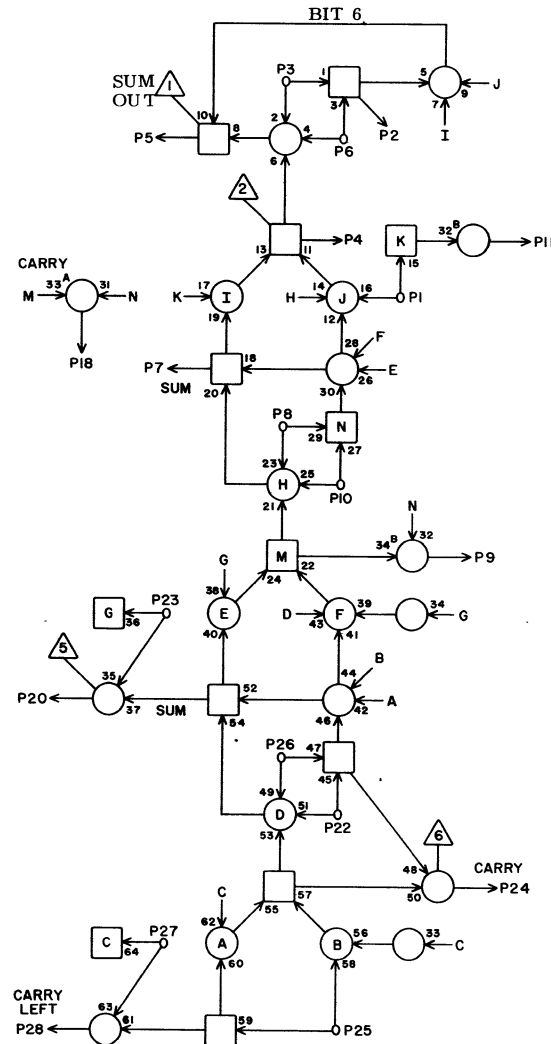


MC **6R35**

1	R24	22	23
2	R15	2	21
3	R34	9	3
4	R15	4	21
5	R14	28	23
6	R27	11	11
7	R27	9	11
8	R34	24	5
9	R36	3	3
10	R34	20	5
11	R27	16	11
12			
13			
14			
15			
16			
17			
18	R28	7	11
19			
20	R36	10	3
21			
22	R34	28	3
23	P22	20	17
24	R36	8	5
25	R16	26	21
26	R16	11	21
27	R19	26	19
28	R36	22	3

JACK PIN LG

LOWER 3-LEVEL ADDER

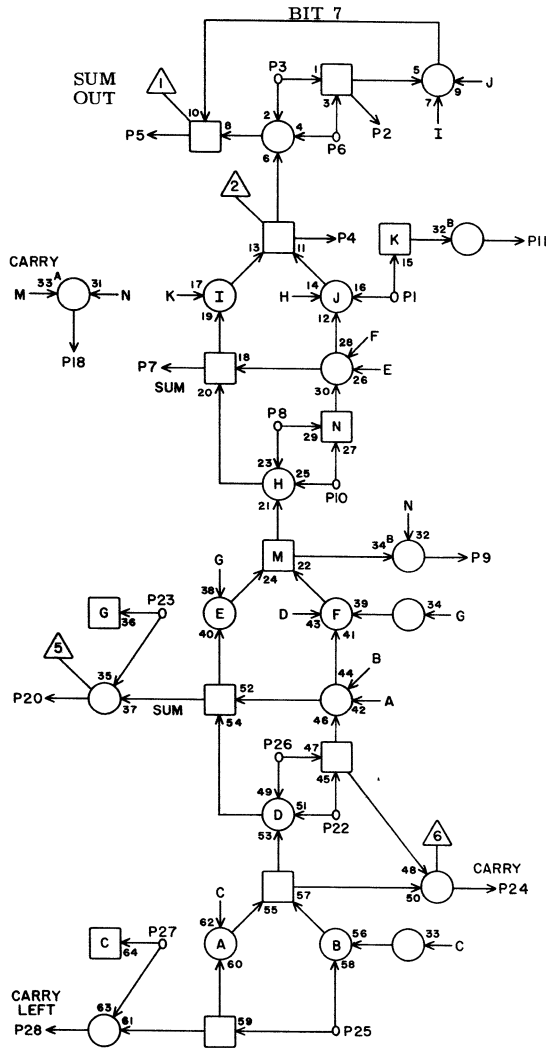


MC **6R36**

1	R24	26	23
2	R15	6	23
3	R35	9	3
4	R15	8	23
5	R15	23	23
6	R27	12	11
7	R28	4	11
8	R35	24	5
9	R37	3	3
10	R35	20	3
11	R28	18	11
12			
13			
14			
15			
16			
17			
18	R28	20	11
19			
20	R37	10	3
21			
22	R35	28	3
23	P22	22	19
24	R37	8	5
25	R17	22	21
26	R17	3	21
27	R20	20	19
28	R37	22	3

JACK PIN LG

LOWER 3-LEVEL ADDER



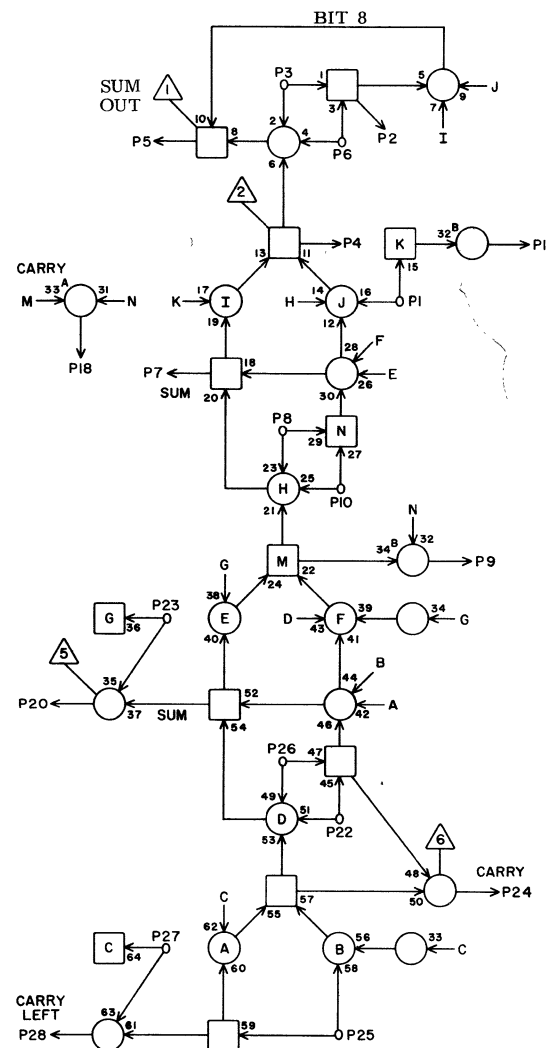
MC **6R37**

1	M18	20	29
2	R15	10	25
3	R36	9	3
4	R15	12	25
5	R15	24	25
6	R28	6	11
7	R28	17	11
8	R36	24	5
9	R38	3	3
10	R36	20	3
11	R28	8	11
12			
13			
14			
15			
16			
17			
18	R28	19	11
19			
20	R38	10	5
21	R36	28	3
22	P22	26	19
23	R38	8	5
24	R17	25	23
25	R17	7	21
26	R20	22	19
27	R38	22	3
28			

JACK PIN LG

63017400 Rev. B

LOWER 3-LEVEL ADDER



MC **6R38**

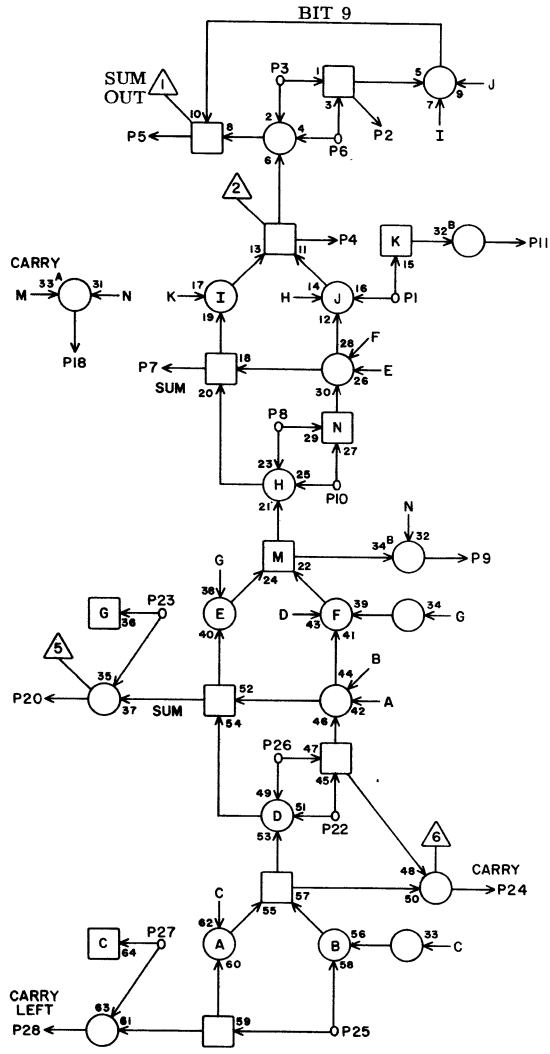
1	M18	22	29
2	R16	2	23
3	R37	9	3
4	R16	4	23
5	R15	28	23
6	R28	11	11
7	R28	9	11
8	R37	24	5
9	R39	3	3
10	R37	20	5
11	R28	16	11
12			
13			
14			
15			
16			
17			
18	R29	7	13
19			
20	R39	10	3
21			
22	R37	28	3
23	P23	20	19
24	R39	8	5
25	R17	26	23
26	R17	11	23
27	R20	26	21
28	R39	22	3

JACK PIN LG

63017400 Rev. B

6R38

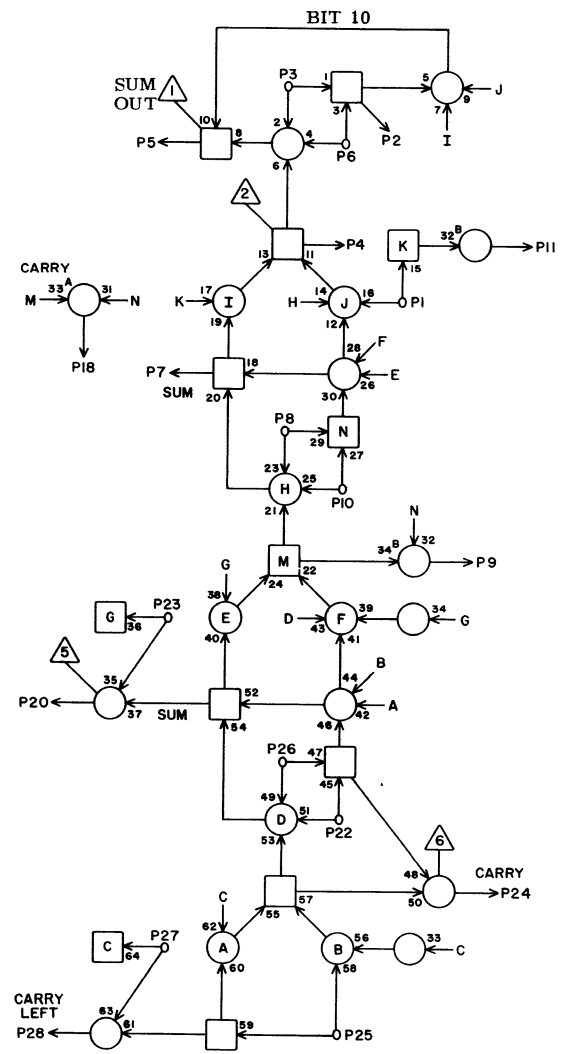
LOWER 3-LEVEL ADDER



MC **6R39**

JACK	PIN	LG
1	M18	26
2	R16	6
3	R38	9
4	R16	8
5	R16	23
6	R28	12
7	R29	4
8	R38	24
9	R40	3
10	R38	20
11	R29	18
12		
13		
14		
15		
16		
17		
18	R29	20
19		
20	R40	10
21		
22	R38	28
23	P23	22
24	R40	8
25	Q13	22
26	Q13	3
27	R21	20
28	R20	22

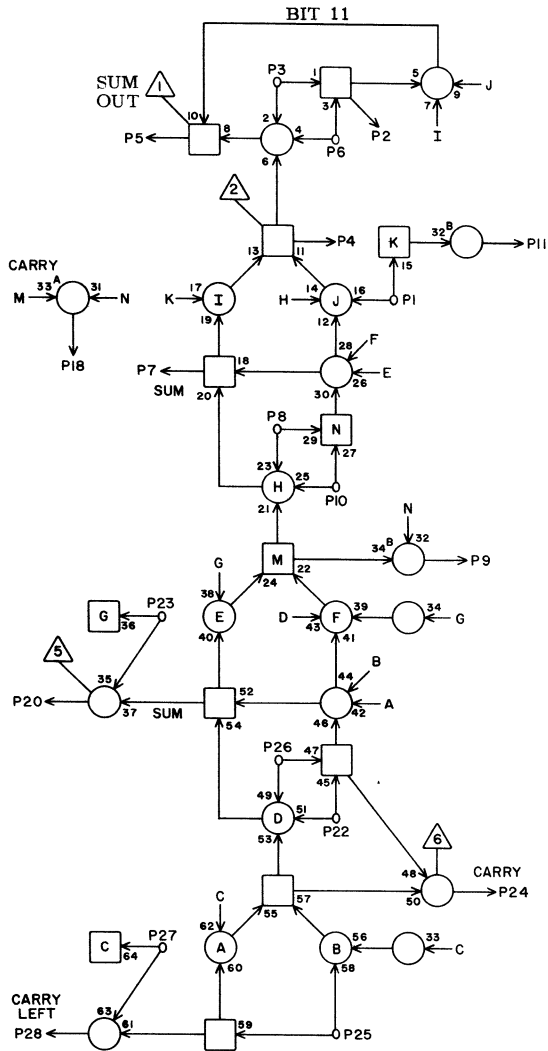
LOWER 3-LEVEL ADDER



MC **6R40**

JACK	PIN	LG
1	M19	20
2	R16	10
3	R39	9
4	R16	12
5	R16	24
6	R29	6
7	R29	17
8	R39	24
9	R41	3
10	R39	20
11	R29	8
12		
13		
14		
15		
16		
17		
18	R29	19
19		
20	R41	10
21		
22	R39	28
23	P23	26
24	R41	8
25	Q13	25
26	Q13	7
27	R21	22
28	R41	22

LOWER 3-LEVEL ADDER



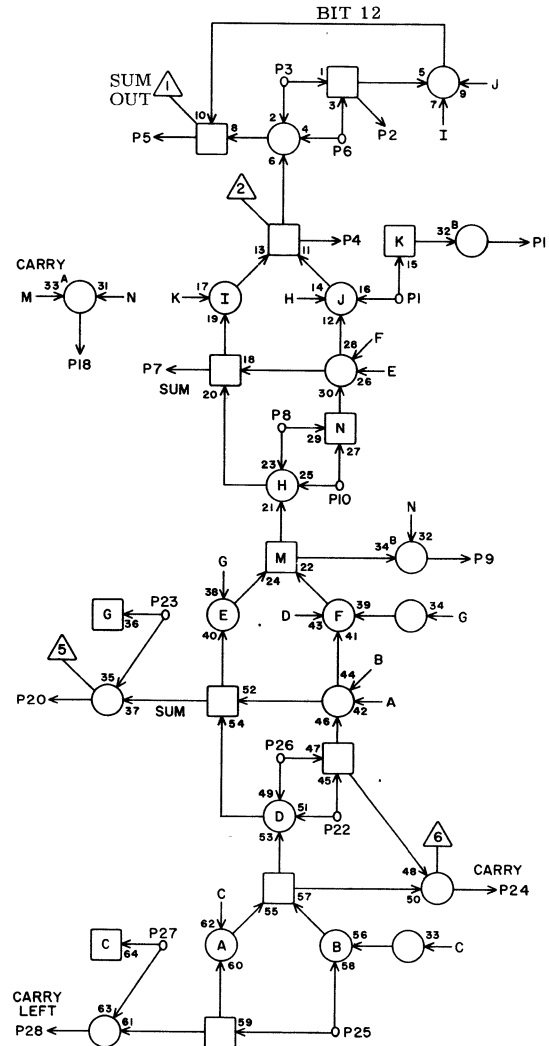
MC **6R41**

1	M19	22	31
2	R17	2	25
3	R40	9	3
4	R17	4	25
5	R16	28	27
6	R29	11	15
7	R29	9	15
8	R40	24	5
9	R42	3	3
10	R40	20	6
11	R29	16	15
12			
13			
14			
15			
16			
17			
18	Q26	7	17
19			
20	R42	10	3
21			
22	R40	28	3
23	P24	20	21
24	R42	8	5
25	Q13	26	27
26	Q13	11	27
27	R21	26	23
28	R42	22	3

JACK PIN LG

63017400 Rev. B

LOWER 3-LEVEL ADDER



6R42

MC **6R42**

1	M19	26	31
2	R17	6	27
3	R41	9	3
4	R17	8	27
5	R17	23	27
6	R29	12	15
7	Q26	4	19
8	R41	24	5
9	Q30	3	15
10	R41	20	3
11	Q26	18	19
12			
13			
14			
15			
16			
17			
18	Q26	20	19
19			
20	Q30	10	15
21			
22	R41	28	3
23	P24	22	21
24	Q30	8	15
25	Q14	22	29
26	Q14	3	29
27	R22	20	21
28	Q30	22	15

JACK PIN LG

63017400 Rev. B

# COMMENT SHEET

MANUAL TITLE CONTROL DATA 6600 COMPUTER SYSTEM

Chassis 6 Customer Engineering Manual

PUBLICATION NO. 63017400 REVISION \_\_\_\_\_

**FROM:** NAME: \_\_\_\_\_  
BUSINESS ADDRESS: \_\_\_\_\_

## COMMENTS:

This form is not intended to be used as an order blank. Your evaluation of this manual will be welcomed by Control Data Corporation. Any errors, suggested additions or deletions, or general comments may be made below. Please include page number references and fill in publication revision level as shown by the last entry on the Record of Revision page at the front of the manual. Customer engineers are urged to use the TAR.

CUT ALONG LINE

FORM CA231 REV. 1-67

NO POSTAGE STAMP NECESSARY IF MAILED IN U. S. A.  
FOLD ON DOTTED LINES AND STAPLE

STAPLE

STAPLE

FOLD

FOLD

FIRST CLASS  
PERMIT NO. 8241  
MINNEAPOLIS, MINN.

**BUSINESS REPLY MAIL**  
NO POSTAGE STAMP NECESSARY IF MAILED IN U.S.A.

POSTAGE WILL BE PAID BY  
**CONTROL DATA CORPORATION**  
**8100 34TH AVENUE SOUTH**  
**MINNEAPOLIS, MINNESOTA 55440**

**ATTN: TECHNICAL PUBLICATIONS DEPT.**  
**PLANT TWO**



CUT ALONG LINE

FOLD

FOLD