

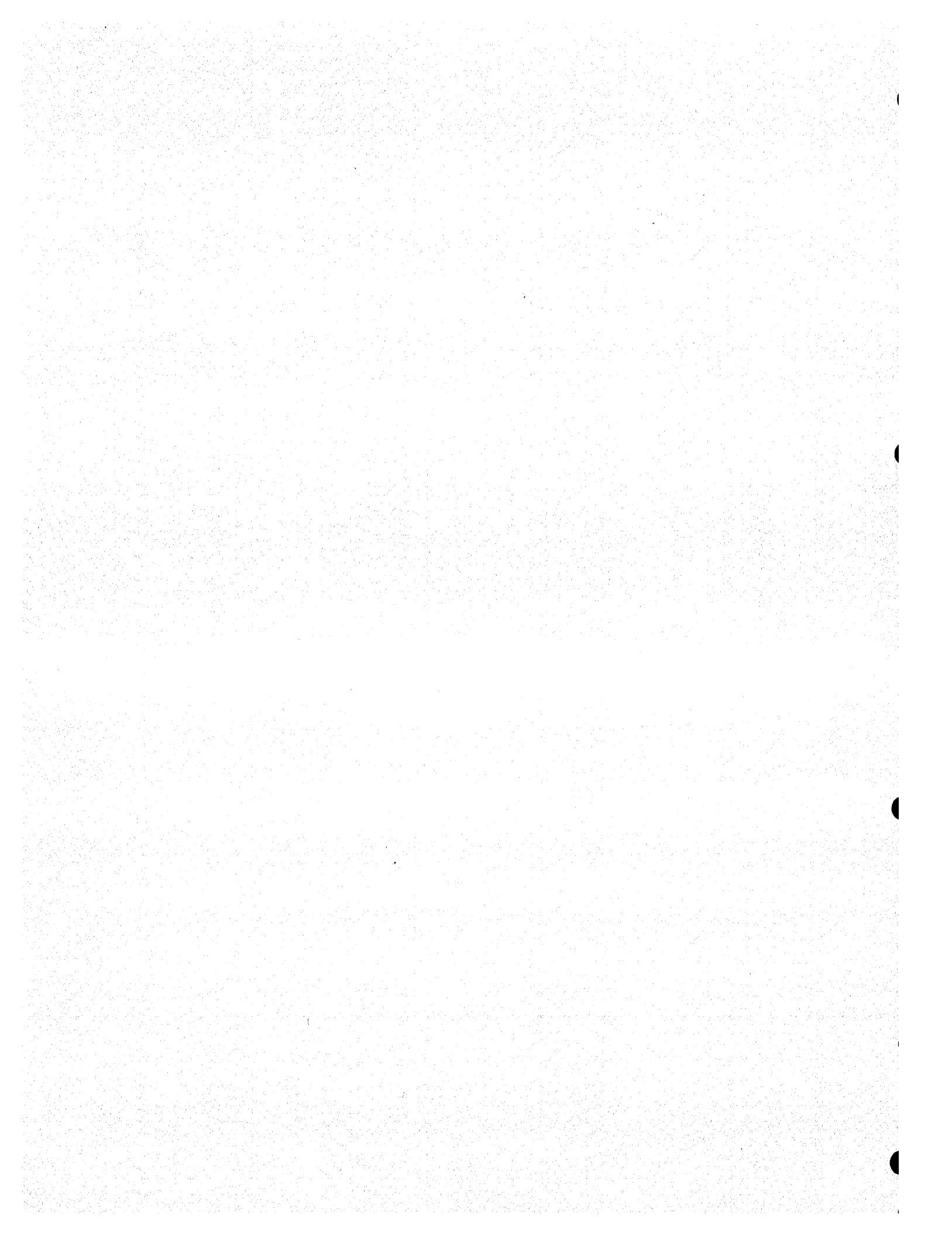
CONTROL DATA[®]
BM1A5/BM1A6 MULTIPLE DISK DRIVE

BO1 AND ABOVE

PARTS DATA

CONTROL DATA

CUSTOMER ENGINEERING MANUAL



CONTROL DATA[®]
BM1A5/BM1A6 MULTIPLE DISK DRIVE

BO1 AND ABOVE

PARTS DATA

CONTENTS

INTRODUCTION	8-iii
LOCATOR	8-1
Multiple Disk Drive Final Assembly	8-3
Switch Assembly, Control (S/N 310 And Below)	8-5
Control Panel Assembly (S/N 311 And Above)	8-7
Items For Multiple Unit Installation	8-7
Logic Cards	8-9
Deck Assembly	8-13
Spindle And Lockshaft Assembly	8-29
Disk Cleaner Assembly	8-31
Spindle Lock And Switch Assembly	8-33
Sector Sensor Assembly	8-35
Left/Right Pre-Amp Chassis Assemblies	8-37
Carriage And Carriage Mount Assembly	8-39
Head Carriage Assembly	8-43
Head Arm Assemblies	8-43
Logic Chassis Assembly	8-45
Power Supply Assembly (S/N 574 And Below)	8-51
Power Supply Assembly (S/N 575 And Above)	8-61
Front Panel Assembly (S/N 574 And Below)	8-67
Power Supply Suppression Switch Assembly, TB09/TB109 (S/N 574 And Below)	8-69
Front Panel Assembly (S/N 575 Thru 1730)	8-71
Front Panel Assembly (S/N 1731 And Above)	8-73
Component Assembly, TB09 (S/N 575 And Above)	8-75
DC Panel Assembly	8-77
Filter Box Assembly (S/N 574 And Below)	8-81
Filter Box Assembly (S/N 575 And Above)	8-83
Frame Assembly	8-85
Slide and Bracket Assembly (S/N 310 And Below)	8-91
Slide and Bracket Assembly (S/N 311 And Above)	8-93
Blower Assembly	8-95
Cable Assemblies	8-97

INTRODUCTION

A

THE TAB NUMBER COLUMN REFERENCES THE QUANTITY OF EACH ITEM USED IN AN ASSEMBLY TO A PARTICULAR UNIT. TAB NUMBER "00" IS BM1A6 MODEL B; TAB NUMBER "01" IS BM1A5 MODEL B.

B

THE INDEX NUMBER COLUMN PROVIDES A CROSS REFERENCE BETWEEN THE PARTS LIST AND THE ASSOCIATED FIGURE. THE NUMBER BEFORE THE HYPHEN IS THE FIGURE NUMBER TO WHICH IT APPLIES. THE NUMBER AFTER THE HYPHEN IS THE CALLOUT NUMBER ON THE FIGURE.

C

THE "NUMBER REQUIRED" COLUMNS PROVIDE THE QUANTITY OF EACH ITEM USED IN THAT ASSEMBLY. AR-AS REQUIRED.

D

IF AN ASSEMBLY IS NOT BROKEN DOWN IMMEDIATELY AFTER BEING LISTED, A FIGURE NUMBER WILL REFERENCE THE LOCATION WHERE THE BREAKDOWN IS MADE.

E

THE RELATIONSHIP OF AN ITEM TO ITS NEXT HIGHER ASSEMBLY IS INDICATED IN THE "ASSEMBLY LEVEL" COLUMN. THE "B" LEVEL IS PART OF THE FIRST PRECEDING "A" LEVEL. THE "C" LEVEL IS PART OF THE FIRST PRECEDING "B" LEVEL, ETC.

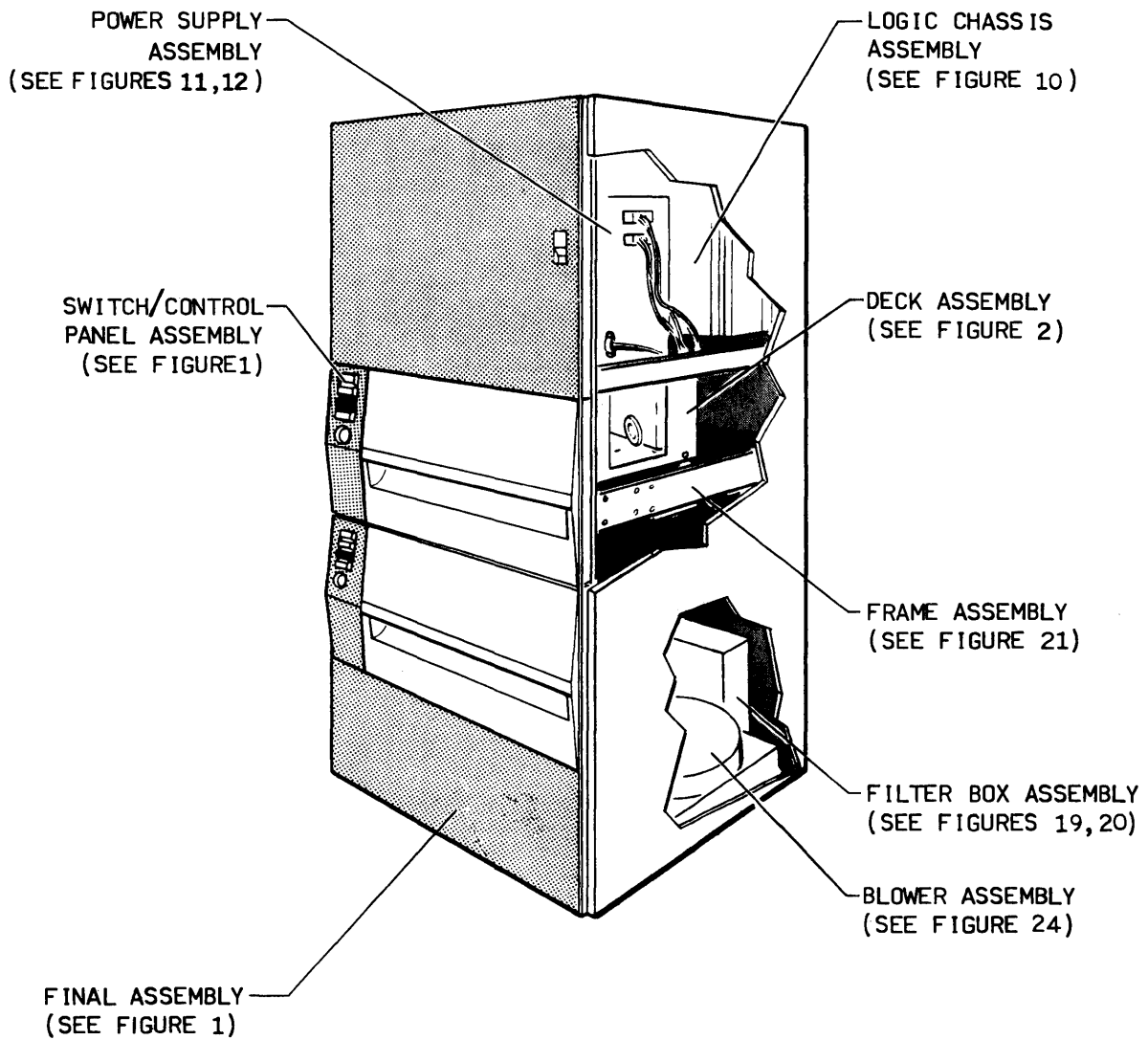
F

IN SOME CASES RELATED ITEMS APPEAR ON CERTAIN FIGURES FOR IDENTIFICATION PURPOSES ALTHOUGH THEY ARE NOT PART OF THE ASSEMBLY. THESE ITEMS MUST BE ORDERED AS INDIVIDUAL PIECES OR WITH THEIR RESPECTIVE ASSEMBLY.



LOCATOR

MULTIPLE DISK DRIVE



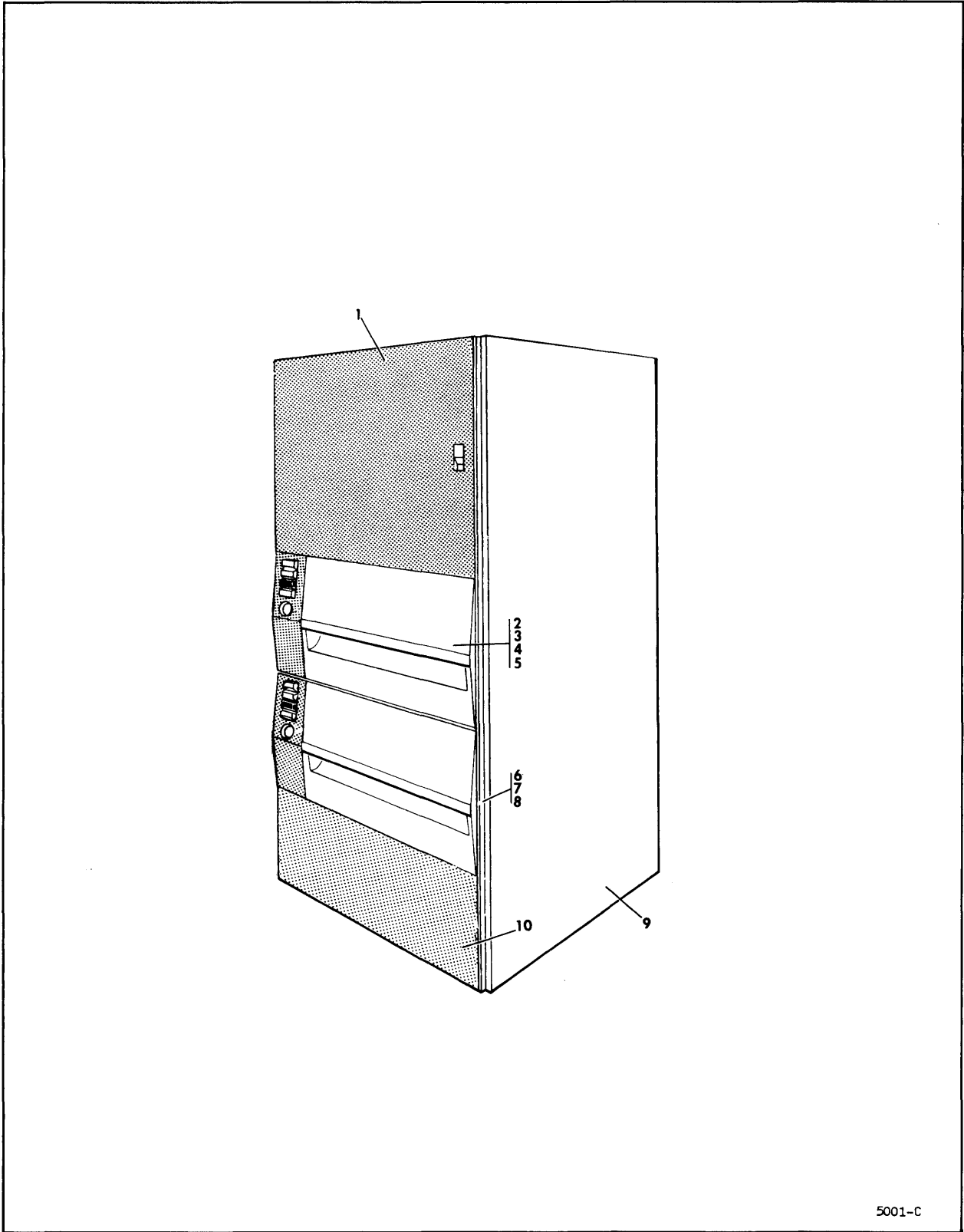


FIGURE 1. MDD FINAL ASSEMBLY, 2X (SHEET 1 OF 4)

ASSY LEVEL	INDEX NO.	EQUIPMENT PART NUMBER	ITEM DESCRIPTION	TAB NUMBER			
				00	01		
				NO. REQUIRED			
A	1-	70950100	BM1A6B FINAL ASSEMBLY II, 2X, DUAL CHANNEL, 50 HZ (SHEET 1 OF 4)	1	-		
A	1-	70950101	BM1A5B FINAL ASSEMBLY II, 2X, SINGLE CHANNEL, 50 HZ	-	1		
B	-1	40011601	UPPER FRONT PANEL ASSEMBLY	1	1		
C	-	92628423	TAPE, FOAM, GRAY, 1/2 x 1/2	AR	AR		
C	-	92628412	TAPE, FOAM, GRAY, 1/4 x 3/8	AR	AR		
C	-	92628402	TAPE, FOAM, GRAY, 1/8 x 3/8	AR	AR		
C	-	40038904	PANEL, ACOUSTICAL	2	2		
C	-	40039401	PANEL, ACOUSTICAL	1	1		
C	-	94224907	SPACER, SLAM LATCH	1	1		
C	-	94221400	LATCH, FLUSH	1	1		
C	-	92373003	BEARING, DOUBLE FLANGED, NYLON	2	2		
C	-	40022094	PANEL, UPPER FRONT	1	1		
B	-2	10126502	SCREW, MACHINE, HEXAGON CAP HEAD, 1/4-20 x 3/4	8	8		
B	-3	10125806	WASHER, LOCK, SPRING, 1/4	8	8		
B	-4	10125608	WASHER, PLAIN, 1/4	10	10		
B	-5	70953801	FRONT DRAWER ASSEMBLY	2	2		
C	-	40095903	STRIP, RUBBER, 0.38 WIDE	1	1		
C	-	92628402	TAPE, FOAM, GRAY, 1/8 x 3/8 (S/N 1730 AND BELOW)	AR	AR		
C	-	92628412	TAPE, FOAM, GRAY, 1/4 x 3/8 (S/N 1731 AND ABOVE)	AR	AR		
C	-	10125106	NUT, HEXAGON, 8-32 (S/N 925 AND ABOVE)	3	3		
C	-	10126402	WASHER, LOCK, EXTERNAL TOOTH, 8 (S/N 924 AND BELOW)	1	1		
C	-	10126402	WASHER, LOCK, EXTERNAL TOOTH, 8 (S/N 925 THRU 1730)	4	4		
C	-	10126402	WASHER, LOCK, EXTERNAL TOOTH, 8 (S/N 1731 AND ABOVE)	3	3		
C	-	10125606	WASHER, PLAIN, 8 (S/N 925 AND ABOVE)	3	3		
C	-	40060800	TRIM, DOOR (S/N 924 AND BELOW)	1	1		
C	-	72963500	TRIM, DOOR (S/N 925 AND ABOVE)	1	1		
C	-	93707007	SCREW, SHOULDER (S/N 1730 AND BELOW)	2	2		
C	-	92031057	PIN, SPIRAL (S/N 1731 AND ABOVE)	2	2		
C	-	10127346	SCREW, MACHINE, PAN HEAD, SLOTTED, 8-32 x 5/16 (S/N 1730 AND BELOW)	1	1		
C	-	40063200	SPRING, EXTENSION (S/N 1730 AND BELOW)	1	1		
C	-	40063201	SPRING, EXTENSION (S/N 1731 AND ABOVE)	1	1		
C	-	40060500	BRACKET, MOUNTING, SPRING (S/N 1730 AND BELOW)	1	1		
C	-	40054301	STUD, SPRING (S/N 1731 AND ABOVE)	1	1		
C	-	92373006	BEARING, DOUBLE FLANGED, NYLON	2	2		
C	-	40058200	LATCH, FRONT DRAWER (S/N 1730 AND BELOW)	1	1		
C	-	72966800	LATCH, FRONT DRAWER (S/N 1731 AND ABOVE)	1	1		
C	-	40036694	DRAWER, FRONT (S/N 924 AND BELOW)	1	1		
C	-	72978694	DRAWER, FRONT (S/N 925 THRU 1730)	1	1		
C	-	72966794	DRAWER, FRONT (S/N 1731 AND ABOVE)	1	1		
B	-6	93409002	U-CLIP, MOULDING	20	20		
B	-7	40037200	SPACER, TRIM	2	2		
B	-8	40061100	TRIM, SIDE	2	2		
B	-9	70953600	RIGHT SIDE PANEL ASSEMBLY	1	1		
B	-	70953500	LEFT SIDE PANEL ASSEMBLY	1	1		
C	-	92628423	TAPE, FOAM, GRAY, 1/2 x 1/2	AR	AR		
C	-	92628412	TAPE, FOAM, GRAY, 1/4 x 3/8	AR	AR		
C	-	40038900	PANEL, ACOUSTICAL	2	2		
C	-	40038901	PANEL, ACOUSTICAL	1	1		
C	-	93590238	SCREW, MACHINE, PAN HEAD, PHILLIPS, 10-24 x 3/8	8	8		
C	-	40029900	BRACKET, SUPPORT (LEFT HAND FROM INSIDE OF PANEL)	1	1		
C	-	40029901	BRACKET, SUPPORT (RIGHT HAND FROM INSIDE OF PANEL)	1	1		
C	-	94303500	RECEPTACLE, FASTENER, 1/4 TURN	2	2		
C	-	40029800	BRACKET, MOUNTING, FASTENER RECEPTACLE	2	2		
C	-	40098596	PANEL, SIDE	1	1		
B	-10	40011701	LOWER FRONT PANEL ASSEMBLY	1	1		
C	-	92628423	TAPE, FOAM, GRAY, 1/2 x 1/2	AR	AR		
C	-	40038300	PANEL, ACOUSTICAL	1	1		
C	-	92373003	BEARING, DOUBLE FLANGED, NYLON, 0.3125 DIA. 0.140 THK	1	1		
C	-	92373004	BEARING, DOUBLE FLANGED, NYLON, 0.3125 DIA. 0.202 THK	1	1		
C	-	10126225	SCREW, MACHINE, CAP HEAD, SOCKET, 8-32 x 3/8	1	1		
C	-	10126402	WASHER, LOCK, EXTERNAL TOOTH, 8	1	1		
C	-	10125606	WASHER, PLAIN, 8	1	1		
C	-	40036700	LATCH, STRIKER	1	1		
C	-	92373007	BEARING, DOUBLE FLANGED, NYLON, 0.500 DIA. 0.140 THK	2	2		
C	-	92033087	RING, RETAINING	1	1		
C	-	40038100	SPRING, COMPRESSION	1	1		
C	-	40038200	ROD, STRIKER	1	1		
C	-	40022294	PANEL, LOWER FRONT	1	1		

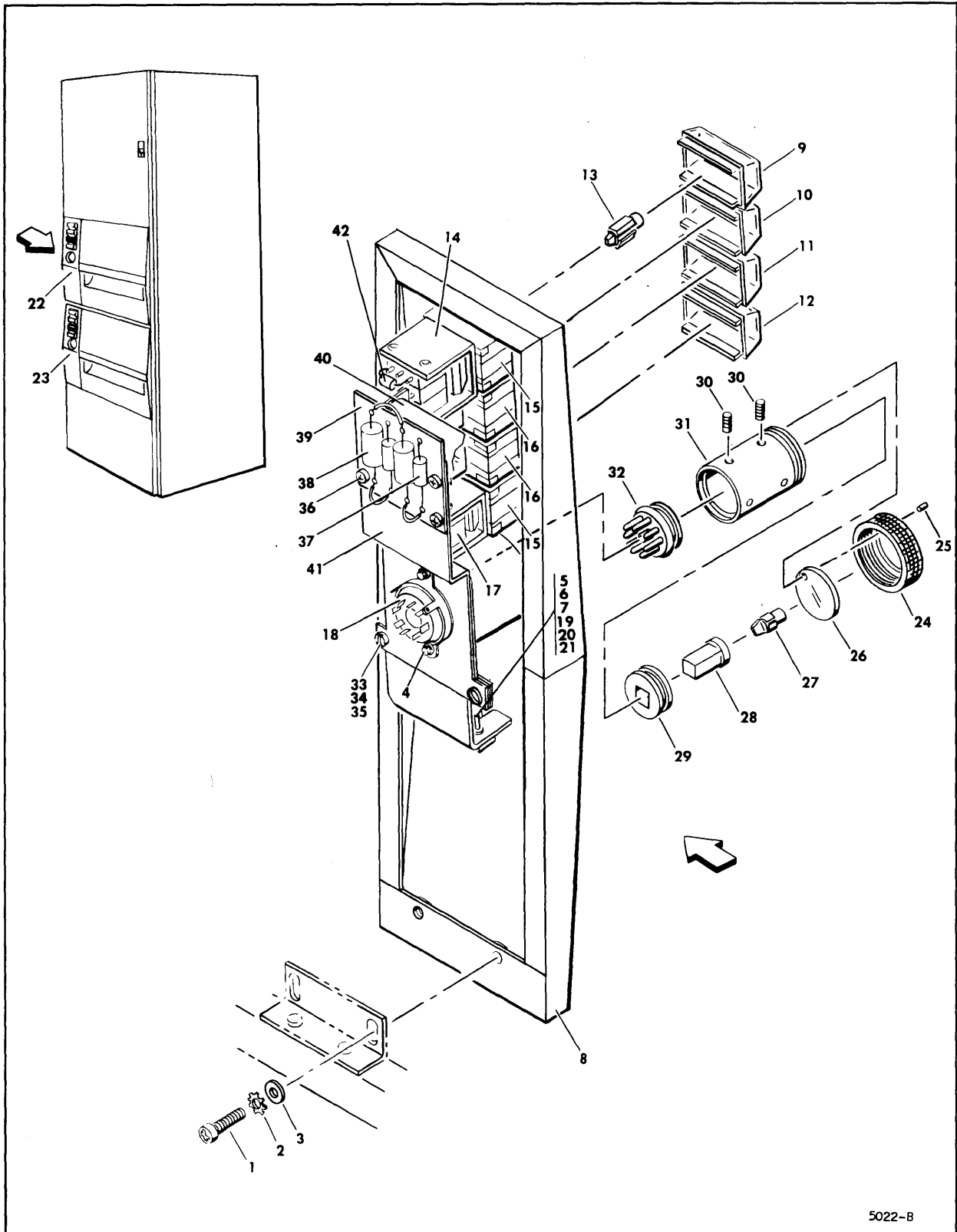
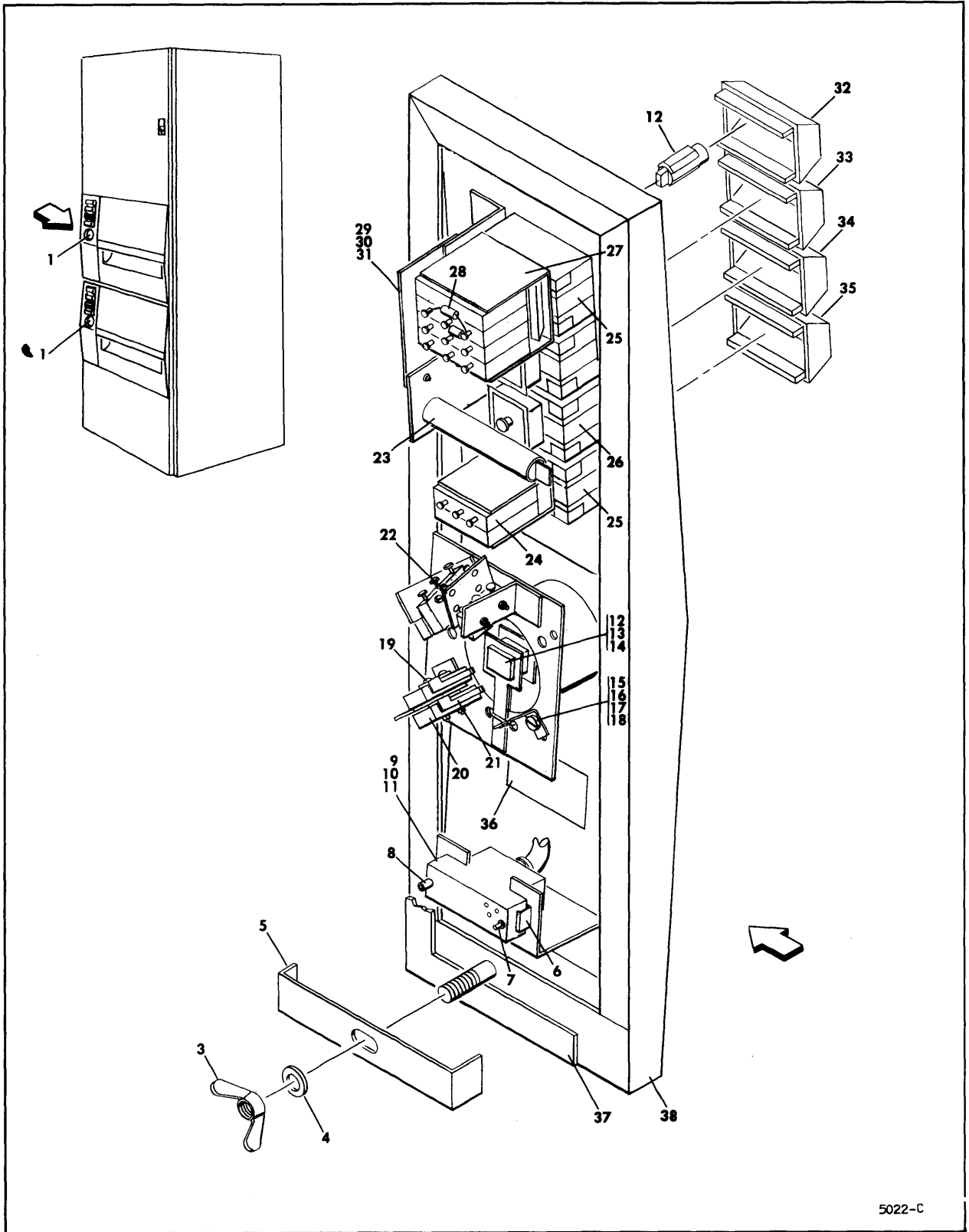


FIGURE 1. MDD FINAL ASSEMBLY, 2X (SHEET 2 OF 4)

ASSY LEVEL	INDEX NO.	EQUIPMENT PART NUMBER	ITEM DESCRIPTION	TAB NUMBER			
				00	01		
				NO. REQUIRED			
A	1-	70950100	BM1A6B FINAL ASSEMBLY II, 2X, DUAL CHANNEL, 50 HZ, (SHEET 2 OF 4)	1	-		
A	1-	70950101	BM1A5B FINAL ASSEMBLY II, 2X, SINGLE CHANNEL, 50 HZ	-	1		
B	-1	10127122*	SCREW, MACHINE, PAN HEAD, PHILLIPS, 8-32 x 3/8	4	4		
B	-2	10126402*	WASHER, LOCK, EXTERNAL TOOTH, 8	4	4		
B	-3	10125606*	WASHER, PLAIN, 8	4	4		
B	-4	93592082*	SCREW, MACHINE, HEXAGON WASHER HEAD, 4-40 x 1/4	4	4		
B	-5	93960004*	PIN, CENTER GUIDE	1	1		
B	-6	93960005*	SOCKET, CENTER GUIDE	1	1		
B	-7	93960021*	CATCH, CONNECTOR	2	2		
B	-8	40097294*	PANEL, CONTROL	2	2		
B	1-	70956000	BM1A6B FINAL ASSEMBLY I (S/N 574 AND BELOW)	1	-		
B	1-	70955802	BM1A5B FINAL ASSEMBLY I (S/N 574 AND BELOW)	-	1		
C	-	70951301*	SWITCH ASSEMBLY	2	2		
D	-9	93562134	LENS, LETTERED, DEPART	1	1		
D	-10	93562178	LENS, LETTERED, PRET	1	1		
D	-11	93562176	LENS, LETTERED, MANUEL	1	1		
D	-12	93562177	LENS, LETTERED, DEFAUT	1	1		
D	-13	92629003	LAMP, INDICATOR, 24V	8	8		
D	-14	92335011	SWITCH, PUSH, 3PDT, ALTERNATE ACTION, S501	1	1		
D	-15	93561003	ACTUATOR, SWITCH, DS 501, DS 503	2	2		
D	-16	93561004	INDICATOR, SWITCH, DS 500, DS 504	2	2		
D	-17	92335003	SWITCH, PUSH, SPDT, MOMENTARY, S 503	1	1		
D	-18	92584011	SOCKET, OCTAL	1	1		
D	-19	93960015	CONNECTOR, RECEPTACLE, 26 PIN, J600	1	1		
D	-20	93644002	CONTACT, PIN, 22-20 WIRE RANGE	11	11		
D	-21	93644003	CONTACT, PIN, 26-24 WIRE RANGE	13	13		
C	-22	40019910*	LOGIC NUMBER PLUG ASSEMBLY (DESIGNATION 0)	1	1		
C	-23	40019911*	LOGIC NUMBER PLUG ASSEMBLY (DESIGNATION 1)	1	1		
D	-24	40060200	CAP, LENS	1	1		
D	-25	92031008	PIN, SPIRAL, 3/64 x 3/16	1	1		
D	-26	40060310	LENS, PLAIN	1	1		
D	-27	92629003	LAMP, INDICATOR, 24V	1	1		
D	-28	44440700	SOCKET, LAMP	1	1		
D	-29	40060700	SUPPORT, LAMP	1	1		
D	-30	93072243	SCREW, SET, SOCKET HEAD, FLAT POINT, 6-32 x 1/8	6	6		
D	-31	40060600	HOUSING, LIGHT	1	1		
D	-32	94303800	PLUG, TUBE TYPE	1	1		
	-33	10127111**	SCREW, MACHINE, PAN HEAD, PHILLIPS, 6-32 x 1/4	4	4		
	-34	10126401**	WASHER, LOCK, EXTERNAL TOOTH, 6	4	4		
	-35	70805600**	PLATE, NUT	2	2		
	-	70813400**	COMPONENT BOARD AND BRACKET ASSEMBLY, WIRED, TB501	2	2		
D	-	70812000**	COMPONENT BOARD AND BRACKET ASSEMBLY (COMPONENT ITEM OF THE DIRECT PRECEDING ASSEMBLY)	1	1		
E	-36	93590158**	SCREW, MACHINE, PAN HEAD, PHILLIPS, 6-32 x 1/4	3	3		
E	-	70959600**	COMPONENT ASSEMBLY	1	1		
F	-37	92512371**	RESISTOR, FIXED, COMPOSITION, 4.7 OHM, 1W, R501, R502	2	2		
F	-38	92496095**	CAPACITOR, FIXED, PLASTIC, 0.47 UF, 100V, C503, C504	2	2		
F	-39	70959200**	TERMINAL BOARD ASSEMBLY	1	1		
E	-40	94348200**	CAPACITOR, FIXED, FEED-THRU, 1 UF, 100 VDC	1	1		
E	-41	70805500**	BRACKET, MOUNTING, TERMINAL BOARD	1	1		
	-42	92427091**	CAPACITOR, FIXED, ELECTROLYTIC, 1 UF, 35V	4	4		

* APPLICABLE TO S/N 310 AND BELOW WITHOUT OPTIONAL FCO PE21135 INSTALLED. FOR S/N 311 AND ABOVE, OR UNITS S/N 310 AND BELOW WITH OPTIONAL FCO PE21135 INSTALLED SEE SHEET 3 OF 4 OF THIS FIGURE.

** PORTION OF FCO KIT, PER FCO PE11044 (S/N 310 AND BELOW)



5022-C

FIGURE 1. MDD FINAL ASSEMBLY, 2X (SHEET 3 OF 4)

ASSY LEVEL	INDEX NO.	EQUIPMENT PART NUMBER	ITEM DESCRIPTION	TAB NUMBER					
				00	01				
				NO. REQUIRED					
A	1-	70950100	BM1A6B FINAL ASSEMBLY II, 2X, DUAL CHANNEL, 50 HZ (SHEET 3 OF 4)	1	-				
A	1-	70950101	BM1A5B FINAL ASSEMBLY II, 2X, SINGLE CHANNEL, 50 HZ	-	1				
B	-1	70801610*	PLUG, LOGIC NUMBER, PLAIN LENS (DESIGNATION 0)	2	2				
	-2		NOT USED						
B	-	70957601*	CONTROL PANEL ASSEMBLY	1	1				
C	-3	93031004	NUT, WING, 1/4-20	1	1				
C	-4	10125608	WASHER, PLAIN, 1/4	1	1				
C	-5	70801100	CLAMP, CONTROL PANEL	1	1				
C	-6	93960021	CATCH, CONNECTOR	2	2				
C	-7	93960004	PIN, CENTER GUIDE	1	1				
C	-8	93960005	SOCKET, CENTER GUIDE	1	1				
C	-9	93960015	CONNECTOR, RECEPTACLE, 26 PIN, J600	1	1				
C	-10	93644002	CONTACT, PIN, 22-20 WIRE RANGE	11	11				
C	-11	93644003	CONTACT, PIN, 26-24 WIRE RANGE	13	13				
C	-12	92629003	LAMP, INDICATOR, 24V	9	9				
C	-13	44440700	SOCKET, LAMP	1	1				
C	-14	44440400	TERMINAL	2	2				
C	-15	10127111	SCREW, MACHINE, PAN HEAD, PHILLIPS, 6-32 x 1/4	3	3				
C	-16	10126401	WASHER, LOCK, EXTERNAL TOOTH, 6	3	3				
C	-17	10125105	NUT, HEXAGON, 6-32	3	3				
C	-18	70801700	KEEPER, LOGIC PLUG	3	3				
C	-19	10127316	SCREW, MACHINE, PAN HEAD, SLOTTED, 2-56 x 3/4	4	4				
C	-20	92549003	SWITCH, SPDT	5	5				
C	-21	93619001	ACTUATOR, SWITCH	5	5				
C	-22	70959500	COMPONENT ASSEMBLY, TB500	1	1				
D	-	92512470	RESISTOR, FIXED, COMPOSITION, 10 OHM, 1/4W, R500	1	1				
D	-	92427023	CAPACITOR, FIXED, ELECTROLYTIC, 1 UF, 35V, C500	1	1				
D	-	70959400	TERMINAL BOARD ASSEMBLY	1	1				
D	-23	94348200	CAPACITOR, FIXED, FEED-THRU, 1 UF, 100 VDC	1	1				
C	-24	92335003	SWITCH, PUSH, SPDT, MOMENTARY, S503	1	1				
C	-25	93561003	ACTUATOR, SWITCH, XDS 501, XDS 503	2	2				
C	-26	93561004	INDICATOR, SWITCH, XDS 500, XDS 504	2	2				
C	-27	92335011	SWITCH, PUSH, 3PDT, ALTERNATE ACTION, S501	1	1				
C	-28	92427023	CAPACITOR, FIXED, ELECTROLYTIC, 1 UF, 35V	2	2				
C	-29	93590158	SCREW, MACHINE, PAN HEAD, PHILLIPS, 6-32 x 1/4	3	3				
C	-30	10126103	WASHER, LOCK, INTERNAL TOOTH, 6	3	3				
C	-31	70959600	COMPONENT ASSEMBLY, TB501	1	1				
D	-	92496095	CAPACITOR, FIXED, PLASTIC, 0.47 UF, 100V, C503, C504	2	2				
D	-	92512371	RESISTOR, FIXED, COMPOSITION, 4.7 OHM, 1W, R501, R502	2	2				
D	-	70959200	TERMINAL BOARD ASSEMBLY	1	1				
C	-32	93562134	LENS, LETTERED, DEPART	1	1				
C	-33	93562178	LENS, LETTERED, PRET	1	1				
C	-34	93562176	LENS, LETTERED, MANUEL	1	1				
C	-35	93562177	LENS, LETTERED, DEFAUT	1	1				
C	-36	94208500	LABEL, MODEL LEVEL	1	1				
C	-37	40068500	SHIM, RUBBER	1	1				
C	-38	70801894	PANEL, CONTROL	1	1				
			THE FOLLOWING SEPARATE ITEMS ARE PROVIDED FOR MULTIPLE UNIT INSTALLATION:						
B	-	10126517	SCREW, MACHINE, HEXAGON CAP HEAD, 5/16-18 x 1	4	4				
B	-	10125807	WASHER, LOCK, SPRING, 5/16	4	4				
B	-	94047018	WASHER, SPECIAL, 21/64 ID, 1 OD	8	8				
B	-	10125302	NUT, HEXAGON, 5/16-18	4	4				
B	-	40058320	SHIELD, DUST	1	1				
B	-	40061200	TRIM, FRONT	1	1				
B	-	40020500	CABLE ASSEMBLY, W200	2	1				
C	-	94281200	CONNECTOR, PLUG, 75 PIN, P200, P201	2	2				
C	-	94281204	SHIELD, CONNECTOR, 2 PIECE	2	2				
C	-	93642009	JACKSCREW, TURNABLE, FEMALE	4	4				
C	-	93642004	PIN, CORNER GUIDE	4	4				
C	-	93642005	SOCKET, CORNER GUIDE	4	4				
C	-	93644003	CONTACT, PIN, 26-24 WIRE RANGE	146	146				
B	-	40067500	INTERFACE CABLE ASSEMBLY	2	1				
C	-	93643016	CONNECTOR, PLUG, 34 SOCKET	2	2				
C	-	93643003	SHIELD, CONNECTOR, 2 PIECE	2	2				
C	-	93642008	JACKSCREW, TURNABLE, MALE	4	4				
C	-	93643004	PIN, CORNER GUIDE	4	4				
C	-	93643005	SOCKET, CORNER GUIDE	4	4				
C	-	93645002	CONTACT, SOCKET, 22-20 WIRE RANGE	22	22				
C	-	93645003	CONTACT, SOCKET, 26-24 WIRE RANGE	44	44				
			* APPLICABLE TO S/N 311 AND ABOVE, OR UNITS S/N 310 AND BELOW WITH OPTIONAL FCO PE21135 INSTALLED.						

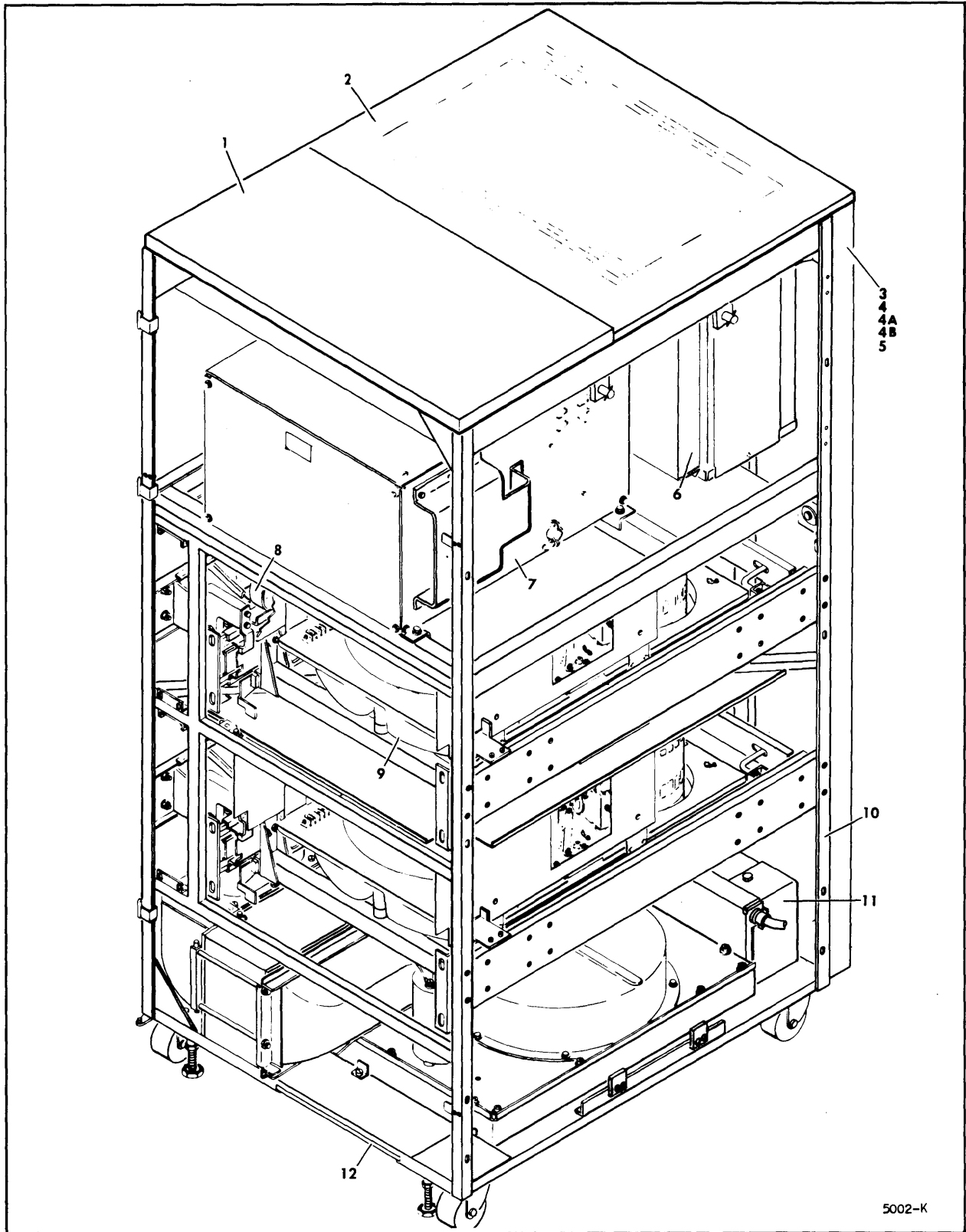
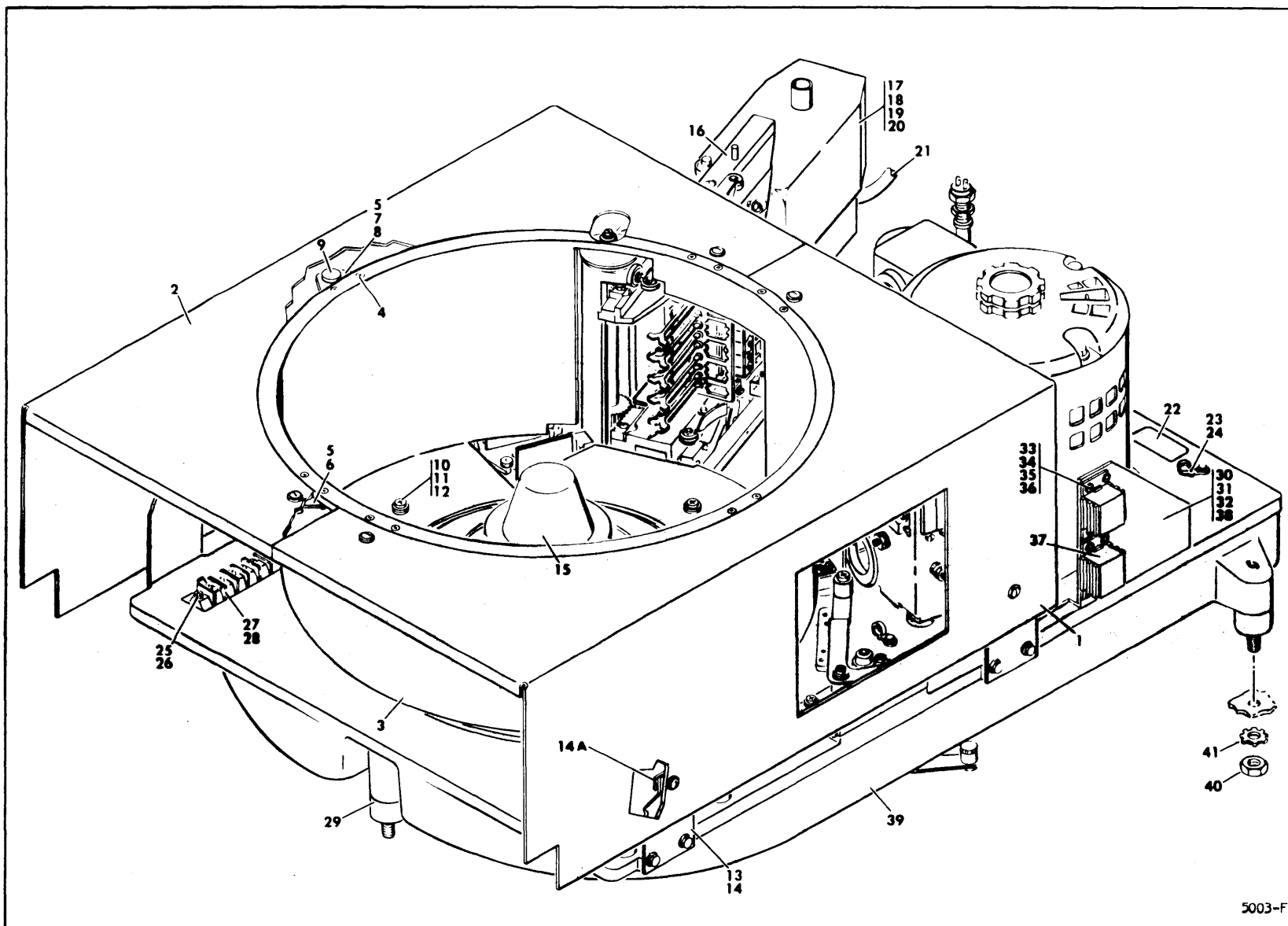


FIGURE 1. MDD FINAL ASSEMBLY, 2X (SHEET 4 OF 4)

ASSY LEVEL	INDEX NO.	EQUIPMENT PART NUMBER	ITEM DESCRIPTION	TAB NUMBER					
				00	01				
				NO. REQUIRED					
A	1-	70950100	BM1A6B FINAL ASSEMBLY II, 2X, DUAL CHANNEL, 50 HZ (SHEET 4 OF 4)	1	-				
A	1-	70950101	BM1A5B FINAL ASSEMBLY II, 2X, SINGLE CHANNEL, 50 HZ	-	1				
B	-1	40011101	TOP FRONT PANEL ASSEMBLY	1	1				
C	-	92628303	TAPE, FOAM, BLACK, 1/8 x 1/2	AR	AR				
C	-	40038903	PANEL, ACOUSTICAL	1	1				
C	-	94294302	NUT, FASTENER, 1/4 TURN	2	2				
C	-	94294301	RECEPTACLE, FASTENER, 1/4 TURN	2	2				
C	-	40022496	PANEL, TOP FRONT	1	1				
B	-2	40011201	TOP REAR PANEL ASSEMBLY (S/N 574 AND BELOW)	1	1				
B	-2	70819501	TOP REAR PANEL ASSEMBLY (S/N 575 AND ABOVE)	1	1				
C	-	92628403	TAPE, FOAM, GRAY, 1/8 x 1/2	AR	AR				
C	-	94294302	NUT, FASTENER, 1/4 TURN	2	2				
C	-	94294301	RECEPTACLE, FASTENER, 1/4 TURN	2	2				
C	-	40022396	PANEL, TOP REAR (S/N 574 AND BELOW)	1	1				
C	-	70819396	PANEL, TOP REAR (S/N 575 AND ABOVE)	1	1				
B	-3	93707023	SCREW, SHOULDER (S/N 133 THRU 574)	1	1				
B	-4	93006031	NUT, HEXAGON, JAM, 1/4-20 (S/N 133 THRU 574)	1	1				
B	-4A	10125608	WASHER, PLAIN, 1/4 (S/N 133 THRU 574)	1	1				
B	-4B	93564002	WASHER, NYLON (S/N 575 AND ABOVE)	2	2				
B	-5	40011401	REAR DOOR ASSEMBLY (S/N 132 AND BELOW)	1	1				
B	-5	40095701	REAR DOOR ASSEMBLY (S/N 133 THRU 574)	1	1				
C	-	92628423	TAPE, FOAM, GRAY, 1/2 x 1/2	AR	AR				
C	-	92628412	TAPE, FOAM, GRAY, 1/4 x 3/8	AR	AR				
C	-	92373005	BEARING, DOUBLE FLANGED, NYLON (S/N 132 AND BELOW)	4	4				
	-	10127143*	SCREW, MACHINE, PAN HEAD, PHILLIPS, 10-32 x 1/2	4	4				
	-	10125607*	WASHER, PLAIN, 10	4	4				
	-	10125108*	NUT, HEXAGON, 10-32	4	4				
	-	40099300*	PIVOT, TOP	1	1				
	-	40099301*	PIVOT, BOTTOM	1	1				
C	-	94306900	FASTENER, RECESSED CUP	1	1				
C	-	40039400	PANEL, ACOUSTICAL	2	2				
C	-	40038902	PANEL, ACOUSTICAL	1	1				
C	-	40064194	DOOR, REAR (S/N 132 AND BELOW)	1	1				
C	-	40095694	DOOR, REAR (S/N 133 THRU 574)	1	1				
B	-5	70817101	REAR DOOR ASSEMBLY (S/N 575 AND ABOVE)	1	1				
C	-	92628423	TAPE, FOAM, GRAY, 1/2 x 1/2	AR	AR				
C	-	94306900	FASTENER, RECESSED CUP	1	1				
C	-	40038905	PANEL, ACOUSTICAL	2	2				
C	-	40039402	PANEL, ACOUSTICAL	1	1				
C	-	70816594	DOOR, REAR	1	1				
B	1-	70956000	BM1A6B FINAL ASSEMBLY I (S/N 574 AND BELOW)	1	-				
B	1-	70956007	BM1A6B FINAL ASSEMBLY I (S/N 575 AND ABOVE)	1	-				
B	1-	70955802	BM1A5B FINAL ASSEMBLY I (S/N 574 AND BELOW)	-	1				
B	1-	70955812	BM1A5B FINAL ASSEMBLY I (S/N 575 AND ABOVE)	-	1				
C	-6	70951800	LOGIC CHASSIS ASSEMBLY (SEE FIGURE 10)	1	-				
C	-6	70951803	LOGIC CHASSIS ASSEMBLY (SEE FIGURE 10)	-	1				
C	-7	40018604	POWER SUPPLY ASSEMBLY (S/N 574 AND BELOW) SEE FIGURE 11	1	1				
C	-7	40018604	POWER SUPPLY ASSEMBLY (S/N 575 AND ABOVE) SEE FIGURE 12	1	1				
C	-8	40059500	SPRING, CABLE CONTROL	2	2				
C	-9	40010501	DECK ASSEMBLY (S/N 574 AND BELOW) SEE FIGURE 2	2	2				
C	-9	72960001	DECK ASSEMBLY (S/N 575 AND ABOVE) SEE FIGURE 2	2	2				
C	-10	40011001	FRAME ASSEMBLY (SEE FIGURE 21)	1	1				
C	-11	70806504	FILTER BOX ASSEMBLY (S/N 574 AND BELOW) SEE FIGURE 19	1	1				
C	-11	70817803	FILTER BOX ASSEMBLY (S/N 575 THRU 847) SEE FIGURE 20	1	1				
C	-11	72979603	FILTER BOX ASSEMBLY (S/N 848 THRU 1730) SEE FIGURE 20	1	1				
C	-11	72988103	FILTER BOX ASSEMBLY (S/N 1731 AND ABOVE) SEE FIG. 20	1	1				
C	-12	92682019	FILTER, AIR	1	1				
C	-	40095400	CLAMP, CABLE (LOCATED AT LOWER REAR, RIGHT HAND SIDE OF FRAME)	1	1				
C	-	94000011	THUMBSCREW, 1/4-20 x 1-1/2 (MOUNTS CABLE CLAMP, P/N 40095400)	1	1				
C	-	50107302	LOGIC CARDS:						
C	-	50181701	LOGIC CARD, TYPE AAUN (S/N 574 AND BELOW)	2	2				
C	-	50183302	LOGIC CARD, TYPE AFEN	2	2				
C	-	50183302	LOGIC CARD, TYPE AFJN	2	2				
C	-	50106503	LOGIC CARD, TYPE BASN (S/N 1730 AND BELOW)	2	2				
C	-	50107305	LOGIC CARD, TYPE BAUN (S/N 575 AND ABOVE)	2	2				
C	-	50182502	LOGIC CARD, TYPE BFGN	2	2				
C	-	50104904	LOGIC CARD, TYPE CANN	2	2				
C	-	50105306	LOGIC CARD, TYPE DAPN (S/N 575 AND ABOVE)	2	2				
C	-	50105701	LOGIC CARD, TYPE OAQN (S/N 575 AND ABOVE)	2	2				
C	-	50106504	LOGIC CARD, TYPE OAFN (S/N 1731 AND ABOVE)	2	2				
C	-	50102101	LOGIC CARD, TYPE 8AFN	4	4				
C	-	50102900	LOGIC CARD, TYPE 8AHN	2	2				
C	-	50103300	LOGIC CARD, TYPE 8AJN	2	2				

ASSY LEVEL	INDEX NO.	EQUIPMENT PART NUMBER	ITEM DESCRIPTION	TAB NUMBER					
				00	01				
				NO. REQUIRED					
A	1-	70950100	BM1A6B FINAL ASSEMBLY II, 2X, DUAL CHANNEL, 50 HZ (SHEET 4 OF 4 CONT'D)	1	-				
A	1-	70950101	BM1A5B FINAL ASSEMBLY II, 2X, SINGLE CHANNEL, 50 HZ	-	1				
C	-	50103700	LOGIC CARD, TYPE 8AKN	2	2				
C	-	50105700**	LOGIC CARD, TYPE 8AQN (S/N 574 AND BELOW)	2	2				
C	-	50106100	LOGIC CARD, TYPE 8ARN	6	3				
C	-	50106900	LOGIC CARD, TYPE 8ATN	6	3				
C	-	50108100	LOGIC CARD, TYPE 8AWN	2	2				
C	-	50109300	LOGIC CARD, TYPE 8AZN	2	1				
C	-	50180100	LOGIC CARD, TYPE 8FAN	2	2				
C	-	50180500	LOGIC CARD, TYPE 8FBN	2	2				
C	-	50180900	LOGIC CARD, TYPE 8FCN	2	-				
C	-	50181300	LOGIC CARD, TYPE 8FDN	2	-				
C	-	50105305	LOGIC CARD, TYPE 9APN (S/N 574 AND BELOW)	2	2				
C	-	50108902	LOGIC CARD, TYPE 9AYN	2	2				

* FCO KIT PER FCO PM4334A (S/N 132 AND BELOW)
 ** REPLACE WITH TYPE "OAQN" AS PER FCO PE11429

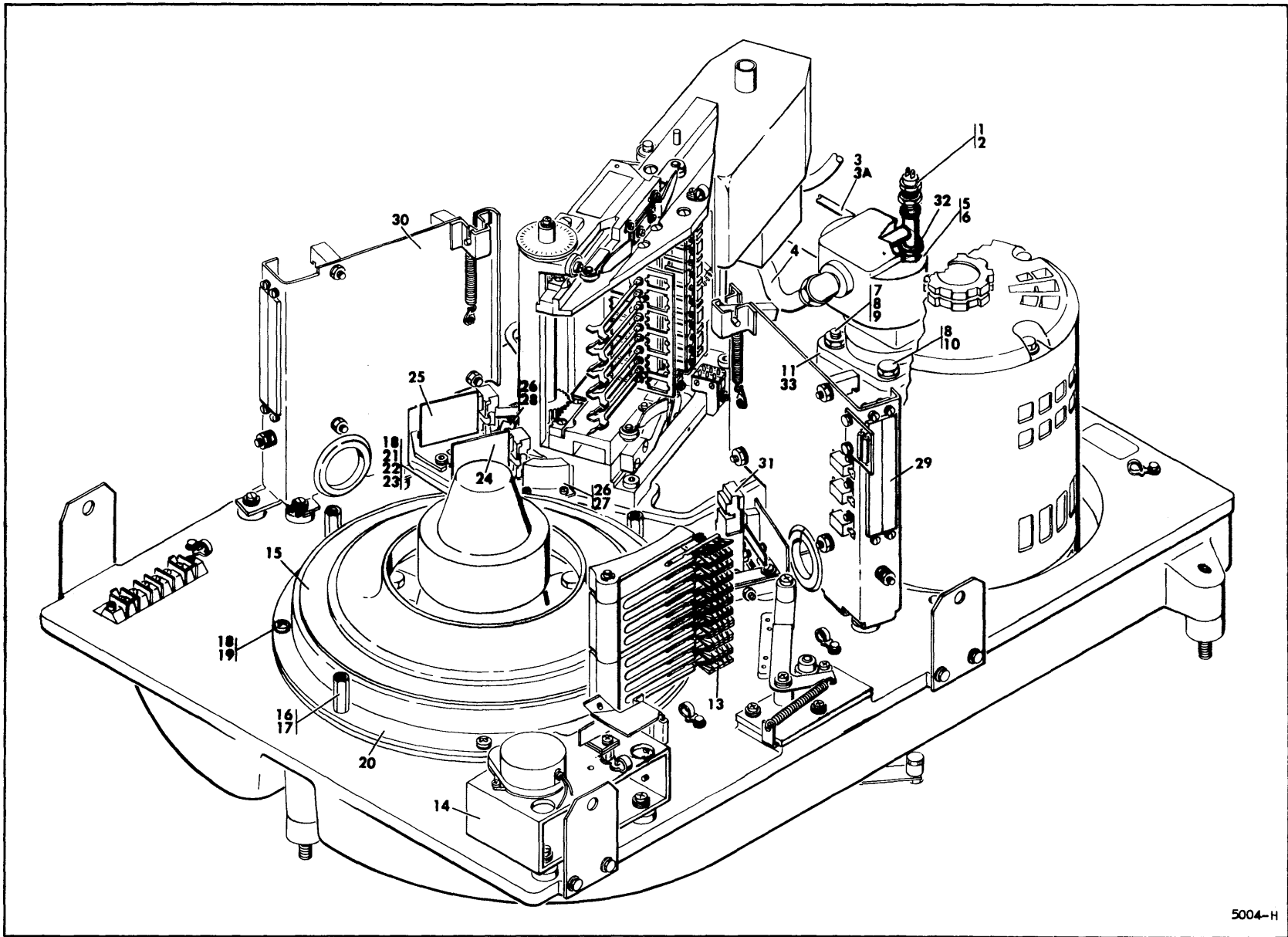


5003-F

FIGURE 2. DECK ASSEMBLY (SHEET 1 OF 5)

ASSY LEVEL	INDEX NO.	EQUIPMENT PART NUMBER	ITEM DESCRIPTION	TAB NUMBER				
				00	01			
				NO. REQUIRED				
C	2-	40010501	DECK ASSEMBLY (S/N 574 AND BELOW) SHEET 1 OF 5	2	2			
C	2-	72960001	DECK ASSEMBLY (S/N 575 AND ABOVE)	2	2			
D	-1	40066401	SHROUD SIDE COVER ASSEMBLY (S/N 310 AND BELOW)	1	1			
E	-	94303100	STUD ASSEMBLY, TURNLOCK FASTENER	4	4			
E	-	40066200	COVER, SIDE SHROUD	1	1			
D	-1	40098001	SHROUD SIDE COVER ASSEMBLY (S/N 311 AND ABOVE)	1	1			
E	-	94317708	FASTENER, STUD TYPE, OVAL HEAD, SLOTTED	4	4			
E	-	94317900	RETAINER, SPLIT RING	4	4			
E	-	40098400	COVER, SIDE SHROUD	1	1			
D	-2	40066400	SHROUD SIDE COVER ASSEMBLY (S/N 310 AND BELOW)	1	1			
E	-	94303100	STUD ASSEMBLY, TURNLOCK FASTENER	4	4			
E	-	40055300	COVER, SIDE SHROUD	1	1			
D	-2	40098000	SHROUD SIDE COVER ASSEMBLY (S/N 311 AND ABOVE)	1	1			
E	-	94317708	FASTENER, STUD TYPE, OVAL HEAD, SLOTTED	4	4			
E	-	94317900	RETAINER, SPLIT RING	4	4			
E	-	40098300	COVER, SIDE SHROUD	1	1			
D	-3	40069300	SHROUD	1	1			
D	-4	10125714	SCREW, MACHINE, FLAT HEAD, PHILLIPS, 6-32 x 3/8 (S/N 310 AND BELOW)	12	12			
D	-4	10125714	SCREW, MACHINE, FLAT HEAD, PHILLIPS, 6-32 x 3/8 (S/N 311 AND ABOVE)	8	8			
D	-5	40055400	PLATE, NUT, SHROUD (S/N 310 AND BELOW)	6	6			
D	-5	40055400	PLATE, NUT, SHROUD (S/N 311 AND ABOVE)	4	4			
D	-6	40055600	BRACKET, MOUNTING, SHROUD (S/N 310 AND BELOW)	4	4			
D	-6	40098200	BRACKET, MOUNTING, SHROUD (S/N 311 AND ABOVE)	4	4			
D	-7	40055401	PLATE, NUT, SHROUD (S/N 310 AND BELOW)	2	2			
D	-8	40055601	BRACKET, MOUNTING, SHROUD (S/N 310 AND BELOW)	2	2			
D	-9	92633001	BUMPER, GROMMET TYPE (S/N 310 AND BELOW)	2	2			
D	-10	10127132	SCREW, MACHINE, PAN HEAD, PHILLIPS, 10-24 x 1/2	4	4			
D	-11	10126105	WASHER, LOCK, INTERNAL TOOTH, 10	4	4			
D	-12	10125607	WASHER, PLAIN, 10	4	4			
D	-13	93592158	SCREW, MACHINE, HEXAGON WASHER HEAD, 6-32 x 1/4	8	8			
D	-14	40055500	BRACKET, MOUNTING, SIDE COVER (S/N 310 AND BELOW)	4	4			
D	-14	40098100	BRACKET, MOUNTING, SIDE COVER (S/N 311 AND ABOVE)	4	4			
D	-14A	94317800	RECEPTACLE, FASTENER, CLIP-ON (S/N 311 AND ABOVE)	8	8			
D	-15	72974200	SPINDLE AND LOCKSHAFT ASSEMBLY (SEE FIGURE 3)	1	1			
D	-16	40015100	CARRIAGE AND CARRIAGE MOUNT ASSEMBLY (S/N 1012 AND BELOW) SEE FIGURE 8	1	1			
D	-16	72981200	CARRIAGE AND CARRIAGE MOUNT ASSEMBLY (S/N 1013 AND ABOVE) SEE FIGURE 8	1	1			
D	-17	10126272	SCREW, MACHINE, CAP HEAD, SOCKET, 5/16-18 x 1	3	3			
D	-18	10125807	WASHER, LOCK, SPRING, 5/16	3	3			
D	-19	46836300	FLUID, HYDRAULIC (5 GALLON CONTAINER)	AR	AR			
D	-20	70802901*	ACTUATOR, HYDRAULIC	1	1			
D	-21	40098900	CABLE ASSEMBLY, W12 AND W112 (S/N 310 AND BELOW) SEE FIGURE 25	1	1			
D	-21	41254800	CABLE ASSEMBLY, W12 AND W112 (S/N 311 AND ABOVE) SEE FIGURE 25	1	1			
D	-22	94208500	LABEL, MODEL LEVEL	1	1			
D	-23	93592164	SCREW, MACHINE, HEXAGON WASHER HEAD, 6-32 x 1/2	9	9			
D	-24	94277406	STRIP, CABLE TIE	9	9			
D	-25	10127115	SCREW, MACHINE, PAN HEAD, PHILLIPS, 6-32 x 5/8	2	2			
D	-26	10126103	WASHER, LOCK, INTERNAL TOOTH, 6	2	2			
D	-27	94274306	STRIP, MARKER	1	1			
D	-28	40020400	TERMINAL BLOCK ASSEMBLY, TB300	1	1			
E	-	10126400	WASHER, LOCK, EXTERNAL TOOTH, 4	6	6			
E	-	94274115	TERMINAL, QUICK CONNECT, 90°	6	6			
E	-	94274112	TERMINAL, QUICK CONNECT, 45°	6	6			
E	-	94272305	BLOCK, TERMINAL	1	1			
D	-29	93568005	MOUNT, VIBRATION	3	3			
D	-30	10126528	SCREW, MACHINE, HEXAGON CAP HEAD, 3/8-16 x 3/4	2	2			
D	-31	10125808	WASHER, LOCK, SPRING, 3/8	2	2			
D	-32	10125610	WASHER, PLAIN, 3/8	2	2			
D	-	70957100	DECK MAGNET ASSEMBLY	1	1			
E	-33	10127113	SCREW, MACHINE, PAN HEAD, PHILLIPS, 6-32 x 3/8	8	8			
E	-34	10126401	WASHER, LOCK, EXTERNAL TOOTH, 6	8	8			
E	-35	10125605	WASHER, PLAIN, 6	8	8			
E	-36	70956600	PLATE, NUT	1	1			
E	-37	92637001	CATCH, MAGNETIC	2	2			
E	-38	70956500	BRACKET, MOUNTING, MAGNET	1	1			
D	-39	40097000	DECK, MAIN (S/N 310 AND BELOW)	1	1			
D	-39	45082200	DECK, MAIN (S/N 311 AND ABOVE)	1	1			
C	-40	10125302	NUT, HEXAGON, 5/16-18	6	6			
C	-41	10126405	WASHER, LOCK, EXTERNAL TOOTH, 5/16	6	6			

ASSY LEVEL	INDEX NO.	EQUIPMENT PART NUMBER	ITEM DESCRIPTION	TAB NUMBER						
				00	01					
				NO. REQUIRED						
C	2-	40010501	DECK ASSEMBLY (S/N 574 AND BELOW) SHEET 1 OF 5 CONT'D	2	2					
C	2-	72960001	DECK ASSEMBLY (S/N 575 AND ABOVE)	2	2					
			* REFER TO MAINTENANCE MANUAL FOR BREAKDOWN OF FIELD REPLACEABLE PARTS DATA ON ACTUATOR.							
			ON MDD UNITS WITH S/N 574 AND BELOW - WHEN REPLACING THE ACTUATOR, THE FOLLOWING ITEMS MUST BE REPLACED ALSO:							
	-	70807600	TUBE, SUPPLY (APPEARS ON FIG. 2, SHEET 2 OF 5)	1	1					
	-	70809300	TUBE, DETENT (APPEARS ON FIG. 2, SHEET 4 OF 5)	1	1					



5004-H

FIGURE 2. DECK ASSEMBLY (SHEET 2 OF 5)

ASSY LEVEL	INDEX NO.	EQUIPMENT PART NUMBER	ITEM DESCRIPTION	TAB NUMBER				
				00	01			
				NO. REQUIRED				
C	2-	40010501	DECK ASSEMBLY (S/N 574 AND BELOW) SHEET 2 OF 5	2	2			
C	2-	72960001	DECK ASSEMBLY (S/N 575 AND ABOVE)	2	2			
D	-1	94313200	SWITCH, PRESSURE, 4 AMP, 24 VDC	1	1			
D	-2	94194100	BUSHING, MALE P. T. 1/4 TO FEMALE P. T. 1/8	1	1			
D	-3	40066900*	TUBE, SUPPLY (S/N 310 AND BELOW)	1	1			
D	-3	70517300*	TUBE, SUPPLY (S/N 311 THRU 574)	1	1			
D	-3	70807600	TUBE, SUPPLY (S/N 575 AND ABOVE)	1	1			
D	-3A	94349300	FILTER, LINE, 45°	1	1			
D	-4	64307700	HOSE, LOW PRESSURE, BRAIDED	AR	AR			
D	-5 /	40023400	COUPLING, HYDRAULIC PUMP DRIVE	1	1			
D	-6 /	94309400	PUMP, HYDRAULIC	1	1			
D	-7	10125302	NUT, HEXAGON, 5/16-18	2	2			
D	-8	10125807	WASHER, LOCK, SPRING, 5/16	4	4			
D	-9	93123332	ROD, THREADED, 5/16-18	2	2			
D	-10	10126520	SCREW, MACHINE, HEXAGON CAP HEAD, 5/16-18 x 1-3/4	2	2			
D	-11	40020100	HYDRAULIC PUMP DRIVE ASSEMBLY	1	1			
E	-	94302800	SEAL, OIL	1	1			
E	-	92033205	RING, RETAINING, 1.150 OD	1	1			
E	-	92033016	RING, RETAINING, 1.249 OD	1	1			
E	-	92054131	BEARING, BALL	2	2			
E	-	40023500	SHAFT, PUMP DRIVE	1	1			
E	-	40065800	HOUSING, PUMP DRIVE	1	1			
	-12		NOT USED					
D	-13	40024500	BRUSH, DISK	10	10			
D	-14	40010201	DISK CLEANER ASSEMBLY (S/N 310 AND BELOW) SEE FIGURE 4	1	1			
D	-14	45085101	DISK CLEANER ASSEMBLY (S/N 311 THRU 1012) SEE FIGURE 4	1	1			
D	-14	72963101	DISK CLEANER ASSEMBLY (S/N 1013 AND ABOVE) SEE FIGURE 4	1	1			
D	-15	40517402	SEAL, FOAM	1	1			
D	-16	93072335	SCREW, SET, SOCKET HEAD, FLAT POINT, 10-24 x 1	4	4			
D	-17	40055000	STANDOFF, SHROUD	4	4			
D	-18	10127132	SCREW, MACHINE, PAN HEAD, PHILLIPS, 10-24 x 1/2	4	4			
D	-19	10126105	WASHER, LOCK, INTERNAL TOOTH, 10	3	3			
D	-20	40069200	BAFFLE, AIR	1	1			
D	-21	10126403	WASHER, LOCK, EXTERNAL TOOTH, 10	1	1			
D	-22	93154149	TUBING, HEAT SHRINK	AR	AR			
D	-23	40069400	BRACKET, MOUNTING, CABLE	1	1			
D	-24	40021500	PRE-AMP CYLINDER DETECTOR CIRCUIT CARD ASSEMBLY (S/N 574 AND BELOW)	1	1			
D	-24	40021501	PRE-AMP CYLINDER DETECTOR CIRCUIT CARD ASSEMBLY (S/N 575 AND ABOVE)	1	1			
E	-	92496153	CAPACITOR, FIXED, PLASTIC, 2700 PF, 200V, C1	1	1			
E	-	92427007	CAPACITOR, FIXED, ELECTROLYTIC, 0.1 UF, 35V, C2, C3	2	2			
E	-	50210600	TRANSISTOR, PNP, Q1	1	1			
E	-	50210801	TRANSISTOR, NPN, Q2	1	1			
E	-	92512246	RESISTOR, FIXED, COMPOSITION, 33 OHM, 1/4W, R1	1	1			
E	-	92512259	RESISTOR, FIXED, COMPOSITION, 5.6K OHM, 1/4W, R2	1	1			
E	-	92512161	RESISTOR, FIXED, COMPOSITION, 3.3K OHM, 1/4W, R3	1	1			
E	-	92512154	RESISTOR, FIXED, COMPOSITION, 150 OHM, 1/4W, R4	1	1			
E	-	92512163	RESISTOR, FIXED, COMPOSITION, 6.8K OHM, 1/4W, R5	1	1			
E	-	92512160	RESISTOR, FIXED, COMPOSITION, 2.2K OHM, 1/4W, R6	1	1			
E	-	92512250	RESISTOR, FIXED, COMPOSITION, 330 OHM, 1/4W, R7	1	1			
E	-	40037800	CLAMP, CONNECTOR	1	1			
E	-	40039100	CONNECTOR, RECEPTACLE, 6 FORMED PINS	1	1			
E	-	40021400	CARD, BLANK (S/N 574 AND BELOW)	1	1			
E	-	40021401	CARD, BLANK (S/N 575 AND ABOVE)	1	1			
D	-25	40021800	PRE-AMP DETECT SENSING CIRCUIT CARD ASSEMBLY	1	1			
E	-	92406153	CAPACITOR, FIXED, PLASTIC, 2700 PF, 200V, C1	1	1			
E	-	92496127	CAPACITOR, FIXED, PLASTIC, 0.01 UF, 200V, C2	1	1			
E	-	92115023	DIODE, SILICON, CR1, CR2	2	2			
E	-	50210601	TRANSISTOR, PNP, Q1	1	1			
E	-	50210801	TRANSISTOR, NPN, Q2	1	1			
E	-	92512246	RESISTOR, FIXED, COMPOSITION, 33 OHM, 1/4W, R1	1	1			
E	-	92512170	RESISTOR, FIXED, COMPOSITION, 10K OHM, 1/4W, R2, R4	2	2			
E	-	92512267	RESISTOR, FIXED, COMPOSITION, 82K OHM, 1/4W, R3	1	1			
E	-	92512158	RESISTOR, FIXED, COMPOSITION, 1K OHM, 1/4W, R5, R8	2	2			
E	-	92512250	RESISTOR, FIXED, COMPOSITION, 330 OHM, 1/4W, R6, R7	2	2			
E	-	40037800	CLAMP, CONNECTOR	1	1			
E	-	40039100	CONNECTOR, RECEPTACLE, 6 FORMED PINS	1	1			
E	-	40021700	CARD, BLANK	1	1			
D	-26	10127104	SCREW, MACHINE, PAN HEAD, PHILLIPS, 4-40 x 3/8	4	4			
D	-27	40055700	SHIELD, DISK, TRACK POSITION	1	1			
D	-28	40055800	SHIELD, DISK, TRACK POSITION	1	1			
D	-29	40015400	RIGHT PRE-AMP CHASSIS ASSEMBLY (S/N 132 AND BELOW) SEE FIGURE 7	1	1			

ASSY LEVEL	INDEX NO.	EQUIPMENT PART NUMBER	ITEM DESCRIPTION	TAB NUMBER					
				00	01				
				NO. REQUIRED					
C	2-	40010501	DECK ASSEMBLY (S/N 574 AND BELOW) SHEET 2 OF 5 CONT'D	2	2				
C	2-	72960001	DECK ASSEMBLY (S/N 575 AND ABOVE)	2	2				
D	-29	40099800	RIGHT PRE-AMP CHASSIS ASSEMBLY (S/N 133 AND ABOVE) SEE FIGURE 7	1	1				
D	-30	40015300	LEFT PRE-AMP CHASSIS ASSEMBLY (S/N 132 AND BELOW) SEE FIGURE 7	1	1				
D	-30	40099900	LEFT PRE-AMP CHASSIS ASSEMBLY (S/N 133 AND ABOVE) SEE FIGURE 7	1	1				
D	-31	40012501	SECTOR SENSOR ASSEMBLY (SEE FIGURE 6)	1	1				
D	-32	94310400	FITTING, INVERTED FLARE TUBE	1	1				
	-33	93819450**	SCREW, SET, SOCKET HEAD, FLAT POINT, 5/16-18 x 1/2	4	4				
			*REFER TO NOTE ON FIG. 2 (SHEET 1 OF 5) REGARDING ACTUATOR REPLACEMENT.						
			**FCO KIT PER FCO PE11152 (S/N 132 AND BELOW).						

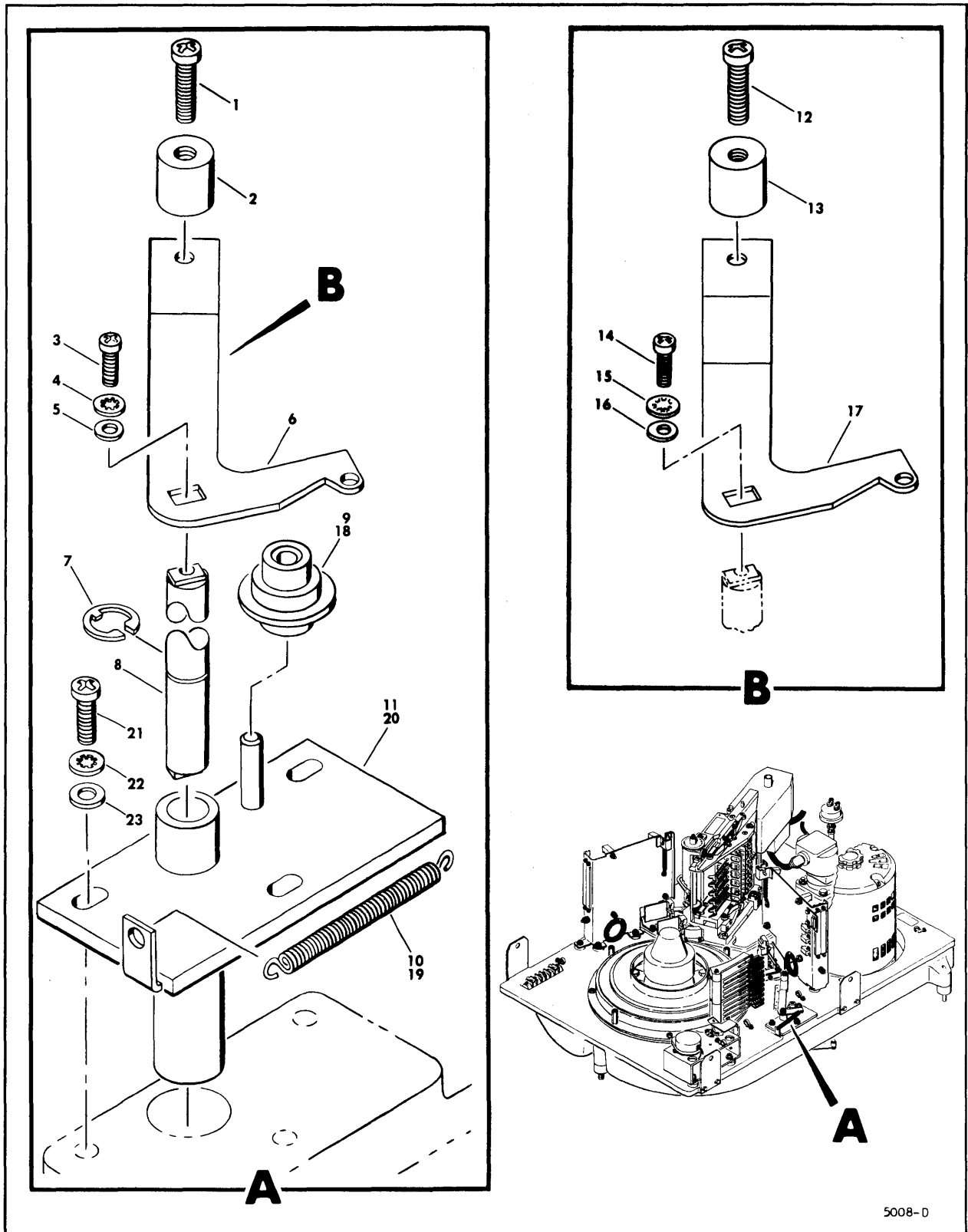
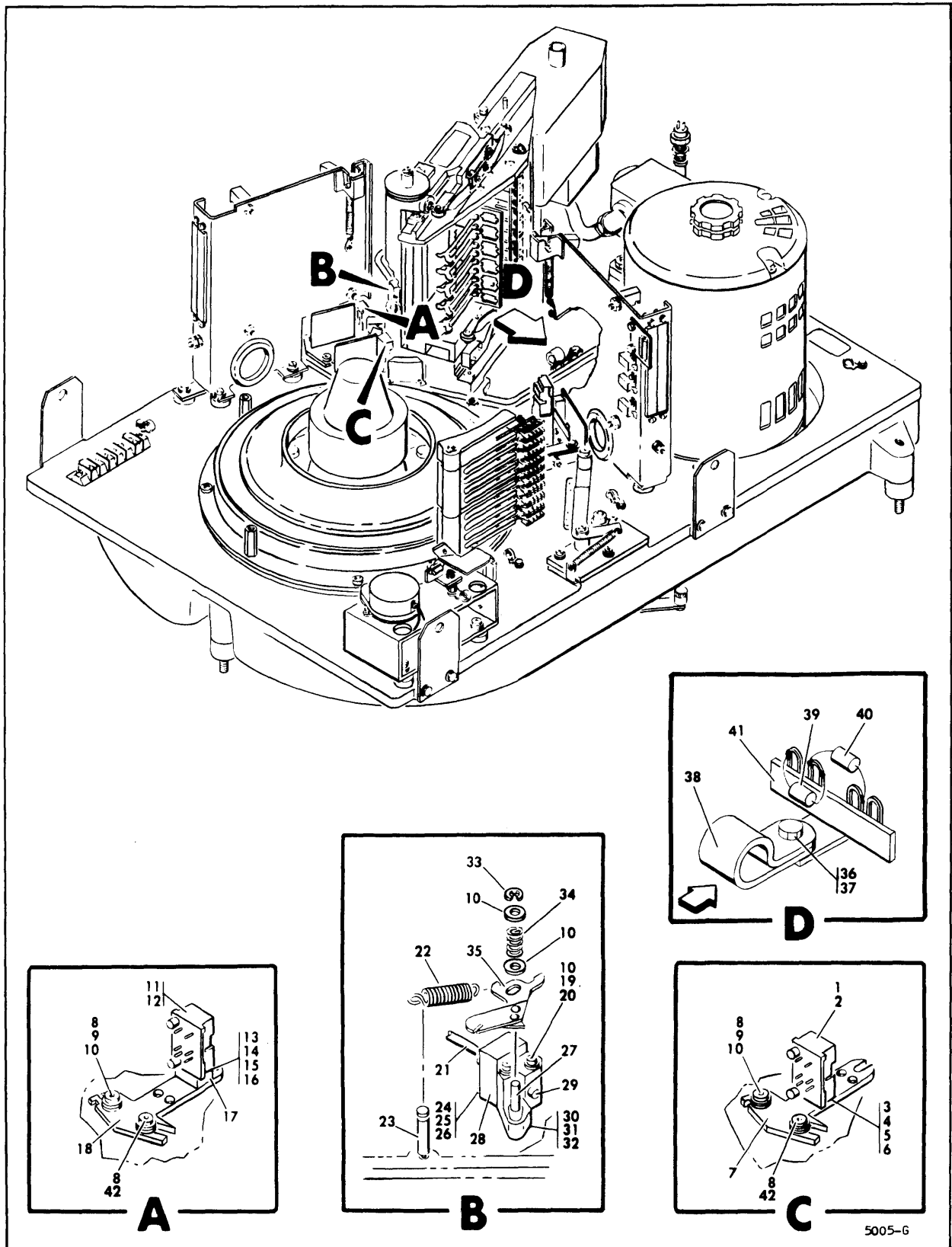


FIGURE 2. DECK ASSEMBLY (SHEET 3 OF 5)

ASSY LEVEL	INDEX NO.	EQUIPMENT PART NUMBER	ITEM DESCRIPTION	TAB NUMBER					
				00	01				
				NO. REQUIRED					
C	2-	40010501	DECK ASSEMBLY (S/N 574 AND BELOW) SHEET 3 OF 5	2	2				
C	2-	72960001	DECK ASSEMBLY (S/N 575 AND ABOVE)	2	2				
D	-	40090500*	SECTOR SENSOR POSITIONER ASSEMBLY	1	1				
E	-1	93590204*	SCREW, MACHINE, PAN HEAD, PHILLIPS, 8-32 x 5/8	1	1				
E	-2	40027200*	BLOCK, SLIDE	1	1				
E	-3	10127113*	SCREW, MACHINE, PAN HEAD, PHILLIPS, 6-32 x 3/8	1	1				
E	-4	10126103*	WASHER, LOCK, INTERNAL TOOTH, 6	1	1				
E	-5	10125605*	WASHER, PLAIN, 6	1	1				
E	-6	40090400*	ARM, CAM	1	1				
E	-7	92033069*	RING, RETAINING	1	1				
E	-8	40090300*	SHAFT, PIVOT	1	1				
E	-9	40069900*	BLOCK, CAM ARM	1	1				
E	-10	40058800*	SPRING, EXTENSION	1	1				
E	-11	40031900*	MOUNT, CAM ARM	1	1				
D	-12	93590204**	SCREW, MACHINE, PAN HEAD, PHILLIPS, 6-32 x 5/8	1	1				
D	-13	40027200**	BLOCK, SLIDE	1	1				
D	-14	10127113**	SCREW, MACHINE, PAN HEAD, PHILLIPS, 6-32 x 3/8	1	1				
D	-15	10126103**	WASHER, LOCK, INTERNAL TOOTH, 6	1	1				
D	-16	10125605**	WASHER, PLAIN, 6	1	1				
D	-17	72974800**	ARM, CAM	1	1				
D	-18	40069900**	BLOCK, CAM ARM	1	1				
D	-19	40058800**	SPRING, EXTENSION	1	1				
D	-20	40031900**	MOUNT, CAM ARM	1	1				
D	-21	10127123	SCREW, MACHINE, PAN HEAD, PHILLIPS, 8-32 x 1/2	3	3				
D	-22	10126104	WASHER, LOCK, INTERNAL TOOTH, 8	3	3				
D	-23	10125606	WASHER, PLAIN, 8	3	3				

* S/N 1730 AND BELOW

** S/N 1731 AND ABOVE



5005-6

FIGURE 2. DECK ASSEMBLY (SHEET 4 OF 5)

ASSY LEVEL	INDEX NO.	EQUIPMENT PART NUMBER	ITEM DESCRIPTION	TAB NUMBER				
				00	01			
				NO. REQUIRED				
C	2-	40010501	DECK ASSEMBLY (S/N 574 AND BELOW) SHEET 4 OF 5	2	2			
C	2-	72960001	DECK ASSEMBLY (S/N 575 AND ABOVE)	2	2			
D	-	40013200	TRACK INDEX TRANSDUCER ASSEMBLY (S/N 1730 AND BELOW)	1	1			
D	-	72989700	TRACK INDEX TRANSDUCER ASSEMBLY (S/N 1731 AND ABOVE)	1	1			
E	-1	18177106	SCREW, MACHINE, FLAT HEAD, SLOTTED, 4-40 x 3/8	2	2			
E	-2	40058700	TRANSDUCER, DETENT	1	1			
E	-3	40055900	SHIM, TRANSDUCER, 0.002 THICK	3	3			
E	-4	40055901	SHIM, TRANSDUCER, 0.005 THICK	1	1			
E	-5	40055902	SHIM, TRANSDUCER, 0.010 THICK	1	1			
E	-6	40055903	SHIM, TRANSDUCER, 0.015 THICK	1	1			
E	-7	40054000	PLATE, MOUNTING, TRANSDUCER (S/N 449 AND BELOW)	1	1			
E	-7	72960400	PLATE, MOUNTING, TRANSDUCER (S/N 450 THRU 1730)	1	1			
E	-7	72989900	PLATE, MOUNTING, TRANSDUCER (S/N 1731 AND ABOVE)	1	1			
D	-8	10126213	SCREW, MACHINE, CAP HEAD, SOCKET, 4-40 x 3/8	4	4			
D	-9	93651022	WASHER, BELLEVILLE (S/N 1730 AND BELOW)	8	8			
D	-9	93651022	WASHER, BELLEVILLE (S/N 1731 AND ABOVE)	4	4			
D	-10	10125603	WASHER, PLAIN, 4 (S/N 1730 AND BELOW)	12	12			
D	-10	10125603	WASHER, PLAIN, 4 (S/N 1731 AND ABOVE)	8	8			
D	-	40013100	DETENT TRANSDUCER ASSEMBLY (S/N 1730 AND BELOW)	1	1			
D	-	72989800	DETENT TRANSDUCER ASSEMBLY (S/N 1731 AND ABOVE)	1	1			
E	-11	18177107	SCREW, MACHINE, FLAT HEAD, SLOTTED, 4-40 x 5/8	2	2			
E	-12	40058700	TRANSDUCER, DETENT	1	1			
E	-13	40055900	SHIM, TRANSDUCER, 0.002 THICK	3	3			
E	-14	40055901	SHIM, TRANSDUCER, 0.005 THICK	1	1			
E	-15	40055902	SHIM, TRANSDUCER, 0.010 THICK	1	1			
E	-16	40055903	SHIM, TRANSDUCER, 0.015 THICK	1	1			
E	-17	40054400	SPACER, TRANSDUCER	1	1			
E	-18	40054000	PLATE, MOUNTING, TRANSDUCER (S/N 449 AND BELOW)	1	1			
E	-18	72960400	PLATE, MOUNTING, TRANSDUCER (S/N 450 THRU 1730)	1	1			
E	-18	72989900	PLATE, MOUNTING, TRANSDUCER (S/N 1731 AND ABOVE)	1	1			
D	-19	10127327	SCREW, MACHINE, PAN HEAD, SLOTTED, 4-40 x 1	2	2			
D	-20	10126400	WASHER, LOCK, EXTERNAL TOOTH, 4	2	2			
D	-21	40062700+	TUBE, DETENT (S/N 574 AND BELOW)	1	1			
D	-21	70809300	TUBE, DETENT (S/N 575 AND ABOVE)	1	1			
D	-22	40080600	SPRING, EXTENSION	1	1			
D	-23	40054300	STUD, DETENT SPRING	1	1			
D	-	70715700	DETENT ACTUATOR ASSEMBLY	1	1			
E	-24	10126215	SCREW, MACHINE, CAP HEAD, SOCKET, 4-40 x 5/8	4	4			
E	-25	10126101	WASHER, LOCK, INTERNAL TOOTH, 4	4	4			
	-26		NOT APPLICABLE					
E	-27	40056900	PIVOT, DETENT PAWL	1	1			
E	-28	40057200	HEAD, DETENT ACTUATOR	1	1			
E	-29	40057100	PLUNGER, DETENT ACTUATOR	1	1			
E	-30	40056800	DIAPHRAGM, DETENT ACTUATOR	1	1			
E	-31	70715600	BLOCK, DETENT ACTUATOR	1	1			
D	-32	40057000	SHIM, DETENT ACTUATOR	5	5			
D	-33	92033089	RING, RETAINING	1	1			
D	-34	40080500	SPRING, COMPRESSION, DETENT	1	1			
D	-35	40063102*	DETENT PAWL ASSEMBLY	1	1			
D	-36	93592164	SCREW, MACHINE, HEXAGON WASHER HEAD, 6-32 x 1/2	1	1			
D	-37	10126401	WASHER, LOCK, EXTERNAL TOOTH, 6	1	1			
D	-38	94277406	STRAP, CABLE TIE	1	1			
	-	70812800**	PRESS SWITCH SUPPRESSION ASSEMBLY, WIRED, TB305	1	1			
D	-	70804600**	PRESS AND BRUSH SWITCH SUPPRESSION ASSEMBLY (COMPONENT ITEM OF THE DIRECT PRECEDING ASSEMBLY)	1	1			
D	-	70804600	PRESS AND BRUSH SWITCH SUPPRESSION ASSEMBLY, TB305 (S/N 311 AND ABOVE)	1	1			
E	-39	92512470	RESISTOR, FIXED, COMPOSITION, 10 OHM, 1/4W, R315	1	1			
E	-40	92427023	CAPACITOR, FIXED, ELECTROLYTIC, 1 UF, 35V, C305	1	1			
E	-41	93301015	TERMINAL STRIP, TIE DOWN	1	1			
D	-42	72900800	SPACER, ADJUSTING (S/N 1731 AND ABOVE)	2	2			

+ REFER TO NOTE ON FIG. 2 (SHEET 1 OF 5) REGARDING ACTUATOR REPLACEMENT.

* REPLACE AS A UNIT

** PORTION OF FCO KIT, PER FCO PE11044 (S/N 310 AND BELOW)

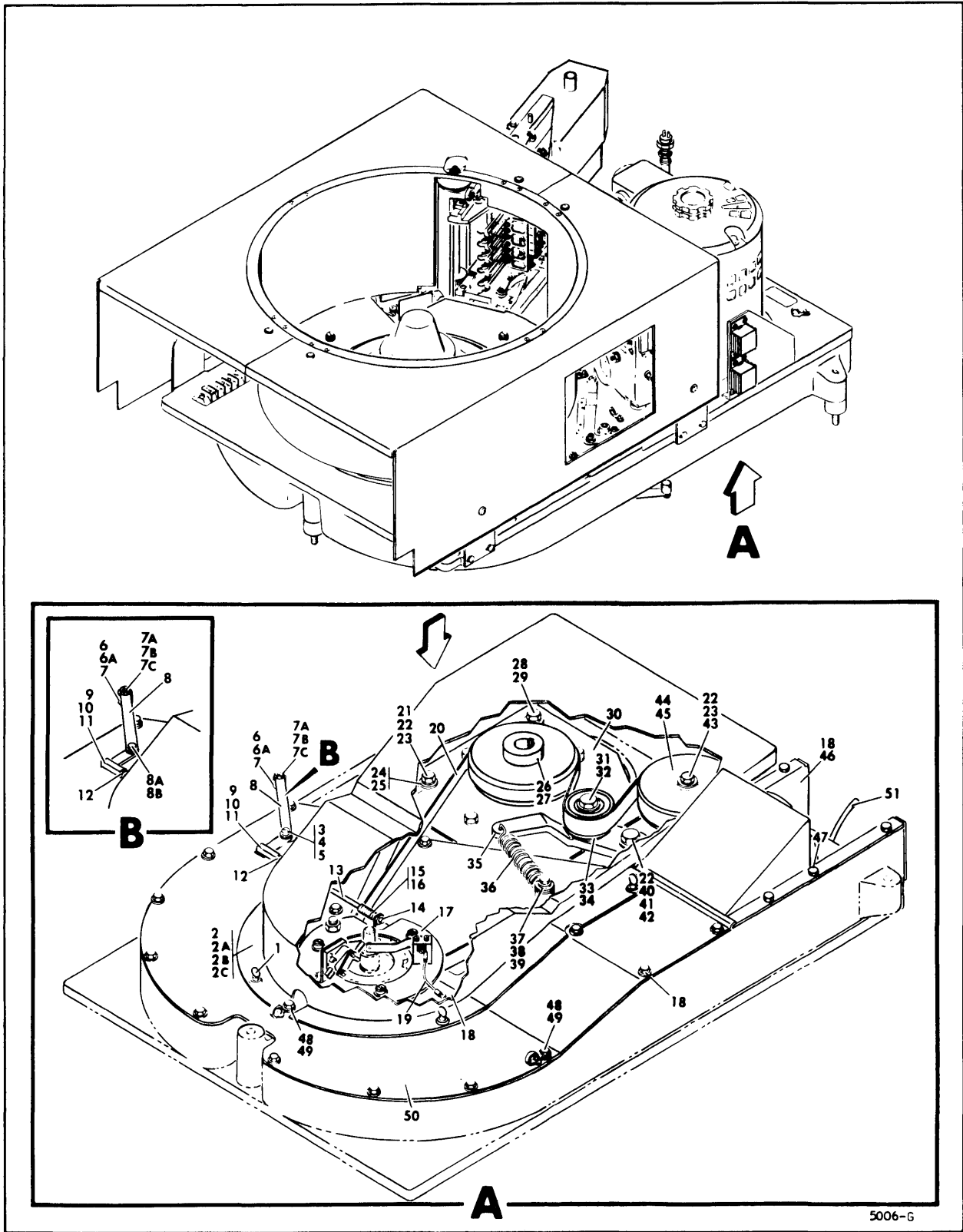
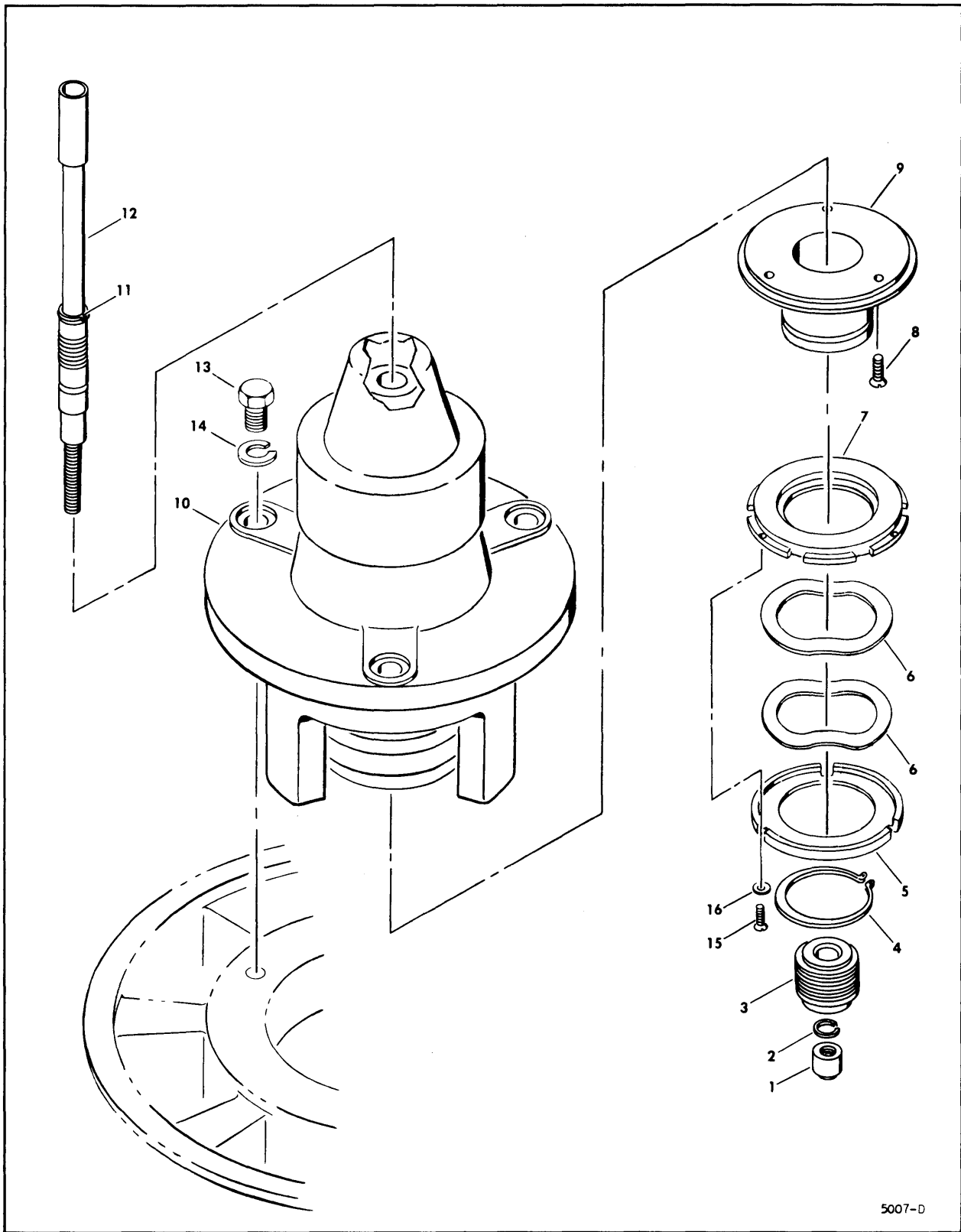


FIGURE 2. DECK ASSEMBLY (SHEET 5 OF 5)

ASSY LEVEL	INDEX NO.	EQUIPMENT PART NUMBER	ITEM DESCRIPTION	TAB NUMBER				
				00	01			
				NO. REQUIRED				
C	2-	40010501	DECK ASSEMBLY (S/N 574 AND BELOW) SHEET 5 OF 5	2	2			
C	2-	72960001	DECK ASSEMBLY (S/N 575 AND ABOVE)	2	2			
D	-	40015000	DRIVE BELT COVER ASSEMBLY	1	1			
E	-1	94294303	STUD ASSEMBLY	4	4			
E	-2	40030800	COVER, DRIVE BELT	1	1			
D	-2A	10127122	SCREW, MACHINE, PAN HEAD, PHILLIPS, 8-32 x 3/8	2	2			
D	-2B	10126402	WASHER, LOCK, EXTERNAL TOOTH, 8	2	2			
D	-2C	10125606	WASHER, PLAIN, 8	2	2			
D	-3	10127113	SCREW, MACHINE, PAN HEAD, PHILLIPS, 6-32 x 3/8 (S/N 1730 AND BELOW)	1	1			
D	-4	10126103	WASHER, LOCK, INTERNAL TOOTH, 6 (S/N 1730 AND BELOW)	1	1			
D	-5	10125605	WASHER, PLAIN, 6 (S/N 1730 AND BELOW)	1	1			
D	-	70802400	SPINDLE LOCK LINKAGE ASSEMBLY (S/N 1730 AND BELOW)	1	1			
D	-	72974900	SPINDLE LOCK LINKAGE ASSEMBLY (S/N 1731 AND ABOVE)	1	1			
E	-6	10126258	SCREW, MACHINE, CAP HEAD, SOCKET, 1/4-20 x 1	1	1			
E	-6A	70804400	SPACER, INSULATING	1	1			
E	-7	93715021	BEARING, NEEDLE	1	1			
E	-7A	93564006	WASHER, NYLON	2	2			
E	-7B	10126106	WASHER, LOCK, INTERNAL TOOTH, 1/4	1	1			
E	-7C	10125301	NUT, HEXAGON, 1/4-20	1	1			
E	-8	70802300	ARM, POSITIONING (S/N 1730 AND BELOW)	1	1			
E	-8	72970700*	ARM, POSITIONING (S/N 1731 AND ABOVE)	1	1			
E	-8A	72970600*	SHAFT, PIVOT (S/N 1731 AND ABOVE)	1	1			
E	-8B	92033069	RING, RETAINING (S/N 1731 AND ABOVE)	1	1			
E	-9	40069600	PIVOT, CONNECTING ROD	1	1			
E	-10	92033085	RING, RETAINING	1	1			
E	-11	93564004	WASHER, NYLON	1	1			
E	-12	10125105	NUT, HEXAGON, 6-32	1	1			
E	-13	40069701	ROD, CONNECTING	1	1			
D	-14	93210006	WASHER, PLAIN, 5	1	1			
D	-15	92033034	RING, RETAINING	2	2			
D	-16	40057900	SPRING, COMPRESSION	1	1			
D	-17	72974400	SPINDLE LOCK AND SWITCH ASSEMBLY (SEE FIGURE 5)	1	1			
D	-18	93592162	SCREW, MACHINE, HEXAGON WASHER HEAD, 6-32 x 3/8	25	25			
D	-19	94281419	CABLE, GROUND	1	1			
D	-20	92314043	BELT, DRIVE, FLAT	1	1			
D	-21	10126530	SCREW, MACHINE, HEXAGON CAP HEAD, 3/8-16 x 1	3	3			
D	-22	10125808	WASHER, LOCK, SPRING, 3/8	7	7			
D	-23	10125610	WASHER, PLAIN, 3/8	4	4			
D	-24	41267900	INSULATOR, MOTOR MOUNTING	3	3			
D	-25	41267800	WASHER, MOTOR MOUNTING	3	3			
D	-	70955701	DRIVE MOTOR ASSEMBLY, 50 HERTZ	1	1			
E	-26	93094367	SCREW, SET, SOCKET HEAD, CUP POINT, 1/4-20 x 3/8	1	1			
E	-27	70956703	PULLEY, DRIVE MOTOR	1	1			
E	-28	10126527	SCREW, MACHINE, HEXAGON CAP HEAD, 3/8-16 x 5/8	4	4			
E	-29	10125808	WASHER, LOCK, SPRING, 3/8	4	4			
E	-30	40023900	PLATE, MOUNTING, MOTOR	1	1			
E	-	40017300	CABLE ASSEMBLY, W14 (SEE FIGURE 25)	1	1			
E	-	92801001	CLAMP, CABLE, BOX CONNECTOR	1	1			
E	-	94309202	MOTOR, END MOUNTED, 50 HERTZ (WITH KEY, P/N 94307400)	1	1			
E	-	93590162	SCREW, MACHINE, PAN HEAD, PHILLIPS, 6-32 x 3/8	1	1			
E	-	10126401	WASHER, LOCK, EXTERNAL TOOTH, 6	1	1			
D	-	40012200	IDLER ASSEMBLY	1	1			
E	-31	10126532	SCREW, MACHINE, HEXAGON CAP HEAD, 3/8-16 x 1-1/2	1	1			
E	-32	94047015	WASHER, SPECIAL	1	1			
E	-33	41266500	HUB, IDLER BEARING	1	1			
E	-34	93528004	BEARING, BALL	1	1			
E	-35	40037000	ARM, IDLER	1	1			
D	-36	40024200	SPRING, IDLER	1	1			
D	-37	10126505	SCREW, MACHINE, HEXAGON CAP HEAD, 1/4-20 x 1-1/4	1	1			
D	-38	10125608	WASHER, PLAIN, 1/4	1	1			
D	-39	40023600	POST, IDLER SPRING	1	1			
D	-40	10126532	SCREW, MACHINE, HEXAGON CAP HEAD, 3/8-16 x 1-1/2	1	1			
D	-41	94047015	WASHER, IDLER BEARING	1	1			
D	-42	40023700	SPACER, IDLER ARM	1	1			
D	-43	10125303	NUT, HEXAGON, 3/8-16	1	1			
D	-44	94006029	WOODRUFF KEY, 1/16 x 3/8	1	1			
D	-45	40028000	PULLEY, PUMP DRIVE	1	1			
D	-46	40092400	COVER, DUCT (S/N 574 AND BELOW)	1	1			
D	-46	70819100	COVER, DUCT (S/N 575 AND ABOVE)	1	1			
D	-47	93592158	SCREW, MACHINE, HEXAGON WASHER HEAD, 6-32 x 1/4	6	6			
D	-48	93592166	SCREW, MACHINE, HEXAGON WASHER HEAD, 6-32 x 5/8	2	2			
D	-49	94277406	STRAP, CABLE TIE	2	2			
D	-50	40014400	DUCT COVER ASSEMBLY	1	1			
E	-	92628402	TAPE, FOAM, 1/8 x 3/8	AR	AR			

ASSY LEVEL	INDEX NO.	EQUIPMENT PART NUMBER	ITEM DESCRIPTION	TAB NUMBER					
				00	01				
				NO. REQUIRED					
C	2-	40010501	DECK ASSEMBLY (S/N 574 AND BELOW) SHEET 5 OF 5 CONT'D	2	2				
C	2-	72960001	DECK ASSEMBLY (S/N 575 AND ABOVE)	2	2				
E	-	94294302	NUT, FASTENER, 1/4 TURN	4	4				
E	-	94294301	RECEPTACLE, FASTENER, 1/4 TURN	4	4				
E	-	40030700	COVER, DUCT	1	1				
C	-51	94281416	CABLE, GROUND (LOCATED ON UPPER DECK)	1	1				
C	-51	94281417	CABLE, GROUND (LOCATED ON LOWER DECK)	1	1				
			* REPLACE BOTH ITEMS IF EITHER FAILS. THE PIVOT SHAFT IS PERMANENTLY STAKED TO THE POSITIONING ARM.						



5007-D

FIGURE 3. SPINDLE AND LOCKSHAFT ASSEMBLY

ASSY LEVEL	INDEX NO.	EQUIPMENT PART NUMBER	ITEM DESCRIPTION	TAB NUMBER				
				00	01			
				NO. REQUIRED				
D	3-	72974200	SPINDLE AND LOCKSHAFT ASSEMBLY	1	1			
E	-1	72974300	SLEEVE, SPINDLE GROUND	1	1			
E	-2	10125806	WASHER, LOCK, SPRING, 1/4	1	1			
E	-3	72902400*	LOWER LOCKSHAFT ASSEMBLY	1	1			
E	-4	92033245	RING, RETAINING	1	1			
E	-5	70810300**	WASHER, RETAINING	1	1			
E	-6	70814500**	WASHER, SPRING, MODIFIED	2	2			
E	-7	70810500**	PLATE, FRICTION, SPINDLE LOCK	1	1			
E	-8	10125751	SCREW, MACHINE, FLAT HEAD, PHILLIPS, 10-32 x 1	3	3			
E	-9	70814200*	FRICTION PLATE HUB ASSEMBLY	1	1			
E	-10	70709000*	SPINDLE ASSEMBLY	1	1			
E	-11	92033113	RING, RETAINING	1	1			
E	-12	72974100*	LOCKSHAFT ASSEMBLY, SPINDLE	1	1			
D	-13	10126531	SCREW, MACHINE, HEXAGON CAP HEAD, 3/8-16 x 1-1/4	3	3			
D	-14	10125808	WASHER, LOCK, SPRING, 3/8	3	3			
	-15	10127334**	SCREW, MACHINE, PAN HEAD, SLOTTED, 6-32 x 3/8 (REMOVED AFTER ASSEMBLY OF SPINDLE AND LOCK- SHAFT)	3	3			
	-16	10125605**	WASHER, PLAIN, 6 (REMOVED AFTER ASSEMBLY OF SPINDLE AND LOCKSHAFT)	3	3			
			* REPLACE EACH OF THESE ITEMS AS UNITS					
			** THESE ITEMS COMPRISE THE FRICTION PLATE AND SPRING ASSEMBLY 70816100, WHICH IS A PORTION OF FCO PE11204 (S/N 574 AND BELOW).					

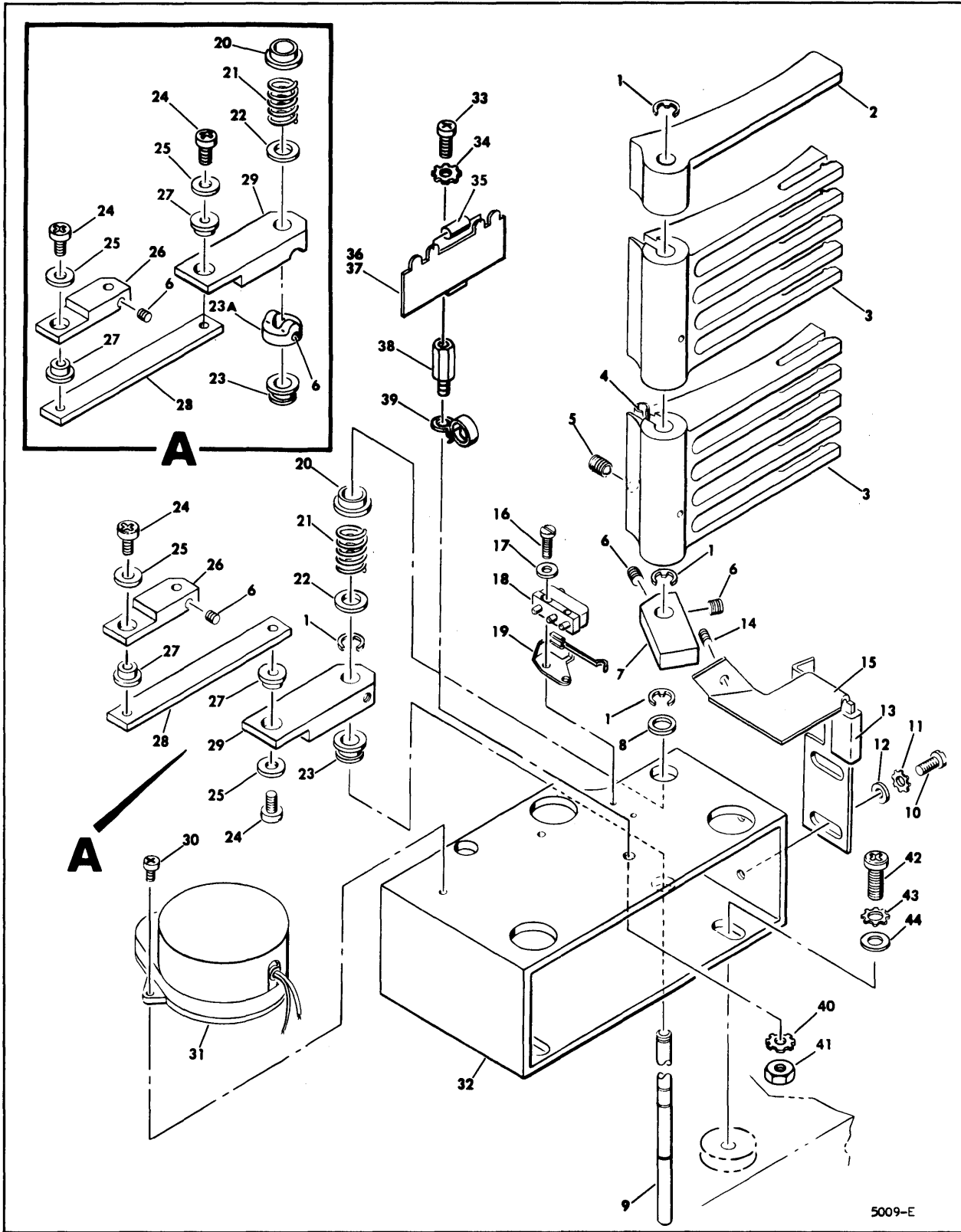
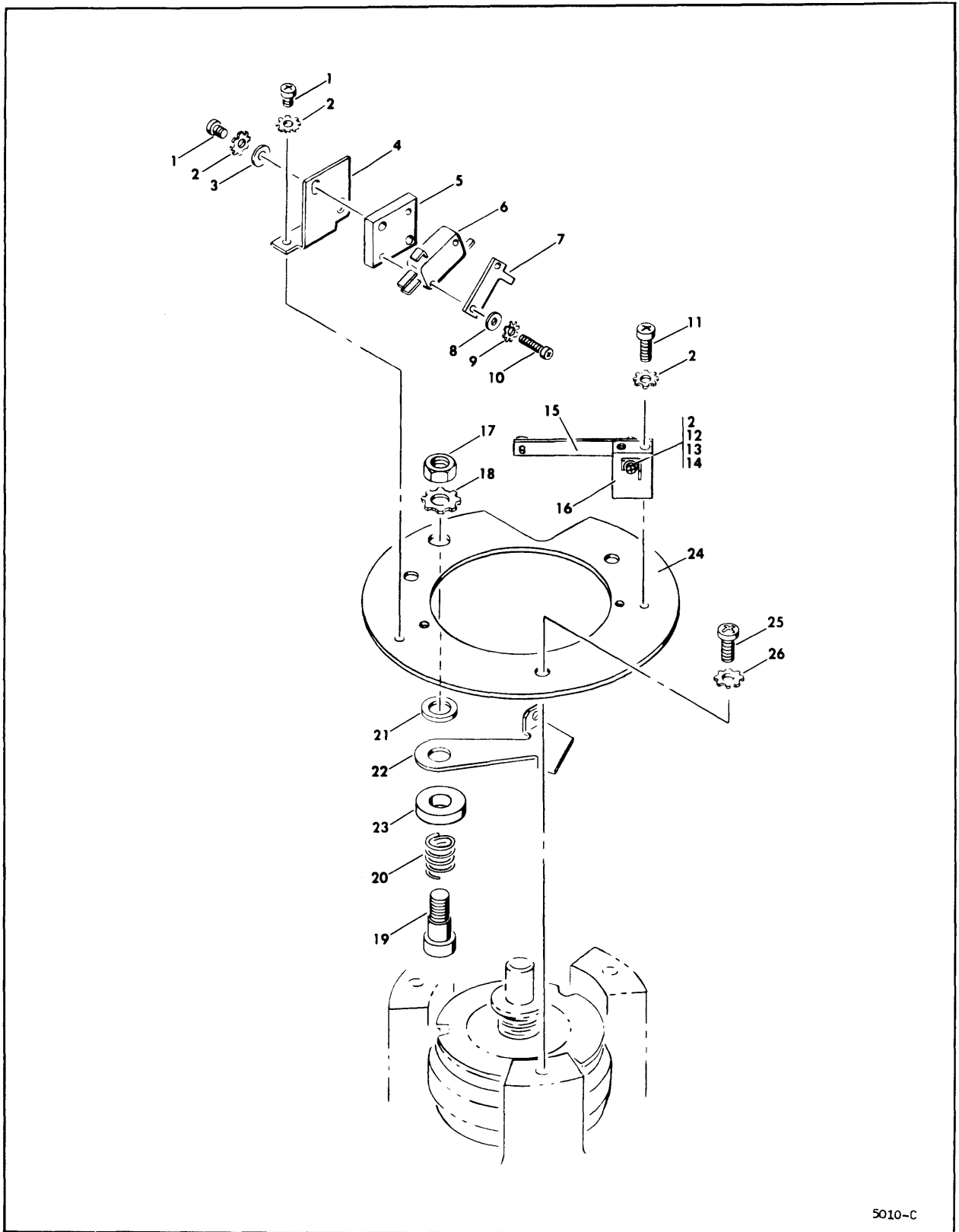


FIGURE 4. DISK CLEANER ASSEMBLY

ASSY LEVEL	INDEX NO.	EQUIPMENT PART NUMBER	ITEM DESCRIPTION	TAB NUMBER					
				00	01				
				NO. REQUIRED					
D	4-	40010201	DISK CLEANER ASSEMBLY (S/N 310 AND BELOW)	1	1				
D	4-	45085101	DISK CLEANER ASSEMBLY (S/N 311 THRU 1012)	1	1				
D	4-	72963101	DISK CLEANER ASSEMBLY (S/N 1013 AND ABOVE)	1	1				
E	-1	92033038	RING, RETAINING (S/N 1012 AND BELOW)	4	4				
E	-1	92033038	RING, RETAINING (S/N 1013 AND ABOVE)	3	3				
E	-2	45497200	ARM, BRUSH	1	1				
E	-3	45497300	HOLDER, BRUSH	2	2				
E	-4	93530242	PIN, ROLL	1	1				
E	-5	93403045	PLUNGER, BALL (S/N 1012 AND BELOW)	2	2				
E	-5	93099329	SCREW, SET, SOCKET HEAD, CUP POINT, 10-32 x 1/2 (S/N 1013 AND ABOVE)	2	2				
E	-6	93071245	SCREW, SET, SOCKET HEAD, CUP POINT, 6-32 x 3/16	6	6				
E	-7	40023200	STOP, BRUSH POSITIONING	1	1				
E	-8	10125608	WASHER, PLAIN, 1/4	1	1				
E	-9	40067900	SHAFT, DISK CLEANER (S/N 1012 AND BELOW)	1	1				
E	-9	72962900	SHAFT, DISK CLEANER (S/N 1013 AND ABOVE)	1	1				
E	-10	10127122	SCREW, MACHINE, PAN HEAD, PHILLIPS, 8-32 x 3/8	2	2				
E	-11	10126402	WASHER, LOCK, EXTERNAL TOOTH, 8	2	2				
E	-12	10125606	WASHER, PLAIN, 8	2	2				
E	-13	92413000	CHANNEL, RUBBER	AR	AR				
E	-14	93848290	SCREW, SET, SOCKET HEAD, CUP POINT, 8-32 x 1/2	1	1				
E	-15	40067300	STOP, BRUSH HOLDER	1	1				
E	-16	10127314	SCREW, MACHINE, PAN HEAD, SLOTTED, 2-56 x 1/2	2	2				
E	-17	10125602	WASHER, PLAIN, 2	2	2				
E	-18	92549003	SWITCH, SPDT	1	1				
E	-19	94297700	ADAPTER, SWITCH ACTUATOR	1	1				
E	-20	40023000	BEARING, FLANGED	1	1				
E	-21	94205791	SPRING, COMPRESSION	1	1				
E	-22	93564002	WASHER, NYLON	1	1				
E	-23	92373006	BEARING, DOUBLE FLANGED, NYLON	1	1				
E	-23A	72957100	CAM, BRUSH LINK (S/N 1013 AND ABOVE)	1	1				
E	-	40012700	LINKAGE ASSEMBLY (S/N 1012 AND BELOW)	1	1				
E	-	72963000	LINKAGE ASSEMBLY (S/N 1013 AND ABOVE)	1	1				
F	-24	10127113	SCREW, MACHINE, PAN HEAD, PHILLIPS, 6-32 x 3/8	2	2				
F	-25	10125605	WASHER, PLAIN, 6	2	2				
F	-26	40022700	LINK, BRUSH MOTOR	1	1				
F	-27	41274005	BEARING, FLANGED	2	2				
F	-28	40022900	LINK, INTERCONNECTING	1	1				
F	-29	40022800	LINK, BRUSH SHAFT (S/N 1012 AND BELOW)	1	1				
F	-29	72962800	LINK, BRUSH SHAFT (S/N 1013 AND ABOVE)	1	1				
E	-30	10127102	SCREW, MACHINE, PAN HEAD, PHILLIPS, 4-40 x 1/4	2	2				
E	-31	40013501	MOTOR AND CONNECTOR ASSEMBLY	1	1				
F	-	94296302	MOTOR, AC TIMING, 50 HERTZ	1	1				
F	-	93948003	CONNECTOR, PLUG, 3 PIN	1	1				
F	-	93942001	CONTACT, PIN, 22-18 WIRE RANGE	2	2				
E	-32	40068600	BASE, DISK CLEANER (S/N 310 AND BELOW)	1	1				
E	-32	45083900	BASE, DISK CLEANER (S/N 311 AND ABOVE)	1	1				
D	-33	10127111	SCREW, MACHINE, PAN HEAD, PHILLIPS, 6-32 x 1/4	1	1				
D	-34	10126401	WASHER, LOCK, EXTERNAL TOOTH, 6	1	1				
D	-	70813300*	BRUSH SWITCH SUPPRESSION ASSEMBLY, WIRED, TB306	1	1				
D	-	70804601*	PRESS AND BRUSH SWITCH SUPPRESSION ASSEMBLY (COMPONENT ITEM OF THE DIRECT PRECEDING ASSEMBLY)	1	1				
D	-	70804601*	PRESS AND BRUSH SWITCH SUPPRESSION ASSEMBLY, TB306 (S/N 311 AND ABOVE)	1	1				
E	-35	92427023	CAPACITOR, FIXED, ELECTROLYTIC, 1 UF, 35V, C301, C306	2	2				
E	-36	92512470	RESISTOR, FIXED, COMPOSITION, 10 OHM, 1/4W, R316	1	1				
E	-37	93301015	TERMINAL STRIP, TIE DOWN	1	1				
D	-38	70808100	STANDOFF, TERMINAL STRIP	1	1				
D	-39	94277406	STRAP, CABLE TIE	1	1				
D	-40	10126402	WASHER, LOCK, EXTERNAL TOOTH, 8	1	1				
D	-41	10125106	NUT, HEXAGON, 8-32	1	1				
D	-42	10127132	SCREW, MACHINE, PAN HEAD, PHILLIPS, 10-24 x 1/2	3	3				
D	-43	10126403	WASHER, LOCK, EXTERNAL TOOTH, 10	3	3				
D	-44	10125607	WASHER, PLAIN, 10	3	3				

* PORTION OF FCO KIT, PER FCO PE11044 (S/N 310 AND BELOW)

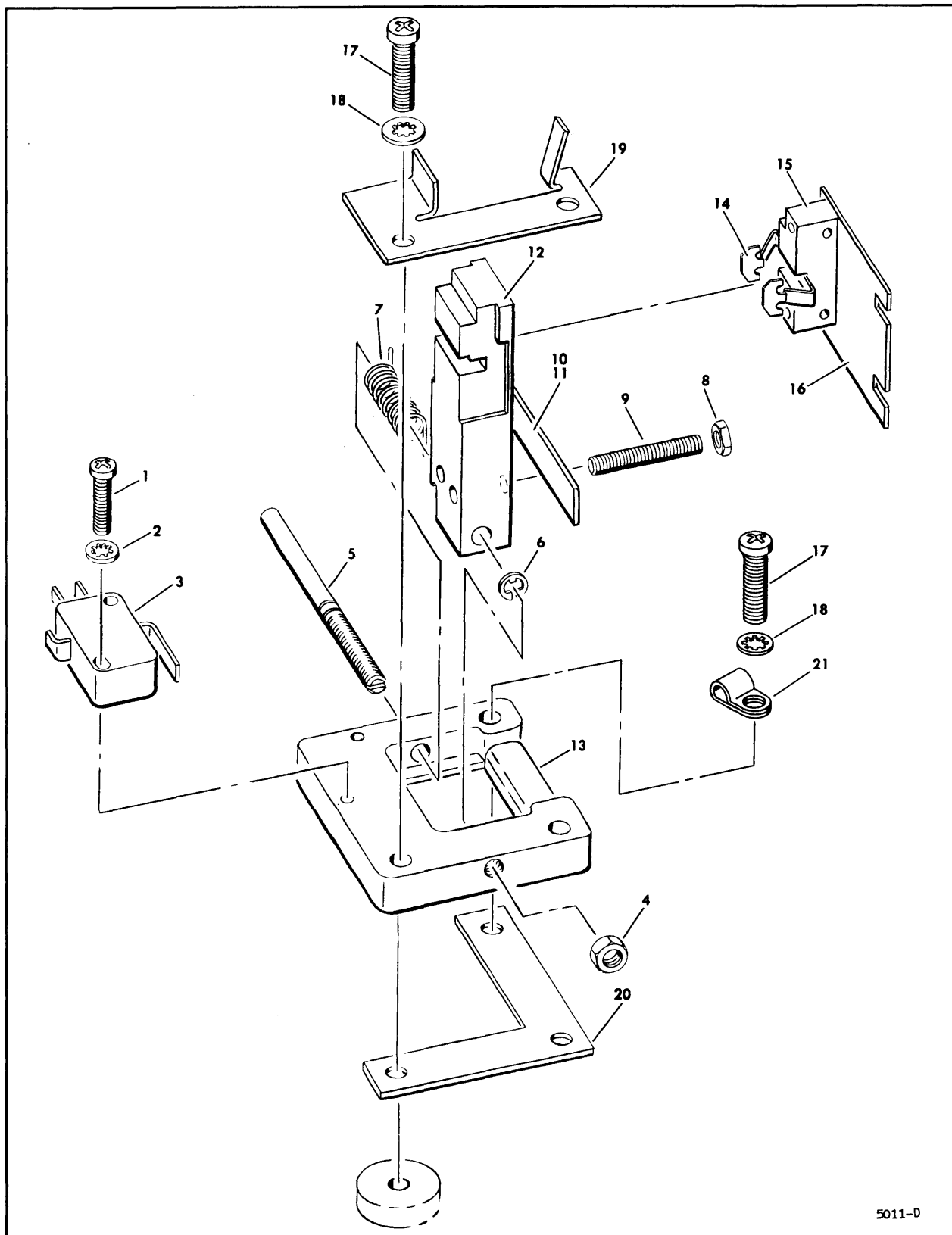


5010-C

FIGURE 5. SPINDLE LOCK AND SWITCH ASSEMBLY

ASSY LEVEL	INDEX NO.	EQUIPMENT PART NUMBER	ITEM DESCRIPTION	TAB NUMBER			
				00	01		
				NO. REQUIRED			
D	5-	72974400	SPINDLE LOCK AND SWITCH ASSEMBLY	1	1		
E	-1	10127111	SCREW, MACHINE, PAN HEAD, PHILLIPS, 6-32 x 1/4	4	4		
E	-2	10126401	WASHER, LOCK, EXTERNAL TOOTH, 6	8	8		
E	-3	10125605*	WASHER, PLAIN, 6	2	2		
E	-4	70816200*	BRACKET, PACK-ON SWITCH	1	1		
E	-5	40055200*	PLATE, PACK-ON SWITCH	1	1		
E	-6	93786008*	SWITCH, INTEGRAL ACTUATOR	1	1		
E	-7	70814600*	BRACKET, PRETRAVEL ADJUSTMENT	1	1		
E	-8	93210005*	WASHER, PLAIN, 4	2	2		
E	-9	10126400*	WASHER, LOCK, EXTERNAL TOOTH, 4	2	2		
E	-10	10127106*	SCREW, MACHINE, PAN HEAD, PHILLIPS, 4-40 x 5/8	2	2		
E	-11	10127341	SCREW, MACHINE, PAN HEAD, SLOTTED, 6-32 x 1-1/2	2	2		
E	-12	10127115	SCREW, MACHINE, PAN HEAD, PHILLIPS, 6-32 x 5/8	1	1		
E	-13	94274107	TERMINAL, QUICK CONNECT	1	1		
E	-14	10125105	NUT, HEXAGON, 6-32	1	1		
E	-15	40054700	SPRING, STATIC GROUND	1	1		
E	-16	40055103	BLOCK, MOUNTING, GROUND SPRING	1	1		
E	-17	10125302	NUT, HEXAGON, 5/16-18	1	1		
E	-18	10126405	WASHER, LOCK, EXTERNAL TOOTH, 5/16	1	1		
E	-19	93707050	SCREW, SHOULDER	1	1		
E	-20	40057800	SPRING, COMPRESSION	1	1		
E	-21	93564023	WASHER, NYLON, 0.385 ID	1	1		
E	-22	72959700	PAWL, SPINDLE LOCK	1	1		
E	-23	94047031	WASHER, SPECIAL	1	1		
E	-24	40054800	PLATE, MOUNTING, SPINDLE LOCK	1	1		
D	-25	10127132	SCREW, MACHINE, PAN HEAD, PHILLIPS, 10-24 x 1/2	3	3		
D	-26	10126403	WASHER, LOCK, EXTERNAL TOOTH, 10	3	3		

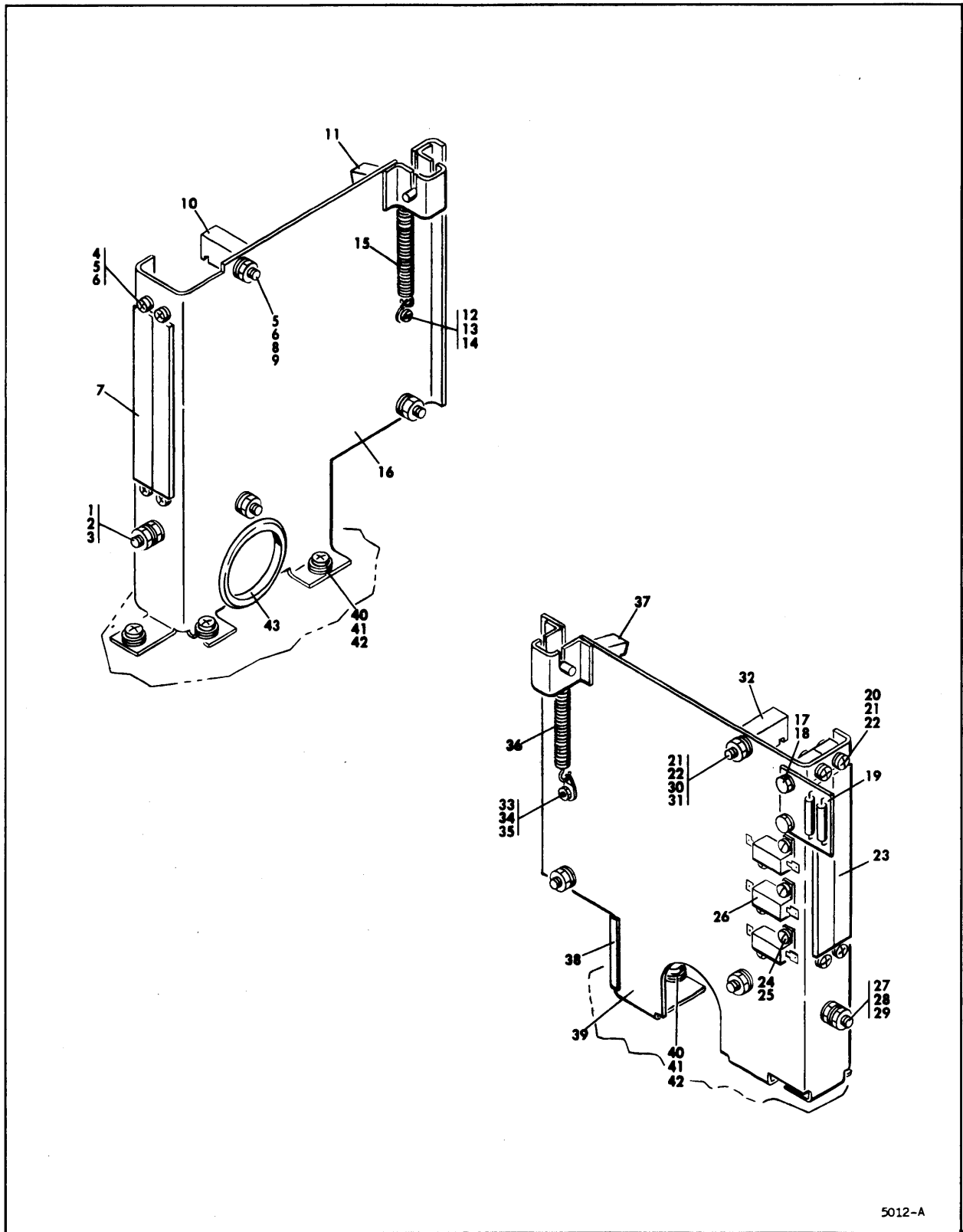
*THESE ITEMS AND TWO EACH OF "INDEX NO." (-1) AND (-2) COMPRISE THE PACK-ON SWITCH ASSEMBLY 70816600, WHICH IS A PORTION OF FCO PE11204 (S/N 574 AND BELOW).



5011-D

FIGURE 6. SECTOR SENSOR ASSEMBLY

ASSY LEVEL	INDEX NO.	EQUIPMENT PART NUMBER	ITEM DESCRIPTION	TAB NUMBER				
				00	01			
				NO. REQUIRED				
D	6-	40012501	SECTOR SENSOR ASSEMBLY	1	1			
E	-1	10127106	SCREW, MACHINE, PAN HEAD, PHILLIPS, 4-40 x 5/8	2	2			
E	-2	10126101	WASHER, LOCK, INTERNAL TOOTH, 4	2	2			
E	-3	93786002	SWITCH, MINIATURE, INTEGRAL ACTUATOR	1	1			
E	-4	10125108	NUT, HEXAGON, 10-32	1	1			
E	-5	40031500	PIVOT, SECTOR SENSOR	1	1			
E	-6	92033037	RING, RETAINING	1	1			
E	-7	40033800	SPRING, DOUBLE ACTING	1	1			
E	-8	92071005	NUT, HEXAGON, STOP, 8-32	2	2			
E	-9	93072295	SCREW, SET, SOCKET HEAD, FLAT POINT, 8-32 x 1	2	2			
E	-10	93128250	SCREW, MACHINE, PAN HEAD, SLOTTED, 6-32 x 3/8	2	2			
E	-11	40066700	ARM, POSITIONING	1	1			
E	-12	40058600	TRANSDUCER, SECTOR SENSOR	1	1			
E	-13	40031400	MOUNT, SECTOR SENSOR	1	1			
D	-	40021200	PRE-AMP SECTOR DETECTION CIRCUIT CARD ASSEMBLY	1	1			
E	-	92496153	CAPACITOR, FIXED, PLASTIC, 2700 PF, 200V, C1	1	1			
E	-	92496127	CAPACITOR, FIXED, PLASTIC, 0.01 UF, 200V, C2, C3, C4	3	3			
E	-	92115023	DIODE, SILICON, CR1	1	1			
E	-	50210602	TRANSISTOR, PNP, Q1-Q2 MATCHED PAIR	1	1			
E	-	92512170	RESISTOR, FIXED, COMPOSITION, 10K OHM, 1/4W, R1, R3	2	2			
E	-	92512167	RESISTOR, FIXED, COMPOSITION, 47K OHM, 1/4W, R2	1	1			
E	-	92512246	RESISTOR, FIXED, COMPOSITION, 33 OHM, 1/4W, R4	1	1			
E	-	92512163	RESISTOR, FIXED, COMPOSITION, 6.8K OHM, 1/4W, R5, R8	2	2			
E	-	92512154	RESISTOR, FIXED, COMPOSITION, 150 OHM, 1/4W, R6, R7	2	2			
E	-14	40037800	CLAMP, CONNECTOR	1	1			
E	-15	40039101	CONNECTOR, RECEPTACLE, 6 PIN	1	1			
E	-16	40021101	CARD, BLANK	1	1			
D	-17	10127126	SCREW, MACHINE, PAN HEAD, PHILLIPS, 8-32 x 7/8	3	3			
D	-18	10126104	WASHER, LOCK, INTERNAL TOOTH, 8	3	3			
D	-19	40031300	STOP, TRANSDUCER	1	1			
D	-20	40031700	SHIM, SECTOR SENSOR	4	4			
D	-21	92602001	CLAMP, CABLE, NYLON, 0.13 ID	1	1			



5012-A

FIGURE 7. LEFT/RIGHT PRE-AMP CHASSIS ASSEMBLIES

ASS'Y LEVEL	INDEX NO.	EQUIPMENT PART NUMBER	ITEM DESCRIPTION	TAB NUMBER			
				00	01		
				NO. REQUIRED			
D	7-	40015300	LEFT PRE-AMP CHASSIS ASSEMBLY (S/N 132 AND BELOW)	1	1		
D	7-	40099900	LEFT PRE-AMP CHASSIS ASSEMBLY (S/N 133 AND ABOVE)	1	1		
E	-1	10127125	SCREW, MACHINE, PAN HEAD, PHILLIPS, 8-32 x 3/4	1	1		
E	-2	10126402	WASHER, LOCK, EXTERNAL TOOTH, 8	3	3		
E	-3	10125106	NUT, HEXAGON, 8-32	2	2		
E	-4	10127116	SCREW, MACHINE, PAN HEAD, PHILLIPS, 6-32 x 3/4	4	4		
E	-5	10126401	WASHER, LOCK, EXTERNAL TOOTH, 6	7	7		
E	-6	10125105	NUT, HEXAGON, 6-32	7	7		
E	-7	94320100	CONNECTOR, RECEPTACLE, 9 SOCKET	2	2		
E	-8	92742175	SCREW, MACHINE, PAN HEAD, PHILLIPS, 6-32 x 1-3/8	3	3		
E	-9	10125605	WASHER, PLAIN, 6	3	3		
E	-10	40082700	SPACER, CARD, DOUBLE	3	3		
E	-11	40062300	CLAMP, CARD (S/N 132 AND BELOW)	1	1		
E	-11	40065600	CARD CLAMP ASSEMBLY (S/N 133 AND ABOVE)	1	1		
E	-12	10127102	SCREW, MACHINE, PAN HEAD, PHILLIPS, 4-40 x 1/4	1	1		
E	-13	10125103	NUT, HEXAGON, 4-40	1	1		
E	-14	92242004	TERMINAL LUG	1	1		
E	-15	40062400	SPRING, EXTENSION	1	1		
E	-16	40056400	BRACKET, PRE-AMP CHASSIS	1	1		
D	7-	40015400	RIGHT PRE-AMP CHASSIS ASSEMBLY (S/N 132 AND BELOW)	1	1		
D	7-	40099800	RIGHT PRE-AMP CHASSIS ASSEMBLY (S/N 133 AND ABOVE)	1	1		
E	-17	93592158	SCREW, MACHINE, HEXAGON WASHER HEAD, 6-32 x 1/4	2	2		
E	-18	10125804	WASHER, LOCK, SPRING, 8	2	2		
E	-19	40018000	TERMINAL BOARD ASSEMBLY, TB301	1	1		
F	-	92586229	RESISTOR, FIXED, FILM, 200 OHM, 1W	2	2		
F	-	40081100	BOARD, TERMINAL	1	1		
E	-20	10127116	SCREW, MACHINE, PAN HEAD, PHILLIPS, 6-32 x 3/4	4	4		
E	-21	10126401	WASHER, LOCK, EXTERNAL TOOTH, 6	7	7		
E	-22	10125105	NUT, HEXAGON, 6-32	7	7		
E	-23	94320100	CONNECTOR, RECEPTACLE, 9 SOCKET	2	2		
E	-24	10127311	SCREW, MACHINE, PAN HEAD, SLOTTED, 2-56 x 1/4	6	6		
E	-25	10125800	WASHER, LOCK, SPRING, 2	6	6		
E	-26	94267109	RESISTOR, FIXED, WIREWOUND, 800 OHM, 10W, R300, R302, R303	3	3		
E	-27	10127125	SCREW, MACHINE, PAN HEAD, PHILLIPS, 8-32 x 3/4	1	1		
E	-28	10126402	WASHER, LOCK, EXTERNAL TOOTH, 8	3	3		
E	-29	10125106	NUT, HEXAGON, 8-32	2	2		
E	-30	10127119	SCREW, MACHINE, PAN HEAD, PHILLIPS, 6-32 x 1-1/4	3	3		
E	-31	10125605	WASHER, PLAIN, 6	3	3		
E	-32	40082700	SPACER, CARD, DOUBLE	3	3		
E	-33	10127102	SCREW, MACHINE, PAN HEAD, PHILLIPS, 4-40 x 1/4	1	1		
E	-34	92242004	TERMINAL LUG	1	1		
E	-35	10125103	NUT, HEXAGON, 4-40	1	1		
E	-36	40062400	SPRING, EXTENSION	1	1		
E	-37	40063400	CLAMP, CARD (S/N 132 AND BELOW)	1	1		
E	-37	40065600	CARD CLAMP ASSEMBLY (S/N 133 AND ABOVE)	1	1		
E	-38	94237703	TRIM, SAFETY	AR	AR		
E	-39	40056500	BRACKET, PRE-AMP CHASSIS	1	1		
D	-40	10127132	SCREW, MACHINE, PAN HEAD, PHILLIPS, 10-24 x 1/2	6	6		
D	-41	10126403	WASHER, LOCK, EXTERNAL TOOTH, 10	6	6		
D	-42	10125607	WASHER, PLAIN, 10	6	6		
D	-43	93840021	GROMMET, RUBBER, 1 ID	1	1		

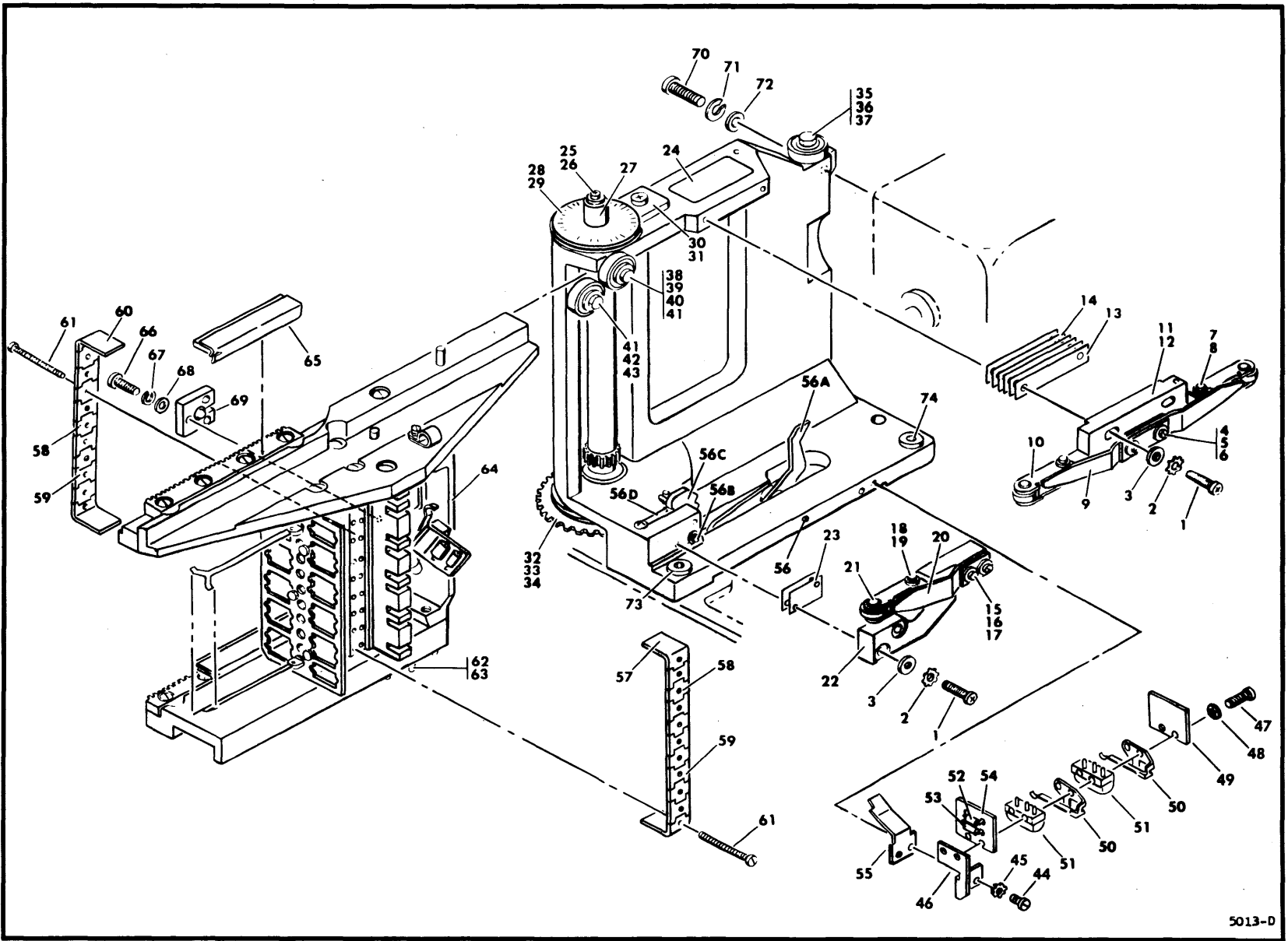


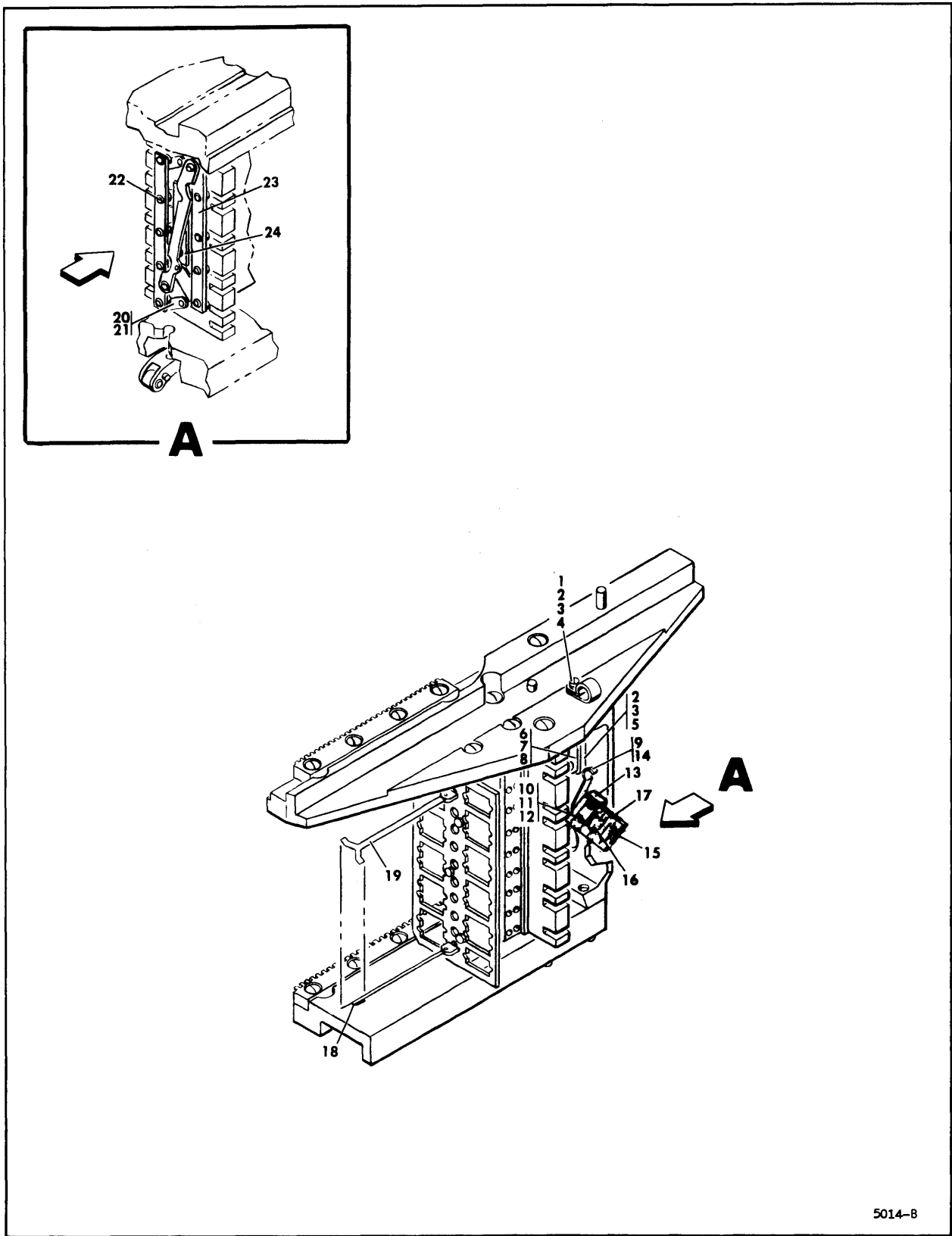
FIGURE 8. CARRIAGE AND CARRIAGE MOUNT ASSEMBLY

5013-D

ASSY LEVEL	INDEX NO.	EQUIPMENT PART NUMBER	ITEM DESCRIPTION	TAB NUMBER				
				00	01			
				NO. REQUIRED				
D	8-	40015100	CARRIAGE AND CARRIAGE MOUNT ASSY (S/N 1012 AND BELOW)	1	1			
D	8-	72981200	CARRIAGE AND CARRIAGE MOUNT ASSY (S/N 1013 AND ABOVE)	1	1			
E	-1	10127124	SCREW, MACHINE, PAN HEAD, PHILLIPS, 8-32 x 5/8 (S/N 1012 AND BELOW)	4	4			
E	-1	10127125	SCREW, MACHINE, PAN HEAD, PHILLIPS, 8-32 x 3/4 (S/N 1013 AND ABOVE)	4	4			
E	-2	10126402	WASHER, LOCK, EXTERNAL TOOTH, 8	4	4			
E	-3	10125606	WASHER, PLAIN, 8	4	4			
E	-	40013800	UPPER ROLLER ASSEMBLY (S/N 1012 AND BELOW)	1	1			
E	-	72981300	UPPER ROLLER ASSEMBLY (S/N 1013 AND ABOVE)	1	1			
F	-4	10127113	SCREW, MACHINE, PAN HEAD, PHILLIPS, 6-32 x 3/8	2	2			
F	-5	10126401	WASHER, LOCK, EXTERNAL TOOTH, 6	2	2			
F	-6	40027600	PLATE, SPRING	1	1			
F	-7	40025500	PIN, ROLLER YOKE	2	2			
F	-8	92033089	RING, RETAINING	2	2			
F	-9	40025400	SPRING, UPPER ROLLER	1	1			
F	-10	40013900	YOKE ASSEMBLY	2	2			
G	-	40026400	ARM, YOKE	2	2			
G	-	40026000	ROLLER, SPRING CONTACT	1	1			
G	-	40028100	SHIM, YOKE	2	2			
G	-	40025700	PIN, BEARING	1	1			
G	-	92054187	BEARING, BALL	1	1			
F	-11	40037900	PIN, KNOCKOUT (S/N 1012 AND BELOW)	1	1			
F	-11	72972600	PIN, KNOCKOUT (S/N 1013 AND ABOVE)	1	1			
F	-12	40039300	ARM, RAIL ROLLER (S/N 1012 AND BELOW)	1	1			
F	-12	72980700	ARM, RAIL ROLLER (S/N 1013 AND ABOVE)	1	1			
E	-13	40024900	SHIM, UPPER ROLLER, 0.002 THICK	3	3			
E	-14	40024901	SHIM, UPPER ROLLER, 0.004 THICK	3	3			
E	-	40013700	LOWER ROLLER ASSEMBLY	1	1			
F	-15	10127113	SCREW, MACHINE, PAN HEAD, PHILLIPS, 6-32 x 3/8	2	2			
F	-16	10126401	WASHER, LOCK, EXTERNAL TOOTH, 6	2	2			
F	-17	40026300	CAP, SPRING	1	1			
F	-18	40025500	PIN, ROLLER YOKE	1	1			
F	-19	92033089	RING, RETAINING	1	1			
F	-20	40026200	SPRING, LOWER ROLLER	1	1			
F	-21	40013900	YOKE ASSEMBLY	1	1			
G	-	40026400	ARM, YOKE	2	2			
G	-	40026000	ROLLER, SPRING CONTACT	1	1			
G	-	40028100	SHIM, YOKE	2	2			
G	-	40025700	PIN, BEARING	1	1			
G	-	92054187	BEARING, BALL	1	1			
F	-22	40029100	ARM, LOWER RAIL ROLLER	1	1			
E	-23	40024800	SHIM, LOWER ROLLER	2	2			
E	-24	94208500	LABEL, MODEL LEVEL	1	1			
E	-25	10127147	SCREW, MACHINE, PAN HEAD, PHILLIPS, 10-32 x 1	1	1			
E	-26	10126105	WASHER, LOCK, INTERNAL TOOTH, 10	1	1			
E	-27	40030900	SPACER, TACHOMETER MOUNT	1	1			
E	-28	40034500	DIAL, TRACK INDICATOR	1	1			
E	-29	40028900	SPACER, SLEEVE	1	1			
E	-30	10127112	SCREW, MACHINE, PAN HEAD, PHILLIPS, 6-32 x 5/16	1	1			
E	-31	40026500	PLATE, TRACK INDICATOR	1	1			
E	-32	40067700	NUT, LOCK	1	1			
E	-33	40029200	DISK, TRACK POSITION	1	1			
E	-34	40025800	SPACER, TRACK POSITION DISK	1	1			
E	-	40010600*	CARRIAGE MOUNT ASSEMBLY (S/N 310 AND BELOW)	1	1			
E	-	45085200*	CARRIAGE MOUNT ASSEMBLY (S/N 311 THRU 574)	1	1			
E	-	70818800*	CARRIAGE MOUNT ASSEMBLY (S/N 575 AND ABOVE)	1	1			
F	-35	40029000	SCREW, SHOULDER	1	1			
F	-36	40025000	SPACER	1	1			
F	-37	92054205	BEARING, BALL	1	1			
F	-38	10127335	SCREW, MACHINE, PAN HEAD, SLOTTED, 6-32 x 1/2	1	1			
F	-39	10126401	WASHER, LOCK, EXTERNAL TOOTH, 6	1	1			
F	-40	94047001	WASHER, SPECIAL	2	2			
F	-41	92054187	BEARING, BALL	2	2			
F	-42	40028800	SCREW, SHOULDER	1	1			
F	-43	40025100	COLLAR, MOUNTING, GATE SUPPORT	1	1			
F	-44	10127320	SCREW, MACHINE, PAN HEAD, SLOTTED, 4-40 x 1/4	2	2			
F	-45	10126400	WASHER, LOCK, EXTERNAL TOOTH, 4	2	2			
F	-46	40027700	BRACKET, MOUNTING, HEAD LOAD CAM CONTACT	1	1			
F	-47	10127317	SCREW, MACHINE, PAN HEAD, SLOTTED, 2-56 x 7/8	2	2			
F	-48	10126100	WASHER, LOCK, INTERNAL TOOTH, 2	2	2			
	-	70813100**	COMPONENT ASSEMBLY, WIRED, TB302	1	1			

ASS'Y LEVEL	INDEX NO.	EQUIPMENT PART NUMBER	ITEM DESCRIPTION	TAB NUMBER					
				00	01				
				NO. REQUIRED					
D	8-	40015100	CARRIAGE AND CARRIAGE MOUNT ASSY (S/N 1012 AND BELOW)						
			CONT'D	1	1				
D	8-	72981200	CARRIAGE AND CARRIAGE MOUNT ASSY (S/N 1013 AND ABOVE)	1	1				
F	-49	70959501**	COMPONENT ASSEMBLY (COMPONENT ITEM OF THE DIRECT PRECEDING ASSEMBLY)	1	1				
F	-49	70959501	COMPONENT ASSEMBLY, TB302 (S/N 311 AND ABOVE)	1	1				
G	-	92512470	RESISTOR, FIXED, COMPOSITION, 10 OHM, 1/4W, R312	1	1				
G	-	92427023	CAPACITOR, FIXED, ELECTROLYTIC, 1 UF, 35V, C302	1	1				
G	-	70959401	TERMINAL BOARD ASSEMBLY	1	1				
F	-50	94297700	ADAPTER, SWITCH ACTUATOR	2	2				
F	-51	92549003	SWITCH, SPDT, S 300 A/B	2	2				
F	-	70813000**	COMPONENT ASSEMBLY, WIRED, TB303	1	1				
F	-	70959502**	COMPONENT ASSEMBLY (COMPONENT ITEM OF THE DIRECT PRECEDING ASSEMBLY)	1	1				
F	-	70959502	COMPONENT ASSEMBLY, TB303 (S/N 311 AND ABOVE)	1	1				
G	-52	92512470	RESISTOR, FIXED, COMPOSITION, 10 OHM, 1/4W, R313	1	1				
G	-53	92427023	CAPACITOR, FIXED, ELECTROLYTIC, 1 UF, 35V, C303	1	1				
G	-54	70959402	TERMINAL BOARD ASSEMBLY	1	1				
F	-55	40027800	SPRING, SWITCH	1	1				
F	-56	40027500	PIVOT, ARMATURE PAWL	1	1				
F	-56A	40028200	CAM, HEAD LOAD (S/N 310 AND BELOW)	1	1				
F	-56A	70803200	CAM, HEAD LOAD (S/N 311 AND ABOVE)	1	1				
F	-56B	40033900	PIVOT, CAM LATCH	1	1				
F	-56C	40028300	LATCH, HEAD LOAD CAM (S/N 574 AND BELOW)	1	1				
F	-56C	70818700	LATCH, HEAD LOAD CAM (S/N 575 AND ABOVE)	1	1				
F	-56D	40027300	SPRING, CAM LATCH	1	1				
E	-57	40034400	CLAMP, HEAD ARM	2	2				
E	-58	40034100	CLAMP, HEAD ARM, SMALL (S/N 132 AND BELOW)	9	9				
E	-58	45496900	CLAMP, HEAD ARM, SMALL (S/N 133 AND ABOVE)	9	9				
E	-59	40034200	CLAMP, HEAD ARM, LARGE (S/N 132 AND BELOW)	9	9				
E	-59	45496800	CLAMP, HEAD ARM, LARGE (S/N 133 AND ABOVE)	9	9				
E	-60	40034300	CLAMP, HEAD ARM	2	2				
E	-61	10127328	SCREW, MACHINE, PAN HEAD, SLOTTED, 4-40 x 1-1/4	22	22				
E	-62	92033089	RING, RETAINING	1	1				
E	-63	40014900	ROD ASSEMBLY	1	1				
F	-	40062900	NUT, SPECIAL	1	1				
F	-	40025300	SCREW, ADJUSTING ROD	1	1				
F	-	40024700	NUT, ADJUSTING	1	1				
E	-64	40014100	HEAD CARRIAGE ASSEMBLY (S/N 1012 AND BELOW) SEE FIG. 9	1	1				
E	-64	72981100	HEAD CARRIAGE ASSEMBLY (S/N 1013 AND ABOVE) SEE FIG. 9	1	1				
E	-65	40062800***	RACK LUBRICATOR ASSEMBLY	1	1				
D	-66	10126214	SCREW, MACHINE, CAP HEAD, SOCKET, 4-40 x 1/2	3	3				
D	-67	10125801	WASHER, LOCK, SPRING, 4	3	3				
D	-68	10125603	WASHER, PLAIN, 4	3	3				
D	-69	40038000	CLAMP, ACTUATOR	1	1				
D	-70	10126246	SCREW, MACHINE, CAP HEAD, SOCKET, 10-32 x 3/4	1	1				
D	-71	10125805	WASHER, LOCK, SPRING, 10	1	1				
D	-72	10125607	WASHER, PLAIN, 10	1	1				
D	-73	10126254	SCREW, MACHINE, CAP HEAD, SOCKET, 1/4-20 x 1/2	1	1				
D	-74	10126255	SCREW, MACHINE, CAP HEAD, SOCKET, 1/4-20 x 5/8	3	3				

* ONLY REPLACEABLE ITEMS ARE LISTED
** PORTION OF FCO KIT, PER FCO PE11044 (S/N 310 AND BELOW)
*** REPLACE AS A UNIT



5014-8

FIGURE 9. HEAD CARRIAGE ASSEMBLY

ASSY LEVEL	INDEX NO.	EQUIPMENT PART NUMBER	ITEM DESCRIPTION	TAB NUMBER				
				00	01			
				NO. REQUIRED				
E	9-	40014100*	HEAD CARRIAGE ASSEMBLY (S/N 1012 AND BELOW)	1	1			
E	9-	72981100*	HEAD CARRIAGE ASSEMBLY (S/N 1013 AND ABOVE)	1	1			
F	-1	10127321	SCREW, MACHINE, PAN HEAD, SLOTTED, 4-40 x 5/16	2	2			
F	-2	10126101	WASHER, LOCK, INTERNAL TOOTH, 4	6	6			
F	-3	10125603	WASHER, PLAIN, 4	4	4			
F	-4	92602001	CLAMP, CABLE, NYLON, 0.13 ID	1	1			
F	-5	10126214	SCREW, MACHINE, CAP HEAD, SOCKET, 4-40 x 1/2	3	3			
F	-6	40027100	PLATE, MAGNETIC	1	1			
F	-7	40030200	PAWL, HEAD LOAD (S/N 1012 AND BELOW)	1	1			
F	-7	72901800	PAWL, HEAD LOAD (S/N 1013 AND ABOVE)	1	1			
F	-8	41279400	MAGNET ASSEMBLY	1	1			
G	-	40028400	BRACKET, MOUNTING, MAGNET	1	1			
G	-	40020200	COIL ASSEMBLY, 40V	1	1			
G	-	93948003	CONNECTOR, PLUG, 3 PIN	1	1			
G	-	93942009	CONTACT, PIN, 30-22 WIRE RANGE	3	3			
F	-9	94297700	ADAPTER, SWITCH ACTUATOR	1	1			
F	-10	10127315	SCREW, MACHINE, PAN HEAD, SLOTTED, 2-56 x 5/8	2	2			
F	-11	10126100	WASHER, LOCK, INTERNAL LOCK, 2	2	2			
F	-12	10125602	WASHER, PLAIN, 2	2	2			
F	-13	40032900	PLATE, NUT	1	1			
F	-14	92549003	SWITCH, SPDT, S 304	1	1			
F	-	70813200***	COMPONENT ASSEMBLY, WIRED, TB304	1	1			
F	-	70959503***	COMPONENT ASSEMBLY (COMPONENT ITEM OF THE DIRECT PRECEDING ASSEMBLY)	1	1			
F	-	70959503	COMPONENT ASSEMBLY, TB304 (S/N 311 AND ABOVE)	1	1			
G	-15	92512470	RESISTOR, FIXED, COMPOSITION, 10 OHM, 1/4W, R314	1	1			
G	-16	92427023	CAPACITOR, FIXED, ELECTROLYTIC, 1 UF, 35V, C304	1	1			
G	-17	70959403	TERMINAL BOARD ASSEMBLY	1	1			
F	-18	40020801	TORSION ROD	5	5			
F	-19	40020800	TORSION ROD	5	5			
F	-20	40021000**	LEVER ASSEMBLY (S/N 982 AND BELOW)	10	10			
F	-20	72973800**	LEVER ASSEMBLY (S/N 983 AND ABOVE)	10	10			
F	-21	92033209	RING, RETAINING, 0.051 ID (S/N 982 AND BELOW)	10	10			
F	-21	92033263	RING, RETAINING, 0.051 ID (S/N 983 AND ABOVE)	10	10			
F	-22	92033089	RING, RETAINING, 0.094 ID	11	11			
F	-23	40014500	HEAD LOAD LATCH ASSEMBLY	1	1			
G	-	40034000	PIVOT, HEAD LOAD	2	2			
G	-	40026100	LINK	2	2			
G	-	40025200	PIN, SHOULDER	1	1			
G	-	40030400	LATCH, HEAD LOAD	1	1			
F	-24	40061700	STOP, HEAD LOAD LINKAGE	1	1			
C	-	40040000	HEAD ARM ASSEMBLY, POSITIONS 02, 06, 10, 14, 18	10	10			
C	-	40040001	HEAD ARM ASSEMBLY, POSITIONS 01, 05, 09, 13, 17	10	10			
C	-	40040002	HEAD ARM ASSEMBLY, POSITIONS 00, 04, 08, 12, 16	10	10			
C	-	40040003	HEAD ARM ASSEMBLY, POSITIONS 03, 07, 11, 15, 19	10	10			

* ONLY REPLACEABLE ITEMS ARE LISTED

** REPLACE AS A UNIT

*** PORTION OF FCO KIT, PER FCO PE11044 (S/N 310 AND BELOW)

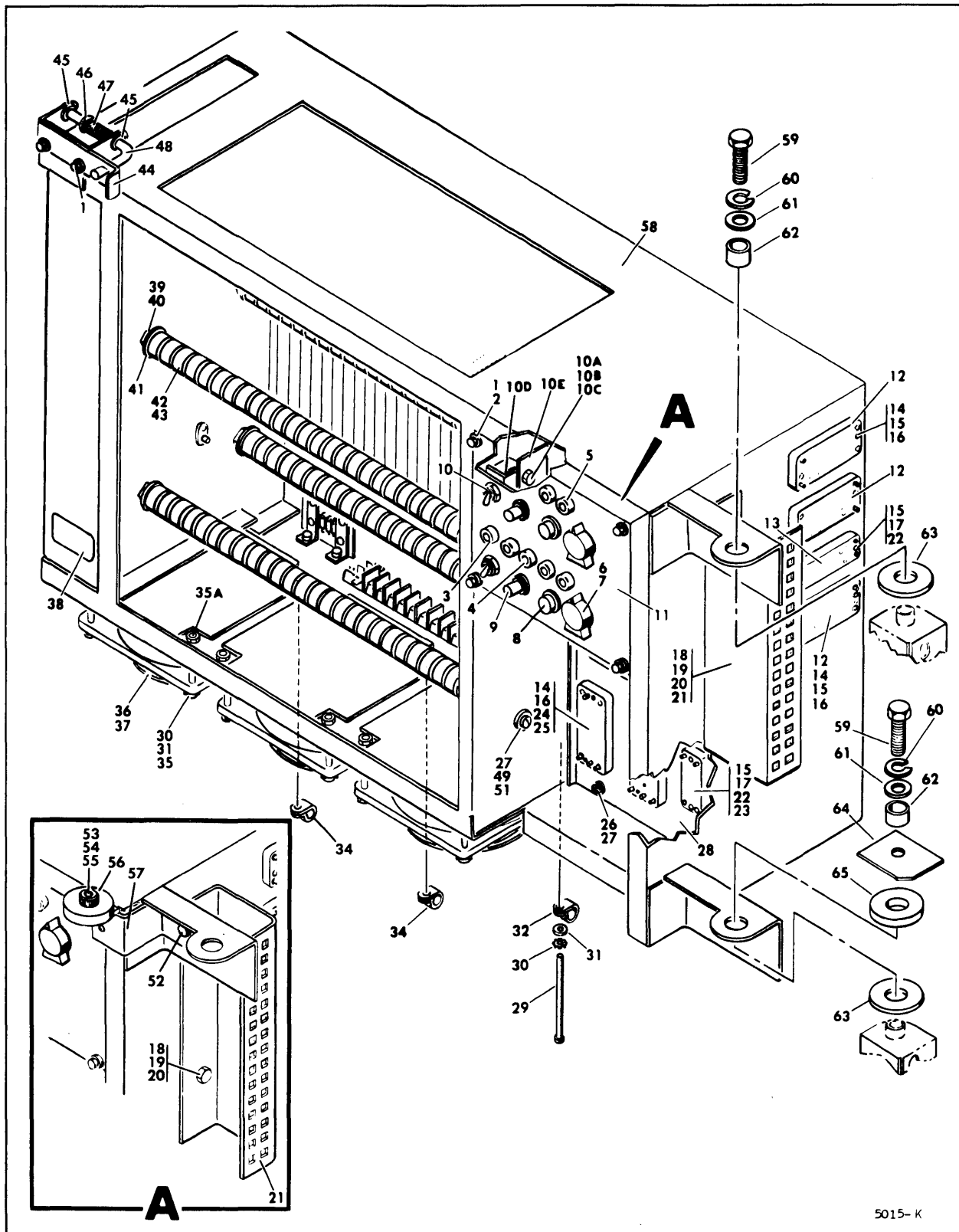


FIGURE 10. LOGIC CHASSIS ASSEMBLY (SHEET 1 OF 2)

ASSY LEVEL	INDEX NO.	EQUIPMENT PART NUMBER	ITEM DESCRIPTION	TAB NUMBER				
				00	01			
				NO. REQUIRED				
C	10-	70951800	LOGIC CHASSIS ASSEMBLY (SHEET 1 OF 2)	1	-			
C	10-	70951803	LOGIC CHASSIS ASSEMBLY	-	1			
D	-1	93592162	SCREW, MACHINE, HEXAGON WASHER HEAD, 6-32 x 3/8	6	6			
D	-2	10126103	WASHER, LOCK, INTERNAL TOOTH, 6	4	4			
D	-	40010400	MAINTENANCE PANEL ASSEMBLY (S/N 310 AND BELOW)	1	1			
D	-	41298300	MAINTENANCE PANEL ASSEMBLY (S/N 311 AND ABOVE)	1	1			
E	-3	93672005	JACK, BANANA, NYLON, LIGHT BLUE, TP204	2	2			
E	-4	93672003	JACK, BANANA, NYLON, RED, TP201 THRU TP203	6	6			
E	-5	93672001	JACK, BANANA, NYLON, BLACK, TP200	2	2			
E	-6	93395002	KNOB	2	2			
E	-7	94275400	SWITCH, ROTARY, 2 SECTION, 2 POLE, S202	2	2			
E	-8	94039102	LIGHT, INDICATOR, 24V, DS200	2	2			
E	-9	93126310	SWITCH, PUSH, NO/NC, BLACK BUTTON, S201	2	2			
E	-10	92509013	SWITCH, TOGGLE, DPDT, S200	2	2			
E	-	70812900*	COMPONENT ASSEMBLY, WIRED, TB204	2	2			
E	-	70959900*	COMPONENT ASSEMBLY (COMPONENT ITEM OF THE DIRECT PRECEDING ASSEMBLY)	1	1			
E	-	70959900	COMPONENT ASSEMBLY, TB204 (S/N 311 AND ABOVE)	2	2			
F	-10A	10127104	SCREW, MACHINE, PAN HEAD, PHILLIPS, 4-40 x 3/8	2	2			
F	-10B	10126101	WASHER, LOCK, INTERNAL TOOTH, 4	2	2			
F	-10C	10125103	NUT, HEXAGON, 4-40	2	2			
F	-10D	70804500	BRACKET, MOUNTING, TERMINAL BOARD	1	1			
F	-	92512470	RESISTOR, FIXED, COMPOSITION, 10 OHM, 1/4W, R210, R211, R212	3	3			
F	-	92427023	CAPACITOR, FIXED, ELECTROLYTIC, 1 UF, 35V, C201, C202, C203	3	3			
F	-10E	70959800	TERMINAL BOARD ASSEMBLY	1	1			
E	-11	40067300	PANEL, MAINTENANCE	1	1			
D	-	72954900	CABLE HARNESS ASSEMBLY (S/N 1012 AND BELOW)	1	1			
D	-	72971600	CABLE HARNESS ASSEMBLY (S/N 1013 AND ABOVE)	1	1			
E	-12	94281200	CONNECTOR, RECEPTACLE, 75 PIN, J204, A3J205, A4J205	3	3			
E	-13	24502301	CONNECTOR, RECEPTACLE, 50 SOCKET, J206	1	1			
E	-	93644001	CONTACT, PIN, 18-16 WIRE RANGE	19	19			
E	-	93644002	CONTACT, PIN, 22-20 WIRE RANGE	35	35			
E	-	93644003	CONTACT, PIN, 26-24 WIRE RANGE	27	27			
E	-	93645001	CONTACT, SOCKET, 18-16 WIRE RANGE	8	8			
E	-	93645002	CONTACT, SOCKET, 22-20 WIRE RANGE	41	41			
E	-	93645003	CONTACT, SOCKET, 26-24 WIRE RANGE	152	152			
D	-14	93642005	SOCKET, CORNER GUIDE	14	14			
D	-15	93643007	JACKSCREW, FIXED, FEMALE	12	12			
D	-16	93642004	PIN, CORNER GUIDE	14	14			
D	-17	93643005	SOCKET, CORNER GUIDE	6	6			
D	-18	10126500	SCREW, MACHINE, HEXAGON CAP HEAD, 1/4-20 x 1/2	2	2			
D	-19	10126404	WASHER, LOCK, EXTERNAL TOOTH, 1/4	2	2			
D	-20	10125301	NUT, HEXAGON, 1/4-20	2	2			
D	-21	40069500	BRACKET, CABLE CLAMP	1	1			
D	-22	93643004	PIN, CORNER GUIDE	6	6			
D	-23	40016600	I/O CABLE ASSEMBLY, W7, W107	2	2			
E	-	93643015	CONNECTOR, RECEPTACLE, 34 PIN, J202	1	1			
E	-	93644003	CONTACT, PIN, 26-24 WIRE RANGE	12	12			
D	-24	93643006	JACKSCREW, FIXED, MALE	8	8			
D	-25	40016500	I/O CABLE ASSEMBLY, W5, W105, W6, W106	4	4			
E	-	94281201	CONNECTOR, RECEPTACLE, 75 SOCKET, J200, J201	1	1			
E	-	93645003	CONTACT, SOCKET, 26-24 WIRE RANGE	56	56			
D	-26	93590200	SCREW, MACHINE, PAN HEAD, PHILLIPS, 8-32 x 3/8	4	4			
D	-27	10126104	WASHER, LOCK, INTERNAL TOOTH, 8	16	16			
D	-28	40032700	PANEL, I/O	1	1			
D	-29	10127343	SCREW, MACHINE, PAN HEAD, SLOTTED, 6-32 x 2-3/4	3	3			
D	-30	10126401	WASHER, LOCK, EXTERNAL TOOTH, 6	12	12			
D	-31	10125605	WASHER, PLAIN, 6	12	12			
D	-32	92602004	CLAMP, CABLE, NYLON, 0.31 ID	1	1			
D	-33		NOT USED					
D	-34	92602002	CLAMP, CABLE, NYLON, 0.19 ID	2	2			
D	-35	92779179	SCREW, MACHINE, PAN HEAD, SLOTTED, 6-32 x 1-7/8	9	9			
D	-35A	10125105	NUT, HEXAGON, 6-32 (S/N 1013 AND ABOVE)	12	12			
D	-36	40034600	GUARD, FINGER	3	3			
D	-37	94303400	FAN, AXIAL (S/N 1012 AND BELOW)	3	3			
D	-37	94247100	FAN, AXIAL (S/N 1013 AND ABOVE)	3	3			
D	-38	94208500	LABEL, MODEL LEVEL	1	1			
D	-	40065700	SPACER GUIDE ASSEMBLY	6	6			
E	-39	94217710	NUT, HEXAGON, THIN, 3/8-16	2	2			
E	-40	45724500	ROD, SPACER	1	1			
E	-41	10125610	WASHER, PLAIN, 3/8	2	2			
E	-42	45724600	SPACER, GUIDE	30	30			
E	-43	45815900	SPACER, GUIDE, MODIFIED	1	1			

ASSY LEVEL	INDEX NO.	EQUIPMENT PART NUMBER	ITEM DESCRIPTION	TAB NUMBER					
				00	01				
				NO. REQUIRED					
C	10-	70951800	LOGIC CHASSIS ASSEMBLY (SHEET 1 OF 2 CONT'D)	1	-				
C	10-	70951803	LOGIC CHASSIS ASSEMBLY	-	1				
D	-44	40032400	GUIDE, LATCH	1	1				
D	-45	92373005	BEARING, DOUBLE FLANGED, NYLON	2	2				
D	-46	92033038	RING, RETAINING	1	1				
D	-47	45229900	SPRING, COMPRESSION	1	1				
D	-48	40032300	LATCH	1	1				
D	-49	10126226	SCREW, MACHINE, CAP HEAD, SOCKET, 8-32 x 1/2	12	12				
	-50		NOT USED						
D	-51	10125606	WASHER, PLAIN, 8	12	12				
D	-52	93592200	SCREW, MACHINE, HEXAGON WASHER HEAD, 8-32 x 3/8 (S/N 574 AND BELOW)	1	1				
D	-	70958600	LOGIC CHASSIS STOP ASSEMBLY (S/N 574 AND BELOW)	1	1				
E	-53	92541031	SCREW, SHOULDER	1	1				
E	-54	10126403	WASHER, LOCK, EXTERNAL TOOTH, 10	1	1				
E	-55	10125108	NUT, HEXAGON, 10-32	1	1				
E	-56	70808700	ROLLER, STOP	1	1				
E	-57	70808600	STOP, LOGIC CHASSIS	1	1				
D	-58	40032000	FRAME, LOGIC CHASSIS (S/N 132 AND BELOW)	1	1				
D	-58	40092900	FRAME, LOGIC CHASSIS (S/N 133 THRU 1012)	1	1				
D	-58	72976600	FRAME, LOGIC CHASSIS (S/N 1013 AND ABOVE)	1	1				
C	-59	10126531	SCREW, MACHINE, HEXAGON CAP HEAD, 3/8-16 x 1-1/4	2	2				
C	-60	10125808	WASHER, LOCK, SPRING, 3/8	2	2				
C	-61	10125610	WASHER, PLAIN, 3/8	2	2				
C	-62	92142059	BEARING, SLEEVE	2	2				
C	-63	45718500	SPACER	2	2				
C	-64	40033000	PLATE, FRICTION	1	1				
C	-65	45718501	SPACER	1	1				

* PORTION OF FCO KIT, PER FCO PE11044 (S/N 310 AND BELOW)

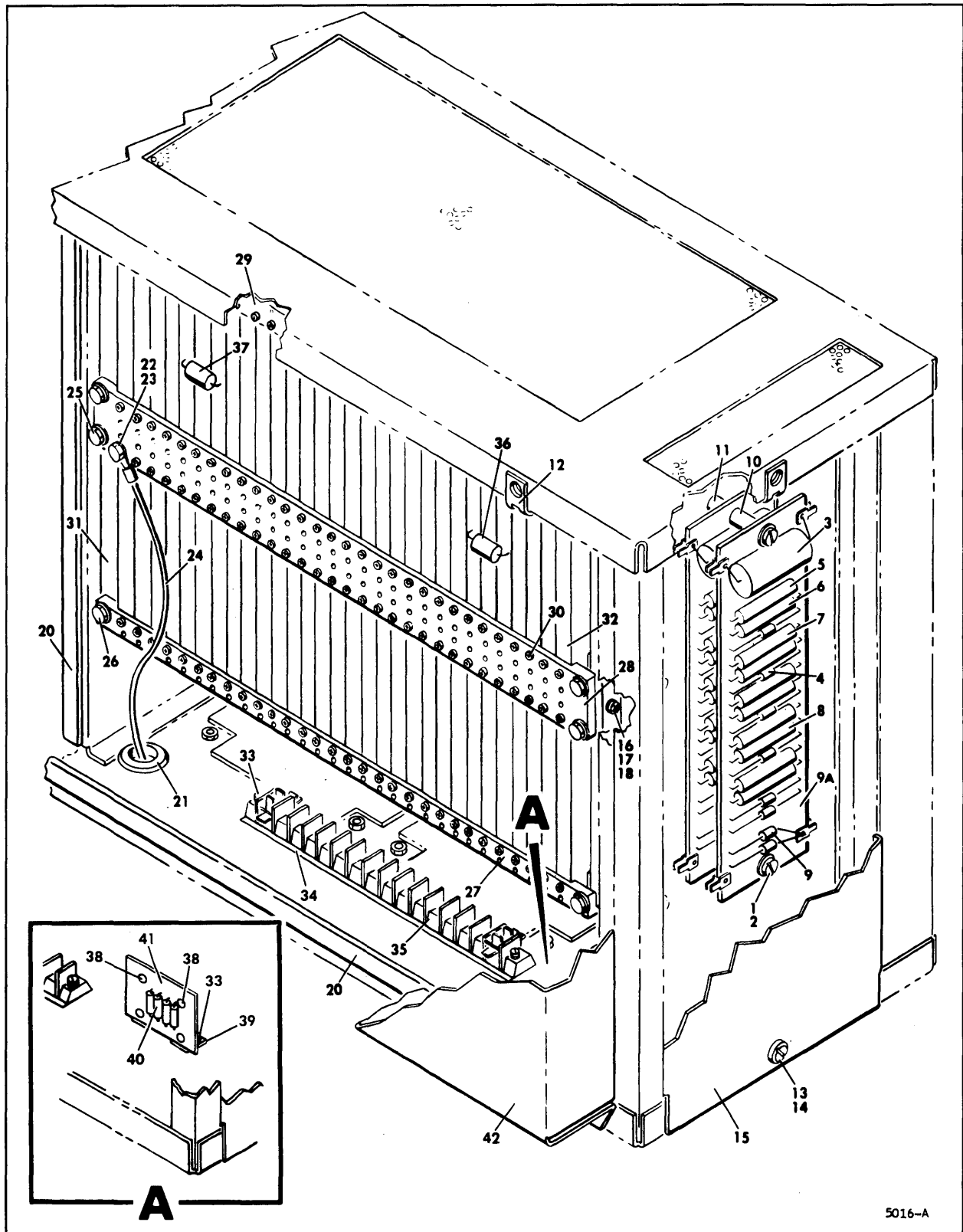


FIGURE 10. LOGIC CHASSIS ASSEMBLY (SHEET 2 OF 2)

ASSY LEVEL	INDEX NO.	EQUIPMENT PART NUMBER	ITEM DESCRIPTION	TAB NUMBER			
				00	01		
				NO. REQUIRED			
C	10-	70951800	LOGIC CHASSIS ASSEMBLY (SHEET 2 OF 2)	1	-		
C	10-	70951803	LOGIC CHASSIS ASSEMBLY	-	1		
D	-1	10127371	SCREW, MACHINE, PAN HEAD, SLOTTED, 10-32 x 1-3/4	2	2		
D	-2	10125805	WASHER, LOCK, SPRING, 10	2	2		
D	-	40018401	COMPONENT ASSEMBLY, TB202	2	2		
E	-3	92427121	CAPACITOR, FIXED, ELECTROLYTIC, 200 UF, 50 VDC, C200	1	1		
E	-4	93935000	RECTIFIER, SILICON, CR200 THRU CR205	6	6		
E	-5	24528711	RESISTOR, FIXED, WIREWOUND, 10 OHM, 10W, R200	1	1		
E	-6	24528702	RESISTOR, FIXED, WIREWOUND, 100 OHM, 10W, R201	1	1		
E	-7	24528701	RESISTOR, FIXED, WIREWOUND, 25 OHM, 10W, R202, R204, R206, R208	4	4		
E	-8	24528721	RESISTOR, FIXED, WIREWOUND, 150 OHM, 10W, R203, R205, R207, R209	4	4		
E	-9	92115021	DIODE, SILICON, CR206, CR207	2	2		
E	-9A	40063800	BOARD, TERMINAL	1	1		
D	-10	93109242	STANDOFF, SPACER, ROUND, 0.750 LONG	2	2		
D	-11	93109239	STANDOFF, SPACER, ROUND, 0.375 LONG	2	2		
D	-12	94317800	RECEPTACLE, FASTENER, CLIP-ON (S/N 132 AND BELOW)	4	4		
D	-12	94317800	RECEPTACLE, FASTENER, CLIP-ON (S/N 133 AND ABOVE)	6	6		
D	-	40018300	SIDE COVER ASSEMBLY (S/N 132 AND BELOW)	1	1		
D	-	40092700	SIDE COVER ASSEMBLY (S/N 133 AND ABOVE)	1	1		
E	-13	94303101	STUD ASSEMBLY, TURNLOCK FASTENER (S/N 132 AND BELOW)	2	2		
E	-13	94317701	FASTENER, STUD TYPE, OVAL HEAD, SLOTTED (S/N 133 AND ABOVE)	2	2		
E	-14	94317900	RETAINER, SPLIT RING (S/N 133 AND ABOVE)	2	2		
E	-15	40032200	COVER, SIDE (S/N 132 AND BELOW)	1	1		
E	-15	40092800	COVER, SIDE (S/N 133 AND ABOVE)	1	1		
D	-16	10127114	SCREW, MACHINE, PAN HEAD, PHILLIPS, 6-32 x 1/2	6	6		
D	-17	92615006	WASHER, SHOULDER, FIBRE	6	6		
D	-18	45612500	PAPER, INSULATION	2	2		
	-19		NOT USED				
D	-20	94237703	TRIM, SAFETY	AR	AR		
D	-21	93840010	GROMMET, RUBBER, 1/2 ID	1	1		
D	-22	10125106	NUT, HEXAGON, 8-32	1	1		
D	-23	10126402	WASHER, LOCK, EXTERNAL TOOTH, 8	1	1		
D	-24	94281420	CABLE, GROUND	1	1		
D	-	40014000	CONNECTOR MOUNTING ASSEMBLY	1	1		
E	-25	93592206	SCREW, MACHINE, HEXAGON WASHER HEAD, 8-32 x 3/4	1	1		
E	-26	93592203	SCREW, MACHINE, HEXAGON WASHER HEAD, 8-32 x 9/16	7	7		
E	-27	45723800	BAR, CONNECTOR MOUNTING, LOWER	1	1		
E	-28	40033100	BAR, CONNECTOR MOUNTING, CENTER	1	1		
E	-29	45723801	BAR, CONNECTOR MOUNTING, UPPER	1	1		
E	-30	93590166	SCREW, MACHINE, PAN HEAD, PHILLIPS, 6-32 x 3/8	120	120		
E	-31	40033200	BAR, BUSS	2	2		
E	-32	94320100	CONNECTOR, RECEPTACLE, 37 SOCKET	60	60		
D	-33	93592166	SCREW, MACHINE, HEXAGON WASHER HEAD, 6-32 x 5/8 (S/N 1012 AND BELOW)	2	2		
D	-33	93592166	SCREW, MACHINE, HEXAGON WASHER HEAD, 6-32 x 5/8 (S/N 1013 AND ABOVE)	4	4		
D	-34	94274476	STRIP, MARKER	1	1		
D	-35	40015200	TERMINAL BOARD ASSEMBLY, TB203	1	1		
E	-	10127333	SCREW, MACHINE, PAN HEAD, SLOTTED, 6-32 x 5/16	16	16		
E	-	10126103	WASHER, LOCK, INTERNAL TOOTH, 6	16	16		
E	-	93047002	JUMPER, BARRIER STRIP	1	1		
E	-	94274113	TERMINAL, QUICK CONNECT, 45°	16	16		
E	-	94274116	TERMINAL, QUICK CONNECT, 90°	16	16		
E	-	94274110	TERMINAL, QUICK CONNECT, FLAT	16	16		
E	-	94272341	BOARD, TERMINAL	1	1		
D	-36	70809700	CAPACITOR ASSEMBLY (S/N 1012 AND BELOW)	4	4		
E	-	92427024	CAPACITOR, FIXED, ELECTROLYTIC, 50 UF, 25V	1	1		
D	-37	70809701	CAPACITOR ASSEMBLY (S/N 1012 AND BELOW)	2	2		
E	-	92427127	CAPACITOR, FIXED, ELECTROLYTIC, 60 UF, 10V	1	1		
D	-	70716100	COMPONENT ASSEMBLY, TB205 (S/N 1013 AND ABOVE)	1	1		
E	-38	17901508	SCREW, MACHINE, PAN HEAD, PHILLIPS, 6-32 x 1/4	4	4		
E	-39	70716200	BRACKET, MOUNTING, TERMINAL BOARD	2	2		
E	-40	92427024	CAPACITOR, FIXED, ELECTROLYTIC, 50 UF, 25V, C204 THRU C211	8	8		
E	-41	70716000	TERMINAL BOARD ASSEMBLY	1	1		
B	-42	40018200	BACK COVER ASSEMBLY	1	1		
C	-	94303101	STUD ASSEMBLY, TURNLOCK FASTENER	4	4		
C	-	40032800	COVER, BACK	1	1		

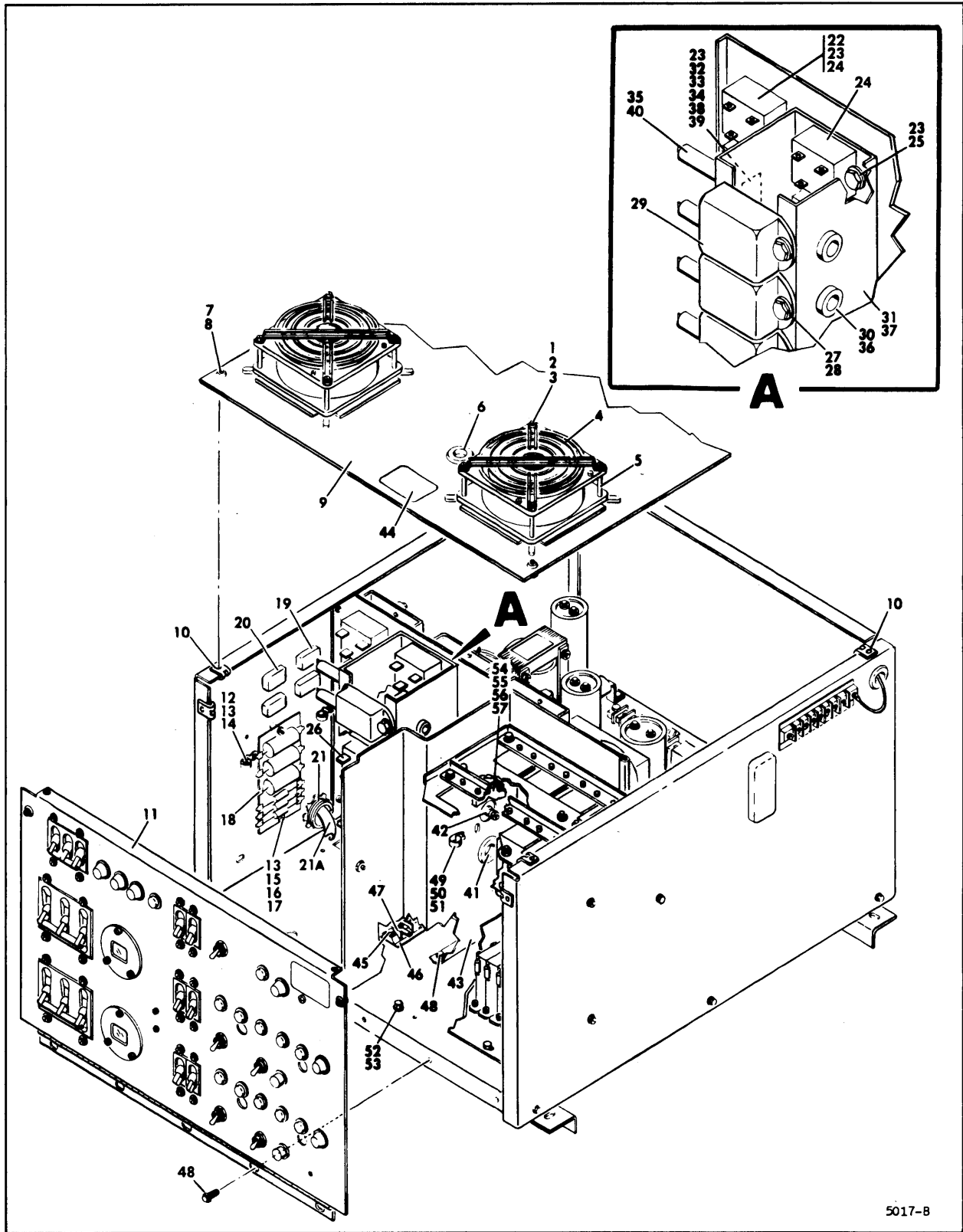


FIGURE 11. POWER SUPPLY ASSEMBLY (SHEET 1 OF 3)
(S/N 574 AND BELOW)

ASSY LEVEL	INDEX NO.	EQUIPMENT PART NUMBER	ITEM DESCRIPTION	TAB NUMBER					
				00	01				
				NO. REQUIRED					
C	11-	40018604	POWER SUPPLY ASSEMBLY (S/N 574 AND BELOW) SHEET 1 OF 3	1	1				
D	-	40094200	TOP COVER ASSEMBLY	1	1				
E	-1	92779179	SCREW, MACHINE, PAN HEAD, SLOTTED, 6-32 x 3/8	8	8				
E	-2	10125605	WASHER, PLAIN, 6	8	8				
E	-3	10126401	WASHER, LOCK, EXTERNAL TOOTH, 6	8	8				
E	-4	40034600	GUARD, FINGER	2	2				
E	-5	94303400	FAN, AXIAL	2	2				
E	-6	93840010	GROMMET, RUBBER, 1/2 ID	1	1				
E	-7	94317701	FASTENER, STUD TYPE, OVAL HEAD, SLOTTED	4	4				
E	-8	94317900	RETAINER, SPLIT RING	4	4				
E	-9	40035200	COVER, TOP	1	1				
D	-10	94317800	RECEPTACLE, FASTENER, CLIP-ON	6	6				
D	-11	40094101	FRONT PANEL ASSEMBLY (S/N 310 AND BELOW) SEE FIGURE 13	1	1				
D	-11	41298701	FRONT PANEL ASSEMBLY (S/N 311 THRU 574) SEE FIGURE 13	1	1				
D	-12	10127114	SCREW, MACHINE, PAN HEAD, PHILLIPS, 6-32 x 1/2	2	2				
D	-13	10125105	NUT, HEXAGON, 6-32	4	4				
D	-14	94277406	STRAP, CABLE TIE	2	2				
D	-15	10127116	SCREW, MACHINE, PAN HEAD, PHILLIPS, 6-32 x 3/4	2	2				
D	-16	10126401	WASHER, LOCK, EXTERNAL TOOTH, 6	2	2				
D	-17	93109211	STANDOFF, SPACER	2	2				
D	-18	40019200	ARC SUPPRESSOR ASSEMBLY, TB03	1	1				
E	-	92496245	CAPACITOR, FIXED, PLASTIC, 0.22 UF, 60 VDC, C10, C11, C12	3	3				
E	-	92512434	RESISTOR, FIXED, COMPOSITION, 100 OHM, 2W, R10, R11 R12	3	3				
E	-	40063600	BOARD, TERMINAL	1	1				
D	-	41296100	AC CABLE HARNESS ASSEMBLY	1	1				
E	-19	93947000	CONNECTOR, RECEPTACLE, 6 SOCKET, J02	1	1				
E	-20	93947001	CONNECTOR, RECEPTACLE, 9 SOCKET, J03, J05, J103	3	3				
E	-	93947005	CONNECTOR, PLUG, 2 SOCKET, P06, P106	2	2				
E	-	93943001	CONTACT, SOCKET, 22-18 WIRE RANGE	25	25				
E	-	93943002	CONTACT, SOCKET, 18-14 WIRE RANGE	9	9				
D	-21	92801002	CLAMP, CABLE, BOX CONNECTOR	1	1				
D	-21A	70954100	CABLE ASSEMBLY, W11 (SEE FIGURE 25)	1	1				
D	-	40094300	AC PANEL ASSEMBLY (S/N 310 AND BELOW)	1	1				
D	-	41286300	AC PANEL ASSEMBLY (S/N 311 THRU 574)	1	1				
E	-22	93592162	SCREW, MACHINE, HEXAGON WASHER HEAD, 6-32 x 3/8	8	8				
E	-23	10126401	WASHER, LOCK, EXTERNAL TOOTH, 6 (S/N 310 AND BELOW)	16	16				
E	-23	10126401	WASHER, LOCK, EXTERNAL TOOTH, 6 (S/N 311 THRU 574)	18	18				
E	-24	94304403	SWITCH, SOLID STATE, 20 VDC, 15 AMP, SSW1 THRU SSW3, SS W101 THRU SS W103	6	6				
E	-25	93592164	SCREW, MACHINE, HEXAGON WASHER HEAD, 6-32 x 1/2	8	8				
E	-26	94304400	SWITCH, SOLID STATE, 20 VDC, 4 AMP, SSW4, SSW104	2	2				
E	-27	93592196	SCREW, MACHINE, HEXAGON WASHER HEAD, 8-32 x 1/4	8	8				
E	-28	10126402	WASHER, LOCK, EXTERNAL TOOTH, 8	8	8				
	-	70812400*	RF FILTER ASSEMBLY, WIRED, FL11, FL12, FL13, FL111, FL112, FL113	3	3				
	-	70812401*	RF FILTER ASSEMBLY, WIRED, FL14, FL114	1	1				
E	-29	94348400*	FILTER, RF, 125 VAC, 3 AMP (A COMPONENT ITEM OF THE DIRECT PRECEDING ASSEMBLIES)	1	1				
E	-29	94348400	FILTER, RF, 125 VAC, 3 AMP, FL11 THRU FL14, FL111 THRU FL114 (S/N 311 THRU 574)	4	4				
	-	70812700*	BRACKET AND CAP ASSEMBLY, WIRED	1	1				
E	-	70812100*	BRACKET AND CAP ASSEMBLY (COMPONENT ITEM OF THE DIRECT PRECEDING ASSEMBLY)	1	1				
F	-30	93840007*	GROMMET, RUBBER, 3/8 ID	6	6				
F	-31	70805700*	BRACKET, MOUNTING, FILTER	1	1				
F	-32	93592158*	SCREW, MACHINE, HEXAGON WASHER HEAD, 6-32 x 1/4	2	2				
F	-33	10126401*	WASHER, LOCK, EXTERNAL TOOTH, 6	2	2				
F	-34	93301004*	TERMINAL STRIP, 2 CONTACT, TB11, TB111	2	2				
F	-35	94348201*	CAPACITOR, FIXED, FEED-THRU, 0.47 UF, 5 AMP, C21 THRU C24, C121 THRU C124	8	8				
E	-36	93840009	GROMMET, RUBBER, 7/16 ID (S/N 311 THRU 574)	1	1				
E	-37	70805700	BRACKET, MOUNTING, FILTER (S/N 311 THRU 574)	1	1				
E	-38	93592158	SCREW, MACHINE, HEXAGON WASHER HEAD, 6-32 x 1/4 (S/N 311 THRU 574)	2	2				
E	-39	93301004	TERMINAL STRIP, 2 CONTACT, TB11, TB111 (S/N 311 THRU 574)	2	2				
E	-40	94348201	CAPACITOR, FIXED, FEED-THRU, 0.47 UF, 5 AMP, C21 THRU C24, C121 THRU C124 (S/N 311 THRU 574)	8	8				
E	-41	93840010	GROMMET, RUBBER, 1/2 ID	1	1				
E	-42	94304300	FILTER, RADIO INTERFERENCE, FL05, FL06	1	1				
E	-43	40093900	PANEL, AC	1	1				



ASSY LEVEL	INDEX NO.	EQUIPMENT PART NUMBER	ITEM DESCRIPTION	TAB NUMBER					
				00	01				
				NO. REQUIRED					
C	11-	40018604	POWER SUPPLY ASSEMBLY (S/N 574 AND BELOW) SHEET 1 OF 3 CONT'D						
D	-44	46068603	PLATE, WARNING	1	1				
D	-45	93590166	SCREW, MACHINE, PAN HEAD, PHILLIPS, 6-32 x 5/8	1	1				
D	-46	94274464	STRIP, MARKER	2	2				
D	-47	40019100	TERMINAL BLOCK ASSEMBLY, TB01	1	1				
E	-	10127333	SCREW, MACHINE, PAN HEAD, SLOTTED, 6-32 x 5/16	1	1				
E	-	10126401	WASHER, LOCK, EXTERNAL TOOTH, 6	4	4				
E	-	93047002	JUMPER, BARRIER STRIP	4	4				
E	-	94274110	TERMINAL, QUICK CONNECT, FLAT	3	3				
E	-	94274113	TERMINAL, QUICK CONNECT, 45°	4	4				
E	-	94274116	TERMINAL, QUICK CONNECT, 90°	4	4				
E	-	94272329	BLOCK, TERMINAL	4	4				
D	-48	93592238	SCREW, MACHINE, HEXAGON WASHER HEAD, 10-24 x 3/8	1	1				
D	-49	10125106	NUT, HEXAGON, 8-32	12	12				
D	-50	10125606	WASHER, PLAIN, 8	1	1				
D	-51	92602011	CLAMP, CABLE, NYLON, 0.75 ID	1	1				
	-52	93592240*	SCREW, MACHINE, HEXAGON WASHER HEAD, 10-24 x 1/2	1	1				
	-53	10126105*	WASHER, LOCK, INTERNAL TOOTH, 10	1	1				
	-54	10125106**	NUT, HEXAGON, 8-32	1	1				
	-55	10126402**	WASHER, LOCK, EXTERNAL TOOTH, 8	2	2				
	-56	10125606**	WASHER, PLAIN, 8	2	2				
	-57	70817700**	COVER, FILTER, SAFETY	2	2				
				1	1				
			* PORTION OF FCO KIT, PER FCO PE11044 (S/N 310 AND BELOW)						
			**FCO KIT PER FCO PE11244 (S/N 574 AND BELOW)						

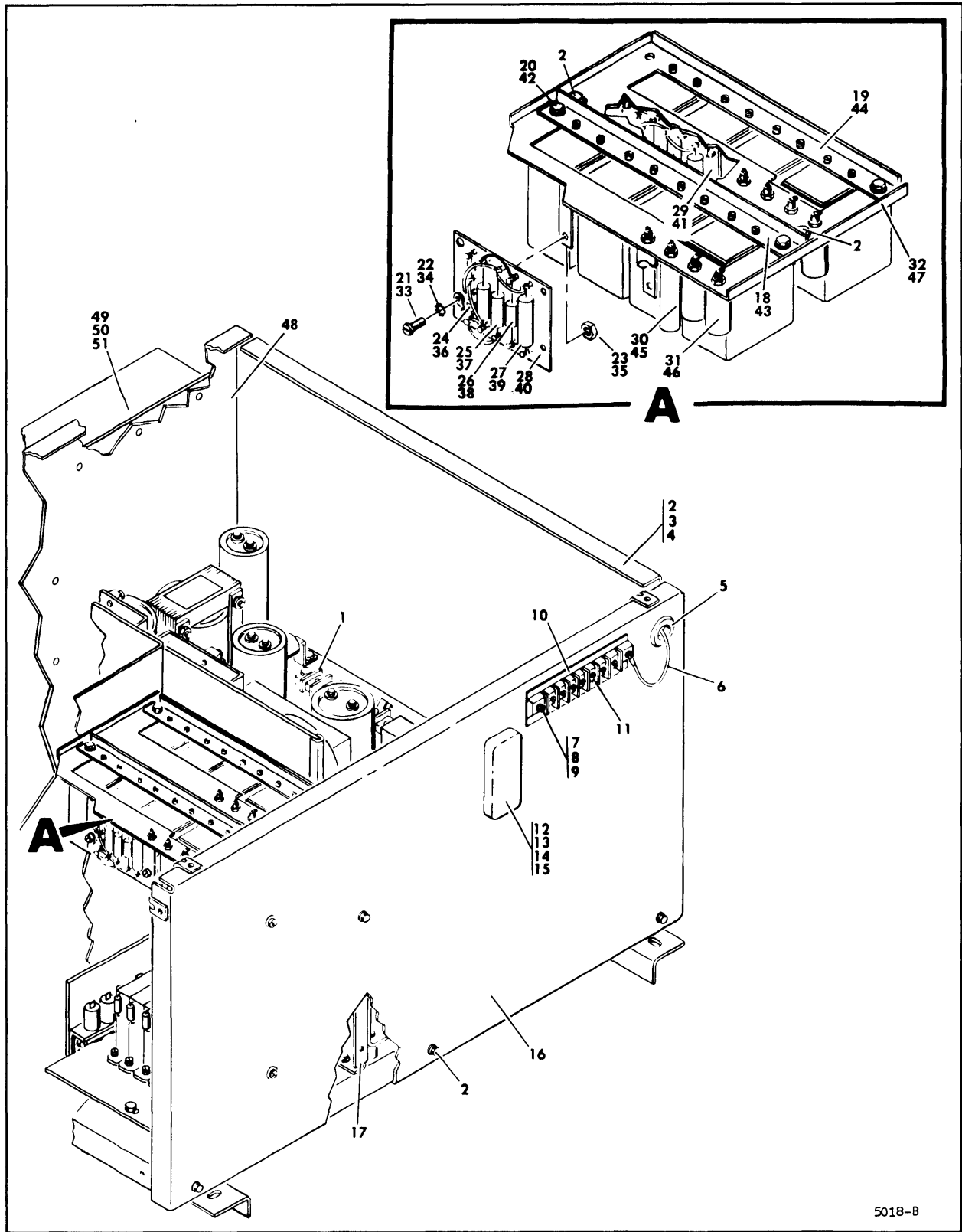


FIGURE 11. POWER SUPPLY ASSEMBLY (SHEET 2 OF 3)
(S/N 574 AND BELOW)

ASSY LEVEL	INDEX NO.	EQUIPMENT PART NUMBER	ITEM DESCRIPTION	TAB NUMBER					
				00	01				
				NO. REQUIRED					
C	11-	40018604	POWER SUPPLY ASSEMBLY (S/N 574 AND BELOW) SHEET 2 OF 3						
D	-1	40011801	DC PANEL ASSEMBLY (SEE FIGURE 18)	1	1				
D	-2	93592238	SCREW, MACHINE, HEXAGON WASHER HEAD, 10-24 x 3/8	20	20				
D	-3	40034800	PANEL, BACK	1	1				
D	-4	46068603	PLATE, WARNING	1	1				
D	-5	93840010	GROMMET, RUBBER, 1/2 ID	1	1				
D	-6	94281418	CABLE, GROUND	1	1				
D	-7	10127115	SCREW, MACHINE, PAN HEAD, PHILLIPS, 6-32 x 5/8	2	2				
D	-8	10126103	WASHER, LOCK, INTERNAL TOOTH, 6	2	2				
D	-9	10125105	NUT, HEXAGON, 6-32	2	2				
D	-10	94274468	STRIP, MARKER	1	1				
D	-11	40063000	TERMINAL BLOCK ASSEMBLY, TB05	1	1				
E	-	93047002	JUMPER, BARRIER STRIP	9	9				
E	-	10126401	WASHER, LOCK, EXTERNAL TOOTH, 6	8	8				
E	-	94272333	BLOCK, TERMINAL	1	1				
	-12		NOT APPLICABLE						
	-13		NOT APPLICABLE						
	-14		NOT APPLICABLE						
D	-15	70821800	DC CABLE HARNESS ASSEMBLY	1	1				
E	-	93642004	PIN, CORNER GUIDE	2	2				
E	-	93642005	SOCKET, CORNER GUIDE	2	2				
E	-	93960007	JACKSCREW, FIXED, FEMALE	2	2				
E	-	94281200	CONNECTOR, RECEPTACLE, 75 SOCKET, J04	1	1				
E	-	93645001	CONTACT, SOCKET, 18-16 WIRE RANGE	16	16				
E	-	93645002	CONTACT, SOCKET, 22-20 WIRE RANGE	26	26				
E	-	93645003	CONTACT, SOCKET, 26-24 WIRE RANGE	15	15				
D	-16	40093700	PANEL, RIGHT SIDE	1	1				
D	-17	40035300	BRACKET, SIDE	1	1				
D	-18	40019601	RELAY BRACKET ASSEMBLY (S/N 310 AND BELOW)	1	1				
D	-19	40019600	RELAY BRACKET ASSEMBLY (S/N 310 AND BELOW)	1	1				
E	-	10127115	SCREW, MACHINE, PAN HEAD, PHILLIPS, 6-32 x 5/8	8	8				
E	-	10126401	WASHER, LOCK, EXTERNAL TOOTH, 6	8	8				
E	-	94294108	RELAY, 4PDT, K01, K03, K04, K101, K103, K104	3	3				
E	-	94294109	RELAY, 6 PDT, K05, K105	1	1				
E	-	93935000	RECTIFIER, SILICON	4	4				
E	-	40035800	BRACKET, MOUNTING, RELAY (USED ON ASSEMBLY 40010600)	1	1				
E	-	40035801	BRACKET, MOUNTING, RELAY (USED ON ASSEMBLY 40019601)	1	1				
	-20	93592162*	SCREW, MACHINE, HEXAGON WASHER HEAD, 6-32 x 3/8	2	2				
D	-	70812500*	DC RELAY SUPPRESSION ASSEMBLY	1	1				
E	-21	10127122*	SCREW, MACHINE, PAN HEAD, PHILLIPS, 8-32 x 3/8	8	8				
E	-22	10126402*	WASHER, LOCK, EXTERNAL TOOTH, 8	8	8				
E	-23	10125106*	NUT, HEXAGON, 8-32	8	8				
E	-	70805400*	DC RELAY TERMINAL BOARD ASSEMBLY, TB10	1	1				
E	-	70805401*	DC RELAY TERMINAL BOARD ASSEMBLY, TB110	1	1				
F	-24	92496075*	CAPACITOR, FIXED, PLASTIC, 0.01 UF, 100V	2	2				
F	-25	92427004*	CAPACITOR, FIXED, ELECTROLYTIC, 20 UF, 50V	2	2				
F	-26	92512422*	RESISTOR, FIXED, COMPOSITION, 10 OHM, 2W	1	1				
F	-27	24528704*	RESISTOR, FIXED, WIREWOUND, 1 OHM, 10W	1	1				
F	-28	70805300*	TERMINAL BOARD ASSEMBLY (USED ON ASSEMBLY 70805400)	1	1				
F	-29	70805301*	TERMINAL BOARD ASSEMBLY (USED ON ASSEMBLY 70805401)	1	1				
E	-30	94348200*	CAPACITOR, FIXED, FEED-THRU, 1UF, 100 VDC, C32, C33, C132, C133	4	4				
E	-31	94348300*	FILTER, RF, FL15, FL16, FL115, FL116	4	4				
E	-32	70804800*	PANEL, DC RELAY	1	1				
D	-	70807900	DC RELAY PANEL ASSEMBLY (S/N 311 THRU 574)	1	1				
E	-33	10127122	SCREW, MACHINE, PAN HEAD, PHILLIPS, 8-32 x 3/8	8	8				
E	-34	10126402	WASHER, LOCK, EXTERNAL TOOTH, 8	8	8				
E	-35	10125106	NUT, HEXAGON, 8-32	8	8				
E	-	70805400	DC RELAY TERMINAL BOARD ASSEMBLY, TB10	1	1				
E	-	70805401	DC RELAY TERMINAL BOARD ASSEMBLY, TB110	1	1				
F	-36	92496075	CAPACITOR, FIXED, PLASTIC, 0.01 UF, 100V	2	2				
F	-37	92427004	CAPACITOR, FIXED, ELECTROLYTIC, 20 UF, 50V	2	2				
F	-38	92512422	RESISTOR, FIXED, COMPOSITION, 10 OHM, 2W	1	1				
F	-39	24528704	RESISTOR, FIXED, WIREWOUND, 1 OHM, 10W	1	1				
F	-40	70805300	TERMINAL BOARD ASSEMBLY (USED ON ASSEMBLY 70805400)	1	1				
F	-41	70805301	TERMINAL BOARD ASSEMBLY (USED ON ASSEMBLY 70805401)	1	1				
E	-42	93592238	SCREW, MACHINE, HEXAGON WASHER HEAD, 10-24 x 3/8	2	2				
E	-43	40019601	RELAY BRACKET ASSEMBLY	1	1				
E	-44	40019600	RELAY BRACKET ASSEMBLY	1	1				
F	-	10127115	SCREW, MACHINE, PAN HEAD, PHILLIPS, 6-32 x 5/8	8	8				
F	-	10126401	WASHER, LOCK, EXTERNAL TOOTH, 6	8	8				
F	-	94294108	RELAY, 4PDT, K01, K03, K04, K101, K103, K104	3	3				
F	-	94294109	RELAY, 6PDT, K05, K105	1	1				
F	-	93935000	RECTIFIER, SILICON	4	4				
F	-	40035800	BRACKET, MOUNTING, RELAY (USED ON ASSEMBLY 40019600)	1	1				
F	-	40035801	BRACKET, MOUNTING, RELAY (USED ON ASSEMBLY 40019601)	1	1				

ASSY LEVEL	INDEX NO.	EQUIPMENT PART NUMBER	ITEM DESCRIPTION	TAB NUMBER					
				00	01				
				NO. REQUIRED					
C	11-	40018604	POWER SUPPLY ASSEMBLY (S/N 574 AND BELOW) SHEET 2 OF 3 CONT'D	1	1				
E	-45	94348200	CAPACITOR, FIXED, FEED-THRU, 1 UF, 100 VDC, C32, C33, C132, C133	4	4				
E	-46	94348300	FILTER, RF, FL15, FL16, FL115, FL116	4	4				
E	-47	70804800	PANEL, DC RELAY	1	1				
D	-48	40093800	PANEL, LEFT SIDE (S/N 310 AND BELOW)	1	1				
D	-48	70803800	PANEL, LEFT SIDE (S/N 311 THRU 574)	1	1				
C	-49	93590234	SCREW, MACHINE, PAN HEAD, PHILLIPS, 10-24 x 1/4 (S/N 311 THRU 574)	8	8				
C	-50	10126105	WASHER, LOCK, INTERNAL TOOTH, 10 (S/N 311 THRU 574)	8	8				
C	-51	70956200	HOLDER, MANUAL (S/N 311 THRU 574)	1	1				
			*PORTION OF FCO KIT, PER FCO PE11044 (S/N 310 AND BELOW)						

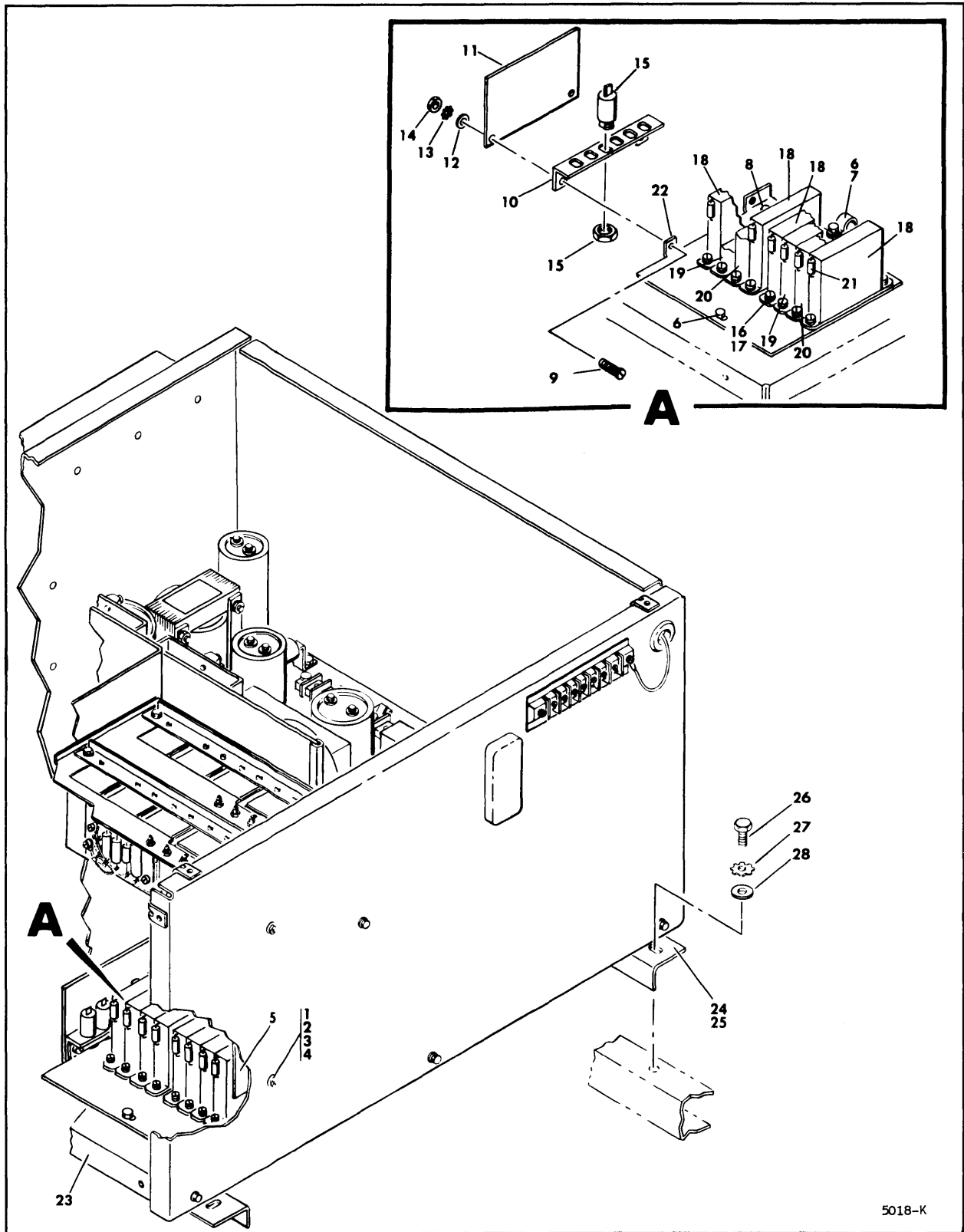
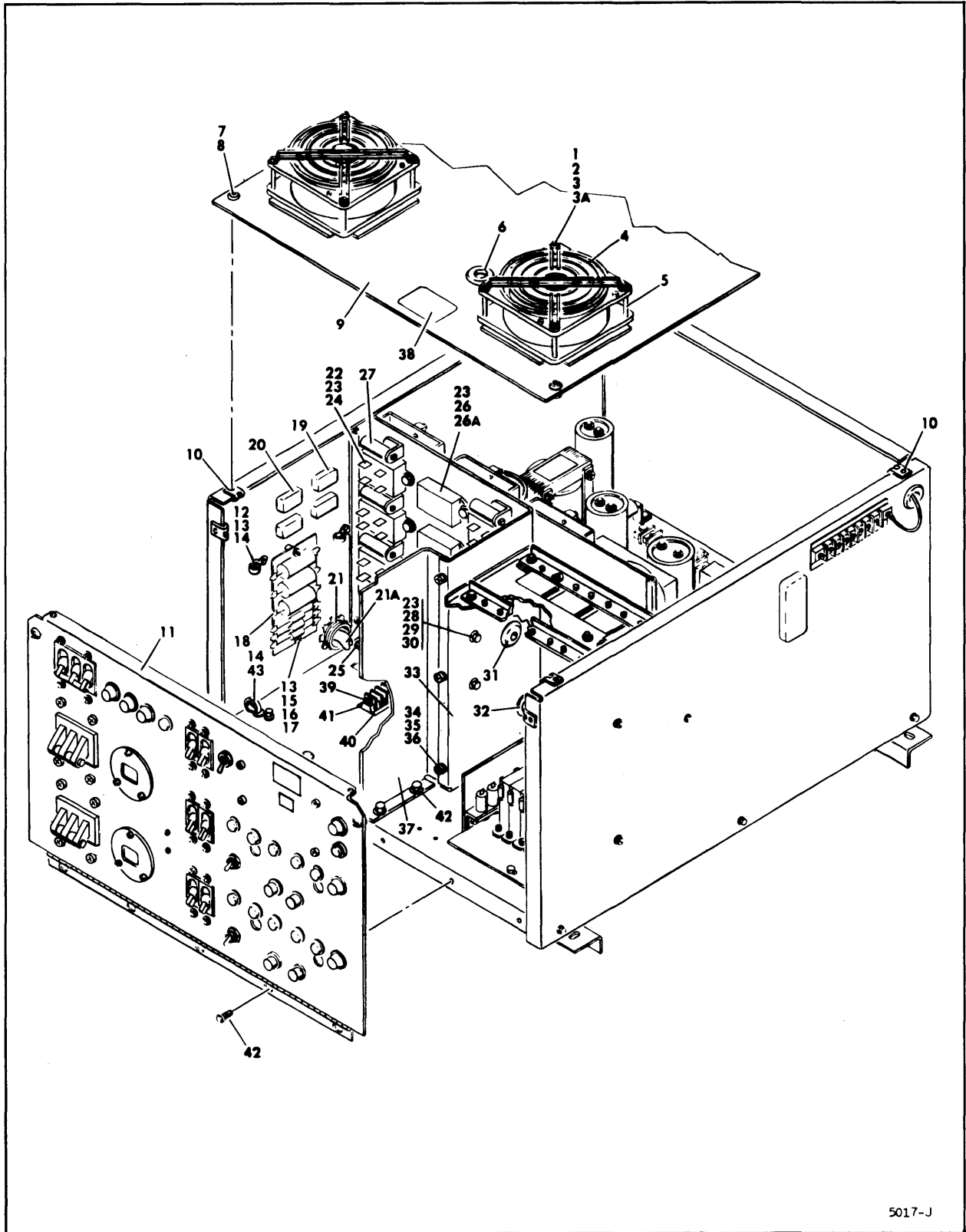


FIGURE 11. POWER SUPPLY ASSEMBLY (SHEET 3 OF 3)
(S/N 574 AND BELOW)

ASSY LEVEL	INDEX NO.	EQUIPMENT PART NUMBER	ITEM DESCRIPTION	TAB NUMBER			
				00	01		
				NO. REQUIRED			
C	11-	40018604	POWER SUPPLY ASSEMBLY (S/N 574 AND BELOW) SHEET 3 OF 3				
D	-1	10127116	SCREW, MACHINE, PAN HEAD, PHILLIPS, 6-32 x 3/4	1	1		
D	-2	10126401	WASHER, LOCK, EXTERNAL TOOTH, 6	2	2		
D	-3	10125105	NUT, HEXAGON, 6-32	2	2		
D	-4	93109211	STANDOFF, SPACER	2	2		
D	-5	40019300	COMPONENT ASSEMBLY, TB04	1	1		
E	-	93935000	RECTIFIER, SILICON, CR10, CR12, CR110, CR112	4	4		
E	-	92512935	RESISTOR, FIXED, COMPOSITION, 680 OHM, 2W, R05, R06, R105, R106	4	4		
E	-	40063700	BOARD, TERMINAL	1	1		
	-6	93592168*	SCREW, MACHINE, HEXAGON WASHER HEAD, 6-32 x 3/4 (S/N 310 AND BELOW)	2	2		
D	-6	93592244*	SCREW, MACHINE, HEXAGON WASHER HEAD, 10-24 x 3/4 (S/N 311 THRU 574)	2	2		
D	-7	92602011	CLAMP, CABLE, NYLON, 0.75 ID	1	1		
D	-8	93592240	SCREW, MACHINE, HEXAGON WASHER HEAD, 10-24 x 1/2	1	1		
D	-	70710101	COMPONENT MOUNTING ASSEMBLY	1	1		
E	-9	10127349	SCREW, MACHINE, PAN HEAD, SLOTTED, 8-32 x 5/8	2	2		
E	-10	70709700	BRACKET, MOUNTING, FILTER	1	1		
E	-11	72955109	CAPACITOR BOARD ASSEMBLY, TB13	1	1		
F	-	92427085	CAPACITOR, FIXED, ELECTROLYTIC, 500 UF, 25V, C35, C36, C135, C136	4	4		
F	-	70710000	TERMINAL BOARD ASSEMBLY	1	1		
E	-12	10125606	WASHER, PLAIN, 8	2	2		
E	-13	10126402	WASHER, LOCK, EXTERNAL TOOTH, 8	2	2		
E	-14	10125106	NUT, HEXAGON, 8-32	2	2		
E	-15	94348300	FILTER, RF, FL18, FL19, FL20, FL118, FL119, FL120	6	6		
E	-16	10127332	SCREW, MACHINE, PAN HEAD, SLOTTED, 6-32 x 1/4	16	16		
E	-17	10126401	WASHER, LOCK, EXTERNAL TOOTH, 6	16	16		
E	-18	94240501	RELAY, MERCURY WETTED, K02-1, K02-4, K102-1, K102-4	4	4		
E	-19	94240502	RELAY, MERCURY WETTED, K02-3, K102-3	2	2		
E	-20	94240500	RELAY, MERCURY WETTED, K02-2, K102-2	2	2		
E	-21	92427023	CAPACITOR, FIXED, ELECTROLYTIC, 1 UF, 35V	8	8		
E	-22	70709800	PLATE, RELAY BASE	1	1		
E	-	70724800	HG RELAY HARNESS ASSEMBLY	1	1		
D	-23	40034700	PANEL, BASE (S/N 310 AND BELOW)	1	1		
D	-23	45080700	PANEL, BASE (S/N 311 THRU 574)	1	1		
D	-24	10125736	SCREW, MACHINE, FLAT HEAD, PHILLIPS, 10-24 x 1/2	4	4		
D	-25	40035400	BRACKET, BASE	2	2		
C	-26	10126502	SCREW, MACHINE, HEXAGON CAP HEAD, 1/4-20 x 3/4	4	4		
C	-27	10126404	WASHER, LOCK, EXTERNAL TOOTH, 1/4	4	4		
C	-28	10125608	WASHER, PLAIN, 1/4	4	4		
*PORTION OF FCO KIT, PER FCO PE11386 (S/N 574 AND BELOW)							



5017-J

FIGURE 12. POWER SUPPLY ASSEMBLY (SHEET 1 OF 3)
(S/N 575 AND ABOVE)

ASSY LEVEL	INDEX NO.	EQUIPMENT PART NUMBER	ITEM DESCRIPTION	TAB NUMBER				
				00	01			
				NO. REQUIRED				
C	12-	40018604	POWER SUPPLY ASSEMBLY (S/N 575 AND ABOVE) SHEET 1 OF 3	1	1			
D	-	40094200	TOP COVER ASSEMBLY (S/N 1012 AND BELOW)	1	1			
D	-	72976500	TOP COVER ASSEMBLY (S/N 1013 AND ABOVE)	1	1			
E	-1	92779179	SCREW, MACHINE, PAN HEAD, SLOTTED, 6-32 x 3/8	8	8			
E	-2	10125605	WASHER, PLAIN, 6	8	8			
E	-3	10126401	WASHER, LOCK, EXTERNAL TOOTH, 6	8	8			
E	-3A	10125105	NUT, HEXAGON, 6-32 (S/N 1013 AND ABOVE)	8	8			
E	-4	40034600	GUARD, FINGER	2	2			
E	-5	94303400	FAN, AXIAL (S/N 1012 AND BELOW)	2	2			
E	-5	94247100	FAN, AXIAL (S/N 1013 AND ABOVE)	2	2			
E	-6	93840010	GROMMET, RUBBER, 1/2 ID	1	1			
E	-7	94317701	FASTENER, STUD TYPE, OVAL HEAD, SLOTTED	4	4			
E	-8	94317900	RETAINER, SPLIT RING	4	4			
E	-9	40035200	COVER, TOP (S/N 1012 AND BELOW)	1	1			
E	-9	72976400	COVER, TOP (S/N 1013 AND ABOVE)	1	1			
D	-10	94317800	RECEPTACLE, FASTENER, CLIP-ON	6	6			
D	-11	70820801	FRONT PANEL ASSEMBLY (S/N 575 THRU 758) SEE FIGURE 15	1	1			
D	-11	72979301	FRONT PANEL ASSEMBLY (S/N 759 THRU 1730) SEE FIGURE 15	1	1			
D	-11	72988201	FRONT PANEL ASSEMBLY (S/N 1731 AND ABOVE) SEE FIG. 16	1	1			
D	-12	10127114	SCREW, MACHINE, PAN HEAD, PHILLIPS, 6-32 x 1/2	2	2			
D	-13	10125105	NUT, HEXAGON, 6-32	4	4			
D	-14	94277406	STRAP, CABLE TIE	3	3			
D	-15	10127116	SCREW, MACHINE, PAN HEAD, PHILLIPS, 6-32 x 3/4	2	2			
D	-16	10126401	WASHER, LOCK, EXTERNAL TOOTH, 6	2	2			
D	-17	93109211	STANDOFF, SPACER	2	2			
D	-18	40019200	ARC SUPPRESSOR ASSEMBLY, TB03	1	1			
E	-	92496245	CAPACITOR, FIXED, PLASTIC, 0.22 UF, 60 VDC, C10, C11, C12	3	3			
E	-	92512434	RESISTOR, FIXED, COMPOSITION, 100 OHM, 2W, R10, R11, R12	3	3			
E	-	40063600	BOARD, TERMINAL	1	1			
D	-	70820900	AC CABLE HARNESS ASSEMBLY	1	1			
E	-19	93947000	CONNECTOR, RECEPTACLE, 6 SOCKET, J02	1	1			
E	-20	93947001	CONNECTOR, RECEPTACLE, 9 SOCKET, J03, J05, J103	3	3			
E	-	93947005	CONNECTOR, PLUG, 2 SOCKET, P06, P106	2	2			
E	-	93943001	CONTACT, SOCKET, 22-18 WIRE RANGE	25	25			
E	-	93943002	CONTACT, SOCKET, 18-14 WIRE RANGE	9	9			
D	-21	92801002	CLAMP, CABLE, BOX CONNECTOR (S/N 575 THRU 1012)	1	1			
D	-21	92801001	CLAMP, CABLE, BOX CONNECTOR (S/N 1013 AND ABOVE)	1	1			
D	-21A	70954100	CABLE ASSEMBLY, W11 (SEE FIGURE 25)	1	1			
D	-	70719302	AC PANEL ASSEMBLY	1	1			
E	-22	93592162	SCREW, MACHINE, HEXAGON WASHER HEAD, 6-32 x 3/8	16	16			
E	-23	10126401	WASHER, LOCK, EXTERNAL TOOTH, 6	26	26			
E	-24	94304405	SWITCH, SOLID STATE, 20 VDC, 15 AMP, SSW1 THRU SSW3, SSW101 THRU SSW103	6	6			
E	-25	94304404	SWITCH, SOLID STATE, 20 VDC, 4 AMP, SSW4, SSW104	2	2			
E	-26	94348400	FILTER, RF, 125 VAC, 3 AMP, FL11 THRU FL14, FL111 THRU FL114	4	4			
E	-26A	93592158	SCREW, MACHINE, HEXAGON WASHER HEAD, 6-32 x 1/4	8	8			
E	-27	94348202	CAPACITOR, FIXED, FEED-THRU, 0.1 UF, 300 VDC, C21 THRU C24, C121 THRU C124	8	8			
E	-28	93592164	SCREW, MACHINE, HEXAGON WASHER HEAD, 6-32 x 1/2	2	2			
E	-29	70819600	TERMINAL BLOCK ASSEMBLY, TB11	1	1			
F	-	10127333	SCREW, MACHINE, PAN HEAD, SLOTTED, 6-32 x 5/16	4	4			
F	-	10126401	WASHER, LOCK, EXTERNAL TOOTH, 6	4	4			
F	-	94274113	TERMINAL, QUICK CONNECT, 45°	4	4			
F	-	94274116	TERMINAL, QUICK CONNECT, 90°	4	4			
F	-	93047002	JUMPER, BARRIER STRIP	1	1			
F	-	94272329	BLOCK, TERMINAL	1	1			
E	-30	94274464	STRIP, MARKER	1	1			
E	-31	93840005	GROMMET, RUBBER, 5/16 ID	1	1			
E	-32	93840013	GROMMET, RUBBER, 5/8 ID	1	1			
E	-33	72959200	PANEL, AC	1	1			
D	-34	10127121	SCREW, MACHINE, PAN HEAD, PHILLIPS, 8-32 x 5/16	3	3			
D	-35	10126402	WASHER, LOCK, EXTERNAL TOOTH, 8	3	3			
D	-36	10125606	WASHER, PLAIN, 8	3	3			
D	-37	70818400	BRACKET, FALL SUPPORT	1	1			
D	-38	46068603	PLATE, WARNING	1	1			
D	-39	93590166	SCREW, MACHINE, PAN HEAD, PHILLIPS, 6-32 x 5/8	2	2			
D	-40	94274464	STRIP, MARKER	1	1			
D	-41	40019100	TERMINAL BLOCK ASSEMBLY, TB01	1	1			
E	-	10127333	SCREW, MACHINE, PAN HEAD, SLOTTED, 6-32 x 5/16	4	4			
E	-	10126401	WASHER, LOCK, EXTERNAL TOOTH, 6	4	4			
E	-	93047002	JUMPER, BARRIER STRIP	3	3			
E	-	94274110	TERMINAL, QUICK CONNECT, FLAT	4	4			
E	-	94274113	TERMINAL, QUICK CONNECT, 45°	4	4			
E	-	94274116	TERMINAL, QUICK CONNECT, 90°	4	4			
E	-	94272329	BLOCK, TERMINAL	1	1			
D	-42	93592238	SCREW, MACHINE, HEXAGON WASHER HEAD, 10-24 x 3/8	12	12			
D	-43	93592240	SCREW, MACHINE, HEXAGON WASHER HEAD, 10-24 x 1/2	1	1			

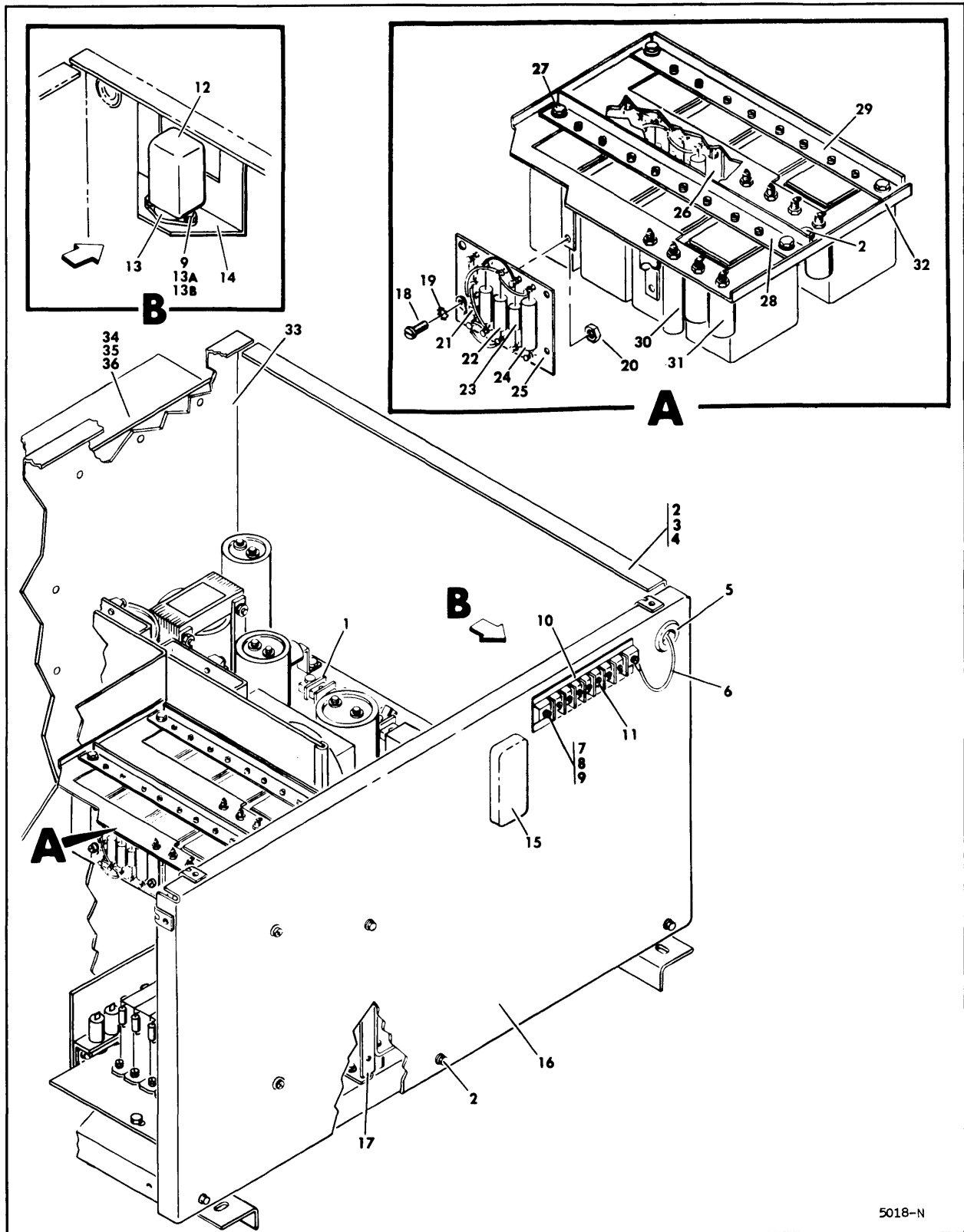


FIGURE 12. POWER SUPPLY ASSEMBLY (SHEET 2 OF 3)
(S/N 575 AND ABOVE)

ASSY LEVEL	INDEX NO.	EQUIPMENT PART NUMBER	ITEM DESCRIPTION	TAB NUMBER				
				00	01			
				NO. REQUIRED				
C	12-	40018604	POWER SUPPLY ASSEMBLY (S/N 575 AND ABOVE) SHEET 2 OF 3	1	1			
D	-1	40011801	DC PANEL ASSEMBLY (SEE FIGURE 18)	1	1			
D	-2	93592238	SCREW, MACHINE, HEXAGON WASHER HEAD, 10-24 x 3/8	20	20			
D	-3	40034800	PANEL, BACK	1	1			
D	-4	46068603	PLATE, WARNING	1	1			
D	-5	93840010	GROMMET, RUBBER, 1/2 ID	1	1			
D	-6	94281418	CABLE, GROUND	1	1			
D	-7	10127115	SCREW, MACHINE, PAN HEAD, PHILLIPS, 6-32 x 5/8 (S/N 1730 AND BELOW)	2	2			
D	-7	10127116	SCREW, MACHINE, PAN HEAD, PHILLIPS, 6-32 x 3/4 (S/N 1731 AND ABOVE)	2	2			
D	-8	10126103	WASHER, LOCK, INTERNAL TOOTH, 6	2	2			
D	-9	10125105	NUT, HEXAGON, 6-32 (S/N 1730 AND BELOW)	2	2			
D	-9	10125105	NUT, HEXAGON, 6-32 (S/N 1731 AND ABOVE)	4	4			
D	-10	94274468	STRIP, MARKER	1	1			
D	-11	40063000	TERMINAL BLOCK ASSEMBLY, TB05	1	1			
E	-	93047002	JUMPER, BARRIER STRIP	9	9			
E	-	10126401	WASHER, LOCK, EXTERNAL TOOTH, 6	8	8			
E	-	94272333	BLOCK, TERMINAL	1	1			
D	-12	94223250	RELAY, SPDT (S/N 1731 AND ABOVE)	1	1			
D	-13	92584001	SOCKET, OCTAL (S/N 1731 AND ABOVE)	1	1			
D	-13A	10127111	SCREW, MACHINE, PAN HEAD, PHILLIPS, 6-32 x 1/4 (S/N 1731 AND ABOVE)	2	2			
D	-13B	10126401	WASHER, LOCK, EXTERNAL TOOTH, 6 (S/N 1731 AND ABOVE)	2	2			
D	-14	72903500	BRACKET, MOUNTING, RELAY (S/N 1731 AND ABOVE)	1	1			
D	-15	72954700	DC CABLE HARNESS ASSEMBLY (S/N 1730 AND BELOW)	1	1			
D	-15	72994500	DC CABLE HARNESS ASSEMBLY (S/N 1731 AND ABOVE)	1	1			
E	-	93642004	PIN, CORNER GUIDE	2	2			
E	-	93642005	SOCKET, CORNER GUIDE	2	2			
E	-	93960007	JACKSCREW, FIXED, FEMALE	2	2			
E	-	94281200	CONNECTOR, RECEPTACLE, 75 SOCKET, J04	1	1			
E	-	93645001	CONTACT, SOCKET, 18-16 WIRE RANGE	16	16			
E	-	93645002	CONTACT, SOCKET, 22-20 WIRE RANGE	26	26			
E	-	93645003	CONTACT, SOCKET, 26-24 WIRE RANGE	15	15			
D	-16	40093700	PANEL, RIGHT SIDE	1	1			
D	-17	40035300	BRACKET, SIDE	1	1			
D	-	70807900	DC RELAY PANEL ASSEMBLY	1	1			
E	-18	10127122	SCREW, MACHINE, PAN HEAD, PHILLIPS, 8-32 x 3/8	8	8			
E	-19	10126402	WASHER, LOCK, EXTERNAL TOOTH, 8	8	8			
E	-20	10125106	NUT, HEXAGON, 8-32	8	8			
E	-	70805400	DC RELAY TERMINAL BOARD ASSEMBLY, TB10	1	1			
E	-	70805401	DC RELAY TERMINAL BOARD ASSEMBLY, TB110	1	1			
F	-21	92496075	CAPACITOR, FIXED, PLASTIC, 0.01 UF, 100V	2	2			
F	-22	92427004	CAPACITOR, FIXED, ELECTROLYTIC, 20 UF, 50V	2	2			
F	-23	92512422	RESISTOR, FIXED, COMPOSITION, 10 OHM, 2W	1	1			
F	-24	24528704	RESISTOR, FIXED, WIREWOUND, 1 OHM, 10W	1	1			
F	-25	70805300	TERMINAL BOARD ASSEMBLY (USED ON ASSEMBLY 70805400)	1	1			
F	-26	70805301	TERMINAL BOARD ASSEMBLY (USED ON ASSEMBLY 70805401)	1	1			
E	-27	93592238	SCREW, MACHINE, HEXAGON WASHER HEAD, 10-24 x 3/8	2	2			
E	-28	40019601	RELAY BRACKET ASSEMBLY	1	1			
E	-29	40019600	RELAY BRACKET ASSEMBLY	1	1			
F	-	10127115	SCREW, MACHINE, PAN HEAD, PHILLIPS, 6-32 x 5/8	8	8			
F	-	10126401	WASHER, LOCK, EXTERNAL TOOTH, 6	8	8			
F	-	94294108	RELAY, 4 PDT, K01, K03, K04, K101, K103, K104	3	3			
F	-	94294109	RELAY, 6 PDT, K05, K105	1	1			
F	-	93935000	RECTIFIER, SILICON	4	4			
F	-	40035800	BRACKET, MOUNTING, RELAY (USED ON ASSEMBLY 40019600)	1	1			
F	-	40035801	BRACKET, MOUNTING, RELAY (USED ON ASSEMBLY 40019601)	1	1			
E	-30	94348200	CAPACITOR, FIXED, FEED-THRU, 1 UF, 100 VDC, C32, C33, C132, C133	4	4			
E	-31	94348300	FILTER, RF, FL15, FL16, FL115, FL116	4	4			
E	-32	70804800	PANEL, DC RELAY	1	1			
D	-33	70803800	PANEL, LEFT SIDE (S/N 575 THRU 1012)	1	1			
D	-33	70820600	PANEL, LEFT SIDE (S/N 1013 AND ABOVE)	1	1			
C	-34	93590234	SCREW, MACHINE, PAN HEAD, PHILLIPS, 10-24 x 1/4	8	8			
C	-35	10126105	WASHER, LOCK, INTERNAL TOOTH, 10	8	8			
C	-36	70956200	HOLDER, MANUAL	1	1			

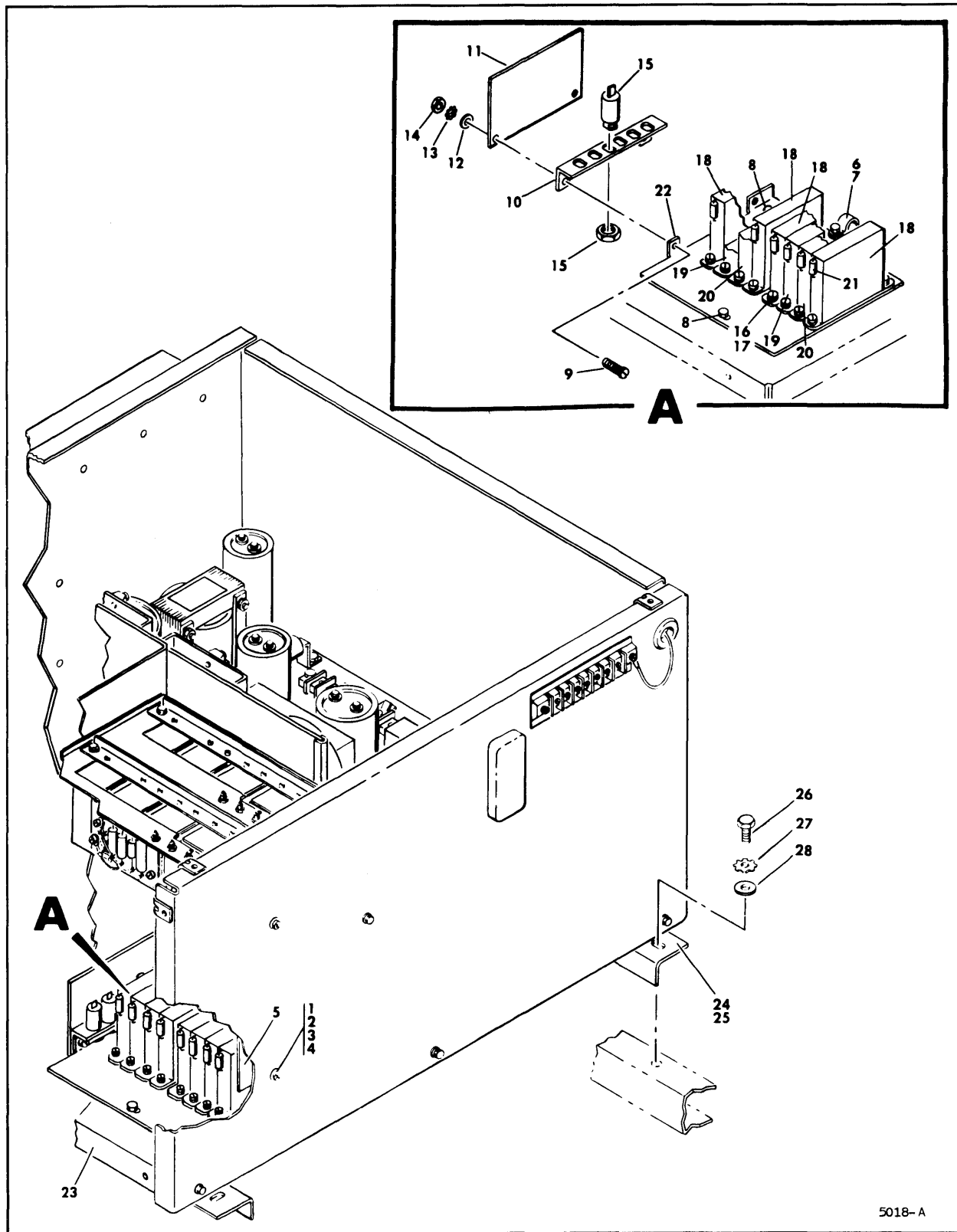


FIGURE 12. POWER SUPPLY ASSEMBLY (SHEET 3 OF 3)
(S/N 575 AND ABOVE)

ASS'Y LEVEL	INDEX NO.	EQUIPMENT PART NUMBER	ITEM DESCRIPTION	TAB NUMBER					
				00	01				
				NO. REQUIRED					
C	12-	40018604	POWER SUPPLY ASSEMBLY (S/N 575 AND ABOVE) SHEET 3 OF 3	1	1				
D	-1	10127116	SCREW, MACHINE, PAN HEAD, PHILLIPS, 6-32 x 3/4	2	2				
D	-2	10126401	WASHER, LOCK, EXTERNAL TOOTH, 6	2	2				
D	-3	10125105	NUT, HEXAGON, 6-32	2	2				
D	-4	93109211	STANDOFF, SPACER	2	2				
D	-5	40019300	COMPONENT ASSEMBLY, TB04	1	1				
E	-	93935000	RECTIFIER, SILICON, CR10, CR12, CR110, CR112	4	4				
E	-	92512935	RESISTOR, FIXED, COMPOSITION, 680 OHM, 2W, R05, R06, R105, R106	4	4				
E	-	40063700	BOARD, TERMINAL	1	1				
D	-6	93592238	SCREW, MACHINE, HEXAGON WASHER HEAD, 10-24 x 3/8	1	1				
D	-7	94277406	STRAP, CABLE TIE	1	1				
D	-8	93592240	SCREW, MACHINE, HEXAGON WASHER HEAD, 10-24 x 1/2	2	2				
D	-	70710101	COMPONENT MOUNTING ASSEMBLY	1	1				
E	-9	10127349	SCREW, MACHINE, PAN HEAD, SLOTTED, 8-32 x 5/8	2	2				
E	-10	70709700	BRACKET, MOUNTING, FILTER	1	1				
E	-11	72955100	CAPACITOR BOARD ASSEMBLY, TB13	1	1				
F	-	92427085	CAPACITOR, FIXED, ELECTROLYTIC, 500 UF, 25V, C35, C36, C135, C136	4	4				
F	-	70710000	TERMINAL BOARD ASSEMBLY	1	1				
E	-12	10125606	WASHER, PLAIN, 8	2	2				
E	-13	10126402	WASHER, LOCK, EXTERNAL TOOTH, 8	2	2				
E	-14	10125106	NUT, HEXAGON, 8-32	2	2				
E	-15	94348300	FILTER, RF, FL18, FL19, FL20, FL118, FL119, FL120	6	6				
E	-16	10127332	SCREW, MACHINE, PAN HEAD, SLOTTED, 6-32 x 1/4	16	16				
E	-17	10126401	WASHER, LOCK, EXTERNAL TOOTH, 6	16	16				
E	-18	94240501	RELAY, MERCURY WETTED, K02-1, K02-4, K102-1, K102-4	4	4				
E	-19	94240502	RELAY, MERCURY WETTED, K02-3, K102-3	2	2				
E	-20	94240500	RELAY, MERCURY WETTED, K02-2, K102-2	2	2				
E	-21	92427023	CAPACITOR, FIXED, ELECTROLYTIC, 1 UF, 35V	8	8				
E	-22	70709800	PLATE, RELAY BASE	1	1				
E	-	70724800	HG RELAY HARNESS ASSEMBLY	1	1				
D	-23	70820700	PANEL, BASE	1	1				
D	-24	10125736	SCREW, MACHINE, FLAT HEAD, PHILLIPS, 10-24 x 1/2	4	4				
D	-25	40035400	BRACKET, BASE	2	2				
C	-26	10126502	SCREW, MACHINE, HEXAGON CAP HEAD, 1/4-20 x 3/4	4	4				
C	-27	10126404	WASHER, LOCK, EXTERNAL TOOTH, 1/4	4	4				
C	-28	10125608	WASHER, PLAIN, 1/4	4	4				

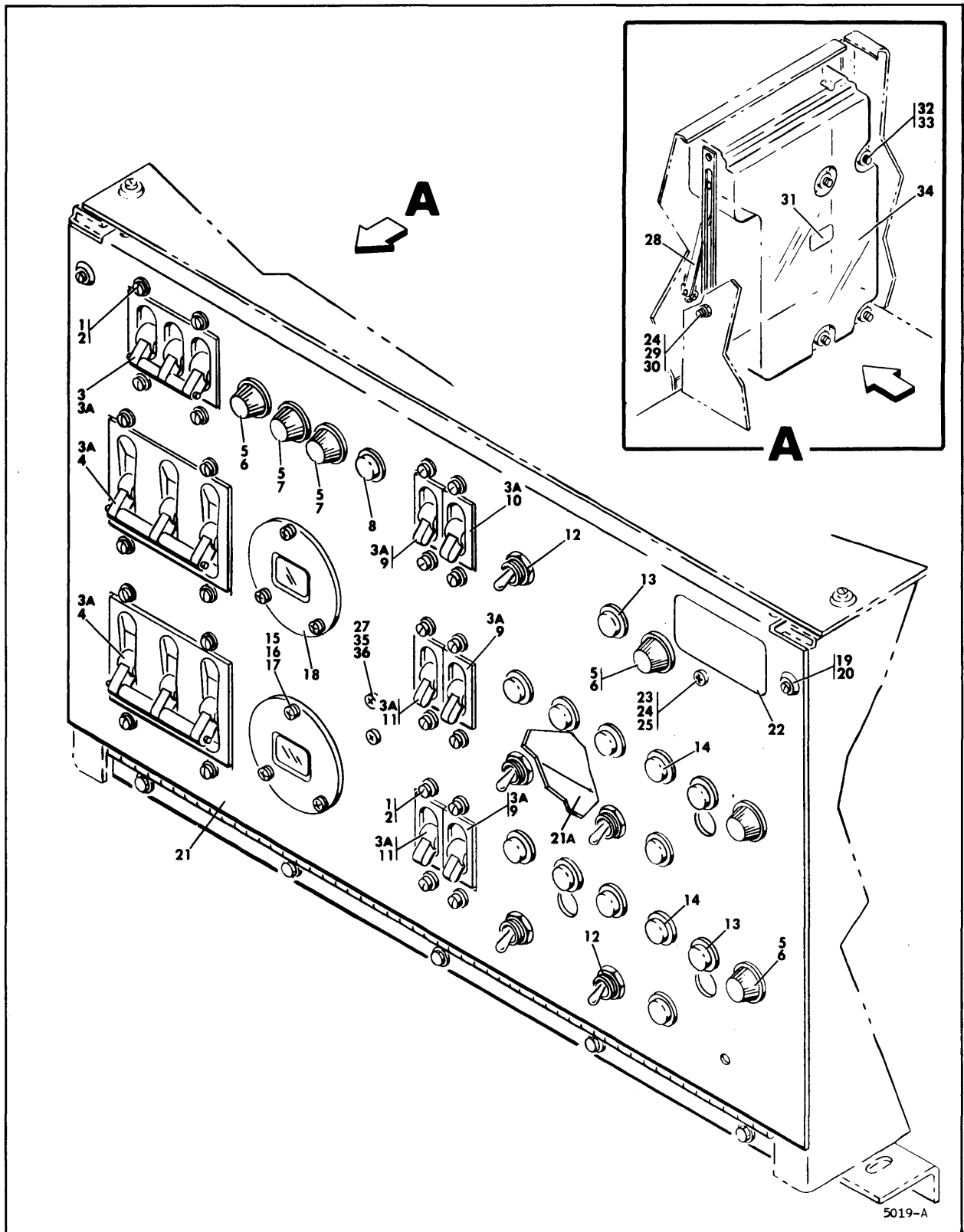
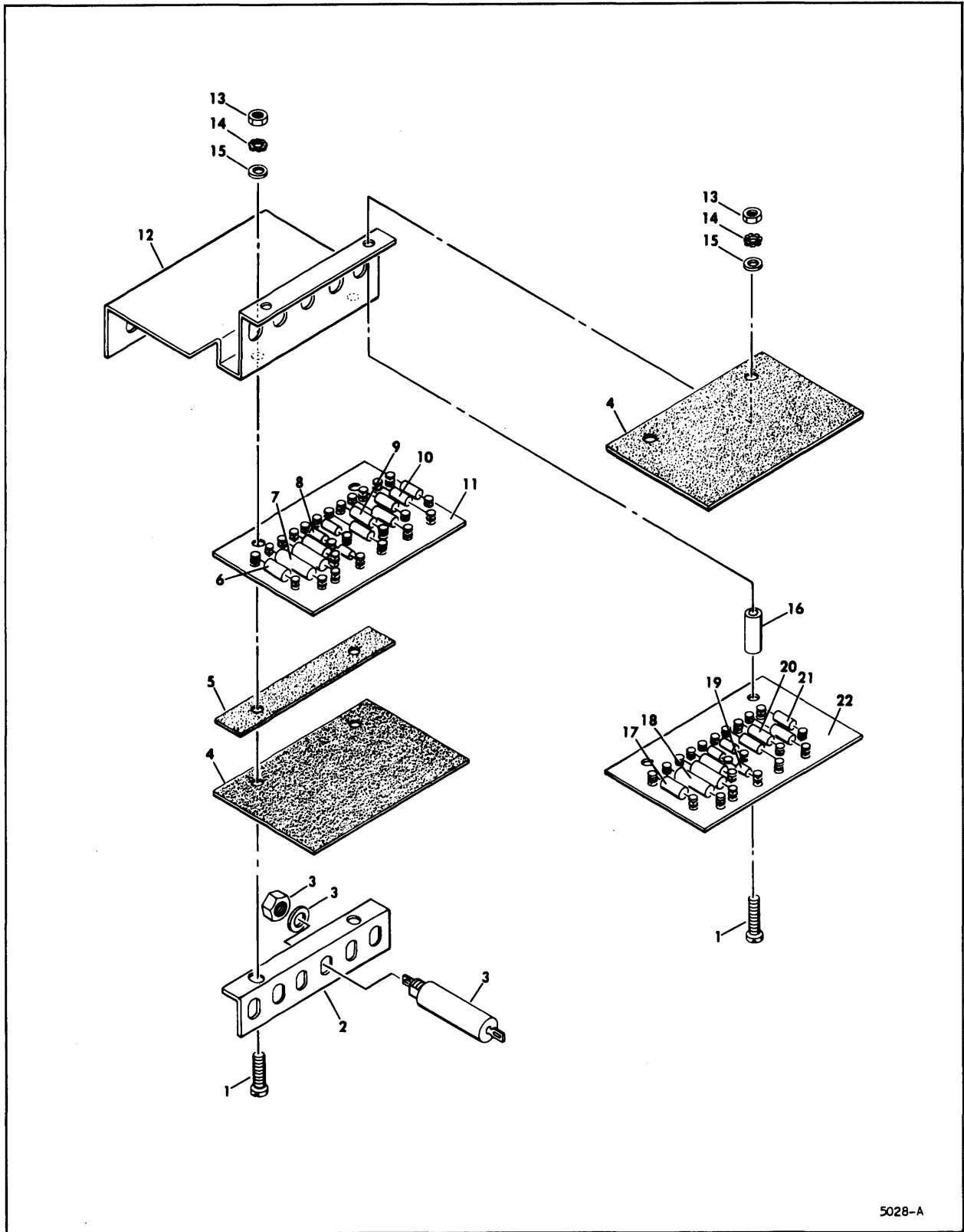


FIGURE 13. FRONT PANEL ASSEMBLY
(S/N 574 AND BELOW)

ASSY LEVEL	INDEX NO.	EQUIPMENT PART NUMBER	ITEM DESCRIPTION	TAB NUMBER				
				00	01			
				NO. REQUIRED				
D	13-	40094101	FRONT PANEL ASSEMBLY (S/N 310 AND BELOW)	1	1			
D	13-	41298701	FRONT PANEL ASSEMBLY (S/N 311 THRU 574)	1	1			
E	-1	10127331	SCREW, MACHINE, PAN HEAD, SLOTTED, 6-32 x 3/16	24	24			
E	-2	10126103	WASHER, LOCK, INTERNAL TOOTH, 6	24	24			
E	-3	93316012	CIRCUIT BREAKER, 3P, 3 AMP, 250 VAC, CB02	1	1			
E	-3A	10126105	WASHER, LOCK, INTERNAL TOOTH, 10	33	33			
E	-4	94304500	CIRCUIT BREAKER, 3P, 5 AMP, 250 VAC, CB03, CB103	2	2			
E	-5	94310103	FUSEHOLDER	6	6			
E	-6	93418330	FUSE, CARTRIDGE, FAST ACTING, 3 AMP, 250V, F01, F02, F03, F102	4	4			
E	-7	92412009	FUSE, CARTRIDGE, SLOW BLOW, 3 AMP, 250V, F04, F05	2	2			
E	-8	94039103	LIGHT, INDICATOR, 125V, NEON, DS04	1	1			
E	-9	92696039	CIRCUIT BREAKER, SP, 5 AMP, 50 VDC, CB04, CB07, CB107	3	3			
E	-10	92696057	CIRCUIT BREAKER, SP, 4 AMP, 50 VDC, CB05	1	1			
E	-11	92696059	CIRCUIT BREAKER, SP, 0.5 AMP, 50 VDC, CB06, CB106	2	2			
E	-12	92509039	SWITCH, TOGGLE, 3 PDT, S01, S02, S07, S102, S107	5	5			
E	-13	94039102	LIGHT, INDICATOR, 24V, INCANDESCENT, NATURAL LENS DS06 THRU DS11, DS106 THRU DS109, DS111	11	11			
E	-14	94039500	LIGHT, INDICATOR, 6V, INCANDESCENT, YELLOW LENS, DS05, DS105	2	2			
E	-15	10127104	SCREW, MACHINE, PAN HEAD, PHILLIPS, 4-40 x 3/8 (S/N 310 AND BELOW)	6	6			
E	-15	10127105	SCREW, MACHINE, PAN HEAD, PHILLIPS, 4-40 x 1/2 (S/N 311 THRU 574)	6	6			
E	-16	10126101	WASHER, LOCK, INTERNAL TOOTH, 4	6	6			
E	-17	10125103	NUT, HEXAGON, 4-40	6	6			
E	-18	93671002	METER, HOUR, AC, 120V, 50 HZ (S/N 310 AND BELOW)	2	2			
E	-18	70958801	HOUR METER AND CONNECTOR ASSEMBLY (S/N 311 THRU 574)	2	2			
F	-	94313801	METER, HOUR, AC, 115V, 50 HZ	1	1			
F	-	93948004	CONNECTOR, PLUG, 2 PIN	1	1			
F	-	93942001	CONTACT, PIN, 22-18 WIRE RANGE	2	2			
E	-19	94317701	FASTENER, STUD TYPE, OVAL HEAD, SLOTTED	2	2			
E	-20	94317900	RETAINER, SPLIT RING	2	2			
E	-21	40094000	PANEL, FRONT (S/N 310 AND BELOW)	1	1			
E	-21	41298500	PANEL, FRONT (S/N 311 THRU 574)	1	1			
E	-21A	70812600*	START SUPPRESSION SWITCH ASSEMBLY, WIRED (SEE FIGURE 14)	1	1			
E	-21A	70807500	POWER SUPPLY SUPPRESSION SWITCH ASSEMBLY (S/N 311 THRU 574) SEE FIGURE 14	1	1			
D	-22	46068600	PLATE, WARNING	1	1			
D	-23	10127114	SCREW, MACHINE, PAN HEAD, PHILLIPS, 6-32 x 1/2	1	1			
D	-24	10125105	NUT, HEXAGON, 6-32	3	3			
D	-25	94277406	STRAP, CABLE TIE	1	1			
D	-26		NOT USED					
D	-27	10127121	SCREW, MACHINE, PAN HEAD, PHILLIPS, 8-32 x 5/16	2	2			
D	-28	94309900	SUPPORT, FALL	1	1			
D	-29	10125714	SCREW, MACHINE, FLAT HEAD, PHILLIPS, 6-32 x 3/8	2	2			
D	-30	10126103	WASHER, LOCK, INTERNAL TOOTH, 6	2	2			
D	-31	46068603	PLATE, WARNING	1	1			
D	-32	94309703	NUT, CAP, NYLON, 10-32	4	4			
D	-33	09027804	WASHER, PLAIN, NONMETALLIC, 10	8	8			
D	-34	40030500	COVER, SAFETY	1	1			
D	-35	10126402	WASHER, LOCK, EXTERNAL TOOTH, 8	2	2			
D	-36	10125106	NUT, HEXAGON, 8-32	2	2			

* PORTION OF FCO KIT, PER FCO PE11044 (S/N 310 AND BELOW)



5028-A

FIGURE 14. POWER SUPPLY SUPPRESSION SWITCH ASSEMBLY
(S/N 574 AND BELOW)

ASSY LEVEL	INDEX NO.	EQUIPMENT PART NUMBER	ITEM DESCRIPTION	TAB NUMBER			
				00	01		
				NO. REQUIRED			
E	14-	70812600*	START SUPPRESSION SWITCH ASSEMBLY, WIRED	1	1		
	14-	70807500*	POWER SUPPLY SUPPRESSION SWITCH ASSEMBLY (COMPONENT ITEM OF THE DIRECT PRECEDING ASSEMBLY)	1	1		
E	14-	70807500	POWER SUPPLY SUPPRESSION SWITCH ASSEMBLY (S/N 311 THRU 574)	1	1		
	-1	10127350**	SCREW, MACHINE, PAN HEAD, SLOTTED, 8-32 x 3/4	4	4		
	-2	70709500**	BRACKET, MOUNTING, CAPACITOR	1	1		
F	-3	94348200	CAPACITOR, FIXED, FEED-THRU, 1 UF, 100 VDC, C31, C131	2	2		
F	-4	70805800	INSULATOR, TERMINAL BOARD	2	2		
F	-5	70805801	INSULATOR, TERMINAL BOARD	1	1		
	-	70715500**	COMPONENT ASSEMBLY, WIRED	1	1		
F	-	70805104**	DC AND START TERMINAL BOARD ASSEMBLY, TB09 (COMPONENT ITEM OF THE DIRECT PRECEDING ASSEMBLY)	1	1		
G	-6	92512371	RESISTOR, FIXED, COMPOSITION, 4.7 OHM, 1W, R13, R14	2	2		
G	-7	92496095	CAPACITOR, FIXED, PLASTIC, 0.47 UF, 100V, C15, C18	2	2		
G	-8	92427023	CAPACITOR, FIXED, ELECTROLYTIC, 1 UF, 35V, C16, C17, C19, C20, C30	6	6		
G	-9	92512335	RESISTOR, FIXED, COMPOSITION, 4.7 OHM, 1/2W, R15	1	1		
G	-10	92512470	RESISTOR, FIXED, COMPOSITION, 10 OHM, 1/4W, R16	2	2		
G	-11	70805000	TERMINAL BOARD ASSEMBLY	1	1		
F	-12	70958500	BRACKET, MOUNTING, SUPPRESSION SWITCH ASSEMBLY	1	1		
F	-13	10125106	NUT, HEXAGON, 8-32	4	4		
F	-14	10126402	WASHER, LOCK, EXTERNAL TOOTH, 8	4	4		
F	-15	10125606	WASHER, PLAIN, 8	4	4		
	-16	93109223**	STANDOFF, SPACER	2	2		
	-	70715800**	COMPONENT ASSEMBLY, WIRED	1	1		
F	-	70805105**	DC AND START TERMINAL BOARD ASSEMBLY, TB109 (COMPONENT ITEM OF THE DIRECT PRECEDING ASSEMBLY)	1	1		
G	-17	92512371	RESISTOR, FIXED, COMPOSITION, 4.7 OHM, 1W, R113, R114	2	2		
G	-18	92496095	CAPACITOR, FIXED, PLASTIC, 0.47 UF, 100V, C115, C118	2	2		
G	-19	92427023	CAPACITOR, FIXED, ELECTROLYTIC, 1 UF, 35V, C116, C117, C119, C120, C130	5	5		
G	-20	92512335	RESISTOR, FIXED, COMPOSITION, 4.7 OHM, 1/2W, R115	1	1		
G	-21	92512470	RESISTOR, FIXED, COMPOSITION, 10 OHM, 1/4W, R116	1	1		
G	-22	70805001	TERMINAL BOARD ASSEMBLY	1	1		

* PORTION OF FCO KIT, PER FCO PE11044 (S/N 310 AND BELOW)

** PORTION OF FCO KIT, PER FCO PE11386A (S/N 574 AND BELOW)

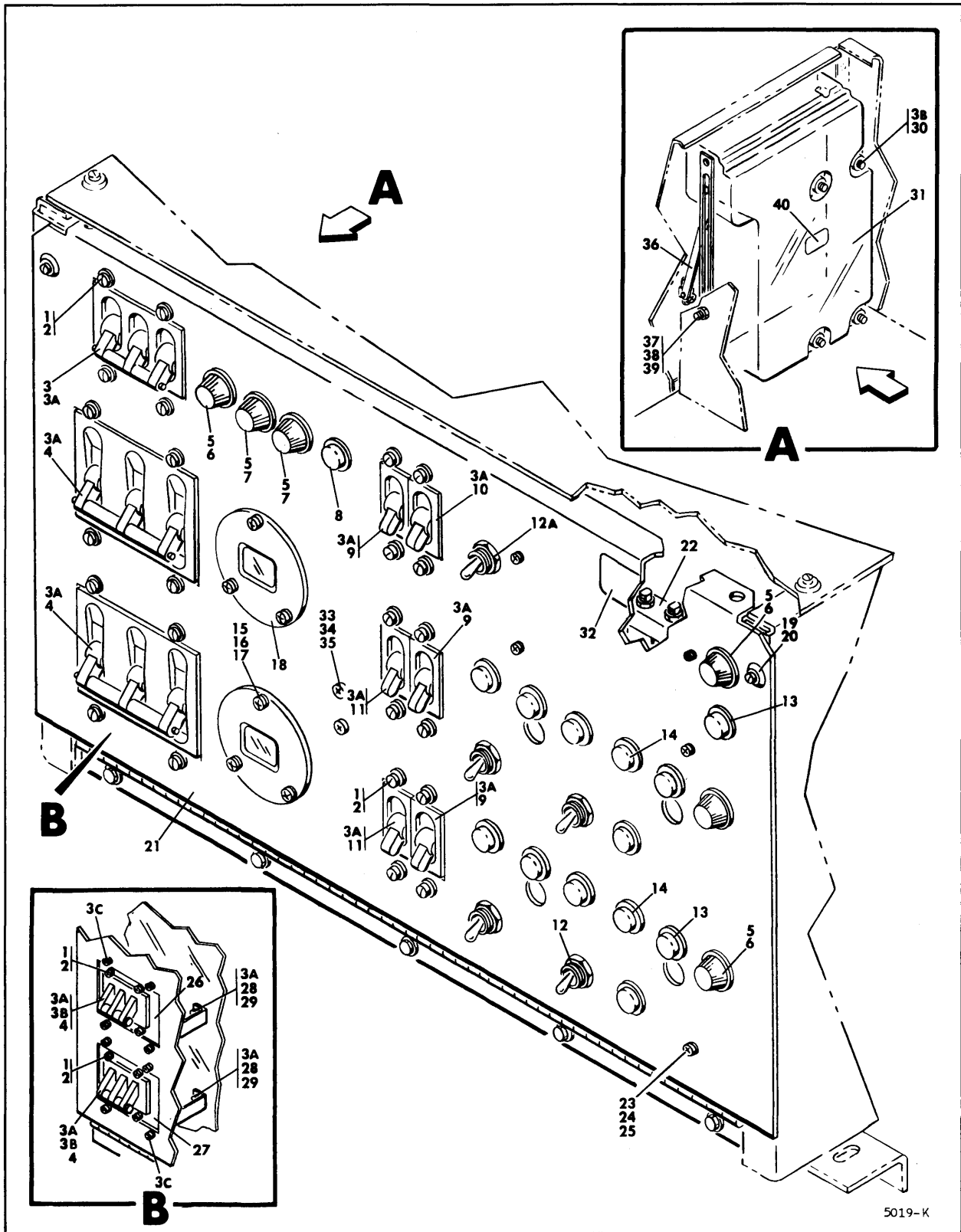


FIGURE 15. FRONT PANEL ASSEMBLY
(S/N 575 THRU 1730)

ASSY LEVEL	INDEX NO.	EQUIPMENT PART NUMBER	ITEM DESCRIPTION	TAB NUMBER				
				00	01			
				NO. REQUIRED				
D	15-	70820801	FRONT PANEL ASSEMBLY (S/N 575 THRU 758)	1	1			
D	15-	72979301	FRONT PANEL ASSEMBLY (S/N 759 THRU 1730)	1	1			
E	-1	10127331	SCREW, MACHINE, PAN HEAD, SLOTTED, 6-32 x 3/16	24	24			
E	-2	10126103	WASHER, LOCK, INTERNAL TOOTH, 6	24	24			
E	-3	93316012	CIRCUIT BREAKER, 3P, 3 AMP, 250 VAC, CB02	1	1			
E	-3A	10126105*	WASHER, LOCK, INTERNAL TOOTH, 10	33	33			
E	-3A	10126105**	WASHER, LOCK, INTERNAL TOOTH, 10	37	37			
E	-3B	94309703*	NUT, CAP, NYLON, 10-32	4	4			
E	-3B	94309703**	NUT, CAP, NYLON, 10-32	8	8			
E	-3C	93590162**	SCREW, MACHINE, PAN HEAD, PHILLIPS, 6-32 x 3/8	8	8			
E	-4	94304500*	CIRCUIT BREAKER, 3P, 5 AMP, 250 VAC, CB03, CB103	2	2			
E	-4	94245201**	CIRCUIT BREAKER, 3P, 5 AMP, 240 VAC, CB03, CB103	2	2			
E	-5	94310103	FUSEHOLDER	6	6			
E	-6	93418330	FUSE, CARTRIDGE, FAST ACTING, 3 AMP, 250V, F01, F02, F03, F102	4	4			
E	-7	92412009	FUSE, CARTRIDGE, SLOW BLOW, 3 AMP, 250V, F04, F05	2	2			
E	-8	94039103	LIGHT, INDICATOR, 125V, NEON, DS04	1	1			
E	-9	92696039	CIRCUIT BREAKER, SP, 5 AMP, 50 VDC, CB04, CB07, CB107	3	3			
E	-10	92696057	CIRCUIT BREAKER, SP, 4 AMP, 50 VDC, CB05	1	1			
E	-11	92696059	CIRCUIT BREAKER, SP, 0.5 AMP, 50 VDC, CB06, CB106	2	2			
E	-12	92509039	SWITCH, TOGGLE, 3PDT, S02, S07, S102, S107	4	4			
E	-12A	92509041	SWITCH, TOGGLE, DPDT, S01	1	1			
E	-13	94039102	LIGHT, INDICATOR, 24V, INCANDESCENT, NATURAL LENS, DS06 THRU DS11, DS106 THRU DS109, DS111	11	11			
E	-14	94039500	LIGHT, INDICATOR, 6V, INCANDESCENT, YELLOW LENS, DS05, DS105	2	2			
E	-15	10127105	SCREW, MACHINE, PAN HEAD, PHILLIPS, 4-40 x 1/2	6	6			
E	-16	10126101	WASHER, LOCK, INTERNAL TOOTH, 4	6	6			
E	-17	10125103	NUT, HEXAGON, 4-40	6	6			
E	-18	70958801	HOUR METER AND CONNECTOR ASSEMBLY, 50 HZ	2	2			
F	-	94313801	METER, HOUR, AC, 115V, 50 HZ	1	1			
F	-	93948004	CONNECTOR, PLUG, 2 PIN	1	1			
F	-	93942001	CONTACT, PIN, 22-18 WIRE RANGE	2	2			
E	-19	94317701	FASTENER, STUD TYPE, OVAL HEAD, SLOTTED	2	2			
E	-20	94317900	RETAINER, SPLIT RING	2	2			
E	-21	70821100	PANEL, FRONT	1	1			
E	-22	70820000	COMPONENT ASSEMBLY (SEE FIGURE 17)	1	1			
E	-23	10127114	SCREW, MACHINE, PAN HEAD, PHILLIPS, 6-32 x 1/2	1	1			
E	-24	10125105	NUT, HEXAGON, 6-32	1	1			
E	-25	94277406	STRAP, CABLE TIE	1	1			
E	-26	72909000**	PLATE, ADAPTER, UPPER CIRCUIT BREAKER	1	1			
E	-27	72909001**	PLATE, ADAPTER, LOWER CIRCUIT BREAKER	1	1			
E	-28	10127144**	SCREW, MACHINE, PAN HEAD, PHILLIPS, 10-32 x 5/8	4	4			
E	-29	10125108**	NUT, HEXAGON, 10-32	4	4			
E	-30	09027804	WASHER, PLAIN, NONMETALLIC, 10	8	8			
E	-31	40030500	COVER, SAFETY	1	1			
D	-32	46068600	PLATE, WARNING	1	1			
D	-33	10127121	SCREW, MACHINE, PAN HEAD, PHILLIPS, 8-32 x 5/16	2	2			
D	-34	10126402	WASHER, LOCK, EXTERNAL TOOTH, 8	2	2			
D	-35	10125106	NUT, HEXAGON, 8-32	2	2			
D	-36	94309900	SUPPORT, FALL	1	1			
D	-37	10125714	SCREW, MACHINE, FLAT HEAD, PHILLIPS, 6-32 x 3/8	2	2			
D	-38	10126103	WASHER, LOCK, INTERNAL TOOTH, 6	2	2			
D	-39	10125105	NUT, HEXAGON, 6-32	2	2			
D	-40	46068603	PLATE, WARNING	1	1			
D	-	94208500	LABEL, MODEL LEVEL	1	1			
D	-	72954600	FRONT PANEL HARNESS ASSEMBLY (S/N 575 AND ABOVE)	1	1			

* S/N 575 THRU 758

** S/N 759 THRU 1730

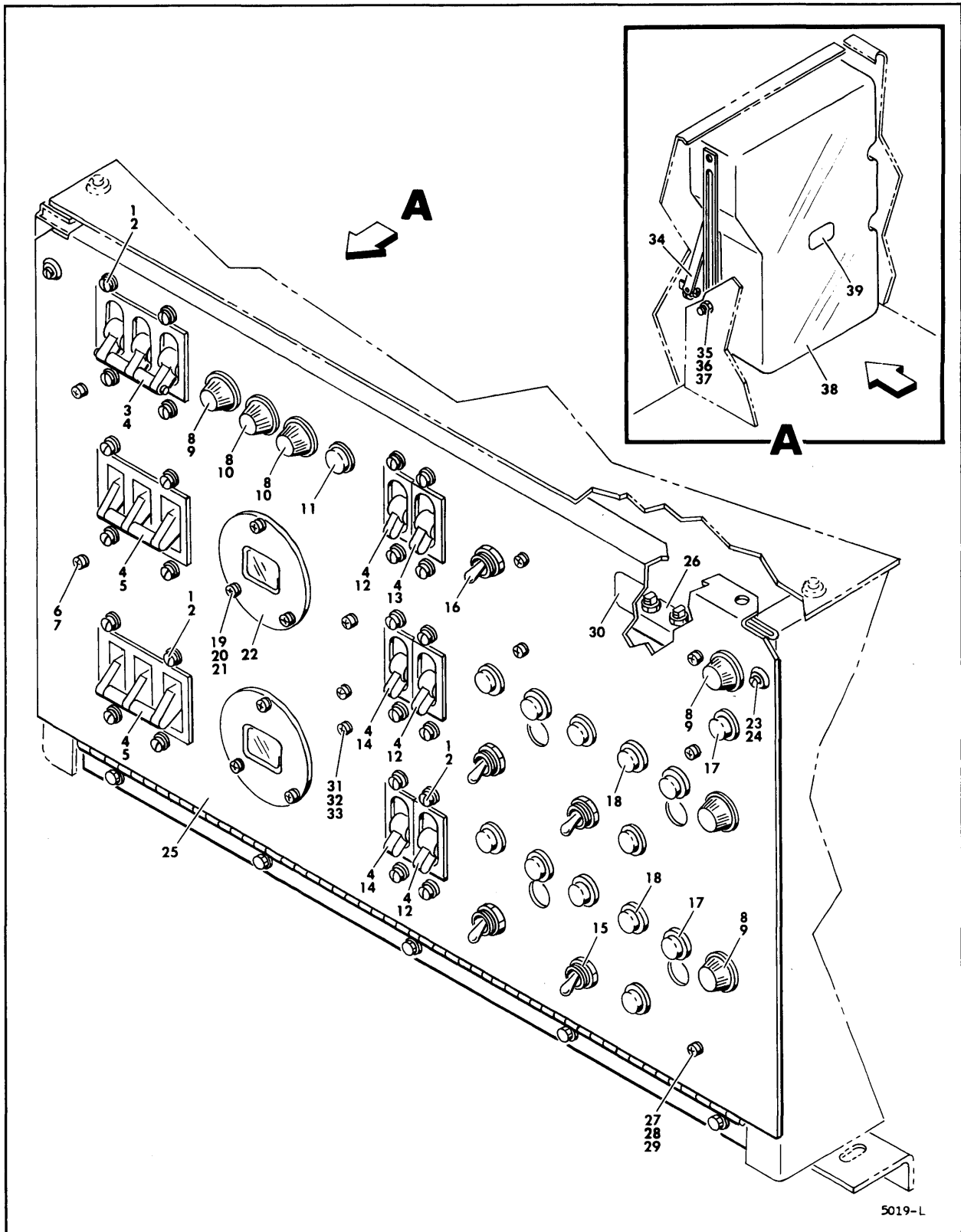
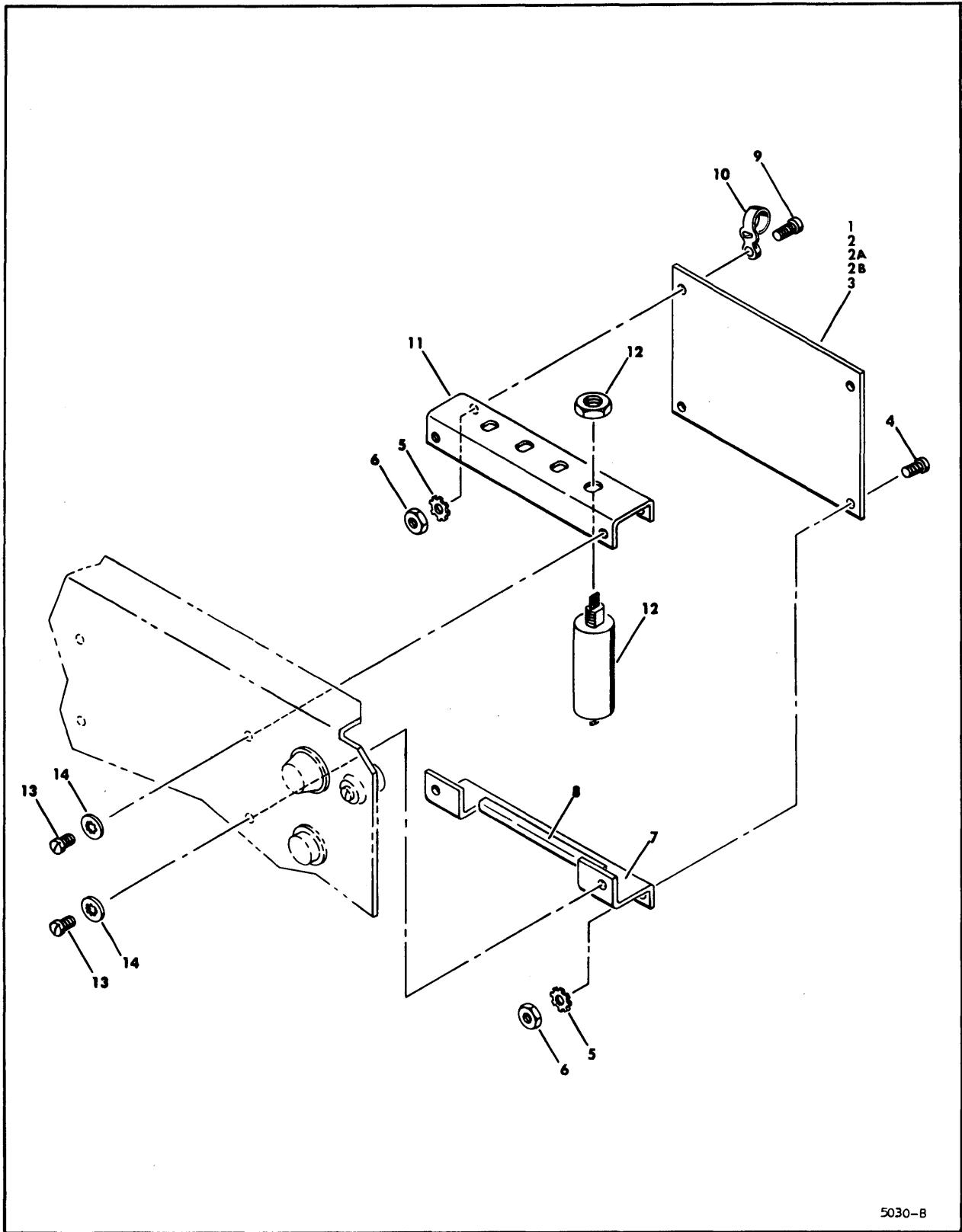


FIGURE 16. FRONT PANEL ASSEMBLY (S/N 1731 AND ABOVE)

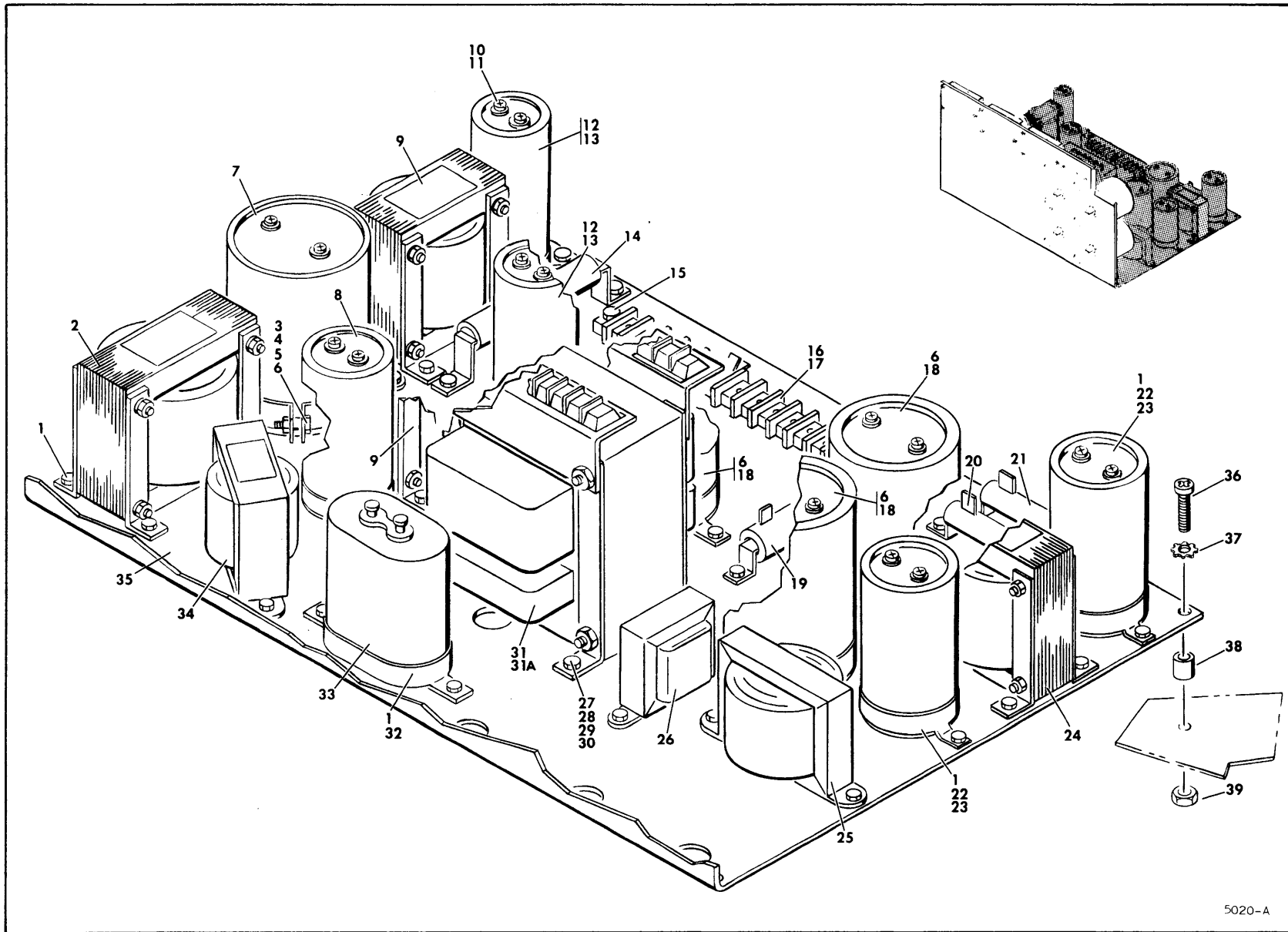
ASSY LEVEL	INDEX NO.	EQUIPMENT PART NUMBER	ITEM DESCRIPTION	TAB NUMBER			
				00	01		
				NO. REQUIRED			
D	16-	72988201	FRONT PANEL ASSEMBLY (S/N 1731 AND ABOVE)	1	1		
E	-1	10127331	SCREW, MACHINE, PAN HEAD, SLOTTED, 6-32 x 3/16	24	24		
E	-2	10126103	WASHER, LOCK, INTERNAL TOOTH, 6	24	24		
E	-3	93316012	CIRCUIT BREAKER, 3P, 3 AMP, 250 VAC, CB02	1	1		
E	-4	10126105	WASHER, LOCK, INTERNAL TOOTH, 10	33	33		
E	-5	94245201	CIRCUIT BREAKER, 3P, 5 AMP, 240 VAC, CB03, CB103	2	2		
E	-6	10127120	SCREW, MACHINE, PAN HEAD, PHILLIPS, 8-32 x 1/4	3	3		
E	-7	92196007	NUT, SPEED, 8-32	3	3		
E	-8	94310103	FUSEHOLDER	6	6		
E	-9	93418330	FUSE, CARTRIDGE, FAST ACTING, 3 AMP, 250V, F01, F02, F03, F102	4	4		
E	-10	92412009	FUSE, CARTRIDGE, SLOW BLOW, 3 AMP, 250V, F04, F05	2	2		
E	-11	94039103	LIGHT, INDICATOR, 125V, NEON, DS04	1	1		
E	-12	92696039	CIRCUIT BREAKER, SP, 5 AMP, 50 VDC, CB04, CB07, CB107	3	3		
E	-13	92696057	CIRCUIT BREAKER, SP, 4 AMP, 50 VDC, CB05	1	1		
E	-14	92696059	CIRCUIT BREAKER, SP, 0.5 AMP, 50 VDC, CB06, CB106	2	2		
E	-15	92509039	SWITCH, TOGGLE, 3PDT, S02, S07, S102, S107	4	4		
E	-16	92509041	SWITCH, TOGGLE, DPDT, S01	1	1		
E	-17	94039102	LIGHT, INDICATOR, 24V, INCANDESCENT, NATURAL LENS, DS06 THRU DS11, DS106 THRU DS109, DS111	11	11		
E	-18	94039500	LIGHT, INDICATOR, 6V, INCANDESCENT, YELLOW LENS, DS05, DS105	2	2		
E	-19	10127105	SCREW, MACHINE, PAN HEAD, PHILLIPS, 4-40 x 1/2	6	6		
E	-20	10126101	WASHER, LOCK, INTERNAL TOOTH, 4	6	6		
E	-21	10125103	NUT, HEXAGON, 4-40	6	6		
E	-22	70958801	HOUR METER AND CONNECTOR ASSEMBLY, 50 HZ	2	2		
F	-	94313801	METER, HOUR, AC, 115V, 50 HZ	1	1		
F	-	93948004	CONNECTOR, PLUG, 2 PIN	1	1		
F	-	93942001	CONTACT, PIN, 22-18 WIRE RANGE	2	2		
E	-23	94317701	FASTENER, STUD TYPE, OVAL HEAD, SLOTTED	2	2		
E	-24	94317900	RETAINER, SPLIT RING	2	2		
E	-25	72980200	PANEL, FRONT	1	1		
E	-26	70820000	COMPONENT ASSEMBLY (SEE FIGURE 17)	1	1		
E	-27	10127114	SCREW, MACHINE, PAN HEAD, PHILLIPS, 6-32 x 1/2	1	1		
E	-28	10125105	NUT, HEXAGON, 6-32	1	1		
E	-29	94277406	STRAP, CABLE TIE	1	1		
D	-30	46068600	PLATE, WARNING	1	1		
D	-31	10127121	SCREW, MACHINE, PAN HEAD, PHILLIPS, 8-32 x 5/16	2	2		
D	-32	10126402	WASHER, LOCK, EXTERNAL TOOTH, 8	2	2		
D	-33	10125106	NUT, HEXAGON, 8-32	2	2		
D	-34	94309900	SUPPORT, FALL	1	1		
D	-35	10125714	SCREW, MACHINE, FLAT HEAD, PHILLIPS, 6-32 x 3/8	2	2		
D	-36	10126103	WASHER, LOCK, INTERNAL TOOTH, 6	2	2		
D	-37	10125105	NUT, HEXAGON, 6-32	2	2		
D	-38	72980300	COVER, SAFETY (S/N 1731 AND ABOVE)	1	1		
D	-39	46068603	PLATE, WARNING	1	1		
D	-	94208500	LABEL, MODEL LEVEL	1	1		
D	-	72954600	FRONT PANEL HARNESS ASSEMBLY (S/N 575 AND ABOVE)	1	1		



5030-B

FIGURE 17. COMPONENT ASSEMBLY
(S/N 575 AND ABOVE)

ASSY LEVEL	INDEX NO.	EQUIPMENT PART NUMBER	ITEM DESCRIPTION	TAB NUMBER					
				00	01				
				NO. REQUIRED					
E	17-	70820000	COMPONENT ASSEMBLY, TB09 (S/N 575 AND ABOVE)	1	1				
F	-1	92427023	CAPACITOR, FIXED, ELECTROLYTIC, 1 UF, 35V, C15 THRU C20, C30, C34, C115 THRU C120, C130	15	15				
F	-2	92512371	RESISTOR, FIXED, COMPOSITION, 4.7 OHM, 1W, R13, R14, R113, R114	4	4				
F	-2A	92512335	RESISTOR, FIXED, COMPOSITION, 4.7 OHM, 1/2W, R15, R115	2	2				
F	-2B	92512470	RESISTOR, FIXED, COMPOSITION, 10 OHM, 1/4W, R16, R19, R116	3	3				
F	-3	70820300	TERMINAL BOARD ASSEMBLY	1	1				
E	-4	10127112	SCREW, MACHINE, PAN HEAD, PHILLIPS, 6-32 x 5/16	2	2				
E	-5	10126401	WASHER, LOCK, EXTERNAL TOOTH, 6	4	4				
E	-6	10125105	NUT, HEXAGON, 6-32	4	4				
E	-7	70819900	BRACKET, MOUNTING, TERMINAL BOARD	1	1				
E	-8	92413000	CHANNEL, RUBBER	AR	AR				
E	-9	10127114	SCREW, MACHINE, PAN HEAD, PHILLIPS, 6-32 x 1/2	2	2				
E	-10	94277406	STRAP, CABLE TIE	2	2				
E	-11	70818200	BRACKET, MOUNTING, CAPACITOR	1	1				
E	-12	94348200	CAPACITOR, FIXED, FEED-THRU, 1 UF, 100 VDC, C31, C131	2	2				
E	-13	10127120	SCREW, MACHINE, PAN HEAD, PHILLIPS, 8-32 x 1/4	4	4				
E	-14	10126104	WASHER, LOCK, INTERNAL TOOTH, 8	4	4				



5020-A

FIGURE 18. DC PANEL ASSEMBLY (SHEET 1 OF 2)

ASSY LEVEL	INDEX NO.	EQUIPMENT PART NUMBER	ITEM DESCRIPTION	TAB NUMBER					
				00	01				
				NO. REQUIRED					
D	18-	40011801	DC PANEL ASSEMBLY (SHEET 1 OF 2)	1	1				
E	-1	93592162	SCREW, MACHINE, HEXAGON WASHER HEAD, 6-32 x 3/8	50	50				
E	-2	47068300	TRANSFORMER, CONTROL, 100 VA, T08	1	1				
E	-3	10127336	SCREW, MACHINE, PAN HEAD, SLOTTED, 6-32 x 5/8	8	8				
E	-4	10126401	WASHER, LOCK, EXTERNAL TOOTH, 6	8	8				
E	-5	10125105	NUT, HEXAGON, 6-32	8	8				
E	-6	92691011	BRACKET, MOUNTING, CAPACITOR	4	4				
E	-7	95642301	CAPACITOR, FIXED, ELECTROLYTIC, 24K UF, 40 VDC, C03	1	1				
E	-8	95642405	CAPACITOR, FIXED, ELECTROLYTIC, 18K UF, 30 VDC, C07	1	1				
E	-9	47064100	INDUCTOR, 5 AMP, 4.5 MH, L02, L03	2	2				
E	-10	10127142	SCREW, MACHINE, PAN HEAD, PHILLIPS, 10-32 x 3/8	18	18				
E	-11	10126105	WASHER, LOCK, INTERNAL TOOTH, 10	20	20				
E	-12	92691007	BRACKET, MOUNTING, CAPACITOR	2	2				
E	-13	95642401	CAPACITOR, FIXED, ELECTROLYTIC, 8200 UF, 30 VDC, C04, C08	2	2				
E	-14	95663400	RESISTOR, FIXED, WIREWOUND, 100 OHM, 50W, R04	1	1				
E	-15	93592166	SCREW, MACHINE, HEXAGON WASHER HEAD, 6-32 x 5/8	2	2				
E	-16	94274476	STRIP, MARKER	1	1				
E	-17	40018900	TERMINAL BLOCK ASSEMBLY, TB02	1	1				
F	-	10127333	SCREW, MACHINE, PAN HEAD, SLOTTED, 6-32 x 5/16	16	16				
F	-	10126401	WASHER, LOCK, EXTERNAL TOOTH, 6	16	16				
F	-	94274110	TERMINAL, QUICK CONNECT, FLAT	16	16				
F	-	94274113	TERMINAL, QUICK CONNECT, 45°	16	16				
F	-	94274116	TERMINAL, QUICK CONNECT, 90°	16	16				
F	-	93047002	JUMPER, BARRIER STRIP	5	5				
F	-	94272341	BLOCK, TERMINAL	1	1				
E	-18	95654800	CAPACITOR, FIXED, ELECTROLYTIC, 10K UF, 95 VDC, C05, C06, C09	3	3				
E	-19	95659702	RESISTOR, FIXED, WIREWOUND, 150 OHM, 25W, R02	1	1				
E	-20	95659801	RESISTOR, FIXED, WIREWOUND, 470/500 OHM, 10W, R03	1	1				
E	-21	95659800	RESISTOR, FIXED, WIREWOUND, 20 OHM, 10W, R01	1	1				
E	-22	95663001	CAPACITOR, FIXED, ELECTROLYTIC, 42000 UF, 12 VDC, C01, C02	2	2				
E	-23	92691009	BRACKET, MOUNTING, CAPACITOR	3	3				
E	-24	47075500	INDUCTOR, 10 AMP, 2.5 MH, L01	1	1				
E	-25	47089800	TRANSFORMER, CONTROL, 50/60 HERTZ, T06	1	1				
E	-26	47052600	TRANSFORMER, CONTROL, 50/60 HERTZ, T09	1	1				
E	-27	10126501	SCREW, MACHINE, HEXAGON CAP HEAD, 1/4-20 x 5/8	4	4				
E	-28	10125806	WASHER, LOCK, SPRING, 1/4	4	4				
E	-29	10125608	WASHER, PLAIN, 1/4	4	4				
E	-30	10125301	NUT, HEXAGON, 1/4-20	4	4				
E	-31	47184000	TRANSFORMER, FERRO, 740 VA, 50 HERTZ, T01	1	1				
E	-31A	10126103	WASHER, LOCK, INTERNAL TOOTH, 6	17	17				
E	-32	95641703	BRACKET, MOUNTING, CAPACITOR	2	2				
E	-33	95642102	CAPACITOR, FIXED, ELECTROLYTIC, 20 UF, 370 VAC, C14	1	1				
E	-34	47100200	TRANSFORMER, CONTROL, T07	1	1				
E	-35	40063300	PANEL, DC	1	1				
D	-36	10127137	SCREW, MACHINE, PAN HEAD, PHILLIPS, 10-24 x 1-1/4	4	4				
D	-37	10126403	WASHER, LOCK, EXTERNAL TOOTH, 10	4	4				
D	-38	93109240	STANDOFF, SPACER	4	4				
D	-39	10125107	NUT, HEXAGON, 10-24 (S/N 574 AND BELOW)	4	4				

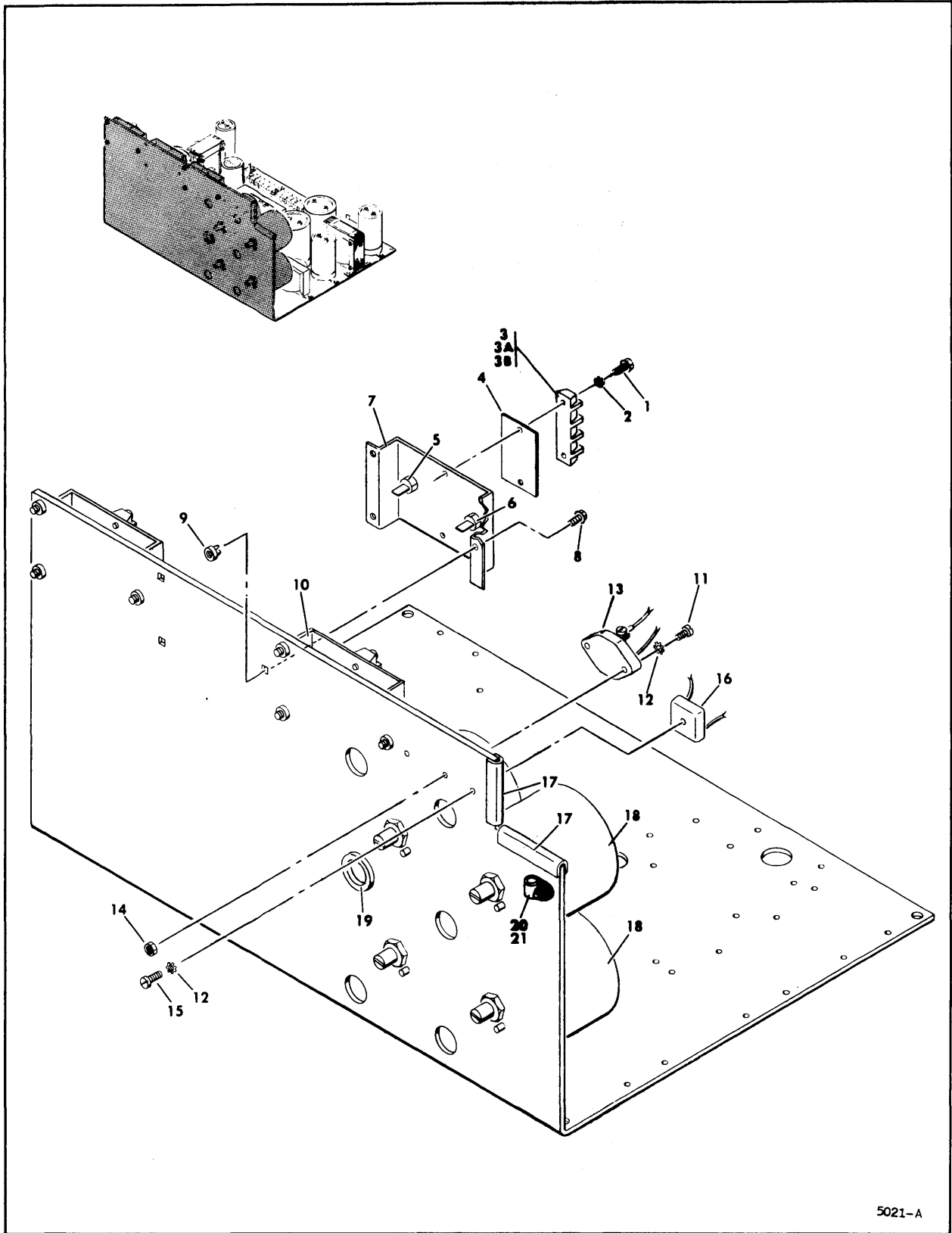


FIGURE 18. DC PANEL ASSEMBLY (SHEET 2 OF 2)

ASS'Y LEVEL	INDEX NO.	EQUIPMENT PART NUMBER	ITEM DESCRIPTION	TAB NUMBER				
				00	01			
				NO. REQUIRED				
D	18-	40011801	DC PANEL ASSEMBLY (SHEET 2 OF 2)	1	1			
E	-	40018801	RECTIFIER ASSEMBLY	2	2			
F	-1	93592166	SCREW, MACHINE, HEXAGON WASHER HEAD, 6-32 x 5/8	2	2			
F	-2	10126401	WASHER, LOCK, EXTERNAL TOOTH, 6	5	5			
F	-3	94272328	BLOCK, TERMINAL	1	1			
F	-3A	94274116	TERMINAL, QUICK CONNECT	3	3			
F	-3B	93047002	JUMPER, BARRIER STRIP	3	3			
F	-4	94274463	STRIP, MARKER	1	1			
F	-5	95642603	RECTIFIER, SILICON, 12 AMP, CR06 A/B	1	1			
F	-6	95642602	RECTIFIER, SILICON, 12 AMP, CR03 A/B	1	1			
F	-7	40035700	HEATSINK	1	1			
E	-8	93592202	SCREW, MACHINE, HEXAGON WASHER HEAD, 8-32 x 1/2	9	9			
E	-9	95655200	NUT, PUSH-ON, NYLON	9	9			
E	-10	40018800	RECTIFIER ASSEMBLY	1	1			
F	-	93592166	SCREW, MACHINE, HEXAGON WASHER HEAD, 6-32 x 5/8	2	2			
F	-	10126401	WASHER, LOCK, EXTERNAL TOOTH, 6	5	5			
F	-	94274463	STRIP, MARKER	1	1			
F	-	94272328	BLOCK, TERMINAL	1	1			
F	-	94274116	TERMINAL, QUICK CONNECT	3	3			
F	-	93047002	JUMPER, BARRIER STRIP	1	1			
F	-	95654205	RECTIFIER, SILICON, 40 AMP	2	2			
F	-	40035701	HEATSINK	1	1			
E	-11	10127108	SCREW, MACHINE, PAN HEAD, PHILLIPS, 4-40 x 7/8	2	2			
E	-12	10126400	WASHER, LOCK, EXTERNAL TOOTH, 4	3	3			
E	-13	95662001	RECTIFIER BLOCK, CR05	1	1			
E	-14	10125103	NUT, HEXAGON, 4-40	2	2			
E	-15	10127320	SCREW, MACHINE, PAN HEAD, SLOTTED, 4-40 x 1/4	1	1			
E	-16	95533701	RECTIFIER, BRIDGE, SILICON, CR04	1	1			
E	-17	94237703	TRIM, SAFETY	AR	AR			
E	-18	95642501	TRANSFORMER, VARIABLE, T02 THRU T05	4	4			
E	-19	93840031	GROMMET, RUBBER, 5/16 ID	1	1			
E	-	40017800	DC HARNESS ASSEMBLY	1	1			
D	-20	93592240	SCREW, MACHINE, HEXAGON WASHER HEAD, 10-24 x 1/2	1	1			
D	-21	92602011	CLAMP, CABLE, NYLON, 0.75 ID	1	1			

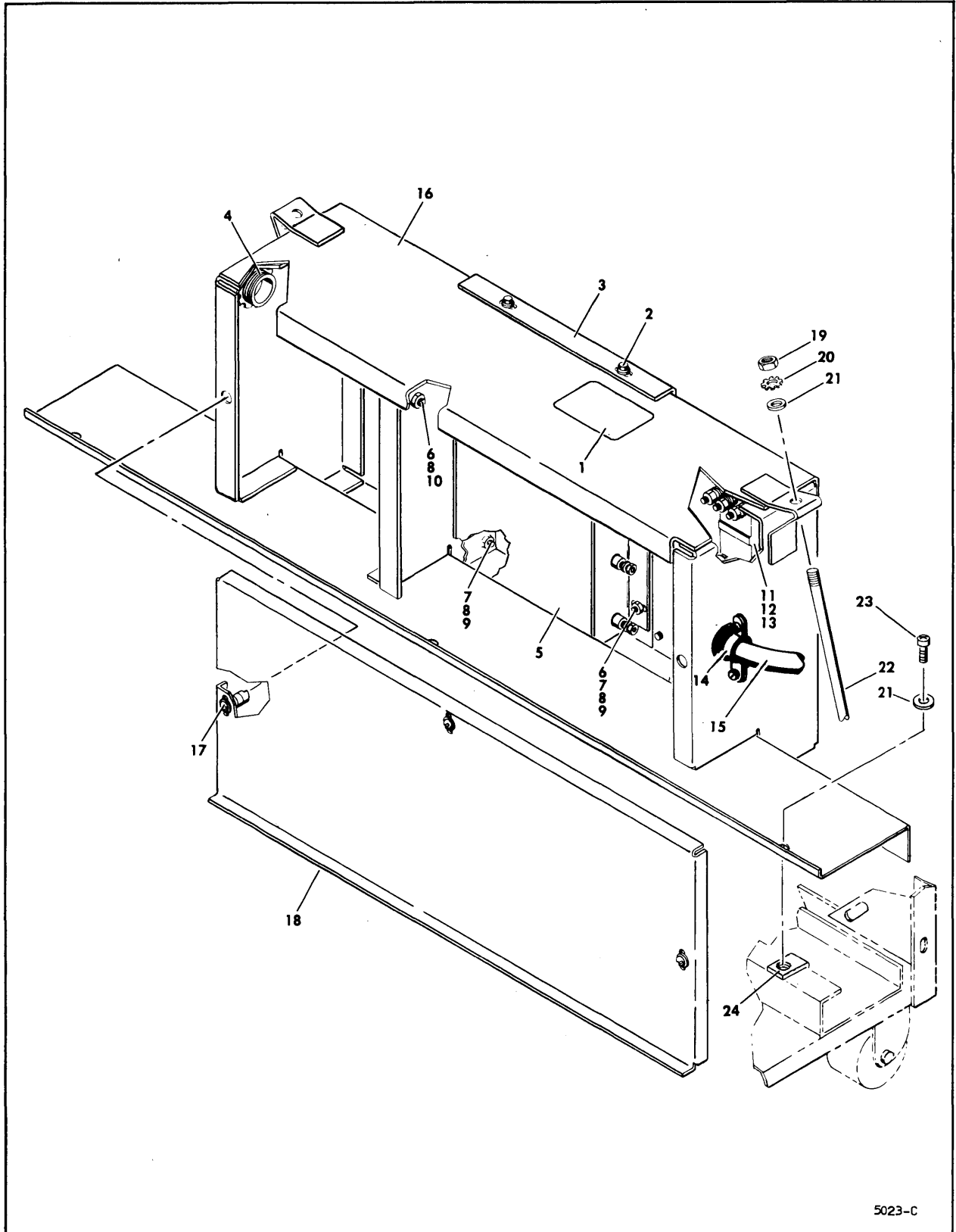
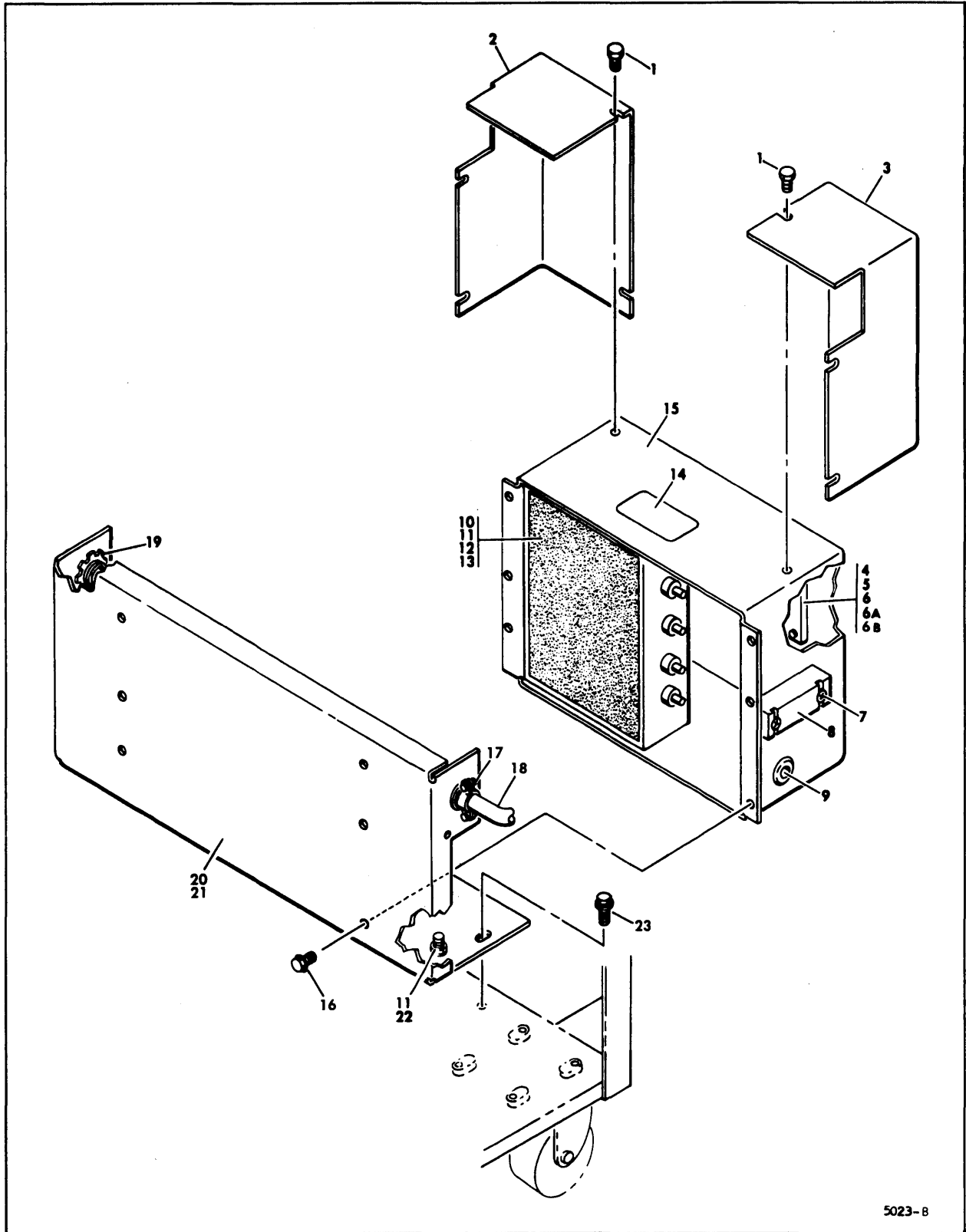


FIGURE 19. FILTER BOX ASSEMBLY (S/N 574 AND BELOW)

ASS'Y LEVEL	INDEX NO.	EQUIPMENT PART NUMBER	ITEM DESCRIPTION	TAB NUMBER				
				00	01			
				NO. REQUIRED				
C	19-	70806504	FILTER BOX ASSEMBLY (S/N 574 AND BELOW)	1	1			
D	-1	46068601	PLATE, WARNING	1	1			
D	-2	93592238	SCREW, MACHINE, HEXAGON WASHER HEAD, 10-24 x 3/8	8	8			
D	-3	40061800	PANEL, MOUNTING, FILTER	1	1			
D	-4	92801001	CLAMP, CABLE, BOX CONNECTOR	1	1			
D	-5	94303600	FILTER, RI	1	1			
D	-6	10125107	NUT, HEXAGON, 10-24	4	4			
D	-7	10125607	WASHER, PLAIN, 10	4	4			
D	-8	10126403	WASHER, LOCK, EXTERNAL TOOTH, 10	6	6			
D	-9	10127132	SCREW, MACHINE, PAN HEAD, PHILLIPS, 10-24 x 1/2	4	4			
D	-10	10127366	SCREW, MACHINE, PAN HEAD, SLOTTED, 10-24 x 3/4	1	1			
D	-11	10127121	SCREW, MACHINE, PAN HEAD, PHILLIPS, 8-32 x 5/16	4	4			
D	-12	10126402	WASHER, LOCK, EXTERNAL TOOTH, 8	4	4			
D	-13	94268506	CIRCUIT BREAKER, 3P, 15 AMP, 250 VAC	1	1			
D	-14	92801002	CLAMP, CABLE, BOX CONNECTOR	1	1			
D	-15	40016103	CABLE ASSEMBLY, W1 (S/N 574 AND BELOW) SEE FIGURE 25	1	1			
D	-16	70806100	BOX, FILTER	1	1			
D	-	40018500	FILTER BOX COVER ASSEMBLY	1	1			
E	-17	94303101	STUD ASSEMBLY, TURN LOCK FASTENER	3	3			
E	-18	40060100	COVER, FILTER BOX	1	1			
C	-19	10125107	NUT, HEXAGON, 10-24 (S/N 574 AND BELOW)	1	1			
C	-20	10126403	WASHER, LOCK, EXTERNAL TOOTH, 10 (S/N 574 AND BELOW)	1	1			
C	-21	10125607	WASHER, PLAIN, 10 (S/N 574 AND BELOW)	4	4			
C	-22	40039600	TIE ROD, FILTER BOX (S/N 574 AND BELOW)	1	1			
C	-23	10127130	SCREW, MACHINE, PAN HEAD, PHILLIPS, 10-24 x 5/16 (S/N 574 AND BELOW)	3	3			
C	-24	92196013	NUT, SPEED, 10-24 (S/N 574 AND BELOW)	3	3			
C	-	70953416	PLATE, CABINET IDENTIFICATION	1	-			
C	-	70953417	PLATE, CABINET IDENTIFICATION	-	1			



5023-B

FIGURE 20. FILTER BOX ASSEMBLY
(S/N 575 AND ABOVE)

ASSY LEVEL	INDEX NO.	EQUIPMENT PART NUMBER	ITEM DESCRIPTION	TAB NUMBER			
				00	01		
				NO. REQUIRED			
C	20-	70817803	FILTER BOX ASSEMBLY (S/N 575 THRU 847)	1	1		
C	20-	72979603	FILTER BOX ASSEMBLY (S/N 848 THRU 1730)	1	1		
C	20-	72988103	FILTER BOX ASSEMBLY (S/N 1731 AND ABOVE)	1	1		
D	-1	93592158	SCREW, MACHINE, HEXAGON WASHER HEAD, 6-32 x 1/4	8	8		
D	-2	70817200	COVER, RIGHT	1	1		
D	-3	70817000	COVER, LEFT	1	1		
D	-4	10127121	SCREW, MACHINE, PAN HEAD, PHILLIPS, 8-32 x 5/16	4	4		
D	-5	10126402	WASHER, LOCK, EXTERNAL TOOTH, 8	4	4		
D	-6	94268506	CIRCUIT BREAKER, 3P, 15 AMP, 250 VAC, CB01 (S/N 575 THRU 847)	1	1		
D	-6	94245203	CIRCUIT BREAKER, 3P, 15 AMP, 240 VAC, CB01 (S/N 848 AND ABOVE)	1	1		
D	-6A	17901509	SCREW, MACHINE, PAN HEAD, PHILLIPS, 6-32 x 3/8 (S/N 848 THRU 1730)	6	6		
D	-6B	72901000	PLATE, ADAPTER (S/N 848 THRU 1730)	1	1		
D	-7	94208666	SCREW, MACHINE, FILLISTER HEAD, PHILLIPS, 8-32 x 1-1/4	2	2		
D	-8	18946005	BLOCK, TERMINAL, TB12	1	1		
D	-9	93840013	GROMMET, RUBBER, 5/8 ID	1	1		
D	-10	10127132	SCREW, MACHINE, PAN HEAD, PHILLIPS, 10-24 x 1/2	4	4		
D	-11	10126403	WASHER, LOCK, EXTERNAL TOOTH, 10	6	6		
D	-12	10125607	WASHER, PLAIN, 10	4	4		
D	-13	94303600	FILTER, RI	1	1		
D	-14	46068601	PLATE, WARNING	1	1		
D	-15	70817300	BOX, FILTER (S/N 575 THRU 847)	1	1		
D	-15	72979500	BOX, FILTER (S/N 848 THRU 1730)	1	1		
D	-15	72989400	BOX, FILTER (S/N 1731 AND ABOVE)	1	1		
D	-16	93592234	SCREW, MACHINE, HEXAGON WASHER HEAD, 10-24 x 1/4	6	6		
D	-17	92801002	CLAMP, CABLE, BOX CONNECTOR	1	1		
D	-18	70818303	CABLE ASSEMBLY, W1 (S/N 575 AND ABOVE) SEE FIGURE 25	1	1		
D	-19	92801001	CLAMP, CABLE, BOX CONNECTOR	1	1		
D	-20	24547501	PLATE, WARNING	2	2		
D	-21	70816900	COVER, BACK	1	1		
D	-22	10125107	NUT, HEXAGON, 10-24	2	2		
D	-	94208500	LABEL, MODEL LEVEL	1	1		
D	-	24547510	PLATE, WARNING	1	1		
C	-23	93592238	SCREW, MACHINE, HEXAGON WASHER HEAD, 10-24 x 3/8 (S/N 575 AND ABOVE)	4	4		

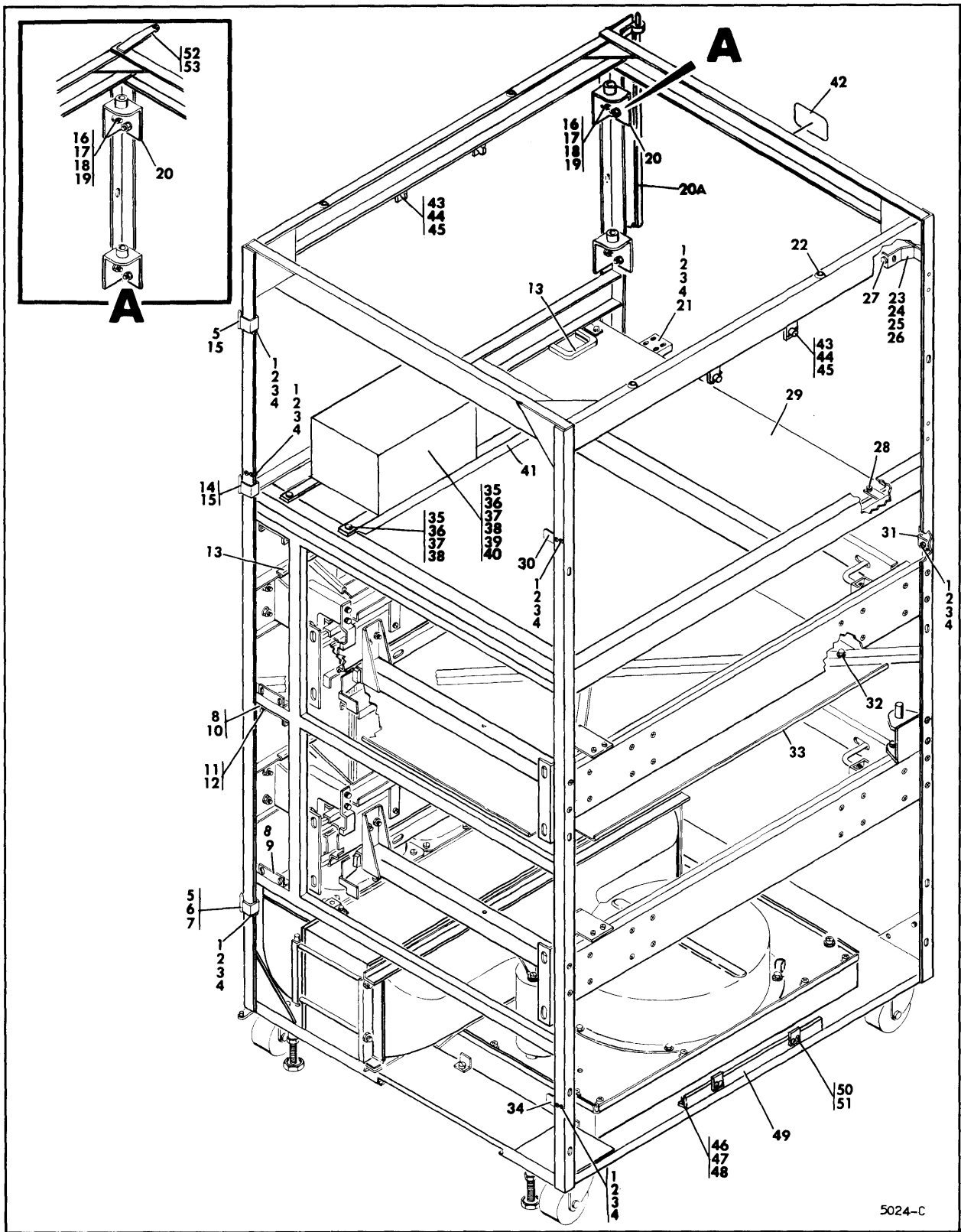


FIGURE 21. FRAME ASSEMBLY (SHEET 1 OF 3)

ASSY LEVEL	INDEX NO.	EQUIPMENT PART NUMBER	ITEM DESCRIPTION	TAB NUMBER				
				00	01			
				NO. REQUIRED				
C	21-	40011001	FRAME ASSEMBLY (SHEET 1 OF 3)	1	1			
D	-1	10125725	SCREW, MACHINE, FLAT HEAD, PHILLIPS, 8-32 x 1/2	14	14			
D	-2	10126402	WASHER, LOCK, EXTERNAL TOOTH, 8 (S/N 310 AND BELOW)	14	14			
D	-2	10126402	WASHER, LOCK, EXTERNAL TOOTH, 8 (S/N 311 AND ABOVE)	15	15			
D	-3	10125606	WASHER, PLAIN, 8	14	14			
D	-4	10125106	NUT, HEXAGON, 8-32 (S/N 310 AND BELOW)	14	14			
D	-4	10125106	NUT, HEXAGON, 8-32 (S/N 311 AND ABOVE)	15	15			
D	-5	40038700	PIVOT, DOOR (S/N 310 AND BELOW)	2	2			
D	-6	70801000	PIVOT, DOOR (S/N 311 AND ABOVE)	1	1			
D	-7	10127123	SCREW, MACHINE, PAN HEAD, PHILLIPS, 8-32 x 1/2 (S/N 311 AND ABOVE)	1	1			
D	-8	93592196	SCREW, MACHINE, HEXAGON WASHER HEAD, 8-32 x 1/4 (S/N 310 AND BELOW)	8	8			
D	-8	93592196	SCREW, MACHINE, HEXAGON WASHER HEAD, 8-32 x 1/4 (S/N 311 AND ABOVE)	4	4			
D	-9	40057300	BRACKET, MOUNTING, PANEL (S/N 310 AND BELOW)	2	2			
D	-10	40038600	MOUNT, PANEL SUPPORT (S/N 310 AND BELOW)	2	2			
D	-10	70804700	MOUNT, PANEL SUPPORT (S/N 311 AND ABOVE)	2	2			
D	-11	93592200	SCREW, MACHINE, HEXAGON WASHER HEAD, 8-32 x 3/8	8	8			
D	-12	40038500	BRACKET, PANEL SUPPORT (S/N 310 AND BELOW)	4	4			
D	-12	70804100	BRACKET, PANEL SUPPORT (S/N 311 AND ABOVE)	4	4			
D	-13	94237703	TRIM, SAFETY	AR	AR			
D	-14	40039200	PIVOT, DOOR (S/N 310 AND BELOW)	1	1			
D	-15	70800700	HINGE, UPPER FRONT DOOR (S/N 311 AND ABOVE)	1	1			
D	-16	10125747	SCREW, MACHINE, FLAT HEAD, PHILLIPS, 10-32 x 1/2	8	8			
D	-17	10126403	WASHER, LOCK, EXTERNAL TOOTH, 10	8	8			
D	-18	10125607	WASHER, PLAIN, 10	8	8			
D	-19	10125108	NUT, HEXAGON, 10-32	8	8			
D	-20	40032100	BRACKET, MOUNTING, HINGE	2	2			
D	-20A	40095903	STRIP, RUBBER (S/N 575 AND ABOVE)	1	1			
D	-21	40059400	CHANNEL, TOP CABLE	1	1			
D	-22	94294300	FASTENER, 1/4 TURN	4	4			
D	-23	10126500	SCREW, MACHINE, HEXAGON CAP HEAD, 1/4-20 x 1/2	2	2			
D	-24	10126404	WASHER, LOCK, EXTERNAL TOOTH, 1/4	2	2			
D	-25	10125608	WASHER, PLAIN, 1/4	2	2			
D	-26	40032600	STRIKE, LATCH	1	1			
D	-27	92633003	BUMPER, GROMMET TYPE	1	1			
D	-28	93592238	SCREW, MACHINE, HEXAGON WASHER HEAD, 10-24 x 3/8	6	6			
D	-29	40060900	SHIELD, UPPER DECK	1	1			
D	-30	40039000	PLATE, UPPER STRIKER	1	1			
D	-31	70956300	CATCH, REAR DOOR	1	1			
D	-32	93592242	SCREW, MACHINE, HEXAGON WASHER HEAD, 10-24 x 5/8	2	2			
D	-33	40097100	SHIELD, LOWER DECK	1	1			
D	-34	40036000	PLATE, STRIKER	1	1			
C	-35	10126502	SCREW, MACHINE, HEXAGON CAP HEAD, 1/4-20 x 3/4	8	8			
C	-36	10126404	WASHER, LOCK, EXTERNAL TOOTH, 1/4	8	8			
C	-37	10125608	WASHER, PLAIN, 1/4	8	8			
C	-38	10125301	NUT, HEXAGON, 1/4-20	8	8			
C	-39	47192100	TRANSFORMER, ISOLATION	1	1			
C	-40	92801001	CLAMP, CABLE, BOX CONNECTOR	2	2			
C	-41	70950000	BRACKET, MOUNTING, TRANSFORMER	2	2			
C	-42	70953316	PLATE, EQUIPMENT IDENTIFICATION	1	-			
C	-42	70953317	PLATE, EQUIPMENT IDENTIFICATION	-	1			
B	-43	93592240	SCREW, MACHINE, HEXAGON WASHER HEAD, 10-24 x 1/2	8	8			
B	-44	40011900	BRACKET STUD ASSEMBLY	4	4			
C	-	93572001	RING, SNAP	1	1			
C	-	93571002	GROMMET	1	1			
C	-	93573002	STUD ASSEMBLY, TURNLOCK FASTENER	1	1			
C	-	40029500	BRACKET, STUD	1	1			
B	-45	45720600	PLATE, BACKING	4	4			
B	-46	10126500	SCREW, MACHINE, HEXAGON CAP HEAD, 1/4-20 x 1/2	4	4			
B	-47	10126106	WASHER, LOCK, INTERNAL TOOTH, 1/4	4	4			
B	-48	10125608	WASHER, PLAIN, 1/4	4	4			
B	-49	40029700	HANGER, SIDE PANEL	2	2			
B	-50	93592200	SCREW, MACHINE, HEXAGON WASHER HEAD, 8-32 x 3/8	8	8			
B	-51	40029600	SLIDE, SIDE PANEL	4	4			
	-52	92927244*	SCREW, MACHINE, FLAT HEAD, SLOTTED, 8-32 x 3/16	3	3			
	-53	40098800*	PLATE, EXTENSION, TOP	1	1			
	-	40098700*	PLATE, EXTENSION, BOTTOM	1	1			
	-	92927372*	SCREW, MACHINE, FLAT HEAD, SLOTTED, 1/4-20 x 1/2	2	2			
				* FCO KIT PER FCO PM 4481A (S/N 132 AND BELOW)				

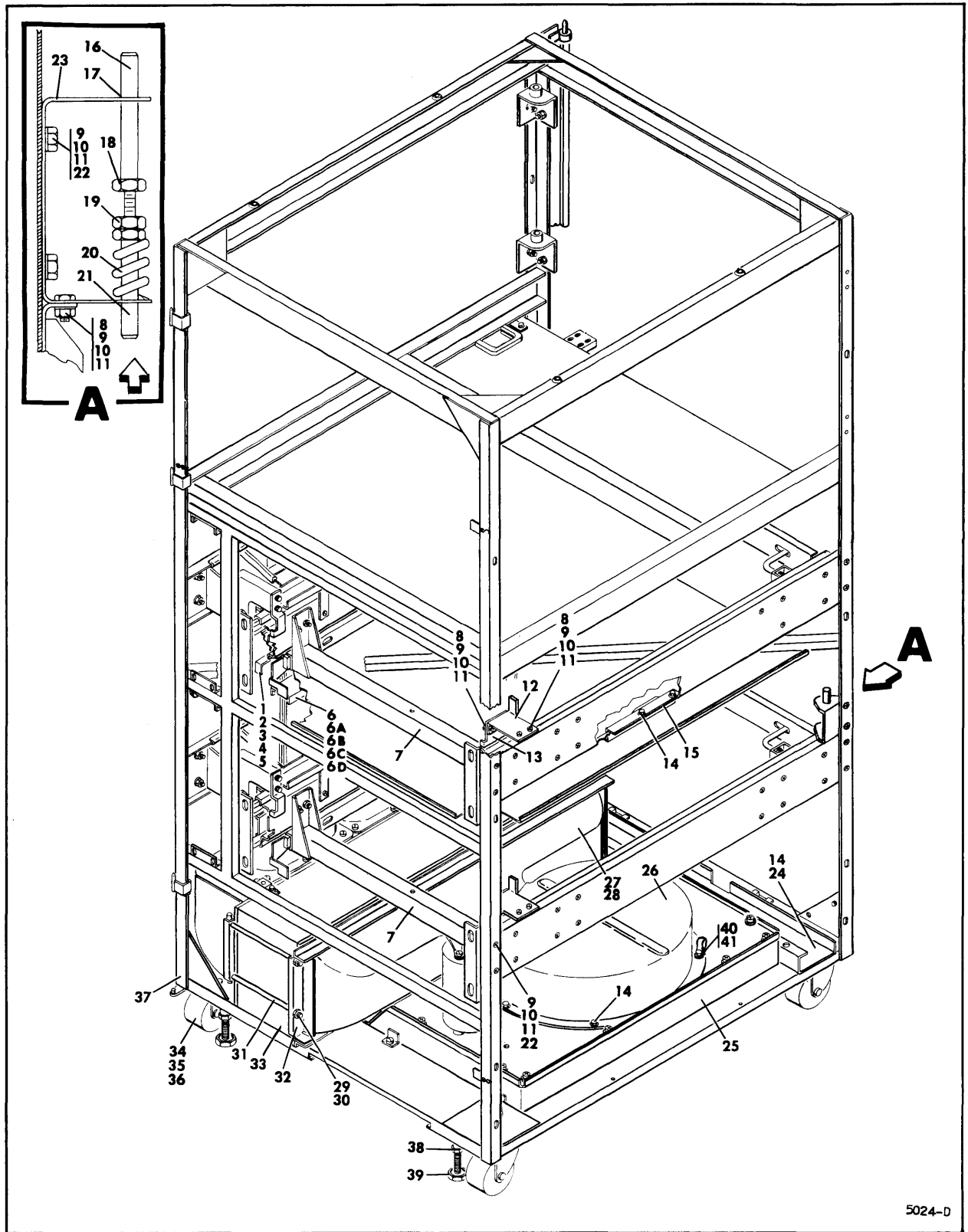
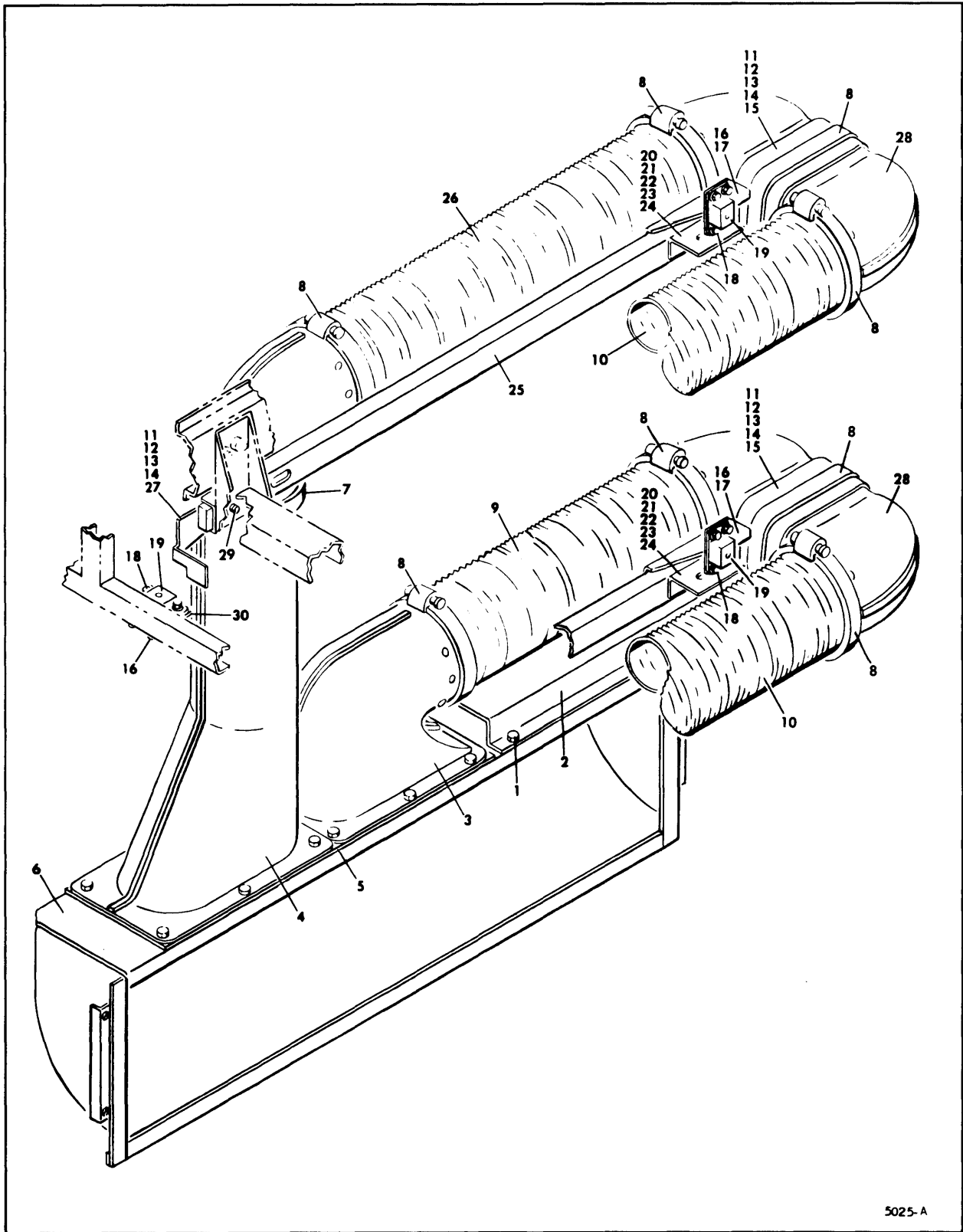


FIGURE 21. FRAME ASSEMBLY (SHEET 2 OF 3)

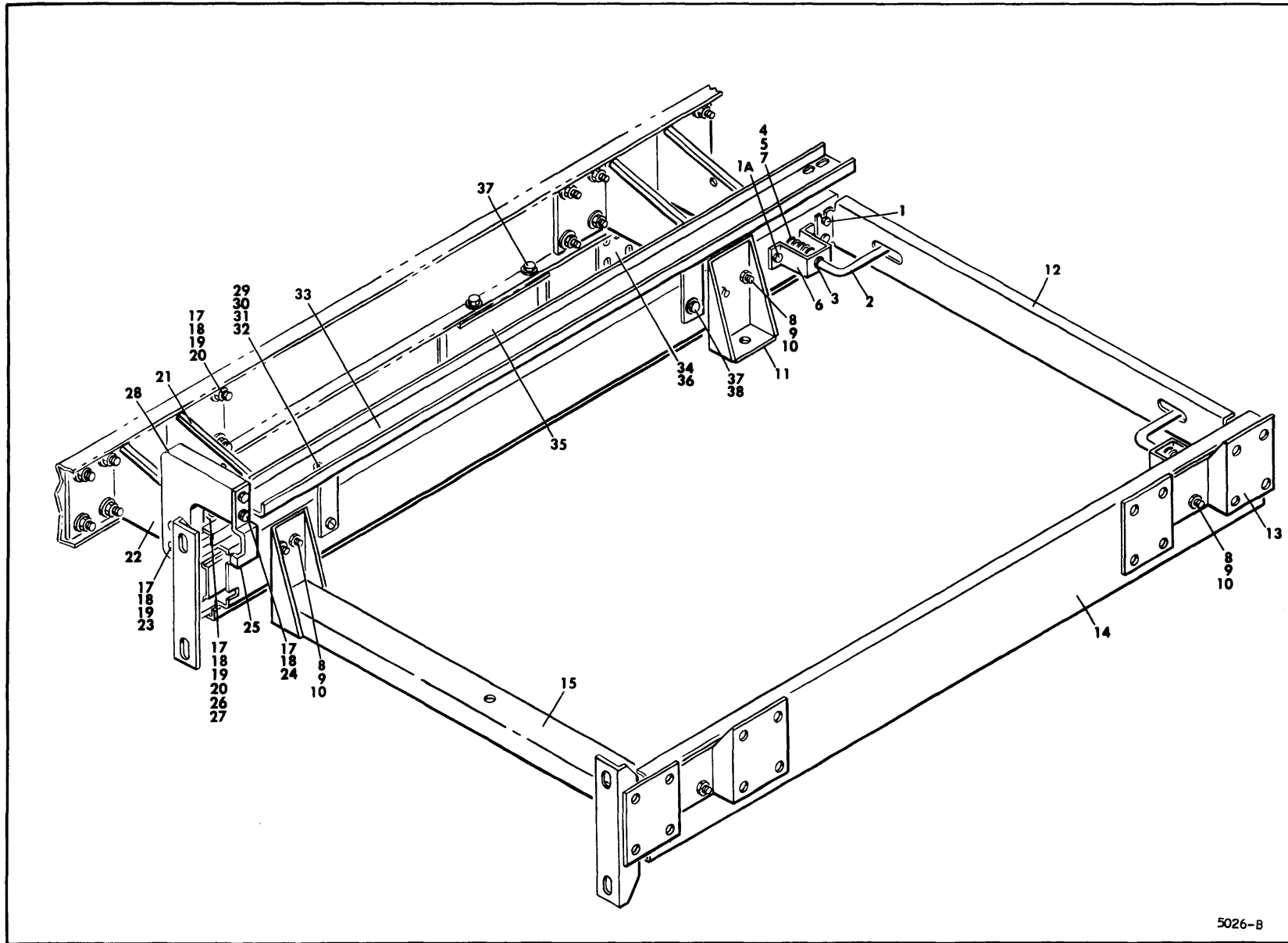
ASSY LEVEL	INDEX NO.	EQUIPMENT PART NUMBER	ITEM DESCRIPTION	TAB NUMBER				
				00	01			
				NO. REQUIRED				
C	21-	40011001	FRAME ASSEMBLY (SHEET 2 OF 3)	1	1			
D	-1	10127122	SCREW, MACHINE, PAN HEAD, PHILLIPS, 8-32 x 3/8	2	2			
D	-2	10126104	WASHER, LOCK, INTERNAL TOOTH, 8	2	2			
D	-3	10125606	WASHER, PLAIN, 8	2	2			
D	-4	10125106	NUT, HEXAGON, 8-32	2	2			
D	-5	40093500	BRACKET, DUCT CLAMP	1	1			
D	-6	40059600	CHANNEL, TOP CABLE	1	1			
D	-6A	10127116	SCREW, MACHINE, PAN HEAD, PHILLIPS, 6-32 x 3/4	2	2			
D	-6B	10126401	WASHER, LOCK, EXTERNAL TOOTH, 6	2	2			
D	-6C	10125605	WASHER, PLAIN, 6	2	2			
D	-6D	10125105	NUT, HEXAGON, 6-32	2	2			
D	-7	40098800	SLIDE AND BRACKET ASSEMBLY (S/N 310 AND BELOW) SEE FIGURE 22	2	2			
D	-7	70516500	SLIDE AND BRACKET ASSEMBLY (S/N 311 AND ABOVE) SEE FIGURE 23	2	2			
D	-8	10126501	SCREW, MACHINE, HEXAGON CAP HEAD, 1/4-20 x 5/8 (S/N 310 AND BELOW)	8	8			
D	-8	10126501	SCREW, MACHINE, HEXAGON CAP HEAD, 1/4-20 x 5/8 (S/N 311 AND ABOVE)	9	9			
D	-9	10126404	WASHER, LOCK, EXTERNAL TOOTH, 1/4 (S/N 310 AND BELOW)	24	24			
D	-9	10126404	WASHER, LOCK, EXTERNAL TOOTH, 1/4 (S/N 311 AND ABOVE)	27	27			
D	-10	10125608	WASHER, PLAIN, 1/4 (S/N 310 AND BELOW)	24	24			
D	-10	10125608	WASHER, PLAIN, 1/4 (S/N 311 AND ABOVE)	27	27			
D	-11	10125301	NUT, HEXAGON, 1/4-20 (S/N 310 AND BELOW)	24	24			
D	-11	10125301	NUT, HEXAGON, 1/4-20 (S/N 311 AND ABOVE)	27	27			
D	-12	70956400	STRIKER, MAGNET	2	2			
D	-13	40060000	CATCH, DRAWER, RIGHT SIDE	2	2			
D	-14	93592238	SCREW, MACHINE, HEXAGON WASHER HEAD, 10-24 x 3/8 (S/N 574 AND BELOW)	12	12			
D	-14	93592238	SCREW, MACHINE, HEXAGON WASHER HEAD, 10-24 x 3/8 (S/N 575 AND ABOVE)	10	10			
D	-15	40037700	CAM, ARM POSITIONING	2	2			
D	-16	40015800	ROD, INTERLOCK, UPPER (S/N 311 AND ABOVE)	1	1			
D	-17	92373014	BEARING, DOUBLE FLANGED, NYLON (S/N 311 AND ABOVE)	2	2			
D	-18	93006032	NUT, HEXAGON, JAM, 5/16-18 (S/N 311 AND ABOVE)	1	1			
D	-19	93006035	NUT, HEXAGON, JAM, 1/2-13 (S/N 311 AND ABOVE)	2	2			
D	-20	40067400	SPRING, COMPRESSION, INTERLOCK (S/N 311 AND ABOVE)	1	1			
D	-21	40070300	ROD, INTERLOCK, LOWER (S/N 311 AND ABOVE)	1	1			
D	-22	92953331	SCREW, MACHINE, FLAT HEAD, PHILLIPS, 1/4-20 x 3/4 (S/N 310 AND BELOW)	16	16			
D	-22	92953331	SCREW, MACHINE, FLAT HEAD, PHILLIPS, 1/4-20 x 3/4 (S/N 311 AND ABOVE)	18	18			
D	-23	40097700	BRACKET, MOUNTING, INTERLOCK ROD (S/N 311 AND ABOVE)	1	1			
D	-24	70806400	BOX, CABLE (S/N 574 AND BELOW)	1	1			
D	-25	70802801	BLOWER ASSEMBLY (SEE FIGURE 24)	1	1			
D	-26	40093100	COVER, BLOWER	1	1			
D	-27	92628413	TAPE, FOAM, 1/4 x 1/2	AR	AR			
D	-28	40010000	DUCT, FRONT	1	1			
D	-29	10125107	NUT, HEXAGON, 10-24	4	4			
D	-30	10126403	WASHER, LOCK, EXTERNAL TOOTH, 10	4	4			
D	-31	40091800	ROD, CLAMP	4	4			
D	-32	40093600	CLAMP, FRONT DUCT	1	1			
D	-33	94301102	FILTER, AIR	1	1			
D	-	70800600	FRAME AND CASTER ASSEMBLY (S/N 310 AND BELOW)	1	1			
D	-	70801900	FRAME AND CASTER ASSEMBLY (S/N 311 THRU 574)	1	1			
D	-	70819400	FRAME AND CASTER ASSEMBLY (S/N 575 AND ABOVE)	1	1			
E	-34	10126513	SCREW, MACHINE, HEXAGON CAP HEAD, 5/16-18 x 1/2	16	16			
E	-35	10125807	WASHER, LOCK, SPRING, 5/16	16	16			
E	-36	92703005	CASTER	4	4			
E	-37	70800520	FRAME, MAIN (S/N 310 AND BELOW)	1	1			
E	-37	40010100	FRAME, MAIN (S/N 311 THRU 574)	1	1			
E	-37	70819220	FRAME, MAIN (S/N 575 AND ABOVE)	1	1			
D	-38	93006035	NUT, HEXAGON, JAM, 1/2-13	4	4			
D	-39	93697014	LEVELER	4	4			
C	-40	93592244	SCREW, MACHINE, HEXAGON WASHER HEAD, 10-24 x 3/4	2	2			
C	-41	94277406	STRAP, CABLE TIE	2	2			



5025-A

FIGURE 21. FRAME ASSEMBLY (SHEET 3 OF 3)

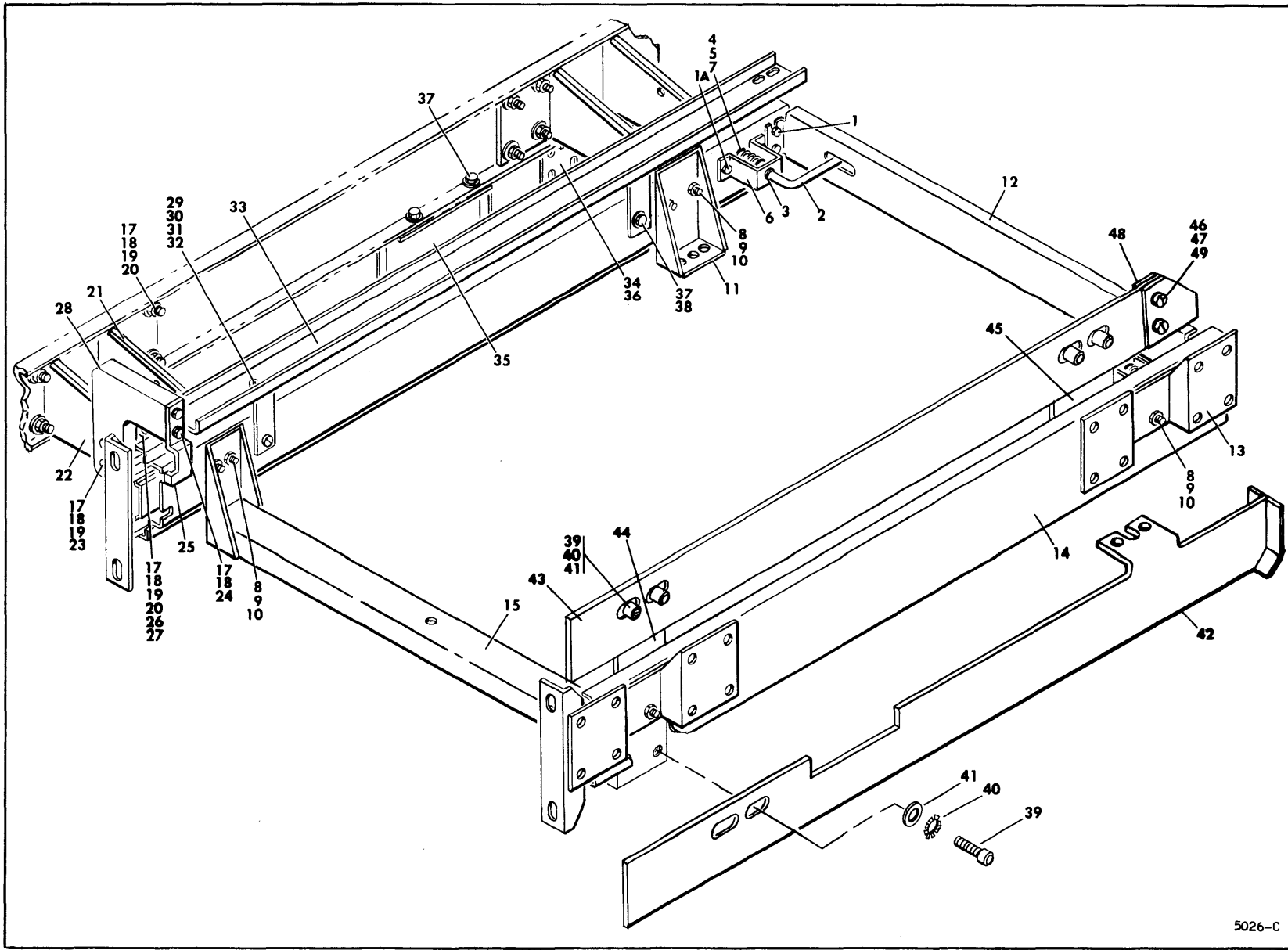
ASSY LEVEL	INDEX NO.	EQUIPMENT PART NUMBER	ITEM DESCRIPTION	TAB NUMBER						
				00	01					
				NO. REQUIRED						
C	21-	40011001	FRAME ASSEMBLY (SHEET 3 OF 3)	1	1					
D	-1	93592200	SCREW, MACHINE, HEXAGON WASHER HEAD, 8-32 x 3/8	16	16					
D	-2	40083300	GUIDE, DUCT	1	1					
D	-3	40069100	DUCT, SHORT	1	1					
D	-4	40039800	DUCT, LONG	1	1					
D	-5	40096000	GASKET, DUCT	1	1					
D	-6	40070400	CHAMBER, DISTRIBUTION	1	1					
D	-7	94275216	CLAMP, HOSE, 3-1/2 TO 4 IN	1	1					
C	-8	94275216	CLAMP, HOSE, 3-1/2 TO 4 IN	8	8					
C	-9	94311601	HOSE, FLEXIBLE, 45 IN	1	1					
C	-10	94311603	HOSE, FLEXIBLE, 27 IN	2	2					
C	-11	10127122	SCREW, MACHINE, PAN HEAD, PHILLIPS, 8-32 x 3/8	8	8					
C	-12	10126104	WASHER, LOCK, INTERNAL TOOTH, 8	8	8					
C	-13	10125606	WASHER, PLAIN, 8	8	8					
C	-14	10125106	NUT, HEXAGON, 8-32	8	8					
C	-15	40092300	BRACKET, U-DUCT	2	2					
C	-16	93592196	SCREW, MACHINE, HEXAGON WASHER HEAD, 8-32 x 1/4	8	8					
C	-17	40094600	BRACKET, MOUNTING, MAGNET CATCH	2	2					
C	-18	93592158	SCREW, MACHINE, HEXAGON WASHER HEAD, 6-32 x 1/4	16	16					
C	-19	92637001	CATCH, MAGNETIC	4	4					
C	-20	10125735	SCREW, MACHINE, FLAT HEAD, PHILLIPS, 10-24 x 3/8	2	2					
C	-21	10126403	WASHER, LOCK, EXTERNAL TOOTH, 10	2	2					
C	-22	10125607	WASHER, PLAIN, 10	2	2					
C	-23	10125107	NUT, HEXAGON, 10-24	2	2					
C	-24	40091700	BRACKET, MOUNTING, SLIDE	2	2					
C	-25	94311200	SLIDE ASSEMBLY	2	2					
C	-26	94311602	HOSE, FLEXIBLE, 53 IN	1	1					
C	-27	40094700	STOP, SLIDE	2	2					
C	-28	40039900	DUCT	2	2					
C	-29	93592238	SCREW, MACHINE, HEXAGON WASHER HEAD, 10-24 x 3/8	2	2					
C	-30	40094400	BRACKET, MOUNTING, FRONT MAGNETIC CATCH	2	2					



5026-B

FIGURE 22. SLIDE AND BRACKET ASSEMBLY (S/N 310 AND BELOW)

ASSY LEVEL	INDEX NO.	EQUIPMENT PART NUMBER	ITEM DESCRIPTION	TAB NUMBER			
				00	01		
				NO. REQUIRED			
D	22-	40096800	SLIDE AND BRACKET ASSEMBLY (S/N 310 AND BELOW)	2	2		
E	-1	93592238	SCREW, MACHINE, HEXAGON WASHER HEAD, 10-24 x 3/8	4	4		
E	-1A	93592200	SCREW, MACHINE, HEXAGON WASHER HEAD, 8-32 x 3/8	4	4		
E	-	40015700	SLIDE LOCK ASSEMBLY	2	2		
F	-2	40059700	ROD, SLIDE LOCK	1	1		
F	-3	92373010	BEARING, DOUBLE FLANGED, NYLON	1	1		
F	-4	92033069	RING, RETAINING	1	1		
F	-5	94206095	SPRING, COMPRESSION	1	1		
E	-6	40058400	BRACKET, MOUNTING, SLIDE LOCK	1	1		
E	-7	92373010	BEARING, DOUBLE FLANGED, NYLON	2	2		
E	-8	10126031	SCREW, MACHINE, FLAT HEAD, SOCKET, 1/4-20 x 5/8	12	12		
E	-9	10126404	WASHER, LOCK, EXTERNAL TOOTH, 1/4	12	12		
E	-10	10125301	NUT, HEXAGON, 1/4-20	12	12		
E	-11	40036400	BRACKET, DECK MOUNT, REAR	2	2		
E	-12	40097300	SUPPORT, SLIDE	1	1		
E	-13	40058001	BRACKET, MOUNTING, SLIDE	2	2		
E	-14	94303200	SLIDE ASSEMBLY, 2 WAY, 5 SECTION	2	2		
E	-15	40096900	MOUNT, DECK, FRONT	1	1		
	-16		NOT USED				
D	-17	10126404	WASHER, LOCK, EXTERNAL TOOTH, 1/4	64	64		
D	-18	10125608	WASHER, PLAIN, 1/4	64	64		
D	-19	10125301	NUT, HEXAGON, 1/4-20	60	60		
D	-20	92953329	SCREW, MACHINE, FLAT HEAD, PHILLIPS, 1/4-20 x 5/8	56	56		
D	-21	94237703	TRIM, SAFETY	AR	AR		
D	-22	40058000	MOUNT, SLIDE	4	4		
D	-23	10126506	SCREW, MACHINE, HEXAGON CAP HEAD, 1/4-20 x 1-1/2	4	4		
D	-24	10126500	SCREW, MACHINE, HEXAGON CAP HEAD, 1/4-20 x 1/2	4	4		
D	-25	40097900	CATCH, DRAWER, LEFT SIDE	1	1		
D	-26	40027000	SHIM, SLIDE, 0.035 THICK	6	6		
D	-27	40027001	SHIM, SLIDE, 0.059 THICK	6	6		
D	-28	40097800	BLOCK, CATCH	2	2		
D	-29	10125725	SCREW, MACHINE, FLAT HEAD, PHILLIPS, 8-32 x 1/2	4	4		
D	-30	10126402	WASHER, LOCK, EXTERNAL TOOTH, 8	4	4		
D	-31	10125606	WASHER, PLAIN, 8	4	4		
D	-32	10125106	NUT, HEXAGON, 8-32	4	4		
D	-33	40059300	CHANNEL, BOTTOM CABLE	2	2		
D	-34	93592200	SCREW, MACHINE, HEXAGON WASHER HEAD, 8-32 x 3/8	4	4		
D	-35	40093200	GUIDE, DUCT	1	1		
D	-36	40092200	MOUNT, CABLE	2	2		
D	-37	93592238	SCREW, MACHINE, HEXAGON WASHER HEAD, 10-24 x 3/8	8	8		
D	-38	40059200	BRACKET, SUPPORT	4	4		



5026-C

FIGURE 23. SLIDE AND BRACKET ASSEMBLY (S/N 311 AND ABOVE)

ASSY LEVEL	INDEX NO.	EQUIPMENT PART NUMBER	ITEM DESCRIPTION	TAB NUMBER				
				00	01			
				NO. REQUIRED				
D	23-	70516500	SLIDE AND BRACKET ASSEMBLY (S/N 311 AND ABOVE)	2	2			
E	-1	93592238	SCREW, MACHINE, HEXAGON WASHER HEAD, 10-24 x 3/8	4	4			
E	-1A	93592200	SCREW, MACHINE, HEXAGON WASHER HEAD, 8-32 x 3/8	4	4			
E	-	40015700	SLIDE LOCK ASSEMBLY	2	2			
F	-2	40059700	ROD, SLIDE LOCK	1	1			
F	-3	92373010	BEARING, DOUBLE FLANGED, NYLON	1	1			
F	-4	92033069	RING, RETAINING	1	1			
F	-5	94206095	SPRING, COMPRESSION	1	1			
F	-6	40058400	BRACKET, MOUNTING, SLIDE LOCK	1	1			
E	-7	92373010	BEARING, DOUBLE FLANGED, NYLON	2	2			
E	-8	10126031	SCREW, MACHINE, FLAT HEAD, SOCKET, 1/4-20 x 5/8	12	12			
E	-9	10126404	WASHER, LOCK, EXTERNAL TOOTH, 1/4	12	12			
E	-10	10125301	NUT, HEXAGON, 1/4-20	12	12			
E	-11	70717200	BRACKET, DECK MOUNT, REAR	2	2			
E	-12	40097300	SUPPORT, SLIDE	1	1			
E	-13	40058001	BRACKET, MOUNTING, SLIDE	2	2			
E	-14	94303200	SLIDE ASSEMBLY, 2 WAY, 5 SECTION	2	2			
E	-15	70802000	MOUNT, DECK, FRONT	1	1			
	-16		NOT USED					
D	-17	10126404	WASHER, LOCK, EXTERNAL TOOTH, 1/4	64	64			
D	-18	10125608	WASHER, PLAIN, 1/4	64	64			
D	-19	10125301	NUT, HEXAGON, 1/4-20	60	60			
D	-20	92953329	SCREW, MACHINE, FLAT HEAD, PHILLIPS, 1/4-20 x 5/8	56	56			
D	-21	94237703	TRIM, SAFETY	AR	AR			
D	-22	40058000	MOUNT, SLIDE	4	4			
D	-23	10126506	SCREW, MACHINE, HEXAGON CAP HEAD, 1/4-20 x 1-1/2	4	4			
D	-24	10126500	SCREW, MACHINE, HEXAGON CAP HEAD, 1/4-20 x 1/2	4	4			
D	-25	40097900	CATCH, DRAWER, LEFT SIDE	1	1			
D	-26	40027000	SHIM, SLIDE, 0.035 THICK	6	6			
D	-27	40027001	SHIM, SLIDE, 0.059 THICK	6	6			
D	-28	40097800	BLOCK, CATCH	2	2			
D	-29	10125725	SCREW, MACHINE, FLAT HEAD, PHILLIPS, 8-32 x 1/2	4	4			
D	-30	10126402	WASHER, LOCK, EXTERNAL TOOTH, 8	4	4			
D	-31	10125606	WASHER, PLAIN, 8	4	4			
D	-32	10125106	NUT, HEXAGON, 8-32	4	4			
D	-33	40059300	CHANNEL, BOTTOM CABLE	2	2			
D	-34	93592200	SCREW, MACHINE, HEXAGON WASHER HEAD, 8-32 x 3/8	4	4			
D	-35	40093200	GUIDE, DUCT	1	1			
D	-36	40092200	MOUNT, CABLE	2	2			
D	-37	93592238	SCREW, MACHINE, HEXAGON WASHER HEAD, 10-24 x 3/8	8	8			
D	-38	40059200	BRACKET, SUPPORT	4	4			
D	-39	10126243	SCREW, MACHINE, CAP HEAD, SOCKET, 10-32 x 3/8	8	8			
D	-40	10126403	WASHER, LOCK, EXTERNAL TOOTH, 10	8	8			
D	-41	10125607	WASHER, PLAIN, 10	8	8			
D	-42	70716500	RAIL, UPPER (USED ON UPPER SLIDE AND BRACKET ASSEMBLY ONLY)	1	1			
D	-43	70717100*	RAIL, LOWER	1	1			
D	-44	70800100*	BRACKET, FRONT	1	1			
D	-45	70800200*	BRACKET, REAR	1	1			
D	-46	10127337*	SCREW, MACHINE, PAN HEAD, SLOTTED, 6-32 x 3/4	2	2			
D	-47	10126103*	WASHER, LOCK, INTERNAL TOOTH, 6	2	2			
D	-48	70716600*	BLOCK, RAMP	1	1			
D	-49	70716601*	BLOCK, RAMP	1	1			

* USED ON LOWER SLIDE AND BRACKET ASSEMBLY ONLY

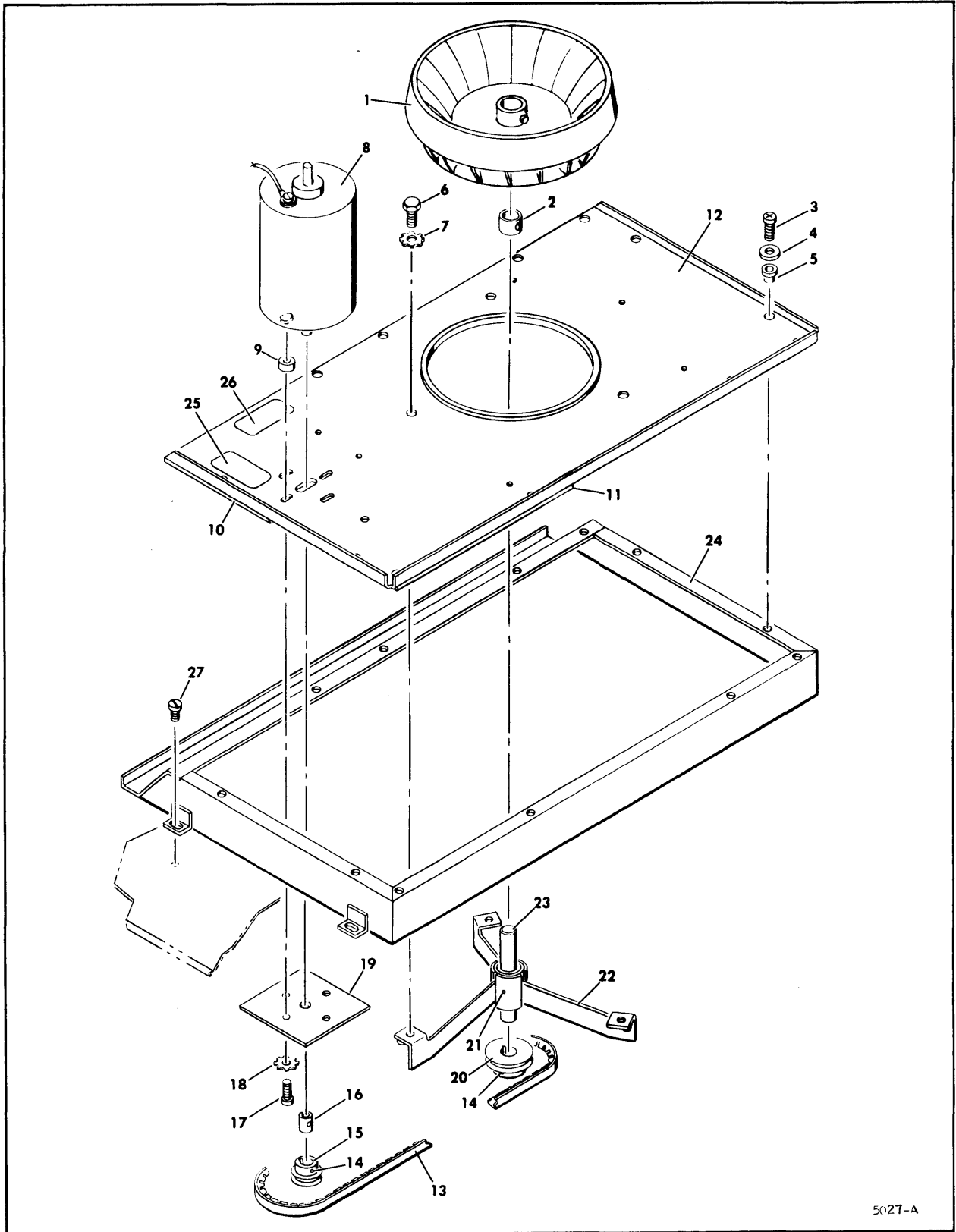


FIGURE 24. BLOWER ASSEMBLY

ASS'Y LEVEL	INDEX NO.	EQUIPMENT PART NUMBER	ITEM DESCRIPTION	TAB NUMBER			
				00	01		
				NO. REQUIRED			
D	24-	70802801	BLOWER ASSEMBLY	1	1		
E	-1	93670001	FAN, 13 BLADE, CW, 9 OD	1	1		
E	-2	40091900	SLEEVE, BEARING, SHAFT	1	1		
E	-3	10127133	SCREW, MACHINE, PAN HEAD, PHILLIPS, 10-24 x 5/8	12	12		
E	-4	10125607	WASHER, PLAIN, 10	12	12		
E	-5	94287500	BUSHING, RUBBER, 5/32 ID	12	12		
E	-6	10126500	SCREW, MACHINE, HEXAGON CAP HEAD, 1/4-20 x 1/2	3	3		
E	-7	10126404	WASHER, LOCK, EXTERNAL TOOTH, 1/4	3	3		
E	-8	40083700	BLOWER MOTOR ASSEMBLY	1	1		
F	-	94336207	MOTOR, INDUCTOR	1	1		
F	-	10126402	WASHER, LOCK, EXTERNAL TOOTH, 8	1	1		
F	-	93948005	CONNECTOR, PLUG, 6 PIN, J700	1	1		
F	-	93942002	CONTACT, PIN, 18-14 WIRE RANGE	5	5		
E	-9	40025001	SPACER	4	4		
E	-10	40095901	STRIP, RUBBER	2	2		
E	-11	40095900	STRIP, RUBBER	2	2		
E	-12	40079000	PLATE, MOUNTING, MOTOR	1	1		
E	-13	94311000	BELT, SPECIAL, V	1	1		
E	-14	93094367	SCREW, SET, SOCKET HEAD, CUP POINT, 1/4-20 x 3/8	2	2		
E	-15	94311104	PULLEY, V-BELT	1	1		
E	-16	40093301	SLEEVE, MOTOR SHAFT	1	1		
E	-17	10127125	SCREW, MACHINE, PAN HEAD, PHILLIPS, 8-32 x 3/4	4	4		
E	-18	10126402	WASHER, LOCK, EXTERNAL TOOTH, 8	4	4		
E	-19	40093000	PLATE, MOTOR	1	1		
E	-20	94311102	PULLEY, V-BELT	1	1		
E	-	40093400	BEARING MOUNT AND BEARING ASSEMBLY	1	1		
F	-21	92226004	PIN, DOWEL	1	1		
F	-22	40069000	MOUNT, BEARING	1	1		
F	-23	94310900	SHAFT AND BEARING	1	1		
E	-24	40091200	HOUSING, MOTOR	1	1		
E	-25	94224642	LABEL, INFORMATION	1	1		
E	-26	94208500	LABEL, MODEL LEVEL	1	1		
D	-27	93592238	SCREW, MACHINE, HEXAGON WASHER HEAD, 10-24 x 3/8	4	4		

ASSY LEVEL	INDEX NO.	EQUIPMENT PART NUMBER	ITEM DESCRIPTION	TAB NUMBER						
				00	01					
				NO. REQUIRED						
	25-		CABLE ASSEMBLIES							
C	-W1	40016103	CABLE ASSEMBLY, W1 (S/N 574 AND BELOW)	1	1					
C	-W1	70818303	CABLE ASSEMBLY, W1 (S/N 575 AND ABOVE)	1	1					
D	-	17634301	CONNECTOR, PLUG, 5 WIRE, P01	1	1					
D	-	94327900	COVER, CONNECTOR	1	1					
C	-W2	40097400	CABLE ASSEMBLY, W2	1	1					
D	-	93948000	CONNECTOR, PLUG, 6 PIN, P02	1	1					
D	-	93947006	CONNECTOR, PLUG, 6 SOCKET, P700	1	1					
D	-	93942001	CONTACT, PIN, 22-18 WIRE RANGE	2	2					
D	-	93942002	CONTACT, PIN, 18-14 WIRE RANGE	3	3					
D	-	93943001	CONTACT, SOCKET, 22-18 WIRE RANGE	2	2					
D	-	93943002	CONTACT, SOCKET, 18-14 WIRE RANGE	3	3					
C	-W3	40016300	CABLE ASSEMBLY, W3	1	1					
D	-	93948001	CONNECTOR, PLUG, 9 PIN, P03	1	1					
D	-	93947006	CONNECTOR, PLUG, 6 SOCKET, P300	1	1					
D	-	93947004	CONNECTOR, PLUG, 3 SOCKET, P301	1	1					
D	-	93942002	CONTACT, PIN, 18-14 WIRE RANGE	3	3					
D	-	93942001	CONTACT, PIN, 22-18 WIRE RANGE	5	5					
D	-	93943002	CONTACT, SOCKET, 18-14 WIRE RANGE	3	3					
D	-	93943001	CONTACT, SOCKET, 22-18 WIRE RANGE	5	5					
C	-W4	40016400	CABLE ASSEMBLY, W4	1	1					
D	-	94281201	CONNECTOR, PLUG, 75 PIN/SOCKET, P04, P204	2	2					
D	-	94281207	CLAMP, SHORT STRAIN RELIEF	1	1					
D	-	93642004	PIN, CORNER GUIDE	4	4					
D	-	93642005	SOCKET, CORNER GUIDE	4	4					
D	-	93643008	JACKSCREW, TURNABLE, MALE	4	4					
D	-	93644001	CONTACT, PIN, 18-16 WIRE RANGE	15	15					
D	-	93644002	CONTACT, PIN, 22-20 WIRE RANGE	49	49					
D	-	93645001	CONTACT, SOCKET, 18-16 WIRE RANGE	15	15					
D	-	93645002	CONTACT, SOCKET, 22-20 WIRE RANGE	49	49					
C	-W10	70954000	CABLE ASSEMBLY, W10, WIRING HARNESS	1	1					
C	-W11	70954100	CABLE ASSEMBLY, W11, WIRING HARNESS	1	1					
C	-W12	40098900	CABLE ASSEMBLY, W12 AND W112 (S/N 310 AND BELOW)	2	2					
C	-W12	41254800	CABLE ASSEMBLY, W12 AND W112 (S/N 311 AND ABOVE)	2	2					
D	-	94281201	CONNECTOR, PLUG, 75 PIN, P205	1	1					
D	-	93947004	CONNECTOR, PLUG, 3 SOCKET	1	1					
D	-	93643008	JACKSCREW, TURNABLE, MALE	2	2					
D	-	93642004	PIN, CORNER GUIDE	1	1					
D	-	93642005	SOCKET, CORNER GUIDE	1	1					
D	-	93943001	CONTACT, SOCKET, 22-18 WIRE RANGE	3	3					
D	-	93644003	CONTACT, PIN, 26-24 WIRE RANGE	61	61					
D	-	93644002	CONTACT, PIN, 22-20 WIRE RANGE	9	9					
D	-	93644001	CONTACT, PIN, 22-18 WIRE RANGE	4	4					
D	-	94219892	CONNECTOR, PLUG, DUO-TYNE, 6 CONTACT	3	3					
D	-	94219902	CONTACT, DUO-TYNE FLAG	18	18					
C	-W13	40017200	CABLE ASSEMBLY, W13	1	1					
D	-	24502303	CONNECTOR, PLUG, 50 PIN, P206	1	1					
D	-	93960016	CONNECTOR, PLUG, 26 SOCKET, A5P600, A6P600	2	2					
D	-	93644002	CONTACT, PIN, 22-20 WIRE RANGE	28	28					
D	-	93644003	CONTACT, PIN, 26-24 WIRE RANGE	22	22					
D	-	93645002	CONTACT, SOCKET, 22-20 WIRE RANGE	28	28					
D	-	93645003	CONTACT, SOCKET, 26-24 WIRE RANGE	22	22					
D	-	93643008	JACKSCREW, TURNABLE, MALE	2	2					
D	-	93643005	SOCKET, CORNER GUIDE	2	2					
D	-	93643004	PIN, CORNER GUIDE	2	2					
D	-	93960011	CLAMP, STRAIN RELIEF	2	2					
D	-	93960022	SPRING, CONNECTOR	4	4					
D	-	93960004	PIN, CENTER GUIDE	2	2					
D	-	93960005	SOCKET, CENTER GUIDE	2	2					
C	-W14	40017300	CABLE ASSEMBLY, W14	1	1					
D	-	93948005	CONNECTOR, PLUG, 6 PIN, J300	1	1					
D	-	93942002	CONTACT, PIN, 18-14 WIRE RANGE	4	4					
D	-	93942001	CONTACT, PIN, 22-18 WIRE RANGE	1	1					
C	-W16	70955000	CABLE ASSEMBLY, W16	1	1					
D	-	93948001	CONNECTOR, PLUG, 9 PIN, P05	1	1					
D	-	93942001	CONTACT, PIN, 22-18 WIRE RANGE	9	9					
C	-W103	40016800	CABLE ASSEMBLY, W103	1	1					
D	-	93948001	CONNECTOR, PLUG, 9 PIN, P103	1	1					
D	-	93947006	CONNECTOR, PLUG, 6 SOCKET, P300	1	1					
D	-	93947004	CONNECTOR, PLUG, 3 SOCKET, P301	1	1					
D	-	93942002	CONTACT, PIN, 18-14 WIRE RANGE	3	3					
D	-	93942001	CONTACT, PIN, 22-18 WIRE RANGE	5	5					
D	-	93943002	CONTACT, SOCKET, 18-14 WIRE RANGE	3	3					
D	-	93943001	CONTACT, SOCKET, 22-18 WIRE RANGE	5	5					



COMMENT SHEET

MANUAL TITLE BM1A5/BM1A6 MULTIPLE DISK DRIVE Parts Data

PUBLICATION NO. 70601900 REVISION D

FROM: NAME: _____
BUSINESS ADDRESS: _____

COMMENTS:

This form is not intended to be used as an order blank. Your evaluation of this manual will be welcomed by Control Data Corporation. Any errors, suggested additions or deletions, or general comments may be made below. Please include page number references and fill in publication revision level as shown by the last entry on the Record of Revision page at the front of the manual. Customer engineers are urged to use the TAR.

CUT ALONG LINE

PRINTED IN U.S.A.

AA3419 REV. 11/69

NO POSTAGE STAMP NECESSARY IF MAILED IN U. S. A.

FOLD ON DOTTED LINES AND STAPLE

STAPLE

STAPLE

FOLD

FOLD

FIRST CLASS
PERMIT NO. 8241
MINNEAPOLIS, MINN.

BUSINESS REPLY MAIL
NO POSTAGE STAMP NECESSARY IF MAILED IN U.S.A.

POSTAGE WILL BE PAID BY

CONTROL DATA CORPORATION

Technical Publications Department
4201 North Lexington Avenue
Arden Hills, Minnesota 55112



CUT ALONG LINE

FOLD

FOLD

D

D

|

D

)

CONTROL DATA

$\frac{3}{4}$ $\frac{1}{2}$
 $1\frac{1}{4}$

>>> CUT OUT FOR USE AS LOOSE-LEAF BINDER TITLE TAB

CONTROL DATA

CORPORATION

8100 34th AVE. SO., MINNEAPOLIS, MINN. 55440

LITHO IN U.S.A.