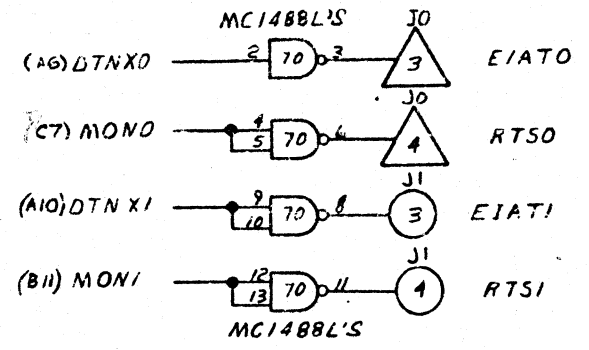
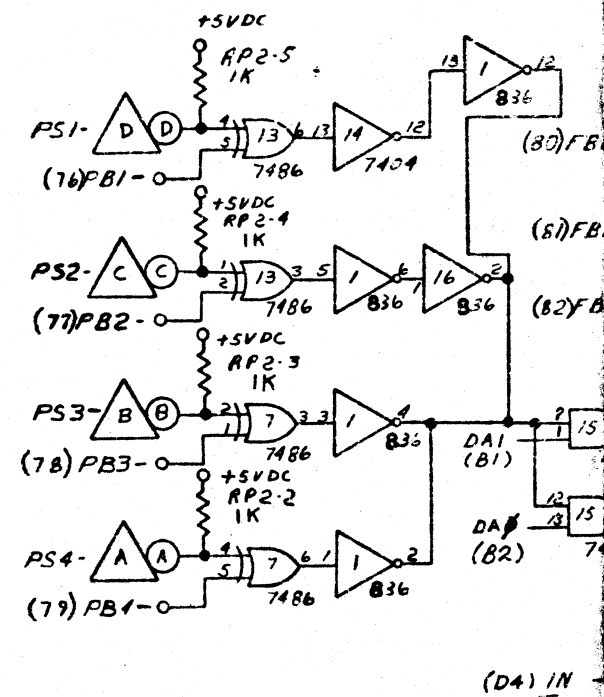


REVISIONS		
SYM	DESCRIPTION	DATE/APPVAL
B0	INITIAL RELEASE	2/25/77
B1	PER EN 00-53236-XX-2A	4/11/77
B2	SEE EN 00-53236-XX-2B	4/11/77
B3	CHANGED PER EN 1131 KA	4/11/77
B4	CHANGED PER EN 1274 KA	4/11/77
B5	CHANGED PER EN 1392 KA	4/11/77
B6	CHANGED PER EN 1528 KA	4/11/77
B7	CHANGED PER EN 1849 KA	5/18/77
B8	CHANGED PER EN 1985 KA	5/18/77
B9	CHANGED PER EN 2021 KA	5/18/77
B10	CHANGED PER EN 2057 KA	5/18/77
B11	CHANGED PER EN 1971 KA	5/18/77
B12	INCORPORATE EN 3300	4/22/76
B13	INCORPORATE EN 3347	4/22/76
B14	INCORPORATE EN 3355	
B15	INCORPORATE EN 3730	
B16	INCORPORATE EN 4283	
B17	INCORPORATE EN 4549	4/22/76

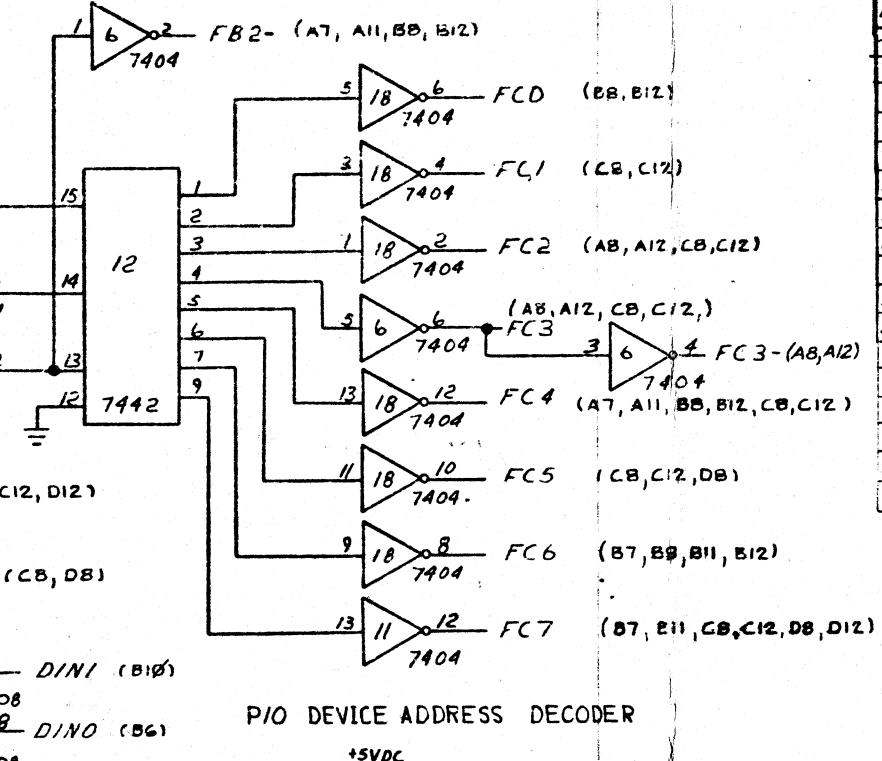
CRT/MODEM INTERFACE



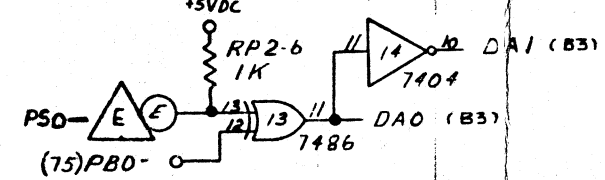
DEVICE ADDRESS DECODER



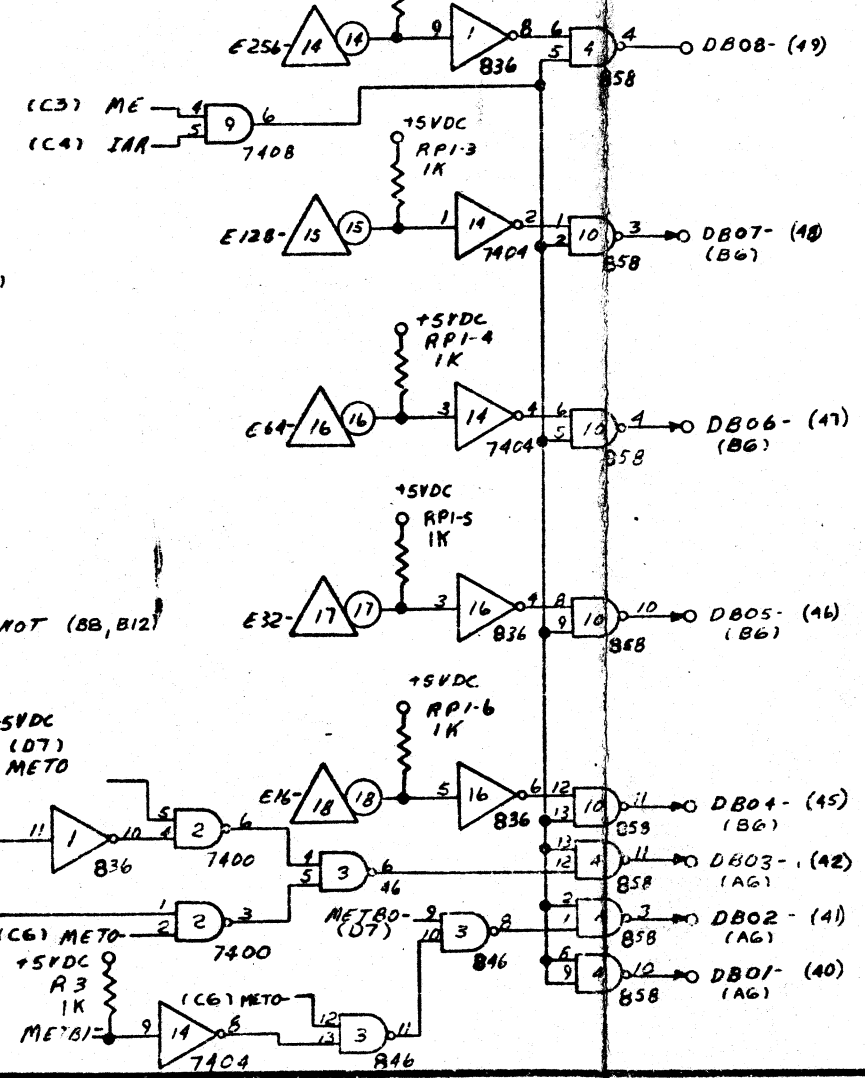
FUNCTION DECODER



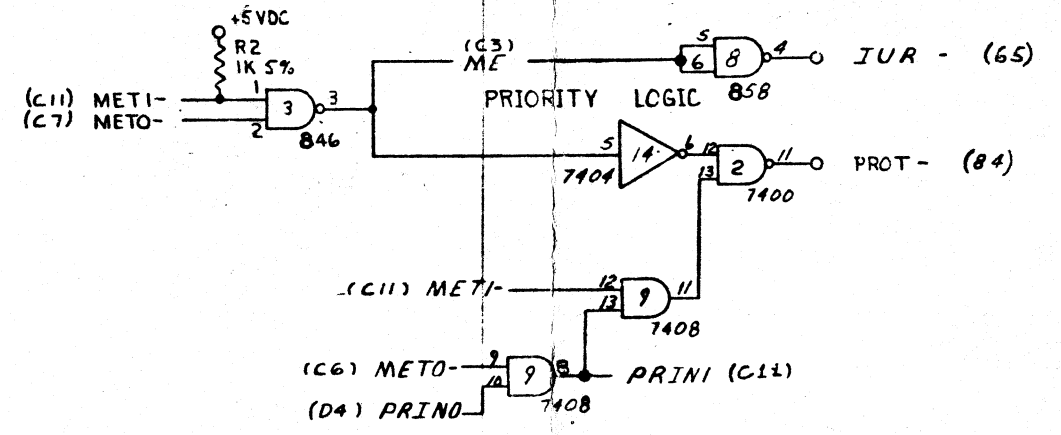
PIO DEVICE ADDRESS DECODER



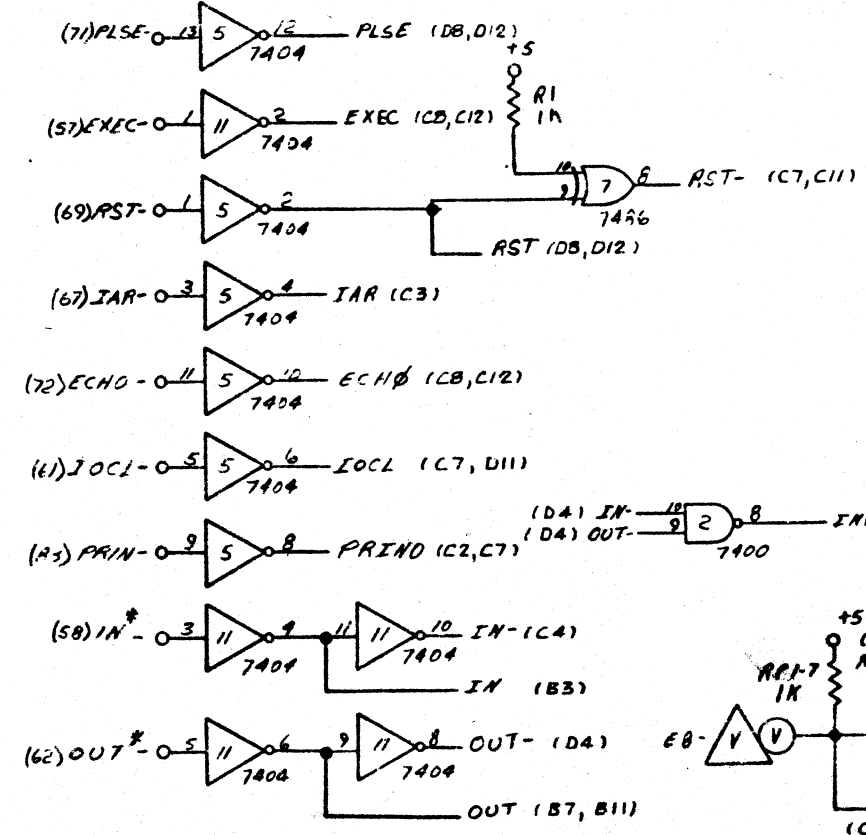
INTERRUPT ADDRESS GENERATOR



INTERRUPT COMMON LOGIC



CONTROL BUSS INPUTS



5 \triangle = J0 (TTY); \circ = J1 (TTY); \circ = J2
 4 ALL RELAYS K1-K4 ARE 76606088P.

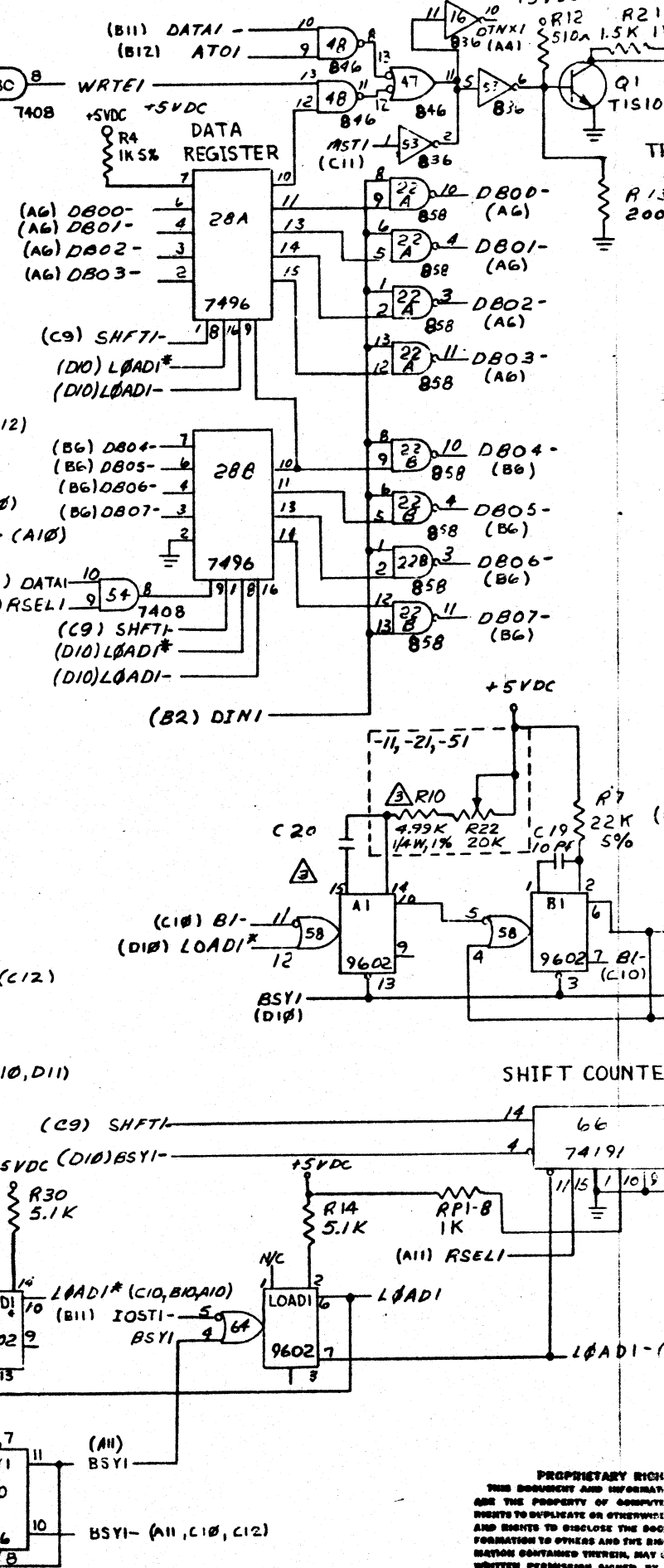
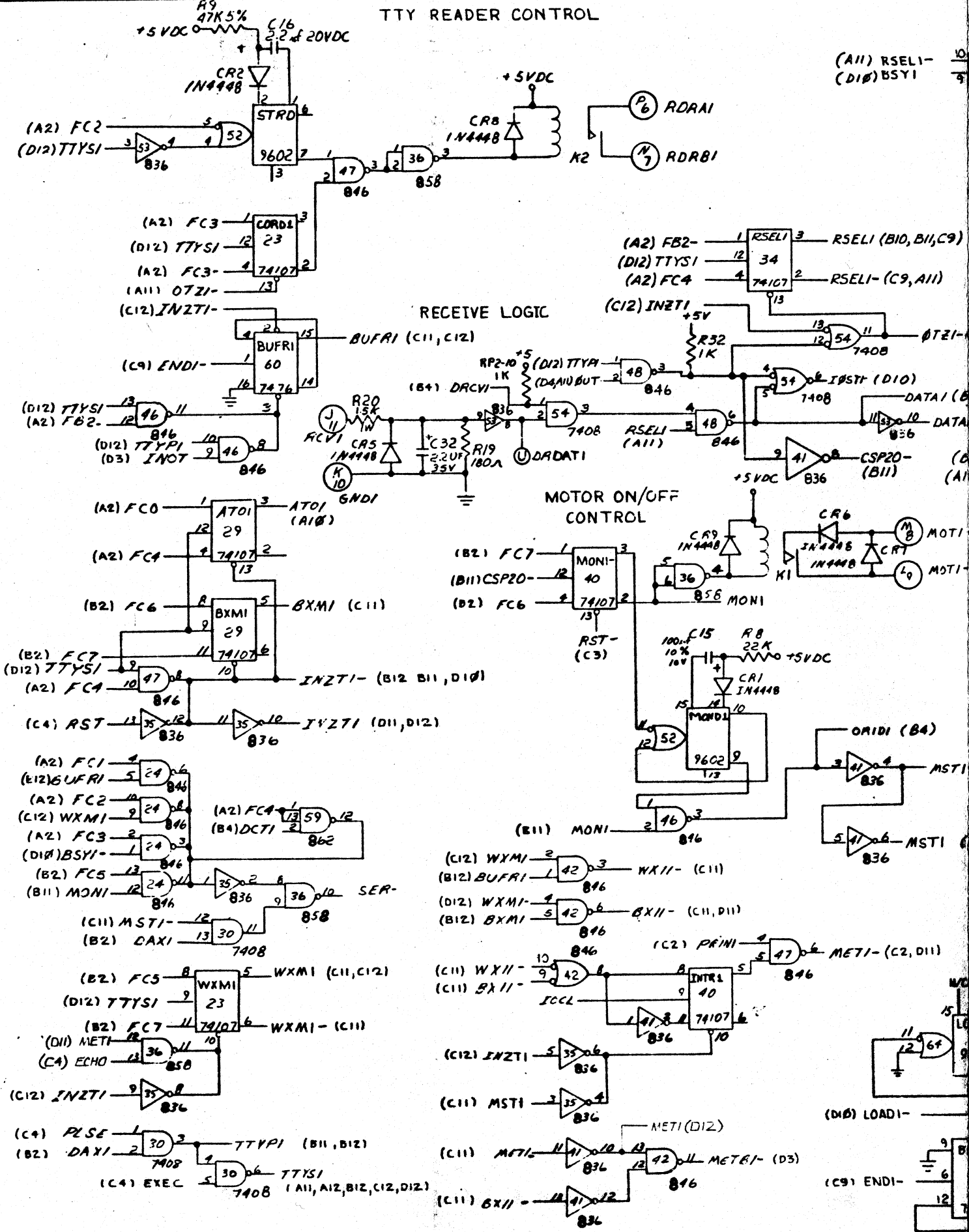
SEE TABULATION BLOCK FOR DASH NUMBERS
 2. ALL RESISTORS ARE 5%, 1/4W
 1. SEE DWG NO. 00-53236-XX FOR ASSEMBLY DWG
 NOTES: UNLESS OTHERWISE SPECIFIED

FEB 22 1977

PROPRIETARY RIGHTS NOTICE
 THIS DOCUMENT AND INFORMATION THAT IT CONTAINS ARE THE PROPERTY OF COMPUTER AUTOMATION, INC. RIGHTS TO DUPLICATE OR OTHERWISE COPY THIS DOCUMENT AND RIGHTS TO DISCLOSE THE DOCUMENT AND SUCH INFORMATION TO OTHERS AND THE RIGHT TO USE THE INFORMATION CONTAINED THEREIN, MAY BE ACQUIRED ONLY BY WRITTEN PERMISSION GRANTED BY A DULY AUTHORIZED OFFICER OF COMPUTER AUTOMATION, INC.

QTY	ITEM NO.	PART NO.	DESCRIPTION	MAT'L.	VENDOR
			LIST OF MATERIAL		
			COMPUTER AUTOMATION INC.		
			225 WEST ELEVENTH STREET, NEWPORT BEACH, CALIFORNIA 92660		
			DUAL TTY LOGIC (COMMON)		
			SIZE	00-52236-XX	REV B17
			TOLERANCES		
			.X = ±.1		
			.XX = ±.03		
			.XXX = ±.010		
			ALL HOLE DIAMETERS ARE AFTER PLATING		
			SCALE = NONE	CNT. 1 OF 3	

TTY READER CONTROL



REVISIONS		
SYM	DESCRIPTION	DATE/APPROVAL

FIRST DIGIT (TYPE OF DEVICE)
SECOND DIGIT (BAUD RATE)
① 52236-XX

FIRST DIGIT TABULATION				
DIGIT NO.	DISCRIPTION	DELETE IC'S	R26	
0	STK CONFIG	69A,69B,70	NONE	
1	DUAL CRT	NONE		
2	DUAL TTY	69A,69B,70		
3				
4				
5*	ITTY ICRT	NONE	4.99K	

SECOND DIGIT TABULATION					
DIGIT NO.	BAUD RATE	VALUE C28	VALUE C20	R10	R26
0	STK CONFIG	NONE	NONE		
1	110	.69	.68	4.99K	
2	150	.68	.68		
3	300	.68	.68		
4	600	.68	.15		
5	1200	.68	.082		
6	1800	.68	.082		
7	2400	.68	.082		
8	4800	.68	.033		
9	9600	.68	.015		

* BUILD AS -11 AFTER TEST CHANGE C20 ONLY TO CONFORM WITH SECOND DIGIT TABULATION.

PROPRIETARY RIGHTS NOTICE
THIS DOCUMENT AND INFORMATION THAT IT CONTAINS ARE THE PROPERTY OF COMPUTER AUTOMATION, INC. RIGHTS TO REPRODUCE OR OTHERWISE COPY THIS DOCUMENT AND RIGHTS TO DISCLOSE THE DOCUMENT AND SUCH INFORMATION TO OTHERS AND THE RIGHT TO USE THE INFORMATION CONTAINED THEREIN, MAY BE ASSURED ONLY BY WRITTEN PERMISSION ISSUED BY A DULY AUTHORIZED OFFICER OF COMPUTER AUTOMATION, INC.

DUAL TTY LOGIC (SECOND TTY)

SIZE	D	00-52236-XX	REV	517
SCALE	NONE	SMT. 3 OF 3		