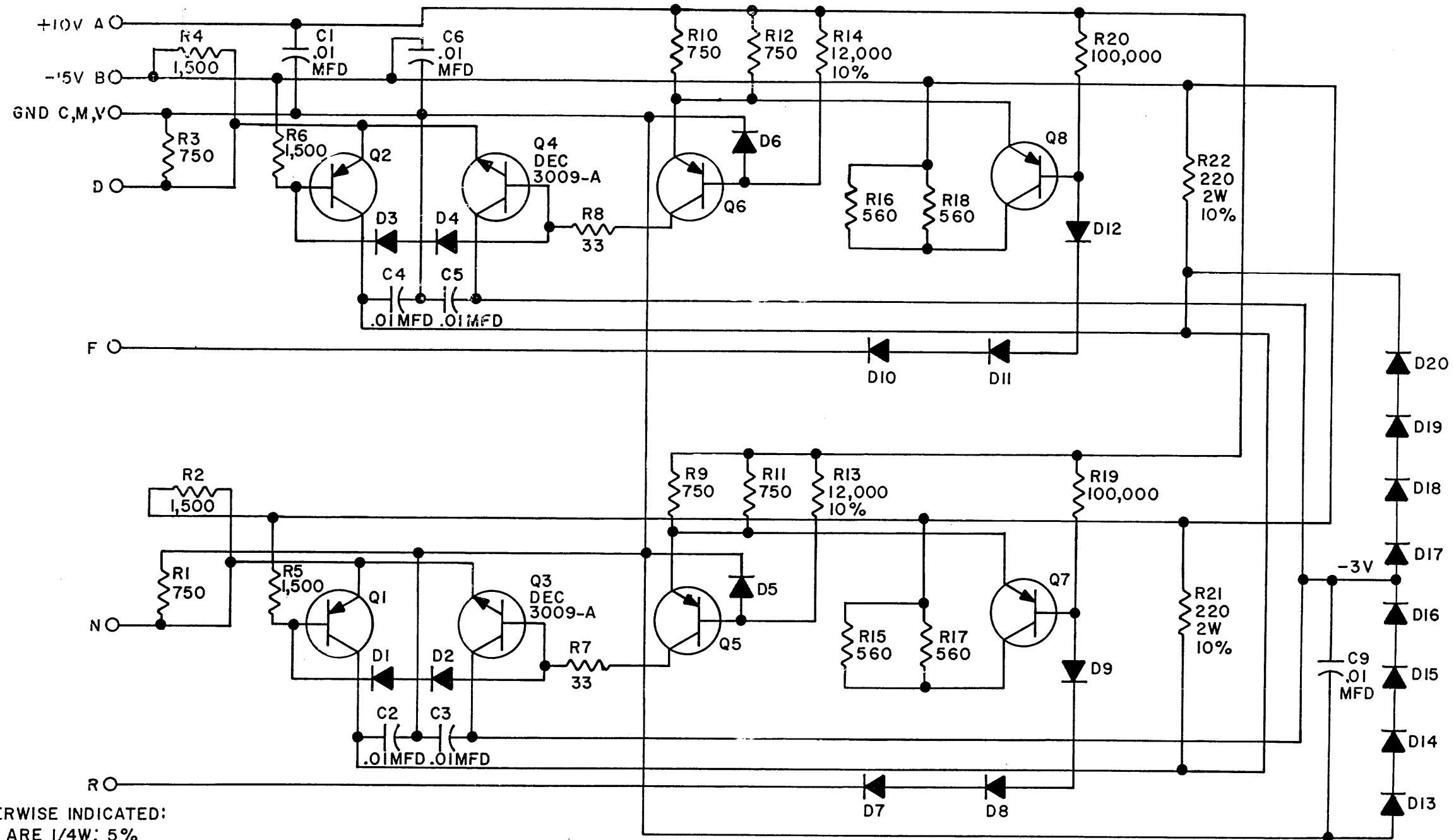


THIS SCHEMATIC IS FURNISHED ONLY FOR TEST AND MAINTENANCE PURPOSES. THE CIRCUITS ARE PROPRIETARY IN NATURE AND SHOULD BE TREATED ACCORDINGLY. COPYRIGHT 1966 BY DIGITAL EQUIPMENT CORPORATION



UNLESS OTHERWISE INDICATED:
 RESISTORS ARE 1/4W; 5%
 DIODES ARE D662
 TRANSISTORS ARE DEC2894-3A



REVISIONS CHK CHG NO. REV. 5628 A	DRN.	DATE	TRANSISTOR & DIODE CONVERSION CHART				digital EQUIPMENT CORPORATION MAYNARD, MASSACHUSETTS	TITLE SENSE AMP SELECTOR GO10			
	CHK'D	DATE	DEC	EIA	DEC	EIA		SIZE B	CODE CS	NUMBER GO10-0-1	REV. A
	ENG.	DATE	DEC2894-3A	NONE				PRINTED CIRCUIT REV. A			
	PROD.	DATE	DEC3009-A	2N3009							