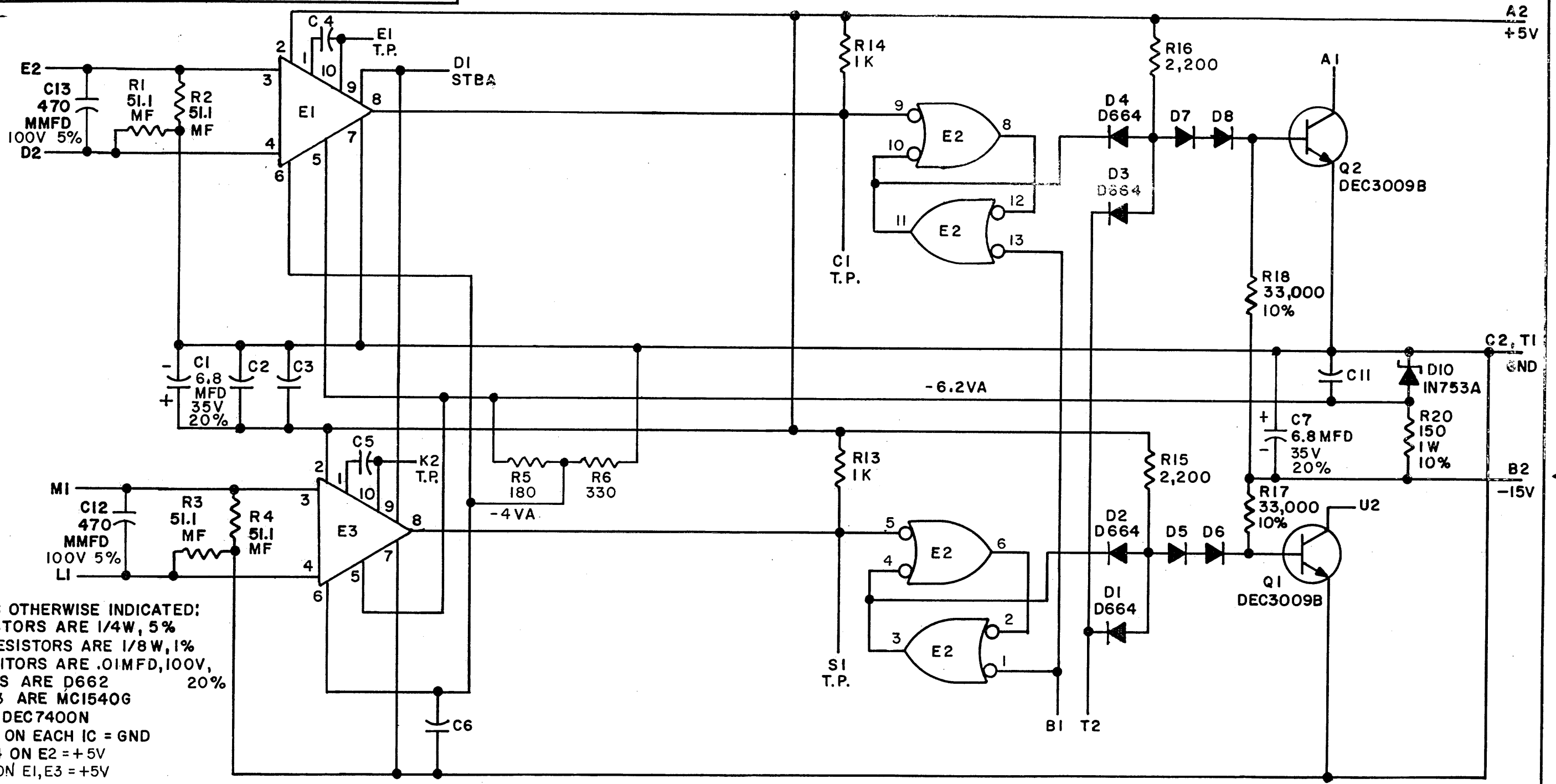


THIS SCHEMATIC IS FURNISHED ONLY FOR TEST AND MAINTENANCE PURPOSES. THE CIRCUITS ARE PROPRIETARY IN NATURE AND SHOULD BE TREATED ACCORDINGLY. COPYRIGHT 1967 BY DIGITAL EQUIPMENT CORPORATION



UNLESS OTHERWISE INDICATED:  
 RESISTORS ARE 1/4W, 5%  
 MF RESISTORS ARE 1/8W, 1%  
 CAPACITORS ARE .01MFD, 100V,  
 DIODES ARE D662 20%  
 E1, E3 ARE MC1540G  
 E2 IS DEC7400N  
 PIN 7 ON EACH IC = GND  
 PIN 14 ON E2 = +5V  
 PIN 2 ON E1, E3 = +5V

USE THE ETCH BOARD OF THE G021

PARTS LIST IS A-PL-G020-0-0

REVISIONS	CHK	NO.	REV.	C	D	E	F	H	J	K	DRN. <i>M. Haller</i>	DATE 7-18-67	TRANSISTOR & DIODE CONVERSION CHART				TITLE SENSE AMP. G020						
	00001	00002	00003	00004	00005	00007	00008	DEC	EIA	DEC			EIA	DEC3009B	2N3009	D662		IN645	D664	IN3606	IN753A	SAME	digital
EMP. <i>R. Sogye</i> PROD. 2												EQUIPMENT CORPORATION MAYNARD, MASSACHUSETTS				PRINTED CIRCUIT REV. H							