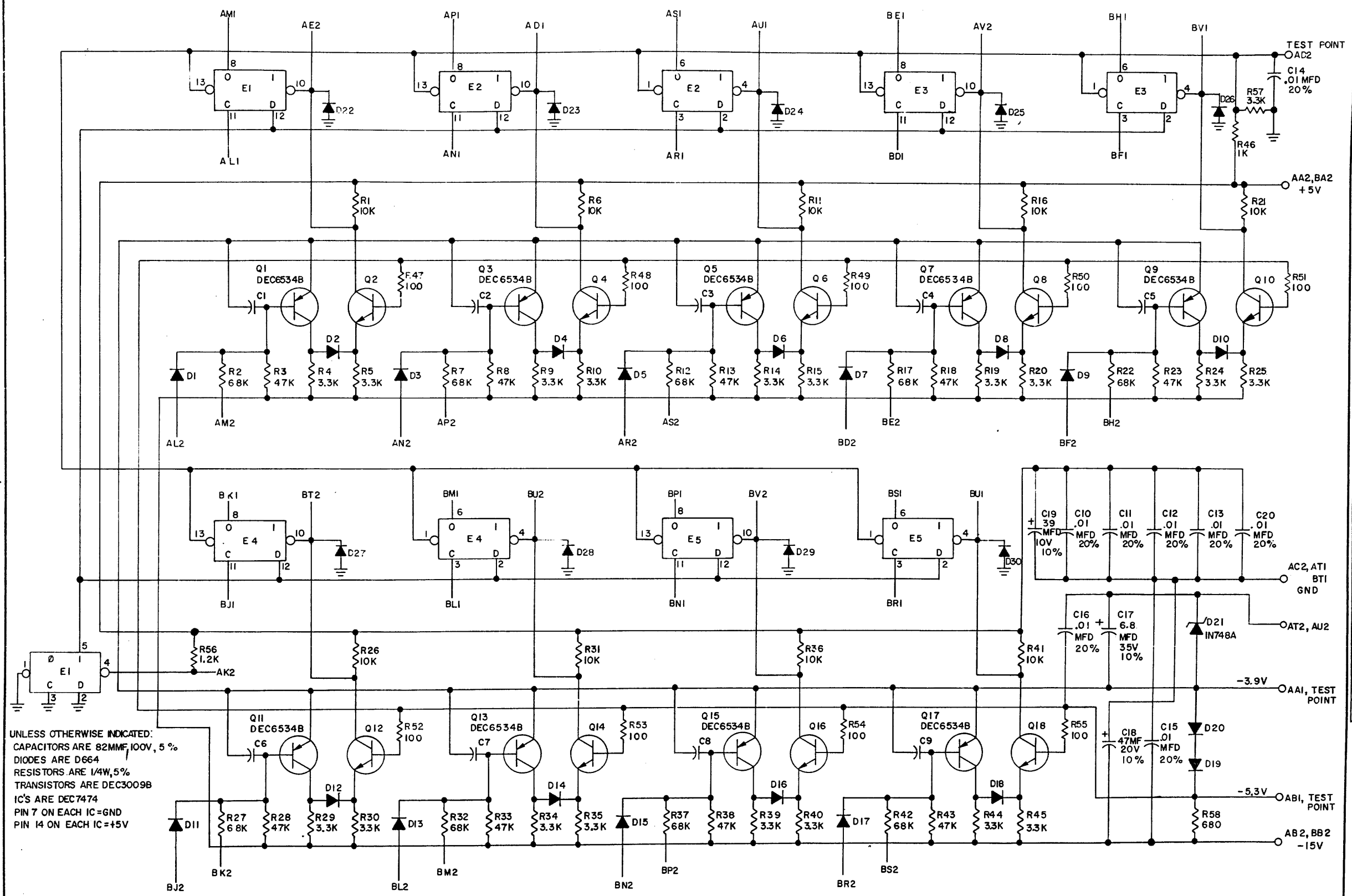


THIS SCHEMATIC IS FURNISHED ONLY FOR TEST AND MAINTENANCE PURPOSES. THE CIRCUITS ARE PROPRIETARY IN NATURE AND SHOULD BE TREATED ACCORDINGLY. COPYRIGHT 1970 BY DIGITAL EQUIPMENT CORPORATION



UNLESS OTHERWISE INDICATED:
 CAPACITORS ARE 82MMF, 100V, 5%
 DIODES ARE D664
 RESISTORS ARE 1/4W, 5%
 TRANSISTORS ARE DEC3009B
 IC'S ARE DEC7474
 PIN 7 ON EACH IC=GND
 PIN 14 ON EACH IC=+5V

REV. NO.	CHK	CHG	NO.	REV.
0001	B			
0002	C			

DRN.	DATE	TRANSISTOR & DIODE CONVERSION CHART	
CHK'D	DATE	DEC	EIA
ENG.	DATE	D664	IN3606
PROD.	DATE	DEC6534B	MPS6534
		DEC3009B	2N3009B

digital
 EQUIPMENT CORPORATION
 MAYNARD, MASSACHUSETTS

TITLE		SLICER G064	
SIZE	CODE	NUMBER	REV.
C	CS	G064-0-1	C
PRINTED CIRCUIT REV.		D	

DEC FORM NO. DRC 102

DIST. 324, 434, 435

4 PINK

REV. C
 NUMBER G064-0-1
 SIZE CODE C CS