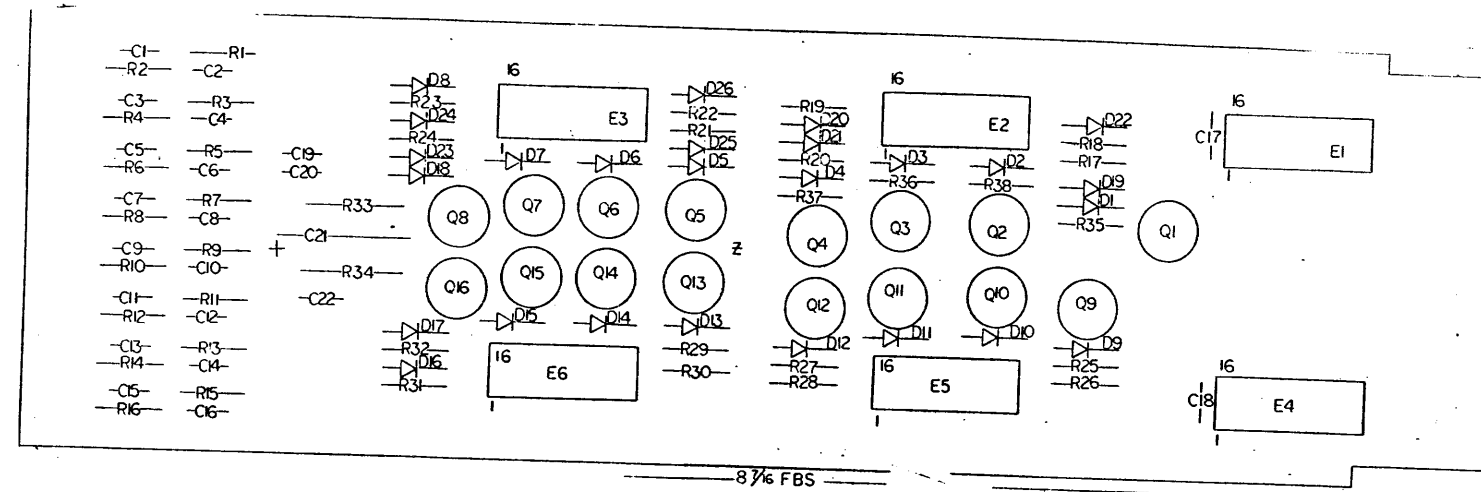


THIS SCHEMATIC IS FURNISHED ONLY FOR TEST AND MAINTENANCE PURPOSES. THE CIRCUITS ARE PROPRIETARY IN NATURE AND SHOULD BE TREATED ACCORDINGLY. COPYRIGHT 1972 BY DIGITAL EQUIPMENT CORPORATION.

D 33 D
6226-0-1
REV. 3/72



QTY.	REF. DESIGNATION	DESCRIPTION	DWG PART NO.	REV.
1		HANDLE, FLTP CHIP - GREEN	9008337-01	23
4	R17 thru R20	RES. 150 ω 5%	1300250	22
1		PHENOLIC 3/8" DIA. STAND OFF	9008213	21
1		NYLON SCREW	9008212	20
2		EYELETS #394-7	9006732	19
16		TRANSIPADS #1C13 1/2	9007240	18
2	E1, 4	I.C. DMC 8251 B-9101	1909554	17
4	E2, 3, 5, 6	TRANSFORMER 80 10	1609665	16
16	Q1 thru Q16	TRANSISTOR DMC 10	1509650	15
16	R21-32, R35-38	RES. 300 ω 5%	1301425	14
16	R1 thru R16	RES. 120 ω 5%	1300247	13
2	R33, R34	RES. 10 ω 5%	1300168	12
8	D19 thru D26	DIODE D672	1105275	11
8	D1 thru D4, D9 thru D12	DIODE D668	1102161	10
10	D5 thru D8, D13 thru D18	DIODE D664	1100114	9
16	C1 thru C16	CAP. 1000PF 100V 5% SINGLE DIP	1002344	8
4	C17 thru C20	CAP. .01UF 100V 20% DISC	1001610	7
1	C21	CAP. .39UF 10V 5% TANT 10%	1000076	6
1	C22	CAP. .22UF 50V -20% +80%	1010274	5
1		ETCHED CIRCUIT BOARD	9008532	4
		MODULE ECO HISTORY	B-M-6226-0-6	3
		ASSY/DRILLING HOLE LAYOUT	D-M-6226-0-5	2
		X-Y COORDINATE HOLE LOCATION	K-CO-6226-0-4	1

REV.	DATE	BY	CHKD
A	3-3-72	B. J. HALL	
B	3-3-72	B. J. HALL	
C	3-3-72	B. J. HALL	
D	3-3-72	B. J. HALL	
E	3-3-72	B. J. HALL	
F	3-3-72	B. J. HALL	
G	3-3-72	B. J. HALL	
H	3-3-72	B. J. HALL	
I	3-3-72	B. J. HALL	

TRANSISTOR & DIODE CONVERSION CHART		TITLE	
DEC	EIA	DEC	EIA
D668	IN3606		
D672	IN3606		
DEC-10	NONE		

digital EQUIPMENT CORPORATION		X-Y DECODER SWITCH	
REV.	NUMBER	REV.	NUMBER
D	G226-0-1	D	