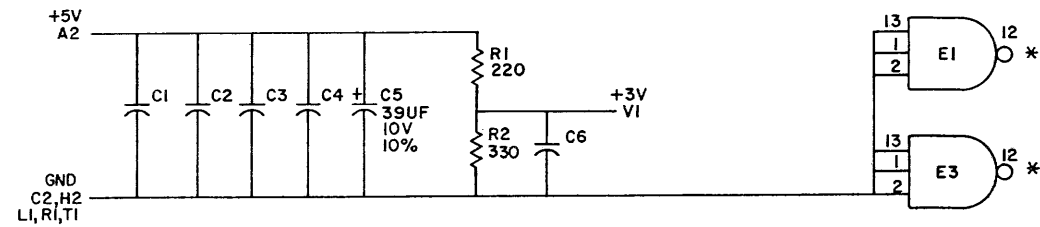
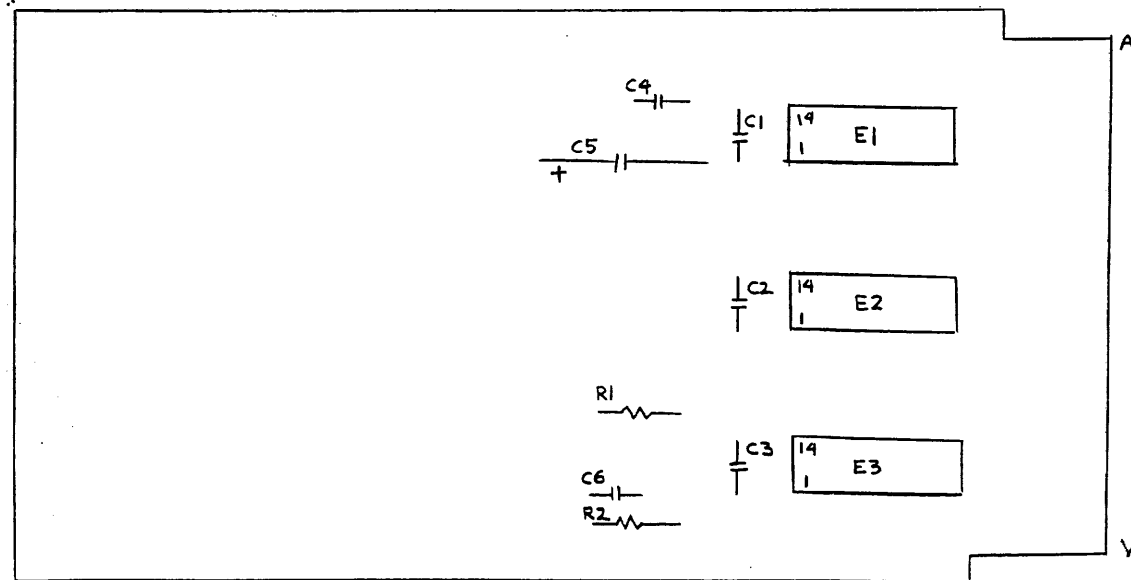
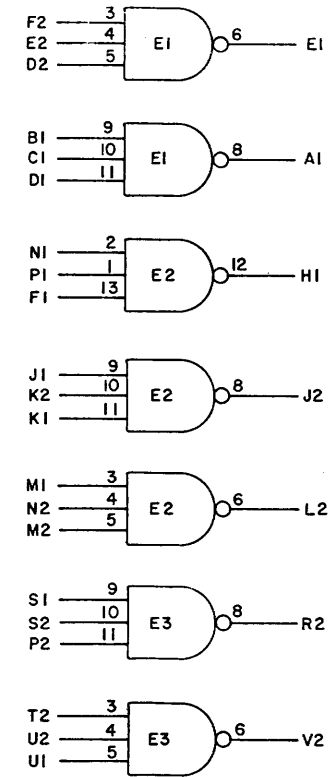


THIS SCHEMATIC IS FURNISHED ONLY FOR TEST AND MAINTENANCE PURPOSES. THE CIRCUITS ARE PROPRIETARY IN NATURE AND SHOULD BE TREATED ACCORDINGLY. COPYRIGHT 1970 BY DIGITAL EQUIPMENT CORPORATION.



UNLESS OTHERWISE INDICATED:  
 RESISTORS ARE 1/4W, 5%  
 CAPACITORS ARE .01UF, 100V, 20%  
 IC'S ARE DEC1074H10  
 PIN 7=GND ON EACH IC  
 PIN 14=+5V  
 \* INDICATES NOT CONNECTED



ITEM NO.	DEC PART NO.	DESCRIPTION	QTY.
11	9008337-06	HANDLE, FLIP CHIP - MAGENTA	1
10	9006732	EYELET #GS 4-7	2
9	1910464	I.C. DEC1074H10	3
8	1300295	RES. 330, 1/4W, 5%	1
7	1300271	RES. 220, 1/4W, 5%	1
6	1001610	CAP. .01UF, 100V, 20% DISC	5
5	1000076	CAP. 39UF, 10V, 10% S. TANT	1
4	5008723	ETCHED CIRCUIT BOARD	1
3	B-MI-M145-0-6	MODULE ECO HISTORY	
2	C-AH-M145-0-5	ASSY/DRILLING HOLE LAYOUT	
1	K-CO-M145-0-4	X-Y COORDINATE HOLE LOCATION	

PARTS LIST

REV	CHG NO	DATE
1	00001	A

DEC FORM NO. 107

DRN	DATE
J. COOPER	12/19/78
CHK'D	DATE
ENG	DATE
PROC	DATE

TRANSISTOR & DIODE CONVERSION CHART			
DEC	EIA	DEC	EIA

**digital**  
 EQUIPMENT CORPORATION  
 MAYNARD, MASSACHUSETTS

TITLE			
SEVEN 3 INPUT NAND GATES M145			
SIZE	CODE	NUMBER	REV.
C	CS	M145-0-1	A
PRINTED CIRCUIT REV			
A			

REV. A  
 NUMBER  
 M145-0-1  
 SIZE CODE  
 C CS