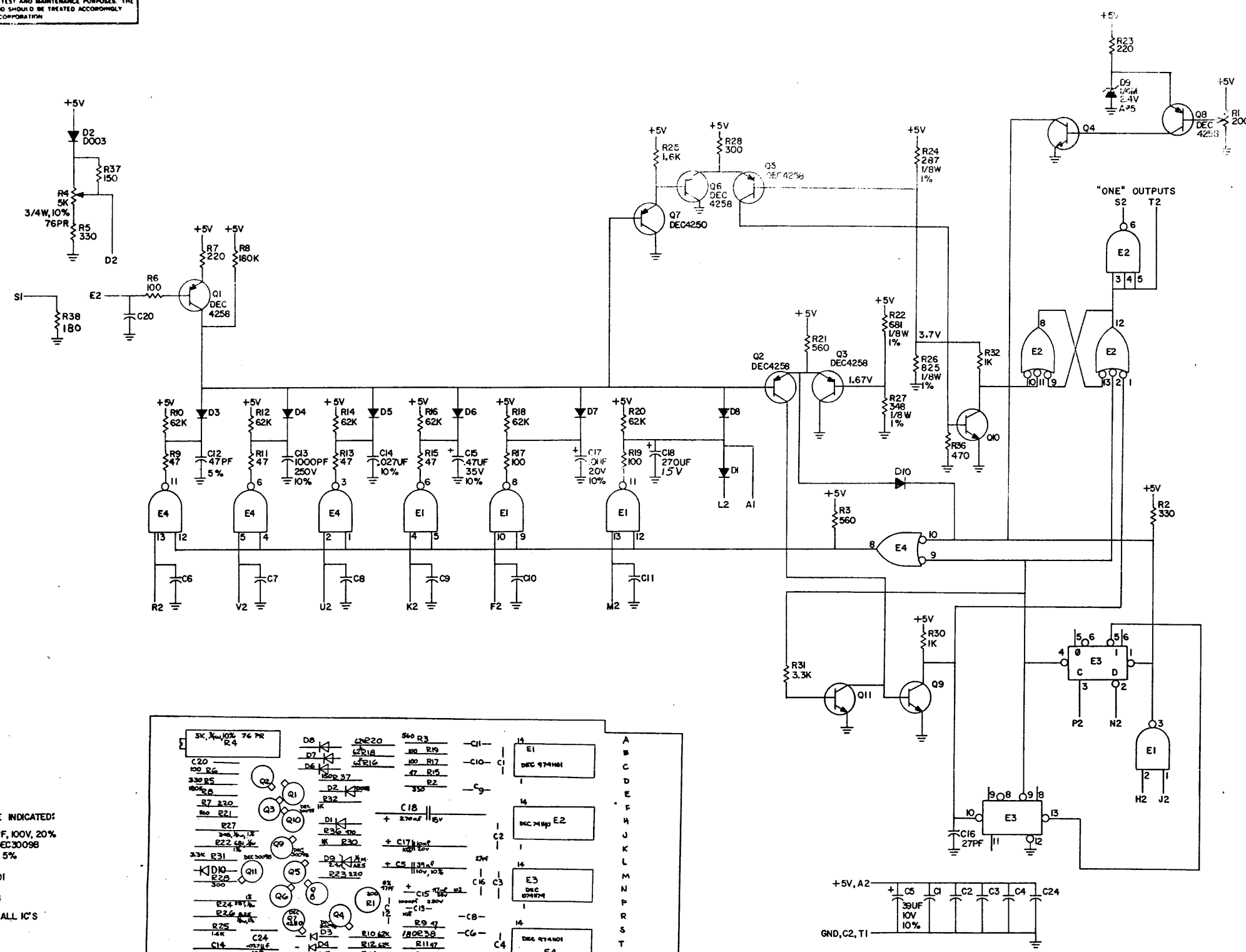
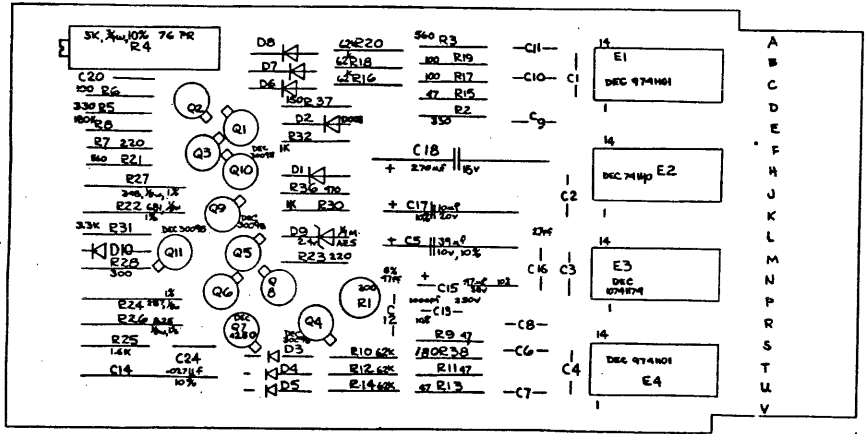


THIS SCHEMATIC IS FURNISHED ONLY FOR TEST AND MAINTENANCE PURPOSES. THE CIRCUITS ARE PROPRIETARY IN NATURE AND SHOULD BE TREATED ACCORDINGLY. COPYRIGHT 1971 BY DIGITAL EQUIPMENT CORPORATION.

1-0-808W
30 0
12/5



UNLESS OTHERWISE INDICATED:
CAPACITORS = .01UF, 100V, 20%
TRANSISTORS = DEC3009B
RESISTORS = 1/4W, 5%
DIODES = D664
E1, E4 = DEC974H01
E2 = DEC74H10
E3 = DEC1074H74
PIN 7 = GND ON ALL IC'S
PIN 14 = +5V



| ITEM NO. | QTY | DESCRIPTION |
|----------|------|--|
| 1 | 1 | RES. 180 1/8W 1% MF |
| 2 | 1 | RES. 27PF 100V 5% MICA |
| 3 | 1 | RES. 287 1/8W 1% MF |
| 4 | 1 | RES. 825 1/8W 1% MF |
| 5 | 1 | RES. 47 1/4W 5% |
| 6 | 1 | TRANSISTOR DEC 425C |
| 7 | 1 | RES. 300 1/4W 5% |
| 8 | 2 | RES. 220 1/4W 5% |
| 9 | 1 | RES. 200 1/4W 20% 62PR POT |
| 10 | 1 | RES. 348 1/8W 1% MF |
| 11 | 1 | RES. 681 1/8W 1% MF |
| 12 | 1 | RES. 1000 1/4W 5% |
| 13 | 1 | 900P337-06 HANDLE, FLUF CHIP - MAGENTA |
| 14 | 2 | EYELET |
| 15 | 2 | I.C. DEC 974H01 |
| 16 | 1 | I.C. DEC1074H74 |
| 17 | 1 | I.C. DEC 74H10 |
| 18 | 6 | TRANSISTOR DEC 425B |
| 19 | 4 | TRANSISTOR DEC 3009B |
| 20 | 1 | RES. 5K 3/4W 10% 76PR POT |
| 21 | 6 | RES. 62K 1/4W 5% |
| 22 | 1 | RES. 1.6K 1/4W 5% |
| 23 | 1 | RES. 100K 1/4W 5% |
| 24 | 2 | RES. 560 1/4W 5% |
| 25 | 1 | RES. 3.3K 1/4W 5% |
| 26 | 2 | RES. 1K 1/4W 5% |
| 27 | 2 | RES. 330 1/4W 5% |
| 28 | 1 | RES. 470 1/4W 5% |
| 29 | 1 | RES. 150 1/4W 5% |
| 30 | 2 | RES. 100 1/4W 5% |
| 31 | 1 | DICOD 1/4W, 2.4V, A25 |
| 32 | 8 | DICOD D664 |
| 33 | 1 | DICOD D003 |
| 34 | 1 | CAP. 10UF 20V 10% S.TANT |
| 35 | 1 | CAP. 270UF 15V 10% S.TANT |
| 36 | 1 | CAP. 47UF 35V 10% TANT |
| 37 | 1, 2 | CAP. .01UF 100V 20% DISC |
| 38 | 1 | CAP. 39UF 10V 10% TANT |
| 39 | 1 | CAP. 1000PF 250V 10% DISC |
| 40 | 1 | CAP. .027UF 100V 10% NYLAR |
| 41 | 1 | CAP. 47PF 100V 5% D.M. |
| 42 | 1 | CAP. 47PF 100V 5% |
| 43 | 1 | ETCHED CIRCUIT BOARD |
| 44 | 1 | MODULE ECC HISTORY |
| 45 | 1 | ASSY/DRILLING HOLE LAYOUT |
| 46 | 1 | A-Y COORDINATE HOLE LOCATION |

| REV | DATE | BY | CHKD |
|-----|---------|---------------|------|
| 1 | 7/15/70 | W. H. HANCOCK | |
| 2 | 7/15/70 | W. H. HANCOCK | |
| 3 | 7/15/70 | W. H. HANCOCK | |
| 4 | 7/15/70 | W. H. HANCOCK | |
| 5 | 7/15/70 | W. H. HANCOCK | |
| 6 | 7/15/70 | W. H. HANCOCK | |
| 7 | 7/15/70 | W. H. HANCOCK | |
| 8 | 7/15/70 | W. H. HANCOCK | |
| 9 | 7/15/70 | W. H. HANCOCK | |
| 10 | 7/15/70 | W. H. HANCOCK | |

| DATE | BY | DATE | BY |
|---------|---------------|---------|---------------|
| 7/15/70 | W. H. HANCOCK | 7/15/70 | W. H. HANCOCK |
| 7/15/70 | W. H. HANCOCK | 7/15/70 | W. H. HANCOCK |
| 7/15/70 | W. H. HANCOCK | 7/15/70 | W. H. HANCOCK |
| 7/15/70 | W. H. HANCOCK | 7/15/70 | W. H. HANCOCK |
| 7/15/70 | W. H. HANCOCK | 7/15/70 | W. H. HANCOCK |
| 7/15/70 | W. H. HANCOCK | 7/15/70 | W. H. HANCOCK |
| 7/15/70 | W. H. HANCOCK | 7/15/70 | W. H. HANCOCK |
| 7/15/70 | W. H. HANCOCK | 7/15/70 | W. H. HANCOCK |
| 7/15/70 | W. H. HANCOCK | 7/15/70 | W. H. HANCOCK |
| 7/15/70 | W. H. HANCOCK | 7/15/70 | W. H. HANCOCK |

TRANSISTOR & DIODE CONVERSION CHART

| DEC | EIA | DEC | EIA |
|----------|--------|---------|--------|
| DEC3009B | 2N3009 | DEC425B | 2N425B |
| D003 | M994 | D664 | IN320E |
| A25 | IN4370 | | |

digital EQUIPMENT CORPORATION
 TITLE: INTEGRATING ONE SHOT M308
 NUMBER: M308-0-1
 REV: D
 PRINTED CIRCUIT REV: C