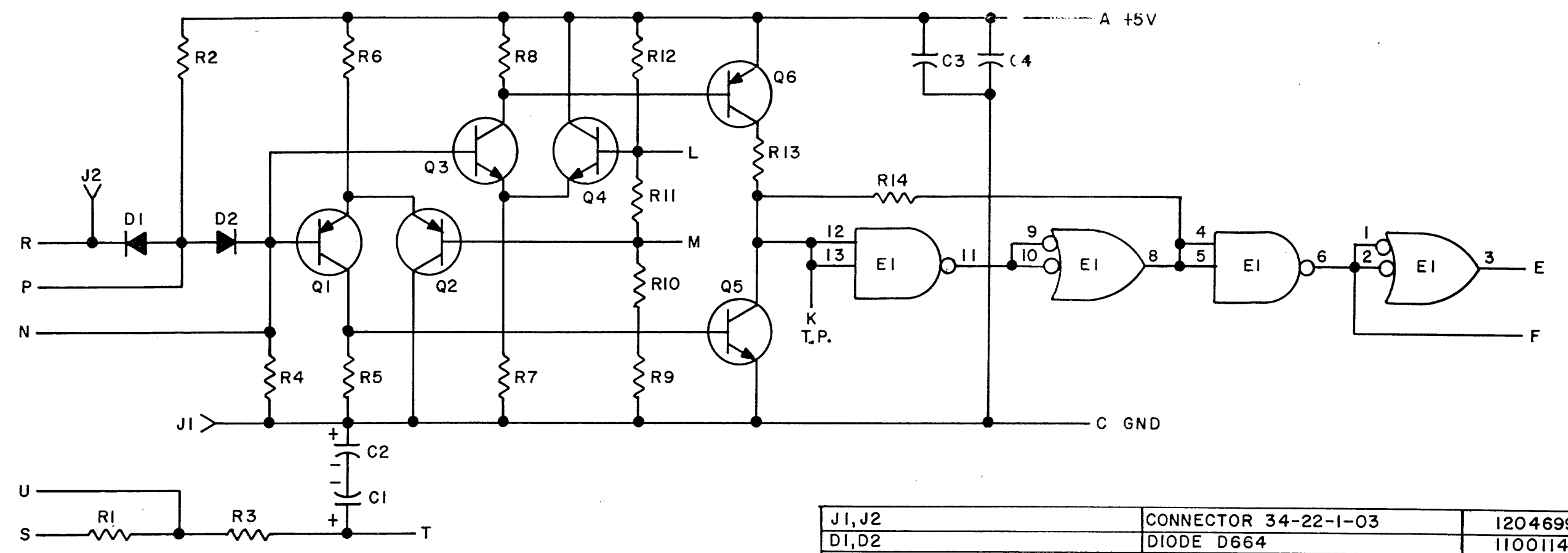


THIS SCHEMATIC IS FURNISHED ONLY FOR TEST AND MAINTENANCE PURPOSES. THE CIRCUITS ARE PROPRIETARY IN NATURE AND SHOULD BE TREATED ACCORDINGLY. COPYRIGHT 1968 BY DIGITAL EQUIPMENT CORPORATION



NOTES:
PIN 7 ON EACH IC = GND
PIN 14 ON EACH IC = +5V

J1, J2	CONNECTOR 34-22-1-03	1204699
D1, D2	DIODE D664	1100114
E1	INTEGRATED CKT. DEC7400N	1905575
Q1, Q2, Q6	TRANSISTOR DEC4258	1505321
Q3, Q4, Q5	TRANSISTOR DEC3009B-S	1503100
R13, R14	RES. 180 1/4W 10% CC	1301324
R12	RES. 681 1/8W 1% 100MFP	1302872
R11	RES. 121 1/8W 1% 100MFP	1302957
R10	RES. 215 1/8W 1% 100MFP	1305123
R9	RES. 15 1/4W 10% CC	1301421
R5, R7	RES. 1K 1/4W 5% CC	1300365
R2, R4, R6, R8	RES. 2.7K 1/4W 10% CC	1300428
R1, R3	RES. 150 1/4W 10% CC	1300252
C3, C4	CAP. .01MFD 100V 20% DISC	1001610
C1, C2	CAP. 47MFD 20V 20% S. TANT	1000079
	PARTS LIST	A-PL-M501-0-0
REFERENCE DESIGNATION	DESCRIPTION	PART NO.



REVISIONS CHK CHG NO. REV. 00001 A	DRN. <i>M. Haller</i>	DATE 4-5-68	TRANSISTOR & DIODE CONVERSION CHART		digital EQUIPMENT CORPORATION MAYNARD, MASSACHUSETTS	TITLE SCHMITT TRIGGER M501			
	CHK'D	DATE	DEC	EIA		SIZE	CODE	NUMBER	REV.
	ENG. <i>Q. Roberts</i>	DATE	DEC	EIA		B	CS	M501-0-1	A
	PROD.	DATE				PRINTED CIRCUIT REV. B			