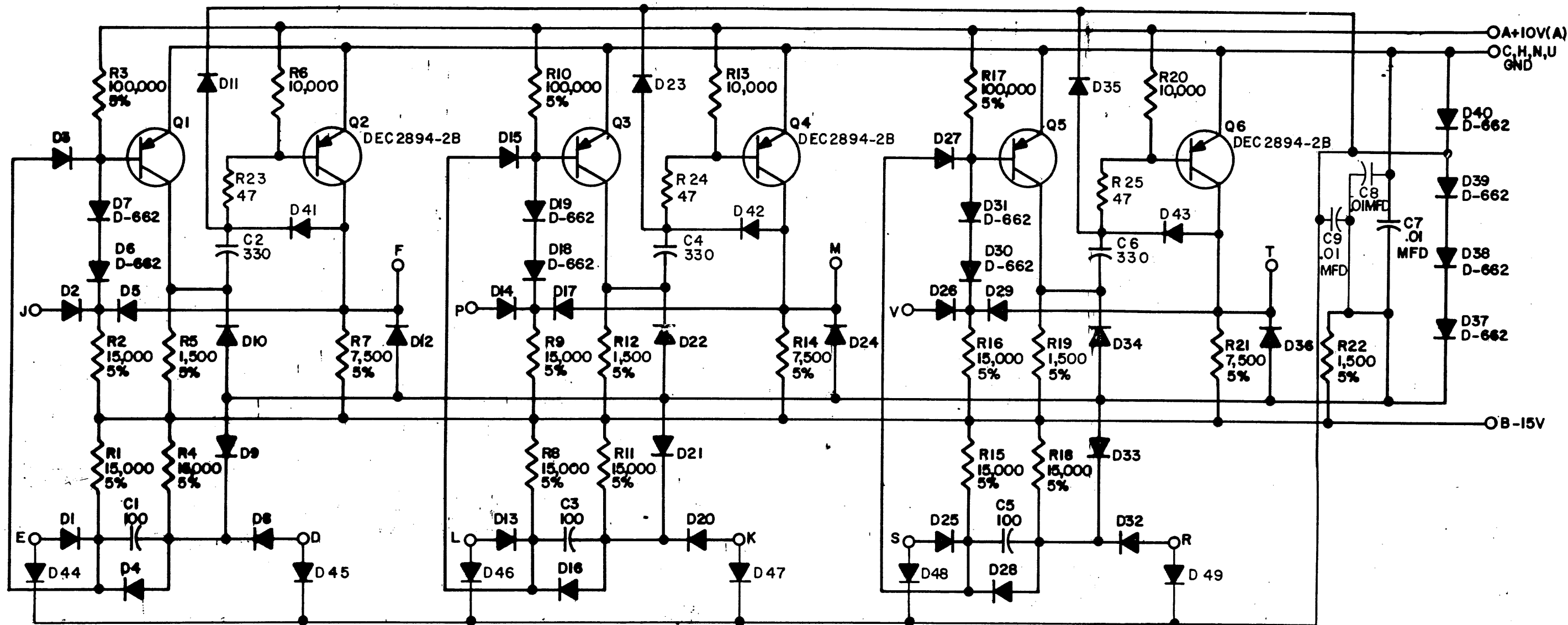


CS-B-R603-6



UNLESS OTHERWISE INDICATED:
 RESISTORS ARE 1/4W; 10%
 CAPACITORS ARE MMFD
 DIODES ARE D-664
 TRANSISTORS ARE DEC 3639-C



6335-6	5272-5	5117-4	4875-3	4861/	450-2	4485-1	ECO. NO.	DRAFTSMAN H.W. PORTER	C I L SER 11/2/64	EQUIPMENT CORPORATION MAYNARD, MASSACHUSETTS	CODE	DWG. NO.	REV.
							VISIONS	DATE 10-5-64	DATE 10/8/64		CS	B-R603	6
							ENG.	ENGINEER	PRODUCTION	TITLE	PULSE AMPLIFIER R603		
								DATE 10/5/64	DATE				