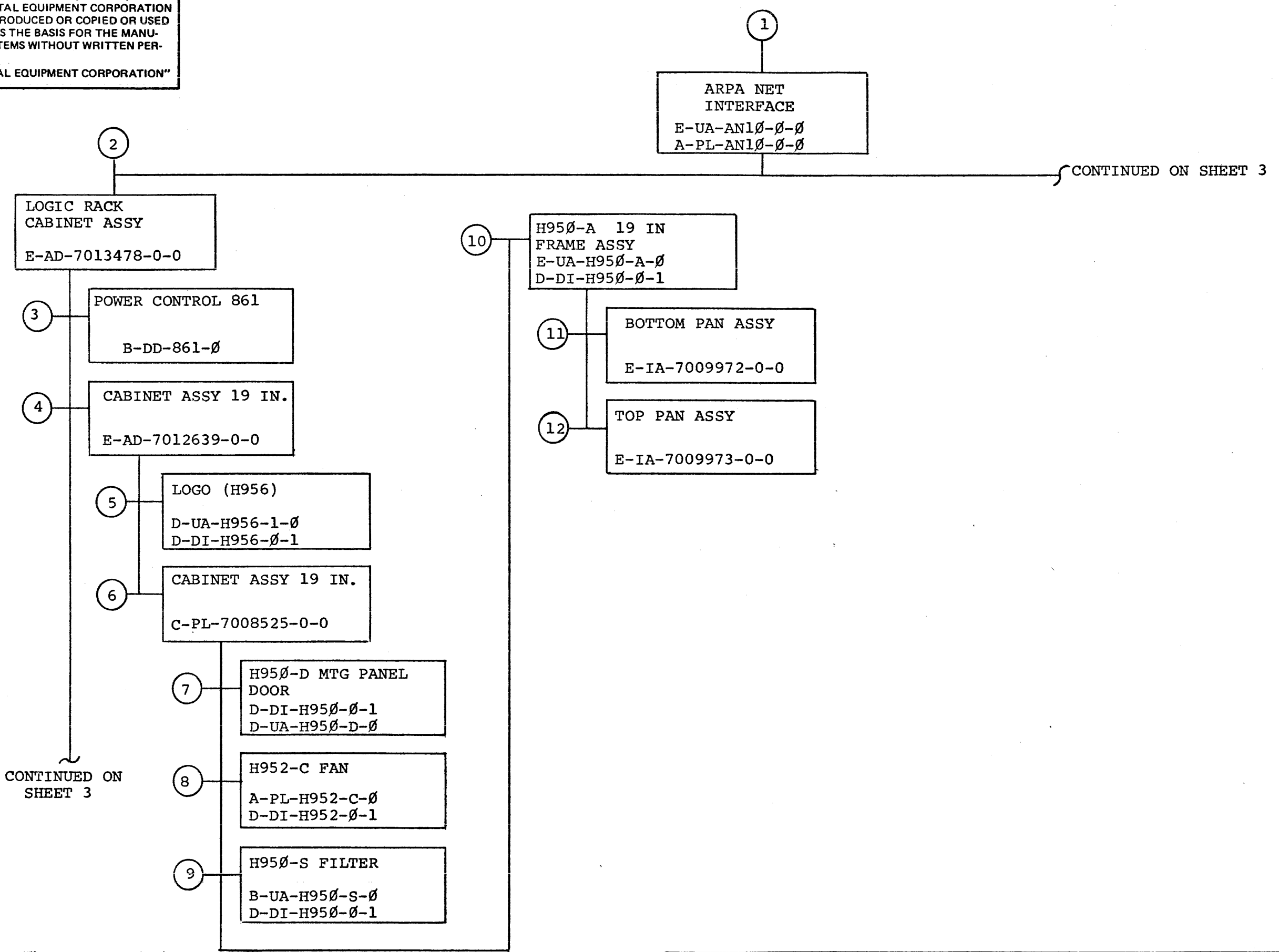


"THIS DRAWING AND SPECIFICATIONS, HEREIN, ARE THE PROPERTY OF DIGITAL EQUIPMENT CORPORATION AND SHALL NOT BE REPRODUCED OR COPIED OR USED IN WHOLE OR IN PART AS THE BASIS FOR THE MANUFACTURE OR SALE OF ITEMS WITHOUT WRITTEN PERMISSION. 1977
 ALL RIGHTS © DIGITAL EQUIPMENT CORPORATION"

D-IA-7010805-0-0
 A-PL-AN10-0-SL
 A-SP-AN10-0-AP
 D-MU-AN10-0-MU
 D-IC-AN10-0-PW
 D-BS-AN10-0-LCC

AC WIRING HARNESS ASSY
 SHIP LIST, AN10
 ACCEPTANCE PROCEDURE, AN10/AN20
 MODULE UTILIZATION, AN10
 WIRING DIAGRAM, AN10
 AN10 LOCAL CABLE, CONNECTIONS

"THIS DRAWING AND SPECIFICATIONS, HEREIN, ARE THE PROPERTY OF DIGITAL EQUIPMENT CORPORATION AND SHALL NOT BE REPRODUCED OR COPIED OR USED IN WHOLE OR IN PART AS THE BASIS FOR THE MANUFACTURE OR SALE OF ITEMS WITHOUT WRITTEN PERMISSION. 1977
 COPYRIGHT © DIGITAL EQUIPMENT CORPORATION"



CONTINUED ON SHEET 3

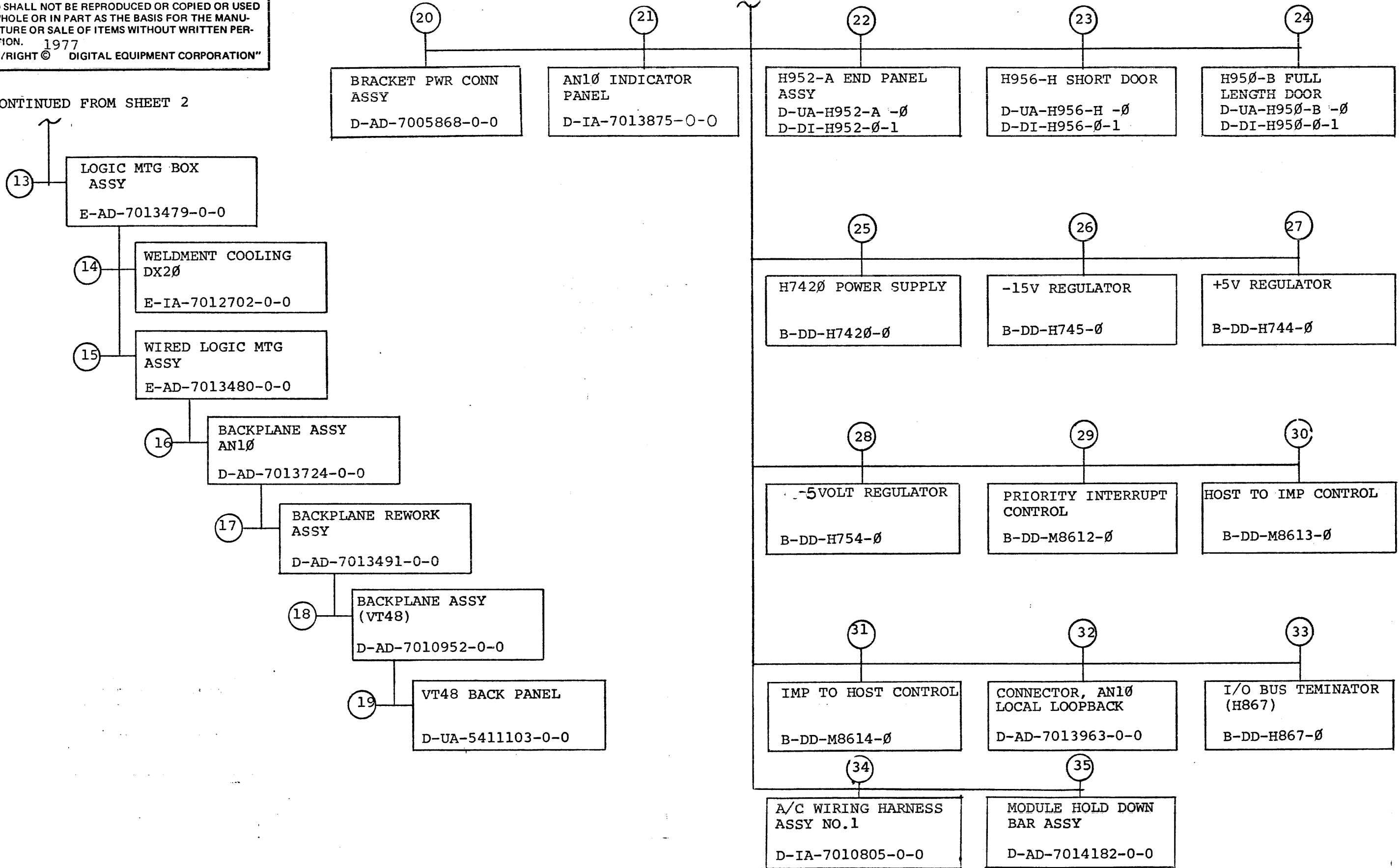
CONTINUED ON SHEET 3

| | | | | | |
|-------|--------------------|--------------|-------------------|------------------|-----|
| TITLE | ARPA NET INTERFACE | SHEET 2 OF 7 | SIZE CODE B DD | NUMBER AN10-0 | REV |
|-------|--------------------|--------------|-------------------|------------------|-----|

"THIS DRAWING AND SPECIFICATIONS, HEREIN, ARE THE PROPERTY OF DIGITAL EQUIPMENT CORPORATION AND SHALL NOT BE REPRODUCED OR COPIED OR USED IN WHOLE OR IN PART AS THE BASIS FOR THE MANUFACTURE OR SALE OF ITEMS WITHOUT WRITTEN PERMISSION. 1977
 ©/RIGHT © DIGITAL EQUIPMENT CORPORATION"

CONTINUED FROM SHEET 2

CONTINUED FROM SHEET 2



REV. 0-Ø-Ø AN1Ø-Ø-Ø DD B SIZE CODE NUMBER

| | | | |
|-------------------|-----------|----------|-----|
| TITLE | SIZE CODE | NUMBER | REV |
| ARPANET INTERFACE | B DD | AN1Ø-Ø-Ø | |
| SHEET 3 OF 7 | | | |

| FIND NO. | DRAWING NO. | DESCRIPTION | TYPE | FIND NO. | DRAWING NO. | DESCRIPTION | TYPE |
|----------|------------------|--|------|----------|------------------|-------------------------------|------|
| 1 | MP00326 | FIELD MAINTENCE PRINT SET (MP) | - | 5 | D-UA-H956-L-0 | LOGO (H956) | M |
| | B-TC-AN10-0-1 | FIELD MAINTENCE PRINT SET (TC) | - | | D-DI-H956-L-1 | H956 DWG INDEX LIST | M |
| | E-UA-AN10-0-0 | ARPA NET INTERFACE (UA) | E/M | | | | |
| | A-PL-AN10-0-0 | ARPA NET INTERFACE (PL) | E/M | | | | |
| | C-CS-M664-0-1 | IO BUS DRIVER M664 | E | | | | |
| | D-CS-M564-0-1 | -3V I.O. BUS RECEIVER M564 | E | | | | |
| | D-CS-G891-0-1 | PWR FAIL & SELECT BY PASS | E | | | | |
| | D-CS-W106-0-1 | P.I. REQUEST GRANT W106 | E | | | | |
| | 3611448 | LABEL, WARNING, AC CORD | E/M | | | | |
| | J-IA-7014056-0-0 | HARNESS, DC (AN10) | E/M | | | | |
| | D-UA-BC06R-0-0 | BC06R CABLE | E/M | 6 | C-PL-7008525-0-0 | CABINET ASSY 19 IN. (H950-AB) | M |
| | D-AD-7009861-0-0 | RECEP. HSG ASSY | M | | | | |
| | D-UA-BC10K-0-0 | CABLE ASSY (BC10K) | E/M | | | | |
| | C-IA-7013995-0-0 | CABLE CONN, AN10 DISTANT LOOPBACK | E/M | | | | |
| | E-UA-BC10T-0-0 | CABLE, BC10T | E/M | | | | |
| | D-BS-AN10-0-IOBD | IBUS DATA (IOBD) | E | | | | |
| | D-BS-AN10-0-IOBR | IBUS CONTROL (IOBR) | E | | | | |
| | A-SP-AN10-0-MTP | AN10/AN20 MANUFACTURING TEST PROCEDURE | E/M | | | | |
| | A-SP-AN10-0-AP | AN10/AN20 ACCEPTANCE PROCEDURE | E/M | 7 | D-UA-H950-D-0 | H950-D MTG PANEL DOOR | M |
| | A-PL-AN10-0-SL | AN10 SHIP LIST | E/M | | D-DI-H950-0-1 | H950 DWG INDEX LIST | M |
| | D-MU-AN10-0-MU | MODULE UTILIZATION, AN10 | E/M | | | | |
| | D-IC-AN10-0-PW | WIRING DIAGRAM, AN10 | E | | | | |
| | D-BS-AN10-0-LCC | AN10 LOCAL CABLE CONNECTIONS | E | | | | |
| | | | | | | | |
| 2 | E-AD-7013478-0-0 | LOGIC RACK CABINET ASSY | E/M | | | | |
| | C-PL-7013478-0-0 | LOGIC RACK CABINET ASSY | E/M | | | | |
| | | | | | | | |
| | | | | 8 | A-PL-H952-C-0 | H952-C FAN | E/M |
| | | | | | D-DI-H952-0-1 | H952 DWG INDEX LIST | E/M |
| | | | | | | | |
| 3 | B-DD-861-0-0 | POWER CONTROL (861) | E/M | | | | |
| | | | | | | | |
| | | | | | | | |
| | | | | | | | |
| | | | | | | | |
| | | | | | | | |
| | | | | | | | |
| | | | | | | | |
| | | | | 9 | B-UA-H950-S-0 | H950-S FILTER | M |
| | | | | | D-DI-H950-0-1 | H950 DWG INDEX LIST | M |
| | | | | | | | |
| 4 | E-AD-7012639-0-0 | CABINET ASSY 19 IN. | E/M | | | | |
| | A-PL-7012639-0-0 | CABINET ASSY 19 IN. | E/M | | | | |
| | D-MD-7411551-0-0 | BEZEL, MACH 19 IN. | M | | | | |
| | D-IA-7408480-0-0 | PANEL INDICATOR | M | | | | |
| | B-MD-7413067-0-0 | INDICATOR GLASS RETAINER BRKT | M | | | | |
| | D-IA-7412698-0-0 | BRKT. BEZEL MTG | M | | | | |

TYPE: E ELECTRICAL
M MECHANICAL
E/M ELECTRO/MECHANICAL

digital

TITLE
ARPANET INTERFACE

SHEET 4 OF 7

SIZE CODE
B DD

NUMBER
AN10-0

REV

| FIND NO. | DRAWING NO. | | | DESCRIPTION | | | TYPE | FIND NO. | DRAWING NO. | | | DESCRIPTION | | | TYPE |
|----------|------------------|--|--|------------------------|--|--|------------------|------------------|------------------|----------------------|--------------------|----------------------------|-----|---|------|
| | | | | | | | | | | | | | | | |
| 10 | E-UA-H950-A-0 | | | H950-A 19" FRAME ASSY | | | M | | D-MD-7416552-0-0 | | | CHASSIS, CARD GUIDE | | | M |
| | D-DI-H950-0-1 | | | H950 DWG INDEX LIST | | | M | | D-IA-7416550-0-0 | | | SIDE, R.H. COOLING | | | M |
| | | | | | | | | D-IA-7416549-0-0 | | | SIDE, L.H. COOLING | | | M | |
| | | | | | | | | | | | | | | | |
| | | | | | | | | | | | | | | | |
| 11 | E-IA-7009972-0-0 | | | BOTTOM PAN ASSY | | | M | 15 | E-AD-7013480-0-0 | | | WIRED LOGIC MTG ASSY | | | E/M |
| | E-MD-7412043-0-0 | | | PAN, BOTTOM | | | M | | A-PL-7013480-0-0 | | | WIRED LOGIC MTG ASSY | | | E/M |
| | D-MD-7412044-0-0 | | | STIFFNER, DOOR | | | M | | E-IA-7416546-0-0 | | | LOGIC MTG PLATE | | | M |
| | D-MD-7412045-0-0 | | | GUSSET, BOTTOM PAN | | | M | | C-AD-7008711-0-0 | | | QUICK LATCH BLOCK | | | M |
| | | | | | | | C-PS-1210698-0-0 | | | GUIDE, CARD | | | M | | |
| | | | | | | | C-MD-7417523-0-0 | | | PLATE #1 | | | M | | |
| | | | | | | | C-MD-7417534-0-0 | | | PLATE #2 | | | M | | |
| | | | | | | | A-DC-7411881-0-0 | | | DECAL LOGIC REVISION | | | E/M | | |
| | | | | | | | K-WL-AN10-0-WL | | | AN10 WIRE LIST | | | E/M | | |
| | | | | | | | A-WT-7013480-2-0 | | | AWT REV SHEET (AN10) | | | E/M | | |
| 1 | D-IA-7009973-0-0 | | | TOP PAN ASSY | | | M | | | | | | | | |
| | E-MD-7412046-0-0 | | | FAN, TOP | | | M | | | | | | | | |
| | C-MD-7408536-0-0 | | | SCREEN 19 IN. CAB | | | M | | | | | | | | |
| | | | | | | | | | | | | | | | |
| | | | | | | | | | | | | | | | |
| | | | | | | | | | | | | | | | |
| | | | | | | | | | | | | | | | |
| | | | | | | | | | | | | | | | |
| 13 | E-AD-7013479-0-0 | | | LOGIC MTG BOX ASSY | | | E/M | 16 | D-AD-7013724-0-0 | | | BACKPLANE ASSY (AN10) | | | E/M |
| | A-PL-7013479-0-0 | | | LOGIC MTG BOX ASSY | | | E/M | | C-MD-7408967-0-0 | | | STRIP INSULATOR | | | M |
| | D-MD-7416547-0-0 | | | COOLING PLATE TOP | | | M | | D-IA-5513110-0-0 | | | GND PLANE PROTECTION SHEET | | | M |
| | D-MD-7416548-0-0 | | | COOLING PLATE BOTTOM | | | M | | | | | | | | |
| | D-MD-7416551-0-0 | | | COOLING DOOR | | | M | | | | | | | | |
| | | | | | | | | | | | | | | | |
| | | | | | | | | | | | | | | | |
| | | | | | | | | | | | | | | | |
| | | | | | | | | | | | | | | | |
| 14 | D-IA-7012702-0-0 | | | WELDMENT, COOLING DX20 | | | M | 17 | D-AD-7013491-0-0 | | | BACKPLANE REWORK ASSY | | | E/M |
| | | | | | | | | | | | | | | | |

digital

TITLE ARPANET INTERFACE SHEET 5 OF 7 SIZE CODE B DD NUMBER AN10-0 REV

| FIND NO. | DRAWING NO. | DESCRIPTION | TYPE | FIND NO. | DRAWING NO. | DESCRIPTION | TYPE |
|----------|------------------|--------------------------------|------|----------|--------------------------------------|--|----------|
| 27 | B-DD-H744-Ø | +5V REGULATOR | E/M | | | | |
| 28 | B-DD-H754-Ø | - -5VOLT REGULATOR | E/M | 33 | B-DD-H867-Ø | I/O BUS TERMINATOR H867 | E/M |
| 29 | B-DD-M8612-Ø | PRIORITY INTERRUPT CONTROL | E | 34 | D-IA-7010805-0-0 A-DC-7409872-0-0 | A/C WIRING HARNESS ASSY NO. 1 DECAL PWR HARNESS | E/M M |
| 30 | B-DD-M8613-Ø | HOST TO IMP CONTROL | E | 35 | D-AD-7014182-0-0 D-MD-7418963-0-0 | MODULE HOLD DOWN BAR ASSY MODULE HOLD DOWN BAR | M M |
| 31 | B-DD-M8614-Ø | IMP TO HOST CONTROL | E | | | | |
| | D-AD-7013963-0-0 | CONNECTOR, AN1Ø LOCAL LOOPBACK | E/M | | | | |
| | D-UA-BCØ6R-Ø-Ø | BCØ6R I/O CABLE | E/M | | | | |

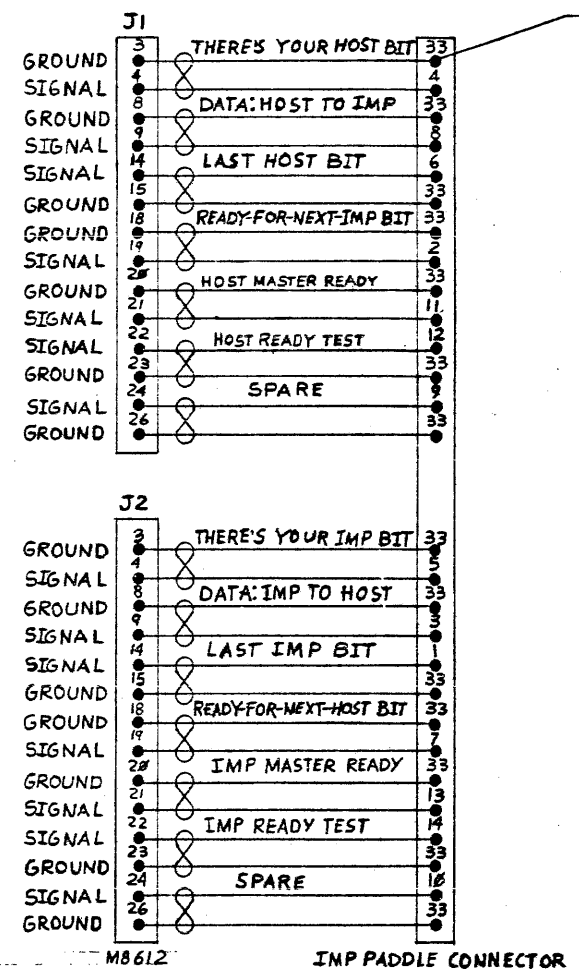
TYPE: E ELECTRICAL
M MECHANICAL
E/M ELECTRO/MECHANICAL



| | | | | | | |
|-------|-------------------|--------------|------|------|--------|-----|
| TITLE | ARPANET INTERFACE | SHEET 7 OF 7 | SIZE | CODE | NUMBER | REV |
| | | | B | DD | AN1Ø-Ø | |

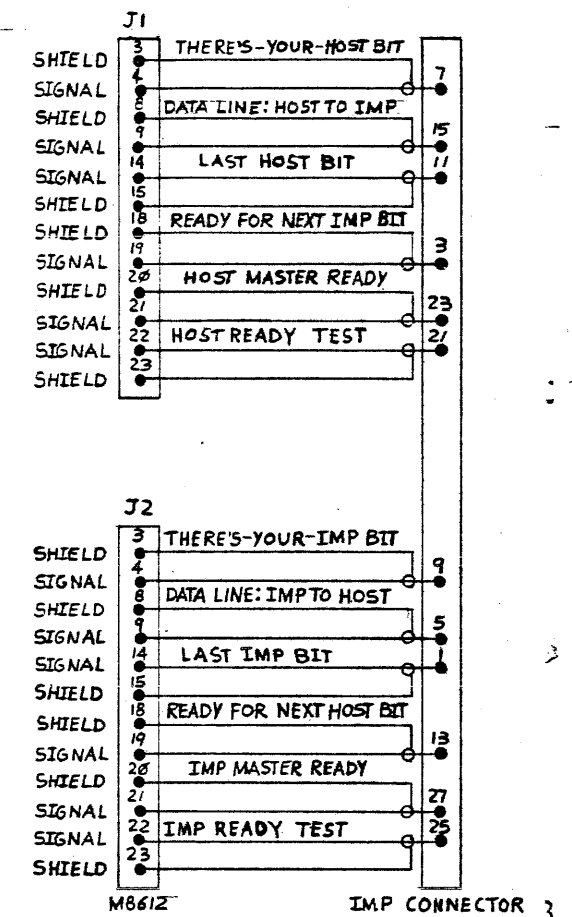
THIS DRAWING AND SPECIFICATIONS, HEREIN, ARE THE PROPERTY OF DIGITAL EQUIPMENT CORPORATION AND SHALL NOT BE REPRODUCED OR COPIED OR USED IN WHOLE OR IN PART AS THE BASIS FOR THE MANUFACTURE OR SALE OF ITEMS WITHOUT WRITTEN PERMISSION. COPYRIGHT © 1977 DIGITAL EQUIPMENT CORPORATION

NOTES:
1. ALL PINS NUMBERED 33 ARE IMP GND

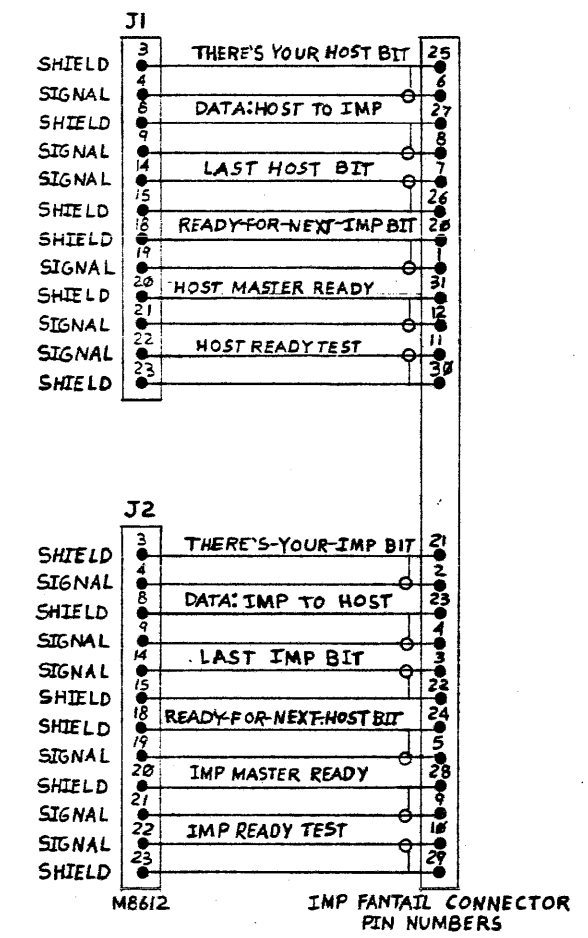


M8612 IMP PADDLE CONNECTOR
AN10/AN20 TO 316 IMP SIGNALS (LOCAL HOST)
(BLACK WIRE IS GROUND)

SEE NOTE #1



M8612 IMP CONNECTOR }
PIN NUMBERS
AN10/AN20 TO 516 IMP CABLE SIGNALS (LOCAL HOST)



M8612 IMP FANTAIL CONNECTOR
PIN NUMBERS
AN10/AN20 TO PLURIBUS IMP CABLE SIGNALS (LOCAL HOST)

| REV. | CHG. | CHK. | REVISIONS |
|------|------|------|-----------|
| | | | |

| | | | | |
|-------------------------------|-----------|---------------|------------------------------|---------|
| DRN. <i>E.H. Hill</i> | 24 APR 77 | FIRST USED ON | AN10 | digital |
| CHK'D | | TITLE | AN10 LOCAL CABLE CONNECTIONS | |
| ENG. <i>J. Anderson</i> | 23 JUN 77 | SCALE | NONE | |
| PROJ. ENG. <i>J. Anderson</i> | 16 JUL 77 | SHEET | 1 | OF 1 |
| PROD. <i>J. Anderson</i> | 16 JUL 77 | DIST. | | |
| NEXT HIGHER ASSY. | | SIZE | D | CODE |
| B-DD-AN10-0 | | NUMBER | BS AN10-0-LCC | |
| REV. | | | | |

THIS DRAWING AND SPECIFICATIONS HEREIN ARE THE PROPERTY OF DIGITAL EQUIPMENT CORPORATION AND SHALL NOT BE REPRODUCED OR COPIED OR USED IN WHOLE OR IN PART AS THE BASIS FOR THE MANUFACTURE OR SALE OF ITEMS WITHOUT WRITTEN PERMISSION.
 COPYRIGHT © 1977, DIGITAL EQUIPMENT CORPORATION

| | | | | | | | | | | | | | |
|---|---|---|---|-------|----|-------|----|-------|----|--------------------|---|--------------------|----------------------------|
| | 6 | 7 | 8 | 9 | 10 | 11 | 12 | 13 | 14 | 15 | 16 | 17 | 18 |
| A | | | | | | | | | | G89I | M564 | M564 | WIØ6 |
| | | | | | | | | | | CROBAR CROBAR L | CONI DATA I DATAO SET, CLR CCNO SET, CLR RESET PI SYNC | IOS 3-9 | PI GRANT |
| B | | | | | | | | | | M664 | M564 | M664 | M564 |
| | | | | | | | | | | IOB 3-6 | IOB 3-6 | IOB 0-2 7-11 | IOB 0-2 7-11 |
| C | | | | | | | | | | M664 | M564 | M664 | M564 |
| | | | | M8614 | | M8613 | | M8612 | | IOB 12-19 | IOB 12-19 | IOB 20-27 | IOB 20-27 |
| D | | | | | | | | | | M664 | | M664 | M564 |
| | | | | | | | | | | PI REQ 1-7 | | IOB 28-35 | IOB 28-35 |
| E | | | | | | | | | | | | | |
| F | | | | | | | | | | | | | M957 INDICATOR CABLE |

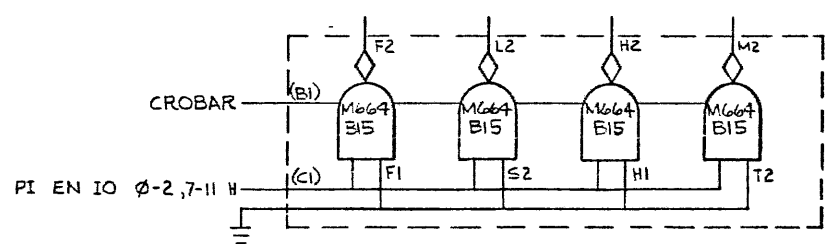
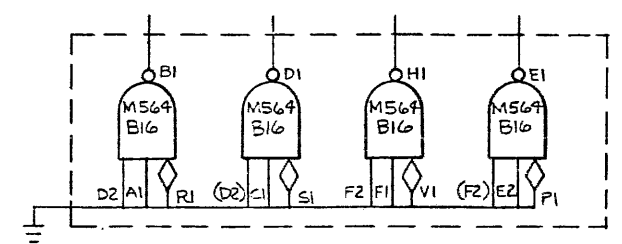
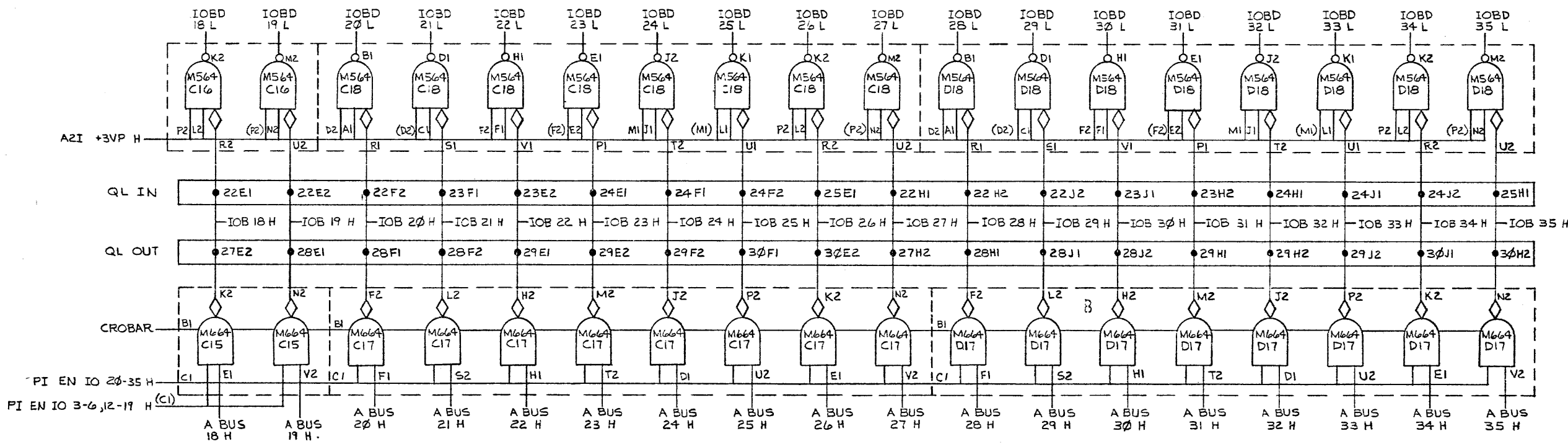
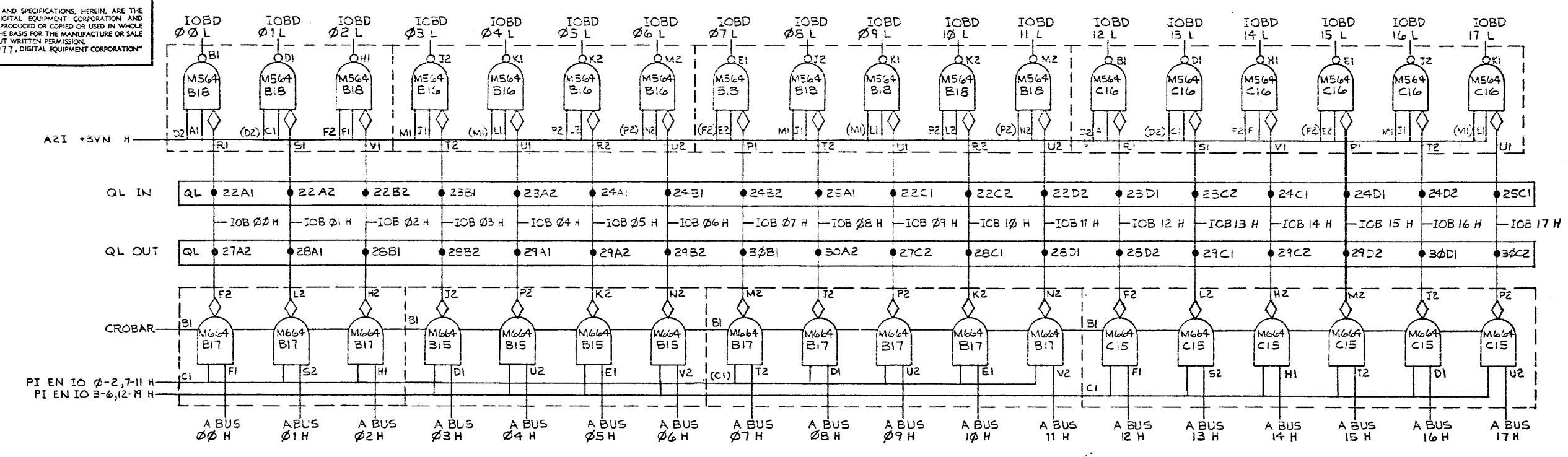
VIEW FROM PIN SIDE

| | |
|------------|------|
| REV. NO. | REV. |
| CHANGE NO. | |
| CHK | |

| | | | |
|-----------------------------------|---------------|-----------------------------|--------------|
| DRWN: <i>Anderson</i> 2/2/77 | FIRST USED ON | ANIO | digital |
| CHK'D: <i>Anderson</i> 2/2/77 | TITLE | MODULE UTILIZATION, ANIO | |
| ENG: <i>Anderson</i> 2/2/77 | SCALE | | |
| PROJ. ENG: <i>Anderson</i> 2/2/77 | SHEET | 1 | OF 1 |
| PROD. <i>Anderson</i> 2/2/77 | DIST. | | |
| NEXT HIGHER ASSY. | E-UA-ANIO-Ø-Ø | SIZE | CODE |
| | | D | MU ANIO-Ø-MU |
| | | NUMBER | REV. |
| | | | |

"THIS DRAWING AND SPECIFICATIONS, HEREIN, ARE THE PROPERTY OF DIGITAL EQUIPMENT CORPORATION AND SHALL NOT BE REPRODUCED OR COPIED OR USED IN WHOLE OR IN PART AS THE BASIS FOR THE MANUFACTURE OR SALE OF ITEMS WITHOUT WRITTEN PERMISSION. COPYRIGHT © 1977, DIGITAL EQUIPMENT CORPORATION"

NOTES:
 1. PINS C2, T1, K1 AND M1 ARE GROUND-ED ON MODULES B15, B17, C15, C17 AND D17.
 2. PINS C2, T1, H2 AND N1 ARE GROUND-ED ON MODULES B16, B18, C16, C18 AND D18.



| | | | |
|-----------------------------------|-------------------------------|------------------|---------|
| DRN: <i>[Signature]</i> 47 JAN 77 | FIRST USED ON | AN10 | digital |
| CHK'D <i>[Signature]</i> | TITLE | IBUS DATA (IOBD) | |
| ENG. <i>[Signature]</i> | PROJ. ENG. <i>[Signature]</i> | SIZE | CODE |
| PROD. <i>[Signature]</i> | NEXT HIGHER ASSY. | D | BS |
| E-00-AN10-0 | SCALE | NUMBER | REV. |
| SHEET 1 OF 1 | DIST. | AN10-0-IOBD | P02 |

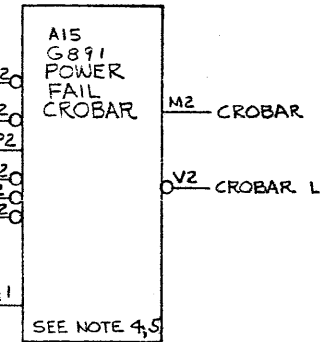
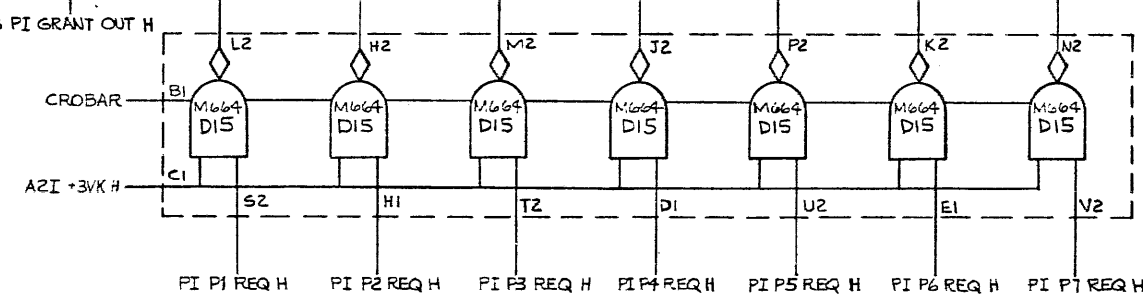
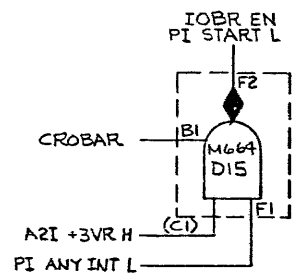
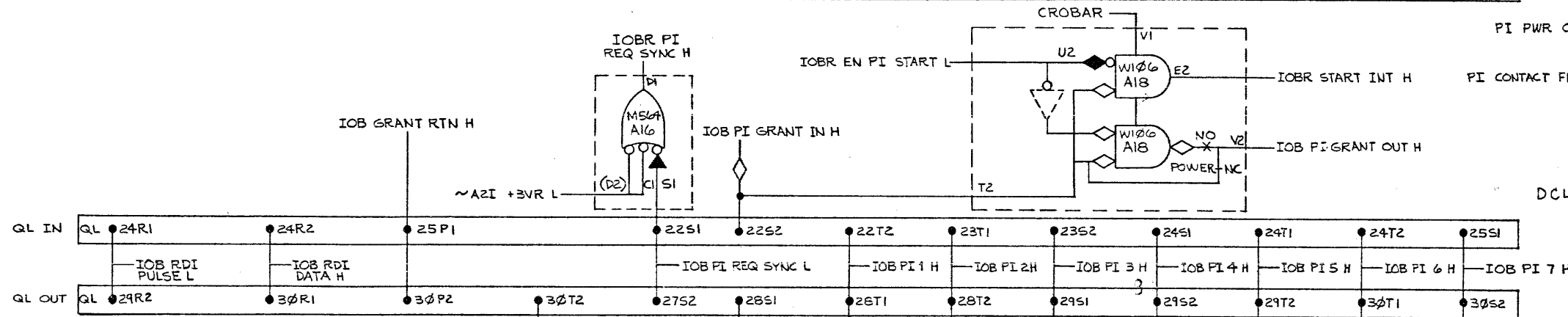
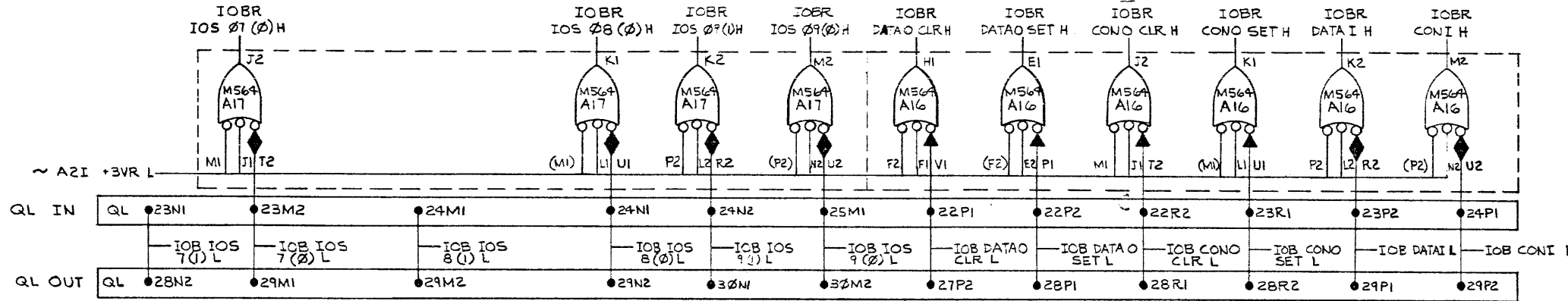
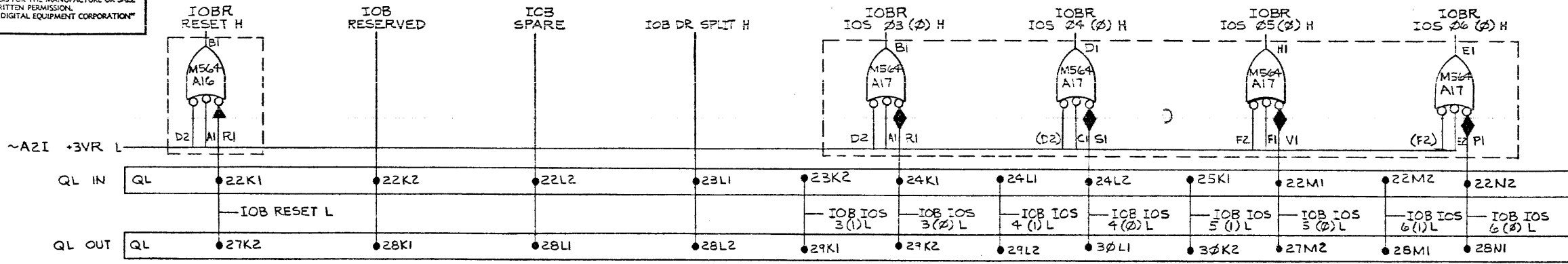
REVISIONS
 CHANGE NO. REV.
 1
 2

REV. NUMBER
 D BS AN10-0-IOBD

"THIS DRAWING AND SPECIFICATIONS, HEREIN, ARE THE PROPERTY OF DIGITAL EQUIPMENT CORPORATION AND SHALL NOT BE REPRODUCED OR COPIED OR USED IN WHOLE OR IN PART AS THE BASIS FOR THE MANUFACTURE OR SALE OF ITEMS WITHOUT WRITTEN PERMISSION. COPYRIGHT © 1977, DIGITAL EQUIPMENT CORPORATION"

NOTES:

1. PINS C2, T1, K1 AND M1 ARE GROUNDING ON DIS.
2. PINS C2, T1, H2 AND N1 ARE GROUNDING ON A16 AND A17.
3. -AND WIRE IS AWG BLUE WIRE FROM QL3/T2 TO A -15V TAB ON THE MARGIN CHECK POWER DISTRIBUTION BAR.
4. CROBAR IS A RELAY CONTACT BETWEEN OPEN CIRCUIT AND GROUND. CROBAR L IS ALSO A RELAY CONTACT, BUT SWITCHES BETWEEN +3V AND GROUND.
5. SET SW#4 TO THE ON POSITION, ALL OTHERS SWS OFF.



REVISIONS
CHANGE NO. 1
REV. 1/82

| | | | |
|-----------------------------|----------------------|----------------------------|----------|
| DRN: <i>R. Amodeo</i> | DATE: <i>3/23/77</i> | FIRST USED ON: ANIØ | digital |
| CHK'D: <i>R. Amodeo</i> | DATE: <i>3/23/77</i> | TITLE: IBUS CONTROL (IOBR) | |
| ENG: <i>R. Amodeo</i> | DATE: <i>3/23/77</i> | NEXT HIGHER ASSY. | |
| PROJ. ENG: <i>R. Amodeo</i> | DATE: <i>3/23/77</i> | B-DD-ANIØ-Ø | |
| PROD. <i>R. Amodeo</i> | DATE: <i>3/23/77</i> | SIZE: D | CODE: BS |
| SCALE: 1 | | NUMBER: ANIØ-Ø-IOBR | REV. P02 |
| SHEET 1 OF 1 | | DIST. | |

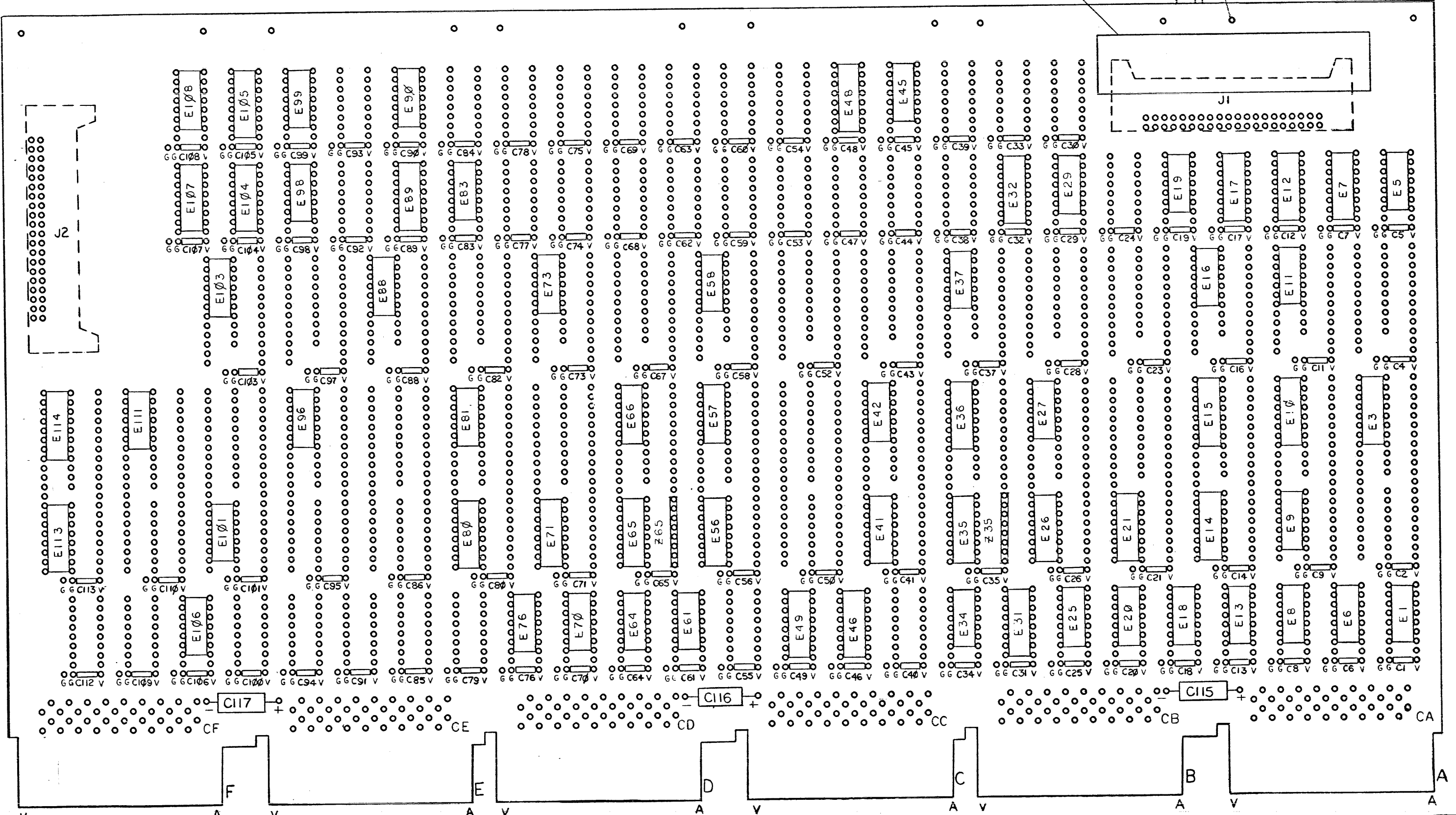
REV. 1/82
NUMBER
ANIØ-Ø-IOBR
B

A

THIS DRAWING AND SPECIFICATIONS, HEREIN, ARE THE PROPERTY OF DIGITAL EQUIPMENT CORPORATION AND SHALL NOT BE REPRODUCED OR COPIED OR USED IN WHOLE OR IN PART AS THE BASIS FOR THE MANUFACTURE OR SALE OF ITEMS WITHOUT WRITTEN PERMISSION. DIGITAL EQUIPMENT CORPORATION. COPYRIGHT © 1977

39 (QTY 12)

38



NOTES:

| CHK | CHANGE NO | REV |
|-----|-----------|-----|
| | | |
| | | |
| | | |
| | | |

| | | | |
|----------------------------|--|-----------|------------------------|
| SIGNATURES | | DATE | digital |
| DRN. <i>W. Wilson</i> | | 20 JAN 77 | |
| CHK. <i>D. P. Counter</i> | | 9 MAR 77 | TITLE WIRE WRAP MODULE |
| ENG. <i>B. Anderson</i> | | 6 JUL 77 | |
| PROJ. <i>B. Anderson</i> | | 16 JUL 77 | SCALE 2/1 |
| PRD. <i>P. Anderson</i> | | 16 JUL 77 | |
| SHT. 1 OF 2 | | SIZE CODE | NUMBER |
| ETCH REV A | | D | UA M8612-0-0 |
| FIRST USED ON B-DD-M8612-0 | | | |

DUA M8612-0-0

1 MS#

DIGITAL EQUIPMENT CORPORATION PARTS LIST

QUANTITY / VARIATION

NOTES:

DESIGNED BY *F. Wilson*
DATE *28 FEB 77*

CHECKED *R.W. Caunter*
DATE *25 Feb 77*

SECTION
1

ENGINEERED BY *D.J. Anderson*
DATE *6 JUL 77*

PROD *R. Stravinski*
DATE *6 JUL 77*

ISSUED SECTION
1

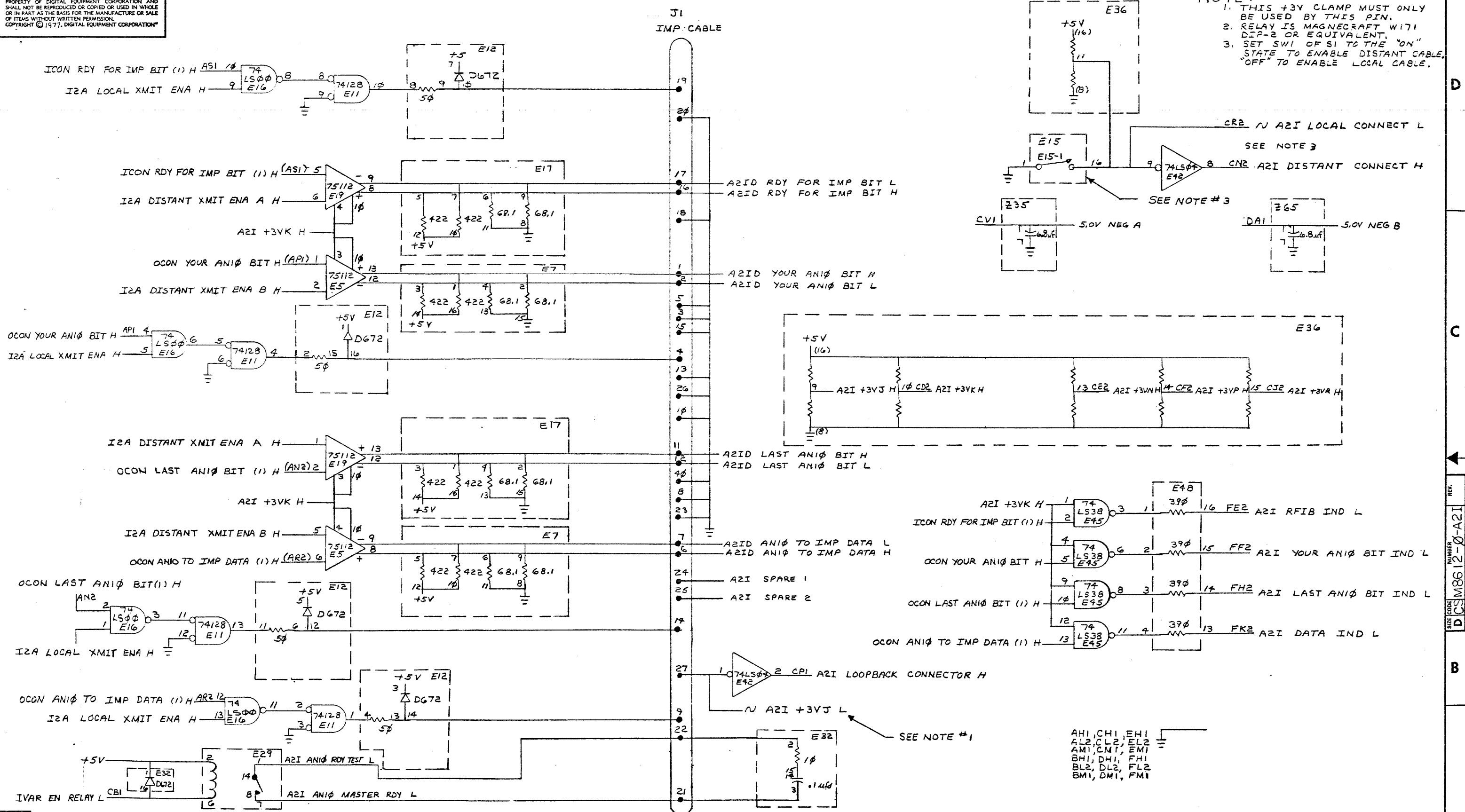
| ITEM NO. | DRAWING NO. | PART NO. | DESCRIPTION | QTY | VAR | QTY | VAR | QTY | VAR | QTY | VAR | QTY | VAR | QTY | VAR | QTY | VAR | REF DESIGNATION |
|----------|------------------|------------|-----------------------------|-----|-----|-----|-----|-----|-----|-----|-----|-----|-----|-----|-----|-----|-----|--------------------|
| 22 | | 1911676 | IC DEC 74S139 | 1 | | | | | | | | | | | | | | E14 |
| 23 | | 1910544 | IC DEC 74S74 | 3 | | | | | | | | | | | | | | E18, E57, E81 |
| 24 | | 1912389 | IC DEC 74S08 | 1 | | | | | | | | | | | | | | E20 |
| 25 | | 1912796 | IC DEC 74148 | 1 | | | | | | | | | | | | | | E21 |
| 26 | | 1912853 | IC DEC 74LS175 | 1 | | | | | | | | | | | | | | E26 |
| 27 | | 1912803 | IC DEC 74LS04 | 2 | | | | | | | | | | | | | | E34, E42 |
| 28 | | 1912818 | IC DEC 74LS38 | 3 | | | | | | | | | | | | | | E45, E83, E90 |
| 29 | | 1912842 | IC DEC 74LS138 | 4 | | | | | | | | | | | | | | E56, E65, E71, E80 |
| 30 | | 1912808 | IC DEC 74LS11 | 2 | | | | | | | | | | | | | | E58, E73 |
| 31 | | 1912810 | IC DEC 74LS20 | 4 | | | | | | | | | | | | | | E61, E64, E70, E76 |
| 32 | | 1912805 | IC DEC 74LS08 | 2 | | | | | | | | | | | | | | E66, E96 |
| 33 | | 1910268 | IC DEC 75107B | 2 | | | | | | | | | | | | | | E103, E108 |
| 34 | | 1910528 | IC DEC 8T14 | 2 | | | | | | | | | | | | | | E104, E105 |
| 35 | | 1912858 | IC DEC 74LS221 | 1 | | | | | | | | | | | | | | E113 |
| 36 | | | RELAY MAGNECRAFT W171 DIP-2 | 1 | | | | | | | | | | | | | | E29 |
| 37 | | 1211164-04 | SWITCH PACK | 1 | | | | | | | | | | | | | | E15 |
| 38 | D-MD-7418759-0-0 | 7418759-7 | HANDLE REWORK | 1 | | | | | | | | | | | | | | |
| 39 | | 9006732 | EYELET | 12 | | | | | | | | | | | | | | |
| 40 | | 9009255-01 | LABEL, REVISION | 1 | | | | | | | | | | | | | | |

EC NO.

| | | | | | | |
|--|-----------------------------------|------------------------------------|---|---------------------------|-----------------------------|-------------|
| <p>"THIS DRAWING AND SPECIFICATIONS, HEREIN, ARE THE PROPERTY OF DIGITAL EQUIPMENT CORPORATION AND SHALL NOT BE REPRODUCED OR COPIED OR USED IN WHOLE OR IN PART AS THE BASIS FOR THE MANUFACTURE OR SALE OF ITEMS WITHOUT WRITTEN PERMISSION. COPYRIGHT © 1977 DIGITAL EQUIPMENT CORPORATION"</p> | <p>TITLE WIRE WRAP MODULE</p> | <p>ASSY NO. D-UA-M8612-0-0</p> | <p>SIZE B</p> | <p>CODE PL</p> | <p>NUMBER M8612-0-0</p> | <p>REV.</p> |
| | | <p>SHEET 2 OF 2</p> | <p>INSERTION PARTS LIST DATA BASE REV</p> | | | |

THIS DRAWING AND SPECIFICATIONS, HEREIN, ARE THE PROPERTY OF DIGITAL EQUIPMENT CORPORATION AND SHALL NOT BE REPRODUCED OR COPIED OR USED IN WHOLE OR IN PART AS THE BASIS FOR THE MANUFACTURE OR SALE OF ITEMS WITHOUT WRITTEN PERMISSION. COPYRIGHT © 1977, DIGITAL EQUIPMENT CORPORATION

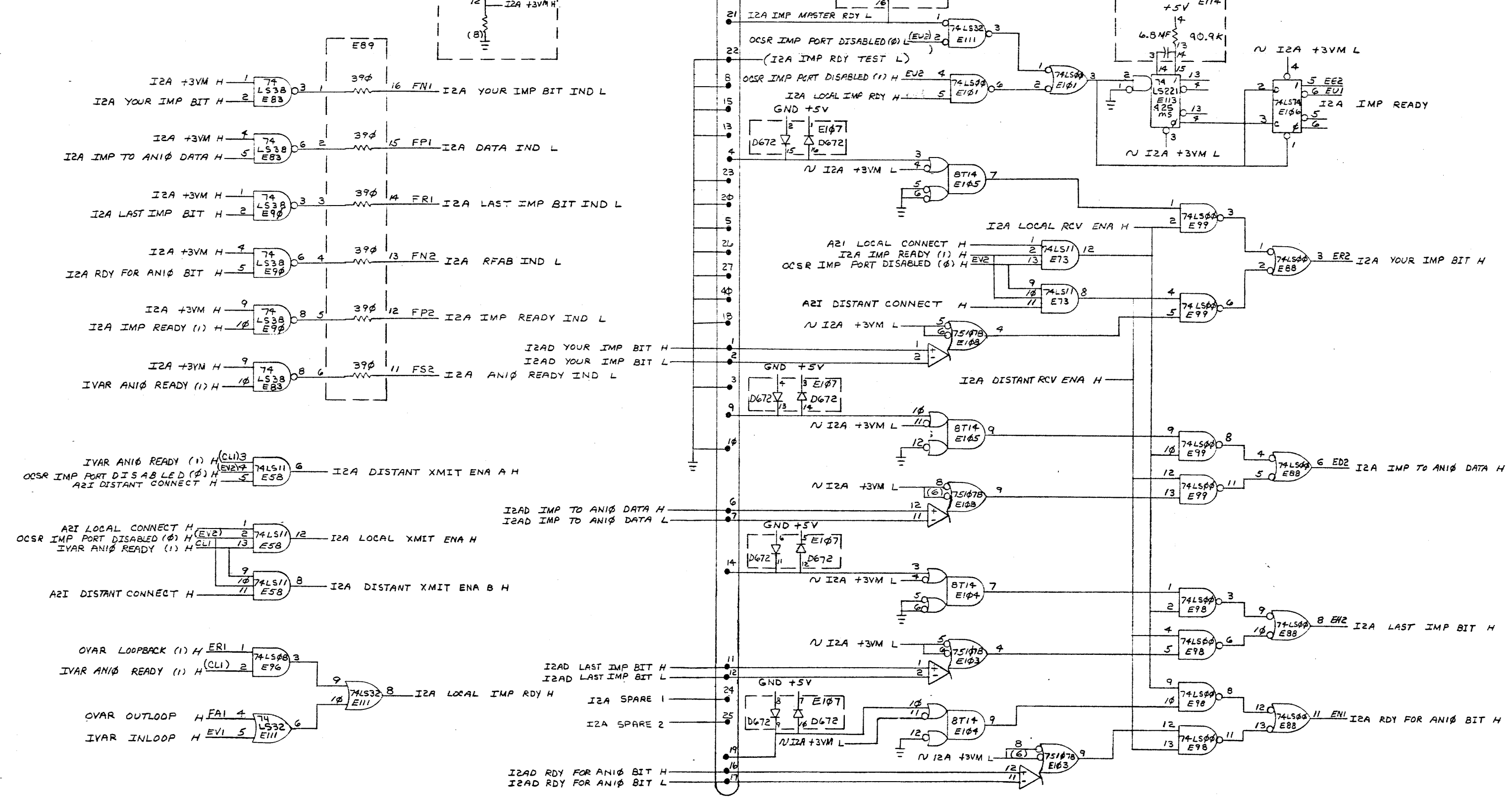
NOTE:
 1. THIS +3V CLAMP MUST ONLY BE USED BY THIS PIN.
 2. RELAY IS MAGNECRAFT WITH DIP-2 OR EQUIVALENT.
 3. SET SW1 OF S1 TO THE "ON" STATE TO ENABLE DISTANT CABLE, "OFF" TO ENABLE LOCAL CABLE.



| | | |
|-----------------------------|---------------|-----------------------|
| DRN. E. Wilson 2020 | FIRST USED ON | digital |
| CHKD. C. Cantor 10/27/77 | ANIØ | |
| ENG. S. Anderson 6/12/77 | TITLE | ANIØ TO IMP INTERFACE |
| PROJ. ENG. Anderson 6/12/77 | | |
| PRODC. Ittrich 6/20/77 | | |
| NEXT HIGHER ASSY. | | |
| E-DD-M8612-0 | SIZE CODE | NUMBER |
| SCALE NCFE | D | CSM8612-0-A2I |
| SHEET 1 OF 1 | DIST. | REV. P02 |

| | |
|-------------|--------|
| REV. 1 | 7/1/77 |
| CHG. CHANGE | |
| CHK. 1 | |

THIS DRAWING AND SPECIFICATIONS, HEREIN, ARE THE PROPERTY OF DIGITAL EQUIPMENT CORPORATION AND SHALL NOT BE REPRODUCED OR COPIED OR USED IN WHOLE OR IN PART AS THE BASIS FOR THE MANUFACTURE OR SALE OF ITEMS WITHOUT WRITTEN PERMISSION. COPYRIGHT © 1977, DIGITAL EQUIPMENT CORPORATION

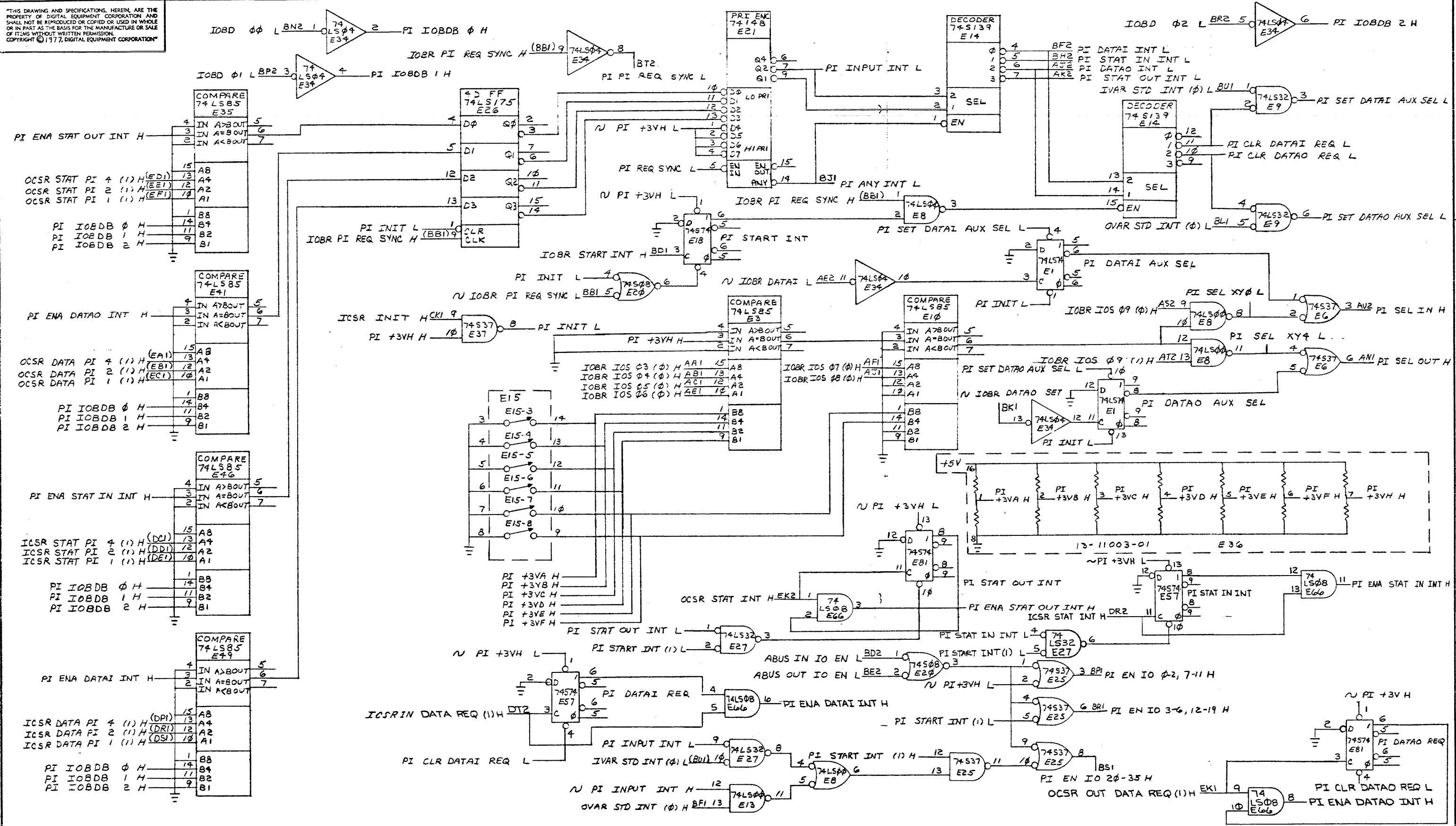


| | | |
|------|-----|--------|
| REV. | Ch. | Wilson |
| CHK. | | |

| | | | |
|--------------------------|-----------|---------------|-----------------------|
| DRN. <i>Wilson</i> | 18 Jul 76 | FIRST USED ON | ANIØ |
| CHK. <i>Wilson</i> | 18 Jul 77 | TITLE | IMP TO ANIØ INTERFACE |
| ENG. <i>Wilson</i> | 6 Jul 77 | SIZE | D |
| PROJ. ENG. <i>Wilson</i> | 6 Jul 77 | CODE | CSM8612-Ø-I2A |
| PROD. <i>Wilson</i> | 6 Jul 77 | NUMBER | |
| NEXT HIGHER ASSY. | | REV. | |
| E-DD-M8612-Ø | | SHEET | 1 OF 1 |
| SCALE NONE | | DIST. | |

REV. A B C D

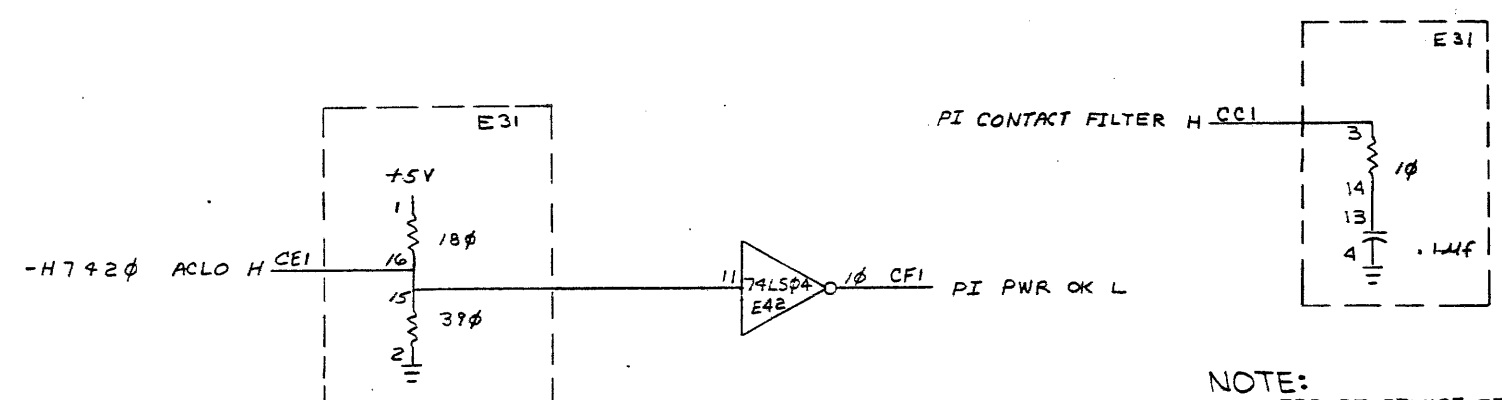
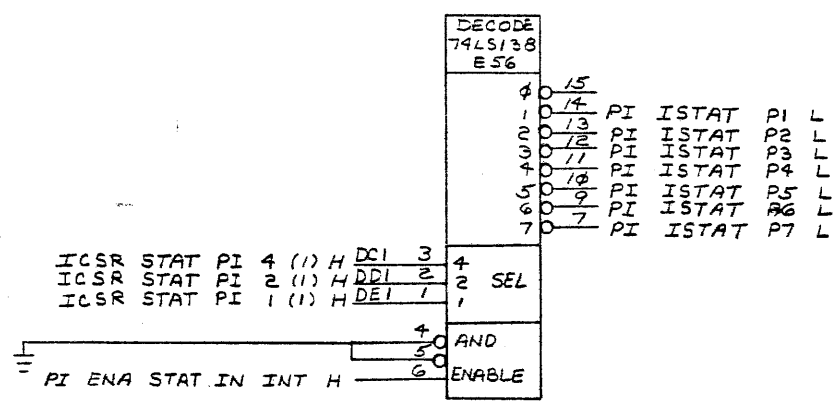
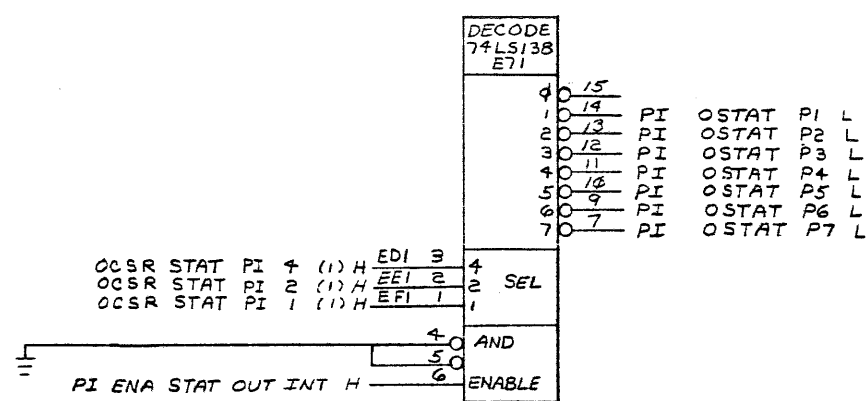
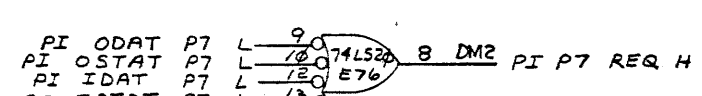
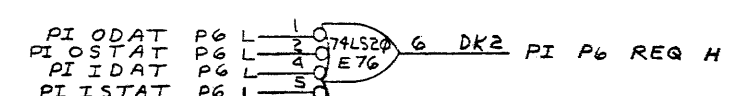
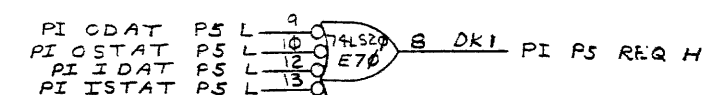
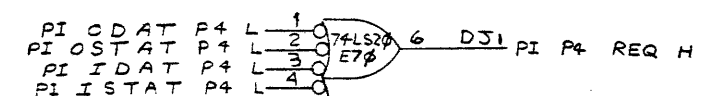
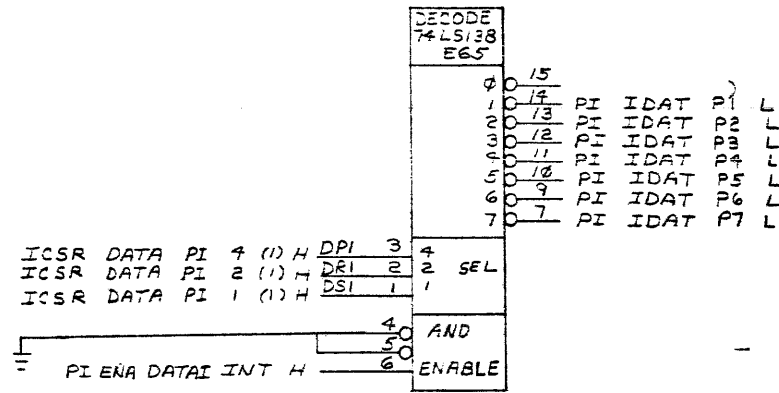
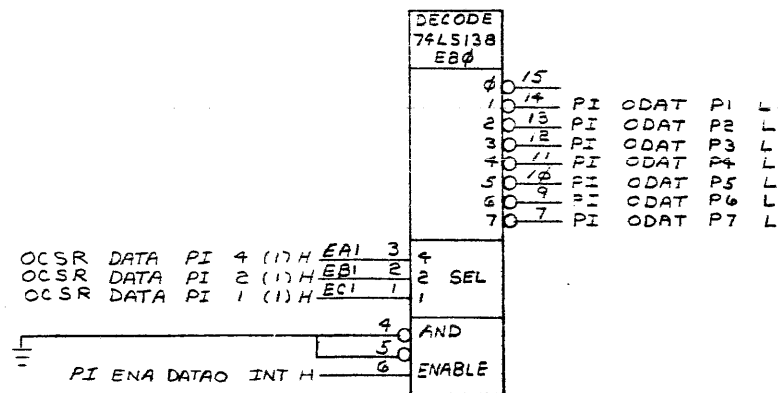
THIS DRAWING AND SPECIFICATIONS, HEREIN, ARE THE PROPERTY OF DIGITAL EQUIPMENT CORPORATION AND SHALL NOT BE REPRODUCED OR COPIED OR USED IN WHOLE OR IN PART AS THE BASIS FOR THE MANUFACTURE OR SALE OF ITEMS WITHOUT WRITTEN PERMISSION. COPYRIGHT © 1977, DIGITAL EQUIPMENT CORPORATION



| REV. | CHG. | BY | DATE |
|------|------|----|------|
| | | | |
| | | | |
| | | | |

| | | | | |
|-----------------------|-----------|---------------|------|--------------|
| DRN. <i>S. J. ...</i> | 13 JAN 77 | FIRST USED ON | ANIØ | digital |
| CHK'D <i>R. ...</i> | 4 MAR 77 | TITLE | | |
| ENG. <i>A. ...</i> | 6 JUL 77 | PROJ. ENG. | | |
| PROD. <i>A. ...</i> | 6 JUL 77 | PROJ. ENG. | | |
| NEXT HIGHER ASSY. | | | | |
| E-DD-M8612-Ø | | SIZE | CODE | NUMBER |
| SCALE NONE | | D | | CSM8612-Ø-PI |
| SHEET 1 OF 2 | | DIST. | | |

THIS DRAWING AND SPECIFICATIONS, HEREIN, ARE THE PROPERTY OF DIGITAL EQUIPMENT CORPORATION AND SHALL NOT BE REPRODUCED OR COPIED OR USED IN WHOLE OR IN PART AS THE BASIS FOR THE MANUFACTURE OR SALE OF ITEMS WITHOUT WRITTEN PERMISSION. COPYRIGHT © 1977 DIGITAL EQUIPMENT CORPORATION



NOTE:
UNLESS OTHERWISE SPECIFIED, THE FOLLOWING PIN NUMBERS APPLY:

| PACKAGE TYPE | VCC | GND | -VCC |
|---------------|-----|-----|------|
| 16 PIN DIP | 16 | 8 | - |
| 14 PIN DIP | 14 | 7 | - |
| IC DEC 75107B | 14 | 7 | 13 |
| IC DEC 75112 | 14 | 7 | 11 |

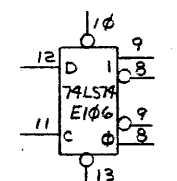
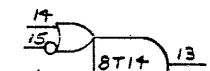
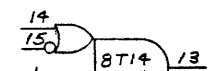
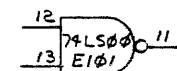
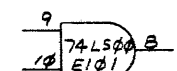
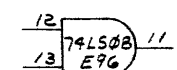
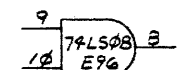
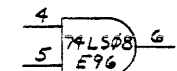
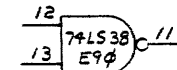
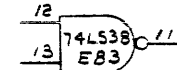
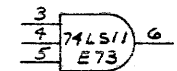
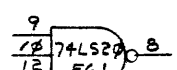
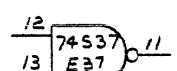
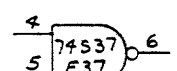
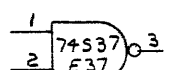
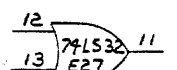
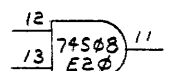
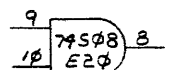
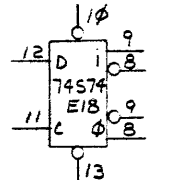
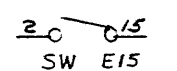
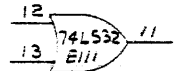
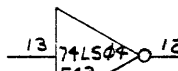
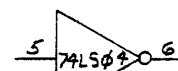
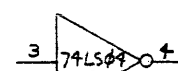
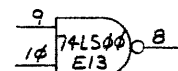
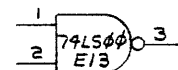
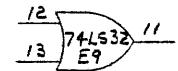
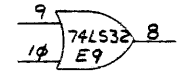
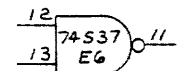
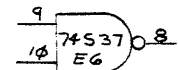
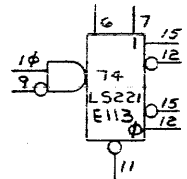
| REVISIONS | | |
|-----------|------------|------|
| CHK | CHANGE NO. | REV. |
| | | |
| | | |

| | | | | |
|--------------------|------|-----------|---------------|-------|
| TITLE | | SIZE CODE | NUMBER | REV. |
| PRIORITY INTERRUPT | | D | CS M8612-0-PI | |
| SCALE | NCNE | SHEET | 2 OF 2 | DIST. |

REV. NUMBER M8612-0-PI

A

"THIS DRAWING AND SPECIFICATIONS, HEREIN, ARE THE PROPERTY OF DIGITAL EQUIPMENT CORPORATION AND SHALL NOT BE REPRODUCED OR COPIED OR USED IN WHOLE OR IN PART AS THE BASIS FOR THE MANUFACTURE OR SALE OF ITEMS WITHOUT WRITTEN PERMISSION. COPYRIGHT © 1977, DIGITAL EQUIPMENT CORPORATION"



REVISIONS
CHANGE NO.
CHK

| | | | | |
|---------------------|---------|-------------------|--------------|---------|
| DRN. E. Wilson | 28Feb77 | FIRST USED ON | ANIØ | digital |
| CHK'D RW. Carter | 28Feb77 | TITLE | SPARE IC'S | |
| ENG. J. Adams | 28Feb77 | NEXT HIGHER ASSY. | | |
| PROJ. ENG. J. Adams | 28Feb77 | SCALE | NONE | |
| PROD. J. Adams | 28Feb77 | SHEET | 1 | OF 1 |
| B-DD-M8612-Ø | | SIZE CODE | D | NUMBER |
| SCALE NONE | | DIST. | CSM8612-Ø-SP | |
| REV. | | | | |

D
C
B
A

REV.
NUMBER
D CSM8612-Ø-SP

| DRAWING NO. | NO. OF SHTS | PART NO. | DESCRIPTION | REVISIONS | | | | | | | | | | | | | | | | | | |
|-------------------|-------------|----------|-----------------------------------|-----------|---|---|---|---|---|---|---|---|----|----|----|--|--|--|--|--|--|--|
| | | | | 1 | 2 | 3 | 4 | 5 | 6 | 7 | 8 | 9 | 10 | 11 | 12 | | | | | | | |
| D-UA-M8613-0-0 | 2 | | WIRE WRAP MODULE | - | | | | | | | | | | | | | | | | | | |
| B-PL-M8613-0-0 | 2 | | WIRE WRAP MODULE | - | | | | | | | | | | | | | | | | | | |
| D-CS-M8613-0-ABUS | 2 | | ABUS Ø-35 | - | | | | | | | | | | | | | | | | | | |
| D-CS-M8613-0-ODR | 1 | | OUTPUT DATA REGISTER | - | | | | | | | | | | | | | | | | | | |
| D-CS-M8613-0-OCSR | 1 | | OUTPUT CONTROL STATUS REGISTER | - | | | | | | | | | | | | | | | | | | |
| D-CS-M8613-0-OCOM | 1 | | OUTPUT CONTROL | - | | | | | | | | | | | | | | | | | | |
| D-CS-M8613-0-OWAR | 1 | | OUTPUT WORDCOUNT ADDRESS REGISTER | - | | | | | | | | | | | | | | | | | | |
| D-CS-M8613-0-IOB | 1 | | IO BUS DATA BUFFERED | - | | | | | | | | | | | | | | | | | | |
| D-CS-M8613-0-OVAR | 1 | | OUTPUT VECTOR ADDRESS REGISTER | - | | | | | | | | | | | | | | | | | | |
| D-CS-M8613-0-SP | 1 | | SPARE IC's | - | | | | | | | | | | | | | | | | | | |
| K-WL-M8613-Ø-WL | 1 | | WIRE LIST M8613 | | | | | | | | | | | | | | | | | | | |
| B-DD-W93Ø2-Ø-1 | 1 | | WIRE WRAP MODULE (HEX) | REF | | | | | | | | | | | | | | | | | | |

NOTES:

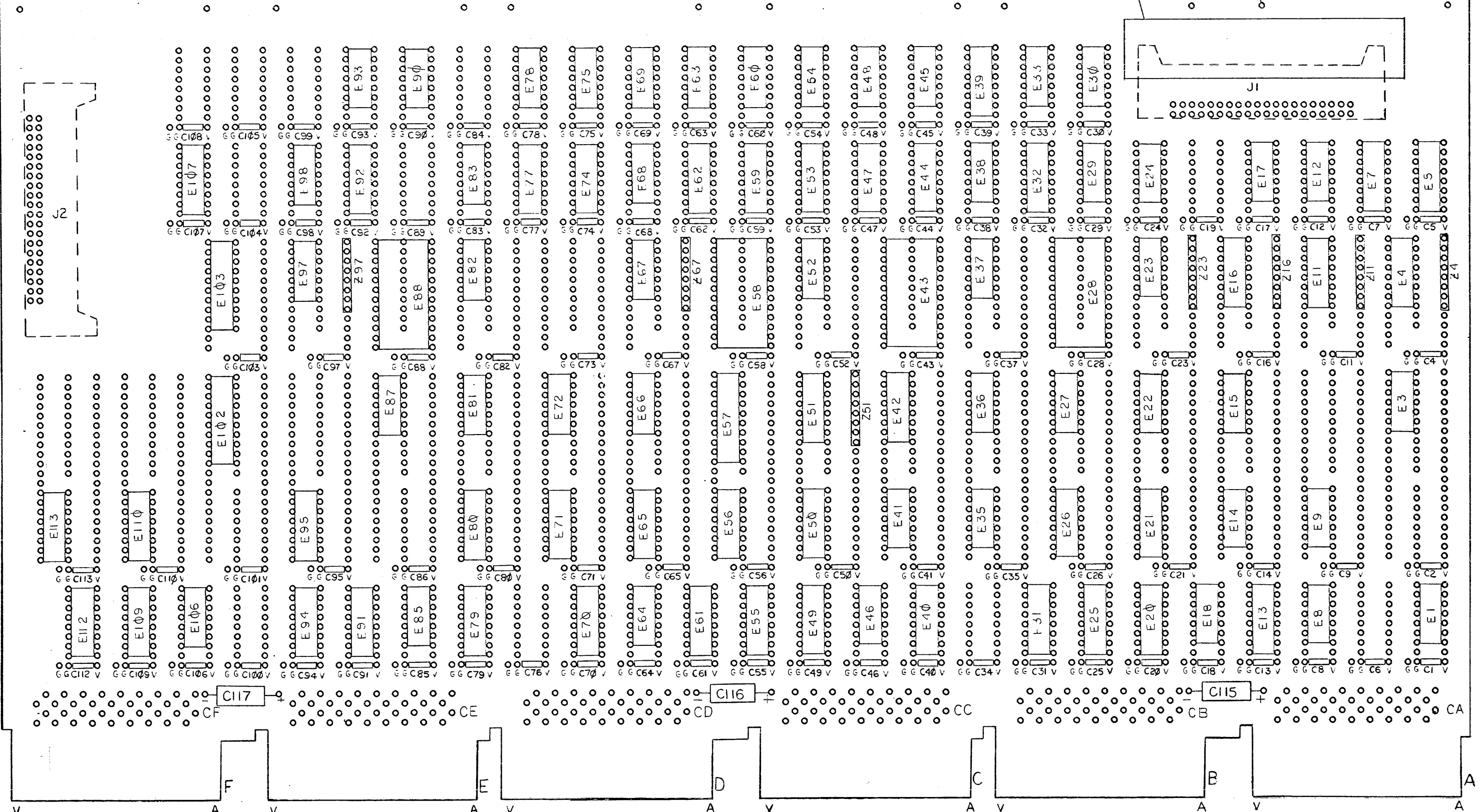
| DATE | CHG NO. | REV. | ORIG | REVISIONS | | | | | | | | | | | | | | | | | | |
|------|---------|------|------|-----------|---|---|---|---|---|---|---|---|----|----|----|--|--|--|--|--|--|--|
| | | | | 1 | 2 | 3 | 4 | 5 | 6 | 7 | 8 | 9 | 10 | 11 | 12 | | | | | | | |
| | | | X | | | | | | | | | | | | | | | | | | | |
| | | | X | | | | | | | | | | | | | | | | | | | |

THIS DRAWING AND SPECIFICATIONS, HEREIN, ARE THE PROPERTY OF DIGITAL EQUIPMENT CORPORATION AND SHALL NOT BE REPRODUCED OR COPIED OR USED IN WHOLE OR IN PART AS THE BASIS FOR THE MANUFACTURE OR SALE OF ITEMS WITHOUT WRITTEN PERMISSION. COPYRIGHT © 1977 DIGITAL EQUIPMENT CORPORATION"



| | | | | | | | |
|----------------------|---------------------------|-----------|--------------|------------------|----|--------|---------|
| USED ON OPTION/MODEL | DRN. <i>E. Wilson</i> | 28 FEB 77 | TITLE | WIRE WRAP MODULE | | | |
| AN1Ø | CHK'D <i>KW Counter</i> | 25 FEB 77 | SIZE CODE | B | DD | NUMBER | M8613-Ø |
| | ENG. <i>J. Anderson</i> | 6 JUL 77 | REV. | | | | |
| | PROD. <i>A. Starinski</i> | 6 JUL 77 | SHEET 1 OF 1 | | | | |

THIS DRAWING AND SPECIFICATIONS, HEREIN, ARE THE PROPERTY OF DIGITAL EQUIPMENT CORPORATION AND SHALL NOT BE REPRODUCED OR COPIED OR USED IN WHOLE OR IN PART AS THE BASIS FOR THE MANUFACTURE OF BUILT UP ITEMS WITHOUT THE WRITTEN PERMISSION OF DIGITAL EQUIPMENT CORPORATION.



NOTES: 1. REMOVE CONNECTORS J1 AND J2 AND RETURN TO STOCK.

| CHK | CHANGE NO | REV |
|-----|-----------|-----|
| | | |
| | | |
| | | |
| | | |

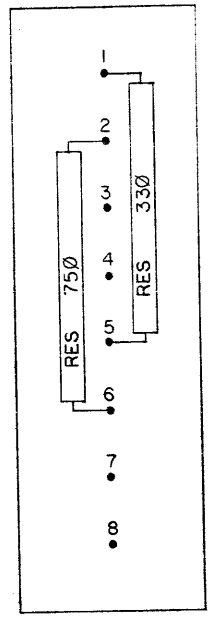
| | | |
|-------------------------------|---------------|-----------|
| SIGNATURES | | DATE |
| DRN. <i>[Signature]</i> | | 11/1/76 |
| CHK. <i>[Signature]</i> | | 11/1/76 |
| ENG. <i>[Signature]</i> | | 11/1/76 |
| PROJ. ENG. <i>[Signature]</i> | | 11/1/76 |
| PROD. <i>[Signature]</i> | | 11/1/76 |
| SCALE 2/1 | SIZE CODE | NUMBER |
| SHT. 1 OF 2 | D UA | M8613-0-0 |
| ETCH REV. A | FIRST USED ON | |

digital

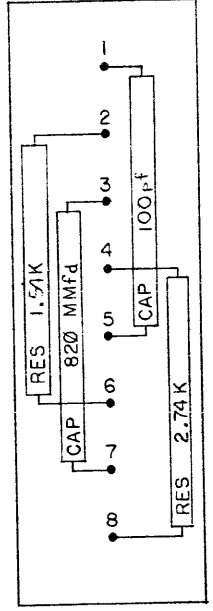
TITLE WIRE WRAP MODULE

REV. 1
 DUA M8613-0-0

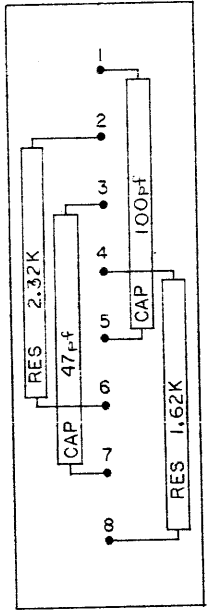
"THIS DRAWING AND SPECIFICATIONS, HEREIN, ARE THE PROPERTY OF DIGITAL EQUIPMENT CORPORATION AND SHALL NOT BE REPRODUCED OR COPIED OR USED IN WHOLE OR IN PART AS THE BASIS FOR THE MANUFACTURE OR SALE OF ITEMS WITHOUT WRITTEN PERMISSION. COPYRIGHT © 1977 DIGITAL EQUIPMENT CORPORATION"



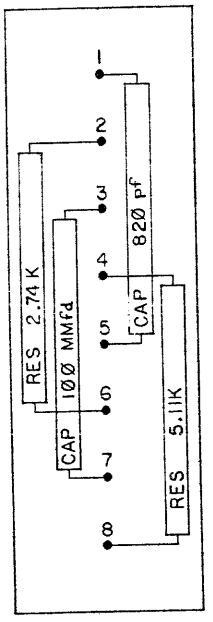
Z23, Z67, Z97



Z4

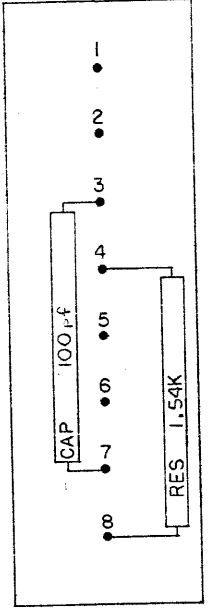


Z11



Z16

3



Z51

| REVISIONS | | |
|-----------|------------|------|
| CHK | CHANGE NO. | REV. |
| | | |

| | | | |
|------------------|-----------|---------------|------|
| TITLE | SIZE CODE | NUMBER | REV. |
| WIRE WRAP MODULE | D UA | M8613 - 0 - 0 | |
| SCALE | SHEET | DIST. | |
| + | 2 OF 2 | | |

D
 C
 B
 A

REV. NUMBER
 D UA M8613 - 0 - 0

DIGITAL EQUIPMENT CORPORATION PARTS LIST

QUANTITY / VARIATION

NOTES: 1. FOR LOCATIONS OF ITEMS 2 THRU 12 SEE SHT 2 OF UA

| | | |
|-------------------------|---------------------------|---------------------|
| M E BY <i>E. Wilson</i> | CHECKED <i>RW Countee</i> | SECTION 1 |
| DATE 28 FEB 76 | DATE 28 Feb 77 | |
| ENG <i>D J Anderson</i> | PROD <i>R. Stravinski</i> | ISSUED SECTION 1 |
| DATE 6 JUL 77 | DATE 6 JUL 77 | |

| ITEM NO. | DRAWING NO. | PART NO. | DESCRIPTION | 1 | 2 | 3 | 4 | 5 | 6 | 7 | 8 | 9 | 10 | 11 | 12 | 13 | 14 | 15 | 16 | 17 | 18 | 19 | 20 | REF DESIGNATION |
|----------|----------------|----------|--------------------------|----|---|---|---|---|---|---|---|---|----|----|----|----|----|----|----|----|----|----|---|-----------------|
| 1 | D-UA-W9302-0-0 | W9302 | WIRE WRAP MODULE (HEX) | 1 | | | | | | | | | | | | | | | | | | | | |
| 2 | | 1000011 | CAP 47pf 5% | 1 | | | | | | | | | | | | | | | | | | | | SEE NOTE #1 |
| 3 | | 1000016 | CAP 100PF 5% | 4 | | | | | | | | | | | | | | | | | | | | |
| 4 | | 1000027 | CAP 820PF 5% | 2 | | | | | | | | | | | | | | | | | | | | |
| 5 | | 1312480 | RES 1.54K 1% 1/4W | 2 | | | | | | | | | | | | | | | | | | | | |
| 6 | | 1304854 | RES 5.11K 1% 1/4W | 1 | | | | | | | | | | | | | | | | | | | | |
| 7 | | 1304868 | RES 2.74K 1% 1/4W | 2 | | | | | | | | | | | | | | | | | | | | |
| 8 | | 1312545 | RES 2.32K 1% 1/4W | 1 | | | | | | | | | | | | | | | | | | | | |
| 9 | | 1304862 | RES 1.62K 1% 1/4W | 1 | | | | | | | | | | | | | | | | | | | | |
| 10 | | 1300295 | RES 330 5% 1/4W | 3 | | | | | | | | | | | | | | | | | | | | |
| 11 | | 1301401 | RES 750 5% 1/4W | 3 | | | | | | | | | | | | | | | | | | | | |
| 12 | | 1211323 | SOCKET COMPONENT ADAPTOR | 4 | | | | | | | | | | | | | | | | | | | | |
| 13 | | 1912803 | IC DEC 74LS04 | 8 | | | | | | | | | | | | | | | | | | | E1, E18, E33, E36, E46, E64, E85, E106 | |
| 14 | | 1912811 | IC DEC 74LS21 | 1 | | | | | | | | | | | | | | | | | | | E3 | |
| 15 | | 1912858 | IC DEC 74LS221 | 4 | | | | | | | | | | | | | | | | | | | E4, E11, E16, E51 | |
| 16 | | 1912854 | IC DEC 74LS193 | 11 | | | | | | | | | | | | | | | | | | | E5, E7, E32, E44, E47, E53, E59, E62, E74, E77, E92 | |
| 17 | | 1912400 | IC DEC 74H08 | 2 | | | | | | | | | | | | | | | | | | | E8, E35 | |
| 18 | | 1909056 | IC DEC 74H00 | 1 | | | | | | | | | | | | | | | | | | | E9 | |
| 19 | | 1912799 | IC DEC 74LS00 | 8 | | | | | | | | | | | | | | | | | | | E12, E14, E24, E37, E69, E90, E97, E98 | |
| 20 | | 1912646 | IC DEC 74LS253 | 22 | | | | | | | | | | | | | | | | | | | E13, E20, E21, E25, E31, E40, E49, E50, E55, E56, E61, E65, E70, E71, E79, E80, E91, E94, E109, E110, E95, E112 | |

| | | | | | | |
|---|--|---|---|--|--|------|
| "THIS DRAWING AND SPECIFICATIONS, HEREIN, ARE THE PROPERTY OF DIGITAL EQUIPMENT CORPORATION AND SHALL NOT BE REPRODUCED OR COPIED OR USED IN WHOLE OR IN PART AS THE BASIS FOR THE MANUFACTURE OR SALE OF ITEMS WITHOUT WRITTEN PERMISSION. COPYRIGHT © 1977 DIGITAL EQUIPMENT CORPORATION" | TITLE <p style="text-align: center;">WIRE WRAP MODULE</p> | ASSY NO. <p style="text-align: center;">D-UA-M8613-0-0</p> | SIZE <p style="text-align: center;">B</p> | CODE <p style="text-align: center;">PL</p> | NUMBER <p style="text-align: center;">M8613-0-0</p> | REV. |
| | | SHEET 1 OF 2 | INSERTION PARTS LIST DATA BASE REV | | | |

DIGITAL EQUIPMENT CORPORATION PARTS LIST

| | | |
|---|--|---------------------|
| PREPARED BY <i>F. Wilson</i> DATE <i>28 FEB 77</i> | CHECKED <i>RW Counter</i> DATE <i>28 Feb 77</i> | SECTION 1 |
| ENG <i>DJ Anderson</i> DATE <i>6 JUL 77</i> | PROD <i>R Stravinski</i> DATE <i>6 JUL 77</i> | ISSUED SECTION 1 |

QUANTITY / VARIATION

NOTES:

| ITEM NO. | DRAWING NO. | PART NO. | DESCRIPTION | QTY | VAR | UNIT | REF | DESIGNATION |
|----------|------------------|------------|-----------------|-----|-----|------|-----|---|
| | | | | | | | | |
| 21 | | 1912824 | IC DEC 74LS74 | 11 | | | | E15, E23, E29, E48, E52, E60, E66, E67, E78, E81, E82 |
| 22 | | 1912805 | IC DEC 74LS08 | 5 | | | | E17, E30, E68, E87, E93 |
| 23 | | 1909057 | IC DEC 74H10 | 1 | | | | E22 |
| 24 | | 1912859 | IC DEC 74LS258 | 1 | | | | E26 |
| 25 | | 1912813 | IC DEC 74LS27 | 1 | | | | E27 |
| 26 | | 1910842 | IC DEC 74199 | 4 | | | | E28, E43, E58, E88 |
| 27 | | 1912801 | IC DEC 74LS02 | 2 | | | | E38, E75 |
| 28 | | 1912853 | IC DEC 74LS175 | 1 | | | | E39 |
| 29 | | 1912746 | IC DEC 74S37 | 1 | | | | E41 |
| 30 | | 1912844 | IC DEC 74LS151 | 1 | | | | E42 |
| 31 | | 1912808 | IC DEC 74LS11 | 3 | | | | E45, E63, E72 |
| 32 | | 1912807 | IC DEC 74LS10 | 2 | | | | E54, E83 |
| 33 | | 1912863 | IC DEC 74LS273 | 3 | | | | E57, E102, E103 |
| 34 | | 1910623 | IC DEC 74194 | 1 | | | | E107 |
| 35 | | 1912697 | IC DEC 74LS174 | 1 | | | | E113 |
| 36 | D-MD-7418759-0-0 | 7418759-8 | HANDLE REWORK | 1 | | | | |
| 37 | | 9006732 | EYELET | 12 | | | | |
| 38 | | 9009255-01 | LABEL, REVISION | 1 | | | | |

 NO.
 E

THIS DRAWING AND SPECIFICATIONS, HEREIN, ARE THE PROPERTY OF DIGITAL EQUIPMENT CORPORATION AND SHALL NOT BE REPRODUCED OR COPIED OR USED IN WHOLE OR IN PART AS THE BASIS FOR THE MANUFACTURE OR SALE OF ITEMS WITHOUT WRITTEN PERMISSION. COPYRIGHT © 1977 DIGITAL EQUIPMENT CORPORATION"

TITLE
WIRE WRAP MODULE

ASSY NO.
D-UA-M8613-0-0

SHEET 2 OF 2

SIZE
B

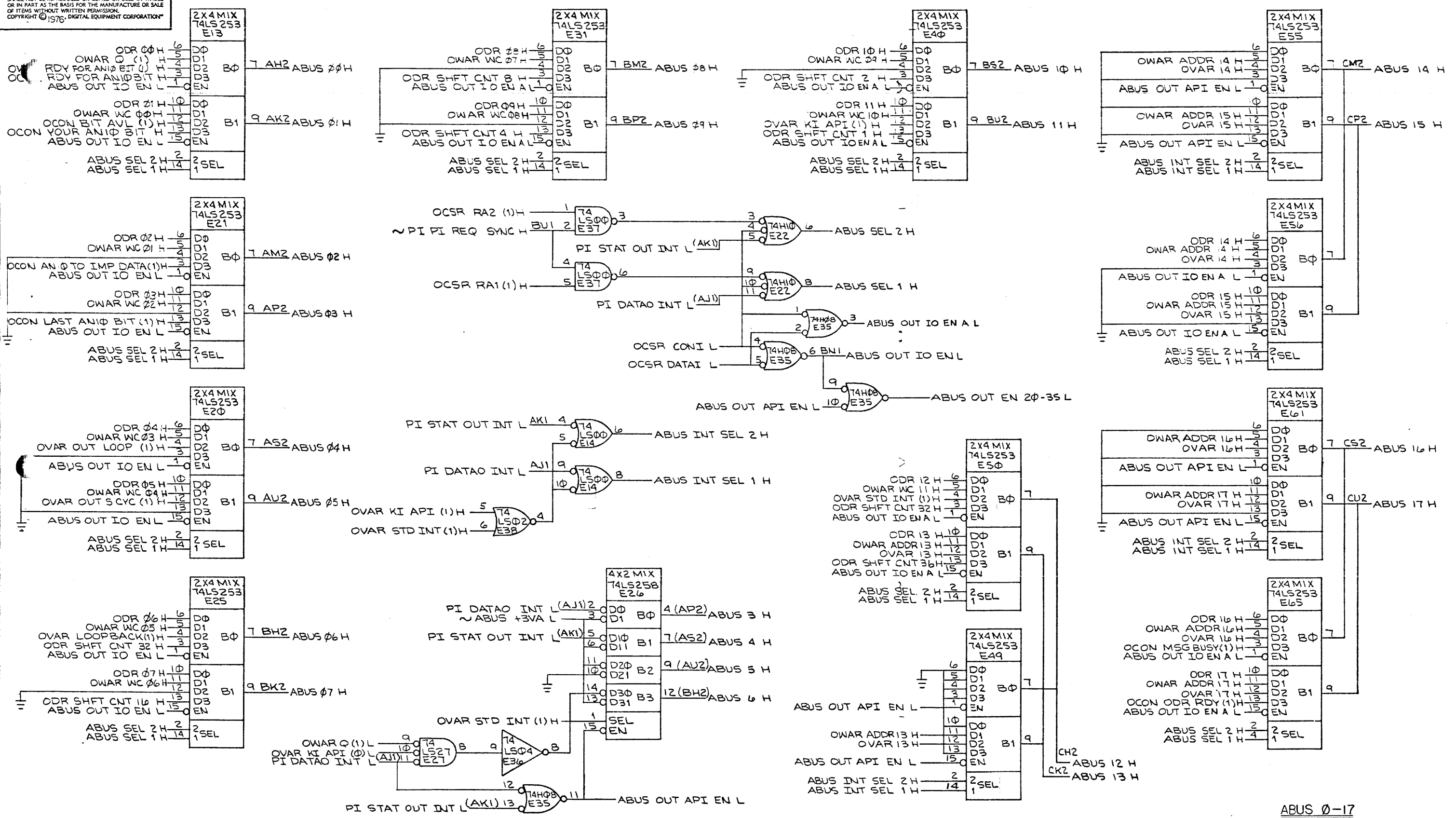
CODE
PL

NUMBER
M8613-0-0

INSERTION PARTS LIST DATA BASE REV

REV.

THIS DRAWING AND SPECIFICATIONS, HEREIN, ARE THE PROPERTY OF DIGITAL EQUIPMENT CORPORATION AND SHALL NOT BE REPRODUCED OR COPIED OR USED IN WHOLE OR IN PART AS THE BASIS FOR THE MANUFACTURE OR SALE OF ITEMS WITHOUT WRITTEN PERMISSION. COPYRIGHT © 1976, DIGITAL EQUIPMENT CORPORATION



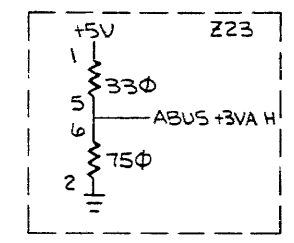
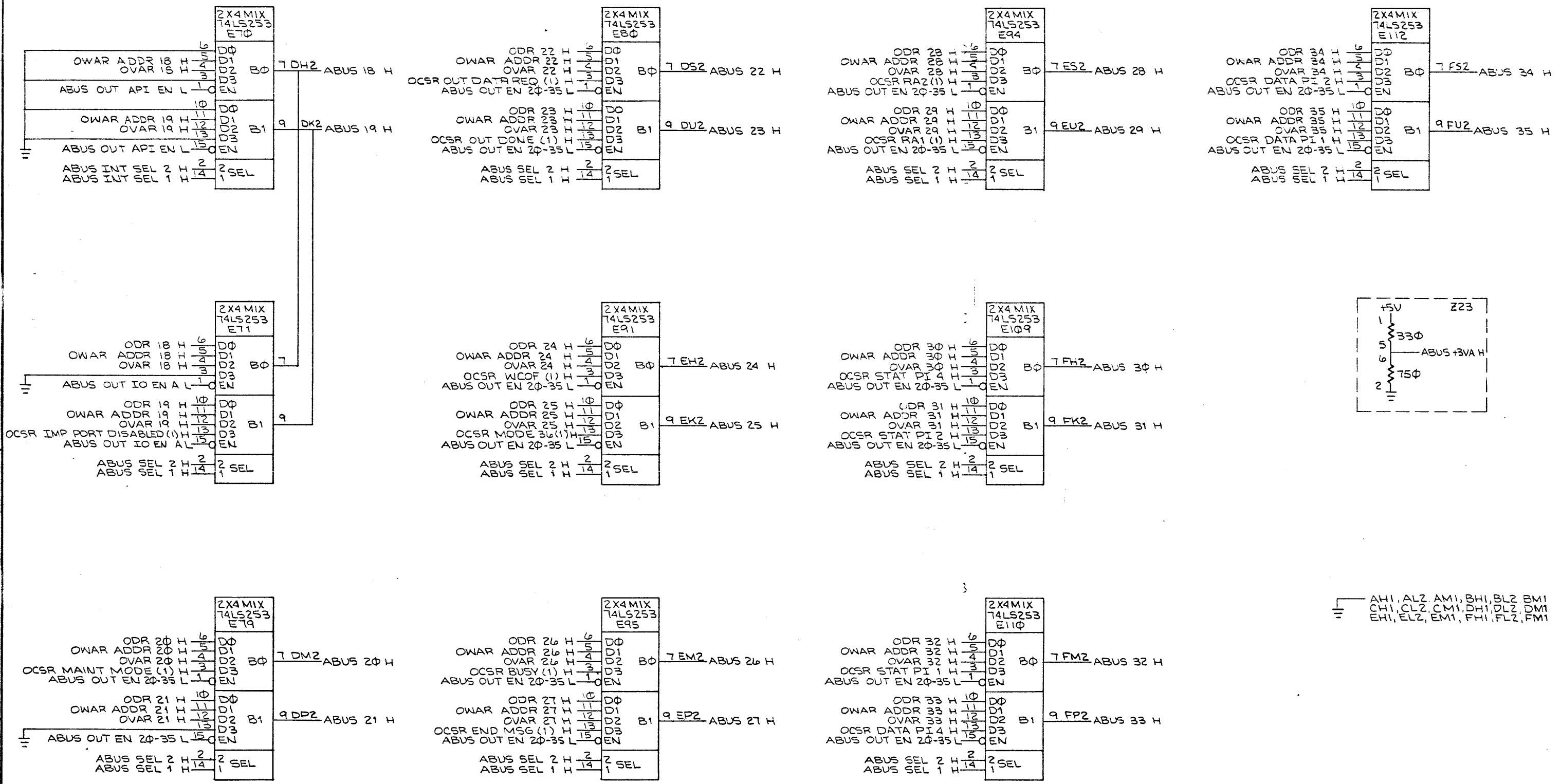
| | |
|------------|---|
| REV. | 8 |
| CHANGE NO. | 7 |
| CHK | 6 |

| | | | | |
|-------------------|------|----------------------|--------------|---------|
| DRN. R.W. Coates | DATE | FIRST USED ON | ANIO | digital |
| CHK'D R.W. Coates | DATE | TITLE | ABUS 0-35 | |
| ENG. J. Coates | DATE | PROJ. ENG. J. Coates | ABUS 0-35 | |
| PROD. J. Coates | DATE | NEXT HIGHER ASSY. | E-DD-M8613-0 | |
| SCALE | + | SIZE | CODE | NUMBER |
| SHEET | 1 | OF | 2 | DIST. |

REV. 1
NUMBER 1
SIZE CODE D
CS M8613-0-ABUS

A

"THIS DRAWING AND SPECIFICATIONS, HEREIN, ARE THE PROPERTY OF DIGITAL EQUIPMENT CORPORATION AND SHALL NOT BE REPRODUCED OR COPIED OR USED IN WHOLE OR IN PART AS THE BASIS FOR THE MANUFACTURE OR SALE OF ITEMS WITHOUT WRITTEN PERMISSION. COPYRIGHT © 1976 DIGITAL EQUIPMENT CORPORATION"

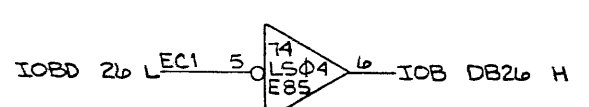
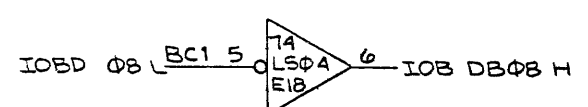
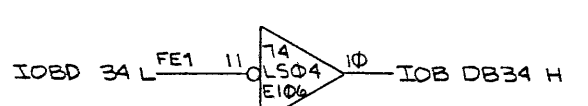
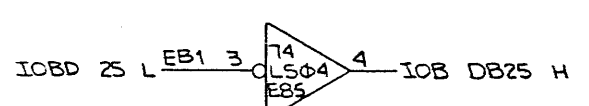
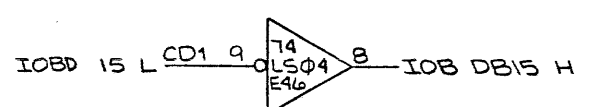
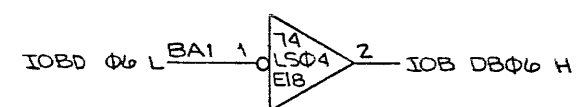
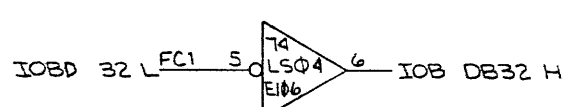
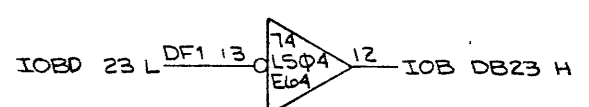
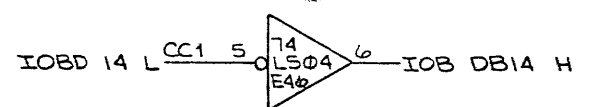
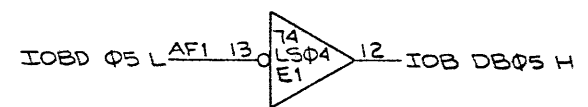
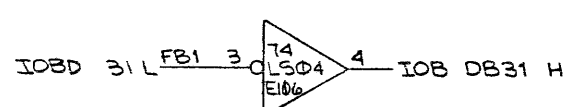
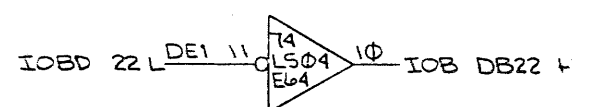
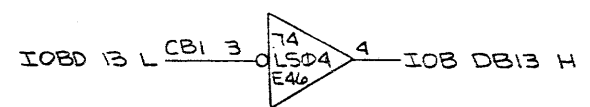
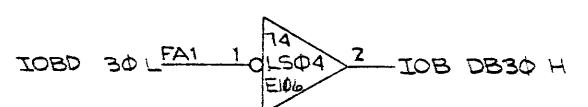
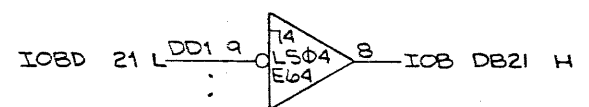
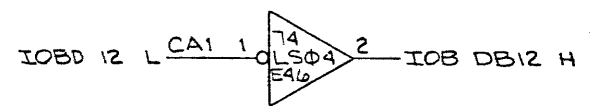
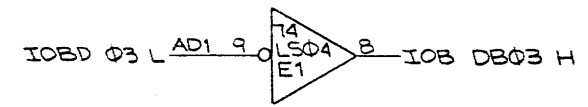
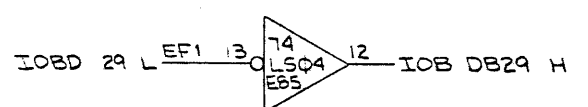
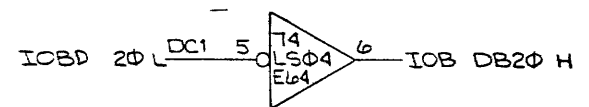
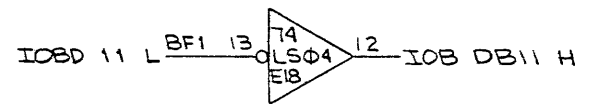
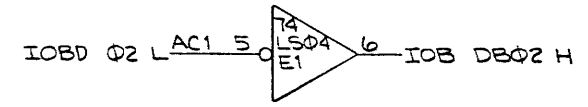
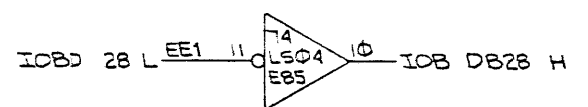
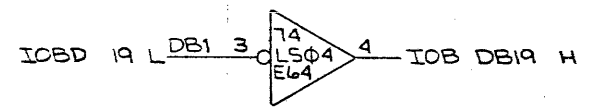
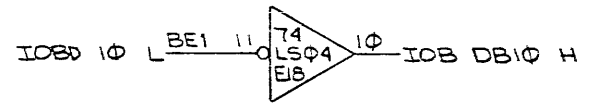
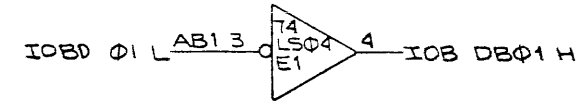
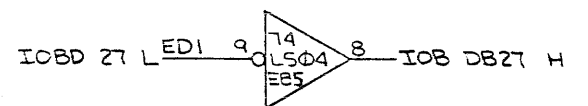
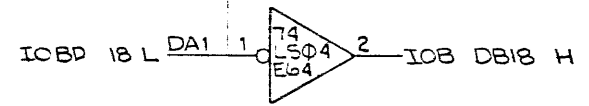
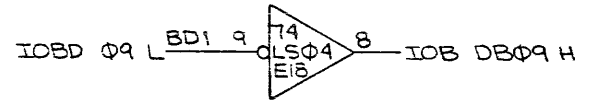
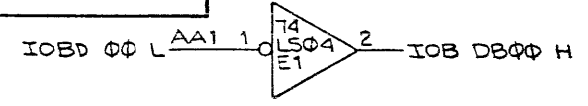


AH1, AL2, AM1, BH1, BL2, BM1
 CH1, CL2, CM1, DH1, DL2, DM1
 EH1, EL2, EM1, FH1, FL2, FM1

ABUS 18-35

| REVISIONS | | |
|-----------|------------|------|
| CHK | CHANGE NO. | REV. |
| | | |

THIS DRAWING AND SPECIFICATIONS, HEREIN, ARE THE PROPERTY OF DIGITAL EQUIPMENT CORPORATION AND SHALL NOT BE REPRODUCED OR COPIED OR USED IN WHOLE OR IN PART AS THE BASIS FOR THE MANUFACTURE OR SALE OF ITEMS WITHOUT WRITTEN PERMISSION. COPYRIGHT © 1978 DIGITAL EQUIPMENT CORPORATION

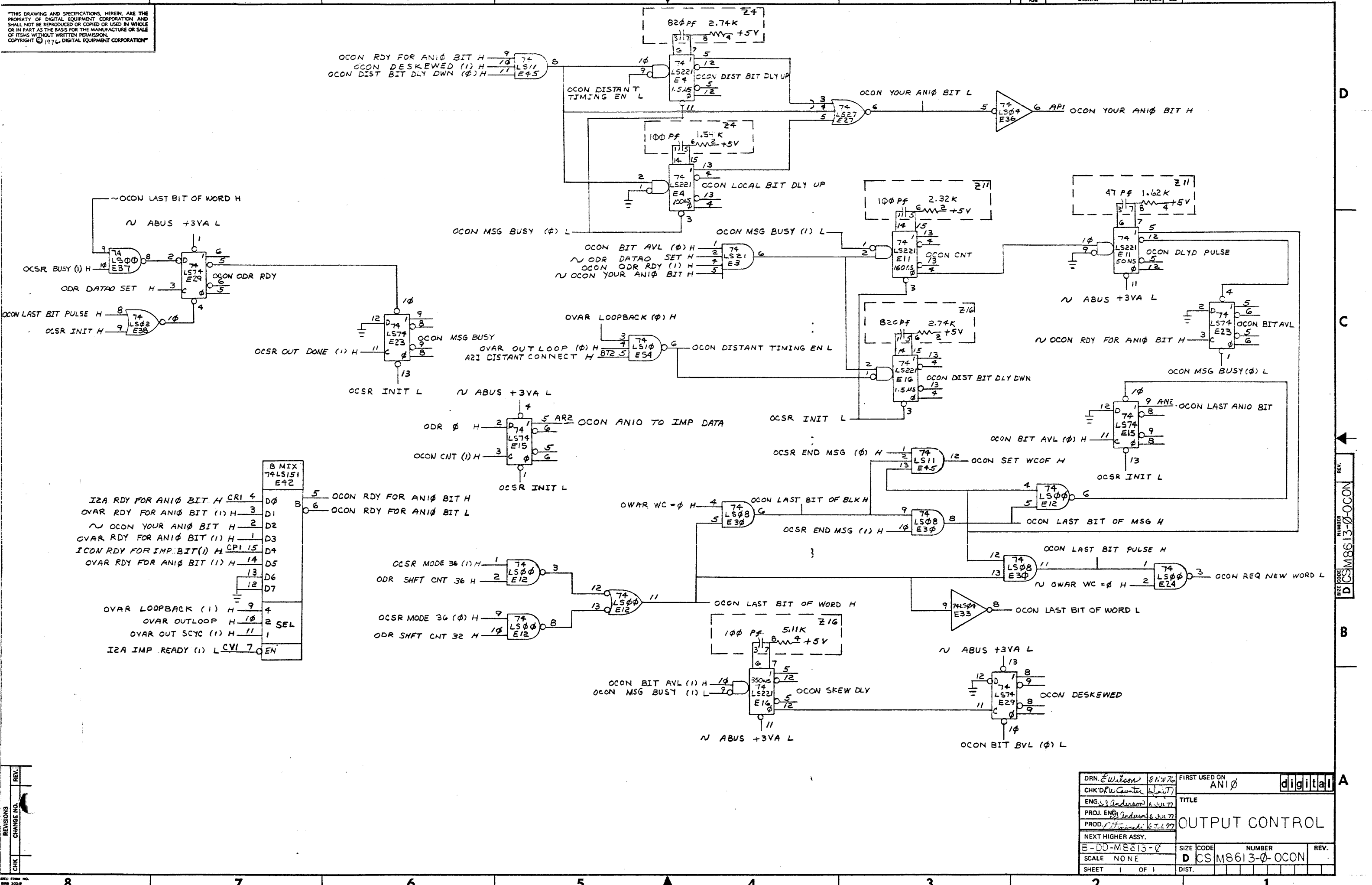


| | |
|------|--|
| REV. | |
| CHG | |
| CHK | |

| | | | | |
|------------------------|-----------|---------------|----------------------|-------------|
| DRN: R. Cantor | 20 DEC 76 | FIRST USED ON | ANIO | digital |
| CHK: D. Cantor | 5 JUN 77 | TITLE | IO BUS DATA BUFFERED | |
| ENG: J. Anderson | 6 JUL 77 | SCALE | | |
| PROJ. ENG: J. Anderson | 6 JUL 77 | SHEET | 1 | OF 1 |
| PROD. J. Anderson | 6 JUL 77 | DIST. | | |
| NEXT HIGHER ASSY. | | SIZE | CODE | NUMBER |
| B-DD-M8613-0 | | D | CS | M8613-0-IOB |
| | | REV. | | |

REV. 1
M8613-0-IOB

"THIS DRAWING AND SPECIFICATIONS, HEREIN, ARE THE PROPERTY OF DIGITAL EQUIPMENT CORPORATION AND SHALL NOT BE REPRODUCED OR COPIED OR USED IN WHOLE OR IN PART AS THE BASIS FOR THE MANUFACTURE OR SALE OF ITEMS WITHOUT WRITTEN PERMISSION. COPYRIGHT © 1976, DIGITAL EQUIPMENT CORPORATION"

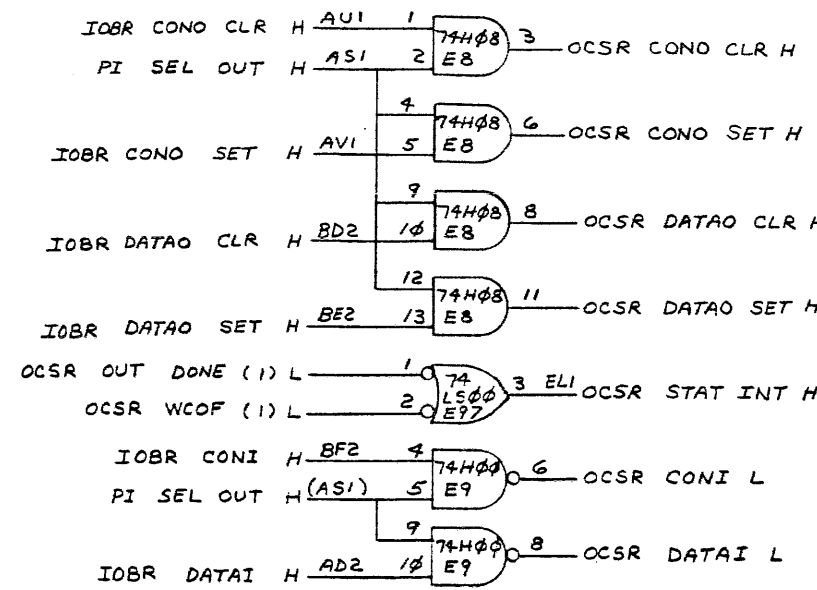
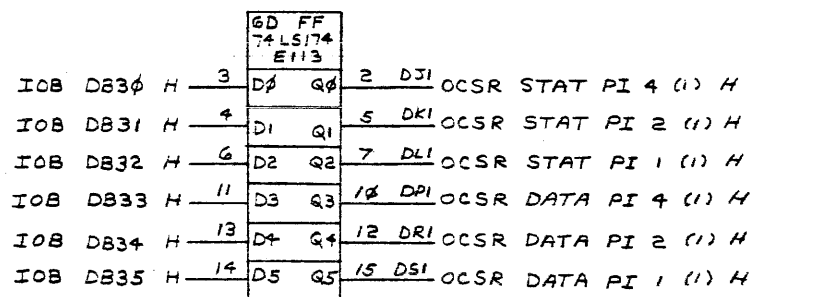
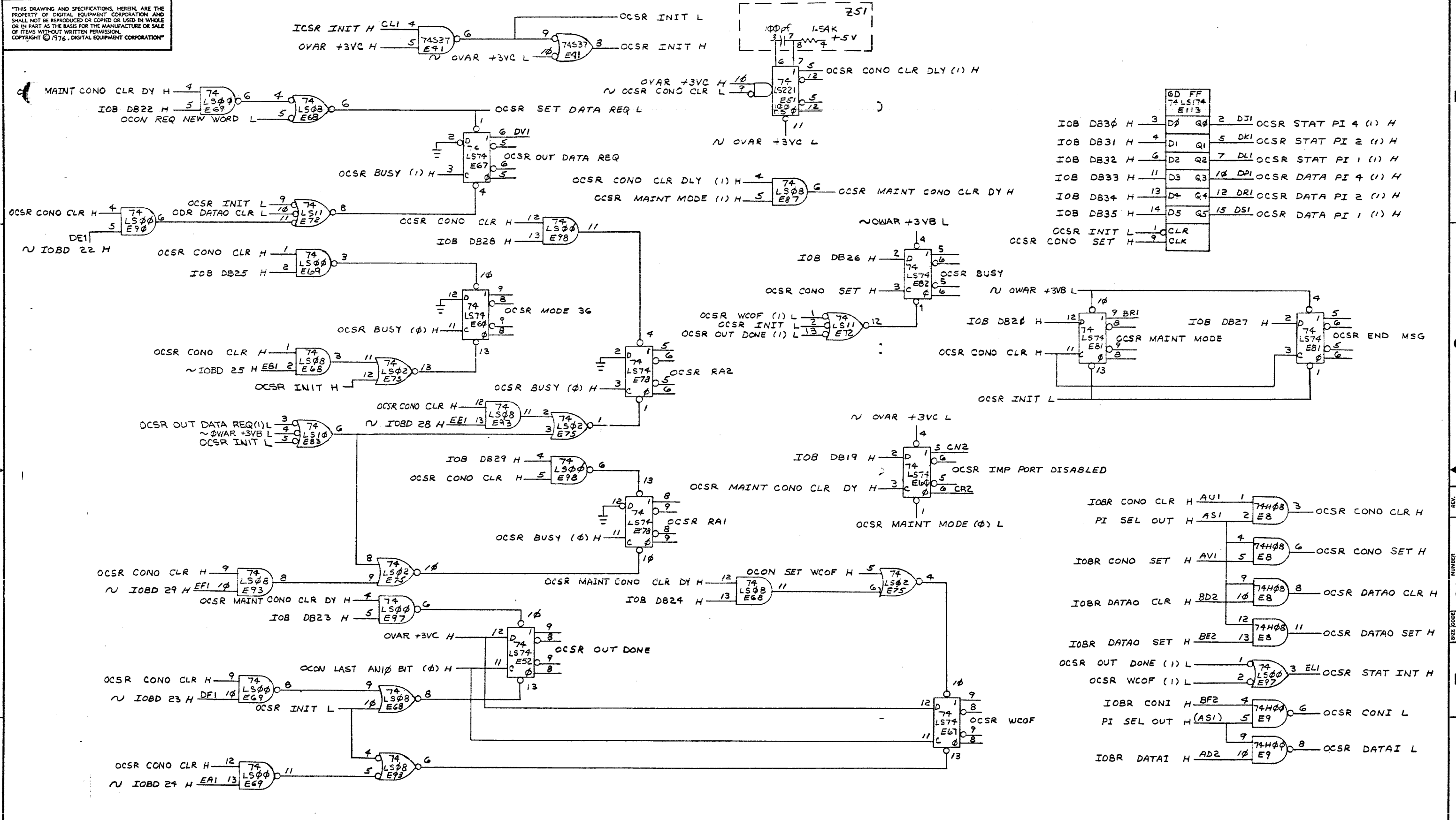


| REV. | CHANGE NO. | DESCRIPTION |
|------|------------|-------------|
| | | |
| | | |

| | | | | |
|------------------------|-----------|----------------------|----------------|---------|
| DRN. E. Wilson | 8/11/76 | FIRST USED ON | ANIØ | digital |
| CHK'D R. G. Carter | 8/11/76 | TITLE | OUTPUT CONTROL | |
| ENG. S. J. Anderson | 6/11/77 | PROJECT | | |
| PROJ. ENG. J. Anderson | 6/11/77 | PROD. S. J. Anderson | 6/3/77 | |
| NEXT HIGHER ASSY. | | | | |
| E-DD-M8615-Ø | SIZE CODE | NUMBER | REV. | |
| SCALE NONE | D | CS M8613-Ø-OCON | | |
| SHEET 1 | OF 1 | DIST. | | |

REV. NUMBER CS M8613-Ø-OCON

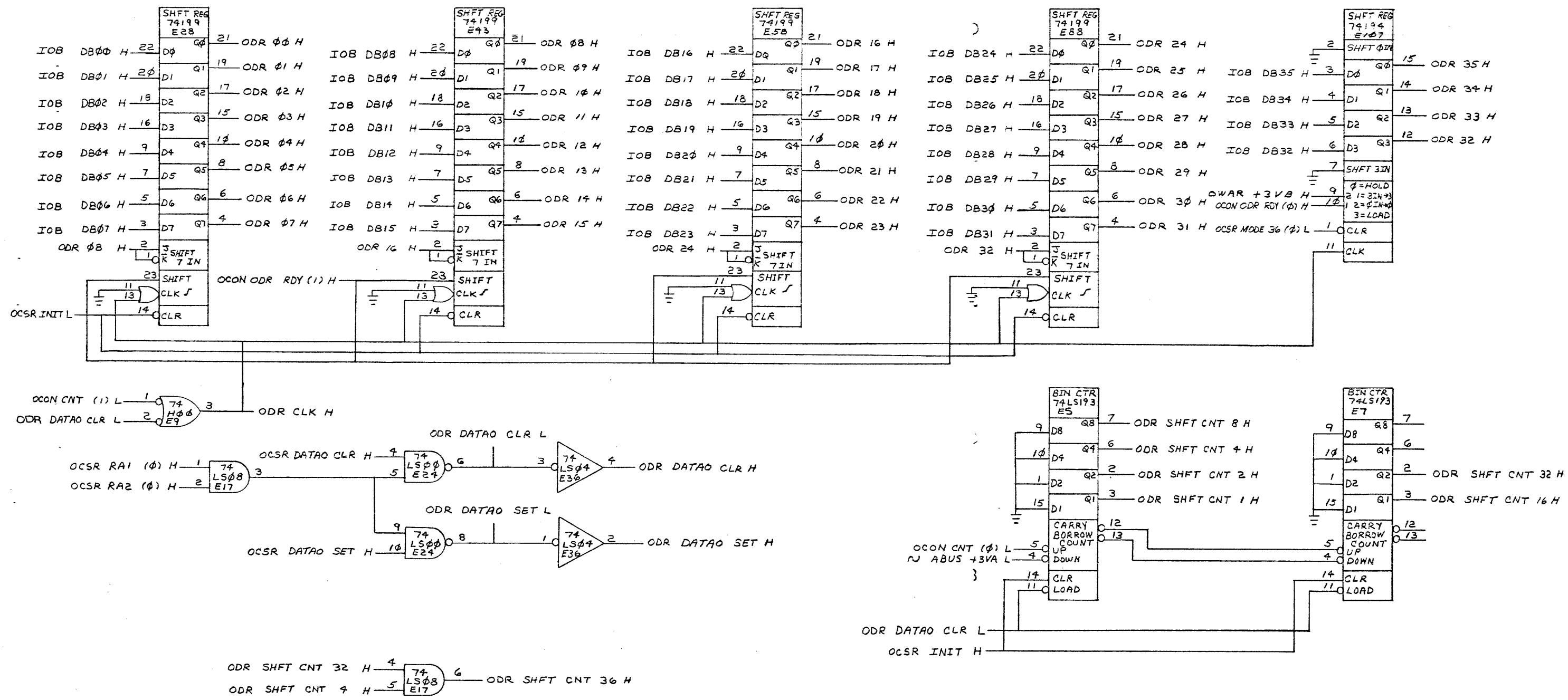
"THIS DRAWING AND SPECIFICATIONS, HEREIN, ARE THE PROPERTY OF DIGITAL EQUIPMENT CORPORATION AND SHALL NOT BE REPRODUCED OR COPIED OR USED IN WHOLE OR IN PART AS THE BASIS FOR THE MANUFACTURE OR SALE OF ITEMS WITHOUT WRITTEN PERMISSION. COPYRIGHT © 1976, DIGITAL EQUIPMENT CORPORATION"



REVISIONS
NO. CHANGE NO. REV.

| | | | | |
|--------------------------|---------|-------------------------------|--------------------------------|---------|
| DRN. <i>E. Wilson</i> | 4/10/76 | FIRST USED ON | ANIØ | digital |
| CHK'D R/W <i>Carroll</i> | 5/1/77 | TITLE | OUTPUT CONTROL STATUS REGISTER | |
| ENG. <i>S. Anderson</i> | 6/10/77 | PROJ. ENG. <i>S. Anderson</i> | 6/10/77 | |
| PROD. <i>R. Trammell</i> | 6/15/77 | NEXT HIGHER ASSY. | | |
| E-DD-M8613-C | | SIZE CODE | NUMBER | REV. |
| SCALE NONE | | D | CS M8613-0-OCSR | |
| SHEET 1 OF 1 | | DIST. | | |

THIS DRAWING AND SPECIFICATIONS, HEREIN, ARE THE PROPERTY OF DIGITAL EQUIPMENT CORPORATION AND SHALL NOT BE REPRODUCED OR COPIED OR USED IN WHOLE OR IN PART AS THE BASIS FOR THE MANUFACTURE OR SALE OF ITEMS WITHOUT WRITTEN PERMISSION. COPYRIGHT © 1976, DIGITAL EQUIPMENT CORPORATION

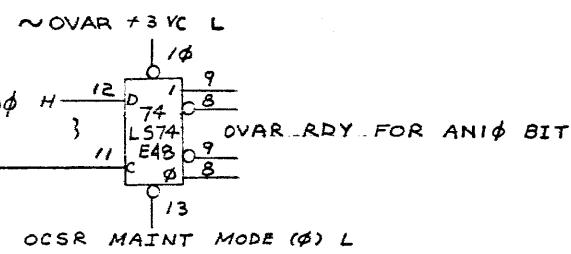
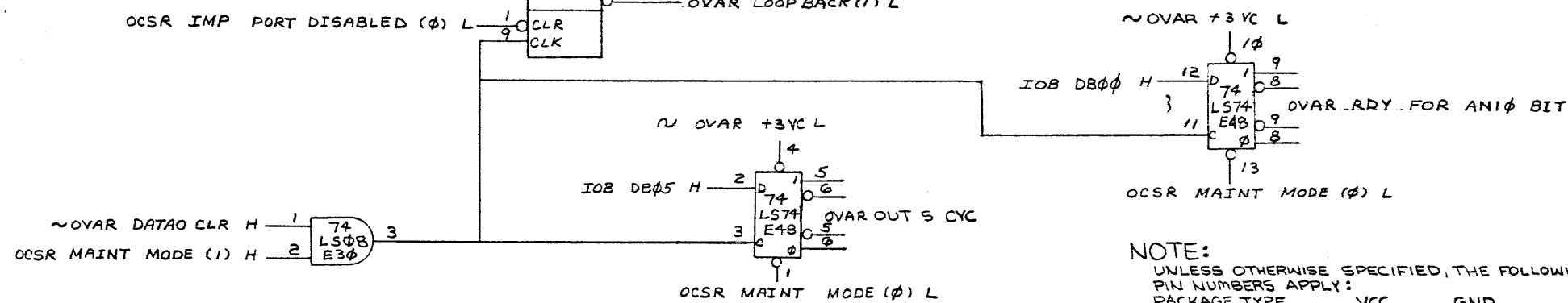
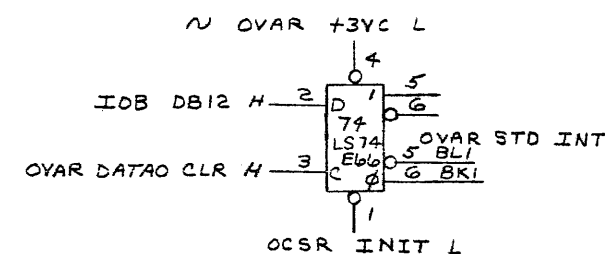
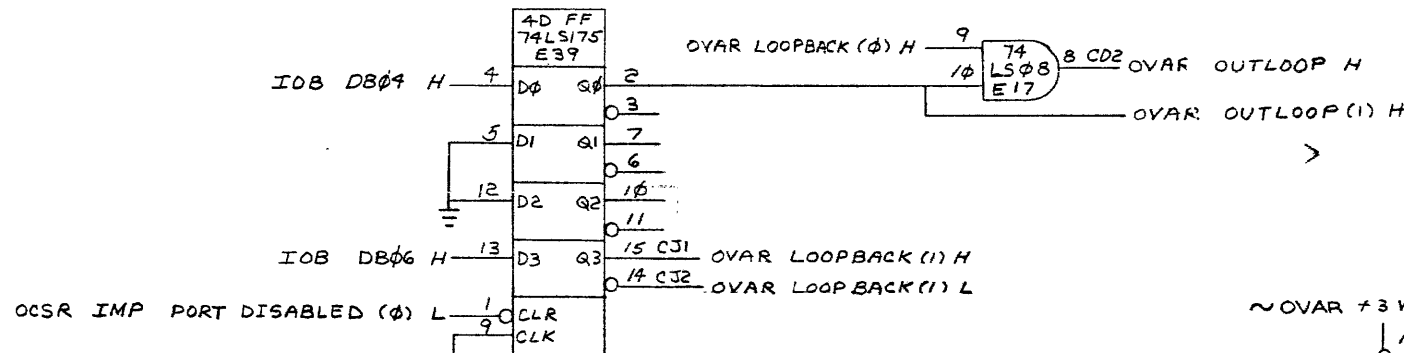
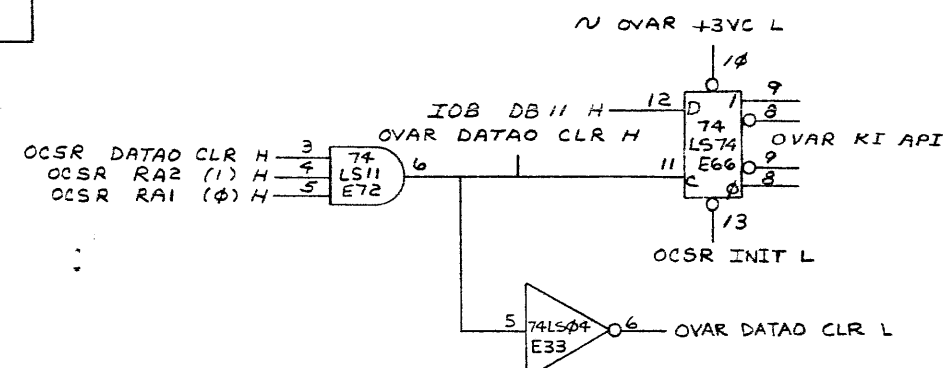
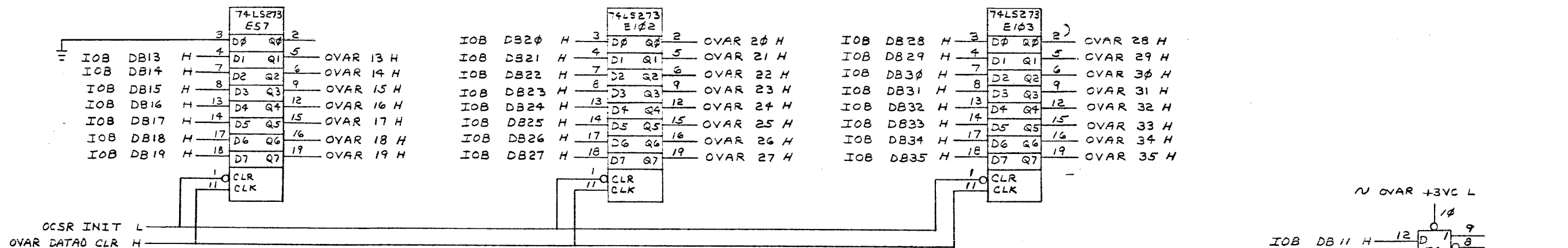


| | |
|------|--|
| REV. | |
| CHG | |
| CHG | |
| CHG | |

| | | | |
|--------------------------|----------|---------------|----------------------|
| DRN. <i>Wilson</i> | 9 Nov 76 | FIRST USED ON | digital |
| CHK'D R. <i>Carroll</i> | | TITLE | OUTPUT DATA REGISTER |
| ENG. <i>Wilson</i> | 6 Nov 77 | SCALE | NONE |
| PROJ. ENG. <i>Bedner</i> | 6 Nov 77 | SHEET | 1 OF 1 |
| PROD. <i>Wilson</i> | 6 Nov 77 | DIST. | |
| B-DD-M8613-0 | | SIZE CODE | D CS M8613-0-ODR |
| NEXT HIGHER ASSY. | | NUMBER | |

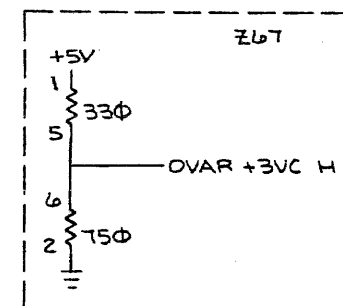
REV. NUMBER DCS M8613-0-ODR

THIS DRAWING AND SPECIFICATIONS, HEREIN, ARE THE PROPERTY OF DIGITAL EQUIPMENT CORPORATION AND SHALL NOT BE REPRODUCED OR COPIED OR USED IN WHOLE OR IN PART AS THE BASIS FOR THE MANUFACTURE OR SALE OF ITEMS WITHOUT WRITTEN PERMISSION. COPYRIGHT © 1976, DIGITAL EQUIPMENT CORPORATION



NOTE:
UNLESS OTHERWISE SPECIFIED, THE FOLLOWING PIN NUMBERS APPLY:

| PACKAGE TYPE | VCC | GND |
|----------------|-----|-----|
| 16 PIN DIP | 16 | 8 |
| 14 PIN DIP | 14 | 7 |
| IC DEC 74199 | 24 | 12 |
| IC DEC 74LS273 | 20 | 10 |



| | | | |
|----------------------------------|---------------------------------------|--------------------------------|----------------|
| DRN. <i>E. Wilson</i> 3 Nov 76 | FIRST USED ON | ANIO | digital |
| CHK'D R. Counter 6/10/77 | TITLE | OUTPUT VECTOR ADDRESS REGISTER | |
| ENG. <i>V. Anderson</i> 6/10/77 | PROJ. ENG. <i>V. Anderson</i> 6/10/77 | SIZE CODE | NUMBER |
| PROD. <i>P. Anderson</i> 6/10/77 | NEXT HIGHER ASSY. | D | CSM8613-0-OVAR |
| E-DD-M8613-0 | SCALE NONE | DIST. | |
| SHEET 1 OF 1 | | | |

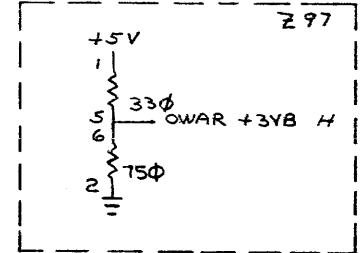
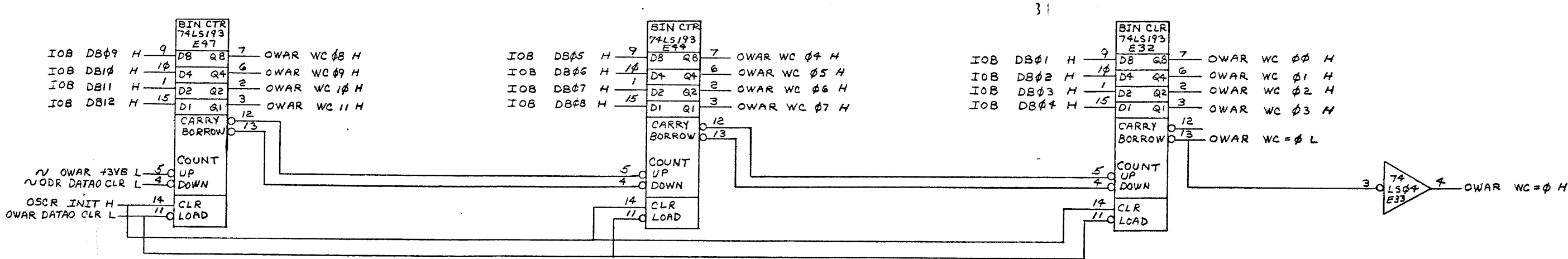
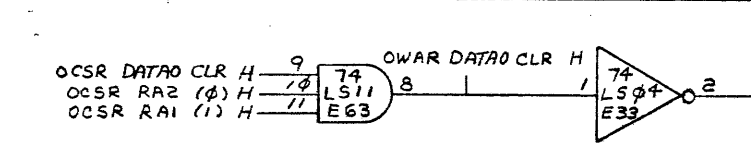
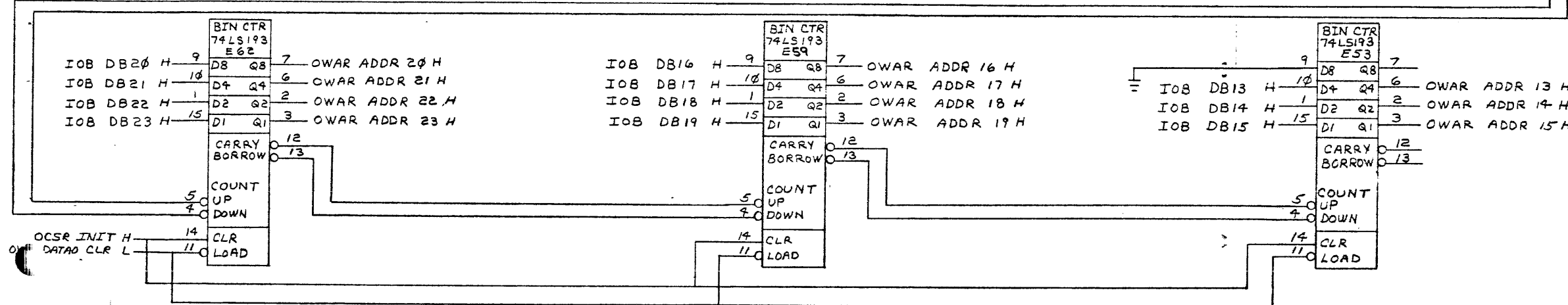
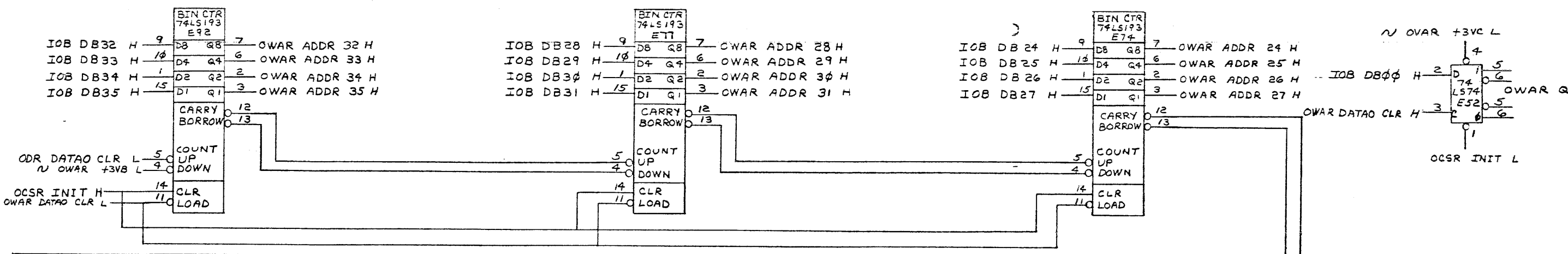
REVISIONS
CHK CHANGE NO. REV.

REV. NUMBER
D C S M 8 6 1 3 - 0 - O V A R

B

A

THIS DRAWING AND SPECIFICATIONS, HEREIN, ARE THE PROPERTY OF DIGITAL EQUIPMENT CORPORATION AND SHALL NOT BE REPRODUCED OR COPIED OR USED IN WHOLE OR IN PART AS THE BASIS FOR THE MANUFACTURE OR SALE OF ITEMS WITHOUT WRITTEN PERMISSION. COPYRIGHT © 1976, DIGITAL EQUIPMENT CORPORATION



| | | | | |
|-------------------------|----------|---------------|-----------------------------------|--------------|
| DRN. <i>Wilson</i> | 3 Nov 76 | FIRST USED ON | ANIØ | digital |
| CHK'D BY <i>Counter</i> | 6/11/77 | TITLE | OUTPUT WORDCOUNT ADDRESS REGISTER | |
| ENG. <i>Indur</i> | 6/11/77 | SCALE | NONE | |
| PROD. <i>Indur</i> | 6/11/77 | SHEET | 1 OF 1 | |
| NEXT HIGHER ASSY. | | SIZE | CODE | NUMBER |
| B-DD-M8613-Ø | | D | CS | M8613-Ø-OWAR |
| REV. | | | | |

REVISIONS
CHANGE
CHK

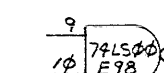
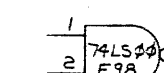
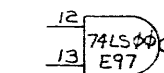
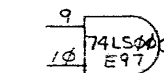
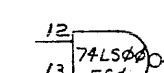
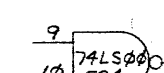
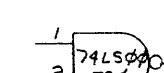
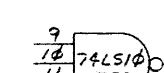
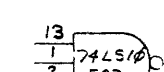
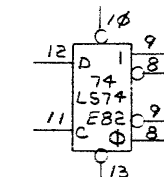
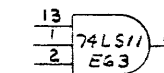
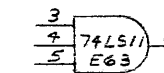
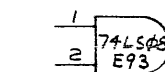
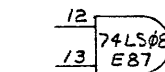
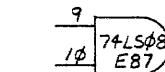
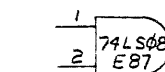
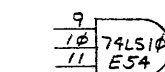
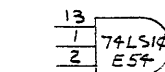
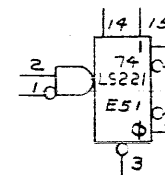
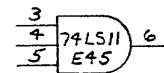
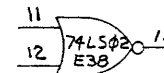
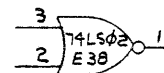
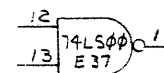
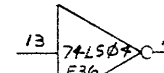
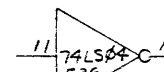
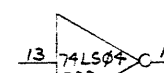
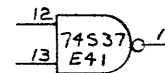
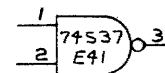
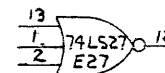
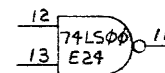
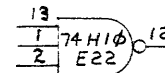
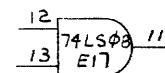
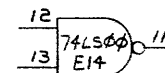
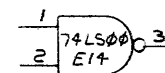
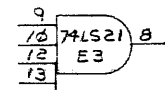
D

C

B

A

"THIS DRAWING AND SPECIFICATIONS, HEREIN, ARE THE PROPERTY OF DIGITAL EQUIPMENT CORPORATION AND SHALL NOT BE REPRODUCED OR COPIED OR USED IN WHOLE OR IN PART AS THE BASIS FOR THE MANUFACTURE OR SALE OF ITEMS WITHOUT WRITTEN PERMISSION. COPYRIGHT © 1977, DIGITAL EQUIPMENT CORPORATION"



REV. 1
CHK CHANGE NO.

| | | | |
|---|---------------|-------------|------------|
| DRN. <i>Wilson</i> 28 Feb 77 | FIRST USED ON | AN10 | digital |
| CHK'D <i>W.C. Carter</i> 2 MAR 77 | TITLE | SPARE IC.'S | |
| ENG. <i>J. Anderson</i> 6 JUL 77 | SCALE | NONE | |
| PROJ. ENGR. <i>J. Anderson</i> 6 JUL 77 | SHEET | 1 | OF 1 |
| PROD. <i>J. Anderson</i> 6 JUL 77 | DIST. | | |
| NEXT HIGHER ASSY. | SIZE | CODE | NUMBER |
| B-00-M8613-0 | D | CS | M8613-0-SP |
| SCALE | REV. | | |

D
C
B
A

REV. 1
NUMBER
D CS M8613-0-SP

| DRAWING NO. | NO. OF SHTS | PART NO. | DESCRIPTION | REVISIONS | | | | | | | | | | | | | | | | | | | | | | |
|-------------------|-------------|----------|----------------------------------|-----------|---|---|---|---|---|---|---|---|----|----|----|----|--|--|--|--|--|--|--|--|--|--|
| | | | | 1 | 2 | 3 | 4 | 5 | 6 | 7 | 8 | 9 | 10 | 11 | 12 | 13 | | | | | | | | | | |
| D-UA-M8614-Ø-Ø | 2 | | WIRE WRAP MODULE | - | | | | | | | | | | | | | | | | | | | | | | |
| B-PL-M8614-Ø-Ø | 3 | | WIRE WRAP MODULE | - | | | | | | | | | | | | | | | | | | | | | | |
| D-CS-M8614-Ø-ABUS | 2 | | ABUS Ø-35 | - | | | | | | | | | | | | | | | | | | | | | | |
| D-CS-M8614-Ø-IDR | 1 | | INPUT DATA REGISTOR | - | | | | | | | | | | | | | | | | | | | | | | |
| D-CS-M8614-Ø-ICSR | 1 | | INPUT CONTROL STATUS REGISTER | - | | | | | | | | | | | | | | | | | | | | | | |
| D-CS-M8614-Ø-ICON | 1 | | INPUT CONTROL | - | | | | | | | | | | | | | | | | | | | | | | |
| D-CS-M8614-Ø-IWAR | 1 | | INPUT WORDCOUNT ADDRESS REGISTER | - | | | | | | | | | | | | | | | | | | | | | | |
| D-CS-M8614-Ø-IOB | 1 | | IO BUS DATA BUFFERED | - | | | | | | | | | | | | | | | | | | | | | | |
| D-CS-M8614-Ø-IVAR | 1 | | INPUT VECTOR ADDRESS REGISTER | - | | | | | | | | | | | | | | | | | | | | | | |
| D-CS-M8614-Ø-SP | 1 | | SPARE IC'S | - | | | | | | | | | | | | | | | | | | | | | | |
| | | | | | | | | | | | | | | | | | | | | | | | | | | |
| K-WL-M8614-Ø-WL | | | WIRE LIST M8614 | | | | | | | | | | | | | | | | | | | | | | | |
| | | | | | | | | | | | | | | | | | | | | | | | | | | |
| B-DD-W93Ø2-Ø | 1 | | WIRE WRAP MODULE (HEX) | REF | | | | | | | | | | | | | | | | | | | | | | |

NOTES:

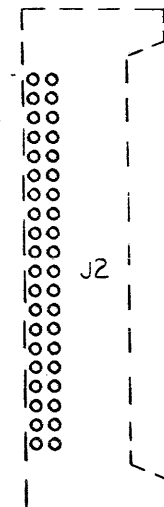
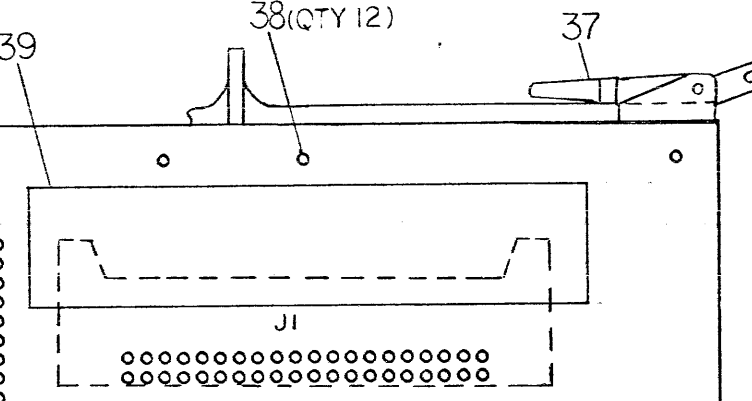
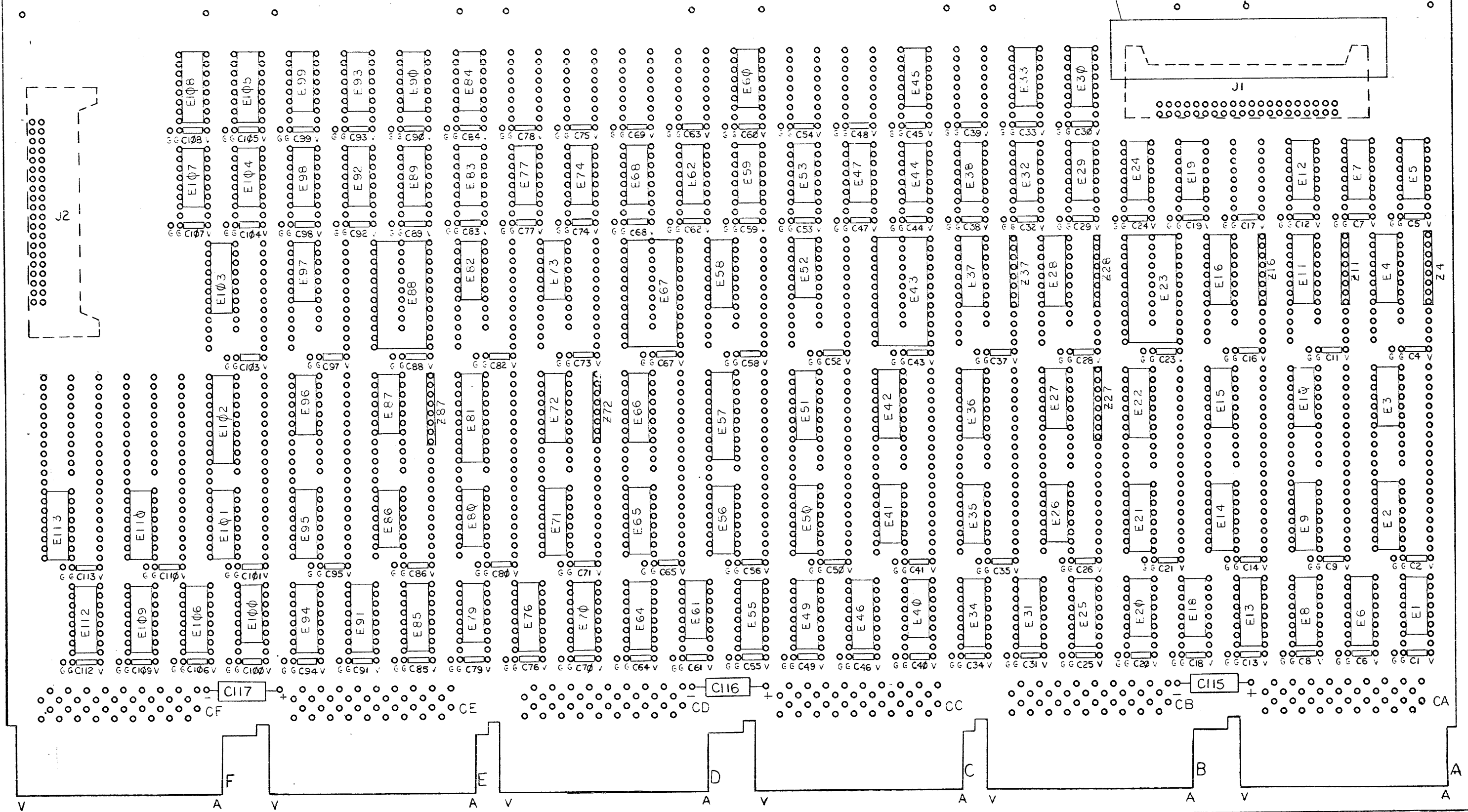
| REVISIONS | DATE | CHG NO. | REV. | ORIG | | | | | | | | | | | | | | | | | | | | | | |
|-----------|------|---------|------|------|---|---|---|---|---|---|---|---|---|----|----|----|----|--|--|--|--|--|--|--|--|--|
| | | | | | 1 | 2 | 3 | 4 | 5 | 6 | 7 | 8 | 9 | 10 | 11 | 12 | 13 | | | | | | | | | |
| | | | | | | | | | | | | | | | | | | | | | | | | | | |
| | | | | | | | | | | | | | | | | | | | | | | | | | | |

THIS DRAWING AND SPECIFICATIONS, HEREIN, ARE THE PROPERTY OF DIGITAL EQUIPMENT CORPORATION AND SHALL NOT BE REPRODUCED OR COPIED OR USED IN WHOLE OR IN PART AS THE BASIS FOR THE MANUFACTURE OR SALE OF ITEMS WITHOUT WRITTEN PERMISSION.
COPYRIGHT © 1977 DIGITAL EQUIPMENT CORPORATION



| | | | | | |
|----------------------|--|--------------------------|-----------|------------------|---------|
| USED ON OPTION/MODEL | | DRN. <i>E. Wilson</i> | 28 FEB 77 | TITLE | |
| AN1Ø | | CHK'D <i>RW Caunter</i> | 28 FEB 77 | WIRE WRAP MODULE | |
| | | ENG <i>J. Anderson</i> | 6 JUL 77 | SIZE CODE | NUMBER |
| | | PROD. <i>R. Tominski</i> | 6 JUL 77 | B DD | M8614-Ø |
| | | | | SHEET 1 OF 1 | |

THIS DRAWING AND SPECIFICATIONS HEREIN ARE THE PROPERTY OF DIGITAL EQUIPMENT CORPORATION AND SHALL NOT BE REPRODUCED OR COPIED OR USED IN WHOLE OR IN PART AS THE BASIS FOR THE MANUFACTURE OR SALE OF ITEMS WITHOUT WRITTEN PERMISSION.
 COPYRIGHT © 1976 DIGITAL EQUIPMENT CORPORATION



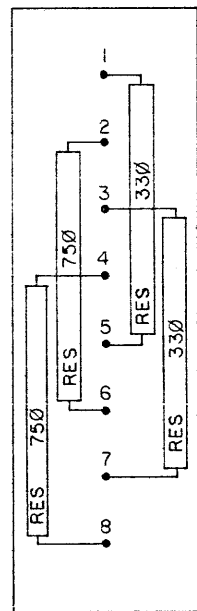
NOTES: 1. REMOVE CONNECTORS J1 & J2 AND RETURN TO STOCK.

| CHK | CHANGE NO | REV |
|-----|-----------|-----|
| | | |
| | | |
| | | |

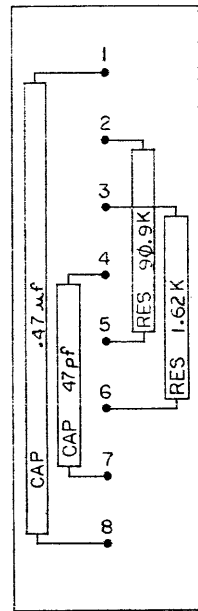
| SIGNATURES | DATE | digital |
|--------------------------|--------------------|---------------------------|
| DRN. <i>[Signature]</i> | 1/15/76 | |
| CHK. <i>[Signature]</i> | 1/15/76 | TITLE WIRE WRAP MODULE |
| ENG. <i>[Signature]</i> | 6/20/77 | |
| PRCJ. <i>[Signature]</i> | 6/20/77 | |
| PRCD. <i>[Signature]</i> | 16 JUL 77 | |
| SCALE 2/1 | SIZE CODE | NUMBER |
| SHT. 1 OF 2 | DUA M8614-0-0 | |
| ETCH REV A | FIRST USED ON AN12 | |

DUA M8614-0-0
 NUMBER
 1 MS#

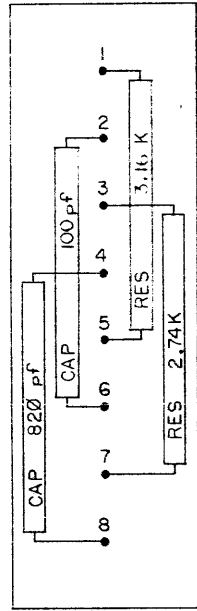
THIS DRAWING AND SPECIFICATIONS, HEREIN, ARE THE PROPERTY OF DIGITAL EQUIPMENT CORPORATION AND SHALL NOT BE REPRODUCED OR COPIED OR USED IN WHOLE OR IN PART AS THE BASIS FOR THE MANUFACTURE OR SALE OF ITEMS WITHOUT WRITTEN PERMISSION. COPYRIGHT © 1977 DIGITAL EQUIPMENT CORPORATION



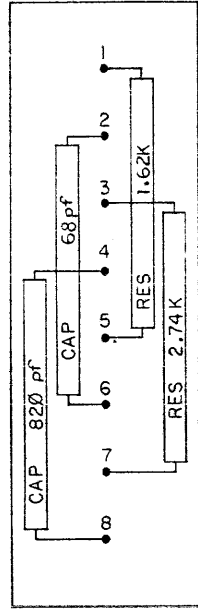
Z27, Z87



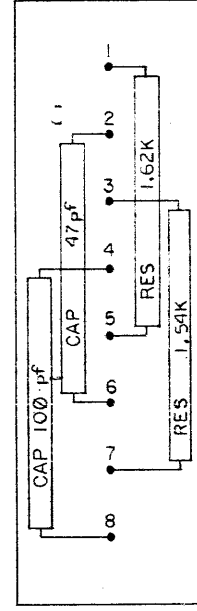
Z37



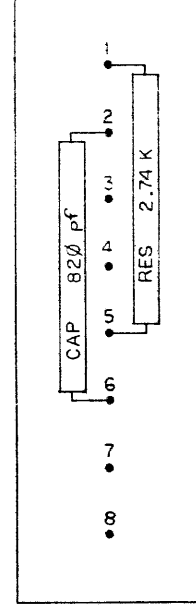
Z4



Z11



Z16, Z28



Z72

| REVISIONS | | | TITLE | | SIZE CODE | NUMBER | | REV. |
|-----------|------------|------|------------------|-----|-----------|---------------|------|-------|
| CHK | CHANGE NO. | REV. | WIRE WRAP MODULE | | D UA | M8614 - 0 - 0 | | |
| | | | SCALE | --- | SHEET | 2 | OF 2 | DIST. |
| | | | | | | | | |

SIZE CODE D UA NUMBER M8614 - 0 - 0 REV.

DIGITAL EQUIPMENT CORPORATION PARTS LIST

QUANTITY / VARIATION

NOTES: 1. FOR LOCATIONS OF ITEMS
2 THRU 14 SEE SHT 2
OF UA

DESIGNED BY *F. Wilson*
DATE *28 FEB 77*

CHECKED *RW Cumber*
DATE *28 Feb 77*

SECTION
1

ENGINEERED BY *D. J. Anderson*
DATE *6 JUL 77*

PROD *R. Stravinski*
DATE *6 JUL 77*

ISSUED SECTION
1

| ITEM NO. | DRAWING NO. | PART NO. | DESCRIPTION | QUANTITY | VARIATION | | | | | | | | | | REF DESIGNATION | | |
|----------|----------------|----------|--------------------------|----------|-----------|--|--|--|--|--|--|--|--|--|-----------------|---|------------|
| 1 | D-UA-W9302-0-0 | W9302 | WIRE WRAP MODULE (HEX) | 1 | | | | | | | | | | | | | |
| 2 | | 1000011 | CAP 47PF 5% | 3 | | | | | | | | | | | | | SEE NOTE * |
| 3 | | 1000016 | CAP 100PF 5% | 3 | | | | | | | | | | | | | |
| 4 | | 1000027 | CAP 820PF 5% | 3 | | | | | | | | | | | | | |
| 5 | | 1010279 | CAP .47MF 10% | 1 | | | | | | | | | | | | | |
| 6 | | 1300295 | RES 330 5% 1/4W | 4 | | | | | | | | | | | | | |
| 7 | | 1301401 | RES 750 5% 1/4W | 4 | | | | | | | | | | | | | |
| 8 | | 1304862 | RES 1.62K 1% 1/4W | 4 | | | | | | | | | | | | | |
| 9 | | 1312480 | RES 1.54K 1% 1/4W | 2 | | | | | | | | | | | | | |
| 10 | | 1303045 | RES 3.16K 1% 1/4W | 1 | | | | | | | | | | | | | |
| 11 | | 1311320 | RES 90.9K 1% 1/4W | 1 | | | | | | | | | | | | | |
| 12 | | 1000014 | CAP 68pf 5% | 1 | | | | | | | | | | | | | |
| 13 | | 1304868 | RES 2.74K 1% 1/4W | 3 | | | | | | | | | | | | | |
| 14 | | 1211323 | SOCKET COMPONENT ADAPTOR | 4 | | | | | | | | | | | | | |
| 15 | | 1912803 | IC DEC 74LS04 | 9 | | | | | | | | | | | | E1, E20, E40, E44, E45, E61, E79, E92, E100 | |
| 16 | | 1912859 | IC DEC 74LS258 | 1 | | | | | | | | | | | | E2 | |
| 17 | | 1909057 | IC DEC 74H10 | 1 | | | | | | | | | | | | E3 | |
| 18 | | 1912858 | IC DEC 74LS221 | 6 | | | | | | | | | | | | E4, E11, E16, E28, E37, E72 | |
| 19 | | 1912824 | IC DEC 74LS74 | 14 | | | | | | | | | | | | E5, E10, E15, E27, E35, E38, E47, E62, E73, E74, E77, E83, E97, E99 | |

| | | | | | | | | | | | |
|-----------------|--|--|--|--|--|--|--|--|--|--|--|
| E.C. NO. | | | | | | | | | | | |
|-----------------|--|--|--|--|--|--|--|--|--|--|--|

| | | | | | | |
|--|----------------------------------|-----------------------------------|------------------------------------|--------------------------|----------------------------|-------------|
| <small>"THIS DRAWING AND SPECIFICATIONS, HEREIN, ARE THE PROPERTY OF DIGITAL EQUIPMENT CORPORATION AND SHALL NOT BE REPRODUCED OR COPIED OR USED IN WHOLE OR IN PART AS THE BASIS FOR THE MANUFACTURE OR SALE OF ITEMS WITHOUT WRITTEN PERMISSION. COPYRIGHT © 1977 DIGITAL EQUIPMENT CORPORATION"</small> | TITLE WIRE WRAP MODULE | ASSY NO. D-UA-M8614-0-0 | SIZE B | CODE PL | NUMBER M8614-0-0 | REV. |
| | | SHEET 1 OF 3 | INSERTION PARTS LIST DATA BASE REV | | | |

DIGITAL EQUIPMENT CORPORATION PARTS LIST

QUANTITY / VARIATION

NOTES:

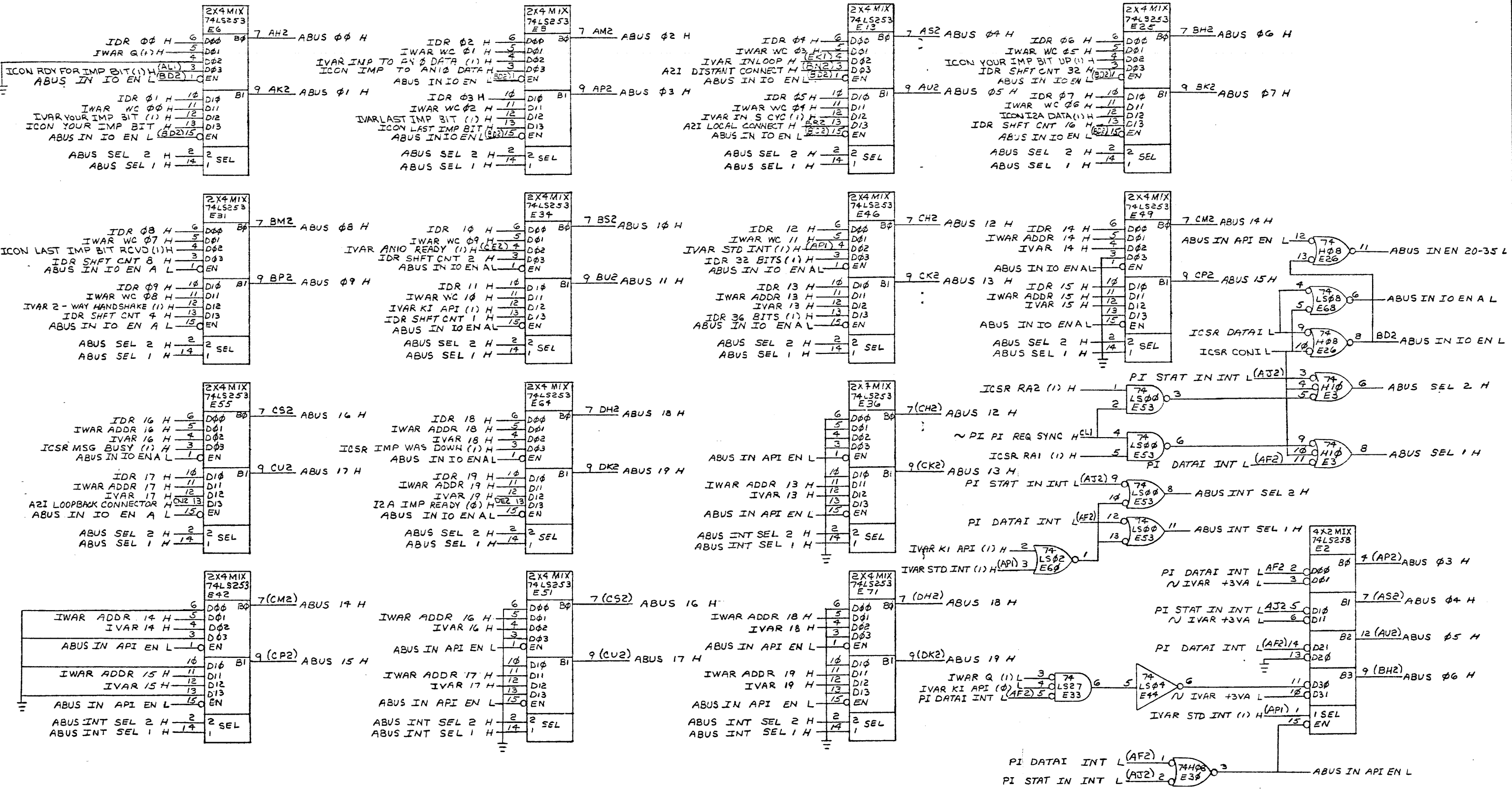
| | | |
|------------------------|---------------------------|----------------|
| M BY <i>F. Wilson</i> | CHECKED <i>RW Count</i> | SECTION |
| DATE: <i>28 FEB 77</i> | DATE: <i>28 Feb 77</i> | 1 |
| ENG <i>D. Anderson</i> | PROD <i>R. Stravinski</i> | ISSUED SECTION |
| DATE: <i>6 JUL 77</i> | DATE: <i>6 JUL 77</i> | 1 |

| ITEM NO. | DRAWING NO. | PART NO. | DESCRIPTION | QUANTITY | VARIATION | REF DESIGNATION |
|----------|------------------|-----------|----------------|----------|-----------|---|
| 20 | | 1912646 | IC DEC 74LS253 | 22 | | E6, E8, E13, E25, E31, E34, E36, E42, E46, E49, E51, E55, E64, E70, E71, E76, E85, E91, E94, E106, E109, E112 |
| 21 | | 1912801 | IC DEC 74LS02 | 3 | | E7, E60, E98 |
| 22 | | 1912854 | IC DEC 74LS193 | 11 | | E9, E14, E21, E50, E56, E65, E95, E101, E105, E108, E110 |
| 23 | | 1912799 | IC DEC 74LS00 | 9 | | E12, E29, E53, E59, E80, E86, E96, E104, E107 |
| 24 | | 1912400 | IC DEC 74H08 | 3 | | E18, E26, E30 |
| 25 | | 1912807 | IC DEC 74LS10 | 2 | | E19, E90 |
| 26 | | 1912853 | IC DEC 74LS175 | 1 | | E22 |
| 27 | | 1910842 | IC DEC 74199 | 4 | | E23, E43, E67, E88 |
| 28 | | 1912808 | IC DEC 74LS11 | 4 | | E24, E82, E84, E93 |
| 29 | | 1912805 | IC DEC 74LS08 | 5 | | E32, E52, E68, E87, E89 |
| 30 | | 1912813 | IC DEC 74LS27 | 1 | | E33 |
| 31 | | 1912746 | IC DEC 74S37 | 1 | | E41 |
| 32 | | 1912863 | IC DEC 74LS273 | 3 | | E57, E81, E102 |
| 33 | | 1912844 | IC DEC 74LS151 | 1 | | E58 |
| 34 | | 1912845 | IC DEC 74LS153 | 1 | | E66 |
| 35 | | 1910623 | IC DEC 74194 | 1 | | E103 |
| 36 | | 1912697 | IC DEC 74LS174 | 1 | | E113 |
| 37 | D-MD-7418759-0-0 | 7418759-9 | HANDLE REWORK | 1 | | |

E.C. NO.

| | | | | | | |
|--|--|---|---|--|--|-------------|
| <p>"THIS DRAWING AND SPECIFICATIONS, HEREIN, ARE THE PROPERTY OF DIGITAL EQUIPMENT CORPORATION AND SHALL NOT BE REPRODUCED OR COPIED OR USED IN WHOLE OR IN PART AS THE BASIS FOR THE MANUFACTURE OR SALE OF ITEMS WITHOUT WRITTEN PERMISSION. COPYRIGHT © 1977 DIGITAL EQUIPMENT CORPORATION"</p> | <p>TITLE</p> <p style="text-align: center;">WIRE WRAP MODULE</p> | <p>ASSY NO.</p> <p style="text-align: center;">D-UA-M8614-0-0</p> | <p>SIZE</p> <p style="text-align: center;">B</p> | <p>CODE</p> <p style="text-align: center;">PL</p> | <p>NUMBER</p> <p style="text-align: center;">M8614-0-0</p> | <p>REV.</p> |
| <p>SHEET 2 OF 3</p> | | | <p>INSERTION PARTS LIST DATA BASE REV</p> | | | |

THIS DRAWING AND SPECIFICATIONS, HEREIN, ARE THE PROPERTY OF DIGITAL EQUIPMENT CORPORATION AND SHALL NOT BE REPRODUCED OR COPIED OR USED IN WHOLE OR IN PART AS THE BASIS FOR THE MANUFACTURE OR SALE OF ITEMS WITHOUT WRITTEN PERMISSION. COPYRIGHT © 1976, DIGITAL EQUIPMENT CORPORATION

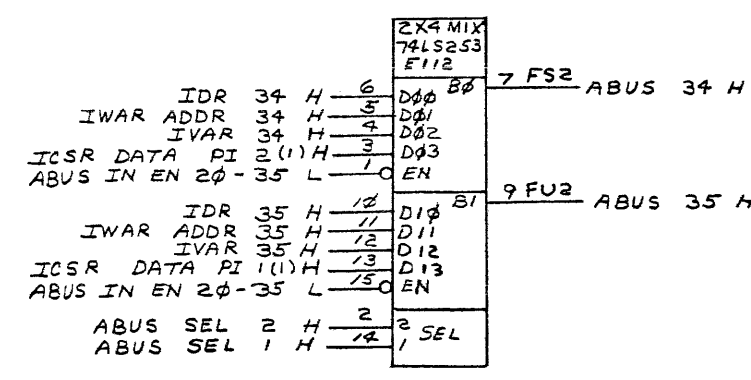
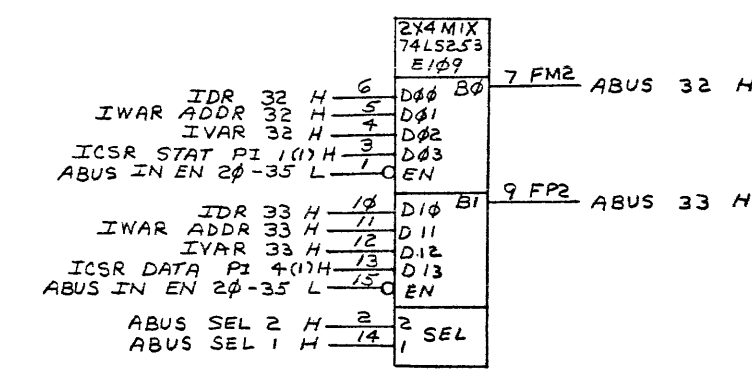
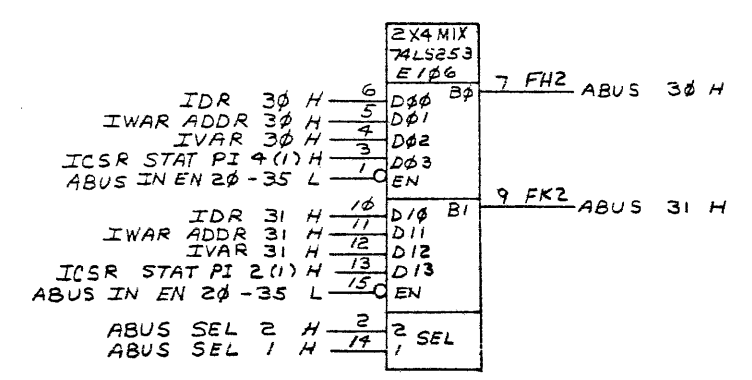
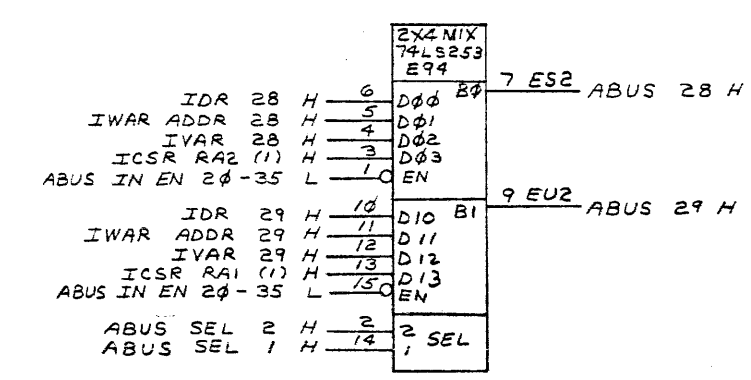
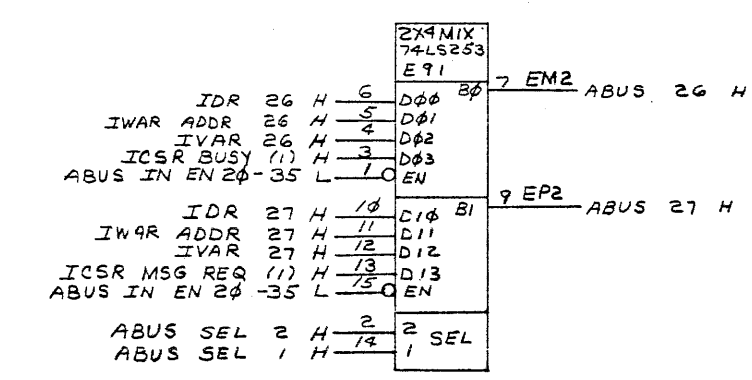
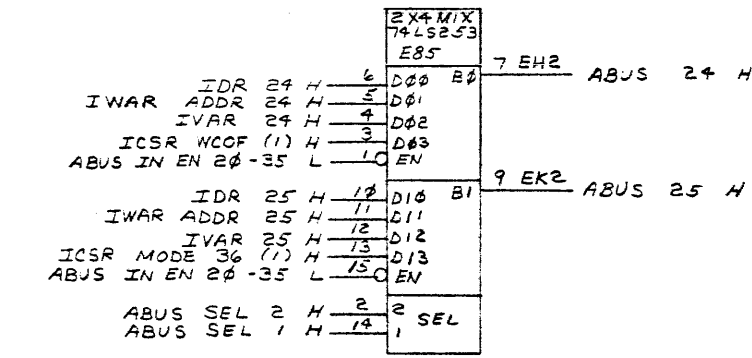
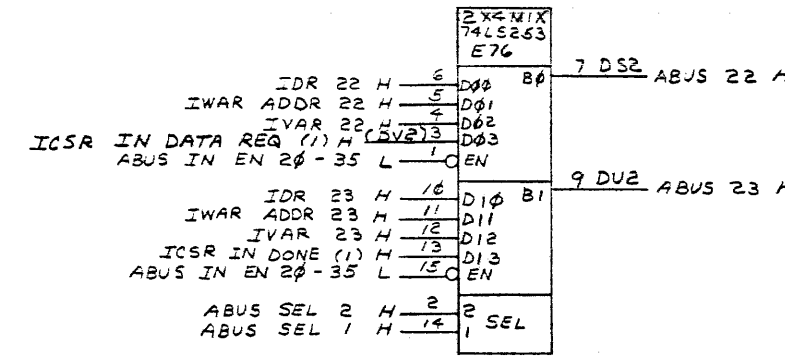
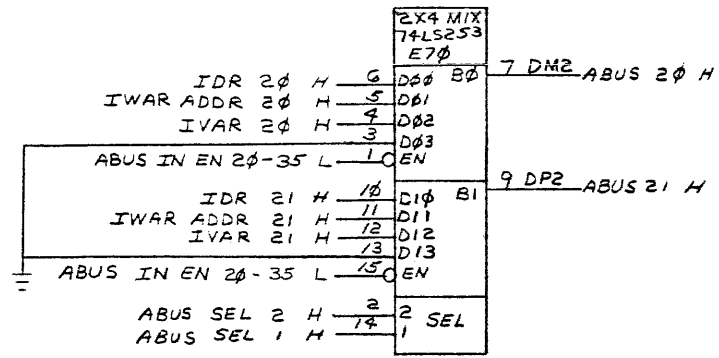


| REV. | NO. | DATE |
|------|-----|----------|
| 1 | 1 | 11/17/76 |
| 2 | 1 | 11/17/76 |
| 3 | 1 | 11/17/76 |
| 4 | 1 | 11/17/76 |
| 5 | 1 | 11/17/76 |
| 6 | 1 | 11/17/76 |
| 7 | 1 | 11/17/76 |
| 8 | 1 | 11/17/76 |

| | | |
|------------------------------|---------------|----------------|
| DRN. E. Wilson 11/17/76 | FIRST USED ON | digital |
| CHK'D R. W. Carter 11/17/76 | ANTI | |
| ENG. J. G. Adams 11/17/76 | TITLE | ABUS 0-35 |
| PROJ. ENG. S. Adams 11/17/76 | | |
| PROD. K. Stewart 11/17/76 | | |
| NEXT HIGHER ASSY. | | |
| B-DD-M8614-0 | SIZE | CODE |
| SCALE NONE | D | CSM8614-0-ABUS |
| SHEET 1 OF 2 | DIST. | |

REV. 11/17/76 DCSM8614-0-ABUS

THIS DRAWING AND SPECIFICATIONS, HEREIN, ARE THE PROPERTY OF DIGITAL EQUIPMENT CORPORATION AND SHALL NOT BE REPRODUCED OR COPIED OR USED IN WHOLE OR IN PART AS THE BASIS FOR THE MANUFACTURE OR SALE OF ITEMS WITHOUT WRITTEN PERMISSION. COPYRIGHT © 1976 DIGITAL EQUIPMENT CORPORATION



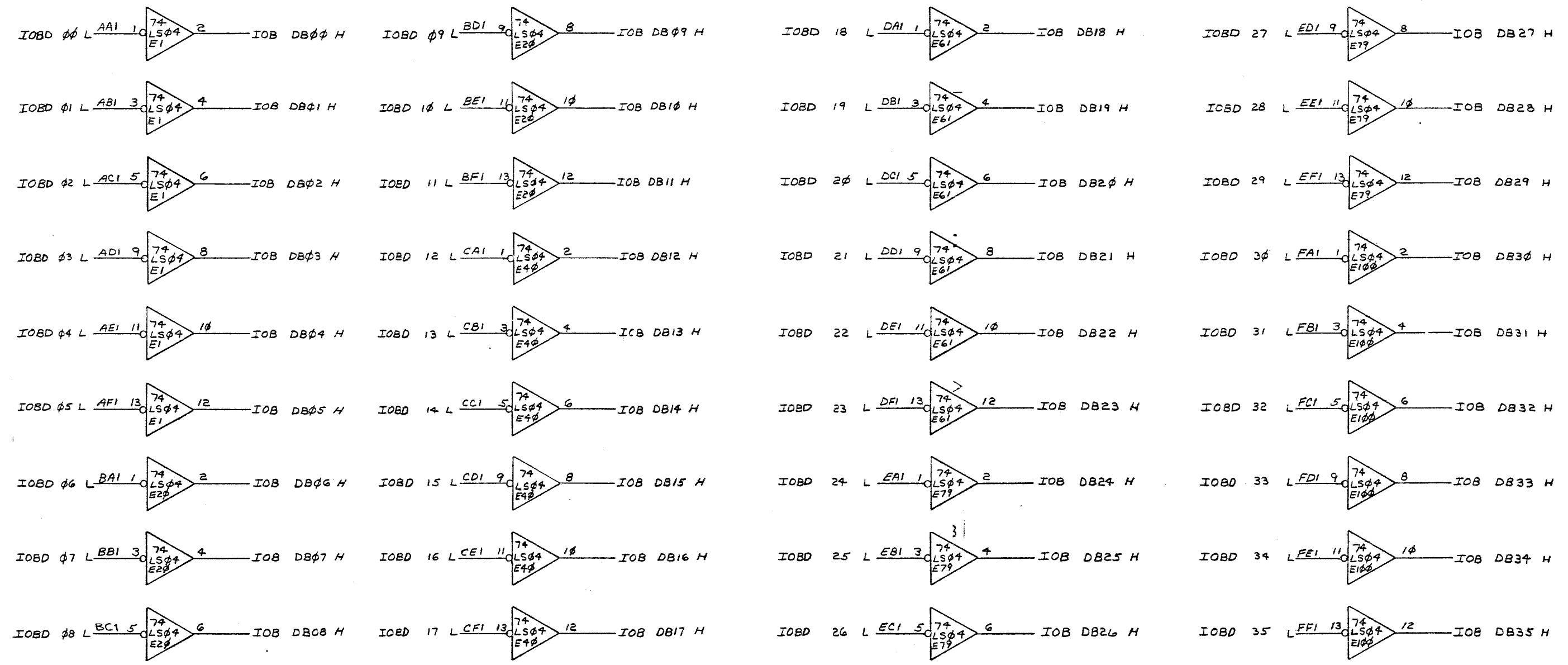
| REVISIONS | | |
|-----------|------------|------|
| CHK | CHANGE NO. | REV. |
| | | |

ABUS 20-35

| | | | | | | | |
|-------|-----------|-----------|---|--------|----------------|-------|--|
| TITLE | ABUS 0-35 | SIZE CODE | D | NUMBER | CSM8614-0-ABUS | REV. | |
| SCALE | NONE | SHEET | 2 | OF | 2 | DIST. | |

REV. 1
 NUMBER 8614-0-ABUS
 CODE 3001 3215

"THIS DRAWING AND SPECIFICATIONS, HEREIN, ARE THE PROPERTY OF DIGITAL EQUIPMENT CORPORATION AND SHALL NOT BE REPRODUCED OR COPIED OR USED IN WHOLE OR IN PART AS THE BASIS FOR THE MANUFACTURE OR SALE OF ITEMS WITHOUT WRITTEN PERMISSION. COPYRIGHT © 1976, DIGITAL EQUIPMENT CORPORATION"



| | |
|-----------|------------|
| REVISIONS | REV. |
| CHK | CHANGE NO. |

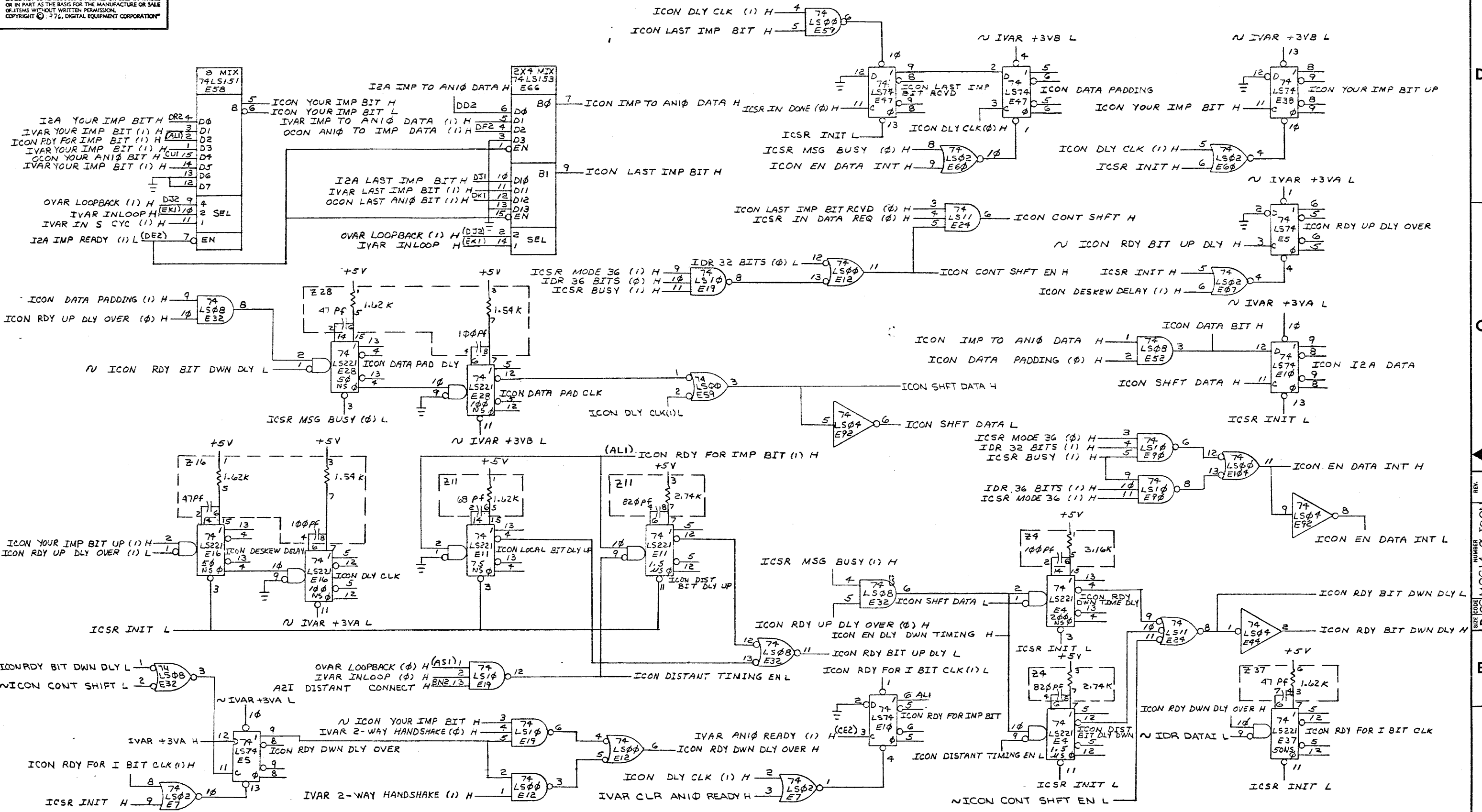
| | | | |
|-------------------------------|----------|---------------|----------------------|
| DRN. <i>Wilbert</i> | 12/10/76 | FIRST USED ON | digital |
| CHK'D <i>R. Carter</i> | 12/10/76 | TITLE | IO BUS DATA BUFFERED |
| ENG. <i>J. Anderson</i> | 6/20/77 | SIZE | D |
| PROJ. ENG. <i>J. Anderson</i> | 6/20/77 | CODE | CS |
| PROD. <i>J. Anderson</i> | 6/20/77 | NUMBER | M8614-0-IOB |
| NEXT HIGHER ASSY. | | SCALE | NCNE |
| E-00-M8614-0 | | SHEET | 1 OF 1 |

REV. NUMBER DCS M8614-0-IOB

B

A

THIS DRAWING AND SPECIFICATIONS, HEREIN, ARE THE PROPERTY OF DIGITAL EQUIPMENT CORPORATION AND SHALL NOT BE REPRODUCED OR COPIED OR USED IN WHOLE OR IN PART AS THE BASIS FOR THE MANUFACTURE OR SALE OF ITEMS WITHOUT WRITTEN PERMISSION. COPYRIGHT © 1976, DIGITAL EQUIPMENT CORPORATION.



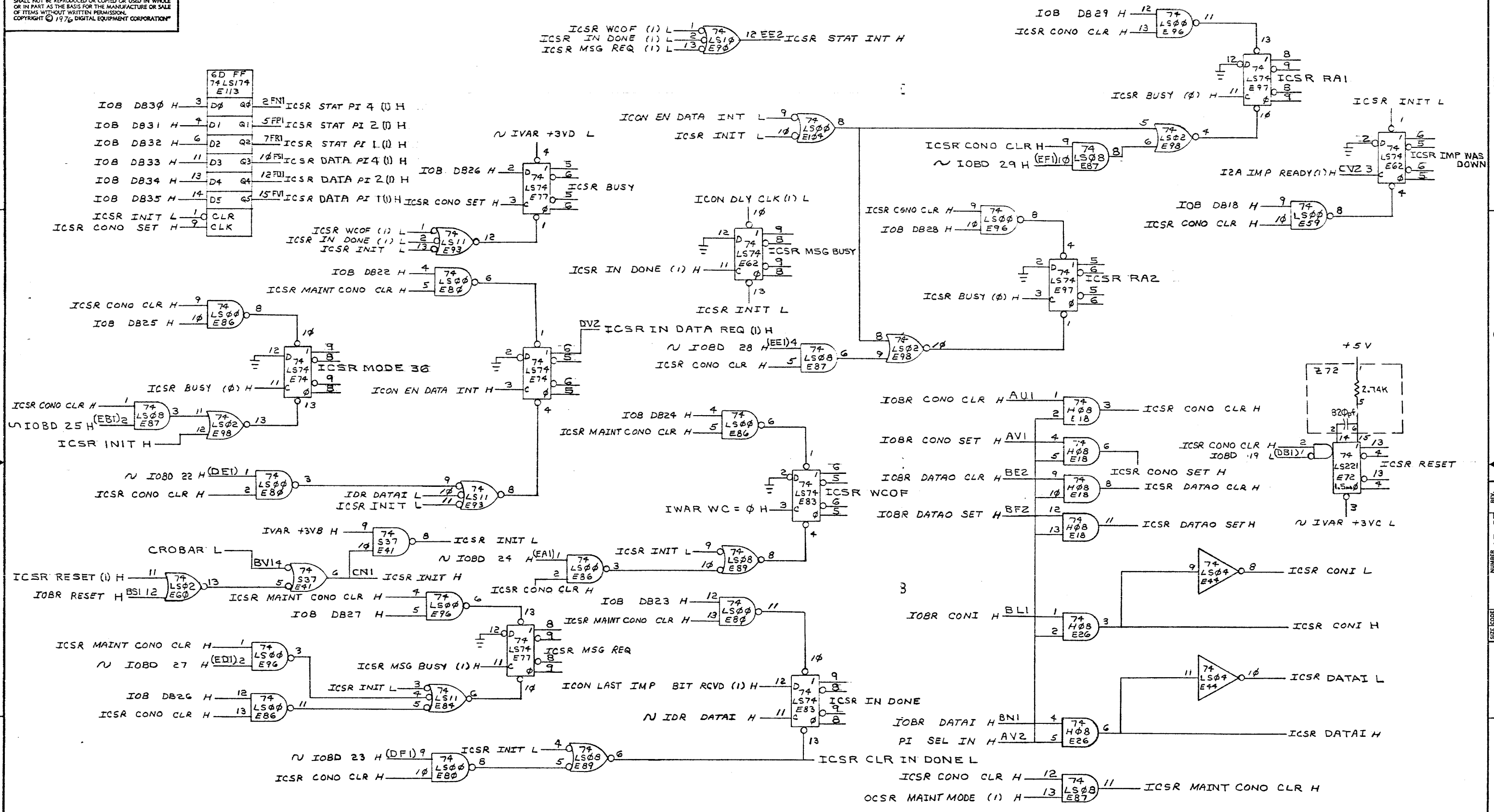
REV. 1
CHG. 1
DATE 1/15/77

| | | | | |
|--------------------------|-----------|-------------------|---------------|---------|
| DRN: <i>Wilson</i> | 30 Nov 76 | FIRST USED ON | ANIΦ | digital |
| CHK'D BY: <i>Cam...</i> | 1/15/77 | TITLE | INPUT CONTROL | |
| ENG: <i>J. Anderson</i> | 1/15/77 | PROJ. ENG: | | |
| PROD. <i>J. Anderson</i> | 1/15/77 | NEXT HIGHER ASSY: | | |
| B-DD-116614-2 | SIZE CODE | NUMBER | REV. | |
| SCALE NCVE | D | CSM8614-0-ICON | | |
| SHEET 1 | OF 1 | DIST. | | |

D
C
B
A

REV. 1
NUMBER
CSM8614-0-ICON

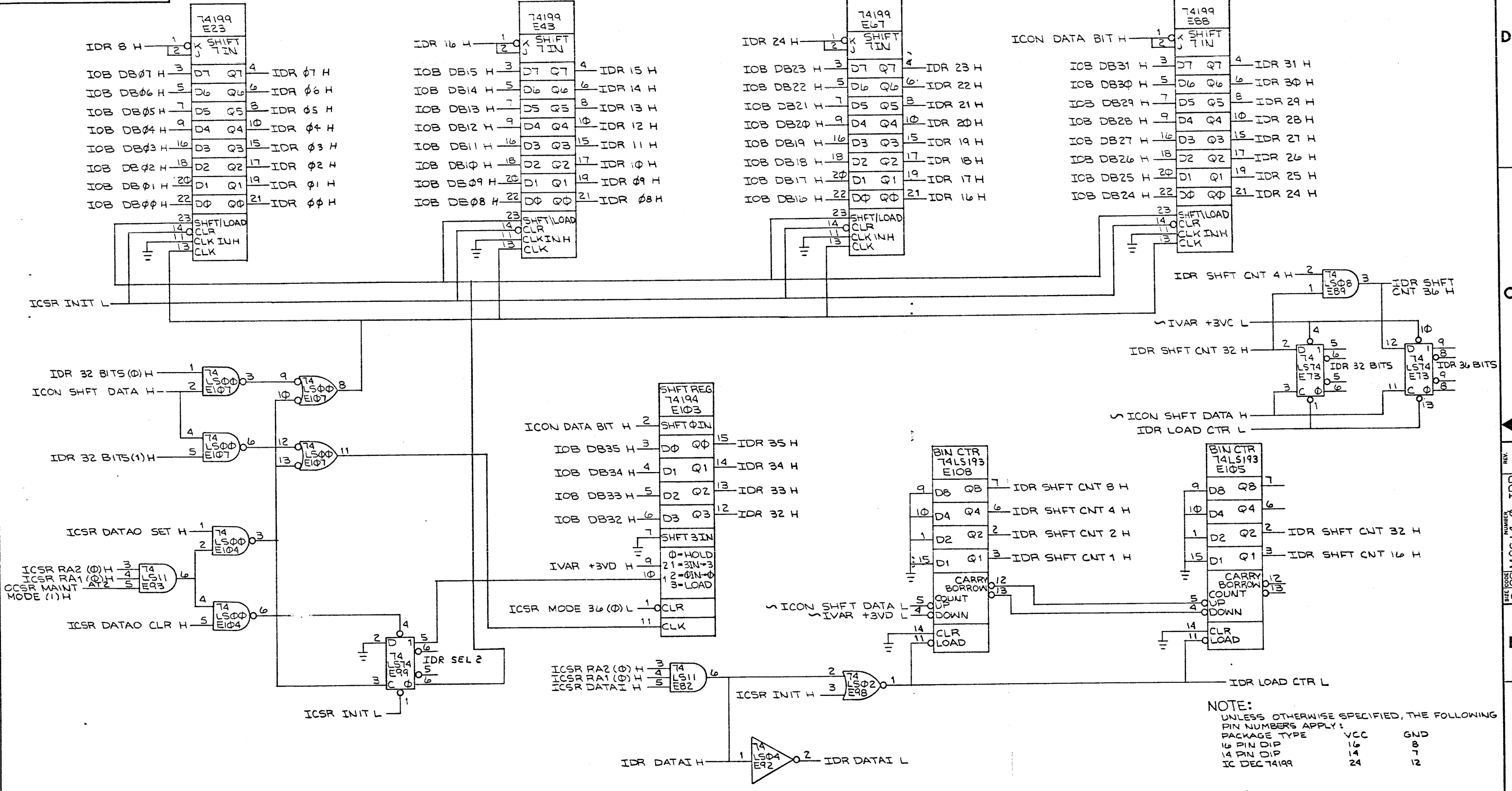
THIS DRAWING AND SPECIFICATIONS, HEREIN, ARE THE PROPERTY OF DIGITAL EQUIPMENT CORPORATION AND SHALL NOT BE REPRODUCED OR COPIED OR USED IN WHOLE OR IN PART AS THE BASIS FOR THE MANUFACTURE OR SALE OF ITEMS WITHOUT WRITTEN PERMISSION. COPYRIGHT © 1976 DIGITAL EQUIPMENT CORPORATION



| | | | |
|-----------|------------|------|--------|
| REVISIONS | CHANGE NO. | DATE | BY |
| CHK | 1 | 1977 | Wilson |

| | | | |
|---------------------|-----------|--------------------|-------------------------------|
| DRN: E. Wilson | 19 Nov 76 | FIRST USED ON: | ANI0 |
| CHK'D: R. W. Custer | 6 Dec 77 | TITLE: | INPUT CONTROL STATUS REGISTER |
| ENG: J. Anderson | 6 Nov 77 | PROD.: | 6 Jul 77 |
| PROJ. ENG.: | | NEXT HIGHER ASSY.: | |
| SCALE: NC NE | D | SIZE CODE: | CSM8614-0-ICSR |
| SHEET 1 OF 1 | DIST. | REV. | |

THIS DRAWING AND SPECIFICATIONS, HEREIN, ARE THE PROPERTY OF DIGITAL EQUIPMENT CORPORATION AND SHALL NOT BE REPRODUCED OR COPIED OR USED IN WHOLE OR IN PART AS THE BASIS FOR THE MANUFACTURE OR SALE OF ITEMS WITHOUT WRITTEN PERMISSION. COPYRIGHT © 1976 DIGITAL EQUIPMENT CORPORATION

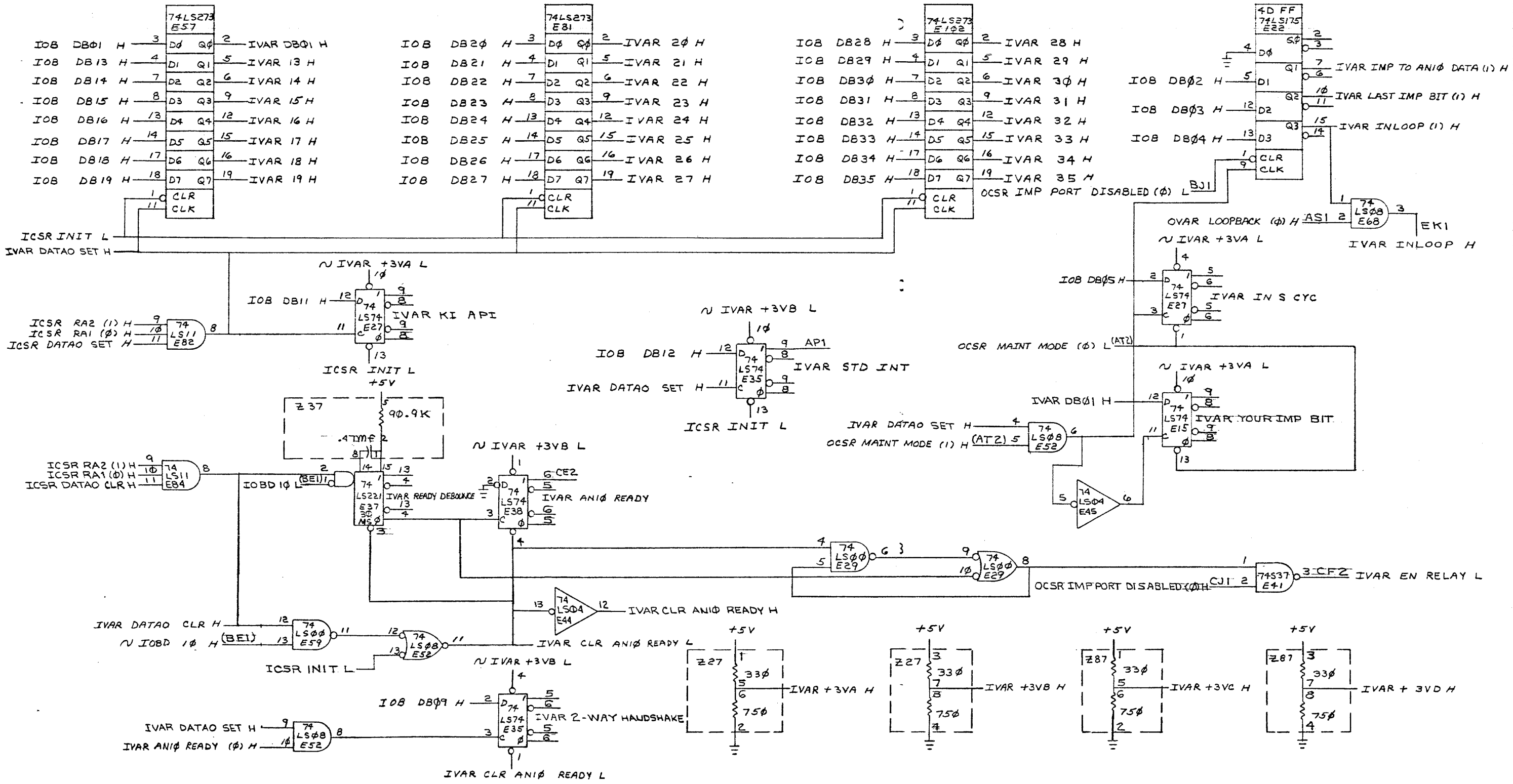


| | | |
|------------|---|------|
| REV. | 1 | 1/82 |
| CHANGE NO. | | |
| CHK | | |

| | | | | |
|-------------------|----------|---------------------|---------------------|---------|
| DRN. R. W. Carter | 1 DEC 76 | FIRST USED ON | AN10 | digital |
| CHK'D R. Carter | | TITLE | INPUT DATA REGISTER | |
| ENG. J. Anderson | | PROJ. ENG. Anderson | | |
| PROD. R. Johnson | | NEXT HIGHER ASSY. | | |
| B-DD-M8614-0 | SIZE | CODE | NUMBER | REV. |
| SCALE | D | CS | M8614-0-IDR | |
| SHEET 1 OF 1 | DIST. | | | |

REV. NUMBER M8614-0-IDR

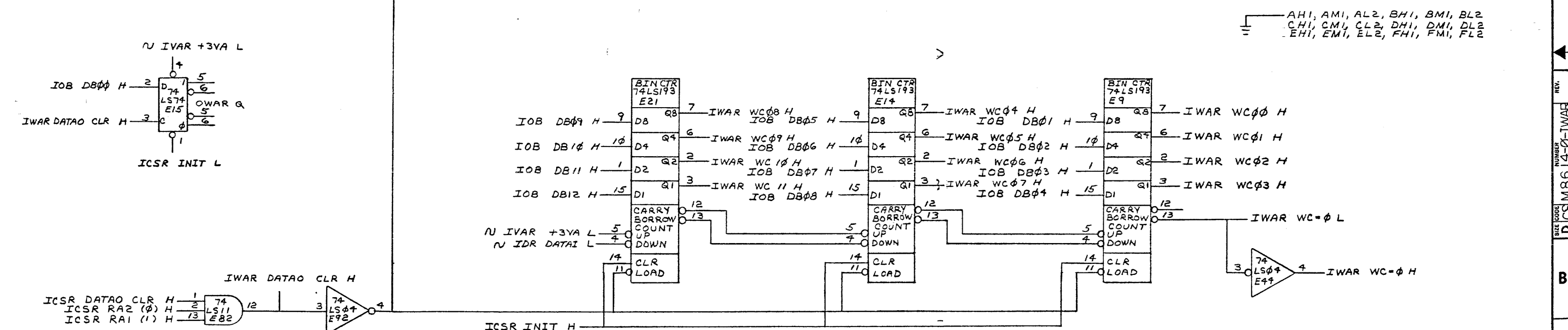
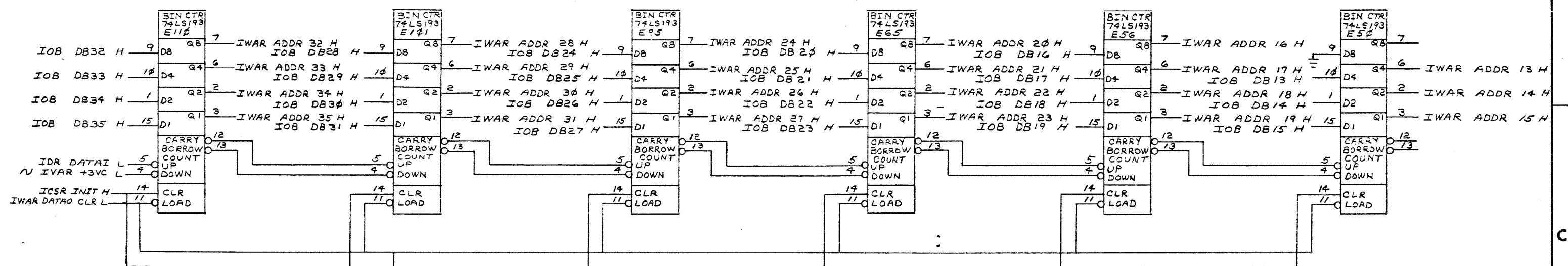
"THIS DRAWING AND SPECIFICATIONS, HEREIN, ARE THE PROPERTY OF DIGITAL EQUIPMENT CORPORATION AND SHALL NOT BE REPRODUCED OR COPIED OR USED IN WHOLE OR IN PART AS THE BASIS FOR THE MANUFACTURE OR SALE OF ITEMS WITHOUT WRITTEN PERMISSION. COPYRIGHT © 1976, DIGITAL EQUIPMENT CORPORATION"



| | |
|------------|------|
| REV. | 1/83 |
| CHANGE NO. | |
| CHK | |
| REVISIONS | |

| | | | |
|--------------------------|----------|---------------|-------------------------------|
| DRN: 7.11000 | 18/07/76 | FIRST USED ON | ANI0 |
| CHK'D: R. Gammie | | TITLE | INPUT VECTOR ADDRESS REGISTER |
| ENG: S. J. Indurka | 1/10/77 | SIZE CODE | D |
| PROJ. ENG: S. J. Indurka | 1/10/77 | NUMBER | CSM8614-0-IVAR |
| PROD. R. Gammie | 6/2/77 | SCALE | NONE |
| NEXT HIGHER ASSY. | | SHEET | 1 OF 1 |
| B-DD-M8614-0 | | DIST. | |

THIS DRAWING AND SPECIFICATIONS, HEREIN, ARE THE PROPERTY OF DIGITAL EQUIPMENT CORPORATION AND SHALL NOT BE REPRODUCED OR COPIED OR USED IN WHOLE OR IN PART AS THE BASIS FOR THE MANUFACTURE OR SALE OF ITEMS WITHOUT WRITTEN PERMISSION. COPYRIGHT © 1976, DIGITAL EQUIPMENT CORPORATION



AH1, AM1, AL2, BH1, BM1, BL2
 CH1, CM1, CL2, DH1, DM1, DL2
 EH1, EM1, EL2, FH1, FM1, FL2

| REV. | CHG. | NO. | BY | DATE |
|------|------|-----|----|------|
| 1 | | | | |

| | | | |
|--------------------------------|---------------------------------|---------------------------------------|-------------------------------------|
| DRN. <i>E. Wilson</i> 1/16/76 | FIRST USED ON | ANI 0 | digital |
| CHK'D <i>R. Cooney</i> 1/16/76 | ENG. <i>J. Anderson</i> 1/16/76 | PROJ. ENG. <i>J. Anderson</i> 1/16/76 | PROD. <i>A. Trivelpiece</i> 1/16/76 |
| TITLE | | INPUT WORDCOUNT ADDRESS REGISTER | |
| NEXT HIGHER ASSY. | | SIZE | CODE |
| 5-DD-ME614-0 | | D | CSM8614-0-IWAR |
| SCALE | NONE | SHEET | 1 OF 1 |
| DIST. | | | |

REV. 1
 NUMBER DCSM8614-0-IWAR
 SIZE CODE

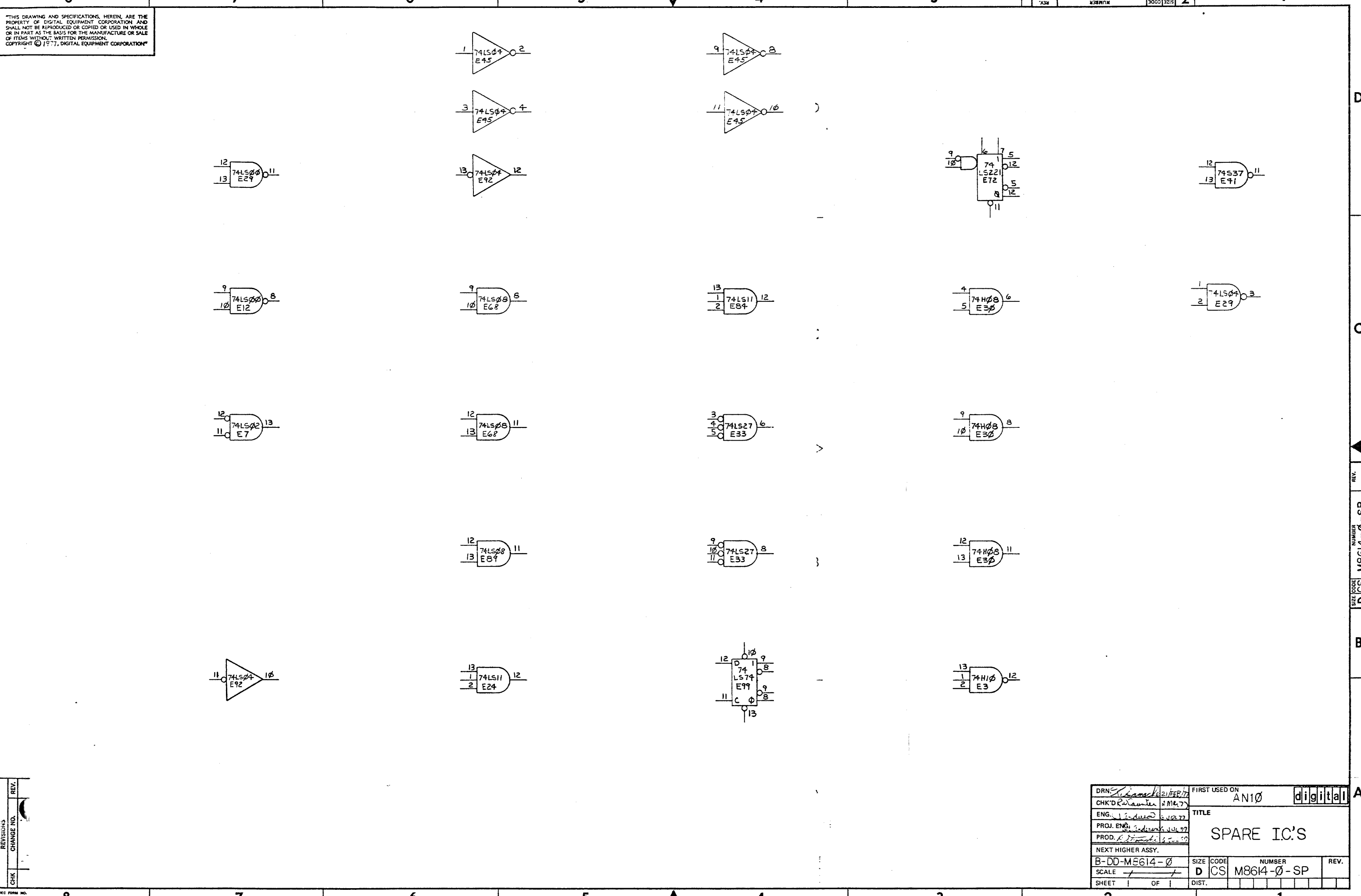
B

A

THIS DRAWING AND SPECIFICATIONS, HEREIN, ARE THE PROPERTY OF DIGITAL EQUIPMENT CORPORATION AND SHALL NOT BE REPRODUCED OR COPIED OR USED IN WHOLE OR IN PART AS THE BASIS FOR THE MANUFACTURE OR SALE OF ITEMS WITHOUT WRITTEN PERMISSION. COPYRIGHT © 1977, DIGITAL EQUIPMENT CORPORATION

REVISIONS
CHANGE NO.
CHK

| | | | |
|-----------------------------|-------------------|--------------|---------|
| DRN <i>R. L. ...</i> | FIRST USED ON | AN10 | digital |
| CHK'D <i>R. L. ...</i> | TITLE | SPARE IC'S | |
| ENG. <i>R. L. ...</i> | PROJECT | B-DD-M8614-0 | |
| PROJ. ENG. <i>R. L. ...</i> | SCALE | 1 OF 1 | |
| PROD. <i>R. L. ...</i> | NEXT HIGHER ASSY. | B-DD-M8614-0 | |
| SIZE | CODE | NUMBER | REV. |
| D | CS | M8614-0-SP | |
| SHEET | OF | DIST. | |



This drawing and specifications herein, are the property of Digital Equipment Corporation and shall not be reproduced or copied or used in whole or in part as the basis for the manufacture or sale of items without written permission. COPYRIGHT 1976

DIGITAL EQUIP. CORP.

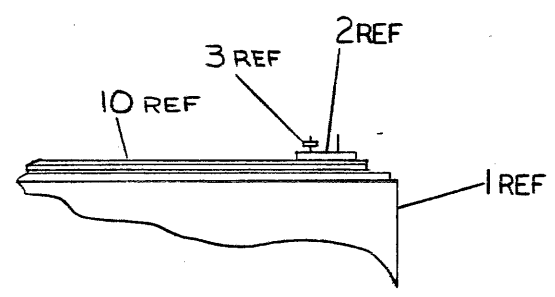
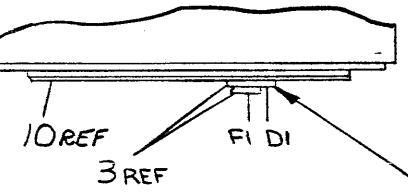
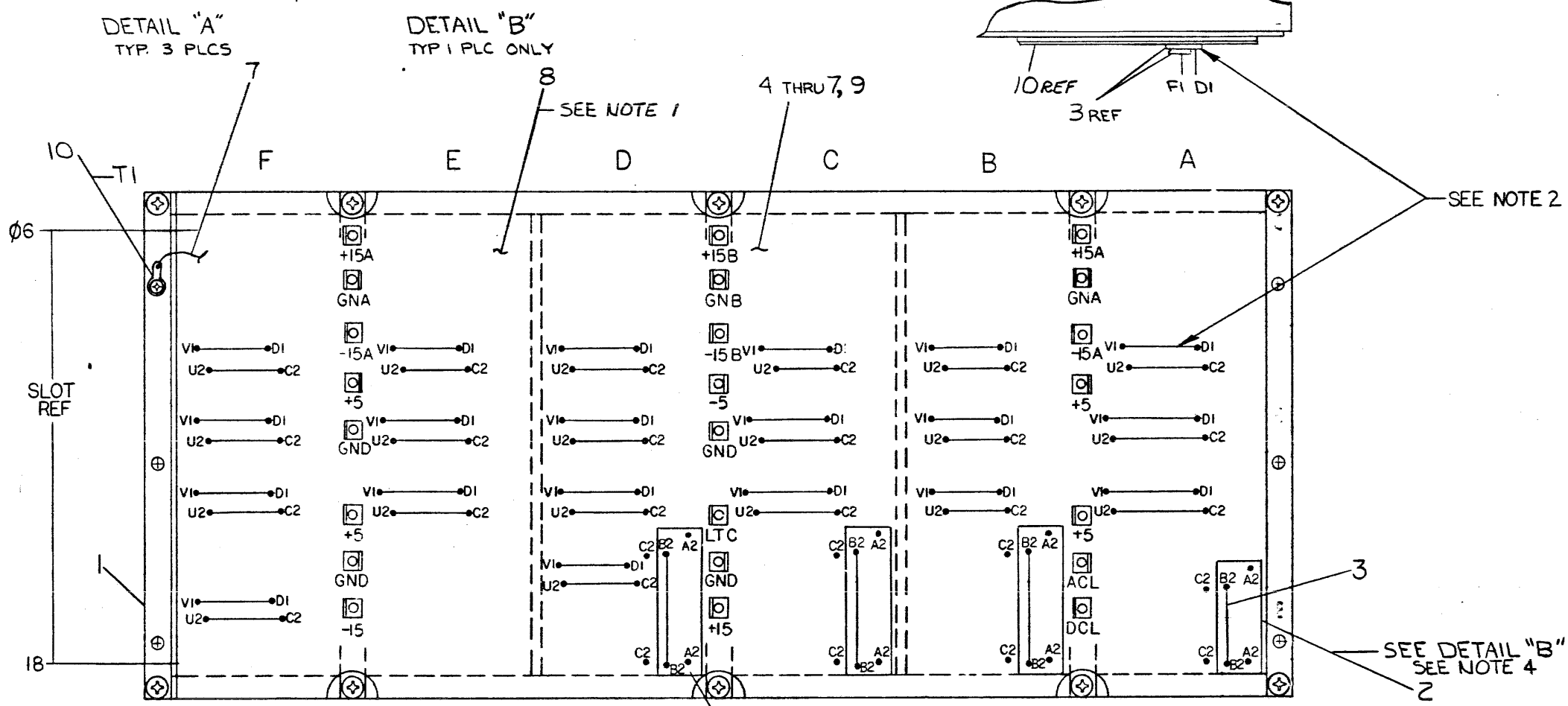
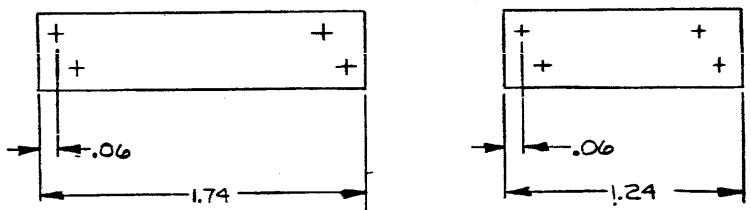
| FIRST USED ON OPTION MODEL | QTY. | DESCRIPTION | PART NO. | ITEM NO. |
|---|-------|---|----------|---------------|
| ANIO | | PARTS LIST | | |
| DRN. <i>M. Norman</i> DATE 3 NOV 76 CHK'D. <i>J. Biscot</i> DATE 10 NOV 76 ENG. <i>D. Anderson</i> DATE 29 JUN 77 PROJ. ENG. <i>D. Anderson</i> DATE 6 JUL 77 PROD. DATE 6 JUL 77 | | EQUIPMENT CORPORATION MAYNARD, MASSACHUSETTS TITLE WIRE LIST ANIO | | |
| NEXT HIGHER ASSEMBLY | | SIZE | CODE | NUMBER |
| D-AD-7013480-0-0 | | K | WL | ANIO - 0 - WL |
| SCALE | — 1 — | DIST. | | REV. |
| SHEET | 1 | OF | 1 | |

| | |
|------------|--|
| REV. | |
| CHANGE NO. | |
| REVISIONS | |
| CHK | |

"THIS DRAWING AND SPECIFICATIONS, HEREIN, ARE THE PROPERTY OF DIGITAL EQUIPMENT CORPORATION AND SHALL NOT BE REPRODUCED OR COPIED OR USED IN WHOLE OR IN PART AS THE BASIS FOR THE MANUFACTURE OR SALE OF ITEMS WITHOUT WRITTEN PERMISSION. COPYRIGHT © 1976 DIGITAL EQUIPMENT CORPORATION"

| WIRE TABLE | | | | | | |
|------------|-----|-------|----------------|------|-------|------|
| ITEM NO. | AWG | COLOR | FROM | | TO | |
| | | | CONN | WITH | CONN | WITH |
| 4 | 24 | BLU | 4B B2 | --- | B1 B2 | --- |
| 4 | ↑ | BLU | C1 B2 | --- | D1 B2 | --- |
| 4 | ↓ | BLU | D1 B2 | --- | E1 B2 | --- |
| 4 | ↓ | BLU | B1 B2 | --- | C1 B2 | --- |
| 6 | ↓ | YEL | ACLO (A RACK) | --- | C1 B1 | --- |
| 7 | ↓ | BLK | F06 T1 | --- | T1 | 8 |
| 5 | ↓ | GRN | -5V (C-D RACK) | --- | D1 A1 | --- |
| 5 | 24 | GRN | C1 B1 | --- | D1 A1 | --- |
| 9 | 24 | VIO | DCL0 (A RACK) | --- | A1 A1 | --- |

- NOTES:
- INSTALL ACETATE GROUND PLANE PROTECTION SHEET.
 - VERTICAL BUS STRIPS ARE TO BE PLACED FIRMLY AGAINST THE GROUND PLANE AND EVERY SECOND PIN SOLDERED BEGINNING WITH C2 (OR D1). THE SECOND STRIP IS TO BE PLACED FIRMLY AGAINST THE FIRST AND EVERY SECOND PIN SOLDERED BEGINNING WITH E2 (OR F1). BOTH LAYERS OF STRIPS SHOULD BE SOLDERED TOGETHER TO COMPLETE GROUND BUS.
 - WIRES IN WIRE TABLE TO BE ADDED AFTER MACHINE WIREWRAPPING IS COMPLETE.
 - INSULATOR STRIP GOES OVER PINS "A" AND "B" FOUR PLCS AS SHOWN. CUT STRIPS TO REQUIRED LENGTH PER DETAILS "A" AND "B".



| DESCRIPTION | DWG. PART NO. | ITEM NO. |
|----------------------------|------------------|----------|
| 1 TERMINAL SOLDER | 9006773 | 10 |
| A/R 24 AWG SOLID INS (VIO) | 9107688-77 | 9 |
| 1 GND PLANE PROT SHT | D-IA-5513110-0-0 | 8 |
| A/R 24 AWG SOLID INS (BLK) | 9107688-00 | 7 |
| A/R 24 AWG SOLID INS (YEL) | 9107688-44 | 6 |
| A/R 24 AWG SOLID INS (GRN) | 9107688-55 | 5 |
| A/R 24 AWG SOLID INS (BLU) | 9107688-66 | 4 |
| NR BUS STRIP | 9008428 | 3 |
| NR STRIP INSULATOR | 7408967-1 | 2 |
| 1 BACKPLANE REWORK ASSY | D-AD-7013491-0-0 | 1 |

| UNLESS OTHERWISE SPECIFIED DIMENSIONS ARE IN INCHES | |
|---|--------------------------------|
| ANGLES ±0° 30' | CLASS OF ACCURACY |
| SURFACE QUALITY | NOMINAL DIMENSION RANGE INCHES |
| IN | OVER 0 TO 0.2 |
| MEDIUM | OVER 0.2 TO 1.2 |
| MICROINCHES | OVER 1.2 TO 4.0 |
| PREFERRED | OVER 4.0 TO 12.0 |
| | OVER 12.0 TO 40.0 |
| | OVER 40.0 TO 80.0 |
| | OVER 80.0 TO 100.0 |

THIRD ANGLE PROJECTION

REMOVE BURRS AND BREAK SHARP CORNERS

DO NOT SCALE DWG

MATERIAL

FINISH

DRN: M. Normand P DEC 76

CHK'D: [Signature] 22 JUN 77

ENG: G. Adams 29 JUN 77

PROJ. ENG: [Signature] 6 JUL 77

PROD: [Signature] 6 JUL 77

NEXT HIGHER ASSY.

D-AD-7013480-0-0

SCALE 1/1

SHEET 1 OF 2

FIRST USED ON ANIØ digital

TITLE BACKPLANE ASSY ANIØ

SIZE CODE NUMBER REV.

D AD 7013724-0-0

REVISIONS
CHANGE NO.
REV.

REV. 0
NUMBER 7013724-0-0
SIZE CODE D

"THIS DRAWING AND SPECIFICATIONS, HEREIN, ARE THE PROPERTY OF DIGITAL EQUIPMENT CORPORATION AND SHALL NOT BE REPRODUCED OR COPIED OR USED IN WHOLE OR IN PART AS THE BASIS FOR THE MANUFACTURE OR SALE OF ITEMS WITHOUT WRITTEN PERMISSION. COPYRIGHT © 1977 DIGITAL EQUIPMENT CORPORATION"

| BUS STRIP PLACEMENT TABLE | | | | | |
|---------------------------|-------|-----------------|-------|-------------------|-------|
| VERTICAL STRIPS | | VERTICAL STRIPS | | HORIZONTAL STRIPS | |
| LAYER 1 | | LAYER 2 | | FROM | TO |
| FROM | TO | FROM | TO | | |
| A10D1 | A10V1 | A10F1 | A10T1 | A15B2 | A18B2 |
| A10C2 | A10U2 | A10E2 | A10S2 | B15B2 | B18B2 |
| A12D1 | A12V1 | A12F1 | A12T1 | C15B2 | C18B2 |
| A12C2 | A12U2 | A12E2 | A12S2 | D15B2 | D18B2 |
| A14D1 | A14V1 | A14F1 | A14T1 | | |
| A14C2 | A14U2 | A14E2 | A14S2 | | |
| B10D1 | B10V1 | B10F1 | B10T1 | | |
| B10C2 | B10U2 | B10E2 | B10S2 | | |
| B12D1 | B12V1 | B12F1 | B12T1 | | |
| B12C2 | B12U2 | B12E2 | B12S2 | | |
| B14D1 | B14V1 | B14F1 | B14T1 | | |
| B14C2 | B14U2 | B14E2 | B14S2 | | |
| C10D1 | C10V1 | C10F1 | C10T1 | | |
| C10C2 | C10U2 | C10E2 | C10S2 | | |
| C12D1 | C12V1 | C12F1 | C12T1 | | |
| C12C2 | C12U2 | C12E2 | C12S2 | | |
| C14D1 | C14V1 | C14F1 | C14T1 | | |
| C14C2 | C14U2 | C14E2 | C14S2 | | |
| D10D1 | D10V1 | D10F1 | D10T1 | | |
| D10C2 | D10U2 | D10E2 | D10S2 | | |
| D12D1 | D12V1 | D12F1 | D12T1 | | |
| D12C2 | D12U2 | D12E2 | D12S2 | | |
| D14D1 | D14V1 | D14F1 | D14T1 | | |
| D14C2 | D14U2 | D14E2 | D14S2 | | |
| E10D1 | E10V1 | E10F1 | E10T1 | | |
| E10C2 | E10U2 | E10E2 | E10S2 | | |
| E12D1 | E12V1 | E12F1 | E12T1 | | |
| E12C2 | E12U2 | E12E2 | E12S2 | | |
| E14D1 | E14V1 | E14F1 | E14T1 | | |
| E14C2 | E14U2 | E14E2 | E14S2 | | |
| F10D1 | F10V1 | F10F1 | F10T1 | | |
| F10C2 | F10U2 | F10E2 | F10S2 | | |
| F12D1 | F12V1 | F12F1 | F12T1 | | |
| F12C2 | F12U2 | F12E2 | F12S2 | | |
| F14D1 | F14V1 | F14F1 | F14T1 | | |
| F14C2 | F14U2 | F14E2 | F14S2 | | |
| D16D1 | D16V1 | D16F1 | D16T1 | | |
| D16C2 | D16U2 | D16E2 | D16S2 | | |
| F17D1 | F17V1 | F17F1 | F17T1 | | |
| F17C2 | F17U2 | F17E2 | F17S2 | | |

SEE NOTE 2

| REVISIONS | | |
|-----------|------------|------|
| CHK | CHANGE NO. | REV. |
| | | |

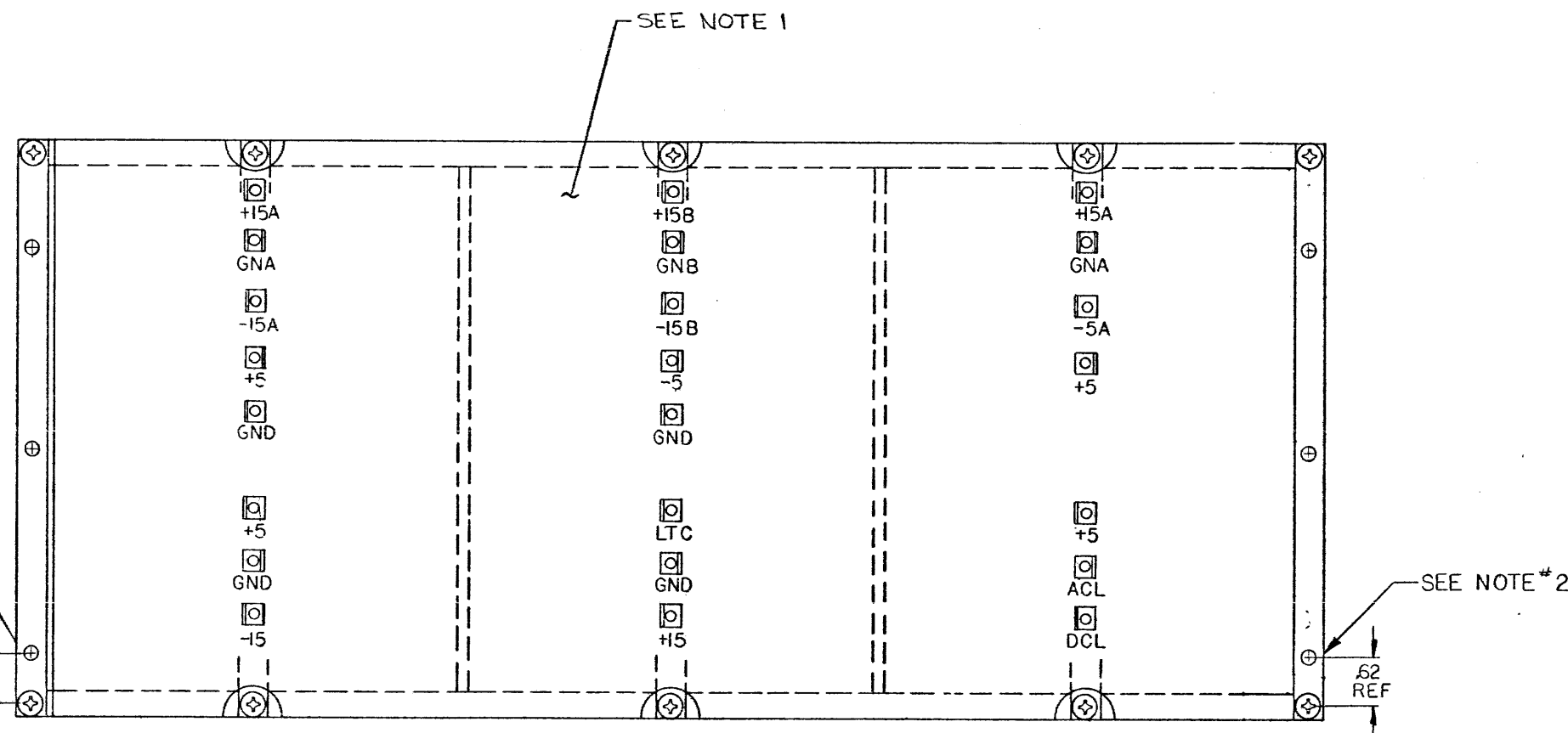
| | | | | |
|------------------------------|-----------------|-------------------|-----------------------|------|
| TITLE BACKPLANE ASSY ANIØ | | SIZE CODE D AD | NUMBER 7013724-0-0 | REV. |
| SCALE -- | SHEET 2 OF 2 | DIST. | | |

REV. NUMBER DAD7013724-0-0

A B C D

THIS DRAWING AND SPECIFICATIONS, HEREIN, ARE THE PROPERTY OF DIGITAL EQUIPMENT CORPORATION AND SHALL NOT BE REPRODUCED OR COPIED OR USED IN WHOLE OR IN PART AS THE BASIS FOR THE MANUFACTURE OR SALE OF ITEMS WITHOUT WRITTEN PERMISSION. COPYRIGHT © 1976 DIGITAL EQUIPMENT CORPORATION

NOTES:
 1. MAKE FROM D-AD-701095Z-0-0.
 2. REVERSE BARS AS SHOWN.



SEE NOTE 2

SEE NOTE 1

SEE NOTE #2

REV. NUMBER
 D AD 7013491 - 0 - 0

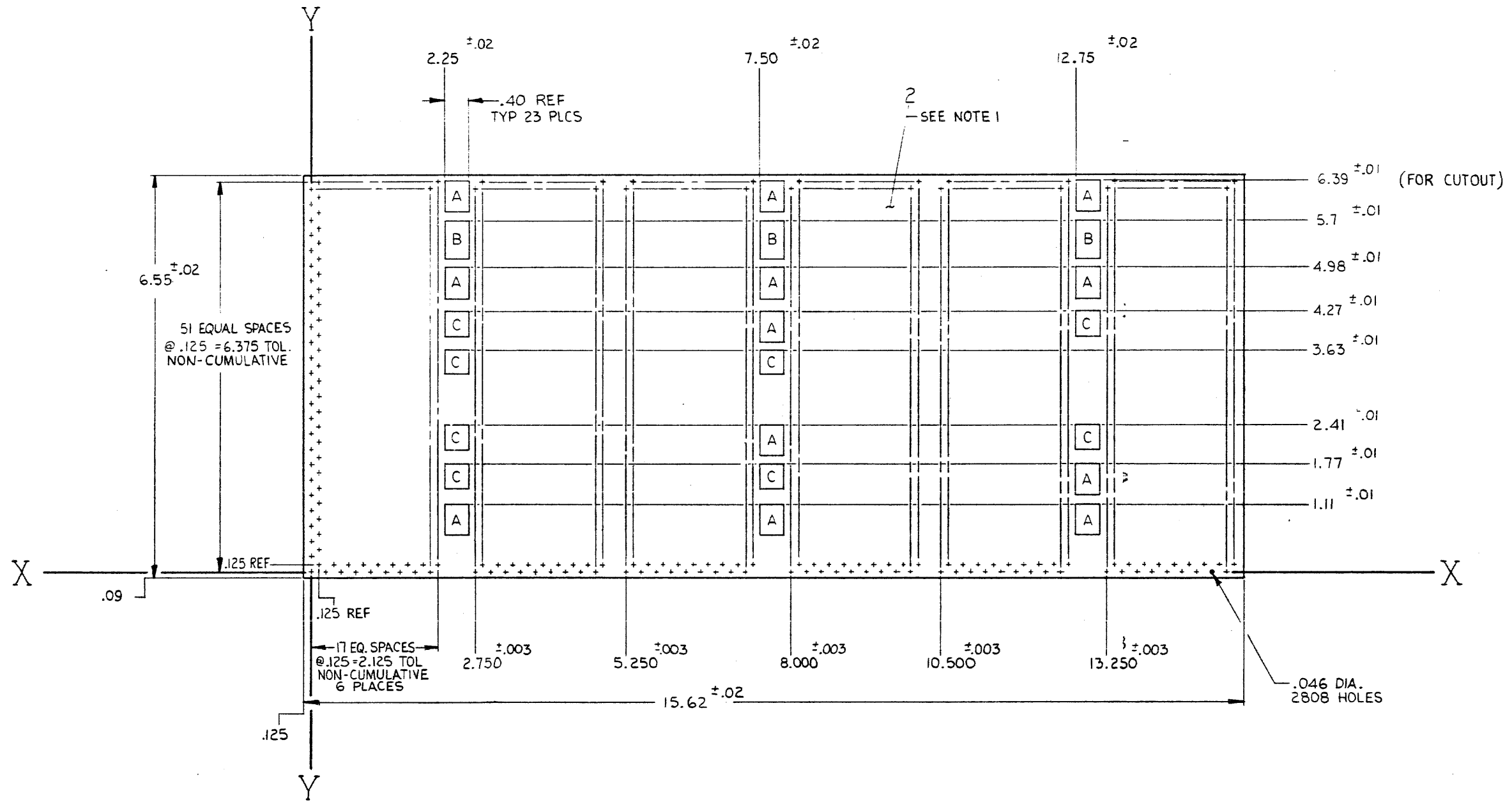
| | | | | | | | |
|---|--|--------------------------------------|--|-----------------------------------|-----------------|-----------------|------------------|
| THIRD ANGLE PROJECTION | | DESCRIPTION | | DWG./PART NO. | | ITEM NO. | |
| UNLESS OTHERWISE SPECIFIED DIMENSIONS ARE IN INCHES | | | | | | | |
| ANGLES ±0° 30' | | CLASS OF ACCURACY | | NOMINAL DIMENSION RANGE INCHES | | | |
| SURFACE QUALITY | | CHECK ONE | | OVER 0 TO 0.2 | OVER 0.2 TO 1.2 | OVER 1.2 TO 4.0 | OVER 4.0 TO 12.0 |
| IN | | MEDIUM | | ±.004 | ±.008 | ±.012 | ±.016 |
| MICROINCHES | | PREFERRED | | ±.012 | ±.016 | ±.025 | ±.04 |
| QUANTITY & VARIATION | | DRN: <i>M. Normand</i> 12/27/76 | | FIRST USED ON | | | |
| REMOVE BURRS AND BREAK SHARP CORNERS | | CHK'D: <i>B. Amos</i> 1/16/77 | | PCIØ digital | | | |
| DO NOT SCALE DWG | | ENG: <i>S. J. Anderson</i> 12/27/76 | | TITLE | | | |
| MATERIAL | | PROD: <i>S. J. Anderson</i> 12/27/76 | | BACKPLANE REWORK ASSY (VT48/PCIØ) | | | |
| FINISH | | NEXT HIGHER ASSY. | | SIZE CODE NUMBER | | | |
| | | D-AD-7013918-0-0 | | D AD 7013491 - 0 - 0 | | | |
| | | SCALE 1/1 | | DIST. | | | |
| | | SHEET 1 OF 1 | | REV. | | | |

REVISIONS
 CHANGE NO. REV.
 CHK

"THIS DRAWING AND SPECIFICATIONS, HEREIN, ARE THE PROPERTY OF DIGITAL EQUIPMENT CORPORATION AND SHALL NOT BE REPRODUCED OR COPIED OR USED IN WHOLE OR IN PART AS THE BASIS FOR THE MANUFACTURE OR SALE OF ITEMS WITHOUT WRITTEN PERMISSION. COPYRIGHT © 1976, DIGITAL EQUIPMENT CORPORATION"

| CUTOUTS | |
|---------|-----------|
| A | .50 x .40 |
| B | .62 x .40 |
| C | .40 x .40 |

NOTES
1. SILK SCREEN INK TO BE TRICLORETHYLENE RESISTANT. DO NOT BAKE.



| | | | |
|---|------------------|-----------------|---|
| 1 | SILK SCREEN | D55-5513110-0-1 | 2 |
| 1 | PROTECTION SHEET | DJA-5513110-0-0 | 1 |

| DESCRIPTION | | DWG./PART NO. | | ITEM NO. | |
|---|----------------------------------|--------------------------------|-----------------|-----------------|------------------|
| UNLESS OTHERWISE SPECIFIED DIMENSIONS ARE IN INCHES | | | | | |
| ANGLES ±0° 30' | CLASS OF ACCURACY (CHECK ONE) | NOMINAL DIMENSION RANGE INCHES | | | |
| | | OVER 0 TO 0.2 | OVER 0.2 TO 1.2 | OVER 1.2 TO 4.0 | OVER 4.0 TO 40.0 |
| SURFACE QUALITY IN | MEDIUM | ±.004 | ±.008 | ±.012 | ±.016 |
| | | ±.024 | ±.04 | | |
| MICROINCHES | PREFERRED | ±.012 | ±.016 | ±.025 | ±.04 |
| | | ±.063 | ±.1 | | |

THIRD ANGLE PROJECTION

REMOVE BURRS AND BREAK SHARP CORNERS

DO NOT SCALE DWG

MATERIAL: D-AD-TO13124-0-0

FINISH: ---

DRN. M. G. [Signature] 28 Dec 76

CHK'D [Signature]

PROJ. ENG. [Signature]

PROD. [Signature]

NEXT HIGHER ASSY.

SIZE CODE: D IA

NUMBER: 5513110-0-0

REV.:

FIRST USED ON: ANIO digital

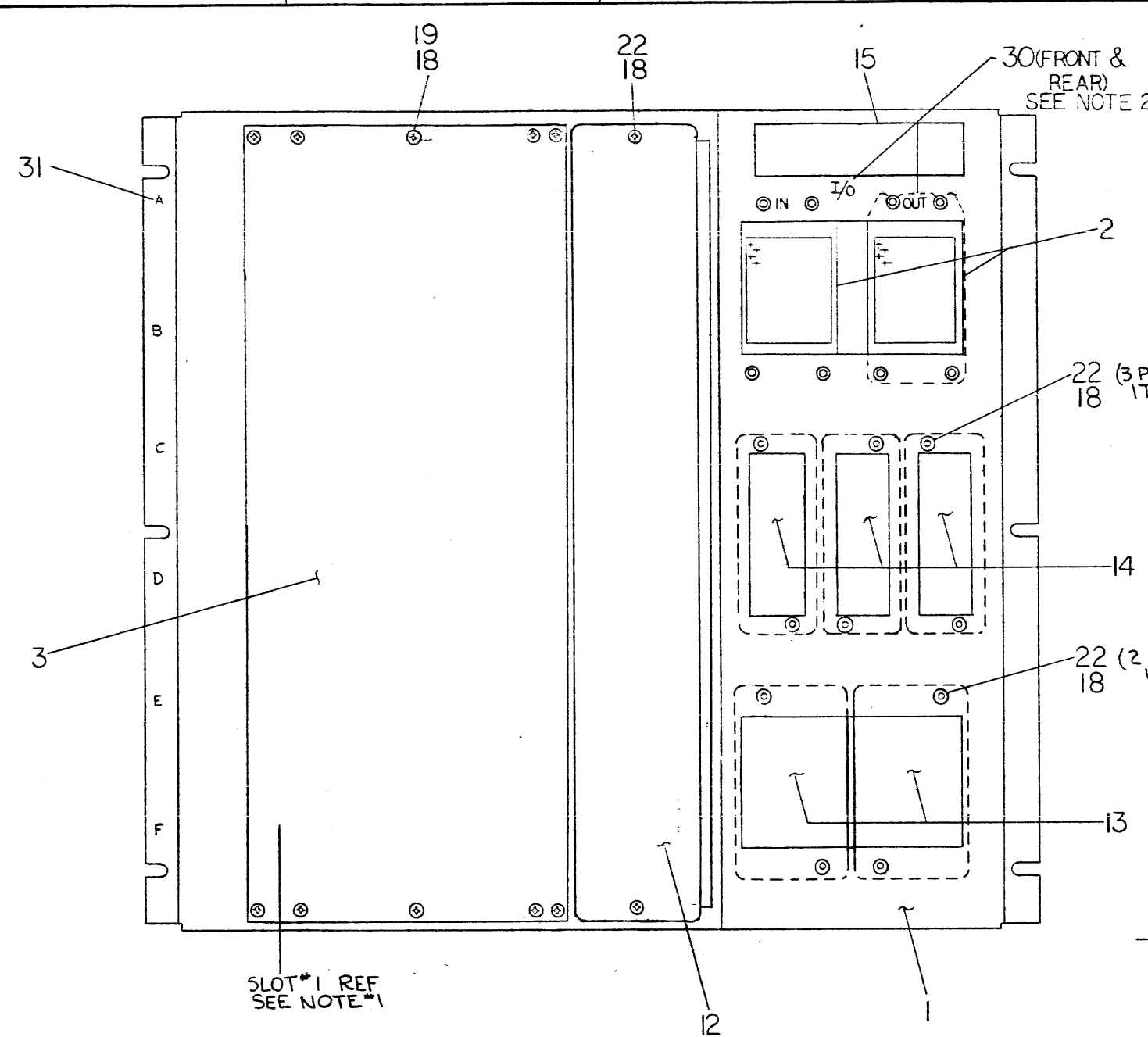
TITLE: GND PLANE PROTECTION SHEET

SHEET 1 OF 1

| REV. | CHANGE NO. | DESCRIPTION |
|------|------------|-------------|
| | | |

REV. NUMBER D IA 5513110-0-0

"THIS DRAWING AND SPECIFICATIONS, HEREIN, ARE THE PROPERTY OF DIGITAL EQUIPMENT CORPORATION AND SHALL NOT BE REPRODUCED OR COPIED OR USED IN WHOLE OR IN PART AS THE BASIS FOR THE MANUFACTURE OR SALE OF ITEMS WITHOUT WRITTEN PERMISSION. COPYRIGHT © 1974, DIGITAL EQUIPMENT CORPORATION"

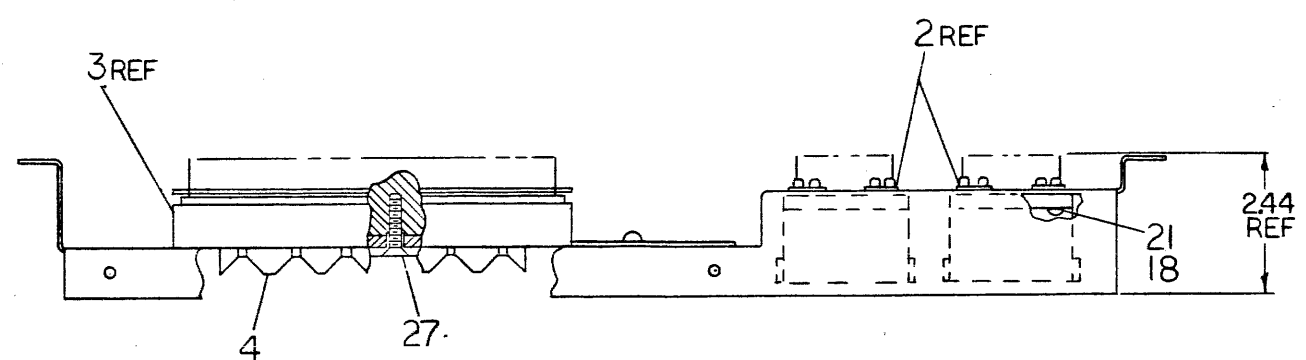


| NUMBER | VARIATION | SHEET # |
|-----------|----------------|-----------|
| 7013480-0 | PC10 | 1 |
| 7013480-1 | DX20 | 2 |
| 7013480-2 | ANI0 | 3 |
| 7013480-3 | BACKPLANE ONLY | NCT SHOWN |

NOTES
 1. FOR SLOT LOCATIONS SEE SHEET #4.
 2. INSTALL DECALS ITEMS 30 AND 31 AS SHOWN. LABEL BOTH THE FRONT AND THE REAR OF THE LOGIC MOUNTING PLATE (ITEM 1) WHERE INDICATED.

| HAND WIRE LIST | | | | | |
|----------------|-----|-------|----------|-------|--|
| ITEM NO | AWG | COLOR | FROM | TO | |
| 29 | 24 | BLU | -15A TOP | B03B2 | |
| | | | A06B2 | B06B2 | |
| | | | -15B CTR | D03B2 | |
| | | | C06B2 | D06B2 | |
| | | | -15A BOT | F03B2 | |
| 29 | 24 | BLU | E06B2 | F06B2 | |

-0 VARIATION ONLY
 (PC10)



CAUTION: OFF SHEETS PARTS LIST EXISTS
 SEE A-PL-7013480-0-0

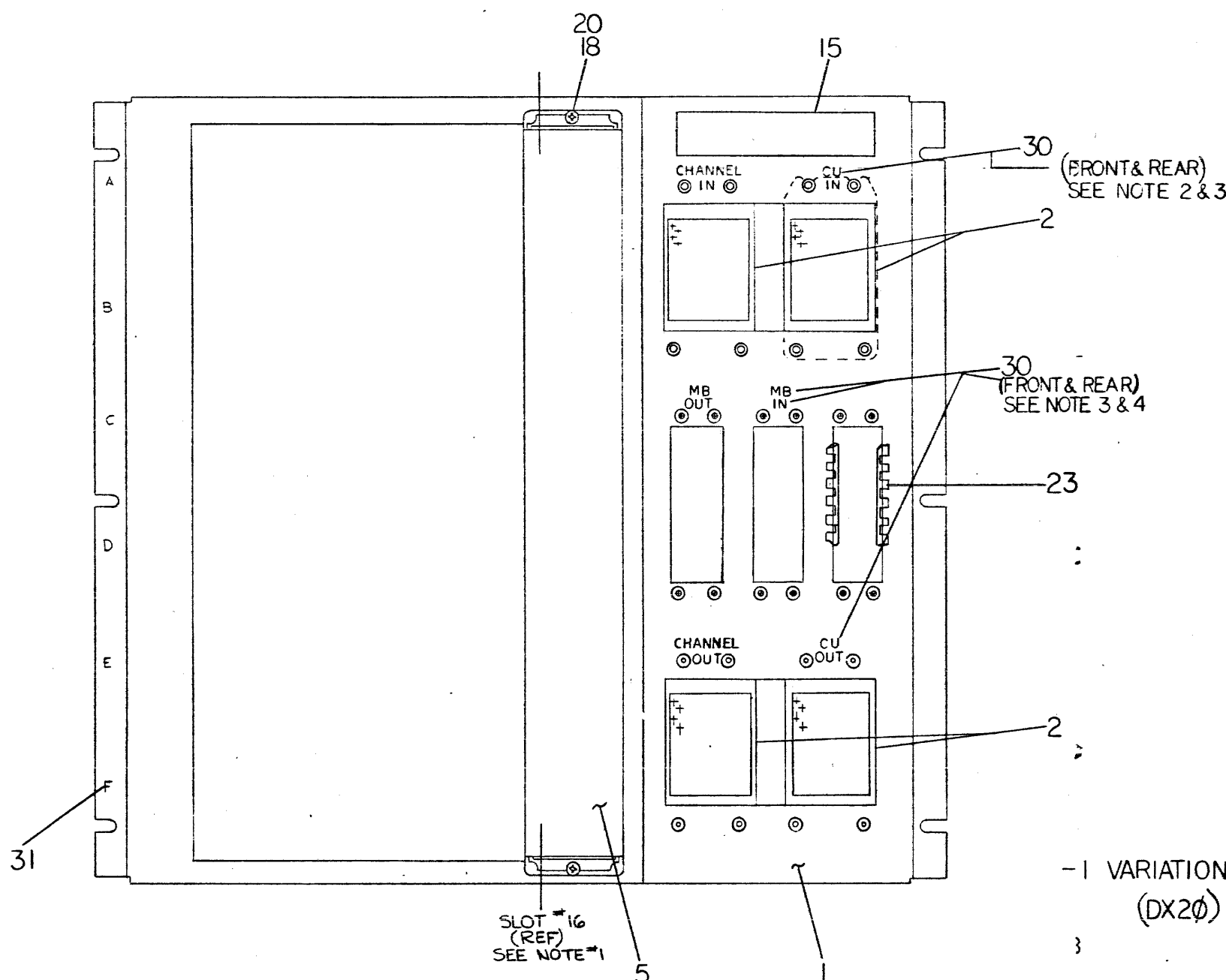
| DESCRIPTION | DWG./PART NO. | ITEM NO. |
|---|--|---|
| UNLESS OTHERWISE SPECIFIED DIMENSIONS ARE IN INCHES | | |
| ANGLES ±0° 30' | CLASS OF ACCURACY | NOMINAL DIMENSION RANGE INCHES |
| SURFACE QUALITY IN (CHECK ONE) | MEDIUM <input type="checkbox"/> ±.004 ±.008 ±.012 ±.016 ±.024 ±.04 | OVER 0 TO 0.2 |
| | | PREFERRED <input type="checkbox"/> ±.012 ±.016 ±.025 ±.04 ±.063 ±.1 |
| QUANTITY & VARIATION | MICROINCHES | |

| | | | | |
|--------------------------------------|-------------------------------|----------------------|------------------|-------------|
| THIRD ANGLE PROJECTION | DRN. <i>[Signature]</i> | FIRST USED ON | PC10 | digital |
| REMOVE BURRS AND BREAK SHARP CORNERS | CHK'D <i>[Signature]</i> | TITLE | | |
| DO NOT SCALE DWG | ENG. <i>[Signature]</i> | WIRED LOGIC MTG ASSY | | |
| MATERIAL | PROJ. ENG. <i>[Signature]</i> | NEXT HIGHER ASSY. | D-AD-7013479-0-0 | SIZE CODE |
| FINISH | PROD. <i>[Signature]</i> | SCALE | D AD | NUMBER |
| | | SHEET 1 OF 5 | | 7013480-0-0 |
| | | | | REV |

REVISIONS
 CHANGE NO. REV.
 CHK. CHANGE NO. REV.
 B.L.K. P.1112

REV. NUMBER
 D AD 7013480-0-0

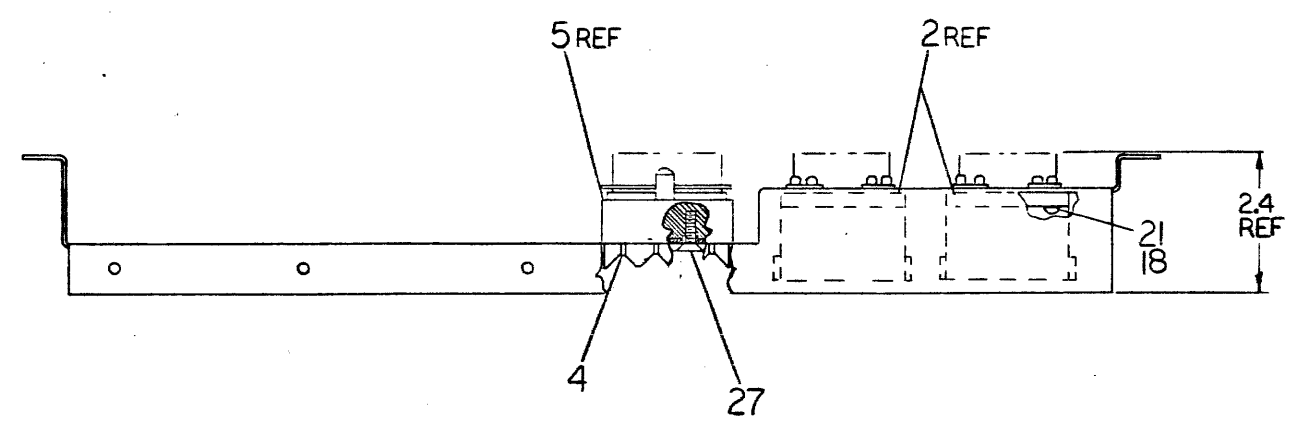
"THIS DRAWING AND SPECIFICATIONS HEREIN ARE THE PROPERTY OF DIGITAL EQUIPMENT CORPORATION AND SHALL NOT BE REPRODUCED OR COPIED OR USED IN WHOLE OR IN PART AS THE BASIS FOR THE MANUFACTURE OR SALE OF ITEMS WITHOUT WRITTEN PERMISSION. COPYRIGHT © 1976, DIGITAL EQUIPMENT CORPORATION"



- NOTES:
- FOR SLOT LOCATIONS SEE SHEET #4.
 - INSTALL DECALS ITEMS 30 AND 31 AS SHOWN. LABEL BOTH THE FRONT AND THE REAR OF THE LOGIC MTG PLATE (ITEM 1) WHERE INDICATED.
 - PREPARE "CU" AND "MB" DECALS USING TRANS-ARTYPE NO. T1191 FUTURA BOLD 12-PT RUB ON LETTERING OR EQUIVALENT.

-1 VARIATION ONLY (DX2Ø)

| HAND WIRE LIST | | | | |
|----------------|-----|-------|------------|-------|
| ITEM NO. | AWG | COLOR | FROM | TO |
| 29 | 24 | BLUE | -15 BOT | E17B2 |
| 33 | 24 | VIO | DCLORIGHT | C16A1 |
| 32 | 24 | YEL | AC&O RIGHT | F16B1 |



CAUTION OFF SHEETS PARTS LISTS EXIST
SEE A-PL-7013480-0-0

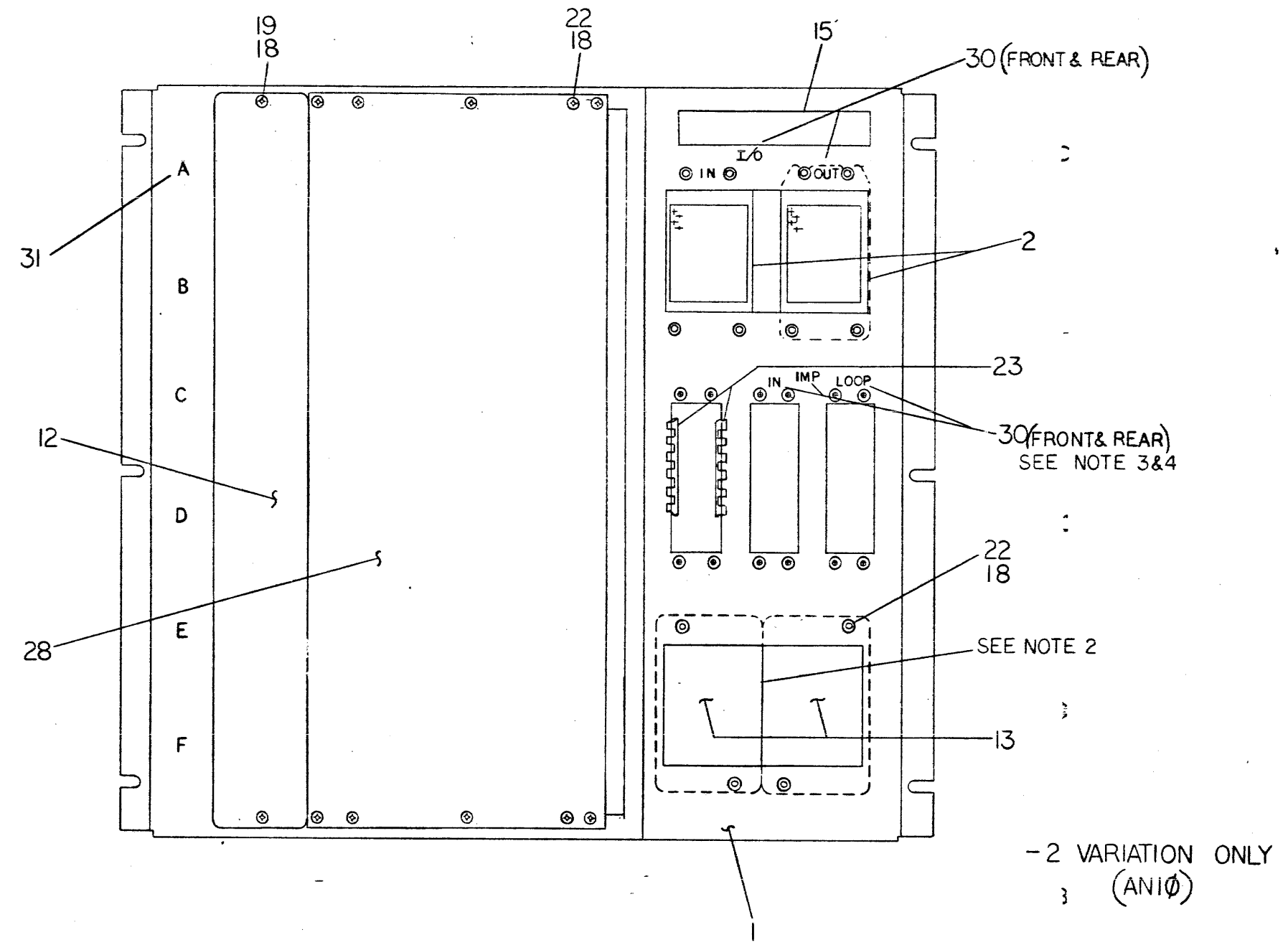
| DESCRIPTION | DWG/PART NO. | ITEM NO. |
|---|---|--------------------------------|
| UNLESS OTHERWISE SPECIFIED DIMENSIONS ARE IN INCHES | | |
| ANGLES ±0° 30' | CLASS OF ACCURACY (CHECK ONE) | NOMINAL DIMENSION RANGE INCHES |
| SURFACE QUALITY IN MICROINCHES | MEDIUM <input type="checkbox"/> | OVER 0 TO 0.2 |
| | PREFERRED <input checked="" type="checkbox"/> | OVER 0.2 TO 1.2 |
| | | OVER 1.2 TO 4.0 |
| | | OVER 4.0 TO 12.0 |
| | | OVER 12.0 TO 40.0 |
| | | OVER 40.0 TO 80.0 |

| | | | | |
|--------------------------------------|---------------------------------|---------------|----------------------|---------|
| THIRD ANGLE PROJECTION | DRY: <i>M. M. M. 2/10/76</i> | FIRST USED ON | DX2Ø | digital |
| REMOVE BURRS AND BREAK SHARP CORNERS | CHK'D: <i>J. B. 2/10/76</i> | TITLE | WIRED LOGIC MTG ASSY | |
| DO NOT SCALE DWG | PROJ. ENG: <i>D. A. 2/10/76</i> | SIZE | D | AD |
| MATERIAL | PROD. <i>D. S. 2/10/76</i> | CODE | 7013479-0-0 | NUMBER |
| FINISH | NEXT HIGHER ASSY. | SCALE | 1 | DIST. |
| | | SHEET | 2 | OF 5 |

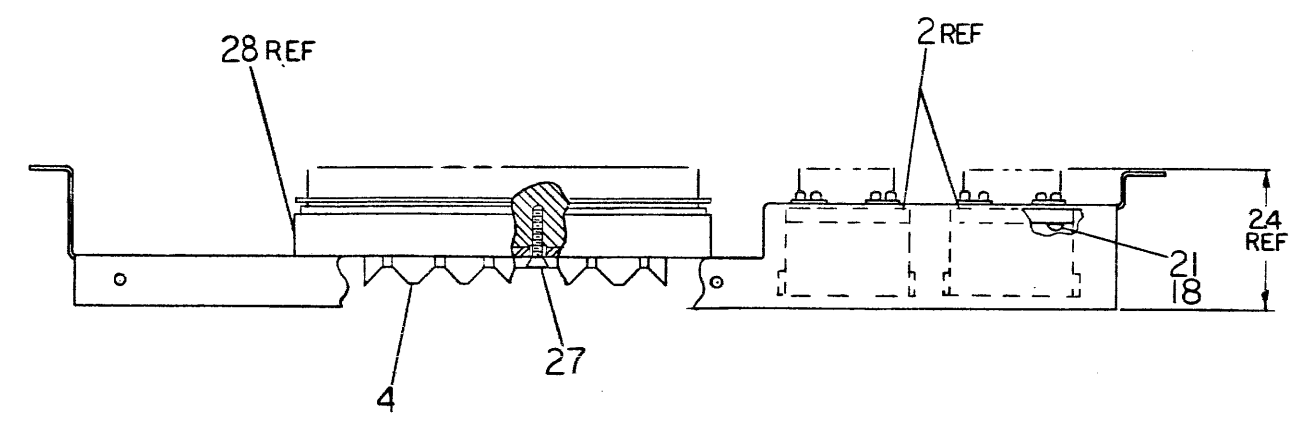
REVISIONS
CHK CHANGE NO. REV.

REV. NUMBER 0-0
D AD 7013480-0-0

THIS DRAWING AND SPECIFICATIONS, HEREIN, ARE THE PROPERTY OF DIGITAL EQUIPMENT CORPORATION AND SHALL NOT BE REPRODUCED OR COPIED OR USED IN WHOLE OR IN PART AS THE BASIS FOR THE MANUFACTURE OR SALE OF ITEMS WITHOUT WRITTEN PERMISSION. COPYRIGHT © 1974, DIGITAL EQUIPMENT CORPORATION



- NOTES
1. FOR SLOT LOCATIONS SEE SHEET #4.
 2. INSTALL ITEMS 13 AS SHOWN. POSITION SO THAT THE TWO ADJACENT PLATES TOUCH TO SEAL THE LOGIC MOUNTING PLATE CUT OUT.
 3. INSTALL DECALS ITEMS 30 AND 31 AS SHOWN. LABEL BOTH THE FRONT AND THE REAR OF THE LOGIC MTG PLATE (ITEM 1) WHERE INDICATED.
 4. PREPARE "IMP" AND "LOOP" DECALS USING TRANS-ARTYPE NO. T1191 FUTURA BOLD 12-PT. RUB ON LETTERING OR EQUIVALENT.



CAUTION OFF SHEETS PARTS LIST EXIST
SEE A-PL-7013480-0-0

| | | | |
|--------------------------------------|---|------------------------------------|----------------------------------|
| THIRD ANGLE PROJECTION | DESCRIPTION | DWG. PART NO. | ITEM NO. |
| | UNLESS OTHERWISE SPECIFIED DIMENSIONS ARE IN INCHES | | |
| | ANGLES ±0° 30' | NOMINAL DIMENSION RANGE INCHES | |
| SURFACE QUALITY | CLASS OF ACCURACY | OVER 0 TO 0.2 | OVER 0.2 TO 1.2 |
| | (CHECK ONE) | OVER 1.2 TO 4.0 | OVER 4.0 TO 12.0 |
| MEDIUM | QUALITY IN | OVER 12.0 TO 40.0 | OVER 40.0 TO 80.0 |
| | PREFERRED | ±.004 ±.006 ±.012 ±.016 ±.024 ±.04 | ±.012 ±.016 ±.025 ±.04 ±.063 ±.1 |
| QUANTITY & VARIATION | MICROINCHES | | |
| REMOVE BURRS AND BREAK SHARP CORNERS | DRN: M. Norman 29 OCT 76 | FIRST USED ON ANIØ digital | |
| DO NOT SCALE DWG | CHK'D: B. Bond 10 Nov 76 | TITLE WIRED LOGIC MTG ASSY | |
| MATERIAL | PROJ. ENG: S. Anderson 23 JUN 77 | SIZE CODE NUMBER REV. | |
| FINISH | PROD. S. A. Pack 1 JUL 77 | SCALE: 1:1 DIST.: | |
| | NEXT HIGHER ASSY. | D-AD-7013479-0-0 D AD 7013480-0-0 | |
| | | SHEET 3 OF 5 | |

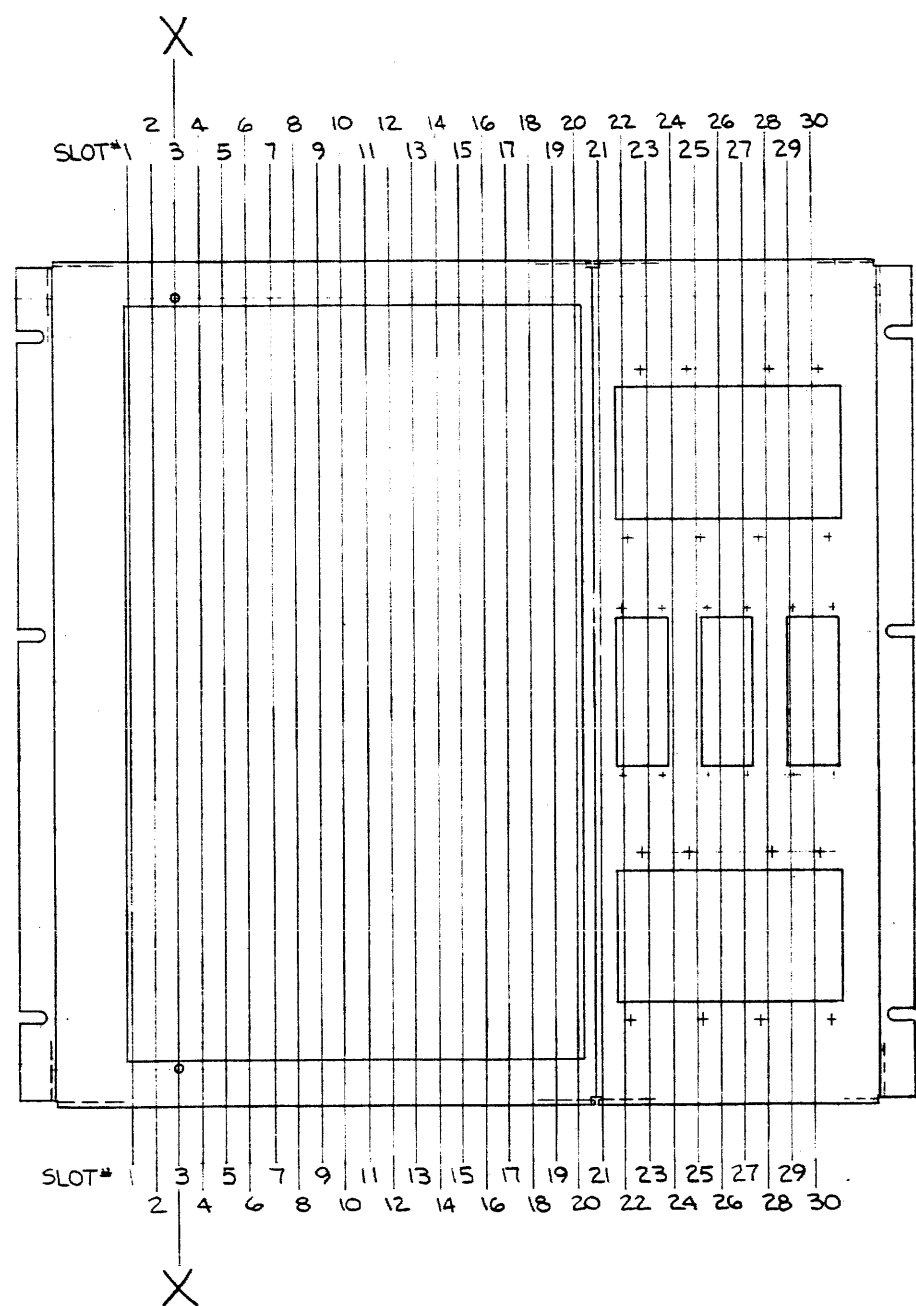
REVISIONS
CHANGE NO. REV.

SIZE CODE NUMBER
D AD 7013480-0-0

B

A

THIS DRAWING AND SPECIFICATIONS, HEREIN, ARE THE PROPERTY OF DIGITAL EQUIPMENT CORPORATION AND SHALL NOT BE REPRODUCED OR COPIED OR USED IN WHOLE OR IN PART AS THE BASIS FOR THE MANUFACTURE OR SALE OF ITEMS WITHOUT WRITTEN PERMISSION. COPYRIGHT © 1976 DIGITAL EQUIPMENT CORPORATION



| SLOT LOCATION | | REMARKS | | |
|---------------|--------|---------|------|------|
| SLOT# | X | PCIØ | DX2Ø | ANIØ |
| 1 | -1.00 | * | - | - |
| 2 | -.50 | * | * | - |
| 3 | 0 | * | * | - |
| 4 | +.50 | * | * | - |
| 5 | +1.00 | * | * | - |
| 6 | +1.50 | * | * | * |
| 7 | +2.00 | * | * | * |
| 8 | +2.50 | * | * | * |
| 9 | +3.00 | * | * | * |
| 10 | +3.50 | * | * | * |
| 11 | +4.00 | * | * | * |
| 12 | +4.50 | * | * | * |
| 13 | +5.00 | * | * | * |
| 14 | +5.50 | - | * | * |
| 15 | +6.00 | - | - | * |
| 16 | +6.50 | - | * | * |
| 17 | +7.00 | - | * | * |
| 18 | +7.50 | - | * | * |
| 19 | +8.00 | - | * | - |
| 20 | +8.50 | - | - | - |
| 21 | +9.00 | - | - | - |
| 22 | +9.50 | * | * | * |
| 23 | +10.00 | * | * | * |
| 24 | +10.50 | * | * | * |
| 25 | +11.00 | * | * | * |
| 26 | +11.50 | * | * | * |
| 27 | +12.00 | * | * | * |
| 28 | +12.50 | * | * | * |
| 29 | +13.00 | * | * | * |
| 30 | +13.50 | * | * | * |

* INDICATES SLOT IS USED BY THE OPTION
 - INDICATES SLOT IS NOT USED BY THE OPTION

| REVISIONS | | |
|-----------|------------|------|
| CHK | CHANGE NO. | REV. |
| | | |

| | | | | | | | |
|-------|----------------------|-----------|---|--------|-------------------|-------|--|
| TITLE | WIRED LOGIC MTG ASSY | SIZE CODE | D | NUMBER | AD7013480 - 0 - 0 | REV. | |
| SCALE | 1:1 | SHEET | 4 | OF | 5 | DIST. | |

THIS DRAWING AND SPECIFICATIONS, HEREIN, ARE THE PROPERTY OF DIGITAL EQUIPMENT CORPORATION AND SHALL NOT BE REPRODUCED OR COPIED OR USED IN WHOLE OR IN PART AS THE BASIS FOR THE MANUFACTURE OR SALE OF ITEMS WITHOUT WRITTEN PERMISSION. COPYRIGHT © 1976 DIGITAL EQUIPMENT CORPORATION

(SEE SHEET 4) SLOT REF 22 23 24 25 27 28 29 30

ROW A REF

ROW B REF

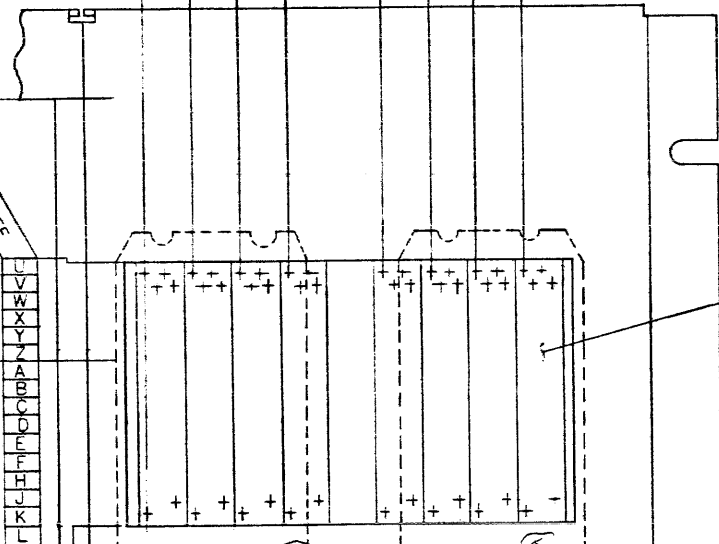
ROW C REF

ROW D REF

ROW E REF

ROW F REF

BACKPLANE PIN REF

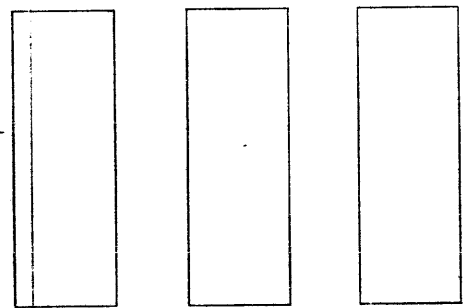


QL1

QL2

2REF

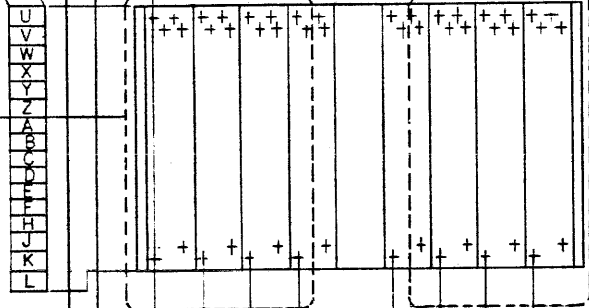
BACKPLANE PIN REF



QL3

QL4

2REF



22 23 24 25 27 28 29 30

SEE DETAIL 'A'

BACKPLANE PIN REF

| | | |
|---|-----|-----|
| U | A1 | A2 |
| V | +B1 | +B2 |
| W | +C | +C |
| X | +D | +D |
| Y | +E | +E |
| Z | +F | +F |
| A | +H | +H |
| B | +J | +J |
| C | +K | +K |
| D | +L | +L |
| E | +M | +M |
| F | +N | +N |
| H | +P | +P |
| J | +R | +R |
| K | +S | +S |
| L | +T | +T |

DETAIL 'A'
SCALE: NONE
TYP 16 PLCS

| REVISIONS | | |
|-----------|------------|------|
| CHK | CHANGE NO. | REV. |
| | | |

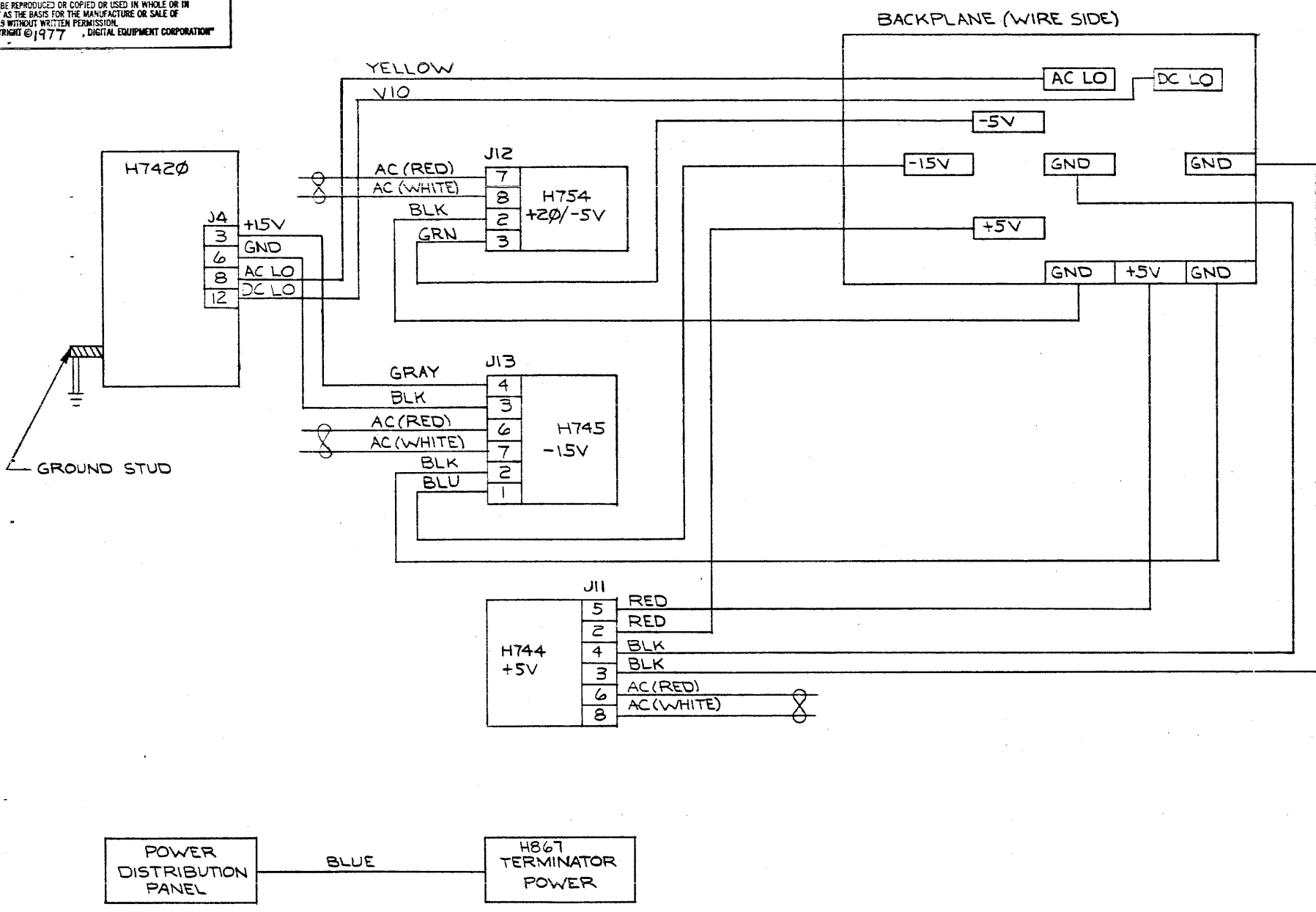
| | | | | | | | |
|-------|----------------------|-----------|------|--------|-------------|-------|--|
| TITLE | WIRED LOGIC MTG ASSY | SIZE CODE | D AD | NUMBER | 7013480-0-0 | REV. | |
| SCALE | | SHEET | 5 | OF | 5 | DIST. | |

REV. NUMBER D AD 7013480-0-0

B

A

"THIS DRAWING AND SPECIFICATIONS, HEREIN, ARE THE PROPERTY OF DIGITAL EQUIPMENT CORPORATION AND SHALL NOT BE REPRODUCED OR COPIED OR USED IN WHOLE OR IN PART AS THE BASIS FOR THE MANUFACTURE OR SALE OF ITEMS WITHOUT WRITTEN PERMISSION. COPYRIGHT © 1977, DIGITAL EQUIPMENT CORPORATION"



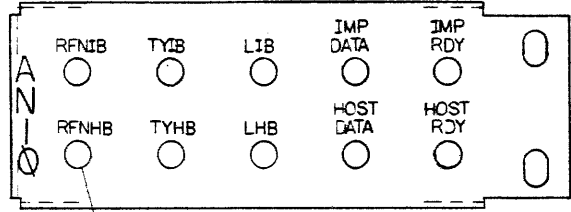
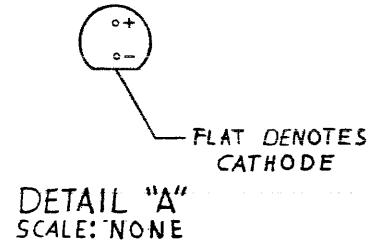
| REV. | CHANGE | DATE |
|------|--------|------|
| | | |

DEC FORM NO. 1000

| | | | | | | | |
|---|--|---|--|--------------------------------|-----------------|------------------|-------------------|
| THIRD ANGLE PROJECTION | | DESCRIPTION | | DWG./PART NO. | | ITEM NO. | |
| UNLESS OTHERWISE SPECIFIED DIMENSIONS ARE IN INCHES | | | | | | | |
| ANGLES | | CLASS OF ACCURACY | | NOMINAL DIMENSION RANGE INCHES | | | |
| ±0° 30' | | (CHECK ONE) | | OVER 0.2 | OVER 0.2 TO 4.0 | OVER 4.0 TO 12.0 | OVER 12.0 TO 40.0 |
| SURFACE QUALITY | | MEDIUM | | ±.004 | ±.008 | ±.012 | ±.016 |
| IN | | PREFERRED | | ±.012 | ±.016 | ±.025 | ±.04 |
| MICROINCHES | | PREFERRED | | ±.012 | ±.016 | ±.025 | ±.04 |
| QUANTITY & VARIATION | | DRN. <i>M. MacCallister</i> 22 APR 77 | | FIRST USED ON | | ANIOØ | |
| REMOVE BURRS AND BREAK SHARP CORNERS | | CHK'D <i>[Signature]</i> | | TITLE | | digital | |
| DO NOT SCALE DWG | | PROJ. ENG. <i>[Signature]</i> 23 JUN 77 | | WIRING DIAGRAM, ANIOØ | | | |
| MATERIAL | | NEXT HIGHER ASSY. | | SIZE | | CODE | |
| FINISH | | SCALE NONE | | D | | IC ANIOØ-Ø-PW | |
| SHEET | | OF | | DIST. | | REV. | |

REV. NUMBER D IC ANIOØ-Ø-PW

THIS DRAWING AND SPECIFICATIONS, HEREIN, ARE THE PROPERTY OF DIGITAL EQUIPMENT CORPORATION AND SHALL NOT BE REPRODUCED OR COPIED OR USED IN WHOLE OR IN PART AS THE BASIS FOR THE MANUFACTURE OR SALE OF ITEMS WITHOUT WRITTEN PERMISSION.
 COPYRIGHT © 1977, DIGITAL EQUIPMENT CORPORATION

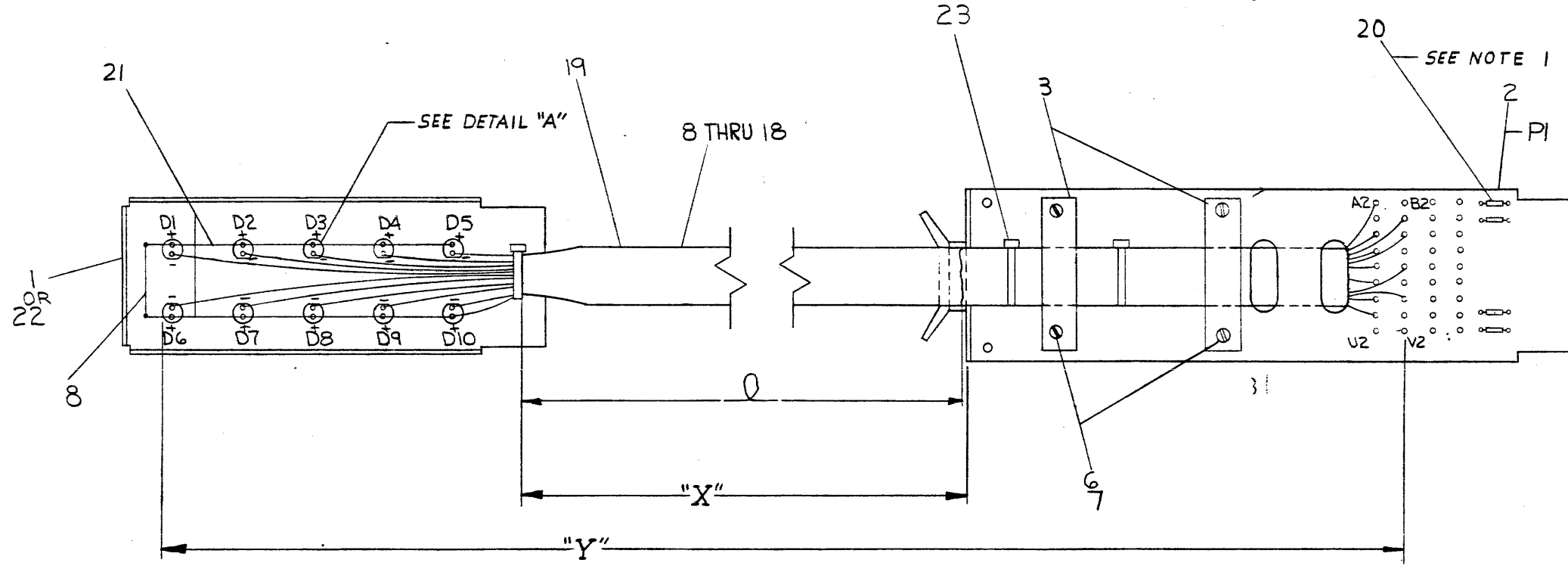


4
5 TYP IO PLCS

| ITEM NO. | DESCRIPTION | FROM | | TO | | REMARKS | |
|----------|-------------|---------|---------|------|--------|---------|------|
| | | AWG | COLOR | CONN | WITH | | CONN |
| 8 | 18 | RED | D1-POS | SOLD | D6-POS | SOLD | |
| 9 | | GRY | D6-NEG | ▲ | P1-D2 | ▲ | |
| 16 | | WHT/BRN | D2-NEG | | P1-E2 | | |
| 17 | | WHT/BLU | D3-NEG | | P1-F2 | | |
| 10 | | VIOLET | D4-NEG | | P1-H2 | | |
| 11 | | WHT | D7-NEG | | P1-K2 | | |
| 12 | | YEL | D9-NEG | | P1-L2 | | |
| 13 | | BRN | D8-NEG | | P1-M2 | | |
| 18 | | WHT/YEL | D1-NEG | | P1-P2 | | |
| 14 | | ORN | D10-NEG | | P1-R2 | | |
| 15 | | BLU | D5-NEG | ▼ | P1-S2 | ▼ | |
| 8 | 18 | RED | D10-POS | SOLD | P1-A2 | SOLD | |

| LEGEND | | |
|------------|-----------|----------------|
| NUMBER | DIM "X" | DIM "Y" PRECUT |
| 7013875-4D | 4 FT 4 IN | 5 FT 6 IN |

NOTES:
 1. REPLACE 10 Ω RESISTOR WITH INSULATED JUMPER ITEM #20.



| QTY | DESCRIPTION | PART NO. | ITEM NO. |
|-----|----------------------------|------------------|----------|
| 3 | CABLE TIES | 9007880 | 23 |
| 1 | BRACKET, MTG LED | D-IA-7418222-1-0 | 22 |
| 1 | BUS STRIP | 9008428 | 21 |
| 1 | JUMPER, INSULATED | 9009185 | 20 |
| 1 | WRAP, SPIRAL .25 | 9107240 | 19 |
| 1 | WIRE, #18AWG (WHT/YEL) | 9107360-94 | 18 |
| 1 | WIRE, #18AWG (WHT/BLU) | 9107360-96 | 17 |
| 1 | WIRE, #18AWG (WHT/BRN) | 9107360-91 | 16 |
| 1 | WIRE, STRD #18AWG (BLU) | 9107360-66 | 15 |
| 1 | WIRE, STRD #18AWG (ORN) | 9107360-33 | 14 |
| 1 | WIRE, STRD #18AWG (BRN) | 9107360-11 | 13 |
| 1 | WIRE, STRD #18AWG (YEL) | 9107360-44 | 12 |
| 1 | WIRE, STRD #18AWG (WHT) | 9107360-99 | 11 |
| 1 | WIRE, STRD #18AWG (VIOLET) | 9107360-77 | 10 |
| 1 | WIRE, STRD #18AWG (GRAY) | 9107360-88 | 9 |
| 1 | WIRE, STRD #18AWG (RED) | 9107360-22 | 8 |
| 4 | NUT, HEX #4 NYLON | 9007992 | 7 |
| 4 | SCR. RD. SLOTTED #40X.250 | 9006407-5 | 6 |
| 10 | LED HOLDER | 1210791 | 5 |
| 10 | LED | 1110324 | 4 |
| 2 | CABLE, CLAMP | 1202704 | 3 |
| 1 | CABLE, CONN M957 | D-CS-M957-0-1 | 2 |
| 1 | BRACKET, MTG LED | D-MD-7418222-0-0 | 1 |

| QUANTITY & VARIATION | DESCRIPTION | DWG. PART NO. | ITEM NO. |
|----------------------|----------------------|---------------|----------|
| 7013875-1 | INDICATOR PANEL ASSY | | |
| 7013875-0 | | | |

UNLESS OTHERWISE SPECIFIED DIMENSIONS ARE IN INCHES

| CLASS OF ACCURACY | NOMINAL DIMENSION RANGE INCHES | | | | | |
|-------------------|--------------------------------|-----------------|-----------------|------------------|-------------------|-------------------|
| | OVER 0 TO .03 | OVER 0.2 TO .03 | OVER 1.2 TO 4.0 | OVER 4.0 TO 12.0 | OVER 12.0 TO 40.0 | OVER 40.0 TO 80.0 |
| SURFACE QUALITY | IN | MEDIUM | ±.004 | ±.008 | ±.012 | ±.016 |
| FINISH | PREFERRED | ±.012 | ±.016 | ±.025 | ±.04 | ±.063 |

THIRD ANGLE PROJECTION

REMOVE BURRS AND BREAK SHARP CORNERS

DO NOT SCALE DWG

MATERIAL SEE PART LIST

FINISH

DRY *[Signature]* 23 JUN 77
 CHK'D
 ENG. *[Signature]* 23 JUN 77
 PROJ. ENG. *[Signature]* 23 JUN 77
 PROD. *[Signature]* 23 JUN 77

FIRST USED ON ANIO digital

TITLE INDICATOR PANEL ASSY

SIZE CODE D IA 7013875-0-0

NUMBER 7013875-0-0

REV.

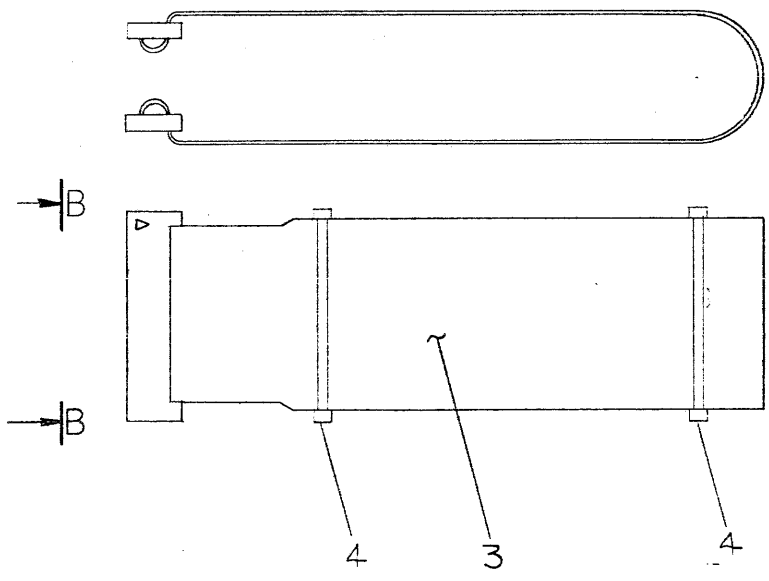
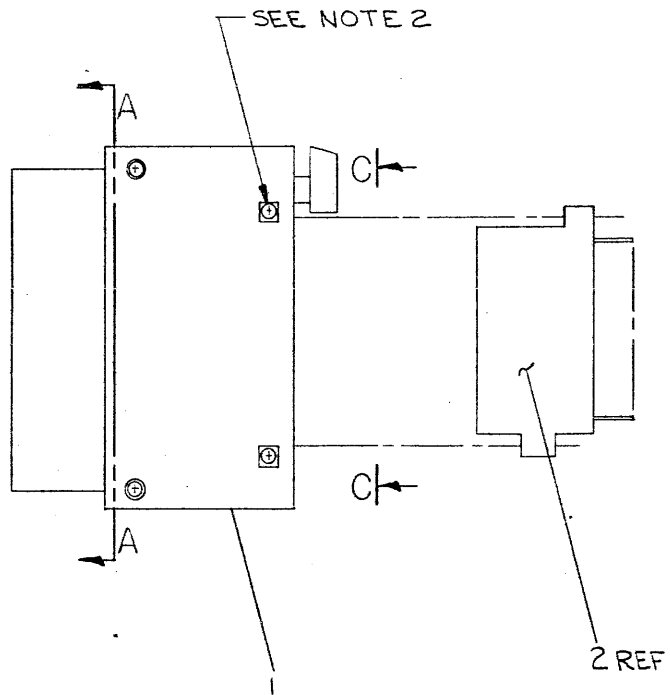
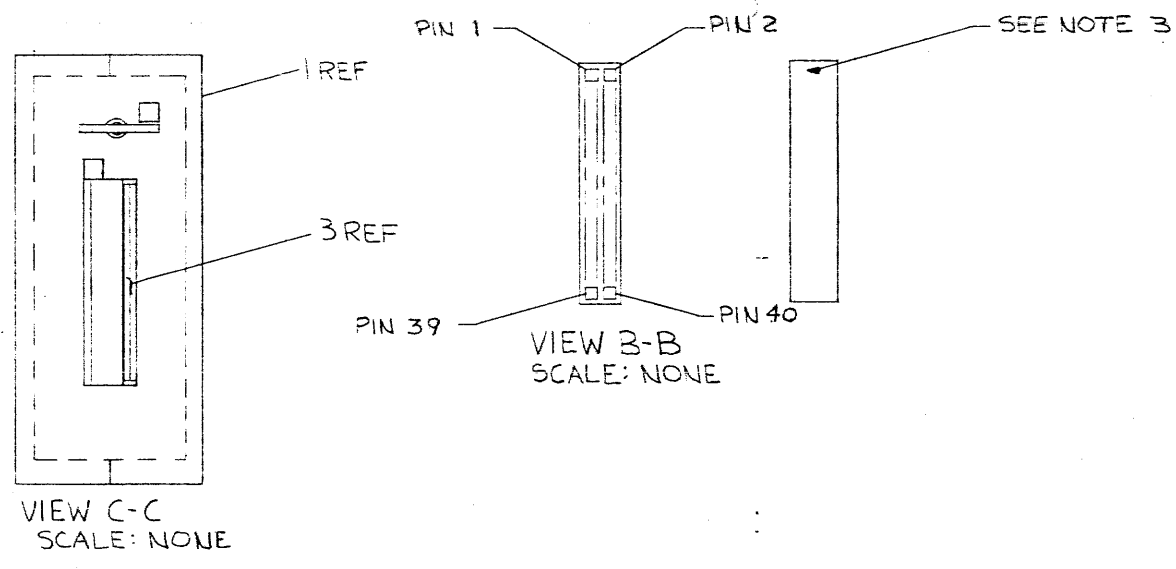
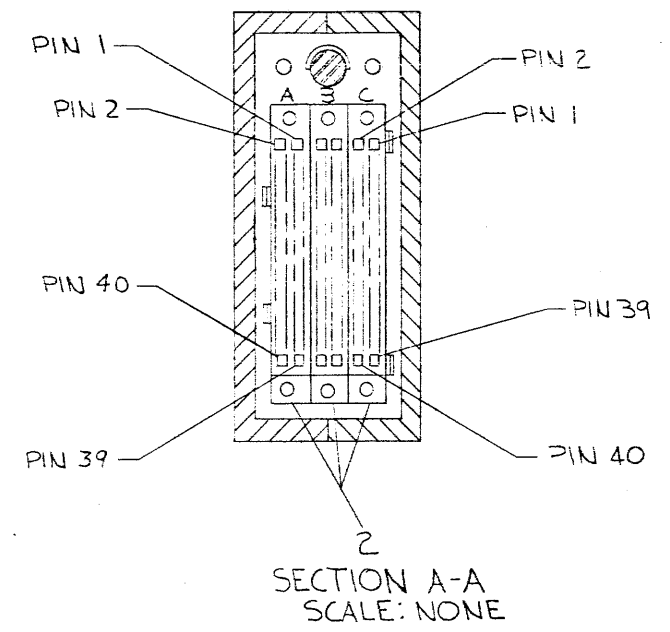
SHEET 1 OF 1

REVISIONS
 CHANGE NO.
 REV.

THIS DRAWING AND SPECIFICATIONS, HEREIN, ARE THE PROPERTY OF DIGITAL EQUIPMENT CORPORATION AND SHALL NOT BE REPRODUCED OR COPIED OR USED IN WHOLE OR IN PART AS THE BASIS FOR THE MANUFACTURE OR SALE OF ITEMS WITHOUT WRITTEN PERMISSION.
 COPYRIGHT © 1977, DIGITAL EQUIPMENT CORPORATION

NOTES:

- IF ITEM #3 HAS "BERG" TYPE CONNECTORS CUT BACK PLASTIC PIECES SHOWN IN FIG 1.
- CUT .25" FROM THE TWO #4-40X1.0LG. SELF-TAPPING SCREW (PART OF ITEM #1).
- ARROW ON BCØGR CONNECTOR GO TO PIN1 AND PIN2 ON TERMINATOR PLUG ASSY.
- COMPLETE ASSY OF ITEM #1 (INSERTS PROVIDED IN ITEM #1 ARE NOT TO BE USED)



| QTY | DESCRIPTION | DWG./PART NO. | ITEM NO. |
|-----|-----------------------|-----------------|----------|
| 4 | CABLE TIES | 9007880 | 4 |
| 1 | BCØGR I/O CABLE (1FT) | D-UA-BCØGR-Ø1-Ø | 3 |
| 3 | TERMINATOR PLUG ASSY | 1211591-31 | 2 |
| 1 | PLUG KIT, FLAT CABLE | 1211591-40 | 1 |

| QUANTITY & VARIATION | DESCRIPTION | | UNLESS OTHERWISE SPECIFIED DIMENSIONS ARE IN INCHES | | | | | | | | | |
|----------------------|-------------------|-------------|---|-------|-----------------|-------|------------------|-------|-------------------|-------|-------------------|------|
| | CLASS OF ACCURACY | (CHECK ONE) | NOMINAL DIMENSION RANGE INCHES | | | | | | | | | |
| MEDIUM | OVER 0 TO 0.2 | ±.004 | OVER 0.2 TO 1.2 | ±.008 | OVER 1.2 TO 4.0 | ±.012 | OVER 4.0 TO 12.0 | ±.016 | OVER 12.0 TO 40.0 | ±.024 | OVER 40.0 TO 80.0 | ±.04 |
| | PREFERRED | ±.012 | ±.016 | ±.025 | ±.04 | ±.063 | ±.1 | | | | | |

| | | | |
|--------------------------------------|-------------------------------|---------------------------|------|
| THIRD ANGLE PROJECTION | DRN: <i>[Signature]</i> | FIRST USED ON | ANIO |
| REMOVE BURRS AND BREAK SHARP CORNERS | CHK'D: <i>[Signature]</i> | TITLE | |
| DO NOT SCALE DWG | PROJ. ENG: <i>[Signature]</i> | CONN, ANIO LOCAL LOOPBACK | |
| MATERIAL | SCALE | SIZE | CODE |
| SEE PARTS LIST | E-UA-ANIO-Ø-Ø | D | AD |
| FINISH | SHEET 1 OF 2 | NUMBER | |
| | | 7013963-Ø-Ø | |
| | | REV. | |
| | | Ø-Ø | |

REVISIONS
 CHANGE NO. REV.

D
 C
 B
 A

REV. NUMBER
 D AD 7013963-Ø-Ø

"THIS DRAWING AND SPECIFICATIONS, HEREIN, ARE THE PROPERTY OF DIGITAL EQUIPMENT CORPORATION AND SHALL NOT BE REPRODUCED OR COPIED OR USED IN WHOLE OR IN PART AS THE BASIS FOR THE MANUFACTURE OR SALE OF ITEMS WITHOUT WRITTEN PERMISSION. COPYRIGHT © 1977 DIGITAL EQUIPMENT CORPORATION"

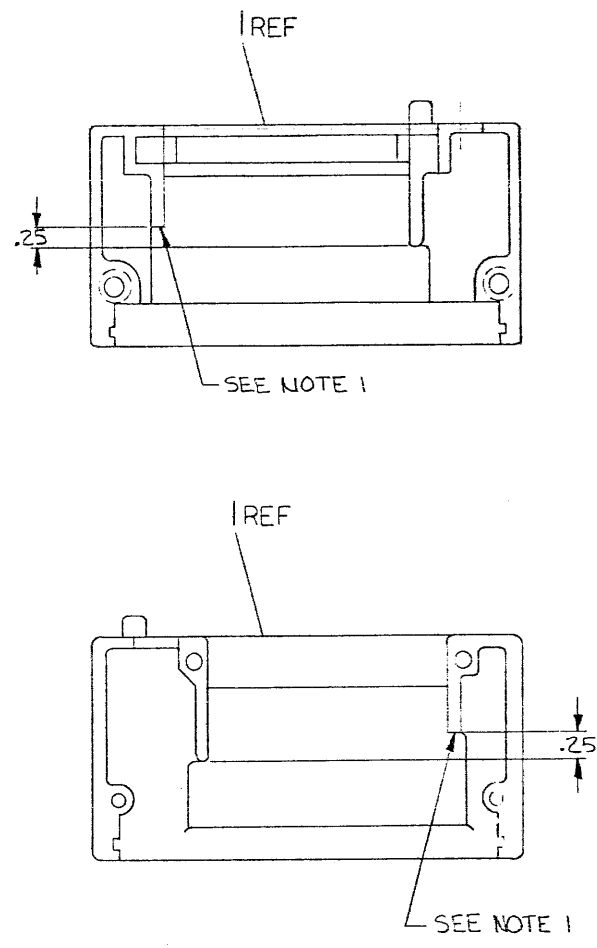


FIG. 1

| REVISIONS | | |
|-----------|------------|------|
| CHK | CHANGE NO. | REV. |
| | | |

| | | | | |
|--------------------------|--------------|-------------------|---------------------------|------|
| TITLE CONNECTOR, ANIØ | | SIZE CODE D AD | NUMBER 7013963 - 0 - 0 | REV. |
| SCALE | SHEET 2 OF 2 | DIST. | | |

D
C
A

REV.
D
7013963-0-0

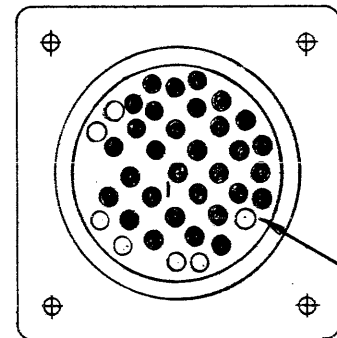
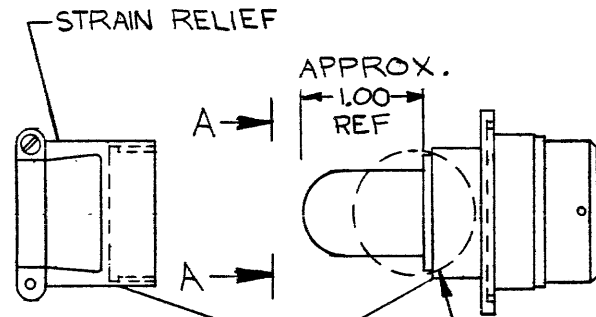
"THIS DRAWING AND SPECIFICATIONS, HEREIN, ARE THE PROPERTY OF DIGITAL EQUIPMENT CORPORATION AND SHALL NOT BE REPRODUCED OR COPIED OR USED IN WHOLE OR IN PART AS THE BASIS FOR THE MANUFACTURE OR SALE OF ITEMS WITHOUT WRITTEN PERMISSION. COPYRIGHT © 1977 DIGITAL EQUIPMENT CORPORATION"

WIRE TABLE

| ITEM NO | DESCRIPTION | | FROM | | TO | | REMARKS |
|---------|-------------|-------|-------|--------|-------|--------|---------|
| | AWG | COLOR | CONN | WITH | CONN | WITH | |
| 1 | 22 | BLK | PI-1 | ITEM#2 | PI-21 | ITEM#2 | |
| | | | PI-2 | | PI-22 | | |
| | | | PI-3 | | PI-23 | | |
| | | | PI-4 | | PI-24 | | |
| | | | PI-5 | | PI-19 | | |
| | | | PI-6 | | PI-20 | | |
| | | | PI-7 | | PI-17 | | |
| | | | PI-8 | | PI-18 | | |
| | | | PI-9 | | PI-15 | | |
| | | | PI-10 | | PI-16 | | |
| | | | PI-11 | | PI-13 | | |
| 1 | 22 | BLK | PI-12 | ITEM#2 | PI-14 | ITEM#2 | |

NOTES:

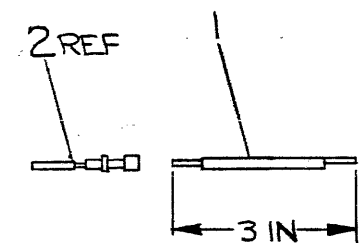
1. SEE FACE OF ACTUAL CONN FOR NUMBERING & EXACT LOCATION OF CONNECTOR HOLES.



VIEW A-A
SCALE: 2/1

SEE DETAIL A

SEE NOTE 1



DETAIL "A"
SCALE: NONE

| | | | |
|-----|-----------------------------|------------|---|
| 1 | CONNECTOR, 31 SKT FOR 20AWG | 1214480 | 2 |
| A/R | WIRE, 20AWG BLK STRD | 9107460-00 | 1 |

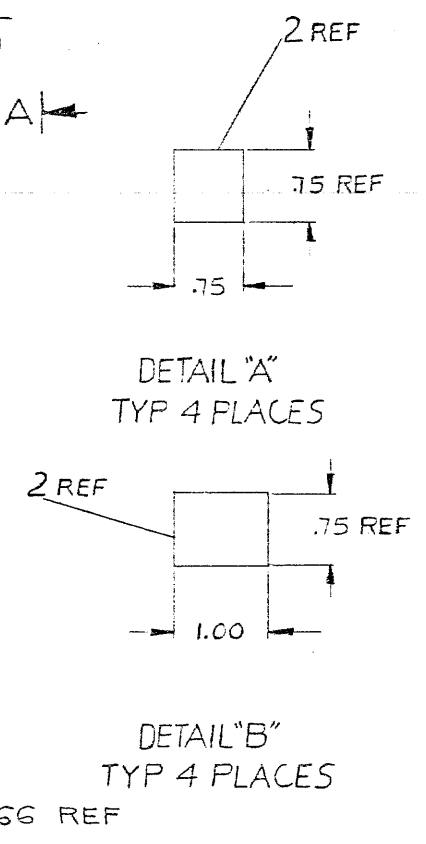
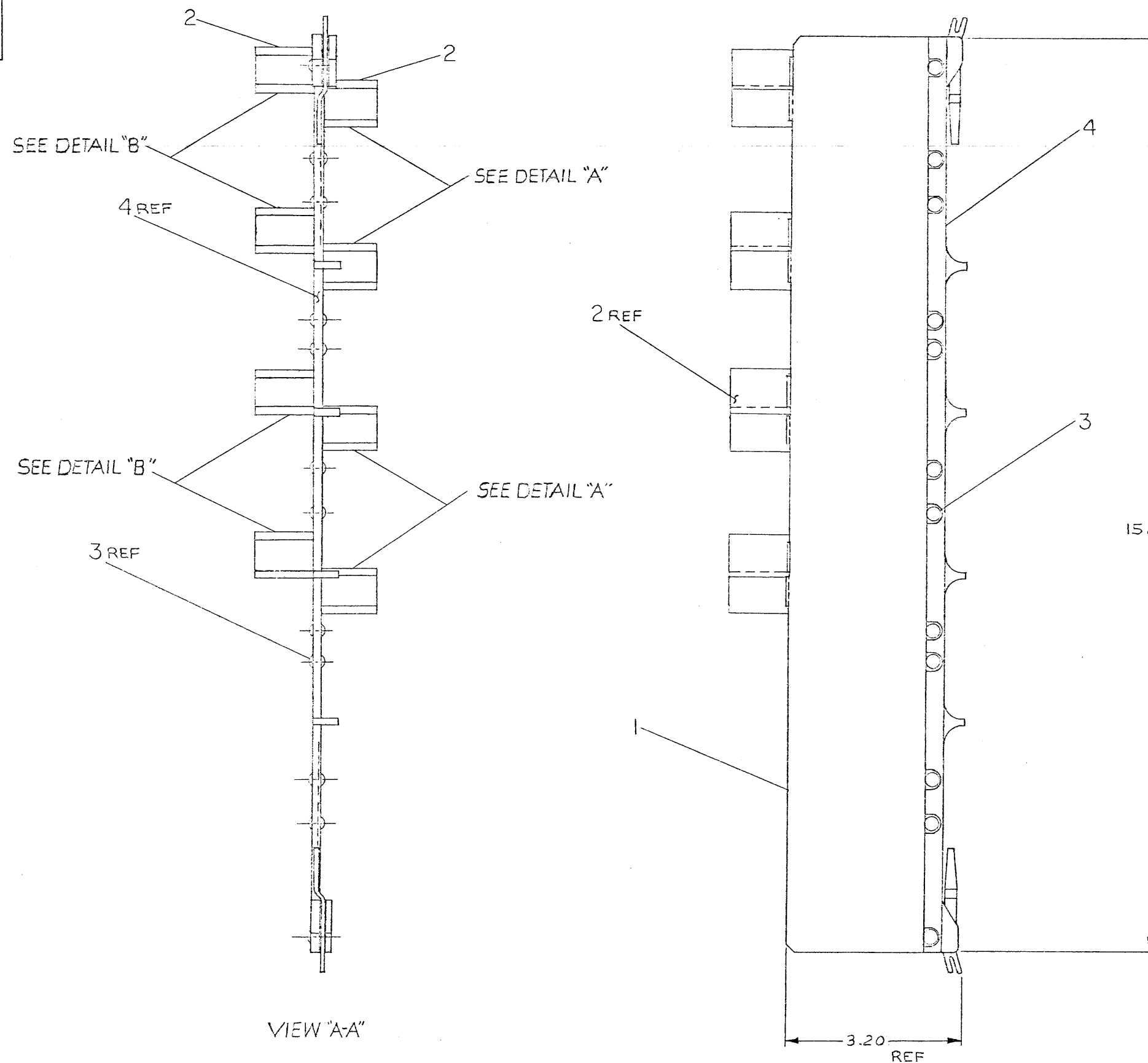
| DESCRIPTION | DWG./PART NO. | ITEM NO. |
|---|------------------------------------|--------------------------------|
| UNLESS OTHERWISE SPECIFIED DIMENSIONS ARE IN INCHES | | |
| ANGLES ±0° 30' | CLASS OF ACCURACY (CHECK ONE) | NOMINAL DIMENSION RANGE INCHES |
| SURFACE QUALITY IN MICROINCHES | MEDIUM <input type="checkbox"/> | OVER 0 TO 0.2 ±.004 |
| | PREFERRED <input type="checkbox"/> | OVER 0.2 TO 1.2 ±.008 |
| | | OVER 1.2 TO 4.0 ±.012 |
| | | OVER 4.0 TO 12.0 ±.016 |
| | | OVER 12.0 TO 40.0 ±.024 |
| | | OVER 40.0 TO 80.0 ±.04 |
| | | OVER 80.0 TO 160.0 ±.08 |
| | | OVER 160.0 TO 320.0 ±.1 |

| FIRST USED ON OPTION/MODEL | QTY. | DESCRIPTION | PART NO. | ITEM NO. |
|--|-------------------------------|-------------------|---|-------------|
| ANIØ | | | | |
| PARTS LIST | | | | |
| UNLESS OTHERWISE SPECIFIED DIMENSION IN INCHES | DRN. <i>M. Norman</i> | DATE 2 APRIL 77 | | |
| TOLERANCES | CHK'D. <i>Kil</i> | DATE | | |
| DECIMALS | ENG. <i>D. Anderson</i> | DATE 23 JUN 77 | TITLE CABLE CONN, ANIØ DISTANT (LOOPBACK) | |
| ANGLES | PROJ. ENG. <i>D. Anderson</i> | DATE 6 JUL 77 | | |
| .xxx = .005 .xx = .02 .x = .1 | PROD. <i>D. Haimm</i> | DATE 6 JUL 77 | | |
| REMOVE BURRS AND BREAK SHARP CORNERS SURFACE QUALITY Y | MATERIAL | NEXT HIGHER ASSY. | SIZE CODE | NUMBER |
| | SEE PARTS LIST | B-DD-ANIØ-Ø | C IA | 7013995-0-0 |
| | FINISH | SCALE NONE | DIST. | REV. |
| | | SHEET 1 OF 1 | | |

REV. 0-0
NUMBER 7013995-0-0
SIZE CODE C IA

| | | |
|-----------|-----|------|
| REVISIONS | NO. | REV. |
| CHK | | |

THIS DRAWING AND SPECIFICATIONS, HEREIN, ARE THE PROPERTY OF DIGITAL EQUIPMENT CORPORATION AND SHALL NOT BE REPRODUCED OR COPIED OR USED IN WHOLE OR IN PART AS THE BASIS FOR THE MANUFACTURE OR SALE OF ITEMS WITHOUT WRITTEN PERMISSION. COPYRIGHT © 1977, DIGITAL EQUIPMENT CORPORATION



| QTY | DESCRIPTION | DWG. PART NO. | ITEM NO. |
|-----|---------------------------|------------------|----------|
| 1 | HANDLE MODULE HEX BOARD | E-FS-1210711-0-0 | 4 |
| 12 | RIVETS | 900 6458 | 3 |
| 3/8 | FOAM, TAPE, ADHESIVE BACK | 900 8214 | 2 |
| 1 | HOLD DOWN BAR | D-MD-7418763-0-0 | 1 |

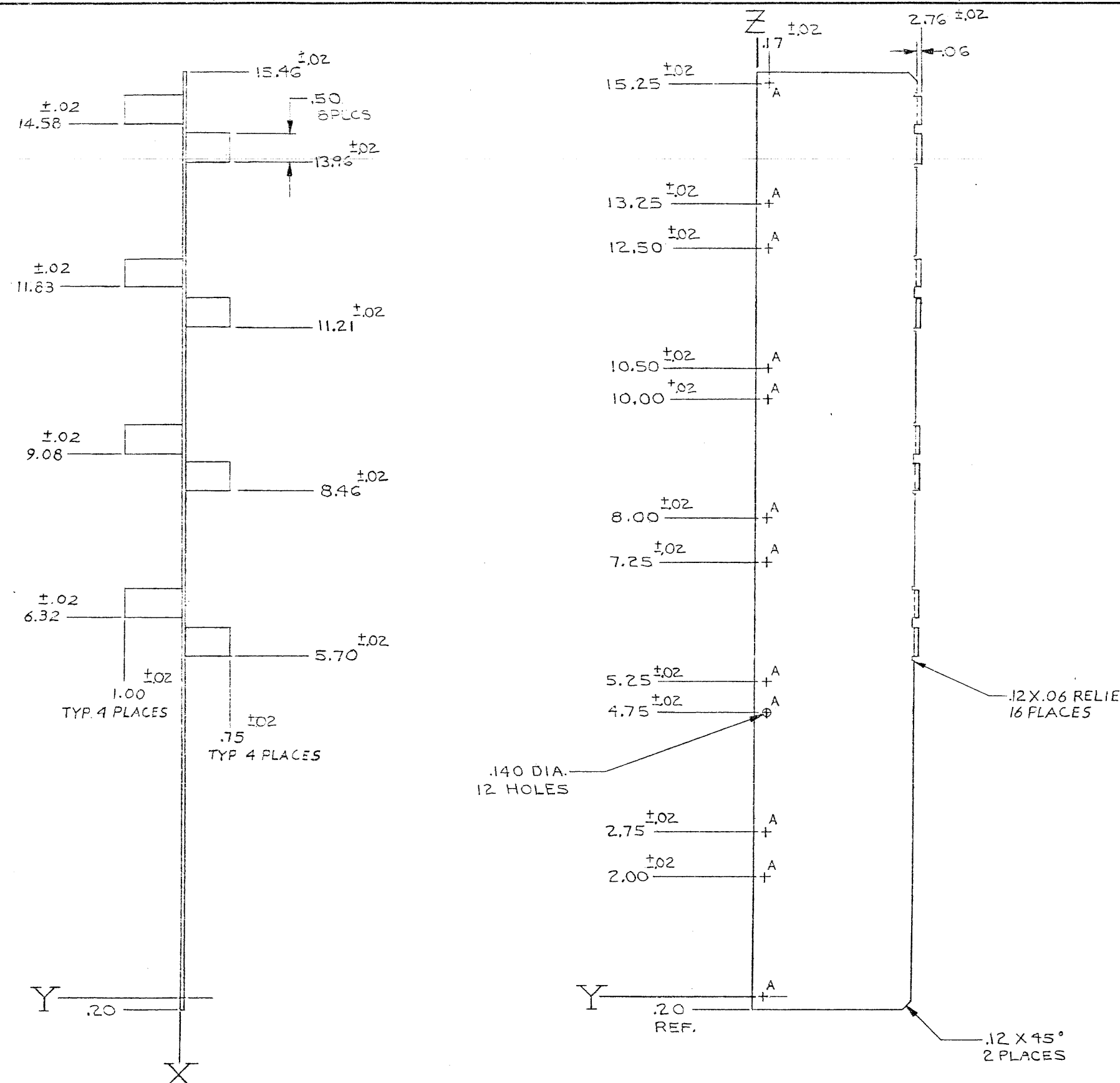
| QUANTITY & VARIATION | DESCRIPTION | | DWG. PART NO. | | ITEM NO. | | | |
|---|---|--------------------------|--------------------------------|-----------------|-----------------|------------------|-------|------|
| | UNLESS OTHERWISE SPECIFIED DIMENSIONS ARE IN INCHES | | | | | | | |
| <input type="checkbox"/> ANGLES ±0° 30' <input type="checkbox"/> SURFACE QUALITY IN <input checked="" type="checkbox"/> MICROINCHES | CLASS OF ACCURACY | | NOMINAL DIMENSION RANGE INCHES | | | | | |
| | (CHECK ONE) | | OVER 0 TO 0.2 | OVER 0.2 TO 1.2 | OVER 1.2 TO 4.0 | OVER 4.0 TO 40.0 | | |
| | MEDIUM | <input type="checkbox"/> | ±.004 | ±.008 | ±.012 | ±.016 | ±.024 | ±.04 |
| | PREFERRED | <input type="checkbox"/> | ±.012 | ±.016 | ±.026 | ±.04 | ±.063 | ±.1 |

| | | | |
|--------------------------------------|---------------------------------|---------------|---------------------------|
| THIRD ANGLE PROJECTION | DRN. <i>[Signature]</i> 12/2/77 | FIRST USED ON | <i>AN17</i> digital |
| REMOVE BURRS AND BREAK SHARP CORNERS | CHK'D | TITLE | MODULE HOLD DOWN BAR ASSY |
| DO NOT SCALE DWG | PROJ. ENG. <i>[Signature]</i> | SCALE | 1/1 |
| MATERIAL SEE PARTS LIST | PROD. <i>[Signature]</i> | SIZE | D |
| FINISH | NEXT HIGHER ASSY. | CODE | AD |
| | | NUMBER | 7014182-0-0 |
| | | SHEET | 1 OF 1 |
| | | DIST. | |

REVISIONS
 CHANGE
 CHK

SIZE CODE
 D AD 7014182-0-0

THIS DRAWING AND SPECIFICATIONS HEREIN ARE THE PROPERTY OF DIGITAL EQUIPMENT CORPORATION AND SHALL NOT BE REPRODUCED OR COPIED OR USED IN WHOLE OR IN PART AS THE BASIS FOR THE MANUFACTURE OR SALE OF IDENTICAL OR SIMILAR ITEMS PERMITS IN WRITING. COPYRIGHT © 1977, DIGITAL EQUIPMENT CORPORATION



| | |
|--------|--|
| REV. | |
| CHANGE | |
| CHK | |

| | | | |
|--------------------------------------|-------------------------------|-------|----------------------|
| THIRD ANGLE PROJECTION | DRN. <i>[Signature]</i> | DATE | FIRST USED ON |
| | CHK'D | | AN10 |
| REMOVE BURRS AND BREAK SHARP CORNERS | ENG. <i>[Signature]</i> | | TITLE |
| DO NOT SCALE DWG | PROJ. ENG. <i>[Signature]</i> | | MODULE HOLD DOWN BAR |
| MATERIAL .06 THK AL 5052-H32 | PROD. <i>[Signature]</i> | | |
| FINISH 9200200-00 | NEXT HIGHER ASSY. | | |
| | D-AD-7014192-C-0 | SIZE | CODE |
| | SCALE 1/1 | D | MD |
| | SHEET 1 OF 1 | DIST. | |

RET. NUMBER 7418963-0-0
 SIZE CODE D
 REV. 1
 B
 C
 D

THIS DRAWING AND SPECIFICATIONS, HEREIN ARE THE PROPERTY OF DIGITAL EQUIPMENT CORPORATION AND SHALL NOT BE REPRODUCED OR COPIED OR USED IN WHOLE OR IN PART AS THE BASIS FOR THE MANUFACTURE OR SALE OF ITEMS WITHOUT WRITTEN PERMISSION. COPYRIGHT © DIGITAL EQUIPMENT CORPORATION

| ITEM NO. | PART NO. | DESCRIPTION | -0 | -1 | -2 | -3 | -4 | -5 | -6 | -7 | -8 | -9 | -10 | -11 |
|----------|------------------|---|--------------------|--------------------|--------------------|--------------------|--------------------|--------------------|--------------------|--------------------|--------------------|--------------------|--------------------|--------------------|
| 1 | E-IA-7416546-0-0 | LOGIC MTG PLATE | 1 | 1 | - | - | - | - | - | - | 1 | - | - | - |
| 2 | D-IA-7012702-0-0 | COOLING WELDMENT | 1 | 1 | 1 | 1 | 1 | 1 | 1 | 1 | 1 | 1 | 1 | 1 |
| 3 | E-AD-7013480-0-0 | WIRED LOGIC MTG ASSY (PCL0) | - | - | 1 | 1 | - | - | - | - | - | 1 | - | - |
| 4 | E-AD-7013480-1-0 | WIRED LOGIC MTG ASSY (DX20) | - | - | - | - | 1 | 1 | - | - | - | - | 1 | - |
| 5 | E-AD-7013480-2-0 | WIRED LOGIC MTG ASSY (AN10) | - | - | - | - | - | - | 1 | 1 | - | - | - | 1 |
| 6 | D-MD-7416547-0-0 | COOLING PLATE TOP | 1 | 1 | 1 | 1 | 1 | 1 | 1 | 1 | 1 | 1 | 1 | 1 |
| 7 | D-MD-7416548-0-0 | COOLING PLATE BOTTOM | 1 | 1 | 1 | 1 | 1 | 1 | 1 | 1 | 1 | 1 | 1 | 1 |
| 8 | D-MD-7416551-0-0 | COOLING DOOR | 1 | 1 | 1 | 1 | 1 | 1 | 1 | 1 | 1 | 1 | 1 | 1 |
| 9 | 1210930-01 | FAN 230V | - | 2 | - | 2 | - | 2 | - | 2 | - | - | - | - |
| 10 | 1209403-01 | FAN 115V | 2 | - | 2 | - | 2 | - | 2 | - | 4 | 4 | 4 | 4 |
| 11 | 1210263 | FINGER GUARD | 2 | 2 | 2 | 2 | 2 | 2 | 2 | 2 | 4 | 4 | 4 | 4 |
| 12 | 1211630 | CARD GUIDE | 19 | 19 | 19 | 19 | 19 | 19 | 19 | 19 | 19 | 19 | 19 | 19 |
| 13 | 1209350-03 | CONN. 3 SKT HOUSING | 1 | 1 | 1 | 1 | 1 | 1 | 1 | 1 | 1 | 1 | 1 | 1 |
| 14 | 1209379-01 | CONN. SKT | 2 | 2 | 2 | 2 | 2 | 2 | 2 | 2 | 2 | 2 | 2 | 2 |
| 15 | 1210820-01 | FASTAB, SKT HOUSING | 4 | 4 | 4 | 4 | 4 | 4 | 4 | 4 | 8 | 8 | 8 | 8 |
| 16 | 1210820-03 | FASTAB, SKT CONN | 4 | 4 | 4 | 4 | 4 | 4 | 4 | 4 | 8 | 8 | 8 | 8 |
| 17 | 1209351-03 | CONN. 3 PIN HOUSING | 1 | 1 | 1 | 1 | 1 | 1 | 1 | 1 | 1 | 1 | 1 | 1 |
| 18 | 1209378-01 | CONN. PIN | 2 | 2 | 2 | 2 | 2 | 2 | 2 | 2 | 2 | 2 | 2 | 2 |
| 19 | 1700043-01 | PWR CORD & PLUG 115 VAC (3MT) | 1 | - | 1 | - | 1 | - | 1 | - | 1 | 1 | 1 | 1 |
| 20 | 9006466 | CAPTIVE SCR, 10-32 x .75 LG | 2 | 2 | 2 | 2 | 2 | 2 | 2 | 2 | 2 | 2 | 2 | 2 |
| 21 | 9007616 | O-RING .281 O.D. x .156 I.D. x .06 THK | 2 | 2 | 2 | 2 | 2 | 2 | 2 | 2 | 2 | 2 | 2 | 2 |
| 22 | 9107430-29 | 18 AWG STRD TWP RED/WHT | A/RA/RA/RA/RA/RA/R | A/RA/RA/RA/RA/RA/R | A/RA/RA/RA/RA/RA/R | A/RA/RA/RA/RA/RA/R | A/RA/RA/RA/RA/RA/R | A/RA/RA/RA/RA/RA/R | A/RA/RA/RA/RA/RA/R | A/RA/RA/RA/RA/RA/R | A/RA/RA/RA/RA/RA/R | A/RA/RA/RA/RA/RA/R | A/RA/RA/RA/RA/RA/R | A/RA/RA/RA/RA/RA/R |
| 23 | 9007880 | TIE, CABLE SST-1.5M | 2 | 2 | 2 | 2 | 2 | 2 | 2 | 2 | 2 | 2 | 2 | 2 |
| 24 | 9008264 | MOUNT, CABLE TIE ADHESIVE BACK | 2 | 2 | 2 | 2 | 2 | 2 | 2 | 2 | 2 | 2 | 2 | 2 |
| 25 | 9006653 | WASHER, FLAT .375 O.D. x .156 I.D. x .036 | 8 | 8 | 8 | 8 | 8 | 8 | 8 | 8 | 8 | 8 | 8 | 8 |
| 26 | 1212027-01 | HINGE, SLIP BRASS R.H. | 2 | 2 | 2 | 2 | 2 | 2 | 2 | 2 | 2 | 2 | 2 | 2 |
| 27 | 9006021-01 | SCREW, PHL PAN HD #6-32 x .31 | 23 | 23 | 23 | 23 | 23 | 23 | 23 | 23 | 23 | 23 | 23 | 23 |
| 28 | 9006633 | WASHER, INT TOOTH LOCK #6 | 33 | 33 | 33 | 33 | 33 | 33 | 33 | 33 | 25 | 25 | 25 | 25 |
| 29 | 9006458 | POP RIVET .12 DIA | 12 | 12 | 12 | 12 | 12 | 12 | 12 | 12 | 12 | 12 | 12 | 12 |
| 30 | 9006025-01 | SCREW, PHL PAN HD #6-32 x .62 | 17 | 17 | 17 | 17 | 17 | 17 | 17 | 17 | 33 | 33 | 33 | 33 |
| 31 | 9006202 | FAN CLIP | 16 | 16 | 16 | 16 | 16 | 16 | 16 | 16 | 32 | 32 | 32 | 32 |
| 32 | 1700043-00 | PWR CORD, 230 VAC (3 MT) | - | 1 | - | 1 | - | 1 | - | 1 | - | - | - | - |
| 33 | 9008209 | GROMMET, STRIP EXTRUDED RUBBER | A/RA/RA/RA/RA/RA/R | A/RA/RA/RA/RA/RA/R | A/RA/RA/RA/RA/RA/R | A/RA/RA/RA/RA/RA/R | A/RA/RA/RA/RA/RA/R | A/RA/RA/RA/RA/RA/R | A/RA/RA/RA/RA/RA/R | A/RA/RA/RA/RA/RA/R | A/RA/RA/RA/RA/RA/R | A/RA/RA/RA/RA/RA/R | A/RA/RA/RA/RA/RA/R | A/RA/RA/RA/RA/RA/R |
| 34 | 9006781 | RING TERMINAL | 1 | 1 | 1 | 1 | 1 | 1 | 1 | 1 | 1 | 1 | 1 | 1 |
| 35 | 9006713 | NYLON, WASHER | 2 | 2 | 2 | 2 | 2 | 2 | 2 | 2 | 2 | 2 | 2 | 2 |
| 36 | 9008881 | TAPE, FOAM ADHESIVE BACKED(1.81x.12 THK) | A/RA/RA/RA/RA/RA/R | A/RA/RA/RA/RA/RA/R | A/RA/RA/RA/RA/RA/R | A/RA/RA/RA/RA/RA/R | A/RA/RA/RA/RA/RA/R | A/RA/RA/RA/RA/RA/R | A/RA/RA/RA/RA/RA/R | A/RA/RA/RA/RA/RA/R | A/RA/RA/RA/RA/RA/R | A/RA/RA/RA/RA/RA/R | A/RA/RA/RA/RA/RA/R | A/RA/RA/RA/RA/RA/R |
| 37 | 9107241-09 | WRAP CABLE .12 OD VINYL | A/RA/RA/RA/RA/RA/R | A/RA/RA/RA/RA/RA/R | A/RA/RA/RA/RA/RA/R | A/RA/RA/RA/RA/RA/R | A/RA/RA/RA/RA/RA/R | A/RA/RA/RA/RA/RA/R | A/RA/RA/RA/RA/RA/R | A/RA/RA/RA/RA/RA/R | A/RA/RA/RA/RA/RA/R | A/RA/RA/RA/RA/RA/R | A/RA/RA/RA/RA/RA/R | A/RA/RA/RA/RA/RA/R |
| 38 | C-MD-7418508-0-0 | DRIP SCREEN | 1 | 1 | 1 | 1 | 1 | 1 | 1 | 1 | - | - | - | - |
| 39 | 9006851 | SPACER, #6 THREADER HOLE HEX .50 LG | 4 | 4 | 4 | 4 | 4 | 4 | 4 | 4 | - | - | - | - |
| 40 | 9006020-01 | SCRW PHL PAN HD #6-32 x .25 LG | 8 | 8 | 8 | 8 | 8 | 8 | 8 | 8 | - | - | - | - |
| 41 | 9008274 | TAPE FOAM, ADHESIVE BACKED | A/RA/RA/RA/RA/RA/R | A/RA/RA/RA/RA/RA/R | A/RA/RA/RA/RA/RA/R | A/RA/RA/RA/RA/RA/R | A/RA/RA/RA/RA/RA/R | A/RA/RA/RA/RA/RA/R | A/RA/RA/RA/RA/RA/R | A/RA/RA/RA/RA/RA/R | A/RA/RA/RA/RA/RA/R | A/RA/RA/RA/RA/RA/R | A/RA/RA/RA/RA/RA/R | A/RA/RA/RA/RA/RA/R |
| 42 | 9006560 | NUT, KEPS #6-32 | 2 | 2 | 2 | 2 | 2 | 2 | 2 | 2 | 2 | 2 | 2 | 2 |
| 43 | 9007594 | ADHESIVE, HY BOND 80 | A/RA/RA/RA/RA/RA/R | A/RA/RA/RA/RA/RA/R | A/RA/RA/RA/RA/RA/R | A/RA/RA/RA/RA/RA/R | A/RA/RA/RA/RA/RA/R | A/RA/RA/RA/RA/RA/R | A/RA/RA/RA/RA/RA/R | A/RA/RA/RA/RA/RA/R | A/RA/RA/RA/RA/RA/R | A/RA/RA/RA/RA/RA/R | A/RA/RA/RA/RA/RA/R | A/RA/RA/RA/RA/RA/R |
| 44 | 3613272 | DECAL, GROUND | 1 | 1 | 1 | 1 | 1 | 1 | 1 | 1 | 1 | 1 | 1 | 1 |

D
 C
 REV.
 NUMBER
 7013479-0-0
 SIZE CODE
 C PL
 B

| | | |
|------|-----|------|
| REV. | NO. | DATE |
| CHK. | NO. | DATE |
| CHK. | NO. | DATE |

| | | | |
|-------------------|-----------|---------------|--------------------|
| DRN. M. HORNAND | 8 FEB 77 | FIRST USED ON | digital |
| CHK'D | 22 JUN 77 | DX20 | |
| ENG. R. Anderson | 23 JUN 77 | TITLE | LOGIC MTG BOX ASSY |
| PRO. R. Anderson | 6 JUL 77 | | |
| PROD. R. Anderson | 6 JUL 77 | | |
| NEXT HIGHER ASSY. | | SIZE | CODE |
| E-AD-7013479-0-0 | | C | PL |
| SCALE | 1 | NUMBER | 7013479-0-0 |
| SHEET | 1 OF 1 | REV. | |

THIS DRAWING AND SPECIFICATIONS, HEREIN ARE THE PROPERTY OF DIGITAL EQUIPMENT CORPORATION AND SHALL NOT BE REPRODUCED OR COPIED OR USED IN WHOLE OR IN PART AS THE BASIS FOR THE MANUFACTURE OR SALE OF ITEMS WITHOUT WRITTEN PERMISSION. COPYRIGHT © 1977 . DIGITAL EQUIPMENT CORPORATION

| ITEM NO. | PART NO. | DESCRIPTION | -0 | -1 | -2 | -3 | -4 | -5 | -6 | -7 | -8 | -9 | -10 | -11 | -12 | -13 |
|----------|------------------|---|----|----|----|----|----|----|----|----|----|----|-----|-----|-----|-----|
| 1 | -AD-7012639-0 | CABINET ASSY 19" (115 VAC) | 1 | - | 1 | - | 1 | - | 1 | - | 1 | - | 1 | - | 1 | - |
| 2 | AD-7012639-1 | CABINET ASSY 19" (230 VAC) | - | 1 | - | 1 | - | 1 | - | 1 | - | 1 | - | 1 | - | 1 |
| 3 | E-UA-861-C-0 | PWR CONTROL (115 VAC 50 HZ) * | 1 | - | 1 | - | 1 | - | 1 | - | 1 | - | 1 | - | 1 | - |
| 4 | E-UA-861-B-0 | PWR CONTROL (240 VAC 50 HZ) * | - | 1 | - | 1 | - | 1 | - | 1 | - | 1 | - | 1 | - | 1 |
| 5 | E-MD-7417480-0-0 | PWR SUPPLY MTG PLATE | - | - | 1 | 1 | 1 | 1 | 2 | 2 | 2 | 2 | - | - | 1 | 1 |
| 6 | E-AD-7013479-0 | LOGIC MTG BOX ASSY (NO LOGIC) | - | - | - | - | - | - | - | - | - | - | 1 | - | 1 | - |
| 7 | E-AD-7013479-1 | LOGIC MTG BOX ASSY (NO LOGIC) | - | - | - | - | - | - | - | - | - | - | - | 1 | - | 1 |
| 8 | E-AD-7013479-2 | LOGIC MTG BOX ASSY (PC10) LOGIC | 1 | - | - | - | - | - | - | - | - | - | - | - | - | - |
| 9 | E-AD-7013479-3 | LOGIC MTG BOX ASSY (PC10 LOGIC) | - | 1 | - | - | - | - | - | - | - | - | - | - | - | - |
| 10 | E-AD-7013479-4 | LOGIC MTG BOX ASSY (DX20 LOGIC) | - | - | 1 | - | - | - | 2 | - | - | - | - | - | - | - |
| 11 | E-AD-7013479-5 | LOGIC MTG BOX ASSY (DX20 LOGIC) | - | - | - | 1 | - | - | - | 2 | - | - | - | - | - | - |
| 12 | E-AD-7013479-6 | LOGIC MTG BOX ASSY (AN10 LOGIC) | - | - | - | - | 1 | - | - | - | 2 | - | - | - | - | - |
| 13 | E-AD-7013479-7 | LOGIC MTG BOX ASSY (AN10 LOGIC) | - | - | - | - | - | 1 | - | - | - | 2 | - | - | - | - |
| 14 | D-MD-7417823-0-0 | AIR DEFLECTOR | - | - | - | - | - | - | 1 | 1 | 1 | 1 | - | - | - | - |
| 15 | B-MD-7417842-0-0 | BRKT. HOLD DOWN | - | - | - | - | - | - | - | - | - | - | - | - | 1 | 1 |
| 16 | B-MD-7417841-0-0 | BRKT. CRASH ARRESTOR | - | - | - | - | - | - | - | - | - | - | - | - | 1 | 1 |
| 17 | 9007786 | TINNERMAN NUTS | 8 | 8 | 17 | 17 | 17 | 17 | 36 | 36 | 36 | 36 | 8 | 8 | 17 | 17 |
| 18 | 9007651 | EXT TOOTH LK WSHR #10 HOLE | 13 | 13 | 23 | 23 | 23 | 23 | 47 | 47 | 47 | 47 | 13 | 13 | 25 | 25 |
| 19 | 9006074-03 | SCRW TRUSS HD PHILLIPS #10-32 x .62 LG | 10 | 10 | 22 | 22 | 22 | 22 | 46 | 46 | 46 | 46 | 12 | 12 | 22 | 22 |
| 20 | 9006565 - | NUT KEP #10-32 | 3 | 3 | 6 | 6 | 6 | 6 | 11 | 11 | 11 | 11 | 5 | 5 | 6 | 6 |
| 21 | C-IA-7411554-1-0 | STRIP, BUSSING RETURN | - | - | 1 | 1 | 1 | 1 | 2 | 2 | 2 | 2 | 1 | 1 | 1 | 1 |
| 22 | 9006568 | NUT KEP 5/16-18 | 1 | 1 | 1 | 1 | 1 | 1 | 1 | 1 | 1 | 1 | 1 | 1 | 1 | 1 |
| 23 | 9107779-54 | 10 AWG WIRE, GRN W/YEL TRACER | A | RA | RA | RA | RA | RA | RA | RA | RA | RA | RA | RA | RA | RA |
| 24 | 9008264 | ADHESIVE BACKED TIE MTS | 1 | 1 | 1 | 1 | 1 | 1 | 3 | 3 | 3 | 3 | 1 | 1 | 1 | 1 |
| 25 | 9007880 | CABLE TIE | 1 | 1 | 1 | 1 | 1 | 1 | 3 | 3 | 3 | 3 | 1 | 1 | 1 | 1 |
| 26 | 9006037-03 | SCREW TRUSS HD PHILLIPS #8-32 x .38 LG | - | - | - | - | - | - | - | - | - | - | - | - | 1 | 1 |
| 27 | 9006071 | SCREW TRUSS HD PHILLIPS #10-32 x .38 LG | - | - | - | - | - | - | - | - | - | - | - | - | 2 | 2 |
| 28 | 108151 | EXT TOOTH LK WSHR #8 HOLE | - | - | - | - | - | - | - | - | - | - | - | - | 1 | 1 |
| 29 | 9007959 | EXT TOOTH LK WSHR 7/16" | 1 | 1 | 1 | 1 | 1 | 1 | 1 | 1 | 1 | 1 | 1 | 1 | 1 | 1 |
| 30 | 9009696 | RING TERMINAL, 1/2" ID, 10 AWG | 1 | 1 | 1 | 1 | 1 | 1 | 1 | 1 | 1 | 1 | 1 | 1 | 1 | 1 |
| 31 | 9007926-01 | RING TERMINAL, #10, 10 AWG | 1 | 1 | 1 | 1 | 1 | 1 | 1 | 1 | 1 | 1 | 1 | 1 | 1 | 1 |
| 32 | 3613272 | DECAL, GROUND | 2 | 2 | 2 | 2 | 2 | 2 | 2 | 2 | 2 | 2 | 2 | 2 | 2 | 2 |

*NOTE: 861B/C PWR CONTROL MUST HAVE GND STD (G2) REV K, E-UA-861-0-0

D

C

REV.

NUMBER
7013478-0-0

SIZE CODE
C PL

B

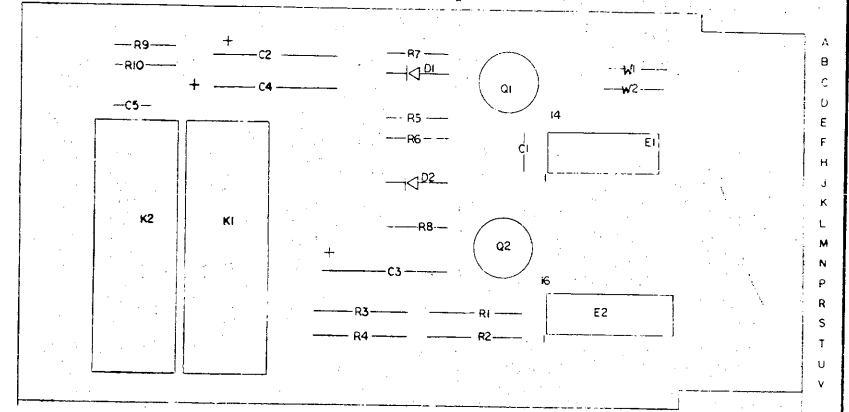
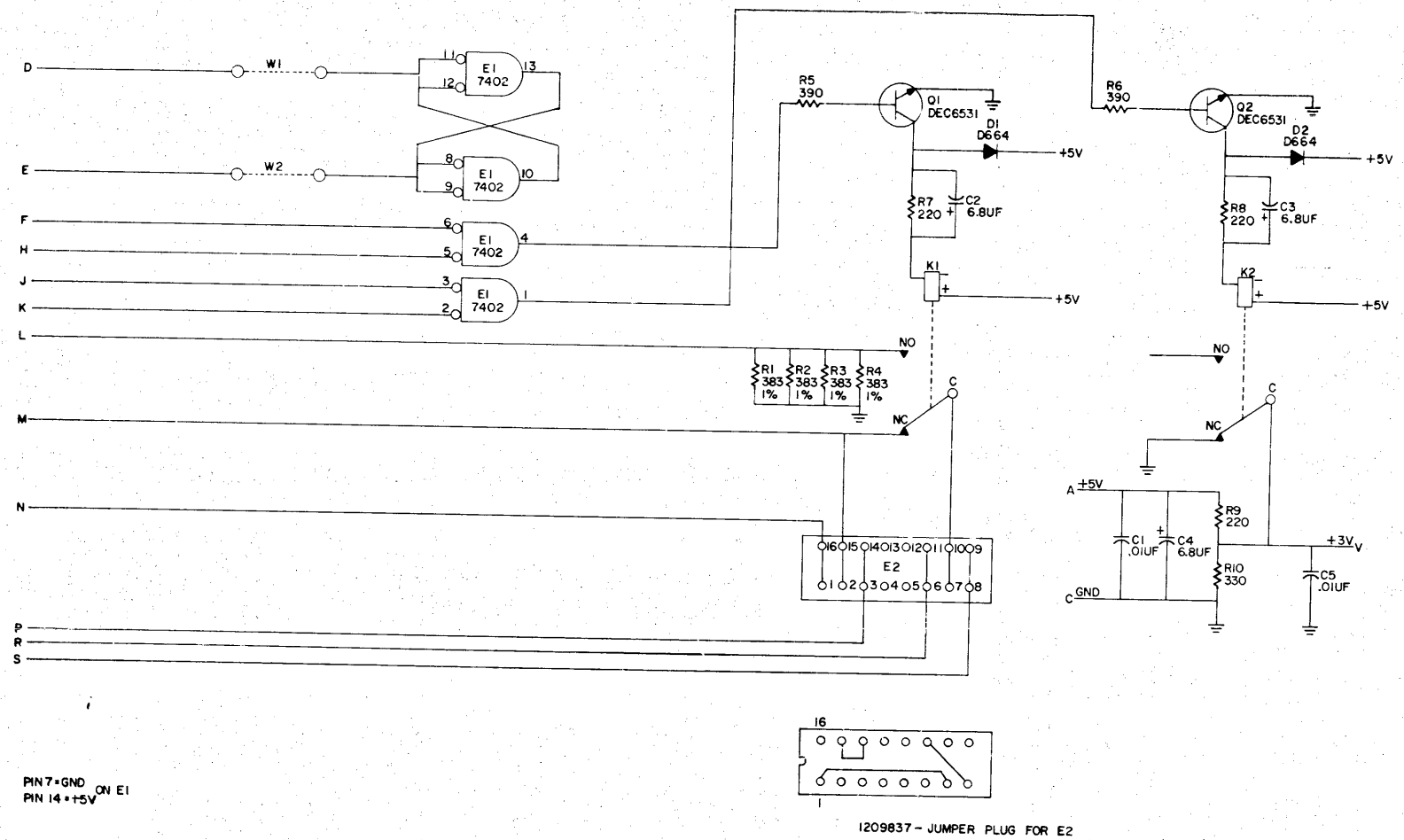
| | |
|----------|--|
| REV. | |
| CHK. NO. | |
| CHK. | |

| | | |
|-------------------------------|-------------------------|----------------|
| DRN: <i>[Signature]</i> | FIRST USED ON | digital |
| CHK'D: <i>[Signature]</i> | DX20 | |
| ENG. <i>[Signature]</i> | TITLE | |
| PROJ. ENG. <i>[Signature]</i> | LOGIC RACK CABINET ASSY | |
| PROD. <i>[Signature]</i> | | |
| NEXT HIGHER ASSY. | | |
| E-AD-7013478-0-0 | SIZE CODE | NUMBER |
| SCALE <i>[Signature]</i> | C PL | 7013478-0-0 |
| SHEET 1 OF 1 | DIST. | REV. |

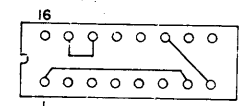
A

THIS SCHEMATIC IS FURNISHED ONLY FOR TEST AND MAINTENANCE PURPOSES. THE CIRCUITS ARE PROPRIETARY IN NATURE AND SHOULD BE TREATED ACCORDINGLY. COPYRIGHT 1972 BY DIGITAL EQUIPMENT CORPORATION.

B 1-O-0689 53 D
AJH 4/28/72 1001 12/13



PIN 7 = GND ON E1
PIN 14 = +5V



1209837 - JUMPER PLUG FOR E2

| A/R | DESCRIPTION | QTY. | REP. DESIGNATION | DESCRIPTION | PART NO. |
|-----|------------------------------|------|------------------|-------------|----------|
| A/R | #24 on #20 AWG (FOR PLUG) | 21 | | | |
| A/R | TAPE TRANSPARENT VINYL | 50 | | | |
| 1 | HANDLE, PLIP CHIP - GREEN | 50 | | | |
| 2 | EYELET #31-7 | 50 | | | |
| 1 | I.C. D65 7402 | 4 | | | |
| 2 | TRANSISTOR DEC 6531 | 4 | | | |
| 4 | R1, R2, R3, R4 | 4 | | | |
| 2 | R5, R6 | 2 | | | |
| 1 | R10 | 1 | | | |
| 3 | R9, R7, R8 | 3 | | | |
| 1 | E2 | 1 | | | |
| 1 | PLUG 16 PHONG | 1 | | | |
| 2 | K1, K2 | 2 | | | |
| 2 | D1, D2 | 2 | | | |
| 2 | C1, C5 | 2 | | | |
| 3 | C2, C3, C4 | 3 | | | |
| 1 | ETCHED CIRCUIT BOARD | 1 | | | |
| | MODULE BUILT HISTORY | | | | |
| | ASSY/DRILLING HOLE LAYOUT | | | | |
| | X-Y COORDINATE HOLE LOCATION | | | | |
| | REP. DESIGNATION | | | | |

| REV | DATE | BY | CHKD |
|-----|---------|-------------|-------------|
| 1 | 1-27-72 | W. D. Dwyer | W. D. Dwyer |
| 2 | 1-31-72 | W. D. Dwyer | W. D. Dwyer |
| 3 | 2-7-72 | W. D. Dwyer | W. D. Dwyer |
| 4 | 2-7-72 | W. D. Dwyer | W. D. Dwyer |

| DATE | BY | CHKD |
|---------|-------------|-------------|
| 1-27-72 | W. D. Dwyer | W. D. Dwyer |
| 1-31-72 | W. D. Dwyer | W. D. Dwyer |
| 2-7-72 | W. D. Dwyer | W. D. Dwyer |
| 2-7-72 | W. D. Dwyer | W. D. Dwyer |

| TRANSISTOR & DIODE CONVERSION CHART | |
|-------------------------------------|----------|
| DEC 6531 | MPS 6531 |
| D664 | 1N3606 |

360 POWER FAIL AND SELECT BY-PASS
 EQUIPMENT CORPORATION
 MATHEW, MASSACHUSETTS
 SIZE D CODE CS NUMBER 0890-0-1 REV B
 PRINTED CIRCUIT REV B


REV B
 0890-0-1

M15/3

This drawing and specifications, herein, are the property of Digital Equipment Corporation and shall not be reproduced or copied or used in whole or in part as the basis for the manufacture or sale of items without written permission. 1976

| DRAWING NUMBER | INIT REL | AUTOMATIC WIRE TESTER (AWT) REVISION STATUS | | | | | | | | | | | | | | | | REV. | | | | |
|------------------|----------|---|--|--|--|--|--|--|--|--|--|--|--|--|--|--|--|------|--|--|--|--|
| | | | | | | | | | | | | | | | | | | | | | | |
| K-WL-AN1Ø-Ø-WL | | | | | | | | | | | | | | | | | | | | | | |
| D-AD-7013480-2-0 | | | | | | | | | | | | | | | | | | | | | | |
| | | | | | | | | | | | | | | | | | | | | | | |
| | | | | | | | | | | | | | | | | | | | | | | |
| | | | | | | | | | | | | | | | | | | | | | | |
| | | | | | | | | | | | | | | | | | | | | | | |
| | | | | | | | | | | | | | | | | | | | | | | |
| | | | | | | | | | | | | | | | | | | | | | | |
| | | | | | | | | | | | | | | | | | | | | | | |
| | | | | | | | | | | | | | | | | | | | | | | |
| | | | | | | | | | | | | | | | | | | | | | | |
| | | | | | | | | | | | | | | | | | | | | | | |
| | | | | | | | | | | | | | | | | | | | | | | |

REV. NUMBER 7013480-2-0 SIZE CODE A WT

| | | | | | | | | | | | | | | | | | | | | |
|--------------------|--|---|------|------|------------------|----------|-------|------|----------------|-----------|------|------|--------------------|-----------|------------|------|--------------------|----------|-------|------|
| REVISIONS | REV. | | | | | | | | | | | | | | | | | | | |
| | CHANGE NO. | | | | | | | | | | | | | | | | | | | |
| | CHK | | | | | | | | | | | | | | | | | | | |
| | <table border="1"> <tr> <td>DRN.</td> <td>DATE</td> </tr> <tr> <td><i>M. Norman</i></td> <td>5 NOV 76</td> </tr> <tr> <td>CHK'D</td> <td>DATE</td> </tr> <tr> <td><i>J. Bial</i></td> <td>10 NOV 76</td> </tr> <tr> <td>ENG.</td> <td>DATE</td> </tr> <tr> <td><i>D. Anderson</i></td> <td>22 JUN 77</td> </tr> <tr> <td>PROJ. ENG.</td> <td>DATE</td> </tr> <tr> <td><i>D. Anderson</i></td> <td>6 JUL 77</td> </tr> <tr> <td>PROD.</td> <td>DATE</td> </tr> </table> | | DRN. | DATE | <i>M. Norman</i> | 5 NOV 76 | CHK'D | DATE | <i>J. Bial</i> | 10 NOV 76 | ENG. | DATE | <i>D. Anderson</i> | 22 JUN 77 | PROJ. ENG. | DATE | <i>D. Anderson</i> | 6 JUL 77 | PROD. | DATE |
| | DRN. | DATE | | | | | | | | | | | | | | | | | | |
| <i>M. Norman</i> | 5 NOV 76 | | | | | | | | | | | | | | | | | | | |
| CHK'D | DATE | | | | | | | | | | | | | | | | | | | |
| <i>J. Bial</i> | 10 NOV 76 | | | | | | | | | | | | | | | | | | | |
| ENG. | DATE | | | | | | | | | | | | | | | | | | | |
| <i>D. Anderson</i> | 22 JUN 77 | | | | | | | | | | | | | | | | | | | |
| PROJ. ENG. | DATE | | | | | | | | | | | | | | | | | | | |
| <i>D. Anderson</i> | 6 JUL 77 | | | | | | | | | | | | | | | | | | | |
| PROD. | DATE | | | | | | | | | | | | | | | | | | | |
| FIRST USED ON | |  EQUIPMENT CORPORATION MAYNARD, MASSACHUSETTS | | | | | | | | | | | | | | | | | | |
| AN1Ø | | | | | | | | | | | | | | | | | | | | |
| SCALE <i>1/1</i> | | TITLE | | | | | | | | | | | | | | | | | | |
| SHEET 1 OF 1 | | AN1Ø WIRE WRAP LIST | | | | | | | | | | | | | | | | | | |
| | | AWT REVISION STATUS | | | | | | | | | | | | | | | | | | |
| | | SIZE CODE | | | | | | | | | | | | | | | | | | |
| | | A WT | | | | | | | | | | | | | | | | | | |
| | | NUMBER | | | | | | | | | | | | | | | | | | |
| | | 7013480-2-0 | | | | | | | | | | | | | | | | | | |
| | | REV. | | | | | | | | | | | | | | | | | | |
| | | | | | | | | | | | | | | | | | | | | |

DIGITAL EQUIPMENT CORPORATION

MAYNARD, MASSACHUSETTS

PARTS LIST

QUANTITY VARIATION

| | | | |
|---------------------------|----------------------------|--------------|---|
| MADE BY <i>M. Normand</i> | CHECKED <i>[Signature]</i> | SECTION | |
| DATE <i>23 Jun 77</i> | DATE <i>22 Jun 77</i> | ISSUED SECT. | 1 |
| ENG <i>D. Anderson</i> | PROD <i>D. Had Mack</i> | | |
| DATE <i>23-JUN-77</i> | DATE <i>6 JUL 77</i> | | |

| ITEM NO. | DWG NO./PART NO. | DESCRIPTION |
|----------|------------------|---------------------------------------|
| 1 | E-AD-7013478-4 | LOGIC RACK CABINET ASSY |
| 2 | E-AD-7013478-5 | LOGIC RACK CABINET ASSY |
| 3 | D-UA-H952-AC-Ø | H952-A END PANEL ASSY |
| 4 | D-UA-H956-HJ-Ø | H956-H SHORT DOOR |
| 5 | D-UA-H95Ø-BC-Ø | H95Ø-B FULL LENGTH DOOR |
| 6 | E-UA-H742Ø-A-Ø | H742Ø-A PWR SUPPLY (115V) |
| 7 | E-UA-H742Ø-B-Ø | H742Ø-B PWR SUPPLY (23ØV) |
| 8 | E-UA-H745-Ø-Ø | -15V REGULATOR |
| 9 | E-UA-H744-Ø-Ø | +5V REGULATOR |
| 10 | E-UA-H754-Ø-Ø | -5V REGULATOR |
| 11 | D-IA-7013875-0-0 | AN1Ø INDICATOR PANEL ASSY |
| 12 | D-AD-7005868-0-0 | BRACKET POWER CONN ASSY, MARGIN CHECK |
| 13 | D-UA-M8612-Ø-Ø | AN1Ø PRIORITY INTERRUPT CONTROL |
| 14 | D-UA-M8613-Ø-Ø | AN1Ø HOST TO IMP XFACE CONTROL |
| 15 | D-UA-M8614-Ø-Ø | AN1Ø IMP TO HOST XFACE CONTROL |
| 16 | C-IA-7013995-0-0 | CABLE CONN, AN1Ø TEST, BC1ØT |
| 17 | C-CS-M664-Ø-1 | IO BUS DRIVER M664 |
| 18 | D-CS-M564-Ø-1 | -3V I.O. BUS RECEIVER M564 |
| 19 | C-CS-G891-Ø-1 | PWR FAIL & SELECT BY-PASS |
| 20 | D-CS-W1Ø6-Ø-1 | P.I. REQUEST GRANT W1Ø6 |
| 21 | 3611448 | LABEL WARNING AC CORD |
| 22 | 9007032 | TIE, CABLE |

| AN1Ø-AA | AN1Ø-AB | AN1Ø-BA | AN1Ø-BB | | | | | | |
|---------|---------|---------|---------|--|--|--|--|--|--|
| 1 | - | 1 | - | | | | | | |
| - | 1 | - | 1 | | | | | | |
| 2 | 2 | 2 | 2 | | | | | | |
| 1 | 1 | 1 | 1 | | | | | | |
| 1 | 1 | 1 | 1 | | | | | | |
| 1 | - | 1 | - | | | | | | |
| - | 1 | - | 1 | | | | | | |
| 1 | 1 | 1 | 1 | | | | | | |
| 1 | 1 | 1 | 1 | | | | | | |
| 1 | 1 | 1 | 1 | | | | | | |
| 1 | 1 | 1 | 1 | | | | | | |
| 1 | 1 | 1 | 1 | | | | | | |
| 1 | 1 | 1 | 1 | | | | | | |
| 1 | 1 | 1 | 1 | | | | | | |
| - | - | 1 | 1 | | | | | | |
| 6 | 6 | 6 | 6 | | | | | | |
| 7 | 7 | 7 | 7 | | | | | | |
| 1 | 1 | 1 | 1 | | | | | | |
| 1 | 1 | 1 | 1 | | | | | | |
| 1 | 1 | 1 | 1 | | | | | | |
| 28 | 28 | 28 | 28 | | | | | | |

| | | | | | | |
|------------------------------------|----------------------------|------------------|-------------------|--------------------|-----|---------|
| TITLE ARPA NET INTERFACE | ASSY NO. E-UA-AN1Ø-Ø-Ø | SIZE A | CODE PL | NUMBER AN1Ø-Ø-Ø | REV | ECO NO. |
| | SHEET 1 OF 3 | DIST | | | | |

DIGITAL EQUIPMENT CORPORATION

MAYNARD, MASSACHUSETTS

PARTS LIST

QUANTITY VARIATION

| | | |
|--------------------------|----------------------------|--------------|
| MADE BY <i>M. Norman</i> | CHECKED <i>[Signature]</i> | SECTION |
| DATE <i>23 Jun 77</i> | DATE <i>22 Jun 77</i> | 1 |
| ENG <i>D J Anderson</i> | PROD <i>D Halmack</i> | ISSUED SECT. |
| DATE <i>23-JUN-77</i> | DATE <i>6 JUL 77</i> | 1 |

| ITEM NO. | DWG NO./PART NO. | DESCRIPTION |
|----------|------------------|------------------------------|
| 23 | 9007867 | TIE, CABLE MOUNT |
| 24 | 9008264 | TIE CABLE MOUNT ADHESIVE |
| 25 | D-AD-7014182-0-0 | MODULE HOLD DOWN BAR ASSY |
| 26 | 9006074-03 | SCREW #10-32 x .62 LG |
| 27 | 9007651 | WASHER #10-EXT TOOTH LK |
| 28 | 9007786 | TINNERMAN NUT #10-32 |
| 29 | 9107779-54 | 1Ø AWG WIRE GRN W/YEL TRACER |
| 30 | J-IA-7014056-0-0 | HARNESS, DC (AN1Ø) |
| 31 | 9007033 | CABLE TIE & MOUNT |
| 32 | D-UA-BCØ6R-1-Ø | BCØ6R CABLE (1 FT) |
| 33 | D-UA-BCØ6R-4-Ø | BCØ6R CABLE (4 FT) |
| 34 | 9007959 | EXT TOOTH LK WASHER 7/16" |
| 35 | 9006565 | NUT, KEP 10-32 |
| 36 | 9006724 | WASHER, 1/4" EXT TOOTH LK |
| 37 | 9006568 | NUT, KEP 5/16-18 |
| 38 | 9007085 | CLAMP, CABLE, 1/2" |
| 39 | D-AD-7009861-0-0 | RECEPTACLE HSG ASSY |
| 40 | 9006010-01 | SCR. PHL HD 4-40 x .31 LG |
| 41 | 9006632 | WASHER #4 EXT TOOTH LK |
| 42 | E-UA-BC1ØT-Ø-Ø | CABLE, BC1ØT |
| 43 | 3613272 | DECAL, GROUND |
| 44 | D-UA-BC1ØK-25-Ø | CABLE ASSY (BC1ØK) 25 FT |

| AN1Ø-AA | AN1Ø-AB | AN1Ø-BA | AN1Ø-BB | | | | | | | | | | | |
|---------|---------|---------|---------|--|--|--|--|--|--|--|--|--|--|--|
| 5 | 5 | 5 | 5 | | | | | | | | | | | |
| 14 | 14 | 14 | 14 | | | | | | | | | | | |
| 1 | 1 | 1 | 1 | | | | | | | | | | | |
| 11 | 11 | 11 | 11 | | | | | | | | | | | |
| 14 | 14 | 14 | 14 | | | | | | | | | | | |
| 6 | 6 | 6 | 6 | | | | | | | | | | | |
| A/RA | RA/RA | RA/R | A/R | | | | | | | | | | | |
| 1 | 1 | 1 | 1 | | | | | | | | | | | |
| 2 | 2 | 2 | 2 | | | | | | | | | | | |
| 1 | 1 | 1 | 1 | | | | | | | | | | | |
| 2 | 2 | 2 | 2 | | | | | | | | | | | |
| 2 | 2 | 2 | 2 | | | | | | | | | | | |
| 1 | 1 | 1 | 1 | | | | | | | | | | | |
| 3 | 3 | 3 | 3 | | | | | | | | | | | |
| 1 | 1 | 1 | 1 | | | | | | | | | | | |
| 2 | 2 | 2 | 2 | | | | | | | | | | | |
| 2 | 2 | 2 | 2 | | | | | | | | | | | |
| 8 | 8 | 8 | 8 | | | | | | | | | | | |
| 8 | 8 | 8 | 8 | | | | | | | | | | | |
| - | - | 1 | 1 | | | | | | | | | | | |
| 4 | 4 | 4 | 4 | | | | | | | | | | | |
| 1 | 1 | 1 | 1 | | | | | | | | | | | |

| | | | | | | |
|------------------------------------|---------------------------|------------------|-------------------|--------------------|-----|---------|
| TITLE ARPA NET INTERFACE | ASSY NO. E-UA-AN1Ø-Ø-Ø | SIZE A | CODE PL | NUMBER AN1Ø-Ø-Ø | REV | ECO NO. |
| | SHEET 2 OF 3 | DIST | | | | |

DIGITAL EQUIPMENT CORPORATION
MAYNARD, MASSACHUSETTS
PARTS LIST

QUANTITY VARIATION

| | | |
|----------------------------|----------------------------|--------------|
| MADE BY <i>M. Mormand.</i> | CHECKED <i>[Signature]</i> | SECTION |
| DATE <i>23 Jun 77</i> | DATE <i>22 Jun 77</i> | 1 |
| ENG <i>D. Anderson</i> | PROD <i>D. Hadner</i> | ISSUED SECT. |
| DATE <i>23-JUN-77</i> | DATE <i>6 JUL 77</i> | 1 |

| ITEM NO. | DWG NO./PART NO. | DESCRIPTION |
|----------|------------------|----------------------------------|
| 45 | D-UA-H867-0-0 | I/O BUS TERMINATOR (H867) |
| 46 | D-AD-7013963-0-0 | CONNECTOR, AN10 TEST |
| 47 | D-IA-7010805-0-0 | HARNESS, H7420 AC WIRING |
| 48 | 1209340-01 | CONN, HOUSING, 8 PIN MALE |
| 49 | 1209340 | CONN, HOUSING, 8 PIN FEMALE |
| 50 | 1211591-01 | CONN, ZIF, PLUG KIT |
| 51 | 1211591-07 | CONN, ZIF, ACTIVE CONTACT ASSY |
| 52 | 1211591-11 | CONN, ZIF, CONTACT COVER |
| 53 | 1211591-12 | CONN, ZIF, STRAIN RELIEF KIT |
| 54 | 1210776-04 | CABLE BUSHING, RUBBER, SHELL #16 |
| 55 | 1210776-05 | CABLE BUSHING, RUBBER, SHELL #18 |
| 56 | 1210776-06 | CABLE BUSHING, RUBBER, SHELL #20 |
| 57 | 1210776-07 | CABLE BUSHING, RUBBER, SHELL #24 |
| 58 | 9009696 | RING TERMINAL, 1/4" ID, 10 AWG |
| 59 | 9007926-01 | RING TERMINAL, #10, 10 AWG |
| 60 | 9008072 | WASHER, #8 EXT TOOTH LK |
| 61 | 9006242-09 | SCR, HEX HD, 1/4-20 x .62 LG. |
| 62 | 9006039-01 | SCR, PHL PAN HD, 8-32 x .50 LG. |
| 63 | 3612675-0-1 | DECAL, CAUTION LEAKAGE |
| 64 | 3613210 | DECAL, SERIAL/MODEL |
| 65 | 9007083 | CLAMP, CABLE, 3/8" |
| 66 | D-IC-AN10-0-PW | WIRING DIAGRAM, AN10 |

| AN10-AA | AN10-AB | AN10-BA | AN10-BB | | | | | | | | | | | |
|---------|---------|---------|---------|--|--|--|--|--|--|--|--|--|--|--|
| 1 | 1 | 1 | 1 | | | | | | | | | | | |
| 1 | 1 | 1 | 1 | | | | | | | | | | | |
| 1 | 1 | 1 | 1 | | | | | | | | | | | |
| 2 | 2 | 2 | 2 | | | | | | | | | | | |
| 2 | 2 | 2 | 2 | | | | | | | | | | | |
| 1 | 1 | - | - | | | | | | | | | | | |
| 3 | 3 | - | - | | | | | | | | | | | |
| 6 | 6 | - | - | | | | | | | | | | | |
| 1 | 1 | - | - | | | | | | | | | | | |
| 1 | 1 | - | - | | | | | | | | | | | |
| 1 | 1 | - | - | | | | | | | | | | | |
| 3 | 3 | 3 | 3 | | | | | | | | | | | |
| 3 | 3 | 3 | 3 | | | | | | | | | | | |
| 7 | 7 | 7 | 7 | | | | | | | | | | | |
| 1 | 1 | 1 | 1 | | | | | | | | | | | |
| 3 | 3 | 3 | 3 | | | | | | | | | | | |
| A/R | A/R | A/R | A/R | | | | | | | | | | | |
| 1 | 1 | 1 | 1 | | | | | | | | | | | |
| 1 | 1 | 1 | 1 | | | | | | | | | | | |
| REF | REF | REF | REF | | | | | | | | | | | |

| | | | | | | |
|------------------------------------|----------------------------------|------------------|-------------------|---------------------------|-----|---------|
| TITLE ARPA NET INTERFACE | ASSY NO. E-UA-AN10-0-0 | SIZE A | CODE PL | NUMBER AN10-0-0 | REV | ECO NO. |
| | SHEET 3 OF 3 | DIST | | | | |

DIGITAL EQUIPMENT CORPORATION

MAYNARD, MASSACHUSETTS

PARTS LIST

QUANTITY VARIATION

MADE BY *M. Norman*

CHECKED *[Signature]*

SECTION 1

DATE *23 Jun 77*

DATE *22 JUN 77*

ENG *D. Anderson*

PROD *D. Hadman*

ISSUED SECT. 1

DATE *23-JUN-77*

DATE *6 JUL 77*

| ITEM NO. | DWG NO./PART NO. | DESCRIPTION | QUANTITY VARIATION | | | | | | | | | | | | | |
|----------|------------------|-----------------------------------|--------------------|---------|---------|---------|--|--|--|--|--|--|--|--|--|--|
| | | | AN10-AA | AN10-AB | AN10-BA | AN10-BB | | | | | | | | | | |
| 1 | E-UA-AN10-0-0 | UNIT ASSY, AN10 ARPANET INTERFACE | 1 | 1 | 1 | 1 | | | | | | | | | | |
| 2 | MAINDEC-10-DDANA | ARPANET INTERFACE DIAGNOSTIC | 1 | 1 | 1 | 1 | | | | | | | | | | |
| 3 | MAINDEC-10-DDANB | ARPANET USER MODE "IMPTST" | 1 | 1 | 1 | 1 | | | | | | | | | | |
| 4 | 7008288-8F | CABLE ASSY, REMOTE TURN ON | 1 | 1 | 1 | 1 | | | | | | | | | | |
| 5 | BC10B-15 | CABLE, MARG CHK RMTE CONTROL | 1 | 1 | 1 | 1 | | | | | | | | | | |
| 6 | MP00326 | PRINT SET, AN10 ARPANET INTERFACE | 1 | 1 | 1 | 1 | | | | | | | | | | |
| 7 | EK-AN10S-MM | AN10/AN20 MAINTENANCE MANUAL | 1 | 1 | 1 | 1 | | | | | | | | | | |
| 8 | 7010789 | GROUND CABLE, 4 AWG | 1 | 1 | 1 | 1 | | | | | | | | | | |
| 9 | K-WL-AN10-0-WL | LISTING, AN10 WIRE LIST WRP SORT | 1 | 1 | 1 | 1 | | | | | | | | | | |
| 10 | K-WL-M8612-0-WL | LISTING, M8612 WIRE LIST WRP SORT | 1 | 1 | 1 | 1 | | | | | | | | | | |
| 11 | K-WL-M8613-0-WL | LISTING, M8613 WIRE LIST WRP SORT | 1 | 1 | 1 | 1 | | | | | | | | | | |
| 12 | K-WL-M8614-0-WL | LISTING, M8614 WIRE LIST WRP SORT | 1 | 1 | 1 | 1 | | | | | | | | | | |
| | | | | | | | | | | | | | | | | |
| | | | | | | | | | | | | | | | | |
| | | | | | | | | | | | | | | | | |
| | | | | | | | | | | | | | | | | |
| | | | | | | | | | | | | | | | | |
| | | | | | | | | | | | | | | | | |
| | | | | | | | | | | | | | | | | |
| | | | | | | | | | | | | | | | | |
| | | | | | | | | | | | | | | | | |
| | | | | | | | | | | | | | | | | |

TITLE
SHIP LIST, AN10

ASSY NO. *— / —*
SHEET 1 OF 1

SIZE
A

CODE
PL

NUMBER
AN10-0-SL

REV
ECO NO.

DIGITAL EQUIPMENT CORPORATION
MAYNARD, MASSACHUSETTS
PARTS LIST

QUANTITY / VARIATION

| | | |
|------------------------|----------------------------|-------------------|
| MADE BY M. NORMAND | CHECKED <i>[Signature]</i> | SECTION 1 |
| DATE 29 OCTOBER 1976 | DATE 29 JUN 77 | ISSUED SECT. 1 |
| ENG <i>[Signature]</i> | PROD D. Holmacth | |
| DATE 23-JUN-77 | DATE 6 JUL 77 | |

| ITEM NO. | DWG NO. / PART NO. | DESCRIPTION | QUANTITY / VARIATION | | | | | | | | | | | | | | | | | | |
|----------|--------------------|--------------------------------|----------------------|-----------|-----------|----|--|--|--|--|--|--|--|--|--|--|--|--|--|--|--|
| | | | -0 (PC10) | -1 (DX20) | -2 (AN10) | -3 | | | | | | | | | | | | | | | |
| 1 | E-IA-7416546-0-0 | LOGIC MTG PLATE | 1 | 1 | 1 | - | | | | | | | | | | | | | | | |
| 2 | C-AD-7008711-0-0 | QUICK LATCH BLOCK | 2 | 4 | 2 | - | | | | | | | | | | | | | | | |
| 33 | D-AD-7013918-0-0 | BACKPLANE ASSY PCI0 | 1 | - | - | - | | | | | | | | | | | | | | | |
| 4 | C-PS-1210698-0-0 | GUIDE, CARD | - | 3 | 9 | - | | | | | | | | | | | | | | | |
| 5 | D-AD-7009152-0-0 | 4 SLOT BACKPLANE ASSY | - | 1 | - | - | | | | | | | | | | | | | | | |
| 6 | K-WL-PC10-0-WL | PC10 WIRE LIST | REF | - | - | - | | | | | | | | | | | | | | | |
| 7 | A-WT-7013480-0-0 | AWT REV SHEET (PC10) | REF | - | - | - | | | | | | | | | | | | | | | |
| 8 | K-WL-DX20-0-WL | DX20 WIRE LIST | - | REF | - | - | | | | | | | | | | | | | | | |
| 9 | A-WT-7013480-1-0 | AWT REV SHEET (DX20) | - | REF | - | - | | | | | | | | | | | | | | | |
| 10 | K-WL-AN10-0-WL | AN10 WIRE LIST | - | - | REF | - | | | | | | | | | | | | | | | |
| 11 | A-WT-7013480-2-0 | AWT REV SHEET (AN10) | - | - | REF | - | | | | | | | | | | | | | | | |
| 12 | C-MD-7417523-0-0 | PLATE #1 | 1 | - | 1 | - | | | | | | | | | | | | | | | |
| 13 | C-MD-7417534-0-0 | PLATE #2 | 2 | - | 2 | - | | | | | | | | | | | | | | | |
| 14 | C-MD-7417536-0-0 | PLATE #3 | 3 | - | - | - | | | | | | | | | | | | | | | |
| 15 | A-DC-7411881-1-0 | DECAL LOGIC REVISION | 1 | 1 | 1 | - | | | | | | | | | | | | | | | |
| 16 | 9009100-3 | SC #4-40 X .25 LG TR HD | 6 | - | - | - | | | | | | | | | | | | | | | |
| 17 | 9006632 | LOCKWASHER #4 | 6 | - | - | - | | | | | | | | | | | | | | | |
| 18 | 9006634 | WSHR LOCK #8 | 18 | 22 | 20 | - | | | | | | | | | | | | | | | |
| 19 | 9006043-1 | SCREW #8-32 X 1 LG | 6 | - | 6 | - | | | | | | | | | | | | | | | |
| 20 | 9008005-1 | SCREW #8-32 X 1.38 LG | - | 2 | - | - | | | | | | | | | | | | | | | |
| 21 | 9006039-1 | SCREW #8-32 X .50 LG | 8 | 16 | 8 | - | | | | | | | | | | | | | | | |
| 22 | 9006037-3 | SCREW TRUSS HD #8-.32 X .38 LG | 4 | 4 | 6 | - | | | | | | | | | | | | | | | |

| | | | | | | | | | |
|-------|----------------------|----------|------------------|-------|------|--------|-------------|------|---------|
| TITLE | WIRED LOGIC MTG ASSY | ASSY NO. | E-AD-7013480-0-0 | SIZE | CODE | NUMBER | 7013480-0-0 | REV. | ECO NO. |
| | | SHEET | 1 OF 2 | DIST. | | | | | |

DIGITAL EQUIPMENT CORPORATION
MAYNARD, MASSACHUSETTS
PARTS LIST

QUANTITY / VARIATION

| | | |
|------------------------|----------------------------|----------------|
| MADE BY M. NORMAND | CHECKED <i>[Signature]</i> | SECTION 1 |
| DATE 29 OCTOBER 1976 | DATE 22 JUN 77 | |
| ENG <i>[Signature]</i> | PROD D. NADUNICH | ISSUED SECT. 1 |
| DATE 27-JUN-77 | DATE 6 JUL 77 | |

| ITEM NO. | DWG NO. / PART NO. | DESCRIPTION |
|----------|----------------------|---------------------------------|
| 23 | 9008209 | GROMMET, STRIP, EXTRUDED RUBBER |
| 24 | D-AD-7013888-0-0 | BACKPLANE ASSY (9 SLOT) |
| 25 | 9107720-09 | #30 AWG TWP BLK/WHT |
| 26 | 9105740-44 | #30 AWG YEL |
| 27 | 9009070 | SCR PHL HD S.T. 8-32 X .81 LG |
| 28 | D-AD-7013724 - 0 - 0 | BACKPLANE ASSY (ANIØ) |
| 29 | 9107688-66 | #24 AWG SOLID (BLU) |
| 30 | A-DC-7411369-0-0 | MTG PANEL DECAL |
| 31 | A-DC-7406371-0-0 | LOGIC FRAME DECALS (CLEAR) |
| 32 | 9107688-44 | 24 AWG SOLID WIRE (YEL) |
| 33 | 9107688-77 | 24 AWG SOLID WIRE (VIO) |
| | | |
| | | |
| | | |
| | | |
| | | |
| | | |
| | | |
| | | |
| | | |
| | | |
| | | |
| | | |
| | | |
| | | |
| | | |
| | | |
| | | |
| | | |
| | | |

| -Ø (PCLØ) | -1 (DX2Ø) | -2 (AN1Ø) | -3 | | | | | | | |
|-----------|-----------|-----------|----|--|--|--|--|--|--|--|
| - | A/RA/R | - | - | | | | | | | |
| - | - | - | 1 | | | | | | | |
| A/RA/R | A/RA/R | A/RA/R | - | | | | | | | |
| A/RA/R | A/RA/R | A/RA/R | - | | | | | | | |
| 18 | 6 | 18 | - | | | | | | | |
| - | - | 1 | - | | | | | | | |
| A/RA/R | A/RA/R | - | - | | | | | | | |
| A/RA/R | A/RA/R | A/RA/R | - | | | | | | | |
| A/RA/R | A/RA/R | A/RA/R | - | | | | | | | |
| - | A/R | - | - | | | | | | | |
| - | A/R | - | - | | | | | | | |
| | | | | | | | | | | |
| | | | | | | | | | | |
| | | | | | | | | | | |
| | | | | | | | | | | |
| | | | | | | | | | | |
| | | | | | | | | | | |
| | | | | | | | | | | |
| | | | | | | | | | | |
| | | | | | | | | | | |
| | | | | | | | | | | |
| | | | | | | | | | | |
| | | | | | | | | | | |
| | | | | | | | | | | |
| | | | | | | | | | | |
| | | | | | | | | | | |
| | | | | | | | | | | |
| | | | | | | | | | | |

| | | | | | | |
|----------------------------|---------------------------|---------------|----------------|--------------------|--------|---------|
| TITLE WIRED LOGIC MTG ASSY | ASSY NO. E-AD-7013480-0-0 | SIZE A | CODE PL | NUMBER 7013480-0-0 | REV. 1 | ECO NO. |
| SHEET 2 OF 2 | | DIST. | | | | |

DIGITAL EQUIPMENT CORPORATION
MAYNARD, MASSACHUSETTS

ENGINEERING SPECIFICATION

DATE *27 Jun 77*

TITLE *AN10/AN20 ACCEPTANCE PROCEDURE*

REVISIONS

| REV | DESCRIPTION | CHG NO | ORIG | DATE | APPD BY | DATE |
|-----|-------------|--------|------|------|---------|------|
| | | | | | | |

This document contains confidential proprietary information of DEC. This information shall not be disclosed to persons outside the employ of DEC, except by DEC personnel so authorized. DEC, and only for use by such other persons in the design, production or manufacture of product. Copyright © 1977 Digital Equipment Corporation.

| | | | | | | | |
|---------------------------|-----------------------------|--------------------------|-------------------------|------------------|------------|---------------------|-----|
| ENG <i>D. Anderson</i> | APPD <i>R. Travinchi</i> | DATE <i>29 JUN 77</i> | DATE <i>6-JUL-77</i> | SIZE A | CODE SP | NUMBER AN10-0-AP | REV |
|---------------------------|-----------------------------|--------------------------|-------------------------|------------------|------------|---------------------|-----|

TITLE ANIO/AN20 ACCEPTANCE PROCEDURE

1.0 GENERAL INTRODUCTION

The ANIO/AN20 are standard Federal Systems Group supported hardware options designed to provide a hardware/software package to users of the ARPANET (Advanced Research Projects Agency Network) for purposes of integrating the DECsystem-10 (1090T) and DECsystem-20 (2040T and 2050T) hosts to the ARPANET. The ANIO will electrically and logically interface between the KLIO IBUS, and the ARPANET IMP (Interface Message Processor). The AN20 will electrically and logically interface between the KLIO internal EBUS, and the ARPANET IMP. Both will support both local (up to 30 feet), and distant (up to 2000 feet) connections to the IMP. They both require two device codes which are functionally partitioned as an input device and an output device. Input is given priority over output to facilitate full duplex message transmissions between the host and the IMP. Bit to word packing and unpacking is handled by the ANIO/AN20.

2.0 OPTIONS

| | |
|--------------------|--|
| ANIO-AA AN20-AA | Basic KLIO to IMP interface for the ARPA net. Includes logical and electrical interface for both local and distant connections plus cable connector for terminating a 30 foot local IMP cable, 60 Hz, 120 VAC. |
| ANIO-AB AN20-AB | Same as ANIO-AA/AN20-AA, but for 50 Hz, 240 VAC. systems. |
| ANIO-BA AN20-BA | ANIO-AA/AN20-AA with the local cable connector replaced with 50 foot distant host cable assembly (BC10T-50). |
| ANIO-BB AN20-BB | Same as ANIO-BA/AN20-BA, but for 50 Hz, 240 VAC. systems. |

3.0 SOFTWARE

| | | |
|-----|------------------|---------------------------------------|
| 3.1 | MAINDEC-10-DDANA | EXEC MODE BASIC ANIO/AN20 Test |
| 3.2 | MAINDEC-10-DDANB | USER MODE ANIO/AN20 IMPST RELIABILITY |

4.0 PRINT SETS AND MANUALS

| | |
|-----|---|
| 4.1 | ANIO or AN20 print set (MP00326 OR MP00399) |
| 4.2 | ANIO / AN20 manual (EK-ANIOS-MM) |

| SIZE | CODE | NUMBER | REV |
|------|------|-----------|-----|
| A | SP | ANIO-0-AP | |

TITLE ANI0/AN20 ACCEPTANCE PROCEDURE

5.0 ACCEPTANCE TEST PROCEDURES

Perform the following procedures to check out and accept the ANI0/AN20 Interface Option.

- 5.1 If the ANI0/AN20 is to be configured for a distant IMP interface, position switch E15-1 on the M8612 module OFF to enable the local cable drivers and receivers. Otherwise, switch E15-1 ON to enable the distant receivers and drivers.
- 5.2 Load MD-10-DDANA; consulting the listing for switch settings and operating instructions.
- 5.3 Start execution of MD-10-DDANA. Type a carriage return (CR) to the TTY prompt message to specify execution of all basic tests. In response to the TTY prompt regarding the type of loopback to be tested, type "I" to specify internal loopback. Execute 10 minutes, no errors allowed.
- 5.4 Disconnect the ANI0 to IMP cable (BCI0T or equivalent) from the ANI0/AN20 logic assembly ZIF connector labeled "IMP IN". Move the ANI0/AN20 loopback test connector 70-13963 from the ZIF connector labeled "IMP LOOP" to the "IMP IN" position. Repeat step 5.3 except type "E" to the appropriate TTY prompt to select external loopback.
- 5.5 If the IMP interface is configured for a local connection, plug the ANI0/AN20 end of the local cable into the ZIF connector labeled "IMP LOOP". Call the Network Control Center and arrange with them to run a cable continuity test from the IMP. This test is optional unless cable continuity problems are suspected.
- 5.6 If the ANI0/AN20 is to be configured for a distant IMP interface, position switch E15-1 on the M8612 module ON to enable the distant cable drivers and receivers. Otherwise, switch E15-1 OFF to enable the local receivers and drivers.
- 5.7 Repeat step 5.3, typing "I" to the loopback TTY prompt to select internal loopback.
- 5.8 Repeat step 5.3, typing "E" to the loopback TTY prompt to select external loopback.
- 5.9 Restore the ANI0/AN20 loopback test connector 70-13963 to its storage position on the ZIF connector labeled "IMP LOOP". Connect the ANI0/AN20 end of the BCI0T or equivalent cable to its operational position on the ZIF connector labeled "IMP IN".

| | | | | |
|--|------------------|------------|---------------------|-----|
| | SIZE A | CODE SP | NUMBER ANI0-0-AP | REV |
|--|------------------|------------|---------------------|-----|

TITLE ANI0/AN20 ACCEPTANCE PROCEDURE

- 5.10 If the unit under test is an ANI0-B/AN20-B (supplied with a BCI0T distant cable), disconnect the BCI0T from the IMP and attach the BCI0T cable loopback test connector 70-13995 to the BCI0T cable. Repeat step 5.3, typing "E" to the loopback TTY prompt to select external loopback. After successful completion of this test, disconnect the 70-13995 test connector from the BCI0T cable and reattach the BCI0T cable in its normal operating position within the IMP.
- 5.11 Start execution of MD-10-DDANA. Type "I" to the first TTY prompt to select the IMPTST (or reliability) portion of the diagnostic. Type "ESC" (escape or altmode) to the parameter select prompt to specify all pattern combinations and random message lengths. Execute this test 1 hour error free. Consult the listing for operational procedures. Note that while IMPTST is running the ANI0/AN20 is on the ARPANET, meaning that other connections may send messages to this ANI0/AN20. These messages will be printed on the TTY log and are not errors.
- 5.12 Bring up the TOPS20-AN Operating System on the system under test. Load MD-10-DDANB, consulting the listing for switch settings and operating instructions. Execute for 45 minutes error free. The note for step 5.11 also applies in this test. This test is for customer acceptance only and is not performed as part of factory acceptance. This test is not valid on systems not supporting TOPS20-AN.
- 5.13 Successful completion of the above tests constitutes acceptance of the ANI0/AN20 ARPANET Interface Option.

| | | | |
|-----------|------------|---------------------|-----|
| SIZE A | CODE SP | NUMBER ANI0-0-AP | REV |
|-----------|------------|---------------------|-----|

DIGITAL EQUIPMENT CORPORATION
MAYNARD, MASSACHUSETTS

ENGINEERING SPECIFICATION

DATE *27 JUN 77*

TITLE AN10/AN20 MANUFACTURING TEST PROCEDURE

REVISIONS

| REV | DESCRIPTION | CHG NO | ORIG | DATE | APPD BY | DATE |
|-----|-------------|--------|------|------|---------|------|
| | | | | | | |

This document contains confidential proprietary information of DEC. This information shall not be disclosed to persons outside the employ of DEC, except by DEC personnel so authorized by DEC, and only for use by such other persons in the design, production or manufacture of products for DEC. Copyright © 1977 Digital Equipment Corporation.

| | | | | | |
|------------------------------------|--------------------------------------|------------------|------------|----------------------|-----|
| ENG <i>D Anderson</i> 29 JUN 77 | APPD <i>R Stravinski</i> 6-JUL-77 | SIZE A | CODE SP | NUMBER AN10-0-MTP | REV |
|------------------------------------|--------------------------------------|------------------|------------|----------------------|-----|

TITLE ANIO/AN20 MANUFACTURING TEST PROCEDURE

1.0 GENERAL INTRODUCTION

The ANIO/AN20 are standard Federal Systems Group supported hardware options designed to provide a hardware/software package to users of the ARPANET (Advanced Research Projects Agency Network) for purposes of integrating the DECsystem-10 (1090T) and DECsystem-20 (2040T and 2050T) hosts to the ARPANET. The ANIO will electrically and logically interface between the KLIO IBUS, and the ARPANET IMP (Interface Message Processor). The AN20 will electrically and logically interface between the KLIO internal EBUS, and the ARPANET IMP. Both will support both local (up to 30 feet), and distant (up to 2000 feet) connections to the IMP. They both require two device codes which are functionally partitioned as an input device and an output device. Input is given priority over output to facilitate full duplex message transmissions between the host and the IMP. Bit to word data packing and unpacking is handled by the ANIO/AN20.

2.0 OPTIONS

| | |
|--------------------|--|
| ANIO-AA AN20-AA | Basic KLIO to IMP interface for the ARPA net. Includes Logical and electrical interface for both local and distant connections plus cable connector for terminating a 30 foot local IMP cable, 60 Hz, 120 VAC. |
| ANIO-AB AN20-AB | Same as ANIO-AA/AN20-AA, but for 50 Hz, 240 VAC systems. |
| ANIO-BA AN20-BA | ANIO-AA/AN20-AA with the local cable connector replaced with 50 foot distant host cable assembly (BCIOT-50). |
| ANIO-BB AN20-BB | Same as ANIO-BA/AN20-BA, but for 50 Hz, 240 VAC systems. |

3.0 TEST EQUIPMENT

- 3.1 Tektronix 454 oscilloscope or equivalent
- 3.2 Three voltage probes
- 3.3 Triplett model 630 VOM or equivalent
- 3.4 Digital voltmeter

4.0 SOFTWARE

- 4.1 MAINDEC-10-DDANA,
EXEC MODE BASIC ANIO/AN20 DIAGNOSTIC

5.0 PRINT SETS AND MANUALS

- 5.1 ANIO or AN20 print set
- 5.2 ANIO or AN20 manual (EK-ANIOS-MM)

| SIZE | CODE | NUMBER | REV |
|------|------|------------|-----|
| A | SP | ANIO-0-MTP | |

ENGINEERING SPECIFICATION



CONTINUATION SHEET

TITLE AN10/AN20 MANUFACTURING TEST PROCEDURE

6.0 MODULE ASSEMBLY

6.1 M8612

- 6.1.1 Verify that M8612 module is up to the latest revision.
- 6.1.2 Airblast module, remove all debris.
- 6.1.3 Verify that no shorts exist between the power and ground planes of the module.
- 6.1.4 The component sockets are now to be assembled. Consult print UA-M8612.
- 6.1.5 Insert the component sockets and dips in their respective positions. Consult print UA-M8612.
- 6.1.6 Set the switch PKG switches to device code 52X. Set switches 3,5,7 to the one state, all other switches off. Switch 1 determines whether the local or distant receiver/drivers are enabled. Set switch 1 to off, which enables the local receiver/drivers and disables the distant receiver/drivers.

6.2 M8613

- 6.2.1 Verify that the M8613 module is up to the latest revision.
- 6.2.2 Airblast module, remove all debris.
- 6.2.3 Verify that no shorts exist between the power and ground planes of the module.
- 6.2.4 The SIP strips are now to be assembled. Consult print UA-M8613.
- 6.2.5 Insert the SIP strips and dips in their respective positions. Consult print UA-M8613.

6.3 M8614

- 6.3.1 Verify that the M8614 module is up to the latest revision.
- 6.3.2 Airblast module, remove all debris.
- 6.3.3 Verify that no shorts exist between the power and ground planes of the module.
- 6.3.4 The SIP strips are now to be assembled. Consult print UA-M8614.

| SIZE | CODE | NUMBER | REV |
|------|------|------------|-----|
| A | SP | AN10-Ø-MTP | |

ENGINEERING SPECIFICATION



CONTINUATION SHEET

TITLE AN10/AN20 MANUFACTURING TEST PROCEDURE

- 6.3.5 Insert the SIP strips in their respective positions. consult print UA-M8614.
- 7.0 Preliminary checks
- 7.1 Verify that the backplane assembly is up to the latest revision.
- 7.2 Airblast logic assembly, remove all debris.
- 7.3 Verify that no shorts between +5 volts, -5 volts, -15 volts and ground exist on the backplane.
- 7.4 Power up the AN10/AN20 and verify that DC voltages are reasonably close to their respective voltages.
- 7.5 Airblast all HEX modules, verify that no shorts exist on the HEX modules between +5 volts, -5 volts and ground.
- 7.6 Insert all modules as listed on module utilization.
- 7.7 Power up the cab and adjust all DC voltages to their respective voltages.
- 7.8 Verify that the terminator in the IO bus out quick latch has the required -15V power applied.
- 8.0 Online Check Out
- 8.1 Load MAINDEC-10-DDANA, consult listing for switch settings and operating instructions.
- 8.2 Run internal loop 15 minutes, no errors allowed.
- 8.3 Insert 70-13963 AN10 test connector, run external loop 15 minutes, no errors allowed.
- 8.4 Set switch #1 on the M8612 to the on position, this enables the distant receivers/drivers and disables the local receiver/drivers.
- 8.5 Run internal loop 15 minutes, no errors allowed.
- 8.6 Run external loop 15 minutes, no errors allowed.
- 8.7 Delay Check
 - 8.7.1. Put the M8614 module on a extender card and verify that the following pulse widths are within the following specifications, loop on test 74, external loop, consult listing for operating procedures.

| SIGNAL NAME | PIN NUMBER | NORMINAL VALUE | MINIMUM VALUE | MAXIMUM VALUE |
|------------------------|------------|----------------|---------------|---------------|
| ICON DESKEW DELAY | E01613 | 50NS | 40NS | 90NS |
| ICON DLY CLK | E01605 | 100NS | 80NS | 160NS |
| ICON LOCAL BIT DLY UP | E01113 | 75NS | 60NS | 130NS |
| ICON DIST BIT DLY UP | E01105 | 1.5US | 1.1US | 2.0US |
| ICON RDY FOR I BIT CLK | E03705 | 50NS | 40NS | 90NS |
| ICON RDY DWN TIME DLY | E00413 | 200NS | 160NS | 275NS |
| ICON DIST BIT DLY DWN | E00405 | 1.5US | 1.1US | 2.0US |

| | | | |
|-----------|------------|----------------------|-----|
| SIZE A | CODE SP | NUMBER AN10-0-MTP | REV |
|-----------|------------|----------------------|-----|

ENGINEERING SPECIFICATION

digital

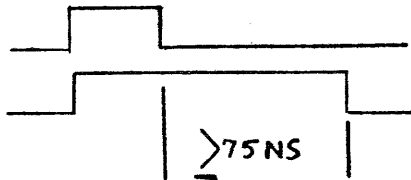
CONTINUATION SHEET

TITLE AN10/AN20 MANUFACTURING TEST PROCEDURE

8.7.2. Verify that the following pulse widths are within the following specifications; loop on test 70.

| SIGNAL NAME | PIN NUMBER | NORMINAL VALUE | MINIMUM VALUE | MAXIMUM VALUE |
|-------------------|------------|----------------|---------------|---------------|
| ICON DATA PAD DLY | E02813 | 50NS | 40NS | 90NS |
| ICON DATA PAD CLK | E02805 | 100NS | 80NS | 160NS |
| ICSR RESET | E07213 | 1.5US | 1.1US | 2.0US |

8.7.3. Verify that the time from the negation of ICON SHFT DATA H (E05903) to the negation of ICON RDY DWN TIME DLY (1)H (E00413) is ≥ 75 NS; loop on test 74.

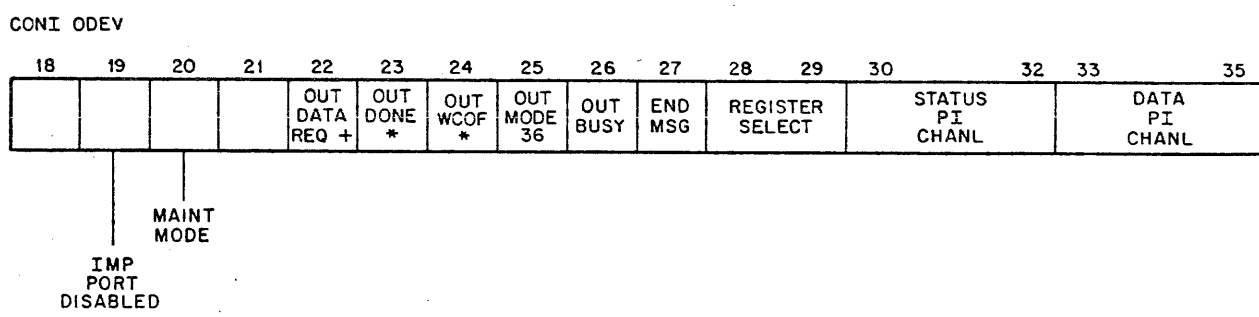
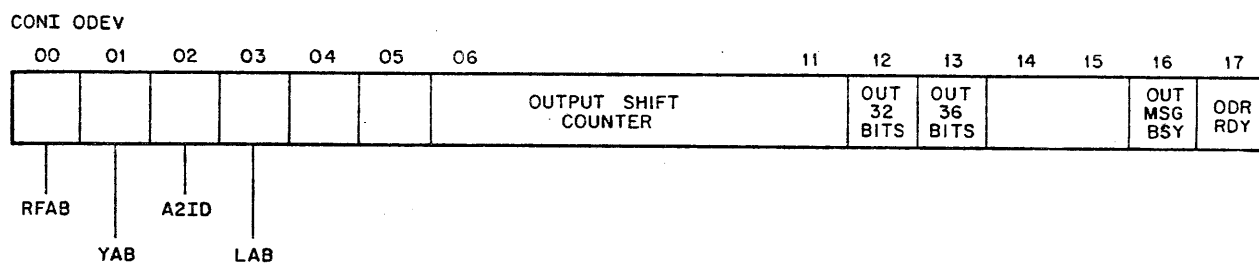
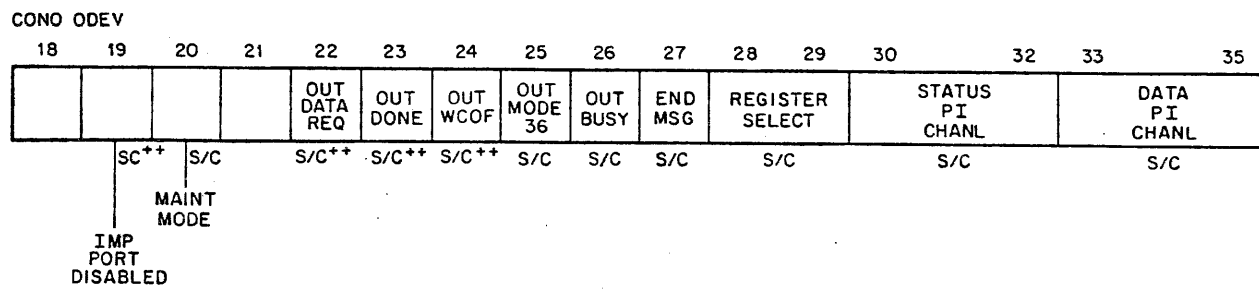


8.7.4. Put the M8613 module on an extender card and verify that the pulse widths are within the following specifications. Loop on test 74, external loop, consult listing for operating procedures.

| SIGNAL NAME | PIN NUMBER | NORMINAL VALUE | MINIMUM VALUE | MAXIMUM VALUE |
|----------------------|------------|----------------|---------------|---------------|
| OCN DIST BIT DLY UP | E00405 | 1.5US | 1.1US | 2.0US |
| OCN LOCAL BIT DLY UP | E00413 | 100NS | 80NS | 160NS |
| OCN CNT | E01113 | 160NS | 125NS | 220NS |
| OCN DIST BIT DLY DWN | E01613 | 1.5US | 1.1US | 2.0US |
| OCN DLYD PULSE | E01105 | 50NS | 40NS | 90NS |
| OCN SKEW DLY | E01605 | 350NS | 270NS | 450NS |
| OCSR CONO CLR DLY | E05105 | 100NS | 80NS | 160NS |

- 8.8 Set SW #1 on the M8612 to the configuration to be shipped.
- 8.9 If an AN10-BA, AN10-BB, AN20-BA, or AN20-BB is to be shipped insert the BC10T cable. Insert 7013995 connector at end of cable.
- 8.10 If an AN10-AA, AN10-AB, AN20-AA, or AN20-AB is to be shipped insert the AN10 test connector.
- 8.11 Run external loop, vibrate all modules, cables, harnesses, and subassemblies, no errors allowed.
- 8.12 Run external loop 1 hour, no errors allowed.
- 8.13 If an IMP is available run "I" test 1 hour error free, consult listing for operating procedures.

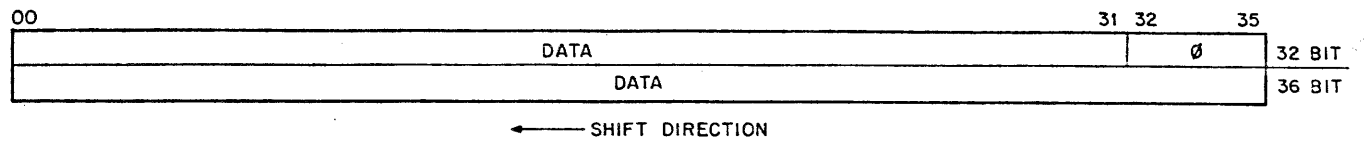
| | | | |
|------|------|------------|-----|
| SIZE | CODE | NUMBER | REV |
| A | SP | AN10-Ø-MTP | |



+Data interrupt condition.
*Status interrupt condition.
++Conditional set, setable only in MAINT MODE.

Figure 1 Output Control/Status Register (OCSR)

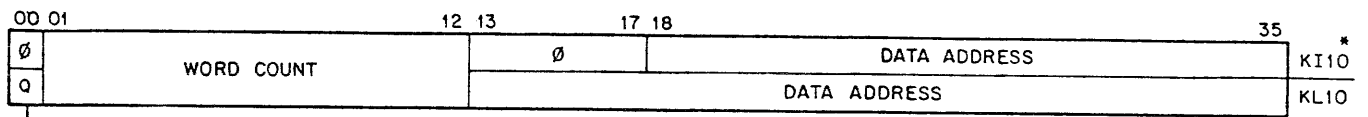
DATA0/DATA1 ODEV
SELECT 00



10-2429

Figure 2 Output Data Register (ODR)

DATAO/DATAI ODEV
 SELECT 01

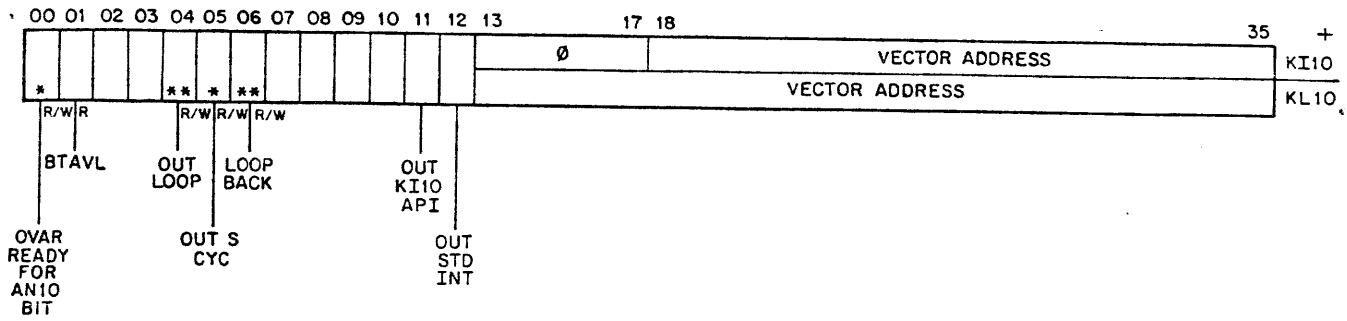


QUALIFIER 0 NO PROTECT OR RELOCATE
 1 APPLY PROTECT AND RELOCATE

*Bit positions illustrated by "0" may actually be loaded and read by DATAO/DATAI. They will not, however, be gated to the API function word.

Figure 3 Output Word Count/Address Register (OWAR)

DATA0/DATA1 ODEV
SELECT 10



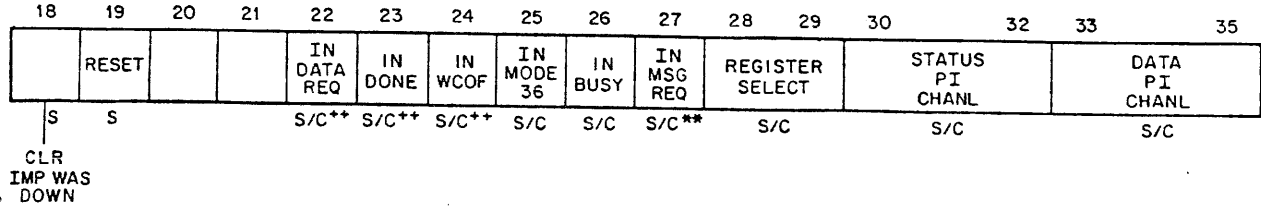
*Conditional write, writeable only in MAINT MODE.

**Conditional write, writeable only in MAINT MODE and if IMP PORT DISABLED is asserted.

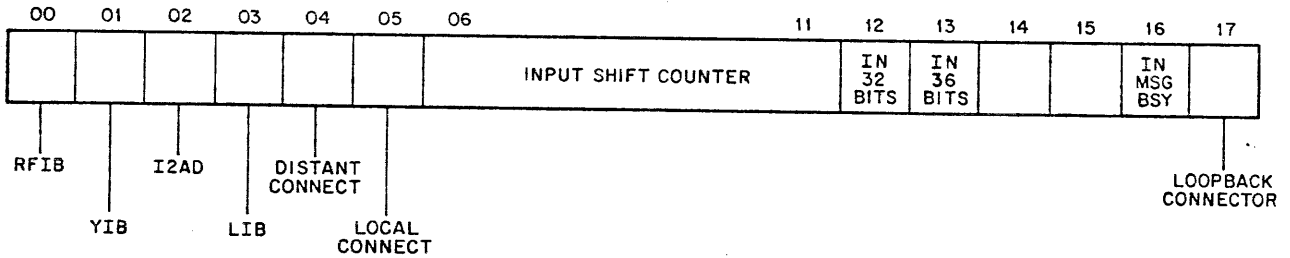
+Bit positions illustrated by "0" may actually be loaded and read by DATA0/DATA1. They will not, however, be gated to the API function word.

Figure 4 Output Vector Address Register (OVAR)

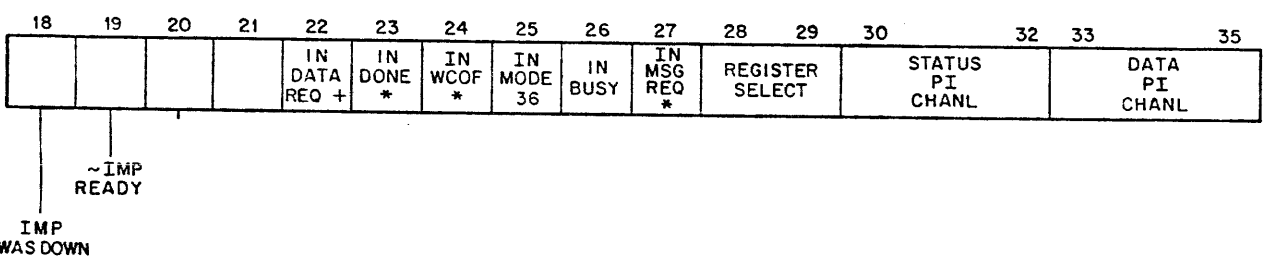
CONO IDEV



CONI IDEV



CONI IDEV



+Data interrupt condition.

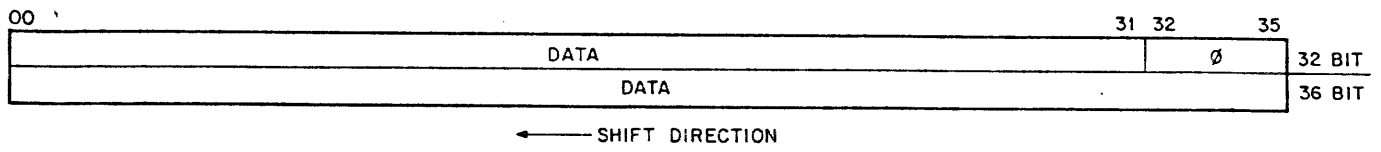
*Status interrupt condition.

+Conditional set, settable only in MAINT MODE.

**Conditional write, writeable only in MAINT MODE.

Figure 5 Input Control/Status Register (ICSR)

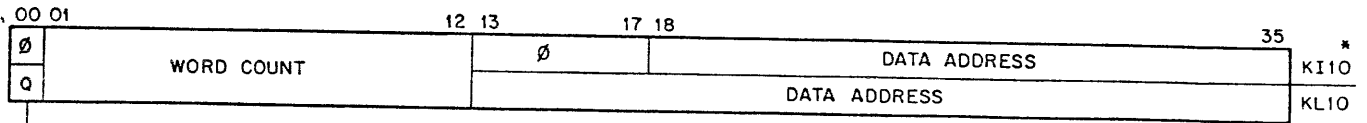
DATA0/DATA1 IDEV
SELECT 00



10-2424

Figure 6 Input Data Register (IDR)

DATAO/DATAI IDEV
 SELECT 01



QUALIFIER 0 NO PROTECT OR RELOCATE
 1 APPLY PROTECT AND RELOCATE

*Bit positions illustrated by "0" may actually be loaded and read by DATAO/DATAI.
 They will not, however, be gated to the API function word.

Figure 7 Input Word Count/Address Register (IWAR)

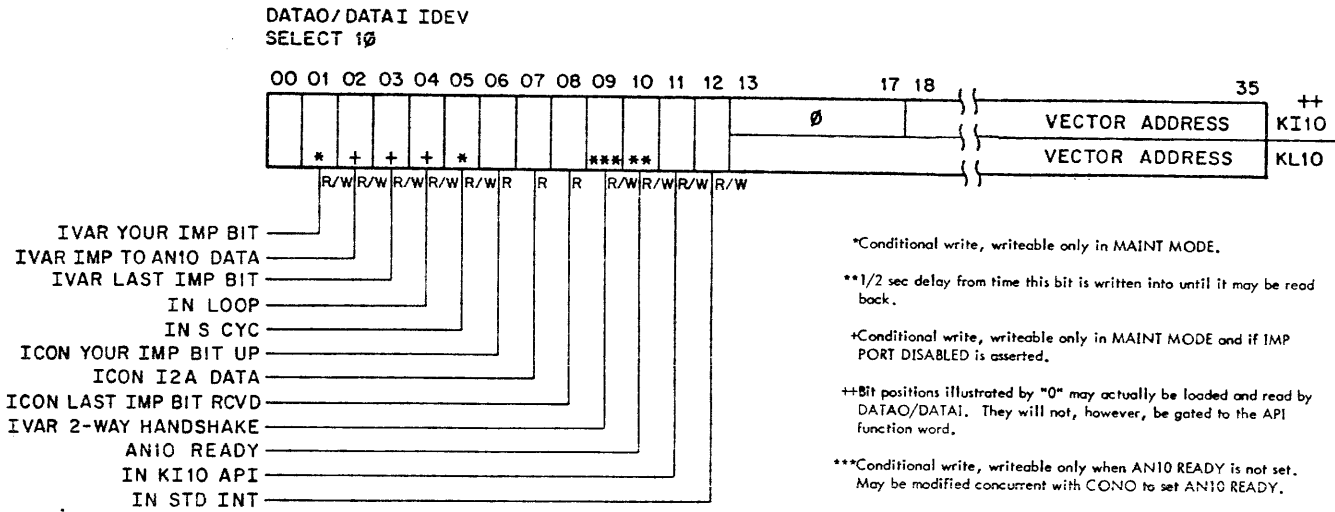
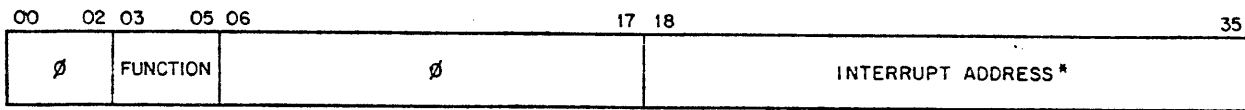


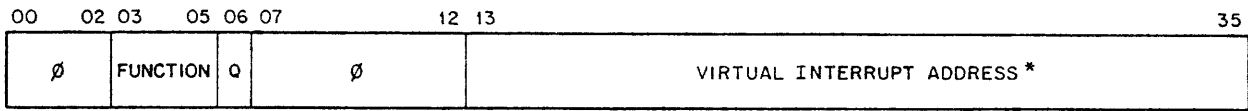
Figure 8 Input Vector Address Register (IVAR)



*Address is not supplied for API Function 1.

10-2431

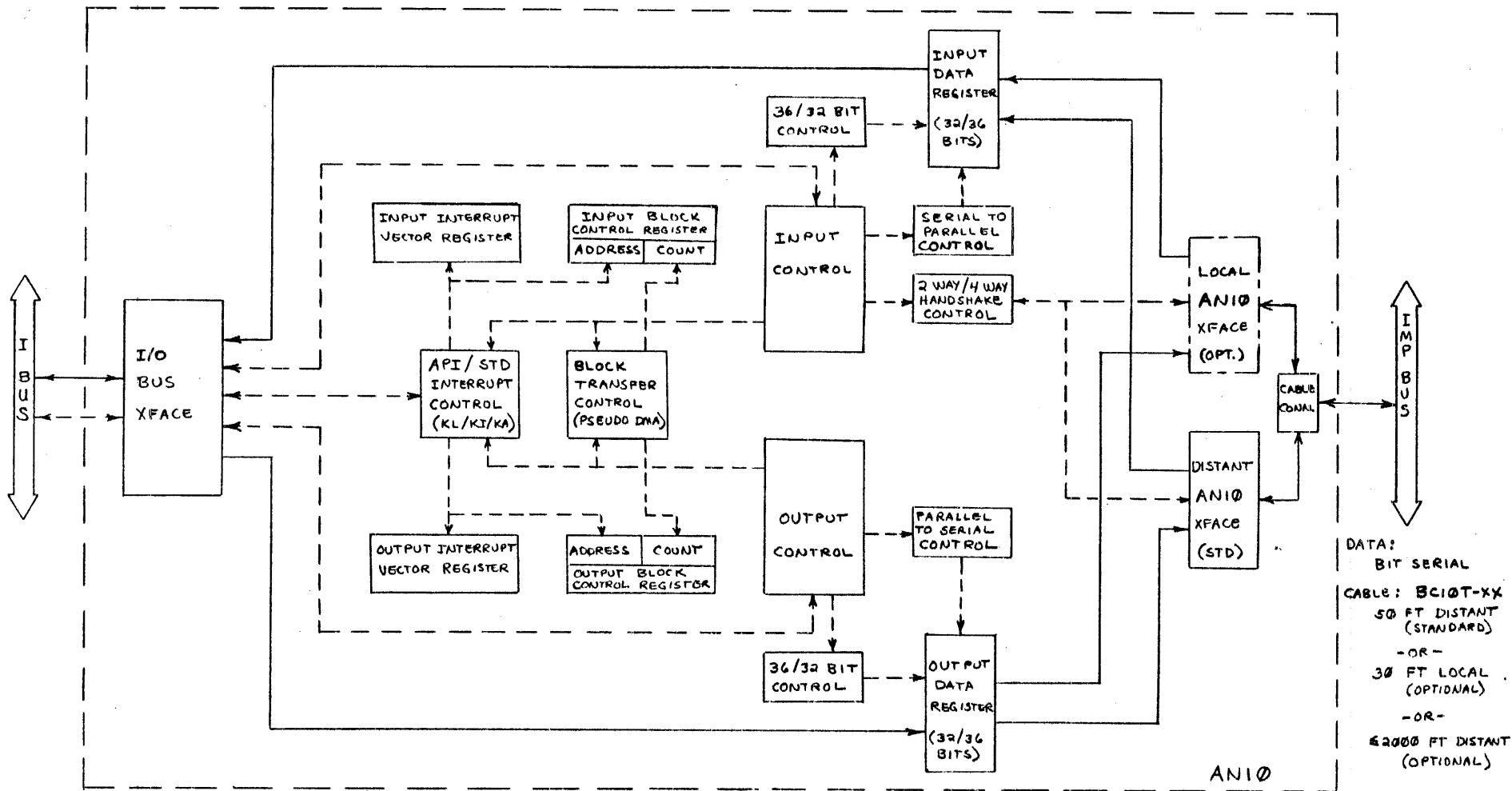
Figure 9 KI10 API Format



*Address is not supplied for API Function 1.

10-2432

Figure 10 KL10 API Format



DATA:
 BIT SERIAL
 CABLE: BCIOT-XX
 50 FT DISTANT
 (STANDARD)
 -OR-
 30 FT LOCAL
 (OPTIONAL)
 -OR-
 6200 FT DISTANT
 (OPTIONAL)

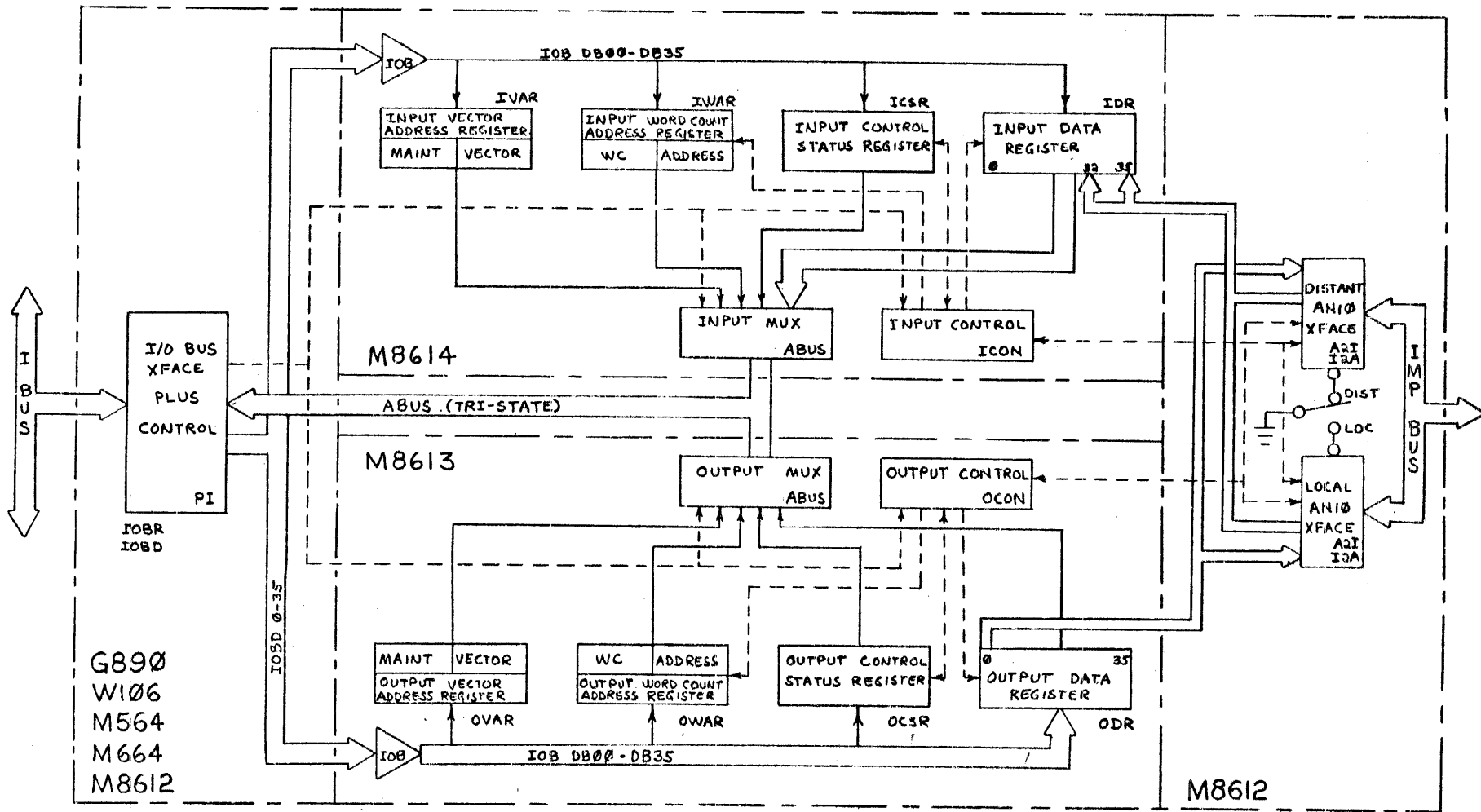
LEGEND:
 - - -> CONTROL PATH
 ———> DATA PATH

NOTE:
 THE ANIO HAS BOTH LOCAL
 AND DISTANT CABLE DRIVERS/
 RECEIVERS. THE SET ACTIVATED
 IS DETERMINED BY SWITCH
 SETTING.

ANIO FUNCTIONAL BLOCK DIAGRAM

17-FEB-77

FIGURE 13.



G890
W106
M564
M664
M8612

LEGEND:
DATA PATH = \Rightarrow OR \rightarrow
CONTROL PATH = \dashrightarrow

ANIO BLOCK DIAGRAM

LEGEND:

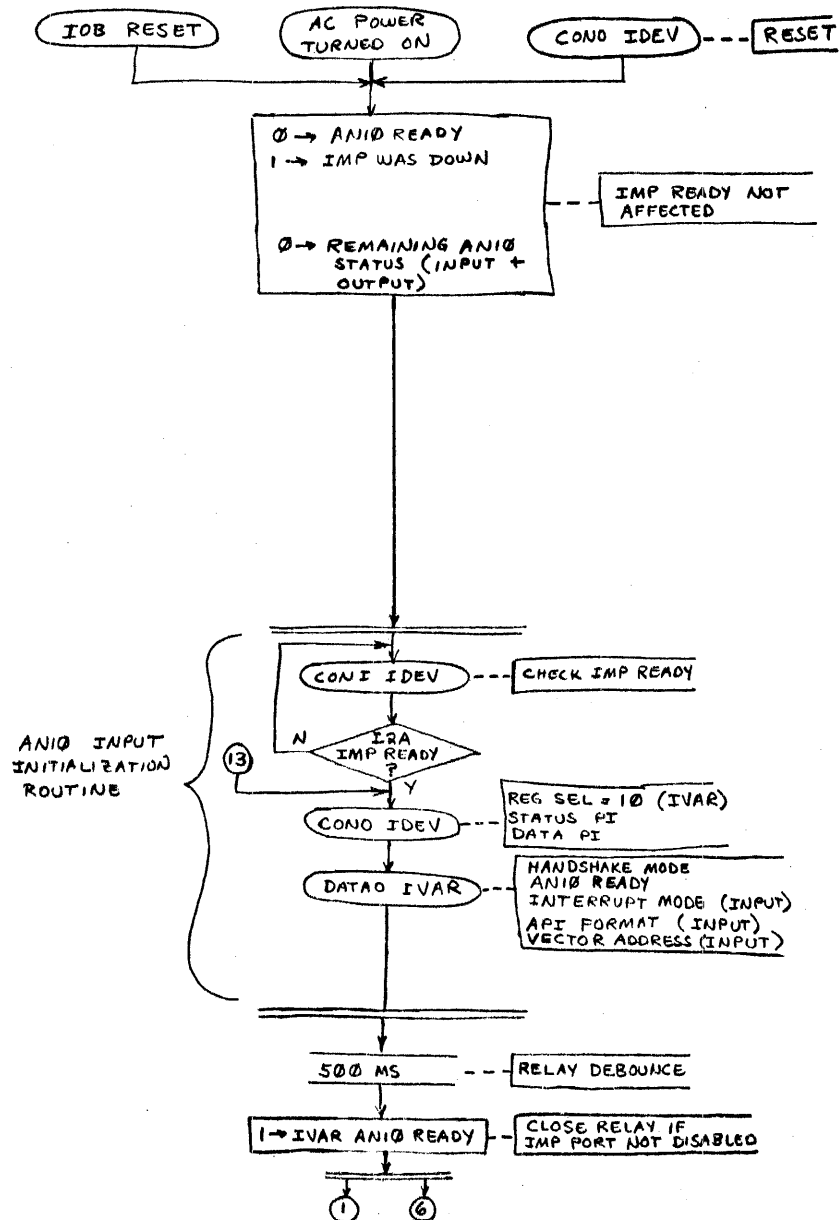
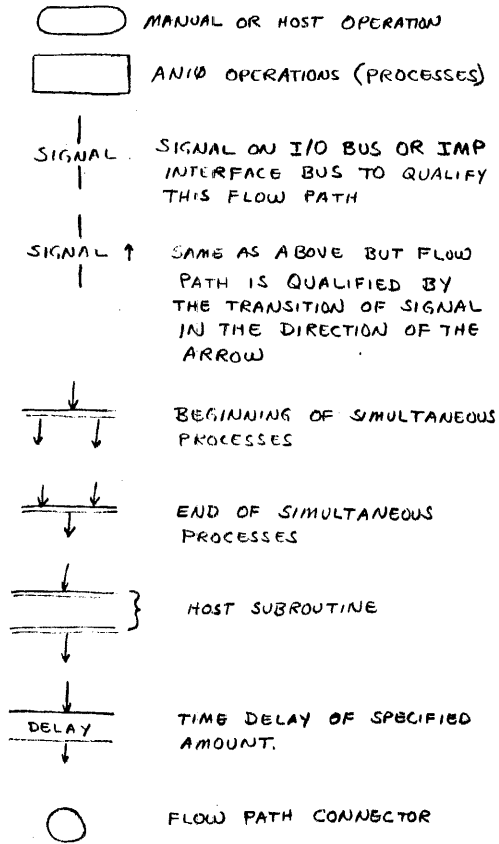
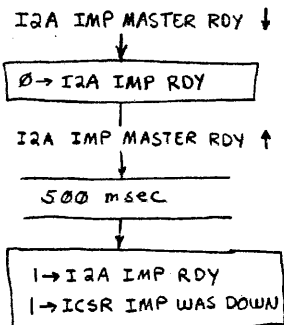
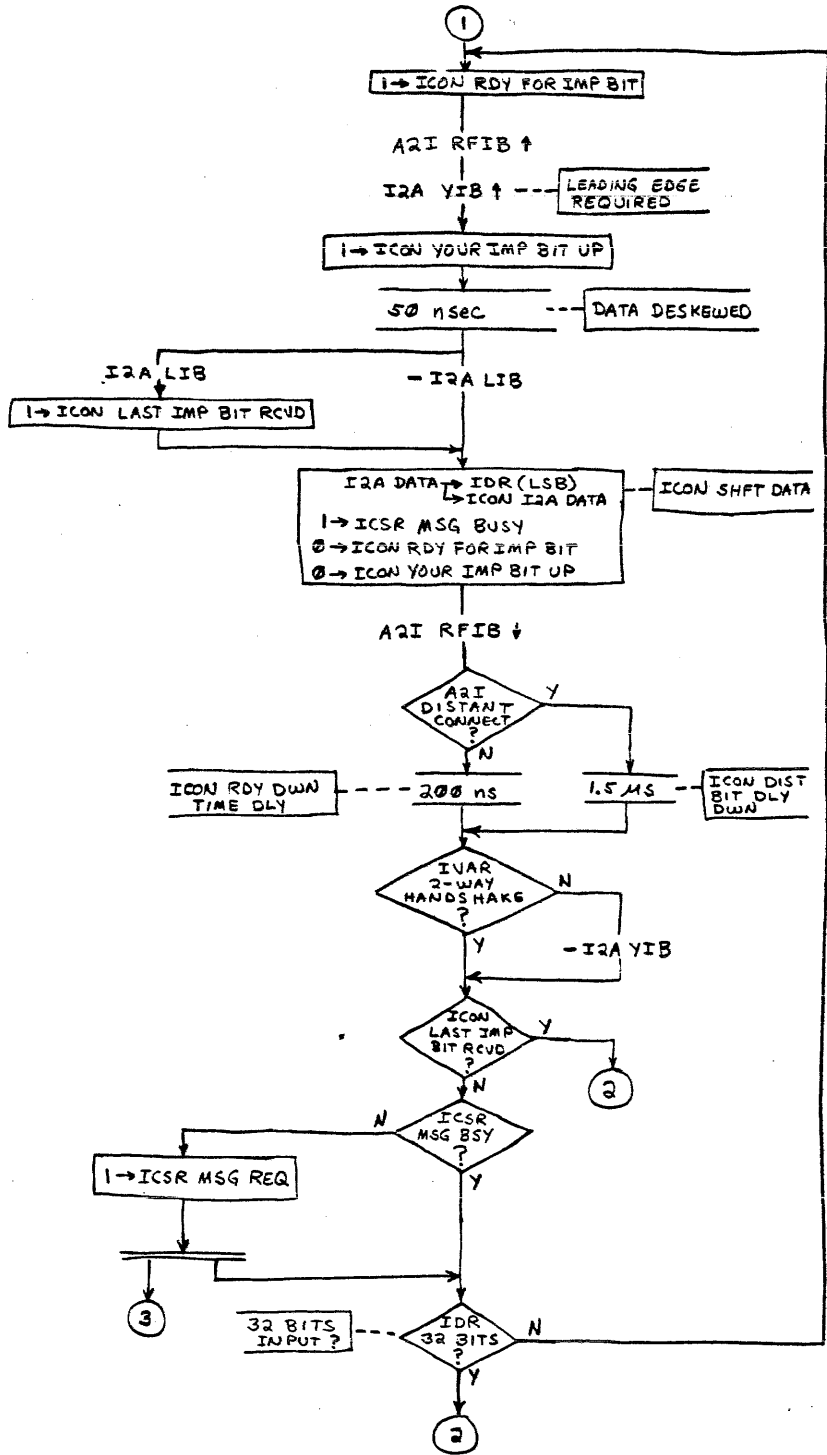
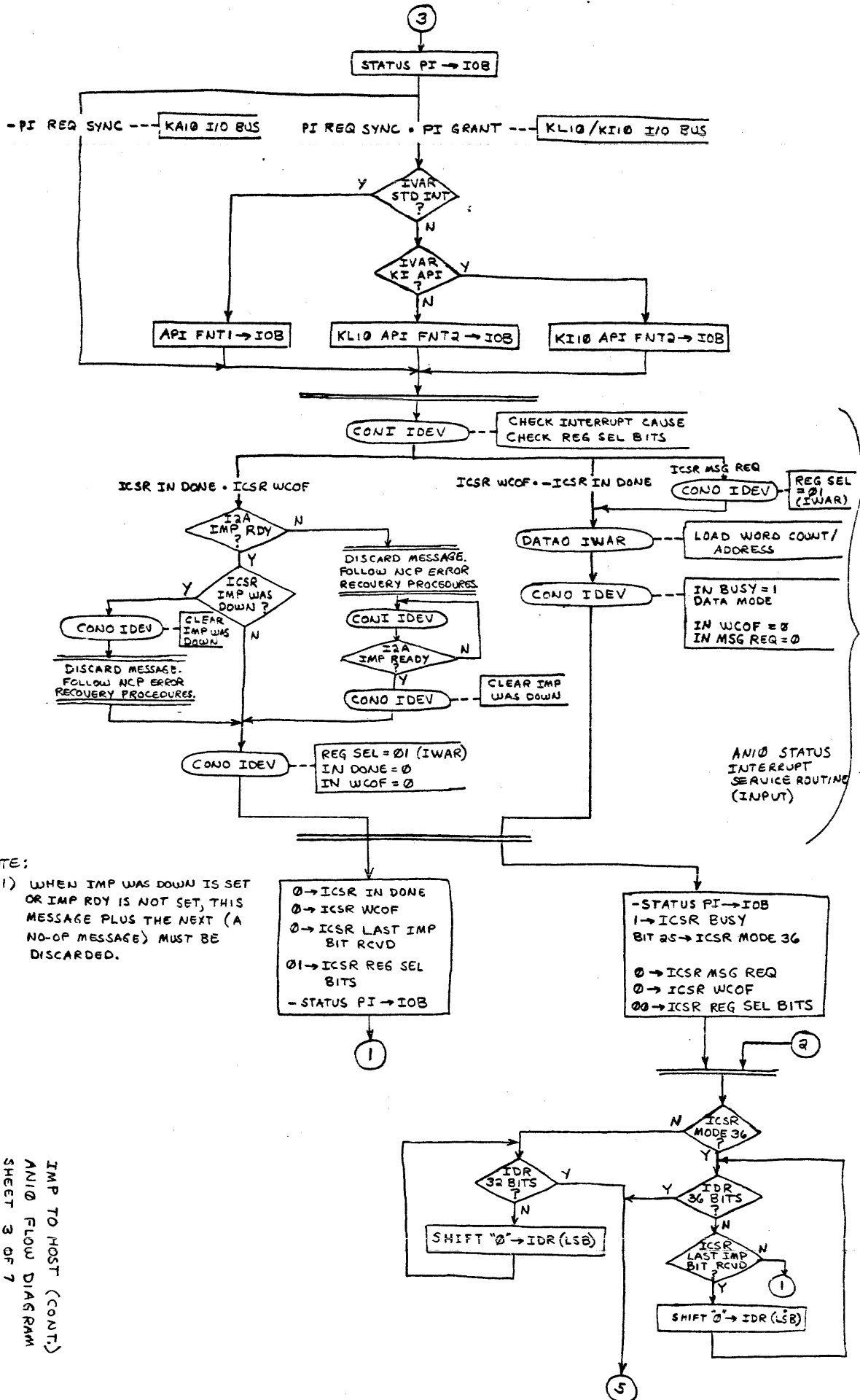


FIGURE 13.
 IMP TO HOST
 ANIO FLOW DIAGRAM
 SHEET 1 OF 7
 REV F 17-FEB-77



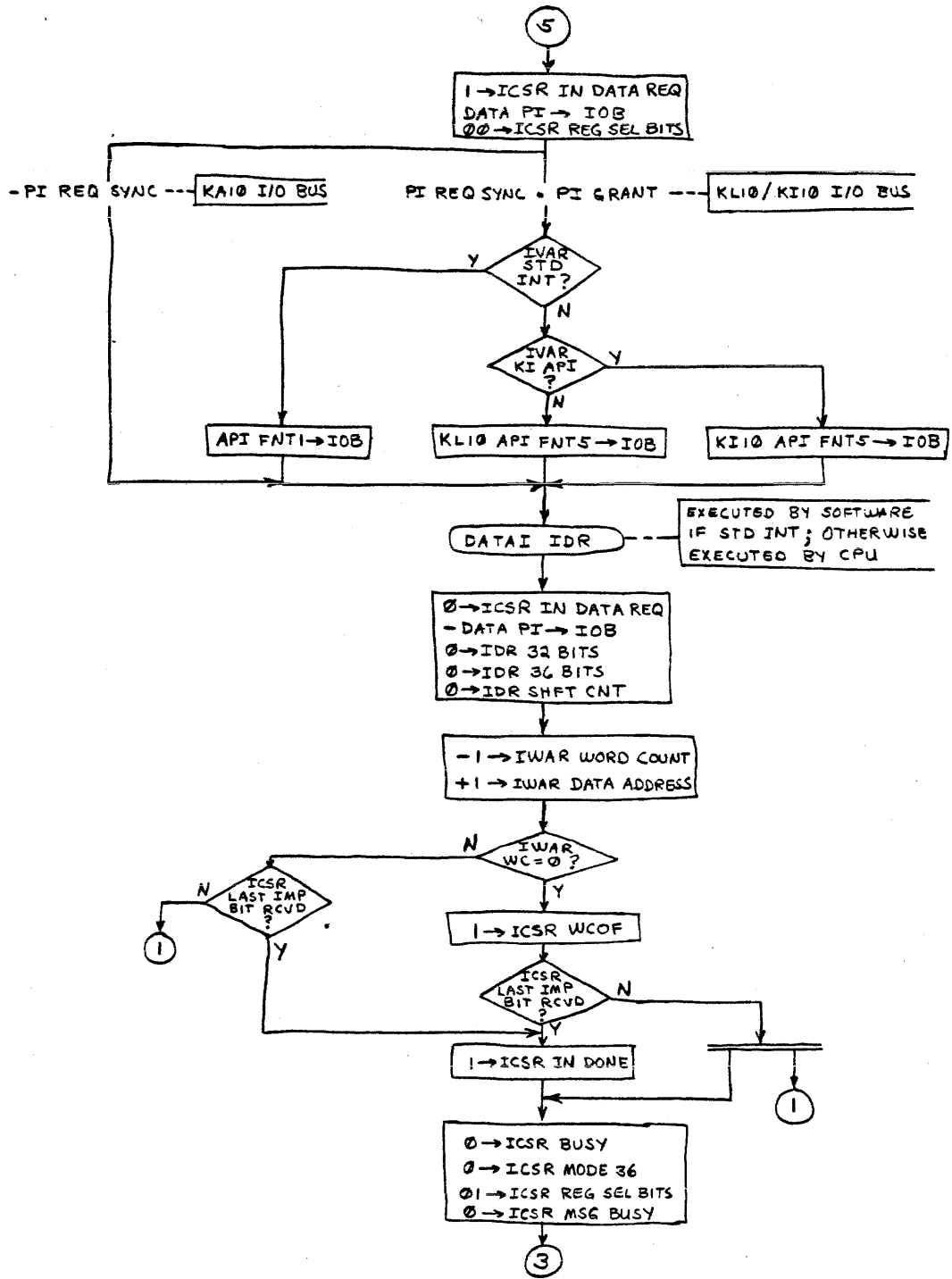
IMP TO HOST (CONT.)
 ANIO FLOW DIAGRAM
 SHEET 2 OF 7
 REV F 17-FEB-77



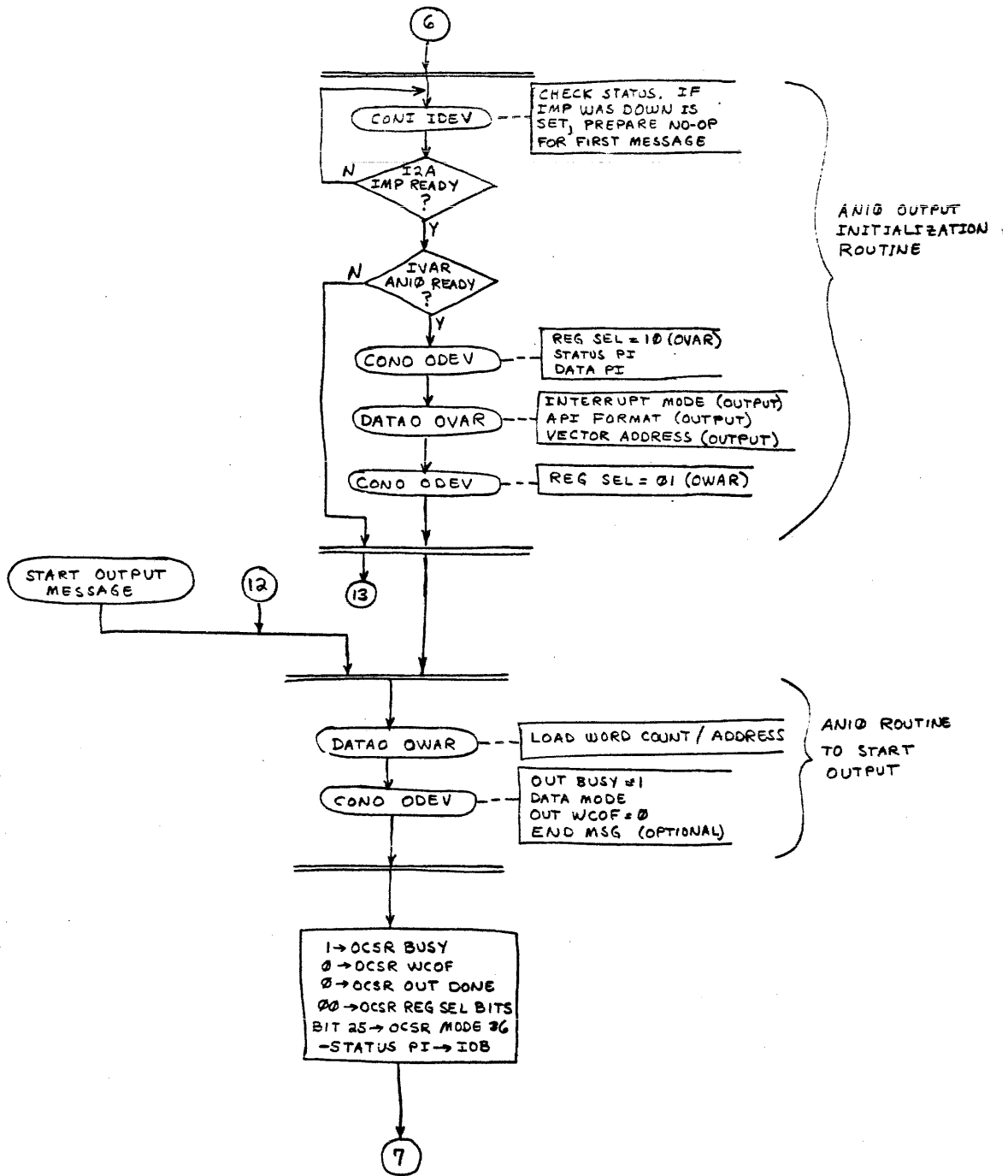
NOTE:

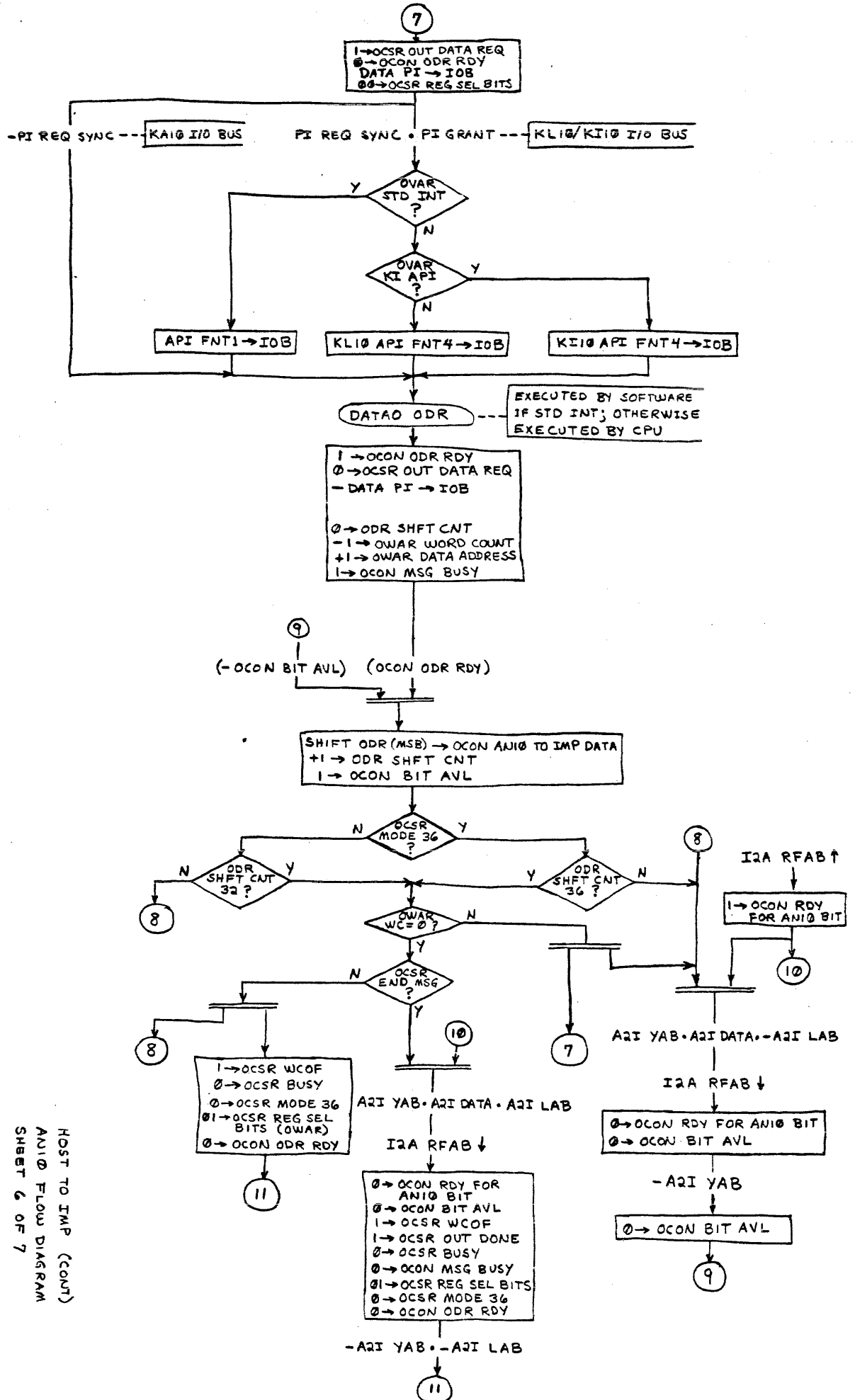
1) WHEN IMP WAS DOWN IS SET OR IMP RDY IS NOT SET, THIS MESSAGE PLUS THE NEXT (A NO-OP MESSAGE) MUST BE DISCARDED.

IMP TO HOST (CONT.)
 ANI@ FLOW DIAGRAM
 SHEET 3 OF 7
 REV F 17-FEB-77

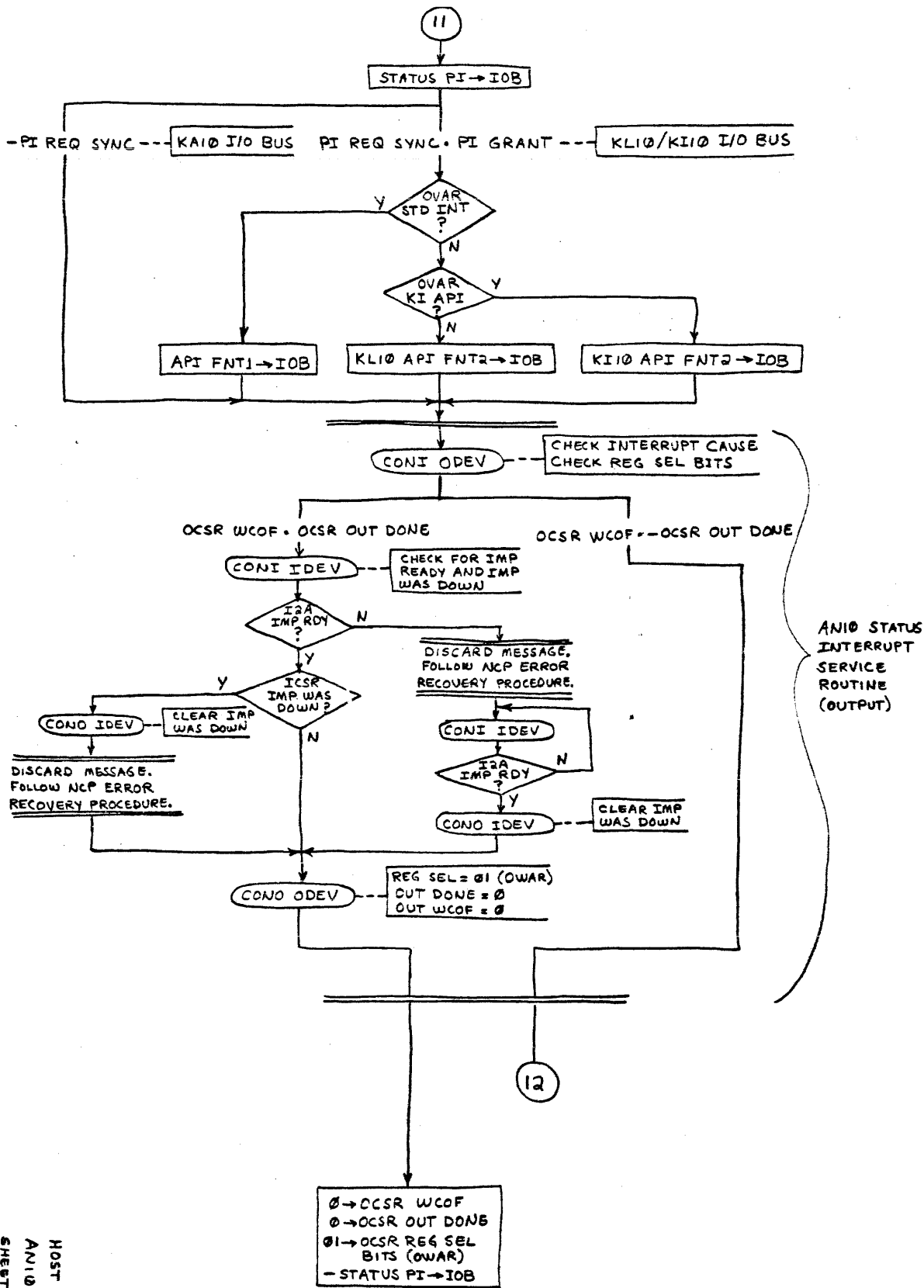


TMP TO HOST (CONT.)
 AN/D FLOW DIAGRAM
 SHEET 4 OF 7
 REV F 17-FEB-77





HOST TO IMP (CONT)
 ANI0 FLOW DIAGRAM
 SHEET 6 OF 7
 REV F 17-FEB-77



HOST TO IMP (CONT)
ANIO Flow DIAGRAM
SHEET 7 OF 7
REV F 17-FEB-73

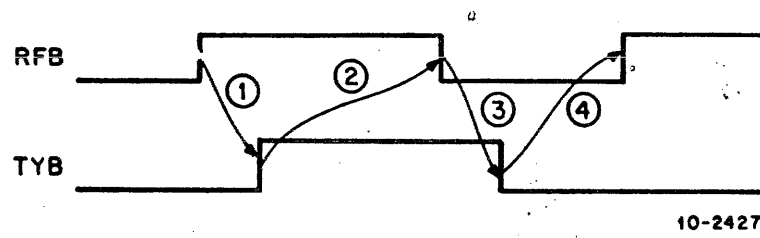
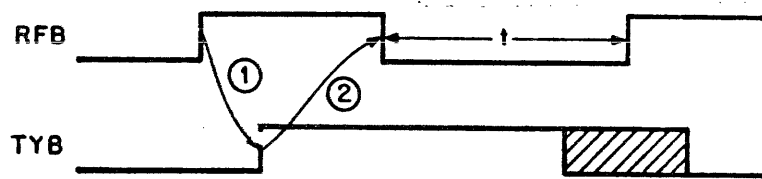


Figure 13 Four-Way Handshake

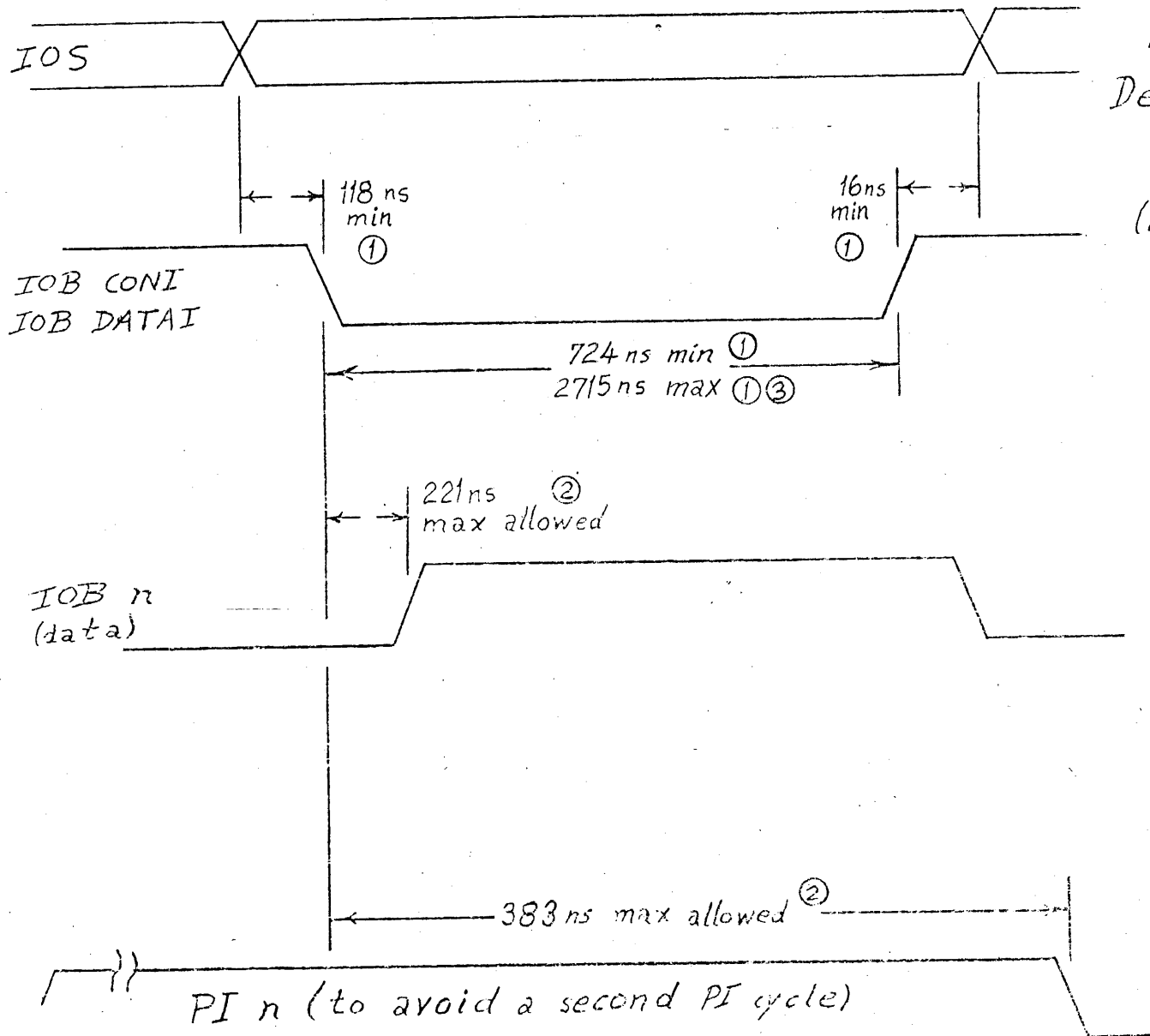


$t = 100\text{nsec local, } 1.5\mu\text{sec distant}$

10-2428

Figure 14 Two-Way Handshake

PDP-10 I/O Bus
 Device Requirements
 I/O Incoming
 (including KI10 Fast Bus)

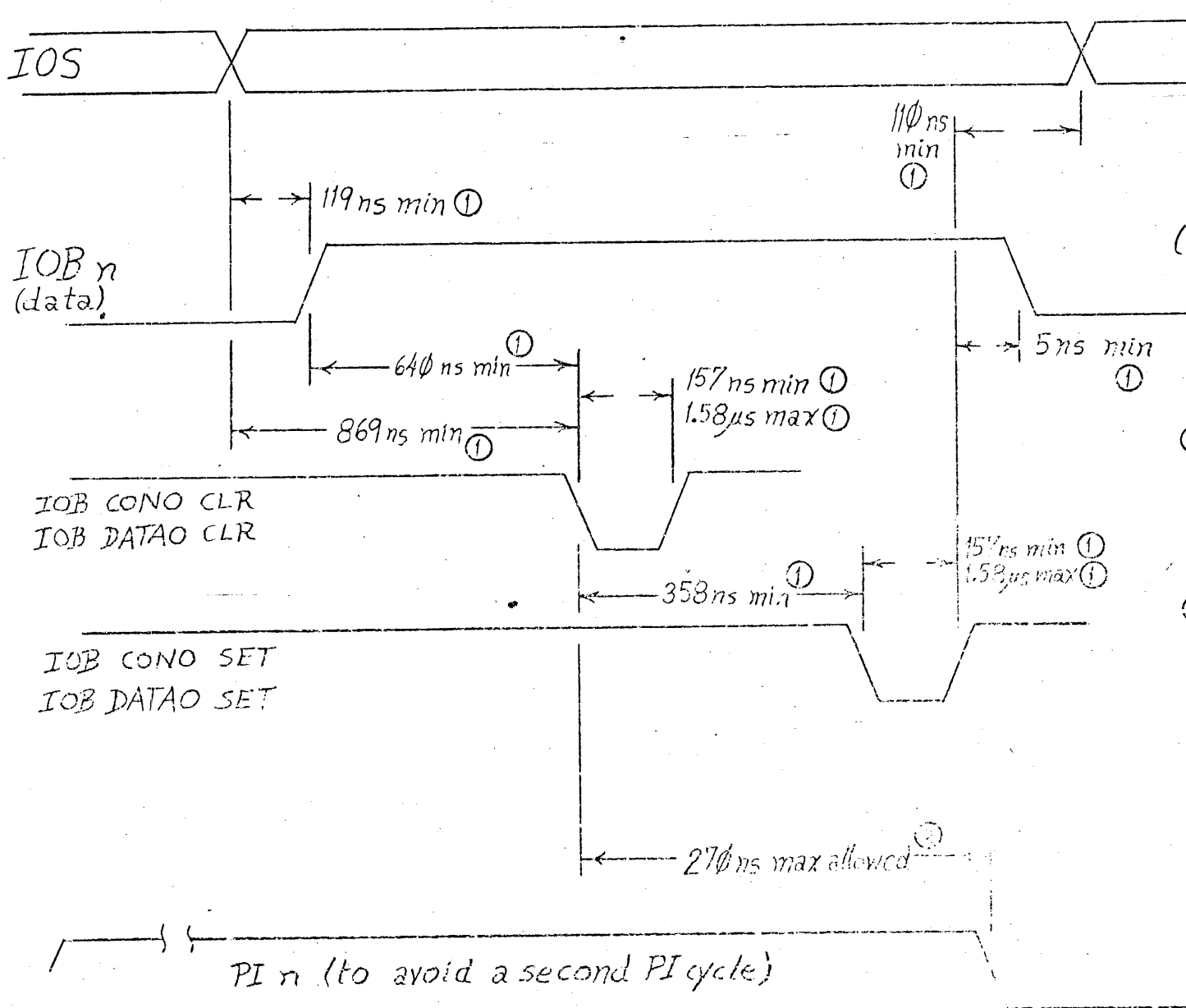


All timing measured at device on bus.

① Timing controlled by processor and bus design.

② Timing required of device

③ No maximum when KI10 is operated in single-step mode.

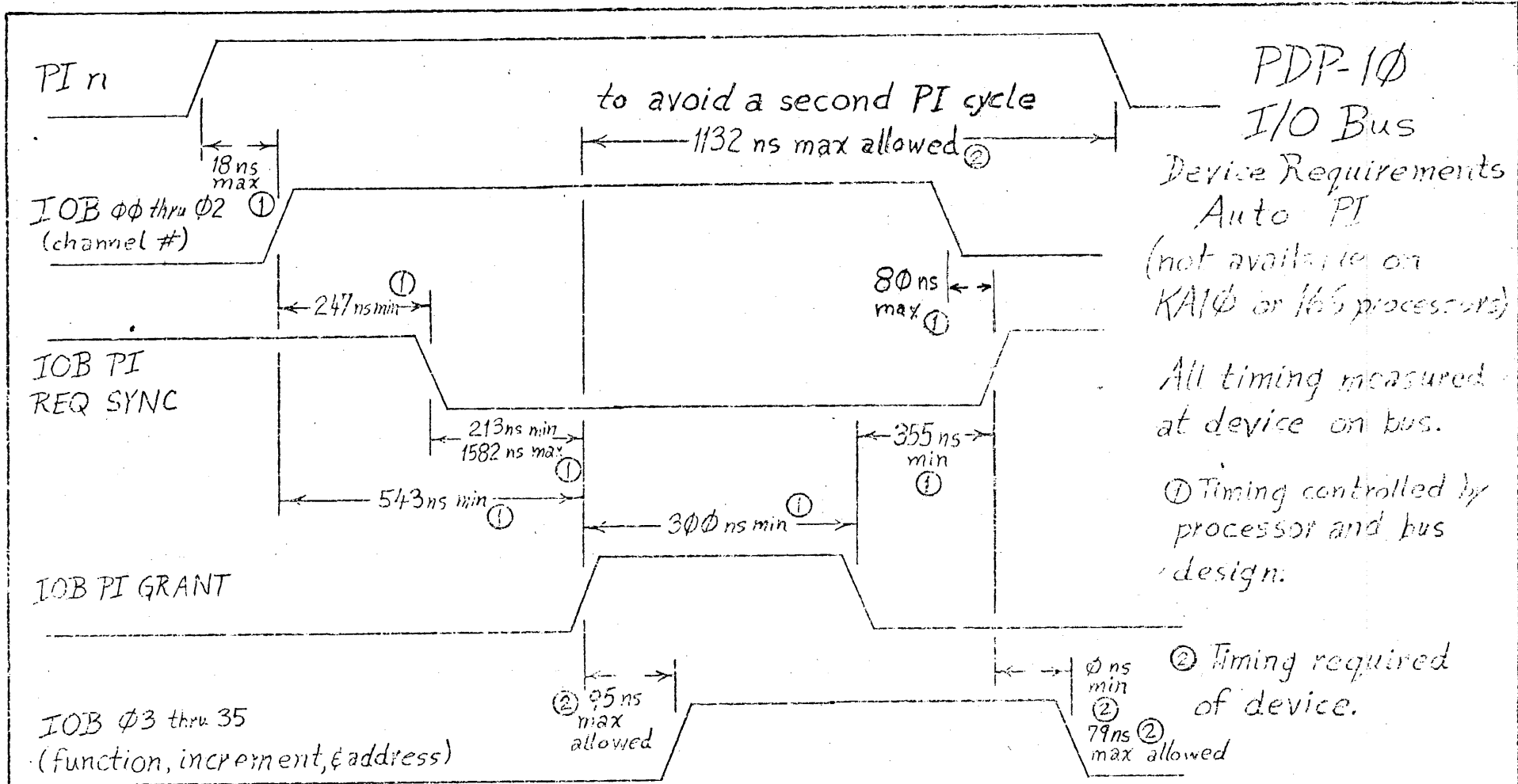


PDP-10
I/O Bus
Device Requirements
I/O Outgoing
(including K110 Fast Bus)

All timing measured
at device on bus.

① Timing controlled by
processor and bus
design.

② Timing required of
device.



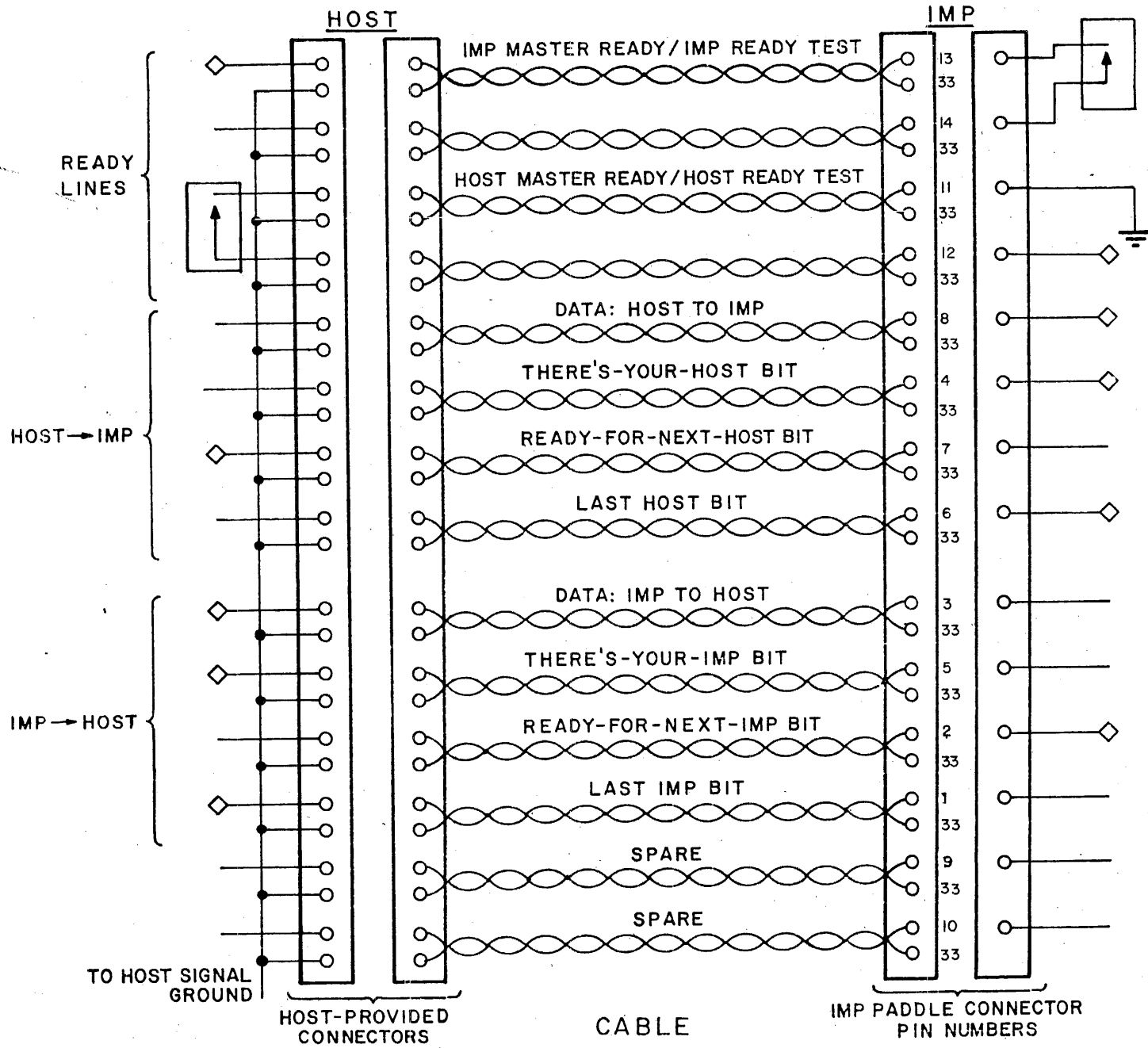


FIG. 4-5 316 HOST CABLE SIGNALS (LOCAL HOST)

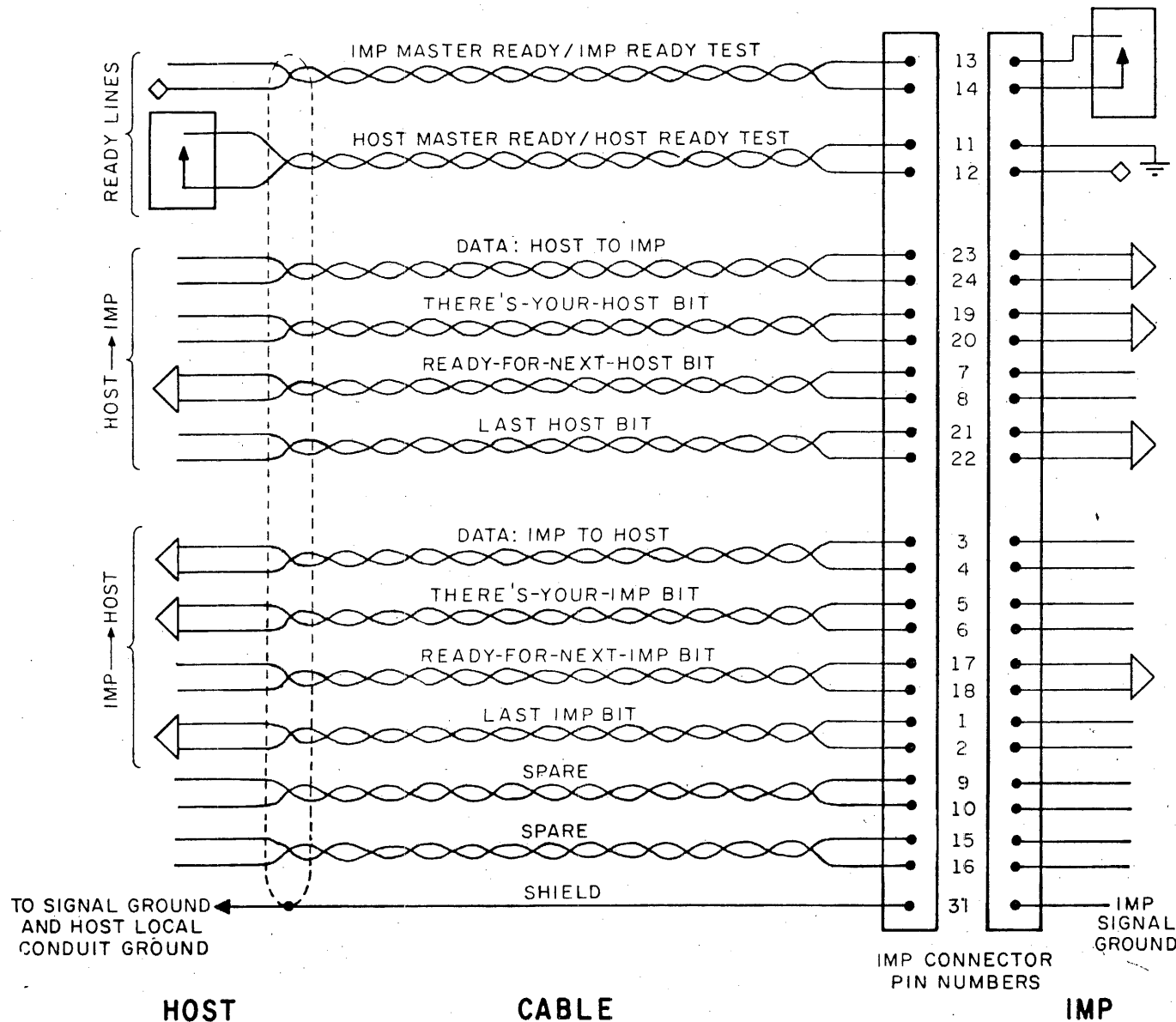


FIG. 4-7 HOST CABLE SIGNALS (DISTANT HOST)

4-23

12/75

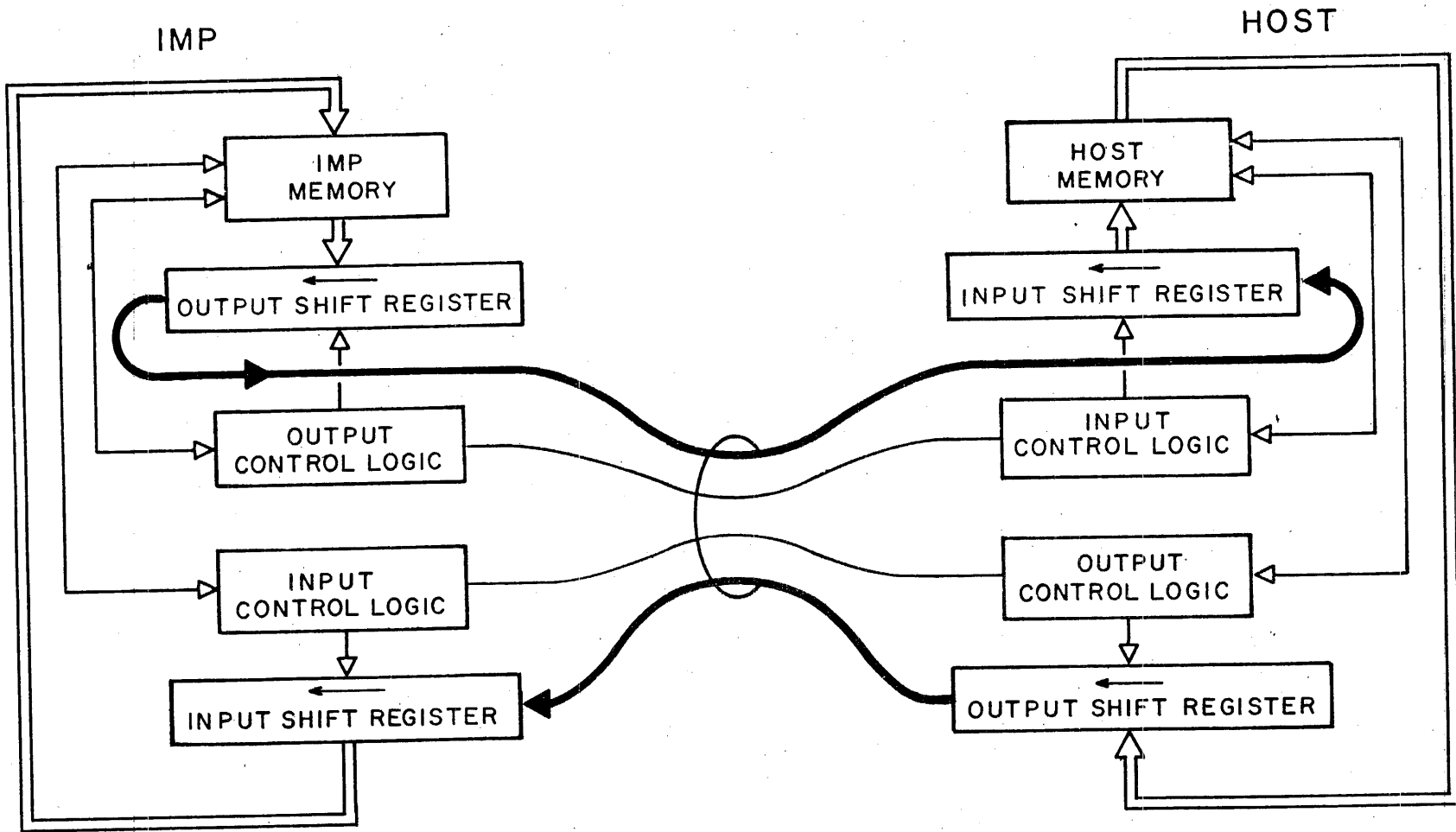


Figure 4-1. Simplified Illustration of Host/IMP Interface

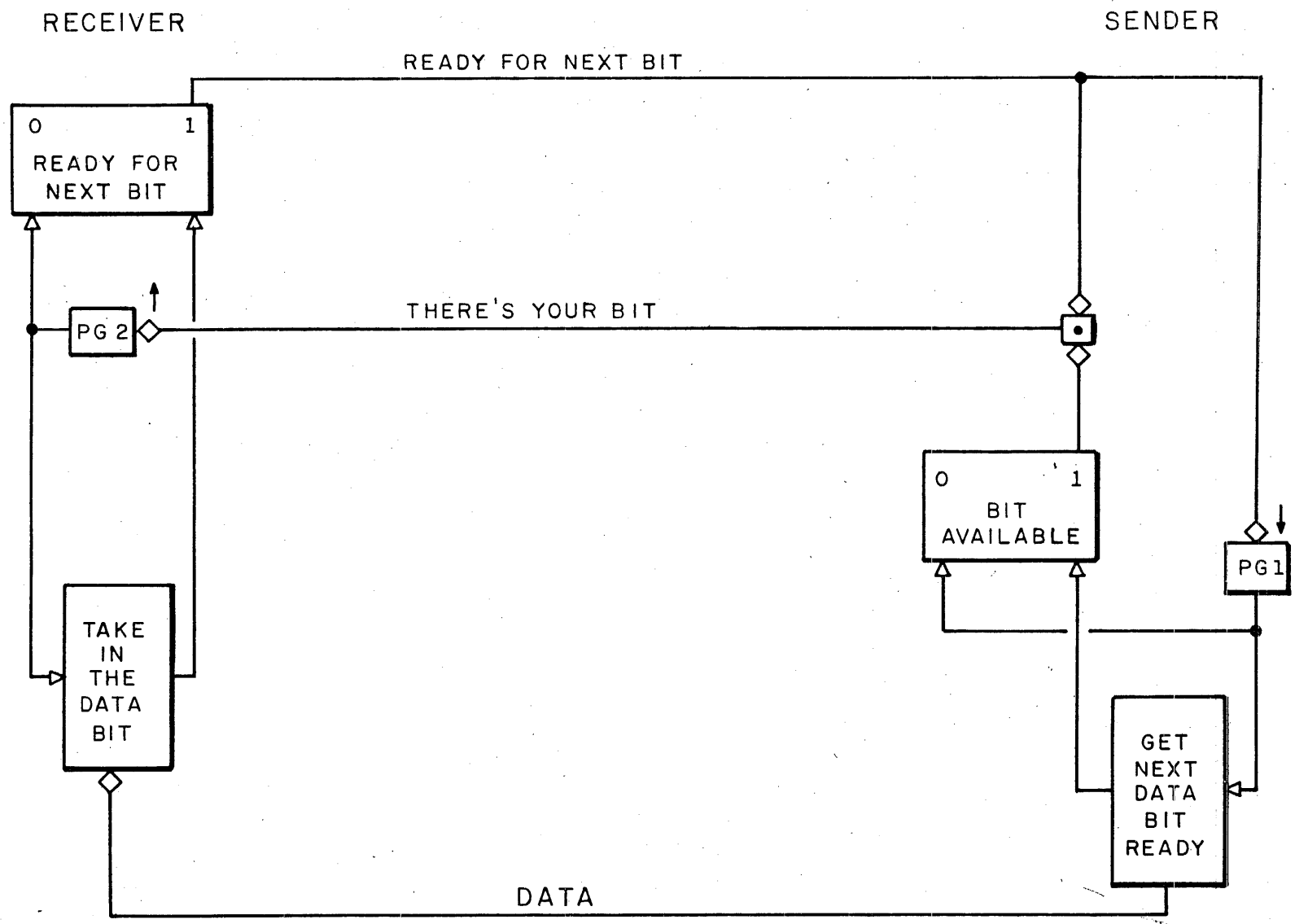
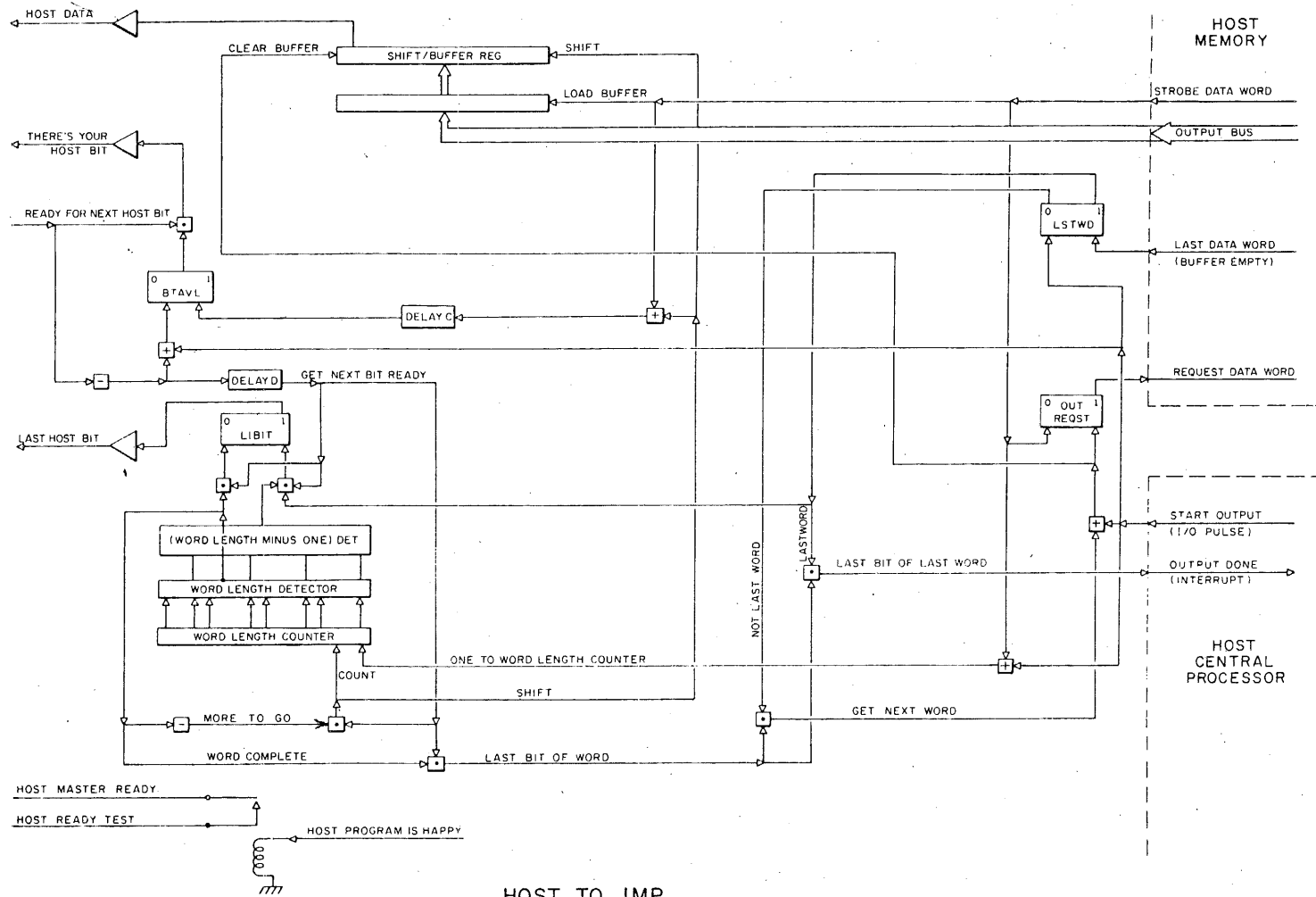


FIG.4-2 SIMPLIFIED CONTROL LOGIC FOR HOST/IMP HANDSHAKING



HOST TO IMP
HOST'S SPECIAL INTERFACE

FIGURE B-1

B-3

12/75

12/75

B-4

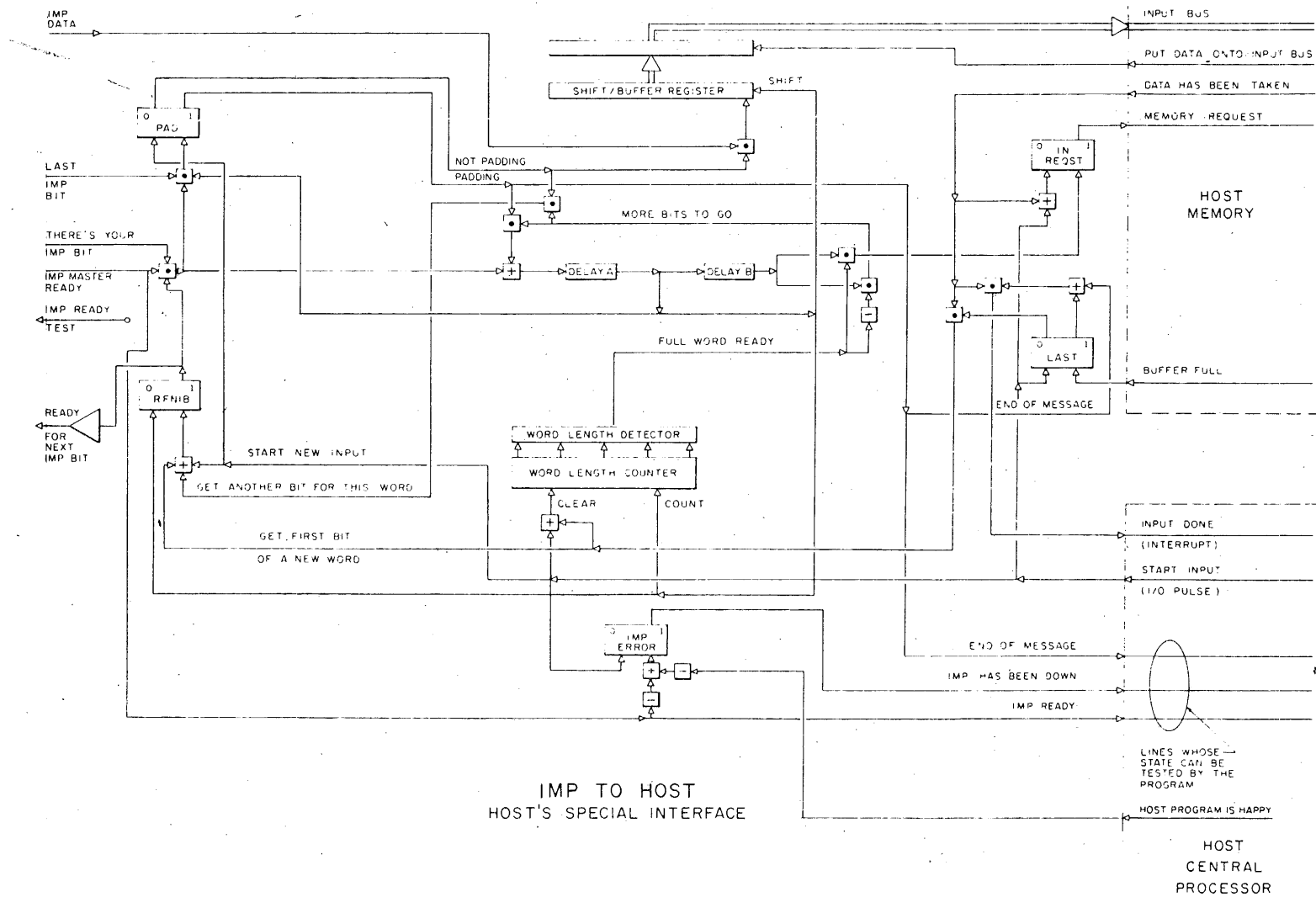


FIGURE B-2

This document contains confidential proprietary information of DEC. This information shall not be disclosed to persons outside the employ of DEC, except by DEC personnel so authorized by DEC, and only for use by such other persons in the design, production or manufacture of products for DEC. Copyright © Digital Equipment Corporation.

DIGITAL EQUIPMENT CORPORATION
 MAYNARD, MASSACHUSETTS

ENGINEERING SPECIFICATION

DATE 20-July-77

TITLE INSTALLATION PROCEDURE, AN10 INTERFACE OPTION

REVISIONS

| REV | DESCRIPTION | CHG NO | ORIG | DATE | APPD BY | DATE |
|-----|-------------|--------|------|------|---------|------|
| | | | | | | |

| | | | | | | | |
|-----------------------|-----------|-----------------------|-----------|------|------|-----------|-----|
| ENG | 20-JUL-77 | APPD | 26-JUL-77 | SIZE | CODE | NUMBER | REV |
| <i>David Anderson</i> | | <i>David Anderson</i> | | A | SP | AN10-0-IP | |

EN-1079A-16 (R873-(392))
DRA 107A

SHEET 1 OF 5



TITLE INSTALLATION PROCEDURE, AN10 INTERFACE OPTION

1.0 SITE CONSIDERATIONS

All general requirements specified for the DECsystem-10 and the DECsystem-20 in the DECsystem-10/20 Packet Switching System Site Preparation Guide EK-PACSS-SP are applicable to the AN10.

The AN10 should be located so as to provide sufficient service clearance areas at the front and rear of the H956 cabinet in which it is mounted. A 1-phase standard power circuit should be provided for the AN10.

1.1 Local Connection to the IMP

When the AN10 is supporting a local connection to the IMP, the cable-run distance must be no more than nine meters (30 feet) from the IMP.

1.2 Distant Connection to the IMP

When the AN10 is supporting a distant connection to the IMP, the cable-run distance must be no more than 610 meters (2000 feet) from the IMP; a 15-meter (50 foot) BC10T cable is standard with the AN10-B.

2.0 INSPECTION

Upon receipt of the AN10, inspect the exterior and interior of the equipment for any visible signs of damage from shipping. Verify that all logic modules are secure in the correct slots. Any damage observed should be immediately reported to both the carrier and the manufacturer. Check the contents of the shipment with the shipping list (A-SP-AN10-SP) and immediately report any omissions to the manufacturer. Installation is not recommended until all materials are present.

3.0 INSTALLATION AND CABLING

The AN10 Interface Option logic and associated H7420A Power Supply and 861 Power Controller are mounted in an H956 cabinet. To install the AN10 Interface Option, perform the following installation and cabling procedures:

| | | | | |
|--|------------------|-------------------|----------------------------|------------|
| | SIZE A | CODE SP | NUMBER AN10-0-IP | REV |
|--|------------------|-------------------|----------------------------|------------|



TITLE INSTALLATION PROCEDURE, AN10 INTERFACE OPTION

3.0 (continued)

1. Remove the cabinet from the shipping skid and position it according to the applicable site installation floor plan.
2. Set the H7420A Power Supply circuit breaker to OFF. Set the 861 Power Controller circuit breaker to OFF.
3. Assure that logic modules are securely installed accordingly to drawing D-MU-AN10-0-MU.
4. Connect the AN10 cabinet ground stud to the adjacent cabinet (if any) with a 90-08887 or equivalent ground braid or else to an appropriate earth ground by #4AWG copper wire (7010789 or equivalent). Refer to E-UA-AN10-0-0.
5. Connect the BC10B margin check cable between the AN10's 70-05868 Margin Check Power Distribution Bar and the margin check control panel of the DECsystem-10. When the AN10 is the last device on the margin check bus, assure that margin check terminating plug 70-05486 is also installed in the 70-05868 Margin Check Power Distribution Bar. Proper installation of the margin check bus is necessary because the bus supplies -15V power for terminating the H867 I/O bus terminator.
6. Connect the AN10 861 Power Controller to the power control bus in the DECsystem-10 with the 70-08288 Remote Turn-on cable.
7. Assure that the H867 I/O Bus Terminator is securely installed in Quick-Latch connector QL2 labeled "I/O OUT" (on rear of AN10 Wired Logic Mounting Assembly -- refer to drawing D-AD-7013480-0-0).
8. Install the I/O Bus Cable (BC10J or K) to the AN10 cable connector QL1 labeled "I/O IN" (on rear of AN10 Wired Logic Mounting Assembly -- refer to drawing D-AD-701384-0-0) according to applicable site installation floor plan. Assure that the BC10J or K cable is properly connected to the Host computer.

| | | | | |
|--|-----------|------------|---------------------|-----|
| | SIZE A | CODE SP | NUMBER AN10-0-IP | REV |
|--|-----------|------------|---------------------|-----|



TITLE

INSTALLATION PROCEDURE, AN10 INTERFACE OPTION

9. Connect the AN10 IMP cable (BC10T-xx ((distant connection)) or customer supplied cable ((local connection)) to the mating ZIF connector labeled "IMP IN" (on rear of AN10 Wired Logic Mounting Assembly). Install the IMP end of the AN10 IMP cable at the IMP interface according to the appropriate site installation plan supplied with the IMP.
10. Verify that a BC06R-4 flat 40-conductor cable is connected into the left-most (facing front of AN10 cabinet) "IMP IN" connector. The other end of this cable feeds through the wired assembly cable service opening and installs into connector J1 (top connector) on the M8612 module in slots AF13. See print E-UA-AN10-0-0.
11. Verify that a BC06R-4 flat 40-conductor cable is connected into the right-most (facing front of AN10 cabinet) "IMP IN" connector. The other end of this cable feeds through the wired assembly cable service opening and installs into connector J2 (bottom connector) on the M8612 module in slots AF13. See print E-UA-AN10-0-0.
12. Verify that a BC06R-1 40-conductor flat cable is connected from the right-most "IMP LOOP" connector (facing front of AN10 cabinet) to the left-most "IMP LOOP" connector. The cable loop should be dressed through the wired logic assembly cable service opening. Refer to print E-UA-AN10-0-0.
13. Install the AN10 Loop Back Test connector assembly 70-13963 on the mating ZIF connector labeled "IMP LOOP" (on back of AN10 Wired Logic Mounting Assembly).
14. Verify that no shorts between +5V, -5V, -15V, and ground exist on the backplane assembly.
15. Connect the 861 Power Controller input power cable to the appropriate AC facility power. Refer to EK-PACSS-SP.
16. Set the 861 Power Controller REMOTE ON/OFF/LOCAL ON toggle switch to REMOTE ON. Set the circuit breaker to ON.
17. Set the H7420A Power Supply circuit breaker to ON.

| SIZE | CODE | NUMBER | REV |
|------|------|-----------|-----|
| A | SP | AN10-0-IP | |

TITLE INSTALLATION PROCEDURE, AN10 INTERFACE OPTION

18. Power up the DECsystem and check the AN10 for proper fan rotation and for absence of smoke.
19. Adjust the H744, H745, and H754 power supply regulators for their respective voltage as necessary.
20. Verify that -15V power is properly applied to the I/O bus terminator at pin 30T2 of the quick-latch connector QL2 labeled "I/O OUT".
21. With the AN10 powered up, verify that the G891 power fail crobar has properly released. That is, A15M2 should no longer be at ground potential and A15V2 should be at +3V.
22. Perform the specified Acceptance Test Procedure. (A-SP-AN10-0-AP).

| | | | |
|------------------|------------|---------------------|-----|
| SIZE A | CODE SP | NUMBER AN10-0-IP | REV |
|------------------|------------|---------------------|-----|