

NOTES:
 1 DRESS ORG LEAD OF ITEM 6(S1) AROUND ITEM 5(CBI) AND LAY IN WITH MAIN HARNESS BODY. USE ITEM 18(CABLE TIES) APPROX WHERE SHOWN.

WIRING DIAGRAM

SECTION A-A

VIEW SHOWN WITH ITEM 1 (HARNESS) REMOVED FOR CLARITY

CAUTION: OFF SHEET PARTS LIST
 SEE X PL-7016048-0-DBP

DESCRIPTION	QUANTITY	UNIT	ITEM NO.
RELAY ASSY	1		1
RELAY COIL	1		2
RELAY CONTACT	1		3
RELAY ARMATURE	1		4
RELAY SPRING	1		5
RELAY SHIELD	1		6
RELAY TERMINAL	1		7
RELAY WINDING	1		8
RELAY CORE	1		9
RELAY CONTACT POINT	1		10
RELAY CONTACT SPRING	1		11
RELAY CONTACT ARM	1		12
RELAY CONTACT ARM SPRING	1		13
RELAY CONTACT ARM CONTACT	1		14
RELAY CONTACT ARM CONTACT SPRING	1		15
RELAY CONTACT ARM CONTACT CONTACT	1		16
RELAY CONTACT ARM CONTACT CONTACT SPRING	1		17
RELAY CONTACT ARM CONTACT CONTACT CONTACT	1		18
RELAY CONTACT ARM CONTACT CONTACT CONTACT SPRING	1		19
RELAY CONTACT ARM CONTACT CONTACT CONTACT CONTACT	1		20

DATE: 10/1/73
 DRAWN BY: J. J. [unclear]
 CHECKED BY: [unclear]
 APPROVED BY: [unclear]

DIGITAL EQUIPMENT CORPORATION PARTS LIST				QUANTITY / VARIATION										NOTES:										
MADE BY A. MOWRY DATE 03/27/79		CHECKED <i>[Signature]</i> DATE 7/27/79																						
ENG Robert J. Wolf DATE 7-27-79		PROD Manuel Hidalgo (R.J.W.) DATE 7-31-79																						
ITEM NO.	DRAWING NO.	PART NO.	DESCRIPTION	1	2	3	4	5	6	7	8	9	10	11	12	13	14	15	16	17	18	19	20	REF DESIGNATION
1	D-IA-7016049-0-0	7016049-00	HARNES, A.C. INPUT	1																				
2	D-MD-7422040-0-0	7422040-00	BRACKET, INPUT	1																				
3		1216688-00	HEAT SINK	1																				
4		1216206-00	RELAY, PWR 12V COIL. SPST 30A	1																				
5		1212124-01	CKT BKR, 2 P SERIES TRIP, 20A 240V	1																				
6	C-IA-7016923-0-0	7016923-00	SWITCH ASSY	1																				
7		1116216-00	BRIDGE RECTIFIER IF = 30A, 600V VR	1																				
8		9006966-00	TERMINAL, P.C.B. 2 POS INS, TURRET	2																				
9		1314848-00	RESISTOR 3 OHM 5% 7 WATT	1																				
10		9000039-06	SCR, PHIL, FLAT HD #4-40 x .187	2																				
11		9006020-01	SCR, PHIL, PAN HD #6-32 x .250	6																				
12		9006021-01	SCR, PHIL, PAN HD #6-32 x .312	1																				
13		9009243-00	NUT, KEP #6-32 x 5/16 AF S.S.	1																				
14		9007801-00	WASHER, LOCK SS #6	7																				
15		9107560-03	WIRE BUSS #18 AWG	.21	FT																			
16		9007036-00	GROMMET, CATERPILLAR	.25	FT																			
17		9009157-00	ADHESIVE, PERMABOND	A/R																				
18		9007031-00	TIE, CABLE SST1-M	3																				
19		9009255-00	LABEL, POWER SUPPLY	1																				
20		3615680-00	LABEL, SWITCH POSITION, ADH BACK	1																				

TW

"THIS DRAWING AND SPECIFICATIONS, HEREIN, ARE THE PROPERTY OF DIGITAL EQUIPMENT CORPORATION AND SHALL NOT BE REPRODUCED OR COPIED OR USED IN WHOLE OR IN PART AS THE BASIS FOR THE MANUFACTURE OR SALE OF ITEMS WITHOUT WRITTEN PERMISSION. COPYRIGHT © 1979 DIGITAL EQUIPMENT CORPORATION"

TITLE
RELAY ASSY

ASSY NO.
E-AD-7016048-0-0
SHEET 1 OF 1

SIZE CODE NUMBER
B PL 7016048-0-0
INSERTION PARTS LIST DATA BASE REV

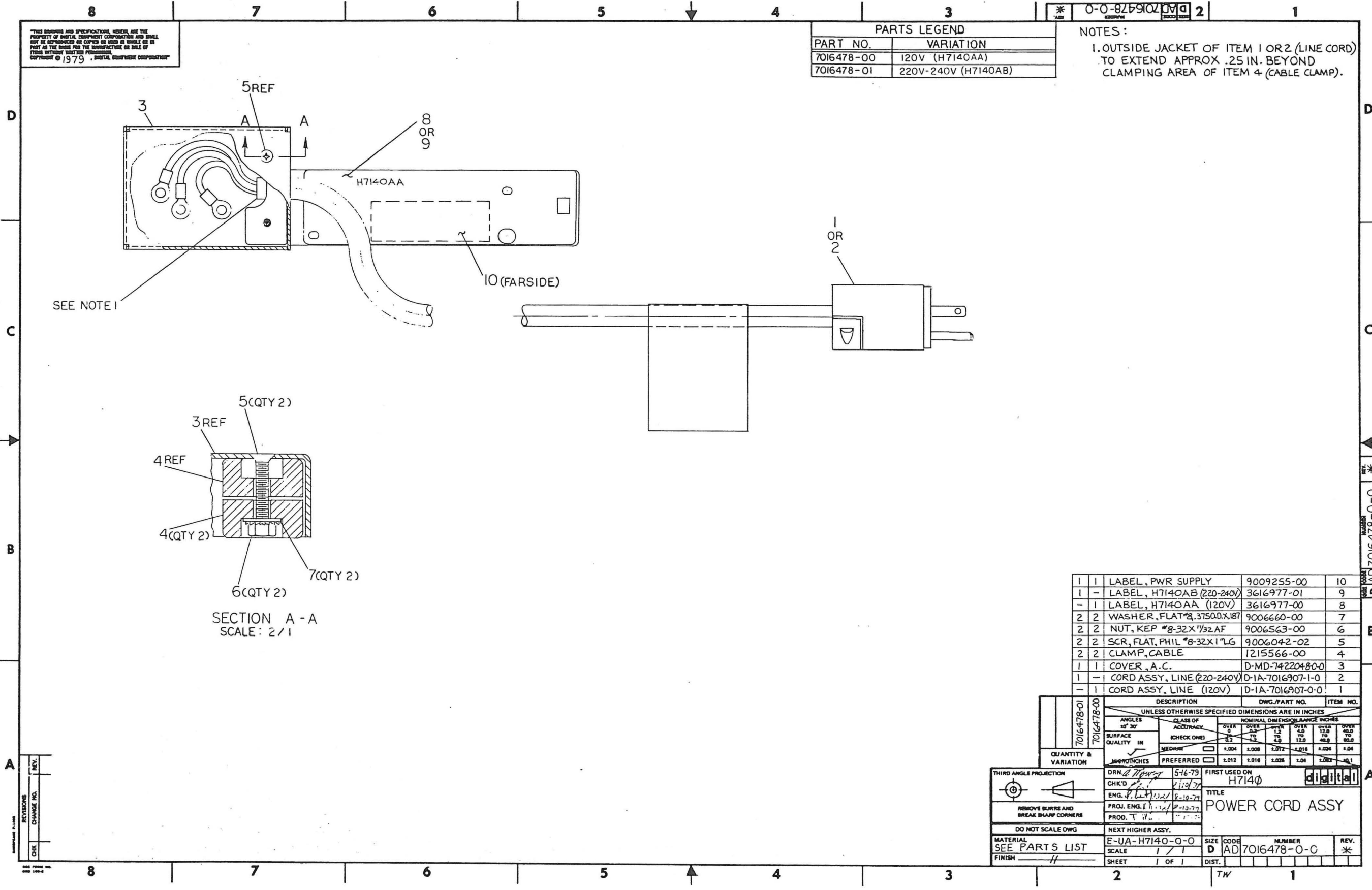
REV.
*

* 0-0-825902 01 2

THIS DRAWING AND SPECIFICATIONS HEREIN ARE THE PROPERTY OF DIGITAL EQUIPMENT CORPORATION AND SHALL NOT BE REPRODUCED OR COPIED OR USED IN WHOLE OR IN PART AS THE BASIS FOR THE MANUFACTURE OR SALE OF THIS WITHOUT WRITTEN PERMISSION. COPYRIGHT © 1979, DIGITAL EQUIPMENT CORPORATION

PARTS LEGEND	
PART NO.	VARIATION
7016478-00	120V (H7140AA)
7016478-01	220V-240V (H7140AB)

NOTES:
 1. OUTSIDE JACKET OF ITEM 1 OR 2 (LINE CORD) TO EXTEND APPROX .25 IN. BEYOND CLAMPING AREA OF ITEM 4 (CABLE CLAMP).



* AD 7016478-0-0 *

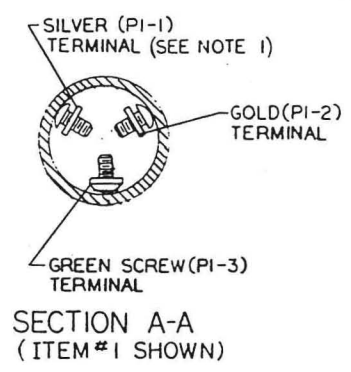
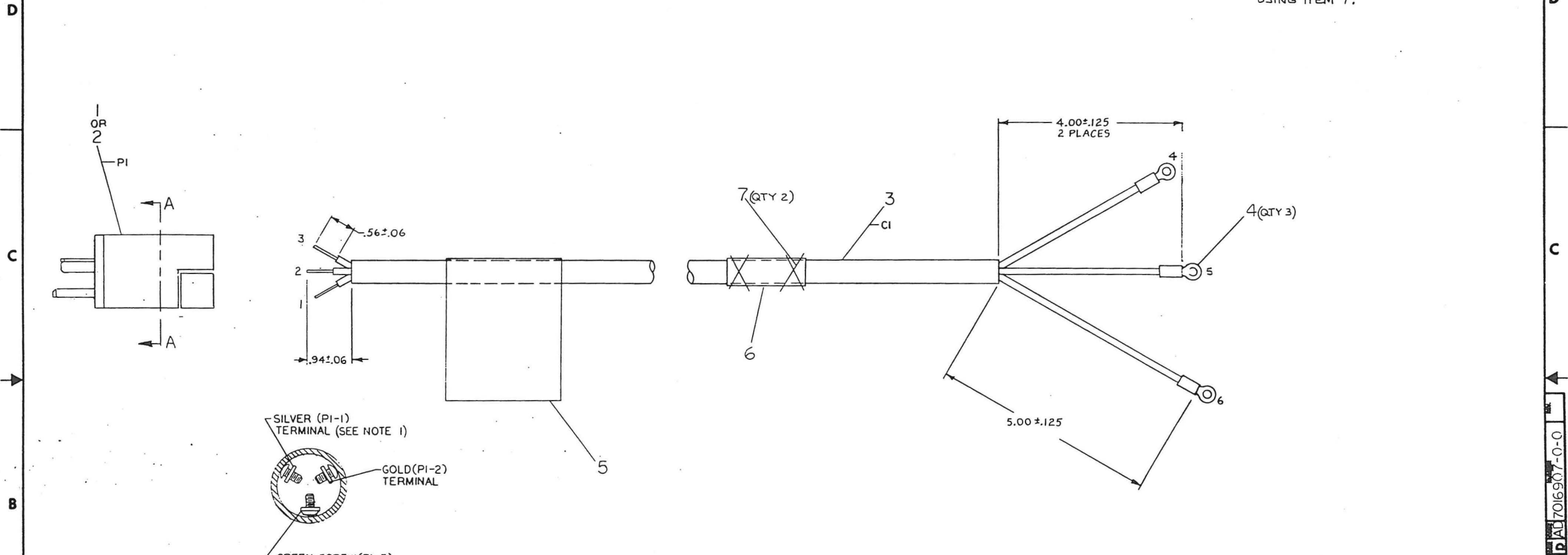
THIRD ANGLE PROJECTION	DRN. <i>[Signature]</i> 5-16-79	FIRST USED ON	H7140
REMOVE BURRS AND BREAK SHARP CORNERS	CHK'D <i>[Signature]</i> 2-11-79	TITLE	POWER CORD ASSY
DO NOT SCALE DWG	PROJ. ENGR. <i>[Signature]</i> 8-19-79	SIZE	D
MATERIAL SEE PARTS LIST	PROD. T <i>[Signature]</i> 8-19-79	CODE	AD
FINISH <i>[Symbol]</i>	NEXT HIGHER ASSY.	NUMBER	7016478-0-C
		SCALE	1/1
		SHEET	1 OF 1
		DIST.	
		REV.	*

THIS DRAWING AND SPECIFICATIONS, HEREIN, ARE THE PROPERTY OF DIGITAL EQUIPMENT CORPORATION AND SHALL NOT BE REPRODUCED OR COPIED OR USED IN WHOLE OR IN PART AS THE BASIS FOR THE MANUFACTURE OR SALE OF ITEMS WITHOUT WRITTEN PERMISSION. COPYRIGHT © 1979, DIGITAL EQUIPMENT CORPORATION

WIRING TABLE										
ITEM	DESCRIPTION			TO			FROM			LENGTH
	AWG	COLOR	POINT	CONNECTION	WITH	POINT	CONNECTION	WITH		
3	14	GRN/YEL	CI-1	PI-3	---	CI-6	---	4	9' 5.0 ± 2.0"	
3	14	BLU	CI-2	PI-1	---	CI-5	---	4	9' 4.0 ± 2.0"	
3	14	BRN	CI-3	PI-2	---	CI-4	---	4	9' 4.0 ± 2.0"	

PARTS LEGEND	
PART NUMBER	VARIATION
7016907-00	120 V
7016907-01	220V-240V

- NOTES:**
1. TERMINAL PI-1 SILVER ON 120 V (1215183-00) VARIATION ONLY. ON 230V VARIATIONS (9008853-00) PI-1 & PI-2 ARE GOLD.
 2. AFTER ASSY, COIL ITEM 3 (PWR CORD) 3 TIMES LEAVING ENDS APPROX 18 INCHES EACH SIDE, CABLE TIE COILS TOGETHER USING ITEM 7.



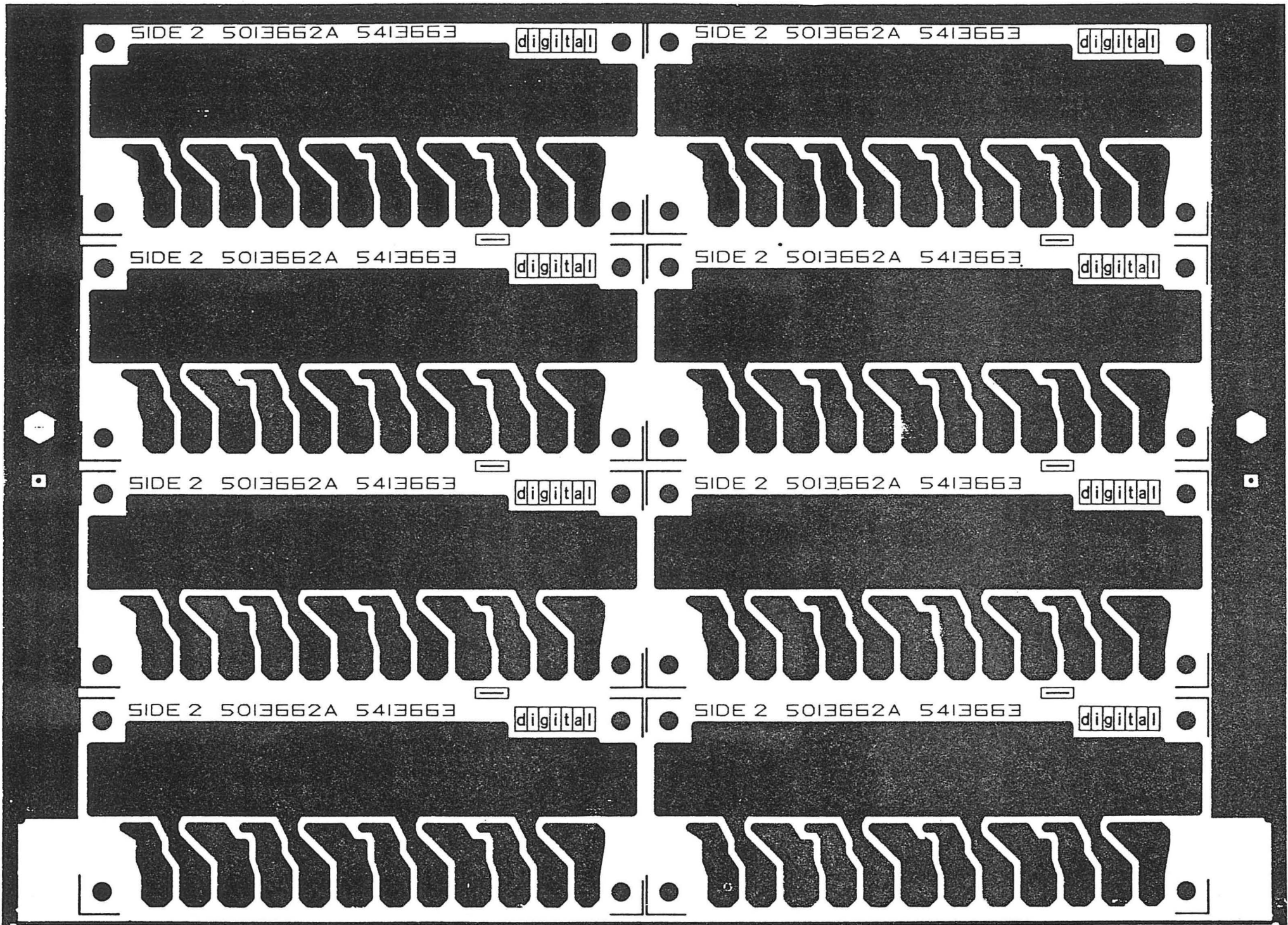
QTY	ITEM NO.	DESCRIPTION	DWG. PART NO.	ITEM NO.
3	3	CABLE TIE SST1-M	9007C31-00	7
1	1	LABEL, CABLE IDENT.	9009532-00	6
1	1	LABEL, AC LINE CORD WARNING	3611448-00	5
3	3	TERM. RING, 1 POS. INS, 14AWG	9007928-00	4
1	3	POWER CORD, 14-3, 15A, 300V	1700027-01	3
1	1	CONN, PWR PLUG NEMA 6-15P	9008853-00	2
1	1	CONN, PWR PLUG NEMA 5-20P	1215183-00	1

UNLESS OTHERWISE SPECIFIED DIMENSIONS ARE IN INCHES	
ANGLES #1 30°	CLASS OF ACCURACY (CHECK ONE)
SURFACE QUALITY IN	MEDIUM
QUANTITY & VARIATION	MICRONCHES
DRN. J. M. [Signature]	5/14/79
CHK'D [Signature]	7/24/79
ENGR. [Signature]	7-21-79
PROL. ENGR. [Signature]	7-21-79
PROD. [Signature]	7-21-79
DO NOT SCALE DRG	NEXT HIGHER ASSY.
MATERIAL SEE PARTS LIST	D-AD-7016 478-0-0
FINISH	SCALE NONE
THIRD ANGLE PROJECTION	SHEET 1 OF 1
FIRST USED ON H7140	SIZE D
TITLE LINE CORD ASSY	CODE AD
NUMBER 7016907-0-0	REV. *

REVISIONS
NO. DATE BY
1 11/1/78 JMK
2 11/1/78 JMK
3 11/1/78 JMK
4 11/1/78 JMK
5 11/1/78 JMK
6 11/1/78 JMK
7 11/1/78 JMK
8 11/1/78 JMK

D-AD-7016907-0-0

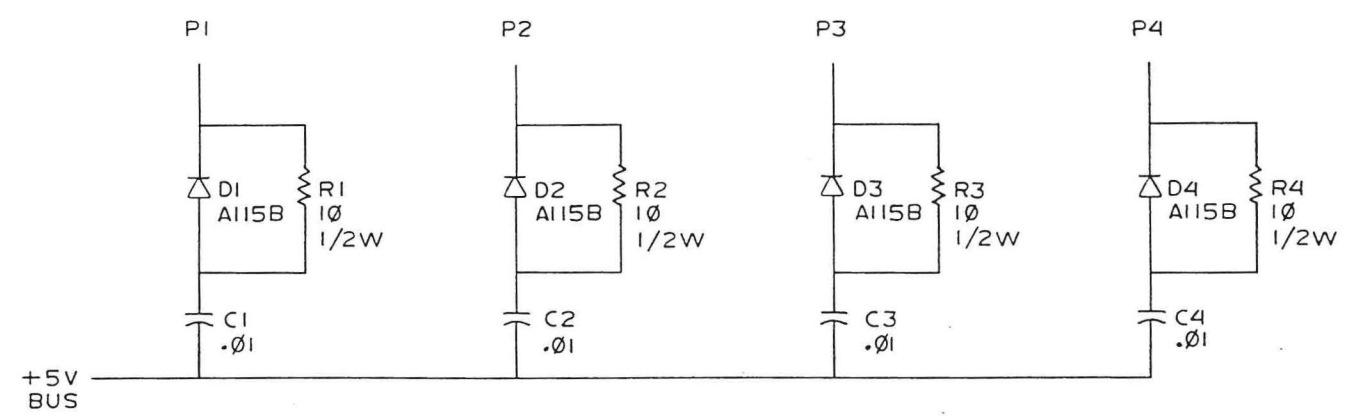
"THIS DRAWING AND SPECIFICATIONS, HEREIN, ARE THE PROPERTY OF DIGITAL EQUIPMENT CORPORATION AND SHALL NOT BE REPRODUCED OR COPIED OR USED IN WHOLE OR IN PART AS THE BASIS FOR THE MANUFACTURE OR SALE OF ITEMS WITHOUT WRITTEN PERMISSION. COPYRIGHT © 1979 DIGITAL EQUIPMENT CORPORATION"



REVISIONS		
CHK	CHANGE NO.	REV.

TITLE	SIZE CODE	NUMBER	REV.
H7140 SNUBBER BOARD	D UA	5413663-0-0	*
SCALE 2/1	SHEET 2 OF 2	DIST	

"THIS DRAWING AND SPECIFICATIONS, HEREIN, ARE THE PROPERTY OF DIGITAL EQUIPMENT CORPORATION AND SHALL NOT BE REPRODUCED OR COPIED OR USED IN WHOLE OR IN PART AS THE BASIS FOR THE MANUFACTURE OR SALE OF ITEMS WITHOUT WRITTEN PERMISSION. COPYRIGHT © 1978 DIGITAL EQUIPMENT CORPORATION"



REV.	CHANGE NO.	REV.
A	5413663 - JWO01	A
B1	17-SEP-81	
R. HEATON		

DEC FORM NO. 121-A

QTY.	DESCRIPTION	PART NO.	ITEM NO.
PARTS LIST			
DRN. Jime Angel	DATE 5-29-79	<div style="border: 1px solid black; padding: 5px; display: inline-block;">digital</div> TITLE H7140 SNUBBER BOARD	
CHK'D. Jca	DATE 5-29-79		
ENG. N. Norman	DATE 6/26/79		
PROJ. ENG. R. Harrison	DATE 6/26/79		
PROD. T. Munoz	DATE 7-13-79		
NEXT HIGHER ASSY.		SIZE CODE	NUMBER
FIRST USED ON OPTION/MODEL		C CS	5413663-0-1
SCALE NONE			REV. A
SHEET 1 OF 1		DIST.	

SIZE CODE C CS
 NUMBER 5413663-0-1
 REV. A

4

3

2

1

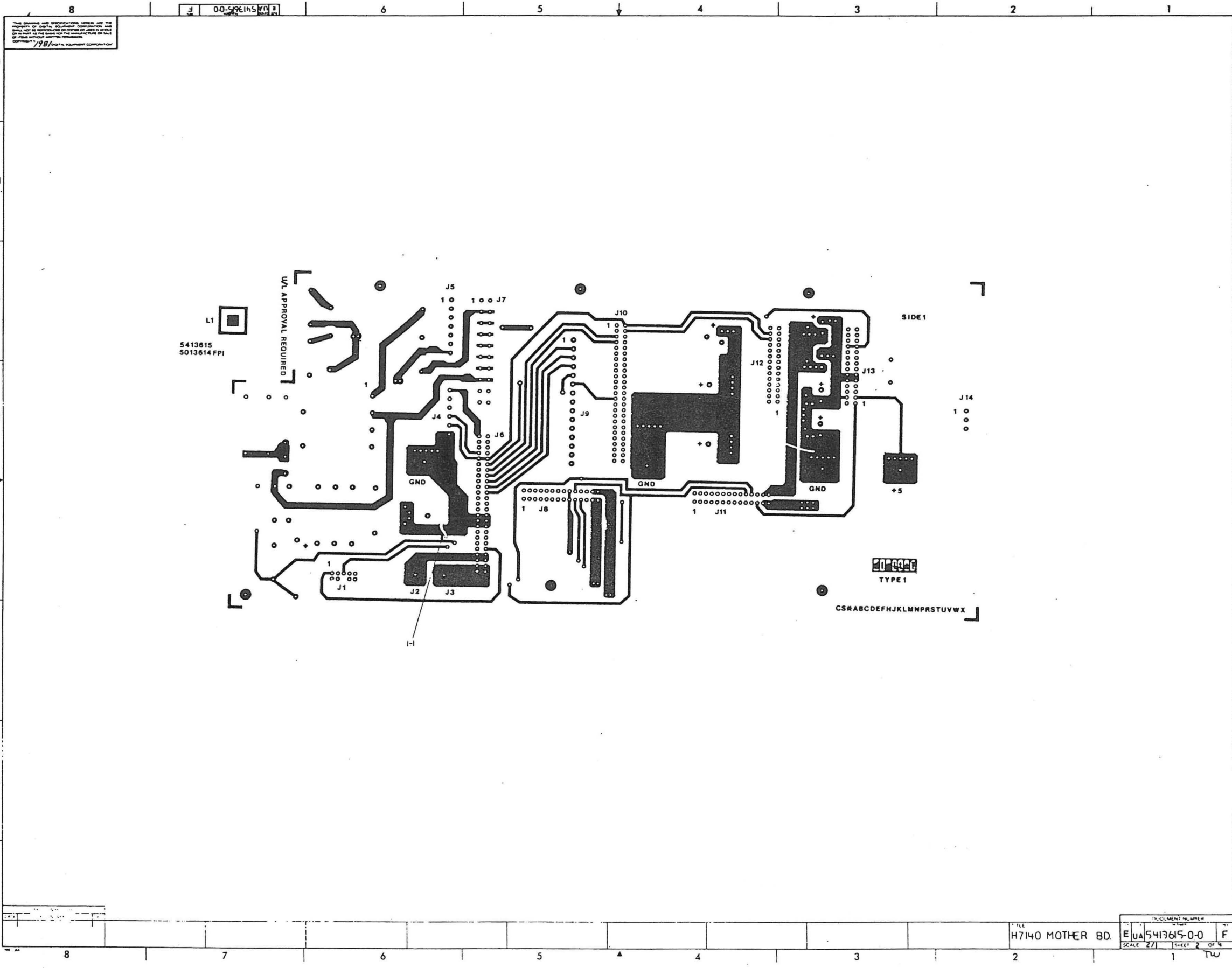
TW

LINE	ITEM	DOCUMENT NUMBER	PART NUMBER	DESCRIPTION	QTY PER VARIATION 00	REFERENCE DESIGNATOR
1	1	D-MD-5013662-0-0	5013662-00	DRILL & ETCH BD	1	
2	2		1011847-01	.01 MFD 400V 10% POLYPROP	4	C1-C4
3	3		1112594-01	A115B PIV=200 I= 3A	4	D1-D4
4	4		1300168-00	10 1/2W 5% CC	4	R1-R4
5	5		9107801-33	WIRE,STRND,20AWG IPVC UL1431	A/R	
6	6		9007930-00	TERM RING 1POS INSULATED,22-16	4	
7	7		9008356-01	WIRE IDENTIFIER,(1-48)	1	

Ø NOTE: ITEM #5, 1.33' IS USED.

REVISION HISTORY		BASIC PART NO: 5413663		DRN:	K.FRIEDGEN	DATE:	22-MAY-79	D I G I T A L			
ENG	ECO NUMBER	REV	SECTION A OF A	CHK'D:	J.CASEY	DATE:	19-JUL-79	TITLE PARTS LIST			
---	INITIAL	*	SECTION VARIATION INDEX					SNUBBER BOARD ASSY			
			[A] 00					DOCUMENT NUMBER			
			[B]	DES.ENG:	J.A.HERRMANN	DATE:	22-MAY-79				
			[C]	RESP.ENG.:	J.A.HERRMANN	DATE:	22-MAY-79	SIZE	CODE	NUMBER	REV
			[D]								
			[E]								
			[F]	MFG.ENG.:	F.MUNIZ	DATE:	19-JUL-79	K	PL	5413663-0-DBP	*
			[G]								
			[H]	ASSEMBLY NUMBER:		TOP DOCUMENT NUMBER:		FILE NAME:		EDIT #	
			[I]	D-UA-5413663-0-0		D-MD-5413663-0-0		13663.PLS		8	
			[J]								
			[K]								
			[L]								
			[M]								
			[N]								

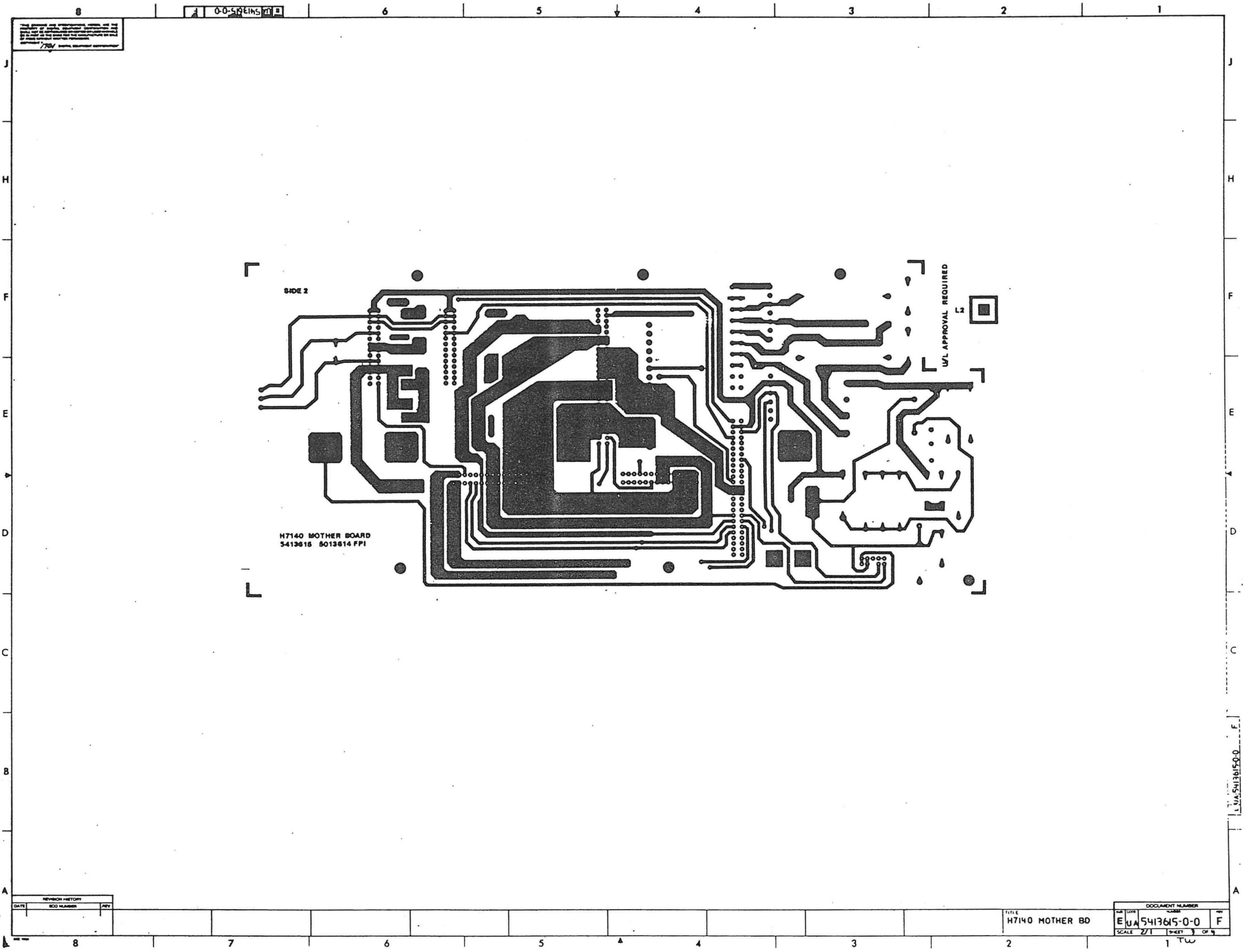
"THIS DRAWING AND SPECIFICATIONS HEREIN, ARE THE PROPERTY OF DIGITAL EQUIPMENT CORPORATION AND SHALL NOT BE REPRODUCED OR COPIED OR USED IN WHOLE OR IN PART AS THE BASIS FOR THE MANUFACTURE OR SALE OF ITEMS WITHOUT WRITTEN PERMISSION. COPYRIGHT (C) 1979, DIGITAL EQUIPMENT CORPORATION"



THIS DRAWING AND SPECIFICATIONS HEREBY ARE THE PROPERTY OF THE U.S. AIR FORCE. NO REPRODUCTION OR DISSEMINATION OF THIS DRAWING OR SPECIFICATIONS IS TO BE MADE IN ANY MANNER WITHOUT THE EXPRESS WRITTEN PERMISSION OF THE U.S. AIR FORCE. (U.S. AIR FORCE FORM 198/107-100-100-100)

00-5413615-00

FILE H7140 MOTHER BD. DOCUMENT NUMBER EUA5413615-0-0 F SCALE 2/1 SHEET 2 OF 4 TW



7701

0-0-54615

H7140 MOTHER BOARD
5413615 5013614 FPI

U/L APPROVAL REQUIRED

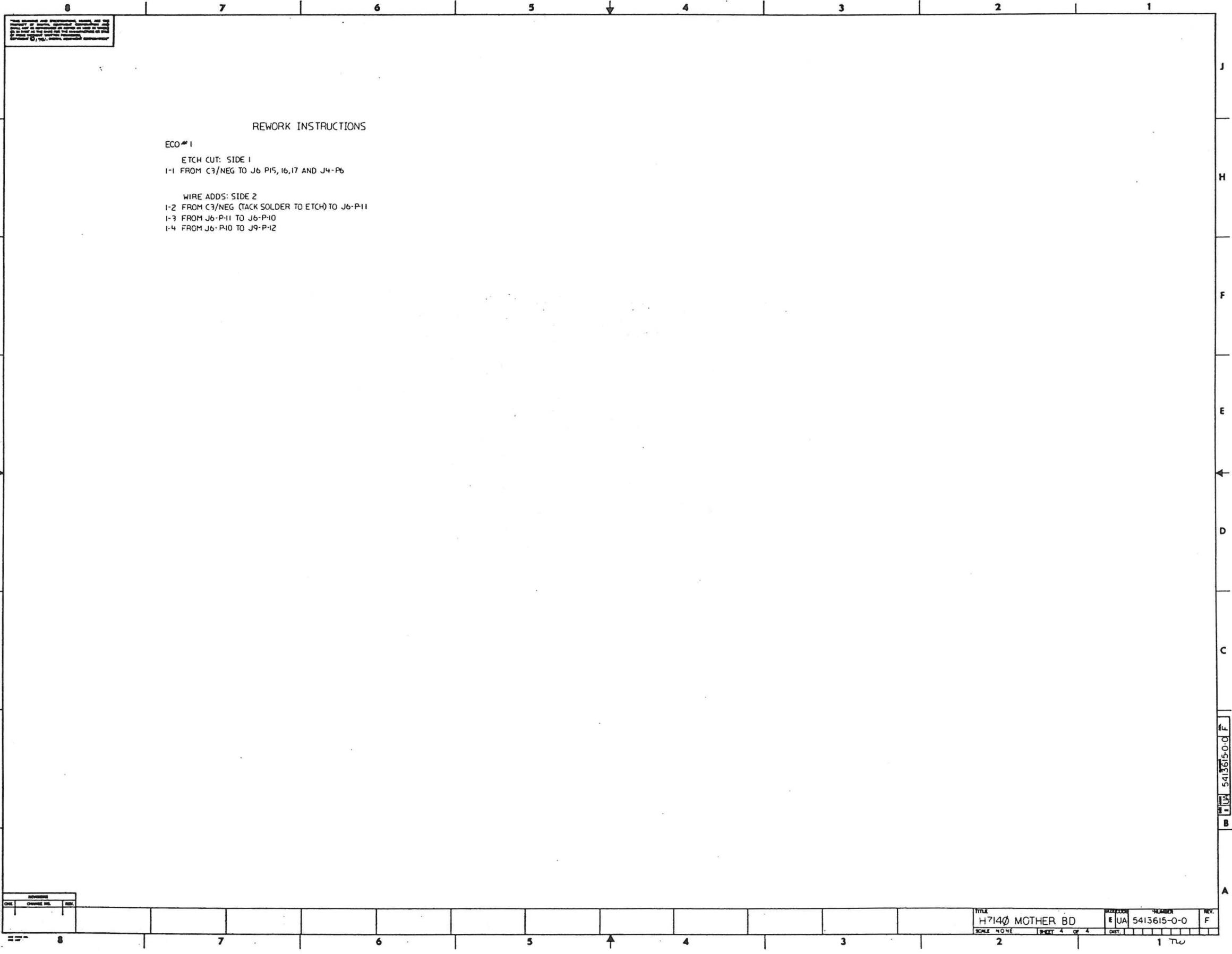
REVISION HISTORY		
DATE	ECO NUMBER	BY

TITLE
H7140 MOTHER BD

DOCUMENT NUMBER	
REV	NO
EUA	5413615-0-0
SCALE	2/1 SHEET 3 OF 3

LVA-5413615-0-F

TW



This drawing is the property of the company and is not to be distributed outside the company. It is to be used for the purpose of manufacturing only.

REWORK INSTRUCTIONS

ECO# 1

ETCH CUT: SIDE 1

I-1 FROM C3/NEG TO J6 P15, 16, 17 AND J4-P6

WIRE ADDS: SIDE 2

I-2 FROM C3/NEG (TACK SOLDER TO ETCH) TO J6-P11

I-3 FROM J6-P11 TO J6-P10

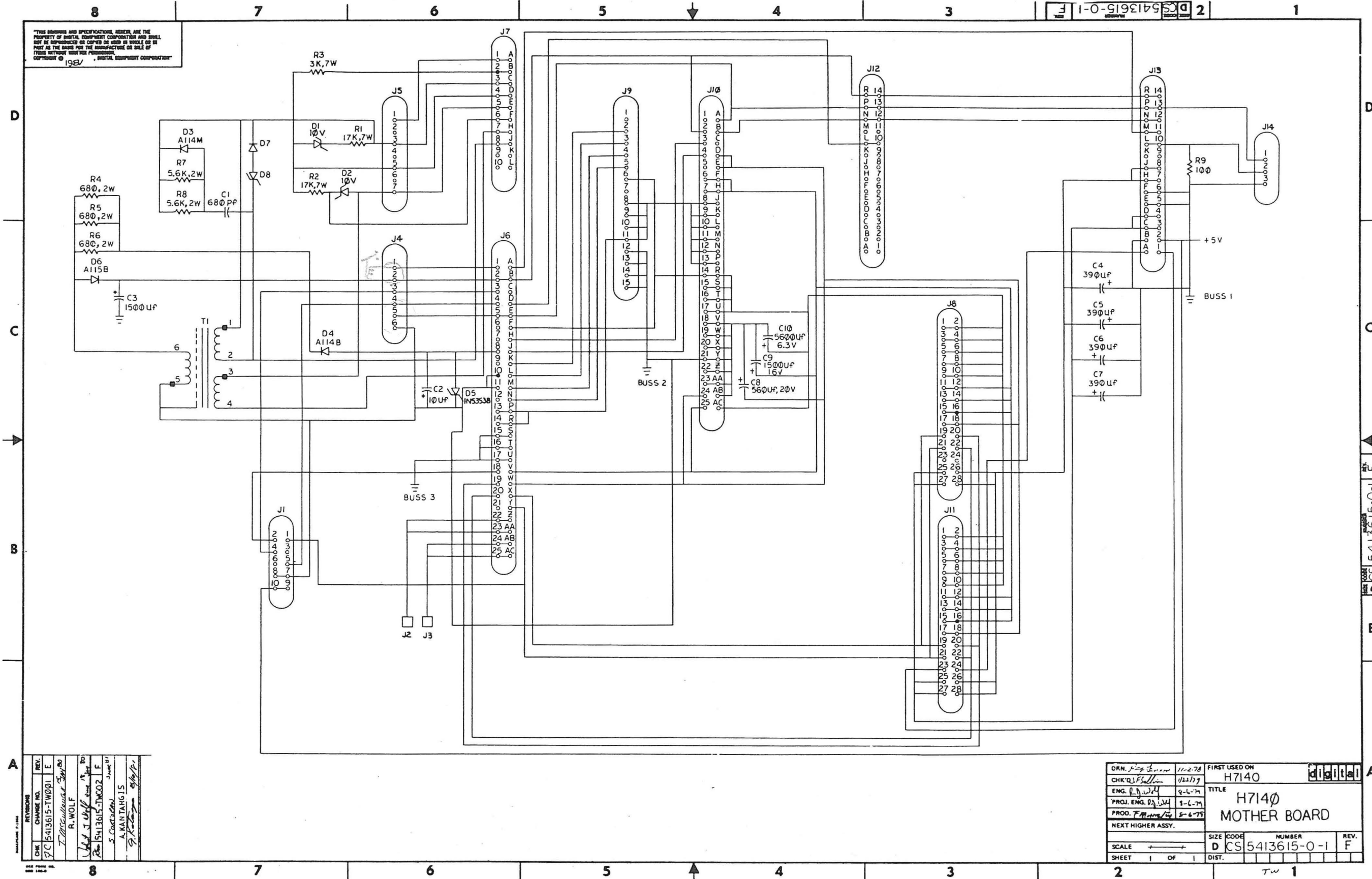
I-4 FROM J6-P10 TO J9-P12

REV	DESCRIPTION	DATE

TITLE	H7140 MOTHER BD	DESIGNER	EUA	DRAWN	5413615-0-0	REV.	F
SCALE	NONE	SHEET	4	OF	4	DATE	1 TW

5413615-0-0 F

THIS DRAWING AND SPECIFICATIONS HEREBY ARE THE PROPERTY OF DIGITAL EQUIPMENT CORPORATION AND SHALL NOT BE REPRODUCED OR COPIED IN WHOLE OR IN PART AS THE BASIS FOR THE MANUFACTURE OR SALE OF ITEMS WITHOUT WRITTEN PERMISSION OF DIGITAL EQUIPMENT CORPORATION



REV.	CHANGE NO.	BY	DATE
1	1	R. WOLF	11-2-78
2	2	J. WOLF	1-6-79
3	3	S. GARDNER	5-6-79
4	4	A. MANTANGIS	

DRN. <i>[Signature]</i>	11-2-78	FIRST USED ON	H7140
CHK'D <i>[Signature]</i>	1-2-79	TITLE	H7140 MOTHER BOARD
ENG. <i>[Signature]</i>	2-6-79	SIZE CODE	D
PROJ. ENG. <i>[Signature]</i>	3-6-79	NUMBER	CS 5413615-0-1
PROD. <i>[Signature]</i>	5-6-79	REV.	F
NEXT HIGHER ASSY.		SHEET	1 OF 1

CS 5413615-0-1 F 2

LINE ITEM	DOCUMENT NUMBER	PART NUMBER	DESCRIPTION	QTY PER VARIATION	REFERENCE DESIGNATOR
1	D-MD-5013614-0-0	5013614-00	DRILL & ETCH BD	1	
2		1004813-00	10 MFD 20V 10% S.TANT	1	C2
3		1012607-00	560 MFD 20V H% 672D AL EL	1	CP
4		1012607-06	390 MFD 20V H% 67D AL EL	4	C4-C7
5		1013280-00	680.0 MMF1000V 5%200PPM	1	C1
6		1014229-00	1500 MFD 16V +75-10% AL EL	2	C9,C3
7		1016169-00	5600 MFD 6.3V +75,-10% AL EL	1	C10
8		1110854-00	1N 5353B VZ= 16.0V 5% .40W M	1	D5
9		1100125-00	1N 758A VZ= 10.0 5% .40W PPE	2	D1,D2
10		1112594-01	A115B PIV=200 I= 3A	1	D6
11		1112595-01	A114B PIV=200 I= 1A	1	D4
12		1112595-02	A114M PIV=600 I= 1A	1	D3
13		1215341-01	HEADER 10POS VERTICAL	1	J1
14		1211004-00	SOCKET,100 28POS BOTTOM MOUNT	4	J12,J13,J11,J8
15		1211004-04	SOCKET,100 40POS	1	J7
16		1211004-05	SOCKET,100 50POS	2	J6,J10
17		1216122-01	HEADER,156 7POS KEYED	1	J5
18		1216122-02	HEADER,156 15POS KEYED	1	J9
19		1216122-04	HEADER,156 3POS	1	J14
20		1216122-05	HEADER,156 6POS	1	J4
21		1300229-00	100.0 .25 W 5.0 % CC	1	R9
22		1300348-00	580.0 2.0 W 5.0 % CC	3	R4-R6
23		1300456-00	5.60 K 2.0 W10.0 % CC	2	R7,R8
24		1316207-00	3.0 K 7W+,-5% WW	1	R3
25		1316209-00	17.0 K 7W+,-5% WW	2	R1,R2
26		1616215-00	XFMR P=240/360 S=5V	1	T1
27		7422391-00	SUPPORT,MOTHER BOARD	1	
28		9008219-00	TERM QUICK 1POS ADAPTER	2	J2,J3
29		9009000-00	FYELET, ROLLED FLANGE, .121 OD X	5	
30		9107688-55	WIRE(WRAP)24AWG UL1327 A/R		

REVISION HISTORY		BASIC PART NO: 5413615		DPN:	M.CICCONE	DATE:	27-MAR-79	DIGITAIL			
ENG:	ECO NUMBER	REV	SECTION A OF A	CHK'D:	E.T.GERRY	DATE:	27-MAR-79	TITLE	PARTS LIST		
---	INITIAL	D	SECTION VARIATION INDEX	CHK'D:	E.T.GERRY <td>DATE:</td> <td>27-MAR-79 <td>MOTHER BOARD</td> <td colspan="3"></td> </td>	DATE:	27-MAR-79 <td>MOTHER BOARD</td> <td colspan="3"></td>	MOTHER BOARD			
R.W	TW001	E	[A] 00	DES.ENG:	R.WOLF <td>DATE:</td> <td>27-MAR-79 <td>DOCUMENT NUMBER</td> <td colspan="3"></td> </td>	DATE:	27-MAR-79 <td>DOCUMENT NUMBER</td> <td colspan="3"></td>	DOCUMENT NUMBER			
			[B]	RESP.ENG.:	R.WOLF <td>DATE:</td> <td>27-MAR-79 <td>SIZE</td> <td>CODE</td> <td>NUMBER</td> <td>REV</td> </td>	DATE:	27-MAR-79 <td>SIZE</td> <td>CODE</td> <td>NUMBER</td> <td>REV</td>	SIZE	CODE	NUMBER	REV
			[C]	MFG.ENG.:	P.WAITKUS <td>DATE:</td> <td>6-AUG-79</td> <td>K</td> <td>PL</td> <td>5413615-0-DBP</td> <td>E</td>	DATE:	6-AUG-79	K	PL	5413615-0-DBP	E
			[D]	ASSEMBLY NUMBER:		TOP DOCUMENT NUMBER:		FILE NAME:	EDIT #		
			[E]	ID-UA-5413615-0-0				Z0376E,PLS	7		
			[F]	"THIS DRAWING AND SPECIFICATIONS HEREIN, ARE THE PROPERTY OF DIGITAL EQUIPMENT CORPORATION AND SHALL NOT BE REPRODUCED OR COPIED OR USED IN WHOLE OR IN PART AS THE BASIS FOR THE MANUFACTURE OR SALE OF ITEMS WITHOUT WRITTEN PERMISSION. COPYRIGHT (C) 1980, DIGITAL EQUIPMENT CORPORATION"							

TW

AUTOMATED BY PRTLST,3J(25)

PARTS LIST

SHEET A2 OF A2

LINE ITEM DOCUMENT NUMBER

PART NUMBER

DESCRIPTION

QTY PER VARIATION
00

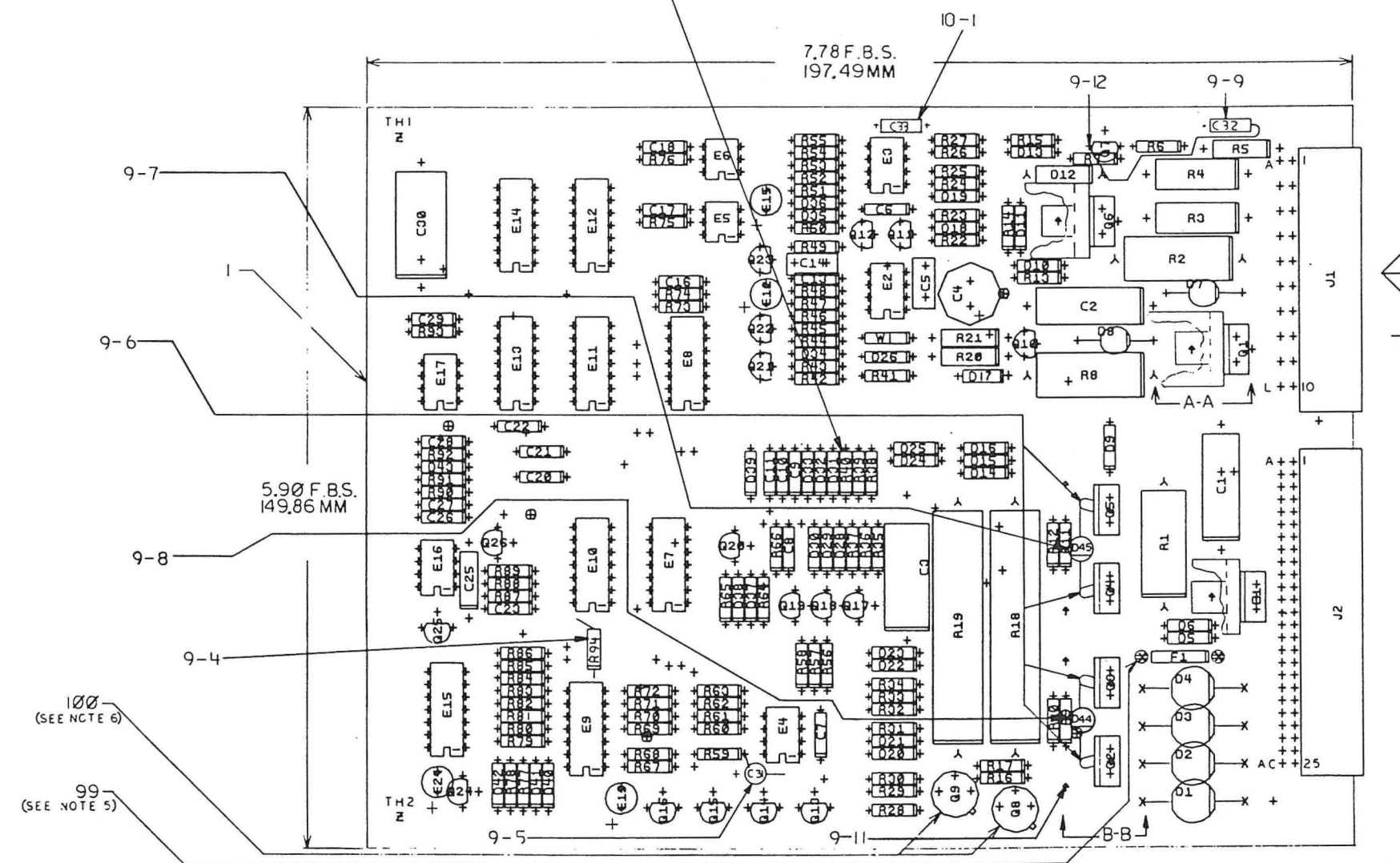
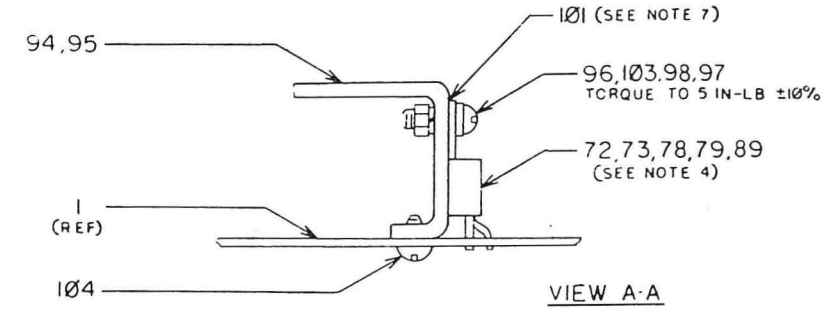
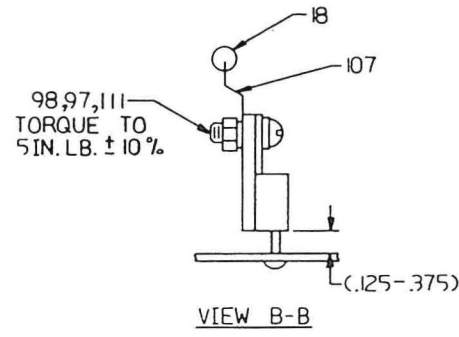
REFERENCE DESIGNATOR

31 NOTE: FOR ITEM #32, 46' IS USED.

D	I	G	I	T	A	L	TITLE	MOTHER BOARD	SECTION A OF A	SIZE	CODE	DOCUMENT NUMBER	REV
										K	PL	5413615-0-DBP	E

TW

THE ENGINEER HAS REVIEWED THIS DRAWING AND THE NECESSARY CHANGES HAVE BEEN MADE TO CORRECT THE DRAWING TO REFLECT THE ACTUAL MANUFACTURING AND ASSEMBLY OF THIS DRAWING AND THE MANUFACTURING AND ASSEMBLY OF THIS DRAWING HAS BEEN COMPLETED.
 ENGINEER © 1980



- NOTES:
- STEP AND REPEAT CODE 2ML 39
 - R18, R19 MUST BE RAISED .125" TO .150"
 - D1-D4, R1, R2, R8 MUST BE RAISED .05" TO .10"
 - E1 AND Q1-Q6, MUST BE MOUNTED TO HEAT SINK BEFORE BEING ATTACHED TO PCB. SEE VIEW A.
 - EYELET ITEM NO. 99, USED IN MOUNTING HOLES OF F1.
 - USE TRANSPADS, ITEM NO. 100, UNDER Q8, Q9.
 - USE THERMAL COMPOUND, ITEM NO. 101, BETWEEN E1, Q1-Q6, AND HEAT SINK'S.

STEP #	Y AXIS	X AXIS	6.025	STEP	TIMES
REPEAT	→	X	7.900	STEP	TIMES

CHANGE NO	REV	DATE	BY	CHKD
1	1	1-17-80	R. WOLF	
2	1	1-17-80	R. WOLF	
3	1	1-17-80	R. WOLF	
4	1	1-17-80	R. WOLF	
5	1	1-17-80	R. WOLF	
6	1	1-17-80	R. WOLF	
7	1	1-17-80	R. WOLF	
8	1	1-17-80	R. WOLF	
9	1	1-17-80	R. WOLF	
10	1	1-17-80	R. WOLF	
11	1	1-17-80	R. WOLF	
12	1	1-17-80	R. WOLF	
13	1	1-17-80	R. WOLF	
14	1	1-17-80	R. WOLF	
15	1	1-17-80	R. WOLF	
16	1	1-17-80	R. WOLF	
17	1	1-17-80	R. WOLF	
18	1	1-17-80	R. WOLF	
19	1	1-17-80	R. WOLF	
20	1	1-17-80	R. WOLF	

ETCH REV.	CPI
-----------	-----

SIGNATURES	DATE
DRN. <i>[Signature]</i>	1-4-80
CHK'D. <i>[Signature]</i>	1-17-80
MECH. ENG. <i>[Signature]</i>	1-17-80
PROJ. ENG. <i>[Signature]</i>	1-17-80
PROD. <i>[Signature]</i>	1-17-80
SCALE	1 OF 3
NEXT HIGHER ASSY.	B-00-5413605-0

digital
 TITLE BIAS AND INTERFACE BOARD
 SIZE CODE NUMBER REV
 0 UA 5413605-0-0 J

8

6

5

4

3

2

1

THIS DRAWING AND SPECIFICATIONS HEREON ARE THE PROPERTY OF DIGITAL EQUIPMENT CORPORATION AND SHALL NOT BE REPRODUCED OR COPIED OR USED IN WHOLE OR IN PART AS THE BASIS FOR THE MANUFACTURE OR SALE OF PRODUCTS WITHOUT WRITTEN PERMISSION.
 DIGITAL EQUIPMENT CORPORATION

REV. J
 DATE 10-1-70
 DUA 5413605-C-0

D

C

B

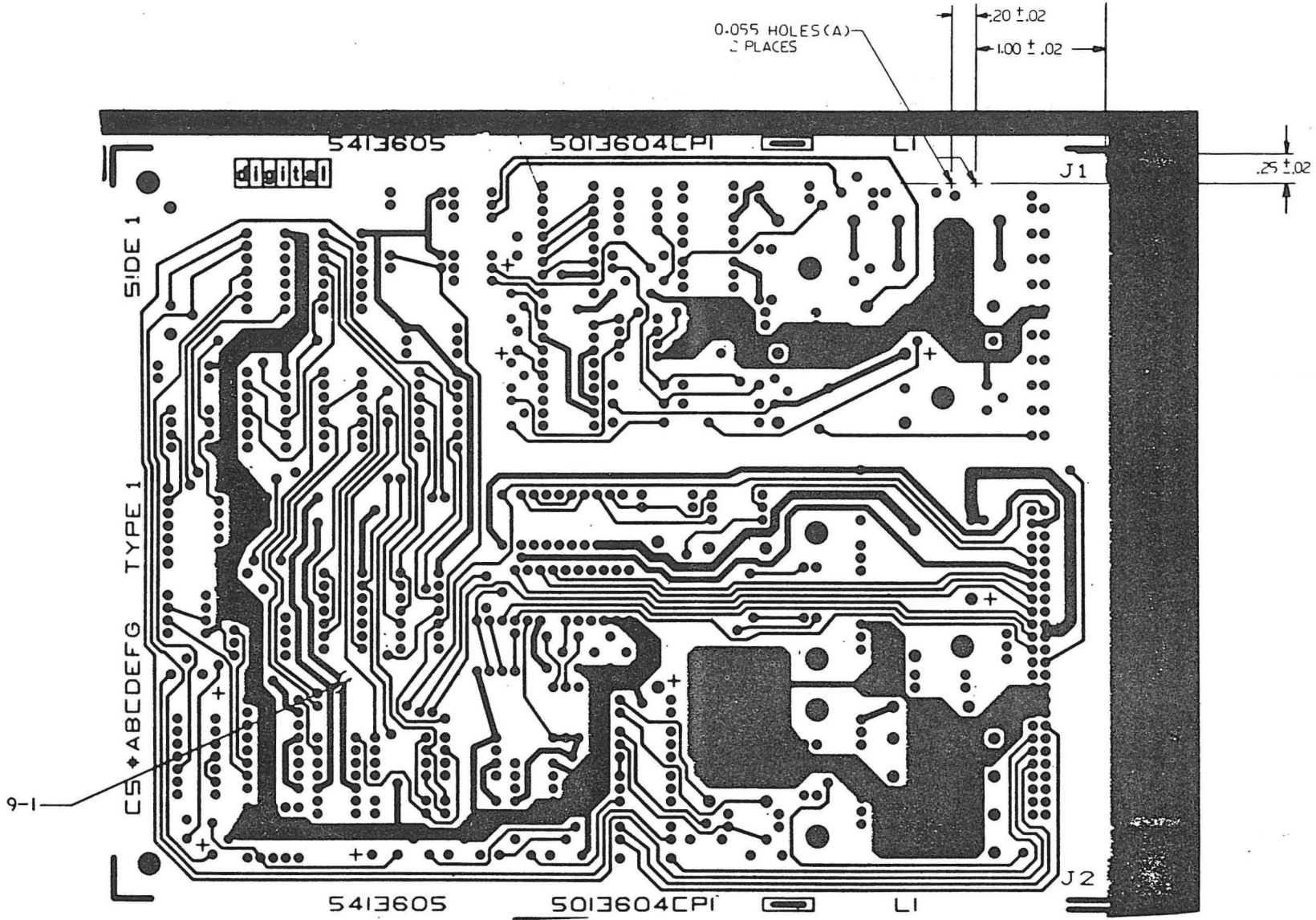
A

D

C

B

A



REVISION HISTORY	
DATE	REV.

TITLE
 BIAS AND
 INTERFACE BOARD

DOCUMENT NUMBER			
REV.	DATE	DESCRIPTION	REV.
D	UA	5413605-C-0	J
SCALE	211	SHEET 2	OF 3

8

7

6

5

4

3

2

1

tw

REV. J
 DATE 10-1-70
 DUA 5413605-C-0

8

DUA 5413605-0-0

6

5

4

3

2

1

THIS DRAWING AND SPECIFICATIONS HEREIN ARE THE PROPERTY OF DIGITAL EQUIPMENT CORPORATION AND SHALL NOT BE REPRODUCED OR COPIED OR USED IN WHOLE OR IN PART AS THE BASIS FOR THE MANUFACTURE OR SALE OF ITEMS WITHOUT WRITTEN PERMISSION.
COPYRIGHT © DIGITAL EQUIPMENT CORPORATION

D

REWORK INSTRUCTIONS

ECO #9

ETCH CUTS SIDE 1:

9-1 CUT ETCH FROM E9-3 TO C20.

ETCH CUTS SIDE 2:

9-2 CUT ETCH FROM Q4-C TO Q5-C.

9-3 CUT ETCH FROM Q2-C TO Q3-C.

COMPONENT ADDS SIDE 1

9-4 INSTALL R94 ACROSS ETCH CUT 9-1 BY TACK SOLDER AS SHOWN.

9-5 INSTALL POS. END OF C31 TO END OF R59 ADJACENT TO E4 USING A .125" LENGTH OF TUBING (ITEM 110) AND SOLDERING NEG. END TO ETCH BETWEEN E4 AND Q14.

9-6 INSTALL SOLDER TERMINALS (ITEM 107) ON COLLECTOR TABS OF Q2-Q5 USING EXISTING HARDWARE AS SHOWN.

9-7 CONNECT D45 TO TERMINALS ON Q4 AND Q5 WITH CATHODE (BLACK BAND) CONNECTED TO Q4.

9-8 CONNECT D44 TO TERMINALS ON Q2 AND Q3 WITH CATHODE (BLACK BAND) CONNECTED TO Q2.

9-9 INSTALL C32 BY DRILLING TWO .055 HOLES (AS SHOWN ON SHEET 2 OF 3 OF THE UA PRINT) AND INSTALL GRIPLET (P/N 12-10244-01) IN HOLE NEAREST EDGE CONNECTOR ONLY. TACK SOLDER TO ETCH BETWEEN R5 AND R6 ON SIDE 2.

COMPONENT DELETE SIDE 1:

9-10 REMOVE HEAT SINKS (ITEM 95) FROM Q2-Q5.

COMPONENT DELETE SIDE 2:

9-11 REMOVE FOUR(4) TAPPING SCREWS (ITEM 104) USED TO SECURE HEAT SINKS (ITEM 95).

WIRE ADDS SIDE 1:

9-12 INSTALL WIRE (ITEM 114) IN HOLE WITH GRIPLET AND CONNECT TO Q7 COLLECTOR.

C

B

A

REWORK INSTRUCTIONS

ECO #10

COMPONENT ADD SIDE 1:

10-1 ADD C33 BY HANDDRILLING 2 .055 HOLES AND TACK SOLDERING ONE LEAD TO RUN THAT E3-PIN 3 IS ATTACHED TO, AND TACK SOLDERING THE OTHER LEAD TO RUN THAT IS ATTACHED TO E3-PIN 4 (BOTH CONNECTIONS SHOULD BE TACK SOLDERED ON SIDE #2).

REWORK INSTRUCTIONS

ECO #12

COMPONENT DELETE SIDE 1

12-1 DELETE R40, DEC P/N 1300439-00.

COMPONENT ADD SIDE 1

12-2 ADD R40, DEC P/N 1301890-00.

D

C

B

A

J

0-0

5413605

DUA

D

B

REVISION HISTORY		
DATE	ECO NUMBER	REV.

TITLE BIAS AND INTERFACE BOARD

DOCUMENT NUMBER		
SIZE CODE	NUMBER	REV.
DUA	5413605-0-0	J
SCALE	271	SHEET 3 OF 3

8

7

6

5

4

3

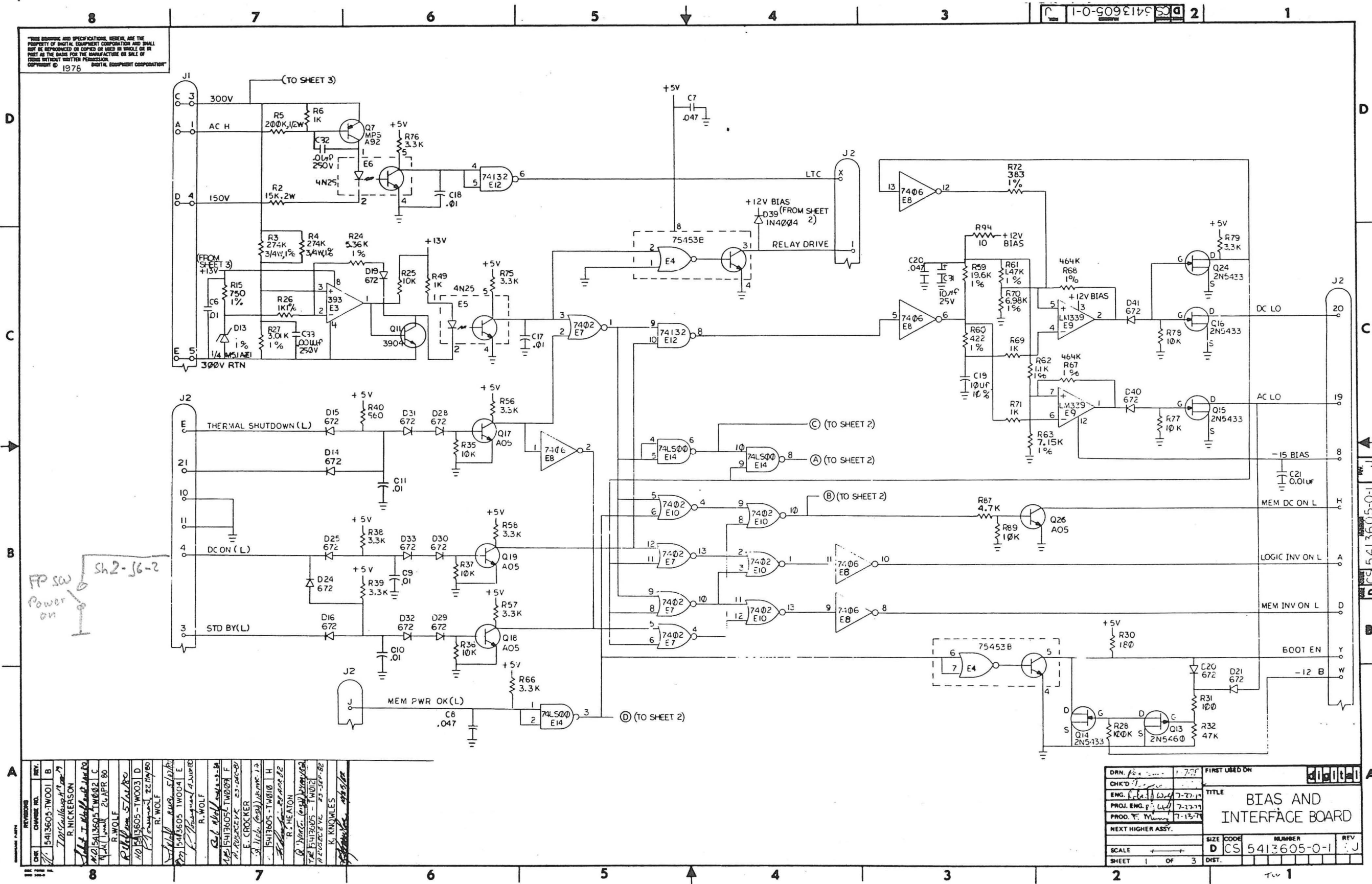
2

1

-W

THIS DRAWING AND SPECIFICATIONS HEREAFTER ARE THE PROPERTY OF DIGITAL EQUIPMENT CORPORATION AND SHALL NOT BE REPRODUCED OR COPIED OR USED IN WHOLE OR IN PART AS THE BASIS FOR THE MANUFACTURE OR SALE OF ITEMS WITHOUT WRITTEN PERMISSION.
 COPYRIGHT © 1976 DIGITAL EQUIPMENT CORPORATION

5413605-0-1

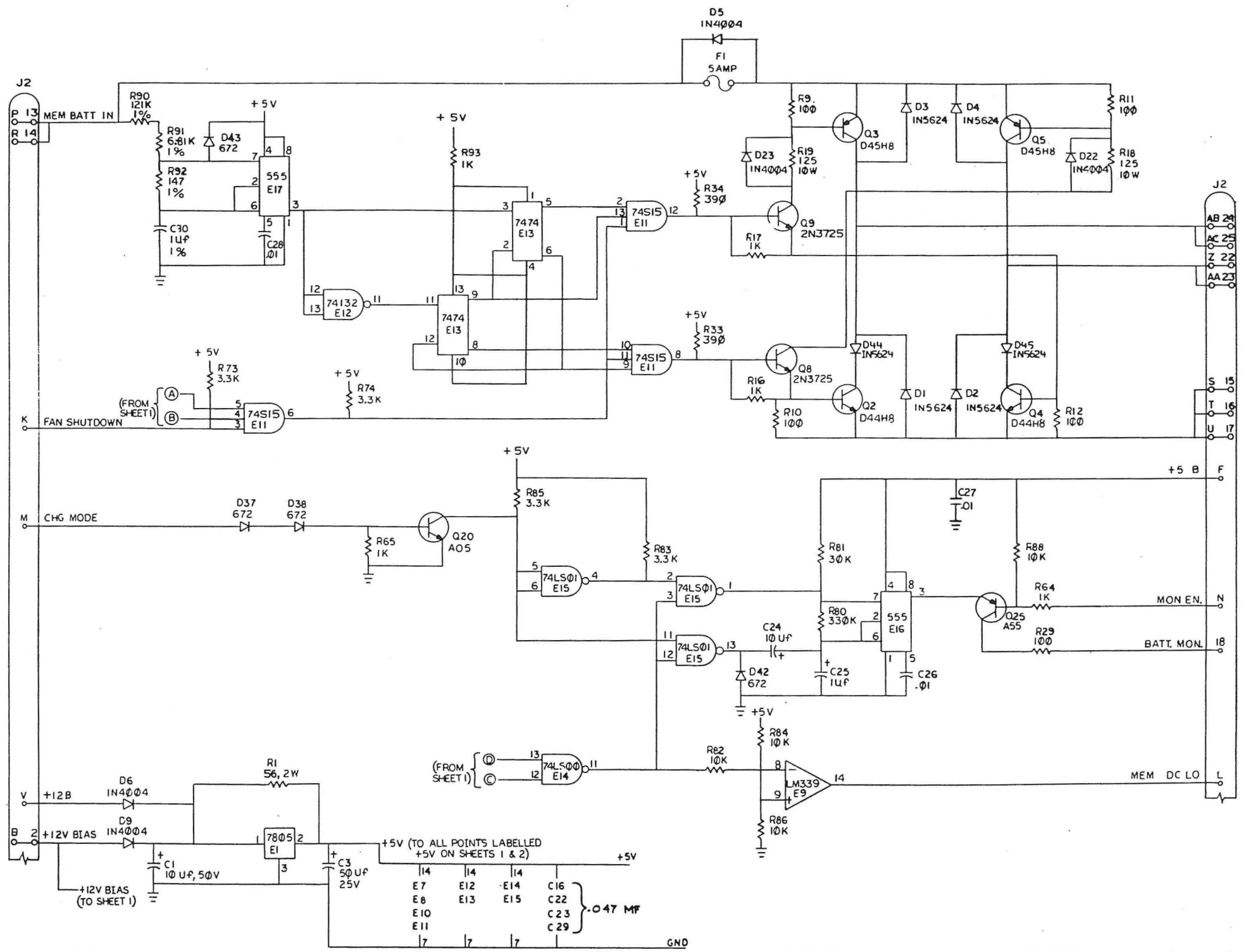


REV.	DATE	BY	CHK'D
1	7-15-76	R. WOLF	R. WOLF
2	7-15-76	R. WOLF	R. WOLF
3	7-15-76	R. WOLF	R. WOLF
4	7-15-76	R. WOLF	R. WOLF
5	7-15-76	R. WOLF	R. WOLF
6	7-15-76	R. WOLF	R. WOLF
7	7-15-76	R. WOLF	R. WOLF
8	7-15-76	R. WOLF	R. WOLF

DRN. #	7-15-76	FIRST USED ON	
CHK'D		TITLE	BIAS AND INTERFACE BOARD
ENG.		PROJ. ENG. #	7-15-76
PROD. ENGR.		7-15-76	
NEXT HIGHER ASSY.			
SCALE	1 OF 3	SIZE	D CS 5413605-0-1
SHEET	1	REV.	

THIS DRAWING AND SPECIFICATIONS HEREBY ARE THE PROPERTY OF DIGITAL EQUIPMENT CORPORATION AND SHALL NOT BE REPRODUCED OR COPIED OR USED IN WHOLE OR IN PART AS THE BASIS FOR THE MANUFACTURE OR SALE OF ITEMS WITHOUT WRITTEN PERMISSION.
 DIGITAL EQUIPMENT CORPORATION
 COPYRIGHT © 1978

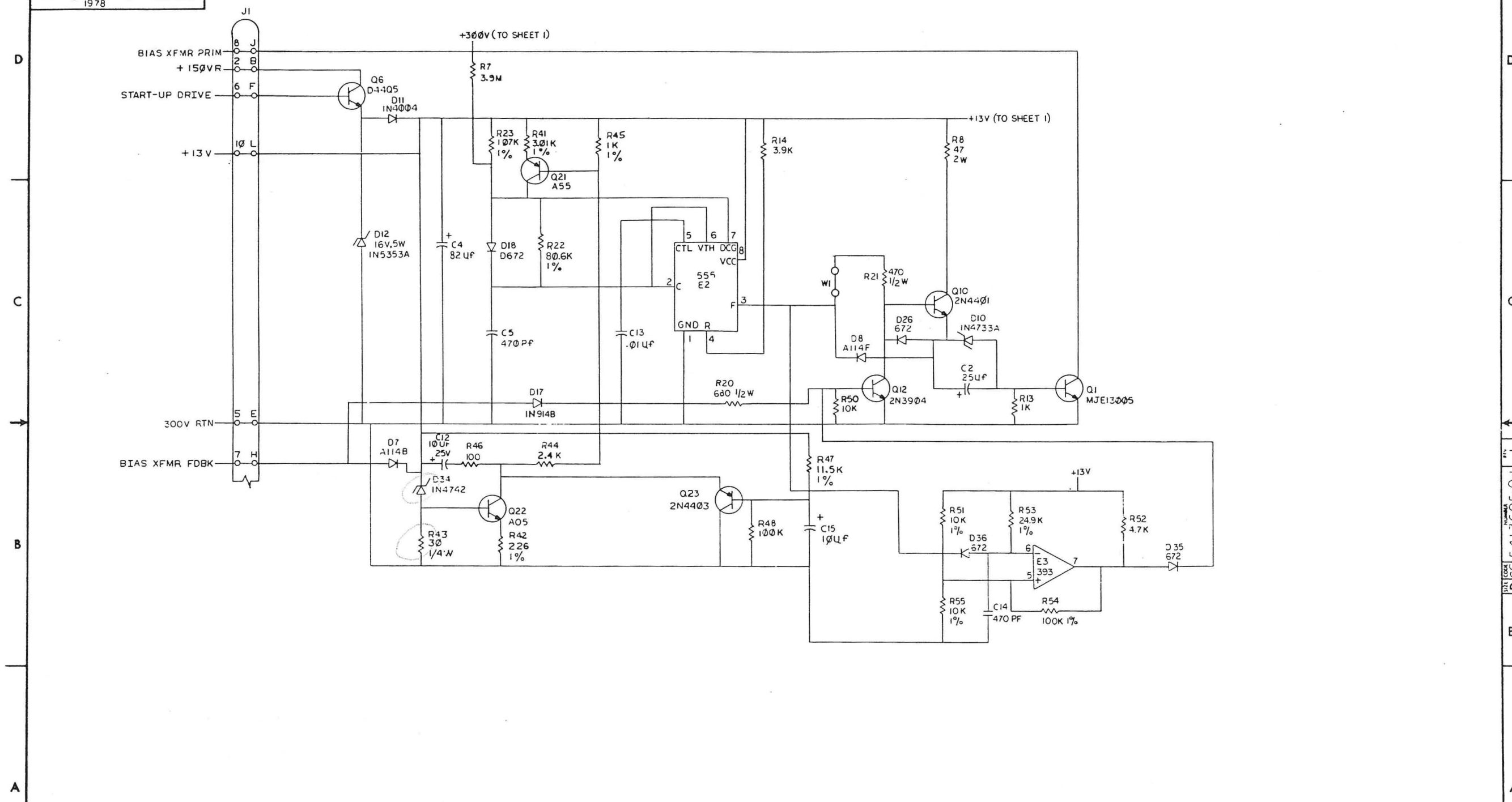
DCS 5413605-0-1 2



REVISIONS		
CHK	CHANGE NO.	REV.

TITLE: BIAS AND INTERFACE BOARD
 SIZE CODE: DCS 5413605-0-1
 NUMBER: 2
 SHEET 2 OF 3
 SCALE: DIST. T.W 1

THIS DRAWING AND SPECIFICATIONS HEREON ARE THE PROPERTY OF DIGITAL EQUIPMENT CORPORATION AND SHALL NOT BE REPRODUCED OR COPIED OR USED IN WHOLE OR IN PART AS THE BASIS FOR THE MANUFACTURE OR SALE OF ITEMS WITHOUT WRITTEN PERMISSION. DIGITAL EQUIPMENT CORPORATION COPYRIGHT © 1978



REVISIONS		
CHK	CHANGE NO.	REV.

TITLE	BIAS AND INTERFACE BOARD	SIZE CODE	D CS	NUMBER	5413605-0-1	REV.	J
SCALE	→	SHEET	3	OF	3	DIST.	

LINE	ITEM	DOCUMENT NUMBER	PART NUMBER	DESCRIPTION	QTY	PER VARIATION	REFERENCE DESIGNATOR
					00		
1	1	D-MD-5013604-0-0	5013604-00	DRILL & ETCH BD	1		
2	2		1000024-00	470.0 MMF 100V 5%200PFM MICA	2		C5,C14
3	3		1000070-00	10 MFD 50V+100-10% AL EL	1		C1
4	4		1000075-00	25 MFD 25V +75-10% AL EL	1		C2
5	5		1001610-00	.01 MFD 50V +80-20% 25U CER	12	CONT	C6,C8-C11,C13,C17,C18,C21, C26-C28
6	6		1001776-00	1 MFD 35V 10% S.TANT	1		C25
7	7		1001796-00	50 MFD 25V +75-10% AL EL	1		C3
8	8		1010866-02	10 MFD 25V +50-20% S.TANT	4		C12,C15,C19,C24
9	9		1012784-00	.047 MFD 50V +80-20% CER	6		C7,C16,C20,C22,C23,C29
10	10		1013252-00	82 MFD 50V+100-10% AL EL	1		C4
11	11		1016138-00	1 MFD 50V 1% M.POLYCARB	1		C30
12	12		1105275-00	D 672 TR= 15NS PIV= 60V SI	24	CONT	D14-D16,D18-D21,D24-D26,D28-D33, D35-D38,D40-D43
13	13		1105796-00	1N 4004 PIV=400 I= 1A D041 SP	7		D5,D6,D9,D11,D22,D23,D39
14	14		1105871-00	1/4M5.1AZ1 = 5.1 1% .25W N	1		D13
15	15		1109502-00	1N 4742 VZ= 12.0 10% 1W Y	1		D34
16	16		1109517-00	1N 914B TR= 4NS PIV= 75V SY	1		D17
17	17		1109943-00	1N 4733A VZ= 5.1 5% 1W Y	1		D10
18	18		1110420-00	1N 5624 PIV=200 I= 5A	4		D1-D4
19	19		1110854-00	1N 5353B VZ= 16.0V 5% .40W M	1		D12
20	20		1112595-00	A114F PIV= 50 I= 1A	1		D8
21	21		1112595-01	A114B PIV=200 I= 1A	1		D7
22	22		1205747-00	FUSE, SUB-MINI, 5.000A, 125V, A	1		F1
23	23		1216112-02	HEADER,100 40POS RT ANGLE	1		J1
24	24		1216112-03	HEADER,100 50POS RT ANGLE	1		J2
25	25		1300229-00	100.0 .25 W 5.0 % CC	7		R9-R12,R29,R31,R46
26	26		1300309-00	390.0 .25 W 5.0 % CC	2		R33,R34
27	27		1300315-00	470.0 .50 W 5.0 % CC	1		R21
28	28		1300347-00	680.0 .50 W 5.0 % CC	1		R20

REVISION HISTORY			BASIC PART NO: 5413605			DRN: J.FERGUSON			DATE: 16-OCT-80			DIGITAL		
ENG	ECO NUMBER	REV	SECTION A OF A	CHK'D:	F.GAROFALO	DATE:	16-OCT-80	TITLE	PARTS LIST					
	INITIAL	E	SECTION VARIATION INDEX	DES.ENG:	R.WOLF	DATE:	16-OCT-80	BIAS AND INTERFACE BD						
			[A] 00	RESP.ENG.:	R.WOLF	DATE:	16-OCT-80	DOCUMENT NUMBER						
			[B]	MFG.ENG.:	J.COMELLA	DATE:	16-OCT-80	SIZE	CODE	NUMBER	REV			
			[C]	ASSEMBLY NUMBER:		TOP DOCUMENT NUMBER:		K	PL	5413605-0-DBP	E			
			[D]	FILE NAME:		Z0402.PLS					11			
			[E]	*THIS DRAWING AND SPECIFICATIONS HEREIN, ARE THE PROPERTY OF DIGITAL EQUIPMENT CORPORATION AND SHALL NOT BE REPRODUCED OR COPIED OR USED IN WHOLE OR IN PART AS THE BASIS FOR THE MANUFACTURE OR SALE OF ITEMS WITHOUT WRITTEN PERMISSION. COPYRIGHT (C) 1980. DIGITAL EQUIPMENT CORPORATION *										

TW

LINE ITEM	DOCUMENT NUMBER	PART NUMBER	DESCRIPTION	QTY	PER VARIATION	REFERENCE DESIGNATOR
				00		
29	29	1300365-00	1.0 K .25 W 5.0 % CC	10		R6,R13,R16,R17,R49,R64,R65,R69, CONT R71,R93
30	30	1300439-00	3.30 K .25 W 5.0 % CC	14		R38-R40,R56-R58,R66,R73-R76,R79, CONT R83,R85
31	31	1300444-00	3.90 K .25 W 5.0 % CC	1		R14
32	32	1300447-00	4.70 K .25 W 5.0 % CC	2		R52,R87
33	33	1300479-00	10.0 K .25 W 5.0 % CC	12		R25,R35-R37,R50,R77,R78,R82,R84, CONT R86,R88,R89
34	34	1301322-00	180.0 .25 W 5.0 % CC	1		R30
35	35	1302091-00	330.0 K .25 W 5.0 % CC	1		R80
36	36	1302177-00	47.0 K .25 W 5.0 % CC	1		R32
37	37	1302334-00	15.0 K 2.0 W 5.0 % CC	1		R2
38	38	1302394-00	30.0 K .25 W 5.0 % CC	1		R81
39	39	1302466-00	100.0 K .25 W 5.0 % CC	2		R28,R48
40	40	1302479-00	200.0 K .50 W 5.0 % CC	1		R5
41	41	1302644-00	226.0 .25 W 1.0 % RN55D-F10	1		R42
42	42	1302645-00	1.10 K .25 W 1.0 % RN55D-F10	1		R62
43	43	1302748-00	1.0 K .25 W 1.0 % RN55C-F 5	2		R26,R45
44	44	1302751-00	30.0 .25 W 5.0 % CC	1		R43
45	45	1302836-00	56.0 2.0 W 5.0 % CC	1		R1
46	46	1302860-00	11.50 K .25 W 1.0 % RN55D-F10	1		R47
47	47	1302874-00	147.0 .25 W 1.0 % RN55D-F10	1		R92
48	48	1302955-00	750.0 .25 W 1.0 % RN55D-F10	1		R15
49	49	1303067-00	422.0 .25 W 1.0 % RN55D-F10	1		R60
50	50	1303177-00	2.40 K .25 W 5.0 % CC	1		R44
51	51	1303305-00	6.98 K .25 W 1.0 % RN55D-F10	1		R70
52	52	1303322-00	274.0 K .75 W 1.0 % RN65D-F10	2		R3,R4
53	53	1303438-00	121.0 K .25 W 1.0 % RN55D-F10	1		R90
54	54	1304870-00	6.81 K .25 W 1.0 % RN55D-F10	1		R91
55	55	1305108-00	1.47 K .25 W 1.0 % RN55D-F10	1		R61
56	56	1305125-00	383.0 .25 W 1.0 % RN55D-F10	1		R72
57	57	1305253-00	7.15 K .25 W 1.0 % RN55D-F10	1		R63
58	58	1305357-00	125.0 10.0 W 5.0 % WW	2		R18,R19
59	59	1309419-00	19.60 K .25 W 1.0 % RN55D-F10	1		R59
60	60	1305405-00	24.90 K .25 W 1.0 % RN55D-F10	1		R53
61	61	1313341-00	5.36 K .25 W 1.0 % RN55D-F10	1		R24
62	62	1313775-00	80.60 K .25 W 1.0 % RN55D-F10	1		R22
63	63	1313843-00	107.0 K .25 W 1.0 % RN55D-F10	1		R23
64	64	1314023-00	47.0 2.0 W 5.0 % CC	1		R8
65	65	1314041-00	3.01 K .25 W 1.0 % RN55D-F10	2		R27,R41
66	66	1314121-00	1.0 M .25 W 1.0 % RN55D-F10	2		R67,R68
67	67	1314387-00	3.90 M .25 W 5.0 % CC	1		R7
68	68	1509524-00	2N 3904 NPN 310MW SI 40 40 M	2		Q11,Q12
69	69	1510233-00	2N 5460 FET 310MW SIP CHNNL	1		Q13
70	70	1510705-00	XA 05 NPN 500MW SI 60 50 P	6		Q17-Q20,Q22,Q26
71	71	1510706-00	XA 55 PNP 500MW SI 60 50 P	2		Q21,Q25
72	72	1510707-00	D 44H8 NPN 25W SI 60@2A	2		Q2,Q4
73	73	1510708-00	D 45H8 PNP 50WT SI 60 60 Y	2		Q3,Q5

! D ! I ! G ! I ! T ! A ! L !	! TITLE	! SECTION A OF A	! SIZE ! CODE !	! DOCUMENT NUMBER	! REV !
! ! ! ! ! ! ! !	BIAS AND INTERFACE BD	! ! ! ! ! ! ! !	! K ! FL !	5413605-0-DBP	! E !

TW

LINE ITEM	DOCUMENT NUMBER	PART NUMBER	DESCRIPTION	QTY PER VARIATION 00	REFERENCE DESIGNATOR
74	74	1510959-00	2N 3725 NPN 3.5WC SI 50 60 P	2	Q8,Q9
75	75	1511686-00	DEC5433 FET N 350MW 10 25 1A	4	Q14-Q16,Q24
76	76	1513489-00	2N 4401 NPN 350MW SI 40 20	1	Q10
77	77	1513490-00	2N 4403 PNP 350MW SI-40 30	1	Q23
78	78	1514271-01	D 44Q5 NPN 31W SI225 30	1	Q6
79	79	1516119-00	NPN 600MW SI400 40	1	Q1
80	80	1516121-00	MPS A92 PNP 625MW SI300 25	1	Q7
81	81	1905547-00	7474 FF-D DUAL,EDGE TRIGG	1	E13
82	82	1909004-00	DEC 7402 NOR GATE-QUAD 2IN	2	E7,E10
83	83	1910538-00	74S15 AND GATE-TRIPLE 3IN	1	E11
84	84	1910741-00	7406 INVERTER GATE-HEX 1I	1	E8
85	85	1911036-00	75453 DRIVER,PERIPH,DUAL,	1	E4
86	86	1911637-00	74132 NAND GATE-QUAD 2 IN	1	E12
87	87	1911944-00	555CN TIMER,FUNCT.BLOCK	3	E2,E16,E17
88	88	1912108-00	339 VOLT CMPRTR,QUAD	1	E9
89	89	1912536-01	7805 VOLT REG,FIX +5V	1	E1
90	90	1912799-00	LS00 NAND-GATE-QUAD 2IN,P	1	E14
91	91	1912800-00	LS01 NAND-GATE-QUAD 2IN,P	1	E15
92	92	1914156-00	LM 393 VOLT.COMPARATOR DUAL	1	E3
93	93	1914194-00	OPTP-COUPLED ISOLATOR	2	E5,E6
94	94	C-MD-7422046-0-0	7422046-00 HEAT SINK,SINGLE	3	
95	95	B-MD-7422047-0-0	7422047-00 HEAT SINK,DOUBLE	2	
96	96	9006011-01	SCREW,PAN,PHIL 4-40X 3/8 SS	7	
97	97	9006556-00	NUT,HEX , 4-40X1/4 AF X 3/	7	
98	98	9006688-00	WASHER, LOCK, S.S. #4	7	
99	99	9006735-00	EYELET, FUNNEL FLANGE, .059 OD X	2	
100	100	9007201-00	TRANSIPADS #10253	2	
101	101	9008268-00	COMPOUND, THERMAL JOINT	A/R	
102	102	9009185-00	JUMPER, WIRE, INSULATED, BLACK B	1	W1
103	103	9009769-00	WASHER, RECTANGULAR .405X.225X.0	7	
104	104	9010128-00	SCREW,TAPPING,TYPE PAN,PHIL,	7	
105	105	1303312-00	10.0 K .25 W 1.0 % RN55D-F10	2	R51,R55
106	106	1303044-00	100.0 K .25 W 1.0 % RN55D-F10	1	R54

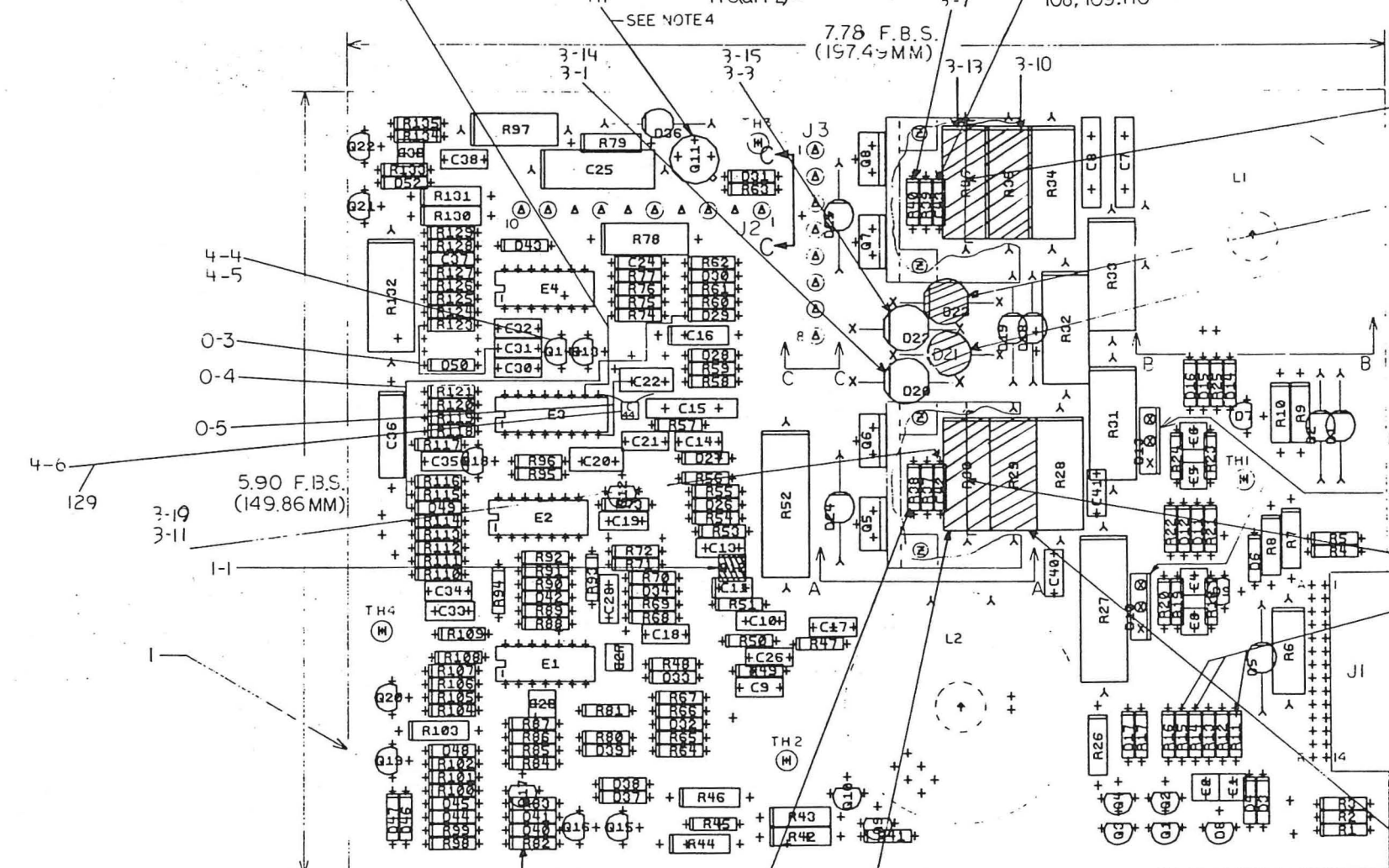
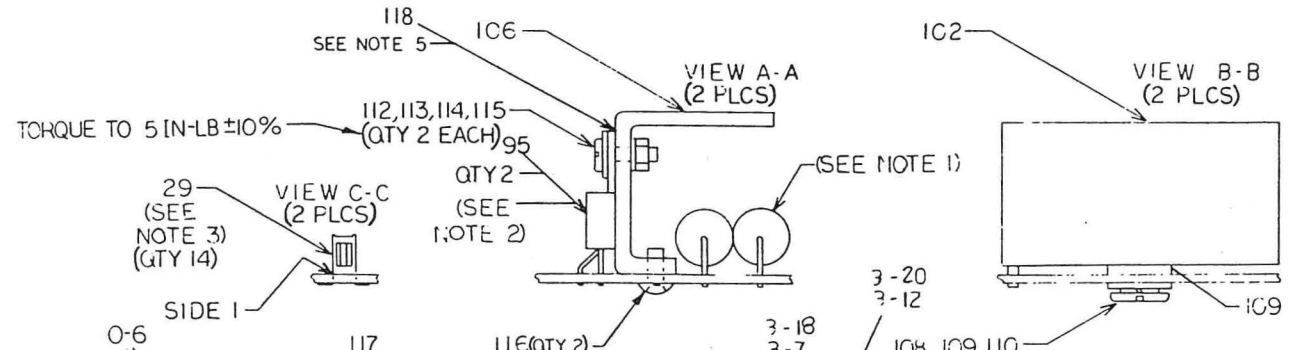
D	I	G	I	T	A	L	TITLE	SECTION A OF A	SIZE	CODE	DOCUMENT NUMBER	REV
							BIAS AND INTERFACE BD		K	PL	5413605-0-DBP	E

TW

THIS DRAWING AND SPECIFICATIONS, HEREIN, ARE THE PROPERTY OF DIGITAL EQUIPMENT CORPORATION AND SHALL NOT BE REPRODUCED OR COPIED IN WHOLE OR IN PART OR IN ANY MANNER FOR THE DISSEMINATION TO OTHERS WITHOUT WRITTEN PERMISSION OF DIGITAL EQUIPMENT CORPORATION.

2 DUA54136CI-O-0 1

COMPONENT SIDE VIEW



NOTES:

1. D27-23, R27-36, R52, 7P, 97 AND R132 TO BE PA. SEC. C5 TO IC OFF PCB. (SEE VIEW A-A)
2. G5-F MUST BE MOUNTED TO HEAT SINK BEFORE BEING ATTACHED TO PCB. (SEE VIEW A-A)
3. ITEM 29 TO BE INSERTED IN J3 PINS 1-B AND J2 PINS 1, 3, 5, 7, 9. IC PINS 2, 4, 6, 8, ARE EMPTY. (SEE VIEW C-C)
4. USE TRANSIPAD (ITEM 117) UNDER Q 11.

CHANGE NO.	REV.	DATE	BY	CHK'D.	APP'D.
1	1	3-5-79	R. WOLF	E. T. GERRY	
2	1	3-27-79	R. HEATON		
3	1	7-20-79			
4	1	7-27-79			
5	1	7-15-79			

NOTES:

5. USE THERMAL COMPOUND (ITEM 118) BETWEEN HEAT SINK AND Q5, 6, 7, 8.

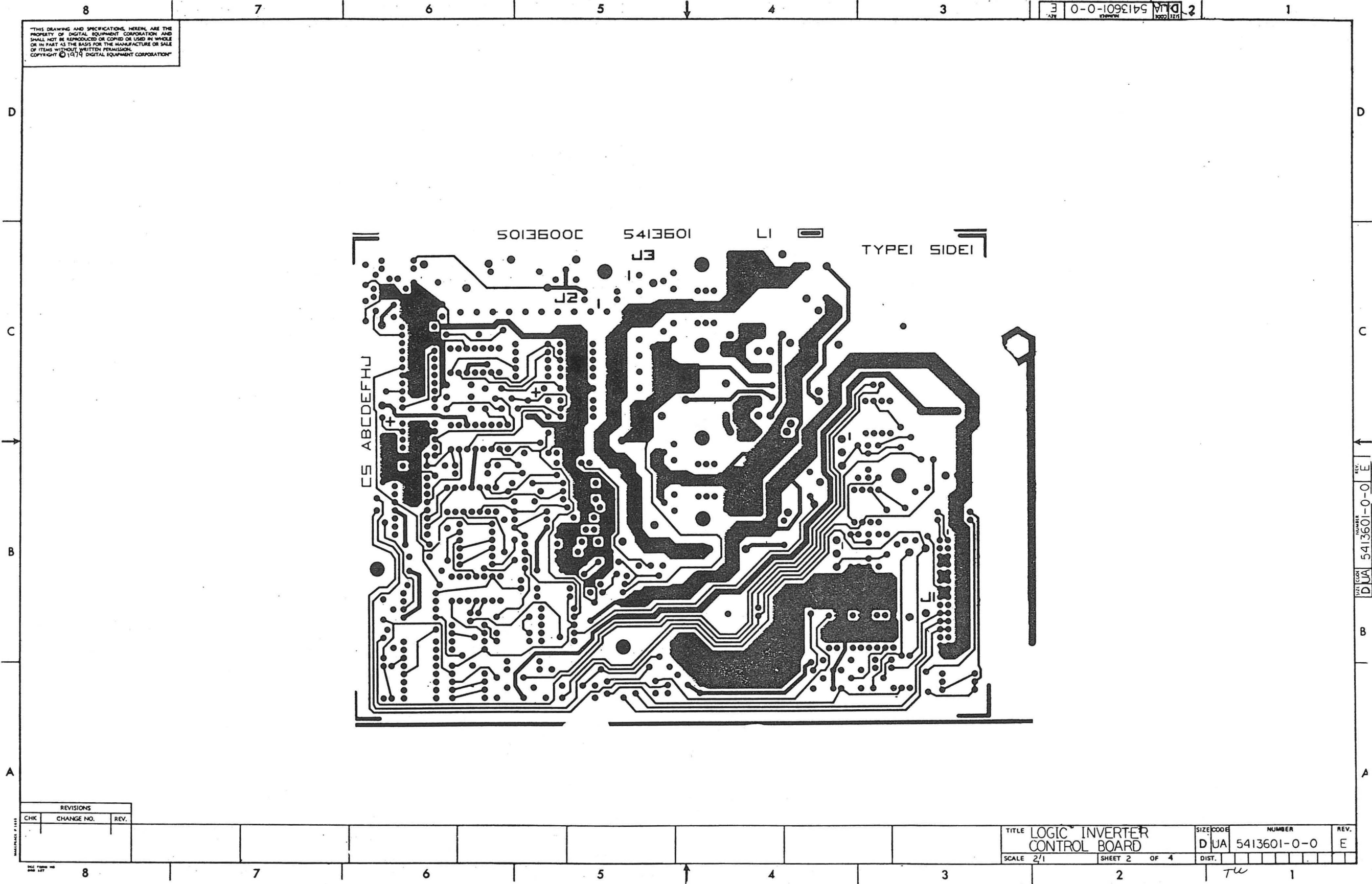
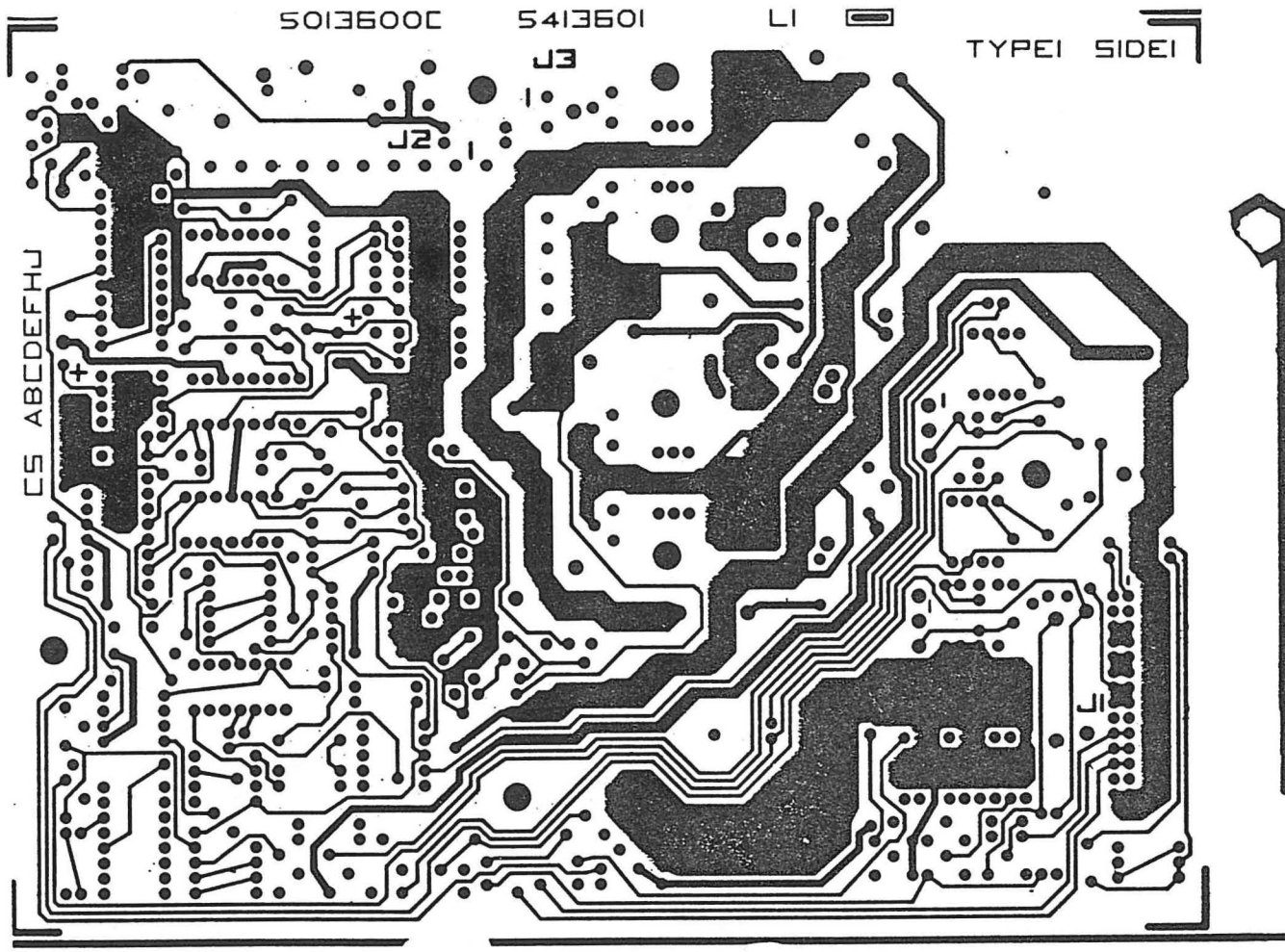
3-5
3-16

ETCH REV.	C
PCB DESIGN DATA BASE REV.	CL

SIGNATURES	DATE	TITLE
DRN.	3-5-79	digital
CHK'D. E. T. GERRY	3-27-79	
ENC.	7-20-79	TITLE LOGIC INVERTER CNTRL BOARD
PROJ. ENG.	7-27-79	
PRD.	7-15-79	
SCALE	2/1	SIZE CODE
SHT. 1 OF 4		NUMBER
NEXT HIGHER ASSY. B-DD-54136CI-O-0		0 UA 54136CI-O-0

TU 1 MS# 125686

THIS DRAWING AND SPECIFICATIONS HEREIN ARE THE PROPERTY OF DIGITAL EQUIPMENT CORPORATION AND SHALL NOT BE REPRODUCED OR COPIED OR USED IN WHOLE OR IN PART AS THE BASIS FOR THE MANUFACTURE OR SALE OF ITEMS WITHOUT WRITTEN PERMISSION. COPYRIGHT © 1974 DIGITAL EQUIPMENT CORPORATION

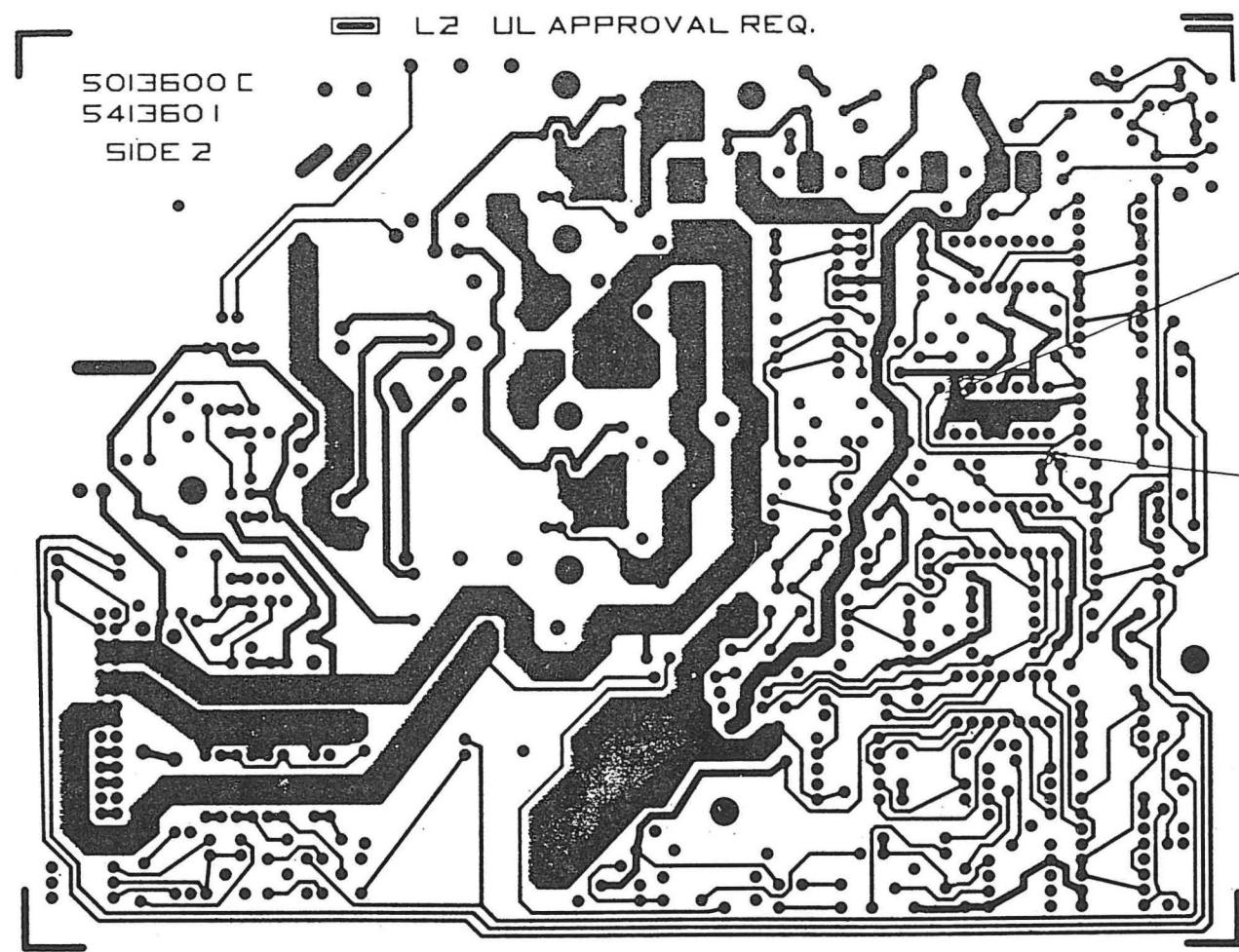


REVISIONS		
CHK	CHANGE NO.	REV.

TITLE	LOGIC INVERTER CONTROL BOARD	SIZE CODE	DUA	NUMBER	5413601-0-0	REV.	E
SCALE	2/1	SHEET	2	OF	4	DIST.	TU

REV. E 5413601-0-0 DUA

"THIS DRAWING AND SPECIFICATIONS HEREIN ARE THE PROPERTY OF DIGITAL EQUIPMENT CORPORATION AND SHALL NOT BE REPRODUCED OR COPIED OR USED IN WHOLE OR IN PART AS THE BASIS FOR THE MANUFACTURE OR SALE OF ITEMS WITHOUT WRITTEN PERMISSION. COPYRIGHT © 1971 DIGITAL EQUIPMENT CORPORATION"



REVISIONS		
CHK	CHANGE NO.	REV.

TITLE	LOGIC INVERTER CONTROL BOARD	SIZE CODE	DUA	NUMBER	5413601-0-0	REV.	E
SCALE	2/1	SHEET	3	OF	4	DIST.	

REV. 0-0-0
 DUA 5413601-0-0
 SIZE CODE

THIS DRAWING AND SPECIFICATIONS HEREIN ARE THE PROPERTY OF DIGITAL EQUIPMENT CORPORATION AND SHALL NOT BE REPRODUCED OR COPIED OR USED IN WHOLE OR IN PART AS THE BASIS FOR THE MANUFACTURE OR SALE OF ITEMS WITHOUT WRITTEN PERMISSION.
 COPYRIGHT © 1979 DIGITAL EQUIPMENT CORPORATION

REWORK INSTRUCTIONS:

ETCH CUTS SIDE 2

- 0-1 CUT ETCH ON BOTH SIDES OF E3-10 (2 CUTS)
- 0-2 FROM R74 TO Q18/BASE (CUT NEAR BASE)

WIRE ADDS SIDE 2

- 0-3 FROM R23 TO C31
- 0-4 FROM C49/CATHODE TO D29, CATHODE
- 0-5 FROM E3-8 TO C22
- 0-6 FROM E3-10 TO R74.

REWORK INSTRUCTIONS: (ECO#)

- COMPONENT DELETE SIDE 1
- 1-1 DELETE C12

REWORK INSTRUCTIONS: (ECO #)

COMPONENT DELETES SIDE 1:

- 3-1 DELETE C20 DEC P/N 11-12594-01
- 3-2 DELETE D21 DEC P/N 11-12594-01
- 3-3 DELETE D22 DEC P/N 11-12594-01
- 3-4 DELETE C23 DEC P/N 11-12594-01
- 3-5 DELETE R82 DEC P/N 13-00391-00
- 3-6 DELETE R38 DEC P/N 13-00271-00
- 3-7 DELETE R40 DEC P/N 13-00271-00
- 3-8 DELETE R29 DEC P/N 13-11604-00
- 3-9 DELETE R30 DEC P/N 13-11604-00
- 3-10 DELETE R35 DEC P/N 13-11604-00
- 3-11 DELETE C42 DEC P/N 10-12783-00
- 3-12 DELETE C43 DEC P/N 10-12783-00
- 3-13 DELETE R36 DEC P/N 13-11604-00

COMPONENT ADDS SIDE 1:

- 3-14 ADD C20 DEC P/N 11-15273-00
- 3-15 ADD L22 DEC P/N 11-15273-00
- 3-16 ADD R82 DEC P/N 13-00316-00
- 3-17 ADD R38 DEC P/N 13-02379-00
- 3-18 ADD R40 DEC P/N 13-02379-00
- 3-19 ADD C42 DEC P/N 10-11683-00
- 3-20 ADD C43 DEC P/N 10-11683-00

WIRE ADDS SIDE 1:

- 3-21 ADD JUMPER DEC P/N 91-07560-03 IN FORMER LOCATION OF R30
- 3-22 ADD JUMPER DEC P/N 91-07560-03 IN FORMER LOCATION OF R36

REWORK INSTRUCTIONS

ECO#4

COMPONENT DELETES: SIDE 1

- 4-1 REMOVE R11, DEC P/N 1300365-00.
- 4-2 REMOVE R14, DEC P/N 1300365-00.
- 4-3 REMOVE R15, DEC P/N 1300365-00.
- 4-4 REMOVE Q14, DEC P/N 1510706-00.

COMPONENT ADDS: SIDE 1

- 4-5 ADD Q14, DEC P/N 1510706-00.
- 4-6 ADD C44, DEC P/N 1011740-03, SOLDER ONE LEAD TO E3-9, THE OTHER TO GROUND (APPROXIMATELY AS SHOWN). ADD TUBING, ITEM 129 TO BOTH LEADS OF C44.

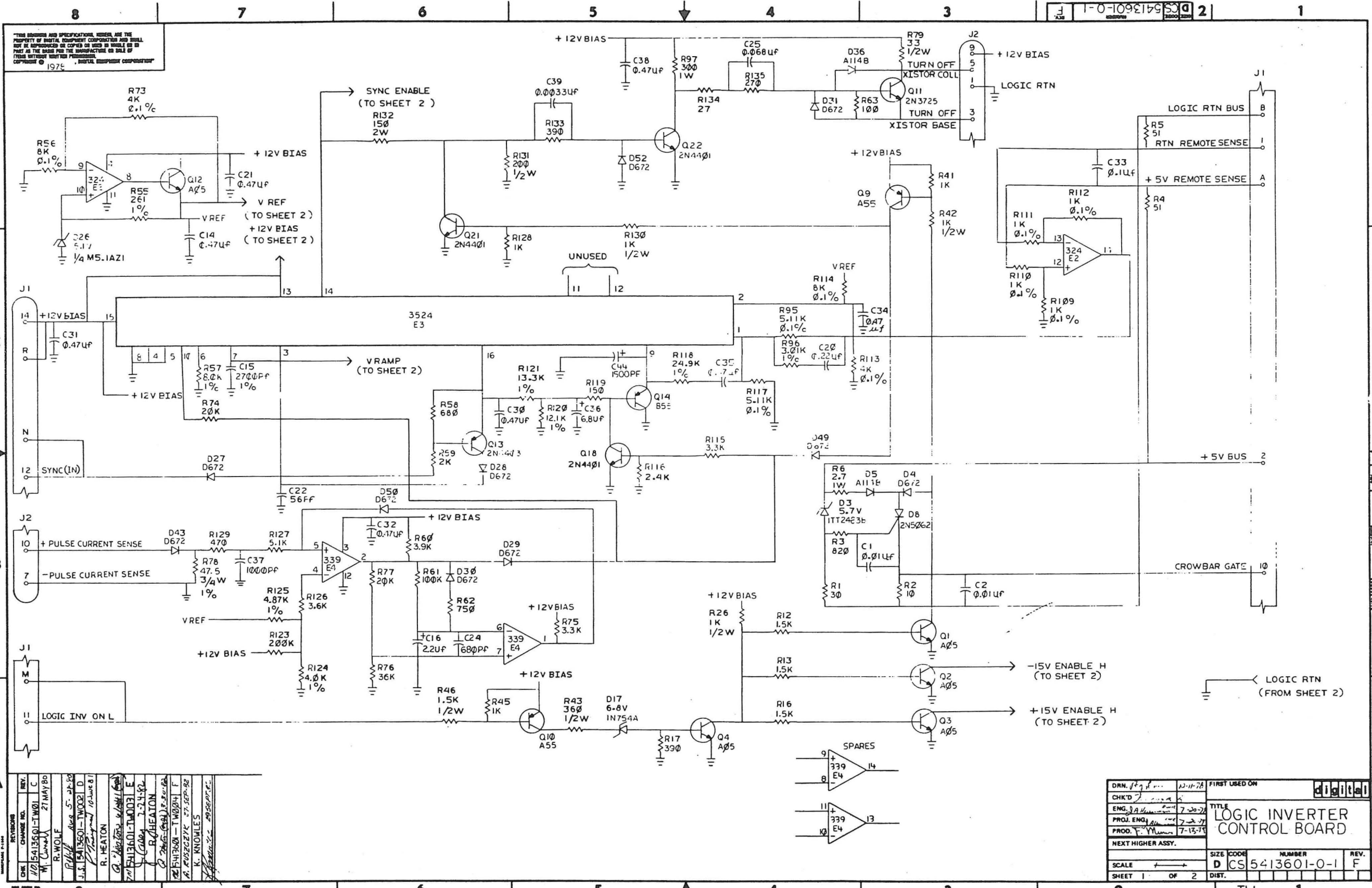
REVISION HISTORY		
DATE	ECO NUMBER	REV.

TITLE LOGIC INVERTER CONTROL BOARD

DOCUMENT NUMBER		
SIZE CODE	NUMBER	REV.
DUA	5413601-0-0	E1
SCALE NONE	SHEET 4	OF 4

8 7 6 5 4 3 2 1

REV. E
 NUMBER
 DUA 5413601-0-0
 SIZE CODE

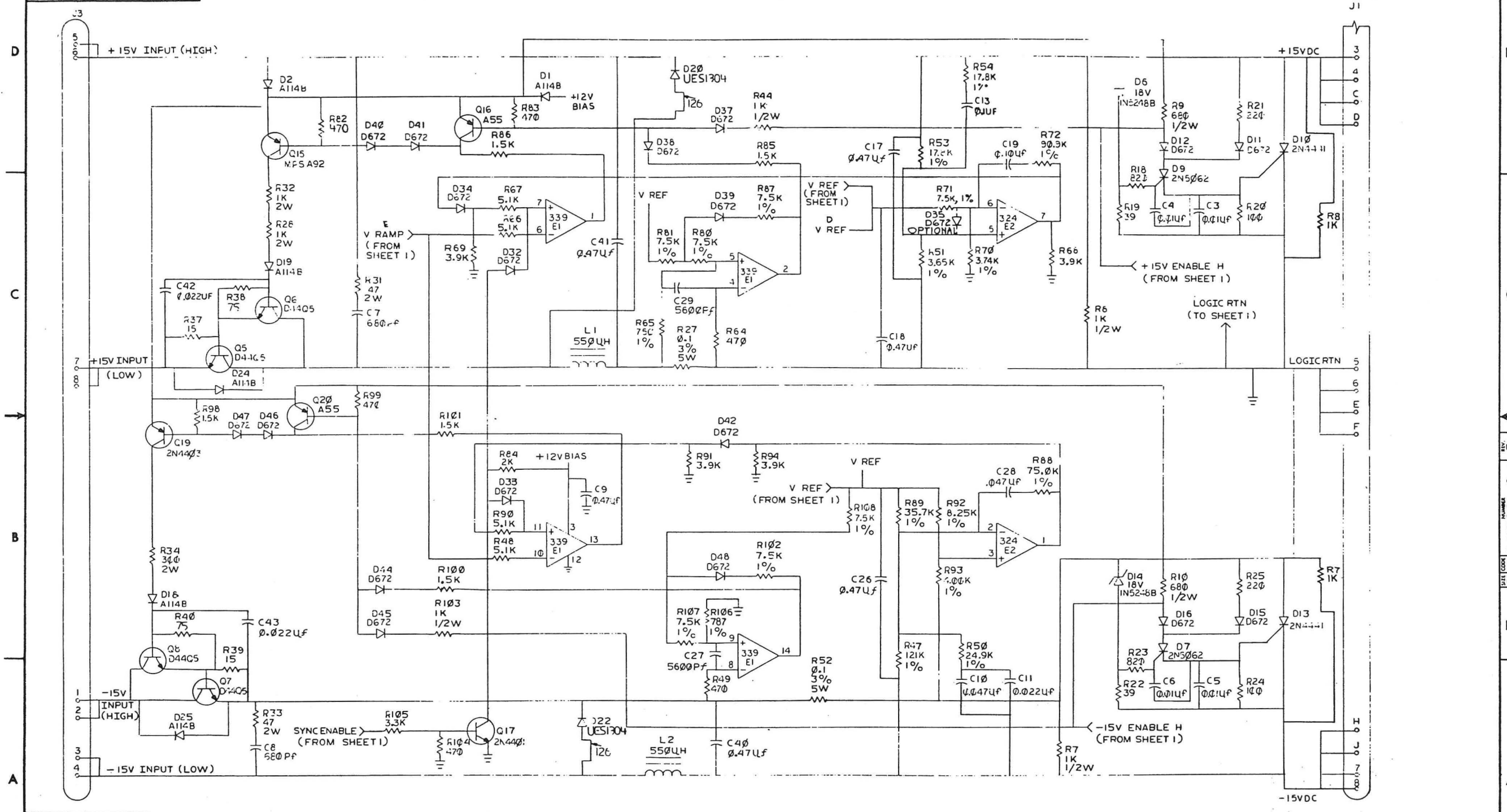


REV.	DATE	BY	CHKD.
1	27 MAY 80	W. WOLF	
2	27 MAY 80	R. HEATON	
3	27 MAY 80	R. HEATON	
4	27 MAY 80	R. HEATON	
5	27 MAY 80	R. HEATON	
6	27 MAY 80	R. HEATON	
7	27 MAY 80	R. HEATON	

DRN. 12-11-78	FIRST USED ON	digital
CHK'D		
ENG. 7-20-78		
PROJ. ENGR. 7-20-78		
PROD. F. 7-15-78		
NEXT HIGHER ASSY.		
SCALE	SIZE CODE	NUMBER
SHEET 1 OF 2	D CS 5413601-0-1	F
	DIST.	REV.

THIS DRAWING AND SPECIFICATIONS HEREIN ARE THE PROPERTY OF DIGITAL EQUIPMENT CORPORATION AND SHALL NOT BE REPRODUCED OR COPIED OR USED IN WHOLE OR IN PART AS THE BASIS FOR THE MANUFACTURE OR SALE OF ITEMS WITHOUT WRITTEN PERMISSION. DIGITAL EQUIPMENT CORPORATION. COPYRIGHT © 1975

1-0-100-11-9 SC 2



REVISIONS		
CHK	CHANGE NO.	REV.

TITLE LOGIC INVERTER CONTROL BOARD
 SIZE CODE DCS
 NUMBER 5413601-0-1
 REV. F
 SCALE SHEET 2 OF 2 DIST.

DATE CODE DCS 5413601-0-1 F

LINE	ITEM	DOCUMENT NUMBER	PART NUMBER	DESCRIPTION	QTY PER VARIATION	REFERENCE DESIGNATOR
1	1	D-MD-5013600-0-0	5013600-00	DRILL & ETCH BD	1	
2	2		1010978-24	.01 MFD 50V 10% CER	6	C1-C6
3	3		1013280-00	680.0 MMF 1000V 5%200PPM MICA	2	C7,C8
4	4		1010279-01	.47 MFD 25V 20% CER	14	C9,C14,C18,C21,C30-C32,C34,C35, CONT C38,C17,C26,C40,C41
5	5		1010978-32	.047 MFD 50V 10% CER	2	C10,C28
6	6		1011683-00	.022 MFD 50V 10% CER	1	C11
7	7		1014170-00	2700.0 MMF 100V 1% 70PPM MICA	1	C15
8	8		1002627-00	2.2MFD 20V 10% S.TANT	1	C16
9	9	BLANK		*** THIS ITEM IS NOT USED ***	-	
10	10		1010978-36	.1 MFD 50V 10% CER	3	C19,C33,C13
11	11		1010274-00	.22 MFD 50V +80-20% Z5U CER	1	C20
12	12		1000012-00	56.0 MMF 100V 5%200PPM MICA	1	C22
13	13		1013466-08	680.0 MMF 50V 10% X7R CER	1	C24
14	14		1000052-00	.008 MFD 100V 10% MYLR	1	C25
15	15		1012783-00	.022 MFD 50V +80-20% CER	2	C43,C42
16	16		1011740-00	5600.0 MMF 50V 10% CER	2	C27,C29
17	17		1005306-00	6.8MFD 35V 10% S.TANT	1	C36
18	18		1013466-09	1000.0 MMF 50V 10% X7R CER	1	C37
19	19		1011740-01	3300.0 MMF 50V 10% CER	1	C39
20	20		1112595-01	A114B PIV=200 I= 1A	8	D1,D2,D5,D18,D19,D24,D25,D36
21	21		1111205-00	SCREENED VZ= 5.7 2% .40W	1	D3
22	22		1105275-00	D 672 TR= 15NS PIV= 60V SI	28	D4,D11,D12,D15,D16,D27-D34, CONT D37-D50,D52
23	23		1110766-00	1N 5248B VZ= 18.0 5% .50W	2	D6,D14
24	24		1110908-00	2N 5062 SCRA100V I=.8A T092	3	D7-D9
25	25		1109991-00	1N 754A VZ= 6.8 5% .40W	1	D17
26	26		1112594-01	A115B PIV=200 I= 3A	4	D20-D23
27	27		1105871-00	1/4M5,1A21 = 5.1 1% .25W N	1	D26
28	28		1105873-00	*** THIS ITEM IS NOT USED ***	-	

REVISION HISTORY		BASIC PART NO: 5413601		DRN:	J.LENT	DATE:	3-JAN-79	DIGITAL			
ENG	ECO NUMBER	REV	SECTION A OF A	CHK'D:	F.GERRY	DATE:	19-JUL-79	PARTS LIST			
---	INITIAL	B	SECTION VARIATION INDEX					LOGIC INVERTER CONTROL BD			
RW	5413601-TW001	1C	[B]	DES.ENG:	J.A.HERRMANN	DATE:	19-JUL-79	DOCUMENT NUMBER			
RH	5413601-TW002	1D	[C]					SIZE	CODE	NUMBER	REV
			[D]								
			[E]	RESP.ENG.:	J.A.HERRMANN	DATE:	19-JUL-79				
			[F]								
			[H]								
			[J]	MFG.ENG.:	F.MUNIZ	DATE:	19-JUL-79	K	PL	5413601-0-DBP	D
			[K]								
			[L]	ASSEMBLY NUMBER:		TOP DOCUMENT NUMBER:		FILE NAME:		EDIT #	
			[M]	D-UA-5413601-0-0				Z0400.PLS		22	
			[N]								

"THIS DRAWING AND SPECIFICATIONS HEREIN, ARE THE PROPERTY OF DIGITAL EQUIPMENT CORPORATION AND SHALL NOT BE REPRODUCED OR COPIED OR USED IN WHOLE OR IN PART AS THE BASIS FOR THE MANUFACTURE OR SALE OF ITEMS WITHOUT WRITTEN PERMISSION. COPYRIGHT (C) 1981, DIGITAL EQUIPMENT CORPORATION"

TW

LINE	ITEM	DOCUMENT NUMBER	PART NUMBER	DESCRIPTION	QTY PER VARIATION	REFERENCE DESIGNATOR
					00	
29	29		1211728-00	SOCKET 1POS STRIP FORM	14	J2,J3
30	30		1216112-01	HEADER .100 28POS RT ANGLE	1	J1
31	31		1302751-00	30.0 .25 W 5.0 % CC	1	R1
32	32		1301317-00	10.0 .25 W 5.0 % CC	1	R2
33	33		1301775-00	820.0 .25 W 5.0 % CC	3	R3,R18,R23
34	34		1312928-00	51.0 .25 W 5.0 % CC	2	R4,R5
35	35		1310382-00	2.70 1.0 W 5.0 % CC	1	R6
36	36		1300364-00	1.0 K .50 W 5.0 % CC	7	R7,R8,R26,R42,R44,R103,R130
37	37		1300347-00	680.0 .50 W 5.0 % CC	2	R9,R10
38	38		1300365-00	1.0 K .25 W 5.0 % CC	6	R11,R14,R15,R41,R45,R128
39	39		1300391-00	1.50 K .25 W 5.0 % CC	9	R12,R13,R16,R82,R85,R86,R98, R100,R101
						CONT
40	40		1300309-00	390.0 .25 W 5.0 % CC	2	R17,R133
41	41		1302377-00	39.0 .25 W 5.0 % CC	2	R19,R22
42	42		1300229-00	100.0 .25 W 5.0 % CC	3	R20,R24,R63
43	43		1300271-00	220.0 .25 W 5.0 % CC	4	R21,R25,R38,R40
44	44		1305872-00	.10 5.0 W 3.0 % WW	2	R27,R52
45	45		1301952-00	1.0 K 2.0 W 5.0 % CC	2	R28,R32
46	46		1311604-00	.20 3.0 W 3.0 % WW	4	R29,R30,R35,R36
47	47		1314023-00	47.0 2.0 W 5.0 % CC	2	R31,R33
48	48		1309855-00	300.0 2.0 W 5.0 % CC	1	R34
49	49		1301421-00	15.0 .25 W 5.0 % CC	2	R37,R39
50	50		1302955-00	750.0 .25 W 1.0 % RN55D-F10	1	R65
51	51		1302323-00	360.0 .50 W 5.0 % CC	1	R43
52	52		1300394-00	1.50 K .50 W 5.0 % CC	1	R46
53	53		1303438-00	121.0 K .25 W 1.0 % RN55D-F10	1	R47
54	54		1300316-00	470.0 .25 W 5.0 % CC	6	R49,R64,R83,R99,R104,R129
55	55		1305405-00	24.90 K .25 W 1.0 % RN55D-F10	2	R50,R118
56	56		1304835-00	/REPLACED BY 13-05337-00	1	R51
57	57		1312989-00	17.80 K .25 W 1.0 % RN55D-F10	2	R53,R54
58	58		1313151-00	3.60 K .25 W 5.0 % CC	1	R126
59	59		1302873-00	261.0 .25 W 1.0 % RN55D-F10	1	R55
60	60		1305356-00	8.0 K .25 W .10 % RN55C-B 5	2	R56,R114
61	61		1305129-00	8.0 K .25 W 1.0 % RN55D-F10	1	R57
62	62		1312930-00	5.10 K .25 W 5.0 % CC	5	R48,R66,R67,R90,R127
63	63		1300444-00	3.90 K .25 W 5.0 % CC	5	R60,R68,R69,R91,R94
64	64		1302466-00	100.0 K .25 W 5.0 % CC	1	R61
65	65		1301401-00	750.0 .25 W 5.0 % CC	1	R62
66	66		1304693-00	*** THIS ITEM IS NOT USED ***	-	
67	67		1302391-00	20.0 K .25 W 5.0 % CC	2	R77,R74
68	68		1312452-00	3.74 K .25 W 1.0 % RN55D-F10	1	R70
69	69		1313344-00	75.0 K .25 W 1.0 % RN55D-F10	1	R88
70	70		1311320-00	90.90 K .25 W 1.0 % RN55D-F10	1	R72
71	71		1304728-00	4.0 K .25 W .10 % RN55E-B 2	2	R73,R113
72	72		1300439-00	3.30 K .25 W 5.0 % CC	3	R75,R105,R115
73	73		1312932-00	36.0 K .25 W 5.0 % CC	1	R76
74	74		1301459-00	47.50 .75 W 1.0 % RN65D-F10	1	R78
75	75		1300195-00	33.0 .50 W 5.0 % CC	1	R79

D	I	G	I	T	A	L	TITLE	SECTION A OF A	SIZE	CODE	DOCUMENT NUMBER	REV
							LOGIC INVERTER CONTROL BD				5413601-0-DBP	D

TW

LINE ITEM	DOCUMENT NUMBER	PART NUMBER	DESCRIPTION	QTY PER VARIATION	REFERENCE DESIGNATOR
76	76	1305322-00	7.50 K .25 W 1.0 % RN55D-F10	7	R80,R81,R107,R108,R87,R102,R71
77	77	1302388-00	2.0 K .25 W 5.0 % CC	2	R59,R84
78	78	1305421-00	35.70 K .25 W 1.0 % RN55D-F10	1	R89
79	79	1305325-00	8.25 K .25 W 1.0 % RN55D-F10	1	R92
80	80	1305127-00	4.0 K .25 W 1.0 % RN55D-F10	2	R93,R124
81	81	1305432-00	5.11 K .25 W .10% RN55E-B 2	2	R95,R117
82	82	1314041-00	3.01 K .25 W 1.0 % RN55D-F10	1	R96
83	83	1300292-00	300.0 1.0 W 5.0 % CC	1	R97
84	84	1304865-00	1.0 K .25 W .10% RN55E-B 2	4	R109-R112
85	85	1300250-00	150.0 .25 W 5.0 % CC	1	R119
86	86	1303313-00	12.10 K .25 W 1.0 % RN55D-F10	1	R120
87	87	1312565-00	13.30 K .25 W 1.0 % RN55D-F10	1	R121
88	88	1300202-00	*** THIS ITEM IS NOT USED ***	-	
89	89	4810004-48	*** THIS ITEM IS NOT USED ***	-	
90	90	1302381-00	200.0 .50 W 5.0 % CC	1	R131
91	91	1300257-00	150.0 2.0 W 5.0 % CC	1	R132
92	92	1301522-00	27.0 .25 W 5.0 % CC	1	R134
93	93	1301972-00	270.0 .25 W 5.0 % CC	1	R135
94	94	1510705-00	XA 05 NPN 500MW SI 60 50 P	5	Q1-Q4,Q12
95	95	1514271-01	D 4405 NPN 31W SI225 30	4	Q5-Q8
96	96	1510706-00	XA 55 PNP 500MW SI 60 50 P	5	Q9,Q10,Q14,Q16,Q20
97	97	1510959-00	2N 3725 NPN 3.5WC SI 50 60 P	1	Q11
98	98	1513490-00	2N 4403 PNP 350MW SI-40 30	2	Q13,Q19
99	99	1516121-00	MPS A92 PNP 625MW SI300 25	1	Q15
100	100	1513489-00	2N 4401 NPN 350MW SI 40 20	4	Q17,Q18,Q21,Q22
101	101	1505867-00	2N 4441 SCRD 50V & 8A	2	D10,D13
102	102	1616213-00	450.0 UH 4 A	2	L1,L2
103	103	1912108-00	339 VOLT CMPRTR,QUAD	2	E1,E4
104	104	1912107-00	324 OP AMP,QUAD	1	E2
105	105	1914250-00	3524 MODULATOR-REGULATING	1	E3
106	106	7422047-01	HEAT SINK DOUBLE	2	
107	107	1301424-00	600.0 .25 W 5.0 % CC	1	R58
108	108	9006039-01	SCREW,PAN,PHIL 8-32X 1/2 SS	2	
109	109	9006660-00	WASHER, FLAT, .375 O.D. X .187 I	4	
110	110	9006690-00	WASHER, LOCK, S.S. #8	2	
111	111	1303177-00	2.40 K .25 W 5.0 % CC	1	R116
112	112	9006011-01	SCREW,PAN,PHIL 4-40X 3/8 SS	4	
113	113	9009769-00	WASHER, RECTANGULAR .405X.225X.0	4	
114	114	9006556-00	NUT,HEX 4-40X1/4 AF X 3/	4	
115	115	9006688-00	WASHER, LOCK, S.S. #4	4	
116	116	9010128-00	SCREW,TAPPING,TYPE PAN,PHIL,	4	
117	117	9007201-00	TRANSIPADS #10253	1	C23
118	118	9008260-00	COMPOUND, THERMAL JOINT	A/R	
119	119	1314516-00	200.0 K .25 W 5.0 % CC	1	R123
120	120	1313592-00	4.87 K .25 W 1.0 % RN55D-F10	1	R125
121	121	9105740-55	WIRE(WRAP)30AWG UL1423	A/R	
122	122	1000009-00	*** THIS ITEM IS NOT USED ***	-	
123	123	4810004-34	*** THIS ITEM IS NOT USED ***	-	

D	I	G	I	T	A	L	TITLE	SECTION A OF A	SIZE	CODE	DOCUMENT NUMBER	REV
							LOGIC INVERTER CONTROL BD		K	PL	5413601-0-DBP	D

TW

AUTOMATED BY PRTLST, 3G(17)

P A R T S L I S T

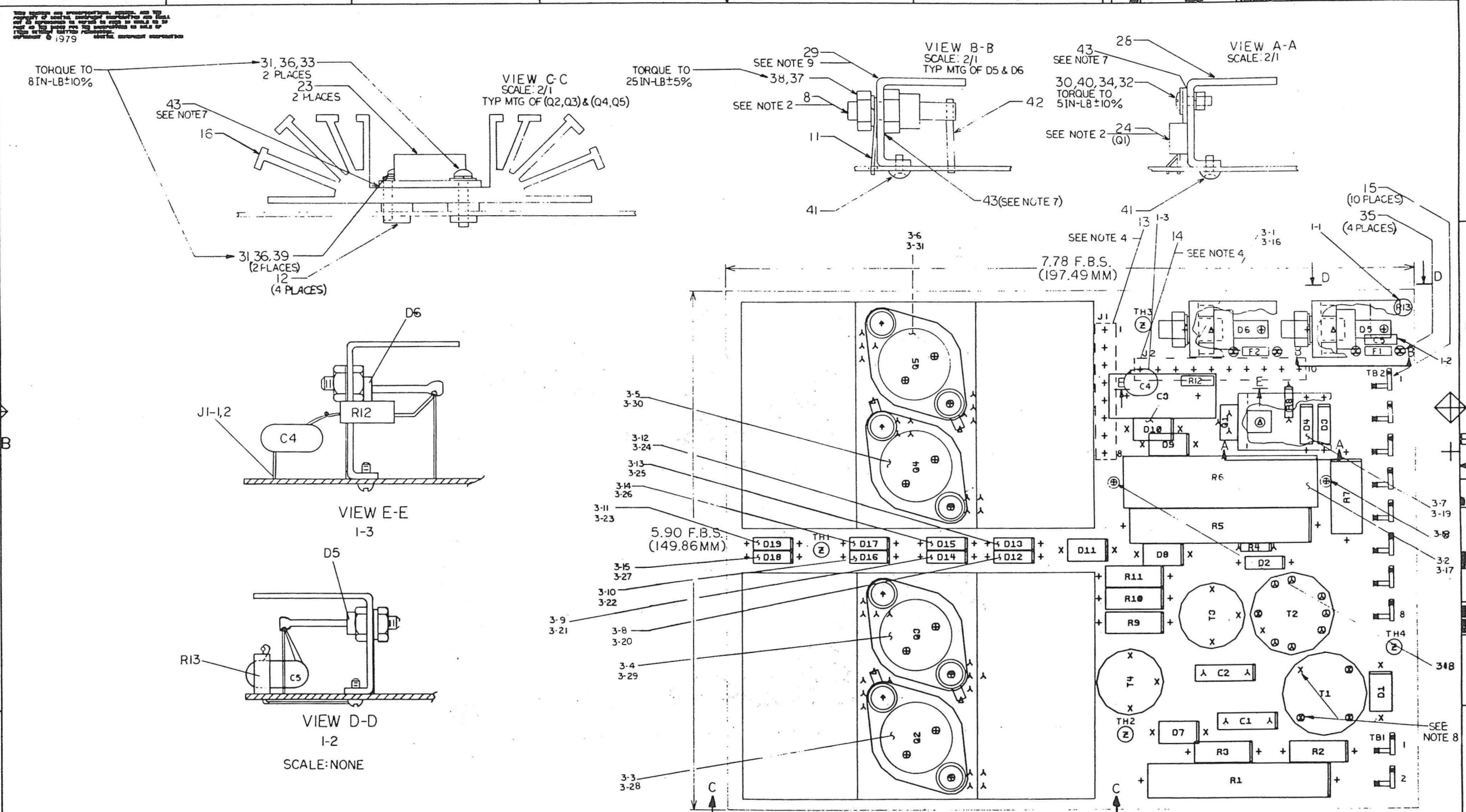
SHEET A4 OF A4

LINE	ITEM	DOCUMENT NUMBER	PART NUMBER	DESCRIPTION	QTY PER VARIATION	REFERENCE DESIGNATOR
124	124		1313794-00	787.0 .25 W 1.0 & RN55D-F10	1	R106

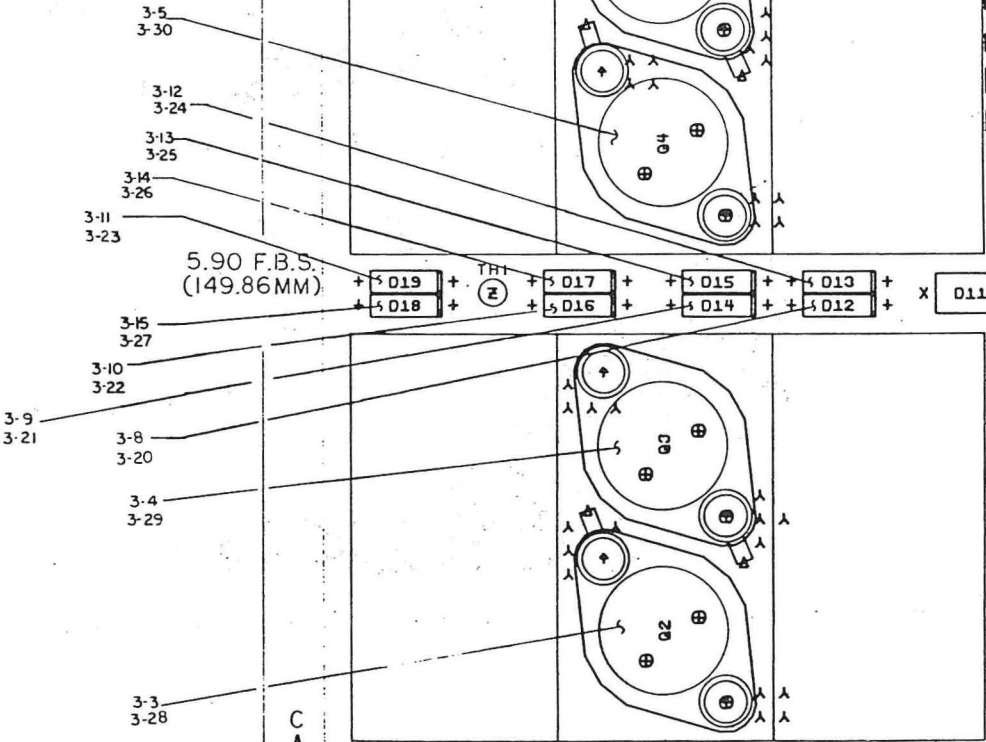
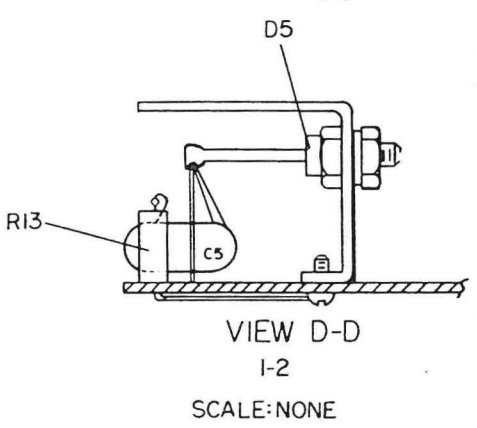
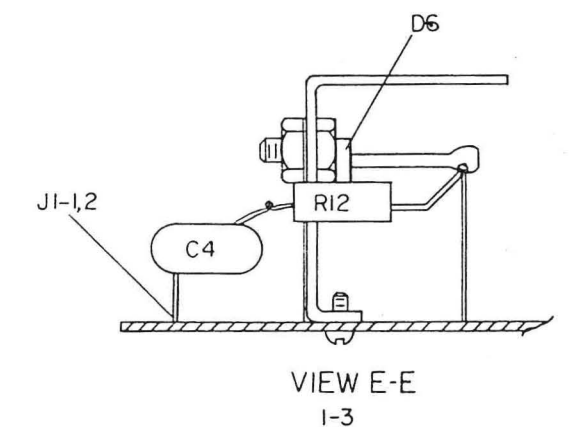
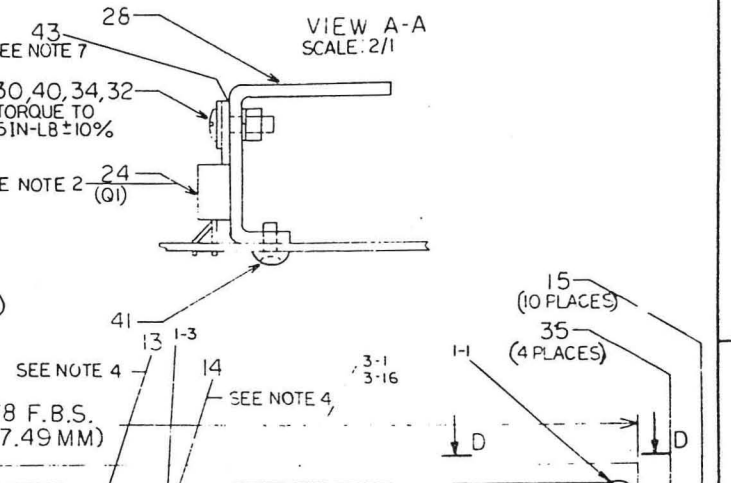
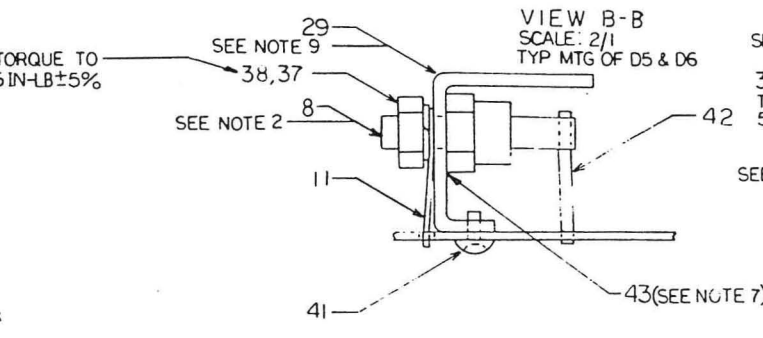
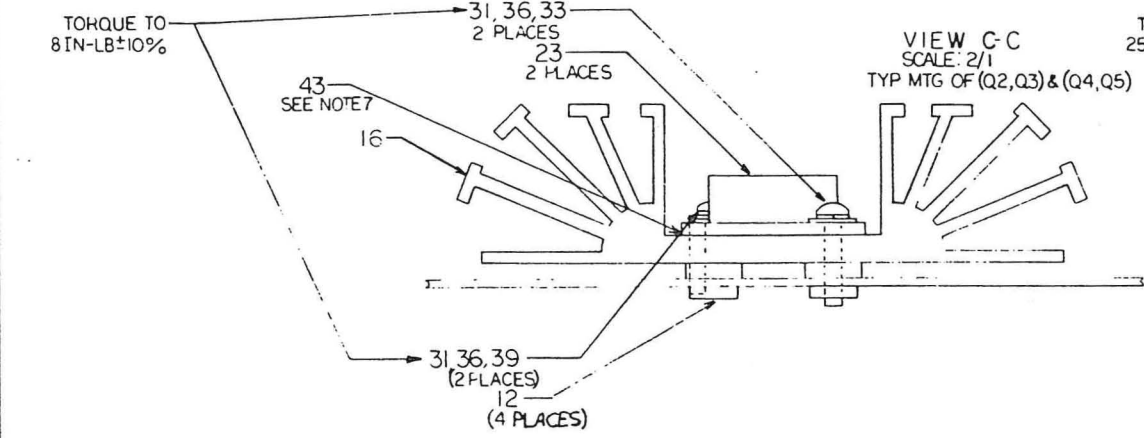
125 NOTE: ITEM #121; .52" IS USED.

D	I	G	I	T	A	L	TITLE	LOGIC INVERTER CONTROL BD	SECTION A OF A	SIZE	CODE	DOCUMENT NUMBER	REV
										K	PL	5413601-0-DBP	D

TW



THIS DRAWING IS UNCLASSIFIED UNLESS THE INFORMATION CONTAINED HEREIN IS DETERMINED TO BE OF SPECIAL INTEREST TO THE NATIONAL DEFENSE. DATE 08-15-2011 BY 60322 UCBAW/DK/STP



NOTES:

- FOR STEP AND REPEAT DIM'S SEE 2 ML 39
- Q1, D5 & D6 MUST BE MOUNTED TO HEATSINKS BEFORE BEING ATTACHED TO P.C.B.
- FOR ASSM OF ITEM 23 SEE VIEW C
- J1 AND J2 TO BE MOUNTED ON SIDE 2
- RAISE R1, 5 AND R6, 125 TO 150° OFF P.C.B.
- RAISE D1, 7, 8-11 AND R3, 7, 9-11, 05 TO 100°

CHANGE NO	REV	BY	DATE
5413599-1	C	R RICHARD	2-9-79
5413599-2	D	S GUNN	2-11-77
5413599-3	E	K KNOWLES	6-24-78
5413599-4	F	K KNOWLES	7-15-78

CHANGE NO	REV	BY	DATE
5413599-1	C	R RICHARD	2-9-79
5413599-2	D	S GUNN	2-11-77
5413599-3	E	K KNOWLES	6-24-78
5413599-4	F	K KNOWLES	7-15-78

NOTES:

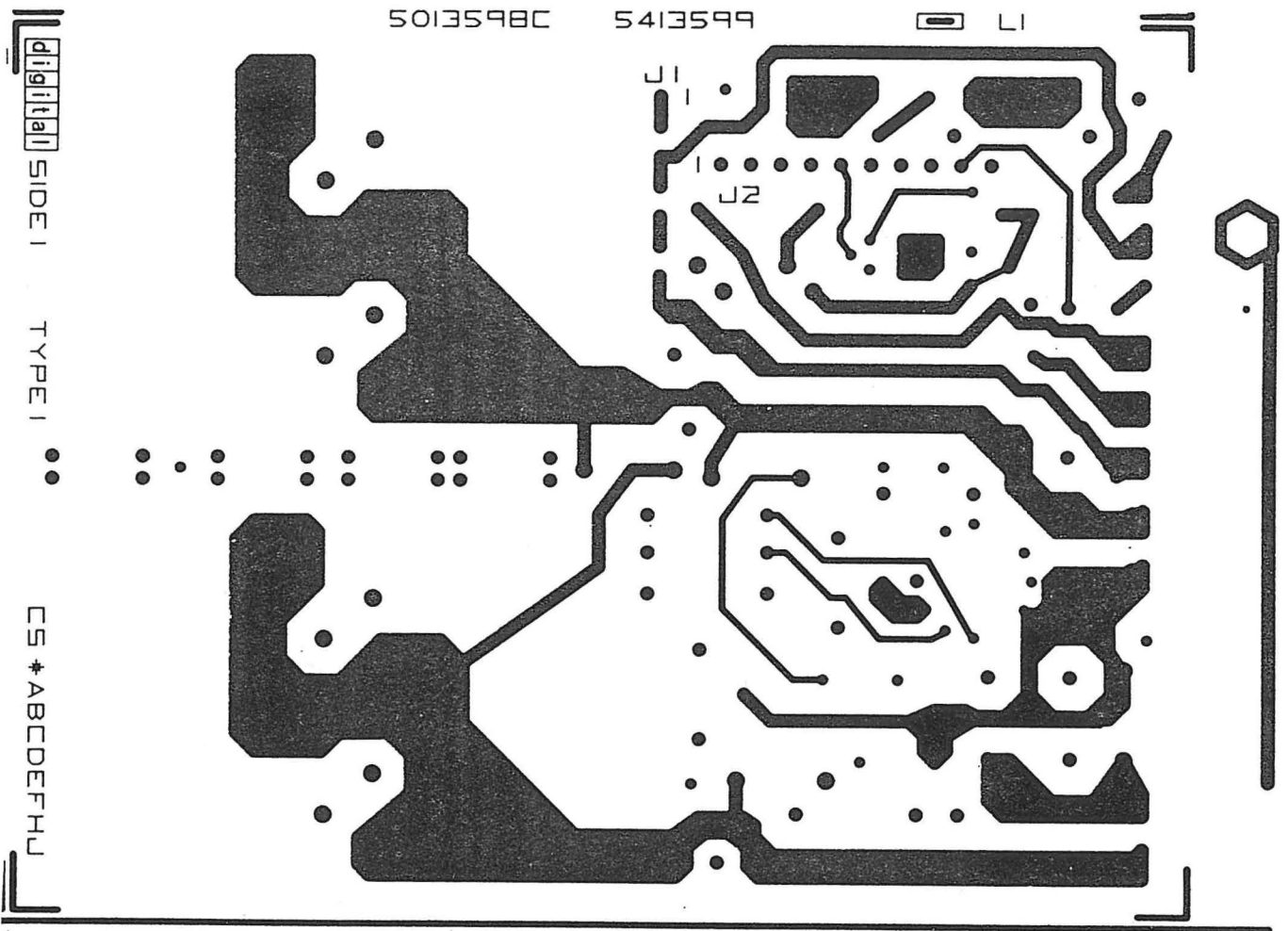
- USE THERMAL COMPOUND ITEM 43 BETWEEN Q2, Q3, Q4, Q5, Q1, D5, D6 AND HEAT SINK.
- LARGER DIAMETER LEADS IN THESE TWO POSITIONS.
- TOP FIN OF ITEM 29 (HEATSINK) MUST BE INSTALLED PARALLEL TO EDGE OF BOARD

ETCH REV.	C
P.C. DESIGN DATA BASE REV.	CL

SIGNATURES	DATE	digital
DRN. <i>Ray</i>	2-9-79	
CHK'D. <i>Paul</i>	2-11-77	
ENG. <i>W. Gunn</i>	6-24-78	
PROJ. ENG. <i>W. Gunn</i>	7-15-78	
PROD. <i>F. Munn</i>	7-15-78	
SCALE 2/1	SIZE CODE	NUMBER
SHT. 1 OF 4	D	UA 54-13599-00 D
NEXT HIGHER ASSY.	8-DD-54-13599-0	

DJA 5413599-0-0 2

THIS DRAWING AND SPECIFICATIONS HEREIN ARE THE PROPERTY OF DIGITAL EQUIPMENT CORPORATION AND SHALL NOT BE REPRODUCED OR COPIED OR USED IN WHOLE OR IN PART AS THE BASIS FOR THE MANUFACTURE OR SALE OF ITEMS WITHOUT WRITTEN PERMISSION. COPYRIGHT © 1973 DIGITAL EQUIPMENT CORPORATION



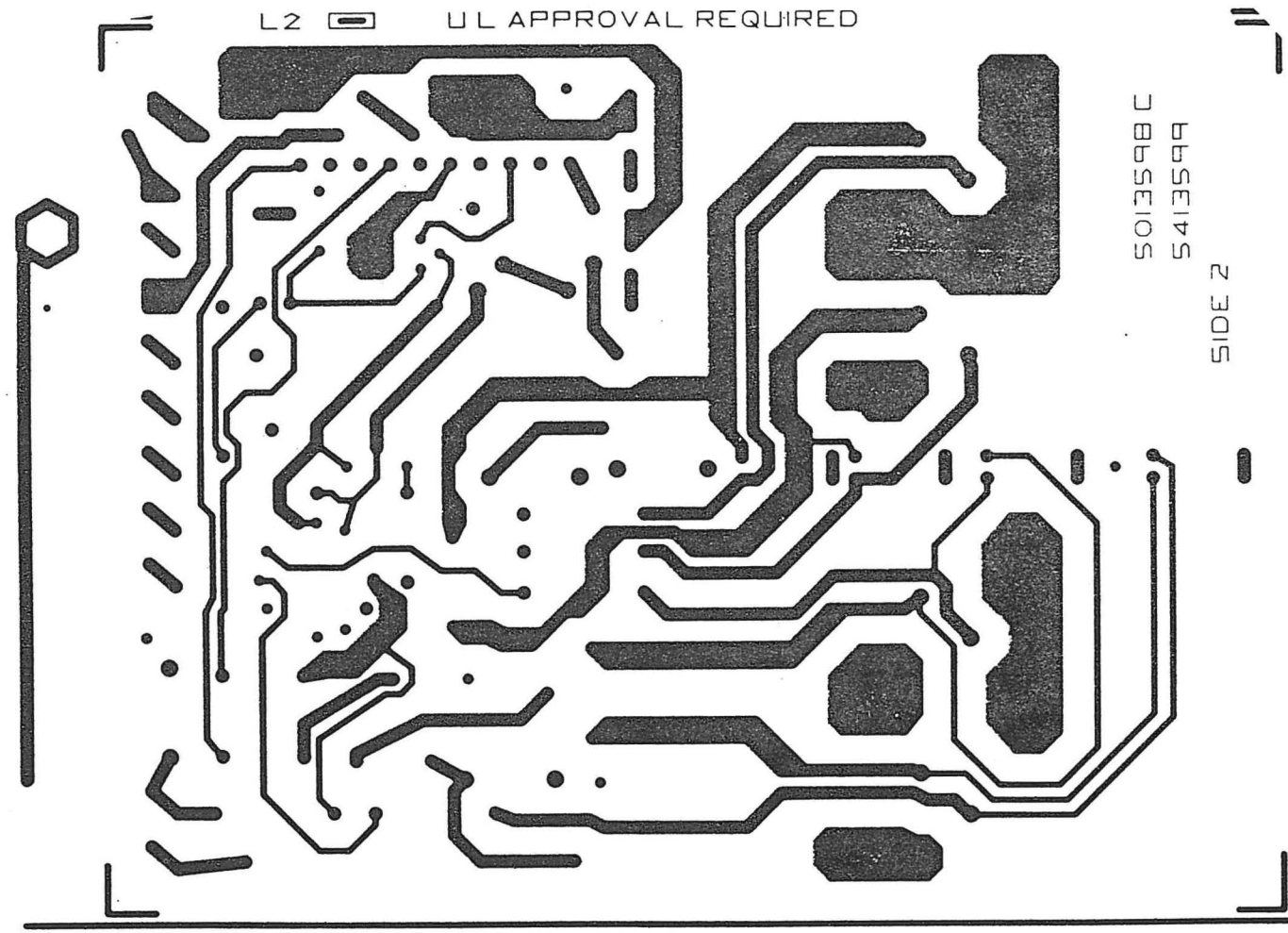
REVISIONS		
CHK	CHANGE NO	REV

8	7	6	5	4	3	2	1	
TITLE LOGIC INVERTER BOARD						SIZE CODE D UA	NUMBER 5413599-0-0	REV. D
SCALE 1/1						SHEET 2 OF 4	DIST.	TW

DJA 5413599-0-0

ALL DIMENSIONS ARE IN MILLIMETERS UNLESS OTHERWISE SPECIFIED.
 THIS DRAWING IS THE PROPERTY OF THE MANUFACTURER AND IS NOT TO BE REPRODUCED OR TRANSMITTED IN ANY FORM OR BY ANY MEANS, ELECTRONIC OR MECHANICAL, INCLUDING PHOTOCOPYING, RECORDING, OR BY ANY INFORMATION STORAGE AND RETRIEVAL SYSTEM.
 © 1979 GENERAL ELECTRIC CORPORATION

DUA 5413599-0-0 2



REVISIONS		
NO.	DATE	DESCRIPTION

8

DUA 54-13599-0-0

6

5

4

3

2

1

THIS DRAWING AND SPECIFICATIONS HEREIN ARE THE PROPERTY OF DIGITAL EQUIPMENT CORPORATION AND SHALL NOT BE REPRODUCED OR COPIED OR USED IN WHOLE OR IN PART AS THE BASIS FOR THE MANUFACTURE OR SALE OF ITEMS WITHOUT WRITTEN PERMISSION. COPYRIGHT © 1980 DIGITAL EQUIPMENT CORPORATION

REWORK INSTRUCTION (ECO 1)

COMPONENT ADDS: SIDE 1

- 1-1 INSTALL R13 BY DRILLING ONE .055" HOLE AS SHOWN. (HOLE IS UNDERNEATH R13)
- 1-2 C5 AND R13 ARE CONNECTED BY TWISTING ONE LEAD OF R13 WITH ONE LEAD OF C5 AND SOLDERING. THE OTHER LEAD OF R13 IS TACK SOLDERED TO THE ETCH ON: SIDE 2 LEADING TO THE CATHODE OF D5. THE OTHER LEAD OF C5 IS CONNECTED TO THE ANODE OF D5. (SEE VIEW D-D)
- 1-3 R12 AND C4 ARE CONNECTED BY TWISTING ONE LEAD OF R12 WITH ONE LEAD OF C4 AND SOLDERING. THE OTHER LEAD OF R12 IS CONNECTED TO THE ANODE OF D6. THE OTHER LEAD OF C4 IS TACK SOLDERED TO J1-1 AND 2. (SEE VIEW E-E)

REWORK INSTRUCTION (ECO 3)

COMPONENT DELETES: SIDE 1

- 3-1 REMOVE D10 DEC. PT. NO. 1112594-02
- 3-2 REMOVE R6 DEC. PT. NO. 1314172-01
- 3-3 REMOVE Q2
- 3-4 REMOVE Q3 } DEC. PT. NO. 1514195-00
- 3-5 REMOVE Q4 }
- 3-6 REMOVE Q5 }
- 3-7 REMOVE L4 DEC. PT. NO. 1112535-01
- 3-8 REMOVE D12
- 3-9 REMOVE D14 } DEC. PT. NO. 1112595-00
- 3-10 REMOVE D16 }
- 3-11 REMOVE D19 }
- 3-12 REMOVE D13 } DEC. PT. NO. 1114435-00
- 3-13 REMOVE D15 }
- 3-14 REMOVE D17 }
- 3-15 REMOVE D18 }

COMPONENT ADD: SIDE 1

- 3-16 ADD D10 DEC. PT. NO. 1115273-01
- 3-17 ADD R6 DEC. PT. NO. 1305200-00 (SEE 3-18)
- 3-18 ADD SPACER ITEM 47 DEC. PT. NO. 9009798-01 TO EACH LEAD OF R6
- 3-19 ADD D4 DEC. PT. NO. 1115273-00
- 3-20 ADD D12
- 3-21 ADD D14 } DEC. PT. NO. 1105769-01
- 3-22 ADD D16 }
- 3-23 ADD D19 }
- 3-24 ADD D17 } DEC. PT. NO. 1105796-01
- 3-25 ADD D15 } REVERSE POLARITY FOR
- 3-26 ADD D17 } THESE 4 PARTS WHEN
- 3-27 ADD D18 } ASSEMBLING
- 3-28 ADD Q2
- 3-29 ADD Q3 } DEC. PT. NO. 1517365-00
- 3-30 ADD Q4 }
- 3-31 ADD Q5 }

REVISION HISTORY		
DATE	ECO NUMBER	REV.

TITLE LOGIC INVERTER BOARD

DOCUMENT NUMBER		REV.
ECO CODE	NUMBER	
DUA	54-13599-0-0	D

SCALE 2/1 SHEET 4 OF 4

8

7

6

5

4

3

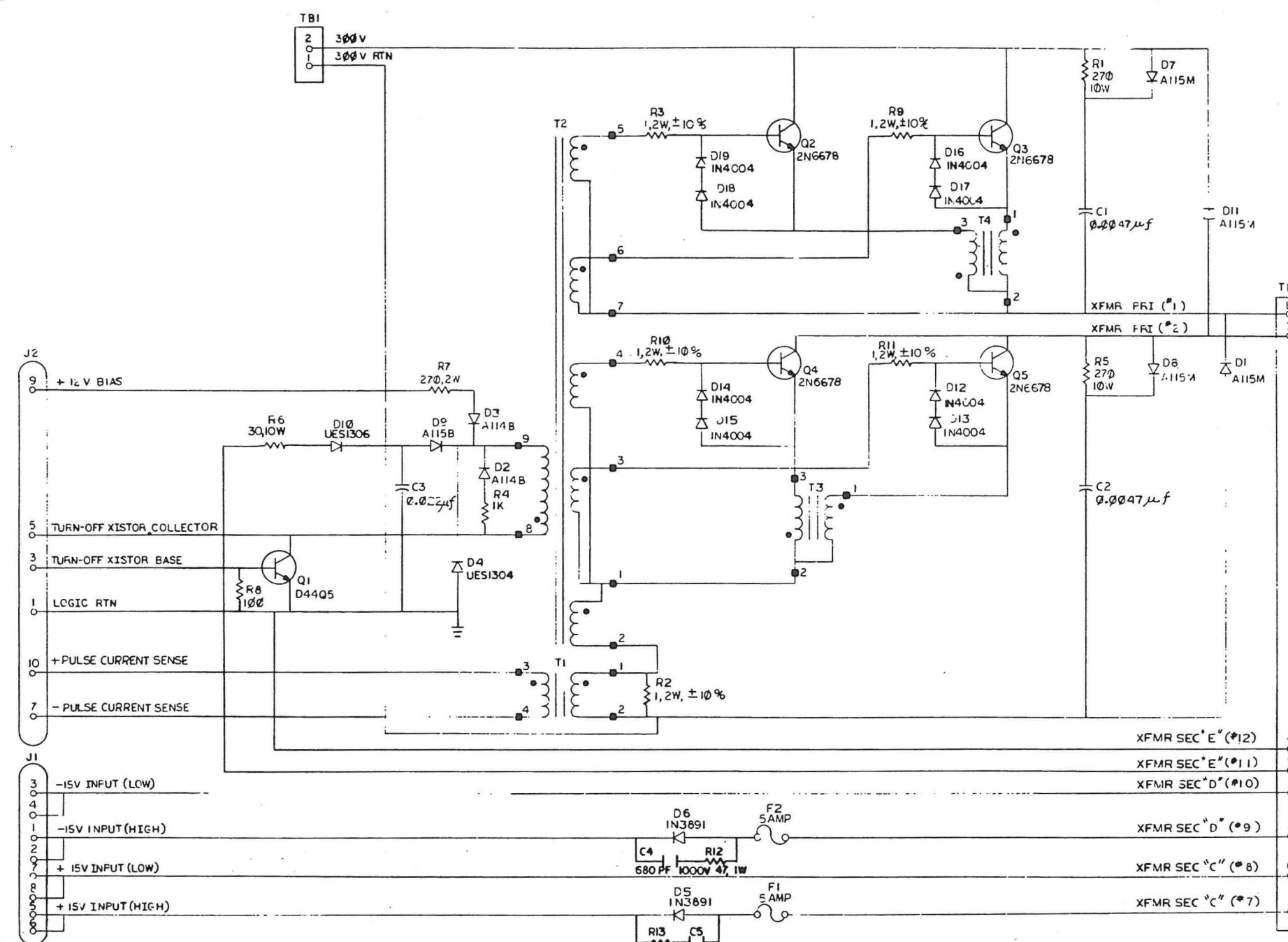
2

TW 1

DUA 54-13599-0-0

THIS DRAWING AND INFORMATION CONTAINED HEREIN IS THE PROPERTY OF THE UNITED STATES GOVERNMENT AND IS LOANED TO YOU BY THE NATIONAL BUREAU OF STANDARDS. IT IS TO BE USED FOR THE PERFORMANCE OF THE WORK FOR WHICH IT WAS LOANED AND IS NOT TO BE REPRODUCED OR TRANSMITTED IN ANY FORM OR BY ANY MEANS, ELECTRONIC OR MECHANICAL, INCLUDING PHOTOCOPYING, RECORDING, OR BY ANY INFORMATION STORAGE AND RETRIEVAL SYSTEM.

1975



- J2
- 9 +12 V BIAS
- 5 TURN-OFF XISTOR COLLECTOR
- 3 TURN-OFF XISTOR BASE
- 1 LOGIC RTN
- 10 + PULSE CURRENT SENSE
- 7 - PULSE CURRENT SENSE
- J1
- 3 -15V INFUT (LOW)
- 4 -15V INFUT (HIGH)
- 1 -15V INFUT (HIGH)
- 2 +15V INFUT (LOW)
- 0 +15V INFUT (HIGH)

- 4 XFMR SEC "E" (#12)
- 3 XFMR SEC "E" (#11)
- 2 XFMR SEC "D" (#10)
- 3 XFMR SEC "D" (#9)
- 6 XFMR SEC "C" (#8)
- 1 XFMR SEC "C" (#7)

DESIGNER	DATE
5413599-TW001 C	10 FEB 60
5413599-TW002 D	10 FEB 60
5413599-TW003 E	10 FEB 60
5413599-TW004 F	10 FEB 60
5413599-TW005 G	10 FEB 60
5413599-TW006 H	10 FEB 60
5413599-TW007 I	10 FEB 60
5413599-TW008 J	10 FEB 60
5413599-TW009 K	10 FEB 60
5413599-TW010 L	10 FEB 60

DRN/164 E	10-2172	FIRST USED ON	10-2172
CHKD		TITLE	LOGIC INVERTER BOARD
ENGR		PROJ. ENG.	
PROD. F.		PROJ. F.	
NEXT HIGHER ASSY.		SCALE	
SHEET 1	OF 1	SIZE	D
		CODE	CS
		NUMBER	5413599-0-1
		REV.	E

QTY PER VARIATION REFERENCE DESIGNATOR

LINE ITEM	DOCUMENT NUMBER	PART NUMBER	DESCRIPTION	QTY PER VARIATION	REFERENCE DESIGNATOR
1	D-MD-5013598-0-0	5013598-00	DRILL & ETCH BD	1	C1,C2
2		1011847-03	.0047 MFD 600V 10% POLYPROP	2	
3		1017913-00	.022 MFD 400V 20% M.POLYPROP	1	C3
4		112594-01	R15B PIV=200 I=3A	1	D9
5		112594-02	R15M PIV=600 I=3A	4	D1,D7,D8,D11
6		1105796-01	5796-PIV=400 I=1A D041	8	D12-D19
7		1112595-01	R114B PIV=200 I=1A	2	D2,D3
8		1110491-20	IN 3891 PIV=200 I=12A D04 SI	2	D5,D6
9	BLANK		*** THIS ITEM IS NOT USED ***	1	F1,F2
10		1205747-00	FUSE, SUB-MINI, 5.000A, 125V, A	2	
11		1216937-00	TERM, SOLDER, .375DIA	2	
12		1214789-00	INSERT, THREAD	8	J1
13		1216108-00	PCB, HEADER 08POS(1X08), 200CC STR	1	J2
14		1216108-01	PCB, HEADER 01POS(1X01), 200CC STR	1	
15		1216269-00	TERM, SPADE, .145STUD SOLDER	10	
16		1216316-00	HEAT SINKS, .02.50X03.9	2	
17		1300229-00	100.0	1	R8
18		1300365-00	1.0 K .25 M 5.0 % CC	1	R4
19		1305380-00	270.0	1	R7
20		1314350-00	1.0	5	R2,R3,R9-R11
21		1305260-00	30.0	1	R6
22		1314344-00	270.0	2	R1,R5
23		1517365-00	2N 6678 NPN 175M 51	4	Q2-Q5
24		1514271-01	D 4405 NPN 31M 51225 30	1	Q1
25		1614202-00	XFRM, CURRENT	1	T1
26		1614203-00	CHOKER, BALUN-COMMON MODE	2	T3,T4
27		1614204-00	PULSE XFRM 20312 BASE DRIVE	1	T2
28		7422046-00	HEAT SINK, SINGLE	1	
29		7422046-01	HEAT SINK	2	
30		9006011-01	SCREW, MACH PAN PHIL	4	

REVISION HISTORY
 BASIC PART NO: 5413599
 DRN: K.FRIEDGEN
 DATE: 20-JUL-79
 TITLE: PARTS LIST
 PARTS LIST

SECTION A OF A
 CHK.D: F.GERRY
 DATE: 20-JUL-79
 TITLE: LOGIC INVERTER BD
 DES.ENG: J.A.HERRMANN
 DATE: 20-JUL-79
 DOCUMENT NUMBER

SECTION, VARIATION INDEX
 MFG.ENG.: F.MUNIZ
 DATE: 20-JUL-79
 K PL 5413599-0-DBP
 REV E
 TOP DOCUMENT NUMBER:
 FILE NAME: 20399E.PLS
 EDIT # 20
 ASSEMBLY NUMBER:
 D-VA-5413599-0-0

THIS DRAWING AND SPECIFICATIONS HEREIN, ARE THE PROPERTY OF DIGITAL EQUIPMENT CORPORATION AND SHALL NOT BE REPRODUCED OR COPIED OR USED IN WHOLE OR IN PART AS THE BASIS FOR THE MANUFACTURE OR SALE OF ITEMS WITHOUT WRITTEN PERMISSION.
 COPYRIGHT (C) 1982, DIGITAL EQUIPMENT CORPORATION

AUTOMATED BY PRTLST.3H(23)

PARTS LIST

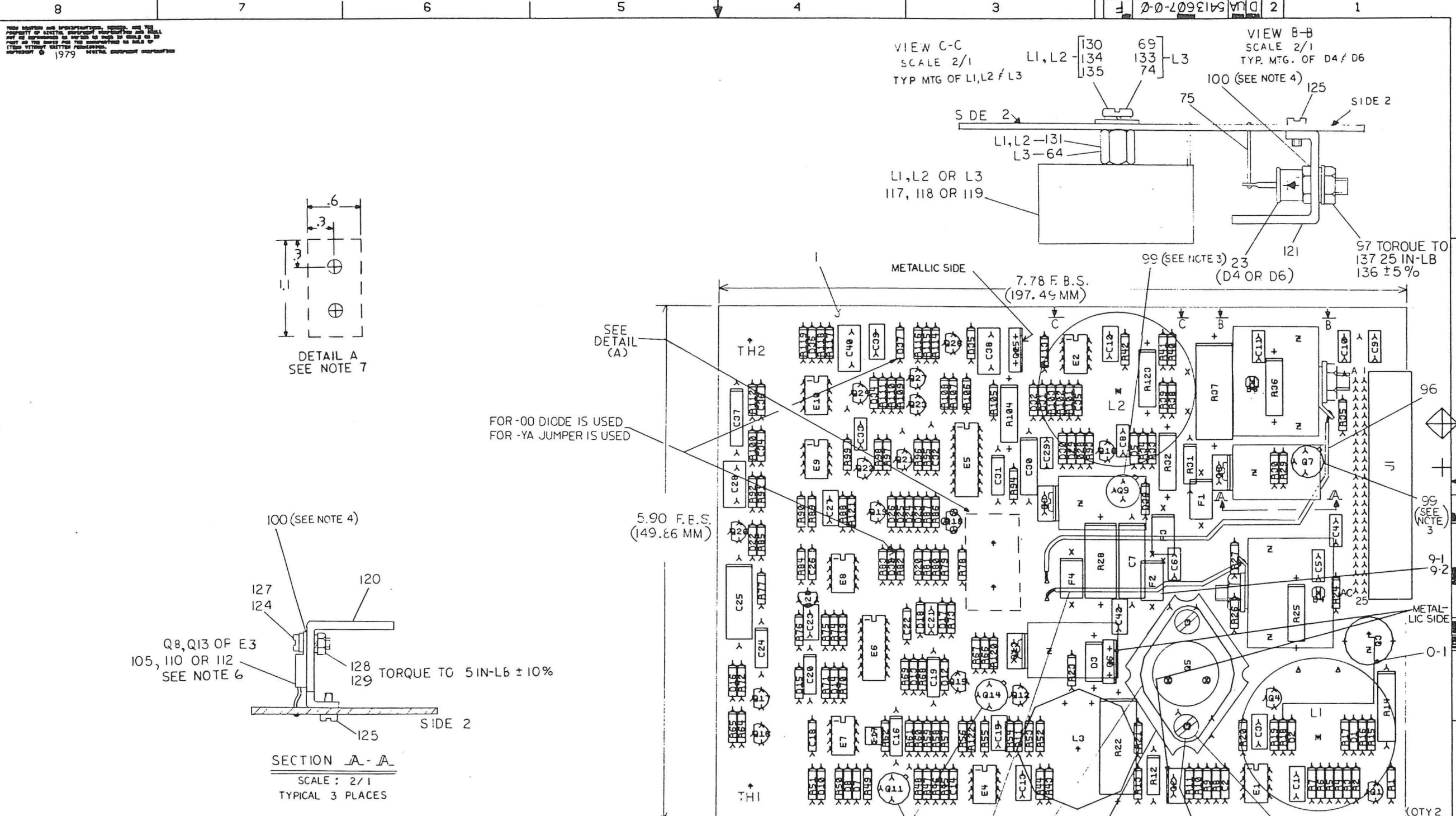
SHEET A2 OF A2

LINE	ITEM	DOCUMENT NUMBER	PART NUMBER	DESCRIPTION	QTY PER VARIATION 00	REFERENCE DESIGNATOR
31	31		9006025-01	SCREW, MACH PAN PHIL 6-	8	
32	32		9006556-00	NUT, HEX 4-40X .264AF SS/N	1	
33	33		9006656-00	WASHER, FLAT STEEL	4	
34	34		9006688-00	WASHER, HELICAL SPLIT SST	1	
35	35		9006735-00	EYELET, FUNNEL 0.05900X0.187	4	
36	36		9007801-00	WASHER, HELICAL SPLIT SST	8	
37	37		9007906-00	WASHER, HELICAL SPLIT STEEL	2	
38	38		9009005-00	NUT, HEX 10-32X .246AF SS/N	2	
39	39		9009676-00	TERM, SOLDER BARRIER STR	4	
40	40		9009769-00	WASHER, RECTNGLR STEEL	1	
41	41		9010128-00	SCREW, TAP PAN PHIL THD RL 4-	3	
42	42		9107560-03	WIRE, BUSS 18AWG TIN BARE	A/R	
43	43		9008268-00	COMPOUND, THERMAL JOINT	A/R	
44	44		1013280-00	680.0 MMF 1000V 5%200PPM MICA	2	04,05
45	45		1302199-00	47.0 1.0 W 5.0 % CC	2	R12, R13
46	46		1115273-01	UES1306 RECTIFIER 400V 5V 50NS	1	D10
47	47		9009798-01	SPACER, CLEAR HOLE RND CERAM .07	2	
48	48		1115273-00	UES 1304 RECTIFIER 200V 6A	1	04

49 NOTE: ITEM #42; .19' IS USED.

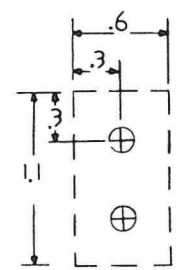
D	I	G	I	T	A	L	TITLE	SECTION A OF A	SIZE	CODE	DOCUMENT NUMBER	REV
							LOGIC INVERTER BD		K	PL	5413599-0-DBP	E

THIS DRAWING AND SPECIFICATIONS, HEREON, ARE THE PROPERTY OF ANALOGIC CORPORATION. NO PART OF THIS DRAWING IS TO BE REPRODUCED OR TRANSMITTED IN ANY FORM OR BY ANY MEANS, ELECTRONIC OR MECHANICAL, INCLUDING PHOTOCOPYING, RECORDING, OR BY ANY INFORMATION STORAGE AND RETRIEVAL SYSTEM, WITHOUT THE WRITTEN PERMISSION OF ANALOGIC CORPORATION.

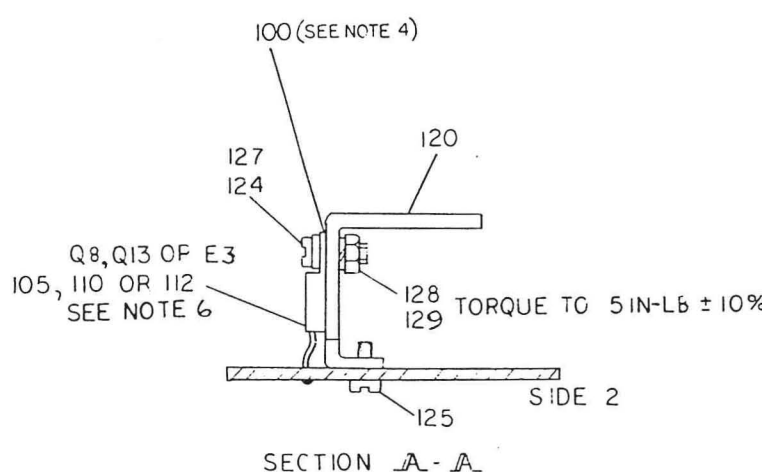


VIEW C-C
SCALE 2/1
TYP. MTG. OF L1, L2 & L3

VIEW B-B
SCALE 2/1
TYP. MTG. OF D4 & D6



DETAIL A
SEE NOTE 7



SECTION A-A
SCALE: 2/1
TYPICAL 3 PLACES

- NOTES:
- R14/R37 MUST BE RAISED .125" TO .150"
 - D3 MUST BE RAISED .05" TO .10"
 - USE TRANSIPADS (ITEM 99) UNDER Q7, Q9, Q11, Q14
 - USE THERMAL CONDUCTIVE (ITEM 100) BETWEEN E3, Q5, Q8, Q13, D4, D6 / HEAT SINK.

STEP	+	Y	AXIS	6.025	STEP	TIMES
REPORT	-	X	AXIS	7.900	STEP	TIMES

CHANGE NO	REV	DATE	BY	CHKD
5413607-TWS	E		R. WOLF	
5413607-TWA	F		S. KNOWLES	

- TORQUE TO 6 IN LB ± 10%
- Q8, Q13, E3, D4, D6 MUST BE MOUNTED TO HEAT SINKS BEFORE BEING ATTACHED TO P.C.B.
- MASK THIS AREA ON SIDE 2 ONLY, KEEP FREE OF SOLDER.

ETCH REV.	D-PI
-----------	------

SIGNATURES		DATE	digital
DRN. P. RICHARD TELLIER		12-27-79	
CHK'D. <i>[Signature]</i>		2-5-80	
MECH. ENG. <i>[Signature]</i>		10-5-80	TITLE
PROJ. ENG. <i>[Signature]</i>		10-5-80	MEMORY REGULATOR
PROD. <i>[Signature]</i>		12-7-80	
SCALE	2/1	SIZE	CODE
SHT.	1 OF 2	NUMBER	REV
NEXT HIGHER REVISION: B-DD-5413607-0		0	UA 5413607-0-0

8 6 5 4 3 2 1

THIS DRAWING AND SPECIFICATIONS HEREIN ARE THE PROPERTY OF DIGITAL EQUIPMENT CORPORATION AND SHALL NOT BE REPRODUCED OR COPIED OR USED IN WHOLE OR IN PART AS THE BASIS FOR THE MANUFACTURE OR SALE OF ITEMS WITHOUT WRITTEN PERMISSION.
 COPYRIGHT © 1969 DIGITAL EQUIPMENT CORPORATION

REWORK INSTRUCTION

WIRE ADD SIDE 1
 0-1 FROM R18 (WRAP WIRE AROUND COMPONENT LEAD) TO Q3 CATHODE (GND) (USE ITEM 144)

REWORK INSTRUCTION

ECO # 9
 COMPONENT DELETE SIDE 1
 9-1 DELETE F2 DEC P/N 12-05747-00.
 COMPONENT ADD SIDE 1
 9-2 ADD F2 DEC P/N 12-10929-09

D
C
B
A

D
C
B
A

REVISION HISTORY		
DATE	ECO NUMBER	REV.

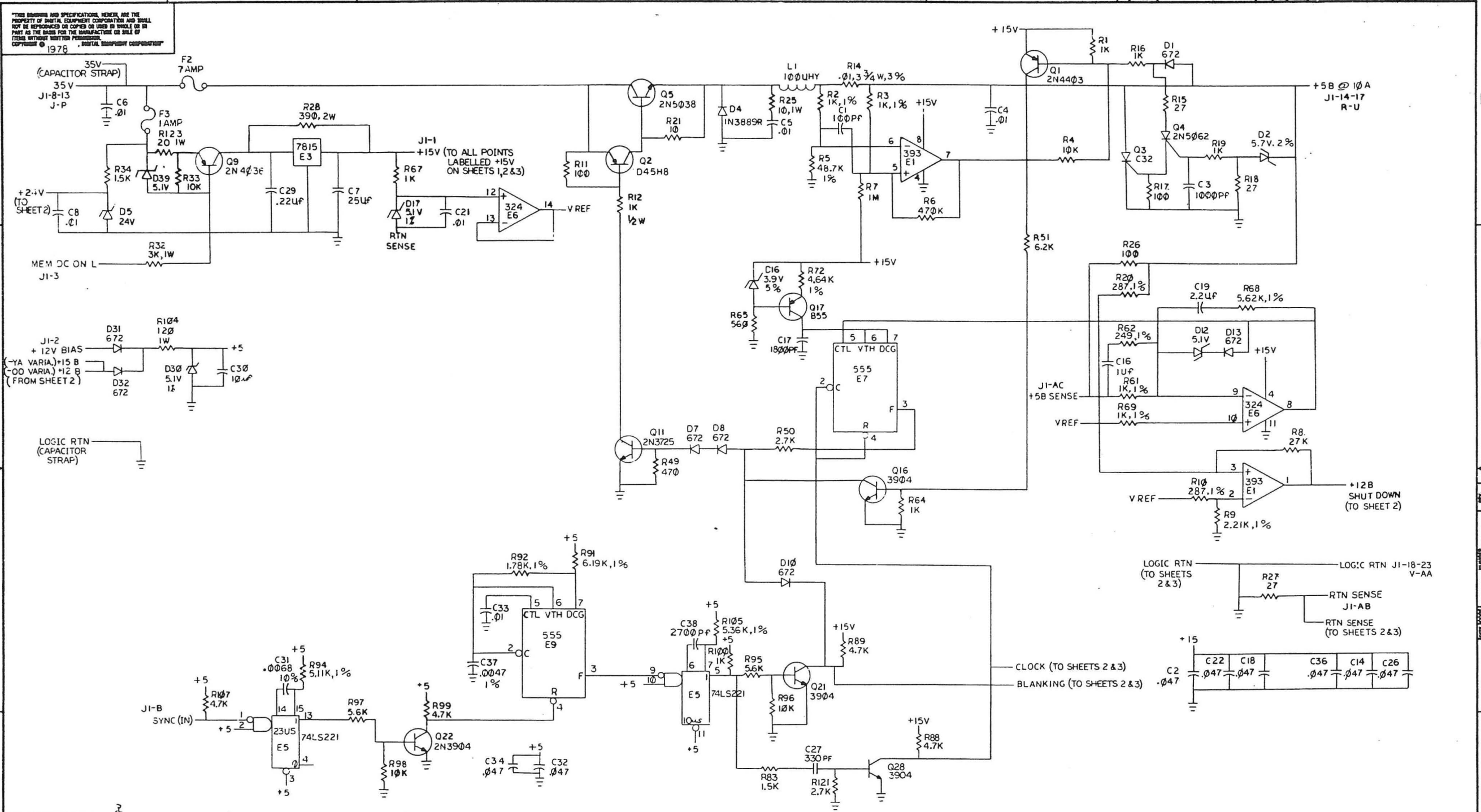
TITLE
 MEMORY REGULATOR

DOCUMENT NUMBER			
SIZE	CODE	NUMBER	REV
D	UA	5413607-0-0	F
SCALE		SHEET 2	OF 2

8 7 6 5 4 3 2 1

REV F
 NUMBER 5413607-0-0
 SIZE CODE D UA

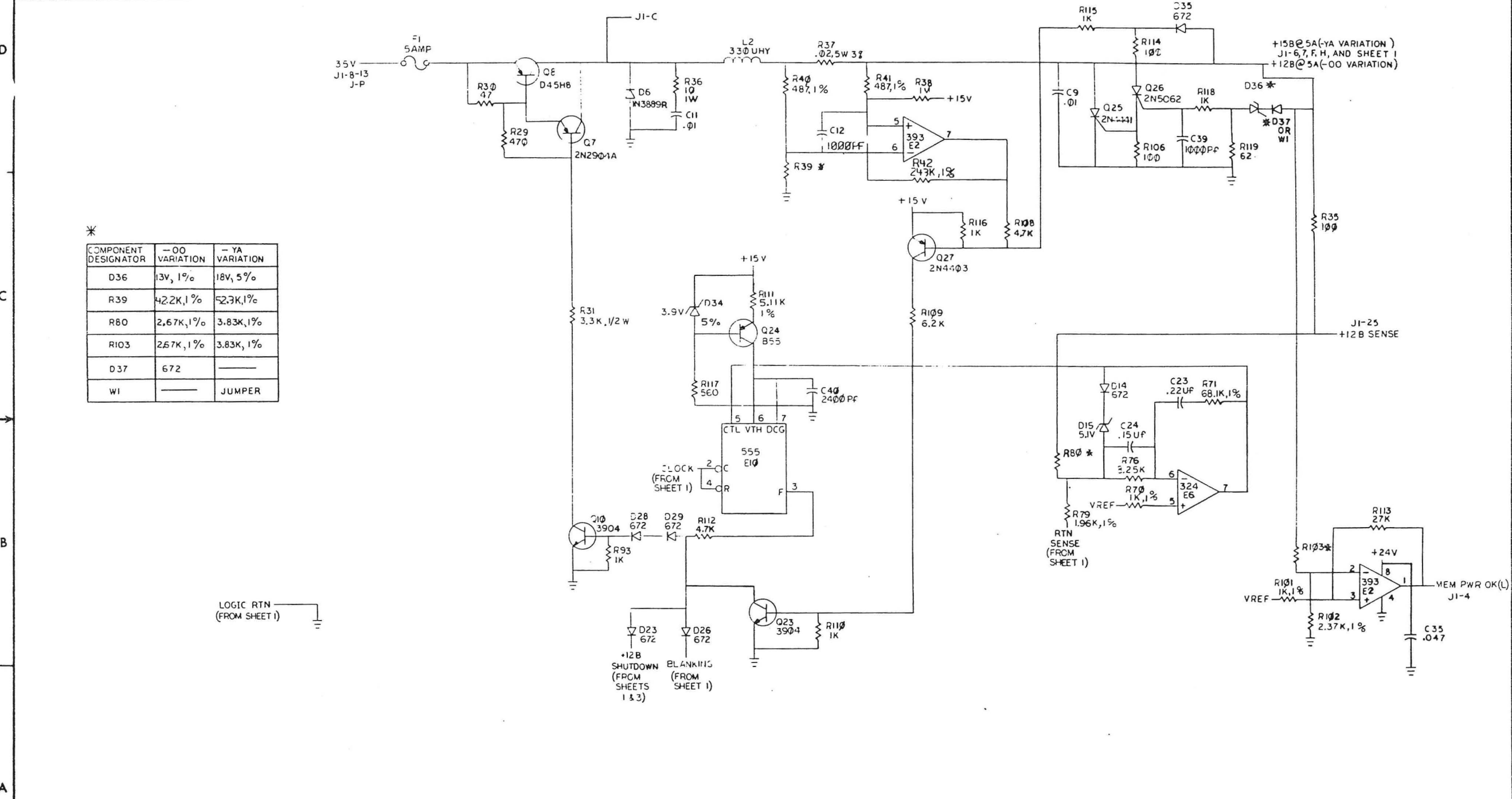
TW 1



REV.	DATE	BY	CHKD.
1	11/15/77	R. W. J.	R. W. J.
2	11/15/77	R. W. J.	R. W. J.
3	11/15/77	R. W. J.	R. W. J.
4	11/15/77	R. W. J.	R. W. J.
5	11/15/77	R. W. J.	R. W. J.
6	11/15/77	R. W. J.	R. W. J.
7	11/15/77	R. W. J.	R. W. J.
8	11/15/77	R. W. J.	R. W. J.

DRN. <i>[Signature]</i>	DATE <i>11/15/77</i>	FIRST USED ON <i>H7140</i>	digital
CHK'D. <i>[Signature]</i>	DATE <i>11/15/77</i>	TITLE	
ENG. <i>[Signature]</i>	DATE <i>11/15/77</i>	MEM REG	
PROJ. ENG. <i>[Signature]</i>	DATE <i>11/15/77</i>	NEXT HIGHER ASSY.	
SCALE	SIZE	CODE	NUMBER
SHEET 1 OF 3	D	CS 5413607-0-1	REV. H

THIS DRAWING AND SPECIFICATIONS HEREIN ARE THE PROPERTY OF DIGITAL EQUIPMENT CORPORATION AND SHALL NOT BE REPRODUCED OR COPIED OR USED IN WHOLE OR IN PART AS THE BASIS FOR THE MANUFACTURE OR SALE OF ITEMS WITHOUT WRITTEN PERMISSION. DIGITAL EQUIPMENT CORPORATION. COPYRIGHT © 1974



*

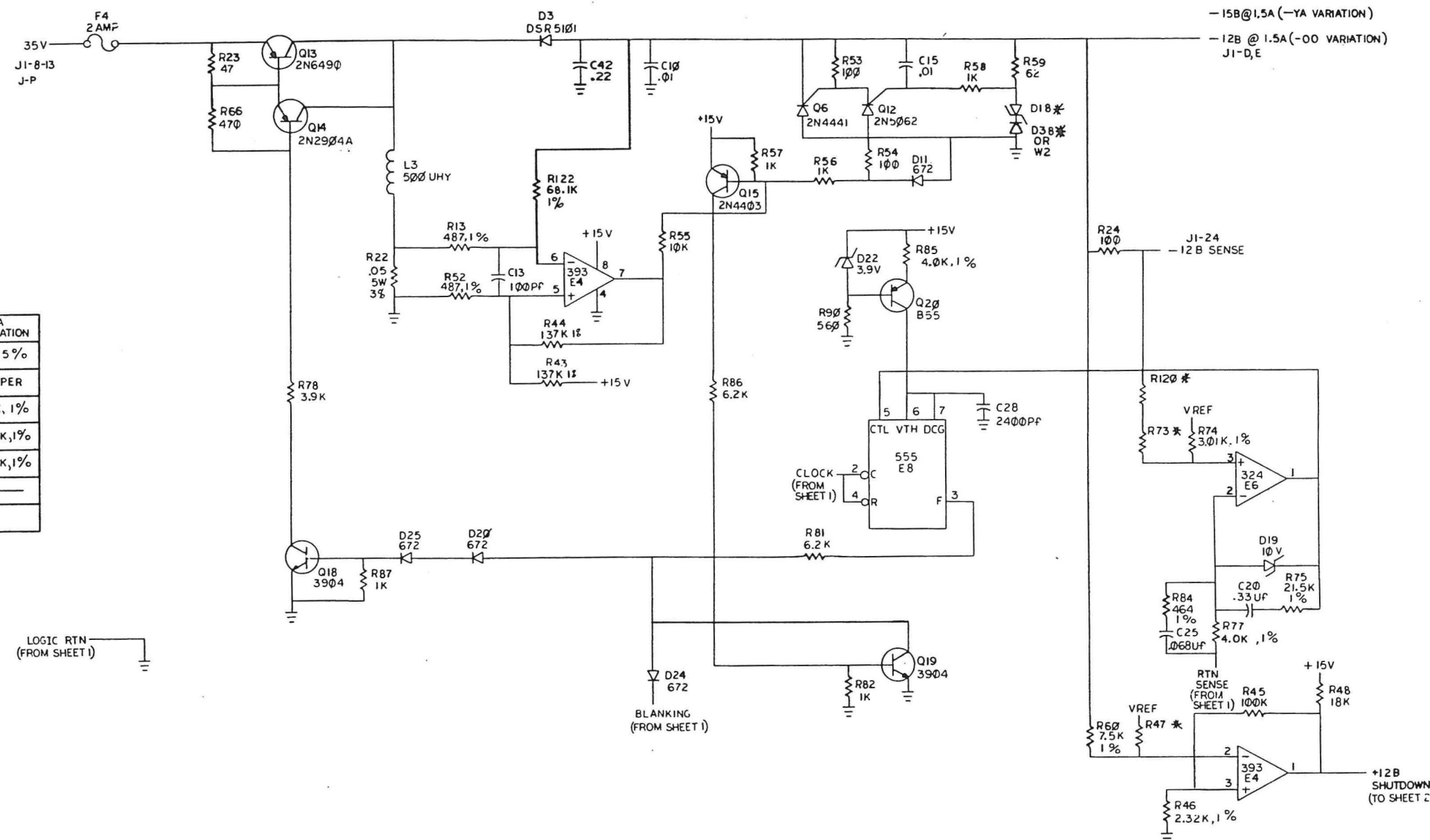
COMPONENT DESIGNATOR	-00 VARIATION	-YA VARIATION
D36	13V, 1%	18V, 5%
R39	42.2K, 1%	52.3K, 1%
R80	2.67K, 1%	3.83K, 1%
R103	2.67K, 1%	3.83K, 1%
D37	672	
W1		JUMPER

THIS DRAWING AND SPECIFICATIONS HEREIN ARE THE PROPERTY OF DIGITAL EQUIPMENT CORPORATION AND SHALL NOT BE REPRODUCED OR COPIED OR USED IN WHOLE OR IN PART AS THE BASIS FOR THE MANUFACTURE OR SALE OF ITEMS WITHOUT WRITTEN PERMISSION. DIGITAL EQUIPMENT CORPORATION © 1978

DCS 5413607-0-1

*

COMPONENT DESIGNATOR	-00 VARIATION	-YA VARIATION
D18	13V, 1%	18V, 5%
W2	—	JUMPER
R47	3.48K, 1%	2.8K, 1%
R73	5.62K, 1%	5.36K, 1%
R120	1.47K, 1%	3.48K, 1%
D38	672	—



LOGIC RTN (FROM SHEET 1)

BLANKING (FROM SHEET 1)

+12B SHUTDOWN (TO SHEET 2)

REVISIONS		
CHK	CHANGE NO.	REV.

TITLE MEM REG
 SCALE SHEET 3 OF 3
 NUMBER DCS 5413607-0-1
 REV. H

DCS 5413607-0-1

LINE ITEM	DOCUMENT NUMBER	PART NUMBER	DESCRIPTION	QTY PER VARIATION		REFERENCE DESIGNATOR
				00	YA	
1	D-MD-5013606-0-0	5013606-00	DRILL & ETCH RD	1	1	
2		1004813-00	10 MFD 20V 10% S.TANT	1	1	C30
3		1000042-00	1000.0 MMF 100V 5%200PPM MICA	2	2	C3,C39
4		1000052-00	.068 MFD 100V 10% MYLR	1	1	C25
5		1000060-00	6800.0 MMF 200V 10% MYLR	1	1	C31
6		1000075-00	25 MFD 25V +75-10% AL EL	1	1	C7
7		1001610-01	.01 MFD50/100V +80-20% DISC	10	10	C4-C6,C8-C11,C21,C33,C15
8		1001776-00	1 MFD 35V 10% S.TANT	1	1	C16
9		1001636-00	2400.0 MMF 100V 5%200PPM MICA	2	2	C28,C40
10		1014170-00	2700.0 MMF 100V 1% 70PPM MICA	1	1	C38
11		1002627-00	2.2MFD 20V 10% S.TANT	1	1	C19
12		1005328-00	.33 MFD 10V 10% S.TANT	1	1	C20
13		1009312-00	.0047 MFD 100V 1% MYLR	1	1	C37
14		1010274-01	.22 MFD 50V +80-20% Z5U CER	1	1	C29
15		1011740-02	1800.0 MMF 50V 10% CER	1	1	C17
16		1011895-00	.15 MFD 35V 10% S.TANT	1	1	C24
17		1012784-00	.047 MFD 50V +80-20% CER	9	9	C2,C14,C18,C22,C26,C32,C34-C36
18		1100122-00	1N 748A VZ= 3.9 5%	3	3	D16,D22,D34
19		1105275-00	D 672 TR= 15NS FIV= 60V SI	19	-	D1,D7,D8,D10,D11,D13,D14,D20, D23-D26,D28,D29,D31,D32,D35,D37, D38
		CONT		-	17	CONT D23-D26,D28,D29,D31,D32,D35
20		1100125-00	1N 758A VZ= 10.0 5% .40W PPE	1	1	D19
21		1105871-00	1/4M5.1AZ1 = 5.1 1% .25W N	3	3	D17,D30,D39
22		1109988-00	1N 964B VZ= 13.0 5% .40W	2	-	D18,D36
23		1110491-01	1N 3889R FIV=50 I=12A D04	2	2	D4,D6
24		1110713-00	SZ710910 VZ= 5.1 2% M	2	2	D12,D15
25		1110836-00	1N 970B VZ= 24.0 5% .40W Y	1	1	D5
26		1111205-00	SCREENED VZ= 5.7 2% .40W	1	1	D2

REVISION HISTORY		BASIC PART NO: 5413607		DRN:	J.FERGUSON	DATE:	06-AUG-80	DIGITAL			
ENG	ECO NUMBER	REV	SECTION A OF A	CHK'D:	J.FERGUSON	DATE:	06-AUG-80	TITLE PARTS LIST			
	TW005	H	SECTION VARIATION INDEX					MEMORY REG			
			[A] 00, YA								
			[B]								
			[C]	DES.ENG:	B.WOLF	DATE:	06-AUG-80				
			[D]								
			[E]								
			[F]	RESP.ENG.:	B.WOLF	DATE:	06-AUG-80	DOCUMENT NUMBER			
			[G]					SIZE	CODE	NUMBER	REV
			[H]								
			[J]								
			[K]	MFG.ENG.:	F.WAITKUS	DATE:	06-AUG-80	K	PL	5413607-0-DRP	H
			[L]								
			[M]	ASSEMBLY NUMBER:		TOP DOCUMENT NUMBER:		FILE NAME:		EDIT #	
			[N]	D-UA-5413607-0-0		R-DD-5413607-0-0		Z0403H.PLS		38	

"THIS DRAWING AND SPECIFICATIONS HEREIN, ARE THE PROPERTY OF DIGITAL EQUIPMENT CORPORATION AND SHALL NOT BE REPRODUCED OR COPIED OR USED IN WHOLE OR IN PART AS THE BASIS FOR THE MANUFACTURE OR SALE OF ITEMS WITHOUT WRITTEN PERMISSION. COPYRIGHT (C) 1980. DIGITAL EQUIPMENT CORPORATION"

TW

LINE	ITEM	DOCUMENT NUMBER	PART NUMBER	DESCRIPTION	QTY	PER	VARIATION	REFERENCE DESIGNATOR
					00	YA		
27	27		1114602-00	UES1302 PIV=100V I= 4A	1	1		D3
28	28		1110968-00	2N 5062 SCR@100V I=.8A T092	3	3		Q4,Q12,Q26
29	29		1010978-40	.22 MFD 50V 10% CER	2	2		C23,C42
30	30		1210929-02	FUSE, SUB-MINI 1.000A, 125V, A	1	1		F3
31	31		1205747-00	FUSE, SUB-MINI, 5.000A, 125V, A	2	2		F1,F2
32	32		1216112-03	HEADER,100 50POS RT ANGLE	1	1		J1
33	33		1305127-00	4.0 K .25 W 1.0 % RN55D-F10	2	2		R77,R85
34	34		1304856-00	4.64 K .25 W 1.0 % RN55D-F10	1	1		R72
35	35		1304854-00	5.11 K .25 W 1.0 % RN55D-F10	2	2		R94,R111
36	36		1300391-00	1.50 K .25 W 5.0 % CC	2	2		R34,R83
37	37		1300316-00	470.0 .25 W 5.0 % CC	3	3		R29,R49,R66
38	38		1300447-00	4.70 K .25 W 5.0 % CC	6	6		R99,R107,R112,R88,R89,R108
39	39		1300229-00	100.0 .25 W 5.0 % CC	9	9		R11,R17,R24,R26,R35,R53,R54, CONT R106,R114
40	40		1301317-00	10.0 .25 W 5.0 % CC	1	1		R21
41	41		1300364-00	1.0 K .50 W 5.0 % CC	1	1		R12
42	42		1300171-00	10.0 1.0 W 5.0 % CC	2	2		R25,R36
43	43		1313014-00	.01 3.75 W 3.0 % WW	1	1		R14
44	44		1301864-00	390.0 2.0 W 5.0 % CC	1	1		R28
45	45		1300479-00	10.0 K .25 W 5.0 % CC	5	5		R4,R33,R55,R96,R98
46	46		1309595-00	1.0 M .25 W 5.0 % CC	2	2		R7,R38
47	47		1303114-00	1.0 K .25 W 1.0 % RN55D-F10	6	6		R2,R3,R61,R69,R70,R101
48	48		1313842-00	48.70 K .25 W 1.0 % RN55D-F10	1	-		R5
			CONT		-	2		R5,R39
49	49		1300365-00	1.0 K .25 W 5.0 % CC	16	16		R1,R16,R19,R56-R58,R64,R67,R82, CONT R87,R93,R100,R110,R115,R116,R118
50	50		1301523-00	27.0 .25 W 5.0 % CC	3	3		R15,R18,R27
51	51		1305114-00	3.48 K .25 W 1.0 % RN55D-F10	1	-		R47
			CONT		-	1		R120
52	52		1301890-00	560.0 .25 W 5.0 % CC	3	3		R65,R90,R117
53	53		1300426-00	2.70 K .25 W 5.0 % CC	2	2		R50,R121
54	54		1211751-00	FUSE, SUB-MINI, 2.000A, 125V, A	1	1		F4
55	55		1305128-00	5.62 K .25 W 1.0 % RN55D-F10	2	-		R68,R73
			CONT		-	1		R68
56	56		1303044-00	100.0 K .25 W 1.0 % RN55D-F10	1	1		R45
57	57		1309787-00	249.0 .25 W 1.0 % RN55E-F 2	1	1		R62
58	58		1310876-03	.05 5.0 W 3.0 % WW	1	1		R22
59	59		1305124-00	287.0 .25 W 1.0 % RN55D-F10	2	2		R10,R20
60	60		1310631-00	2.21 K .25 W 1.0 % RN55D-F10	1	1		R9
61	61		1313341-00	5.36 K .25 W 1.0 % RN55D-F10	1	-		R105
			CONT		-	2		R105,R73
62	62		1302612-00	1.78 K .25 W 1.0 % RN55D-F10	1	1		R92
63	63		1300202-00	47.0 .25 W 5.0 % CC	2	2		R23,R30
64	64		9006801-00	SPACER, HEX, ALUM, .138 ID X .3	1	1		
65	65		1311845-00	487.0 .25 W 1.0 % RN55D-F10	4	4		R13,R40,R41,R52
66	66		1305265-00	39.20 K .25 W 1.0 % RN55D-F10	1	-		R39
67	67		1310876-00	.02 5.0 W 3.0 % WW	1	1		R37
68	68		1312984-00	187.0 K .25 W 1.0 % RN55D-F10	1	1		R42

D	I	G	I	T	A	L	TITLE	SECTION A	OF A	SIZE	CODE	DOCUMENT NUMBER	REV
							MEMORY REG			K	PL	5413607-0-DBP	H

TW

LINE	ITEM	DOCUMENT NUMBER	PART NUMBER	DESCRIPTION	QTY	PER	VARIATION	REFERENCE DESIGNATOR
					00	YA		
69	69		9006026-01	SCREW,PAN,PHIL 6-32X 3/4 SS	1	1		
70	70		1300440-00	3.30 K .50 W 5.0 % CC	1	1		R31
71	71		1312929-00	62.0 .25 W 5.0 % CC	2	2		R59,R119
72	72		1305252-00	68.10 K .25 W 1.0 % RN55D-F10	2	2		R71,R122
73	73		1305325-00	8.25 K .25 W 1.0 % RN55D-F10	1	1		R76
74	74		9006653-00	WASHER, FLAT, .375 O.D. X .156 I	1	1		
75	75		9107560-03	WIRE,BUSS,18AWG	A/R	A/R		
76	76		1305346-00	27.0 K .25 W 5.0 % CC	2	2		R8,R113
77	77		1310634-00	2.67 K .25 W 1.0 % RN55D-F10	2	-		R80,R103
78	78		1310632-00	2.37 K .25 W 1.0 % RN55D-F10	1	1		R102
79	79		1301874-00	5.60 K .25 W 5.0 % CC	2	2		R95,R97
80	80		1300444-00	3.90 K .25 W 5.0 % CC	1	1		R78
81	81	BLANK		*** THIS ITEM IS NOT USED ***	-	-		
82	82		1303155-00	21.50 K .25 W 1.0 % RN55D-F10	1	1		R75
83	83		1314041-00	3.01 K .25 W 1.0 % RN55D-F10	1	1		R74
84	84		1312931-00	6.20 K .25 W 5.0 % CC	4	4		R51,R81,R86,R109
85	85		1000016-00	100.0 MMF 100V 5%200PPM MICA	3	3		C1,C12,C13
86	86		1304833-00	1.96 K .25 W 1.0 % RN55D-F10	1	1		R79
87	87		1305322-00	7.50 K .25 W 1.0 % RN55D-F10	1	1		R60
88	88		1312545-00	2.32 K .25 W 1.0 % RN55D-F10	1	1		R46
89	89		1300433-00	3.0 K 1.0 W 5.0 % CC	1	1		R32
90	90		1302398-00	470.0 K .25 W 5.0 % CC	1	1		R6
91	91		1000023-00	330.0 MMF 100V 5%200PPM MICA	1	1		C27
92	92		1302465-00	18.0 K .25 W 5.0 % CC	1	1		R48
93	93		1303047-00	464.0 .25 W 1.0 % RN55D-F10	1	1		R84
94	94		1305422-00	137.0 K .25 W 1.0 % RN55D-F10	2	2		R43,R44
95	95		1301838-00	120.0 1.0 W 5.0 % CC	1	1		R104
96	96		9107370-00	WIRE,STRND,14AWG,IPVC UL1534	A/R	A/R		
97	97		9008150-00	TERM LUG 1POS LOCKING,SOLDER	2	2		
98	98	BLANK		*** THIS ITEM IS NOT USED ***	-	-		
99	99		9007201-00	TRANSIFADS #10253	4	4		
100	100		9008268-00	COMPOUND, THERMAL JOINT	A/R	A/R		
101	101		1510928-00	C32AX135 SCR@100V I=25A	1	1		Q3
102	102		1505867-00	2N 4441 SCR@ 50V & 8A	2	2		Q6,Q25
103	103		1305108-00	1.47 K .25 W 1.0 % RN55D-F10	1	-		R120
104	104		1510969-00	2N 5038 NPN 140WC SI 90 50 Y	1	1		Q5
105	105		1510708-00	D 45H8 PNP 50WT SI 60 60 Y	2	2		Q2,Q8
106	106		1510959-00	2N 3725 NPN 3.5WC SI 50 60 P	1	1		Q11
107	107		1510706-01	B 55 PNP 500MW SI 60 50	3	3		Q17,Q20,Q24
108	108		1513490-00	2N 4403 PNP 350MW SI-40 30	3	3		Q1,Q15,Q27
109	109		1509524-00	2N 3904 NPN 310MW SI 40 40 M	8	8		Q10,Q16,Q18,Q19,Q21,Q22,Q23,Q28
110	110		1512652-00	2N 6490 PNP 50W SI 60 40	1	1		Q13
111	111		1501913-00	2N 2904A PNP 600MW SI 60 40 Y	2	2		Q7,Q14
112	112		1914473-02	7815A VOLT REG, FIX +15V	1	1		E3
113	113		1914156-00	LM 393 VOLT.COMPARATOR DUAL	3	3		E1,E2,E4
114	114		1912107-00	324 OP AMP,QUAD	1	1		E6
115	115		1911944-00	555CN TIMER,FUNCT.BLOCK	4	4		E7-E10
116	116		1912858-00	LS221 ONE SHOT-DUAL,SCHMIT	1	1		E5

! D ! I ! G ! I ! ! ! A ! L !	! TITLE	! SECTION A OF A	! SIZE ! CODE !	! DOCUMENT NUMBER	! REV !
! ! ! ! ! ! ! !	MEMORY REG	! ! ! ! ! ! ! !	! K ! FL !	5413607-0-DBP	! H !

TW

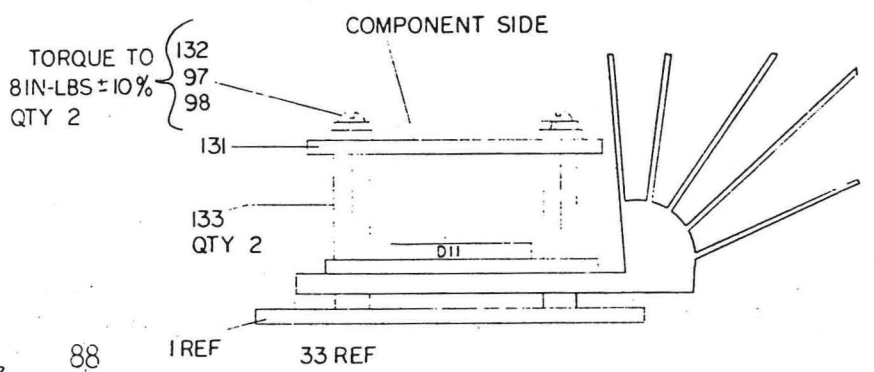
LINE	ITEM	DOCUMENT NUMBER	PART NUMBER	DESCRIPTION	QTY	PER	VARIATION	REFERENCE DESIGNATOR
					00	YA		
117	117		1616212-00	80.0 UH 12.5A	1	1		L1
118	118		1616210-00	250.0 UH @ 6.5A DC, 600,0 UH @	1	1		L2
119	119		1616211-00	350.0 UH 3A	1	1		L3
120	120		7422046-00	HEAT SINK, SINGLE	3	3		
121	121		7422047-01	HEAT SINK DOUBLE	2	2		
122	122		1213426-03	HEAT SINK TO-3 1" HIGH	1	1		
123	123		1214789-00	INSERT, THREADED 6-32, BRASS, ELEC	2	2		
124	124		9009769-00	WASHER, RECTANGULAR .405X.225X.0	3	3		
125	125		9010128-00	SCREW, TAPPING, TYPE PAN, PHIL,	7	7		
126	126		9006024-01	SCREW, PAN, PHIL 6-32X 1/2 SS	2	2		
127	127		9006011-01	SCREW, PAN, PHIL 4-40X 3/8 SS	3	3		
128	128		9006689-00	WASHER, LOCK, S.S. #4	3	3		
129	129		9006556-00	NUT, HEX, 4-40X1/4 AF X 3/	3	3		
130	130		9006041-01	SCREW, PAN, PHIL 8-32X 3/4 SS	2	2		
131	131		9006802-00	SPACER, HEX, ALUM, .164 ID X .3	2	2		
132	132		9006656-00	WASHER, FLAT, .312 O.D. X .156 I	2	2		
133	133		9007801-00	WASHER, LOCK, S.S. #6	3	3		
134	134		9006690-00	WASHER, LOCK, S.S. #8	2	2		
135	135		9006660-00	WASHER, FLAT, .375 O.D. X .187 I	2	2		
136	136		9009005-00	NUT, HEX, 10-32 X1/4 AF X 3	2	2		
137	137		9007906-00	WASHER, LOCK S.S. #10	2	2		
138	138		9009185-00	JUMPER, WIRE, INSULATED, BLACK B.	-	2		W1, W2
139	139	BLANK		*** THIS ITEM IS NOT USED ***	-	-		
140	140		1509700-00	2N 4036 PNP 7WC SI 80100 M	1	1		Q9
141	141	BLANK		*** THIS ITEM IS NOT USED ***	-	-		
142	142		1314187-00	6.19 K .25 W 1.0 % RN55D-F10	1	1		R91
143	143	BLANK		*** THIS ITEM IS NOT USED ***	-	-		
144	144		9107688-55	WIRE(WRAP)24AWG UL1327	A/R	A/R		
145	145		1110756-00	1N 5248B VZ= 18.0 5% .50W	-	2		D18, D36
146	146		1309413-00	3.83 K .25 W 1.0 % RN55D-F10	-	2		R80, R103
147	147		1305145-00	2.80 K .25 W 1.0 % RN55D-F10	-	1		R47
148	148		1312993-00	20.0 1.0 W 5.0 % CC	1	1		R123

149 NOTE: ITEM #75; .17' IS USED.
 150 NOTE: ITEM #144; .19' IS USED.
 151 NOTE: ITEM #96; .56' IS USED.

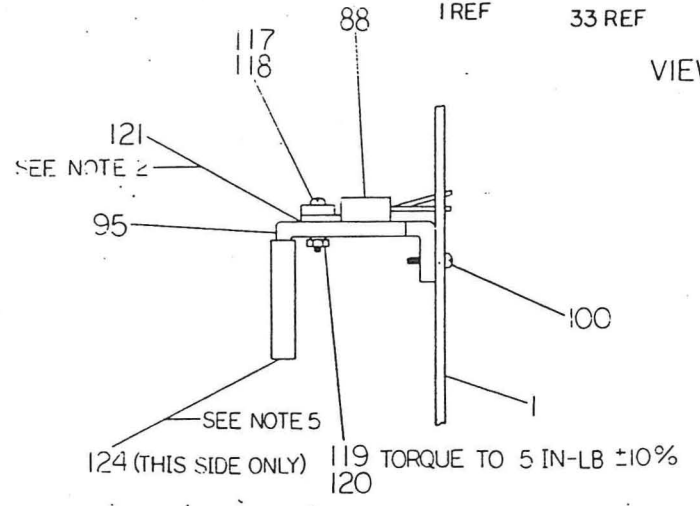
DI	IG	IT	AL	TITLE	SECTION A OF A	SIZE	CODE	DOCUMENT NUMBER	REV
				MEMORY REG		K	PL	5413607-0-DBF	H

TW

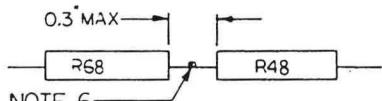
COMPONENT SIDE VIEW



VIEW F-F



VIEW C-C SCALE: 2/1

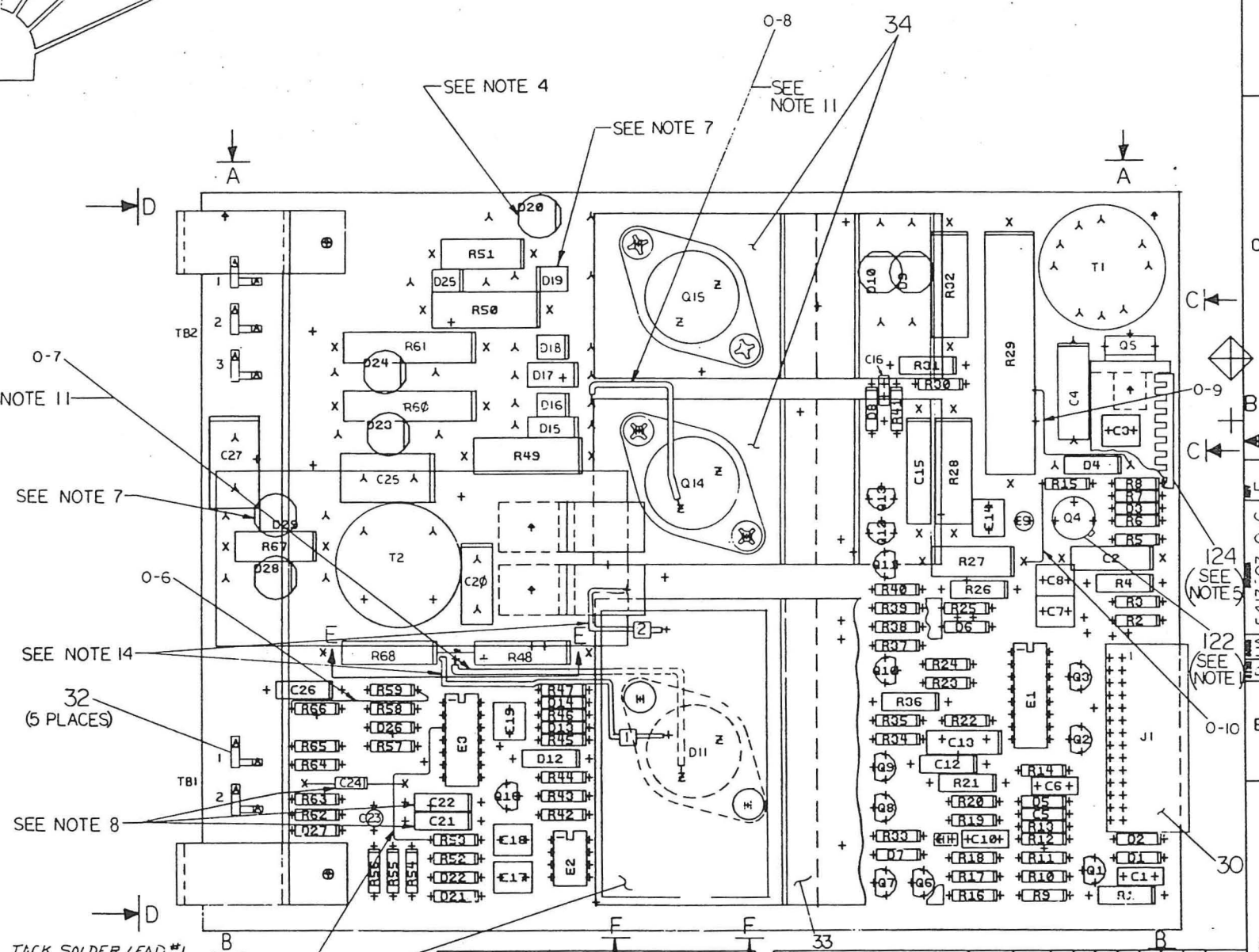


VIEW E-E SCALE 2/1

- 5 APPLY GROMMET (ITEM 124) TO HEAT SINK (ITEM 95) USING PERMABOND (ITEM 126). (USE ONLY ON SIDE INDICATED)
- 6 R48 & R68 ARE CONNECTED BY TWISTING ONE LEAD OF R68 WITH ONE LEAD OF R48 AND SOLDERING. THE SPECIFIED SPACING BETWEEN THE BODIES OF THE RESISTORS MUST NOT BE EXCEEDED AND ALL EXTRA LEAD MATERIAL MUST BE REMOVED.
- 7 D19 & D29 HAVE CATHODES IN OPPOSITE DIRECTION TO OTHER DIODES ON BOARD.
- 8 APPLY INSULATING SLEEVING (ITEM 127) TO EACH LEAD OF C24, C22 & C21
- 9 POSITIVE TERMINAL OF CAP: C28 (ITEM 16) IS CONNECTED TO THIS CAPACITOR STRAP (ITEM 109).
- 10 NEGATIVE TERMINAL OF CAPACITOR C28 (ITEM 16) IS CONNECTED TO THIS CAPACITOR STRAP (ITEM 109).
- 11 USE 22 AWG BUS WIRE (ITEM 129) AND APPLY INSULATING SLEEVING (ITEM 127) TO REWORK INSTRUCTION *0-7 & 0-8
- 12 REMOVE ENTIRE ETCH BETWEEN CUT MARKS FOR REWORK INSTRUCTIONS *0-1, 0-2 & 0-4.
- 13 Q5 MUST BE MOUNTED TO HEATSINK BEFORE BEING ATTACHED TO P.C.B.
- 14 TACK SOLDER LEAD #1 TO ETCH UNDER R68 AND USE PTH NEAR HEATSINK (ITEM 33) FOR LEAD #2.

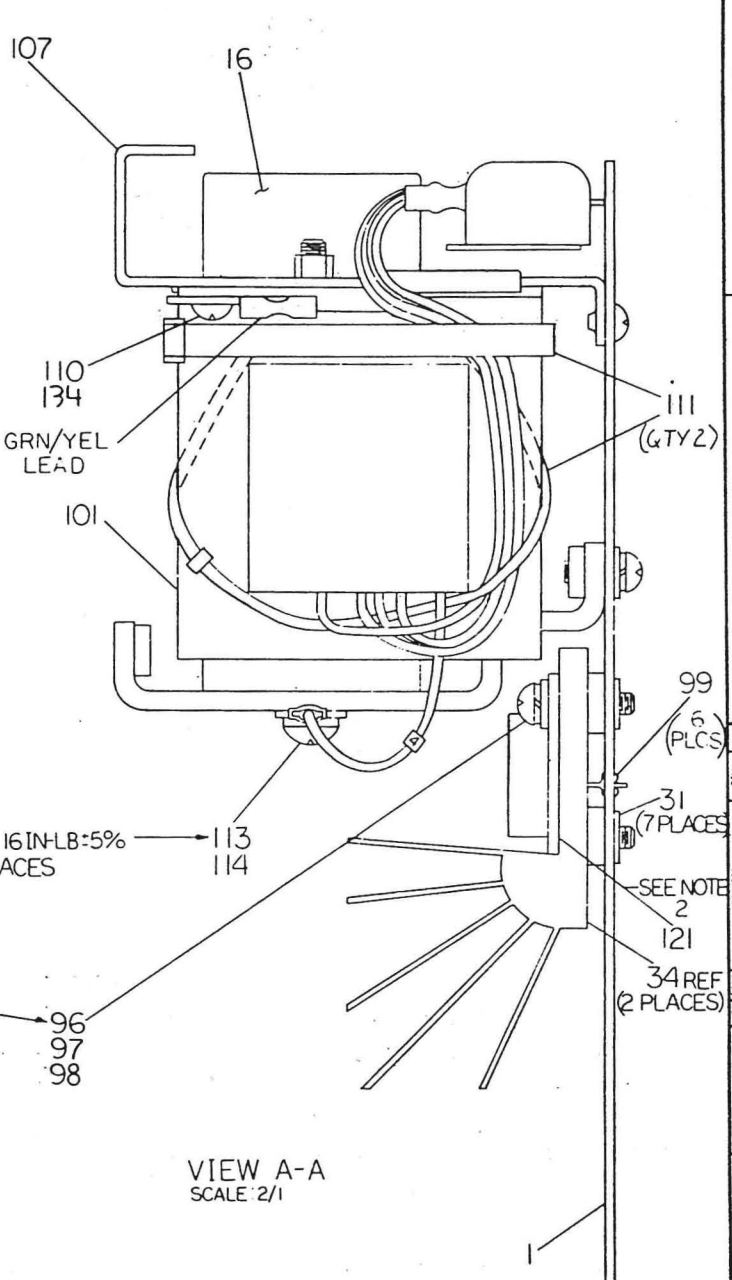
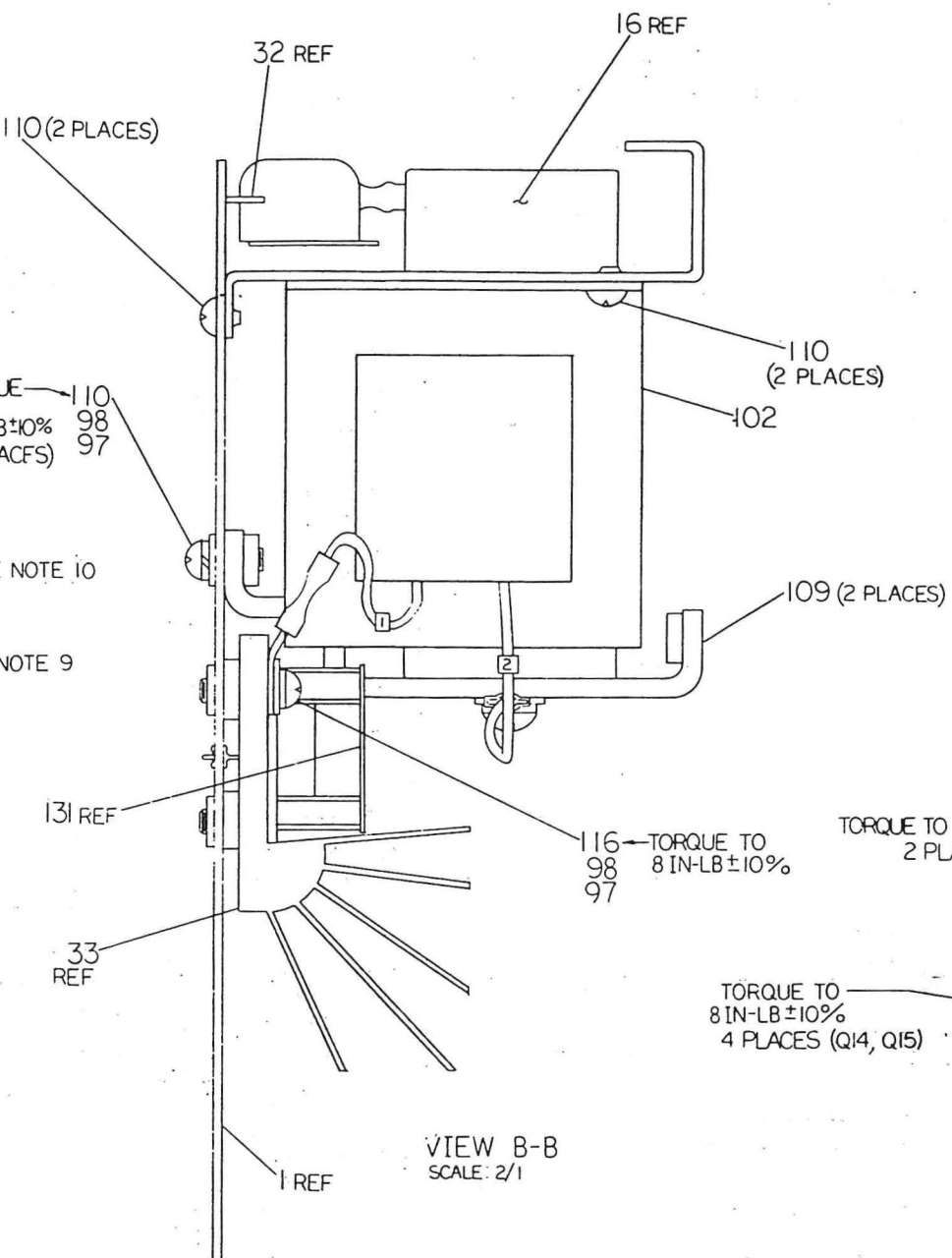
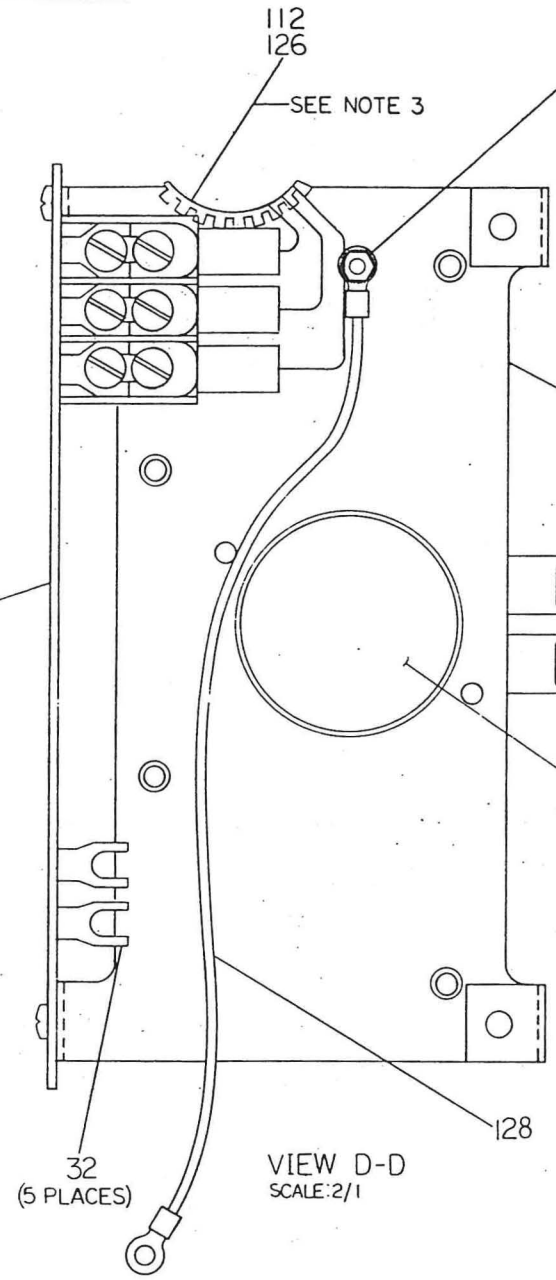
NOTES: 1 USE TRANSIPAD (ITEM 122) UNDER Q4
 2 USE THERMAL COMPOUND (ITEM 121) BETWEEN D11, Q5, Q14, Q15 AND HEAT SINKS
 3 APPLY GROMMET (ITEM 112) TO XFMR MTG. BKT (ITEM 107) USING PERMABOND (ITEM 126). (APPLY ONLY IN AREA INDICATED)
 4 RAISE P25, R48, R61, R61, R32, R49, R67, D9, R68, D20, D23, D24, D28 AND D29 .100 TO .150 OFF PC BOARD.

CHANGE NO	REV	DATE	BY	CHKD	APP'D	REASON
1/2	1	7-27-73	R. HEATON			
1/2	2	7-27-73	R. HEATON			
1/2	3	7-27-73	R. HEATON			
1/2	4	7-27-73	R. HEATON			
1/2	5	7-27-73	R. HEATON			
1/2	6	7-27-73	R. HEATON			
1/2	7	7-27-73	R. HEATON			
1/2	8	7-27-73	R. HEATON			
1/2	9	7-27-73	R. HEATON			
1/2	10	7-27-73	R. HEATON			
1/2	11	7-27-73	R. HEATON			
1/2	12	7-27-73	R. HEATON			
1/2	13	7-27-73	R. HEATON			
1/2	14	7-27-73	R. HEATON			
1/2	15	7-27-73	R. HEATON			
1/2	16	7-27-73	R. HEATON			
1/2	17	7-27-73	R. HEATON			
1/2	18	7-27-73	R. HEATON			
1/2	19	7-27-73	R. HEATON			
1/2	20	7-27-73	R. HEATON			
1/2	21	7-27-73	R. HEATON			
1/2	22	7-27-73	R. HEATON			
1/2	23	7-27-73	R. HEATON			
1/2	24	7-27-73	R. HEATON			
1/2	25	7-27-73	R. HEATON			
1/2	26	7-27-73	R. HEATON			
1/2	27	7-27-73	R. HEATON			
1/2	28	7-27-73	R. HEATON			
1/2	29	7-27-73	R. HEATON			
1/2	30	7-27-73	R. HEATON			
1/2	31	7-27-73	R. HEATON			
1/2	32	7-27-73	R. HEATON			
1/2	33	7-27-73	R. HEATON			
1/2	34	7-27-73	R. HEATON			
1/2	35	7-27-73	R. HEATON			
1/2	36	7-27-73	R. HEATON			
1/2	37	7-27-73	R. HEATON			
1/2	38	7-27-73	R. HEATON			
1/2	39	7-27-73	R. HEATON			
1/2	40	7-27-73	R. HEATON			
1/2	41	7-27-73	R. HEATON			
1/2	42	7-27-73	R. HEATON			
1/2	43	7-27-73	R. HEATON			
1/2	44	7-27-73	R. HEATON			
1/2	45	7-27-73	R. HEATON			
1/2	46	7-27-73	R. HEATON			
1/2	47	7-27-73	R. HEATON			
1/2	48	7-27-73	R. HEATON			
1/2	49	7-27-73	R. HEATON			
1/2	50	7-27-73	R. HEATON			
1/2	51	7-27-73	R. HEATON			
1/2	52	7-27-73	R. HEATON			
1/2	53	7-27-73	R. HEATON			
1/2	54	7-27-73	R. HEATON			
1/2	55	7-27-73	R. HEATON			
1/2	56	7-27-73	R. HEATON			
1/2	57	7-27-73	R. HEATON			
1/2	58	7-27-73	R. HEATON			
1/2	59	7-27-73	R. HEATON			
1/2	60	7-27-73	R. HEATON			
1/2	61	7-27-73	R. HEATON			
1/2	62	7-27-73	R. HEATON			
1/2	63	7-27-73	R. HEATON			
1/2	64	7-27-73	R. HEATON			
1/2	65	7-27-73	R. HEATON			
1/2	66	7-27-73	R. HEATON			
1/2	67	7-27-73	R. HEATON			
1/2	68	7-27-73	R. HEATON			
1/2	69	7-27-73	R. HEATON			
1/2	70	7-27-73	R. HEATON			
1/2	71	7-27-73	R. HEATON			
1/2	72	7-27-73	R. HEATON			
1/2	73	7-27-73	R. HEATON			
1/2	74	7-27-73	R. HEATON			
1/2	75	7-27-73	R. HEATON			
1/2	76	7-27-73	R. HEATON			
1/2	77	7-27-73	R. HEATON			
1/2	78	7-27-73	R. HEATON			
1/2	79	7-27-73	R. HEATON			
1/2	80	7-27-73	R. HEATON			
1/2	81	7-27-73	R. HEATON			
1/2	82	7-27-73	R. HEATON			
1/2	83	7-27-73	R. HEATON			
1/2	84	7-27-73	R. HEATON			
1/2	85	7-27-73	R. HEATON			
1/2	86	7-27-73	R. HEATON			
1/2	87	7-27-73	R. HEATON			
1/2	88	7-27-73	R. HEATON			
1/2	89	7-27-73	R. HEATON			
1/2	90	7-27-73	R. HEATON			
1/2	91	7-27-73	R. HEATON			
1/2	92	7-27-73	R. HEATON			
1/2	93	7-27-73	R. HEATON			
1/2	94	7-27-73	R. HEATON			
1/2	95	7-27-73	R. HEATON			
1/2	96	7-27-73	R. HEATON			
1/2	97	7-27-73	R. HEATON			
1/2	98	7-27-73	R. HEATON			
1/2	99	7-27-73	R. HEATON			
1/2	100	7-27-73	R. HEATON			



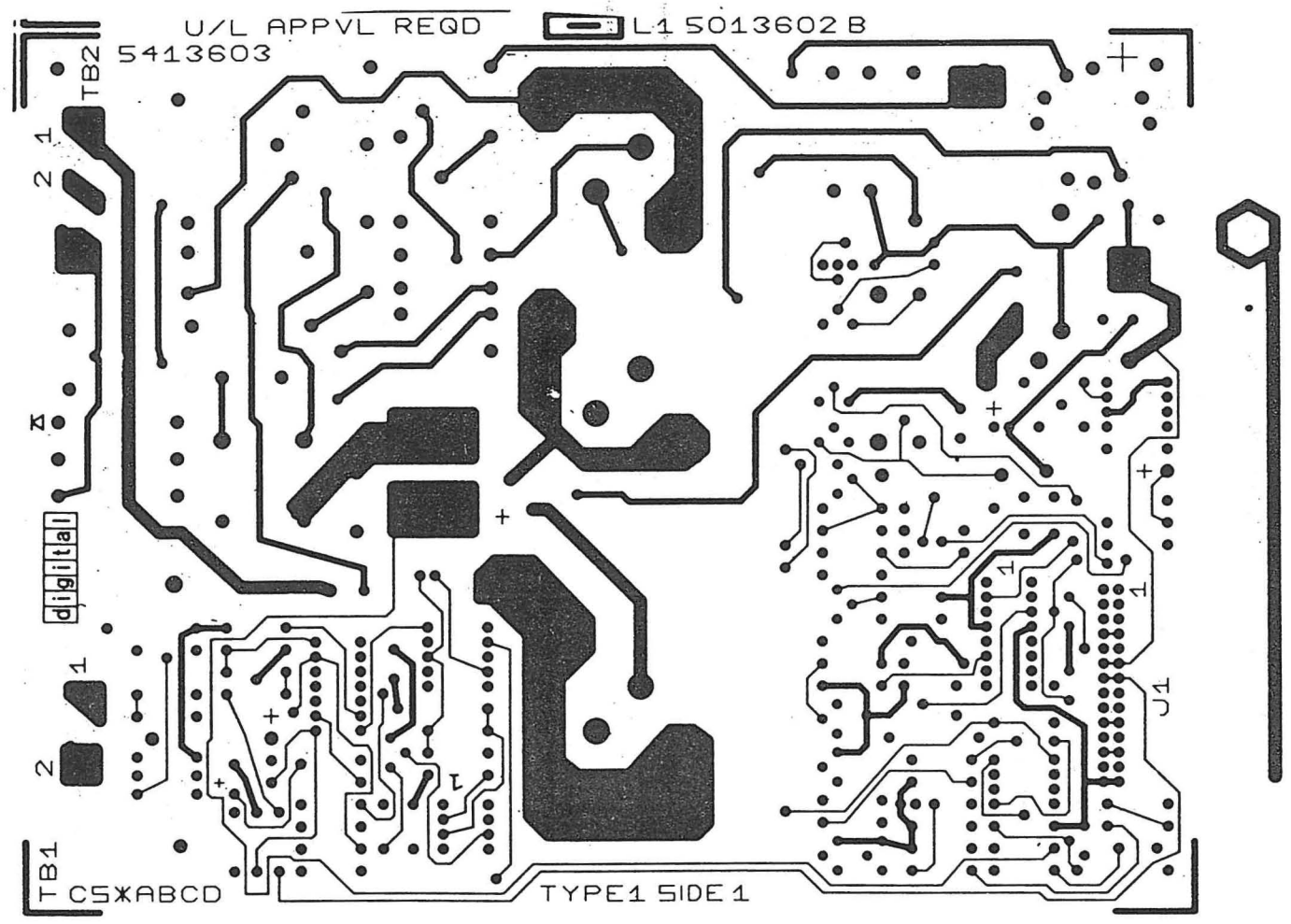
SIGNATURES	DATE	TITLE
DRN. [Signature]	7-27-73	digital
CHK. [Signature]	7-27-73	MEMORY INVERTER
ENG. [Signature]	7-27-73	
PROD. [Signature]	7-15-73	
SCALE 2/1		SIZE CODE NUMBER
SHT. 1 OF 5		d UJA 5413603-0-0 F
NEXT HIGHER ASSY.		

"THIS DRAWING AND SPECIFICATIONS HEREIN ARE THE PROPERTY OF DIGITAL EQUIPMENT CORPORATION AND SHALL NOT BE REPRODUCED OR COPIED OR USED IN WHOLE OR IN PART AS THE BASIS FOR THE MANUFACTURE OR SALE OF ITEMS WITHOUT WRITTEN PERMISSION. COPYRIGHT © 1979 DIGITAL EQUIPMENT CORPORATION"



REVISIONS		
CHK	CHANGE NO.	REV.

"THIS DRAWING AND SPECIFICATIONS HEREIN ARE THE PROPERTY OF DIGITAL EQUIPMENT CORPORATION AND SHALL NOT BE REPRODUCED OR COPIED OR USED IN WHOLE OR IN PART AS THE BASIS FOR THE MANUFACTURE OR SALE OF ITEMS WITHOUT WRITTEN PERMISSION. COPYRIGHT © 1968 DIGITAL EQUIPMENT CORPORATION"

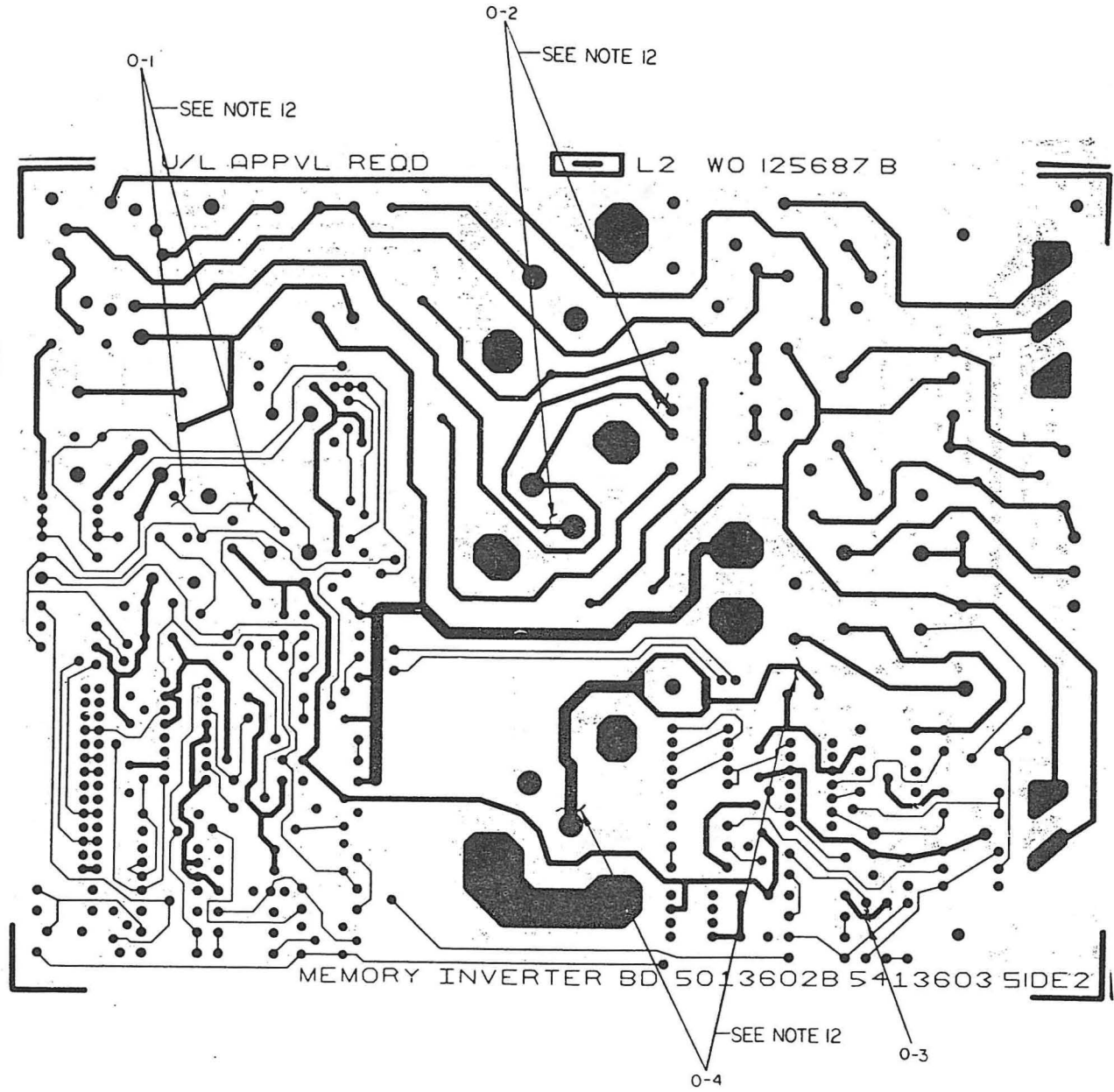


REVISIONS		
CHK	CHANGE NO.	REV.

TITLE	SIZE CODE	NUMBER	REV.
MEMORY INVERTER	D UA	5413603-0-0	F
SCALE 2/1	SHEET 3 OF 5	DIST.	

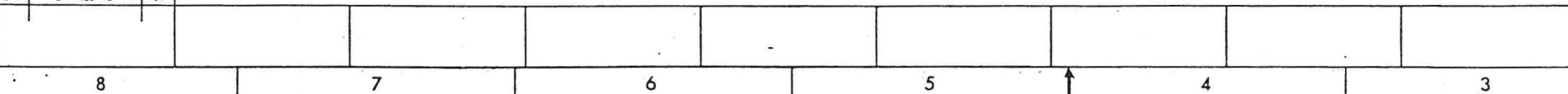
D UA 5413603-0-0 F

THIS DRAWING AND SPECIFICATIONS HEREIN ARE THE PROPERTY OF DIGITAL EQUIPMENT CORPORATION AND SHALL NOT BE REPRODUCED OR COPIED OR USED IN WHOLE OR IN PART AS THE BASIS FOR THE MANUFACTURE OR SALE OF ITEMS WITHOUT WRITTEN PERMISSION. COPYRIGHT © 1974 DIGITAL EQUIPMENT CORPORATION



REVISIONS		
CHK	CHANGE NO	REV

TITLE	SIZE CODE	NUMBER	REV
MEMORY INVERTER	D UA	5413603-0-0	F
SCALE 2/1	SHEET 4 OF 5	DIST.	TW



8

DUA 5413603-0-0 F

6

5

4

3

2

1

THIS DRAWING AND SPECIFICATIONS HEREIN ARE THE PROPERTY OF DIGITAL EQUIPMENT CORPORATION AND SHALL NOT BE REPRODUCED OR COPIED OR USED IN WHOLE OR IN PART AS THE BASIS FOR THE MANUFACTURE OR SALE OF ITEMS WITHOUT WRITTEN PERMISSION. COPYRIGHT © 1975 DIGITAL EQUIPMENT CORPORATION.

REWORK INSTRUCTIONS

D

D

ETCH CUTS SIDE 2:

- 0-1 FROM R15 TO PTH BETWEEN C15 & R28. (REMOVE ENTIRE ETCH BETWEEN CUT MARKS)
- 0-2 FROM Q14/BASE TO D16/CATHODE. (REMOVE ENTIRE ETCH BETWEEN CUT MARKS)
- 0-3 FROM R53 TO R55
- 0-4 FROM D11/ANODE TO PTH CONNECTING TO TB2-1. (REMOVE ENTIRE ETCH BETWEEN CUT MARKS)

WIRE ADDS SIDE 1:

- 0-5 FROM R53 TO E3-3
- 0-6 FROM R66 TO R59
- 0-7 FROM PTH CLOSER TO R68 TO D11/ANODE. (USE ITEMS 127 & 129)
- 0-8 FROM D16/CATHODE TO Q14/BASE (USE ITEMS 127 & 129)
- 0-9 FROM D4/CATHODE TO PTH BETWEEN C4 & R23
- 0-10 FROM R27 TO R15

C

C

B

B

A

A

DUA 5413603-0-0 F

REVISION HISTORY		
DATE	ECO NUMBER	REV.

TITLE MEMORY INVERTER

DOCUMENT NUMBER			
SIZE	CODE	NUMBER	REV.
D	UA	5413603-0-0	F

SCALE 2/1 SHEET 5 OF 5

END 127A

8

7

6

5

4

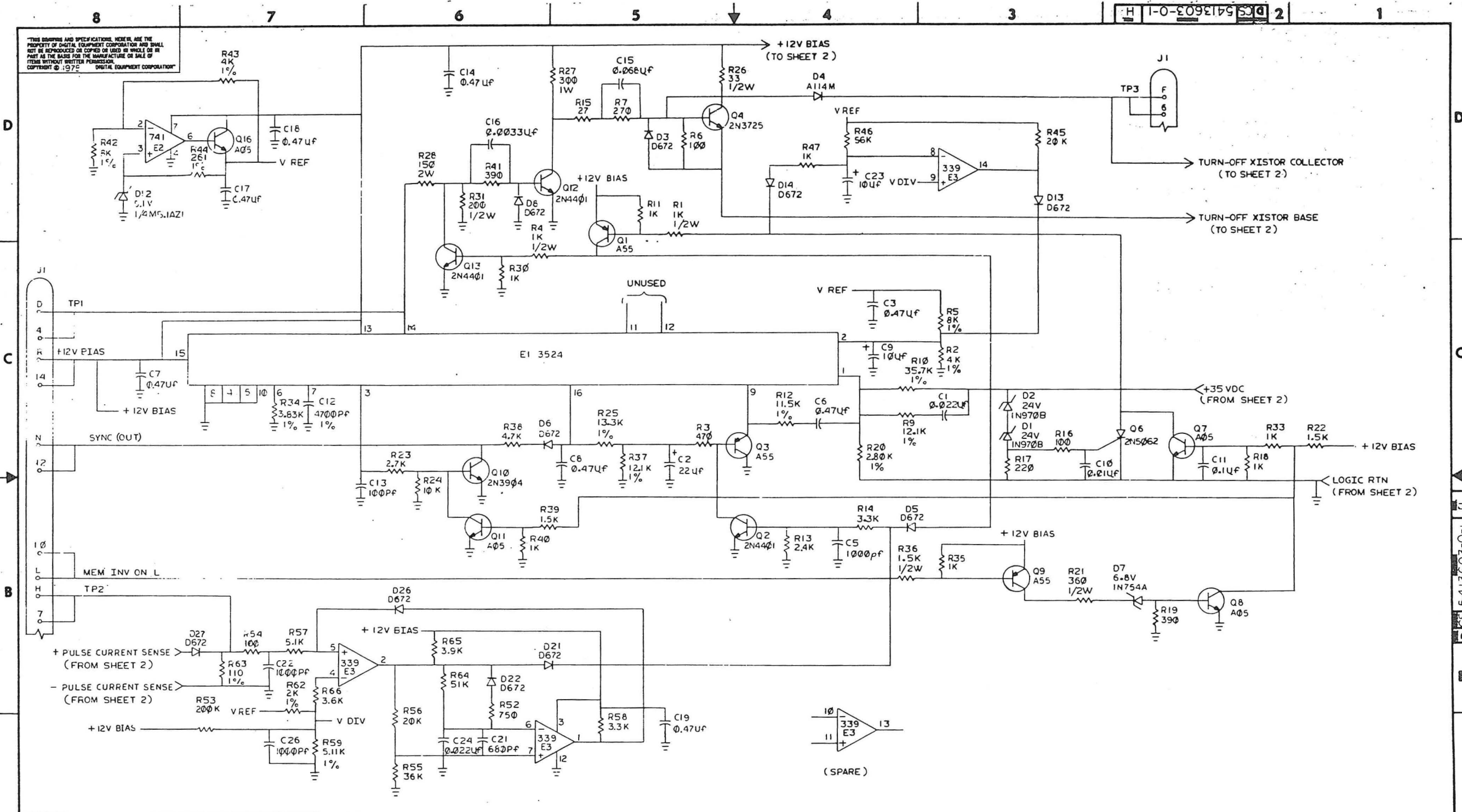
3

2

1

tw

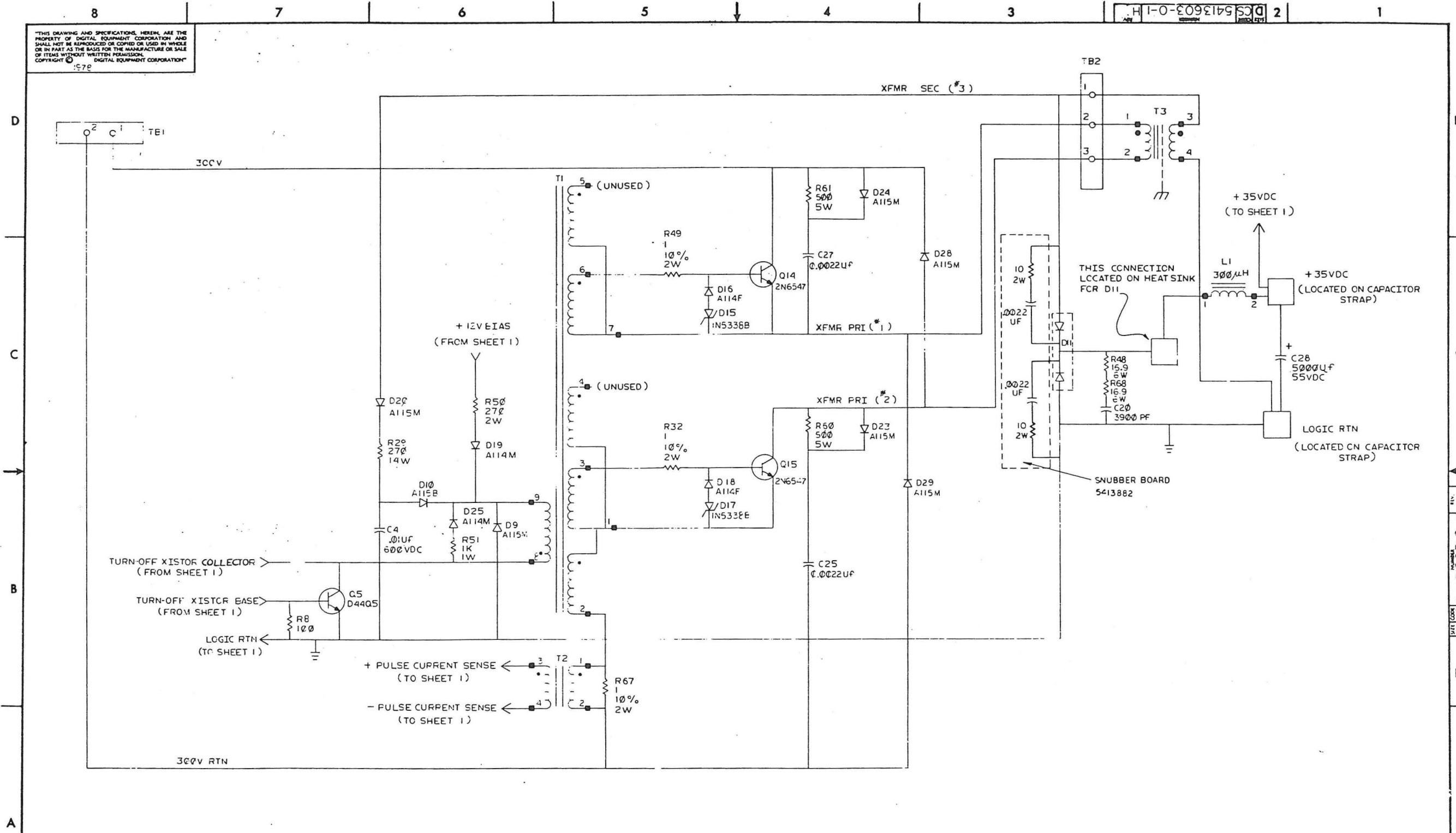
THIS DRAWING AND SPECIFICATIONS, HEREIN, ARE THE PROPERTY OF DIGITAL EQUIPMENT CORPORATION AND SHALL NOT BE REPRODUCED OR COPIED OR USED IN WHOLE OR IN PART AS THE BASIS FOR THE MANUFACTURE OR SALE OF ITEMS WITHOUT WRITTEN PERMISSION. DIGITAL EQUIPMENT CORPORATION. COPYRIGHT © 1975



REV.	DATE	BY	CHKD.	APP'D.
B	12-10-70	R. RICHARD		
A	12-10-70	R. RICHARD		

DRN. DATE	12-10-70	FIRST USED ON	20-08-0
CHKD. DATE	12-10-70	TITLE	MEMORY INVERTER
ENGR. DATE	12-10-70	SCALE	D
PROD. ENGR. DATE	12-10-70	SIZE	D
PROD. DATE	12-15-70	CODE	CS 5413603-0-1
NEXT HIGHER ASSY.		NUMBER	H
		REV.	H
		SHEET	1 OF 2

THIS DRAWING AND SPECIFICATIONS HEREIN ARE THE PROPERTY OF DIGITAL EQUIPMENT CORPORATION AND SHALL NOT BE REPRODUCED OR COPIED OR USED IN WHOLE OR IN PART AS THE BASIS FOR THE MANUFACTURE OR SALE OF ITEMS WITHOUT WRITTEN PERMISSION. COPYRIGHT © 1970 DIGITAL EQUIPMENT CORPORATION



REVISIONS		
CHK	CHANGE NO.	REV.

TITLE	MEMORY INVERTER	SIZE CODE	D CS	NUMBER	5413603-0-1	REV.	H
SCALE	←→	SHEET	2	OF	2	DIST.	

D E S I G N I D C S 5 4 1 3 6 0 3 - 0 - 1 H

LINE ITEM	DOCUMENT NUMBER	PART NUMBER	DESCRIPTION	QTY PER VARIATION	REFERENCE DESIGNATOR
				00	
1	D-MD-5013602-0-0	5013602-00	DRILL & ETCH BD	1	
2		1000016-00	100.0 MMF 100V 5Z200PPM MICA	1	C13
3		1000052-00	.068 MFD 100V 10% MYLR	1	C15
4		1012783-00	.022 MFD 50V +80-20% CER	1	C24
5		1005636-00	22 MFD 6V 10% S.TANT	1	C2
6		1009312-00	.0047 MFD 100V 1% MYLR	1	C12
7		1010279-00	.47 MFD 25V 20% CER	8	C7,C18,C19,C8,C14,C17,C3,C6
8		1010978-24	.01 MFD 50V 10% CER	1	C10
9		1011740-01	3300.0 MMF 50V 10% CER	1	C16
10		1011683-00	.022 MFD 50V 10% CER	1	C1
11		1013466-08	680.0 MMF 50V 10% X7R CER	1	C21
12		1013466-09	1000.0 MMF 50V 10% X7R CER	3	C5,C22,C26
13		1011847-02	.01 MFD 600V 10% POLYPROP	1	C4
14		1014139-00	.0022 MFD 600V 10% POLYPROP	2	C25,C27
15		1013397-00	3900.0 MMF 200V 10Z200PPM MICA	1	C20
16		1016168-00	5000 MFD 55V 20% AL EL	1	C28
17		1010978-36	.1 MFD 50V 10% CER	1	C11
18		1010866-02	10 MFD 25V +50-20% S.TANT	2	C9,C23
19		1105275-00	D 672 TR= 15NS PIV= 60V SI	10	D26,D27,D21,D22,D8,D5,D3,D14, CONT D13,D6
20		1105871-00	1/4M5.1AZ1 = 5.1 1% .25W N	1	D12
21		1109991-00	1N 754A VZ= 6.8 5% .40W	1	D7
22		1110556-00	1N 970B VZ= 24.0 5% .40W Y	2	D1,D2
23		1112594-01	A115B PIV=200 I= 3A	1	D10
24		1112594-02	A115M PIV=600 I= 3A	6	D24,D20,D23,D28,D29,D9
25		1112595-00	A114F PIV= 50 I= 1A	2	D16,D18
26		1112595-02	A114M PIV=600 I= 1A	3	D25,D4,D19
27		1114192-00	TR=200NS COM. CATHODE	1	D11
28		1114435-00	1N 5338B VZ= 5.1 5% 5W	2	D15,D17
29		1110968-00	2N 5062 SCR@100V I=.8A T092	1	Q6

REVISION HISTORY		BASIC PART NO: 5413603		DRN: K.SHEYTANIAN		DATE: 20-DEC-78		D I G I T A L	
ENG	ECO NUMBER	REV	SECTION A OF A	CHK'D:	F.GAROFALO	DATE:	TITLE	PARTS LIST	
	INIT	A	SECTION VARIATION INDEX						
RW	5413603-TW001	B	[A] 00				MEMORY INVERTER		
AK	5413603-TW002	C	[B]						
AK	5413603-TW002	C	[C]	DES.ENG:	J.A.HERRMANN	DATE:			
RW	5413603-TW003	D	[D]						
RW	5413603-TW004	E	[E]	RESP.ENG.:	J.HERMANN	DATE: 20-DEC-78			DOCUMENT NUMBER
			[F]				SIZE	CODE	NUMBER
			[G]						REV
			[H]	MFG.ENG.:	J.COMELLA	DATE:	K	PL	5413603-0-DBP
			[I]						E
			[J]	ASSEMBLY NUMBER:		TOP DOCUMENT NUMBER:	FILE NAME:		EDIT #
			[K]	D-UA-5413603-0-0			Z0401.PLS		22

"THIS DRAWING AND SPECIFICATIONS HEREIN, ARE THE PROPERTY OF DIGITAL EQUIPMENT CORPORATION AND SHALL NOT BE REPRODUCED OR COPIED OR USED IN WHOLE OR IN PART AS THE BASIS FOR THE MANUFACTURE OR SALE OF ITEMS WITHOUT WRITTEN PERMISSION. COPYRIGHT (C) 1981. DIGITAL EQUIPMENT CORPORATION"

TW

LINE	ITEM	DOCUMENT NUMBER	PART NUMBER	DESCRIPTION	QTY	PER VARIATION	REFERENCE DESIGNATOR
					00		
30	30		1216112-01	HEADER.100 28POS RT ANGLE	1		J1
31	31		1214789-00	INSERT,THREADED 6-32 ,BRASS,ELEC	7		
32	32		1216269-01	TERM SPADE 1POS SOLDER STRIP	5		
33	33		1216314-00	HEAT SINK	1		
34	34		1216314-01	HEAT SINK	2		
35	35		1309679-00	16.90 6.0 W 1.0 % WW	2		R48,R68
36	36		1300195-00	33.0 .50 W 5.0 % CC	1		R26
37	37		1300229-00	100.0 .25 W 5.0 % CC	3		R16,R6,R8
38	38		1300250-00	*** THIS ITEM IS NOT USED ***	-		
39	39		1300257-00	150.0 2.0 W 5.0 % CC	1		R28
40	40		1300271-00	220.0 .25 W 5.0 % CC	1		R17
41	41		1300292-00	300.0 1.0 W 5.0 % CC	1		R27
42	42		1300309-00	390.0 .25 W 5.0 % CC	2		R19,R41
43	43		1300316-00	470.0 .25 W 5.0 % CC	1		R3
44	44		1300364-00	1.0 K .50 W 5.0 % CC	2		R4,R1
45	45		1300365-00	1.0 K .25 W 5.0 % CC	8		R30,R11,R35,R18,R33,R40,R47,R54
46	46		1300394-00	1.50 K .50 W 5.0 % CC	1		R36
47	47		1300439-00	3.30 K .25 W 5.0 % CC	2		R58,R14
48	48		1300444-00	3.90 K .25 W 5.0 % CC	1		R65
49	49		1300447-00	4.70 K .25 W 5.0 % CC	1		R38
50	50		1300479-00	10.0 K .25 W 5.0 % CC	1		R24
51	51		1301401-00	750.0 .25 W 5.0 % CC	1		R52
52	52		1301522-00	27.0 .25 W 5.0 % CC	1		R15
53	53		1303169-00	500.0 5.0 W 5.0 % WW	2		R60,R61
54	54		1301972-00	270.0 .25 W 5.0 % CC	1		R7
55	55		1302873-00	261.0 .25 W 1.0 % RN55D-F10	1		R44
56	56		1302377-00	*** THIS ITEM IS NOT USED ***	-		
57	57		1302383-00	360.0 .50 W 5.0 % CC	1		R21
58	58		1302391-00	20.0 K .25 W 5.0 % CC	2		R56,R45
59	59		1304839-00	51.0 K .25 W 5.0 % CC	1		R64
60	60		1303114-00	*** THIS ITEM IS NOT USED ***	-		
61	61		1303313-00	12.10 K .25 W 1.0 % RN55D-F10	2		R37,R9
62	62		1305127-00	4.0 K .25 W 1.0 % RN55D-F10	2		R43,R2
63	63		1305129-00	8.0 K .25 W 1.0 % RN55D-F10	2		R42,R5
64	64		1305145-00	2.80 K .25 W 1.0 % RN55D-F10	1		R20
65	65		1305322-00	*** THIS ITEM IS NOT USED ***	-		
66	66		1305380-00	270.0 2.0 W 5.0 % CC	1		R50
67	67		1305421-00	35.70 K .25 W 1.0 % RN55D-F10	1		R10
68	68		1314350-00	1.0 2.0 W10.0 % FUSE	3		R32,R49,R67
69	69		1309413-00	3.83 K .25 W 1.0 % RN55D-F10	1		R34
70	70		1314172-00	270.0 14.0 W 5.0 % WW	1		R29
71	71		1300426-00	2.70 K .25 W 5.0 % CC	1		R23
72	72		1312565-00	13.30 K .25 W 1.0 % RN55D-F10	1		R25
73	73		1312923-00	*** THIS ITEM IS NOT USED ***	-		
74	74		1312930-00	5.10 K .25 W 5.0 % CC	1		R57
75	75		1312932-00	36.0 K .25 W 5.0 % CC	1		R55
76	76		1313151-00	3.60 K .25 W 5.0 % CC	1		R66
77	77		1313581-00	110.0 .25 W 1.0 % RN55D-F10	1		R63

! D ! I ! G ! I ! T ! A ! L !	! TITLE	! SECTION A OF A	! SIZE ! CODE !	! DOCUMENT NUMBER	! REV !
	MEMORY INVERTER		K ! PL !	5413603-0-DBP	E !

TW

LINE	ITEM	DOCUMENT NUMBER	PART NUMBER	DESCRIPTION	QTY PER VARIATION	REFERENCE DESIGNATOR
					00	
78	78		1300389-00	*** THIS ITEM IS NOT USED ***	-	
79	79		1302381-00	200.0 .50 W 5.0 % CC	1	R31
80	80		1300368-00	1.0 K 1.0 W 5.0 % CC	1	R51
81	81		1300391-00	1.50 K .25 W 5.0 % CC	2	R39,R22
82	82		1302395-00	56.0 K .25 W 5.0 % CC	1	R46
83	83		1510705-00	XA 05 NPN 500MW SI 60 50 P	4	Q7,Q8,Q11,Q16
84	84		1510706-00	XA 55 PNP 500MW SI 60 50 P	3	Q1,Q3,Q9
85	85		1510959-00	2N 3725 NPN 3.5WC SI 50 60 P	1	Q4
86	86		1513489-00	2N 4401 NPN 350MW SI 40 20	3	Q2,Q12,Q13
87	87		1514195-00	2N 6547 PNP 400V SI 15A	2	Q14,Q15
88	88		1514271-01	D 44Q5 NPN 31W SI225 30	1	Q5
89	89		1509524-00	2N 3904 NPN 310MW SI 40 40 M	1	Q10
90	90		1614202-00	XFMR,CURRENT	1	T2
91	91		1614204-00	PULSE XFMR 20312 BASE DRIVE	1	T1
92	92		1910298-00	741 OP AMP GEN PURP. COM	1	E2
93	93		1912108-00	339 VOLT CMPRTR,QUAD	1	E3
94	94		1914250-00	3524 MODULATOR-REGULATING	1	E1
95	95		7422046-00	HEAT SINK,SINGLE	1	
96	96		9006025-01	SCREW,PAN,PHIL 6-32X 5/8 SS	4	
97	97		9006656-00	WASHER, FLAT, .312 O.D. X .156 I	8	
98	98		9007801-00	WASHER, LOCK, S.S. #6	9	
99	99		9007836-00	EYELET, ROLLED FLANGE, .121 OD X	6	
100	100		9010128-00	SCREW,TAPPING,TYPE PAN,PHIL,	1	
101	101		7016051-00	TRANSFORMER ASSY	1	T3
102	102		7016052-00	CHOKE ASSY	1	L1
103	103		1303177-00	2.40 K .25 W 5.0 % CC	1	R13
104	104		1302860-00	11.50 K .25 W 1.0 % RN55D-F10	1	R12
105	105		1304854-00	5.11 K .25 W 1.0 % RN55D-F10	1	R59
106	106		1300411-00	2.0 K .25 W 1.0 % RN55D-F10	1	R62
107	107		7421435-00	MTG BRKT	1	
108	108		9009052-00	*** THIS ITEM IS NOT USED ***	-	
109	109		7422045-00	CAPACITOR STRAP	2	
110	110		9009708-00	SCREW,PAN,PHIL,TAP'G 6-32X	8	
111	111		9009617-00	TIE,CABLE BUNDL,DIA 0-3"TYPE=101	2	
112	112		9007035-00	GROMMET #122-37-1500	A/R	
113	113		9006071-01	SCREW,PAN,PHIL 10-32X 3/8 SS	2	
114	114		9007906-00	WASHER, LOCK S.S. #10	2	
115	115		9009243-00	*** THIS ITEM IS NOT USED ***	-	
116	116		9006024-01	SCREW,PAN,PHIL 6-32X 1/2 SS	1	
117	117		9009769-00	WASHER, RECTANGULAR .405X.225X.0	1	
118	118		9006011-01	SCREW,PAN,PHIL 4-40X 3/8 SS	1	
119	119		9006688-00	WASHER, LOCK, S.S. #4	1	
120	120		9006556-00	NUT,HEX 4-40X1/4 AF X 3/	1	
121	121		9008268-00	COMPOUND, THERMAL JOINT	A/R	
122	122		9007201-00	TRANSIPADS #10253	1	
123	123		9105740-55	WIRE(WRAP)30AWG UL1423	A/R	
124	124		9007036-00	GROMMET #122-37-2500	A/R	
125	125		1314516-00	200.0 K .25 W 5.0 % CC	1	R53

! D ! I ! G ! I ! T ! A ! L !	! TITLE	! SECTION A OF A	! SIZE ! CODE !	! DOCUMENT NUMBER	! REV
! ! ! ! ! ! ! !	! MEMORY INVERTER	! ! ! ! ! ! ! !	! K ! PL !	! 5413603-0-DBP	! E

TW

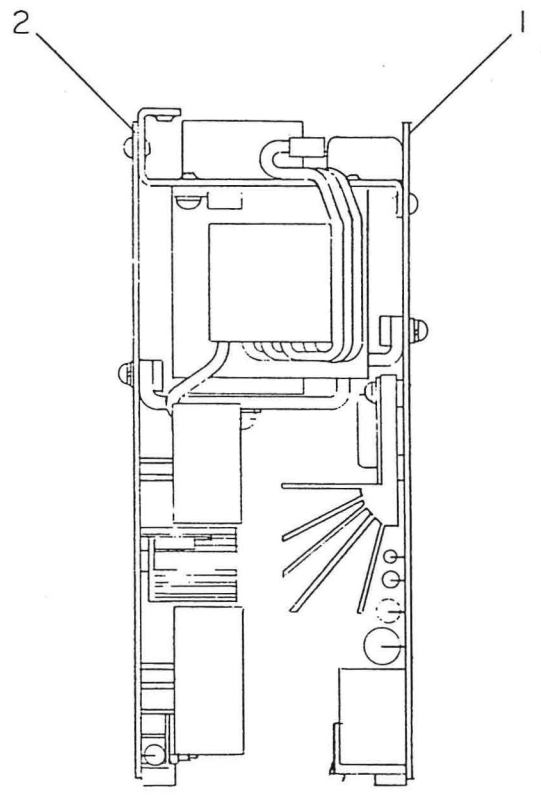
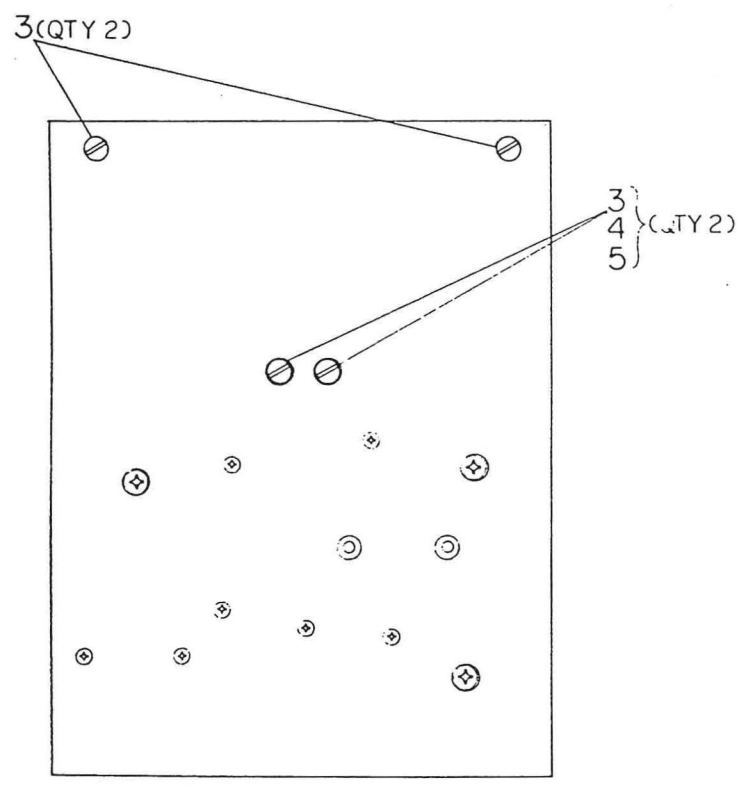
LINE ITEM	DOCUMENT NUMBER	PART NUMBER	DESCRIPTION	QTY PER VARIATION	REFERENCE DESIGNATOR
126	126	9009157-00	ADH, LIQ. RM. TEMP CURING COLORLESS	A/R	
127	127	9107256-11	TUBING, THIN WALL, .027 ID	UL	A/R
128	128	7016920-00	JUMPER ASSY		1
129	129	9107560-01	WIRE, BUSS, 22AWG		A/R
130	130	9006565-00	NUT, KEP, 10-32X 3/8 AF		1
131	131	5413882-00	SNV SNUBBER		1
132	132	9007853-01	SCREW, PAN, PHIL. 6-32X1-1/8 SS		2
133	133	9006803-00	SPACER, HEX, ALUM, .138 ID X .5		2

134 NOTE: ITEM #123; .52' IS USED.
 135 NOTE: ITEM #124; .08' IS USED.
 136 NOTE: ITEM #127; .56' IS USED.
 137 NOTE: ITEM #129; .37' IS USED.

D	I	G	I	T	A	L	TITLE	SECTION A	OF	A	SIZE	CODE	DOCUMENT NUMBER	REV
							MEMORY INVERTER						5413603-0-DBP	E

TW

THIS DRAWING AND SPECIFICATIONS, HEREIN, ARE THE PROPERTY OF DIGITAL EQUIPMENT CORPORATION AND SHALL NOT BE REPRODUCED OR COPIED OR USED IN WHOLE OR IN PART AS THE BASIS FOR THE MANUFACTURE OR SALE OF ITEMS WITHOUT WRITTEN PERMISSION.
 COPYRIGHT © 1979, DIGITAL EQUIPMENT CORPORATION



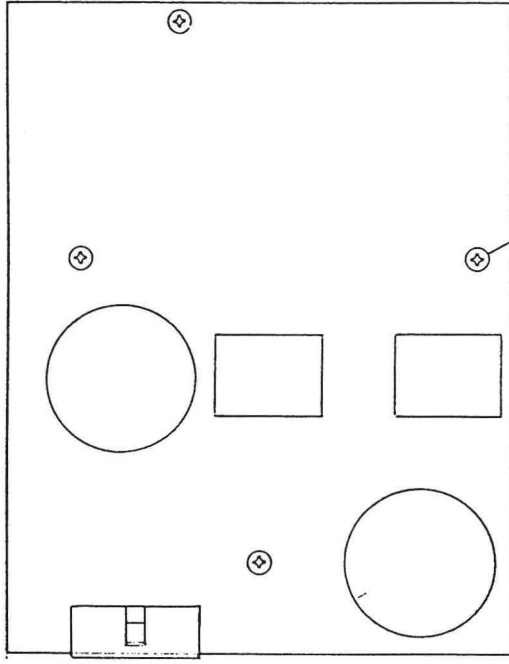
2	WASHER, FLAT #6	9006656-00	5
2	WASHER, LOCK, S.S. #6	9007801-00	4
4	SCREW, PAN HD, SELF TAP #6-32 X .31 LG	9009708-00	3
1	MEMORY REGULATOR BOARD	5413607-00	2
1	MEMORY INVERTER BOARD	5413603-00	1

THIRD ANGLE PROJECTION		DRN. <i>A. Moura</i> 6-6-79	FIRST USED ON
REMOVE BURRS AND BREAK SHARP CORNERS		CHK'D <i>[Signature]</i> 12/1/79	H7140
DO NOT SCALE DWG		ENG. <i>[Signature]</i> 11/1/79	TITLE H7140
MATERIAL SEE PARTS LIST		PROJ. ENG. <i>[Signature]</i> 11/4/79	digital
FINISH H		NEXT HIGHER ASSY.	MEMORY VOLTAGE ASSY
SCALE NONE		MATERIAL SEE PARTS LIST	SIZE CODE NUMBER
SHEET OF		SCALE NONE	D AD 7016050-0-0
		FINISH H	REV. *

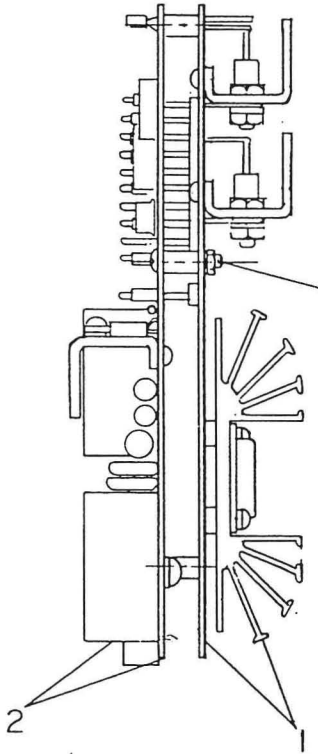
REVISIONS
 CHANGE NO.
 REC.
 CHK.
 DATE

REV. *
 NUMBER
 D AD 7016050-0-0

THIS DRAWING AND SPECIFICATIONS, HEREIN, ARE THE PROPERTY OF DIGITAL EQUIPMENT CORPORATION AND SHALL NOT BE REPRODUCED OR COPIED OR USED IN WHOLE OR IN PART AS THE BASIS FOR THE MANUFACTURE OR SALE OF ITEMS WITHOUT WRITTEN PERMISSION.
COPYRIGHT © 1979, DIGITAL EQUIPMENT CORPORATION



4
3
5
6 } QTY 4



4
3
5
6 } REF

4	NUT, HEX #6-32X.25 A.F	9008957-00	6
4	WASHER, LOCK, SS #6	9007801-00	5
4	SCR, PHIL PAN HD #6-32X.69LG	9007794-01	4
4	SPACER, HEX, ALUM #6-32X.38LG	9006844-00	3
1	LOGIC INVERTER CONT BD	5413601-00	2
1	LOGIC INVERTER BD	5413599-00	1

UNLESS OTHERWISE SPECIFIED DIMENSIONS ARE IN INCHES	
ANGLES NOT 90°	CLASS OF ACCURACY
SURFACE QUALITY IN	CHECK ONE
QUANTITY & VARIATION	MEDIUM
THIRD ANGLE PROJECTION	PREFERRED

DRN. <i>A. May</i> 6-5-79	FIRST USED ON	H7140
CHK'D. <i>AK</i> 2-4-77	TITLE	H7140 +5V INVERTER ASSY
ENG. <i>AK</i> 12/6/77	PROJ. ENGR. <i>D.H.</i> 11/1/79	PROOF. <i>AK</i> 11/1/79
DO NOT SCALE DWG	NEXT HIGHER ASSY.	
MATERIAL SEE PARTS LIST	SCALE NONE	SIZE CODE D
FINISH	SHEET 1 OF 1	DIST.

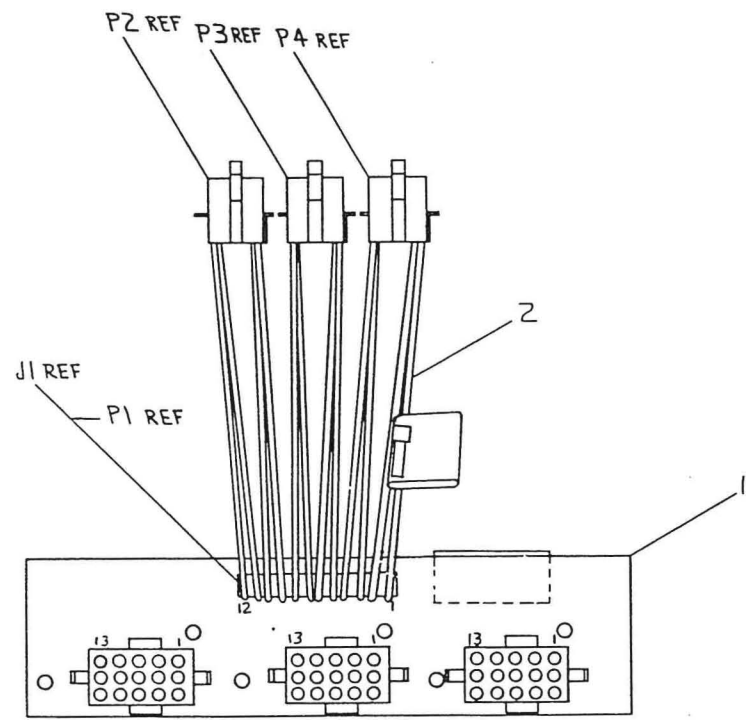
REV. CHANGE NO.

REV. 1
AD 7016057-0-0

digital

THIS DRAWING AND SPECIFICATIONS HEREON ARE THE PROPERTY OF DIGITAL EQUIPMENT CORPORATION AND SHALL NOT BE REPRODUCED OR COPIED IN WHOLE OR IN PART AS THE BASIS FOR THE CONSTRUCTION OR SALE OF THIS WITHOUT WRITTEN PERMISSION.
 COPYRIGHT © 1973, DIGITAL EQUIPMENT CORPORATION

0-0-888810Z [D] 2 1



1	CABLE JUMPER ASSY	D-1A-7016887-00	2				
1	POWER DIST. BOARD	D-UA-5413632-00	1				
DESCRIPTION		DWG./PART NO.	ITEM NO.				
UNLESS OTHERWISE SPECIFIED DIMENSIONS ARE IN INCHES							
ANGLES 45° 30°	CLASS OF ACCURACY	NOMINAL DIMENSION RANGE INCHES					
SURFACE QUALITY IN MICRONS	CHECK ONE	OVER 0	OVER 0.2	OVER 1.2	OVER 4.8	OVER 12.0	OVER 48.0
		15	10	10	10	10	10
MEDIUM	PREFERRED	0.004	0.008	0.012	0.018	0.024	0.04
		0.012	0.018	0.028	0.04	0.063	0.1
THIRD ANGLE PROJECTION	DRK. <i>[Signature]</i> (2 MAR 73)	FIRST USED ON	BRII-A digital				
REMOVE BURRS AND BREAK SHARP CORNERS	CHK'D: <i>[Signature]</i> (7 MAY 73)	TITLE	POWER DISTRIBUTION BOARD ASSY				
DO NOT SCALE DWG	ENGR. <i>[Signature]</i> (9 MAY 73)	PROJECT	PROJ. <i>[Signature]</i> (15 MAR 73)				
MATERIAL	E-UA-BRII-A-D	SIZE CODE	NUMBER				
FINISH	SCALE 1:1	D	AD 7016888-0-0				
	SHEET 1 OF 1	DIST.	REV. *				

D AD 7016888-0-0

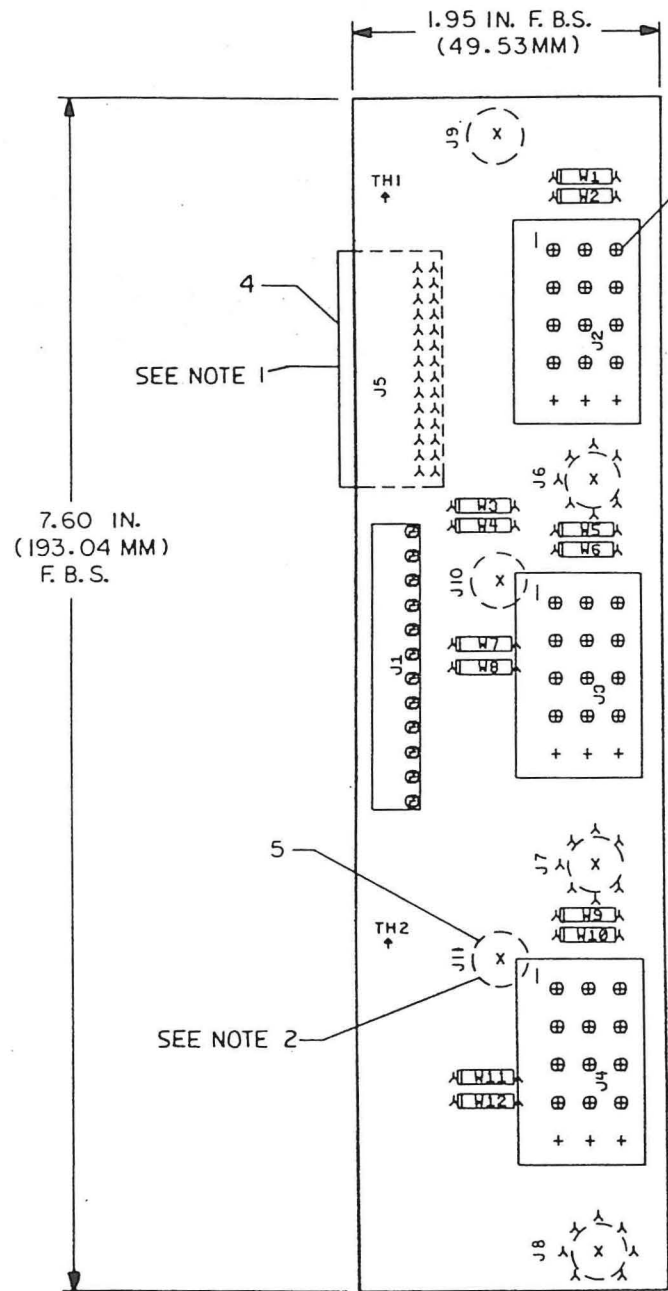
REVISIONS
 CHANGE NO.
 REV.

8 7 6 5 4 3 2 1

A B C D

THIS DRAWING AND SPECIFICATIONS, HEREIN, AND THE PROPERTY OF SIVTECH COMPANY CORPORATION AND SHALL NOT BE REPRODUCED OR COPIED IN ANY MANNER OR PART OF THE DRAWING AND THE SPECIFICATIONS OR MADE OF THIS DRAWING WITHOUT PERMISSION. SIVTECH COMPANY CORPORATION 1979

COMPONENT SIDE VIEW



SEE NOTE 1

SEE NOTE 2

- NOTES:
- ITEM 4 (J5) MOUNT ON SIDE 2.
 - ITEM 5 MOUNT ON SIDE 2.

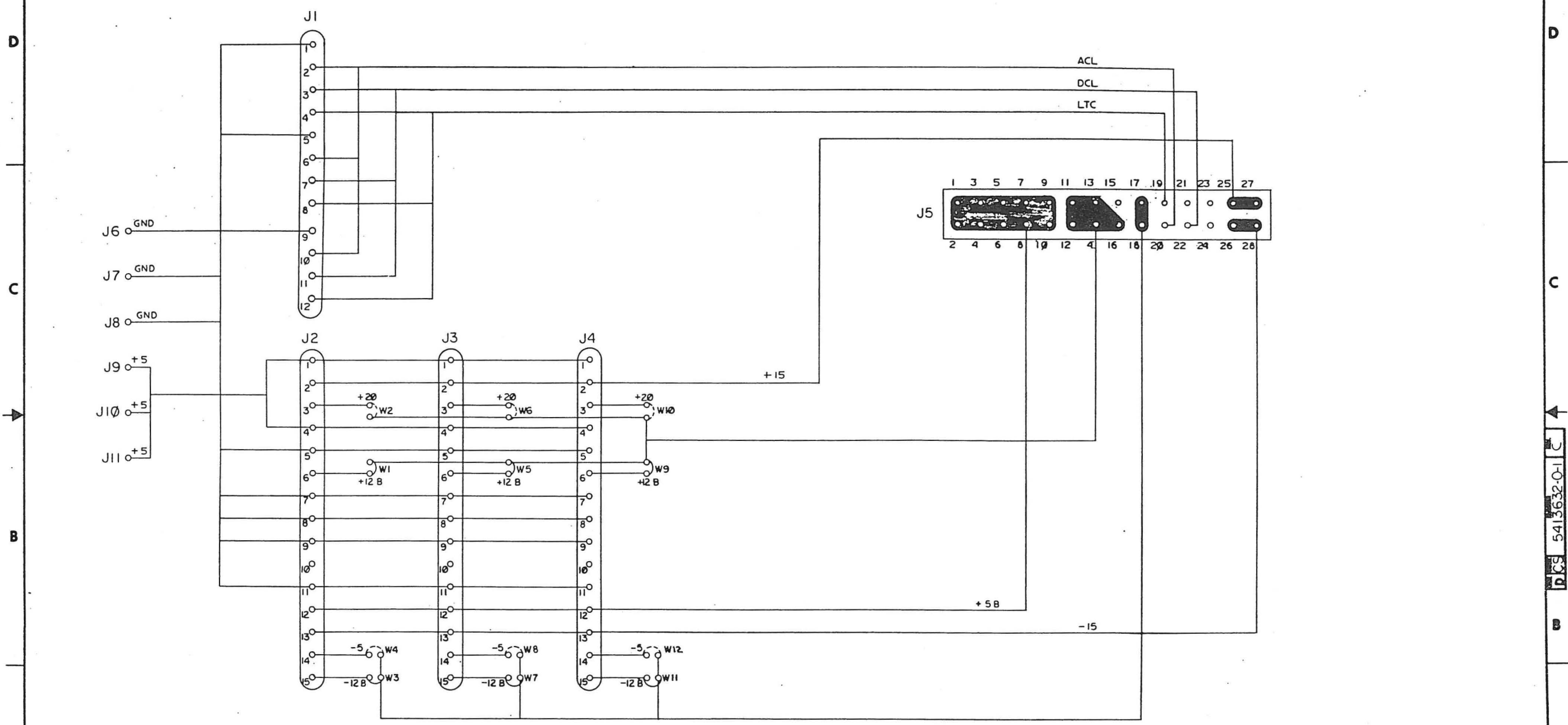
STEP 6	+ Y AXIS 0.000 STEP 0 TIMES
REPORT	+ X AXIS 2.075 STEP 4 TIMES

CHANGE NO	REV

ETCH REV.	D-PI

SIGNATURES	DATE	digital
DRN. P. Richard Toller	10-1-79	
CHK'D. E.T. GERRY	12-13-79	TITLE BAIL A POWER DISTRIBUTION
MECH. ENG. <i>[Signature]</i>	1-17-81	
PROJ. ENG. <i>[Signature]</i>	1-22-81	
PROD. <i>[Signature]</i>	1-22-81	
SCALE 2/1	SHEET 1 OF 1	SIZE CODE NUMBER REV
		D UA 5413632-0-0 C
NEXT HIGHER RESY. B-DD-5413632-0		

THIS DRAWING AND SPECIFICATIONS, HEREON, ARE THE PROPERTY OF ORBITAL EQUIPMENT CORPORATION AND SHALL NOT BE REPRODUCED OR COPIED OR USED IN WHOLE OR IN PART AS THE BASIS FOR THE MANUFACTURE OR SALE OF ITEMS WITHOUT WRITTEN PERMISSION.
 ORBITAL EQUIPMENT CORPORATION
 COPYRIGHT © 1979

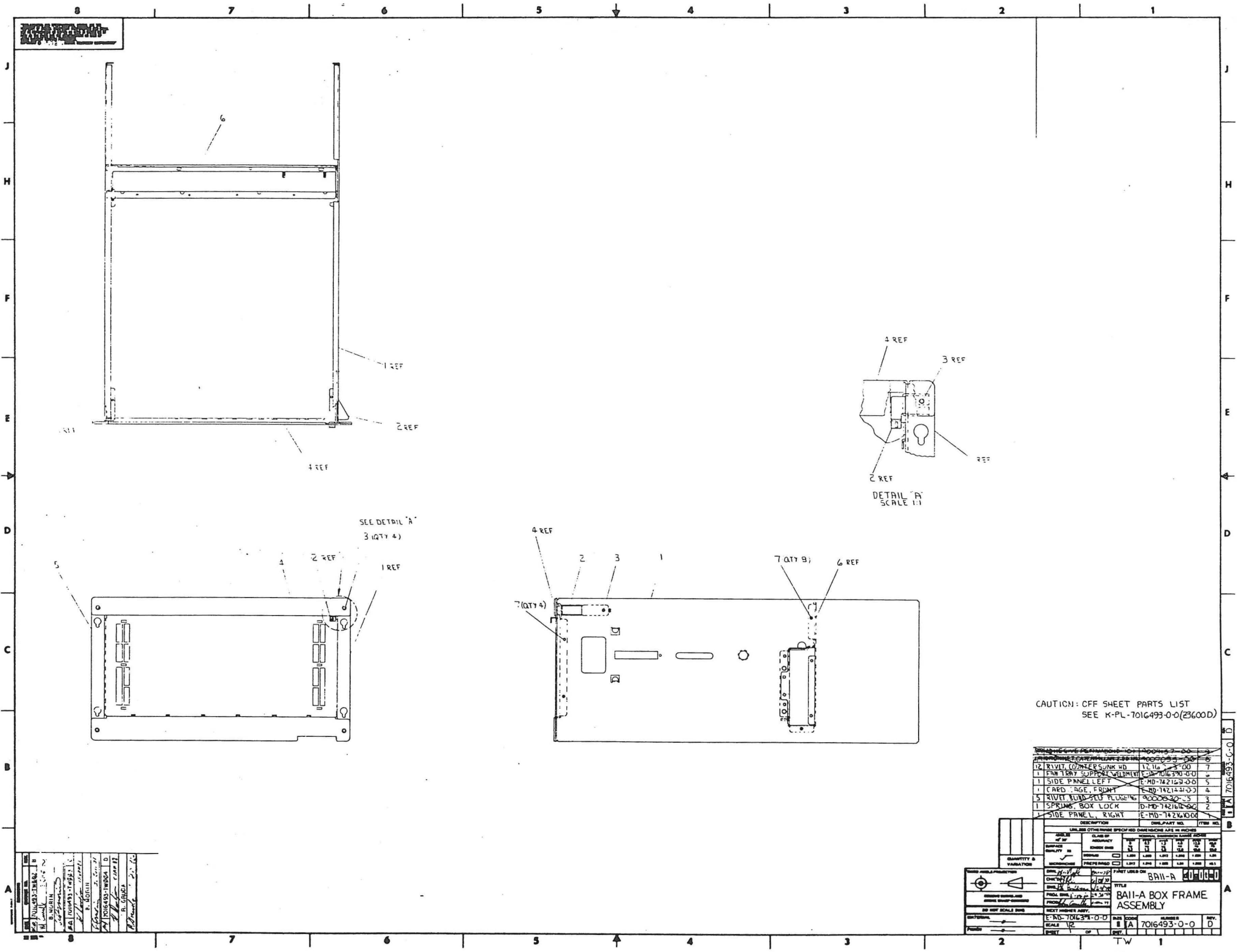


REV.	C
CHK	Ted
CHG	Ted
REV	
CHG	
REV	

DRN. <i>[Signature]</i>	13 MAR 79	FIRST USED ON	<i>[Symbol]</i>
CHK'D <i>[Signature]</i>	29 MAY 79	TITLE	BALI-A POWER DISTRIBUTION BOARD
ENG. <i>[Signature]</i>	15 MAR 79	SIZE	D
PROJ. ENG. <i>[Signature]</i>	15 MAR 79	CODE	CS
PROD. <i>[Signature]</i>	15 MAR 79	NUMBER	5413632-0-1
NEXT HIGHER ASSY.		REV.	C
SCALE		SIZE	D
SHEET 1 OF 1		DIST.	

DCS 5413632-0-1 C

TW 1



CAUTION: CFF SHEET PARTS LIST
SEE K-PL-7016493-0-0(23600D)

7016493-0-0	7016493-0-0	7016493-0-0	7016493-0-0	7016493-0-0	7016493-0-0
7016493-0-0	7016493-0-0	7016493-0-0	7016493-0-0	7016493-0-0	7016493-0-0
7016493-0-0	7016493-0-0	7016493-0-0	7016493-0-0	7016493-0-0	7016493-0-0

QTY	DESCRIPTION	DISP. PART NO.	ITEM NO.
12	RIVET CORNER SUNK HD	1E-MD-74216-00	7
1	FRONT SUPPLY VALVE	1E-MD-74216-00	4
1	SIDE PANEL LEFT	1E-MD-74216-00	5
1	CARD PAGE FRONT	1E-MD-74216-00	4
5	RIVET BLIND SELF PLUNGING	1E-MD-74216-00	3
1	SPRING BOX LOCK	1E-MD-74216-00	2
1	SIDE PANEL RIGHT	1E-MD-74216-00	5

7016493-0-0	7016493-0-0	7016493-0-0	7016493-0-0	7016493-0-0	7016493-0-0
7016493-0-0	7016493-0-0	7016493-0-0	7016493-0-0	7016493-0-0	7016493-0-0
7016493-0-0	7016493-0-0	7016493-0-0	7016493-0-0	7016493-0-0	7016493-0-0

BAI-A BOX FRAME ASSEMBLY

SCALE: 1/2" = 1"

DATE: 12/1/70

BY: [Signature]

CHKD: [Signature]

APP'D: [Signature]

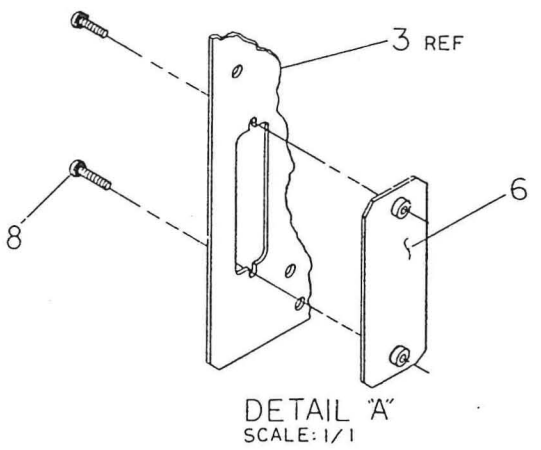
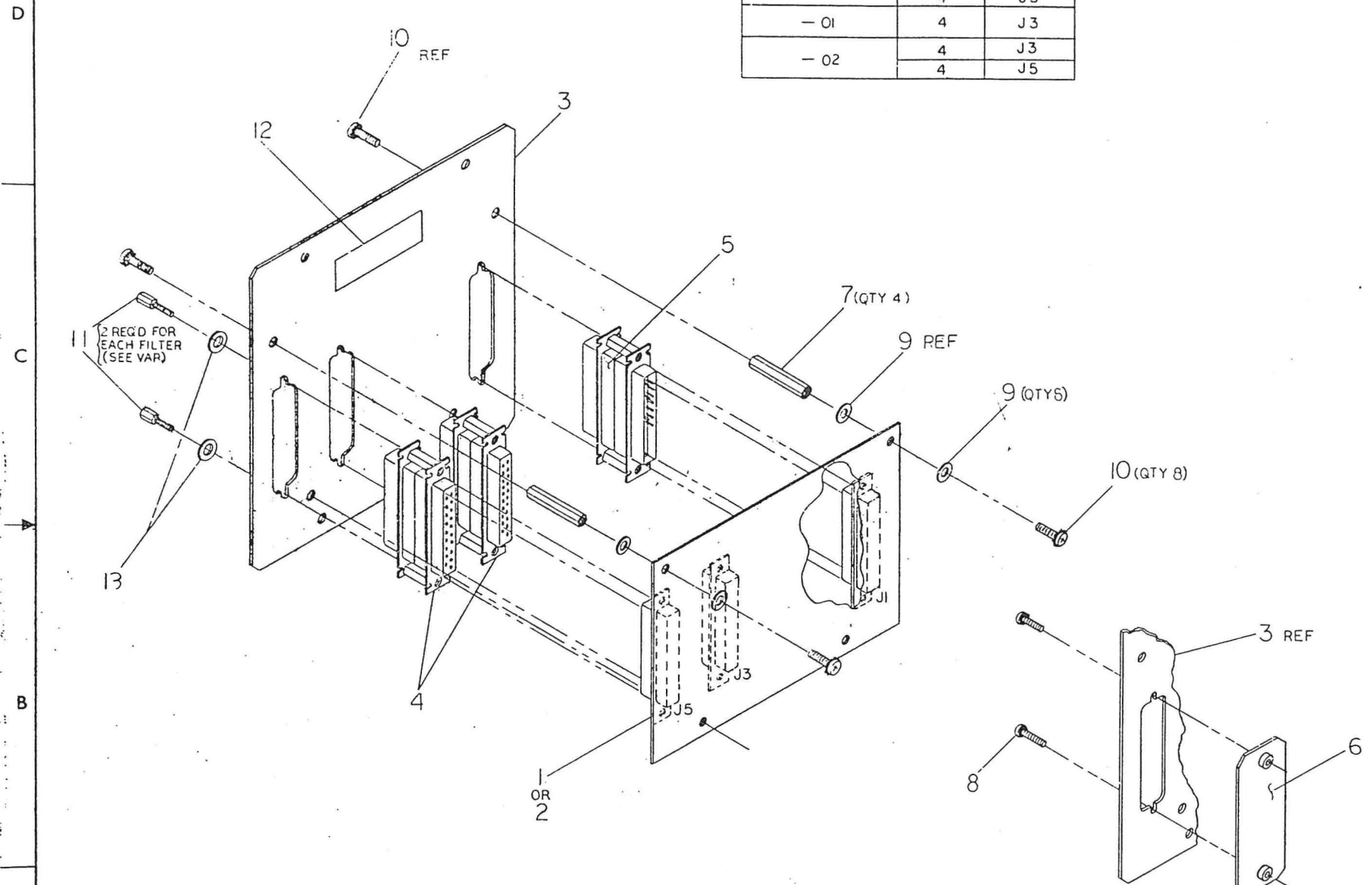
7016493-0-0

THIS DRAWING AND SPECIFICATIONS HEREIN ARE THE PROPERTY OF DIGITAL EQUIPMENT CORPORATION AND SHALL NOT BE REPRODUCED OR COPIED OR USED IN WHOLE OR IN PART AS THE BASIS FOR THE MANUFACTURE OR SALE OF EQUIPMENT WITHOUT WRITTEN PERMISSION OF DIGITAL EQUIPMENT CORPORATION. COPYRIGHT © 1980

INTERCONNECT LIST SEE NOTE 1		
VARIATION	USE ITEM NO.	CONNECT TO
-00	5	J1
	4	J3
	4	J5
-01	4	J3
	4	J5
-02	4	J3
	4	J5

LEGEND	
NUMBER	VARIATION
7017466-00	WITH REMOTE DIAGNOSTIC
7017466-01	WITH ONE SERIAL LINE
7017466-02	WITH TWO SERIAL LINES

NOTES:
 1. IN THOSE POSITIONS (J1 OR J3) WHICH HAVE NO FILTER, (ITEM 4 OR 5) INSTALL COVER PLATE (ITEM 6) TO BRKT, MTG (ITEM 3) SEE DETAIL 'A'.
 2. IDENT. LABEL REQ'D AFTER ASSY DENOTING P/N, VAR. AND REV. (ITEM 12)



CAUTION OFF SHEET PARTS LIST EXISTS ON
 K-PL-7017466-0-DBP

DATE	REV	ECO NUMBER	BY	CHKD
7/22/80	1	7017466-TW001	A	
	2	7017466-TW002	B	
	3	7017466-TW003	C	
	4	7017466-TW004	D	
	5	7017466-TW005	E	
	6	7017466-TW006	F	
	7	7017466-TW007	G	
	8	7017466-TW008	H	
	9	7017466-TW009	I	
	10	7017466-TW010	J	

DESCRIPTION	DRAWING NO.	PART NO.	ITEM NO.
UNLESS OTHERWISE SPECIFIED DIMENSIONS ARE IN INCHES AND THE FOLLOWING TOLERANCES APPLY (PER DEC STD 114)			
DIMENSION RANGE IN INCHES			
OVER	OVER	OVER	OVER
0.2	0.12	0.075	0.05
TO	TO	TO	TO
12.0	12.0	12.0	12.0
40.0	40.0	40.0	40.0
80.0	80.0	80.0	80.0
APPLICABLE DIMENSION RANGE (MICROINCHES)			
0.2	0.075	0.05	0.04
TO	TO	TO	TO
1.0	1.0	1.0	1.0
4.0	4.0	4.0	4.0
10.0	10.0	10.0	10.0
SURFACE QUALITY			
X = 1			
XX = 0.5			
XXX = 0.005			
MICROINCHES			
THIRD ANGLE PROJECTION			
DATE 25/JAN/80		TITLE SLU digital	
DATE 5-1-80		CONNECTOR ASSY	
DATE 5 MAY 80		DOCUMENT NUMBER	
DATE 5-5-80		DAD 7017466-0-0 P	
E-UA-11/24-0-0		SCALE 1/1 SHEET 1 OF 1	

AUTOMATED BY PRTLST.3N(42)

FO1
P A R T S L I S T

SHEET A1 OF A1

LINE	ITEM	DOCUMENT NUMBER	PART NUMBER	DESCRIPTION	QUANTITY PER VARIATION		
					00	01	02
1	1	E-UA-5414218-0-0	5414218-00	SLV INTERFACE	1	0	0
2	2	E-UA-5414218-0-0	5414218-01	EIA SERIAL LINE INTERFACE	0	1	1
3	3	D-MD-7424022-0-0	7424022-00	BRKT, MTG SLU	1	1	1
4	4	A-PS-1217431-0-0	1217431-02	CONN,D SUB 10POS ASSY STRAIGHT W	2	1	2
5	5	A-PS-1217431-0-0	1217431-00	CONN,D SUB 25POS ASSY STRAIGHT W	1	0	0
6	6	B-IA-7424023-0-0	7424023-00	CONNECTOR, COVER SLU	0	2	1
7	7		9006862-00	SPACER, THREADED HEX ALUM 6-3	4	4	4
8	8		9009546-00	SCREW, SEMS PAN PHIL 4-	0	4	2
9	9		9006707-00	WASHER, FLAT NYLON	8	8	8
10	10		9010174-00	SCREW, SEMS PAN PHIL 6-	8	8	8
11	11		9008451-01	SCREW LOCK, STANDOFF ONLY	6	2	4
12	12		9009255-00	LABEL, POWER SUPPLY, 2-15/16 " L	1	1	1
13	13		9008172-00	WASHER, FLAT SST	6	2	4

REVISION HISTORY		BASIC PART NO: 7017466		DRN: A. COLON	DATE: 29-APR-80	D I G I T A L	
ENG	ECO NUMBER	REV	SECTION A OF A	CHK'D: R. J. RILEY	DATE: 29-APR-80	TITLE PARTS LIST	
---	INITIAL	X0-2	SECTION. VARIATION INDEX			SLU ASSEMBLY	
---	INITIAL	*	[A] 00,01,02				
R G	7017466-TW001	A	[B]	DES.ENG.: P. BARTH	DATE: 29-APR-80		
RG	7017466-TW002	B	[C]			DOCUMENT NUMBER	
			[D]	RESP.ENG.: D. CARLSON	DATE: 29-APR-80	SIZE: CODE:	NUMBER
			[E]			K	PL
			[F]	MFG.ENG.: G. ABREU	DATE: 29-APR-80	7017466-0-DBP	B
				ASSEMBLY NUMBER:	TOP DOCUMENT NUMBER:	FILE NAME:	EDIT #
				D-AD-7017466-0-0	D-AD-7017466-0-0	Z1175B.PLS	11
<p style="text-align: center;">"THIS DRAWING AND SPECIFICATIONS HEREIN, ARE THE PROPERTY OF DIGITAL EQUIPMENT CORPORATION AND SHALL NOT BE REPRODUCED OR COPIED OR USED IN WHOLE OR IN PART AS THE BASIS FOR THE MANUFACTURE OR SALE OF ITEMS WITHOUT WRITTEN PERMISSION. COPYRIGHT (C) 1982. DIGITAL EQUIPMENT CORPORATION"</p>							

8

7

6

5

4

3

0-0-196910-0-0

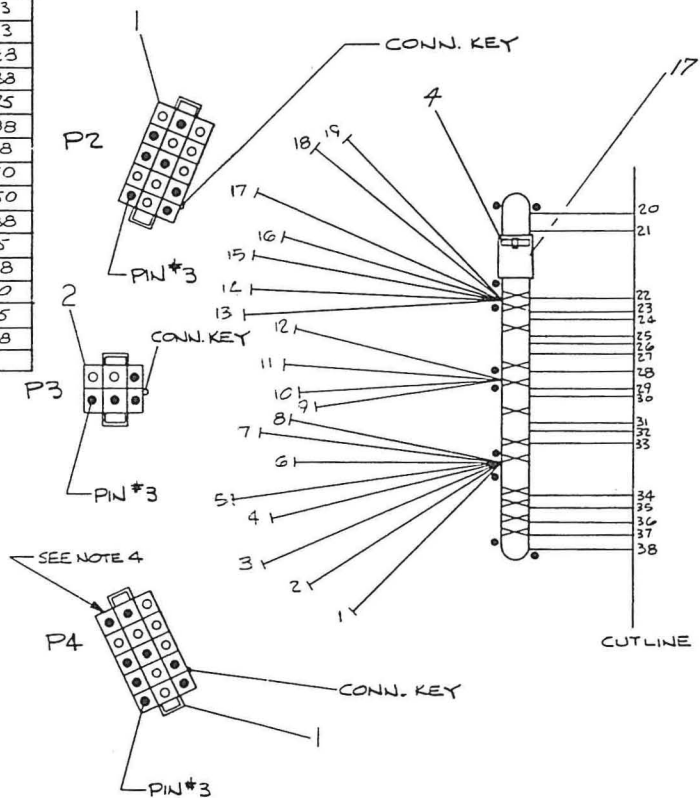
1

THIS DRAWING AND SPECIFICATIONS HEREIN ARE THE PROPERTY OF DIGITAL EQUIPMENT CORPORATION AND SHALL NOT BE REPRODUCED OR COPIED OR USED IN WHOLE OR IN PART AS THE BASIS FOR THE MANUFACTURE OR SALE OF ITEMS WITHOUT WRITTEN PERMISSION. COPYRIGHT © 1980, DIGITAL EQUIPMENT CORPORATION

- NOTES:
1. USE TIE WRAPS (X) ITEM #4 AT BREAKOUT POINTS SHOWN
 2. DOT (•) INDICATES NAIL LOCATION FOR ASS'Y USE ONLY. COVER NAILS WITH SHRINK TUBING TO PREVENT CUTTING HARNESS.
 3. WIRE LENGTH TOL. WILL BE +1/8, -0 IN.
 4. ALL CONN. SHOWN FROM WIRING SIDE.
 5. HARNESS TO BE IDENTIFIED WITH PART NR. AND REV. LEVEL AFTER FAB. (ITEM 17)
 6. ITEM #3 CAN BE SUBSTITUTED BY P/N 12-09378-00 FOR MACHINE CRIMPING.

WIRING TABLE

ITEM NO.	DESCRIPTION	AWG	COLOR	FROM			TO		SIGNAL	LENGTH
				POINT	CONNECTION	WITH	POINT	CONNECTION		
9	#18	BLUE	1	P4-14	3	20	SOLDER	-15A	7.00	
5	14	RED	2	P4-4		32		+5V	4.88	
5	14	RED	3	P4-1		31		+5V	4.88	
6	14	BLK	4	P4-8		25		GND	5.43	
6	14	BLK	6	P4-9		26		GND	5.43	
13	18	WHT	7	P4-6		27		+15B	5.43	
14	18	GRN	8	P4-15		28		-15B	5.33	
12	18	YEL	9	P3-4		37		AC	6.38	
6	14	BLK	10	P3-1		22		GND	5.75	
10	18	BRN	11	P3-2		36		LTC	5.88	
11	18	VIO	12	P3-3		38		DC	6.38	
5	14	RED	13	P2-4		29		+5V	5.50	
5	14	RED	14	P2-1		30		+5V	5.50	
9	18	BLUE	15	P2-14		35		-15C	5.38	
6	14	BLK	16	P2-8		23		GND	4.75	
8	18	GRAY	17	P2-3		21		+15A	5.38	
7	14	GRAY	5	P4-3		34		+15C	5.20	
6	14	BLK	18	P2-9		24		GND	4.75	
16	18	RED/WHT	19	P2-12	3	33	SOLDER	+5B	6.88	



DO NOT REDUCE SCALE FOR MANUFACTURING PURPOSES ONLY

DESCRIPTION	DWG./PART NO.	ITEM NO.
1 LABEL CABLE ID	90-04532-6	17
18 WIRE #18 AWG, RED, 1/4"	9107710-29	16
1 POWER HARNESS DECALS	74-09872-02	15
18 WIRE #18 AWG, GRN	9107360-55	14
18 WIRE #18 AWG, WHT	9107360-99	13
18 WIRE #18 AWG, YEL	9107360-44	12
18 WIRE #18 AWG, VIO	9107360-77	11
18 WIRE #18 AWG, BRN	9107360-11	10
18 WIRE #18 AWG, BLU	9107360-66	9
18 WIRE #18 AWG, GRAY	9107360-88	8
14 WIRE #14 AWG, GRAY	9107370-88	7
14 WIRE #14 AWG, BLK	9107370-00	6
14 WIRE #14 AWG, RED	9107370-22	5
1 TIE WRAP	9007031	4
19 PIN, MALE	1209378-01	3
1 CONN. 6 PIN HOUSING	1209351-06	2
2 CONN. 15 PIN HOUSING	1209351-15	1

FOR WIRE LENGTHS SEE WIRING TABLE

THIRD ANGLE PROJECTION	DRN. C.V. SHERIDAN 11/24/80	FIRST USED ON 11/24 digital
REMOVE BURRS AND BREAK SHARP CORNERS	CHK'D BY R. B. 11/24/80	TITLE POWER HARNESS
DO NOT SCALE DWG	PROJ. ENG. J. B. 11/24/80	11/24
MATERIAL SEE PARTS LIST	PROD. BY J. B. 11/24/80	SIZE CODE D
FINISH	NEXT HIGHER ASSY. D-AD-7016905-0-0	NUMBER IA 7016961-0-0
	SCALE 1/1	REV. 3
	SHEET 1 OF 1	DIST. TW 1

REV.	DATE	BY	CHKD.
1	11/24/80	J. B.	R. B.
2	11/24/80	J. B.	R. B.

8

7

6

5

4

3

2

1

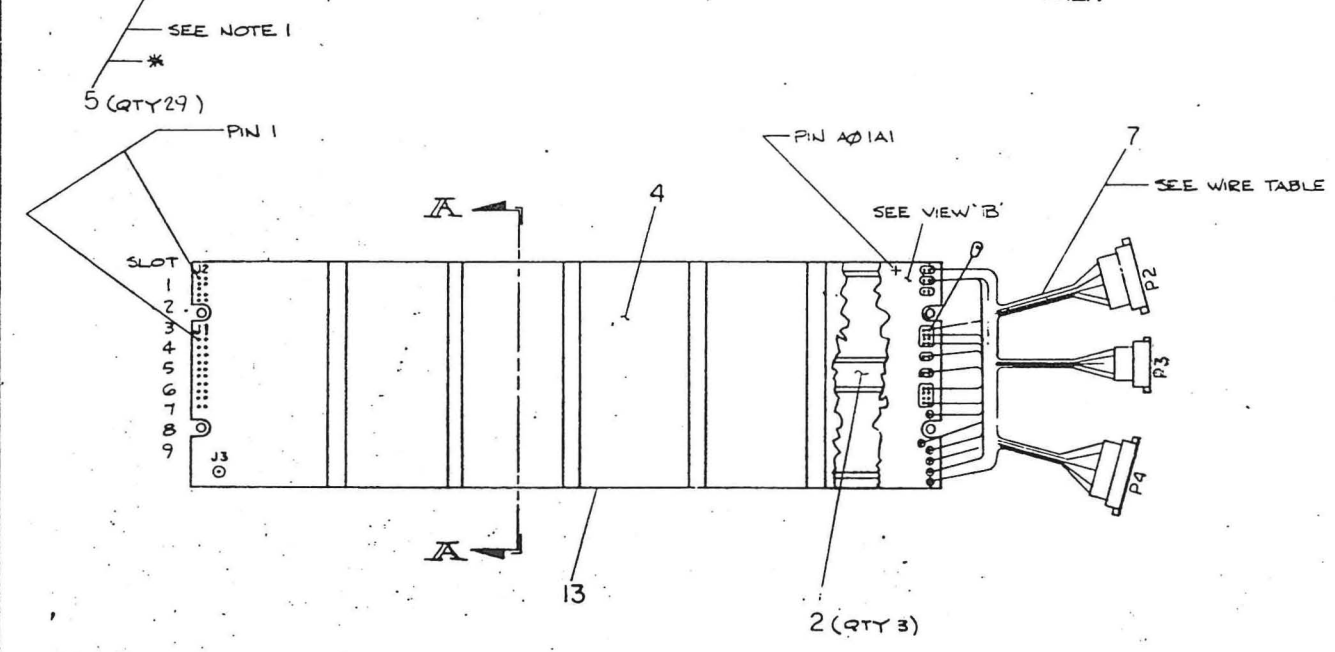
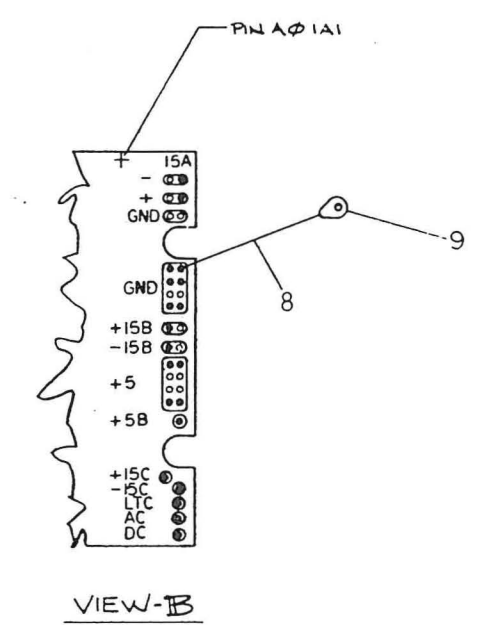
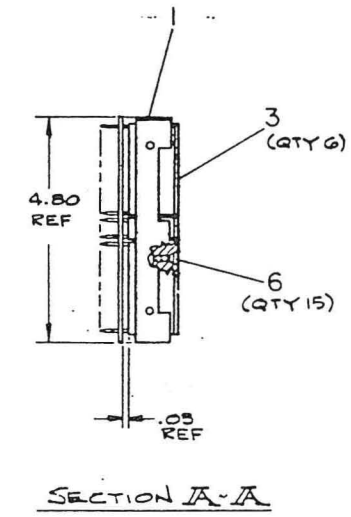
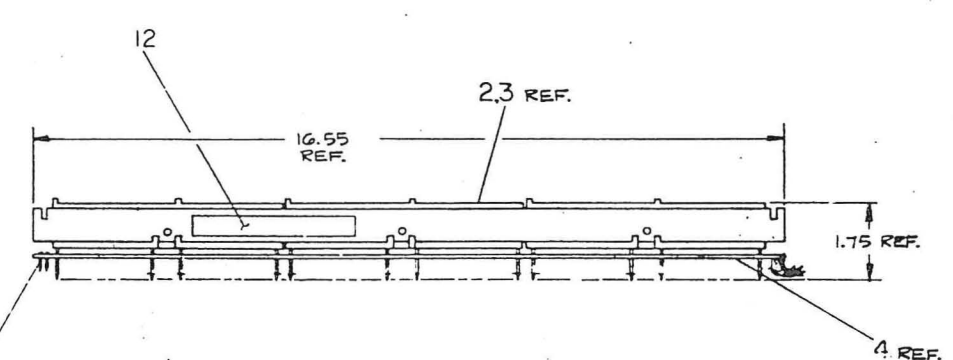
8 7 6 5 4 3 2 1

THIS DRAWING AND SPECIFICATIONS HEREIN ARE THE PROPERTY OF DIGITAL EQUIPMENT CORPORATION AND SHALL NOT BE REPRODUCED OR COPIED OR USED IN WHOLE OR IN PART AS THE BASIS FOR THE MANUFACTURE OR SALE OF ITEMS WITHOUT WRITTEN PERMISSION. COPYRIGHT © 1980 DIGITAL EQUIPMENT CORPORATION

WIRE TABLE

FROM				TO			
COLOR	POINT	CONNECTION	SIGNAL	COLOR	POINT	CONNECTION	SIGNAL
BLUE	P4-14	SOLDER	-15A	RED	P2-4	SOLDER	+5V
RED	P4-4		+5V	RED	P2-1		+5V
RED	P4-1		+5V	BLUE	P2-14		-15C
BLK	P4-8		GND	BLK	P2-8		GND
BLK	P4-9		GND	GRAY	P2-3		+15A
WHT	P4-6		+15B	GRAY	P4-3		+15C
GRN	P4-15		-15B	BLK	P2-9		GND
YEL	P3-4		AC	RED/WHT	P2-12	SOLDER	+5B
BLK	P3-1		GND	ITEMS	SOLDER	ITEM #	
BRN	P3-2		LTC				
VIO	P3-3	SOLDER	DC				

NOTES:
1. PRIOR TO ASSEMBLING ETCH CKT BD (ITEM#4) TO PINS ON BACK PLANE, INSERT PINS DESIGNATED BY ASTERISK (*) ITEM#5.



CAUTION: OFF SHEET PARTS LIST REFER TO K-PL-7016905-0-DEP

REF	AWT	REV	STATUS	AWT-7016905-0-2	15
REF	WIRE	-5"		K-PL-7016905-0-1	14
REF	CIRCUIT SCHEMATIC			D-CE-3413917-0-1	13
1	LABEL, AWT REV STATUS			A-DC-7411981-0-0	12
AWT	WIRE #30 AWG (YEL)			9007743-44	11
AWT	WIRE #30 GRAY/VIO TW/PR			9107773-87	10
1	TERMINAL, SOLDER			9008150	9
2	WIRE, BLK STRD #14			9107370-00	8
1	POWER HARNESS			D-IA-7016901-0-0	7
15	SCR FL HD #8-32 x .62 LONG			9009120-0	6
29	PIN, STAKING P.C. BD			9009149	5
1	ETCH CIRCUIT BOARD			D-UA-5013816-0-0	4
6	BLOCK, CONN. 288 PIN			1210258-01	3
3	BLOCK, CONN. 72 PIN			1211425-02	2
1	FRAME, LOGIC			1211439-00	1

REVISION HISTORY

REV	DATE	BY	DESCRIPTION
A	11/24/80	RAY GRUDA	INITIAL DESIGN
B	12/1/80	RAY GRUDA	REVISED FOR MANUFACTURE
C	11/24/80	RAY GRUDA	REVISED FOR MANUFACTURE
D	11/24/80	RAY GRUDA	REVISED FOR MANUFACTURE
E	11/24/80	RAY GRUDA	REVISED FOR MANUFACTURE

UNLESS OTHERWISE SPECIFIED DIMENSIONS ARE IN INCHES AND THE FOLLOWING TOLERANCES APPLY (PER DEC STD 114)

INCHES TOLERANCES	ANGLES ±0°30'	APPLICABLE DIMENSION RANGE	DIMENSION RANGE IN INCHES					
			OVER 0 TO 0.2	OVER 0.2 TO 0.5	OVER 0.5 TO 1.0	OVER 1.0 TO 2.0	OVER 2.0 TO 4.0	OVER 4.0 TO 8.0
X ± .1	SURFACE QUALITY	CHECK ONE	± .004	± .008	± .012	± .016	± .020	± .024
XX ± .02			<input type="checkbox"/>	<input type="checkbox"/>	<input type="checkbox"/>	<input type="checkbox"/>	<input type="checkbox"/>	<input type="checkbox"/>
XXX ± .005			<input type="checkbox"/>	<input type="checkbox"/>	<input type="checkbox"/>	<input type="checkbox"/>	<input type="checkbox"/>	<input type="checkbox"/>

THIRD ANGLE PROJECTION

DO NOT SCALE DRAWING

REMOVE BURRS AND BREAK SHARP CORNERS

MATERIAL SEE PARTS LIST

FINISH

DATE 15 JAN 80

DATE 5-1-80

DATE 4-30-80

DATE 4-28-80

DATE 5-5-80

TITLE 11/24 digital BACKPLANE ASS'Y

DOCUMENT NUMBER DAD7016905-0-0 C

SCALE NONE SHEET 1 OF 1

8 7 6 5 4 3 2 TW 1

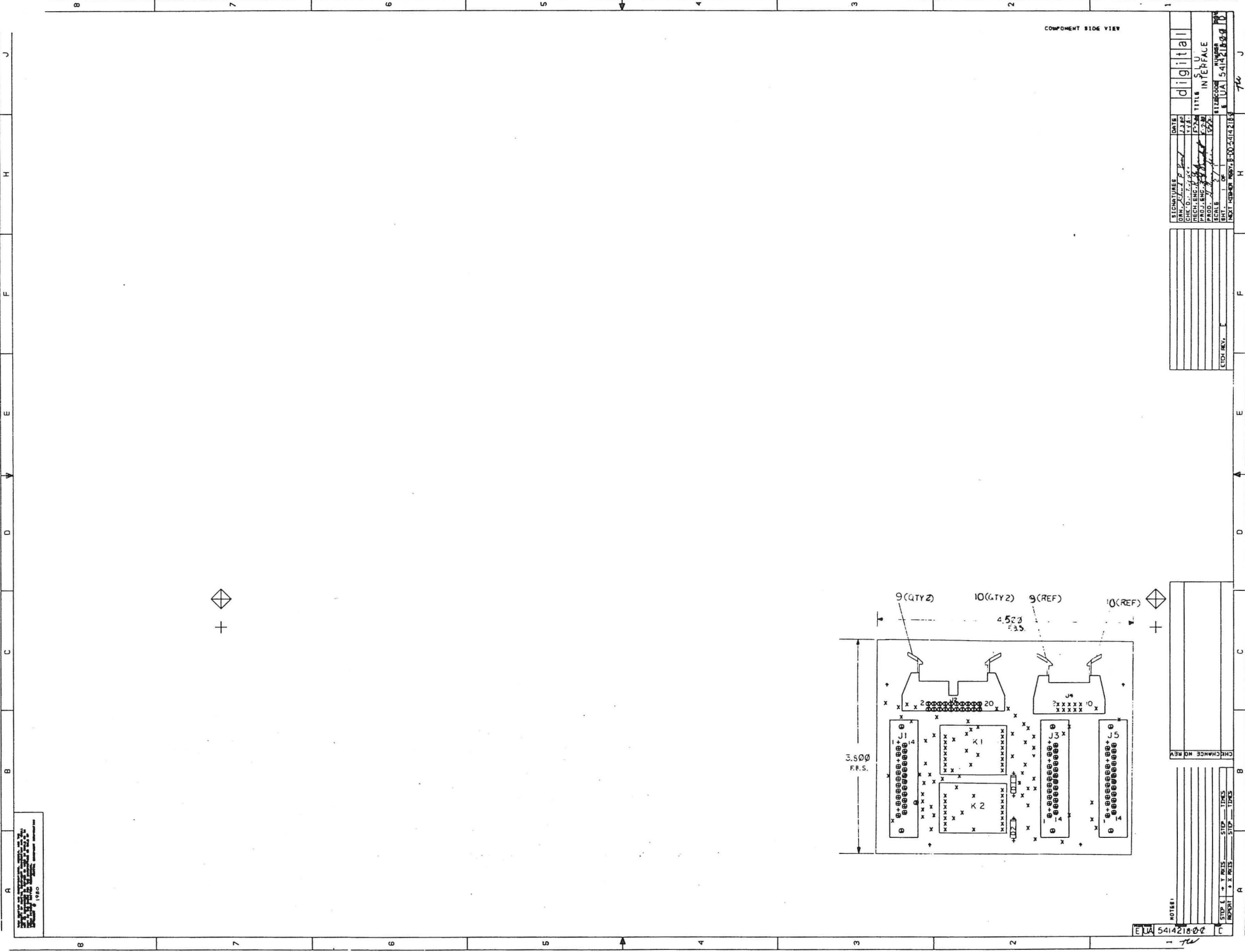
LINE ITEM	DOCUMENT NUMBER	PART NUMBER	DESCRIPTION	QUANTITY PER VARIATION
1		1211439-00	CASTING, LOGIC FRAME FOR 1105	1
2		1211425-02	CONN,CARD 72PIN SLOTTED OPEN EN	3
3		1210250-01	CONN,CARD 288PIN SLOTTED OPEN EN	6
4	D-UA-5013816-0-0	5013816-00	11/24 BACK PLANE	1
5		9009149-00	PIN, STAKING, P.C. BOARD, .025 X	29
6		9006120-00	SCREW, POZIDRIVE FILLISTER HD SW	15
7	D-IA-7016905-0-0	7016905-00	POWER HAPNESS (11/24)	1
8	SEE NOTE 1	9107370-00	WIRE,STRND,14AWG,IPVC UL1534	2
9		9008150-00	TERM LUG 1POS LOCKING,SOLDER	1
10		9107773-87	WIRE(WRAP)30AWG,TWP (UL1558)	A/R
11		9105740-44	WIPE(WRAP)30AWG UL1423	A/R
12	A-DC-7411801-0-0	7411801-00	DECAL BACKPLANE REV STATUS	1
13			BLANK	0
14	K-WL-7016905-0-1		WIRE LIST	REF
15	A-WT-7016905-0-2		AWT REV STATUS	REF

16 NOTE: NOTE 1: ITEM 8 LENGTH IS IN INCHES

REVISION HISTORY			BASIC PART NO: 7016905		DRN:	H. DARAKJIAN	DATE: 28-APR-81	D I G I T A L			
ENG	ECO NUMBER	REV	SECTION A OF A		CHK'D:	W. FISHER	DATE: 28-APR-81	TITLE		PARTS LIST	
---	INITIAL	I-	SECTION, VARIATION INDEX					11/24 BACKPLANE ASSY			
RG	7016905-TW001	1A	[A] 00		DES.ENG.:	R. GRUDA	DATE: 28-APR-81	DOCUMENT NUMBER			
WB	11/24-TW01A	1B	[B]		RESP.ENG.:	R. GRUDA	DATE: 28-APR-81	SIZE	CODE	NUMBER	REV
			[C]		MPG.ENG.:	J. AVILES	DATE: 28-APR-81	K	PL	7016905-0-DBP	B
			[D]		ASSEMBLY NUMBER:		TOP DOCUMENT NUMBER:	FILE NAME:		EDIT #	
			[E]		D-AD-7016905-0-0		E-UA-11/24-0-0	Z2443.PLS		7	
			[F]								

"THIS DRAWING AND SPECIFICATIONS HEREIN, ARE THE PROPERTY OF DIGITAL EQUIPMENT CORPORATION AND SHALL NOT BE REPRODUCED OR COPIED OR USED IN WHOLE OR IN PART AS THE BASIS FOR THE MANUFACTURE OR SALE OF ITEMS WITHOUT WRITTEN PERMISSION. COPYRIGHT (C) 1981. DIGITAL EQUIPMENT CORPORATION"

TW



COMPONENT SIDE VIEW

DATE	12/1/76	DESIGNED BY	J.P.P.	DRAWN BY	J.P.P.	CHECKED BY	J.P.P.	PROJ. ENG.	J.P.P.	PROJ. NO.	5414218-00	TITLE	DIGITAL
TITLE INTERFACE													
SCALE	1:1	SIZE	11x17	DRAWN BY: J.P.P.									
ETCH. REV.	1	NEXT NUMBER: 5414218-01											

CHANGE NO.	REV.

STEP	DATE	BY	DESCRIPTION
1	12/1/76	J.P.P.	INITIAL DRAWING

NOTES:
1. ALL DIMENSIONS ARE IN INCHES UNLESS OTHERWISE SPECIFIED.
2. TOLERANCES ARE AS SHOWN.
3. UNLESS OTHERWISE SPECIFIED, ALL DIMENSIONS ARE TO CENTER UNLESS OTHERWISE SPECIFIED.
4. SURFACES UNLESS OTHERWISE SPECIFIED ARE TO BE FINISHED BY THE MANUFACTURER.
5. ALL DIMENSIONS ARE TO CENTER UNLESS OTHERWISE SPECIFIED.
6. ALL DIMENSIONS ARE TO CENTER UNLESS OTHERWISE SPECIFIED.
7. ALL DIMENSIONS ARE TO CENTER UNLESS OTHERWISE SPECIFIED.
8. ALL DIMENSIONS ARE TO CENTER UNLESS OTHERWISE SPECIFIED.
9. ALL DIMENSIONS ARE TO CENTER UNLESS OTHERWISE SPECIFIED.
10. ALL DIMENSIONS ARE TO CENTER UNLESS OTHERWISE SPECIFIED.

E.L.A. 5414218-00

LINE ITEM	DOCUMENT NUMBER	PART NUMBER	DESCRIPTION	QTY PER VARIATION		REFERENCE DESIGNATOR
				00	01	
1	F-MD-5014217-0-0	5014217-00	ETCH BRD	1	1	
2		1216296-02	CONN, D SUB 25PIN	1	0	J1
3		1209941-12	HEADER 10POS RT ANGLE	1	1	J4
4		1209941-05	HEADER, 10 2 POS RT ANGLE	1	1	J2
5		1210972-00	RLY, REED, 5V COIL, 4PDT, .25A, 15P	2	0	K1, K2
6		1105796-00	IN 4004 PIV=400 I= 1A D041 SP	2	0	D1, D2
7		1217536-01	CONN, D SUB 25PIN PC MTG W/PINS	2	2	J3, J5
8		9009185-00	JUMPER, WIRE, INSULATED, BLACK B	0	8	W1-W8
9		1209941-03	HEADER RT ANGLE LEFT L	2	2	
10		1209941-04	HEADER RT ANGLE, RIGHT	2	2	

REVISION HISTORY			BASIC PART NO: 5414218			D I G I T A L			
ENG	ECO NUMBER	REV	SECTION A OF A	DRN:	F. SMART	DATE:	3-MAR-80	TITLE	PARTS LIST
---	INITIAL	D	SECTION, VARIATION INDEX	CHK'D:	E. T. GERRY	DATE:	3-MAR-80	SLU INTERFACE	
			[A] 00, 01	DES. ENG:	R. ROUDROT	DATE:	7-MAY-80	DOCUMENT NUMBER	
			[B]	RESP. ENG.:	R. ROUDROT	DATE:	7-MAY-80	SIZE	CODE
			[C]	MFG. ENG.:	G. ABPEU	DATE:	7-MAY-80	K	PL
			[D]	ASSEMBLY NUMBER:	E-UA-5414218-0-0	TOP DOCUMENT NUMBER:	B-DD-5414218-0-0	FILE NAME:	71263D, PLS
			[E]					EDIT #	18
			[F]						
			[G]						
			[H]						
			[I]						
			[J]						
			[K]						
			[L]						
			[M]						
			[N]						

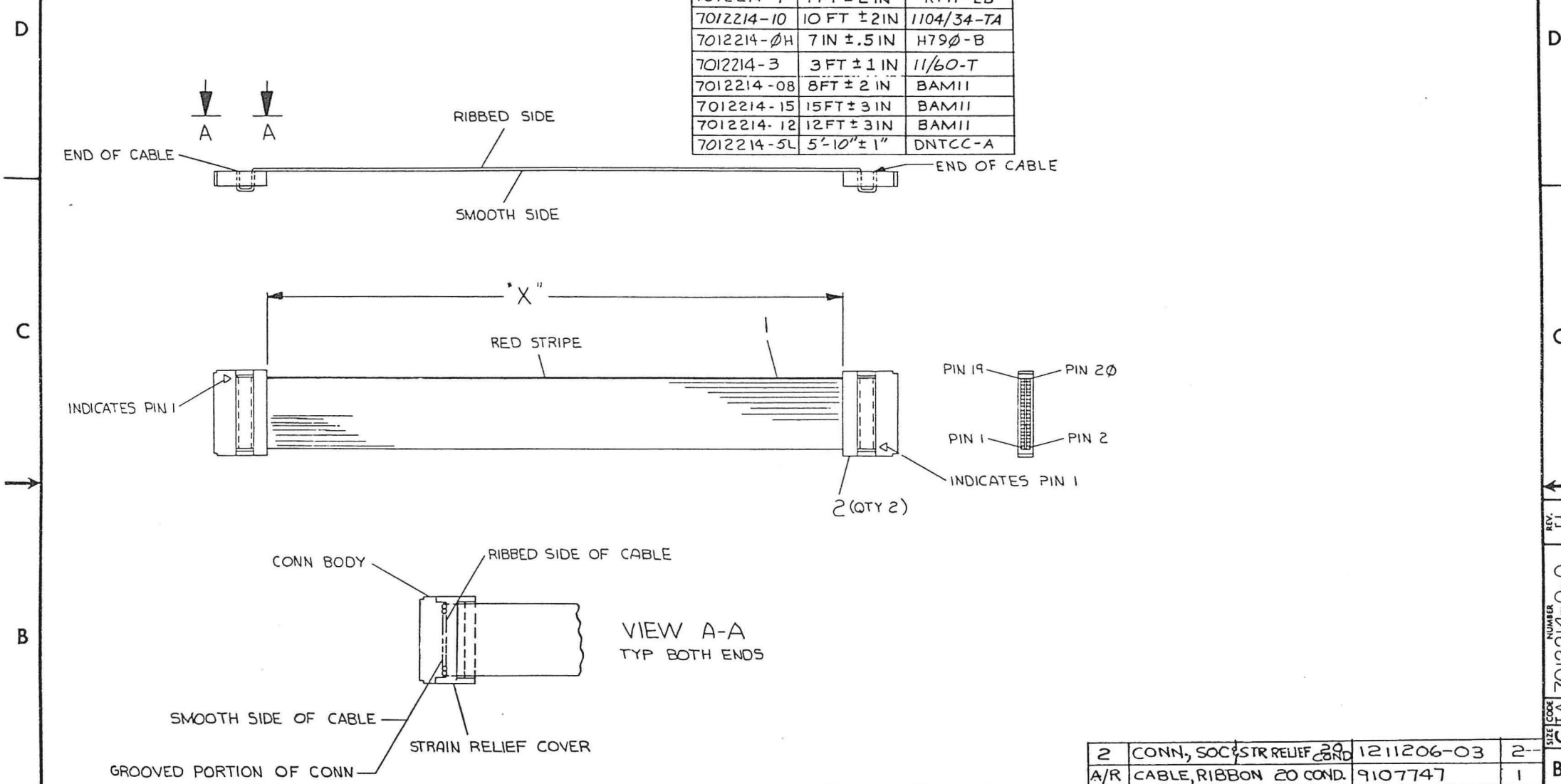
"THIS DRAWING AND SPECIFICATIONS HEREIN, ARE THE PROPERTY OF DIGITAL EQUIPMENT CORPORATION AND SHALL NOT BE REPRODUCED OR COPIED OR USED IN WHOLE OR IN PART AS THE BASIS FOR THE MANUFACTURE OR SALE OF ITEMS WITHOUT WRITTEN PERMISSION. COPYRIGHT (C) 1980, DIGITAL EQUIPMENT CORPORATION"

TLU

"THIS DRAWING AND SPECIFICATIONS, HEREIN, ARE THE PROPERTY OF DIGITAL EQUIPMENT CORPORATION AND SHALL NOT BE REPRODUCED OR COPIED OR USED IN WHOLE OR IN PART AS THE BASIS FOR THE MANUFACTURE OR SALE OF ITEMS WITHOUT WRITTEN PERMISSION. COPYRIGHT © 1975 DIGITAL EQUIPMENT CORPORATION"

NUMBER	DIM "X" VARIATION	USED ON
7012214-2D	2 FT 4 IN ± 1 IN	KY11-LB
7012214-7	7 FT ± 2 IN	KY11-LB
7012214-10	10 FT ± 2 IN	1104/34-TA
7012214-ØH	7 IN ± .5 IN	H79Ø-B
7012214-3	3 FT ± 1 IN	11/60-T
7012214-08	8 FT ± 2 IN	BAM11
7012214-15	15 FT ± 3 IN	BAM11
7012214-12	12 FT ± 3 IN	BAM11
7012214-5L	5'-10" ± 1"	DNTCC-A

NUMBER	DIM "X" VARIATION	USED ON
7012214-0D	4.0" ± 0.2"	H7183



REV.	CHG NO.	BY	DATE
A	00001	R. PRATT	29 JULY 76
B	00002	R. PRATT	11/23/76
C	00003	D. BARRY	8 Sept. 76
D	00004	R. PRATT	17 FEB 77
E	00005	R. PRATT	25 FEB 77
F	00006	M. C. Rennie	4 Nov. 77
G	00007	B. GETTYS	12 Jan 78
H	00008	E. ROSENBLUM	18 JAN 78
I	00009	R. DIETER	18 Jan 78
J	00010	R. DIETER	18 Jan 78
K	00011	D. J. ANDERSON	3 JAN 78
L	00012	D. J. ANDERSON	31 Jan 78
M	00013	D. RYNE	11 FEB 78
N	00014	D. RYNE	16 FEB 78

FIRST USED ON OPTION/MODEL	QTY.	DESCRIPTION	PART NO.	ITEM NO.
KY11-LB	2	CONN, SOC STR RELIEF COND	1211206-03	2
	A/R	CABLE, RIBBON 20 COND.	9107747	1

DIMENSIONAL TOLERANCE		DATE
DIMENSIONS ARE MILLIMETERS UNLESS OTHERWISE SPECIFIED		11/23/76
MILLIMETERS	INCHES	DATE
XXX ± 0.10	XXX ± 0.005	12/1/75
XX ± 0.5	XX ± 0.02	12/1/75
X ± 2	X ± 0.1	12/1/75

THIRD ANGLE PROJECTION	REMOVE BURRS AND BREAK SHARP CORNERS SURFACE QUALITY	DATE
	✓	12/1/75

MATERIAL	FINISH	SCALE	SHEET	OF
SEE PARTS LIST	+ + +	NONE	1	1

TITLE	SIZE CODE	NUMBER	REV.
CABLE, CONSOLE TO M7859 (KY11-LB)	C IA	7012214-0-0	H

SIZE CODE C IA NUMBER 7012214-0-0 REV. H

