

ILLUSTRATED PARTS

BREAKDOWN 16 BIT COMPUTER (Basic)

HOW TO USE THE IPB

GENERAL

This IPB is compiled following the organization and nomenclature of the engineering drawing structure.

MAJOR ASSEMBLY LOCATOR

The Major Assembly Locator (first illustration) is an index that provides a description and a figure reference for all illustrations used in this manual.

INDENTED PARTS LIST

This manual identifies each assembly being broken down (figure reference callout), and all parts of that assembly. Further breakdown of an assembly is shown by an asterisk (*) preceding the item callouts in the Description Column. The number of asterisks preceding an item is used to denote the subordination of that item with respect to the Major Assembly. A single asterisk preceding an item description indicates that the item is part of the major assembly being illustrated. Items that are subordinate to single asterisks items, are denoted by two asterisks (**) and immediately follow the related single asterisk item. Additional asterisks are used, as required, to denote further subordination. This system of part identification, provides a means for the user to identify the next higher assembly item and make alternate selections for parts when the required replacement part or assembly is not immediately available.

COLUMN CALLOUT DESCRIPTION

Figure & Item - Indicates the figure number and item number of each part.

Description - Lists the name of the part and pertinent specifications (when required). Asterisks preceding the description denote the subordination of the part to the next higher assembly.

DEC Part No. - Lists the DEC part ordering number. A blank in this column indicates a DEC part number was not assigned at the time of publication.

ECO Cut-In - The notation at the top of this column indicates the ECO level of the system (option), at which the IPB was initially prepared. Subsequent ECO level designations, that modify existing parts or add new parts to the device, are inserted in the ECO Cut-In column next to the part that is added or modified. A bracket ([]) preceding the item description is used to indicate the parts affected by ECO's.

Vendor Code/Part No. - Indicates vendor parts that are not stocked by DEC. Refer to the Field Service Spares Catalog (vendor part number to DEC part number) for the vendor code cross-reference.

Used On Code - Letters in this column correspond to the variation codes assigned in Figure 1. Parts with an Alpha notation(s) are used only in those option variations. A blank indicates that the part is used on all option variations.

Ref Fig No. - A cross reference between illustrations. For each Major Assembly, the number in this column denotes the figure of the next higher assembly. For all subassemblies, the number in this column denotes the figure showing additional detailed breakdown.

SYMBOL USAGE

Hardware Designators - Alpha designators for screws (S), washers (W), nuts (N), and retaining rings (R) are inserted after the item number callouts on the illustration when stacked item numbers are used.

Attaching Hardware - The @ symbol is inserted before any part that is used as attaching hardware. Attaching hardware is denoted as those parts that are not an integral part of the referenced assembly.

(NFR) Not Field Repairable - The (NFR) symbol is inserted after any assembly that is not to be field dismantled.

Other Symbols - Any other symbols that are required for kits, accessories, etc., will be explained and appear as part of the item description.

REVISION HISTORY

PRINTING	ECO LEVEL	DATE	PAGES AFFECTED	
2nd Printing	11/40 H960C KY11D 54-09701 70-0R754 70-09566 70-09573 70-09053 70-09046 70-09564 70-09994 70-09103 70-09565 BC08R 70-08853	00000-00021 00000-00003 00000-00003 00000-00008 00000-00001 00000-00005 00000-00000 00000-00003 00000-00001 00000-00000 00000-00000 00000-00000 00000-00001 0004A-0004A 00000-00003	10-13-76	This 2nd Printing EK-11/40-IP-002 SUPERSEDES 1st Printing DEC-11/40-IPB-1 (NOTE THAT THE DOCUMENT NO. OF THIS IPB HAS CHANGED)

Copyright © 1974, 1976 by Digital Equipment Corporation

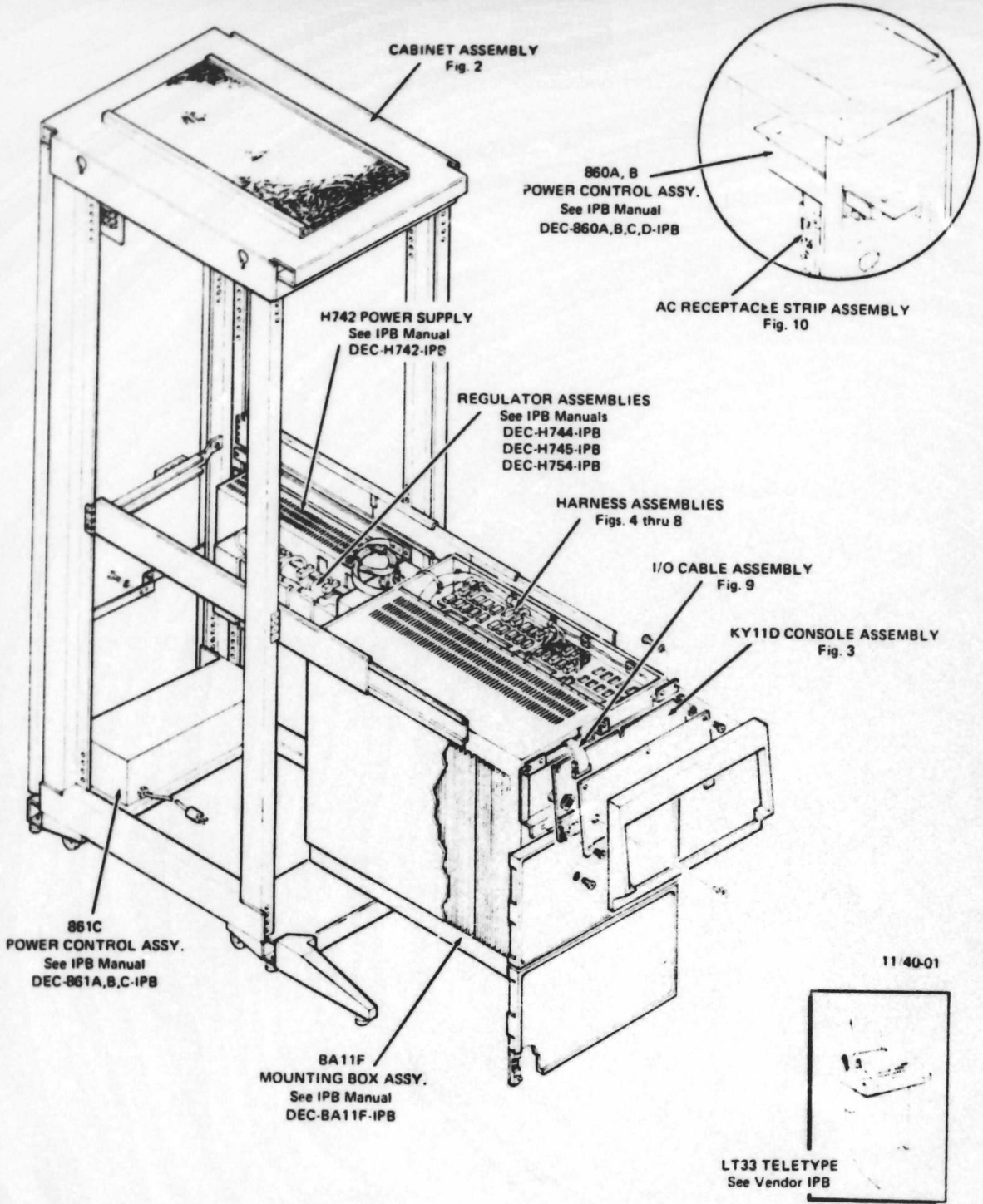
DEC reserves the right, without notice, to make substitutions and modifications in the specifications of products documented in this manual and further reserves the right to withdraw any of these products from the market without notice.

DEC is not responsible for errors which may appear in the technical description (including illustrations and photographs) of the products covered by this manual.

None of the descriptions contained in this manual imply the granting of any license whatsoever to make, use or sell equipment constructed in accordance therewith.

Printed in U.S.A.

PDP 11/40 - 1



Major Assembly Locator, PDP 11/40 16 Bit Computer (Basic)

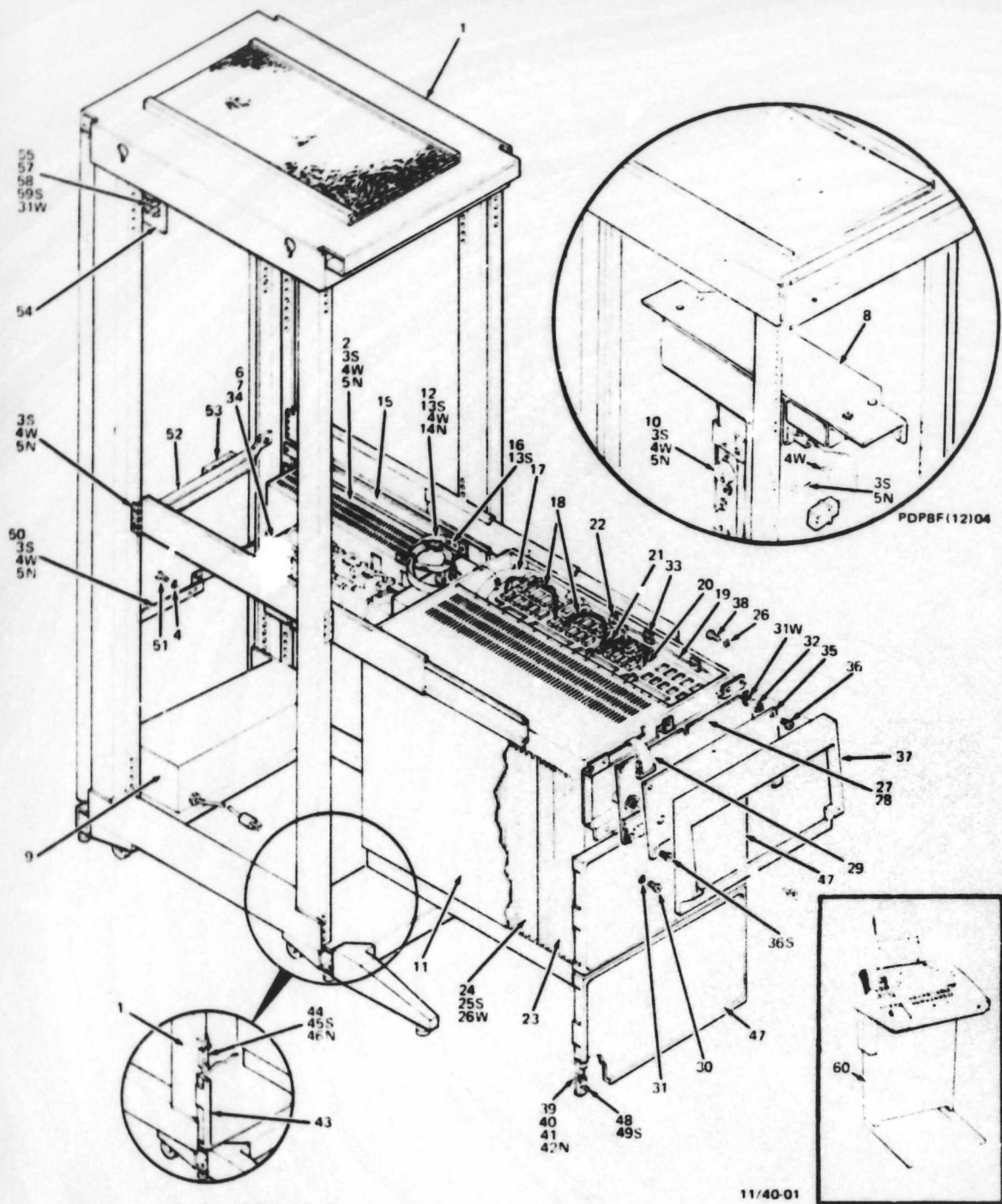


Figure 1. PDP 11/40 16 Bit Computer Assembly (Basic)



IPB 11/40

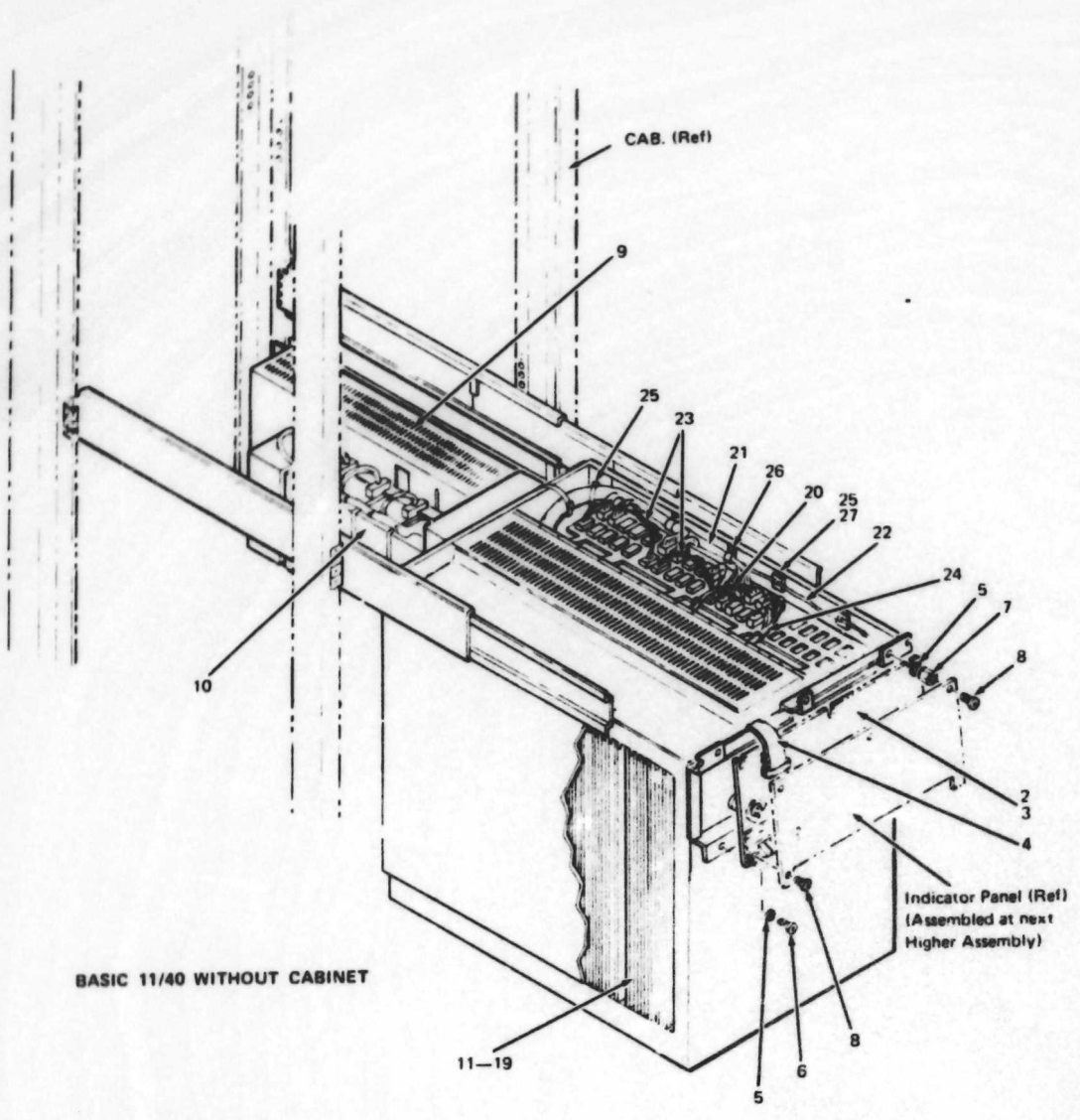
PDP 11/40 - 3

FIG & ITEM NO.	DESCRIPTION	DEC PART NO.	ECO CUT-IN 11 40 00000	USED ON CODE	VENDOR		REF FIG NO.
					CODE	PART NO.	
1-	PDP-11 40 COMPUTER ASSEMBLY (BASIC)						
	Code A - Used on Model 11 40-CA 115V 60 Hz	11 40-CA		A			
	Code B - Used on Model 11 40-CB 230V 50 Hz	11 40-CB		B			
1	*CABINET ASSEMBLY (TALL)	H960-CD					2
2	*H742A POWER SUPPLY 115V 60 Hz	H742A		A			
	*H742B POWER SUPPLY 230V 50 Hz	H742B		B		See IPB Manual EK-H742-IP	
3	*Screw, Phi Pan Hd No. 10-32 x .62	90-06074-01					
4	*Washer, Lock Ext Tooth No. 10	90-07651-00					
5	*Nut, Tinnerman	90-07786-00					
6	*REGULATOR ASSEMBLY (+5V)	H744-00				See IPB Manual EK-H744-IP	
7	*REGULATOR ASSEMBLY (-15V)	H745-00				See IPB Manual EK-H745-IP	
8	*POWER CONTROL ASSEMBLY (860A) (deleted)	860-A		A			
	*POWER CONTROL ASSEMBLY (860B) (deleted)	860-B		B		See IPB Manual DEC-860 A, B, C, D - IPB	
9	*POWER CONTROL ASSEMBLY (861C) (added)	861-C	00004	A			
	*POWER CONTROL ASSEMBLY (861B)	861-B	00004	B		See IPB Manual EK-861-IP	
10	*AC RECEPTACLE STRIP ASSEMBLY (115V) (deleted)	70-08853-01	00004	A			10
	*AC RECEPTACLE STRIP ASSEMBLY (230V) (deleted)	70-08853-02	00004	B			10
11	*MOUNTING BOX ASSEMBLY	BA11-FC				See IPB Manual EK-BA11F-IP	
12	*Support, Harness	74-09446-00					
13	*Screw, Phi Pan Hd No. 10-32 x 50	90-06073-01					
14	*Nut, Kep No. 10 32	90-06565-00					
15	*Bracket, Harness Support	74-09445-00					
16	*Plate, Support	74-09447-00					
17	*HARNESS, Power Expander (deleted) (Old Style harness for system Serial Nos. 5999 and lower.)	70-08754-00					4
	*HARNESS, Power Expander (added) (New Style harness for system Serial Nos. 6000 and higher.)	70-90566-00	00010				4A
18	*HARNESS, Jumper (6 pin) (added) (For system Serial Nos. 6000 and higher.)	70-09573-00	00010				5
19	*HARNESS Console to Power Controller (Used on all systems)	70-09053-00					6
20	*HARNESS, Power (KD11A) (deleted) (Old Style Harness for System Serial Nos. 5999 and lower.)	70-09046-00					7
	*HARNESS, Power (KD11A) (added) (New Style Harness for System Serial Nos. 6000 and higher.) Note: This Harness is used when connect- ed to Backplane with Fastabs.	70-09564-00	00010				7A
	*HARNESS, Power (KD11A) (added) (This Harness is used when solder connections to Backplane are required.)	70-09994-00	00015				7B



FIG & ITEM NO.	DESCRIPTION	DEC PART NO.	ECO CUT-IN 11/40 00000	USED ON CODE	VENDOR		REF FIG NO.
					CODE	PART NO.	
1-21	*HARNESS, First Memory (deleted) (Old Style Harness for System Serial Nos. 5999 and lower.)	70-09103-00					8
	*HARNESS, First Memory Power (MF11L/LP) (New Style Harness for System Serial Nos. 6000 and higher)	70-09565-00	00010				8A
22	*Tie Wrap	90-07880-00					
23	*PROCESSOR (KD11A) (Refer to Module Utilization Dwg. D-MU-KD11-A)	KD11-A					
	**Wired Assembly (KD11A) (Deleted - Not Shown) (Old Design with Fastab Connections)	70-09009-00					
	**Wired Assembly (KD11A) (Added - Not Shown) (New Design with Soldered Connections)	70-10230-00	KD11A 00009				
24	*MEMORY 8K (MF11L/LP)	MF11-L/LP					
	*Backplane Assy. (MF11L/LP) (Not Shown)	70-08872-00					
25	*Screw, Phi. Pan Hd. No. 8-32 x 1.0	90-06043-01					
26	*Washer, Lock Ext. Tooth No. 8	90-08072-00					
27	*CONSOLE ASSEMBLY (KY11-D)	KY11-D					3, 3A
28	**Console (KY11-D)	54-09701-00					3B
29	**I/O Cable (BC08R) (6 Ft. Long)	BC08R-06					9
	**I/O Cable (BC08R) (3 Ft. Long) (added)	BC08R-03	KY11D 00002				9
30	*Screw, Phi Pan Hd No. 6-32 x .31 Lg.	90-06021-01					
31	*Washer, Lock Int Tooth No. 6	90-06633-00					
32	*Spacer, Hex Special	90-09120-01					
33	*Tie Mount, Adhesive	90-08264-00					
34	*REGULATOR ASSEMBLY (+20, -5V)	H754-00				See IPB Manual EK-H754-IP	
35	*Panel, Indicator (11/40)	74-09881-02					
	*Panel, Indicator (Industrial 11, KY11-DJ) (added)	74-11317-00	KY11D 00001				
36	*Screw, Slotted Flat Hd Nylon No. 6-32 x .38	90-06404-02					
37	*Bezel	12-10710-00					
38	*Screw, Phi Pan Hd No. 8-32 x .50	90-06039-01					
39	*Bracket, Mounting (Short) (Note: Used when the 10-1/2" Panel Item 43 is mounted to the "Tall" H960 Cabinet Item 1)	74-09289-02					
40	*Bracket, Mounting (Long) (Note: Used when the 10-1/2" Panel Item 47 is mounted to the Mounting Box Assy, Item 11)	74-09289-00	00012				
41	*Screw, Phi Pan Hd No. 8-32 x .38 (Fastens Item 40 to Item 11)	90-06037-01					
42	*Nut, Kep No. 8-32 (Fastens Item 40 to Item 11)	90-06563-00					
43	*Panel, Cover (10-1/2") (Note: This Panel used when it is mounted to the "Tall" H960 Cabinet Item 1)	H950-Q					
44	**Molding, Thick Latch (Used with Item 43)	12-11386-00					
45	**Screw, Phi Flat Hd No. 10-32 x 1/2 (Used with Item 43)	90-06073-02					
46	**Nut, Tinnerman No. 10-32 (Used with Item 43)	90-07786-00					

FIG & ITEM NO.	DESCRIPTION	DEC PART NO.	ECO CUT-IN 11/40 00000	USED ON CODE	VENDOR		REF FIG NO.
					CODE	PART NO.	
47	*Panel, Cover (10-1/2") Note: This Panel used when it is mounted to the Mounting Bracket Item 39 or 40)	H950-QB					
48	*Molding, Latch (Used with Item 47)	12-09224-00					
49	*Screw, Phi Flat Hd No. 8-32 x 1/4 (added) (Fastens Item 48 to Item 39 or 40)	90-06035-02	00012				
50	*Bracket, Shipping	74-09312-00					
51	*Screw, Phi Pan Hd No. 10-32 x .38	90-06071-01					
52	*Bracket, Cable Holddown	74-10581-00					
53	*Cable, Clamp and Strap	12-11215-00					
54	*Plate, Jones Strip	74-07607-00					
55	*Terminal Strip, Cinch Jones	90-09033-00					
56	*Spacer, Hex Threaded No. 6-32 x .62	90-06857-00					
57	*Jump'r, Cinch Jones	90-07599-00					
58	*Cover, Protection	74-04721-00					
59	*Screw, Phi Pan Hd No. 6-32 x .25 (deleted)	90-06020-01					
	*Screw, Phi Pan Hd. No. 6-32 x .75 (added)	90-06026-01	00010				
60	*TELETYPE WRITER	LT33-DC		A		See Vendor IPB	
	*TELETYPE WRITER	LT33-DD		B		See Vendor IPB	
	†TELETYPE CONTROL (Not Shown)	DL11-A					
	†POWER DISTRIBUTION CABLE (Not Shown)	70-09177-00					



BASIC 11/40 WITHOUT CABINET

Indicator Panel (Ref)
(Assembled at next
Higher Assembly)

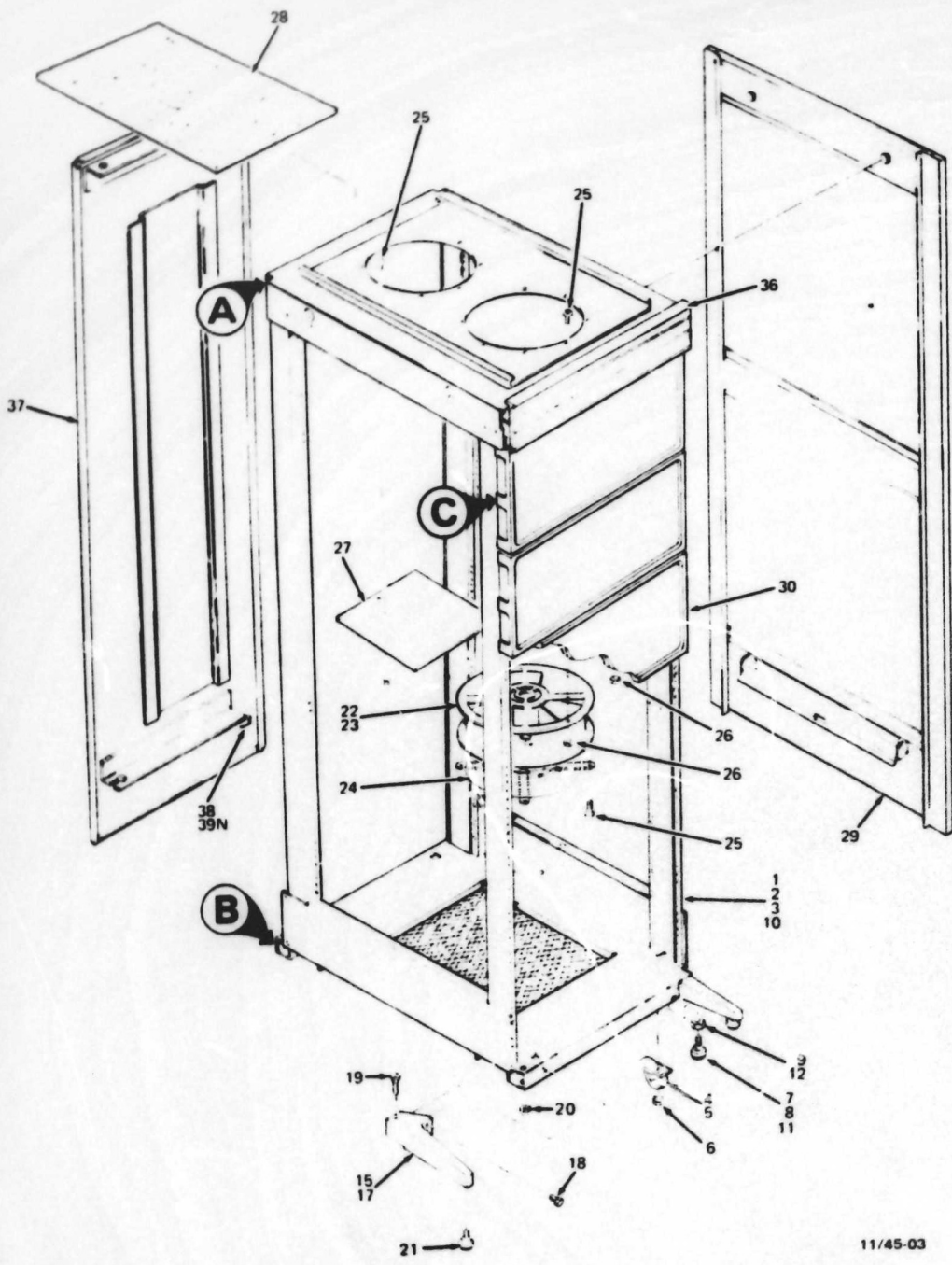
11/40-01A

Figure 1A. PDP 11/40 16 Bit Computer Assembly (Basic)



PDP 11/40 -7

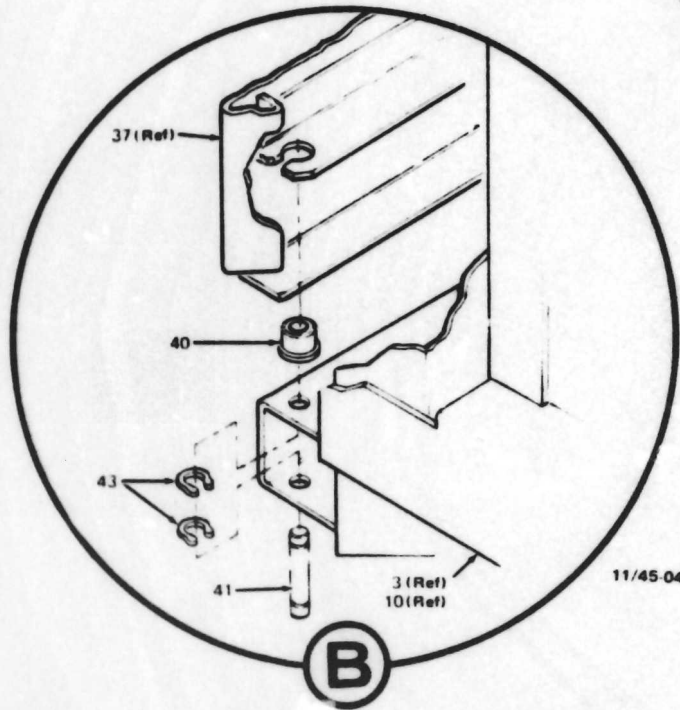
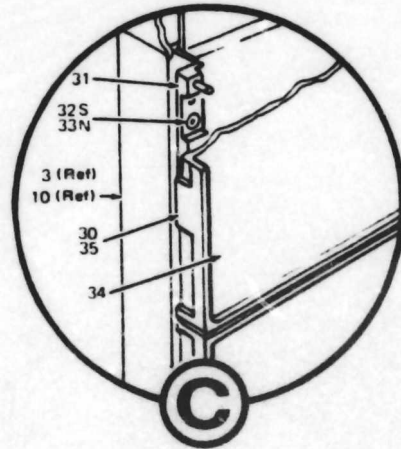
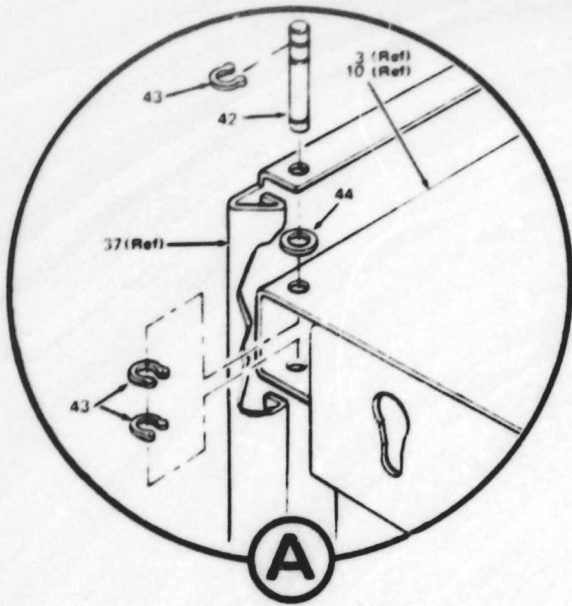
FIG & ITEM NO.	DESCRIPTION	DEC PART NO.	ECO CUT-IN 11/40 00017	USED ON CODE	VENDOR		REF FIG NO.
					CODE	PART NO.	
1A -	PDP-11/40 COMPUTER ASSEMBLY (Basic without Cabinet) Code C - Used on Model 11/40-AC Code D - Used on Model 11/40-AD Code E - Used on Model 11/40-AE Code F - Used on Model 11/40-AF Code G - Used on Model 11/40-AH Code H - Used on Model 11/40-AJ Code J - Used on Model 11/40-AK Code K - Used on Model 11/40-AL Code L - Used on Model 11/40-AM Code M - Used on Model 11/40-AN Code N - Used on Model 11/40-AP Code P - Used on Model 11/40-AR	11/40-AC 11/40-AD 11/40-AE 11/40-AF 11/40-AH 11/40-AJ 11/40-AK 11/40-AL 11/40-AM 11/40-AN 11/40-AP 11/40-AR					
1	*MOUNTING BOX ASSEMBLY	BA11-FC				See IPB Manual EK-BA11-FC-IP	
2	*CONSOLE ASSEMBLY (KY11D)	KY11-D					
3	**Console (KY11D)	54-09701-00					3, 3A 3B 9
4	**I/O Cable (BC08R) 3 Ft. long	BC08R-03					
5	*Washer, Int. Tooth Lock No. 6	90-06633-00					
6	*Screw, Phi. Truss Hd. No. 6-32 x .38	90-06022-03					
7	*Spacer, Hex Special	90-09120-01					
8	*Screw, Slotted Flat Hd. Nylon No. 6-32 x .38	90-06404-02					
9	*H742A POWER SUPPLY 115V 60Hz (deleted)	H742A			CEGJLN	See IPB Manual EK-H742-IP	
	*H742A POWER SUPPLY 230V 50Hz (deleted)	H742B			DFHKMP		
	*H7420 POWER SUPPLY 115V 60Hz (added)	H7420A	00020		CEGJLN	See IPB Manual EK-H7420-IP	
	*H7420 POWER SUPPLY 230V 50Hz (added)	H7420B	00020		DFHKMP		
10	*REGULATOR ASSEMBLY (+5V)	H744-00				See IPB Manual EK-H744-IP	
	*REGULATOR ASSEMBLY (-15V)	H745-00				See IPB Manual EK-H745-IP	
	*REGULATOR ASSEMBLY (+20V, -5V)	H754-00				See IPB Manual EK-H754-IP	
11	*PROCESSOR (KD11-A) (For Location and Identification of Modules Refer to Module Utilization Dwg. D-MU-KD11-A)	KD11-A			GHIJKLMNP		
12	*Back Plane, 8K Memory	MF11-L			CD		
13	*Memory, 8K Par., W/Wired Assembly	MF11-LP			EF		
14	*Memory, 16K Sense, W/Wired Assembly	MF11-U			GHLM		
15	*Memory, 16K Par. W/Wired Assembly	MF11-UP			JKLM		
16	*Memory, 16K Par. Expansion	MM11-UP			NP		
17	*Memory, 16K Par. Expansion	MM11-U			LM		
18	*Washer, Int. Tooth Lock No. 8	90-06634-00					
19	*Screw, Phi. Pan Hd. No. 8-32 x 1.00	90-06043-01					
20	*HARNESS, First Memory Power (MF11-L/LP)	70-09565-00			CDEF		8A
21	*HARNESS, Expander Box Power	70-09566-00					4A
22	*HARNESS, Console to Power Control	70-09053-00					6
23	*HARNESS, Jumper 16 Pin	70-09573-00					5
24	*HARNESS, Power (KD11-A)	70-09994-00					7B
25	*Tie Wrap	90-07880-00					
26	*Tie Mount	90-07867-00					
27	*Tie Mount (Adhesive)	90-08264-00					



11/45-03

Figure 2. H960C Main Cabinet Assembly (Sheet 1 of 2)

PDP 11/40-9



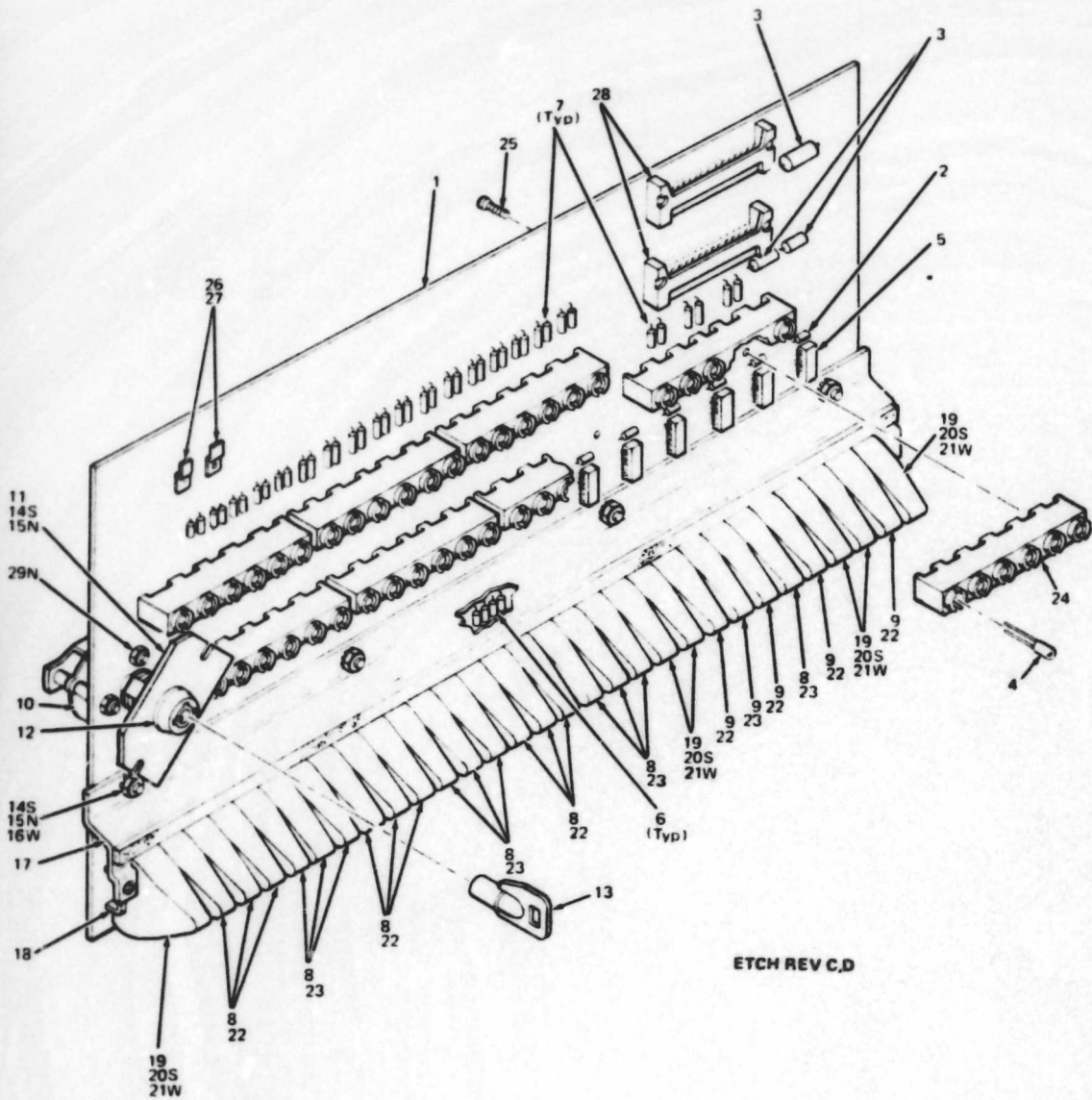
11/45 04

Figure 2. H960C Main Cabinet Assembly (Sheet 2 of 2)

digital
PARTS LIST

PDP 11/40-10

FIG & ITEM NO.	DESCRIPTION	DEC PART NO.	ECO CUT-IN H960C 00000	USED ON CODE	VENDOR		REF FIG NO.
					CODE	PART NO.	
2-	H960C MAIN CABINET ASSEMBLY	H960-CD					1
1	*BASIC CABINET ASSEMBLY, 19 in. (deleted)	70-06501-27					
	*BASIC CABINET ASSEMBLY, 19 in. (added)	70-06501-42	00003				
2	**CABINET ASSEMBLY (19 in.) with Casters and Levelers (deleted)	70-06478-00					
3	***FRAME ASSEMBLY, 19 in. (deleted)	H950-AA					
4	***Caster Set (deleted) See Note 1.	H952-E					
5	****Caster (deleted)	90-05835-00					
6	****Nut, Kep No. 5/16-18 (deleted)	90-06568-00					
7	***Leveler Set (deleted)	H952-F					
8	****Leveler (deleted)	90-07600-00	H950				
9	****Nut, Hex Lock No. 1/2-13 (deleted)	90-06596-00	00101				
10	**FRAME ASSEMBLY (19 in.) with Casters and Levelers (added) See Note 1.	H950-AA					
11	***Leveler (added)	90-07600-00	H950 00101				
12	***Nut, Hex Lock No. 1/2-13 NC (added)	90-06596-00	H950A 00001				
13	***Screen, Bottom Pan (added)		H950 00102				
14	***Screw, Sems Std Hd No. 10-32 x 5/8 (added)		H950 00102				
15	**STABILIZER FOOT ASSEMBLY	H952-BA					
16	***Foot, Stabilizer (R.H.)	74-06699-01					
17	***Foot, Stabilizer (L.H.)	74-06699-02					
18	**Screw, Phi Truss Hd No. 10-32 x 3/4 (Passivate)	90-07630-00					
19	**Screw, Shoulder Fit Hd No. 1/4-20 x 2-5/8	90-08370-00					
20	**Nut, Kep No. 1/4-20	90-08203-00					
21	***Leveler	90-07601-00					
22	**FAN ASSEMBLY, 115V	H952-CA		A			
	**FAN ASSEMBLY, 230V	H952-CB		B			
23	***Fan, Caravel, 115V	12-04826-00		A			
	***Fan, Caravel, 230V	12-09798-00		B			
24	***Guard, Finger	12-09175-00					
25	**Screw, Phi Pan Hd No. 6-32 x 1/2	90-06022-01					
26	**Nut, Kep No. 6-32	90-06560-00					
27	**Cover, Fan Hole	74-06706-00					
28	**Filter	H950-SA					
29	*Panel, End	H952-AA					
30	*Panel, Cover (10-1/2 inch)	H950-QA					
31	**Molding, Thick Latch	12-11386-00					
32	**Screw, Phi Fit Hd No. 10-32 x 1/2	90-06073-02					
33	**Nut, Tinnerman No. 10-32	90-07786-00					
34	**Inlay	12-09176-02					
35	**Bezel, Snap-on (10-1/2 inch)	12-09225-00					
36	*Logo, PDP-11	74-07936-04					
37	*Door, Full Length (R.H.)	H950-BA					
38	**Magnet	12-09165-00					
39	**Nut, Kep No. 6-32	90-06560-00					
40	**Bushing, Pivot	74-06702-00					
41	**Pin, Door	74-06672-00					
42	**Pin, Door	74-06671-00					
43	**Ring, Retaining	90-07184-00					
44	**Washer, Nylon 1/2 OD x 11/32 ID x 1/16	12-09163-00					
	Note 1: On new cabinets, casters are welded to the frame						



ETCH REV C,D

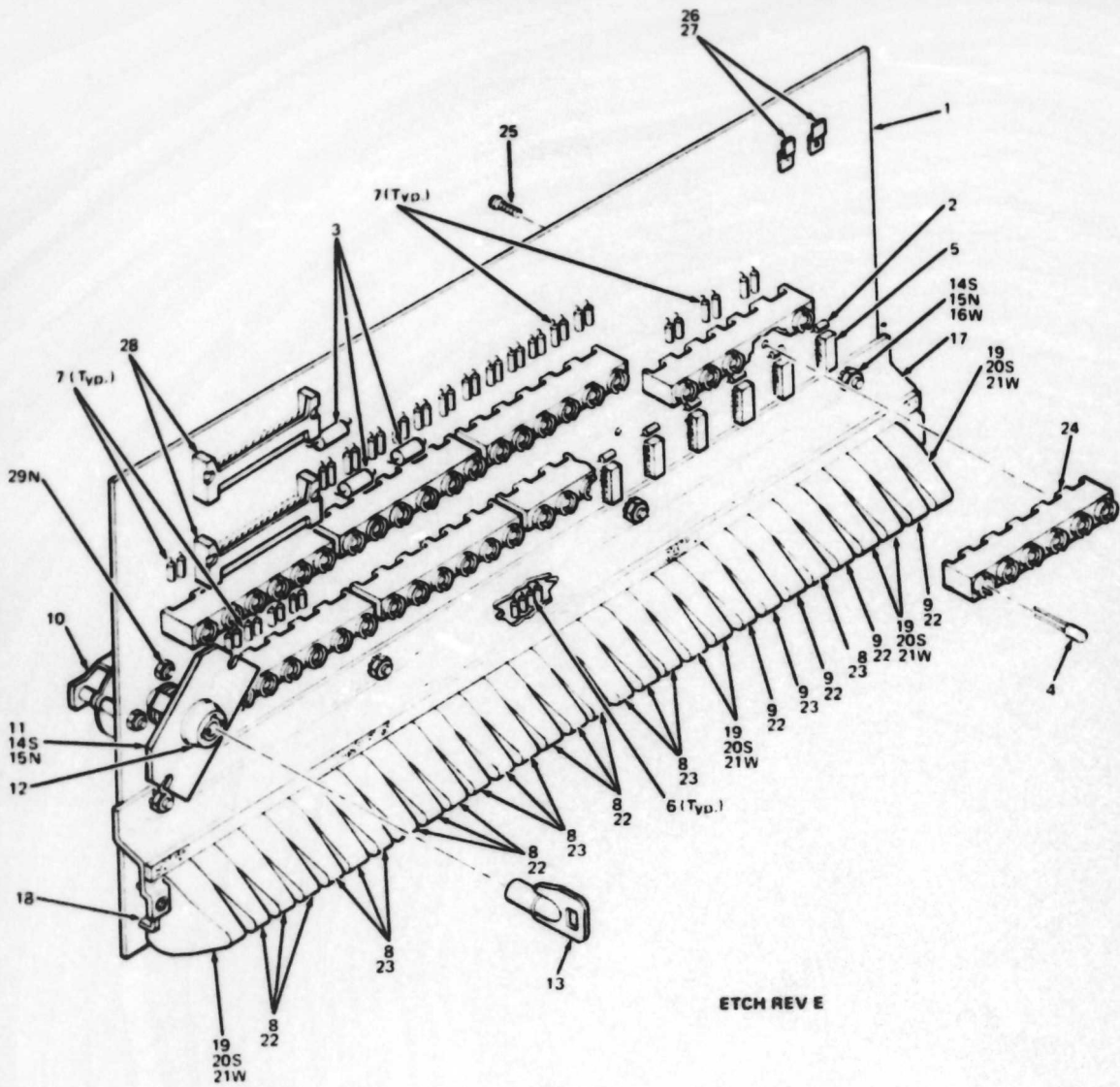
11/40-02

Figure 3. KY11D Console Assembly (Etch Rev C, D)



PDP 11/40-12

FIG & ITEM NO.	DESCRIPTION	DEC PART NO.	ECO CUT-IN	USED ON CODE	VENDOR		REF FIG NO.
			54-09701 00000		CODE	PART NO.	
3--	KY11-D CONSOLE ASSY (ETCH REV C,D)	54-09701-00					1,1A
1	*Board, Etch Circuit	50-09700-00					
2	*Capacitor (C1 thru C6) .01 MFD 100V ± 20%	10-01610-00					
3	*Capacitor (C7,C8,C9) 6.8 MFD 35V ± 10% tant	10-05306-00					
4	*L.E.D. (D1 thru D16,D18 thru D41) SSL-22L2	11-10864-00					
5	*I.C. (E1 thru E6) DEC 7410	19-05576-00					
6	*Resistor (R1 thru R29,R70,R71) 1K Ohms 1/4 W ± 5%	13-00365-00					
7	*Resistor (R30 thru R69) 180 ohms, 1/4W ± 5%	13-01322-00					
8	*Switch (S1 thru S17,S24,S25) SPDT sustained	12-10840-00					
9	*Switch (S18 thru S22) SPDT, momentary	12-10841-00					
10	*Switch, Rotary (S23)	12-10753-00					
11	*Bracket, Switch (Lock) (S23)	74-09894-00					
12	*Lock - 3 Pos - 90° - Index (Includes key - Item 13)	12-10754-00					
13	**Key (For Lock Item 12)	29-15843-00			99	XX2247	
14	*Screw, Pan Hd Nylon No. 6-32 x 1/4 (deleted)	90-09041-02					
	*Screw, Slotted Binder Hd No. 6-32 x 5/16 (added)	90-06021-04	00002				
15	*Nut, Hex No. 6-32 (Nylon) (deleted)	90-07883-00					
	*Nut, Keps No. 6-32 (added)	90-06560-00	00002				
16	*Washer, Nylon .312 OD x .136 ID (Added)	90-06707-00	00002				
17	*Bracket, Support	74-09895-00					
18	*Bracket, Switch	74-09270-01					
19	*Knob (Grey)	12-10825-00					
20	*Screw, Self-Tap No. 8-32 x 1/4	90-08143-00					
21	*Washer, Lock Int. Tooth No. 8	90-06634-00					
22	*Knob (Rose)	12-10796-01					
23	*Knob (Magenta)	12-10796-02					
24	*Holder, L.E.D. (Long)	12-10795-02					
25	*Screw, Self Tapping No. 4 x 5/16	90-09236-00					
26	*Tab, Faston (J3, J4)	90-07112-00					
27	*Eylet GS4-5	90-09000-00					
28	*Connector, 40 Pin (J1,J2)	12-09941-00					
29	*Nut, No. 4-40 x 3/16 AF x 1/16	90-09280-00					



ETCH REV E

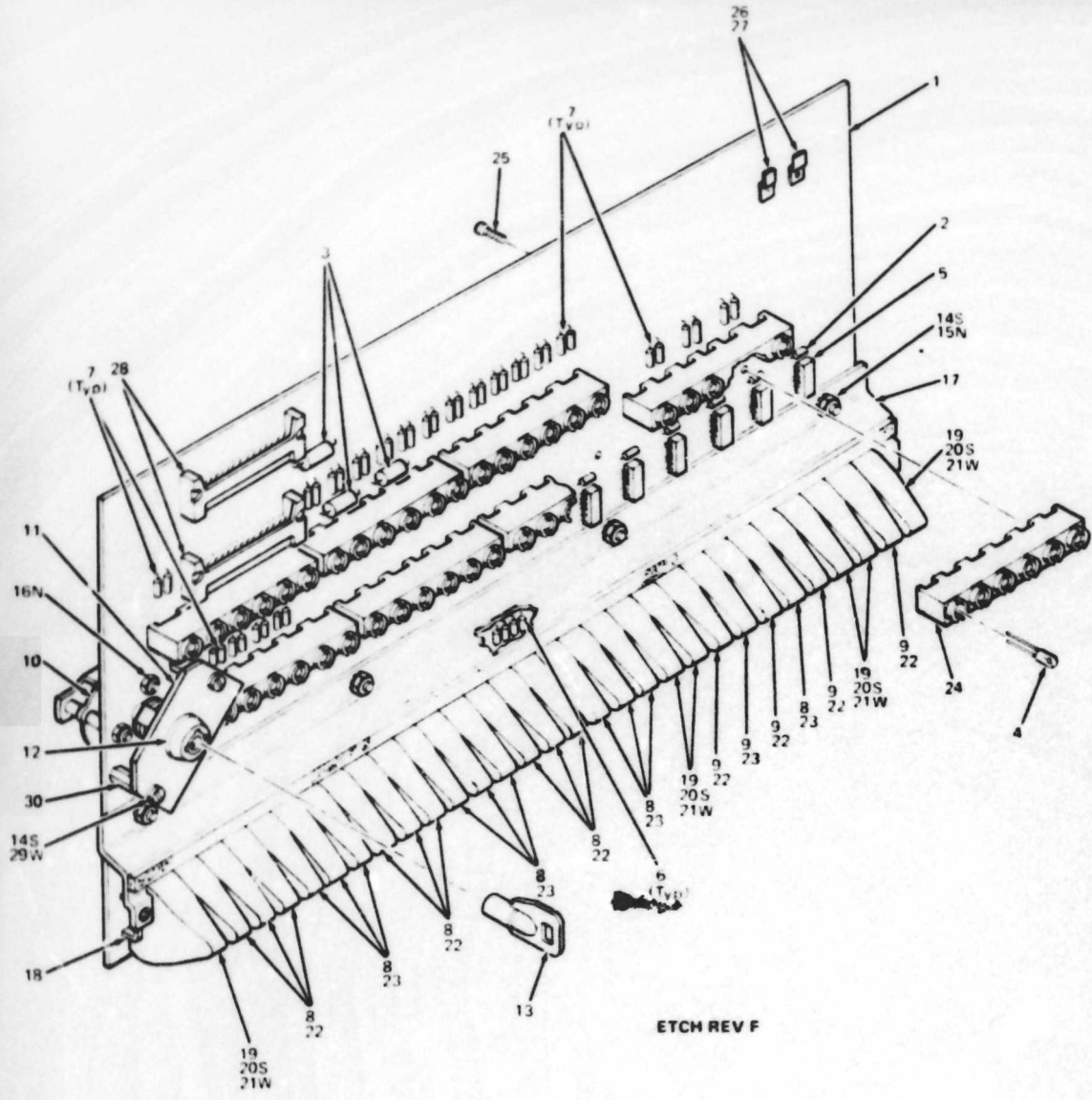
11/40-03

Figure 3A. KY11D Console Assembly (Etch Rev E)



PDP 11/40-14

FIG & ITEM NO.	DESCRIPTION	DEC PART NO.	ECO CUT-IN 54-09701 00003	USED ON CODE	VENDOR		REF FIG NO.
					CODE	PART NO.	
3A--	KY11-D CONSOLE ASSY (ETCH REV E)	54-09701-00					1,1A
1	*Board, Etch Circuit	50-09700-00					
2	*Capacitor (C1 thru C6) .01 MFD 100V ± 20%	10-01610-00					
3	*Capacitor (C7,C8,C9) 6.8 MFD 35V ± 10% tant	10-05306-00					
4	*L.E.D. (D1 thru D16,D18 thru D41) SSL-22L2	11-10864-00					
5	*I.C. (E1 thru E6) DEC 7410	19-05576-00					
6	*Resistor (R1 thru R29,R70,R71) 1K Ohms 1/4W ± 5%	13-00365-00					
7	*Resistor (R30 thru R69) 180 Ohms 1/4W ± 5%	13-01322-00					
8	*Switch (S1 thru S17,S24,S25) SPDT, sustained	12-10840-00					
9	*Switch (S18 thru S22) SPDT, momentary	12-10841-00					
10	*Switch, Rotary (S23)	12-10753-00					
11	*Bracket, Switch (Lock) (S23)	74-09894-00					
12	*Lock - 3 Pos - 90° Index (Includes key - Item 13)	12-10754-00					
13	**Key (For Lock Item 12)	29-15843-00			99	XX2247	
14	*Screw, Slotted Binder Hd No. 6-32 x 5/16	90-06021-04					
15	*Nut, Keps No. 6-32	90-06560-00					
16	*Washer, Nylon .312 O.D. x .136 ID (Deleted)	90-06707-00	00003				
17	*Bracket, Support	74-09895-00					
18	*Bracket, Switch	74-09270-01					
19	*Knob (Grey)	12-10825-00					
20	*Screw, Self-Tap No. 8-32 x 1/4	90-08143-00					
21	*Washer, Lock Int Tooth No. 8	90-06634-00					
22	*Knob (Rose)	12-10796-01					
23	*Knob (Magenta)	12-10796-02					
24	*Holder, L.E.D. (Long)	12-10795-02					
25	*Screw, Self-Tap No. 4 x 5/16	90-09236-00					
26	*Tab, Faston (J3, J4)	90-07112-00					
27	*Eyelet GS4-5	90-09000-00					
28	*Connector, 40 Pin (J1,J2)	12-09941-00					
29	*Nut, No. 4-40 x 3/16 AF x 1/16	90-09280-00					



ETCH REV F

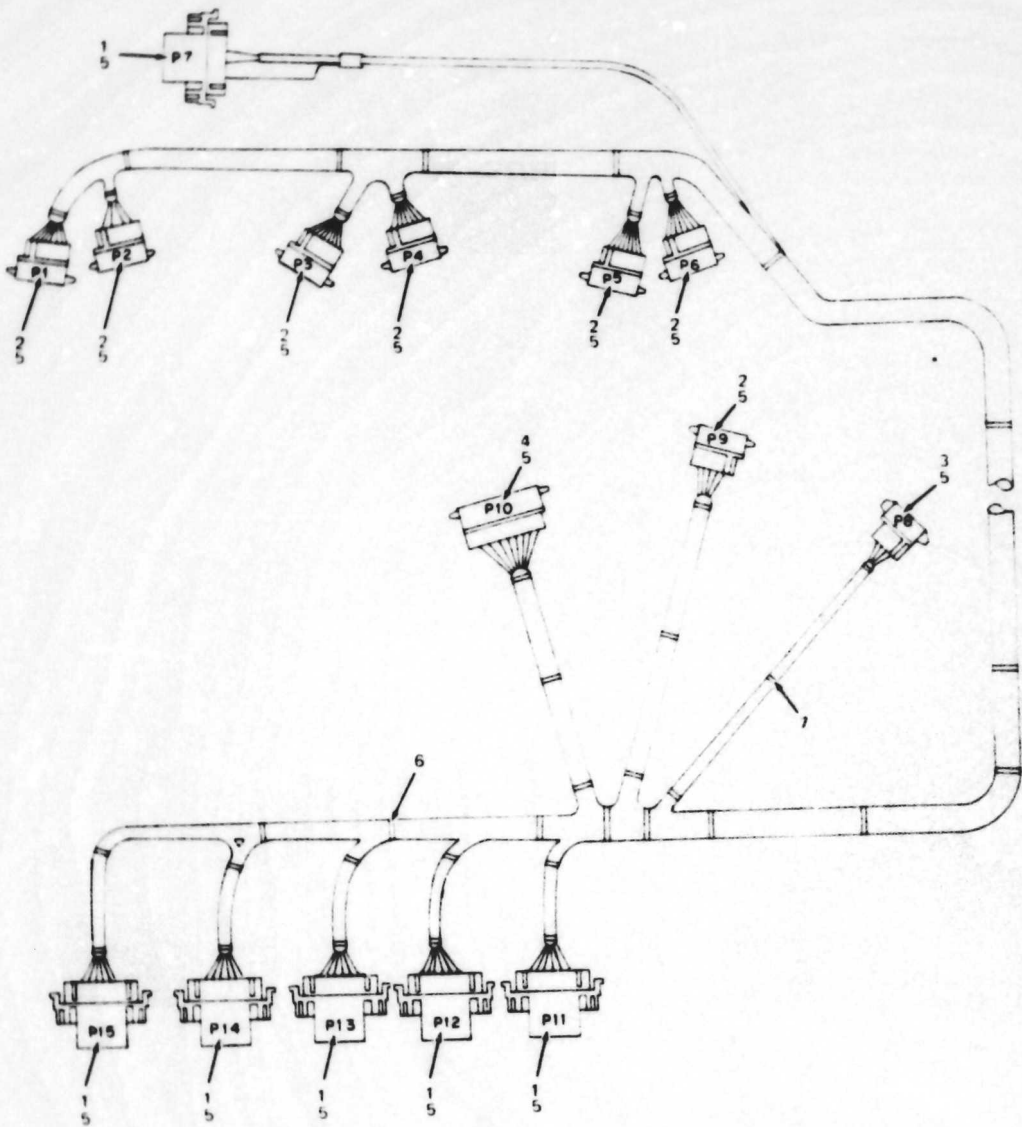
11 40 04

Figure 3B. KY11D Console Assembly (Etch Rev F)



PDP 11/40-16

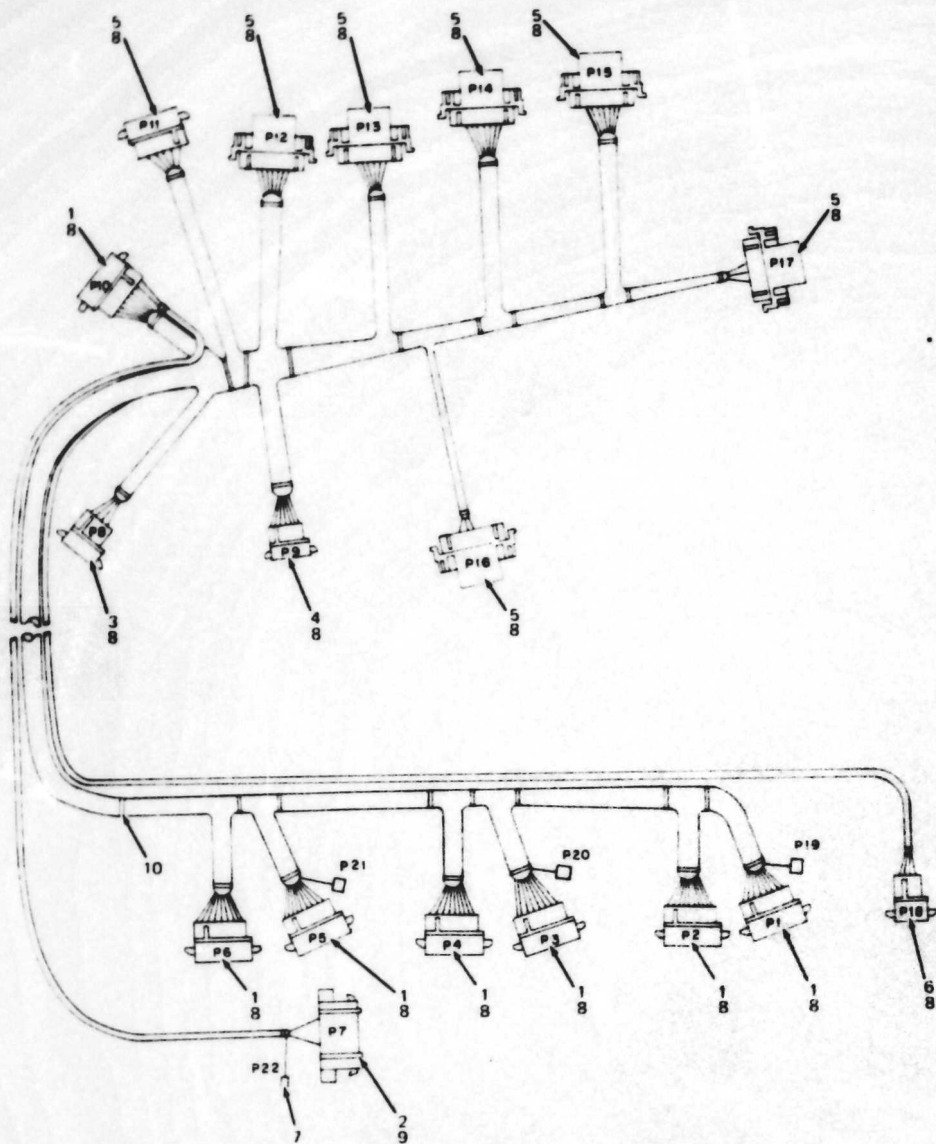
FIG & ITEM NO.	DESCRIPTION	L DEC PART NO.	ECO CUT-IN 54-09701 00004	USED ON CODE	VENDOR		REF FIG NO.
					CODE	PART NO.	
38--	KY11D CONSOLE ASSEMBLY (See Note) ETCH REV. F						1,1A
	Code A - Used on KY11D Console (11/40)	54-09701-00		A			
	Code B - Used on KY11DJ Console (IPG) (added)	54-09701-01	00005	B			
	Code C - Used on KY11-DK Console (Added)	54-09701-02	00008	C			
1	*Board, Etch Circuit	50-09700-00					
2	*Capacitor (C1 thru C6), .01 MFD 100V ± 20%	10-01 1-0					
3	*Capacitor (C7,C8,C9) 6.8 MFD 35V ± 10% tant	10-05306-00					
4	*L.E.D. (D1 thru D16,D18 thru D41) SSL-22L2	11-10864-00					
5	*I.C. (E1 thru E6) DEC 7410	19-05576-00					
6	*Resistor (R1 thru R29,R70,R71) 1K Ohms 1/4W 5%	13-00365-00					
7	*Resistor (R30 thru R69) 180 Ohms 1/4W ± 5%	13-01322-00					
8	*Switch (S1 thru S17,S24,S25) SPDT, sustained	12-10840-00					
9	*Switch (S18 thru S22) SPDT, momentary	12-10841-00					
10	*Switch, Rotary (S23)	12-10753-00					
11	*Bracket, Switch (Lock) (S23) (Deleted)	74-09894-00					
	*Bracket, Switch (Lock) (Added)	74-11613-00	00006				
12	*Lock - 3 Pos - 90° Index (Includes key - Item 13)	12-10754-00					
13	**Key (For Lock Item 12)	29-15843-00			99	XX2247	
14	*Screw, Slotted Binder Hd No. 6-32 x 5/16	90-06021-04					
15	*Nut, Keps No. 6-32	90-06560-00					
16	*Nut, No. 4-40 x 3/16 AF x 1/16	90-09280-00					
17	*Bracket, Support	74-09895-00					
18	*Bracket, Switch	74-09270-01					
19	*Knob (Grey)	12-10825-00					
20	*Screw, Self-Tap No. 8-32 x 1/4	90-09540-00					
21	*Washer, Lock Int. Tooth No. 8	90-06634-00					
22	*Knob (Rose) (KY11D)	12-10796-01		A			
	*Knob (DC Blue) (KY11DJ) (IPG) (Added)	12-10796-08	00005	B			
	*Knob (Copen Blue) (Added)	12-10796-05	00008	C			
23	*Knob (Magenta) (KY11D)	12-10796-02		A			
	*Knob (AC Red) (KY11DJ) (IPG) (Added)	12-10796-09	00005	B			
	*Knob (Blaze Blue) (KY11-DK) (Added)	12-10796-10	00008	C			
24	*Holder L.E.D. (Long)	12-10795-02					
25	*Screw, Self-Tap No. 4 x 5/16	90-09236-00					
26	*Tab, Faston (J3,J4)	90-07112-00					
27	*Eyelet GS4-5	90-09000-00					
28	*Connector, 40 Pin (J1,J2)	12-09941-00					
29	*Washer, Lock Int Tooth No. 6 (Added)	90-06633-00	00007				
30	*Spacer, Hex 1/4 AF x 11/16 No. 6-32 (added)	90-06858-00	00006				
	NOTE THE USED ON CODE DESIGNATIONS NOTED ABOVE APPLY TO THIS FIGURE ONLY						



11/40-05

Figure 4. Power Harness Assembly

FIG & ITEM NO.	DESCRIPTION	DEC PART NO.	ECO CUT-IN 70-08754 00001	USED ON CODE	VENDOR		REF FIG NO.
					CODE	PART NO.	
4-	POWER HARNESS ASSEMBLY (21" Box)	70-08754-00					1
1	*Connector (P7,P11-P15) Pin Housing, Mate-N-Lok, 8 Pin	12-09340-01					
2	*Connector (P1-P6,P9) Pin Housing, Mate-N-Lok, 12 Pin	12-09351-12					
3	*Connector (P8) Pin Housing, Mate-N-Lok, 9 Pin	12-09351-09					
4	*Connector (P10) Pin Housing, Mate-N-Lok, 15 Pin	12-09351-15					
5	*Terminal, Pin Contact	12-09378-01					
6	*Tie Wrap, SST2-M Panduit	90-07032-00					
7	*Tie Wrap, SST-1.5M Panduit	90-07880-00					



11/40-06

Figure 4A. Power Harness Assembly

2

21

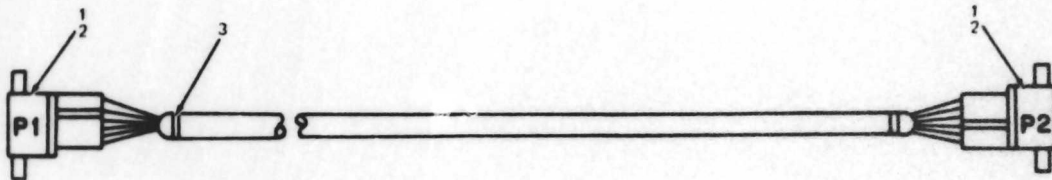


IPB 11/40

DDP.11/40-20

FIG & ITEM NO.	DESCRIPTION	DEC PART NO.	ECO CUT-IN 70-09566 00000	USED ON CODE	VENDOR		REF FIG NO.
					CODE	PART NO.	
4A-	POWER HARNESS ASSEMBLY (21" Box)	70-09566-00					1,1A
1	*Connector (P1-P6,P10) Pin Housing, Mate-N-Lok, 15 Pin	12-09351-15					
2	*Connector (P7) Socket Housing, Mate-N-Lok, 8 Pin	12-09340-00					
3	*Connector (P8) Pin Housing, Mate-N-Lok, 9 Pin	12-09351-09					
4	*Connector (P9) Pin Housing, Mate-N-Lok, 12 Pin	12-09351-12					
5	*Connector (P11-P17) Pin Housing, Mate-N-Lok 8 Pin	12-09340-01					
6	*Connector (P18) Pin Housing, Mate-N-Lok, 6 Pin	12-09351-06					
7	*Connector (P19-P22) Solderless (See Note)	90-07928-00					
8	*Terminal, Pin Contact	12-09378-01					
9	*Terminal, Socket Contact	12-09379-01					
10	*Tie Wrap	90-07032-00					
	Note: Connector P22 Deleted per ECO 70-09566 - 00005						

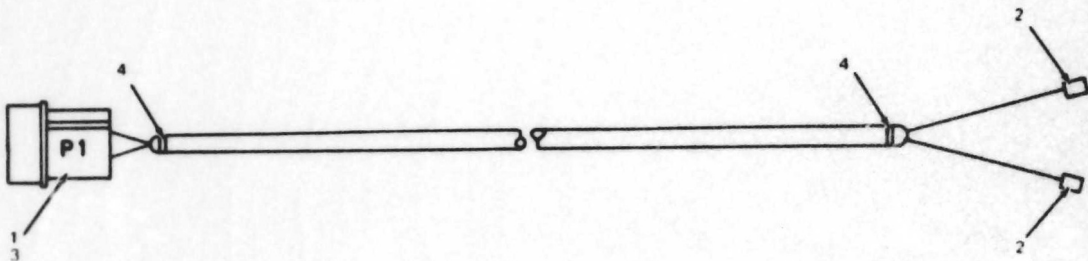
FIG & ITEM NO.	DESCRIPTION	DEC PART NO.	ECO CUT-IN 70-09573 00000	USED ON CODE	VENDOR		REF FIG NO.
					CGDE	PART NO.	
5-	JUMPER HARNESS ASSEMBLY	70-09573-00					1,1A
1	*Connector (P1, P2) Pin Housing, Mate-N-Lok 6 Pin	12-09351-06					
2	*Terminal, Pin Contact	12-09378-00					
3	*Tie Wrap	90-07031-00					



11/40-07

Figure 5. Jumper Harness Assembly

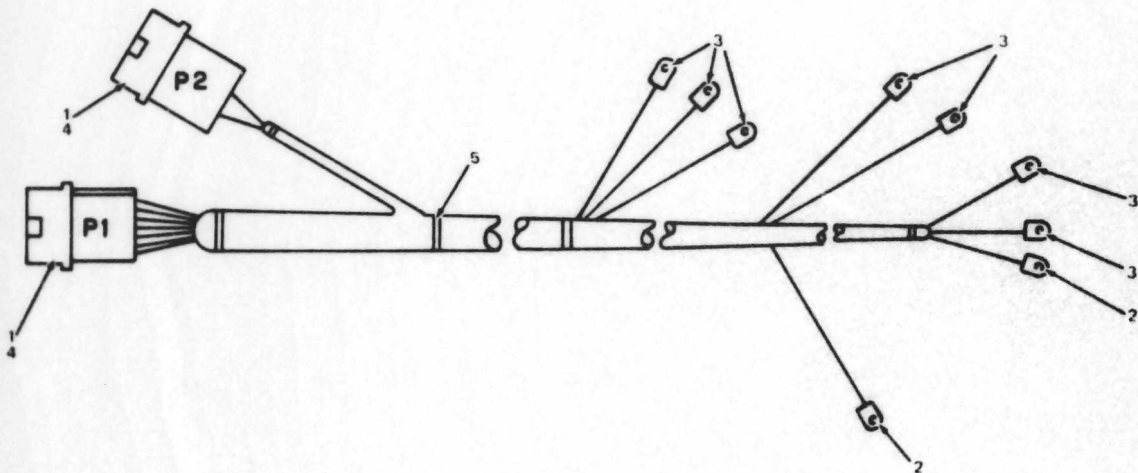
FIG & ITEM NO.	DESCRIPTION	DEC PART NO.	ECO CUT-IN 70-09053 00000	USED ON CODE	VENDOR		REF FIG NO.
					CODE	PART NO.	
6-	CONSOLE TO POWER CONTROL HARNESS ASSEMBLY	70-09053-00					1,1A
1	* Connector (P1) Pin Housing, Mate-N-Lok, 3 Pin	12-09351-03					
2	* Connector, Solderless No. 50902	90-07917-00					
3	* Terminal, Pin Contact	12-09378-01					
4	* Tie Wrap SST 1.5M	90-07880-00					



11/40-08

Figure 6. Console to Power Control Harness Assembly

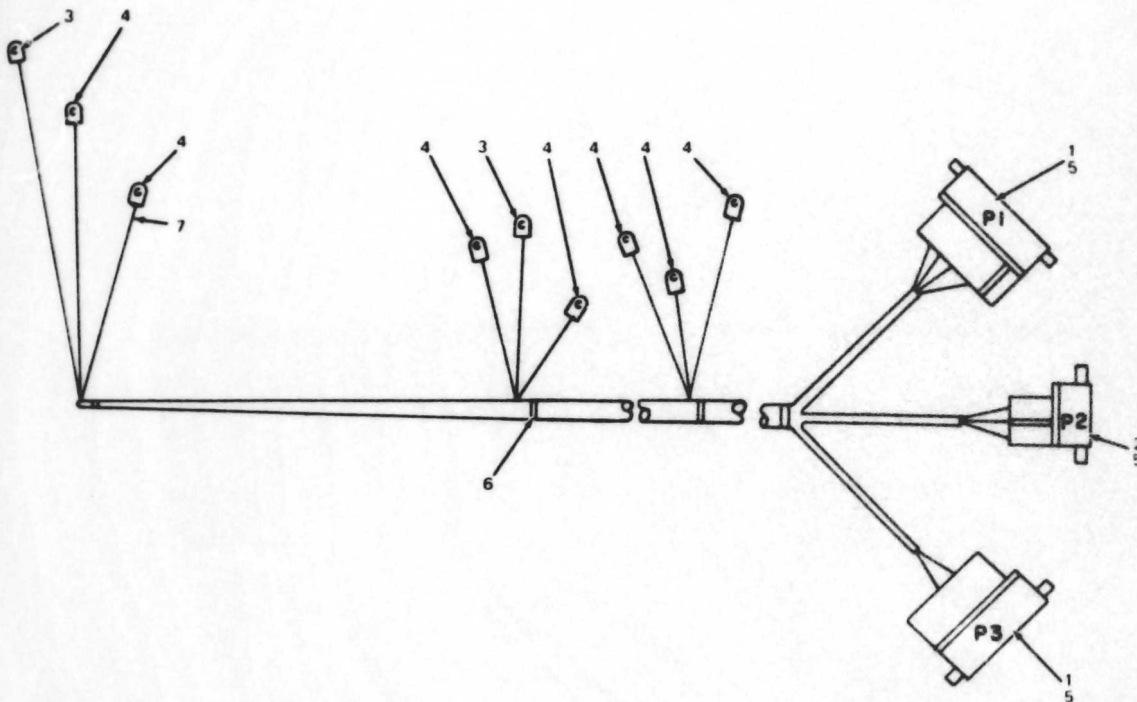
FIG & ITEM NO.	DESCRIPTION	DEC PART NO.	ECO CUT-IN 70-09046 00001	USED ON CODE	VENDOR		REF FIG NO.
					CODE	PART NO.	
7--	PROCESSOR POWER HARNESS ASSEMBLY (KD11A-11/40)	70-09046-00					1
1	*Connector (P1,P2) Pin Housing, Mate-N-Lok 9 Pin	12-09351-09					
2	*Connector, AMP 85952-3	90-07855-00					
3	*Terminal, Faston AMP 60981-1	90-09282-00					
4	*Terminal, Pin Contact	12-09378-01					
5	*Tie Wrap SST-1M	90-07031-00					



11/40-09

Figure 7. Processor Power Harness Assembly (KD11A-11/40)

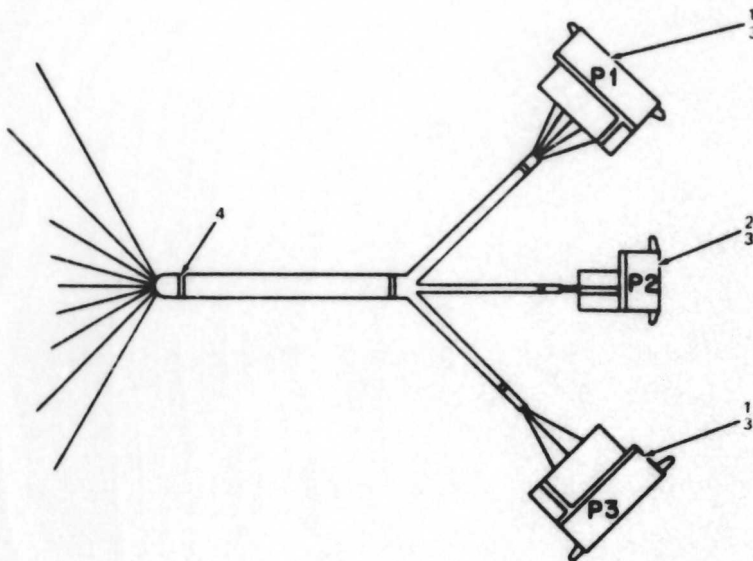
FIG & ITEM NO.	DESCRIPTION	DEC PART NO.	ECO CUT-IN 70-09564 00000	USED ON CODE	VENDOR		REF FIG NO.
					CODE	PART NO.	
7A--	PROCESSOR POWER HARNESS ASSEMBLY (KD11A-11/40)	70-09564-00					1
1	*Connector (P1,P3) Pin Housing, Mate-N-Lok 15 Pin	12-09351-15					
2	*Connector (P2) Pin Housing, Mate-N-Lok, 6 Pin	12-09351-06					
3	*Connector, AMP 85952-3	90-07655-00					
4	*Terminal, Faston AMP 60981-1	90-09262-00					
5	*Terminal, Pin Contact	12-09378-01					
6	*Tie Wrap	90-07031-00					
7	*Tubing, Shrinkable Red 3/16 x 9/16	91-07305-02					



11/40-10

Figure 7A. Processor Power Harness Assembly (KD11A-11/40)

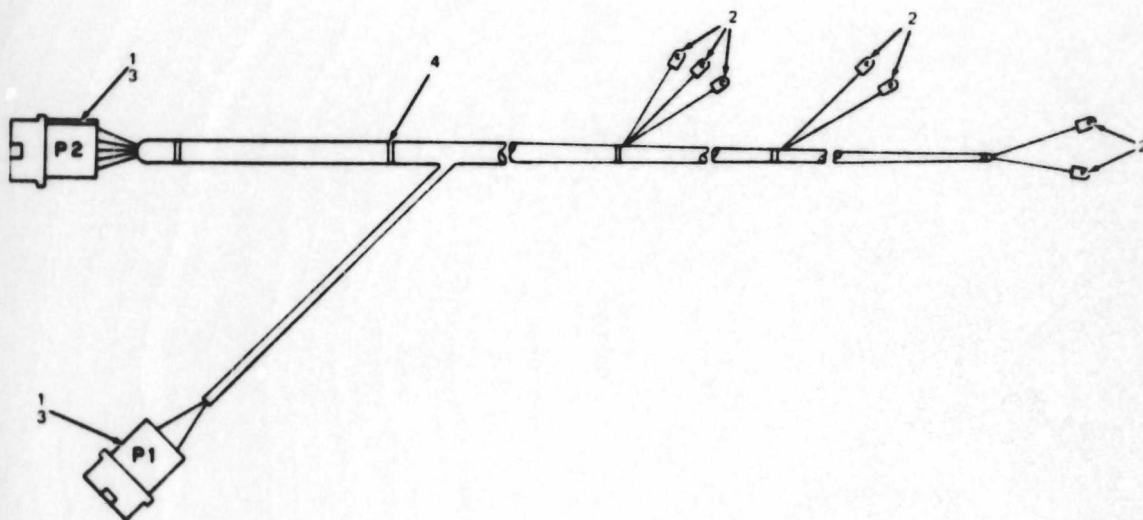
FIG & ITEM NO.	DESCRIPTION	DEC PART NO.	ECO CUT-IN 70-09994 00000	USED ON CODE	VENDOR		REF FIG NO.
					CODE	PART NO.	
7B-	PROCESSOR POWER HARNESS ASSEMBLY (KD11A-11/40)	70-09994-00					1,1A
1	* Connector (P1,P3) Pin Housing, Mate-N-Lok 15 Pin	12-09351-15					
2	* Connector (P2) Pin Housing, Mate-N-Lok 6 Pin	12-09351-06					
3	* Terminal, Pin Contact	12-09378-01					
4	* Tie Wrap	90-07031-00					



11/40-11

Figure 7B. Processor Power Harness Assembly (KD11A-11/40)

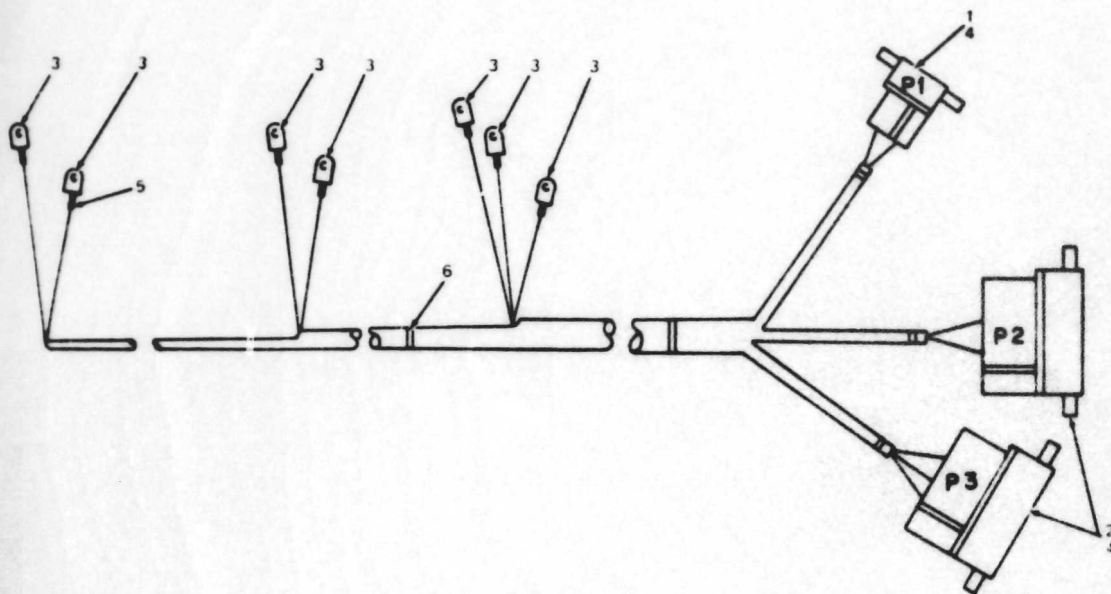
FIG & ITEM NO.	DESCRIPTION	DEC PART NO.	ECO CUT-IN 70-09103 00000	USED ON CODE	VENDOR		REF FIG NO.
					CODE	PART NO.	
8-	FIRST MEMORY POWER HARNESS ASSEMBLY (11/40)	70-09103-00					1
1	*Connector (P1,P2) Pin Housing Mate-N-Lok 9 Pin	12-09351-09					
2	*Terminal, Faston AMP 609B1-1	90-09262-00					
3	*Terminal, Pin Contact	12-09378-01					
4	*Tie Wrap	90-07031-00					



11/40-12

Figure 8. First Memory Power Harness Assembly (11/40)

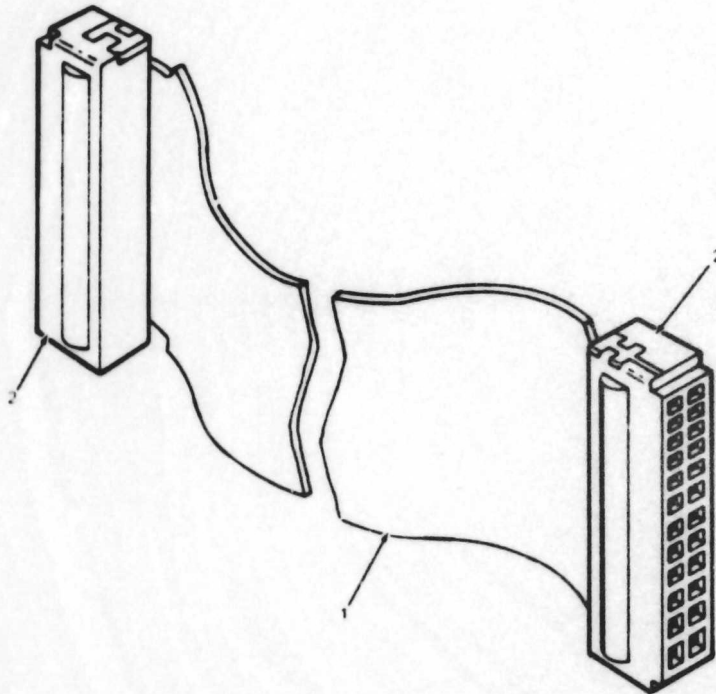
FIG & ITEM NO.	DESCRIPTION	DEC PART NO.	ECO CUT-IN 70-09565 00001	USED ON CODE	VENDOR		REF FIG NO.
					CODE	PART NO.	
8A--	FIRST MEMORY POWER HARNESS ASSEMBLY (11/40)	70-09565-00					1.1A
1	*Connector (P1) Pin Housing, Mate-N-Lok, 6 Pin	12-09351-06					
2	*Connector (P2,P3) Pin Housing, Mate-N-Lok 15 Pin	12-09351-15					
3	*Terminal, Faston AMP 60981-1	90-09262-00					
4	*Terminal, Pin Contact	12-09378-01					
5	*Tubing, Heat Shrinkable	91-07305-02					
6	*Tie Wrap	90-07031-00					



11 40 13

Figure 8A First Memory Power Harness Assembly (11/40)

FIG & ITEM NO.	DESCRIPTION	DEC PART NO.	ECO CUT-IN BC08R 0004A	USED ON CODE	VENDOR		REF FIG NO.
					CODE	PART NO.	
9-	BC08R I/O CABLE ASSEMBLY						1,1A
	I/O Cable Assembly (3 ft.)	BC08R-03					
	I/O Cable Assembly (6 ft.)	BC08R-06					
1	*Cable, 40 Cond. Flat with Shield (Specify Length)	17-00004-00					
2	*Connector, 40 Socket	12-11206-00					



11-40-14

Figure 9 BC08R I/O Cable Assembly

FIG & ITEM NO	DESCRIPTION	DEC PART NO.	ECO CUT-IN 70-08853 00000	USED ON CODE	VENDOR		REF FIG NO.
					COJE	PART NO.	
10-	AC RECEPTACLE STRIP ASSEMBLY						1
	Receptacle Strip Assembly (115V)	70-08853-01		A			
	Receptacle Strip Assembly (230V)	70-08853-02		B			
1	*Screw, Phi Hd Truss No. 10-32 x .62	90-08074-01					
2	*Washer, Int Tooth Lock No. 10	90-07851-00					
3	*Nut, Tinnerman, No. 10	90-07786-00					
4	*Strip, AC Receptacle	74-09494-01					
5	*Strip, Terminal	12-10987-00					
6	*Spacer, No. 6-32 x .50	90-06851-00					
7	*Cover, Terminal Strip	74-09664-00					
8	*Washer, Int Tooth Lock No. 6	90-06633-00					
9	*Screw, Phi Hd Pan No. 6-32 x .25	90-06020-01					
10	*Bushing, Nylon	90-07149-00					
11	*Connector, AC Receptacle (115V)	12-01251-00		A			
	*Connector, AC Receptacle (230V)	12-01251-01		B			
12	*Washer, Int Tooth Lock No. 8 (added)	90-06634-00	00002				
13	*Screw, Phi Hd Pan No. 8-32 x .25 (added)	90-08035-01					
14	*Bracket, Mounting, AC Receptacle	74-09275-00					
15	*Screw, Phi Hd Pan No. 10-32 x .38	90-08010-01					
16	*Washer, Int Tooth Lock No. 10	90-06635-00					
							DEC

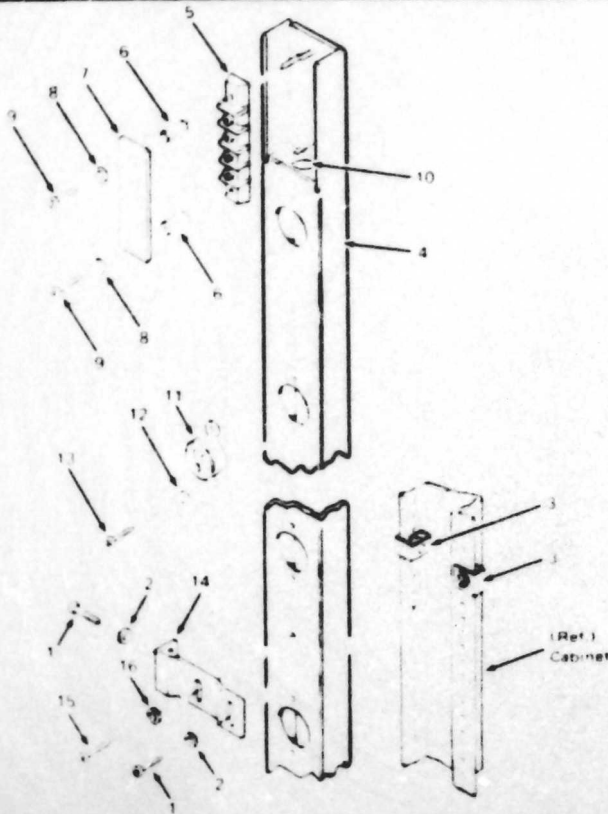


Figure 10. AC Receptacle Strip Assembly

PDPBF12106