

PAGE REVISION CONTROL SHEET

SH NO.	PAGE REVISIONS										REMARKS	
	1	2	3	4	5	6	7	8	9	10		
1	*	*	*	*	*	*	*					
2	A	A	*	*	*	A	A					
3												
4												
5												
6												
7												
8												
9												
10												
11												
12												
13												
14												
15												
16												
17												
18												
19												
20												
21												
22												
23												
24												
25												
26												
27												
28												
29												
30												
31												
32												
33												
34												
35												
36												
37												
38												
39												
40												
41												
42												
43												
44												
45												
46												
47												
48												
49												
50												
51												
52												
53												
54												
55												
56												
57												
58												
59												
60												
61												
62												
63												
64												
65												
66												
67												
68												
69												
70												
71												
72												
73												
74												
75												
76												
77												
78												
79												
80												
81												
82												
83												
84												
85												
86												
87												
88												
89												
90												
91												
92												
93												
94												
95												
96												
97												
98												
99												
100												

FIRST USED ON OPTION/MODEL
RK8-F

digital EQUIPMENT CORPORATION
MAYNARD, MASSACHUSETTS

TITLE
DATA BUFFER & STATUS

SIZE CODE NUMBER REV.
B CS M7104-YA-1 A

DRN: *D. Sullivan* 4-11-73
CHK'D: *D. Sullivan*
ENG: *D. Sullivan*
PROJ. ENG. *D. Sullivan*
PROD. *D. Sullivan*

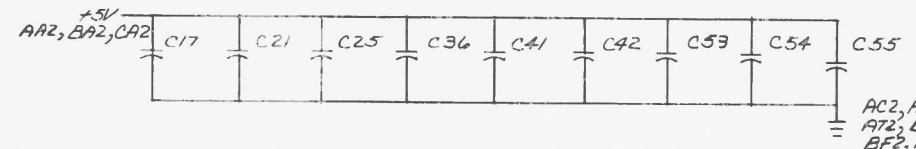
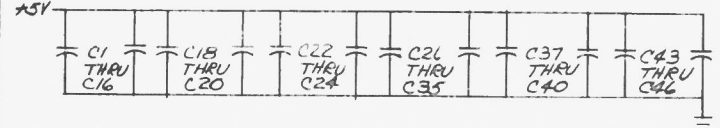
DATE DATE DATE DATE DATE

NEXT HIGHER ASSY.
D-UA-RK8-F
SCALE 1/1
SHEET 1 7

"THIS DRAWING AND SPECIFICATIONS, HEREIN, ARE THE PROPERTY OF DIGITAL EQUIPMENT CORPORATION AND SHALL NOT BE REPRODUCED OR COPIED OR USED IN WHOLE OR IN PART AS THE BASIS FOR THE MANUFACTURE OR SALE OF ITEMS WITHOUT WRITTEN PERMISSION.
COPYRIGHT © 1973 DIGITAL EQUIPMENT CORPORATION"

This drawing and specifications, herein, are the property of Digital Equipment Corporation and shall not be reproduced or copied in whole or in part or the basis for the manufacture or sale of items without written permission. COPYRIGHT © 1973
DIGITAL EQUIPMENT CORPORATION

NOTES:
FOR M7104B-YA BOARD ONLY.
* ADD JUMPER FROM E28-03 TO C50-GND &
* JUMPER FROM E28-08 TO C26-GND
* STAMP HANDLE M7104-YA



AC2, AF1, AN1, AT1, AF2, AN2, AF2, BC1, BF1, BN1, BT1, DC2, BF2, BN2, BT2, CC1, CF1, CN1, CT1, CC2, CF2, CN2, CT2, DC1, DF1, DN1, DT1, CC2, DF2, DN2, DT2.

AR	DESCRIPTION	QTY	REF
8	22 GA WIRE, SOLID, GREEN	9107560-01	44
8	GRIPLETS	7210244-0	53
1	DL1	1609559	52
9	EYELET	9006750	51
9	SPLIT LUGS	9006735	50
4	E9, E10, E18, E25	I.C. DEC 74174	49
1	E7	I.C. DEC 74123	48
1	E50	I.C. DEC 7496	47
3	E11, E40, E48	I.C. DEC 74008	46
1	E33	I.C. DEC 7437	45
3	W2, W4, W6	22 GA BUSS WIRE	44

QTY	REF DESIGNATION	DESCRIPTION	PART NO.	ITEM NO.
1	E43	I.C. DEC 74193	1910018	23
4	E8, E22, E29, E29	I.C. DEC 8235	1909285	82
1	E21	I.C. DEC 74004	1909281	91
1	E36	I.C. DEC 8001	1909708	40
1	E1	I.C. DEC 314	1909704	39
4	E6, E23, E27, E31	I.C. DEC 74004	1909686	38
1	E38	I.C. DEC 74174	1909667	37
1	E37	I.C. DEC 8251B	1909594	36
1	E30	I.C. DEC 384	1909486	35
4	E2, E15, E35, E42	I.C. DEC 300	1909405	34
2	E6, E56	I.C. DEC 74153	1909062	33
1	E20	I.C. DEC 74100	1909056	32
2	R16, R17	RES., 1K, 1/4W, 5%	1300365	31
6	E3, E5, E9, E17, E24, E32	I.C. DEC 7495	1909055	30
6	E18, E19, E20, E35, E57, E58	I.C. DEC 7402	1909009	29
1	E12	I.C. DEC 7473	1905507	28
1	E14	I.C. DEC 7476	1905505	27
2	E9, E11	I.C. DEC 7400	1905579	26
1	E47	I.C. DEC 7410	1905576	25
3	E45, E46, E54	I.C. DEC 7400	1905575	24
2	E39, E52	I.C. DEC 7474	1905547	23
8	R6, E7	RES., 5.1K, 1/8W, 1%, MF	1304854	22
2	R2, R3	RES., 100, 1/4W, 5%, C.C.	1301822	21
2	R12, R13	RES., 4.7K, 1/4W, 5%, C.C.	1300247	20
1	R9	RES., 2.2K, 1/4W, 5%, C.C.	1300417	19
1	E11	RES., 10K, 1/4W, 5%, C.C.	1300390	18
2	R1, R4	RES., 390, 1/4W, 5%, C.C.	1300309	17
6	R5, R8, R10, R14, R15, R18	RES., 100, 1/4W, 5%, C.C.	1300229	16
2		SPACER (CABLE CLAMP)	1202704	15
40	C1 THRU C16, C18 THRU C27, C28 THRU C34, C36 THRU C43 THRU C46	CAP., 0.01UF, 100V, 20%, DISC	1001610	4
3	C53 THRU C55	CAP., 0.01UF, 35V, 20%, TANT	1000067	13
3	C49, C56, C57	CAP., 470PF, 100V, 5% DM	1000024	12
1	C51	CAP., 330PF, 100V, 5% DM	1000023	11
2	C50, C52	CAP., 100PF, 100V, 5% DM	1000020	10
1	C47	CAP., 39PF, 100V, 5% DM	1000010	8
1	C48	CAP., 10PF, 100V, 5% DM	1000006	7
6	C17, C21, C25, C26, C41, C42	CAP., 0.02UF, 100V, 20%, DISC	1000004	6
2		HANDLE, FLUOROPOLYMER	9008387-06	5
1		ETCHED CIRCUIT BOARD	5010064	4
1		MODULE ECO HISTORY	8-04-07104-6-5	3
1		ASSY/DRILLING HOLE LAYOUT	D-RH-07104-4-5-2	2
1		X-Y COORDINATE HOLE LOCATION	K-00-07104-4-4-1	1

DEC NO.	REV.	DATE
DEC 74123	8	16
DEC 74174	8	16
DEC 7496	5	12
DEC 74193	8	16
DEC 8235	8	16
DEC 314	1	8
DEC 8251B	8	16
DEC 384	1	8
DEC 380	1	8
DEC 7473	4	11
DEC 7476	5	13
IC TYPE	GND	+5V

GND AND 5V ARE USUALLY PIN 7 AND 14 RESPECTIVELY. EXCEPTIONS ARE STATED ABOVE.

FIRST USED ON OPTION MODEL: RKB-F

ETCH BOARD REV: B

DATE: 9-11-73

DRN: [Signature]

CHD: [Signature]

ENG: [Signature]

PROJ. MGR: [Signature]

REV. 1: [Signature]

REV. 2: [Signature]

REV. 3: [Signature]

REV. 4: [Signature]

REV. 5: [Signature]

REV. 6: [Signature]

REV. 7: [Signature]

REV. 8: [Signature]

REV. 9: [Signature]

REV. 10: [Signature]

REV. 11: [Signature]

REV. 12: [Signature]

REV. 13: [Signature]

REV. 14: [Signature]

REV. 15: [Signature]

REV. 16: [Signature]

REV. 17: [Signature]

REV. 18: [Signature]

REV. 19: [Signature]

REV. 20: [Signature]

REV. 21: [Signature]

REV. 22: [Signature]

REV. 23: [Signature]

REV. 24: [Signature]

REV. 25: [Signature]

REV. 26: [Signature]

REV. 27: [Signature]

REV. 28: [Signature]

REV. 29: [Signature]

REV. 30: [Signature]

REV. 31: [Signature]

REV. 32: [Signature]

REV. 33: [Signature]

REV. 34: [Signature]

REV. 35: [Signature]

REV. 36: [Signature]

REV. 37: [Signature]

REV. 38: [Signature]

REV. 39: [Signature]

REV. 40: [Signature]

REV. 41: [Signature]

REV. 42: [Signature]

REV. 43: [Signature]

REV. 44: [Signature]

REV. 45: [Signature]

REV. 46: [Signature]

REV. 47: [Signature]

REV. 48: [Signature]

REV. 49: [Signature]

REV. 50: [Signature]

REV. 51: [Signature]

REV. 52: [Signature]

REV. 53: [Signature]

REV. 54: [Signature]

REV. 55: [Signature]

REV. 56: [Signature]

REV. 57: [Signature]

REV. 58: [Signature]

REV. 59: [Signature]

REV. 60: [Signature]

REV. 61: [Signature]

REV. 62: [Signature]

REV. 63: [Signature]

REV. 64: [Signature]

REV. 65: [Signature]

REV. 66: [Signature]

REV. 67: [Signature]

REV. 68: [Signature]

REV. 69: [Signature]

REV. 70: [Signature]

REV. 71: [Signature]

REV. 72: [Signature]

REV. 73: [Signature]

REV. 74: [Signature]

REV. 75: [Signature]

REV. 76: [Signature]

REV. 77: [Signature]

REV. 78: [Signature]

REV. 79: [Signature]

REV. 80: [Signature]

REV. 81: [Signature]

REV. 82: [Signature]

REV. 83: [Signature]

REV. 84: [Signature]

REV. 85: [Signature]

REV. 86: [Signature]

REV. 87: [Signature]

REV. 88: [Signature]

REV. 89: [Signature]

REV. 90: [Signature]

REV. 91: [Signature]

REV. 92: [Signature]

REV. 93: [Signature]

REV. 94: [Signature]

REV. 95: [Signature]

REV. 96: [Signature]

REV. 97: [Signature]

REV. 98: [Signature]

REV. 99: [Signature]

REV. 100: [Signature]

SCALE: NONE

SHEET: 2 OF 7

DIST.:

SEMICONDUCTOR CONVERSION CHART

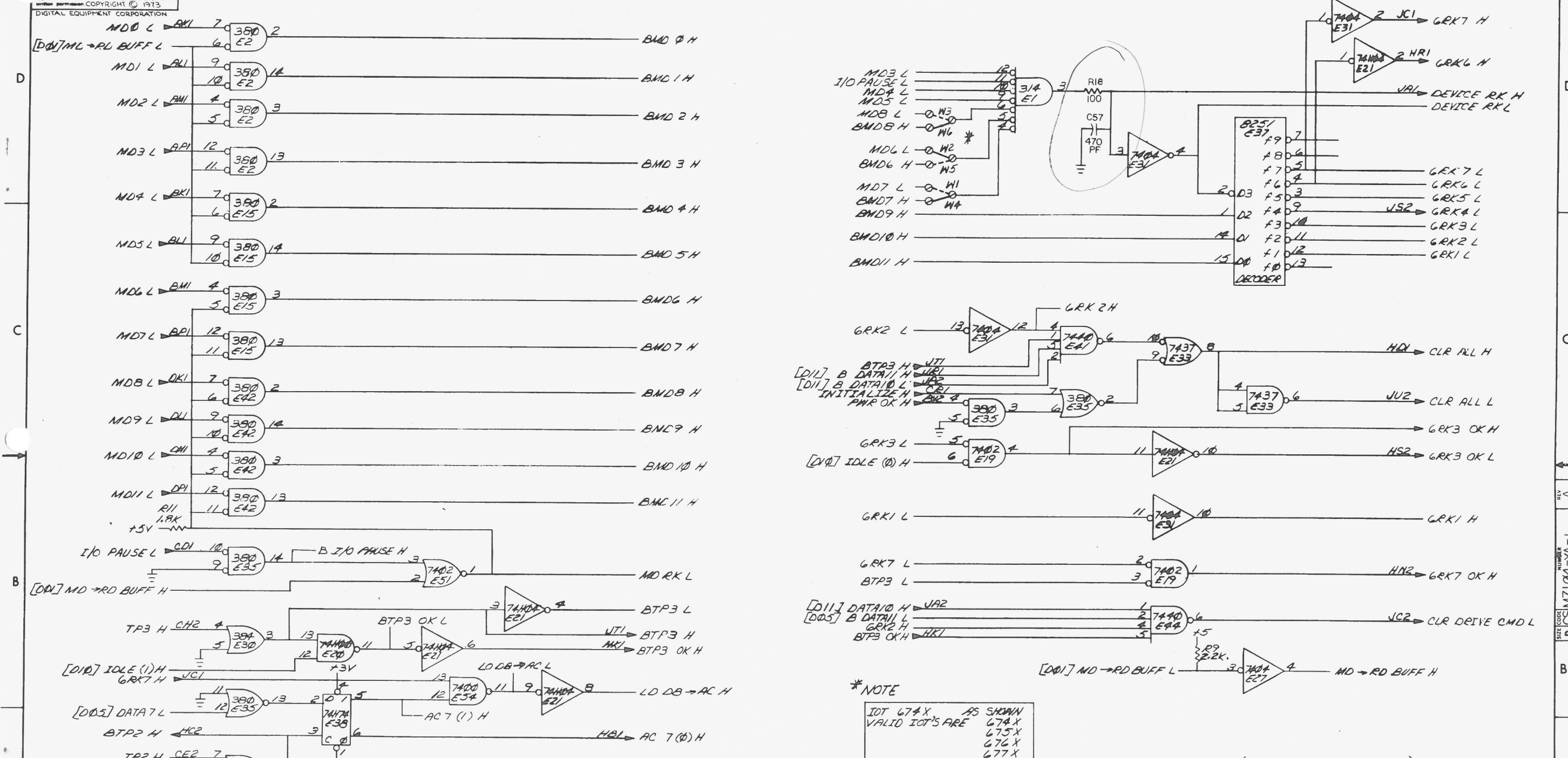
DATA BUFFER & STATUS

DEC NO. EIA NO. DEC NO. EIA NO.

DCS M7104-YA-1

REV. A
NUMBER
DCS M7104-YA-1

This drawing and specifications, herein, are the property of Digital Equipment Corporation and shall not be reproduced or used in whole or in part as a basis for the manufacture or sale of items without written permission. COPYRIGHT © 1973 DIGITAL EQUIPMENT CORPORATION



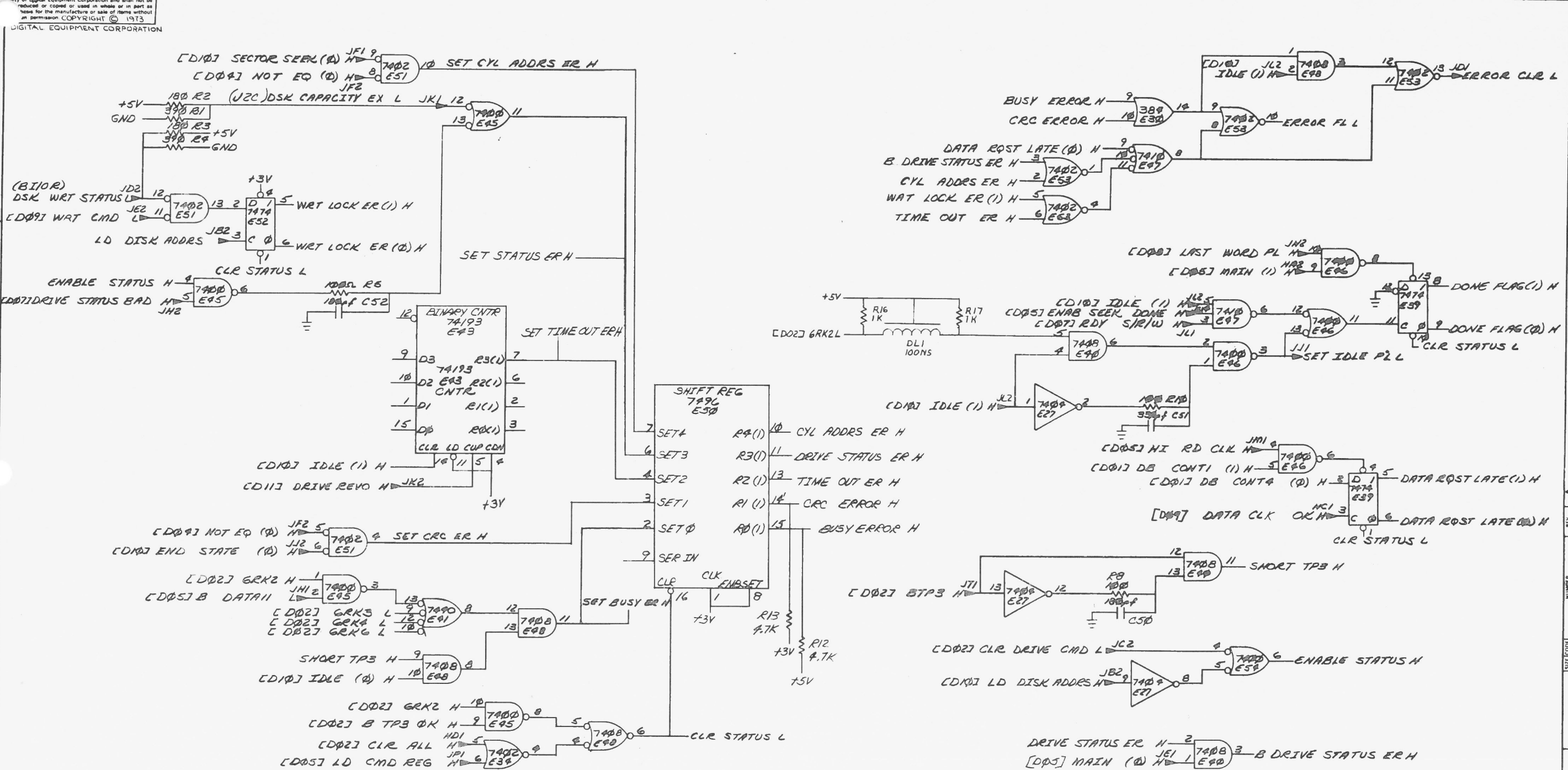
*** NOTE**
 IOT 674X AS SHOWN
 VALID IOT'S ARE
 674X
 675X
 676X
 677X

(OMNIBUS RECEIVERS) (D02B)

FIRST USED ON OPTION/MODEL	QTY.	DESCRIPTION	PART NO.	ITEM NO.
RK8-F				
PARTS LIST				
UNLESS OTHERWISE SPECIFIED DIMENSION IN INCHES TOLERANCES		DATE 4-1-73	digit equipment CORPORATION WATNARD MASSACHUSETTS	
DECIMALS .XXX = .006	ANGLES ±0° 30'	DATE 2/16/73	TITLE DATA BUF & STATUS	
REMOVE BURRS AND BREAK SHARP CORNERS SURFACE QUALITY ✓		DATE 7/16/73		
MATERIAL ++	NEXT HIGHER ASSY.	DATE 2/16/73		
FINISH ++	D-UA-RK8-F	SCALE ++	SIZE CODE DCSM7104-YA-1	REV. A
	SHEET 6 OF 7	DIST		

REVISIONS	NO.	CHANGE NO.	REV.

REV. A
 NUMBER 17104-YA-1
 SIZE CODE DCSM7104-YA-1



(STATUS REGISTER ERROR DETECT) (D03)

FIRST USED ON OPTION/MODEL	QTY.	DESCRIPTION	PART NO.	ITEM NO.
RK8-F				
PARTS LIST				
UNLESS OTHERWISE SPECIFIED DIMENSION IN INCHES TOLERANCES		DATE 4-11-73	DIGITAL EQUIPMENT CORPORATION MAYNARD, MASSACHUSETTS	
DECIMALS	ANGLES	DATE 5/24/73		
.XXX - 005	±0° 30'	DATE 7/16/71	TITLE DATA BUF & STATUS	
.XX - 02		DATE 9/14/73		
X - 1		DATE 2/20/73		
REMOVE BURRS AND BREAK SHARP CORNERS SURFACE QUALITY		DATE		
MATERIAL		NEXT HIGHER ASSY		
FINISH		D-UA-RK8-F-0	SIZE CODE DCS M7104-YA-1	NUMBER A
		SCALE		
		SHEET 7 OF 7		

REV A
 DCS M7104-YA-1
 DEC 1094 NO
 DED 102-B