

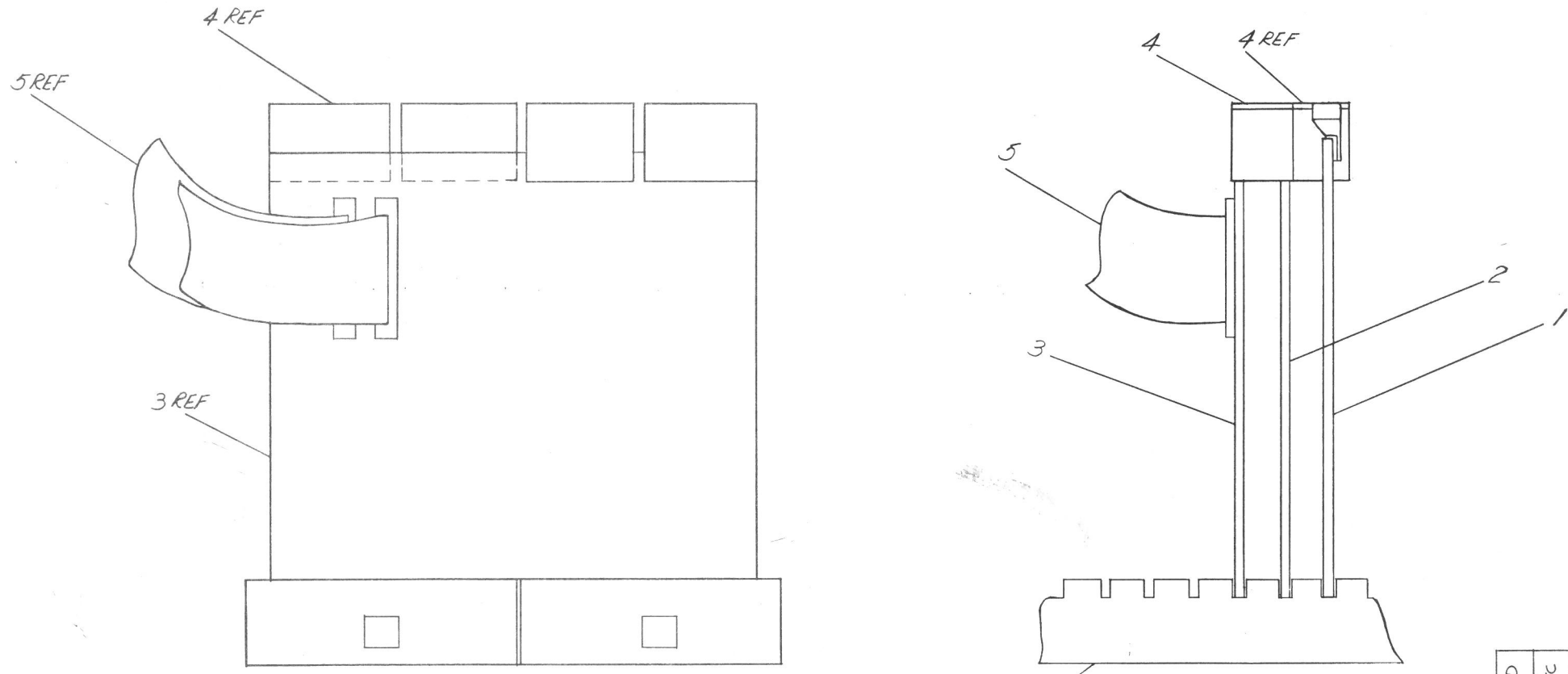
TITLE	SHEET	OF	SIZE	CODE	NUMBER	REV
RK8-F DISK & CONTROL	2	3	B	DD	RK8-F	





This drawing and specifications, herein, are the property of Digital Equipment Corporation and shall not be reproduced or copied or used in whole or in part as the basis for the manufacture or sale of items without written permission. COPYRIGHT © 1973 DIGITAL EQUIPMENT CORPORATION

0-F-8RK8-F-0 2 1



(DW8E I/O BUS CONVERTER/EXPANDER)

RK8-FD	RK8-FC	RK8-FB	RK8-FA	RK8-F	DESCRIPTION	PART NO.	ITEM NO.
1	-	-	-	-	DEC PACK DISK DRIVE 230 VAC 50 HZ	DUA-RK05B00	9
-	-	1	-	-	DEC PACK DISK DRIVE 230 VAC 60 HZ	DUA-RK05B00	8
-	1	-	-	-	DEC PACK DISK DRIVE 115 VAC 50 HZ	DUA-RK05AB0	7
-	-	-	1	-	DEC PACK DISK DRIVE 115 VAC 60 HZ	DUA-RK05AA0	6
1	1	1	1	1	M993 TO BERG	D-AD-700926-00	5
4	4	4	4	4	EDGE CONNECTOR	B-UP-H851-00	4
1	1	1	1	1	CONTROL, RK8-E	D-CS-M7106-01	3
1	1	1	1	1	MAJOR REGISTERS	D-CS-M7105-1B1	2
1	1	1	1	1	DATA BUFFER & STATUS	D-CS-M7104-1A1	1

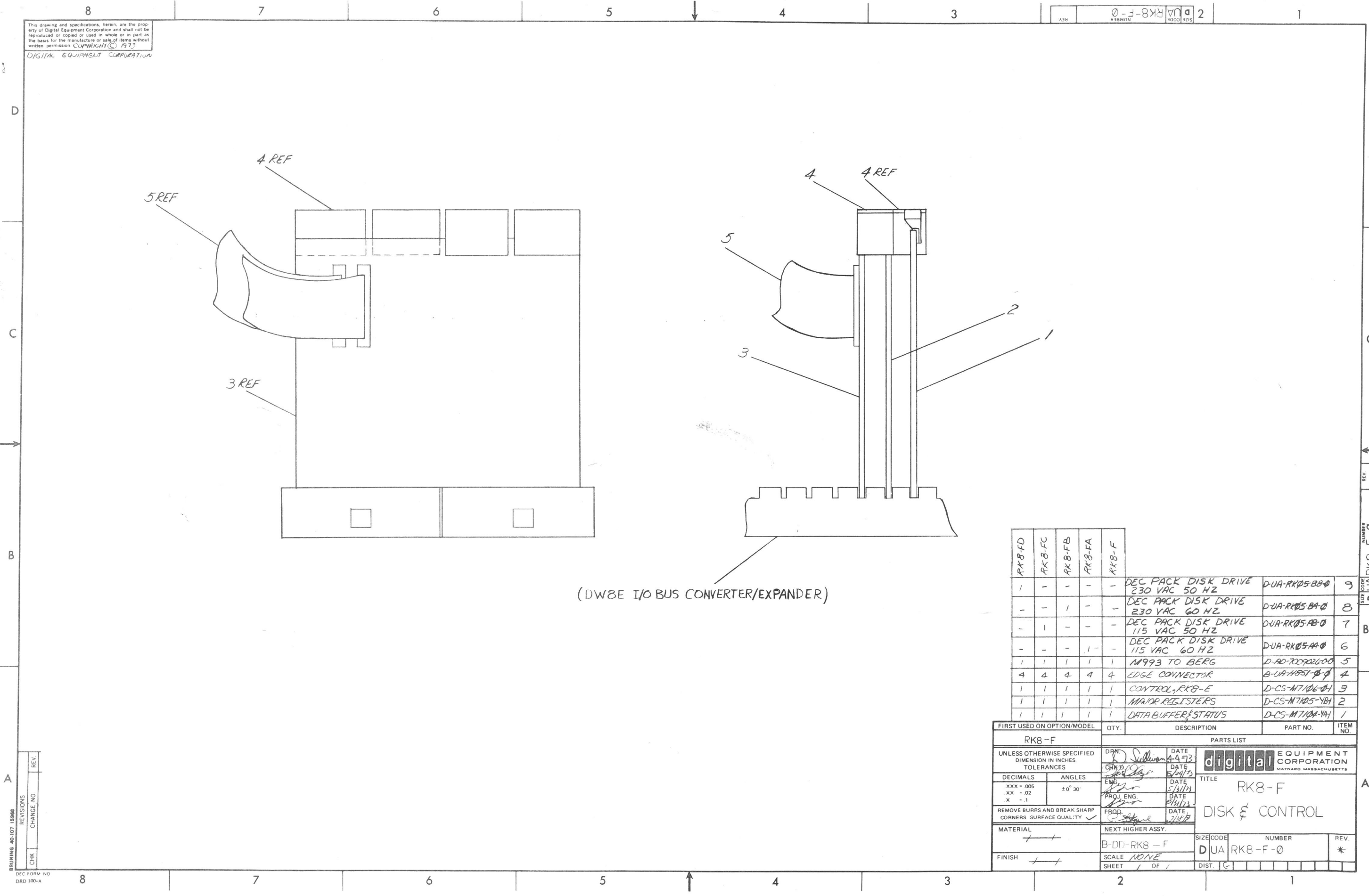
FIRST USED ON OPTION/MODEL	QTY.	DESCRIPTION	PART NO.	ITEM NO.
RK8-F				

UNLESS OTHERWISE SPECIFIED DIMENSION IN INCHES. TOLERANCES	DRN: <i>D. Sullivan</i> DATE: 4-4-73	<b>digital</b> EQUIPMENT CORPORATION MAYNARD MASSACHUSETTS TITLE: RK8-F DISK & CONTROL
DECIMALS: .xxx = .005, .xx = .02, .x = .1	CHK: <i>[Signature]</i> DATE: 5/24/73	
ANGLES: ±0° 30'	ENG: <i>[Signature]</i> DATE: 5/11/73	
REMOVE BURRS AND BREAK SHARP CORNERS SURFACE QUALITY	PROJ. ENG: <i>[Signature]</i> DATE: 8/11/73	
	PROD: <i>[Signature]</i> DATE: 7/18/73	
MATERIAL: + +	NEXT HIGHER ASSY: B-DD-RK8-F	SIZE CODE: DUA
FINISH: + +	SCALE: NONE	NUMBER: RK8-F-0
	SHEET: 1 OF 1	REV: *

BRUNING 46-107 1586  
 REVISIONS  
 CHK CHANGE NO REV

REV  
 NUMBER  
 DUA RK8-F-0





TITLE RK8F FIELD INSTALLATION AND ACCEPTANCE PROCEDURE

## 3.0 UNPACKING AND INSTALLATION

- 3.1 Unpack and inspect RK05 using the procedure in the RK05 Disk Drive Maintenance Manual, Chapter 2.
- 3.2 Using the Shipping Hardware and Software lists, verify that all items are present.
- 3.3 Insure power on the PDP-8E, 8M, 8F is turned off.
- 3.4 Check the M7104-YA TO INSURE THAT THE DEVICE code jumpers are in the correct configuration (normally 674X), refer to Table 1.

NOTE: The diagnostic programs normally recongnize Program Device Code 674X. If it desired to operate with a different code, refer to the Diagnostic Document's Section headed "Change Program Device Codes".

TABLE 1

<u>Octal Code</u>	<u>Jumpers Installed</u>
674X	W2 W4 W6
675X	W2 W3 W4
676X	W1 W2 W6
677X	W1 W2 W3

- 3.5 Check M7105-YB MODULE TO INSURE THAT THE PRIORITY jumpers are in the correct configuration, refer to Table 2.

SIZE A	CODE SP	NUMBER RK8-F-6	REV
-----------	------------	-------------------	-----

SHEET 3 OF 5

TITLE RK8F FIELD INSTALLATION AND ACCEPTANCE PROCEDURE

## 3.0 UNPACKING AND INSTALLATION (continued)

TABLE 2

<u>Break Priority</u>	<u>Jumpers Installed</u>
∅	W1 W4
1*	W2 W3 W5

\*Normally shipped with priority 1 jumpers installed.

- 3.6 Connect the 7009026 cable to the Berg connector on the M7106 module.
- 3.7 Insert the RK8F modules into the Omnibus (refer to UA-RK8-F-∅). Refer to Table 2-3 in Volume I of the PDP-8E Maintenance Manual for installation priorities.
- 3.8 Install H851 top connectors between the modules (refer to UA-RK8-F-∅).
- 3.9 Following the procedure in the RK05 Maintenance Manual, Chapter 2, install the RK05.
- 4.0 ACCEPTANCE
- 4.1 Requirements for Acceptance
- ASR33 teletype, or equivalent.
  - Programmers console.
  - At least 4K of Read/Write Memory.
- 4.2 Run, in order, the programs listed in the "Shipping Software", using the loading and operating procedures in each program's document. If any errors occur, refer to the errors section of the document to evaluate the printout, and Chapter 5 of the RK8E Maintenance Manual for aids in determining the problem.

SIZE A	CODE SP	NUMBER RK8-F-6	REV
-----------	------------	-------------------	-----

SHEET 4 OF 5

TITLE RK8F FIELD INSTALLATION AND ACCEPTANCE PROCEDURE

## 4.0 ACCEPTANCE (continued)

4.3 Each program should be run the following amount of passes.

- A. Diskless Control Test - Two Passes
- B. Drive Control Test - Two Passes
- C. Formatter Program - One Pass
- D. Data Reliability Program - One Pass

## 4.4 Acceptable Errors

- A. One read error during the Acceptance Procedure

SIZE	CODE	NUMBER	REV
A	SP	RK8-F-6	

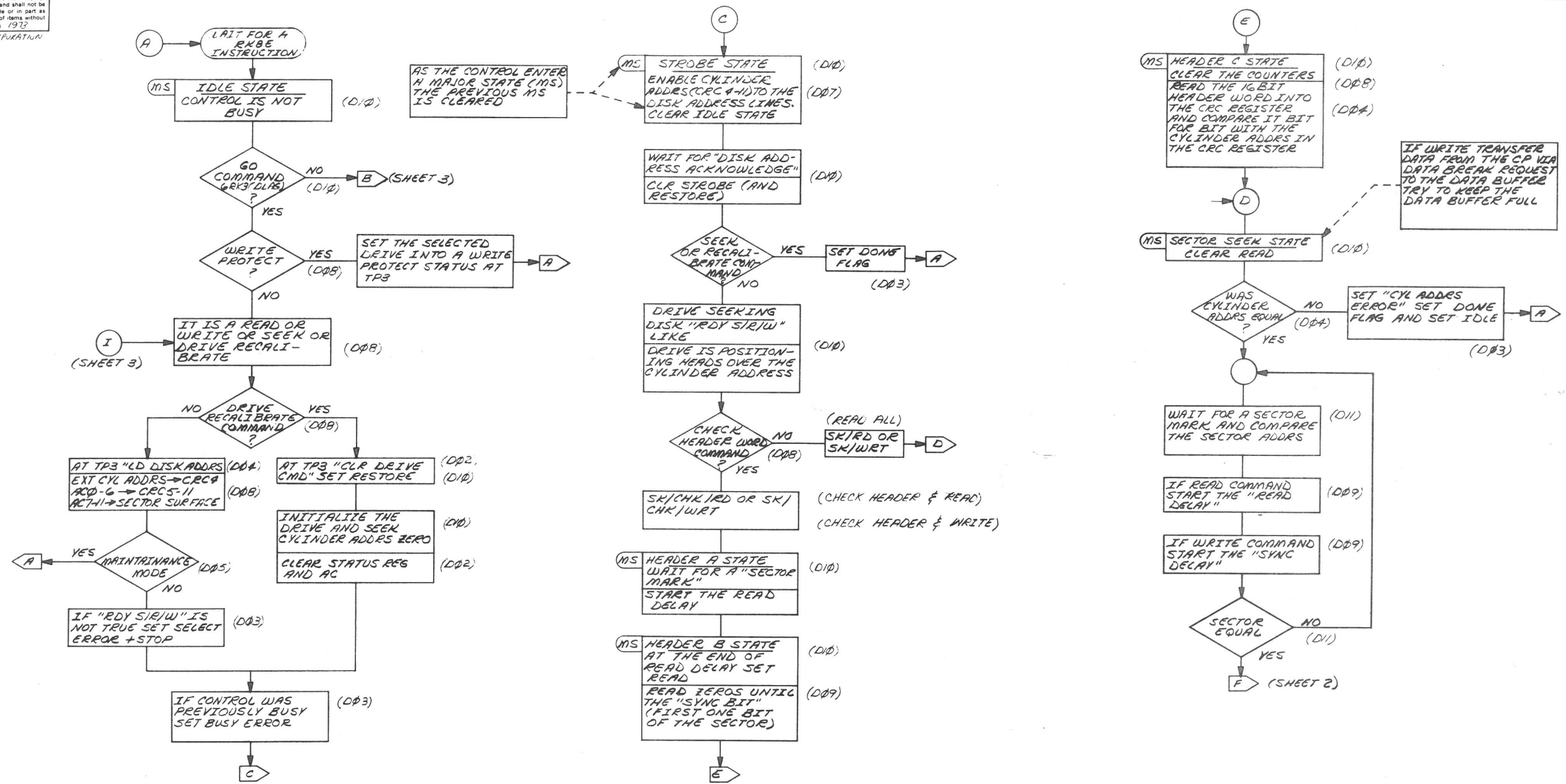








This drawing and specifications, herein, are the property of Digital Equipment Corporation and shall not be reproduced or copied or used in whole or in part as the basis for the manufacture or sale of items without written permission. COPYRIGHT © 1973 DIGITAL EQUIPMENT CORPORATION



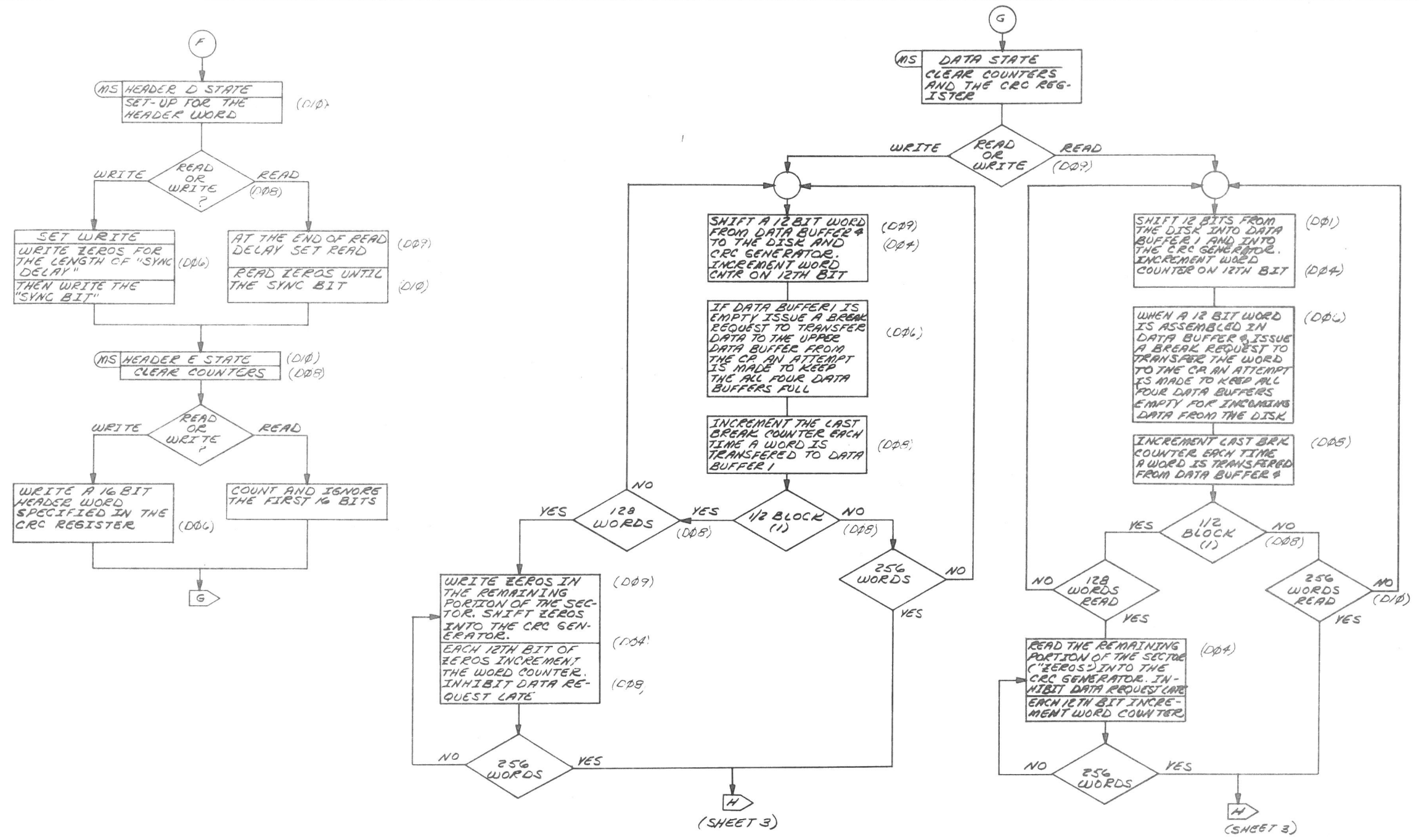
BRUNING 40-522 15840

REV	CHANGE NO

FIRST USED ON OPTION/MODEL RK8-F	QTY.	DESCRIPTION	PART NO.	ITEM NO.
PARTS LIST				
UNLESS OTHERWISE SPECIFIED DIMENSION IN INCHES TOLERANCES	DEN CHK'D ENG PROJ. ENG. PROD.	DATE 4.4.73 5/14/73 5/17/73 2/19/73	digital EQUIPMENT CORPORATION MAYNARD MASSACHUSETTS	
DECIMALS .xxx = .005 .xx = .02 .x = .1	ANGLES ±0° 30'	TITLE FLOW DIAGRAM (RK8-F)		
REMOVE BURRS AND BREAK SHARP CORNERS SURFACE QUALITY ✓	NEXT HIGHER ASSY.	B-00-RK8-F	SIZE CODE D	NUMBER FD RK8-F-1
MATERIAL	FINISH	SCALE	SHEET	REV. *
		1 OF 4	DIST	

This drawing and specifications herein are the property of Digital Equipment Corporation and shall not be reproduced or copied or used in whole or in part as the basis for the manufacture or sale of items without written permission. COPYRIGHT © 1972  
DIGITAL EQUIPMENT CORPORATION

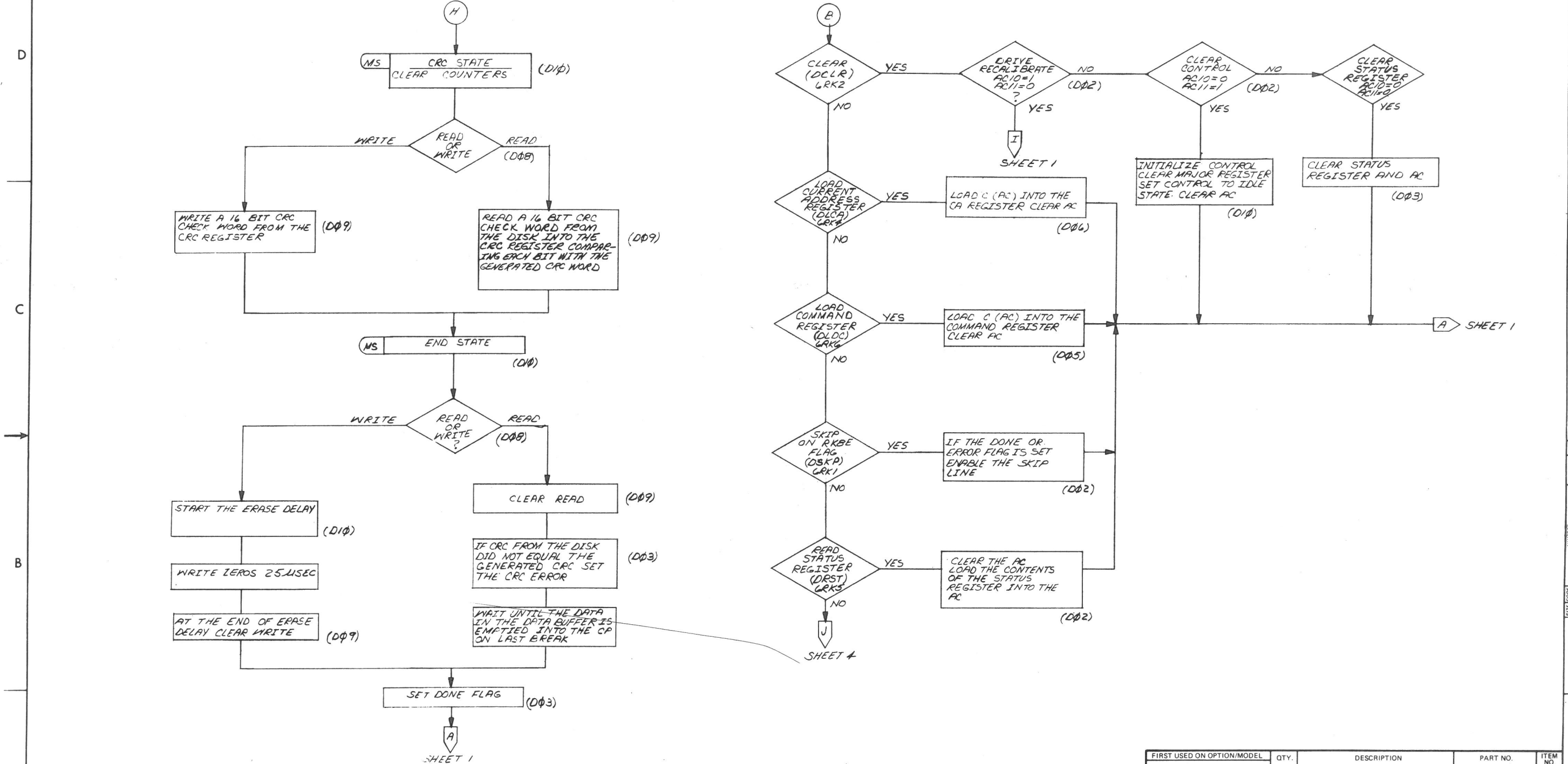
FD RK8-F-1  
NUMBER 100002715



BRUNING 40-522 15840  
DEC FORM NO DRD 102-B

FIRST USED ON OPTION/MODEL	QTY.	DESCRIPTION	PART NO.	ITEM NO.
RK8-F				
PARTS LIST				
UNLESS OTHERWISE SPECIFIED DIMENSION IN INCHES TOLERANCES	DRN <i>D. Sullivan</i>	DATE 4.9.73	<b>digital</b> CORPORATION MAYNARD, MASSACHUSETTS	
DECIMALS	CHKD <i>Pat Allen</i>	DATE 5/1/73		
ANGLES	ENG <i>John</i>	DATE 5/1/73		
.xxx = .005 .xx = .02 .x = .1	PROV. ENG <i>John</i>	DATE 5/1/73		
REMOVE BURRS AND BREAK SHARP CORNERS SURFACE QUALITY	PROP <i>John</i>	DATE 7/1/73	TITLE <b>FLOW DIAGRAM (RK8-F)</b>	
MATERIAL	NEXT HIGHER ASSY.		SIZE CODE	NUMBER
FINISH	SCALE		D	FD RK8-F-1
	SHEET 2 OF 4		DIST	REV. *

This drawing and specifications, herein, are the property of Digital Equipment Corporation and shall not be reproduced or copied or used in whole or in part as the basis for the manufacture or sale of items without written permission. COPYRIGHT © 1973 DIGITAL EQUIPMENT CORPORATION







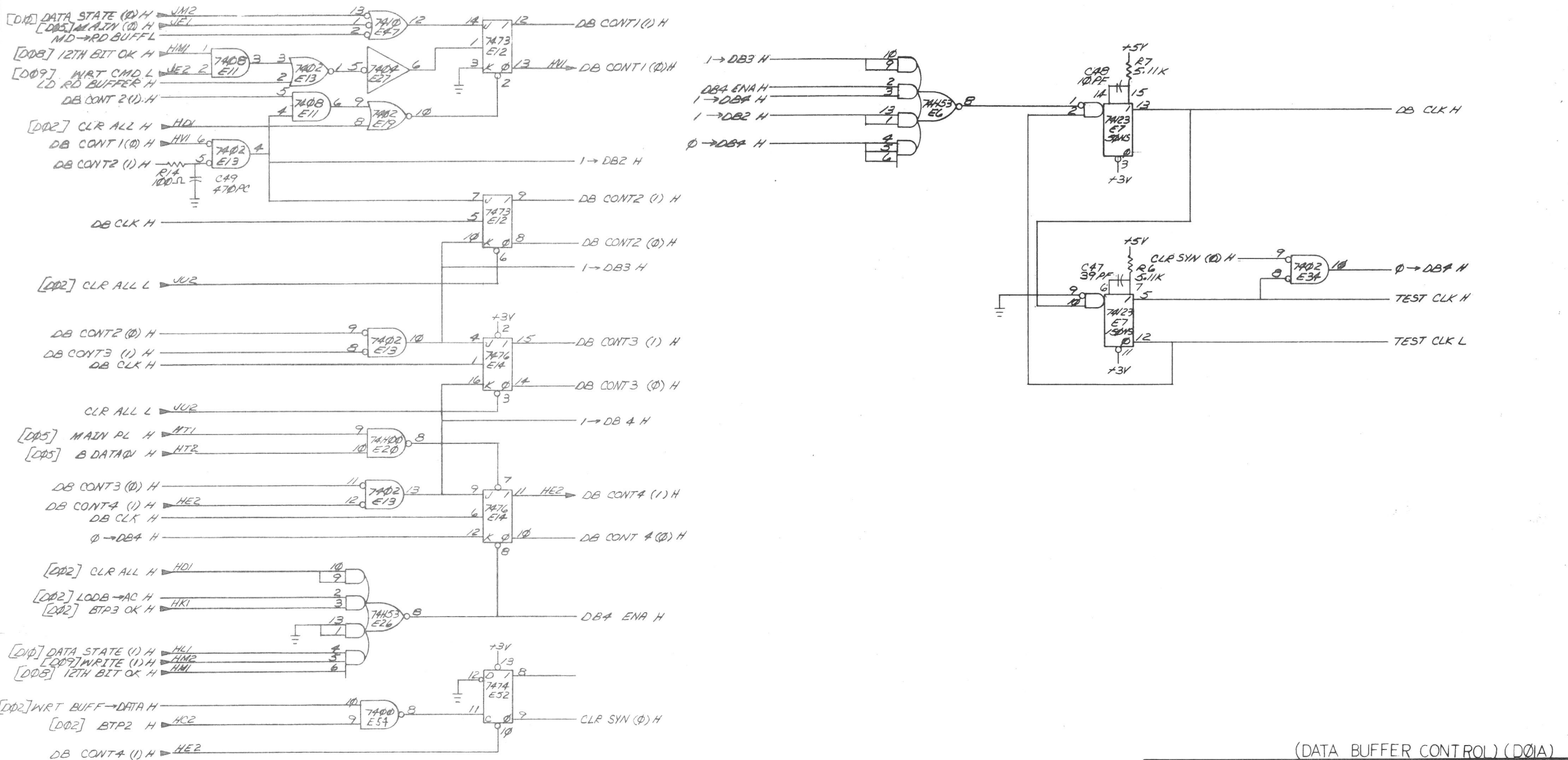








This drawing and specifications, herein, are the property of Digital Equipment Corporation and shall not be reproduced or copied or used in whole or in part as the basis for the manufacture or sale of items without written permission. COPYRIGHT © 1973  
DIGITAL EQUIPMENT CORPORATION



(DATA BUFFER CONTROL) (D01A)

FIRST USED ON OPTION/MODEL	QTY.	DESCRIPTION	PART NO.	ITEM NO.
RK8-F				
PARTS LIST				
UNLESS OTHERWISE SPECIFIED DIMENSION IN INCHES. TOLERANCES		DRM CHK'D ENG PROJ. ENG. PROD.	DATE 9-11-73 5/24/73 7/11/73 7/14/73 2/18/73	 <b>digital</b> EQUIPMENT CORPORATION MAYNARD MASSACHUSETTS
DECIMALS	ANGLES	TITLE		
XXX = .005 XX = .02 X = .1	±0° 30'	DATA BUF & STATUS		
REMOVE BURRS AND BREAK SHARP CORNERS SURFACE QUALITY				
MATERIAL	NEXT HIGHER ASSY.	SIZE CODE	NUMBER	REV.
FINISH		D CS	M7104-YA-1	*
SHEET 3 OF 7		DIST.		

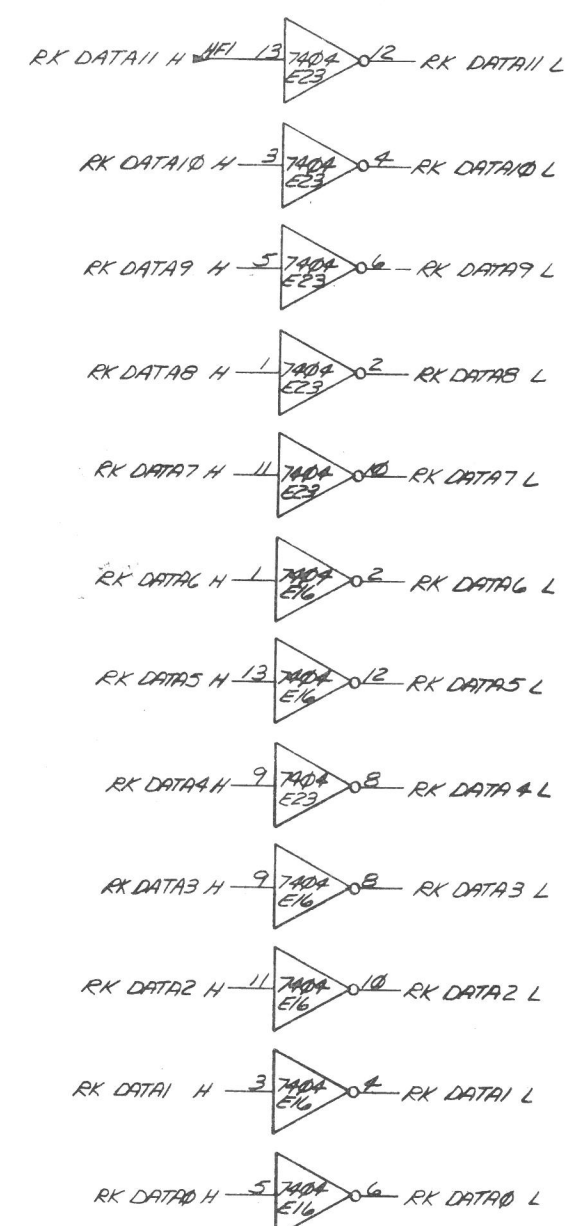
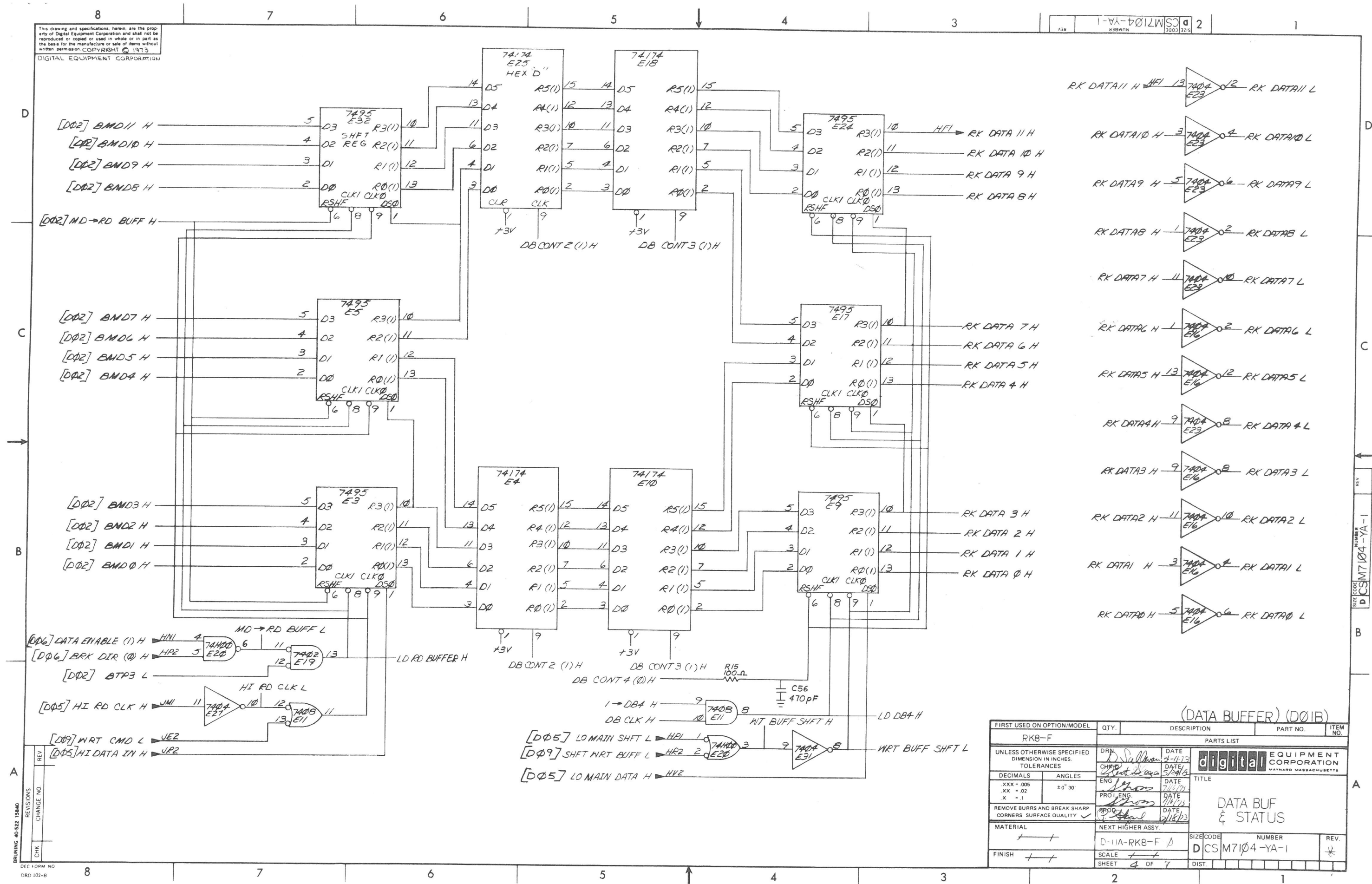
REV	CHANGE NO

DEC 1 DRAW NO  
DAD 102-B

REV  
NUMBER  
M7104-YA-1

A

This drawing and specifications, herein, are the property of Digital Equipment Corporation and shall not be reproduced or copied or used in whole or in part as the basis for the manufacture or sale of items without written permission. COPYRIGHT © 1973  
DIGITAL EQUIPMENT CORPORATION



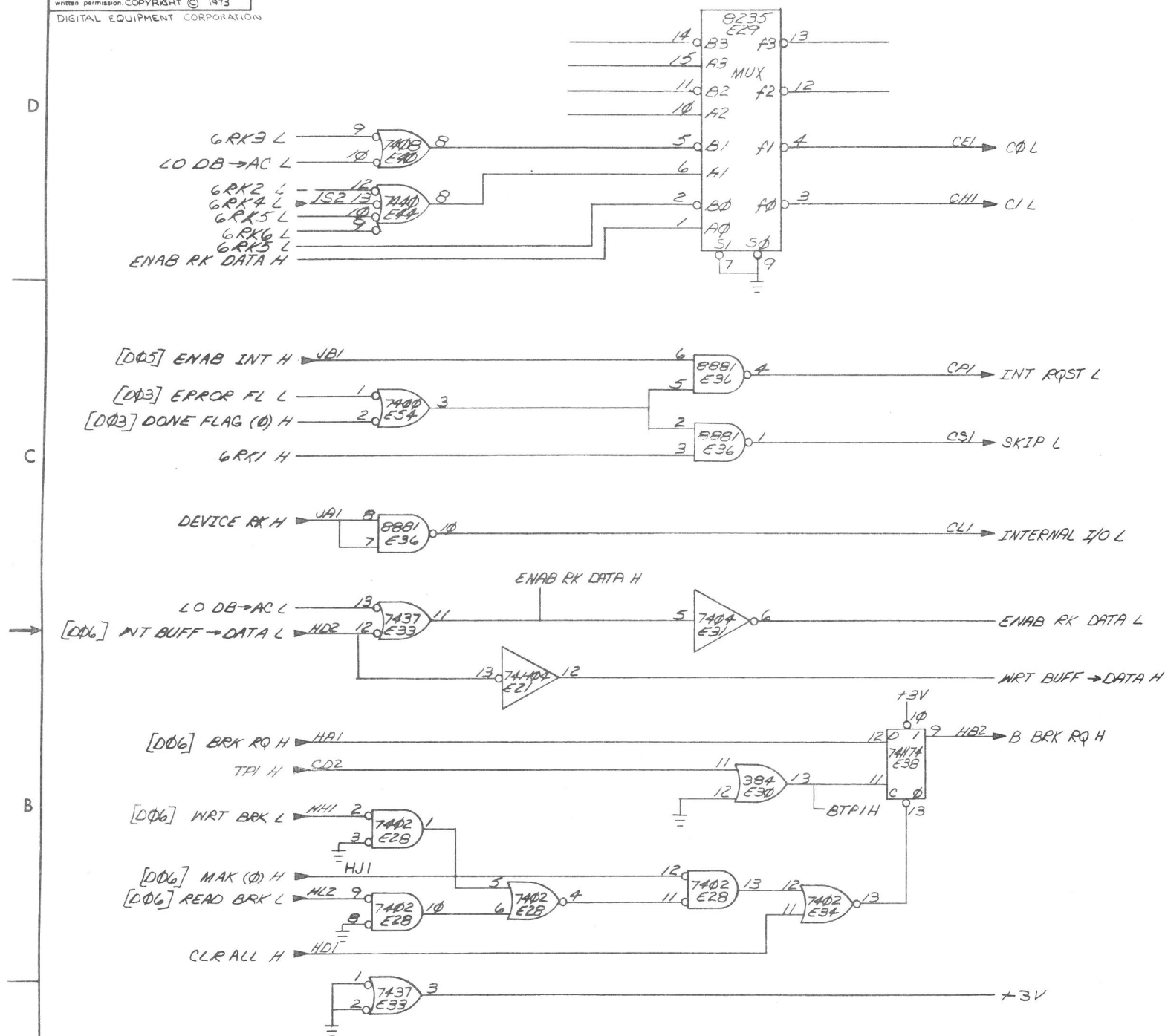
(DATA BUFFER) (D0IB)

FIRST USED ON OPTION/MODEL	QTY.	DESCRIPTION	PART NO.	ITEM NO.
RK8-F				
UNLESS OTHERWISE SPECIFIED DIMENSION IN INCHES. TOLERANCES				
DECIMALS .xxx = .005	ANGLES .xx = .02			
REMOVE BURRS AND BREAK SHARP CORNERS SURFACE QUALITY				
MATERIAL		NEXT HIGHER ASSY.		
FINISH		SCALE		
		SHEET 4 OF 7		
PARTS LIST		TITLE		
DRN		DATE		
CHKD		DATE		
ENG		DATE		
PROJ. ENG.		DATE		
MOD.		DATE		
MATERIAL		NEXT HIGHER ASSY.		
FINISH		SCALE		
		SHEET 4 OF 7		
D E S I G N		D I G I T A L		
C O O D		E Q U I P M E N T		
N U M B E R		C O R P O R A T I O N		
P A T H		M A S S A C H U S E T T S		
D I S T.		R E V.		
D I S T.		R E V.		

BRUNING 40-522 15840  
REV. NO. 1  
CHANGE NO.  
CHK



This drawing and specifications, herein, are the property of Digital Equipment Corporation and shall not be reproduced or copied or used in whole or in part as the basis for the manufacture or sale of items without written permission. COPYRIGHT © 1973  
DIGITAL EQUIPMENT CORPORATION

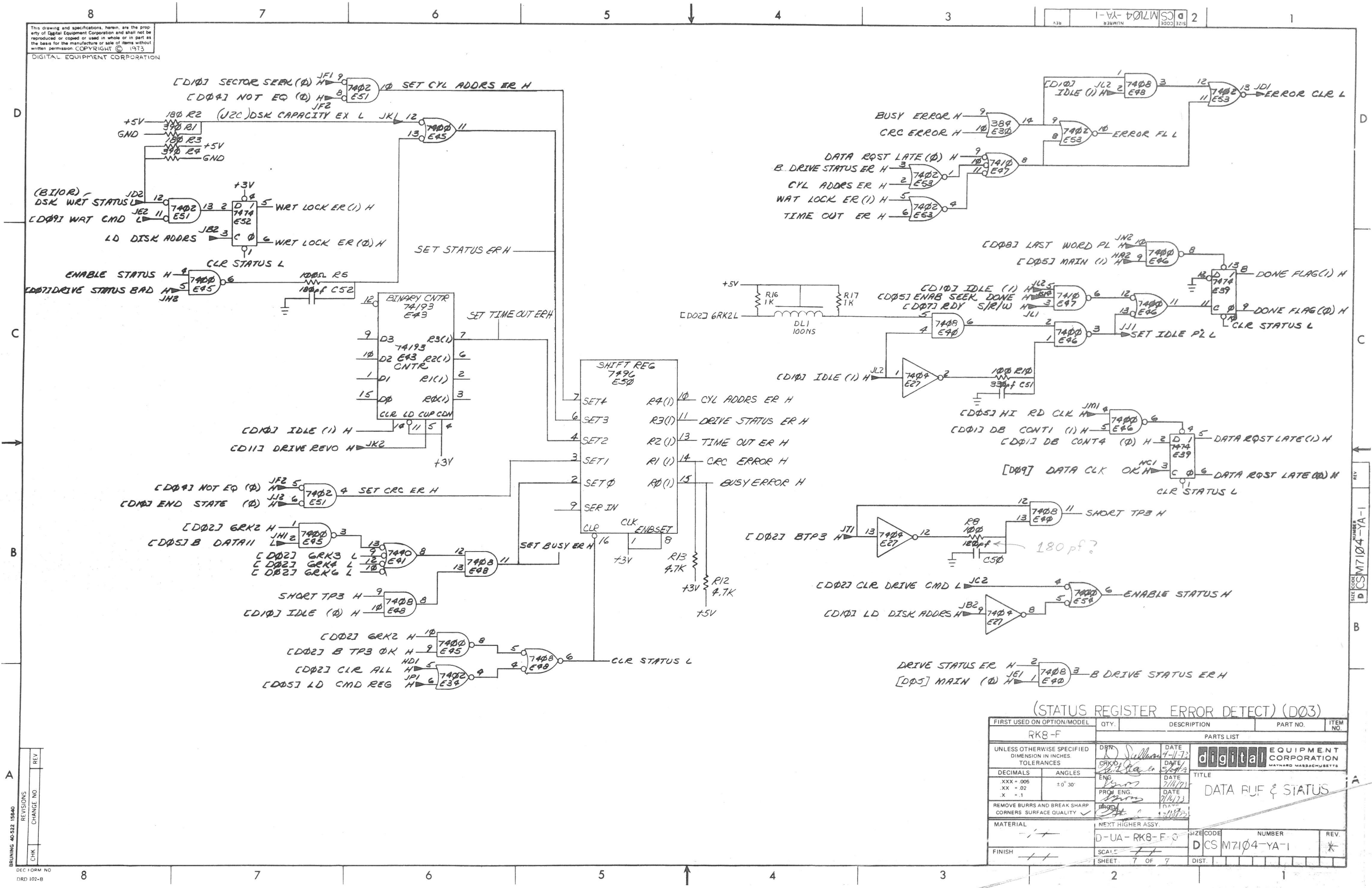








This drawing and specifications, herein, are the property of Digital Equipment Corporation and shall not be reproduced or copied in whole or in part as the basis for the manufacture or sale of items without written permission. COPYRIGHT © 1973  
DIGITAL EQUIPMENT CORPORATION



(STATUS REGISTER ERROR DETECT) (D03)

FIRST USED ON OPTION/MODEL	QTY.	DESCRIPTION	PART NO.	ITEM NO.
RK8-F				
PARTS LIST				
UNLESS OTHERWISE SPECIFIED DIMENSION IN INCHES TOLERANCES		DRN	DATE	digital EQUIPMENT CORPORATION MAYNARD, MASSACHUSETTS
DECIMALS ANGLES		CHKD	DATE	
.XXX = .005		ENG	DATE	TITLE DATA BUF & STATUS
.XX = .02		PROJ. ENG.	DATE	
.X = .1		TRNG	DATE	
REMOVE BURRS AND BREAK SHARP CORNERS SURFACE QUALITY				
MATERIAL		NEXT HIGHER ASSY.		
FINISH		D-UA-RK8-F-0		
SCALE		SIZE CODE		
SHEET 7 OF 7		NUMBER		
		D CS M7104-YA-1		
		REV.		
		*		

BRUNING 40-522 15840  
REV. 1  
CHANGE NO.  
CHK

REV. 1  
D CS M7104-YA-1

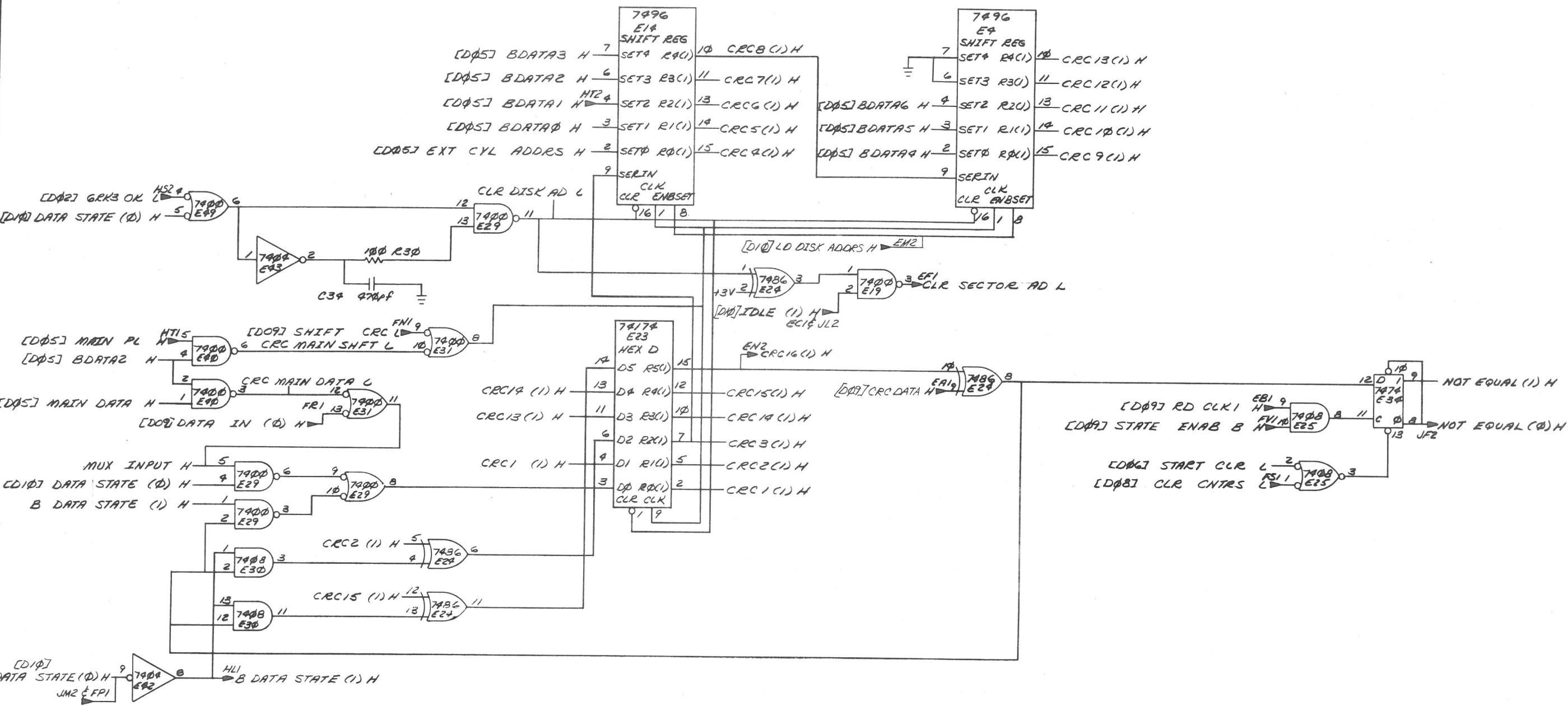






This drawing and specifications, herein, are the property of Digital Equipment Corporation and shall not be reproduced or copied or used in whole or in part as the basis for the manufacture or sale of items without written permission. COPYRIGHT © 1973

DIGITAL EQUIPMENT CORPORATION



(CRC/DISK ADDRESS REG) (D04)

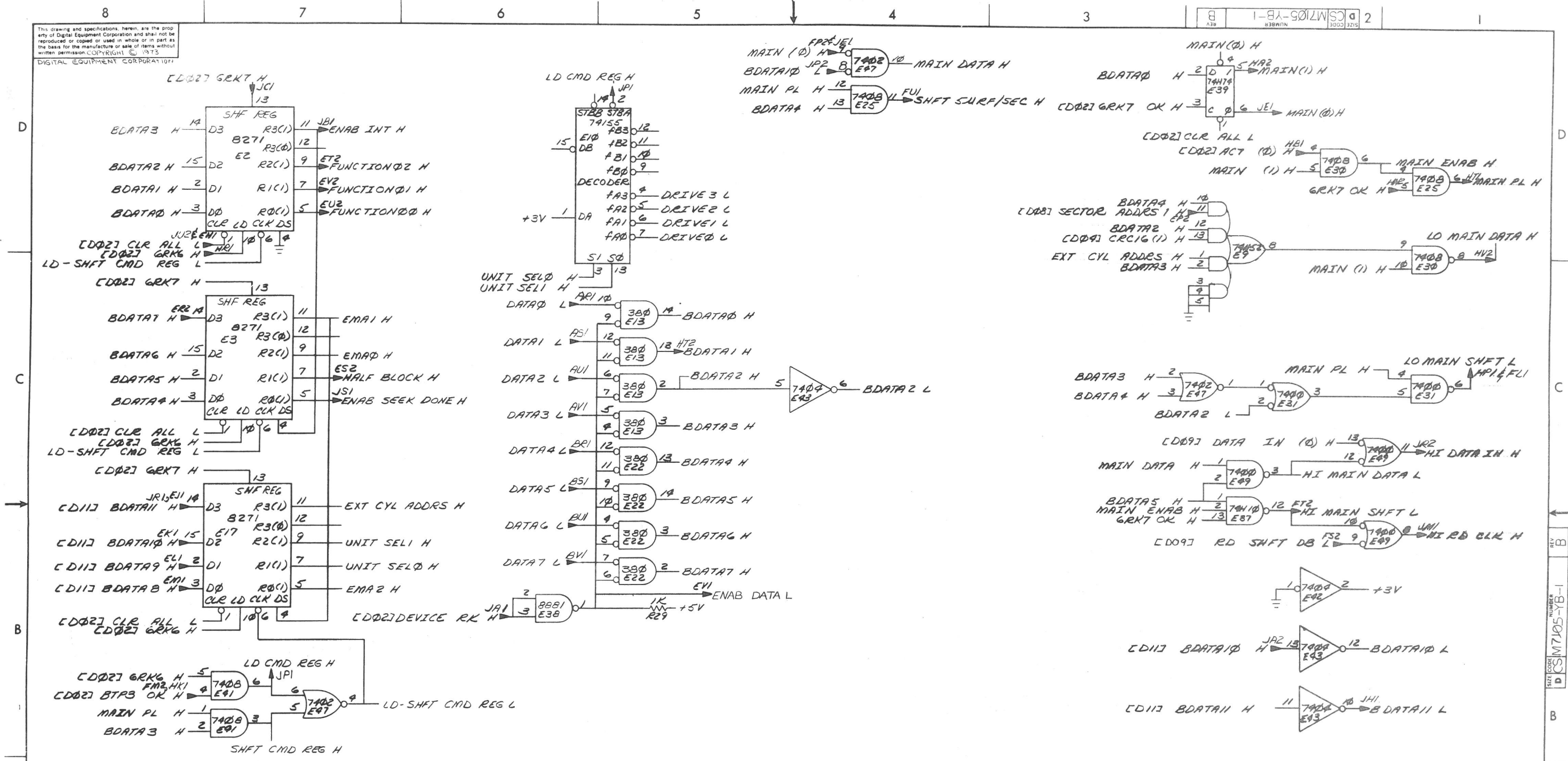
FIRST USED ON OPTION/MODEL	QTY.	DESCRIPTION	PART NO.	ITEM NO.
RK8-F				
PARTS LIST				
UNLESS OTHERWISE SPECIFIED DIMENSION IN INCHES TOLERANCES		DRN D. Sullivan 4-4-73	DATE 4-4-73	digital EQUIPMENT CORPORATION MAYNARD MASSACHUSETTS
DECIMALS .xxx = .005 .xx = .02 .x = .1	ANGLES ±0° 30'	ENG. D. Sullivan 9/16/73	DATE 9/16/73	
REMOVE BURRS AND BREAK SHARP CORNERS SURFACE QUALITY		PROJ. ENG. D. Sullivan 7/11/73	DATE 7/11/73	TITLE MAJOR REGISTERS
MATERIAL ++		NEXT HIGHER ASSY. D-UA-RK8-F-0		SIZE CODE D
FINISH ++		SCALE SHEET 3 OF 6		DIST. D
		NUMBER D CS M7105-YB-1		REV. B

BRUNING 40-522 15840  
REVISIONS  
CHANGE NO.  
REV.

REV. B  
D CS M7105-YB-1



This drawing and specifications herein are the property of Digital Equipment Corporation and shall not be reproduced or copied or used in whole or in part as the basis for the manufacture or sale of items without written permission. COPYRIGHT © 1973 DIGITAL EQUIPMENT CORPORATION



BRUNING 40-522 15840

REV	CHANGE NO

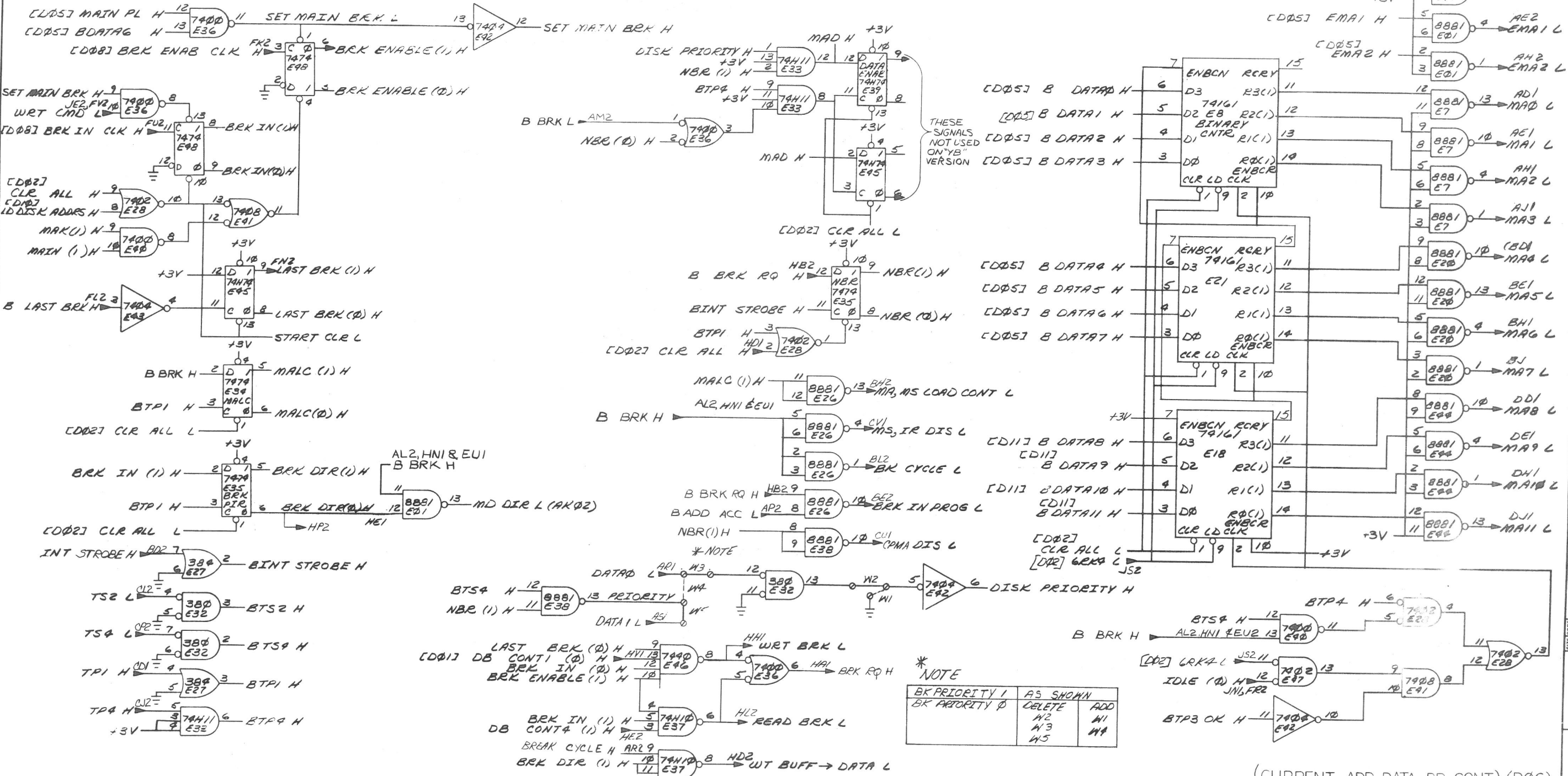
DEC FORM NO DRD 102-B

(COMMAND REG. MAINT. LOGIC) (D05)

FIRST USED ON OPTION/MODEL	QTY.	DESCRIPTION	PART NO.	ITEM NO.
RK8-F				
UNLESS OTHERWISE SPECIFIED DIMENSION IN INCHES. TOLERANCES				
DECIMALS	ANGLES	DATE	PARTS LIST	
XXX - .005	± 0° 30'	4-4-73	digital EQUIPMENT CORPORATION	
XX - .02		5/24/73	MAYNARD MASSACHUSETTS	
X - .1		7/16/74	TITLE	
REMOVE BURRS AND BREAK SHARP CORNERS SURFACE QUALITY		7/14/75	MAJOR REGISTER	
MATERIAL	NEXT HIGHER ASSY.	DATE	SIZE CODE	
		2/11/77	NUMBER	
FINISH	D-UA-RK8-F-0	SCALE	REV.	
		SHEET 4 OF 6	B	
		DIST.	D/CS M7105-YB-1	

REV B  
NUMBER  
D/CS M7105-YB-1

This drawing and specifications, herein, are the property of Digital Equipment Corporation and shall not be reproduced or copied or used in whole or in part as the basis for the manufacture or sale of items without written permission. COPYRIGHT © 1973  
DIGITAL EQUIPMENT CORPORATION



\* NOTE

BK PRIORITY 1	AS SHOWN	ADD
BK PRIORITY 0	02	01
	03	04
	04	05

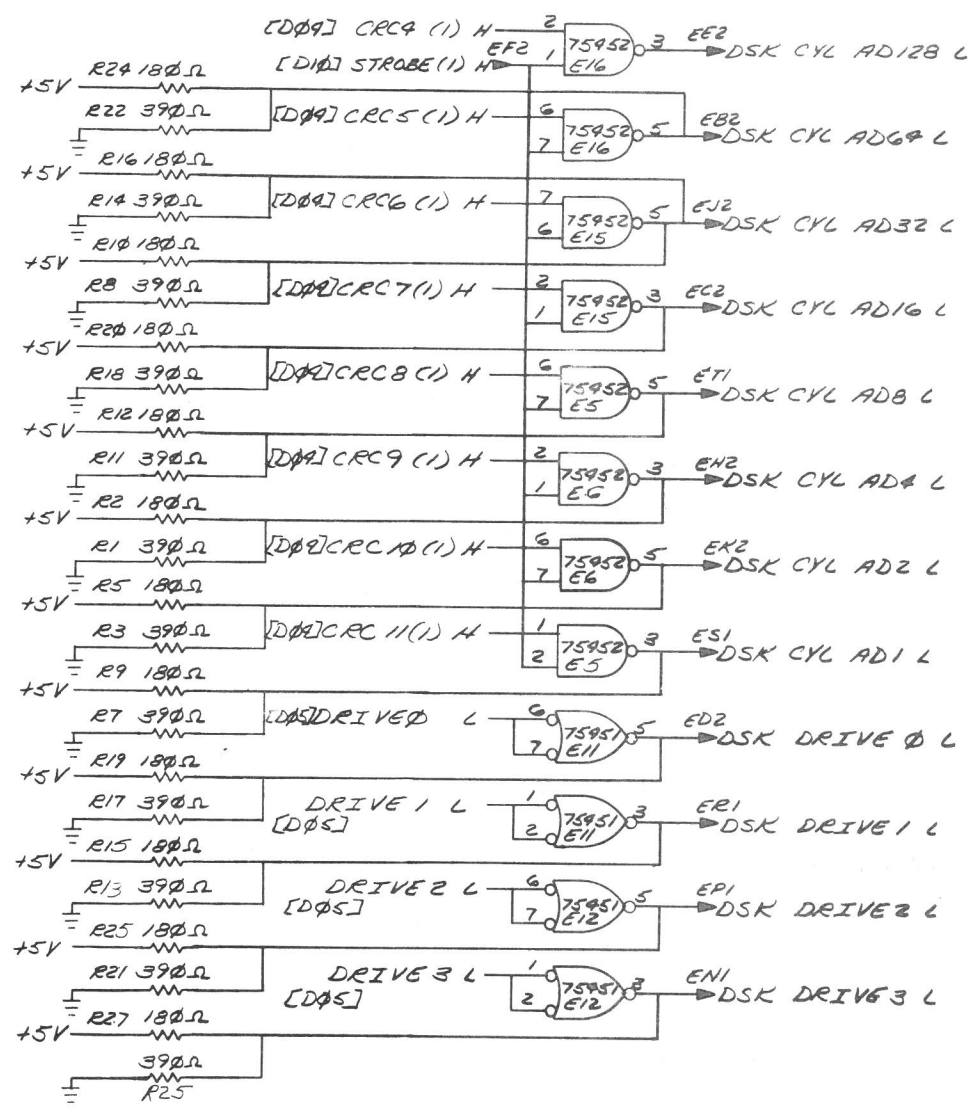
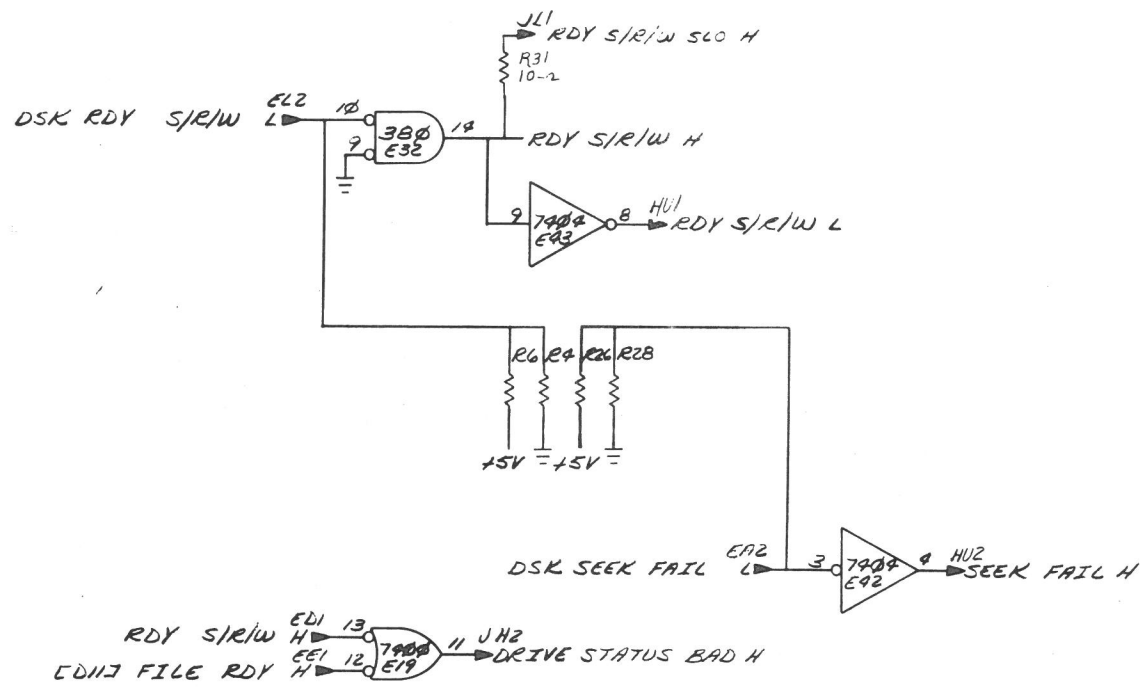
(CURRENT ADD DATA BR CONT.) (D06)

FIRST USED ON OPTION/MODEL	QTY.	DESCRIPTION	PART NO.	ITEM NO.
RK8-F				
UNLESS OTHERWISE SPECIFIED DIMENSION IN INCHES. TOLERANCES				
DECIMALS	ANGLES	PARTS LIST		
XXX - .005	±0° 30'	digital EQUIPMENT CORPORATION MAYNARD MASSACHUSETTS		
XX - .02		TITLE		
X - .1		MAJOR REGISTERS		
REMOVE BURRS AND BREAK SHARP CORNERS SURFACE QUALITY		MATERIAL		
		NEXT HIGHER ASSY.		
		FINISH		
		D UA-RK8-F-0		
		SCALE	SIZE CODE	NUMBER
		SHEET 5 OF 6	D CS M7105-YB-1	REV. B

BRUNING 40-532 15640  
DEC FORM NO DRD 102-B

REV. B  
NUMBER DCSM7105-YB-1  
SIZE CODE

This drawing and specifications, herein, are the property of Digital Equipment Corporation and shall not be reproduced or copied or used in whole or in part as the basis for the manufacture or sale of items without written permission. © 1973 DIGITAL EQUIPMENT CORPORATION



(DRIVE SIGNALS CABLE J1) (D07)

FIRST USED ON OPTION/MODEL	QTY.	DESCRIPTION	PART NO.	ITEM NO.
RK8-F				
PARTS LIST				
UNLESS OTHERWISE SPECIFIED DIMENSION IN INCHES TOLERANCES		DRN	DATE	<b>digital</b> EQUIPMENT CORPORATION <small>MAYNARD MASSACHUSETTS</small>
DECIMALS	ANGLES	CHKD	DATE	
.XXX = .005	±0° 30'	ENG	DATE	
.XX = .02		PROD. ENG.	DATE	
REMOVE BURRS AND BREAK SHARP CORNERS SURFACE QUALITY ✓		PROD.	DATE	TITLE
MATERIAL		NEXT HIGHER ASSY.		MAJOR REGISTERS
FINISH		D-VA-RK8-F-0	SCALE	SIZE CODE
		6 OF 6		D CS M7105-YB-1
				REV. B

BRUNING 40-522 15840	REV
REVISIONS	NO
CHK	CHANGE NO
DEC FORM NO	DRD 102-B

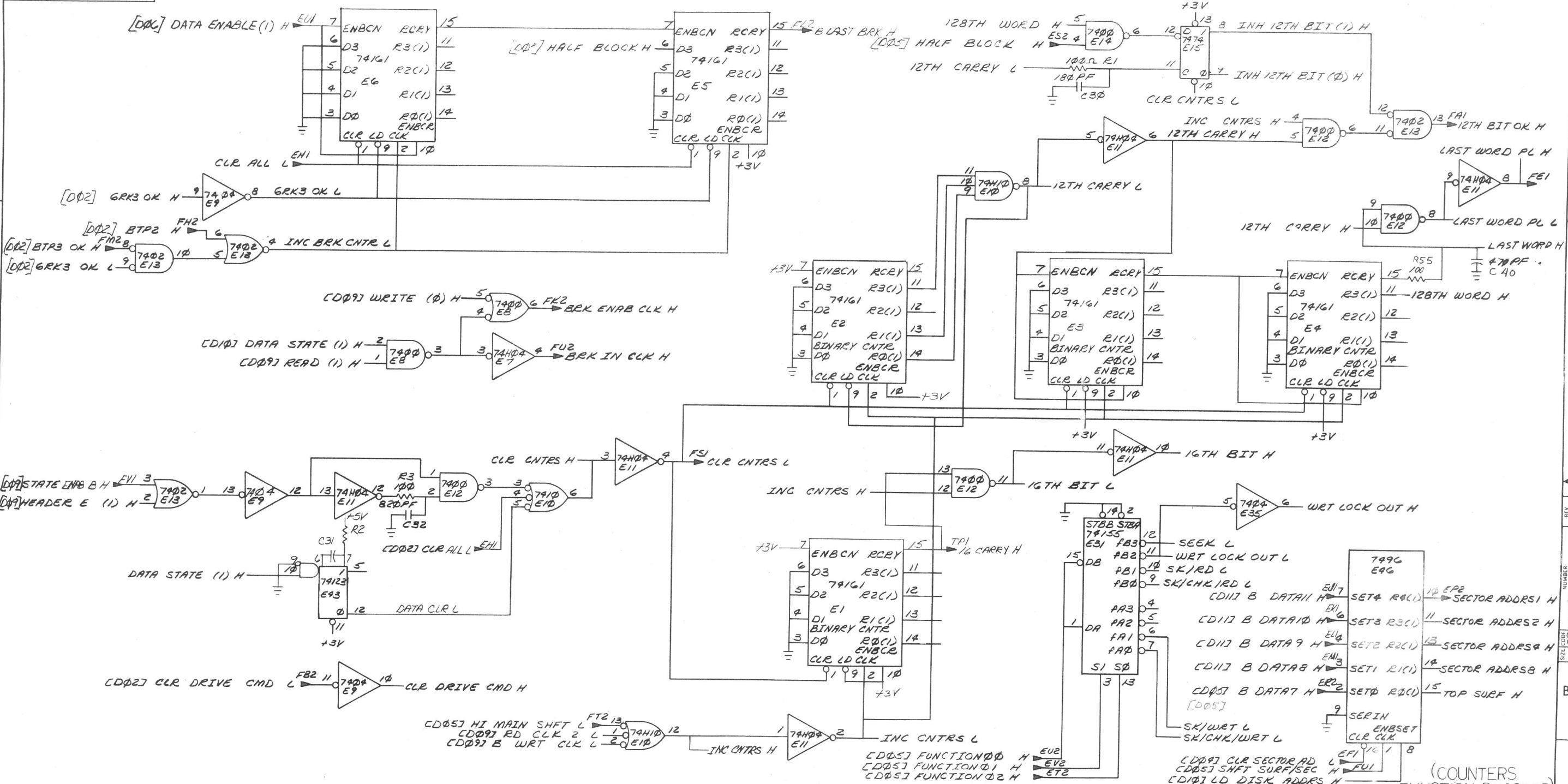








This drawing and specifications, herein, are the property of Digital Equipment Corporation and shall not be reproduced or copied or used in whole or in part as the basis for the manufacture or sale of items without written permission.

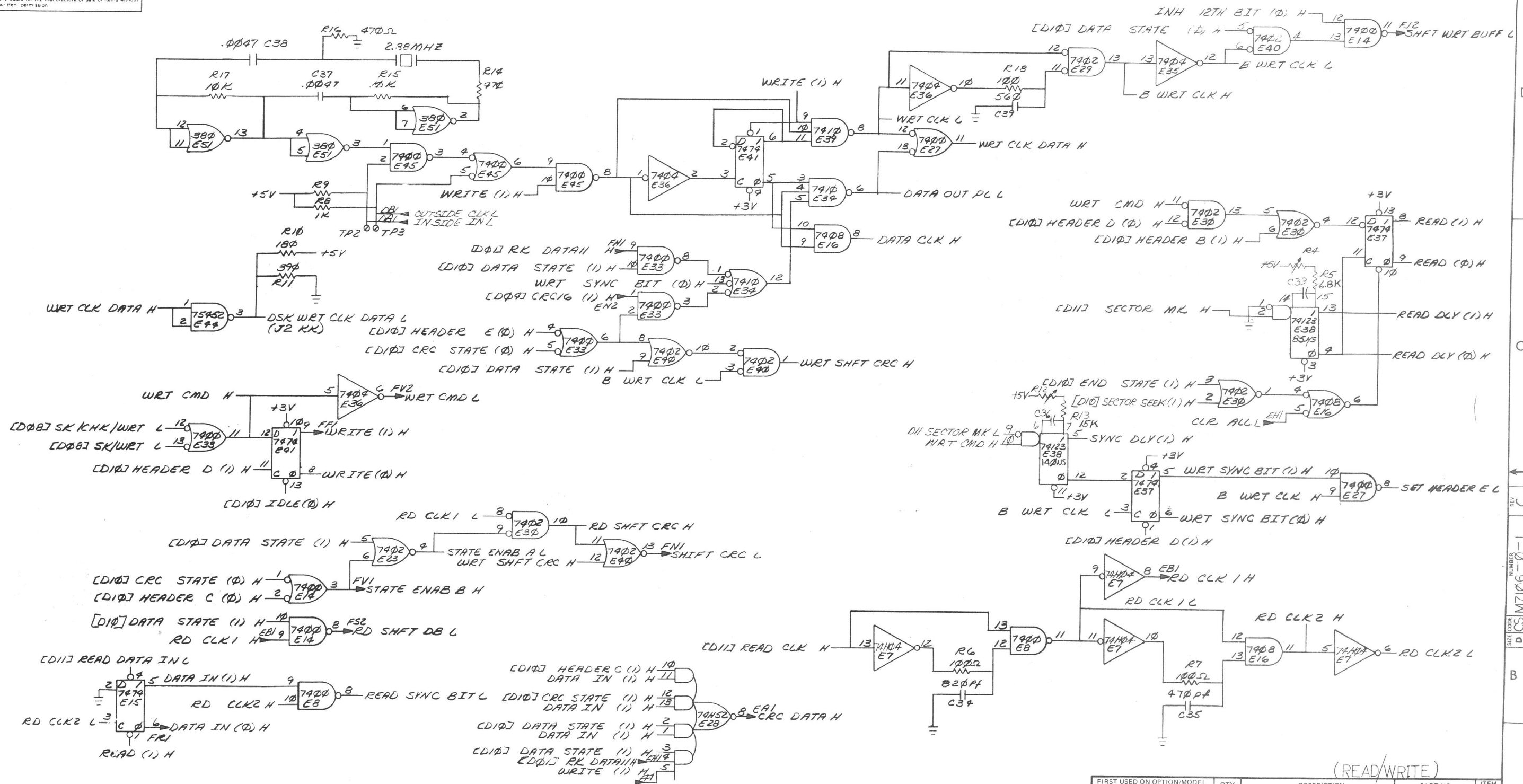


FIRST USED ON OPTION/MODEL	QTY.	DESCRIPTION	PART NO.	ITEM NO.
RK8-E				
PARTS LIST				
UNLESS OTHERWISE SPECIFIED				
DIMENSION IN INCHES.		DRN. <i>M. P. ...</i>	DATE <i>10/14/78</i>	<b>digital</b> EQUIPMENT CORPORATION MAYARD, MASSACHUSETTS
TOLERANCES		CHK'D. <i>...</i>	DATE <i>10-9-78</i>	
DECIMALS	ANGLES	ENG. <i>...</i>	DATE <i>10-9-78</i>	TITLE (D08) CONTROL, RK8-E
.XX = .005	±0° 30'	PROJ. ENG. <i>...</i>	DATE <i>...</i>	
REMOVE BURRS AND BREAK SHARP CORNERS SURFACE QUALITY ✓		PROD. <i>...</i>	DATE <i>...</i>	
MATERIAL	NEXT HIGHER ASSY			
FINISH	F-11 - R18-C	SIZE CODE	NUMBER	REV.
	SCALE	DCS M7105-0-1		A
	SHEET 3 OF 6	DIST.		

BRUNING 40-522 15840  
REV. 10-78  
CHK. CHANGE NO.  
DEC. FORM NO. DPT 102-B

REV. A  
SCALE CODE DCS M7105-0-1

Dimensions and specifications herein are the property of Digital Equipment Corporation and shall not be reproduced or copied or used in whole or in part as the basis for the manufacture or sale of items without written permission.

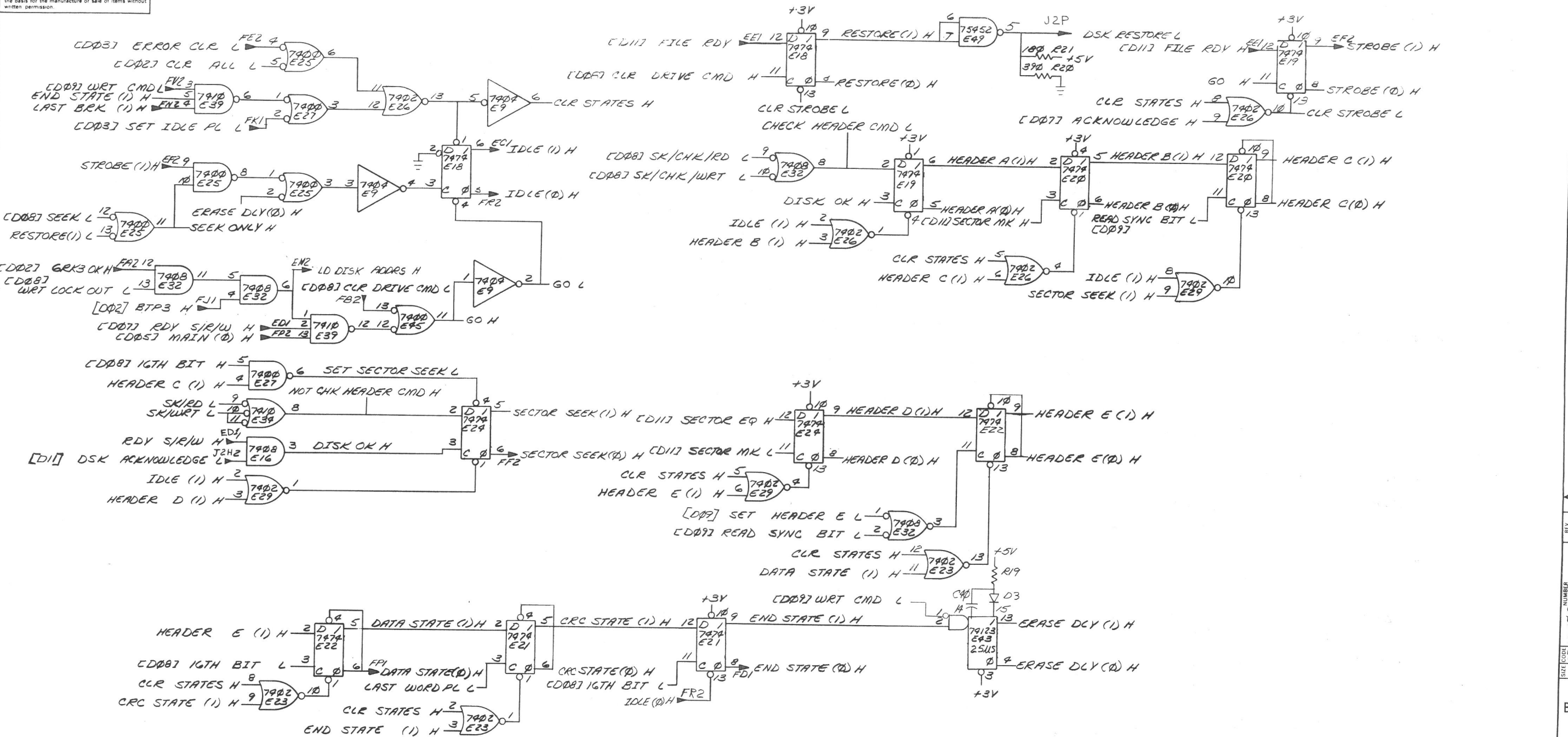


BRUNING 40-522 15840	REVISIONS	REV
CHK	CHANGE NO	

DEC FORM NO 1702 102-B

FIRST USED ON OPTION/MODEL	QTY.	DESCRIPTION	PART NO.	ITEM NO.
RK8-E				
UNLESS OTHERWISE SPECIFIED DIMENSION IN INCHES TOLERANCES				
DECIMALS	ANGLES	PARTS LIST		
.XXX = .005	± 0° 30'	DRN	DATE	 EQUIPMENT CORPORATION MAYNARD, MASSACHUSETTS
.XX = .02		CHK'D	DATE	
X = .1		ENG	DATE	
		PROJ. ENG.	DATE	
REMOVE BURRS AND BREAK SHARP CORNERS SURFACE QUALITY		PROD.	DATE	TITLE (D09) CONTROL, RK8-E
MATERIAL	NEXT HIGHER ASSY.			
FINISH				

This drawing and specifications, herein, are the property of Digital Equipment Corporation and shall not be reproduced or copied or used in whole or in part as the basis for the manufacture or sale of items without written permission.



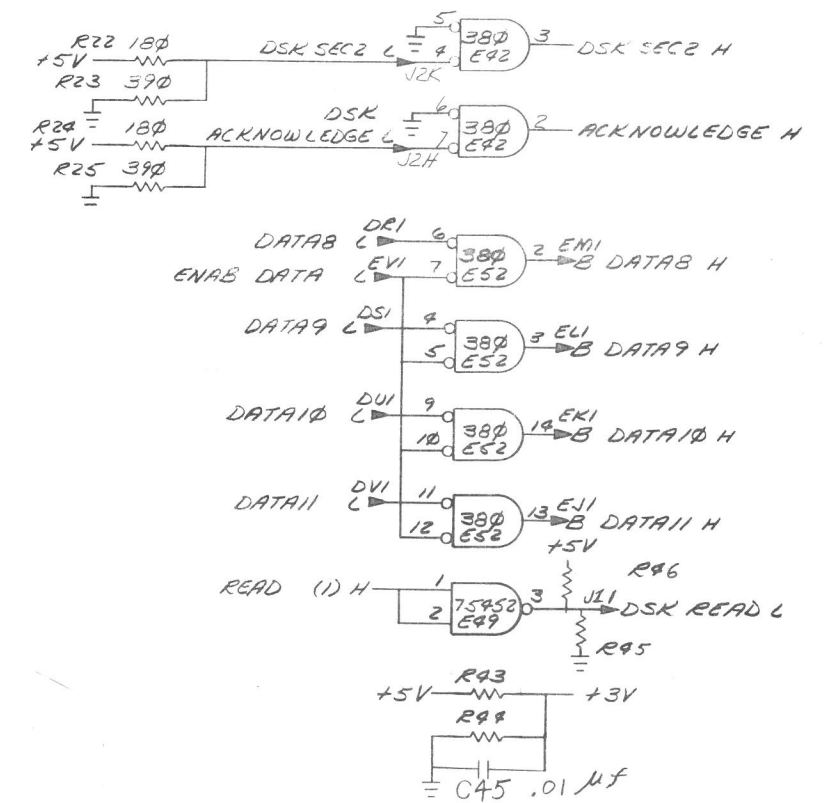
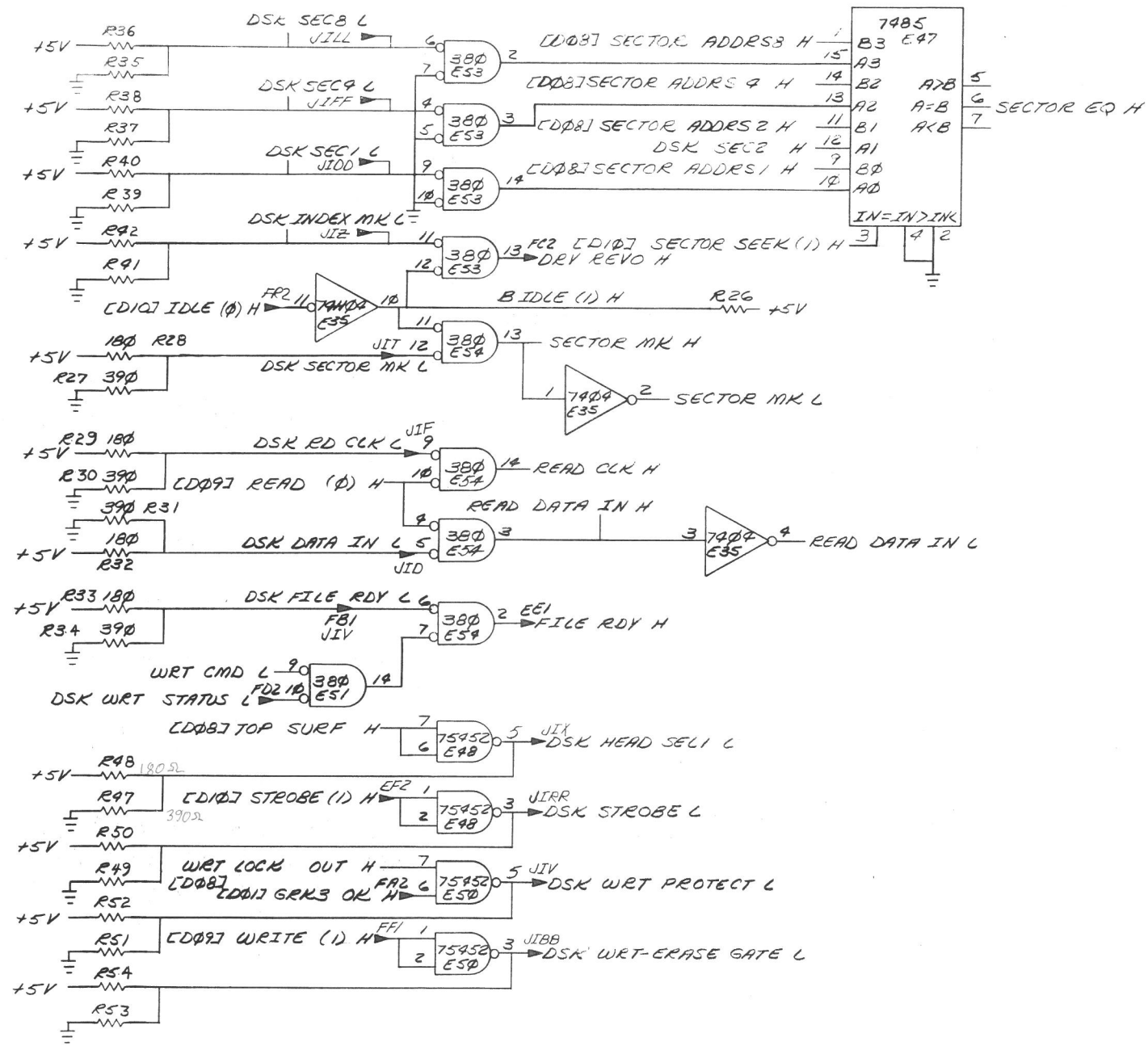
REV	NO
CHG	NO
REV	NO
CHG	NO

DEC FORM NO 70RD 102-B

FIRST USED ON OPTION/MODEL		QTY.	DESCRIPTION	PART NO.	ITEM NO.
RK8-E					
PARTS LIST					
UNLESS OTHERWISE SPECIFIED DIMENSION IN INCHES. TOLERANCES		DRN. <i>Edwort</i>	DATE 7-14-72	<b>digital</b> EQUIPMENT CORPORATION MAYFORD MASSACHUSETTS TITLE (DIØ) CONTROL, RK8-E	
DECIMALS .XXX = .005	ANGLES ±0° 30'	CHK'D. <i>[Signature]</i>	DATE 12-8-72		
		ENG. <i>[Signature]</i>	DATE 12-9-72		
		PROJ. ENG. <i>[Signature]</i>	DATE 12-9-72		
REMOVE BURRS AND BREAK SHARP CORNERS SURFACE QUALITY		PROD. <i>[Signature]</i>	DATE 12-9-72		
MATERIAL		NEXT HIGHER ASSY.			
FINISH		SCALE			
		SHEET OF 6			
		SIZE CODE B-DI -RK8-E		NUMBER DCS M7106-Ø-1	
		DIST.		REV. B	

REV. B  
NUMBER DCS M7106-Ø-1  
REV. B

This drawing and specifications herein are the property of Digital Equipment Corporation and shall not be reproduced or copied or used in whole or in part as the basis for the manufacture or sale of items without written permission.



J2

UU	DSK CYL ADB L	ET1
SS	DSK CYL AD2 L	EK2
PP	DSK CYL AD9 L	EB2
MM	DSK CYL AD16 L	EG2
KK	DSK WRT CLK DATA L	E44-3
HH	DSK CYL AD12B L	EE2
EE	DSK RDY SIR/W L	EL2
CC	DSK CYL AD 32 L	EJ2
AA	DSK DRIVE 0 L	ED2
Y	DSK CYL AD1 L	ES1
W	DSK DRIVE 1 L	ER1
U	DSK CYL AD4 L	EM2
S	DSK DRIVE 2 L	EP1
P	DSK RESTORE L	E47-5
M	DSK DRIVE 3 L	EN1
K	DSK SEC 2 L	E42-4
H	DSK ACKNOWLEDGE L	E42-7
E	DSK SEEK FAIL L	EA2
C	DSK CAPACITY EX L	FC1
GND	B, D, F, J, L, N, R, T, V, X, Z, BB, DD, FF, JJ, LL, NN, RR, TT, VV.	

J1

D	DSK DATA IN L	E54-5
F	DSK RD CLK L	E54-9
V	DSK WRT PROTECT L	E54-9
L	DSK READ L	E50-5
R	DSK WRT STATUS L	E49-3
T	DSK SECTOR MK L	FD2
Y	DSK FILE RDY L	E54-12
X	DSK HEAD SEL 1 L	E54-6
MM	DSK INDEX MK L	E48-5
BB	DSK WRT-ERASE GATE L	E53-11
DD	DSK SEC 1 L	E50-3
FF	DSK SEC 4 L	E53-9
LL	DSK SEC 8 L	E53-4
RR	DSK STROBE L	E48-3
T.T		BV2
GND	A, B, C, E, H, K, M, P, S, U, W, Y, AA, CC, EE, HH, KK, MM, PP, SS, UU.	

(DRIVE SIGNALS CABLE J2 DRIVERS)

FIRST USED ON OPTION/MODEL	QTY.	DESCRIPTION	PART NO.	ITEM NO.
RK8-E				
UNLESS OTHERWISE SPECIFIED DIMENSION IN INCHES TOLERANCES				
DECIMALS	ANGLES	DRN	DATE	PARTS LIST
.XXX = .005	± 0° 30'	CHK'D	DATE	
.XX = .02		ENG	DATE	
.X = .1		PROJ. ENG.	DATE	
REMOVE BURRS AND BREAK SHARP CORNERS SURFACE QUALITY		PROD.	DATE	TITLE (DIP) CONTROL, RK8-E
MATERIAL	NEXT HIGHER ASSY.			
FINISH				
SCALE		SIZE CODE		NUMBER
SHEET 6 OF 6		D CS		M7106-0-1
		DIST		REV C

BRUNING 40522 15840

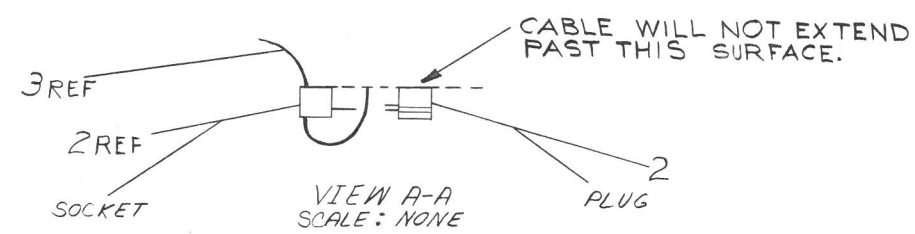
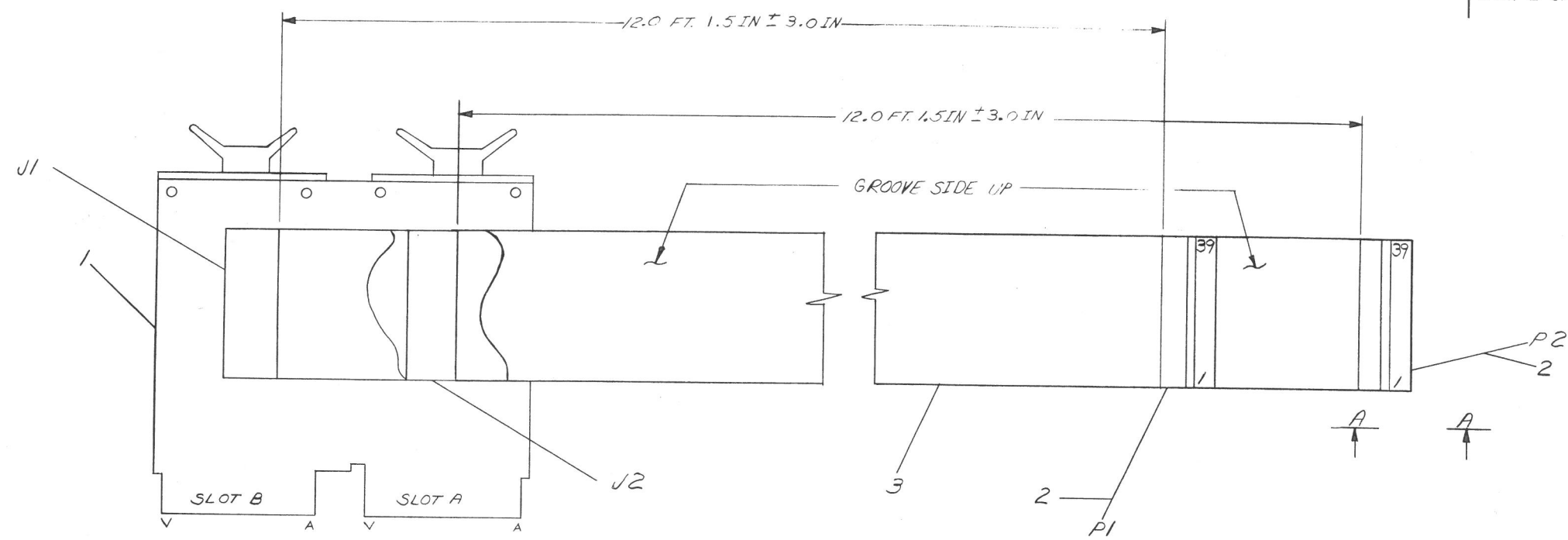
REV	DATE	BY
1	12/15/73	AK

DEC FORM NO DRD 102-B

REV C  
NUMBER M7106-0-1  
REV B

This drawing and specifications herein are the property of Digital Equipment Corporation and shall not be reproduced or copied or used in whole or in part as the basis for the manufacture or sale of items without written permission. 1973

NOTE:  
 1. CABLE TO BE WIRED WITH GROOVE SIDE UP.  
 2. WHEN ATTACHING CONN (ITEM #2) TO CABLE (ITEM #3), USE SCOTCHFLEX CONTACT PLATE #3443-24 AND SCOTCHFLEX ASSY. PRESS #3445 FROM 3M COMPANY.  
 3. TAPE CABLE EVERY 1.5 FEET.



QTY.	DESCRIPTION	PART NO.	ITEM NO.
4	A/R TAPE, ELECTRICAL WHT.	9008880	4
2	CABLE 40 CONDUCTOR 30 AWG	9107747-01	3
2	SCOTCHFLEX CONN #3447-33M	12/1206	2
1	RK8-E CONTROL CABLE MOD-05-M993-0-1		1

FIRST USED ON OPTION/MODEL		PARTS LIST	
RK8-E			
UNLESS OTHERWISE SPECIFIED DIMENSION IN INCHES	DRN. <i>M. R. ...</i>	DATE 8/14/72	digital EQUIPMENT CORPORATION MAYNARD MASSACHUSETTS
TOLERANCES	CHK'D.	DATE	
DECIMALS .XXX = .005	ENG. <i>[Signature]</i>	DATE 8/14/72	TITLE CONTROL CABLE ASSY
ANGLES .XX = .02	PROJ. ENG. <i>[Signature]</i>	DATE 8/14/72	
X = .1	±0° 30'	DATE 8/14/72	
REMOVE BURRS AND BREAK SHARP CORNERS SURFACE QUALITY ✓	PROD. <i>R. K. ...</i>	DATE 8-13-72	
MATERIAL	NEXT HIGHER ASSY.		
FINISH	D-14-RK8-E-0	SIZE CODE D	NUMBER 7009026-C-0
	SCALE 1/1		REV. A
	SHEET 1 OF 2	DIST.	

REV	CHANGE NO.	DATE
A	00002	

BRUNING 40-107 15968  
 OFC FORM NO DRD 100-A

REVISIONS  
 CHK *[Signature]*  
 CHANGE NO. 00002  
 DATE 3-9-73  
 J. LEARSON  
 3-15-73

SIZE CODE D AD NUMBER 7009026-0-0 REV A

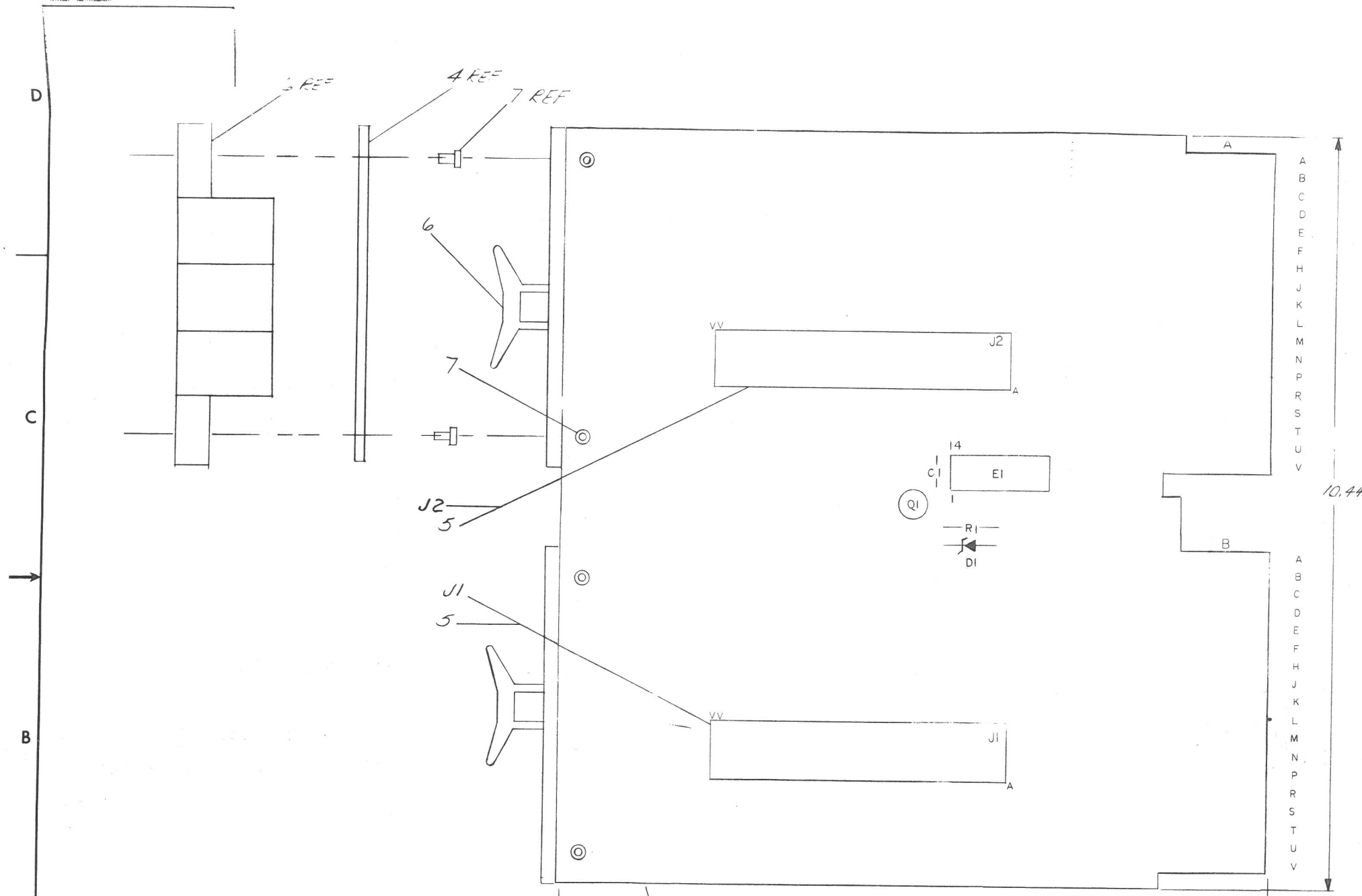






NOTES:

\* NOTE: IF IC 7384 IS NOT AVAILABLE,  
IC 5384 MAY BE USED.



QTY	REF DESIGNATION	DESCRIPTION	PART NO.	ITEM NO.
1	CI	CAP. .01MFD 100V 20%	1001610	12
1	RI	RES. 470 1/4W 5%	1300316	11
1	Q1	6534B TRANSISTOR	153409-1	10
1	DI	ZENER DIODE	1100122	9
1	E1	IC 7384 *	1910393	8
4		EYELET, GS #4-7 EB. STIMPSON	9006732	7
2		HANDLE, FLIP-CHIP, MAGENTA	9008337-06	6
2	J1, J2	CONN. 3M (40 PINS)	1210073-0	5
1		ETCHED CIRCUIT BOARD	5010178	4
REF		MODULE ECO HISTORY	B-MH-1993-0-6	3
REF		ASSY/DRILLING HOLE LAYOUT	D-AM-1993-0-5	2
REF		X-Y COORDINATE HOLE LOCATION	K-0-M993-0-4	1

FIRST USED ON OPTION MODEL  
RK8-E

CHK	CHANGE NO.	REV	REVISIONS	DRN.	DATE	CHK'D.	DATE	ENG.	DATE	PROJ. ENG.	DATE	PROD.	DATE	NEXT HIGHER ASSY	DEC NO.	EIA NO.	DEC NO.	EIA NO.	SCALE	SHEET	OF	TITLE	REV.
				axibnt	8/4/72									D-AM-7009026-C					MAYE	2	OF	3	A

REV	DESCRIPTION	DATE	BY
1			
2			
3			
4			
5			
6			
7			
8			
9			
10			

SEMICONDUCTOR CONVERSION CHART

digital EQUIPMENT CORPORATION  
MAYNARD, MASSACHUSETTS

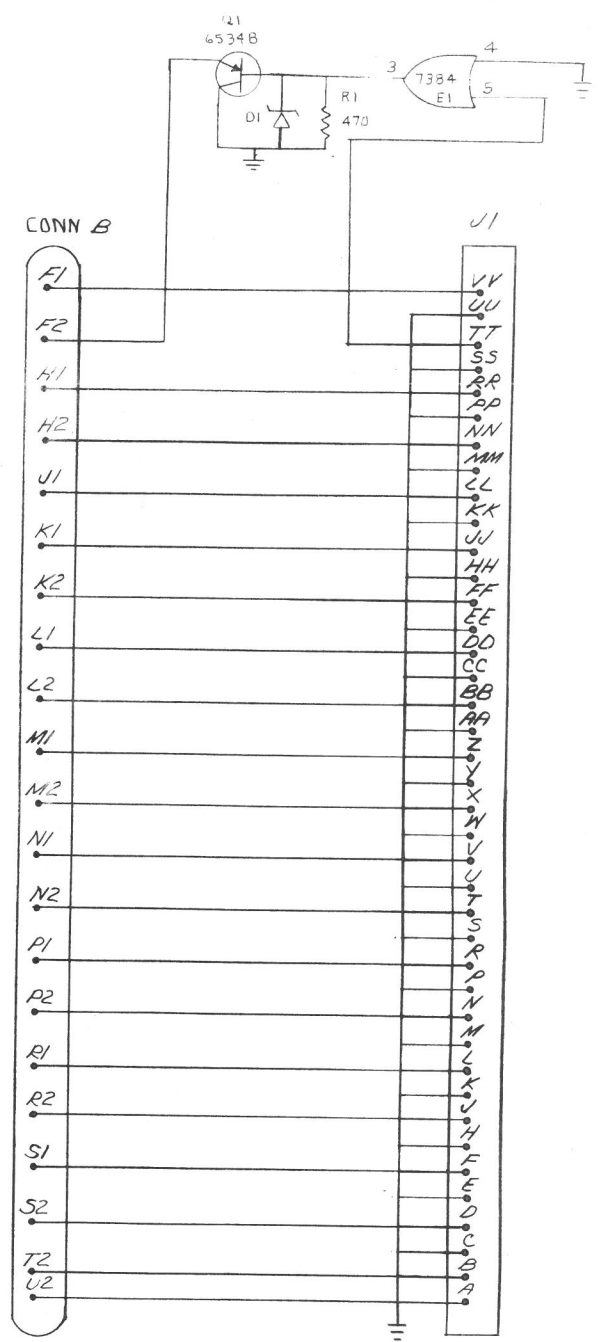
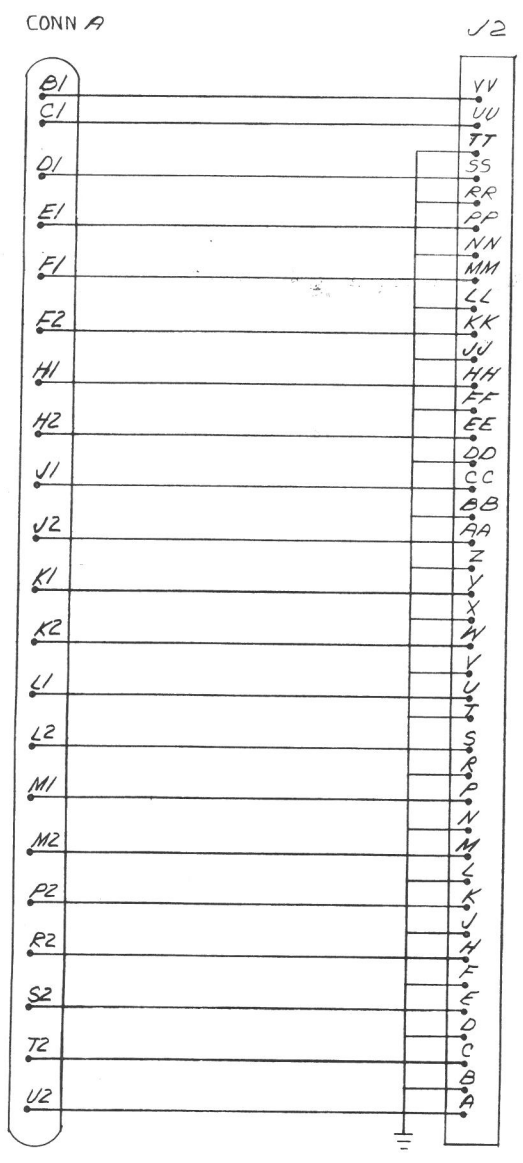
RK8-E  
CONTROL CABLE  
MODULE

SIZE CODE: D CS M993-0-1  
NUMBER: A

REV A  
NUMBER 0-1  
SIZE CODE D CS M993-0-1

This drawing was prepared using the most current information available. It is the user's responsibility to verify the information on this drawing against the actual equipment and to report any discrepancies to the manufacturer.

CSM993-0-1  
 3000 3215 2



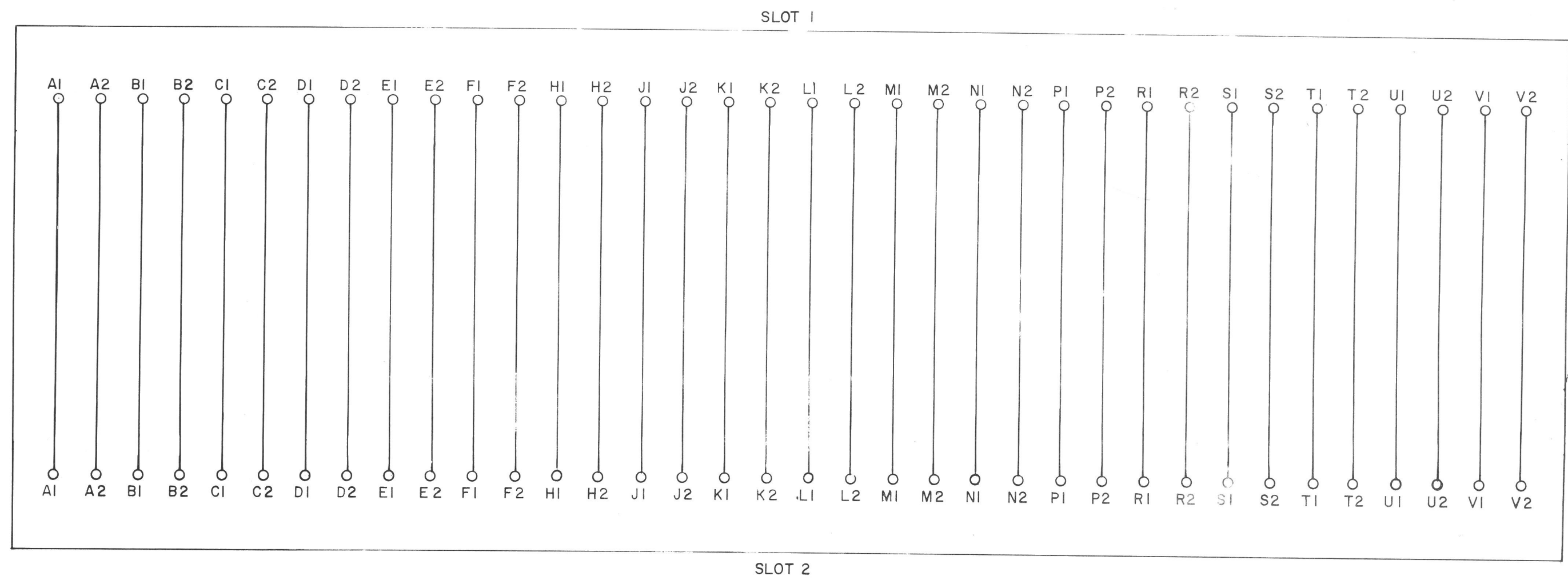
ALL UNUSED PINS ARE GROUNDED EXCEPT FOR PINS AA2, AB2, AV1 AND BB2. BA2 IS +5V.

BRUNING 40-522 15840  
 DEC FORM NO  
 DRD 102-B

REV	CHANGE NO

FIRST USED ON OPTION/MODEL	QTY.	DESCRIPTION	PART NO.	ITEM NO.
RK8-E				
PARTS LIST				
UNLESS OTHERWISE SPECIFIED DIMENSION IN INCHES. TOLERANCES	DRN. <i>M. Green</i>	DATE <i>5/1/72</i>	<b>digital</b> EQUIPMENT CORPORATION MAYNARD MASSACHUSETTS	
DECIMALS .XXX = .005 .XX = .02 .X = .1	CHK'D. <i>[Signature]</i>	DATE <i>5/1/72</i>		
ANGLES ±0° 30'	ENG. <i>[Signature]</i>	DATE <i>5/1/72</i>	TITLE RK8-E CONTROL CABLE MODULE	
REMOVE BURRS AND BREAK SHARP CORNERS SURFACE QUALITY ✓	PROJ. ENG. <i>[Signature]</i>	DATE <i>5/1/72</i>		
MATERIAL	PROD. <i>[Signature]</i>	DATE <i>12-1-72</i>	NUMBER D CSM993-0-1	
FINISH	NEXT HIGHER ASSY			
	DATE <i>12-1-72</i>	TIME <i>2:30</i>	REV B	

THIS SCHEMATIC IS FURNISHED ONLY FOR TEST AND MAINTENANCE PURPOSES. THE CIRCUITS ARE PROPRIETARY IN NATURE AND SHOULD BE TREATED ACCORDINGLY. COPYRIGHT 1970 BY DIGITAL EQUIPMENT CORPORATION



UNLESS OTHERWISE INDICATED:  
CONNECTOR IS A 1210152

<table border="1" style="width: 100%; border-collapse: collapse;"> <tr><th>REV. NO.</th><th>CHK NO.</th><th>REV.</th></tr> <tr><td>1</td><td>00002</td><td>B</td></tr> <tr><td>2</td><td></td><td></td></tr> <tr><td>3</td><td></td><td></td></tr> </table>	REV. NO.	CHK NO.	REV.	1	00002	B	2			3			<table border="1" style="width: 100%; border-collapse: collapse;"> <tr><td colspan="2">P. GARDNER</td></tr> <tr><td colspan="2">J. GARDNER</td></tr> <tr><td colspan="2">R. D. HALE</td></tr> <tr><td colspan="2">P. GARDNER</td></tr> </table>	P. GARDNER		J. GARDNER		R. D. HALE		P. GARDNER		<table border="1" style="width: 100%; border-collapse: collapse;"> <tr><td>DRN. Jeanne french</td><td>DATE 7/29/70</td></tr> <tr><td>CHK'D:</td><td>DATE 1-29-71</td></tr> <tr><td>ENG:</td><td>DATE 1-29-71</td></tr> <tr><td>PROD.</td><td>DATE</td></tr> </table>	DRN. Jeanne french	DATE 7/29/70	CHK'D:	DATE 1-29-71	ENG:	DATE 1-29-71	PROD.	DATE	<table border="1" style="width: 100%; border-collapse: collapse;"> <tr><th colspan="4">TRANSISTOR &amp; DIODE CONVERSION CHART</th></tr> <tr><th>DEC</th><th>EIA</th><th>DEC</th><th>EIA</th></tr> <tr><td> </td><td> </td><td> </td><td> </td></tr> <tr><td> </td><td> </td><td> </td><td> </td></tr> <tr><td> </td><td> </td><td> </td><td> </td></tr> <tr><td> </td><td> </td><td> </td><td> </td></tr> </table>	TRANSISTOR & DIODE CONVERSION CHART				DEC	EIA	DEC	EIA																	<p><b>digital</b> EQUIPMENT CORPORATION MAYNARD, MASSACHUSETTS</p>	<table border="1" style="width: 100%; border-collapse: collapse;"> <tr><td colspan="4">TITLE EDGE CONNECTOR H851</td></tr> <tr><td>SIZE B</td><td>CODE CS</td><td>NUMBER H851-0-1</td><td>REV. C</td></tr> <tr><td colspan="3">PRINTED CIRCUIT REV. C</td><td> </td></tr> </table>	TITLE EDGE CONNECTOR H851				SIZE B	CODE CS	NUMBER H851-0-1	REV. C	PRINTED CIRCUIT REV. C			
REV. NO.	CHK NO.	REV.																																																																			
1	00002	B																																																																			
2																																																																					
3																																																																					
P. GARDNER																																																																					
J. GARDNER																																																																					
R. D. HALE																																																																					
P. GARDNER																																																																					
DRN. Jeanne french	DATE 7/29/70																																																																				
CHK'D:	DATE 1-29-71																																																																				
ENG:	DATE 1-29-71																																																																				
PROD.	DATE																																																																				
TRANSISTOR & DIODE CONVERSION CHART																																																																					
DEC	EIA	DEC	EIA																																																																		
TITLE EDGE CONNECTOR H851																																																																					
SIZE B	CODE CS	NUMBER H851-0-1	REV. C																																																																		
PRINTED CIRCUIT REV. C																																																																					







