

PDP-15 Systems

RP15 Disk Pack Control Engineering Drawings

Volume 2

PDP-15 SYSTEMS
RP15 DISK PACK CONTROL
MAINTENANCE MANUAL
VOLUME 2

1st Printing December 1970

Copyright © 1970 by Digital Equipment Corporation

The material in this manual is for information purposes and is subject to change without notice.

The following are trademarks of Digital Equipment Corporation, Maynard, Massachusetts:

DEC	PDP
FLIP CHIP	FOCAL
DIGITAL	COMPUTER LAB

RP15 Disk Pack Control Maintenance Manual

INTRODUCTION

Volume 2 of the maintenance manual includes a complete set of engineering drawings for the RP15 Disk Pack Control. The drawings supplied with each RP15 will include the latest engineering change orders (ECOs) applicable to that system. The drawing number index, Table 1-1, lists the complete set of drawings and the order in which they are provided.

ENGINEERING DRAWING ORGANIZATION

Each engineering drawing is assigned a coded drawing identification number that indicates the size, the drawing type, a system identification, the manufacturing variation, and the drawing number in the series.

For example, the drawing identification number D-BS-RP15-0-03 provides the following information:

D	D-size (22 x 34 inches) drawing
BS	Block Schematic (drawing type)
RP15	Pertains to overall RP15 System
0	Manufacturing variation
03	The third in the series of RP15 Block Schematics

Drawing Codes

The codes assigned to each type of engineering drawing are listed in the following chart:

Type Code	Definition	Type Code	Definition
AD	Assembly Drawing	MU	Module utilization drawing
BS	Block Schematic	PL	Parts List
DI	Drawing Index	UA	Unit assembly
ML	Master Drawing List		

Drawing Number Index

Table 1-1 is an index to the engineering drawings.

Table 1-1
Drawing Number Index

Size (Original)	Type	Number	Title
D	AD	7006820-0-0	Max Configuration H963-C
A	PL	7006820-0-0	Max Configuration H963-C (PL)
D	UA	RP15-0-0	RP15 Unit Assembly
A	PL	RP15-0-0	RP15 Unit Assembly (PL)
D	DI	RP15-0-1	Drawing Index RP15
D	AD	7006259-0-0	Switch Plate Assembly
A	PL	7006259-0-0	Switch Plate Assembly (PL)
C	CS	716-0-1	Ind. Power Supply 716
A	PL	716-0-0	Ind. Power Supply 716 (PL)
B	CS	841-B-1	841-B Power Control
A	PL	841-B-0	841-B Power Control (PL)
D	AD	7006821-0-0	RP15 Wired Assembly
A	PL	7006821-0-0	RP15 Wired Assembly (PL)
A	ML	RP15-0	RP15
D	MU	RP15-0-02	Module Utilization
A	PL	RP15-0-02	Module Utilization (PL)
D	BS	RP15-0-03	Maintenance Control
D	BS	RP15-0-04	Maintenance Control Buffer
D	BS	RP15-0-05	Read/Write Control No. 1
D	BS	RP15-0-06	Read/Write Control No. 2
D	BS	RP15-0-07	Read/Write Control No. 3
D	BS	RP15-0-08	Data Separator Control
D	BS	RP15-0-09	Status Control No. 1
D	BS	RP15-0-10	Status Control No. 2
D	BS	RP15-0-11	Status Control No. 3
D	BS	RP15-0-12	API Control
D	BS	RP15-0-13	Buffer Register Control
D	BS	RP15-0-14	DCH Control
D	BS	RP15-0-15	Shift & Long. Register Control

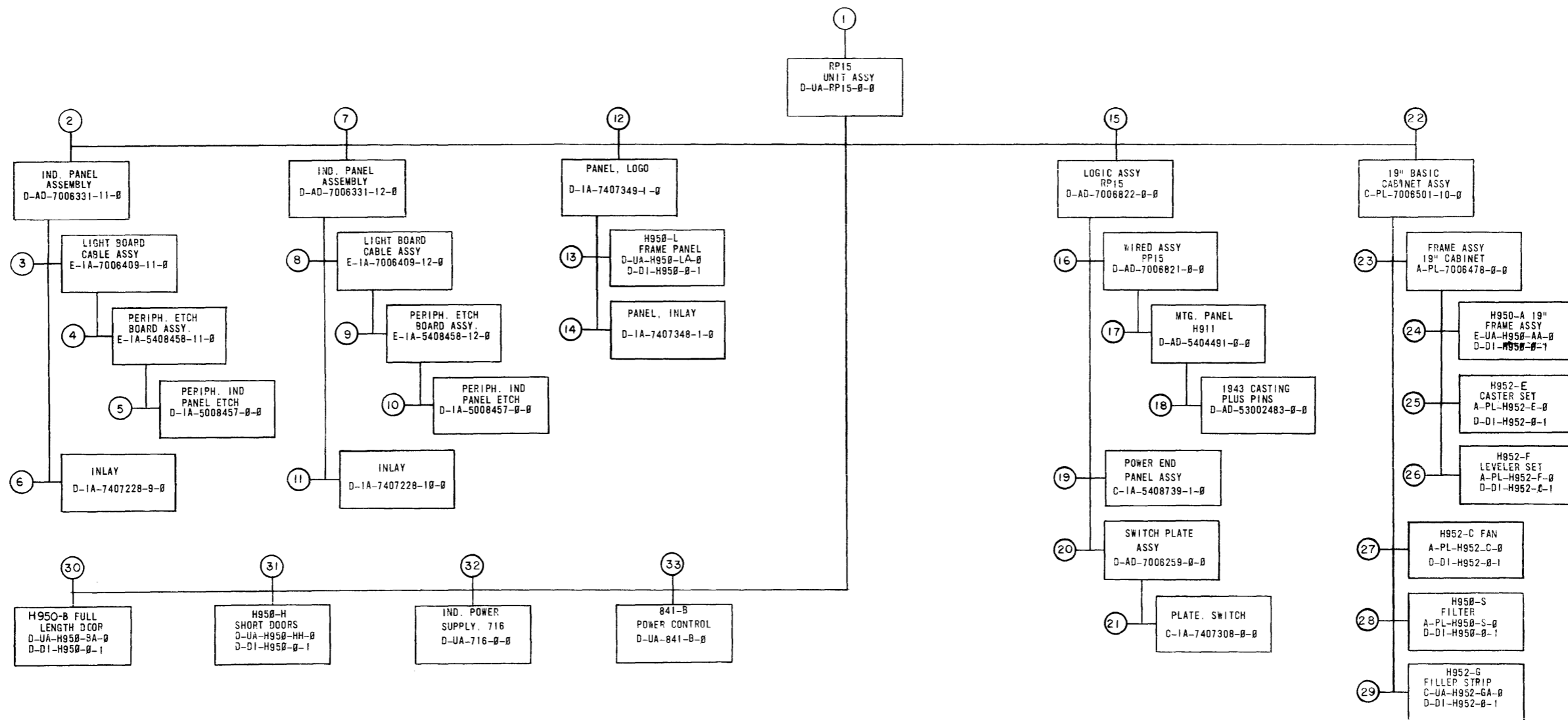
Table 1-1 (Cont)
Drawing Number Index

Size (Original)	Type	Number	Title
D	BS	RP15-0-16	Tag & Bus Line Control
D	BS	RP15-0-17	WC & CA Control
D	BS	RP15-0-18	Major State Control
D	BS	RP15-0-19	Major State
D	BS	RP15-0-20	IOT Selection
D	BS	RP15-0-21	Function Register
D	BS	RP15-0-22	Write Format Generator
D	BS	RP15-0-23	Sector Word Count
D	BS	RP15-0-24	Write Check Comparator 00-15
D	BS	RP15-0-25	Write Check Comparator 16-31
D	BS	RP15-0-26	Write Check Comparator 32-35
D	BS	RP15-0-27	Cylinder Comparator
D	BS	RP15-0-28	Cylinder Address Register
D	BS	RP15-0-29	Head Address Register
D	BS	RP15-0-30	Sector Address Register
D	BS	RP15-0-31	Word Count Register
D	BS	RP15-0-32	Current Address Register
D	BS	RP15-0-33	Buffer Register 00-05, 18-23
D	BS	RP15-0-34	Buffer Register 06-11, 24-29
D	BS	RP15-0-35	Buffer Register 12-17, 30-35
D	BS	RP15-0-36	Shift Register 00-11
D	BS	RP15-0-37	Shift Register 12-23
D	BS	RP15-0-38	Shift Register 24-35
D	BS	RP15-0-39	Long. Parity Register 00-17
D	BS	RP15-0-40	Long. Parity Register 18-26
D	BS	RP15-0-41	Long. Parity Register 27-35
D	BS	RP15-0-42	Bus Multiplexer 00-05
D	BS	RP15-0-43	Bus Multiplexer 06-11
D	BS	RP15-0-44	Bus Multiplexer 12-17
D	BS	RP15-0-45	Multiplexer Terminator 00-17
D	BS	RP15-0-46	Unit Disk Drivers
D	BS	RP15-0-47	Bus Disk Drivers

Table 1-1 (Cont)
Drawing Number Index

Size (Original)	Type	Number	<i>Delete</i> Title
D	BS	RP15-0-48	Unit Disk Drivers
D	BS	RP15-0-49	I/O Bus Drivers 00-17
D	BS	RP15-0-50	I/O Address Drivers
D	BS	RP15-0-51	I/O Bus Receivers
D	BS	RP15-0-52	I/O Bus Interface
D	BS	RP15-0-53	Drive-Control Cable Interface
D	BS	RP15-0-54	Indicator Interface
D	BS	RP15-0-55	Lockout Interface
D	TD	RP15-0-56	Timing Diagrams
D	SP	RP15-0-57	Adjustment & Maintenance
D	CS	5408458-0-1	Peripheral Indicator Panel Circuit Schematic
A	PL	5408458-0-1	Peripheral Indicator Panel Parts List
D	CS	H721-0-1	H721 Power Supply Circuit Schematic with Parts List

This drawing and specifications herein are the property of Digital Equipment Corporation and shall not be reproduced or copied or used in whole or in part as the basis for the manufacture or sale of items without written permission.



REV	CHG	NO.	DATE	BY	APP
1	ADD	1	1/20/70	J. ZEH	
2	REV	1	1/20/70	J. ZEH	
3	REV	1	1/20/70	J. ZEH	

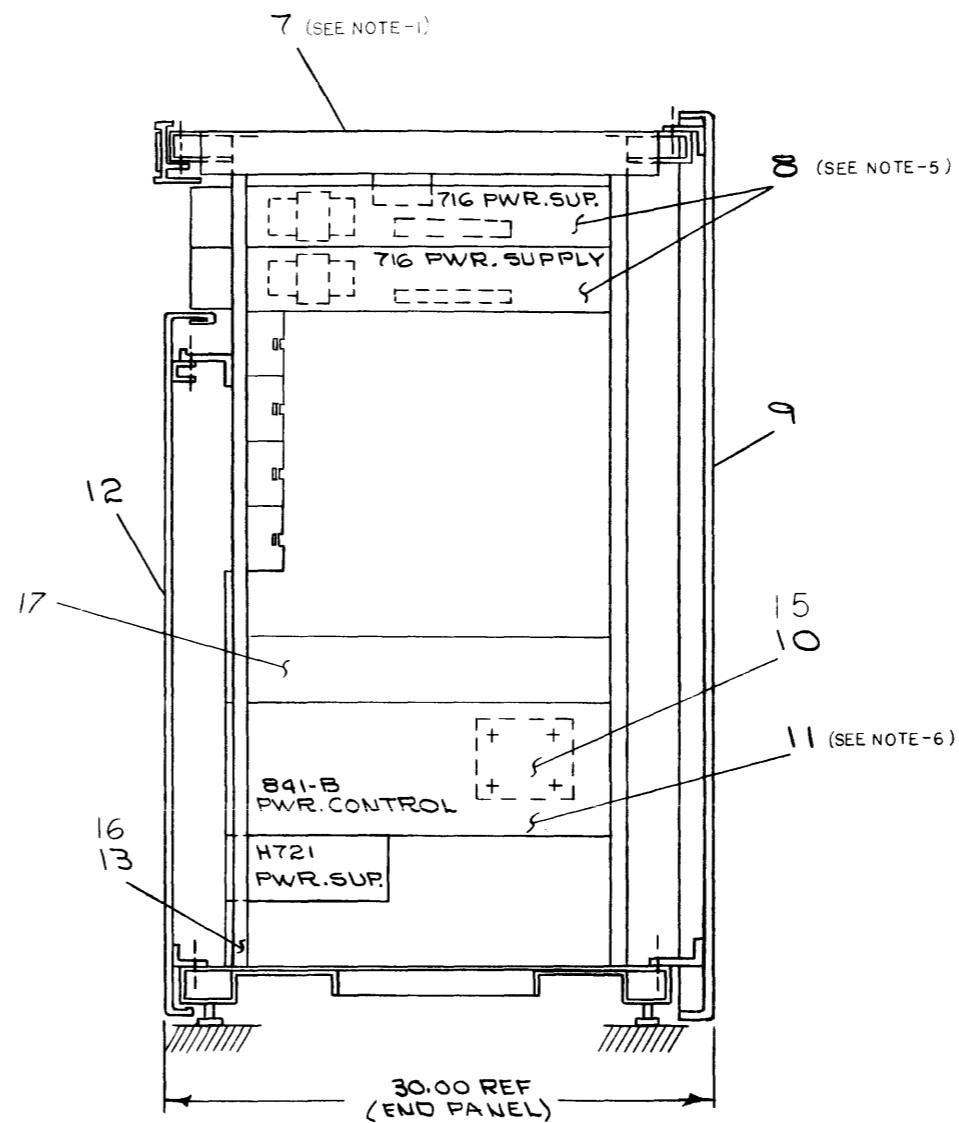
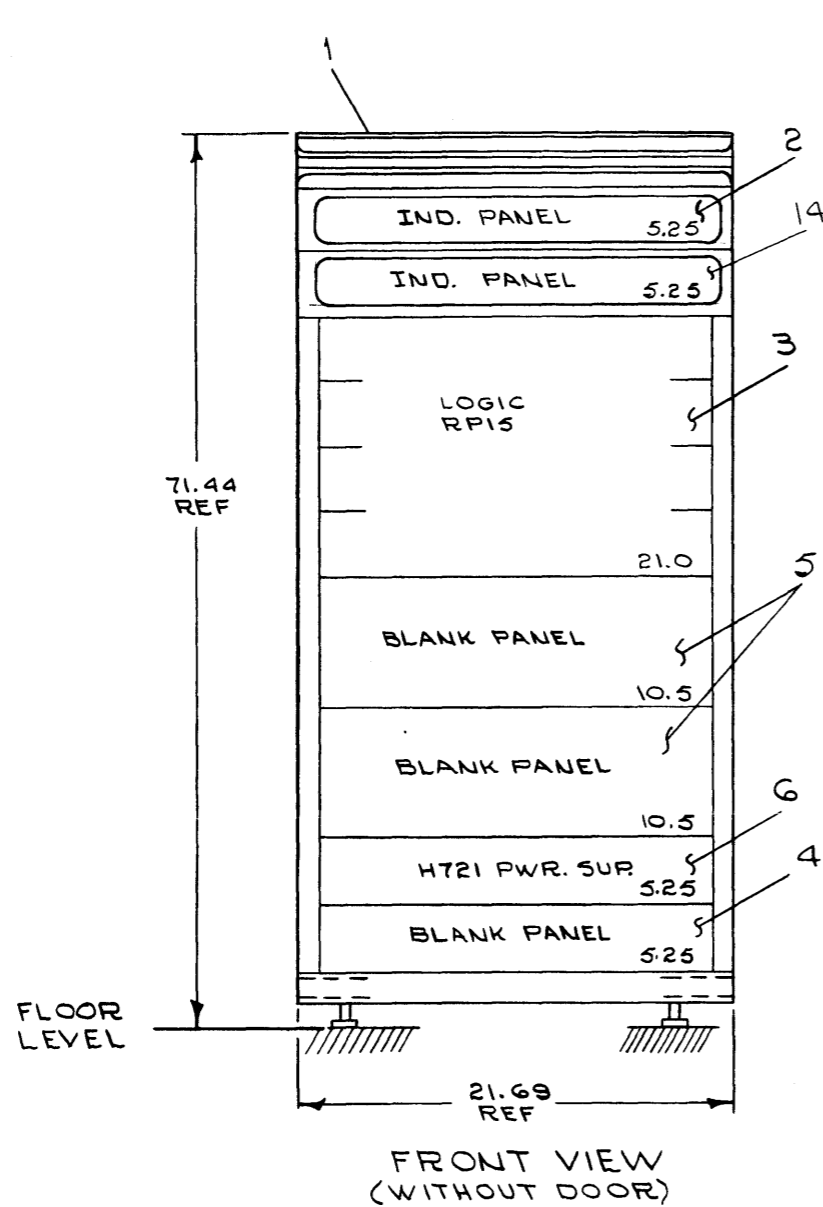
FIRST USED ON OPTION / MODEL RP15		DO NOT SCALE DRAWING UNLESS OTHERWISE SPECIFIED DIMENSION IN INCHES		DRN: <i>(Signature)</i> DATE: 3/22/70 CHKD: <i>(Signature)</i> DATE: 4/23/70 ENG: DATE: 1/20/70 PROJ. ENG. DATE: 1/20/70 PROD. DATE: 1/20/70	
TOLERANCES DECIMALS FRACTIONS ANGLES ± .005 ± 1/64 ± 0°30'		MATERIAL — / —		NEXT HIGHER ASSY D-UA-RP15-0-0	
FINISH — / —		SCALE — / —		SHEET OF	
PARTS LIST			QTY. DESCRIPTION PART NO. ITEM NO. digital EQUIPMENT CORPORATION MAYNARD, MASSACHUSETTS		
TITLE DWG INDEX RP15			SIZE CODE: DDI RP15 0-1 NUMBER: 1 REV: C		

REV. C
 NUMBER 1
 SIZE CODE DDI RP15-0-1

This drawing and specifications, herein, are the property of Digital Equipment Corporation and shall not be reproduced or copied or used in whole or in part as the basis for the manufacture or sale of items without written permission.

NOTES:

1. FOR DRAWING INDEX LIST, REFER TO: D-DI-RP15-0-1.
2. ~~GROUND STRAP NOT SHOWN - ITEM #13 TO BE LOCATED AS CLOSE TO BOTTOM OF CABINET AS POSSIBLE BEFORE INSTALLATION OF STRAP. REMOVE PAINT AND CLEAN AREA TO INSURE GOOD GROUND.~~
3. FOR INSTALLATION OF GROUND STRAP, SEE DRAWING NUMBER D-OC-H950-0-0 (SHEET 4 OF 5).
4. FAN MOUNTING IN FRONT OF CABINET.
5. 716 PS. MOUNTED ON THE LEFT SIDE OF THE CABINET LOOKING FROM THE FRONT.
6. 841-B PC MOUNTED ON THE RIGHT SIDE OF THE CABINET LOOKING FROM THE FRONT.



REV.	CHG. NO.	DATE	BY	APP.
A	15-00002	7-1-70	JZEH	
B	15-00003	7-1-70	JZEH	
C	15-00004	7-1-70	JZEH	
D	15-00005	7-1-70	JZEH	

FIRST USED ON OPTION/MODEL
PDP 15

DO NOT SCALE DRAWING		
UNLESS OTHERWISE SPECIFIED DIMENSION IN INCHES	DRN P. (Blank)	DATE 5-27-70
TOLERANCES	CHK'D M. (Blank)	DATE 6-27-70
DECIMALS FRACTIONS ANGLES	ENG. M. (Blank)	DATE 7-2-70
± .005 ± .1/64 ± 0°30'	PROJ. ENG. J. (Blank)	DATE 7-24-70
FINAL SURFACE QUALITY	PROD. M. (Blank)	DATE
REMOVE BURRS AND BREAK SHARP CORNERS	NEXT HIGHER ASSY	
MATERIAL	D-AD-7006820-0-0	
FINISH	SCALE	

QTY.	DESCRIPTION	PART NO.	ITEM NO.
PARTS LIST			
digital EQUIPMENT CORPORATION MAYNARD, MASSACHUSETTS			
TITLE RP15 UNIT ASSEMBLY			
SIZE CODE		NUMBER	REV.
DUA		RP15-0-0	
SHEET 1	OF 2	DIST.	

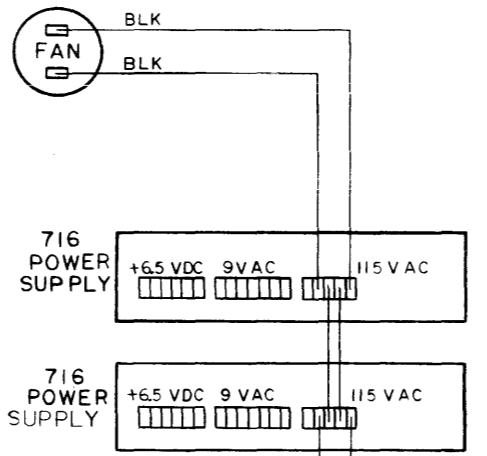
This drawing and specifications, herein, are the property of Digital Equipment Corporation and shall not be reproduced or copied or used in whole or in part as the basis for the manufacture or sale of items without written permission.

AC/DC
 POWER WIRING

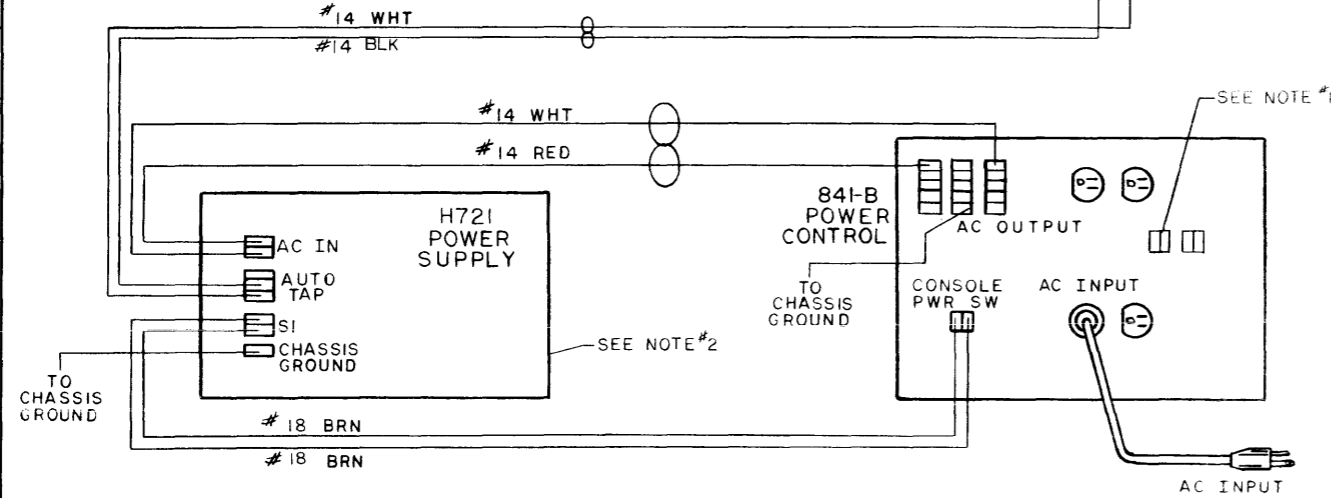
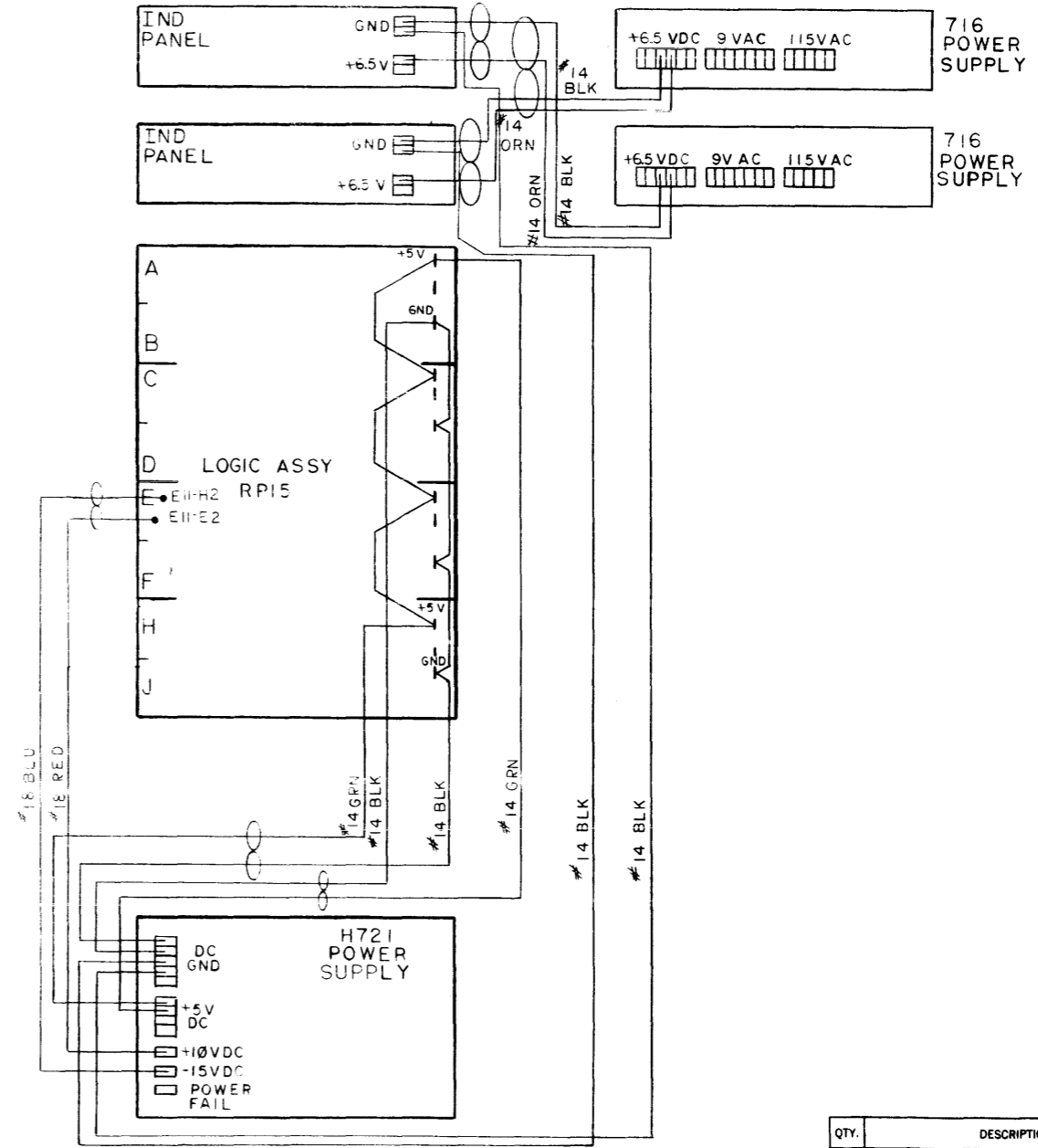
NOTES:

1. REMOVE THE TWO ORANGE JUMPERS LOCATED ON THE FACE OF THE 841B POWER CONTROL TO CONVERT TO 230 VAC. THESE JUMPERS ARE CLEARLY MARKED "JUMPER 115 VAC".
2. REMOVE THE PERFORATED TOP ON THE LOGIC POWER SUPPLY (H721). TO CONVERT TO 230 VAC, REMOVE JUMPERS BETWEEN POINTS 1 & 3, 3 & 5 AND 2 & 4 ON TERMINAL BLOCK MARKED TBI. ADD A JUMPER BETWEEN POINTS 2 & 3, 4 & 5 OF TBI.

AC



DC



FIRST USED ON OPTION/MODEL
 PDP 15

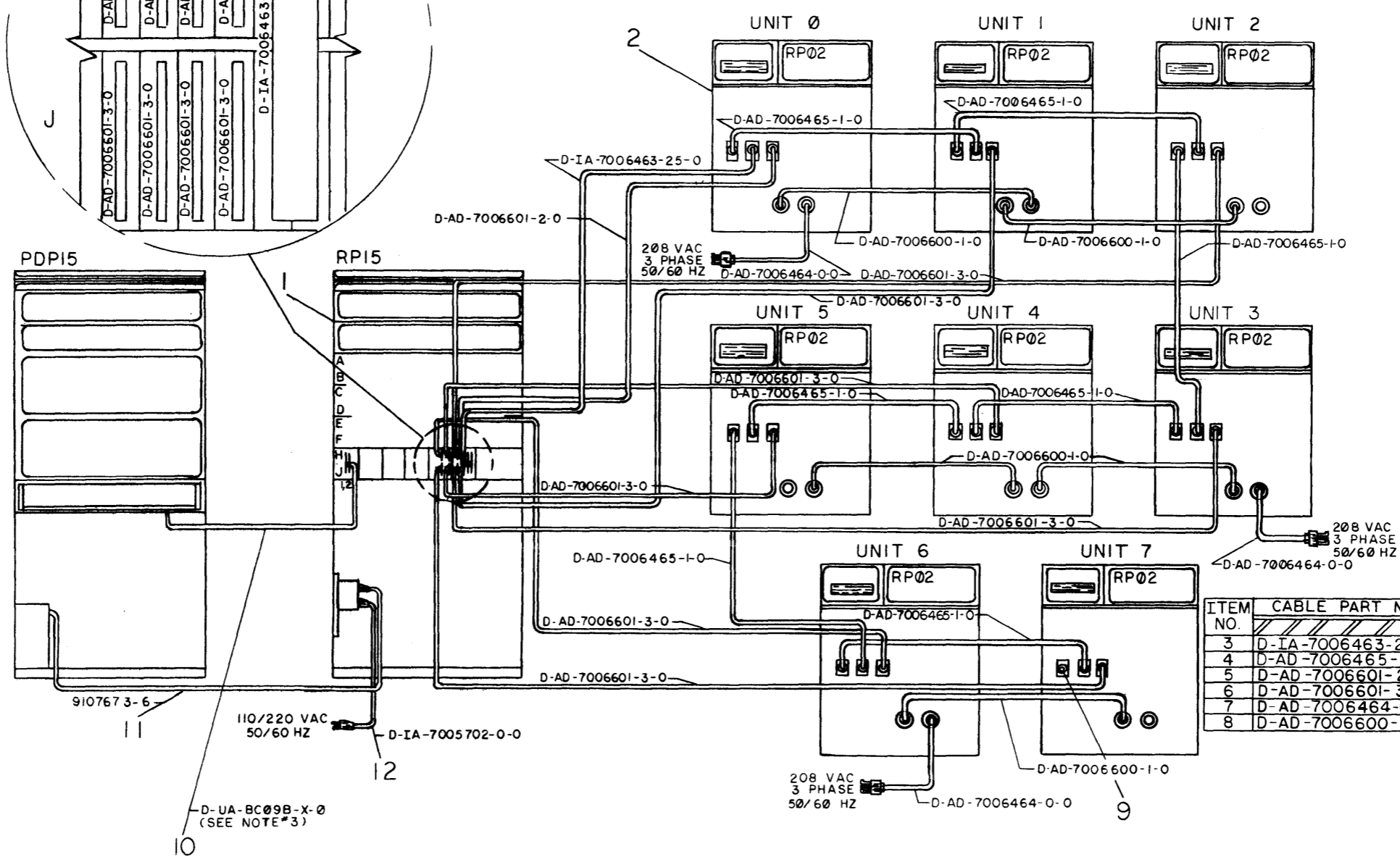
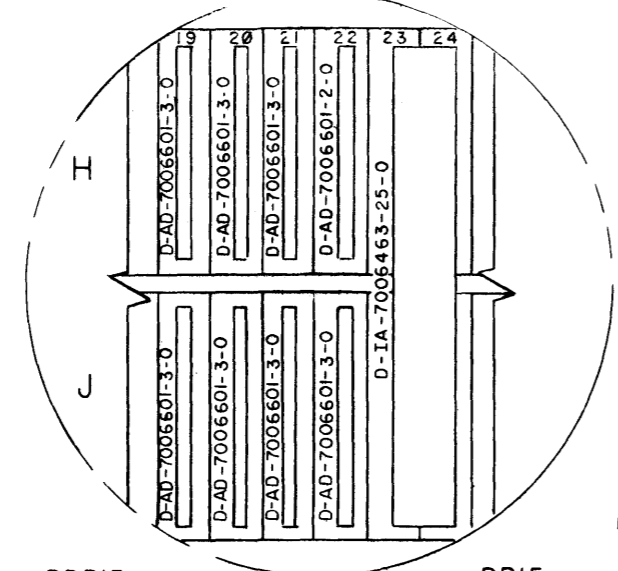
DO NOT SCALE DRAWING
 UNLESS OTHERWISE SPECIFIED
 DIMENSION IN INCHES
 TOLERANCES
 DECIMALS FRACTIONS ANGLES
 = .005 = 1/64 = 0°30'
 FINAL SURFACE QUALITY
 REMOVE BURRS AND BREAK SHARP CORNERS
 MATERIAL
 FINISH

QTY.	DESCRIPTION	PART NO.	ITEM NO.
PARTS LIST			
digital EQUIPMENT CORPORATION MAYNARD, MASSACHUSETTS			
TITLE RP15 UNIT ASSEMBLY			
NEXT HIGHER ASSY D-AD-7006920 0-0		SIZE/CODE DUA	NUMBER RP15-0-0
SCALE		REV. L	
SHEET 2 OF 2		DIST.	

REV	CHANGE NO.

This drawing and specifications, herein, are the property of Digital Equipment Corporation and shall not be reproduced or copied or used in whole or in part as the basis for the manufacture or sale of items without written permission.

- NOTES:
- FOR DRAWING INDEX LIST, REFER TO: C-DI-7006820-0-1.
 - FOR AC/DC POWER WIRING OF RPI5, REFER TO: D-UA-RPI5-0-0 (SHEET 2).
 - FOR LOCATION FROM THE PDI5 AND LENGTH OF BC09B CABLE, REFER TO: D-AR-PDI5-0-2 (SHEET 3 & 4).



ITEM NO.	CABLE PART NO	UNIT NUMBER							
		0	1	2	3	4	5	6	7
3	D-IA-7006463-25-0								
4	D-AD-7006465-1-0								
5	D-AD-7006601-2-0								
6	D-AD-7006601-3-0								
7	D-AD-7006464-0-0								
8	D-AD-7006600-1-0								

REV.	CHANGE NO.	REV.
A	RPO3-00011	
B		
C		
D		
E		
F		
G		
H		
I		
J		

FIRST USED ON OPTION/MODEL
RPI5

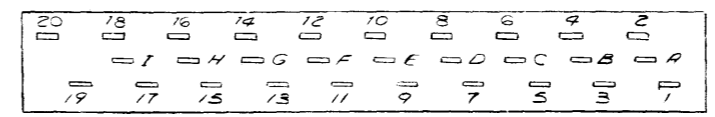
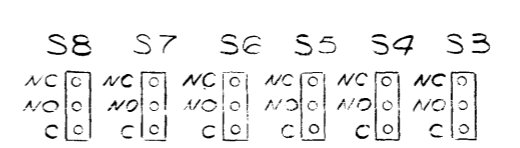
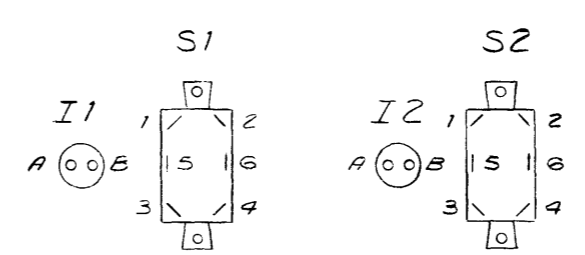
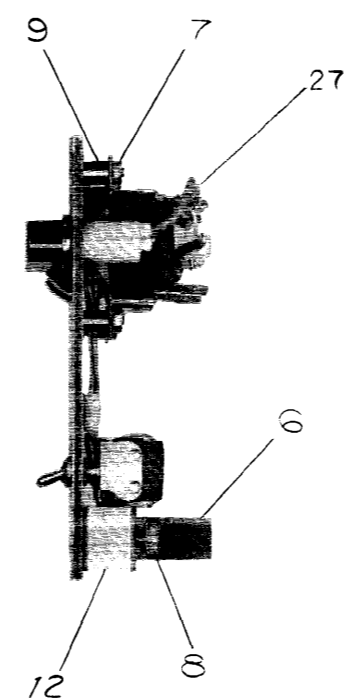
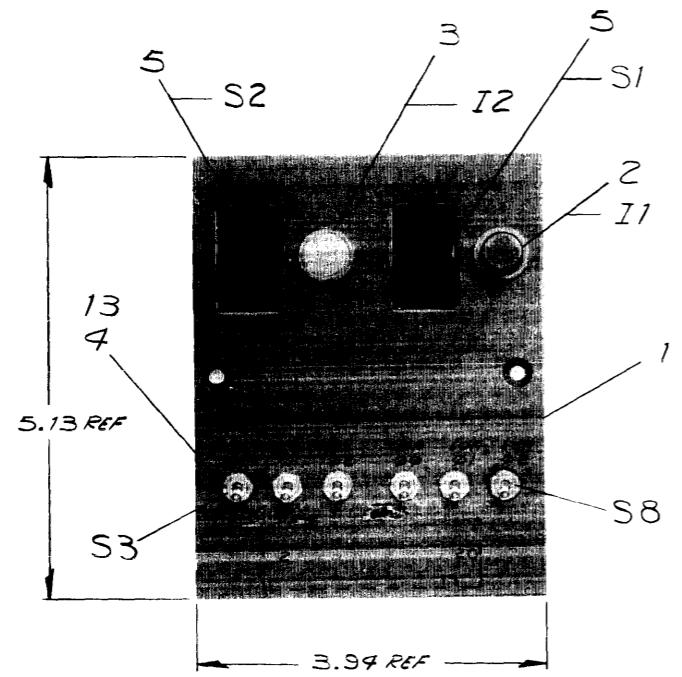
DO NOT SCALE DRAWING
 UNLESS OTHERWISE SPECIFIED
 DIMENSION IN INCHES
 TOLERANCES
 DECIMALS FRACTIONS ANGLES
 ±.005 ± 1/64 ± 0°30'
 FINAL SURFACE QUALITY
 REMOVE BURRS AND BREAK SHARP CORNERS

QTY.	DESCRIPTION	PART NO.	ITEM NO.
	PARTS LIST		
DRN	DATE	digital EQUIPMENT CORPORATION MAYNARD, MASSACHUSETTS	
CHKD	DATE	TITLE	
ENG	DATE	MAX. CONFIG. H963-C	
PROJ. ENG.	DATE	NEXT HIGHER ASSY	
PROB	DATE	D-AR-PDI5-0-2	
SCALE		SIZE/CODE	NUMBER
SHEET 1 OF 1		DAD7006820-0-0	REV. A

DIGITAL EQUIPMENT CORPORATION MAYNARD, MASSACHUSETTS PARTS LIST				QUANTITY/VARIATION																	
MADE BY P. LEBLANC		CHECKED V. DAMBRAUSKAS		SECTION																	
DATE 3-30-70		DATE 4-21-70		1																	
ENG <i>W. Pino</i>		PROD <i>J. Bandy</i>		ISSUED SECT.																	
DATE 4-24-70		DATE 4-27-70		1																	
ITEM NO.	DWG NO. / PART NO.	DESCRIPTION																			
1	D-UA-RP15-0-0	RP15 UNIT ASSEMBLY				1															
2	D-UA-RP02-0-0	*RP02 ASSEMBLY				8															
3	D-IA-7006463-25-0	I/O CABLE (RP10)				1															
4	D-AD-7006465-1-0	DISK SIGNAL CABLE				7															
5	D-AD-7006601-2-0	(RP01/RP02) UNIT CABLE				1															
6	D-AD-7006601-3-0	(RP01/RP02) UNIT CABLE				7															
7	D-AD-7006464-0-0	POWER CABLE				3															
8	D-AD-7006600-1-0	POWER JUMPER (RP01)				5															
9	D-AD-7006932-0-0	TERMINATOR CARD ASSY				1															
10	D-UA-BC09B-0-0	BC09B CABLE ASSY				1															
11	9107673-6	CORD, 14/3 WIRE				1															
12	D-IA-7005702-0-0	CABLE POWER				1															

This drawing and specifications, herein, are the property of Digital Equipment Corporation and shall not be reproduced or copied or used in whole or in part as the basis for the manufacture or sale of items without written permission.

WIRE TABLE							WIRE TABLE						
ITEM NO	AWG	COLOR	CONNECTIONS FROM	CONNECTIONS TO	EQUIP FROM WITH ITEMS	EQUIP TO WITH ITEMS	ITEM NO	AWG	COLOR	CONNECTIONS FROM	CONNECTIONS TO	EQUIP FROM WITH ITEMS	EQUIP TO WITH ITEMS
11	*22	YEL	S1-2	S1-1	27	27	24	*22	W/O	S6 NC	PC 8	SOLDER	SOLDER
14		WH/BLK	S1-2	PC 17		SOLDER	25		GRY	S7 NO	PC 9		
20		WH/RED	S1-4	PC 16			17		WH/ORG	S7 NC	PC 10		
15		WH/BRN	S2-1	PC 14			16		WH/RED	S8 NO	PC 11		
11		YEL	S2-2	S6-C			19		WH/GRN	S8 NC	PC 12		
22		WH/GRN	S2-3	PC 15		SOLDER	11		YEL	S3-C	S4-C		
11		YEL	S2-5	S2-2	27	27	11		YEL	S5-C	S6-C		
19		WH/GRN	S3 NO	PC 13	SOLDER	SOLDER	11		YEL	S6-C	S7-C		
17		WH/ORG	S3 NC	PC 2			11		YEL	S7-C	S8-C		
16		WH/RED	S4 NC	PC 18			11	*22	YEL	S8-C	S8-PC 3	SOLDER	SOLDER
21		WH/W/O	S4 NC	PC 4			2		BLK	I1-A	S1-5		
23		BRN	S4-10	PC 7			2		RED	I1-A	S1-1		
26		WHT	S5 NC	PC 7			3		BLK	I2-B	S2-2		
12	*22	WH/RED	S6 NO	PC 7	SOLDER	SOLDER	3		RED	I2-A	S2-6		



WIRING DIAGRAM

REV.	CHANGE NO.	DATE	BY	CHK
A	00002	2-6-70	J. ZEH	J. ZEH
B	00004	3-17-70	J. ZEH	J. ZEH
C	00007	5-6-70	J. ZEH	J. ZEH
D	00010	5-7-70	J. ZEH	J. ZEH

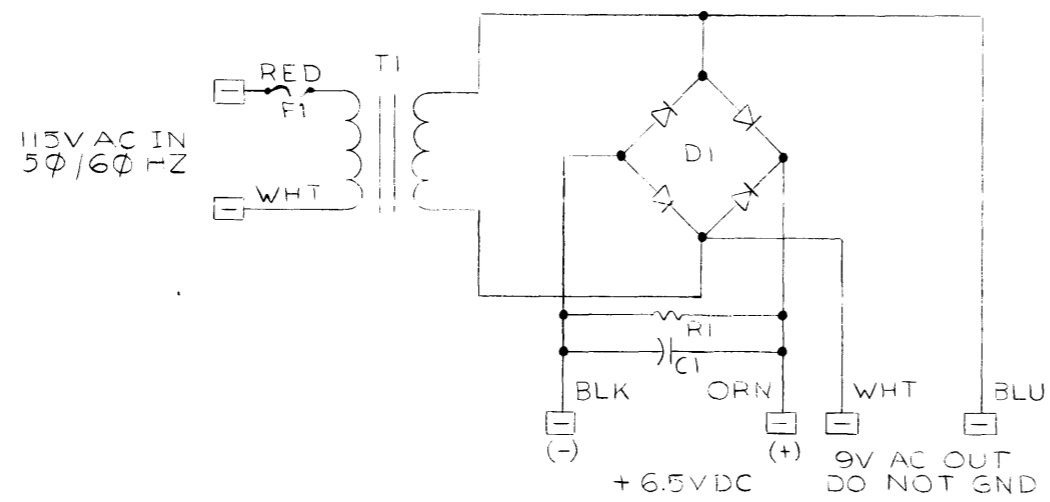
TOLERANCES DECIMALS
 .XXX = ± .005
 .XX = ± .02
 .X = ± .1

FIRST USED ON OPTION/MODEL RP09-A	QTY.	DESCRIPTION	PART NO.	ITEM NO.
UNLESS OTHERWISE SPECIFIED	DRN	DATE	PARTS LIST	
UNLESS OTHERWISE SPECIFIED	CHKD	DATE	digital EQUIPMENT CORPORATION MAYNARD, MASSACHUSETTS	
UNLESS OTHERWISE SPECIFIED	ENG	DATE	TITLE	
UNLESS OTHERWISE SPECIFIED	PROJ ENG	DATE	SWITCH PLATE ASSY	
MATERIAL	PROJ	DATE	NEXT HIGHER ASSY	
FINISH	D-AD-7006749-0-0		SIZE CODE	NUMBER
SCALE NONE		D AD 7006259-0-0		REV.
SHEET 1 OF 1		DIST		

DIGITAL EQUIPMENT CORPORATION MAYNARD, MASSACHUSETTS PARTS LIST					QUANTITY / VARIATION																
MADE BY R. ROBICHAUD		CHECKED D. HEALY		SECTION		7006259-0															
DATE 9/10/69		DATE 9/12/69		1																	
ENG <i>S. Zel</i>		PROD <i>S. Zel</i>		ISSUED SECT.																	
DATE <i>1-5-70</i>		DATE <i>1-5-70</i>		1																	
ITEM NO.	DWG NO. / PART NO.	DESCRIPTION																			
1	C-IA-7407308-0-0	PLATE, SWITCH				1															
2	1205299	LAMP#1090C24 IND DEV INC				1															
3	1202749	LAMP, #1090B44 IND DEV INC				1															
4	1201168	SWITCH #6AT1-T2 MICROSWITCH				6															
5	1204908	SWITCH, ROCKER #8132-K2 DPDT C.H.				2															
6	B-MD-5503954-0-0	16 PIN RECEPTOR Rework				1															
7	9006560	NUT KEP #6-32				4															
8	9006563	NUT KEP #8-32				2															
9	9006799	SPACER 1/4A.F. X #6 HOLE X 5/16 LG				4															
10	9107560-01	BUS WIRE #22 AWG				A/R															
11	9107350-44	WIRE #22 AWG TEF INS STRD YEL				A/R															
12	C-MD-7407595-0-0	BRKT, SWITCH PLATE				1															
13	9006712	WASH, NYLON 3/8 O.D. X 1/4 I.D. X 1/32 THK				6															
14	9107400-9 0	WIRE #22 AWG TEF INS STRD WHT / BLK				A/R															
15	9107400-9 1	WIRE #22 AWG TEF INS STRD WHT/BRN				A/R															
16	9107400-9 2	WIRE #22 AWG TEF INS STRD WHT/RED				A/R															
17	9107400-9 3	WIRE #22 AWG TEF INS STRD WHT/ORG				A/R															
18	9107400-9 4	WIRE #22 AWG TEF INS STRD WHT/YEL				A/R															
19	9107400-9 5	WIRE #22 AWG TEF INS STRD WHT/GRN				A/R															
20	9107400-9 6	WIRE #22 AWG TEF INS STRD WHT/BLU				A/R															
21	9107400-9 7	WIRE #22 AWG TEF INS STRD WHT/VIO				A/R															
22	9107400-9 8	WIRE #22 AWG TEF INS STRD WHT/GRY				A/R															
TITLE		ASSY NO.		SIZE	CODE	NUMBER		REV.	ECO NO.												
SWITCH PLATE ASSY		D-AD-7006259-0-0		A	PL	7006259-0-0		D	RP09-00010												
		SHEET 1 OF 2		DIST.																	

DEC FORM NO.
DRA 110

THIS SCHEMATIC IS FURNISHED ONLY FOR TEST AND MAINTENANCE PURPOSES. THE CIRCUITS ARE PROPRIETARY IN NATURE AND SHOULD BE TREATED ACCORDING TO COPYRIGHT BY DIGITAL EQUIPMENT CORPORATION



F1	1/2 AMP S.B. FUSE	9007209
R1	5ohm 25W RES	1300165
C1	18000MFD 10V DC CAP	1009437
	PARTS LIST	D-UA-716-0-0
T1	XMFR*F64-U TRIAD	1609588
D1	DIODE PACK DM-2	1105397
REF DESIGNATION	DESCRIPTION	PART NO

PARTS LIST

REV	ENG NO	REV
716-00001	A	
716-00001	B	
716-00001	C	

DRN	DATE
RAIMONDI	7-25-69
CHK'D	DATE
HEALY	7-25-69
ENG	DATE
VONADA	7-21-69
PROD	DATE
ANTONUCCIO	7-25-69

TRANSISTOR & DIODE CONVERSION CHART			
DEC	EIA	DEC	EIA

digital
EQUIPMENT CORPORATION
MAYNARD, MASSACHUSETTS

TITLE			
CIRCUIT SCHEMATIC			
716			
SIZE	CODE	NUMBER	REV
C	CS	716-0-1	C
PRINTED CIRCUIT REV			

pink

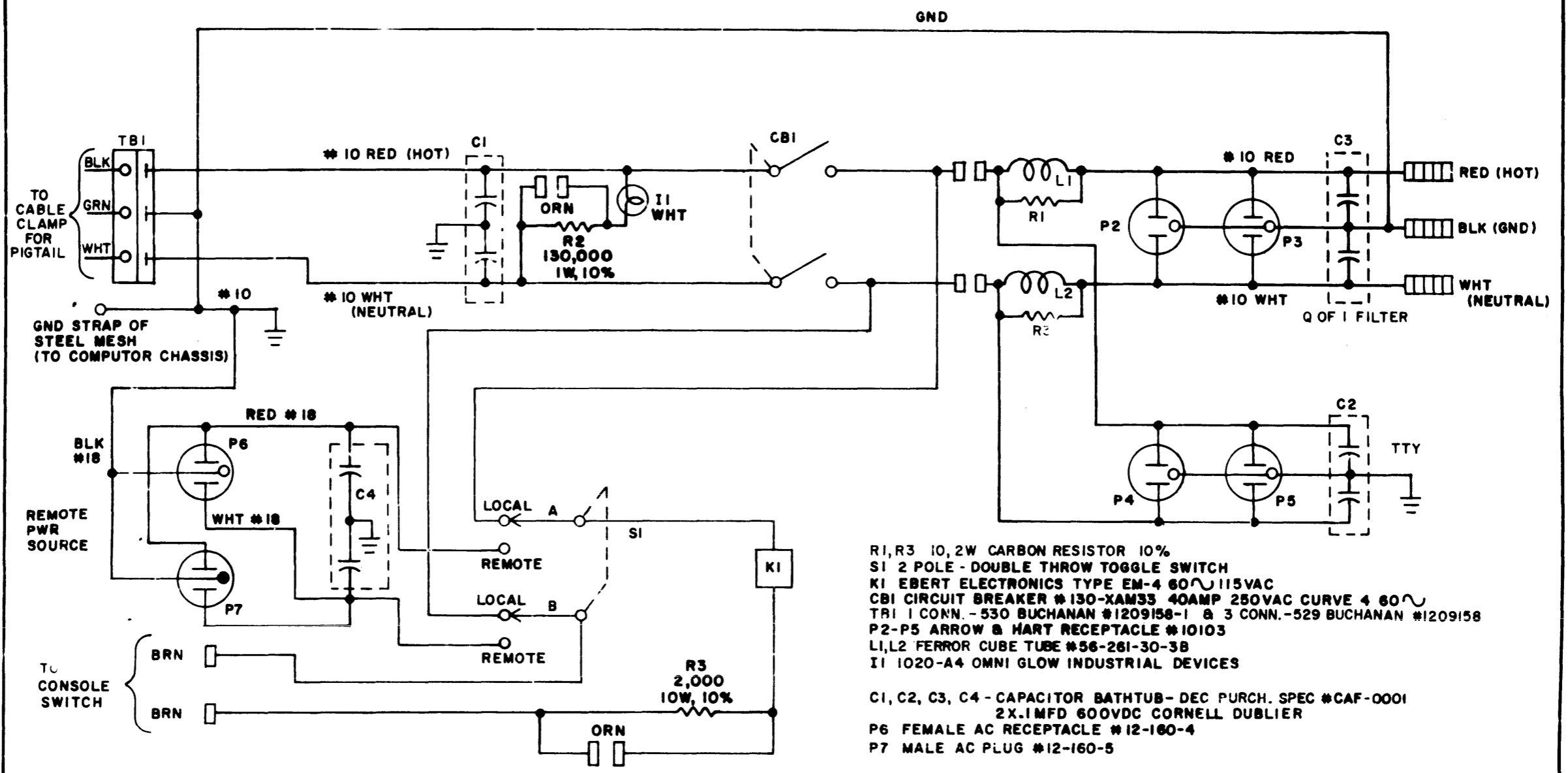
DIGITAL EQUIPMENT CORPORATION MAYNARD, MASSACHUSETTS					QUANTITY/VARIATION															
PARTS LIST																				
MADE BY ROBICHIARD		CHECKED D. HEALY		SECTION																
DATE 6/5/69		DATE 6/6/69		1																
ENG <i>Stamper</i>		PROD <i>Stamper</i>		ISSUED SECT.																
DATE 6/6/69		DATE 6/12/69		1																
ITEM NO.	DWG NO. / PART NO.	DESCRIPTION			716-0															
1	D-MD-5308466-0-0	PANEL, MTG 716 P.S.			1															
2	B-MD-5308465-0-0	BRACKET MTG. TERMINAL			1															
3	1105397	DIODE PACK DM-2			1															
4	1609588	TRANSFORMER #F64-U TRIAD			1															
5	9007919	CONN SOLDERLESS #50906 ARKLESS			20															
6	9007234	BUSHING JUNC TERM ORN, #DC-202-1 HEYMAN			3															
7	9007237	BUSHING JUNC TERM BLK, #DC-202-1 HEYMAN			3															
8	9007232	BUSHING JUNC TERM BLU, #DC-202-1 HEYMAN			4															
9	9007235	BUSHING JUNC TERM WHT, #DC-202-1 HEYMAN			7															
10	9007231	BUSHING JUNC TERM RED, #DC-202-1 HEYMAN			3															
11	9007238	TERM TAB T-202-S HEYMAN			20															
12	9006022-1	SCR PHL HD PAN #6-32 x 3/8 LG SST			5															
13	9007794-1	SCR PHL HD PAN #6-32 x 11/16 LG SST			2															
14	9006633	WASH INT TOOTH LOCK #6 SST			8															
15	9006071-1	SCR PHL HD PAN #10-32 x 3/8 LG SST			4															
16	9006635	WASH INT TOOTH LOCK #10 SST			4															
17	9007031	TIE WRAP SST-1B PANDUIT			4															
18	9107560-1	WIRE BUSSING #22 AWG			A/R															
19	9107305-02	TUBING, SHRINKABLE, RED 3/16 D x 9/16 LG			2															
20	9107370-99	WIRE, STRANDED #14 TEF INS WHT			A/R															
21	9107370-66	WIRE, STRANDED #14 TEF INS BLU			A/R															
22	9107370-33	WIRE, STRANDED #14 TEF INS ORN			A/R															
TITLE				ASSY NO.	SIZE	CODE	NUMBER				REV.	ECO NO.								
INDICATOR POWER SUPPLY 716				D-UA-716-0-0	A	PL	716-0-0				D	716-00006								
				SHEET 1 OF 2	DIST.	G														

DEC FORM NO. DRA 110

DIGITAL EQUIPMENT CORPORATION MAYNARD, MASSACHUSETTS PARTS LIST				QUANTITY/VARIATION											
MADE BY ROBICHARD		CHECKED D. HEALY		SECTION											
DATE 6/5/69		DATE 6/6/69		1											
ENG <i>[Signature]</i>		PROD <i>[Signature]</i>		ISSUED SECT.											
DATE 6/10/69		DATE 6/10/69		1											
ITEM NO.	DWG NO. / PART NO.	DESCRIPTION													
23	9107370-00	WIRE, STRANDED #14 TEF INS BLK		716-0											
24	A-DC-5308448-0-0	DECAL, 716 POWER SUPPLY		A/R											
25		THERMAL COMPOUND #340 DOW CORNING		A/R											
26	1009437	CAP 18000 MFD 10V		1											
27	1300165	RESISTOR 5ohm 25W 5%		1											
28	9006033	SCR PHL PAN HD 6-32 x 2-1/2 SST		1											
29	9009052	CAP MOUNTING BRKT		1											
30	9006829	SPACER 1/2" x 3/8" # 10 HOLE AL		1											
31	9007776	TAB #61349-1 AMP		2											
32	9006674	WASH #916 CORE WARD LEONARD		2											
33	9006996	#4405 FUSE HOLDER		1											
34	9007209	1/2 AMP S.B. FUSE		1											
REF	C-CS-716-0-1	CIRCUIT SCHEMATIC													
TITLE				ASSY NO.		SIZE CODE		NUMBER		REV.		ECO NO.			
INDICATOR POWER SUPPLY 716				D-UA-716-0-0		A PL		716-0-0		D					
				SHEET 2 OF 2		DIST. G									

DEC FORM NO.
DRA 110

THIS SCHEMATIC IS FURNISHED ONLY FOR TEST AND MAINTENANCE PURPOSES. THE CIRCUITS ARE PROPRIETARY IN NATURE AND SHOULD BE TREATED ACCORDINGLY. COPYRIGHT 1969 BY DIGITAL EQUIPMENT CORPORATION



- R1, R3 10, 2W CARBON RESISTOR 10%
- S1 2 POLE - DOUBLE THROW TOGGLE SWITCH
- K1 EBERT ELECTRONICS TYPE EM-4 60~115VAC
- CBI CIRCUIT BREAKER #130-XAM33 40AMP 250VAC CURVE 4 60~
- TBI 1 CONN. - 530 BUCHANAN #1209158-1 & 3 CONN. - 529 BUCHANAN #1209158
- P2-P5 ARROW & HART RECEPTACLE #10103
- L1, L2 FERROR CUBE TUBE #56-261-30-38
- I1 1020-A4 OMNI GLOW INDUSTRIAL DEVICES
- C1, C2, C3, C4 - CAPACITOR BATHTUB - DEC PURCH. SPEC #CAF-0001
2X.1MFD 600VDC CORNELL DUBLIER
- P6 FEMALE AC RECEPTACLE #12-160-4
- P7 MALE AC PLUG #12-160-5

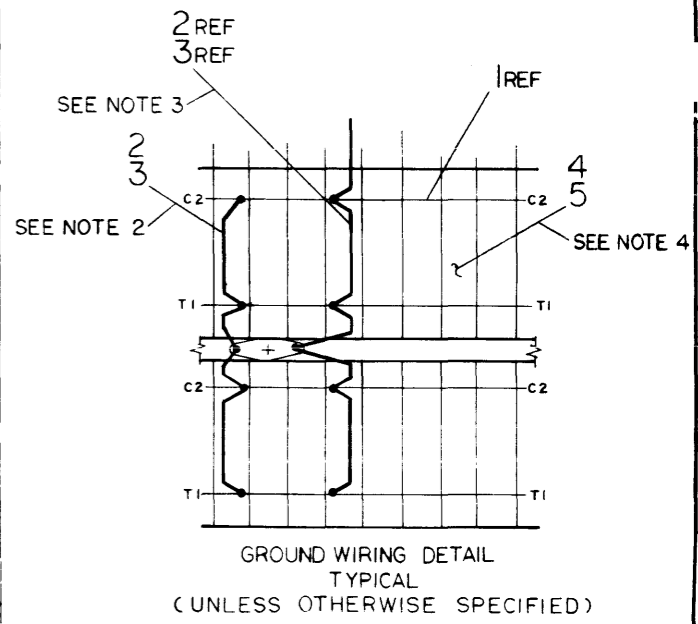
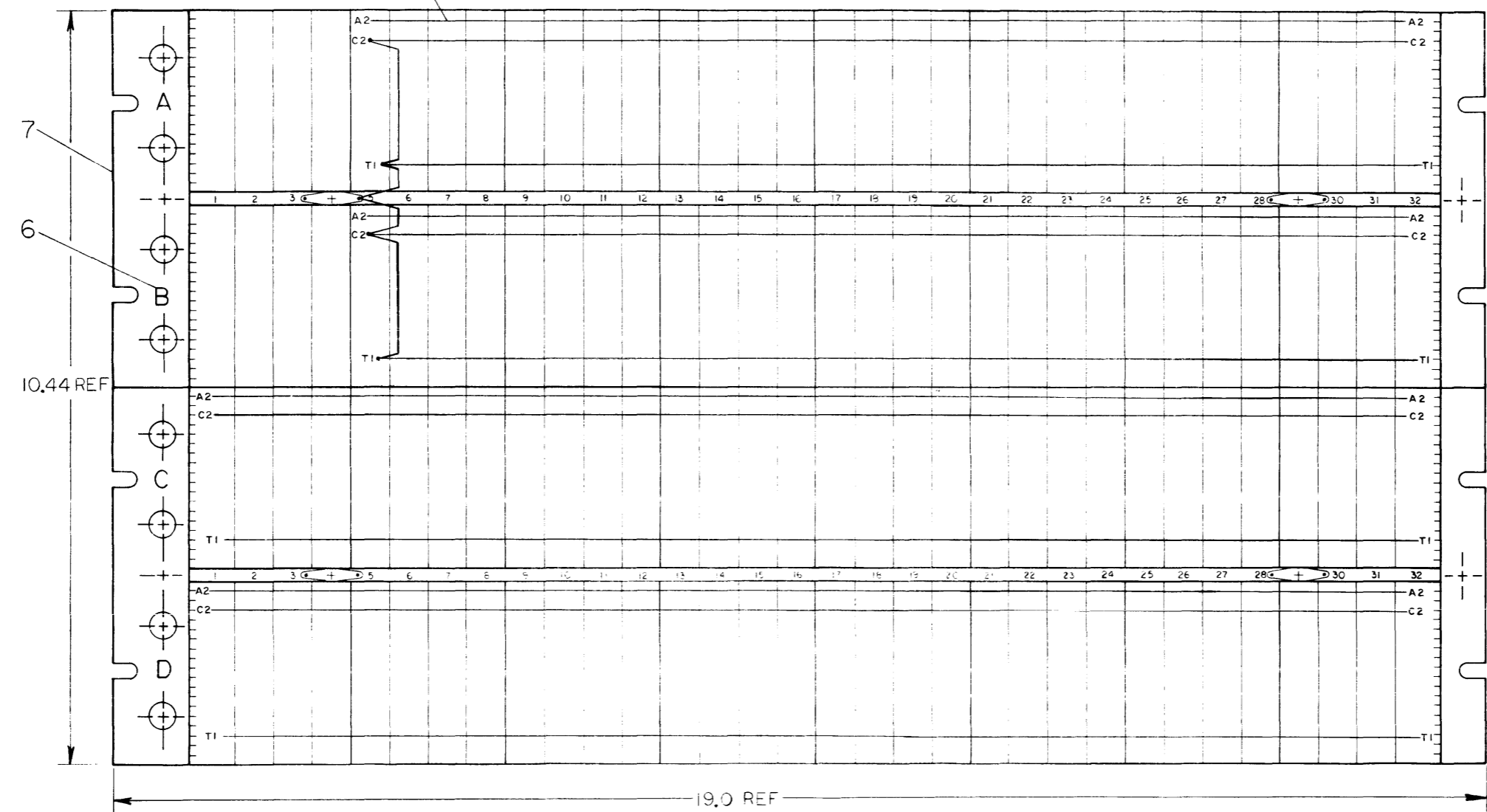
REVISIONS CHK/CHG NO/REV	DRN <i>M. Waller</i>	DATE 2-17-69	TRANSISTOR & DIODE CONVERSION CHART				 EQUIPMENT CORPORATION MAYNARD, MASSACHUSETTS	TITLE POWER CONTROL 841B			
	CHK'D <i>[Signature]</i>	DATE 2-20-69	DEC	EIA	DEC	EIA		SIZE 8	CODE CS	NUMBER 841-B-1	REV.
	ENG <i>H. Ferguson</i>	DATE 2-25-69						PRINTED CIRCUIT REV.			
	PROD.	DATE									

DIGITAL EQUIPMENT CORPORATION MAYNARD, MASSACHUSETTS					QUANTITY/VARIATION												
PARTS LIST					841-B	841-C											
MADE BY K. GULICK		CHECKED D. REILLY		SECTION													
DATE 9/19/66		DATE 2/19/69		1													
ENG K. Morgan		PROC P. Sullivan		ISSUED SECT.													
DATE 3-11-69		DATE		1													
ITEM NO.	DWG NO. / PART NO.	DESCRIPTION			841-B	841-C											
23	B-SS-5308302-0-0	DECAL 841-B			1	1											
24	D-MD-5308214-0-0	COVER			1	1											
25	9007035	GROMMET CATAPILLA 1/16			A/RA/R												
26	1201252	PLUG #160-5 AMPHENOL			1	1											
27	1201251	RECP #160-4 AMPHENOL			1	1											
28	9107440-4	WIRE #14 RED & WHT STRD			A/RA/R												
29	9107370-1	WIRE #14 BLK STRD			A/RA/R												
30	9107278-10	TUBING #18 WHITE			A/RA/R												
31	1305603	RESISTOR 2K 10W 10%			2	2											
32	1305604	RESISTOR 130K 1W 5%			1	1											
33	9107360-3	WIRE #18 RED STRD			A/RA/R												
34	9107360-10	WIRE #18 WHT STRD			A/RA/R												
35	9107255	SHRINK TUBING WHT			A/RA/R												
36	9107430-2	WIRE #18 RED & WHT STRD			A/RA/R												
37	12-05768	RELAY EM-4 120 VAC			1	-											
38	9006071-1	PHL H PAN 10-32 x 3/8 SST			2	3											
39	9006565	NUT KEPS HEX 10-32			2	3											
40	1300172	RESISTOR 10 OHMS 2W 10%			2	2											
41	1605147	FERRITE CUBE TUBE #56-261-30-38			2	2											
42	9007234	BUSH TERM DC-202-1 ORN			4	4											
43	9107278-3	TUBING #18 RED			A/RA/R												
44	9007015	GROMMET #1043-M			1	1											
TITLE				ASSY NO.	SIZE	CODE	NUMBER				REV.	ECO NO.					
POWER CONTROL 841-B&C				D-UA-841-B-0	A	PL	841-B-0				B						
SHEET 2 OF 3				DIST.													

DEC FORM NO.
DRA 110

This drawing and specifications, herein, are the property of Digital Equipment Corporation and shall not be reproduced or copied or used in whole or in part as the basis for the manufacture or sale of items without written permission.

- NOTES:
1. CONNECTIONS ON ITEM NUMBER 1#2 TO BE LOCATED AND SOLDERED AT MINIMUM PRACTICAL HEIGHT ABOVE BLOCK
 2. ALL CONNECTOR BLOCKS TO BE GROUND TO GROUND LUGS AS SHOWN, 4 PLACES
 3. JUMPER GROUND BUSSING AS SHOWN, 8 PLACES.
 4. USE YELLOW WIRE (ITEM#4) FOR MACHINE WRAPPED AND BLUE WIRE (ITEM#5) FOR HAND WRAPPED WIRING.

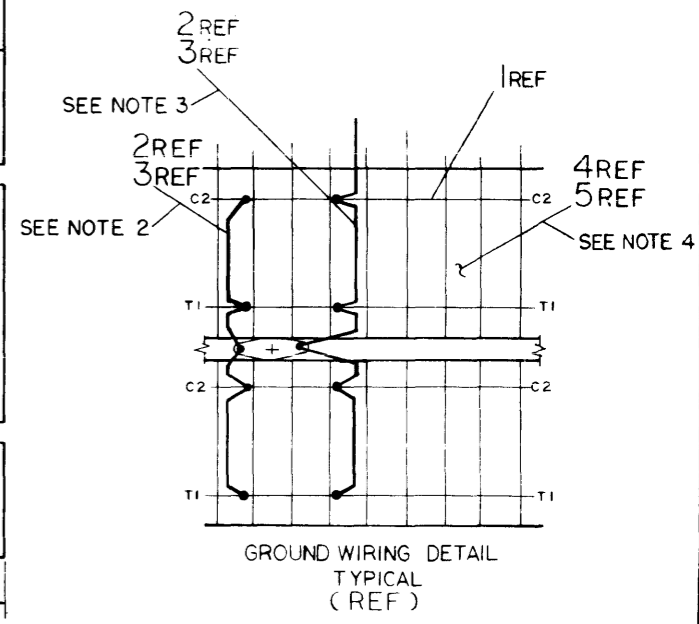
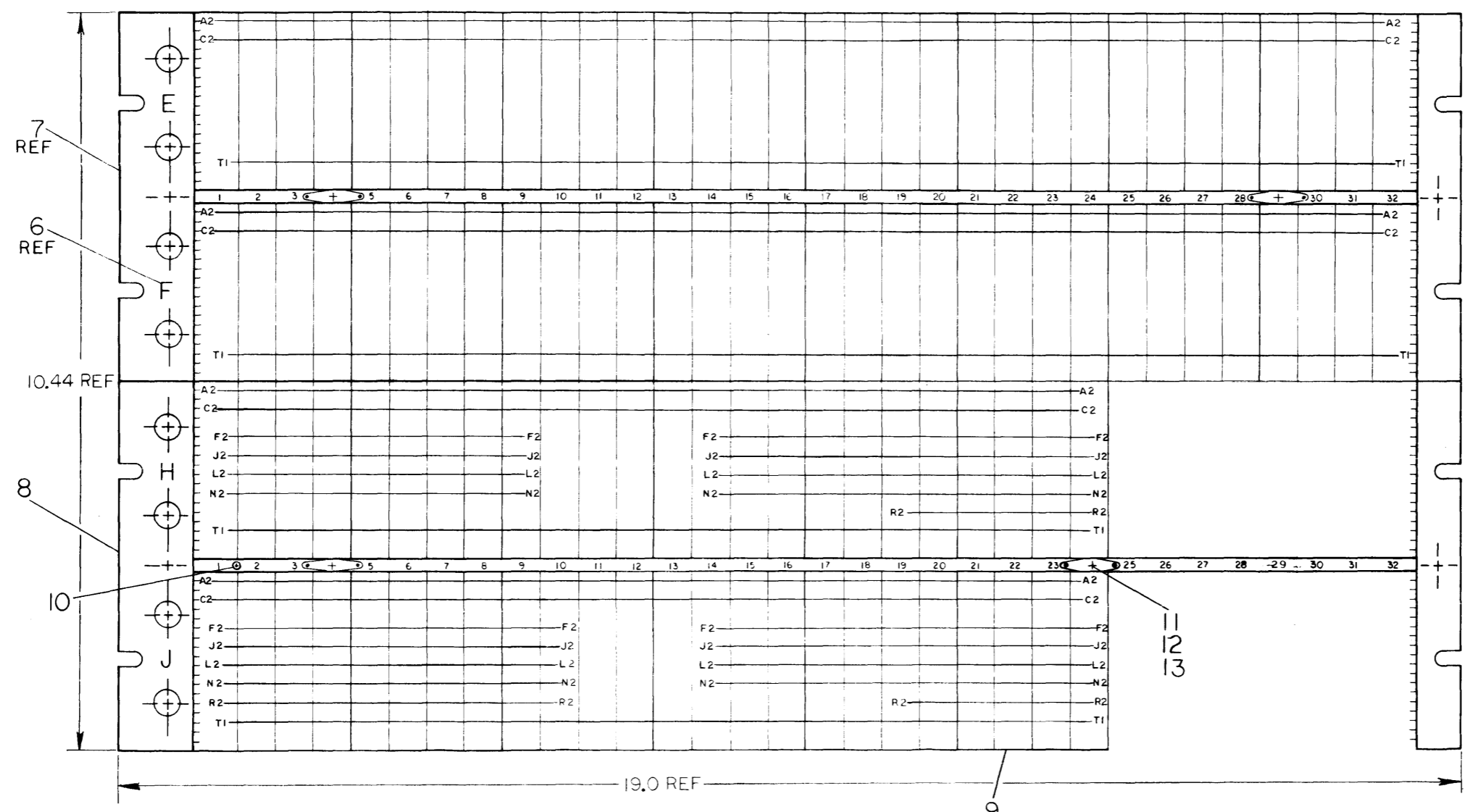


REV	
CHANGE NO.	
CHK	

FIRST USED ON OPTION/MODEL RP15	QTY.	DESCRIPTION	PART NO.	ITEM NO.
PARTS LIST				
digital EQUIPMENT CORPORATION MAYNARD MASSACHUSETTS				
TITLE WIRED ASS'Y RP15				
NEXT HIGHER ASSY D-AD-7006822-0-0				
SCALE NONE				
SHEET 1 OF 2				
SIZE CODE NUMBER D AD 7006821-0-0				

This drawing and specifications, herein, are the property of Digital Equipment Corporation and are not to be reproduced or copied or used in whole or in part as the basis for the manufacture or sale of items without written permission.

- NOTES:
1. CONNECTIONS ON ITEM NUMBER 1 & 2 TO BE LOCATED AND SOLDERED AT MINIMUM PRACTICAL HEIGHT ABOVE BLOCKS.
 2. ALL CONNECTOR BLOCKS TO BE GROUNDED TO GROUND LUGS AS SHOWN, 4 PLACES.
 3. JUMPER GROUND BUSSING AS SHOWN, 8 PLACES.
 4. USE YELLOW WIRE (ITEM #4) FOR MACHINE WRAPPED AND BLUE WIRE (ITEM #5) FOR HAND WRAPPED WIRING.



D
C
B
A

D
C
B
A

REV.	
CHK	
FORM NO.	117

FIRST USED ON OPTION/MODEL RP15	QTY.	DESCRIPTION	PART NO.	ITEM NO.
PARTS LIST				
DO NOT SCALE DRAWING	DATE	 digital EQUIPMENT CORPORATION MAYNARD, MASSACHUSETTS		
UNLESS OTHERWISE SPECIFIED	DATE			
DIMENSION IN INCHES	DATE			
TOLERANCES	DATE			
DECIMALS FRACTIONS ANGLES	DATE	TITLE		
= .005 = 1/64 = 0°30'	DATE	WIRED ASS'Y		
FINAL SURFACE QUALITY	DATE	RP15		
REMOVE BURRS AND BREAK SHARP CORNERS	DATE	NEXT HIGHER ASSY		
MATERIAL	DATE	D AD-7006922-0-0		
FINISH	DATE	SCALE NONE	SIZE CODE	NUMBER
		SHEET 2 OF 2	D AD-7006821-0-0	REV.

FORM NO. 117

This drawing and specifications, herein, are the property of Digital Equipment Corporation and shall not be reproduced or copied or used in whole or in part as the basis for the manufacture or sale of items without written permission.

MASTER DRAWING LIST

DWG. NO.	REV. LET.	NO. OF SHEETS	TITLE
D-UA-RP15-0-0	D	2	RP15 UNIT ASSEMBLY
A-PL-RP15-0-0	D	1	RP15 UNIT ASSEMBLY (PL)
D-DI-RP15-0-1	C	2	RP15 DRAWING INDEX
D-AD-7006821-0-0		2	RP15 WIRED ASSY
A-PL-7006821-0-0		1	RP15 WIRED ASSY (PL)
D-MU-RP15-0-02	B	4	MODULE UTILIZATION
A-PL-RP15-0-02	B	2	MODULE UTILIZATION
D-BS-RP15-0-03		1	MAINTENANCE CONTROL
D-BS-RP15-0-04	A	1	MAINTENANCE CONTROL BUFFER
D-BS-RP15-0-05	B	1	READ/WRITE CONTROL #1
D-BS-RP15-0-06	A	1	READ/WRITE CONTROL #2
D-BS-RP15-0-07	B	1	READ/WRITE CONTROL #3
D-BS-RP15-0-08	B	1	DATA SEPERATOR CONTROL
D-BS-RP15-0-09	B	1	STATUS CONTROL #1
D-BS-RP15-0-10	A	1	STATUS CONTROL #2
D-BS-RP15-0-11		1	STATUS CONTROL #3
D-BS-RP15-0-12		1	API CONTROL
D-BS-RP15-0-13	B	1	BUFFER REGISTER CONTROL
D-BS-RP15-0-14		1	DCH CONTROL
D-BS-RP15-0-15	B	1	SHIFT & LONG. REGISTER CONTROL
D-BS-RP15-0-16	B	1	TAG AND BUS LINE CONTROL
D-BS-RP15-0-17	A	1	WC & CA CONTROL
D-BS-RP15-0-18	A	1	MAJOR STATE CONTROL
D-BS-RP15-0-19		1	MAJOR STATE
D-BS-RP15-0-20		1	IOT SELECTION
D-BS-RP15-0-21		1	FUNCTION REGISTER
D-BS-RP15-0-22	A	1	WRITE FORMAT GENERATOR
D-BS-RP15-0-23		1	SECTOR WORD COUNT
D-BS-RP15-0-24		1	WRITE CHECK COMPARATOR 00-15
D-BS-RP15-0-25		1	WRITE CHECK COMPARATOR 16-31
D-BS-RP15-0-26		1	WRITE CHECK COMPARATOR
D-BS-RP15-0-27		1	CYLINDER COMPARATOR
D-BS-RP15-0-28		1	CYLINDER ADDRESS REGISTER
D-BS-RP15-0-29		1	HEAD ADDRESS REGISTER

REVISIONS				DRN. P. LEBLANC	DATE 7/17/70	digital	EQUIPMENT CORPORATION	MAYNARD, MASSACHUSETTS			
REV.	DATE	CHG. NO.	APP'D.	CHK'D.	DATE			TITLE			
A	9/70	RP15-5	J.Z.	<i>[Signature]</i>	7-23-70	RP15 CONTROL FOR RP02					
B	11/70	RP15-7	J.Z.	<i>[Signature]</i>	7-24-70						
				ENG. <i>[Signature]</i>	7-24-70						
				PROJ. ENG. <i>[Signature]</i>	7-24-70						
				PROD. <i>[Signature]</i>	7-24-70						
FIRST USED ON				PDP15		SIZE	CODE	NUMBER		REV.	
SCALE				NONE		A	ML	RP15-0		B	
SHEET				1 OF 2		DIST.					

This drawing and specifications, herein, are the property of Digital Equipment Corporation and shall not be reproduced or copied or used in whole or in part as the basis for the manufacture or sale of items without written permission.

MASTER DRAWING LIST

DWG. NO.	REV. LET.	NO. OF SHEETS	TITLE
D-BS-RP15-0-30		1	SECTOR ADDRESS REGISTER
D-BS-RP15-0-31		1	WORD COUNT REGISTER 00-17
D-BS-RP15-0-32		1	CURRENT ADDRESS REGISTER
D-BS-RP15-0-33		1	BUFFER REGISTER 00-05, 18-23
D-BS-RP15-0-34		1	BUFFER REGISTER 06-11, 24-29
D-BS-RP15-0-35		1	BUFFER REGISTER 12-17, 30-35
D-BS-RP15-0-36		1	SHIFT REGISTER 00-11
D-BS-RP15-0-37		1	SHIFT REGISTER 12-23
D-BS-RP15-0-38		1	SHIFT REGISTER 24-35
D-BS-RP15-0-39		1	LONG. PARITY REGISTER 00-17
D-BS-RP15-0-40		1	LONG. PARITY REGISTER 18-26
D-BS-RP15-0-41		1	LONG. PARITY REGISTER 27-35
D-BS-RP15-0-42		1	BUS MULTIPLEXER 00-05
D-BS-RP15-0-43	A	1	BUS MULTIPLEXER 06-11
D-BS-RP15-0-44		1	BUS MULTIPLEXER 12-17
D-BS-RP15-0-45	A	1	MULTIPLEXER TERMINATOR 00-17
D-BS-RP15-0-46		1	UNIT DISK DRIVERS
D-BS-RP15-0-47		1	BUS DISK DRIVERS
D-BS-RP15-0-48	A	1	DISK RECEIVERS
D-BS-RP15-0-49	A	1	I/O BUS DRIVERS 00-17
D-BS-RP15-0-50		1	I/O ADDRESS DRIVERS
D-BS-RP15-0-51		1	I/O BUS RECEIVERS
D-IC-RP15-0-52	A	1	I/O BUS INTERFACE
D-IC-RP15-0-53	A	1	DRIVE-CONTROL CABLE INTERFACE
D-IC-RP15-0-54		1	INDICATOR INTERFACE
D-BS-RP15-0-55		1	LOCKOUT INTERFACE
D-TD-RP15-0-56	B	5	RP15 TIMING DIAGRAM
D-SP-RP15-0-57	A	1	ADJUSTMENT & MAINTENANCE
K-WL-RP15-0-58	B		WIRE LIST
A-SP-RP15-0-59		81	RP15 SPECIFICATION

REVISIONS				DRN. P. LEBLANC	DATE 7/17/70	digital	EQUIPMENT CORPORATION	MAYNARD, MASSACHUSETTS			
REV.	DATE	CHG. NO.	APP'D.	CHK'D.	DATE			TITLE			
				<i>[Signature]</i>	7-23-70	RP15					
				ENG. <i>[Signature]</i>	7-24-70						
				PROJ. ENG. <i>[Signature]</i>	7-24-70						
				PROD. <i>[Signature]</i>	7-24-70						
FIRST USED ON				PDP15		SIZE	CODE	NUMBER		REV.	
SCALE				NONE		A	ML	RP15-0		B	
SHEET				2 OF 2		DIST.					

This drawing and specifications, herein, are the property of Digital Equipment Corporation and shall not be reproduced or copied or used in whole or in part as the basis for the manufacture or sale of items without written permission.

USAGE	1	2	3	4	5	6	7	8	9	10	11	12	13	14	15	16	17	18	19	20	21	22		
E	M149 BUS 00 BUS 01 BUS 03 BUS 05 BUS 07	M149 BUS 02 BUS 04 BUS 06 BUS 08	M149 BUS 00 BUS 01 BUS 03 BUS 05 BUS 07	M149 BUS 02 BUS 04 BUS 06 BUS 08	M002 BUS 00 THPU UNUSED 05 UNUSED 06 BUS 14	M115 DPEM DPSN DPOA DPOC DPOW	M113 DPOU DPSA DPSJ DPSI DPOV	M117 RD PQ DPLA DPCW DPLF DPCA DPLZ DPLQ	M117 DPLF DPCA DPLZ DPLQ	M111 SEL XX MAINT CLK CLR BR EN DISK FLAG	M111 SEL YY	M420 VFO OSC	M312 VFO SYNC CLOCK	M627 CLOCK PULSE	M216 CLOCK PULSE	M216 BRS SYNC	M602 CLR BR	M119 CLR BR						
F	M149 BUS 09 BUS 10 BUS 12 BUS 14 BUS 16	M149 BUS 11 BUS 13 BUS 15 BUS 17	M149 BUS 09 BUS 11 BUS 13 BUS 15 BUS 17	M149 BUS 09 BUS 11 BUS 13 BUS 15 BUS 17	M002 BUS 15 BUS 16 BUS 17 LO 00	M115 DPSF DPSA DPSJ DPSI DPOV	M115 DPSF DPSA DPSJ DPSI DPOV	M119 SUB DEV 00 SUB DEV 01 SUB DEV 10 SUB DEV 11 BR STB	M115 SUB DEV 00 SUB DEV 01 SUB DEV 10 SUB DEV 11 BR STB	M115 SUB DEV 00 SUB DEV 01 SUB DEV 10 SUB DEV 11 BR STB	M405 GATED VFO OSC	M121 GATED VFO OSC BPS SYNC BR STB CLP BR EN +3V	M600 GATED VFO OSC MAINT CLK PULSE MAINT DATA PULSE											

USAGE	23	24	25	26	27	28	29	30	31	32	33	34	35	36	37	38	39	40	41	42	43	44				
E			M121 LPR 18 LPR 19 LPR 20 LPR 23	M121 LPR 21 LPR 22 LPR 26	M121 LPR 24 LPR 25 LPR 28 LPR 29	M207 LPR 27 LPR 30 LPR 31 LPR 32 LPR 33 LPR 34	M207 LPR 00 LPR 01 LPR 02 LPR 04 LPR 05 LPR 08 LPR 09 LPR 10	M207 LPR 06 LPR 07 LPR 11 LPR 12 LPR 13 LPR 14 LPR 15 LPR 16	M207 LPR 12 LPR 13 LPR 14 LPR 15 LPR 16 LPR 17 LPR 18 LPR 19 LPR 20 LPR 21 LPR 22	M207 LPR 18 LPR 19 LPR 20 LPR 21 LPR 22 LPR 23 LPR 24 LPR 25 LPR 26 LPR 27 LPR 28 LPR 29 LPR 30 LPR 31 LPR 32 LPR 33 LPR 34																

USAGE	1	2	3	4	5	6	7	8	9	10	11	12	13	14	15	16	17	18	19	20	21	22
F		SU CAP 07 ATT 01 SU CAP 08 ATT 02 SU ON LINE	ATT 01 SU PD ONLY SU READY SU ON LINE	SU INDEX SU FILE UNSAFE SU SEEM INC SU END OF CYL SU SECTOR SU PD ONLY SU READY SU ON LINE	RD DATA COAX 02 LPR 30 LPR 31 LPR 32 LPR 35	LPR 33 SP 00 SP 01 SP 05	SP 02 SR 03 SR 04	SR 06 SR 07 SR 11	SP 08 SR 09 SR 10	SR 12 SR 13 SR 14 SR 15 SR 16 SR 17	SR 18 SR 19 SR 20 SR 21 SR 22 SR 23	SR 24 SR 25 SR 26 SR 27 SR 28 SR 29	SR 26 SR 27 SR 28 SR 29 SR 30 SR 31 SR 32 SR 33 SR 34	SR 26 SR 27 SR 28 SR 29 SR 30 SR 31 SR 32 SR 33 SR 34	SR 26 SR 27 SR 28 SR 29 SR 30 SR 31 SR 32 SR 33 SR 34	SR 26 SR 27 SR 28 SR 29 SR 30 SR 31 SR 32 SR 33 SR 34	SR 26 SR 27 SR 28 SR 29 SR 30 SR 31 SR 32 SR 33 SR 34	SR 26 SR 27 SR 28 SR 29 SR 30 SR 31 SR 32 SR 33 SR 34	SR 26 SR 27 SR 28 SR 29 SR 30 SR 31 SR 32 SR 33 SR 34	SR 26 SR 27 SR 28 SR 29 SR 30 SR 31 SR 32 SR 33 SR 34	SR 26 SR 27 SR 28 SR 29 SR 30 SR 31 SR 32 SR 33 SR 34	SR 26 SR 27 SR 28 SR 29 SR 30 SR 31 SR 32 SR 33 SR 34

REV.	
CHK	
CHG	
NO.	

FIRST USED ON OPTION/MODEL
 -#

DO NOT SCALE DRAWING	DRN. A. Raymond	DATE 7-22-70
UNLESS OTHERWISE SPECIFIED DIMENSION IN INCHES	CHKD. R. Kees	DATE 7-23-70
TOLERANCES	ENG. J. J.	DATE 7-23-70
DECIMALS FRACTIONS ANGLES	PROG. ENG. J. J.	DATE 7-24-70
±.005 ±.004 ±.030	PROP. J. J.	DATE 7-24-70
FINAL SURFACE QUALITY		
REMOVE BURRS AND BREAK SHARP CORNERS		
MATERIAL		
FINISH		

SCALE	#
SHEET	3 OF 4

digital EQUIPMENT CORPORATION
 MAYNARD, MASSACHUSETTS

TITLE
MODULE UTILIZATION (RP15)

SIZE CODE
DMU RP15-0-02

NUMBER
 DIST.

This drawing and specifications are the property of Digital Equipment Corporation. No reproduction or use in any form is permitted without the written permission of Digital Equipment Corporation.

	1	2	3	4	5	6	7	8	9	10	11	12	13	14	15	16	17	18	19	20	21	22															
D	M912 CABLE 2		M912 CABLE 2		M912 CABLE 2		M912 CABLE 2		M510 CABLE 2		M510 CABLE 2		M510 CABLE 2		M104 CABLE 2		M104 CABLE 2		M622 CABLE 2		M622 CABLE 2		M622 CABLE 2		M622 CABLE 2		M510 CABLE 2		W028 CABLE 2		W028 CABLE 2		W028 CABLE 2		W028 CABLE 2		
	I/O BUS 08	I/O BUS 09	1/0 SYNC IOP 2 4	DS 0/5 THRU	1/0 BUS 08	1/0 BUS 09	1/0 SYNC IOP 1 2 4	SKIP PQ	1/0 SYNC IOP 1 2 4	DS 0/5 THRU	1/0 BUS 08	1/0 BUS 09	1/0 SYNC IOP 1 2 4	SKIP PQ	1/0 SYNC IOP 1 2 4	DS 0/5 THRU	1/0 BUS 08	1/0 BUS 09	1/0 SYNC IOP 1 2 4	SKIP PQ	1/0 SYNC IOP 1 2 4	DS 0/5 THRU	1/0 BUS 08	1/0 BUS 09	1/0 SYNC IOP 1 2 4	SKIP PQ	1/0 SYNC IOP 1 2 4	DS 0/5 THRU	1/0 BUS 08	1/0 BUS 09	1/0 SYNC IOP 1 2 4	SKIP PQ	1/0 SYNC IOP 1 2 4	DS 0/5 THRU	1/0 BUS 08	1/0 BUS 09	1/0 SYNC IOP 1 2 4
C	M912 CABLE 2		M912 CABLE 2		M912 CABLE 2		M912 CABLE 2		M622 CABLE 2		M622 CABLE 2		M622 CABLE 2		M622 CABLE 2		M622 CABLE 2		M622 CABLE 2		M622 CABLE 2		M622 CABLE 2		M622 CABLE 2		M510 CABLE 2		W028 CABLE 2		W028 CABLE 2		W028 CABLE 2		W028 CABLE 2		
	I/O RUN DATA OVFLD	I/O ADDR 09	WR RQ INC MB +1- CA	API 2	1/0 RUN DATA OVFLD	1/0 ADDR 09	WR RQ INC MB +1- CA	API 2	1/0 RUN DATA OVFLD	1/0 ADDR 09	WR RQ INC MB +1- CA	API 2	1/0 RUN DATA OVFLD	1/0 ADDR 09	WR RQ INC MB +1- CA	API 2	1/0 RUN DATA OVFLD	1/0 ADDR 09	WR RQ INC MB +1- CA	API 2	1/0 RUN DATA OVFLD	1/0 ADDR 09	WR RQ INC MB +1- CA	API 2	1/0 RUN DATA OVFLD	1/0 ADDR 09	WR RQ INC MB +1- CA	API 2	1/0 RUN DATA OVFLD	1/0 ADDR 09	WR RQ INC MB +1- CA	API 2	1/0 RUN DATA OVFLD	1/0 ADDR 09	WR RQ INC MB +1- CA	API 2	1/0 RUN DATA OVFLD
B	W850 CABLE 2		W850 CABLE 2		W850 CABLE 2		W850 CABLE 2		W850 CABLE 2		W850 CABLE 2		W850 CABLE 2		W850 CABLE 2		W850 CABLE 2		W850 CABLE 2		W850 CABLE 2		W850 CABLE 2		W850 CABLE 2		W850 CABLE 2		W850 CABLE 2		W850 CABLE 2		W850 CABLE 2		W850 CABLE 2		
	UNIT BUS 08	THRU	SEQ OUT	SET HEAD	UNIT BUS 07	THRU	SET CYL	CONT-ROL	UNIT BUS 07	THRU	SU READ ONLY																										
A	W850 CABLE 2		W850 CABLE 2		W850 CABLE 2		W850 CABLE 2		W850 CABLE 2		W850 CABLE 2		W850 CABLE 2		W850 CABLE 2		W850 CABLE 2		W850 CABLE 2		W850 CABLE 2		W850 CABLE 2		W850 CABLE 2		W850 CABLE 2		W850 CABLE 2		W850 CABLE 2		W850 CABLE 2		W850 CABLE 2		
	SU CAR 07	THRU	SU PDY	SU ON LINE	SU CAR 08	THRU	SU INDEX	SU FILE UNSAFE	SU CAR 08	THRU	SU SEEK INC	SU END OF CYL	SU SECTOR																								

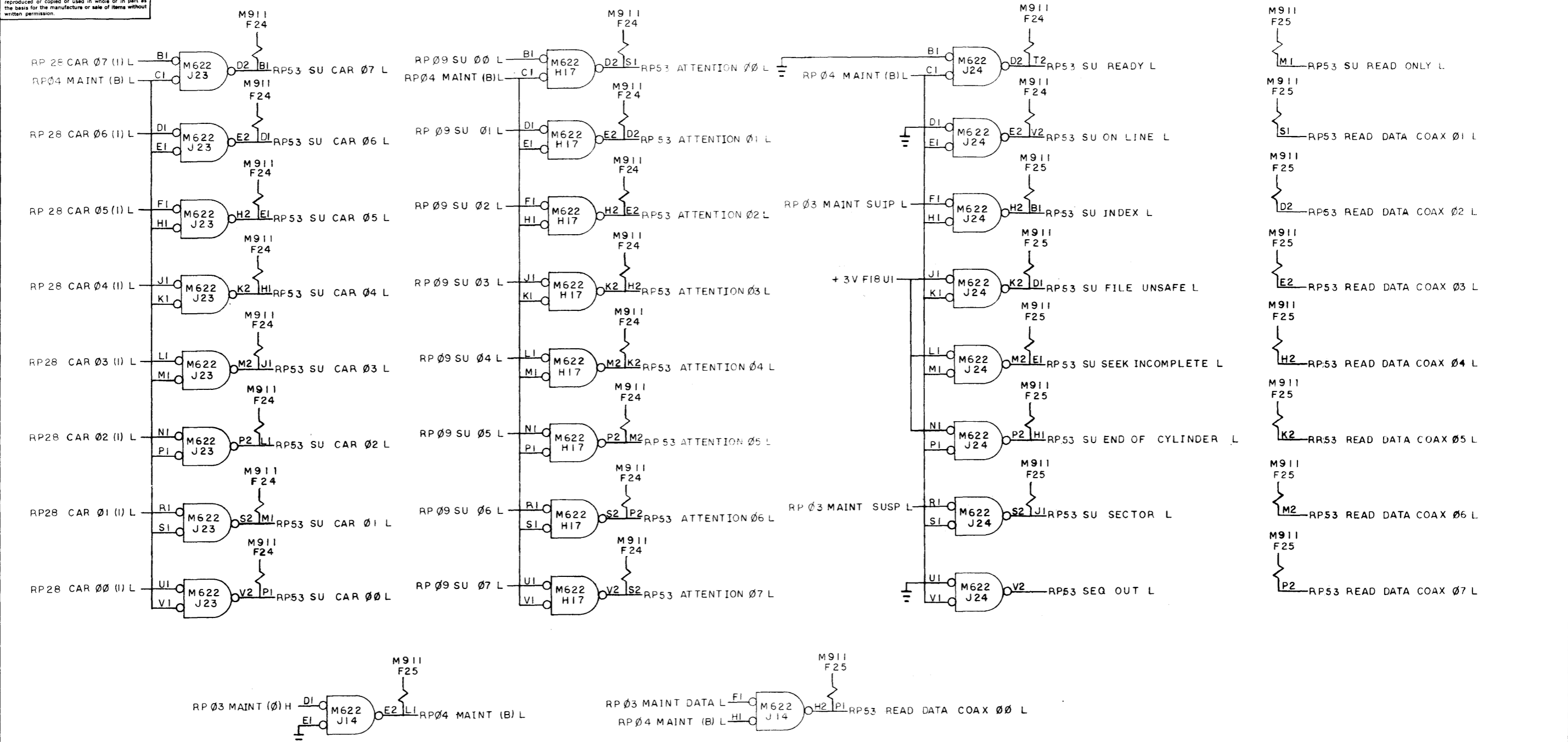
* NOTE WHILE IN MAINTENANCE MODE SLOT J01, J74 AND H17 ARE OCCUPIED BY W67 MODULES

REV. 1	CHK	CHG	NO.
FIRST USED ON OPTION/MODEL			
DO NOT SCALE DRAWING UNLESS OTHERWISE SPECIFIED			
DIMENSION IN INCHES			
TOLERANCES			
DECIMALS	FRACTIONS	ANGLES	
= .005	= 1/64	= 0°30'	
FINAL SURFACE QUALITY			
REMOVE BURRS AND BREAK SHARP CORNERS			
MATERIAL			
FINISH			
DATE 7-22-70			
CHK'D. A. R. M. M. M.			
DATE 7-24-70			
ENG. J. J. J. J. J.			
DATE 7-24-70			
PROL. ENG. J. J. J. J. J.			
DATE 7-24-70			
PROB. J. J. J. J. J.			
DATE 7-24-70			
NEXT HIGHER ASSY			
SCALE 4 OF 7			
SHEET 4 OF 7			
digital EQUIPMENT CORPORATION		MAYNARD, MASSACHUSETTS	
TITLE			
MODULE UTILIZATION (RP15)			
SIZE CODE	NUMBER	REV.	
DIMU	RP15-0-02	B	

DIGITAL EQUIPMENT CORPORATION MAYNARD, MASSACHUSETTS PARTS LIST					QUANTITY / VARIATION															
MADE BY K. RUSS		CHECKED K. RUSS		SECTION																
DATE 7-22-70		DATE 7-22-70		1																
ENG <i>J. Zee</i>		PROD <i>J. Burchell</i>		ISSUED SECT.																
DATE 7-24-70		DATE 7-24-70		1																
ITEM NO.	DWG NO. / PART NO.	DESCRIPTION																		
	M002	LOGIC 1 SOURCE			3															
	M104	I/O BUS MULTIPLEXER			2															
	M111	INVERTER			7															
	M112	NOR GATE			5															
	M113	TEN 2-INPUT NAND GATES			17															
	M115	EIGHT 3-INPUT NAND GATES			8															
	M117	SIX 4-INPUT NAND GATES			8															
	M119	THREE 8-INPUT NAND GATES			17															
	M121	AND/NOR GATE			14															
	M149	9 X 2 NAND WIRED OR MATRIX			8															
	M160	AND/NOR GATE			1															
	M161	BINARY TO OCTAL/DECIMAL DECODER			1															
	M203	8 R/S FLIP FLOP			2															
	M204	GENERAL PURPOSE BUFFER AND COUNTER			2															
	M207	GENERAL PURPOSE FLIP FLOP			8															
	M212	SIX BIT L-R SHIFT REGISTER			13															
	M216	SIX FLIP FLOPS			24															
	M302	ONE SHOT DELAY			3															
	M311	TAP DELAY			1															
	M312	DELAY MODULE			2															
	M401	VARIABLE CLOCK			1															
	M405	CRYSTAL CLOCK MODIFIED TO 5 MC			1															
TITLE MODULE UTILIZATION (COUNT)				ASSY NO. D-MU-RP15-0-02	SIZE A	CODE PL	NUMBER RP15-0-02				REV. B	ECO NO. RP15-0007								
SHEET 1 OF 2				DIST.																

DEC FORM NO.
DRA 110

This drawing and specifications are the property of Digital Equipment Corporation. It is not to be reproduced or copied or used in whole or in part as the basis for the manufacture or sale of items without written permission.

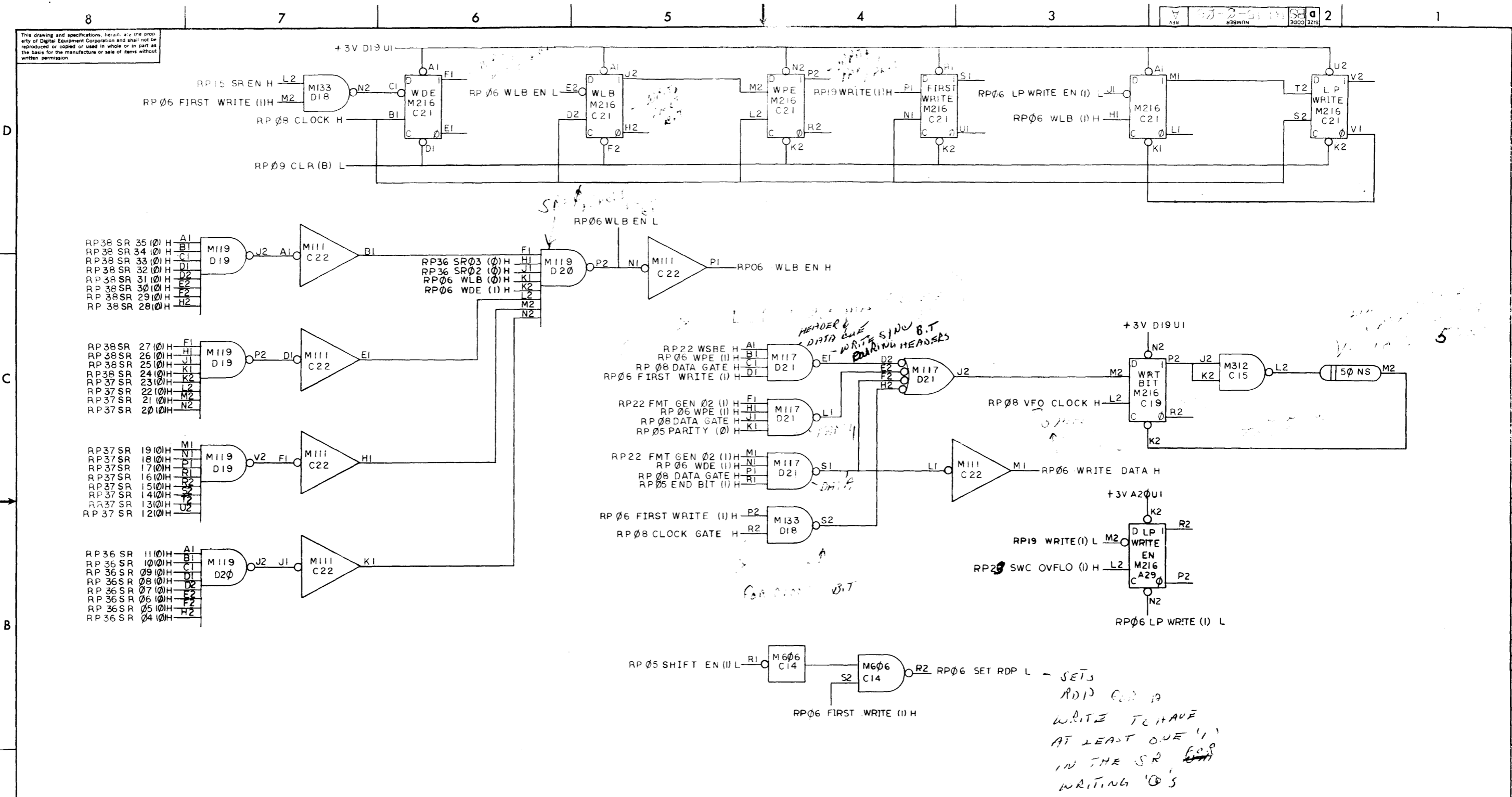


REV.	DATE	BY	CHK.	CHANGE NO.
1	7-23-70
2	7-24-70
3	7-24-70
4	7-24-70
5	7-24-70
6	7-24-70
7	7-24-70
8	7-24-70

FIRST USED ON OPTION/MODEL	QTY.	DESCRIPTION	PART NO.	ITEM NO.
PDP 15				
PARTS LIST				
UNLESS OTHERWISE SPECIFIED	DRN	DATE	digital EQUIPMENT CORPORATION MAINTENANCE SERVICE	
DIMENSION IN INCHES	CHK'D.	DATE		
TOLERANCES	ENG.	DATE		
DECIMALS FRACTIONS ANGLES	PROJ. ENG.	DATE		
REMOVED BURRS AND BREAK SHARP CORNERS	PREP.	DATE	TITLE MAINTENANCE CONTROL BUFFERS	
MATERIAL	NEXT HIGHER ASS'Y.			SIZE CODE
FINISH	A-ML-RP15-0			NUMBER
	SCALE	SHEET 1 OF 1		REV. A
		DIST.		

REV. A
 NUMBER
 DBSRP15-0-04

This drawing and specifications, herein, are the property of Digital Equipment Corporation and shall not be reproduced or copied or used in whole or in part as the basis for the manufacture or sale of items without written permission.

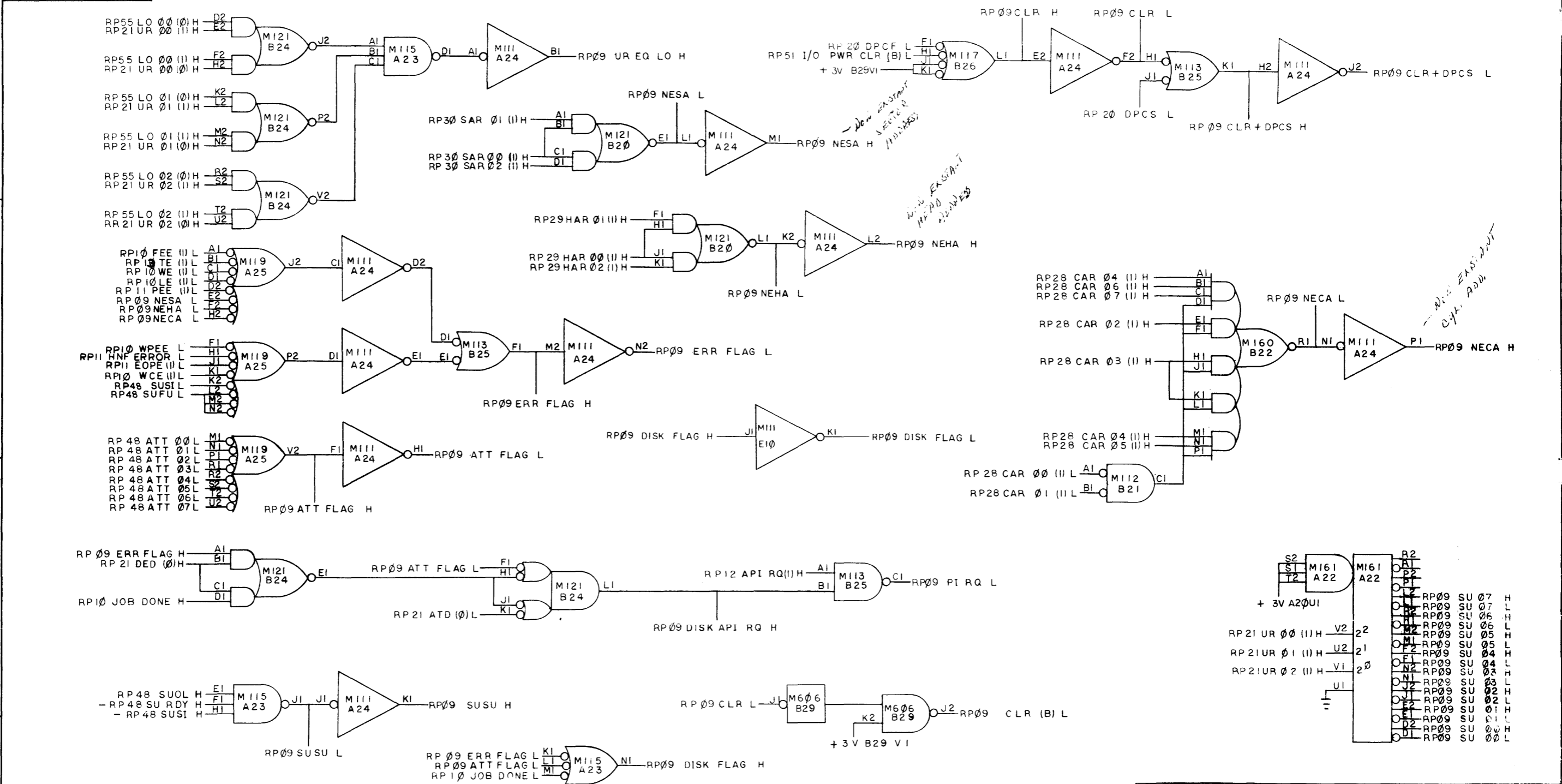


REV	CHG	NO	DATE
A	1	1	3-31-70

DEC FORM 700
FEB 1974

FIRST USED ON OPTION/MODEL	QTY.	DESCRIPTION	PART NO.	ITEM NO.
PDP15				
PARTS LIST				
UNLESS OTHERWISE SPECIFIED				
DRN	DATE	digital EQUIPMENT CORPORATION MAYNARD, MASSACHUSETTS		
CHK'D	DATE			
ENG	DATE			
PROJ. ENG.	DATE			
TOLERANCES				
DECIMALS	FRACTIONS	ANGLES	TITLE READ/WRITE CONTROL #2	
± .005	± 1/64	± 0°30'		
FINAL SURFACE QUALITY				
REMOVE BURRS AND BREAK SHARP CORNERS				
MATERIAL				
NEXT HIGHEN ASSY.				
ML-KP15-0				
FINISH				
SCALE				
SHEET OF				
SIZE CODE		NUMBER	REV	
DESIGN		75	A	
DIST.				

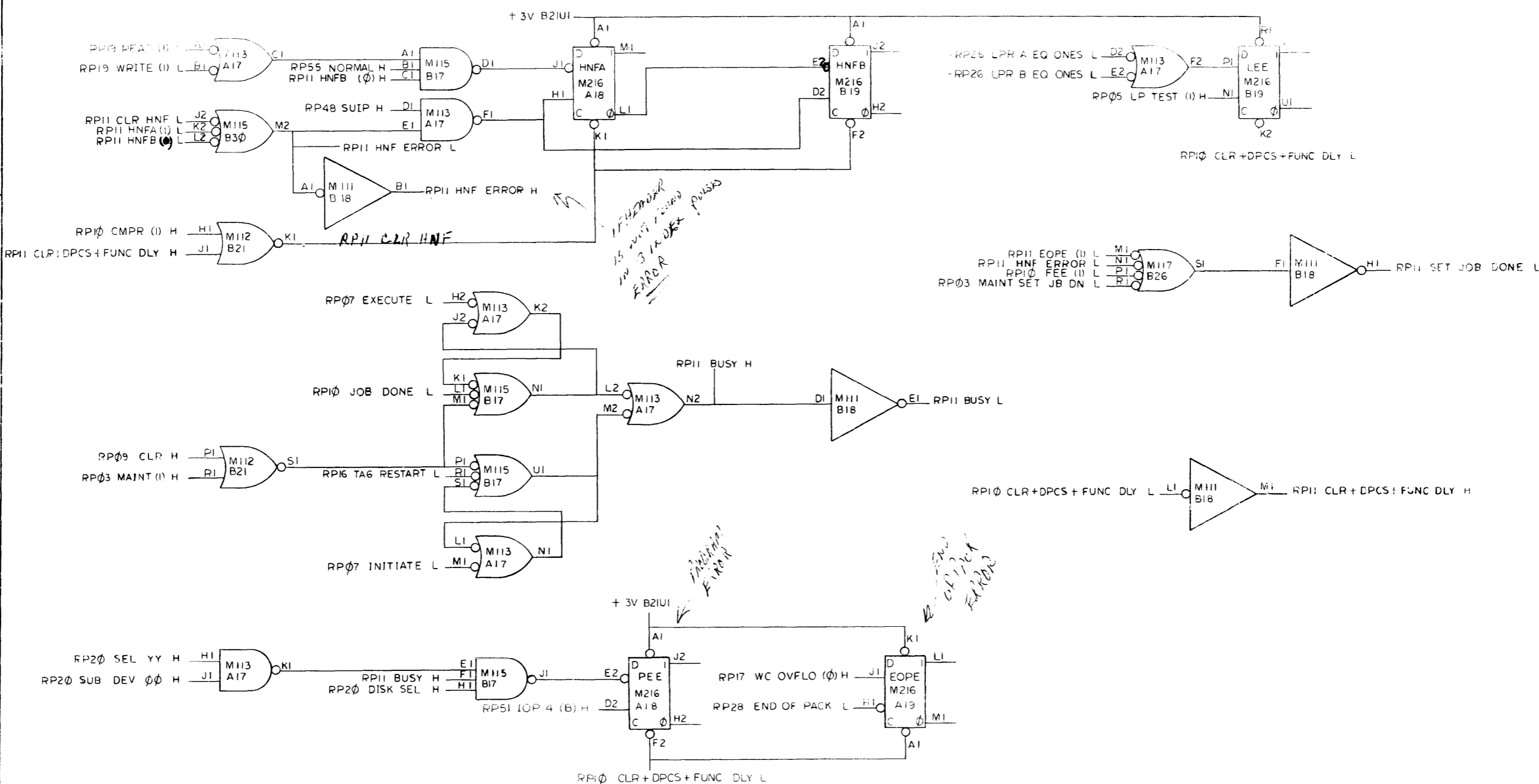
This drawing and specifications herein are the property of Digital Equipment Corporation and shall not be reproduced or copied or used in whole or in part as the basis for the manufacture or sale of items without written permission.



REV	DATE	BY	CHKD
1	10-8-70	J. T. H.	J. T. H.
2	12-19-70	J. T. H.	J. T. H.

QTY.	DESCRIPTION	PART NO.	ITEM NO.
PDP 15			
PARTS LIST			
DRN	DATE	digital EQUIPMENT CORPORATION	
CHK'D	DATE	MAYNARD MASSACHUSETTS	
ENG.	DATE	TITLE	
PRO. ENG.	DATE	STATUS CONTROL	
PROD.	DATE	# 1	
MATERIAL		NEXT HIGHER ASS'Y.	
FINISH		A-ML-RP15-0	
SCALE	SHEET	OF	DIST.
SIZE CODE		NUMBER	
DBSRP15-0-09		RT B	

the basis for the manufacture or sale of items without written permission.

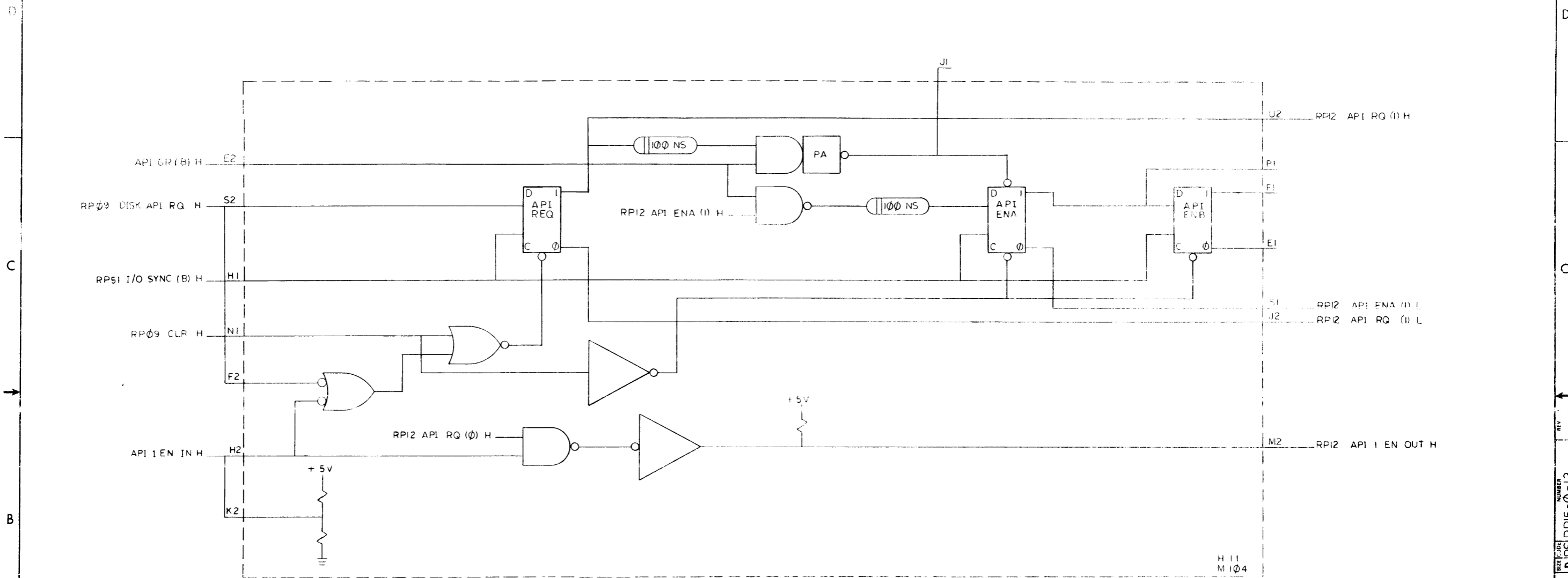


REVISIONS
 CHK CHANGE NO. REV

FIRST USED (IN OPTION) WIRE L		QTY.	DESCRIPTION	PART NO.	ITEM NO.
PDP-15					
UNLESS OTHERWISE SPECIFIED:		DRN	DATE	PARTS LIST	
DIMENSION IN INCHES		CHK'D	DATE	digital EQUIPMENT CORPORATION MAYNARD, MASSACHUSETTS	
TOLERANCES		ENG	DATE	TITLE	
DECIMALS FRACTIONS ANGLES		PROJ. ENG.	DATE	STATUS CONTROL	
± .005 ± .004 ± 0°30'		PRD.	DATE	# 3	
FINISH SURFACE QUALITY / REMOVE BURRS AND BREAK SHARP CORNERS		NEXT HIGHER ASST.	DATE	SIZE CODE	
MATERIAL		A-ML-RP15-0	DATE	NUMBER	
FINISH		SCALE	DATE	REV	
SHEET		OF	DIST	REV	

8
 This drawing is to be used for the manufacture of equipment only. It is not to be used for the manufacture of any other equipment without written permission.

7 | 6 | 5 | 4 | 3



H 11
 M 104

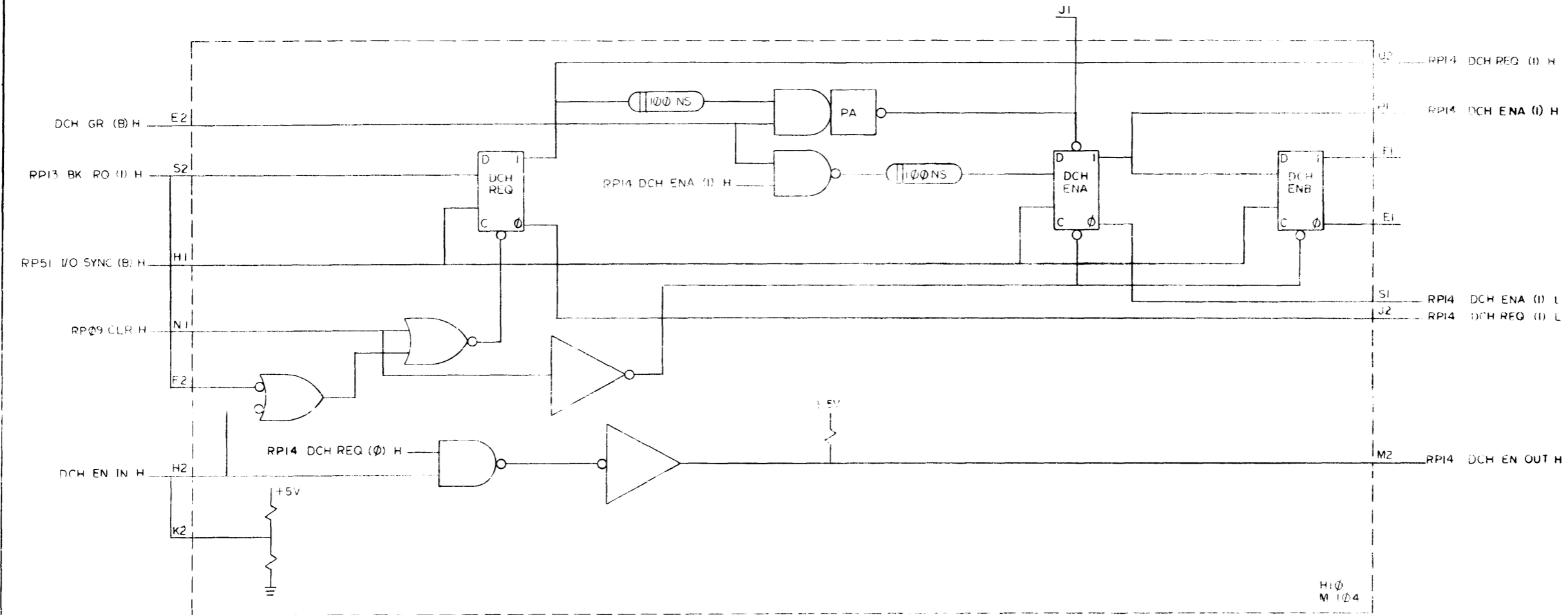
REVISION	NO.	DATE
CHK	CHG	REV

8 | 7 | 6 | 5 | 4 | 3 | 2 | 1

FIRST USED ON OPTION / MODEL	QTY	DESCRIPTION	PART NO	ITEM NO.
UNLESS OTHERWISE SPECIFIED	DRN: <i>[Signature]</i>	DATE: 7/21/70	digital EQUIPMENT CORPORATION TITLE: API CONTROL SIZE CODE: D BS RPI5-0-12 NUMBER: 1 REV:	
UNLESS OTHERWISE SPECIFIED	CHKD: <i>[Signature]</i>	DATE: 7-23-70		
DIMENSION IN INCHES	ENG: <i>[Signature]</i>	DATE: 7-23-70		
TOLERANCES	PRD: <i>[Signature]</i>	DATE: 7-23-70		
DECIMALS FRACTIONS ANGLES	PRD: <i>[Signature]</i>	DATE: 7-23-70		
FINAL SURFACE QUALITY	NEXT FINISHED BY		SCALE	SHEET 1 OF 1
REMOVE BURRS AND BRUSH TO SHARP CORNERS	MATERIAL		DIST.	

REV. 10/69
 NUMBER
 D BS RPI5-0-12

REPRODUCTION OF THIS DOCUMENT IS PROHIBITED WITHOUT THE WRITTEN PERMISSION OF THE MANUFACTURER.

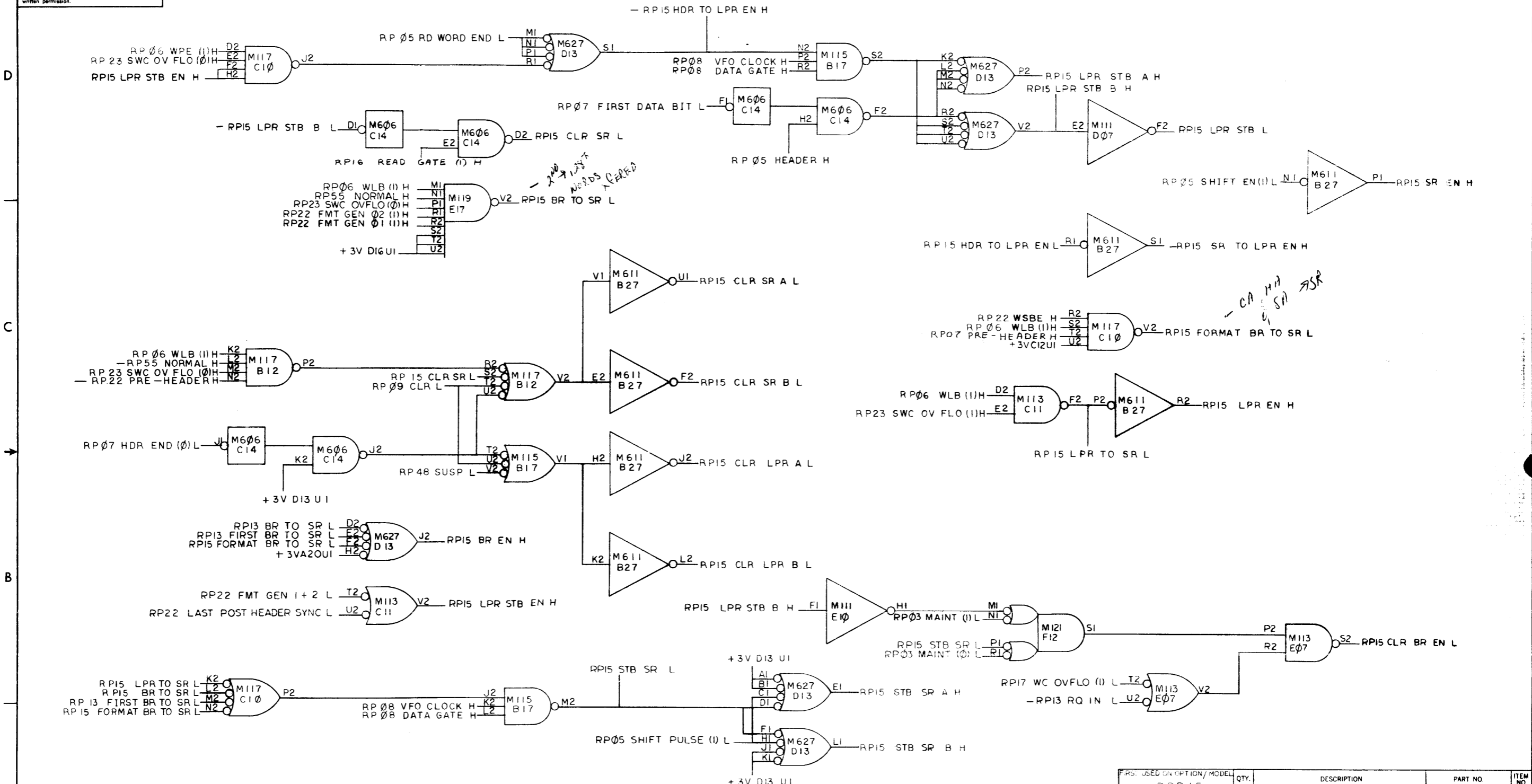


REVISIONS
 1. CHANGE TO PART 104

QTY	DESCRIPTION	PART NO.	ITEM NO.
PARTS LIST			
UNLESS OTHERWISE SPECIFIED	DRN'D	DATE	digital EQUIPMENT CORPORATION WATUKE, MASSACHUSETTS
UNLESS OTHERWISE SPECIFIED	CHK'D	DATE	
TOLERANCES	ENG	DATE	
DECIMALS FRACTIONS ANGLES	PROJ. ENG	DATE	
± .001 ± .005 ± .010 ± .020	PROJ. CLERK	DATE	
FINAL SURFACE QUALITY ± 7 REMOVE BURRS AND BREAK SHARP CORNERS			
MATERIAL	NET WEIGHT	DATE	
FINISH	SCALE		
SHEET	OF	DIST.	

SIZE CODE NUMBER
 DBS RPI5-0-14

This drawing and specifications, herein, are the property of Digital Equipment Corporation and shall not be reproduced or copied or used in whole or in part as the basis for the manufacture or sale of items without written permission.



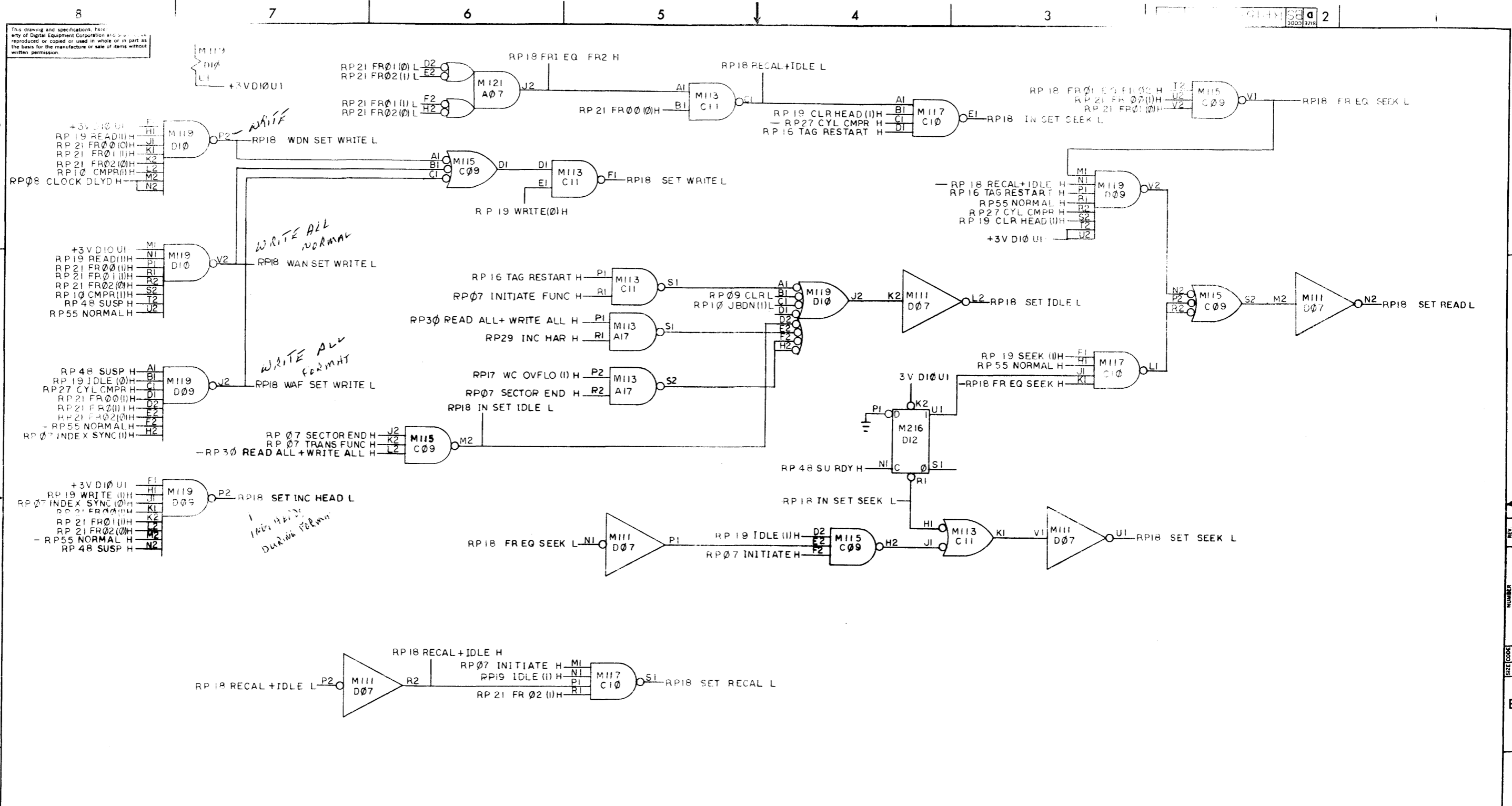
REV	CHG	NO	DATE
A	RP15-0005	1	7-23-70
B	RP15-0007	2	7-24-70
C	RP15-0008	3	7-24-70
D	RP15-0009	4	7-24-70
E	RP15-0010	5	7-24-70
F	RP15-0011	6	7-24-70
G	RP15-0012	7	7-24-70
H	RP15-0013	8	7-24-70
I	RP15-0014	9	7-24-70
J	RP15-0015	10	7-24-70

REV	CHG	NO	DATE
A	RP15-0015	1	7-23-70
B	RP15-0016	2	7-24-70
C	RP15-0017	3	7-24-70
D	RP15-0018	4	7-24-70
E	RP15-0019	5	7-24-70
F	RP15-0020	6	7-24-70
G	RP15-0021	7	7-24-70
H	RP15-0022	8	7-24-70
I	RP15-0023	9	7-24-70
J	RP15-0024	10	7-24-70

RP15-0-15 B

A

This drawing and specifications, the property of Digital Equipment Corporation and its subsidiaries, are not to be reproduced or copied in whole or in part as the basis for the manufacture or sale of items without written permission.

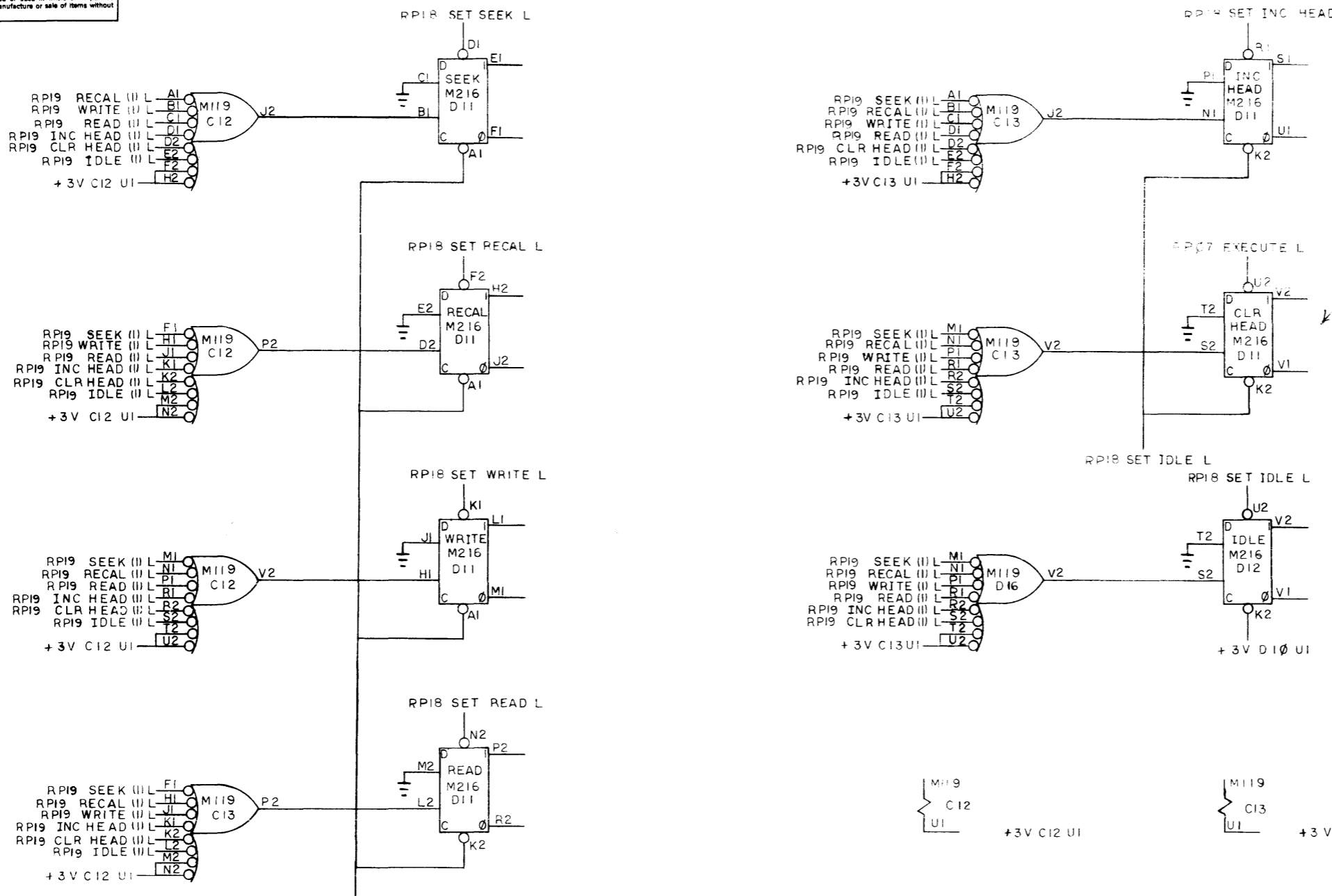


REV	DATE	BY	CHK
A	7-23-70	K. Russ	K. Russ
B	7-23-70	K. Russ	K. Russ
C	7-23-70	K. Russ	K. Russ
D	7-23-70	K. Russ	K. Russ

FIRST USED ON OPTION/MODEL PDP 15	QTY.	DESCRIPTION	PART NO.	ITEM NO.
PARTS LIST				
UNLESS OTHERWISE SPECIFIED DIMENSION IN INCHES	DRN New Davis	DATE 3-30-70	digital EQUIPMENT CORPORATION MAYNARD, MASSACHUSETTS	
UNLESS OTHERWISE SPECIFIED TOLERANCES	CHK'D K. Russ	DATE 7-23-70	TITLE MAJOR STATE CONTROL	
DECIMALS FRACTIONS ANGLES .005 .001 .010	ENG 3.1	DATE 7-23-70	PROJECT 2.1	
FINAL SURFACE QUALITY REMOVE BURRS AND BREAK SHARP CORNERS	PROJ ENG 2.1	DATE 7-23-70	PROJ 2.1	
MATERIAL	REV HIGHER ASSY.	DATE	SIZE CODE NUMBER REV DES RP15-0-18 A	
FINISH	SCALE	SHEET	DIST.	

REV A
NUMBER
DES RP15-0-18
SIZE CODE

This drawing and specifications herein are the property of Digital Equipment Corporation and shall not be reproduced or copied or used in whole or in part as the basis for the manufacture or sale of items without written permission.



Handwritten note: D → M119 in P102
 Available in XPR
 Future Trans

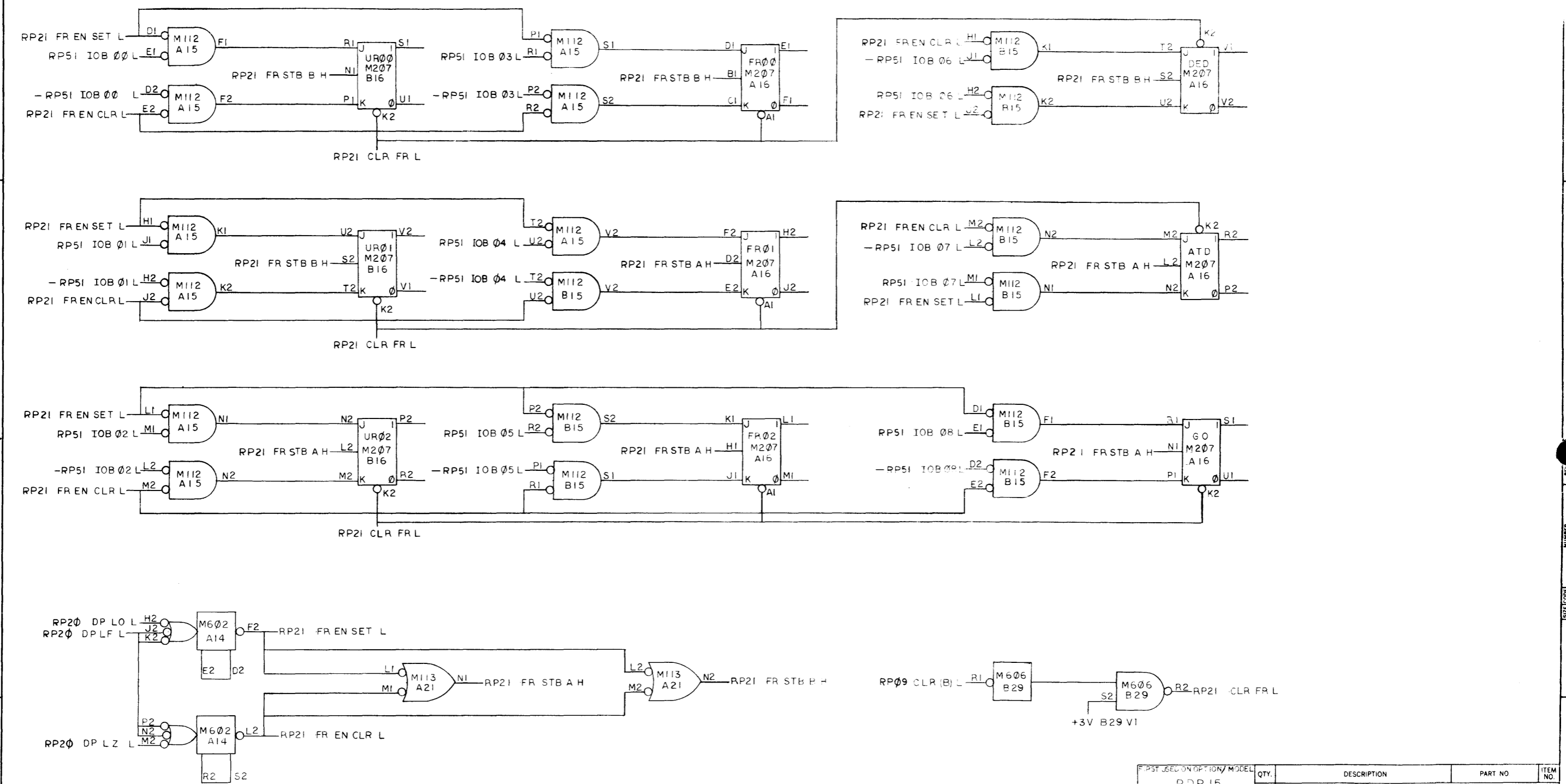
REVISIONS	REV
CHK	CHANGE NO

DEC FORM NO 102A

UNLESS OTHERWISE SPECIFIED	DRN	DATE	1-30-70	QTY	DESCRIPTION	PART NO	ITEM NO.
DIMENSION IN INCHES	CHK'D	DATE	2-23-70	PARTS LIST			
TOLERANCES	ENG	DATE	7-29-70	digital EQUIPMENT CORPORATION MAYNARD MASSACHUSETTS			
DECIMALS FRACTIONS ANGLES	PROJ. ENG	DATE	7-29-70	TITLE			
= .005 = 1/64 = 0°30'	PROD	DATE	7-14-70	MAJOR STATE			
REMOVE BURRS AND BREAK SHARP CORNERS	MATERIAL			SIZE CODE			
	FINISH			NUMBER			
	SCALE			D-HP15-0-19			
	SHEET			DIST			

SIZE CODE
 D-HP15-0-19

This drawing and specifications, herein, are the property of Digital Equipment Corporation and shall not be reproduced or copied or used in whole or in part as the basis for the manufacture or sale of items without written permission.

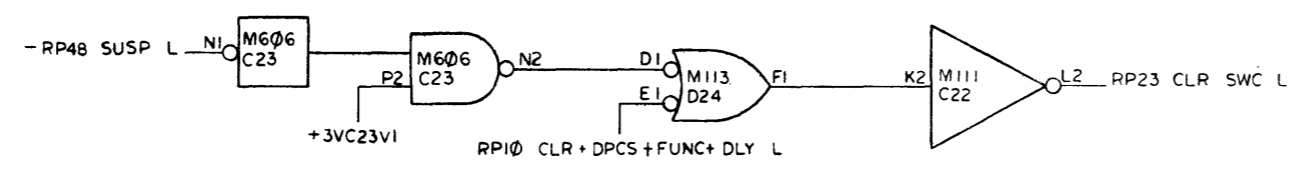
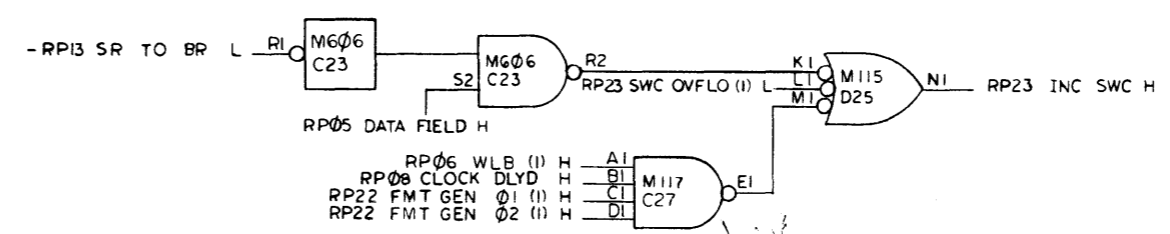
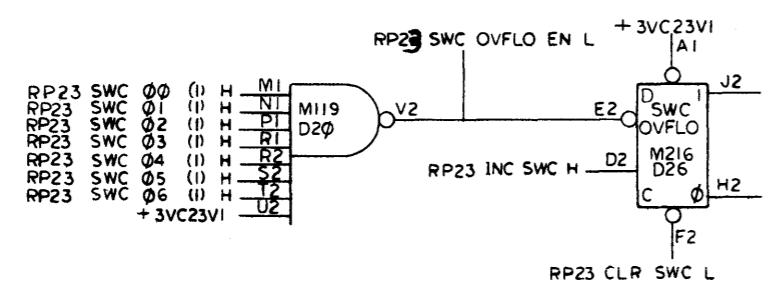
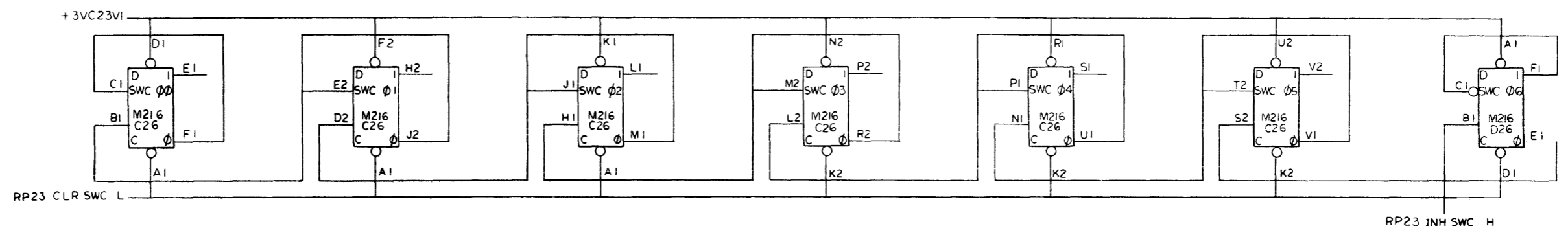


REV	NO.
CHK	

DESIGNATION/OPTION/MODEL	QTY.	DESCRIPTION	PART NO.	ITEM NO.
POP 15				
UNLESS OTHERWISE SPECIFIED	DRN	DATE	PARTS LIST	
DIMENSION IN INCHES	CHK'D	DATE	digital EQUIPMENT CORPORATION MAYNARD, MASSACHUSETTS	
TOLERANCES	ENG.	DATE	TITLE	
DECIMALS FRACTIONS ANGLES	PROJ. ENG.	DATE	FUNCTION REGISTER	
± .005 ± 1/64 ± 0°30'	PROD.	DATE	SIZE CODE NUMBER REV	
FINAL SURFACE QUALITY			DESIG: RP15-0-21	
REMOVE BURRS AND BREAK SHARP CORNERS			SHEET OF	
MATERIAL			DIST.	
FINISH				

DESIG: RP15-0-21

This drawing and specifications, herein, are the property of Digital Equipment Corporation and shall not be reproduced or copied or used in whole or in part as the basis for the manufacture or sale of items without written permission.

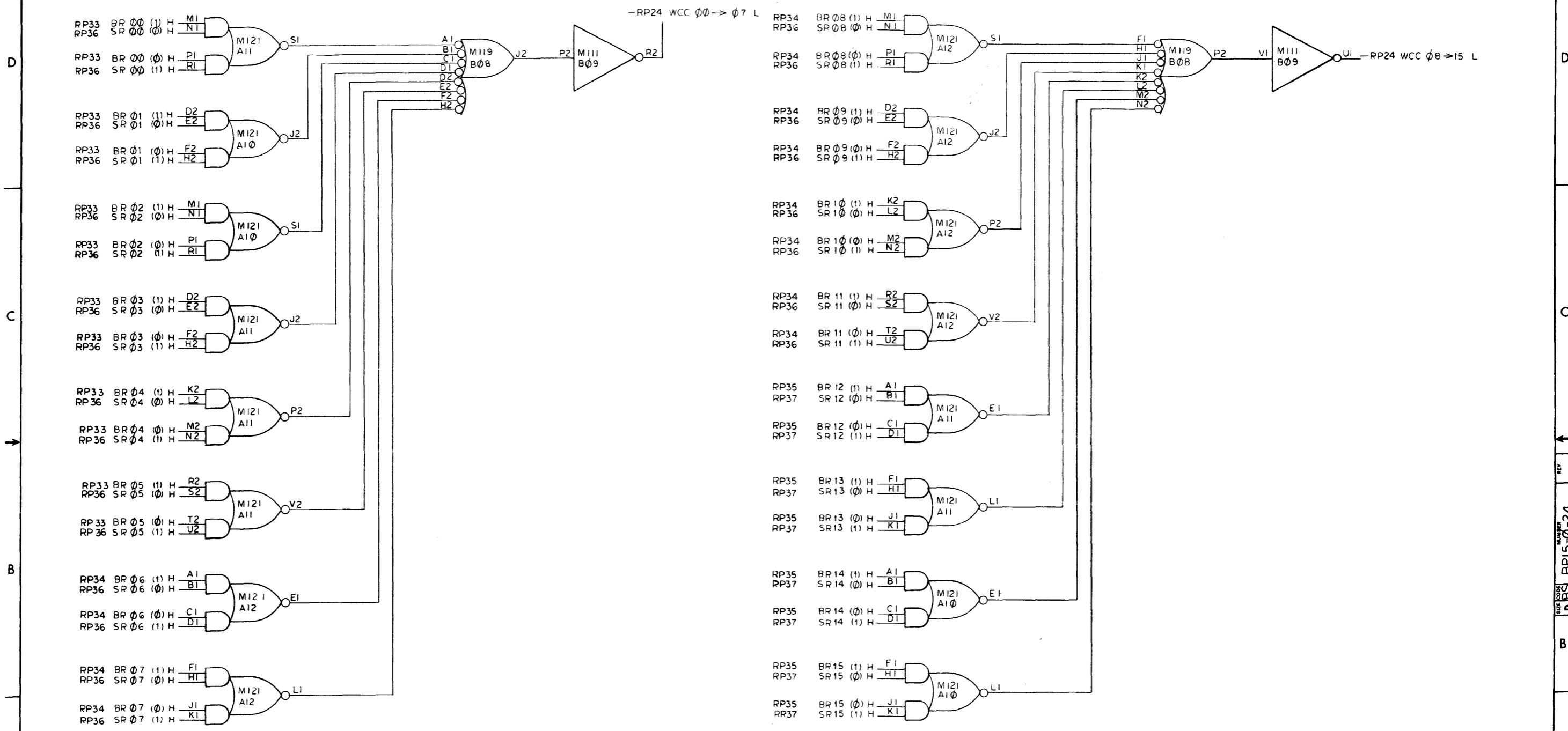


REV	CHG	NO

FIRST USED ON OPTION / MODEL	QTY.	DESCRIPTION	PART NO.	ITEM NO.
PDP15				
PARTS LIST				
digital EQUIPMENT CORPORATION MAYNARD, MASSACHUSETTS				
TITLE SECTOR WORD COUNT				
SIZE CODE NUMBER D BS RP15-0-23				
SCALE DIST				

REV 2 23 RP15-0-23

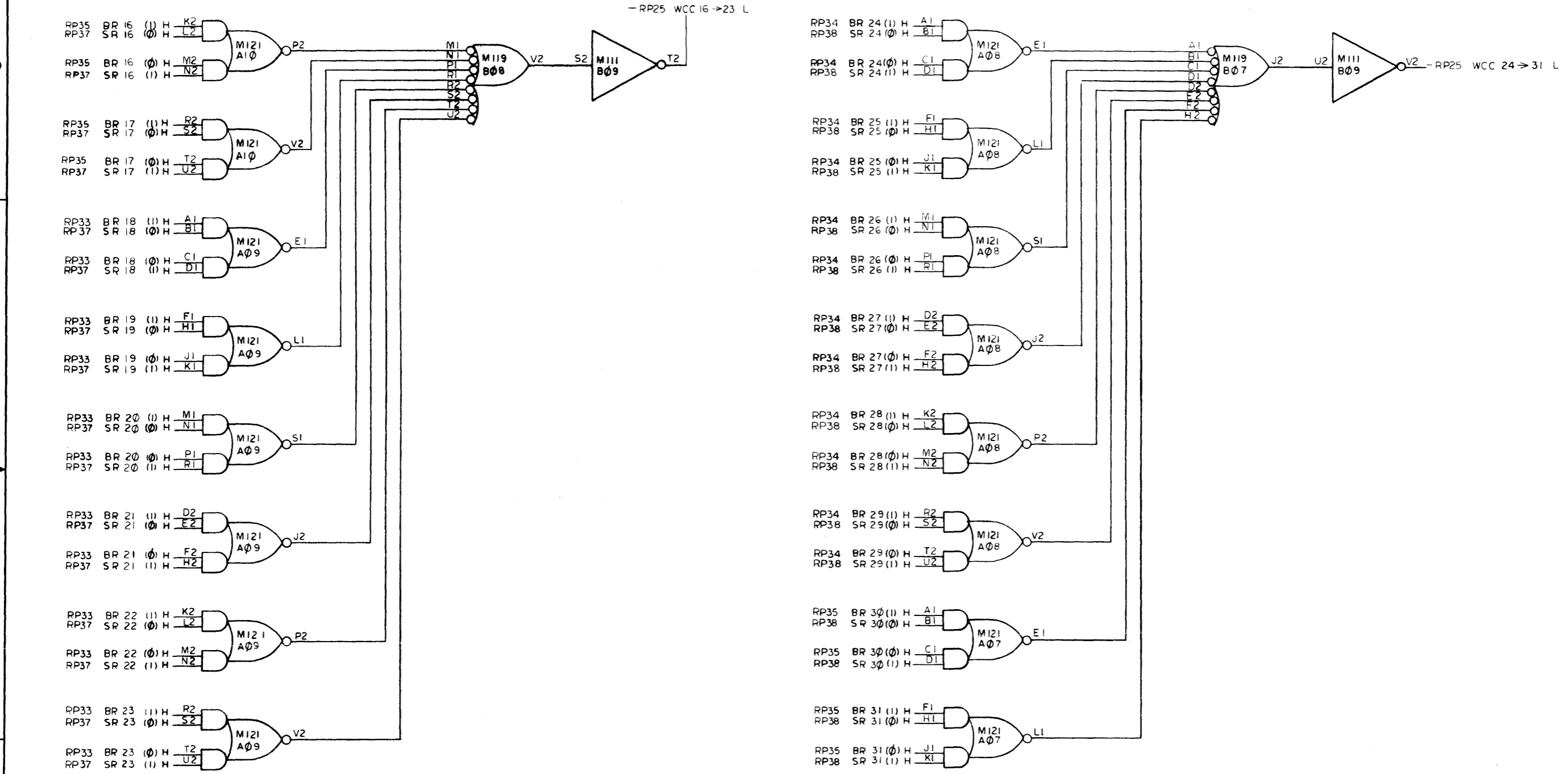
This drawing and specifications, herein, are the property of Digital Equipment Corporation and shall not be reproduced or copied or used in whole or in part as the basis for the manufacture or sale of items without written permission.



REV	
CHANGE NO	
CHK	

FIRST USED ON OPTION/MODEL PDP15	QTY.	DESCRIPTION	PART NO.	ITEM NO.
PARTS LIST				
UNLESS OTHERWISE SPECIFIED DIMENSION IN INCHES	DRW: <i>[Signature]</i>	DATE: <i>7-23-70</i>	digital EQUIPMENT CORPORATION MAYNARD, MASSACHUSETTS	
TOLERANCES DECIMALS FRACTIONS ANGLES = .005 ± 1/64 = 0°30'	CHK'D: <i>[Signature]</i>	DATE: <i>7-24-70</i>	TITLE WRITE CHECK COMPARATOR 00 - 15	
FINAL SURFACE QUALITY REMOVE BURRS AND BREAK SHARP CORNERS	ENG: <i>[Signature]</i>	DATE: <i>7-24-70</i>	NEXT HIGHER ASSY A - ML-RPI5-0	
MATERIAL ---	PROJ. ENG: <i>[Signature]</i>	DATE: <i>7-24-70</i>	SIZE/CODE DBS RPI5-0-24	
FINISH ---	PROJ. MGR: <i>[Signature]</i>	DATE: <i>7-24-70</i>	NUMBER REV.	
	SCALE 1 OF 1	SHEET	DIST.	

This drawing and specifications, herein, are the property of Digital Equipment Corporation and shall not be reproduced or copied or used in whole or in part as the basis for the manufacture or sale of items without written permission.



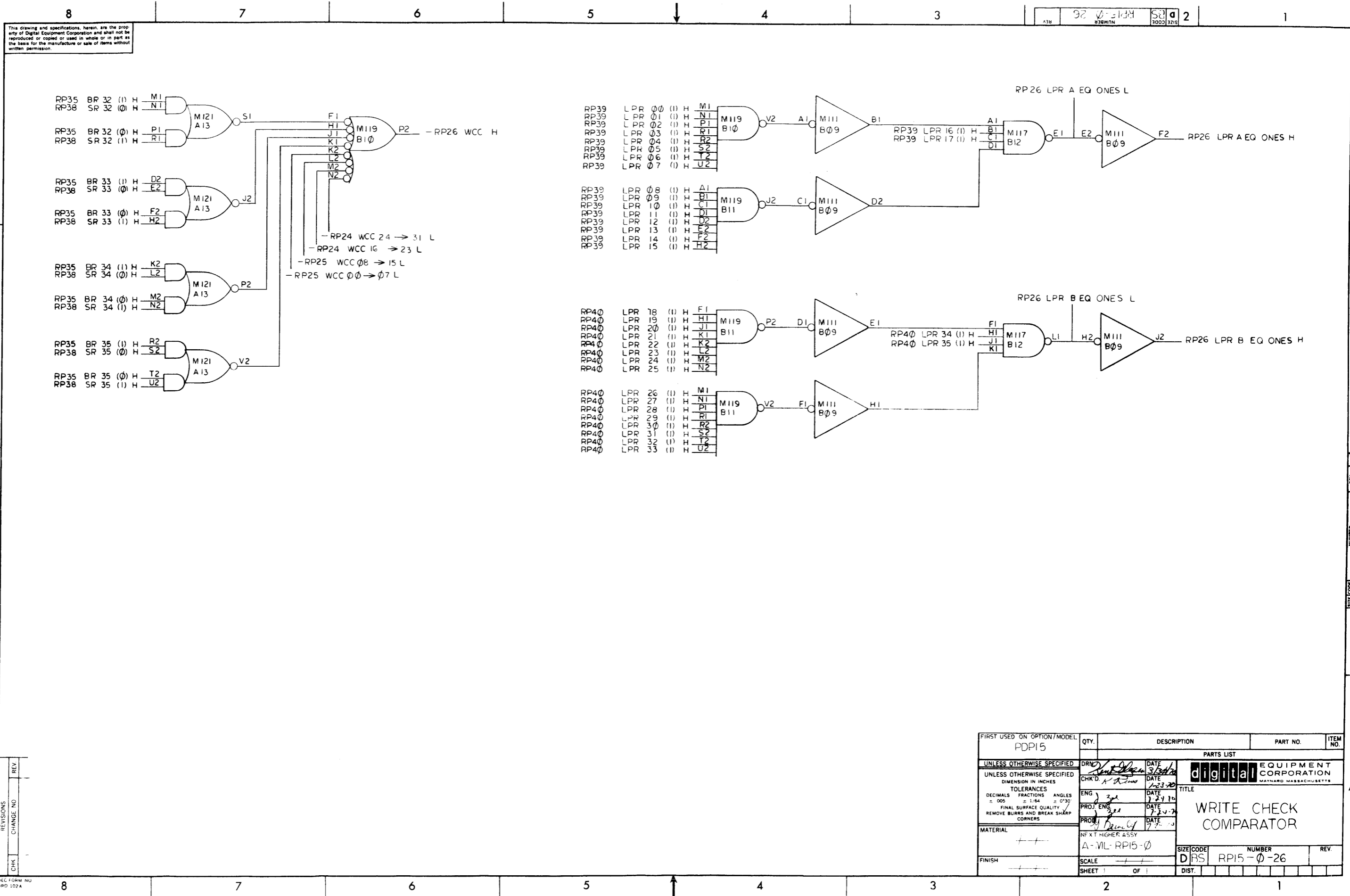
REV	
CHG	
NO.	

DEC FORM NO. DRD 102A

FIRST USED ON OPTION/MODEL PDP15	QTY.	DESCRIPTION	PART NO.	ITEM NO.
PARTS LIST				
UNLESS OTHERWISE SPECIFIED DIMENSION IN INCHES	DRN <i>[Signature]</i>	DATE 7-23-70	digital EQUIPMENT CORPORATION MAYNARD, MASSACHUSETTS	
UNLESS OTHERWISE SPECIFIED TOLERANCES	CHK'D <i>[Signature]</i>	DATE 7-23-70	TITLE WRITE CHECK COMPARATOR 16-31	
DECIMALS FRACTIONS ANGLES ± .005 ± 1/64 ± 0°30'	ENG <i>[Signature]</i>	DATE 7-24-70	SIZE/CODE DBS	
FINAL SURFACE QUALITY REMOVE BURRS AND BREAK SHARP CORNERS	PROJ. ENG. <i>[Signature]</i>	DATE 7-24-70	NUMBER RP15-0-25	
MATERIAL ++	PROB. <i>[Signature]</i>	DATE 7-24-70	REV.	
FINISH ++	NEXT HIGHER ASSY A-ML-RP15-0	SCALE ++	DIST.	
	SHEET 1 OF 1			

REV. NO. DBS RP15-0-25

This drawing and specifications herein are the property of Digital Equipment Corporation and shall not be reproduced or copied or used in whole or in part as the basis for the manufacture or sale of items without written permission.



REV	NO
CHG	NO

DEC FORM NO. 1024

FIRST USED ON OPTION/MODEL PDP15	QTY.	DESCRIPTION	PART NO.	ITEM NO.
PARTS LIST				
UNLESS OTHERWISE SPECIFIED	DRN	DATE	 digital EQUIPMENT CORPORATION MAYNARD, MASSACHUSETTS	
UNLESS OTHERWISE SPECIFIED	CHK'D	DATE		
TOLERANCES	ENG	DATE		
DECIMALS FRACTIONS ANGLES	PROJ. ENG.	DATE		
± .005 ± 1/64 ± 0'30"	PROJ. ENG.	DATE	WRITE CHECK COMPARATOR	
FINAL SURFACE QUALITY / REMOVE BURRS AND BREAK SHARP CORNERS	PROJ. ENG.	DATE		
MATERIAL	INF X T HIGHER ASSY		SIZE CODE	NUMBER
FINISH	SCALE		D BS	RP15-0-26
	SHEET 1	OF 1	DIST.	

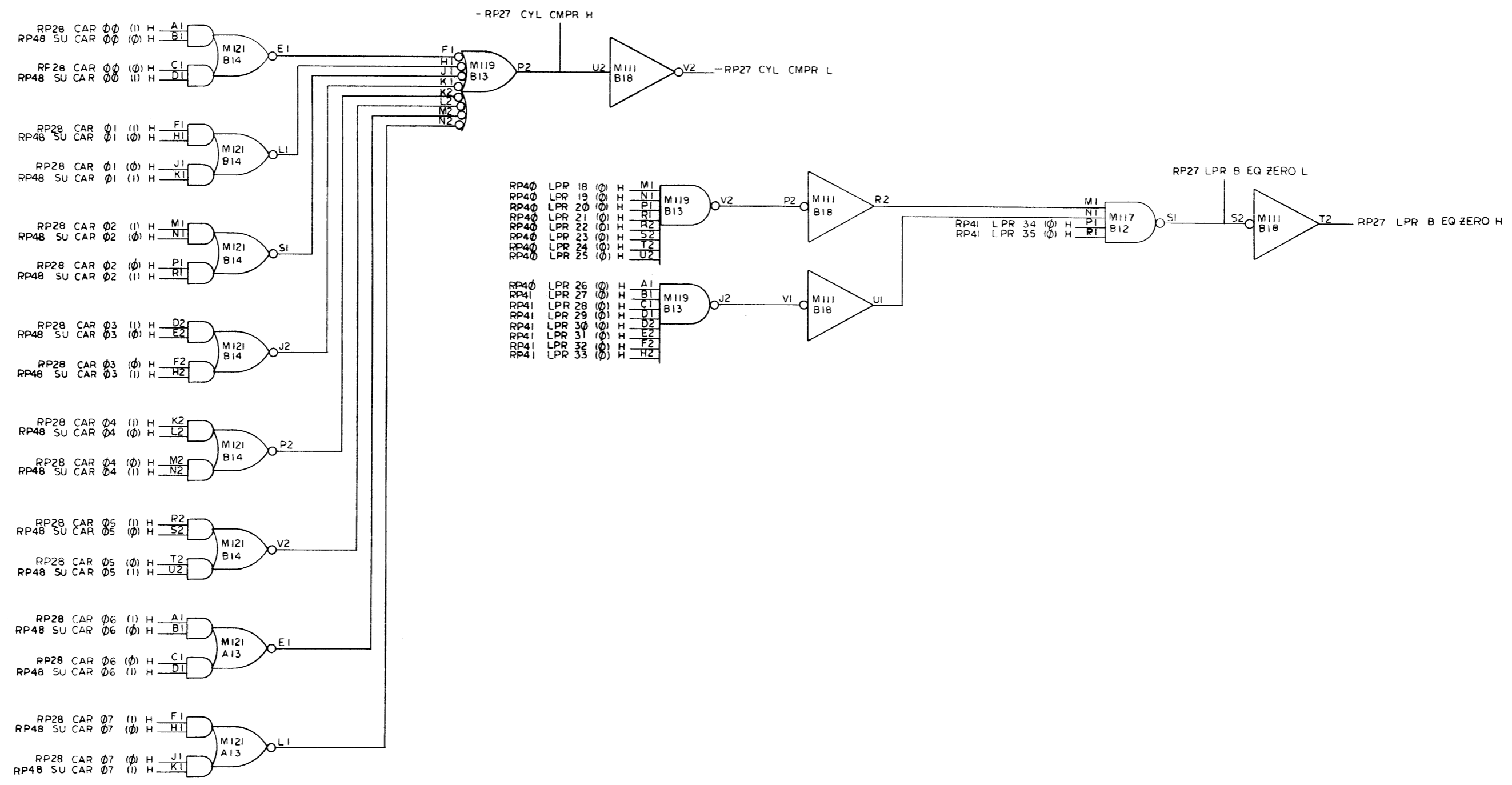
REV. NO. RP15-0-26

B

A

This drawing and specifications herein are the property of Digital Equipment Corporation and shall not be reproduced or copied or used in whole or in part as the basis for the manufacture or sale of items without written permission.

D
 C
 B
 A

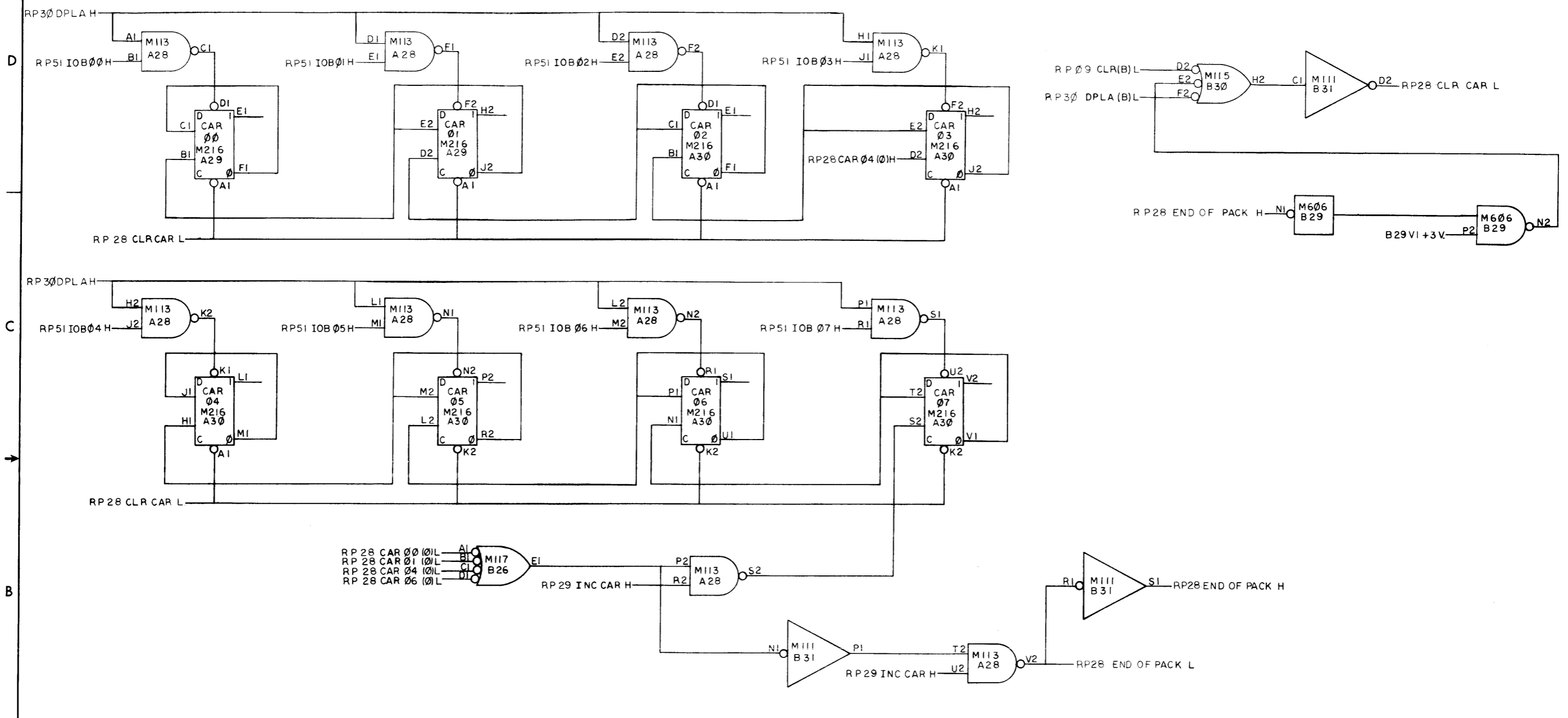


D
 C
 B
 A

REV	
CHG	

FIRST USED ON OPTION/MODEL RP15	QTY.	DESCRIPTION	PART NO.	ITEM NO.
PARTS LIST				
UNLESS OTHERWISE SPECIFIED DIMENSION IN INCHES	DRN <i>[Signature]</i>	DATE 7-23-70	TITLE digital EQUIPMENT CORPORATION MAYNARD MASSACHUSETTS	
TOLERANCES DECIMALS FRACTIONS ANGLES ± .005 ± 1/64 ± 0°30'	CHK'D <i>[Signature]</i>	DATE 7-23-70	TITLE CYLINDER COMPARATOR	
FINAL SURFACE QUALITY REMOVE BURRS AND BREAK SHARP CORNERS	ENG <i>[Signature]</i>	DATE 7-24-70	NEXT HIGHER ASSY A-ML-RP15-0	
MATERIAL ---	PROJ. ENG. <i>[Signature]</i>	DATE 7-21-70	SIZE CODE NUMBER REV. DBS RP15-0-27	
FINISH ---	PROD. <i>[Signature]</i>	DATE 7-9-70	SCALE ---	
	SHEET 1	OF 1	DIST.	

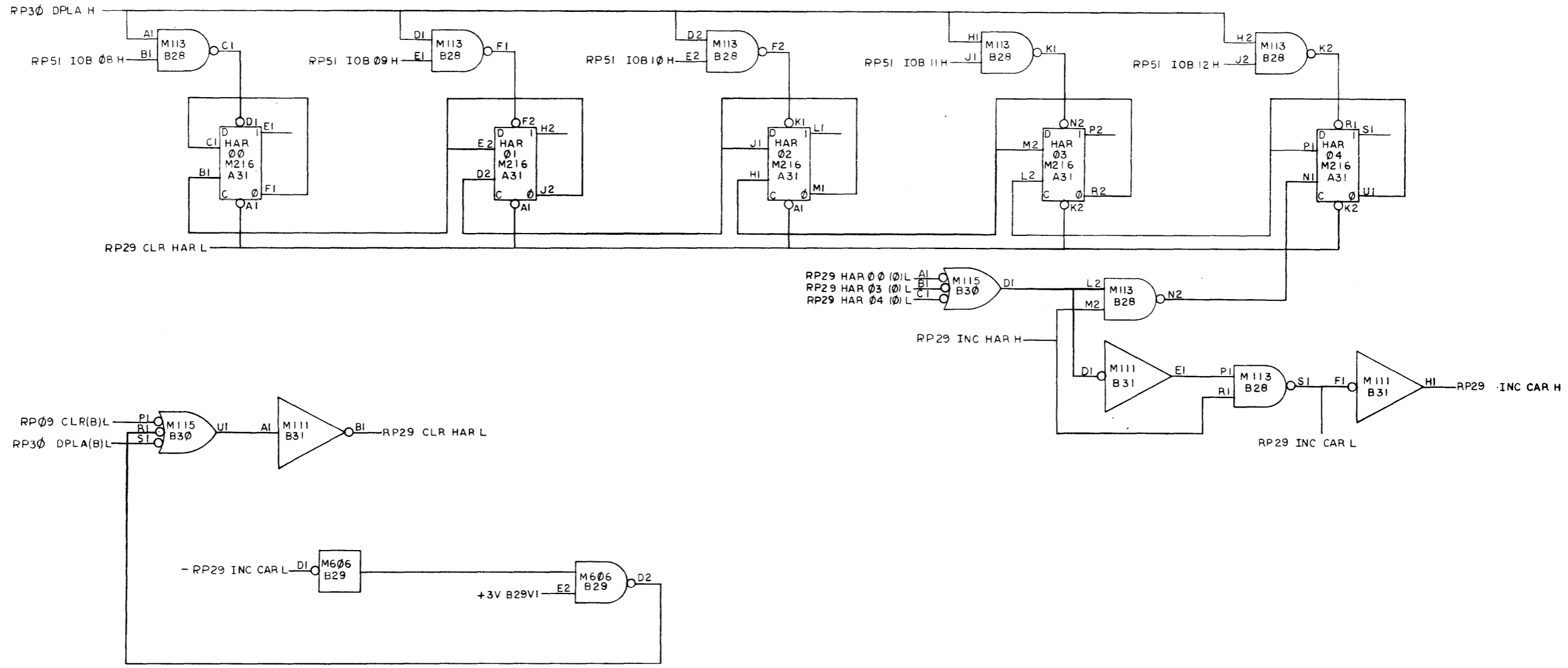
This drawing and specifications, herein, are the property of Digital Equipment Corporation and shall not be reproduced or copied or used in whole or in part as the basis for the manufacture or sale of items without written permission.



REV	
CHK	
CHG	
NO	

FIRST USED ON OPTION/MODEL	QTY.	DESCRIPTION	PART NO.	ITEM NO.
PDP 15				
PARTS LIST				
UNLESS OTHERWISE SPECIFIED	DRN	DATE	3-29-72	
UNLESS OTHERWISE SPECIFIED	CHK'D	DATE	7-23-70	
DIMENSION IN INCHES	ENG	DATE	7-24-70	
TOLERANCES	PROJ. ENG.	DATE	7-24-70	
DECIMALS FRACTIONS ANGLES	PROB.	DATE	7-26-70	
= .005 = 1/64 = 0°30'				
FINAL SURFACE QUALITY / REMOVE BURRS AND BREAK SHARP CORNERS				
MATERIAL	NEXT HIGHER ASSY.			
	A-ML-RP15-0			
FINISH	SCALE	SIZE CODE NUMBER REV.		
	SHEET / OF /	D BS RP15-0-28		

This drawing and specifications, herein, are the property of Digital Equipment Corporation and shall not be reproduced or copied in whole or in part as the basis for the manufacture or sale of items without written permission.



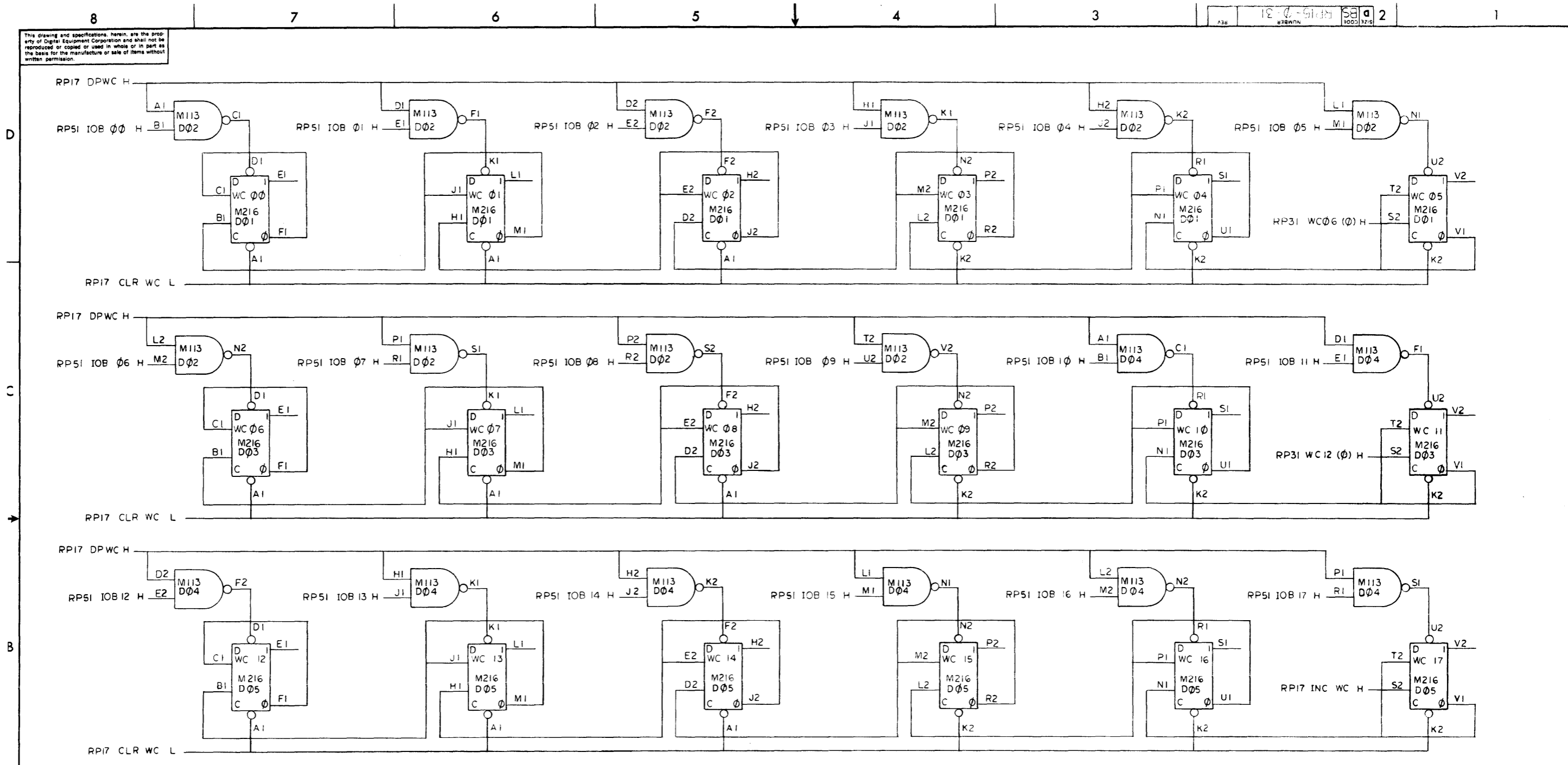
REV	NO.
CHK	CHANGE NO.

DEC FORM NO. DDP 102A

FIRST USED ON OPTION MODEL PDP 15	QTY.	DESCRIPTION	PART NO.	ITEM NO.
PARTS LIST				
UNLESS OTHERWISE SPECIFIED DIMENSION IN INCHES TOLERANCES DECIMALS FRACTIONS ANGLES = .005 = 1/64 = 0°30' FINAL SURFACE QUALITY REMOVE BUMPS AND BREAK SHARP CORNERS	DRN. <i>Ray Harris</i> DATE 3-25-70	DATE 7-23-70	 digital EQUIPMENT CORPORATION MAYNARD, MASSACHUSETTS	
MATERIAL + + +	CHK'D. <i>A. Rivers</i> DATE 7-23-70	DATE 7-24-70		
FINISH	ENG. <i>J. Z...</i> DATE 7-24-70	DATE 7-24-70	TITLE HEAD ADDRESS REGISTER	
	PROJ. ENG. <i>J. Z...</i> DATE 7-24-70	DATE 7-24-70		
	NEXT HIGHER ASS'Y. A-ML-RP15-0		SIZE CODE DBS RP15-0-29	NUMBER
	SCALE 1/1	SHEET 1	DIST.	REV.

REV. NO. DBS RP15-0-29

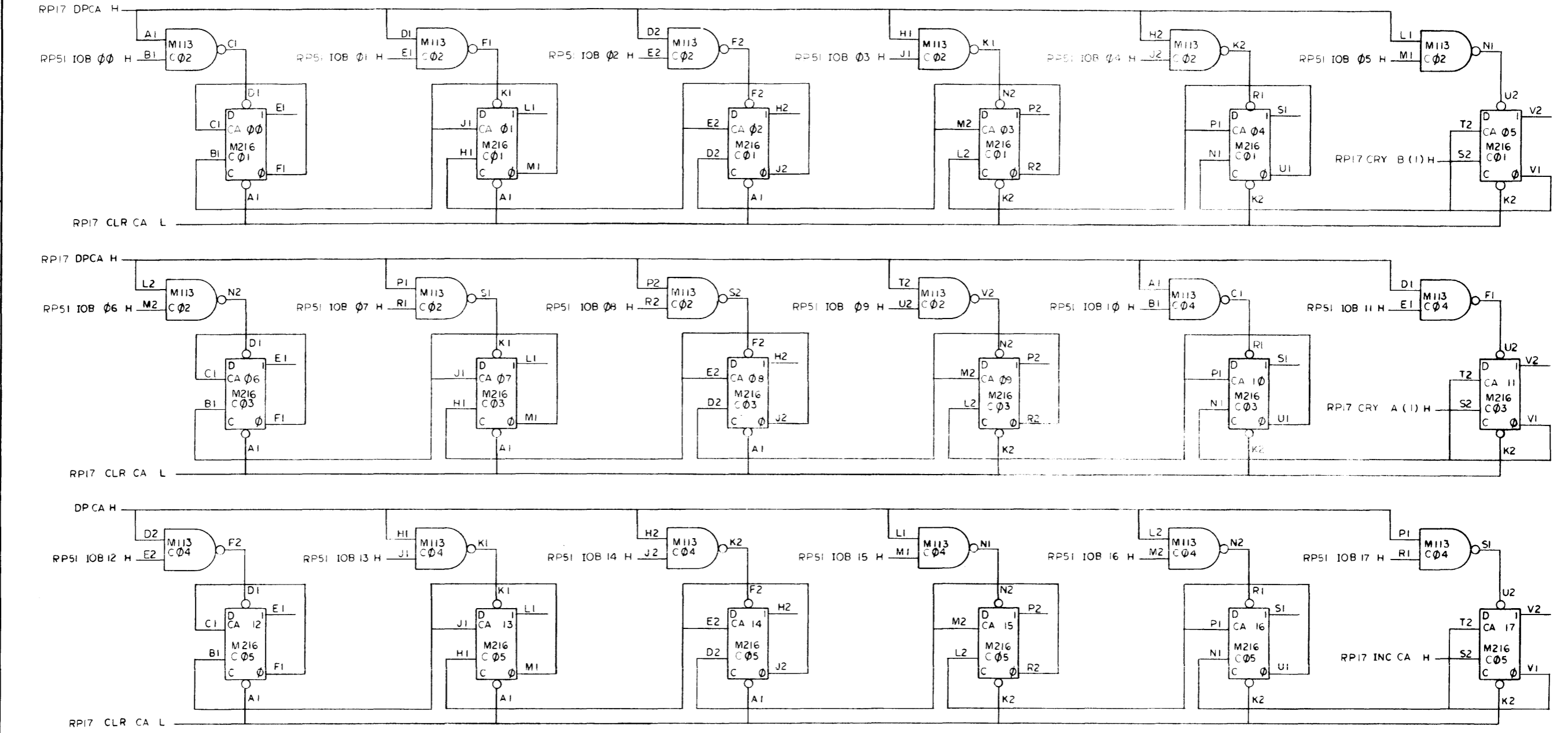
This drawing and specifications herein are the property of Digital Equipment Corporation and shall not be reproduced or copied or used in whole or in part as the basis for the manufacture or sale of items without written permission.



REV	NO
CHG	NO
REV	NO
CHG	NO

FIRST USED ON OPTION/MODEL PDP15	QTY.	DESCRIPTION	PART NO.	ITEM NO.
PARTS LIST				
UNLESS OTHERWISE SPECIFIED DRW: <i>[Signature]</i> DATE: 4/3/70	digital EQUIPMENT CORPORATION MAYNARD, MASSACHUSETTS			
UNLESS OTHERWISE SPECIFIED DIMENSION IN INCHES TOLERANCES DECIMALS FRACTIONS ANGLES = .005 = 1/64 = 0°30'	CHK'D: <i>[Signature]</i> DATE: 7-23-70	TITLE WORD COUNT REGISTER 00-17		
REMOVE BURRS AND BREAK SHARP CORNERS	ENG: <i>[Signature]</i> DATE: 7-21-70	PROJ. ENG: <i>[Signature]</i> DATE: 7-24-70		
MATERIAL FINISH	PROD: <i>[Signature]</i> DATE: 7-21-70	NEXT HIGHER ASSY A-ML-RP15-0		
SCALE	SHEET 1 OF 1	SIZE CODE D ES	NUMBER RP15-0-31	DIST.

This drawing and specifications, herein, are the property of Digital Equipment Corporation and shall not be reproduced or copied or used in whole or in part as the basis for the manufacture or sale of items without written permission.

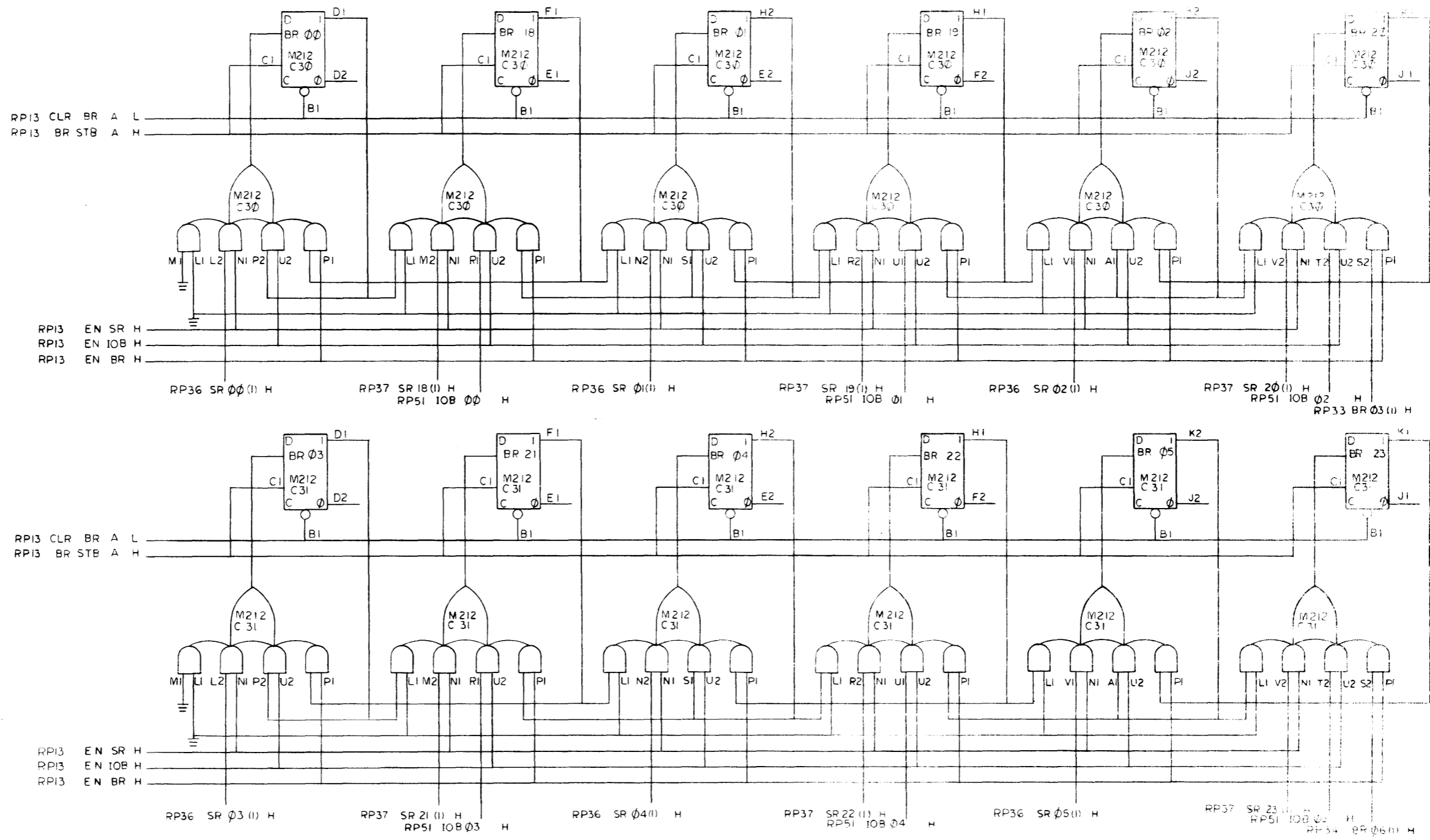


REV	
CHANGE NO	
CHK	

FIRST USED ON OPTION / MODEL	QTY.	DESCRIPTION	PART NO.	ITEM NO.
RP15				
PARTS LIST				
digital EQUIPMENT CORPORATION MAYNARD, MASSACHUSETTS				
TITLE CURRENT ADDRESS REGISTER 00 - 17				
SIZE CODE D BS NUMBER RP15 - 0 - 32				
SCALE SHEET 1 OF 1				

REV. B RP15-0-32

This drawing and specifications, herein, are the property of Digital Equipment Corporation and shall not be reproduced or copied or used in whole or in part as the basis for the manufacture or sale of items without written permission.



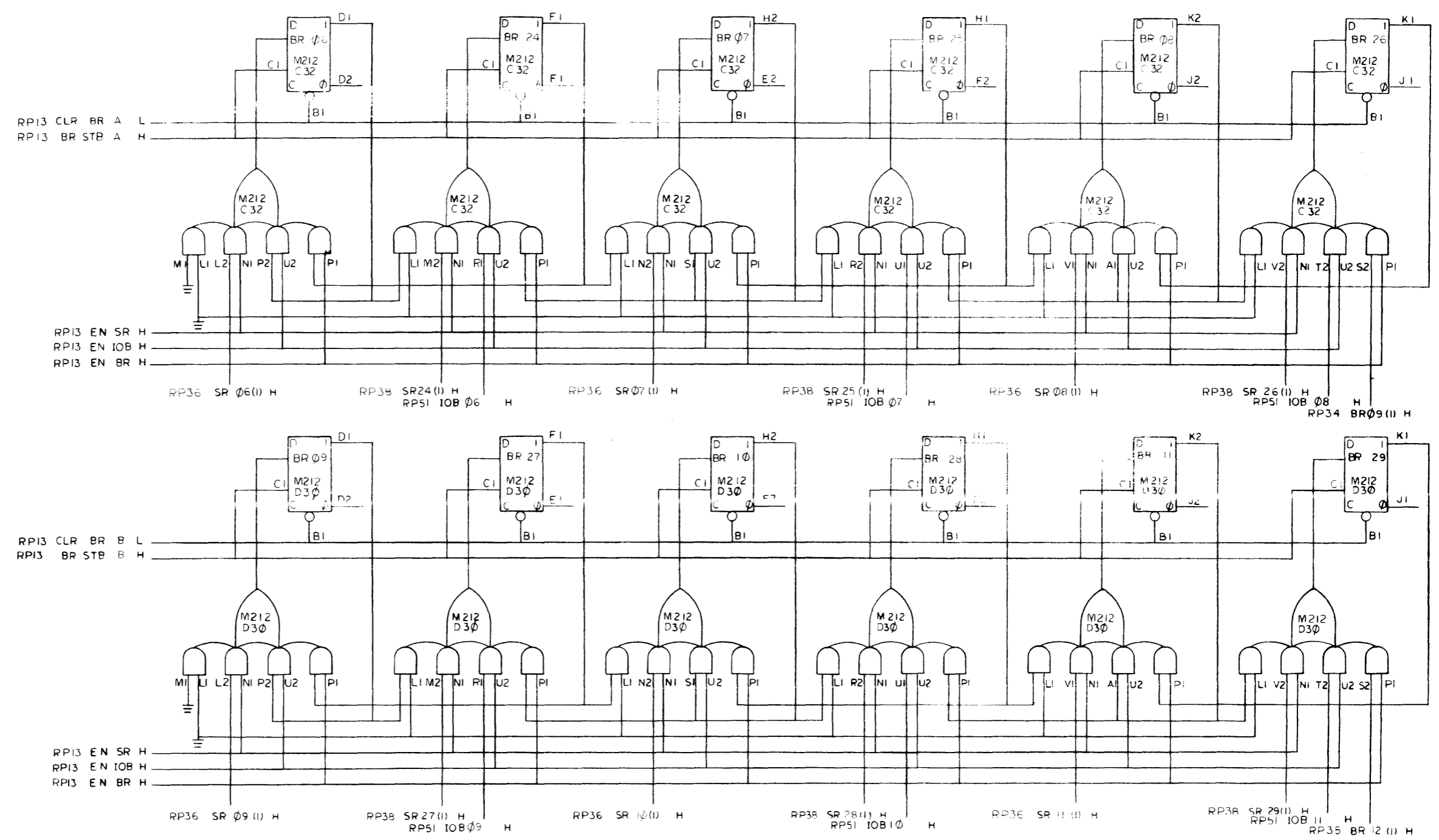
FIRST USED ON OPTION MODEL	QTY.	DESCRIPTION	PART NO.
PDP15			
UNLESS OTHERWISE SPECIFIED			
DRN	DATE	digital EQUIPMENT CORPORATION	
CHK'D	DATE	CORPORATION	
DIMENSION IN INCHES			
TOLERANCES			
DECIMALS	FRACTIONS	ANGLES	
= .005	= 1/64	= 0°30'	
FINAL SURFACE QUALITY			
REMOVE BURRS AND BREAK SHARP CORNERS			
MATERIAL			
FINISH			
SCALE		SHEET	
OF		OF	
D155		D155	
PDP15 0-33		PDP15 0-33	

REV	CHANGE NO	DATE
1		

8 7 6 5 4 3 2 1

REV 1
NUMBER 1515-0-33
SIZE 11x17

This drawing and specifications herein are the property of Digital Equipment Corporation and shall not be reproduced or copied or used in whole or in part as the basis for the manufacture or sale of items without written permission.



REV	
CHG	
NO	

DEC FORM NO
DRG 102A

FIRST USED ON OPTION / MODEL PDP15	QTY.	DESCRIPTION	PART NO.	ITEM NO.
UNLESS OTHERWISE SPECIFIED DIMENSION IN INCHES TOLERANCES DECIMALS FRACTIONS ANGLES = .005 = .04 = 0°30' FINAL SURFACE QUALITY REMOVE BURRS AND BREAK SHARP CORNERS	DRN CHK'D ENG PROJ ENG PROD	DATE DATE DATE DATE DATE	PARTS LIST digital EQUIPMENT CORPORATION MAYNARD, MASSACHUSETTS	
MATERIAL	NEXT HIGHER ASSY		TITLE BUFFER REGISTER 06-11, 24-29	
FINISH	SCALE	SHEET	SIZE CODE D BS	NUMBER RP15-0-34
	OF 1		DIST.	REV.

REV
NO
D BS
RP15-0-34

A

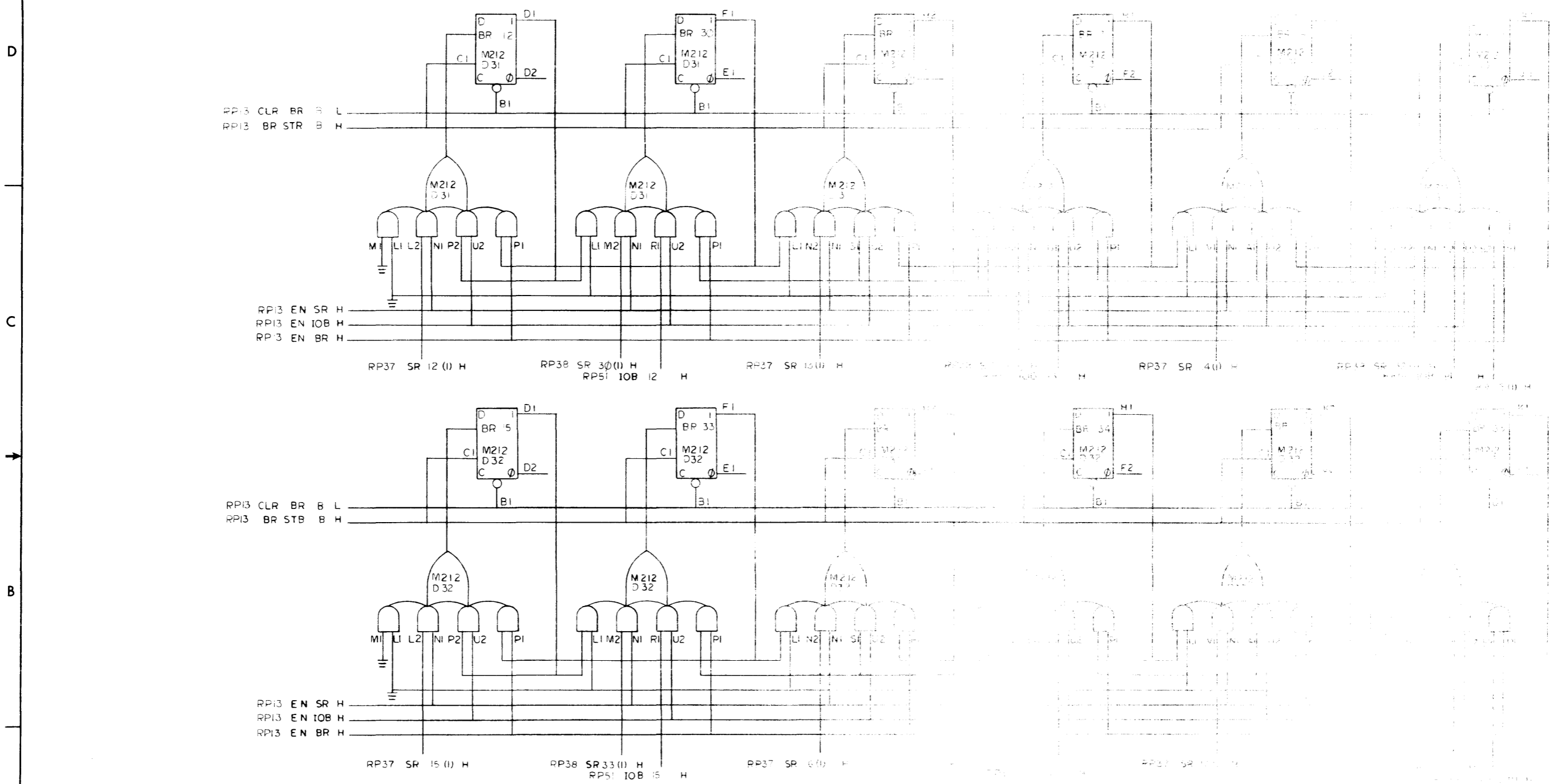
This drawing and specifications herein are the property of Digital Equipment Corporation and shall not be reproduced or copied or used in whole or in part as the basis for the manufacture or sale of items without written permission.

D
C
B
A

REVISIONS	REV
CHANGE NO.	
CHK	

DEC FORM NO
DSD 102A

8 7 6 5 4 3



UNLESS OTHERWISE SPECIFIED
DIMENSIONS ARE IN INCHES
DECIMAL FRACTIONS SHOULD BE TO TWO DECIMAL PLACES
TOLERANCES ARE:
FRACTIONS: ±0.005
DECIMALS: ±0.005
DIMENSIONS IN PARENTHESES ARE FOR INFORMATION ONLY

DATE: 11/15/64
DRAWN BY: [Signature]
CHECKED BY: [Signature]
APPROVED BY: [Signature]

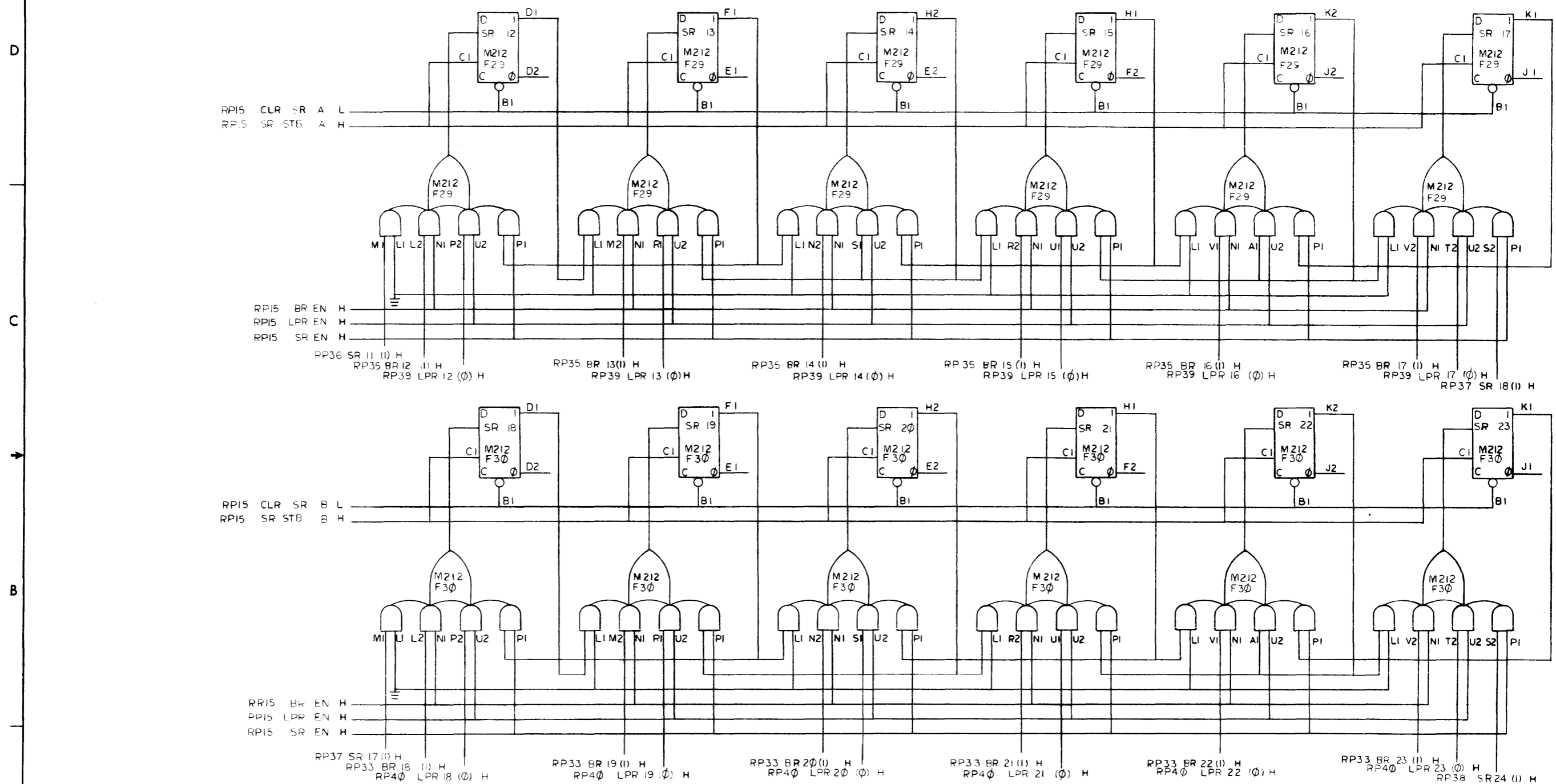
REVISIONS

1. [Description]

2. [Description]

8 7 6 5 4 3

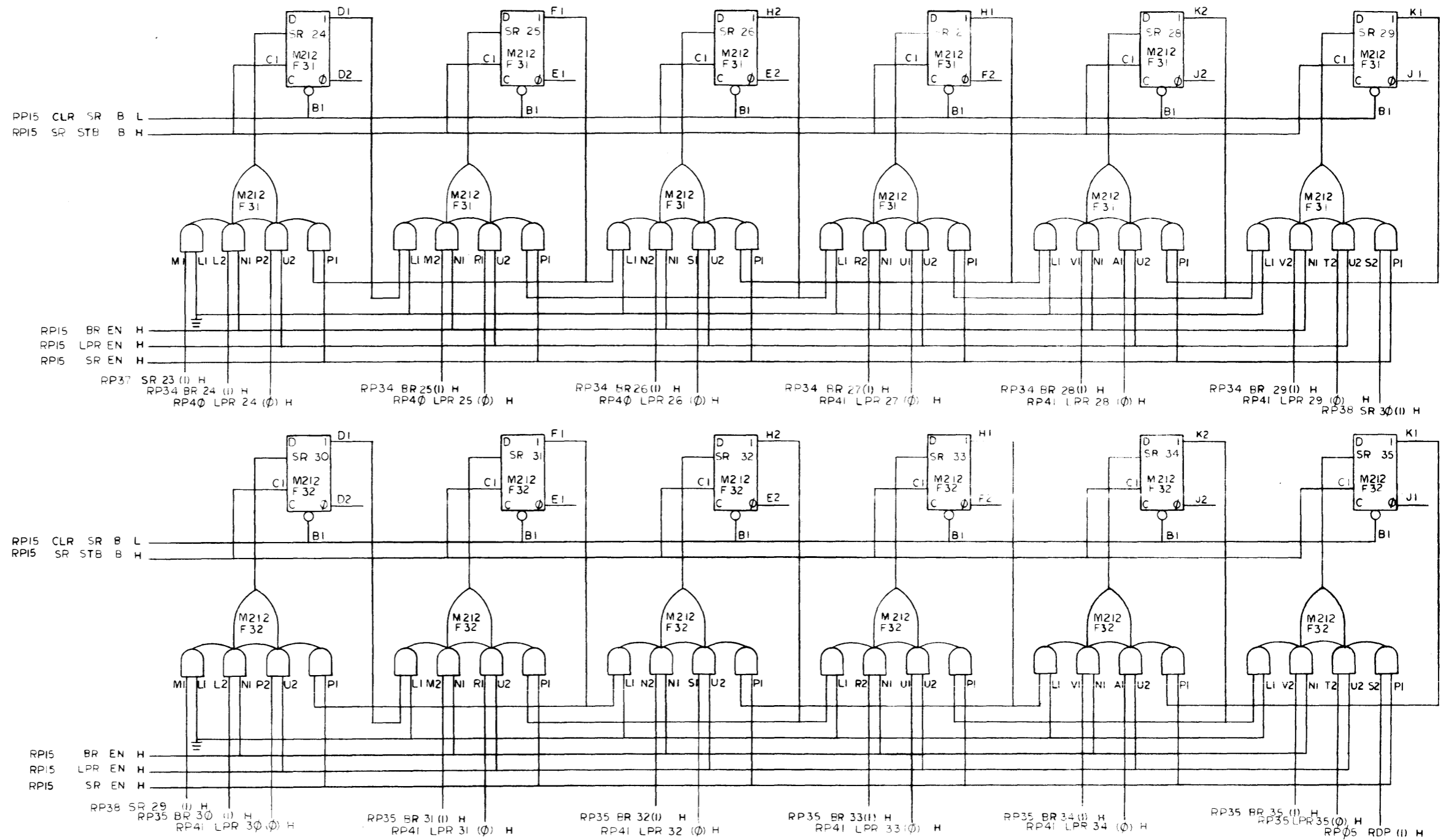
This drawing and specifications, herein, are the property of Digital Equipment Corporation and shall not be reproduced or copied or used in whole or in part as the basis for the manufacture or sale of items without written permission.



REV	
CHG	
NO	

FIRST USED ON OPTION / MODEL PDP15	QTY.	DESCRIPTION	PART NO.	ITEM NO.
UNLESS OTHERWISE SPECIFIED DIMENSION IN INCHES TOLERANCES DECIMALS FRACTIONS ANGLES = .005 = 1/64 = 0°30' FINAL SURFACE QUALITY REMOVE BURRS AND BREAK SHARP CORNERS	DRM CHK'D ENG PROJ. ENG. PROD.	DATE DATE DATE DATE DATE	PARTS LIST digital EQUIPMENT CORPORATION MAYNARD MASSACHUSETTS	
MATERIAL	TITLE SHIFT REGISTER 12-23		SIZE CODE DBS NUMBER RP15-0-37 RE	
FINISH	SCALE	SHEET	OF	DIST.

This drawing and specifications, herein, are the property of Digital Equipment Corporation and shall not be reproduced or copied or used in whole or in part as the basis for the manufacture or sale of items without written permission.



REVISIONS	REV
CHANGE NO.	
CHK	

SEC FORM NO 380 102A

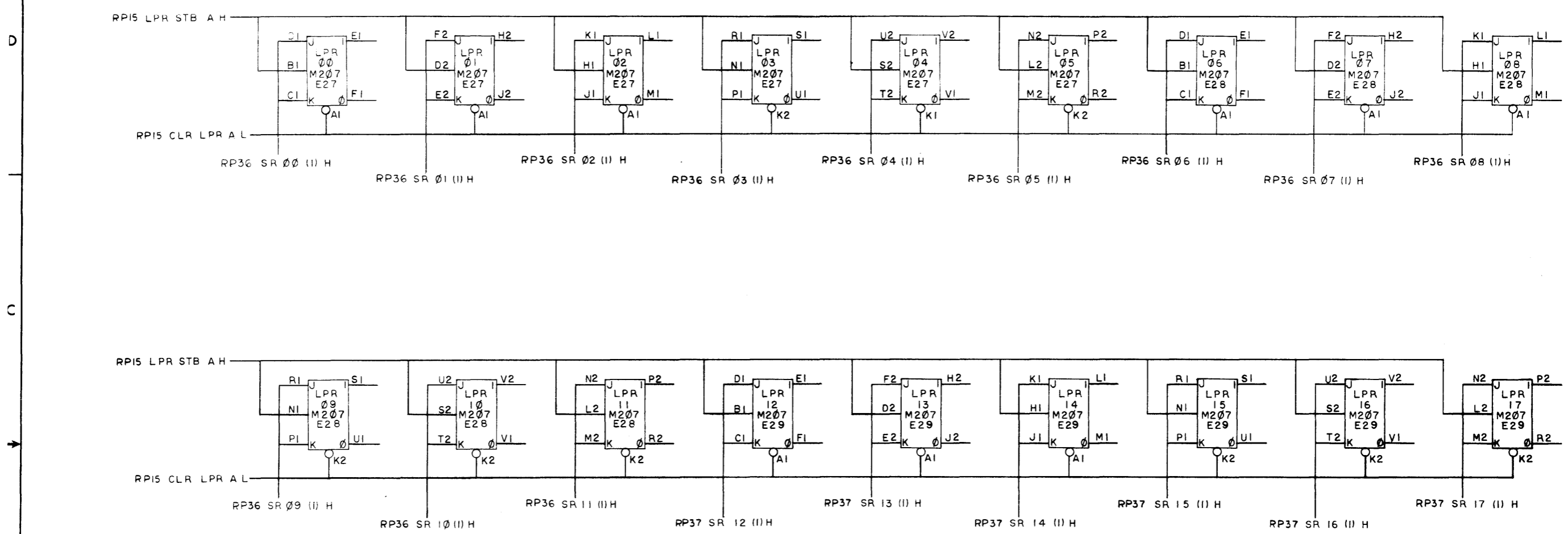
FIRST USED ON OPTION / MODEL PDP15	QTY.	DESCRIPTION	PART NO.	ITEM NO.
UNLESS OTHERWISE SPECIFIED DIMENSION IN INCHES TOLERANCES DECIMALS FRACTIONS ANGLES ± .005 ± .001 ± .030 FINAL SURFACE QUALITY REMOVE BURRS AND BREAK SHARP CORNERS	DRN CHK'D ENG. PROJ ENG PRD	DATE DATE DATE DATE DATE	PARTS LIST digital EQUIPMENT CORPORATION MAYNARD, MASSACHUSETTS	
MATERIAL	FINISH	SCALE	TITLE SHIFT REGISTER 24 - 35	
		SHEET	SIZE CODE D BS	NUMBER RP15-0-38
		OF 1	DIST.	REV

REV
NUMBER
RP15-0-38
SIZE CODE
D BS

A

This drawing and specifications herein are the property of Digital Equipment Corporation and shall not be reproduced or copied or used in whole or in part as the basis for the manufacture or sale of items without written permission.

62-0-914M SE 2

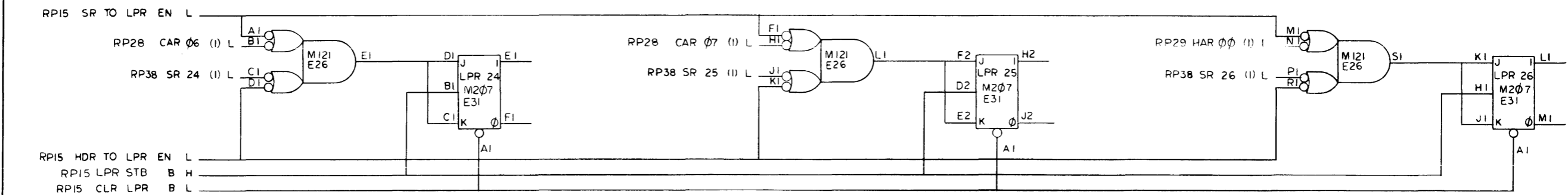
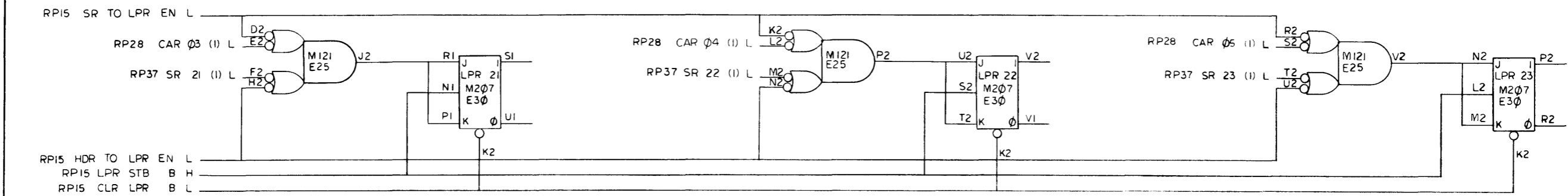
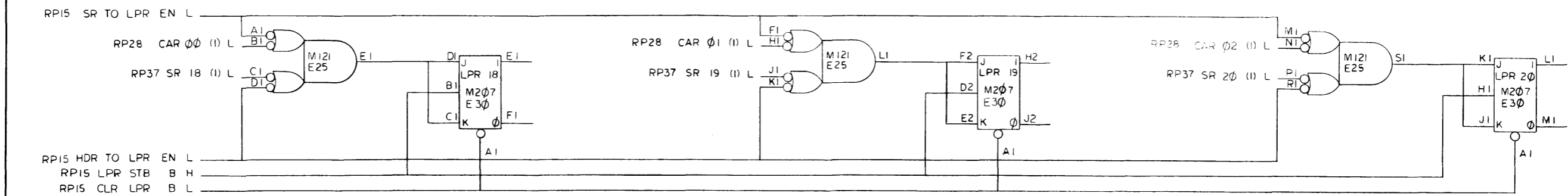


REVISIONS	REV
CHK	CHANGE NO

FIRST USED ON OPTION/MODEL	QTY.	DESCRIPTION	PART NO.	ITEM NO.
PDP 15				
PARTS LIST				
UNLESS OTHERWISE SPECIFIED	DRN	DATE	digital EQUIPMENT CORPORATION WATFORD, MASSACHUSETTS	
UNLESS OTHERWISE SPECIFIED	CHK'D	DATE		
TOLERANCES	ENG	DATE		
DECIMALS FRACTIONS ANGLES	PROJ. ENG.	DATE		
± .005 ± 1/64 ± 0°30'	DATE	DATE	TITLE	
FINAL SURFACE QUALITY	DATE	DATE	LONGITUDINAL	
REMOVE BURRS AND BREAK SHARP CORNERS	DATE	DATE	PARITY REG.	
	DATE	DATE	LPR00-LPR17	
MATERIAL	NEXT HIGHER ASSY.		SIZE CODE	NUMBER
+	A-11-44-1-2		DBSR-15-0-39	
FINISH	SCALE		DIST.	
+	1 OF 1			

REV DBSR-15-0-39

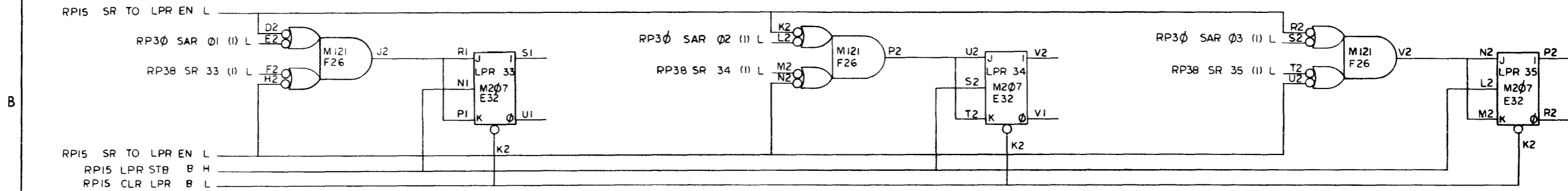
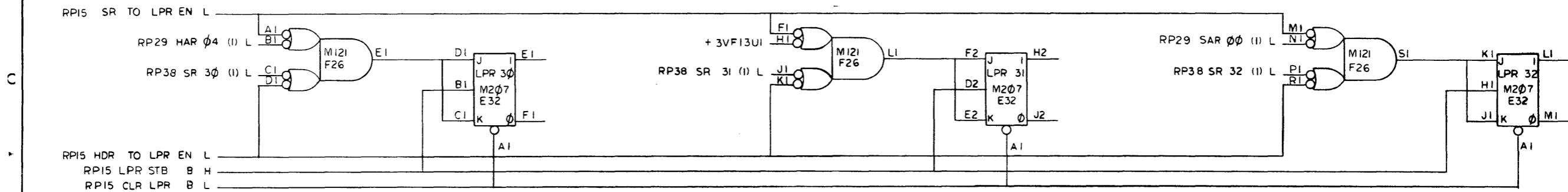
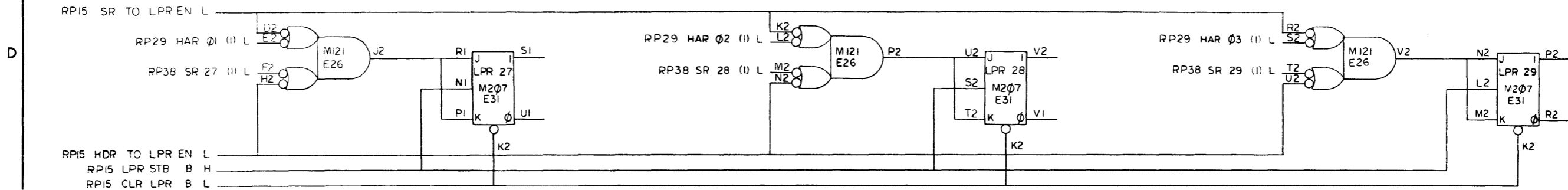
This drawing and specifications are the property of Digital Equipment Corporation and shall not be reproduced or copied or used in whole or in part as the basis for the manufacture or sale of items without written permission.



REV	NO
CHK	CHANGE NO

FIRST USED ON OPTION / MODEL PDP15	QTY.	DESCRIPTION	PART NO.	ITEM NO.
PARTS LIST				
UNLESS OTHERWISE SPECIFIED DIMENSION IN INCHES	DRY	DATE	digital EQUIPMENT CORPORATION MAYNARD, MASSACHUSETTS	
TOLERANCES	CHK'D. A. Russo	DATE	TITLE	
DECIMALS = 005	ENG	DATE	LONGITUDINAL PARITY	
FRACTIONS = 1/64	PROJ. ENG.	DATE	REG. LPR 18 - LPR 26	
ANGLES = 0'30"	PROD.	DATE	NEXT HIGHER ASSY	
FINAL SURFACE QUALITY			A-ML-RP15-0	
REMOVE BURRS AND BREAK SHARP CORNERS			SIZE/CODE NUMBER	
MATERIAL			D BS RP15-0-40	
FINISH			SCALE	
			SHEET 1 OF 1	
			DIST.	

This drawing and specifications herein are the property of Digital Equipment Corporation and shall not be reproduced or copied or used in whole or in part as the basis for the manufacture or sale of items without written permission.



REV	NO.
CHK	NO.

DEC FORM NO. DRD 102A

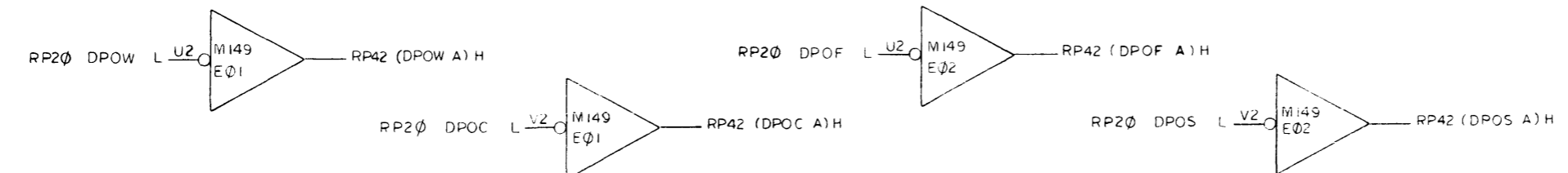
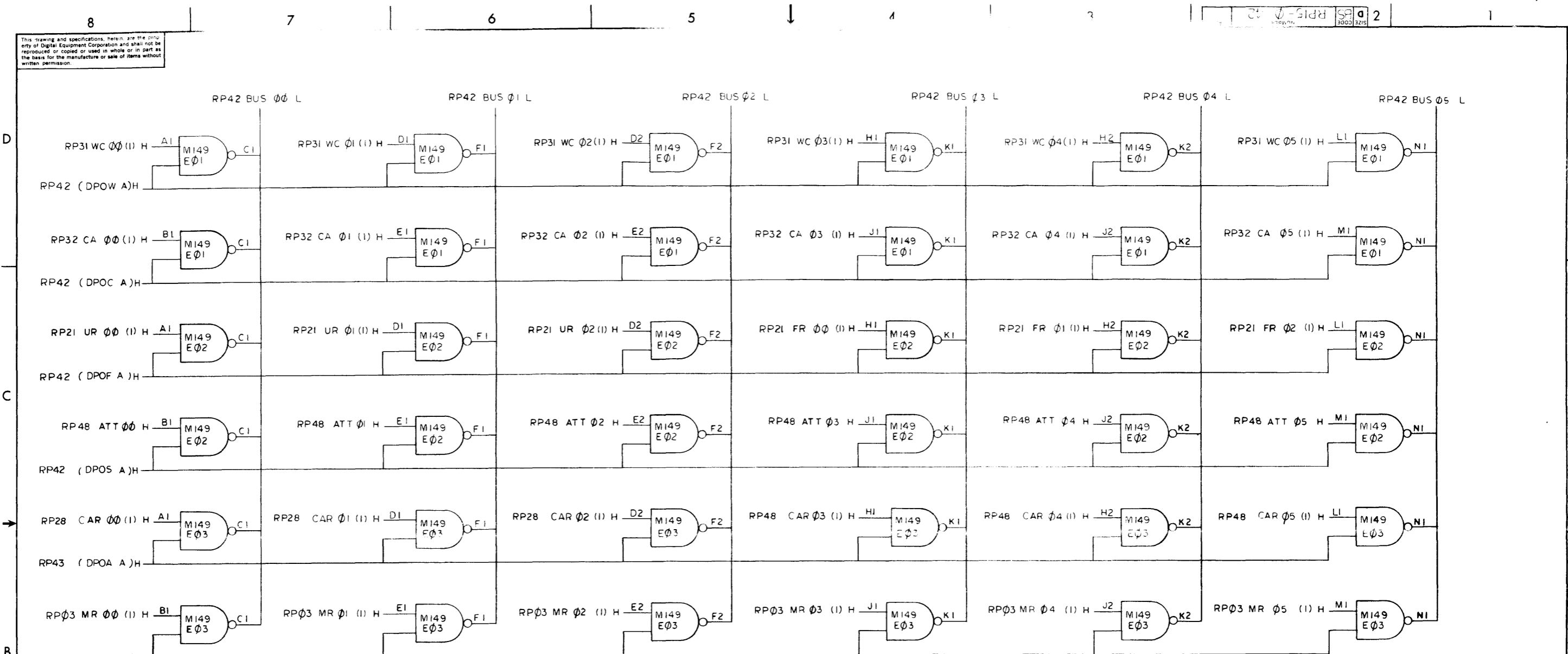
FIRST USED ON OPTION / MODEL PDP15	QTY	DESCRIPTION	PART NO.	ITEM NO.
PARTS LIST				
UNLESS OTHERWISE SPECIFIED	DRN	DATE	digital EQUIPMENT CORPORATION MAYNARD, MASSACHUSETTS	
UNLESS OTHERWISE SPECIFIED	CHK'D	DATE	TITLE	
DIMENSION IN INCHES	ENG	DATE	LONGITUDINAL PARITY	
TOLERANCES	PROJ. ENG	DATE	REG. LPR 27 - LPR 35	
DECIMALS ± .005	PROJ. DESIG	DATE	SIZE CODE NUMBER REV	
FRACTIONS ± 1/64	MATERIAL	DATE	D BS RP15-0-41	
ANGLES ± 0°30'	FINISH	DATE	SCALE	
FINAL SURFACE QUALITY	SCALE	DATE	SHEET 1 OF 1	
REMOVE BURRS AND BREAK SHARP CORNERS	SCALE	DATE	DIST	

REV. NUMBER SIZE CODE 2 1

B

A

This drawing and specifications, herein are the property of Digital Equipment Corporation and shall not be reproduced or copied or used in whole or in part as the basis for the manufacture or sale of items without written permission.

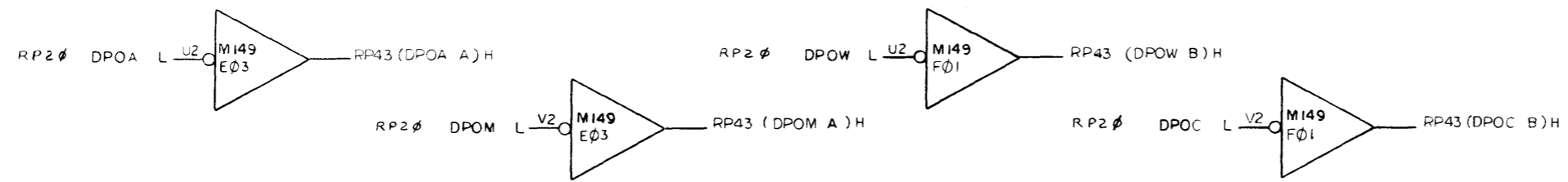
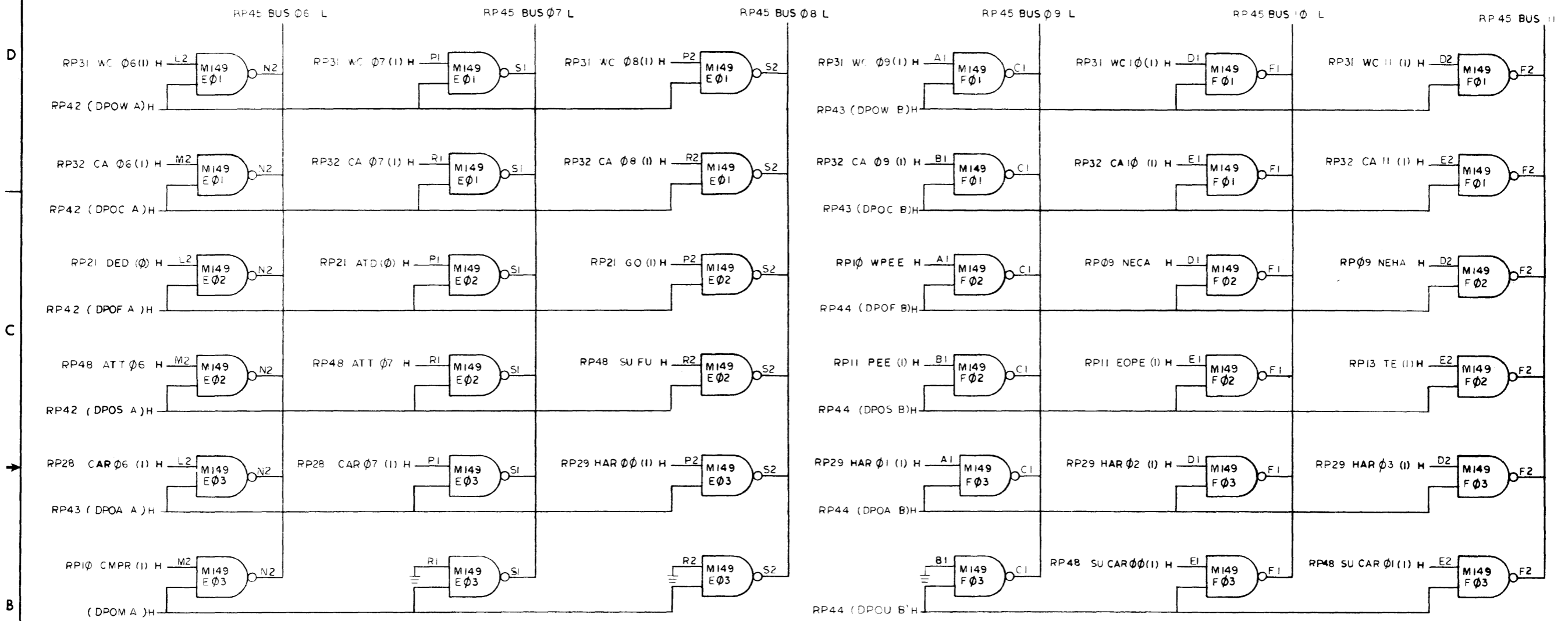


REV	CHANGE NO	DATE

FIRST USED ON OPTION/MODEL	QTY.	DESCRIPTION	PART NO.	ITEM NO.
PDP15				
UNLESS OTHERWISE SPECIFIED				
DIMENSION IN INCHES		DRN	DATE	
TOLERANCES		CHK'D	DATE	
DECIMALS	FRACTIONS	ENG	DATE	
± .005	± 1/64	PROJ. ENG.	DATE	
FINAL SURFACE QUALITY		PROC.	DATE	
REMOVE BURRS AND BREAK SHARP CORNERS				
MATERIAL				
NEXT HIGHER ASSY				
A-ML-RP15-0				
FINISH				
SCALE				
SHEET OF 1				

PARTS LIST		digital CORPORATION	
BUS MULTIPLEXER 00-05			
SIZE CODE	NUMBER	REV.	
D BS	RP15-0-42		

This drawing and specifications, herein, are the property of Digital Equipment Corporation and shall not be reproduced or copied or used in whole or in part as the basis for the manufacture or sale of items without written permission.

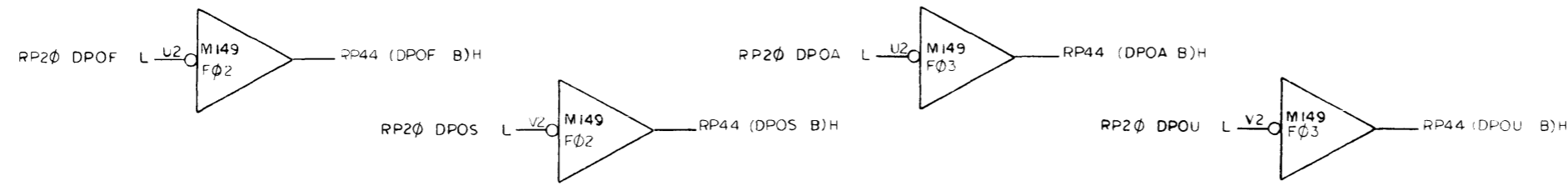
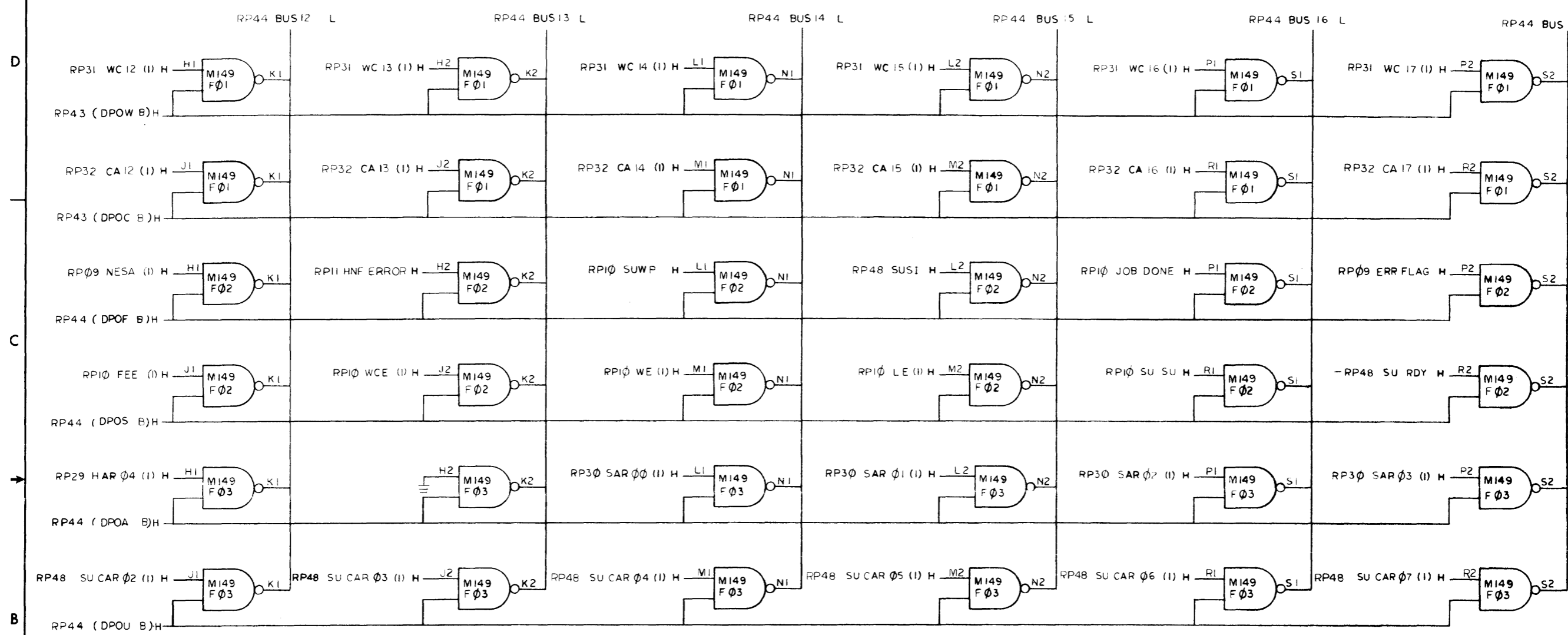


REV	CHANGE NO	DATE	BY	CHK
1	00001	12-14-70	J. LEH	
2		12-17-70		

FIRST USED ON OPTION MODEL	QTY.	DESCRIPTION	PART NO.	ITEM NO.
PDP15				
PARTS LIST				
digital EQUIPMENT CORPORATION MAYNARD, MASSACHUSETTS				
UNLESS OTHERWISE SPECIFIED		DRN	DATE	
UNLESS OTHERWISE SPECIFIED		CHKD.	DATE	
DIMENSION IN INCHES		ENG.	DATE	
TOLERANCES		PROJ. ENG.	DATE	
DECIMALS FRACTIONS ANGLES		PROD.	DATE	
± 0.08 ± 1/64 ± 0°30'				
FINAL SURFACE QUALITY / REMOVE BURRS AND BREAK SHARP CORNERS				
MATERIAL	NEXT HIGHER ASSY			
FINISH	A-ML RPI5-0			
SCALE	SHEET 1 OF 1			
TITLE		SIZE CODE	NUMBER	REV.
BUS MULTIPLEXER 06-11		DBS	RPI5-0-43	4
DIST				

This drawing and specifications are the property of Digital Equipment Corporation. No part of this drawing may be reproduced or copied or used in whole or in part as the basis for the manufacture or sale of items without written permission.

REV. 2
 NUMBER RP15-Φ-44
 SIZE CODE DBS

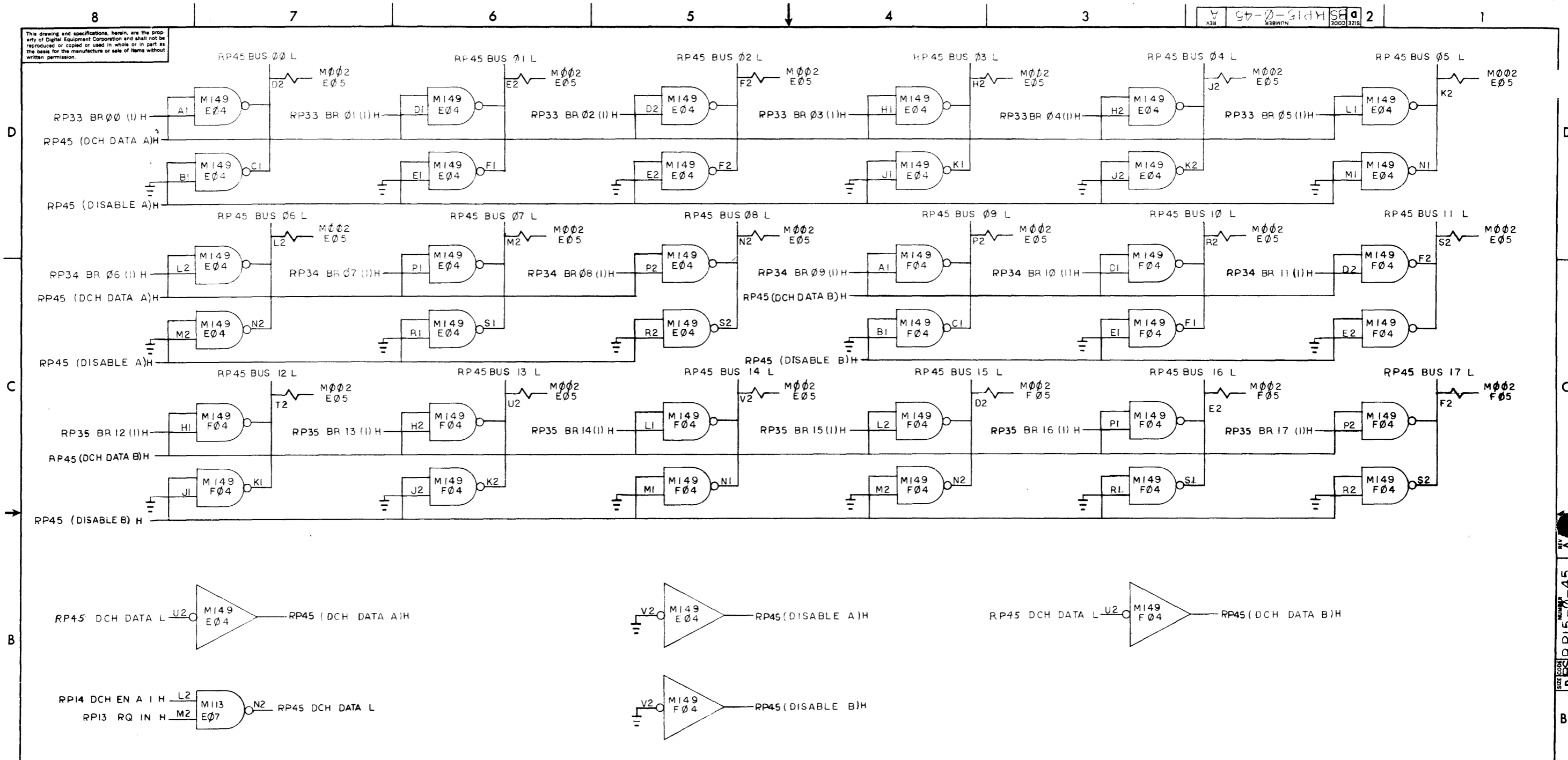


REV	NO
CHG	NO
CHK	NO

FIRST USED ON OPTION MODEL PDP15	QTY.	DESCRIPTION	PART NO	ITEM NO.
PARTS LIST				
UNLESS OTHERWISE SPECIFIED	DRN	DATE	digital EQUIPMENT CORPORATION MAYNARD, MASSACHUSETTS	
UNLESS OTHERWISE SPECIFIED	CHR'D	DATE	TITLE	
DIMENSION IN INCHES	ENG	DATE	BUS	
TOLERANCES	PROJ. ENG.	DATE	MULTIPLEXER 12 - 17	
DECIMALS FRACTIONS ANGLES	PROJ.	DATE	SIZE/CODE NUMBER	
= 008 = 1/64 = 0°30'	NEXT HIGHER ASSY		DBS	RP15-Φ-44
FINAL SURFACE QUALITY / REMOVE BURRS AND BREAK SHARP CORNERS	A VL-RP15-C		DIST.	REV.
MATERIAL	SCALE		SHEET	
FINISH	OF 1		REV.	

REV. 2
 NUMBER RP15-Φ-44
 SIZE CODE DBS

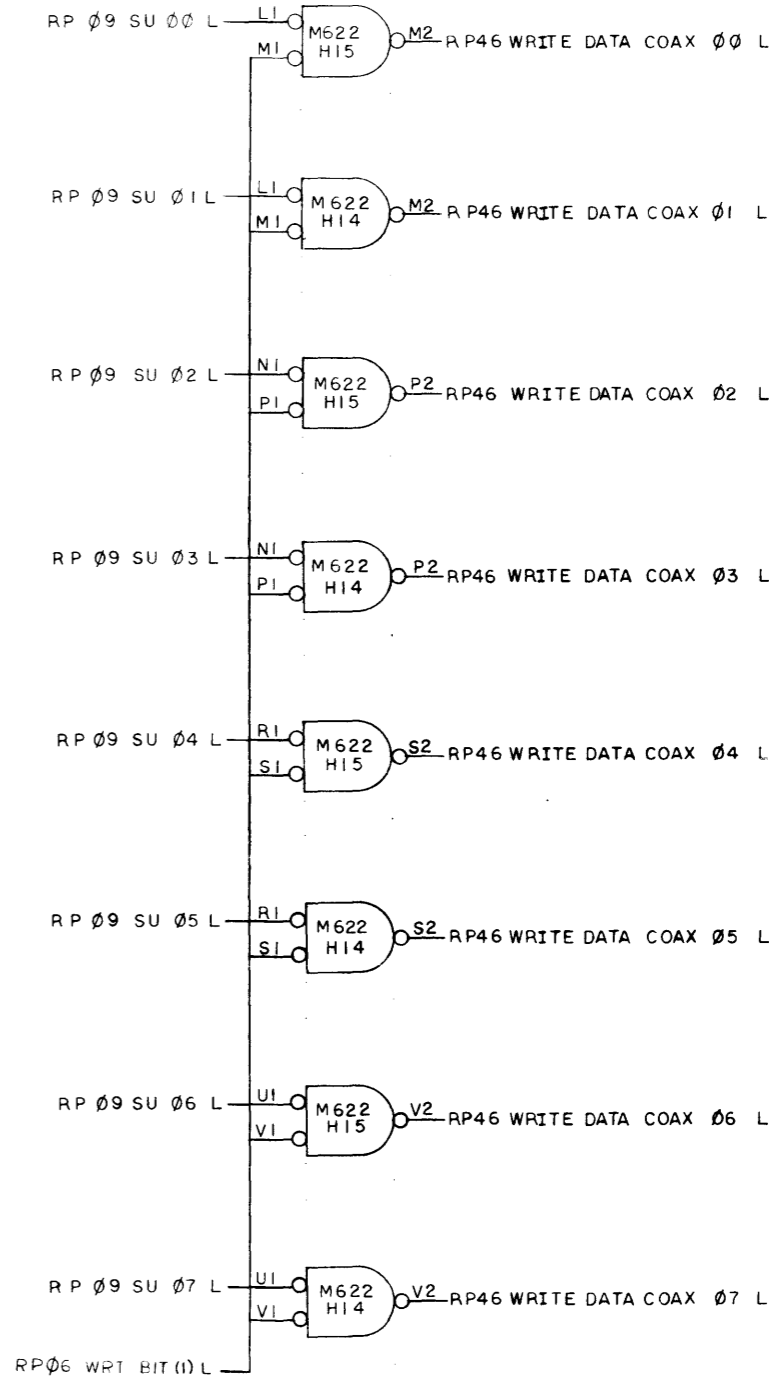
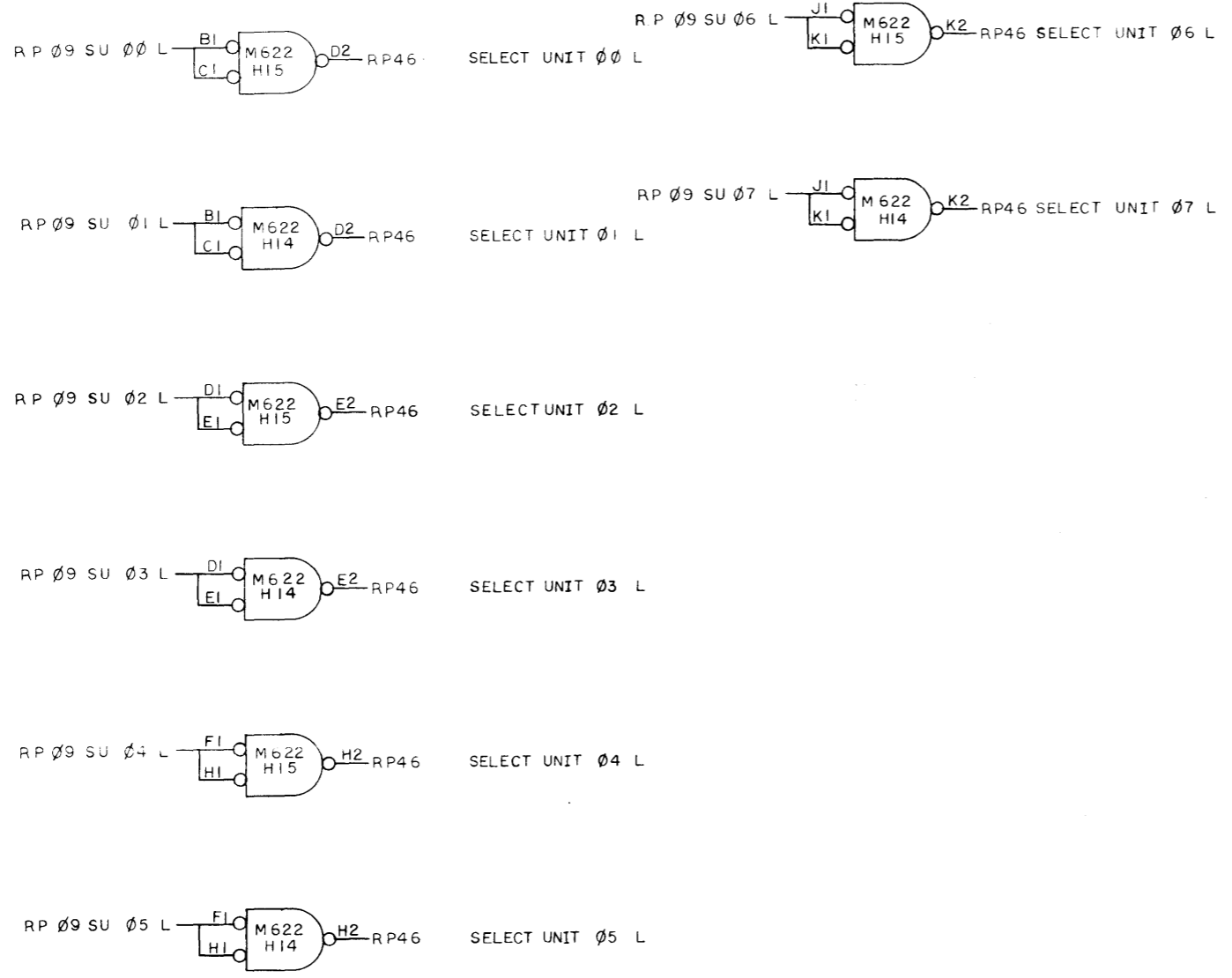
This drawing and specifications, herein, are the property of Digital Equipment Corporation and shall not be reproduced or copied or used in whole or in part as the basis for the manufacture or sale of items without written permission.



REV	CHANGE NO.	DATE
1	1	7-24-70
2	2	7-24-70
3	3	7-24-70
4	4	7-24-70
5	5	7-24-70
6	6	7-24-70
7	7	7-24-70
8	8	7-24-70

FIRST USED ON OPTION/MODEL	QTY.	DESCRIPTION	PART NO.	ITEM NO.
PDP 15				
PARTS LIST				
UNLESS OTHERWISE SPECIFIED				
DIMENSION IN INCHES				
TOLERANCES				
DECIMALS	FRACTIONS	ANGLES		
± .005	± 1/64	± 0°30'		
FINAL SURFACE QUALITY				
REMOVE BURRS AND BREAK SHARP CORNERS				
MATERIAL				
FINISH				
SCALE				
SHEET				
DRN. <i>Tom Davis</i>		DATE 7-21-70	digital EQUIPMENT CORPORATION MAYNARD, MASSACHUSETTS TITLE MULTIPLEXER TERMINATOR 00-17	
CHK'D. <i>Tom Davis</i>		DATE 7-23-70		
ENG. <i>J. 30</i>		DATE 7-24-70		
PROJ. ENG. <i>J. 30</i>		DATE 7-24-70		
PROD. <i>J. 30</i>		DATE 7-24-70	NEXT ASSEMBLY A-ML-RP15-0	
SCALE		SIZE CODE		REV
SHEET		DIST.		

This drawing and specifications are the property of Digital Equipment Corporation and are not to be reproduced or copied or used in whole or in part as the basis for the manufacture or sale of items without written permission.



REV	
CHANGE NO	
CHK	

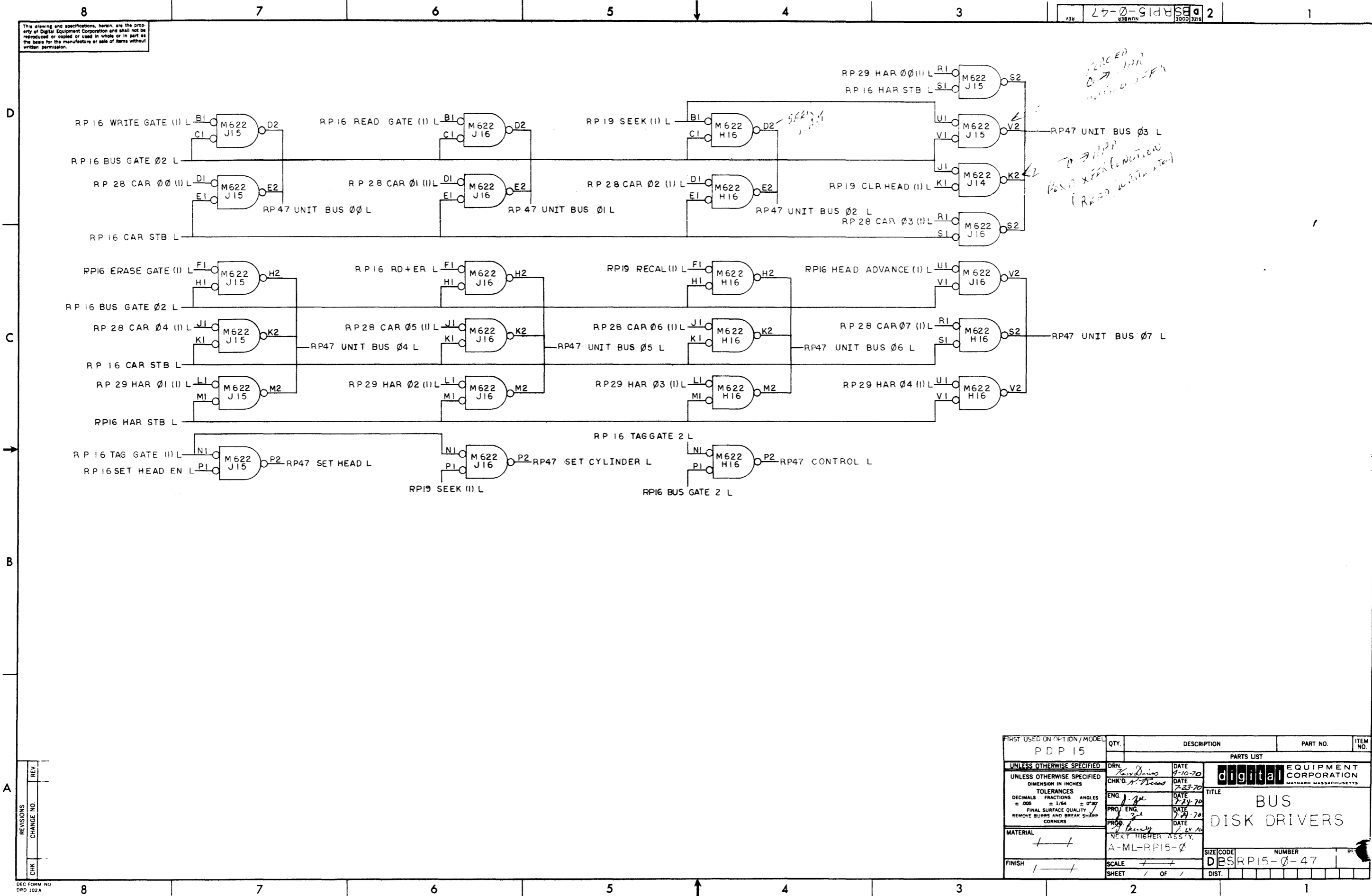
DEC FORM NO
ORD 102A

FIRST USED ON OPTION/MODEL PDP 15	QTY.	DESCRIPTION	PART NO.	ITEM NO.
PARTS LIST				
UNLESS OTHERWISE SPECIFIED	DRN.	DATE	digital EQUIPMENT CORPORATION MAYNARD, MASSACHUSETTS	
DIMENSION IN INCHES	CHK'D.	DATE	TITLE	
TOLERANCES	ENG.	DATE	UNIT	
DECIMALS = 0.05	PROJ. ENG.	DATE	DISK DRIVERS	
FRACTIONS = 1/64	PROD.	DATE	SIZE CODE NUMBER	
ANGLES = 0°30'			DBS RP15-0-46	
FINAL SURFACE QUALITY			REV.	
REMOVE BURRS AND BREAK SHARP CORNERS				
MATERIAL	NEXT HIGHER ASS'Y.		SCALE	
	A-ML-RP15-0		SHEET	
FINISH	DIST.		OF	

REV
RP15-0-46

This drawing and specifications, herein, are the property of Digital Equipment Corporation and shall not be reproduced or copied or used in whole or in part as the basis for the manufacture or sale of items without written permission.

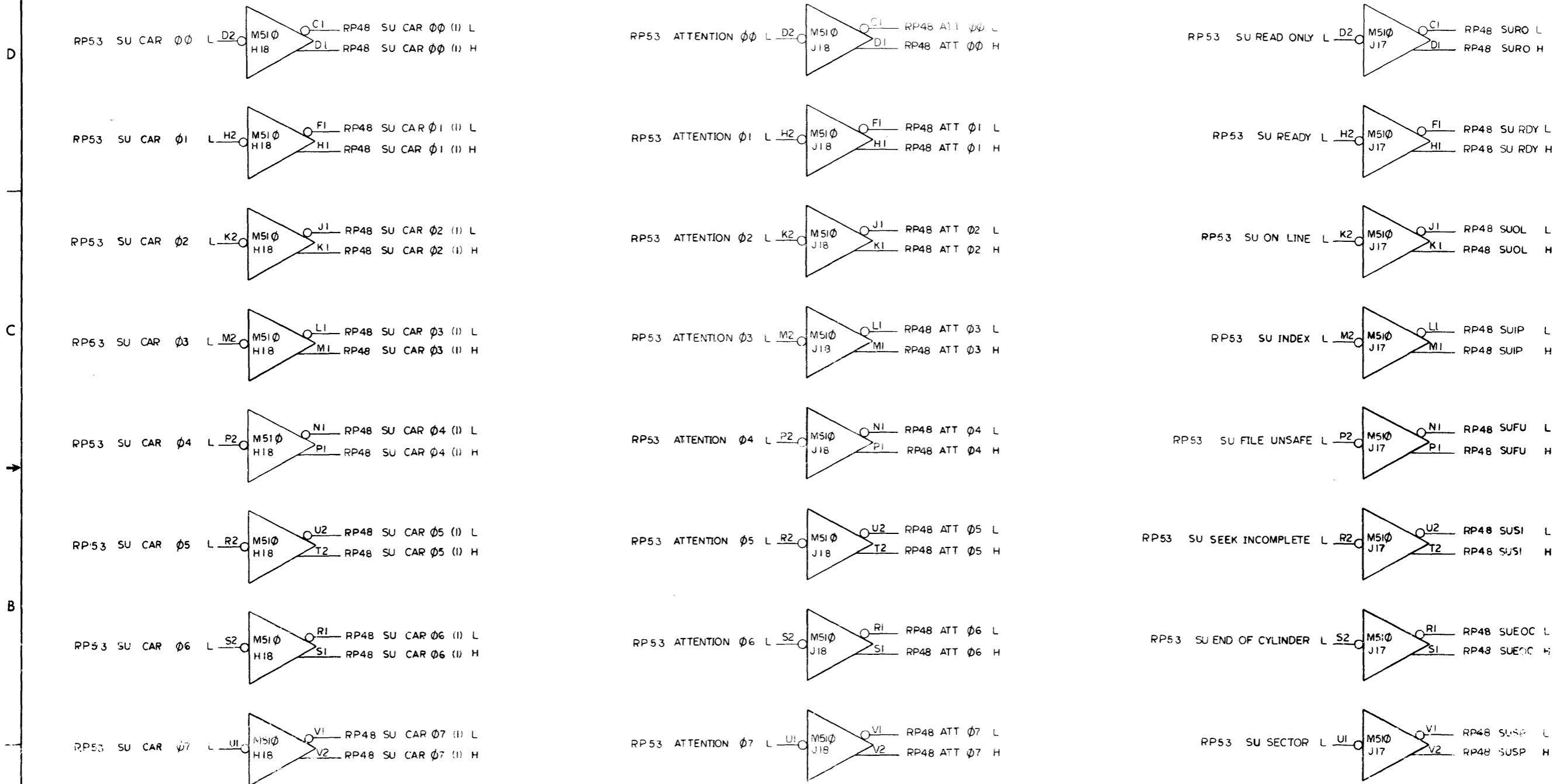
REV. 2
 SIZE CODE
 D BSRP15-0-47



FIRST USED ON OPTION / MODEL	QTY.	DESCRIPTION	PART NO.	ITEM NO.
PDP 15				
PARTS LIST				
UNLESS OTHERWISE SPECIFIED	DRN	DATE	digital EQUIPMENT CORPORATION MATHEW, MASSACHUSETTS	
UNLESS OTHERWISE SPECIFIED	CHK'D.	DATE		
UNLESS OTHERWISE SPECIFIED	ENG.	DATE		
UNLESS OTHERWISE SPECIFIED	PROJ. ENG.	DATE		
UNLESS OTHERWISE SPECIFIED	PROJ. ENGR.	DATE	TITLE BUS DISK DRIVERS	
UNLESS OTHERWISE SPECIFIED	DATE	DATE		
MATERIAL	NEXT HIGHER ASS'Y.			
FINISH	A-ML-RP15-0			
SCALE	SIZE CODE NUMBER			
SHEET	D BSRP15-0-47			
	DIST.			

REV.	CHANGE NO.	CHK.

This drawing and specifications herein are the property of Digital Equipment Corporation and shall not be reproduced or copied or used in whole or in part as the basis for the manufacture or sale of items without written permission.

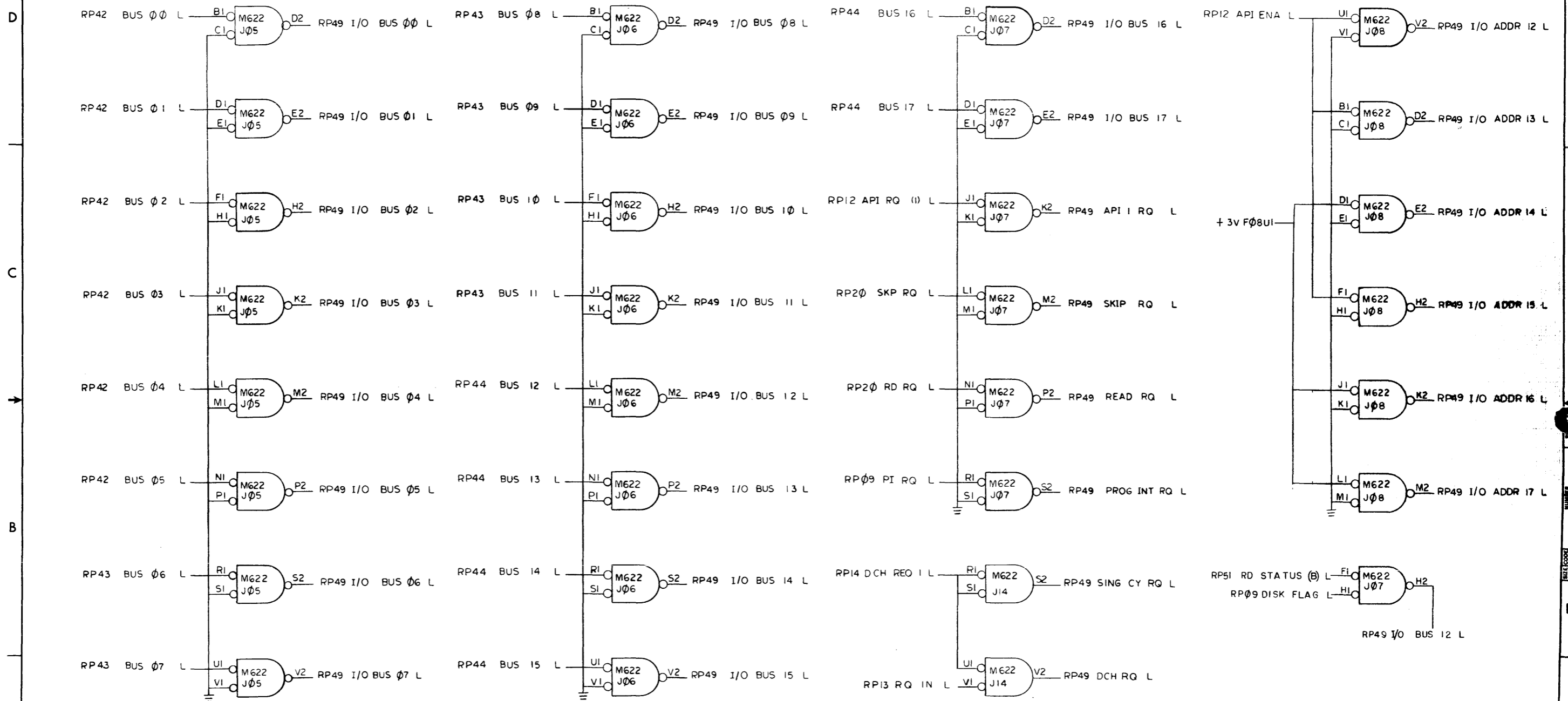


REVISIONS	
CHK	CHANGE NO. / REV
	RF15-0005 A
	10-9-70
	J. ZEH
	5-15-70

FIRST USED ON OPTION / MODEL	QTY.	DESCRIPTION	PART NO.	ITEM NO.
PDP15				
PARTS LIST				
UNLESS OTHERWISE SPECIFIED				
DIMENSION IN INCHES				
TOLERANCES				
DECIMALS	FRACTIONS	ANGLES		
± .005	± 1/64	± 0°30'		
FINAL SURFACE QUALITY				
REMOVE BURRS AND BREAK SHARP CORNERS				
MATERIAL		NEXT HIGHER Assy		
++		A-ML-RP15-0		
FINISH		SCALE		
++		SHEET 1 OF 1		
		SIZE CODE		NUMBER
		D BS		RP15-0-48
		DIST.		REV
				A

PART NO. RP15-0-48
 SECTION NUMBER 153

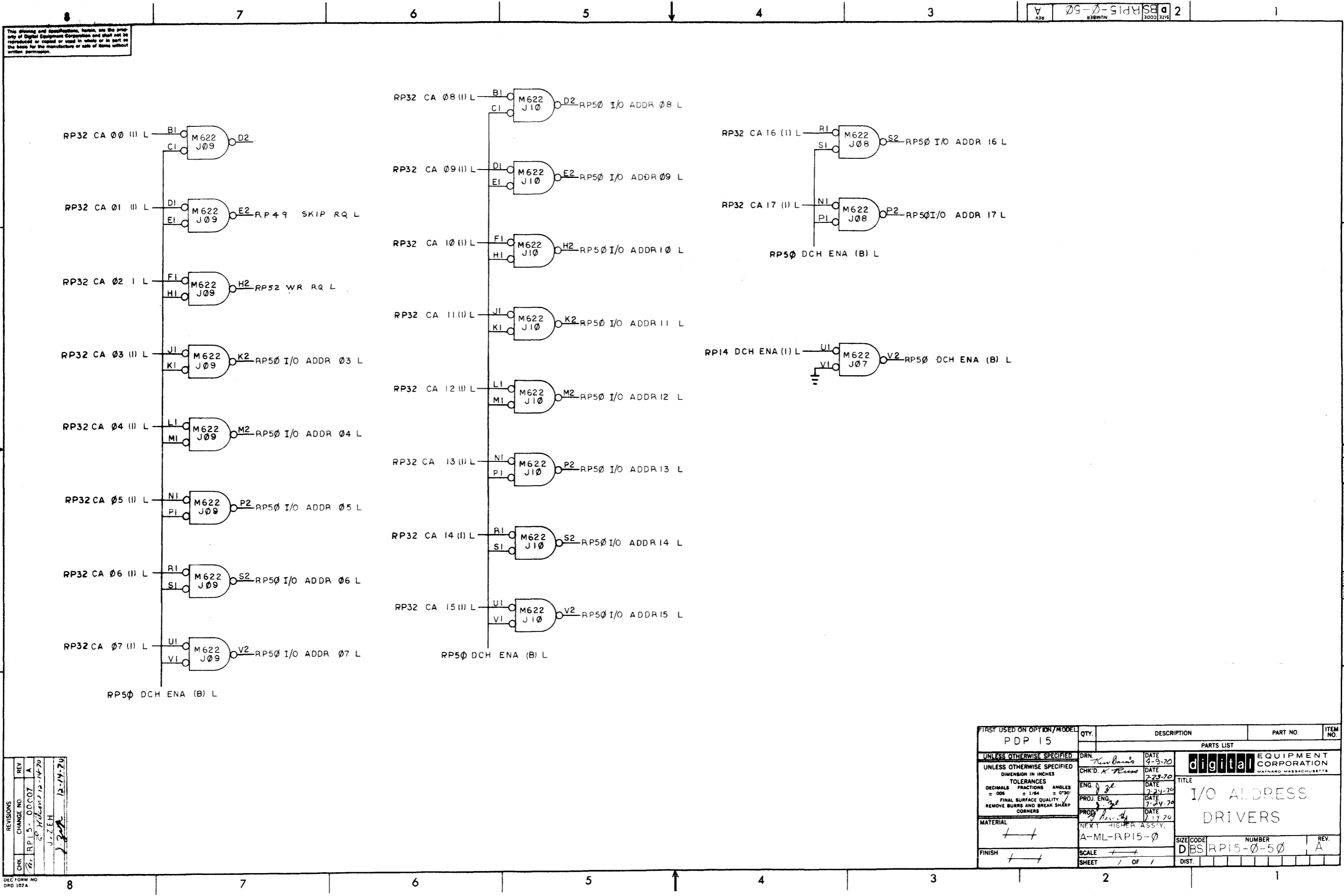
This drawing and specifications, herein, are the property of Digital Equipment Corporation and shall not be reproduced or copied or used in whole or in part as the basis for the manufacture or sale of items without written permission.



REV	CHANGE NO.	CHK
A	RP15-0000S	JZEI
	10-9-70	
	5-12-70	

FIRST USED ON OPTION / MODEL	QTY.	DESCRIPTION	PART NO.	ITEM NO.
PDP15				
PARTS LIST				
UNLESS OTHERWISE SPECIFIED	DRN	DATE	digital EQUIPMENT CORPORATION MAYNARD MASSACHUSETTS	
DIMENSION IN INCHES	CHK'D	DATE		
TOLERANCES	ENG	DATE		
DECIMALS FRACTIONS ANGLES	PROJ. ENG.	DATE		
± .005 ± .001 ± .030	PROB.	DATE		
FINAL SURFACE QUALITY / REMOVE BURRS AND BREAK SHARP CORNERS			TITLE	
			I/O BUS DRIVERS	
			00-17	
MATERIAL	NEXT HIGHER CLASSY			
FINISH	A - ML - RP15 - 0	SCALE	NUMBER	REV.
		SHEET 1 OF 1	DBS RP15-0-49	A

This drawing and specifications, herein, are the property of Digital Equipment Corporation and shall not be reproduced or copied or used in whole or in part as the basis for the manufacture or sale of items without written permission.



REV	CHANGE NO.	DATE
A	00007	12-14-70
B	00008	12-14-70
C	00009	12-14-70
D	00010	12-14-70

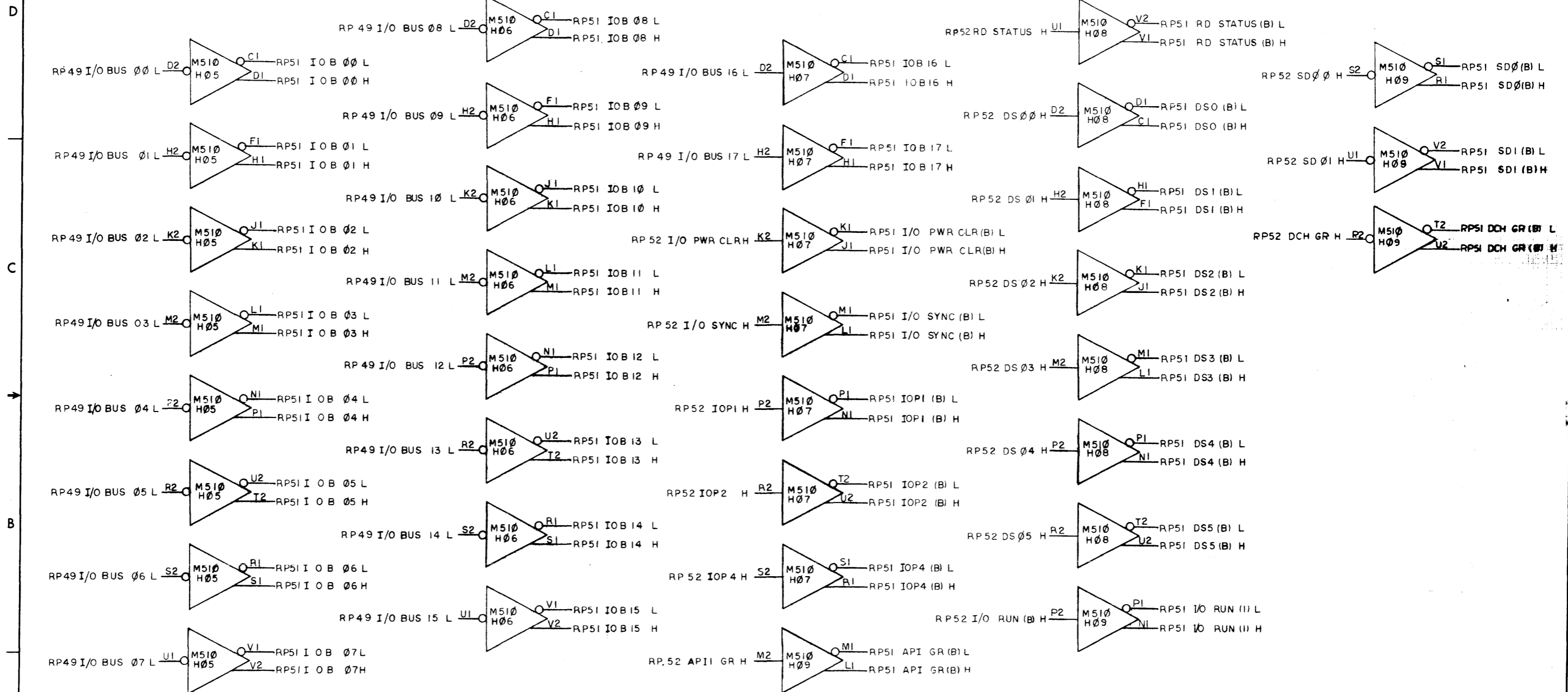
DEC FORM NO. 107A

REV	DESCRIPTION	DATE
A	ISSUED FOR PRODUCTION	4-9-70
B	REVISED	7-23-70
C	REVISED	7-24-70
D	REVISED	7-24-70

UNLESS OTHERWISE SPECIFIED	DRN. <i>New Davis</i>	DATE	4-9-70
UNLESS OTHERWISE SPECIFIED	CHK'D. <i>X Russo</i>	DATE	7-23-70
TOLERANCES	ENG. <i>JL</i>	DATE	7-24-70
DECIMALS	PROJ. ENG. <i>JL</i>	DATE	7-24-70
FRACTIONS	PROD. <i>JL</i>	DATE	7-24-70
ANGLES			
± 0.005			
± 1/64			
± 0°30'			
FINAL SURFACE QUALITY / REMOVE BURRS AND BREAK SHARP CORNERS			
MATERIAL	NEXT HIGHER ASSY.		
FINISH	A-ML-RP15-0		
SCALE	SCALE		
SHEET	1 OF 1		

SIZE CODE	NUMBER	REV.
D	BSRP15-0-50	A

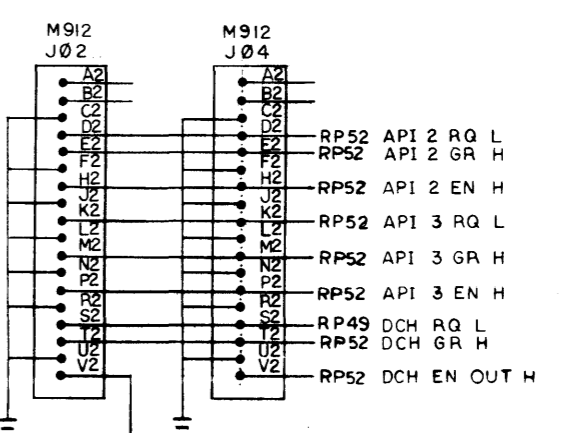
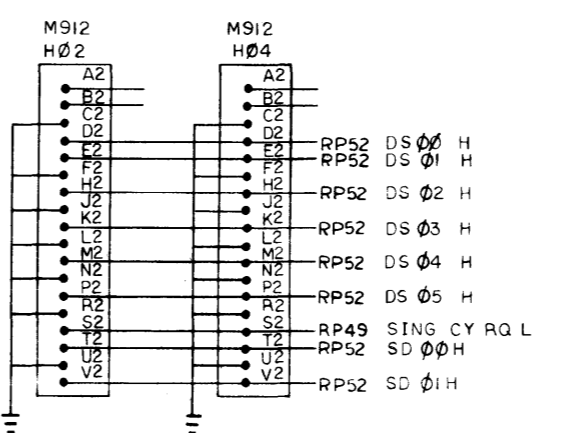
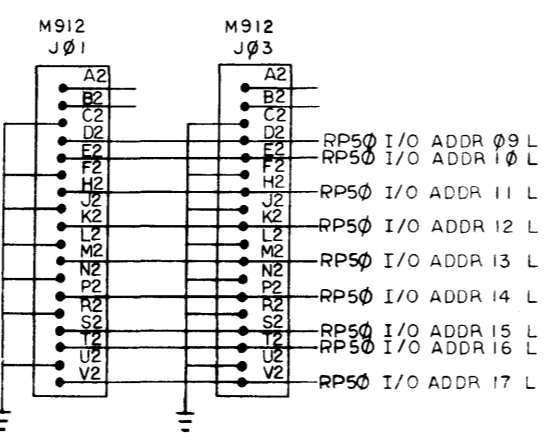
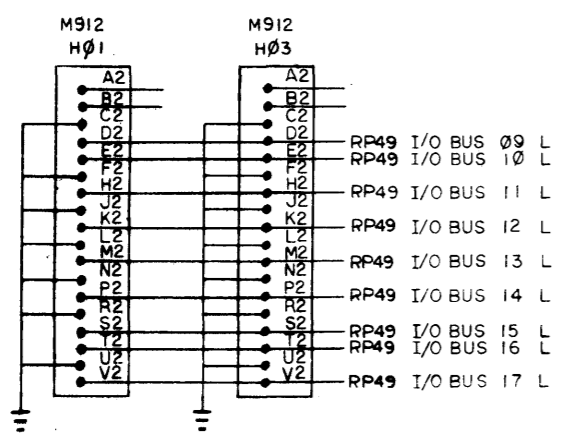
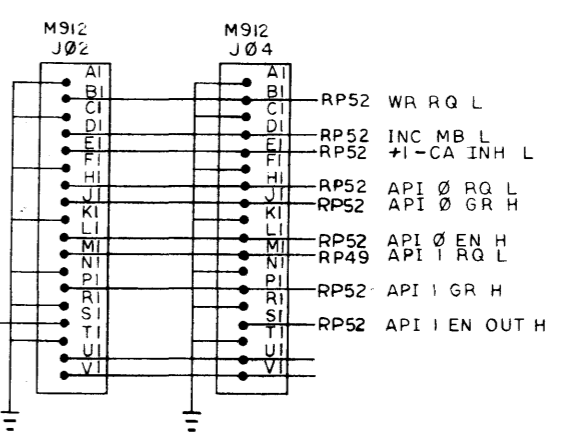
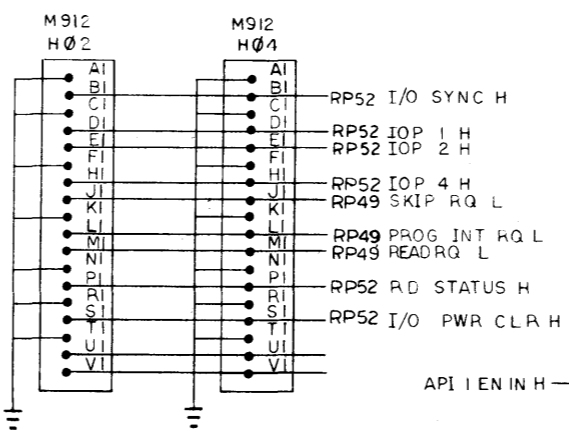
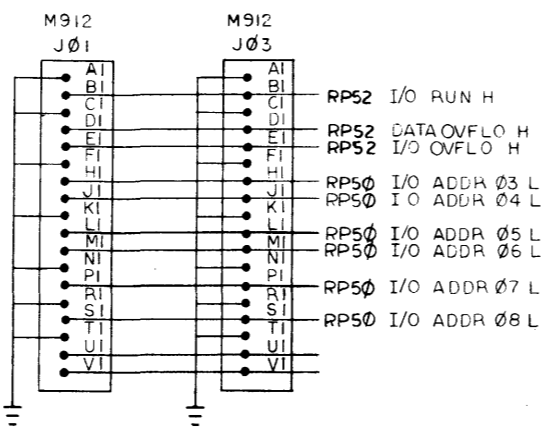
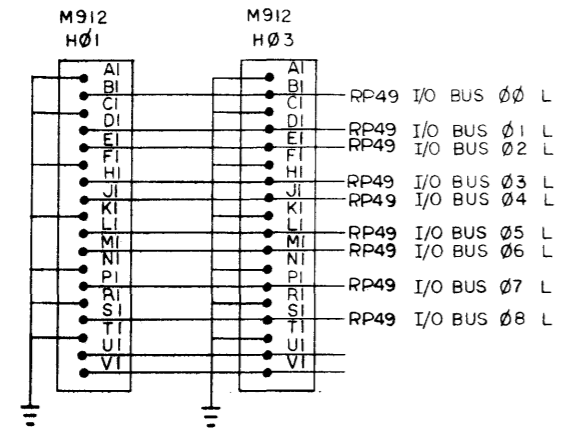
This drawing and specifications, herein, are the property of Digital Equipment Corporation and shall not be reproduced or copied in whole or in part as the basis for the manufacture or sale of items without written permission.



REV	NO
CHK	

FIRST USED ON OPTION/MODEL	QTY.	DESCRIPTION	PART NO.	ITEM NO.
PDP 15				
PARTS LIST				
UNLESS OTHERWISE SPECIFIED	DRN	DATE	digital EQUIPMENT CORPORATION MAYNARD, MASSACHUSETTS	
UNLESS OTHERWISE SPECIFIED	CHK'D	DATE		
DIMENSION IN INCHES			I/O BUS RECEIVERS	
TOLERANCES	ENG.	DATE		
DECIMALS FRACTIONS ANGLES	PROJ. ENG.	DATE		
± .005 ± 1/64 ± 0°30'	PROJ. ENGR.	DATE		
REMOVE BURRS AND BREAK SHARP CORNERS			D E S R P 1 5 - 0 - 5 1	
MATERIAL				
FINISH			SCALE 1 OF 1 SHEET 1 OF 1	

This drawing and specifications, herein, are the property of Digital Equipment Corporation and shall not be reproduced or copied or used in whole or in part as the basis for the manufacture or sale of items without written permission.



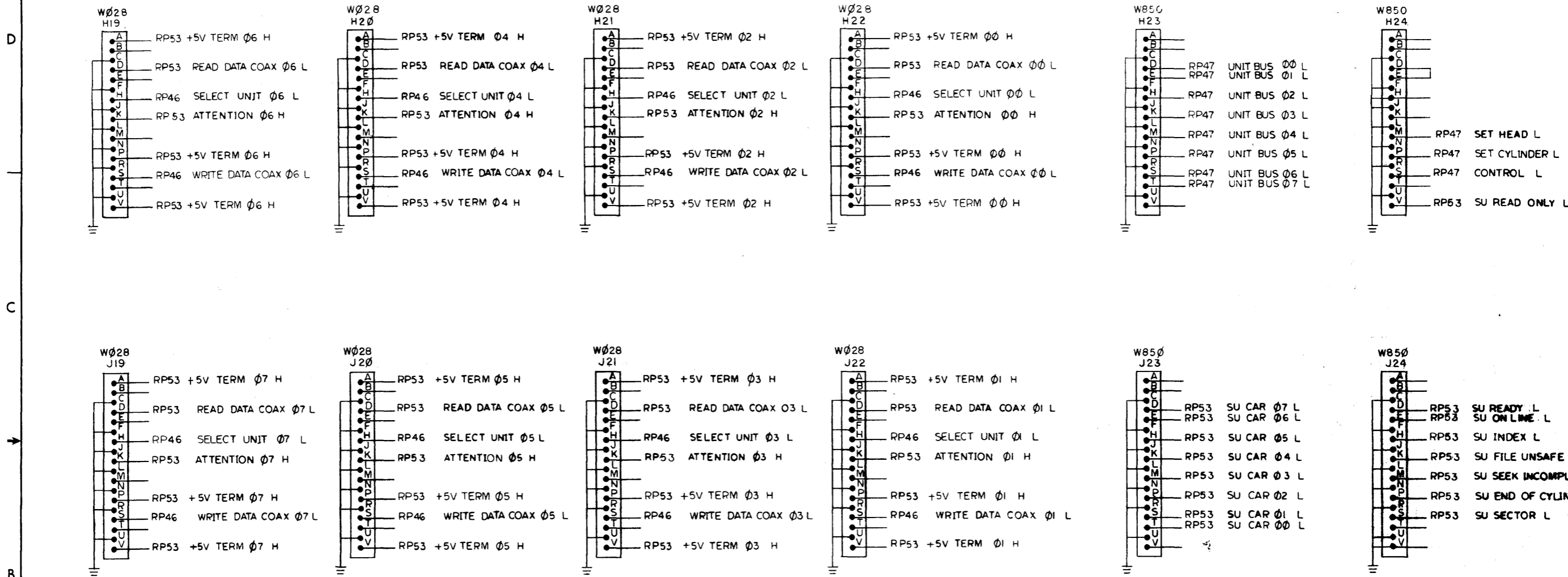
CHK	CHANGE NO.	REV.	DATE
	HP15-0005	A	7-24-70
		J ZEH	7-24-70

DEC 10, 1964
ORD 10, A

FIRST USED ON OPTION/MODEL	QTY.	DESCRIPTION	PART NO.	ITEM NO.
PDP 15				
PARTS LIST				
UNLESS OTHERWISE SPECIFIED		DRN	DATE	 digital EQUIPMENT CORPORATION <small>MAYNARD, MASSACHUSETTS</small>
UNLESS OTHERWISE SPECIFIED		CHK'D. <i>A. Reed</i>	DATE	
DIMENSION IN INCHES		ENG. <i>zel</i>	DATE	
TOLERANCES		PROJ. ENG. <i>zel</i>	DATE	
DECIMALS FRACTIONS ANGLES		PROJ. <i>zel</i>	DATE	I/O BUS INTERFACE
= .005 = 1/64 = 0°30'				
FINAL SURFACE QUALITY				SIZE CODE: D I C NUMBER: RP15 0 52 REV. A
REMOVE BURRS AND BREAK SHARP CORNERS				
MATERIAL		NEXT HIGHER ASS'Y.		SCALE: + DIST.
		A-ML-RP15-0		
FINISH		SHEET 1 OF 1		

REV. A
B
C
D

This drawing and specifications, herein, are the property of Digital Equipment Corporation and shall not be reproduced or copied or used in whole or in part as the basis for the manufacture or sale of items without written permission.

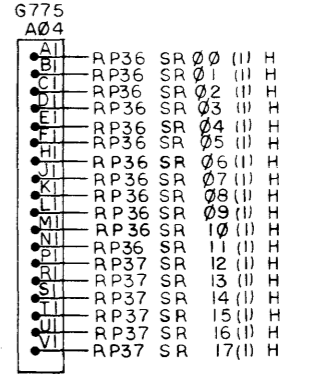
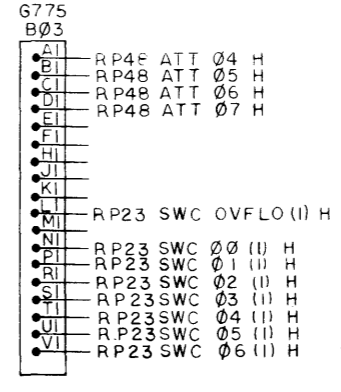
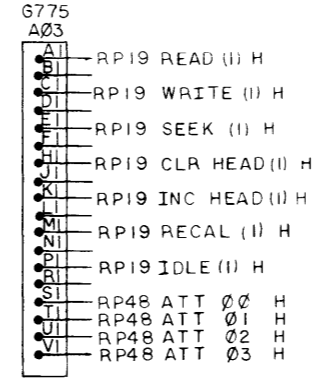
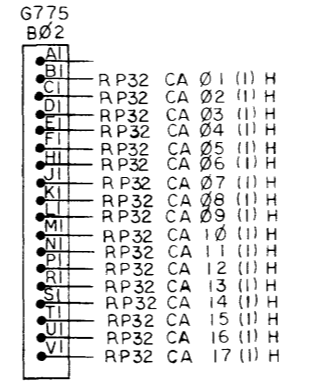
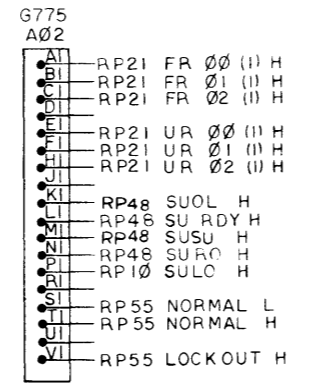
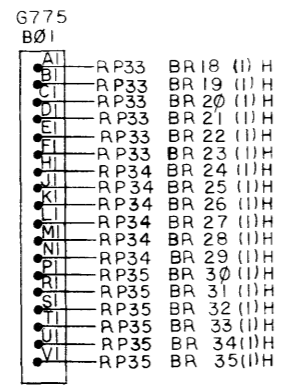
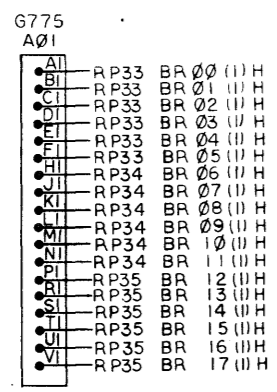


REV.	CHANGE NO.	DATE	BY
1	RP15-00005	10-9-70	J ZEH
2		5-13-70	J ZEH

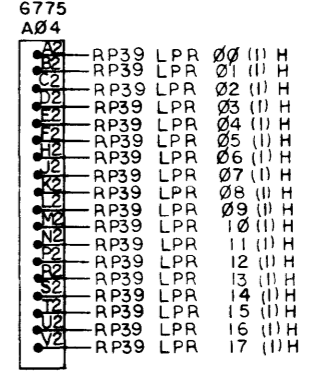
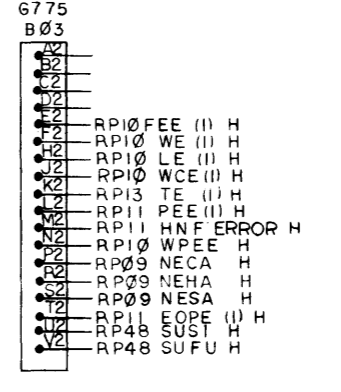
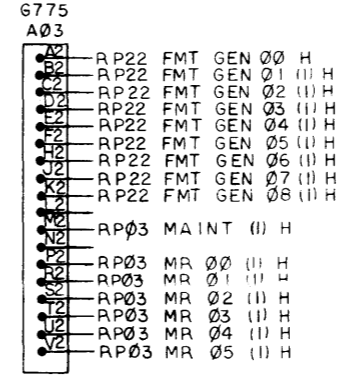
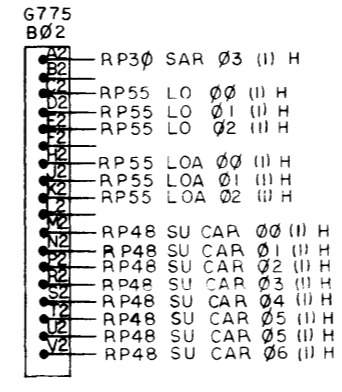
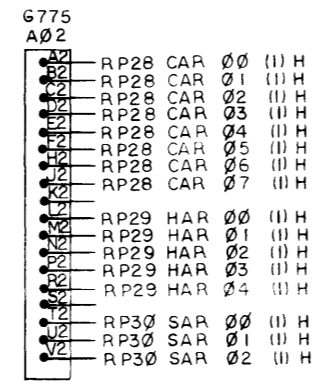
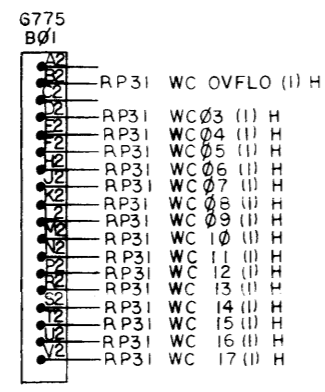
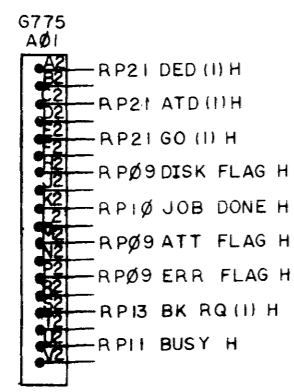
FIRST USED ON OPTION MODEL	QTY.	DESCRIPTION	PART NO.	ITEM NO.
PDP15				
PARTS LIST				
UNLESS OTHERWISE SPECIFIED				
DIMENSION IN INCHES				
TOLERANCES				
DECIMALS	FRACTIONS	ANGLES		
± .005	± 1/64	± 0°30'		
FINAL SURFACE QUALITY				
REMOVE BURRS AND BREAK SHARP CORNERS				
MATERIAL				
NEXT HIGHER ASSY				
A-ML-RP15-0				
FINISH				
SCALE 1 OF 1				
SHEET 1 OF 1				
digital EQUIPMENT CORPORATION MAYNARD, MASSACHUSETTS				
TITLE DRIVE CONTROL CABLE INTERFACE				
SIZE CODE		NUMBER		REV.
D I C		RP15-0-53		A
DIST.				

This drawing and specifications, herein, are the property of Digital Equipment Corporation and shall not be reproduced or copied or used in whole or in part as the basis for the manufacture or sale of items without written permission.

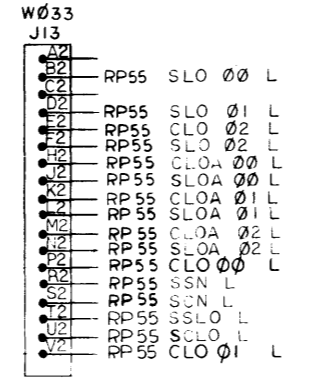
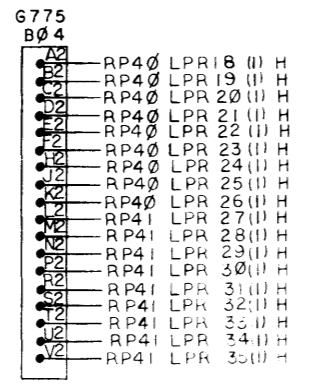
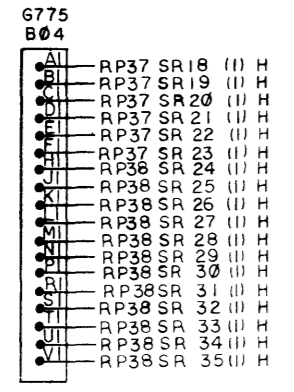
D



C



B

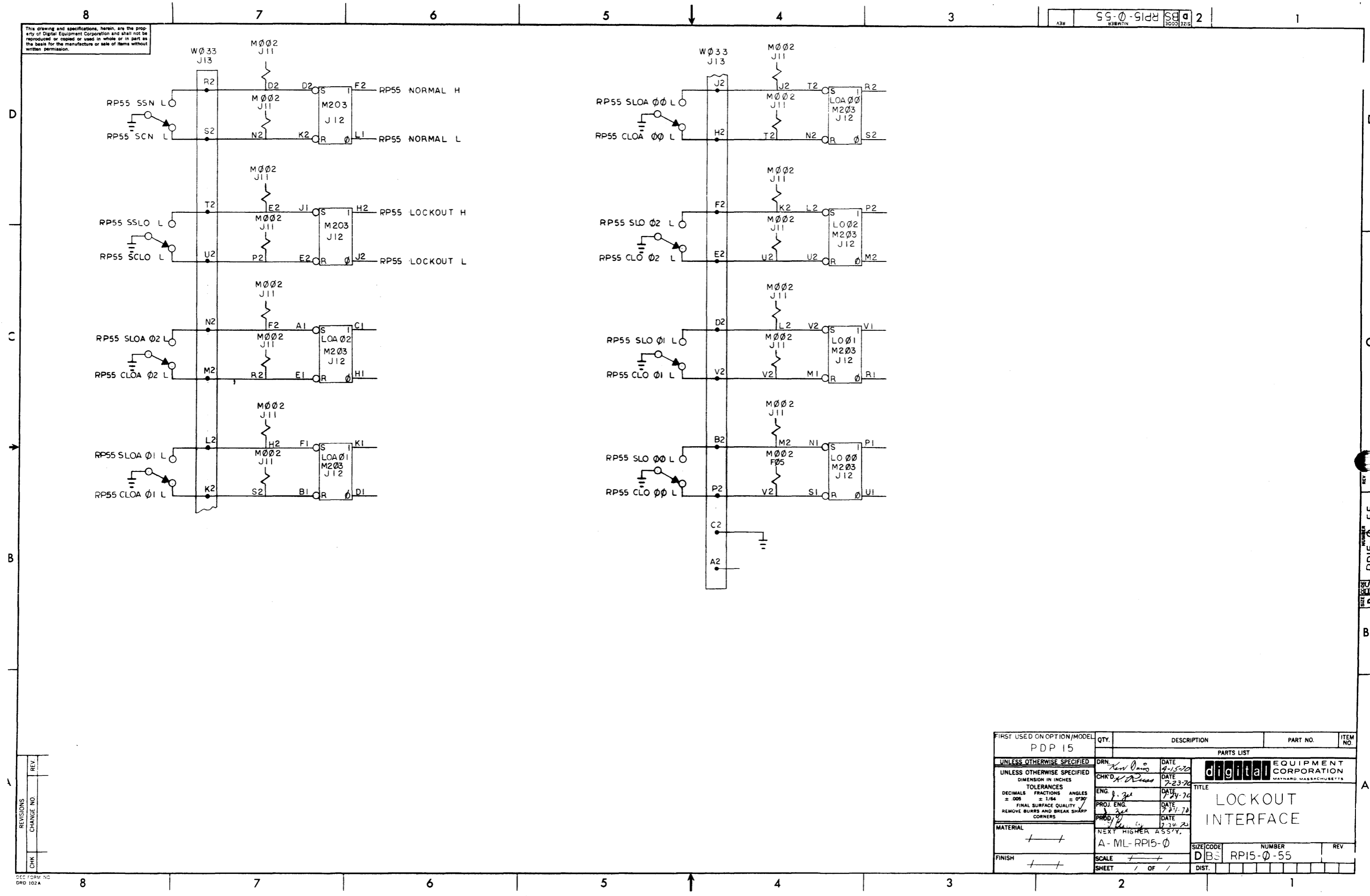


A

REV.	
CHG.	
CHK.	

FIRST USED ON OPTION/MODEL	QTY.	DESCRIPTION	PART NO.	ITEM NO.
PDP 15				
UNLESS OTHERWISE SPECIFIED	DRN	DATE	PARTS LIST	
UNLESS OTHERWISE SPECIFIED	CHK'D	DATE	digital CORPORATION	
TOLERANCES	ENG	DATE	MAYNARD MASSACHUSETTS	
DECIMALS FRACTIONS ANGLES	PROG	DATE	TITLE	
= .005 ± 1/64 = 0°30'	PROG	DATE	INDICATOR	
FINAL SURFACE QUALITY	PROG	DATE	INTERFACE	
REMOVE BURRS AND BREAK SHARP CORNERS				
MATERIAL	NEXT HIGH-EM ASS'Y.			
	A-ML-RP15-0			
FINISH	SCALE	SIZE CODE	NUMBER	REV.
	SHEET	DISC	RP15-0-54	

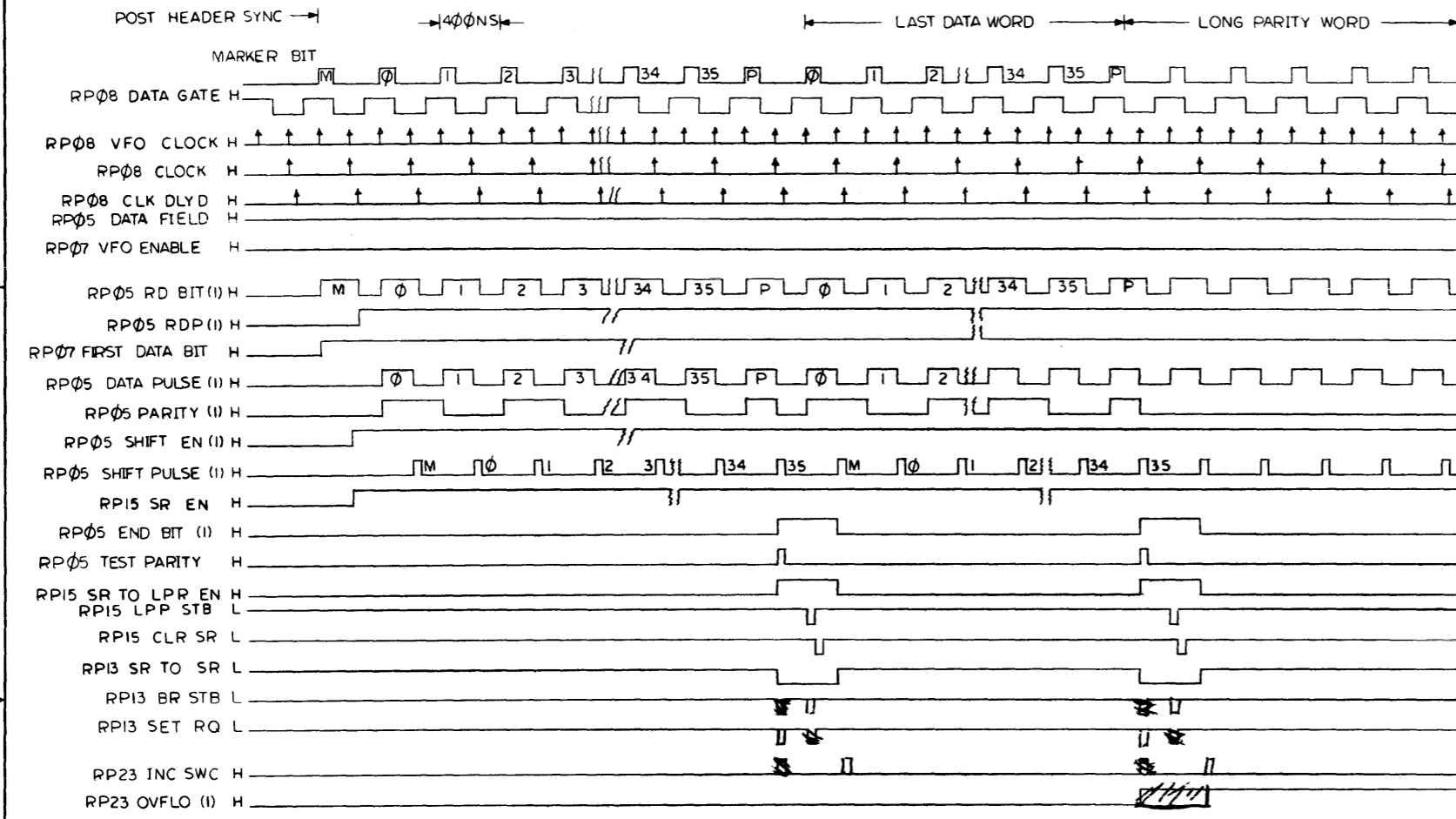
This drawing and specifications, herein, are the property of Digital Equipment Corporation and shall not be reproduced or copied or used in whole or in part as the basis for the manufacture or sale of items without written permission.



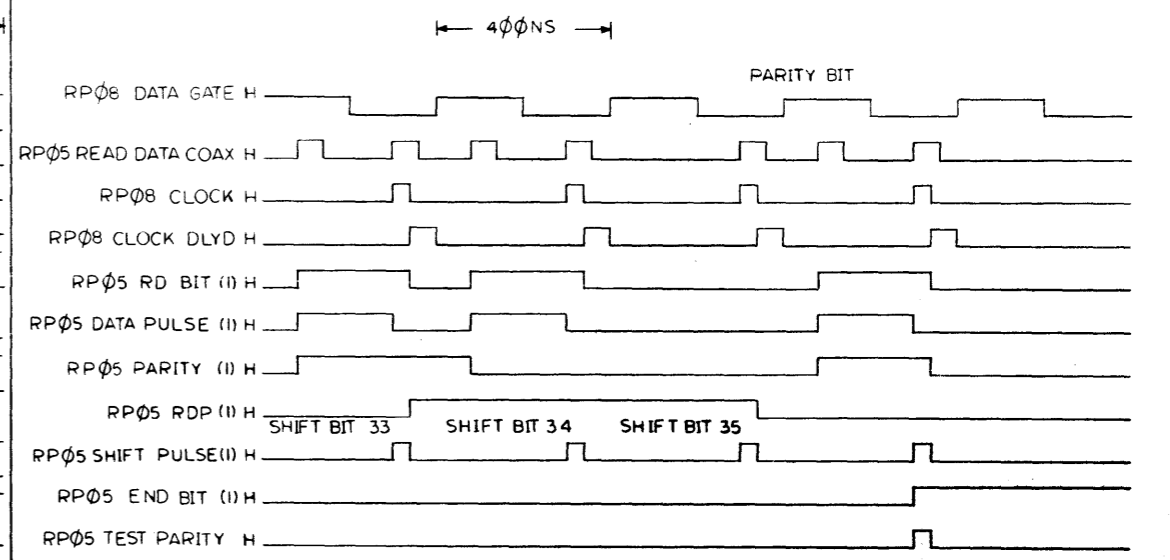
REV	
CHG	
CHK	

FIRST USED ON OPTION/MODEL PDP 15	QTY.	DESCRIPTION	PART NO.	ITEM NO.
PARTS LIST				
UNLESS OTHERWISE SPECIFIED DIMENSION IN INCHES TOLERANCES DECIMALS FRACTIONS ANGLES ± .005 ± 1/64 ± 0°30' FINAL SURFACE QUALITY REMOVE BURRS AND BREAK SHARP CORNERS	DRN. <i>Ken Davis</i>	DATE 4-15-70	 digital EQUIPMENT CORPORATION MAYNARD, MASSACHUSETTS TITLE <h2 style="text-align: center;">LOCKOUT INTERFACE</h2>	
	CHK'D. <i>K. Davis</i>	DATE 7-23-70		
	ENG. <i>J. Zel</i>	DATE 7-24-70		
	PROJ. ENG. <i>J. Zel</i>	DATE 7-24-70		
MATERIAL + + +	NEXT HIGHER ASSY. A-ML-RP15-0		SIZE CODE DBS	NUMBER RP15-0-55
FINISH + + +	SCALE + + +	SHEET / OF /	DIST.	REV

This drawing and specifications, herein, are the property of Digital Equipment Corporation and shall not be reproduced or copied or used in whole or in part as the basis for the manufacture or sale of items without written permission.



READ TIMING

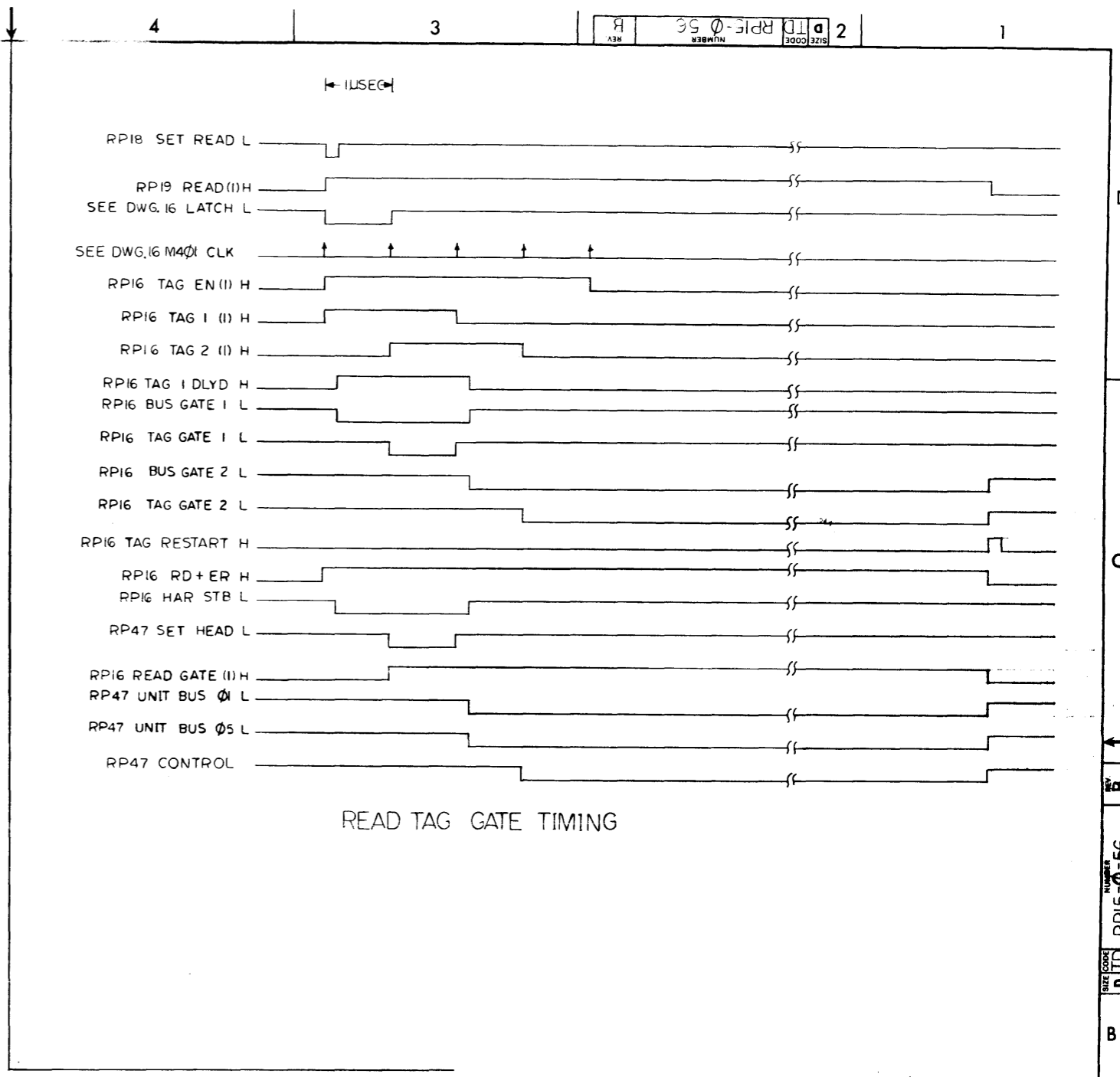
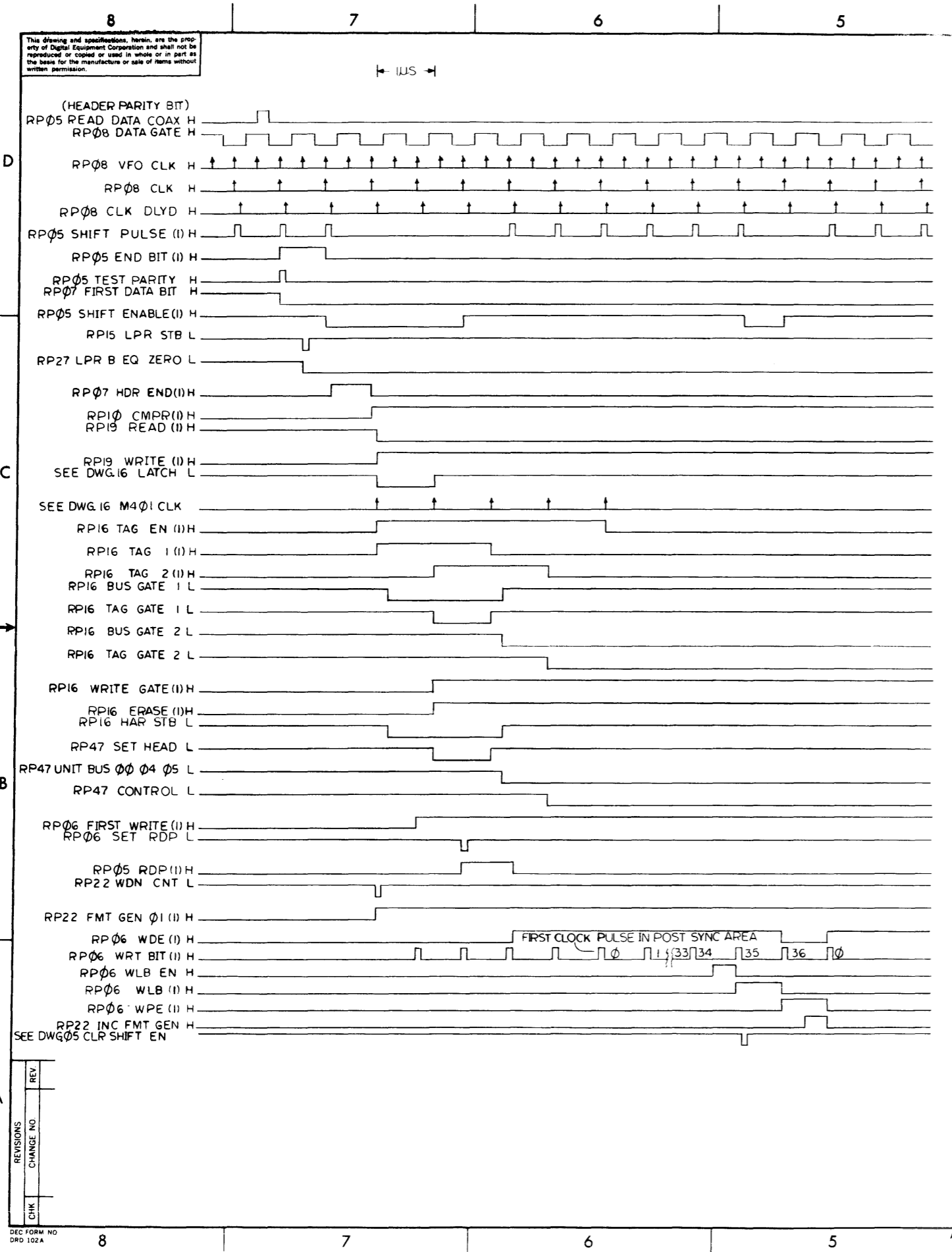


AT THIS TIME PARITY ERROR WOULD BE DETECTED FOR THE WORD SETTING EITHER FEE OR WEE F/F

WORD PARITY SENSE TIMING

REV	
CHG	

FIRST USED ON OPTION/ MODEL PDP15	QTY.	DESCRIPTION	PART NO.	ITEM NO.
PARTS LIST				
UNLESS OTHERWISE SPECIFIED	DRN	DATE	digital EQUIPMENT CORPORATION MAYNARD, MASSACHUSETTS	
UNLESS OTHERWISE SPECIFIED	CHK'D	DATE	TITLE	
DIMENSION IN INCHES	ENG	DATE	TIMING DIAGRAM	
TOLERANCES	PROJ. ENG.	DATE	NEXT HIGHER ASSY	
DECIMALS FRACTIONS ANGLES	PRG'D	DATE	A - ML - RP15 - 0	
± .005 ± 1/64 ± 0°30'		DATE	SCALE	
FINAL SURFACE QUALITY / REMOVE BURRS AND BREAK SHARP CORNERS		DATE	SIZE CODE NUMBER	
MATERIAL		DATE	DITD RP15-0-56	
FINISH		DATE	SCALE	
		DATE	SHEET 2 OF 5	
		DATE	DIST.	



WRITE TAG GATE TIMING & CONTROL

READ TAG GATE TIMING

This drawing and specifications herein are the property of Digital Equipment Corporation and shall not be reproduced or copied or used in whole or in part as the basis for the manufacture or sale of items without written permission.

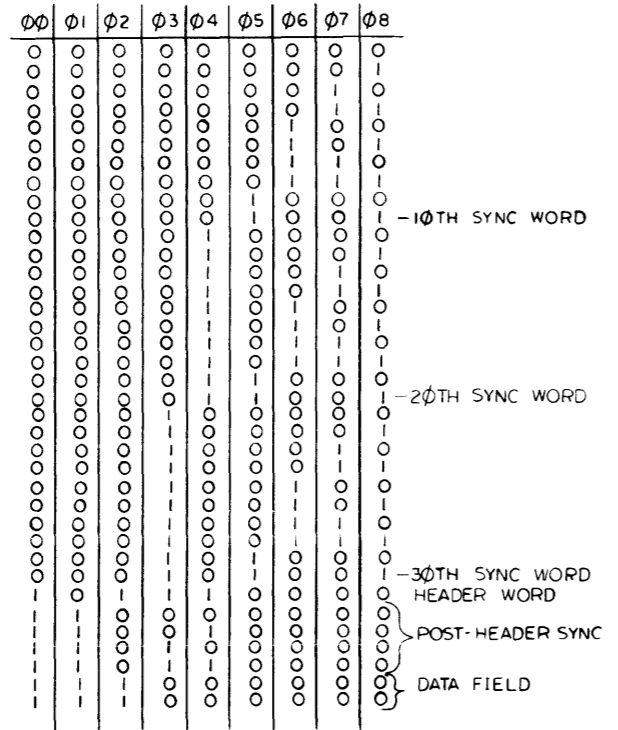
REV	NO
CHG	NO
CHK	NO

DEC FORM NO. DRD 102A

FIRST USED ON OPTION / MODEL PDP15	QTY.	DESCRIPTION	PART NO.	ITEM NO.
PARTS LIST				
UNLESS OTHERWISE SPECIFIED	DRN	DATE	digital EQUIPMENT CORPORATION MAYNARD MASSACHUSETTS	
UNLESS OTHERWISE SPECIFIED	CHK'D	DATE	TITLE	
DIMENSION IN INCHES	ENG	DATE	TIMING DIAGRAM	
TOLERANCES	PROJ. ENG.	DATE	REV. B	
DECIMALS FRACTIONS ANGLES	PROD.	DATE	SCALE	
± .005 = 1/64 = 0°30'			SHEET 3 OF 5	
FINAL SURFACE QUALITY / REMOVE BURRS AND BREAK SHARP CORNERS			DIST.	
MATERIAL	NEXT HIGHER ASSY	A - ML - RP15 - 0		
FINISH	SCALE	D/T/D RP15-0-56		

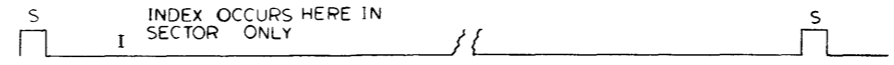
This drawing and specifications, herein, are the property of Digital Equipment Corporation and shall not be reproduced or copied or used in whole or in part as the basis for the manufacture or sale of items without written permission.

FORMAT GENERATOR COUNT



	FMT GEN 01	FMT GEN 02
PRE-HEADER	0	0
HEADER	0	1
POST-HEADER	1	0
DATA	1	1

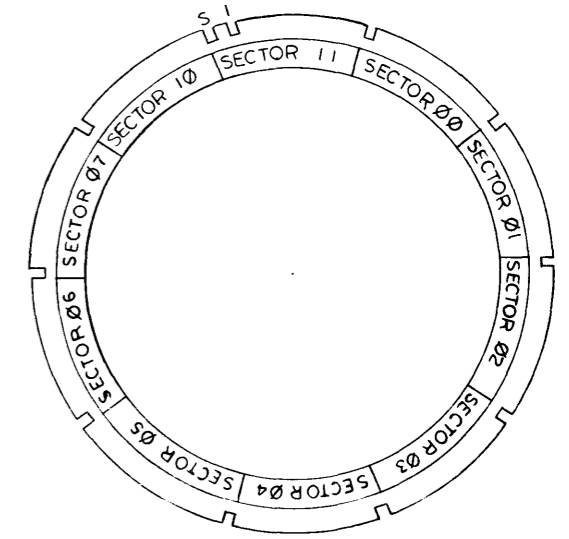
RP15 FORMAT



PRE HEADER SYNC	HEADER	POST HEADER SYNC	0	P	127	P	128	P	LPCC	P	GUARD BITS	PREHEAD SYNC
PRE HEADER SYNC 30 37 BIT WORDS ALL ZEROS EXCEPT LAST BIT (11090 ZEROS FOLLOWED BY 1 ONE BIT)	HEADER 1-36 BIT WORDS WORD AND A PARITY BIT BITS 0-17 NOT USED	4-37 BIT WORDS ALL ZERO EXCEPT LAST BIT 14710 ZEROS FOLLOWED BY 1 ONE BIT	128	36 BIT DATA WORDS AND 1 PARITY BIT PER WORD	LONG PARITY 1 WORD 36 BITS PLUS PARITY BIT	PREVENT WRITE/ERASE CURRENT SHUT DOWN FROM DESTROYING LPCC WORD						
	BITS 18-25 CYLINDER ADDRESS (8 BITS)			BITS 26-30 HEAD ADDRESS (5 BITS)								
	BITS 31 NOT USED			BITS 32-35 SECTOR ADDRESS (4 BITS)								

- * PRE HEADER SYNC USED TO SYNC UP VFO WRITTEN DURING FORMATTING
- ** POST HEADER SYNC USED TO SYNC VFO WRITTEN FOR EACH WRITE OPERATION
- *** THE SINGLE 1 BIT IN SYNC AREA'S ARE USED TO MARK START OF READ OPERATION MARKS END OF WORD IN THE SHIFT REGISTER

RP15 DISK SECTOR LAYOUT



REVISIONS	CHK
CHANGE NO.	REV

FIRST USED ON OPTION/MODEL	QTY.	DESCRIPTION	PART NO.	ITEM NO.
PDP 15				
PARTS LIST				
UNLESS OTHERWISE SPECIFIED	DRN	DATE	digital EQUIPMENT CORPORATION MAYNARD, MASSACHUSETTS	
UNLESS OTHERWISE SPECIFIED	CHK'D	DATE	TITLE TIMING DIAGRAM	
TOLERANCES	ENG	DATE		
DECIMALS FRACTIONS ANGLES	PROJ. ENG.	DATE		
± .005 ± .001 ± .030	PROD.	DATE		
FINAL SURFACE QUALITY REMOVE BURRS AND BREAK SHARP CORNERS				
MATERIAL	NEXT HIGHER ASSY			
	A-ML-RP15-0			
FINISH	SCALE	SIZE CODE NUMBER		REV
		DITD RP15-0-56		B
	SHEET	DIST.		
	5 OF 5			

This drawing and specifications herein are the property of Digital Equipment Corporation and shall not be reproduced or copied or used in whole or in part as the basis for the manufacture or sale of items without written permission.

RP15 ADJUSTMENT PROCEDURE

1. POWER DOWN SYSTEM. REMOVE ALL CABLES IN SLOTS H19 — H24 AND SLOTS J19 — J24. CABLES SHOULD BE MARKED WITH APPROPRIATE LOCATIONS.
2. REMOVE M622 MODULES LOCATED IN H14, H15, AND H16. PLACE M622 MODULES IN SLOTS H17, J23, AND J24.
3. POWER UP SYSTEM. SET ACCUMULATOR SWITCHES TO 760032. LOAD RP15 INSTRUCTION TEST. AFTER TAPE IS LOADED AND THE TELETYPE BELL RINGS, LOWER AC SWITCH 00.
4. SET UP OSCILLOSCOPE FOR INTERNAL SYNC ON PROBE #1. PLACE PROBE #1 ON C24F2. ADJUST TOP POT IN SLOT C24 UNTIL TRACE ON SCOPE IS A .5 USEC HIGH LEVEL.
5. PLACE PROBE #1 ON C24T2. ADJUST LOWER POT IN SLOT C24 UNTIL TRACE ON SCOPE IS A 350 USEC HIGH LEVEL.
6. PLACE PROBE #1 ON C25F2. ADJUST TOP POT C25 UNTIL TRACE ON SCOPE IS A 50 USEC HIGH LEVEL.
7. SET ACCUMULATOR SWITCHES TO 760130. AFTER BELL RINGS, LOWER AC SWITCH 00.
8. PLACE PROBE #1 ON C07T2. ADJUST LOWER POT IN C07 UNTIL TRACE ON SCOPE IS A 20 USEC HIGH LEVEL.
9. PLACE PROBE #1 ON A05P2. ADJUST POT IN C06 UNTIL TRACE ON SCOPE IS A 4 USEC HIGH LEVEL.
10. POWER DOWN SYSTEM. REMOVE M622 MODULES LOCATED IN SLOTS H17, J23, AND J24. REPLACE M622 MODULES IN LOCATIONS H14, H15, AND H16.
11. REPLACE ALL CABLES REMOVED IN STEP #1.
12. POWER UP SYSTEM. RP02 DISK DRIVE MUST BE ON LINE AND READY.
13. PRESS I/O RESET. PLACE PROBE #1 ON CLOCK H, D17L2. PLACE PROBE #2 ON CLOCK GATE H, D17P1. ADJUST POT IN SLOT C15 UNTIL LEADING EDGE OF PULSE ON PROBE #1 FALLS EXACTLY IN THE MIDDLE OF THE HIGH LEVEL ON PROBE #2.
14. LOAD THE FOLLOWING PROGRAM FROM THE ACCUMULATOR SWITCHES. DISK PACK MUST BE FORMATTED CORRECTLY PRIOR TO THIS STEP.

100/	703302	CAF
	200000	LAC 0
	706344	DPCA
	777400	LAW -400
	706384	DPHC
	200001	LAC 1
	708464	DPLF
	706341	DPSJ
	600107	JMP -1
	600100	JMP 100
0/	010000	CA = 10000
	011000	FUNCTION = READ & GO
15. START PROGRAM AT LOCATION 100. PLACE PROBE #1 ON E14B1. PLACE PROBE #2 ON F11E2. MEASURE THE DELAY BETWEEN THE LEADING EDGES OF PROBE #1 AND PROBE #2 (MEASURE AT THE 50% POINTS OF THE FIRST PULSES IN TRACE ONLY.) RECORD THE DELAY ON PAPER. (~20 NSEC)
16. PLACE PROBE #1 ON D17L2. PLACE PROBE #2 ON F11H2. ADJUST POT IN LOCATION E12 UNTIL THE DELAY BETWEEN PROBE #1 AND PROBE #2 IS EQUAL TO THE RECORDED DELAY FROM STEP #15.

TO CONVERT FROM DISK OPERATION TO DISKLESS. FOLLOW STEPS 1-3

1. POWER DOWN SYSTEM. REMOVE ALL CABLES IN SLOTS H19-H24 AND SLOTS J19-J24. CABLES SHOULD BE MARKED WITH APPROPRIATE LOCATIONS.
2. REMOVE M622 MODULES LOCATED H14, H15, AND H16. PLACE M622 MODULES IN SLOTS H17, J23, J24.
3. POWER UP SYSTEM

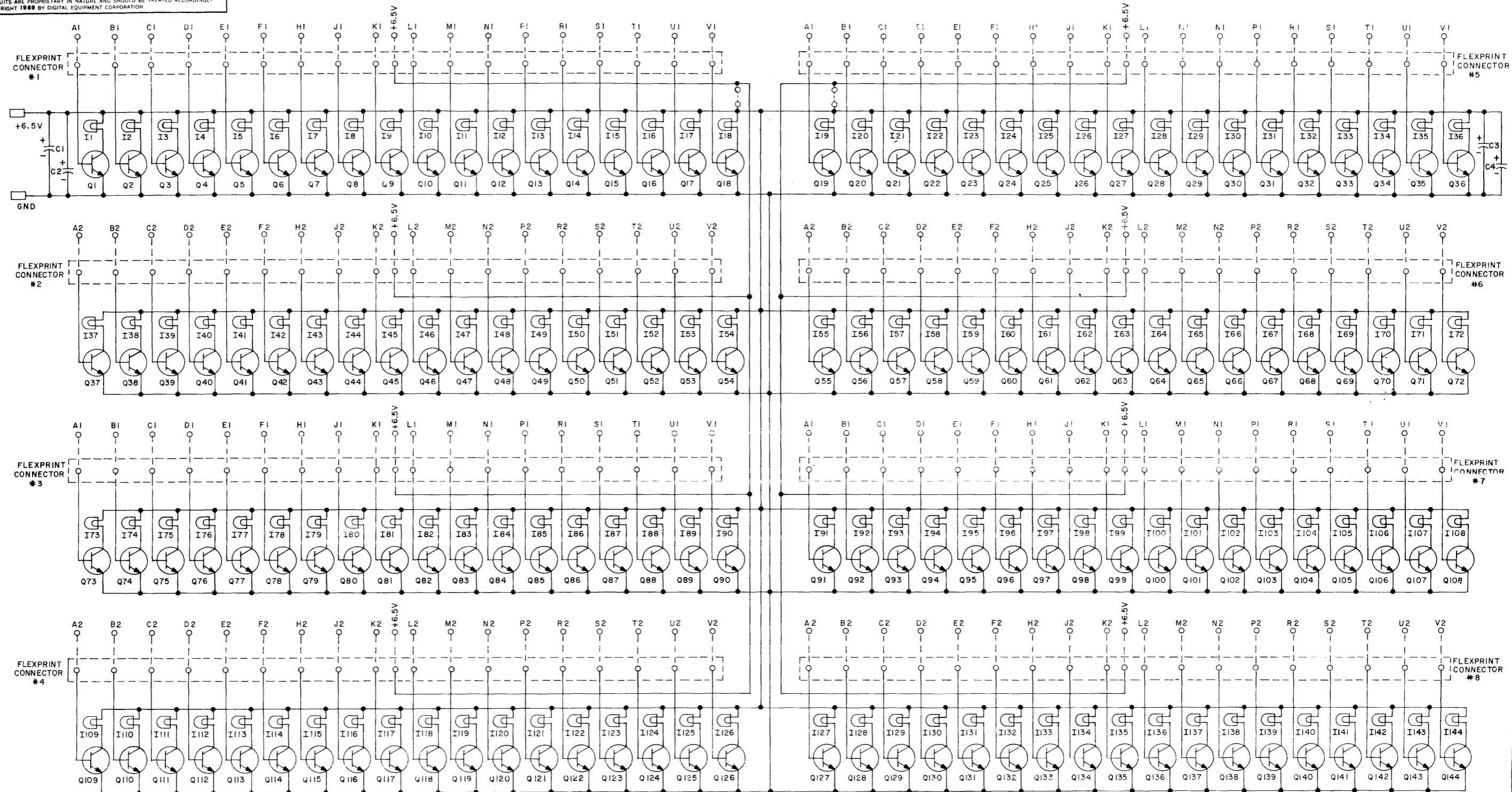
TO CONVERT FROM DISKLESS OPERATION TO DISK. FOLLOW STEPS 4-6

4. POWER DOWN SYSTEM. REMOVE M622 MODULES LOCATED IN SLOTS H17, J23, AND J24. REPLACE M622 MODULES IN LOCATIONS H14, H15, AND H16
5. REPLACE ALL CABLES REMOVED IN STEP #1.
6. POWER UP SYSTEM.

FIRST USED ON OPTION / MODEL PDP15	QTY.	DESCRIPTION	PART NO.	ITEM NO.
PARTS LIST				
UNLESS OTHERWISE SPECIFIED	DRN- <i>See Specs on</i>	DATE <i>7/17/70</i>	digital EQUIPMENT CORPORATION <small>MATHEW, MASSACHUSETTS</small>	
UNLESS OTHERWISE SPECIFIED	CHK'D. <i>K. Riccio</i>	DATE <i>7-23-70</i>		
UNLESS OTHERWISE SPECIFIED	ENG. <i>20</i>	DATE <i>7-24-70</i>		
UNLESS OTHERWISE SPECIFIED	PROJ. ENG. <i>20</i>	DATE <i>7-24-70</i>		
UNLESS OTHERWISE SPECIFIED	PROV. <i>See Specs</i>	DATE <i>7-24-70</i>	ADJUSTMENT & MAINTENANCE	
MATERIAL	NEXT HIGHER ASSY		SIZE CODE	NUMBER
	A-ML-RP15-0		DISP	RP15-0-57
FINISH	SCALE	SHEET		REV.
	1	OF 1		A

REVISIONS	DATE
CHANGE NO.	BY
1	RP15-0-57
2	24-70

THIS SCHEMATIC IS FURNISHED ONLY FOR TEST AND MAINTENANCE PURPOSES. THE CIRCUITS ARE PROPRIETARY IN NATURE AND SHOULD BE TREATED ACCORDINGLY. COPYRIGHT 1969 BY DIGITAL EQUIPMENT CORPORATION.



UNLESS OTHERWISE INDICATED:
 TRANSISTORS ARE DEC3009B
 O--O INDICATES JUMPER
 CAPACITORS ARE 39MFD 10V 10%
 LAMPS ARE 1209219

REV	DATE	BY	CHKD
1	10/01/69	J. Weller	
2	10/02/69		

DRN	DATE
J. Weller	10-3-69

TRANSISTOR & DIODE CONVERSION CHART			
DEC	EIA	DEC	EIA
DEC3009B	2N3009		

digital		TITLE PERIPHERAL INDICATOR	
EQUIPMENT CORPORATION		PANEL 5408458	
SIZE D	CODE CS	NUMBER 5408458-C-1	REV P
MAINARD MASSACHUSETTS		PRINTED CIRCUIT REV B	