

THIS DRAWING AND THE SPECIFICATIONS CONTAINED HEREIN ARE CONFIDENTIAL AND PROPRIETARY. THEY ARE THE PROPERTY OF DIGITAL EQUIPMENT CORPORATION AND SHALL NOT BE REPRODUCED OR COPIED OR USED IN WHOLE OR IN PART AS THE BASIS FOR MANUFACTURING OR SALE OF ITEMS WITHOUT WRITTEN PERMISSION. THIS IS AN UNPUBLISHED WORK PROTECTED UNDER THE FEDERAL COPYRIGHT LAWS.

FIELD MAINTENANCE PRINT SET

TABLE OF CONTENTS

K-TC-CKDLVJ1-0-1	FIELD MAINTENANCE PRINT SET
K-DD-CKDLVJ1-0	CKDLVJ1 DRAWING DIRECTORY
K-PL-CKDLVJ1-0-0	CKDLVJ1 OPTION
C-UA-H315-B-0	TEST CONN (DATA ONLY)
K-PL-H315-B-0	TEST CONN (DATA ONLY)
D-AD-7019964-0-0	FILTER CONN. BOARD ASSEMBLY
K-PL-7019964-0-DBP	FILTER CONN. BOARD ASSEMBLY
B-DD-5415221-0	DLV11-J FILTER PANEL
D-UA-5415221-0-0	DLV11-J FILTER PANEL
K-PL-5415221-0-DBP	DLV11-J FILTER PANEL
D-CS-5415221-0-1	DLV11-J FILTER PANEL
D-AD-7018204-0-DBU	D315, SLU EXPANSION ASSY
K-PL-7018204-0-0	D315, SLU EXPANSION ASSY
D-IA-7016436-0-0	CABLE, I/O
K-PL-7016436-0-0	CABLE, I/O
D-IA-7017259-0-0	FILTER CABLE ASSY
K-PL-7017259-0-0	FILTER CABLE ASSY
B-DD-5413939-0	D315 DISTRIBUTION PANEL
D-UA-5413939-0-0	D315 DISTRIBUTION PANEL
K-PL-5413939-0-0	D315 DISTRIBUTION PANEL
D-CS-5413939-0-1	D315 DISTRIBUTION PANEL

UNIT VARIATIONS
COVERED BY THIS
PRINT SET

CKDLVJ1-00
CKDLVJ1-LA
CKDLVJ1-LB
CKDLVJ1-LC
CKDLVJ1-LF
CKDLVJ1-EA
CKDLVJ1-EB
CKDLVJ1-EC
CKDLVJ1-EF

CKDLVJ1

FIELD MAINTENANCE PRINT SET

DIGITAL EQUIPMENT CORPORATION

PRINT SET ORDER NO.

MP00990-01 REV B1

NOTE: CKDLVJ1-00 IS A REFERENCE VARIANT ONLY.
SEE K-AR-CKCKREF-0-0 FOR EXACT VARIANT APPLICATION.

REVISION HISTORY

CONT. REVISION HISTORY

REV	ECO NUMBER	DATE	REV	ECO NUMBER	DATE
A	INITIAL	24 OCT 83			
B	CKDLVJ1-MK001	22 JAN 85			
C	CKDLVJ1-MK002	10 AUG 85			

MADE BY: R. ROBICHAUD

DATE: 24 OCT 83

CHECKED BY: J. FALKOWSKI

DATE: 13 DEC 83 11-SEP-85

PROJECT ENGR: R. BERGERON

DATE: 14 DEC 83

RSPBLE ENGR: M. LAWRENCE

DATE: 14 DEC 83 11/20/85

FIELD SERVICE: S. CRANSTON

DATE: 15 DEC 83

d i g i t a l

TITLE: FIELD MAINTENANCE PRINT SET

CKDLVJ1

SIZE	CODE	DOCUMENT NUMBER	REV.
K	TC	CKDLVJ1-0-1	C

SHEET 1 OF 2

MKO

THIS DRAWING AND THE SPECIFICATIONS CONTAINED HEREIN ARE CONFIDENTIAL AND PROPRIETARY. THEY ARE THE PROPERTY OF DIGITAL EQUIPMENT CORPORATION AND SHALL NOT BE REPRODUCED OR COPIED OR USED IN WHOLE OR IN PART AS THE BASIS FOR MANUFACTURING OR SALE OF ITEMS WITHOUT WRITTEN PERMISSION. THIS IS AN UNPUBLISHED WORK PROTECTED UNDER THE FEDERAL COPYRIGHT LAWS.

FIELD MAINTENANCE PRINT SET

TABLE OF CONTENTS - CONTINUED

K-DD-7020949-0	DLV11-J/RS422 BULKHEAD ASSY
K-TC-7020949-0-1	DLV11-J/RS422 BULKHEAD ASSY
K-PL-7020949-0-0	DLV11-J/RS422 BULKHEAD ASSY
K-AD-7020949-0-DBU	DLV11-J/RS422 BULKHEAD ASSY
K-DD-5414895-0-0	DLV11-J/RS422 BULKHEAD I/O
K-PL-5414895-0-0	DLV11-J/RS422 BULKHEAD ASSY
D-UA-5414895-0-0	DLV11-J/RS422 BULKHEAD I/O
D-CS-5414895-0-1	DLV11-J/RS422 BULKHEAD I/O
K-DD-H3192-0-0	LOOPBACK ASSY
K-PL-H3192-0-0	LOOPBACK CONN

UNIT VARIATIONS
COVERED BY THIS
PRINT SET

FIELD MAINTENANCE PRINT SET

DIGITAL EQUIPMENT CORPORATION

PRINT SET ORDER NO.

MP00990-01 REV B1

REVISION HISTORY			CONT. REVISION HISTORY			MADE BY:	d i g i t a l											
REV	ECO NUMBER	DATE	REV	ECO NUMBER	DATE	DATE:												
						CHECKED BY:	TITLE: FIELD MAINTENANCE PRINT SET											
						DATE:							CKDLVJ1					
						PROJECT ENGR:												
						DATE:												
						RSPBLE ENGR:												
						DATE:												
						FIELD SERVICE:												
						DATE:												
							SIZE	CODE	DOCUMENT NUMBER	REV.								
							K	TC	CKDLVJ1-0-1	C								
							SHEET 2 OF 2				MKO							

"THE MATERIAL HEREIN IS FOR INFORMATION PURPOSES ONLY AND IS SUBJECT TO CHANGE WITHOUT NOTICE. DIGITAL EQUIPMENT CORPORATION ASSUMES NO RESPONSIBILITY FOR ANY ERRORS WHICH MAY APPEAR HEREIN."

DRAWING DIRECTORY

"THIS DRAWING AND SPECIFICATIONS, HEREIN, ARE THE PROPERTY OF DIGITAL EQUIPMENT CORPORATION AND SHALL NOT BE REPRODUCED OR COPIED OR USED IN WHOLE OR IN PART AS THE BASIS FOR THE MANUFACTURE OR SALE OF ITEMS WITHOUT WRITTEN PERMISSION. COPYRIGHT (C) 1983 DIGITAL EQUIPMENT CORPORATION"

FOR FIELD MAINTENANCE PRINT SET REFER TO K-TC-CKDLVJ1-0-1

UNIT VARIATIONS

VARIATION	TITLE
CKDLVJ1-00	CAB KIT REF TO K-AR-CKCKREF-0-0
CKDLVJ1-LA	CAB KIT FOR DLVJ1 4 LINES EIA, 21" CABLE SHIELDED CAB.
CKDLVJ1-LB	CAB KIT FOR DLVJ1 4 LINES EIA, 12" CABLE SHIELDED CAB.
CKDLVJ1-LC	CAB KIT FOR DLVJ1 4 LINES EIA, 30" CABLE SHIELDED CAB.
CKDLVJ1-LF	CAB KIT FOR DLVJ1 4 LINES, EIA 36" CABLE SHIELDED CAB.
CKDLVJ1-EA	CAB KIT FOR DLVJ1 4 LINES RS422, 21" CABLE SHIELDED CAB
CKDLVJ1-EB	CAB KIT FOR DLVJ1 4 LINES RS422, 12" CABLE SHIELDED CAB
CKDLVJ1-EC	CAB KIT FOR DLVJ1 4 LINES RS422, 30" CABLE SHIELDED CAB
CKDLVJ1-EF	CAB KIT FOR DLVJ1 4 LINES RS422, 36" CABLE SHIELDED CAB

NOTE: CKDLVJ1-00 IS A REFERENCE VARIANT ONLY. SEE K-AR-CKCKREF-0-0 FOR EXACT VARIANT APPLICATION.

REVISION HISTORY			USED ON OPTION/MODEL	RESPONSIBLE ENG. : M. LAWRENCE	d i g i t a l			
ENG	ECO NUMBER	REV		DATE : 09 DEC 83				
---	INITIAL	A	CKDLVJ1	MADE BY : R. ROBICHAUD	TITLE DRAWING DIRECTORY			
ML	CKDLVJ1-MK001	B		DATE : 24 OCT 83	CKDLVJ1			
ML	CKDLVJ1-MK002	C		CHECKED BY : J. FALKOWSKI				
				DATE : 05 DEC 83				
				DESIGN ENGINEER : R. BERGERON				
				DATE : 09 DEC 83				
				PRODUCTION ENG. : W. LADNER	SIZE	CODE	DOCUMENT NUMBER	REV.
				DATE : 13 DEC 83	K	DD	CKDLVJ1-0	C
					SHEET 1 OF 2		EDIT # 0001	

F
I
N
D

T
Y
P
E

F
I
N
D

T
Y
P
E

#	DRAWING NUMBER	DESCRIPTION	T Y P E	#	DRAWING NUMBER	DESCRIPTION	T Y P E
1	MP00990-01	F.M.P.S. CKDLVJ1 (MP)	-				
	K-TC-CKDLVJ1-0-1	F.M.P.S. CKDLVJ1 (TC)	-				
	K-PL-CKDLVJ1-0-0	CKDLVJ1 OPTION	E/M				
	C-UA-H315-B-0	TEST CONNECTOR (DATA ONLY)	E/M				
	K-PL-H315-B-0	TEST CONNECTOR (DATA ONLY)	E/M				
	D-IA-7016436-0-0	CABLE, I/O	E/M				
	K-PL-7016436-0-0	CABLE, I/O	E/M				
	K-AR-CKCKREF-0-0	FLEXIBLE OPTION PLAN	-				
2	D-AD-7019964-0-0	FILTER CONN. BOARD ASSEMBLY	E/M				
	K-PL-7019964-0-DBP	FILTER CONN. BOARD ASSEMBLY	E/M				
3	C-IA-7427573-0-0	PLATE, CONNECTOR	M				
	K-PL-7427573-0-DBP	PLATE, CONNECTOR	M				
	A-SS-7427573-0-1	CONNECTOR PLATE ARTWORK	-				
4	B-DD-5415221-0	DLV11-J FILTER PANEL	-				
5	K-DD-7018204-0	D315 SLU EXPANSION ASSY					
6	K-DD-7020949-0	DLV11-J/RS422 BULKHEAD ASSY	E/M				
7	K-DD-5414895-0	DLV11-J/RS422 BULKHEAD I/O	E/M				
8	K-DD-H3192-0	LOOPBACK ASSY	E/M				
9	A-PA-3700862-0-0	PACKAGING SPECIFICATION	M				

TYPE: E ELECTRICAL		d		i		g		i		t		a		l		TITLE	DRAWING DIRECTORY		SIZE		CODE		DOCUMENT NUMBER		REV.
M MECHANICAL																	CKDLVJ1		K		DD		CKDLVJ1-0		C
E/M ELECTRO/MECHANICAL																			SHEET		2 OF 2		EDIT #		0001

LINE	ITEM	TOP DOCUMENT	PART NUMBER	MIN REV	DESCRIPTION	GTY PER VARIATION			
						00	LA	LB	LC
1	1	C-UA-H315-B-0	H315 -B		DATA ONLY TEST CONNECTOR	REF	4	4	4
2	2	D-AD-7019964-0-0	7019964-01		FILIER CONN. BOARD ASSY.	REF	1	1	-
3	3	D-IA-7016436-0-0	7016436-1K		CABLE I/O	REF	1	-	-
4	4	D-IA-7016436-0-0	7016436-1C		CABLE I/O	REF	-	1	-
5	5	D-AD-7018204-0-0	7018204-01		D315 SLU EXPANSION ASSY, 30 IN.	REF	-	-	1
6	6	K-PL-7020912-0-0	7020912-01		SHIPPING LIST CKDLVJ1	REF	A/R	A/R	A/R
7	7		9009701-00		SCREW,SEMS PAN PHIL	6- REF	4	4	4

NOTE: CKDLVJ1-00 IS A REFERENCE VARIANT ONLY. SEE K-AR-CKCKREF-0-0 FOR EXACT VARIANT APPLICATION.

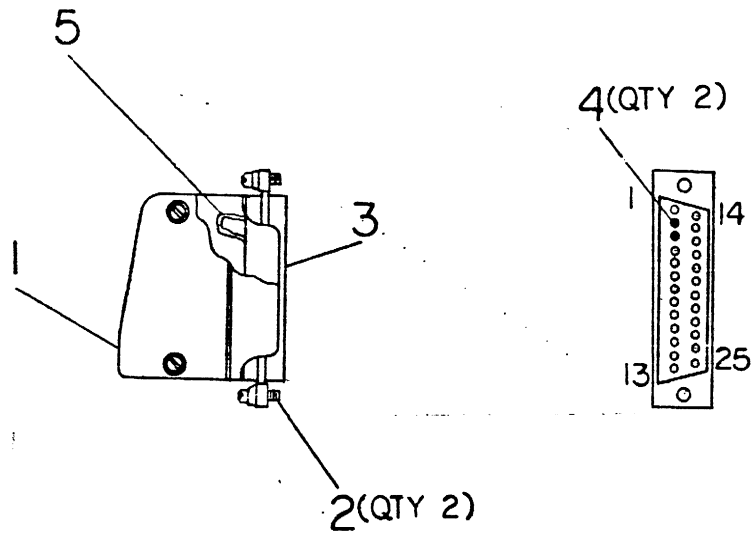
REVISION HISTORY		BASIC PART NO: CKDLVJ1		DRN:	R. ROBICHAUD	DATE:	24-OCT-83	DIGITAL				
ENG	ECO NUMBER	REV	SECTION A OF A	CHK'D:	<i>J. Falkowski</i>	DATE:	14 DEC 83	TITLE	PARTS LIST			
---	INITIAL	A	SECTION, VARIATION INDEX	CHK'D:	J. FALKOWSKI	DATE:	24-OCT-83	CKDLVJ1 OPTION				
			[A] 00, LA, LB, LC					DOCUMENT NUMBER				
			[B]	DES. ENG:	<i>R. Bergeron</i> R. BERGERON	DATE:	13-DEC-83	SIZE	CODE	NUMBER	REV	
			[C]	RESP. ENG.:	<i>R. Bergeron</i> M. LAWRENCE	DATE:	24-OCT-83	K	PL	CKDLVJ1-0-0	A	
			[D]					RELEASE DATE:				
			[E]	MFG. ENG.:	<i>W. Ladner RRB</i> W. LADNER	DATE:	13-DEC-83					
			[F]	ASSEMBLY NUMBER:		TOP DOCUMENT NUMBER:		FILE NAME:	EDIT #			
				K-PL-DLVJ1-0-0		*K-DD-CKDLVJ1-0		MK1032, PLS	10			

"THIS DRAWING AND THE SPECIFICATIONS CONTAINED HEREIN ARE CONFIDENTIAL AND PROPRIETARY. THEY ARE THE PROPERTY OF DIGITAL EQUIPMENT CORPORATION AND SHALL NOT BE REPRODUCED OR COPIED OR USED IN WHOLE OR IN PART AS THE BASIS FOR THE MANUFACTURE OR SALE OF ITEMS WITHOUT WRITTEN PERMISSION. THIS IS AN UNPUBLISHED WORK PROTECTED UNDER THE FEDERAL COPYRIGHT LAWS."

THIS DRAWING AND SPECIFICATIONS, HEREIN, ARE THE PROPERTY OF DIGITAL EQUIPMENT CORPORATION AND SHALL NOT BE REPRODUCED OR COPIED OR USED IN WHOLE OR IN PART AS THE BASIS FOR THE MANUFACTURE OR SALE OF ITEMS WITHOUT WRITTEN PERMISSION.
 COPYRIGHT © 1980 DIGITAL EQUIPMENT CORPORATION

WIRE TABLE

ITEM NO	DESCRIPTION		FROM		TO		PRECUT LENGTH
	AWG	COLOR	CONN	WITH	CONN	WITH	
5	22	BLK	PI-2	4	PI-3	4	1.75 ± .25



CAUTION: OFF SHEET PARTS LIST
 REFER TO K-PL-H315-B-Ø

REVISION HISTORY	ECO NUMBER	REV.
DATE		

DESCRIPTION	DRAWING NO.	PART NO.	ITEM NO.					
UNLESS OTHERWISE SPECIFIED DIMENSIONS ARE IN INCHES AND THE FOLLOWING TOLERANCES APPLY (PER DEC STD 114)								
INCHES TOLERANCES X = ± .1 XX = ± .02 XXX = ± .005	ANGLES ± 0° 30'	APPLICABLE DIMENSION RANGE (CHECK ONE)	DIMENSIONS RANGE IN INCHES					
			OVER 0 TO 0.2	OVER 0.2 TO 1.2	OVER 1.2 TO 4.0	OVER 4.0 TO 12.0	OVER 12.0 TO 40.0	OVER 40.0 TO 80.0
QUANTITY & VARIATION	SURFACE QUALITY ✓ MICROINCHES		± .004	± .008	± .012	± .018	± .024	± .04
THIRD ANGLE PROJECTION 	DRW: <i>Michael P. Duggan</i>	DATE: 19 MAR 80	TITLE: digital TEST CONN (DATA ONLY)					
DO NOT SCALE DRAWING	CHK'D: <i>W.F.M.C. - chg</i>	DATE: 8 APR 80	DOCUMENT NUMBER: C UA H315-B-Ø					
REMOVE BURRS AND BREAK SHARP CORNERS	DES. ENG: <i>Toull (MIA)</i>	DATE: 23-JUL-80	SCALE: NONE					
MATERIAL: SEE PARTS LIST	RESP. ENG: <i>John J. Roy</i>	DATE: 23-JUL-80	SHEET 1 OF 1					
FINISH: <i>++</i>	INFO. ENG: <i>A. Kovic</i>	DATE: 23-JUL-80	NEXT HIGHER DOC: K-UA-D315A-A-Ø					

4

3

2

MK

1

SIZE CODE: C
 NUMBER: UA H315-B-Ø
 REV. *

LINE ITEM	DOCUMENT NUMBER	PART NUMBER	DESCRIPTION	QUANTITY PER VARIATION B
1	1	1210493-50	CONN,D SUB HOOD FOR 25POS	1
2	2	9009722-00	SCREW, CAPTIVE ASSY. 4-40 X 1/4	2
3	3	1210493-32	CONN,D SUB 25PIN SHELL & INSERT,	1
4	4	1210493-41	CONN,D SUB SOCKET FOR AWG	2
5	5	9107350-00	WIRE,STRND,22AWG,IPVC UL1429	A/R

REVISION HISTORY		BASIC PART NO: OH315		DRN:	M.DUGGAN	DATE:	13-MAR-80	DIGITAL	
ENG!	ECO NUMBER	REV	SECTION A OF A						
---	INITIAL	*	SECTION. VARIATION INDEX	CHK'D:	W.MCCARTHY	DATE:	9-JUL-80	TITLE	PARTS LIST
			[A] B					TEST CONNECTOR	
			[B]	DES.ENG.:	T. ORR	DATE:	9-JUL-80	DATA ONLY	
			[C]					DOCUMENT NUMBER	
			[D]	RESP.ENG.:	N.ROY	DATE:	9-JUL-80	SIZE!CODE!	NUMBER
			[E]	MFG.ENG.:	P.SEMJEN	DATE:	9-JUL-80	K ! PL !	H315-B-0
			[F]	ASSEMBLY NUMBER:		TOP DOCUMENT NUMBER:		FILE NAME:	EDIT #!
				C-UA-H315-B-0		K-UA-D315A-A-0		MK0035.PLS	10

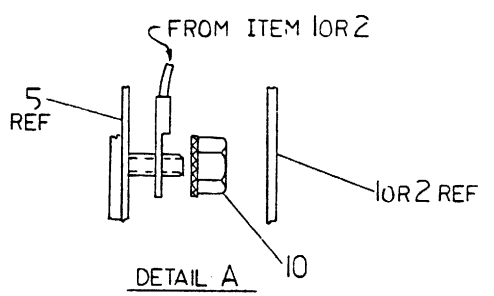
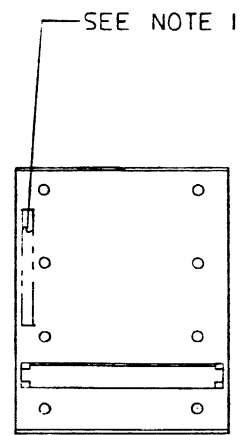
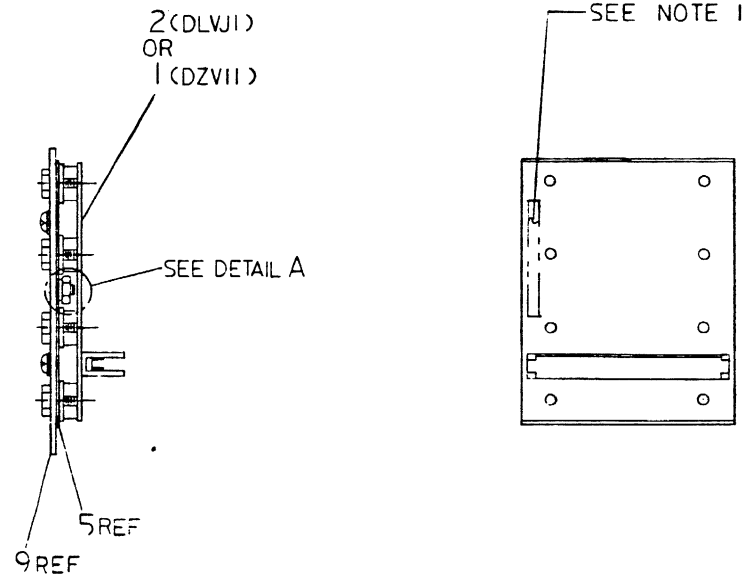
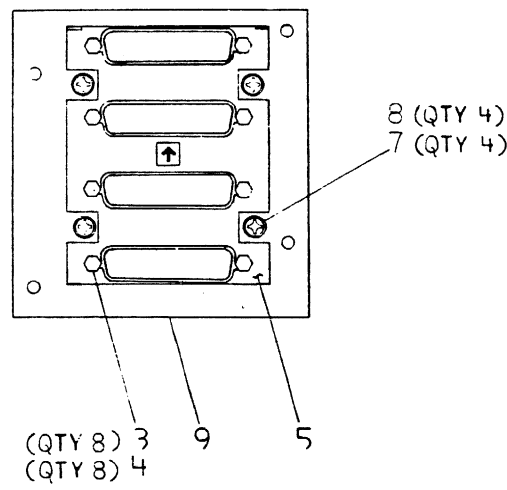
"THIS DRAWING AND SPECIFICATIONS HEREIN, ARE THE PROPERTY OF DIGITAL EQUIPMENT CORPORATION AND SHALL NOT BE REPRODUCED OR COPIED OR USED IN WHOLE OR IN PART AS THE BASIS FOR THE MANUFACTURE OR SALE OF ITEMS WITHOUT WRITTEN PERMISSION. COPYRIGHT (C) 1980. DIGITAL EQUIPMENT CORPORATION "

THIS DRAWING AND SPECIFICATIONS HEREIN ARE THE PROPERTY OF DIGITAL EQUIPMENT CORPORATION AND SHALL NOT BE REPRODUCED OR COPIED OR USED IN WHOLE OR IN PART AS THE BASIS FOR THE MANUFACTURE OR SALE OF ITEMS WITHOUT WRITTEN PERMISSION FROM DIGITAL EQUIPMENT CORPORATION

0-0-0-196610Z AD
REV. 15-SEP-81

LEGEND	
PART NUMBER	VARIATION
7019964-00	AS SHOWN/ITEM 1
7019964-01	AS SHOWN/ITEM 2
7019964-02	AS SHOWN/ITEMS 1
7019964-03	AS SHOWN/ITEMS 2

NOTES:
 1. MARK ASSY NO. ON REAR APPROX. AS SHOWN WITH PART NO.



CAUTION: OFFSHEET PARTS LIST EXISTS. REFER TO K-PL-7019964-0-DBP

REV	ECO NUMBER	DATE
A	INITIAL PER FCN 01497	
B	7019964-MLOUJ	15-SEP-81
C	LKIZINA	
D	7019964-MLOOC	
	LKIZINA	

DESCRIPTION	DRAWING NO.	PART NO.	ITEM NO.				
UNLESS OTHERWISE SPECIFIED DIMENSIONS ARE IN INCHES (FIRST USED ON 11/23-5) AND THE FOLLOWING TOLERANCES APPLY (PER DEC STD 114)							
INCHES TOLERANCES X ± .1 .XX ± .02 XXX ± .005	ANGLES ± 0°30'	DIMENSION RANGE IN INCHES					
		APPLICABLE DIMENSION RANGE (CHECK ONE)	OVER 0 TO 0.2	OVER 0.2 TO 1.2	OVER 1.2 TO 4.0	OVER 4.0 TO 12.0	OVER 12.0 TO 40.0
QUANTITY & VARIATION	SURFACE QUALITY ✓	<input type="checkbox"/>	<input checked="" type="checkbox"/>	<input type="checkbox"/>	<input type="checkbox"/>	<input type="checkbox"/>	<input type="checkbox"/>
THIRD ANGLE PROJECTION		DATE 10 AUG 82	TITLE digital				
DO NOT SCALE DRAWING		DATE 13 OCT 82	FILTER CONN. BOARD ASSEMBLY				
REMOVE BURRS AND BREAK SHARP CORNERS		DATE 13 OCT 82	DOCUMENT NUMBER				
MATERIAL SEE PARTS LIST		DATE 10-13-82	D AD 7019964-0-0				
FINISH		TOP DOC. NO. D-AD-7019940-C-0	SCALE 1/1 SHEET 1 OF 1				

REV 10
 NUMBER D AD 7019964-0-0
 SIZE CODE

LINE	ITEM	DOCUMENT NUMBER	PART NUMBER	DESCRIPTION	QUANTITY PER VARIATION			
					00	01	02	03
1	1	D-UA-5415420-0-0	5415420-00	DZV11 PATCH PANEL	1	-	1	-
2	2	D-UA-5415221-0-0	5415221-00	CANCEL (ML GLORIA 10-19-83)	-	1	-	-
3	3		9008451-01	SCREW LOCK, STANDOFF ONLY .050TH	8	8	8	8
4	4		9006688-00	WASHER, HELICAL SPLIT SST	8	8	8	8
5	5	D-MD-7427573-0-0	7427573-01	PLATE, CONNECTOR	1	1	1	1
6	6		9905016-04	FOLDER, DIE CUT, SELF LOCK W/FOAM	A/R	A/R	A/R	A/R
7	7		9006020-01	SCREW, MACH PAN PHIL 6-	-	-	4	4
8	8		9007649-00	WASHER, LOCK EXTERNAL STEEL	-	-	4	4
9	9		7428684-01	PLATE, 11/23 ADAPTER	-	-	1	1
10	10		9006560-00	NUT, HEX EXT TOOTH LCKWSHR 6-32	1	1	1	1

REVISION HISTORY			BASIC PART NO: 7019964			D I G I T A L			
ENG	ECO NUMBER	REV	SECTION A OF A	DRN:	D. HEALY	DATE:	13-OCT-82	TITLE	PARTS LIST
---	INITIAL	A	SECTION. VARIATION INDEX	CHK'D:	D. HEALY	DATE:	13-OCT-82	FILTER CONN BOARD ASSY	
LK	11/23S-ML002	B	[A] 00,01,02,03	DES.ENG.:	L. KIZINA	DATE:	13-OCT-82	DOCUMENT NUMBER	
LK	7019964-ML001	C	[B]	RESP.ENG.:	L. KIZINA	DATE:	13-OCT-82	SIZE	CODE
LK	7019964-ML002	D	[C]	MFG.ENG.:	J. GRIEVE	DATE:	13-OCT-82	NUMBER	REV
			[D]	ASSEMBLY NUMBER:	D-AD-7019964-0-0	TOP DOCUMENT NUMBER:	D-AD-7019940-0-0	FILE NAME:	EDIT #
			[E]					Z5286D.PLS	3
			[F]						

"THIS DRAWING AND SPECIFICATIONS HEREIN, ARE THE PROPERTY OF DIGITAL EQUIPMENT CORPORATION AND SHALL NOT BE REPRODUCED OR COPIED OR USED IN WHOLE OR IN PART AS THE BASIS FOR THE MANUFACTURE OR SALE OF ITEMS WITHOUT WRITTEN PERMISSION. COPYRIGHT (C) 1983. DIGITAL EQUIPMENT CORPORATION "

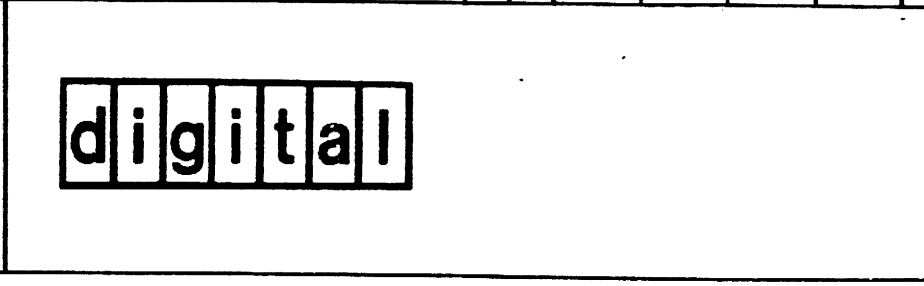
DRAWING NO.	NO. OF SHTS.	PART NO.	DESCRIPTION	REVISIONS																					
				1	2	3	4	5	6	7	8	9	10	11	12	13									
		5415221-01	DLV11-J FILTER PANEL	A1																					
D-UA-5415221-0-0	1		DLV11-J FILTER PANEL UNIT ASSY	A																					
D-CS-5415221-0-1	1		DLV11-J FILTER PANEL CIRCUIT SCH.	A																					
K-PL-5415221-0-DBP	1		DLV11-J FILTER PANEL PARTS LIST	A																					
K-PC-5415221-0-DBJ			P.C. DESIGN DATA BASE	A																					
		5015220-01	ETCHED CIRCUIT BOARD	F1																					
B-DD-5015220-0-0	1		DRAWING DIRECTORY	A																					

NOTES:

REVISION HISTORY	DATE	ECO NO.	REV.																						

THIS DRAWING AND THE SPECIFICATIONS CONTAINED HEREIN ARE CONFIDENTIAL AND PROPRIETARY. THEY ARE THE PROPERTY OF DIGITAL EQUIPMENT CORPORATION AND SHALL NOT BE REPRODUCED OR COPIED OR USED IN WHOLE OR IN PART AS THE BASIS FOR THE MANUFACTURE OR SALE OF ITEMS WITHOUT WRITTEN PERMISSION. THIS IS AN UNPUBLISHED WORK PROTECTED UNDER THE FEDERAL COPYRIGHT LAWS.

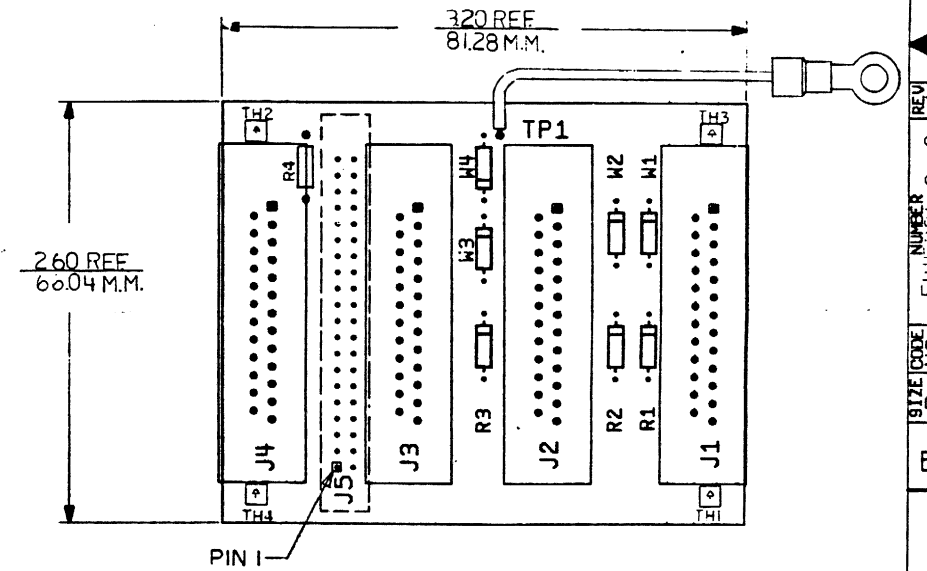
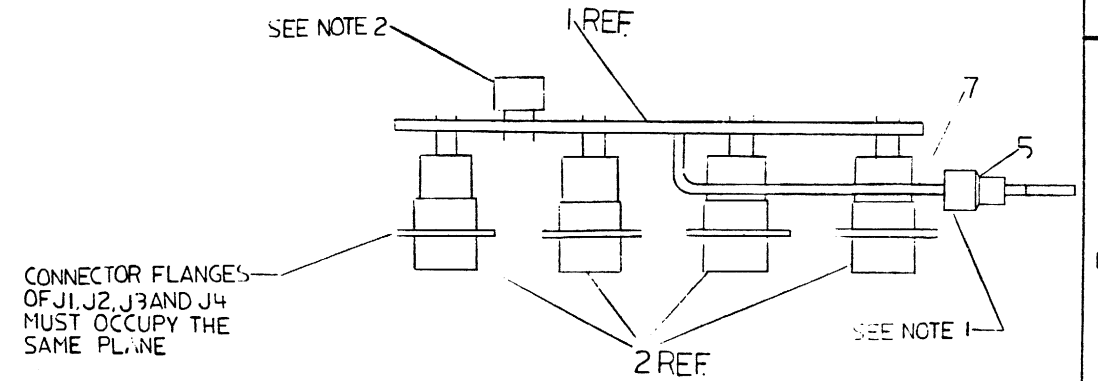
1983



DRN.	R. RHOADES	DATE	7/14/83	TITLE	
CHK'D	<i>Ken de Koning</i>	DATE	20 JUL 83	DLV11-J FILTER PANEL	
DES. ENG.	<i>Paul Hebert</i>	DATE	22 JUL 83	DOCUMENT NUMBER	
RESP. ENG.	<i>Paul Hebert</i>	DATE	22 JUL 83	SIZE	CODE
MFG. ENG.	<i>Jack Guene</i>	DATE	23 OCT 83	B	DD
				NUMBER	REV.
				5415221-0-0	A
				SHEET	1 OF 1

THIS DRAWING AND SPECIFICATIONS, HEREIN, ARE THE PROPERTY OF DIGITAL EQUIPMENT CORPORATION AND SHALL NOT BE REPRODUCED OR COPIED OR USED IN WHOLE OR IN PART AS THE BASIS FOR THE MANUFACTURE OF ANY OF THESE ITEMS WITHOUT WRITTEN PERMISSION.
 COPYRIGHT © 1963 DIGITAL EQUIPMENT CORPORATION

COMPONENT SIDE VIEW



NOTES: 1. SOLDER .25 INCH WIRE (9107818-54)
 ITEM 7 AND TERMINAL RING (9007929-00)
 ITEM 5 ON SIDE 1 AS INDICATED
 2. INSERT J5 ON SIDE 2

CHK	CHANGE NO	REV

STEP	Y AXIS	STEP	TIMES
REPEAT	X AXIS	STEP	TIMES

ETCH REV: F1

SIGNATURES		DATE	digital
DRN: <i>Paul H. Brandon</i>	<i>[Signature]</i>	<i>[Date]</i>	
CHK D: <i>[Signature]</i>	<i>[Signature]</i>	<i>[Date]</i>	TITLE: DELV11J
MECH ENG: <i>[Signature]</i>	<i>[Signature]</i>	<i>[Date]</i>	FILTER PANEL
PROJ ENG: <i>[Signature]</i>	<i>[Signature]</i>	<i>[Date]</i>	SCALE: 2:1
PROD: <i>Tack Grime PA</i>	<i>[Signature]</i>	<i>[Date]</i>	SIZE CODE: D UA
SHT 1 OF 1			NUMBER: 5415221 0-0 A
IQP DOC NO. E-00-5415221 0-0			REV: A

UNIFORM

8 7 6 5 4 3 2 1

REV A

NUMBER 5415221 0-0

SIZE CODE D UA

ML3 1 NO = 75126

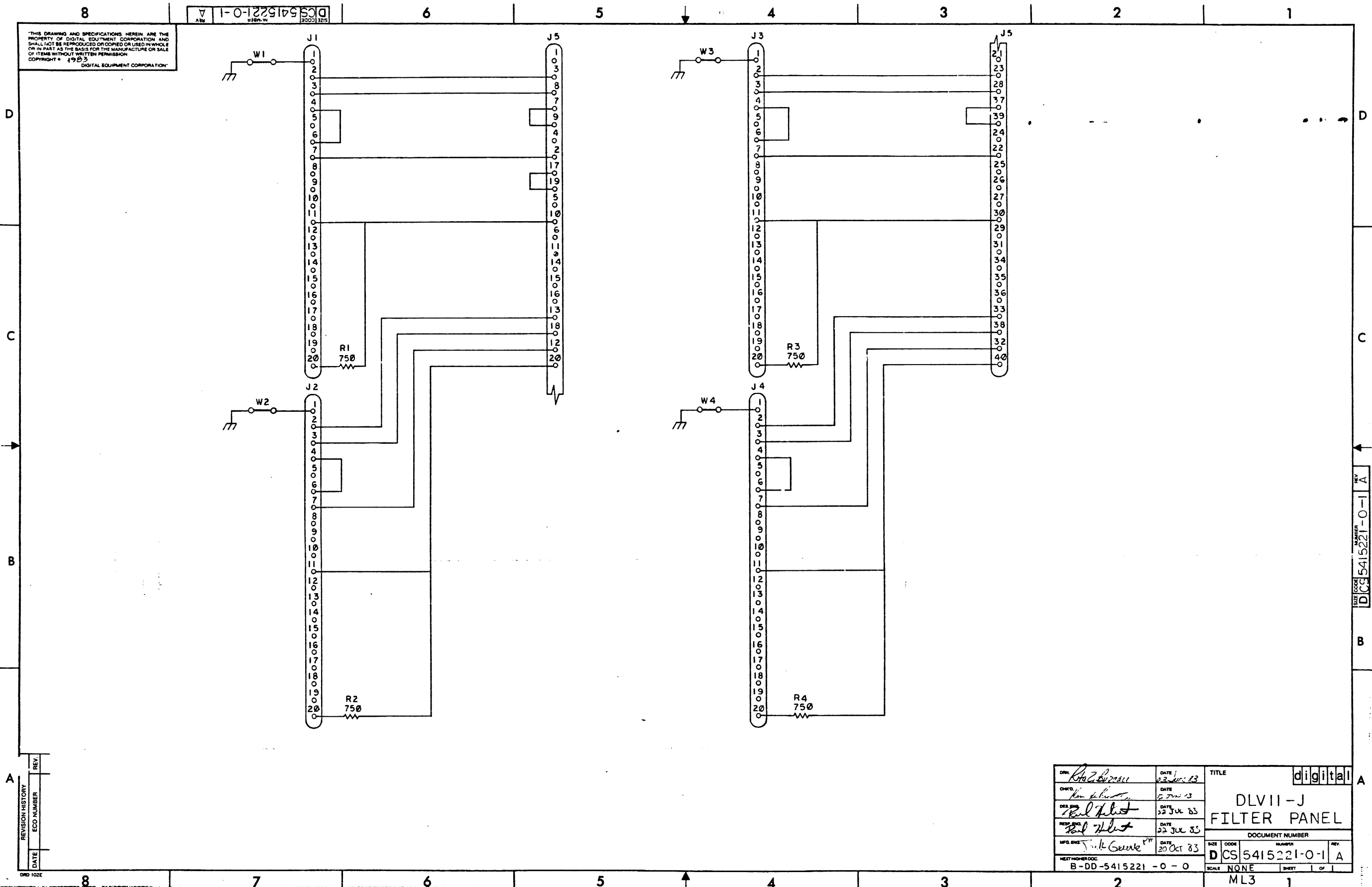
LINE	ITEM	DOCUMENT NUMBER	PART NUMBER	DESCRIPTION	QTY PER VARIATION 01	REFERENCE DESIGNATOR
1	1	D-MD-5015220-0-0	5015220-01	CIRCUIT DRILL & ETCH	1	
2	2		1219573-03	CONN,D SUB 10PIN ASSY STR	4	J1-J4
3	3		1214886-01	PCB,HEADER 40POS(2X40).100CC	1	J5
4	4		1301401-00	750.0 .25 W 5.0 * CF	4	R1-R4
5	5		9007929-00	TERM,RING #5,6STUD CRIMP 16-2	1	
6	6		9009185-00	JUMPER, WIRE, INSULATED, BLACK B	4	W1-W4
7	7		9107818-54	WIRE, 16AWG(26/30)PVC 600V1 A/R		

REVISION HISTORY		BASIC PART NO: 5415221		DRN: RITA Z. BUREAU	DATE: 28-SEP-83	D I G I T A L				
ENG	ECO NUMBER	REV	SECTION A OF A	CHK'D: P. HEBERT	DATE: 28-SEP-83	TITLE		PARTS LIST		
	INITIAL	A	SECTION VARIATION INDEX			DLV11-J FILTER PANEL				
			[A] 01	DES.ENG: P. HEBERT	DATE: 28-SEP-83	DOCUMENT NUMBER				
			[B]	RESP.ENG.: P. HEBERT	DATE: 28-SEP-83	SIZE	CODE	NUMBER	REV	
			[C]	MFG.ENG.: JACK GRIEVE	DATE: 28-SEP-83	K	PL	5415221-0-DBP	A	
			[D]	ASSEMBLY NUMBER:	TOP DOCUMENT NUMBER:	FILE NAME:		EDIT #		
			[E]	D-UA-5415221-0-0	B-DD-5415221-0-0	Z3789A.PLS		4		
			[F]							
			[G]							
			[H]							
			[I]							
			[J]							
			[K]							
			[L]							
			[M]							
			[N]							

"THIS DRAWING AND SPECIFICATIONS HEREIN, ARE THE PROPERTY OF DIGITAL EQUIPMENT CORPORATION AND SHALL NOT BE REPRODUCED OR COPIED OR USED IN WHOLE OR IN PART AS THE BASIS FOR THE MANUFACTURE OR SALE OF ITEMS WITHOUT WRITTEN PERMISSION. COPYRIGHT (C) 1983. DIGITAL EQUIPMENT CORPORATION "

THIS DRAWING AND SPECIFICATIONS HEREIN ARE THE PROPERTY OF DIGITAL EQUIPMENT CORPORATION AND SHALL NOT BE REPRODUCED OR COPIED OR USED IN WHOLE OR IN PART AS THE BASIS FOR THE MANUFACTURE OR SALE OF ITEMS WITHOUT WRITTEN PERMISSION
 COPYRIGHT © 1983 DIGITAL EQUIPMENT CORPORATION

SIZE CODE NUMBER
 DCS 5415221-0-1
 REV. A



REV.	
ECD NUMBER	
DATE	

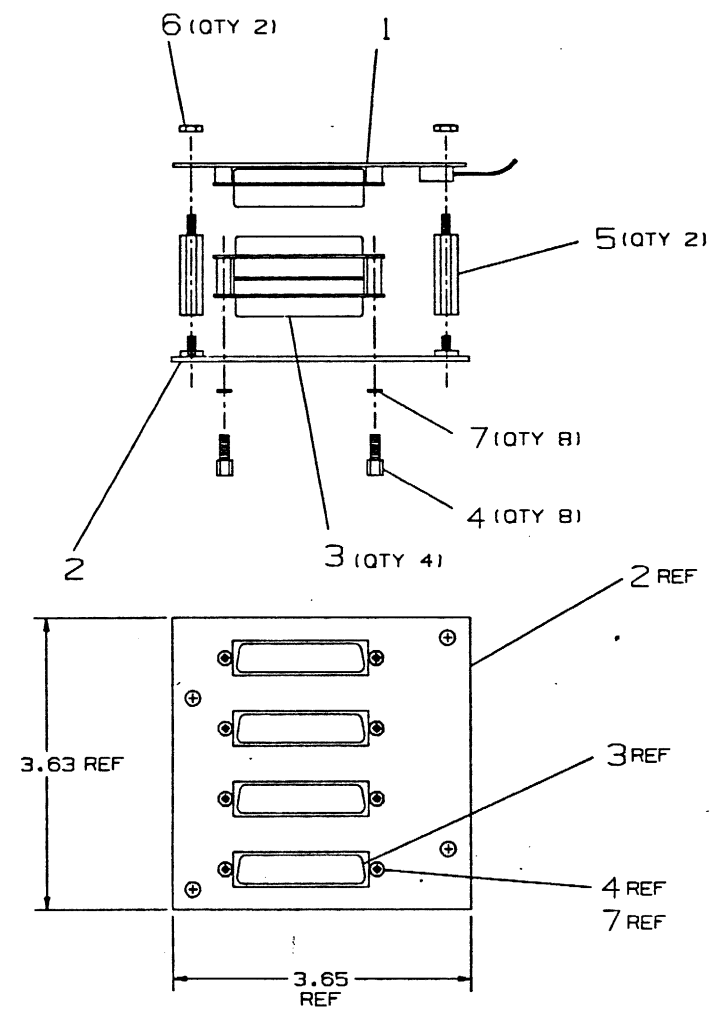
REVISION HISTORY	
------------------	--

DRN	<i>RAC Buzesi</i>	DATE	23 JUN 83	TITLE	digital
CHKD.	<i>Jim White</i>	DATE	15 JUN 83		
DES. ENG.	<i>Paul Helit</i>	DATE	22 JUN 83		
REV. ENG.	<i>Paul Helit</i>	DATE	22 JUN 83		
INFO. ENG.	<i>Jack Gueve</i>	DATE	20 OCT 83		
NEXT NUMBER DOC.	B-DD-5415221-0-0	SCALE	NONE	SHEET	1 OF 1
				DOCUMENT NUMBER	D CS 5415221-0-1 A
					ML3 1

SIZE CODE NUMBER
 DCS 5415221-0-1
 REV. A

"THIS DRAWING AND SPECIFICATIONS, HERE IN, ARE THE PROPERTY OF DIGITAL EQUIPMENT CORPORATION AND SHALL NOT BE REPRODUCED OR COPIED OR USED IN WHOLE OR IN PART AS THE BASIS FOR THE MANUFACTURE OR SALE OF ITEMS WITHOUT WRITTEN PERMISSION.
COPYRIGHT © 1983 DIGITAL EQUIPMENT CORPORATION"

LEGEND		
NUMBER	REV	VARIATION
7018204-01	A1	D315 W/30" CABLE



LAYER #1 = WORK LAYER
LAYER #2 = FORMAT LAYER

CAUTION: OFF SHEET PARTS LIST EXISTS
SEE K-PL-7018204-0-0

REV.	INITIAL	DATE
1		

DESCRIPTION	DRAWING NO.	PART NO.	ITEM NO.
UNLESS OTHERWISE SPECIFIED DIMENSIONS ARE IN INCHES AND THE FOLLOWING TOLERANCES APPLY (PER DEC STD 114)			
INCHES TOLERANCES	ANGLES 90°-30°	APPL TO DIMENSION RANGE	
		DIMENSION RANGE IN INCHES	
.X± .01 .XX± .02 .XXX± .005	SURFACE QUALITY <input checked="" type="checkbox"/> MICROFINISH	OVER 0.2 TO 0.2	OVER 0.2 TO 1.2
		OVER 1.2 TO 4.0	OVER 4.0 TO 12.0
		OVER 12.0 TO 40.0	OVER 40.0 TO 80.0
		±.02	±.03
		±.008	±.012
		±.016	±.024
		±.024	±.04
FIRST HIGH PRIORITY K-PL-CKDLVJ1-0-0	QUANTITY & VARIATION	DATE 31 OCT 83	TITLE D315 SLU EXPANSION ASSY
THIRD ANGLE PROJECTION	DRN D. CHIASSON	DATE 31 OCT 83	REV. A
DO NOT SCALE DRAWING	CHK'D J. FALKOWSKI	DATE 6 NOV 83	SCALE 1/1
REMOVE BURRS AND BREAK SHARP CORNERS	DES. ENG. R. BERGERON	DATE 2 NOV 83	SHEET 1 OF 1
MATERIAL	REP. ENG. R. BERGERON	DATE 2 NOV 83	REV. A
SEE PARTS LIST	WFO. ENG. R. BELLIVEAU	DATE 2 NOV 83	REV. A
FINISH	TOP DEC. K-DO-7018204-0	DATE 2 NOV 83	REV. A
		DATE 2 NOV 83	REV. A

MK 1

LINE	ITEM	DOCUMENT NUMBER	PART NUMBER	DESCRIPTION	QUANTITY PER VARIATION
1	1	D-IA-7017259-0-0	7017259-2F	FILTER CABLE ASSY, 30 IN.	1
2	2	C-IA-7423235-0-0	7423235-00	PLATE,MTG DISTB,PANEL	1
3	3		1217431-02	CONN,D SUB 10POS ASSY STRAIGHT W	4
4	4		9008451-05	SCREW LOCK,STANDOFF ONLY .080TH	8
5	5		9000001-05	STANDOFF,MALE/FEMALE HEX 6-32	2
6	6		9008185-00	NUT,HEX EXT TOOTH LCKWSHR 6-32	2
7	7		9006688-00	WASHER,HELICAL SPLIT SST	8

REVISION HISTORY			BASIC PART NO: 7018204			DIGITAL		
NO	ECO NUMBER	REV	SECTION A OF A	DRN:	DATE:	TITLE	PARTS LIST	
---	INITIAL	A	SECTION. VARIATION INDEX	CHK'D: <i>J. Falkowski</i>	<i>2 DEC 83</i>	D315 SLU EXPANSION ASSY		
			[A] 01					
			[B]	DES.ENG.: <i>M. Lawrence</i>	<i>1-3-83</i>			
			[C]	RESP.ENG.: <i>R. Bergeron</i>	<i>1-3-84</i>	DOCUMENT NUMBER		
			[D]			SIZE	CODE	NUMBER
			[E]	MFG.ENG.: <i>RAY BELIVEAU</i>	<i>1-3-84</i>	K	PL	7018204-0-0
			[F]	ASSEMBLY NUMBER:	TOP DOCUMENT NUMBER:	FILE NAME:	EDIT #	
				D-AD-7018204-0-DBU	#K-DD-7018204-0	MK0187.PLS		3

"THIS DRAWING AND SPECIFICATIONS HEREIN, ARE THE PROPERTY OF DIGITAL EQUIPMENT CORPORATION AND SHALL NOT BE REPRODUCED OR COPIED OR USED IN WHOLE OR IN PART AS THE BASIS FOR THE MANUFACTURE OR SALE OF ITEMS WITHOUT WRITTEN PERMISSION. COPYRIGHT (C) 1983. DIGITAL EQUIPMENT CORPORATION "

all

THIS DRAWING AND SPECIFICATIONS, HEREIN, ARE THE PROPERTY OF DIGITAL EQUIPMENT CORPORATION AND SHALL NOT BE REPRODUCED OR COPIED OR USED IN WHOLE OR IN PART AS THE BASIS FOR THE MANUFACTURE OR SALE OF ITEMS WITHOUT WRITTEN PERMISSION.
 COPYRIGHT © 1979 DIGITAL EQUIPMENT CORPORATION

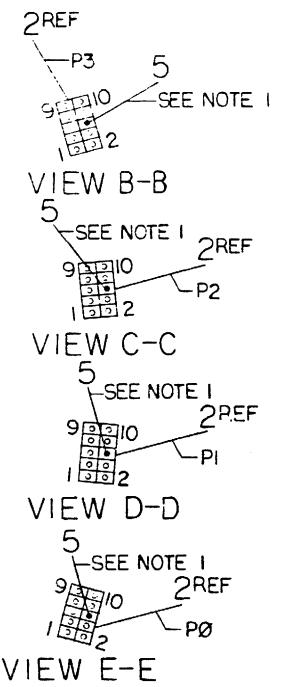
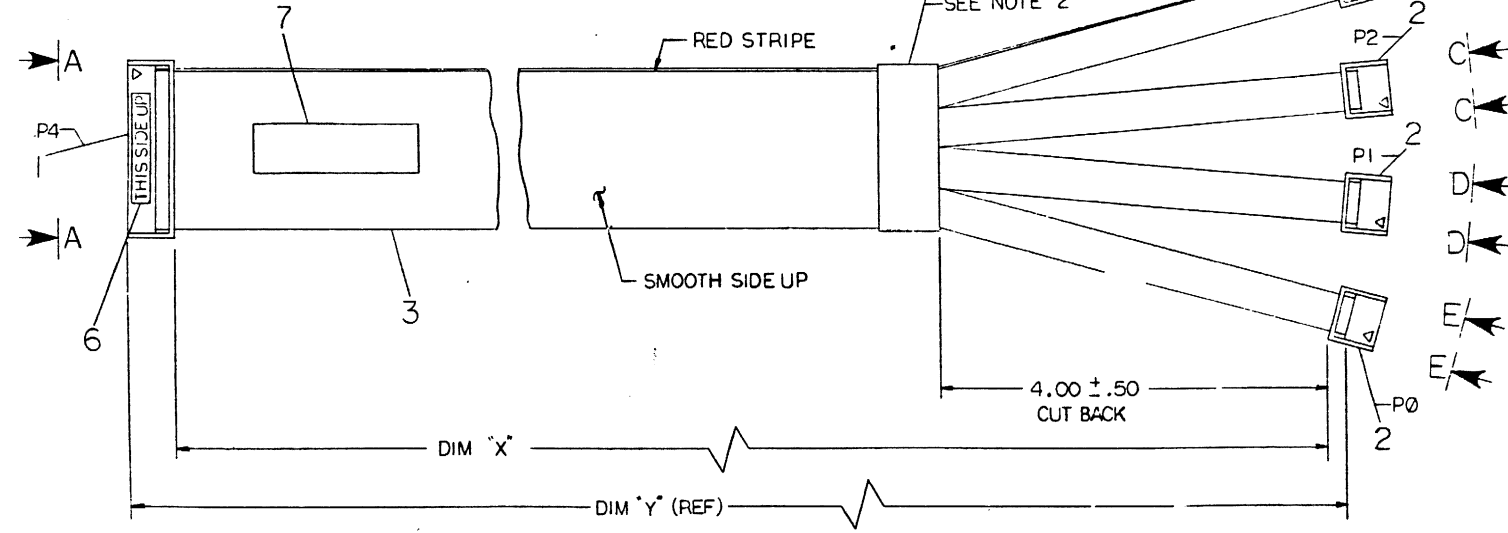
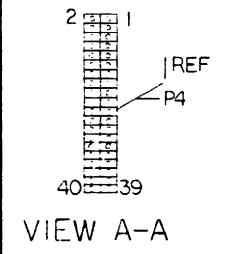
WIRE TABLE				
ITEM NO	FROM		TO	
	CONN	WITH	CONN	WITH
3	P1-1	1	P3-10	2
	P1-2		P3-9	
	P1-3		P3-8	
	P1-4		P3-7	
	P1-5		P3-6	
	P4-6		P3-5	
	P4-7		P3-4	
	P4-8		P3-3	
	P4-9		P3-2	
	P4-10		P3-1	
	P4-11		P2-10	
	P4-12		P2-9	
	P4-13		P2-8	
	P4-14		P2-7	
	P1-15		P2-6	
	P1-16		P2-5	
	P1-17		P2-4	
	P1-18		P2-3	
	P1-19		P2-2	
	P4-20	1	P2-1	2

WIRE TABLE				
ITEM NO	FROM		TO	
	CONN	WITH	CONN	WITH
3	P4-21	1	P1-10	2
	P4-22		P1-9	
	P4-23		P1-8	
	P4-24		P1-7	
	P4-25		P1-6	
	P4-26		P1-5	
	P4-27		P1-4	
	P4-28		P1-3	
	P4-29		P1-2	
	P4-30		P1-1	
	P4-31		P0-10	
	P4-32		P0-9	
	P4-33		P0-8	
	P4-34		P0-7	
	P4-35		P0-6	
	P4-36		P0-5	
	P4-37		P0-4	
	P4-38		P0-3	
	P4-39		P0-2	
	P4-40	1	P0-1	2

LEGEND		
NUMBER	DIM 'X' VARIATION	DIM 'Y' (PREF) HEF
7016436-01	12 IN ± 1 IN	13 IN ± 1 IN
7016436-07	7 FT ± 2 IN	7 FT 1 IN ± 2 IN
7016436-1K	1 FT 9 IN ± 1 IN	1 FT 10 IN ± 1 IN
7016436-2F	2 FT 6 IN ± 2 IN	2 FT 7 IN ± 1 IN
7016436-1C	1 FT 3 IN ± 1 IN	1 FT 4 IN ± 1 IN

NOTES:

- INSTALL ONE POLARIZING KEY (ITEM 5) INTO PIN 6 OF 10 POS CONN (ITEM 2) P0 P1 P2, & P3.
- DO NOT STRETCH TAPE (ITEM 4) DURING APPLICATION.



CAUTION: OFF SHEET PARTS LIST EXISTS. REFER TO K-PL-7016436-0-0.

REV	DATE	BY	CHK	CHANGE NO.
1				
2				
3				
4				
5				

THIRD ANGLE PROJECTION 	DESCRIPTION		DWG./PART NO.		ITEM NO.
	UNLESS OTHERWISE SPECIFIED DIMENSIONS ARE IN INCHES				
CLASS OF ACCURACY (CHECK ONE) MEDIUM <input type="checkbox"/> PREFERRED <input type="checkbox"/>	NOMINAL DIMENSION RANGE INCHES				
	ANGLES ±0°30'		SURFACE QUALITY IN		
QUANTITY & VARIATION <input checked="" type="checkbox"/> MICROINCHES					
REMOVE BURRS AND BREAK SHARP CORNERS	DO NOT SCALE DWG	SEE PARTS LIST	FINISH		
FIRST USED ON H3171		TITLE CABLE I/O			
MATERIAL E-LA-H3171-0-0	SCALE DIA	SIZE	CODE 7016436-0-0	NUMBER	REV. C
	SHEET	OF	DIST.		

PART NUMBER 7016-136-0-0

LINE ITEM	DOCUMENT NUMBER	PART NUMBER	DESCRIPTION	QUANTITY PER VARIATION				
				01	07	1K	2F	1C
1	1	1211206-00	CONN, IDC 40SKT(2X20).100CC GPL	1	1	1	1	1
2	2	1211206-02	CONN, IDC 10SKT(2X05).100CC GPL	4	4	4	4	4
3	3	9107747-01	CABLE, RIBBON BOND 40CCND 30AWG	A/R	A/R	A/R	A/R	A/R
4	4	9009507-00	TAPE, VINYL ADH .75 WDX .00	A/R	A/R	A/R	A/R	A/R
5	5	9009707-00	CONN, IDC POLARIZING PLUG	4	4	4	4	4
6	6	3611567-00	LABEL -THIS SIDE UP-	1	1	1	1	1
7	7	9009255-00	LABEL, POWER SUPPLY, 2-15/16 " L	1	1	1	1	1

REVISION HISTORY			BASIC PART NO: 7016436		DRN:	M. DUGGAN	DATE:	26-OCT-82	D I G I T A L			
FNG	ECO NUMBER	REV	SECTION A OF A	CHK'D:	<i>K. Burns</i>	DATE:	26-OCT-82	TITLE	PARTS LIST			
TO	H3171-MK003	A	SECTION. VARIATION INDEX		R KOPPENAL	DATE:	26-OCT-82	CABLE I/O				
TO	7016436-MK001	B	[A] 01,07,1K,2F,1C			DATE:	26-OCT-82					
TO	7016436-MK002	C	[B]			DATE:	26-OCT-82					
			[C]		<i>B. Blair</i>	DATE:	1-10-84	DOCUMENT NUMBER				
			[D]		T. ORR	DATE:	26-OCT-82	SIZE CODE NUMBER	REV			
			[E]		F. BLAIR	DATE:	26-OCT-82	K PL 7016436-0-0	C			
			[F]			ASSEMBLY NUMBER:		TOP DOCUMENT NUMBER:	FILE NAME:	EDIT #		
						D-IA-7016436-0-0		E-UA-H3171-0-0	MK0778.PLS	3		

"THIS DRAWING AND SPECIFICATIONS HEREIN, ARE THE PROPERTY OF DIGITAL EQUIPMENT CORPORATION AND SHALL NOT BE REPRODUCED OR COPIED OR USED IN WHOLE OR IN PART AS THE BASIS FOR THE MANUFACTURE OR SALE OF ITEMS WITHOUT WRITTEN PERMISSION. COPYRIGHT (C) 1984. DIGITAL EQUIPMENT CORPORATION"

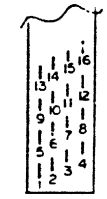
"THIS DRAWING AND SPECIFICATIONS HEREIN ARE THE PROPERTY OF DIGITAL EQUIPMENT CORPORATION AND SHALL NOT BE REPRODUCED OR COPIED OR USED IN WHOLE OR IN PART AS THE BASIS FOR THE MANUFACTURE OR SALE OF ITEMS WITHOUT WRITTEN PERMISSION. COPYRIGHT © 1960 DIGITAL EQUIPMENT CORPORATION"

WIRE TABLE

ITEM NO	DESCRPTION		FROM		TO		REMARKS (CONNECTS TO)
	AWG	COLOR	CONN	WITH	CONN	WITH	
30	---	---	P1-1	3	J4-1	2	---
↑	---	---	P1-2	3	J4-2	↑	J3-7 (GND)
---	---	---	P1-3	↑	J4-3	↑	J3-2
---	---	---	P1-4	↓	J4-4	---	GND
---	---	---	P1-5	3	J4-5	---	GND
---	---	---	P1-6	4	J4-6	---	---
---	---	---	P1-7	3	J4-7	---	P1-9
---	---	---	P1-8	↑	J4-8	---	J3-3
---	---	---	P1-9	---	J4-9	---	P1-7
---	---	---	P1-10	---	J4-10	---	J3-20
---	---	---	P2-1	---	J4-11	---	---
---	---	---	P2-2	---	J4-12	---	J2-7 (GND)
---	---	---	P2-3	---	J4-13	---	J2-2
---	---	---	P2-4	↓	J4-14	---	GND
---	---	---	P2-5	3	J4-15	---	GND
---	---	---	P2-6	4	J4-16	---	---
---	---	---	P2-7	3	J4-17	---	P2-9
---	---	---	P2-8	↓	J4-18	---	J2-3
---	---	---	P2-9	↓	J4-19	↓	P2-7
30	---	---	P2-10	3	J4-20	2	J2-20

WIRE TABLE

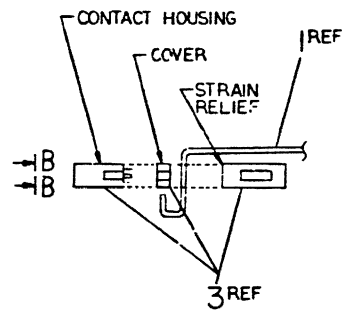
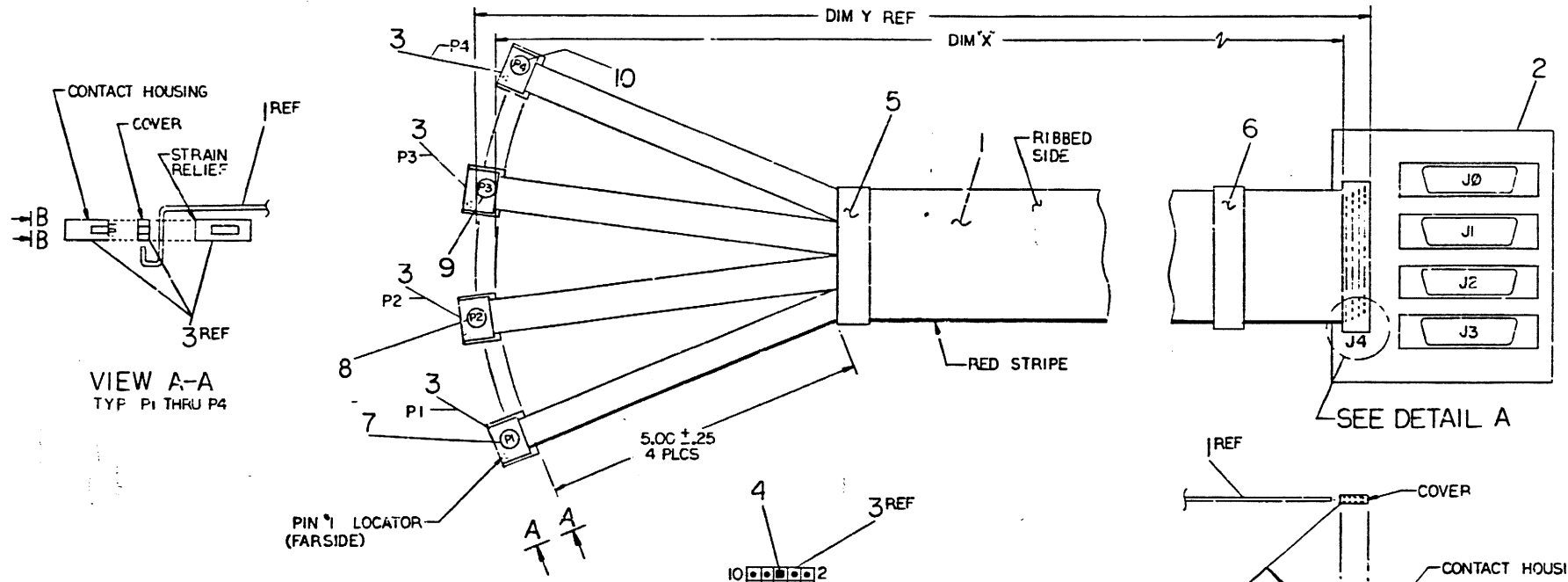
ITEM NO	DESCRPTION		FROM		TO		REMARKS (CONNECTS TO)
	AWG	COLOR	CONN	WITH	CONN	WITH	
30	---	---	P3-1	3	J4-21	2	---
↑	---	---	P3-2	↑	J4-22	↑	J1-7 (GND)
---	---	---	P3-3	↑	J4-23	↑	J1-2
---	---	---	P3-4	↓	J4-24	---	GND
---	---	---	P3-5	3	J4-25	---	GND
---	---	---	P3-6	4	J4-26	---	---
---	---	---	P3-7	3	J4-27	---	P3-9
---	---	---	P3-8	↑	J4-28	---	J1-3
---	---	---	P3-9	---	J4-29	---	P3-7
---	---	---	P3-10	---	J4-30	---	J1-20
---	---	---	P4-1	---	J4-31	---	---
---	---	---	P4-2	---	J4-32	---	J0-7 (GND)
---	---	---	P4-3	---	J4-33	---	J0-2
---	---	---	P4-4	↓	J4-34	---	GND
---	---	---	P4-5	3	J4-35	---	GND
---	---	---	P4-6	4	J4-36	---	---
---	---	---	P4-7	3	J4-37	---	P4-9
---	---	---	P4-8	↑	J4-38	---	J0-3
---	---	---	P4-9	↓	J4-39	↓	P4-7
30	---	---	P4-10	3	J4-40	2	J0-20



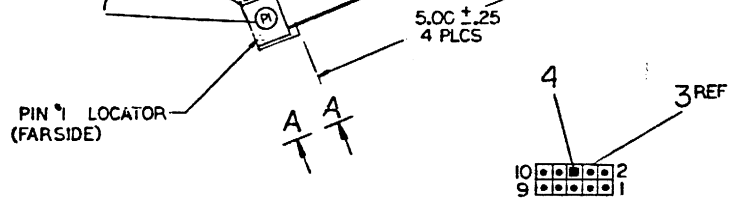
DETAIL A

LEGEND

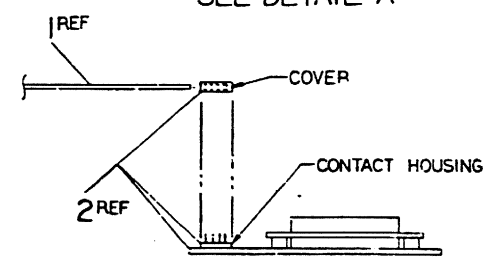
NUMBER	DIM 'X' VARIATION	DIM 'Y' (PRE-CUT) REF
7017259-2F	2 FT 6 IN ± 1 IN	2 FT 8 IN ± 1 IN



VIEW A-A
TYP P1 THRU P4



VIEW B-B
TYP P1 THRU P4



SEE DETAIL A

CAUTION: OFF SHEET PARTS LIST
REFER TO K-PL-7017259-0-0

THIRD ANGLE PROJECTION 	DESCRIPTION	DWG. PART NO.	ITEM NO.	
	UNLESS OTHERWISE SPECIFIED DIMENSIONS ARE IN INCHES			
	ANGLES CLASS OF ACCURACY SURFACE QUALITY IN MICRONS QUANTITY & VARIATION	NOMINAL DIMENSIONS RANGE INCHES OVER C TO 1.2 OVER 1.2 TO 3.0 OVER 3.0 TO 6.0 OVER 6.0 TO 30.0 OVER 30.0 TO 48.0 OVER 48.0 TO 96.0	FIRST USED ON BAIL-W	digital
	REMOVE BURRS AND BREAK SHARP CORNERS DO NOT SCALE DWG MATERIAL SEE PARTS LIST FINISH	NEXT HIGHER ASSY. E-AD-7017252-0-0 SCALE NONE SHEET OF	TITLE FILTER CABLE ASSY	NUMBER D I A I 7017259-0-0
REV. NO. 1 CHG. NO. 1	SIZE CODE D	DIST. MK	REV. NO. 1	

LINE ITEM	DOCUMENT NUMBER	PART NUMBER	DESCRIPTION	QUANTITY PER VARIATION
				2F
1	1	9107747-01	CABLE,RIBBON,40 COND. 30AWG	A/R
2	2	5413939-00	D315 DISTRIBUTION PANEL	1
3	3	1211206-02	CONN 10POS INSUL PIERCING	4
4	4	1216987-00	PLUG, POLARIZING	4
5	5	9009507-00	TAPE, VINYL, ELECTRICAL, 3/4 X 6	A/R
6	6	3616073-00	LABEL,CABLE IDENTIFICATION	1
7	7	3615999-00	LABEL,"P1"	1
8	8	3615999-01	LABEL,"P2"	1
9	9	3615999-02	LABEL,"P3"	1
10	10	3615999-03	LABEL,"P4"	1

REVISION HISTORY		BASIC PART NO: 7017259		DRN:	M.DUGGAN	DATE:	21-MAR-80	D I G I T A L			
ENG	ECO NUMBER	REV	SECTION A OF A	CHK'D:	<i>w.F.M.</i> B.MCCARTHY	DATE:	16-JUN-80	TITLE	PARTS LIST		
	INITIAL	*	SECTION. VARIATION INDEX		<i>w.F.M.</i>			FILTER CABLE ASSY			
			[A] 2F	DES.ENG.:	B.MCCARTHY	DATE:	16-JUN-80	DOCUMENT NUMBER			
			[B]	RESP.ENG.:	N.ROY <i>N.R.</i>	DATE:	16-JUN-80	SIZE	CODE	NUMBER	REV
			[C]	MFG.ENG.:	P.SEMJEN <i>P.S.</i>	DATE:	16-JUN-80	K	PL	7017259-0-0	*
			[D]	ASSEMBLY NUMBER:		TOP DOCUMENT NUMBER:		FILE NAME:	EDIT #		
			[E]	D-IA-7017259-0-0		E-AD-7017252-0-0		MK0041.PLS	12		
			[F]								

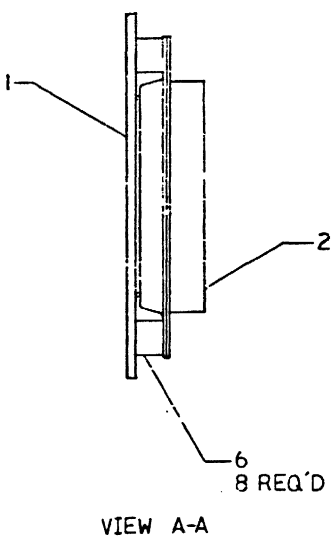
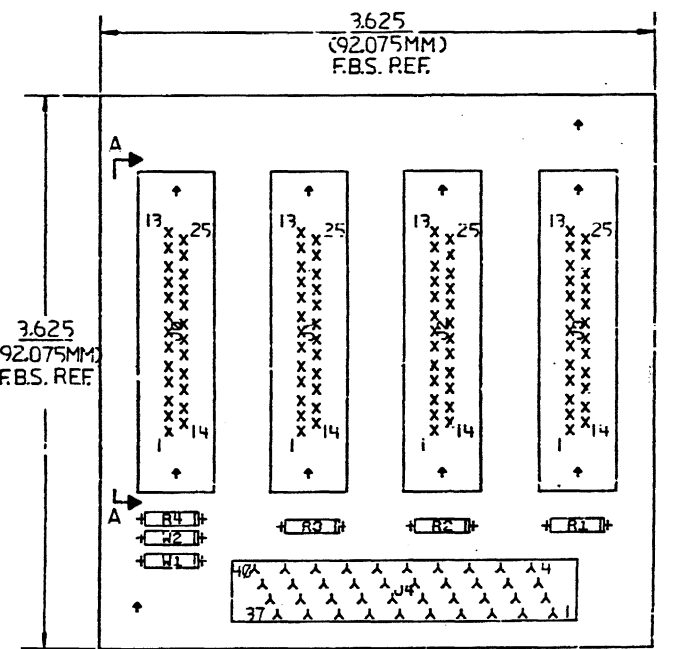
"THIS DRAWING AND SPECIFICATIONS HEREIN, ARE THE PROPERTY OF DIGITAL EQUIPMENT CORPORATION AND SHALL NOT BE REPRODUCED OR COPIED OR USED IN WHOLE OR IN PART AS THE BASIS FOR THE MANUFACTURE OR SALE OF ITEMS WITHOUT WRITTEN PERMISSION. COPYRIGHT (C) 1980. DIGITAL EQUIPMENT CORPORATION "

MK

B 0-0-66339-0-0 2 1

COMPONENT SIDE VIEW

THIS DRAWING AND SPECIFICATIONS, HEREIN, AND THE
PROPERTY OF DIGITAL EQUIPMENT CORPORATION AND SHALL
NOT BE REPRODUCED OR COPIED IN WHOLE OR IN
PART BY ANY MEANS FOR THE CONSTRUCTION OR REPAIR OF
ITEMS WITHOUT WRITTEN PERMISSION
COPYRIGHT © 1966 DIGITAL EQUIPMENT CORPORATION



3.625
(92.075MM)
F.B.S. REF.

NOTES:	STEP	E	+	Y	AXIS	...	STEP	TIMES
	REP		+	X	AXIS	...	STEP	TIMES

CHANGE NO. REV.	

ETCH REV. C

SIGNATURES	DATE	digital		
DRN.		TITLE D315 DISTRIBUTION PANEL		
CHK'D BY				
MECH. ENG.		SCALE 2/1	SIZE CODE	NUMBER
PROJ. ENG.		SHT. 1 OF 1	0 UA 5413939-0-0	REV. E
PROD.		NEXT HIGHER ASSY. B-00-5413939-0		

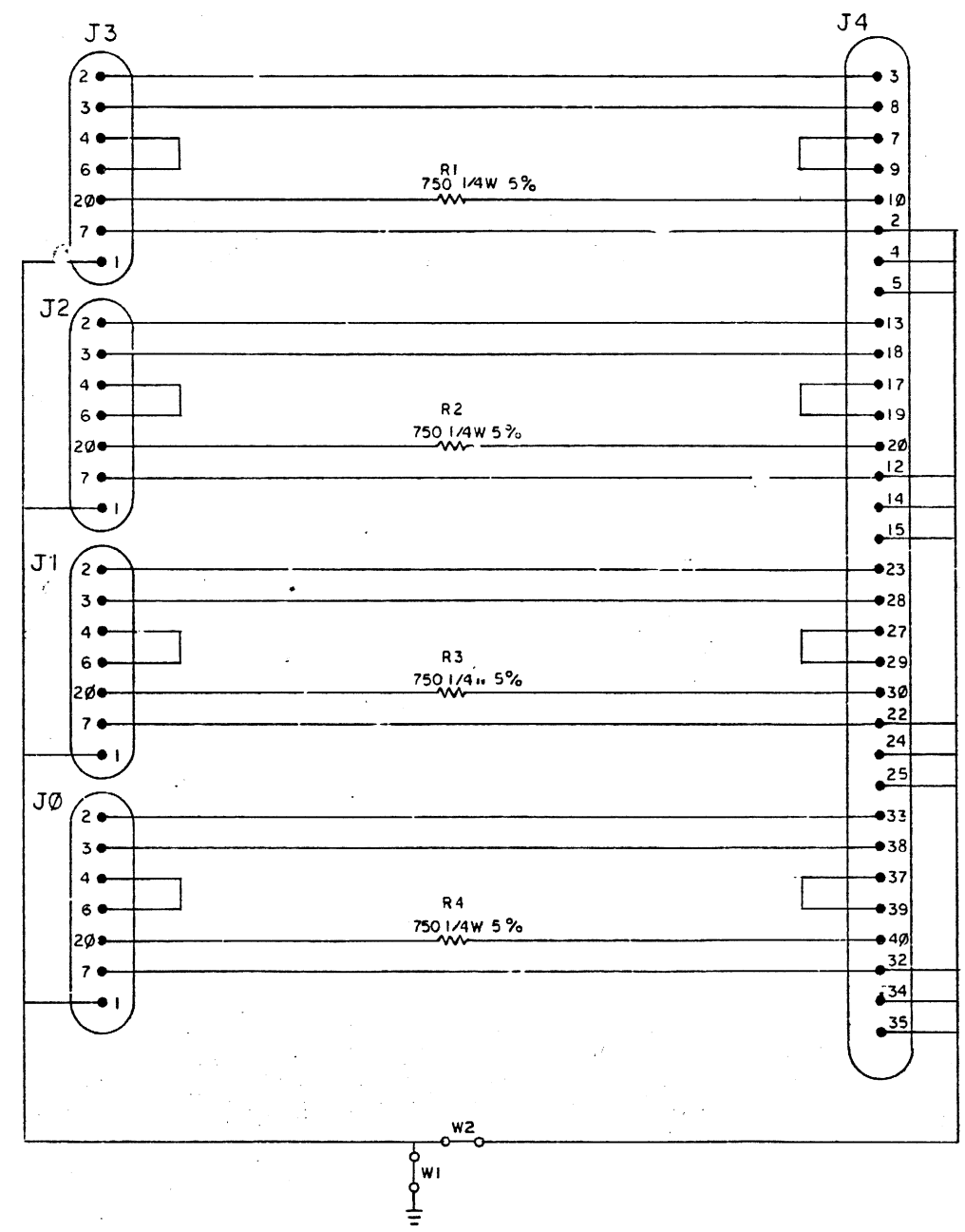
MK 1 MS#3005

LINE ITEM	DOCUMENT NUMBER	PART NUMBER	DESCRIPTION	QTY PER VARIATION 00	REFERENCE DESIGNATOR
1	D-MD-5013938-0-0	5013938-00	DRILL AND ETCH BRD	1	
2		1205886-01	CONN, D SUB 25PIN PLUG W/PC TERM	4	J0-J3
3		1210073-00	CONN 40POS INSUL PIERCING	1	J4
4		1301401-00	750.0 .25 W 5.0 % CC	4	R1-R4
5		9009185-00	JUMPER, WIRE, INSULATED, BLACK B	2	W1, W2
6		9009113-10	STANDOFF, PC BOARD 4-40 X .187 L	8	

REVISION HISTORY			BASIC PART NO: 5413939								
ENG	ECO NUMBER	REV	SECTION A OF A	DRN:	B.H.FRASER	DATE:	01-NOV-79	DIGITAL			
JD	INITIAL	B	SECTION VARIATION INDEX	CHK'D:	J.FALKOWSKI	DATE:	01-NOV-79	TITLE PARTS LIST			
			[A] 00					D315 DISTRIBUTION PANEL			
			[B]	DES.ENG:	J. DOHERTY	DATE:	01-NOV-79				
			[C]					DOCUMENT NUMBER			
			[D]	RESP.ENG.:	J. DOHERTY	DATE:	01-NOV-79				
			[E]					SIZE CODE NUMBER REV			
			[F]								
			[G]								
			[H]								
			[I]								
			[J]								
			[K]	MFG.ENG.:	W.BEAN	DATE:	6-MAR-80	K	PL	5413939-0-0	B
			[L]								
			[M]	ASSEMBLY NUMBER:		TOP DOCUMENT NUMBER:		FILE NAME:	EDIT #		
			[N]	D-UA-5413939-0-0		B-DD-5413939-0-0		MK0086.PLS	9		

*THIS DRAWING AND SPECIFICATIONS HEREIN, ARE THE PROPERTY OF DIGITAL EQUIPMENT CORPORATION AND SHALL NOT BE REPRODUCED OR COPIED OR USED IN WHOLE OR IN PART AS THE BASIS FOR THE MANUFACTURE OR SALE OF ITEMS WITHOUT WRITTEN PERMISSION. COPYRIGHT (C) 1980. DIGITAL EQUIPMENT CORPORATION *

"THIS DRAWING AND SPECIFICATIONS HEREIN ARE THE PROPERTY OF DIGITAL EQUIPMENT CORPORATION AND SHALL NOT BE REPRODUCED OR COPIED OR USED IN WHOLE OR IN PART AS THE BASIS FOR THE MANUFACTURE OR SALE OF ITEMS WITHOUT WRITTEN PERMISSION."
 COPYRIGHT © 1970 DIGITAL EQUIPMENT CORPORATION



REV.	
CHK	
CHANGE NO.	
REVISIONS	

DRN. R. J. [Signature]	DATE: 1-0-68	FIRST USED ON	D315	digital
CHK'D: [Signature]		TITLE	D315	
ENG. [Signature]		DISTRIBUTION PANEL		
PROD. W. [Signature]		NEXT HIGHER ASSY.		
B-DD-5413939-0	SIZE	CODE	NUMBER	S.V.
SCALE NONE	D	CS	5413939-0-1	A
SHEET	OF	DIST.		
			MK	1

THIS DRAWING AND THE SPECIFICATIONS CONTAINED HEREIN ARE CONFIDENTIAL AND PROPRIETARY. THEY ARE THE PROPERTY OF DIGITAL EQUIPMENT CORPORATION AND SHALL NOT BE REPRODUCED OR COPIED OR USED IN WHOLE OR IN PART AS THE BASIS FOR MANUFACTURING OR SALE OF ITEMS WITHOUT WRITTEN PERMISSION. THIS IS AN UNPUBLISHED WORK PROTECTED UNDER THE FEDERAL COPYRIGHT LAWS.

DRAWING DIRECTORY

UNIT VARIATIONS

FOR FIELD MAINTENANCE PRINT SET REFER TO K-TC-7020949-0-1

VARIATION	TITLE
7020949-01	DLV11-J/RS422 BULKHEAD ASSY
7020949-02	DLV11-J/RS422 BULKHEAD ASSY

REVISION HISTORY

USED ON OPTION/MODEL

RESPONSIBLE ENGR. : W. AUGER
DATE: 14 NOV 84

d i g i t a l

ENG ECO NUMBER REV

DLV11-J/RS422

MADE BY : D. BRAGDON
DATE: 14 NOV 84

TITLE: DRAWING DIRECTORY

--- INITIAL A

CHECKED BY *F. Carbone* : F. CARBONE *FEB. 8, 1985*
DATE: 14 NOV 84

DLV11-J/RS422 BULKHEAD ASSY

DESIGN ENGINEER : W. AUGER
DATE: 14 NOV 84

PRODUCTION ENGR. : R. BELIVEAU *R. Beliveau 7 MAY 85*
DATE: 14 NOV 84

SIZE | CODE | DOCUMENT NUMBER | REV.
K | DD | 7020949-0 | A

SHEET 1 OF 2

MKO

F
I
N
D

T
Y
P
E

F
I
N
D

T
Y
P
E

#	DRAWING NUMBER	DESCRIPTION	T Y P E
1	MP01004-01	DLV11-J/RS422 BULKHEAD ASSY F.M.P.S.	-
	K-TC-7020949-0-1	DLV11-J/RS422 BULKHEAD ASSY	-
	D-AD-7020949-0-DBU	DLV11-J/RS422 BULKHEAD ASSY	E/M
	K-PL-7020949-0-0	DLV11-J/RS422 BULKHEAD ASSY	E/M
2	D-IA-7431405-0-DBU	PLATE, CONN	M
	K-PL-7431405-0-0	PLATE, CONN	M
	A-SS-7427573-0-1	PLATE, CONN	-
3	K-DD-5414895-0	DLV11-J/RS422 BULKHEAD - I/O	E/M

#	DRAWING NUMBER	DESCRIPTION	T Y P E
---	----------------	-------------	------------------

TYPE: E ELECTRICAL	d i g i t a l	TITLE	DRAWING DIRECTORY	SIZE	CODE	DOCUMENT NUMBER	REV.
M MECHANICAL				K	DD	7020949-0	A
E/M ELECTRO/MECHANICAL				SHEET 2 OF 2		MKO	
		DLV11-J/RS422 BULKHEAD ASSY					

THIS DRAWING AND THE SPECIFICATIONS CONTAINED HEREIN ARE CONFIDENTIAL AND PROPRIETARY. THEY ARE THE PROPERTY OF DIGITAL EQUIPMENT CORPORATION AND SHALL NOT BE REPRODUCED OR COPIED OR USED IN WHOLE OR IN PART AS THE BASIS FOR MANUFACTURING OR SALE OF ITEMS WITHOUT WRITTEN PERMISSION. THIS IS AN UNPUBLISHED WORK PROTECTED UNDER THE FEDERAL COPYRIGHT LAWS.

FIELD MAINTENANCE PRINT SET

TABLE OF CONTENTS

K-TC-7020949-0-1	DLV11-J/RS422 BULKHEAD ASSY F.M.P.S.
K-DD-7020949-0	DLV11-J/RS422 BULKHEAD ASSY
K-PL-7020949-0-0	DLV11-J/RS422 BULKHEAD ASSY
K-DD-5414895-0	DLV11-J/RS422 BULKHEAD I/O
D-UA-5414895-0-0	DLV11-J/RS422 BULKHEAD I/O
K-PL-5414895-0-0	DLV11-J/RS422 BULKHEAD I/O

UNIT VARIATIONS
COVERED BY THIS
PRINT SET

7020949-01
7020949-02

DLV11-J/RS422 BULKHEAD
FIELD MAINTENANCE PRINT SET

DIGITAL EQUIPMENT CORPORATION
PRINT SET ORDER NO.

MP01004-01 REV A1

REVISION HISTORY

CONT. REVISION HISTORY

MADE BY: D. BRAGDON
DATE: 14 NOV 84

CHECKED BY: F. CARBONE
DATE: 14 NOV 84

PROJECT ENGR: W. AUGER
DATE: 14 NOV 84

RSPBLE ENGR: W. AUGER
DATE: 14 NOV 84

FIELD SERVICE: R. BELIVEAU
DATE: 14 NOV 84

d i g i t a l

TITLE: FIELD MAINTENANCE PRINT SET

DLV11-J/RS422 BULKHEAD ASSY

SIZE	CODE	DOCUMENT NUMBER	REV.
K	TC	7020949-0-1	A

SHEET 1 OF 1

MKO

REV	ECO NUMBER	DATE	REV	ECO NUMBER	DATE
A	INITIAL	14 NOV 84			

LINE ITEM	TOP DOCUMENT	PART NUMBER	MIN REV DESCRIPTION	QTY PER VARIATION	
				01	02
1	D-UA-5414895-0-0	5414895-01	DLV11-J/RS422 BULKHEAD-I/O	1	1
2		9008451-01	SCREW LOCK, STANDOFF ONLY .060TH	8	8
3	D-IA-7431405-0-DBU	7431405-01	PLATE, CONNECTOR	1	1
4	C-IA-7428684-0-0	7428684-01	PLATE, 11/23 ADAPTER	-	1
5		9009701-00	SCREW, SEMS PAN PHIL 6-	-	4
6		3623593-01	LABEL, BLANK, PAPER, PIN FEED	1	1
7		9905016-04	CARTON, DIE CUT, SELF LOCK W/FOAM	A/R	A/R

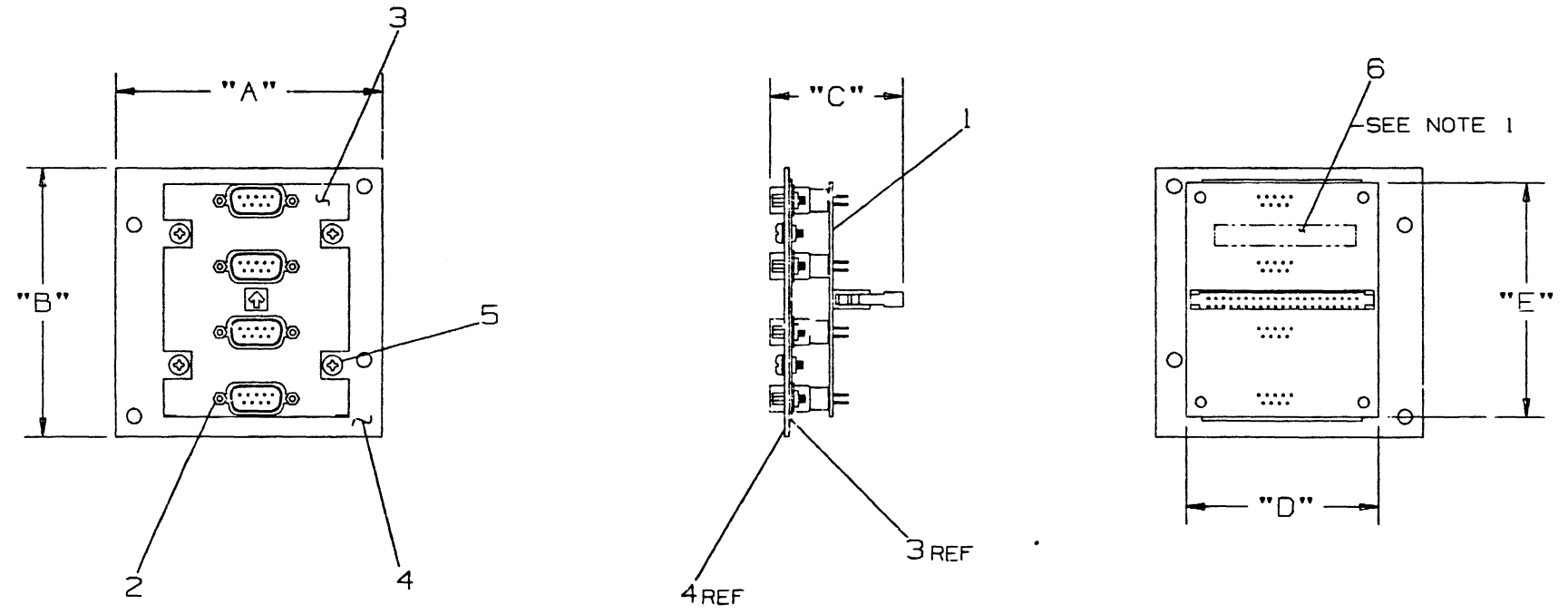
REVISION HISTORY		BASIC PART NO: 7020949		DRN:	DATE:	D I G I T A L				
ENG:	ECC NUMBER	REV	SECTION A OF A		18-OCT-84					
---	INITIAL	A	SECTION VARIATION INDEX	CHK'D: <i>F. Carbone</i>	8 FEB 85	TITLE PARTS LIST				
			[A] 01, 02	F. CARBONE	14 NOV 84	DLV11-J/RS422 BULKHEAD ASSY				
			[B]	DES. ENG: W. AUGER	9 MAY 85	DOCUMENT NUMBER				
			[C]		9 MAY 85	SIZE CODE NUMBER REV				
			[D]	RESP. ENG.: W. AUGER	18-OCT-84	K PL 7020949-0-0 A				
			[E]	MFG. ENG.: R. BELIVEAU	9 MAY 85	RELEASE DATE: 07-FEB-85				
			[F]	ASSEMBLY NUMBER: ID-AD-7020949-0-DBU	14 NOV 84	TOP DOCUMENT NUMBER: *K-DD-7020949-0		FILE NAME: MK1147.PLS		EDIT #: 8

"THIS DRAWING AND THE SPECIFICATIONS CONTAINED HEREIN ARE CONFIDENTIAL AND PROPRIETARY. THEY ARE THE PROPERTY OF DIGITAL EQUIPMENT CORPORATION AND SHALL NOT BE REPRODUCED OR COPIED OR USED IN WHOLE OR IN PART AS THE BASIS FOR THE MANUFACTURE OR SALE OF ITEMS WITHOUT WRITTEN PERMISSION. THIS IS AN UNPUBLISHED WORK PROTECTED UNDER THE FEDERAL COPYRIGHT LAWS."

THIS DRAWING AND THE SPECIFICATIONS CONTAINED HEREIN ARE CONFIDENTIAL AND PROPRIETARY. THEY ARE THE PROPERTY OF DIGITAL EQUIPMENT CORPORATION AND SHALL NOT BE REPRODUCED OR COPIED OR USED IN WHOLE OR IN PART AS THE BASIS FOR THE MANUFACTURE OR SALE OF ITEMS WITHOUT WRITTEN PERMISSION. THIS IS AN UNPUBLISHED WORK PROTECTED UNDER THE FEDERAL COPYRIGHT LAWS.

LEGEND			DIMENSION (REF)				
PART NO.	REV	VARIATION	"A"	"B"	"C"	"D"	"E"
7020949-01	A1	W/C ITEM#4 & 5	—	—	2 DP.	2.6	3.3
7020949-02	A1	AS SHOWN	3.6	3.6	2 DP.	—	—

NOTES:
1. LOCATE LABEL (ITEM#6) APPROX. AS SHOWN.



CAUTION: OFF SHEET PARTS LIST EXISTS
SEE K-PL-7020949-0-0 (MK1147)

REVISIONS	REV.	INITIAL
CHANGE NO.	A	
CHK	FAC	

DESCRIPTION		DRAWING NO.		PART NO.		ITEM NO.
UNLESS OTHERWISE SPECIFIED DIMENSIONS ARE IN INCHES AND THE FOLLOWING TOLERANCES APPLY (PER DEC STD 114)						
INCHES TOLERANCES	ANGLES ±0° 30'	APPLICABLE DIMENSION RANGE	DIMENSION RANGE IN INCHES			
			OVER 0 TO 0.2	OVER 0.2 TO 1.2	OVER 1.2 TO 12.0	OVER 12.0 TO 40.0
.X1 = .1	SURFACE QUALITY	CHECK ONE:	<input type="checkbox"/>	<input type="checkbox"/>	<input type="checkbox"/>	<input type="checkbox"/>
.XX = .02			<input type="checkbox"/>	<input type="checkbox"/>	<input type="checkbox"/>	<input type="checkbox"/>
.XXX = .005			<input type="checkbox"/>	<input type="checkbox"/>	<input type="checkbox"/>	<input type="checkbox"/>
QUANTITY & VARIATION	THIRD ANGLE PROJECTION	DATE	TITLE			
FIRST HIGHER ASSY		9 OCT 84	DLV11-J/RS422 BULKHEAD ASSY			
	DO NOT SCALE DRAWING	DATE	DOCUMENT NUMBER			
	REMOVE BURRS AND BREAK SHARP CORNERS	14 NOV 84	D AD 7020949-0-DBU A			
	MATERIAL SEE PARTS LIST	DATE	SCALE 1/1 SHEET 1 OF 1			
	FINISH NONE	18 OCT 84	MKO 1			
		14 NOV 84	K-DD-7020949-0			

DIGITAL EQUIPMENT CORPORATION 7020949-0-DBU A

THIS DRAWING AND THE SPECIFICATIONS CONTAINED HEREIN ARE CONFIDENTIAL AND PROPRIETARY. THEY ARE THE PROPERTY OF DIGITAL EQUIPMENT CORPORATION AND SHALL NOT BE REPRODUCED OR COPIED OR USED IN WHOLE OR IN PART AS THE BASIS FOR MANUFACTURING OR SALE OF ITEMS WITHOUT WRITTEN PERMISSION. THIS IS AN UNPUBLISHED WORK PROTECTED UNDER THE FEDERAL COPYRIGHT LAWS.

DRAWING DIRECTORY

ITEM	DRAWING NO.	NO. OF SHTS	PART NO.	DESCRIPTION	TYPE		REVISIONS													
					P	E	1	2	3	4	5	6	7	8	9	10	11	12		
1			5414895-01	DLV11-J/RS422 BULKHEAD I/O	-	A1														
2	D-UA-5414895-0-0	1		DLV11-J/RS422 BULKHEAD I/O	-	A														
3	K-PL-5414895-0-0	1		DLV11-J/RS422 BULKHEAD I/O	-	A														
4	D-CS-5414895-0-1	1		SCHEMATIC DLV11-J/RS422 BULKHEAD I/O	-	A														
5			5014894-01	ETCHED CIRCUIT BOARD	-	A1														
6	K-PC-5414895-0-DBI			PC DESIGN DATA BASE	-	A														
7	K-DD-5014894-0-0	1		ETCHED CIRCUIT BOARD	-	A														

NOTES: DD REV A

REVISION HISTORY			CONT. REVISION HISTORY			MADE BY: A. KRAWIECKI <i>ANK</i>		d i g i t a l											
ENG	ECO NUMBER	REV	ENG	ECO NUMBER	REV	DATE: 19 NOV 84		TITLE DRAWING DIRECTORY											
--	INITIAL	A				CHECKED BY: B. FRASER <i>BF</i>		DLV11-J/RS422 BULKHEAD I/O											
						DATE: 19 NOV 84													
						DESIGN ENGINEER: W. AUGER <i>WA</i>													
						DATE: 19 NOV 84													
						RESPONSIBLE ENG: W. AUGER <i>WA</i>													
						DATE: 19 NOV 84													
						PRODUCTION ENG: R. BELIVEAU <i>R. Beliveau WA</i>		SIZE CODE DOCUMENT NUMBER REV.											
						DATE: 19 NOV 84		K DD 5414895-0-0 A											
													SHEET 1 OF 1 MKO						

LINE ITEM	TOP DOCUMENT	PART NUMBER	MIN REV	DESCRIPTION	QTY	PER VARIATION	REFERENCE DESIGNATOR
				VARIATION REVISION LEVEL:	01		
					A1		
1	D-MD-5014894-0-0	5014894-01		DRILL AND ETCH BOARD, DLV11-J	1		
2		1219573-05		CONN,D SUB 9PIN ASSY STR	4		J1-J4
3		1220547-01		PCB HEADER 40PIN(2X20).100CC STR	1		J5
4		1310881-03		100.0 .25 W 5.0 % FUSE	4		R1-R4
5		9009185-00		JUMPER, WIRE, INSULATED, BLACK B	1		W1

REVISION HISTORY		BASIC PART NO: 5414895		DRN:	DATE:	D I G I T A L			
ENG:	ECO NUMBER	REV	SECTION A OF A	<i>A. Krawiecki</i>	19-NOV-84				
---	INITIAL	A	SECTION VARIATION INDEX	<i>B. Fraser</i>	19-NOV-84	TITLE PARTS LIST			
			[A] 01	<i>ANK</i>	19-NOV-84	DLV11-J/RS422 BULKHEAD I/O			
			[B]						
			[C]	DES.ENG: <i>W. Auger</i>	19-NOV-84	DOCUMENT NUMBER			
			[D]						
			[E]						
			[F]	RESP.ENG.: <i>W. Auger</i>	19-NOV-84	SIZE: K	CODE: PL	NUMBER: 5414895-0-0	REV: A
			[H]						
			[J]						
			[K]	MFG.ENG.: <i>R. Beliveau</i>	19-NOV-84	RELEASE DATE: 30-APR-85			
			[L]						
			[M]	ASSEMBLY NUMBER:		TOP DOCUMENT NUMBER:	FILE NAME:	EDIT #:	
			[N]	D-UA-5414895-0-0		#K-DD-5414895-0	MK1125.PLS	8	

"THIS DRAWING AND THE SPECIFICATIONS CONTAINED HEREIN ARE CONFIDENTIAL AND PROPRIETARY. THEY ARE THE PROPERTY OF DIGITAL EQUIPMENT CORPORATION AND SHALL NOT BE REPRODUCED OR COPIED OR USED IN WHOLE OR IN PART AS THE BASIS FOR THE MANUFACTURE OR SALE OF ITEMS WITHOUT WRITTEN PERMISSION. THIS IS AN UNPUBLISHED WORK PROTECTED UNDER THE FEDERAL COPYRIGHT LAWS."

8

CS	5414895	0-1	A
SIZE	NUMBER	REV	

6

5

4

3

2

1

THIS DRAWING AND THE SPECIFICATIONS CONTAINED HEREIN ARE CONFIDENTIAL AND PROPRIETARY. THEY ARE THE PROPERTY OF DIGITAL EQUIPMENT CORPORATION AND SHALL NOT BE REPRODUCED OR COPIED OR USED IN WHOLE OR IN PART AS THE BASIS FOR MANUFACTURE OR SALE OF ITEMS WITHOUT WRITTEN PERMISSION. THIS IS AN UNPUBLISHED WORK PROTECTED UNDER THE FEDERAL COPYRIGHT LAWS. 1984

J1
3 TX +
9 TX -
6 RX -
4
5 RX +

R1
100

J2
3
9
6
4
5

R2
100

J3
3
9
6
4
5

R3
100

J4
3
9
6
4
5

R4
100

W1 SIGNAL GROUND

REV.	ECO NUMBER	DATE

BRUNNING 40-522 57810

DRD 102H
EN-01283-18-REVA(208)

8

7

6

5

4

3

2

1

DRW. H.DENSMORE	DATE 14-JUN-84	TITLE digital
CHKD. W. Kowicz	DATE 17-JUNE-84	DLV11-J / RS422
DES. ENG. W. AUGER	DATE 30 APR 85	BULKHEAD I/O
RESP. ENG. W. AUGER	DATE 30 APR 85	DOCUMENT NUMBER
MFG. ENG. R. BELIVEAU	DATE 30 APR 85	SIZE CODE NUMBER REV.
TOP DOC. NO. D-UA-5414895-0-0	SCALE NONE	SHEET 1 OF 1

MK

1

THIS DRAWING AND THE SPECIFICATIONS CONTAINED HEREIN ARE CONFIDENTIAL AND PROPRIETARY. THEY ARE THE PROPERTY OF DIGITAL EQUIPMENT CORPORATION AND SHALL NOT BE REPRODUCED OR COPIED OR USED IN WHOLE OR IN PART AS THE BASIS FOR MANUFACTURING OR SALE OF ITEMS WITHOUT WRITTEN PERMISSION. THIS IS AN UNPUBLISHED WORK PROTECTED UNDER THE FEDERAL COPYRIGHT LAWS.

DRAWING DIRECTORY

UNIT VARIATIONS	
VARIATION	TITLE
H3192-00	H3192 LOOPBACK ASSY

REVISION HISTORY		USED ON OPTION/MODEL	RESPONSIBLE ENGR. : W. AUGER	d i g i t a l			
ENG	ECO NUMBER	REV	DATE: 17 MAY 85	TITLE: DRAWING DIRECTORY			
---	INITIAL	A	MADE BY : F. CARBONE DATE: 17 MAY 85	H3192 LOOPBACK ASSY			
		CKDLVJ1-E	CHECKED BY : F. CARBONE DATE: 17 MAY 85				
			DESIGN ENGINEER : W. AUGER DATE: 17 MAY 85				
			PRODUCTION ENGR. : W. LADNER DATE: 17 MAY 85	SIZE	CODE	DOCUMENT NUMBER	REV.
				K	DD	H3192-0	A
						SHEET 1 OF 2	MKO

F
I
N
D

T
Y
P
E

F
I
N
D

T
Y
P
E

#	DRAWING NUMBER	DESCRIPTION	T Y P E
1	K-PL-H3192-0-0 A-PS-1224665-0-0	H3192 LOOPBACK ASSY CABLE ASSY, LOOPBACK	E/M E/M

#	DRAWING NUMBER	DESCRIPTION	T Y P E
---	----------------	-------------	------------------

TYPE: E ELECTRICAL	d	i	g	i	t	a	l	TITLE	DRAWING DIRECTORY	SIZE	CODE	DOCUMENT NUMBER	REV.
M MECHANICAL								H3192 LOOPBACK ASSY		K	DD	H3192-0	A
E/M ELECTRO/MECHANICAL										SHEET 2 OF 2			MKO

LINE ITEM	TOP DOCUMENT	PART NUMBER	MIN REV	DESCRIPTION	QTY PER VARIATION
1	A-PS-1224665-0-0	1224665-01		CABLE ASSY, LOOPBACK	1

REVISION HISTORY		BASIC PART NO: H3192		DRN: A.K.	DATE: 14-MAY-85	DIGITAL				
ENG	ECO NUMBER	REV	SECTION A OF A	CHK'D: F. CARBONE	DATE: 23-MAY-85	TITLE		PARTS LIST		
---	INITIAL	A	SECTION VARIATION INDEX	---	DATE: 14-MAY-85	H3192 LOOPBACK ASSY		---		
			[A]00			DOCUMENT NUMBER		---		
			[B]	DES. ENG: W. AUGER	DATE: 14-MAY-85	SIZE CODE NUMBER		REV		
			[C]	RESP. ENG.: W. AUGER	DATE: 14-MAY-85	K	PL	H3192-0-0	A	
			[D]			---		---		
			[E]	MFG. ENG.: W. LADNER	DATE: 14-MAY-85	RELEASE DATE:		14-MAY-85		
			[F]	ASSEMBLY NUMBER:	TOP DOCUMENT NUMBER:	FILE NAME:		EDIT #		
					#K-DD-H3192-0	MK1200.PLS		4		

"THIS DRAWING AND THE SPECIFICATIONS CONTAINED HEREIN ARE CONFIDENTIAL AND PROPRIETARY, THEY ARE THE PROPERTY OF DIGITAL EQUIPMENT CORPORATION AND SHALL NOT BE REPRODUCED OR COPIED OR USED IN WHOLE OR IN PART AS THE BASIS FOR THE MANUFACTURE OR SALE OF ITEMS WITHOUT WRITTEN PERMISSION. THIS IS AN UNPUBLISHED WORK PROTECTED UNDER THE FEDERAL COPYRIGHT LAWS."