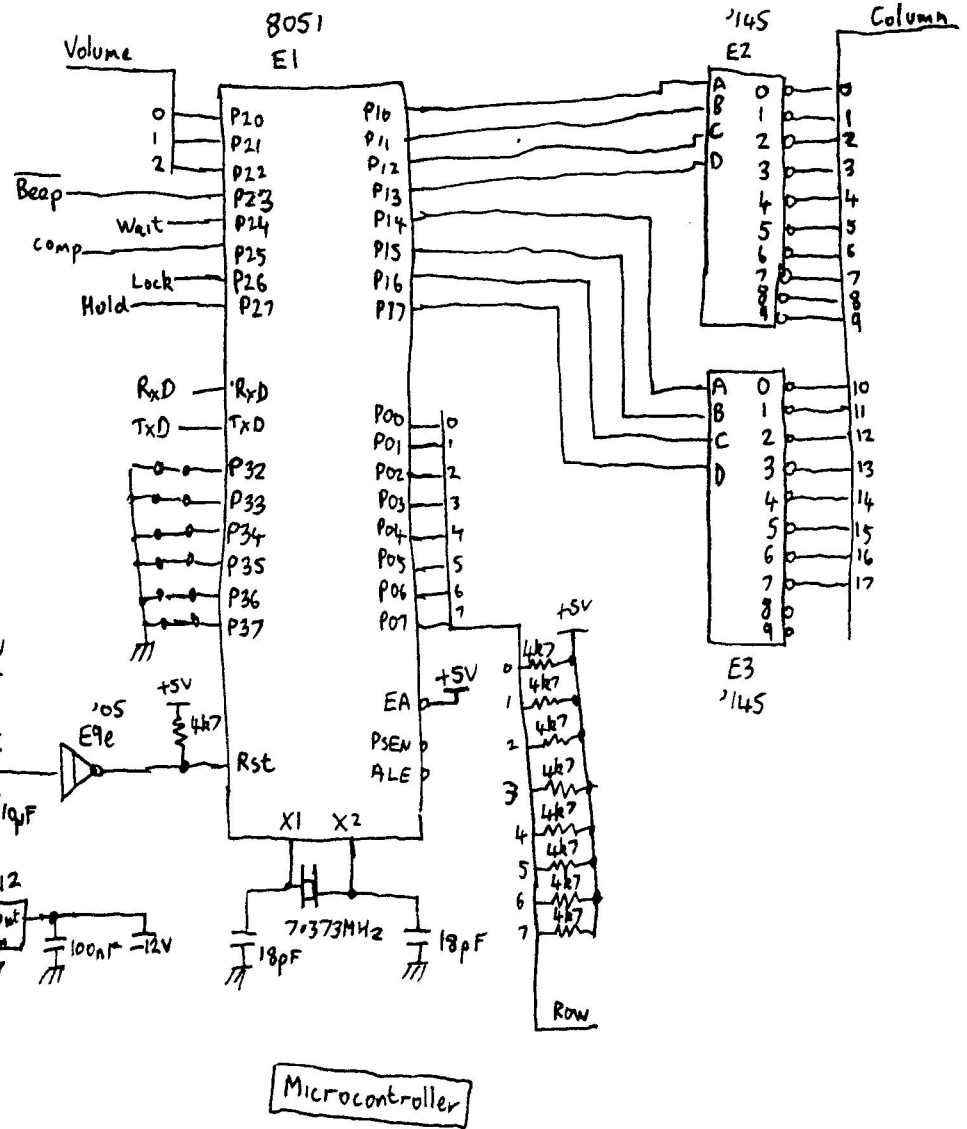
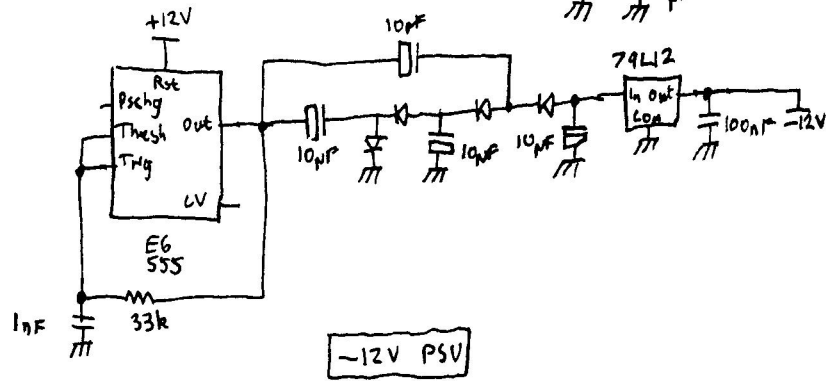
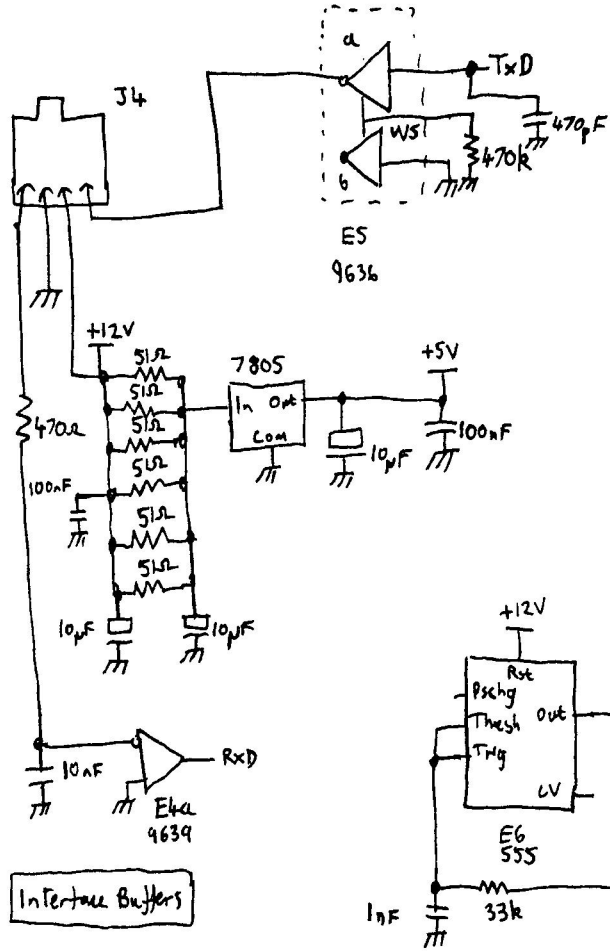
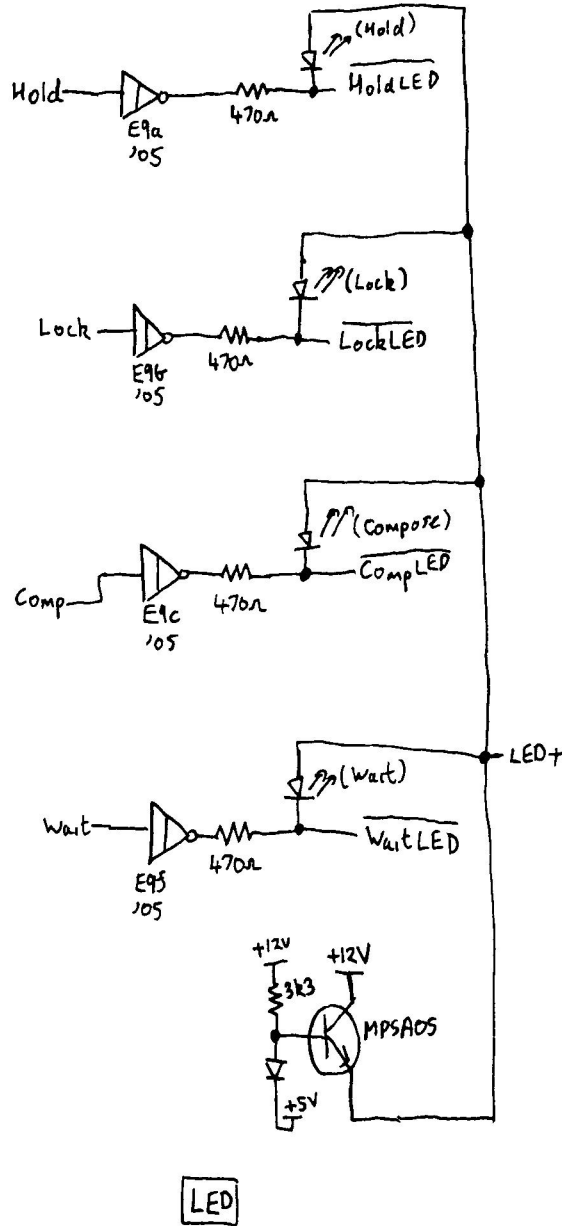
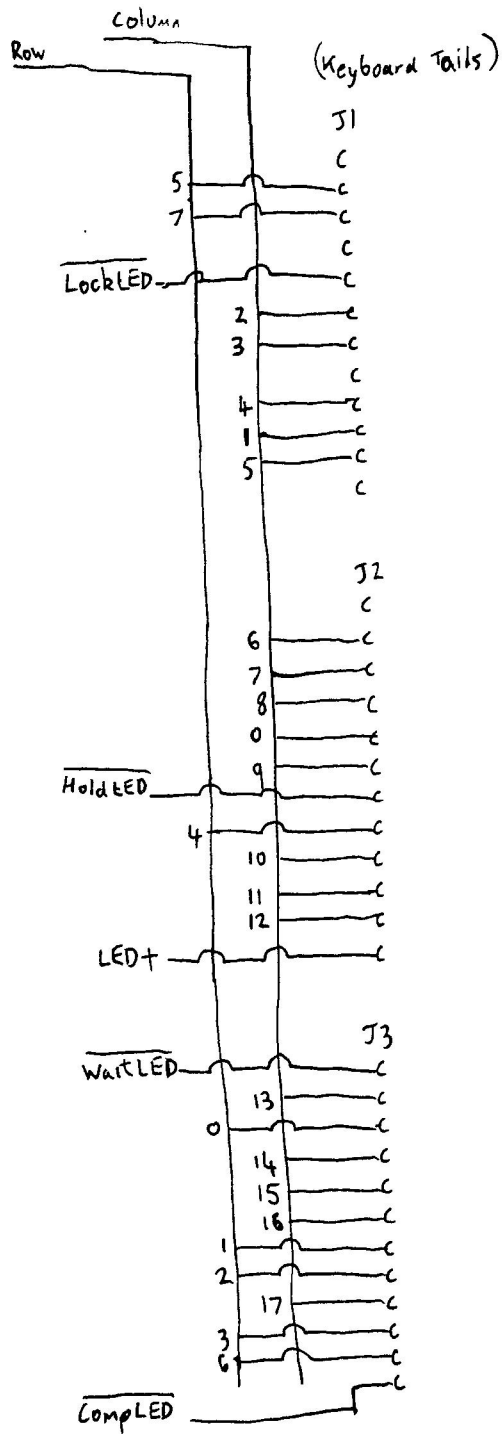
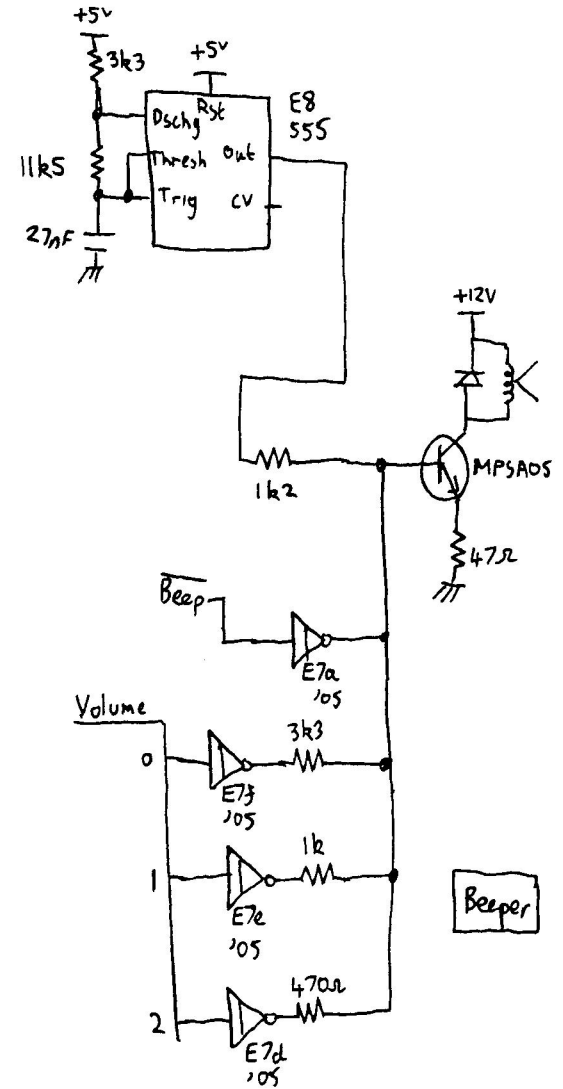


Earth Clip

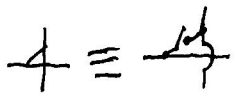




LED



Beeper



COLUMN	7	6	5	4	3	2	1	0
9	unused	F11	unused	unused	*	I	K	,
	H11	G11	H10	G10	E08	D08	C08	B08
8	unused	main screen	unused	exit	&	U	J	M
	H09	G08	H08	G09	E07	D07	C07	B07
7	unused	cancel	unused	resume	^	Y	H	N
	H07	G07	H06	G06	E06	D06	C06	B06
6	unused	unused	unused	inter- rrupt	%	T	G	B
	H05	G04	H04	G05	E05	D05	C05	B05
5	setup	F5	unused	\$	R	F	V	SPACE
	G02	G03	H03	E04	D04	C04	B04	A01-A09
4	unused	print screen	unused	break	#	E	D	C
	H02	G00	H01	G01	E03	D03	C03	B03
3	hold screen	@	unused	TAB	W	S	X	> <
	G99	E02	H00	D00	D02	C02	B02	B00
2	unused	unused	unused	~	!	Q	A	Z
	E99	D99	H99	E00	E01	D01	C01	B01
1	CTRL	LOCK	COMPOSE	unused				
	C99	C00	A99	A10				
0	SHIFT							
	B99,B11							

DO NOT USE THIS AREA
(Phantom key avoidance)

COLUMN	7	6	5	4	3	2	1	0
17	unused H23	F19 G22	unused H22	F20 G23	PF4 E23	N- D23	N, C23	ENTER A23
16	F18 G21	PF3 E22	unused H21	N9 D22	 v B17	N6 C22	N3 B22	N. A22
15	F17 G20	PF2 E21	unused H20	N8 D21	N5 C21	--> B18	N2 B21	NO RIGHT A21
14	PF1 E20	next screen D18	remove E18	up C17	N7 D20	N4 C20	N1 B20	NO LEFT A20
13	insert here E17	- - E11	do G16	prev screen D17	{ [D11	" ' C11	unused B13	unused A17
12	find E16	+ = E12	help G15	select D16	}] D12	RETURN (bot) C13	<-- B16	 \ C12
11	addtnl options G14	DELETE (X) E13	unused H14) O E10	P D10	RETURN (top) D13	: ; C10	? / B10
10	unused H13	F12 G12	F14 H12	F13 G13	(9 E09	O D09	L C09	. B09