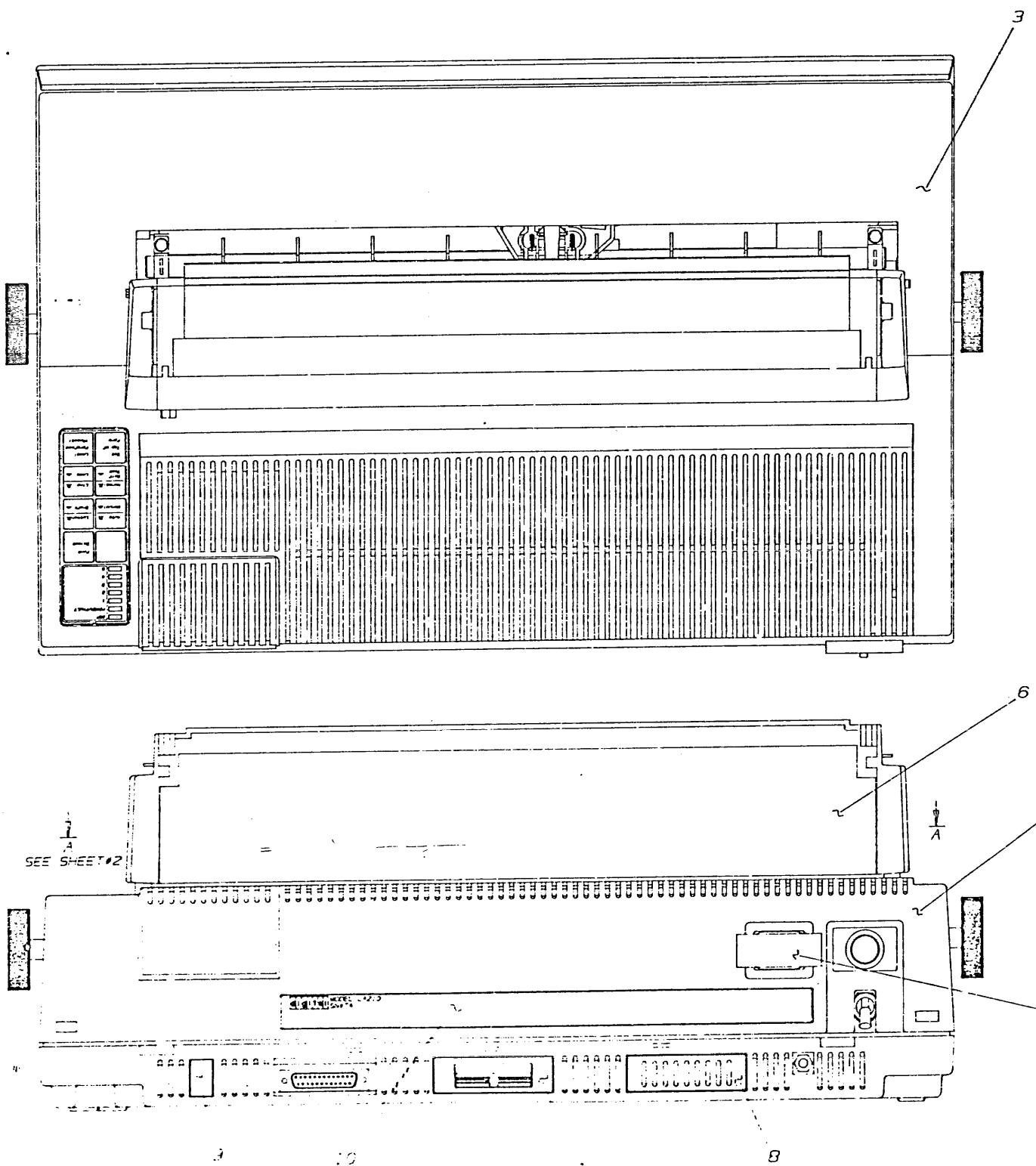




THIS DRAWING AND THE SPECIFICATIONS CONTAINED HEREIN ARE CONFIDENTIAL AND UNCLASSIFIED. THEY ARE THE PROPERTY OF DIGITAL EQUIPMENT CORPORATION AND SHALL NOT BE REPRODUCED OR COPIED IN ANY MANNER OR IN ANY FORM OR BY ANY MEANS, ELECTRONIC OR MECHANICAL, INCLUDING PHOTOCOPYING, RECORDING, OR BY ANY INFORMATION STORAGE AND RETRIEVAL SYSTEM, WITHOUT WRITTEN PERMISSION. THIS IS AN UNPUBLISHED WORK PROTECTED UNDER THE FEDERAL COPYRIGHT LAWS, 1976.

LEGEND		
PART NO.	REV	VARIATION
LA210-A2	A3	LA210 US/GIA BASE KIT, 120 V 190-1321
LA210-A3	A1	LA210 EUROPEAN BASE KIT, 240 V 1198-2641



PLOT AT 1.000  
 LAYER 1: WORK LAYER  
 LAYER 2: FORMAT LAYER  
 LAYER 3: WORK LAYER  
 LAYER 4: FORMAT LAYER (CONT SHEET)  
 FILE NAME: LA210-0-DBUD

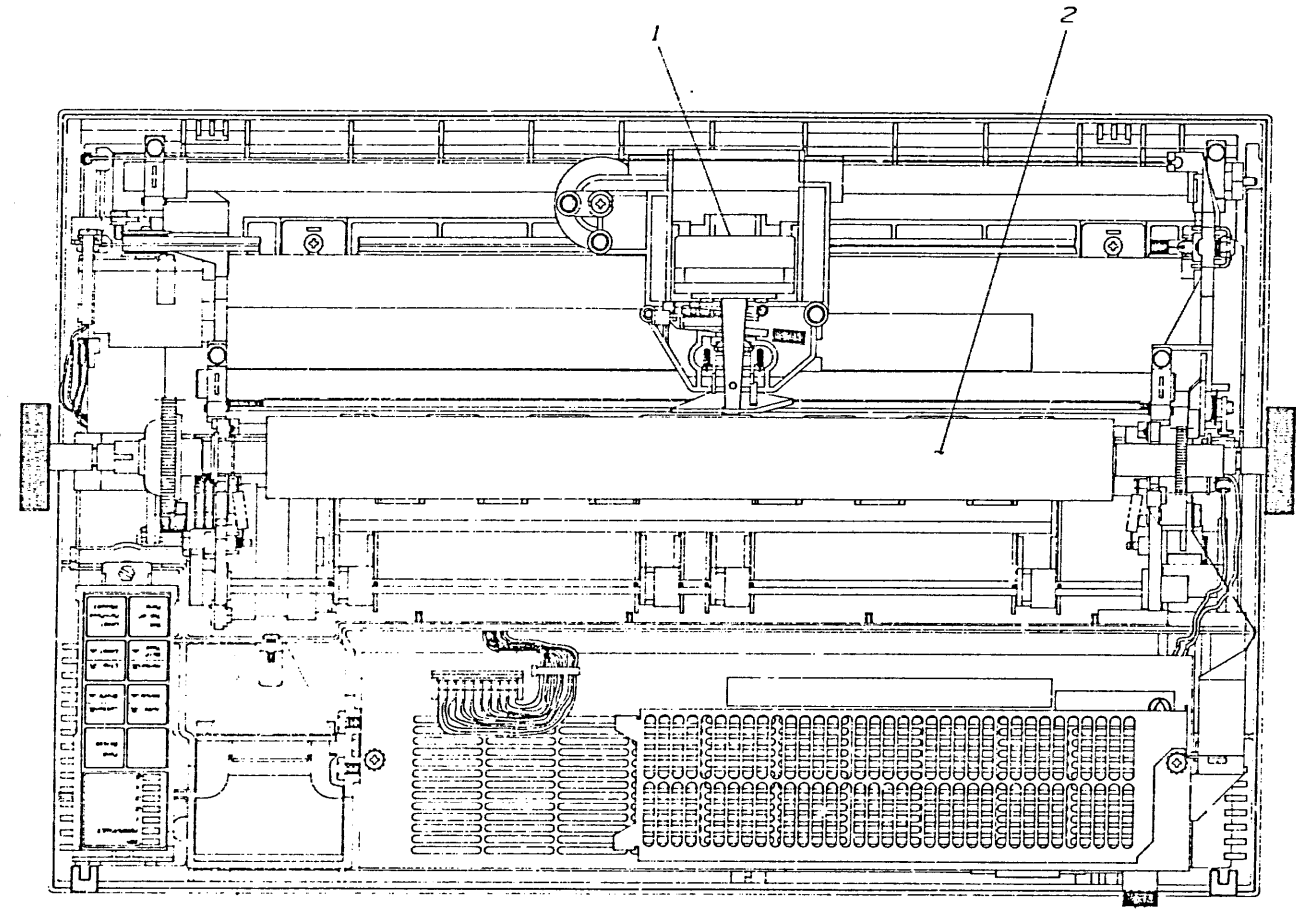
CAUTION: OFF SHEET PARTS LIST EXISTS. SEE APPENDIX LA210-0-DBU. (LA2100.PLS)

REV	DATE	BY	CHKD	DESCRIPTION
1				INITIALS
2				LA210-A2
3				LA210-A3
4				LA210-A4
5				LA210-A5
6				LA210-A6
7				LA210-A7
8				LA210-A8
9				LA210-A9
10				LA210-A10

NO.	DESCRIPTION	QUANTITY	UNIT	REMARKS
1	LA210-A1	1	EA	
2	LA210-A2	1	EA	
3	LA210-A3	1	EA	
4	LA210-A4	1	EA	
5	LA210-A5	1	EA	
6	LA210-A6	1	EA	
7	LA210-A7	1	EA	
8	LA210-A8	1	EA	
9	LA210-A9	1	EA	
10	LA210-A10	1	EA	

THIS DRAWING IS THE PROPERTY OF THE UNITED STATES GOVERNMENT AND IS LOANED TO YOU. IT AND ITS CONTENTS ARE NOT TO BE DISTRIBUTED OUTSIDE YOUR AGENCY.

160-0-012V7A3



VIEW A-A  
TOP ACCESS COVER ASSY (ITEM #3); INTERMEDIATE COVER  
ASSY (ITEM #5) AND TRACTOR ASSY (ITEM #6) NOT SHOWN  
FOR CLARITY

PLOT AT 1:500

160-0-012V7A3  
EQUIPMENT  
160-0-012V7A3  
PAGE 3 OF 3

LINE	ITEM	TOP DOCUMENT	PART NUMBER	MIN REV	DESCRIPTION	QTY PER VARIATION		
						A2	A3	A4
1	1	E-UA-7019655-0-0	7019655-01		PRINT HEAD ASSY LAMINATED	1	1	
2	2	D-AD-7020811-0-DBU	7020811-01		PLATEN ASSY	1	1	
3	3	E-AD-7020797-0-DBU	7020797-01		TOP COVER ASSY	1	1	
4	4	E-AD-7020798-0-DBU	7020798-01		BASE HOUSING/MECH ASSY	1	1	
5	5	E-AD-7021249-0-DBU	7021249-01		INTERMEDIATE COVER ASSY	1	1	
6	6	E-AD-7021248-0-0	7021248-01		TRACTOR OPTION ASSY	1	1	
7	7	D-MD-7429952-0-DBU	7429952-01		PLUG,DIP SWITCH	1	1	
8	8	D-MD-7429951-0-DBU	7429951-01		PLUG,PARALLEL INTERFACE	1	1	
9	9	D-MD-7430158-0-DBU	7430158-01		PLUG,KEYBOARD	1	1	
10	10	A-PS-3622760-0-0	3622760-01	A	LABEL,SERIAL LA210-A2	1	-	
11	12	A-PS-3617905-0-0	3617905-16	A	LABEL,WARNING EQUIP. RATING,100-	1	-	
12	13	A-PS-3617905-0-0	3617905-17	A	LABEL,WARNING EQUIP. RATING,220-	-	1	
13	14	A-PA-3700801-0-0	3700801-01		PKG PRINTER LA210-A	1	1	
14	15	K-PL-7020809-0-DBP	7020809-01		LA101 USERS KIT	1	1	
15	15	A-PS-3622760-0-0	3622760-02		LABEL,SERIAL,LA210,A3	-	1	

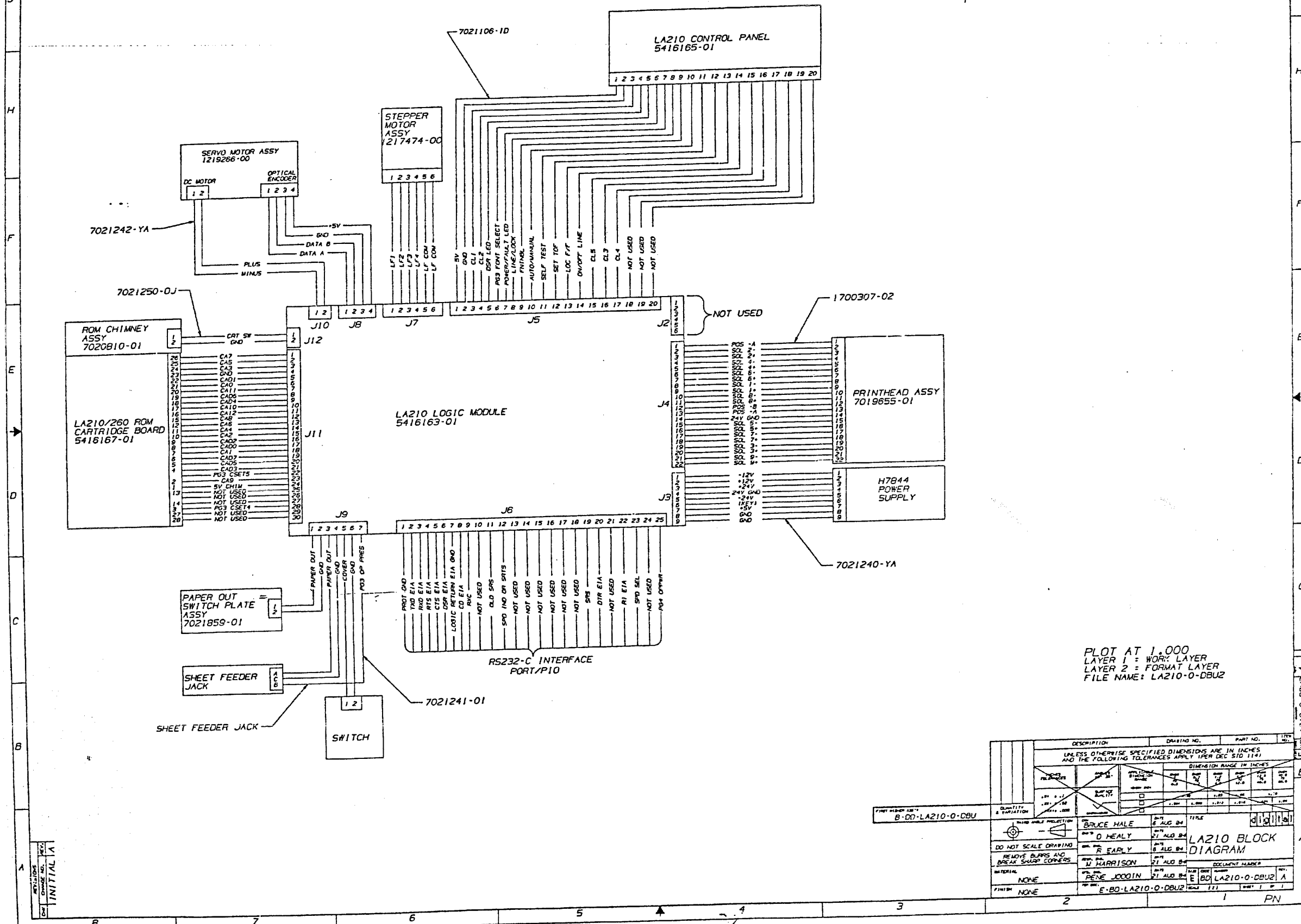
REVISION HISTORY		BASIC PART NO: LA210		DRN:	B. HALE	DATE:	22-AUG-84			DIGITAL		
ENG	ECO NUMBER	REV	SECTION A OF A	CHK'D:	D. HEALY	DATE:	26-SEP-84			TITLE PARTS LIST		
---	INITIAL	A	SECTION,VARIATION INDEX	CHK'D:	D. HEALY	DATE:	26-SEP-84			LA210 LETTERPRINTER		
EK	LA210-PN001	B	[A]A2,A3									
DF	LA210-PN003	C										
DF	LA210-PN005	D	[B]	DES.ENG:	H. RASMUSSEN	DATE:	26-SEP-84			DOCUMENT NUMBER		
			[C]							SIZE!CODE! NUMBER ! REV		
			[D]	RESP.ENG.:	M. HARRISON	DATE:	26-SEP-84			K ! PL ! LA210-0-DBP ! D		
			[E]	MFG.ENG.:	R. JODOIN	DATE:	26-SEP-84			RELEASE DATE: 12-JUL-85		
			[F]	ASSEMBLY NUMBER:		TOP DOCUMENT NUMBER:				FILE NAME: !EDIT #		
				E-UA-LA210-0-DBU		B-DD-LA210-0-DBU				LA210D.PLS ! 12 !		

\*THIS DRAWING AND THE SPECIFICATIONS CONTAINED HEREIN ARE CONFIDENTIAL AND PROPRIETARY. THEY ARE THE PROPERTY OF DIGITAL EQUIPMENT CORPORATION AND SHALL NOT BE REPRODUCED OR COPIED OR USED IN WHOLE OR IN PART AS THE BASIS FOR THE MANUFACTURE OR SALE OF ITEMS WITHOUT WRITTEN PERMISSION. THIS IS AN UNPUBLISHED WORK PROTECTED UNDER THE FEDERAL COPYRIGHT LAWS.\*

B 7 6 5 4 3 2 1 AX00

THIS DRAWING AND THE SPECIFICATIONS CONTAINED HEREIN ARE CONFIDENTIAL AND PROPRIETARY. THEY ARE NOT TO BE REPRODUCED OR COPIED IN ANY MANNER WITHOUT THE WRITTEN PERMISSION OF THE FEDERAL BUREAU OF INVESTIGATION. THIS IS A COMPUTER GENERATED DRAWING AND IS NOT TO BE REPRODUCED OR COPIED IN ANY MANNER WITHOUT THE WRITTEN PERMISSION OF THE FEDERAL BUREAU OF INVESTIGATION. 1964.

NOTES:  
 1. THIS DOCUMENT DOES NOT REPRESENT THE ACTUAL PHYSICAL PLACEMENT OF THE CONNECTORS ON THE VARIOUS MODULES, NOR DOES IT REPRESENT THE ACTUAL PHYSICAL RELATIONSHIP OF ASSYS TO THE UNIT ASSY 1E-UA-LA210-0-DBU1.



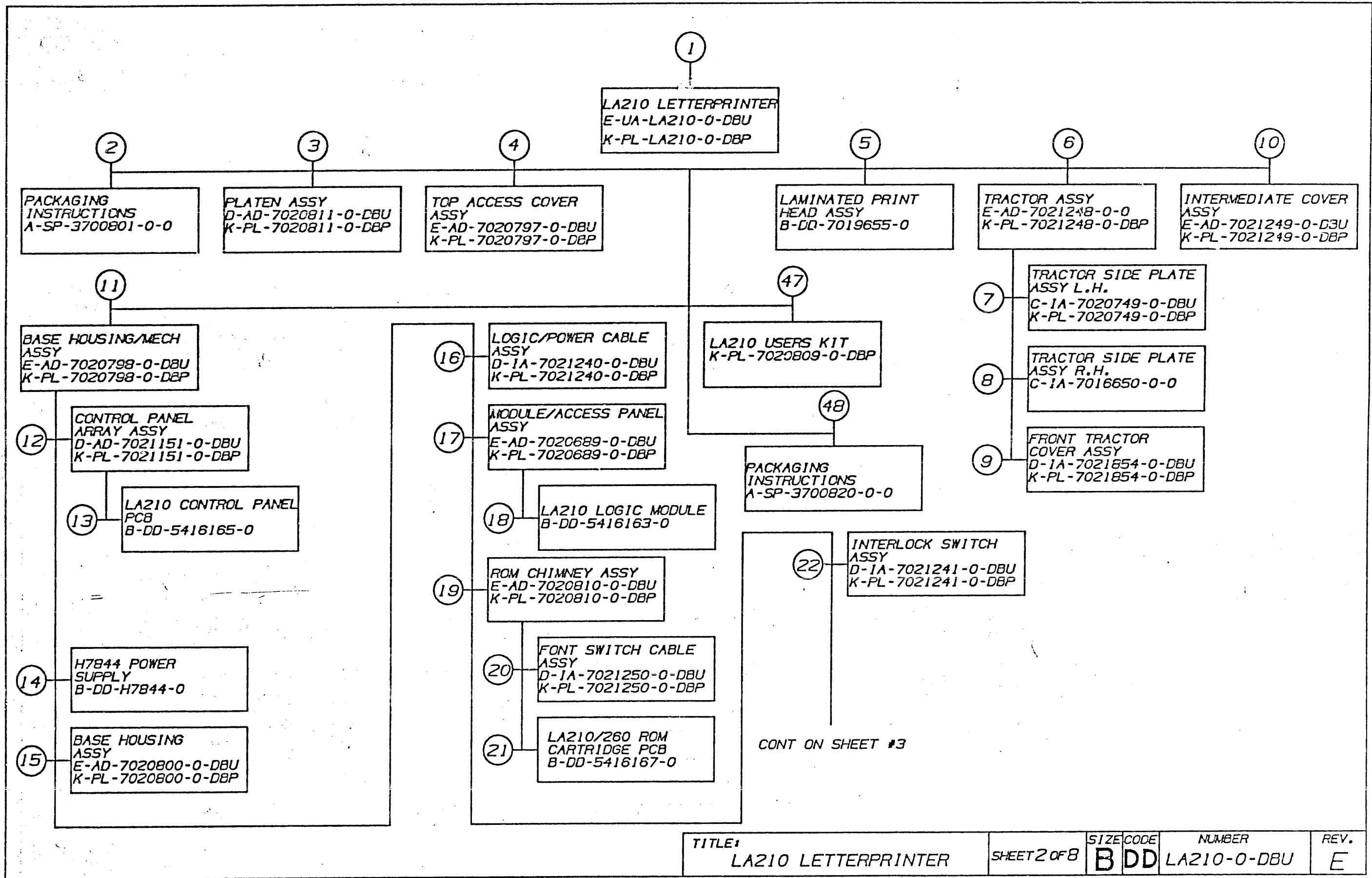
PLOT AT 1.000  
 LAYER 1 = WORK LAYER  
 LAYER 2 = FORMAT LAYER  
 FILE NAME: LA210-0-DBU2

DESCRIPTION		DRAWING NO.	PART NO.	REV
UNLESS OTHERWISE SPECIFIED DIMENSIONS ARE IN INCHES AND THE FOLLOWING TOLERANCES APPLY (REF DEC STD 114)				
DIMENSION RANGE IN INCHES				
	0.00 - 0.25	0.25 - 0.50	0.50 - 1.00	1.00 - 2.00
	±0.005	±0.005	±0.005	±0.005
	±0.005	±0.005	±0.005	±0.005
	±0.005	±0.005	±0.005	±0.005
	±0.005	±0.005	±0.005	±0.005
	±0.005	±0.005	±0.005	±0.005
QUANTITY		DATE	BY	REV
1		10 AUG 64	BRUCE MALE	1
2		21 AUG 64	D HEALY	2
3		18 AUG 64	R EARLY	3
4		21 AUG 64	N HARRISON	4
5		21 AUG 64	RENE JOCOIN	5
FINISH		DATE	BY	REV
NONE		21 AUG 64	E BO LA210-0-DBU2	1
NONE		111	E BO LA210-0-DBU2	1
TITLE		LA210 BLOCK DIAGRAM		
DRAWN BY		E BO LA210-0-DBU2		
CHECKED BY		E BO LA210-0-DBU2		
APP'D BY		E BO LA210-0-DBU2		

INITIALS

B 7 6 5 4 3 2 1 PN





CONT FROM SHEET #2

23 SERVO MOTOR CABLE  
ASSY  
D-1A-7021242-0-DBU  
K-PL-7021242-0-DBP

24 PRINTER MECH ASSY  
E-AD-7020693-0-DBU  
K-PL-7020693-0-DBP

25 SIDE PLATE ASSY  
L.H.  
E-AD-7020679-0-DBU  
K-PL-7020679-0-DBP

26 SIDE PLATE ASSY  
R.H.  
E-AD-7020680-0-DBU  
K-PL-7020680-0-DBP

27 ANTI-BACKLASH GEAR  
ASSY  
D-1A-7021225-0-DBU  
K-PL-7021225-0-DBP

28 IDLER PULLEY ASSY  
C-AD-7015735-0-0  
K-PL-7015735-0-DBP

29 CROSS MEMBER ASSY  
D-1A-7020802-0-DBU  
K-PL-7020802-0-DBP

30 PAPER OUT SWITCH  
PLATE ASSY  
D-AD-7021859-0-DBU  
K-PL-7021859-0-DBP

31 FRICTION FEED ASSY  
D-AD-7015733-0-0  
K-PL-7015733-0-DBP

32 FRGNT ROLLER ASSY  
C-1A-7018601-0-0  
K-PL-7018601-0-DBP

33 REAR ROLLER ASSY  
C-1A-7018602-0-0  
K-PL-7018602-0-DBP

34 SERVO MOTOR HOUSING  
ASSY  
D-AD-7020681-0-DBU  
K-PL-7020681-0-DBP

35 GEAR DRIVE COVER  
ASSY  
D-AD-7020682-0-DBU  
K-PL-7020682-0-DBP

36 CARRIAGE ASSY  
E-AD-7020685-0-DBU  
K-PL-7020685-0-DBP

37 SMUDGE GUARD ASSY  
D-1A-7019659-0-0  
K-PL-7019659-0-DBP

38 CARRIAGE BEARING  
ASSY  
C-AD-7020799-0-DBU  
K-PL-7020799-0-DBP

39 HEAD CABLE ASSY  
E-AD-7020805-0-DBU  
K-PL-7020805-0-DBP

40 HOUSING ASSY  
C-1A-7017563-0-0  
K-PL-7017563-0-DBP

41 COIL ASSY  
C-1A-7017525-0-0  
K-PL-7017525-0-DBP

42 POLE PIECE ASSY  
B-1A-7017513-0-0  
K-PL-7017513-0-DBP

43 PULLEY LOWER  
CLUTCH ASSY  
B-1A-7020795-0-DBU  
K-PL-7020795-0-DBP

44 UPPER PULLEY  
CLUTCH ASSY  
C-1A-7021873-0-DBU  
K-PL-7021873-0-DBP

45 ACTUATOR ASSY  
C-1A-7017564-0-0  
K-PL-7017564-0-DBP

46 HEAD LEVER SLIDE  
ASSY  
C-AD-7018639-0-0  
K-PL-7018639-0-DBP

TITLE:	LA210 LETTERPRINTER	SHEET 3 OF 8	SIZE CODE	BDD	NUMBER	LA210-0-DBU	REV.	E
--------	---------------------	--------------	-----------	-----	--------	-------------	------	---

PN



FIND NO.	DRAWING NO.	DESCRIPTION	TYPE	FIND NO.	DRAWING NO.	DESCRIPTION	TYPE
1	MP-02007-01	LA210 LETTERPRINTER (MP)	-				
	B-TC-LA210-0-DBU	LA210 LETTERPRINTER (TC)	-				
	E-UA-LA210-0-DBU	LA210 LETTERPRINTER	E/M				
	K-PL-LA210-0-DBP	LA210 LETTERPRINTER (PL)	E/M	5	B-DD-7019655-0	PRINT HEAD ASSY (LAMINATED)	E/M
	E-BD-LA210-0-DBU2	LA210 BLOCK DIAGRAM	F				
	D-MD-7429952-0-DBU	PLUG, DIP SWITCH	M				
	D-MD-7430158-0-DBU	PLUG, KEYBOARD	M				
	D-MD-7429951-0-DBU	PLUG, PARALLEL INTERFACE	M				
	A-PS-3622760-0-0	LABEL, SERIAL LA210	M	6	E-AD-7021248-0-0	TRACTOR ASSY	M
	A-PS-3617905-0-0	LABEL, WARNING EQUIP RATING	M		K-PL-7021248-0-DBP	TRACTOR ASSY (PL)	M
					E-MD-7429579-0-DBU	END CAP, R.H. TRACTOR	M
					E-MD-7429085-0-DBU	END CAP, L.H. TRACTOR	M
					E-MD-7429623-0-DBU	COVER, TRACTOR	M
					B-MD-7429899-0-DBU	BUMPER, TRACTOR	M
					B-MD-7429759-0-DBU	PAD, ACOUSTIC	M
					B-MD-7430322-0-DBU	GASKET, TRACTOR	M
					C-MD-7431015-0-DBU	PAD, TRACTOR SUPPORT	M
					C-MD-7421622-0-0	LATCH, PUSH ROD	M
					B-MD-7421665-0-0	SHAFT, TRACTOR GUIDE	M
					B-MD-7421664-0-0	CLIP, SPRING	M
2	A-PA-3700801-0-0	PACKAGING INTSTRUCTIONS	M		B-MD-7421666-0-0	SHAFT, TRACTOR SUPPORT	M
	K-PL-3700810-0-DBP	PACKAGING INSTRUCTIONS (PL)	M		B-MD-7422555-0-0	SHAFT, ROUND	M
					C-MD-7422870-0-0	SUPPORT, TRACTOR PAPER	M
					A-SP-1216193-0-0	GEAR, TRACTOR IDLER	M
					A-PS-1216194-0-0	GEAR, TRACTOR ASSY DRIVE	M
					A-PS-1216021-0-0	SUPPORT, TRACTOR	M
					A-PS-1218685-0-0	TRACTOR	M
					A-PS-1216192-0-0	BUSHING, TRACTOR ASSY	M
3	D-AD-7020811-0-DBU	PLATEN ASSY	M				
	K-PL-7020811-0-DBP	PLATEN ASSY (PL)	M				
	D-1A-7429036-0-DBU	KNOB, PLATEN	M		7	C-1A-7020749-0-DBU	SIDE PLATE ASSY (TRACTOR LEFT)
	D-MD-7428960-0-DBU	GEAR, PLATEN DRIVE	M			K-PL-7020749-0-DBP	SIDE PLATE ASSY (TRACTOR LEFT) (PL)
	A-PS-1215288-0-0	GEAR, TRACTOR	M			D-MD-7429467-0-DBU	SIDE PLATE, TRACTOR LEFT
	D-MD-7429038-0-DBU	BEARING, PLATEN LEFT HAND	M			C-MD-7421608-0-0	LATCH, TRACTOR
	A-PS-1220076-0-0	PLATEN SUB-ASSY	M			B-MD-7421618-0-0	PIVOT, LATCH
	D-MD-7429039-0-DBU	BEARING, PLATEN RIGHT HAND	M			B-MD-7421623-0-0	STANDOFF, GEAR
4	E-AD-7020797-0-DBU	TOP ACCESS COVER ASSY	M		8	C-1A-7016650-0-0	SIDE PLATE ASSY (TRACTOR RIGHT)
	K-PL-7020797-0-DBP	TOP ACCESS COVER ASSY (PL)	M			D-MD-7422507-0-0	SIDE PLATE, RIGHT
	E-1A-7428396-0-DBU	COVER, TOP ACCESS	M			C-MD-7421608-0-0	LATCH, TRACTOR
	K-PL-7428396-0-DBP	COVER, TOP ACCESS (PL)	M			B-MD-7421619-0-0	SPACER, PIVOT LATCH
	C-MD-7429468-0-DBU	LATCH, TOP ACCESS COVER	M				
	E-MD-7428397-0-DBU	WINDOW, SAFETY	M				
	C-MD-7430154-0-DBU	PAD, SIDE COVER	M				
	D-MD-7430155-0-DBU	PAD, COVER	M				

TYPE: E ELECTRICAL  
M MECHANICAL  
E/M ELECTRO/MECHANICAL



TITLE: LA210 LETTERPRINTER SHEET 4 OF 8 SIZE CODE B DD NUMBER LA210-0-DBU REV. E

FIND NO.	DRAWING NO.	DESCRIPTION	TYPE	FIND NO.	DRAWING NO.	DESCRIPTION	TYPE
				14	B-DD-H7844-0	POWER SUPPLY H7844	E/M
9	E-1A-7021854-0-DBU	FRONT TRACTOR COVER ASSY	M	15	E-AD-7020600-0-DBU	BASE HOUSING ASSY	M
	K-PL-7021854-0-DBP	FRONT TRACTOR COVER ASSY (PL)	M		K-PL-7020800-0-DBP	BASE HOUSING ASSY (PL)	M
	E-MD-7429633-0-DBU	WINDOW, TRACTOR	M		E-1A-7428391-0-DBU	BASE, HOUSING	M
	E-MD-7423207-0-DBU	COVER, FRONT TRACTOR	M		K-PL-7428391-0-DBP	BASE, HOUSING (PL)	M
					C-MD-7429604-0-DBU	PAD, BOTTOM	M
					C-MD-7430150-0-DBU	PAD, R.H. REAR BASE	M
					B-MD-7430152-0-DBU	PAD, L.H. REAR BASE	M
					C-MD-7430151-0-DBU	PAD, R.H. LOWER BASE	M
					B-MD-7430153-0-DBU	PAD, L.H. LOWER BASE	M
10	E-AD-7021249-0-DBU	INTERMEDIATE COVER ASSY	M		D-MD-7430395-0-DBU	PAD, BOTTOM BASE	M
	K-PL-7021249-0-DBP	INTERMEDIATE COVER ASSY (PL)	M		C-MD-7430853-0-DBU	BUMPER, BUTTON	M
	E-MD-7428393-0-DBU	COVER, INTERMEDIATE	M				
	E-MD-7428400-0-DBU	PANEL, TRIM	M				
	E-MD-7428395-0-DBU	COVER, ROM	M				
	D-MD-7428867-0-DBU	LOGO, LA210	M				
	D-MD-7430156-0-DBU	PAD, R.H. COVER	M	16	D-1A-7021240-0-DBU	CABLE ASSY LOGIC/POWER	E/M
	D-MD-7430157-0-DBU	PAD, L.H. COVER	M		K-PL-7021240-0-DBP	CABLE ASSY LOGIC/POWER (PL)	E/M
	C-MD-7430396-0-DBU	PAD, TOP INTERMEDIATE COVER	M				
	C-MD-7428723-0-DBU	PAD, TOP COVER	M				
	D-MD-7428722-0-DBU	PAD, SIDE COVER	M				
				17	E-AD-7020689-0-DBU	MODULE/ACCESS PANEL ASSY	E/M
11	E-AD-7020798-0-DBU	BASE HOUSING/MECH ASSY	E/M		K-PL-7020689-0-DBP	MODULE/ACCESS PANEL ASSY (PL)	E/M
	K-PL-7020798-0-DBP	BASE HOUSING/MECH ASSY (PL)	E/M		E-MD-7428413-0-DBU	PANEL, ACCESS	M
	D-MD-7429576-0-DBU	PLANE, GROUND L.H.	M		K-PL-7428413-0-DBP	PANEL, ACCESS (PL)	M
	C-MD-7429690-0-DBU	STRAP, GROUND L.H.	M				
	C-MD-7429691-0-DBU	STRAP, GROUND R.H.	M				
	C-MD-7429405-0-DBU	CLAMP, MECHANISM	M	18	B-DD-541S163-0	LA210 LOGIC MODULE	E/M
	D-MD-7428401-0-DBU	BRACKET, CONTROL PANEL	M				
	D-MD-7430775-0-DBU	COVER, POWER SUPPLY SAFETY	M				
12	D-AD-7021151-0-DBU	CONTROL PANEL ARRAY ASSY	E/M	19	E-AD-7020810-0-DBU	ROM CHIMNEY ASSY	E/M
	K-PL-7021151-0-DBP	CONTROL PANEL ARRAY ASSY (PL)	E/M		K-PL-7020810-0-DBP	ROM CHIMNEY ASSY (PL)	E/M
	A-SP-3622761-0-0	LA210 CONTROL PANEL LABEL	M		E-1A-7429465-0-DBU	HOLDER, ROM CARTRIDGE	M
	A-PS-1222223-0-0	KEYCAP	M		K-PL-7429465-0-DBP	HOLDER, ROM CARTRIDGE (PL)	M
	A-PS-3622441-0-0	LABEL, POWER, LA210	M		D-MD-7429539-0-DBU	RETAINER, ROM CARTRIDGE	M
13	B-DD-5416165-0	LA210 CONTROL PANEL PCB	E/M				

TYPE: E ELECTRICAL  
M MECHANICAL  
E/M ELECTRO/MECHANICAL



TITLE: LA210 LETTERPRINTER

SHEET 5 of 8

SIZE CODE NUMBER REV.  
B DD LA210-0-DBU E

FIND NO.	DRAWING NO.	DESCRIPTION	TYPE	FIND NO.	DRAWING NO.	DESCRIPTION	TYPE
20	D-1A-7021250-0-DBU	FONT SWITCH CABLE ASSY	E/M	25	E-AD-7020679-0-DBU	SIDE PLATE ASSY L.H.	M
	K-PL-7021250-0-DBP	FONT SWITCH CABLE ASSY (PL)	E/M		K-PL-7020679-0-DBP	SIDE PLATE ASSY L.H. (PL)	M
					E-MD-7428414-0-DBU	PLATE, SIDE L.H.	M
					C-MD-7429603-0-DBU	PAD, TOP	M
					C-MD-7428721-0-DBU	LATCH, PLATEN	M
21	B-DD-5416167-0	LA210/260 RCM CARTRIDGE BOARD	E/M		A-PS-1215557-0-0	SPACER, PLATEN LATCH	M
					A-PS-1215508-0-0	SPRING, LATCH	M
					C-MD-7429042-0-DBU	CLIP, TRACTOR GROUND	M
22	D-1A-7021241-0-DBU	INTERLOCK SWITCH ASSY	E/M				
	K-PL-7021241-0-DBP	INTERLOCK SWITCH ASSY (PL)	E/M				
				26	E-AD-7020680-0-DBU	SIDE PLATE ASSY R.H.	M
					K-PL-7020680-0-DBP	SIDE PLATE ASSY R.H. (PL)	M
					E-MD-7428416-0-DBU	PLATE, SIDE R.H.	M
23	D-1A-7021242-0-DBU	SERVO MOTOR CABLE ASSY	E/M		D-MD-7428715-0-DBU	LEVER, RELEASE	M
	K-PL-7021242-0-DBP	SERVO MOTOR CABLE ASSY (PL)	E/M		A-PS-1215557-0-0	SPACER, PLATEN LATCH	M
					A-PS-1217474-0-0	STEPPER MOTOR ASSY	M
					C-MD-7428721-0-DBU	LATCH, PLATEN	M
					A-PS-1215508-0-0	SPRING, LATCH	M
24	E-AD-7020693-0-DBU	PRINTER MECH ASSY	E/M		A-PS-1215452-0-0	SCREW, LEVER	M
	K-PL-7020693-0-DBP	PRINTER MECH ASSY (PL)	E/M		C-MD-7429037-0-DBU	PIN, DOWEL	M
			M		A-PS-1215453-0-0	SPACER, LEVER	M
			M		B-MD-7429603-0-DBU	PAD, TOP	M
			M		E-MD-7429577-0-DBU	PLANE, GROUND R.H.	M
			M				
			M	27	D-1A-7021225-0-DBU	ANTI-BACKLASH GEAR ASSY	M
			M		K-PL-7021225-0-DBP	ANTI-BACKLASH GEAR ASSY (PL)	M
			M		D-MD-7429044-0-DBU	BUSHING, GEAR CLUSTER	M
			M		D-MD-7425568-0-0	GEAR	M
			M		D-MD-7425589-0-0	GEAR CLUSTER, PAPER DRIVE	M
			M		D-MD-7425590-0-0	GEAR CLUSTER, A PAPER DRIVE	M
			M		C-MD-7425591-0-0	FASTENER	M
			M				
			M	28	C-AD-7015737-0-0	IDLER PULLEY ASSY	M
			M		K-PL-7015735-0-DBP	IDLER PULLEY ASSY (PL)	M
			M		A-PS-1215357-0-0	SHAFT, IDLER PULLEY	M
			M		A-PS-1215592-0-0	PULLEY, IDLER TIMING	M
			M		A-PS-1216621-0-0	BEARING, BALL	M
			M				
			M	29	D-1A-7020802-0-DBU	CROSS MEMBER ASSY	M
			M		K-PL-7020802-0-DBP	CROSS MEMBER ASSY (PL)	M
			M		D-MD-7428696-0-DBU	EXTRUSION, CROSS MEMBER	M
			M		D-MD-7429041-0-DBU	STRIP, PAPER GUIDE	M

TYPE: E ELECTRICAL  
M MECHANICAL  
E/M ELECTRO/MECHANICAL

digital

TITLE:

LA210 LETTERPRINTER

SHEET 6 of 8

SIZE CODE

B DD

NUMBER

LA210-0-DBU

REV.

E

FIND NO.	DRAWING NO.	DESCRIPTION	TYPE	FIND NO.	DRAWING NO.	DESCRIPTION	TYPE
				34	D-AD-7020681-0-DBU	SERVO MOTOR/HOUSING ASSY	E/M
					K-PL-7020681-0-DBP	SERVO MOTOR/HOUSING ASSY (PL)	E/M
					E-MD-7426623-0-DBU	HOUSING, GEAR DRIVE	M
					A-PS-1219266-0-0	SERVO MOTOR ENCODER ASSY	E/M
30	D-AD-7021859-0-DBU	PAPER OUT SWITCH PLATE ASSY	M				
	K-PL-7021859-0-DBP	PAPER OUT SWITCH PLATE ASSY (PL)	M				
	B-MD-7422505-0-0	SUPPORT, SWITCH PLATE	M				
	D-MD-7429295-0-DBU	RETAINER, DETENT	M				
				35	D-AD-7020682-0-DBU	GEAR DRIVE/COVER ASSY	M
					K-PL-7020682-0-DBP	GEAR DRIVE/COVER ASSY (PL)	M
					D-MD-7428418-0-DBU	PULLEY	M
					D-MD-7426621-0-DBU	GEAR, INTERNAL DRIVEN (64T)	M
					B-MD-7428415-0-DBU	SHAFT, DRIVE	M
					D-MD-7426622-0-DBU	COVER, HOUSING	M
31	D-AD-7015733-0-0	FRICITION FEED ASSY	M				
	K-PL-7015733-0-DBP	FRICITION FEED ASSY (PL)	M				
	A-PS-1215358-0-0	SHAFT, FRICTION	M				
	A-PS-1215524-0-0	BUSHING	M				
	A-PS-1215551-0-0	SPRING	M				
	A-PS-1215949-0-0	ARM, ROCKER	M				
	A-PS-1215355-0-0	ROCKER	M				
				36	E-AD-7020685-0-DBU	CARRIAGE ASSY	E/M
					K-PL-7020685-0-DBP	CARRIAGE ASSY (PL)	E/M
					D-MD-7430326-0-DBU	SHAFT, RIBBON DRIVE	M
					D-IA-7430106-0-DBU	ARM, HEAD LIFT	M
					K-PL-7430106-0-DBP	ARM, HEAD LIFT (PL)	M
					D-MD-7425720-0-0	CLEVER, HEAD RETAINING	M
					A-PS-1215362-0-0	BELT, TIMING	M
					C-MD-7430386-0-DBU	CLIP, CARRIAGE	M
					C-MD-7430323-0-DBU	RETAINER, SPRING	M
					A-PS-1220069-0-0	BEARING, FRONT CARRIAGE	M
					B-MD-7428411-0-DBU	BEARING, FLANGE	M
					C-MD-7426722-0-0	SPRING, FRONT BEARING	M
				37	D-IA-7019659-0-0	SMUDGE GUARD ASSY	M
					K-PL-7019659-0-DBP	SMUDGE GUARD ASSY (PL)	M
					D-MD-7429574-0-0	GUARD, RIBBON	M
					D-MD-7427151-0-0	GUIDE, PAPER	M
33	C-AD-7018602-0-0	REAR ROLLER ASSY	M				
	K-PL-7018602-0-DBP	REAR ROLLER ASSY (PL)	M				
	B-MD-7425592-0-0	SHAFT, ROLLER	M				
	C-MD-7425593-0-0	ROLLER, FRONT	M				
				38	C-AD-7020799-0-DBU	CARRIAGE BEARING ASSY	M
					K-PL-7020799-0-DBP	CARRIAGE BEARING ASSY (PL)	M
					E-IA-7430614-0-DBU	CARRIAGE, LA210	M
					K-PL-7430614-0-DBP	CARRIAGE, LA210 (PL)	M
					B-MD-7424721-0-0	BEARING, CARRIAGE REAR	M

TYPE: E ELECTRICAL	MECHANICAL	E/M ELECTRO/MECHANICAL	TITLE: LA210 LETTERPRINTER	SHEET 7 OF 8	SIZE CODE: BDD	NUMBER: LA210-0-DBU	REV: E
--------------------	------------	------------------------	----------------------------	--------------	----------------	---------------------	--------

FIND NO.	DRAWING NO.	DESCRIPTION	TYPE	FIND NO.	DRAWING NO.	DESCRIPTION	TYPE
39	E-AD-7020805-0-DBU	HEAD CABLE ASSY	E/M				M
	K-PL-7020805-0-DBP	HEAD CABLE ASSY (PL)	E/M	45	B-1A-7010564-0-0	ACTUATOR ASSY	M
	A-PS-1700907-0-0	CABLE ASSY, 18 COND	E/M		K-PL-7017564-0-DBP	ACTUATOR ASSY (PL)	M
	E-MD-7428658-0-DBU	MOUNT. HEAD CABLE	M		B-MD-7424019-0-0	ACTUATOR	M
	D-MD-7428659-0-DBU	CLAMP, RIBBON CABLE	M		C-MD-7424104-0-0	MAGNET, PERMANENT	M
	D-MD-7428660-0-DBU	CLIP, ACTUATOR RETAINING	M				
				46	C-AD-7018639-0-0	HEAD LEVER SLIDE ASSY	M
40	C-1A-7017563-0-0	HOUSING ASSY	E/M		K-PL-7018639-0-DBP	HEAD LEVER SLIDE ASSY (PL)	M
	K-PL-7017563-0-DBP	HOUSING ASSY (PL)	E/M		C-MD-7427723-0-0	LEVER, ADJUSTING	M
	B-MD-7424015-0-0	HOUSING, COIL	M		D-MD-7425724-0-0	SLIDE, ADJUSTING	M
	B-MD-7424720-0-0	BEARING, ACTUATOR	M				
				47	K-PL-7020809-0-DBP	LA210 USERS KIT	E/M
41	C-1A-7017525-0-0	COIL ASSY	E/M		A-PS-1215336-0-0	TEST CONNECTOR	E/M
	K-PL-7017525-0-DBP	COIL ASSY (PL)	E/M		A-PS-3620798-0-0	RIBBON CARTRIDGE	M
	B-MD-7424018-0-0	BOBBIN	M		B-MD-7412103-0-0	PRE-PACKAGED PAPER	M
42	C-1A-7017513-0-0	POLE PIECE ASSY	E/M	48	A-SP-3700820-0-0	PACKAGING INSTRUCTIONS	M
	K-PL-7017513-0-DBP	POLE PIECE ASSY (PL)	E/M				
	B-MD-7424020-0-0	ELECTROMAGNET, POLE PIECE	M				
	B-MD-7425597-0-0	BUMPER, POLE PIECE	M				
43	B-1A-7020795-0-DBU	LOWER PULLEY CLUTCH ASSY	M				
	K-PL-7020795-0-DBP	LOWER PULLEY CLUTCH ASSY (PL)	M				
	A-PS-1216782-0-0	CLUTCH ASSY	M				
	C-MD-7428399-0-DBU	LOWER RIBBON DRIVE PULLEY	M				
	C-MD-7430325-0-DBU	PULLEY SLEEVE	M				
44	C-1A-7021873-0-DBU	UPPER PULLEY CLUTCH ASSY	M				
	K-PL-7021873-0-DBP	UPPER PULLEY CLUTCH ASSY (PL)	M				
	A-PS-1216782-0-0	CLUTCH ASSY	M				
	C-MD-7428398-0-DBU	UPPER RIBBON DRIVE PULLEY	M				
	C-MD-7430325-0-DBU	PULLEY SLEEVE	M				

TYPE: E ELECTRICAL  
M MECHANICAL  
E/M ELECTRO/MECHANICAL

digital

TITLE: LA210 LETTERPRINTER

SHEET 8 OF 8

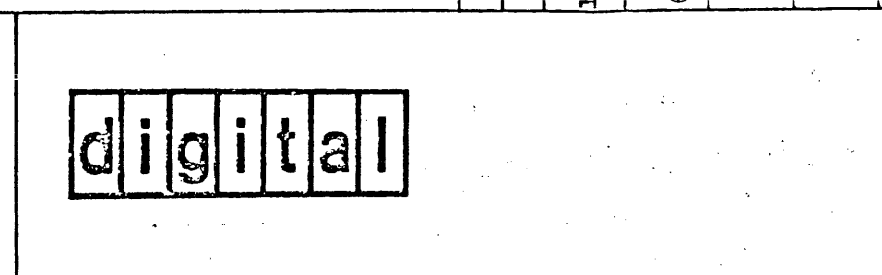
SIZE CODE NUMBER REV.  
B DD LA210-0-DBU E

DRAWING NO.	NO. OF SHTS.	PART NO.	DESCRIPTION	REVISIONS															
				A1	B1	C1													
		5416165-01	LA1Ø1 CONTROL PANEL																
D-CS-5416165-0-1	1		LA1Ø1 CONTROL PANEL	A	A	A													
D-UA-5416165-0-0	1		LA1Ø1 CONTROL PANEL	A	B	A													
K-PL-5416165-0-DBP	1		LA1Ø1 CONTROL PANEL	A	B	C													
K-PC-5416165-0-DBC	7		P.C. DESIGN DATA BASE	A	B	B													
		5016164-01	ETCHED CIRCUIT BOARD	B1	C1	C1													
B-DD-5016164-0-0	1		DRAWING DIRECTORY	A	B	B													

**NOTES:**

REVISION HISTORY		REV.	A	B	C
DATE	ECO NO.				
12-83	INIT				
6-84	MLOO1				
1-86	PNOO2				

THIS DRAWING AND THE SPECIFICATIONS CONTAINED HEREIN ARE CONFIDENTIAL AND PROPRIETARY. THEY ARE THE PROPERTY OF DIGITAL EQUIPMENT CORPORATION AND SHALL NOT BE REPRODUCED OR COPIED OR USED IN WHOLE OR IN PART AS THE BASIS FOR THE MANUFACTURE OR SALE OF ITEMS WITHOUT WRITTEN PERMISSION. THIS IS AN UNPUBLISHED WORK PROTECTED UNDER THE FEDERAL COPYRIGHT LAWS.  
1983

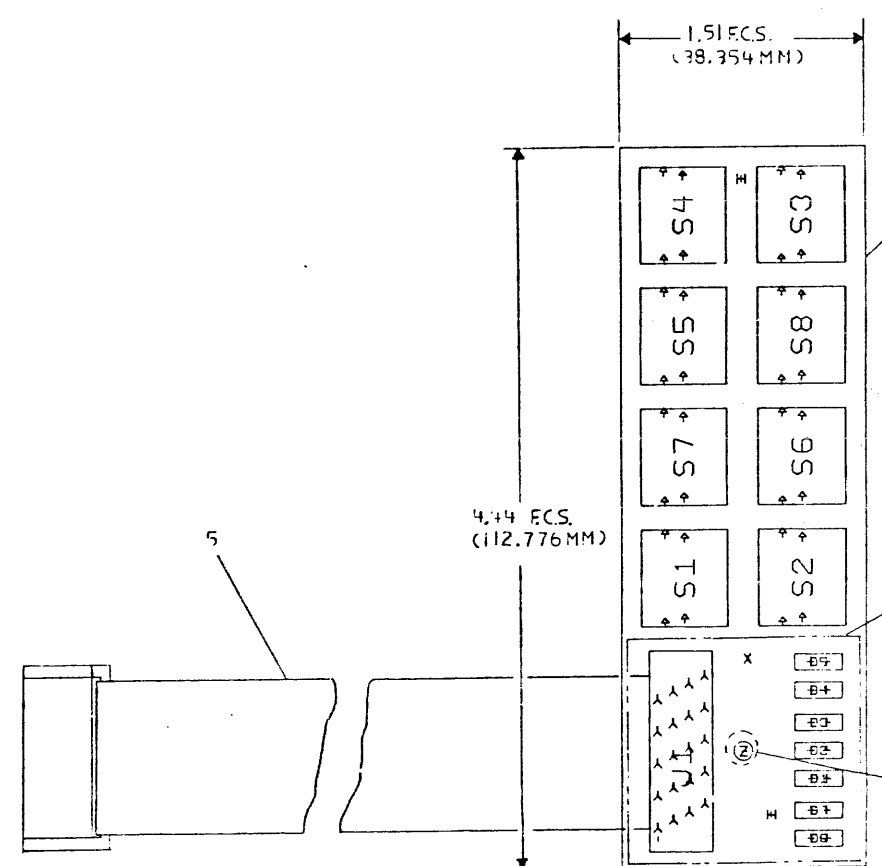


DRN. P. LENNON	DATE 12/22/83	TITLE	
CHK'D D. BARRIERE	DATE 12/22/83	LA1Ø1 CONTROL PANEL	
DES. ENG. B. EARLY	DATE 12/22/83	DOCUMENT NUMBER	
RESP. ENG. B. EARLY	DATE 12/22/83	SIZE B	CODE DD
MFG. ENG. J ROGICH	DATE 12/22/83	NUMBER 5416165-0-0	
		REV. C	
		SHEET 1 OF 1	

THIS DRAWING AND SPECIFICATIONS, HEREIN, AND THE PROPERTY OF DIGITAL EQUIPMENT CORPORATION AND SHALL NOT BE REPRODUCED OR COPIED OR USED IN WHOLE OR IN PART AS THE BASIS FOR THE MANUFACTURE OR SALE OF ITEMS WITHOUT WRITTEN PERMISSION. DIGITAL EQUIPMENT CORPORATION COPYRIGHT © 1964

D  
C  
B  
A

D  
C  
B  
A



NOTES:

STEP E	↑ Y AXIS	STEP	TIMES
REPEAT	→ X AXIS	STEP	TIMES

CHG	NO	REV	
5416165	1	001	B
BOB EARLY			

ETCH REV.	CI-PI
-----------	-------

SIGNATURES	DATE	digital
DRN. <i>[Signature]</i>	5-30-64	
CHK'D. <i>[Signature]</i>	13-30-64	
MECH. ENG. <i>[Signature]</i>	11-25-64	
PROJ. ENG. <i>[Signature]</i>	5-21-64	
PRCD. <i>[Signature]</i>	5-23-64	
SCALE 2:1		
SHT. 1 OF 1		
TOP DOC NO. B-DJ-5416165-0-0		

TITLE LA 101  
 CONTROL PANEL  
 SIZE CODE NUMBER  
 0 UA 5416165-0-0

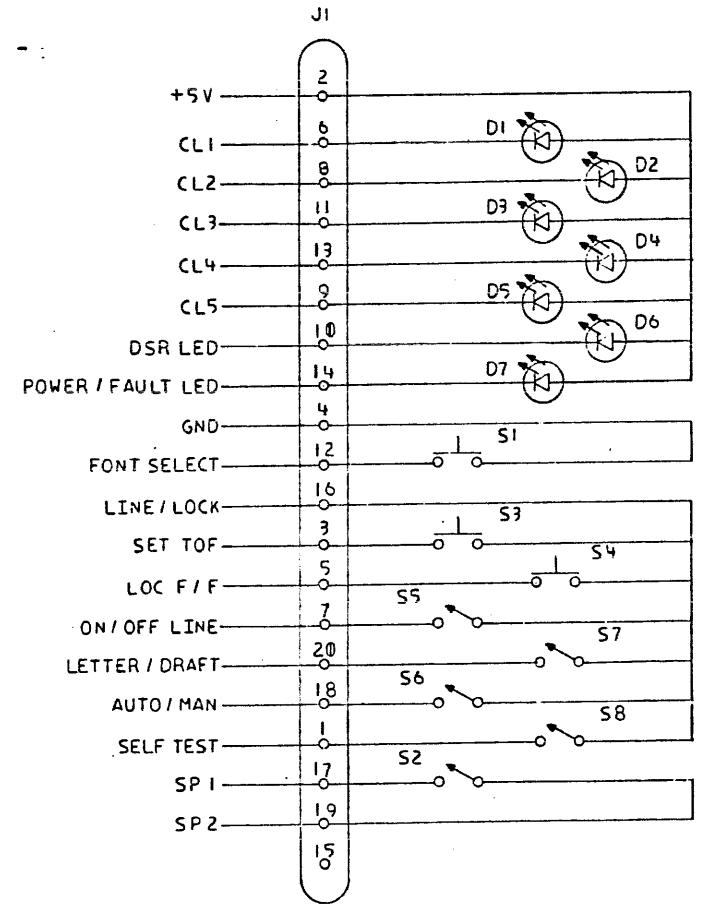
LINE	ITEM	TOP DOCUMENT	PART NUMBER	MIN REV	DESCRIPTION	QTY PER VAR/REV	REFERENCE DESIGNATORS
1	1	D-MD-5016164-0-0	50-16164-01		CIRCUIT DRILL AND ETCH BOARD	1	
2	2		11-16622-02		LED 2.0MCD@25M	7	D1-D7
3	3		12-21971-01		KEYSWITCH, MONENTARY	3	S1, S3, S4
4	4		12-21971-02		KEYSWITCH, ALTERNATE	5	S2, S5-S8
5	5		70-21106-1D		CABLE, CONTROL PANEL	1	J1
6	6		90-09701-00		SCREW, SEMS PAN PHIL	6-	
7	7	D-MD-7428714-0-0	74-28714-01		BLOCK, LED	1	

REVISION HISTORY			KPL MODULE FORMAT		SECTION A OF A		DRN: JOE LIZOTTE		D I G I T A L				
ENG	ECO NUMBER	REV	SECTION/VARIATION INDEX		DATE:	CHK'D:	TITLE	DOCUMENT NUMBER		SIZE	CODE	NUMBER	REV
---	INITIAL	A	[A]	01	[M]	12-JUL-83	DICK BARRIERE	PARTS LIST					
BE	5416165-ML001	B	[B]		[N]	12-JUL-83		LA101 CONTROL PANEL					
DF	5416165-PN002	C	[C]		[P]		BOB EARLY						
			[D]		[Q]	12-JUL-83							
			[E]		[R]								
			[F]		[S]		BOB EARLY						
			[H]		[T]	12-JUL-83				K	PL	5416165-0-DBP	C
			[J]		[V]								
			[K]		[W]		J. ROGICH						
			[L]		[Y]	12-JUL-83							
			BASIC PART NUMBER:		ASSEMBLY NUMBER:		TOP DOCUMENT NUMBER:		FILE NAME:		EDIT #		
			5416165		D-UA-5418185-0-0		B-DD-5416165-0-0		Z8828C.PLS		1		

"THIS DRAWING AND THE SPECIFICATIONS CONTAINED HEREIN ARE CONFIDENTIAL AND PROPRIETARY. THEY ARE THE PROPERTY OF DIGITAL EQUIPMENT CORPORATION AND SHALL NOT BE REPRODUCED OR COPIED OR USED IN WHOLE OR IN PART AS THE BASIS FOR THE MANUFACTURE OR SALE OF ITEMS WITHOUT WRITTEN PERMISSION. THIS IS AN UNPUBLISHED WORK PROTECTED UNDER THE FEDERAL COPYRIGHT LAWS."



THIS DRAWING AND SPECIFICATIONS HEREIN ARE THE PROPERTY OF DIGITAL EQUIPMENT CORPORATION AND SHALL NOT BE REPRODUCED OR COPIED OR USED IN WHOLE OR IN PART AS THE BASIS FOR THE MANUFACTURE OR SALE OF ITEMS WITHOUT WRITTEN PERMISSION. COPYRIGHT © 1983 DIGITAL EQUIPMENT CORPORATION



REV	DATE	ECO NUMBER	DESCRIPTION

DRN <i>S. S. B. 22</i>	DATE <i>21 DEC 83</i>	TITLE <i>digital</i>
CHKD <i>R. B. B. 22</i>	DATE <i>22 DEC 83</i>	LA101 CONTROL PANEL
DESIGN <i>R. B. B.</i>	DATE <i>10 FEB 84</i>	
APP'D <i>R. B. B.</i>	DATE <i>10 FEB 84</i>	DOCUMENT NUMBER
REV <i>R. B. B.</i>	DATE <i>21 FEB 84</i>	SIZE CODE <b>D</b>
B-00-5416165-C-0		SCALE <i>1"</i>

REV A  
DOCUMENT NUMBER  
5416165-0-1

DRAWING NO.	NO. OF SHTS.	PART NO.	DESCRIPTION	REVISIONS														
				A1	B1	B2	B3	C1	C1	C1	C2	C3						
		5416163-01	LA210 Logic Board	A1	B1	B2	B3	C1	C1	C1	C2	C3						
E-UA-5416163-0-0	1		LA210 Logic Board Unit Assy	A	B	B	C	C	C	C	D	D						
D-CS-5416163-0-1	7		LA210 Logic Board Circuit Sch.	A	B	B	B	B	B	B	B	B						
K-PL-5416163-0-DBP	4		LA210 Logic Board Part List	A	B	C	D	E	F	F	H	H						
K-PC-5416163-0-DBJ			P. C. Design Data Base	A	B	B	B	B	B	B	B	C						
		5016162-01	Etched Circuit Board	D1	E1	E1	E1	E1	E1	E1	E1	F1						
B-DD-5016162-0-0	1		Drawing Directory	A	B	B	B	B	B	C	C	D						
E-UA-5416163-1-0	3		LA210 LOGIC BOARD UA.									A						
D-CS-5416163-1-1	7		LA210 LOGIC BOARD C.S.									A						
K-PL-5416163-1-DBP	4		LA210 LOGIC BOARD P.L.									A						

**NOTES:**

REVISION HISTORY		REV.
DATE	ECO NO.	
4/84	INIT	A
6-84	ML001	B
3/85	ML002	C
10/85	PN002	D
12/86	PN003	E
3/87	PN004	F
6/88	MLO05	H
7/89	MLO06	J
2/90	MLO07	K

THIS DRAWING AND THE SPECIFICATIONS CONTAINED HEREIN ARE CONFIDENTIAL AND PROPRIETARY. THEY ARE THE PROPERTY OF DIGITAL EQUIPMENT CORPORATION AND SHALL NOT BE REPRODUCED OR COPIED OR USED IN WHOLE OR IN PART AS THE BASIS FOR THE MANUFACTURE OR SALE OF ITEMS WITHOUT WRITTEN PERMISSION. THIS IS AN UNPUBLISHED WORK PROTECTED UNDER THE FEDERAL COPYRIGHT LAWS. 1984

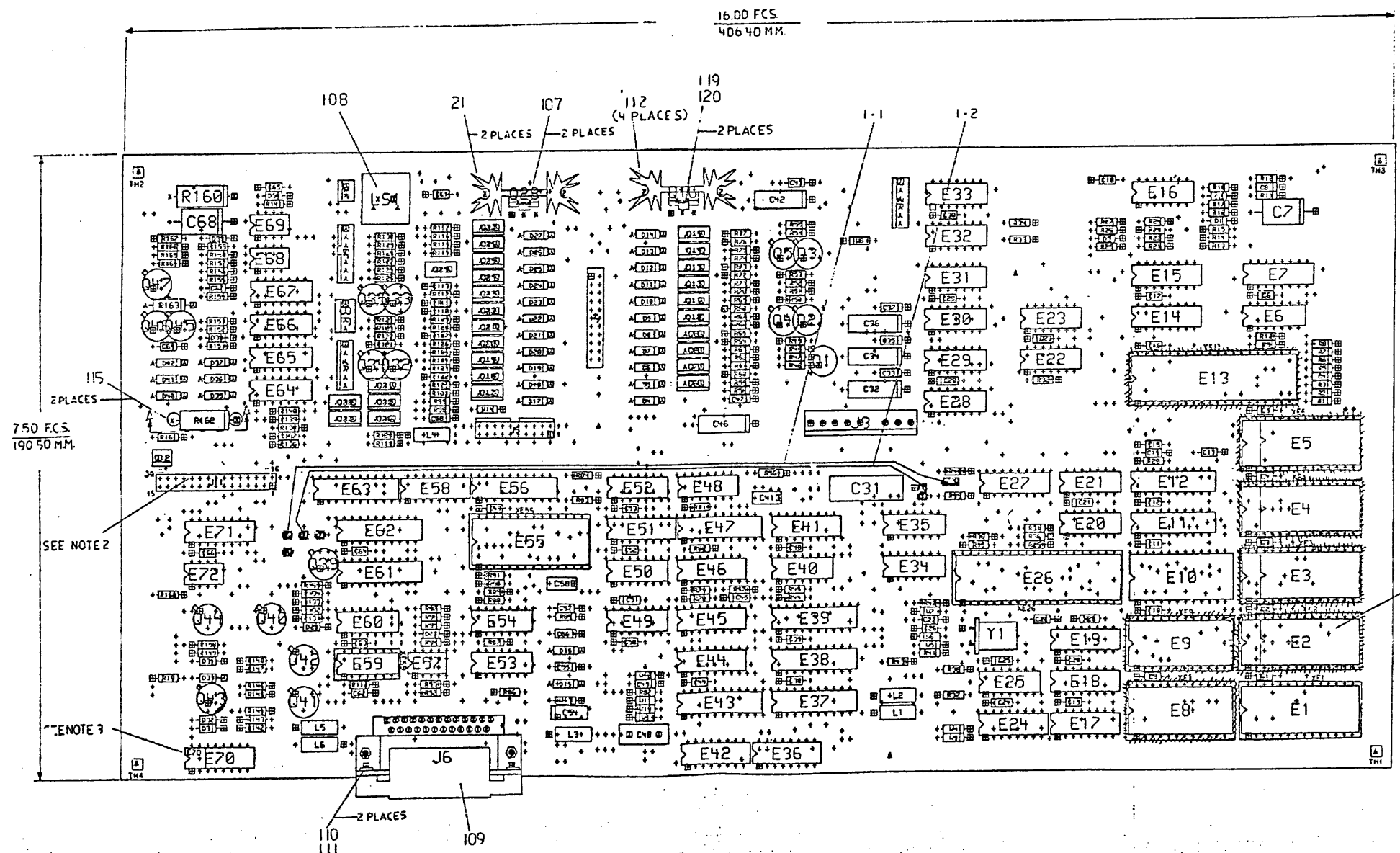
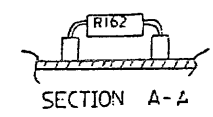


DRN	Ron Rhoades	DATE	1/16/84
CHKD	<i>[Signature]</i>	DATE	2-9-84
DES. ENG.	<i>[Signature]</i>	DATE	3-26-84
RESP. ENG.	<i>[Signature]</i>	DATE	3-26-84
MEG. ENG.	<i>[Signature]</i>	DATE	3-26-84

TITLE				LA210 Logic Board			
DOCUMENT NUMBER							
SIZE	CODE	NUMBER	REV				
B	DD	5416163-0-0	K				
SHEET 1				OF 1			

REWORK INSTRUCTIONS  
 MLOOI WIRE ADDS SIDE1 AS SHOWN  
 1-1 ADD JUMPER AS SHOWN USE ITEM# 123  
 1-2 ADD JUMPER AS SHOWN USE ITEM# 123

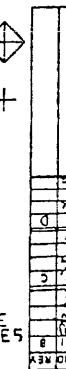
DATE	11/17/63	DESIGNED BY	J. J. ...
CHECKED BY	J. J. ...	ENGINEER	J. J. ...
PRODUCTION	J. J. ...	SCALE	1:1
SHEET	1	OF	1
TITLE		digital CONTROL LOGIC	
DRAWING NUMBER		EUA 5416163-0-01	
NEXT REVISION		BY: JVA	



SEE NOTE 2

SEE NOTE 3

SEE NOTE 5



NOTES:

1. IN LOCATIONS E2, E5, WHEN 24 PIN DEVICE AVAILABLE, USE THE DEVICE. DUAL IN LINE SHOULD BE INCORPORATED INTO THE BOARD'S PIN LOCATIONS.
2. IN LOCATIONS E2, E5, WHEN 24 PIN DEVICE AVAILABLE, USE THE DEVICE. DUAL IN LINE SHOULD BE INCORPORATED INTO THE BOARD'S PIN LOCATIONS.
3. IN LOCATIONS E2, E5, WHEN 24 PIN DEVICE AVAILABLE, USE THE DEVICE. DUAL IN LINE SHOULD BE INCORPORATED INTO THE BOARD'S PIN LOCATIONS.

STEP	1	2	3	4	5	6	7	8	9	10
DESCRIPTION	...	...	...	...	...	...	...	...	...	...

LINE	ITEM	TOP DOCUMENT	PART NUMBER	MIN REV	DESCRIPTION	QTY PER VAR/REV	REFERENCE DESIGNATORS
						01 C2	
1	1	D-MD-5016162-0-0	50-16162-01		CIRCUIT DRILL AND ETCH BOARD	1	
2	2		10-00024-00	470	PFD 100V +/- 5% 200PP	1	C54
3	3		10-00055-00	2200	PFD 250V +/-20% Y5S	2	C41,C58
4	4		10-00079-00	47	MFD 20V +/-20% SOL	1	C31
5	5		10-01610-00		0.010MFD 50V +80/-20% Z5U C	12	C8,C22,C33,C35,C37,C45,C47,C49, CONT C51,C55,C56,C60
6	6		10-05636-00	22	MFD 6.0V +/-10% SOL	1	C7
7	7		10-12784-00		0.047MFD 50V +80/-20% Z5U C	41	C1-C6,C9-C12,C14-C16,C18-C21, CONT C23-C25,C28-C30,C38-C40,C43, CONT C44,C50,C52,C53,C57,C59, CONT C61-C67,C69
8	8		10-13466-06	100	PFD 50V +/- 5% NPO C	1	C13
9	9		10-13669-07		0.068MFD 150V +/- 1% M.POL	1	C68
10	10		10-17472-00	10	MFD 35V +75/-10% 85	5	C32,C34,C36,C42,C46
11	11		11-00114-00		PIV= 25 IO=135 MA	1	D28
12	12		11-00122-00		VZ= 3.9 5% 400 MW 1N748A	1	D3
13	13		11-01938-00		VZ= 2.4 5% 400 MW	1	D2
14	14		11-04860-00		VZ= 3.3 5% 400 MW 1N746A	1	D33
15	15		11-05275-00		PIV= 60 IO=300 MA -15NS	7	D1,D29-D32,D34,D38
16	16		11-05796-00		PIV= 400 IO= 1.00A 1N4004 D0-41	28	D4-D27,D36,D40-D42
17	17		11-05873-00		VZ= 5.1 1% .400MW	1	D39
18	18		11-14507-00		VZ= 24.0 5% 1 W 1N4749A	2	D35,D37
19	19		12-18814-02		PCB HEADER 22PIN(2X11).100CC STR	1	J4
20	20		12-13488-09		PCB,HEADER 30PIN(2X15).100CC STR	1	J11
21	21		12-13921-11		HEAT SINK,EXTRUSION 1.380X1.50	2	
22	22		12-14886-00		PCB,HEADER 20POS(2X10).100CC	1	J5
23	23		12-15006-01		SKT,IC 14PIN DIP TIN SOLD	1	XE59
24	24		12-15006-06		*** THIS ITEM IS NOT USED ***	-	
25	25		12-15006-07		SKT,IC 28PIN DIP TIN SOLD	1	XE1
26	26		12-15006-08		SKT,IC 40PIN DIP TIN SOLD	1	XE26

REVISION HISTORY			KPL MODULE FORMAT SECTION A OF A		DRN: RITA Z. BUREAU	D I G I T A L					
ENG	ECO NUMBER	REV	SECTION/VARIATION INDEX		DATE: 28-FEB-84	TITLE PARTS LIST					
---	INITIAL	A	[A]	01	[M]	CHK'D: DAVID DROZD	LA210 LOGIC BOARD				
BE	5416163-ML001	B	[B]		[N]	DATE: 28-FEB-84					
RE	5416163-ML002	C	[C]		[P]	DES.ENG: BOB EARLY					
RE	5416163-PN002	D	[D]		[Q]	DATE: 28-FEB-84	DOCUMENT NUMBER				
RE	5416163-PN003	E	[E]		[R]	RESP.ENG.: BOB EARLY	SIZE	CODE	NUMBER	REV	
EK	5416163-PN004	F	[F]		[S]	DATE: 26-MAR-84	K	PL	5416163-0-DBP	H	
DP	5416163-ML006	H	[H]		[T]	MFG.ENG: J ROGICH	RELEASE DATE: 25-JUL-89				
			[J]		[V]	DATE: 26-MAR-84	RELEASE STATUS: RELEASED				
			[K]		[W]						
			[L]		[Y]						
			BASIC PART NUMBER:		ASSEMBLY NUMBER:	TOP DOCUMENT NUMBER:		EDIT #			
			5416163		D-UA-5416163-0-0	B-DD-5416163-0-0		2			
			FILE NAME: Z8812H.PLS								

"THIS DRAWING AND THE SPECIFICATIONS CONTAINED HEREIN ARE CONFIDENTIAL AND PROPRIETARY. THEY ARE THE PROPERTY OF DIGITAL EQUIPMENT CORPORATION AND SHALL NOT BE REPRODUCED OR COPIED OR USED IN WHOLE OR IN PART AS THE BASIS FOR THE MANUFACTURE OR SALE OF ITEMS WITHOUT WRITTEN PERMISSION. THIS IS AN UNPUBLISHED WORK PROTECTED UNDER THE FEDERAL COPYRIGHT LAWS."

LINE	ITEM	TOP DOCUMENT	PART NUMBER	MIN REV	DESCRIPTION	QTY	PER VAR/REV	REFERENCE DESIGNATORS
						01		
						C2		
27	27		12-15323-00		PCB HEADER 06PIN(1X06).100CC STR	1		J7
28	28		12-15323-01		PCB HEADER 04PIN(1X04).100CC STR	1		J8
29	29		12-15323-02		PCB HEADER 02PIN(1X02).100CC STR	1		J10
30	30		12-15323-04		PCB HEADER 07PIN(1X07).100CC STR	1		J9
31	31		12-15635-01		TRANSDUCER,MINATURE AUDIO FOR LA	1		LS1
32	32		12-15699-00		PCB,HEADER 08POS(1X09).156CC STR	1		J3
33	33		12-17192-01		PCB,HEADER 02PIN(1X02).100CC STR	1		J12
34	34		12-17310-05		SW,DIP 8POS/1PST 5VDC100MA S	2		E36,E42
35	35		12-20959-03		CONN,D SUB 25PIN ASSY PC MNT	1		J6
36	36		13-00005-07		R. NET 4.7K-15 5.0	2		E44,E58
37	37		13-00229-00		100.0 .25 W 5.0 % CF	1		R20
38	38		13-00247-00		120.0 .25 W 5.0 % CF	1		R18
39	39		13-00250-00		150.0 .25 W 5.0 % CF	4		R26,R142,R148,R149
40	40		13-00295-00		330.0 .25 W 5.0 % CF	16		R36,R38-R42,R80,R81,R83-R85, CONT R88-R91,R132
41	41		13-00365-00		1.0 K .25 W 5.0 % CF	56		R12,R16,R19,R31,R35,R44-R55, CONT R59,R61,R63,R64,R67,R69,R71, CONT R73,R75,R77,R99,R101,R103,R105, CONT R107,R109,R111,R113,R119-R127, CONT R129,R136,R137,R139,R140,R143, CONT R146,R147,R150,R155,R156,R161 R160
42	42		13-19470-31		1.0 K 1.0 W 5.0 % M.OXIDE	1		R163
43	43		13-00400-00		1.80 K .50 W 10.0 % CF	1		R93,R95-R97,R116-R118,R133,R145
44	44		13-00417-00		2.20 K .25 W 5.0 % CF	9		R114,R115,R128,R130
45	45		13-00432-00		3.0 K .25 W 5.0 % CF	4		R25,R27,R37,R57,R58,R60,R62, CONT R65,R66,R68,R70,R72,R74,R76, CONT R78,R79,R82,R86,R87,R98,R100, CONT R102,R104,R106,R108,R110,R112, CONT R152
46	46		13-00447-00		4.70 K .25 W 5.0 % CF	28		R15,R23,R24,R28-R30,R32,R92, CONT R94,R131,R134,R158,R159,R168 R13,R151
47	47		13-00479-00		10.0 K .25 W 5.0 % CF	14		R164
48	48		13-00488-00		12.0 K .25 W 5.0 % CF	2		R1-R10,R17,R33,R34
49	49		13-01421-00		15.0 .25 W 5.0 % CF	1		R153
50	50		13-01423-00		6.80 K .25 W 5.0 % CF	13		R144
51	51		13-01424-00		680.0 .25 W 5.0 % CF	1		R22,R154
52	52		13-01890-00		560.0 .25 W 5.0 % CF	1		R21,R138
53	53		13-02388-00		2.0 K .25 W 5.0 % CF	2		R11,R14
54	54		13-02391-00		20.0 K .25 W 5.0 % CF	2		R141
55	55		13-02466-00		100.0 K .25 W 5.0 % CF	2		R135
56	56		13-02602-00		56.0 .25 W 5.0 % CF	1		R157
57	57		13-05346-00		27.0 K .25 W 5.0 % CF	1		R165,R167
58	58		13-09595-00		1.0 M .25 W 5.0 % CF	1		R56
59	59		13-10635-00		13.0 K .25 W 1.0 % RN55D-F10	2		R166
60	60		13-12452-00		3.74 K .25 W 1.0 % RN55D-F10	1		R162
61	61		13-13594-00		14.0 K .25 W 1.0 % RN55D-F10	1		Q40-Q42,Q44
62	62		13-15676-00		300.0 3.0 W 5.0 % WW	1		Q43,Q45,Q46
63	63		15-01913-00		2N 2904A PNP 600MW SI 60 40 Y	4		Q1-Q5,Q32-Q35,Q39,Q47
64	64		15-10705-00		XA 05 NPN 500MW SI 60 50 P	3		
65	65		15-10706-00		XA 55 PNP 500MW SI 60 50 P	11		

D		I		G		I		T		A		L		TITLE	SECTION A	OF A	SIZE	CODE	DOCUMENT NUMBER	REV
														LA210 LOGIC BOARD			K	PL	5416163-0-DBP	H

LINE	ITEM	TOP DOCUMENT	PART NUMBER	MIN REV	DESCRIPTION	QTY PER VAR/REV	REFERENCE DESIGNATORS
						01 C2	
66	66		15-14508-00	TIP 121	NPN 65W SI 80 1000 8	15	07,09,011,013,015,018,020,022, CONT Q24,Q26,Q27,Q31,Q36-Q38
67	67		15-14509-00	TIP 125	PNP 65W SI 60 500 8A	12	06,08,010,012,014,017,019,021, CONT Q23,Q25,Q29,Q30
68	68		16-09477-00	10.	UH 10% 450MA #SWD10	2	L5,L6
69	69		16-18238-02	BEAD,FERRITE	.1380DX.330LG	4	L1-L4
70	70		18-12396-08	XTAL	8.000 MHZ	1	Y1
71	71		19-10322-00	DEC	1488L DRIVER,LINE,QUAD,EIA	1	E53
72	72		19-10406-00		75451 DRIVER,PERIPH,DUAL,A	1	E69
73	73		19-10741-00		7406 INVERTER GATE-HEX 1I	8	E28,E31,E33,E52,E54,E60,E64,E67
74	74		19-12108-00		LM339 VOLT CMPRTR,QUAD	1	E16
75	75		19-12801-00		LS02 NOR-GATE-QUAD 2IN	1	E32
76	76		19-12803-00		LS04 INVERTER GATE,HEX	3	E6,E23,E66
77	77		19-12805-00		LS08 AND GATE-QUAD 2IN,PO	5	E21,E25,E29,E30,E65
78	78		19-12807-00		LS10 NAND GATE-TRIPLE 3IN	1	E20
79	79		19-12816-00		LS32 OR GATE-QUAD 2IN,POS	3	E22,E34,E49
80	80		19-12824-00		LS74 FF-D DUAL,EDGE TRIGG	1	E40
81	81		19-12842-00		LS138 DECODER-THREE INPUT,	3	E14,E41,E45
82	82		19-12843-00		LS139 DECODER, 2 OF 4(DUAL	2	E15,E18
83	83		19-12846-00		LS155 DECODER,2 OF 4(DUAL)	1	E19
84	84		19-12863-00		LS273 FF-D OCTAL W/CLEAR	3	E38,E39,E61
85	85		19-13130-00	DEC	1489A RECEIVER,LINE,QUAD,E	2	E48,E50
86	86		19-13471-00		LS367 DRIVER,BUS,HEX,TRI-S	3	E46,E51,E71
87	87		19-13777-00		LS240 DRIVER,LINE,OCTAL,TR	1	E56
88	88		19-13939-00		LS191 COUNTER,SYNCHR. UP/D	1	E24
89	89		19-13950-00		LS156 DECODER,2 OF 4(DUAL)	1	E17
90	90		19-14156-00	LM	393 VOLT.COMPARATOR DUAL	2	E57,E68
91	91		19-14213-00		81LS97 BUFFER GATE-OCTAL 2I	5	E37,E43,E47,E62,E63
92	92		19-14560-00		LS368 DRIVER,BUS,HEX,TRI-S	1	E27
93	93		19-15218-00		LS245 TRANSCEIVER,BUS,OCTA	1	E12
94	94		19-15219-00		LS373 FF-D OCTAL-TRANSPARE	1	E11
95	95		19-15415-00		9636 DRIVER,DUAL,EIA RS-4	1	E72
96	96		19-16002-00		DRIVER,MOTOR CONTROL	2	Q16,Q28
97	97		21-13107-01		8251A PUSART COMM. INTERFA	1	E55
98	98		21-13954-00	DC	305 INTERFACE CHIP	1	E13
99	99		21-14524-01		ROM 100X14BIT,ERASABLE,	1	E59
100	100		21-16962-00	UP,8-BTT NMOS	.8MICRO SEC. INSTR	1	E26
101	101		21-17872-01		RAM 2KX8 I/O MUXD 20	2	E8,E9
102	102		23-126E4-00	E4-01,E4-02,E4-03,E4-05	ROM	1	E5
103	103		23-200E4-00	E4-01,E4-02,E4-03,E4-05	ROM	1	E3
104	104		23-207E4-00	E4-01,E4-02,E4-03,E4-05	ROM	1	E4
105	105		23-210E4-00	*** THIS ITEM IS NOT USED ***		-	
106	106		23-216E4-00	*** THIS ITEM IS NOT USED ***		-	
107	107		74-28985-01		SPACER,MYLAR	2	
108	108		74-28986-01		BUFFER,MYLAR	1	
109	109		74-32887-01		BAFFLE,GRNDG,EIA	1	
110	110		90-06010-01		SCREW,MACH PAN PHIL 4-	2	
111	111		90-06557-00		NUT,HEX EXT TOOTH LCKWSHR 4-40	2	
112	112		90-07201-00		PAD,MOUNTING,COMPONENT	4	
113	113		90-08268-00		COMPOUND, THERMAL JOINT	A/R	

D	I	G	I	T	A	L	TITLE	SECTION A	OF	A	SIZE	CODE	DOCUMENT NUMBER	REV
							LA210 LOGIC BOARD				K	PL	5416163-0-DBP	H

AUTOMATED BY VAXKPL (V2.0)

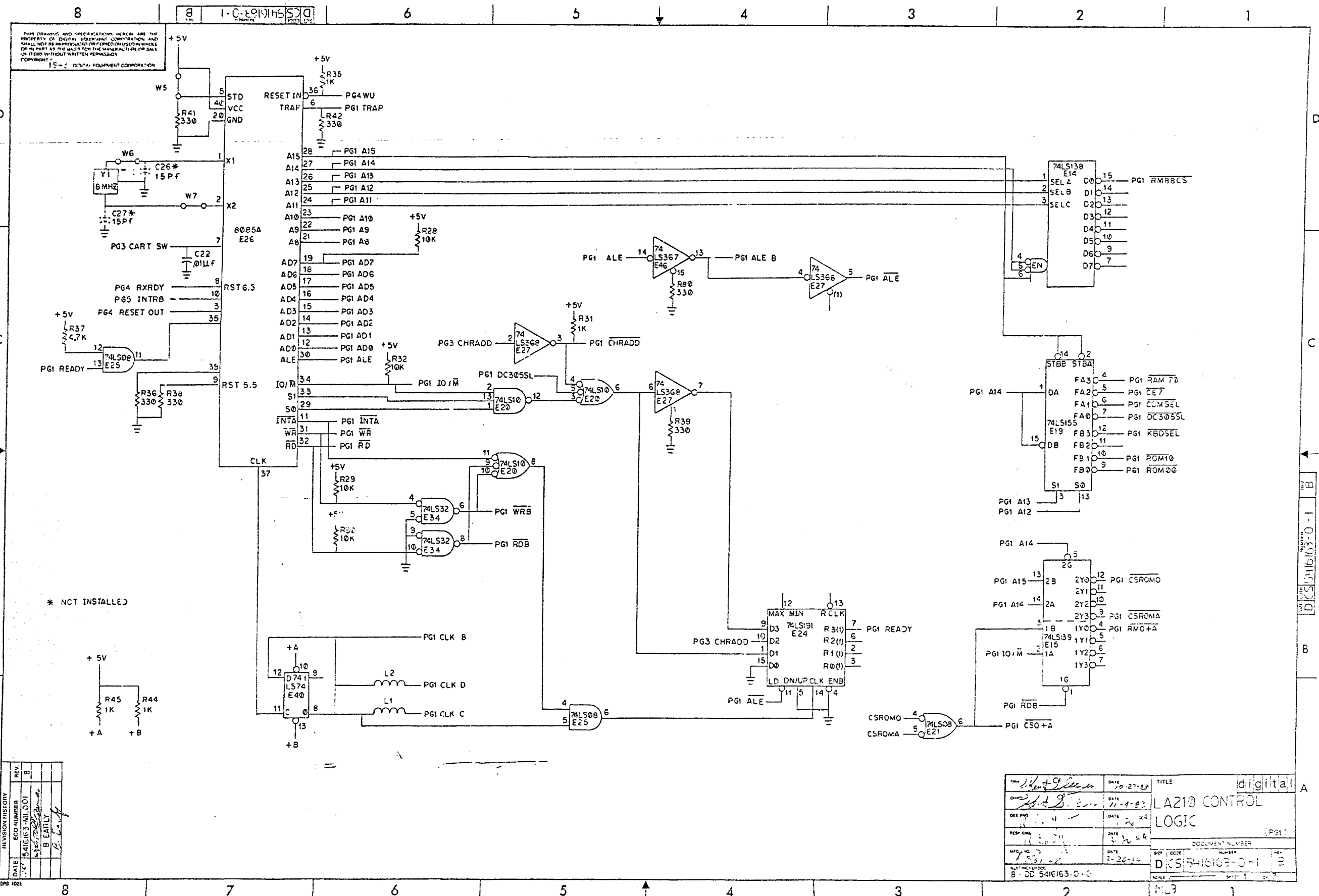
P A R T S L I S T

SHEET A4 OF A4

LINE	ITEM	TOP DOCUMENT	PART NUMBER	MIN REV	DESCRIPTION	QTY PER VAR/REV	REFERENCE DESIGNATORS
						01 C2	
114	114		90-09185-00		JUMPER, WIRE, INSULATED, BLACK B	10	W3-W7, W9-W13
115	115		90-09798-01		SPACER, CLEAR HOLE RND CERAM .07	2	
116	116		91-07776-55		*** THIS ITEM IS NOT USED ***	-	
117	117		12-17310-07		SW, DIP 2POS/1PST 5VDC100MA S	1	E70
118	118		91-05740-55		*** THIS ITEM IS NOT USED ***	-	
119	119		90-08496-00		SPACER, THREADED HEX ALUM 4-4	2	
120	120		90-06632-00		WASHER, LOCK INTERNAL STEEL	2	
121	121		23-341E4-00		E4-01, E4-02, E4-03, E4-05 ROM	1	E2
122	122		23-89E5 -00		E5-01, E5-02 ROM	1	E1
123	123		91-07776-66		/REPLACED BY 91-07918	A/R	

1 GEN: 1:FOR ITEM NUMBERS 102 THRU 105 THE 06 AND 08 ROM VARIATIONA ARE NOT TO BE USED

D	I	G	I	T	A	L	TITLE	SECTION A OF A	SIZE	CODE	DOCUMENT NUMBER	REV
							LA210 LOGIC BOARD		K	PL	5416163-0-DBP	H



DATE	ECO NUMBER	REV
11-27-83	5416163-0-1	B
11-27-83	5416163-0-1	A

REVISION HISTORY

DATE 11-27-83 ECO NUMBER 5416163-0-1 REV B

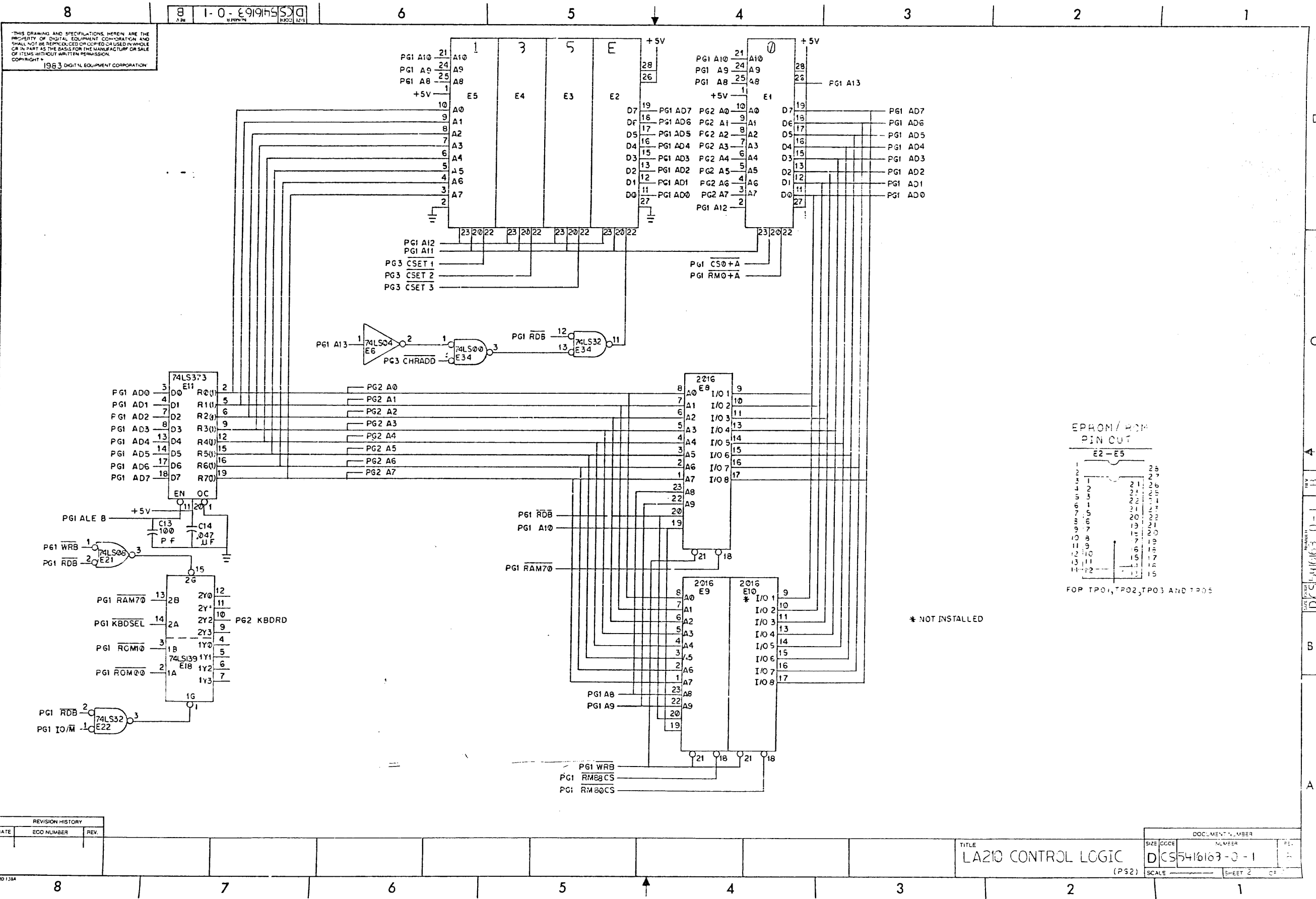
DATE 11-27-83 ECO NUMBER 5416163-0-1 REV A

DATE	DATE	TITLE
11-27-83	11-27-83	LA210 CONTROL LOGIC
11-27-83	11-27-83	LA210 CONTROL LOGIC

LA210 CONTROL LOGIC

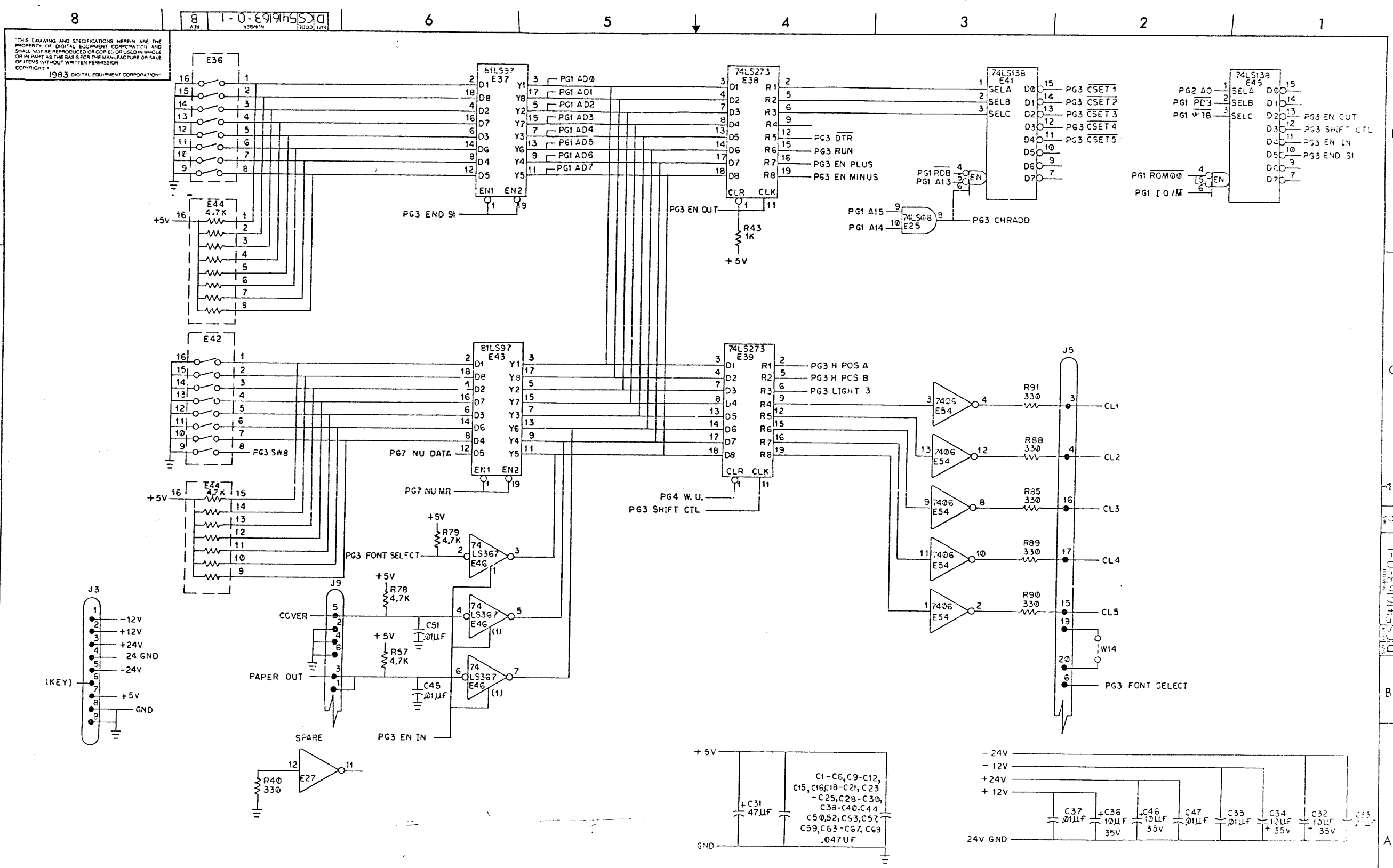
DCS 5416163-0-1





REVISION HISTORY		
DATE	ECO NUMBER	REV.

TITLE LA210 CONTROL LOGIC  
 DOCUMENT NUMBER DCS5416183-0-1  
 SCALE SHEET 2 OF 2



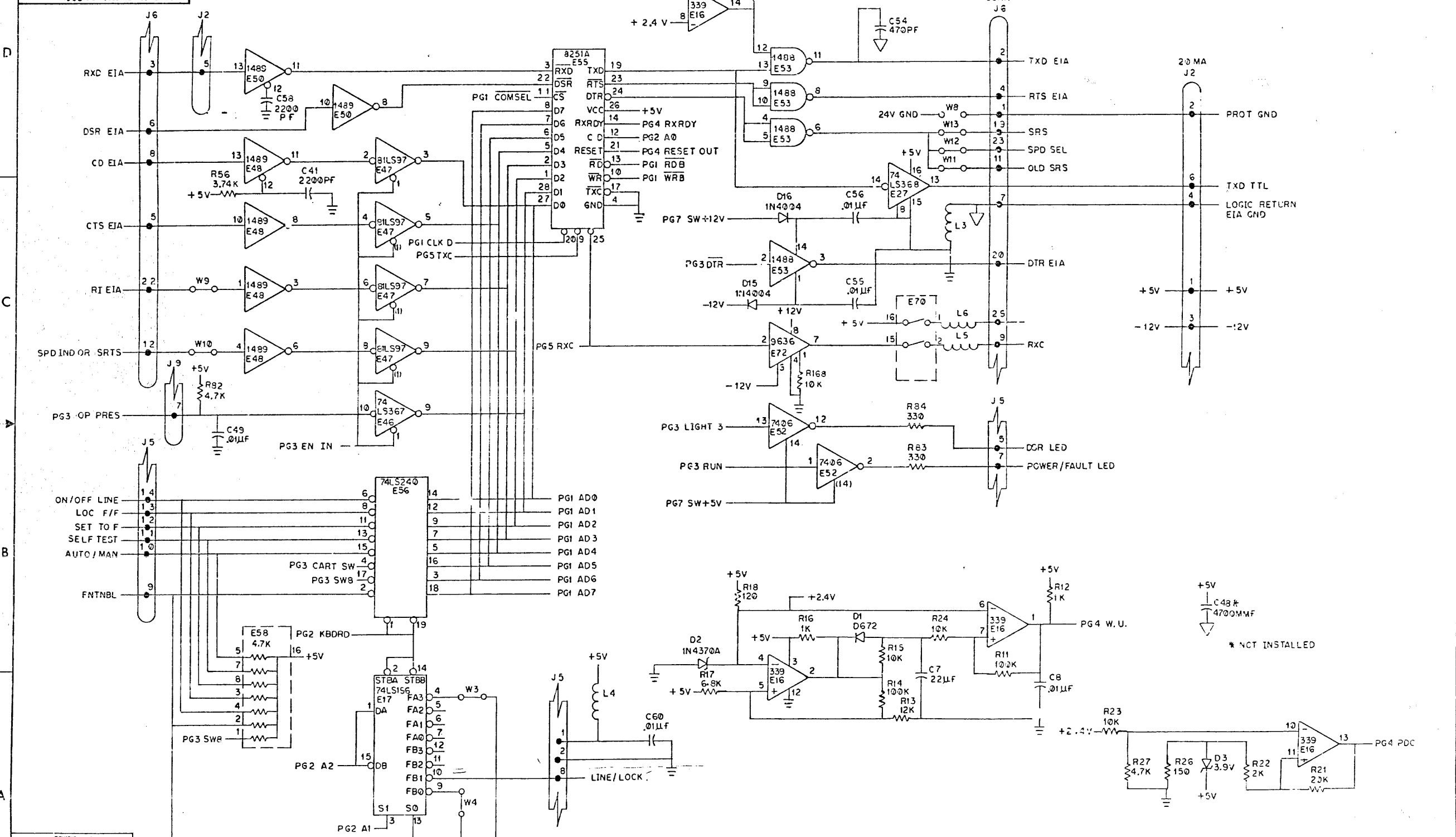
REVISION HISTORY		
DATE	ECO NUMBER	REV.

TITLE  
LA210 CONTROL LOGIC (PG3)

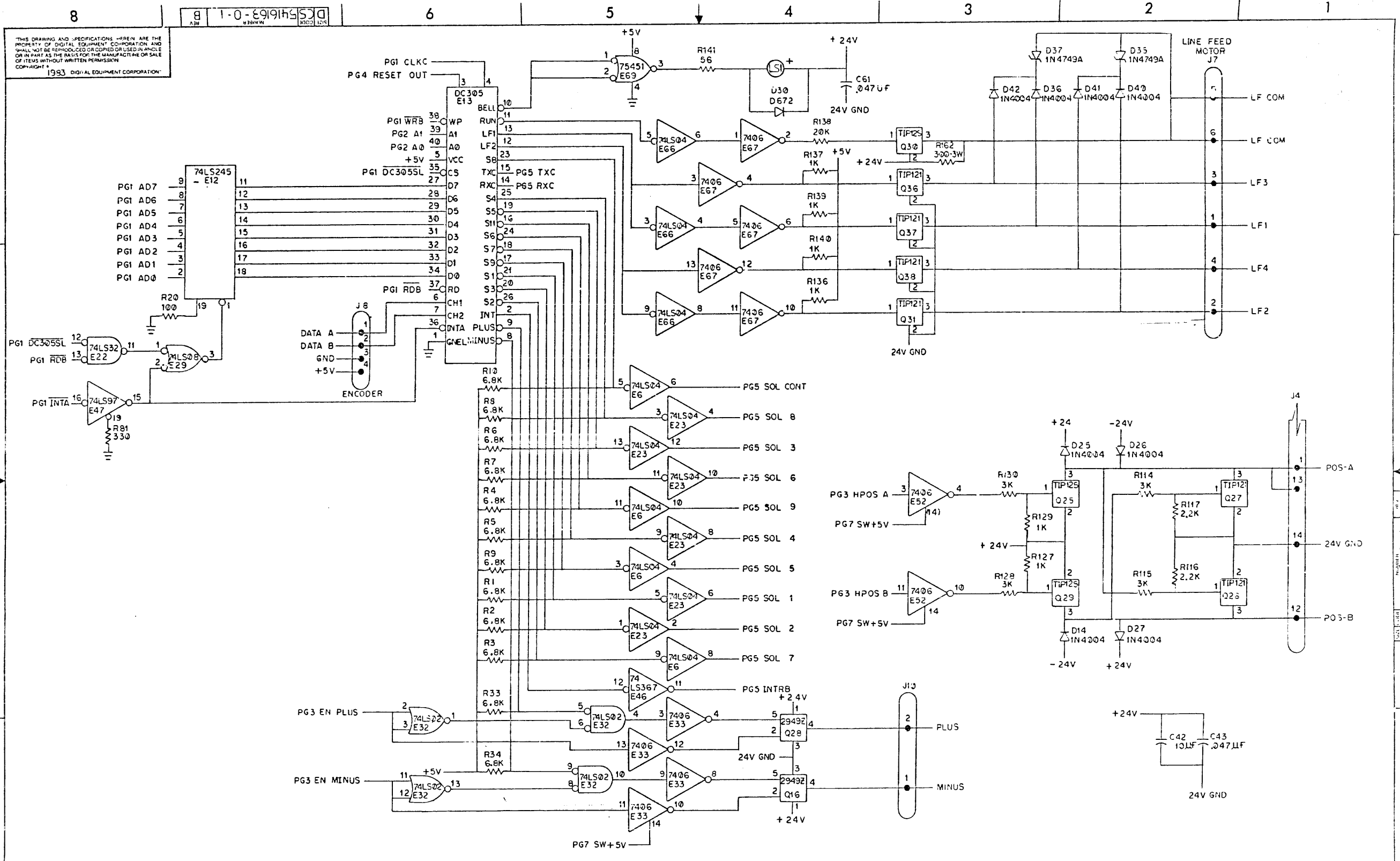
DOCUMENT NUMBER  
DCS54.6163-0-1

SHEET 3 OF 7

THIS DRAWING AND SPECIFICATIONS HEREIN ARE THE PROPERTY OF DIGITAL EQUIPMENT CORPORATION AND SHALL NOT BE REPRODUCED OR COPIED OR USED IN WHOLE OR IN PART AS THE BASIS FOR THE MANUFACTURE OR SALE OF ITEMS WITHOUT WRITTEN PERMISSION.  
 COPYRIGHT © 1983 DIGITAL EQUIPMENT CORPORATION

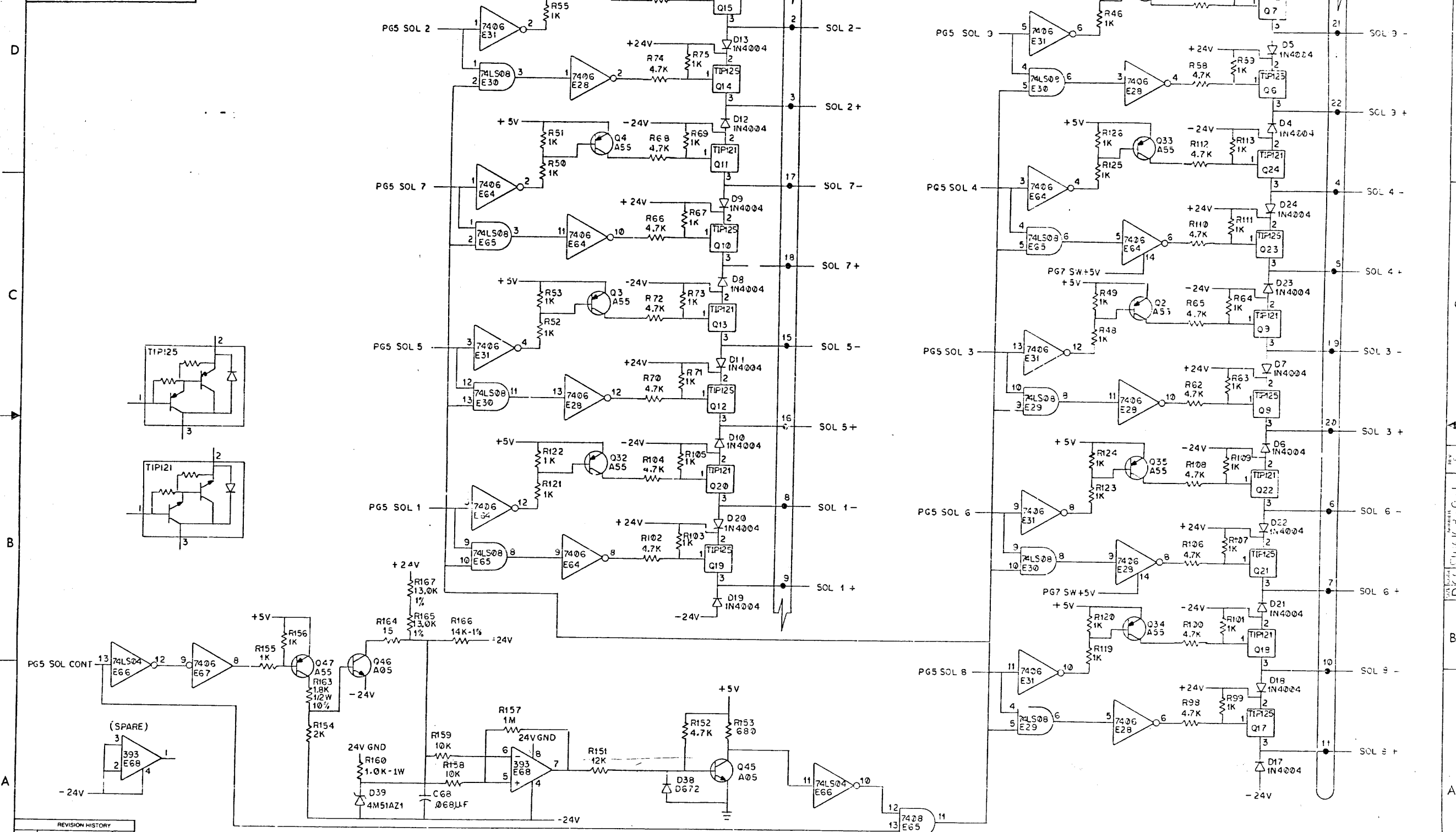


REVISION HISTORY		
DATE	ECO NUMBER	REV

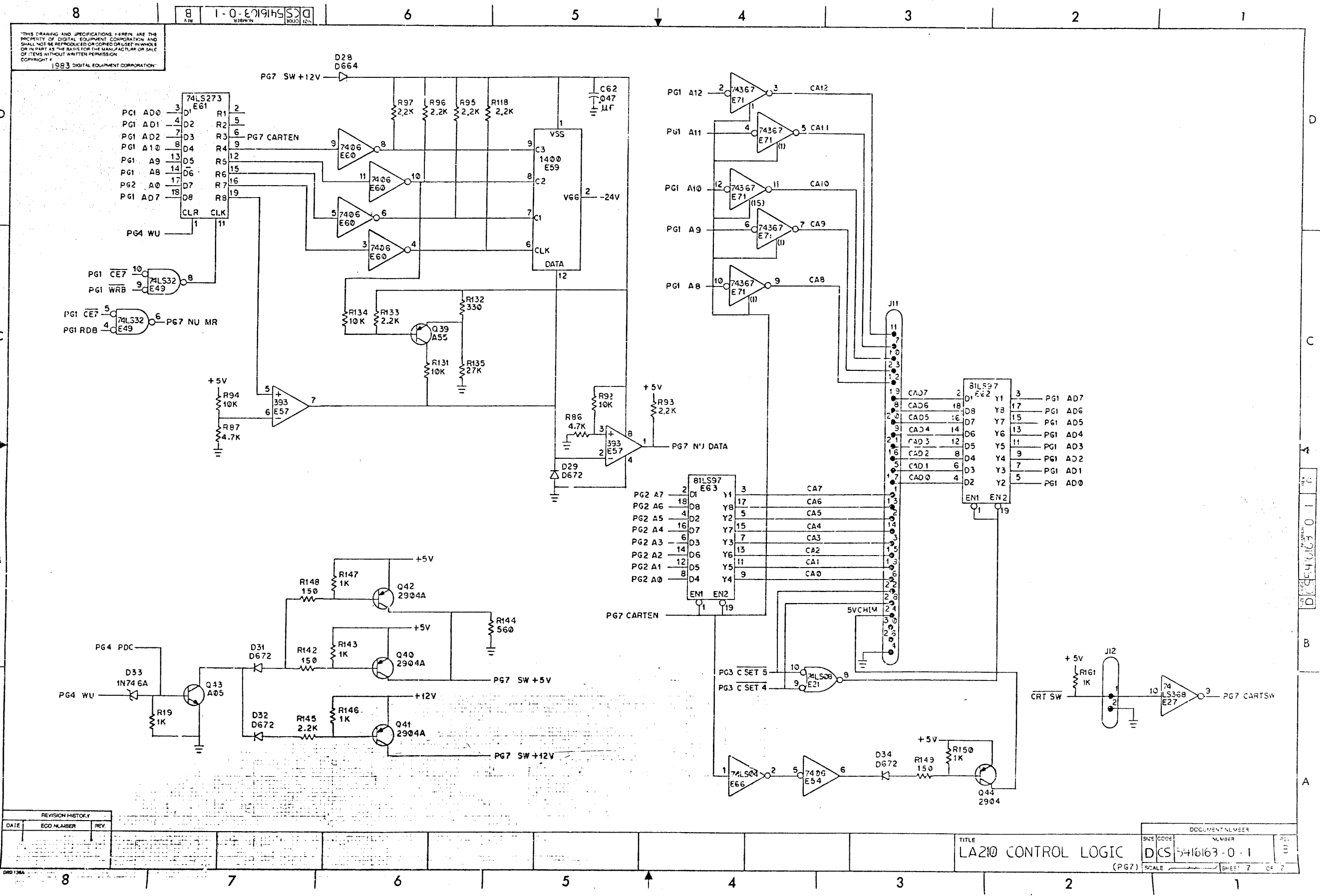


REVISION HISTORY			DOCUMENT NUMBER		
DATE	ECO NUMBER	REV.	SIZE	CODE	NUMBER
			D	CS	5416163 J-1
TITLE: LA210 CONTROL LOGIC (PG5)					
SCALE: AS SHOWN SHEET 5 OF 7					

THIS DRAWING AND SPECIFICATIONS HEREIN ARE THE PROPERTY OF DIGITAL EQUIPMENT CORPORATION AND SHALL NOT BE REPRODUCED OR COPIED OR USED IN WHOLE OR IN PART AS THE BASIS FOR THE MANUFACTURE OR SALE OF ITEMS WITHOUT WRITTEN PERMISSION. COPYRIGHT © 1993 DIGITAL EQUIPMENT CORPORATION



REVISION HISTORY		
DATE	ECO NUMBER	REV



THIS DRAWING AND SPECIFICATIONS HEREIN ARE THE PROPERTY OF DIGITAL EQUIPMENT CORPORATION AND SHALL NOT BE REPRODUCED OR COPIED OR USED IN WHOLE OR IN PART AS THE BASIS FOR THE MANUFACTURE OR SALE OF ITEMS WITHOUT WRITTEN PERMISSION. COPYRIGHT © 1983 DIGITAL EQUIPMENT CORPORATION.

REVISION HISTORY		
DATE	ECO NUMBER	REV.

TITLE: LA210 CONTROL LOGIC (PG7)  
 DOCUMENT NUMBER: DCS 5416163-0-1  
 SHEET 7 OF 7

DRAWING NO.	NO. OF SHTS.	PART NO.	DESCRIPTION	REVISIONS															
				A1	A1	B1													
		5416167-01	LA210/LA260 ROM CARTRIDGE	A1	A1	B1													
		5416167-02	LA260 ROM CARTRIDGE	-	A1	A1													
D-CS-5416167-0-1	1		LA210/LA260 ROM CARTRIDGE	A	B	B													
D-UA-5416167-0-0	1		LA210/LA260 ROM CARTRIDGE	A	B	B													
K-PL-5416167-0-DBP	1		LA210/LA260 ROM CARTRIDGE	A	B	B													
K-PC-5416167-0-DBA			P.C. DESIGN DATA BASE	A	A	A													
		5016166-01	ETCHED CIRCUIT BOARD	B1	B1	B1													
B-DD-5016166-0-0			DRAWING DIRECTORY	A	A	B													

**NOTES:**

REVISION HISTORY			A	B	C												
DATE	ECO NO.	REV.															
12/83	INIT	A															
2/85	MLOO1	B															
1/86	PN001	C															

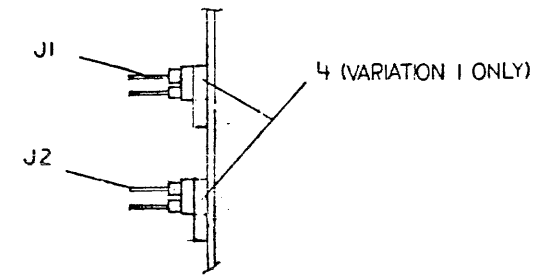
THIS DRAWING AND THE SPECIFICATIONS CONTAINED HEREIN ARE CONFIDENTIAL AND PROPRIETARY. THEY ARE THE PROPERTY OF DIGITAL EQUIPMENT CORPORATION AND SHALL NOT BE REPRODUCED OR COPIED OR USED IN WHOLE OR IN PART AS THE BASIS FOR THE MANUFACTURE OR SALE OF ITEMS WITHOUT WRITTEN PERMISSION. THIS IS AN UNPUBLISHED WORK PROTECTED UNDER THE FEDERAL COPYRIGHT LAWS.

1983

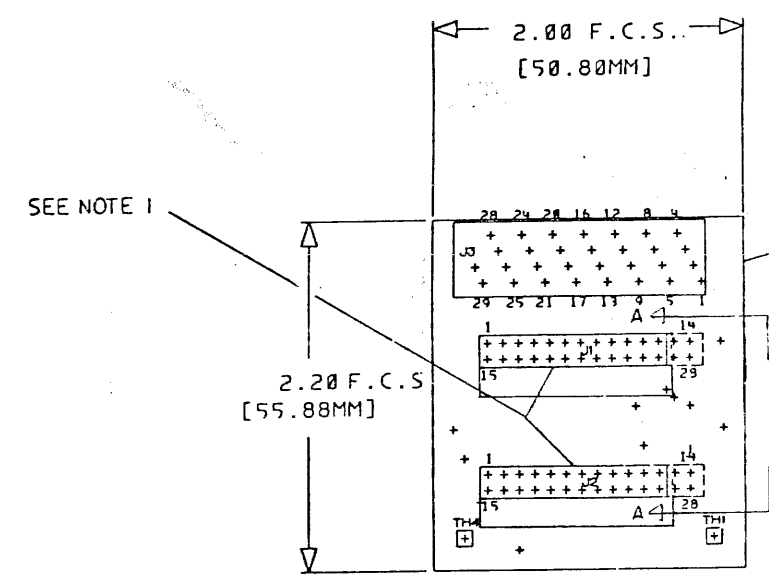


DRN. P. LENNON	DATE 12/22/82	TITLE	
CHK'D DICK BARRIERE	DATE 12/22/83	LA210/LA260 ROM CARTRIDGE	
DES. ENG. B. EARLY	DATE 12/22/83	DOCUMENT NUMBER	
RESP. ENG. B. EARLY	DATE 12/22/83	SIZE B DD	NUMBER 5416167-0-0
MFG. ENG. J ROGICH	DATE 12/22/83	SHEET 1	OF 1

THIS DRAWING AND SPECIFICATIONS, METRIC, AND THE PROPERTY OF DIGITAL EQUIPMENT CORPORATION AND SHALL NOT BE REPRODUCED OR COPIED OR USED IN WHOLE OR IN PART IN THE ABSENCE OF THE WRITTEN PERMISSION OF DIGITAL EQUIPMENT CORPORATION.  
 COPYRIGHT © 1983



VIEW A-A



NOTES: 1. J1 AND J2 ARE 24 PIN CONN'S FOR 01 VARIATION, J1 AND J2 ARE 28 PIN CONN'S FOR 02 VARIATION, LOCATE PINS AS SHOWN

STEP	↑ Y AXIS	STEP	TIMES
REPEAT	→ X AXIS	STEP	TIMES

CHK	CHANGE NO	REV	DATE	BY	APP

ETCH REV. B1

SIGNATURES		DATE	digital
DRN. JOE LIZOTTE		1-14-83	
CHK'D. <i>[Signature]</i>		1-16-83	TITLE LA210/LA260 ROM CARTRIDGE
MECH. ENG. <i>[Signature]</i>		2-20-83	
PROJ. ENG. <i>[Signature]</i>		2-20-83	
PROD. <i>[Signature]</i>		2-27-83	
SCALE 2:1	SIZE CODE	NUMBER	REV
SHT. 1 OF 1	0 UA	5416167-0-0	1
TOP DOC. #. B-DD-5416167-0-0			



LINE	ITEM	TOP DOCUMENT	PART NUMBER	MIN REV	DESCRIPTION	QTY PER VARIATION		REFERENCE DESIGNATOR
						01	02	
1	1	D-MD-5016166-0-0	5016166-01		CIRCUIT DRILL AND ETCH BOARD	1	1	
2	2		1700539-02		CABLE ASSY,30POS,8"LG	1	1	J3
3	3		1218292-03		PCB HEADER 24PIN(2X12).100CC STR	2	-	J1,J2
4	4		7430191-01		PLATFORM,ROM CARTRIDGE	2	-	
5	5		1213488-04		PCB,HEADER 28PIN(2X14).100CC STR	-	2	J1,J2

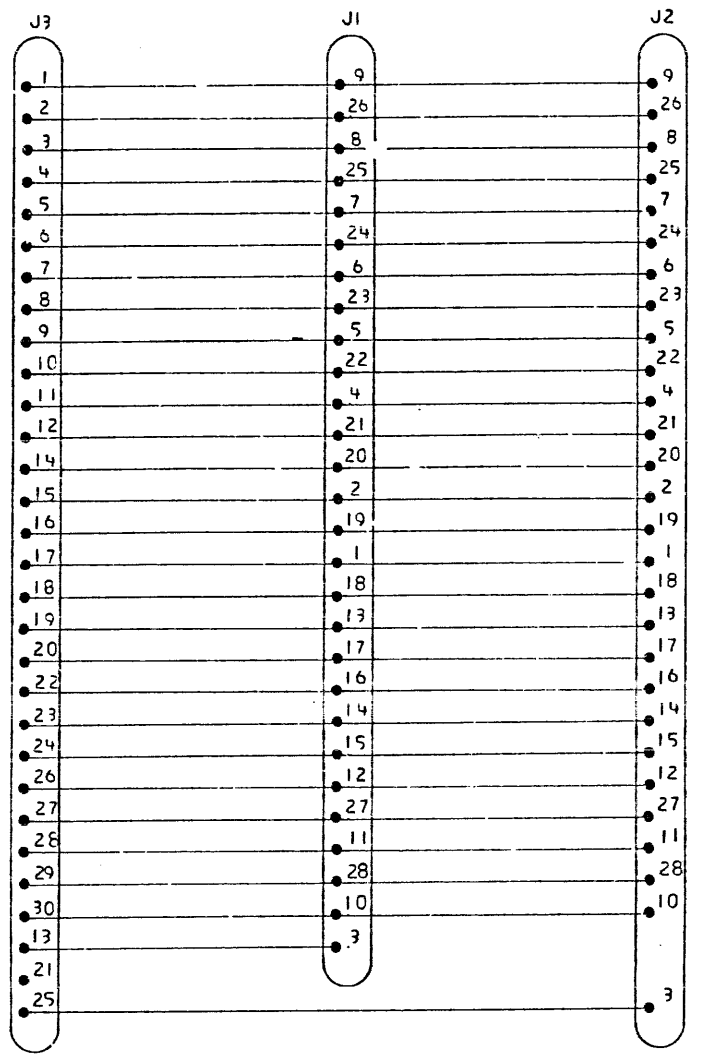
REVISION HISTORY			BASIC PART NO: 5416167			DRN:	JOE LIZOTTE	DATE:	12-JUL-83	D I G I T A L			
ENG:	ECO NUMBER	REV	SECTION A OF A			CHK'D:	DICK BARRIERE	DATE:	14-JUL-83	TITLE PARTS LIST			
BE	INITIAL	A	SECTION VARIATION INDEX			DES.ENG:	BOB EARLY	DATE:	12-JUL-83	DOCUMENT NUMBER			
PH	5416167-ML001	B	[A]	01,02		RESP.ENG.:	BOB EARLY	DATE:	12-JUL-83	SIZE	CODE	NUMBER	REV
			[B]			MFG.ENG.:	J. ROGICH	DATE:	12-JUL-83	K	PL	5416167-0-DBP	B
			[C]			ASSEMBLY NUMBER:		TOP DOCUMENT NUMBER:		RELEASE DATE:		07-FEB-85	
			[D]			D-UA-5416167-0-0		B-DD-5416167-0-0		FILE NAME:		EDIT #	
			[E]							Z7589B.PLS		4	
			[F]										
			[G]										
			[H]										
			[I]										
			[J]										
			[K]										
			[L]										
			[M]										
			[N]										

"THIS DRAWING AND THE SPECIFICATIONS CONTAINED HEREIN ARE CONFIDENTIAL AND PROPRIETARY. THEY ARE THE PROPERTY OF DIGITAL EQUIPMENT CORPORATION AND SHALL NOT BE REPRODUCED OR COPIED OR USED IN WHOLE OR IN PART AS THE BASIS FOR THE MANUFACTURE OR SALE OF ITEMS WITHOUT WRITTEN PERMISSION. THIS IS AN UNPUBLISHED WORK PROTECTED UNDER THE FEDERAL COPYRIGHT LAWS."

8 7 6 5 4 3 2 1

REV. B 1-0-2919195 DCS 5416167-0-1

THIS DRAWING AND SPECIFICATIONS HEREIN ARE THE PROPERTY OF DIGITAL EQUIPMENT CORPORATION AND SHALL NOT BE REPRODUCED OR COPIED OR USED IN WHOLE OR IN PART AS THE BASIS FOR THE MANUFACTURE OR SALE OF ITEMS WITHOUT WRITTEN PERMISSION. COPYRIGHT © 1983 DIGITAL EQUIPMENT CORPORATION



D  
C  
B  
A

D  
C  
B  
A

DATE	ECO NUMBER	REV.
12/22/83	5416167-0-1	B
12/22/83	5416167-0-1	A
12/22/83	5416167-0-1	1
12/22/83	5416167-0-1	1

DRW: J. Songale	DATE: 12-22-83	TITLE: digital
CHK: R. Buzine	DATE: 1-6-84	LA210 / LA260
DES ENR: R. Early	DATE: 08/26/82	RCM CARTRIDGE
RESP ENR: R. Early	DATE: 07/26/82	
WFO ENR: R. Early	DATE: 2-27-84	
REVISED BY: R. Early	DATE: 2-27-84	
B-DD-5416167-C-0		DCS 5416167-0-1 B

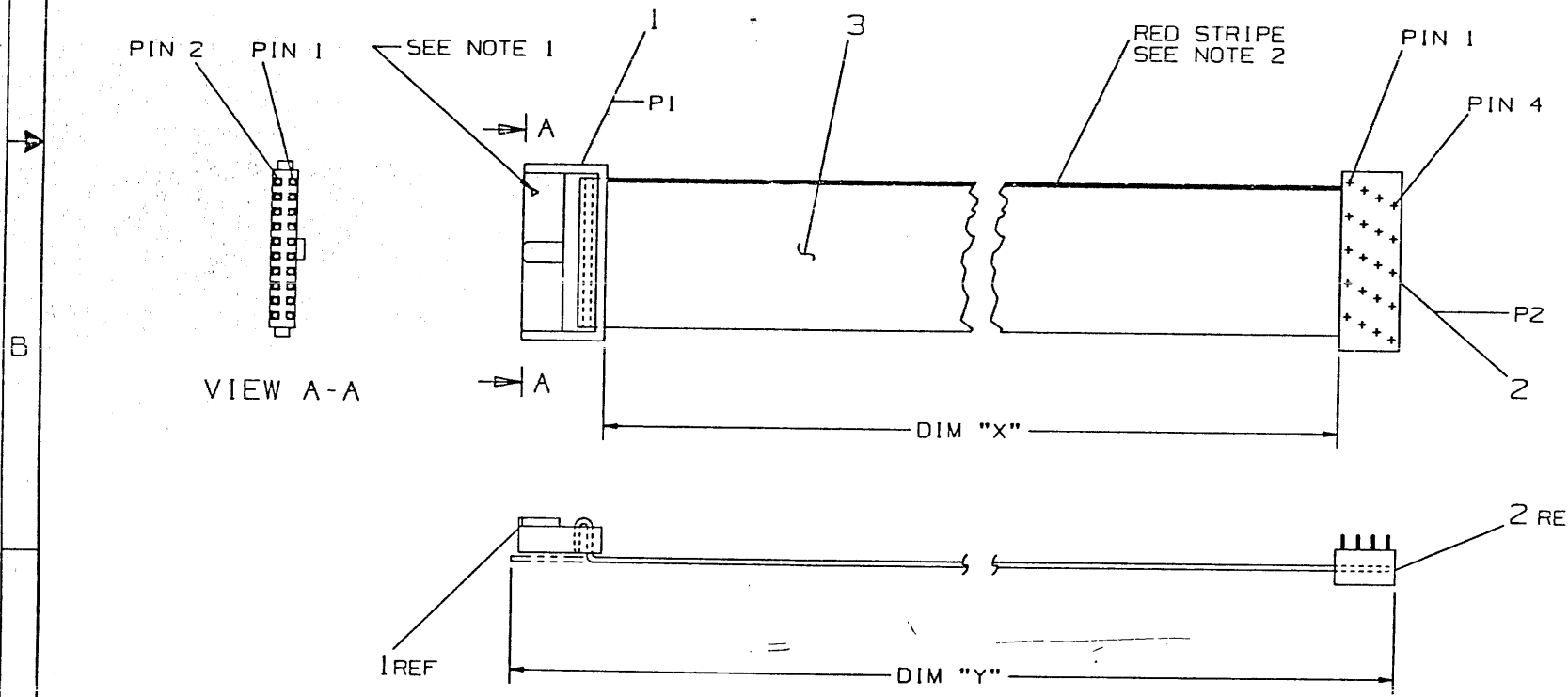
8 7 6 5 4 3 2 1

THIS DRAWING AND THE SPECIFICATIONS CONTAINED HEREIN ARE CONFIDENTIAL AND PROPRIETARY. THEY ARE THE PROPERTY OF DIGITAL EQUIPMENT CORPORATION AND SHALL NOT BE REPRODUCED OR COPIED OR USED IN WHOLE OR IN PART AS THE BASIS FOR THE MANUFACTURE OR SALE OF ITEMS WITHOUT WRITTEN PERMISSION. THIS IS AN UNPUBLISHED WORK PROTECTED UNDER THE FEDERAL COPYRIGHT LAWS. 1984

WIRE TABLE						
ITEM NO.	DESCRIPTION			FROM	TO	REMARKS
	AWG	COLOR	CONNECTION	CONNECTION		
3	28	GRY	P1-1	P2-1		
			P1-2	P2-2		
			P1-3	P2-3		
			P1-4	P2-4		
			P1-5	P2-5		
			P1-6	P2-6		
			P1-7	P2-7		
			P1-8	P2-8		
			P1-9	P2-9		
			P1-10	P2-10		
			P1-11	P2-11		
			P1-12	P2-12		
			P1-13	P2-13		
			P1-14	P2-14		
			P1-15	P2-15		
			P1-16	P2-16		
			P1-17	P2-17		
			P1-18	P2-18		
			P1-19	P2-19		
3	28	GRY	P1-20	P2-20		

LEGEND			
NUMBER	REV	DIM "X" VAR.	DIM "Y" (PRECUT) REF
7021106-10	A1	16" ±1"	17" REF

- NOTES:
1. ARROW OR INDEX MARK ON CONNECTOR (ITEM #1) INDICATES POSITION OF PIN #1.
  2. IF RED STRIPING APPEARS ON CABLE IT MUST BE POSITIONED AS SHOWN.



LAYER #2: FORMAT  
 LAYER #1: WORK  
 PLOT SCALE: 1.0  
 SYSTEM #: 20  
 PROGRAM VERSION: UGRAF D4.1  
 FILE NAME: 7021106-0-DBUA

CAUTION: OFF SHEET PARTS LIST EXISTS.  
 SEE K-PL-7021106-0-DBP  
 (Z7562)

REVISIONS	REV.	INITIAL
CHANGE NO.		
CHK		

FIRST HIGHER ASSY  
 D-UA-5416165-0-0

DESCRIPTION	DRAWING NO.	PART NO.	ITEM NO.
UNLESS OTHERWISE SPECIFIED DIMENSIONS ARE IN INCHES AND THE FOLLOWING TOLERANCES APPLY (PER DEC STD 114)			
INCHES TOLERANCES	ANGLES 10° 30'	DIMENSION RANGE IN INCHES	
		OVER 0.2 TO 1.2	OVER 1.2 TO 12.0
SURFACE QUALITY	MICROINCHES	OVER 0.2 TO 1.2	OVER 1.2 TO 12.0
		OVER 1.2 TO 12.0	OVER 12.0 TO 40.0
FINISH	NONE		
THIRD ANGLE PROJECTION			
DO NOT SCALE DRAWING			
REMOVE BURRS AND BREAK SHARP CORNERS			
MATERIAL SEE PARTS LIST			
FINISH	NONE		

DATE	4 OCT 83	TITLE	digital
DR'D	D HEALY	DATE	3 JUL 84
DES. ENG.	BOB EARLY	DATE	3 JUL 84
REP. ENG.	M HARRISON	DATE	3 JUL 84
WFL. ENG.	RENE JODOIN	DATE	3 JUL 84
TOP OFF.		SCALE	2:1
	D-1A-7021106-0-DBU	SHEET	1 of 1

DRAWING NO. 7021106-0-DBU A

LINE	ITEM	TOP DOCUMENT	PART NUMBER	MIN REV	DESCRIPTION	QTY PER VARIATION
1	1	A-PS-1219163-0-0	1219163-10	A	CONN,1DC 20SKT(2X10).100CC	1
2	2	A-PS-1210073-0-0	1210073-02		CONN,1DC 2CPOS .050CC GOL	1
3	3		9107738-08		CABLE,RIBBON BOND 20COND 28AWG	A/R

REVISION HISTORY			BASIC PART NO: 7021106		D I G I T A L	
ENG	ECO NUMBER	REV	SECTION A OF A	DRN:	RON PARKER	DATE: 04-OCT-83
---	INITIAL	A	SECTION.VARIATION INDEX	CHK'D:	D. HEALY	DATE: 25-JUL-84
			(A)1D			
			(B)	DES.ENG:	ROBERT EARLY	DATE: 25-JUL-84
			(C)			
			(D)	RESP.ENG.:	ROBERT EARLY	DATE: 25-JUL-84
			(E)			
			(F)	MFG.ENG.:	RENE JODOIN	DATE: 04-OCT-83
				ASSEMBLY NUMBER:	D-IA-7021106-0-DBU	TOP DOCUMENT NUMBER: D-IA-7021106-0-DBU
						FILE NAME: Z7562A.PLS
						RELEASE DATE: 25-JUL-84
						EDIT #: 6

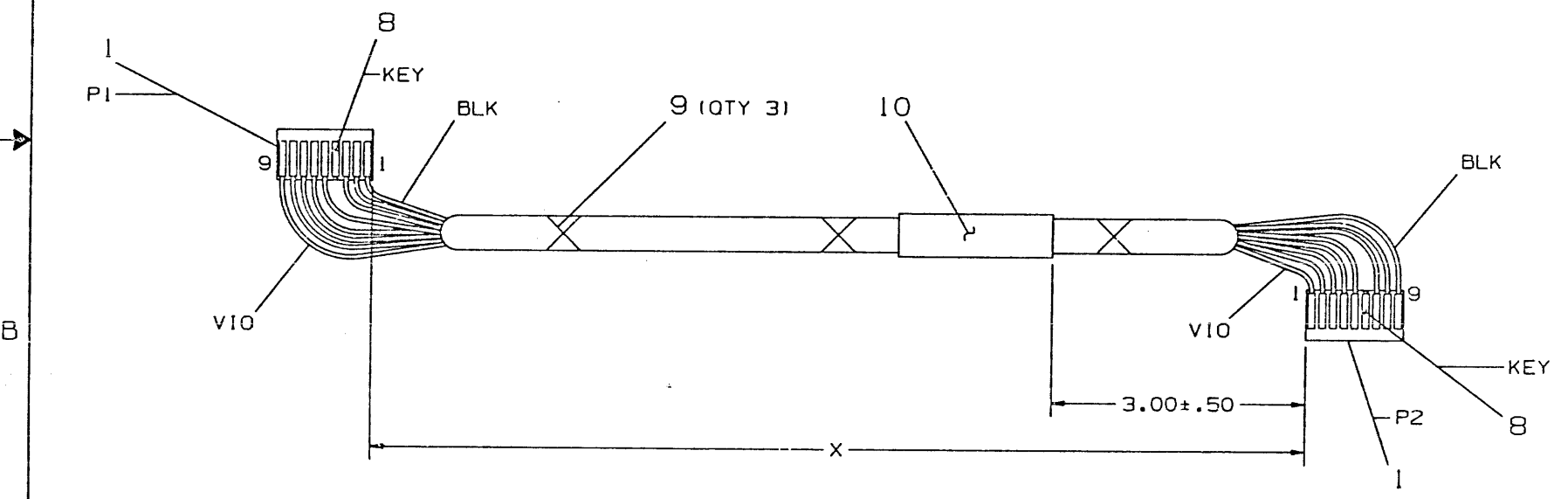
"THIS DRAWING AND THE SPECIFICATIONS CONTAINED HEREIN ARE CONFIDENTIAL AND PROPRIETARY. THEY ARE THE PROPERTY OF DIGITAL EQUIPMENT CORPORATION AND SHALL NOT BE REPRODUCED OR COPIED OR USED IN WHOLE OR IN PART AS THE BASIS FOR THE MANUFACTURE OR SALE OF ITEMS WITHOUT WRITTEN PERMISSION. THIS IS AN UNPUBLISHED WORK PROTECTED UNDER THE FEDERAL COPYRIGHT LAWS."

\*THIS DRAWING AND THE SPECIFICATIONS CONTAINED HEREIN ARE CONFIDENTIAL AND PROPRIETARY. THEY ARE THE PROPERTY OF DIGITAL EQUIPMENT CORPORATION AND SHALL NOT BE REPRODUCED OR COPIED OR USED IN WHOLE OR IN PART AS THE BASIS FOR THE MANUFACTURE OR SALE OF ITEMS WITHOUT WRITTEN PERMISSION. THIS IS AN UNPUBLISHED WORK PROTECTED UNDER THE FEDERAL COPYRIGHT LAWS. 1984

LEGEND			
PART NO.	REV	DIM X VARIATION	DIM Y (PRECUT) REF
7021240-YA	A1	13.50 IN ±.50 IN	SEE WIRE TABLE

- NOTES:
1. USE CABLE TIES (X) ITEM 9, APPROX EVERY FOUR INCHES.
  2. NO STRIPPING OR TINNING REQUIRED.
  3. KEY PLUG ITEM 8, TO BE INSERTED INTO P2-6 AND P1-4.

WIRE TABLE					
ITEM NO.	DESCRIPTION	FROM CONNECTION	TO CONNECTION	LENGTH	SIGNAL
4	18	BLK	P1-1	P2-9	16.00 IN +5V RTN
4	18	BLK	P1-2	P2-8	16.00 IN +5V RTN
3	18	RED	P1-3	P2-7	16.00 IN +5V
8			P1-4		KEY
5	18	BLUE	P1-5	P2-5	16.00 IN -24V
4	18	BLK	P1-6	P2-4	16.00 IN +12/24V RET
2	18	ORN	P1-7	P2-3	16.00 IN +24V
6	18	WHT	P1-8	P2-2	16.00 IN +12V
7	18	VIO	P1-9	P2-1	16.00 IN -12V
8				P2-6	KEY



LAYER #2: FORMAT LAYER  
 LAYER #1: WORK LAYER  
 PLOT SCALE: 1.00  
 SYSTEM #: 20  
 PROGRAM VERSION: UGRAF D4.0  
 FILE NAME: 7021240-0-DBUA

CAUTION: OFF SHEET PARTS LIST EXISTS, REFER TO K-PL-7021240-0-DBP (Z 7801)

REV.	CHG.	NO.	INITIALS

FIRST HIGHER ASSY  
 E-AD-7020798-0-DBU

DESCRIPTION	DRAWING NO.	PART NO.	ITEM NO.
UNLESS OTHERWISE SPECIFIED DIMENSIONS ARE IN INCHES AND THE FOLLOWING TOLERANCES APPLY (PER DEC STD 114)			
DIMENSION RANGE IN INCHES	OVER 0.125 TO 0.2	OVER 0.2 TO 0.5	OVER 0.5 TO 1.0
	OVER 1.0 TO 12.0	OVER 12.0 TO 40.0	OVER 40.0 TO 80.0
TOLERANCES	±.004	±.008	±.012
ANGLES	±.004	±.008	±.012
APPLICABLE DIMENSION RANGE	±.004	±.008	±.012
FINISH	NONE		
THIRD ANGLE PROJECTION	DATE 30 AUG 83	TITLE	DIGITAL
DO NOT SCALE DRAWING	DES. ENG. KEVIN R. KEEFE	DATE 3 JUL 84	CABLE ASSY LOGIC/POWER
REMOVE BURRS AND BREAK SHARP CORNERS	DES. ENG. R. EARLY	DATE 3 JUL 84	
MATERIAL	RESP. ENG. M. HARRISON	DATE 3 JUL 84	DOCUMENT NUMBER
SEE PARTS LIST	WPS. ENG. RENE JOOIN	DATE 3 JUL 84	DIA 7021240-0-DBU A
	TOP OCC. D-1A-7021240-0-DBU	SCALE	NONE

LINE	ITEM	TOP DOCUMENT	PART NUMBER	MIN REV	DESCRIPTION	QTY	PER VARIATION
					VARIATION REVISION LEVEL:	YA	A1
1	1	A-PS-1215306-0-0	1215306-00		CONN, IDC 09POS(1X09).156CC TIN	2	
2	2		9107360-33	-	WIRE, 18AWG( 19/30)IPVC 150V	16	
3	3		9107360-22	-	WIRE, 18AWG( 19/30)IPVC 150V	16	
4	4		9107360-00	-	WIRE, 18AWG( 19/30)IPVC 150V	48	
5	5		9107360-66	-	WIRE, 18AWG( 19/30)IPVC 150V	16	
6	6		9107360-99	-	WIRE, 18AWG( 19/30)IPVC 150V	16	
7	7		9107360-77	-	WIRE, 18AWG( 19/30)IPVC 150V	16	
8	8	A-PS-1215588-0-0	1215588-00		CONN,P+S KEYING PLUG USE W 12	2	
9	9		9010190-00	B	TIE,CABLE BUNDL.DIA - 5/8"MAX	3	
10	10	A-PS-3616073-0-0	3616073-00		LABEL,ID W/COPY VERTICAL	1	

11 NOTE: QTY FOR ITEMS NO 2 THRU 7 ARE GIVEN IN INCHES.

REVISION HISTORY			BASIC PART NO: 7021240			DIGITAL					
ENG!	ECO NUMBER	REV	SECTION A OF A	DRN:	KEVIN R. KEEFE	DATE:	30-AUG-83				
---	INITIAL	A	SECTION VARIATION INDEX [A]YA	CHK'D:	D. HEALY	DATE:	30-AUG-83	TITLE PARTS LIST CABLE ASSY LOGIC/POWER			
			[B]	DES.ENG:	ROBERT EARLY	DATE:	25-JUL-84	DOCUMENT NUMBER			
			[C]	RESP.ENG.:	ROBERT EARLY	DATE:	25-JUL-84	SIZE!	CODE!	NUMBER	REV
			[D]	MFG.ENG.:	RENE JODOIN	DATE:	25-JUL-84	K	PL	7021240-0-DBP	A
			[E]				RELEASE DATE: 25-JUL-84				
			[F]	ASSEMBLY NUMBER:	D-IA-7021240-0-DBU	TOP DOCUMENT NUMBER:	D-IA-7021240-0-DBU	FILE NAME:	Z7801A.PLS	EDIT #:	5

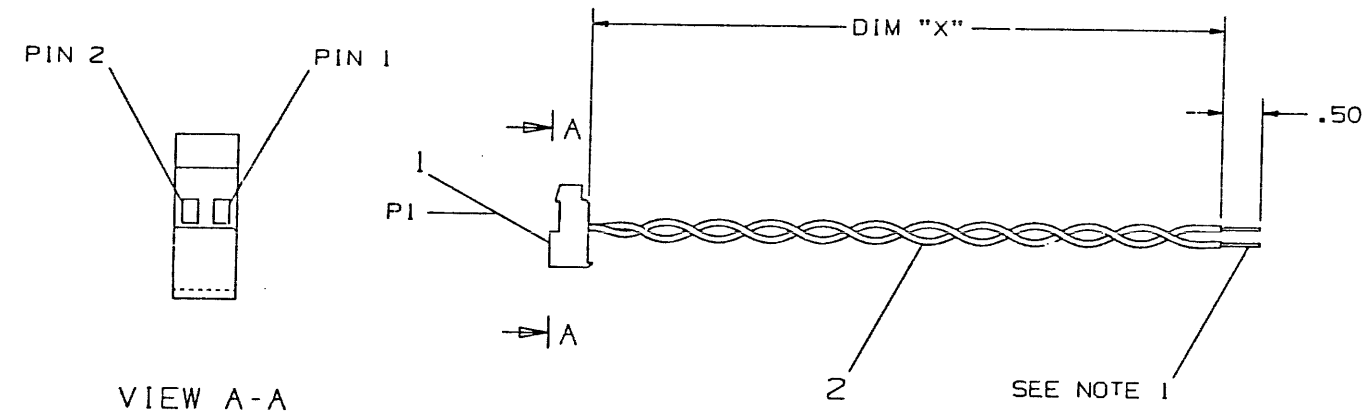
"THIS DRAWING AND THE SPECIFICATIONS CONTAINED HEREIN ARE CONFIDENTIAL AND PROPRIETARY. THEY ARE THE PROPERTY OF DIGITAL EQUIPMENT CORPORATION AND SHALL NOT BE REPRODUCED OR COPIED OR USED IN WHOLE OR IN PART AS THE BASIS FOR THE MANUFACTURE OR SALE OF ITEMS WITHOUT WRITTEN PERMISSION. THIS IS AN UNPUBLISHED WORK PROTECTED UNDER THE FEDERAL COPYRIGHT LAWS."

"THIS DRAWING AND THE SPECIFICATIONS CONTAINED HEREIN ARE CONFIDENTIAL AND PROPRIETARY. THEY ARE THE PROPERTY OF DIGITAL EQUIPMENT CORPORATION AND SHALL NOT BE REPRODUCED OR COPIED OR USED IN WHOLE OR IN PART AS THE BASIS FOR THE MANUFACTURE OR SALE OF ITEMS WITHOUT WRITTEN PERMISSION. THIS IS AN UNPUBLISHED WORK PROTECTED UNDER THE FEDERAL COPYRIGHT LAWS. 1984

WIRE TABLE						
ITEM NO.	DESCRIPTION	FROM		TO		REMARKS
		AWG	COLOR	CONN	WITH	
2	24	BLK	PI-1	---	---	STRIP & TIN
2	24	WHT	PI-2	---	---	SEE NOTE 1

LEGEND			
NUMBER	REV	DIM "X" VAR.	DIM "Y" (PRECUT) REF
7021250-0J	A1	8" ±.5"	---

NOTES:  
 1. STRIP BACK TO DESIGNATED LENGTH & TIN ENDS.



VIEW A-A  
(SCALE 4:1)

LAYER #2: FORMAT  
 LAYER #1: WORK  
 PLOT SCALE: 1.0  
 SYSTEM #: 20  
 PROGRAM VERSION: UGRAF D4.1  
 FILE NAME: 7021250-0-DBUA

CAUTION: OFF SHEET PARTS LIST EXISTS.  
 SEE K-PL-7021250-0-DBP  
 (Z7819)

REV.	INITIAL
CHANGE NO.	
CHK	

FIRST HIGHER ASSY:  
 E-AD-7020810-0-DBU

DESCRIPTION		DRAWING NO.		PART NO.		ITEM NO.
UNLESS OTHERWISE SPECIFIED DIMENSIONS ARE IN INCHES AND THE FOLLOWING TOLERANCES APPLY (PER DEC STD 114)						
INCHES TOLERANCES	ANGLES 10°-30°	DIMENSION RANGE IN INCHES				
		APPLICABLE DIMENSION RANGE	OVER 0 TO 0.2	OVER 0.2 TO 1.2	OVER 1.2 TO 12.0	OVER 12.0 TO 90.0
.X1 ± .1	SURFACE QUALITY	1000:041	1:2	1:25	1:10	
.XX1 ± .02		1:50	1:25	1:10		
.XXX1 ± .005	MICROMETER	1:500	1:100	1:25	1:10	1:50
THIRD ANGLE PROJECTION		DRN	DATE	TITLE		
DO NOT SCALE DRAWING		RON PARKER	8 NOV 83	digitell		
REMOVE BURRS AND BREAK SHARP CORNERS		D HEALY	3 JUL 84	CABLE, FONT SWITCH		
MATERIAL		R EARLY	3 JUL 84	DOCUMENT NUMBER		
SEE PARTS LIST		M HARRISON	3 JUL 84	D 1A 7021250-0-DBU A		
FINISH NONE		RÉNE JOUOIN	3 JUL 84	SIZE	CODE	NUMBER
		D-1A-7021250-0-DBU	SCALE	1:1	SHEET	1 OF 1

DIGITAL 7021250-0-DBU A

AUTOMATED BY PRTLST.4Q(50)

PARTS LIST

SHEET A1 OF A1

LINE ITEM	TOP DOCUMENT	PART NUMBER	MIN REV	DESCRIPTION	QTY PER VARIATION
1	1	A-PS-1215815-0-0		1215815-00 - CONN, IDC 02SKT(1X02).100CC TIN	1
2	2			9107420-09 - WIRE, TWP 22AWG( 07/30)IPVC 150V	A/R

REVISION HISTORY			BASIC PART NO: 7021250			DRN: PAUL GAGNE		DATE: 08-NOV-83		D I G I T A L				
ENG	ECO NUMBER	REV	SECTION A OF A			CHK'D: D. HEALY		DATE: 25-JUL-84		TITLE PARTS LIST CABLE, FONT SWITCH				
---	INITIAL	A	SECTION VARIATION INDEX (A)OJ			DES.ENG: R. EARLY		DATE: 25-JUL-84		DOCUMENT NUMBER				
			(B)				RESP.ENG.: R. EARLY		DATE: 25-JUL-84		SIZE	CODE	NUMBER	REV
			(C)				MFG.ENG.: R. JODOIN		DATE: 25-JUL-84		K	PL	7021250-0-DBP	A
			(D)				ASSEMBLY NUMBER:		TOP DOCUMENT NUMBER:		FILE NAME:		EDIT #	
			(E)				D-IA-7021250-0-DBU		D-IA-7021250-0-DBU		Z7819A.PLS		10	
			(F)											

"THIS DRAWING AND THE SPECIFICATIONS CONTAINED HEREIN ARE CONFIDENTIAL AND PROPRIETARY. THEY ARE THE PROPERTY OF DIGITAL EQUIPMENT CORPORATION AND SHALL NOT BE REPRODUCED OR COPIED OR USED IN WHOLE OR IN PART AS THE BASIS FOR THE MANUFACTURE OR SALE OF ITEMS WITHOUT WRITTEN PERMISSION. THIS IS AN UNPUBLISHED WORK PROTECTED UNDER THE FEDERAL COPYRIGHT LAWS."



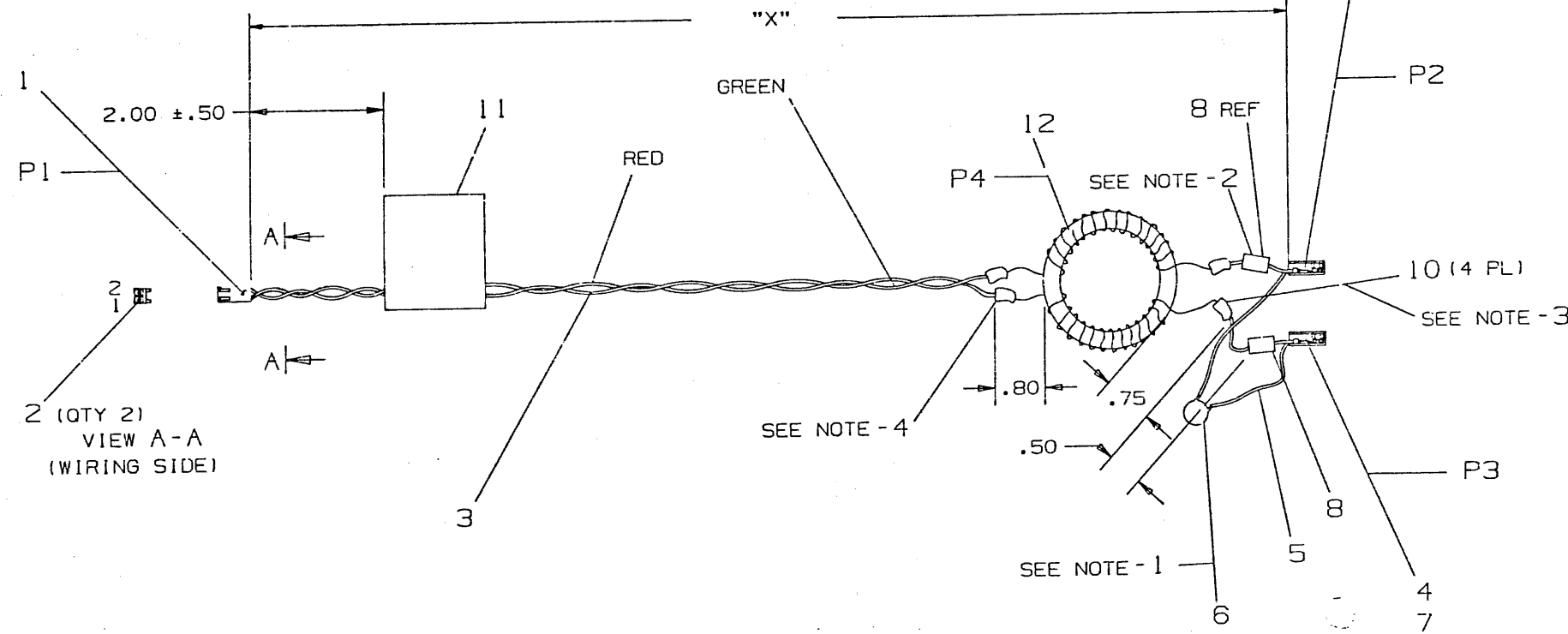
THIS DRAWING AND THE SPECIFICATIONS CONTAINED HEREIN ARE CONFIDENTIAL AND PROPRIETARY. THEY ARE THE PROPERTY OF DIGITAL EQUIPMENT CORPORATION AND SHALL NOT BE REPRODUCED OR COPIED OR USED IN WHOLE OR IN PART AS THE BASIS FOR THE MANUFACTURE OR SALE OF ITEMS WITHOUT WRITTEN PERMISSION. THIS IS AN UNPUBLISHED WORK PROTECTED UNDER THE FEDERAL COPYRIGHT LAWS. 1984

WIRE TABLE						
ITEM NO:	DESCRIPTION	FROM		TO		WITH
		AWG	COLOR	CONN	WITH	
3	22	RED	P1-1	2	P4-2	—
		GRN	P1-2	2	P4-1	—
12	—	GRN	P4-3	—	P2	4
		RED	P4-4	—	P3	4

LEGEND					
NUMBER	REV	DIM "X" VAR.	DIM "Y" (PRECUT)		
7021242-YA	B1	15.50 ± .50 IN	— / —		

NOTES:

- LEADS ON .01 MFD CAPACITOR (ITEM #6) SHOULD BE TRIMMED TO .75 IN ± .25 IN.
- CUT LEADS OF RESISTOR (ITEM #8) TO .4 IN.
- CONNECT RESISTOR LEAD TO WIRE WITH SOLDER CONNECTION.
- CONNECT INDUCTOR LEADS TO WIRE WITH SOLDER CONNECTION (ITEM 12).



PLOT SCALE = 1.000  
 FILE NAME: 7021242-0-DBUC  
 LAYER 1=WORK  
 LAYER 2=FORMAT

CAUTION: OFF SHEET PARTS LIST EXISTS.  
 SEE K-PL-7021242-0-DBP.

REV.	CHG. NO.	INITIAL	DATE
A			
B			
C			
D			

DESCRIPTION	DRAWING NO.	PART NO.	ITEM NO.
UNLESS OTHERWISE SPECIFIED DIMENSIONS ARE IN INCHES AND THE FOLLOWING TOLERANCES APPLY (PER DEC STD 114)			
DIMENSION RANGE IN INCHES OVER 12.0 TO 40.0 OVER 4.0 TO 12.0 OVER 0.2 TO 4.0 OVER 0.1 TO 0.2 OVER 0.001 TO 0.010	<input type="checkbox"/> DIMENSIONS <input checked="" type="checkbox"/> DECIMALS	<input type="checkbox"/> DIMENSIONS <input checked="" type="checkbox"/> DECIMALS	<input type="checkbox"/> DIMENSIONS <input checked="" type="checkbox"/> DECIMALS
	<input type="checkbox"/> DIMENSIONS <input checked="" type="checkbox"/> DECIMALS	<input type="checkbox"/> DIMENSIONS <input checked="" type="checkbox"/> DECIMALS	<input type="checkbox"/> DIMENSIONS <input checked="" type="checkbox"/> DECIMALS
	<input type="checkbox"/> DIMENSIONS <input checked="" type="checkbox"/> DECIMALS	<input type="checkbox"/> DIMENSIONS <input checked="" type="checkbox"/> DECIMALS	<input type="checkbox"/> DIMENSIONS <input checked="" type="checkbox"/> DECIMALS
FIRST HIGH ASSY E-AD-7020798-0-DBU	QUANTITY & VARIATION	FINISH: NONE	TITLE: SERVO MOTOR CABLE ASSY DOCUMENT NUMBER: 7021242-0-DBU SHEET: 1 OF 1
THIRD ANGLE PROJECTION		DATE: 31 AUG 93 T. CHACKO	DATE: 3 JUL 84 D. HEALY
DO NOT SCALE DRAWING		DATE: 3 JUL 84 R. EARLY	DATE: 3 JUL 84 M. HARRISON
REMOVE BURRS AND BREAK SHARP CORNERS		DATE: 3 JUL 84 RENE JODOIN	DATE: 3 JUL 84 RENE JODOIN
SEE PARTS LIST		DATE: 3 JUL 84 D-1A-7021242-0-DBU	DATE: 3 JUL 84 D-1A-7021242-0-DBU
FINISH: NONE		SCALE: NONE	SCALE: NONE

AUTOMATED BY VAXKPL (V1.3)

PARTS LIST

SHEET A1 OF A1  
QUANTITY PER VARIATION/REVISION

LINE ITEM	TOP DOCUMENT	PART NUMBER	MIN REV	DESCRIPTION	YA C1
1	1 A-PS-1215322-0-0	12-15322-01		CONN,P+S 02POS(1X02),100CC HSG	1
2	2 A-PS-1214979-0-0	12-14979-01		CONN,P+S 02PIN 30-22AWG .06	2
3	3	91-07420-25 A		WIRE,TWP 22AWG( 07/30)IPVC 150V 80	A/R
4	4 A-PS-1218056-0-0	12-18056-00		TERM,QUICK .148TAB 18-22AWG	2
5	5	91-07256-11		TUBING,TEFLON .027ID	A/R
6	6 A-PS-1001610-0-0	10-01610-02		0.010HFD 100V +80/-20% Z5U	1
7	7 A-PS-1218055-0-0	12-18055-00		TERM,QUICK 1POS HOUSING	2
8	8 A-PS-1303365-0-0	13-03365-00 A		1.0 5.0 W10.0 % WW	2
9	10	91-07714-02 A		TUBING,SHRINK .187ID EXP	A/R
10	11 A-PS-3616073-0-0	36-16073-0		LABEL,ID W/COPY VERTICAL	1
11	12 A-PS-1624814-0-0	16-24814-01		INDUCER,WIND COUPL CHOKE COIL 10UH	1

REVISION HISTORY			KPL MATRIX FORMAT		SECTION A OF A		DRN: T. CHACKO		DIGITAL		
ENG	ECO NUMBER	REV	SECTION/VARIATION INDEX		CHK'D:	D. HEALY		TITLE PARTS LIST			
---	INITIAL	A	[A]	YA	DATE:	25-JUL-84		SERVO MOTOR CABLE ASSY			
DF	7021242-PN001	B	[B]		DES.ENG:	R. EARLY		DOCUMENT NUMBER			
DF	7021242-PN002	C	[C]		DATE:	25-JUL-84		SIZE	CODE	NUMBER	REV
DF	7021242-PN003	D	[D]		RESP.ENG.:	M. HARRISON		K	PL	7021242-0-DBP	E
LN	7021242-PN004	E	[E]		DATE:	25-JUL-84		RELEASE DATE: 30-MAR-87			
			[F]		MFG.ENG:	RENE JODOIN		RELEASE STATUS: RELEASED			
			[G]		DATE:	25-JUL-84					
			[H]								
			[I]								
			[J]								
			BASIC PART NUMBER:		ASSEMBLY NUMBER:		TOP DOCUMENT NUMBER:		FILE NAME:		EDIT #
			7021242		D-IA-7021242-0-DBU		D-IA-7021242-0-DBU		Z1242E,PLS		10

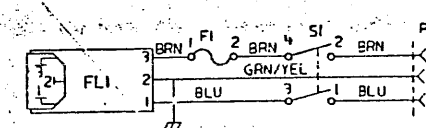
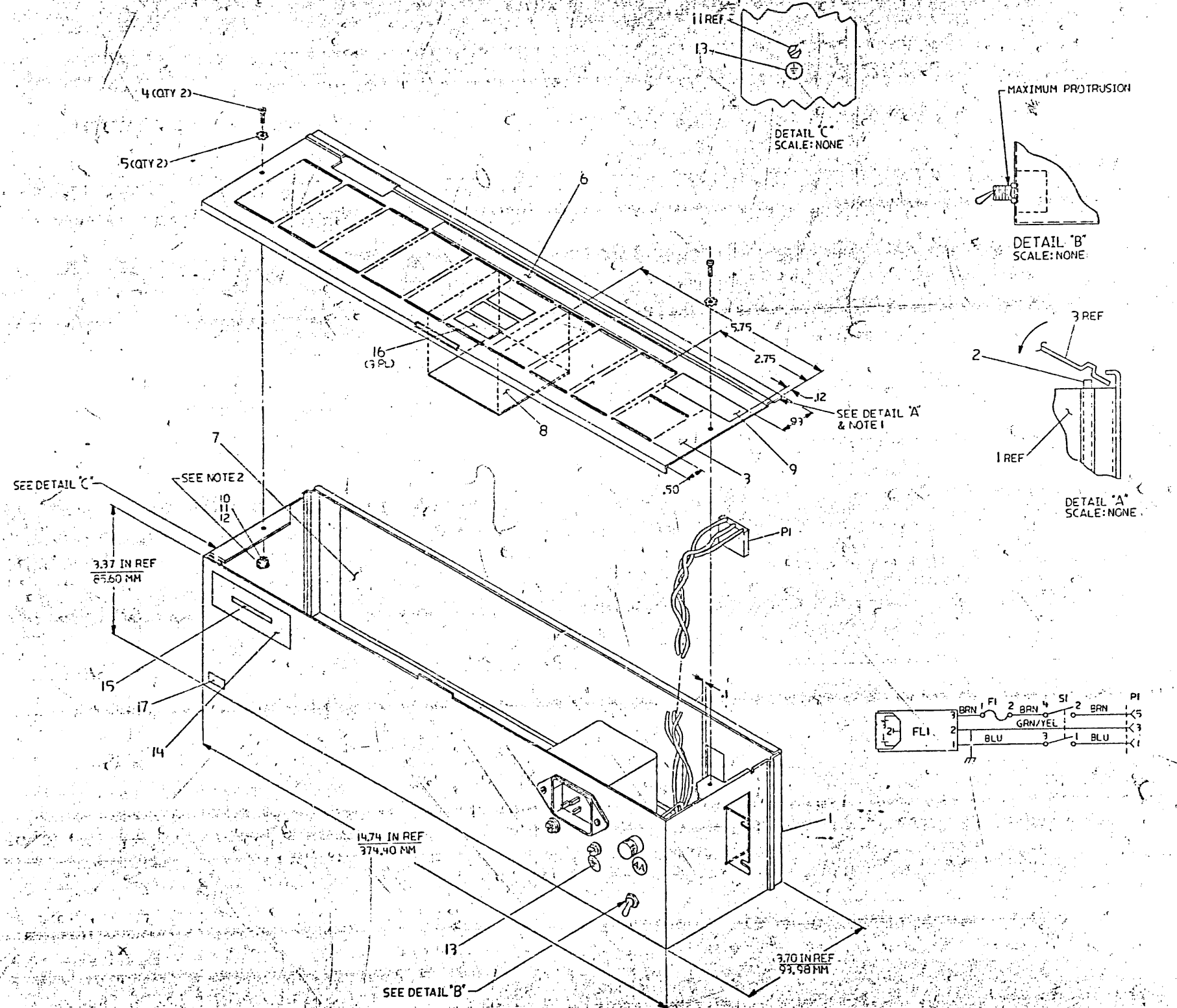
\*THIS DRAWING AND THE SPECIFICATIONS CONTAINED HEREIN ARE CONFIDENTIAL AND PROPRIETARY, THEY ARE THE PROPERTY OF DIGITAL EQUIPMENT CORPORATION AND SHALL NOT BE REPRODUCED OR COPIED OR USED IN WHOLE OR IN PART AS THE BASIS FOR THE MANUFACTURE OR SALE OF ITEMS WITHOUT WRITTEN PERMISSION, THIS IS AN UNPUBLISHED WORK PROTECTED UNDER THE FEDERAL COPYRIGHT LAWS.\*



THIS DRAWING AND SPECIFICATIONS HEREBY ARE THE PROPERTY OF GENERAL ELECTRIC CORPORATION AND SHALL BE KEPT IN CONFIDENCE TO THE EXTENT OF THE PROTECTION OF PATENT RIGHTS AND TRADE SECRETS. NO PART OF THIS DRAWING OR SPECIFICATIONS IS TO BE REPRODUCED OR TRANSMITTED IN ANY FORM OR BY ANY MEANS, ELECTRONIC OR MECHANICAL, INCLUDING PHOTOCOPYING, RECORDING, OR BY ANY INFORMATION STORAGE AND RETRIEVAL SYSTEM.

LEGEND		
PART NUMBER	REV	VARIATION
H7844-00	AI	AS SHOWN

- NOTES:
1. WHEN ASSEMBLING COVER TO CHASSIS, COVER MUST SLIP UNDER LIP ON CHASSIS AS SHOWN IN DETAIL 'A'.
  2. ATTACH GROUND LEAD FROM ITEM # 2.



CAUTION: OFF SHEET PARTS LIST EXISTS: SEE K-PL-H7844-0-DBP

DESCRIPTION		DWG PART NO.		ITEM NO.													
QUANTITY	VARIATION	DESCRIPTION	DWG PART NO.	ITEM NO.	REV.												
1		POWER SUPPLY	H7844														
<table border="1"> <tr> <td>DATE</td> <td>BY</td> <td>CHK'D</td> <td>APP'D</td> <td>TITLE</td> </tr> <tr> <td></td> <td></td> <td></td> <td></td> <td>POWER SUPPLY</td> </tr> </table>						DATE	BY	CHK'D	APP'D	TITLE					POWER SUPPLY		
DATE	BY	CHK'D	APP'D	TITLE													
				POWER SUPPLY													
<table border="1"> <tr> <td>MATERIAL</td> <td>E-UA-H7844-00</td> <td>REV</td> <td>AI</td> </tr> <tr> <td>SCALE</td> <td>NONE</td> <td>REV</td> <td>H7844-0-0</td> </tr> <tr> <td>FIGURE</td> <td></td> <td>SHEET</td> <td>2</td> </tr> </table>						MATERIAL	E-UA-H7844-00	REV	AI	SCALE	NONE	REV	H7844-0-0	FIGURE		SHEET	2
MATERIAL	E-UA-H7844-00	REV	AI														
SCALE	NONE	REV	H7844-0-0														
FIGURE		SHEET	2														

AUTOMATED BY PRTLST.5R(55)

PARTS LIST

SHEET A1 OF A1

LINE	ITEM	TOP DOCUMENT	PART NUMBER	MIN REV	DESCRIPTION	QTY PER VARIATION
1	1	E-AD-7017877-0-0	7017877-01		CHASSIS ASSY	1
2	2	D-UA-5415676-0-0	5415676-01		LA100 POWER SUPPLY	1
3	3	D-MD-7420755-0-0	7420755-00		COVER	1
4	4		9006418-01		SCREW,TAP PAN PHIL THD RL 8-	2
5	5		9008151-00		WASHER,LOCK EXTERNAL STEEL	2
6	6	A-PS-3618294-0-0	3618294-01		LABEL,DANGER HIGH VOLTAGE	1
7	7	A-PS-3617973-0-0	3617973-01		LABEL,INSULATOR ADH. 11.5 X 3.2	1
8	8	A-PS-3617973-0-0	3617973-02		LABEL,INSULATOR ADH. 2.25X 2.25	1
9	9	A-PS-3616157-0-0	3616157-00		LABEL,CORRECT VOLTAGE SETTING,CA	1
10	10		9006563-00		NUT,HEX EXT TOOTH LCKWSHR 8-32	1
11	11		9009988-08		SCREW,SEMS HEX SLOT 8-	1
12	12		9008072-00		WASHER,LOCK EXTERNAL STEEL	1
13	13		3612680-02		DECAL, GROUND SIGN W/CIRCLE,BLK	2
14	14		9009255-01		LABEL, POWER SUPPLY, 2-7/8" LG X	1
15	15		9008473-04		LABEL,PLAIN,WHITE .90 X 1.5L	1
16	16		3618460-05		LABEL,BAR CODE BLANK .50 X5.0	3
17	17		3621739-01		LABEL,COUNTRY OF ORIGIN HONG KON	1

REVISION HISTORY			BASIC PART NO: H7844		DRN:	B. CSERPES	DATE: 09-NOV-84	DIGITAL			
ENG	ECO NUMBER	REV	SECTION A	OF A	CHK'D:	L. GILBERT	DATE: 09-NOV-84	TITLE PARTS LIST			
	INITIAL	A	SECTION VARIATION INDEX					POWER SUPPLY H7844			
EK	H7844-PN001	B	[A]00								
			[B]		DES.ENG:	R. MAC ARTHUR	DATE: 09-NOV-84	DOCUMENT NUMBER			
			[C]					SIZE	CODE	NUMBER	REV
			[D]		RESP.ENG.:	E. KING	DATE: 09-NOV-84	K	PL	H7844-0-DBP	B
			[E]		MFG.ENG.:	B. MASTERS	DATE: 09-NOV-84	RELEASE DATE: 09-NOV-84			
			[F]		ASSEMBLY NUMBER:		TOP DOCUMENT NUMBER:	FILE NAME:		EDIT #	
					E-UA-H7844-0-0		B-DD-H7844-0-0	H7844B.PLS		1	

"THIS DRAWING AND THE SPECIFICATIONS CONTAINED HEREIN ARE CONFIDENTIAL AND PROPRIETARY. THEY ARE THE PROPERTY OF DIGITAL EQUIPMENT CORPORATION AND SHALL NOT BE REPRODUCED OR COPIED OR USED IN WHOLE OR IN PART AS THE BASIS FOR THE MANUFACTURE OR SALE OF ITEMS WITHOUT WRITTEN PERMISSION. THIS IS AN UNPUBLISHED WORK PROTECTED UNDER THE FEDERAL COPYRIGHT LAWS."

This document contains confidential proprietary information of DEC. This information shall not be disclosed to persons outside the employ of DEC, except by DEC personnel so authorized by DEC, and only for use by such other persons in the design, production or manufacture of products for DEC. Copyright © Digital Equipment Corporation.

<b>DIGITAL EQUIPMENT CORPORATION</b>						
MAYNARD, MASSACHUSETTS						
<b>ENGINEERING SPECIFICATION</b>					DATE Dec. 1, 1981	
TITLE H7844 POWER SUPPLY						
REVISIONS						
REV	DESCRIPTION	CHG NO	ORIG	DATE	APPD BY	DATE
	INITIAL		MACARTHUR	11/83		
ENG <i>El King</i>	APPD <i>El King</i>	SIZE A	CODE SP	NUMBER H7844-0-2	REV A	

<b>ENGINEERING SPECIFICATION</b>	<b>01571101</b>	CONTINUATION SHEET	
TITLE H7844 POWER SUPPLY			
1.0 <u>SCOPE</u>			
1.1 General Description			
Network topology shall be compatible with a low noise, multiple output design.			
1.2 Reference Documents			
DEC Standard 056 - Circuit Schematics			
DEC Standard 060 - Policy Relating to Nationally and Internationally Recognized Laboratories			
DEC Standard 103 - EMI/EMC			
DEC Standard 102 - Environmental Standards			
DEC Standard 116 - Workmanship Standards			
DEC Standard 119 - Product Safety			
DEC Standard 120 - Cooling Standards			
DEC Standard 122 - AC Power Line Standard			
DEC Standard 139 - Reliability Prediction			
DEC Standard 186 - Signal Integrity			
DEC Standard 002 - AC Power Wiring, Grounding, Receptacles and Nameplates			
DEC Standard 030 - Module Manufacturing Specification			
2.0 <u>ELECTRICAL SPECIFICATIONS</u>			
2.1 Input Specifications			
2.1.1 Line Voltage			
2.1.1.1 100-120 VAC nominal, single phase, 3 wire.			
<u>Nominal</u>	<u>System Spec.</u>	<u>Design Range</u>	
100-120 Nominal	90-128	88-132	
2.1.1.2 230 VAC nominal, single phase, 3 wire,			
<u>Nominal</u>	<u>System Spec.</u>	<u>Design Range</u>	
220-250 Nominal	180-256	176-264	
2.1.2 Line Frequency			
47-53 Hz for either input voltage range			
57-63 Hz for a 60 Hz system			
2.1.3 Input Line Current			
2.1.3.1 120 VAC (1.6A RMS) 2.9A RMS Max @ 88 VAC			
2.1.3.2 240 VAC (1.0A RMS) 1.5A RMS Max @ 176 VAC			
SIZE A	CODE SP	NUMBER H7844-0-2	REV A

**ENGINEERING SPECIFICATION**



CONTINUATION SHEET

TITLE H7844 POWER SUPPLY

2.1.4 The power factor  $\frac{\text{RMS watts}}{\text{RMS volts} \times \text{RMS amps}}$  of the input shall be greater than 0.60 at full output power and 120 VAC, 60 Hz line.

2.1.5 Inrush Current  
At the first application of input voltage to the power supply, the stated surge current may be reached for 1/2 cycle of the unput line. Following that surge, there will be repetitive peaks of exponentially decaying amplitude for up to 10 more cycles of the line until steady state operation is reached.

2.1.5.1 128 VAC: 50A PK (peak)

2.1.5.2 264 VAC: 50A PK (peak)

2.1.6 Overload Protection  
Inherent in the design. The power supply will not be damaged by any type of load.

2.1.7 Isolation (Hi-Pot)

2.1.7.1 Input to frame and shields for one minute per IEC 380 (1500 VAC (RMS) 50 Hz).

2.1.7.2 Input to DC outputs for one minute per IEC 380 (3750 VAC (RMS) 50 Hz).

2.1.7.3 Outputs to frame for one minute (with all connectors between outputs and frame opened) 500 VAC (RMS) 50 or 60 Hz).

2.1.7.4 All isolation transformers shall have been high potential tested prior to assembly in a module or assembly. Transformers with primary to secondary shields shall withstand 2500 VAC (RMS) 50 Hz for one minute per IEC 380. Transformers without shields shall withstand 3750 VAC (RMS) 50 Hz for one minute per IEC 380.

2.1.8 Real Input Power  
153 watts input maximum at full rated DC output load.

SIZE	CODE	NUMBER	REV
A	SP	H7844-0-2	A

**INSPECTION PROCEDURE**

CONTINUATION SHEET

TITLE H7844 POWER SUPPLY

2.1.9 Leakage Current  
The leakage current shall be .5MA RMS max each line to ground at 250V RMS sine wave, 50 Hz.

2.1.10 Efficiency  
The ratio of DC output power to real input power at full rated load shall be 0.7 minimum over either input voltage range.

2.1.11 Line Voltage Disturbances

2.1.11.1 Undervoltage

2.1.11.1.1 Undervoltage Withstand  
The power supply is capable of withstanding any undervoltage condition for any duration without physical damage or degradation.

2.1.11.2 Overvoltage  
The following overvoltage conditions may be imposed without any degradation or damage to the power supply.

2.1.11.2.1 120 VAC range  
150 VAC for 1 sec maximum

2.1.11.2.2 220 - 240 VAC range  
300 VAC for 1 sec maximum

2.1.12 High Voltage Transients  
Note: A spike is defined as a voltage transient, of either polarity and of either common or differential mode, with a rise time (10% to 90%) of 0.1 microseconds or less and a fall time (to 10%) of 10 microseconds or more. The average power of spikes shall not exceed 0.5 watts.

2.1.12.1 Low Energy Transients  
The supply shall withstand a 300V peak voltage spike containing not more than 0.2 watt-seconds of energy per spike without sustaining damage or degradation to any portion or component of the supply.

SIZE	CODE	NUMBER	REV
A	II	H7844-0-2	A

# ENGINEERING SPECIFICATION

CONTINUATION SHEET

TITLE H7844 POWER SUPPLY

## 2.1.12.2 High Energy Transients

The supply shall withstand a 1KV peak voltage spike containing not more than 2.5 watt-seconds of energy per spike without sustaining damage or degradation to any portion or component of the supply. This is a one shot, non-repetitive transient.

## 2.2 Output Specifications

DC output parameters are specified at the power supply output connector for all outputs, the total tolerance is the root-sum-squared of errors due to:

- Initial Tolerance
- Static Voltage Limits
- Dynamic Voltage Limits
- Line/Load changes over specified range
- Long term stability
- Temperature drift

### 2.2.1 Output Voltages

- +5.1VDC @ .5A min to 3.0A max
- +12.0VDC @ 0.0A min to .2A max
- 12.0VDC @ 0.0A min to .2A max
- +24.0VDC @ .1A min to 2.2A max
- 24.0VDC @ 0.0A min to 1.0A max

### 2.2.2 +5.1 Volt Output

The +5.1 volt output shall have the following characteristics as measured at Pin 3 (Pin 2 return) of J2:

- a) Overall regulation:  $\pm 5\%$

All variables (noise, ripple, thermal drift, etc.) which can effect the regulation, when added is defined as the overall regulation.

SIZE A	CODE SP	NUMBER H7844-0-2	REV A
-----------	------------	---------------------	----------

SHEET 5 OF 11

# ENGINEERING SPECIFICATION

CONTINUATION SHEET

TITLE H7844 POWER SUPPLY

## 2.2.3 +24 Volt Output

The +24 volt output shall have the following characteristics as measured at Pin 7 (Pin 6 return) of J2:

- a) Overall regulation:  $\pm 10\%$
- b) Dynamic load regulation: +4, -6%, based upon the following load conditions.

(See Figures 1 and 2)

Figure 3 shows the sequencing of pulse loads.

## 2.2.4 -24 Volt Output

The -24 volt output shall have the following characteristics as measured at Pin 5 (Pin 6 return) of J2:

- a) Overall regulation:  $\pm 10\%$
- b) Dynamic load regulation: +4, -6%, based on the following load conditions.

See Figure 2.

## 2.2.5 +12 Volt Output

The +12 volt output shall have the following characteristics as measured at Pin 9 (Pin 1 return) of J2:

- a) Overall regulation:  $\pm 5\%$

## 2.2.6 -12 Volt Output

The -12 volt output shall have the following characteristics as measured at Pin 9 (Pin 1 return) of J2:

- a) Overall regulation:  $\pm 5\%$

## 2.2.7 Overload Protection

Overload protection is provided for all outputs.

SIZE A	CODE SP	NUMBER H7844-0-2	REV A
-----------	------------	---------------------	----------



ENGINEERING SPECIFICATION



CONTINUATION SHEET

TITLE H7844 POWER SUPPLY

2.2.7.1 +5V Output

Current limit point:  
3.8 ± 0.3A  
Short circuit current  
(R ≤ .050 ohms): 2.0A max

2.2.7.2 +24V Output

Current limit point:  
3.0 ± 0.3A  
Short circuit current  
(R ≤ .050 ohms): 6.0A max

2.2.7.3 -24V Output

Current limit point:  
1.8 ± 0.3A  
Short circuit current  
(R ≤ .050 ohms): 6.0A max

3.0 ELECTROMAGNETIC INTERFERENCE SPECIFICATION

3.1 Susceptibility

3.1.1 AC Power Lines

3.1.1.1 CW RF: The power supply shall operate without system degradation with 3 volts RMS superimposed on the AC power interface (all lines, neutral and ground) in the frequency range of 10 KHz to 30MHz.

3.1.1.2 Transients

The power supply shall operate without degradation when transients with an energy level of 2.5 Ws are superimposed on all phase, neutral or ground conductors of the powercord. For testing purposes, the average transient power shall not exceed 0.5 watts. Also see section 2.1.12.1.

3.1.2 RF Field Strength

The power supply shall operate without degradation in the following fields, 100% amplitude modulated with 1000Hz square wave:

10kHz to 30 MHz: 2V/meter  
30MHz to 1 GHz: 5V/meter

SIZE	CODE	NUMBER	REV
A	SP	H7844-0-2	A

ENGINEERING SPECIFICATION



CONTINUATION SHEET

TITLE H7844 POWER SUPPLY

3.2 Equipment Emissions

The interference voltage on all connections to commercial AC power shall not exceed 77 db above one microvolt @ 10 KHz, decreasing with frequency to 55 db above one microvolt @ 150 KHz, 51 db above one microvolt from 150 KHz - 450 KHz and 45 db above one microvolt from 450 KHz to 30 MHz. The interference field-strength shall not exceed the following levels at 30 meters from the equipment: ( These numbers include the 3dB DEC guard band)

FREQUENCY	LEVEL
10 kHz - 30 MHz	50uV/m (34dBuV/m)
30 MHz - 1 GHz	17uV/m (25dBuV/m)

4.0 APPLICATION SPECIFICATIONS

To be used in the LA100, LA210, and LA260 printers.

5.0 MECHANICAL AND PHYSICAL SPECIFICATIONS

5.1 Size

The overall dimensions are nominally 3.37 in. high x, 3.7 in. deep x 14.74 in. wide.

5.2 Weight

Maximum weight is 2.27 kilograms (5 pounds).

5.3 Cooling

Natural convection

5.4 Identification Stickers

Special markings of compliance stickers are to be placed on the outside of the housing near the AC inlet access.

SIZE	CODE	NUMBER	REV
A	SP	H7844-0-2	A

## ENGINEERING SPECIFICATION



CONTINUATION SHEET

TITLE H7844 POWER SUPPLY

## 5.5 Input/Output Connectors

## 5.7.1 AC Input Line Interface

AC line input is directly into the line filter.

## 5.7.2 DC Output Connector:

9 Pin PCB header (12-15307-00)

## 5.6 Packaging

Per packaging instructions 37-00605-0-0

## 6.0 ENVIRONMENTAL SPECIFICATIONS

## 6.1 Temperature

## 6.1.1 Operating Ambient Temperature Range

0°C to 40°C (intended for use in equipment rated DEC-STD 102, Class B).

## 6.1.2 Storage Temperature Range

-40°C to 85°C.

## 6.2 Humidity

To 90% per DEC STD 102, Class B.

## 6.3 Altitude

Derate max operating temperature 1°F per 1000 feet elevation.

## 6.3.1 Operating Limit

22.2 in. Hg. (8,000 ft.).

## 6.3.2 Storage Limit

8.9 in. Hg. (30,000 ft.).

## 6.4 Vibration

Per DEC STD 102, Class B, Paragraph 6.1.

SIZE	CODE	NUMBER	REV
A	SP	H7844-0-2	A

## ENGINEERING SPECIFICATION



CONTINUATION SHEET

TITLE H7844 POWER SUPPLY

## 6.5 Shock

6.5.1 Operating: 10G pk, 10ms (1/2 sine) per DEC STD 102, paragraph 5.1.1.

6.5.2 Non-Operating: 40G pk, 30ms (1/2 sine) per DEC STD 102, paragraph 5.2.1.

## 7.0 RELIABILITY

## 7.1 Life Expectancy

The design goal for life expectancy is five years.

## 7.2 Operation Failure Rate

The calculated effective failure rate shall not exceed  $20 \times 10^{-6}$  failures per hour.

## 8.0 SAFETY

The power supply specified herein shall be UL recognized, CSA certified, and comply with IEC 380, ASC100, and BPO Tech Guide 2.

## 8.1 Electrical

The power supply and its application shall be listable per UL-478-Electronic Data Processing Units and Systems and meet UL 114 - Office Equipment.

The power supply and its application shall meet the following safety codes.

CSA C22.2 No.154 Canadian Electrical Code, Part II, Safety Standards for Electrical Equipment.

IEC 380 Safety of Office Equipment.

## 8.2 Isolation

See section 2.1.7 of this specification.

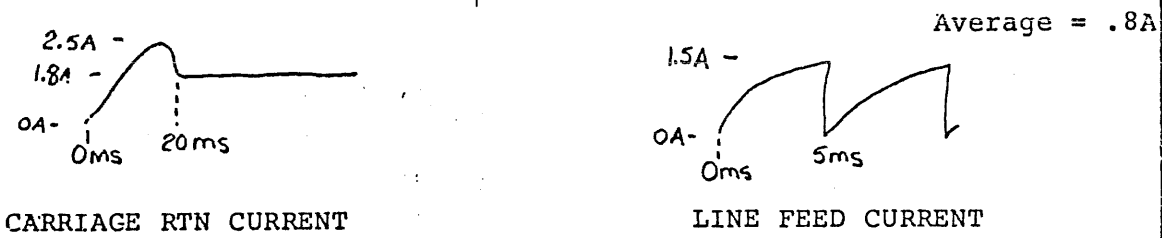
## 8.3 Warning Labels

High Voltage

Voltage Select Reminder

SIZE	CODE	NUMBER	REV
A	SP	H7844-0-2	A

TITLE H7844 POWER SUPPLY

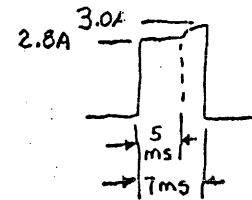


CARRIAGE RTN CURRENT

LINE FEED CURRENT

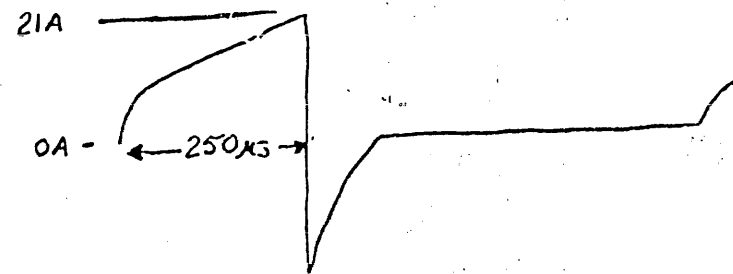
Carriage Rtn and Line Feed can occur simultaneously

Figure 1.



HEAD LIFT CURRENT

Figure 2.



PRINT HEAD CURRENT

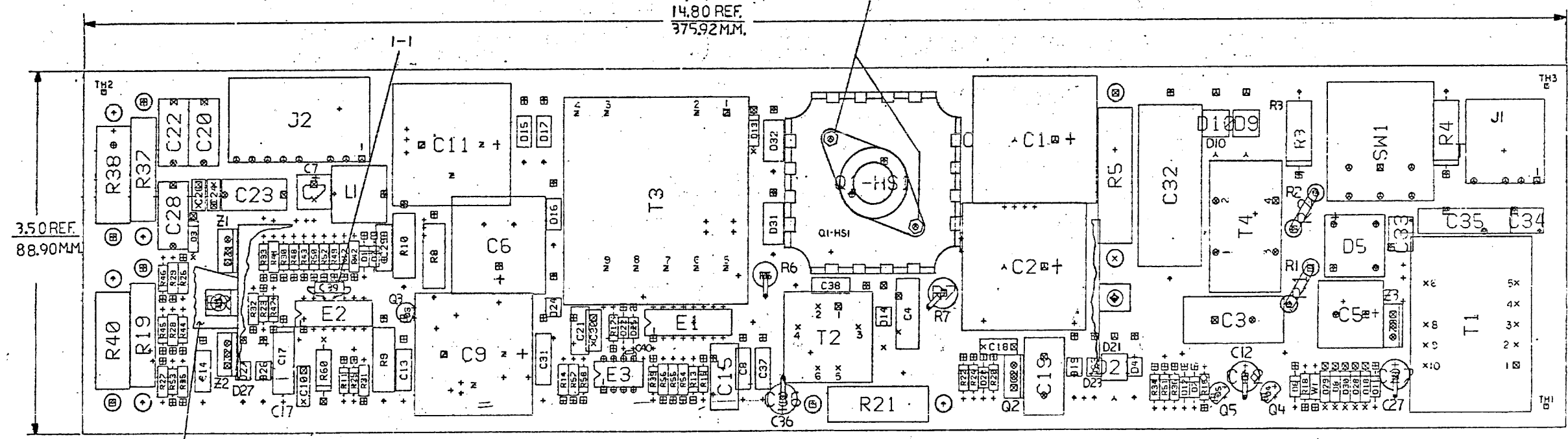
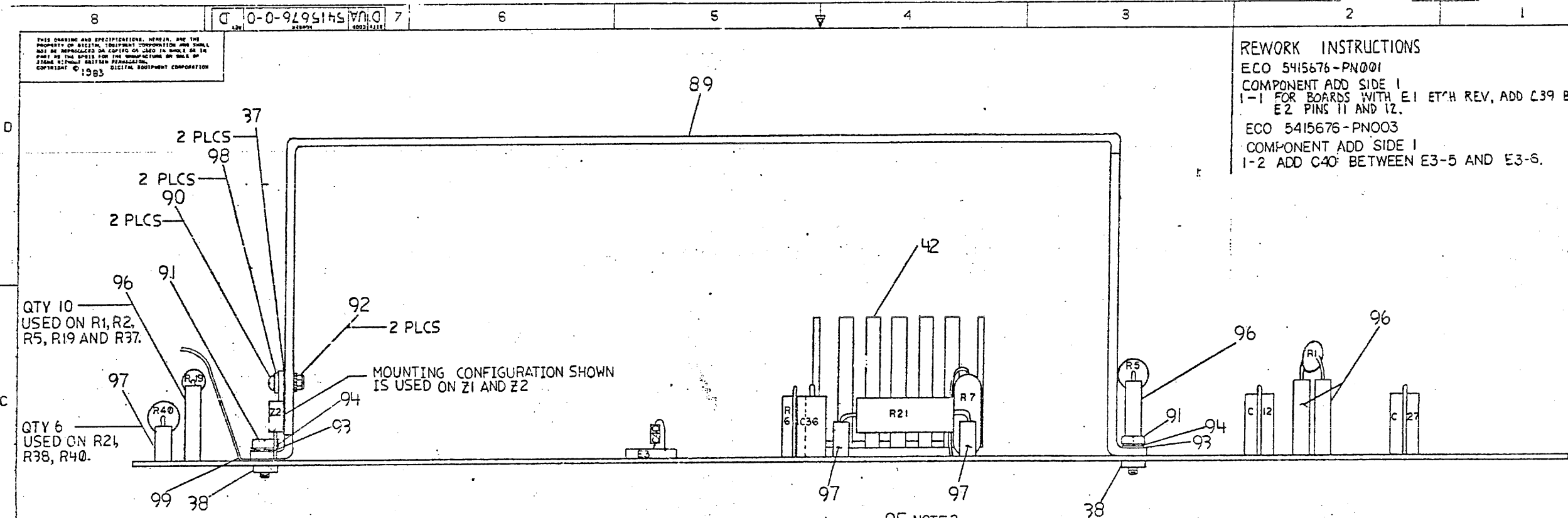
Average current shall not exceed .75A

Peak currents shall not exceed 2.1A

SIZE	CODE	NUMBER	REV
A	SP	117844-0-2	A

THIS DRAWING AND SPECIFICATIONS, HEREIN, ARE THE PROPERTY OF DIGITAL EQUIPMENT CORPORATION AND SHALL NOT BE REPRODUCED OR COPIED OR USED IN WHOLE OR IN PART IN THE ABSENCE OF THE WRITTEN PERMISSION OF DIGITAL EQUIPMENT CORPORATION.  
 COPYRIGHT © 1983 DIGITAL EQUIPMENT CORPORATION

**REWORK INSTRUCTIONS**  
 ECO 5415676-PN001  
 COMPONENT ADD SIDE 1  
 1-1 FOR BOARDS WITH E1 ETCH REV, ADD C39 BETWEEN E2 PINS 11 AND 12.  
 ECO 5415676-PN003  
 COMPONENT ADD SIDE 1  
 1-2 ADD C40 BETWEEN E3-5 AND E3-6.



NOTES:

- THIS BOARD MEETS REQUIREMENTS FOR REWR.
- TO SOLVE ITEM #55 TO #51 IN IEC
- CHANGE REV LEVEL OF MODULE WITH CAP ADDED AS REWORK FROM A1 TO A2.

STEP	E	Y AXIS	STEP	TIMES
REPEAT		+ X AXIS	STEP	TIMES

CHANGE NO	REV	DATE	BY	CHKD
001	B	1-28-83	E. KING	
002	C	1-28-83	E. KING	
003	D	1-28-83	E. KING	
004	E	1-28-83	E. KING	

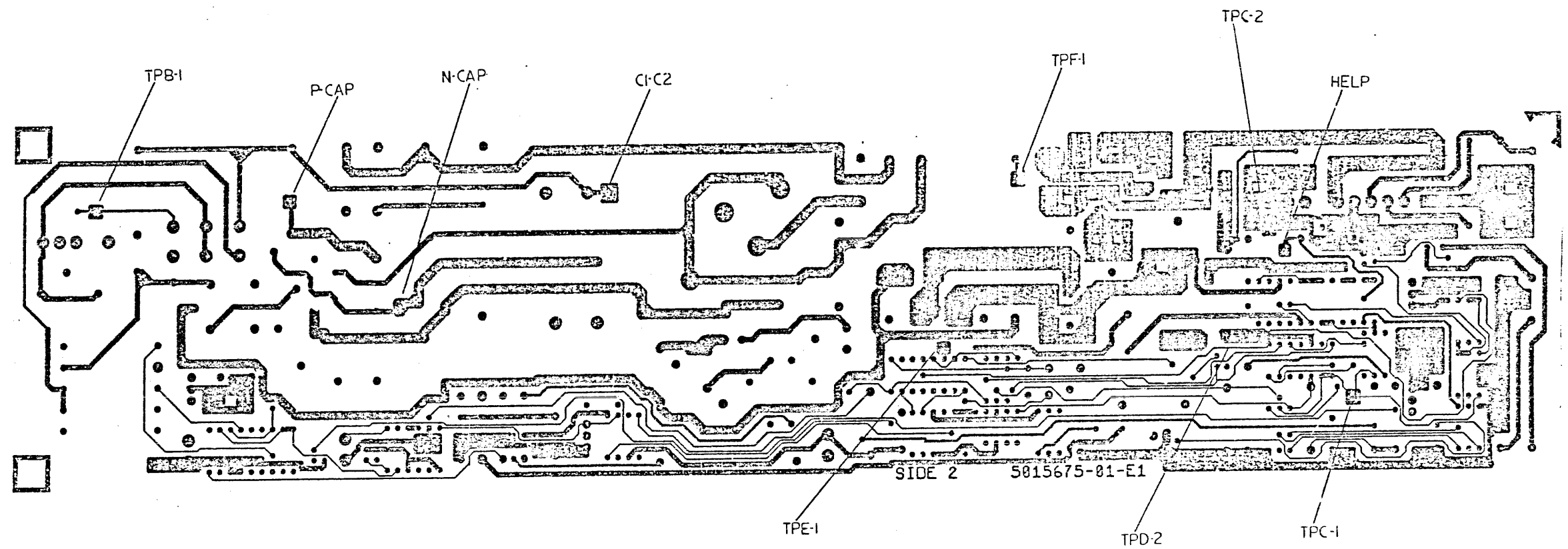
SIGNATURES	DATE
DRN. <i>Karley Kennedy</i>	3/20/83
CHK D. <i>Van der Pijl</i>	5-20-83
MECH. ENG. <i>John J. McLaughlin</i>	5-24-83
PROJ. ENG. <i>Bill J. McLaughlin</i>	5-26-83
PROD. <i>L. Brown</i>	5-26-83
SCALE 2:1	
SHT. 1 OF 2	
TOP DOC. NO. 8-DD-5415676-C-0	

digital	
TITLE LA100 POWER SUPPLY	
SIZE CODE	NUMBER
D UA	5415676-0-0
SHEET NO. 1 WO# 275199	

DUA 5415676-0-0

"THIS DRAWING AND SPECIFICATIONS HEREIN ARE THE PROPERTY OF DIGITAL EQUIPMENT CORPORATION AND SHALL NOT BE REPRODUCED OR COPIED OR USED IN WHOLE OR IN PART AS THE BASIS FOR THE MANUFACTURE OR SALE OF ITEMS WITHOUT WRITTEN PERMISSION. COPYRIGHT © 1983 DIGITAL EQUIPMENT CORPORATION"

D  
C  
B  
A

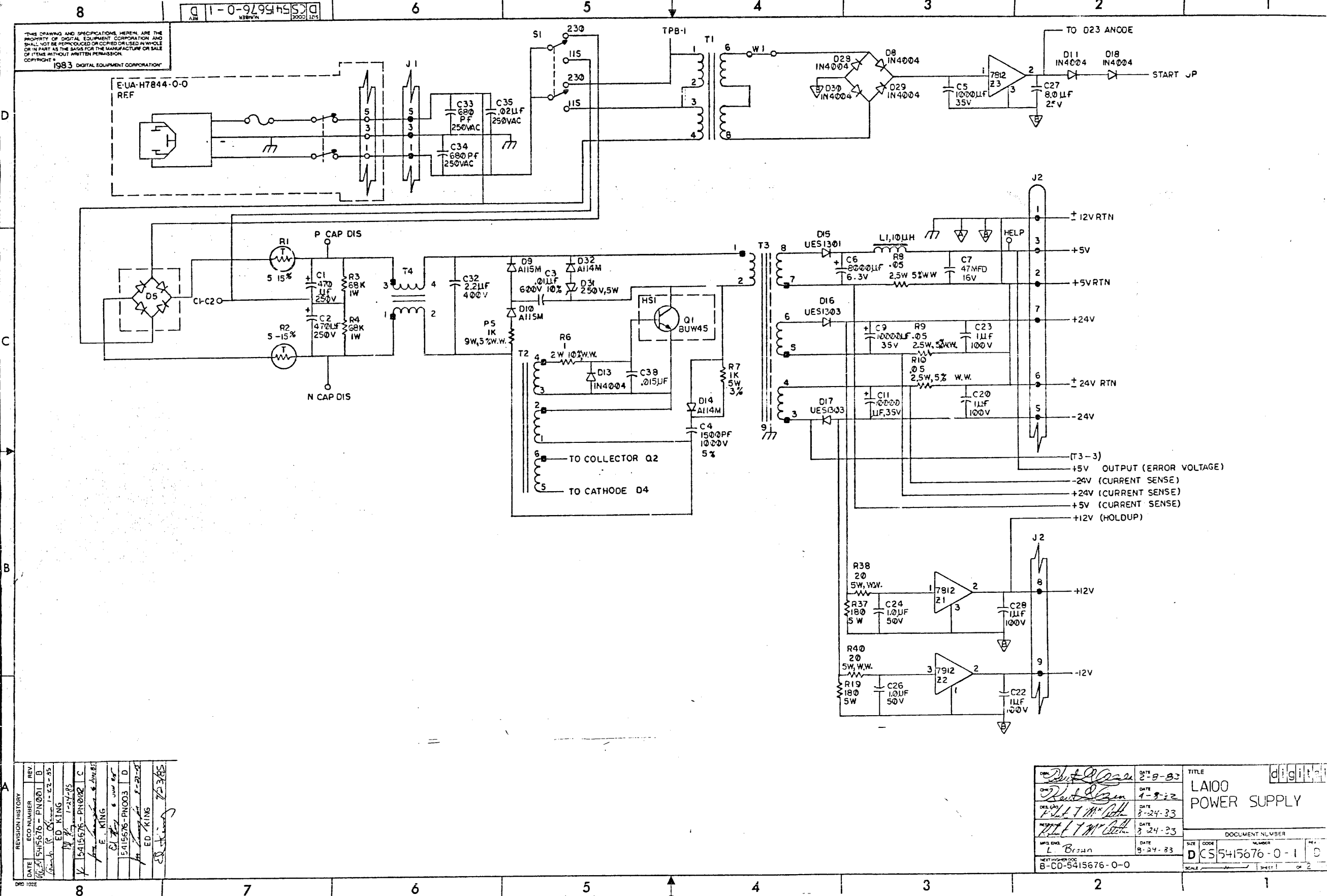


SIDE 2 5015675-01-E1

REVISIONS		
CHK	CHANGE NO	REV

DUA 5415676-0-0 2

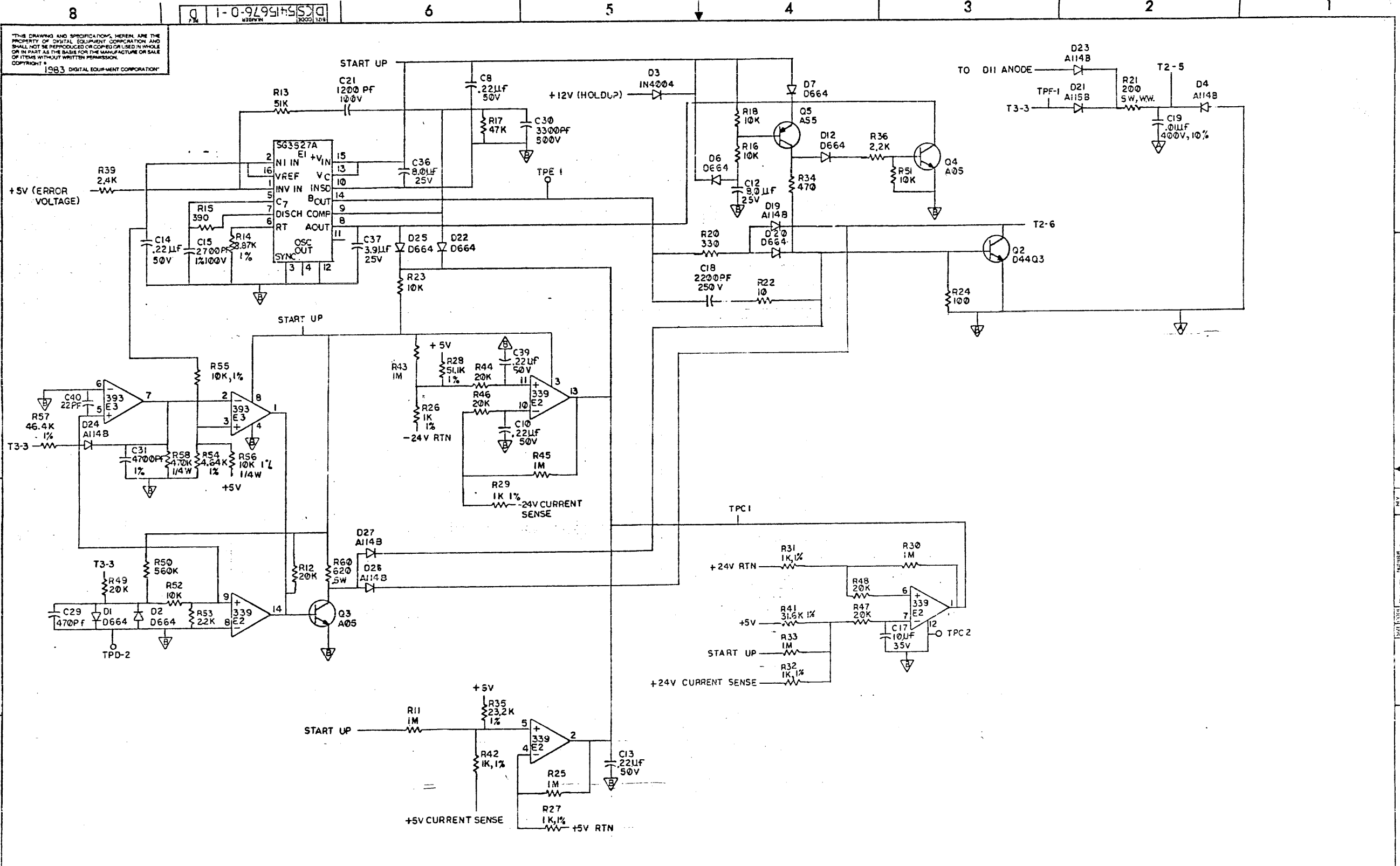
THIS DRAWING AND SPECIFICATIONS HEREIN ARE THE PROPERTY OF DIGITAL EQUIPMENT CORPORATION AND SHALL NOT BE REPRODUCED OR COPIED IN WHOLE OR IN PART AS THE BASIS FOR THE MANUFACTURE OR SALE OF ITEMS WITHOUT WRITTEN PERMISSION.  
 1983 DIGITAL EQUIPMENT CORPORATION



DATE	ECO NUMBER	REV
11-22-83	5415676-PN001	B
1-27-85	5415676-PN002	C
3-24-83	5415676-PN003	D

DESIGNER <i>[Signature]</i>	DATE 8-9-83	TITLE LA100 POWER SUPPLY
CHECKED <i>[Signature]</i>	DATE 4-8-82	
DESIGN <i>[Signature]</i>	DATE 8-24-83	
APP'D <i>[Signature]</i>	DATE 3-24-83	
WFO ENGR L. Brian	DATE 8-24-83	DOCUMENT NUMBER DCS5415676-0-1 D
REV. HISTORY B-CD-5415676-0-0		SCALE 1:1

THIS DRAWING AND SPECIFICATIONS HEREIN ARE THE PROPERTY OF DIGITAL EQUIPMENT CORPORATION AND SHALL NOT BE REPRODUCED OR COPIED OR USED IN WHOLE OR IN PART AS THE BASIS FOR THE MANUFACTURE OR SALE OF ITEMS WITHOUT WRITTEN PERMISSION.  
 COPYRIGHT © 1963 DIGITAL EQUIPMENT CORPORATION



REVISION HISTORY		
DATE	ECO NUMBER	REV.

TITLE  
 LA100 POWER SUPPLY

DOCUMENT NUMBER		FF.
SIZE	NUMBER	
D	CS 5415676-0-1	D
SCALE	SHEET 2 OF 2	

LINE	ITEM	TOP DOCUMENT	PART NUMBER	MIN REV	DESCRIPTION	QTY	PER VARIATION	REFERENCE DESIGNATOR
					VARIATION REVISION LEVEL:	01		
1	1	D-MD-5015675-0-0	5015675-01	E	CIRCUIT DRILL & ETCH	1		
2	2		1000024-00		470.0 MMF 100V 5%200PPM MICA	1		C29
3	3		1000055-00		2200.0 MMF 250V 20% Y5S DISC	1		C18
4	4		1000064-00		3.9MFD 10V 10% S.TANT	1		C37
5	5		1002424-00		1200.0 MMF 100V 5%200PPM MICA	1		C21
6	6		1002630-00		.015 MFD 100V 10% MYLR	1		C38
7	7		1009312-00		.0047 MFD 100V 1% MYLR	1		C31
8	8		1010274-01		.22 MFD 50V +80-20% Z5U CER	2		C10,C39
9	9		1010274-02		1 MFD 50V +80-20% CER	2		C24,C26
10	10		1011847-01		.01 MFD 400V 10% POLYPROP	1		C19
11	11		1011847-02		.01 MFD 600V 10% POLYPROP	1		C3
12	12		1012084-01		8 MFD 25V +75-10% AL EL	3		C12,C27,C36
13	13		1013466-11		.22 MFD 50V +80-20% Z5U CER	3		C8,C13,C14
14	14		1013963-00		3300.0 MMF 500V 20% Z5U DISC	1		C30
15	15		1014170-00		2700.0 MMF 100V 1% 70PPM MICA	1		C15
16	16		1015466-00		8000 MFD 6.3V +75-10% AL EL	1		C6
17	17		1015520-00		1 MFD 100V 5% MET. MYLR	4		C20,C22,C23,C28
18	18		1017472-00		10 MFD 35V +75-10% AL EL	1		C17
19	19		1019413-05		470 MFD 250V 20% AL EL	2		C1,C2
20	20		1019422-04		2.2MFD 400V 20% MET. MYLR	1		C32
21	21		1019537-01		1000 MFD 35V +50-10% AL EL	1		C5
22	22		1020173-03		10,000MFD 35V 20% AL EL	2		C9,C11
23	23		1021266-01		1500.0 MMF 1000V 5% 70PPM MICA	1		C4
24	24		1021546-01		47 MFD 16V 20% AL EL	1		C7
25	25		1021591-01		.02 MFD 300V 20% X-CAP	1		C35
26	26		1021591-02		680.0 MMF 500V 20% Y-CAP	2		C33,C34
27	27		1100114-00		PIV= 25 IO=135 MA	8		D1,D2,D6,D7,D12,D20,D22,D25
28	28		1105796-01		PIV= 400 IO= 1.00A DO-41	8		D3,D8,D11,D13,D18,D28,D29,D30
29	29		1112594-01		PIV= 200 IO= 3.00A	1		D21
30	30		1112594-02		PIV= 600 IO= 3.00A	2		D9,D10

REVISION HISTORY			BASIC PART NO: 5415676			DRN:	RITA BUREAU	DATE:	25-JUL-83	D I G I T A L			
ENG:	ECO NUMBER	REV	SECTION A OF A			CHK'D:	KEN DE MONTIGNY	DATE:	25-AUG-83	TITLE PARTS LIST			
---	INITIAL	A	SECTION VARIATION INDEX			DES.ENG:	BOB MACARTHUR	DATE:	25-AUG-83	LA100 POWER SUPPLY			
EK	5415676-PN001	B	[A]	01						DOCUMENT NUMBER			
EK	5415676-PN002	C	[B]							SIZE	CODE	NUMBER	REV
EK	5415676-PN003	D	[C]										
			[D]										
			[E]			RESP.ENG.:	BOB MACARTHUR	DATE:	25-AUG-83	K	PL	5415676-0-DBP	D
			[F]										
			[H]			MFG.ENG.:	LEV BROWN	DATE:	25-AUG-83	RELEASE DATE: 23-SEP-85			
			[J]										
			[K]			ASSEMBLY NUMBER:		TOP DOCUMENT NUMBER:		FILE NAME:		EDIT #	
			[L]			D-UA-5415676-0-0		B-DD-5415676-0-0		Z5775D.PLS		21	
			[M]										
			[N]										

"THIS DRAWING AND THE SPECIFICATIONS CONTAINED HEREIN ARE CONFIDENTIAL AND PROPRIETARY. THEY ARE THE PROPERTY OF DIGITAL EQUIPMENT CORPORATION AND SHALL NOT BE REPRODUCED OR COPIED OR USED IN WHOLE OR IN PART AS THE BASIS FOR THE MANUFACTURE OR SALE OF ITEMS WITHOUT WRITTEN PERMISSION. THIS IS AN UNPUBLISHED WORK PROTECTED UNDER THE FEDERAL COPYRIGHT LAWS."





LINE	ITEM	TOP DOCUMENT	PART NUMBER	MIN REV	DESCRIPTION	QTY PER VARIATION 01	REFERENCE DESIGNATOR
79	79		1617492-00		XFMR S=240-360V S=5/+24V	1	T3
80	80		1618013-00		10.0 UH 20A	1	L1
81	81		1618404-00		39.0 MH 30% 500MA	1	T4
82	82		1621982-01		XFMR, BIAS, 120/240V 47-63HZ	1	T1
83	83		1618543-00		PULSE XFMR, RATIO 1:8:32 PC MNT	1	T2
84	84		1912048-05		7812 VOLT REG, FIX +12V	2	Z1, Z3
85	85		1912108-00		339 VOLT CMPRTR, QUAD	1	E2
86	86		1914156-00		LM 393 VOLT, COMPARATOR DUAL	1	E3
87	87		1914517-01		7912 VOLT REG, FIX -12V	1	Z2
88	88		1916819-00		3527A MODULATOR, REGULATING	1	E1
89	89		7424091-00		BRKT, HEAT SINK	1	
90	90		9006011-01		*** THIS ITEM IS NOT USED ***	-	
91	91		9006021-01		SCREW, MACH PAN PHIL 6-	2	
92	92		9006557-00		*** THIS ITEM IS NOT USED ***	-	
93	93		9006656-00		WASHER, FLAT STEEL	2	
94	94		9007801-00		WASHER, HELICAL SPLIT SST	2	
95	95		9008185-00		NUT, HEX EXT TOOTH LCKWSHR 6-32	2	
96	96		9009798-00		SPACER, CLEAR HOLE RND CERAM .07	10	
97	97		9009798-01		SPACER, CLEAR HOLE RND CERAM .07	6	
98	98		9010057-00		WASHER, SHOULDER INSULATG PPS	2	
99	99		7429446-01		STRAP, GROUND	1	
100	100		9009185-00		JUMPER, WIRE, INSULATED, BLACK B	1	W1
101	101		9006402-05		SCREW, NYLN RND SLOT 4-	2	
102	102		9007992-00		NUT, HEX 4-40X .246AF NYLO	2	
103	103		1013466-23		22.0 MMF 50V 5% CER	1	C40

D	I	G	I	T	A	L	TITLE	SECTION A OF A	SIZE	CODE	DOCUMENT NUMBER	REV
							LA100 POWER SUPPLY		K	PL	5415676-0-DBP	D

This drawing and specifications, herein, are the property of Digital Equipment Corporation and shall not be reproduced or copied or used in whole or in part as the basis for the manufacture or sale of items without written permission.

DIGITAL EQUIPMENT CORPORATION MAYNARD MASSACHUSETTS			
PACKAGING INSTRUCTION		REV <u>C</u>	DATE <u>3/87</u>
TITLE PKG. POWER SUPPLY H7834/H7837/H7844/H7847		_____	_____
LEGEND			
VARIATION PART	REV	PACKAGE TYPE	REMARKS
37-00605-00	A1	BULK INTERPLANT/ 9 PACK	H7834/H7837/H7844/H7847 (12 CARTONS PALLETIZED)
37-00605-01	A1	FIELD SERVICE/ CUSTOMER SPARE	H7834/H7837/H7844/H7847 (SINGLE PACK)
<p>PACKAGING ASSEMBLIES 37-00605-00 AND 37-00605-01 REFER TO OFF-SHEET PARTS LIST K-PL-3700605-0-DBP, REV C</p> <p>PACKAGING ASSEMBLIES 37-00605-00 AND 37-00605-01 REFER TO FIGURES 1 THRU 3 FOR PICTORIAL PROCEDURE</p> <p>PACKAGING ASSEMBLY 37-00605-00 FIGURES 1 AND 2</p>			
STEP	PROCEDURE		
1.	PLACE MOLDED EXPANDED POLYSTYRENE END CAPS ON EACH END OF THE H7834/H7837/H7844/H7847 POWER SUPPLY. CUT OUTS IN END CAP, FIT AROUND SWITCH AND FUSE.		
2.	PLACE NINE (9) OF THESE ASSEMBLIES IN REGULAR SLOTTED CARTON.		
3.	TAPE TOP AND BOTTOM OF CARTON USING APPROXIMATELY TWO (2) FEET OF TAPE (99-05729-00 OR 99-06487-00/01 {ITEM #1}). TAPE SHOULD BE APPLIED ACROSS THE LENGTH OF THE CARTON AND EXTEND APPROXIMATELY THREE (3) INCHES OVER EACH SIDE.		
3 SHEETS ARE "C" SIZE			
ENG <i>J. Hoyle</i>	APPD <i>H. B. Roberts</i>	SIZE <u>A</u>	CODE <u>PA</u> NUMBER <u>3700605-0-0</u> REV <u>C</u>

EN-011 (REV. 10-73)

SHEET 1 OF 5

PACKAGING INSTRUCTION		CONTINUATION SHEET	
TITLE			
PKG POWER SUPPLY H7834/H7837/H7844/H7847			
4.	LABEL, STAMP, PRINT AND MARK END OF CARTON WITH PART NUMBER VARIATION, REVISION AND SERIAL NUMBER AND QUANTITY.		
5.	PALLETIZE PER FIGURE 2 USING SHIPPING SKID (99-06199-00 {ITEM #3}) AND FOUR (4) ANGLE BOARDS (99-06185-14 {ITEM #4}) AND FOUR (4) LENGTHS OF STRAPPING (99-05734-02 {ITEM #5}).		
PACKAGING ASSEMBLY 37-00605-01 FIGURE 3			
STEP	PROCEDURE		
1.	REMOVE H7834/H7837/H7844/H7847 POWER SUPPLY FROM 9 PACK CARTON (37-00605-00).		
2.	SET UP REGULAR SLOTTED CARTON (99-06117-00 {ITEM #2}).		
3.	PLACE POWER SUPPLY WITH MOLDED FOAM END CAPS INSIDE CARTON.		
4.	SEAL CARTON END WITH CARTON SEALING TAPE (99-05729-00 OR 99-06487-00/01 {ITEM #1}) USING APPROXIMATELY ONE (1) FOOT PER END. TAPE SHOULD BE APPLIED ACROSS THE LENGTH OF THE CARTON AND EXTEND APPROXIMATELY THREE (3) INCHES OVER EACH SIDE.		
5.	LABEL, STAMP, PRINT, MARK END OF CARTON WITH PART NUMBER, VARIATION AND REVISION AND SERIAL NUMBER.		
	SIZE <u>A</u>	CODE <u>PA</u>	NUMBER <u>3700605-0-0</u> REV <u>C</u>

EN-011 (REV. 10-73)

SHEET 2 OF 5

THIS DRAWING AND THE SPECIFICATIONS CONTAINED HEREIN ARE CONFIDENTIAL AND PROPRIETARY. THEY ARE THE PROPERTY OF DIGITAL EQUIPMENT CORPORATION AND SHALL NOT BE REPRODUCED OR COPIED OR USED IN WHOLE OR IN PART AS THE BASIS FOR THE MANUFACTURE OR SALE OF ANYTHING WITHOUT WRITTEN PERMISSION. THIS IS AN UNPUBLISHED WORK PROTECTED UNDER THE FEDERAL COPYRIGHT LAWS 1987.

SIZE CODE NUMBER  
C PA 3700605-0-0

REV. C

U

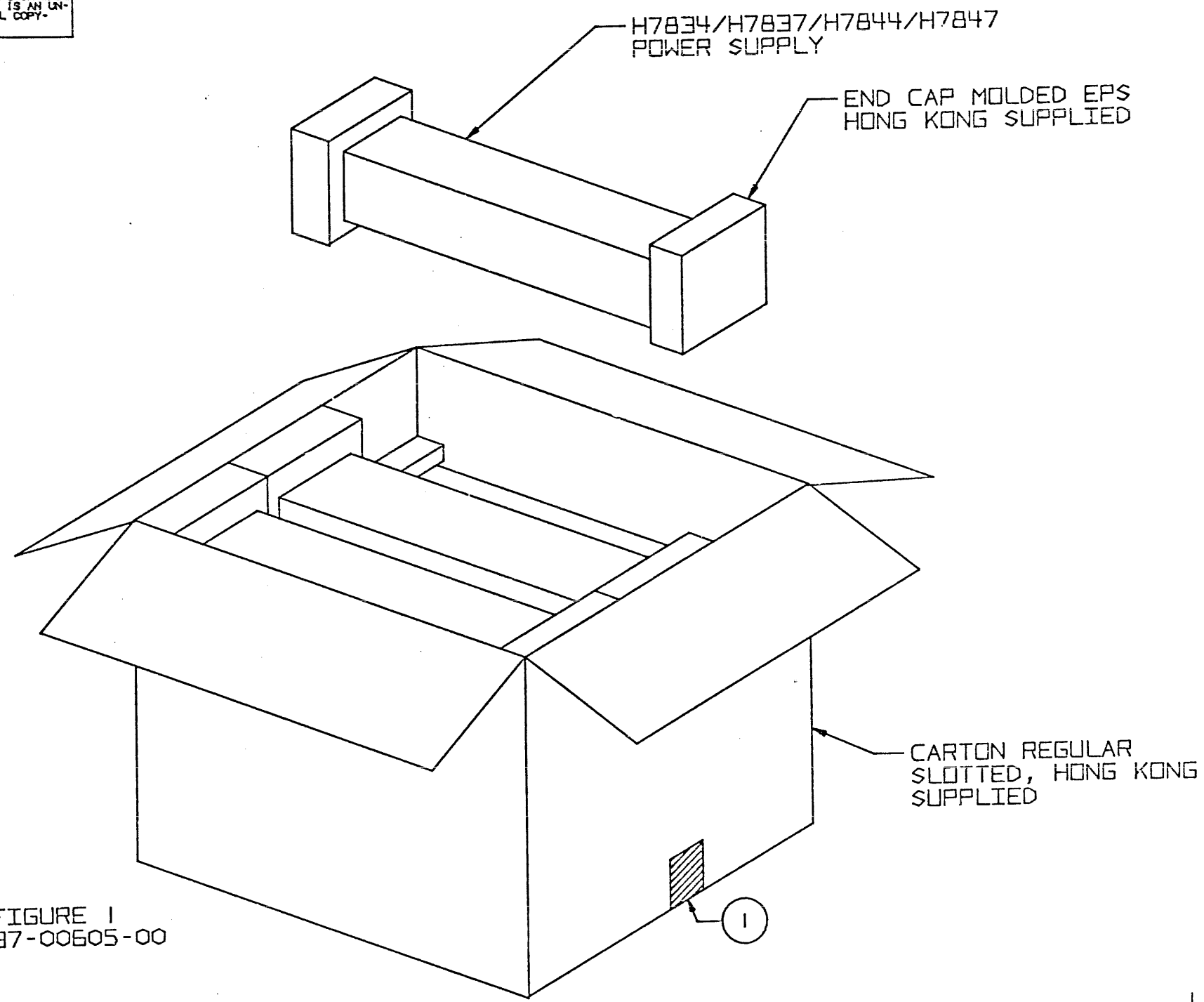
Δ

B

A

REVISIONS		
REV	ECO NUMBER	DATE
C	3700605-11002	1/1/87

FIGURE 1  
37-00605-00



LAYER 1/D ES  
PLOT AT 1.00

DRN W.B. ROBERTS	DATE 07-JAN-81	TITLE digital	
CHK'D S.L. RYAN	DATE 16-JAN-84	PKG, POWER SUPPLY H7834/H7837/ H7844/H7847	
DES. ENG. J. THORPE	DATE 07-JAN-81	DOCUMENT NUMBER	
RESP. ENG. G. BIDDICK	DATE 15-JAN-87	SIZE CODE NUMBER	REV. C
MFG. ENG. N. BURBANE	DATE 15-JAN-87	C PA 3700605-0-0	
TOP DOC. NO. A-PA-3700605-0-0		SCALE NONE	SHEET E OF 5

REV. C  
0-0-505000E  
V/P  
C

4 E 2 1

4 E 2 1

THIS DRAWING AND THE SPECIFICATIONS CONTAINED HEREIN ARE CONFIDENTIAL AND PROPRIETARY. THEY ARE THE PROPERTY OF DIGITAL EQUIPMENT CORPORATION AND SHALL NOT BE REPRODUCED OR COPIED OR USED IN WHOLE OR IN PART AS THE BASIS FOR THE MANUFACTURE OR SALE OF ITEMS WITHOUT WRITTEN PERMISSION. THIS IS AN UNPUBLISHED WORK PROTECTED UNDER THE FEDERAL COPYRIGHT LAWS 1987.

SIZE CODE NUMBER  
C PA 3700605-0-0

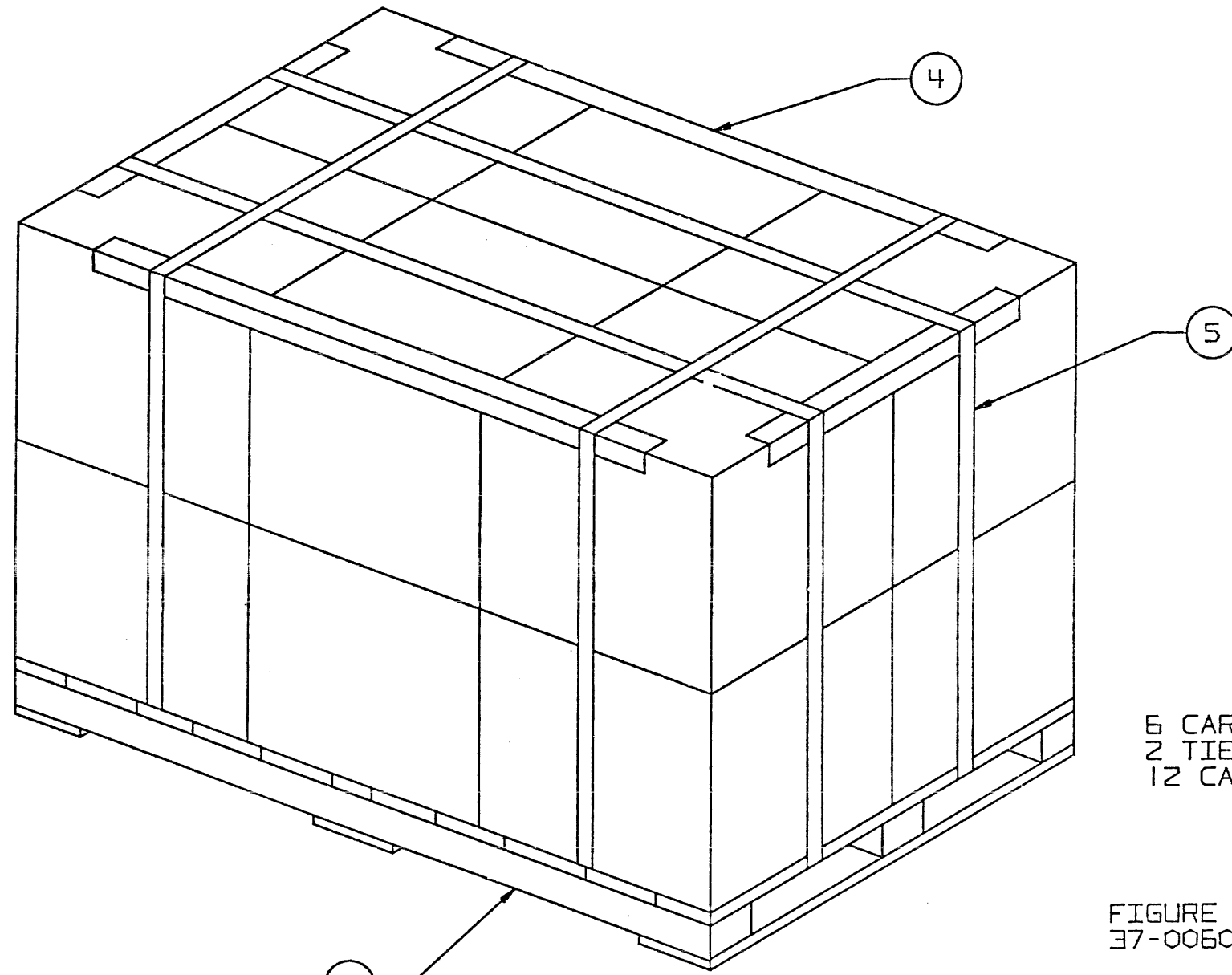
REV. C

U

Δ

B

A



6 CARTONS/TIER  
2 TIERS HIGH  
12 CARTONS/PALLET

STRAPPING DETAIL

FIGURE 2  
37-00605-00

LAYER 2/C ES  
PLOT AT 1.00

TITLE			digital
PKG, POWER SUPPLY H7834/H7837/ H7844/H7847			
DOCUMENT NUMBER			
SIZE	CODE	NUMBER	REV.
C	PA	3700605-0-0	C
SCALE		SHEET 4 of 5	
NONE			

REV. C

0-0-50500ZE

VA

C

THIS DRAWING AND THE SPECIFICATIONS CONTAINED HEREIN ARE CONFIDENTIAL AND PROPRIETARY. THEY ARE THE PROPERTY OF DIGITAL EQUIPMENT CORPORATION AND SHALL NOT BE REPRODUCED OR COPIED OR USED IN WHOLE OR IN PART AS THE BASIS FOR THE MANUFACTURE OR SALE OF ITEMS WITHOUT WRITTEN PERMISSION. THIS IS AN UNPUBLISHED WORK PROTECTED UNDER THE FEDERAL COPYRIGHT LAWS 1987.

SIZE CODE NUMBER  
C PA E 3700605-0-0

REV. C

U

▽

B

A

REVISIONS	
REV	ECCO NUMBER DATE

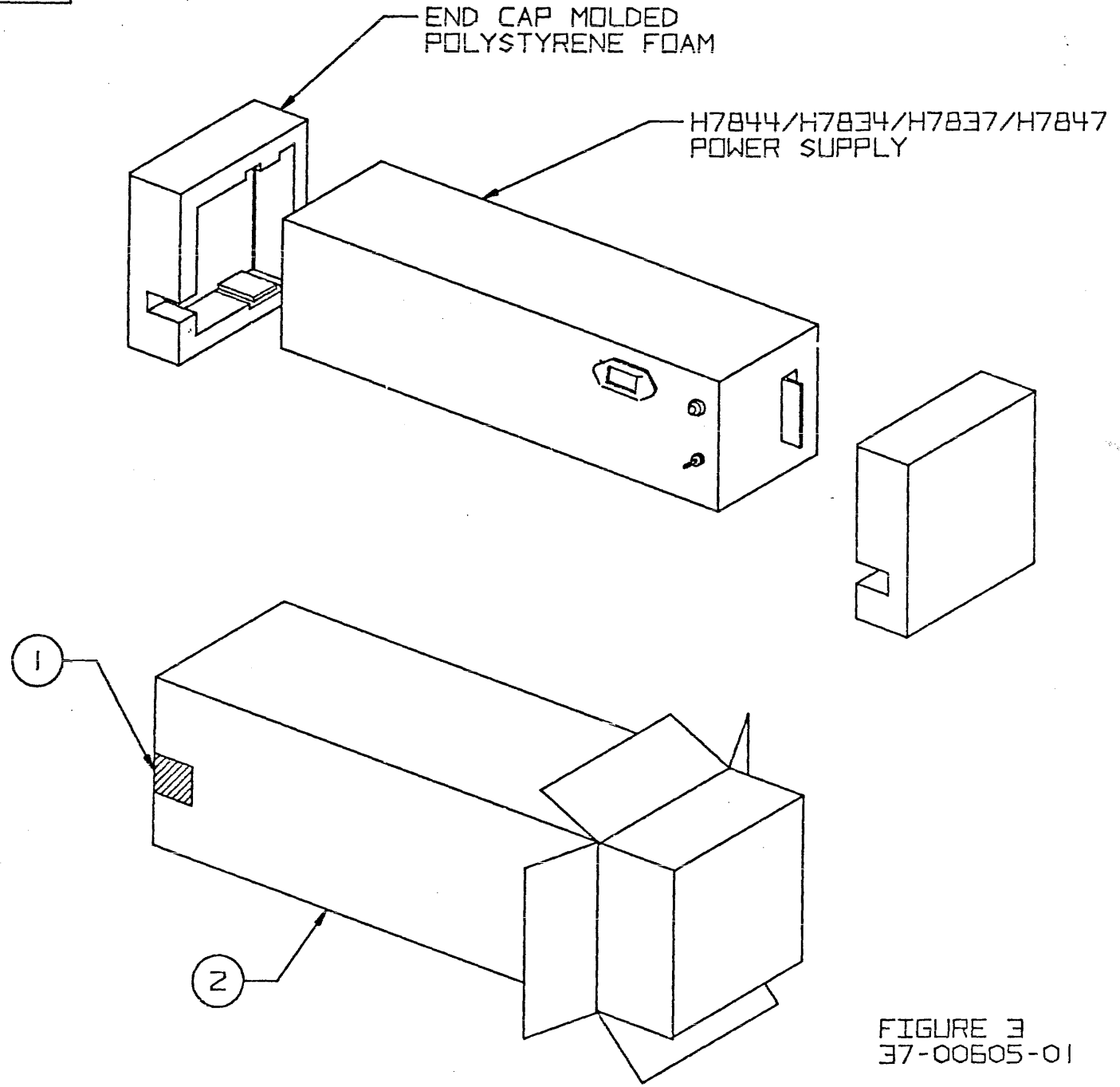


FIGURE E  
37-00605-01

LAYER 3/C ES  
PLOT AT 1.00

TITLE			digital
PKG, POWER SUPPLY H7834/H7837/ H7844/H7847			
DOCUMENT NUMBER			
SIZE	CODE	NUMBER	REV.
C	PA	3700605-0-0	C
SCALE NONE		SHEET 5 of 5	

REV. C  
0-0-509007E VA  
SIZE CODE NUMBER C PA E 3700605-0-0