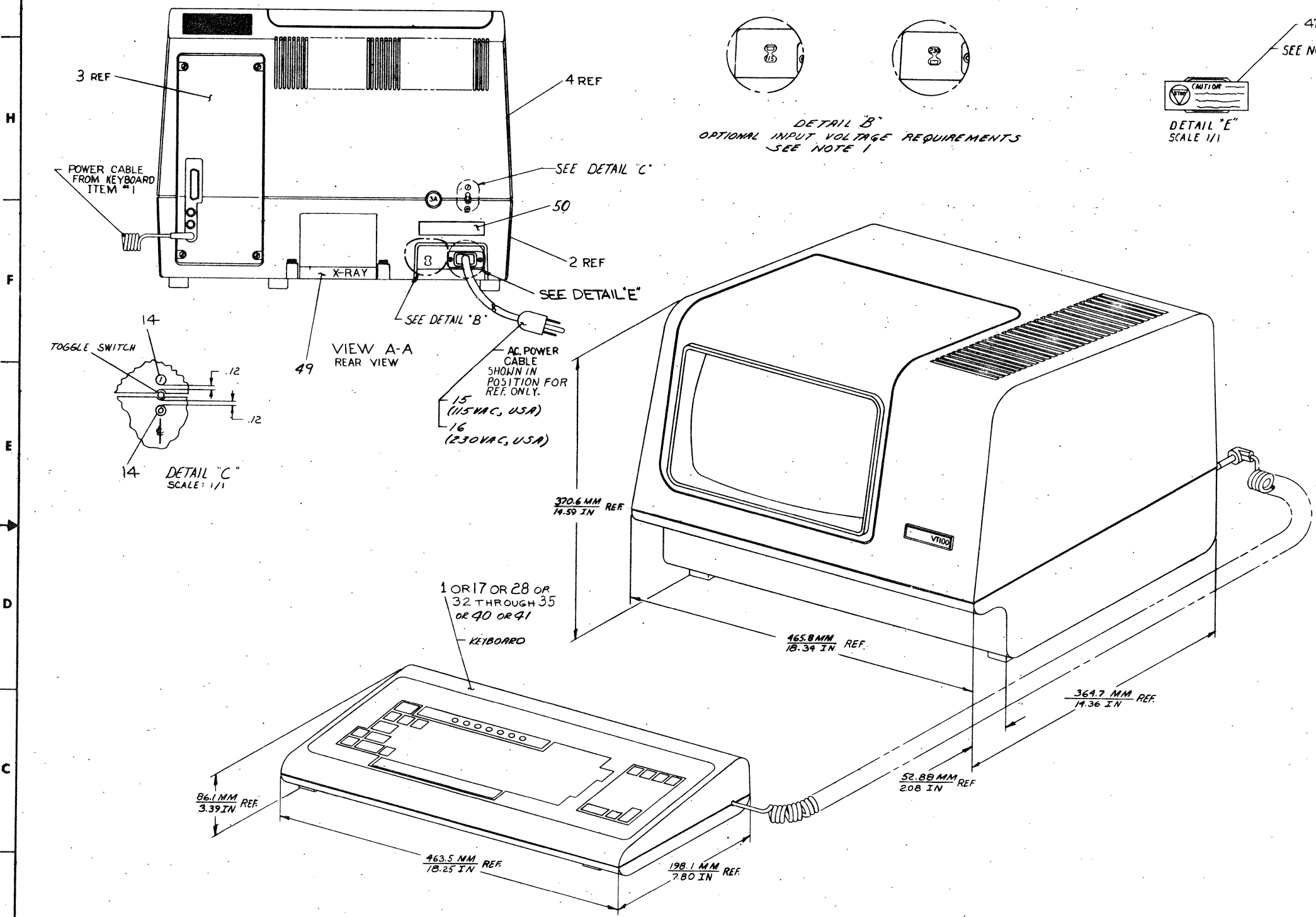


UNITED STATES GOVERNMENT
 OFFICE OF NAVAL AFFAIRS
 WASHINGTON, D. C. 20340
 NAVY FORM 100-0-0
 1977 EDITION
 GPO: 1977 O-370-0324-0-0

NOTE: FOR LEGEND & LABEL INFORMATION
 REFER TO SHEET #2.

- NOTE:
1. ALL VT100 UNIVERSAL TERMINALS ARE SHIPPED SET UP FOR 100-130 VAC, 60HZ OPERATION. TERMINAL IS SWITCH SETTABLE FOR 220-240 VAC, 50/60 HZ OPERATION BY SLIDING ACTUATOR TO POSITION SHOWN IN DETAIL 'B'.
 2. PACKAGING: WHEN SHIPPED, MATERIAL SHALL BE ADEQUATELY PROTECTED FROM HANDLING AND SHIPPING DAMAGE USING DIGITAL PACKAGING INSTRUCTION A-SP-3700324-0-0.
 3. TERMINAL IS SUPPLIED WITHOUT INTERFACE CABLES. ORDER INTERFACE CABLES FOR OPTIONS VT100-AA THRU VT100-DC.
 4. FLYBACK TRANSFORMER FOR ALTERNATE MONITOR, BALL BROTHERS 30-14590-0-0 IS MOUNTED TO CHASSIS USING 9007967-00 SCREWS (QTY2), AND CRT IS GROUNDLED USING C-MD-7419836-0-0 RETAINERS (QTY2).
 5. ITEM 42 IS TO BE INSTALLED AFTER TEST.
 6. SCREWS, ITEM #31 FOR SHIPPING USE ONLY.



CAUTION: OFF SHEET PARTS LIST EXISTS.
 SEE K-PL-VT100-0-DBP

REV	DATE	BY	CHKD	DESCRIPTION
1	11-10-77	J. BITTO	J. BITTO	REVISED TO REFLECT CHANGES TO THE UNIT ASSY
2	11-10-77	J. BITTO	J. BITTO	REVISED TO REFLECT CHANGES TO THE UNIT ASSY
3	11-10-77	J. BITTO	J. BITTO	REVISED TO REFLECT CHANGES TO THE UNIT ASSY
4	11-10-77	J. BITTO	J. BITTO	REVISED TO REFLECT CHANGES TO THE UNIT ASSY
5	11-10-77	J. BITTO	J. BITTO	REVISED TO REFLECT CHANGES TO THE UNIT ASSY
6	11-10-77	J. BITTO	J. BITTO	REVISED TO REFLECT CHANGES TO THE UNIT ASSY
7	11-10-77	J. BITTO	J. BITTO	REVISED TO REFLECT CHANGES TO THE UNIT ASSY
8	11-10-77	J. BITTO	J. BITTO	REVISED TO REFLECT CHANGES TO THE UNIT ASSY
9	11-10-77	J. BITTO	J. BITTO	REVISED TO REFLECT CHANGES TO THE UNIT ASSY
10	11-10-77	J. BITTO	J. BITTO	REVISED TO REFLECT CHANGES TO THE UNIT ASSY
11	11-10-77	J. BITTO	J. BITTO	REVISED TO REFLECT CHANGES TO THE UNIT ASSY
12	11-10-77	J. BITTO	J. BITTO	REVISED TO REFLECT CHANGES TO THE UNIT ASSY
13	11-10-77	J. BITTO	J. BITTO	REVISED TO REFLECT CHANGES TO THE UNIT ASSY
14	11-10-77	J. BITTO	J. BITTO	REVISED TO REFLECT CHANGES TO THE UNIT ASSY
15	11-10-77	J. BITTO	J. BITTO	REVISED TO REFLECT CHANGES TO THE UNIT ASSY
16	11-10-77	J. BITTO	J. BITTO	REVISED TO REFLECT CHANGES TO THE UNIT ASSY
17	11-10-77	J. BITTO	J. BITTO	REVISED TO REFLECT CHANGES TO THE UNIT ASSY
18	11-10-77	J. BITTO	J. BITTO	REVISED TO REFLECT CHANGES TO THE UNIT ASSY
19	11-10-77	J. BITTO	J. BITTO	REVISED TO REFLECT CHANGES TO THE UNIT ASSY
20	11-10-77	J. BITTO	J. BITTO	REVISED TO REFLECT CHANGES TO THE UNIT ASSY
21	11-10-77	J. BITTO	J. BITTO	REVISED TO REFLECT CHANGES TO THE UNIT ASSY
22	11-10-77	J. BITTO	J. BITTO	REVISED TO REFLECT CHANGES TO THE UNIT ASSY
23	11-10-77	J. BITTO	J. BITTO	REVISED TO REFLECT CHANGES TO THE UNIT ASSY
24	11-10-77	J. BITTO	J. BITTO	REVISED TO REFLECT CHANGES TO THE UNIT ASSY
25	11-10-77	J. BITTO	J. BITTO	REVISED TO REFLECT CHANGES TO THE UNIT ASSY
26	11-10-77	J. BITTO	J. BITTO	REVISED TO REFLECT CHANGES TO THE UNIT ASSY
27	11-10-77	J. BITTO	J. BITTO	REVISED TO REFLECT CHANGES TO THE UNIT ASSY
28	11-10-77	J. BITTO	J. BITTO	REVISED TO REFLECT CHANGES TO THE UNIT ASSY
29	11-10-77	J. BITTO	J. BITTO	REVISED TO REFLECT CHANGES TO THE UNIT ASSY
30	11-10-77	J. BITTO	J. BITTO	REVISED TO REFLECT CHANGES TO THE UNIT ASSY
31	11-10-77	J. BITTO	J. BITTO	REVISED TO REFLECT CHANGES TO THE UNIT ASSY
32	11-10-77	J. BITTO	J. BITTO	REVISED TO REFLECT CHANGES TO THE UNIT ASSY
33	11-10-77	J. BITTO	J. BITTO	REVISED TO REFLECT CHANGES TO THE UNIT ASSY
34	11-10-77	J. BITTO	J. BITTO	REVISED TO REFLECT CHANGES TO THE UNIT ASSY
35	11-10-77	J. BITTO	J. BITTO	REVISED TO REFLECT CHANGES TO THE UNIT ASSY
36	11-10-77	J. BITTO	J. BITTO	REVISED TO REFLECT CHANGES TO THE UNIT ASSY
37	11-10-77	J. BITTO	J. BITTO	REVISED TO REFLECT CHANGES TO THE UNIT ASSY
38	11-10-77	J. BITTO	J. BITTO	REVISED TO REFLECT CHANGES TO THE UNIT ASSY
39	11-10-77	J. BITTO	J. BITTO	REVISED TO REFLECT CHANGES TO THE UNIT ASSY
40	11-10-77	J. BITTO	J. BITTO	REVISED TO REFLECT CHANGES TO THE UNIT ASSY
41	11-10-77	J. BITTO	J. BITTO	REVISED TO REFLECT CHANGES TO THE UNIT ASSY
42	11-10-77	J. BITTO	J. BITTO	REVISED TO REFLECT CHANGES TO THE UNIT ASSY
43	11-10-77	J. BITTO	J. BITTO	REVISED TO REFLECT CHANGES TO THE UNIT ASSY
44	11-10-77	J. BITTO	J. BITTO	REVISED TO REFLECT CHANGES TO THE UNIT ASSY
45	11-10-77	J. BITTO	J. BITTO	REVISED TO REFLECT CHANGES TO THE UNIT ASSY
46	11-10-77	J. BITTO	J. BITTO	REVISED TO REFLECT CHANGES TO THE UNIT ASSY
47	11-10-77	J. BITTO	J. BITTO	REVISED TO REFLECT CHANGES TO THE UNIT ASSY
48	11-10-77	J. BITTO	J. BITTO	REVISED TO REFLECT CHANGES TO THE UNIT ASSY
49	11-10-77	J. BITTO	J. BITTO	REVISED TO REFLECT CHANGES TO THE UNIT ASSY
50	11-10-77	J. BITTO	J. BITTO	REVISED TO REFLECT CHANGES TO THE UNIT ASSY
51	11-10-77	J. BITTO	J. BITTO	REVISED TO REFLECT CHANGES TO THE UNIT ASSY
52	11-10-77	J. BITTO	J. BITTO	REVISED TO REFLECT CHANGES TO THE UNIT ASSY
53	11-10-77	J. BITTO	J. BITTO	REVISED TO REFLECT CHANGES TO THE UNIT ASSY
54	11-10-77	J. BITTO	J. BITTO	REVISED TO REFLECT CHANGES TO THE UNIT ASSY
55	11-10-77	J. BITTO	J. BITTO	REVISED TO REFLECT CHANGES TO THE UNIT ASSY
56	11-10-77	J. BITTO	J. BITTO	REVISED TO REFLECT CHANGES TO THE UNIT ASSY
57	11-10-77	J. BITTO	J. BITTO	REVISED TO REFLECT CHANGES TO THE UNIT ASSY
58	11-10-77	J. BITTO	J. BITTO	REVISED TO REFLECT CHANGES TO THE UNIT ASSY
59	11-10-77	J. BITTO	J. BITTO	REVISED TO REFLECT CHANGES TO THE UNIT ASSY
60	11-10-77	J. BITTO	J. BITTO	REVISED TO REFLECT CHANGES TO THE UNIT ASSY
61	11-10-77	J. BITTO	J. BITTO	REVISED TO REFLECT CHANGES TO THE UNIT ASSY
62	11-10-77	J. BITTO	J. BITTO	REVISED TO REFLECT CHANGES TO THE UNIT ASSY
63	11-10-77	J. BITTO	J. BITTO	REVISED TO REFLECT CHANGES TO THE UNIT ASSY
64	11-10-77	J. BITTO	J. BITTO	REVISED TO REFLECT CHANGES TO THE UNIT ASSY
65	11-10-77	J. BITTO	J. BITTO	REVISED TO REFLECT CHANGES TO THE UNIT ASSY
66	11-10-77	J. BITTO	J. BITTO	REVISED TO REFLECT CHANGES TO THE UNIT ASSY
67	11-10-77	J. BITTO	J. BITTO	REVISED TO REFLECT CHANGES TO THE UNIT ASSY
68	11-10-77	J. BITTO	J. BITTO	REVISED TO REFLECT CHANGES TO THE UNIT ASSY
69	11-10-77	J. BITTO	J. BITTO	REVISED TO REFLECT CHANGES TO THE UNIT ASSY
70	11-10-77	J. BITTO	J. BITTO	REVISED TO REFLECT CHANGES TO THE UNIT ASSY
71	11-10-77	J. BITTO	J. BITTO	REVISED TO REFLECT CHANGES TO THE UNIT ASSY
72	11-10-77	J. BITTO	J. BITTO	REVISED TO REFLECT CHANGES TO THE UNIT ASSY
73	11-10-77	J. BITTO	J. BITTO	REVISED TO REFLECT CHANGES TO THE UNIT ASSY
74	11-10-77	J. BITTO	J. BITTO	REVISED TO REFLECT CHANGES TO THE UNIT ASSY
75	11-10-77	J. BITTO	J. BITTO	REVISED TO REFLECT CHANGES TO THE UNIT ASSY
76	11-10-77	J. BITTO	J. BITTO	REVISED TO REFLECT CHANGES TO THE UNIT ASSY
77	11-10-77	J. BITTO	J. BITTO	REVISED TO REFLECT CHANGES TO THE UNIT ASSY
78	11-10-77	J. BITTO	J. BITTO	REVISED TO REFLECT CHANGES TO THE UNIT ASSY
79	11-10-77	J. BITTO	J. BITTO	REVISED TO REFLECT CHANGES TO THE UNIT ASSY
80	11-10-77	J. BITTO	J. BITTO	REVISED TO REFLECT CHANGES TO THE UNIT ASSY
81	11-10-77	J. BITTO	J. BITTO	REVISED TO REFLECT CHANGES TO THE UNIT ASSY
82	11-10-77	J. BITTO	J. BITTO	REVISED TO REFLECT CHANGES TO THE UNIT ASSY
83	11-10-77	J. BITTO	J. BITTO	REVISED TO REFLECT CHANGES TO THE UNIT ASSY
84	11-10-77	J. BITTO	J. BITTO	REVISED TO REFLECT CHANGES TO THE UNIT ASSY
85	11-10-77	J. BITTO	J. BITTO	REVISED TO REFLECT CHANGES TO THE UNIT ASSY
86	11-10-77	J. BITTO	J. BITTO	REVISED TO REFLECT CHANGES TO THE UNIT ASSY
87	11-10-77	J. BITTO	J. BITTO	REVISED TO REFLECT CHANGES TO THE UNIT ASSY
88	11-10-77	J. BITTO	J. BITTO	REVISED TO REFLECT CHANGES TO THE UNIT ASSY
89	11-10-77	J. BITTO	J. BITTO	REVISED TO REFLECT CHANGES TO THE UNIT ASSY
90	11-10-77	J. BITTO	J. BITTO	REVISED TO REFLECT CHANGES TO THE UNIT ASSY
91	11-10-77	J. BITTO	J. BITTO	REVISED TO REFLECT CHANGES TO THE UNIT ASSY
92	11-10-77	J. BITTO	J. BITTO	REVISED TO REFLECT CHANGES TO THE UNIT ASSY
93	11-10-77	J. BITTO	J. BITTO	REVISED TO REFLECT CHANGES TO THE UNIT ASSY
94	11-10-77	J. BITTO	J. BITTO	REVISED TO REFLECT CHANGES TO THE UNIT ASSY
95	11-10-77	J. BITTO	J. BITTO	REVISED TO REFLECT CHANGES TO THE UNIT ASSY
96	11-10-77	J. BITTO	J. BITTO	REVISED TO REFLECT CHANGES TO THE UNIT ASSY
97	11-10-77	J. BITTO	J. BITTO	REVISED TO REFLECT CHANGES TO THE UNIT ASSY
98	11-10-77	J. BITTO	J. BITTO	REVISED TO REFLECT CHANGES TO THE UNIT ASSY
99	11-10-77	J. BITTO	J. BITTO	REVISED TO REFLECT CHANGES TO THE UNIT ASSY
100	11-10-77	J. BITTO	J. BITTO	REVISED TO REFLECT CHANGES TO THE UNIT ASSY

QUANTITY & VARIATION	DESCRIPTION	UNL PART NO.	ITEM NO.
1	VT100 UNIT ASSY		

DRN	DATE	FIRST USED ON
CHKD	11-10-77	VT100
ENGR	11-10-77	
PROL	11-10-77	
PROG	11-10-77	

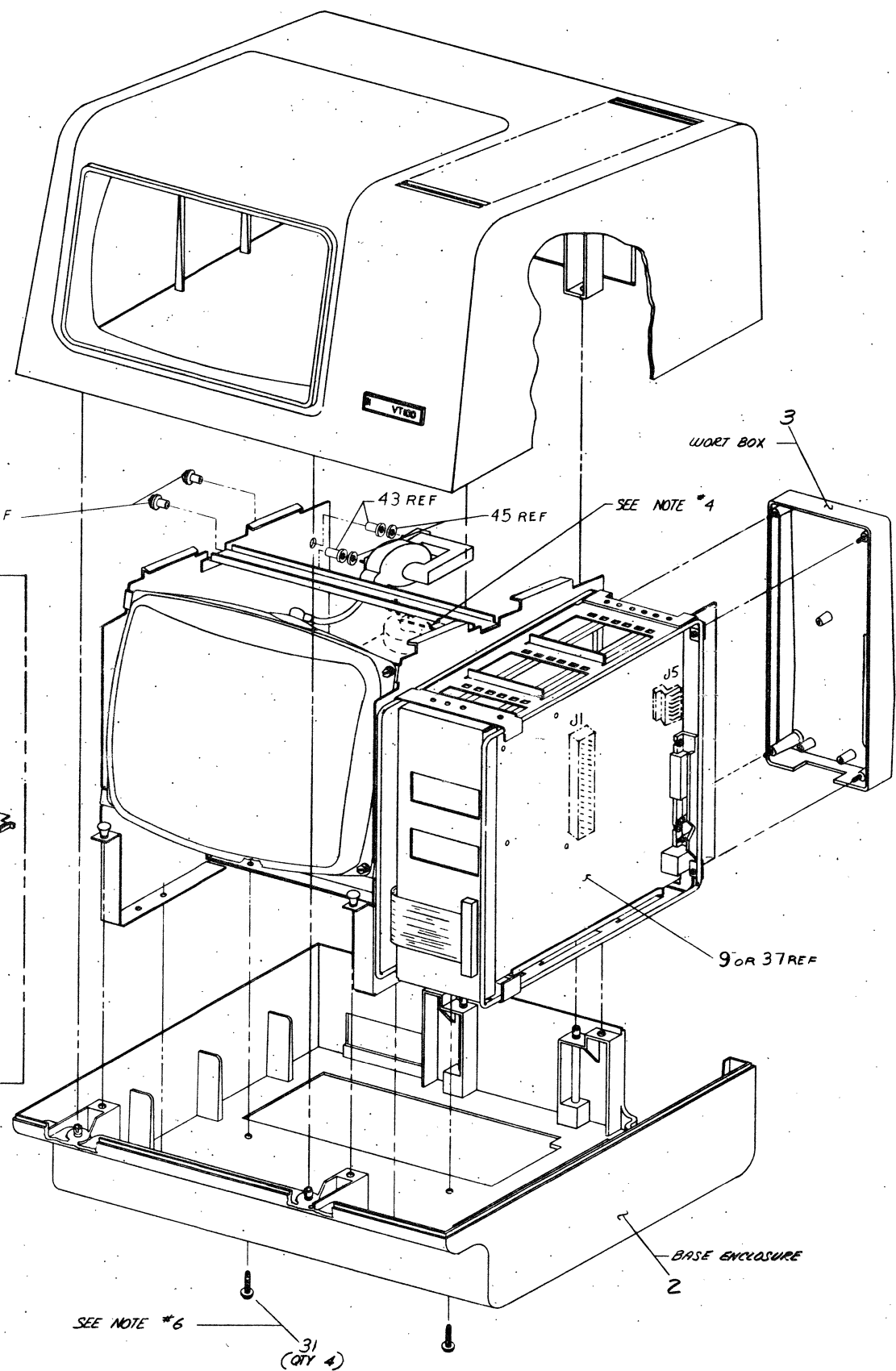
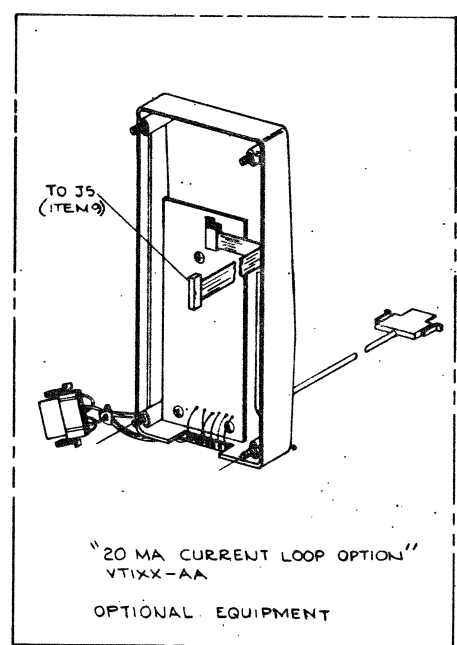
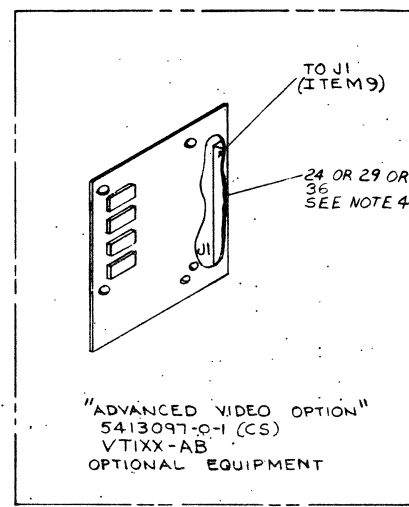
MATERIAL	SCALE	SIZE	CODE	NUMBER	REV
SEE PARTS LIST	1/2	100	UA	VT100-0-0	W

THIS DRAWING IS PROTECTED UNDER THE
 COPYRIGHT LAWS OF THE UNITED STATES OF AMERICA
 AND IS THE PROPERTY OF THE GENERAL ELECTRIC COMPANY
 ALL RIGHTS ARE RESERVED. IT IS TO BE USED ONLY IN CONNECTION WITH THE EQUIPMENT SPECIFIED HEREON.
 © 1977 GEN. ELECTRIC COMPANY

LEGEND

SERIAL LABEL INFORMATION

MODEL NUMBER	VARIATIONS	VOLTS		AMPS	PH	HZ	WATTS	WIRES
		120/220	240	2.5				
VT100- -AA	DBL KEYBD EIA 115V LINE CORD USA PLUG	120/220	240	2.5		50/60	300 MAX	
VT100- -AB	DBL KEYBD EIA 230V LINE CORD 20A PLUG	▲	▲	▲		▲	▲	
VT100- -NA	VT100-AA WITH DEC FORM KEY CAPS							
VT100- -NB	VT100-AB WITH DEC FORM KEY CAPS							
VT100- -WA	VT100-AA WITH WORD PROCESSING KEYCAPS							
VT100- -WB	VT100-AB WITH WORD PROCESSING KEYCAPS							
VT100- -WC	VT100 WITH AVO, FR. CANADIAN WP KEYCAPS, FOREIGN LANGUAGE ROMS, & 120V PLUG							
VT100- -WD	VT100 WITH AVO, FR. CANADIAN WP KEYCAPS, FOREIGN LANGUAGE ROMS, & 230V 20A PLUG							
VT100- -WE	VT100 WITH AVO, FRENCH WP KEYCAPS, FOREIGN LANGUAGE ROMS AND 120V PLUG							
VT100- -WF	VT100 WITH AVO, FRENCH WP KEYCAPS, FOREIGN LANGUAGE ROMS, & 230V 20A PLUG							
VT100- -WG	VT100 WITH AVO, DUTCH KEYCAPS, FOREIGN LANGUAGE ROMS, AND 120V PLUG							
VT100- -WH	VT100 WITH AVO, DUTCH KEYCAPS, FOREIGN LANGUAGE ROMS, & 230V 20A PLUG							
VT100- -WJ	VT100 WITH AVO, GERMAN KEYCAPS, FOREIGN LANGUAGE ROMS, & 120 V PLUG							
VT100- -WK	VT100 WITH AVO, GERMAN KEYCAPS, FOREIGN LANGUAGE ROMS, & 230V 20A PLUG							
VT100- -WY	VT100 WITH AVO, WP KEYCAPS, FOREIGN LANGUAGE ROMS, AND 120 V PLUG							
VT100- -WZ	VT100 WITH AVO, WP KEYCAPS, FOREIGN LANGUAGE ROMS, AND 230V 20A PLUG							
VT100- -LA	VT100-AA WITH P40 TUBE AND BONDED FACE PLATE							
VT100- -LB	VT100-AB WITH P40 TUBE AND BONDED FACE PLATE							
VT100- -PA	(PRIVATE BRAND) VT100-AA EXCEPT DARK GREY TRIM, 120V							
VT100- -PB	(PRIVATE BRAND) VT100-AB EXCEPT DARK GREY TRIM, 220/240V							
VT100- -PC	(PRIVATE BRAND) VT100-PA WITHOUT ELECTRONICS 120V							
VT100- -PD	(PRIVATE BRAND) VT100-PB WITHOUT ELECTRONICS 240V							
VT100- -PE	(PRIVATE BRAND) VT100-PA WITHOUT ELECT. & NO KYBD 120V	▼	▼	▼		▼	▼	
VT100- -PF	(PRIVATE BRAND) VT100-PB WITHOUT ELECT. & NO KYBD 240V	120/220	240	2.5		50/60	300 MAX	

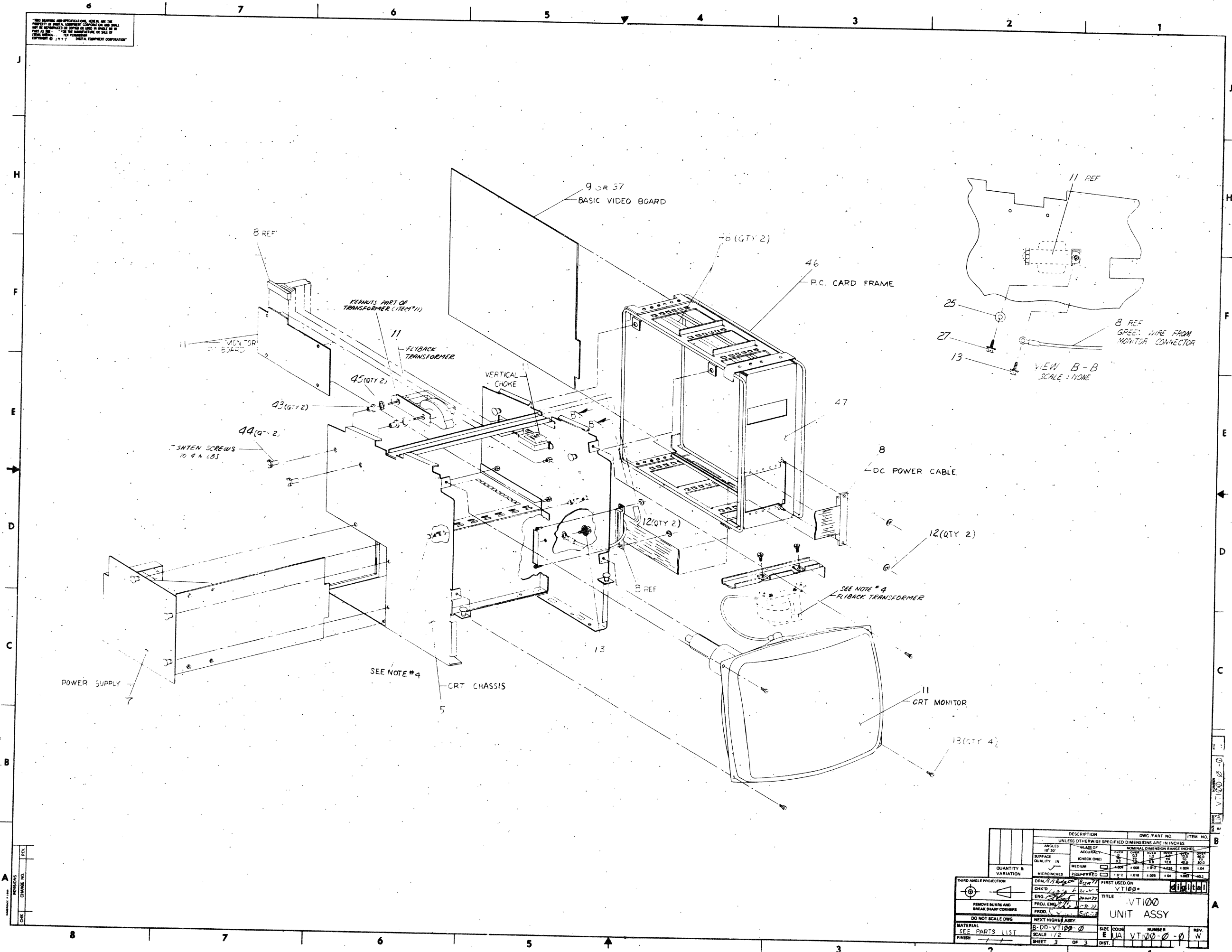


THIRD ANGLE PROJECTION	DESCRIPTION	ENCL. PART NO.	PREP. NO.
UNLESS OTHERWISE SPECIFIED DIMENSIONS ARE IN INCHES	CLASS OF		
QUANTITY & VARIATION	QUANTITY	CLASS	CLASS
DRG. & CHECKED	DATE	BY	BY
ENCL. ENG. & CHECKED	DATE	BY	BY
PROD. & CHECKED	DATE	BY	BY
DO NOT SCALE DIMS	PREP. NO.	BY	BY
MATERIAL	SCALE	BY	BY
SEE PARTS LIST	SCALE	BY	BY
	SCALE	BY	BY

TITLE: VT100 UNIT ASSY
 PART NO.: B-DD-VT100-0
 SCALE: 1/2
 SHEET 2 OF 3

VT100-0-0

THIS DRAWING AND SPECIFICATIONS, HEREIN, ARE THE PROPERTY OF NORTH AVIATION CORPORATION AND SHALL NOT BE REPRODUCED OR COPIED IN WHOLE OR IN PART AS THEY ARE THE CONFIDENTIAL OR SOLE PROPERTY OF THIS ORGANIZATION. © 1977 NORTH AVIATION CORPORATION



THIRD ANGLE PROJECTION		DESCRIPTION		QTY	UNIT	ITEM NO.
UNLESS OTHERWISE SPECIFIED DIMENSIONS ARE IN INCHES						
ANGLES	CLASS OF ACCURACY	1/20	1/32	1/64	1/128	1/256
SURFACE QUALITY	CHECK ONE	32	125	250	500	1000
QUANTITY & VARIATION	MICROINCHES	FEELPAPER	1.000	1.012	1.024	1.036
DRN	CHKD	ENG	PROG. ENGR.	PROD. ENGR.	TEST ENGR.	REV. ENGR.
REMOVE BURRS AND BREAK SHARP CORNERS	DO NOT SCALE DWG	NEXT HIGHER ASSY				
MATERIAL	SEE PARTS LIST	B-DD-VT100-0	SIZE	COORD	NUMBER	REV.
FINISH		SCALE 1/2	EUA	VT100-0-0	W	
		SHEET 3 OF 3	DIST.			

LINE	ITEM	DOCUMENT NUMBER	PART NUMBER	DESCRIPTION	QUANTITY PER VARIATION												
					AA	AB	NA	NB	WA	WB	WC	WD	WE	WF	WG	WH	
1	1	D-UA-7014653-0-0	7014653-00	KEYBOARD ASSY	1	1	-	-	-	-	-	-	-	-	-	-	-
2	2	E-IA-7014980-0-0	7014980-00	BASE ASSY ENCLOSURE	1	1	1	1	1	1	1	1	1	1	1	1	1
3	3	D-IA-7014976-0-0	7014976-00	WORT BOX ASSY	1	1	1	1	1	1	1	1	1	1	1	1	1
4	4	D-IA-7014974-0-0	7014974-00	ENCLOSURE, CRT TOP ASSY	1	1	1	1	1	1	1	1	1	1	1	1	1
5	5	D-IA-7014975-0-0	7014975-00	CHASSIS, ASSY CRT	1	1	1	1	1	1	1	1	1	1	1	1	1
6	6		7014977-00	*** THIS ITEM IS NOT USED ***	-	-	-	-	-	-	-	-	-	-	-	-	-
7	7	D-AD-7014979-0-0	7014979-00	POWER SUPPLY ASSY	1	1	1	1	1	1	1	1	1	1	1	1	1
8	8	D-IA-7014978-0-0	7014978-01	POWER CABLE ASSY. VT100	1	1	1	1	1	1	1	1	1	1	1	1	1
9	9	D-UA-5413009-0-0	5413009-00	VT100 BASIC VIDEO CONTROLLER	1	1	1	1	1	1	-	-	-	-	-	-	-
10	10		7419836-00	*** THIS ITEM IS NOT USED ***	-	-	-	-	-	-	-	-	-	-	-	-	-
11	11		3016080-00	MONITOR ASSY, CRT, DIRECT DRIVE RA	1	1	1	1	1	1	1	1	1	1	1	1	1
12	12		9010007-00	RING, RETAINING, EXTERNAL FOR 7/6	4	4	4	4	4	4	4	4	4	4	4	4	4
13	13		9009967-00	SCREW, HEX, SLOT, SEMS 6-32X .312L	10	10	10	10	10	10	10	10	10	10	10	10	10
14	14		3615680-00	LABEL, ADHESIVE, BACK, SWITCH POSIT	1	1	1	1	1	1	1	1	1	1	1	1	1
15	15	A-PS-1700083-0-0	1700083-09	PWR CORD, TERM. 75IN, 18-3, 125V 10	1	-	1	-	1	-	1	-	1	-	1	-	-
16	16	A-PS-1700083-0-0	1700083-10	PWR CORD, TERM. 75IN, 18-3, 250V 6	-	1	-	1	-	1	-	1	-	1	-	1	-
17	17	D-UA-7014653-0-0	7014653-02	KEYBOARD ASSY.	-	-	1	1	-	-	-	-	-	-	-	-	-
18	18		7414213-00	*** THIS ITEM IS NOT USED ***	-	-	-	-	-	-	-	-	-	-	-	-	-
19	19		3613210-01	*** THIS ITEM IS NOT USED ***	-	-	-	-	-	-	-	-	-	-	-	-	-
20	20		3613210-02	*** THIS ITEM IS NOT USED ***	-	-	-	-	-	-	-	-	-	-	-	-	-
21	21		3613211-01	*** THIS ITEM IS NOT USED ***	-	-	-	-	-	-	-	-	-	-	-	-	-
22	22		3700324-00	INSTR PKG DISPLAY VT100	1	1	1	1	1	1	1	1	1	1	1	1	1
23	23	E-UA-VT1XX-AA-0	VT1XX-AA	VT100 20MA CURRENT LOOP OPTION W	REF	REF	REF	REF	REF	REF	REF	REF	REF	REF	REF	REF	REF
24	24	A-PL-VT1XX-AB-0	VT1XX-AB	ADVANCED VIDEO OPTION FOR VT100	REF	REF	REF	REF	REF	REF	-	-	-	-	-	-	-
25	25		9006659-00	WASHER, FLAT, .375 O.D. X .156 I	1	1	1	1	1	1	1	1	1	1	1	1	1
26	26		9007649-00	*** THIS ITEM IS NOT USED ***	-	-	-	-	-	-	-	-	-	-	-	-	-
27	27		9010112-00	SCREW, TAPPING, TYPE B, HEX, SLOT,	1	1	1	1	1	1	1	1	1	1	1	1	1
28	28	E-UA-7014653-0-0	7014653-03	KEYBOARD ASSY.	-	-	-	-	1	1	-	-	-	-	-	-	-
29	29	D-CS-5413097-0-1	5413097-00	VT100 ADVANCED VIDEO	-	-	-	-	1	1	-	-	-	-	-	-	-
30	30		9009313-01	SUPPORT, C. BD., FLAME RET., NATURAL	-	-	-	-	4	4	4	4	4	4	4	4	4

REVISION HISTORY		BASIC PART NO: VT100		DRN: B. BLODGETT DATE: 3-SEP-77		D I G I T A L	
ENG	ECO NUMBER	REV	SECTION A OF B	CHK'D: D. HEALY	DATE: 24-SEP-77	TITLE PARTS LIST	
GB	VT100-MLO34	T	SECTION. VARIATION INDEX			VT100 UNIT ASSY.	
JD	VT100-MLO35	U	[A] AA, AB, NA, NB, WA, WB, WC, WD, WE, WF, WG, WH				
JD	VT100-MLO36	V	[B] WJ, WK, WY, WZ, LA, LB, PA, PB, PC, PD, PE, PF	DES. ENG.: E. WEDEKING	DATE: 26-JUN-78		
JD	VT100-MLO38	W	[C]	RESP. ENG.: G. DOUMANI	DATE: 26-JUN-78	DOCUMENT NUMBER	
			[D]			SIZE	CODE NUMBER REV
			[E]	MFG. ENG.: K. HOFFMAN	DATE: 7-JUL-78	K	PL VT100-0-DBP W
			[F]	ASSEMBLY NUMBER: E-UA-VT100-0-0	TOP DOCUMENT NUMBER: #B-DD-VT100-0	FILE NAME: 21607W.PLS	EDIT #: 15

"THIS DRAWING AND SPECIFICATIONS HEREIN, ARE THE PROPERTY OF DIGITAL EQUIPMENT CORPORATION AND SHALL NOT BE REPRODUCED OR COPIED OR USED IN WHOLE OR IN PART AS THE BASIS FOR THE MANUFACTURE OR SALE OF ITEMS WITHOUT WRITTEN PERMISSION. COPYRIGHT (C) 1981. DIGITAL EQUIPMENT CORPORATION"

AUTOMATED BY PRTLST.3P(44)

PARTS LIST

SHEET A2 OF A2

LINE	ITEM	DOCUMENT NUMBER	PART NUMBER	DESCRIPTION	QUANTITY PER VARIATION											
					AA	AB	NA	NB	WA	WB	WC	WD	WE	WF	WG	WH
31	31		9010135-00	SCREW, FLAT, SLOT 8-32X 1/2	4	4	4	4	4	4	4	4	4	4	4	4
32	32	E-UA-7014653-0-0	7014653-05	KEYBD ASSY FR CANADIAN WP KEYCAP	-	-	-	-	-	-	1	1	-	-	-	-
33	33	E-UA-7014653-0-0	7014653-06	KEYBD ASSY FRENCH + WP KEYCAPS	-	-	-	-	-	-	-	-	1	1	-	-
34	34	E-UA-7014653-0-0	7014653-07	KEYBD ASSY DUTCH WP KEYCAPS	-	-	-	-	-	-	-	-	-	-	1	1
35	35	E-UA-7014653-0-0	7014653-08	*** THIS ITEM IS NOT USED ***	-	-	-	-	-	-	-	-	-	-	-	-
36	36	D-UA-5413097-0-0	5413097-03	VT100 ADVANCED VIDEO	-	-	-	-	-	-	1	1	1	1	1	1
37	37	D-UA-5413009-0-0	5413009-02	VT100 BASIC VIDEO	-	-	-	-	-	-	1	1	1	1	1	1
38	38		3016080-53	*** THIS ITEM IS NOT USED ***	-	-	-	-	-	-	-	-	-	-	-	-
39	39	D-IA-7014974-0-0	7014974-02	*** THIS ITEM IS NOT USED ***	-	-	-	-	-	-	-	-	-	-	-	-
40	40	D-UA-7014653-0-0	7014653-10	*** THIS ITEM IS NOT USED ***	-	-	-	-	-	-	-	-	-	-	-	-
41	41	D-UA-7014653-0-0	7014653-09	*** THIS ITEM IS NOT USED ***	-	-	-	-	-	-	-	-	-	-	-	-
42	42		3616157-00	LABEL, CORRECT VOLTAGE SETTING, CA	1	1	1	1	1	1	1	1	1	1	1	1
43	43	B-IA-7423018-0-0	7423018-00	ISOLATION MOUNT.	2	2	2	2	2	2	2	2	2	2	2	2
44	44	B-MD-7423006-0-0	7423006-00	SCREW, HEX WASHER HD, 4-40	2	2	2	2	2	2	2	2	2	2	2	2
45	45		9008193-00	WASHER, NYLON, FLAT .312 X .812	2	2	2	2	2	2	2	2	2	2	2	2
46	46	E-IA-7016624-0-0	7016624-00	FRAME, PC CARD ASSY	1	1	1	1	1	1	1	1	1	1	1	1
47	47	D-IA-7419469-0-0	7419469-00	STOP P.C. CARD	1	1	1	1	1	1	1	1	1	1	1	1
48	48		1212405-00	CARD GUIDE, NYLON	2	2	2	2	2	2	2	2	2	2	2	2
49	49	A-PS-3617544-0-0	3617544-00	LABEL, X-RAY RADIATION	1	1	1	1	1	1	1	1	1	1	1	1
50	50		3617674-01	LABEL, SERIAL & POWER W/UL & CSA	1	1	1	1	1	1	1	1	1	1	1	1

D	I	G	I	T	A	L	TITLE	SECTION A OF B	SIZE	CODE	DOCUMENT NUMBER	REV
							VT100 UNIT ASSY.		K	PL	VT100-0-DBP	W

LINE	ITEM	DOCUMENT NUMBER	PART NUMBER	DESCRIPTION	QUANTITY PER VARIATION											
					WJ	WK	WY	WZ	LA	LB	PA	PB	PC	PD	PE	PF
1	1	D-UA-7014653-0-0	7014653-00	KEYBOARD ASSY.	-	-	-	-	1	1	-	-	-	-	-	-
2	2	E-IA-7014980-0-0	7014980-00	BASE ASSY ENCLOSURE	1	1	1	1	1	1	1	1	1	1	1	1
3	3	D-IA-7014976-0-0	7014976-00	WORT BOX ASSY	1	1	1	1	1	1	1	1	1	1	1	1
4	4	D-IA-7014974-0-0	7014974-00	ENCLOSURE, CRT TOP ASSY	1	1	1	1	1	1	-	-	-	-	-	-
5	5	D-IA-7014975-0-0	7014975-00	CHASSIS ASSY CRT	1	1	1	1	1	1	1	1	1	1	1	1
6	6		7014977-00	*** THIS ITEM IS NOT USED ***	-	-	-	-	-	-	-	-	-	-	-	-
7	7	D-AD-7014979-0-0	7014979-00	POWER SUPPLY ASSY	1	1	1	1	1	1	1	1	1	1	1	1
8	8	D-IA-7014978-0-0	7014978-01	POWER CABLE ASSY. VT100	1	1	1	1	1	1	1	1	1	1	1	1
9	9	D-UA-5413009-0-0	5413009-00	VT100 BASIC VIDEO CONTROLLER	-	-	-	-	1	1	1	1	-	-	-	-
10	10		7419836-00	*** THIS ITEM IS NOT USED ***	-	-	-	-	-	-	-	-	-	-	-	-
11	11		3016080-00	MONITOR ASSY, CRT, DIRECT DRIVE RA	1	1	1	1	-	-	1	1	1	1	1	1
12	12		9010007-00	RING, RETAINING, EXTERNAL FOR 7/6	4	4	4	4	4	4	4	4	4	4	4	4
13	13		9009967-00	SCREW, HEX, SLOT, SEMS 6-32X .312L	10	10	10	10	10	10	10	10	10	10	10	10
14	14		3615680-00	LABEL, ADHESIVE, BACK, SWITCH POSIT	1	1	1	1	1	1	1	1	1	1	1	1
15	15	A-PS-1700083-0-0	1700083-09	PWR CORD, TERM. 75IN, 18-3, 125V 10	1	-	1	-	1	-	1	-	1	-	1	-
16	16	A-PS-1700083-0-0	1700083-10	PWR CORD, TERM. 75IN, 18-3, 250V 6	-	1	-	1	-	1	-	1	-	1	-	1
17	17	D-UA-7014653-0-0	7014653-02	*** THIS ITEM IS NOT USED ***	-	-	-	-	-	-	-	-	-	-	-	-
18	18		7414213-00	*** THIS ITEM IS NOT USED ***	-	-	-	-	-	-	-	-	-	-	-	-
19	19		3613210-01	*** THIS ITEM IS NOT USED ***	-	-	-	-	-	-	-	-	-	-	-	-
20	20		3613210-02	*** THIS ITEM IS NOT USED ***	-	-	-	-	-	-	-	-	-	-	-	-
21	21		3613211-01	*** THIS ITEM IS NOT USED ***	-	-	-	-	-	-	-	-	-	-	-	-
22	22		3700324-00	INSTR PKG DISPLAY VT100	1	1	1	1	1	1	1	1	1	1	1	1
23	23	E-UA-VT1XX-AA-0	VT1XX-AA	VT100 20MA CURRENT LOOP OPTION W	REF	REF	REF	REF	REF	REF	REF	REF	REF	REF	REF	REF
24	24	A-PL-VT1XX-AB-0	VT1XX-AB	ADVANCED VIDEO OPTION FOR VT100	-	-	-	-	REF	REF	REF	REF	REF	REF	REF	REF
25	25		9006659-00	WASHER, FLAT, .375 O.D. X .156 I	1	1	1	1	1	1	1	1	1	1	1	1
26	26		9007649-00	*** THIS ITEM IS NOT USED ***	-	-	-	-	-	-	-	-	-	-	-	-
27	27		9010112-00	SCREW, TAPPING, TYPE B, HEX, SLOT,	1	1	1	1	1	1	1	1	1	1	1	1
28	28	E-UA-7014653-0-0	7014653-03	KEYBOARD ASSY.	-	-	1	1	-	-	-	-	-	-	-	-
29	29	D-CS-5413097-0-1	5413097-00	*** THIS ITEM IS NOT USED ***	-	-	-	-	-	-	-	-	-	-	-	-
30	30		9009313-01	SUPPORT, C.BD., FLAME RET., NATURAL	4	4	4	4	-	-	-	-	-	-	-	-

REVISION HISTORY			BASIC PART NO: VT100		DRN: B. BLODGETT		DATE: 3-SEP-77		D I G I T A L			
ENG	ECO NUMBER	REV	SECTION B OF B	CHK'D:	D. HEALY	DATE:	24-SEP-77	TITLE	PARTS LIST			
GB	VT100-MLO34	T	SECTION. VARIATION INDEX					VT100 UNIT ASSY.				
JD	VT100-MLO35	U	[A] AA, AB, NA, NB, WA, WB,									
JD	VT100-MLO36	V	WC, WD, WE, WF, WG, WH									
JD	VT100-MLO38	W	[B] WJ, WK, WY, WZ, LA, LB,	DES.ENG.:	E. WEDEKING	DATE:	26-JUN-78					
			[C] PA, PB, PC, PD, PE, PF									
			[D]	RESP.ENG.:	G. DOUMANI	DATE:	26-JUN-78					
			[E]					SIZE: CODE: NUMBER	REV			
			[F]	MFG.ENG.:	K. HOFFMAN	DATE:	7-JUL-78	K PL	VT100-0-DBP	W		
				ASSEMBLY NUMBER:	E-UA-VT100-0-0	TOP DOCUMENT NUMBER:	#B-DD-VT100-0	FILE NAME:	21607W.PLS	EDIT # 15		

"THIS DRAWING AND SPECIFICATIONS HEREIN, ARE THE PROPERTY OF DIGITAL EQUIPMENT CORPORATION AND SHALL NOT BE REPRODUCED OR COPIED OR USED IN WHOLE OR IN PART AS THE BASIS FOR THE MANUFACTURE OR SALE OF ITEMS WITHOUT WRITTEN PERMISSION. COPYRIGHT (C) 1981. DIGITAL EQUIPMENT CORPORATION"

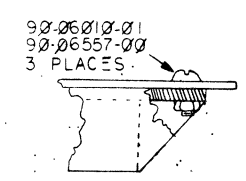
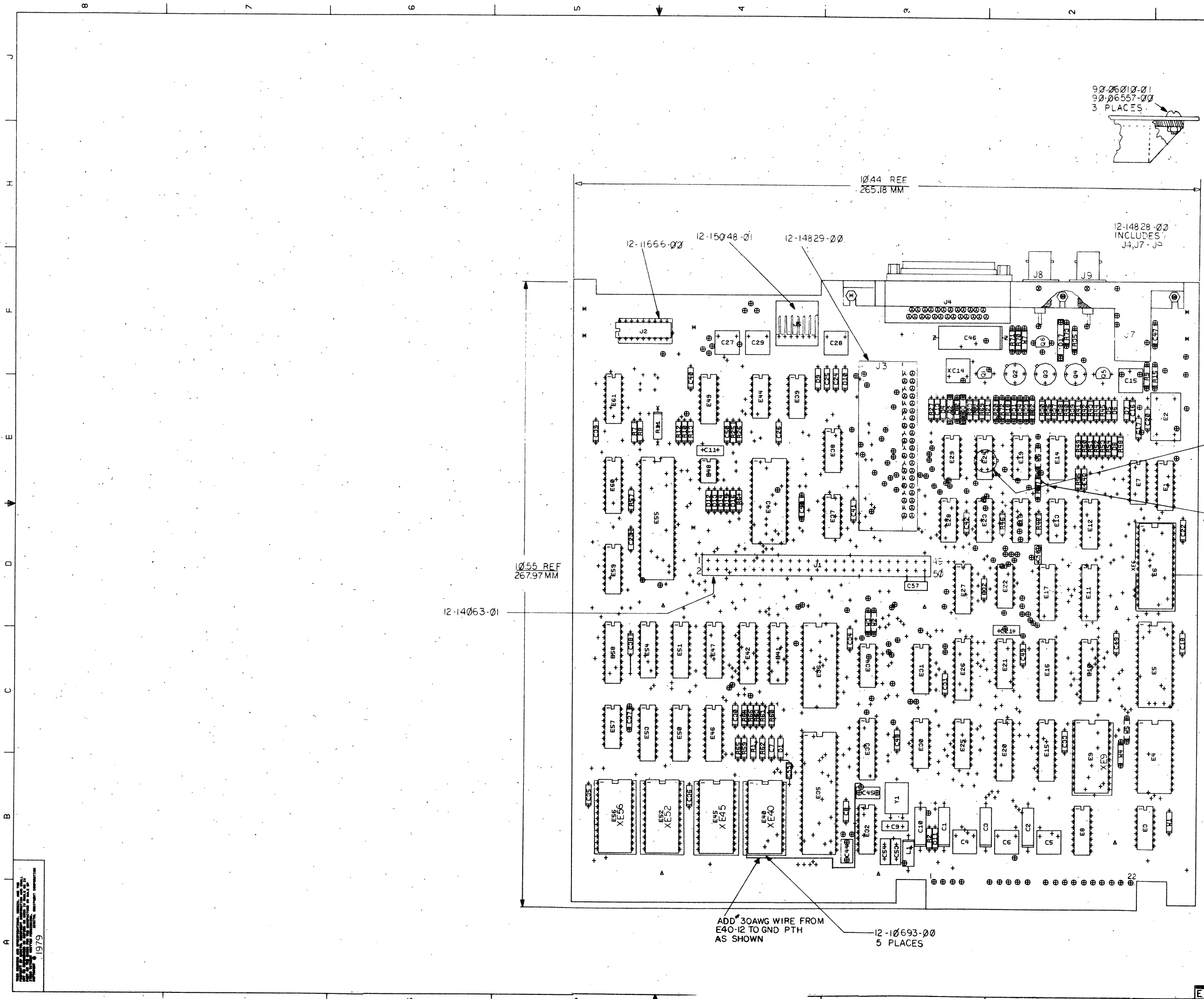
AUTOMATED BY PRTLST.3P(44)

PARTS LIST

SHEET B2 OF B2

LINE	ITEM	DOCUMENT NUMBER	PART NUMBER	DESCRIPTION	QUANTITY PER VARIATION											
					WJ	WK	WY	WZ	LA	LB	PA	PB	PC	PD	PE	PF
31	31		9010135-00	SCREW, FLAT SLOT 8-32X 1/2	4	4	4	4	4	4	4	4	4	4	4	4
32	32	E-UA-7014653-0-0	7014653-05	*** THIS ITEM IS NOT USED ***	-	-	-	-	-	-	-	-	-	-	-	-
33	33	E-UA-7014653-0-0	7014653-06	*** THIS ITEM IS NOT USED ***	-	-	-	-	-	-	-	-	-	-	-	-
34	34	E-UA-7014653-0-0	7014653-07	*** THIS ITEM IS NOT USED ***	-	-	-	-	-	-	-	-	-	-	-	-
35	35	E-UA-7014653-0-0	7014653-08	KEYBD ASSY GERMAN WP KEYCAPS	1	1	-	-	-	-	-	-	-	-	-	-
36	36	D-UA-5413097-0-0	5413097-03	VT100 ADVANCED VIDEO	1	1	1	1	-	-	-	-	-	-	-	-
37	37	D-UA-5413009-0-0	5413009-02	VT100 BASIC VIDEO	1	1	1	1	-	-	-	-	-	-	-	-
38	38		3016080-53	MONITOR ASSY W/P40PHOSPHOR CRT N	-	-	-	-	1	1	-	-	-	-	-	-
39	39	D-IA-7014974-0-0	7014974-02	ENCLOSURE CRT TOP ASSY W/DK. GRA	-	-	-	-	-	-	1	1	1	1	1	1
40	40	D-UA-7014653-0-0	7014653-10	KEYBD ENCLOSURE ASSY NO KEYBD	-	-	-	-	-	-	-	-	-	-	1	1
41	41	D-UA-7014653-0-0	7014653-09	KEYBD/KEYCAP ASSY DARK GRAY	-	-	-	-	-	-	1	1	1	1	1	1
42	42		3616157-00	LABEL CORRECT VOLTAGE SETTING, CA	1	1	1	1	1	1	1	1	1	1	1	1
43	43	B-IA-7423018-0-0	7423018-00	ISOLATION MOUNT.	2	2	2	2	2	2	2	2	2	2	2	2
44	44	B-MD-7423006-0-0	7423006-00	SCREW, HEX WASHER HD, 4-40	2	2	2	2	2	2	2	2	2	2	2	2
45	45		9008193-00	WASHER, NYLON, FLAT .312 X .812	2	2	2	2	2	2	2	2	2	2	2	2
46	46	E-IA-7016624-0-0	7016624-00	FRAME, PC CARD ASSY	1	1	1	1	1	1	1	1	1	1	1	1
47	47	D-IA-7419469-0-0	7419469-00	STOP P.C. CARD	1	1	1	1	1	1	1	1	1	1	1	1
48	48		1212405-00	CARD GUIDE, NYLON	2	2	2	2	2	2	2	2	2	2	2	2
49	49	A-PS-3617544-0-0	3617544-00	LABEL, X-RAY RADIATION	1	1	1	1	1	1	1	1	1	1	1	1
50	50		3617674-01	LABEL, SERIAL & POWER W/UL & CSA	1	1	1	1	1	1	1	1	1	1	1	1

D	I	G	I	T	A	L	TITLE	VT100 UNIT ASSY.	SECTION B	OF B	SIZE	CODE	DOCUMENT NUMBER	REV
											K	PL	VT100-0-DBP	W



DATE	4/5/79	TITLE	VT-100
DRN-DOUG POWERS	7/27/79	PROJ	BASIC VIDEO
CHK-D. J.	7/28/79	SCALE	2:1
ENG. M. J.	7/28/79	SIZE	11x17
PROJ. M. J.	7/28/79	NUMBER	5413009-00
SCALE	2:1	OF	1
SMT.			
NEXT HIGHER ASSY. B. NO.	5413009-0		

SEE NOTES

ADD 22 AWG BUSS WIRE TO PTH'S AS SHOWN

CHG	NO	REV	BY	DATE
1				
2				
3				
4				
5				
6				
7				
8				
9				
10				

NOTES:

1. 24 PTH 214523 CAN BE EITHER ROUND OR SQUARE

2. REV 3 CREATES HOLELESS VARIATION 99

1979

5413009-00

LINE	ITEM	DOCUMENT NUMBER	PART NUMBER	DESCRIPTION	QTY PER VARIATION				REFERENCE DESIGNATOR
					00	01	02	99	
1	1	D-MD-5013008-0-0	5013008-00	VT100 BASIC VIDEO	1	1	1	1	
2	2		1000005-00	6.8 MMF 100V 5%200PPM MICA	1	1	1	1	C9
3	3		1000014-00	68.0 MMF 100V 5%200PPM MICA	1	1	1	1	C11
4	4		1000016-00	100.0 MMF 100V 5%200PPM MICA	2	2	2	2	C21,C54
5	5		1000076-00	39 MFD 10V 10% S.TANT	1	1	1	1	C10
6	6		1005306-00	6.8MFD 35V 10% S.TANT	3	3	3	3	C1,C2,C3
7	7		1010274-01	.22 MFD 50V +80-20% Z5U CER	12	12	12	12	C4-C6,C14,C15,C27-C29,C44,C45,
8	9	SEE NOTE	1012784-00	.047 MFD 50V +80-20% CER	26	26	26	26	CONT C55,C56
9	10	SEE NOTE	1013466-12	2200.0 MMF 50V 10% X7R CER	1	1	1	1	CONT C30-C43,C48-C50
10	11	SEE NOTE	1100114-00	D 664 QS\75PCB PIV= 25V SP	11	11	11	11	C26
11	12		1105796-00	1N 4004 PIV=400 I= 1A D041 SP	2	2	2	2	D4-D8,D11-D16
12	13		1109502-03	1N 4742A VZ= 12.0 5% 1W	1	1	1	1	D9,D10
13	14		1110994-00	1N 751A VZ= 5.1 5% .40W	1	1	1	1	D3
14	15		1114974-00	1N 4741A VZ= 11.0 5% 1W	1	1	1	1	D1
15	16		1215006-06	SOCKET 24PIN IC LOW PROFILE	5	5	5	5	D2
16	17		1211666-00	SOCKET 18PIN IC LOW PROFILE	1	1	1	1	XE9,XE40,XE45,XE52,XE56
17	18		1214063-01	HEADER.150 50POS STRAIGHT	1	1	1	1	J2
18	19		1214828-00	CONN, 25POS RCPT	1	1	1	1	J1
19	20		1214829-00	CONN, 40POS RT ANGLE	1	1	1	1	J4
20	21		1215048-01	CONN 7POS RT ANGLE	1	1	1	1	J3
21	22		1300005-07	R NETWORK 15-4.7K 5.0% 16PIN	3	3	3	3	J5
22	23		1300219-00	68.0 .25 W 5.0% CC	1	1	1	1	E8,E12,E59
23	24		1300229-00	100.0 .25 W 5.0% CC	1	1	1	1	R40
24	25		1300250-00	150.0 .25 W 5.0% CC	1	1	1	1	R34
25	26		1300271-00	220.0 .25 W 5.0% CC	1	1	1	1	R51
26	27		1300295-00	330.0 .25 W 5.0% CC	3	3	3	3	R41
27	28		1300315-00	470.0 .50 W 5.0% CC	1	1	1	1	R1,R46,R47
28	29		1300316-00	470.0 .25 W 5.0% CC	2	2	2	2	R11

REVISION HISTORY		BASIC PART NO: 5413009		DRN: T. SHETRAWSKI DATE: 30-MAR-78		D I G I T A L	
ENG	ECO NUMBER	REV	SECTION A OF A	CHK'D:	DATE:	TITLE	PARTS LIST
RP	5413009-PN009	M	SECTION.VARIATION INDEX	T. SHETRAWSKI	11-MAR-78	VT100 BASIC VIDEO	
JD	5413009-PN010	N	[A] 00,01,02,99				
	5413009-MLO11	P	[B]				
RP	MLO12	R	[C]				
CJ	5413009-MLO13	S	[D]	DES.ENG: D. PUCCI	30-MAR-78		
RP	5413009-MLO14	T	[E]				
RP	5413009-MLO15	U	[F]	RESP.ENG.: D. PUCCI	30-MAR-78	DOCUMENT NUMBER	
RP	5413009-MLO16	V	[H]				
DP	5413009-MLO17	W	[J]			SIZE CODE NUMBER	REV
DP	5413009-MLO18	Y	[K]	MFG.ENG.: T. CORCIARI	30-MAR-78	K PL 5413009-0-DBP	AA
JD	5413009-MLO19	Z	[L]				
RP	5413009-MLO20	AA	[M]	ASSEMBLY NUMBER: E-UA-5413009-0-0	TOP DOCUMENT NUMBER: B-DD-5413009-0-0	FILE NAME: MLO1AA.PLS	EDIT # 11
			[N]				

"THIS DRAWING AND SPECIFICATIONS HEREIN, ARE THE PROPERTY OF DIGITAL EQUIPMENT CORPORATION AND SHALL NOT BE REPRODUCED OR COPIED OR USED IN WHOLE OR IN PART AS THE BASIS FOR THE MANUFACTURE OR SALE OF ITEMS WITHOUT WRITTEN PERMISSION. COPYRIGHT (C) 1981. DIGITAL EQUIPMENT CORPORATION"

LINE	ITEM	DOCUMENT NUMBER	PART NUMBER	DESCRIPTION	QTY PER VARIATION				REFERENCE DESIGNATOR
					00	01	02	99	
29	30		1300365-00	1.0 K .25 W 5.0 % CC	2	2	2	2	R36, R67
30	31		1300398-00	1.80 K .25 W 5.0 % CC	1	1	1	1	R31
31	32		1300417-00	2.20 K .25 W 5.0 % CC	5	5	5	5	R18, R20, R22, R23, R27
32	33		1300426-00	2.70 K .25 W 5.0 % CC	1	1	1	1	R7
33	34		1300447-00	4.70 K .25 W 5.0 % CC	1	1	1	1	R25
34	35	SEE NOTE	1300479-00	10.0 K .25 W 5.0 % CC	4	4	4	4	R2, R6, R12, R26
35	36		1301317-00	10.0 .25 W 5.0 % CC	1	1	1	1	R57
36	37		1301422-00	7.50 K .25 W 5.0 % CC	8	8	8	8	R59-R66
37	38		1301424-00	680.0 .25 W 5.0 % CC	1	1	1	1	R37
38	39		1301425-00	300.0 .25 W 5.0 % CC	1	1	1	1	R50
39	40		1301475-00	1.10 K .25 W 5.0 % CC	1	1	1	1	R32
40	42	SEE NOTE	1301874-00	5.60 K .25 W 5.0 % CC	1	1	1	1	R9
41	43	SEE NOTE	1301972-00	270.0 .25 W 5.0 % CC	1	1	1	1	R38
42	44		1302379-00	75.0 .25 W 5.0 % CC	4	4	4	4	R35, R45, R52, R54
43	45		1302391-00	20.0 K .25 W 5.0 % CC	2	2	2	2	R43, R48
44	47		1303178-00	620.0 .25 W 5.0 % CC	1	1	1	1	R49
45	48		1303187-00	820.0 K .25 W 5.0 % CC	1	1	1	1	R8
46	49		1304833-00	1.96 K .25 W 1.0 % RN55D-F10	1	1	1	1	R15
47	51		1313580-00	360.0 .25 W 5.0 % CC	1	1	1	1	R39
48	52		1314673-00	36.0 .25 W 5.0 % CC	1	1	1	1	R53
49	53		1501913-00	2N 2904A PNP 600MW SI 60 40 Y	3	3	3	3	Q2, Q3, Q4
50	54		1503409-00	DEC6534D PNP 310MW SI 40 90	1	1	1	1	Q1
51	55	SEE NOTE	1509524-00	2N 3904 NPN 310MW SI 40 40 M	1	1	1	1	Q5
52	56		1810694-06	XTAL 24.8832 MHZ	1	1	1	1	Y1
53	57		1814830-00	OSCILLATOR, XTAL 24.073 MHZ	1	1	1	1	E2
54	58		1909686-00	7404 INVERTER GATE-HEX 1I	1	1	1	1	E38
55	59		1909928-00	7416 INVERTER GATE-HEX 1I	2	2	2	2	E14, E18
56	60		1909929-00	7417 BUFFER GATE-HEX 1INP	1	1	1	1	E29
57	61		1910236-00	DEC 7426 NAND GATE-QUAD 2IN, 0	1	1	1	1	E7
58	62		1910322-00	DEC 1488L DRIVER, LINE, QUAD, EI	1	1	1	1	E39
59	63		1910548-00	74S157 MUX 1 OF 2 (QUAD)	1	1	1	1	E1
60	64		1912697-00	LS174 FF-D HEX W/CLEAR	2	2	2	2	E49, E61
61	65		1912799-00	LS00 NAND-GATE-QUAD 2IN, P	2	2	2	2	E23, E34
62	66		1912803-00	6S04 INVERTER GATE, HEL	1	1	1	1	E19
63	67		1912815-00	LS30 NAND GATE-SINGLE 8IN	1	1	1	1	E3
64	68		1912818-00	LS38 NAND BUFFER-QUAD 2IN	1	1	1	1	E28
65	69		1912824-00	LS74 FF-D DUAL, EDGE TRIGG	2	2	2	2	E13, E22
66	70		1912842-00	LS138 DECODER-THREE INPUT,	1	1	1	1	E27
67	71		1912843-00	LS139 DECODER, 2 OF 4 (DUAL	1	1	1	1	E31
68	72		1912854-00	LS193 COUNTER, SYNCHR, 4BIT,	3	3	3	3	E21, E25, E30
69	73		1912863-00	LS273 FF-D OCTAL W/CLEAR	2	2	2	2	E16, E20
70	74		1913105-00	PB 8224C DRIVER/GEN CLOCK F	1	1	1	1	E32
71	75		1913109-00	8228 BUFFER, DATA BASE FOR	1	1	1	1	E36
72	76		1913130-00	DEC 1489A RECEIVER, LINE, QUAD,	2	2	2	2	E37, E44
73	77		1914084-00	74S299 SHIFT REG. 8BIT RIGH	1	1	1	1	E10
74	78		1914156-00	LM 393 VOLT. COMPARATOR DUAL	1	1	1	1	E48
75	79		1914213-00	81LS97 BUFFER GATE-OCTAL 2I	4	4	4	4	E15, E41, E42, E58
76	80		1914214-00	LS374 FF-D OCTAL EDGE TRIG	2	2	2	2	E26, E33

D	I	G	I	T	A	L	TITLE	VT100 BASIC VIDEO	SECTION A OF A	SIZE	CODE	DOCUMENT NUMBER	REV
										K	PL	5413009-0-DBP	AA

LINE	ITEM	DOCUMENT NUMBER	PART NUMBER	DESCRIPTION	QTY PER VARIATION				REFERENCE DESIGNATOR
					00	01	02	99	
77	81		1914423-01	CUSTOM LSI-BIPOLAR LS	1	1	1	1	E6
78	82		1914424-01	CUSTOM LSI-BIPOLAR L	1	1	1	1	E5
79	83		2112623-02	DUAL BAUD RATE GEN/PROG DIVIDER	1	1	1	1	E60
80	84		2113106-01	1K MOS RAM 250NS	2	2	2	2	E11,E17
81	85		2113107-01	P 8251A PUSART COMM. INTERFA	1	1	1	1	E43
82	86		2113108-01	8080A-1 MICROPROCESSOR UNIT	1	1	1	1	E35
83	87		2113937-00	UART 125K BUAD	1	1	1	1	E55
84	88		2114212-00	P 2114-2 RAM,1024X4,STATIC	6	6	6	6	E46,E47,E50,E51,E53,E54
85	89		2114524-01	ROM 100X14BIT,ERASABLE,	1	1	1	1	E24
86	90		23018E2-00	E2-03	1	1	1	1	E4
87	91		9006010-01	SCREW,PAN,PHIL 4-40X 5/16 SS	3	3	3	3	
88	92		9006557-00	NUT,KEP 4-40X 1/4 AF	3	3	3	3	
89	93		3009185-00	JUMPER, WIRE, INSULATED, BLACK B	4	4	4	4	W1,W3,W4,W7
90	95		23061E2-00	E2-02	1	-	-	-	E56
91	96		23032E2-00	E2-02	1	-	-	-	E52
92	97		23033E2-00	E2-02	1	-	-	-	E45
93	98		23034E2-00	E2-02	1	-	-	-	E40
94	102		1001610-00	.01 MFD 50V +80-20% 25U CER	4	4	4	4	C16,C17,C23,C51
95	103		1301320-00	1.20 K .25 W 5.0 % CC	1	1	1	1	R30
96	104		1301322-00	180.0 .25 W 5.0 % CC	1	1	1	1	R33
97	105		1301477-00	82.0 .25 W 5.0 % CC	1	1	1	1	R42
98	106		1300202-00	47.0 .25 W 5.0 % CC	1	1	1	1	R44
99	107		1303155-00	21.50 K .25 W 1.0 % RN55D-F10	1	1	1	1	R10
100	108		1309412-00	18.20 K .25 W 1.0 % RN55D-F10	1	1	1	1	R13
101	109		1609620-00	2.2 UH #RFC52.2	1	1	1	1	L1
102	110		1002608-00	18.0 MMF 100V 55200PPM MICA	1	1	1	1	C53
103	112		1013466-05	56.0 MMF 50V 5% CER	1	1	1	1	C47
104	113		23180E2-00	E2-02	-	1	1	-	E56
105	114		23181E2-00	E2-02	-	1	1	-	E52
106	115		23182E2-00	E2-02	-	1	1	-	E45
107	116		23183E2-00	E2-02	-	1	1	-	E40
108	117		1215006-07	SOCKET 28PIN IC LOW PROFILE	1	1	1	1	XE6
109	118		23094E2-00	E2-03,E2-04	-	-	1	-	E9
110	119	A-SP-3700553-0-0	3700553-00	PKG MODULE 5413009	REF	REF	REF	REF	
111	120	A-SP-3700428-0-0	3700428-00	INSTR PKG. BULK CARTON 99-06476-	REF	REF	REF	REF	
112	121		1300005-03	R NETWORK 13-10K 5.0 % 14PIN	1	1	1	1	E57
113	122		9105740-55	WIRE(WRAP)30AWG UL1423	A/R	A/R	A/R	A/R	
114	123		1000021-00	220.0 MMF 100V 5%200PPM MICA	1	1	1	1	C57
115	124		9107560-01	WIRE,BUSS,22AWG	A/R	A/R	A/R	A/R	

116 NOTE: THE FOLLOWING COMPONENTS ARE OPTIONAL AND ARE NOT TO BE INSERTED:
 117 NOTE: C46 PART #1001796, C52 PART #1012784,
 118 NOTE: D17 PART #1110766, R71 PART #1300479, R69,R72 PART #1301808,
 119 NOTE: R73 PART #1301874, R70 PART #1301972, Q6 PART #1509524.

D	I	G	I	T	A	L	TITLE	VT100 BASIC VIDEO	SECTION A OF A	SIZE	CODE	DOCUMENT NUMBER	REV
									K	PL	5413009-0-DBP	AA	

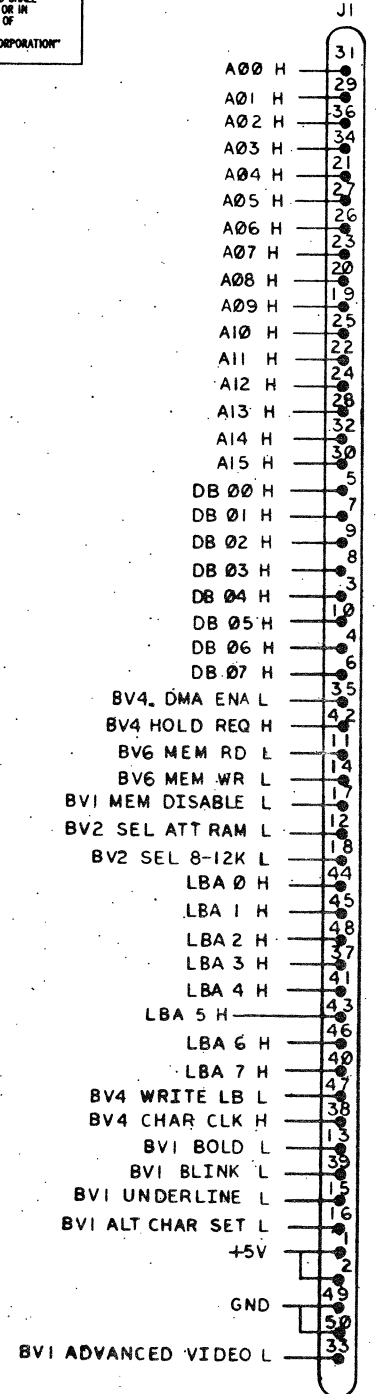
LINE ITEM	DOCUMENT NUMBER	PART NUMBER	DESCRIPTION	QTY PER VARIATION				REFERENCE DESIGNATOR
				00	01	02	99	

120 NOTE: FOR INDIVIDUAL FIELD SERVICE/CUSTOMER SPARES SHIPMENTS USE PACKAGING INSTRUCTION, A-SP-3700553-0-0;
 121 NOTE: FOR BULK INTERPLANT SHIPMENTS USE PACKAGING INSTRUCTION, A-SP-3700428-0-0 VARIATION -02

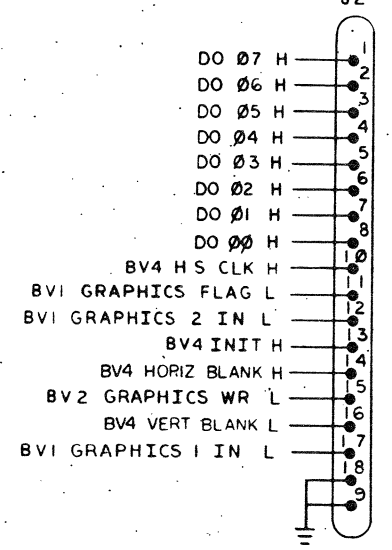
D	I	G	I	T	A	L	TITLE	VT100 BASIC VIDEO	SECTION A	OF A	SIZE	CODE	DOCUMENT NUMBER	REV
											K	PL	5413009-0-DBP	AA

THIS DRAWING AND SPECIFICATIONS HEREIN ARE THE PROPERTY OF DIGITAL EQUIPMENT CORPORATION AND SHALL NOT BE REPRODUCED OR COPIED OR USED IN WHOLE OR IN PART AS THE BASIS FOR THE MANUFACTURE OR SALE OF ITEMS WITHOUT WRITTEN PERMISSION.
 COPYRIGHT © 1975, DIGITAL EQUIPMENT CORPORATION

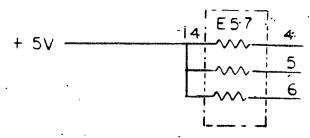
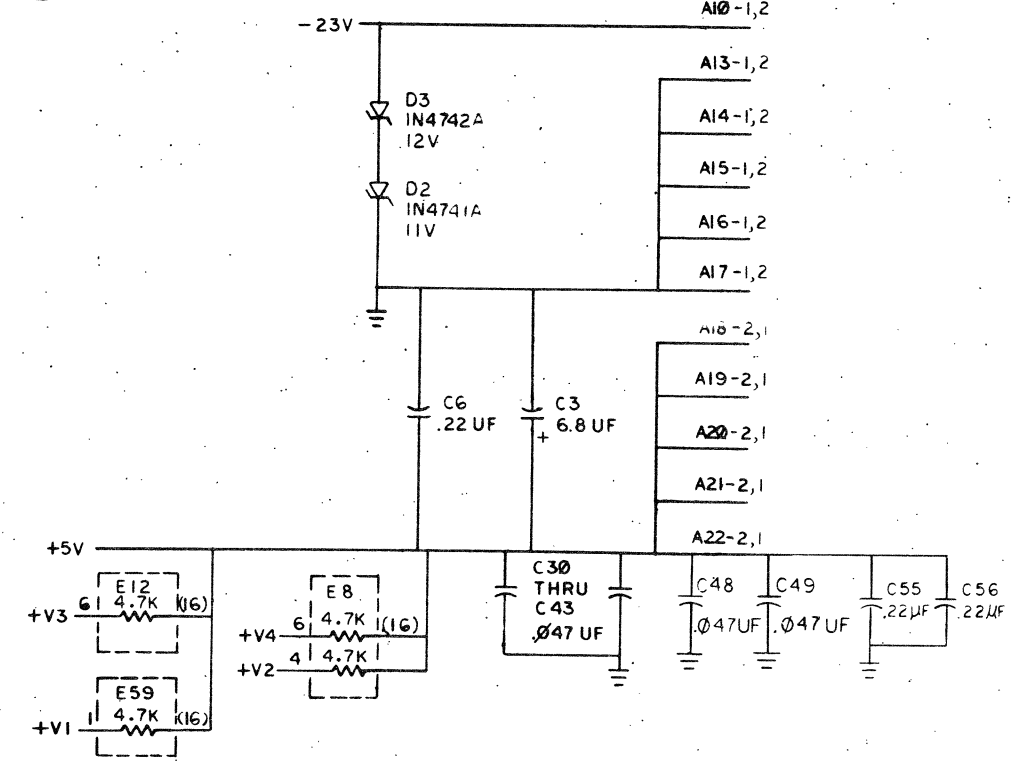
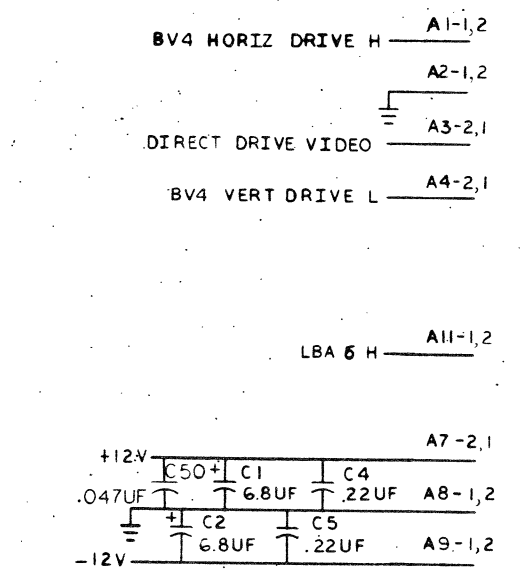
ADVANCED VIDEO CONN.



GRAPHICS CONN
J2



EDGE CONN



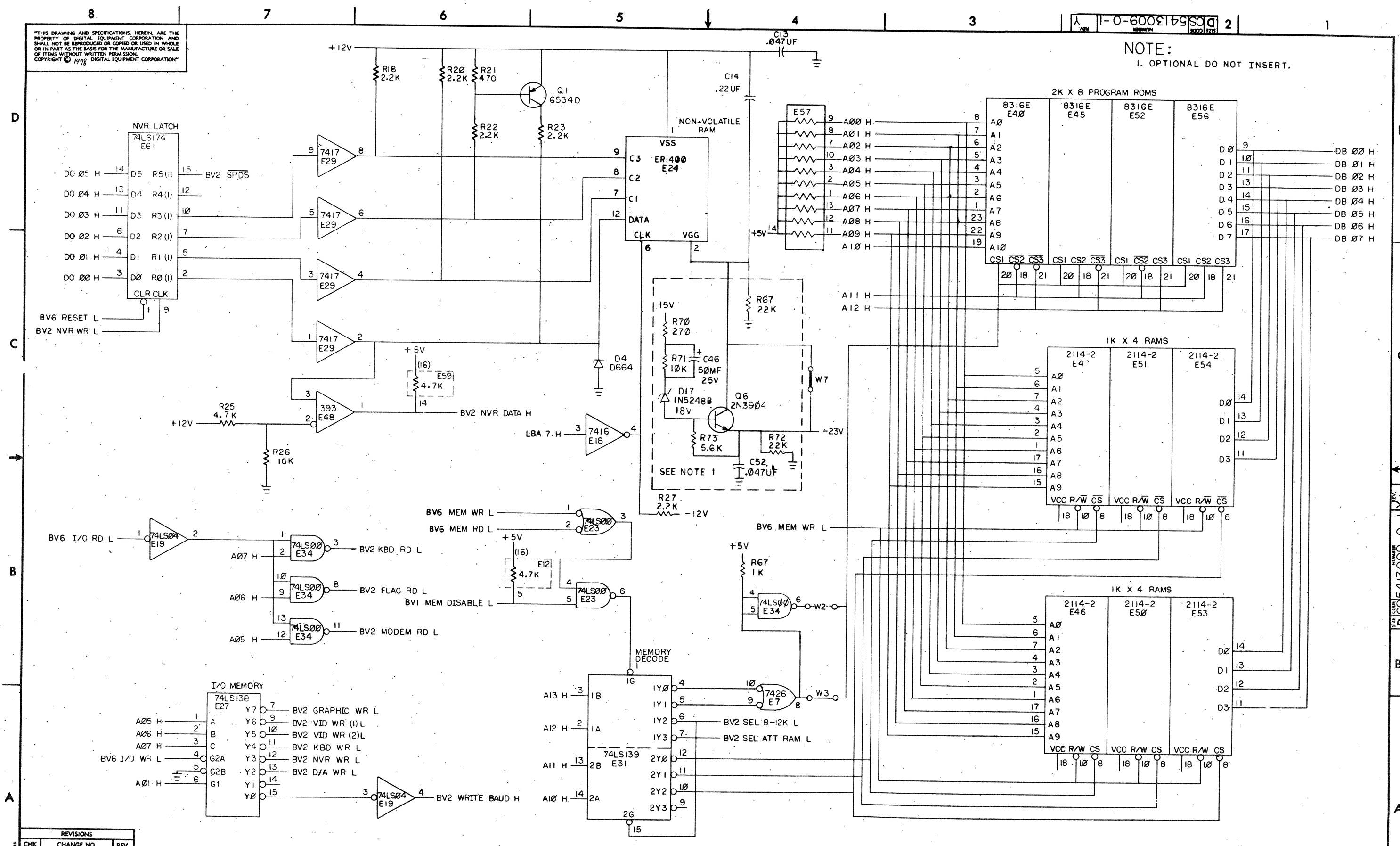
REV.	CHANGE NO.	BY	DATE
1	5413009-ML001	C	10-16-75
2		R. PUCCI	11-15-78
3	5413009-ML002	D	12-10-78
4	5413009-ML003	S	1-15-79
5	5413009-ML004	T	2-15-79
6	5413009-ML005	U	3-15-79
7	5413009-ML006	V	4-15-79
8	5413009-ML007	W	5-15-79
9	5413009-ML008	Y	6-15-79
10	5413009-ML009	Z	7-15-79

DRN. <i>Walt</i>	2-1-78	FIRST USED ON	VT100
CHK'D <i>Walt</i>	6/1/78	TITLE	BASIC VIDEO
ENG. <i>Walt</i>	5/1/78	SCALE	
PROJ. ENG. <i>Walt</i>	1/1/78	SHEET	1 OF 6
PROD. <i>Walt</i>	1/1/78	DIST.	
NEXT HIGHER ASSY.		SIZE	NUMBER
E-UA-5413009-0-0		D	CS 5413009-0-1
		REV.	Y

THIS DRAWING AND SPECIFICATIONS, HEREIN, ARE THE PROPERTY OF DIGITAL EQUIPMENT CORPORATION AND SHALL NOT BE REPRODUCED OR COPIED OR USED IN WHOLE OR IN PART AS THE BASIS FOR THE MANUFACTURE OR SALE OF ITEMS WITHOUT WRITTEN PERMISSION. COPYRIGHT © 1978 DIGITAL EQUIPMENT CORPORATION

1-0-600179SD 2

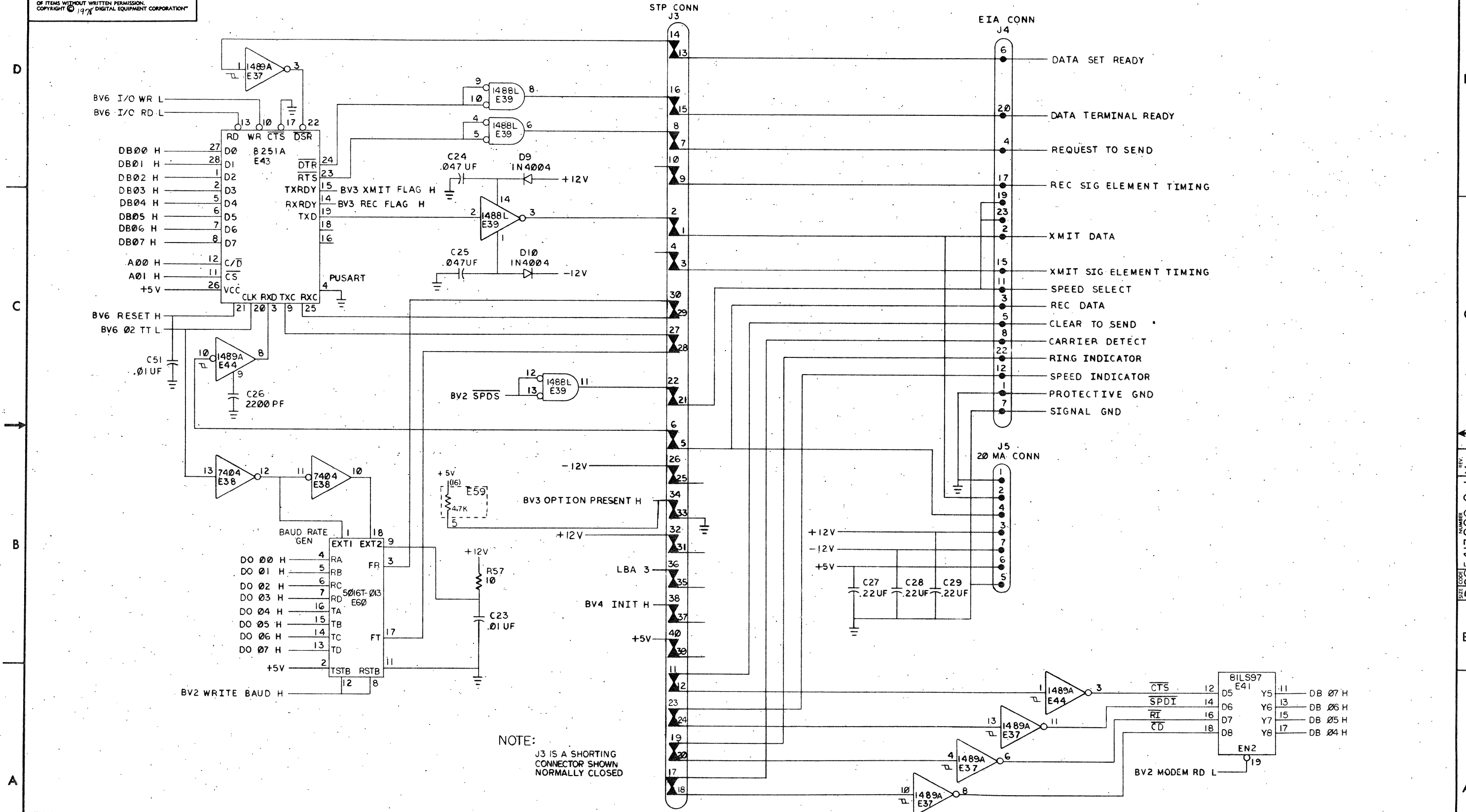
NOTE:
1. OPTIONAL DO NOT INSERT.



REVISIONS		
CHK	CHANGE NO.	REV.

SIZE CODE NUMBER DCS 5413009-0-1 Y

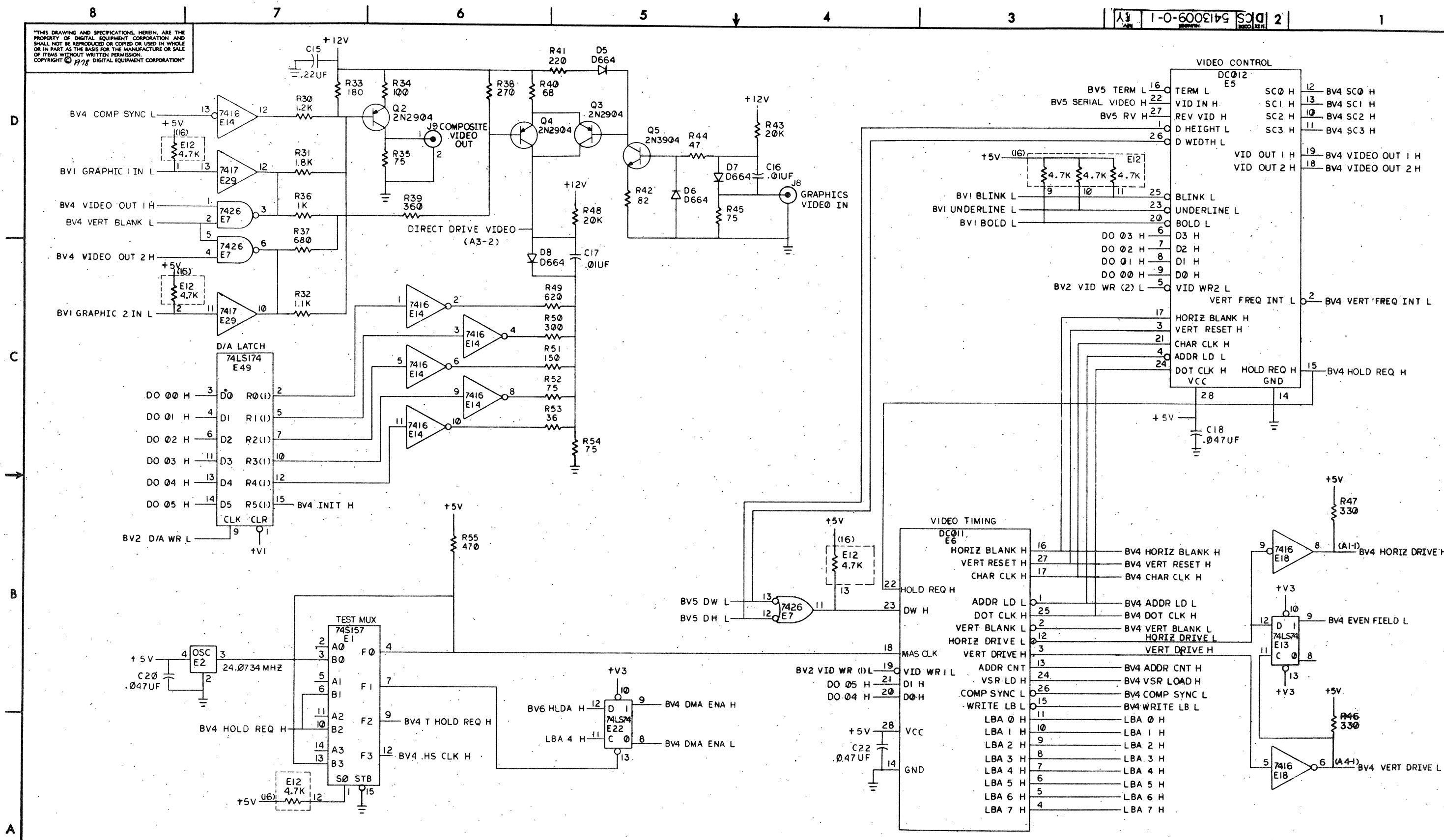
"THIS DRAWING AND SPECIFICATIONS, HEREIN, ARE THE PROPERTY OF DIGITAL EQUIPMENT CORPORATION AND SHALL NOT BE REPRODUCED OR COPIED OR USED IN WHOLE OR IN PART AS THE BASIS FOR THE MANUFACTURE OR SALE OF ITEMS WITHOUT WRITTEN PERMISSION. COPYRIGHT © 1971 DIGITAL EQUIPMENT CORPORATION"



NOTE:
J3 IS A SHORTING
CONNECTOR SHOWN
NORMALLY CLOSED

REVISIONS		
CHK	CHANGE NO.	REV.

THIS DRAWING AND SPECIFICATIONS, HEREIN, ARE THE PROPERTY OF DIGITAL EQUIPMENT CORPORATION AND SHALL NOT BE REPRODUCED OR COPIED OR USED IN WHOLE OR IN PART AS THE BASIS FOR THE MANUFACTURE OR SALE OF ITEMS WITHOUT WRITTEN PERMISSION. COPYRIGHT © 1978 DIGITAL EQUIPMENT CORPORATION

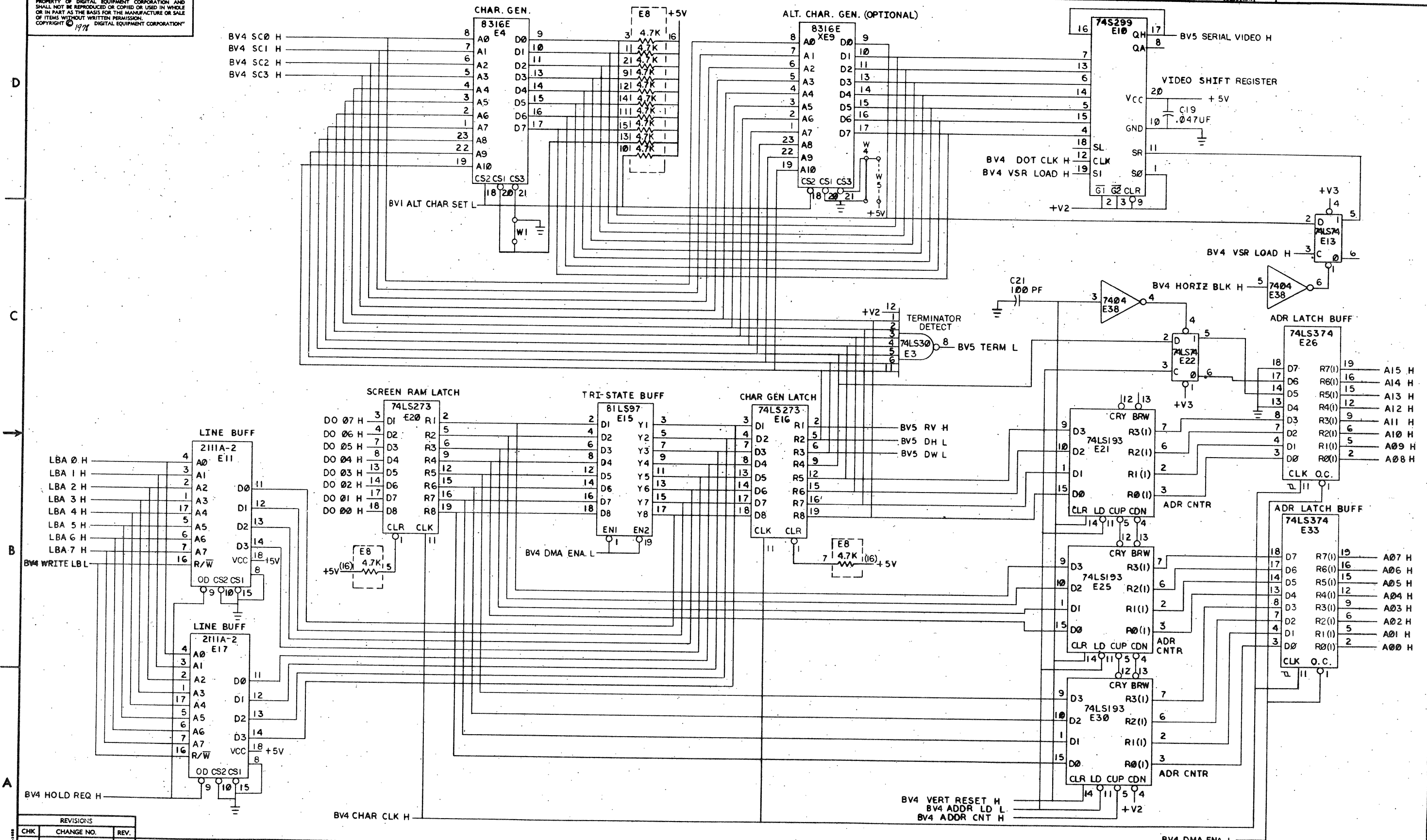


REVISIONS		
CHK	CHANGE NO.	REV.

TITLE	VT100 BASIC VIDEO (BV4)	SIZE CODE	D CS	NUMBER	5413009-0-1	REV.	Y
SCALE		SHEET	4 OF 6	DIST.			

REV. Y
NUMBER 5413009-0-1
SHEET 4 OF 6

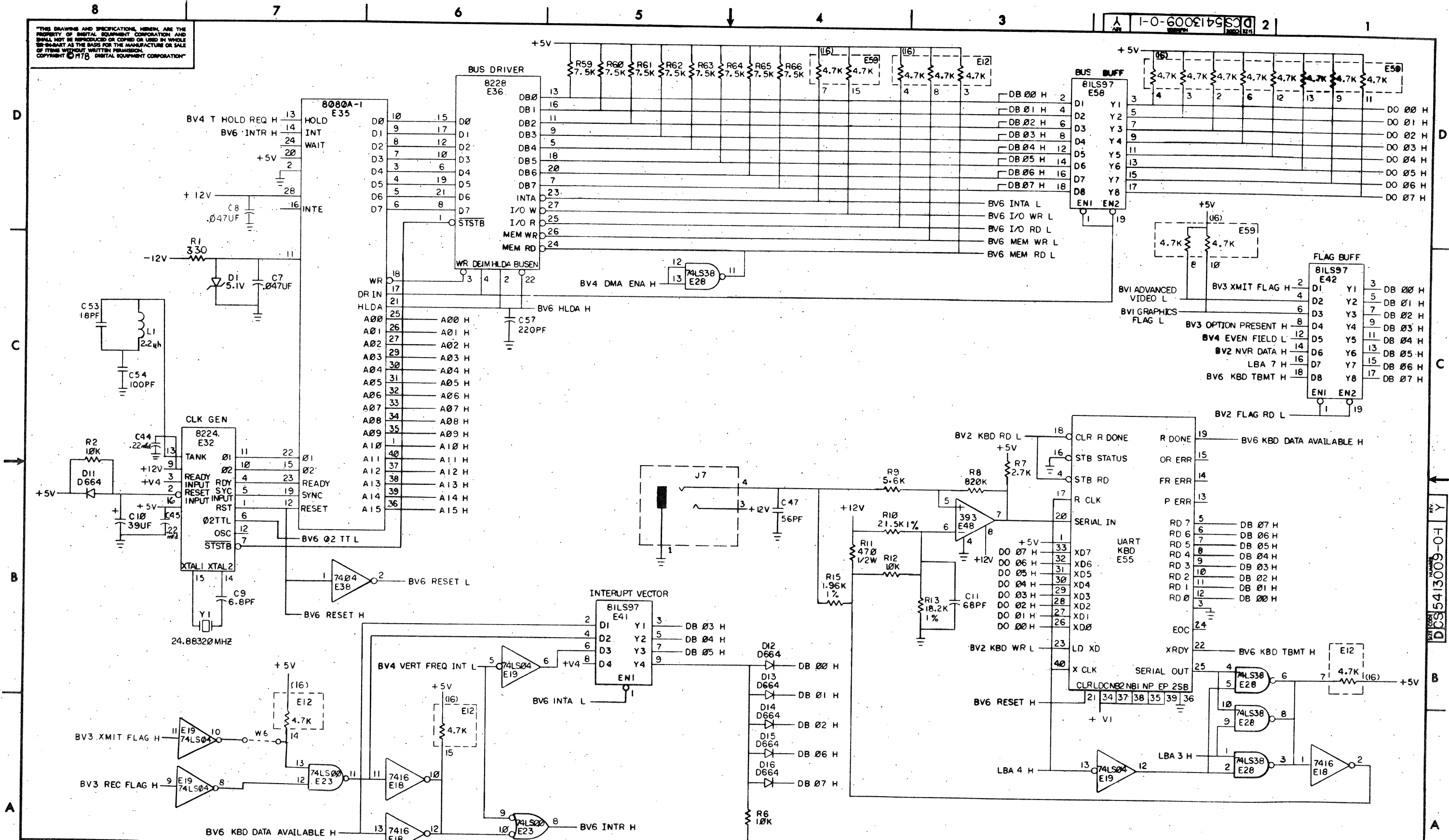
"THIS DRAWING AND SPECIFICATIONS, HEREIN, ARE THE PROPERTY OF DIGITAL EQUIPMENT CORPORATION AND SHALL NOT BE REPRODUCED OR COPIED OR USED IN WHOLE OR IN PART AS THE BASIS FOR THE MANUFACTURE OR SALE OF ITEMS WITHOUT WRITTEN PERMISSION. COPYRIGHT © 1977 DIGITAL EQUIPMENT CORPORATION"



REVISIONS		
CHK	CHANGE NO.	REV.

THIS DRAWING AND SPECIFICATIONS, HEREIN, ARE THE PROPERTY OF DIGITAL EQUIPMENT CORPORATION AND SHALL NOT BE REPRODUCED OR COPIED OR USED IN WHOLE OR IN PART AS THE BASIS FOR THE MANUFACTURE OR SALE OF ITEMS WITHOUT WRITTEN PERMISSION. COPYRIGHT © 1978 DIGITAL EQUIPMENT CORPORATION

1-0-600217CS01 2



CHK	CHANGE NO.	REV.

THIS DRAWING AND SPECIFICATIONS HEREIN ARE THE PROPERTY OF DIGITAL EQUIPMENT CORPORATION AND SHALL NOT BE REPRODUCED OR COPIED OR USED IN WHOLE OR IN PART AS THE BASIS FOR THE MANUFACTURE OR SALE OF ITEMS WITHOUT WRITTEN PERMISSION. COPYRIGHT © 1975 DIGITAL EQUIPMENT CORPORATION

DUA 5412996-C-0-N 2

JAVORPQA JUV

2413000 2013000E -P3
24V1 POWER SUPPLY

SIDE 2

REVISIONS		
CHK	CHANGE NO	REV.

TITLE	H7831 POWER SUPPLY	SIZE CODE	DUA	NUMBER	5412996-0-0-N	REV.	N
SCALE	2/1	SHEET	2	OF	3	DIST	

THIS DRAWING AND SPECIFICATIONS HEREIN ARE THE PROPERTY OF DIGITAL EQUIPMENT CORPORATION AND SHALL NOT BE REPRODUCED OR COPIED OR USED IN WHOLE OR IN PART AS THE BASIS FOR THE MANUFACTURE OR SALE OF ITEMS WITHOUT WRITTEN PERMISSION. COPYRIGHT © 1975 DIGITAL EQUIPMENT CORPORATION.

D/UA 5412996-0-0 N 2

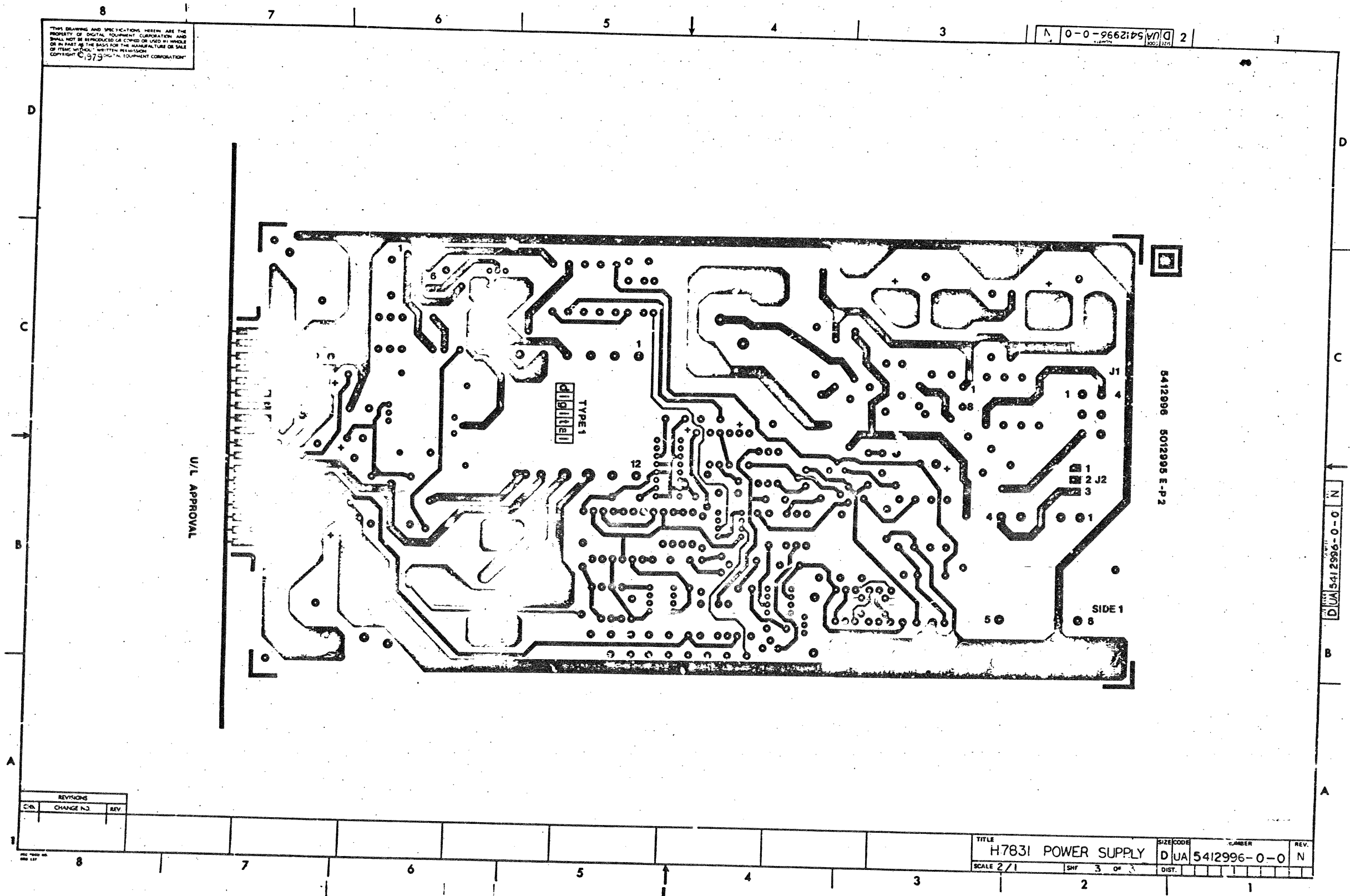
U/L APPROVAL

5412996 5012995 E-P2

SIDE 1

REVISIONS		
CHG.	CHANGE NO.	REV.

TITLE H7831 POWER SUPPLY SIZE CODE D/UA 5412996-0-0 N
 SCALE 2/1 SHF 3 OF 3 DIST.



AUTOMATED BY PRTLS1 (04/11)

PARTS LIST

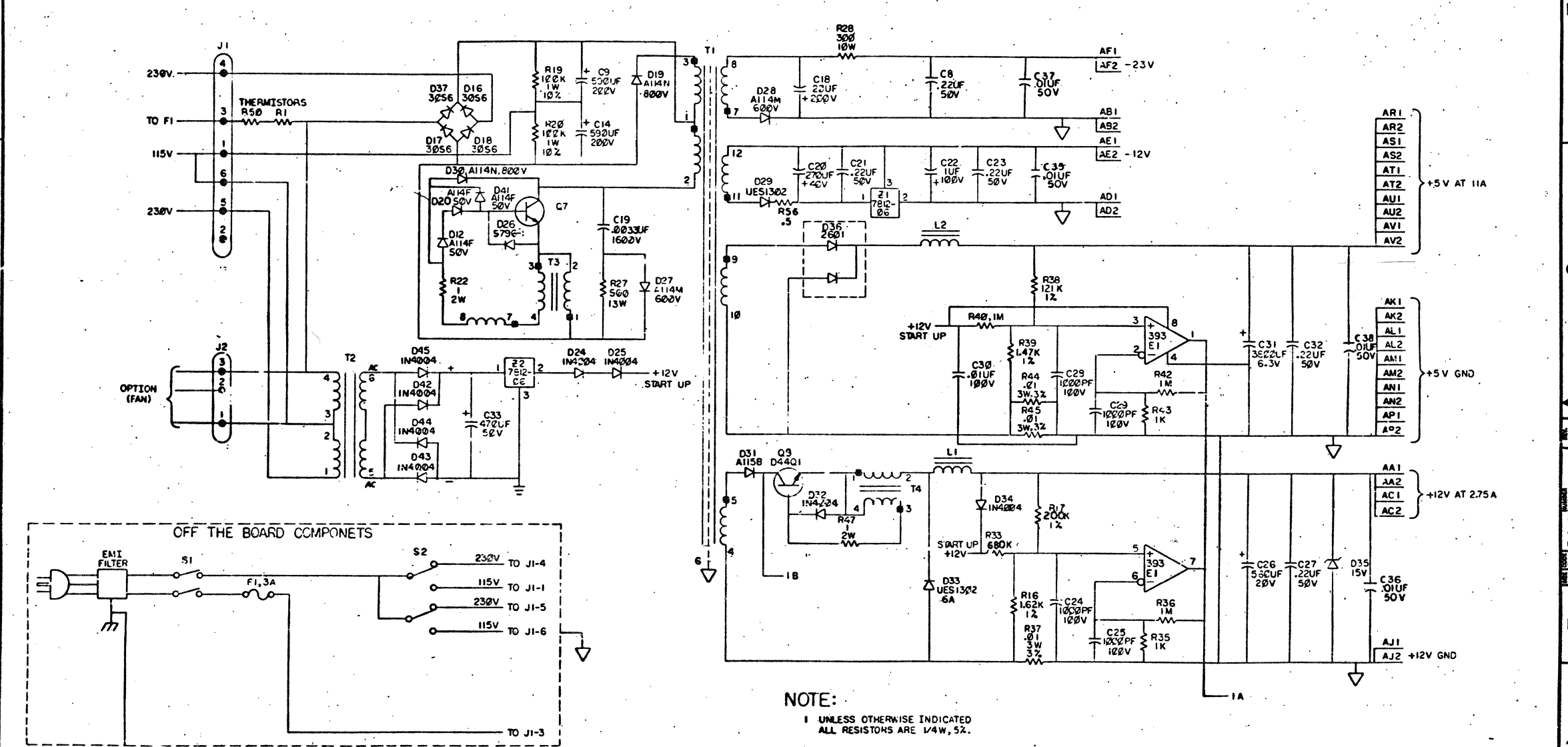
SHEET 02 OF 03

LINE ITEM	DOCUMENT NUMBER	PART NUMBER	DESCRIPTION	QTY PER VARIATION	REFERENCE DESIGNATOR
100	5412995-0-03P	9006010	RESISTOR 100 OHM 1/4W 5% TOL	100	R100
101	5412995-0-03P	9006011	RESISTOR 100 OHM 1/4W 5% TOL	100	R101
102	5412995-0-03P	9006012	RESISTOR 100 OHM 1/4W 5% TOL	100	R102
103	5412995-0-03P	9006013	RESISTOR 100 OHM 1/4W 5% TOL	100	R103
104	5412995-0-03P	9006014	RESISTOR 100 OHM 1/4W 5% TOL	100	R104
105	5412995-0-03P	9006015	RESISTOR 100 OHM 1/4W 5% TOL	100	R105
106	5412995-0-03P	9006016	RESISTOR 100 OHM 1/4W 5% TOL	100	R106
107	5412995-0-03P	9006017	RESISTOR 100 OHM 1/4W 5% TOL	100	R107
108	5412995-0-03P	9006018	RESISTOR 100 OHM 1/4W 5% TOL	100	R108
109	5412995-0-03P	9006019	RESISTOR 100 OHM 1/4W 5% TOL	100	R109
110	5412995-0-03P	9006020	RESISTOR 100 OHM 1/4W 5% TOL	100	R110
111	5412995-0-03P	9006021	RESISTOR 100 OHM 1/4W 5% TOL	100	R111
112	5412995-0-03P	9006022	RESISTOR 100 OHM 1/4W 5% TOL	100	R112
113	5412995-0-03P	9006023	RESISTOR 100 OHM 1/4W 5% TOL	100	R113
114	5412995-0-03P	9006024	RESISTOR 100 OHM 1/4W 5% TOL	100	R114
115	5412995-0-03P	9006025	RESISTOR 100 OHM 1/4W 5% TOL	100	R115
116	5412995-0-03P	9006026	RESISTOR 100 OHM 1/4W 5% TOL	100	R116
117	5412995-0-03P	9006027	RESISTOR 100 OHM 1/4W 5% TOL	100	R117
118	5412995-0-03P	9006028	RESISTOR 100 OHM 1/4W 5% TOL	100	R118
119	5412995-0-03P	9006029	RESISTOR 100 OHM 1/4W 5% TOL	100	R119
120	5412995-0-03P	9006030	RESISTOR 100 OHM 1/4W 5% TOL	100	R120

100 NOTE: SEE DRAWING 5412995-0-0 FOR ADDITIONAL INSERTION INFORMATION
 101 NOTE: SEE DRAWING 5412995-0-0 FOR ADDITIONAL INSERTION INFORMATION
 102 NOTE: SEE DRAWING 5412995-0-0 FOR ADDITIONAL INSERTION INFORMATION
 103 NOTE: SEE DRAWING 5412995-0-0 FOR ADDITIONAL INSERTION INFORMATION
 104 NOTE: SEE DRAWING 5412995-0-0 FOR ADDITIONAL INSERTION INFORMATION
 105 NOTE: SEE DRAWING 5412995-0-0 FOR ADDITIONAL INSERTION INFORMATION
 106 NOTE: SEE DRAWING 5412995-0-0 FOR ADDITIONAL INSERTION INFORMATION
 107 NOTE: SEE DRAWING 5412995-0-0 FOR ADDITIONAL INSERTION INFORMATION
 108 NOTE: SEE DRAWING 5412995-0-0 FOR ADDITIONAL INSERTION INFORMATION
 109 NOTE: SEE DRAWING 5412995-0-0 FOR ADDITIONAL INSERTION INFORMATION
 110 NOTE: SEE DRAWING 5412995-0-0 FOR ADDITIONAL INSERTION INFORMATION
 111 NOTE: SEE DRAWING 5412995-0-0 FOR ADDITIONAL INSERTION INFORMATION
 112 NOTE: SEE DRAWING 5412995-0-0 FOR ADDITIONAL INSERTION INFORMATION
 113 NOTE: SEE DRAWING 5412995-0-0 FOR ADDITIONAL INSERTION INFORMATION
 114 NOTE: SEE DRAWING 5412995-0-0 FOR ADDITIONAL INSERTION INFORMATION
 115 NOTE: SEE DRAWING 5412995-0-0 FOR ADDITIONAL INSERTION INFORMATION
 116 NOTE: SEE DRAWING 5412995-0-0 FOR ADDITIONAL INSERTION INFORMATION
 117 NOTE: SEE DRAWING 5412995-0-0 FOR ADDITIONAL INSERTION INFORMATION
 118 NOTE: SEE DRAWING 5412995-0-0 FOR ADDITIONAL INSERTION INFORMATION
 119 NOTE: SEE DRAWING 5412995-0-0 FOR ADDITIONAL INSERTION INFORMATION
 120 NOTE: SEE DRAWING 5412995-0-0 FOR ADDITIONAL INSERTION INFORMATION

0	1	2	3	4	5	6	7	8	9	T	A	L	TITLE	H7921 POWER SUPPLY	SECTION A	OF	A	SIZE	CODE	DOCUMENT NUMBER	REV	
																			K	PL	5412995-0-03P	R

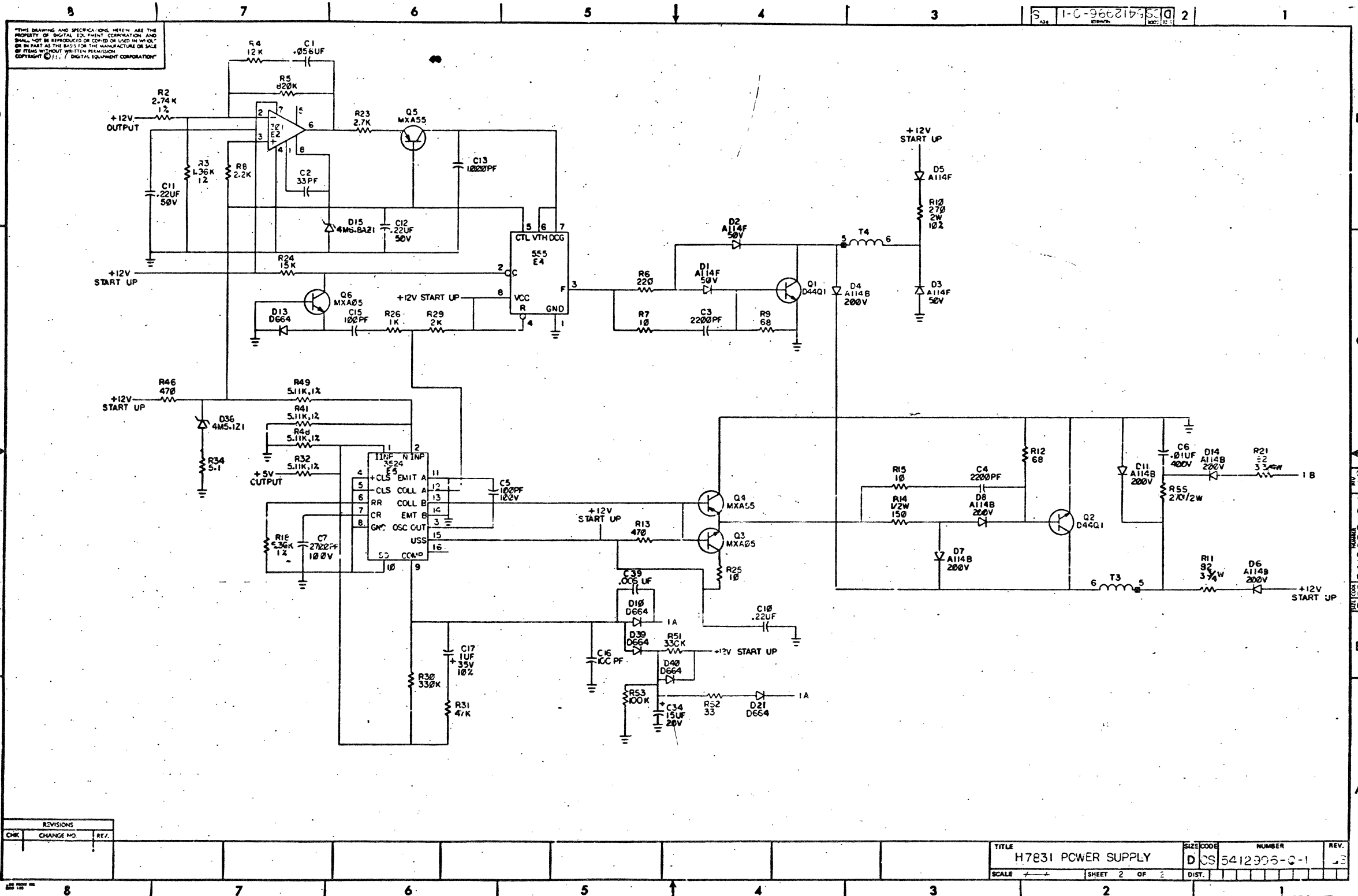
THIS DRAWING AND SPECIFICATIONS HEREIN ARE THE PROPERTY OF DIGITAL EQUIPMENT CORPORATION AND SHALL NOT BE REPRODUCED OR TRANSMITTED IN ANY FORM OR BY ANY MEANS, ELECTRONIC OR MECHANICAL, INCLUDING PHOTOCOPYING, RECORDING, OR BY ANY INFORMATION STORAGE AND RETRIEVAL SYSTEM, WITHOUT WRITTEN PERMISSION FROM DIGITAL EQUIPMENT CORPORATION.



NOTE:
 1 UNLESS OTHERWISE INDICATED
 ALL RESISTORS ARE 1/4W, 5%.

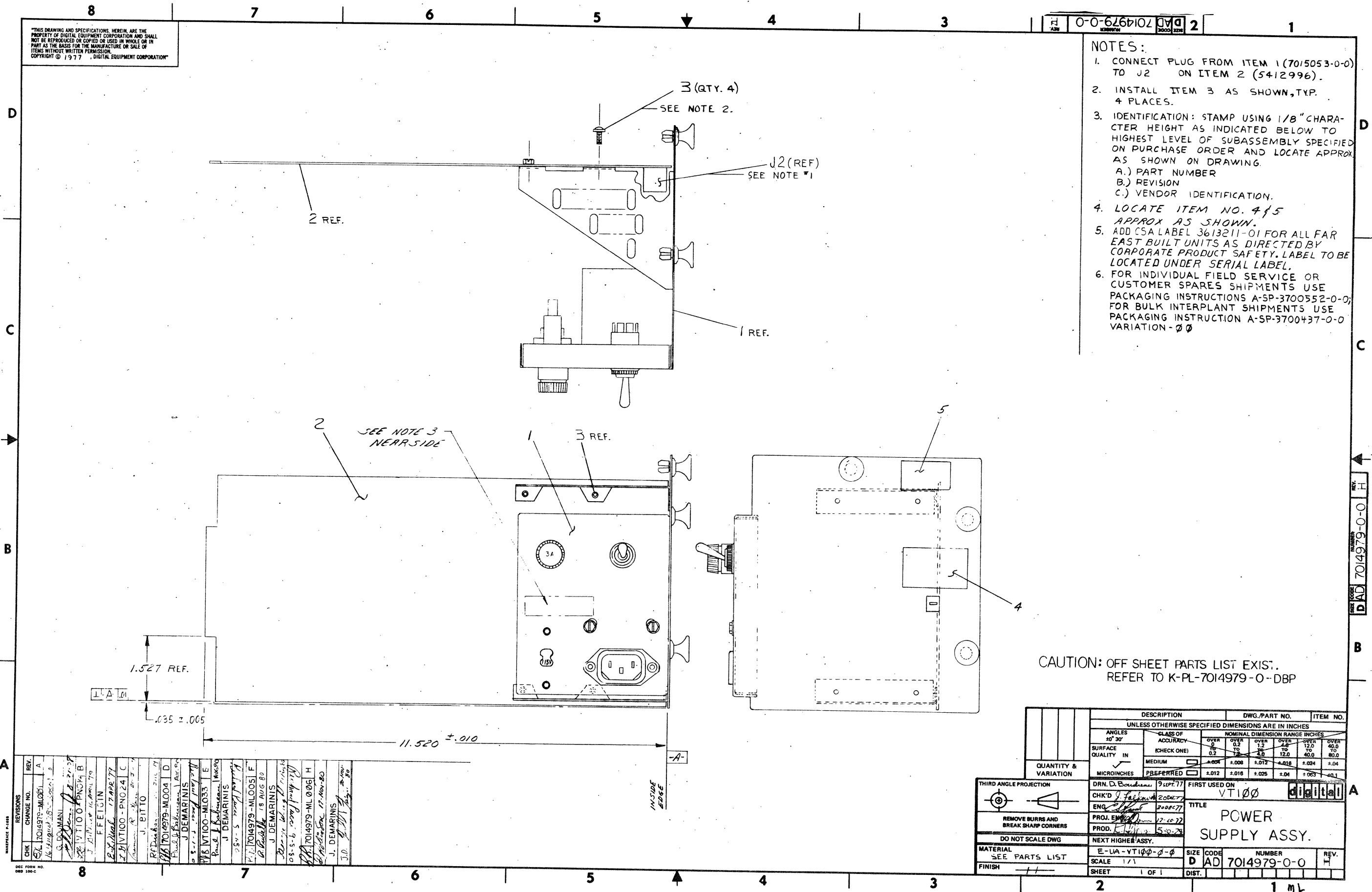
REV.	BY	DATE	DESCRIPTION
1	W. J. RITTO	11/10/77	INITIAL DESIGN
2	W. J. RITTO	11/10/77	REVISED FOR MANUFACTURE
3	W. J. RITTO	11/10/77	REVISED FOR MANUFACTURE
4	W. J. RITTO	11/10/77	REVISED FOR MANUFACTURE
5	W. J. RITTO	11/10/77	REVISED FOR MANUFACTURE
6	W. J. RITTO	11/10/77	REVISED FOR MANUFACTURE
7	W. J. RITTO	11/10/77	REVISED FOR MANUFACTURE
8	W. J. RITTO	11/10/77	REVISED FOR MANUFACTURE

DRN. 5412996-0-1	FIRST USED ON H7831	DIGITAL
CHKD. 5412996-0-1	TITLE H7831	
ENGR. 5412996-0-1	POWER SUPPLY	
PROD. 5412996-0-1		
NEXT HIGHER ASSY.		
B-D0-5412996-0	SIZE CODE D	NUMBER 5412996-0-1
SCALE	DIST.	REV. S
SHEET 1 OF 2		



"THIS DRAWING AND SPECIFICATIONS, HEREIN, ARE THE PROPERTY OF DIGITAL EQUIPMENT CORPORATION AND SHALL NOT BE REPRODUCED OR COPIED OR USED IN WHOLE OR IN PART AS THE BASIS FOR THE MANUFACTURE OR SALE OF ITEMS WITHOUT WRITER PERMISSION. COPYRIGHT © 1977, DIGITAL EQUIPMENT CORPORATION"

0-0-626107 2

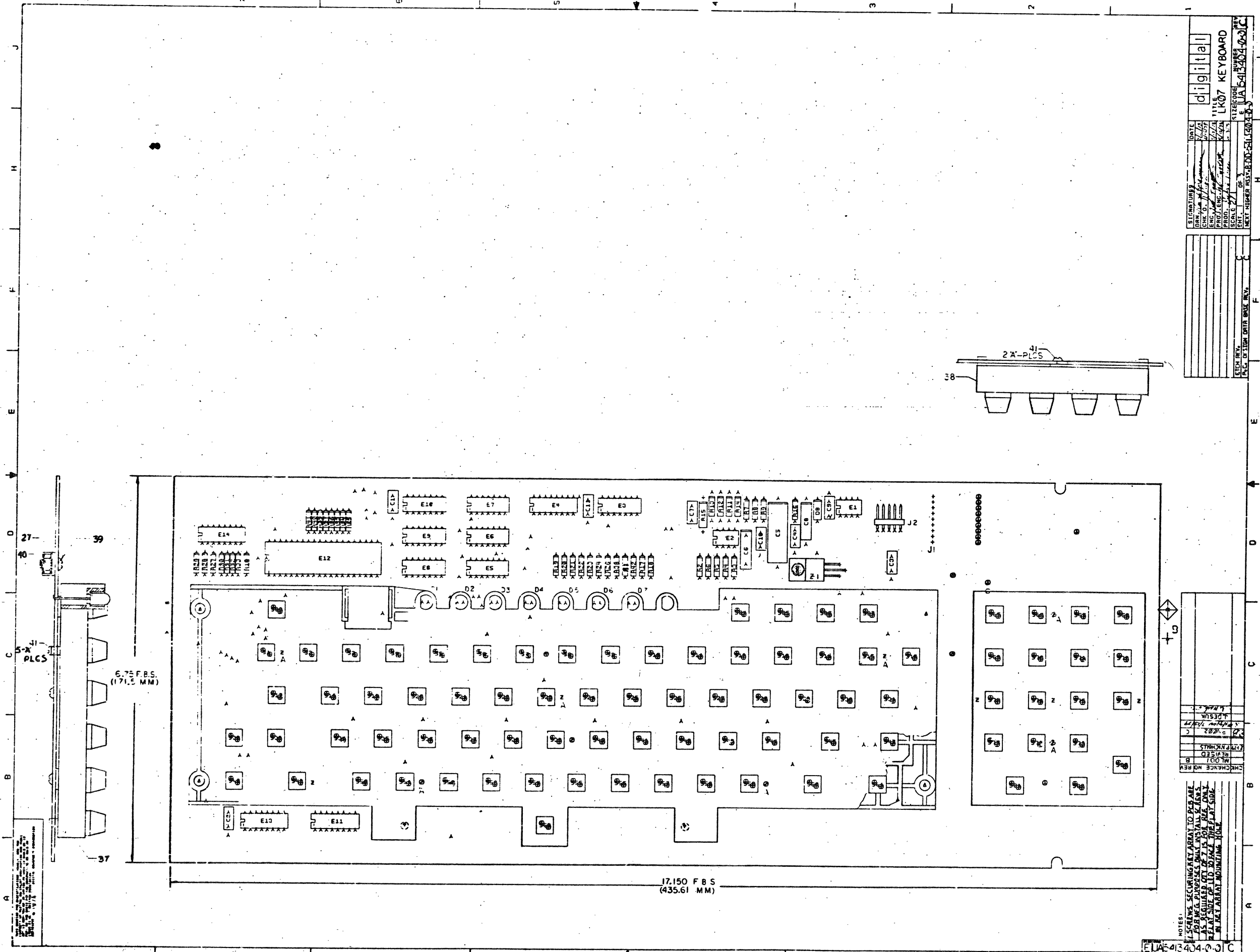


- NOTES:**
- CONNECT PLUG FROM ITEM 1 (7015053-0-0) TO J2 ON ITEM 2 (5412996).
 - INSTALL ITEM 3 AS SHOWN, TYP. 4 PLACES.
 - IDENTIFICATION: STAMP USING 1/8" CHARACTER HEIGHT AS INDICATED BELOW TO HIGHEST LEVEL OF SUBASSEMBLY SPECIFIED ON PURCHASE ORDER AND LOCATE APPROX AS SHOWN ON DRAWING.
 - A.) PART NUMBER
 - B.) REVISION
 - C.) VENDOR IDENTIFICATION.
 - LOCATE ITEM NO. 4 & 5 APPROX AS SHOWN.
 - ADD CSA LABEL 3613211-01 FOR ALL FAR EAST BUILT UNITS AS DIRECTED BY CORPORATE PRODUCT SAFETY. LABEL TO BE LOCATED UNDER SERIAL LABEL.
 - FOR INDIVIDUAL FIELD SERVICE OR CUSTOMER SPARES SHIPMENTS USE PACKAGING INSTRUCTIONS A-SP-3700552-0-0; FOR BULK INTERPLANT SHIPMENTS USE PACKAGING INSTRUCTION A-SP-3700437-0-0 VARIATION - Ø Ø

CAUTION: OFF SHEET PARTS LIST EXIST. REFER TO K-PL-7014979-0-DBP

REV.	CHANGE NO.	CHK.	DATE
A			
B			
C			
D			
E			
F			
G			
H			

QUANTITY & VARIATION		DESCRIPTION		DWG. PART NO.	ITEM NO.
UNLESS OTHERWISE SPECIFIED DIMENSIONS ARE IN INCHES					
ANGLES 90°/30°		CLASS OF ACCURACY		NOMINAL DIMENSION RANGE INCHES	
SURFACE QUALITY IN		CHECK ONE		OVER 0 TO 0.2	
MICROINCHES		PREFERRED		OVER 0.2 TO 0.4	
				OVER 0.4 TO 0.6	
				OVER 0.6 TO 1.0	
				OVER 1.0 TO 2.0	
				OVER 2.0 TO 4.0	
				OVER 4.0 TO 6.0	
				OVER 6.0 TO 12.0	
				OVER 12.0 TO 24.0	
				OVER 24.0 TO 48.0	
				OVER 48.0 TO 96.0	
				OVER 96.0 TO 192.0	
				OVER 192.0 TO 384.0	
				OVER 384.0 TO 768.0	
				OVER 768.0 TO 1536.0	
				OVER 1536.0 TO 3072.0	
				OVER 3072.0 TO 6144.0	
				OVER 6144.0 TO 12288.0	
				OVER 12288.0 TO 24576.0	
				OVER 24576.0 TO 49152.0	
				OVER 49152.0 TO 98304.0	
				OVER 98304.0 TO 196608.0	
				OVER 196608.0 TO 393216.0	
				OVER 393216.0 TO 786432.0	
				OVER 786432.0 TO 1572864.0	
				OVER 1572864.0 TO 3145728.0	
				OVER 3145728.0 TO 6291456.0	
				OVER 6291456.0 TO 12582912.0	
				OVER 12582912.0 TO 25165824.0	
				OVER 25165824.0 TO 50331648.0	
				OVER 50331648.0 TO 100663296.0	
				OVER 100663296.0 TO 201326592.0	
				OVER 201326592.0 TO 402653184.0	
				OVER 402653184.0 TO 805306368.0	
				OVER 805306368.0 TO 1610612736.0	
				OVER 1610612736.0 TO 3221225472.0	
				OVER 3221225472.0 TO 6442450944.0	
				OVER 6442450944.0 TO 12884901888.0	
				OVER 12884901888.0 TO 25769803776.0	
				OVER 25769803776.0 TO 51539607552.0	
				OVER 51539607552.0 TO 103079215104.0	
				OVER 103079215104.0 TO 206158430208.0	
				OVER 206158430208.0 TO 412316860416.0	
				OVER 412316860416.0 TO 824633720832.0	
				OVER 824633720832.0 TO 1649267441664.0	
				OVER 1649267441664.0 TO 3298534883328.0	
				OVER 3298534883328.0 TO 6597069766656.0	
				OVER 6597069766656.0 TO 13194139533312.0	
				OVER 13194139533312.0 TO 26388279066624.0	
				OVER 26388279066624.0 TO 52776558133248.0	
				OVER 52776558133248.0 TO 105553116266496.0	
				OVER 105553116266496.0 TO 211106232532992.0	
				OVER 211106232532992.0 TO 422212465065984.0	
				OVER 422212465065984.0 TO 844424930131968.0	
				OVER 844424930131968.0 TO 1688849860263936.0	
				OVER 1688849860263936.0 TO 3377699720527872.0	
				OVER 3377699720527872.0 TO 6755399441055744.0	
				OVER 6755399441055744.0 TO 13510798882111488.0	
				OVER 13510798882111488.0 TO 27021597764222976.0	
				OVER 27021597764222976.0 TO 54043195528445952.0	
				OVER 54043195528445952.0 TO 10808639105689184.0	
				OVER 10808639105689184.0 TO 21617278211378368.0	
				OVER 21617278211378368.0 TO 43234556422756736.0	
				OVER 43234556422756736.0 TO 86469112845513472.0	
				OVER 86469112845513472.0 TO 172938225691026944.0	
				OVER 172938225691026944.0 TO 345876451382053888.0	
				OVER 345876451382053888.0 TO 691752902764107776.0	
				OVER 691752902764107776.0 TO 1383505805528215552.0	
				OVER 1383505805528215552.0 TO 2767011611056431104.0	
				OVER 2767011611056431104.0 TO 5534023222112862208.0	
				OVER 5534023222112862208.0 TO 11068046442225724416.0	
				OVER 11068046442225724416.0 TO 22136092884451448832.0	
				OVER 22136092884451448832.0 TO 44272185768902897664.0	
				OVER 44272185768902897664.0 TO 88544371537805795328.0	
				OVER 88544371537805795328.0 TO 177088743075611590656.0	
				OVER 177088743075611590656.0 TO 354177486151223181312.0	
				OVER 354177486151223181312.0 TO 708354972302446362624.0	
				OVER 708354972302446362624.0 TO 1416709944604892773248.0	
				OVER 1416709944604892773248.0 TO 2833419889209785546496.0	
				OVER 2833419889209785546496.0 TO 5666839778419571092992.0	
				OVER 5666839778419571092992.0 TO 1133367955683914215984.0	
				OVER 1133367955683914215984.0 TO 2266735911367828431968.0	
				OVER 2266735911367828431968.0 TO 4533471822735656863936.0	
				OVER 4533471822735656863936.0 TO 9066943645471313727872.0	
				OVER 9066943645471313727872.0 TO 18133887290942627455744.0	
				OVER 18133887290942627455744.0 TO 36267774581885254911488.0	
				OVER 36267774581885254911488.0 TO 72535549163770509822976.0	
				OVER 72535549163770509822976.0 TO 145071092327541019645952.0	
				OVER 145071092327541019645952.0 TO 29014218465508203929184.0	
				OVER 29014218465508203929184.0 TO 58028436931016407858368.0	
				OVER 58028436931016407858368.0 TO 116056873822032815716736.0	
				OVER 116056873822032815716736.0 TO 232113747644065631433472.0	
				OVER 232113747644065631433472.0 TO 464227495288131262866944.0	
				OVER 464227495288131262866944.0 TO 928454990576262525733888.0	
				OVER 928454990576262525733888.0 TO 1856909981152525051467776.0	
				OVER 1856909981152525051467776.0 TO 3713819962305050102935552.0	
				OVER 3713819962305050102935552.0 TO 7427639924610100205871104.0	
				OVER 7427639924610100205871104.0 TO 1485527984922020041174208.0	
				OVER 1485527984922020041174208.0 TO 2971055969844040082348416.0	
				OVER 2971055969844040082348416.0 TO 5942111939688080164696832.0	
				OVER 5942111939688080164696832.0 TO 1188422387937616032939664.0	
				OVER 1188422387937616032939664.0 TO 2376844775875232065879328.0	
				OVER 2376844775875232065879328.0 TO 4753689551750464131759656.0	
				OVER 4753689551750464131759656.0 TO 9507379103500928263519312.0	
				OVER 9507379103500928263519312.0 TO 19014758207001856527038624.0	
				OVER 19014758207001856527038624.0 TO 38029516414003713054077248.0	
				OVER 38029516414003713054077248.0 TO 76059032828007426108154896.0	
				OVER 76059032828007426108154896.0 TO 152118065656014852216231792.0	
				OVER 152118065656014852216231792.0 TO 304236131312029704432463584.0	
				OVER 304236131312029704432463584.0 TO 608472262624059408864927168.0	
				OVER 608472262624059408864927168.0 TO 1216944525248118817772974336.0	
				OVER 1216944525248118817772974336.0 TO 243388905049623763555548672.0	
				OVER 243388905049623763555548672.0 TO 486777810099247527111137344.0	
				OVER 486777810099247527111137344.0 TO 973555620198495054222274688.0	
				OVER 973555620198495054222274688.0 TO 1947111240396990108444451376.0	
				OVER 1947111240396990108444451376.0 TO 3894222480793980216888902752.0	
				OVER 3894222480793980216888902752.0 TO 7788444961587960433777805504.0	
				OVER 7788444961587960433777805504.0 TO 15576889923775920867555610008.0	
				OVER 15576889923775920867555610008.0 TO 31153779847551841735111220016.0	
				OVER 31153779847551841735111220016.0 TO 62307559695103683470222440032.0	
				OVER 62307559695103683470222440032.0 TO 124615119390207366940444880064.0	
				OVER 12461511939020736694044880064.0 TO 249230238780414733880897600128.0	
				OVER 249230238780414733880897600128.0 TO 498460477560829467761795200256.0	
				OVER 498460477560829467761795200256.0 TO 996920955121658935523590400512.0	
				OVER 996920955121658935523590400512.0 TO 1993841910243317871078180801024.0	
				OVER 1993841910243317871078180801024.0 TO 3987683820486635742156361602048.0	
				OVER 3987683820486635742156361602048.0 TO 7975367640973271484312723204096.0	
				OVER 7975367640973271484312723204096.0 TO 15950735281946543686225446408192.0	
				OVER 15950735281946543686225446408192.0 TO 31901470563893087372448892816384.0	
				OVER 31901470563893087372448892816384.0 TO 63802941127786174744897776327776.0	
				OVER 63802941127786174744897776327776.0 TO 12760588225557234948975554655552.0	
				OVER 12760588225557234948975554655552.0 TO 25521176451114469897951111311104.0	
				OVER 25521176451114469897951111311104.0 TO 51042352902228939795822222622208.0	
				OVER 51042352902228939795822222622208.0 TO 102084705804457879591644444444444.0	
				OVER 102084705804457879591644444444444.0 TO 204169411608915759182888888888888.0	
				OVER 204169411608915759182888888888888.0 TO 40833882321783159176577777777777.0	
				OVER 40833882321783159176577777777777.0 TO 81667764643566318353155555555555.0	
				OVER 81667764643566318353155555555555.0 TO 163335529287132636706311111111111.0	
				OVER 163335529287132636706311111111111.0 TO 32667105857426527341262222222222.0	
				OVER 32667105857426527341262222222222.0 TO 65334211714853054668252444444444.0	
				OVER 65334211714853054668252444444444.0 TO 130668423429701113365010000000000.0	
				OVER 130668423429701113365010000000000.0 TO 261336846859402226710000000000.0	
				OVER 261336846859402226710000000000.0 TO 52267	




SIGNATURE	DATE	digital
CHK'D BY	2/7/77	digital
ENG. BY	2/7/77	digital
PROJ. ENG. BY	2/7/77	digital
SCALE	1:1	digital
FILE NO.	100-443001-030	digital
REV.	1	digital
ETCH REV.		digital
DATE OF THIS DATA REV.		digital

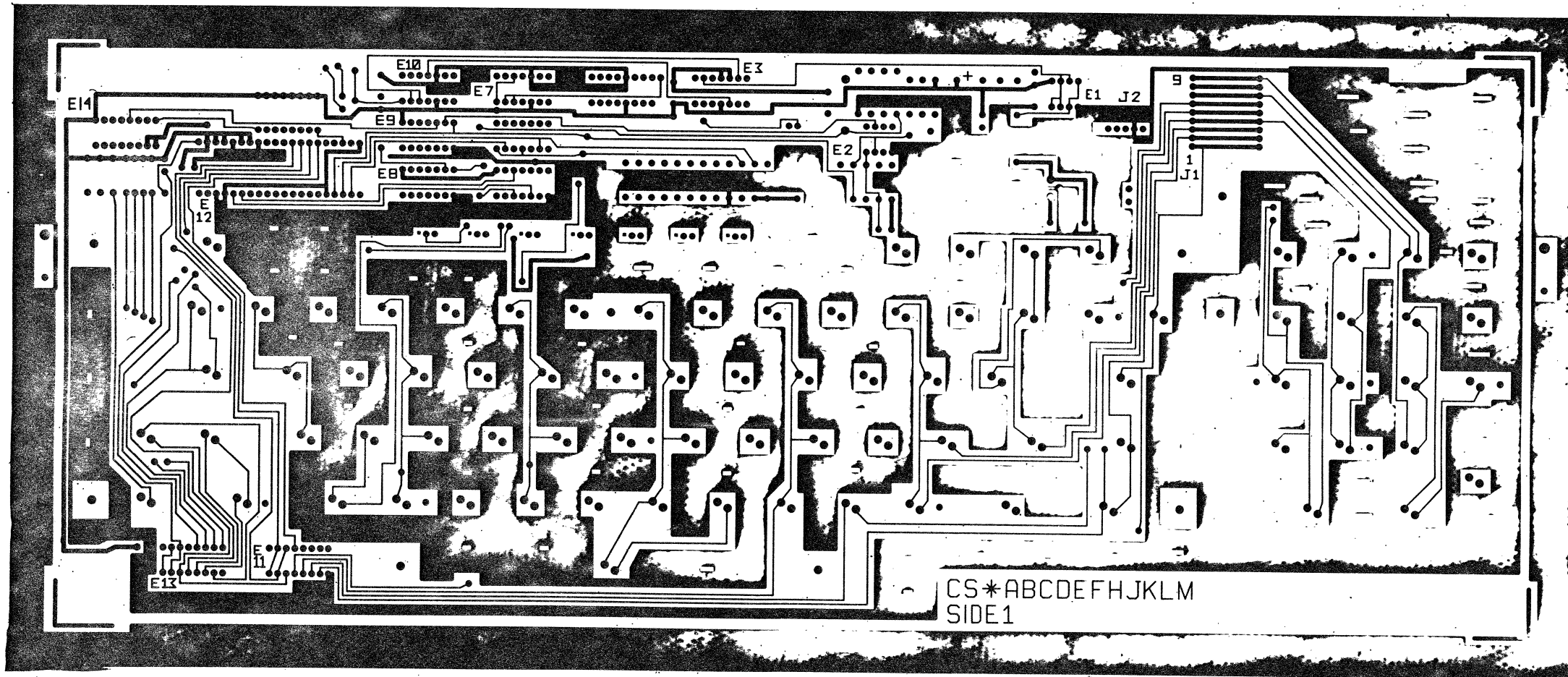
CHANGE NO.	
REV.	
DATE	
BY	
REASON	
APPROVED	
DATE	
BY	

NOTES:
 1. SCREWS SECURING ARRAY TO PCB ARE FOR REPAIR ONLY. ALL SCREWS ARE REQUIRED TO BE 7/16" DIA. REAR SIDE OF LED BOARD MUST BE IN CONTACT WITH MOUNTING HOLE.

FLA-43404-030

THIS DRAWING AND SPECIFICATIONS SHEET ARE THE PROPERTY OF DIGITAL EQUIPMENT CORPORATION AND ARE TO BE USED ONLY FOR THE PURPOSES AND IN THE MANNER SPECIFICALLY AUTHORIZED BY WRITTEN AGREEMENT WITH THE COMPANY. © 1979 DIGITAL EQUIPMENT CORPORATION.

5413404
5013403 C-PI  L1



CS*ABCDEFGHIJKLM
SIDE 1

REVISIONS		
CHR	CHANGE NO.	REV.

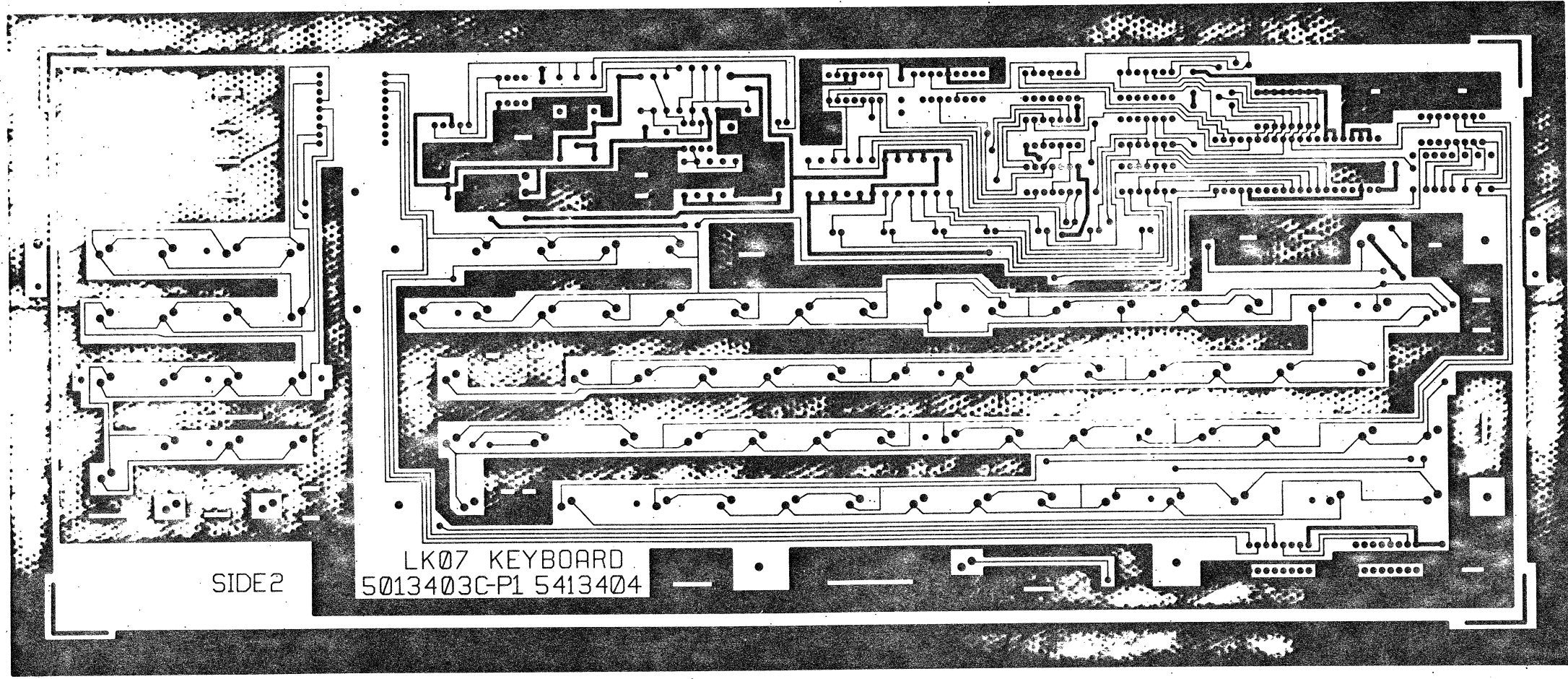
TITLE: LK07 KEYBOARD
 SHEET: 2 OF 3
 SIZE: E UA 5413404-0-0
 C

UA 5413404-0-0

8 7 6 5 4 3 2 1

1979

L2



SIDE 2

LK07 KEYBOARD
5013403C-P1 5413404

A B C D E F H J

A B C D E F H J

REVISIONS		
CHK	CHANGE NO.	REV

8 7 6 5 4 3 2 1

TITLE	LK07 KEYBOARD	SIZE CODE	E UA	NUMBER	5413404-0	REV.	C
SCALE	2:1	SHEET	3	OF	3	DIST.	

REV. C
E UA 5413404-0

LINE	ITEM	DOCUMENT NUMBER	PART NUMBER	DESCRIPTION	QTY PER VARIATION	REFERENCE DESIGNATOR
1	1	D-MD-5013403-0-0	5013403-00	DRILL & ETCH DRAWING	1	
2	2		1000014-00	68.0 MMF 100V 5%200PPM DM15S	1	C7
3	3		1000075-00	25 MFD 25V G% 30D AL EL	1	C5
4	4		1001634-00	1600.0 MMF 100V 5%200PPM DM02S	1	C6
5	5		1005306-00	6.8MFD 35V 10% S.TANT	1	C8
6	6		1012784-00	.047 MFD 50V -20+80 CER	6	C1,C2,C4,C9-C11
7	7		1105275-00	D 672 TR= 15NS PIV= 60V SI	1	D8
8	8		1110324-01	LED 1MCD@10MA PIV=3 .750 MIN. LE	7	D1-D7
9	9		1215048-00	CONN 5POS RT ANGLE	1	J2
10	10		1300309-00	390.0 .25 W 5.0 % CC	2	R16,R42
11	11		1300315-00	470.0 .50 W 5.0 % CC	1	R15
12	12		1300365-00	1.0 K .25 W 5.0 % CC	6	R10,R19,R21-R24
13	13		1300439-00	3.30 K .25 W 5.0 % CC	9	R26-R33,R38
14	14		1300479-00	10.0 K .25 W 5.0 % CC	11	R2,R3,R17,R25,R34-R37,R39-R41
15	15		1301401-00	750.0 .25 W 5.0 % CC	1	R1
16	16		1301425-00	300.0 .25 W 5.0 % CC	2	R18,R20
17	17		1301874-00	5.60 K .25 W 5.0 % CC	3	R5,R7,R9
18	18		1302391-00	20.0 K .25 W 5.0 % CC	2	R4,R6
19	19		1303155-00	21.5 K 1/4W 1% RN55D-F 100PPM	1	R12
20	20		1303187-00	820.0 K .25 W 5.0 % CC	1	R8
21	21		1303312-00	10.0 K 1/4W 1% RN55D-F 100PPM	1	R11
22	22		1304833-00	1.96 K .25 W 1.0 % RN55D-F10	1	R14
23	23		1309412-00	18.2 K 1/4W 1% RN55D-F 100PPM	1	R13
24	24		1909686-00	7404 INVERTER GATE-HEX 1I	1	E9
25	25		1910406-00	75451 DRIVER,PERIPH,DUAL,	1	E1
26	26		1910741-00	7406 INVERTER GATE-HEX 1I	1	E8
27	27		1912536-01	7805 VOLT REG, FIX +5V	1	Z1
28	28		1912649-00	LS75 LATCH 4BIT,BISTABLE	1	E4
29	29		1912799-00	LS00 NAND-GATE-QUAD 2IN,P	1	E5
30	30		1912823-00	LS73 FF-JK DUAL W/CLEAR	1	E3

REVISION HISTORY			BASIC PART NO: 5413404								
ENG	ECO NUMBER	REV	SECTION A OF A	DRN:	T SHETRAWSKI	DATE:	23-JUL-79	DIGITAL			
IRP	5413404-ML001	B	SECTION VARIATION INDEX	CHK'D:	T SHETRAWSKI	DATE:	23-JUL-79	TITLE PARTS LIST			
J.D	5413404-PN002	C	(A) 00				VT100 FULL KEYBOARD				
J.B	5413404-PN003	D	(B)								
CJ	5413404-ML004	E	(C)	DES.ENG:	M MORGESTERN	DATE:	23-JUL-79				
CJ	5413404-ML005	F	(D)				DOCUMENT NUMBER				
			(E)								
			(F)	RESP.ENG.:	M MORGESTERN	DATE:	23-JUL-79	SIZE	CODE	NUMBER	REV
			(H)								
			(J)								
			(K)	MFG.ENG.:	T CORCIARI	DATE:	23-JUL-79	K	PL	5413404-0-DBP	F
			(L)								
			(M)	ASSEMBLY NUMBER:		TOP DOCUMENT NUMBER:		FILE NAME:		EDIT #	
			(N)	D-UA-5413404-0-0				Z0783F.PLS		11	

"THIS DRAWING AND SPECIFICATIONS HEREIN, ARE THE PROPERTY OF DIGITAL EQUIPMENT CORPORATION AND SHALL NOT BE REPRODUCED OR COPIED OR USED IN WHOLE OR IN PART AS THE BASIS FOR THE MANUFACTURE OR SALE OF ITEMS WITHOUT WRITTEN PERMISSION. COPYRIGHT (C) 1980. DIGITAL EQUIPMENT CORPORATION "

AUTOMATED BY PRTLST.3L(34)

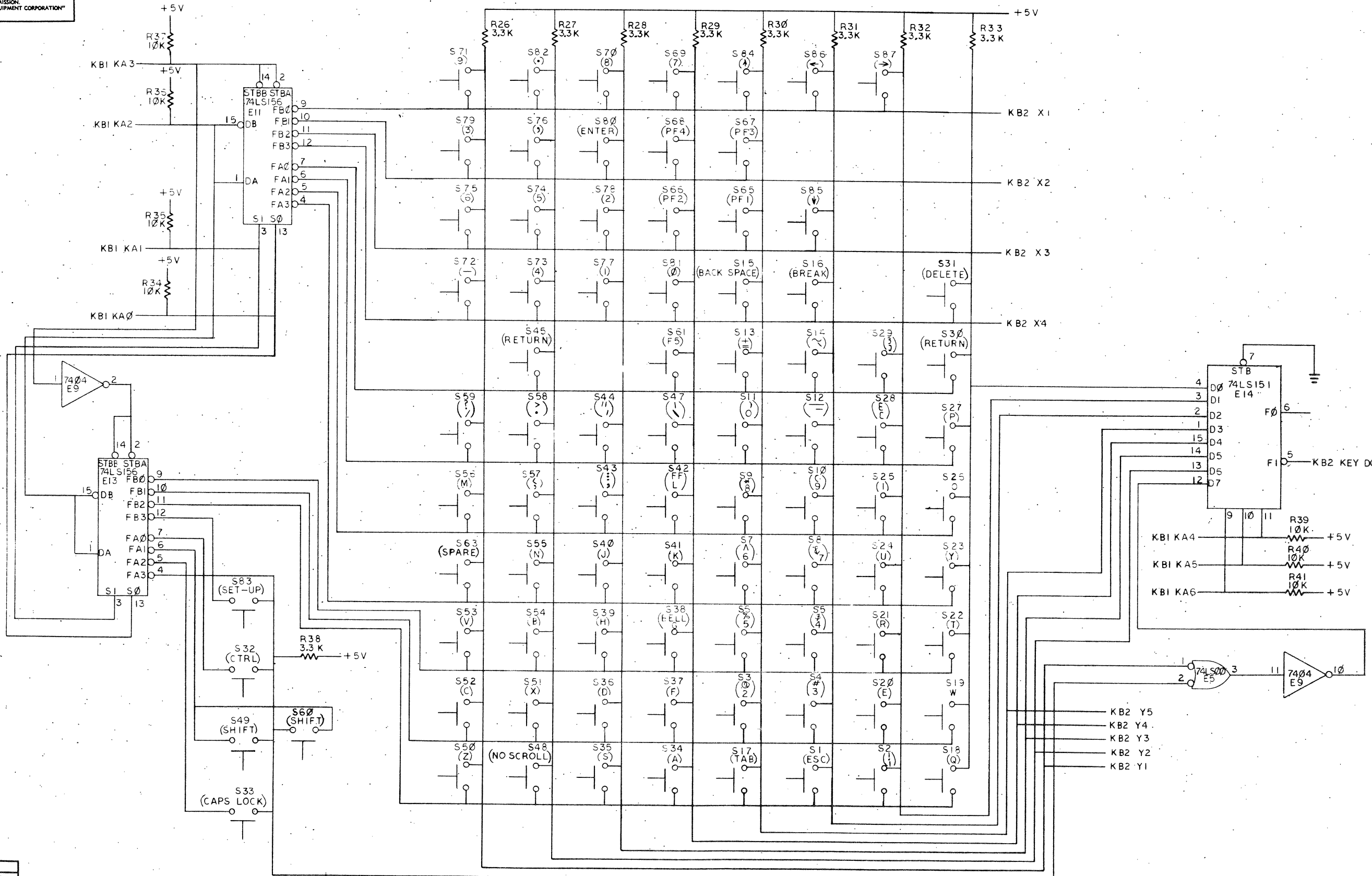
PARTS LIST

SHEET A2 OF A2

LINE ITEM	DOCUMENT NUMBER	PART NUMBER	DESCRIPTION	QTY PER VARIATION 00	REFERENCE DESIGNATOR
31	31	1912824-00	LS74 FF-D DUAL.EDGE TRIGG	1	E6
32	32	1912844-00	LS151 MUX 1 OF 8 & DATA	1	E14
33	33	1913949-00	LS93 COUNTER,DECADE,4BIT	2	E7,E10
34	34	1913950-00	LS156 DECODER,2 OF 4(DUAL)	2	E11,E13
35	35	1914156-00	LM 393 VOLT.COMPARATOR DUAL	1	E2
36	36	2114137-51	UART MOS N-CHANNEL	1	E12
37	37	7013910-00	KEYBOARD ARRAY ASSY	1	
38	38	7014561-00	10 KEY NUMERIC PAD ASSY	1	
39	39	9006020-01	SCREW,PAN,PHIL 6-32X 1/4 SS	1	
40	40	9008185-00	NUT,KEP , 6-32X1/4 AF	1	
41	41	9010033-00	SCREW,PAN,PHILLIPS, 4-24 X 3/8	7	
42	42	1012312-01	.47 MFD 50V X8	1	C3

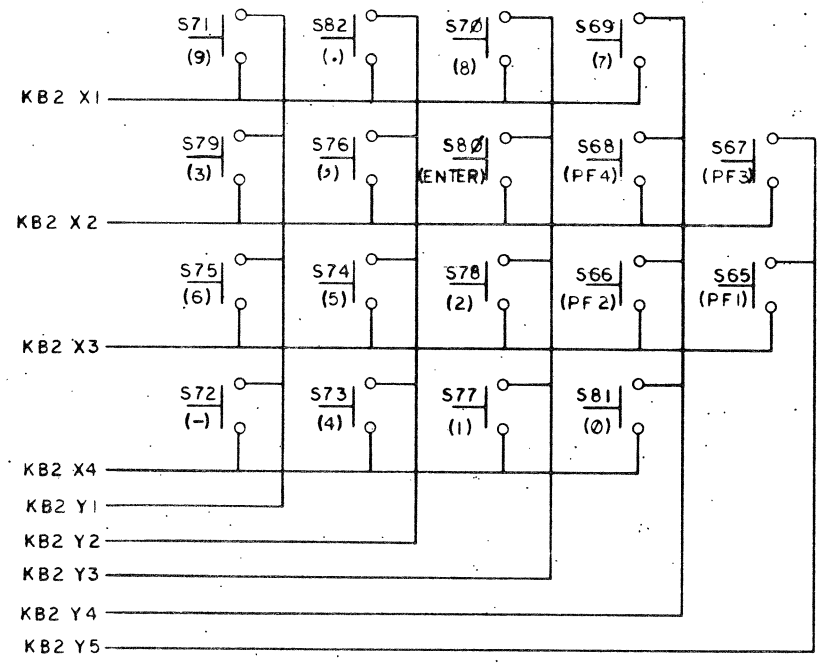
D	I	G	I	T	A	I	TITLE	SECTION A OF A	SIZE	CODE	DOCUMENT NUMBER	REV
							VT100 FULL KEYBOARD		K	PL	5413404-0-DBP	F

"THIS DRAWING AND SPECIFICATIONS, HEREIN, ARE THE PROPERTY OF DIGITAL EQUIPMENT CORPORATION AND SHALL NOT BE REPRODUCED OR COPIED OR USED IN WHOLE OR IN PART AS THE BASIS FOR THE MANUFACTURE OR SALE OF ITEMS WITHOUT WRITTEN PERMISSION. COPYRIGHT © 1977 DIGITAL EQUIPMENT CORPORATION"



REVISIONS		
CHK	CHANGE NO.	REV.

"THIS DRAWING AND SPECIFICATIONS, HEREIN, ARE THE PROPERTY OF DIGITAL EQUIPMENT CORPORATION AND SHALL NOT BE REPRODUCED OR COPIED OR USED IN WHOLE OR IN PART AS THE BASIS FOR THE MANUFACTURE OR SALE OF ITEMS WITHOUT WRITTEN PERMISSION. COPYRIGHT © 1977, DIGITAL EQUIPMENT CORPORATION"

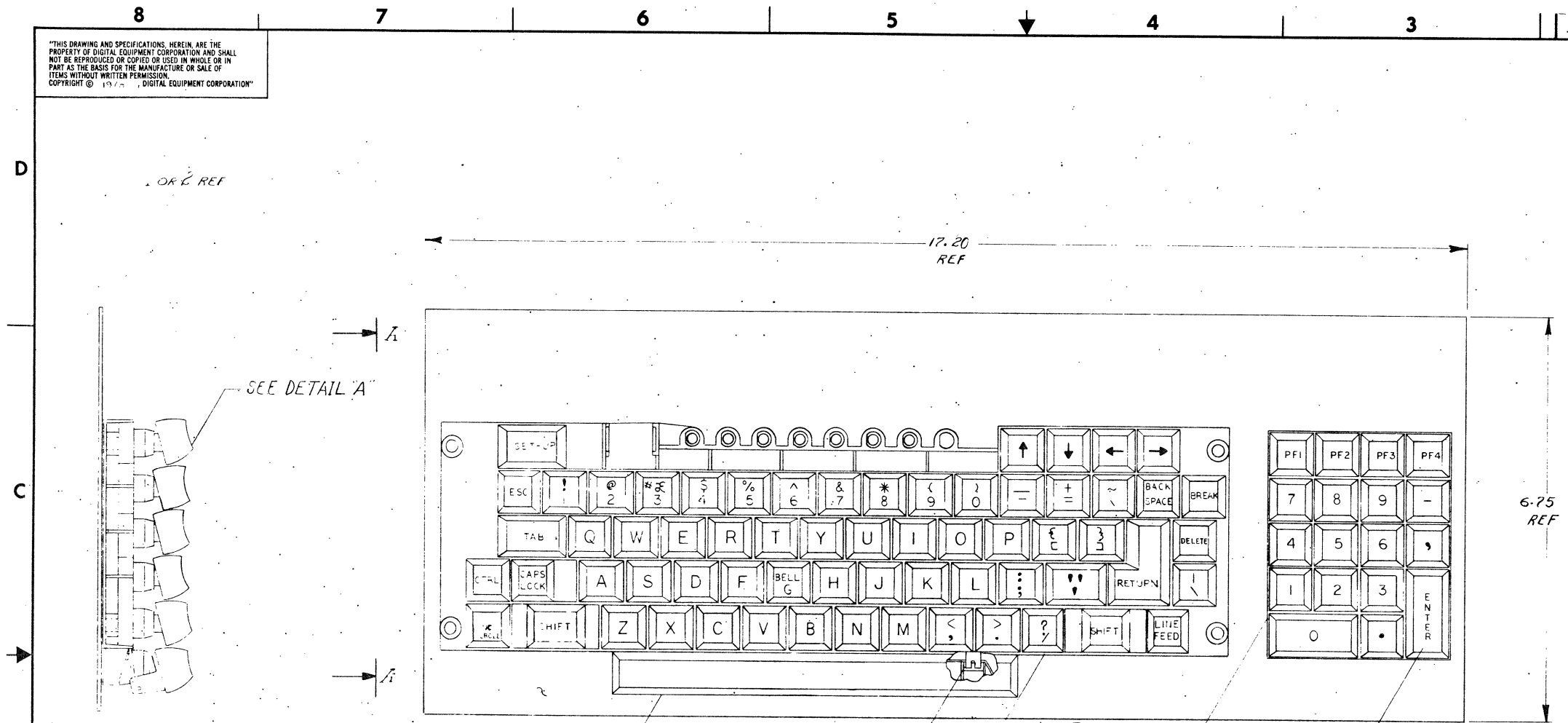


REVISIONS		
CHK	CHANGE NO.	REV.

"THIS DRAWING AND SPECIFICATIONS HEREIN ARE THE PROPERTY OF DIGITAL EQUIPMENT CORPORATION AND SHALL NOT BE REPRODUCED OR COPIED OR USED IN WHOLE OR IN PART AS THE BASIS FOR THE MANUFACTURE OR SALE OF ITEMS WITHOUT WRITTEN PERMISSION. COPYRIGHT © 1972, DIGITAL EQUIPMENT CORPORATION"

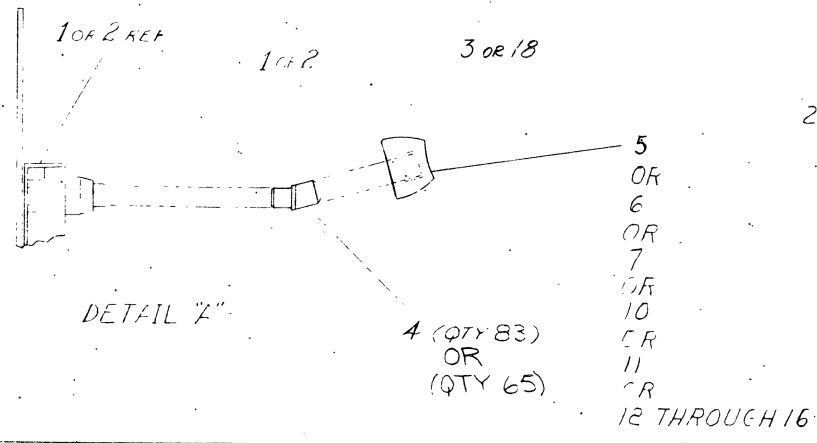
H 0-0-9929102 2

- NOTES:
1. THE NUMERIC KEY PAD IS NOT AVAILABLE ON THE E-UA-5413404-01 VARIATION.
 2. STANDARD VT100 BASIC KEY CAP SET (1214333-7, ITEM 5) AND NUMERIC PAD (1214333-9), ITEM (2) SHOWN. FOR KEYPAD ARRANGEMENTS REFER TO DEC DRAWING NUMBER D-AR-7015765-0-1.
 3. FOR INDIVIDUAL FIELD SERVICE/CUSTOMER SPARES SHIPMENTS, USE PACKAGING INSTRUCTIONS A-SP-3700555-0-0; FOR BULK INTERPLANT SHIPMENTS, USE PACKAGING INSTRUCTIONS A-SP-3700439-00 VARIATION -00.



SEE DETAIL A

VIEW A-A



REV.	CHG.	NO.	DATE	BY	DESCRIPTION
1					
2					
3					
4					
5					
6					
7					
8					

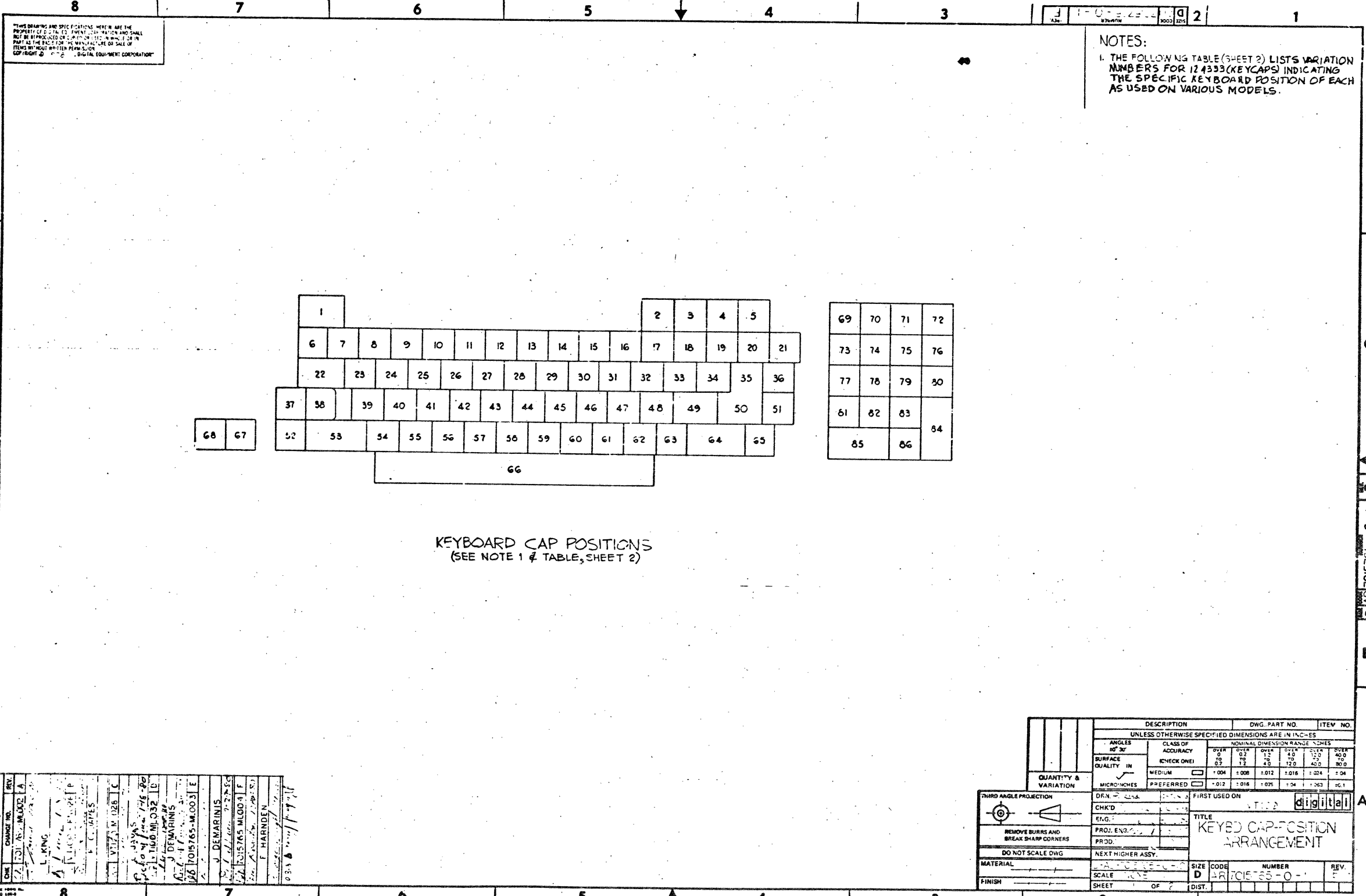
OFF SHEET PARTS LIST EXISTS SEE K-PL-7015765-0-DBP

DESCRIPTION	DWG./PART NO.	ITEM NO.
UNLESS OTHERWISE SPECIFIED DIMENSIONS ARE IN INCHES		
ANGLES ±0° 30'	CLASS OF ACCURACY (CHECK ONE)	NOMINAL DIMENSION RANGE INCHES
SURFACE QUALITY IN	MEDIUM	OVER 0 TO 0.25 ±.004 ±.008 ±.012 ±.016 ±.024 ±.04
MICRONICHES	PREFERRED	OVER 1.5 TO 4.0 ±.004 ±.008 ±.012 ±.016 ±.024 ±.04
OVER 4.0 TO 12.0 ±.004 ±.008 ±.012 ±.016 ±.024 ±.04		
OVER 12.0 TO 40.0 ±.004 ±.008 ±.012 ±.016 ±.024 ±.04		
OVER 40.0 TO 80.0 ±.004 ±.008 ±.012 ±.016 ±.024 ±.04		
OVER 80.0 TO 160.0 ±.004 ±.008 ±.012 ±.016 ±.024 ±.04		
OVER 160.0 TO 320.0 ±.004 ±.008 ±.012 ±.016 ±.024 ±.04		
OVER 320.0 TO 640.0 ±.004 ±.008 ±.012 ±.016 ±.024 ±.04		
OVER 640.0 TO 1280.0 ±.004 ±.008 ±.012 ±.016 ±.024 ±.04		
OVER 1280.0 TO 2560.0 ±.004 ±.008 ±.012 ±.016 ±.024 ±.04		
OVER 2560.0 TO 5120.0 ±.004 ±.008 ±.012 ±.016 ±.024 ±.04		
OVER 5120.0 TO 10240.0 ±.004 ±.008 ±.012 ±.016 ±.024 ±.04		
OVER 10240.0 TO 20480.0 ±.004 ±.008 ±.012 ±.016 ±.024 ±.04		
OVER 20480.0 TO 40960.0 ±.004 ±.008 ±.012 ±.016 ±.024 ±.04		
OVER 40960.0 TO 81920.0 ±.004 ±.008 ±.012 ±.016 ±.024 ±.04		
OVER 81920.0 TO 163840.0 ±.004 ±.008 ±.012 ±.016 ±.024 ±.04		
OVER 163840.0 TO 327680.0 ±.004 ±.008 ±.012 ±.016 ±.024 ±.04		
OVER 327680.0 TO 655360.0 ±.004 ±.008 ±.012 ±.016 ±.024 ±.04		
OVER 655360.0 TO 1310720.0 ±.004 ±.008 ±.012 ±.016 ±.024 ±.04		
OVER 1310720.0 TO 2621440.0 ±.004 ±.008 ±.012 ±.016 ±.024 ±.04		
OVER 2621440.0 TO 5242880.0 ±.004 ±.008 ±.012 ±.016 ±.024 ±.04		
OVER 5242880.0 TO 10485760.0 ±.004 ±.008 ±.012 ±.016 ±.024 ±.04		
OVER 10485760.0 TO 20971520.0 ±.004 ±.008 ±.012 ±.016 ±.024 ±.04		
OVER 20971520.0 TO 41943040.0 ±.004 ±.008 ±.012 ±.016 ±.024 ±.04		
OVER 41943040.0 TO 83886080.0 ±.004 ±.008 ±.012 ±.016 ±.024 ±.04		
OVER 83886080.0 TO 167772160.0 ±.004 ±.008 ±.012 ±.016 ±.024 ±.04		
OVER 167772160.0 TO 335544320.0 ±.004 ±.008 ±.012 ±.016 ±.024 ±.04		
OVER 335544320.0 TO 671088640.0 ±.004 ±.008 ±.012 ±.016 ±.024 ±.04		
OVER 671088640.0 TO 1342177280.0 ±.004 ±.008 ±.012 ±.016 ±.024 ±.04		
OVER 1342177280.0 TO 2684354560.0 ±.004 ±.008 ±.012 ±.016 ±.024 ±.04		
OVER 2684354560.0 TO 5368709120.0 ±.004 ±.008 ±.012 ±.016 ±.024 ±.04		
OVER 5368709120.0 TO 10737418240.0 ±.004 ±.008 ±.012 ±.016 ±.024 ±.04		
OVER 10737418240.0 TO 21474836480.0 ±.004 ±.008 ±.012 ±.016 ±.024 ±.04		
OVER 21474836480.0 TO 42949672960.0 ±.004 ±.008 ±.012 ±.016 ±.024 ±.04		
OVER 42949672960.0 TO 85899345920.0 ±.004 ±.008 ±.012 ±.016 ±.024 ±.04		
OVER 85899345920.0 TO 171798691840.0 ±.004 ±.008 ±.012 ±.016 ±.024 ±.04		
OVER 171798691840.0 TO 343597383680.0 ±.004 ±.008 ±.012 ±.016 ±.024 ±.04		
OVER 343597383680.0 TO 687194767360.0 ±.004 ±.008 ±.012 ±.016 ±.024 ±.04		
OVER 687194767360.0 TO 1374389534720.0 ±.004 ±.008 ±.012 ±.016 ±.024 ±.04		
OVER 1374389534720.0 TO 2748779069440.0 ±.004 ±.008 ±.012 ±.016 ±.024 ±.04		
OVER 2748779069440.0 TO 5497558138880.0 ±.004 ±.008 ±.012 ±.016 ±.024 ±.04		
OVER 5497558138880.0 TO 10995116277760.0 ±.004 ±.008 ±.012 ±.016 ±.024 ±.04		
OVER 10995116277760.0 TO 21990232555520.0 ±.004 ±.008 ±.012 ±.016 ±.024 ±.04		
OVER 21990232555520.0 TO 43980465111040.0 ±.004 ±.008 ±.012 ±.016 ±.024 ±.04		
OVER 43980465111040.0 TO 87960930222080.0 ±.004 ±.008 ±.012 ±.016 ±.024 ±.04		
OVER 87960930222080.0 TO 175921860444160.0 ±.004 ±.008 ±.012 ±.016 ±.024 ±.04		
OVER 175921860444160.0 TO 351843720888320.0 ±.004 ±.008 ±.012 ±.016 ±.024 ±.04		
OVER 351843720888320.0 TO 703687441776640.0 ±.004 ±.008 ±.012 ±.016 ±.024 ±.04		
OVER 703687441776640.0 TO 1407374883553280.0 ±.004 ±.008 ±.012 ±.016 ±.024 ±.04		
OVER 1407374883553280.0 TO 2814749767106560.0 ±.004 ±.008 ±.012 ±.016 ±.024 ±.04		
OVER 2814749767106560.0 TO 5629499534213120.0 ±.004 ±.008 ±.012 ±.016 ±.024 ±.04		
OVER 5629499534213120.0 TO 11258999068426240.0 ±.004 ±.008 ±.012 ±.016 ±.024 ±.04		
OVER 11258999068426240.0 TO 22517998136852480.0 ±.004 ±.008 ±.012 ±.016 ±.024 ±.04		
OVER 22517998136852480.0 TO 45035996273704960.0 ±.004 ±.008 ±.012 ±.016 ±.024 ±.04		
OVER 45035996273704960.0 TO 90071992547409920.0 ±.004 ±.008 ±.012 ±.016 ±.024 ±.04		
OVER 90071992547409920.0 TO 180143985094819840.0 ±.004 ±.008 ±.012 ±.016 ±.024 ±.04		
OVER 180143985094819840.0 TO 360287970189639680.0 ±.004 ±.008 ±.012 ±.016 ±.024 ±.04		
OVER 360287970189639680.0 TO 720575940379279360.0 ±.004 ±.008 ±.012 ±.016 ±.024 ±.04		
OVER 720575940379279360.0 TO 1441151880758558720.0 ±.004 ±.008 ±.012 ±.016 ±.024 ±.04		
OVER 1441151880758558720.0 TO 2882303761517117440.0 ±.004 ±.008 ±.012 ±.016 ±.024 ±.04		
OVER 2882303761517117440.0 TO 5764607523034234880.0 ±.004 ±.008 ±.012 ±.016 ±.024 ±.04		
OVER 5764607523034234880.0 TO 11529215046068469760.0 ±.004 ±.008 ±.012 ±.016 ±.024 ±.04		
OVER 11529215046068469760.0 TO 23058430092136939520.0 ±.004 ±.008 ±.012 ±.016 ±.024 ±.04		
OVER 23058430092136939520.0 TO 46116860184273879040.0 ±.004 ±.008 ±.012 ±.016 ±.024 ±.04		
OVER 46116860184273879040.0 TO 92233720368547758080.0 ±.004 ±.008 ±.012 ±.016 ±.024 ±.04		
OVER 92233720368547758080.0 TO 184467440737095516160.0 ±.004 ±.008 ±.012 ±.016 ±.024 ±.04		
OVER 184467440737095516160.0 TO 368934881474191032320.0 ±.004 ±.008 ±.012 ±.016 ±.024 ±.04		
OVER 368934881474191032320.0 TO 737869762948382064640.0 ±.004 ±.008 ±.012 ±.016 ±.024 ±.04		
OVER 737869762948382064640.0 TO 1475739525896764129280.0 ±.004 ±.008 ±.012 ±.016 ±.024 ±.04		
OVER 1475739525896764129280.0 TO 2951479051793528258560.0 ±.004 ±.008 ±.012 ±.016 ±.024 ±.04		
OVER 2951479051793528258560.0 TO 5902958103587056517120.0 ±.004 ±.008 ±.012 ±.016 ±.024 ±.04		
OVER 5902958103587056517120.0 TO 11805916207174113034240.0 ±.004 ±.008 ±.012 ±.016 ±.024 ±.04		
OVER 11805916207174113034240.0 TO 23611832414348226068480.0 ±.004 ±.008 ±.012 ±.016 ±.024 ±.04		
OVER 23611832414348226068480.0 TO 47223664828696452136960.0 ±.004 ±.008 ±.012 ±.016 ±.024 ±.04		
OVER 47223664828696452136960.0 TO 94447329657392904273920.0 ±.004 ±.008 ±.012 ±.016 ±.024 ±.04		
OVER 94447329657392904273920.0 TO 188894659314785808547840.0 ±.004 ±.008 ±.012 ±.016 ±.024 ±.04		
OVER 188894659314785808547840.0 TO 377789318629571617095680.0 ±.004 ±.008 ±.012 ±.016 ±.024 ±.04		
OVER 377789318629571617095680.0 TO 755578637259143234191360.0 ±.004 ±.008 ±.012 ±.016 ±.024 ±.04		
OVER 755578637259143234191360.0 TO 1511157274518286468382720.0 ±.004 ±.008 ±.012 ±.016 ±.024 ±.04		
OVER 1511157274518286468382720.0 TO 3022314549036572936765440.0 ±.004 ±.008 ±.012 ±.016 ±.024 ±.04		
OVER 3022314549036572936765440.0 TO 6044629098073145873530880.0 ±.004 ±.008 ±.012 ±.016 ±.024 ±.04		
OVER 6044629098073145873530880.0 TO 12089258196146291747061760.0 ±.004 ±.008 ±.012 ±.016 ±.024 ±.04		
OVER 12089258196146291747061760.0 TO 24178516392292583494123520.0 ±.004 ±.008 ±.012 ±.016 ±.024 ±.04		
OVER 24178516392292583494123520.0 TO 48357032784585166988247040.0 ±.004 ±.008 ±.012 ±.016 ±.024 ±.04		
OVER 48357032784585166988247040.0 TO 96714065569170333976494080.0 ±.004 ±.008 ±.012 ±.016 ±.024 ±.04		
OVER 96714065569170333976494080.0 TO 193428131138340667952988160.0 ±.004 ±.008 ±.012 ±.016 ±.024 ±.04		
OVER 193428131138340667952988160.0 TO 386856262276681335905976320.0 ±.004 ±.008 ±.012 ±.016 ±.024 ±.04		
OVER 386856262276681335905976320.0 TO 773712524553362671811952640.0 ±.004 ±.008 ±.012 ±.016 ±.024 ±.04		
OVER 773712524553362671811952640.0 TO 1547425049106725343623905280.0 ±.004 ±.008 ±.012 ±.016 ±.024 ±.04		
OVER 1547425049106725343623905280.0 TO 3094850098213450687247811520.0 ±.004 ±.008 ±.012 ±.016 ±.024 ±.04		
OVER 3094850098213450687247811520.0 TO 6189700196426901374495623040.0 ±.004 ±.008 ±.012 ±.016 ±.024 ±.04		
OVER 6189700196426901374495623040.0 TO 12379400392853802748991246080.0 ±.004 ±.008 ±.012 ±.016 ±.024 ±.04		
OVER 12379400392853802748991246080.0 TO 24758800785707605497982492160.0 ±.004 ±.008 ±.012 ±.016 ±.024 ±.04		
OVER 24758800785707605497982492160.0 TO 49517601571415210995964984320.0 ±.004 ±.008 ±.012 ±.016 ±.024 ±.04		
OVER 49517601571415210995964984320.0 TO 99035203142830421991929968640.0 ±.004 ±.008 ±.012 ±.016 ±.024 ±.04		
OVER 99035203142830421991929968640.0 TO 198070406285660843983859937280.0 ±.004 ±.008 ±.012 ±.016 ±.024 ±.04		
OVER 198070406285660843983859937280.0 TO 396140812571321687967719874560.0 ±.004 ±.008 ±.012 ±.016 ±.024 ±.04		
OVER 396140812571321687967719874560.0 TO 792281625142643375935439749120.0 ±.004 ±.008 ±.012 ±.016 ±.024 ±.04		
OVER 792281625142643375935439749120.0 TO 1584563250285286751870879498240.0 ±.004 ±.008 ±.012 ±.016 ±.024 ±.04		
OVER 1584563250285286751870879498240.0 TO 3169126500570573503741758996480.0 ±.004 ±.008 ±.012 ±.016 ±.024 ±.04		
OVER 3169126500570573503741758996480.0 TO 6338253001141147007483517992960.0 ±.004 ±.008 ±.012 ±.016 ±.024 ±.04		
OVER 6338253001141147007483517992960.0 TO 12676506002282294014967035985920.0 ±.004 ±.008 ±.012 ±.016 ±.024 ±.04		
OVER 12676506002282294014967035985920.0 TO 25353012004564588029934071971840.0 ±.004 ±.008 ±.012 ±.016 ±.024 ±.04		
OVER 25353012004564588029934071971840.0 TO 50706024009129176059868143943680.0 ±.004 ±.008 ±.012 ±.016 ±.024 ±.04		
OVER 50706024009129176059868143943680.0 TO 101412048018258352119736287887360.0 ±.004 ±.008 ±.012 ±.016 ±.024 ±.04		
OVER 101412048018258352119736287887360.0 TO 202824096036516704239472575774720.0 ±.004 ±.008 ±.012 ±.016 ±.024 ±.04		
OVER 202824096036516704239472575774720.0 TO 405648192073033408478945151549440.0 ±.004 ±.008 ±.012 ±.016 ±.024 ±.04		
OVER 405648192073033408478945151549440.0 TO 811296384146066816957790303098880.0 ±.004 ±.008 ±.012 ±.016 ±.024 ±.04		
OVER 811296384146066816957790303098880.0 TO 1622592768292133633915780606197760.0 ±.004 ±.008 ±.012 ±.016 ±.024 ±.04		
OVER 1622592768292133633915780606197760.0 TO 3245185536584267267831561212395520.0 ±.004 ±.008 ±.012 ±.016 ±.024 ±.04		
OVER 3245185536584267267831561212395520.0 TO 6490371073168534535663122424791040.0 ±.004 ±.008 ±.012 ±.016 ±.024 ±.04		
OVER 6490371073168534535663122424791040.0 TO 12980742146336690671326448495942080.0 ±.004 ±.008 ±.012 ±.016 ±.024 ±.04		
OVER 12980742146336690671326448495942080.0 TO 25961484292673381342652896991884160.0 ±.004 ±.008 ±.012 ±.016 ±.024 ±.04		
OVER 25961484292673381342652896991884160.0 TO 51922968585346762685315793983768320.0 ±.004 ±.008 ±.012 ±.016 ±.024 ±.04		
OVER 51922968585346762685315793983768320.0 TO 10384593717069352537063557976736		

LINE	ITEM	DOCUMENT NUMBER	PART NUMBER	DESCRIPTION	QUANTITY PER VARIATION										
					00	01	02	03	04	05	06	07	08	09	
1	1	E-AD-5413404-0-0	5413404-00	VT100 FULL KEYBOARD	1	-	1	1	1	1	1	1	1	1	1
2	2	E-AD-5413404-0-0	5413404-01	KEYBOARD ASSY (64 KEYS)	-	1	-	-	-	-	-	-	-	-	-
3	3	C-AD-7015050-0-0	7015050-00	SPACE BAR ASSY	1	1	1	1	1	1	1	1	1	1	-
4	4		1214332-00	SW,ARRAY CAP ADAPTER	83	65	83	83	83	83	83	83	83	83	83
5	5		1214333-72	KEYCAP SET,VT100	64PCS	1	1	-	-	-	-	-	-	-	-
6	6		1214333-91	KEYCAP SET,LA120/34 VT100	18PCS	1	-	-	-	-	-	-	-	-	-
7	7		1214333-00	KEYCAP SET,VT100-NA	82PCS	-	-	1	-	-	-	-	-	-	-
8	8	C-MD-7420120-0-0	7420120-00	CLIP, EQUALIZER BAR	2	2	2	2	2	2	2	2	2	2	2
9	9	D-AR-7015765-0-1		KEYBOARD/KEYCAP ASSY	REF	REF	REF	REF	REF	REF	REF	REF	REF	REF	REF
10	10		1214333-J0	KEYCAP SET,VT100-WA	82PCS	-	-	-	1	-	-	-	-	-	-
11	11		1214333-W2	SW,KEY BD CAP COMP SET U3-W1	-	-	-	-	1	-	-	-	-	-	-
12	12		1214333-CP	KEYCAP SET,VT100-WB	82PCS	-	-	-	-	1	-	-	-	-	-
13	13		1214333-CB	KEYCAP SET,VT100-WB	82PCS	-	-	-	-	-	1	-	-	-	-
14	14		1214333-8U	KEYCAP SET,VT100-WB	82PCS	-	-	-	-	-	-	1	-	-	-
15	15		1214333-EY	KEYCAP SET,VT100-WB	82PCS	-	-	-	-	-	-	-	1	-	-
16	16		1214333-2Y	KEYCAP SET,VT100	64PCS	-	-	-	-	-	-	-	-	1	-
17	17		1214333-3W	KEYCAP SET,LA120/34 VT100	18PCS	-	-	-	-	-	-	-	-	-	1
18	18	D-AD-7015050-0-0	7015050-01	SPACE BAR ASSY, GRAY	-	-	-	-	-	-	-	-	-	-	1
19	19	A-SP-3700555-0-0	3700555-00	PKG KEYBOARD 7015765	1	1	1	1	1	1	1	1	1	1	1
20	20	A-SP-3700439-0-0	3700439-00	INSTR PKG. BULK CARTON 99-06476-	1	1	1	1	1	1	1	1	1	1	1

REVISION HISTORY		BASIC PART NO: 7015765		DRN: ANGEL COLON		DATE: 3 APR 78		D I G I T A L			
ENG!	ECO NUMBER	REV	SECTION A OF A	CHK'D: D. HEALY		DATE: 7 APR 78		TITLE PARTS LIST			
---	INITIAL	F	SECTION. VARIATION INDEX	DES.ENG.: E. WEDEKING		DATE: 10 MAY 78		DOCUMENT NUMBER			
JD	7015765-MLO05	F	[A] 00,01,02,03,04,05, 06,07,08,09	RESP.ENG.: G. DOUMANI		DATE: 17 MAY 7		SIZE CODE NUMBER REV			
			[B]	MFG.ENG.: K. HOFFMAN		DATE: 10 MAY 78		K	PL	7015765-0-DBP	F
			[C]	ASSEMBLY NUMBER:		TOP DOCUMENT NUMBER:		FILE NAME: EDIT #			
			[D]	D-AD-7015765-0-0		#B-DD-7015765-0		Z1933F.PLS 4			
			[E]								
			[F]								

"THIS DRAWING AND SPECIFICATIONS HEREIN, ARE THE PROPERTY OF DIGITAL EQUIPMENT CORPORATION AND SHALL NOT BE REPRODUCED OR COPIED OR USED IN WHOLE OR IN PART AS THE BASIS FOR THE MANUFACTURE OR SALE OF ITEMS WITHOUT WRITTEN PERMISSION. COPYRIGHT (C) 1981. DIGITAL EQUIPMENT CORPORATION"



KEYBOARD CAP POSITIONS
(SEE NOTE 1 & TABLE, SHEET 2)

NOTES:
1. THE FOLLOWING TABLE (SHEET 2) LISTS VARIATION NUMBERS FOR 124333 (KEYCAPS) INDICATING THE SPECIFIC KEYBOARD POSITION OF EACH AS USED ON VARIOUS MODELS.

THESE DIMENSIONS AND SPECIFICATIONS HEREIN ARE THE PROPERTY OF DIGITAL EQUIPMENT CORPORATION AND SHALL NOT BE REPRODUCED OR COPIED IN ANY MANNER OR IN PART AS THE BASIS FOR THE MANUFACTURE OF SUCH ITEMS WITHOUT WRITTEN PERMISSION OF DIGITAL EQUIPMENT CORPORATION.

REV.	DATE	BY	CHK'D	DESCRIPTION
1	11/16/80	W. J. HAYES		INITIAL DESIGN
2	1/10/81	J. DEMARINIS		REVISED TO 124333
3	1/10/81	J. DEMARINIS		REVISED TO 124333
4	1/10/81	J. DEMARINIS		REVISED TO 124333
5	1/10/81	J. DEMARINIS		REVISED TO 124333
6	1/10/81	J. DEMARINIS		REVISED TO 124333
7	1/10/81	J. DEMARINIS		REVISED TO 124333
8	1/10/81	J. DEMARINIS		REVISED TO 124333

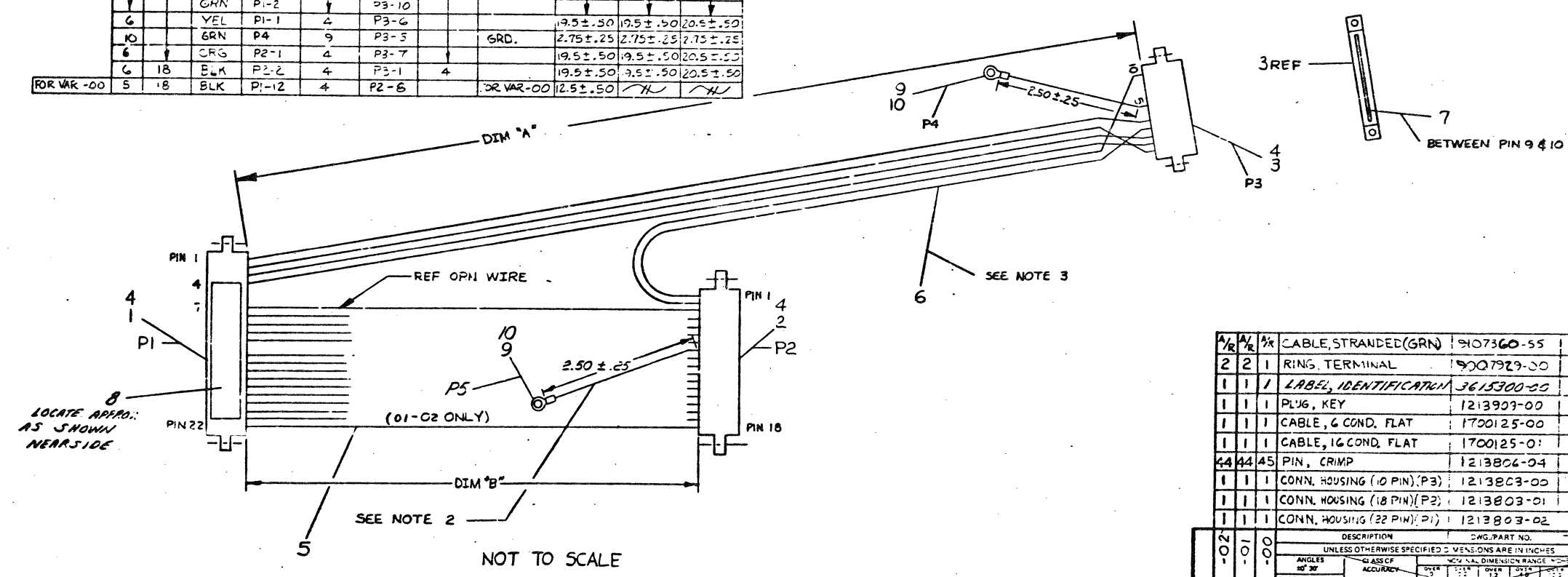
THIRD ANGLE PROJECTION		DESCRIPTION		DWG. PART NO.		ITEM NO.	
UNLESS OTHERWISE SPECIFIED DIMENSIONS ARE IN INCHES							
ANGLES	CLASS OF ACCURACY	NOMINAL DIMENSION RANGE INCHES					
10° 30'	(CHECK ONE)	OVER 0	OVER 0.25	OVER 0.5	OVER 0.75	OVER 1.0	OVER 1.5
		±0.005	±0.008	±0.012	±0.016	±0.024	±0.030
SURFACE QUALITY IN MICRONS		PREFERRED					
		±0.2	±0.16	±0.12	±0.08	±0.05	±0.03
QUANTITY & VARIATION		DRN. BY		FIRST USED ON		digital	
REMOVE BURRS AND BREAK SHARP CORNERS		CHK'D		TITLE		KEYBOARD CAP POSITION ARRANGEMENT	
DO NOT SCALE DWG		PROJ. ENGR.		SCALE		SIZE D	
MATERIAL		NEXT HIGHER ASSY.		SHEET		OF 2	
FINISH		SCALE		DIST.		REV.	

THIS DRAWING AND SPECIFICATIONS HEREIN ARE THE PROPERTY OF DIGITAL EQUIPMENT CORPORATION AND SHALL NOT BE REPRODUCED OR COPIED IN WHOLE OR IN PART FOR THE BASIS OF THE MANUFACTURE OR SALE OF ITEMS WITHOUT WRITTEN PERMISSION FROM DIGITAL EQUIPMENT CORPORATION.

WIRE TABLE										
ITEM NO	AWG	COLOR	FROM		TO		REMARKS	PRECUT WIRE LG FOR VAR-00	PRECUT WIRE LG FOR VAR-01	PRECUT WIRE LG FOR VAR-02
			CONN.	WITH	CONN.	WITH				
5	18	RED	P1-22	4	P2-18	4		12.5 ± .50	2.5 ± .50	12.5 ± .50
		RED	P1-21		P2-17					
		RED	P1-20		P2-16					
		RED	P1-19		P2-15					
		RED	P1-18		P2-14					
		BLK	P1-17		P2-13					
		BLK	P1-16		P2-12					
		BLK	P1-15		P2-11					
		BLK	P1-14		P2-10					
		BLK	P1-13	4	P2-9			12.5 ± .50	2.5 ± .50	13.5 ± .50
10		GRN	P5	9	P2-9		GRD. FOR VAR-01	2.75 ± .25	2.75 ± .25	2.75 ± .25
5		YEL	P1-11	4	P2-7			12.5 ± .50	12.5 ± .50	13.5 ± .50
		RED	P1-10		P2-6					
		ELVE	P1-9		P2-5					
		BLK	P1-8		P2-4					
5		ORG	P1-7		P2-3			12.5 ± .50	2.5 ± .50	3.5 ± .50
6		WHT	P1-4		P3-9			19.5 ± .50	19.5 ± .50	20.5 ± .50
		GRY	P1-3		P3-8					
		GRN	P1-2		P3-10					
6		YEL	P1-1	4	P3-6			19.5 ± .50	19.5 ± .50	20.5 ± .50
10		GRN	P4	9	P3-3		GRD.	2.75 ± .25	2.75 ± .25	2.75 ± .25
6		ORG	P2-1	4	P3-7			19.5 ± .50	19.5 ± .50	20.5 ± .50
6	18	BLK	P2-2	4	P3-1	4		19.5 ± .50	3.5 ± .50	20.5 ± .50
5	18	BLK	P1-12	4	P2-6		OR VAR-00	12.5 ± .50		

OVER ALL CABLE L.S.		
VARIATION	DIM A	DIM B
7014978-00	18.50 ± .50	11.50 ± .50
7014978-01	18.50 ± .50	11.50 ± .50
7014978-02	20.50 ± .50	13.50 ± .50

- NOTES:
- IDENTIFICATION: DECAL USING 1/8" CHARACTER HEIGHT AS INDICATED BELOW TO HIGHEST LEVEL OF SUBASSEMBLY SPECIFIED ON PURCHASE ORDER AND LOCATE APPROX. AS SHOWN ON DRAWING.
A.) PART NUMBER
B.) REVISION
C.) VENDOR IDENTIFICATION
D.) DATE, CODE
 - ON VARIATION (01 & 02), CUT BACK BLK WIRE FROM P2-6 TO P1-12 2.5 ± .25 IN. FROM BOTH ENDS.
 - CUT BACK GRN & BLK WIRES OF (ITEM#6) TO 12.5 ± .25 IN.

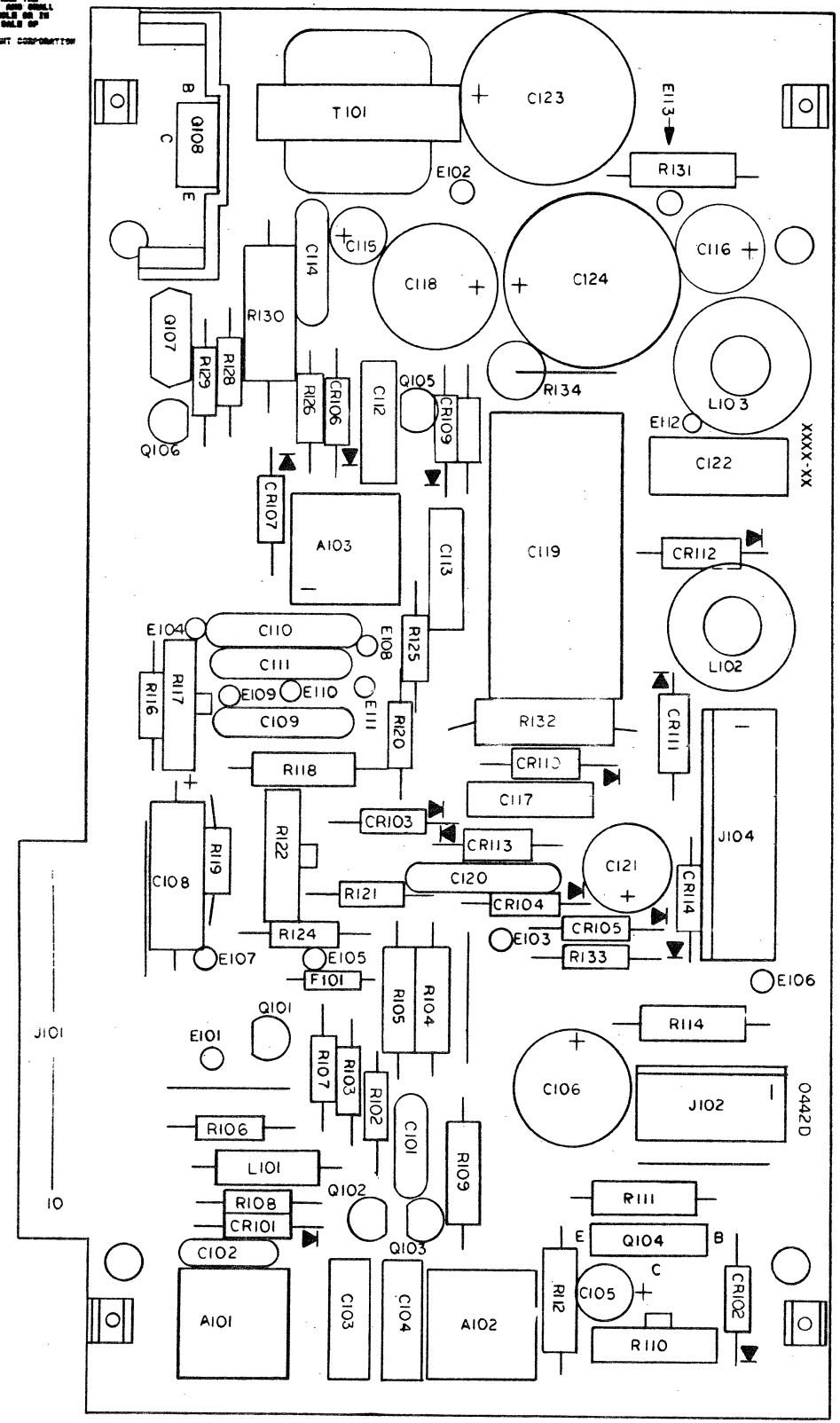


QTY	REV	DESCRIPTION	DWG. PART NO.	QTY
2	2	CABLE, STRANDED (GRN)	9107360-55	10
1	1	RING, TERMINAL	9007929-00	2
1	1	LABEL, IDENTIFICATION	3615300-00	2
1	1	PLUG, KEY	1213903-00	7
1	1	CABLE, 6 COND. FLAT	1700125-00	6
1	1	CABLE, 16 COND. FLAT	1700125-01	5
44	44	PIN, CRIMP	1213806-04	4
1	1	CONN. HOUSING (10 PIN) (P3)	1213803-00	3
1	1	CONN. HOUSING (18 PIN) (P2)	1213803-01	2
1	1	CONN. HOUSING (22 PIN) (P1)	1213803-02	1

THIRD ANGLE PROJECTION	DRN. 10/10/77	FIRST USED ON	digital
REMOVE BURRS AND BREAK SHARP CORNERS	CHK'D BY	TITLE	POWER CABLE ASSY
DO NOT SCALE DWG	ENG. 10/10/77	SCALE	NONE
MATERIAL: SEE PARTS LIST	PROD. END. 10/10/77	SIZE CODE	D
FINISH	PROJ. 10/10/77	NUMBER	7014978-0
		REV.	C
		SHEET	OF 1

REV.	DESCRIPTION	DATE
1	ISSUED FOR PRODUCTION	10/10/77
2	REVISED TO ADD PARTS LIST	10/10/77
3	REVISED TO ADD DIMENSIONS	10/10/77
4	REVISED TO ADD TOLERANCES	10/10/77
5	REVISED TO ADD FINISH	10/10/77
6	REVISED TO ADD MATERIAL	10/10/77
7	REVISED TO ADD SCALE	10/10/77
8	REVISED TO ADD PROJECTION	10/10/77

THIS DRAWING AND SPECIFICATIONS, HEREIN, AND THE PROPERTY OF BALL BROTHERS, INC., AND SHALL NOT BE REPRODUCED OR COPIED OR USED IN WHOLE OR IN PART IN THE ABSENCE OF THE WRITTEN PERMISSION OF BALL BROTHERS, INC. COPYRIGHT © 1978



REF SYM	DESCRIPTION	PART NUMBER
RESISTOR, FIXED, CARBON, 5%, 1/4W UNLESS NOTED		
R101	47	70-16-0470
R102	30	70-16-0300
R103	47	70-16-0470
R104	220, 1/2W	1-011-2254
R105	820, 1/2W	1-011-2258
R106	470	70-16-0471
R107	360	70-16-0361
R108	100K	70-16-0104
R109	180, 1/2W	1-011-2252
R110	VAR; 250 20%, CO VERT HGT	70-89-0251
R111	12, 1/2W	1-011-2224
R112	15, 1/2W	1-011-2226
R113	NOT USED	
R114	1.5K; 1/2W	1-011-2274
R115	NOT USED	
R116	62K	70-16-0623
R117	100K, 20P	1-011-5435
R118	30K; 1/2W	1-011-2305
R119	9.1K	70-16-0912
R120	8.2M	70-16-0825
R121	100K	70-16-0104
R122	VAR; 2.5M 20%, CO FOC ADJ	1-011-5566
R123	NOT USED	
R124	510	70-16-0511
R125	1K	70-16-0102
R126	20K	70-16-0203
R127	3.3K	70-16-0332
R128	15K	70-16-0153
R129	2.4K	70-16-0242
R130	56 10; 3W, WW	1-011-2521
R131	1.2; 1/2W, CO	1-011-2520
R132	1.2 10%; 2W, WW	1-011-1395
R133	6.8K	70-16-0682
R134	1.8, 2W	1-011-2417
R135	NOT USED	
TRANSFORMER		
T2	HIGH VOLTAGE	6-003-0586
T101	HERTZ DRIVER	1-017-5402
MISCELLANEOUS		
	*CRT SOCKET	1-022-0427
	WIRE STRD GRN	1-038-0345
	HEATSINK	1-015-5059
	WIRE STRD BLU	1-038-0346
	WIRE STRD RED	1-038-0342
	CONTACT, FEMALE # 2	1-034-0362
	MOHSKR 6-32X1/4	3-011-0310
	NUT 6-32	3-012-0161
	LX WSHR #6	3-013-0160
	PWB	1-029-0442
	CONTACT, MALE	1-034-0295
	CONN SHELL, 1 CONT FEMALE	1-034-0323
WIRE TERMINATION DATA		
E103	CRT SOCKET YEL LEAD	
E105	CRT SOCKET BRN LEAD	
E107	CRT SOCKET BLK LEAD	
E108	CRT SOCKET RED LEAD	
E109	CRT SOCKET WHT LEAD	
E110	GRN WIRE 6.5 INCHES	
E111	CRT SOCKET ORN LEAD	
E112	BLUE WIRE 10 INCHES	
E113	RED WIRE, 10 INCHES	

- NOTES:
- REFERENCE SCHEMATIC 1-024-0603
 - ALL REFERENCE SYMBOL NUMBERS 1 TO 99 ARE USED FOR ALL OFF BOARD COMPONENTS AND NUMBERS 100 TO 999 ARE USED FOR THE PWA COMPONENTS.
 - ALL PWA COMPONENTS PRECEDED WITH AN ASTERISK ARE NOT PART OF THE BASIC BOARD 6-200-0001.

REF SYM	DESCRIPTION	PART NUMBER
RESISTOR, FIXED, CARBON, 5%, 1/4W UNLESS NOTED		
A101	RES TRIM, 60K, VERT HOLD	1-011-8006
A102	RES TRIM, 20K, VERT LIN	1-011-8005
A103	RES TRIM, 2.5K, VIDEO CENTER	1-011-8001
CAPACITOR, FIXED, UF UNLESS NOTED		
C101	270PF 5%, 500V, DM	1-012-0396
C102	.005 20%, 100V, CO	10-12-7508
C103	.22 10%, 100V, MY	1-012-2277
C104	.22 10%, 100V, MY	1-012-2277
C105	.68, 50V, E	1-012-2264
C106	470, 6.3V, E	1-012-2158
C107	NOT USED	
C108	22, 25V, E	1-012-1300
C109	.01 20%, 1000V, CO	1-012-2214
C110	.02 20%, 1000V, CO	1-012-2217
C111	.01 20%, 1000V, CO	1-012-2214
C112	.0022 10%, 630V, MY	1-012-2254
C113	.0047 20%, 630V, MY	1-012-2279
C114	.01 20%, 100V, CO	10-12-7209
C115	1, 50V, E	1-012-2189
C116	50, 50V, E	1-012-2157
C117	.047 20%, 250V, MY	1-012-2240
C118	220, 25V, E	1-012-2159
C119	10 10%, 100V, MY	1-012-2255
C120	.02 20%, 500V, CO	1-012-0780
C121	50, 50V, E	1-012-2157
C122	.022 10%, 250V, PP	1-012-2297
C123	10, 25V, ER	1-012-2273
C124	10, 28V, ER	1-012-2273
DIODE		
CR1	00424	1-021-0424
CR101	00410	1-021-0410
CR102	00410	1-021-0410
CR103	00410	1-021-0410
CR104	00410	1-021-0410
CR105	00410	1-021-0410
CR106	00410	1-021-0410
CR107	00410	1-021-0410
CR108	NOT USED	
CR109	00410	1-021-0410
CR110	00403	1-021-0403
CR111	00458	1-021-0458
CR112	00458	1-021-0458
CR113	00403	1-021-0403
CR114	00410	1-021-0410
FUSE		
F101	2A-125V P100	1-028-0247
CONNECTORS		
J102	CONNECTOR, 4 PIN MALE	1-039-0146
J103	NOT USED	
J104	CONNECTOR, 7 PIN MALE	1-039-0145
COIL		
L1	VERTICAL CHOKE	6-003-0572
L2	DEFLECTION, TVX 120/12V	1-023-0246
L101	560UH	1-016-0302
L102	LINEARITY	1-016-0328
L103	WIDTH	1-016-0303
TRANSISTOR		
Q101	2N5830	1-015-1172
Q102	2N6027	1-015-1157
Q103	MPS-465	1-015-1186
Q104	MJE3055	1-015-1156
Q105	2N4124	1-015-1139
Q106	2N4124	1-015-1139
Q107	MPS-405	1-015-1159
Q108	BU407	1-015-1210

COPIED BY WRITTEN PERMISSION OF BALL BROTHERS INC.

- NOTES:
- FLYBACK TRANSFORMER REPLACEMENT 3014590-01
 - PRINTED CIRCUIT BOARD REPLACEMENT 3014590-02

CHK	CHANGE NO	REV

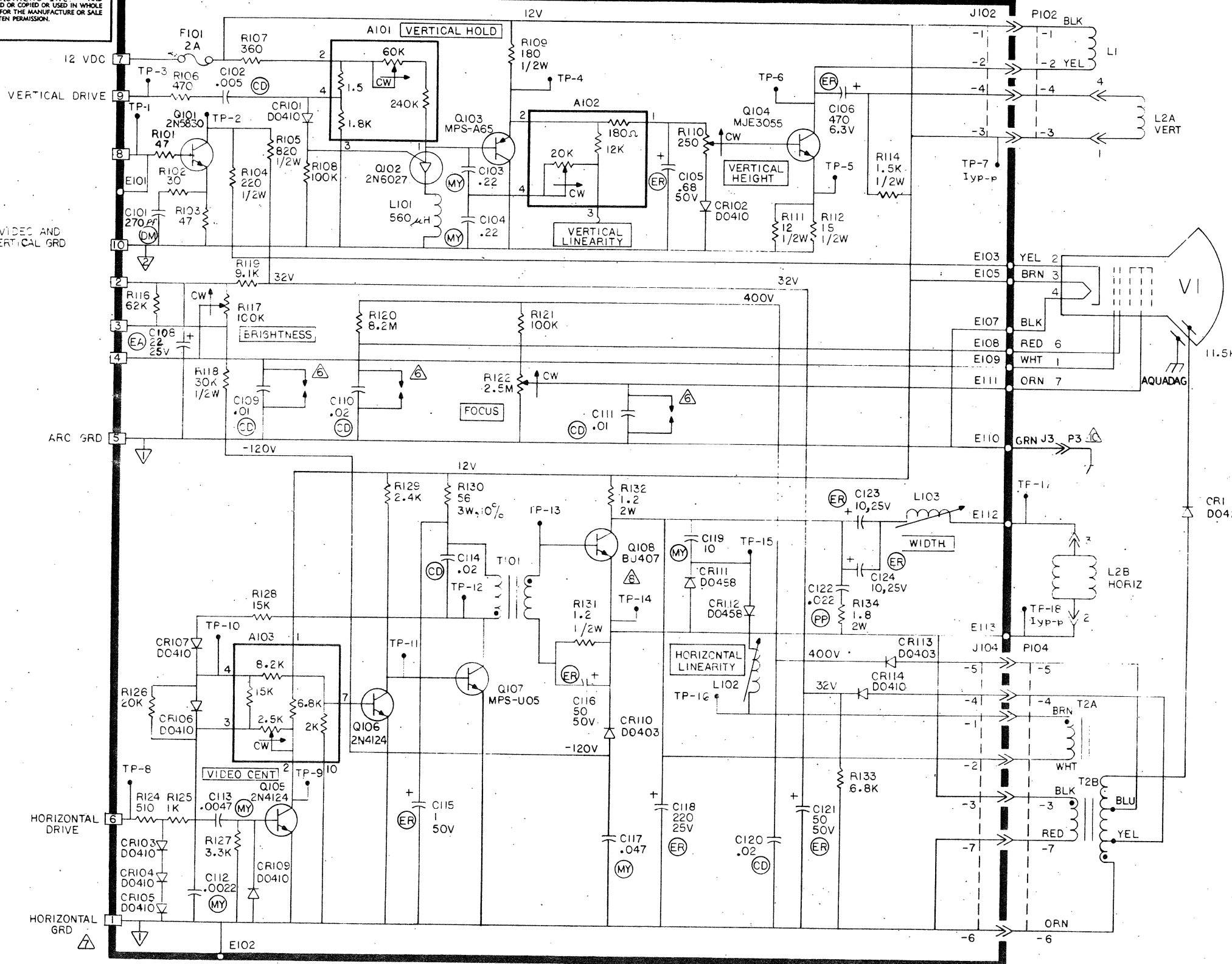
ETCH REV.	
P.C. DESIGN DATA BRSE REV.	

SIGNATURES		DATE
DRN. <i>[Signature]</i>		2-13-78
CHK'D. <i>[Signature]</i>		2-6-78
ENG. <i>[Signature]</i>		12-6-75
PROJ. ENG. <i>[Signature]</i>		12-6-78
SCALE		SIZE CODE
SHT. 1 OF 2		D
NUMBER		REV
CS. 3014590-0-1		A

digital
TITLE SCHEMATIC
TVX120/DEC 12 VOLT

THIS DRAWING AND SPECIFICATIONS HEREIN ARE THE PROPERTY OF BALL BROTHERS, INC. AND SHALL NOT BE REPRODUCED OR COPIED OR USED IN WHOLE OR IN PART AS THE BASIS FOR THE MANUFACTURE OR SALE OF ITEMS WITHOUT WRITTEN PERMISSION. COPYRIGHT ©

1-0-0699102 CS 2



- GENERAL NOTES: UNLESS OTHERWISE SPECIFIED
1. ALL RESISTORS 1/4W, 5%, VALUE IN OHMS.
 2. ALL CAPACITOR VALUES IN MICROFARADS. FOR CAPACITOR TYPES, SEE NOTE NO. 9.
 3. □ DENOTES J101 PC CARD EDGE CONNECTOR.
 4. → DENOTES CONNECTION TO OFF BOARD COMPONENTS.
 5. REFERENCE DESIGNATIONS NOT USED: J103, C107, CR108, R101, R113, R115, R123
 6. LAST REFERENCE DESIGNATION USED: R134, C124
 7. PROTECTIVE ARC GAPS ARE AN INTEGRAL PART OF PRINTED WIRE BOARD.
 8. THE PWB CIRCUIT GROUNDS ARE BROUGHT OUT SEPARATELY TO PINS 1, 5 AND 10 OF J101. PWB CIRCUIT GROUNDS FOR PINS 1 AND 5 OF J101 ARE CONNECTED TOGETHER BY A JUMPER WIRE ON THE BOARD AND ARE CONNECTED TO CHASSIS GROUND VIA A WIRE FROM E110.
 9. △ DENOTES HEATSINK
 10. (DM) = DIPPED MICA
 11. (CD) = CERAMIC DISC
 12. (MY) = MYLAR
 13. (EA) = ELECTROLYTIC AXIAL
 14. (ER) = ELECTROLYTIC RADIAL
 15. (PP) = POLYPROPYLENE
 16. △ GROUND TO AQUADAG BY SPRING

COPIED BY WRITTEN PERMISSION OF BALL BROS.

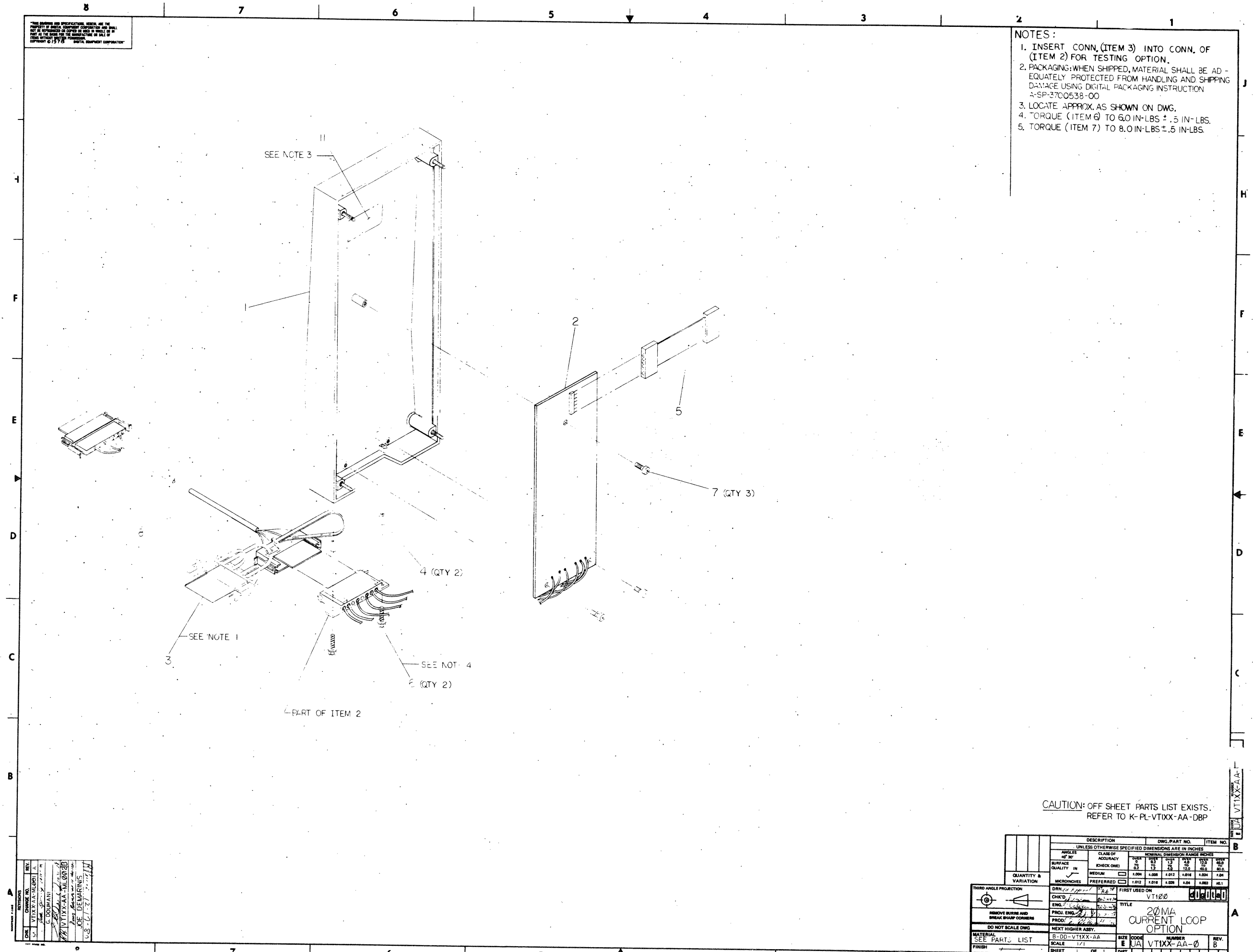
REV.	CHANGE NO.

DRN. <i>Jim D'Amico</i> 12/20/78	FIRST USED ON
CHK'D <i>Pat Sumner</i> 12-6-78	VT100
ENG. <i>P. Pava</i> 12-6-78	TITLE
PROJ. ENG. <i>P. Pava</i> 12-6-78	SCHEMATIC
PROD.	TVX120/DEC
	12 VOLT
NEXT HIGHER ASSY.	SIZE CODE
E-UA-VT100-0-0	D CS 3014590-0-1
SCALE NONE	NUMBER
SHEET 2 OF 2	DIST.
	REV. A

REV. A
NUMBER D CS 3014590-0-1

THIS DRAWING AND SPECIFICATIONS, HEREIN, ARE THE PROPERTY OF ANALOG EQUIPMENT CORPORATION AND SHALL NOT BE REPRODUCED OR COPIED IN WHOLE OR IN PART WITHOUT THE WRITTEN PERMISSION OF ANALOG EQUIPMENT CORPORATION © 1978

- NOTES:
1. INSERT CONN. (ITEM 3) INTO CONN. OF (ITEM 2) FOR TESTING OPTION.
 2. PACKAGING: WHEN SHIPPED, MATERIAL SHALL BE ADEQUATELY PROTECTED FROM HANDLING AND SHIPPING DAMAGE USING DIGITAL PACKAGING INSTRUCTION A-SP-3700538-00
 3. LOCATE APPROX. AS SHOWN ON DWG.
 4. TORQUE (ITEM 6) TO 6.0 IN-LBS ± .5 IN-LBS.
 5. TORQUE (ITEM 7) TO 8.0 IN-LBS ± .5 IN-LBS.



CAUTION: OFF SHEET PARTS LIST EXISTS. REFER TO K-PL-VTIXX-AA-DBP

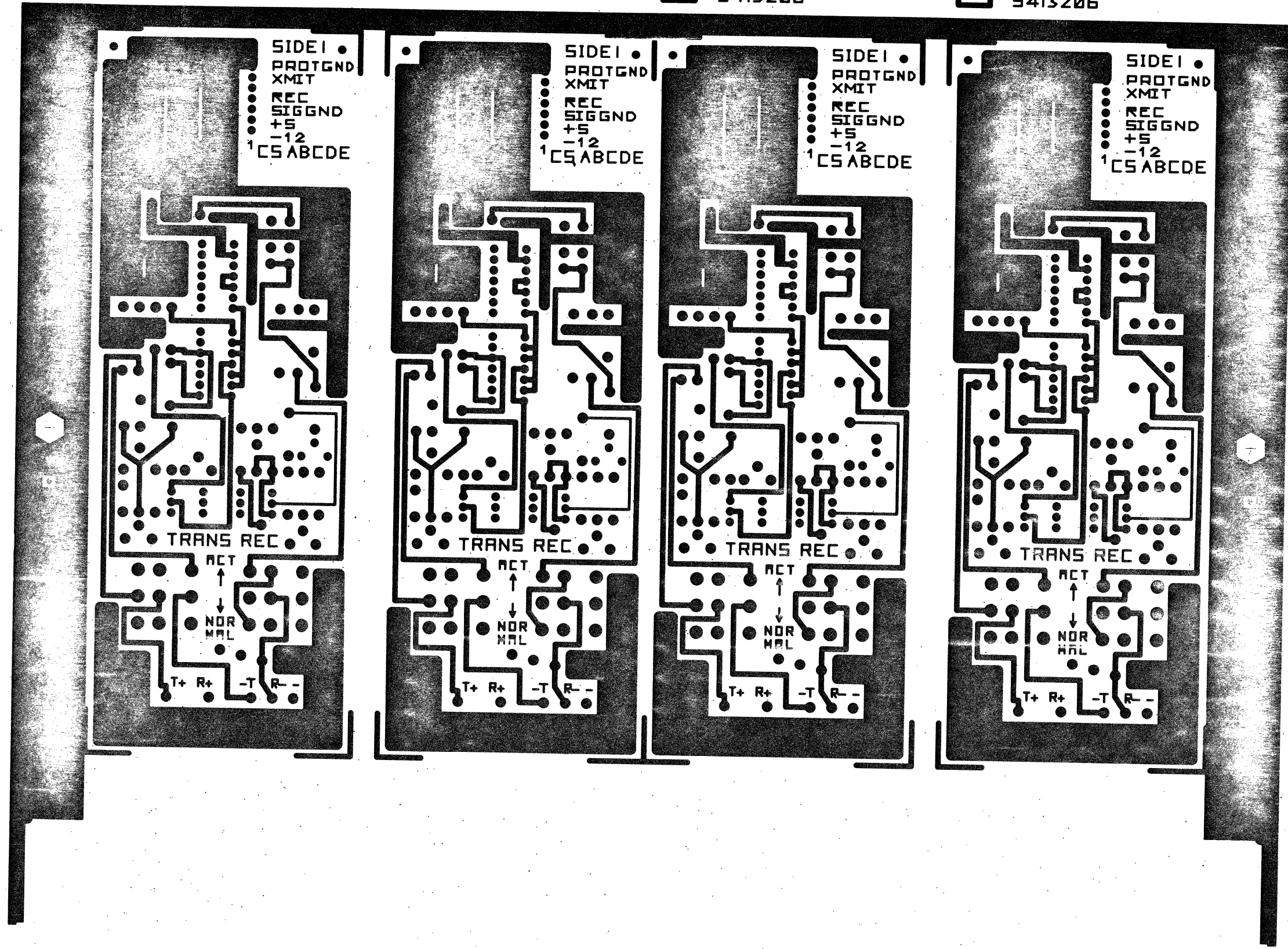
REV. 1	DATE	BY	CHKD.
1		VTIXX-AA-ML001	A
2		S. DODWANI	
3		VTIXX-AA-ML000	
4		VTIXX-AA-ML000	
5		VTIXX-AA-ML000	
6		VTIXX-AA-ML000	
7		VTIXX-AA-ML000	
8		VTIXX-AA-ML000	

DESCRIPTION		DWG. PART NO.		ITEM NO.	
UNLESS OTHERWISE SPECIFIED DIMENSIONS ARE IN INCHES					
ANGLES	CLASS OF ACCURACY	NOMINAL DIMENSION RANGE INCHES			
30° 20'	CHECK ONE	0.001	0.01	0.1	1.0
SURFACE QUALITY	MEDIUM	0.004	0.008	0.012	0.016
QUANTITY & VARIATION	PREFERRED	0.012	0.016	0.020	0.024
MICRONS		0.001	0.002	0.003	0.004
THIRD ANGLE PROJECTION		FIRST USED ON			
REMOVE BURRS AND BREAK SHARP CORNERS		TITLE			
DO NOT SCALE DWG		NEXT HIGHER ASSEMBLY			
MATERIAL SEE PARTS LIST		B-DD-VTIXX-AA		REV. B	
FINISH		SCALE 1/1		SHEET 1 OF 1	

VTIXX-AA-1

THIS DRAWING AND THE FIGURE THEREON ARE THE PROPERTY OF DIGITAL EQUIPMENT CORPORATION AND SHALL NOT BE REPRODUCED OR COPIED OR USED IN WHOLE OR IN PART AS THE BASIS FOR THE MANUFACTURE OF ITEMS WITHOUT WRITTEN PERMISSION. COPYRIGHT © 1977 DIGITAL EQUIPMENT CORPORATION.

8 7 6 5 4 3 2 1
 5013205C 5413206 5013205C 5413206 5013205C 5413206 5013205C 5413206
 DUA 5413206-0-0 B 2



VIEWED FROM SIDE 1

REVISIONS		
CHK	CHANGE NO.	RE.

DEC FORM NO. DRD 137

TITLE	20 MA ADAPTOR	SIZE CODE	D UA	NUMBER	5413206-0-0	REV.	B
SCALE	2:1	SHEET	2 OF 3	DIST.			

DUA 5413206-0-0 B
 B
 A

8

7

6

5

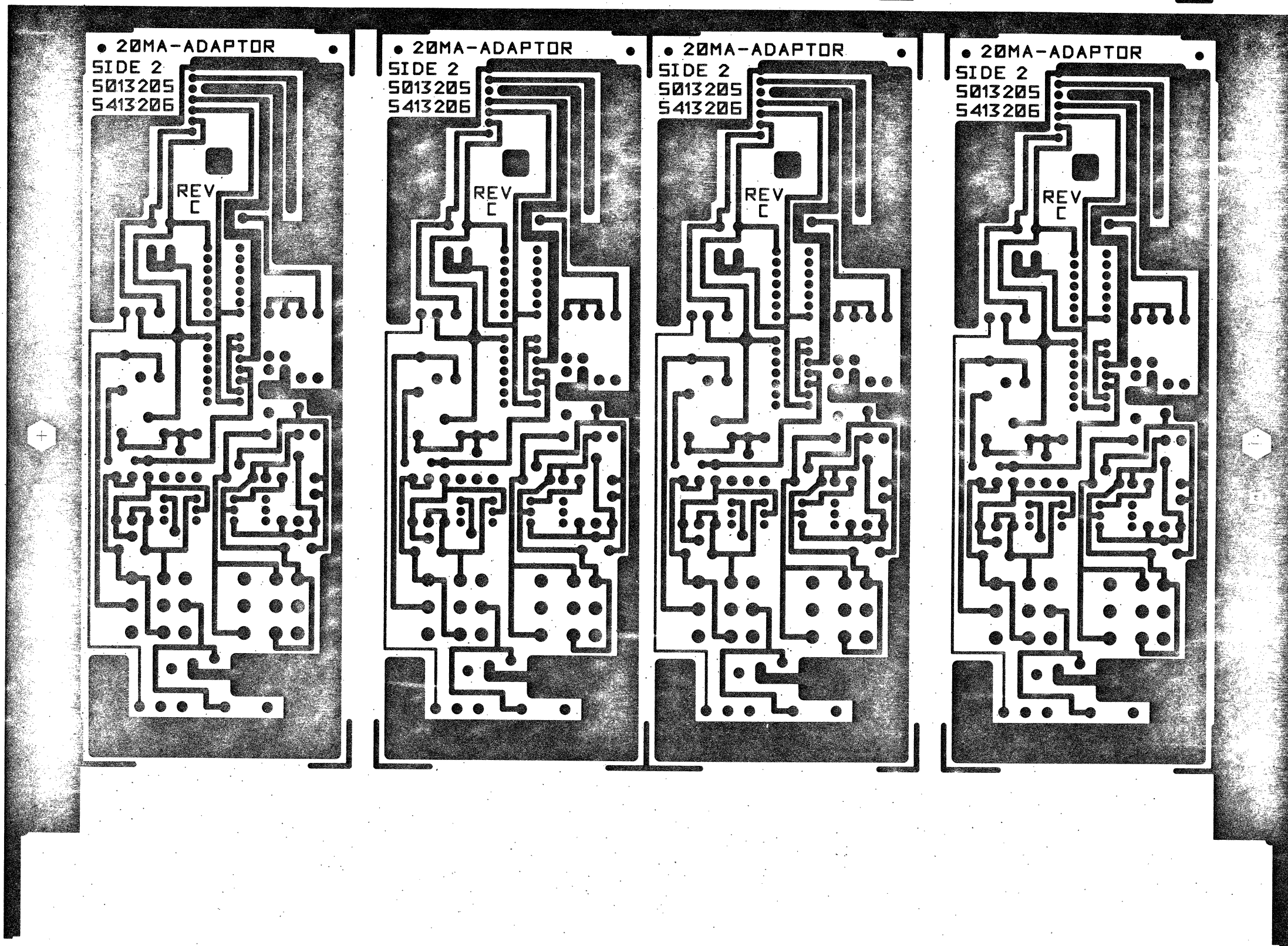
4

3

DIA 5413206-0-0 B 2

1

THIS DRAWING AND SPECIFICATION ARE THE PROPERTY OF DIGITAL EQUIPMENT CORPORATION AND SHALL NOT BE REPRODUCED OR COPIED OR USED IN WHOLE OR IN PART AS THE BASIS FOR THE MANUFACTURE OR SALE OF ITEMS WITHOUT WRITTEN PERMISSION. DIGITAL EQUIPMENT CORPORATION. COPYRIGHT © 1978



VIEWED FROM SIDE 2

REVISIONS		
CHK	CHANGE NO	REV

TITLE	SIZE CODE	NUMBER	REV.
20 MA ADAPTOR	D UA	5413206-0-0	B
SCALE 2:	SHEET 3	OF 3	DIST

DIA 5413206-0-0 B

B

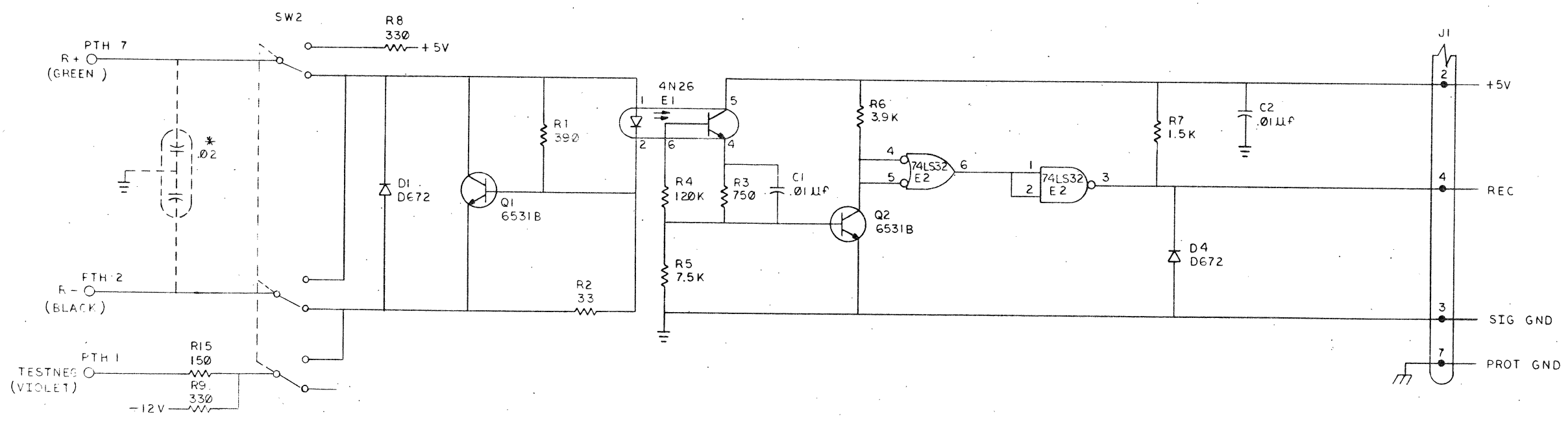
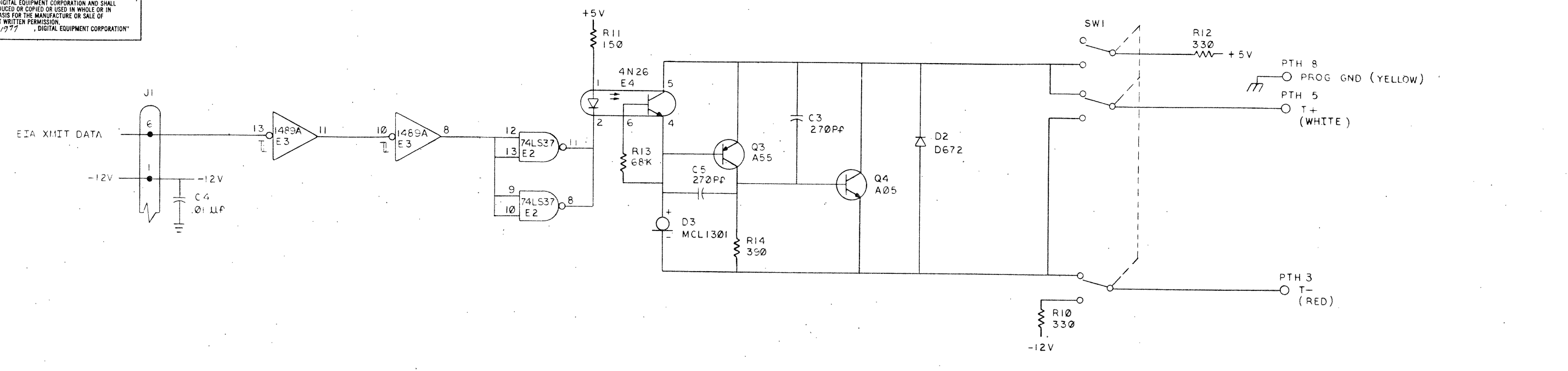
A

LINE	ITEM	DOCUMENT NUMBER	PART NUMBER	DESCRIPTION	QTY PER VARIATION	REFERENCE DESIGNATOR
1	1	D-4D-5013205-0-0	5013205-00	ETCH BOARD FOR 5413206	1	
2	2		1000022-00	270.0 MMF 100V 5%200PPM MICA	2	C3,C5
3	3		1001610-00	.01 MFD 50V +80-20% 250 CER	3	C1,C2,C4
4	4		1105275-00	D 672 TR= 15NS PIV= 60V SI	3	D1,D2,D4
5	5		1105610-00	MCL1301 CL@1MA FROM10-80V	1	D3
6	6		1215048-01	CONN 7POS RT ANGLE	1	J1
7	7		1215089-00	SW,SLIDE 3P 1A DBLE THROW	2	S1,S2
8	8		1301522-00	27.0 .25 W 5.0 % CC	1	R2
9	9		1300250-00	150.0 .25 W 5.0 % CC	2	R11,R15
10	10		1300296-00	330.0 .50 W 5.0 % CC	4	R8,R9,R10,R12
11	11		1300309-00	390.0 .25 W 5.0 % CC	2	R1,R14
12	12		1300391-00	1.50 K .25 W 5.0 % CC	1	R7
13	13		1300444-00	3.90 K .25 W 5.0 % CC	1	R6
14	14		1300539-00	120.0 K .25 W 5.0 % CC	1	R4
15	15		1301327-00	68.0 K .25 W 5.0 % CC	1	R13
16	16		1301401-00	750.0 .25 W 5.0 % CC	1	R3
17	17		1301422-00	7.50 K .25 W 5.0 % CC	1	R5
18	18		1509338-00	DEC6531B NPN 310MA SI 40 90 P	2	Q1,Q2
19	19		1510705-00	XA 05 NPN 500MA SI 60 50 P	1	Q4
20	20		1510706-00	XA 55 PNP 500MA SI 60 50 P	1	Q3
21	21		1916959-00	POTOTRANSISTOR	2	E1,E4
22	22		1912817-00	LS37 NAND GATE=QUAD 2IN,P	1	E2
23	23		1913130-00	DEC 1489A RECEIVER,LINE,QUAD,	1	E3
24	24		1113003-00	IN 5282 PIV=55 I=500M D035	1	D5

REVISION HISTORY		BASIC PART NO: 5413206		DRN:	T. SHETRAWSKI	DATE:	30-MAR-78	DIGITAL			
ENG:	ECO NUMBER	REV	SECTION A OF A	CHK'D:	T. SHETRAWSKI	DATE:	30-MAR-78	TITLE PARTS LIST			
INIT		B	SECTION VARIATION INDEX					20 MA ADAPTER			
1B	5413206-PN001	C	[A] 00					DOCUMENT NUMBER			
			[B]					SIZE CODE NUMBER REV			
			[C]	DES. ENG:	M. MORGENSTERN	DATE:	30-MAR-78				
			[D]								
			[E]								
			[F]	RESP. ENG.:	M. MORGENSTERN	DATE:	30-MAR-78				
			[G]								
			[H]								
			[I]	MFG. ENG.:	T. CURCIARI	DATE:	30-MAR-78	K	PL	5413206-0-DBP	C
			[J]								
			[K]	ASSEMBLY NUMBER:		TOP DOCUMENT NUMBER:		FILE NAME:		EDIT #	
			[L]	D-UA-5413206-0-0		1V100		13206C.PLS		6	
			[M]								
			[N]								

"THIS DRAWING AND SPECIFICATIONS HEREIN, ARE THE PROPERTY OF DIGITAL EQUIPMENT CORPORATION AND SHALL NOT BE REPRODUCED OR COPIED OR USED IN WHOLE OR IN PART AS THE BASIS FOR THE MANUFACTURE OR SALE OF ITEMS WITHOUT WRITTEN PERMISSION. COPYRIGHT (C) 1980, DIGITAL EQUIPMENT CORPORATION"

"THIS DRAWING AND SPECIFICATIONS, HEREIN, ARE THE PROPERTY OF DIGITAL EQUIPMENT CORPORATION AND SHALL NOT BE REPRODUCED OR COPIED OR USED IN WHOLE OR IN PART AS THE BASIS FOR THE MANUFACTURE OR SALE OF ITEMS WITHOUT WRITTEN PERMISSION. COPYRIGHT © 1977, DIGITAL EQUIPMENT CORPORATION"



NOTE:
1. * OPTIONAL

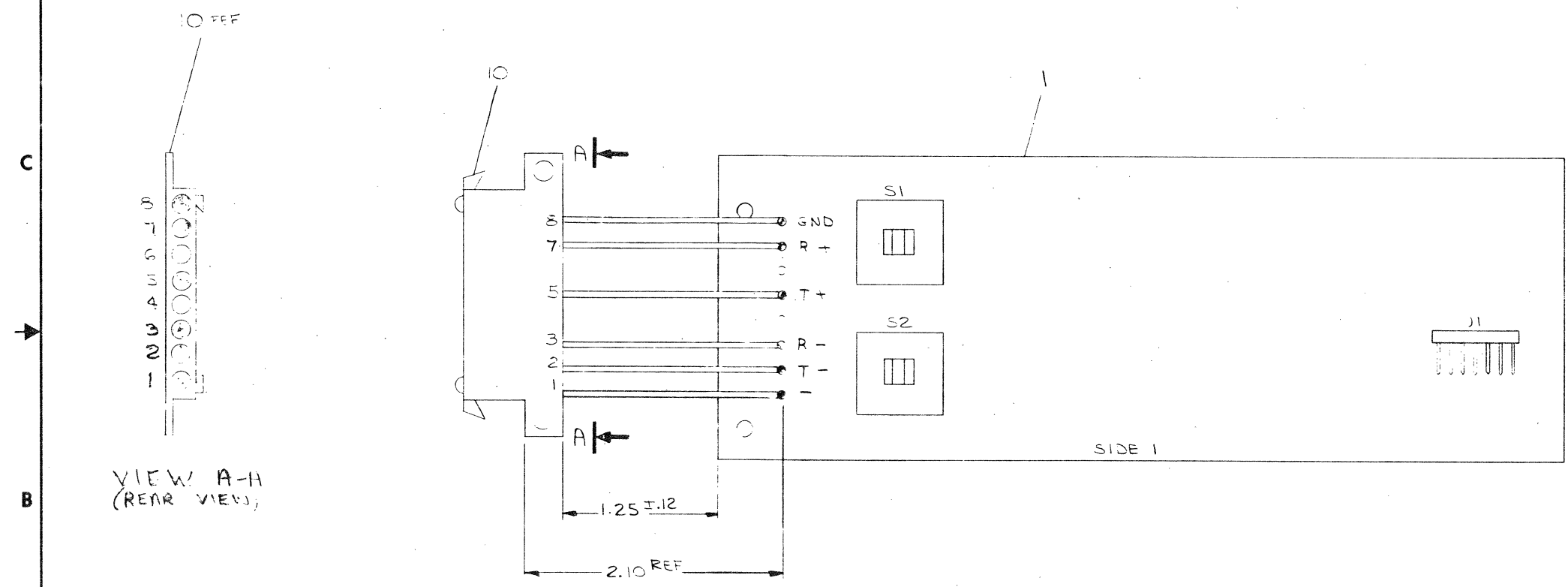
DRN	CHK'D	ENG.	PROJ. ENG.	PROD.	FIRST USED ON	digital
					VT100	
					TITLE	20 MA ADAPTOR
NEXT HIGHER ASSY.					SIZE	D
D-UA-5413206-C-0					CODE	CS 5413206-0-1
SCALE					NUMBER	REV. B
SHEET / OF /					DIST.	

REV.	
CHANGE NO.	
CHK	

"THIS DRAWING AND SPECIFICATIONS, HEREIN, ARE THE PROPERTY OF DIGITAL EQUIPMENT CORPORATION AND SHALL NOT BE REPRODUCED OR COPIED OR USED IN WHOLE OR IN PART AS THE BASIS FOR THE MANUFACTURE OR SALE OF ITEMS WITHOUT WRITTEN PERMISSION. COPYRIGHT © 1977, DIGITAL EQUIPMENT CORPORATION"

WIRE TABLE							
ITEM NO.	AWG	COLOR	FROM		TO		REMARKS
			CONN	WITH	CONN	WITH	
10	22	YELLOW	PIN 8		ITEM 1	GND	
		GREEN	7			R+	
		WHITE	5			T+	
		RED	3			R-	
		BLACK	2			T-	
10	22	VIOLET	PIN 1		ITEM 1	-	

NOTES:
 1. FOR INDIVIDUAL FIELD SERVICE / CUSTOMER SPARES SHIPMENTS USE PACKAGING INSTRUCTIONS A-SP-3700550-0-0. FOR BULK INTERPLANT SHIPMENTS USE PACKAGING INSTRUCTIONS A-SP-3700429-0-0, VARIATION -03



VIEW A-H (REAR VIEW)

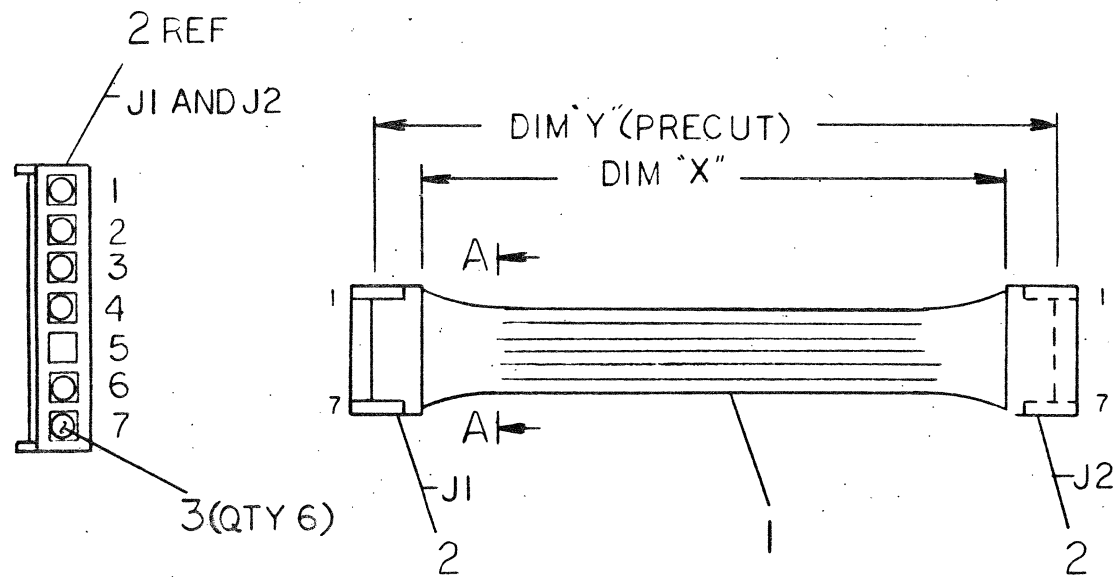
CAUTION: OFF SHEET PARTS LIST EXISTS, SEE K-PL-7015273-D-DBP.

REV.	CHANGE NO.	DESCRIPTION
1		INITIAL DESIGN
2		REVISED TO ADD DIMENSIONS
3		REVISED TO ADD TOLERANCES
4		REVISED TO ADD FINISH SPECIFICATIONS

DESCRIPTION	DWG. PART NO.	ITEM NO.
UNLESS OTHERWISE SPECIFIED DIMENSIONS ARE IN INCHES		
ANGLES ±0° 30'	CLASS OF ACCURACY	NOMINAL DIMENSION RANGE INCHES
SURFACE QUALITY IN	(CHECK ONE)	OVER 0 TO 0.2
QUANTITY & VARIATION	MEDIUM <input type="checkbox"/>	OVER 0.2 TO 1.2
THIRD ANGLE PROJECTION	PREFERRED <input type="checkbox"/>	OVER 1.2 TO 4.0
REMOVE BURRS AND BREAK SHARP CORNERS		OVER 4.0 TO 12.0
DO NOT SCALE DWG		OVER 12.0 TO 40.0
MATERIAL SEE PARTS LIST		OVER 40.0 TO 80.0
FINISH		OVER 80.0 TO 100.0
DRN. <i>[Signature]</i>	ENG 0377	FIRST USED ON
CHK'D <i>[Signature]</i>	2/11/78	VT120 digital
ENG. <i>[Signature]</i>	11-11-78	TITLE
PROD. <i>[Signature]</i>	11 Jan 78	20 MA ADAPTER ASSY
NEXT HIGHER ASSY.		
E-UA-VT1XX-A-A-0	SIZE D	CODE IA
SCALE 2/1	NUMBER	REV. B
SHEET 1 OF 1	DIST.	

"THIS DRAWING AND SPECIFICATIONS, HEREIN, ARE THE PROPERTY OF DIGITAL EQUIPMENT CORPORATION AND SHALL NOT BE REPRODUCED OR COPIED OR USED IN WHOLE OR IN PART AS THE BASIS FOR THE MANUFACTURE OR SALE OF ITEMS WITHOUT WRITTEN PERMISSION. COPYRIGHT © 1978, DIGITAL EQUIPMENT CORPORATION"

WIRE TABLE						
ITEM NUMBER	DESCRIPTION		FROM		TO	
	AWG	COLOR	CONNECTION	WITH	CONNECTION	WITH
1	24	BLK	J1-1	3	J2-1	3
			J1-2		J2-2	
			J1-3		J2-3	
			J1-4		J2-4	
			J1-6		J2-6	
	24	BLK	J1-7	3	J2-7	3



VIEW A-A
REAR VIEW
2 PLACES

LEGEND		
NUMBER	DIM "X" VARIATION	DIM "Y" (PRECUT) REF
7015506-00	2.0 IN ±.25 IN.	2.75 IN.

QTY	DESCRIPTION	DWG./PART NO.	ITEM NO.
12	CONTACT, PIN	1214979-00	3
2	HOUSING, 7 CONN	1215047-01	2
AVR	WIRE, 24AWG, STRD (BLK)	9107450-00	1

ANGLES ±0° 30'	CLASS OF ACCURACY (CHECK ONE)	NOMINAL DIMENSION RANGE INCHES					
		OVER 0 TO 0.2	OVER 0.2 TO 1.2	OVER 1.2 TO 4.0	OVER 4.0 TO 12.0	OVER 12.0 TO 40.0	OVER 40.0 TO 80.0
SURFACE QUALITY IN	MEDIUM <input type="checkbox"/>	±.004	±.006	±.012	±.016	±.024	±.04
MICROINCHES	PREFERRED <input type="checkbox"/>	±.012	±.016	±.025	±.04	±.063	±.1

REV.	CHANGE NO.	REV.
1	7015506-ML001	A
2	20 SEP 79	
3	C. JAMES	
4	Richard A. Pines 1/7/79	

THIRD ANGLE PROJECTION	DRN. <i>[Signature]</i> 5/20/76	FIRST USED ON	VT100
REMOVE BURRS AND BREAK SHARP CORNERS	CHK'D <i>[Signature]</i> 7/31/78	TITLE	CABLE, INTERNAL 20 MA ADAPTOR
DO NOT SCALE DWG	ENG. <i>[Signature]</i> 1-23-78	SIZE CODE	C IA
MATERIAL SEE PARTS LIST	PROJ. ENG. <i>[Signature]</i> 1-23-78	NUMBER	7015506-0-0
FINISH <i>[Symbol]</i>	NEXT HIGHER ASSY.	REV.	A
		DIST.	

REV. A
NUMBER 7015506-0-0
SIZE CODE C IA

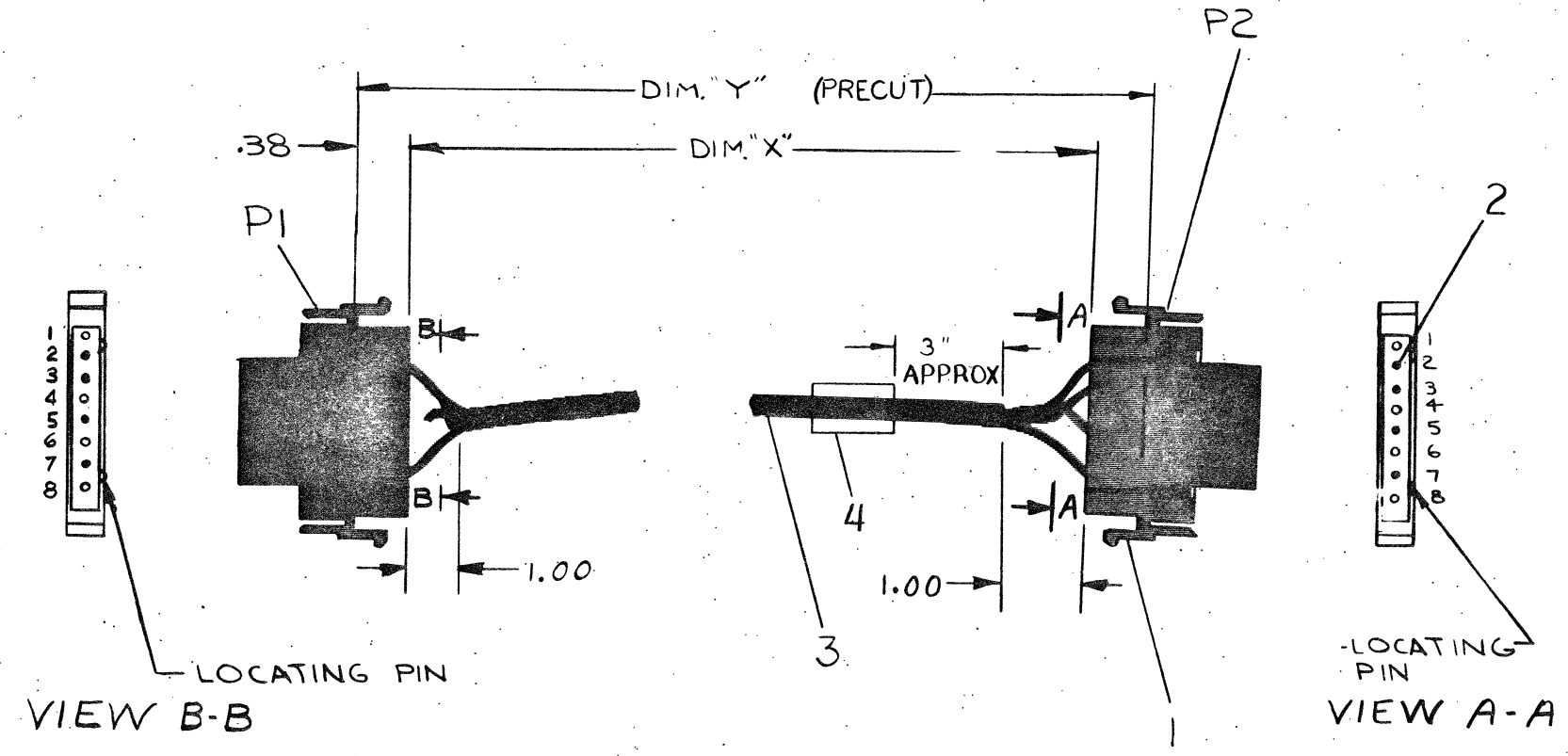
This drawing and specifications, herein, are the property of Digital Equipment Corporation and shall not be reproduced or copied or used in whole or in part as the basis for the manufacture or sale of items without written permission.

LEGEND		
NUMBER	DIM "X" VARIATION	DIM "Y" (PRECUT) REF
BC05F-15	15 FT. ± 3 IN.	15 FT. .75 IN. ± 3 IN.
BC05F-9	9 FT. ± 2 IN.	9 FT. .75 IN. ± 2 IN.

WIRE TABLE				
ITEM NO	DESCRIPTION	FROM	TO	
3	22	BLK	P1-2	P2-3
3	22	RED	P1-3	P2-2
3	22	WHT	P1-5	P2-7
3	22	GRN	P1-7	P2-5

NOTES:
1. ASSEMBLE CABLE I.D. LABEL TO AREA AS SHOWN BELOW.

A
B
C
D



CAUTION: FOR OFF SHEET PARTS LIST SEE K-PL-BC05F-0-DBP.

REV.	CHANGE NO.	DATE	BY
A	BC05F-00001	11-8-71	R. FITCH
B	LA36-00119	11-9-71	Robert Fitch
C	BC05F-00002	7/18/75	J. BITTO
D	BC05F-ML003	19 MAY 81	Evann Hanson

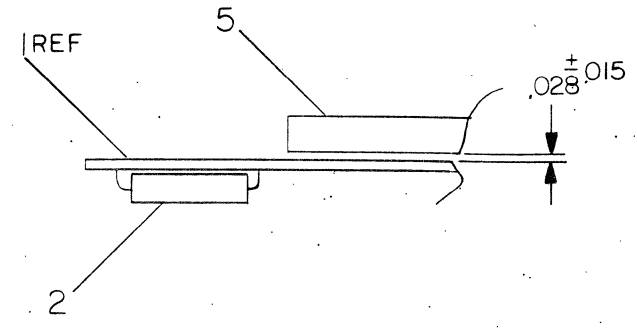
FIRST USED ON OPTION MODEL	QTY.	DESCRIPTION	PART NO.	ITEM NO.
DF11				
PARTS LIST				
UNLESS OTHERWISE SPECIFIED		DRN	DATE	
UNLESS OTHERWISE SPECIFIED		CHK'D	DATE	
DIMENSION IN INCHES		ENG	DATE	
TOLERANCES		PROJ. ENG.	DATE	
DECIMALS ± .005		PROB.	DATE	
FRACTIONS ± 1/64				
ANGLES ± 0°30'				
FINAL SURFACE QUALITY REMOVE BURRS AND BREAK SHARP CORNERS				
MATERIAL	NEXT HIGHER ASSY			
FINISH	SCALE			
	SHEET 1 OF 1			
TITLE		CABLE INTERFACE		
BC05F		digital EQUIPMENT CORPORATION MAYNARD, MASSACHUSETTS		
SIZE CODE	NUMBER	REV.		
CUA	BC05F-0-0	D		
DIST.				

REV. D
NUMBER BC05F-0-0
SIZE CODE CUA

THIS DRAWING AND SPECIFICATIONS, HEREIN, ARE THE PROPERTY OF DIGITAL EQUIPMENT CORPORATION AND SHALL NOT BE REPRODUCED OR COPIED OR USED IN WHOLE OR IN PART AS THE BASIS FOR THE MANUFACTURE OR SALE OF ITEMS WITHOUT WRITTEN PERMISSION.
 COPYRIGHT © 1978 DIGITAL EQUIPMENT CORPORATION

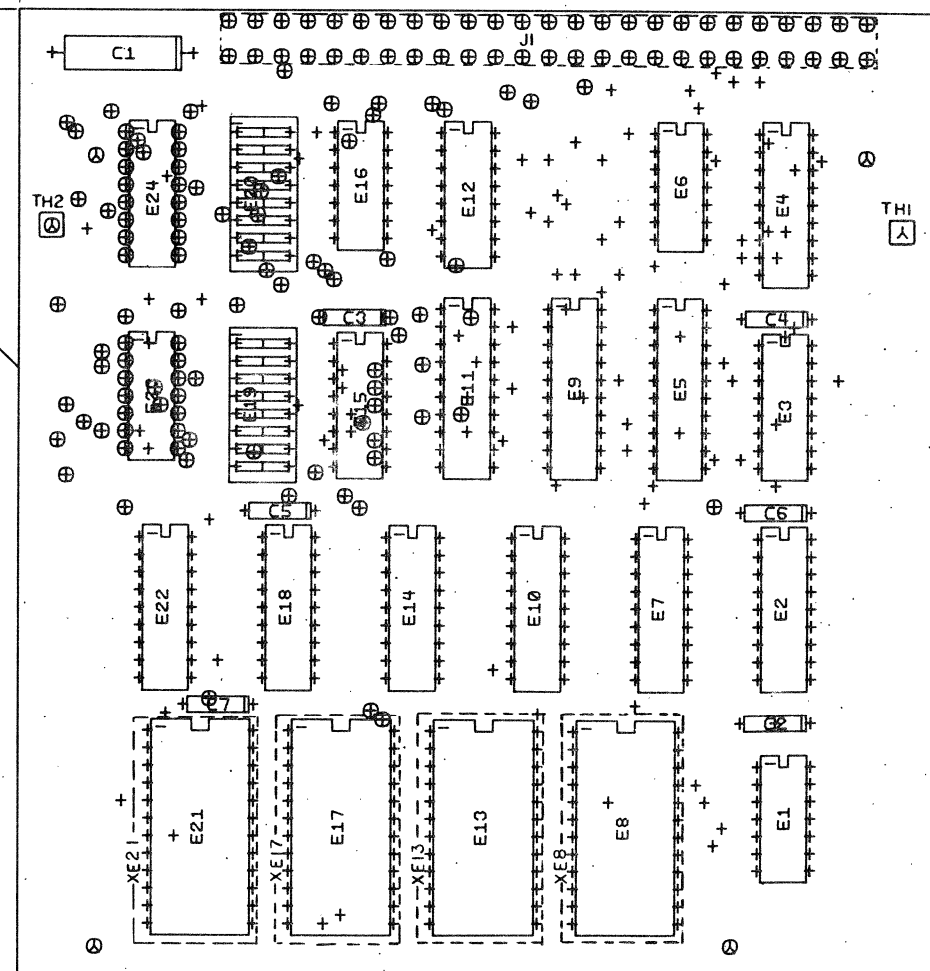
7 DUA 5413097-0-0 F

COMPONENT SIDE VIEW



5.187 REF.
131.75 MM.

5.60 REF.
142.24 MM.



NOTES: J1 CONN MOUNTED ON SIDE 2

CHANGE NO	REV	DATE	BY	CHK'D
5413097MLO05	F	10-30-78	R. PUCCI	
REDRAWN BY R. PUCCI 10/30/78				

ETCH REV. C-P3

SIGNATURES		DATE	TITLE
DRN. <i>[Signature]</i>		10-30-78	
CHK'D. <i>[Signature]</i>		10-30-78	
MECH. ENG. <i>[Signature]</i>		10-30-78	
PROJ. ENG. <i>[Signature]</i>		10-30-78	
PROD. <i>[Signature]</i>		10-30-78	
SCALE 2/1	SIZE CODE	NUMBER	REV
SHT. 1 OF 1	D	UA 5413097-0-0	F
NEXT HIGHER ASSY. B-DD-5413097-0			

STEP	E	↑ Y AXIS	—	STEP	—	TIMES	2ML 2
REPEAT		→ X AXIS	5.250	STEP	—	TIMES	

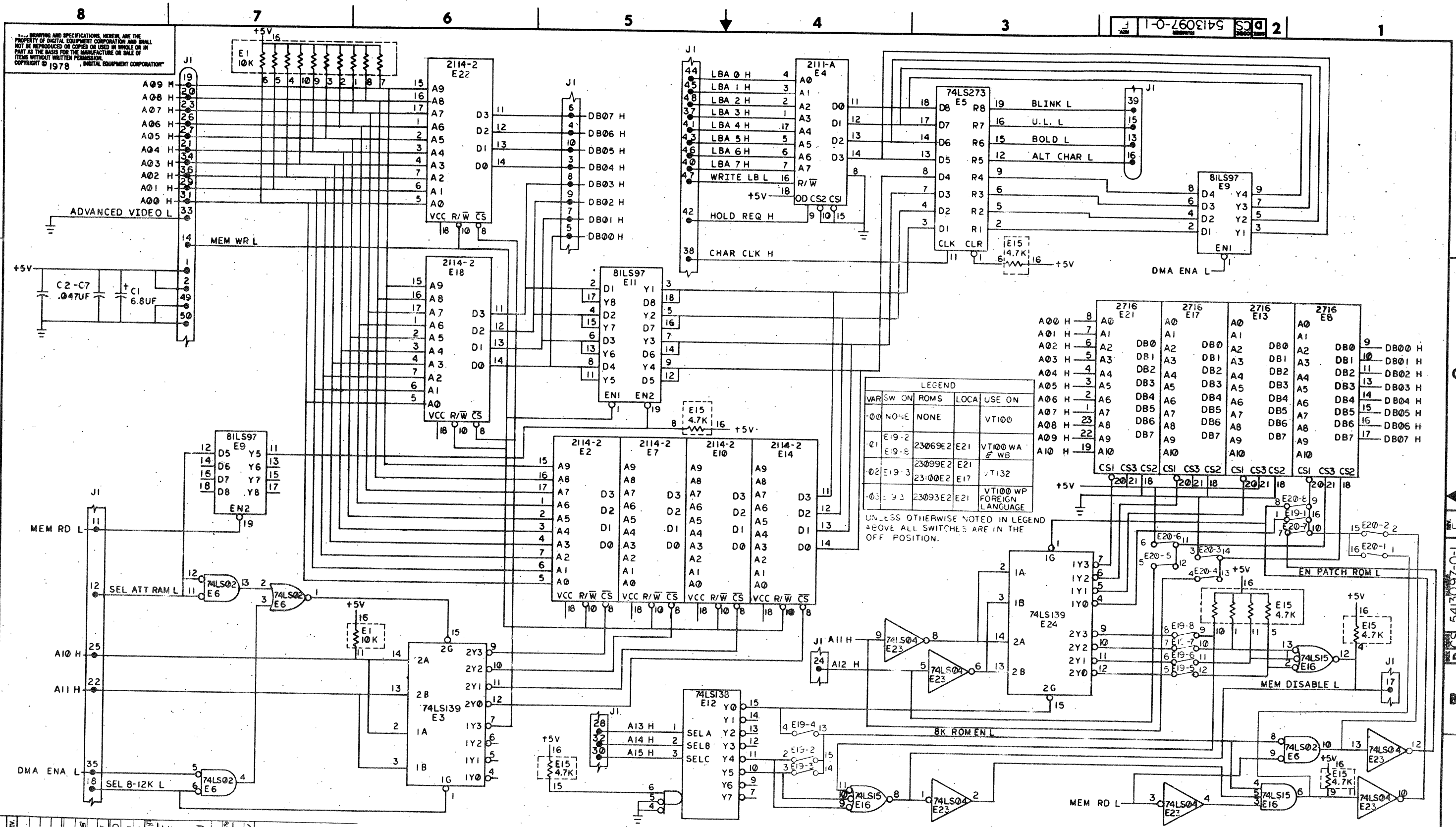
1 WO# 104159

LINE	ITEM	DOCUMENT NUMBER	PART NUMBER	DESCRIPTION	QTY PER VARIATION				REFERENCE DESIGNATOR
					00	01	02	03	
1	1	D-MD-5013096-0-0	5013096-00	DRILL & ETCH DRAWING	1	1	1	1	
2	2		1005306-00	6.8MFD 35V 10% S.TANT	1	1	1	1	C1
3	3		1012784-00	.047 MFD 50V +80-20% CER	6	6	6	6	C2-C7
4	4		1215006-06	SOCKET 24PIN IC LOW PROFILE	4	4	4	4	XE8,XE13,XE17,XE21
5	5		1214060-01	HEADER.150 50PDS	1	1	1	1	J1
6	6		1300005-03	R NETWORK 13-10K 5.0 % 14PIN	1	1	1	1	E1
7	7		1300005-07	R NETWORK 15-4.7K 5.0 % 16PIN	1	1	1	1	E15
8	8		1912801-00	LS02 NOR-GATE-QUAD 2IN	1	1	1	1	E6
9	9		1912803-00	74LS04 INVERTER GATE,HEX	1	1	1	1	E23
10	10		1912809-00	LS15 NAND GATE-TRIPLE 3IN	1	1	1	1	E16
11	11		1912842-00	LS138 DECODER-THREE INPUT,	1	1	1	1	E12
12	12		1912843-00	LS139 DECODER, 2 OF 4(DUAL	2	2	2	2	E3,E24
13	13		1912863-00	LS273 FF-D OCTAL W/CLEAR	1	1	1	1	E5
14	14		1914213-00	81LS97 BUFFER GATE-OCTAL 2I	2	2	2	2	E9,E11
15	15		2113106-01	1K MOS RAM 250NS	1	1	1	1	E4
16	16		2114212-00	P 2114-2 RAM,1024X4,STATIC	6	6	6	6	E2,E7,E10,E14,E18,E22
17	18		1211164-04	SW,DIP 1P 1A 8PDS	2	2	2	2	E19,E20
18	19		23069E2-00	E2-02,E2-04 RO	-	1	-	-	E21
19	20		23099E2-00	E2-02	-	-	1	-	E21
20	21		23100E2-00	E2-02	-	-	1	-	E17
21	22		23093E2-00	E2-02,E2-04	-	-	-	1	E21
22	23	A-SP-3700554-0-0	3700554-00	PKG MODULE 5413097	REF	REF	REF	REF	
23	24	A-SP-3700438-0-0	3700438-05	PKG. BULK CARTON 9906476-29	REF	REF	REF	REF	

24 NOTE: FOR INDIVIDUAL FIELD SERVICE/CUSTOMER SPARES SHIPMENT USE PACKAGING INSTRUCTION A-SP-3700554-0-0.
 25 NOTE: FOR BULK INTERPLANT SHIPMENT USE PACKAGING INSTRUCTIONS A-SP-3700438-00.

REVISION HISTORY		BASIC PART NO: 5413097		DRN:	T. SHETRAWSKI	DATE:	10-MAR-78	D I G I T A L			
ENG	ECD NUMBER	REV	SECTION A OF A	CHK'D:	T. SHETRAWSKI	DATE:	10-MAR-78	TITLE PARTS LIST			
----	INIT	A	SECTION.VARIATION INDEX	DES.ENG:	D. PUCCI	DATE:	10-MAR-78	VT100 ADV VIEDO			
----	5413097-ML002	C	[A] 00,01,02,03	RESP.ENG.:	D. PUCCI	DATE:	10-MAR-78	DOCUMENT NUMBER			
CJ	5413097-ML003	D	[B]	MFG.ENG.:	T. CORCIARI	DATE:	10-MAR-78	K	PL	5413097-0-DBP	H
CJ	5413097-ML004	E	[C]	ASSEMBLY NUMBER:	D-UA-5413097-0-0	TOP DOCUMENT NUMBER:	B-DD-5413097-0-0	FILE NAME:		Z1081H.PLS	EDIT #
DP	5413097-ML005	F	[D]								9
RB	5413097-ML006	H	[E]								
			[F]								
			[G]								
			[H]								
			[I]								
			[J]								
			[K]								
			[L]								
			[M]								
			[N]								

"THIS DRAWING AND SPECIFICATIONS HEREIN, ARE THE PROPERTY OF DIGITAL EQUIPMENT CORPORATION AND SHALL NOT BE REPRODUCED OR COPIED OR USED IN WHOLE OR IN PART AS THE BASIS FOR THE MANUFACTURE OR SALE OF ITEMS WITHOUT WRITTEN PERMISSION.
 COPYRIGHT (C) 1981. DIGITAL EQUIPMENT CORPORATION "



REVISIONS

REV.	DATE	BY	CHK	CHANGE NO.
A	11-15-78	R. PUCCI		5413097-ML001
B	11-15-78	R. PUCCI		5413097-ML002
C	11-15-78	R. PUCCI		5413097-ML003
D	11-15-78	R. PUCCI		5413097-ML004
E	11-15-78	R. PUCCI		5413097-ML005

DRN. <i>[Signature]</i>	DATE <i>11-15-78</i>	FIRST USED ON	VT100
CHK. <i>[Signature]</i>	DATE <i>11/15/78</i>	TITLE	VT100 ADVANCED VIDEO
ENG. <i>[Signature]</i>	DATE <i>11/15/78</i>	PROJECT	VT100
PROD. <i>[Signature]</i>	DATE <i>11/15/78</i>	SCALE	D CS
NEXT HIGHER ASSY.		SIZE	CODE
B-00-5413097-0		NUMBER	5413097-0-1
SHEET 1 OF 1		DIST.	F

DIGITAL EQUIPMENT CORPORATION PARTS LIST				QUANTITY / VARIATION												NOTES:		
MADE BY D. HEALY DATE 14-JUN-78		CHECKED D. HEALY DATE 14-JUN-78		SECTION A1		VT100-AA	VT100-AB	VT100-NA	VT100-NB	VT100-WA	VT100-WB	VT100-WC	VT100-WD	VT100-WE	VT100-WF	VT100-WG	VT100-WH	REF DESIGNATION
ENG E. WEDEKING DATE 10-JUL-78		PROD K. HOFFMAN DATE 10-JUL-78		ISSUED SECTION A2														
ITEM NO.	DRAWING NO.	PART NO.	DESCRIPTION	VT100-AA	VT100-AB	VT100-NA	VT100-NB	VT100-WA	VT100-WB	VT100-WC	VT100-WD	VT100-WE	VT100-WF	VT100-WG	VT100-WH	REF DESIGNATION		
1	EK-VT100-UG-001	EK-VT100-UG	GUIDE, USERS VT100	1	1	1	1	1	1	1	1	1	1	1	1			
2		3615741	LABEL, SET-UP, VT100	1	1	1	1	1	1	-	-	-	-	-	-			
3		VT100-AA	TERM., VIDEO, W/115V PLUG	1	-	-	-	-	-	-	-	-	-	-	-			
4		VT100-AB	TERM., VIDEO, W/230V PLUG	-	1	-	-	-	-	-	-	-	-	-	-			
5		VT100-NA	TERM., VIDEO, DECFORM, W/115V PLUG	-	-	1	-	-	-	-	-	-	-	-	-			
6		VT100-NB	TERM., VIDEO, DECFORM, W/230V PLUG	-	-	-	1	-	-	-	-	-	-	-	-			
7		VT100-WA	TERM., VIDEO, WORD PROCESSING, W/115V PLUG.	-	-	-	-	1	-	-	-	-	-	-	-			
8		VT100-WB	TERM., VIDEO, WORD PROCESSING, W/230V PLUG.	-	-	-	-	-	1	-	-	-	-	-	-			
9	A-SP-VT100-W-0		INSTALLATION NOTES, WORD PROCESSING TERMINAL.	-	-	-	-	1	1	1	1	1	1	1	1			
10		VT100-WC	TERM, VIDEO, FR. CANADIAN WP W/ 115V PLUG	-	-	-	-	-	-	1	-	-	-	-	-			
11		VT100-WD	TERM, VIDEO, FR. CANADIAN WP W/ 230V PLUG	-	-	-	-	-	-	-	1	-	-	-	-			
12		VT100-WE	TERM, VIDEO, FRENCH WP W/115V PLUG	-	-	-	-	-	-	-	-	1	-	-	-			
13		VT100-WF	TERM, VIDEO, FRENCH WP W/230V PLUG	-	-	-	-	-	-	-	-	-	1	-	-			
14		VT100-WG	TERM, VIDEO, DUTCH, WP W/115V PLUG	-	-	-	-	-	-	-	-	-	-	1	-			
15		VT100-WH	TERM, VIDEO, DTUCH, WP W/230V PLUG	-	-	-	-	-	-	-	-	-	-	-	1			
16		VT100-WJ	TERM, VIDEO, GERMAN WP W/115V PLUG	-	-	-	-	-	-	-	-	-	-	-	-			
17		VT100-WK	TERM, VIDEO, GERMAN WP W/230V PLUG	-	-	-	-	-	-	-	-	-	-	-	-			
18		VT100-WY	TERM, VIDEO, WP W/115V PLUG	-	-	-	-	-	-	-	-	-	-	-	-			

E.C.O. NO.
ML032
ML037

"THIS DRAWING AND SPECIFICATIONS, HEREIN, ARE THE PROPERTY OF DIGITAL EQUIPMENT CORPORATION AND SHALL NOT BE REPRODUCED OR COPIED OR USED IN WHOLE OR IN PART AS THE BASIS FOR THE MANUFACTURE OR SALE OF ITEMS WITHOUT WRITTEN PERMISSION. COPYRIGHT ©1978 DIGITAL EQUIPMENT CORPORATION"

TITLE
SHIPPING LIST VT100

ASSY NO. ~~1~~
SHEET 1 OF 4

SIZE B	CODE PL	NUMBER VT100-0	REV. E
INSERTION PARTS LIST DATA BASE REV			

DIGITAL EQUIPMENT CORPORATION PARTS LIST

MADE BY DATE	D. HEALY 14-JUN-78	CHECKED DATE	D. HEALY 14-JUN-78	SECTION A2
ENG DATE	E. WEDEKING 10-JUL-78	PROD DATE	K. HOFFMAN 10-JUL-78	ISSUED SECTION A2

QUANTITY / VARIATION

NOTES:

ITEM NO.	DRAWING NO.	PART NO.	DESCRIPTION	QUANTITY / VARIATION												REF DESIGNATION	
				VT100-AA	VT100-AB	VT100-NA	VT100-NB	VT100-WA	VT100-WB	VT100-WC	VT100-WD	VT100-WE	VT100-WF	VT100-WG	VT100-WH		
19		VT100-WZ	TERM, VIDEO, WP W/230V PLUG	-	-	-	-	-	-	-	-	-	-	-	-	-	
20		3615741-01	LABEL, SET-UP, VT100 FOR SYSTEMS	-	-	-	-	-	-	1	1	1	1	1	1	-	
21		AA-H989A-TA	VT100 FOREIGN LANGUAGE SUPPLEMENT	-	-	-	-	-	-	1	1	1	1	1	1	-	
22		VT100-LA	TERM, VIDEO, W/P40 TUBE	1	-	-	-	-	-	-	-	-	-	-	-	-	
23		VT100-LB	TERM, VIDEO, W/P40 TUBE	-	1	-	-	-	-	-	-	-	-	-	-	-	
24		VT100-PA	VT100-AA EXCEPT DARK GRAY 120V PRIVATE BRAND	-	-	-	-	-	-	-	-	-	-	-	-	-	
25		VT100-PB	VT100-AB EXCEPT DARK GRAY 240V PRIVATE BRAND	-	-	-	-	-	-	-	-	-	-	-	-	-	
26		VT100-PC	VT100-PA WITHOUT ELECTRONICS 120V PRIVATE BRAND	-	-	-	-	-	-	-	-	-	-	-	-	-	
27		VT100-PD	VT100-PB WITHOUT ELECTRONICS 240V PRIVATE BRAND	-	-	-	-	-	-	-	-	-	-	-	-	-	
28		VT100-PE	VT100-PA WITHOUT ELECTRONICS & NO KEYBOARD 120V PRIVATE BRAND	-	-	-	-	-	-	-	-	-	-	-	-	-	
29		VT100-PF	VT100-PB WITHOUT ELECTRONICS & NO KEYBOARD 240V PRIVATE BRAND	-	-	-	-	-	-	-	-	-	-	-	-	-	
30		EK-VT100-RC	VT100 PROGRAM REF CARD	1	1	1	1	1	1	1	1	1	1	1	1	1	

E.C.O. NO.

"THIS DRAWING AND SPECIFICATIONS, HEREIN, ARE THE PROPERTY OF DIGITAL EQUIPMENT CORPORATION AND SHALL NOT BE REPRODUCED OR COPIED OR USED IN WHOLE OR IN PART AS THE BASIS FOR THE MANUFACTURE OR SALE OF ITEMS WITHOUT WRITTEN PERMISSION. COPYRIGHT ©1978 DIGITAL EQUIPMENT CORPORATION"

TITLE
SHIPPING LIST VT100

ASSY NO. /
SHEET 2 OF 4

SIZE CODE NUMBER
B PL VT100-0

REV.
E

DIGITAL EQUIPMENT CORPORATION PARTS LIST

MADE BY DATE	D. HEALY 14-JUN-78	CHECKED DATE	D. HEALY 14-JUN-78
SECTION	B1		
ENG DATE	E. WEDEKING 10-JUL-78	PROD DATE	K. HOFFMAN 10-JUL-78
ISSUED SECTION	B2		

QUANTITY / VARIATION

NOTES:

ITEM NO.	DRAWING NO.	PART NO.	DESCRIPTION	QUANTITY / VARIATION											REF DESIGNATION			
				VT100-WJ	VT100-WK	VT100-WY	VT100-WZ	VT100-LA	VT100-LB	VT100-PA	VT100-PB	VT100-PC	VT100-PD	VT100-PE		VT100-PF		
1	EK-VT100-UG-001	EK-VT100-UG	GUIDE, USERS VT100	1	1	1	1	1	1	-	-	-	-	-	-	-	-	
2		3615741	LABEL, SETUP, VT100	-	-	-	-	1	1	-	-	-	-	-	-	-	-	
3		VT100-AA	TERM., VIDEO, W/115V PLUG	-	-	-	-	-	-	-	-	-	-	-	-	-	-	
4		VT100-AB	TERM., VIDEO, W/230V PLUG	-	-	-	-	-	-	-	-	-	-	-	-	-	-	
5		VT100-NA	TERM., VIDEO, DECFORM, W/115V PLUG	-	-	-	-	-	-	-	-	-	-	-	-	-	-	
6		VT100-NB	TERM., VIDEO, DECFORM, W/230V PLUG	-	-	-	-	-	-	-	-	-	-	-	-	-	-	
7		VT100-WA	TERM., VIDEO, WORD PROCESSING W/115V PLUG.	-	-	1	-	-	-	-	-	-	-	-	-	-	-	
8		VT100-WB	TERM., VIDEO, WORD PROCESSING, W/230V PLUG.	-	-	-	1	-	-	-	-	-	-	-	-	-	-	
9	A-SP-VT100-W-0		INSTALLATION NOTES, WORD PROCESSING TERMINAL.	1	1	1	1	-	-	-	-	-	-	-	-	-	-	
10		VT100-WC	TERM, VIDEO, FR. CANADIAN WP W/115V PLUG	-	-	-	-	-	-	-	-	-	-	-	-	-	-	
11		VT100-WD	TERM, VIDEO, FR. CANADIAN WP W/230V PLUG	-	-	-	-	-	-	-	-	-	-	-	-	-	-	
12		VT100-WE	TERM, VIDEO, FRENCH WP W/115V PLUG	-	-	-	-	-	-	-	-	-	-	-	-	-	-	
13		VT100-WF	TERM, VIDEO, FRENCH WP W/230V PLUG	-	-	-	-	-	-	-	-	-	-	-	-	-	-	
14		VT100-WG	TERM, VIDEO, DUTCH WP W/115V PLUG	-	-	-	-	-	-	-	-	-	-	-	-	-	-	
15		VT100-WH	TERM, VIDEO, DUTCH WP W/230V PLUG	-	-	-	-	-	-	-	-	-	-	-	-	-	-	
16		VT100-WJ	TERM, VIDEO, GERMAN WP W/115V PLUG	1	-	-	-	-	-	-	-	-	-	-	-	-	-	
17		VT100-WK	TERM, VIDEO, GERMAN WP W/230V PLUG	-	1	-	-	-	-	-	-	-	-	-	-	-	-	
18		VT100-WY	TERM, VIDEO, WP W/115V PLUG	-	-	1	-	-	-	-	-	-	-	-	-	-	-	

E.C.O. NO.

"THIS DRAWING AND SPECIFICATIONS, HEREIN, ARE THE PROPERTY OF DIGITAL EQUIPMENT CORPORATION AND SHALL NOT BE REPRODUCED OR COPIED OR USED IN WHOLE OR IN PART AS THE BASIS FOR THE MANUFACTURE OR SALE OF ITEMS WITHOUT WRITTEN PERMISSION. COPYRIGHT © 1978 DIGITAL EQUIPMENT CORPORATION"

TITLE
SHIPPING LIST VT100

ASSY NO.

SIZE **B** CODE **PL** NUMBER VT100-0

REV. E

SHEET 3 OF 4

INSERTION PARTS LIST DATA BASE REV

DIGITAL EQUIPMENT CORPORATION PARTS LIST				QUANTITY / VARIATION										NOTES:				
MADE BY D. HEALY DATE 14-JUN-78		CHECKED D. HEALY DATE 14-JUN-78		SECTION B2		VT100-WJ	VT100-WK	VT100-WY	VT100-WZ	VT100-LA	VT100-LB	VT100-PA	VT100-PB	VT100-PC	VT100-PD	VT100-PE	VT100-PF	REF DESIGNATION
ENG E. WEDEKING DATE 10-JUL-78		PROD K. HOFFMAN DATE 10-JUL-78		ISSUED SECTION B2														
ITEM NO.	DRAWING NO.	PART NO.	DESCRIPTION															
19		VT100-WZ	TERM, VIDEO, WP W/230V PLUG	-	-	-	1	-	-	-	-	-	-	-	-	-	-	
20		3615741-01	LABEL, SET-UP, VT100 FOR SYSTEMS	1	1	1	1	-	-	-	-	-	-	-	-	-	-	
21		AA-H989A-TA	VT100 FOREIGN LANGUAGE SUPPLEMENT	1	1	1	1	-	-	-	-	-	-	-	-	-	-	
22		VT100-LA	TERM, VIDEO, W/P40 TUBE	-	-	-	-	1	-	-	-	-	-	-	-	-	-	
23		VT100-LB	TERM, VIDEO, W/P40 TUBE	-	-	-	-	-	1	-	-	-	-	-	-	-	-	
24		VT100-PA	VT100-AA EXCEPT DRAK GRAY 120V PRIVATE BRAND	-	-	-	-	-	-	1	-	-	-	-	-	-	-	
25		VT100-PB	VT100-AB EXCEPT DARK GRAY 240V PRIVATE BRAND	-	-	-	-	-	-	-	1	-	-	-	-	-	-	
26		VT100-PC	VT100-PA WITHOUT ELECTRONICS 120V PRIVATE BRAND	-	-	-	-	-	-	-	-	1	-	-	-	-	-	
27		VT100-PD	VT100-PB WITHOUT ELECTRONICS 240V PRIVATE BRAND	-	-	-	-	-	-	-	-	-	1	-	-	-	-	
28		VT100-PE	VT100-PA WITHOUT ELECTRONICS & NO KEYBOARD 120V PRIVATE BRAND	-	-	-	-	-	-	-	-	-	-	-	1	-	-	
29		VT100-PF	VT100-PB WITHOUT ELECTRONICS & NO KEYBOARD 240V PRIVATE BRAND	-	-	-	-	-	-	-	-	-	-	-	-	1	-	
30		EK-VT100-RC	VT100 PROGRAM REF CARD	1	1	1	1	1	1	1	1	1	1	1	1	1	1	

E.C.O. NO.

"THIS DRAWING AND SPECIFICATIONS, HEREIN, ARE THE PROPERTY OF DIGITAL EQUIPMENT CORPORATION AND SHALL NOT BE REPRODUCED OR COPIED OR USED IN WHOLE OR IN PART AS THE BASIS FOR THE MANUFACTURE OR SALE OF ITEMS WITHOUT WRITTEN PERMISSION. COPYRIGHT ©1978 DIGITAL EQUIPMENT CORPORATION"

TITLE
SHIPPING LIST VT100

ASSY NO. ~~---~~

SIZE B	CODE PL	NUMBER VT100-0	REV. E
------------------	-------------------	-------------------	-----------

SHEET 4 OF 4

INSERTION PARTS LIST DATA BASE REV

DIGITAL EQUIPMENT CORPORATION

MAYNARD, MASSACHUSETTS

ENGINEERING SPECIFICATION

DATE 6/28/79

TITLE VT100-W Word Processing Terminals Installation Notes

REVISIONS

REV	DESCRIPTION	CHG NO	ORIG	DATE	APPD BY	DATE
A	ECO CHANGE	VT100-ML028	W.TREMBLAY	3/12/79	<i>W. Tremblay</i>	5/1/80

The VT100 family of Word Processing Terminals consists of the basic VT100 terminal assembly to which, parts have been added or substituted to make unique terminals, dedicated to word processing applications in various languages.

Table 1 lists the unique parts make-up of the various VT100 Word Processing Terminals.

The VT100 incorporates a user set-up option which is activated by the set-up key on the keyboard. To maintain order among DEC Word Processing Systems using the VT100, a WORD PROCESSING STANDARD SET-UP had been defined. These settings are preset at the factory.

Table 2 shows the correct set-up B settings for VT100-WA and VT100-WB variations. Table 3 shows the correct settings for VT100-WC through VT100-WK, VT100-WY, and VT100-WZ

Verify that the terminal is set-up correctly. If necessary, change incorrect settings then store the settings in the VT100's semi-permanent memory (Ref: VT100 User Guide EK-VT100-0011).

Unique to the VT100 Word Processing Terminal is a Word Processing Advanced Video Module P/N 5413097-xx. Table 5 illustrates ROM and jumper placement for the various modules.

Also unique to the VT100 Foreign Word Processing Terminals is a language set-up mode called the set-up C mode. Table No. 4 explains how to use the set-up C mode to select any one of 5 different languages.

Table 1
Word Processing VT100 Unique Parts

```

*****
* Variation * Basic Unit * Unique Part * Part Number *
*****
* VT100-WA * VT100-AA * Word Proc. Key Bd. * 7015765-03 *
* * * Word Proc. Advanced * *
* * * Video Module * 5413097-01 *
*****
* VT100-WB * VT100-AB * Word Proc. Key Bd. * 7015765-03 *
* * * Word Proc. Advanced * *
* * * Video Module * 5413097-01 *
*****
* VT100-WC * * * French Canadian Key Bd. * 7015765-05 *
* * * For. Language Advanced * *
* * * Video Module w/ROM A * 5413097-03 *
* * * Basic Video Board * 5413009-02 *
*****
    
```

Table 1 (continued)
Word Processing VT100 Unique Parts

```

*****
* Variation * Basic Unit * Unique Part * Part Number *
*****
* VT100-WD * * * French Canadian Key Bd. * 7015765-05 *
* * * For. Language Advanced * *
* * * Video Module w/ROM A * 5413097-03 *
* * * Basic Video Board * 5413009-02 *
*****
* VT100-WE * * * French Key Bd. * 7015765-06 *
* * * For. Language Advanced * *
* * * Video Module w/ROM A * 5413097-03 *
* * * Basic Video Board * 5413009-02 *
*****
* VT100-WF * * * French Key Bd. * 7015765-06 *
* * * For. Language Advanced * *
* * * Video Module w/ROM A * 5413097-03 *
* * * Basic Video Board * 5413009-02 *
*****
* VT100-WG * * * Dutch Key Bd. * 7015765-07 *
* * * For. Language Advanced * *
* * * Video Module w/ROM A * 5413097-03 *
* * * Basic Video Board * 5413009-02 *
*****
* VT100-WH * * * Dutch Key Bd. * 7015765-07 *
* * * For. Language Advanced * *
* * * Video Module w/ROM A * 5413097-03 *
* * * Basic Video Board * 5413009-02 *
*****
* VT100-WJ * * * German Key Bd. * 7015765-08 *
* * * For. Language Advanced * *
* * * Video Module w/ROM A * 5413097-03 *
* * * Basic Video Board * 5413009-02 *
*****
* VT100-WK * * * German Key Bd. * 7015765-08 *
* * * For. Language Advanced * *
* * * Video Module w/ROM A * 5413097-03 *
* * * Basic Video Board * 5413009-02 *
*****
* VT100-WY * * * Word Proc. Key Bd. * 7015765-03 *
* * * For. Language Advanced * *
* * * Video Module w/ROM A * 5413097-03 *
* * * Basic Video Board * 5413009-02 *
*****
* VT100-WZ * * * Word Proc. Key Bd. * 7015765-03 *
* * * For. Language Advanced * *
* * * Video Module w/ROM A * 5413097-03 *
* * * Basic Video Board * 5413009-02 *
*****
    
```

This document contains confidential proprietary information of DEC. This information shall not be disclosed to persons outside the employ of DEC, except by DEC personnel so authorized by DEC, and only for use by such other persons in the design, production or manufacture of products for DEC. Copyright © Digital Equipment Corporation.

Table 2
Word Processing User Option Set-up "B"

VT100-WA Set-up B

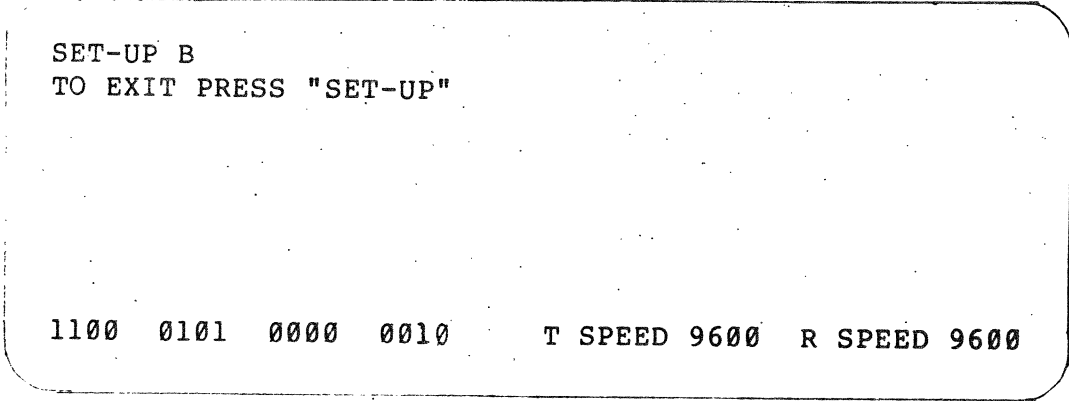
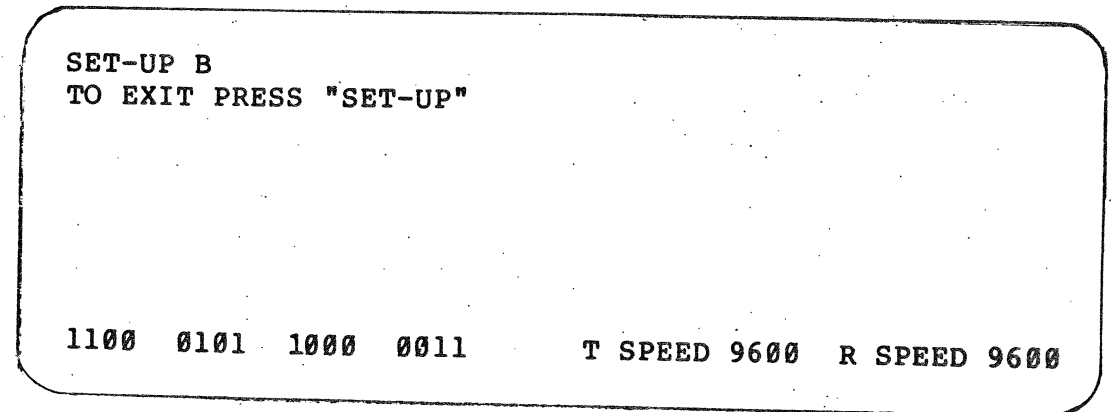


Table 2
Word Processing User Option Set-up "B"

VT100-WB Set-up B



SET-UP B mode may only be entered from SET-UP A mode. To enter SET-UP B from SET-UP A, press the 5 key on the main keyboard. The display will have a presentation similar to the figure shown above.

SET-UP B mode may only be entered from SET-UP A mode. To enter SET-UP B from SET-UP A, press the 5 key on the main keyboard. The display will have a presentation similar to the figure shown above.

The table shown below explains the function of each bit and their proper setting.

The table shown below explains the function of each bit and their proper setting.

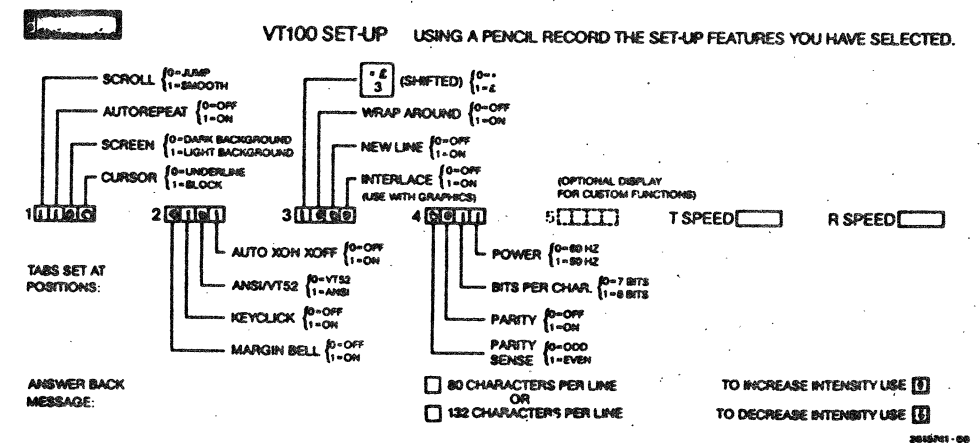
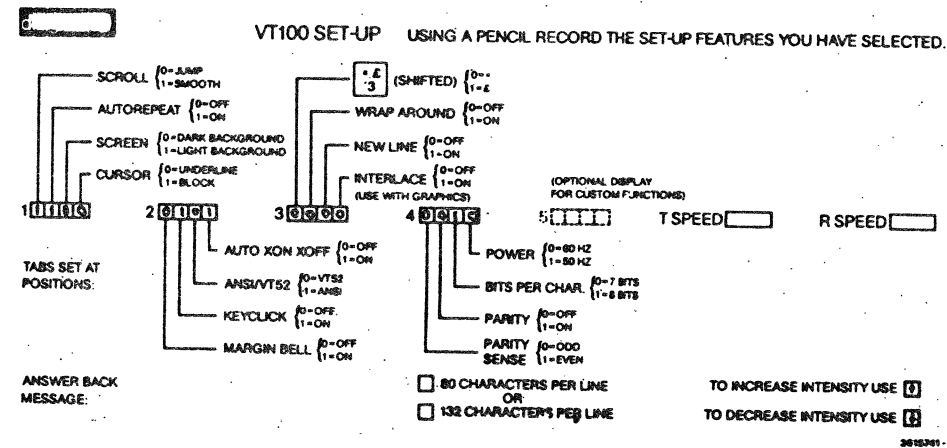


Table 3
Word Processing User Option Set-up "B"

VT100-WC-WK, WY, and WZ Set-up B

SET-UP B
TO EXIT PRESS "SET-UP"

1100 0101 0000 0001

P=80 T 9600 R 9600

NOTE: For WC and WD variations Group 4 should contain all zero's, unless 50 Hz, local echo and/or parity check is desired.

SET-UP B mode may only be entered from SET-UP A mode. To enter SET-UP B from SET-UP A, press the 5 key on the main keyboard. The display will have a presentation similar to the figure shown above.

The table shown below explains the function of each bit and their proper setting.

If the parity setting (P=?) is incorrect, it can be changed by holding the shift key down and pressing the P key repeatedly until the desired setting is displayed.

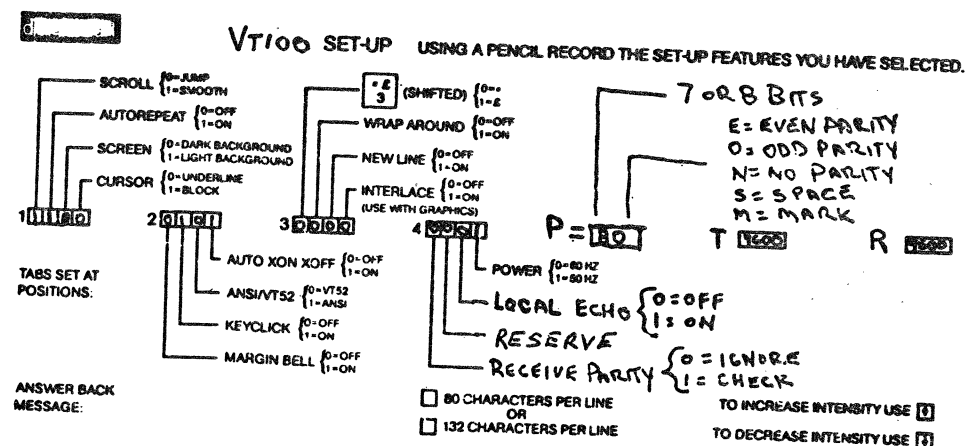


Table 4
Word Processing User Option Set-Up C

The SET-up C mode for VT100 variations -WC through WK, -WY and -WZ allows you to select any one of the following languages.

French Canadian
French
Dutch
German
English

SET-UP C mode may only be entered from SET-UP A mode. To enter SET-UP C from SET-UP A, press the 5 key on the main keyboard twice. The display will have a presentation similar to the figure shown below.

SET-UP C
TO EXIT PRESS "SET-UP"

DISPLAY ENGLISH

KEYBOARD ENGLISH

To change the language setting for the display and/or keyboard, advance the cursor until it is positioned above the incorrect language setting then press the number 6 key repeatedly until the desired language setting is displayed.

For terminals set-up for French all numbers (0-9) on the main keyboard are in the shifted position, therefore, they can only be accessed by holding the shift key down and then pressing the desired number key.

It is suggested that the "Caps Lock" key ("Shift Lock" in the French keyboard mode) be always engaged when doing set-up functions to eliminate confusion during set-up.

Table 5
 Word Processing Adv. Video Module
 ROM and Jumper Locations

VT100-WA & WB 5413097-01

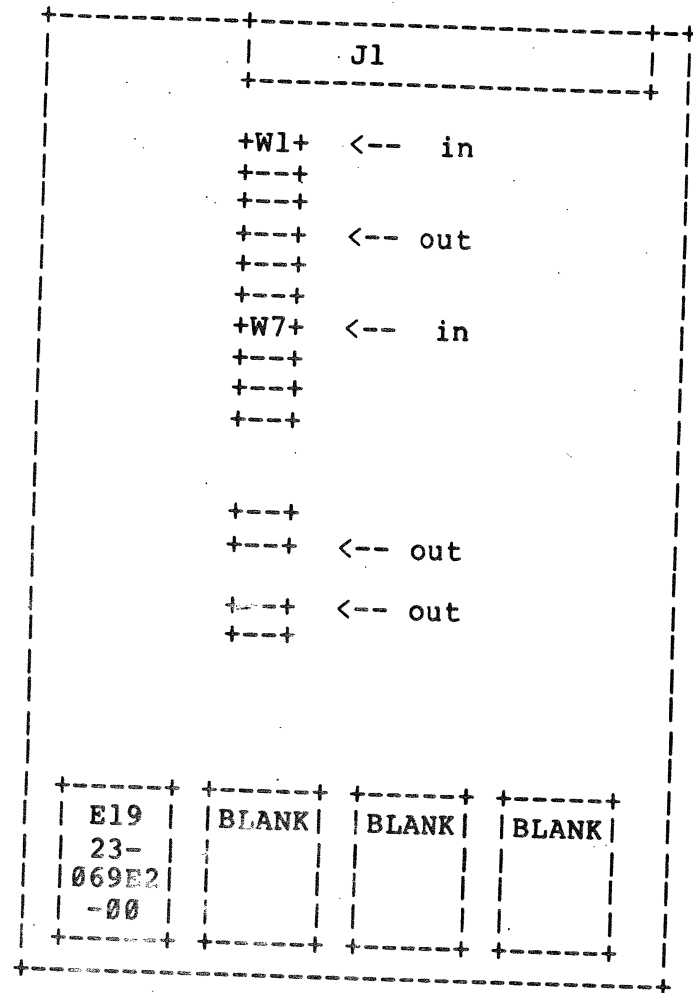


Table 5 (continued)
 Word Processing Adv. Video Module
 ROM and Jumper Locations

VT100-WC-WK, WY & WZ 5413097-03

