



"THE MATERIAL HEREIN IS FOR INFORMATION PURPOSES ONLY AND IS SUBJECT TO CHANGE WITHOUT NOTICE. DIGITAL EQUIPMENT CORPORATION ASSUMES NO RESPONSIBILITY FOR ANY ERRORS WHICH MAY APPEAR HEREIN."


# DRAWING DIRECTORY

"THIS DRAWING AND SPECIFICATIONS, HEREIN, ARE THE PROPERTY OF DIGITAL EQUIPMENT CORPORATION AND SHALL NOT BE REPRODUCED OR COPIED OR USED IN WHOLE OR IN PART AS THE BASIS FOR THE MANUFACTURE OR SALE OF ITEMS WITHOUT WRITTEN PERMISSION. COPYRIGHT © 1981 DIGITAL EQUIPMENT CORPORATION."

## UNIT VARIATIONS

VAR	TITLE
KMC11-B	4K UNIBUS MICROPROCESSOR

REVISIONS	REV.	
	CHANGE NO.	
CHK		

USED ON OPTION/MODEL	DRN. <i>D. Rene</i>	DATE	TITLE									
KMS11		29 MAY 81	KMC11-B									
KMD11	CHK'D. <i>D. Rene</i>	DATE	4K UNIBUS MICROPROCESSOR									
KME11		29 MAY 81										
KMH11	PROJ. ENG. <i>V. Ho</i>	DATE	SIZE	CODE	NUMBER	REV						
KMJ11		12 MAY 82	B	DD	KMC11-B	A						
SHEET 1 OF 2	PROD. <i>S. Kojal</i>	DATE <i>9-Jun-82</i>	DIST. <table border="1"><tr><td> </td><td> </td><td> </td><td> </td><td> </td><td> </td></tr></table>									

FIND NO.	DRAWING NO.	DESCRIPTION	TYPE	FIND NO.	DRAWING NO.	DESCRIPTION	TYPE
1	MP01118	FIELD MAINTENANCE PRINT SET (MP)	-				
	B-TC-KMC11-B-1	FIELD MAINTENANCE PRINT SET (TC)	-				
	B-PL-KMC11-B-0	UNIT ASSY KMC11-B (PARTS LIST)	-				
	B-PL-KMC11-B-2	KMC11-B 4K MICROPROCESSOR (SHIPPING LIST)	-				
2	B-DD-M8206-0	4K UNIBUS MICROPROCESSOR	E				

TYPE: E ELECTRICAL  
M MECHANICAL  
E/M ELECTRO/MECHANICAL



TITLE  
KMC11-B 4K UNIBUS MICROPROCESSOR

SHEET 2 OF 2

SIZE CODE  
**B DD**

NUMBER  
KMC11-B

REV  
A

DIGITAL EQUIPMENT CORPORATION PARTS LIST				QUANTITY / VARIATION										NOTES:	
MADE BY <i>D. Leno</i> DATE <i>29 MAY 81</i>		CHECKED <i>D. Leno</i> DATE <i>29 MAY 81</i>													
ENG <i>H. Allen</i> DATE <i>12 MAY 82</i>		PROD <i>S. Kozul</i> DATE <i>9 June 81</i>													
ITEM NO.	DRAWING NO.	PART NO.	DESCRIPTION	KMC11-B											REF DESIGNATION
1	B-DD-M8206-g	M8206	4K UNIBUS MICROPROCESSOR	1											

E.C.O. NO.

"THIS DRAWING AND SPECIFICATIONS, HEREIN, ARE THE PROPERTY OF DIGITAL EQUIPMENT CORPORATION AND SHALL NOT BE REPRODUCED OR COPIED OR USED IN WHOLE OR IN PART AS THE BASIS FOR THE MANUFACTURE OR SALE OF ITEMS WITHOUT WRITTEN PERMISSION. COPYRIGHT © 1981 DIGITAL EQUIPMENT CORPORATION"

TITLE  
**KMC11-B**  
 4K UNIBUS MICROPROCESSOR

ASSY NO.  
 SHEET **1** OF **1**

SIZE <b>B</b>	CODE <b>PL</b>	NUMBER KMC11-B-g
INSERTION PARTS LIST DATA BASE REV		

REV.  
**A**

*NJ*

# DIGITAL EQUIPMENT CORPORATION PARTS LIST

MADE BY <i>D. Camp</i>	CHECKED <i>D. Camp</i>	SECTION
DATE <i>29-MAY-81</i>	DATE <i>29-MAY-81</i>	
ENG <i>J. T. Lee</i>	PROD <i>S. Rosul</i>	ISSUED SECTION
DATE <i>12-MAY-82</i>	DATE <i>9-June-81</i>	

## QUANTITY / VARIATION

NOTES:

ITEM NO.	DRAWING NO.	PART NO.	DESCRIPTION	KMC11-B								
1		M8206	4K UNIBUS MICROPROCESSOR	1								
2		YMC093C-00	KMC11-B OPTION DESCRIPTION	1								
3		MP01118	KMC11-B PRINT SET	1								
4	SEE NOTES 1 & 2	AK-S876(*)-MC	ZZ-CZKMB KMC11-B STATIC TEST PART 1									
5		AC-S875(*)-MC	ZZ-CZKMB KMC11-B STATIC TEST PART 1 (DOCUMENT)									
6		AK-S879(*)-MC	ZZ-CZKMC KMC11-B STATIC TEST PART 2									
7		AC-S878(*)-MC	ZZ-CZKMC KMC11-B STATIC TEST PART 2 (DOCUMENT)									
8		CXKMA(*)0	CXKMA KMC11-B DEC-X11 EXERCISE MODULE									
9		AC-S904(*)-MC	CXKMA KMC11-B DEC-X11 (DOCUMENT)									
10		ZZ-EVDHA	KMC11-B REPAIR DIAGNOSTIC									
11	SEE NOTES 1 & 2	ZZ-ESDHB	VAX LEVEL 2 KMC11-B DIAGNOSTIC									

NOTES:

1. ITEMS 10 AND 11 ARE VAX FAMILY DIAGNOSTICS AND ARE NOT SHIPPED. THEY ARE LISTED HERE FOR REFERENCE ONLY.
2. ITEMS 4 THRU 9 ARE PDP-11 FAMILY DIAGNOSTICS AND ARE NOT SHIPPED. THEY ARE LISTED HERE FOR REFERENCE ONLY.

E.C.O. NO.

"THIS DRAWING AND SPECIFICATIONS, HEREIN, ARE THE PROPERTY OF DIGITAL EQUIPMENT CORPORATION AND SHALL NOT BE REPRODUCED OR COPIED OR USED IN WHOLE OR IN PART AS THE BASIS FOR THE MANUFACTURE OR SALE OF ITEMS WITHOUT WRITTEN PERMISSION. COPYRIGHT © 1981 DIGITAL EQUIPMENT CORPORATION"

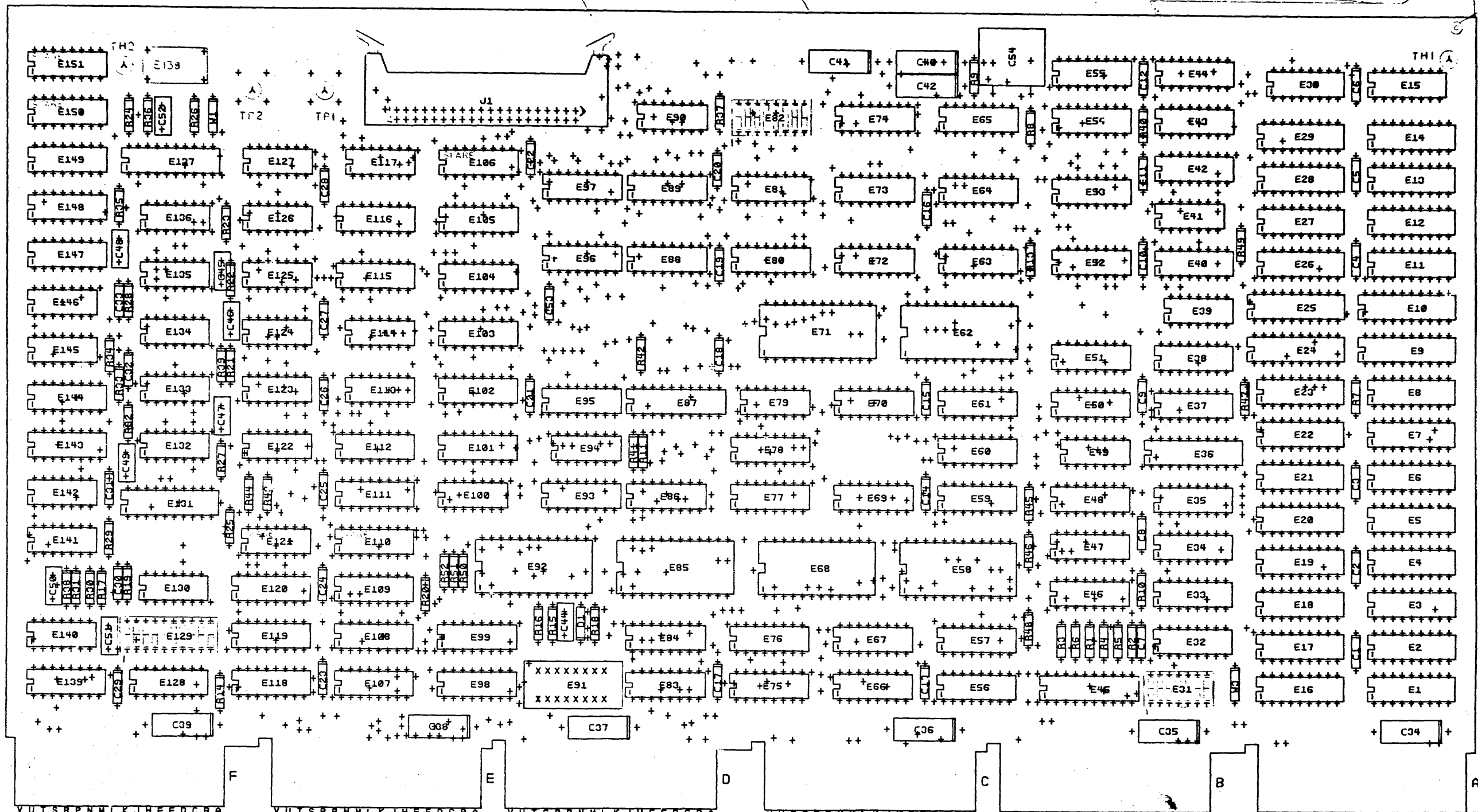
TITLE  
**SHIPPING LIST**

ASSY NO.

SIZE <b>B</b>	CODE <b>PL</b>	NUMBER KMC11-B-2	REV. <b>A</b>
------------------	-------------------	---------------------	------------------

THIS DRAWING AND SPECIFICATIONS, HEREIN, ARE THE PROPERTY OF DIGITAL EQUIPMENT CORPORATION AND SHALL NOT BE REPRODUCED OR COPIED IN WHOLE OR IN PART, NOR BE LOANED, REPRODUCED, COPIED, OR TRANSMITTED IN ANY FORM OR BY ANY MEANS, WITHOUT WRITTEN PERMISSION. COPYRIGHT © 1980 DIGITAL EQUIPMENT CORPORATION

COMPONENT SIDE VIEW



NOTES:  
1. E106, E110, E121, E150, E151 ARE SPARES

STEP E + Y AXIS STEP 2 TIMES  
REPEAT -> X AXIS STEP 2 TIMES

CHANGE NO	REV
REDRAWN	
M9206	
NU0098.8A	

ETCH REV. F-P2
P.C. DESIGN DATA BASE REV. E

SIGNATURES		DATE	digital
DRN. <i>[Signature]</i>		10-21-80	
CHK'D. <i>[Signature]</i>			
MECH. ENG. <i>[Signature]</i>			
PROJ. ENG. <i>[Signature]</i>			
PROD. <i>[Signature]</i>			
SCALE			
SHT. OF			
NEXT HIGHER REV. R-DD-M9206-0			

TITLE 4K UNIBUS MICROPROCESSOR

SIZE CODE NUMBER REV  
D VA M9206-0-0 K

8

7

6

5

4

3

2

1 WO#

DRAWING NO.	NO. OF SKTS	PART NO.	DESCRIPTION	REVISIONS																					
				A	B	C	D	E	F	G	H	I	J	K	L	M									
D-UA-M8206-0-0	1		4K UNIBUS MICROPROCESSER	A	B	C	D	E	F	G	H	I	J	K											
B-PL-M3206-0-0	4		4K UNIBUS MICROPROCESSER	A	B	C	D	INA	-	-	-	-	-	-											
D-CS-M3206-0-1	21		4K UNIBUS MICROPROCESSER	*	A	B	C	D	E	F	G	H	I	J											
D-MD-5013294-0-0	5		DRILL AND ETCH DRAWING	A	B	B	B	C	C	C	C	C	D												
		5013294	ETCHED BOARD	B	C	C	C	D	D	D	D	D	E												
K-PC-M3206-0-DBC			P.C.DESIGN DATA BASE	B	C	C	C	INA	-	-	-	-	-												
K-PC-M8206-0-DBG			P.C. DESIGN DATA BASE						D	D	D	D	E												
K-PL-M8206-0-DBP	3		4K UNIBUS MICROPROCESSER						A	B	C	D	E												
D-UA-M8206-0-0	5		M8206 (REWORK OF ETCH REV C)	-	-	-	-	-	-	D1	D2	D3	INA												
D-EC-5013294-0-0	2		ETCH CUT DRAWING										A												

NOTES:

REVISIONS		A	B	C	D	E	F	G	H	I	J	
DATE	CHG NO	REV										
11/27/78	NU001	A										
12/1/78	NU002	B										
16 OCT 79	NU003	C										
	NU004	D										
	NU005	E										
13 AUG 80	NU006	F										
14 AUG 80	NU007	H										
15 FEB 81	NU008, 3A	J										

"THIS DRAWING AND SPECIFICATIONS, HEREIN, ARE THE PROPERTY OF DIGITAL EQUIPMENT CORPORATION AND SHALL NOT BE REPRODUCED OR COPIED OR USED IN WHOLE OR IN PART AS THE BASIS FOR THE MANUFACTURE OR SALE OF ITEMS WITHOUT WRITTEN PERMISSION. COPYRIGHT © 1978, DIGITAL EQUIPMENT CORPORATION"



USED ON OPTION/MODEL			DRN.	TITLE	
			Deac Desobreaux	9-20-78	4K UNIBUS MICROPROCESSOR
			CHK'D	10/5/78	
			ENG	10/1/78	
			PROD.	10/1/78	
SIZE CODE				NUMBER	REV.
BDD				M8206-0	J
SHEET 1 OF 1					

PARTS LIST

LINE	ITEM	DOCUMENT NUMBER	PART NUMBER	DESCRIPTION	QTY	PER VARIATION	REFERENCE DESIGNATOR
					00		
1	1	D-MD-5013294-0-0	5013294-00	ETCH BOARD FOR M8206	1		
2	2		1000011-00	47.0 MMF 100V 5%200PPM MICA	1		C45
3	3		1000023-00	330.0 MMF 100V 5%200PPM MICA	3		C47,C48,C51
4	4		1000026-00	680.0 MMF 100V 5%200PPM MICA	1		C52
5	5		1000042-00	1000.0 MMF 100V 5%200PPM MICA	2		C49,C50
6	6		1000076-00	39 MFD 10V 10% S.TANT	1		C42
7	8		1002424-00	1200.0 MMF 100V 5%200PPM MICA	1		C44
8	9		1000016-00	100.0 MMF 100V 5%200PPM MICA	1		C46
9	10		1004813-00	10 MFD 20V 10% S.TANT	8		C34-C39,C40,C41
10	11		1012784-00	.047 MFD 50V +80-20% CER	34		C1-C33,C53
11	12		1100114-00	D 664 QS\75PCB PIV= 25V SP	1		D1
12	13		1209838-00	SOCKET 16PIN	1		XE91
13	14		1209941-02	HEADER 100 40POS RT ANGLE	1		J1
14	15		1210711-02	/REPLACED BY 12-16988-02	1		
15	16		1211164-06	SW,DIP 1P 1A 10POS	1		E129
16	17		1300005-03	R NETWORK 13-10K 5.0 % 14PIN	1		E130
17	18		1300271-00	220.0 .25 W 5.0 % CC	2		R18,R38
18	19		1300229-00	100.0 .25 W 5.0 % CC	7		R22,R27,R35,R36,R39,R41,R42
19	20		1300309-00	390.0 .25 W 5.0 % CC	2		R15,R31
20	21		1300365-00	1.0 K .25 W 5.0 % CC	26		R1-R7,R10,R11,R19-R21,R24-R26,
21	22		1301317-00	10.0 .25 W 5.0 % CC	3	CONT	R40,R43-R52
22	23		1301322-00	180.0 .25 W 5.0 % CC	4		R23,R28,R37
23	24		1301890-00	560.0 .25 W 5.0 % CC	1		R14,R16,R17,R30
24	25		1302177-00	47.0 K .25 W 5.0 % CC	1		R13
25	26		1304838-00	43.0 K .25 W 5.0 % CC	1		R29
26	27		1302514-00	39.0 K .25 W 5.0 % CC	2		R34
27	28		1303179-00	8.20 K .25 W 5.0 % CC	2		R8,R9
28	29		1811660-05	OSCILLATOR, XTAL 33.330 MHZ	1		R32,R33
29	30		1905580-00	DEC 7450 A-0-I XPNDBLE GATE-D	2		E138
							E114,E123

REVISION HISTORY			BASIC PART NO: M8206			DRN: S.CHLYPAWKA			DATE: 2-MAY-80			D I G I T A I L		
ENG	ECO NUMBER	REV	SECTION A OF A	CHK'D:	M.MARCHAND	DATE:	2-MAY-80	TITLE	PARTS LIST					
	INITIAL	A	SECTION VARIATION INDEX	CHK'D:	M.MARCHAND	DATE:	2-MAY-80	4K UNIBUS MICROPROCESSOR						
BZ	M8206-NU005	B	[A] 00	DES.ENG:	B.ZARIN	DATE:	2-MAY-80	DOCUMENT NUMBER						
BZ	M8206-NU006	C	[B]	RESP.ENG.:	B.ZARIN	DATE:	2-MAY-80	SIZE	CODE	NUMBER	REV			
BZ	M8206-NU007	D	[C]	MFG.ENG.:	B.ZARIN	DATE:	2-MAY-80	K	PL	M8206-0-DBP	E			
BZ	M8206-NU008	E	[D]	ASSEMBLY NUMBER:		TOP DOCUMENT NUMBER:		FILE NAME:		EDIT #				
			[E]	D-UA-M8206-0-0		#B-DD-M8206-0		M8206E.PLS		19				
			[F]											
			[G]											
			[H]											
			[I]											
			[J]											
			[K]											
			[L]											
			[M]											
			[N]											

"THIS DRAWING AND SPECIFICATIONS HEREIN, ARE THE PROPERTY OF DIGITAL EQUIPMENT CORPORATION AND SHALL NOT BE REPRODUCED OR COPIED OR USED IN WHOLE OR IN PART AS THE BASIS FOR THE MANUFACTURE OR SALE OF ITEMS WITHOUT WRITTEN PERMISSION. COPYRIGHT (C) 1980. DIGITAL EQUIPMENT CORPORATION"



PARTS LIST

LINE	ITEM	DOCUMENT NUMBER	PART NUMBER	DESCRIPTION	QTY PER VARIATION	REFERENCE DESIGNATOR
					00	
30	31		1909004-00	DEC 7402 NOR GATE-QUAD 2IN	2	E49,E132
31	32		1909705-00	DEC 8881 NAND GATE-QUAD 2IN O	2	E117,E140
32	33		1910409-00	DEC 74H103 FF-JK DUAL,EDGE TRIG	1	E133
33	34		1910531-00	DEC 74S181 ALU-4BIT	2	E62,E71
34	35		1910532-00	74S00 NAND GATE-QUAD 2IN	2	E113,E126
35	36		1910536-00	74S10 NAND GATE-TRIPLE 3IN	1	E125
36	37		1910537-00	74S11 AND GATE-TRIPLE 3INP	2	E79,E145
37	38		1910539-00	74S20 NAND GATE-DUAL 4INPU	1	E39
38	39		1910542-00	74S64 A-O-I GATE 4-2-3-2	1	E136
39	40		1910544-00	74S74 FF-D DUAL,EDGE TRIGG	4	E90,E124,E134,E146
40	41		1910545-00	74S112 FF-JK DUAL,EDGE TRIG	3	E147-E149
41	42		1910548-00	74S157 MUX 1 OF 2 (QUAD)	3	E59,E93,E116
42	43		1910549-00	74S158 MUX 1 OF 2 (QUAD)	1	E74
43	44		1910957-00	74S175 FF-D QUAD COMMON CLO	4	E88,E89,E103,E104
44	45		1911579-00	8641 TRANSCEIVER,BUS,QUA	10	E56,E66,E75,E83,E98,E99,E107,
						CONT
45	46		1911675-00	74S138 DECODER/DEMUX 3-8 LIN	4	E108,E118,E119
46	47		1911712-00	74S51 AND-OR GATE-INVERT D	2	E38,E60,E81,E115
47	48		1912083-00	DEC 8647 UNIBUS INTERRUPT CONT	2	E94,E127
48	49		1912389-00	74S08 AND GATE-QUAD 2IN,PO	1	E128,E139
49	50		1912395-00	DM 8136 COMPARATOR-6BIT UNIF	2	E135
50	51		1912647-00	LS257 MUX 1 OF 2 (QUAD)	2	E109,E120
51	52		1912661-00	74S189 MEMORY READ/WRITE	2	E67,E94
52	53		1912696-00	LS194A SHIFT REG.,4BIT BI-D	2	E96,E97
53	54		1912697-00	LS174 FF-D HEX W/CLEAR	3	E43,E44
54	55		1912728-00	74S251 MUX 1 OF 8 TRI-STA	8	E53,E54,E111
55	56		1912741-00	82S112 MEMORY READ/WRITE, 3	4	E50,E51,E61,E63,E70,E72,E73,E80
56	57		1912805-00	LS08 AND GATE-QUAD 2IN,PO	1	E58,E68,E85,E92
57	58		1912824-00	LS74 FF-D DUAL,EDGE TRIGG	2	E127
58	59		1912837-00	LS123 ONE SHOT-DUAL,RETRIG	3	E141,E142
59	60		1912842-00	LS138 DECODER-THREE INPUT,	1	E55,E143,E144
60	61		1912844-00	LS151 MUX 1 OF 8 & DATA	1	E112
61	62		1912847-00	LS157 MUX 1 OF 2(QUAD)	14	E37
						CONT
62	63		1912853-00	LS175 FF-D QUAD	1	E35,E46-E48,E52,E57,E69,E76-E78,
63	64		1913294-00	93S16 COUNTER,SYNCH UP BIN	6	E86,E101,E102,E105
64	65		1913462-00	74S240 OCTAL BUFFER,INVERTI	4	E64
65	66		1913671-00	74S374 FF-D OCTAL TRISTATE	1	E15,E30,E32-E34,E42
66	67		1914214-00	LS374 FF-D OCTAL EDGE TRIG	4	E45,E87,E131,E137
67	68		2114523-00	4K MOS RAM 55NS 18PIN	8	E36
68	69		23120A1-00	A1-07	1	E9,E10,E24,E25
69	70		23121A1-00	A1-07	1	E11-E14,E26-E29
70	71		23202A1-00	A1-07	1	E40
71	72		5408778-00	PLUG PRIORITY	1	E95
72	73		9006732-00	EYELET, ROLLED FLANGE, .121 OD X	12	E65
73	75		9009185-00	JUMPER, WIRE, INSULATED, BLACK B	2	E91
74	76		2114523-01	4K MOS RAM 70NS 18PIN	16	W1,W3
75	78		1211164-03	SW,DIP 1P 1A 7POS	1	E1-E8,E16-E23
						E31

D	I	G	I	T	A	L	TITLE	SECTION	OF	SIZE	CODE	DOCUMENT NUMBER	REV
							4K UNIBUS MICROPROCESSOR	A	A	K	PL	MB206-0-DBP	E

LINE ITEM	DOCUMENT NUMBER	PART NUMBER	DESCRIPTION	QTY PER VARIATION 00	REFERENCE DESIGNATOR
76	79	1001383-00	4700.0 MMF 100V 3%200PPM MICA	1	C54
77	80	1209941-03	HEADER RT ANGLE LEFT L	1	
78	81	1209941-04	HEADER RT ANGLE,RIGHT	1	
79	82	1910534-00	74S04 INVERTER GATE-HEX 11	2	E41,E100
80	83	1211164-04	SW,DIP 1P 1A 8POS	1	E82

81 NOTE: PART #1914438 MAY BE USED IN PLACE OF PART #1912083

82 NOTE: PART #2114523-00 MAY BE USED IN PLACE OF 2114523-01

\*\*\*\*\* RELEASABLE/NO REF DES CHECK \*\*\*\*\*

D	I	G	I	T	A	L	TITLE	SECTION A	OF A	SIZE	CODE	DOCUMENT NUMBER	REV
							4K UNIBUS MICROPROCESSOR			K	PL	M8206-0-DBP	E

;;OPR: - >> THE SYSTEM WILL BE COMING DOWN FOR A QUICK RELOAD AT 5:00

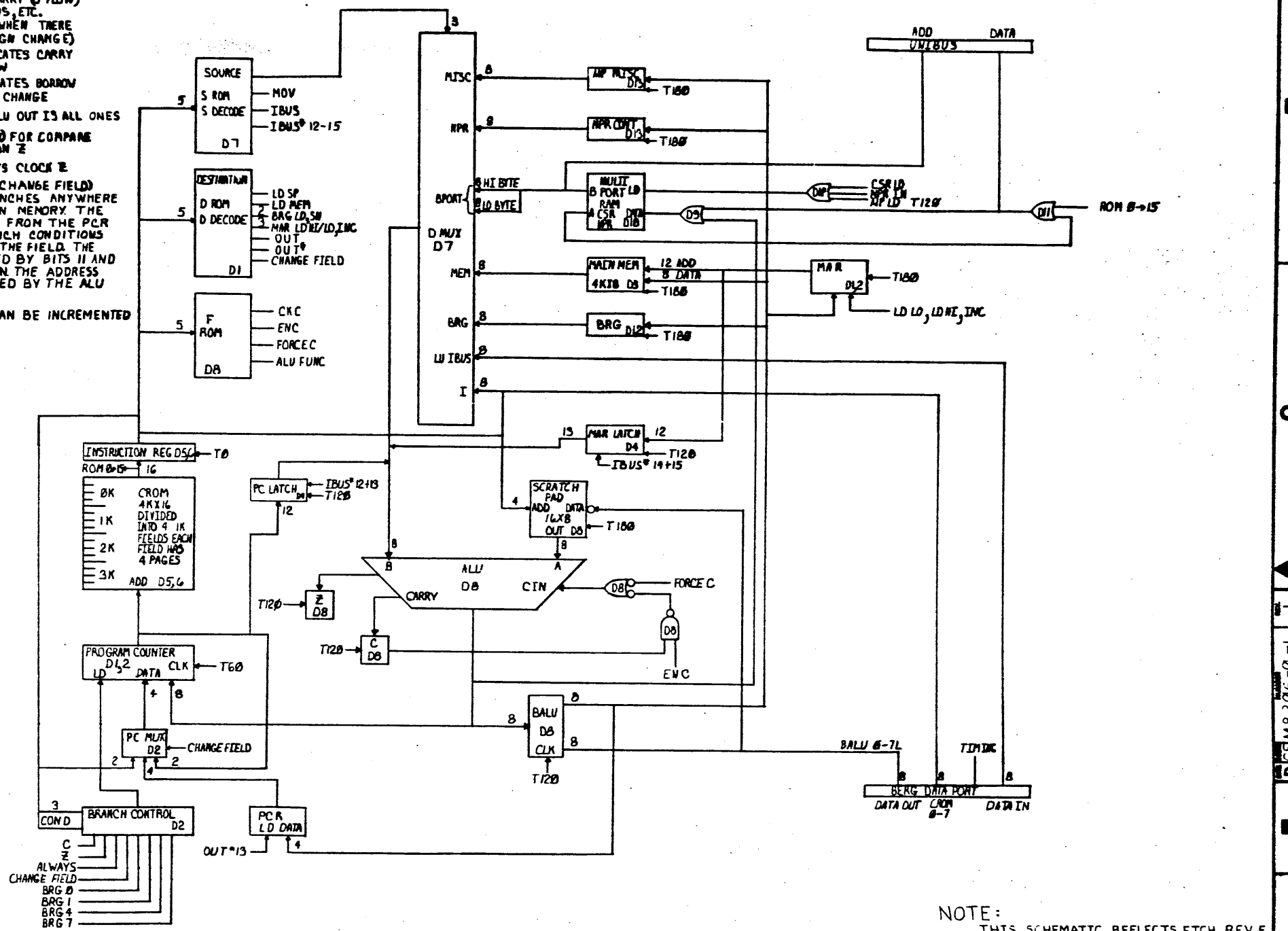
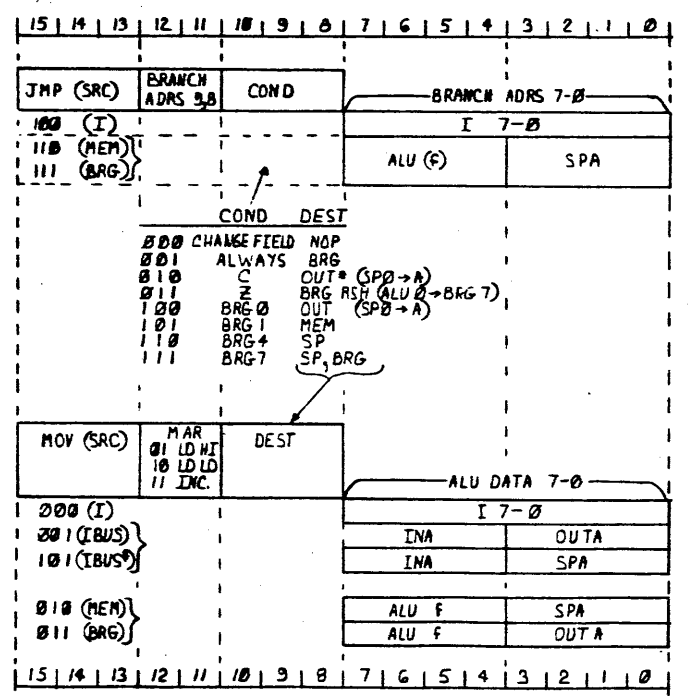
;;OPR: - OPSER: TIMESHARING ENDS IN 23 MIN.

;;OPR: - CAD 5 WILL BE COMING DOWN FOR A QUICK RELOAD AT 1700

THIS DRAWING AND SPECIFICATIONS HEREBY ARE THE PROPERTY OF BIRDA, EQUIPMENT CORPORATION AND SHALL NOT BE REPRODUCED OR COPIED OR USED IN WHOLE OR IN PART AS THE BASIS FOR THE MANUFACTURE OR SALE OF THIS EQUIPMENT WITHOUT PERMISSION. COPYRIGHT © 1977, BIRDA, EQUIPMENT CORPORATION

- NOTES:**
1. C WILL ASSERT FOR A CARRY O'FLOW DURING ANY ADD, INC, PLUS, ETC. AND FOR A SUB, DEC... WHEN THERE IS NOT A BORROW OR (SIGN CHANGE) ADD: C+ INDICATES CARRY OR O'FLOW SUB: C+ INDICATES BORROW OR SIGN CHANGE
  2. Z WILL ASSERT WHEN ALU OUT IS ALL ONES
  3. USE 1S COMP SUB (110) FOR COMPARE FOLLOWED BY BRANCH ON Z
  4. MOV INSTRUCTION ALWAYS CLOCK 2
  5. BRANCH CONDITION (CHANGE FIELD) UNCONDITIONALLY BRANCHES ANYWHERE IN THE 4K INSTRUCTION MEMORY. THE ADDRESS IS MADE UP FROM THE PCR AND THE ALU. BRANCH CONDITIONS 1-7, BRANCHES WITHIN THE FIELD. THE PAGE BITS ARE DEFINED BY BITS 11 AND 12 OF THE INSTRUCTION. THE ADDRESS ON THE PAGE IS DEFINED BY THE ALU OUT.
  6. ANY PAGE OR FIELD CAN BE INCREMENTED INTO.

2S COMP SUB	1S COMP SUB	ADD	ADD W/C	SUB W/C	INC A	A PLUS C	2 A	2A W/C	DEC A	SEL A	SEL B	A OR B	A AND B	A OR B	A XOR B
(A-B)	(A-B)	(A,B)	(A,B,C)	(A-B,C)	(A+)	(A,C)	(A,A)	(A,A,C)	(A-)	(A)	(B)	(A+B)	(A&B)	(A B)	(A^B)
1110	1111	0000	0001	0010	0011	0100	0101	0110	0111	1000	1001	1010	1011	1100	1101



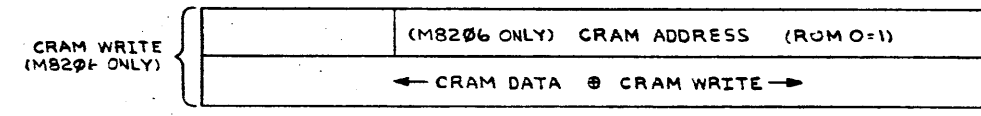
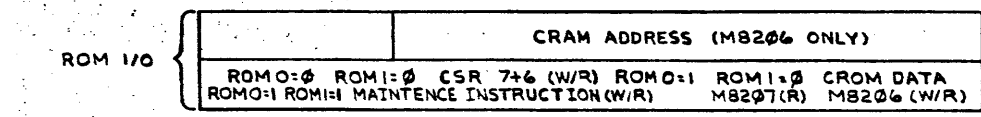
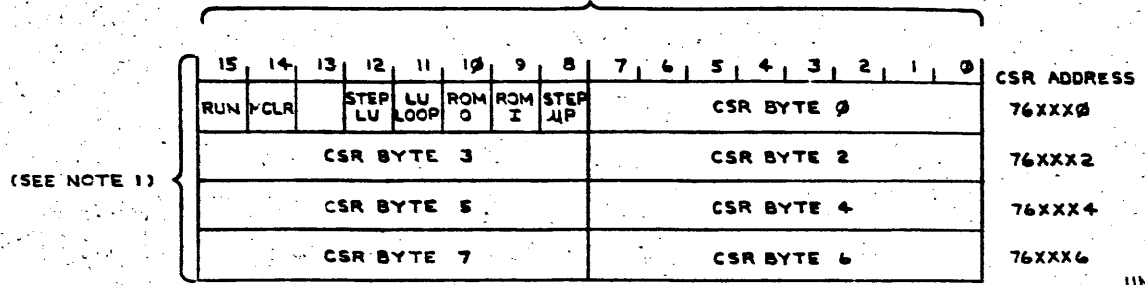
NOTE: THIS SCHEMATIC REFLECTS ETCH REV E

REV.	DATE	BY	CHKD.	APP'D.
1	11/17	P. BARRY		
2	11/17	B. ZARIN		
3	11/17	B. ZARIN		
4	11/17	B. ZARIN		
5	11/17	B. ZARIN		
6	11/17	B. ZARIN		
7	11/17	B. ZARIN		
8	11/17	B. ZARIN		
9	11/17	B. ZARIN		
10	11/17	B. ZARIN		
11	11/17	B. ZARIN		
12	11/17	B. ZARIN		
13	11/17	B. ZARIN		
14	11/17	B. ZARIN		
15	11/17	B. ZARIN		
16	11/17	B. ZARIN		
17	11/17	B. ZARIN		
18	11/17	B. ZARIN		
19	11/17	B. ZARIN		
20	11/17	B. ZARIN		
21	11/17	B. ZARIN		
22	11/17	B. ZARIN		
23	11/17	B. ZARIN		
24	11/17	B. ZARIN		
25	11/17	B. ZARIN		
26	11/17	B. ZARIN		
27	11/17	B. ZARIN		
28	11/17	B. ZARIN		
29	11/17	B. ZARIN		
30	11/17	B. ZARIN		

DRWT. BY: P. BARRY	FIRST ISSUE ON: 11-00-00
CHKD. BY: B. ZARIN	TITLE: 4K UNIBUS MICROPROCESSOR
ENGR. BY: B. ZARIN	SIZE: D
PROJ. ENGR. BY: B. ZARIN	COOR. NUMBER: M8206-0-1
PROD. BY: B. ZARIN	REV. J
NEXT HIGHER ASBY:	SCALE: 1 OF 21
SHEET: 1 OF 21	DIST.:

THIS DRAWING AND SPECIFICATIONS HEREIN ARE THE PROPERTY OF DIGITAL EQUIPMENT CORPORATION AND SHALL NOT BE REPRODUCED OR COPIED OR USED IN WHOLE OR IN PART AS THE BASIS FOR THE MANUFACTURE OR SALE OF ITEMS WITHOUT WRITTEN PERMISSION. COPYRIGHT © 1977 DIGITAL EQUIPMENT CORPORATION

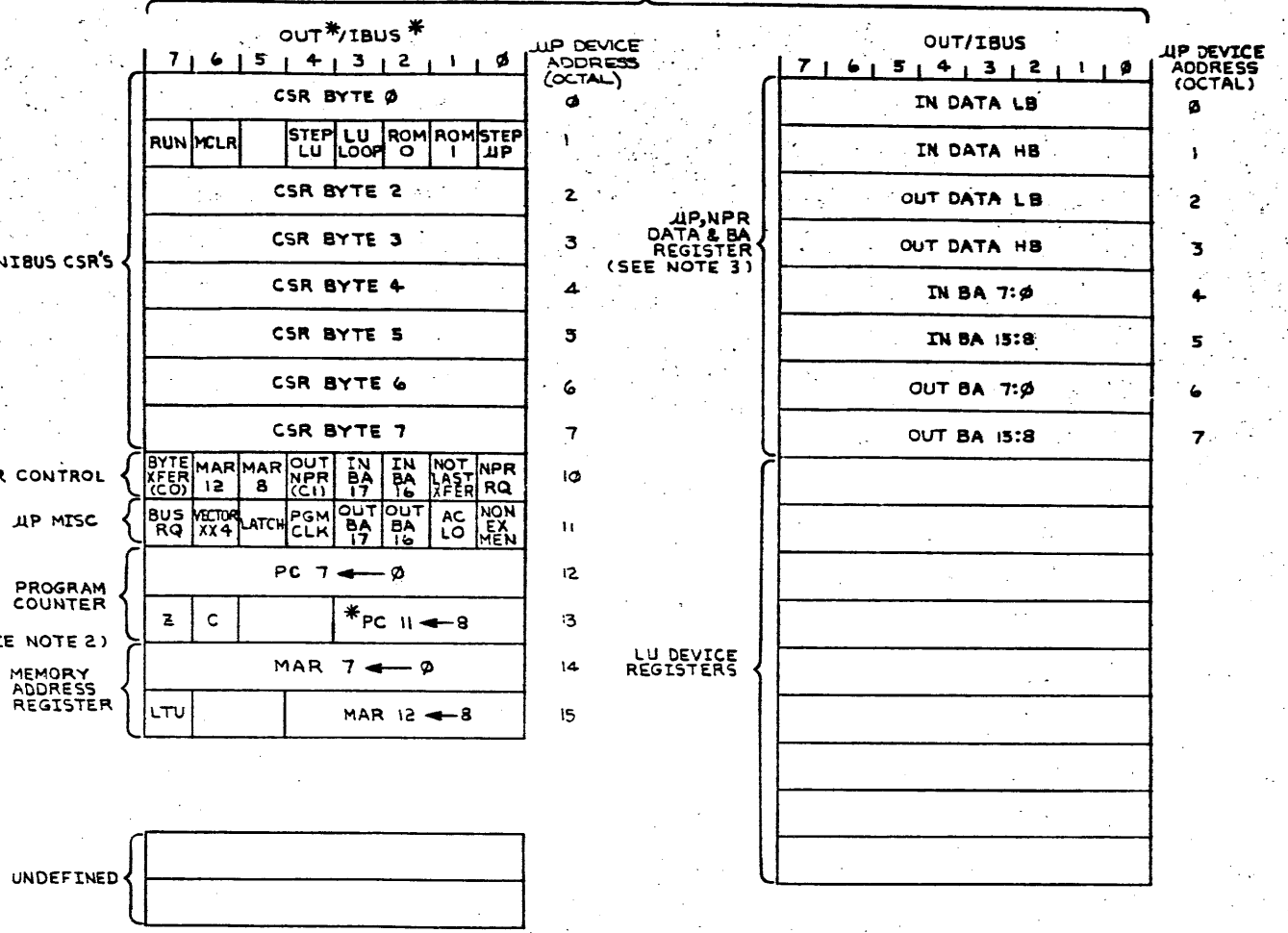
UNIBUS CONTROL & STATUS REGISTERS



NOTES:

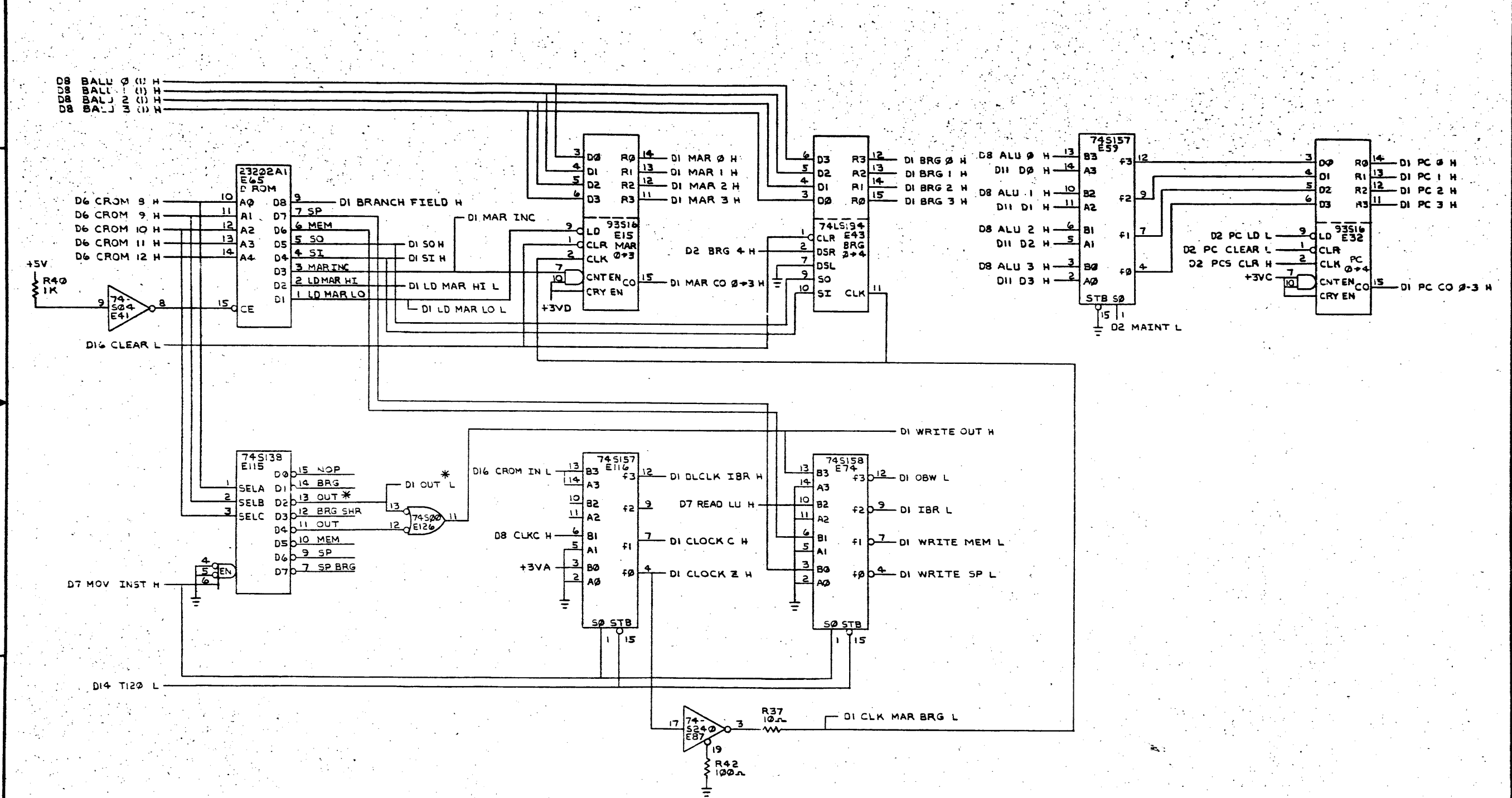
- UNIBUS CSR'S ARE IN THE MULTIPORT RAM. BYTE 1 HAS A HARDWARE STATUS REGISTER THAT IS ADDRESSABLE ONLY FROM THE UNIBUS. IF THE JIP ADDRESSES BYTE 1, IT WILL ONLY WRITE INTO THE RAM. ALL THE OTHER CSR BYTES ARE DEFINED BY THE MICROCODE EXCEPT IN MAINTENANCE MODE.
- IBUS\* 12-15 REFLECT THE PROGRAM COUNTER AND THE MEMORY ADDRESS REGISTER EXCEPT WHEN CSR BYTE 1 BIT 1 (ROM I) IS SET, THEN IBUS\* 12-15 IS LATCHED AT THE INSTRUCTION WHEN (ROM I) WAS SET. OUT\* 13 IS THE PCR WHICH IS A SHADOW REGISTER. THE CONTENTS OF THE PCR WILL BE TRANSFERRED TO THE PC ONLY ON A BRANCH (CHANGE FIELD).
- NPR DATA AND BA REGISTER ARE RAM, HOWEVER ADDRESS ASSIGNMENTS ARE HARDWIRED AND CAN NOT BE REDEFINED.

JIP & LU CONTROL & STATUS REGISTERS



REVISIONS		
CHK	CHANGE NO.	REV.

THIS DRAWING AND SPECIFICATIONS HEREIN ARE THE PROPERTY OF DIGITAL EQUIPMENT CORPORATION AND SHALL NOT BE REPRODUCED OR COPIED OR USED IN WHOLE OR IN PART AS THE BASIS FOR THE MANUFACTURE OR SALE OF ITEMS WITHOUT WRITTEN PERMISSION. COPYRIGHT © 1977 DIGITAL EQUIPMENT CORPORATION



REVISIONS		
CHK	CHANGE NO.	REV.

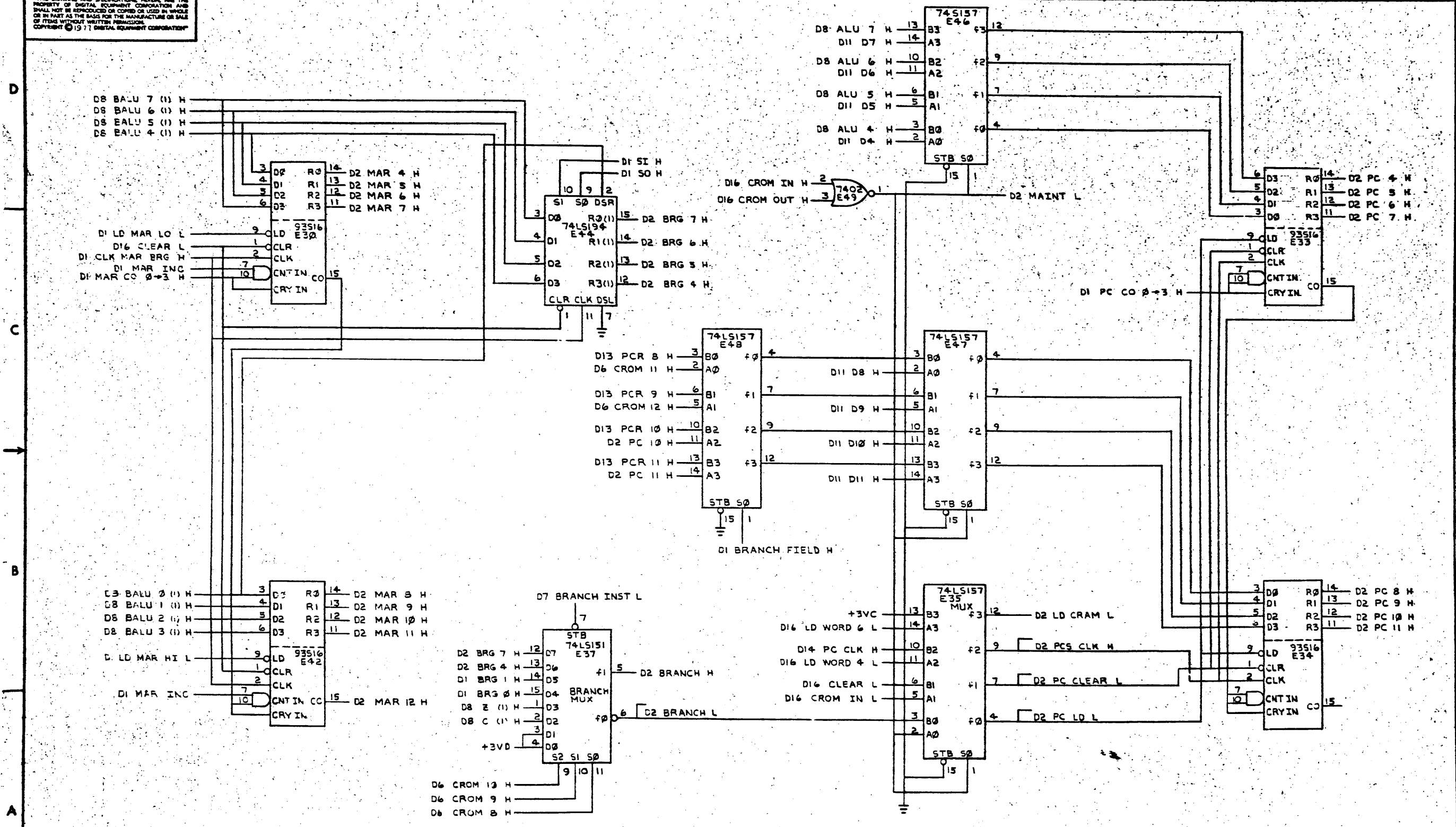
(BRG 0-3, MAR 0-3, PC 0-3, D ROM)

TITLE	(D) SIZE CODE	NUMBER	REV.
4K UNIBUS MICROPROCESSOR	DCS	M8206-0-1	J
SCALE	SHEET 3 OF 21	DIST.	

D E S I G N M8206-0-1 J

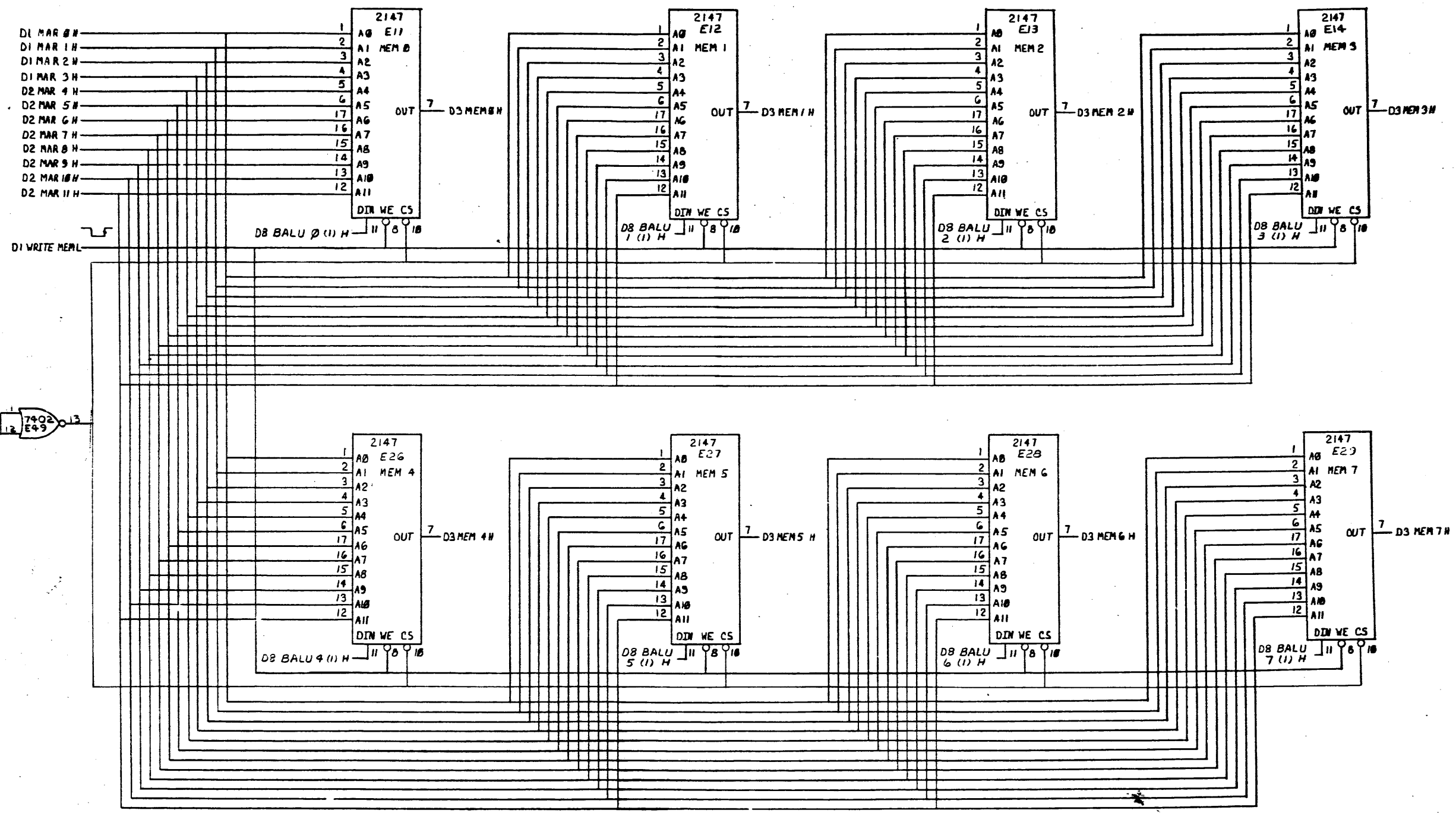
THIS DRAWING AND SPECIFICATIONS HEREON ARE THE PROPERTY OF DIGITAL EQUIPMENT CORPORATION AND SHALL NOT BE REPRODUCED OR COPIED IN WHOLE OR IN PART AS THE BASIS FOR THE MANUFACTURE OR SALE OF ITEMS WITHOUT WRITTEN PERMISSION. COPYRIGHT © 1977 DIGITAL EQUIPMENT CORPORATION

1-0-9028WSD 2



REVISIONS		
CHK	CHANGE NO.	REV.

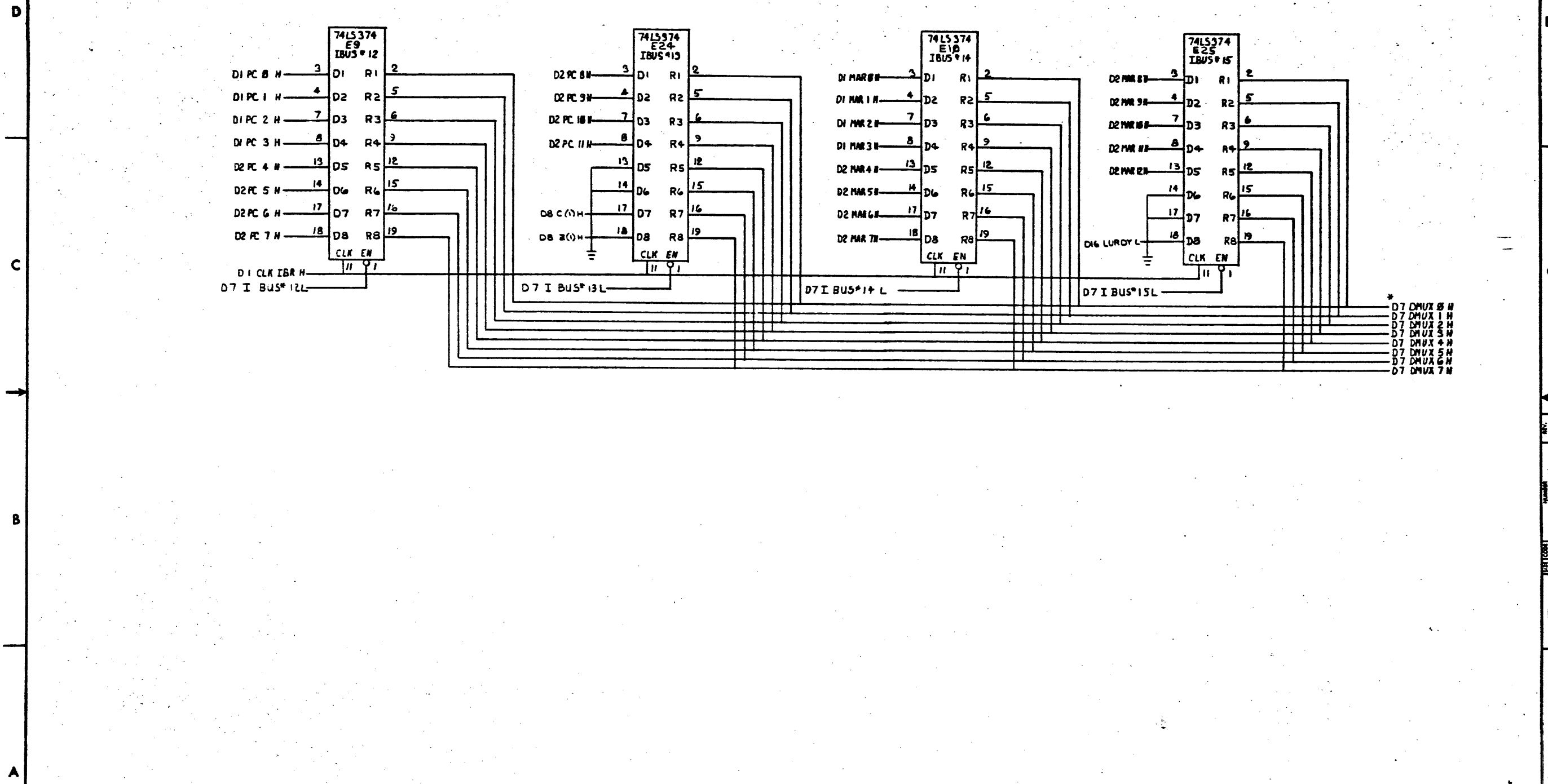
THE DRAWING AND SPECIFICATIONS HEREIN ARE THE PROPERTY OF DIGITAL EQUIPMENT CORPORATION AND SHALL NOT BE REPRODUCED OR COPIED OR USED IN WHOLE OR IN PART AS THE BASIS FOR THE MANUFACTURE OR SALE OF THIS WITHOUT WRITTEN PERMISSION. COPYRIGHT © 1977 DIGITAL EQUIPMENT CORPORATION



REVISIONS			TITLE		SIZE	CODE	NUMBER	REV.
CHK	CHANGE NO.	REV.	4K UNIBUS MICROPROCESSOR		03	DCS	M820E-0-1	J
			SCALE	SHEET	5	OF	21	

(MAIN MEMORY 0-7)

THE DRAWING AND SPECIFICATIONS HEREIN ARE THE PROPERTY OF DIGITAL EQUIPMENT CORPORATION AND SHALL NOT BE REPRODUCED OR COPIED OR USED IN WHOLE OR IN PART AS THE BASIS FOR THE MANUFACTURE OR SALE OF ITEMS WITHOUT WRITTEN PERMISSION. COPYRIGHT © 1977 DIGITAL EQUIPMENT CORPORATION



\* D7 DMUX 0 H  
 D7 DMUX 1 H  
 D7 DMUX 2 H  
 D7 DMUX 3 H  
 D7 DMUX 4 H  
 D7 DMUX 5 H  
 D7 DMUX 6 H  
 D7 DMUX 7 H

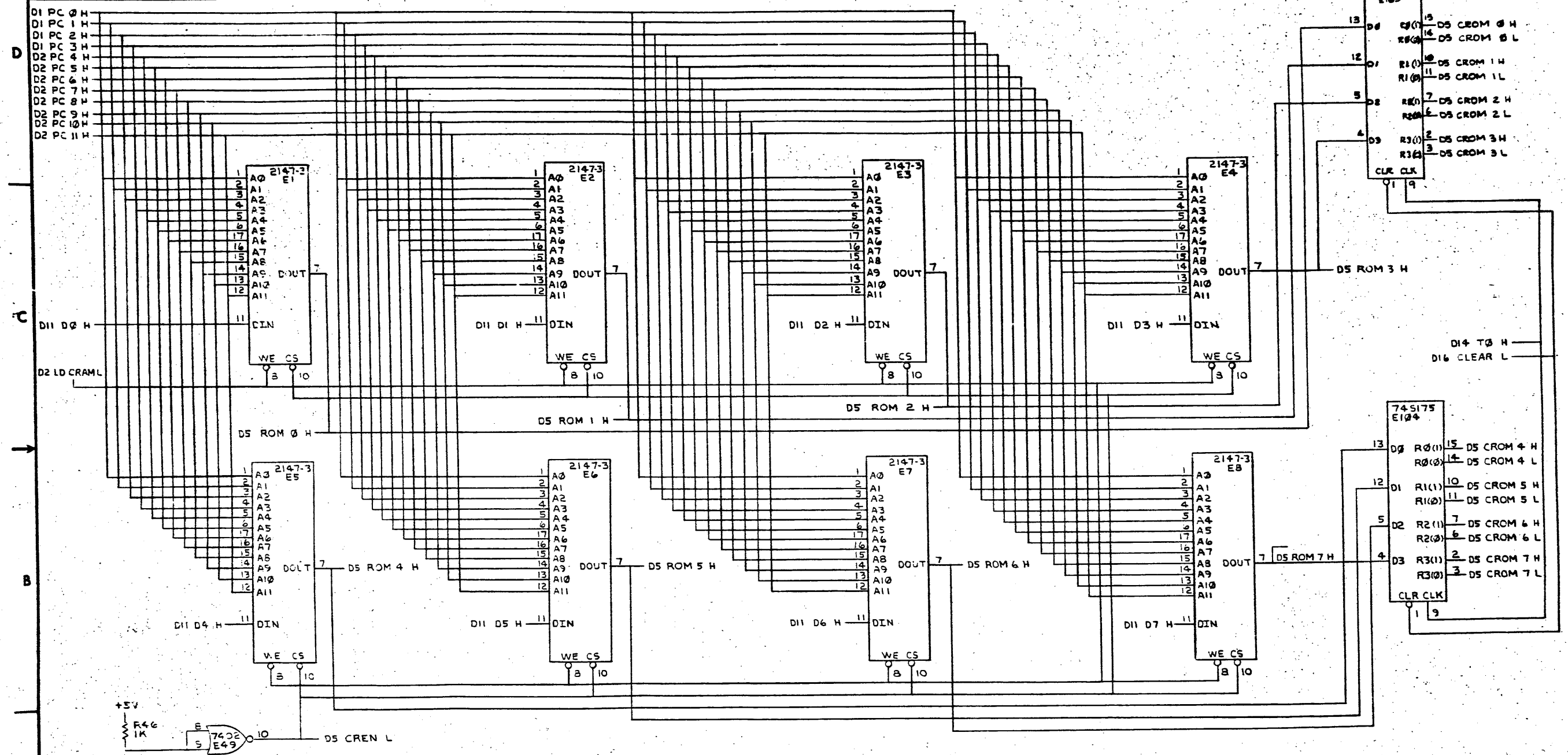
\* DMUX SIGNALS ARE TRI STATE

(IBUS\* REGISTERS 12-15)

REVISIONS		
CHK	CHANGE NO.	REV.



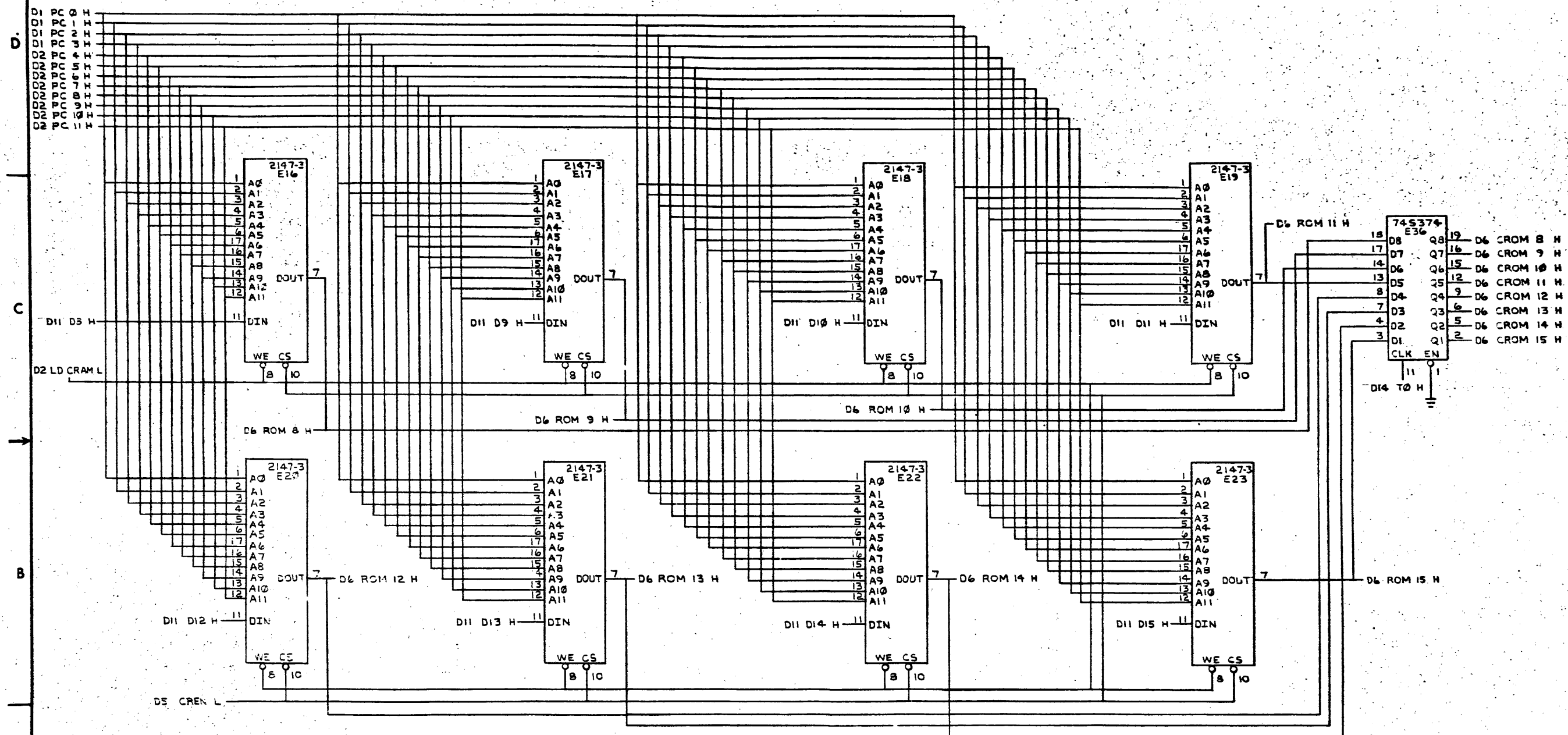
THIS DRAWING AND SPECIFICATIONS HEREIN ARE THE PROPERTY OF DIGITAL EQUIPMENT CORPORATION AND SHALL NOT BE REPRODUCED OR COPIED OR USED IN WHOLE OR IN PART AS THE BASIS FOR THE MANUFACTURE OR SALE OF ITEMS WITHOUT WRITTEN PERMISSION. COPYRIGHT © 1977 DIGITAL EQUIPMENT CORPORATION



REVISIONS		
CHK	CHANGE NO.	REV.

TITLE	SIZE CODE	NUMBER	REV.
4K UNIBUS MICROPROCESSOR (DS)	D CS	M8206-0-1	J
SCALE	SHEET	OF	TOTAL
	7	21	

THIS DRAWING AND SPECIFICATIONS, HEREIN, ARE THE PROPERTY OF DIGITAL EQUIPMENT CORPORATION AND SHALL NOT BE REPRODUCED OR COPIED OR USED IN WHOLE OR IN PART AS THE BASIS FOR THE MANUFACTURE OR SALE OF ITEMS WITHOUT WRITTEN PERMISSION. COPYRIGHT © 1977 DIGITAL EQUIPMENT CORPORATION



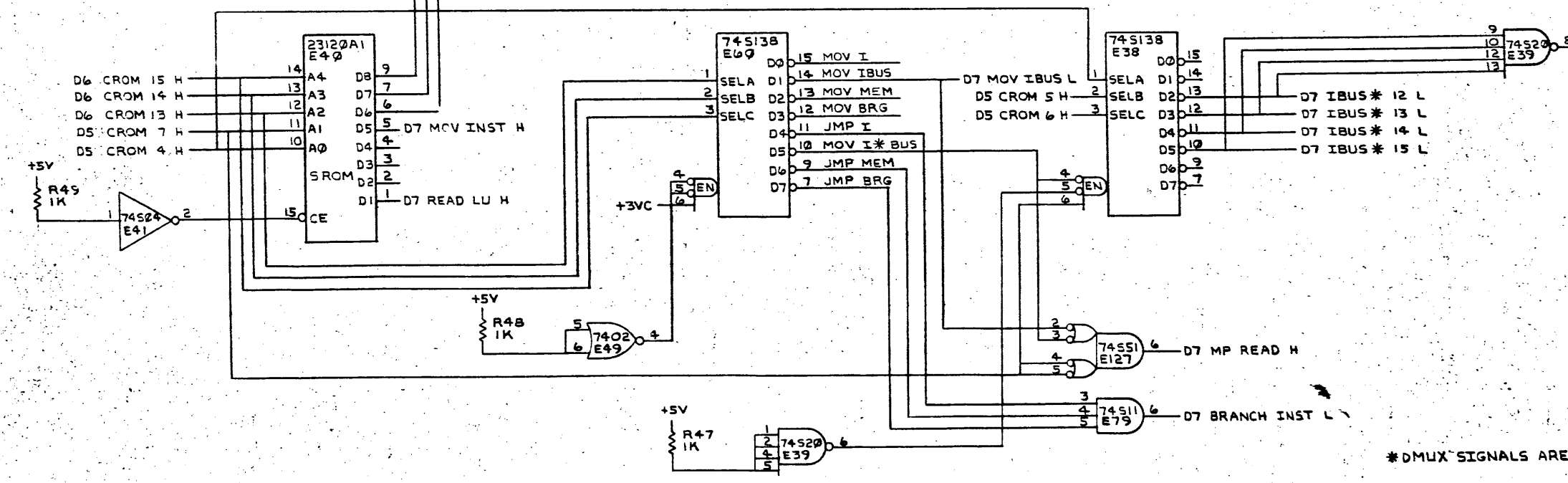
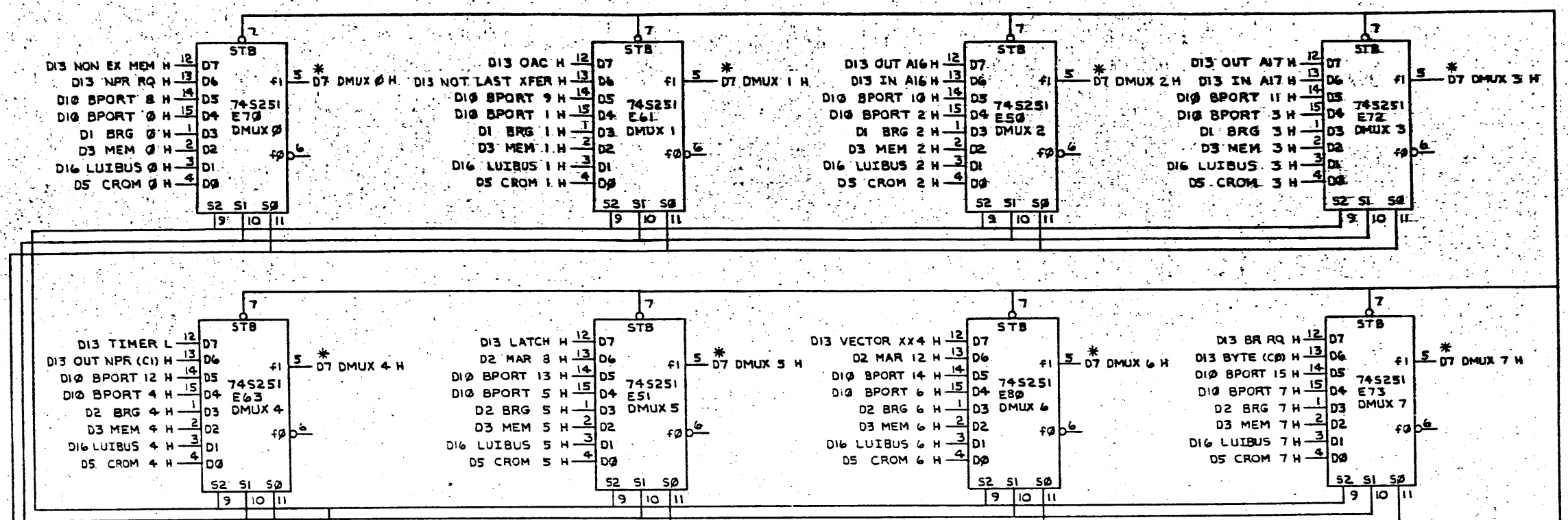
REVISIONS		
CHK	CHANGE NO.	REV.

THIS DRAWING AND SPECIFICATIONS HEREIN ARE THE PROPERTY OF DIGITAL EQUIPMENT CORPORATION AND SHALL NOT BE REPRODUCED OR COPIED OR USED IN WHOLE OR IN PART AS THE BASIS FOR THE MANUFACTURE OR SALE OF ITEMS WITHOUT WRITTEN PERMISSION. COPYRIGHT © 1977 DIGITAL EQUIPMENT CORPORATION

DCS M8206-0-1

74S251

9	10	11
H	H	H
H	H	H
H	L	L
H	L	L
L	H	L
L	H	L
L	L	L
L	L	L
L	L	L



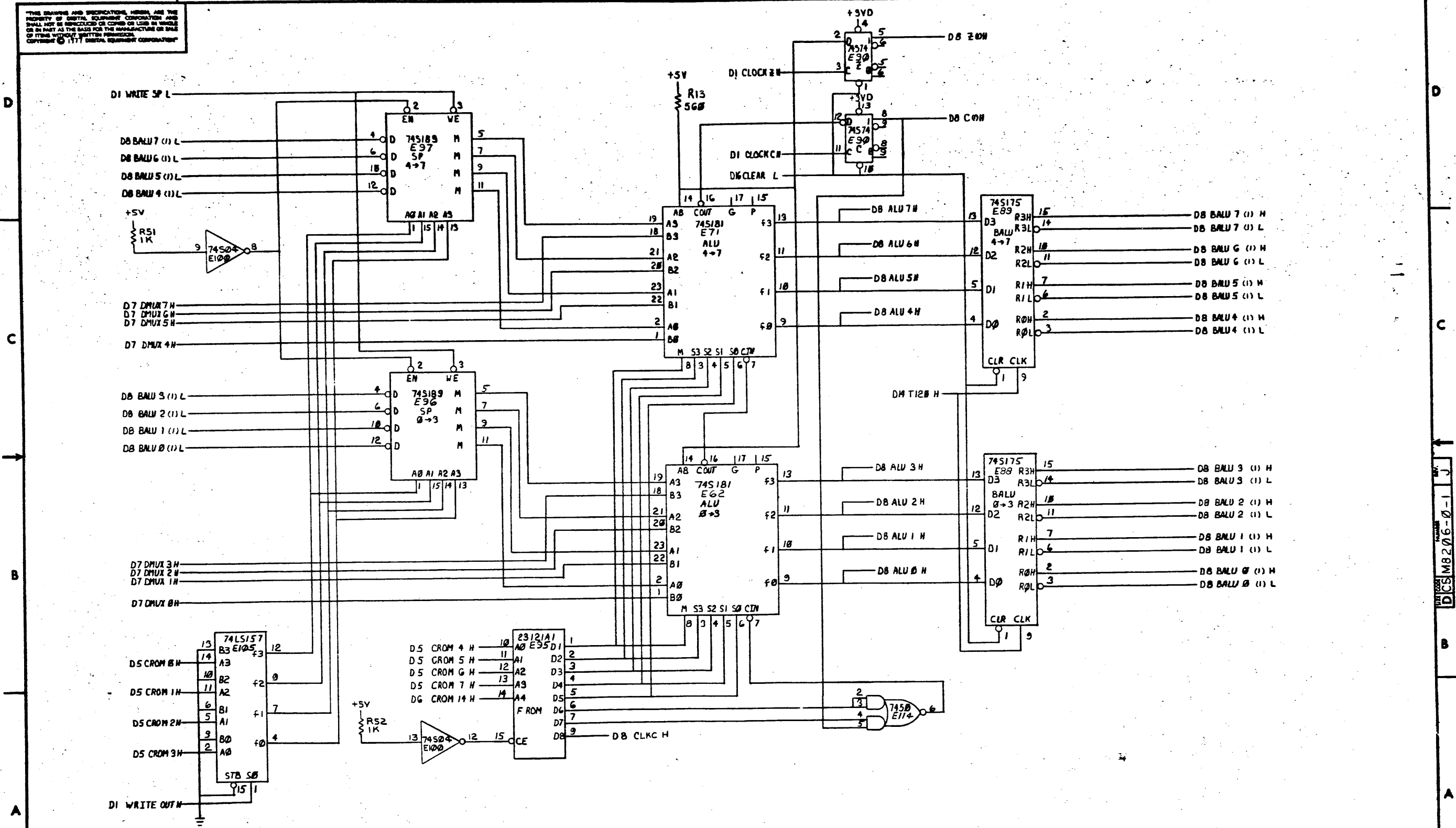
\*DMUX SIGNALS ARE TRISTATE  
(DMUX, SROM, S DECODE)

REVISIONS

CHK	CHANGE NO.	REV.

THIS DRAWING AND SPECIFICATIONS HEREIN ARE THE PROPERTY OF DIGITAL EQUIPMENT CORPORATION AND SHALL NOT BE REPRODUCED OR COPIED OR USED IN WHOLE OR IN PART AS THE BASIS FOR THE MANUFACTURE OR SALE OF ITEMS WITHOUT WRITTEN PERMISSION. COPYRIGHT © 1977 DIGITAL EQUIPMENT CORPORATION

1-0-0028WSD 2



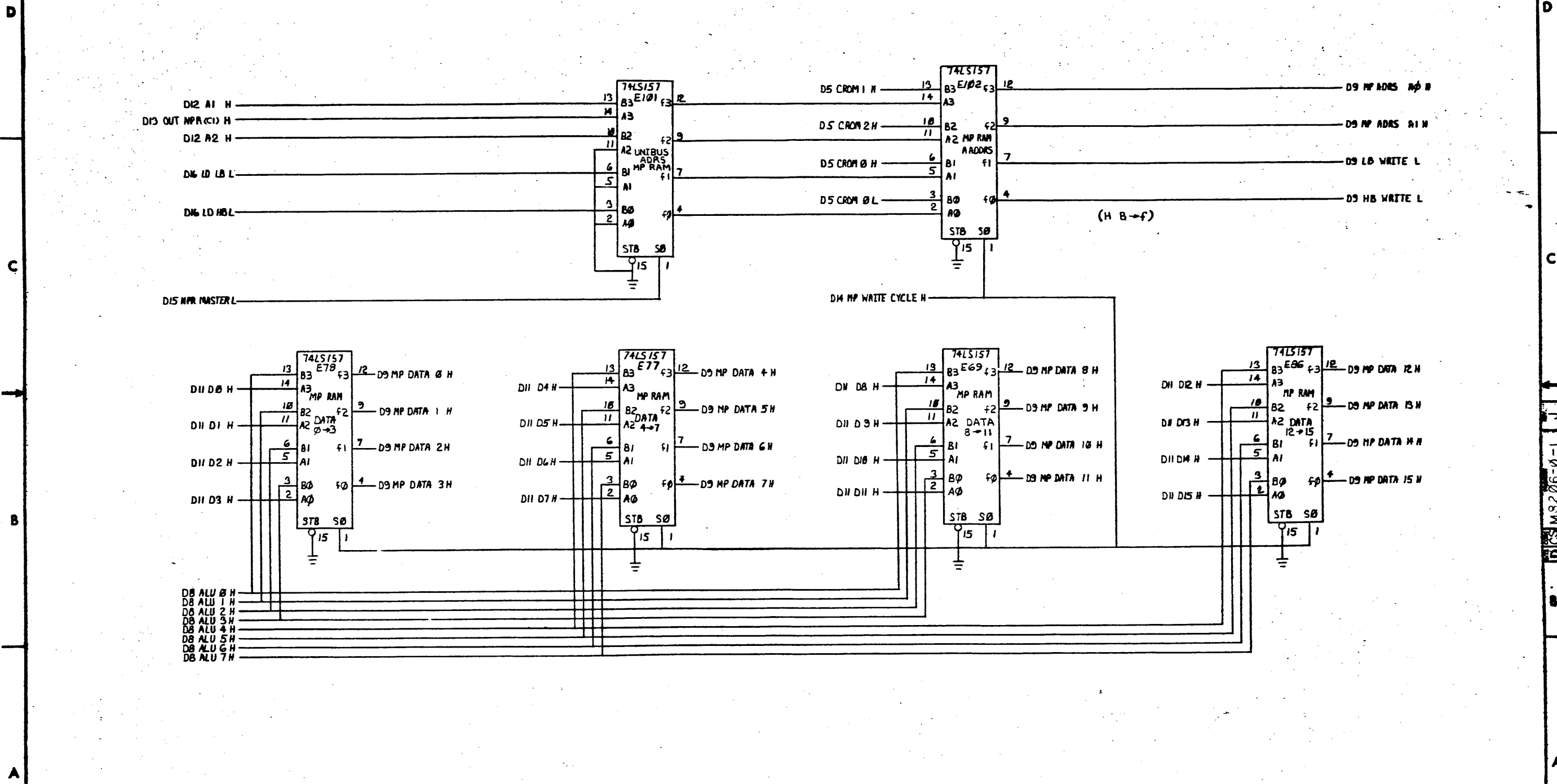
DCS M8206-0-1

REV.	CHANGE NO.	REV.

TITLE		NUMBER		REV.
4K UNIBUS MICROPROCESSOR (DB)		DCS M8206-0-1		J
SCALE	SHEET 19 OF 21	DWT.		

(ALU, BALU, SP, C, E, FROM)

THIS DRAWING AND SPECIFICATIONS HEREIN ARE THE PROPERTY OF DIGITAL EQUIPMENT CORPORATION AND SHALL NOT BE REPRODUCED OR COPIED OR USED IN WHOLE OR IN PART AS THE BASIS FOR THE MANUFACTURE OR SALE OF ITEMS WITHOUT WRITTEN PERMISSION. COPYRIGHT © 1977 DIGITAL EQUIPMENT CORPORATION

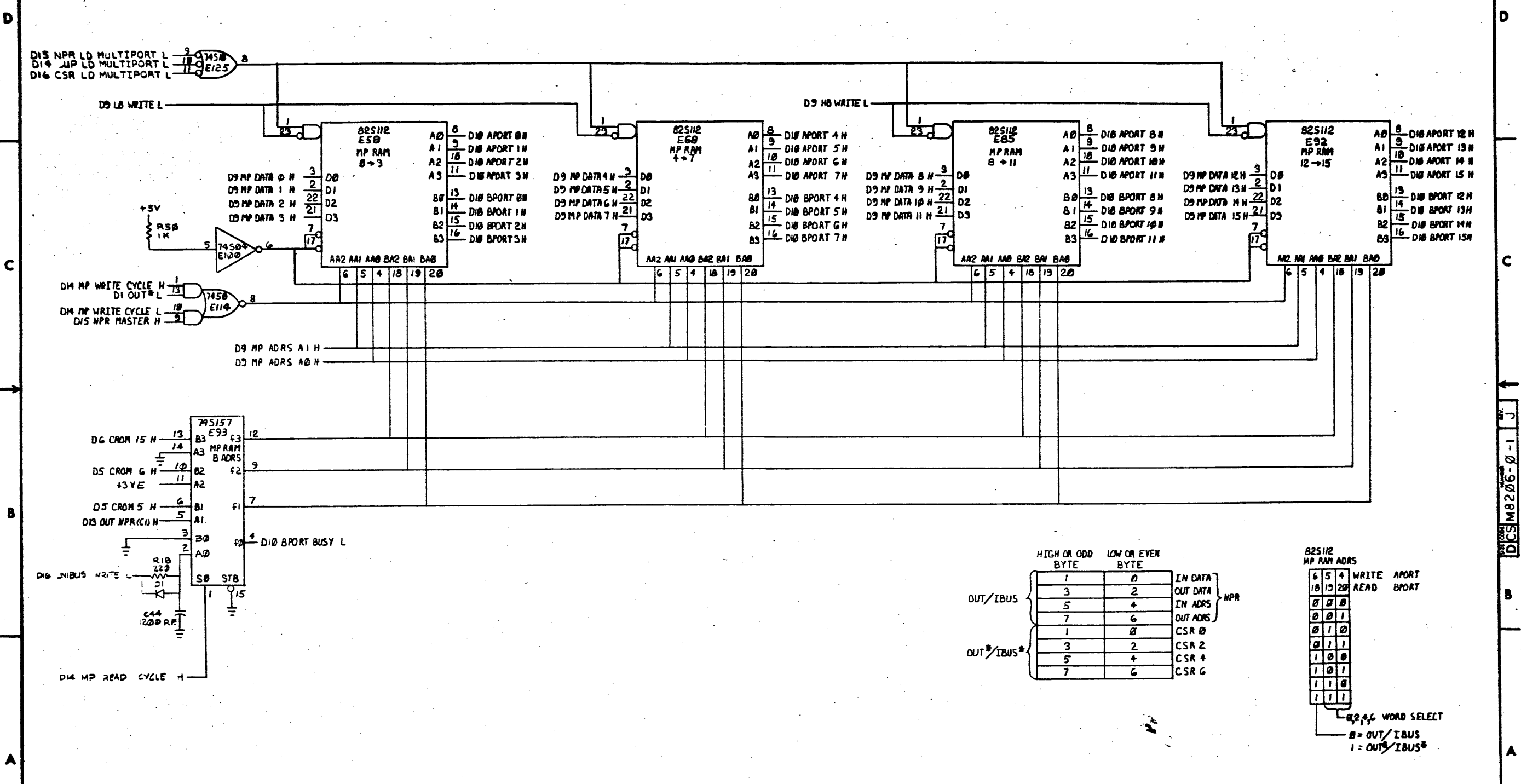


REVISIONS		
CHK	CHANGE NO.	REV.

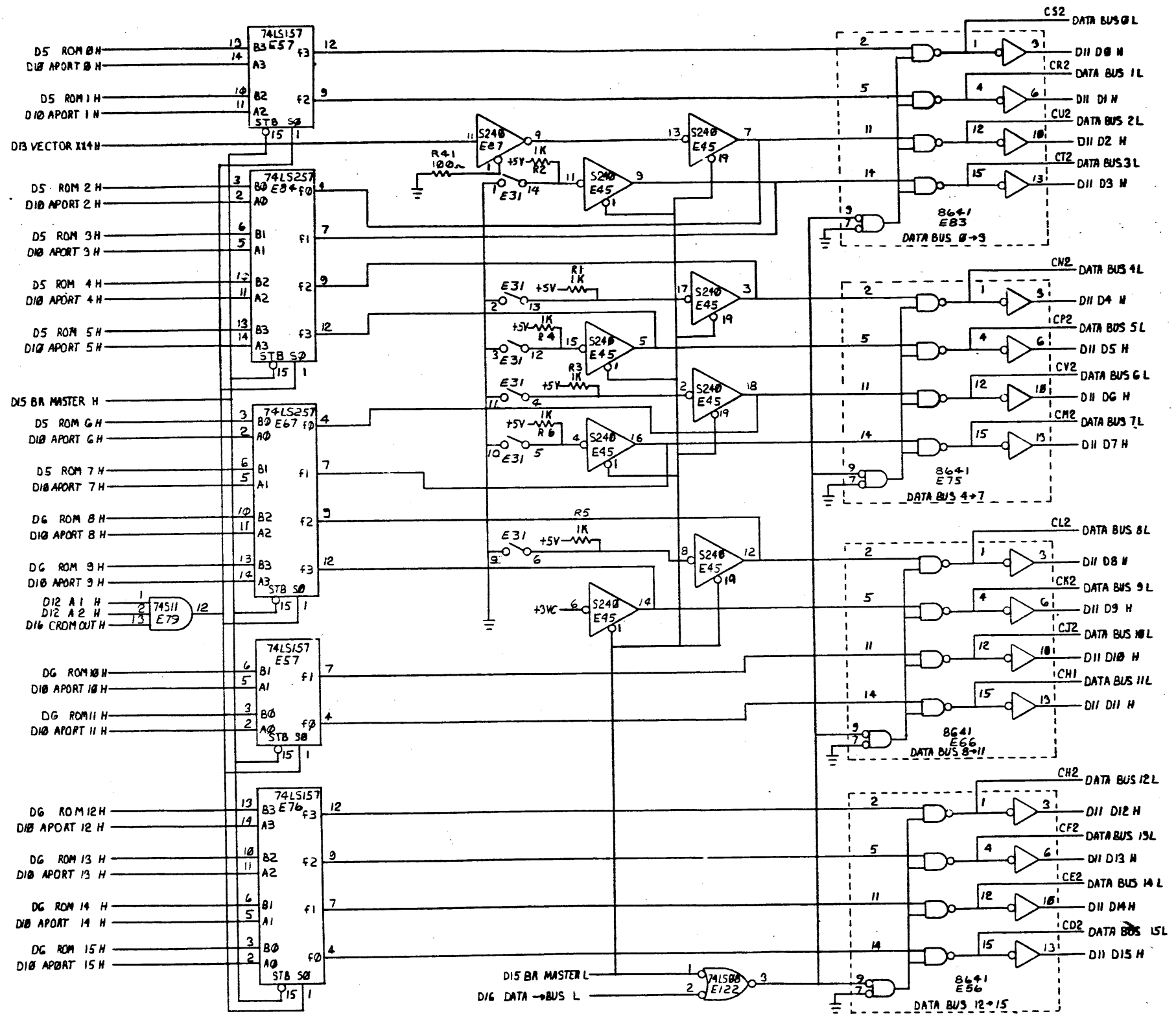
TITLE		4K UNIBUS MICROPROCESSOR (D9)		NUMBER		D CS M8206-0-1		REV.		J	
SCALE		1:1		SHEET		14 OF 21		DATE			

D CS M8206-0-1 J

"THE DESIGN AND SPECIFICATIONS HEREIN ARE THE PROPERTY OF DIGITAL EQUIPMENT CORPORATION AND SHALL NOT BE REPRODUCED OR COPIED OR USED IN WHOLE OR IN PART AS THE BASIS FOR THE MANUFACTURE OR SALE OF ITEMS WITHOUT WRITTEN PERMISSION OF DIGITAL EQUIPMENT CORPORATION © 1977 DIGITAL EQUIPMENT CORPORATION"



THE DRAWING AND SPECIFICATIONS HEREIN ARE THE PROPERTY OF DIGITAL EQUIPMENT CORPORATION AND SHALL NOT BE REPRODUCED OR COPIED OR USED IN WHOLE OR IN PART AS THE BASIS FOR THE MANUFACTURE OR SALE OF ITEMS WITHOUT WRITTEN PERMISSION. COPYRIGHT © 1977 DIGITAL EQUIPMENT CORPORATION



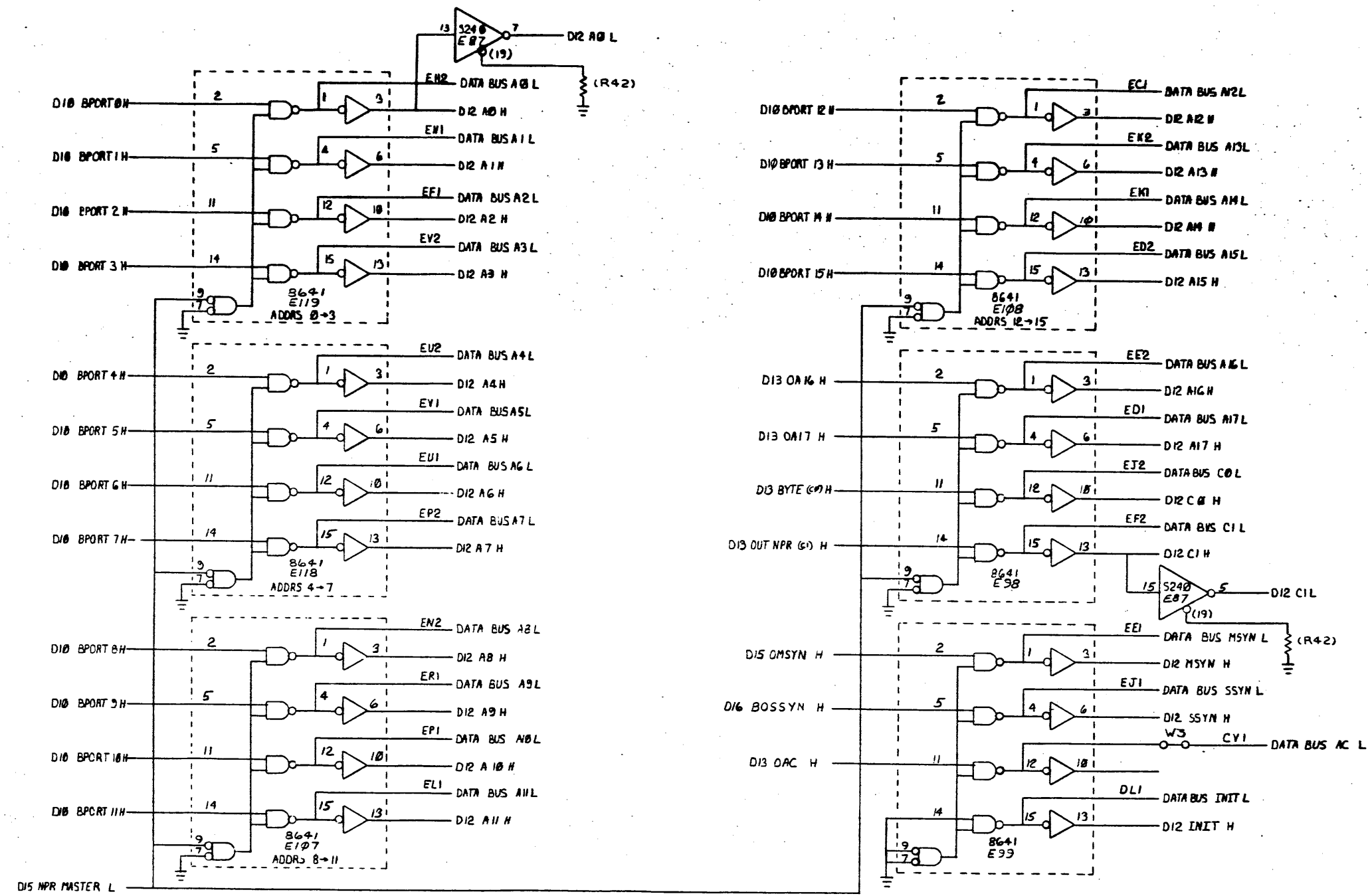
REVISIONS		
CHK	CHANGE NO.	REV.

TITLE 4K UNIBUS MICROPROCESSOR (D1)		INTERCODE DCS M8206-0-1	NUMBER 1	REV. J
SCALE	SHEET 13 OF 21	DIST.	1	

DCS M8206-0-1 J

THIS DRAWING AND SPECIFICATIONS HEREIN ARE THE PROPERTY OF DIGITAL EQUIPMENT CORPORATION AND SHALL NOT BE REPRODUCED OR COPIED OR USED IN WHOLE OR IN PART AS THE BASIS FOR THE MANUFACTURE OR SALE OF ITEMS WITHOUT WRITTEN PERMISSION. COPYRIGHT © 1977 DIGITAL EQUIPMENT CORPORATION

1-0-9028WSD 2



REVISIONS		
CHK	CHANGE NO.	REV

(UNIBUS ADDR INTERFACE)

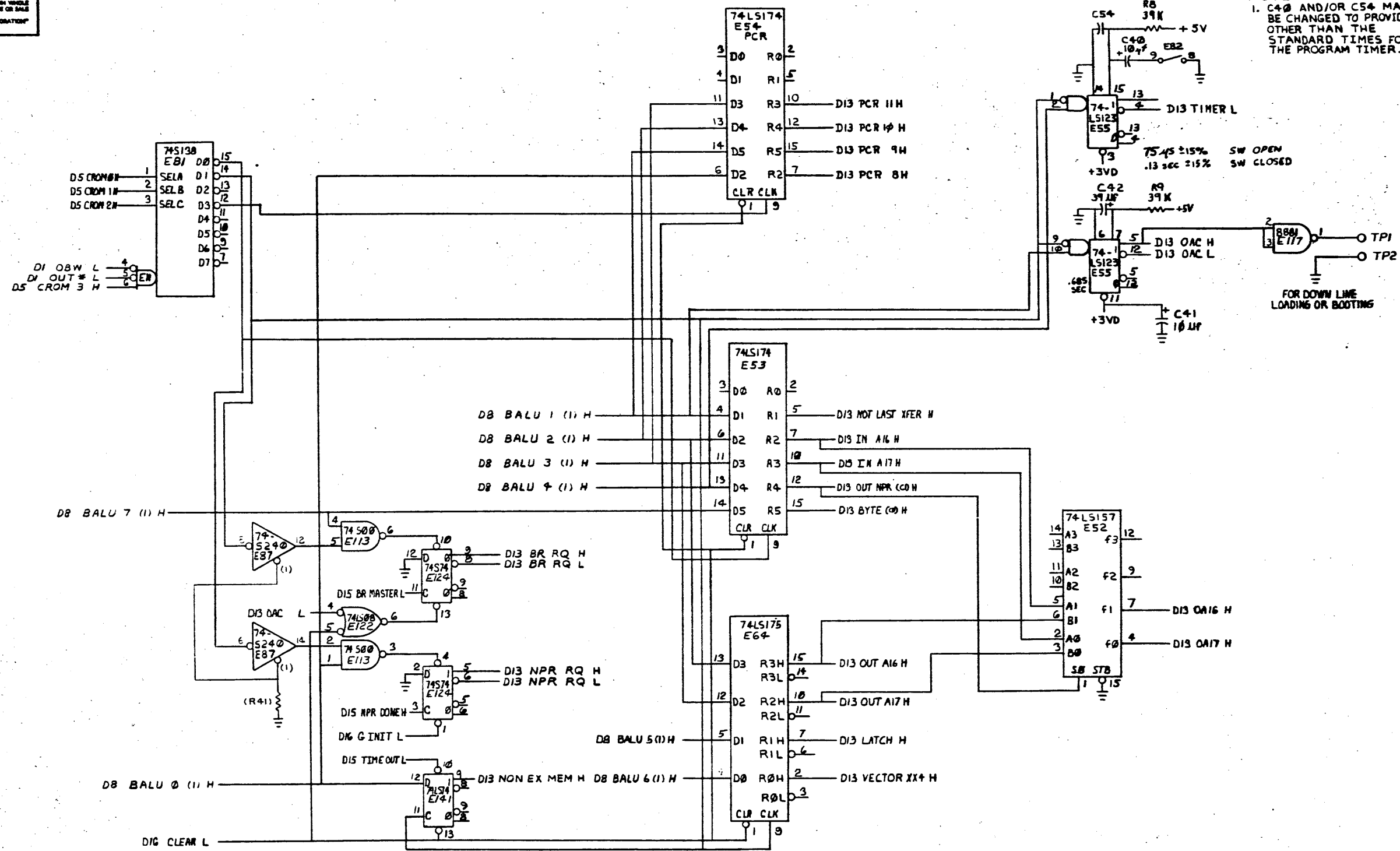
TITLE	4K UNIBUS MICROPROCESSOR	SIZE CODE	D	NUMBER	DCS M8206-0-1	REV.	J
SCALE	1:1	SHEET	14 OF 21	DIST.			

DCS M8206-0-1 J



THIS DRAWING AND SPECIFICATIONS HEREIN ARE THE PROPERTY OF DIGITAL EQUIPMENT CORPORATION AND SHALL NOT BE REPRODUCED OR COPIED OR USED IN WHOLE OR IN PART AS THE BASIS FOR THE MANUFACTURE OR SALE OF ITEMS WITHOUT WRITTEN PERMISSION. COPYRIGHT © 1977 DIGITAL EQUIPMENT CORPORATION.

NOTE:  
1. C40 AND/OR C54 MAY BE CHANGED TO PROVIDE OTHER THAN THE STANDARD TIMES FOR THE PROGRAM TIMER.



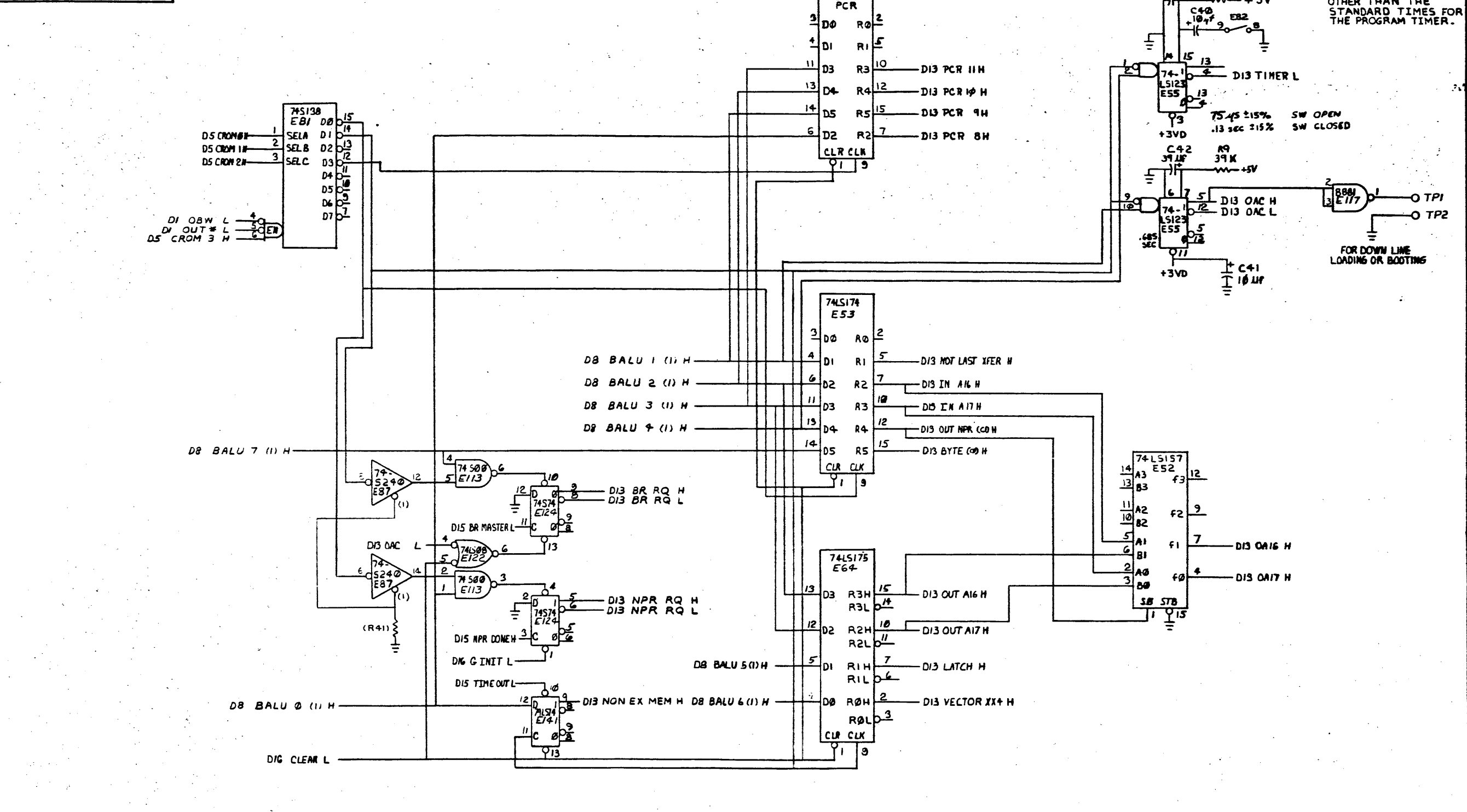
REVISIONS		
CHK	CHANGE NO.	REV.

(PROGRAMS COUNTER REGISTERS, NPR CONTROL, MP MISC REGISTER)

TITLE 4K UNIBUS MICROPROCESSOR 013	SIZE CODE DCS M8206-0-1	NUMBER J	REV. 
SCALE	SHEET 15 OF 21	DIST.	

THE DRAWING AND SPECIFICATIONS HEREIN ARE THE PROPERTY OF DIGITAL EQUIPMENT CORPORATION AND SHALL NOT BE REPRODUCED OR COPIED OR USED IN WHOLE OR IN PART AS THE BASIS FOR THE MANUFACTURE OR SALE OF ITEMS WITHOUT WRITTEN PERMISSION. COPYRIGHT © 1977 DIGITAL EQUIPMENT CORPORATION

NOTE:  
1. C40 AND/OR C54 MAY BE CHANGED TO PROVIDE OTHER THAN THE STANDARD TIMES FOR THE PROGRAM TIMER.



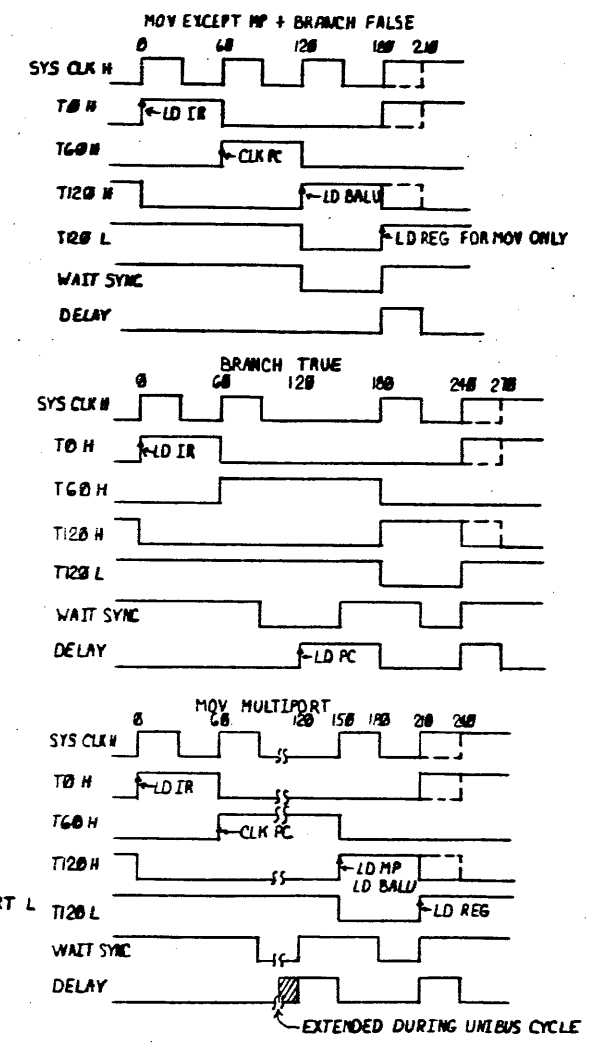
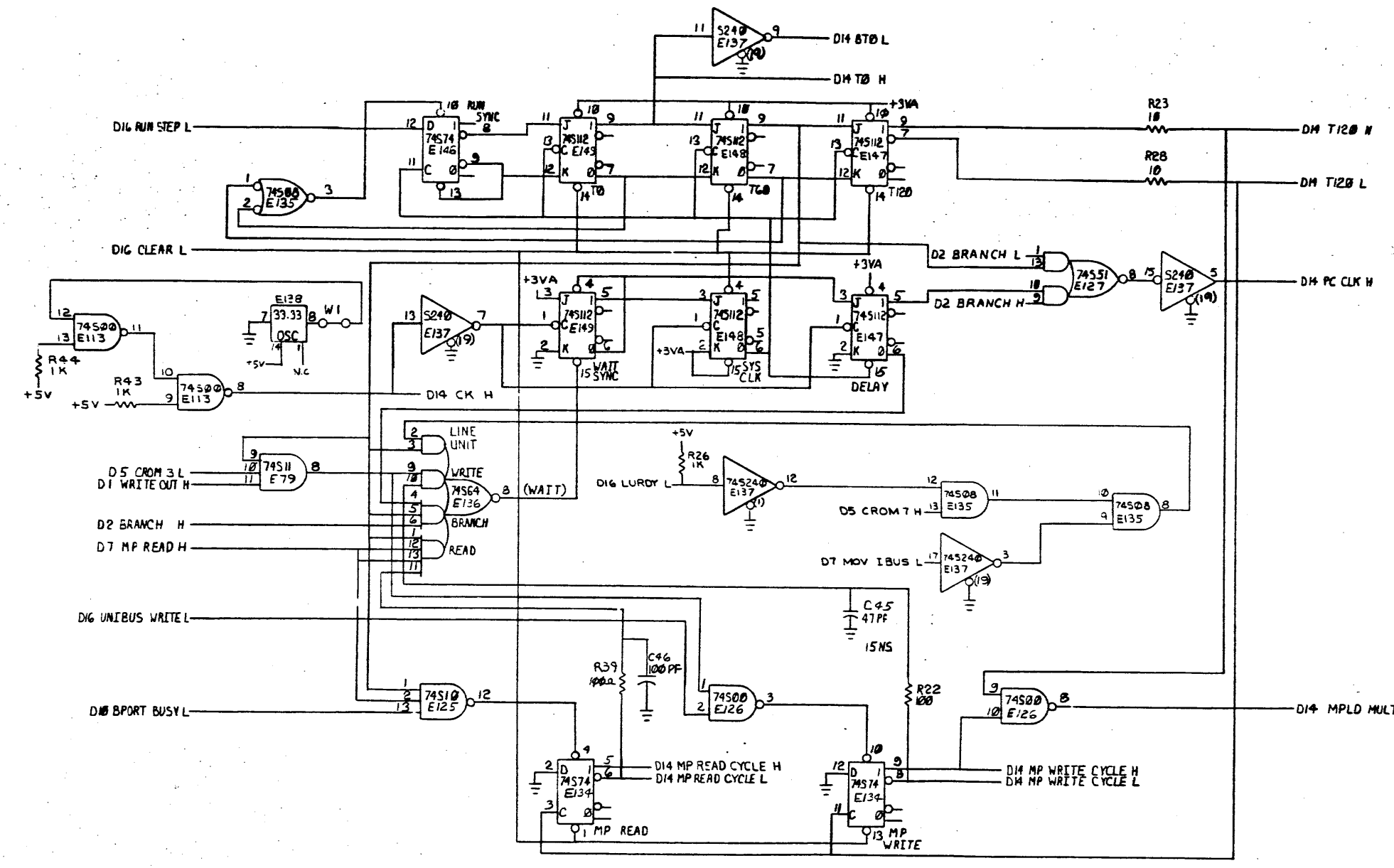
REVISIONS		
CHK	CHANGE NO.	REV.

(PROGRAMS COUNTER REGISTERS, NPA CONTROL, MP MISC REGISTER)			
TITLE	SIZE CODE	NUMBER	REV.
4K UNIBUS MICROPROCESSOR	013	DCSMB206-0-1	J
SCALE	SHEET 15 OF 21	DIST.	

DCSMB206-0-1 J

THIS DRAWING AND SPECIFICATIONS HEREIN ARE THE PROPERTY OF DIGITAL EQUIPMENT CORPORATION AND SHALL NOT BE REPRODUCED OR COPIED OR USED IN WHOLE OR IN PART AS THE BASIS FOR THE MANUFACTURE OR SALE OF ITEMS WITHOUT WRITTEN PERMISSION. COPYRIGHT © 1977 DIGITAL EQUIPMENT CORPORATION.

1-0-9028W SCD 2

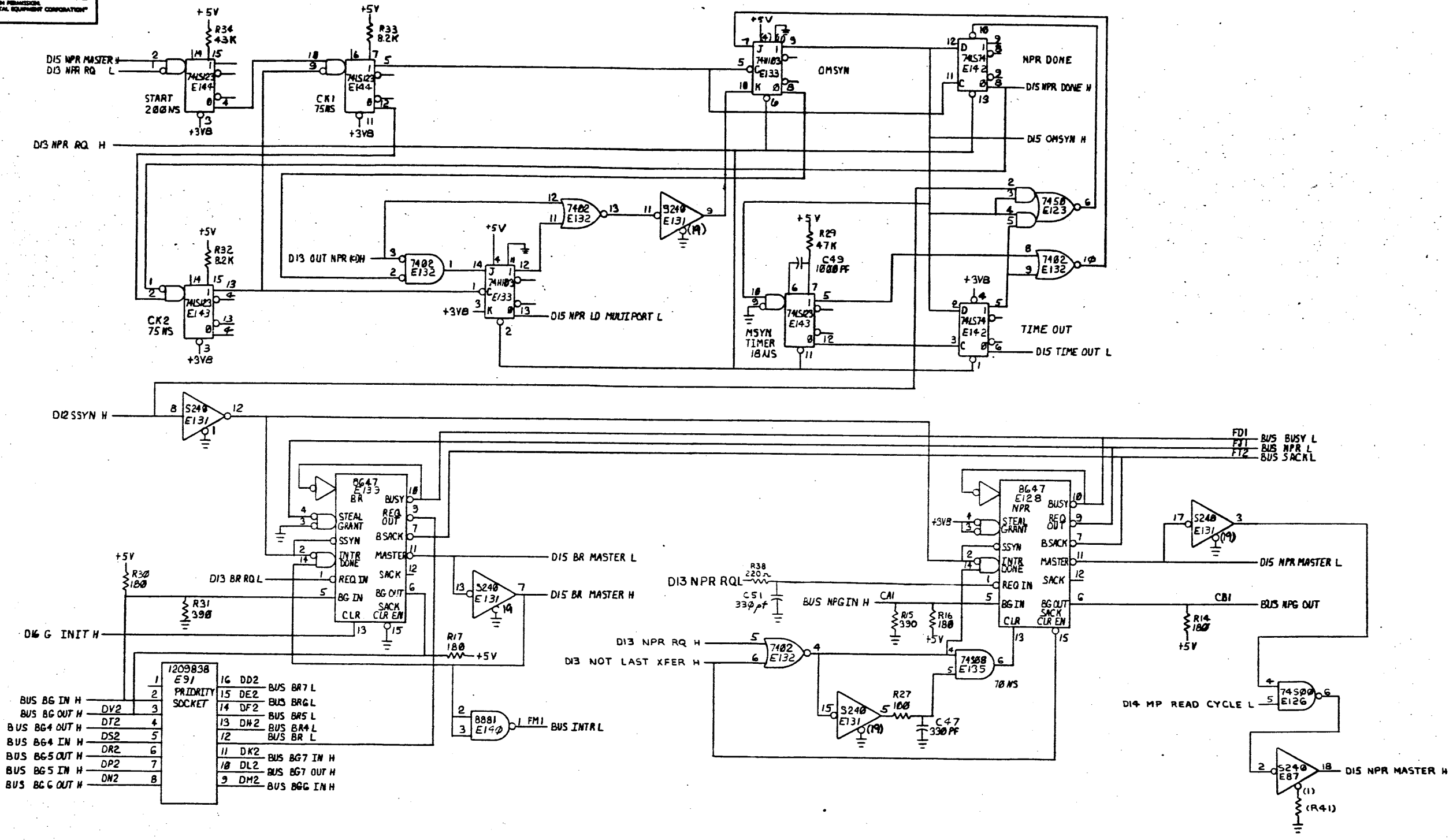


REVISIONS		
CHK	CHANGE NO.	REV.

(SYSTEM CLOCK)			
TITLE	SIZE/DOOR	NUMBER	REV.
4K UNIBUS MICROPROCESSOR (D14)	DCS M8206	- 0 - 1	J
SCALE	SHEET 16 OF 21	DIST.	

THE DRAWING AND SPECIFICATIONS HEREIN ARE THE PROPERTY OF DIGITAL EQUIPMENT CORPORATION AND SHALL NOT BE REPRODUCED OR COPIED OR USED IN WHOLE OR IN PART AS THE BASIS FOR THE MANUFACTURE OR SALE OF ITEMS WITHOUT WRITTEN PERMISSION. COPYRIGHT © 1977 DIGITAL EQUIPMENT CORPORATION

1-0-9028W5 2



1	16 DD2	BUS BR7 L
2	PRIORITY	BUS BR6 L
3	SOCKET	BUS BR5 L
4		BUS BR4 L
5		BUS BR L
6		
7	11 DK2	BUS BR7 IN H
8	10 DL2	BUS BR7 OUT H
	9 DM2	BUS BR6 IN H

REVISIONS		
CHK	CHANGE NO.	REV.

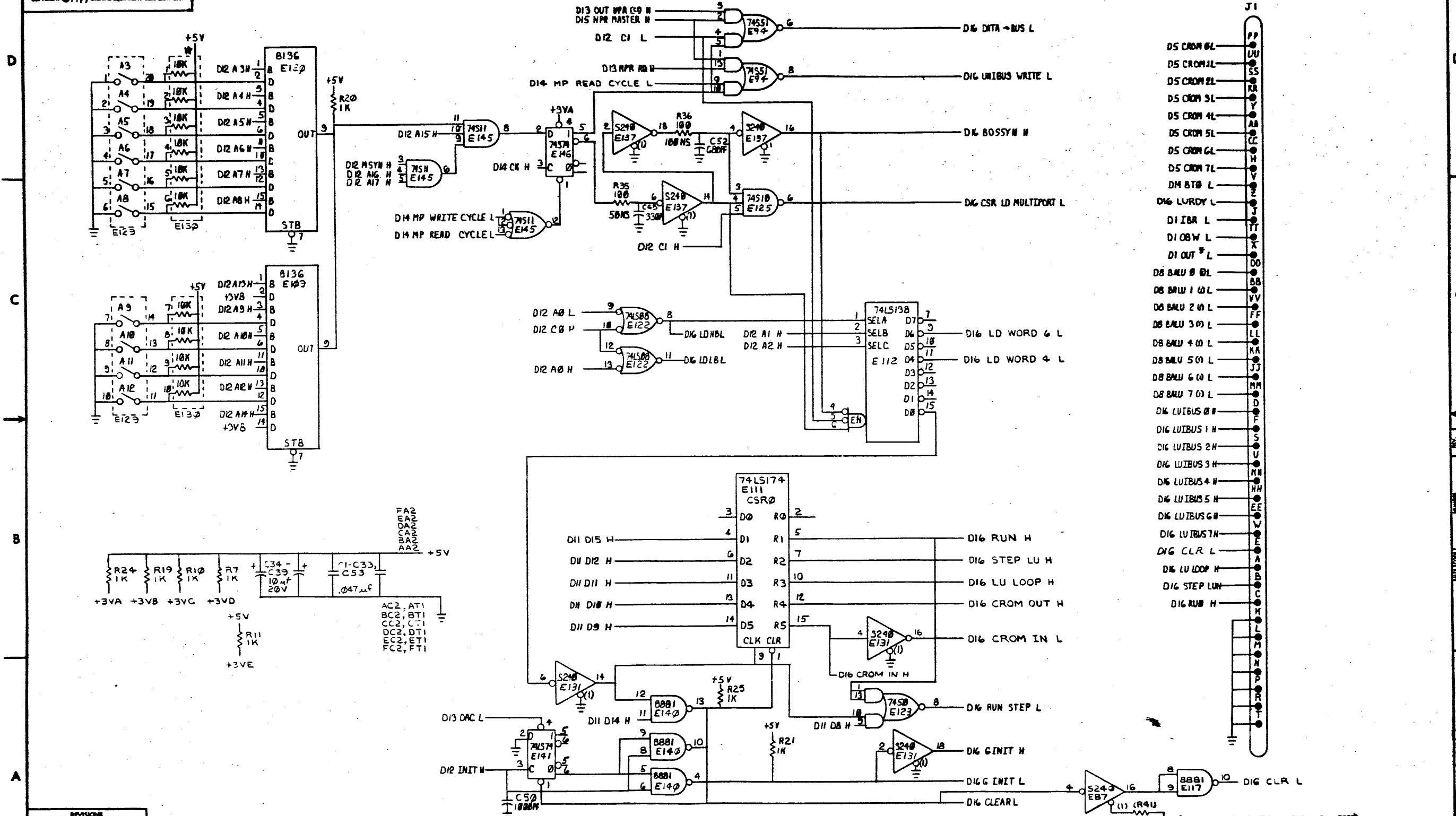
(INTERUPT + NPR CONTROL)  
 TITLE 4K UNIBUS MICROPROCESSOR  
 SIZE CODE D  
 NUMBER CS M8206-0-1  
 REV. J  
 SHEET 17 OF 21  
 DIST.







THIS DRAWING AND SPECIFICATIONS HEREBY ARE THE PROPERTY OF DIGITAL EQUIPMENT CORPORATION AND SHALL NOT BE REPRODUCED OR COPIED OR LOANED IN WHOLE OR IN PART AS THE BASIS FOR THE MANUFACTURE OR SALE OF ITEMS WITHOUT WRITTEN PERMISSION. COPYRIGHT © 1977 DIGITAL EQUIPMENT CORPORATION.



- PP
- UU
- SS
- RR
- YY
- AA
- CC
- HH
- VV
- TT
- XX
- DD
- BB
- VV
- FF
- LL
- KK
- JJ
- MM
- DD
- FF
- SS
- UU
- NN
- HH
- EE
- VV
- FF
- AA
- BB
- CC
- MM
- PP
- RR
- TT
- UU
- VV
- WW
- XX
- YY
- ZZ

REV. J DCSM8206-0-1

REVISIONS		
CHK	CHANGE NO.	REV.