

TITLE: VAXSTATION 2000 SYSTEM BUILDING BLOCK	SHEET 2 OF 3	SIZE CODE B DD	NUMBER VS450-0-DBU	REV. A
---	--------------	--------------------------	-----------------------	-----------

AUTOMATED BY VAXKPL (V1.3)

PARTS LIST

SHEET A1 OF A1

LINE	ITEM	TOP DOCUMENT	PART NUMBER	MIN REV	DESCRIPTION	QUANTITY PER VARIATION/REVISION									
						A3 A1	AA A1	B3 A1	BA A1	C3 A1	CA A1	D3 A1	DA A1	E3 A1	EA A1
1	1	B-DD-VS410-0-DBU	VS410-AA		KA410-AA(2MB),H7848-AA,DISKLESS,12	-	1	-	1	-	1	-	1	-	1
2	2	B-DD-VS410-0-DBU	VS410-A3		KA410-AA(2MB),SYS BOX,H7848-BA,DIS	1	-	1	-	1	-	1	-	1	-
3	3	K-PL-MS400-0-DBP	MS400-AA		2MB MEMORY W/PARITY FOR KA410,256K	-	-	1	1	-	-	1	1	-	-
4	4	B-DD-VR260-1	VR260-AA		VR260-A(B/W) FOR US/ENGLISH,DOC,12	-	1	-	1	-	1	-	1	-	1
5	5	B-DD-VR260-1	VR260-A3		VR260-A(B/W) FOR EXPORT,240V (REQS	1	-	1	-	1	-	1	-	1	-
6	6		LK201-LA		LK201-A WITH USA KEYCAPS,BCC01,N0	-	1	-	1	-	1	-	1	-	1
7	7	K-PL-7023989-0-DBP			INTERNATIONAL KEYBOARD	REF	REF	REF	REF	REF	REF	REF	REF	REF	REF
8	8	K-PL-MS400-0-DBP	MS400-BA		4MB MEMORY W/PARTIY FOR KA410,256K	-	-	-	-	1	1	-	-	1	1
9	9		Q8001-CZ		MICROVMS 1-2 USER LIC	-	-	-	-	-	-	1	1	1	1
10	10		Q8A96-UZ		MICROVMS/WS S/U/LIC	-	-	-	-	-	-	1	1	1	1
11	11		Q8ZCE-UZ		LOCAL AREA VAXC LIC W/WARR	-	-	-	-	-	-	1	1	1	1
12	12		Q8D04-UZ		DECNET VAX E/NODE S/U/LIC	-	-	-	-	-	-	1	1	1	1
13	13		Q8821-UZ		ULTRIX 32 2 USR BASE SYSTEM	-	-	-	-	-	-	-	-	-	-
14	14		Q4X32-UZ		ULTRIX-32W USER LICENSE	-	-	-	-	-	-	-	-	-	-
15	15	A-PA-3700858-0-0	37-00858-01		PKG CONSOLIDATION VS210-A	1	1	1	1	1	1	1	1	1	1

REVISION HISTORY		KPL MATRIX FORMAT		SECTION A OF B		DRN: PAUL GAGNE		DIGITAL	
ENG	ECO NUMBER	REV	SECTION/VARIATION INDEX		DATE: 04-AUG-86		TITLE PARTS LIST		
---	INITIAL	A	[A]	A3,AA,B3,BA,C3,CA,D3,DA,E3,EA	CHK'D: D. HEALY		VAXSTATION 2000 (MONO)		
			[B]	F3,FA,G3,GA	DATE: 25-FEB-87		SYSTEM BUILDING BLOCKS		
			[C]		DES.ENG: L. KIZINA		DOCUMENT NUMBER		
			[D]		DATE: 25-FEB-87		SIZE	CODE	NUMBER
			[E]		RESP.ENG.: G. LORD		K	PL	VS450-0-DBP
			[F]		DATE: 25-FEB-87				A
			[H]		MFG.ENG: F. OSOWSKI		RELEASE DATE: 25-FEB-87		
			[J]		DATE: 25-FEB-87		RELEASE STATUS: RELEASED		
BASIC PART NUMBER:		ASSEMBLY NUMBER:		TOP DOCUMENT NUMBER:		FILE NAME:		EDIT #	
VS450		D-AR-VS450-0-DBU		B-DD-VS450-0-DBU		MLA0637A.PLS		28	

"THIS DRAWING AND THE SPECIFICATIONS CONTAINED HEREIN ARE CONFIDENTIAL AND PROPRIETARY. THEY ARE THE PROPERTY OF DIGITAL EQUIPMENT CORPORATION AND SHALL NOT BE REPRODUCED OR COPIED OR USED IN WHOLE OR IN PART AS THE BASIS FOR THE MANUFACTURE OR SALE OF ITEMS WITHOUT WRITTEN PERMISSION. THIS IS AN UNPUBLISHED WORK PROTECTED UNDER THE FEDERAL COPYRIGHT LAWS."

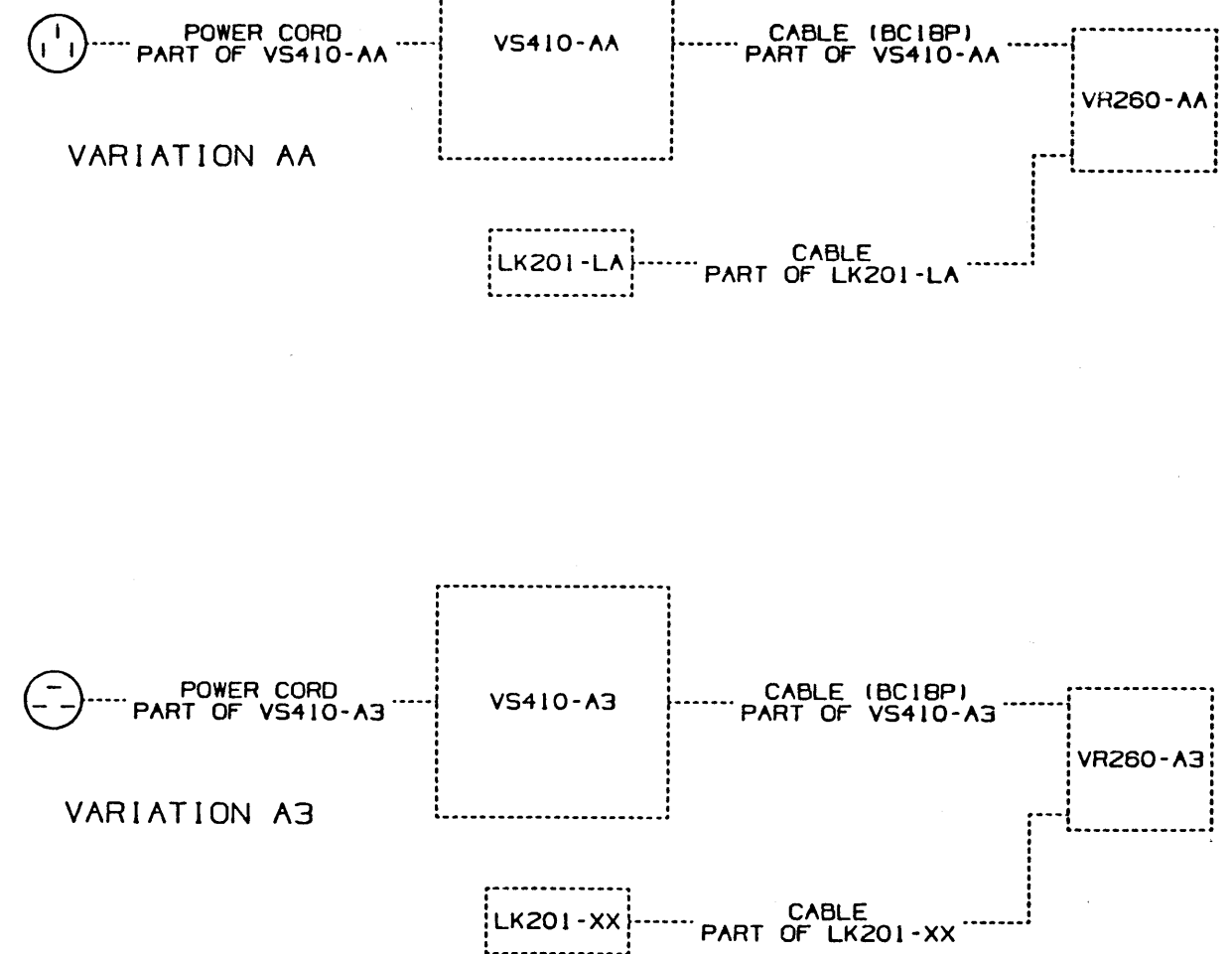
LINE	ITEM	TOP DOCUMENT	PART NUMBER	MIN REV	DESCRIPTION	QUANTITY PER VARIATION/REVISION			
						F3 A1	FA A1	G3 A1	GA A1
1	1	B-DD-VS410-0-DBU	VS410-AA		KA410-AA(2MB),H7848-AA,DISKLESS,12	-	1	-	1
2	2	B-DD-VS410-0-DBU	VS410-A3		KA410-AA(2MB),SYS BOX,H7848-BA,DIS	1	-	1	-
3	3	K-PL-MS400-0-DBP	MS400-AA		2MB MEMORY W/PARITY FOR KA410,256K	1	1	-	-
4	4	B-DD-VR260-1	VR260-AA		VR260-A(B/W) FOR US/ENGLISH,DOC,12	-	1	-	1
5	5	B-DD-VR260-1	VR260-A3		VR260-A(B/W) FOR EXPORT,240V (REQS	1	-	1	-
6	6		LK201-LA		LK201-A WITH USA KEYCAPS,BCC01,NO	-	1	-	1
7	7	K-PL-7023989-0-DBP			INTERNATIONAL KEYBOARD	REF	REF	REF	REF
8	8	K-PL-MS400-0-DBP	MS400-BA		4MB MEMORY W/PARTIY FOR KA410,256K	-	-	1	1
9	9		Q8001-CZ		MICROVMS 1-2 USER LIC	-	-	-	-
10	10		Q8A96-UZ		MICROVMS/WS S/U/LIC	-	-	-	-
11	11		Q8ZCE-UZ		LOCAL AREA VAXC LIC W/WARR	-	-	-	-
12	12		Q8D04-UZ		DECNET VAX E/NODE S/U/LIC	-	-	-	-
13	13		Q8821-UZ		ULTRIX 32 2 USR BASE SYSTEM	1	1	1	1
14	14		Q4X32-UZ		ULTRIX-32W USER LICENSE	1	1	1	1
15	15	A-PA-3700858-0-0	37-00858-01		PKG COSOLIDATION VS210-A	1	1	1	1

REVISION HISTORY		KPL MATRIX FORMAT		SECTION B OF B	DRN: PAUL GAGNE	DIGITAL				
ENG	ECO NUMBER	REV	SECTION/VARIATION INDEX		DATE: 04-AUG-86					
---	INITIAL	A	[A]	A3,AA,B3,BA,C3,CA,D3,DA,E3,EA	CHK'D: D. HEALY	TITLE PARTS LIST				
			[B]	F3,FA,G3,GA	DATE: 25-FEB-87	VAXSTATION 2000 (MONO)				
			[C]		DES.ENG: L. KIZINA	SYSTEM BUILDING BLOCKS				
			[D]		DATE: 25-FEB-87	DOCUMENT NUMBER				
			[E]			SIZE	CODE	NUMBER	REV	
			[F]		RESP.ENG.: G. LORD	K	PL	VS450-0-DBP	A	
			[H]		DATE: 25-FEB-87	RELEASE DATE: 25-FEB-87				
			[J]		MFG.ENG: F. OSOWSKI	RELEASE STATUS: RELEASED				
					DATE: 25-FEB-87					
			BASIC PART NUMBER: VS450		ASSEMBLY NUMBER: D-AR-VS450-0-DBU		TOP DOCUMENT NUMBER: B-DD-VS450-0-DBU		FILE NAME: MLA0637A.PLS	
									EDIT #: 28	

"THIS DRAWING AND THE SPECIFICATIONS CONTAINED HEREIN ARE CONFIDENTIAL AND PROPRIETARY. THEY ARE THE PROPERTY OF DIGITAL EQUIPMENT CORPORATION AND SHALL NOT BE REPRODUCED OR COPIED OR USED IN WHOLE OR IN PART AS THE BASIS FOR THE MANUFACTURE OR SALE OF ITEMS WITHOUT WRITTEN PERMISSION. THIS IS AN UNPUBLISHED WORK PROTECTED UNDER THE FEDERAL COPYRIGHT LAWS."

"THIS DRAWING AND THE SPECIFICATIONS CONTAINED HEREIN ARE CONFIDENTIAL AND PROPRIETARY. THEY ARE THE PROPERTY OF DIGITAL EQUIPMENT CORPORATION AND SHALL NOT BE REPRODUCED OR COPIED OR USED IN WHOLE OR IN PART AS THE BASIS FOR THE MANUFACTURE OR SALE OF ITEMS WITHOUT WRITTEN PERMISSION. THIS IS AN UNPUBLISHED WORK PROTECTED UNDER THE FEDERAL COPYRIGHT LAWS. 1987"

D
C
B
A



(FOR INT'L VARIATION)
 (SEE K-PL-7023989-0-DBP)

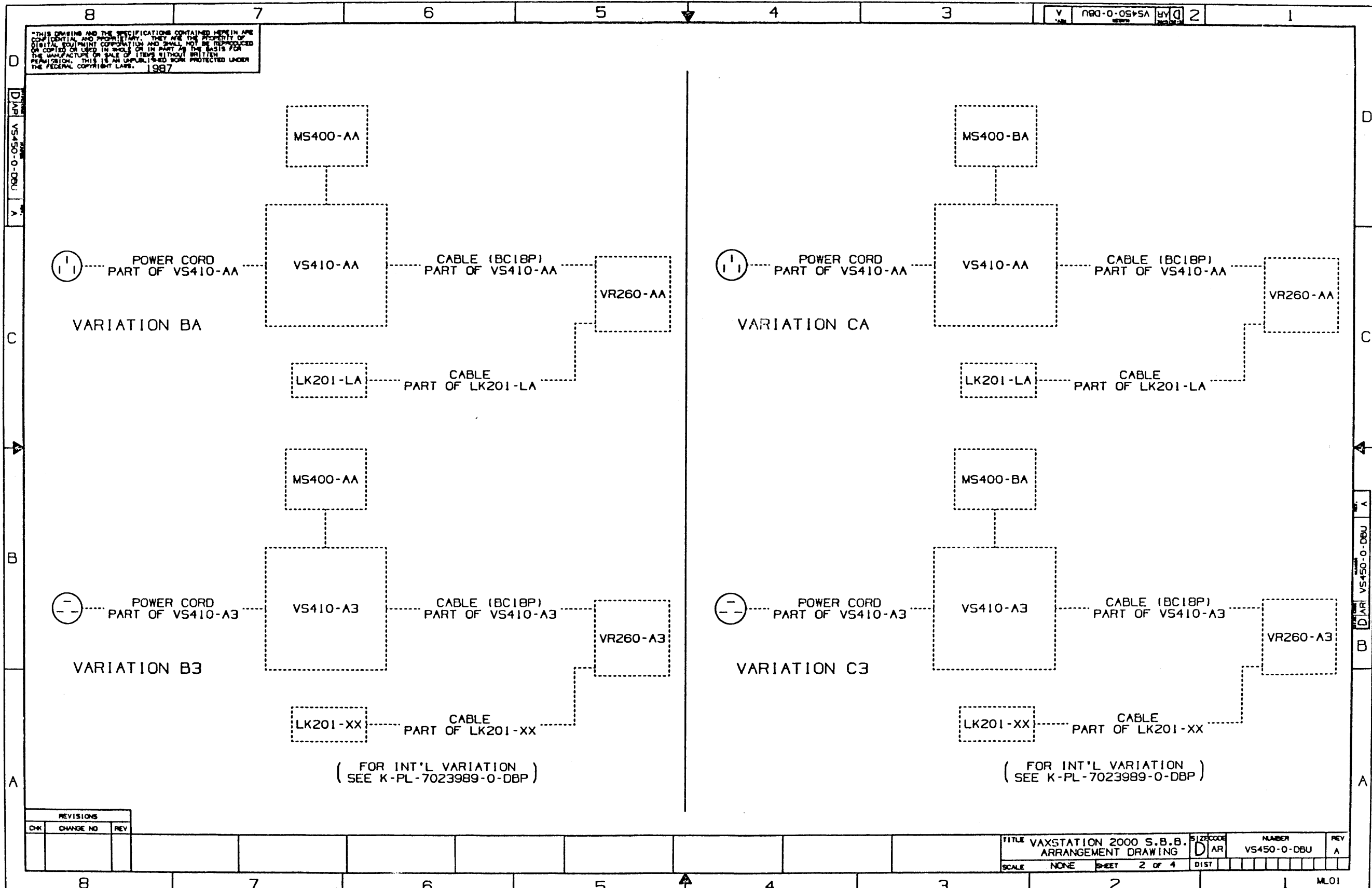
FILE NAME: AR-VS450-0-DBUA

VS450-0-DBUA
 D JAR

REV.	INITIAL
CHG.	
NO.	

QUANTITY & VARIATION	DESCRIPTION	DRAWING NO.	PART NO.	ITEM NO.																									
	UNLESS OTHERWISE SPECIFIED DIMENSIONS ARE IN INCHES AND THE FOLLOWING TOLERANCES APPLY (PER DEC STD 114)																												
DIMENSION RANGE IN INCHES																													
INCHES TOLERANCES	ANGLES 90°-180°	SURFACE QUALITY	DIMENSION RANGE IN INCHES																										
.125 - .1	<input type="checkbox"/>	<input checked="" type="checkbox"/>	OVER .10	OVER .10																									
.100 - .08	<input type="checkbox"/>	<input checked="" type="checkbox"/>	OVER .08	OVER .08																									
.080 - .06	<input type="checkbox"/>	<input checked="" type="checkbox"/>	OVER .06	OVER .06																									
	<input type="checkbox"/>	<input checked="" type="checkbox"/>	OVER .04	OVER .04																									
	<input type="checkbox"/>	<input checked="" type="checkbox"/>	OVER .02	OVER .02																									
	<input type="checkbox"/>	<input checked="" type="checkbox"/>	OVER .01	OVER .01																									
	<input type="checkbox"/>	<input checked="" type="checkbox"/>	OVER .005	OVER .005																									
<table border="1"> <tr> <td>THIRD ANGLE PROJECTION</td> <td>DWG. P. OSOWSKI</td> <td>DATE 23-FEB-87</td> <td>TITLE</td> <td>Digital</td> </tr> <tr> <td>DO NOT SCALE DRAWING</td> <td>DES. D. HEALY</td> <td>DATE 23-FEB-87</td> <td colspan="2">VAXSTATION 2000 S.B.B. ARRANGEMENT DRAWING</td> </tr> <tr> <td>REMOVE BURRS AND BREAK SHARP CORNERS</td> <td>RES. D. G. LORD</td> <td>DATE 23-FEB-87</td> <td colspan="2">DOCUMENT NUMBER</td> </tr> <tr> <td>MATERIAL SEE PARTS LIST</td> <td>178. D. F. OSOWSKI</td> <td>DATE 23-FEB-87</td> <td>SIZE</td> <td>NUMBER</td> </tr> <tr> <td>FINISH</td> <td>TOP D. B-DO-VS450-0-DBU</td> <td></td> <td>D JAR</td> <td>VS450-0-DBU A</td> </tr> </table>					THIRD ANGLE PROJECTION	DWG. P. OSOWSKI	DATE 23-FEB-87	TITLE	Digital	DO NOT SCALE DRAWING	DES. D. HEALY	DATE 23-FEB-87	VAXSTATION 2000 S.B.B. ARRANGEMENT DRAWING		REMOVE BURRS AND BREAK SHARP CORNERS	RES. D. G. LORD	DATE 23-FEB-87	DOCUMENT NUMBER		MATERIAL SEE PARTS LIST	178. D. F. OSOWSKI	DATE 23-FEB-87	SIZE	NUMBER	FINISH	TOP D. B-DO-VS450-0-DBU		D JAR	VS450-0-DBU A
THIRD ANGLE PROJECTION	DWG. P. OSOWSKI	DATE 23-FEB-87	TITLE	Digital																									
DO NOT SCALE DRAWING	DES. D. HEALY	DATE 23-FEB-87	VAXSTATION 2000 S.B.B. ARRANGEMENT DRAWING																										
REMOVE BURRS AND BREAK SHARP CORNERS	RES. D. G. LORD	DATE 23-FEB-87	DOCUMENT NUMBER																										
MATERIAL SEE PARTS LIST	178. D. F. OSOWSKI	DATE 23-FEB-87	SIZE	NUMBER																									
FINISH	TOP D. B-DO-VS450-0-DBU		D JAR	VS450-0-DBU A																									
	SCALE		NONE	SHEET 1 OF 4																									

THIS DRAWING AND THE SPECIFICATIONS CONTAINED HEREIN ARE CONFIDENTIAL AND PROPRIETARY. THEY ARE THE PROPERTY OF DIGITAL EQUIPMENT CORPORATION AND SHALL NOT BE REPRODUCED OR COPIED OR USED IN WHOLE OR IN PART AS THE BASIS FOR THE MANUFACTURE OR SALE OF ITEMS WITHOUT WRITTEN PERMISSION. THIS IS AN UNPUBLISHED WORK PROTECTED UNDER THE FEDERAL COPYRIGHT LAWS. 1987

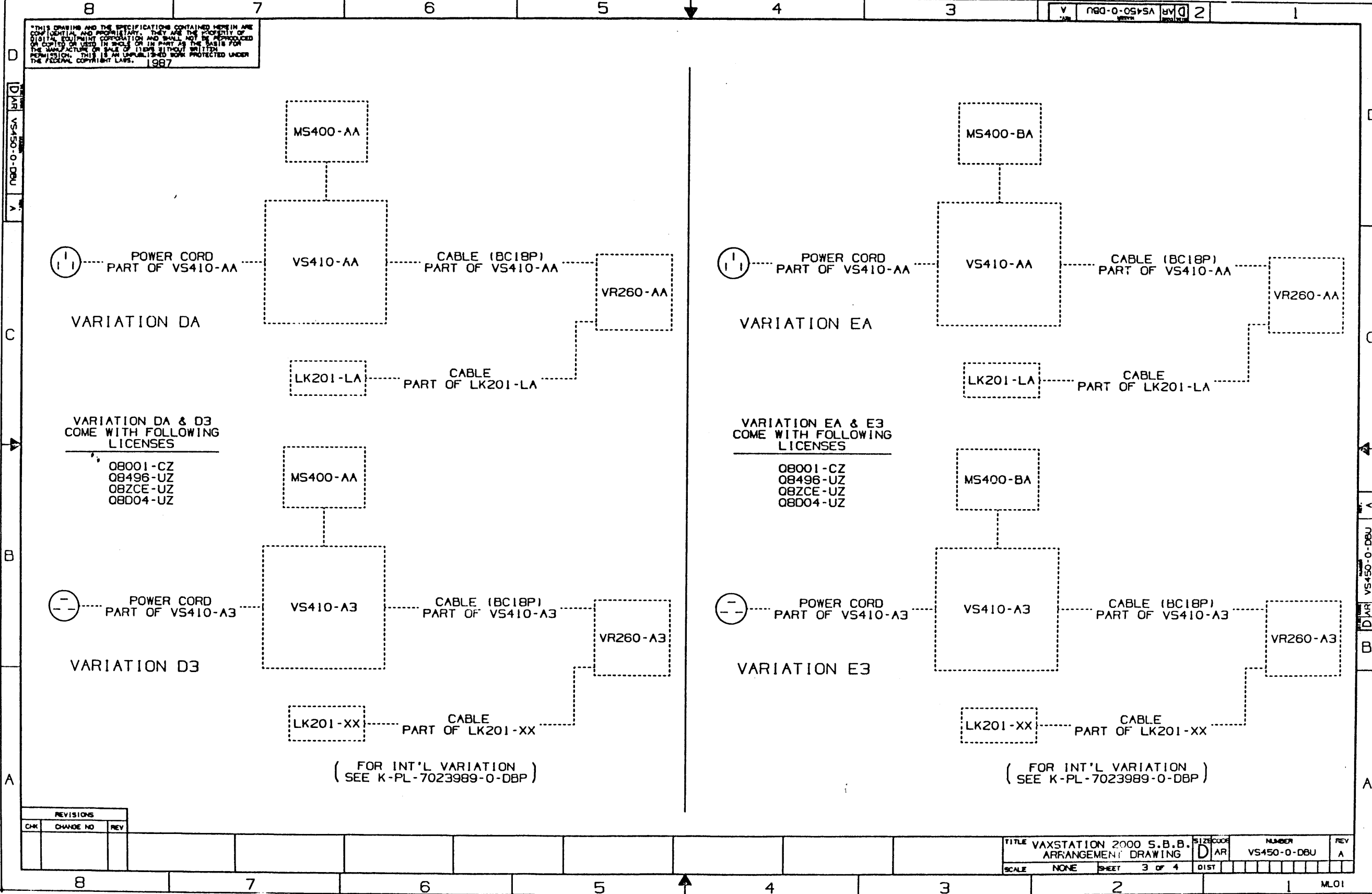


REVISIONS		
CHK	CHANGE NO	REV

TITLE VAXSTATION 2000 S.B.B. ARRANGEMENT DRAWING
 SCALE NONE SHEET 2 OF 4 DIST
 NUMBER VS450-0-DBU
 REV A

ML01

*THIS DRAWING AND THE SPECIFICATIONS CONTAINED HEREIN ARE CONFIDENTIAL AND PROPRIETARY. THEY ARE THE PROPERTY OF DIGITAL EQUIPMENT CORPORATION AND SHALL NOT BE REPRODUCED OR COPIED OR USED IN WHOLE OR IN PART AS THE BASIS FOR THE MANUFACTURE OR SALE OF ITEMS WITHOUT WRITTEN PERMISSION. THIS IS AN UNPUBLISHED WORK PROTECTED UNDER THE FEDERAL COPYRIGHT LAWS. 1987



REVISIONS		
CHK	CHANGE NO	REV

TITLE	VAXSTATION 2000 S.B.B. ARRANGEMENT DRAWING	SIZE	CODE	NUMBER	REV
SCALE	NONE	SHEET	3 OF 4	VS450-0-DBU	A

ML01

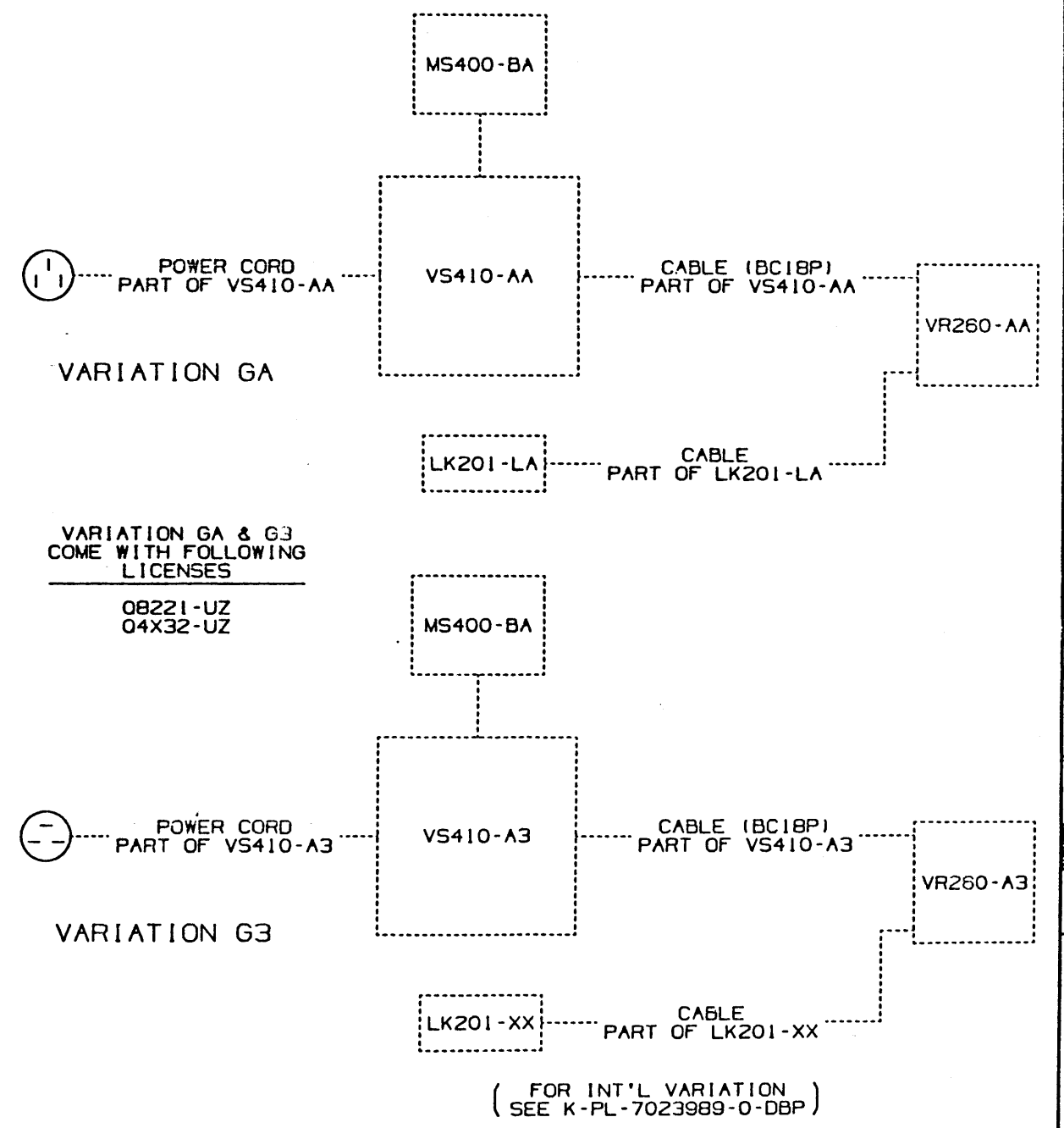
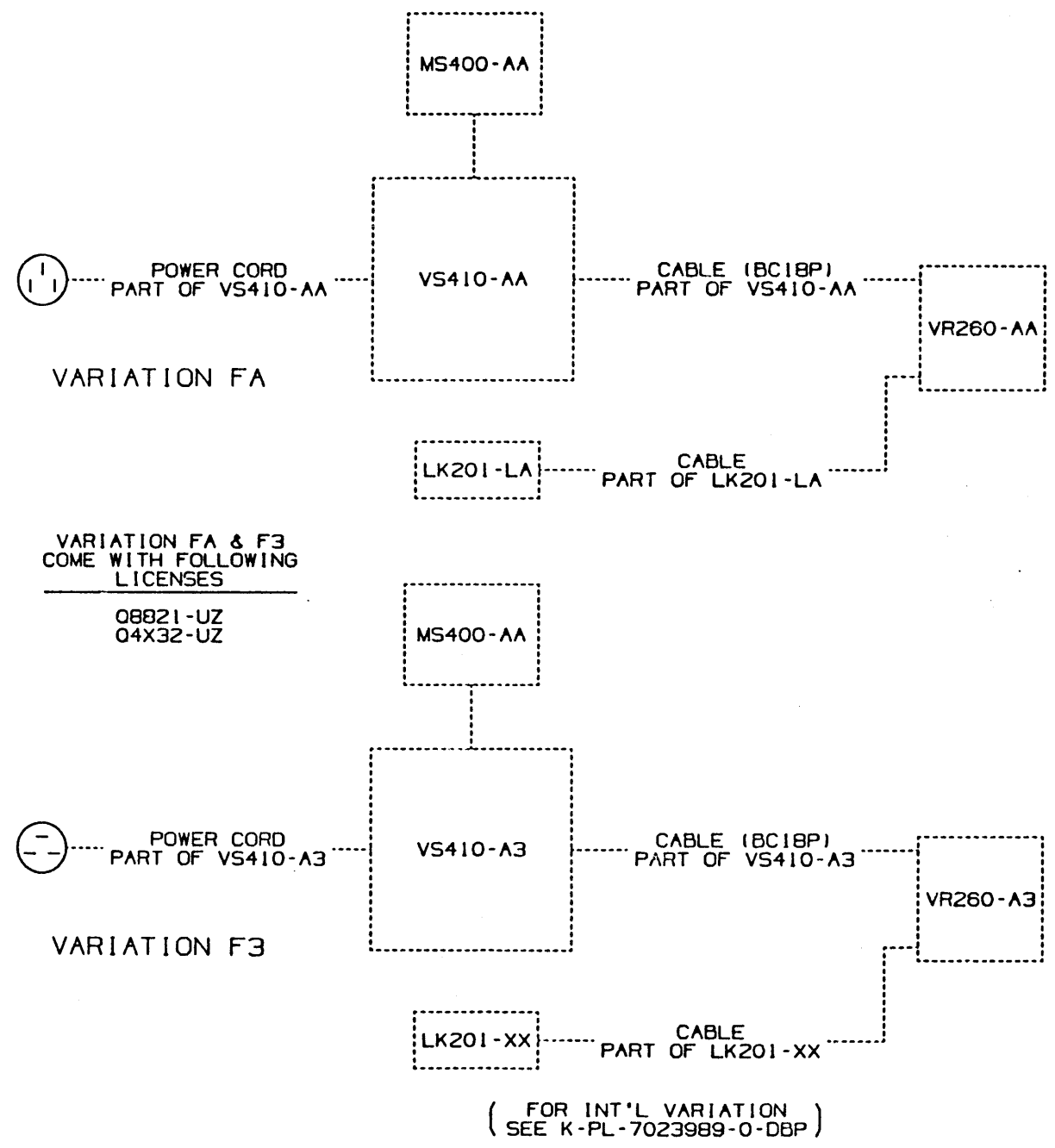
THIS DRAWING AND THE SPECIFICATIONS CONTAINED HEREIN ARE CONFIDENTIAL AND PROPRIETARY. THEY ARE THE PROPERTY OF DIGITAL EQUIPMENT CORPORATION AND SHALL NOT BE REPRODUCED OR COPIED OR USED IN WHOLE OR IN PART AS THE BASIS FOR THE MANUFACTURE OR SALE OF ITEMS WITHOUT WRITTEN PERMISSION. THIS IS AN UNPUBLISHED WORK PROTECTED UNDER THE FEDERAL COPYRIGHT LAWS. 1987

VS450-0-DBU

C

B

A



D

C

B

A

VS450-0-DBU

REVISIONS		
CHK	CHANGE NO	REV

AUTOMATED BY VAXKPL (V1.3)

P A R T S L I S T

SHEET A1 OF A1

LINE ITEM	TOP DOCUMENT	PART NUMBER	MIN REV	DESCRIPTION	QUANTITY PER VARIATION/REVISION	
					AA A1	BA A1
1	1 B-DD-5416802-0-0	54-16802-AA		MS400-AA 2MB MEM,SURFACE MNT,256K	1	-
2	2 B-DD-5416802-0-0	54-16802-BA		MS400-BA 4MB MEM,SURFACE MNT,256K	-	1
3	3 SEE NOTE	37-00689-25		PKG UNIVERSAL MODULE	1	1

3 NOTE: REFERENCE PACKAGE SPEC, PA-3700689-25

REVISION HISTORY		KPL MATRIX FORMAT		SECTION A OF A		DRN: PAUL GAGNE		D I G I T A L	
ENG	ECO NUMBER	REV	SECTION/VARIATION INDEX		DATE:	15-SEP-86			
---	INITIAL	A	[A]	AA,BA	CHK'D:	D. HEALY		TITLE PARTS LIST	
			[B]		DATE:	25-FEB-87		MEMORY UPGRADE	
			[C]		DES.ENG:	L. KIZINA			
			[D]		DATE:	25-FEB-87		DOCUMENT NUMBER	
			[E]		RESP.ENG.:	G. LORD		SIZE	CODE
			[F]		DATE:	25-FEB-87		NUMBER	REV
			[H]		MFG.ENG:	D. TAYLOR		K	PL
			[J]		DATE:	25-FEB-87		MS400-0-DBP	A
					RELEASE DATE:	25-FEB-87			
					RELEASE STATUS:	RELEASED			
					BASIC PART NUMBER:	ASSEMBLY NUMBER:	TOP DOCUMENT NUMBER:	FILE NAME:	EDIT #
					MS400		K-PL-MS400-0-DBP	MLA0754A.PLS	13

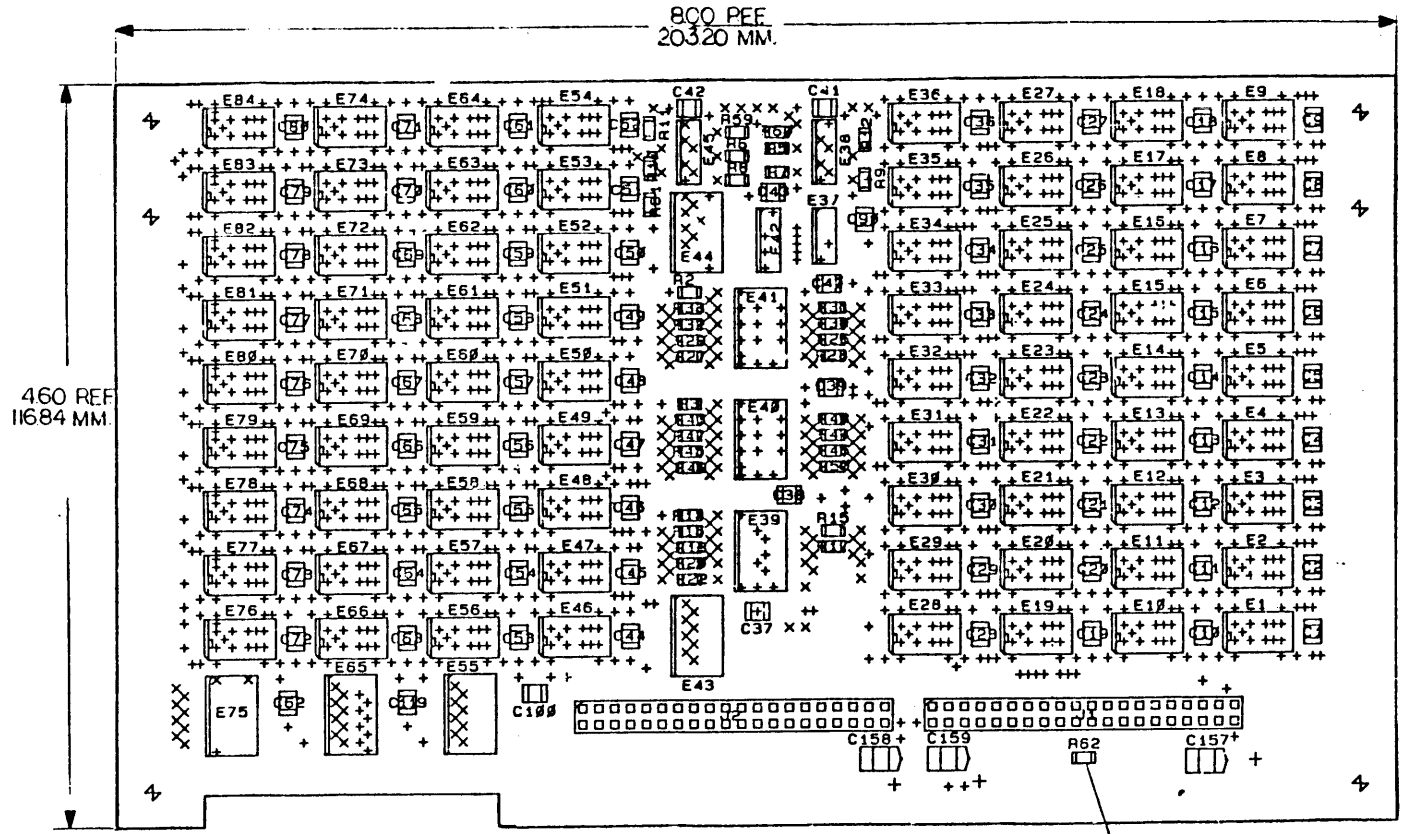
"THIS DRAWING AND THE SPECIFICATIONS CONTAINED HEREIN ARE CONFIDENTIAL AND PROPRIETARY. THEY ARE THE PROPERTY OF DIGITAL EQUIPMENT CORPORATION AND SHALL NOT BE REPRODUCED OR COPIED OR USED IN WHOLE OR IN PART AS THE BASIS FOR THE MANUFACTURE OR SALE OF ITEMS WITHOUT WRITTEN PERMISSION. THIS IS AN UNPUBLISHED WORK PROTECTED UNDER THE FEDERAL COPYRIGHT LAWS."

DRAWING NO.	NO. SHTS	PART NO.	DESCRIPTION	REVISIONS																																																																																				
		5416802-AA	2 MB MEMORY OPTION	A1 A2 A3																																																																																				
		5416802-BA	4 MB MEMORY OPTION	A1 A2 A3																																																																																				
D-UA-5416802-0-0	4		UNIT ASSEMBLY	A A B																																																																																				
D-UA-5416802-1-0	4		UNIT ASSEMBLY	A A A																																																																																				
B-CS-5416802-0-1	11		CIRCUIT SCHEMATICS	A A B																																																																																				
K-PL-5416802-0-DBF	3		PARTS LIST	A A A																																																																																				
K-CS-5416802-0-DBX			SCHEMATIC DATA BASE	D1 D2 D2																																																																																				
K-DD-5016801-0-0	1	5016801-01	ETCHED CIRCUIT BOARD	A A A																																																																																				
			DRAWING DIRECTORY																																																																																					
NOTES:				<table border="1"> <tr> <td></td> <td>A</td> <td>A</td> <td>B</td> </tr> <tr> <td>R</td> <td></td> <td></td> <td></td> </tr> <tr> <td>E</td> <td></td> <td></td> <td></td> </tr> <tr> <td>V</td> <td></td> <td></td> <td></td> </tr> <tr> <td>R</td> <td>1</td> <td>I</td> <td>M</td> </tr> <tr> <td>E</td> <td>C</td> <td>N</td> <td>L</td> </tr> <tr> <td>V</td> <td>O</td> <td>I</td> <td>O</td> </tr> <tr> <td>I</td> <td>T</td> <td>T</td> <td>0</td> </tr> <tr> <td>S</td> <td></td> <td></td> <td>1</td> </tr> <tr> <td>T</td> <td></td> <td></td> <td></td> </tr> <tr> <td>O</td> <td></td> <td></td> <td></td> </tr> <tr> <td>R</td> <td></td> <td></td> <td></td> </tr> <tr> <td>I</td> <td></td> <td></td> <td></td> </tr> <tr> <td>O</td> <td></td> <td></td> <td></td> </tr> <tr> <td>N</td> <td></td> <td></td> <td></td> </tr> <tr> <td>Y</td> <td></td> <td></td> <td></td> </tr> <tr> <td>D</td> <td>1</td> <td>1</td> <td>0</td> </tr> <tr> <td>A</td> <td>0</td> <td>0</td> <td>3</td> </tr> <tr> <td>T</td> <td>/</td> <td>/</td> <td>/</td> </tr> <tr> <td>E</td> <td>8</td> <td>8</td> <td>8</td> </tr> <tr> <td></td> <td>6</td> <td>6</td> <td>8</td> </tr> </table>		A	A	B	R				E				V				R	1	I	M	E	C	N	L	V	O	I	O	I	T	T	0	S			1	T				O				R				I				O				N				Y				D	1	1	0	A	0	0	3	T	/	/	/	E	8	8	8		6	6	8
	A	A	B																																																																																					
R																																																																																								
E																																																																																								
V																																																																																								
R	1	I	M																																																																																					
E	C	N	L																																																																																					
V	O	I	O																																																																																					
I	T	T	0																																																																																					
S			1																																																																																					
T																																																																																								
O																																																																																								
R																																																																																								
I																																																																																								
O																																																																																								
N																																																																																								
Y																																																																																								
D	1	1	0																																																																																					
A	0	0	3																																																																																					
T	/	/	/																																																																																					
E	8	8	8																																																																																					
	6	6	8																																																																																					
THIS DRAWING AND THE SPECIFICATIONS CONTAINED HEREIN ARE CONFIDENTIAL AND PROPRIETARY. THEY ARE THE PROPERTY OF DIGITAL EQUIPMENT CORPORATION AND SHALL NOT BE REPRODUCED OR COPIED OR USED IN WHOLE OR IN PART AS THE BASIS FOR THE MANUFACTURE OR SALE OF ITEMS WITHOUT WRITTEN PERMISSION. THIS IS AN UNPUBLISHED WORK PROTECTED UNDER THE FEDERAL COPYRIGHT LAWS.				<table border="1"> <tr> <td>DRN: J. CUNNINGHAM</td> <td>DATE: 10/7/86</td> <td colspan="2">d i g i t a l</td> </tr> <tr> <td>CHK'D: L. HAYWOOD</td> <td>DATE: 10/7/86</td> <td>TITLE</td> <td>2/4 MB MEMORY OPTION</td> </tr> <tr> <td>DES.ENG.: G. LORD</td> <td>DATE: 10/7/86</td> <td>SHEET 1 OF 1</td> <td>EDIT: 6</td> </tr> <tr> <td>RESP.ENG.: G. LORD</td> <td>DATE: 10/7/86</td> <td colspan="2">DOCUMENT NUMBER</td> </tr> <tr> <td></td> <td></td> <td colspan="2">DD FILENAME: 5416802A.DDF</td> </tr> <tr> <td>MFG.ENG.: D. TAYLOR</td> <td>DATE: 1/20/86</td> <td>SIZE</td> <td>CODE</td> </tr> <tr> <td></td> <td></td> <td>K</td> <td>DD</td> </tr> <tr> <td></td> <td></td> <td>NUMBER</td> <td>REV</td> </tr> <tr> <td></td> <td></td> <td>5416802-0-0</td> <td>B</td> </tr> </table>	DRN: J. CUNNINGHAM	DATE: 10/7/86	d i g i t a l		CHK'D: L. HAYWOOD	DATE: 10/7/86	TITLE	2/4 MB MEMORY OPTION	DES.ENG.: G. LORD	DATE: 10/7/86	SHEET 1 OF 1	EDIT: 6	RESP.ENG.: G. LORD	DATE: 10/7/86	DOCUMENT NUMBER				DD FILENAME: 5416802A.DDF		MFG.ENG.: D. TAYLOR	DATE: 1/20/86	SIZE	CODE			K	DD			NUMBER	REV			5416802-0-0	B																																																
DRN: J. CUNNINGHAM	DATE: 10/7/86	d i g i t a l																																																																																						
CHK'D: L. HAYWOOD	DATE: 10/7/86	TITLE	2/4 MB MEMORY OPTION																																																																																					
DES.ENG.: G. LORD	DATE: 10/7/86	SHEET 1 OF 1	EDIT: 6																																																																																					
RESP.ENG.: G. LORD	DATE: 10/7/86	DOCUMENT NUMBER																																																																																						
		DD FILENAME: 5416802A.DDF																																																																																						
MFG.ENG.: D. TAYLOR	DATE: 1/20/86	SIZE	CODE																																																																																					
		K	DD																																																																																					
		NUMBER	REV																																																																																					
		5416802-0-0	B																																																																																					

THIS DRAWING AND THE SPECIFICATIONS CONTAINED HEREIN ARE CONFIDENTIAL AND PROPRIETARY. THEY ARE THE PROPERTY OF DIGITAL EQUIPMENT CORPORATION AND SHALL NOT BE REPRODUCED OR COPIED OR USED IN WHOLE OR IN PART AS THE BASIS FOR MANUFACTURE OR SALE OF ITEMS WITHOUT WRITTEN PERMISSION. THIS IS AN UNPUBLISHED WORK PROTECTED UNDER THE FEDERAL COPYRIGHT LAWS.

0-0-2000195
DUA 5416802-0-0

SIDE VIEW



REVISION HISTORY		DATE	BY
REV	ECO NUMBER	DATE	BY
A		5-86	

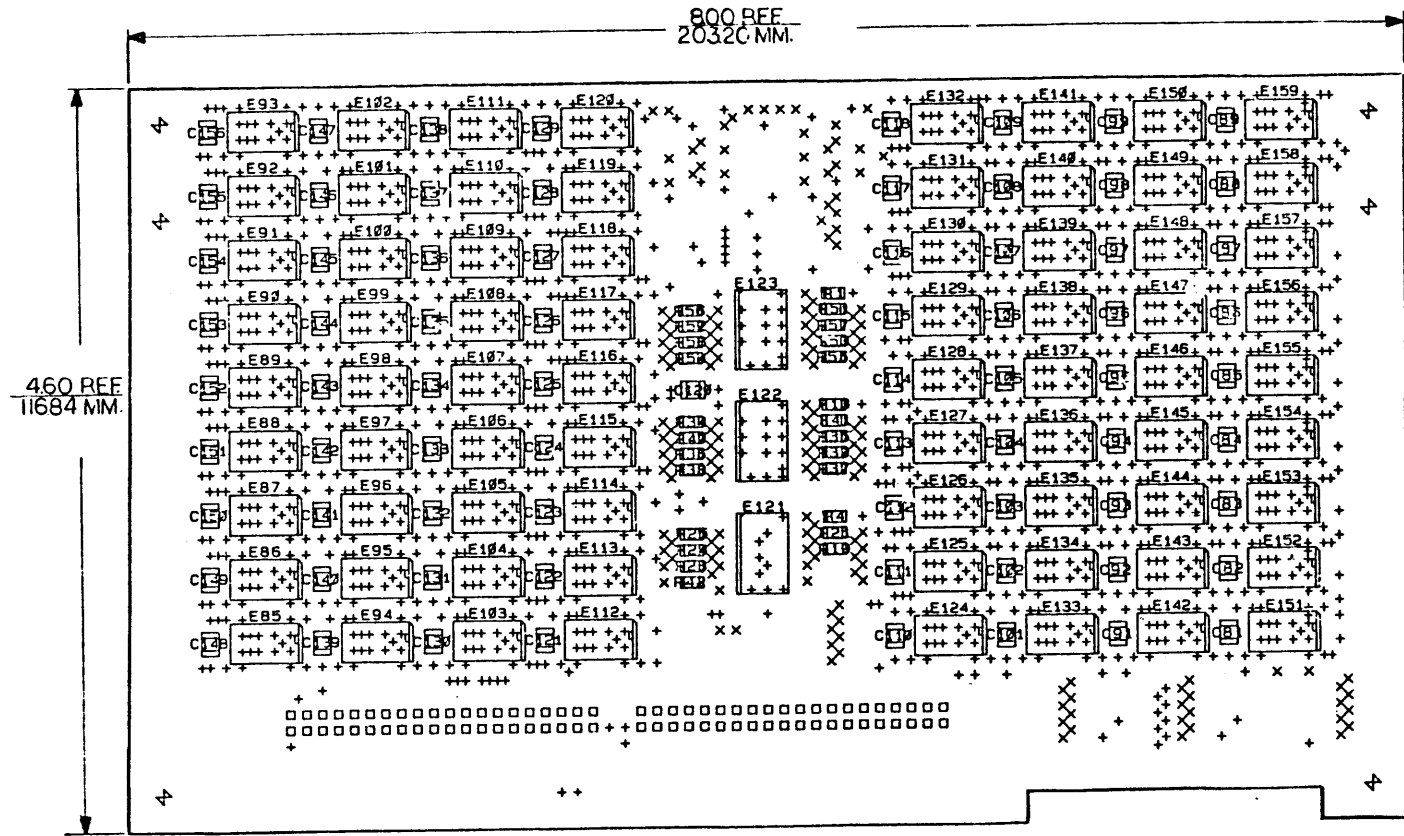
NOTES: R62 IS INSTALLED ONLY ON 3A (4MB) VARIATION

DESIGNED BY L. HAYWOOD	DATE 7-2-86	TITLE 2/4 MB MEMORY OPTION	digital
CHECKED BY J. CUNNINGHAM	DATE 7-2-86		
DRAWN BY G. Lord	DATE 11-25-86	DOCUMENT NUMBER DUA 5416802-0-0	A
REVISIONS BY G. Lord by P.C.	DATE 11-25-86	SCALE 2/1	
DATE 2-10-87		SHEET 1 of 4	
TOP DOC. NO. K-DD-5416802-0-0			

THIS DRAWING AND SPECIFICATIONS HEREIN ARE THE PROPERTY OF DIGITAL EQUIPMENT CORPORATION AND SHALL NOT BE REPRODUCED OR COPIED IN WHOLE OR IN PART AS THE BASIS FOR THE MANUFACTURE OR SALE OF ITEMS WITHOUT WRITTEN PERMISSION FROM DIGITAL EQUIPMENT CORPORATION.
1957 DIGITAL EQUIPMENT CORPORATION

0-0-208915 DUA 5416802-0-0

SIDE 2 VIEW

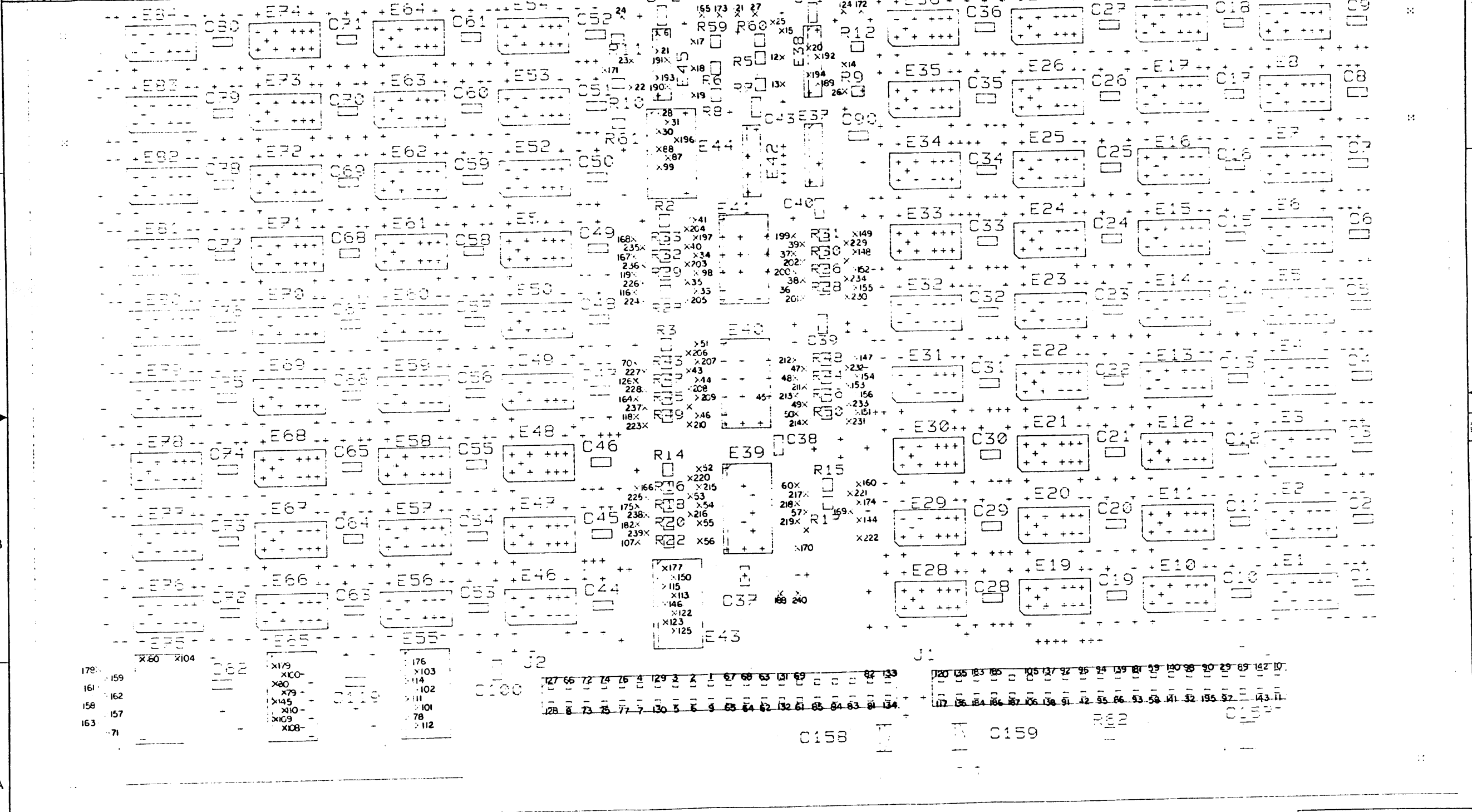


REVISION HISTORY		
DATE	ECO NUMBER	REV

TITLE 2/4 MB
MEMORY OPTION

DOCUMENT NUMBER		
SIZE	CODE	NUMBER
DUA	5416802-0-0	A
SCALE	2 1	SHEET 2 OF 4

THIS DRAWING AND SPECIFICATIONS HEREIN ARE THE PROPERTY OF DIGITAL EQUIPMENT CORPORATION AND SHALL NOT BE REPRODUCED OR COPIED OR USED IN WHOLE OR IN PART AS THE BASIS FOR THE MANUFACTURE OR SALE OF ITEMS WITHOUT WRITTEN PERMISSION.
 COPYRIGHT © 1987 DIGITAL EQUIPMENT CORPORATION



REVISION HISTORY		
DATE	ECO NUMBER	REV.
11/78	INIT	1

TITLE
 2/4 MB
 MEMORY OPTION

DOCUMENT NUMBER		
SIZE CODE	NUMBER	REV
DUA	5416802-0-0	A
SCALE 4/1	SHEET 3 OF 4	

8

0-0-4516802-0-0

6

5

4

3

2

1

THIS DRAWING AND SPECIFICATIONS HEREIN ARE THE PROPERTY OF DIGITAL EQUIPMENT CORPORATION AND SHALL NOT BE REPRODUCED OR COPIED OR USED IN WHOLE OR IN PART AS THE BASIS FOR THE MANUFACTURE OR SALE OF ITEMS WITHOUT WRITTEN PERMISSION OF DIGITAL EQUIPMENT CORPORATION.

(DIMENSIONS ARE GIVEN RELATIVE TO "N" MASTER 0)

Table with columns: ASSOCIATED PIN ID, X, Y, SIGNAL NAME, LOCATION CODE. Lists components and their coordinates.

Table with columns: ASSOCIATED PIN ID, X, Y, SIGNAL NAME, LOCATION CODE. Lists components and their coordinates.

Table with columns: ASSOCIATED PIN ID, X, Y, SIGNAL NAME, LOCATION CODE. Lists components and their coordinates.

Table with columns: ASSOCIATED PIN ID, X, Y, SIGNAL NAME, LOCATION CODE. Lists components and their coordinates.

Table with columns: ASSOCIATED PIN ID, X, Y, SIGNAL NAME, LOCATION CODE. Lists components and their coordinates.

REVISION HISTORY table with columns: DATE, ECO NUMBER, REV.

DOCUMENT NUMBER table with columns: TITLE, SIZE, NUMBER, REV., SCALE, SHEET OF.

NO. 138A

8

7

6

5

4

3

2

1

LINE	ITEM	TOP DOCUMENT	PART NUMBER	MIN REV	DESCRIPTION	QTY PER VAR/REV				REFERENCE DESIGNATORS
						AF A2	AH A2	AP A2	BF A2	
1	1	D-MD-5016801-0-0	50-16801-01		CIRCUIT DRILL AND ETCH	1	1	1	1	
2	2		10-27958-01		0.22 MFD 50V +/-20% Z5U CE	-	-	-	156	C1-C156
			CONT			83	83	83	-	C1-C80,C90,C100,C119
3	3		10-24455-18		10 MFD 15V +/-10% CHI	3	3	3	3	C157-C159
4	4		12-19065-05		CONN,P+S 40POS(2X20)	2	2	2	2	J1,J2
5	5		13-23825-11		27.0 .25 W 5.0 % CHIP	-	-	-	53	R5-R12,R15-R58,R62
			CONT			30	30	30	-	R5-R12,R15-R18,R20,R22,R26-R33, CONT R43-R50
6	6		13-23828-01		100.0 .25 W 1.0 % CHIP	-	-	-	9	R1-R4,R13,R14,R59-R61
			CONT			6	6	6	-	R2,R3,R14,R59-R61
7	7		19-20441-02		74F245 TRANSCEIVER,BI-DIREC	4	4	4	4	E43,E55,E65,E75
8	8		19-20572-02		74F244 BUFFER/LINE DRIVER,0	-	-	-	6	E39-E41,E121-E123
			CONT			3	3	3	-	E39-E41
9	9		19-21010-03		74F373 OCTAL TRANSPARENT LA	1	1	1	1	E44
10	10		19-21312-02		74F32 OR GATE,QUAD,2-IN	1	1	1	1	E37
11	11		19-21316-02		74F138D DECODER/DEMUX,10F8,S	1	1	1	1	E42
12	12		19-21330-02		74F257 DATA SEL/MUX,QUAD 2T	2	2	2	2	E38,E45
13	13		21-21413-22		41256 RAM 256KX1,DYNAMIC M	-	72	-	-	E1-E36,E46-E54,E56-E64,E66-E74, CONT E76-E84
14	14		21-21414-22		256KX1,DYNAMIC 150NS	-	-	-	144	E1-E36,E46-E54,E56-E64,E66-E74, CONT E76-E120,E124-E159
			CONT			72	-	-	-	E1-E36,E46-E54,E56-E64,E66-E74, CONT E76-E84
15	15		21-22422-22		256KX1 MOS RAM 150NS 1	-	-	72	-	E1-E36,E46-E54,E56-E64,E66-E74, CONT E76-E84

- 1 GEN: 5416802-AA IS THE PRIMARY VARIATION OF THE 2MB MODULE.
- 2 GEN: 5416802-BA IS THE PRIMARY VARIATION OF THE 4 MB MODULE
- 3 GEN: 5416802-AH IS A MODULE USING NEC 256K PLCC DRAMS
- 4 GEN: 5416802-AP IS A MODULE USING MITSUBISHI 256K PLCC DRAMS

REVISION HISTORY			KPL MODULE FORMAT			SECTION A OF B			DRN: J. CUNNINGHAM			D I G I T A L		
ENG	ECO NUMBER	REV	SECTION/VARIATION INDEX			DATE: 31-JUL-85			CHK'D: D. DROZD			TITLE PARTS LIST		
---	INITIAL	A	[A] AF,AH,AP,BF	[M]	[B] BH,BP	[N]	DATE: 31-JUL-85			2 / 4 MB MEMORY OPTION				
			[C]	[P]	[D]	[Q]	DES.ENG: G. LORD			DOCUMENT NUMBER				
			[E]	[R]	[F]	[S]	DATE: 31-JUL-85			SIZE	CODE	NUMBER	REV	
			[H]	[T]	[J]	[V]	RESP.ENG.: G. LORD			K	PL	5416802-0-DBP	A	
			[K]	[W]	[L]	[Y]	DATE: 27-JAN-86			RELEASE DATE: 04-FEB-87				
			BASIC PART NUMBER: 5416802			ASSEMBLY NUMBER: D-UA-5416802-2-0			TOP DOCUMENT NUMBER: B-DC-5416802-0-0			FILE NAME: GH057A.PLS		EDIT # 38
			RELEASE STATUS: RELEASED											

"THIS DRAWING AND THE SPECIFICATIONS CONTAINED HEREIN ARE CONFIDENTIAL AND PROPRIETARY. THEY ARE THE PROPERTY OF DIGITAL EQUIPMENT CORPORATION AND SHALL NOT BE REPRODUCED OR COPIED OR USED IN WHOLE OR IN PART AS THE BASIS FOR THE MANUFACTURE OR SALE OF ITEMS WITHOUT WRITTEN PERMISSION. THIS IS AN UNPUBLISHED WORK PROTECTED UNDER THE FEDERAL COPYRIGHT LAWS."

AUTOMATED BY VAXKPL (V1.3)

P A R T S L I S T

SHEET A2 OF A2

LINE ITEM	TOP DOCUMENT	PART NUMBER	MIN REV	DESCRIPTION	QTY PER VAR/REV				REFERENCE DESIGNATORS
					AF	AH	AP	BF	
5 GEN:		5416802-BH		IS A MODULE USING NEC 256K PLCC DRAMS					
6 GEN:		5416802-BP		IS A MODULE USING MITSUBISHI 256K PLCC DRAMS					
7 GEN:		5416802-AF		IS A MODULE USING HITACHI 256K PLCC DRAMS.					
8 GEN:		5416802-BF		IS A MODULE USING HITACHI 256K DRAMS.					

D	I	G	I	T	A	L	TITLE	SECTION A	OF	B	SIZE	CODE	DOCUMENT NUMBER	REV
							2 / 4 MB MEMORY OPTION				K	PL	5416802-0-DBP	A

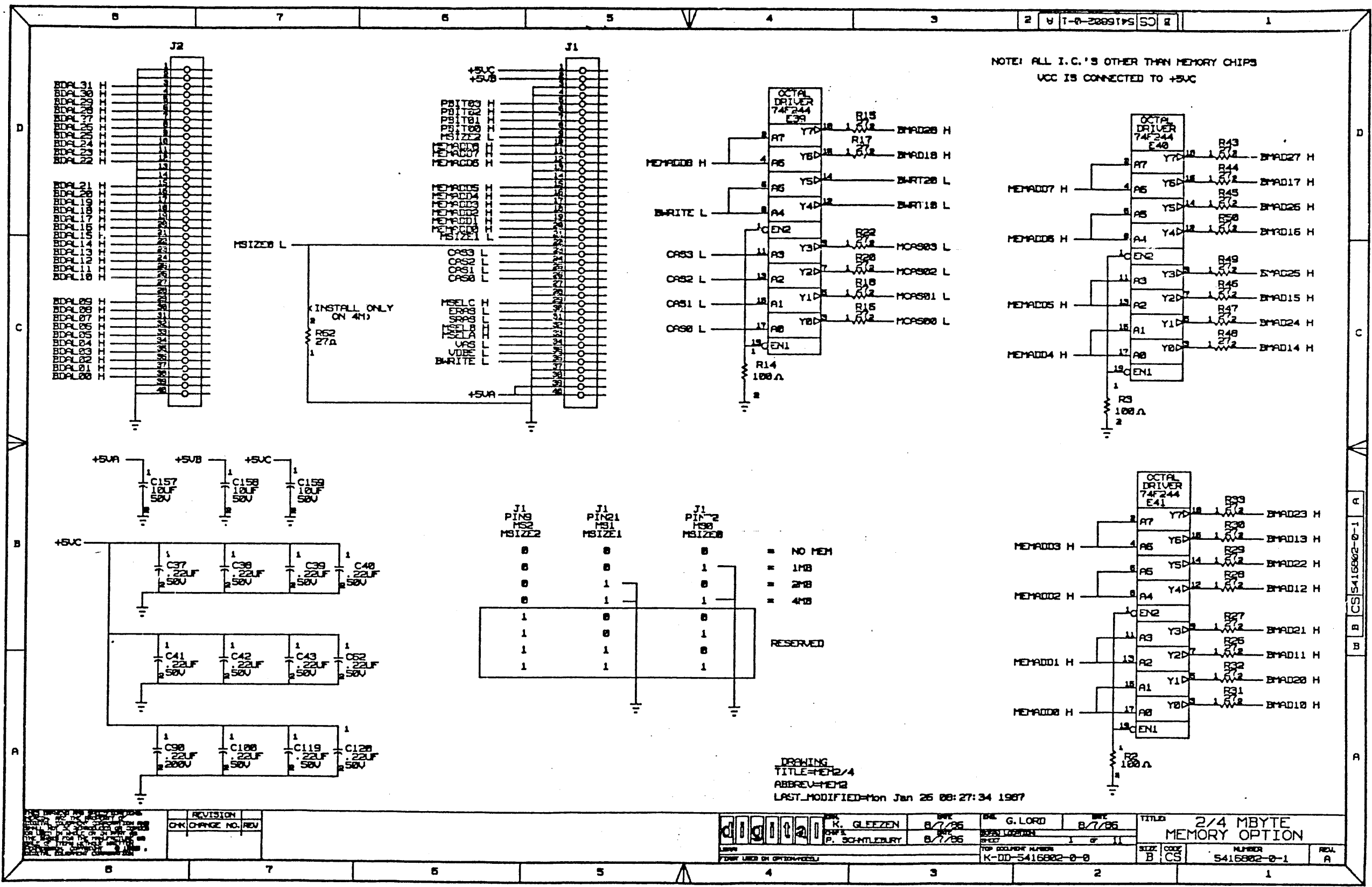
PARTS LIST

LINE	ITEM	TOP DOCUMENT	PART NUMBER	MIN REV	DESCRIPTION	QTY	PER	VAR/REV	REFERENCE DESIGNATORS
						BH	BP		
						A2	A2		
1	1	D-MD-5016801-0-0	50-16801-01		CIRCUIT DRILL AND ETCH	1	1		
2	2		10-27958-01		0.22 MFD 50V +/-20% Z5U CE	156	156		C1-C156
3	3		10-24455-18		10 MFD 15V +/-10% CHI	3	3		C157-C159
4	4		12-19065-05		CONN,P+S 40POS(2X20)	2	2		J1,J2
5	5		13-23825-11		27.0 .25 W 5.0 % CHIP	53	53		R5-R12,R15-R58,R62
6	6		13-23828-01		100.0 .25 W 1.0 % CHIP	9	9		R1-R4,R13,R14,R59-R61
7	7		19-20441-02		74F245 TRANSCEIVER,BI-DIREC	4	4		E43,E55,E65,E75
8	8		19-20572-02		74F244 BUFFER/LINE DRIVER,0	6	6		E39-E41,E121-E123
9	9		19-21010-03		74F373 OCTAL TRANSPARENT LA	1	1		E44
10	10		19-21312-02		74F32 OR GATE,QUAD,2-IN	1	1		E37
11	11		19-21316-02		74F138D DECODER/DEMUX,10F8,S	1	1		E42
12	12		19-21330-02		74F257 DATA SEL/MUX,QUAD 2T	2	2		E38,E45
13	13		21-21413-22		41256 RAM 256KX1,DYNAMIC M	144	-		E1-E36,E46-E54,E56-E64,E66-E74, CONT E76-E120,E124-E159
14	14		21-21414-22		256KX1,DYNAMIC 150NS	-	-		
15	15		21-22422-22		256KX1 MOS RAM 150NS 1	-	144		E1-E36,E46-E54,E56-E64,E66-E74, CONT E76-E120,E124-E159

- 1 GEN: 5416802-AA IS THE PRIMARY VARIATION OF THE 2MB MODULE.
- 2 GEN: 5416802-BA IS THE PRIMARY VARIATION OF THE 4 MB MODULE
- 3 GEN: 5416802-AH IS A MODULE USING NEC 256K PLCC DRAMS
- 4 GEN: 5416802-AP IS A MODULE USING MITSUBISHI 256K PLCC DRAMS
- 5 GEN: 5416802-BH IS A MODULE USING NEC 256K PLCC DRAMS
- 6 GEN: 5416802-BP IS A MODULE USING MITSUBISHI 256K PLCC DRAMS
- 7 GEN: 5416802-AF IS A MODULE USING HITACHI 256K PLCC DRAMS.
- 8 GEN: 5416802-BF IS A MODULE USING HITACHI 256K DRAMS.

REVISION HISTORY		KPL MODULE FORMAT		SECTION B OF B		DRN: J. CUNNINGHAM		DIGITAL	
ENG	ECO NUMBER	REV	SECTION/VARIATION INDEX		DATE: 31-JUL-85				
---	INITIAL	A	[A] AF,AH,AP,BF	[M]	CHK'D: D. DROZD	TITLE PARTS LIST			
			[B] BH,BP	[N]	DATE: 31-JUL-85	2 / 4 MB MEMORY OPTION			
			[C]	[P]	DES.ENG: G. LORD	DOCUMENT NUMBER			
			[D]	[Q]	DATE: 31-JUL-85	SIZE	CODE	NUMBER	REV
			[E]	[R]	RESP.ENG.: G. LORD	K	PL	5416802-0-DBP	A
			[F]	[S]	DATE: 27-JAN-86	RELEASE DATE: 04-FEB-87			
			[H]	[T]	MFG.ENG: D. TAYLOR	RELEASE STATUS: RELEASED			
			[J]	[V]	DATE: 08-AUG-86				
			[K]	[W]	BASIC PART NUMBER: 5416802				
			[L]	[Y]	ASSEMBLY NUMBER: D-UA-5416802-2-0				
					TOP DOCUMENT NUMBER: B-DD-5416802-0-0				
					FILE NAME: GH057A.PLS				
					EDIT #: 38				

"THIS DRAWING AND THE SPECIFICATIONS CONTAINED HEREIN ARE CONFIDENTIAL AND PROPRIETARY. THEY ARE THE PROPERTY OF DIGITAL EQUIPMENT CORPORATION AND SHALL NOT BE REPRODUCED OR COPIED OR USED IN WHOLE OR IN PART AS THE BASIS FOR THE MANUFACTURE OR SALE OF ITEMS WITHOUT WRITTEN PERMISSION. THIS IS AN UNPUBLISHED WORK PROTECTED UNDER THE FEDERAL COPYRIGHT LAWS."



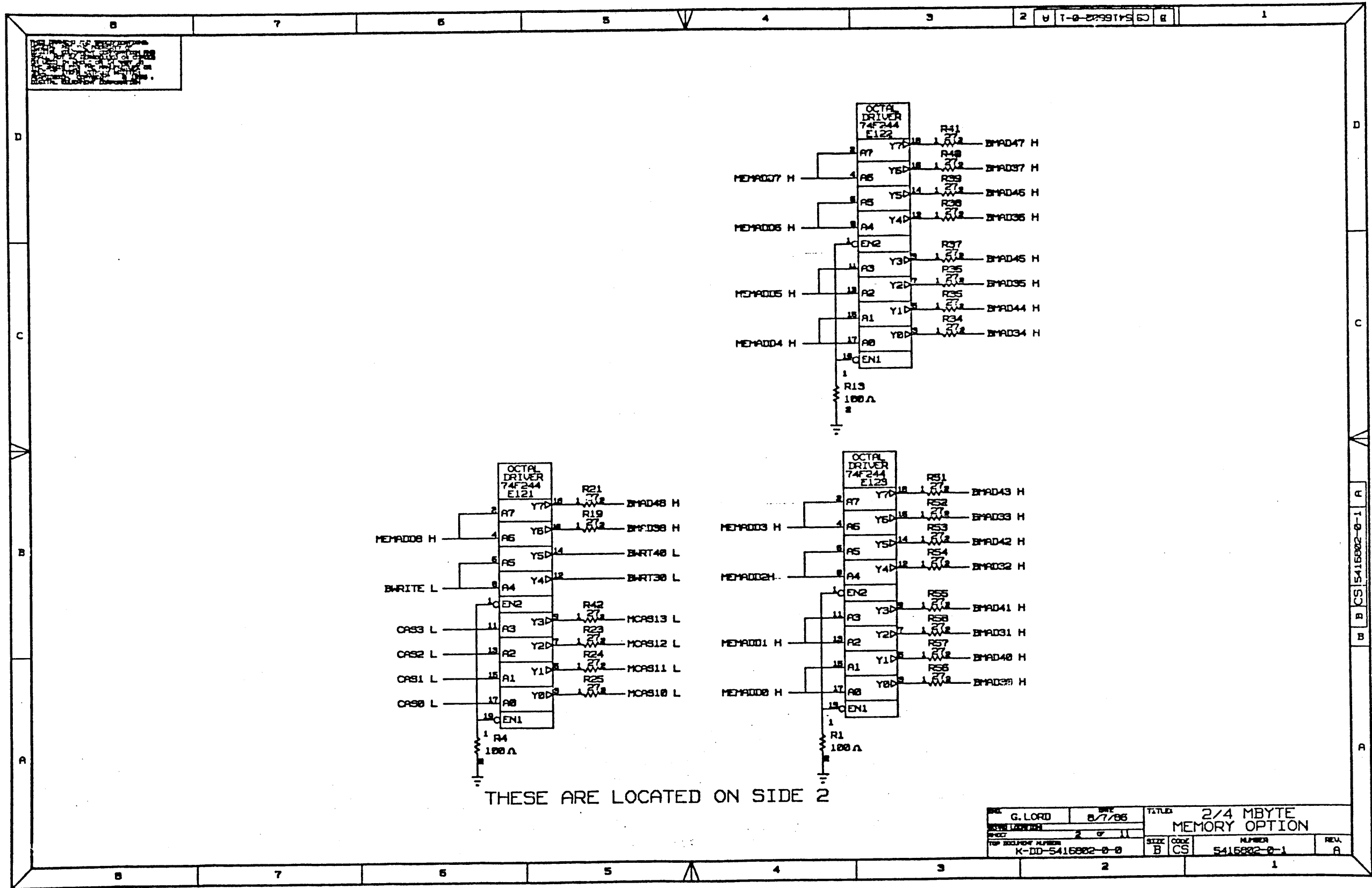
NOTE: ALL I.C.'S OTHER THAN MEMORY CHIPS
VCC IS CONNECTED TO +5VC

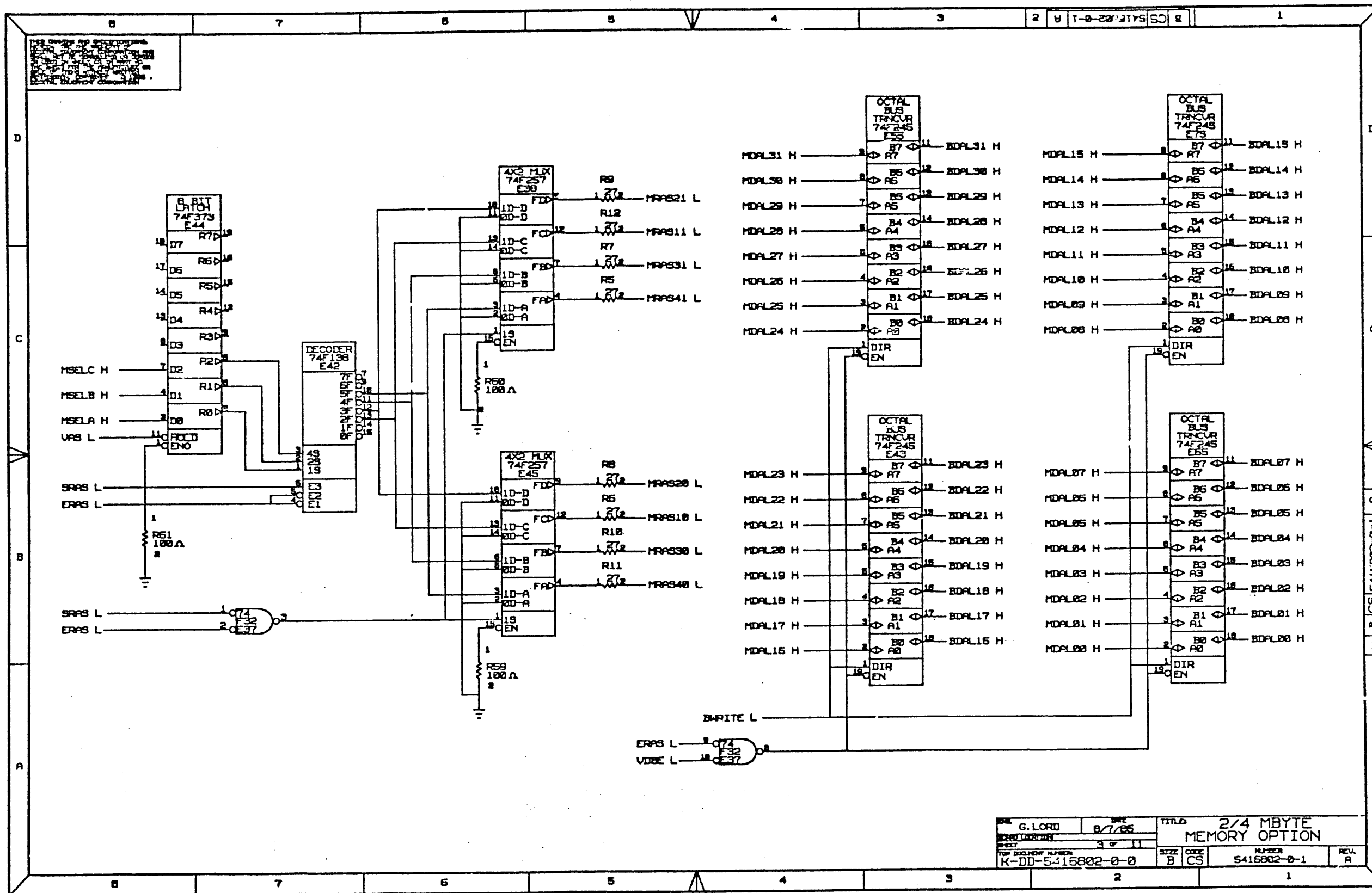
J1 PIN9 MSIZE2	J1 PIN21 MSIZE1	J1 PIN2 MSIZE3	
0	0	0	= NO MEM
0	0	1	= 1MB
0	1	0	= 2MB
0	1	1	= 4MB
1	0	0	RESERVED
1	0	1	
1	1	0	
1	1	1	

DRAWING
TITLE=MEM2/4
ABBREV=MEM2
LAST MODIFIED Mon Jan 25 08:27:34 1987

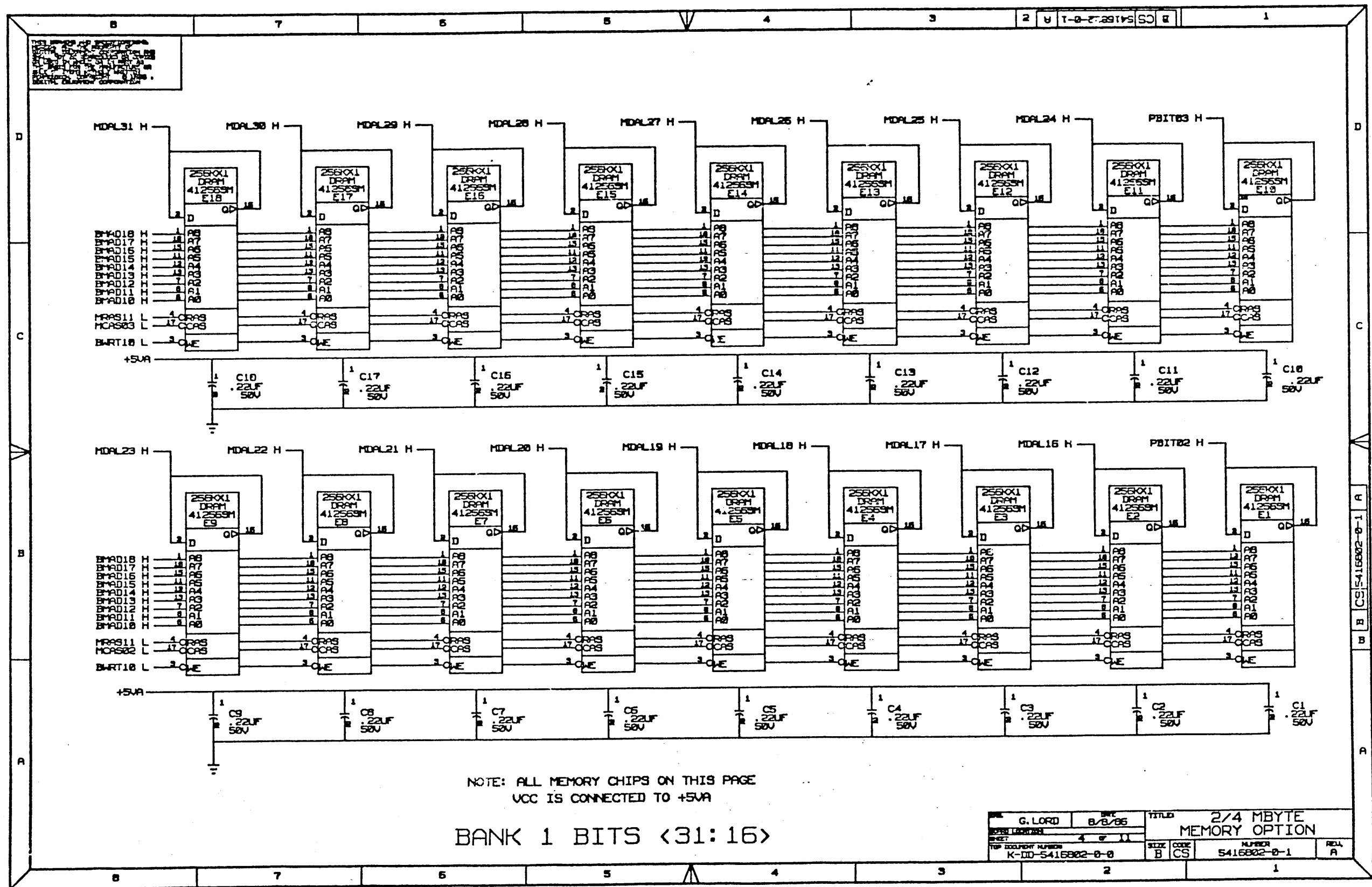
REVISION	CHK	CHANGE NO.	REV

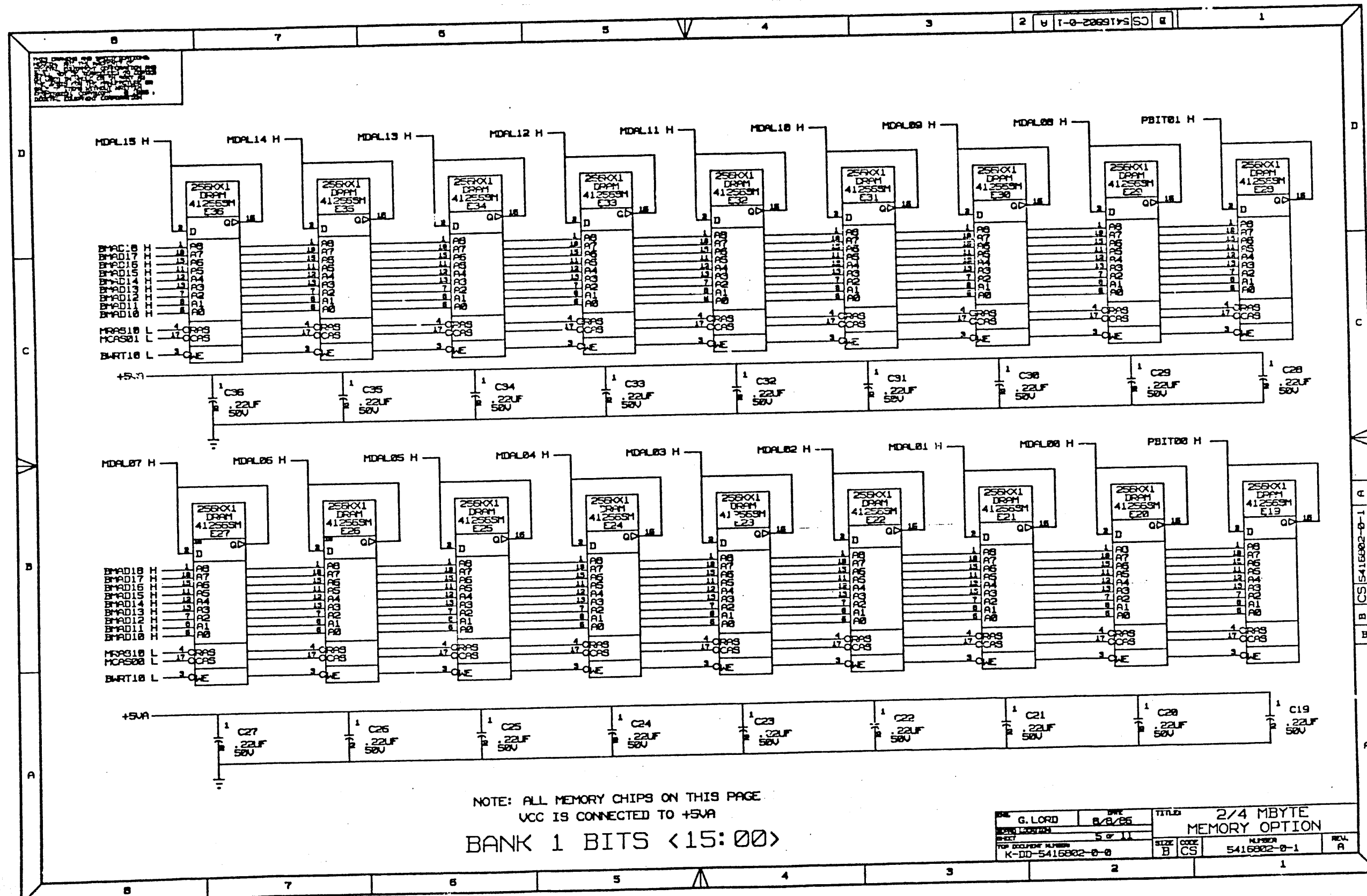
	DESIGNED BY K. GLEFFEN	DATE 8/7/85	DESIGNED BY G. LORD	DATE 8/7/85	TITLE 2/4 MBYTE MEMORY OPTION
		DATE 8/7/85		DATE 8/7/85	
TOP DOCUMENT NUMBER K-DD-5415802-0-0					SIZE B CS
NUMBER 5415802-0-1					REV. A





DESIGNER	G. LORD	DATE	8/7/85	TITLE	2/4 MBYTE MEMORY OPTION
PROJECT	K-DD-5415802-0-0			SIZE	B CS
TOP DRAWING NUMBER	K-DD-5415802-0-0			NUMBER	5415802-0-1
REV.	A	REV.	A		

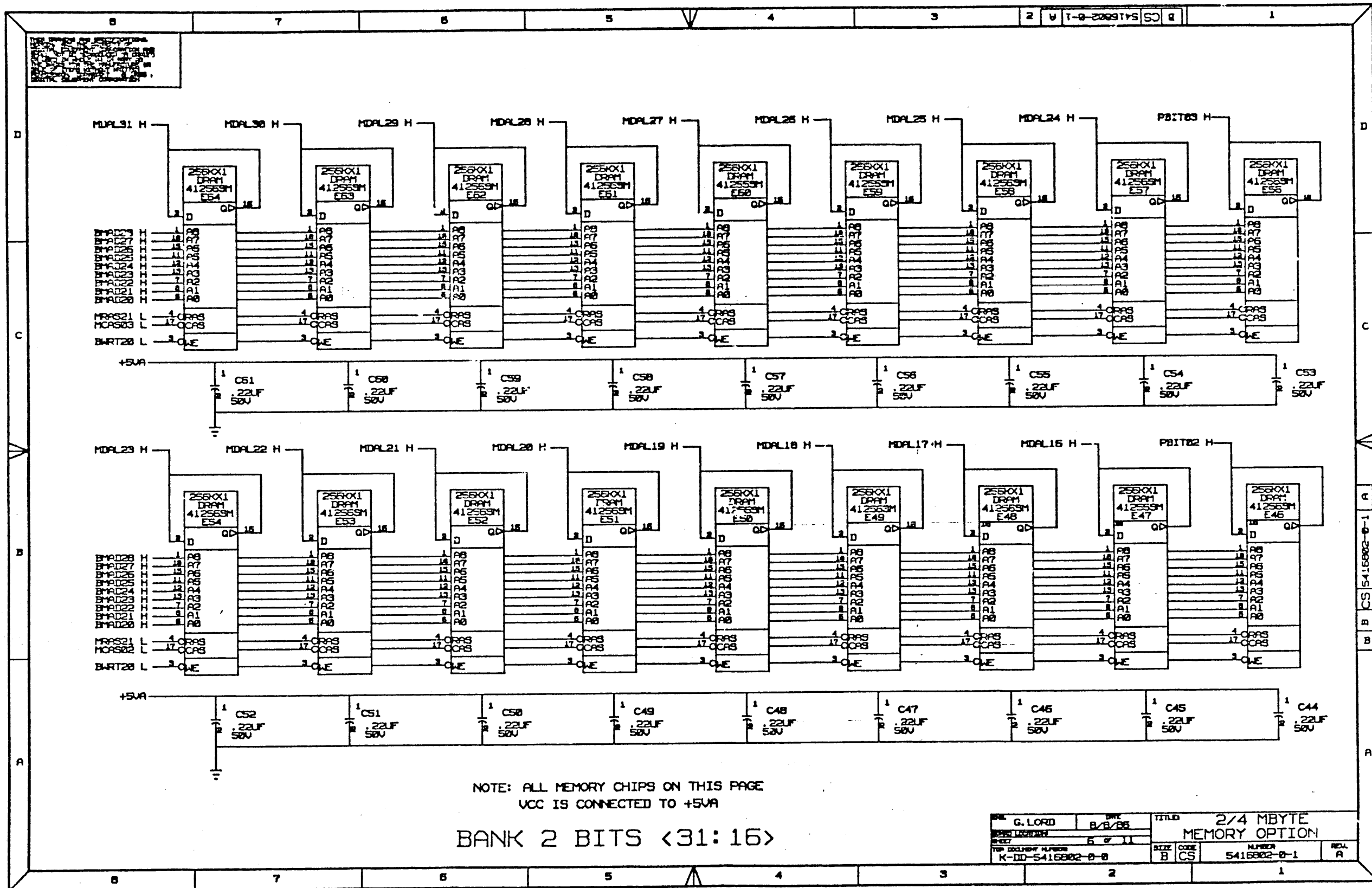




NOTE: ALL MEMORY CHIPS ON THIS PAGE
 VCC IS CONNECTED TO +5VA
 BANK 1 BITS <15:00>

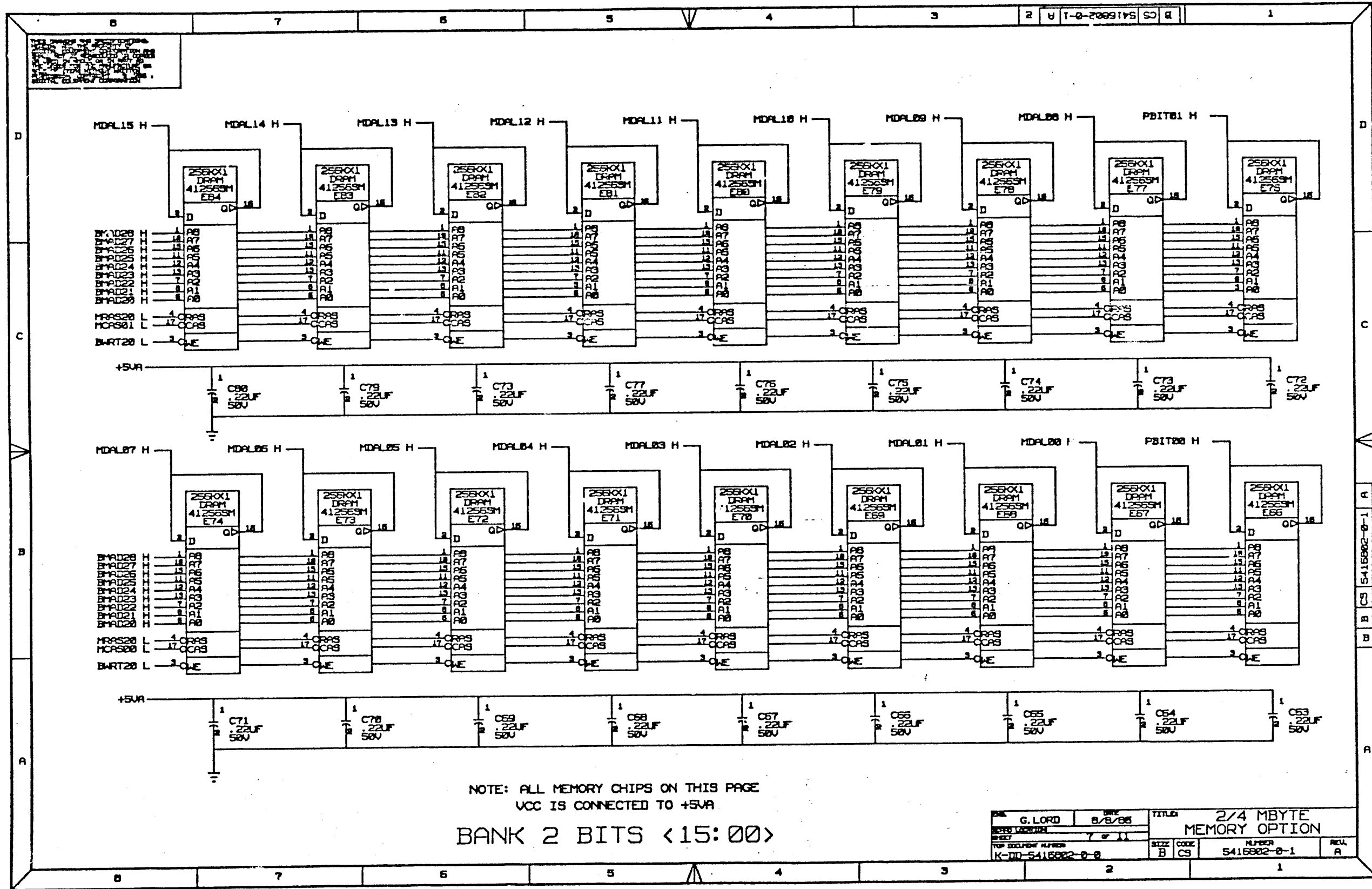
DESIGNER	G. LORD	DATE	8/2/85	TITLE	2/4 MBYTE MEMORY OPTION		
DESIGNED BY		SIZE	5 of 11	CODE	B	CS	
TOP DOCUMENT NUMBER	K-DD-5416802-0-0			NUMBER	5416802-0-1		REV.
							A

A B C D
 1 2 3 4 5 6 7 8
 CS 5416802-0-1 A
 B CS 5416802-0-1 A
 B CS 5416802-0-1 A
 1 2 3 4 5 6 7 8



NOTE: ALL MEMORY CHIPS ON THIS PAGE
 VCC IS CONNECTED TO +5VA
BANK 2 BITS <31:16>

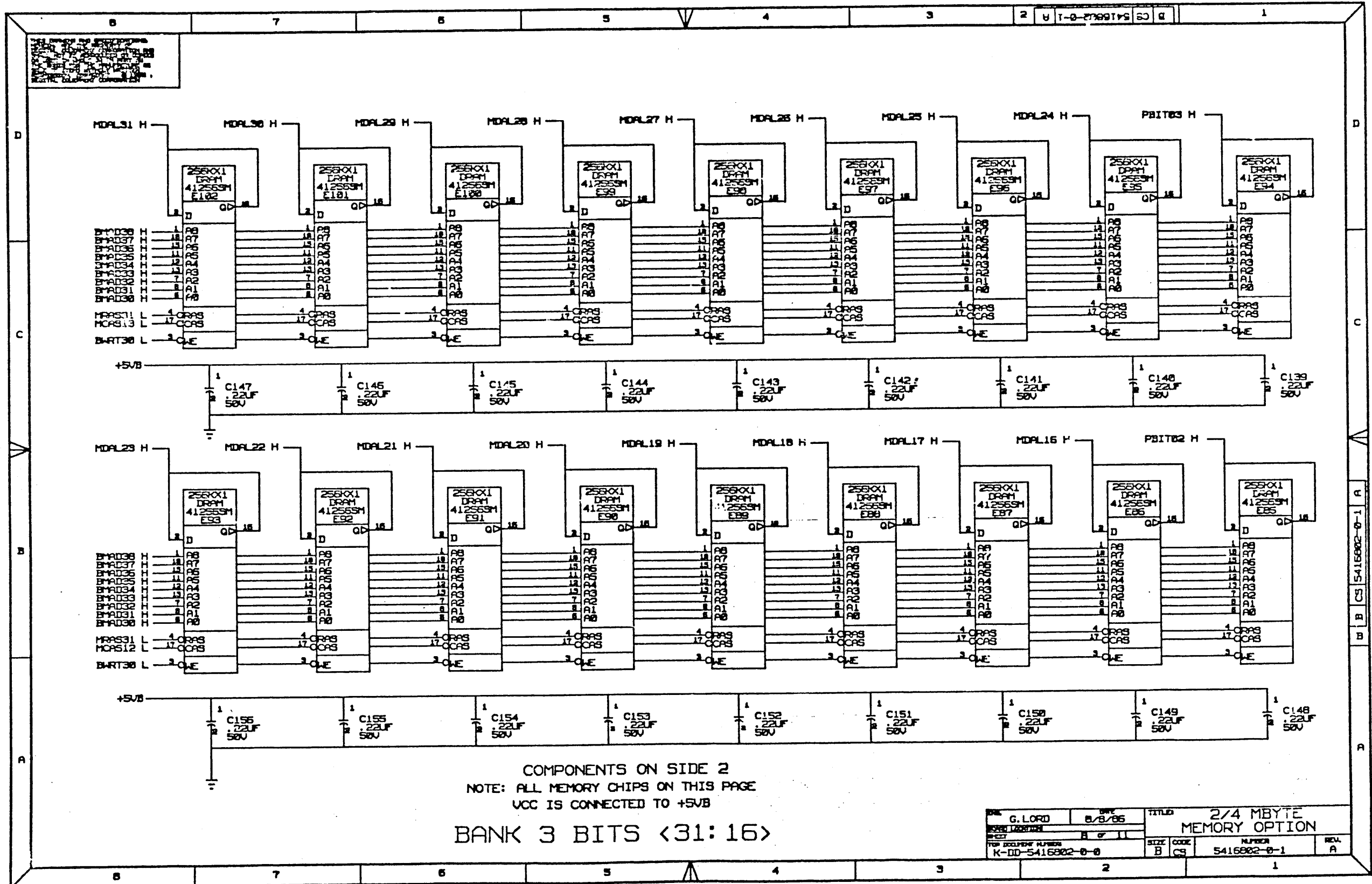
DESIGNER	G. LORD	DATE	B/B/88	TITLE	2/4 MBYTE MEMORY OPTION		
REV. LOCATION	5 of 11			SIZE	B	CODE	CS
TOP DRAWING NUMBER	K-DD-5416802-0-0			NUMBER	5416802-0-1		REV. A

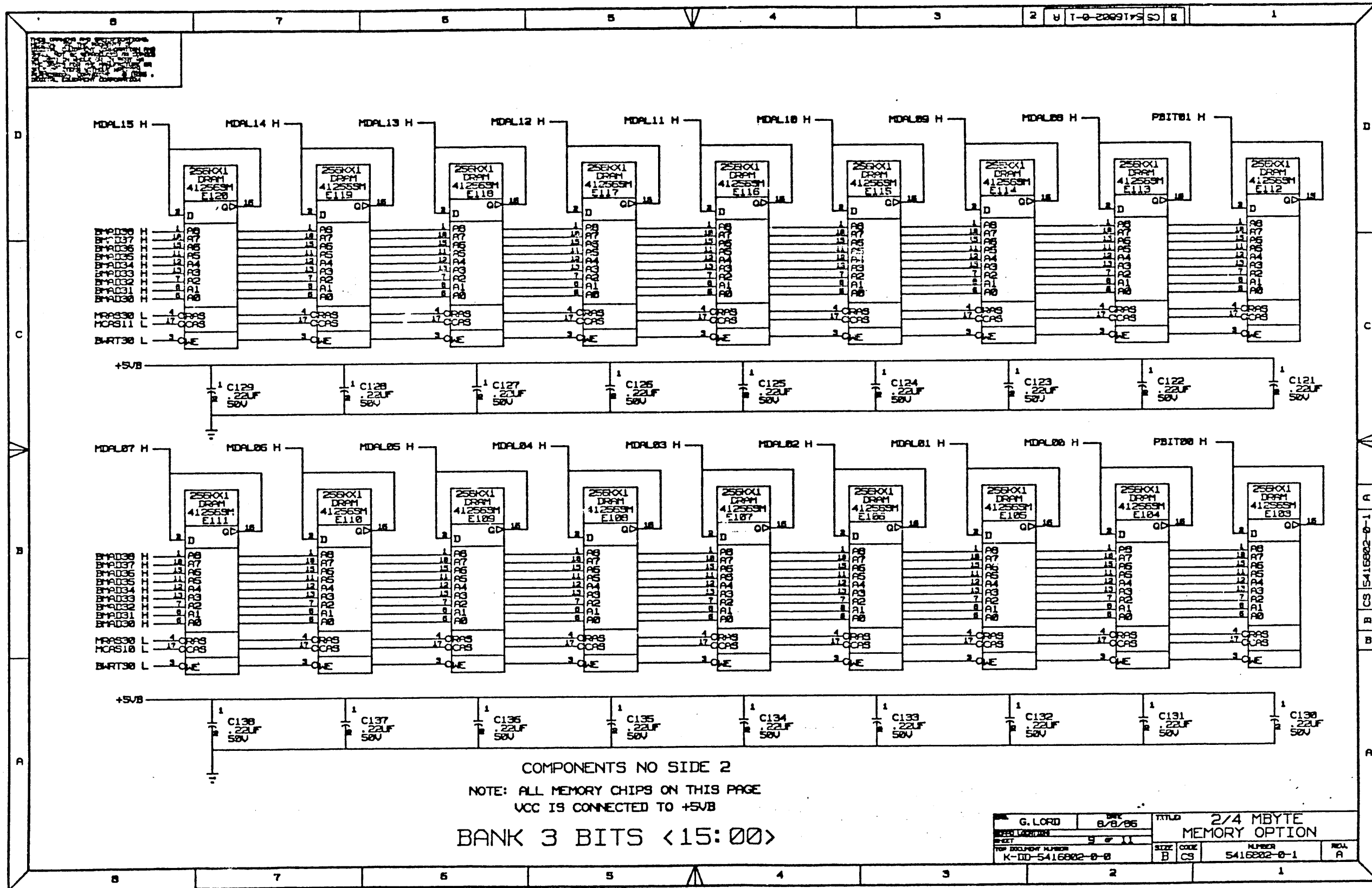


NOTE: ALL MEMORY CHIPS ON THIS PAGE
VCC IS CONNECTED TO +5VA

BANK 2 BITS <15:00>

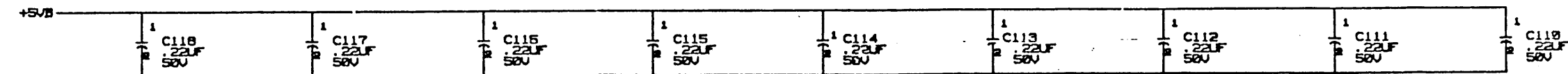
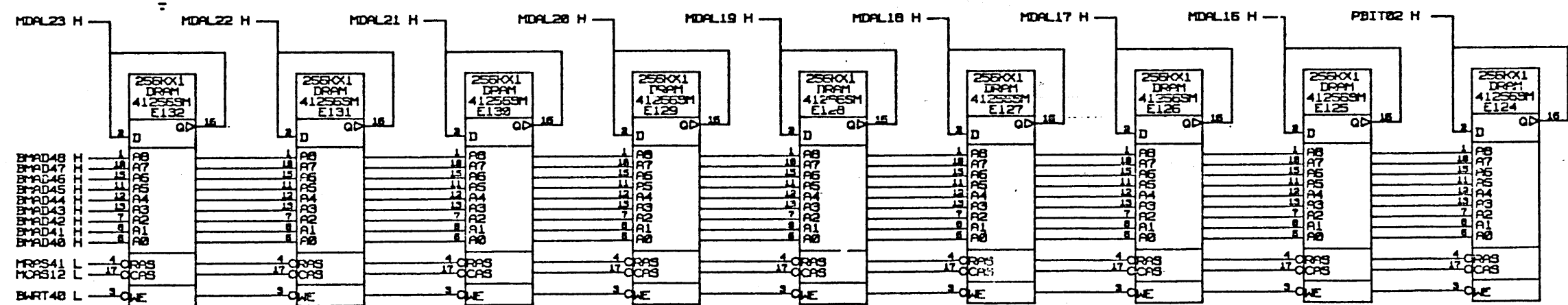
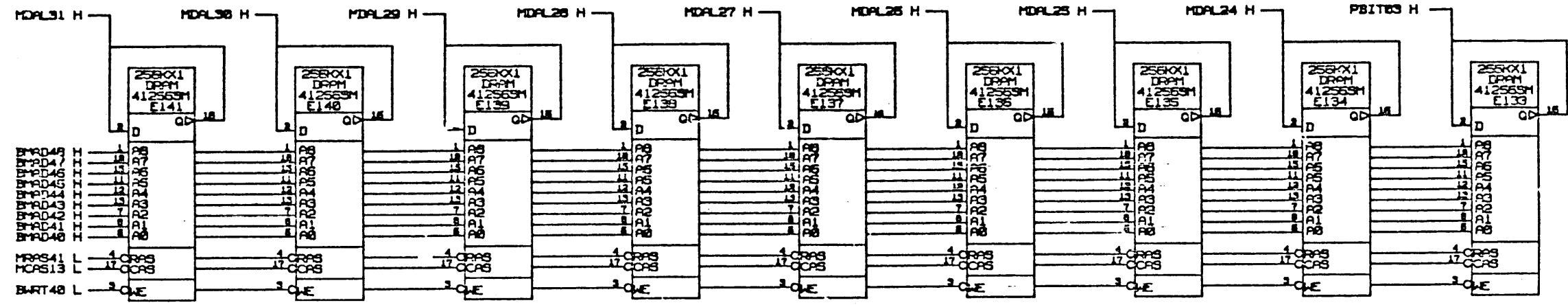
DESIGNER	G. LORD	DATE	8/8/86	TITLE	2/4 MBYTE MEMORY OPTION		
ISSUED							
TOP DRAWING NUMBER	K-DD-5416802-0-0			SIZE	B	CODE	C3
				NUMBER	5416802-0-1		REV. A





COMPONENTS NO SIDE 2
 NOTE: ALL MEMORY CHIPS ON THIS PAGE
 VCC IS CONNECTED TO +5VB
 BANK 3 BITS <15:00>

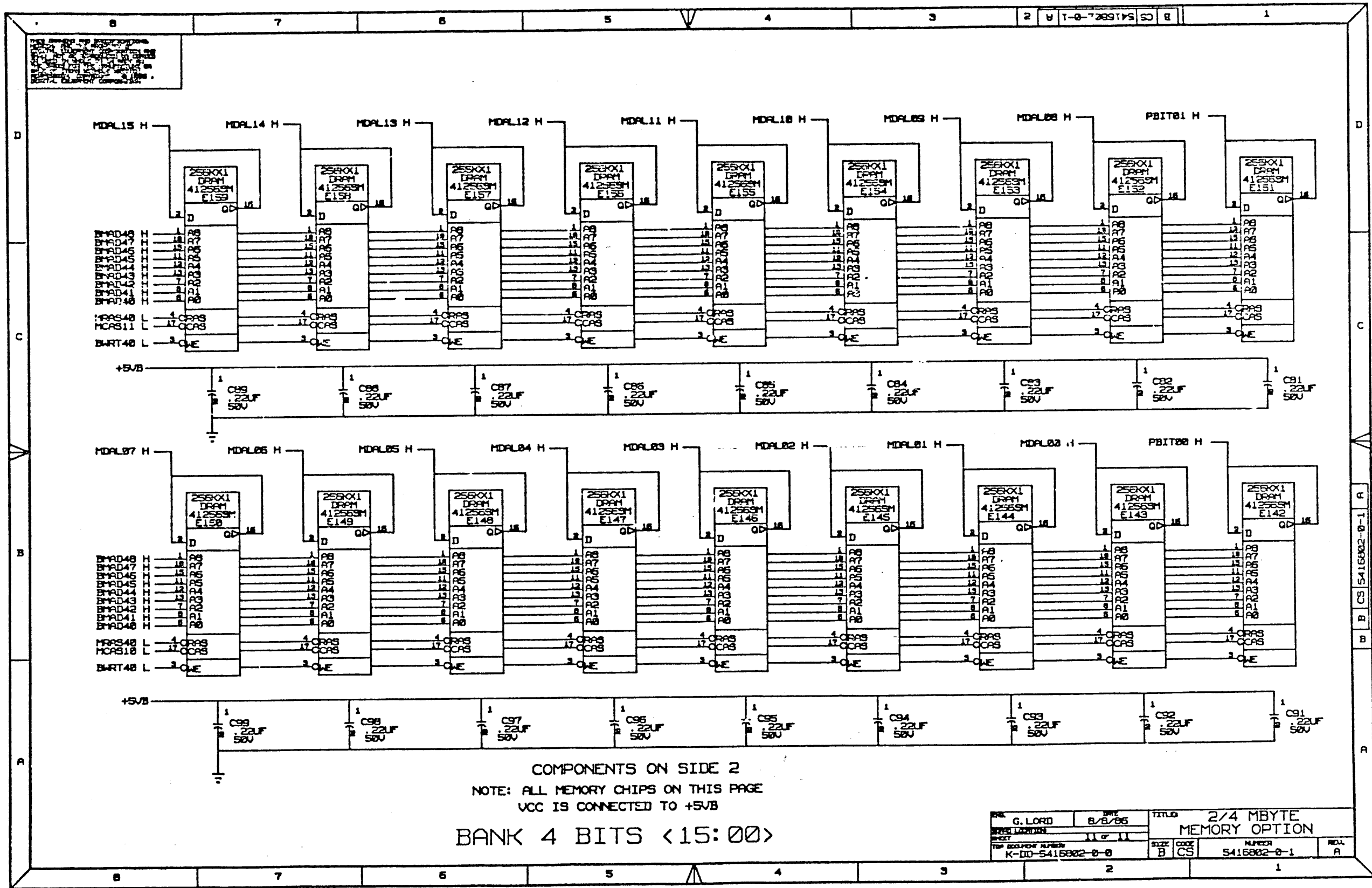
G. LORD		DATE	TITLE	
8/8/95			2/4 MBYTE MEMORY OPTION	
REV. 1		SIZE	CODE	NUMBER
K-110-5416802-0-0		B	CS	5416802-0-1
				REV. A



COMPONENTS ON SIDE 2
 NOTE: ALL MEMORY CHIPS ON THIS PAGE
 VCC IS CONNECTED TO +5V

BANK 4 BITS <31:16>

DESIGNER	G. LORD	DATE	8/8/85	TITLE	2/4 MBYTE MEMORY OPTION
REVISION		BY	LL	SIZE	B
TOP OCCUPY NUMBER	K-00-5416802-0-0			CASE	CS
				NUMBER	5416802-0-1
				REV.	A



COMPONENTS ON SIDE 2
 NOTE: ALL MEMORY CHIPS ON THIS PAGE
 VCC IS CONNECTED TO +5VB
 BANK 4 BITS <15:00>

DESIGNER	DATE	TITLE
G. LORD	8/8/86	2/4 MBYTE MEMORY OPTION
REV	11 of 11	
TOP OCCUPY NUMBER	REV	CODE
K-00-5416802-0-0	B	CS
	NUMBER	REV
	5416802-0-1	A

AUTOMATED BY VAXKPL (V1.3)

PARTS LIST

SHEET A1 OF A2

LINE	ITEM	TOP DOCUMENT	PART NUMBER	MIN REV	DESCRIPTION	QUANTITY PER VARIATION/REVISION									
						01 A1	02 A1	03 A1	04 A1	05 A1	06 A1	07 A1	08 A1	09 A1	10 A1
1	1		LK201-LA		LK201-A WITH USA KEYCAPS,BCC01,NO	1	-	-	-	-	-	-	-	-	-
2	2		LK201-LB		LK201-A WITH FLEMISH KEYCAPS,BCC01	-	1	-	-	-	-	-	-	-	-
3	3		LK201-LC		LK201-A WITH CANADIAN FRENCH KEYCA	-	-	1	-	-	-	-	-	-	-
4	4		LK201-LD		LK201-A W/DANISH KEYCAPS VERSION 1	-	-	-	1	-	-	-	-	-	-
5	5		LK201-LE		LK201-A WITH UK KEYCAPS,BCC01,NO P	-	-	-	-	1	-	-	-	-	-
6	6		LK201-LF		LK201-A W/FINLAND KEYCAPS VERSION	-	-	-	-	-	1	-	-	-	-
7	7		LK201-LG		LK201-A WITH GERMAN KEYCAPS,BCC01,	-	-	-	-	-	-	1	-	-	-
8	8		LK201-LH		LK201-A W/HOLLAND KEYCAPS VERSION	-	-	-	-	-	-	-	1	-	-
9	9		LK201-LI		LK201-A WITH ITALIAN KEYCAPS,BCC01	-	-	-	-	-	-	-	-	1	-
10	10		LK201-LJ		LK201-A WITH KATAKANA KEYCAPS,BCC0	-	-	-	-	-	-	-	-	-	1
11	11		LK201-LK		LK201-A WITH SWISS-FRENCH KEYCAPS,	-	-	-	-	-	-	-	-	-	-
12	12		LK201-LL		LK201-A WITH SWISS-GERMAN KEYCAPS,	-	-	-	-	-	-	-	-	-	-
13	13		LK201-LM		LK201-A WITH SWEDISH KEYCAPS,BCC01	-	-	-	-	-	-	-	-	-	-
14	14		LK201-LN		LK201-A W/NORWEGIAN KEYCAPS,VERSIO	-	-	-	-	-	-	-	-	-	-
15	15		LK201-LP		LK201-A WITH FRENCH KEYCAPS,BCC01,	-	-	-	-	-	-	-	-	-	-
16	16		LK201-LS		LK201-A WITH SPANISH KEYCAPS,BCC01	-	-	-	-	-	-	-	-	-	-
17	17		LK201-LT		LK201-A WITH HEBREW KEYCAPS,BCC01,	-	-	-	-	-	-	-	-	-	-
18	18		LK201-LV		LK201-A WITH PORTUGESE KEYCAPS,BCC	-	-	-	-	-	-	-	-	-	-
19	19		LK201-MA		LK201-B WITH WPS USA/CANADA KEYCAP	-	-	-	-	-	-	-	-	-	-
20	20		LK201-MB		LK201-B WITH WPS FLEMISH KEYCAPS,B	-	-	-	-	-	-	-	-	-	-
21	21		LK201-MC		LK201-B WITH WPS CANADA-FRENCH KEY	-	-	-	-	-	-	-	-	-	-
22	22		LK201-MD		LK201-B WITH WPS DANISH KEYCAPS,BC	-	-	-	-	-	-	-	-	-	-
23	23		LK201-ME		SEE LK201-MA	-	-	-	-	-	-	-	-	-	-
24	24		LK201-MF		LK201-B WITH WPS FINLAND KEYCAPS,B	-	-	-	-	-	-	-	-	-	-
25	25		LK201-MG		LK201-B WITH WPS GERMAN KEYCAPS,BC	-	-	-	-	-	-	-	-	-	-
26	26		LK201-MH		LK201-B WITH WPS HOLLAND KEYCAPS,B	-	-	-	-	-	-	-	-	-	-
27	27		LK201-MI		LK201-B WITH WPS ITALIAN KEYCAPS,B	-	-	-	-	-	-	-	-	-	-
28	28		LK201-MJ		LK201-B WITH WPS KATAKANA KEYCAPS,	-	-	-	-	-	-	-	-	-	-
29	29		LK201-MK		LK201-B WITH WPS SWISS-FRENCH KEYC	-	-	-	-	-	-	-	-	-	-
30	30		LK201-ML		LK201-B WITH WPS SWISS-GERMAN KEYC	-	-	-	-	-	-	-	-	-	-
31	31		LK201-MM		LK201-B WITH WPS SWEDISH KEYCAPS,B	-	-	-	-	-	-	-	-	-	-
32	32		LK201-MN		LK201-B WITH WPS NORWEGIAN KEYCAPS	-	-	-	-	-	-	-	-	-	-

REVISION HISTORY		KPL MATRIX FORMAT		SECTION A OF D	DRN: PAUL GAGNE	DIGITAL		
ENG	ECO NUMBER	REV	SECTION/VARIATION INDEX		DATE: 03-JUN-86	TITLE PARTS LIST		
---	INITIAL	A	[A]	01,02,03,04,05,06,07,08,09,10	CHK'D: D. HEALY	INTERNATIONAL KEYBOARDS		
			[B]	11,12,13,14,15,16,17,18,19,20	DATE: 25-FEB-87			
			[C]	21,22,23,24,25,26,27,28,29,30	DES.ENG: L. KIZINA			
			[D]	31,32,33,34,35	DATE: 25-FEB-87	DOCUMENT NUMBER		
			[E]			SIZE	CODE	NUMBER
			[F]		RESP.ENG.: G. LORD	K	PL	7023989-0-DBP
			[H]		DATE: 25-FEB-87	REV A		
			[J]		MFG.ENG: F. OSOWSKI	RELEASE DATE: 25-FEB-87		
					DATE: 25-FEB-87	RELEASE STATUS: RELEASED		
		BASIC PART NUMBER:		ASSEMBLY NUMBER:	TOP DOCUMENT NUMBER:	FILE NAME:		EDIT #
		7023989			K-PL-7023989-0-DBP	MLA0344A.PLS		10

"THIS DRAWING AND THE SPECIFICATIONS CONTAINED HEREIN ARE CONFIDENTIAL AND PROPRIETARY. THEY ARE THE PROPERTY OF DIGITAL EQUIPMENT CORPORATION AND SHALL NOT BE REPRODUCED OR COPIED OR USED IN WHOLE OR IN PART AS THE BASIS FOR THE MANUFACTURE OR SALE OF ITEMS WITHOUT WRITTEN PERMISSION. THIS IS AN UNPUBLISHED WORK PROTECTED UNDER THE FEDERAL COPYRIGHT LAWS."

AUTOMATED BY VAXKPL (V1.3)

P A R T S L I S T

SHEET A2 OF A2

LINE	ITEM	TOP DOCUMENT	PART NUMBER	MIN REV	DESCRIPTION	QUANTITY PER VARIATION/REVISION									
						01	02	03	04	05	06	07	08	09	10
						A1	A1	A1	A1	A1	A1	A1	A1	A1	A1
33	33		LK201-MP		LK201-B WITH WPS FRENCH KEYCAPS,BC	-	-	-	-	-	-	-	-	-	-
34	34		LK201-MS		LK201-B WITH WPS SPANISH KEYCAPS,B	-	-	-	-	-	-	-	-	-	-
35	35		LK201-MT		LK201-B WITH WPS HEBREW KEYCAPS,BC	-	-	-	-	-	-	-	-	-	-

D	I	G	I	T	A	L	TITLE	SECTION A	OF D	SIZE	CODE	DOCUMENT NUMBER	REV
							INTERNATIONAL KEYBOARDS			K	PL	7023989-0-DBP	A

AUTOMATED BY VAXKPL (V1.3)

PARTS LIST

SHEET B1 OF B2

LINE	ITEM	TOP DOCUMENT	PART NUMBER	MIN REV	DESCRIPTION	QUANTITY PER VARIATION/REVISION											
						11 A1	12 A1	13 A1	14 A1	15 A1	16 A1	17 A1	18 A1	19 A1	20 A1		
1	1		LK201-LA		LK201-A WITH USA KEYCAPS,BCC01,NO	-	-	-	-	-	-	-	-	-	-	-	-
2	2		LK201-LB		LK201-A WITH FLEMISH KEYCAPS,BCC01	-	-	-	-	-	-	-	-	-	-	-	-
3	3		LK201-LC		LK201-A WITH CANADIAN FRENCH KEYCA	-	-	-	-	-	-	-	-	-	-	-	-
4	4		LK201-LD		LK201-A W/DANISH KEYCAPS VERSION 1	-	-	-	-	-	-	-	-	-	-	-	-
5	5		LK201-LE		LK201-A WITH UK KEYCAPS,BCC01,NO P	-	-	-	-	-	-	-	-	-	-	-	-
6	6		LK201-LF		LK201-A W/FINLAND KEYCAPS VERSION	-	-	-	-	-	-	-	-	-	-	-	-
7	7		LK201-LG		LK201-A WITH GERMAN KEYCAPS,BCC01,	-	-	-	-	-	-	-	-	-	-	-	-
8	8		LK201-LH		LK201-A W/HOLLAND KEYCAPS VERSION	-	-	-	-	-	-	-	-	-	-	-	-
9	9		LK201-LI		LK201-A WITH ITALIAN KEYCAPS,BCC01	-	-	-	-	-	-	-	-	-	-	-	-
10	10		LK201-LJ		LK201-A WITH KATAKANA KEYCAPS,BCCO	-	-	-	-	-	-	-	-	-	-	-	-
11	11		LK201-LK		LK201-A WITH SWISS-FRENCH KEYCAPS,	1	-	-	-	-	-	-	-	-	-	-	-
12	12		LK201-LL		LK201-A WITH SWISS-GERMAN KEYCAPS,	-	1	-	-	-	-	-	-	-	-	-	-
13	13		LK201-LM		LK201-A WITH SWEDISH KEYCAPS,BCC01	-	-	1	-	-	-	-	-	-	-	-	-
14	14		LK201-LN		LK201-A W/NORWEGIAN KEYCAPS,VERSIO	-	-	-	1	-	-	-	-	-	-	-	-
15	15		LK201-LP		LK201-A WITH FRENCH KEYCAPS,BCC01,	-	-	-	-	1	-	-	-	-	-	-	-
16	16		LK201-LS		LK201-A WITH SPANISH KEYCAPS,BCC01	-	-	-	-	-	1	-	-	-	-	-	-
17	17		LK201-LT		LK201-A WITH HEBREW KEYCAPS,BCC01,	-	-	-	-	-	-	1	-	-	-	-	-
18	18		LK201-LV		LK201-A WITH PORTUGESE KEYCAPS,BCC	-	-	-	-	-	-	-	1	-	-	-	-
19	19		LK201-MA		LK201-B WITH WPS USA/CANADA KEYCAP	-	-	-	-	-	-	-	-	-	1	-	-
20	20		LK201-MB		LK201-B WITH WPS FLEMISH KEYCAPS,B	-	-	-	-	-	-	-	-	-	-	-	1
21	21		LK201-MC		LK201-B WITH WPS CANADA-FRENCH KEY	-	-	-	-	-	-	-	-	-	-	-	-
22	22		LK201-MD		LK201-B WITH WPS DANISH KEYCAPS,BC	-	-	-	-	-	-	-	-	-	-	-	-
23	23		LK201-ME		SEE LK201-MA	-	-	-	-	-	-	-	-	-	-	-	-
24	24		LK201-MF		LK201-B WITH WPS FINLAND KEYCAPS,B	-	-	-	-	-	-	-	-	-	-	-	-
25	25		LK201-MG		LK201-B WITH WPS GERMAN KEYCAPS,BC	-	-	-	-	-	-	-	-	-	-	-	-
26	26		LK201-MH		LK201-B WITH WPS HOLLAND KEYCAPS,B	-	-	-	-	-	-	-	-	-	-	-	-
27	27		LK201-MI		LK201-B WITH WPS ITALIAN KEYCAPS,B	-	-	-	-	-	-	-	-	-	-	-	-
28	28		LK201-MJ		LK201-B WITH WPS KATAKANA KEYCAPS,	-	-	-	-	-	-	-	-	-	-	-	-
29	29		LK201-MK		LK201-B WITH WPS SWISS-FRENCH KEYC	-	-	-	-	-	-	-	-	-	-	-	-
30	30		LK201-ML		LK201-B WITH WPS SWISS-GERMAN KEYC	-	-	-	-	-	-	-	-	-	-	-	-
31	31		LK201-MM		LK201-B WITH WPS SWEDISH KEYCAPS,B	-	-	-	-	-	-	-	-	-	-	-	-
32	32		LK201-MN		LK201-B WITH WPS NORWEGIAN KEYCAPS	-	-	-	-	-	-	-	-	-	-	-	-

REVISION HISTORY		KPL MATRIX FORMAT		SECTION B OF D	DRN: PAUL GAGNE	DIGITAL			
ENG	ECO NUMBER	REV	SECTION/VARIATION INDEX		DATE: 03-JUN-86	TITLE PARTS LIST			
---	INITIAL	A	[A]	01,02,03,04,05,06,07,08,09,10	CHK'D: D. HEALY	INTERNATIONAL KEYBOARDS			
			[B]	11,12,13,14,15,16,17,18,19,20	DATE: 25-FEB-87				
			[C]	21,22,23,24,25,26,27,28,29,30	DES.ENG: L. KIZINA				
			[D]	31,32,33,34,35	DATE: 25-FEB-87	DOCUMENT NUMBER			
			[E]			SIZE	CODE	NUMBER	REV
			[F]		RESP.ENG.: G. LORD	K	PL	7023989-0-DBP	A
			[H]		DATE: 25-FEB-87	RELEASE DATE: 25-FEB-87			
			[J]		MFG.ENG: F. OSOWSKI	RELEASE STATUS: RELEASED			
					DATE: 25-FEB-87				
			BASIC PART NUMBER:	ASSEMBLY NUMBER:	TOP DOCUMENT NUMBER:	FILE NAME:		EDIT #	
			7023989		K-PL-7023989-0-DBP	MLA0344A.PLS		10	

"THIS DRAWING AND THE SPECIFICATIONS CONTAINED HEREIN ARE CONFIDENTIAL AND PROPRIETARY. THEY ARE THE PROPERTY OF DIGITAL EQUIPMENT CORPORATION AND SHALL NOT BE REPRODUCED OR COPIED OR USED IN WHOLE OR IN PART AS THE BASIS FOR THE MANUFACTURE OR SALE OF ITEMS WITHOUT WRITTEN PERMISSION. THIS IS AN UNPUBLISHED WORK PROTECTED UNDER THE FEDERAL COPYRIGHT LAWS."

AUTOMATED BY VAXKPL (V1.3)

P A R T S L I S T

SHEET B2 OF B2

LINE	ITEM	TOP DOCUMENT	PART NUMBER	MIN REV	DESCRIPTION	QUANTITY PER VARIATION/REVISION										
						11 A1	12 A1	13 A1	14 A1	15 A1	16 A1	17 A1	18 A1	19 A1	20 A1	
33	33		LK201-MP		LK201-B WITH WPS FRENCH KEYCAPS, BC	-	-	-	-	-	-	-	-	-	-	-
34	34		LK201-MS		LK201-B WITH WPS SPANISH KEYCAPS, B	-	-	-	-	-	-	-	-	-	-	-
35	35		LK201-MT		LK201-B WITH WPS HEBREW KEYCAPS, BC	-	-	-	-	-	-	-	-	-	-	-

D	I	G	I	T	A	L	TITLE	INTERNATIONAL KEYBOARDS	SECTION B	OF	D	SIZE	CODE	DOCUMENT NUMBER	REV
												K	PL	7023989-0-DBP	A

AUTOMATED BY VAXKPL (V1.3)

PARTS LIST

SHEET C1 OF C2

LINE	ITEM	TOP DOCUMENT	PART NUMBER	MIN REV	DESCRIPTION	QUANTITY PER VARIATION/REVISION									
						21 A1	22 A1	23 A1	24 A1	25 A1	26 A1	27 A1	28 A1	29 A1	30 A1
1	1		LK201-LA		LK201-A WITH USA KEYCAPS,BCC01,NO.	-	-	-	-	-	-	-	-	-	-
2	2		LK201-LB		LK201-A WITH FLEMISH KEYCAPS,BCC01	-	-	-	-	-	-	-	-	-	-
3	3		LK201-LC		LK201-A WITH CANADIAN FRENCH KEYCA	-	-	-	-	-	-	-	-	-	-
4	4		LK201-LD		LK201-A W/DANISH KEYCAPS VERSION 1	-	-	-	-	-	-	-	-	-	-
5	5		LK201-LE		LK201-A WITH UK KEYCAPS,BCC01,NO P	-	-	-	-	-	-	-	-	-	-
6	6		LK201-LF		LK201-A W/FINLAND KEYCAPS VERSION	-	-	-	-	-	-	-	-	-	-
7	7		LK201-LG		LK201-A WITH GERMAN KEYCAPS,BCC01,	-	-	-	-	-	-	-	-	-	-
8	8		LK201-LH		LK201-A W/HOLLAND KEYCAPS VERSION	-	-	-	-	-	-	-	-	-	-
9	9		LK201-LI		LK201-A WITH ITALIAN KEYCAPS,BCC01	-	-	-	-	-	-	-	-	-	-
10	10		LK201-LJ		LK201-A WITH KATAKANA KEYCAPS,BCCO	-	-	-	-	-	-	-	-	-	-
11	11		LK201-LK		LK201-A WITH SWISS-FRENCH KEYCAPS,	-	-	-	-	-	-	-	-	-	-
12	12		LK201-LL		LK201-A WITH SWISS-GERMAN KEYCAPS,	-	-	-	-	-	-	-	-	-	-
13	13		LK201-LM		LK201-A WITH SWEDISH KEYCAPS,BCC01	-	-	-	-	-	-	-	-	-	-
14	14		LK201-LN		LK201-A W/NORWEGIAN KEYCAPS,VERSIO	-	-	-	-	-	-	-	-	-	-
15	15		LK201-LP		LK201-A WITH FRENCH KEYCAPS,BCC01,	-	-	-	-	-	-	-	-	-	-
16	16		LK201-LS		LK201-A WITH SPANISH KEYCAPS,BCC01	-	-	-	-	-	-	-	-	-	-
17	17		LK201-LT		LK201-A WITH HEBREW KEYCAPS,BCC01,	-	-	-	-	-	-	-	-	-	-
18	18		LK201-LV		LK201-A WITH PORTUGESE KEYCAPS,BCC	-	-	-	-	-	-	-	-	-	-
19	19		LK201-MA		LK201-B WITH WPS USA/CANADA KEYCAP	-	-	-	-	-	-	-	-	-	-
20	20		LK201-MB		LK201-B WITH WPS FLEMISH KEYCAPS,B	-	-	-	-	-	-	-	-	-	-
21	21		LK201-MC		LK201-B WITH WPS CANADA-FRENCH KEY	1	-	-	-	-	-	-	-	-	-
22	22		LK201-MD		LK201-B WITH WPS DANISH KEYCAPS,BC	-	1	-	-	-	-	-	-	-	-
23	23		LK201-ME		SEE LK201-MA	-	-	1	-	-	-	-	-	-	-
24	24		LK201-MF		LK201-B WITH WPS FINLAND KEYCAPS,B	-	-	-	1	-	-	-	-	-	-
25	25		LK201-MG		LK201-B WITH WPS GERMAN KEYCAPS,BC	-	-	-	-	1	-	-	-	-	-
26	26		LK201-MH		LK201-B WITH WPS HOLLAND KEYCAPS,B	-	-	-	-	-	1	-	-	-	-
27	27		LK201-MI		LK201-B WITH WPS ITALIAN KEYCAPS,B	-	-	-	-	-	-	1	-	-	-
28	28		LK201-MJ		LK201-B WITH WPS KATAKANA KEYCAPS,	-	-	-	-	-	-	-	1	-	-
29	29		LK201-MK		LK201-B WITH WPS SWISS-FRENCH KEYC	-	-	-	-	-	-	-	-	1	-
30	30		LK201-ML		LK201-B WITH WPS SWISS-GERMAN KEYC	-	-	-	-	-	-	-	-	-	1
31	31		LK201-MM		LK201-B WITH WPS SWEDISH KEYCAPS,B	-	-	-	-	-	-	-	-	-	-
32	32		LK201-MN		LK201-B WITH WPS NORWEGIAN KEYCAPS	-	-	-	-	-	-	-	-	-	-

REVISION HISTORY		KPL MATRIX FORMAT		SECTION C OF D		DRN: PAUL GAGNE		DIGITAL				
ENG		ECO NUMBER	REV	SECTION/VARIATION INDEX		DATE: 03-JUN-86		TITLE PARTS LIST				
---		INITIAL	A	[A]	01,02,03,04,05,06,07,08,09,10	CHK'D: D. HEALY		INTERNATIONAL KEYBOARDS				
				[B]	11,12,13,14,15,16,17,18,19,20	DATE: 25-FEB-87						
				[C]	21,22,23,24,25,26,27,28,29,30	DES.ENG: L. KIZINA						
				[D]	31,32,33,34,35	DATE: 25-FEB-87		DOCUMENT NUMBER				
				[E]				SIZE	CODE	NUMBER	REV	
				[F]		RESP.ENG.: G. LORD		K	PL	7023989-0-DBP	A	
				[H]		DATE: 25-FEB-87		RELEASE DATE: 25-FEB-87				
				[J]		MFG.ENG: F. OSOWSKI		RELEASE STATUS: RELEASED				
						DATE: 25-FEB-87						
				BASIC PART NUMBER:		ASSEMBLY NUMBER:		TOP DOCUMENT NUMBER:		FILE NAME:		EDIT #
				7023989				K-PL-7023989-0-DBP		MLA0344A.PLS		10

"THIS DRAWING AND THE SPECIFICATIONS CONTAINED HEREIN ARE CONFIDENTIAL AND PROPRIETARY. THEY ARE THE PROPERTY OF DIGITAL EQUIPMENT CORPORATION AND SHALL NOT BE REPRODUCED OR COPIED OR USED IN WHOLE OR IN PART AS THE BASIS FOR THE MANUFACTURE OR SALE OF ITEMS WITHOUT WRITTEN PERMISSION. THIS IS AN UNPUBLISHED WORK PROTECTED UNDER THE FEDERAL COPYRIGHT LAWS."

AUTOMATED BY VAXKPL (V1.3)

P A R T S L I S T

SHEET C2 OF C2

LINE	ITEM	TOP DOCUMENT	PART NUMBER	MIN REV	DESCRIPTION	QUANTITY PER VARIATION/REVISION									
						21 A1	22 A1	23 A1	24 A1	25 A1	26 A1	27 A1	28 A1	29 A1	30 A1
33	33		LK201-MP		LK201-B WITH WPS FRENCH KEYCAPS,BC	-	-	-	-	-	-	-	-	-	-
34	34		LK201-MS		LK201-B WITH WPS SPANISH KEYCAPS,B	-	-	-	-	-	-	-	-	-	-
35	35		LK201-MT		LK201-B WITH WPS HEBREW KEYCAPS,BC	-	-	-	-	-	-	-	-	-	-

D	I	G	I	T	A	L	TITLE	INTERNATIONAL KEYBOARDS	SECTION C	OF D	SIZE	CODE	DOCUMENT NUMBER	REV
											K	PL	7023989-0-DBP	A

PARTS LIST

LINE ITEM	TOP DOCUMENT	PART NUMBER	MIN REV	DESCRIPTION	QUANTITY PER VARIATION/REVISION				
					31 A1	32 A1	33 A1	34 A1	35 A1
1	1	LK201-LA		LK201-A WITH USA KEYCAPS,BCC01,NO	-	-	-	-	-
2	2	LK201-LB		LK201-A WITH FLEMISH KEYCAPS,BCC01	-	-	-	-	-
3	3	LK201-LC		LK201-A WITH CANADIAN FRENCH KEYCA	-	-	-	-	-
4	4	LK201-LD		LK201-A W/DANISH KEYCAPS VERSION 1	-	-	-	-	-
5	5	LK201-LE		LK201-A WITH UK KEYCAPS,BCC01,NO P	-	-	-	-	-
6	6	LK201-LF		LK201-A W/FINLAND KEYCAPS VERSION	-	-	-	-	-
7	7	LK201-LG		LK201-A WITH GERMAN KEYCAPS,BCC01,	-	-	-	-	-
8	8	LK201-LH		LK201-A W/HOLLAND KEYCAPS VERSION	-	-	-	-	-
9	9	LK201-LI		LK201-A WITH ITALIAN KEYCAPS,BCC01	-	-	-	-	-
10	10	LK201-LJ		LK201-A WITH KATAKANA KEYCAPS,BCC0	-	-	-	-	-
11	11	LK201-LK		LK201-A WITH SWISS-FRENCH KEYCAPS,	-	-	-	-	-
12	12	LK201-LL		LK201-A WITH SWISS-GERMAN KEYCAPS,	-	-	-	-	-
13	13	LK201-LM		LK201-A WITH SWEDISH KEYCAPS,BCC01	-	-	-	-	-
14	14	LK201-LN		LK201-A W/NORWEGIAN KEYCAPS,VERSIO	-	-	-	-	-
15	15	LK201-LP		LK201-A WITH FRENCH KEYCAPS,BCC01,	-	-	-	-	-
16	16	LK201-LS		LK201-A WITH SPANISH KEYCAPS,BCC01	-	-	-	-	-
17	17	LK201-LT		LK201-A WITH HEBREW KEYCAPS,BCC01,	-	-	-	-	-
18	18	LK201-LV		LK201-A WITH PORTUGESE KEYCAPS,BCC	-	-	-	-	-
19	19	LK201-MA		LK201-B WITH WPS USA/CANADA KEYCAP	-	-	-	-	-
20	20	LK201-MB		LK201-B WITH WPS FLEMISH KEYCAPS,B	-	-	-	-	-
21	21	LK201-MC		LK201-B WITH WPS CANADA-FRENCH KEY	-	-	-	-	-
22	22	LK201-MD		LK201-B WITH WPS DANISH KEYCAPS,BC	-	-	-	-	-
23	23	LK201-ME		SEE LK201-MA	-	-	-	-	-
24	24	LK201-MF		LK201-B WITH WPS FINLAND KEYCAPS,B	-	-	-	-	-
25	25	LK201-MG		LK201-B WITH WPS GERMAN KEYCAPS,BC	-	-	-	-	-
26	26	LK201-MH		LK201-B WITH WPS HOLLAND KEYCAPS,B	-	-	-	-	-
27	27	LK201-MI		LK201-B WITH WPS ITALIAN KEYCAPS,B	-	-	-	-	-
28	28	LK201-MJ		LK201-B WITH WPS KATAKANA KEYCAPS,	-	-	-	-	-
29	29	LK201-MK		LK201-B WITH WPS SWISS-FRENCH KEYC	-	-	-	-	-
30	30	LK201-ML		LK201-B WITH WPS SWISS-GERMAN KEYC	-	-	-	-	-
31	31	LK201-MM		LK201-B WITH WPS SWEDISH KEYCAPS,B	1	-	-	-	-
32	32	LK201-MN		LK201-B WITH WPS NORWEGIAN KEYCAPS	-	1	-	-	-

REVISION HISTORY		KPL MATRIX FORMAT		SECTION D OF D	DRN: PAUL GAGNE	DIGITAL		
ENG	ECO NUMBER	REV	SECTION/VARIATION INDEX		DATE: 03-JUN-86	TITLE PARTS LIST		
---	INITIAL	A	[A]	01,02,03,04,05,06,07,08,09,10	CHK'D: D. HEALY	INTERNATIONAL KEYBOARDS		
			[B]	11,12,13,14,15,16,17,18,19,20	DATE: 25-FEB-87			
			[C]	21,22,23,24,25,26,27,28,29,30	DES.ENG: L. KIZINA			
			[D]	31,32,33,34,35	DATE: 25-FEB-87	DOCUMENT NUMBER		
			[E]			SIZE	CODE	NUMBER
			[F]		RESP.ENG.: G. LORD	K	PL	7023989-0-DBP
			[H]		DATE: 25-FEB-87	RELEASE DATE: 25-FEB-87		
			[J]		MFG.ENG: F. OSOWSKI	RELEASE STATUS: RELEASED		
					DATE: 25-FEB-87			
		BASIC PART NUMBER:		ASSEMBLY NUMBER:	TOP DOCUMENT NUMBER:	FILE NAME:		EDIT #
		7023989			K-PL-7023989-0-DBP	MLA0344A.PLS		10

"THIS DRAWING AND THE SPECIFICATIONS CONTAINED HEREIN ARE CONFIDENTIAL AND PROPRIETARY. THEY ARE THE PROPERTY OF DIGITAL EQUIPMENT CORPORATION AND SHALL NOT BE REPRODUCED OR COPIED OR USED IN WHOLE OR IN PART AS THE BASIS FOR THE MANUFACTURE OR SALE OF ITEMS WITHOUT WRITTEN PERMISSION. THIS IS AN UNPUBLISHED WORK PROTECTED UNDER THE FEDERAL COPYRIGHT LAWS."

AUTOMATED BY VAXKPL (V1.3)

P A R T S L I S T

SHEET D2 OF D2

LINE	ITEM	TOP DOCUMENT	PART NUMBER	MIN REV	DESCRIPTION	QUANTITY PER VARIATION/REVISION				
						31 A1	32 A1	33 A1	34 A1	35 A1
33	33		LK201-MP		LK201-B WITH WPS FRENCH KEYCAPS,BC	-	-	1	-	-
34	34		LK201-MS		LK201-B WITH WPS SPANISH KEYCAPS,B	-	-	-	1	-
35	35		LK201-MT		LK201-B WITH WPS HEBREW KEYCAPS,BC	-	-	-	-	1

AUTOMATED BY VAXKPL (V1.3)

PARTS LIST

SHEET A1 OF A2

LINE	ITEM	TOP DOCUMENT	PART NUMBER	MIN REV	DESCRIPTION	QUANTITY PER VARIATION/REVISION			
						A3 A1	AA A1	G3 A2	GA A2
1	1		H7848-BA		VS400 PWR SUPPLY,120V 104 WATT,+5.	-	1	-	1
2	2		H7848-BB		VS400 PWR SUPPLY,240V 104 WATT,+5.	1	-	1	-
3	3		70-23768-01		MISCELLANEOUS KIT	1	1	1	1
4	4		EK-ZNAGG-GZ		VAXSTATION 2000 DOC KIT	1	1	1	1
5	5		17-01107-01		CABLE ASSY,60 COND,FLAT,28AWG, IDC	1	1	1	1
6	6	C-MD-7433070-0-DBU	74-33070-01		PANEL,COVER	1	1	1	1
7	7	D-MD-7432769-0-DBU	74-32769-01		COVER, BOTTOM	1	1	1	1
8	8	D-MD-7433609-0-DBU	74-33609-01		MEDALLION	1	1	1	1
9	9		36-26124-01		LABEL,VAXSTAR PRODUCT INF 100V U	-	1	-	1
10	10		37-00920-01		PKG SYSTEM BOX VS420-A2/A3 CUST.	1	1	1	1
11	11		90-00049-47		SCREW,SEMS PAN PHIL 6-32	9	9	9	9
12	12		17-00606-02		PWR CORD,TERM SVT 125V	-	1	-	1
13	13	K-PL-7023990-0-DBP	70-23990-01		INTERNATIONAL POWER CORDS	REF	-	REF	-
14	14	D-AD-7022652-0-DBU	70-22652-04		DRIVE ASSY LOAD BRD	1	1	1	1
15	15				*** THIS ITEM IS NOT USED ***	-	-	-	-
16	16				*** THIS ITEM IS NOT USED ***	-	-	-	-
17	17		VS40X-MA		COLOR VIDEO BOARD	-	-	1	1
18	18		17-00568-01		WIRE HARN ASSY,10COND,DSUB-TEL,DIN	1	1	-	-
19	19				*** THIS ITEM IS NOT USED ***	-	-	-	-
20	20				*** THIS ITEM IS NOT USED ***	-	-	-	-
21	21	SEE NOTE 1	36-26124-02		LABEL,VAXSTAR PRODUCT INFO 220V US	REF	-	REF	-
22	22	E-AD-7022653-0-DBU	70-22653-01		COVER ASSY	1	1	1	1
23	23	E-AD-7022650-0-DBU	70-22650-01		CHASSIS ASSY	1	1	1	1
24	24				*** THIS ITEM IS NOT USED ***	-	-	-	-
25	25	D-AD-7022654-0-DBU	70-22654-02		SHIELD ASSY	1	1	1	1
26	26		70-23767-01		THIN WIRE ETHERNET KIT	1	1	1	1
27	27		90-00049-67		SCREW,SEMS PAN BLK/OX 6.32	9	9	9	9
28	28	SEE NOTE 1	36-26124-03		LABEL,VAXSTAR PRODUCT INFO 220V IR	REF	-	REF	-
29	29		EK-ZN8GG-GZ		VAXSTATION 2000 MULTI LANGUAGE H/W	1	-	1	-
30	30		EK-ZN8NT-GZ		VAXSTATION 2000 MICROVAX+VAXMATE N	1	-	1	-
31	31		17-01480-01 A		CABLE ASSY,13 COND,MOLDED,SHIELDED	-	-	1	1

REVISION HISTORY			KPL MATRIX FORMAT		SECTION A OF A		DRN: C.HOYLE		DIGITAL			
ENG	ECO NUMBER	REV	SECTION/VARIATION INDEX		DATE: 04-AUG-86		CHK'D: N.E.NICHOLS		TITLE PARTS LIST			
---	INITIAL	C	[A]	A3,AA,G3,GA	DATE: 01-DEC-86		DATE: 01-DEC-86		UNIT ASSEMBLY			
JB	VS410-ML001	D	[B]				DES.ENG: G.GRAVES		VS410			
			[C]				DATE: 04-AUG-86		DOCUMENT NUMBER			
			[D]						SIZE	CODE	NUMBER	REV
			[E]				RESP.ENG.: K.MARRION		K	PL	VS410-0-DBP	D
			[F]				DATE: 04-AUG-86					
			[H]				MFG.ENG: F.OSOSKI		RELEASE DATE: 21-AUG-87			
			[J]				DATE: 29-DEC-86		RELEASE STATUS: RELEASED			
			BASIC PART NUMBER: VS410		ASSEMBLY NUMBER: E-UA-VS410-0-DBU		TOP DOCUMENT NUMBER: E-UA-VS410-0-DBU		FILE NAME: MLA0395D.PLS		EDIT # 1	

"THIS DRAWING AND THE SPECIFICATIONS CONTAINED HEREIN ARE CONFIDENTIAL AND PROPRIETARY. THEY ARE THE PROPERTY OF DIGITAL EQUIPMENT CORPORATION AND SHALL NOT BE REPRODUCED OR COPIED OR USED IN WHOLE OR IN PART AS THE BASIS FOR THE MANUFACTURE OR SALE OF ITEMS WITHOUT WRITTEN PERMISSION. THIS IS AN UNPUBLISHED WORK PROTECTED UNDER THE FEDERAL COPYRIGHT LAWS."

AUTOMATED BY VAXKPL (V1.3)

P A R T S L I S T

SHEET A2 OF A2

LINE ITEM	TOP DOCUMENT	PART NUMBER	MIN REV	DESCRIPTION	QUANTITY PER VARIATION/REVISION			
					A3 A1	AA A1	G3 A2	GA A2

1 GEN: ITEMS 21 AND 28,USE APPROPRIATE VARIATION FOR VOLTAGE AND ORIGIN.

D	I	G	I	T	A	L	TITLE	UNIT ASSEMBLY	SECTION A OF A	SIZE	CODE	DOCUMENT NUMBER	REV
								VS410		K	PL	VS410-0-DBP	D

REV. B	NUMBER VS410-0-DBU	SIZE CODE B DD
--------	--------------------	----------------

DRAWING NO.	NO. OF SHTS.	PART NO.	DESCRIPTION	REVISIONS																						
				1	2	3	4	5	6	7	8	9	10	11	12	13	14	15	16							
		VS410-AA	BOX, H7848-BA, 54-16798-01, 120 V	A1	A1																					
		VS410-A3	BOX, H7848-BB, 54-16798-01, 240 V	A1	A1																					
		VS410-GA	VS410-AA & VS40X-MA	A1	A2																					
		VS410-G3	VS410-A3 & VS40X-MA	A1	A2																					
E-UA-VS410-0-DBU	1		UNIT ASSEMBLY VS410 (UA)	C	D																					
K-PL-VS410-0-DBP	1		UNIT ASSEMBLY VS410 (PL)	C	D																					
B-TC-VS410-0-DBU	1		UNIT ASSEMBLY VS410 (TC)	A	A																					
		MP-02414-01	PRINT SET, VS410 (MP)	REF	REF																					

NOTES:

FILE NAME: DD-VS410-0-DBUB

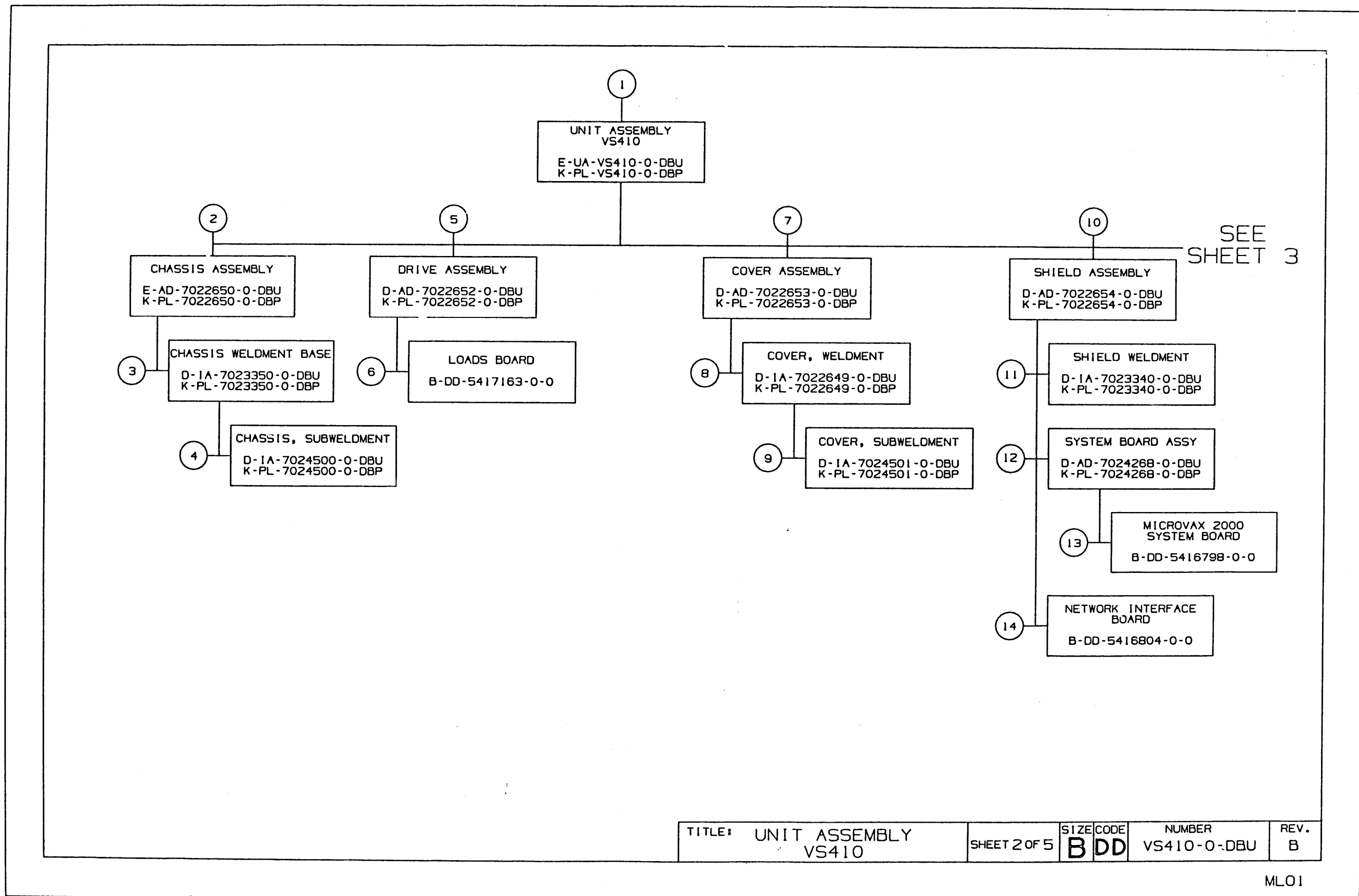
REVISION HISTORY		DATE	ECO NO.	REV.
	INITIAL			A
21-AUG-87	VS410-ML001			B

THIS DRAWING AND THE SPECIFICATIONS CONTAINED HEREIN ARE CONFIDENTIAL AND PROPRIETARY. THEY ARE THE PROPERTY OF DIGITAL EQUIPMENT CORPORATION AND SHALL NOT BE REPRODUCED OR COPIED OR USED IN WHOLE OR IN PART AS THE BASIS FOR THE MANUFACTURE OR SALE OF ITEMS WITHOUT WRITTEN PERMISSION. THIS IS AN UNPUBLISHED WORK PROTECTED UNDER THE FEDERAL COPYRIGHT LAWS.

digital

DRN. PAUL GAGNE	DATE 04-SEP-86
CHK'D D. HEALY	DATE 19-FEB-87
DES. ENG. L. KIZINA	DATE 19-FEB-87
RESP. ENG. G. LORD	DATE 19-FEB-87
MFG. ENG. F. OSOWSKI	DATE 19-FEB-87

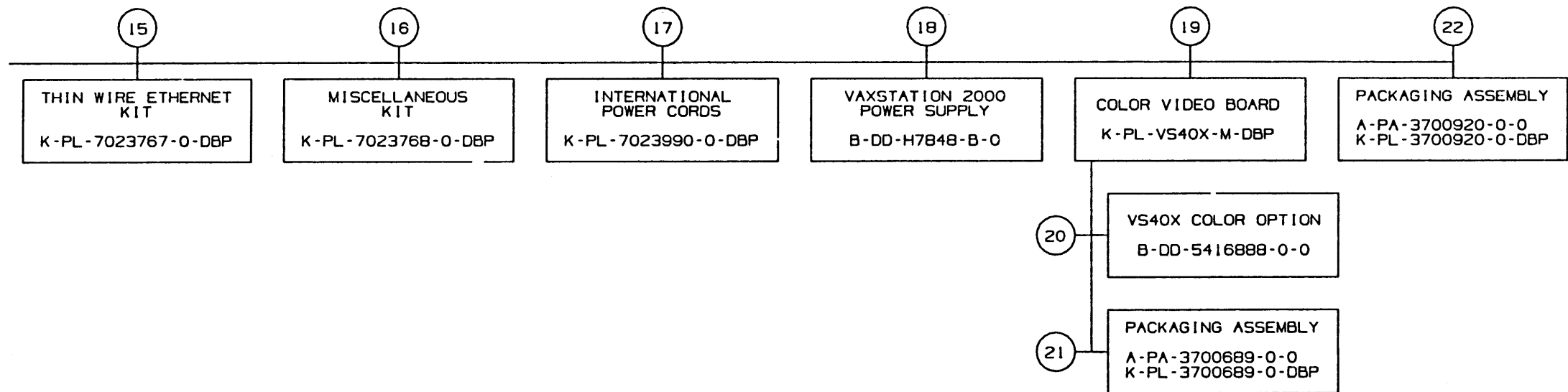
TITLE	UNIT ASSEMBLY VS410
SIZE CODE	B DD
NUMBER	VS410-0-DBU
REV.	B
SHEET 1 OF 5	



SEE SHEET 3

TITLE: UNIT ASSEMBLY VS410	SHEET 2 OF 5	SIZE CODE B DD	NUMBER VS410-0-DBU	REV. B
----------------------------	--------------	--------------------------	-----------------------	-----------

CONT
FROM
SHEET
2



TITLE: UNIT ASSEMBLY VS410	SHEET 3 OF 5	SIZE CODE B DD	NUMBER VS410-0-DBU	REV. B
-------------------------------	--------------	--------------------------	-----------------------	-----------

MLO1

FIND NO.	DRAWING NO.	DESCRIPTION	TYPE	FIND NO.	DRAWING NO.	DESCRIPTION	TYPE
1	MP-02414-01	UNIT ASSEMBLY VS410 (MP)	-		D-1A-7433697-0-DBU	BRACKET, HANDLE	M
	B-TC-VS410-0-DBU	UNIT ASSEMBLY VS410 (TC)	-		K-PL-7433697-0-DBP	BRACKET, HANDLE (PL)	M
	E-UA-VS410-0-DBU	UNIT ASSEMBLY VS410 (UA)	E/M				
	K-PL-VS410-0-DBP	UNIT ASSEMBLY (PL)	E/M				
	D-MD-7432769-0-DBU	COVER, BOTTOM	M				
	C-MD-7433070-0-DBU	PANEL, COVER	M				
	D-MD-7433609-0-DBU	MEDALLION, VAXSTATION 2000	M	5	D-AD-7022652-0-DBU	DRIVE ASSEMBLY	E/M
	A-PS-1701107-0-0	CABLE ASSY, 60 COND, FLAT, 28 AWG, IDC	E/M		K-PL-7022652-0-DBP	DRIVE ASSEMBLY (PL)	E/M
	A-PS-1700606-0-0	POWER CORD, TERM, SNT, 125V	E/M		D-MD-7432764-0-DBU	BRACKET, INNER	M
	A-PS-1700568-0-0	WIRE HARN. ASSY, 10 COND, DSUB TEL. DIN	E/M		D-MD-7433281-0-DBU	PANEL, FILLER DRIVE	M
	A-PS-1701058-0-0	CABLE ASSY, 12 COND, MOLDED, SHIELDED	E/M				
	A-PS-3626124-0-0	LABEL, VAXSTATION 2000 PRODUCT INFO	M				
				6	B-DD-5417163-0-0	LOADS BOARD	E/M
				7	D-AD-7022653-0-DBU	COVER, ASSEMBLY (PL)	M
					K-PL-7022653-0-DBP	COVER, ASSEMBLY	M
					D-MD-7432768-0-DBU	DOOR, FRONT	M
					E-MD-7432770-0-DBU	BEZEL, FRONT	M
2	E-AD-7022650-0-DBU	CHASSIS ASSEMBLY	M				
	K-PL-7022650-0-DBP	CHASSIS ASSEMBLY (PL)	M				
	C-MD-7428807-0-DBU	SPRING, SHIELD, CHASSIS	M				
	E-ME-7432766-0-DBU	BEZEL, REAR	M	8	D-1A-7022649-0-DBU	COVER, WELDMENT	M
	D-MD-7430609-0-DBU	GRIP, HANDLE	M		K-PL-7022649-0-DBP	COVER, WELDMENT (PL)	M
	D-MD-7430610-0-DBU	BRACKET, HANDLE	M		D-MD-7433222-0-DBU	SPRING, COVER	M
	D-MD-7433733-0-DBU	SCREW, SHOUDLER (MODIFIED)	M				
3	D-1A-7023350-0-DBU	CHASSIS WELDMENT BASE	M	9	D-1A-7024501-0-DBU	COVER, SUBWELDMENT	M
	K-PL-7023350-0-DBP	CHASSIS WELDMENT BASE (PL)	M		K-PL-7024501-0-DBP	COVER, SUBWELDMENT (PL)	M
	D-MD-7433069-0-DBU	SPRING, CHASSIS, REAR	M		C-MD-7432755-0-DBU	BRACKET, SIDE	M
	D-MD-7433412-0-DBU	SPRING, CHASSIS, FRONT	M		D-MD-7432756-0-DBU	COVER	M
4	D-1A-7024500-0-DBU	CHASSIS, SUBWELDMENT	M	10	D-AD-7022654-0-DBU	SHIELD ASSEMBLY	E/M
	K-PL-7024500-0-DBP	CHASSIS, SUBWELDMENT (PL)	M		K-PL-7022654-0-DBP	SHIELD ASSEMBLY (PL)	E/M
	E-1A-7432757-0-DBU	CHASSIS, BASE	M		D-MD-7433477-0-DBU	HOLDER, BATTERY PACK	M
	K-PL-7432757-0-DBP	CHASSIS, BASE (PL)	M		C-MD-7434622-0-DBU	INSULATOR	M
	D-MD-7432763-0-DBU	BRACKET, OUTER LEFT	M		A-PS-1700303-0-0	CABLE ASSEMBLY, 40 COND., FLAT	E/M

TYPE: E ELECTRICAL
M MECHANICAL
E/M ELECTRO/MECHANICAL

digital

TITLE: UNIT ASSEMBLY
VS410

SHEET 4 OF 5

SIZE CODE
B DD

NUMBER
VS410-0-DBU

REV.
B

DRB 108A

MLO1

FIND NO.	DRAWING NO.	DESCRIPTION	TYPE	FIND NO.	DRAWING NO.	DESCRIPTION	TYPE
				18	B-DD-H7848-B-0	VAXSTATION 2000 POWER SUPPLY	E/M
11	D-1A-7023340-0-DBU	SHIELD, WELDMENT	M				
	K-PL-7023340-0-DBP	SHIELD, WELDMENT (PL)	M				
	E-1A-7432758-0-DBU	SHIELD, FRONT	M	19	K-PL-VS40X-M-DBP	COLOR VIDEO BOARD	E/M
	K-PL-7432758-0-DBP	SHIELD, FRONT (PL)	M				
	E-1A-7433086-0-DBU	SHIELD, REAR	M				
	K-PL-7433086-0-DBP	SHIELD, REAR (PL)	M	20	B-DD-5416888-0-0	VS40X COLOR OPTION	E/M
12	D-AD-7024268-0-DBU	SYSTEM BOARD ASSY	E/M				
	K-PL-7024268-0-DBP	SYSTEM BOARD ASSY (PL)	E/M				
	C-MD-7434684-0-DBU	BRACKET, FCC	M	21	A-PA-3700689-0-0	PACKAGING ASSEMBLY	E/M
					K-PL-3700689-0-0	PACKAGING ASSEMBLY (PL)	E/M
13	B-DD-5416798-0-0	TEAMMATE SYSTEM BOARD, 32 BIT	E/M				
				22	A-PA-3700920-0-0	PACKAGING ASSEMBLY	E/M
					K-PL-3700920-0-0	PACKAGING ASSEMBLY (PL)	E/M
14	B-DD-5416804-0-0	NETWORK INTERFACE BOARD	E/M				
15	K-PL-7023767-0-DBP	THIN WIRE ETHERNET KIT	E/M				
16	K-PL-7023768-0-DBP	MISCELLANEOUS KIT	E/M				
	A-PS-1700289-0-0	CABLE ASSEMBLY, 25 COND.	E/M				
	A-PS-1700313-0-0	CABLE ASSEMBLY, 6 COND, MOLDED, SHIELDED	E/M				
	A-PS-1700811-0-0	CABLE ASSEMBLY, 6 COND, OVAL	E/M				
17	K-PL-7023990-0-DBP	INTERNATIONAL POWER CORDS (REF)	E/M				

TYPE: E ELECTRICAL
M MECHANICAL
E/M ELECTRO/MECHANICAL



TITLE: UNIT ASSEMBLY
VS410

SHEET 5 OF 5

SIZE CODE
B DD

NUMBER
VS410-0-DBU

REV.
B

DRB 108A

MLO1

DRAWING NO.	(NO. SHTS)	PART NO.	DESCRIPTION	REVISIONS
		5417163-01	LOADS BOARD	1A1
		5417163-02	LOADS BOARD	1A1
D-UA-5417163-0-0	1		UNIT ASSEMBLY	1A
B-CS-5417163-0-0	1		CIRCUIT SCHEMATICS	1A
K-PL-5417163-0-DBP	1		PARTS LIST	1A
K-PC-5417163-0-DBJ			P.C. DATA BASE	1A
K-CS-5417163-0-DBX			SCHEMATIC DATA BASE	1A
		5017162-01	ETCHED CIRCUIT BOARD	1A1
K-DD-5017162-0-0	1		DRAWING DIRECTORY	1A

NOTES:

R I I
 E H I E I I
 V I C I N
 I S I O I I
 S T I T
 I O I N I
 O R I O I
 N Y
 D I I
 A I O
 T I /
 E I 8
 I 6

THIS DRAWING AND THE SPECIFICATIONS CONTAINED HEREIN ARE CONFIDENTIAL AND PROPRIETARY. THEY ARE THE PROPERTY OF DIGITAL EQUIPMENT CORPORATION AND SHALL NOT BE REPRODUCED OR COPIED OR USED IN WHOLE OR IN PART AS THE BASIS FOR THE MANUFACTURE OR SALE OF ITEMS WITHOUT WRITTEN PERMISSION. THIS IS AN UNPUBLISHED WORK PROTECTED UNDER THE FEDERAL COPYRIGHT LAWS.

DRN: JIM CUNNINGHAM

DATE: 10/1/86

d i g i t a l l

CHK'D: LENNY HAYWOOD

DATE: 10/1/86

TITLE
LOADS BOARD

DES.ENG.: LARRY NARHI

DATE: 10/1/86

SHEET 1 OF 1 EDIT:
4

RESP.ENG.: LARRY NARHI

DATE: 10/1/86

DOCUMENT NUMBER

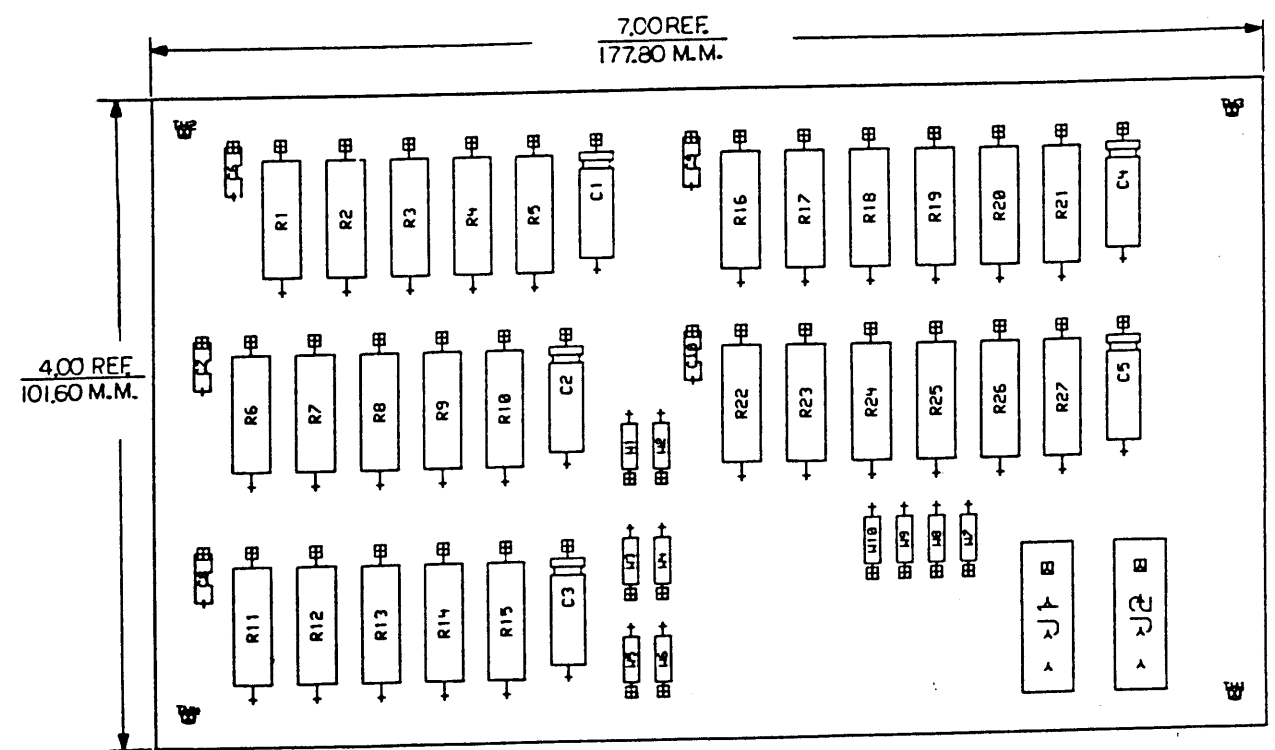
DD FILENAME: 5417163A.DDF

MFG.ENG.: W. BEAN

DATE: 10/1/86

SIZE CODE NUMBER REV
K DD 5417163-0-0 A1

THIS DRAWING AND SPECIFICATIONS, HEREIN, ARE THE PROPERTY OF DIGITAL EQUIPMENT CORPORATION AND SHALL NOT BE REPRODUCED OR COPIED IN WHOLE OR IN PART FOR THE MANUFACTURE OR SALE OF ITEMS WITHOUT WRITTEN PERMISSION.
 COPYRIGHT © 1968 DIGITAL EQUIPMENT CORPORATION



NOTES:

STEP E	+ Y AXIS	STEP	TIMES
REPEAT	+ X AXIS	STEP	TIMES

CHG	NO	REV	A
DATE			
BY			
INIT.			

ETCH REV.	A1
-----------	----

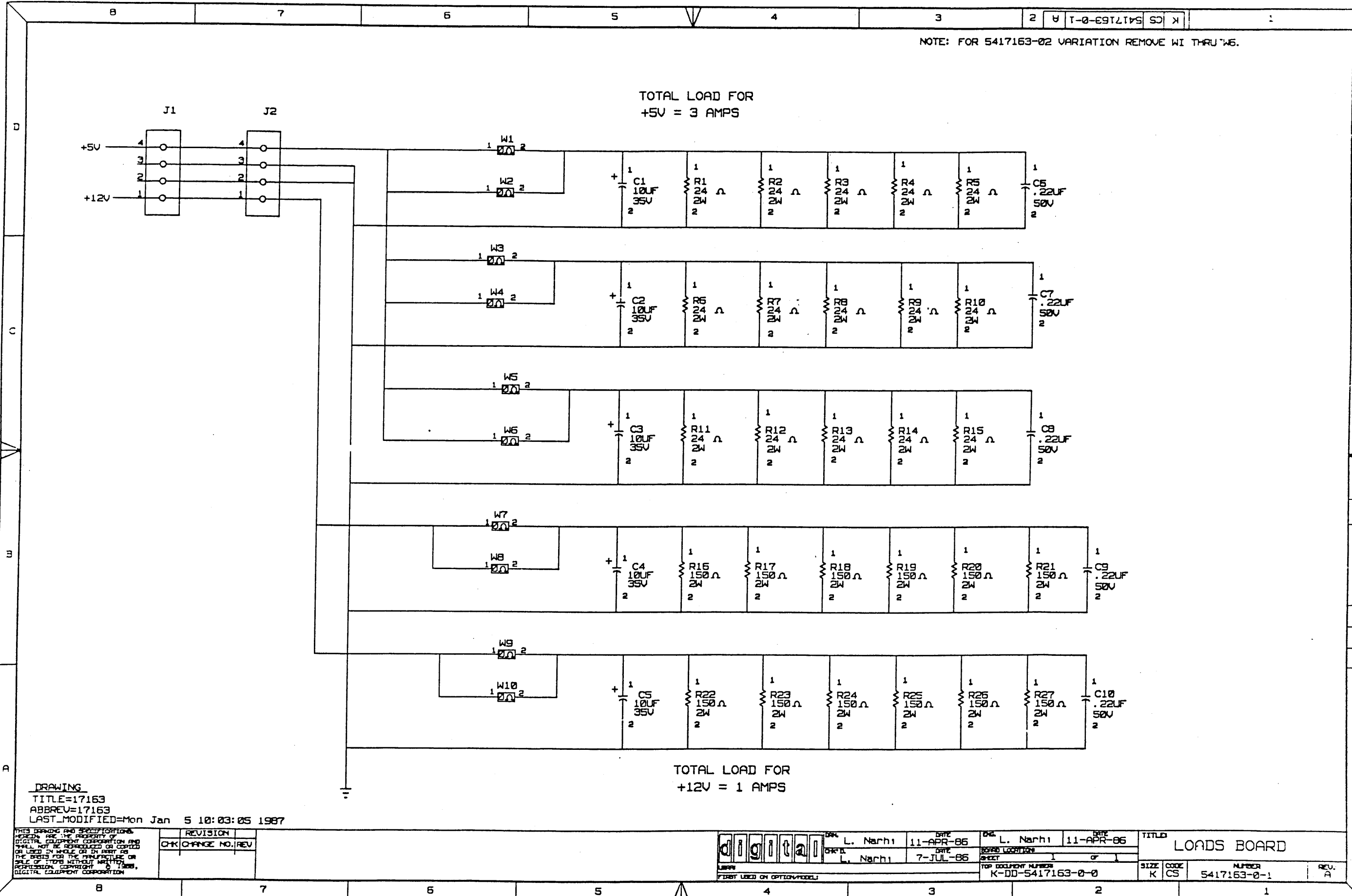
SIGNATURES		DATE	digital
DRN. RHOADES		8-26-68	
CHK'D. B. CORMIER		8-26-68	
TECH. ENG. L. H. ...		11-25-68	
PROD. ENGR. L. H. ...		11-25-68	
TITLE LOAD BOARD			
SCALE 2/1	SIZE CODE 0 UA	NUMBER 5417163-0-0	REV
SHT. 1 OF 1			
NEXT HIGHER ASSY. K-00-5417163-0-0			

LINE ITEM	TOP DOCUMENT	PART NUMBER	MIN REV	DESCRIPTION	QTY PER VAR/REV		REFERENCE DESIGNATORS
					01 A1	02 A1	
1	1 D-MD-5017162-0-0	50-17162-01		CIRCUIT DRILL & ETCH	1	1	
2	2	10-14265-00		0.22 MFD 50V +80/-20% Z5U C	5	5	C6-C10
3	3	10-17472-00		10 MFD 35V +75/-10% ALU	5	5	C1-C5
4	4	12-11342-04		MATE-N-LOK 04PIN(1X04).200CC HDR	2	2	J1,J2
5	5	13-19471-16		150.0 2.0 W 5.0 % M.OXIDE	12	12	R16-R27
6	6	13-20602-28		24.0 2.0 W 5.0 % M.OXIDE	15	15	R1-R15
7	7	90-09185-00		JUMPER, WIRE, INSULATED, BLACK B	10	-	W1-W10
		CONT			-	4	W7-W10

REVISION HISTORY			KPL MODULE FORMAT		SECTION A OF A		DRN: L. HAYWOOD		D I G I T A L				
ENG	ECO NUMBER	REV	SECTION/VARIATION INDEX		DATE: 19-AUG-86		CHK'D: B. DITOMMASO		TITLE PARTS LIST				
---	INITIAL	A	[A]	01,02	[M]	DATE: 19-AUG-86		DATE: 19-AUG-86		LOADS BOARD			
			[B]		[N]			DES.ENG: LARRY NARHI		DOCUMENT NUMBER			
			[C]		[P]			DATE: 19-AUG-86		SIZE		CODE	
			[D]		[Q]			RESP.ENG.: LARRY NARHI		NUMBER		REV	
			[E]		[R]			DATE: 30-SEP-86		K		PL	
			[F]		[S]			MFG.ENG: W. BEAN		5417163-0-DBP		A	
			[H]		[T]			DATE: 30-SEP-86		RELEASE DATE: 18-DEC-86			
			[J]		[V]					RELEASE STATUS: RELEASED			
			[K]		[W]								
			[L]		[Y]								
			BASIC PART NUMBER:		ASSEMBLY NUMBER:		TOP DOCUMENT NUMBER:		FILE NAME:		EDIT #		
			5417163		D-UA-5417163-0-0		K-DD-5417163-0-0		MLA0614A.PLS		8		

"THIS DRAWING AND THE SPECIFICATIONS CONTAINED HEREIN ARE CONFIDENTIAL AND PROPRIETARY. THEY ARE THE PROPERTY OF DIGITAL EQUIPMENT CORPORATION AND SHALL NOT BE REPRODUCED OR COPIED OR USED IN WHOLE OR IN PART AS THE BASIS FOR THE MANUFACTURE OR SALE OF ITEMS WITHOUT WRITTEN PERMISSION. THIS IS AN UNPUBLISHED WORK PROTECTED UNDER THE FEDERAL COPYRIGHT LAWS."

NOTE: FOR 5417163-02 VARIATION REMOVE W1 THRU W6.



DRAWING
 TITLE=17163
 ABBREV=17163
 LAST_MODIFIED=Mon Jan 5 10:03:05 1987

THIS DRAWING AND SPECIFICATIONS
 HEREON ARE THE PROPERTY OF
 DIGITAL EQUIPMENT CORPORATION AND
 SHALL NOT BE REPRODUCED OR COPIED
 OR USED IN WHOLE OR IN PART OR
 FOR THE BASIS FOR THE MANUFACTURE OR
 SALE OF ITEMS WITHOUT WRITTEN
 PERMISSION. COPYRIGHT © 1986,
 DIGITAL EQUIPMENT CORPORATION

REVISION	DATE
CHK CHANGE NO. REV	

digital
 FIRST USED ON OPTION MODEL

DESIGNED BY	L. Narhi	DATE	11-APR-86
CHECKED BY	L. Narhi	DATE	7-JUL-86

DESIGNED BY	L. Narhi	DATE	11-APR-86
CHECKED BY		DATE	

TITLE	LOADS BOARD		
TOP DOCUMENT NUMBER	K-DD-5417163-0-0		
SIZE	K	CODE	CS
NUMBER	5417163-0-1		
REV.	A		

DRAWING NO.	NO. SHTS	PART NO.	DESCRIPTION	REVISIONS				
E-UA-5416798-0-0	1	5416798-01	KA410 SYSTEM BOARD	A1	A1	B1	B1	C1
B-CS-5416798-0-1	21		UNIT ASSEMBLY	A	A	B	B	-
K-PL-5416798-0-DBP	4		CIRCUIT SCHEMATIC	A	A	B	B	-
K-PC-5416798-0-DBJ			PARTS LIST	A	B	C	C	-
K-CS-5416798-0-DBX			P.C. DESIGN DATA BASE	F	F	F	F	H
			SCHEMATIC DATA BASE	A	A	B	B	-
E-UA-5416798-1-0	3	5016797-01	UNIT ASSEMBLY	-	-	-	-	A
K-CS-5416798-1-1	21		CIRCUIT SCHEMATICS	-	-	-	-	A
K-PL-5416798-1-DBP	4		PARTS LIST	-	-	-	-	A
K-CS-5416798-1-DBX	1		SCHEMATICS DATABASE	-	-	-	-	A
K-DD-5016797-0-0	1		ETCH CIRCUIT BOARD	F1	F1	F1	F1	H1
			DRAWING DIRECTORY	A	A	A	B	B

NOTES:

		A	B	C	D	D	
R E V I S I O N	R E V						
	H I S T O R Y	E C N O T E	I N T E R	M L O O 1	M L O O 2	M L O O 3	M L O O 3 A
		D A T E	1 0 / 8 6	0 6 / 8 7	0 6 / 8 7	1 0 / 8 7	1 0 / 8 7

THIS DRAWING AND THE SPECIFICATIONS CONTAINED HEREIN ARE CONFIDENTIAL AND PROPRIETARY. THEY ARE THE PROPERTY OF DIGITAL EQUIPMENT CORPORATION AND SHALL NOT BE REPRODUCED OR COPIED OR USED IN WHOLE OR IN PART AS THE BASIS FOR THE MANUFACTURE OR SALE OF ITEMS WITHOUT WRITTEN PERMISSION. THIS IS AN UNPUBLISHED WORK PROTECTED UNDER THE FEDERAL COPYRIGHT LAWS.

DRN: B. CORMIER

DATE: 10/22/86

d i g i t a l

CHK'D: BLAISE DITOMMASO

DATE: 10/22/86

TITLE

KA410 SYSTEM BOARD

DES.ENG.: G. LORD

DATE: 10/22/86

SHEET 1 OF 1

EDIT:
14

RESP.ENG.: G. LORD

DATE: 10/22/86

DOCUMENT NUMBER

DD FILENAME: 5416798C.DDF

MFG.ENG.: W. BEAN

DATE: 10/22/86

SIZE	CODE	NUMBER	REV
K	DD	5416798-0-0	D

REWORK INSTRUCTIONS (USE WIRE, 30 AWG, 91-05740-55)

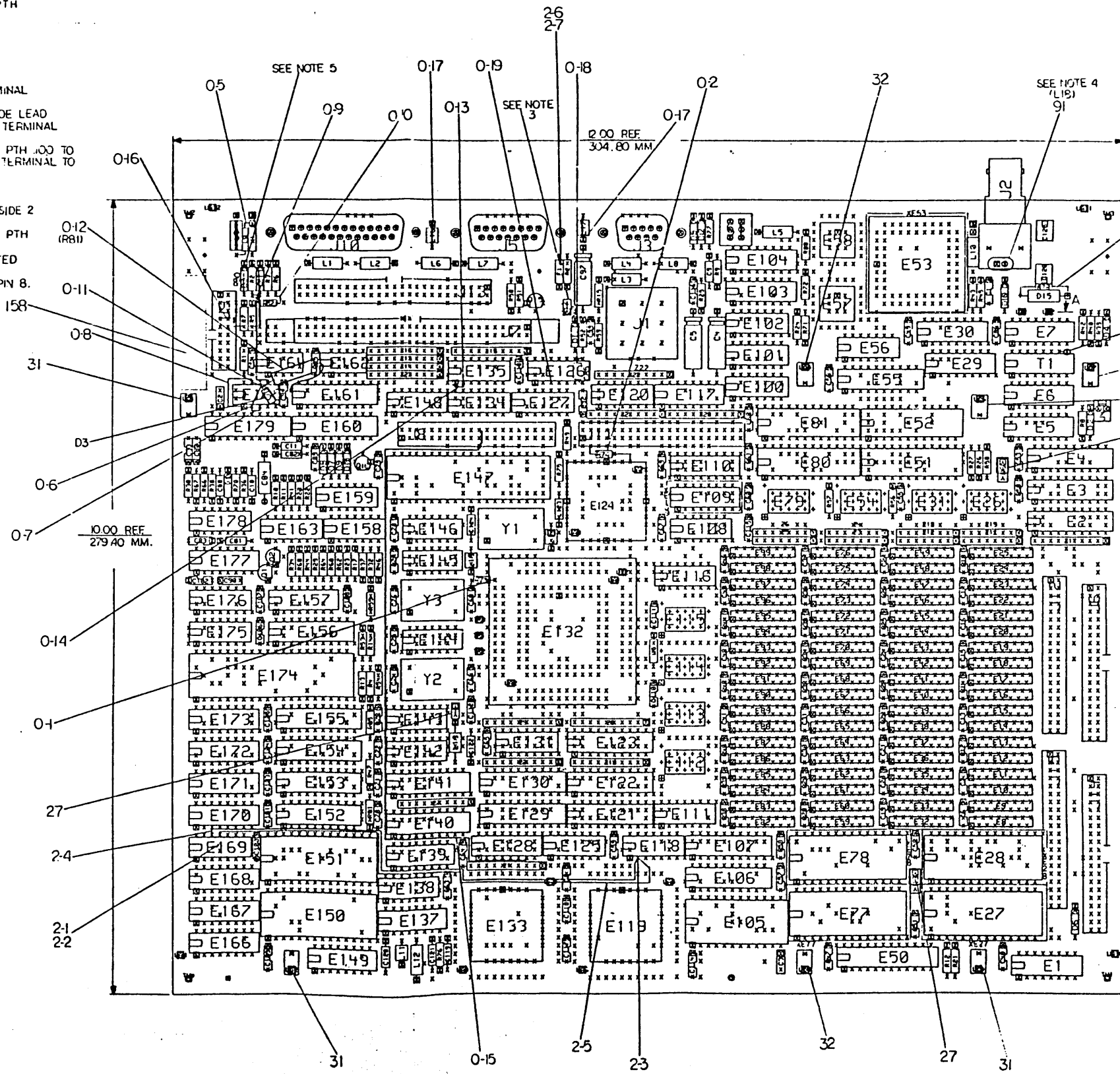
COMPONENT ADDS SIDE 1 (AS SHOWN)

- 0-1 ADD RESISTOR R73, 10K (13-00479-00) WITH ONE LEAD SOLDERED TO C68 PIN1 AND THE OTHER LEAD IN THE PTH 300 TO THE RIGHT AND UP 100. THIS PTH CONNECTS TO E132-150.
- 0-2 ADD RESISTOR R74, 10K (13-00479-00) WITH ONE LEAD IN THE PTH BELOW J11-3 AND THE OTHER LEAD IN THE PTH OF E124-40.
- 0-3 ADD RESISTOR R78, 1M (13-09595-00), SOLDER ACROSS D15 TERMINALS.
- 0-4 ADD RESISTOR R79, 75 (13-02379-00), INSTALL VERTICALLY WITH ONE LEAD USING THE PTH OF T1-9 AND BENDING THE OTHER LEAD DOWN TO USE THE PTH OF T1-0.
- 0-5 ADD WIRE JUMPER (90-09185-00) BY INSERTING ONE LEAD IN THE TOP PTH OF W1 AND THE OTHER LEAD IN THE PTH 400 DOWN AND 100 TO THE LEFT.
- 0-6 LIFT LEG OF E165-2.
- 0-7 ADD WIRE FROM THE PTH OF E165-2 TO E165-3.
- 0-8 ADD WIRE FROM E165-1 TO E165-7.
- 0-9 ADD WIRE FROM THE LOWER TERMINAL OF R2 TO E165-5.
- 0-10 ADD RESISTOR R82, 10K (13-02396-00) FROM THE LOWER TERMINAL OF R2 TO THE LOWER TERMINAL OF R6.
- 0-11 ADD D3, IN5519D (11-21923-01) WITH THE TERMINAL 1 OR CATHODE LEAD IN THE PTH OF E165-6 AND THE OTHER LEAD AT THE LOWER TERMINAL OF C94. ADD WIRE FROM THE LEG OF E165-2 TO E165-6.
- 0-12 ADD R81, 330 OHM 1/2W (13-00236-00) WITH ONE LEAD IN THE PTH 100 TO THE LEFT AND DOWN 100 FROM E161-20 AND ATTACH THE OTHER TERMINAL TO THE TERMINAL 1 LEAD OF D3.
- 0-13 CUT LEG OF E135-2.
- 0-14 ADD WIRE FROM E135-1 TO PTH OF E135-2.
- 0-15 ADD WIRE FROM E128-7 DOWN THRU THE PTH BELOW J8-21 TO SIDE 2 AND CONNECT TO J8-22.
- 0-16 ADD WIRE FROM THE TOP LEAD OF R2, THEN DOWN THRU THE PTH 400 TO THE RIGHT OF J9-10 TO SIDE 2 ADD CONNECT TO J9-7.
- 0-17 REPLACE L16 AND L17 (16-18238-00) WITH #22 AWG UNINSULATED BUSS WIRE (91-07560-01).
- 0-18 ADD C85, 47pF CAP. (10-00011-00), BETWEEN E126 PINS 7 AND PIN 8. LAY THE CAP DOWN ACROSS THE IC WITH THE LETTERING ON THE CAP FACING UP AND THE CAP LEADS BENT DOWN. TACK SOLDER THE CAP LEADS TO THE IC E126 PINS 7 AND 8.
- 0-19 CLIP LEG OF IC E126 PIN 3.

ECO #5416798-MLOC2

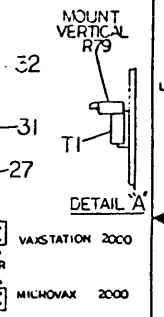
PART DELETES SIDE 1 (AS SHOWN)

- 2-1 PART NUMBER 18-12803-00 REF DES E165
- PART ADDS SIDE 1 (AS SHOWN)
- 2-2 PART #19-21303-01 REF DES E169 DO NOT INSERT PIN 12.
- WIRE ADDS SIDE 1 (AS SHOWN)
- 2-3 LIFT LEG OF E118 PIN 2
- 2-4 ADD WIRE FROM E118-2 TO E169-12
- 2-5 ADD WIRE FROM E169-11 TO PAD UNDER E118-2.
- PART DELETE SIDE 1 (AS SHOWN)
- 2-6 PART #12-05747-00 REF DES F1.
- PART ADDS SIDE 1 (AS SHOWN)
- 2-7 PART #12-10929-07 REF DES F1.



DATE	11-1-77	DESIGNED BY	W. GROSS
DRN	11-1-77	CHECKED BY	W. GROSS
REV	1	DATE	11-1-77
SCALE	1:1	PROJECT	SYSTEM BOARD
SHEET	1 OF 1	PROJ. NO.	11-1-77
REV.		REV. NO.	1
REV. DATE		REV. BY	
REV. REASON		REV. BY	
REV. DATE		REV. BY	
REV. REASON		REV. BY	
REV. DATE		REV. BY	
REV. REASON		REV. BY	

DATE	11-1-77	DESIGNED BY	W. GROSS
DRN	11-1-77	CHECKED BY	W. GROSS
REV	1	DATE	11-1-77
SCALE	1:1	PROJECT	SYSTEM BOARD
SHEET	1 OF 1	PROJ. NO.	11-1-77
REV.		REV. NO.	1
REV. DATE		REV. BY	
REV. REASON		REV. BY	
REV. DATE		REV. BY	
REV. REASON		REV. BY	
REV. DATE		REV. BY	
REV. REASON		REV. BY	



DATE	11-1-77	DESIGNED BY	W. GROSS
DRN	11-1-77	CHECKED BY	W. GROSS
REV	1	DATE	11-1-77
SCALE	1:1	PROJECT	SYSTEM BOARD
SHEET	1 OF 1	PROJ. NO.	11-1-77
REV.		REV. NO.	1
REV. DATE		REV. BY	
REV. REASON		REV. BY	
REV. DATE		REV. BY	
REV. REASON		REV. BY	

DATE	11-1-77	DESIGNED BY	W. GROSS
DRN	11-1-77	CHECKED BY	W. GROSS
REV	1	DATE	11-1-77
SCALE	1:1	PROJECT	SYSTEM BOARD
SHEET	1 OF 1	PROJ. NO.	11-1-77
REV.		REV. NO.	1
REV. DATE		REV. BY	
REV. REASON		REV. BY	
REV. DATE		REV. BY	
REV. REASON		REV. BY	

DATE	11-1-77	DESIGNED BY	W. GROSS
DRN	11-1-77	CHECKED BY	W. GROSS
REV	1	DATE	11-1-77
SCALE	1:1	PROJECT	SYSTEM BOARD
SHEET	1 OF 1	PROJ. NO.	11-1-77
REV.		REV. NO.	1
REV. DATE		REV. BY	
REV. REASON		REV. BY	
REV. DATE		REV. BY	
REV. REASON		REV. BY	

11-1-77

LINE	ITEM	TOP DOCUMENT	PART NUMBER	MIN REV	DESCRIPTION	QTY	PER VAR/REV	REFERENCE DESIGNATORS
						01		
						B1		
1	1	D-MD-5016797-0-0	50-16797-01		CIRCUIT DRILL AND ETCH	1		
2	2		10-00011-00	47	PFD 100V +/- 5% 200PP	1		C85
3	3		10-10274-02	1.0	MFD 50V +80/-20% Z5U C	2		C2,C3
4	4		10-13466-02	18	PFD 50V +/- 5% NPO C	3		C120,C123,C124
5	5		10-13466-04	33	PFD 50V +/- 5% NPO C	1		C82
6	6		10-13466-10	3300	PFD 50V +/- 5% NPO C	1		C84
7	7		10-13466-18	330	PFD 50V +/- 5% NPO C	1		C11
8	8		10-13466-26	120	PFD 50V +/- 5% NPO C	1		C10
9	9		10-13466-31	15	PFD 50V +/- 5% NPO C	1		C81
10	10		10-13466-43	0.010	MFD 50V +/- 5% X7R C	2		C9,C119
11	11		10-13466-57	0.033	MFD 50V +/- 10% X7R C	1		C88
12	12		10-14265-00	0.22	MFD 50V +80/-20% Z5U C	99		C1,C6-C8,C12-C80,C83,C86,C89, CONT C92,C94,C95,C99-C118
13	13		10-17472-00	10	MFD 35V +75/-10% ALU	3		C4,C5,C97
14	14		10-24600-01	200	PFD 100V +/- 5% 200PP	1		C90
15	15		10-26236-06	1000	PFD1000V +/- 10% NPO CE	2		C125,C126
16	16		11-10994-00	VZ= 5.1	5% 400 MW 1N751A	1		D1
17	17		11-11577-00	PIV= 50	I0=200 MA - 4NS 1N4454	8		D5,D7-D9,D11-D14
18	18		11-13003-00	PIV= 55	I0=200 MA - 4NS 1N5282	1		D10
19	19		11-14117-00	PIV= 40	I0= 75 A -4NS 1N4152	2		D2,D6
20	20		11-16475-00	PIV= 75	- 4NS 1N4148	1		D4
21	21		11-21923-01	1N 5519D	3.6 +,-1%	1		D3
22	22		11-26344-01	TRANS.SUPP.	400V 1500W	1		D15
23	23		12-05747-00 A	FUSE PICO	5.0 A 125V AXIAL LEA	1		F2
24	24		12-12297-02	MATE-N-LOK	09PIN(2X05).250CC HDR	1		J1
25	25		12-15006-02	SKT,IC	16PIN DIP TIN SOLD	1		XE109
26	26		12-15006-17	SKT,IC	28PIN DIP TIN SOLD	4		XE27,XE28,XE77,XE78
27	27		12-18783-00	JUMPER	02POS(1X02).100CC	3		W3,W4,W6
28	28		12-19066-09	PCB HEADER	40POS(2X20).100CC STR	2		J8,J11
29	29		12-19066-10	PCB HEADER	40POS(2X20).100CC STR	2		J12,J15
30	30		12-19251-00	PCB HEADER	02PIN(1X02).100CC STR	1		J4
31	31		12-19857-05	STANDOFF	,NYLON	4		

REVISION HISTORY			KPL MODULE FORMAT		SECTION A OF A		DRN: B. DITOMMASO		DIGITAL			
ENG	ECO NUMBER	REV	SECTION/VARIATION INDEX		DATE:	26-JUN-86		TITLE PARTS LIST				
---	INITIAL	A	[A]	01	[M]	CHK'D:	B. DITOMMASO		KA410 SYSTEM BOARD			
J.B	5416798-ML001	B	[B]		[N]	DATE:	17-FEB-87					
JB	5416798-ML002	C	[C]		[P]	DES.ENG:	P. SCANTLEBURY					
			[D]		[Q]	DATE:	17-FEB-87		DOCUMENT NUMBER			
			[E]		[R]	RESP.ENG.:	G. LORD		SIZE	CODE	NUMBER	REV
			[F]		[S]	DATE:	17-FEB-87		K	PL	5416798-0-DBP	C
			[H]		[T]	MFG.ENG.:	W. BEAN		RELEASE DATE: 23-JUN-87			
			[J]		[V]	DATE:	17-FEB-87		RELEASE STATUS: RELEASED			
			[K]		[W]							
			[L]		[Y]							
			BASIC PART NUMBER:		ASSEMBLY NUMBER:		TOP DOCUMENT NUMBER:		FILE NAME:		EDIT #	
			5416798		E-UA-5416798-0-0		K-DD-5416798-0-0		GH055C.PLS		3	

"THIS DRAWING AND THE SPECIFICATIONS CONTAINED HEREIN ARE CONFIDENTIAL AND PROPRIETARY. THEY ARE THE PROPERTY OF DIGITAL EQUIPMENT CORPORATION AND SHALL NOT BE REPRODUCED OR COPIED OR USED IN WHOLE OR IN PART AS THE BASIS FOR THE MANUFACTURE OR SALE OF ITEMS WITHOUT WRITTEN PERMISSION. THIS IS AN UNPUBLISHED WORK PROTECTED UNDER THE FEDERAL COPYRIGHT LAWS."

LINE	ITEM	TOP DOCUMENT	PART NUMBER	MIN REV	DESCRIPTION	QTY	PER VAR/REV	REFERENCE DESIGNATORS
						O1		
						B1		
32	32		12-19857-06		STANDOFF, NYLON	3		
33	33		12-21158-01		SKT, IC 68PIN CHIP CARRIER	1		XE53
34	34		12-23982-08		PCB HEADER 60POS(2X30).100CC STR	1		J7
35	35		12-25179-01		SW, PB DPDT MOM .1A	1		S1
36	36		12-25296-01		CONN, D SUB 09POS ASSY STR GOLD P	1		J3
37	37		12-25296-02		CONN, D SUB 15POS ASSY STR GOLD P	1		J5
38	38		12-25296-03		CONN, D SUB 25POS ASSY STR GOLD P	1		J10
39	39		12-25562-01		PCB HEADER, 20POS(2X10).100CC STR	1		J9
40	40		12-25562-02		PCB HEADER, 40POS(2X20).100CC STR	2		J6, J14
41	41		12-25562-03		PCB HEADER, 50POS(2X25).100CC STR	1		J13
42	42		12-25930-01		CONN, COAX BNC JACK	1		J2
43	43		13-00202-00	47.0	.25 W 5.0 % CF	1		R52
44	44		13-00229-00	100.0	.25 W 5.0 % CF	10		R5, R7, R26-R28, R47, R56, R57, R61, R77
								CONT
45	45		13-00271-00	220.0	.25 W 5.0 % CF	1		R50
46	46		13-00296-00	330.0	.50 W 5.0 % CF	1		R81
47	47		13-00309-00	390.0	.25 W 5.0 % CF	2		R4, R55
48	48		13-00365-00	1.0 K	.25 W 5.0 % CF	6		R9, R21, R30, R34, R44, R68
49	49		13-00432-00	3.0 K	.25 W 5.0 % CF	1		R24
50	50		13-00447-00	4.70 K	.25 W 5.0 % CF	4		R58, R65, R75, R76
51	51		13-00479-00	10.0 K	.25 W 5.0 % CF	5		R6, R13, R14, R73, R74
52	52		13-00488-00	12.0 K	.25 W 5.0 % CF	1		R25
53	53		13-01317-00	10.0	.25 W 5.0 % CF	2		R53, R54
54	54		13-01322-00	180.0	.25 W 5.0 % CF	1		R8
55	55		13-01430-00	12.0	.25 W 5.0 % CF	1		R49
56	56		13-01890-00	560.0	.25 W 5.0 % CF	4		R39, R40, R43, R45
57	57		13-01972-00	270.0	.25 W 5.0 % CF	3		R32, R37, R46
58	58		13-02379-00	75.0	.25 W 5.0 % CF	1		R79
59	59		13-02388-00	2.0 K	.25 W 5.0 % CF	1		R12
60	60		13-02396-00	150.0 K	.25 W 5.0 % CF	1		R82
61	61		13-02860-00	11.50 K	.25 W 1.0 % RN55D-F10	2		R2, R3
62	62		13-03067-00	422.0	.25 W 1.0 % RN55D-F10	2		R36, R70
63	63		13-03114-00	1.0 K	.25 W 1.0 % RN55D-F10	3		R20, R22, R42
64	64		13-03312-00	10.0 K	.25 W 1.0 % RN55D-F10	2		R23, R60
65	65		13-04866-00	2.0 K	.25 W 1.0 % RN55D-F10	1		R66
66	66		13-05324-00	4.99 K	.25 W 1.0 % RN55D-F10	1		R29
67	67		13-05346-00	27.0 K	.25 W 5.0 % CF	2		R71, R72
68	68		13-09595-00	1.0 M	.25 W 5.0 % CF	1		R78
69	69		13-10630-00	1.33 K	.25 W 1.0 % RN55D-F10	1		R11
70	70		13-11522-00	200.0	.25 W 5.0 % CF	1		R51
71	71		13-12114-01		R. NET 470.0 - 8 5.0	3		Z13, Z22, Z23
72	72		13-12747-00	56.20 K	.25 W 1.0 % RN55D-F10	2		R1, R80
73	73		13-13150-00	430.0	.25 W 5.0 % CF	2		R15, R59
74	74		13-13587-00	732.0	.25 W 1.0 % RN55D-F10	1		R41
75	75		13-13590-00	1.50 K	.25 W 1.0 % RN55D-F10	2		R38, R64
76	76		13-13591-00	1.65 K	.25 W 1.0 % RN55D-F10	2		R17, R62
77	77		13-14041-00	3.01 K	.25 W 1.0 % RN55D-F10	1		R67
78	78		13-14763-00	4.12 K	.25 W 1.0 % RN55D-F10	1		R10
79	79		13-16395-00		R. NET 4.7K- 9 2.0	7		Z1, Z2, Z7-Z10, Z17
80	80		13-17558-01		R. NET 27.0 - 4 5.0	8		Z3-Z6, Z11, Z12, Z18, Z19

LINE	ITEM	TOP DOCUMENT	PART NUMBER	MIN REV	DESCRIPTION	QTY	PER VAR/REV	REFERENCE DESIGNATORS
						01		
						B1		
81	81		13-24050-01		R. NET 220.0 - 8 330.0 - 8 2.0	3		Z14-Z16
82	82		15-09338-00		DEC6531B NPN 310MW SI 40 90 P	1		Q15
83	83		15-09524-00		2N 3904 NPN 310MW SI 40 40 M	2		Q1,Q2
84	84		15-17999-00		3906 PNP 900MW ARRAY 14PIN	1		E159
85	85		15-19041-00		3904 NPN QUAD ARRAY	2		E158,E163
86	86		16-18238-00		BEAD,FERRITE .1330DX.175LG	6		L11,L13-L17
87	87		16-18238-02		BEAD,FERRITE .1380DX.330LG	8		L1-L8
88	88		16-23214-01		DELAY= 50NS,5TAPS,14PIN DIP	1		E108
89	89		16-24611-01		DELAY= 60NS,5TAP 14PIN DIP	1		E176
90	90	SEE NOTE # 90	16-25072-02		XFMR,30UH	1		T1
91	91		16-27600-01		BEAD,FERRITE,DUAL,COMMON MODE	1		L18
92	92		18-11660-02		OSCILLATOR,XTAL 5.0688 MHZ	1		Y1
93	93		18-11660-61		OSCILLATOR,XTAL 69.1968 MHZ	1		Y3
94	94		18-14057-00		OSCILLATOR,XTAL 40.000 MHZ	1		Y2
95	95		18-18800-00		OSCILLATOR,XTAL 32.768KHZ	1		E1
96	96		19-09928-00		7416 INVERTER GATE-HEX 1I	1		E120
97	97		19-12646-00		LS253 MUX 1 OF 4 (DUAL)	2		E110,E117
98	98		19-12697-00		LS174 FF-D HEX W/CLEAR	1		E149
99	99		19-12799-00		LS00 NAND-GATE-QUAD 2IN,P	1		E142
100	100		19-12801-00		LS02 NOR-GATE-QUAD 2IN	1		E127
101	101		19-12803-00		LS04 INVERTER GATE,HEX	1		E148
102	102		19-12805-00		*** THIS ITEM IS NOT USED ***	-		
103	103		19-12811-00		LS21 AND GATE-DUAL 4IN,PO	1		E56
104	104		19-12813-00		LS27 NOR GATE-TRIPLE 3IN	1		E101
105	105		19-12816-00		LS32 OR GATE-QUAD 2IN,POS	1		E134
106	106		19-12834-00		LS112 FF-JK,DUAL,EDGE TRIG	1		E128
107	107		19-12843-00		LS139 DECODER, 2 OF 4(DUAL)	1		E173
108	108		19-12846-00		LS155 DECODER,2 OF 4(DUAL)	1		E103
109	109		19-12847-00		LS157 MUX 1 OF 2(QUAD)	3		E137,E166,E167
110	110		19-12848-00		LS158 MUX 1 OF 2 (QUAD)	1		E139
111	111		19-12849-00		LS161 COUNTER,SYNCHR,4BIT	4		E168,E170-E172
112	112		19-12863-00		LS273 FF-D OCTAL W/CLEAR	2		E154,E155
113	113		19-13414-00		LS14 INVERTER GATE-HEX SC	1		E135
114	114		19-13777-00		LS240 DRIVER,LINE,OCTAL,TR	4		E2,E55,E156,E160
115	115		19-14156-00	LM	393 VOLT.COMPARATOR DUAL	1		E165
116	116		19-15019-00		74S38 NAND BUFFER-QUAD 2IN	1		E126
117	117		19-15123-03		26LS32-3 RECEIVER,LINE RS232	1		E104
118	118		19-15193-00		LS244 DRIVER,LINE,OCTAL,TR	5		E3,E4,E107,E141,E153
119	119		19-15218-00		LS245 TRANSCEIVER,BUS,OCTA	1		E152
120	120		19-15417-00		9638 DRIVER,DUAL,EIA RS-4	1		E164
121	121		19-16581-00		347 OP AMP,QUAD,JFET	1		E178
122	122		19-18177-00		78L05AC VOLT REG,FIX +5V	1		Q16
123	123		19-19542-01		9639 RECEIVER,LINE,DUAL	1		E162
124	124		19-20441-01		74F245 TRANSCEIVER,BI-DIREC	6		E121-E123,E129,E130,E140
125	125		19-20572-02		74F244 BUFFER/LINE DRIVER,0	8		E26,E31,E54,E79,E112-E115
126	126		19-20853-01		LS646 BUS TRANSCEIVER/REGI	1		E50
127	127		19-20895-01		LS626 OSCILLATOR,DUAL,VOLT	1		E177
128	128		19-21008-01		74F240 BUFFER/LINE DRIVER,I	2		E161,E179
129	129		19-21010-01		74F373 OCTAL TRANSPARENT LA	1		E106
130	130		19-21305-01		74F00 NAND GATE,QUAD,2-IN	2		E125,E144

D	I	G	I	T	A	L	TITLE	KA410 SYSTEM BOARD	SECTION A OF A	SIZE	CODE	DOCUMENT NUMBER	REV
										K	PL	5416798-0-DBP	C

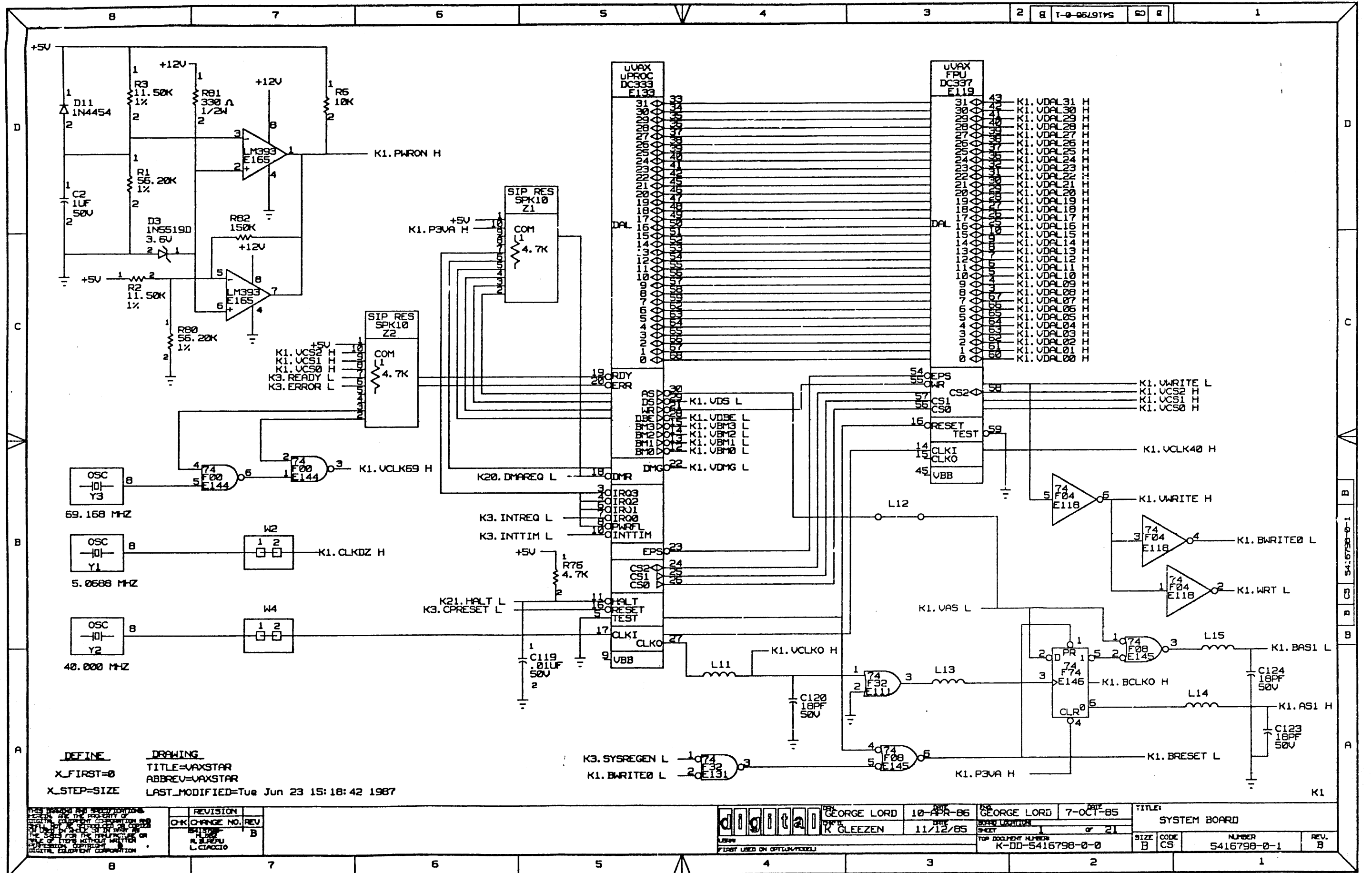
LINE	ITEM	TOP DOCUMENT	PART NUMBER	MIN REV	DESCRIPTION	QTY	PER VAR/REV	REFERENCE DESIGNATORS
						O1		
						B1		
131	131		19-21307-01		74F04 HEX INVERTER	2		E118,E143
132	132		19-21308-01	A	74F08 AND GATE,QUAD,2-IN	3		E116,E145,E169
133	133		19-21309-01		74F10 NAND GATE,TRIPLE,3-I	1		E138
134	134		19-21312-01		74F32 OR GATE,QUAD,2-IN	2		E111,E131
135	135		19-21314-01		74F74 FF-D,DUAL,POS.,EDGE	3		E100,E102,E146
136	136		19-21315-01		74F86 EXCLUSIVE OR GATE,QU	1		E175
137	137		19-21319-01		74F153 MUX,DUAL,4-IN	1		E157
138	138		19-23889-01		EIA OCTAL LINE DRIVE	1		E57
139	139		19-23890-01		EIA OCTAL LINE RECEI	1		E58
140	140	SEE NOTE # 140	19-25220-03		8392 COAXIAL TRANSCEIVER	1		E7
141	141		21-11188-02	DEC	3341-2 64X4 FIFO MEMORY	4		E5,E6,E29,E30
142	142		21-18795-00		146818 CLOCK/CALENDAR/RAM	1		E105
143	143		21-20887-05	DC	333 MICROVAX CPU	1		E133
144	144		21-21384-03		RAM 8KX8,STATIC 120	2		E150,E151
145	145	SEE NOTE # 145	21-22422-42		256KX1 MOS RAM 150NS 1	72		E8-E25,E32-E49,E59-E76,E82-E99
146	146		21-22769-01		DC367B CMOS GATE ARRAY,68 PIN PL	1		E53
147	147		21-22797-01	DC	337 MICROVAX FLOATING PO	1		E119
148	148		21-24192-01		9224 CONTROLLER,DISK	1		E174
149	149		21-24941-01		DC503 PROGRAMMABLE SPRITE CURSOR	1		E124
150	150		21-25297-02		VIDEO RAM,64KX4,DYNAMIC 15	4		E51,E52,E80,E81
151	151		21-25351-01		INTERFACE CHIP (SCSI	1		E147
152	152		21-25486-01		DC524 VAXMATE MONOCHROME TIMING	1		E132
153	153		23-1E7 -00		*** THIS ITEM IS NOT USED ***	-		
154	154		23-2E7 -00		*** THIS ITEM IS NOT USED ***	-		
155	155		23-365A1-00		A1-09	1		E109
156	156		23-3E7 -00		*** THIS ITEM IS NOT USED ***	-		
157	157		23-4E7 -00		*** THIS ITEM IS NOT USED ***	-		
158	158		36-21711-03		LABEL,BAR CODE 1.50 X .380	1		
159	159		90-09149-00		PIN,STAKNG 0.0250DX0.345LG SQUAR	13		
160	160		90-09185-00		JUMPER, WIRE, INSULATED, BLACK B	4		L9,L10,L12,W5
161	161		91-05740-55		WIRE(WRAP) 30AWG KYNAR UL14	A/R		
162	162		91-07560-01		WIRE,BUSS 22AWG TIN BARE	A/R		
163	163		23-33E7 -00		E7-01 U	1		E28
164	164		23-34E7 -00		E7-01	1		E27
165	165		23-35E7 -00		E7-01 U	1		E78
166	166		23-36E7 -00		E7-01 UVE	1		E77
167	167		12-10929-07		FUSE PICO 3.0 A 125V AXIAL LEA	1		F1

90 NOTE: PART NUMBER 16-24903-01 CAN BE SUBSTITUTED FOR 16-25072-02.

140 NOTE: PART NUMBER 19-25220-01 OR 19-25220-02 CAN BE SUBSTITUTED FOR 19-25220-03.

145 NOTE: PART NUMBER 21-21413-42: 256KX 1 DRAM: CAN BE SUBSTITUTED FOR 21-22422-42. (DO NOT MIX VENDORS)

D	I	G	I	T	A	L	TITLE	KA410 SYSTEM BOARD	SECTION A OF A	SIZE	CODE	DOCUMENT NUMBER	REV
										K	PL	5416798-0-DBP	C



DEFINE
 X_FIRST=0
 X_STEP=SIZE

DRAWING
 TITLE=VAXSTAR
 ABBREV=VAXSTAR
 LAST_MODIFIED=Tue Jun 23 15:18:42 1987

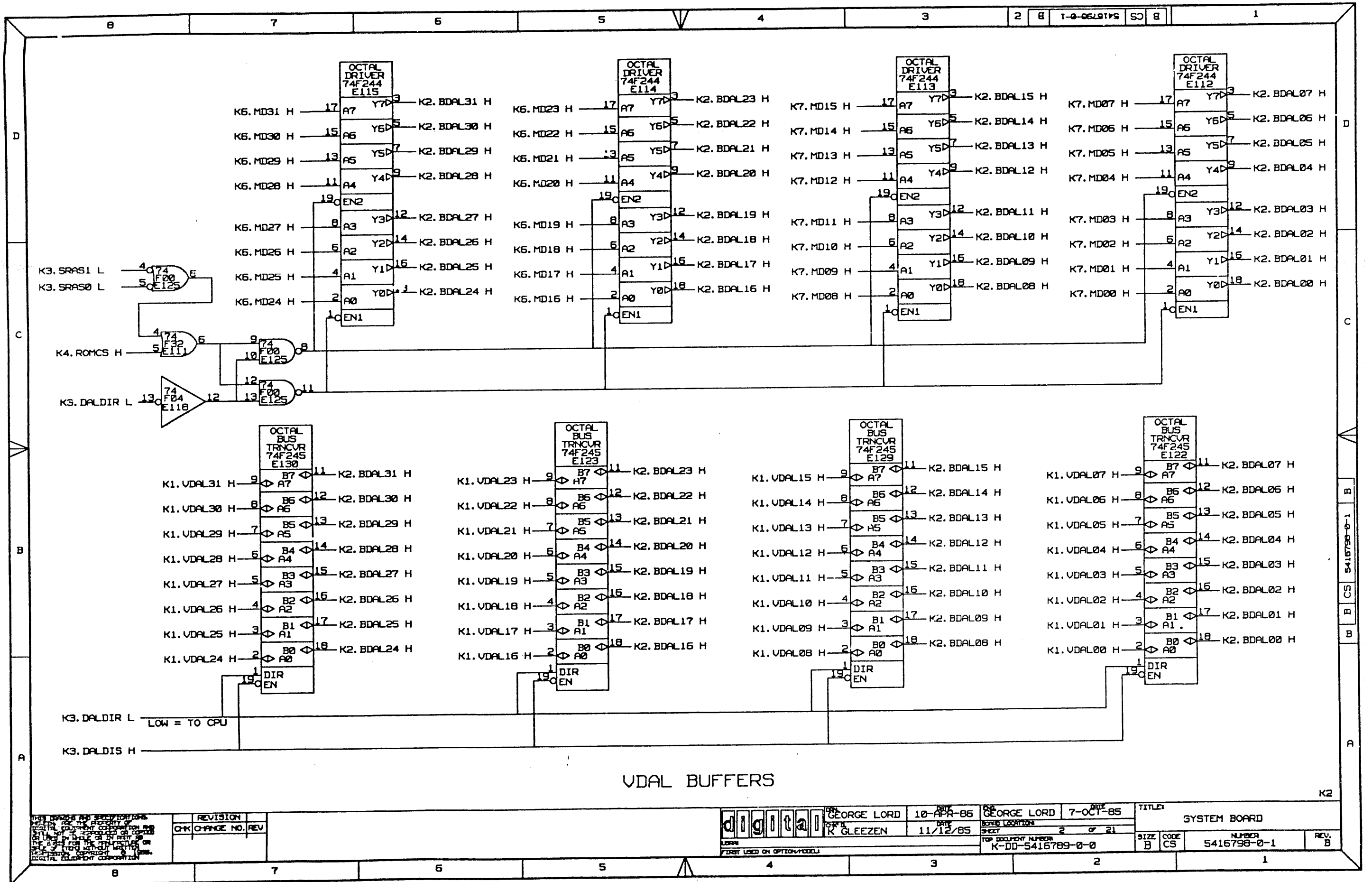
THIS BOARD AND SPECIFICATIONS
 ARE THE PROPERTY OF
 DIGITAL CORPORATION
 AND ARE NOT TO BE
 REPRODUCED OR
 TRANSMITTED IN ANY
 FORM OR BY ANY
 MEANS, ELECTRONIC,
 MECHANICAL, OR
 BY ANY INFORMATION
 STORAGE AND
 RETRIEVAL SYSTEM,
 WITHOUT PERMISSION
 IN WRITING FROM
 DIGITAL CORPORATION.

REVISION	DATE
OK CHANGE NO. REV	B
L. CLAUDIO	

digital
 FIRST USED ON OPTIMIZED

DESIGNED BY	DATE	DESIGNED BY	DATE	TITLE
GEORGE LORD	10-APR-85	GEORGE LORD	7-OCT-85	SYSTEM BOARD
R. GLEEZEN	11/12/85			

SIZE	CODE	NUMBER	REV.
B	CS	5416798-0-1	B



VDAL BUFFERS

THIS DRAWING AND SPECIFICATION DOES NOT CONSTITUTE AN OFFER OF INSURANCE OR ANY OTHER FINANCIAL PRODUCT OR SERVICE. IT IS THE PROPERTY OF GEORGE LORD AND COMPANY AND IS NOT TO BE REPRODUCED OR COPIED IN ANY MANNER WITHOUT THE WRITTEN PERMISSION OF GEORGE LORD AND COMPANY.

REVISION	CHK	CHANGE NO.	REV

digital
 FIRST USED ON OPTION MODEL

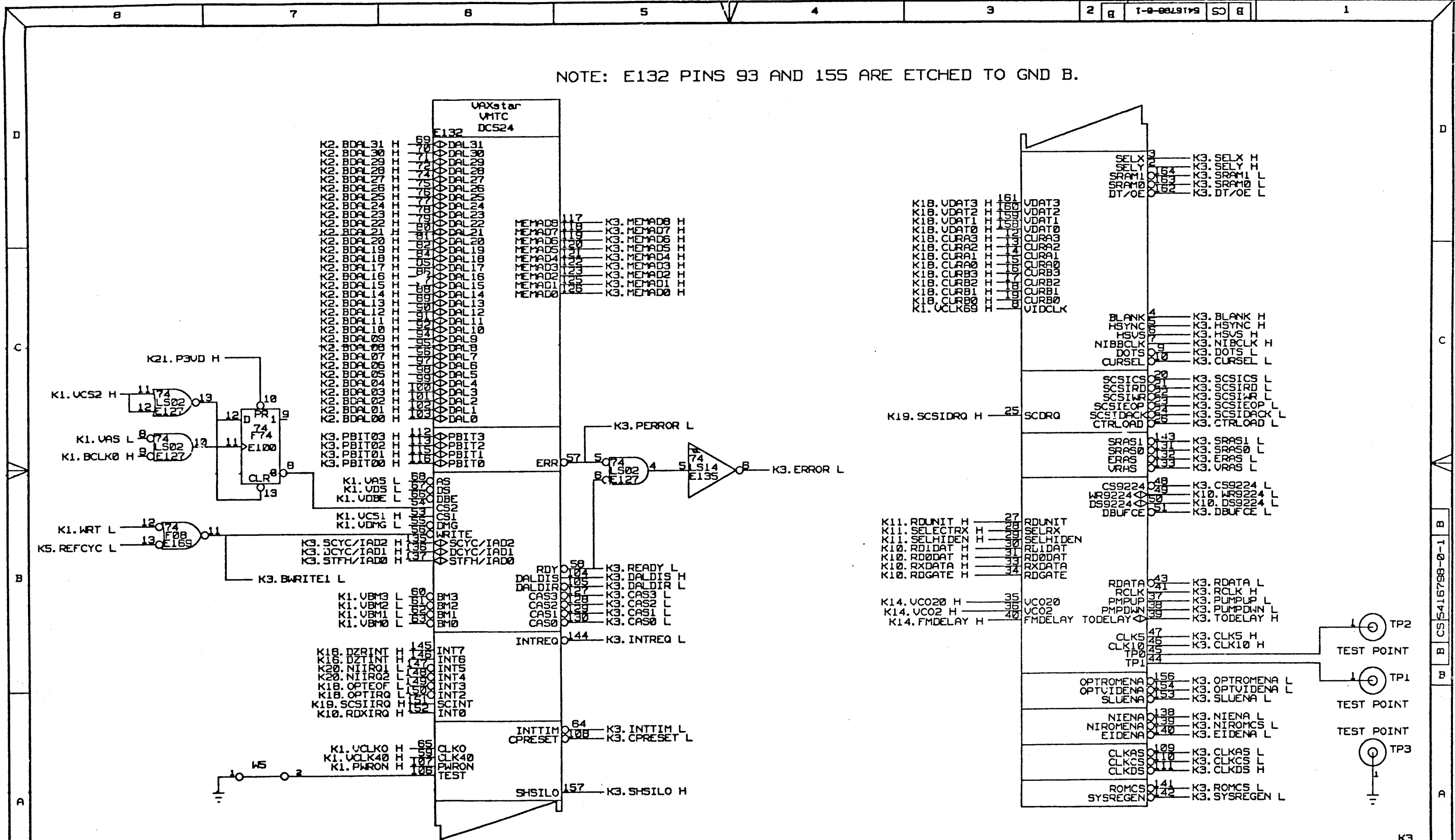
DESIGNED BY: GEORGE LORD
 DATE: 10-APR-85
 CHECKED BY: K. GLEEZEN
 DATE: 11/12/85

DESIGNED BY: GEORGE LORD
 DATE: 7-OCT-85
 SHEET: 2 OF 21
 TOP DRAWING NUMBER: K-DD-5416798-0-0

TITLE: SYSTEM BOARD
 SIZE: B CS
 NUMBER: 5416798-0-1
 REV: B

K2

NOTE: E132 PINS 93 AND 155 ARE ETCHED TO GND B.



THIS DRAWING AND SPECIFICATIONS, HEREIN, ARE THE PROPERTY OF DIGITAL EQUIPMENT CORPORATION AND SHALL NOT BE REPRODUCED OR COPIED OR USED IN WHOLE OR IN PART AS THE BASIS FOR THE MANUFACTURE OR SALE OF ITEMS WITHOUT WRITTEN PERMISSION. COPYRIGHT © 1985 DIGITAL EQUIPMENT CORPORATION

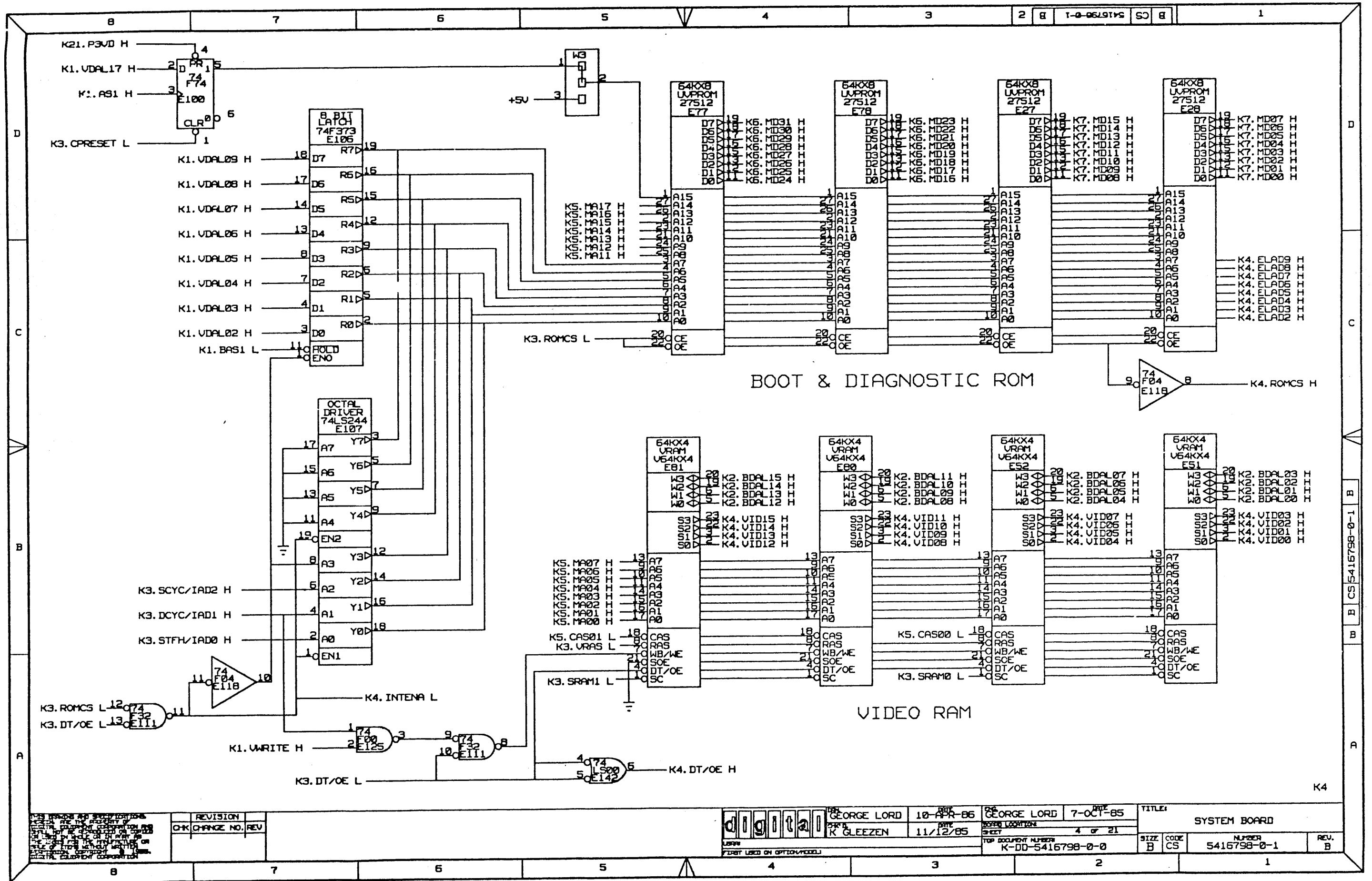
REVISION	CHANGE NO.	REV.
CHK		

digital GEORGE LORD 10-APR-85
 CHN'D: K GLEEZEN 11/12/85

GEORGE LORD 7-OCT-85
 BOARD LOCATION: 3 of 21
 SHEET

TITLE: SYSTEM BOARD
 NUMBER: 5416798-0-1
 SIZE: B CODE: CS

REV. B

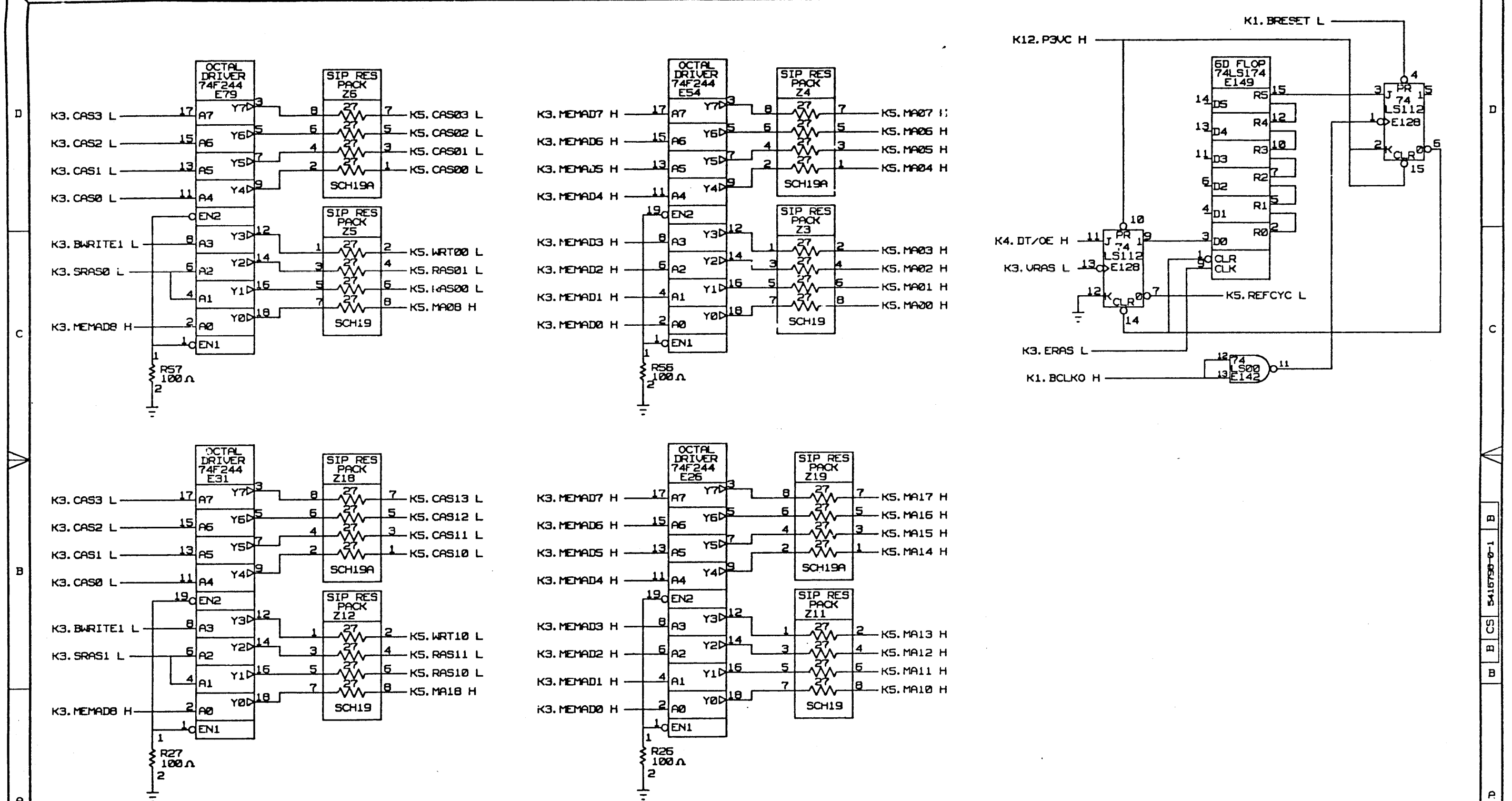


THIS BOARD AND SPECIFICATIONS ARE THE PROPERTY OF DIGITAL EQUIPMENT CORPORATION AND ARE NOT TO BE REPRODUCED OR COPIED IN ANY MANNER WITHOUT THE WRITTEN PERMISSION OF DIGITAL EQUIPMENT CORPORATION.

REVISION	DATE
0-K	CHANGE NO. REV

	DESIGNED BY	DATE	DESIGNED BY	DATE	TITLE
	GEORGE LORD	10-APR-85	GEORGE LORD	7-OCT-85	SYSTEM BOARD
	DRAWN BY	DATE	DRAWN BY	DATE	SIZE
	K GLEEZEN	11/12/85			B
					CODE
					CS
					NUMBER
					5416798-0-1
					REV.
					B

TOP DOCUMENT NUMBER	REV.
K-DD-5416798-0-0	B



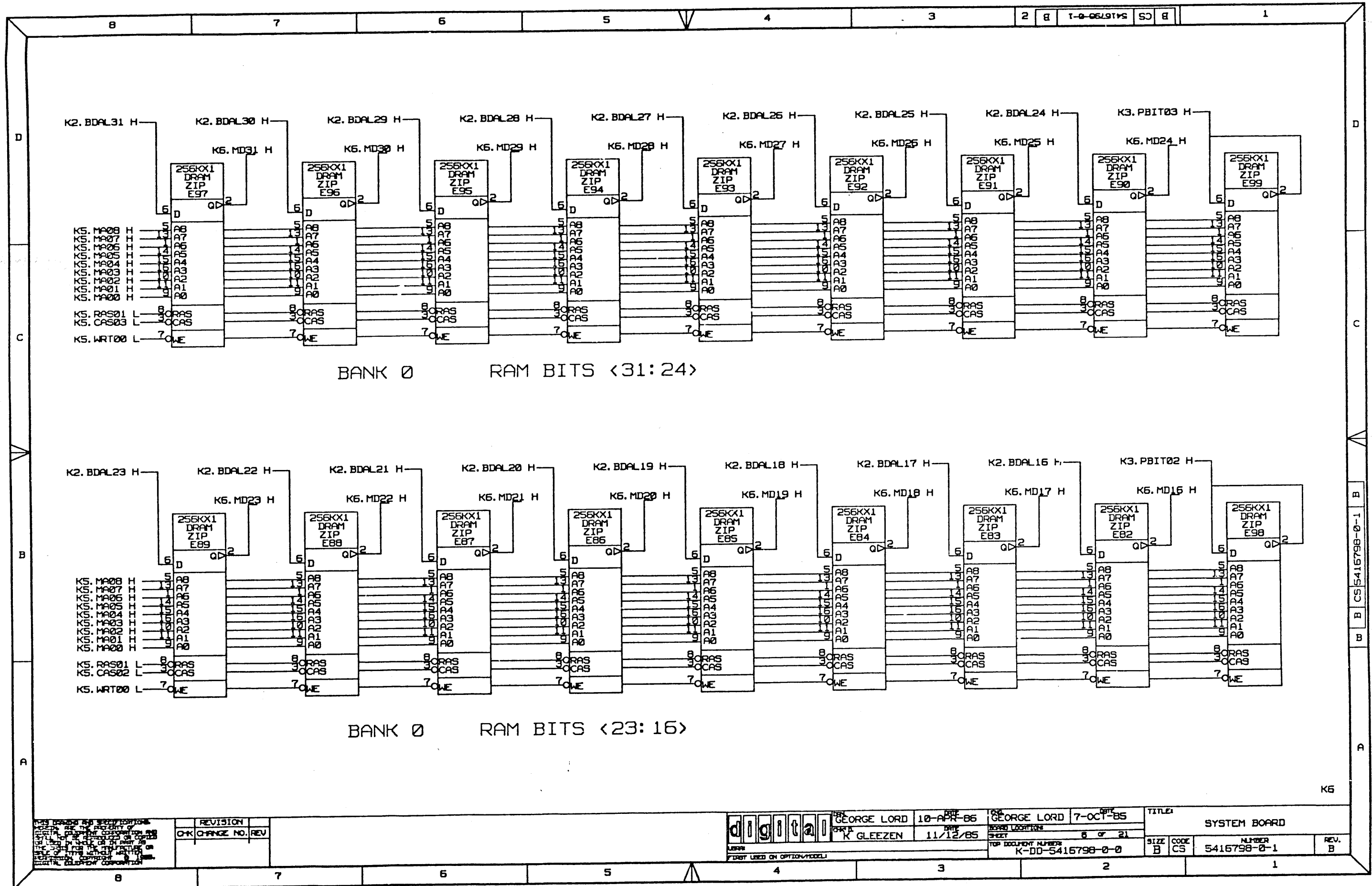
MEMORY DRIVERS

K5

THIS BOARD AND ALL COMPONENTS ARE THE PROPERTY OF DIGITAL EQUIPMENT CORPORATION. ALL RIGHTS ARE RESERVED. NO PART OF THIS BOARD OR ITS COMPONENTS MAY BE REPRODUCED OR TRANSMITTED IN ANY FORM OR BY ANY MEANS, ELECTRONIC OR MECHANICAL, WITHOUT PERMISSION IN WRITING FROM DIGITAL EQUIPMENT CORPORATION.

REVISION	
CHK	CHANGE NO. REV

digital	DESIGNED BY	GEORGE LORD	DATE	10-APR-85	CHKD BY	GEORGE LORD	DATE	7-OCT-85	TITLE	SYSTEM BOARD			
	DESIGNED BY	K GLEEZEN	DATE	11/12/85	DESIGNED BY	K GLEEZEN	DATE	11/12/85	NUMBER		5 OF 21		
FIRST USED ON OPTION MODEL		TOP DOCUMENT NUMBER		K-DD-5416798-0-0		SIZE	B	CODE	CS	NUMBER	5416798-0-1	REV.	B



THIS BOARD AND SPECIFICATIONS ARE THE PROPERTY OF DIGITAL CORPORATION. IT IS LOANED TO YOU BY DIGITAL CORPORATION. IT IS NOT TO BE REPRODUCED OR TRANSMITTED IN ANY FORM OR BY ANY MEANS, ELECTRONIC OR MECHANICAL, INCLUDING PHOTOCOPYING, RECORDING, OR BY ANY INFORMATION STORAGE AND RETRIEVAL SYSTEM, WITHOUT PERMISSION IN WRITING FROM DIGITAL CORPORATION.

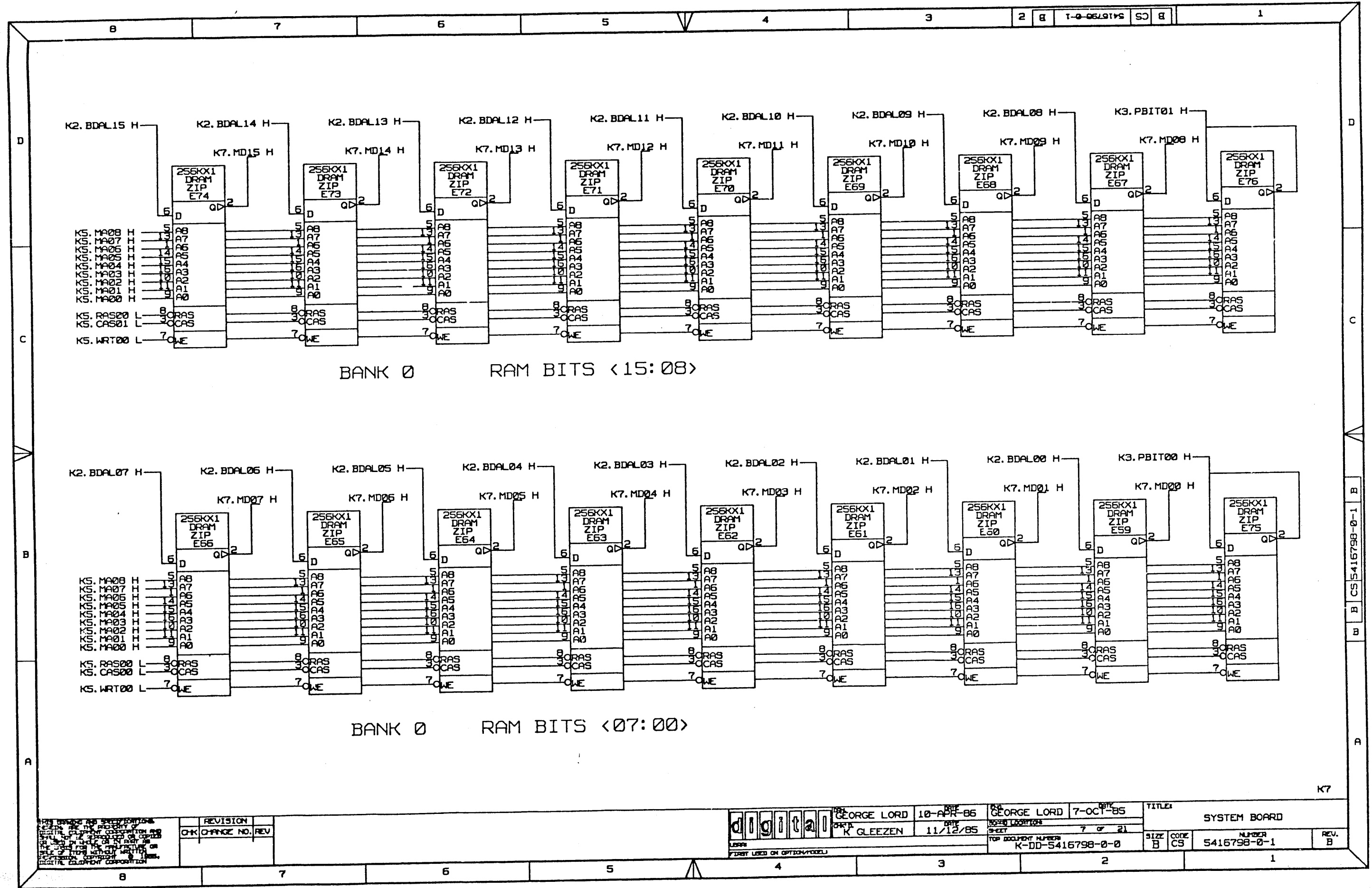
REVISION	CHANGE NO.	REV

--	--	--	--	--	--	--	--	--	--

digital

DESIGNED BY GEORGE LORD	DATE 10-APR-85	DESIGNED BY GEORGE LORD	DATE 7-OCT-85
CHECKED BY K GLEEZEN	DATE 11/12/85	BOARD LOCATION SHEET	8 OF 21
TOP DOCUMENT NUMBER K-DD-5416798-0-0		FIRST USED ON OPTION/MODEL	

TITLE SYSTEM BOARD			
SIZE B	CODE CS	NUMBER 5416798-0-1	REV. B

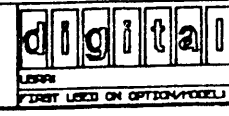


BANK 0 RAM BITS <15:08>

BANK 0 RAM BITS <07:00>

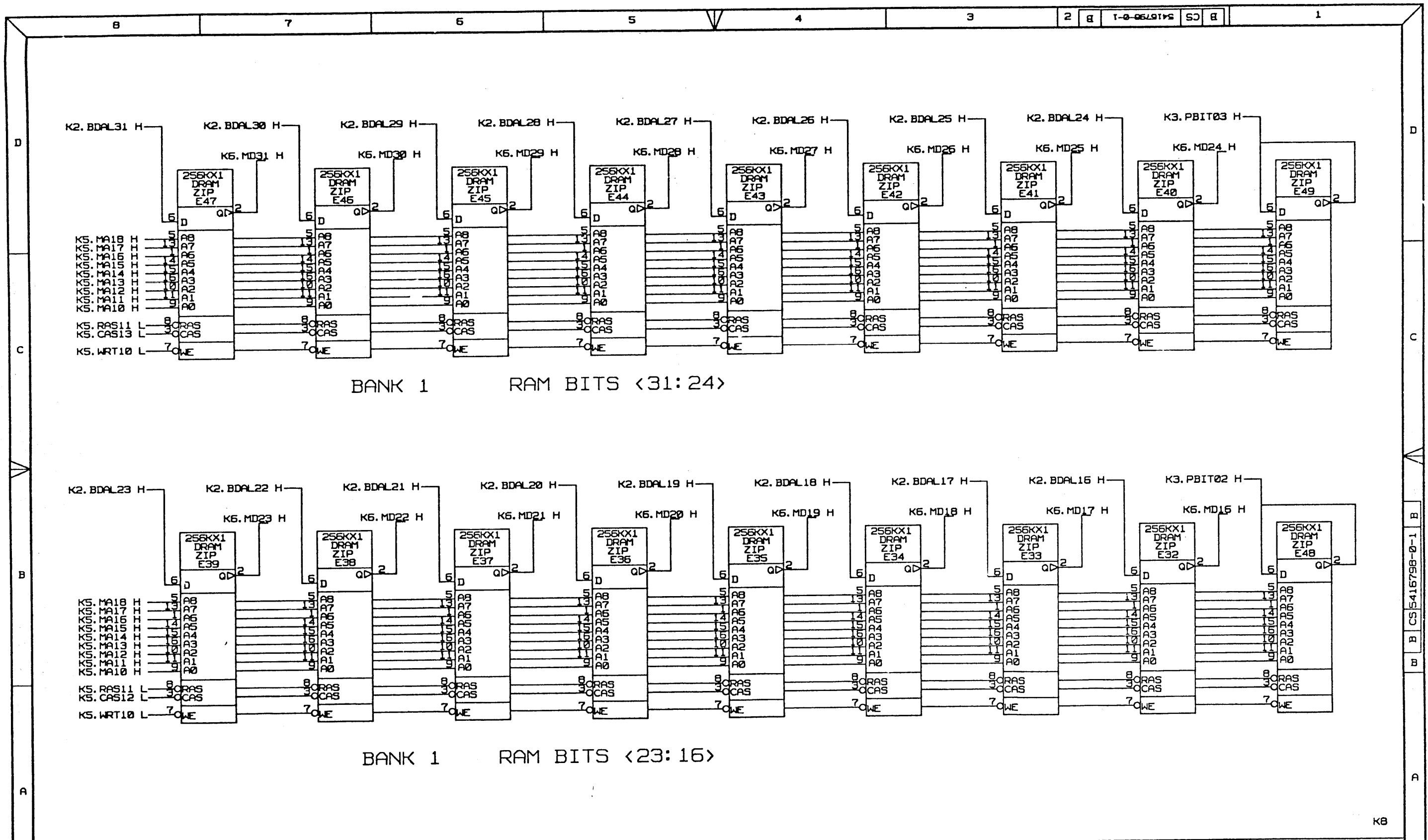
THIS BOARD AND SPECIFICATIONS ARE THE PROPERTY OF DIGITAL EQUIPMENT CORPORATION. NO PART OF THIS DOCUMENT IS TO BE REPRODUCED OR TRANSMITTED IN ANY FORM OR BY ANY MEANS, ELECTRONIC OR MECHANICAL, INCLUDING PHOTOCOPYING, RECORDING, OR BY ANY INFORMATION STORAGE AND RETRIEVAL SYSTEM, WITHOUT PERMISSION IN WRITING FROM DIGITAL EQUIPMENT CORPORATION.

REVISION	NO.	REV.
CHK	CHANGE NO.	REV.



DESIGNED BY	GEORGE LORD	DATE	10-APR-85
CHECKED BY	K GLEEZEN	DATE	11/12/85
DESIGNED BY	GEORGE LORD	DATE	7-OCT-85
CHECKED BY		DATE	
TOP DOCUMENT NUMBER K-DD-5416798-0-0			

TITLE SYSTEM BOARD			
SIZE	CODE	NUMBER	REV.
B	CS	5416798-0-1	B



BANK 1 RAM BITS <31:24>

BANK 1 RAM BITS <23:16>

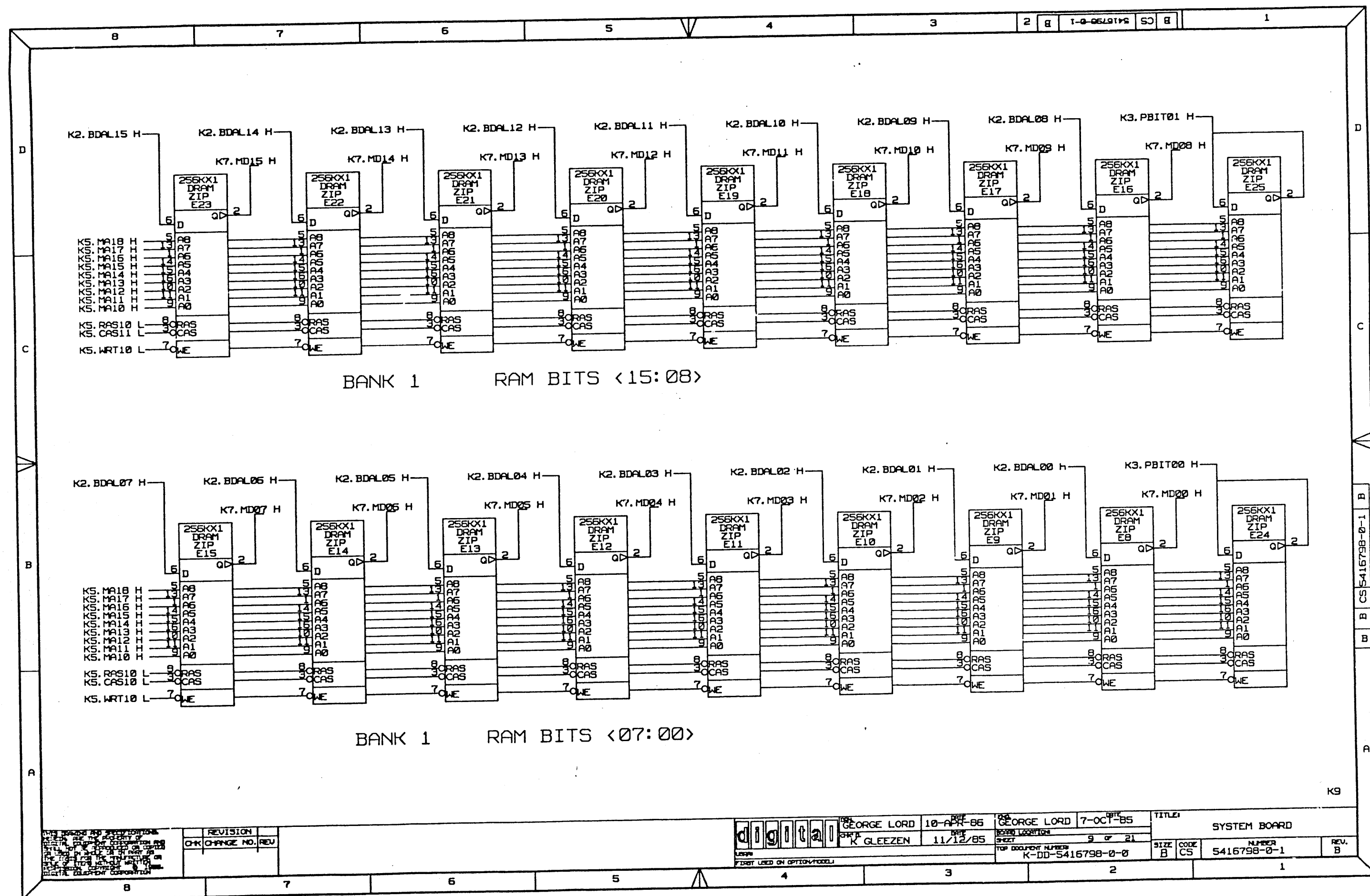
THIS BOARD IS SPECIALLY DESIGNED FOR THE SYSTEM BOARD. IT IS NOT TO BE USED IN ANY OTHER APPLICATION. THE BOARD IS NOT TO BE USED IN ANY OTHER APPLICATION. THE BOARD IS NOT TO BE USED IN ANY OTHER APPLICATION.

REVISION	CHANGE NO.	REV



DESIGNED BY	GEORGE LORD	DATE	10-APR-85	DESIGNED BY	GEORGE LORD	DATE	7-OCT-85	
CHECKED BY	K GLEEZEN	DATE	11/12/85	BOARD LOCATION	0 of 21			
DATE				TITLE	SYSTEM BOARD			
TOP DOCUMENT NUMBER	K-DD-5416798-0-0			SIZE	B	CODE	CS	
FIRST USED ON OPTION/MODEL				NUMBER	5416798-0-1		REV.	B

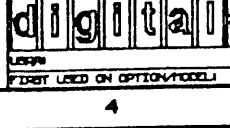
SIZE	B	CODE	CS	NUMBER	5416798-0-1	REV.	B
------	---	------	----	--------	-------------	------	---



THIS BOARD IS DESIGNED FOR USE IN THE SYSTEM BOARD. IT IS NOT TO BE USED IN ANY OTHER APPLICATION. THE BOARD IS NOT TO BE REPAIRED OR MODIFIED. THE BOARD IS NOT TO BE USED IN ANY OTHER APPLICATION.

REVISION	CHANGE NO.	REV

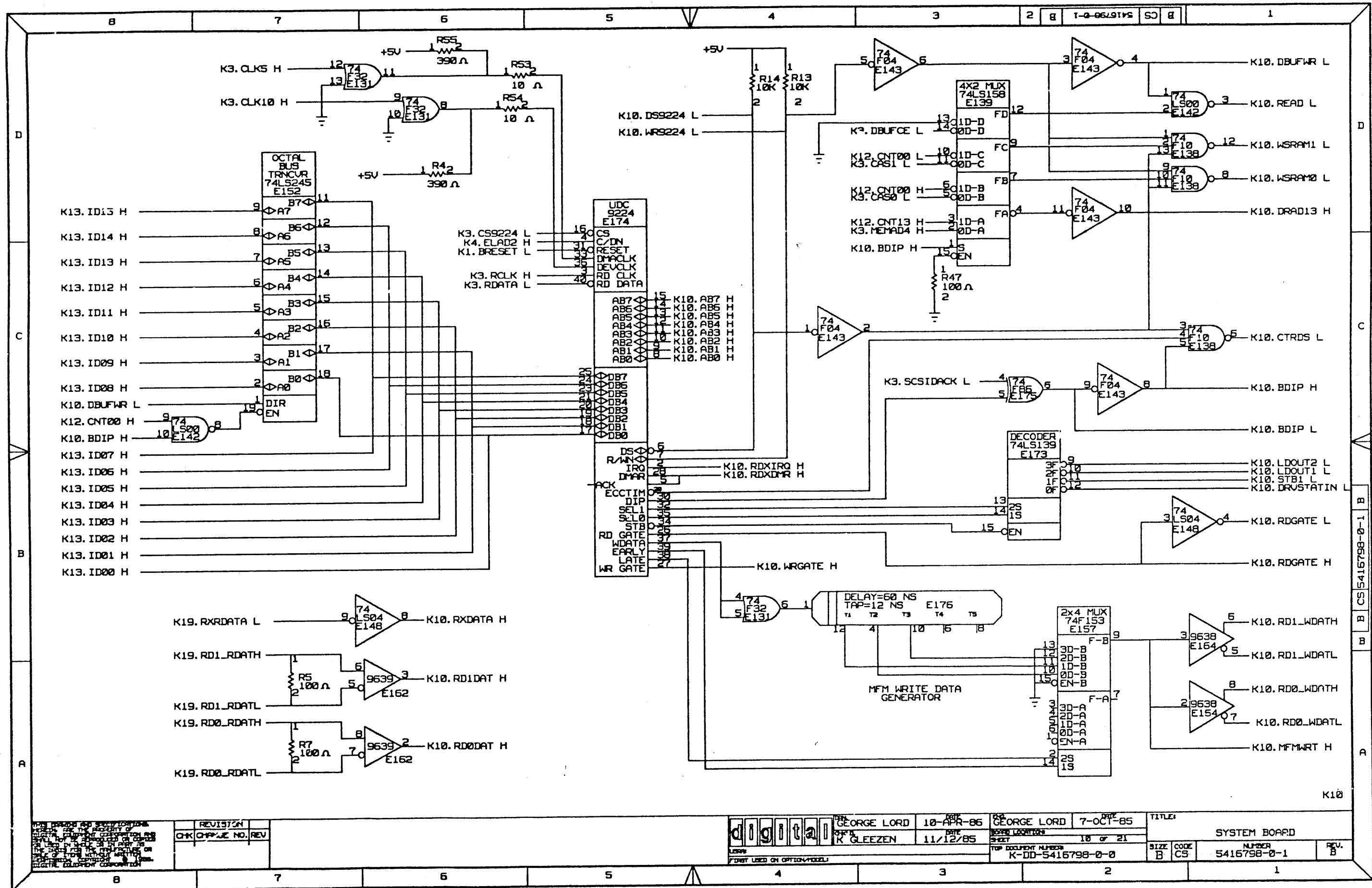
--	--	--	--	--	--	--	--	--	--



GEORGE LORD 10-APR-85
K GLEEZEN 11/12/85

GEORGE LORD 7-OCT-85
9 OF 21
TOP DOCUMENT NUMBER
K-DD-5416798-0-0

TITLE: SYSTEM BOARD			
SIZE	CODE	NUMBER	REV.
B	CS	5416798-0-1	B



THIS BOARD AND SPECIFICATIONS ARE THE PROPERTY OF DIGITAL EQUIPMENT CORPORATION AND ARE NOT TO BE REPRODUCED OR TRANSMITTED IN ANY FORM OR BY ANY MEANS, ELECTRONIC, MECHANICAL, PHOTOCOPYING, RECORDING, OR BY ANY INFORMATION STORAGE AND RETRIEVAL SYSTEM.

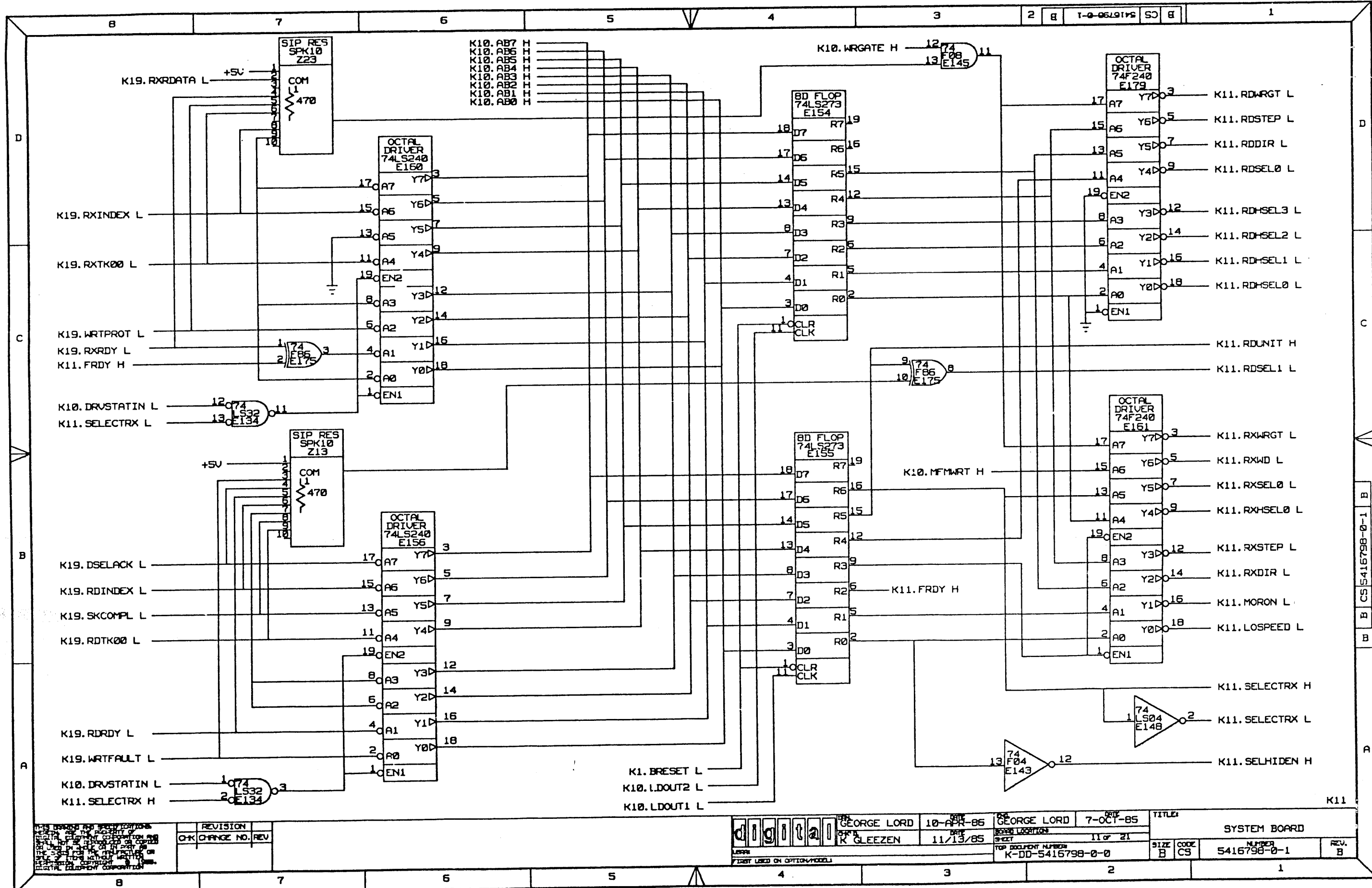
REV	CHG	NO.	REV

DESIGNED BY	DATE	CHECKED BY	DATE
GEORGE LORD	10-APR-86	GEORGE LORD	7-OCT-85
R GLEEZEN	11/12/85		

digital
FIRST USED ON OPTION MODEL

TOP DOCUMENT NUMBER	SIZE	CODE	NUMBER	REV.
K-DD-5416798-0-0	B	CS	5416798-0-1	B

TITLE	BOARD LOCATION	SHEET
SYSTEM BOARD	10	21



THIS DRAWING AND SPECIFICATIONS
 SHALL BE THE PROPERTY OF
 DIGITAL EQUIPMENT CORPORATION AND
 SHALL NOT BE REPRODUCED OR
 TRANSMITTED IN ANY FORM OR BY
 ANY MEANS, ELECTRONIC OR
 MECHANICAL, INCLUDING PHOTOCOPYING,
 RECORDING, OR BY ANY INFORMATION
 STORAGE AND RETRIEVAL SYSTEMS
 WITHOUT PERMISSION IN WRITING
 FROM DIGITAL EQUIPMENT CORPORATION.

REVISION	DATE	BY
1		

Q-K	CHANGE NO.	REV

digital

DESIGNED BY: GEORGE LORD
 DATE: 10-APR-85
 CHECKED BY: R. GLEEZEN
 DATE: 11/13/85

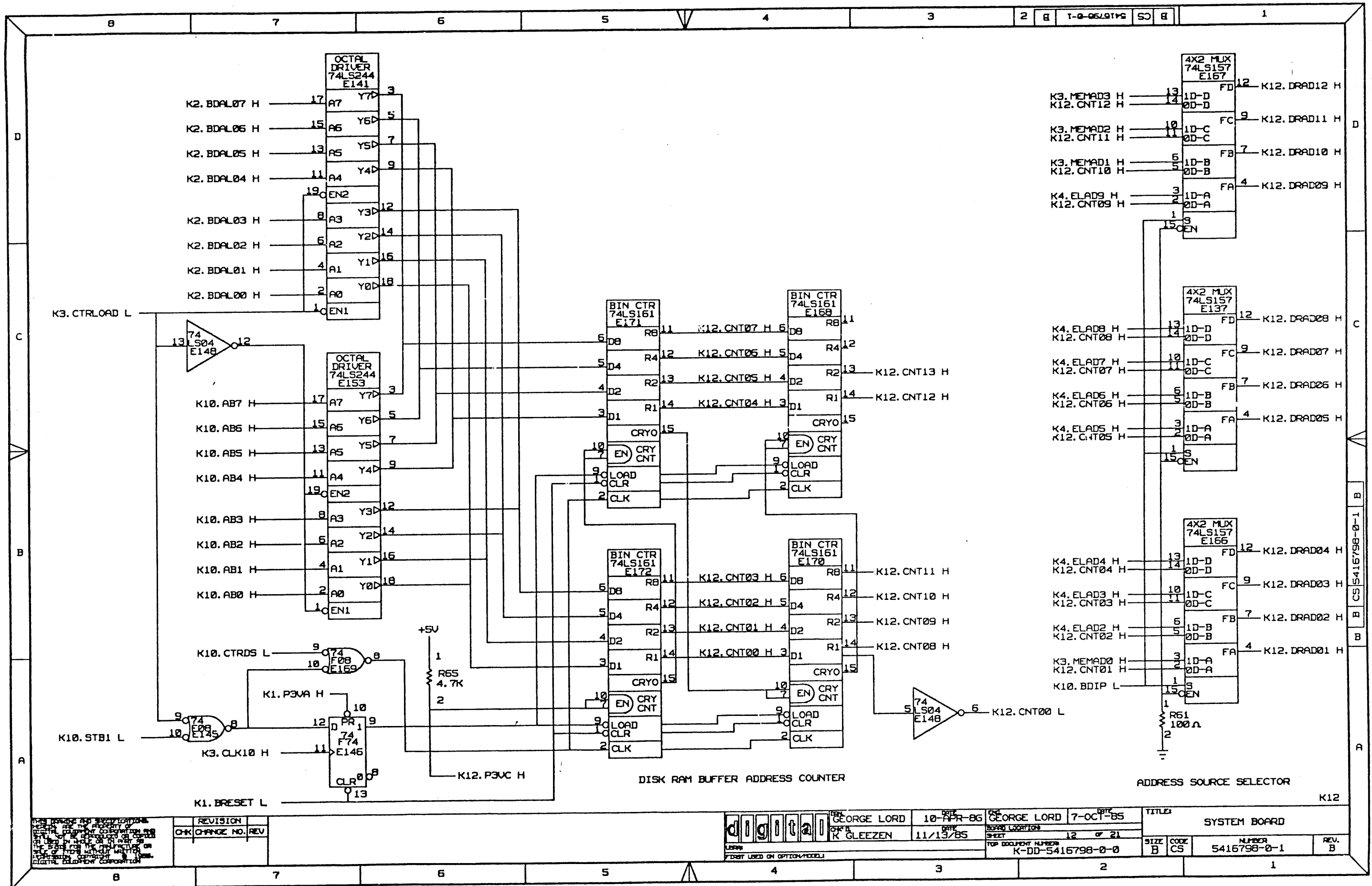
DESIGNED BY: GEORGE LORD
 DATE: 7-OCT-85
 CHECKED BY: R. GLEEZEN
 DATE: 11/13/85

TITLE		NUMBER		REV.
SYSTEM BOARD		5416798-0-1		B

TOP DOCUMENT NUMBER:
 K-DD-5416798-0-0

CS 5416798-0-1

K11



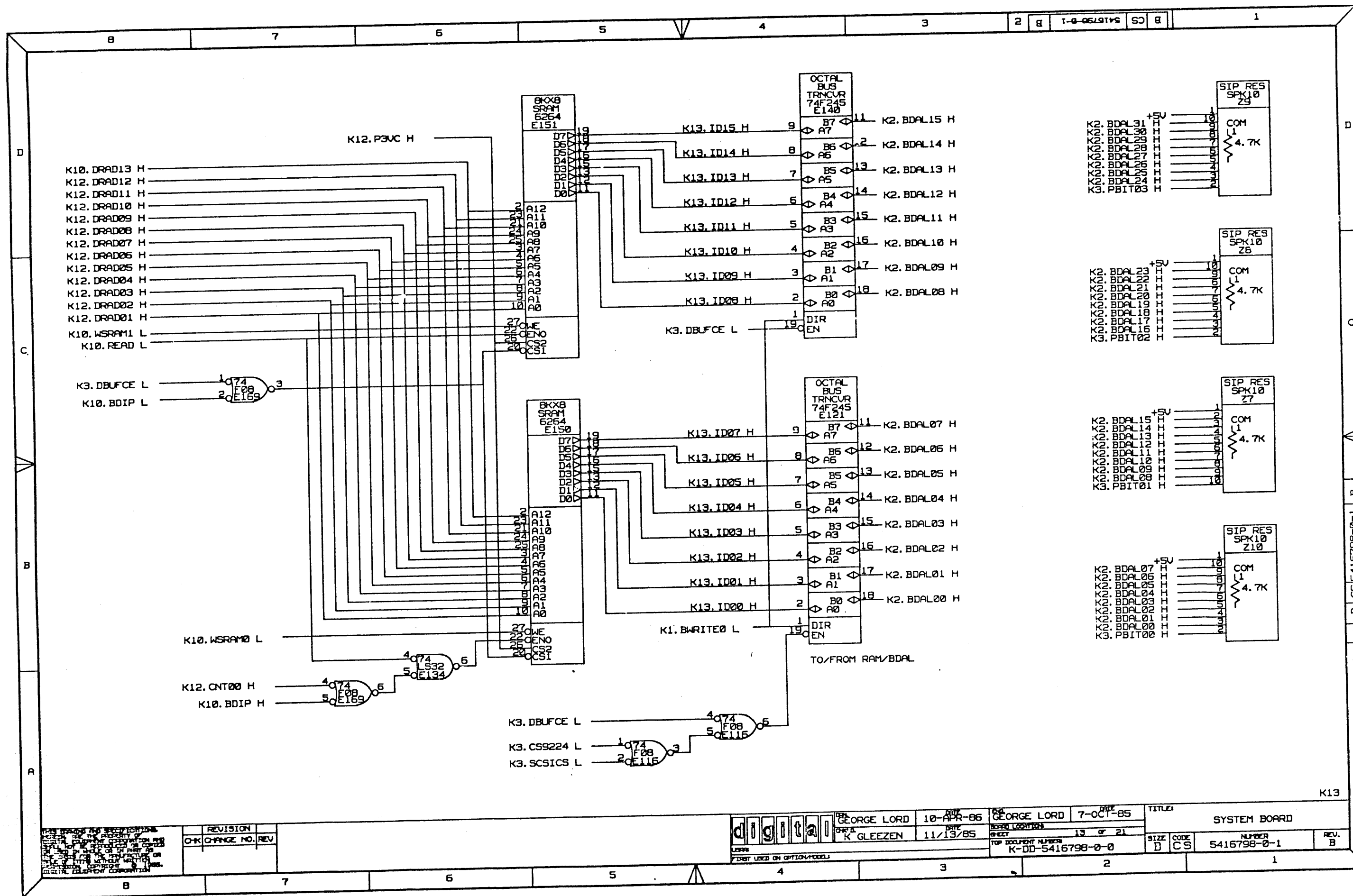
THIS BOARD IS A MODIFICATION OF THE BOARD SHOWN IN THE ORIGINAL DRAWING. THE ORIGINAL BOARD WAS DESIGNED BY GEORGE LORD AND THE MODIFICATION WAS MADE BY K. GLEEZEN. THE ORIGINAL BOARD WAS DESIGNED IN 1974 AND THE MODIFICATION WAS MADE IN 1985. THE ORIGINAL BOARD WAS DESIGNED FOR THE SYSTEM BOARD AND THE MODIFICATION WAS MADE FOR THE SYSTEM BOARD. THE ORIGINAL BOARD WAS DESIGNED FOR THE SYSTEM BOARD AND THE MODIFICATION WAS MADE FOR THE SYSTEM BOARD.

REVISION	CHANGE NO.	REV.

digital
 GEORGE LORD 10-APR-85
 K. GLEEZEN 11/13/85

GEORGE LORD 7-OCT-85
 SHEET LOCATION 12 OF 21
 TOP DOCUMENT NUMBER K-DD-5416798-0-0

TITLE		NUMBER		REV.
SYSTEM BOARD		5416798-0-1		B



THIS BOARD AND SPECIFICATIONS ARE THE PROPERTY OF DIGITAL CORPORATION AND ARE LOANED TO YOU ON CONDITION OF CONFIDENTIALITY. NO PART OF THIS DOCUMENT IS TO BE REPRODUCED OR TRANSMITTED IN ANY FORM OR BY ANY MEANS, ELECTRONIC OR MECHANICAL, WITHOUT PERMISSION IN WRITING FROM DIGITAL CORPORATION.

REVISION	CHANGE NO.	REV

digital
FIRST USED ON OPTION MODEL

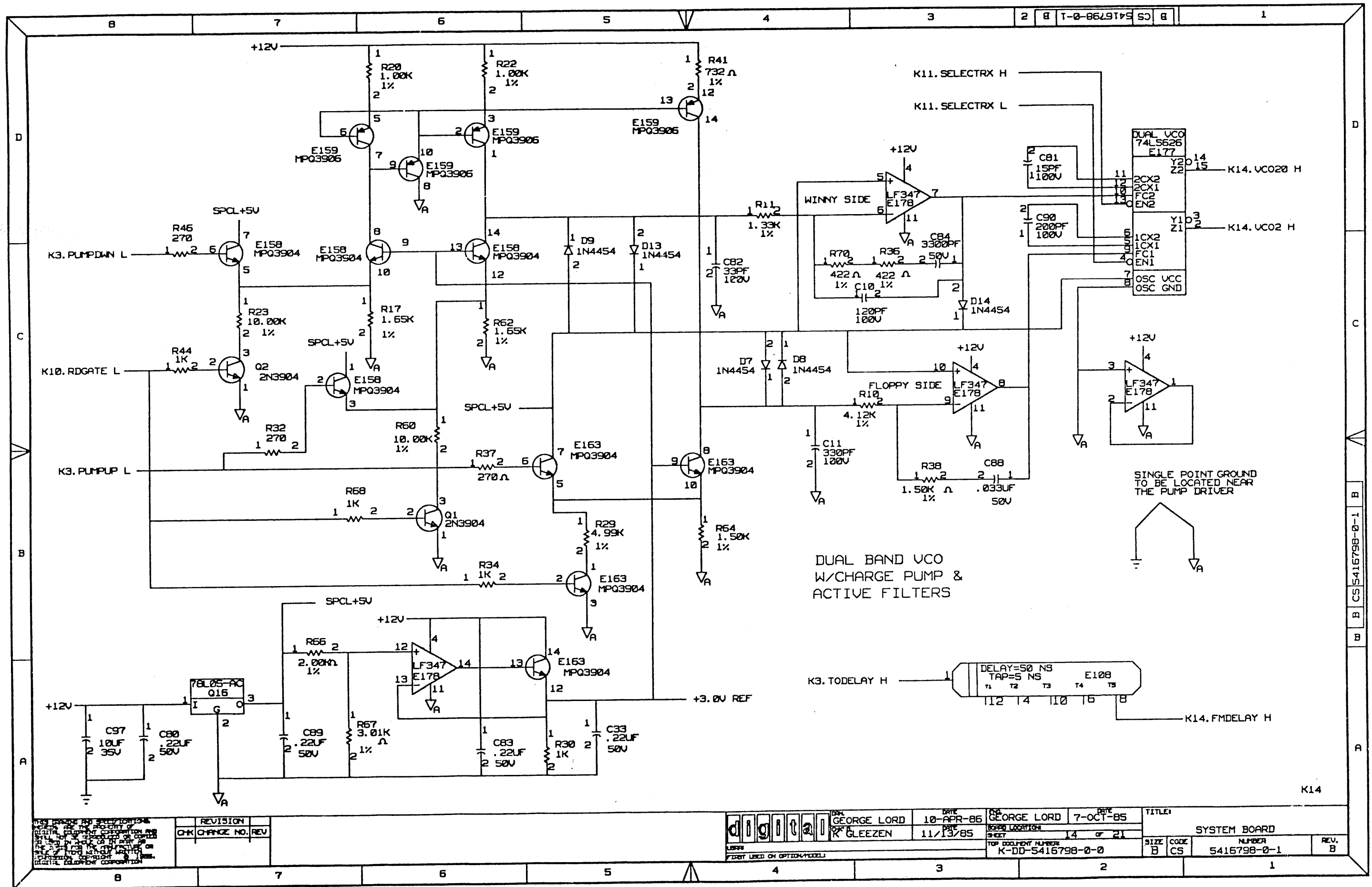
DESIGNED BY: GEORGE LORD
DATE: 10-APR-86
DRAWN BY: K GLEEZEN
DATE: 11/13/85

DESIGNED BY: GEORGE LORD
DATE: 7-OCT-85
DRAWN BY: [blank]
DATE: [blank]

TITLE: SYSTEM BOARD
SHEET: 13 of 21
SIZE: B CODE: CS NUMBER: 5416798-0-1 REV: B

TOP DOCUMENT NUMBER: K-DD-5416798-0-0

K13



THIS BOARD AND SPECIFICATIONS ARE THE PROPERTY OF DIGITAL CORPORATION. NO PART OF THIS DOCUMENT OR BOARD MAY BE REPRODUCED OR TRANSMITTED IN ANY FORM OR BY ANY MEANS, ELECTRONIC OR MECHANICAL, INCLUDING PHOTOCOPYING, RECORDING, OR BY ANY INFORMATION STORAGE AND RETRIEVAL SYSTEM, WITHOUT PERMISSION IN WRITING FROM DIGITAL CORPORATION.

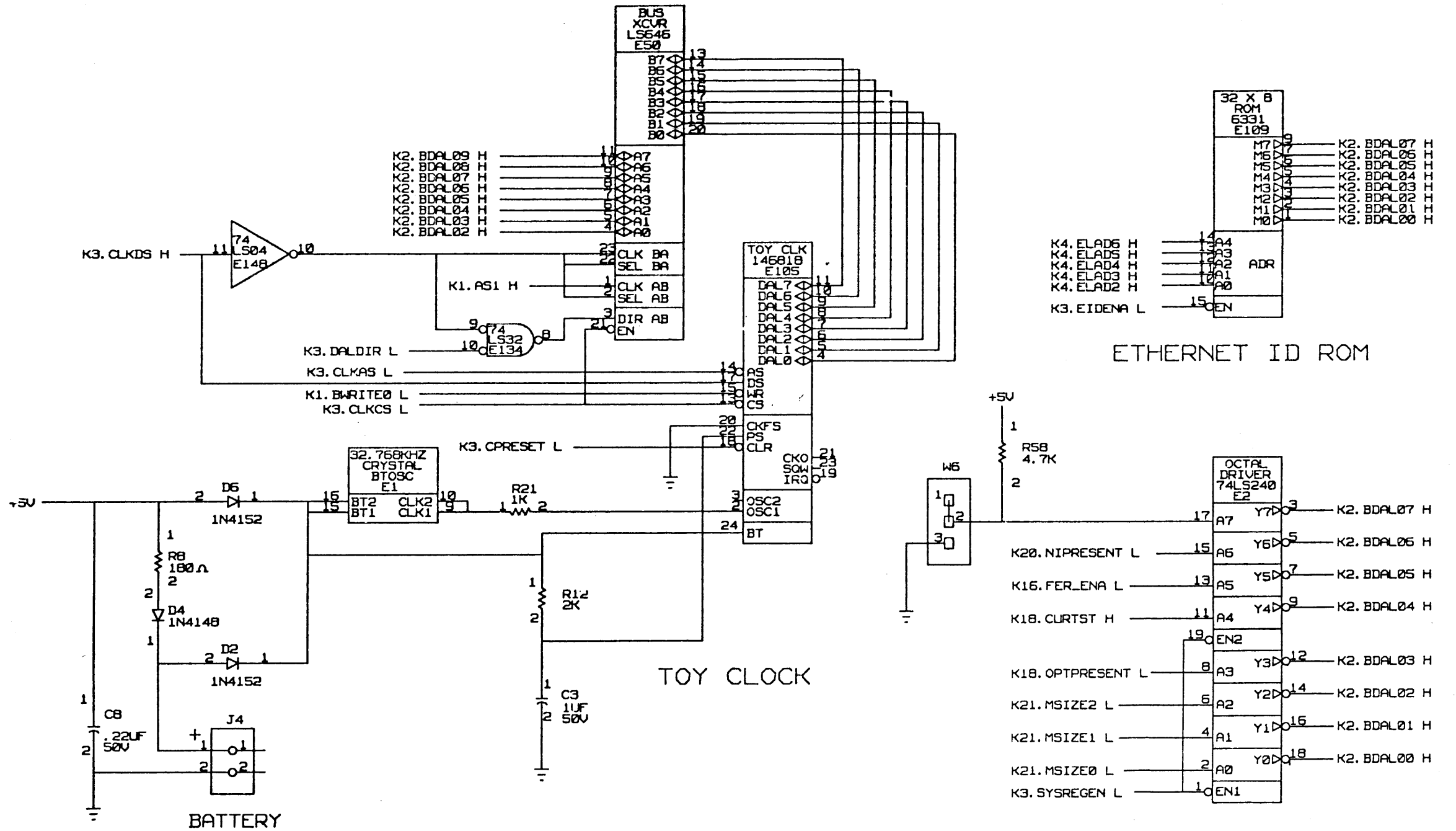
REVISION	NO.	REV.
CHK	CHANGE NO.	REV.

DATE	10-APR-85	DATE	7-OCT-85
DESIGNED BY	GEORGE LORD	DESIGNED BY	GEORGE LORD
CHECKED BY	R GLEEZEN	CHECKED BY	R GLEEZEN
DATE	11/13/85	DATE	
DESIGNED BY		DESIGNED BY	
CHECKED BY		CHECKED BY	
DATE		DATE	
DESIGNED BY		DESIGNED BY	
CHECKED BY		CHECKED BY	

TOP DOCUMENT NUMBER	K-DD-5416798-0-0
DATE	11/13/85
DESIGNED BY	GEORGE LORD
CHECKED BY	R GLEEZEN
DATE	10-APR-85
DESIGNED BY	GEORGE LORD
CHECKED BY	R GLEEZEN
DATE	11/13/85
DESIGNED BY	GEORGE LORD
CHECKED BY	R GLEEZEN

TITLE	SYSTEM BOARD
NUMBER	5416798-0-1
SIZE	B CS
REV.	B

1	2	3	4	5	6	7	8
---	---	---	---	---	---	---	---



W6 NOTE
 VAXSTATION 2000: CONNECT BETWEEN 1 AND 2.
 MICROVAX 2000: CONNECT BETWEEN 2 AND 3.

THIS BOARD AND SPECIFICATIONS ARE THE PROPERTY OF DIGITAL CORPORATION. NO PART OF THIS BOARD OR SPECIFICATIONS MAY BE REPRODUCED OR TRANSMITTED IN ANY FORM OR BY ANY MEANS, ELECTRONIC OR MECHANICAL, INCLUDING PHOTOCOPYING, RECORDING, OR BY ANY INFORMATION STORAGE AND RETRIEVAL SYSTEM, WITHOUT PERMISSION IN WRITING FROM DIGITAL CORPORATION.

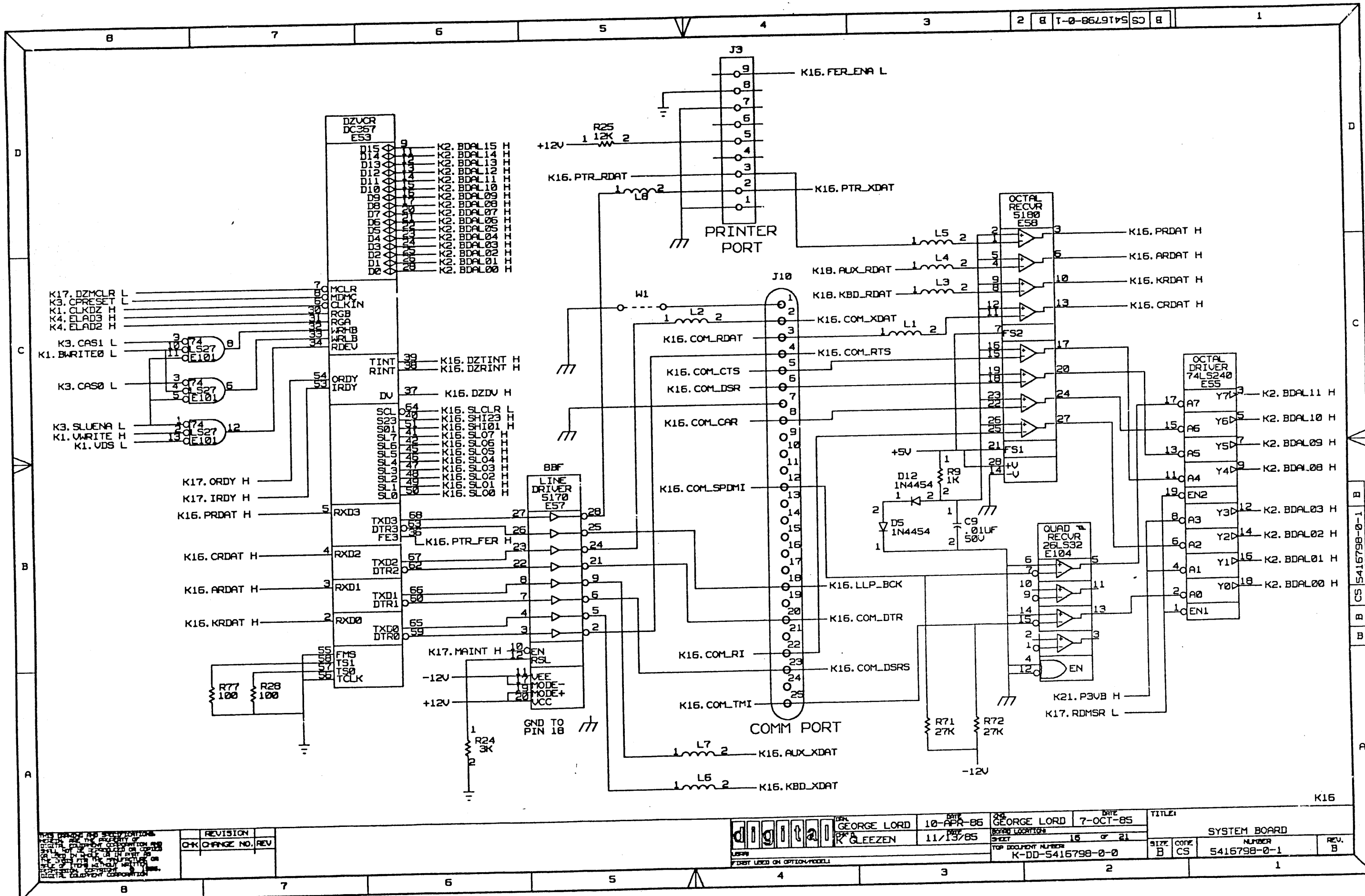
REVISION	NO.	REV.
CHK	CHANGE NO.	REV.

digital
 GEORGE LORD 10-APR-86
 K GLEEZEN 11/13/85

DATE	BY	DATE	BY
10-APR-86	GEORGE LORD	7-OCT-85	GEORGE LORD
11/13/85	K GLEEZEN		

TITLE: SYSTEM BOARD
 SHEET 15 OF 21
 TOP DOCUMENT NUMBER: K-DD-5416798-0-0

SIZE	CODE	NUMBER	REV.
B	CS	5416798-0-1	B



THIS BOARD AND SUBSYSTEMS ARE THE PROPERTY OF DIGITAL EQUIPMENT CORPORATION AND ARE LOANED TO YOU BY THE PARTY TO WHOM THEY ARE LOANED. THEY ARE NOT TO BE REPRODUCED, COPIED, OR IN ANY MANNER DISSEMINATED OUTSIDE THE COMPANY TO WHICH LOANED.

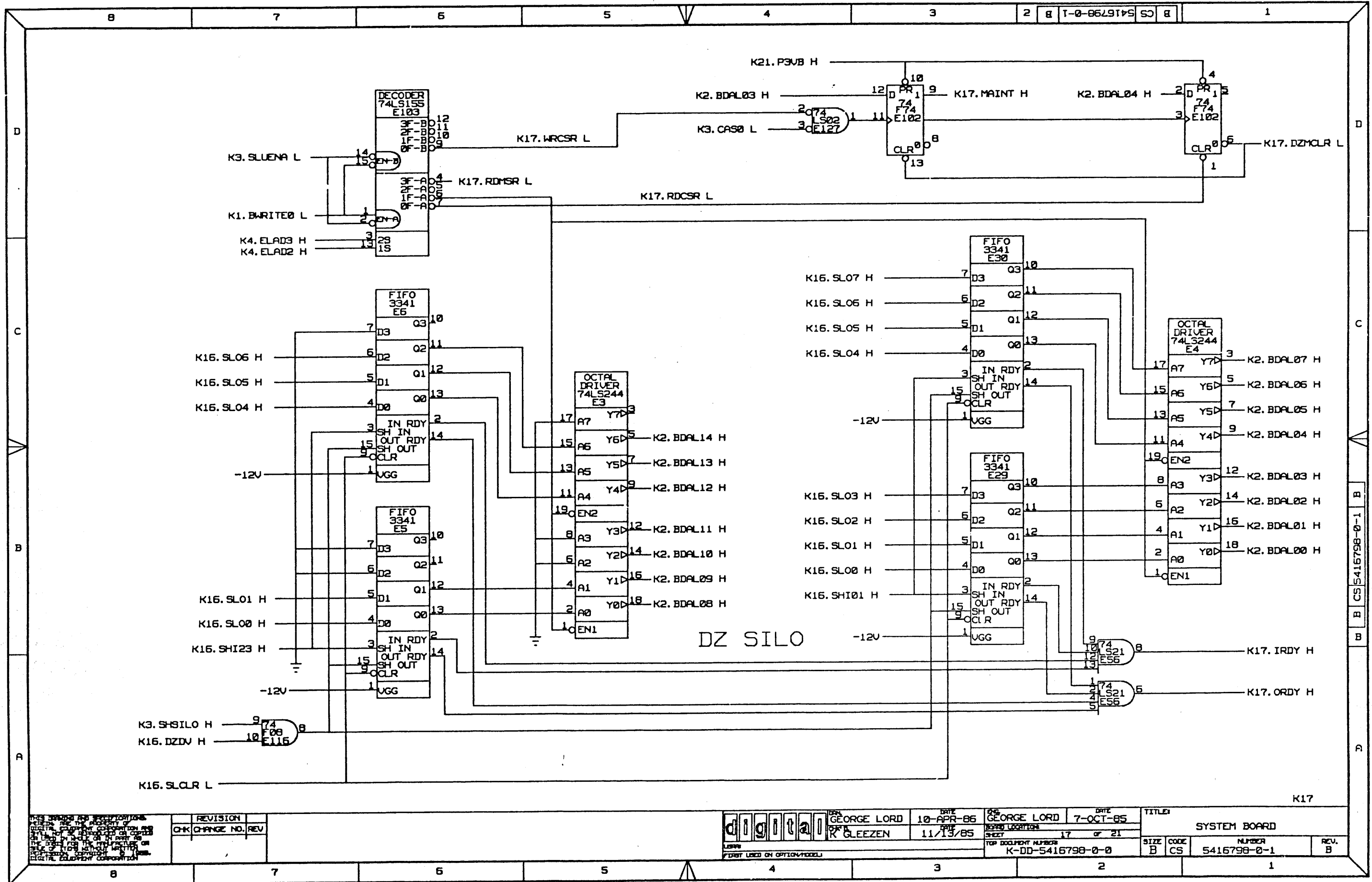
REVISION	CHANGE NO.	REV.
OK		

digital
 FIRST USED ON OPTIM-MODEL

DESIGNED BY: GEORGE LORD
 DATE: 10-APR-85
 CHECKED BY: R. GLEZEN
 DATE: 11/13/85

DATE: 7-OCT-85
 BOARD LOCATION: 16 of 21
 SHEET: 16 of 21
 TOP DOCUMENT NUMBER: K-DD-5416798-0-0

TITLE: SYSTEM BOARD
 SIZE: B CS
 NUMBER: 5416798-0-1
 REV. B



THIS DRAWING AND SPECIFICATIONS ARE THE PROPERTY OF DIGITAL EQUIPMENT CORPORATION AND ARE NOT TO BE REPRODUCED OR COPIED IN ANY MANNER OR IN ANY MEDIUM WITHOUT THE WRITTEN PERMISSION OF DIGITAL EQUIPMENT CORPORATION.

REV	REVISION
CHK	CHANGE NO. REV

digital
 FIRST USED ON OPTION/MODEL

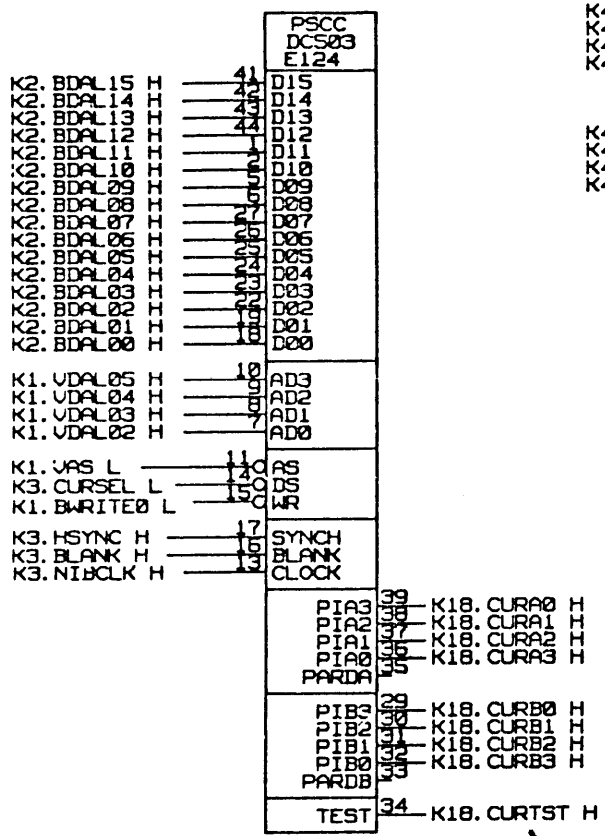
DESIGNED BY: GEORGE LORD
 DATE: 10-APR-85
 CHECKED BY: K GLEEZEN
 DATE: 11/13/85

DESIGNED BY: GEORGE LORD
 DATE: 7-OCT-85
 BOARD LOCATION: 17 of 21
 TOP DOCUMENT NUMBER: K-DD-5416798-0-0

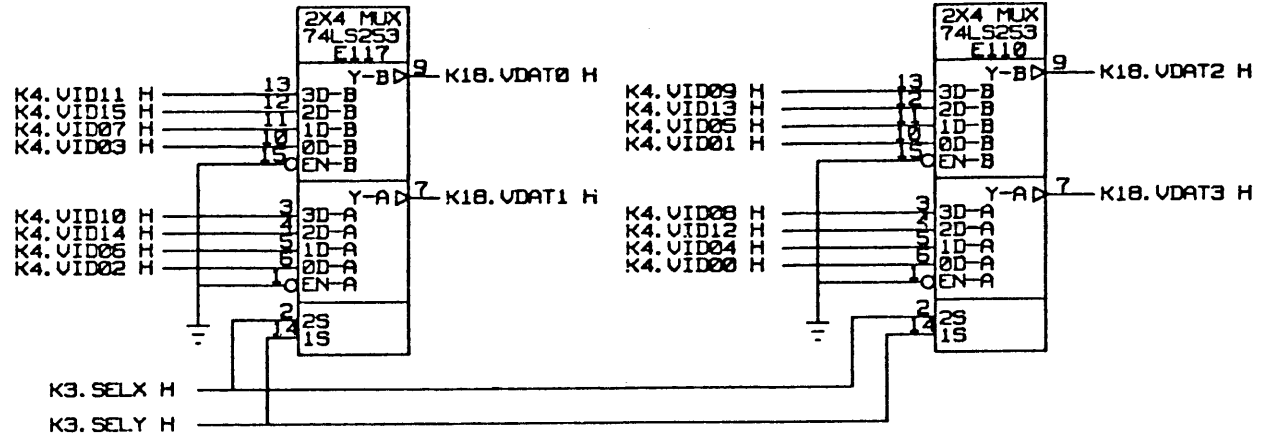
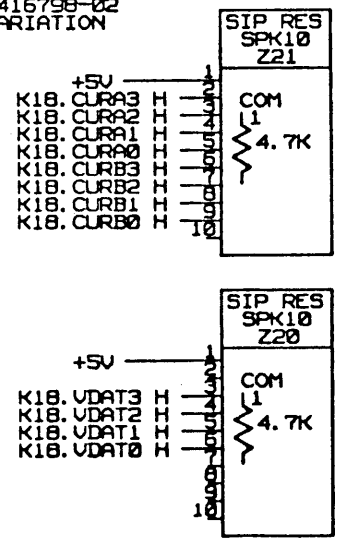
TITLE: SYSTEM BOARD
 NUMBER: 5416798-0-1
 SIZE: B CS
 REV: B

K17

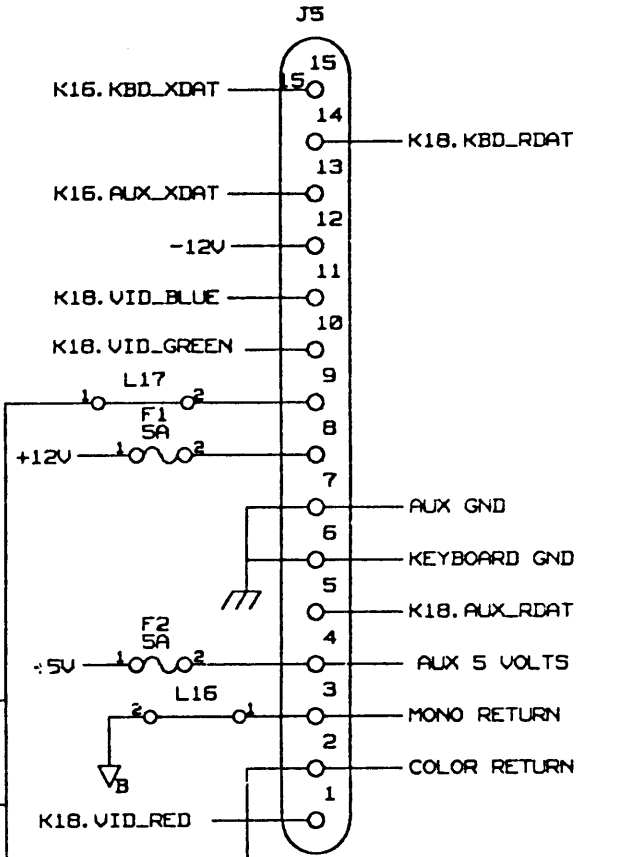
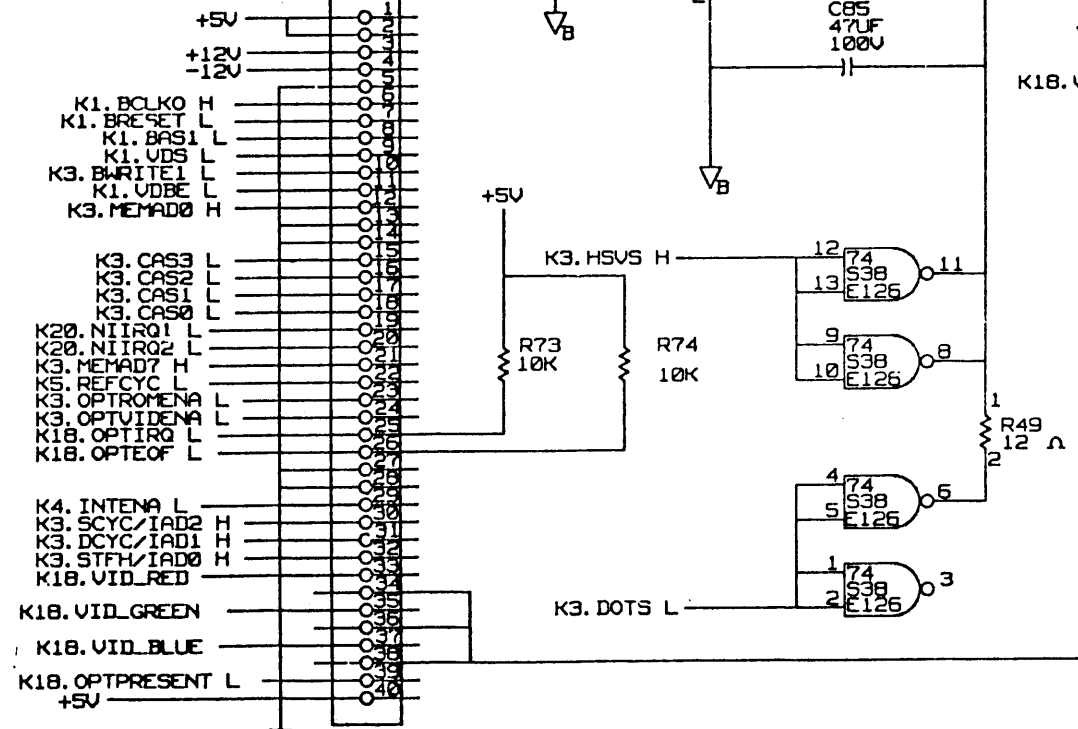
NOT INSTALLED ON -02 VARIATION



INSTALLED ONLY FOR 5416798-02 VARIATION



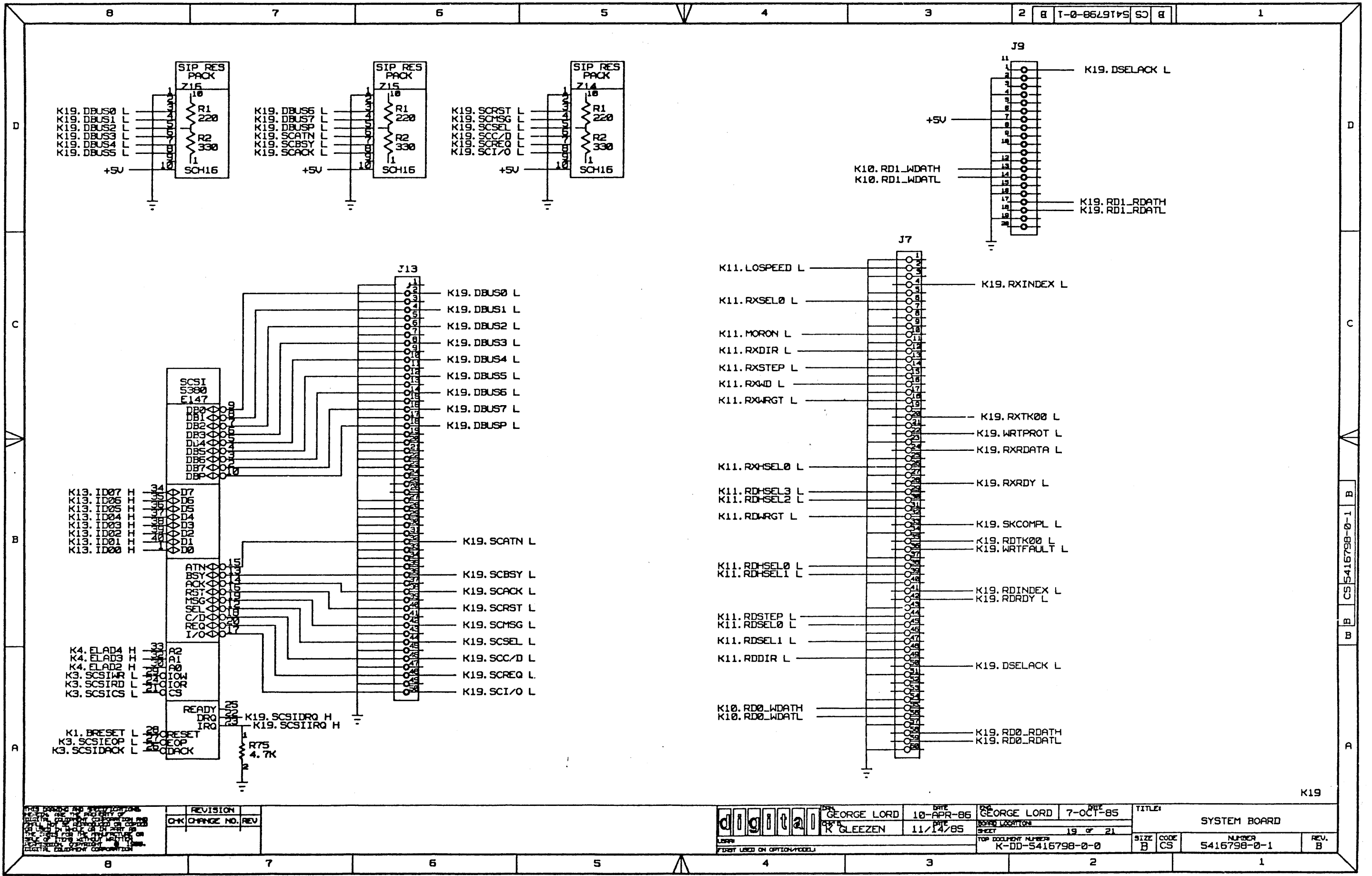
VIDEO OPTION



SINGLE POINT GROUND TO BE LOCATED AT Y3 PIN 7

K18

	DESIGN: GEORGE LORD	DATE: 10-APR-86	DESIGN: GEORGE LORD	DATE: 7-OCT-85	TITLE: SYSTEM BOARD	
	BY: K GLEEZEN	DATE: 11/14/85	SHEET: 18	OF: 21	NUMBER: 5416798-0-1	
	TOP DOCUMENT NUMBER: K-DD-5416798-0-0				SIZE: B	CODE: CS
	FIRST USED ON OPTIM-0001				REV: B	REV: B



THIS BOARD AND SPECIFICATIONS ARE THE PROPERTY OF DIGITAL EQUIPMENT CORPORATION. NO PART OF THIS DOCUMENT IS TO BE REPRODUCED OR TRANSMITTED IN ANY FORM OR BY ANY MEANS, ELECTRONIC OR MECHANICAL, INCLUDING PHOTOCOPYING, RECORDING, OR BY ANY INFORMATION STORAGE AND RETRIEVAL SYSTEM, WITHOUT PERMISSION IN WRITING FROM DIGITAL EQUIPMENT CORPORATION.

REVISION	CHANGE NO.	REV.

--	--	--	--	--	--	--	--	--	--

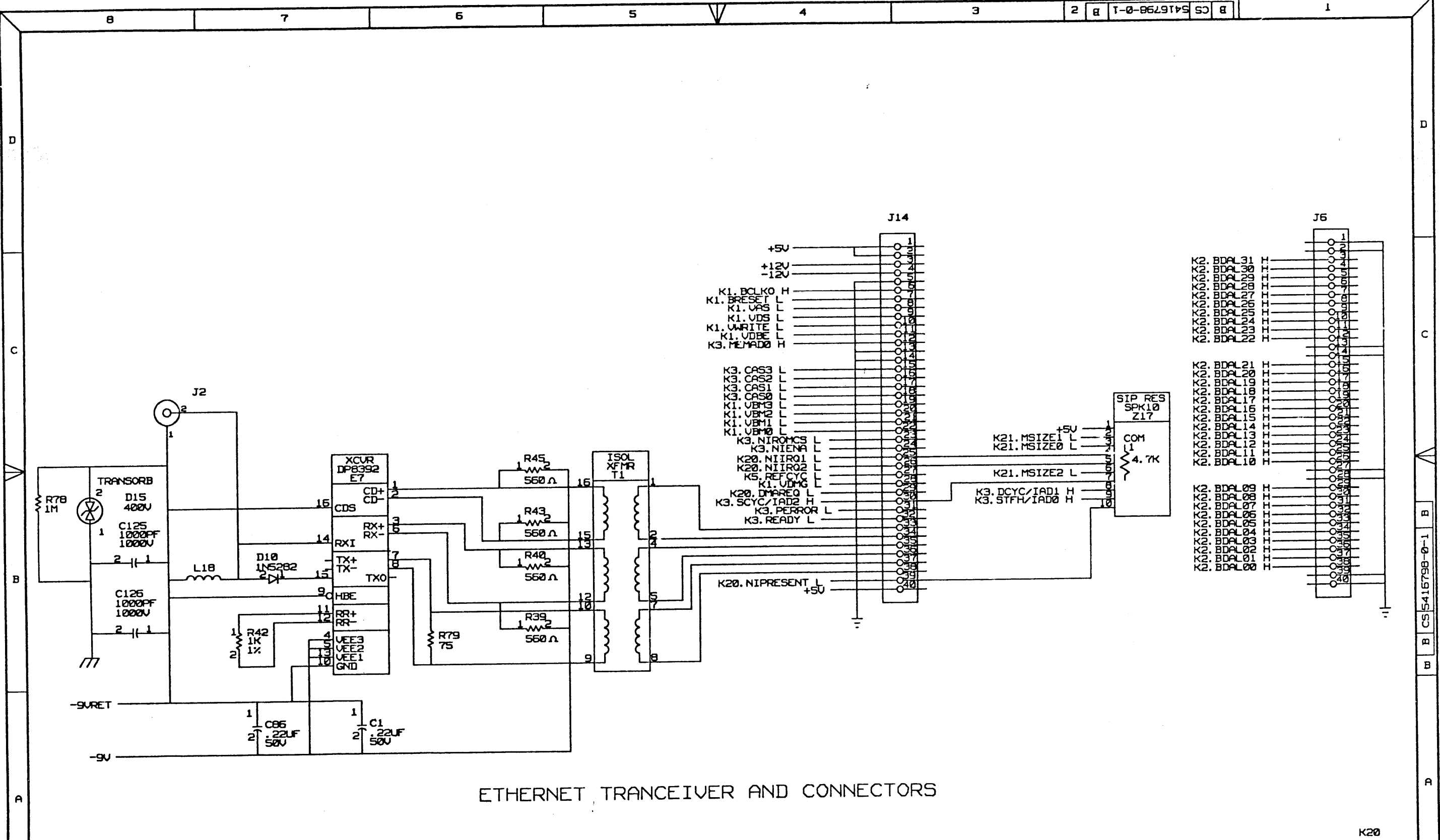
digital
 GEORGE LORD
 K GLEEZEN

DATE: 10-APR-86
 DATE: 11/14/85

DATE: 7-OCT-85
 SHEET: 19 of 21
 TOP DOCUMENT NUMBER: K-DD-5416798-0-0

TITLE: SYSTEM BOARD
 SIZE: B CODE: CS NUMBER: 5416798-0-1 REV: B

K19



ETHERNET TRANCEIVER AND CONNECTORS

THIS DRAWING AND SPECIFICATION ARE THE PROPERTY OF DIGITAL CORPORATION AND ARE TO BE USED ONLY FOR THE PROJECT AND FOR THE SYSTEM OR SYSTEMS SPECIFICALLY IDENTIFIED IN THE TITLE. IT IS TO BE KEPT UNDER LOCK AND KEY AND IS NOT TO BE REPRODUCED OR TRANSMITTED IN ANY FORM OR BY ANY MEANS, ELECTRONIC OR MECHANICAL, INCLUDING PHOTOCOPYING, RECORDING, OR BY ANY INFORMATION STORAGE AND RETRIEVAL SYSTEM.

REV. NO.	DATE	BY	CHK	CHANGE NO.	REV



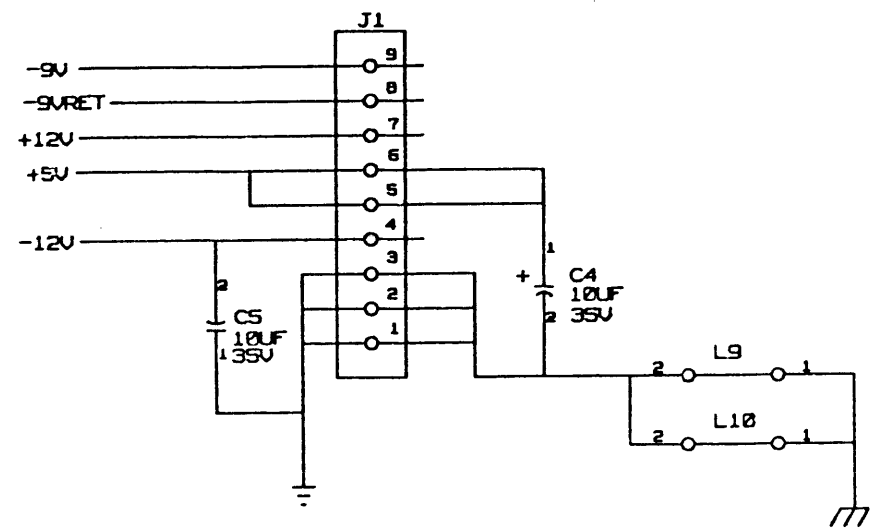
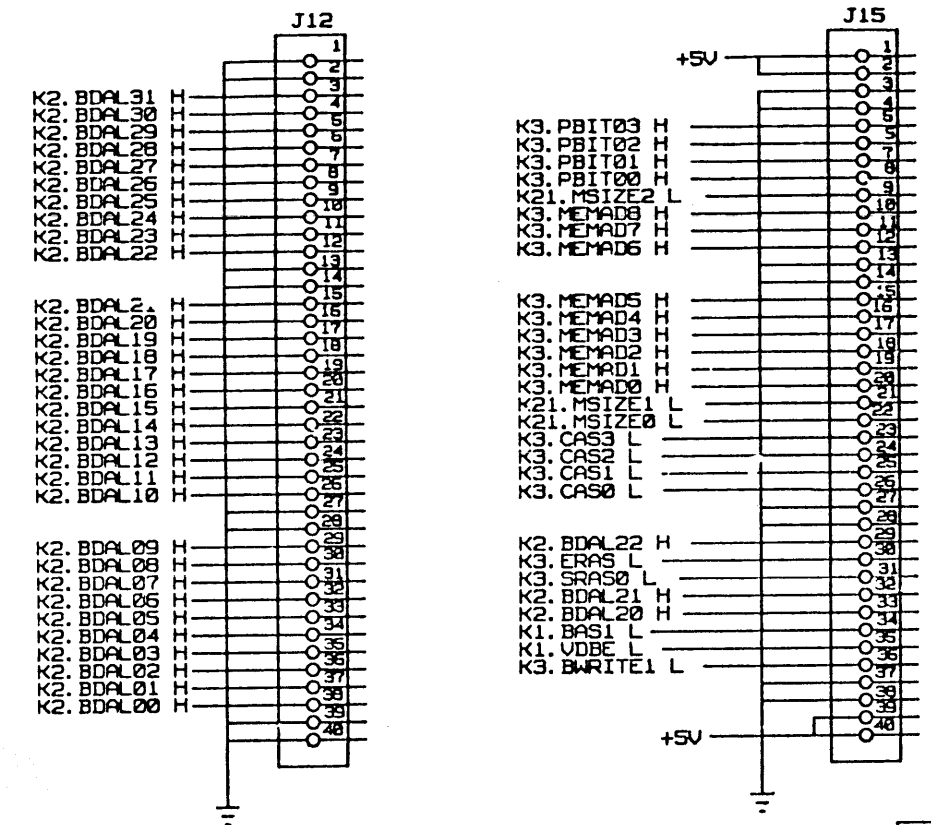
DESIGNED BY: GEORGE LORD
 DATE: 10-APR-85
 CHECKED BY: K GLEEZEN
 DATE: 11/14/85

DESIGNED BY: GEORGE LORD
 DATE: 7-OCT-85
 CHECKED BY: K GLEEZEN
 DATE: 11/14/85

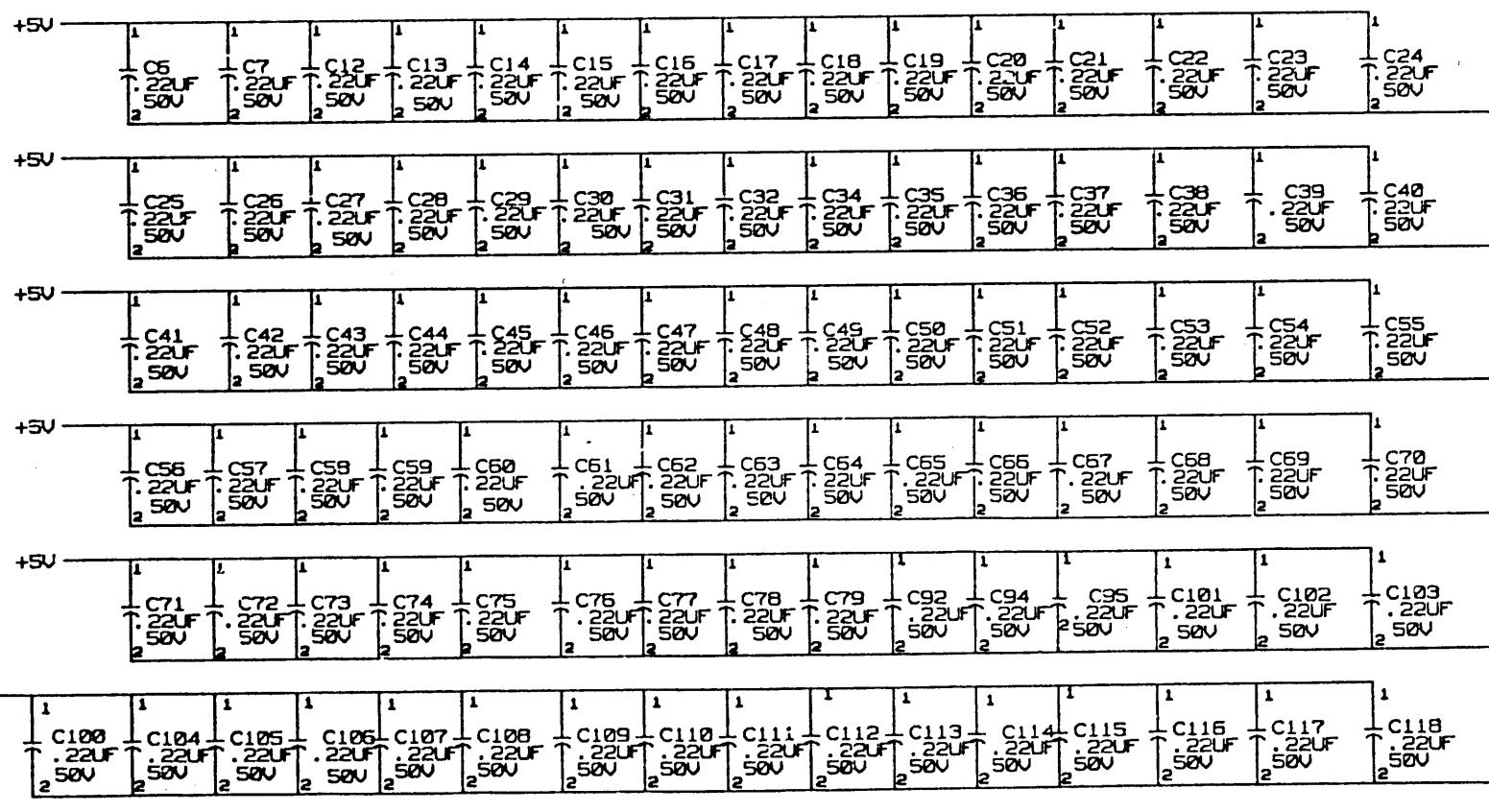
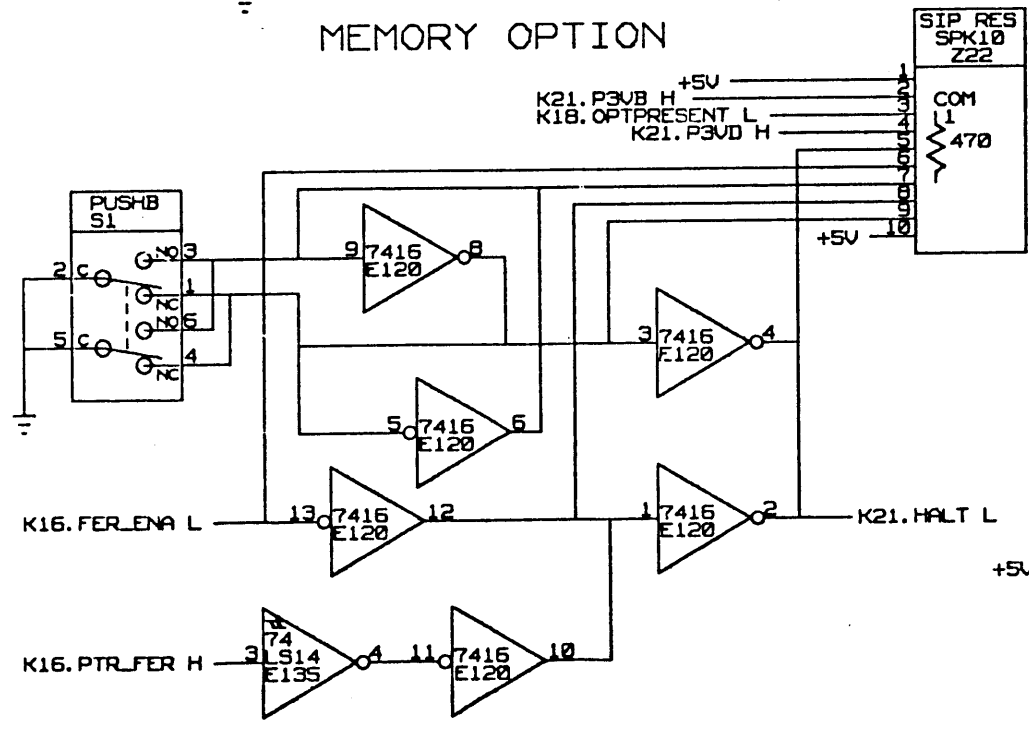
TITLE:	SYSTEM BOARD		
SIZE:	B	CODE:	CS
NUMBER:	5416798-0-1		
REV.:	B		

TOP DOCUMENT NUMBER: K-DD-5416798-0-0
 SHEET: 20 of 21

K20

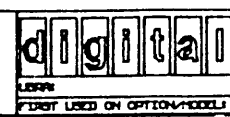


MEMORY OPTION



THIS BOARD AND SUBASSEMBLY ARE THE PROPERTY OF DIGITAL EQUIPMENT CORPORATION AND ARE LOANED TO YOU BY IT. IT IS TO BE USED ONLY FOR THE PROJECT AND IS NOT TO BE REPRODUCED OR IN ANY MANNER COPIED, EITHER WHOLLY OR PARTIALLY, WITHOUT THE WRITTEN PERMISSION OF DIGITAL EQUIPMENT CORPORATION.

REVISION	DATE
OK CHANGE NO. REV	



DESIGNED BY K GLEEZEN	DATE 11/14/85	DESIGNED BY GEORGE LORD	DATE 7-OCT-85
DRAWN BY K GLEEZEN		DRAWN BY GEORGE LORD	
CHECKED BY K GLEEZEN		CHECKED BY GEORGE LORD	
APPROVED BY K GLEEZEN		APPROVED BY GEORGE LORD	
TOP DOCUMENT NUMBER K-DD-5416798-0-0			

TITLE: SYSTEM BOARD			
SIZE B	CODE CS	NUMBER 5416798-0-1	REV. B

DRAWING NO.	NO. SHTS	PART NO.	DESCRIPTION	REVISIONS
E-UA-5416888-0-0	3	5416888-01	VS40X 4 PLANE COLOR OPTION	A01
B-CS-5416888-0-1	14		UNIT ASSEMBLY	A
K-PL-5416888-0-DBP	2		CIRCUIT SCHEMATIC	A
K-PC-5416888-0-DBV			PARTS LIST	A
K-CS-5416888-0-DBX			P. C. DATA BASE	E
			SCHEMATIC DATA BASE	A
		5016887-01	ETCHED CIRCUIT BOARD	E1
K-DD-5016887-0-0			DRAWING DIRECTORY	A

NOTES:

REVISION HISTORY

REV	4	E	I
IS	S	C	N
IO	T	O	I
N	O	N	T
	R	O	
	Y		
		D	8
		A	/
		T	8
		E	7

THIS DRAWING AND THE SPECIFICATIONS CONTAINED HEREIN ARE CONFIDENTIAL AND PROPRIETARY. THEY ARE THE PROPERTY OF DIGITAL EQUIPMENT CORPORATION AND SHALL NOT BE REPRODUCED OR COPIED OR USED IN WHOLE OR IN PART AS THE BASIS FOR THE MANUFACTURE OR SALE OF ITEMS WITHOUT WRITTEN PERMISSION. THIS IS AN UNPUBLISHED WORK PROTECTED UNDER THE FEDERAL COPYRIGHT LAWS.

DRN: L. HAYWOOD

DATE: 03-AUG-87

d | f | g | i | t | a | L

CHK'D: B. OUELLETTE

DATE: 03-AUG-87

TITLE
VS40X 4 PLANE
COLOR OPTION

DES. ENG.: J. BOUCHARD

DATE: 03-AUG-87

SHEET 1 OF 1 EDIT:
3

RESP. ENG.: J. BOUCHARD

DATE: 03-AUG-87

DOCUMENT NUMBER
DD FILENAME: 5416888A.DDF

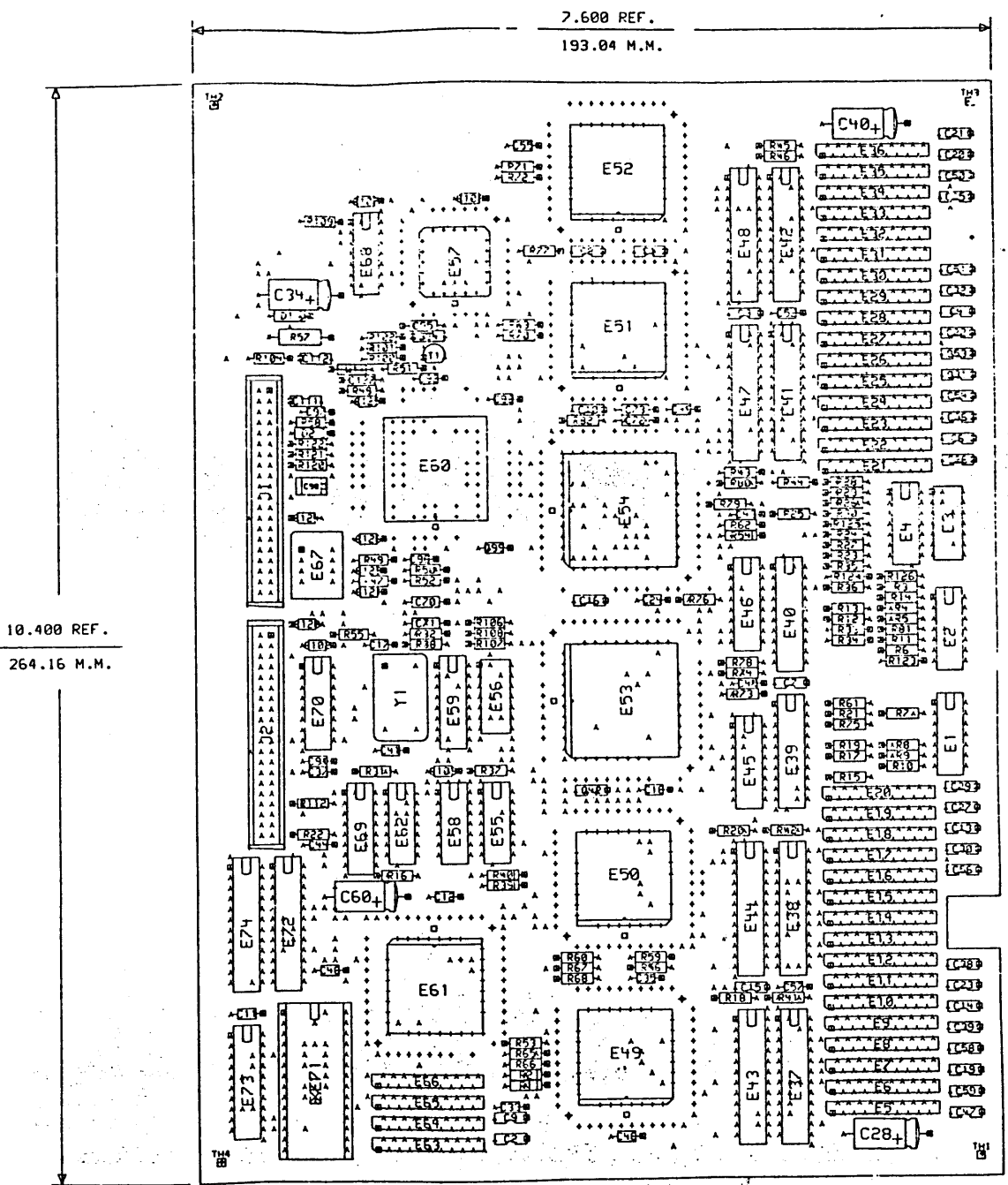
MFG. ENG.: T. TORODE

DATE: 03-AUG-87

SIZE | CODE | NUMBER | REV
K | DD | 5416888-0-0 | A

THIS DRAWING AND THE INFORMATION CONTAINED HEREIN IS UNCLASSIFIED EXCEPT WHERE SHOWN OTHERWISE. DATE 08-01-2001 BY 60322/UC/STW/STW

VIEW FROM SIDE 1



CHK	DRWN BY	ENGINEER	CHANGE NO.	DATE	REV

NOTES

ETCH REV. E1

SIGNATURES	DATE
DRWN: BILL E. COSSIDY	252247
CHECKED: LER WITWOOD	252247
MECH ENG: J. SANCHEZ	252247
PROJ ENG: J. SANCHEZ	252247
PROD: J. MCINTIRE	252247
SCALE: 2:1	
SHEET: 1 OF 3	
TOP DOC NO: X-00-5416888-0-0	

digital	TITLE: VS40X 4 PLANE
	COLOR OPTION

8

0-2-280913

2

6

5

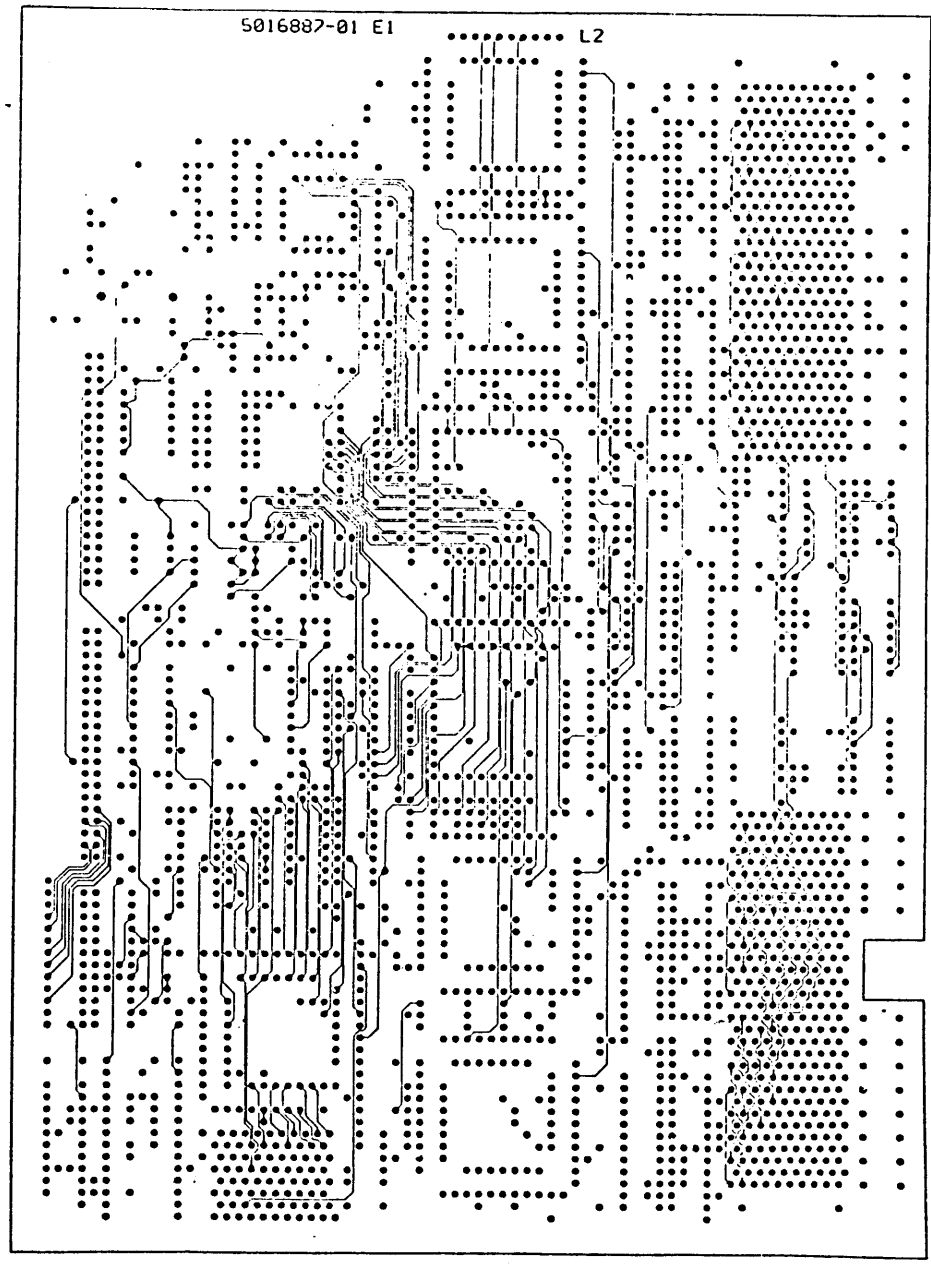
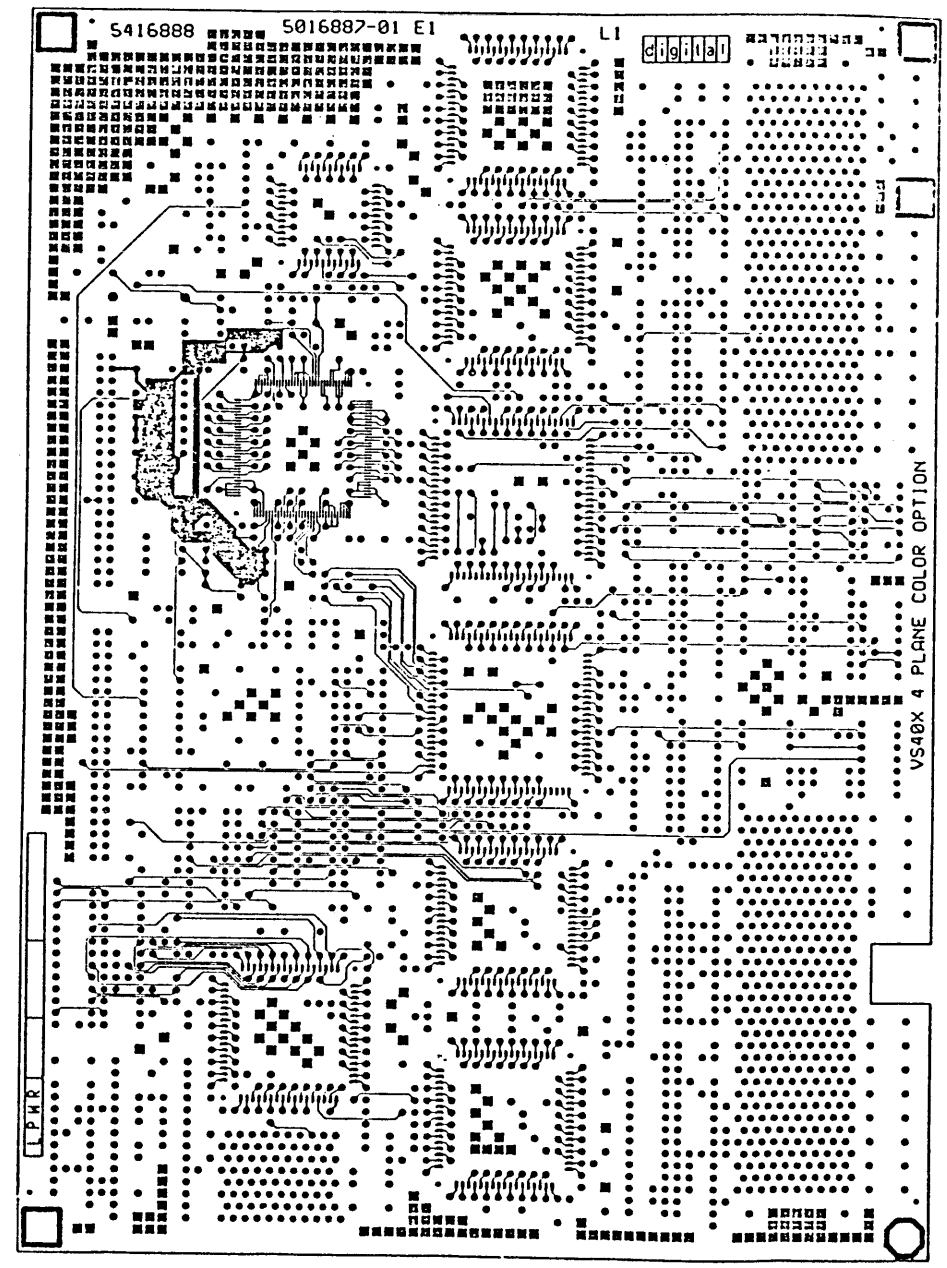
4

3

2

1

VIEWS FROM SIDE 1



TITLE VS40X 4 PLANE COLOR OPTION

4A 5416888 TA

8

0-0-88891-5

7

6

5

4

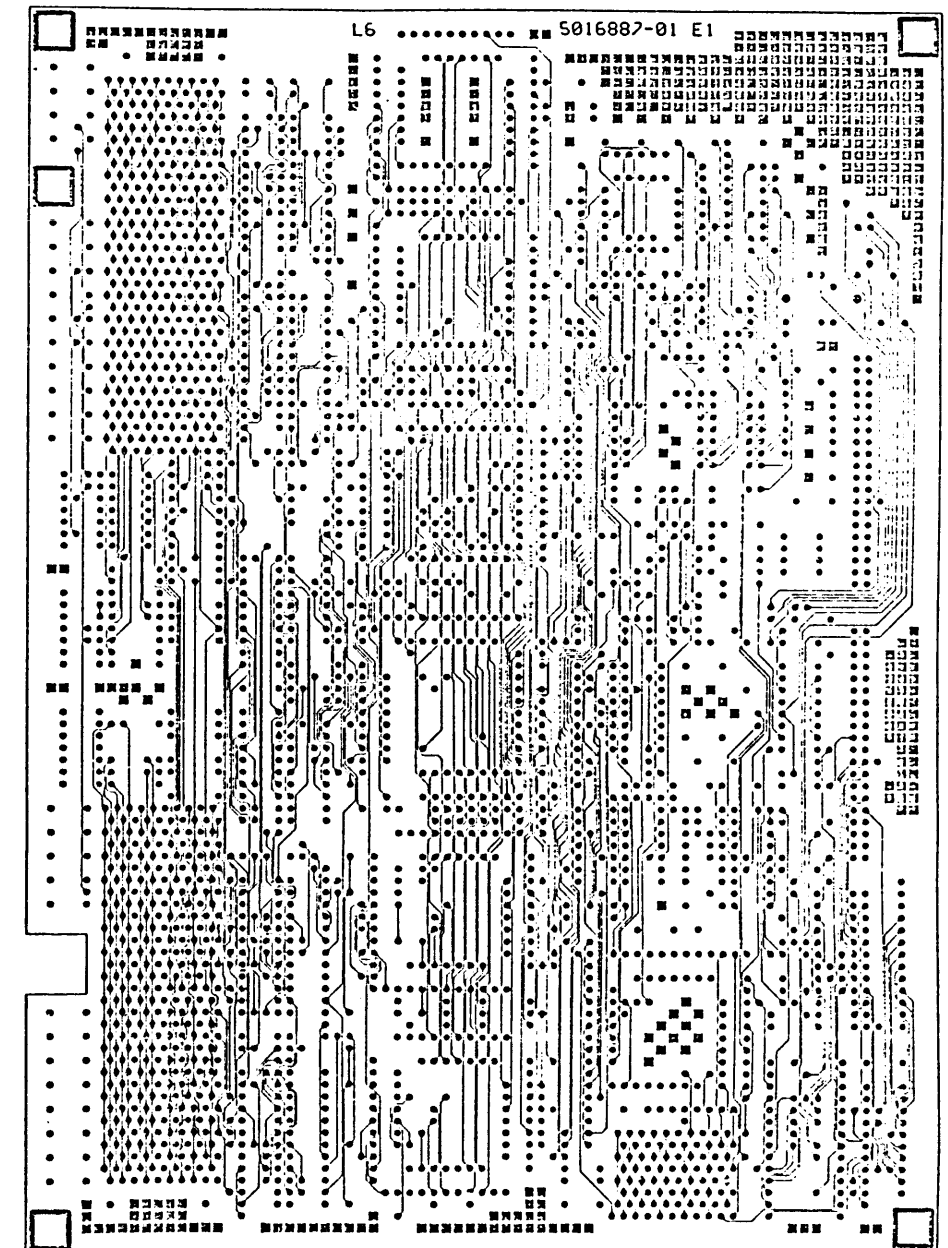
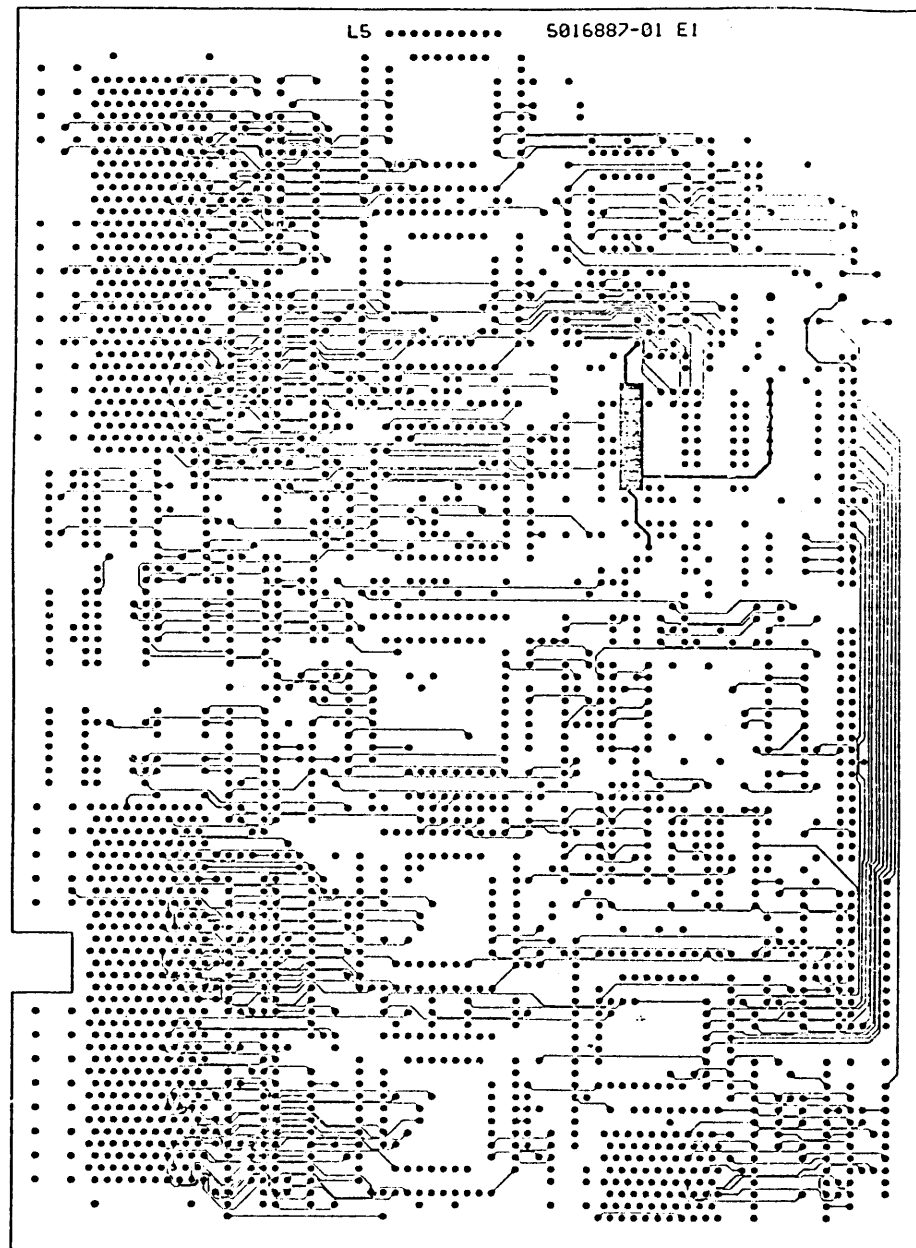
3

2

1

0-0-88891-5

VIEWED FROM SIDE 2



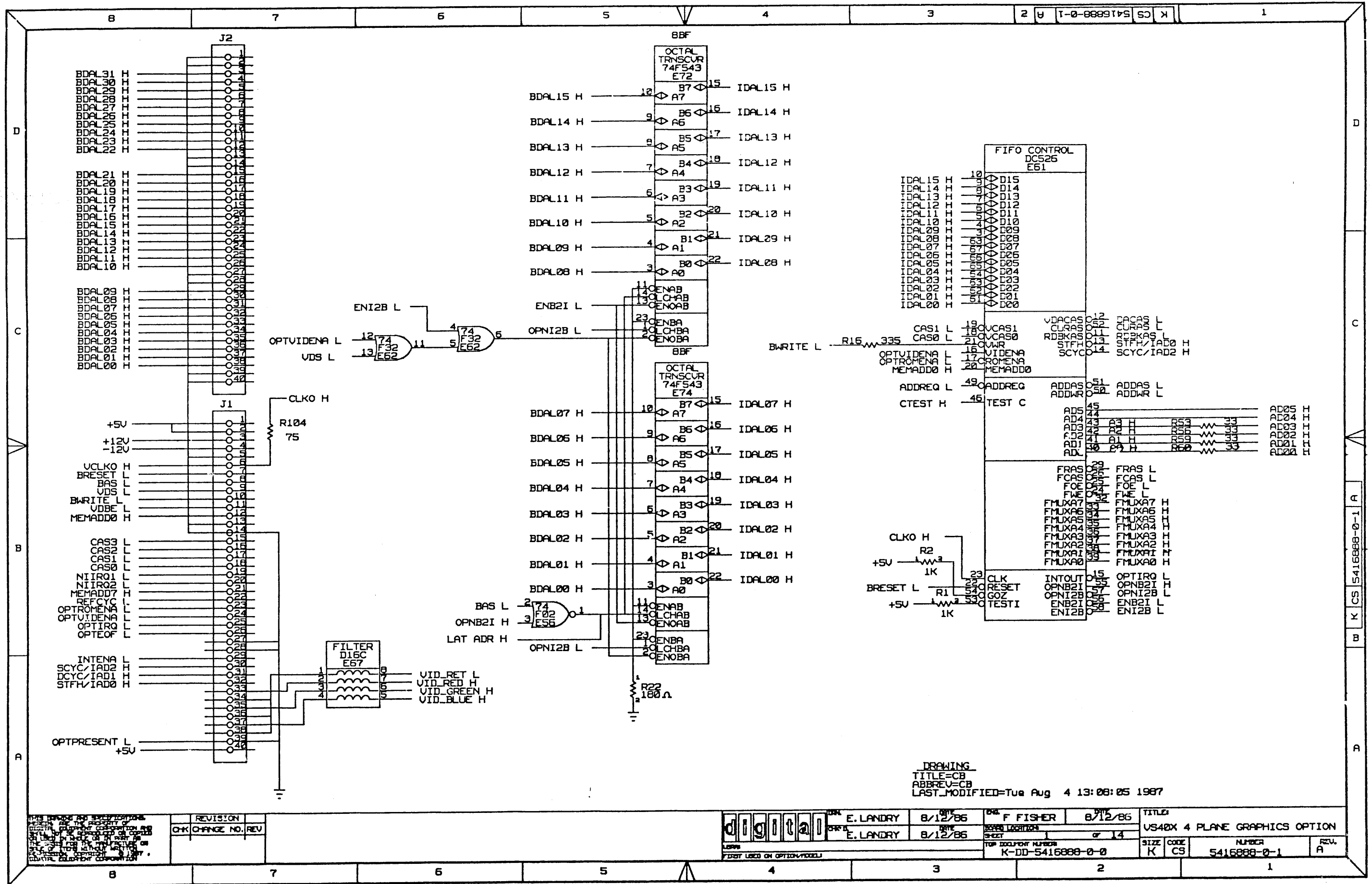
LINE	ITEM	TOP DOCUMENT	PART NUMBER	MIN REV	DESCRIPTION	QTY	PER VAR/REV	REFERENCE DESIGNATORS
1	1	K-DD-5016887-0-0	50-16887-01	E	CIRCUIT DRILL AND ETCH BOARD	1		
2	2		10-01610-00		0.010MFD 50V +80/-20% Z5U C	22		C11,C12,C18,C24,C33,C35,C37, CONT C43-C46,C48,C49,C52,C55,C57, CONT C91,C97,C102,C107,C108,C120
3	3		10-13466-04	33	PFD 50V +/- 5% NP0 C	4		C70-C73
4	4		10-13466-25	68	PFD 50V +/- 5% NP0 C	3		C121-C123
5	5		10-13466-28	1000	PFD 50V +/- 5% NP0 C	2		C92,C95
6	6		10-13466-33	100	PFD 50V +/- 2% NP0 C	8		C17,C41,C96,C98,C99,C103,C125, CONT C126
7	7		10-13466-39	150	PFD 50V +/- 2% NP0 C	1		C124
8	8		10-14265-00		0.22 MFD 50V +80/-20% Z5U C	40		C1-C4,C6-C10,C13-C16,C19-C23, CONT C25-C27,C29-C32,C36,C38,C39, CONT C42,C47,C50,C51,C53,C54,C56, CONT C58,C59,C94,C111,C112
9	9		10-20446-06	33	MFD 10V +50/-20% ALU	4		C28,C34,C40,C60
10	10		10-24455-27	100	MFD 10V +/-0% CHIP	1		C90
11	11		11-09943-00	VZ= 5.1	5% 1 W 1N4733A	1		D2
12	12		11-13953-00	VZ= 5.1	1% 400 MW 1N5523D	1		D1
13	13		12-15006-07		SKT,IC 28PIN DIP TIN SOLD	1		XE7!
14	14		12-19065-05		CONN,P+S 40POS(2X20)	2		J1,J2
15	15		13-00197-00	33.0	.25 W 5.0 % CF	31		R16,R23-R38,R53,R56,R59,R60, CONT R73-R82
16	16		13-00249-00	150.0	.50 W 5.0 % CF	1		R57
17	17		13-00365-00	1.0 K	.25 W 5.0 % CF	6		R1,R2,R39,R40,R54,R112
18	18		13-01322-00	180.0	.25 W 5.0 % CF	20		R18,R20,R22,R41-R46,R61,R62, CONT R65-R72,R109
19	19		13-02124-00	18.0	.25 W 5.0 % CF	20		R3-R15,R17,R19,R21,R123-R126
20	20		13-03064-00	75.0	.25 W 1.0 % RN55D-F10	7		R47-R49,R104,R106-R108
21	21		13-05324-00	4.99 K	.25 W 1.0 % RN55D-F10	1		R58
22	22		13-12480-00	1.54 K	.25 W 1.0 % RN55D-F10	1		R102
23	23		13-13469-00	240.0	.25 W 5.0 % CF	3		R120-R122
24	24		13-13584-00	158.0	.25 W 1.0 % RN55D-F10	1		R55

REVISION HISTORY			KPL MODULE FORMAT		SECTION A OF A		DRN: B. DITOMMASO		DIGITAL				
ENG	ECO NUMBER	REV	SECTION/VARIATION INDEX		DATE: 20-OCT-86		CHK'D: B. DITOMMASO		TITLE PARTS LIST				
---	INITIAL	A	[A]	01	[M]	DATE: 16-FEB-87		DATE: 20-FEB-87		VS40X 4-PLANE GRAPHICS OPTION			
			[B]		[N]			DES.ENG: FRED FISHER		DOCUMENT NUMBER			
			[C]		[P]			DATE: 20-FEB-87		SIZE	CODE	NUMBER	REV
			[D]		[Q]			RESP.ENG.: JOE BOUCHARD		K	PL	5416888-0-DBP	A
			[E]		[R]			DATE: 20-FEB-87		RELEASE DATE: 24-SEP-87			
			[F]		[S]			MFG.ENG: T. TORODE		RELEASE STATUS: RELEASED			
			[H]		[T]			DATE: 03-AUG-87					
			[J]		[V]								
			[K]		[W]								
			[L]		[Y]								
			BASIC PART NUMBER:		ASSEMBLY NUMBER:		TOP DOCUMENT NUMBER:		FILE NAME:		EDIF #		
			5416888		D-UA-5416888-0-0		K-DD-5416888-0-0		GH384A.PLS		37		

"THIS DRAWING AND THE SPECIFICATIONS CONTAINED HEREIN ARE CONFIDENTIAL AND PROPRIETARY. THEY ARE THE PROPERTY OF DIGITAL EQUIPMENT CORPORATION AND SHALL NOT BE REPRODUCED OR COPIED OR USED IN WHOLE OR IN PART AS THE BASIS FOR THE MANUFACTURE OR SALE OF ITEMS WITHOUT WRITTEN PERMISSION. THIS IS AN UNPUBLISHED WORK PROTECTED UNDER THE FEDERAL COPYRIGHT LAWS."

LINE	ITEM	TOP DOCUMENT	PART NUMBER	MIN REV	DESCRIPTION	QTY PER VAR/REV	REFERENCE DESIGNATORS
						01 A1	
25	25		13-18150-73	37.40	.25 W 1.0 % RN55D-F10	3	R50-R52
26	26		13-18797-00	499.0	.25 W 0.1 % RN55E-B 2	2	R100,R101
27	27		15-22917-01		2N2222/MPS2222 NPN 625MW 30V.6A	1	T1
28	28		16-28716-01		CHOKE,COMMON MODEDIP PKG	1	E67
29	29		18-11660-61		OSCILLATOR,XTAL 69.1968 MHZ	1	Y1
30	30		19-11712-00		74S51 AND-OR GATE-INVERT D	1	E2
31	31		19-12824-00		LS74 FF-D DUAL,EDGE TRIGG	3	E1,E55,E58
32	32		19-14972-00		3450 RECEIVER,LINE,QUAD,T	1	E70
33	33		19-15218-00		LS245 TRANSCEIVER,BUS,OCTA	1	E73
34	34		19-20442-01		74F374 FF-D,OCTAL,TRI-STATE	2	E39,E40
35	35		19-20461-01		LS173 REG.,D-TYPE 4BIT	1	E69
36	36		19-21306-01		74F02 NOR GATE,QUAD,2-IN	2	E3,E56
37	37		19-21312-01		74F32 OR GATE,QUAD,2-IN	3	E4,E62,E68
38	38		19-21320-01		74F157 MUX,QUAD,2-IN	2	E45,E46
39	39		19-21691-01		74F109 JK FLIP-FLOP,DUAL,OS	1	E59
40	40		19-23311-01		74F543 OCTAL REG TRANSCEIVE	10	E37,E38,E41-E44,E47,E48,E72,E74
41	41		21-21553-02	DC	323-CA ADDER II ZMUS	1	E53
42	42	SEE NOTE # 42	21-24413-43		RAM,64KX4,DYNAMIC	12 36	E5-E36,E63-E66
43	43		21-24941-01		DC503 PROGRAMMABLE SPRITE CURSOR	1	E57
44	44		21-25011-01		VIPER 80HZ,CMOS-I VIDEO PROCCSSO	4	E49-E52
45	45		21-25012-01		VDAC,84PIN CMOS-I CHIP	1	E60
46	46		21-26071-01		DC525 TIMING CHIP	1	E54
47	47		21-26072-01		DC526 INTERFACE CHIP	1	E61
48	48		23-58E7 -00		E7-01	U 1	E71
49	49		37-00689-30		UNIVERSAL MODULE INDIVIDUAL	1	
50	50		90-09185-00		JUMPER, WIRE, INSULATED, BLACK B	1	W1

42 NOTE: PART NUMBER 21-24414-43 (DRAM 64KX 4) MAY BE SUBSTITUTED FOR PART NUMBER 21-24413-43.



DRAWING
 TITLE=CB
 ABBREV=CB
 LAST_MODIFIED= Tue Aug 4 13:08:05 1987

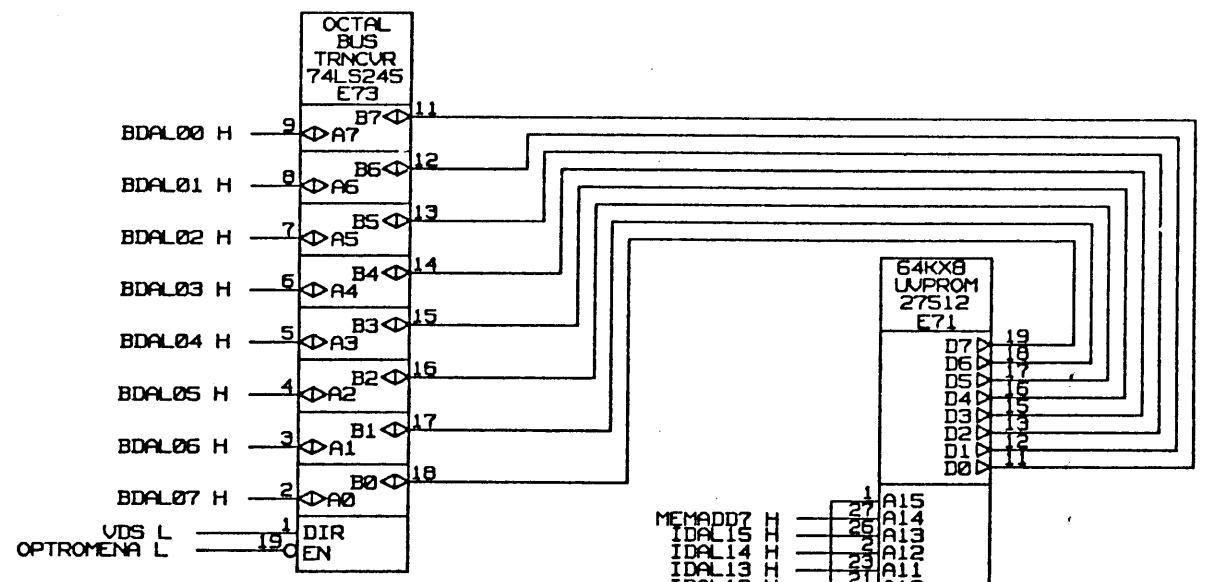
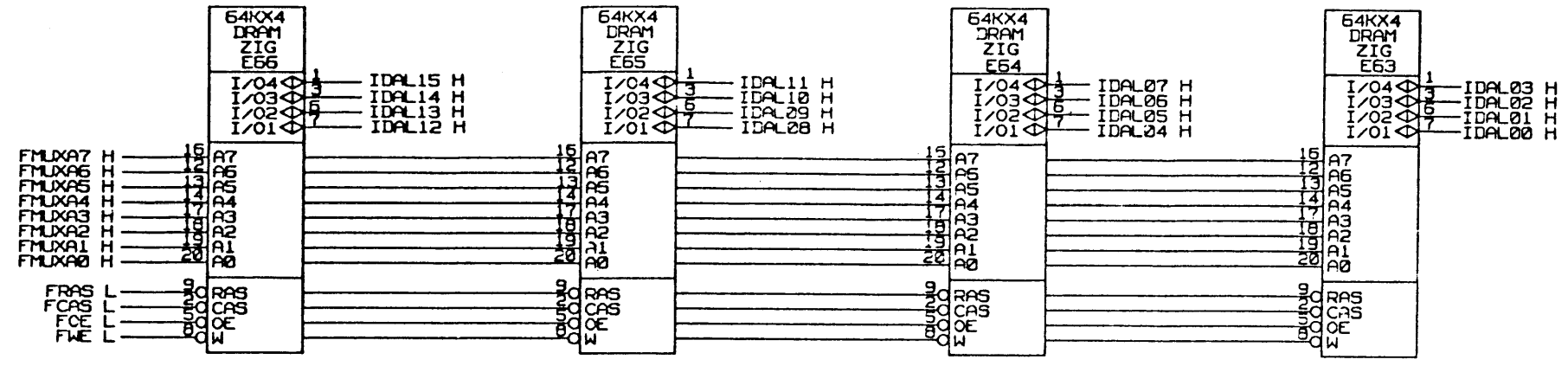
THIS DRAWING AND EVERY CONDITION
 HEREIN ARE THE PROPERTY OF
 DIGITAL EQUIPMENT CORPORATION AND
 SHALL REMAIN SO IN WHOLE OR IN PART
 UNTIL SUCH TIME AS ALL RIGHTS ARE
 EXPLICITLY TRANSFERRED BY WRITTEN
 AGREEMENT TO ANOTHER PARTY.
 REVISED: 8/12/86

REV	CHANGE NO.	REV

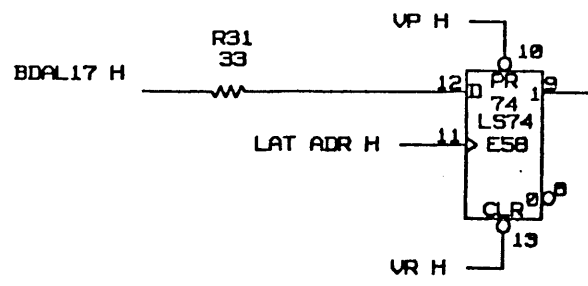
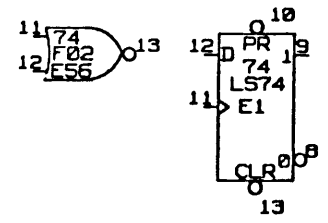
	DESIGNED BY	E. LANDRY	DATE	8/12/86	CHKD BY	F. FISHER	DATE	8/12/86	TITLE	US40X 4 PLANE GRAPHICS OPTION			
	APPROVED BY	E. LANDRY	DATE	8/12/86	DESIGN LOCATION			SHEET	1 of 14				
FORM		FIRST USED ON OPTION MODEL		TOP DOCUMENT NUMBER		K-DD-5416888-0-0		SIZE	K CS	NUMBER	5416888-0-1	REV.	A

THIS DRAWING AND SPECIFICATIONS
 HEREIN ARE THE PROPERTY OF
 DIGITAL EQUIPMENT CORPORATION AND
 SHALL NOT BE REPRODUCED OR COPIED
 OR USED IN WHOLE OR IN PART AS
 THE BASIS FOR THE MANUFACTURE OR
 SALE OF ITEMS WITHOUT WRITTEN
 PERMISSION OF DIGITAL EQUIPMENT
 CORPORATION © 1987.
 DIGITAL EQUIPMENT CORPORATION

32KB FIFO

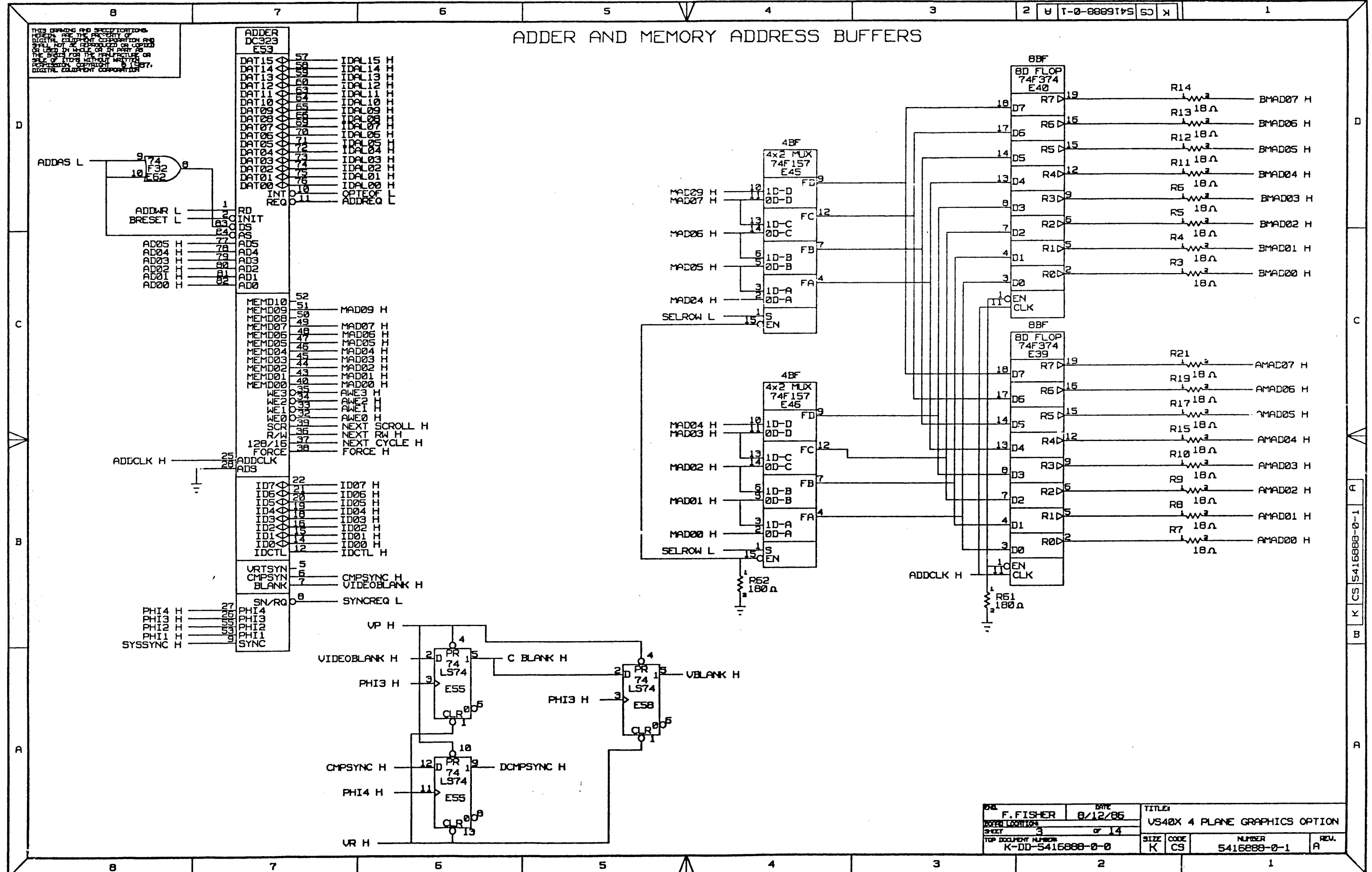


SPARE GATES



DESIGNER F. FISHER	DATE 8/12/85	TITLE VS40X 4 PLANE GRAPHICS OPTION
DRAWN LOCATION SHEET 2 OF 14		SIZE K
TOP DOCUMENT NUMBER K-DD-5416888-0-0		NUMBER 5416888-0-1
	REV. A	

A
B
K
CS 5416888-0-1
A

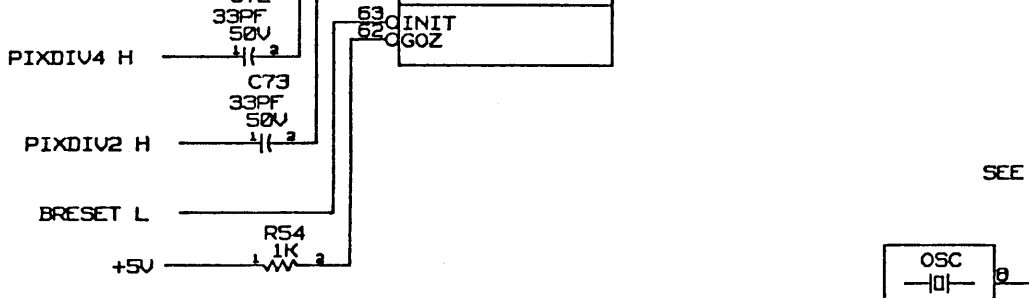
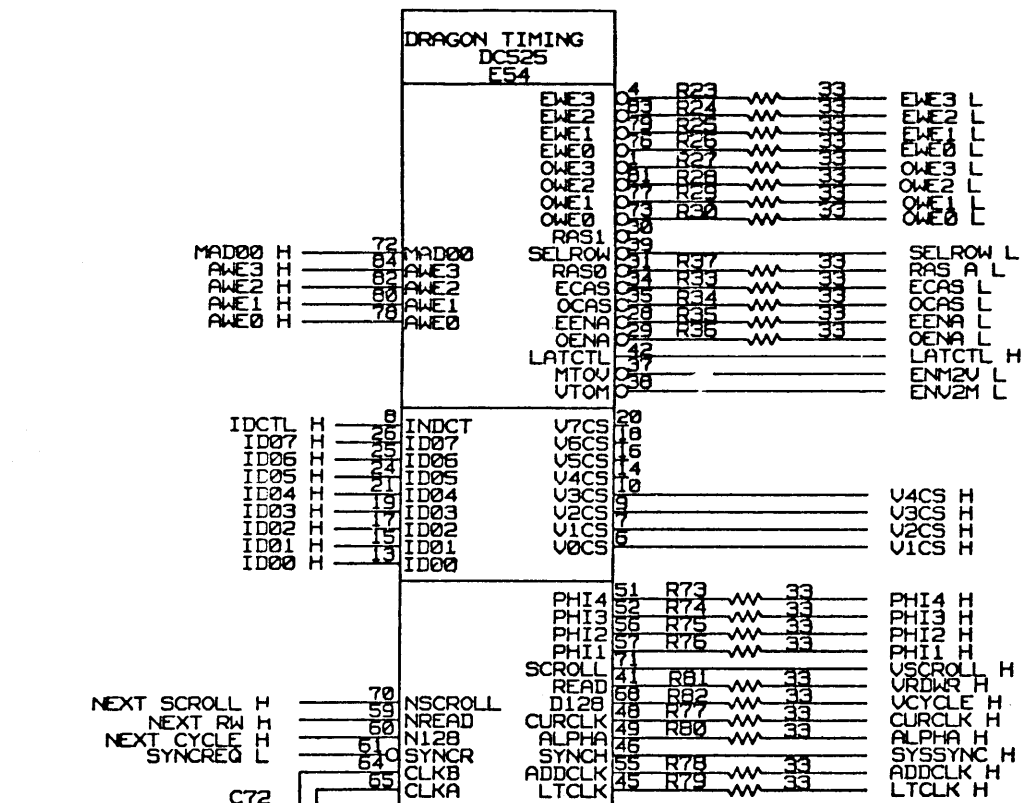


THIS DRAWING AND SPECIFICATIONS HEREBY ARE THE PROPERTY OF DIGITAL EQUIPMENT CORPORATION AND SHALL NOT BE REPRODUCED OR COPIED IN WHOLE OR IN PART BY ANY PERSON WITHOUT WRITTEN PERMISSION OF SAID CORPORATION. DATE: 8/12/85.

ADDER AND MEMORY ADDRESS BUFFERS

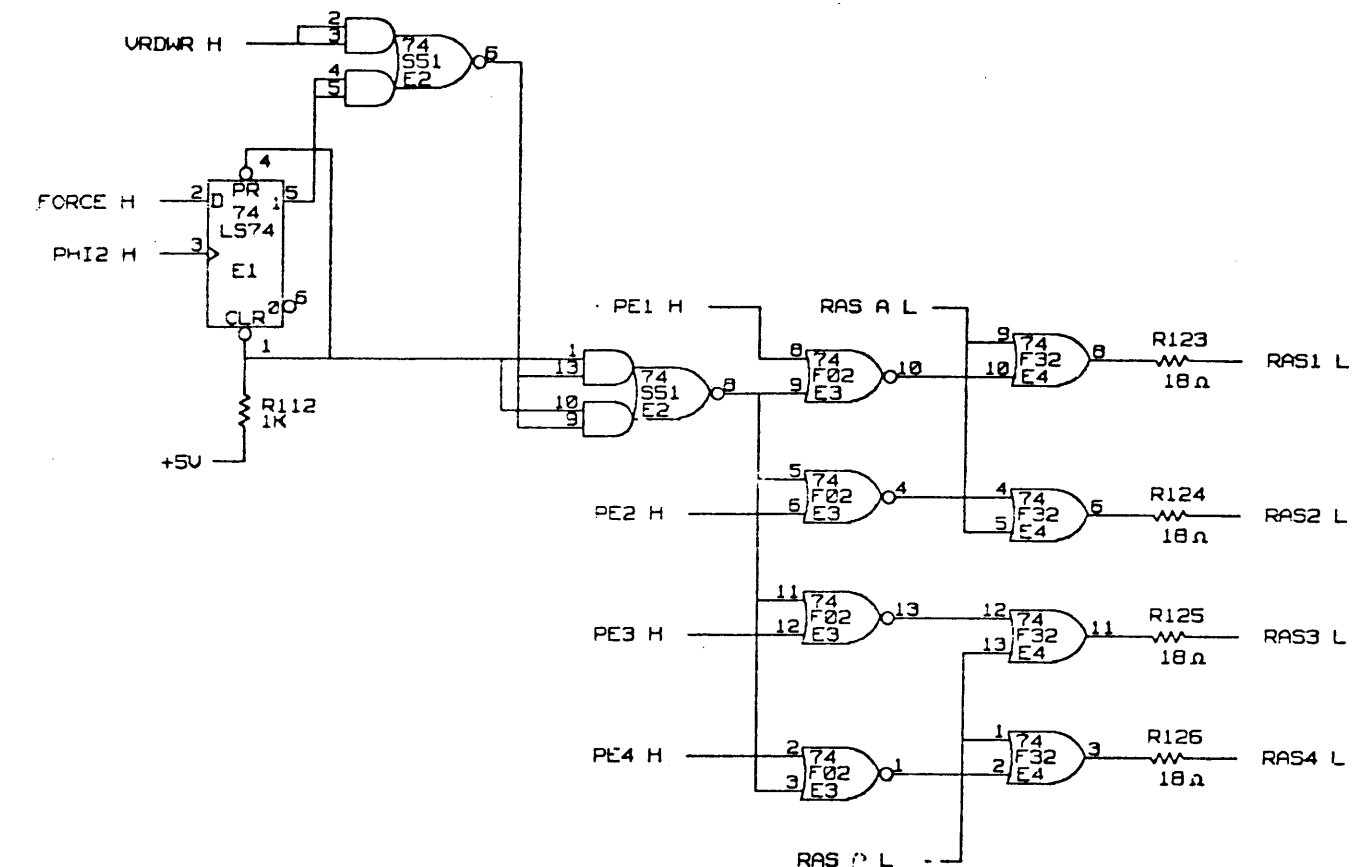
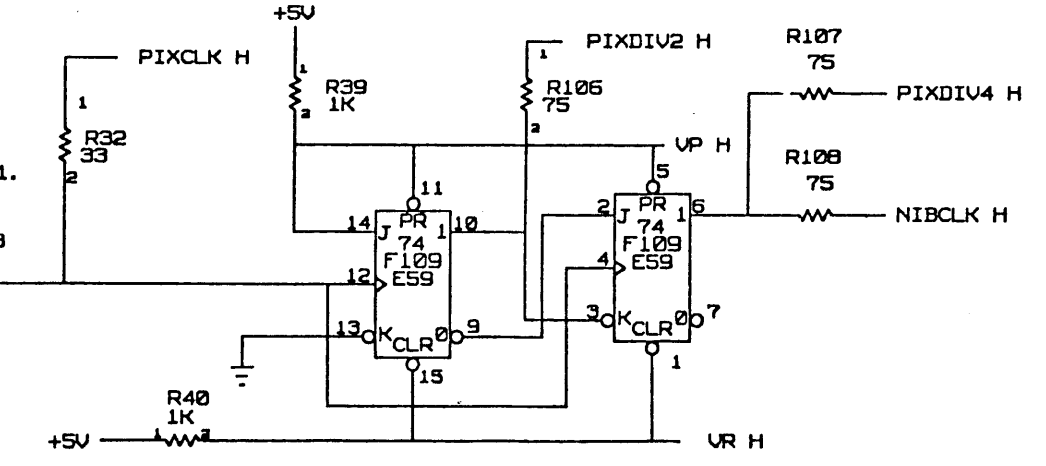
DESIGNER	F. FISHER	DATE	8/12/85	TITLE	US40X 4 PLANE GRAPHICS OPTION			
DESIGN LOCATION				SHEET	3	OF	14	
TOP DOCUMENT NUMBER	K-DD-5416888-0-0			SIZE	K	CODE	CS	
				NUMBER	5416888-0-1		REV.	A

THIS DRAWING AND SPECIFICATIONS ARE THE PROPERTY OF DIGITAL EQUIPMENT CORPORATION AND SHALL NOT BE REPRODUCED OR TRANSMITTED IN ANY FORM OR BY ANY MEANS, ELECTRONIC OR MECHANICAL, INCLUDING PHOTOCOPYING, RECORDING, OR BY ANY INFORMATION STORAGE AND RETRIEVAL SYSTEM. WITHOUT THE WRITTEN PERMISSION OF DIGITAL EQUIPMENT CORPORATION.



OSC
Y1
69.1968 MHZ

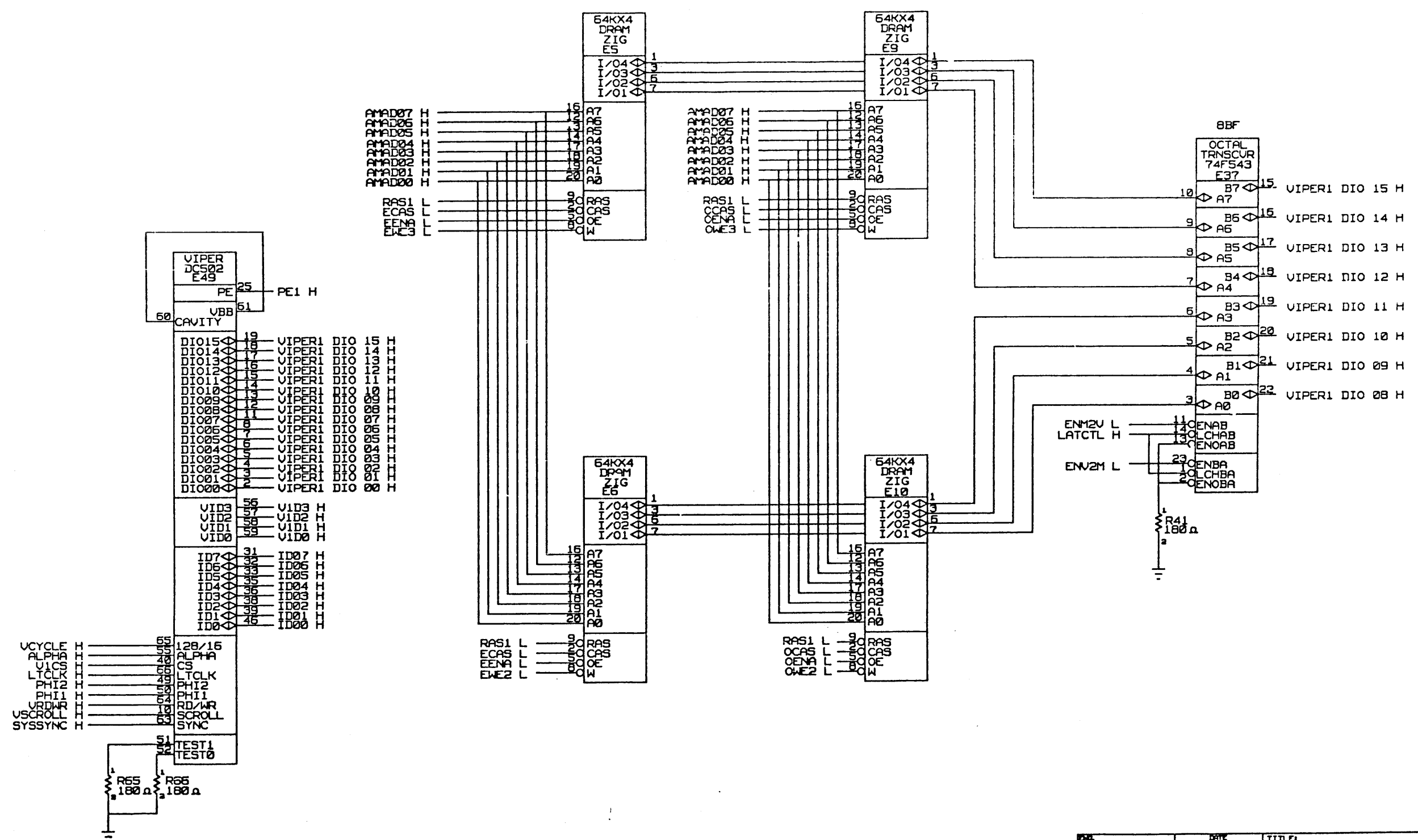
SEE NOTE: 1.



DESIGNER F. FISHER	DATE 8/12/85	TITLE VS40X 4 PLANE GRAPHICS OPTION
SHEET 4 of 14		NUMBER 5416888-0-1
TOP DOCUMENT NUMBER K-DD-5416888-0-0	SIZE K CS	REV. A

THIS DRAWING AND SPECIFICATIONS
HEREIN ARE THE PROPERTY OF
HEATH, EQUIPMENT CORPORATION AND
SHALL NOT BE REPRODUCED OR COPIED
OR USED IN WHOLE OR IN PART OR
THE BASIS FOR THE MANUFACTURE OR
SELL OF ITEMS WITHOUT WRITTEN
PERMISSION, COPYRIGHT © 1987,
HEATH, EQUIPMENT CORPORATION

EVEN ODD VIPHER1 AND HIGHBYTE PATH

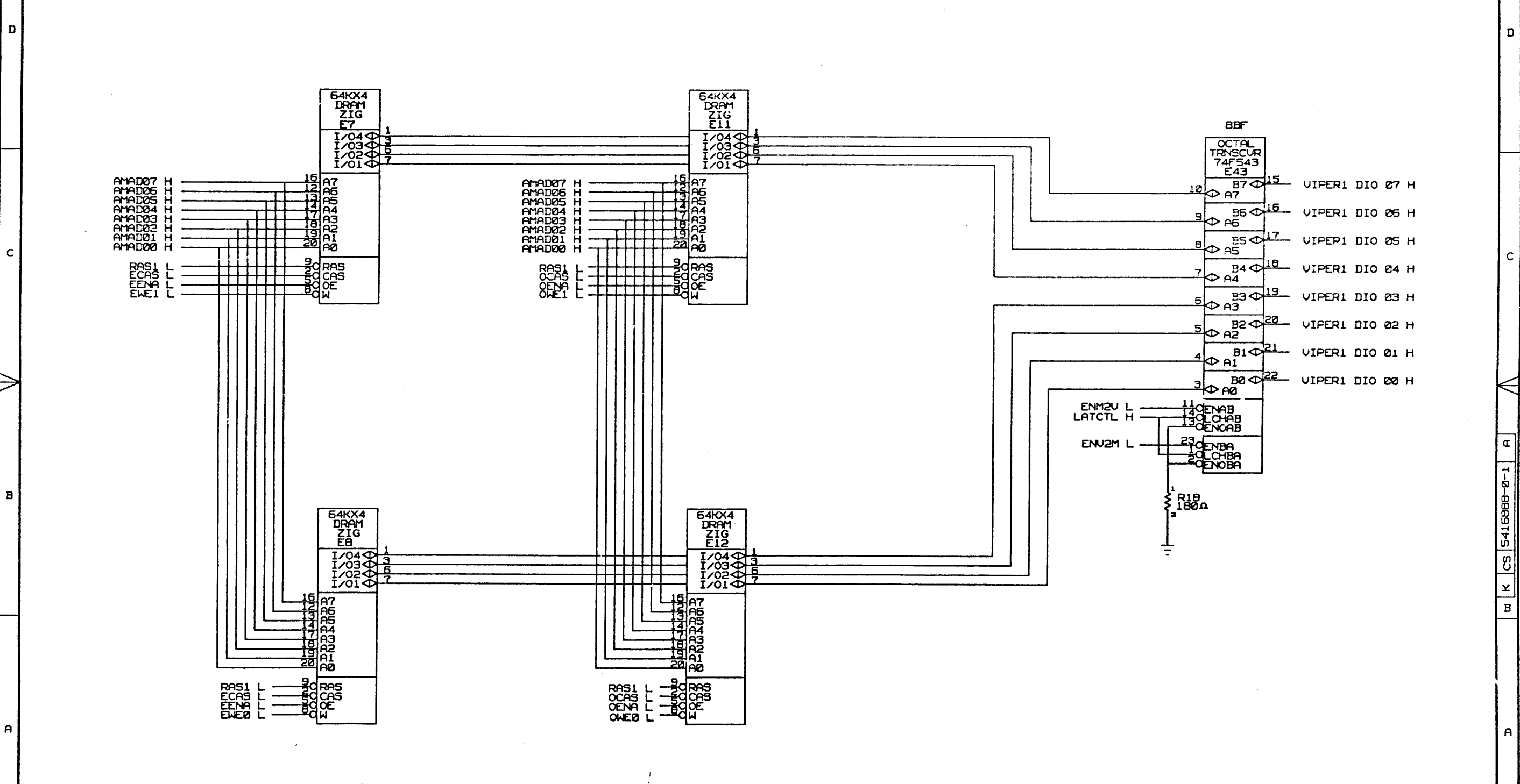


DESIGNER	F. FISHER	DATE	8/12/86	TITLE	US40X 4 PLANE GRAPHICS OPTION
DESIGN LOCATION		SHEET	5 of 14	SIZE	K
TOP DOCUMENT NUMBER	K-DD-5416888-0-0	CODE	CS	NUMBER	5416888-0-1
				REV.	5

THIS DRAWING AND SPECIFICATIONS HEREIN ARE THE PROPERTY OF DIGITAL EQUIPMENT CORPORATION AND SHALL NOT BE REPRODUCED OR COPIED IN ANY MANNER OR BY ANY MEANS WITHOUT THE WRITTEN PERMISSION OF DIGITAL EQUIPMENT CORPORATION.

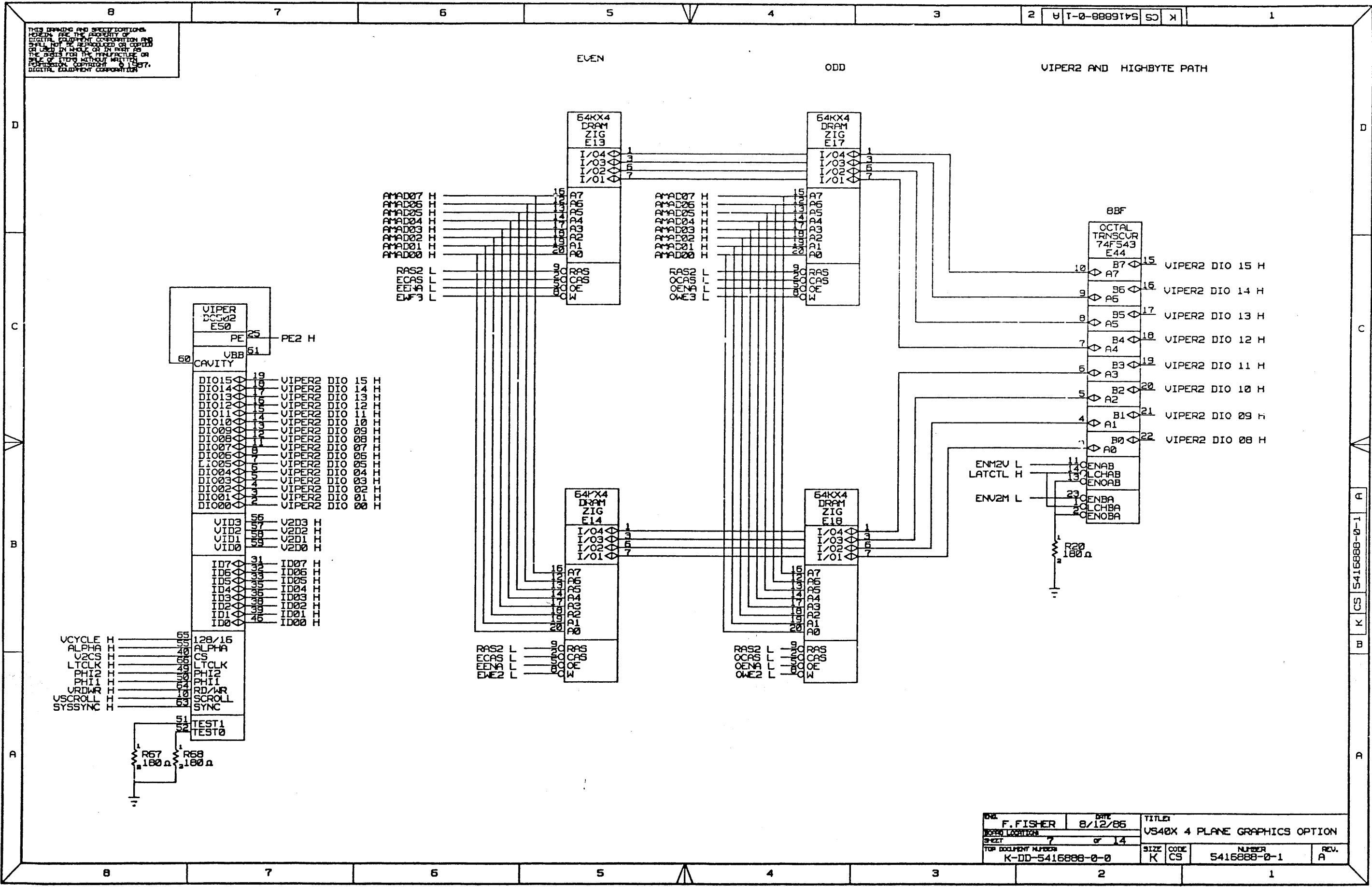
VIPER1 LOW BYTE PATH

EVEN ODD



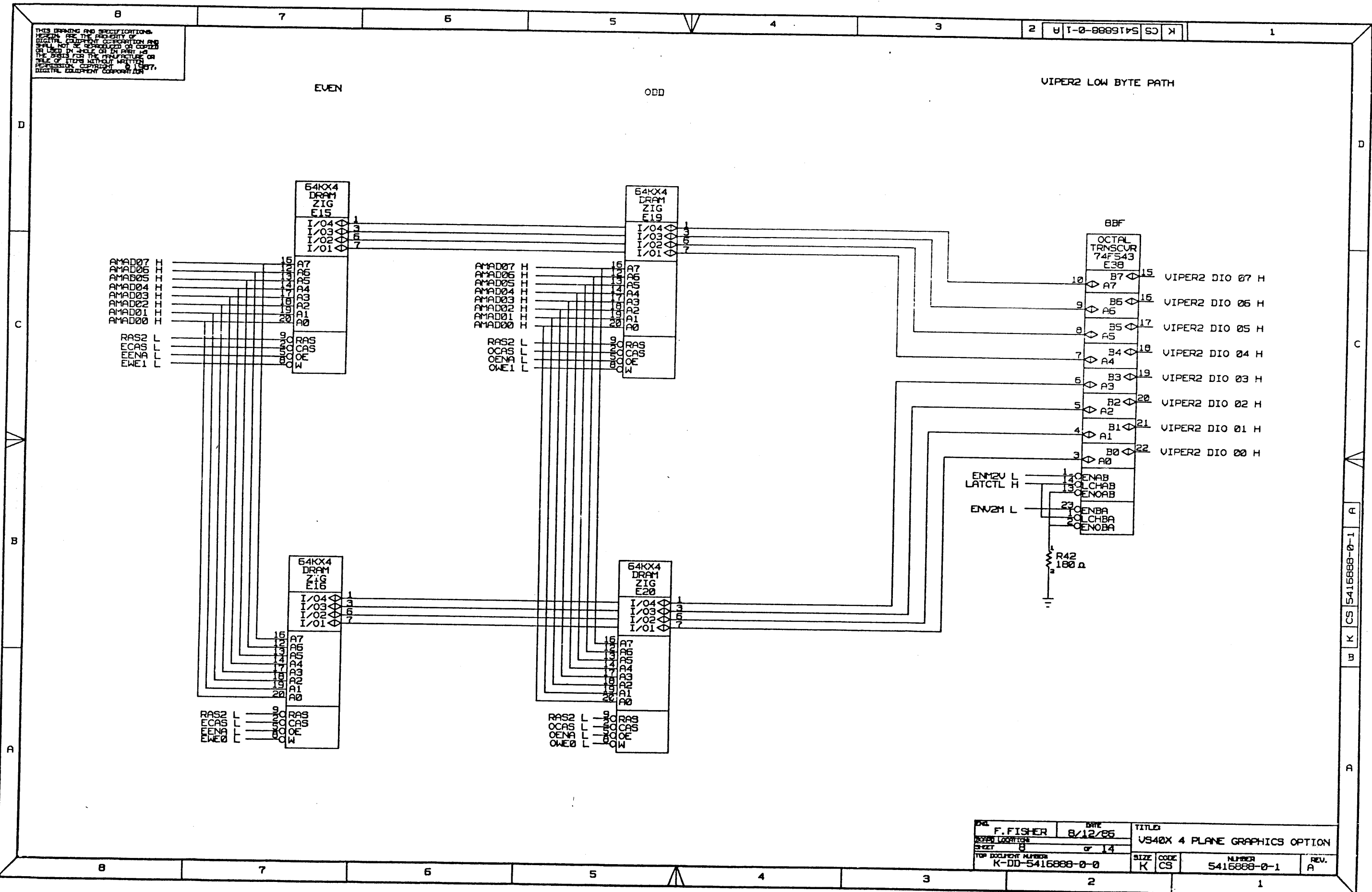
A B K CS 5416888-0-1 A

THIS DRAWING AND SPECIFICATIONS HEREOF ARE THE PROPERTY OF DIGITAL EQUIPMENT CORPORATION AND SHALL NOT BE REPRODUCED OR COPIED OR USED IN WHOLE OR IN PART AS THE BASIS FOR THE MANUFACTURE OR SALE OF OTHER WITHOUT WRITTEN PERMISSION. COPYRIGHT © 1987, DIGITAL EQUIPMENT CORPORATION.



DESIGNER	F. FISHER	DATE	8/12/86	TITLE	US40X 4 PLANE GRAPHICS OPTION			
SHEET	7	OF	14	SIZE	K	CODE	CS	
TOP DOCUMENT NUMBER	K-DD-5416888-0-0			NUMBER	5416888-0-1		REV.	A

THIS DRAWING AND SPECIFICATIONS
HEREON ARE THE PROPERTY OF
DIGITAL EQUIPMENT CORPORATION AND
SHALL NOT BE REPRODUCED OR
TRANSMITTED IN ANY FORM OR BY
ANY MEANS, ELECTRONIC OR MECHANICAL,
INCLUDING PHOTOCOPYING, RECORDING,
OR BY ANY INFORMATION STORAGE
RETRIEVAL SYSTEM, WITHOUT WRITTEN
PERMISSION OF DIGITAL EQUIPMENT
CORPORATION, 310 HAVEN STREET,
BEDFORD, MASSACHUSETTS 01730.

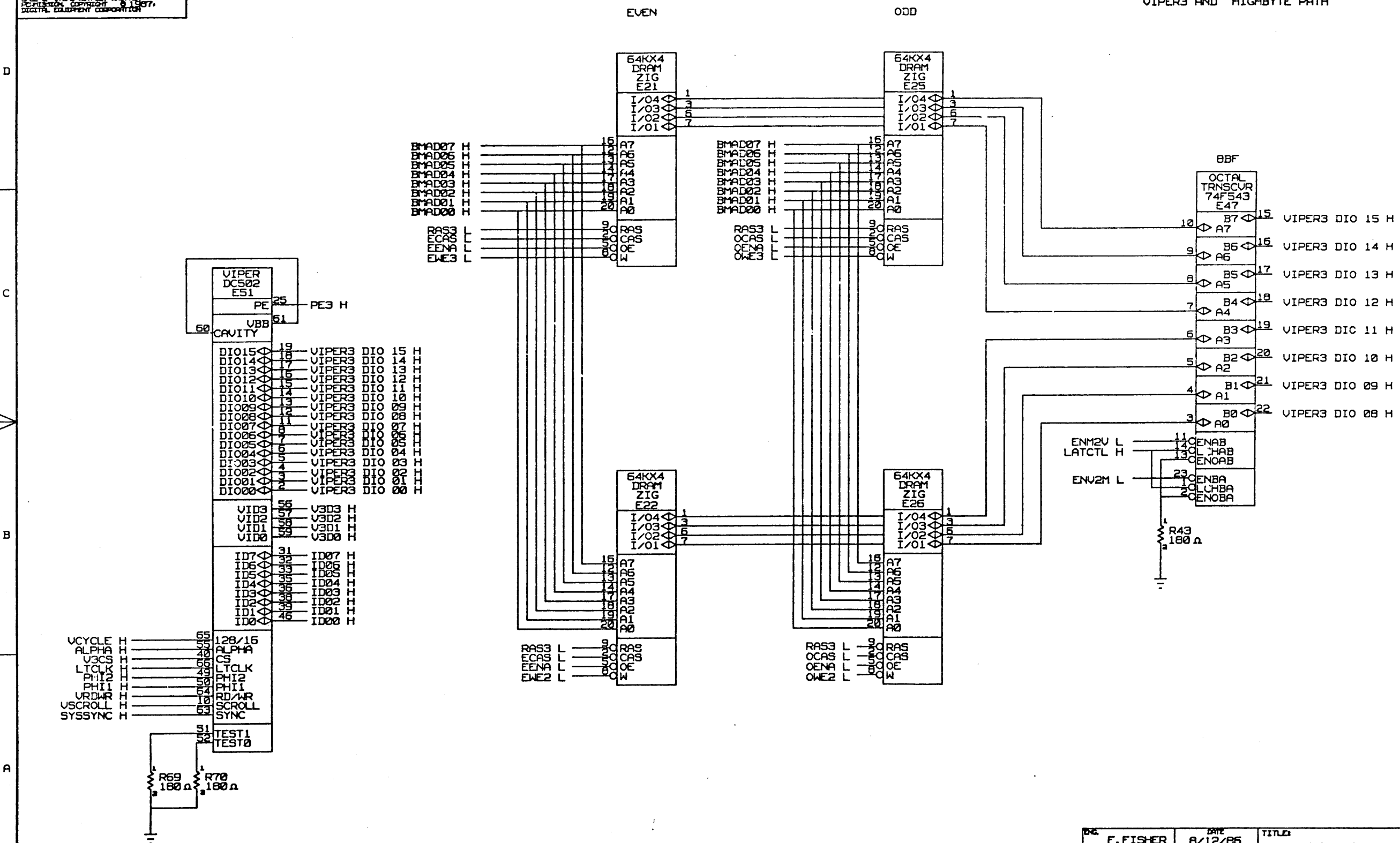


DESIGNER F. FISHER	DATE 8/12/85	TITLE VS40X 4 PLANE GRAPHICS OPTION
DESIGN LOCATION 0	SHEET OF 14	SIZE K
TOP DOCUMENT NUMBER K-DD-5416888-0-0	CODE CS	NUMBER 5416888-0-1
		REV. A

A
B
C
D
A
B
C
D

THIS DRAWING AND SPECIFICATIONS HEREON ARE THE PROPERTY OF DIGITAL EQUIPMENT CORPORATION AND SHALL NOT BE REPRODUCED OR COPIED IN ANY MANNER OR BY ANY MEANS WITHOUT WRITTEN PERMISSION OF DIGITAL EQUIPMENT CORPORATION, 1987.

VIPER3 AND HIGHBYTE PATH

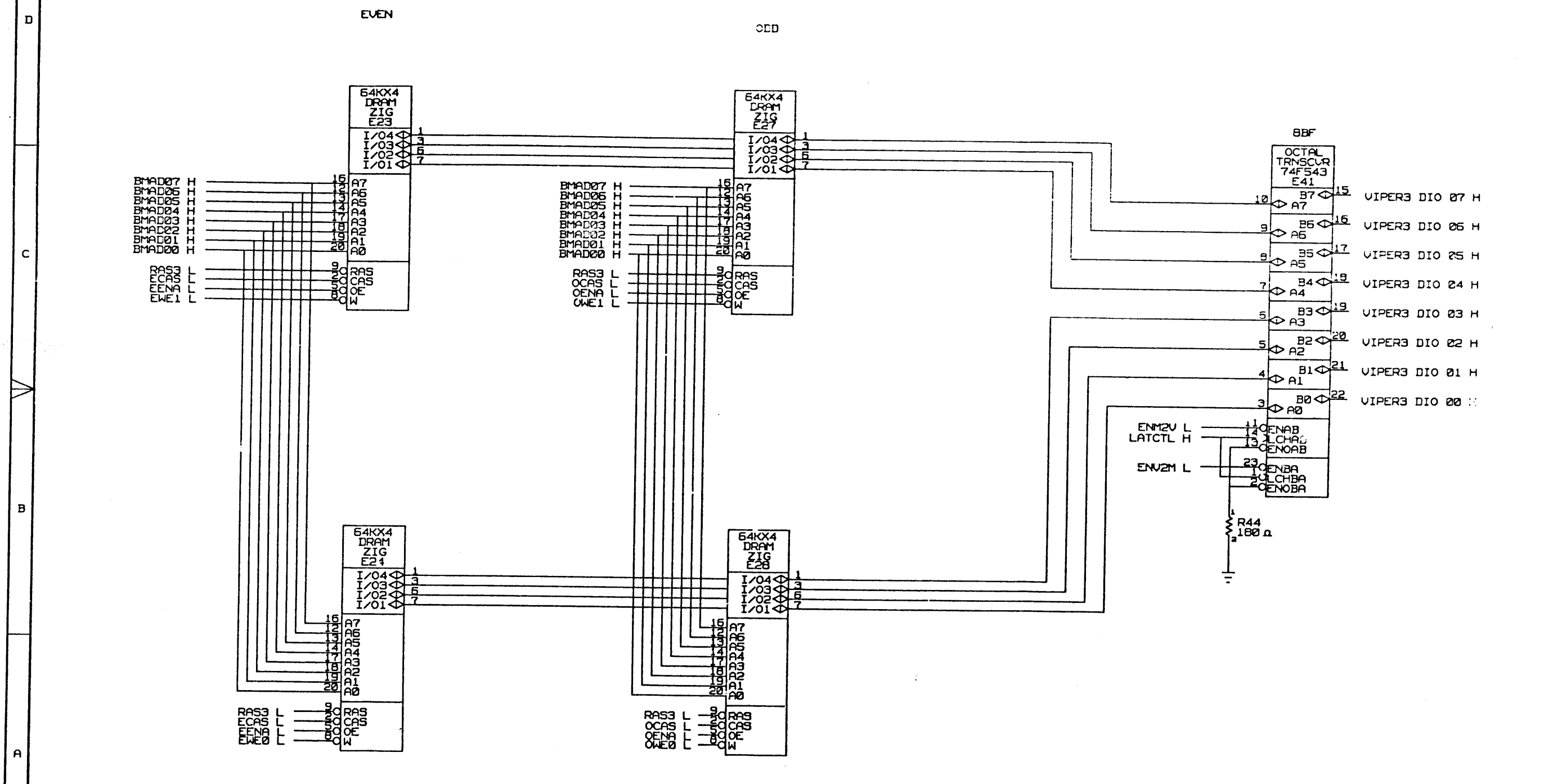


DESIGNER	F. FISHER	DATE	8/12/86	TITLE	VS40X 4 PLANE GRAPHICS OPTION
BOARD LOCATION		SHEET	9 of 14	SIZE	K CS
TOP DOCUMENT NUMBER	K-DD-5416888-0-0		NUMBER	5416888-0-1	REV.
					A

A CS 5416888-0-1 K CS 5416888-0-1

THIS DRAWING AND SPECIFICATIONS
HEREIN ARE THE PROPERTY OF
DIGITAL EQUIPMENT CORPORATION AND
SHALL NOT BE REPRODUCED OR COPIED
OR USED IN WHOLE OR IN PART IN
THE ABSENCE OF THE MANUFACTURER'S
OR SALE OF ITEMS WITHOUT WRITTEN
PERMISSION. COPYRIGHT © 1977,
DIGITAL EQUIPMENT CORPORATION

VIPER3 LOW BYTE PATH

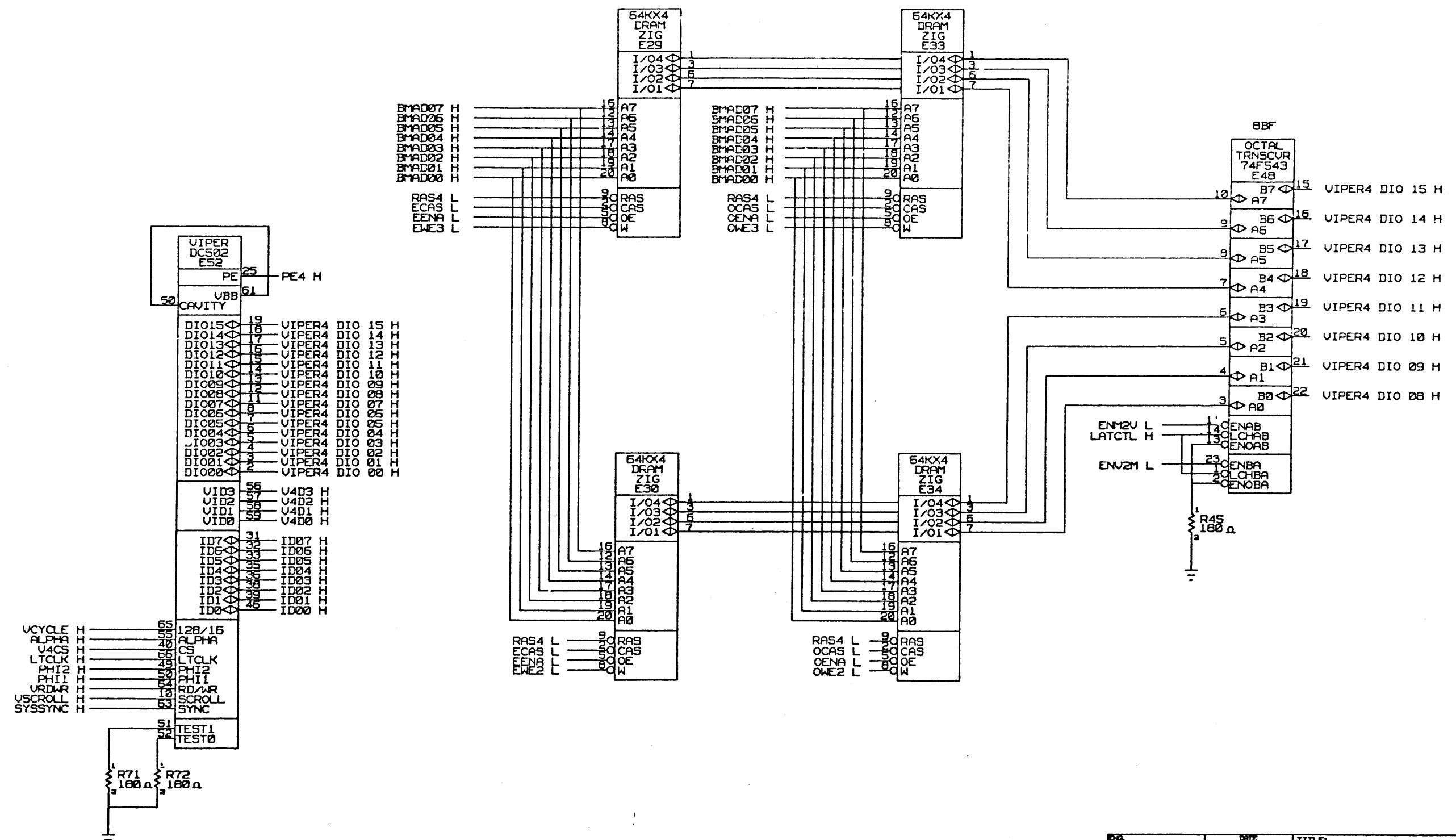


DESIGNER F. FISHER	DATE 8/12/86	TITLE US40X 4 PLANE GRAPHICS OPTION
SHEET 10	OF 14	SIZE K
TOP DOCUMENT NUMBER K-DD-5416888-0-0	CODE CS	NUMBER 5416888-0-1
		REV. A

A B K CS 5416888-0-1 A

THIS DRAWING AND SPECIFICATIONS ARE THE PROPERTY OF DIGITAL EQUIPMENT CORPORATION AND SHALL NOT BE REPRODUCED OR COPIED IN ANY MANNER OR USED IN ANY MANNER OR FOR THE MANUFACTURE OR SALE OF ITEMS WITHOUT WRITTEN PERMISSION OF DIGITAL EQUIPMENT CORPORATION.

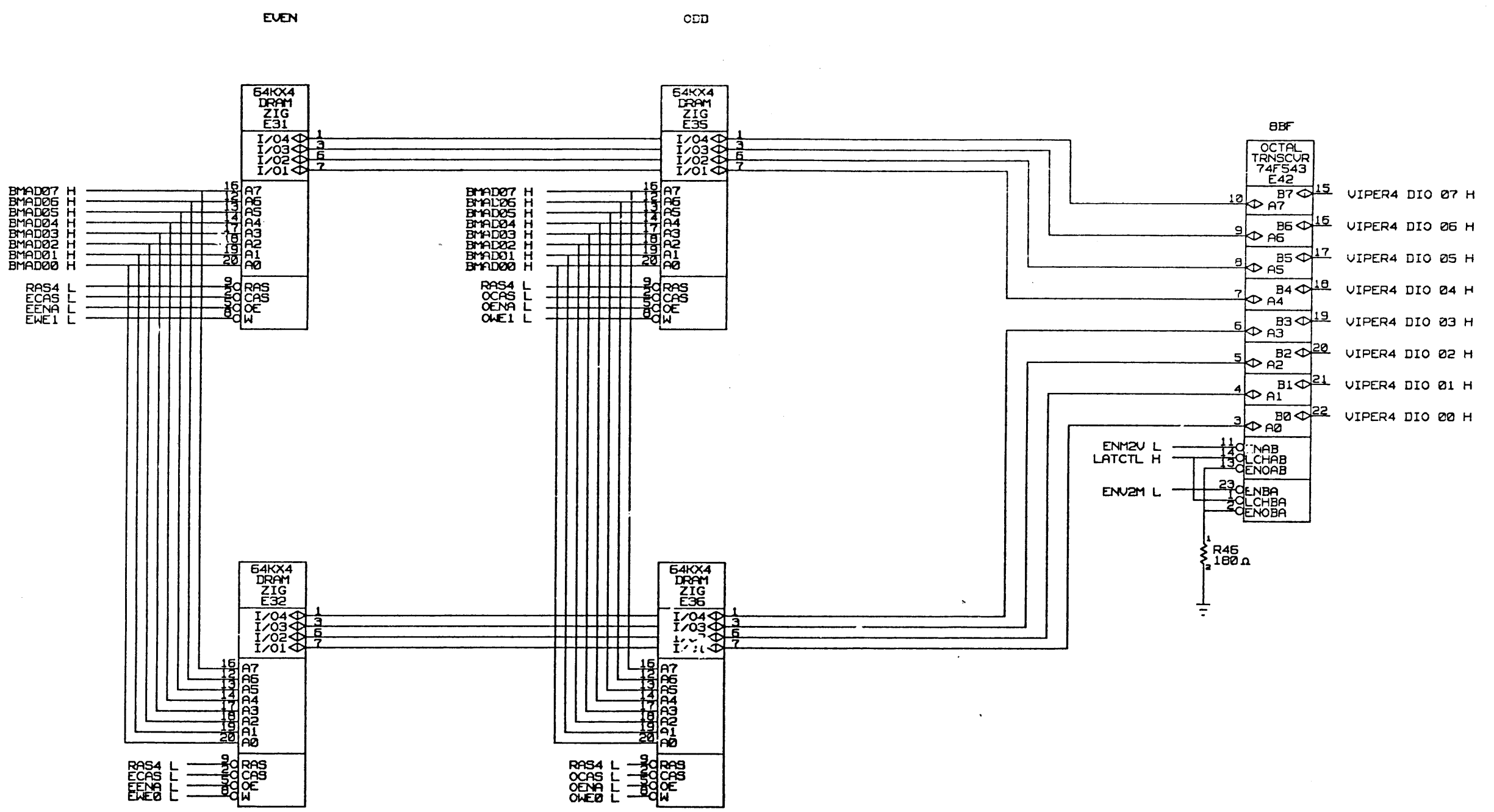
VIPER4 AND HIGHBYTE PATH



DESIGNER	F. FISHER	DATE	8/12/86	TITLE	US40X 4 PLANE GRAPHICS OPTION		
DESIGN LOCATION	11 of 14			SIZE	K	CODE	CS
TOP DOCUMENT NUMBER	K-DD-5416888-0-0			NUMBER	5416888-0-1	REV.	A

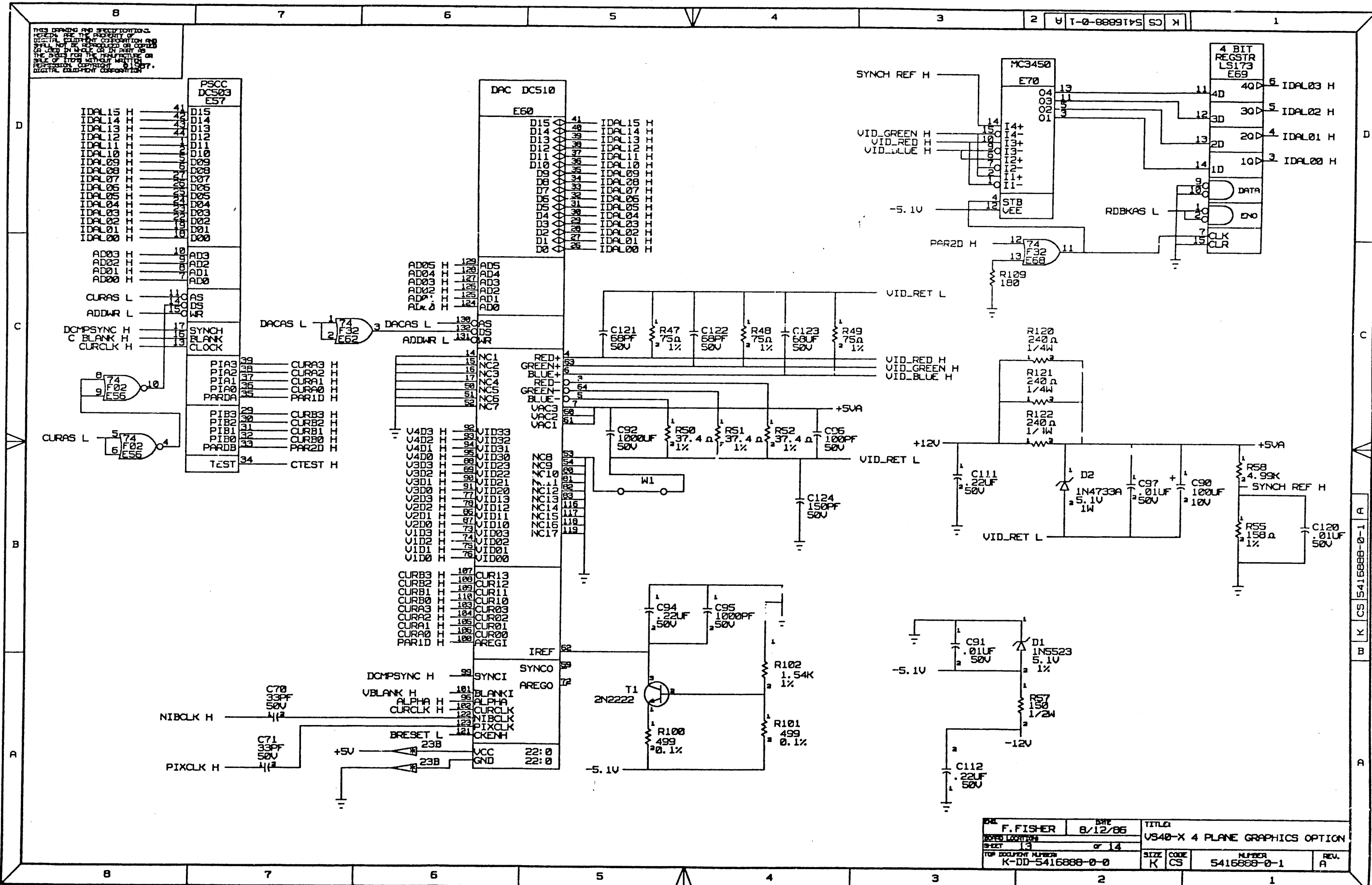
THIS DRAWING AND SPECIFICATIONS
HEREIN ARE THE PROPERTY OF
KODAK ELECTRONIC CORPORATION AND
SHALL BE KEPT CONFIDENTIAL AND
NOT TO BE REPRODUCED OR
DISSEMINATED IN ANY MANNER
OR BY ANY MEANS, OR IN ANY
MANNER, WITHOUT THE WRITTEN
PERMISSION OF KODAK ELECTRONIC
CORPORATION.

VIPER4 LOW BYTE PATH



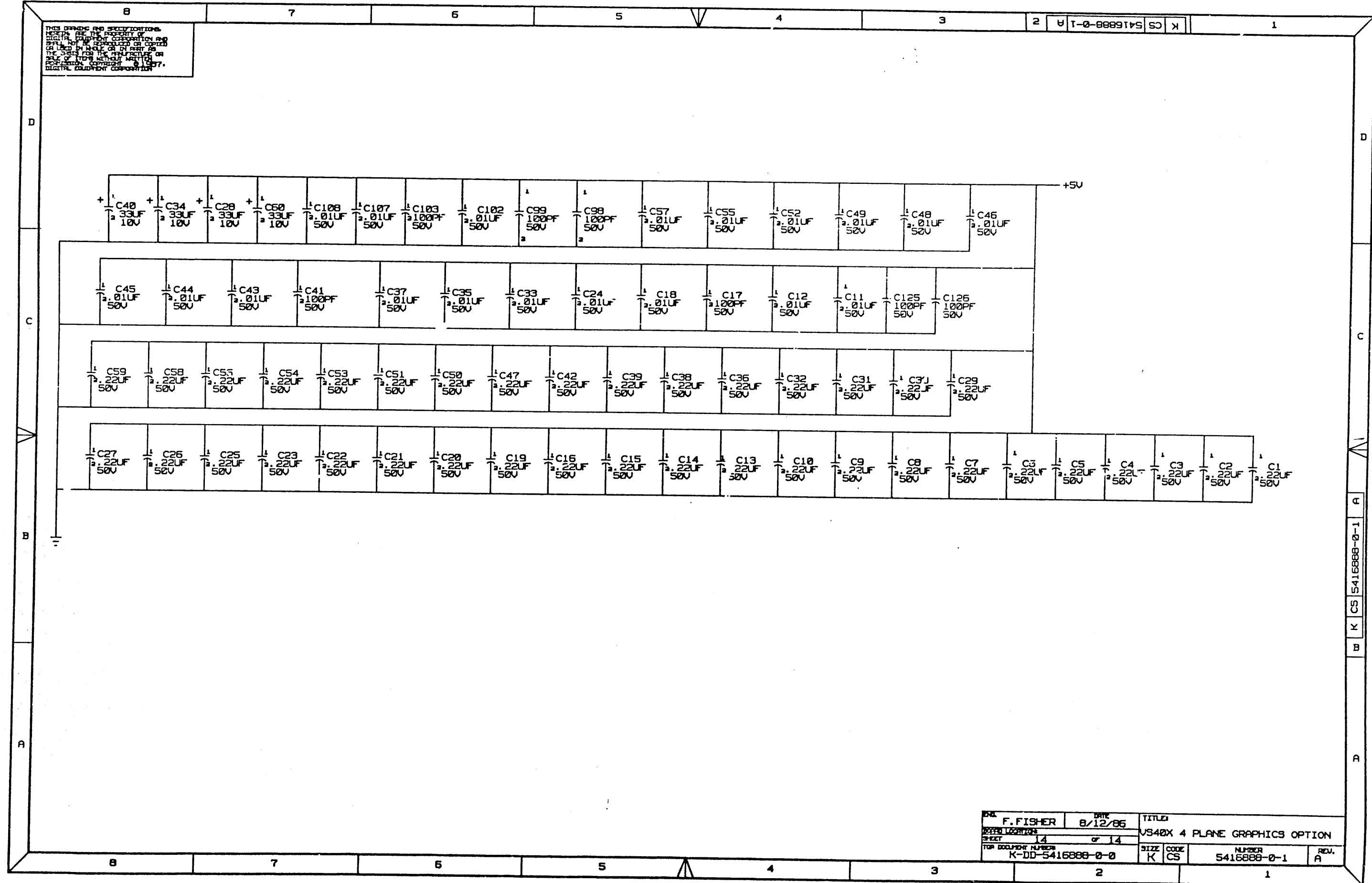
DESIGNER	F. FISHER	DATE	8/12/85	TITLE	US40X 4 PLANE GRAPHICS OPTION		
DESIGN LOCATION				SHEET	12	OF	14
TOP DOCUMENT NUMBER	K-DD-5416888-0-0			SIZE	K	CODE	CS
				NUMBER	5416888-0-1		REV.
							A

THIS DRAWING AND SPECIFICATIONS ARE THE PROPERTY OF DIGITAL EQUIPMENT CORPORATION. IT IS TO BE USED ONLY FOR THE SYSTEM AND FOR WHICH IT IS SPECIFICALLY DESIGNED. NO PART OF THIS DRAWING OR SPECIFICATIONS IS TO BE REPRODUCED OR TRANSMITTED IN ANY FORM OR BY ANY MEANS, ELECTRONIC OR MECHANICAL, INCLUDING PHOTOCOPYING, RECORDING, OR BY ANY INFORMATION STORAGE AND RETRIEVAL SYSTEM, WITHOUT PERMISSION IN WRITING FROM DIGITAL EQUIPMENT CORPORATION.



DESIGNER	DATE	TITLE
F. FISHER	8/12/86	VS40-X 4 PLANE GRAPHICS OPTION
DESIGN LOCATION	OF 14	
SHEET		
TOP DOCUMENT NUMBER	SIZE	CODE
K-DD-5416888-0-0	K	CS
	NUMBER	REV.
	5416888-0-1	A

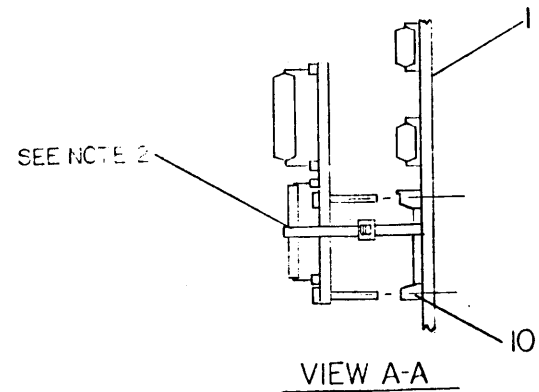
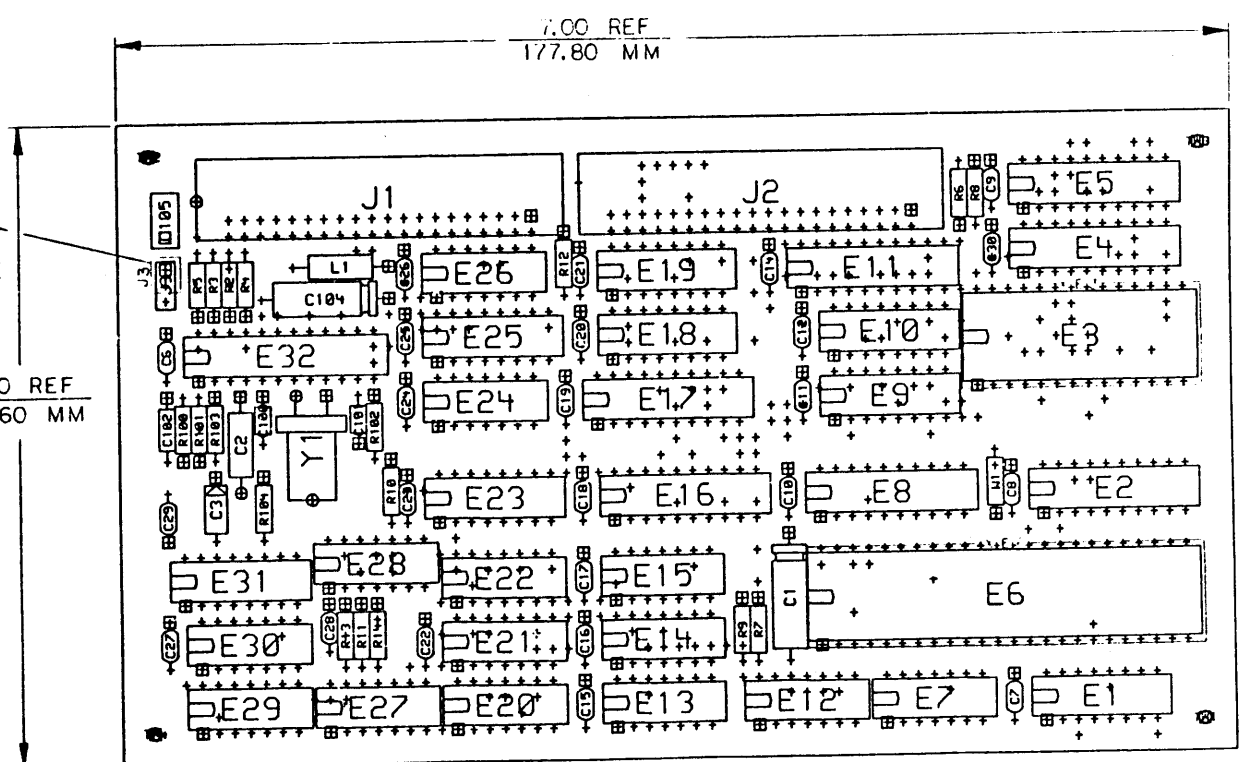
THIS DRAWING AND SPECIFICATIONS, HEREIN, ARE THE PROPERTY OF KODAK SAFETY FILM CORPORATION AND SHALL NOT BE REPRODUCED OR COPIED OR USED IN ANY MANNER OR FOR ANY PURPOSE WITHOUT THE WRITTEN PERMISSION OF KODAK SAFETY FILM CORPORATION.



DESIGNER	F. FISHER	DATE	8/12/86	TITLE	VS40X 4 PLANE GRAPHICS OPTION		
DESIGN LOCATION	4 of 14			SIZE	K	CODE	CS
TOP DOCUMENT NUMBER	K-DD-5416888-0-0			NUMBER	5416888-0-1		REV.
							A

THIS DRAWING AND SPECIFICATIONS HEREIN ARE THE PROPERTY OF DIGITAL EQUIPMENT CORPORATION AND SHALL NOT BE REPRODUCED OR COPIED OR USED IN WHOLE OR IN PART AS THE BASIS FOR THE MANUFACTURE OR SALE OF ITEMS WITHOUT WRITTEN PERMISSION. DIGITAL EQUIPMENT CORPORATION COPYRIGHT © 1987

0-0-4089145 UN D 2



NOTES:
1. INSTALL 42 PIN CONNECTOR BETWEEN 3 PINS 162
IF E6 IS 10-23-00 OR PINS 163 = E6
2. TIE AR-4P TO 60 GND+ SOCKET OF E6

STEP	↑ Y AXIS	STEP	TIMES
REPEAT	→ X AXIS	STEP	TIMES

CHK	CHANGE	NO	REV
1/15/80	M	2	A
7/10	V	1	B

ETCH REV.	H1P1
-----------	------

SIGNATURES	DATE
DRN. S. BAKER	1 Jun 87
CHK. D. CLARKE	19 Jun 87
MECH. ENG. L. NAKI	6 Jul 85
PROJ. ENG. L. NAKI	6 Jul 85
PROD. 1 TORALDI	6 Jul 85

digital		TITLE NETWORK INTERFACE OPTION	
SCALE 2/1	SIZE CODE 0 UA	NUMBER 5416804-0-0	REV 0
SHT. 1 OF 2		NEXT HIGHER ASSY. K-DD-5416804-0-0	

1 MS# 275

THIS DRAWING AND SPECIFICATIONS HEREIN ARE THE PROPERTY OF DIGITAL EQUIPMENT CORPORATION AND SHALL NOT BE REPRODUCED OR USED IN WHOLE OR IN PART AS THE BASIS FOR THE MANUFACTURE OR SALE OF ITEMS WITHOUT WRITTEN PERMISSION. COPYRIGHT © 1987 DIGITAL EQUIPMENT CORPORATION.

DJA 5416804-0-0 B

8 6 5 4 3 2 1

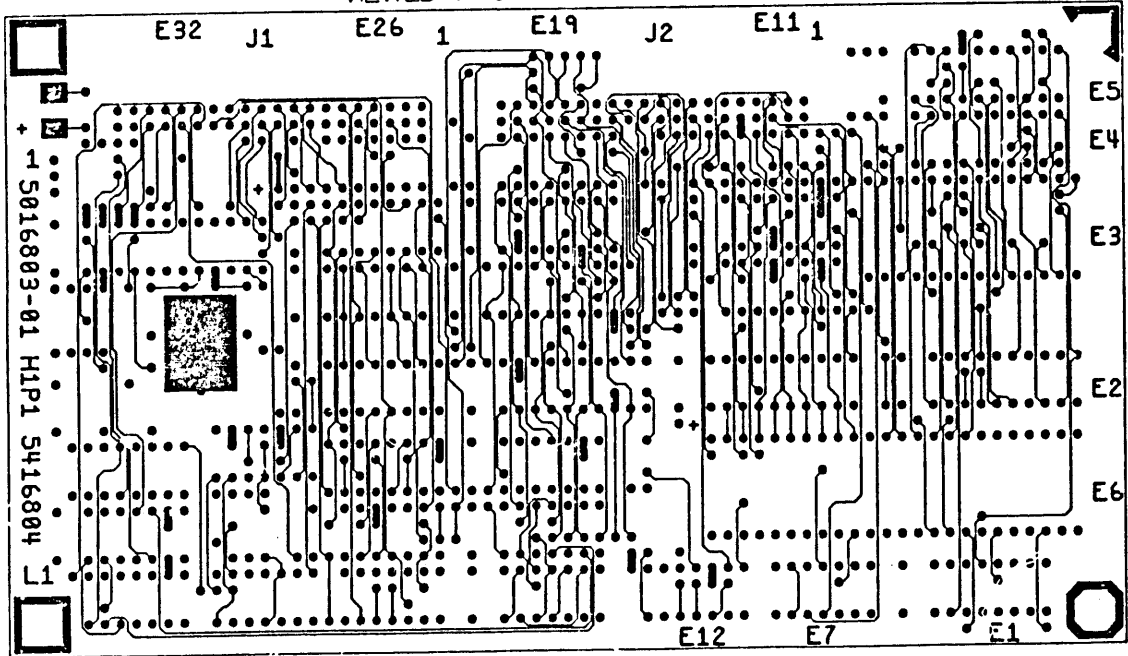
D

C

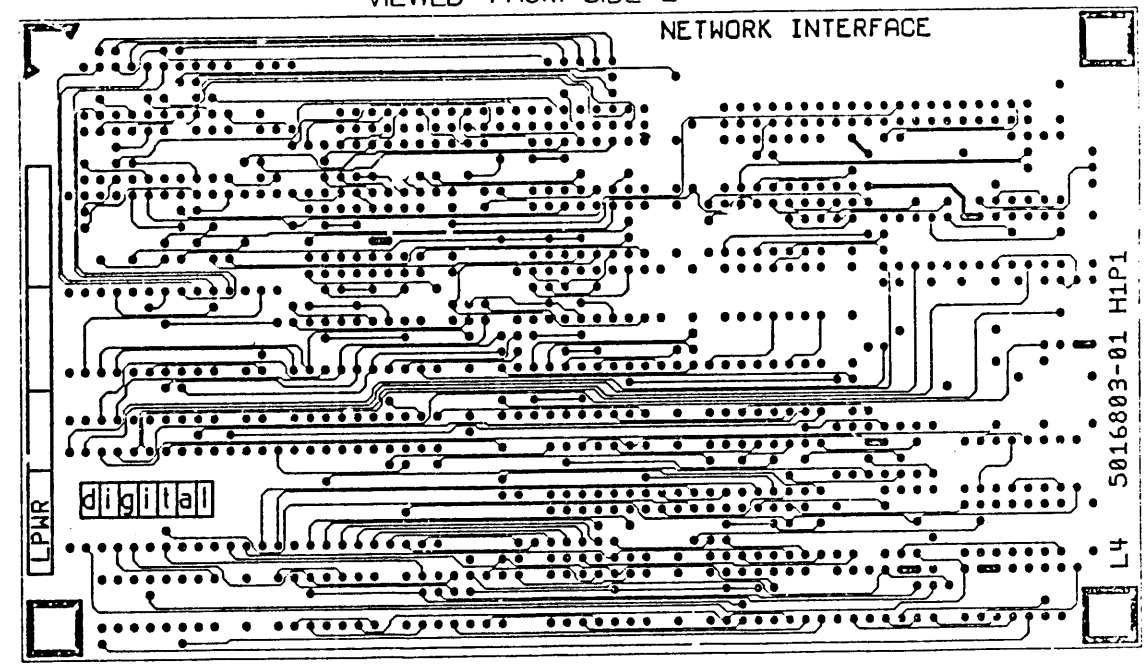
B

A

VIEWED FROM SIDE 1



VIEWED FROM SIDE 2



REVISION HISTORY		
DATE	ECO NUMBER	REV

TITLE NETWORK INTERFACE OPTION

DOCUMENT NUMBER			
SIZE	CODE	NUMBER	REV
D	J	5416804-0-0	B
SCALE 2/1		SHEET 2 OF 2	

8 7 6 5 4 3 2 1

A

LINE	ITEM	TOP DOCUMENT	PART NUMBER	MIN REV	DESCRIPTION	QTY PER VAR/REV	REFERENCE DESIGNATORS
						01 A2	
1	1	D-MD-5016803-0-0	50-16803-01		CIRCUIT DRILL AND ETCH	1	
2	2		10-12784-00	A	0.047MFD 50V +80/-20% Z5U C	24	C6-C12,C14-C30
3	3		10-13466-33		100 PFD 50V +/- 2% NP0 C	2	C100,C101
4	4		10-13466-42		4700 PFD 50V +/- 2% NP0 C	1	C2
5	5		10-13466-50		680 PFD 50V +/- 5% NP0 C	1	C102
6	6		10-15573-02		0.10 MFD 50V +/-10% X7R C	1	C3
7	7		10-17472-00		10 MFD 35V +75/-10% ALU	2	C1,C104
8	8		12-15006-07		*** THIS ITEM IS NOT USED ***	-	
9	9		12-15006-20		SKT,IC 48PIN DIP TIN SOLD	1	XE6
10	10		12-15901-06		PCB HEADER 03PIN(1X03).100CC STR	1	J3
11	11		12-18762-02		CONN,P+S 40PIN(2X20).100CC	2	J1,J2
12	12		12-18783-00		JUMPER 02POS(1X02).100CC	1	W2
13	13		13-00229-00		100.0 .25 W 5.0 % CF	3	R6,R102,R104
14	14		13-00316-00		470.0 .25 W 5.0 % CF	1	R13
15	15		13-00432-00		3.0 K .25 W 5.0 % CF	1	R100
16	16		13-00447-00		4.70 K .25 W 5.0 % CF	7	R7-R12,R14
17	17		13-11522-00		200.0 .25 W 5.0 % CF	1	R103
18	18		13-18150-75		40.20 .25 W 1.0 % RN55D-F10	4	R2-R5
19	19		13-18247-00		510.0 .25 W 5.0 % CF	1	R101
20	20	SEE NOTE 3	16-23481-01		*** THIS ITEM IS NOT USED ***	-	
21	21		18-22815-01		XTAL 20.000 MHZ	1	Y1
22	22		19-10533-00		74S03 NAND GATE-QUAD 2IN,0	1	E29
23	23		19-12649-00		LS75 LATCH 4BIT,BISTABLE	1	E1
24	24		19-12808-00		LS11 AND GATE-TRIPLE 3IN	1	E28
25	25		19-12810-00		LS20 NAND GATE-DUAL 4IN	1	E26
26	26		19-12816-00		LS32 OR GATE-QUAD 2IN,POS	1	E7
27	27		19-12824-00		LS74 FF-D DUAL,EDGE TRIGG	1	E27
28	28		19-13471-00		LS367 DRIVER,BUS,HEX,TRI-S	1	E25
29	29		19-15193-00		LS244 DRIVER,LINE,OCTAL,TR	1	E4
30	30		19-15219-00		LS373 FF-D OCTAL-TRANSPARE	2	E2,E5
31	31		19-15932-00		LS125 BUFFER,QUAD BUS	1	E20
32	32		19-20373-01		LS137 DECODER,3 TO 8	1	E23

REVISION HISTORY		KPL MODULE FORMAT		SECTION A OF A		DRN: B. DITOMMASO		D I G I T A L			
ENG	ECO NUMBER	REV	SECTION/VARIATION INDEX		DATE:	CHK'D:	TITLE PARTS LIST				
---	INITIAL	A	[A]	01	[M]	08-JAN-87	B. CORMIER	NETWORK INTERFACE OPTION			
J.B.	5416804-ML001	B	[B]		[N]	08-JAN-87					
J.B.	5416804-MLOC2	C	[C]		[P]		DES.ENG: L. NAHRI	DOCUMENT NUMBER			
			[D]		[Q]	08-JAN-87		SIZE	CODE	NUMBER	REV
			[E]		[R]		RESP.ENG.: P. SCANTLEBURY	K	PL	5416804-0-DBP	C
			[F]		[S]		DATE: 08-JAN-87	RELEASE DATE: 30-JUL-87			
			[H]		[T]			RELEASE STATUS: RELEASED			
			[J]		[V]		MFG.ENG: W. BEAN				
			[K]		[W]		DATE: 08-JAN-87				
			[L]		[Y]						
BASIC PART NUMBER:		ASSEMBLY NUMBER:		TOP DOCUMENT NUMBER:		FILE NAME:		EDIT #			
5416804		D-UA-5416804-0-0		K-DD-5416804-0-0		GH058C.PLS		1			

"THIS DRAWING AND THE SPECIFICATIONS CONTAINED HEREIN ARE CONFIDENTIAL AND PROPRIETARY. THEY ARE THE PROPERTY OF DIGITAL EQUIPMENT CORPORATION AND SHALL NOT BE REPRODUCED OR COPIED OR USED IN WHOLE OR IN PART AS THE BASIS FOR THE MANUFACTURE OR SALE OF ITEMS WITHOUT WRITTEN PERMISSION. THIS IS AN UNPUBLISHED WORK PROTECTED UNDER THE FEDERAL COPYRIGHT LAWS."

AUTOMATED BY VAXKPL (V1.3)

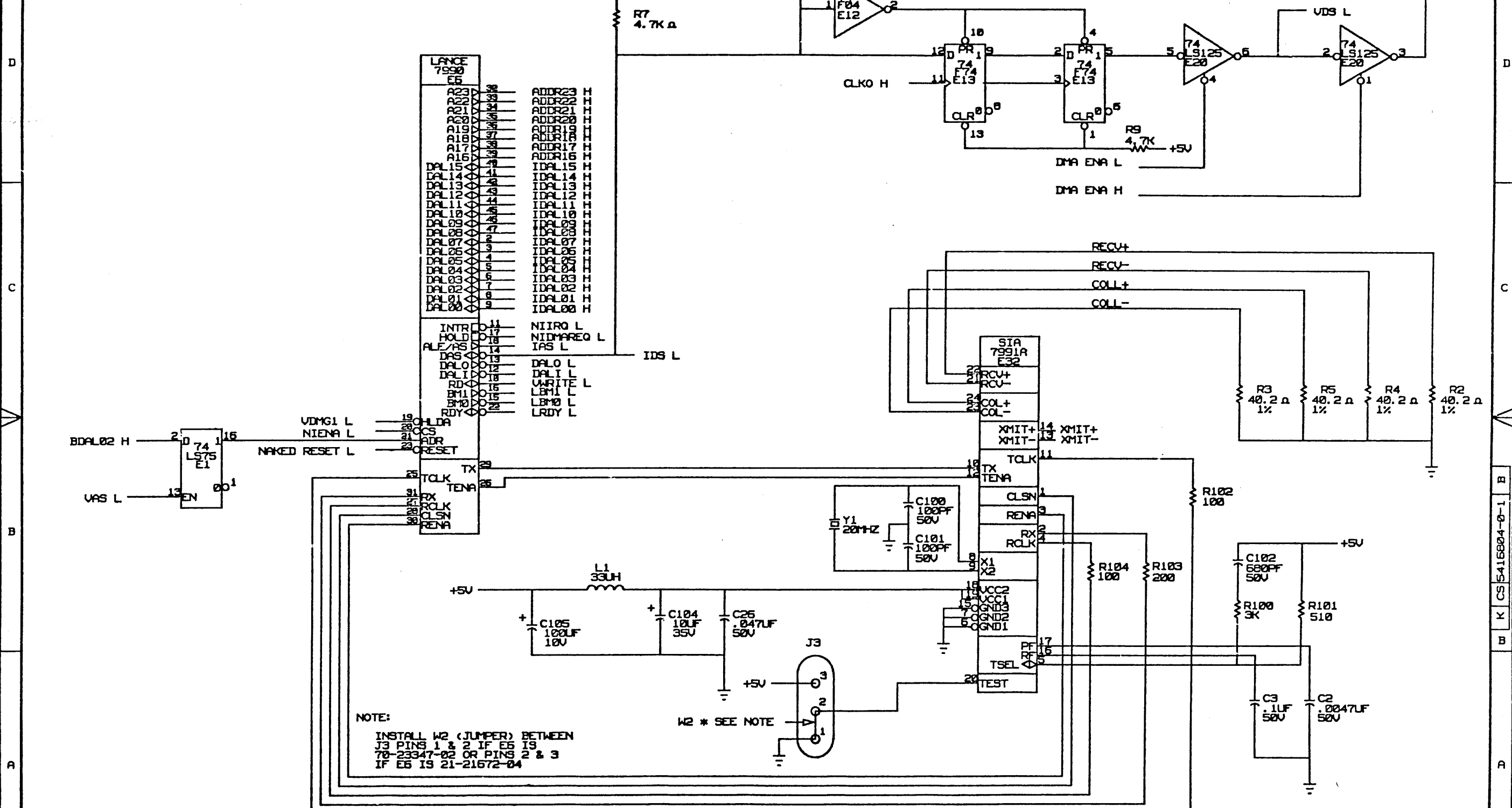
P A R T S L I S T

SHEET A2 OF A2

LINE	ITEM	TOP DOCUMENT	PART NUMBER	MIN REV	DESCRIPTION	QTY PER VAR/REV 01 A2	REFERENCE DESIGNATORS
33	33		19-20441-01		74F245 TRANSCEIVER,BI-DIREC	2	E8,E16
34	34		19-20572-01		74F244 BUFFER/LINE DRIVER,0	2	E11,E17
35	35		19-21306-01		74F02 NOR GATE,QUAD,2-IN	1	E14
36	36		19-21307-01		74F04 HEX INVERTER	2	E12,E30
37	37		19-21308-01		74F08 AND GATE,QUAD,2-IN	2	E15,E24
38	38		19-21312-01		74F32 OR GATE,QUAD,2-IN	2	E21,E22
39	39		19-21314-01		74F74 FF-D,DUAL,POS.,EDGE	1	E13
40	40		19-21324-01		74F175 FF-D,QUAD	1	E31
41	41		19-21330-01		74F257 MUX,QUAD,2-IN	4	E9,E10,E18,E19
42	42		19-21671-03		INTERFACE,SERIAL ADAPTOR 300MIL	1	E32
43	43	SEE NOTE 1	21-21672-07		CONTROLLER,LOCAL AREA NET	1	E6
44	44		23-180E6-00		*** THIS ITEM IS NOT USED ***	-	
45	45		90-09185-00		JUMPER, WIRE, INSULATED, BLACK B	1	W1
46	46	SEE NOTE 2	90-10152-00		TIE,CABLE	1	
47	47		91-05740-55		*** THIS ITEM IS NOT USED ***	-	
48	48		91-07256-11		*** THIS ITEM IS NOT USED ***	-	
49	49		10-24455-27 A		100. MFD 10V +/-0% CHIP	1	C105
50	50		12-15006-17 A		SKT,IC 28PIN DIP TIN SOLD	1	XE3
51	51		23-274E6-00 A		E6-01,E6-02,E6-03 ROM-EPR	1	E3
52	52		16-27902-01 A		33.0 UH 10% Q= 45 @ 2.5MHZ SRF=	1	L1

1 GEN: SUBSTITUTE 70-23347-02 (SHORT PIN LANCE ASSY) FOR THE 21-21672-07 IF UNAVAILABLE
 2 GEN: USE ONLY WITH 70-23347-02

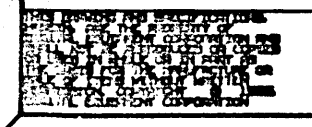
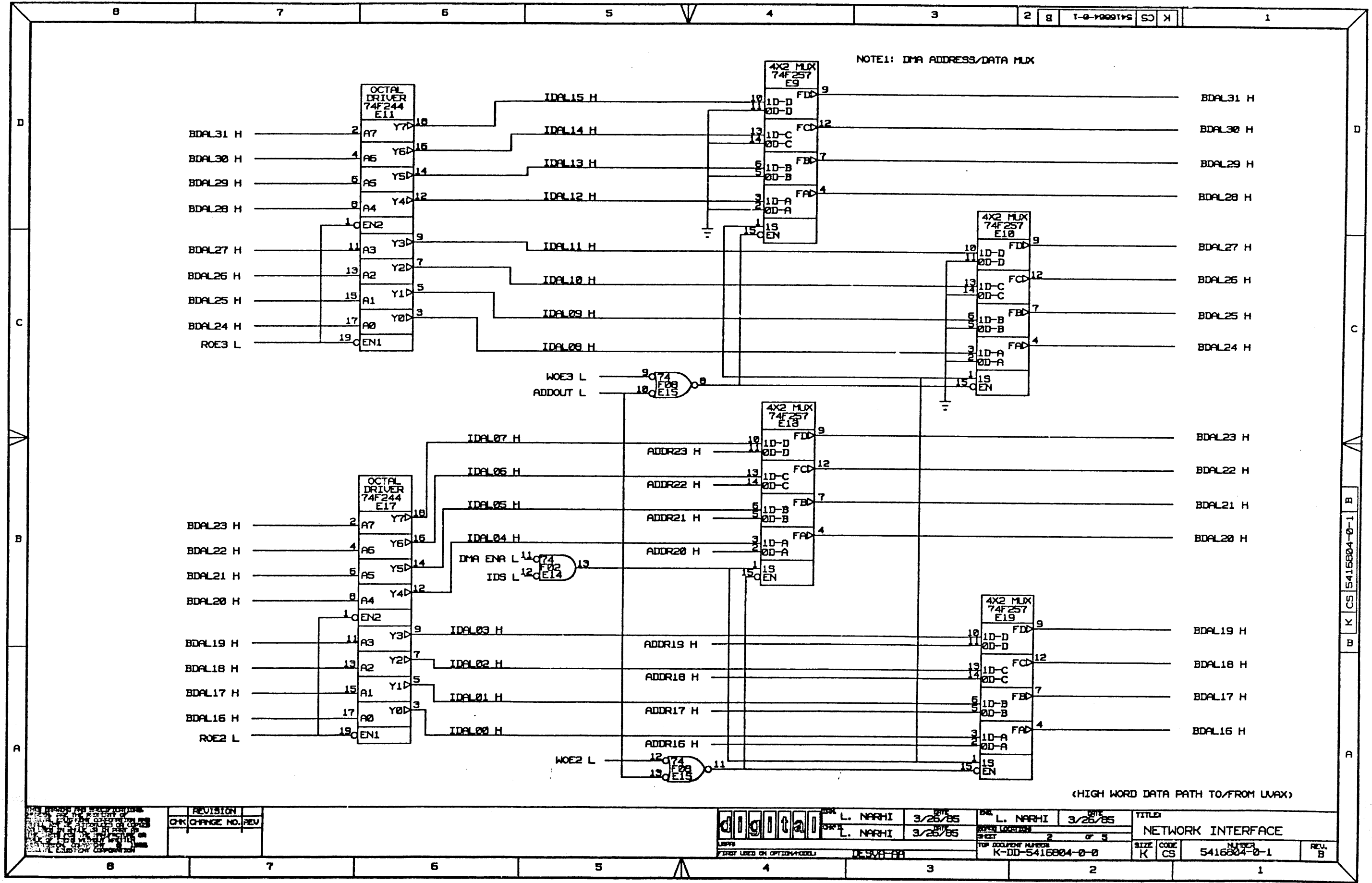
DRAWING
 NIBRD
 NIBRD
 Mon Aug 3 08:54:58 1987



NOTE:
 INSTALL W2 (JUMPER) BETWEEN
 J3 PINS 1 & 2 IF E6 IS
 78-23347-02 OR PINS 2 & 3
 IF E6 IS 21-21672-04

(LANCE AND SIA)

REVISION CHANGE NO. REV 1 1 B		DATE 25FAR85 L. NARHI		DATE 25FAR85 L. NARHI		TITLED NETWORK INTERFACE	
CHECKED KG		DATE 25FAR85 L. NARHI		DATE 25FAR85 L. NARHI		SIZE K CS NUMBER 5416804-0-1 REV. B	



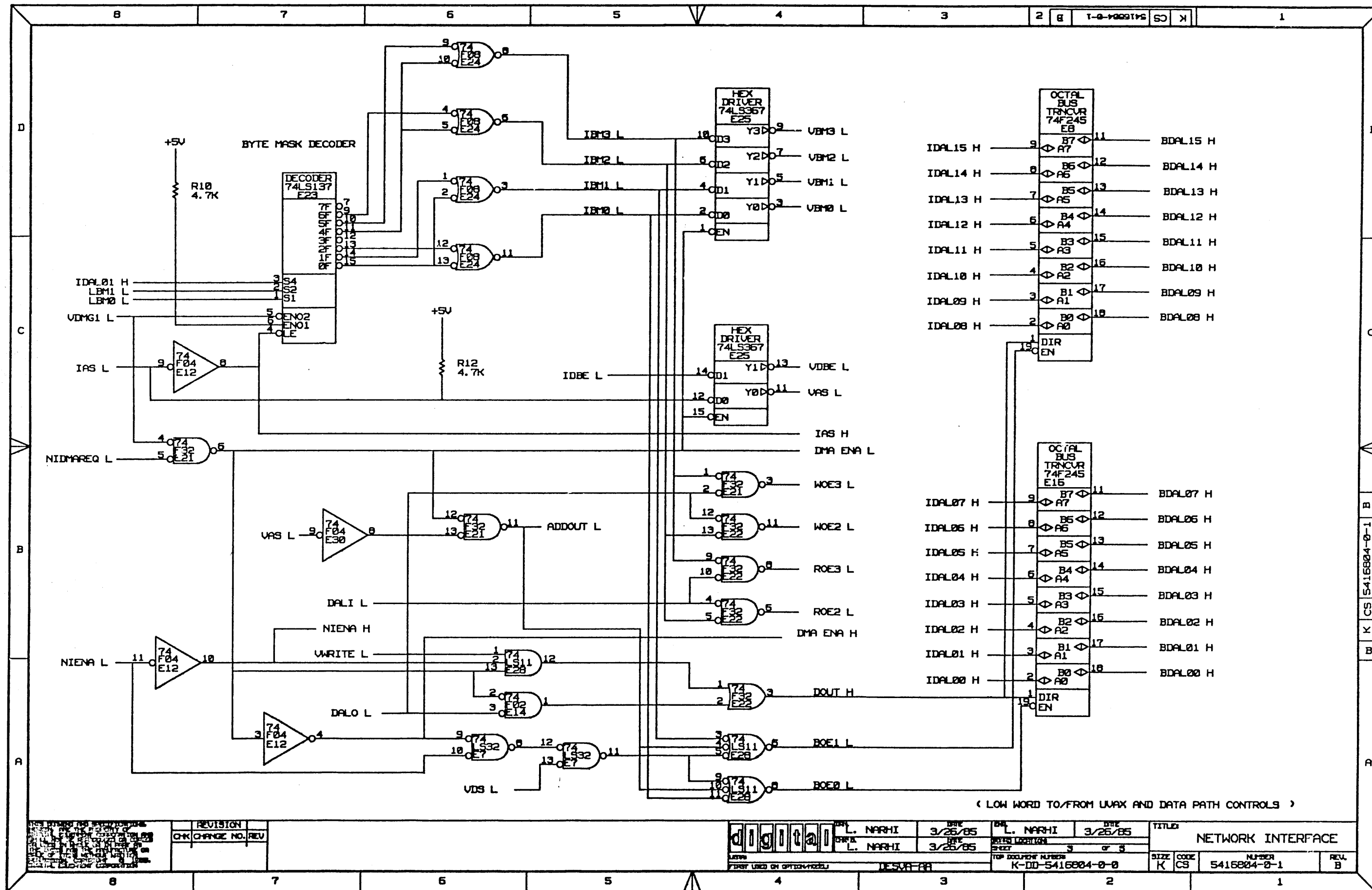
REVISION	DATE
CHG CHANGE NO. REV	

digital

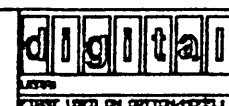
DESIGNED BY	L. NARHI	DATE	3/26/85
CHECKED BY	L. NARHI	DATE	3/26/85

DESIGNED BY	L. NARHI	DATE	3/26/85
CHECKED BY		DATE	

TITLE	NETWORK INTERFACE		
SIZE	CODE	NUMBER	REV.
K	CS	5416804-0-1	B

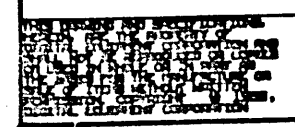
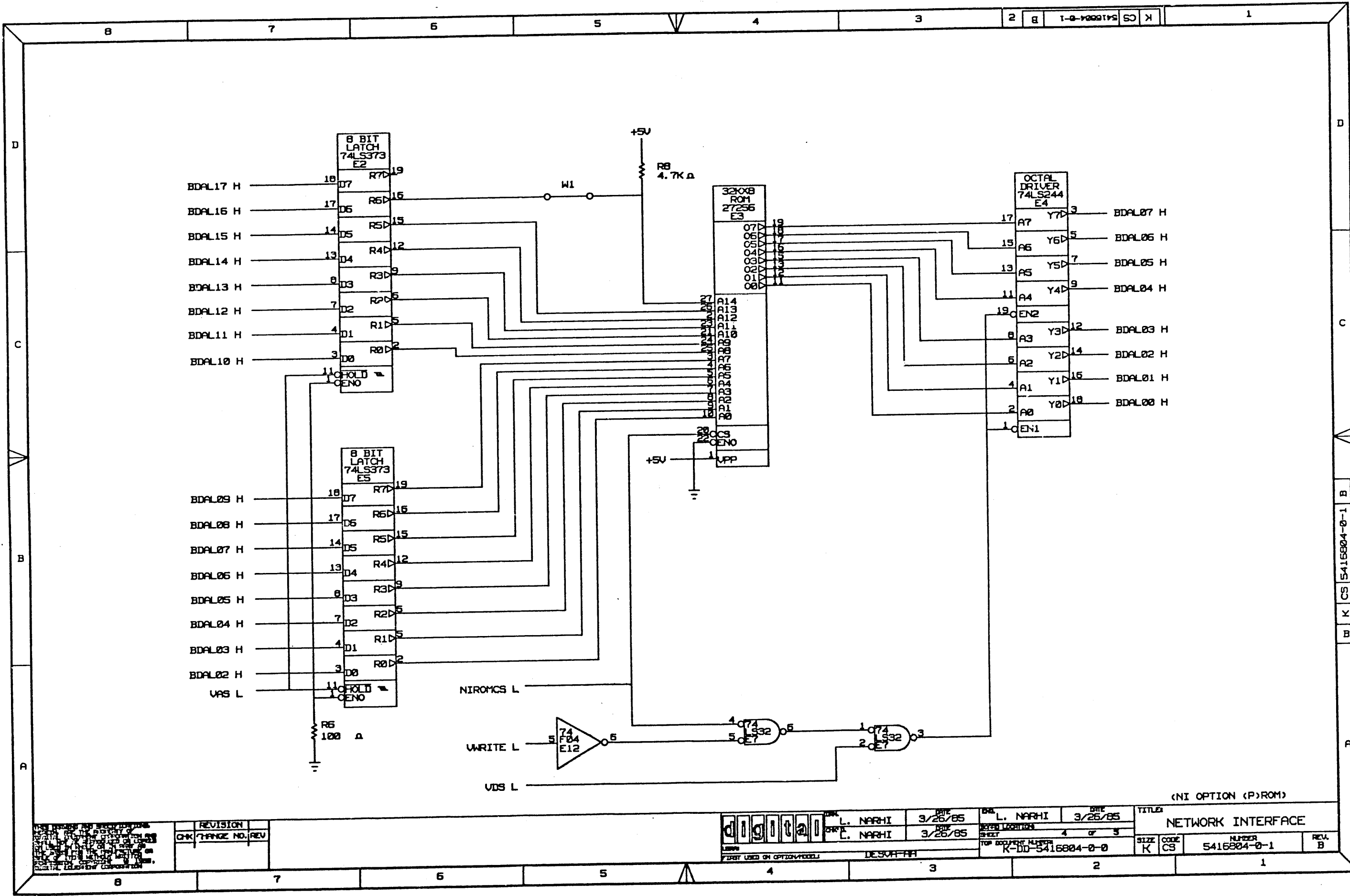


REVISION
OK CHANGE NO. REV



DESIGNED BY	L. NARHI	DATE	3/26/85
CHECKED BY	L. NARHI	DATE	3/26/85
TOP DRAWING NUMBER	K-DD-5416804-0-0		

TITLE	NETWORK INTERFACE		
SIZE	K	CODE	CS
NUMBER	5416804-0-1		
REV.	B		



REVISION	CHK	CHANGE NO.	REV

digital

DESIGNED BY	L. NARHI	DATE	3/26/85
CHECKED BY	L. NARHI	DATE	3/26/85

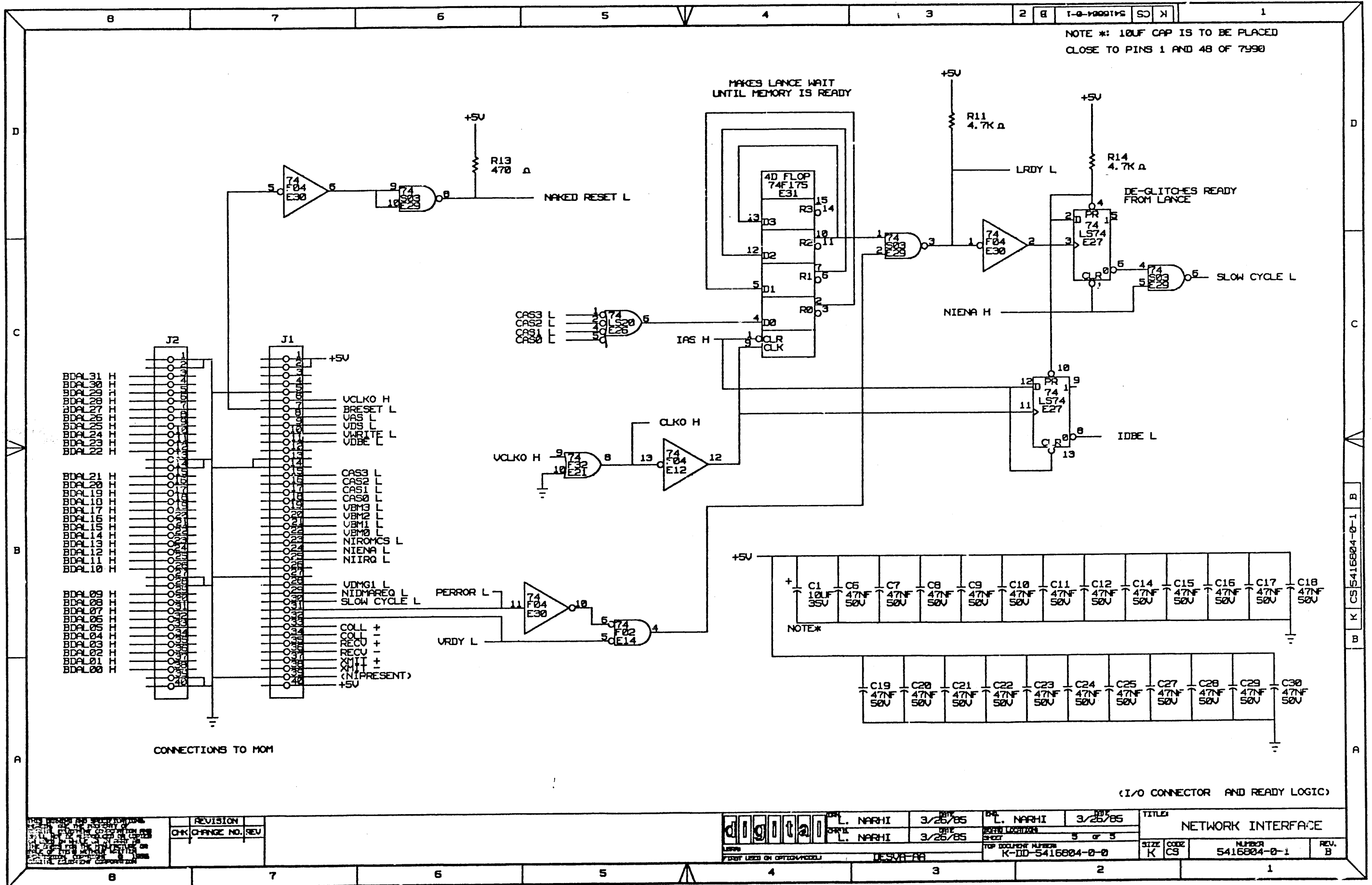
DESIGNED BY	L. NARHI	DATE	3/26/85
CHECKED BY	L. NARHI	DATE	3/26/85

TITLE		NETWORK INTERFACE	
SIZE	CODE	NUMBER	REV.
K	CS	5416804-0-1	B

TOP DOCUMENT NUMBER
K-D0-5416804-0-0

DESIGNER: L. NARHI

(NI OPTION (P)ROM)



NOTE *: 10UF CAP IS TO BE PLACED CLOSE TO PINS 1 AND 48 OF 7490

MAKES LANCE WAIT UNTIL MEMORY IS READY

DE-GLITCHES READY FROM LANCE

CONNECTIONS TO MOM

NOTE*

(I/O CONNECTOR AND READY LOGIC)

REVISION	OK	CHANGE NO.	REV

digital
L. NARHI 3/26/85
L. NARHI 3/26/85

L. NARHI 3/26/85
DATE 3/26/85
PAGE 5 of 5
TOP DOCUMENT NUMBER K-DD-5416804-0-0
DESIGNER

TITLE NETWORK INTERFACE
SIZE CODE K CS
NUMBER 5416804-0-1
REV. B


LINE ITEM	TOP DOCUMENT	PART NUMBER	MIN REV	DESCRIPTION	QUANTITY PER VARIATION/REVISION								
					01 A1	02 A1	03 A1	04 A1	05 A1	06 A1	07 A1	08 A1	
1	1	A-PS-1700198-0-0		PWR CORD,TERM 3-18 250V	1	-	-	-	-	-	-	-	-
2	2	A-PS-1700199-0-0		PWR CORD,TERM 3- .75MM 250V	-	1	-	-	-	-	-	-	-
3	3	A-PS-1700310-0-0		PWR CORD,TERM 3- .75MM 250V	-	-	1	-	-	-	-	-	-
4	4	A-PS-1700456-0-0		PWR CORD,TERM 3- .75MM 250V	-	-	-	1	-	-	-	-	-
5	5	A-PS-1700209-0-0		PWR CORD,TERM 3- .75MM 5A 250V	-	-	-	-	1	-	-	-	-
6	6	A-PS-1700457-0-0		PWR CORD,TERM 3- .75MM 250V	-	-	-	-	-	1	-	-	-
7	7	K-PL-1700364-0-0		PWR CORD,TERM 3- .75MM 250V 2	-	-	-	-	-	-	1	-	-
8	8	A-PS-1700210-0-0		PWR CORD,TERM 3- .75MM 250V 6A 2	-	-	-	-	-	-	-	1	-

- 1 GEN: 1. VARIATION -01 WILL BE USED IN THE FOLLOWING COUNTRIES: AUSTRALIA, NEW ZEALAND
- 2 GEN: 2. VARIATION -02 WILL BE USED IN THE FOLLOWING COUNTRIES: AUSTRIA, BELGIUM, BRAZIL, FINLAND, FRANCE, GERMANY, HOLLAND,
- 3 GEN: 2A. NORWAY, PORTUGAL, SPAIN & SWEDEN
- 4 GEN: 3. VARIATION -03 WILL BE USED IN THE FOLLOWING COUNTRIES: DENMARK
- 5 GEN: 4. VARIATION -04 WILL BE USED IN THE FOLLOWING COUNTRIES: INDIA, SOUTH AFRICA
- 6 GEN: 5. VARIATION -05 WILL BE USED IN THE FOLLOWING COUNTRIES: IRELAND, UNITED KINGDOM
- 7 GEN: 6. VARIATION -06 WILL BE USED IN THE FOLLOWING COUNTRIES: ISRAEL
- 8 GEN: 7. VARIATION -07 WILL BE USED IN THE FOLLOWING COUNTRIES: ITALY
- 9 GEN: 8. VARIATION -08 WILL BE USED IN THE FOLLOWING COUNTRIES: SWITZERLAND
- 10 GEN: 9. OPTION # FOR 1700198-07 = BN19H-2E
- 11 GEN: 10. OPTION # FOR 1700199-12 = BN19C-2E
- 12 GEN: 11. OPTION # FOR 1700310-05 = BN19K-2E
- 13 GEN: 12. OPTION # FOR 1700456-08 = BN19S-2E
- 14 GEN: 13. OPTION # FOR 1700209-08 = BN19A-2E
- 15 GEN: 14. OPTION # FOR 1700457-08 = BN19U-2E
- 16 GEN: 15. OPTION # FOR 1700364-08 = BN19M-2E
- 17 GEN: 16. OPTION # FOR 1700210-05 = BN19E-2E

REVISION HISTORY		KPL MATRIX FORMAT		SECTION A OF A		DRN: PAUL GAGNE		DIGITAL	
ENG	ECO NUMBER	REV	SECTION/VARIATION INDEX		DATE:	D. HEALY		TITLE PARTS LIST	
---	INITIAL	A	[A] 01,02,03,04,05,06,07,08		DATE: 03-JUN-86	DATE: 25-FEB-87		INTERNATIONAL POWER CORDS	
			[B]		CHK'D:	L. KIZINA		DOCUMENT NUMBER	
			[C]		DATE:	DATE: 25-FEB-87		NUMBER	
			[D]		DES.ENG:	G. LORD		REV	
			[E]		DATE:	DATE: 25-FEB-87		K PL 7023990-0-DBP A	
			[F]		RESP.ENG.:	F. OSOWSKI		RELEASE DATE: 25-FEB-87	
			[H]		DATE:	DATE: 25-FEB-87		RELEASE STATUS: RELEASED	
			[J]		MFG.ENG:				
					DATE:				
					BASIC PART NUMBER:	ASSEMBLY NUMBER:	TOP DOCUMENT NUMBER:	FILE NAME:	EDIT #
					7023990		K-PL-7023990-0-DBP	MLA0345A.PLS	6

"THIS DRAWING AND THE SPECIFICATIONS CONTAINED HEREIN ARE CONFIDENTIAL AND PROPRIETARY. THEY ARE THE PROPERTY OF DIGITAL EQUIPMENT CORPORATION AND SHALL NOT BE REPRODUCED OR COPIED OR USED IN WHOLE OR IN PART AS THE BASIS FOR THE MANUFACTURE OR SALE OF ITEMS WITHOUT WRITTEN PERMISSION. THIS IS AN UNPUBLISHED WORK PROTECTED UNDER THE FEDERAL COPYRIGHT LAWS."

REV E H7848-B DD B
 NUMBER CODE SIZE

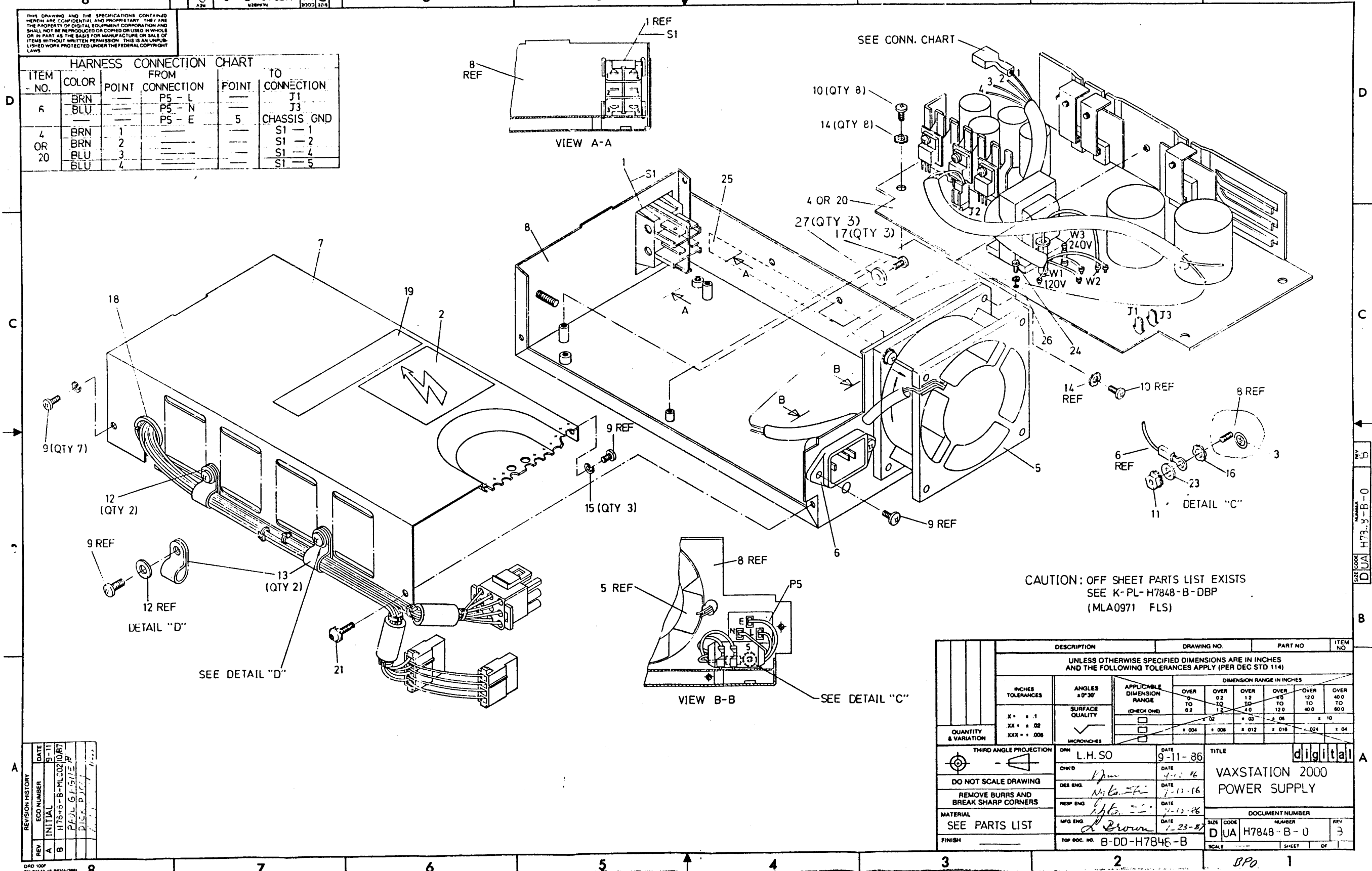
DRAWING NO.	NO. OF SHYS.	PART NO.	DESCRIPTION	REVISIONS																	
				B1	B2	B3	C3	C3													
		H7848 - BA	POWER SUPPLY (120V)	B1	B2	B3	C3	C3													
		H7848 - BB	POWER SUPPLY (240V)	B1	B2	B3	C3	C3													
			FIELD MAINTENANCE PRINT SET	A	A	A	A	A													
B-TC-H7848-B-1	1		H7848 POWER SUPPLY (BA/BB)	A	A	A	A	A													
D-UA-H7848-B-0	1		H7848 POWER SUPPLY (UA)	A	B	B	C	C													
K-PL-H7848-B-DBP	1		H7848 POWER SUPPLY (PL)	A	A	B	C	C													
A-SP-H7848-0-2	22		H7848 ENG SPEC	A	A	A	A	B													
NOTES:				REVISION HISTORY	ECO NO.	REV.															
				DATE	9-11	INIT	A														
					8-87	MLO01	B														
					10-87	MLO02	C														
					1-88	MLO03	D														
		388	MLO04	E																	
THIS DRAWING AND THE SPECIFICATIONS CONTAINED HEREIN ARE CONFIDENTIAL AND PROPRIETARY. THEY ARE THE PROPERTY OF DIGITAL EQUIPMENT CORPORATION AND SHALL NOT BE REPRODUCED OR COPIED OR USED IN WHOLE OR IN PART AS THE BASIS FOR THE MANUFACTURE OR SALE OF ITEMS WITHOUT WRITTEN PERMISSION. THIS IS AN UNPUBLISHED WORK PROTECTED UNDER THE FEDERAL COPYRIGHT LAWS.								DRN.	L H SO	DATE	10-20-86	TITLE	H7848 BA/BB PWR SUPP								
								CHK'D	<i>[Signature]</i>	DATE	10-20-86	DOCUMENT NUMBER									
								DES. ENG.	<i>[Signature]</i>	DATE	12-28-86	SIZE	B	CODE	DD	NUMBER	H7848-B	REV.	E		
								RESP. ENG.	<i>[Signature]</i>	DATE	12-28-86	SHEET 1 OF 1									
								MFG. ENG.	<i>[Signature]</i>	DATE	1-25-87										

DRB 128C
 EN-01242-16-REVA(396)

BPO

THIS DRAWING AND THE SPECIFICATIONS CONTAINED HEREIN ARE CONFIDENTIAL AND PROPRIETARY. THEY ARE THE PROPERTY OF DIGITAL EQUIPMENT CORPORATION AND SHALL NOT BE REPRODUCED OR COPIED OR USED IN WHOLE OR IN PART AS THE BASIS FOR MANUFACTURE OR SALE OF ITEMS WITHOUT WRITTEN PERMISSION. THIS IS AN UNPUBLISHED WORK PROTECTED UNDER THE FEDERAL COPYRIGHT LAWS.

HARNESS CONNECTION CHART					
ITEM NO.	COLOR	POINT	FROM CONNECTION	POINT	TO CONNECTION
6	BRN		P5 - L		J1
	BLU		P5 - N		J3
			P5 - E	5	CHASSIS GND
4 OR 20	BRN	1			S1 - 1
	BRN	2			S1 - 2
	BLU	3			S1 - 4
	BLU	4			S1 - 5



CAUTION: OFF SHEET PARTS LIST EXISTS
SEE K-PL-H7848-B-DBP
(MLA0971 FLS)

DESCRIPTION	DRAWING NO.	PART NO.	ITEM NO.
UNLESS OTHERWISE SPECIFIED DIMENSIONS ARE IN INCHES AND THE FOLLOWING TOLERANCES APPLY (PER DEC STD 114)			
INCHES TOLERANCES	ANGLES ± 0° 30'	APPLICABLE DIMENSION RANGE	
		SURFACE QUALITY	
XX ± .01	✓	MICROINCHES	
XX ± .02			
XXX ± .008			
THIRD ANGLE PROJECTION		DATE	TITLE
DO NOT SCALE DRAWING		9-11-86	VAXSTATION 2000 POWER SUPPLY
REMOVE BURRS AND BREAK SHARP CORNERS		DATE	DOCUMENT NUMBER
MATERIAL		7-12-86	DUA H7848-B-0
SEE PARTS LIST		DATE	REV
FINISH		1-23-87	3
TOP DOC. NO. B-DD-H7848-B		SCALE	SHEET OF
		BPO	1

REV	ECO NUMBER	DATE	INITIAL
A		9-11	
B	H7848-B-PL302 (DBP)		
	PAUL G. FINE		
	DISP. P. 10/1		

DRG 100F
EN-0132-16-REVA(300)

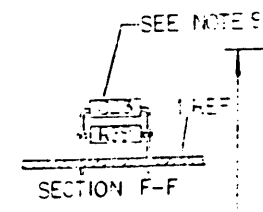
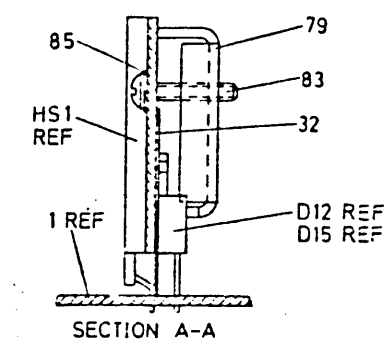
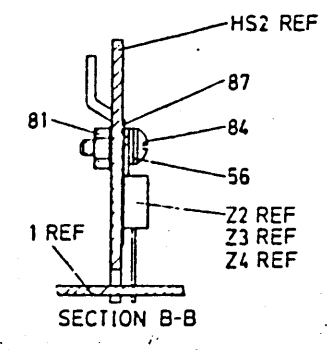
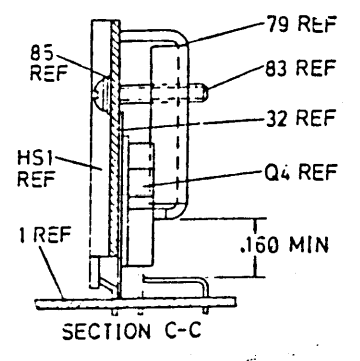
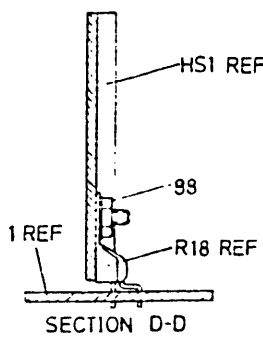
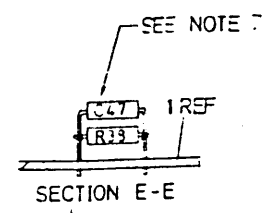
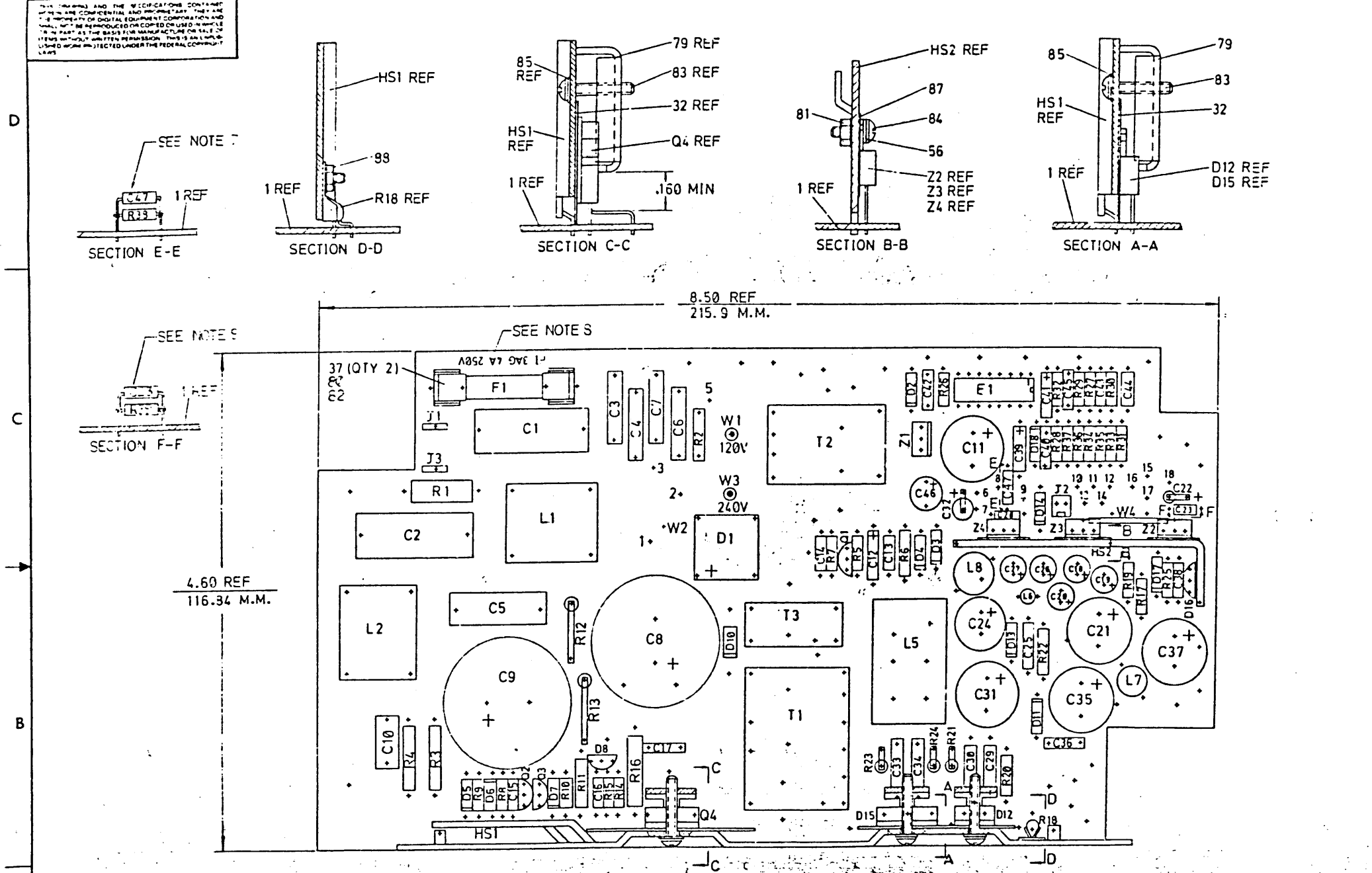
LINE	ITEM	TOP DOCUMENT	PART NUMBER	MIN REV	DESCRIPTION	QTY PER VAR/REV		REFERENCE DESIGNATORS
						BA C1	BB C1	
1	1		12-22355-09		SW,RKR DPST ON-NONE-OFF 16A	1	1	S1
2	2		36-10267-00		LABEL,DANGER HIGH VOLTAGE,SMOOTH	1	1	
3	3		36-12680-02		LABEL,GROUND SYMBOL W/CIRCLE BLA	1	1	
4	4	D-AD-7022655-1-0	70-22655-03	C	H7848 MODULE BOARD ASSY (H7848-B	1	-	
5	5	D-IA-7022656-0-0	70-22656-0M	A	FAN ASSY, DC	1	1	
6	6	C-IA-7024270-0-0	70-24270-01	A	AC INPUT ASSY	1	1	
7	7	D-MD-7432772-0-0	74-32772-01	A	COVER,POWER SUPPLY	1	1	
8	8	D-IA-7432773-0-0	74-32773-01	A	CHASSIS,POWER SUPPLY	1	1	
9	9		90-06020-01		SCREW,MACH PAN PHIL 6-	7	7	
10	10		90-06022-01		SCREW,MACH PAN PHIL 6-	8	8	
11	11		90-06563-00		NUT,HEX EXT TOOTH LCKWSHR 8-32	2	2	
12	12		90-06659-00		WASHER,FLAT S/PAS	2	2	
13	13		90-07083-00		CLAMP,CABLE,SCREW MTD 3/8	2	2	
14	14		90-07649-00		WASHER,LOCK EXTERNAL STEEL	8	8	
15	15		90-07801-00		WASHER,HELICAL SPLIT SST	3	3	
16	16		90-08072-00		WASHER,LOCK EXTERNAL STEEL	2	2	
17	17		90-10128-00		SCREW,THD RL,PAN PHIL F/METAL	3	3	
18	18		90-10353-01		BUSHING,SNAP,O/C NYLON, .625MTG	1	1	
19	19		36-22148-01		LABEL,ELEC RATINGS	1	1	
20	20	D-AD-7022655-1-0	70-22655-04	C	H7848 MODULE BOARD ASSY (H7848-B	-	1	
21	21		90-10245-00		SCREW,WASH PAN TORX THD RL 6-	1	1	
22	22	A-PA-3700851-0-0	37-00851-01		PKG POWER SUPPLY H7845-B INTERPL	A/R	A/R	
23	23		90-06660-00		WASHER,FLAT SST	1	1	
24	24		90-06011-01		SCREW,MACH PAN PHIL 4-	1	1	
25	25		36-18460-05		LABEL,BAR CODE BLANK .50 X5.0	1	1	
26	26		90-06688-00		WASHER,HELICAL SPLIT SST	1	1	
27	27		90-06632-00		WASHER,LOCK INTERNAL STEEL	3	3	

REVISION HISTORY		KPL MODULE FORMAT		SECTION A OF A		DRN: LCAMACHO/CM LEE		
ENG	ECO NUMBER	REV	SECTION/VARIATION INDEX				DATE: 02-DEC-86	D I G I T A L
---	INITIAL	A	(A)	BA, BB	(M)	CHK'D: A KONG	TITLE PARTS LIST	
DP	H7848-B-ML002	B	(B)		(N)	DATE: 02-DEC-86	H7848 POWER SUPPLY	
KN	H7848-B-ML003	C	(C)		(P)	DES.ENG: K F NG		
			(D)		(Q)	DATE: 02-DEC-86	DOCUMENT NUMBER	
			(E)		(R)		SIZE CODE NUMBER REV	
			(F)		(S)	RESP.ENG: K F NG		
			(H)		(T)	DATE: 02-DEC-86	K PL H7848-B-DBP C	
			(J)		(V)			
			(K)		(W)	MFG.ENG: L BROWN	RELEASE DATE: 12-JAN-88	
			(L)		(Y)	DATE: 23-JAN-87	RELEASE STATUS: RELEASED	
BASIC PART NUMBER:		ASSEMBLY NUMBER:		TOP DOCUMENT NUMBER:		FILE NAME:		
H7848		D-UA-H7848-B-0		B-DD-H7848-B		MLA0971C.PLS		
						EDIT #		
						6		

THIS DRAWING AND THE SPECIFICATIONS CONTAINED HEREIN ARE CONFIDENTIAL AND PROPRIETARY. THEY ARE THE PROPERTY OF DIGITAL EQUIPMENT CORPORATION AND SHALL NOT BE REPRODUCED OR COPIED OR USED IN WHOLE OR IN PART AS THE BASIS FOR THE MANUFACTURE OR SALE OF ITEMS WITHOUT WRITTEN PERMISSION. THIS IS AN UNPUBLISHED WORK PROTECTED UNDER THE FEDERAL COPYRIGHT LAWS.

THIS DRAWING AND THE SPECIFICATIONS CONTAINED HEREIN ARE CONFIDENTIAL AND PROPRIETARY. THE USE OF THIS DRAWING FOR REPRODUCTION OR FOR THE MANUFACTURE OF ANY PARTS THEREOF WITHOUT WRITTEN PERMISSION OF THE FEDERAL BUREAU OF INVESTIGATION IS PROHIBITED UNDER THE FEDERAL COPYRIGHT LAWS.

0-0-46897-0



- NOTES:
1. THE BOARD MEETS UL REQUIREMENTS FOR HPWR.
 2. TORQUE ITEM 84 TO 4-5 IN-LBS.
 3. TORQUE ITEM 83 TO 5 IN-LBS.
 4. FOR D1 (ITEM 28), OFF BOARD .5 INCH MINIMUM.
 5. FOR R16 (ITEM 55), NOT OFF BOARD SOLDERED.
 6. R12, R13, R21, R23 & R24 SHOULD BE VERTICALLY MOUNTED.
 7. CONNECT C47 PARRALLEL TO R33 AS SHOWN.
 8. ADD PERMANENT FUSE MARKING WITH RUBBER STAMP AND INDELIBLE INK ON PWB ADJACENT TO FUSE "F1 3AG 4A 250V."
 9. CONNECT C23 PARALLEL TO R39 AS SHOWN.

CAUTION: OFF SHEET PARTS LIST EXISTS
SEE K-PL-5416897-0-DBP
(GH26C.)

REVISION HISTORY

REV	ECO NUMBER	DATE	INITIAL
1		1/16/86	W/B
2			
3			

DESIGNED BY	L.H. SO	DATE	5-6-86	TITLE	digital
DESIGNED BY	<i>Drone</i>	DATE	5-13-86		
DESIGNED BY	<i>W. L. ...</i>	DATE	5-13-86		
DESIGNED BY	<i>W. L. ...</i>	DATE	7-1-86		
DESIGNED BY	<i>W. L. ...</i>	DATE	7/6/86		
TOP DOC NO	B-DD-5416897-0	SCALE		DOCUMENT NUMBER	H7848 CIRCUIT BOARD

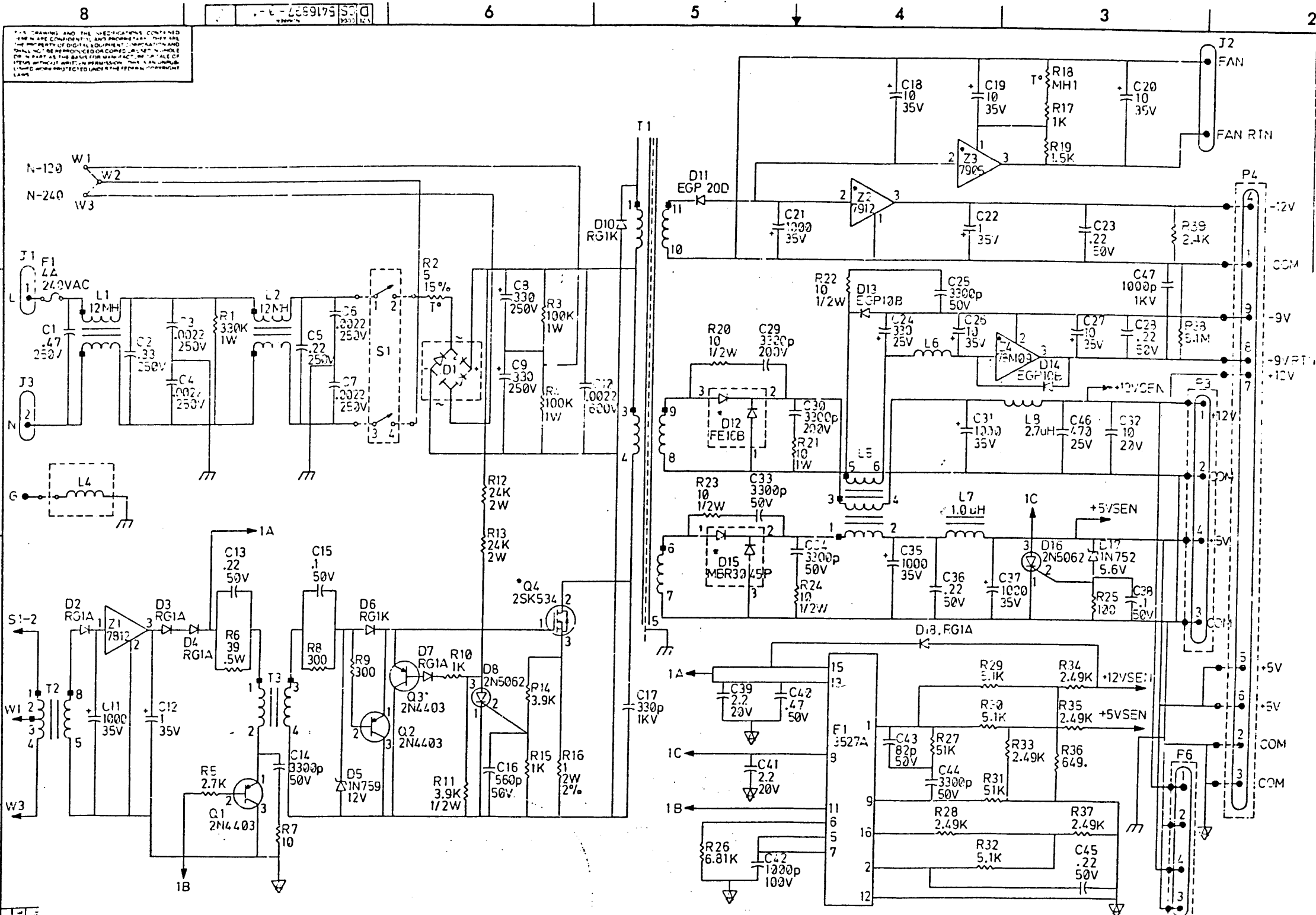
LINE	ITEM	TOP DOCUMENT	PART NUMBER	MIN REV	DESCRIPTION	QTY	PER VAR/REV	REFERENCE DESIGNATORS
						O1		
						H2		
1	1	B-DD-5016896-0	50-16896-01	B	CIRCUIT DRILL AND ETCH BOARD	1		
2	2		10-01776-00	A	1.0 MFD 35V +/-10% SOL	2		C12,C22
3	3		10-02627-00	A	2.2 MFD 20V +/-10% SOL	2		C39,C41
4	4		10-10274-00	K	0.22 MFD 50V +80/-20% Z5U C	5		C13,C23,C28,C36,C45
5	5		10-05116-00	B	3300 PFD 200V +/-10% MYLAR	2		C29,C30
6	6		10-12312-01	B	0.47 MFD 50V +80/-20% Z5U C	1		C40
7	7		10-13466-10	W	3300 PFD 50V +/- 5% NPO C	5		C14,C25,C33,C34,C44
8	8		10-18000-04	E	10 MFD 35V +50/-20% ALU	5		C18-C20,C26,C27
9	9		10-18000-11	E	330 MFD 25V +50/-20% ALU	1		C24
10	10		10-24375-01	A	2200 PFD 250VAC +/-20% LIN	4		C3,C4,C6,C7
11	11		10-13466-30	W	560 PFD 50V +/- 5% NPO C	1		C16
12	12		10-13466-14	W	82 PFD 50V +/- 5% NPO C	1		C43
13	13		10-13466-22	W	0.10 MFD 50V +80/-20% Z5U C	2		C15,C38
14	14		10-14139-00		2200 PFD 600V +/-10% POLYP	1		C10
15	15		10-14169-00	A	1000 PFD 100V +/- 1% 200PP	1		C42
16	16		10-24317-02	A	0.47 MFD 250VAC +/-20% LIN	1		C1
17	17		10-26365-01	A	300 MFD 250V +/-20% ALU	2		C8,C9
18	18		10-19537-01	A	1000 MFD 35V +50/-10% ALU	5		C11,C21,C31,C35,C37
19	19		10-24317-01	A	0.33 MFD 250VAC +/-20% LIN	1		C2
20	20		10-24317-03	A	0.22 MFD 250VAC +/-20% LIN	1		C5
21	21		10-24263-02	A	330 PFD 1000V +/-10%	1		C17
22	22		11-02808-00	A	VZ= 5.6 5% 400 MW 1N752A	1		D17
23	23		11-10836-00	B	VZ= 12.0 5% 400 MW 1N759A	1		D5
24	24		11-10968-00	A	SCR PIV= 100 IO= .80A 2N5062	2		D8,D16
25	25		11-12595-00	A	PIV= 50 IO= 1.00A AXIAL	5		D2-D4,D7,D18
26	26		11-25363-04	A	RECT,ULTRA FAST PIV=200 IO= 2.0A	1		D11
27	27		11-15112-00	A	RECT,ULTRA FAST PIV= 8u0 IO= 1.0	2		D6,D10
28	28		11-18205-00	A	PIV= 420 IO= 6.00A	1		D1
29	29		11-20323-01	A	RECT,ULTRA FAST PIV= 100 IO=16.0	1		D12
30	30		11-25375-02	A	RECT,ULTRA FAST PIV= 100 IO= 1.0	2		D13,D14
31	31		11-22399-01	A	30 AMP SCHOTTKY RECTIFIER TO 218	1		D15
32	32		12-25016-02	A	RUBBER,SILICONE,THERMAL COND 42M	2		

REVISION HISTORY		KPL MODULE FORMAT		SECTION A OF A		DRN: LCAMACHO/CM LEE	
ENG	ECO NUMBER	REV	SECTION/VARIATION INDEX		DATE	DIGITAL	
---	INITIAL	C	[A] 01	[M]	25-JUL-86	TITLE PARTS LIST H7848 CIRCUIT BRD	
			[B]	[N]		DOCUMENT NUMBER	
			[C]	[P]		SIZE	CODE
			[D]	[Q]		NUMBER	REV
			[E]	[R]		K	PL
			[F]	[S]		5416897-0-DBP	C
			[H]	[T]		RELEASE DATE: 06-NOV-86	
			[J]	[V]		RELEASE STATUS: RELEASED	
			[K]	[W]			
			[L]	[Y]			
BASIC PART NUMBER:		ASSEMBLY NUMBER:		TOP DOCUMENT NUMBER:		FILE NAME:	
5416897		D-UA-5416897-0-0		B-DD-5416897-0		GH826C.PLS	
						EDIT #	
						36	

"THIS DRAWING AND THE SPECIFICATIONS CONTAINED HEREIN ARE CONFIDENTIAL AND PROPRIETARY. THEY ARE THE PROPERTY OF DIGITAL EQUIPMENT CORPORATION AND SHALL NOT BE REPRODUCED OR COPIED OR USED IN WHOLE OR IN PART AS THE BASIS FOR THE MANUFACTURE OR SALE OF ITEMS WITHOUT WRITTEN PERMISSION. THIS IS AN UNPUBLISHED WORK PROTECTED UNDER THE FEDERAL COPYRIGHT LAWS."

P A R T S L I S T

LINE	ITEM	TOP DOCUMENT	PART NUMBER	MIN REV	DESCRIPTION	QTY PER VAR/REV	REFERENCE DESIGNATORS
						01	
						H2	
83	83		90-06015-01	A	SCREW,MACH PAN PHIL 4-	3	
84	84		90-06010-01	A	SCREW,MACH PAN PHIL 4-	3	
85	85		90-06632-00	A	WASHER,LOCK INTERNAL STEEL	3	
86	86		90-10057-00		WASHER,SHOULDER INSULATG PPS	3	
87	87		12-13071-06	K	INSULATOR,RUBBER SILICONE	3	
88	88		90-06560-00	A	NUT,HEX EXT TOOTH LCKWSHR 6-32	1	
89	89		10-04813-00	A	10 MFD 20V +/-10% SOL	1	C32
90	90		10-18000-17	E	470 MFD 25V +50/-20% ALU	1	C46
91	91		16-24450-01	A	2.7 UH FILTER HIGH FREQ 3A	1	L8
92	92		10-24263-01	A	1000 PFD 1000V +/-10%	1	C47
93	93		91-07688-55		WIRE(WRAP) 24AWG KYNAR UL13	1	W4
94	94		10-17539-02		*** THIS ITEM IS NOT USED ***	-	
95	95		16-27286-01	A	*** THIS ITEM IS NOT USED ***	-	
96	96		16-27285-01	A	*** THIS ITEM IS NOT USED ***	-	
97	97		13-03177-00		2.40 K .25 W 5.0 % CF	1	R39



- NOTES:
1. *INDICATES HEAT SINK IS REQUIRED.
 2. ALL RESISTORS ARE 1/4W UNLESS OTHERWISE SPECIFIED.
 3. ALL RESISTORS ARE 5% EXCEPT:
 - a) 1% RESISTORS HAVE THREE DIGITS AND A DECIMAL POINT, e.g., 51.1K=1%, 52K=5%, 592.=1%, 2.3K=5%
 - b) AS OTHERWISE SPECIFIED.
 4. ALL CAPACITANCE IN MICROFARAD (uF) UNLESS OTHERWISE SPECIFIED.

REVISION HISTORY

REV	NO	DATE	INITIAL	DESCRIPTION
1	1	1-29-66	L.H.S.	INITIAL
2	1	1-29-66
3	1	1-29-66
4	1	1-29-66

DESIGNED BY	L. H. SO	DATE	1-29-66	TITLE	digital
DRAWN BY	...	DATE	1-29-66		
CHECKED BY	...	DATE	1-29-66		
APPROVED BY	...	DATE	1-29-66		
TOP DOC. NO.	B-CD-5415397-0	SCALE		DOCUMENT NUMBER	D 65 5415397-0-1

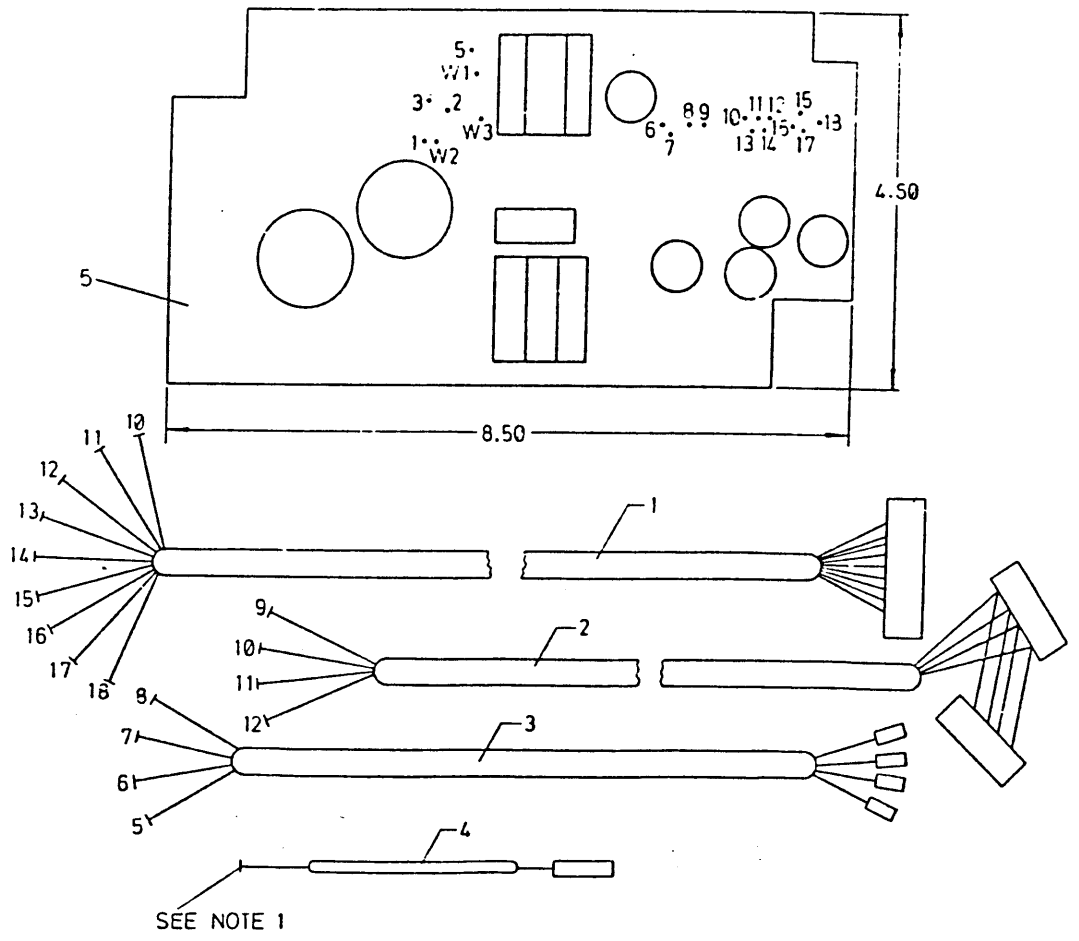
THIS DRAWING AND THE SPECIFICATIONS CONTAINED HEREIN ARE CONFIDENTIAL AND PROPRIETARY. THEY ARE THE PROPERTY OF DIGITAL EQUIPMENT CORPORATION AND SHALL NOT BE REPRODUCED OR COPIED IN ANY MANNER OR IN ANY MANNER AS THE BASIS FOR MANUFACTURE OR SALE OF ITEMS WITHOUT WRITTEN PERMISSION. THIS IS AN UNCLASSIFIED DRAWING PROTECTED UNDER THE FEDERAL COPYRIGHT LAWS.

0-0-0-55-0000

WIRE TABLE							
ITEM NO.	DESCRIPTION		FROM		TO		REMARKS
	AWG	COLOR	CONNECTION	TERM	CONNECTION	TERM	
1	18	BLK	18	---	BD-11	---	
		BLK	17	---	BD-12	---	
		BLK	16	---	BD-10	---	
		YEL	15	---	BD-13	---	
		RED	14	---	BD-15	---	
		RED	13	---	BD-16	---	
		BRN	12	---	BD-6	---	
		WHT	11	---	BD-9	---	
2		GY	10	---	BD-9	---	
		RED	9	---	BD-17	---	
		BLK	10	---	BD-14	---	
3		BLK	11	---	BD-13	---	
		ORN	12	---	BD-7	---	
		BRN	8	---	BD-2	---	
4		BRN	7	---	BD-5	---	
		BLU	6	---	BD-3	---	
		BLU	5	---	BD-1	---	
4		BLU	W2	---	W1	---	120V
		BLU	W2	---	W3	---	240V

LEGEND:		
PART NO.	REV	VARIATION
7022655-01	01	120V (AA)
7022655-01	01	240V (AB)

NOTES:
1. TO BE SOLDERED AT W2 LOCATION.



CAUTION: OFF SHEET PARTS LIST EXISTS
SEE REF: 7022655-0-DEP
(CH+)

DESCRIPTION	DRAWING NO	PART NO	ITEM NO
UNLESS OTHERWISE SPECIFIED DIMENSIONS ARE IN INCHES AND THE FOLLOWING TOLERANCES APPLY (PER DEC STD 114)			
INCHES TOLERANCES X = ± .1 XX = ± .02 XXX = ± .005	ANGLES ± 0°30'	APPLICABLE DIMENSION RANGE	
		CHECK ONE: <input type="checkbox"/> ± .02 <input type="checkbox"/> ± .05 <input type="checkbox"/> ± .10 <input type="checkbox"/> ± .15 <input type="checkbox"/> ± .20	
QUANTITY & VARIATION	THIRD ANGLE PROJECTION 	DIMENSION RANGE IN INCHES	
		OVER 0 TO 0.25 ± .004 ± .006 ± .012 ± .016 ± .024 ± .04	
DO NOT SCALE DRAWING		DATE: 11-28-85	TITLE: 47343 MODULE BOARD ASSY
REMOVE BURRS AND BREAK SHARP CORNERS		DATE: 11-27-85	DESIGNER: [Signature]
MATERIAL: SEE PARTS LIST		DATE: 11/28/85	RESP. ENG: [Signature]
FINISH		DATE: 11/28/85	DATE: 11/28/85
TOP DOC. NO. D-AD-7022655-0-0		SCALE	DOCUMENT NUMBER: D AD 7022655-0-0

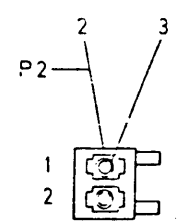
REV	ECO NUMBER	DATE
1	INITIAL	11/28/85

THIS DRAWING AND THE SPECIFICATIONS CONTAINED HEREIN ARE CONFIDENTIAL AND PROPRIETARY. THEY ARE THE PROPERTY OF DIGITAL EQUIPMENT CORPORATION AND SHALL NOT BE REPRODUCED OR TRANSMITTED IN ANY FORM OR BY ANY MEANS, ELECTRONIC OR MECHANICAL, INCLUDING PHOTOCOPYING, RECORDING, OR BY ANY INFORMATION STORAGE AND RETRIEVAL SYSTEM, WITHOUT WRITTEN PERMISSION. THIS IS AN UNPUBLISHED WORK PROTECTED UNDER THE FEDERAL COPYRIGHT LAWS.

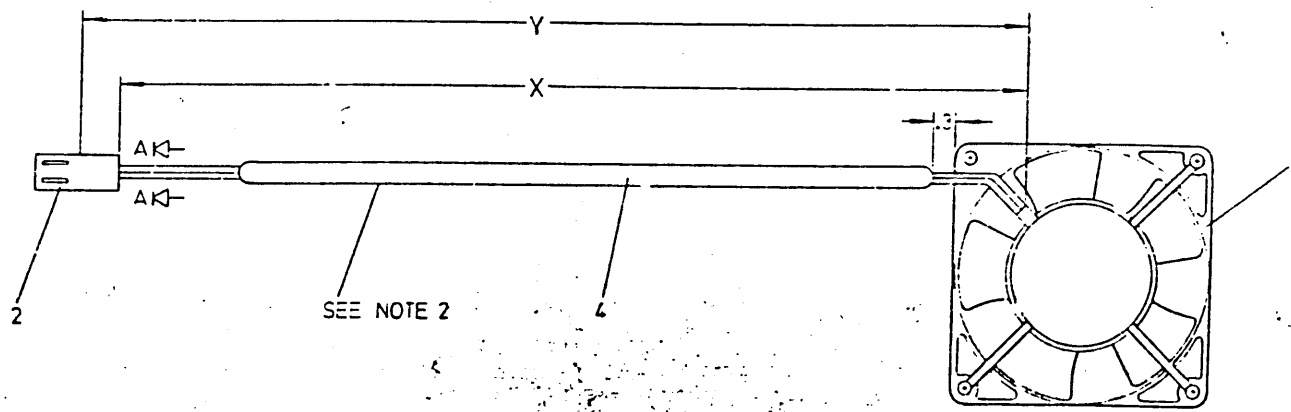
WIRE TABLE					
ITEM NO.	DESCRIPTION	FROM	TO	CONN WITH	CONN WITH
1	24	RED	P2-1	3	FAN
		BLK	P2-2	3	FAN

LEGEND			
NUMBER	REV	DIM "X" VARIATION	DIM "Y" (PRECUT) REF
7022656-QM	A1	11 ± .5 INCHES	12 ± .5 INCHES

- NOTES:
- UNLESS OTHERWISE NOTED ALL LENGTHS ARE IN INCHES.
 - INNER SHRINK TUBING ITEM #3 AND OUTER FAN TUBING ITEM #4 ARE TO BE ASSEMBLED OVER LEAD. BOTH ARE 8 INCHES IN LENGTH. DO NOT STRIP.
 - ALL WIRE ENDS STRIPPED BACK .12.



VIEW A-A
SCALE 4/1



CAUTION: OFF SHEET PARTS LIST EXISTS.
SEE K-PL-7022656-0-DBP
(GH4C6A.)

REV	ECO NUMBER	DATE
A		11/17/95

DESCRIPTION		DRAWING NO.		PART NO.		ITEM NO.		
UNLESS OTHERWISE SPECIFIED DIMENSIONS ARE IN INCHES AND THE FOLLOWING TOLERANCES APPLY (PER DEC STD 114)								
INCHES TOLERANCES	ANGLES ± 30°	APPLICABLE DIMENSION RANGE	DIMENSION RANGE IN INCHES					
			OVER TO	OVER TO	OVER TO	OVER TO	OVER TO	
X = ± .1	SURFACE QUALITY	CHECK ONE:	0	02	12	15	120	400
XX = ± .02			02	12	15	120	400	
XXX = ± .005			02	12	15	120	400	
QUANTITY & VARIATION	THIRD ANGLE PROJECTION	DRN	L. H. SO	DATE	11-28-95	TITLE		
		CHK'D	<i>[Signature]</i>	DATE	11-28-95	FAN ASSY. DC		
	DO NOT SCALE DRAWING	DES. ENG.	<i>[Signature]</i>	DATE	11/28/95	DOCUMENT NUMBER		
	REMOVE BURRS AND BREAK SHARP CORNERS	RESP. ENG.	<i>[Signature]</i>	DATE	11/28/95	D IA 7022656-0-0 A		
	MATERIAL	MPG. ENG.	<i>[Signature]</i>	DATE	11/28/95	SCALE		
	SEE PARTS LIST	FINISH	NONE	TOP DOC. NO.	D-1A-7022656-0-0	SHEET OF		

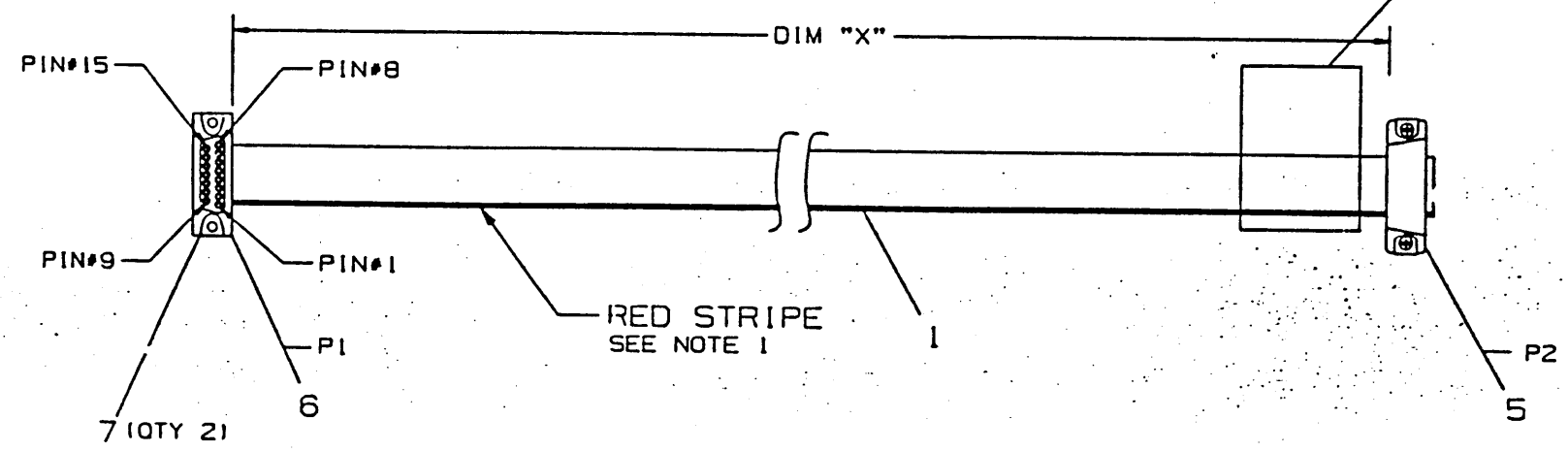
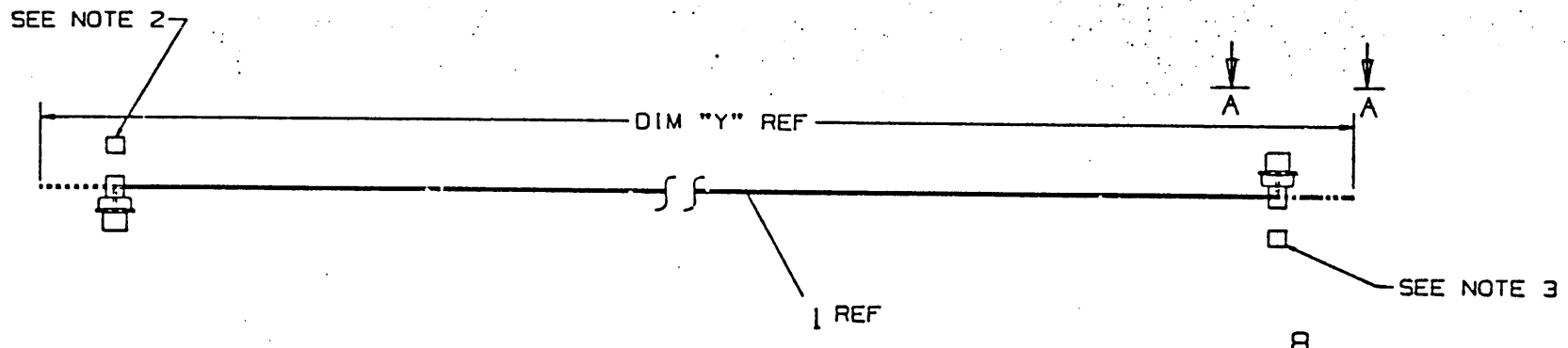
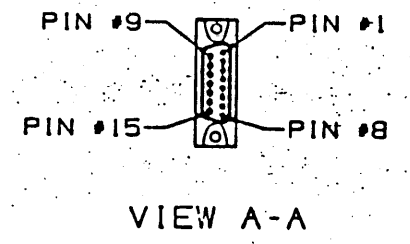
THIS DRAWING AND THE SPECIFICATIONS CONTAINED HEREIN ARE THE PROPERTY OF THE GOVERNMENT AND ARE TO BE USED ONLY FOR THE SPECIFIC PURPOSES AUTHORIZED BY THE CONTRACT. THE DRAWING IS TO BE USED AS A GUIDE AND IS NOT TO BE USED AS A BASIS FOR THE DESIGN OF OTHER EQUIPMENT OR AS A BASIS FOR THE DESIGN OF OTHER DRAWINGS.

7022689-0-DBU 2

WIRE TABLE						
ITEM NO.	DESCRIPTION		FROM		TO	
	A.W.G.	COLOR	CONN	WITH	CONN	WITH
	#28		P1-1	2	P2-1	2
			P1-2	2	P2-2	2
			P1-3	2	P2-3	2
			P1-4	2	P2-4	2
			P1-5	2	P2-5	2
			P1-6	2	P2-6	2
			P1-7	2	P2-7	2
			P1-8	2	P2-8	2
			P1-9	2	P2-9	2
			P1-10	2	P2-10	2
			P1-11	2	P2-11	2
			P1-12	2	P2-12	2
			P1-13	2	P2-13	2
			P1-14	2	P2-14	2
			P1-15	2	P2-15	2

LEGEND			
PART NO.	REV	DIM "X" VARIATION	DIM "Y" (PRECUT) REF
7022689-1F	B1	18 IN ±.5 IN	20.25 IN ±.5 IN

- NOTES:
- IF RED STRIPING APPEARS ON CABLE ITEM #1 IT SHOULD BE POSITIONED AS SHOWN.
 - STRAIN RELIEF (CONTAINED IN ITEM 6)
 - STRAIN RELIEF (CONTAINED IN ITEM 5)



LAYER #1 INFORMATION LAYER
 LAYER #2 WORK LAYER
 LAYER #3 FORMAT
 PLOT AT: 1.00

CAUTION:
 OFF SHEET PARTS LIST EXIST.
 REFER TO K-PL-7022689-0-DBP. (API06A)

REVISIONS		
CHG	NO.	REV.
	1	A
CL	1	A
DL	1	A
DAN LARSEN	14-SEP-85	BB
JAMES FLIS		

LAYER #3 FORMAT
 LAYER #2 WORK LAYER
 LAYER #1 INFORMATION LAYER
 PLOT AT: 1.00
 SYSTEM #32
 PROGRAM VERSION: UGRAF DS.2
 TITLE: CABLE, TRANSCIVER, RIBBON
 FILE NAME: 7022689-0-DBUA

FIRST NUMBER ONLY
 K-PL-RFDECNA-0-DBP

DESCRIPTION	DRAWING NO.	PART NO.	ITEM NO.
UNLESS OTHERWISE SPECIFIED DIMENSIONS ARE IN INCHES AND THE FOLLOWING TOLERANCES APPLY (PER DEC STD 114)			
INCHES TOLERANCE	ANGLES	DIMENSION RANGE IN INCHES	
		OVER RANGE	UNDER RANGE
.125 TO .1	30°	0.25 TO 1.25	1.25 TO 12.5
.1 TO .075	15°	0.125 TO 0.25	12.5 TO 31.5
.075 TO .05	9°	0.075 TO 0.125	31.5 TO 125
.05 TO .0375	6°	0.05 TO 0.075	125 TO 315
.0375 TO .025	3°	0.0375 TO 0.05	315 TO 1250
.025 TO .01875		0.025 TO 0.0375	1250 TO 3150
.01875 TO .0125		0.01875 TO 0.025	3150 TO 12500
.0125 TO .009375		0.0125 TO 0.01875	12500 TO 31500
.009375 TO .00625		0.009375 TO 0.0125	31500 TO 125000
.00625 TO .0046875		0.00625 TO 0.009375	125000 TO 315000
.0046875 TO .0035		0.0046875 TO 0.00625	315000 TO 1250000
.0035 TO .002625		0.0035 TO 0.0046875	1250000 TO 3150000
.002625 TO .0019375		0.002625 TO 0.0035	3150000 TO 12500000
.0019375 TO .001425		0.0019375 TO 0.002625	12500000 TO 31500000
.001425 TO .0010625		0.001425 TO 0.0019375	31500000 TO 125000000
.0010625 TO .0007875		0.0010625 TO 0.001425	125000000 TO 315000000
.0007875 TO .0005875		0.0007875 TO 0.0010625	315000000 TO 1250000000
.0005875 TO .0004375		0.0005875 TO 0.0007875	1250000000 TO 3150000000
.0004375 TO .000325		0.0004375 TO 0.0005875	3150000000 TO 12500000000
.000325 TO .00024375		0.000325 TO 0.0004375	12500000000 TO 31500000000
.00024375 TO .0001825		0.00024375 TO 0.000325	31500000000 TO 125000000000
.0001825 TO .000136875		0.0001825 TO 0.00024375	125000000000 TO 315000000000
.000136875 TO .0001025		0.000136875 TO 0.0001825	315000000000 TO 1250000000000
.0001025 TO .000076875		0.0001025 TO 0.000136875	1250000000000 TO 3150000000000
.000076875 TO .000057625		0.000076875 TO 0.0001025	3150000000000 TO 12500000000000
.000057625 TO .000043125		0.000057625 TO 0.000076875	12500000000000 TO 31500000000000
.000043125 TO .00003225		0.000043125 TO 0.000057625	31500000000000 TO 125000000000000
.00003225 TO .0000241875		0.00003225 TO 0.000043125	125000000000000 TO 315000000000000
.0000241875 TO .000018125		0.0000241875 TO 0.00003225	315000000000000 TO 1250000000000000
.000018125 TO .00001359375		0.000018125 TO 0.0000241875	1250000000000000 TO 3150000000000000
.00001359375 TO .0000101875		0.00001359375 TO 0.000018125	3150000000000000 TO 12500000000000000
.0000101875 TO .0000076375		0.0000101875 TO 0.00001359375	12500000000000000 TO 31500000000000000
.0000076375 TO .000005725		0.0000076375 TO 0.0000101875	31500000000000000 TO 125000000000000000
.000005725 TO .00000429375		0.000005725 TO 0.0000076375	125000000000000000 TO 315000000000000000
.00000429375 TO .00000321875		0.00000429375 TO 0.000005725	315000000000000000 TO 1250000000000000000
.00000321875 TO .0000024125		0.00000321875 TO 0.00000429375	1250000000000000000 TO 3150000000000000000
.0000024125 TO .00000180625		0.0000024125 TO 0.00000321875	3150000000000000000 TO 12500000000000000000
.00000180625 TO .0000013546875		0.00000180625 TO 0.0000024125	12500000000000000000 TO 31500000000000000000
.0000013546875 TO .00000101625		0.0000013546875 TO 0.00000180625	31500000000000000000 TO 125000000000000000000
.00000101625 TO .0000007621875		0.00000101625 TO 0.0000013546875	125000000000000000000 TO 315000000000000000000
.0000007621875 TO .000000571625		0.0000007621875 TO 0.00000101625	315000000000000000000 TO 1250000000000000000000
.000000571625 TO .00000042875		0.000000571625 TO 0.0000007621875	1250000000000000000000 TO 3150000000000000000000
.00000042875 TO .0000003215625		0.00000042875 TO 0.000000571625	3150000000000000000000 TO 12500000000000000000000
.0000003215625 TO .0000002411875		0.0000003215625 TO 0.00000042875	12500000000000000000000 TO 31500000000000000000000
.0000002411875 TO .000000180875		0.0000002411875 TO 0.0000003215625	31500000000000000000000 TO 125000000000000000000000
.000000180875 TO .00000013565625		0.000000180875 TO 0.0000002411875	125000000000000000000000 TO 315000000000000000000000
.00000013565625 TO .00000010174375		0.00000013565625 TO 0.000000180875	315000000000000000000000 TO 1250000000000000000000000
.00000010174375 TO .00000007630625		0.00000010174375 TO 0.00000013565625	1250000000000000000000000 TO 3150000000000000000000000
.00000007630625 TO .000000057229375		0.00000007630625 TO 0.00000010174375	3150000000000000000000000 TO 12500000000000000000000000
.000000057229375 TO .000000042921875		0.000000057229375 TO 0.00000007630625	12500000000000000000000000 TO 31500000000000000000000000
.000000042921875 TO .00000003219375		0.000000042921875 TO 0.000000057229375	31500000000000000000000000 TO 125000000000000000000000000
.00000003219375 TO .000000024140625		0.00000003219375 TO 0.000000042921875	125000000000000000000000000 TO 315000000000000000000000000
.000000024140625 TO .000000018096875		0.000000024140625 TO 0.00000003219375	315000000000000000000000000 TO 1250000000000000000000000000
.000000018096875 TO .0000000135725		0.000000018096875 TO 0.000000024140625	1250000000000000000000000000 TO 3150000000000000000000000000
.0000000135725 TO .000000010178125		0.0000000135725 TO 0.000000018096875	3150000000000000000000000000 TO 12500000000000000000000000000
.000000010178125 TO .00000000763375		0.000000010178125 TO 0.0000000135725	12500000000000000000000000000 TO 31500000000000000000000000000
.00000000763375 TO .000000005725		0.00000000763375 TO 0.000000010178125	31500000000000000000000000000 TO 125000000000000000000000000000
.000000005725 TO .00000000429375		0.000000005725 TO 0.00000000763375	125000000000000000000000000000 TO 315000000000000000000000000000
.00000000429375 TO .000000003220625		0.00000000429375 TO 0.000000005725	315000000000000000000000000000 TO 1250000000000000000000000000000
.000000003220625 TO .000000002415625		0.000000003220625 TO 0.00000000429375	1250000000000000000000000000000 TO 3150000000000000000000000000000
.000000002415625 TO .000000001811875		0.000000002415625 TO 0.000000003220625	3150000000000000000000000000000 TO 12500000000000000000000000000000
.000000001811875 TO .000000001358125		0.000000001811875 TO 0.000000002415625	12500000000000000000000000000000 TO 31500000000000000000000000000000
.000000001358125 TO .000000001018125		0.000000001358125 TO 0.000000001811875	31500000000000000000000000000000 TO 125000000000000000000000000000000
.000000001018125 TO .0000000007640625		0.000000001018125 TO 0.000000001358125	125000000000000000000000000000000 TO 315000000000000000000000000000000
.0000000007640625 TO .0000000005730625		0.0000000007640625 TO 0.000000001018125	315000000000000000000000000000000 TO 1250000000000000000000000000000000
.0000000005730625 TO .0000000004296875		0.0000000005730625 TO 0.0000000007640625	1250000000000000000000000000000000 TO 3150000000000000000000000000000000
.0000000004296875 TO .0000000003223125		0.0000000004296875 TO 0.0000000005730625	3150000000000000000000000000000000 TO 12500000000000000000000000000000000
.0000000003223125 TO .000000000241875		0.0000000003223125 TO 0.0000000004296875	12500000000000000000000000000000000 TO 31500000000000000000000000000000000
.000000000241875 TO .0000000001814375		0.000000000241875 TO 0.0000000003223125	31500000000000000000000000000000000 TO 125000000000000000000000000000000000
.0000000001814375 TO .00000000013596875		0.0000000001814375 TO 0.000000000241875	125000000000000000000000000000000000 TO 315000000000000000000000000000000000
.00000000013596875 TO .00000000010190625		0.00000000013596875 TO 0.0000000001814375	315000000000000000000000000000000000 TO 1250000000000000000000000000000000000
.00000000010190625 TO .0000000000764375		0.00000000010190625 TO 0.00000000013596875	1250000000000000000000000000000000000 TO 3150000000000000000000000000000000000
.0000000000764375 TO .0000000000573375		0.0000000000764375 TO 0.00000000010190625	3150000000000000000000000000000000000 TO 12500000000000000000000000000000000000
.0000000000573375 TO .00000000004295625		0.0000000000573375 TO 0.0000000000764375	12500000000000000000000000000000000000 TO 31500000000000000000000000000000000000
.00000000004295625 TO .0000000000322375		0.00000000004295625 TO 0.0000000000573375	31500000000000000000000000000000000000 TO 125000000000000000000000000000000000000
.0000000000322375 TO .000000000024196875		0.0000000000322375 TO 0.00000000004295625	125000000000000000000000000000000000000 TO 315000000000000000000000000000000000000
.000000000024196875 TO .00000000001815625		0.000000000024196875 TO 0.0000000000322375	315000000000000000000000000000000000000 TO 1250000000000000000000000000000000000000
.00000000001815625 TO .00000000001360625		0.00000000001815625 TO 0.000000000024196875	1250000000000000000000000000000000000000 TO 31500000000000000

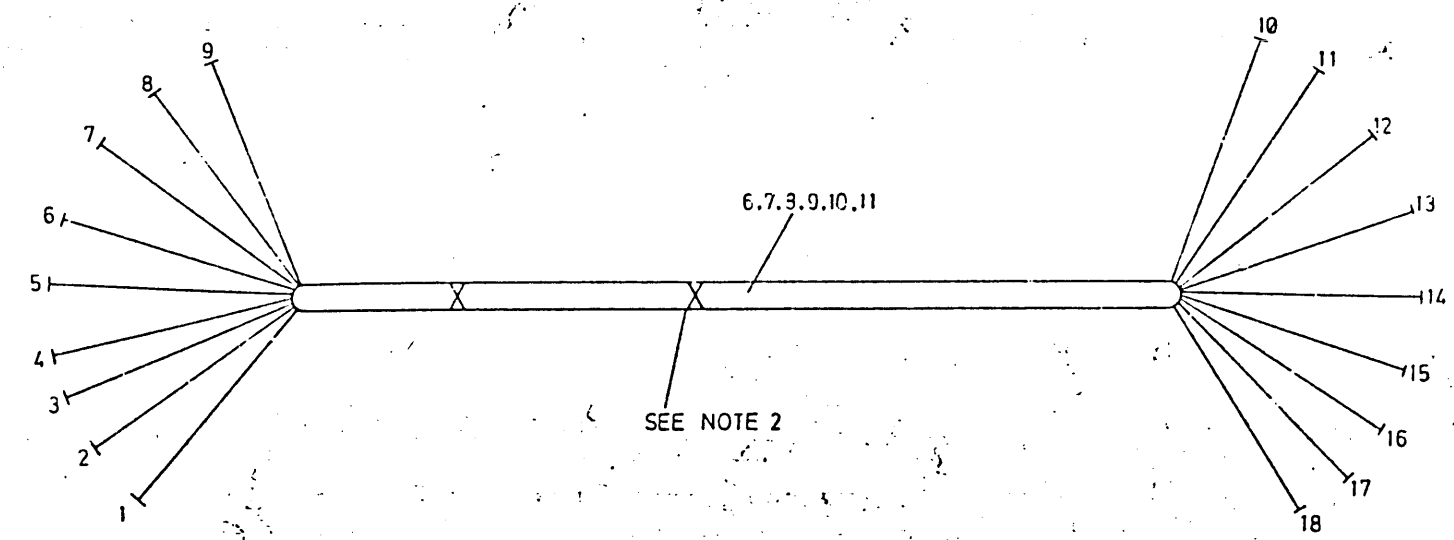
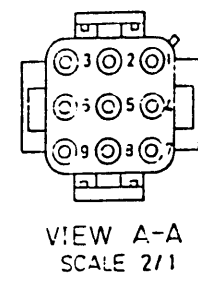
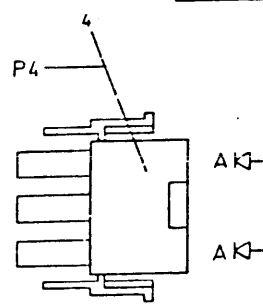
8 7 6 5 4 3 2 1

THIS DRAWING AND THE SPECIFICATIONS CONTAINED HEREIN ARE CONFIDENTIAL AND PROPRIETARY. THEY ARE THE PROPERTY OF DIGITAL EQUIPMENT CORPORATION AND SHALL NOT BE REPRODUCED OR COPIED OR USED IN WHOLE OR IN PART AS THE BASIS FOR MANUFACTURE OR SALE OF ITEMS WITHOUT WRITTEN PERMISSION. THIS IS AN UNCLASSIFIED WORK PROTECTED UNDER THE PROGRAM PROTECTION ACT.

WIRE TABLE												
WIRE NO.	ITEM NO.	DESCRIPTION			FROM			TO			REMARKS	
		AWG	COLOR	LENGTH	POINT	CONNECTION	STRIP	WITH	POINT	CONNECTION		STRIP
1	6	18	BLK	17	1	P4-1	.19	1	18			
2	5		BLK		2	P4-2		1	17			
3	6		BLK		3	P4-3		1	16			
4	9		YEL		4	P4-4		1	15			
5	8		RED		5	P4-5		1	14			
6	8		RED		6	P4-6		1	13			
7	7		BRN		7	P4-7		1	12			
8	11		WHT		8	P4-8		1	11			
9	10	18	GY	17	9	P4-9	.19	1	10	.22	2	

LEGEND		
PART NO.	REV.	VARIATION
7022657-01	A1	AS SHOWN

NOTES:
 1. UNLESS OTHERWISE NOTED ALL LENGTHS ARE IN INCHES.
 2. USE TIE WRAPS (X) ITEM 5 AS SHOWN TO BE 1.5 INCHES FROM CONNECTOR.



DO NOT REDUCE
 SCALE
 6 IN
 12 IN
 FOR MANUFACTURING PURPOSES ONLY

CAUTION: OFF SHEET PARTS LIST EXISTS
 SEE K-PL-7022657-0-08P
 (GH407A.)

REV	ECO NUMBER	DATE	INITIAL
1		7/17	

DESCRIPTION	DRAWING NO	PART NO	ITEM NO
UNLESS OTHERWISE SPECIFIED DIMENSIONS ARE IN INCHES AND THE FOLLOWING TOLERANCES APPLY (PER DEC STD 114)			
INCHES TOLERANCES X = .1 XX = .02 XXX = .005	ANGLES ± 0'30"	SURFACE QUALITY ✓	APPLICABLE DIMENSION RANGE (CHECK ONE)
			<input type="checkbox"/> 0.125 - 1.25 <input type="checkbox"/> 1.25 - 2.5 <input type="checkbox"/> 2.5 - 5.0 <input type="checkbox"/> 5.0 - 10.0 <input type="checkbox"/> 10.0 - 25.0 <input type="checkbox"/> 25.0 - 50.0 <input type="checkbox"/> 50.0 - 100.0
QUANTITY & VARIATION	THIRD ANGLE PROJECTION	DATE	TITLE
		DWN L.H. SO DATE 11-29-85	digital
	DO NOT SCALE DRAWING	DATE 11-28-85	HARNESS.
	REMOVE BURRS AND BREAK SHARP CORNERS	DATE 11/28/85	DC OUTPUT
MATERIAL	DATE	DATE	DOCUMENT NUMBER
SEE PARTS LIST	DATE 11/28/85	DATE 11/28/85	D 7022657-0-0 A
FINISH NONE	TOP DOC NO. D-1A-7022657-0-0	SCALE	SHEET 1 OF 1

8 7 6 5 4 3 2 1

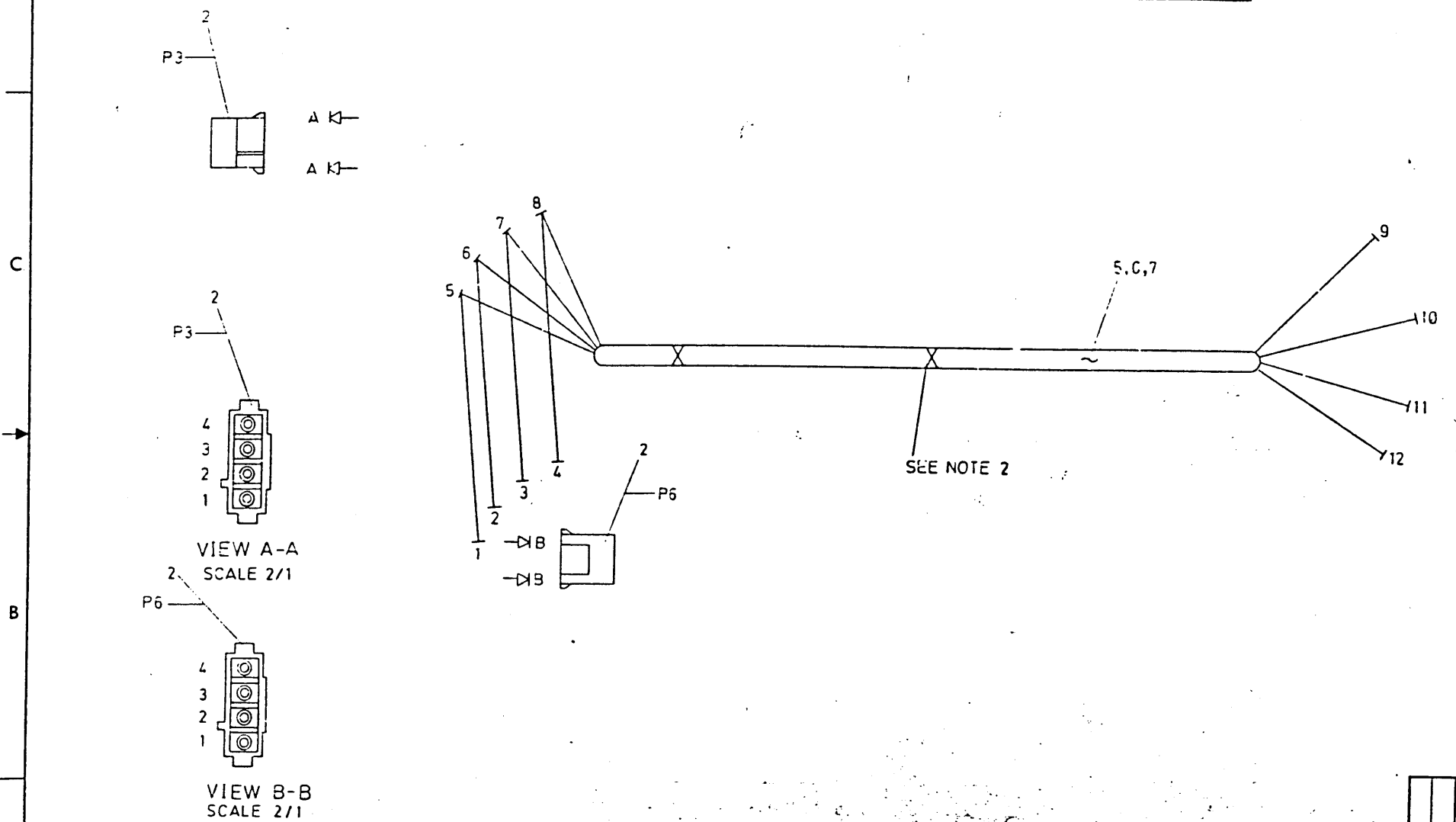
8 6 5 4 3 2 1

THIS DRAWING AND THE SPECIFICATIONS CONTAINED HEREIN ARE CONFIDENTIAL AND PROPRIETARY. THEY ARE THE PROPERTY OF DIGITAL EQUIPMENT CORPORATION AND SHALL NOT BE REPRODUCED OR TRANSMITTED IN ANY FORM OR BY ANY MEANS, ELECTRONIC OR MECHANICAL, INCLUDING PHOTOCOPYING, RECORDING, OR BY ANY INFORMATION STORAGE AND RETRIEVAL SYSTEM, WITHOUT WRITTEN PERMISSION. THIS DRAWING AND THE SPECIFICATIONS CONTAINED HEREIN ARE PROTECTED UNDER THE FEDERAL COPYRIGHT LAWS.

RUN NO.	ITEM NO.	DESCRIPTION			FROM			TO			REMARKS		
		AWC	COLOR	LENGTH	POINT	CONNECTION	STRIP	WIDTH	POINT	CONNECTION		STRIP	WIDTH
1	6	18	RED	X	8	P3-4	.19	1	9		.22	3	SEE LEGEND
2	6		RED	Y					4	P6-4	.19	1	
3	5		BLK	X	7	P3-3		1	10		.22	3	
4	5		BLK	Y					3	P6-3	.19	1	
5	5		BLK	Z	6	P3-2		1	11		.22	3	
5	5		BLK	Y					2	P6-2	.19	1	
7	7		ORN	X	5	P3-1	.19	1	12		.22	3	
8	7	18	ORN	Y					1	P6-1	.19	1	

LEGEND		
PART NO.	REV	VARIATION
7022658-01	A1	DIM X = .17 IN. DIM Y = .4 IN.
7022658-02	A1	DIM X = .17 IN. DIM Y = .35 IN.

NOTES:
 1. UNLESS OTHERWISE NOTED ALL LENGTHS ARE IN INCHES.
 2. USE THE WRAPS (X) ITEM 4 AS SHOWN, TO BE 4.3 INCHES FROM ITEM 2.



CAUTION: OFF SHEET PARTS LIST EXISTS
 SEE K-PL-7022658-0-38P
 (GH403B.)

DESCRIPTION	DRAWING NO.	PART NO.	ITEM NO.				
UNLESS OTHERWISE SPECIFIED DIMENSIONS ARE IN INCHES AND THE FOLLOWING TOLERANCES APPLY (PER DEC STD 114)							
INCHES TOLERANCES	ANGLES ±0°30'	APPLICABLE DIMENSION RANGE	DIMENSION RANGE IN INCHES				
			OVER TO UNDER TO OVER TO OVER TO OVER TO				
XX ± .1	SURFACE QUALITY	MICRO-INCHES	0.2 TO 1.2	1.2 TO 4.0	4.0 TO 12.0	12.0 TO 40.0	40.0 TO 250.0
XX ± .02			0.2 TO 0.25	0.25 TO 0.5	0.5 TO 1.0	1.0 TO 2.0	
XXX ± .005	✓	✓	0.004 TO 0.008	0.008 TO 0.012	0.012 TO 0.018	0.018 TO 0.024	0.024 TO 0.04
QUANTITY & VARIATION	THIRD ANGLE PROJECTION	DATE	TITLE				
		L. H. SO 11-23-85	FLOPPY HARNESS, DAISY CHAIN				
DO NOT SCALE DRAWING	DESIGN	DATE					
REMOVE BURRS AND BREAK SHARP CORNERS		11-23-85					
MATERIAL	RESP ENG	DATE					
SEE PARTS LIST		11-23-85					
FINISH	MFG ENG	DATE					
		11-23-85					
	TOP SPEC NO	D-IA-7022658-0-0	DOCUMENT NUMBER				
			D IA 7022658-0-0 B				
			SCALE SHEET OF				

REV	DATE	INITIAL
1		
2		
3		
4		

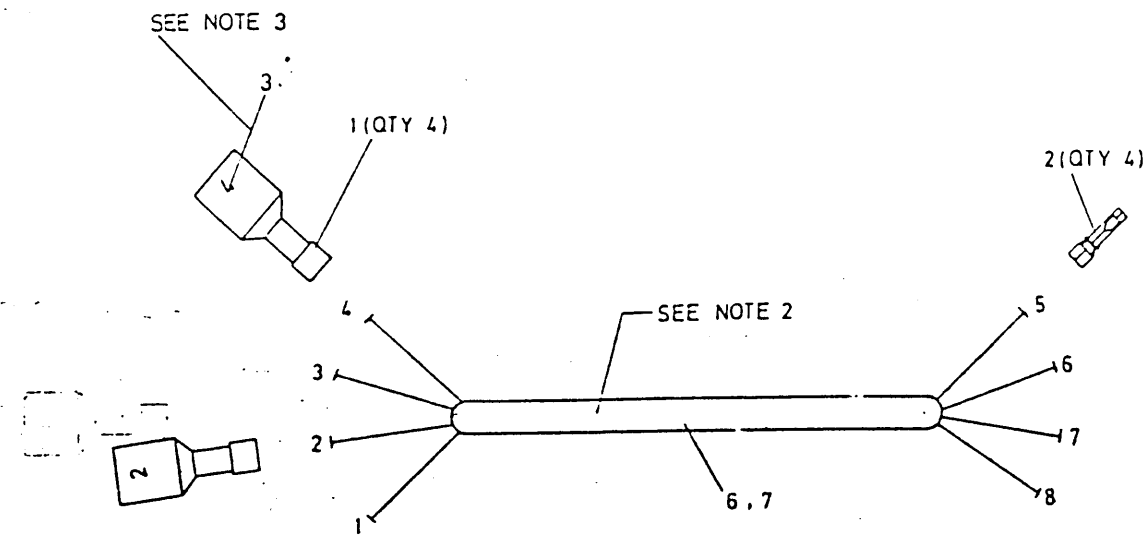
8 7 6 5 4 3 2 1 BFO

THE DIMENSIONS AND THE SPECIFICATIONS CONTAINED HEREIN ARE CONFIDENTIAL AND PROPRIETARY. THEY ARE THE PROPERTY OF THE ORIGINAL EQUIPMENT MANUFACTURER AND SHALL NOT BE REPRODUCED OR COPIED OR USED IN WHOLE OR IN PART AS THE BASIS FOR MANUFACTURE OR SALE OF ITEMS WITHOUT WRITTEN PERMISSION. THIS IS AN UNCLASSIFIED WORK PROTECTED UNDER THE FEDERAL COPYRIGHT LAWS.

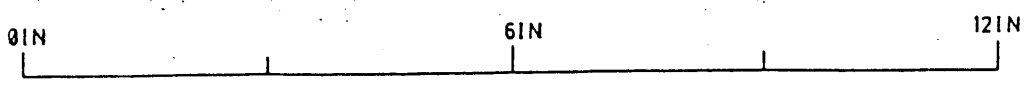
RUN NO.	ITEM NO.	AWG	COLOR	LENGTH	FROM			TO			REMARKS		
					POINT	CONNECTION	STRIP WIDTH	POINT	CONNECTION	STRIP WIDTH			
1	6	18	BRN	9.	1	---	.25	1	8	---	.22	2	---
2	6	18	BRN	1	2	---	---	1	7	---	---	2	---
3	7	18	BLU	1	3	---	---	1	6	---	---	2	---
4	7	18	BLU	9.	4	---	.25	1	5	---	.22	2	---

LEGEND
PART NO. IREV VARIATION
7022360-0K1A1 AS SHOWN

- NOTES:
- UNLESS OTHERWISE NOTED ALL LENGTHS ARE IN INCHES.
 - OUTER PVC TUBING ITEM * 4, AND INNER SHRINK TUBING ITEM * 5, ARE TO BE ASSEMBLED OVER LEADS 1, 2, 3 & 4 FROM BREAK OUT POINT TO BREAK OUT POINT. BOTH LENGTH 6 INCHES. DO NOT SHRINK.
 - QUICK TERMINALS ITEM * 1 ARE TO BE LABELED USING MARKER ITEM * 3 WITH RESPECT TO THE RUN NUMBER.



DO NOT REDUCE SCALE



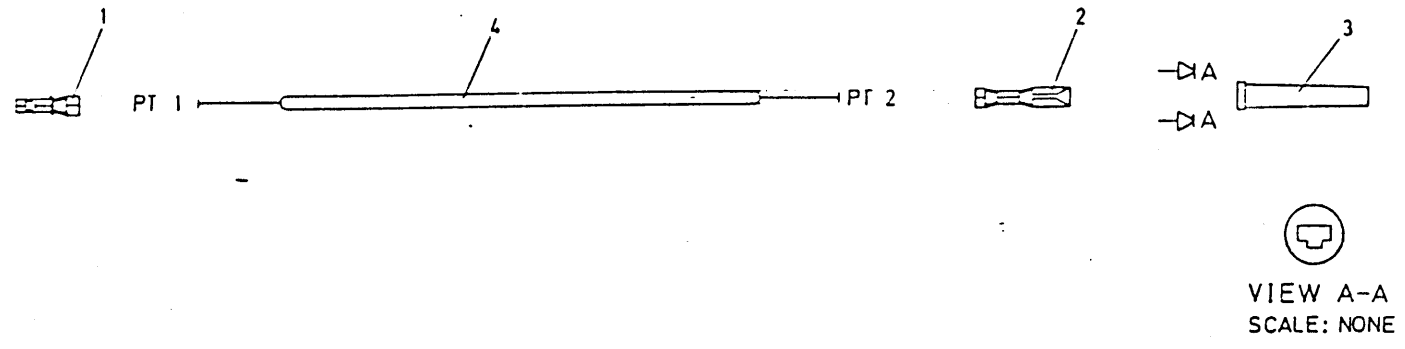
FOR MANUFACTURING PURPOSES ONLY.

CAUTION: OFF SHEET PARTS LIST EXISTS
SEE K-PL-7022360-0-DBP

REV	DATE	DESCRIPTION

QUANTITY & VARIATION	INCHES TOLERANCES	ANGLES	APPLICABLE DIMENSION RANGE	DIMENSION RANGE IN INCHES						
X = ±.1 XX = ±.02 XXX = ±.005		SURFACE QUALITY <input checked="" type="checkbox"/> ✓	CHECK ONE <input type="checkbox"/> <input type="checkbox"/> <input type="checkbox"/>	OVER .01 TO 0.25	OVER .25 TO 0.50	OVER 0.50 TO 1.00	OVER 1.00 TO 2.00	OVER 2.00 TO 4.00	OVER 4.00 TO 12.00	OVER 12.00 TO 48.00
THIRD ANGLE PROJECTION	DATE	DESIGNER	DATE	TITLE						
	11-19-82	H. Y. LI	11/17/82	digital CABLE, AC POWER SWITCH						
DO NOT SCALE DRAWING	DATE	DESIGNER	DATE	DOCUMENT NUMBER						
REMOVE BURRS AND BREAK SHARP CORNERS	11/20/82	W. H. NG	4/20/82	DIA 7022360-0-0 A						
SEE PARTS LIST	DATE	DESIGNER	DATE	SCALE NONE SHEET 1 OF 1						
FINISH NONE	11-20-84	W. H. NG	11-20-84	TOP DOC NO. D-1A-7022360-0-0						

8													7 0-0-1922202 [D] [H] [L] [U] [V] [W] [X] [Y] [Z]		0		5		4		3		2		1	
WIRE TABLE													LEGEND		NOTES: 1. UNLESS OTHERWISE NOTED ALL LENGTHS ARE IN INCHES.											
													PART NO. REV VARIATION													
RUN NO.	ITEM NO.	AWG	COLOR	LENGTH	POINT	CONNECTION	STRIP	WIDTH	POINT	CONNECTION	STRIP	WIDTH	REMARKS	7022361-3C1 A1 AS SHOWN												
1	4	18	BLU	3.	1		.22	2	2	3	.19	1														



CAUTION: OFF SHEET PARTS LIST EXISTS
SEE K-PL-7022361-0-DBP

REVISION HISTORY	DATE
1	
2	
3	
4	

DESCRIPTION		DRAWING NO.		PART NO.		ITEM NO.	
UNLESS OTHERWISE SPECIFIED DIMENSIONS ARE IN INCHES AND THE FOLLOWING TOLERANCES APPLY (PER DEC STD 114)							
INCHES TOLERANCES	ANGLES ± 30°	APPLICABLE DIMENSION RANGE	DIMENSION RANGE IN INCHES				
			OVER	OVER	OVER	OVER	OVER
J ± .01	SURFACE QUALITY	CHECK DIM	0 TO .2	.2 TO .5	.5 TO 1.0	1.0 TO 1.5	1.5 TO 3.0
.XX ± .02			.02	.03	.04	.05	.06
.XXX ± .025	MICROINCHES	MICROINCHES	.004	.006	.012	.016	.024
THIRD ANGLE PROJECTION		DRN H. Y. LI		DATE 11-22-84		TITLE digital	
DO NOT SCALE DRAWING		DES. ENG. [Signature]		DATE 11/21/84		JUMPER, VOLTAGE SELECTOR	
REMOVE BURRS AND BREAK SHARP CORNERS		APP. ENG. W. H. NG		DATE 11/30/84		DOCUMENT NUMBER	
MATERIAL SEE PARTS LIST		MFG. ENG. W. H. NG / L. E.		DATE 11/30/84		DIA 7022361-0-0 A	
FINISH NONE		TOP DOC. NO. D-1A-7022361-0-0		SCALE NONE		1 BPO1	

DRAWING NO.	NO OF SHTS	PART NO.	DESCRIPTION	REVISIONS											
				A1	B1	C1	D1	E1	E2	F1	H1				
		VR260-A3	VR260-A(B&W) FOR EXPORT 240V	A1	B1	C1	D1	E1	E2	F1	H1				
		VR260-AA	VR260-A(B&W) FOR US/ENGLISH DOC	A1	B1	C1	D1	E1	E2	F1	H1				
		VR260-B3	VR260-B(GRN) FOR EXPORT, 240V	A1	B1	C1	D1	E1	E2	F1	H1				
		VR260-BA	VR260-B(GRN) FOR US/ENGLISH DOC	A1	B1	C1	D1	E1	E2	F1	H1				
		VR260-C3	VR260-C(AMB) FOR EXPORT, 240V	A1	B1	C1	D1	E1	E2	F1	H1				
		VR260-CA	VR260-C(AMB) FOR US/ENGLISH DOC	A1	B1	C1	D1	E1	E2	F1	H1				
			PARTS LIST	A	B	C	D	E	F	H	J				
			UNIT ASSY	A	B	B	C	D	E	E	E				
			TABLE OF CONTENTS	A	A	A	A	A	A	A	A				
		MP02004-01	PRINT SET	REF	REF	REF	REF	REF	REF	REF	REF				

NOTES:

REVISION HISTORY		REV.	A	B	C	D	E	F	H	J
DATE	ECO NO.	INITIAL	VR260- MLO04	VR260- MLO05	VR260- MLO06	VR260- MLO07	VR260- MLO08	VR260- MLO09	VR260- MLO10	
15- SEPT 86										
23 DEC 86										
23 JUL 87										
1 FEB 88										

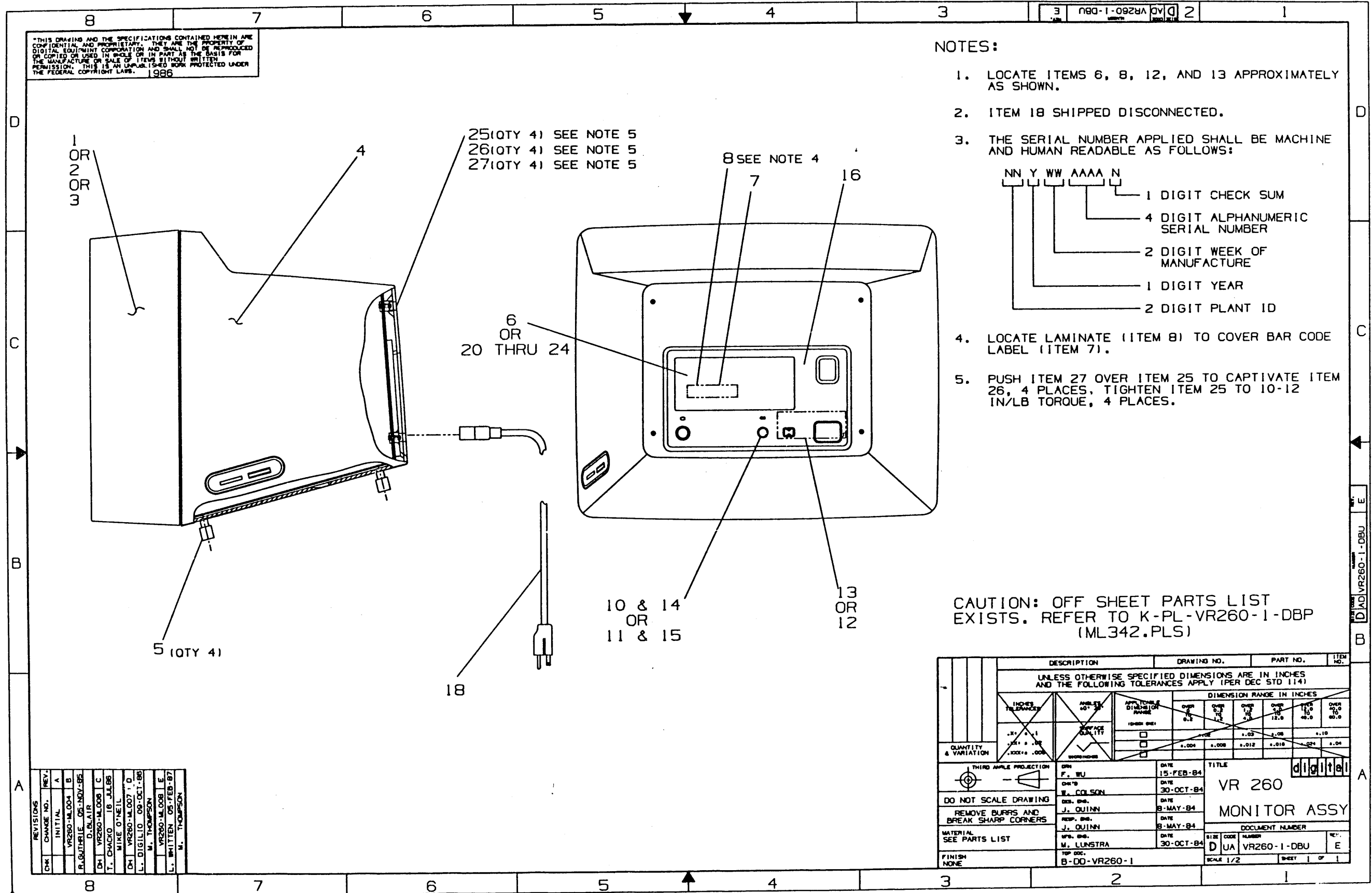
THIS DRAWING AND THE SPECIFICATIONS CONTAINED HEREIN ARE CONFIDENTIAL AND PROPRIETARY. THEY ARE THE PROPERTY OF DIGITAL EQUIPMENT CORPORATION AND SHALL NOT BE REPRODUCED OR COPIED OR USED IN WHOLE OR IN PART AS THE BASIS FOR THE MANUFACTURE OR SALE OF ITEMS WITHOUT WRITTEN PERMISSION. THIS IS AN UNPUBLISHED WORK PROTECTED UNDER THE FEDERAL COPYRIGHT LAWS.



DRN.	D. DORVAL	DATE	10-SEP-84
CHK'D	W. COLSON	DATE	30-OCT-84
DES. ENG.	J. QUINN	DATE	10-SEP-84
RESP. ENG.	J. FITZGERALD	DATE	10-SEP-84
MFG. ENG.	M. LUNSTRA	DATE	30-OCT-84

TITLE			
VR260 MONITOR			
DOCUMENT NUMBER			
SIZE	CODE	NUMBER	REV
B	DD	VR260-1	J
SHEET		1 OF 1	

*THIS DRAWING AND THE SPECIFICATIONS CONTAINED HEREIN ARE CONFIDENTIAL AND PROPRIETARY. THEY ARE THE PROPERTY OF DIGITAL EQUIPMENT CORPORATION AND SHALL NOT BE REPRODUCED OR COPIED OR USED IN WHOLE OR IN PART AS THE BASIS FOR THE MANUFACTURE OR SALE OF ITEMS WITHOUT WRITTEN PERMISSION. THIS IS AN UNPUBLISHED WORK PROTECTED UNDER THE FEDERAL COPYRIGHT LAWS. 1986



NOTES:

- LOCATE ITEMS 6, 8, 12, AND 13 APPROXIMATELY AS SHOWN.
- ITEM 18 SHIPPED DISCONNECTED.
- THE SERIAL NUMBER APPLIED SHALL BE MACHINE AND HUMAN READABLE AS FOLLOWS:

NN	Y	WW	AAAA	N
1 DIGIT CHECK SUM		4 DIGIT ALPHANUMERIC SERIAL NUMBER		2 DIGIT WEEK OF MANUFACTURE
		1 DIGIT YEAR		2 DIGIT PLANT ID
- LOCATE LAMINATE (ITEM 8) TO COVER BAR CODE LABEL (ITEM 7).
- PUSH ITEM 27 OVER ITEM 25 TO CAPTIVATE ITEM 26, 4 PLACES, TIGHTEN ITEM 25 TO 10-12 IN/LB TORQUE, 4 PLACES.

CAUTION: OFF SHEET PARTS LIST EXISTS. REFER TO K-PL-VR260-1-DBP (ML342.PLS)

REV.	CHG.	NO.	DATE	BY	INITIALS
A					
B					
C					
D					
E					

DESCRIPTION	DRAWING NO.	PART NO.	ITEM NO.														
UNLESS OTHERWISE SPECIFIED DIMENSIONS ARE IN INCHES AND THE FOLLOWING TOLERANCES APPLY (PER DEC STD 114)																	
DIMENSION RANGE IN INCHES																	
<table border="1"> <tr> <th>OVER 0 TO 0.25</th> <th>OVER 0.25 TO 0.5</th> <th>OVER 0.5 TO 1.0</th> <th>OVER 1.0 TO 2.0</th> <th>OVER 2.0 TO 4.0</th> <th>OVER 4.0 TO 8.0</th> <th>OVER 8.0 TO 16.0</th> </tr> <tr> <td>±.004</td> <td>±.005</td> <td>±.007</td> <td>±.010</td> <td>±.015</td> <td>±.020</td> <td>±.030</td> </tr> </table>				OVER 0 TO 0.25	OVER 0.25 TO 0.5	OVER 0.5 TO 1.0	OVER 1.0 TO 2.0	OVER 2.0 TO 4.0	OVER 4.0 TO 8.0	OVER 8.0 TO 16.0	±.004	±.005	±.007	±.010	±.015	±.020	±.030
OVER 0 TO 0.25	OVER 0.25 TO 0.5	OVER 0.5 TO 1.0	OVER 1.0 TO 2.0	OVER 2.0 TO 4.0	OVER 4.0 TO 8.0	OVER 8.0 TO 16.0											
±.004	±.005	±.007	±.010	±.015	±.020	±.030											
QUANTITY & VARIATION	APPLICABLE DIMENSION RANGE																
THIRD ANGLE PROJECTION	DATE	TITLE															
DO NOT SCALE DRAWING	DATE	VR 260															
REMOVE BURRS AND BREAK SHARP CORNERS	DATE	MONITOR ASSY															
MATERIAL SEE PARTS LIST	DATE	DOCUMENT NUMBER															
FINISH NONE	DATE	D UA VR260-1-DBU E															
	DATE	SCALE 1/2 SHEET 1 OF 1															

LINE	ITEM	TOP DOCUMENT	PART NUMBER	MIN REV	DESCRIPTION	QUANTITY PER VARIATION/REVISION					
						A3 F1	AA F1	B3 F1	BA F1	C3 F1	CA F1
1	1	D-AD-7021267-0-DBU	70-21267-01	F	CHASSIS ASSY BLK/WHT	1	1	-	-	-	-
2	2	D-AD-7021267-0-DBU	70-21267-02	F	CHASSIS ASSY GREEN	-	-	1	1	-	-
3	3	D-AD-7021267-0-DBU	70-21267-03	F	CHASSIS ASSY AMBER	-	-	-	-	1	1
4	4	D-IA-7021218-0-DBU	70-21218-01	A	REAR ENCLOSURE ASSY	1	1	1	1	1	1
5	5	C-MD-7428316-0-DBU	74-28316-01		FOOT, SPACER	4	4	4	4	4	4
6	6		36-23007-01		LABEL, S/N, REG, VR260-AA	-	1	-	-	-	-
7	7		36-23006-01		LABEL, BAR CODE BLANK	1	1	1	1	1	1
8	8		36-23161-01		LABEL, BAR CODE, OVERLAMINATE	1	1	1	1	1	1
9	9				*** THIS ITEM IS NOT USED ***	-	-	-	-	-	-
10	10		90-07212-00		FUSE 3AG 1.0 A 250V SLOW-BLOW G	-	1	-	1	-	1
11	11		12-19283-19		FUSE 5X20 .500A 250V SURGE RESIS	1	-	1	-	1	-
12	12		36-17905-16		LABEL, WARNING EQUIP. RATING, 100-12	-	1	-	1	-	1
13	13		36-17905-17		LABEL, WARNING EQUIP. RATING, 220-24	1	-	1	-	1	-
14	14		12-21126-03		FUSE CARRIER 3AG TYPE 12A 250	-	1	-	1	-	1
15	15		12-21126-04		FUSE CARRIER 5MM TYPE 10A 250	1	-	1	-	1	-
16	16	E-MD-7429483-0-DBU	74-29483-01	C	BEZEL, BULKHEAD	1	1	1	1	1	1
17	17		EK-VR260-IN		VR260 INSTALLATION/OWNERS GUIDE	1	1	1	1	1	1
18	18		17-00083-09		PWR CORD, TERM 3-18 SJT 125V	-	1	-	1	-	1
19	19		37-00825-01		PKG MONITOR VR260 CUSTOMER	1	1	1	1	1	1
20	20		36-23007-02		LABEL, S/N, REG, VR260-A3	1	-	-	-	-	-
21	21		36-23007-03		LABEL, S/N, REG, VR260-BA	-	-	-	1	-	-
22	22		36-23007-04		LABEL, S/N, REG, VR260-B3	-	-	1	-	-	-
23	23		36-23007-05		LABEL, S/N, REG, VR260-CA	-	-	-	-	-	1
24	24		36-23007-06		LABEL, S/N, REG, VR260-C3	-	-	-	-	1	-
25	25		90-06332-08	A	SCREW, CAP SGC HEX 6-32	4	4	4	4	4	4
26	26		90-06656-00	A	WASHER, FLAT STEEL	4	4	4	4	4	4
27	27		90-09232-00	A	WASHER, FLAT NYLON	4	4	4	4	4	4

REVISION HISTORY			KPL MATRIX FORMAT		SECTION A OF A		DRN: D. DORVAL		DIGITAL			
ENG	ECO NUMBER	REV	SECTION/VARIATION INDEX		DATE: 10-SEP-84		CHK'D: W. COLSON		TITLE PARTS LIST			
---	INITIAL	A	[A]	A3, AA, B3, BA, C3, CA	DATE: 30-OCT-84		DES. ENG: J. QUINN		VR260 MONITOR ASSEMBLY			
MO	VR260-ML004	B	[B]		DATE: 10-SEP-84		DATE: 10-SEP-84		DOCUMENT NUMBER			
MO	VR260-ML005	C	[C]		RESP. ENG.: J. FITZGERALD		DATE: 10-SEP-84		SIZE	CODE	NUMBER	REV
MON	VR260-ML006	D	[D]		DATE: 10-SEP-84		DATE: 10-SEP-84		K	PL	VR260-1-DBP	H
MT	VR260-ML007	E	[E]		MFG. ENG: M. LUNSTRA		DATE: 30-OCT-84		RELEASE DATE: 24-AUG-87			
MT	VR260-ML008	F	[F]		DATE: 30-OCT-84		RELEASE STATUS: RELEASED					
MT	VR260-ML009	H	[H]									
			[J]									
			BASIC PART NUMBER: VR260		ASSEMBLY NUMBER: D-UA-VR260-1-DBU		TOP DOCUMENT NUMBER: B-DD-VR260-1		FILE NAME: ML342H.PLS		EDIT # 6	

"THIS DRAWING AND THE SPECIFICATIONS CONTAINED HEREIN ARE CONFIDENTIAL AND PROPRIETARY. THEY ARE THE PROPERTY OF DIGITAL EQUIPMENT CORPORATION AND SHALL NOT BE REPRODUCED OR COPIED OR USED IN WHOLE OR IN PART AS THE BASIS FOR THE MANUFACTURE OR SALE OF ITEMS WITHOUT WRITTEN PERMISSION. THIS IS AN UNPUBLISHED WORK PROTECTED UNDER THE FEDERAL COPYRIGHT LAWS."

THIS DRAWING AND SPECIFICATIONS, HEREIN, AND THE PROPERTY OF DIGITAL EQUIPMENT CORPORATION AND SHALL NOT BE REPRODUCED OR COPIED IN ANY MANNER OR IN PART OR IN WHOLE FOR THE MANUFACTURE OF SUCH OR ITEMS WITHOUT WRITTEN PERMISSION.
COPYRIGHT © 1968 DIGITAL EQUIPMENT CORPORATION

COMPONENT SIDE VIEW

REWORK INSTRUCTIONS

ECO 5415626-ML001

1-1 REMOVE R31 220K OHM RES. AND REPLACE WITH 22 OHM RES. (P/N 1301969-00)

ECO 5415626-ML002

2-1 DELETE CAP C3 (P/N 1005820-00)

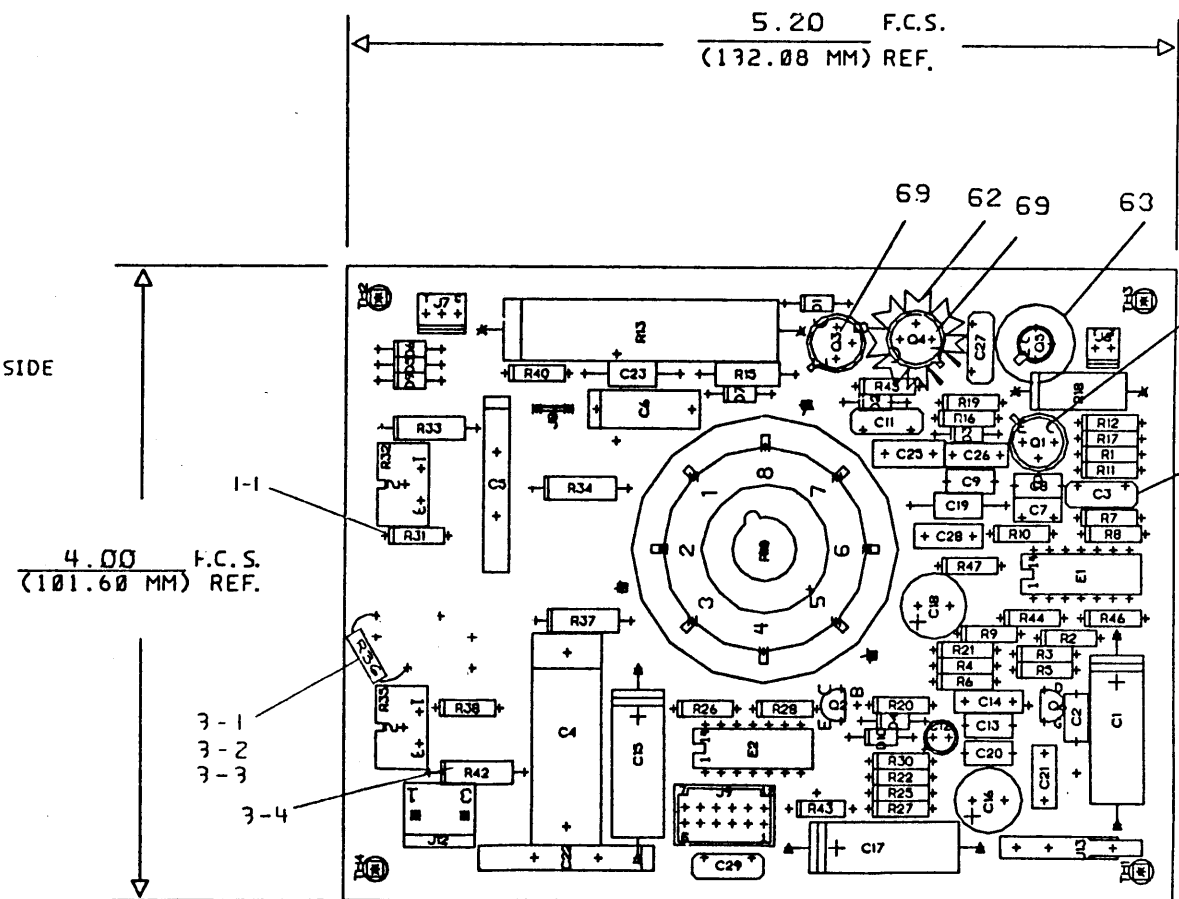
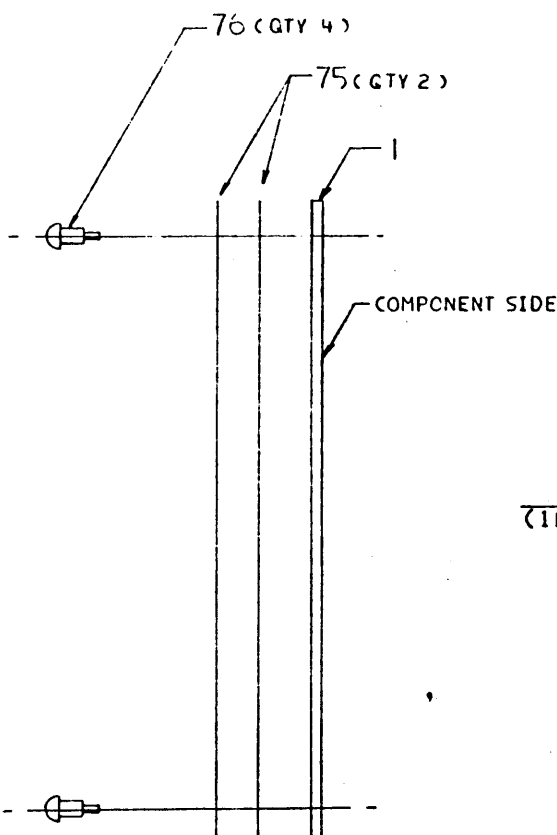
ECO 5415626-ML003

3-1 DELETE DIODE D8

3-2 DELETE RESISTOR R39 22K

3-3 LIFT LEG OF R36 2M NEAREST THE CENTER OF MODULE AND MOVE TO PTH NEAREST THE EDGE OF MODULE ORIGINALLY OCCUPIED BY R39.

3-4 REMOVE R42 680K AND REPLACE WITH 330K RESISTOR (P/N 13-20711-01)



CHK	DRAWN BY	ENGINEER	CHANGE NO	DATE	REV
RE	M. J. ...	MARVIN THOMPSON	15626ML001	1/31/86	B
		V. SATAS	15626ML002	2/27/86	C
		M. L. ...	15626ML003	2/24/86	D

CHK	DRAWN BY	ENGINEER	CHANGE NO	DATE	REV

NOTES:

STEP	± Y AXIS	STEP	TIMES
REPEAT	± X AXIS	STEP	TIMES

1. THIS BOARD MEETS REQUIREMENTS FOR ULTYPE HPWR.
MAX. LEAD LENGTH FOR COMPONENTS IS 200.
ETCH REV. J1

SIGNATURES
DRN. JOE LIZOTTE 2-15-85
CHK. D. R. BARRIERE 2-15-85
MECH. ENG. J. FITZGERALD 4-9-85
PROJ. ENG. J. FITZGERALD 4-9-85
PROD. M. LUNSTRA 4-9-85

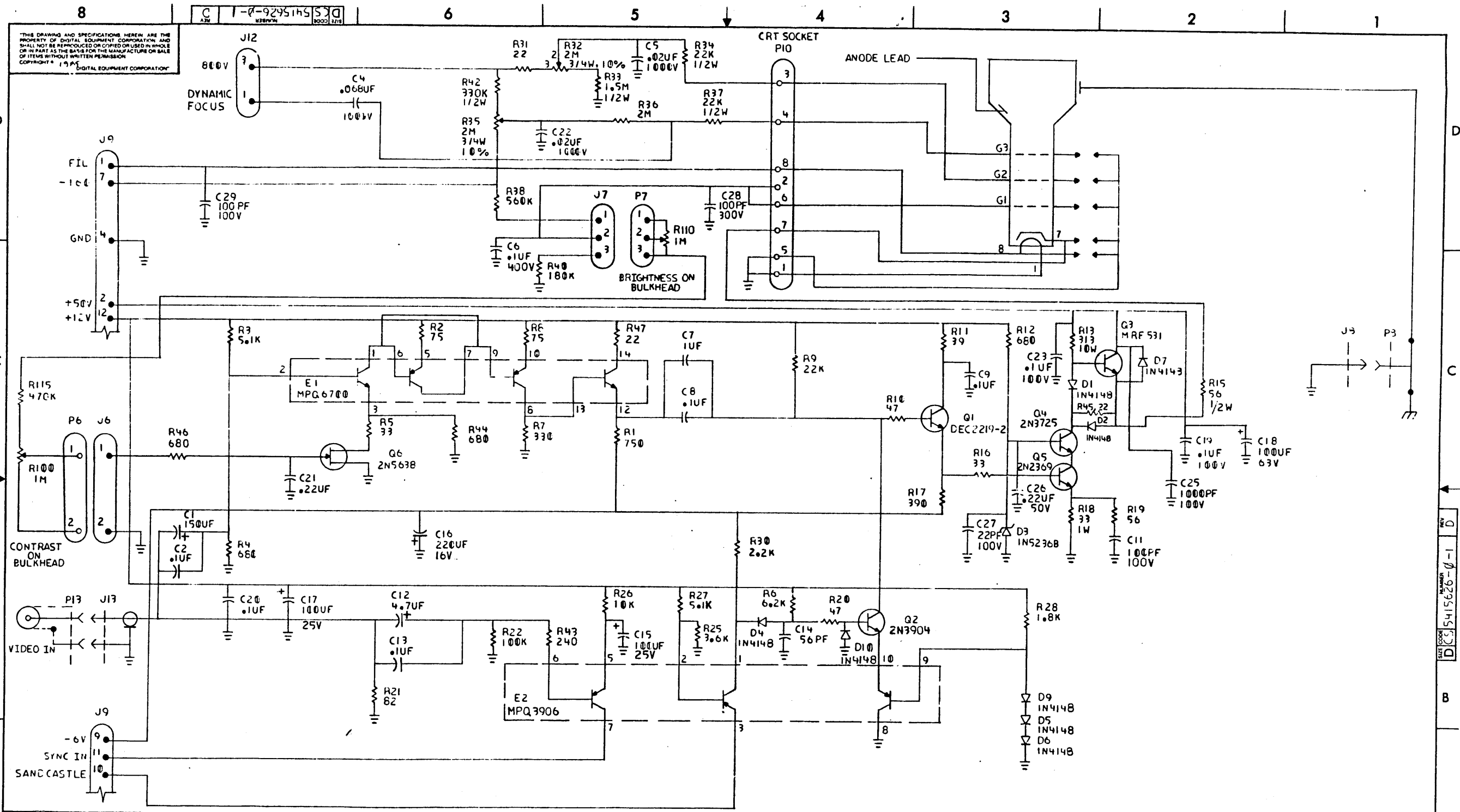
digital
TITLE VIDEO
AMP BOARD
SCALE 2:1
SHT. 1 OF 1
TOP DOC. NO. B-DD-5415626-0-0
SIZE CODE 0
NUMBER 5415626-0-0
REV 0

LINE	ITEM	TOP DOCUMENT	PART NUMBER	MIN REV	DESCRIPTION	QTY	PER VAR/REV	REFERENCE DESIGNATORS	
1	1	B-DD-5015625-0-0	50-15625-01		CIRCUIT DRILL AND ETCH	1			
2	2		13-00197-00	33.0	.25 W 5.0 % CF	2		R5,R16	
3	3		13-00202-00	47.0	.25 W 5.0 % CF	2		R10,R20	
4	4		13-00309-00	390.0	.25 W 5.0 % CF	1		R17	
5	5		13-00295-00	330.0	.25 W 5.0 % CF	1		R7	
6	6		13-00479-00	10.0 K	.25 W 5.0 % CF	1		R26	
7	7		13-00417-00	2.20 K	.25 W 5.0 % CF	1		R30	
8	8		13-00398-00	1.80 K	.25 W 5.0 % CF	1		R28	
9	9		13-02602-00	56.0	.25 W 5.0 % CF	1		R19	
10	10		13-01401-00	750.0	.25 W 5.0 % CF	1		R1	
11	11		13-01424-00	680.0	.25 W 5.0 % CF	4		R4,R12,R44,R46	
12	12		13-01785-00	22.0 K	.50 W 5.0 % CF	2		R34,R37	
13	13		13-01808-00	22.0 K	.25 W 5.0 % CF	1		R9	
14	14		13-01969-00	22.0	.25 W 5.0 % CF	3		R31,R45,R47	
15	15		13-02397-00	180.0 K	.25 W 5.0 % CF	1		R40	
16	16		13-02092-00	*** THIS ITEM IS NOT USED ***			-		
17	17		13-19255-16	33.0	1.0 W 5.0 % M.OXIDE	1		R18	
18	18		13-02377-00	39.0	.25 W 5.0 % CF	1		R11	
19	19		13-02379-00	75.0	.25 W 5.0 % CF	2		R2,R8	
20	20		13-02466-00	100.0 K	.25 W 5.0 % CF	1		R22	
21	21		13-09995-00	56.0	.50 W 5.0 % CF	1		R15	
22	22		13-20719-01	*** THIS ITEM IS NOT USED ***			-		
23	23		13-12930-00	5.10 K	.25 W 5.0 % CF	2		R3,R27	
24	24		13-12931-00	6.20 K	.25 W 5.0 % CF	1		R6	
25	25		13-12992-00	560.0 K	.25 W 5.0 % CF	1		R38	
26	26		13-13151-00	3.60 K	.25 W 5.0 % CF	1		R25	
27	27		13-22395-01	313.0	10.0 W 1.0 % WW	1		R13	
28	28		13-20725-01	1.50 M	.50 W 5.0 % CF	1		R33	
29	29		13-20414-01	2.0 M	.25 W 5.0 % CF	1		R36	
30	30		13-21582-01	POT-SEAL/TRIM 2.0M 0.75W 10.0		2		R32,R35	
31	31		10-00016-00	100	PFD 100V +/- 5% 200PP	2		C11,C29	
32	32		10-00012-00	56	PFD 100V +/- 5% 200PP	1		C14	

REVISION HISTORY			KPL MODULE FORMAT		SECTION A OF A	DRN: JOE LIZOTTE	DIGITAL			
ENG	ECO NUMBER	REV	SECTION/VARIATION INDEX			DATE: 04-MAR-84				
JF	INITIAL	A	[A]	01	[M]	CHK'D: DICK BARRIER	TITLE PARTS LIST			
MON	5415626-ML001	B	[B]		[N]	DATE: 06-FEB-85	VIDEO AMP BOARD			
MON	5415626-ML002	C	[C]		[P]	DES.ENG: J. FITZGERALD				
MT	5415626-ML003	D	[D]		[Q]	DATE: 09-APR-85	DOCUMENT NUMBER			
			[E]		[R]		SIZE	CODE	NUMBER	REV
			[F]		[S]	RESP.ENG.: J. FITZGERALD	K	PL	5415626-0-DBP	D
			[H]		[T]	DATE: 09-APR-85				
			[J]		[V]		RELEASE DATE: 13-OCT-87			
			[K]		[W]	MFG.ENG: M. LUNSTA	RELEASE STATUS: RELEASED			
			[L]		[Y]	DATE: 09-APR-85				
			BASIC PART NUMBER:		ASSEMBLY NUMBER:	TOP DOCUMENT NUMBER:		FILE NAME:		EDIT #
			5415626		D-UA-5415626-0-0	B-DD-5415626-0-0		Z4832D.PLS		1

"THIS DRAWING AND THE SPECIFICATIONS CONTAINED HEREIN ARE CONFIDENTIAL AND PROPRIETARY. THEY ARE THE PROPERTY OF DIGITAL EQUIPMENT CORPORATION AND SHALL NOT BE REPRODUCED OR COPIED OR USED IN WHOLE OR IN PART AS THE BASIS FOR THE MANUFACTURE OR SALE OF ITEMS WITHOUT WRITTEN PERMISSION. THIS IS AN UNPUBLISHED WORK PROTECTED UNDER THE FEDERAL COPYRIGHT LAWS."

LINE	ITEM	TOP DOCUMENT	PART NUMBER	MIN REV	DESCRIPTION	QTY PER VAR/REV	REFERENCE DESIGNATORS
						01	
						D1	
33	33		10-20396-01		0.10 MFD 100V +80/-20% Z5U C	2	C19,C23
34	34		10-00042-00	1000	PFD 100V +/- 5% 200PP	1	C25
35	35		10-05820-00	22	PFD 100V +/- 5% 200PP	1	C27
36	36		10-10274-00		0.22 MFD 50V +80/-20% Z5U C	1	C21
37	37		10-10274-02		1.0 MFD 50V +80/-20% Z5U C	1	C7
38	38		10-10978-36		0.10 MFD 50V +/-10% X7R C	5	C2,C8,C9,C13,C20
39	39		10-11683-00		*** THIS ITEM IS NOT USED ***	-	
40	40		10-12084-03		150 MFD 15V +75/-10% ALU	1	C1
41	41		10-14052-00		100 MFD 25V +100/-10% ALU	2	C15,C17
42	42		10-20606-01		0.068MFD 1000V +/-10% POLYP	1	C4
43	43		10-19559-01		0.020MFD 1000V +80/-20% Y5U/Z	2	C5,C22
44	44		10-18000-25	220	MFD 16V +/-20% ALU	1	C16
45	45		10-18000-21	100	MFD 63V +50/-20% ALU	1	C18
46	46		10-20604-07		0.10 MFD 400V +/-10% MET.	1	C6
47	47		15-01883-00		DEC2219-2 NPN 3WC SI 30100 M	1	Q1
48	48		15-10959-00		2N 3725 NPN 3.5WC SI 50 60 P	1	Q4
49	49		15-21002-01		2N 2369A NPN 200MA 15V T0-18	1	Q5
50	50		15-11095-00		2N 5638 FET 310MW SIN CHNNL	1	Q6
51	51		11-16475-00		PIV= 75 - 4NS 1N4148	8	D1,D2,D4-D7,D9,D10
52	52		11-15111-00		VZ= 7.5 5% 500 MW 1N5236B	1	D3
53	53		15-20327-01		MPQ6700 NPN-PNP ARRAY	1	E1
54	54		15-17999-00		3906 PNP 900MW ARRAY 14PIN	1	E2
55	55		12-21046-01		SKT,CRT 08POS TIN PC MNT	1	P10
56	56		12-14630-06		PCB,HEADER 12PIN(2X06).100CC STR	1	J9
57	57		12-22843-01		*** THIS ITEM IS NOT USED ***	-	
58	58		12-20563-01		TER,TAB .250TAB PC MNT	1	J8
59	59		12-20564-01		CONN,COAX SKT PC MNT	1	J13
60	60		10-10978-40		0.22 MFD 50V +/-10% X7R C	1	C26
61	61		13-01477-00		82.0 .25 W 5.0 % CF	1	R21
62	62	#USE ON Q4	12-21580-01		HEAT SINK,T0-5	1	
63	63	#USE ON Q5	12-22897-01		HEAT SINK,T0-13	1	
64	64		11-20828-01		*** THIS ITEM IS NOT USED ***	-	
65	65		15-22297-01		NPN 100V,100MA,500MHZ,	1	Q3
66	66		10-18000-12		4.7 MFD 35V +50/-20% ALU	1	C12
67	67		15-09524-00		2N 3904 NPN 310MW SI 40 40 M	1	Q2
68	68		12-22840-01		PCB HEADER 03POS(1X03).156CC STR	1	J12
69	69	#USE ON Q1,Q3,Q4	90-07201-01		PAD,MOUNTING,COMPONENT T0-5	3	
70	70		10-00017-00		100 PFD 300V +/- 5% 200PP	1	C28
71	71		12-15323-02		PCB HEADER 02PIN(1X02).100CC STR	1	J6
72	72		12-15323-05		PCB HEADER 03PIN(1X03).100CC STR	1	J7
73	73		13-13469-00		240.0 .25 W 5.0 % CF	1	R43
74	74		13-20711-01		330.0 K .50 W 5.0 % CF	1	R42
75	75	C-MD-7435975-0-DBU	74-35975-01		INSULATOR,ELECTRICAL	2	
76	76		90-10413-01		RIVET,BLIND,BINDER .125DX .225	4	



THIS DRAWING AND SPECIFICATIONS HEREIN ARE THE PROPERTY OF DIGITAL EQUIPMENT CORPORATION AND SHALL NOT BE REPRODUCED OR COPIED OR USED IN WHOLE OR IN PART AS THE BASIS FOR THE MANUFACTURE OR SALE OF ITEMS WITHOUT WRITTEN PERMISSION. COPYRIGHT © 1975 DIGITAL EQUIPMENT CORPORATION.

REV.	DATE	BY	CHKD.	APP'D.
1	1/26/75	W. J. S.		
2	2/11/75	W. J. S.		
3	2/11/75	W. J. S.		
4	2/11/75	W. J. S.		
5	2/11/75	W. J. S.		
6	2/11/75	W. J. S.		
7	2/11/75	W. J. S.		
8	2/11/75	W. J. S.		

DRW. 8	DATE 1 SEPT 83	TITLE digital
CHKD. <i>Rel-M. S.</i>	DATE 4/19/85	VIDEO AMP BOARD
DES. ENG. <i>Rel-M. S.</i>	DATE 4/19/85	DOCUMENT NUMBER
APP. ENG. <i>Rel-M. S.</i>	DATE 4/19/85	CS 5415626-0-1
DATE 2/11/75	DATE 5-5-75	SCALE
REV. D	REV. D	SHEET 1 OF 1

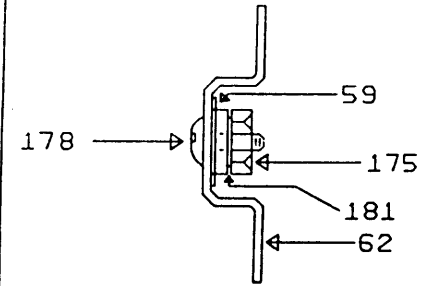
THIS DRAWING AND SPECIFICATIONS, HEREIN, ARE THE PROPERTY OF DIGITAL EQUIPMENT CORPORATION AND SHALL NOT BE REPRODUCED OR COPIED IN ANY MANNER WITHOUT THE WRITTEN PERMISSION OF DIGITAL EQUIPMENT CORPORATION.

REWORK INSTRUCTIONS

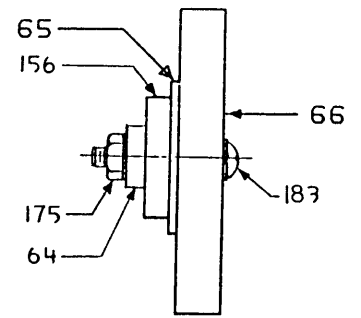
- H-1 REMOVE PART C40 (1010274-00) .22UF
- I-2 REMOVE PART R85 (1300398-00) 1.8K
- I-3 REMOVE PART R79 (1302389-00) 4.3K
- I-4 ADD PART C40 (1016544-00) .1UF
- I-5 ADD PART R85 (1300426-00) 2.7K
- I-6 ADD PART R79 (1300488-00) 12.0K
- I-7 ADD ANOTHER WASHER (9006707-00) TO Q9
- 5-5 ADD R10, 4.7K RESISTOR P/N 13-00447-00, ONE SIDE TO EMITTER OF Q15 & Q24, THE OTHER SIDE TO C90 (R131 SIDE). APPLY SLEEVING AS NECESSARY TO LEADS OF R10.
- 5-2 CHANGE REWORK INSTRUCTIONS FOR 5-2
- 6-1 REPLACE R127 WITH 2.21K (P/N 13-10631-00)

ECO - 5415624-ML002

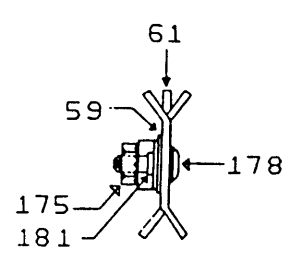
- 2-1 REMOVE R45 100K RESISTOR AND REPLACE WITH 68K OHM RESISTOR (P/N 1301327-00)
- 5-1 CUT ETCH BETWEEN Q15 EMITTER AND ANYTHING ELSE. (SEE D-EC-5015623-0-0)
- 5-2 SEE REWORK INSTRUCTIONS 6-1.
- 5-3 REPLACE R128 WITH A 1.78K RESISTOR, P/N 13-02612-00.
- 5-4 ADD Q24, A 2N3906, EMITTER TO Q15 EMITTER, COLLECTOR TO GROUND SIDE OF R128, BASE TO R124 (Q15 SIDE).



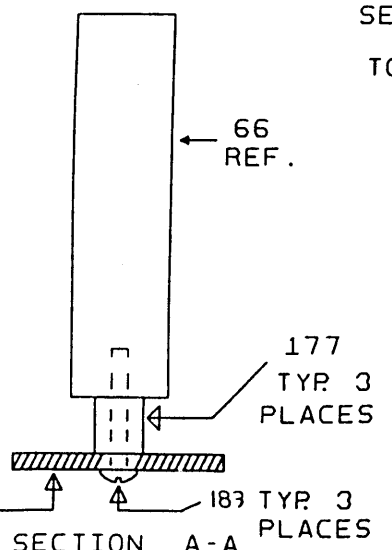
SECTION E-E



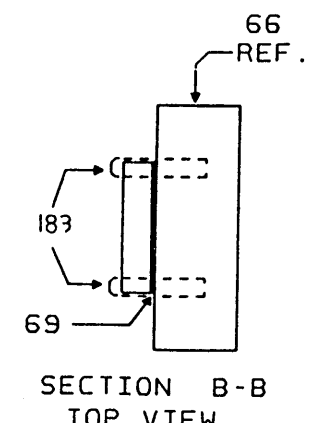
SECTION C-C TOP VIEW



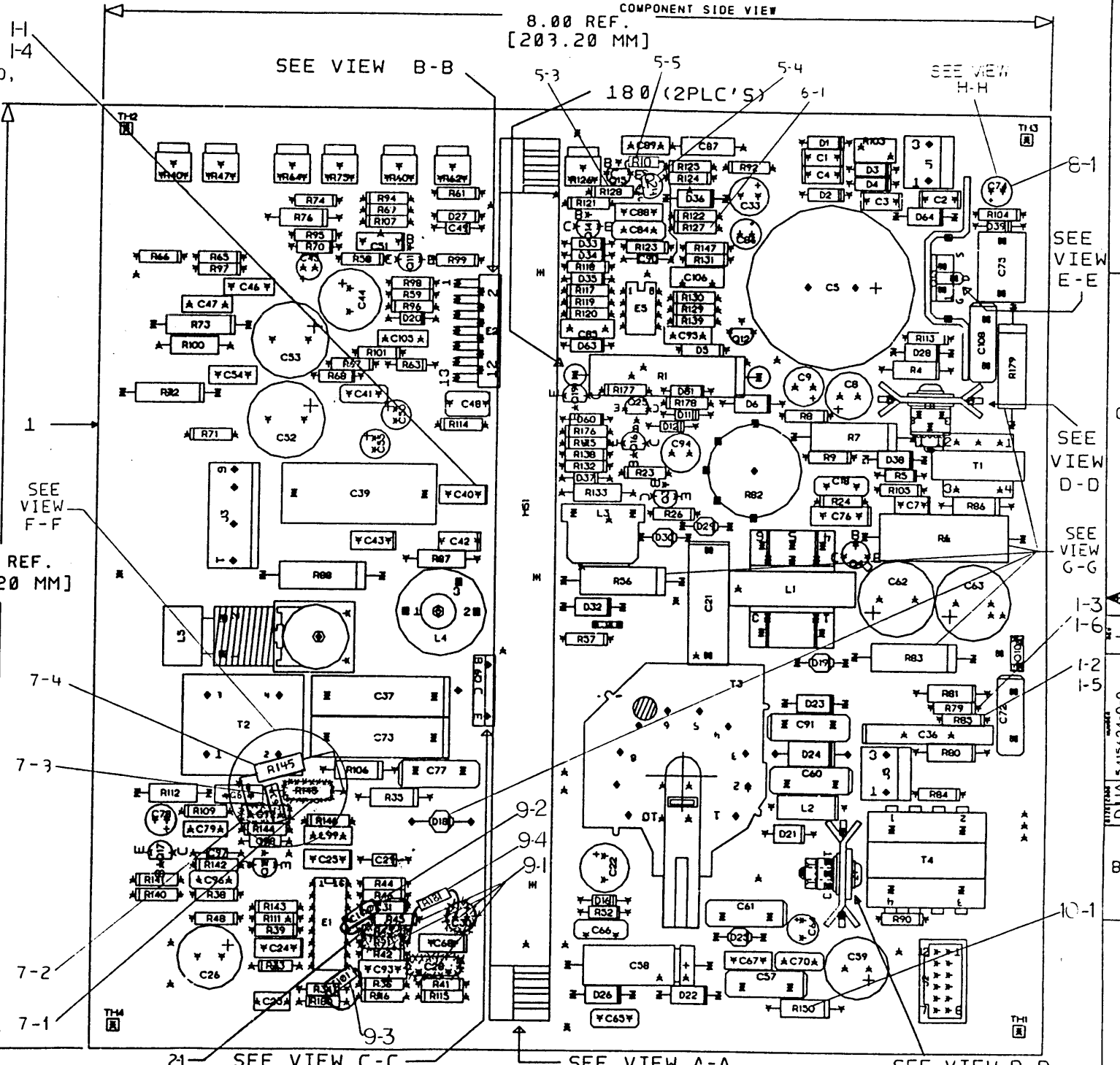
TYP. Q1, Z1
SECTION D-D



SECTION A-A



SECTION B-B TOP VIEW



CHK	DRAWN BY	ENGINEER	CHANGE NO	DATE	REV
			5415624-ML1	10/23/85	P
			5415624-ML2	2/12/86	C
			5415624-ML3	2/24/86	D
			5415624-ML4	10/17/86	E
			5415624-ML5	11/19/86	F
			5415624-ML6	1/14/87	H
			5415624-ML8	5/15/87	J

CHK	DRAWN BY	ENGINEER	CHANGE NO	DATE	REV
		M. THOMPSON	5415624-ML9	3/88	K
		M. THOMPSON	5415624-ML10	5/88	L

NOTES: 1. THIS BOARD MEETS REQUIREMENTS FOR U L RATING HPWR.
 2. MAXIMUM LEAD LENGTH FOR COMPONENTS ON SIDE 2 OF THIS MODULE IS .200.

STEP E + Y AXIS _____ STEP _____ TIMES
 REPEAT + X AXIS _____ STEP _____ TIMES

SIGNATURES	DATE
DRN. JOE LIZOTTE	2-22-85
CHK'D. R. BARRERE	2-25-85
MECH. ENG. J. FITZGERALD	4-9-85
PROJ. ENG. J. FITZGERALD	4-9-85
PROD. M. LUNSTRA	4-9-85
SCALE 2:1	
SHT. 1 OF 2	
TOP DOC. NO.	B-DD-5415624-0-0

TITLE	DEFLECTION	BOARD	VR260
digital			
SIZE CODE	NUMBER	REV	
D	UA	5415624-0-0	L

THIS DRAWING AND SPECIFICATIONS, HEREIN ARE THE PROPERTY OF DIGITAL EQUIPMENT CORPORATION AND SHALL NOT BE REPRODUCED OR COPIED OR USED IN WHOLE OR IN PART AS THE BASIS FOR THE MANUFACTURE OR SALE OF ITEMS WITHOUT WRITTEN PERMISSION.
 COPYRIGHT © 1967 DIGITAL EQUIPMENT CORPORATION

REWORK INSTRUCTIONS

ECO 5415624 - ML007

COMPONENT DELTETS SIDE 1 AS SHOWN

7-1 R145 (1300245-00)

7-2 C92 (1010274-00)

COMPONENT ADDS SIDE 1 AS SHOWN

7-3 REINSERT C92 WITH ONE LEAD IN THE HOLE NEXT TO R146 AND THE OTHER IN THE HOLE NEXT TO Q8

7-4 ADD R145 (1319471-14) WITH ONE LEAD IN THE HOLE NEXT TO R109 AND THE OTHER NEXT TO R35. SEE SECTION F-F

7-5 SEE SECTION G-G FOR ORIENTATION OF REFERENCED PARTS

ECO*5415624-MLC08

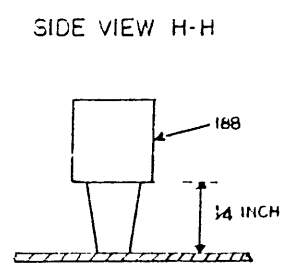
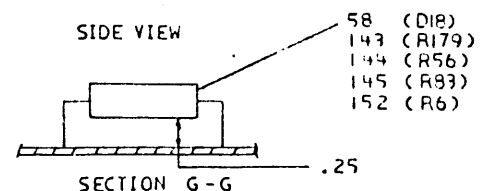
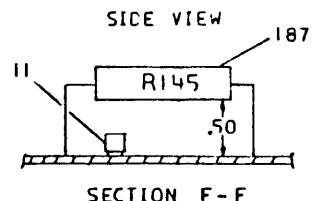
8-1 REMOVE EXISTING C74(10-18000-36), 10μF, 20CV AND REPLACE WITH NEW PART C74(10-29170-01), 10μF, 50V, RAISED 1/4 INCH ABOVE THE BOARD

ECO 5415624-ML009

- 9-1 REMOVE C28(100PF), C30(4.7MFD), R91(3.3K), R43(1.2K).
- 9-2 INSERT ONE LEG OF C100(10-10978-36, 1MFD) INTO FEED-THRU NEAREST E1 PIN 12, AND SOLDER THE OTHER LEG TO THE END OF C31 NEAREST TO HEAT SINK.
- 9-3 SOLDER ONE LEG OF C101(10-00016-00, 100PF) TO THE END OF R36 NEAREST E1 AND SOLDER THE OTHER LEG TO THE END OF R116 NEAREST E1.
- 9-4 INSERT ONE LEG OF R181(13-C0447-00, 4.7K) INTO FEED THRU NEAREST THE END OF C68 NEAREST TO E1. INSERT THE OTHER END INTO FEED THRU DIRECTLY ABOVE C68 AND CLOSEST TO R45.

ECO*5415624-MLC10

10-1 REMOVE THE 3.3 OHM RESISTOR AT REFERENCE DESIGNATOR R150 AND REPLACE WITH A .5.1 OHM RESISTOR (13-11220-00).



REVISION HISTORY		
DATE	ECO NUMBER	REV

TITLE
DEFLECTION BOARD VR260

DOCUMENT NUMBER		
SIZE CODE	NUMBER	REV.
DUA	5415624-0-0	L
SCALE 2/1	SHEET 2 OF 2	

SIZE CODE NUMBER
 DUA 5415624-0-0 L

LINE	ITEM	TOP DOCUMENT	PART NUMBER	MIN REV	DESCRIPTION	QTY	PER VAR/REV	REFERENCE DESIGNATORS
						01		
						C2		
1	1	D-MD-5015623-0-0	50-15623-01		CIRCUIT DRILL & ETCH	1		
2	2		10-00004-00		0.020MFD 100V +/-20% Z5U	1		C76
3	3		10-00016-00	100	PFD 100V +/- 5% 200PP	2		C28,C84
4	4		10-00021-00	220	PFD 100V +/- 5% 200PP	1		C18
5	5		10-00026-00	680	PFD 100V +/- 5% 200PP	1		C66
6	6		10-00042-00	1000	PFD 100V +/- 5% 200PP	1		C85
7	7		10-00054-00	1500	PFD 250V +/-10% Z5P	4		C1-C4
8	8		10-01610-00		0.010MFD 50V +80/-20% Z5U C	4		C29,C49,C90,C97
9	9		10-01610-02		0.010MFD 100V +80/-20% Z5U	1		C79
10	10		10-01631-00	390	PFD 100V +/- 5% 200PP	1		C106
11	11		10-10274-00		0.22 MFD 50V +80/-20% Z5U C	3		C24,C25,C92
12	12		10-10274-02	1.0	MFD 50V +80/-20% Z5U C	1		C7
13	13		10-10274-03	0.68	MFD 50V +80/-20% Z5U C	1		C68
14	14		10-10978-36	0.10	MFD 50V +/-10% X7R C	8		C23,C54,C67,C88,C89,C93,C95,C99
15	15		10-12312-01	0.47	MFD 50V +80/-20% Z5U C	4		C41,C65,C70,C96
16	16		10-13280-00	680	PFD 1000V +/- 5% 200PP	7		C57,C60,C61,C72,C77,C91,C108
17	17		10-13466-37	.200	PFD 50V +/- 5% NP0 C	1		C31
18	18		10-14052-00	100	MFD 25V +100/-10% ALU	1		C58
19	19		10-15573-00	0.027	MFD 50V +/- 5% X7R C	1		C98
20	20		10-15573-03	0.10	MFD 100V +/-10% X7R C	1		C87
21	21		10-16544-00	0.10	MFD 100V +/-10% MYLAR	2		C40,C51
22	22		10-16557-00	470	MFD 16V +50/-20% ALU	1		C26
23	23		10-16570-00	1000	PFD 500V +80/-20% X5S/Z	1		C43
24	24		10-17539-00	100	PFD 1000V +/-20% X5E/Y	1		C42
25	25		10-18000-00	2.2	MFD 63V +50/-20% ALU	1		C45
26	26		10-18000-02	22	MFD 35V +50/-20% ALU	3		C9,C33,C94
27	27		10-18000-04	10	MFD 35V +50/-20% ALU	2		C50,C86
28	28		10-18000-05	100	MFD 50V +50/-20% ALU	1		C44
29	29		10-18000-06	15	MFD 16V +50/-20% ALU	1		C55
30	30		10-18000-07	10	MFD 63V +50/-20% ALU	1		C64
31	31		10-18000-09	150	MFD 16V +50/-20% ALU	1		C22
32	32		10-18000-12	4.7	MFD 35V +50/-20% ALU	2		C30,C78

REVISION HISTORY			KPL MODULE FORMAT		SECTION A OF A	DRN: J. LIZOTTE	DIGITAL			
ENG	ECO NUMBER	REV	SECTION/VARIATION INDEX			DATE: 05-MAY-84				
JF	INITIAL	A	[A]	01	[M]	CHK'D: DICK BARRIERE	TITLE PARTS LIST			
JF	5415624-ML001	B	[B]		[N]	DATE: 11-MAY-84	VR260 DEFLECTION BOARD			
MON	5415624-ML002	C	[C]		[P]	DES.ENG: J. FITZGERALD	DOCUMENT NUMBER			
MT	5415624-ML003	D	[D]		[Q]	DATE: 09-APR-85	SIZE	CODE	NUMBER	REV
MT	5415624-ML004	E	[E]		[R]	RESP.ENG.: J. FITZGERALD	K	PL	5415624-0-DBP	H
MT	5415624-ML005	F	[F]		[S]	DATE: 09-APR-85	RELEASE DATE: 14-JAN-87			
MT	5415624-M' 006	H	[H]		[T]	MFG.ENG: M. LUNSTA	RELEASE STATUS: RELEASED			
			[J]		[V]	DATE: 09-APR-85				
			[K]		[W]					
			[L]		[Y]					
BASIC PART NUMBER:			ASSEMBLY NUMBER:		TOP DOCUMENT NUMBER:		FILE NAME:		EDIT #	
5415624			D-UA-5415624-0-0		B-DD-5415624-0-0		Z4831H.PLS		4	

"THIS DRAWING AND THE SPECIFICATIONS CONTAINED HEREIN ARE CONFIDENTIAL AND PROPRIETARY. THEY ARE THE PROPERTY OF DIGITAL EQUIPMENT CORPORATION AND SHALL NOT BE REPRODUCED OR COPIED OR USED IN WHOLE OR IN PART AS THE BASIS FOR THE MANUFACTURE OR SALE OF ITEMS WITHOUT WRITTEN PERMISSION. THIS IS AN UNPUBLISHED WORK PROTECTED UNDER THE FEDERAL COPYRIGHT LAWS."

LINE	ITEM	TOP DOCUMENT	PART NUMBER	MIN REV	DESCRIPTION	QTY	PER VAR/REV	REFERENCE DESIGNATORS
						01		
						C2		
33	33		10-18000-15	10	MFD 250V +50/-20% ALU	1		C59
34	34		10-18000-18	2.2	MFD 160V +50/-20% ALU	1		C8
35	35		10-18000-20	470	MFD 63V +50/-20% ALU	2		C62,C63
36	36		10-18000-36	1.0	MFD 200V +50/-20% ALU	1		C74
37	37		10-19413-03	820	MFD 250V +/-20% ALU	1		C5
38	38		10-19537-01	1000	MFD 35V +50/-10% ALU	2		C52,C53
39	39		10-19559-01	0.020	MFD 1000V +80/-20% Y5U/Z	1		C36
40	40		10-20604-03	0.10	MFD 100V +/- 5% MET.	3		C46,C47,C105
41	41		10-20604-09	0.47	MFD 63V +/- 5% MET.	1		C48
42	42		10-20604-10	1.0	MFD 250V +/- 5% MET.	1		C21
43	43		10-20606-04	2700	PFD 2000V +/- 5% POLYP	1		C73
44	44		10-20606-05	4700	PFD 2000V +/- 5% POLYP	1		C37
45	45		10-21753-01	0.82	MFD 250V +/- 5% POLYP	1		C39
46	46		10-22375-01	0.10	MFD 200V +/-20% MYLAR	1		C75
47	47		11-05275-00	PIV= 60	IO=300 MA -15NS	4		D11,D12,D16,D27
48	48		11-05796-00	PIV= 400	IO= 1.00A 1N4004 DO-41	1		D20
49	49		11-09517-00	PIV= 75	IO=150 MA - 4NS 1N914B	6		D33-D35,D60,D61,D63
50	50		11-09988-00	VZ= 13.0	5% 400 MW 1N964B	1		D39
51	51		11-12594-02	PIV= 600	IO= 3.00A	1		D24
52	52		11-12595-02	PIV= 600	IO= 1.00A AXIAL	9		D6,D22,D23,D26,D28,D32,D36,D38,
							CONT	D64
53	53		11-16284-00	VZ= 22.0	5% 500 MW 1N5251B	1		D5
54	54		11-16474-00	PIV=1000	IO= 1.00A 1N4007 DO-41	4		D1-D4
55	55		11-19609-02	RECT.FAST	RECOVERY PIV= 400 IO=	1		D21
56	56		11-20091-01	VZ= 9.6	1% 500 MW	1		D37
57	57		11-20828-01	PIV=1000	IO= 1.50A	4		D19,D25,D29,D30
58	58		11-20829-01	PIV=1000	IO= 3.00A	1		D18
59	59	#USED ON Q1,Q13,Z1	12-13071-06	INSULATOR,RUBBER	SILICONE	3		
60	60		12-14630-06	PCB,HEADER	12PIN(2X06).100CC STR	1		J2
61	61	#USED ON Q1,Z1	12-15228-03	HEAT SINKS,TO-220	1.250X0.87	2		
62	62	#USED ON Q13	12-20128-01	HEAT SINK,TO-202	1.450X0.1.	1		
63	63		12-20563-01	TER,TAB	.250TAB PC MNT	1		J4
64	64	#USED ON Q9	12-21576-01	BUSHING,INSULATING	3.1MM ID X 7.	1		
65	65	#USED ON Q9	12-21777-01	INSULATOR,THERMAL,ADH-BACKED		1		HS1
66	66		12-22348-01	HEAT SINK,EXTRUSION		1		J1,J5
67	67		12-22840-01	PCB HEADER	03POS(1X03).156CC STR	2		J3
68	68		12-22840-02	PCB HEADER	06PIN(1X06).156CC STR	1		
69	69	#USED ON E2	12-23044-01	INSULATOR,THERMAL,ADH-BACKED		1		
70	70		13-00168-00	10.0	.50 W 5.0 % CF	1		R112
71	71		13-00197-00	33.0	.25 W 5.0 % CF	1		R144
72	72		13-00202-00	47.0	.25 W 5.0 % CF	2		R57,R113
73	73		13-00229-00	100.0	.25 W 5.0 % CF	3		R92,R94,R180
74	74		13-00243-00	120.0	.50 W 5.0 % CF	1		R145
75	75		13-00250-00	150.0	.25 W 5.0 % CF	2		R105,R147
76	76		13-00271-00	220.0	.25 W 5.0 % CF	2		R115,R116
77	77		13-00274-00	220.0	.50 W 5.0 % CF	3		R76,R87,R100
78	78		13-00295-00	330.0	.25 W 5.0 % CF	1		R24
79	79		13-00316-00	470.0	.25 W 5.0 % CF	2		R74,R109
80	80		13-00391-00	1.50 K	.25 W 5.0 % CF	3		R90,R130,R132
81	81		13-00398-00	1.80 K	.25 W 5.0 % CF	1		R9

D	I	G	I	T	A	L	TITLE	SECTION A OF A	SIZE	CODE	DOCUMENT NUMBER	REV
							VR260 DEFLECTION BOARD		K	PL	5415624-0-DBP	H

LINE	ITEM	TOP DOCUMENT	PART NUMBER	MIN REV	DESCRIPTION	QTY	PER VAR/REV	REFERENCE DESIGNATORS	
						01			
						C2			
82	82		13-00417-00	2.20 K	.25 W 5.0 % CF	1		R123	
83	83		13-00426-00	2.70 K	.25 W 5.0 % CF	3		R36,R41,R85	
84	84		13-00439-00	3.30 K	.25 W 5.0 % CF	2		R91,R97	
85	85		13-00447-00	4.70 K	.25 W 5.0 % CF	3		R10,R42,R131	
86	86		13-00479-00	10.0 K	.25 W 5.0 % CF	4		R44,R48,R111,R139	
87	87		13-00488-00	12.0 K	.25 W 5.0 % CF	2		R79,R138	
88	88		13-00496-00	15.0 K	.25 W 5.0 % CF	2		R118,R177	
89	89		13-01310-00	270.0 K	.25 W 5.0 % CF	1		R39	
90	90		13-01317-00	10.0	.25 W 5.0 % CF	2		R38,R69	
91	91		13-01320-00	1.20 K	.25 W 5.0 % CF	1		R43	
92	92		13-01421-00	15.0	.25 W 5.0 % CF	1		R8	
93	93		13-01775-00	820.0	.25 W 5.0 % CF	2		R95,R117	
94	94		13-01808-00	22.0 K	.25 W 5.0 % CF	1		R65	
95	95		13-02177-00	47.0 K	.25 W 5.0 % CF	2		R46,R66	
96	96		13-02389-00	*** THIS ITEM IS NOT USED ***			-		
97	97		13-02391-00	20.0 K	.25 W 5.0 % CF	1		R129	
98	98		13-02395-00	56.0 K	.25 W 5.0 % CF	1		R98	
99	99		13-02396-00	150.0 K	.25 W 5.0 % CF	1		R84	
100	100		13-02466-00	100.0 K	.25 W 5.0 % CF	2		R26,R176	
101	101		13-02514-00	39.0 K	.25 W 5.0 % CF	1		R175	
102	102		13-02612-00	1.78 K	.25 W 1.0 % RN55D-F10	1		R128	
103	103		13-02645-00	*** THIS ITEM IS NOT USED ***			-		
104	104		13-03178-00	620.0	.25 W 5.0 % CF	1		R23	
105	105		13-03187-00	820.0 K	.25 W 5.0 % CF	2		R114,R146	
106	106		13-03219-00	82.0 K	.25 W 5.0 % CF	1		R63	
107	107		13-03312-00	10.0 K	.25 W 1.0 % RN55D-F10	1		R121	
108	108		13-04833-00	1.96 K	.25 W 1.0 % RN55D-F10	1		R125	
109	109		13-05346-00	27.0 K	.25 W 5.0 % CF	1		R178	
110	110		13-05890-00	4.70	.25 W 5.0 % CF	1		R107	
111	111		13-09405-00	68.0	.50 W 5.0 % CF	1		R133	
112	112		13-09412-00	18.20 K	.25 W 1.0 % RN55D-F10	1		R59	
113	113		13-09995-00	56.0	.50 W 5.0 % CF	1		R86	
114	114		13-10852-02	1.0 K	.50 W10.0 % POT	1		R75	
115	115		13-10852-03	100.0	.50 W10.0 % POT	1		R60	
116	116		13-10852-04	200.0	.50 W10.0 % POT	1		R126	
117	117		13-10852-07	50.0 K	.50 W10.0 % POT	1		R62	
118	118		13-10852-08	100.0 K	.50 W10.0 % POT	2		R40,R64	
119	119		13-11522-00	200.0	.25 W 5.0 % CF	1		R142	
120	120		13-12299-00	VARISTOR 130VAC VOLT TRANS SUP			1		R103
121	121		13-12747-00	56.20 K	.25 W 1.0 % RN55D-F10	1		R119	
122	122		13-12989-00	17.80 K	.25 W 1.0 % RN55D-F10	3		R68,R120,R124	
123	123		13-12992-00	560.0 K	.25 W 5.0 % CF	1		R101	
124	124		13-13074-00	200.0	9.0 W 5.0 % WW	1		R1	
125	125		13-13349-00	33.0 K	.25 W 5.0 % CF	2		R99,R122	
126	126		13-13469-00	240.0	.25 W 5.0 % CF	1		R71	
127	127		13-13583-00	150.0	.25 W 1.0 % RN55D-F10	1		R140	
128	128		13-14650-00	91.0 K	.25 W 5.0 % CF	1		R61	
129	129		13-15012-00	300.0 K	.25 W 5.0 % CF	1		R104	
130	130		13-16506-00	100.0 K	.50 W 5.0 % CF	1		R4	
131	131		13-16510-00	150.0 K	.50 W 5.0 % CF	2		R35,R106	

D	I	G	I	T	A	L	TITLE	SECTION A	OF A	SIZE	CODE	DOCUMENT NUMBER	REV
							VR260 DEFLECTION BOARD			K	PL	5415624-0-DBP	H

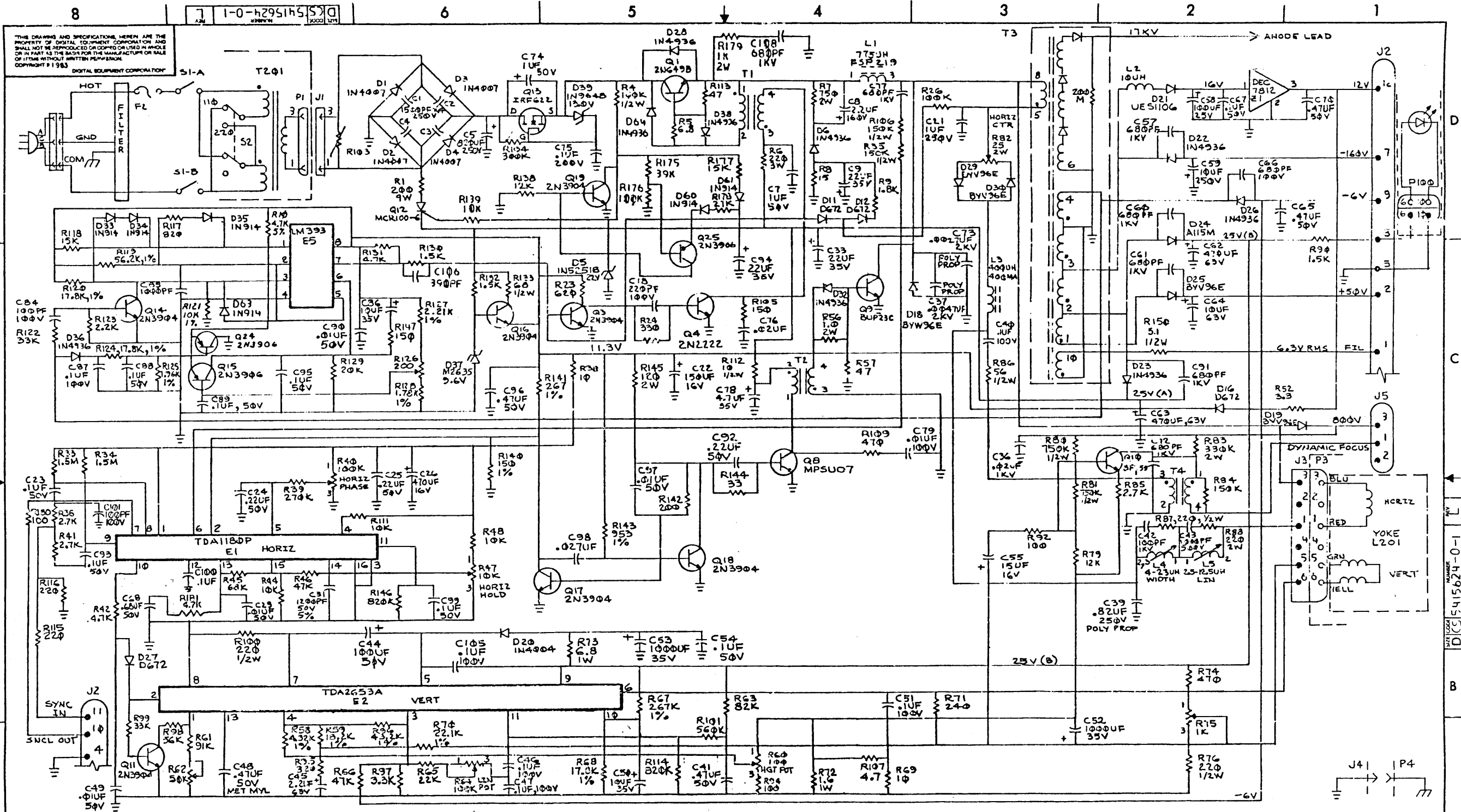
LINE	ITEM	TOP DOCUMENT	PART NUMBER	MIN REV	DESCRIPTION	QTY PER VAR/REV	REFERENCE DESIGNATORS
						01 C2	
132	132		13-16845-00	3.30	.50 W 5.0 % CF	1	R150
133	133		13-17494-00	22.10 K	.25 W 1.0 % RN55D-F10	1	R70
134	134		13-17526-00	953.0	.25 W 1.0 % RN55D-F10	1	R143
135	135		13-18341-18	267.0	.25 W 1.0 % RN55D-F10	1	R141
136	136		13-18341-40	4.32 K	.25 W 1.0 % RN55D-F10	1	R58
137	137		13-18546-02	43.20 K	.25 W 1.0 % RN55D-F10	1	R96
138	138		13-18546-33	267.0 K	.25 W 1.0 % RN55D-F10	1	R67
139	139		13-19255-00	6.80	1.0 W 5.0 % M.OXIDE	1	R73
140	140		13-19255-25	1.60	1.0 W 5.0 % M.OXIDE	1	R72
141	141		13-19471-19	220.0	2.0 W 5.0 % M.OXIDE	1	R88
142	142		13-19471-27	750.0	2.0 W 5.0 % M.OXIDE	1	R7
143	143		13-19471-29	1.0 K	2.0 W 5.0 % M.OXIDE	1	R179
144	144		13-19471-48	1.0	2.0 W 5.0 % M.OXIDE	1	R56
145	145		13-19471-50	330.0 K	2.0 W 5.0 % M.OXIDE	1	R83
146	146		13-20378-01	1.50 M	.25 W 5.0 % CF	2	R33,R34
147	147		13-20379-01	750.0 K	.50 W 5.0 % CF	2	R80,R81
148	148		13-20438-02	25.0	2.0 W 20.0 % POT	1	R82
149	149		13-20608-01	3.30	.25 W 5.0 % CF	1	R52
150	150		13-20623-01	6.80	.25 W 5.0 % CF	1	R5
151	151		13-21629-02	10.0 K	.50 W 10.0 % POT	1	R47
152	152		13-22400-01	220.0	3.0 W 5.0 % M.OXIDE	1	R6
153	153		15-09524-00	2N 3904	NPN 310MW SI 40 40 M	7	Q3,Q11,Q14,Q16-Q19
154	154		15-09525-00 A	2N 3906	PNP 310MW SI 40100 Y	3	Q15,Q24,Q25
155	155		15-20742-01		NNPN 300V 0.3A 6W T0-1	1	Q10
156	156				*** THIS ITEM IS NOT USED ***	-	
157	157		15-20820-01		SCR PIV= 100 IO= .80A	1	Q12
158	158		15-22319-01		FET 200V N-CHANNEL	1	Q13
159	159		15-22574-01		MPSU07 NPN 10W	1	Q8
160	160		15-22917-01		2N2222/MPS2222 NPN 625MW 30V.6A	1	Q4
161	161		15-23257-01		2N 6498 NPN 80W 300V 5A	1	Q1
162	162		16-20793-01		XFMR,HORZ BUFFER	1	T2
163	163		16-20794-01		XFMR,DRIVER	1	T1
164	164		16-20795-01		XFMR,HORIZ FLYBACK	1	T3
165	165		16-21072-01		4-21 VARIABLE COIL HORIZONTAL	1	L4
166	166		16-21073-01		COIL,HORIZONTAL LINEARITY,VARIAB	1	L5
167	167		16-21074-01		10.0 UH CHOKE	1	L2
168	168		16-21815-01		XFMR,DYNAMIC FOCUS TURNS RATIO 1	1	T4
169	169		16-22072-01		CHOKE,775MH,1.5A CHOICE,LITZ WIRE	1	L1
170	170		16-22073-01		CHOKE,400UH	1	L3
171	171		19-12048-05		7812 VOLT REG,FIX +12V	1	Z1
172	172		19-14156-00		LM 393 VOLT.COMPARATOR DUAL	1	E5
173	173		19-20088-01		1180 PROCESSOR,TV HORIZ.,	1	E1
174	174		19-20404-01		TDA 2653A VERTICAL DEFLECTION	1	E2
175	175	USED ON Q1,Q13,Z1,Q9	90-06557-00		NUT,HEX EXT TOOTH LCKWSHR 4-40	4	
176	176				*** THIS ITEM IS NOT USED ***	-	
177	177		90-09115-02		STANDOFF,PC BOARD MOUNTED 4	3	
178	178	USED ON Q1,Z1	90-09643-00		SCREW,SEMS PAN PHIL 4-	2	
179	179				*** THIS ITEM IS NOT USED ***	-	
180	180	#USED ON R1	90-09798-01		SPACER,CLEAR HOLE RND CERAM .07	2	
181	181	#USED ON Q1,Q13,Z1	90-10057-00		WASHER,SHOULDER INSULATG PPS	3	

AUTOMATED BY VAXKPL (V1.3)

P A R T S L I S T

SHEET A5 OF A5

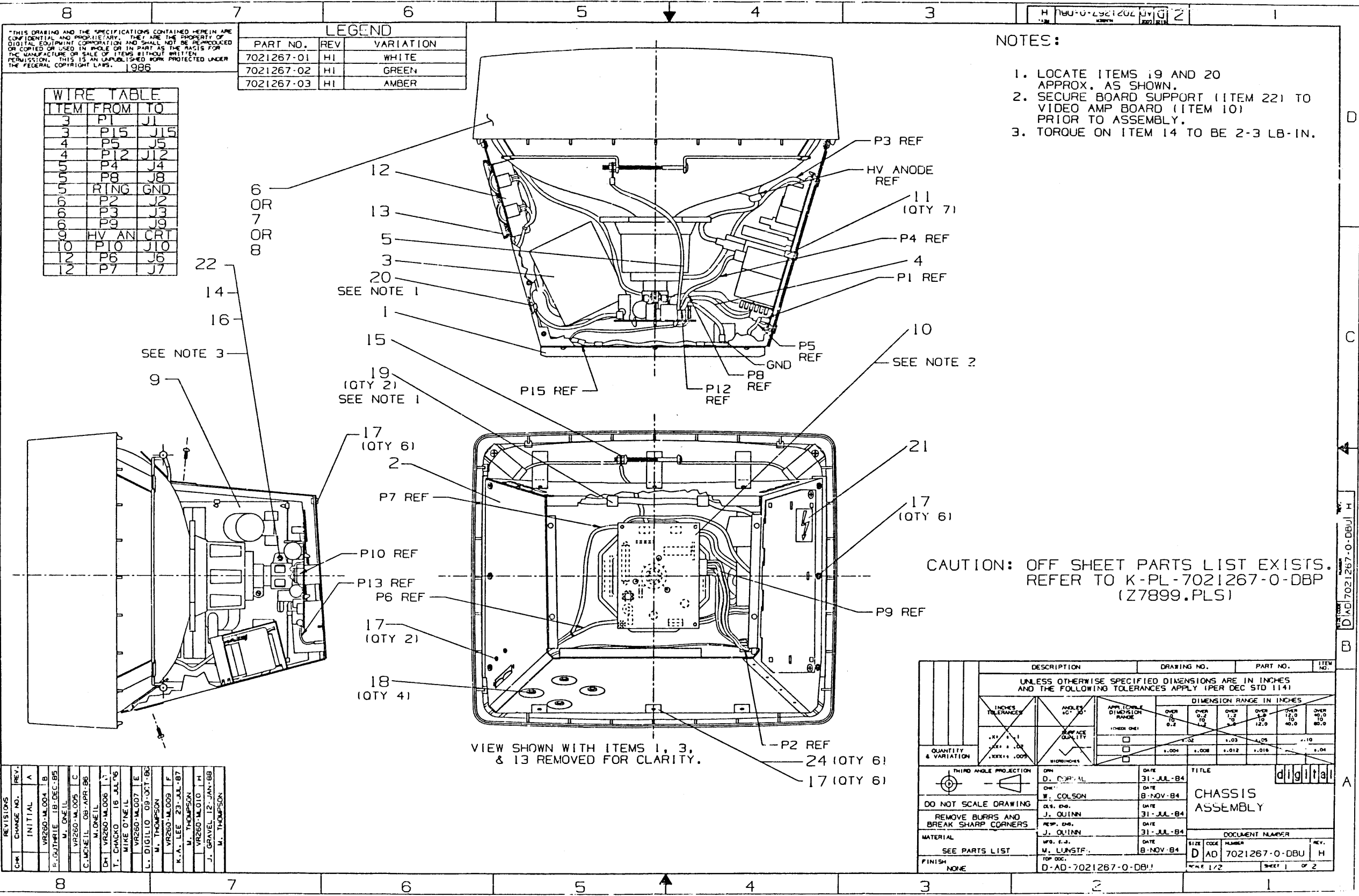
LINE	ITEM	TOP DOCUMENT	PART NUMBER	MIN REV	DESCRIPTION	QTY PER VAR/REV	REFERENCE DESIGNATORS
182	182		13-01327-00		68.0 K .25 W 5.0 % CF	1	R45
183	183		90-09643-01		SCREW,SEMS PAN PHIL 4-	6	
184	184		15-26550-01		BUP23C NPN HV SWITCH T03P	1	Q9
185	185		91-07278-11		TUBING,TEFLON .042ID	A/R	
186	186		13-10631-00 A		2.21 K .25 W 1.0 % RN55D-F10	1	R127



THIS DRAWING AND SPECIFICATIONS HEREIN ARE THE PROPERTY OF DIGITAL EQUIPMENT CORPORATION AND SHALL NOT BE REPRODUCED OR COPIED OR USED IN WHOLE OR IN PART AS THE BASIS FOR THE MANUFACTURE OR SALE OF ITEMS WITHOUT WRITTEN PERMISSION. COPYRIGHT © 1983 DIGITAL EQUIPMENT CORPORATION.

REV	ECO NUMBER	DATE	BY	CHKD	APP'D
1	5415624-MLO01	11/15/83	W. L. SIREEN	M. THOMPSON	
2	5415624-MLO02	11/15/83	W. L. SIREEN	M. THOMPSON	
3	5415624-MLO03	11/15/83	W. L. SIREEN	M. THOMPSON	
4	5415624-MLO04	11/15/83	W. L. SIREEN	M. THOMPSON	
5	5415624-MLO05	11/15/83	W. L. SIREEN	M. THOMPSON	
6	5415624-MLO06	11/15/83	W. L. SIREEN	M. THOMPSON	
7	5415624-MLO07	11/15/83	W. L. SIREEN	M. THOMPSON	
8	5415624-MLO08	11/15/83	W. L. SIREEN	M. THOMPSON	
9	5415624-MLO09	11/15/83	W. L. SIREEN	M. THOMPSON	
10	5415624-MLO10	11/15/83	W. L. SIREEN	M. THOMPSON	
11	5415624-MLO11	11/15/83	W. L. SIREEN	M. THOMPSON	
12	5415624-MLO12	11/15/83	W. L. SIREEN	M. THOMPSON	
13	5415624-MLO13	11/15/83	W. L. SIREEN	M. THOMPSON	
14	5415624-MLO14	11/15/83	W. L. SIREEN	M. THOMPSON	
15	5415624-MLO15	11/15/83	W. L. SIREEN	M. THOMPSON	
16	5415624-MLO16	11/15/83	W. L. SIREEN	M. THOMPSON	
17	5415624-MLO17	11/15/83	W. L. SIREEN	M. THOMPSON	
18	5415624-MLO18	11/15/83	W. L. SIREEN	M. THOMPSON	
19	5415624-MLO19	11/15/83	W. L. SIREEN	M. THOMPSON	
20	5415624-MLO20	11/15/83	W. L. SIREEN	M. THOMPSON	

DESIGNED BY	W. L. SIREEN	DATE	15 NOV 83	TITLE	VR260 digital
CHECKED BY	Robert J. Sunde	DATE	4/17/85	DEFLECTION BOARD	
APPROVED BY	Robert J. Sunde	DATE	4/17/85	DOCUMENT NUMBER	
DATE	3-8-85	D CS 5415624-0-1 L			
8-00-5415624-0-0					

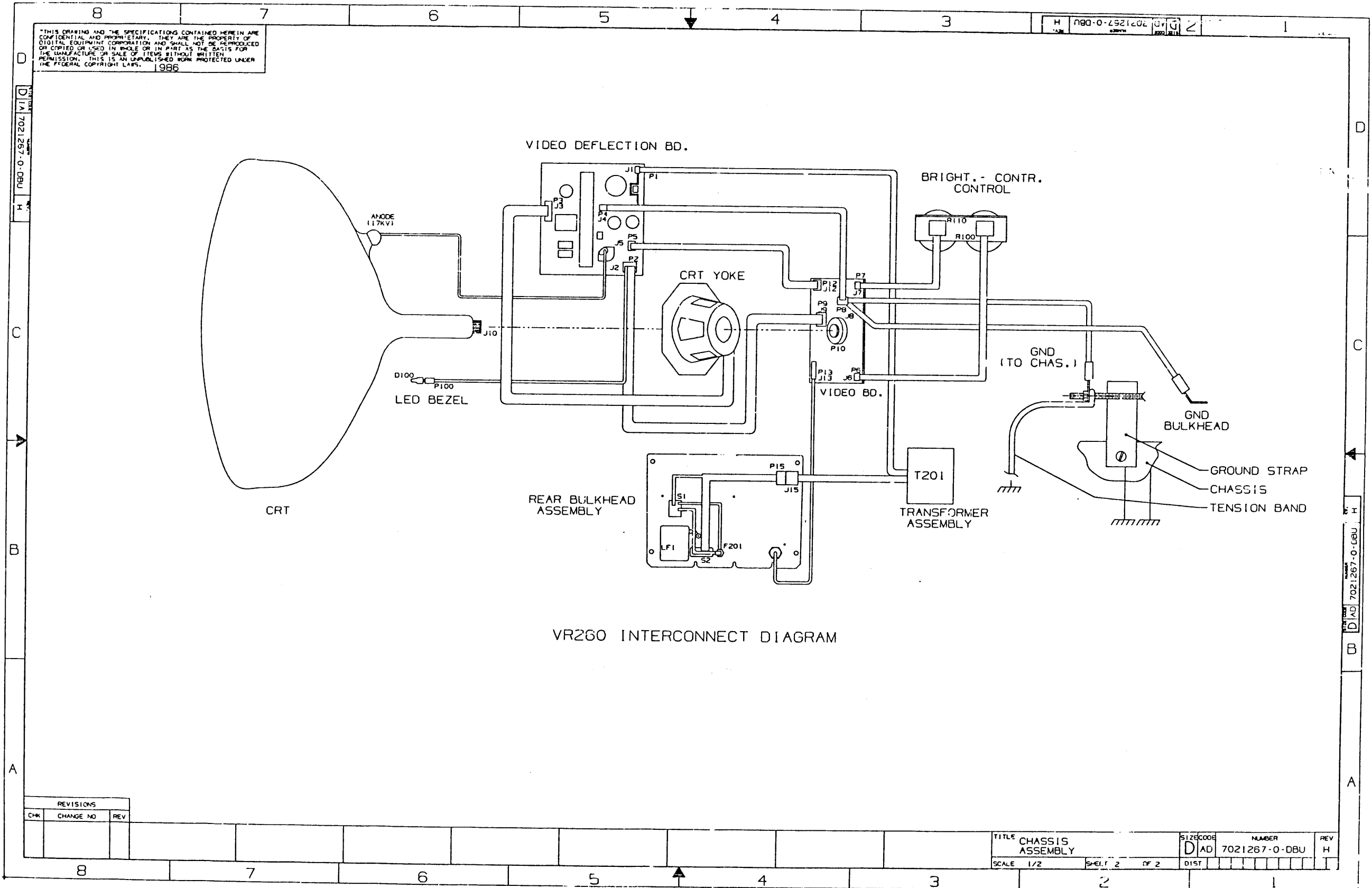


REVOLUTIONS

CHK	CHANGE NO.	REV.	INITIAL	DATE
		A		
	VR260-M-004	B		
	L. GUTHRIE 18-DEC-85			
	M. ONEILL			
	VR260-M-005	C		
	C. MCNEIL 09-APR-86			
	M. ONEILL			
	VR260-M-006	D		
	DH 1 VR260-M-006			
	T. CHACKO 18-JUL-86			
	MIKE O'NEIL			
	VR260-M-007	E		
	L. DIGILIO 09-OCT-86			
	M. THOMPSON			
	VR260-M-009	F		
	R.A. LEE 23-JUL-87			
	M. THOMPSON			
	VR260-M-010	G		
	J. GRAVEL 12-JAN-88			
	M. THOMPSON			

DESCRIPTION	DRAWING NO.	PART NO.	ITEM NO.
UNLESS OTHERWISE SPECIFIED DIMENSIONS ARE IN INCHES AND THE FOLLOWING TOLERANCES APPLY (PER DEC STD 114)			
INCHES TOLERANCES	OVER 0.2 TO 0.4	OVER 0.5 TO 1.0	OVER 1.0 TO 16.0
	±0.010	±0.012	±0.015
APPLICABLE DIMENSION RANGE	OVER 0.2 TO 0.4	OVER 0.5 TO 1.0	OVER 1.0 TO 16.0
	±0.004	±0.005	±0.006
THIRD ANGLE PROJECTION	DATE	TITLE	
DO NOT SCALE DRAWING	D. COPPOL	31-JUL-84	CHASSIS ASSEMBLY
REMOVE BURRS AND BREAK SHARP CORNERS	W. COLSON	8-NOV-84	
MATERIAL	J. QUINN	31-JUL-84	DOCUMENT NUMBER
SEE PARTS LIST	J. QUINN	31-JUL-84	
FINISH	M. LUNSTF.	8-NOV-84	SIZE CODE NUMBER
NONE	D-AD-7021267-0-DBP	1/2	SHEET 1 OF 2

"THIS DRAWING AND THE SPECIFICATIONS CONTAINED HEREIN ARE CONFIDENTIAL AND PROPRIETARY. THEY ARE THE PROPERTY OF DIGITAL EQUIPMENT CORPORATION AND SHALL NOT BE REPRODUCED OR COPIED OR USED IN WHOLE OR IN PART AS THE BASIS FOR THE MANUFACTURE OR SALE OF ITEMS WITHOUT WRITTEN PERMISSION. THIS IS AN UNPUBLISHED WORK PROTECTED UNDER THE FEDERAL COPYRIGHT LAWS. 1986



VR260 INTERCONNECT DIAGRAM

REVISIONS		
CHK	CHANGE NO	REV

TITLE	CHASSIS ASSEMBLY	SIZE CODE	D AD	NUMBER	7021267-0-DBU	REV	H
SCALE	1/2	SHEET	2	OF	2	DIST	

LINE	ITEM	TOP DOCUMENT	PART NUMBER	MIN REV	DESCRIPTION	QUANTITY PER VARIATION/REVISION		
						01 H1	02 H1	03 H1
1	1	D-AD-7021266-0-DBU	70-21266-01	B	REAR BULKHEAD ASSY.	1	1	1
2	2	D-AD-7021924-0-DBU	70-21924-01	C	CHASSIS, SUB ASSY	1	1	1
3	3	D-AD-7021865-0-DBU	70-21865-01		TRANSFORMER ASSY.	1	1	1
4	4	C-IA-7021478-0-DBU	70-21478-01		CABLE ASSY HIGH VOLTAGE	1	1	1
5	5	C-AD-7021480-0-DBU	70-21480-01		CABLE ASSY GROUND	1	1	1
6	6	D-AD-7021861-0-DBU	70-21861-01	B	FRONT BEZEL ASSY, BLACK/WHT	1	-	-
7	7	D-AD-7021861-0-DBU	70-21861-02	B	FRONT BEZEL ASSY GREEN	-	1	-
8	8	D-AD-7021861-0-DBU	70-21861-03	B	FRONT BEZEL ASSY AMBER	-	-	1
9	9	D-LIA-5415624-0-DBU	54-15624-01	C	VR260 DEFLECTION BOARD	1	1	1
10	10	D-UA-5415626-0-DBU	54-15626-01	C	VIDEO AMP BOARD	1	1	1
11	11		12-21566-05		FASTENER, PC BOARD	7	7	7
12	12	D-AD-7021863-0-DBU	70-21863-01		BRIGHTNESS/CONTRAST ASSY.	1	1	1
13	13	D-MD-7429552-0-DBU	74-29552-01	B	BEZEL, SIDE	1	1	1
14	14		90-06024-03		SCREW, MACH TRUSS PHIL 6-32	1	1	1
15	15		90-06565-00		NUT, HEX EXT TOOTH LCKWSHR 10-32X	1	1	1
16	16		90-06560-00		NUT, HEX EXT TOOTH LCKWSHR 6-32X	1	1	1
17	17		90-00049-24		SCREW, SEMS PAN PHIL 6-32	20	20	20
18	18		90-10154-00		NUT, HEX EXT TOOTH LCKWSHR 8-32X	4	4	4
19	19		12-21249-05		CLIP, CABLE, ADH BACKED	2	2	2
20	20		12-21249-01		CLIP, CABLE ADH BACKED	1	1	1
21	21		36-10267-01		LABEL, DANGER HIGH VOLTAGE, TEXTURED	1	1	1
22	22	D-MD-7430063-0-DBU	74-30063-01		SUPPORT, CRT BOARD	1	1	1
23	23				*** THIS ITEM IS NOT USED ***	-	-	-
24	24	C-AD-7433024-0-DBU	74-33024-01	A	STRAP, GROUND	6	6	6

REVISION HISTORY			KPL MATRIX FORMAT		SECTION A OF A		DRN: D. DORVAL		DIGITAL		
ENG	ECO NUMBER	REV	SECTION/VARIATION INDEX		DATE:	31-JUL-84					
---	INITIAL	A	[A]	01,02,03	CHK'D:	W. COLSON		TITLE PARTS LIST			
MO	VR260-ML004	B	[B]		DATE:	08-NOV-84		CHASSIS ASSY			
MO	VR260-ML005	C	[C]		DES. ENG:	J. QUINN					
MON	VR260-ML006	D	[D]		DATE:	31-JUL-84		DOCUMENT NUMBER			
MT	VR260-ML007	E	[E]		RESP. ENG.:	J. QUINN		SIZE	CODE	NUMBER	REV
MT	VR260-ML009	F	[F]		DATE:	31-JUL-84		K	PL	7021267-0-DBP	H
MT	VR260-ML010	H	[H]		MFG. ENG:	M. LUNSTRA		RELEASE DATE: 15-JAN-88			
			[J]		DATE:	08-NOV-84		RELEASE STATUS: RELEASED			
			BASIC PART NUMBER:		ASSEMBLY NUMBER:		TOP DOCUMENT NUMBER:		FILE NAME:		EDIT #
			7021267		D-AD-7021267-0-DBU		D-AD-7021267-0-DBU		Z7899H.PLS		3

"THIS DRAWING AND THE SPECIFICATIONS CONTAINED HEREIN ARE CONFIDENTIAL AND PROPRIETARY. THEY ARE THE PROPERTY OF DIGITAL EQUIPMENT CORPORATION AND SHALL NOT BE REPRODUCED OR COPIED OR USED IN WHOLE OR IN PART AS THE BASIS FOR THE MANUFACTURE OR SALE OF ITEMS WITHOUT WRITTEN PERMISSION. THIS IS AN UNPUBLISHED WORK PROTECTED UNDER THE FEDERAL COPYRIGHT LAWS."

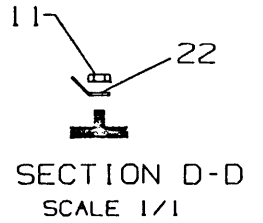
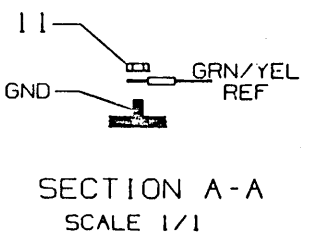
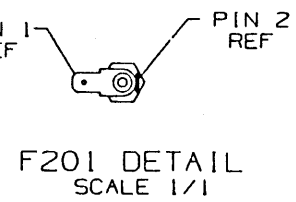
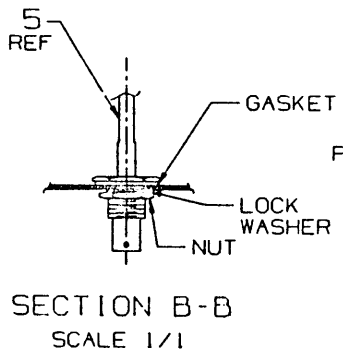
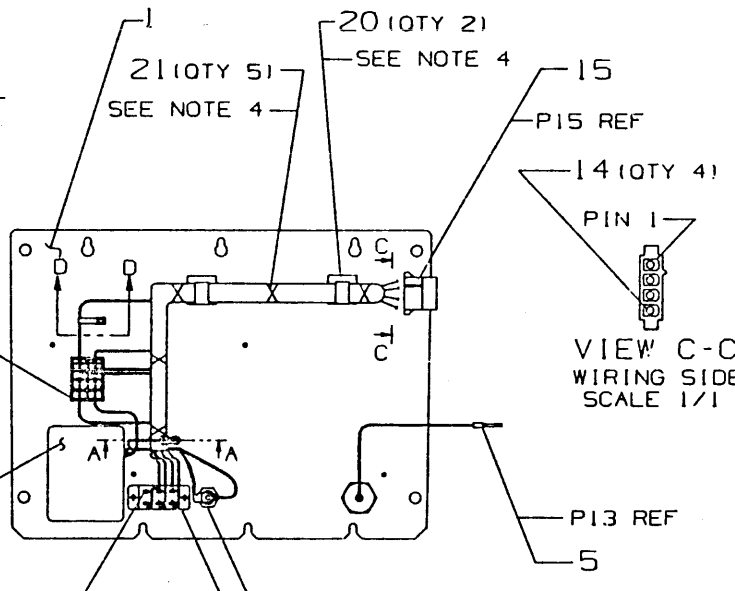
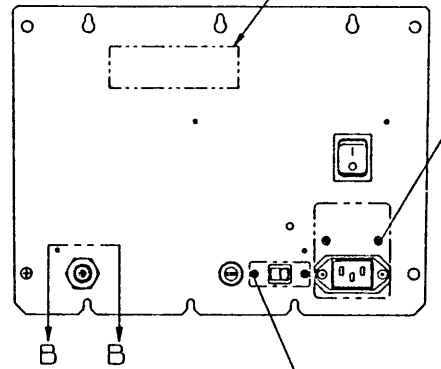
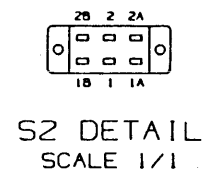
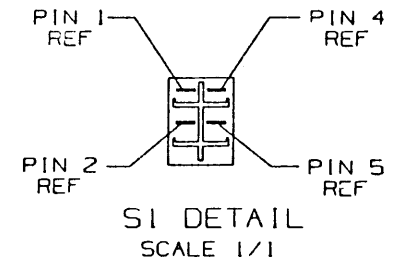
THIS DRAWING AND THE SPECIFICATIONS CONTAINED HEREIN ARE CONFIDENTIAL AND PROPRIETARY. THEY ARE THE PROPERTY OF DIGITAL EQUIPMENT CORPORATION AND SHALL NOT BE REPRODUCED OR COPIED OR USED IN WHOLE OR IN PART AS THE BASIS FOR THE MANUFACTURE OR SALE OF ITEMS WITHOUT WRITTEN PERMISSION. THIS IS AN UNPUBLISHED WORK PROTECTED UNDER THE FEDERAL COPYRIGHT LAWS.

WIRE TABLE											
ITEM NO.	LENGTH	AWG	COLOR	FROM			TO			REMARKS	
				POINT	CONN	STRIP	POINT	CONN	STRIP		TERM
7		18	BRN	LF1-1			F201-1				
				LF1-2			GND				
				LF1-3			S1-5				
18	2.0	20	ORNG	S2-1B		1/4	6	S2-2	1/4	6	SEE NOTE 3
19	8.5	20	YELLOW	S2-1A		1/4	6	S1-4	1/4	10	SEE NOTE 3
16	9.5	20	BRN	S2-2A		1/4	6	S1-1	1/4	10	SEE NOTE 3
16	9.5	20	BRN	S1-2		1/4	10	F201-2	1/4	9	
16	12.0	20	BRN	P15-1	15	5/32	14	S1-1	1/4	10	SEE NOTE 3
17	15.0	20	RED	P15-2	15	5/32	14	S2-1	1/4	6	
18	15.0	20	ORNG	P15-3	15	5/32	14	S2-2	1/4	6	SEE NOTE 3
19	12.5	20	YEL	P15-4	15	5/32	14	S1-4	1/4	10	SEE NOTE 3

LEGEND		
PART NO.	REV	VARIATION
7021266-01	B1	AS SHOWN

NOTES:

- IDENTIFICATION: MARK PER DEC STD 178 LOCATED APPROX. AS SHOWN:
 A) ASSY. NO. 7021266-01
 B) REVISION LEVEL
 C) SERIAL NO.
- APPLY SHRINK TUBING (ITEM 13) TO TERMINAL S2-2B OF ITEM 3.
- INDICATES TWO WIRES CRIMPED INTO ONE TERMINAL.
- LOCATE ITEMS 20 AND 21 APPROX. AS SHOWN.



CAUTION: OFF SHEET PARTS LIST EXISTS SEE K-PL-7021266-0-DBP (Z7898.PLS)

REV.	CHG.	NO.	DATE	BY
A	INITIAL			
B	VR260-01D			
	J. GRAVEL 12-JAN-88			
	M. THOMPSON			

DESCRIPTION	DRAWING NO.	PART NO.	ITEM NO.
UNLESS OTHERWISE SPECIFIED DIMENSIONS ARE IN INCHES AND THE FOLLOWING TOLERANCES APPLY (PER DEC STD 114)			
INCHES TOLERANCES	ANGLES 10' 30'	APPLICABLE DIMENSION RANGE	OVER 0 TO 1.2
			OVER 1.2 TO 12.0
MICROINCHES	SURFACE QUALITY	FINISH	OVER 12.0 TO 40.0
			OVER 40.0 TO 80.0
QUANTITY & VARIATION			
THIRD ANGLE PROJECTION	DATE	TITLE	
DO NOT SCALE DRAWING	10-FEB-84	REAR BULKHEAD ASSEMBLY	
REMOVE BURRS AND BREAK SHARP CORNERS	DATE		
MATERIAL	25-DEC-84		
SEE PARTS LIST	DATE		
FINISH	12-JUL-84		
NONE	DATE		
	8-NOV-84		
	U-AD-7021266-0-DBU		

AUTOMATED BY VAXKPL (V1.3)

PARTS LIST

SHEET A1 OF A1
QUANTITY PER VARIATION/REVISION

LINE	ITEM	TOP DOCUMENT	PART NUMBER	MIN REV	DESCRIPTION	QTY
1	1	E-AD-7429486-0-DBU	74-29486-01		BULKHEAD, REAR	1
2	2		12-22355-09		SW, RKR DPST ON-NONE-OFF 16A/2	1
3	3		12-16901-03		SW, SLIDE 2PDT 6A25	1
4	4		12-21126-01		FUSE HOLDER 1P 3AG 5MM 12A 250	1
5	5		17-00582-01		CABLE ASSY, 02 COND, RND 30AWG BNC P	1
6	6		12-17000-05		TERM, QUICK .110TAB 18-22AWG .1	5
7	7	B-IA-7021864-0-DBU	70-21864-01		LINE FILTER ASSY	1
8	8				*** THIS ITEM IS NOT USED ***	-
9	9		12-17000-08		TERM, QUICK .187TAB 18-22AWG .1	1
10	10		12-17000-00		TERM, QUICK .250TAB 18-22AWG .1	3
11	11		90-06565-00		NUT, HEX EXT TOOTH LCKWSHR 10-32X	2
12	12		90-10174-00		SCREW, SEMS PAN PHIL 6-32	2
13	13		91-07829-00		TUBING, SHRINK .093ID EXP	A/R
14	14		12-09379-06		MATE-N-LOK 01SKT 24-18AWG .0820D	4
15	15		12-10821-04		MATE-N-LOK 04SKT (1X04) HSG	1
16	16		91-07810-11		WIRE, 20AWG (7/28) IPVC 300V105	31
17	17		91-07810-22		WIRE, 20AWG (7/28) IPVC 300V105	15
18	18		91-07810-33		WIRE, 20AWG (7/28) IPVC 300V105	17
19	19		91-07810-44		WIRE, 20AWG (7/28) IPVC 300V105	21
20	20		12-21249-01		CLIP, CABLE ADH BACKED	2
21	21		90-07031-00		TIE, CABLE BUNDL DIA 0- 3/4"=101	5
22	22		90-07253-01		TERM, TAB .250TAB .191STUD MNT	1
23	23		90-10413-05 A		RIVET, BLIND BINDER	2

1 GEN: QUANTITIES OF ITEMS 16 THRU 19 ARE IN INCHES.

REVISION HISTORY			KPL MATRIX FORMAT		SECTION A OF A		DRN: D. DORVAL		DIGITAL			
ENG	ECO NUMBER	REV	SECTION/VARIATION INDEX		DATE: 12-JUL-84		CHK'D: M. O'NEIL		TITLE PARTS LIST			
---	INITIAL	A	[A]	01	DATE: 27-DEC-84		DATE: 27-DEC-84		REAR BULKHEAD ASS'Y.			
MT	VR260-MLO10	B	[B]				DES. ENG: J. QUINN		DOCUMENT NUMBER			
			[C]				DATE: 12-JUL-84		SIZE	CODE	NUMBER	REV
			[D]				RESP. ENG.: J. QUINN		K	PL	7021266-0-DBP	B
			[E]				DATE: 12-JUL-84		RELEASE DATE: 15-JAN-88			
			[F]				MFG. ENG: M. LUNSTRA		RELEASE STATUS: RELEASED			
			[H]				DATE: 08-NOV-84					
			[J]									
			BASIC PART NUMBER:		ASSEMBLY NUMBER:		TOP DOCUMENT NUMBER:		FILE NAME:		EDIT #	
			7021266		D-AD-7021266-0-DBU		D-AD-7021266-0-DBU		Z78988.PLS		5	

THIS DRAWING AND THE SPECIFICATIONS CONTAINED HEREIN ARE CONFIDENTIAL AND PROPRIETARY. THEY ARE THE PROPERTY OF DIGITAL EQUIPMENT CORPORATION AND SHALL NOT BE REPRODUCED OR COPIED OR USED IN WHOLE OR IN PART AS THE BASIS FOR THE MANUFACTURE OR SALE OF ITEMS WITHOUT WRITTEN PERMISSION. THIS IS AN UNPUBLISHED WORK PROTECTED UNDER THE FEDERAL COPYRIGHT LAWS.

**DIGITAL EQUIPMENT CORPORATION
MAYNARD MASSACHUSETTS**

PACKAGING INSTRUCTION

REV _____ DATE _____

TITLE PKG. PKG MONITOR VR260

LEGEND

VARIATION PART	REV	PACKAGE TYPE	REMARKS
3700825-01	A1	CUSTOMER	VR260-AA/A3/BA/B3/CA/C3

PARTS LIST 3700825-01

REFER TO OFF-SHEET PARTS LIST K-PL-3700825-O-DBP, REV A

PACKAGING ASSEMBLIES 3700825-01

REFER TO FIGURE 1 FOR PICTORIAL PROCEDURE

1 SHEET IS "C" SIZE

ENG <i>Les Smith</i>	APPD <i>Julie Lettis</i>	SIZE A	CODE PA	NUMBER 3700825-0-0	REV A
-------------------------	-----------------------------	-----------	------------	-----------------------	----------

SHEET 1 OF 2

This sheet and any drawings herein are the property of Digital Equipment Corporation and shall not be reproduced or copied or used in whole or in part as the basis for the manufacture of any items without written permission.

THIS DRAWING AND THE SPECIFICATIONS CONTAINED HEREIN ARE CONFIDENTIAL AND PROPRIETARY. THEY ARE THE PROPERTY OF DIGITAL EQUIPMENT CORPORATION AND SHALL NOT BE REPRODUCED OR COPIED OR USED IN WHOLE OR IN PART AS THE BASIS FOR THE MANUFACTURE OR SALE OF ITEMS WITHOUT WRITTEN PERMISSION. THIS IS AN UNPUBLISHED WORK PROTECTED UNDER THE FEDERAL COPYRIGHT LAWS.

PACKAGE DIMENSIONS, WEIGHTS & PLASTIC PACKING MATERIAL

	USA		METRIC	
WEIGHT	52.00	LBS.	23.59	KG.
LENGTH	25.62	IN.	651.00	MM.
WIDTH	23.12	IN.	587.00	MM.
HEIGHT	22.50	IN.	572.00	MM.
CUBE	7.71	CU.FT.	0.22	CU.M.
DENSITY	6.74	LBS/FT. ³	108.00	KG/M. ³
*PLASTIC	% _V	% _W	TYPE	

*% VOLUME (EXPANDED)
% WEIGHT (UNEXPANDED)

SIZE CODE NUMBER
 C PA 3700B25-0-0
 REV. A
 REVISIONS
 REV. ECO NUMBER DATE
 A

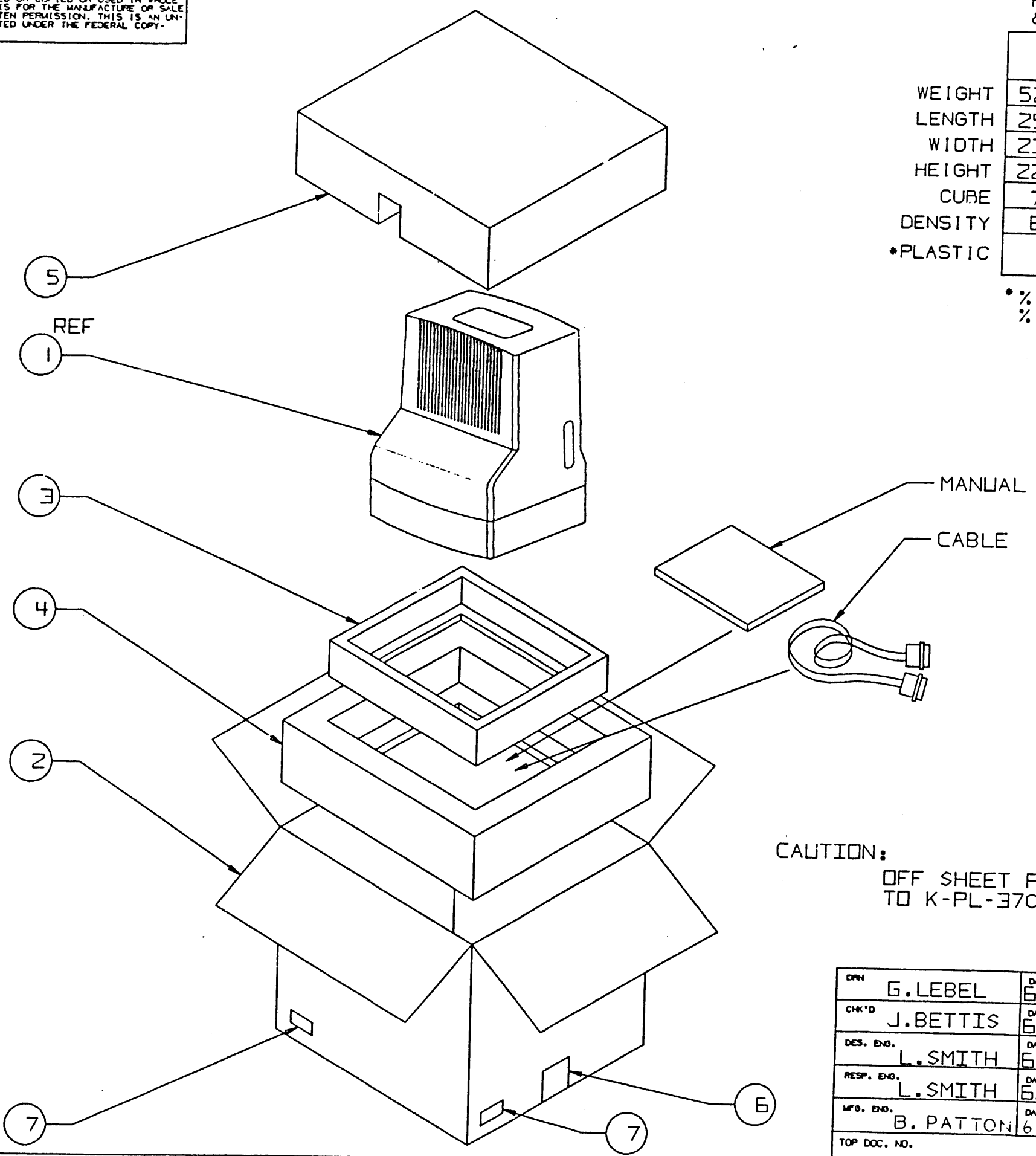


FIGURE 1
3700B25-01

CAUTION:
OFF SHEET PARTS LIST EXISTS. REFER TO K-PL-3700B25-0-DBP (ML395)
LAYER 1/C GL
PLOT AT .10

DRN	G. LABEL	DATE	6/4/85	TITLE	digital
CHK'D	J. BETTIS	DATE	6/4/85	PKG MONITOR VR 260	DOCUMENT NUMBER
DES. ENG.	L. SMITH	DATE	6/4/85		
RESP. ENG.	L. SMITH	DATE	6/4/85	C PA 3700B25-0-0	REV. A
INFO. ENG.	B. PATTON	DATE	6/4/85		
TOP DOC. NO.				SCALE	NONE
				SHEET	2 OF 2

SIZE CODE NUMBER
 C PA 3700B25-0-0
 REV. A

"THIS DOCUMENT AND SPECIFICATION HEREIN, ARE THE PROPERTY OF DIGITAL EQUIPMENT CORPORATION AND SHALL NOT BE REPRODUCED OR COPIED OR USED IN WHOLE OR IN PART AS THE BASIS FOR THE MANUFACTURE OR SALE OF ITEMS WITHOUT WRITTEN PERMISSION."
 COPYRIGHT - 1986. DIGITAL EQUIPMENT CORPORATION

DOCUMENT/PART NO.	DESCRIPTION	DOCUMENT/PART REVISIONS
E-UA-LK201-A-0	KEYBOARD	INA
K-PL-LK201-A-DBP	PARTS LIST	T
A-SP-LK201-A-2	KEYBOARD DESIGN SPECIFICATION	B
A-SP-LK200-A-0	LK200 FUNCTIONAL SPEC.	A
K-DD-7431584-0-0	PAPER, TRANSFER	A
MP-01395-00	KEYBOARD, LK201-0-1 (MP)	REF
B-TC-LK201-0-1	TABLE OF CONTENTS	INA
K-TC-LK201-0-1	TABLE OF CONTENTS	N
LK201-A	LOW PROFILE 105 KEY KEYBOARD (SUBSET OF LK200)	REF
LK201-AA	LK201-A W USA/CANADA KEYCAPS	M2
LK201-AB	BCC01, USA 120V POWER CORD	
LK201-AB	LK201-A W FLEMISH KEYCAPS, BCC01, BN03A-2E, 220V POWER CORD	L2
LK201-AC	LK201-A W CANADIAN FRENCH KEYCAPS, BCC01, USA 120V POWER CORD	M2
LK201-AD	LK201-A W DENMARK KEYCAPS, BCC01, BN06A-2E, 220V POWER CORD	L2
LK201-AE	LK201-A W UK KEYCAPS, BCC01, BN02A-2E, 240V POWER CORD	L2
LK201-AF	LK201-A W FINNISH KEYCAPS, BCC01, BN03A-2E, 220V POWER CORD	L2
LK201-AG	LK201-A W GERMAN KEYCAPS, BCC01, BN03A-2E, 220V POWER CORD	L2
LK201-AH	LK201-A W HOLLAND KEYCAPS, BCC01, BN03A-2E, 220V POWER CORD	L2
LK201-AI	LK201-A W ITALIAN KEYCAPS, BCC01, BN17A-2E, 220V POWER CORD	L2
LK201-AJ	LK201-A W KATA KANA KEYCAPS, BCC01, USA 120V POWER CORD	M2
LK201-AK	LK201-A W SWISS-FRENCH KEYCAPS BCC01, BN04A-2E, 220V POWER CORD	L2
LK201-AL	LK201-A W SWISS-GERMAN KEYCAPS BCC01, BN04A-2E 220V POWER CORD	L2
LK201-AM	LK201-A W SWEDISH KEYCAPS BCC01, BN03A-2E, 220V POWER CORD	L2

DRAWING DIRECTORY REVISION | R

NOTES: B-DD-LK201-0-DBF WAS REVISED AND REDRAWN TO K-DD-LK201-0-0, B-TC-LK201-0-1 WAS REVISED AND REDRAWN TO K-TC-LK201-0-0 ON LK201-MLO24. E-UA-LK201-A-0 AND E-UA-LK201-B-0 WERE INACTIVATED ON LK201-MLO24

REVISION HISTORY

DATE	ECO NUMBER	REV	DATE	ECO NUMBER	REV	DATE	ECO NUMBER	REV	DATE	ECO NUMBER	REV
2-FEB-87	LK201-MLO24	R									

D	I	G	I	T	A	L	DRN: M. THOMPSON	DATE 21 MAY 82	TITLE: DRAWING DIRECTORY
							CHK'D: C. LARSON	DATE 21 JUN 82	LK201 UNIT ASSEMBLY
							DES. ENG: ART LEN	DATE 14 JUN 82	
							RES. ENG: ART LEN	DATE 14 JUN 82	SECTION SHEET DOCUMENT NUMBER REV
FORM NO.							MFG. ENG: L. QUARLES	DATE 14 JUN 82	A OF A 1 OF 7 K-DD-LK201-0-0 R

"THIS DOCUMENT AND SPECIFICATION HEREIN, ARE THE PROPERTY OF DIGITAL EQUIPMENT CORPORATION AND SHALL NOT BE REPRODUCED OR COPIED OR USED IN WHOLE OR IN PART AS THE BASIS FOR THE MANUFACTURE OR SALE OF ITEMS WITHOUT WRITTEN PERMISSION."
 COPYRIGHT - 1986. DIGITAL EQUIPMENT CORPORATION

DOCUMENT/PART NO.	DESCRIPTION	DOCUMENT/PART REVISIONS
LK201-AN	LK201-A W NORWEGIAN KEYCAPS BCC01, BNO3A-2E, 220V POWER CORD	L2
LK201-AP	LK201-A W FRENCH KEYCAPS BCC01, BNO3A-2E, 220V POWER CORD	L2
LK201-AR	LK201-A W SPANISH KEYCAPS BCC01, USA 120V POWER CORD	A2
LK201-AS	LK201-A W SPAIN KEYCAPS BCC01, BNO3A-2E, 220V POWER CORD	L2
LK201-AT	LK201-A W HEBREW KEYCAPS BCC01, 17-00457 220V POWER CORD	M1
LK201-AU	LK201-A W ICELANDIC KEYCAPS BCC01, BNO3A-2E, 240V POWER CORD	C1
LK201-AV	LK201-A W PORTUGUESE KEYCAPS BCC01, BNO3A-2E, 240V POWER CORD	B2
LK201-AY	LK201-A W HIRAGANA KEYCAPS BCC01, USA 120V POWER CORD	C2
LK201-AZ	LK201-AA EXCEPT AUSTRALIAN BNO5A-2E, 250V POWER CORD	L2
LK201-EB	LK201-A W STENOGRAPHIC KEYCAPS BCC01, USA 120V POWER CORD	B2
LK201-EC	LK201-A W APL KEYCAPS, BCC01, USA 120V POWER CORD	B2
LK201-ED	LK201-A W DANISH KEYCAPS VERSION 2 BCC01, BNO6A-2E 220V POWER CORD	A1
LK201-EE	LK201-A W UK/USA KEYCAPS, BCC01 BNO2A-2E, 240V POWER CORD	A1
LK201-EH	LK201-A W GREEK KEYCAPS BCC01, BNO3A-2E, 220V POWER CORD	B2
LK201-EN	LK201-A W NORWEGIAN KEYCAPS VERSION 2, BCC01, BNO3A-2E, 220V POWER CRD	A1
LK201-ER	LK201-A W ARABIC-ENGLISH KEYCAPS BCC01, BNO3A-2E, 220V POWER CORD	B2
LK201-EU	LK201-A W TURKISH KEYCAPS, BCC01, BNO3A-2E 220V POWER CORD	B2
LK201-EY	LK201-A W YUGOSLAVE KEYCAPS, BCC01, BNO3A-2E 220V POWER CORD	B2
LK201-L	LK201-A W/KEYCAP VARIATIONS + NO POWER CORD	REF
LK201-LA	LK201-A W USA/CANADA KEYCAPS BCC01, NO POWER CORD	A1
LK201-LB	LK201-A W FLEMISH KEYCAPS, BCC01, NO POWER CORD	A1
LK201-LC	LK201-A W CANADIAN FRENCH KEYCAPS, NO POWER CORD	A1
LK201-LD	LK201-A W DENMARK KEYCAPS, VERSION 1 BCC01, NO POWER CORD	A1
DRAWING DIRECTORY REVISION		R
D I G I T A L	TITLE: DRAWING DIRECTORY LK201 UNIT ASSEMBLY	SECTION SHEET DOCUMENT NUMBER REV A OF A 2 OF 7 K-DD-LK201-0-0 R

"THIS DOCUMENT AND SPECIFICATION HEREIN, ARE THE PROPERTY OF DIGITAL EQUIPMENT CORPORATION AND SHALL NOT BE REPRODUCED OR COPIED OR USED IN WHOLE OR IN PART AS THE BASIS FOR THE MANUFACTURE OR SALE OF ITEMS WITHOUT WRITTEN PERMISSION."
 COPYRIGHT - 1986. DIGITAL EQUIPMENT CORPORATION

DOCUMENT/PART NO.	DESCRIPTION	DOCUMENT/PART REVISIONS
LK201-LE	LK201-A W UK KEYCAPS, BCC01, NO POWER CORD	A1
LK201-LF	LK201-A W FINNISH KEYCAPS, VERSION 1 BCC01, NO POWER CORD	A1
LK201-LG	LK201-A W GERMAN KEYCAPS, BCC01, NO POWER CORD	A1
LK201-LH	LK201-A W HOLLAND KEYCAPS, VERSION 1 BCC01, NO POWER CORD	A1
LK201-LI	LK201-A W ITALIAN KEYCAPS, BCC01, NO POWER CORD	A1
LK201-LJ	LK201-A W KATA KANA KEYCAPS, BCC01, NO POWER CORD	A1
LK201-LK	LK201-A W SWISS-FRENCH KEYCAPS BCC01, NO POWER CORD	A1
LK201-LL	LK201-A W SWISS-GERMAN KEYCAPS BCC01, NO POWER CORD	A1
LK201-LM	LK201-A W SWEDISH KEYCAPS BCC01, NO POWER CORD	A1
LK201-LN	LK201-A W NORWEGIAN KEYCAPS BCC01, NO POWER CORD	A1
LK201-LO	LK201-A W FRENCH KEYCAPS BCC01, NO POWER CORD	A1
LK201-LS	LK201-A W SPAIN KEYCAPS BCC01, NO POWER CORD	A1
LK201-LT	LK201-A W HEBREW KEYCAPS BCC01, NO POWER CORD	A1
LK201-LU	LK201-A W ICELANDIC KEYCAPS BCC01, NO POWER CORD	A1
LK201-LV	LK201-A W PORTUGUESE KEYCAPS BCC01, NO POWER CORD	A1
LK201-LY	LK201-A W HIRAGANA KEYCAPS BCC01, NO POWER CORD	A1
LK201-N	LK201-A FOR VT300 SERIES KEYBOARDS NO POWER CORD	REF
LK201-NA	LK201-N W USA/UK KEYCAPS	A1
LK201-NF	LK201-N W FINLAND/FINNISH KEYCAPS	A1
LK201-NH	LK201-N W HOLLAND/DUTCH KEYCAPS	A1
LK201-R	LK201-A W KEYCAP VARIATIONS + NO POWER CORD	REF
LK201-R9	LK201-A W STENOGRAPHIC KEYCAPS BCC01, NO POWER CORD	A1
LK201-RC	LK201-A W APL KEYCAPS, BCC01, NO POWER CORD	A1
LK201-RD	LK201-A W DANISH KEYCAPS VERSION 2 NO POWER CORD	A1
DRAWING DIRECTORY REVISION		R
D I G I T A L	TITLE: DRAWING DIRECTORY LK201 UNIT ASSEMBLY	SECTION SHEET DOCUMENT NUMBER REV A OF A 3 OF 7 K-DD-LK201-0-0 R

"THIS DOCUMENT AND SPECIFICATION HEREIN, ARE THE PROPERTY OF DIGITAL EQUIPMENT CORPORATION AND SHALL NOT BE REPRODUCED OR COPIED OR USED IN WHOLE OR IN PART AS THE BASIS FOR THE MANUFACTURE OR SALE OF ITEMS WITHOUT WRITTEN PERMISSION."
 COPYRIGHT - 1986. DIGITAL EQUIPMENT CORPORATION

DOCUMENT/PART NO.	DESCRIPTION	DOCUMENT/PART REVISIONS									
LK201-RE	LK201-A W UK/USA KEYCAPS NO POWER CORD	A1									
LK201-RH	LK201-A W GREEK KEYCAPS BCC01, NO POWER CORD	A1									
LK201-RN	LK201-A W NORWEGIAN KEYCAPS VERSION 2, NO POWER CORD	A1									
LK201-RR	LK201-A W ARABIC-ENGLISH KEYCAPS BCC01, NO POWER CORD	A1									
LK201-RU	LK201-A W TURKISH KEYCAPS, BCC01, NO POWER CORD	A1									
LK201-RY	LK201-A W YUGOSLAVE KEYCAPS, BCC01, NO POWER CORD	A1									
LK201-XA	LK201-A W XEROX KEYCAPS BCC01, USA 120V POWER CORD	B2									
LK201-XB	LK201-A W NS100 KEYCAPS, BCC01, USA 120V POWER CORD	B2									
LK201-XC	LK201-A W NS200 KEYCAPS, BCC01, USA 120V POWER CORD	B2									
LK201-XD	LK201-A W LRS-1/10 KEYCAPS, BCC01 USA 120V POWER CORD	A2									
LK201-XE	LK201-A LRS-100 KEYCAPS, BCC01 USA 120V POWER CORD	A2									
E-UA-LK201-B-0	KEYBOARD	INA									
K-PL-LK201-B-DBP	KEYBOARD PARTS LIST	E									
LK201-B	LOW PROFILE WORD PROCESSING KBD.	REF									
LK201-BA	LK201-B W USA/CANADA KEYCAPS BCC01, USA 120V POWER CORD	M2									
LK201-BB	LK201-B W WPS FLEMISH KEYCAPS BCC01, BN03A-2E, POWER CORD	B2									
LK201-BC	LK201-B W WPS CANADA-FRENCH KEYCAPS, BCC01, USA 120V POWER CORD	B2									
LK201-BD	LK201-B W WPS DENMARK KEYCAPS BCC01, BN06A-2E, 220V POWER CORD	C2									
LK201-BE	LK201-BA EXCEPT UK BCC01, BN02A-2E, 240V POWER CORD	L2									
LK201-3F	LK201-B W WPS FINLAND KEYCAPS BCC01, BN03A-2E, 220V POWER CORD	C2									
LK201-BG	LK201-B W WPS GERMAN KEYCAPS BCC01, BN03A-2E, 220V POWER CORD	L2									
LK201-BH	LK201-B W WPS HOLLAND KEYCAPS BCC01, BN03A-2E, 220V POWER CORD	B2									
LK201-9I	LK201-B W WPS ITALIAN KEYCAPS BCC01, BN17A-2E, 220V POWER CORD	L2									
LK201-9K	LK201-B W WPS SWISS-FRENCH KEYCAPS BCC01, BN04A-2E, 220V POWER CORD	B2									
DRAWING DIRECTORY REVISION		R									
D	I	G	I	T	A	L	TITLE: DRAWING DIRECTORY	SECTION	SHEET	DOCUMENT NUMBER	REV
							LK201 UNIT ASSEMBLY	A OF A	4 OF 7	K-DD-LK201-0-0	R

"THIS DOCUMENT AND SPECIFICATION HEREIN, ARE THE PROPERTY OF DIGITAL EQUIPMENT CORPORATION AND SHALL NOT BE REPRODUCED OR COPIED OR USED IN WHOLE OR IN PART AS THE BASIS FOR THE MANUFACTURE OR SALE OF ITEMS WITHOUT WRITTEN PERMISSION."
 COPYRIGHT (C) 1986. DIGITAL EQUIPMENT CORPORATION

DOCUMENT/PART NO.	DESCRIPTION	DOCUMENT/PART REVISIONS
LK201-BL	LK201-B W WPS SWISS-GERMAN KEYCAPS 9CC01, BN04A-2E, 220V POWER CORD	B2
LK201-BM	LK201-B W WPS SWEDISH KEYCAPS BCC01, BN03A-2E, 220V POWER CORD	C1
LK201-BN	LK201-B W WPS NORWEGIAN KEYCAPS BCC01, BN03A-2E, 220V POWER CORD	B2
LK201-3P	LK201-9 W WPS FRENCH KEYCAPS BCC01, BN03A-2E, 220V POWER CORD	L2
LK201-BR	LK201-B W WPS SPANISH KEYCAPS 9CC01, USA 120V POWER CORD	A2
LK201-BS	LK201-B WPS SPAIN KEYCAPS BCC01, BN03A-2E, POWER CORD	L2
LK201-BZ	LK201-BA EXCEPT AUSTRALIAN 9CC01, BN05A-2E 250V PWR CORD	L2
LK201-F	LK201-B W KEYCAP VARIATIONS	REF
LK201-FC	LK201-B W WPS CANADA-ENGLISH KEYCAPS, BCC01, USA 120V PWR CORD	B2
LK201-FS	LK201-B W WPS SPANISH-ENGLISH KEYCAPS, BCC01, BN17A-2E 220V CORD	B2
LK201-M	LK201-B W KEYCAP VARIATIONS + NO POWER CORD	REF
LK201-MA	LK201-B W USA/CANADA KEYCAPS BCC01, NO POWER CORD	A1
LK201-MB	LK201-B W WPS FLEMISH KEYCAPS BCC01, NO POWER CORD	A1
LK201-MC	LK201-B W WPS CANADA-FRENCH KEYCAPS, BCC01, NO POWER CORD	A1
LK201-MD	LK201-B W WPS DENMARK KEYCAPS BCC01, NO POWER CORD	A1
LK201-ME	LK201-BA EXCEPT UK BCC01, NO POWER CORD	A1
LK201-MF	LK201-B W WPS FINLAND KEYCAPS 9CC01, NO POWER CORD	A1
LK201-MG	LK201-B W WPS GERMAN KEYCAPS BCC01, NO POWER CORD	A1
LK201-MH	LK201-B W WPS HOLLAND KEYCAPS BCC01, NO POWER CORD	A1
LK201-MI	LK201-B W WPS ITALIAN KEYCAPS 9CC01, NO POWER CORD	A1
LK201-MK	LK201-B W WPS SWISS-FRENCH KEYCAPS BCC01, NO POWER CORD	A1
LK201-ML	LK201-B W WPS SWISS-GERMAN KEYCAPS 9CC01, NO POWER CORD	A1
LK201-MM	LK201-B W WPS SWEDISH KEYCAPS BCC01, NO POWER CORD	A1
DRAWING DIRECTORY REVISION R		
D I G I T A L	TITLE: DRAWING DIRECTORY LK201 UNIT ASSEMBLY	SECTION SHEET DOCUMENT NUMBER REV A OF A 5 OF 7 K-DD-LK201-0-0 R

"THIS DOCUMENT AND SPECIFICATION HEREIN, ARE THE PROPERTY OF DIGITAL EQUIPMENT CORPORATION AND SHALL NOT BE REPRODUCED OR COPIED OR USED IN WHOLE OR IN PART AS THE BASIS FOR THE MANUFACTURE OR SALE OF ITEMS WITHOUT WRITTEN PERMISSION."
 COPYRIGHT _ 1986. DIGITAL EQUIPMENT CORPORATION

DOCUMENT/PART NO.	DESCRIPTION	DOCUMENT/PART REVISIONS
LK201-MN	LK201-B W WPS NORWEGIAN KEYCAPS BCC01, NO POWER CORD	A1
LK201-MP	LK201-B W WPS FRENCH KEYCAPS BCC01, NO POWER CORD	A1
LK201-MS	LK201-B WPS SPAIN KEYCAPS BCC01, NO POWER CORD	A1
LK201-P	LOW PROFILE WORD PROCESSING KEYBOARD FOR VT300 SERIES	REF
LK201-PA	LK201-P W WPS USA/UK KEYCAPS	A1
LK201-S	LK201-B W KEYCAP VARIATIONS NO POWER CORD	REF
LK201-SC	LK201-B W WPS CANADA-ENGLISH KEYCAPS, NO POWER CORD	A1
LK201-SS	LK201-B W WPS SPANISH-ENGLISH KEYCAPS, BCC.1, NO POWER CORD	A1
E-UA-LK201-C-0	KEYBOARD UNIT ASSEMBLY	D
K-PL-LK201-C-D3P	KEYBOARD PARTS LIST	E
LK201-C	LOW PROFILE 105 KEY VAXSTATION KEYBOARD	REF
LK201-CA	LK201-C W USA/CANADA VAXSTATION KEYCAPS, BCC01, BNO3A-2E 220V CORD	M1
LK201-CB	LK201-C W FLEMISH VAXSTATION KEYCAPS, BCC01, BNO3A-2E 220V CORD	B1
LK201-CC	LK201-C W CANADIAN-FRENCH VAXSTN. KEYCAPS, BCC01, USA 120V PWR CORD	C1
LK201-CD	LK201-C W DANISH VAXSTATION KEYCAPS BCC01, BNO6A-2E 240V POWER CORD	B1
LK201-CE	LK201-C W UK VAXSTATION KEYCAPS BCC01, BNO2A-2E POWER CORD	L1
LK201-CF	LK201-C W FINNISH VAXSTATION KEYCAPS, BCC01, BNO3A-2E POWER CORD	B1
LK201-CG	LK201-C W GERMAN VAXSTATION KEYCAPS 9CC01, BNO3A-2E 220V POWER CORD	L1
LK201-CH	LK201-C W DUTCH VAXSTATION KEYCAPS BCC01, BNO3A-2E 220V POWER CORD	B1
LK201-CI	LK201-C W ITALIAN VAXSTATION KEYCAPS, BCC01, BN17A-2E 220V CORD	B1
LK201-CJ	LK201-C W KATA KANA VAXSTATION KEYCAPS, BCC01, 120V POWER CORD	B1
LK201-CK	LK201-C W SWISS-FRENCH VAXSTATION KEYCAPS, BCC01, BNO4A-2E 220V CORD	B1
LK201-CL	LK201-C W SWISS-GERMAN VAXSTATION KEYCAPS, BCC01, BNO4A-2E 220V CORD	B1
LK201-CM	LK201-C W SWEDISH VAXSTATION KEYCAPS, BCC01, BNO3A-2E POWER CORD	B1
DRAWING DIRECTORY REVISION		R
D I G I T A L		
TITLE: DRAWING DIRECTORY LK201 UNIT ASSEMBLY		
SECTION	SHEET	DOCUMENT NUMBER
A OF A	6 OF 7	K-DD-LK201-0-0
		REV
		R

"THIS DOCUMENT AND SPECIFICATION HEREIN, ARE THE PROPERTY OF DIGITAL EQUIPMENT CORPORATION AND SHALL NOT BE REPRODUCED OR COPIED OR USED IN WHOLE OR IN PART AS THE BASIS FOR THE MANUFACTURE OR SALE OF ITEMS WITHOUT WRITTEN PERMISSION."
 COPYRIGHT - 1986. DIGITAL EQUIPMENT CORPORATION

DOCUMENT/PART NO.	DESCRIPTION	DOCUMENT/PART REVISIONS
LK201-CN	LK201-C W NORWEGIAN VAXSTATION KEYCAPS, BCC01, BN03A-2E 220V CORD	B1
LK201-CP	LK201-C W FRENCH VAXSTATION KEYCAPS, BCC01, BN03A-2E 220V POWER CORD	L1
LK201-CS	LK201-C W SPANISH VAXSTATION KEYCAPS, BCC01, BN03A-2E 220V CORD	B1
LK201-CZ	LK201-CA EXCEPT AUSTRALIAN BN05A-2E 250V POWER CORD	B1
E-UA-LK201-D-0	KEYBOARD UNIT ASSEMBLY	A
K-PL-LK201-D-DBP	KEYBOARD PARTS LIST	B
LK201-D	LOW PROFILE 105 KEY KEYBOARD VMS PROGRAMMERS KEYBOARD	REF
LK201-DA	LK201-D W VMS PROGRAMMERS KEYCAPS, BCC01, USA 120V POWER CORD	B1
DRAWING DIRECTORY REVISION		R
D I G I T A L	TITLE: DRAWING DIRECTORY LK201 UNIT ASSEMBLY	SECTION A OF A
		SHEET 7 OF 7
		DOCUMENT NUMBER K-DD-LK201-0-0
		REV R

PARTS LIST

LINE	ITEM	TOP DOCUMENT	PART NUMBER	MIN REV	DESCRIPTION	QUANTITY PER VARIATION/REVISION									
						AA M2	AB L2	AC M2	AD L2	AE L2	AF L2	AG L2	AH L2	AI L2	AJ M2
1	1		37-00698-01		PKG KEYBOARD LK201 CUSTOMER	1	1	1	1	1	1	1	1	1	1
2	2		17-00083-09		PWR CORD,TERM 3-18 SJT 125V	1	-	1	-	-	-	-	-	-	1
3	3		17-00209-00		PWR CORD,TERM 3- .75MM 5A 250V	-	-	-	-	1	-	-	-	-	-
4	4		17-00199-00		PWR CORD,TERM 3 250V	-	1	-	-	-	1	1	1	-	-
5	5		17-00310-01		PWR CORD,TERM 3- .75MM 250V	-	-	-	1	-	-	-	-	-	-
6	6		17-00210-00		PWR CORD,TERM 3- .75MM 250V 6A	-	-	-	-	-	-	-	-	-	-
7	7		17-00364-01		PWR CORD,TERM 3- .75MM 250V 2	-	-	-	-	-	-	-	-	1	-
8	8		17-00198-00		PWR CORD,TERM 3-18 250V	-	-	-	-	-	-	-	-	-	-
9	9	K-DD-7023983-0-0	70-23983-AA		KEYBOARD,USA	1	-	-	-	-	-	-	-	-	-
10	10	K-DD-7023983-0-0	70-23983-AB		KEYBOARD,FLEMISH	-	1	-	-	-	-	-	-	-	-
11	11	K-DD-7023983-0-0	70-23983-AC		KEYBOARD,CANADIAN/FRENCH	-	-	1	-	-	-	-	-	-	-
12	12	K-DD-7023983-0-0	70-23983-AD		KEYBOARD,1ST DANISH	-	-	-	1	-	-	-	-	-	-
13	13	K-DD-7023983-0-0	70-23983-AE		KEYBOARD,UK	-	-	-	-	1	-	-	-	-	-
14	14	K-DD-7023983-0-0	70-23983-AF		KEYBOARD,1ST FINNISH	-	-	-	-	-	1	-	-	-	-
15	15	K-DD-7023983-0-0	70-23983-AG		KEYBOARD,GERMAN	-	-	-	-	-	-	1	-	-	-
16	16	K-DD-7023983-0-0	70-23983-AH		KEYBOARD,1ST HOLLAND	-	-	-	-	-	-	-	1	-	-
17	17	K-DD-7023983-0-0	70-23983-AI		KEYBOARD,ITALIAN	-	-	-	-	-	-	-	-	1	-
18	18	K-DD-7023983-0-0	70-23983-AJ		KEYBOARD,KATAKANA	-	-	-	-	-	-	-	-	-	1
19	19	K-DD-7023983-0-0	70-23983-AK		KEYBOARD,SWISS/FRENCH	-	-	-	-	-	-	-	-	-	-
20	20	K-DD-7023983-0-0	70-23983-AL		KEYBOARD,SWISS/GERMAN	-	-	-	-	-	-	-	-	-	-
21	21	K-DD-7023983-0-0	70-23983-AM		KEYBOARD,SWEDISH	-	-	-	-	-	-	-	-	-	-
22	22	K-DD-7023983-0-0	70-23983-AN		KEYBOARD,1ST NORWEGIAN	-	-	-	-	-	-	-	-	-	-
23	23	K-DD-7023983-0-0	70-23983-AP		KEYBOARD,FRENCH	-	-	-	-	-	-	-	-	-	-
24	24	K-DD-7023983-0-0	70-23983-AS		KEYBOARD,SPANISH	-	-	-	-	-	-	-	-	-	-
25	25	K-DD-7023983-0-0	70-23983-AT		KEYBOARD,HEBREW	-	-	-	-	-	-	-	-	-	-
26	26	K-DD-7023983-0-0	70-23983-AU		KEYBOARD,ICELANDIC	-	-	-	-	-	-	-	-	-	-
27	27	K-DD-7023983-0-0	70-23983-AV		KEYBOARD,PORTUGESE	-	-	-	-	-	-	-	-	-	-
28	28	K-DD-7023983-0-0	70-23983-AY		KEYBOARD,HIRAGANA	-	-	-	-	-	-	-	-	-	-
29	29	K-DD-7023983-0-0	70-23983-EB		KEYBOARD,STENOGRAPHIC	-	-	-	-	-	-	-	-	-	-
30	30	K-DD-7023983-0-0	70-23983-EC		KEYBOARD,APL	-	-	-	-	-	-	-	-	-	-
31	31	K-DD-7023983-0-0	70-23983-ED		KEYBOARD,2ND DANISH	-	-	-	-	-	-	-	-	-	-
32	32	K-DD-7023983-0-0	70-23983-EE		KEYBOARD,UK/USA	-	-	-	-	-	-	-	-	-	-

REVISION HISTORY			KPL MATRIX FORMAT			SECTION A OF H			DRN: D. HEALY			DIGITAL		
ENG	ECO NUMBER	REV	SECTION/VARIATION INDEX			DATE: 18-MAR-82			CHK'D: C. LARSON			TITLE PARTS LIST		
AL	LK201-MLO03	D	[A]	AA,AB,AC,AD,AE,AF,AG,AH,AI,AJ	DATE: 19-MAY-82			DATE: 19-MAY-82			LK201 KEYBOARD			
AL	LK201-A-MLO04	E	[B]	AK,AL,AM,AN,AP,AR,AS,AT,AU,AV	DES.ENG: R. LIETERMANN			DOCUMENT NUMBER						
AL	LK201-MLO06	F	[C]	AY,AZ,EB,EC,ED,EE,EH,EN,ER,EU	DATE: 19-MAY-82			SIZE			CODE			
AL	LK201-A-MLO07	H	[D]	EY,LA,LB,LC,LD,LE,LF,LG,LH,LI	RESP.ENG.: A. LEN			NUMBER			REV			
AL	LK201-MLO08	J	[E]	LJ,LK,LL,LM,LN,LP,LS,LT,LU,LV	DATE: 19-MAY-82			K			PL			
DW	LK201-MLO09	K	[F]	LY,NA,NF,NH,RB,RC,RD,RE,RH,RN	MFG.ENG: L. QUARLES			LK201-A-DBP			T			
AJ	LK201-A-MLO12	L	[H]	RR,RU,RY,XA,XB,XC,XD,XE	DATE: 19-MAY-82			RELEASE DATE:			RELEASE STATUS: VALID PARTS			
AJ	LK201-A-MLO13	M	[J]											
DW	LK201-A-MLO20	N												
DW	LK201-MLO21	P												
DW	LK201-MLO22	R												
AJ	LK201-MLO23	S												
DW	LK201-MLO24	T												
			BASIC PART NUMBER: LK201			ASSEMBLY NUMBER: E-UA-LK201-A-0			TOP DOCUMENT NUMBER: K-DD-LK201-0-DBF			FILE NAME: Z4412T.PLS		
												EDIT # 9		

"THIS DRAWING AND THE SPECIFICATIONS CONTAINED HEREIN ARE CONFIDENTIAL AND PROPRIETARY. THEY ARE THE PROPERTY OF DIGITAL EQUIPMENT CORPORATION AND SHALL NOT BE REPRODUCED OR COPIED OR USED IN WHOLE OR IN PART AS THE BASIS FOR THE MANUFACTURE OR SALE OF ITEMS WITHOUT WRITTEN PERMISSION. THIS IS AN UNPUBLISHED WORK PROTECTED UNDER THE FEDERAL COPYRIGHT LAWS."

AUTOMATED BY VAXKPL (V1.3)

PARTS LIST

SHEET A2 OF A2

LINE	ITEM	TOP DOCUMENT	PART NUMBER	MIN REV	DESCRIPTION	QUANTITY PER VARIATION/REVISION										
						AA M2	AB L2	AC M2	AD L2	AE L2	AF L2	AG L2	AH L2	AI L2	AJ M2	
33	33	K-DD-7023983-0-0	70-23983-EH		KEYBOARD,GREEK	-	-	-	-	-	-	-	-	-	-	-
34	34	K-DD-7023983-0-0	70-23983-EN		KEYBOARD,2ND NORWEGIAN	-	-	-	-	-	-	-	-	-	-	-
35	35	K-DD-7023983-0-0	70-23983-ER		KEYBOARD,ARABIC-ENGLISH	-	-	-	-	-	-	-	-	-	-	-
36	36	K-DD-7023983-0-0	70-23983-EU		KEYBOARD,TURKISH	-	-	-	-	-	-	-	-	-	-	-
37	37	K-DD-7023983-0-0	70-23983-EY		KEYBOARD,YUGOSLAVIAN	-	-	-	-	-	-	-	-	-	-	-
38	38	K-DD-7023983-0-0	70-23983-NA		KEYBOARD,USA/UK,W/LOCAL EDITING	-	-	-	-	-	-	-	-	-	-	-
39	39	K-DD-7023983-0-0	70-23983-NF		KEYBOARD,2ND FINNISH	-	-	-	-	-	-	-	-	-	-	-
40	40	K-DD-7023983-0-0	70-23983-NH		KEYBOARD,2ND HOLLAND	-	-	-	-	-	-	-	-	-	-	-
41	41	K-DD-7023983-0-0	70-23983-XA		KEYBOARD,XEROX	-	-	-	-	-	-	-	-	-	-	-
42	42	K-DD-7023983-0-0	70-23983-XB		KEYBOARD,NS100	-	-	-	-	-	-	-	-	-	-	-
43	43	K-DD-7023983-0-0	70-23983-XC		KEYBOARD,NS200	-	-	-	-	-	-	-	-	-	-	-
44	44	K-DD-7023983-0-0	70-23983-XD		KEYBOARD,LRS1/10	-	-	-	-	-	-	-	-	-	-	-
45	45	K-DD-7023983-0-0	70-23983-XE		KEYBOARD,LRS100	-	-	-	-	-	-	-	-	-	-	-
46	83	K-DD-7023983-0-0	17-00457-08		PWR CORD,TERM 3- .75MM 250V	-	-	-	-	-	-	-	-	-	-	-

- 1 GEN: VARIATION A IS FOR DOCUMENTATION REFERENCE ONLY.
- 2 GEN: QUANTITY OF ITEM #3 IS .0002 GALS.
- 3 GEN: KEYBOARDS BUILT IN EUROPE WILL USE KEYCAP SET PART NUMBER 7019005 IN PLACE OF 7021081.

D	I	G	I	T	A	L	TITLE	SECTION A	OF H	SIZE	CODE	DOCUMENT NUMBER	REV
							LK201 KEYBOARD			K	PL	LK201-A-DBP	T

AUTOMATED BY VAXKPL (V1.3)

PARTS LIST

SHEET B1 OF B2

LINE	ITEM	TOP DOCUMENT	PART NUMBER	MIN REV	DESCRIPTION	QUANTITY PER VARIATION/REVISION									
						AK L2	AL L2	AM L2	AN L2	AP L2	AR A2	AS L2	AT M1	AU C1	AV B2
1	1		37-00698-01		PKG KEYBOARD LK201 CUSTOMER	1	1	1	1	1	1	1	1	1	1
2	2		17-00083-09		PWR CORD,TERM 3-18 SJT 125V	-	-	-	-	-	1	-	-	-	-
3	3		17-00209-00		PWR CORD,TERM 3- .75MM 5A 250V	-	-	-	-	-	-	-	-	-	-
4	4		17-00199-00		PWR CORD,TERM 3 250V	-	-	1	1	1	-	1	-	1	1
5	5		17-00310-01		PWR CORD,TERM 3- .75MM 250V	-	-	-	-	-	-	-	-	-	-
6	6		17-00210-00		PWR CORD,TERM 3- .75MM 250V 6A	1	1	-	-	-	-	-	-	-	-
7	7		17-00364-01		PWR CORD,TERM 3- .75MM 250V 2	-	-	-	-	-	-	-	-	-	-
8	8		17-00198-00		PWR CORD,TERM 3-18 250V	-	-	-	-	-	-	-	-	-	-
9	9	K-DD-7023983-0-0	70-23983-AA		KEYBOARD,USA	-	-	-	-	-	-	-	-	-	-
10	10	K-DD-7023983-0-0	70-23983-AB		KEYBOARD,FLEMISH	-	-	-	-	-	-	-	-	-	-
11	11	K-DD-7023983-0-0	70-23983-AC		KEYBOARD,CANADIAN/FRENCH	-	-	-	-	-	-	-	-	-	-
12	12	K-DD-7023983-0-0	70-23983-AD		KEYBOARD,1ST DANISH	-	-	-	-	-	-	-	-	-	-
13	13	K-DD-7023983-0-0	70-23983-AE		KEYBOARD,UK	-	-	-	-	-	-	-	-	-	-
14	14	K-DD-7023983-0-0	70-23983-AF		KEYBOARD,1ST FINNISH	-	-	-	-	-	-	-	-	-	-
15	15	K-DD-7023983-0-0	70-23983-AG		KEYBOARD,GERMAN	-	-	-	-	-	-	-	-	-	-
16	16	K-DD-7023983-0-0	70-23983-AH		KEYBOARD,1ST HOLLAND	-	-	-	-	-	-	-	-	-	-
17	17	K-DD-7023983-0-0	70-23983-AI		KEYBOARD,ITALIAN	-	-	-	-	-	-	-	-	-	-
18	18	K-DD-7023983-0-0	70-23983-AJ		KEYBOARD,KATAKANA	-	-	-	-	-	-	-	-	-	-
19	19	K-DD-7023983-C-0	70-23983-AK		KEYBOARD,SWISS/FRENCH	1	-	-	-	-	-	-	-	-	-
20	20	K-DD-7023983-0-0	70-23983-AL		KEYBOARD,SWISS/GERMAN	-	1	-	-	-	-	-	-	-	-
21	21	K-DD-7023983-0-0	70-23983-AM		KEYBOARD,SWEDISH	-	-	1	-	-	-	-	-	-	-
22	22	K-DD-7023983-0-0	70-23983-AN		KEYBOARD,1ST NORWEGIAN	-	-	-	1	-	-	-	-	-	-
23	23	K-DD-7023983-0-0	70-23983-AP		KEYBOARD,FRENCH	-	-	-	-	1	-	-	-	-	-
24	24	K-DD-7023983-0-0	70-23983-AS		KEYBOARD,SPANISH	-	-	-	-	-	1	1	-	-	-
25	25	K-DD-7023983-0-0	70-23983-AT		KEYBOARD,HEBREW	-	-	-	-	-	-	-	1	-	-
26	26	K-DD-7023983-0-0	70-23983-AU		KEYBOARD,ICELANDIC	-	-	-	-	-	-	-	-	1	-
27	27	K-DD-7023983-0-0	70-23983-AV		KEYBOARD,PORTUGUESE	-	-	-	-	-	-	-	-	-	1
28	28	K-DD-7023983-0-0	70-23983-AY		KEYBOARD,HIRAGANA	-	-	-	-	-	-	-	-	-	-
29	29	K-DD-7023983-0-0	70-23983-EB		KEYBOARD,STENOGRAPHIC	-	-	-	-	-	-	-	-	-	-
30	30	K-DD-7023983-0-0	70-23983-EC		KEYBOARD,APL	-	-	-	-	-	-	-	-	-	-
31	31	K-DD-7023983-0-0	70-23983-ED		KEYBOARD,2ND DANISH	-	-	-	-	-	-	-	-	-	-
32	32	K-DD-7023983-0-0	70-23983-EE		KEYBOARD,UK/USA	-	-	-	-	-	-	-	-	-	-

REVISION HISTORY			KPL MATRIX FORMAT!SECTION B OF H!DRN: D. HEALY			D I G I T A L		
ENG!	ECO NUMBER	REV	SECTION/VARIATION INDEX			DATE: 18-MAR-82		
AL	LK201-MLO03	D	[A]	AA,AB,AC,AD,AE,AF,AG,AH,AI,AJ	CHK'D:	C. LARSON		
AL	LK201-A-MLO04	E	[B]	AK,AL,AM,AN,AP,AR,AS,AT,AU,AV	DATE:	19-MAY-82		
AL	LK201-MLO06	F	[C]	AY,AZ,EB,EC,ED,EE,EH,EN,ER,EU	DES.ENG:	R. LIETERMANN		
AL	LK201-A-MLO07	H	[D]	EY,LA,LB,LC,LD,LE,LF,LG,LH,LI	DATE:	19-MAY-82		
AL	LK201-MLO08	J	[E]	LJ,LK,LL,LM,LN,LP,LS,LT,LU,LV	SIZE!CODE!	NUMBER		
DW	LK201-MLO09	K	[F]	LY,NA,NF,NH,RB,RC,RD,RE,RH,RN	RESP.ENG.:	A. LEN		
AJ	LK201-A-MLO12	L	[H]	RR,RU,RY,XA,XB,XC,XD,XE	DATE:	19-MAY-82		
AJ	LK201-A-MLO13	M	[J]		K	PL	LK201-A-DBP	
DW	LK201-A-MLO20	N			MFG.ENG:	L. QUARLES		
DW	LK201-MLO21	P			DATE:	19-MAY-82		
DW	LK201-MLO22	R			RELEASE DATE:			
AJ	LK201-MLO23	S			RELEASE STATUS:	VALID PARTS		
DW	LK201-MLO24	T			BASIC PART NUMBER:	ASSEMBLY NUMBER:		TOP DOCUMENT NUMBER:
					LK201	E-UA-LK201-A-0		FILE NAME:
						K-DD-LK201-0-DBF		EDIT #
								9

"THIS DRAWING AND THE SPECIFICATIONS CONTAINED HEREIN ARE CONFIDENTIAL AND PROPRIETARY. THEY ARE THE PROPERTY OF DIGITAL EQUIPMENT CORPORATION AND SHALL NOT BE REPRODUCED OR COPIED OR USED IN WHOLE OR IN PART AS THE BASIS FOR THE MANUFACTURE OR SALE OF ITEMS WITHOUT WRITTEN PERMISSION. THIS IS AN UNPUBLISHED WORK PROTECTED UNDER THE FEDERAL COPYRIGHT LAWS."

AUTOMATED BY VAXKPL (V1.3)

P A R T S L I S T

SHEET B2 OF B2

LINE	ITEM	TOP DOCUMENT	PART NUMBER	MIN REV	DESCRIPTION	QUANTITY PER VARIATION/REVISION										
						AK L2	AL L2	AM L2	AN L2	AP L2	AR A2	AS L2	AT M1	AU C1	AV B2	
33	33	K-DD-7023983-0-0	70-23983-EH		KEYBOARD,GREEK	-	-	-	-	-	-	-	-	-	-	-
34	34	K-DD-7023983-0-0	70-23983-EN		KEYBOARD,2ND NORWEGIAN	-	-	-	-	-	-	-	-	-	-	-
35	35	K-DD-7023983-0-0	70-23983-ER		KEYBOARD,ARABIC-ENGLISH	-	-	-	-	-	-	-	-	-	-	-
36	36	K-DD-7023983-0-0	70-23983-EU		KEYBOARD,TURKISH	-	-	-	-	-	-	-	-	-	-	-
37	37	K-DD-7023983-0-0	70-23983-EY		KEYBOARD,YUGOSLAVIAN	-	-	-	-	-	-	-	-	-	-	-
38	38	K-DD-7023983-0-0	70-23983-NA		KEYBOARD,USA/UK,W/LOCAL EDITING	-	-	-	-	-	-	-	-	-	-	-
39	39	K-DD-7023983-0-0	70-23983-NF		KEYBOARD,2ND FINNISH	-	-	-	-	-	-	-	-	-	-	-
40	40	K-DD-7023983-0-0	70-23983-NH		KEYBOARD,2ND HOLLAND	-	-	-	-	-	-	-	-	-	-	-
41	41	K-DD-7023983-0-0	70-23983-XA		KEYBOARD,XEROX	-	-	-	-	-	-	-	-	-	-	-
42	42	K-DD-7023983-0-0	70-23983-XB		KEYBOARD,NS100	-	-	-	-	-	-	-	-	-	-	-
43	43	K-DD-7023983-0-0	70-23983-XC		KEYBOARD,NS200	-	-	-	-	-	-	-	-	-	-	-
44	44	K-DD-7023983-0-0	70-23983-XD		KEYBOARD,LRS1/10	-	-	-	-	-	-	-	-	-	-	-
45	45	K-DD-7023983-0-0	70-23983-XE		KEYBOARD,LRS100	-	-	-	-	-	-	-	-	-	-	-
46	83	K-DD-7023983-0-0	17-00457-08		PWR CORD,TERM 3- .75MM 250V	-	-	-	-	-	-	-	1	-	-	-

1 GEN: VARIATION A IS FOR DOCUMENTATION REFERENCE ONLY.

2 GEN: QUANTITY OF ITEM #3 IS .0002 GALS.

3 GEN: KEYBOARDS BUILT IN EUROPE WILL USE KEYCAP SET PART NUMBER 7019005 IN PLACE OF 7021081.

D	I	G	I	T	A	L	TITLE	SECTION B	OF H	SIZE	CODE	DOCUMENT NUMBER	REV
							LK201 KEYBOARD			K	PL	LK201-A-DBP	T

AUTOMATED BY VAXKPL (V1.3)

PARTS LIST

SHEET C1 OF C2

LINE	ITEM	TOP DOCUMENT	PART NUMBER	MIN REV	DESCRIPTION	QUANTITY PER VARIATION/REVISION									
						AY C2	AZ L2	EB B2	EC B2	ED A1	EE A1	EH B2	EN A1	ER B2	EU B2
1	1		37-00698-01		PKG KEYBOARD LK201 CUSTOMER	1	1	1	1	1	1	1	1	1	1
2	2		17-00083-09		PWR CORD,TERM 3-18 SJT 125V	1	-	1	1	-	-	-	-	-	-
3	3		17-00209-00		PWR CORD,TERM 3- .75MM 5A 250V	-	-	-	-	-	1	-	-	1	-
4	4		17-00199-00		PWR CORD,TERM 3 250V	-	-	-	-	-	1	1	-	-	1
5	5		17-00310-01		PWR CORD,TERM 3- .75MM 250V	-	-	-	-	1	-	-	-	-	-
6	6		17-00210-00		PWR CORD,TERM 3- .75MM 250V 6A	-	-	-	-	-	-	-	-	-	-
7	7		17-00364-01		PWR CORD,TERM 3- .75MM 250V 2	-	-	-	-	-	-	-	-	-	-
8	8		17-00198-00		PWR CORD,TERM 3-18 250V	-	1	-	-	-	-	-	-	-	-
9	9	K-DD-7023983-0-0	70-23983-AA		KEYBOARD,USA	-	1	-	-	-	-	-	-	-	-
10	10	K-DD-7023983-0-0	70-23983-AB		KEYBOARD,FLEMISH	-	-	-	-	-	-	-	-	-	-
11	11	K-DD-7023983-0-0	70-23983-AC		KEYBOARD,CANADIAN/FRENCH	-	-	-	-	-	-	-	-	-	-
12	12	K-DD-7023983-0-0	70-23983-AD		KEYBOARD,1ST DANISH	-	-	-	-	-	-	-	-	-	-
13	13	K-DD-7023983-0-0	70-23983-AE		KEYBOARD,UK	-	-	-	-	-	-	-	-	-	-
14	14	K-DD-7023983-0-0	70-23983-AF		KEYBOARD,1ST FINNISH	-	-	-	-	-	-	-	-	-	-
15	15	K-DD-7023983-0-0	70-23983-AG		KEYBOARD,GERMAN	-	-	-	-	-	-	-	-	-	-
16	16	K-DD-7023983-0-0	70-23983-AH		KEYBOARD,1ST HOLLAND	-	-	-	-	-	-	-	-	-	-
17	17	K-DD-7023983-0-0	70-23983-AI		KEYBOARD,ITALIAN	-	-	-	-	-	-	-	-	-	-
18	18	K-DD-7023983-0-0	70-23983-AJ		KEYBOARD,KATAKANA	-	-	-	-	-	-	-	-	-	-
19	19	K-DD-7023983-0-0	70-23983-AK		KEYBOARD,SWISS/FRENCH	-	-	-	-	-	-	-	-	-	-
20	20	K-DD-7023983-0-0	70-23983-AL		KEYBOARD,SWISS/GERMAN	-	-	-	-	-	-	-	-	-	-
21	21	K-DD-7023983-0-0	70-23983-AM		KEYBOARD,SWEDISH	-	-	-	-	-	-	-	-	-	-
22	22	K-DD-7023983-0-0	70-23983-AN		KEYBOARD,1ST NORWEGIAN	-	-	-	-	-	-	-	-	-	-
23	23	K-DD-7023983-0-0	70-23983-AP		KEYBOARD,FRENCH	-	-	-	-	-	-	-	-	-	-
24	24	K-DD-7023983-0-0	70-23983-AS		KEYBOARD,SPANISH	-	-	-	-	-	-	-	-	-	-
25	25	K-DD-7023983-0-0	70-23983-AT		KEYBOARD,HEBREW	-	-	-	-	-	-	-	-	-	-
26	26	K-DD-7023983-0-0	70-23983-AU		KEYBOARD,ICELANDIC	-	-	-	-	-	-	-	-	-	-
27	27	K-DD-7023983-0-0	70-23983-AV		KEYBOARD,PORTUGESE	-	-	-	-	-	-	-	-	-	-
28	28	K-DD-7023983-0-0	70-23983-AY		KEYBOARD,HIRAGANA	1	-	-	-	-	-	-	-	-	-
29	29	K-DD-7023983-0-0	70-23983-EB		KEYBOARD,STENOGRAPHIC	-	-	1	-	-	-	-	-	-	-
30	30	K-DD-7023983-0-0	70-23983-EC		KEYBOARD,APL	-	-	-	1	-	-	-	-	-	-
31	31	K-DD-7023983-0-0	70-23983-ED		KEYBOARD,2ND DANISH	-	-	-	-	1	-	-	-	-	-
32	32	K-DD-7023983-0-0	70-23983-EE		KEYBOARD,UK/USA	-	-	-	-	-	1	-	-	-	-

REVISION HISTORY			KPL MATRIX FORMAT			SECTION C OF H			DRN: D. HEALY			DIGITAL		
									DATE: 18-MAR-82					
ENG	ECO NUMBER	REV	SECTION/VARIATION INDEX			CHK'D: C. LARSON			TITLE PARTS LIST					
AL	LK201-ML003	D	[A] AA,AB,AC,AD,AE,AF,AG,AH,AI,AJ			DATE: 19-MAY-82			LK201 KEYBOARD					
AL	LK201-A-ML004	E	[B] AK,AL,AM,AN,AP,AR,AS,AT,AU,AV			DES.ENG: R. LIETERMANN			DOCUMENT NUMBER					
AL	LK201-ML006	F	[C] AY,AZ,EB,EC,ED,EE,EH,EN,ER,EU			DATE: 19-MAY-82			SIZE CODE NUMBER REV					
AL	LK201-A-ML007	H	[D] EY,LA,LB,LC,LD,LE,LF,LG,LH,LI			RESP.ENG.: A. LEN			K PL LK201-A-DBP T					
AL	LK201-ML008	J	[E] LJ,LK,LL,LM,LN,LP,LS,LT,LU,LV			DATE: 19-MAY-82			RELEASE DATE:					
DW	LK201-ML009	K	[F] LY,NA,NF,NH,RB,RC,RD,RE,RH,RN			MFG.ENG: L. QUARLES			RELEASE STATUS: VALID PARTS					
AJ	LK201-A-! ".012	L	[H] RR,RU,RY,XA,XB,XC,XD,XE			DATE: 19-MAY-82								
AJ	LK201-A-ML013	M	[J]											
DW	LK201-A-ML020	N												
DW	LK201-ML021	P												
DW	LK201-ML022	R												
AJ	LK201-ML023	S	BASIC PART NUMBER:			ASSEMBLY NUMBER:			TOP DOCUMENT NUMBER:			FILE NAME:		
DW	LK201-ML024	T	LK201			E-UA-LK201-A-0			K-DD-LK201-0-DBF			Z4412T.PLS		
												EDIT #		
												9		

"THIS DRAWING AND THE SPECIFICATIONS CONTAINED HEREIN ARE CONFIDENTIAL AND PROPRIETARY. THEY ARE THE PROPERTY OF DIGITAL EQUIPMENT CORPORATION AND SHALL NOT BE REPRODUCED OR COPIED OR USED IN WHOLE OR IN PART AS THE BASIS FOR THE MANUFACTURE OR SALE OF ITEMS WITHOUT WRITTEN PERMISSION. THIS IS AN UNPUBLISHED WORK PROTECTED UNDER THE FEDERAL COPYRIGHT LAWS."

AUTOMATED BY VAXKPL (V1.3)

PARTS LIST

SHEET 02 OF 02

LINE	ITEM	TOP DOCUMENT	PART NUMBER	MIN REV	DESCRIPTION	QUANTITY PER VARIATION/REVISION									
						AY C2	AZ L2	EB B2	EC B2	ED A1	EE A1	EH B2	EN A1	ER B2	EU B2
33	33	K-DD-7023983-0-0	70-23983-EH		KEYBOARD,GREEK	-	-	-	-	-	-	1	-	-	-
34	34	K-DD-7023983-0-0	70-23983-EN		KEYBOARD,2ND NORWEGIAN	-	-	-	-	-	-	-	1	-	-
35	35	K-DD-7023983-0-0	70-23983-ER		KEYBOARD,ARABIC-ENGLISH	-	-	-	-	-	-	-	-	1	-
36	36	K-DD-7023983-0-0	70-23983-EU		KEYBOARD,TURKISH	-	-	-	-	-	-	-	-	-	1
37	37	K-DD-7023983-0-0	70-23983-EY		KEYBOARD,YUGOSLAVIAN	-	-	-	-	-	-	-	-	-	-
38	38	K-DD-7023983-0-0	70-23983-NA		KEYBOARD,USA/UK,W/LOCAL EDITING	-	-	-	-	-	-	-	-	-	-
39	39	K-DD-7023983-0-0	70-23983-NF		KEYBOARD,2ND FINNISH	-	-	-	-	-	-	-	-	-	-
40	40	K-DD-7023983-0-0	70-23983-NH		KEYBOARD,2ND HOLLAND	-	-	-	-	-	-	-	-	-	-
41	41	K-DD-7023983-0-0	70-23983-XA		KEYBOARD,XEROX	-	-	-	-	-	-	-	-	-	-
42	42	K-DD-7023983-0-0	70-23983-XB		KEYBOARD,NS100	-	-	-	-	-	-	-	-	-	-
43	43	K-DD-7023983-0-0	70-23983-XC		KEYBOARD,NS200	-	-	-	-	-	-	-	-	-	-
44	44	K-DD-7023983-0-0	70-23983-XD		KEYBOARD,LRS1/10	-	-	-	-	-	-	-	-	-	-
45	45	K-DD-7023983-0-0	70-23983-XE		KEYBOARD,LRS100	-	-	-	-	-	-	-	-	-	-
46	83	K-DD-7023983-0-0	17-00457-08		PWR CORD,TERM 3- .75MM 250V	-	-	-	-	-	-	-	-	-	-

- 1 GEN: VARIATION A IS FOR DOCUMENTATION REFERENCE ONLY.
- 2 GEN: QUANTITY OF ITEM #3 IS .0002 GALS.
- 3 GEN: KEYBOARDS BUILT IN EUROPE WILL USE KEYCAP SET PART NUMBER 7019005 IN PLACE OF 7021081.

D	I	G	I	T	A	L	TITLE	SECTION C	OF H	SIZE	CODE	DOCUMENT NUMBER	REV
							LK201 KEYBOARD			K	PL	LK201-A-DBP	T

AUTOMATED BY VAXKPL (V1.3)

PARTS LIST

SHEET 01 OF 02

LINE	ITEM	TOP DOCUMENT	PART NUMBER	MIN REV	DESCRIPTION	QUANTITY PER VARIATION/REVISION									
						EY B2	LA A1	LB A1	LC A1	LD A1	LE A1	LF A1	LG A1	LH A1	LI A1
1	1		37-00698-01		PKG KEYBOARD LK201 CUSTOMER	1	1	1	1	1	1	1	1	1	1
2	2		17-00083-09		PWR CORD,TERM 3-18 SJT 125V	-	-	-	-	-	-	-	-	-	-
3	3		17-00209-00		PWR CORD,TERM 3- .75MM 5A 250V	-	-	-	-	-	-	-	-	-	-
4	4		17-00199-00		PWR CORD,TERM 3 250V	1	-	-	-	-	-	-	-	-	-
5	5		17-00310-01		PWR CORD,TERM 3- .75MM 250V	-	-	-	-	-	-	-	-	-	-
6	6		17-00210-00		PWR CORD,TERM 3- .75MM 250V 6A	-	-	-	-	-	-	-	-	-	-
7	7		17-00364-01		PWR CORD,TERM 3- .75MM 250V 2	-	-	-	-	-	-	-	-	-	-
8	8		17-00198-00		PWR CORD,TERM 3-18 250V	-	-	-	-	-	-	-	-	-	-
9	9	K-DD-7023983-0-0	70-23983-AA		KEYBOARD,USA	-	1	-	-	-	-	-	-	-	-
10	10	K-DD-7023983-0-0	70-23983-AB		KEYBOARD,FLEMISH	-	-	1	-	-	-	-	-	-	-
11	11	K-DD-7023983-0-0	70-23983-AC		KEYBOARD,CANADIAN/FRENCH	-	-	-	1	-	-	-	-	-	-
12	12	K-DD-7023983-0-0	70-23983-AD		KEYBOARD,1ST DANISH	-	-	-	-	1	-	-	-	-	-
13	13	K-DD-7023983-0-0	70-23983-AE		KEYBOARD,UK	-	-	-	-	-	1	-	-	-	-
14	14	K-DD-7023983-0-0	70-23983-AF		KEYBOARD,1ST FINNISH	-	-	-	-	-	-	1	-	-	-
15	15	K-DD-7023983-0-0	70-23983-AG		KEYBOARD,GERMAN	-	-	-	-	-	-	-	1	-	-
16	16	K-DD-7023983-0-0	70-23983-AH		KEYBOARD,1ST HOLLAND	-	-	-	-	-	-	-	-	1	-
17	17	K-DD-7023983-0-0	70-23983-AI		KEYBOARD,ITALIAN	-	-	-	-	-	-	-	-	-	1
18	18	K-DD-7023983-0-0	70-23983-AJ		KEYBOARD,KATAKANA	-	-	-	-	-	-	-	-	-	-
19	19	K-DD-7023983-0-0	70-23983-AK		KEYBOARD,SWISS/FRENCH	-	-	-	-	-	-	-	-	-	-
20	20	K-DD-7023983-0-0	70-23983-AL		KEYBOARD,SWISS/GERMAN	-	-	-	-	-	-	-	-	-	-
21	21	K-DD-7023983-0-0	70-23983-AM		KEYBOARD,SWEDISH	-	-	-	-	-	-	-	-	-	-
22	22	K-DD-7023983-0-0	70-23983-AN		KEYBOARD,1ST NORWEGIAN	-	-	-	-	-	-	-	-	-	-
23	23	K-DD-7023983-0-0	70-23983-AP		KEYBOARD,FRENCH	-	-	-	-	-	-	-	-	-	-
24	24	K-DD-7023983-0-0	70-23983-AS		KEYBOARD,SPANISH	-	-	-	-	-	-	-	-	-	-
25	25	K-DD-7023983-0-0	70-23983-AT		KEYBOARD,HEBREW	-	-	-	-	-	-	-	-	-	-
26	26	K-DD-7023983-0-0	70-23983-AU		KEYBOARD,ICELANDIC	-	-	-	-	-	-	-	-	-	-
27	27	K-DD-7023983-0-0	70-23983-AV		KEYBOARD,PORTUGESE	-	-	-	-	-	-	-	-	-	-
28	28	K-DD-7023983-0-0	70-23983-AY		KEYBOARD,HIRAGANA	-	-	-	-	-	-	-	-	-	-
29	29	K-DD-7023983-0-0	70-23983-EB		KEYBOARD,STENOGRAPHIC	-	-	-	-	-	-	-	-	-	-
30	30	K-DD-7023983-0-0	70-23983-EC		KEYBOARD,APL	-	-	-	-	-	-	-	-	-	-
31	31	K-DD-7023983-0-0	70-23983-ED		KEYBOARD,2ND DANISH	-	-	-	-	-	-	-	-	-	-
32	32	K-DD-7023983-0-0	70-23983-EE		KEYBOARD,UK/USA	-	-	-	-	-	-	-	-	-	-

REVISION HISTORY			KPL MATRIX FORMAT			SECTION D OF H			DRN: D. HEALY			DIGITAL		
ENG: ECO NUMBER			REV			SECTION/VARIATION INDEX			DATE: 18-MAR-82			TITLE PARTS LIST		
AL LK201-ML003			D			[A] AA,AB,AC,AD,AE,AF,AG,AH,AI,AJ			CHK'D: C. LARSON			LK201 KEYBOARD		
AL LK201-A-ML004			E			[B] AK,AL,AM,AN,AP,AR,AS,AT,AU,AV			DATE: 19-MAY-82					
AL LK201-ML006			F			[C] AY,AZ,EB,EC,ED,EE,EH,EN,ER,EU			DES.ENG: R. LIETERMANN					
AL LK201-A-ML007			H			[D] EY,LA,LB,LC,LD,LE,LF,LG,LH,LI			DATE: 19-MAY-82			DOCUMENT NUMBER		
AL LK201-ML008			J			[E] LJ,LK,LL,LM,LN,LP,LS,LT,LU,LV			RESP.ENG.: A. LEN			SIZE: CODE: NUMBER REV		
DW LK201-ML009			K			[F] LY,NA,NF,NH,RB,RC,RD,RE,RH,RN			DATE: 19-MAY-82			K PL LK201-A-DBP T		
AJ LK201-A-ML012			L			[H] RR,RU,RY,XA,XB,XC,XD,XE			MFG.ENG: L. QUARLES			RELEASE DATE:		
AJ LK201-A-ML013			M						DATE: 19-MAY-82			RELEASE STATUS: VALID PARTS		
DW LK201-A-ML020			N											
DW LK201-ML021			P											
DW LK201-ML022			R											
AJ LK201-ML023			S			BASIC PART NUMBER: LK201			ASSEMBLY NUMBER: E-UA-LK201-A-0			TOP DOCUMENT NUMBER: K-DD-LK201-0-DBP		
DW LK201-ML024			T									FILE NAME: Z4412T.PLS		
												EDIT # 9		

"THIS DRAWING AND THE SPECIFICATIONS CONTAINED HEREIN ARE CONFIDENTIAL AND PROPRIETARY. THEY ARE THE PROPERTY OF DIGITAL EQUIPMENT CORPORATION AND SHALL NOT BE REPRODUCED OR COPIED OR USED IN WHOLE OR IN PART AS THE BASIS FOR THE MANUFACTURE OR SALE OF ITEMS WITHOUT WRITTEN PERMISSION. THIS IS AN UNPUBLISHED WORK PROTECTED UNDER THE FEDERAL COPYRIGHT LAWS."

AUTOMATED BY VAXKPL (V1.3)

P A R T S L I S T

SHEET 02 OF 02

LINE	ITEM	TOP DOCUMENT	PART NUMBER	MIN REV	DESCRIPTION	QUANTITY PER VARIATION/REVISION										
						EY B2	LA A1	LB A1	LC A1	LD A1	LE A1	LF A1	LG A1	LH A1	LI A1	
33	33	K-DD-7023983-0-0	70-23983-EH		KEYBOARD,GREEK	-	-	-	-	-	-	-	-	-	-	-
34	34	K-DD-7023983-0-0	70-23983-EN		KEYBOARD,2ND NORWEGIAN	-	-	-	-	-	-	-	-	-	-	-
35	35	K-DD-7023983-0-0	70-23983-ER		KEYBOARD,ARABIC-ENGLISH	-	-	-	-	-	-	-	-	-	-	-
36	36	K-DD-7023983-0-0	70-23983-EU		KEYBOARD,TURKISH	-	-	-	-	-	-	-	-	-	-	-
37	37	K-DD-7023983-0-0	70-23983-EY		KEYBOARD,YUGOSLAVIAN	1	-	-	-	-	-	-	-	-	-	-
38	38	K-DD-7023983-0-0	70-23983-NA		KEYBOARD,USA/UK,W/LOCAL EDITING	-	-	-	-	-	-	-	-	-	-	-
39	39	K-DD-7023983-0-0	70-23983-NF		KEYBOARD,2ND FINNISH	-	-	-	-	-	-	-	-	-	-	-
40	40	K-DD-7023983-0-0	70-23983-NH		KEYBOARD,2ND HOLLAND	-	-	-	-	-	-	-	-	-	-	-
41	41	K-DD-7023983-0-0	70-23983-XA		KEYBOARD,XEROX	-	-	-	-	-	-	-	-	-	-	-
42	42	K-DD-7023983-0-0	70-23983-XB		KEYBOARD,NS100	-	-	-	-	-	-	-	-	-	-	-
43	43	K-DD-7023983-0-0	70-23983-XC		KEYBOARD,NS200	-	-	-	-	-	-	-	-	-	-	-
44	44	K-DD-7023983-0-0	70-23983-XD		KEYBOARD,LRS1/10	-	-	-	-	-	-	-	-	-	-	-
45	45	K-DD-7023983-0-0	70-23983-XE		KEYBOARD,LRS100	-	-	-	-	-	-	-	-	-	-	-
46	83	K-DD-7023983-0-0	17-00457-08		PWR CORD,TERM 3- .75MM 250V	-	-	-	-	-	-	-	-	-	-	-

1 GEN: VARIATION A IS FOR DOCUMENTATION REFERENCE ONLY.

2 GEN: QUANTITY OF ITEM #3 IS .0002 GALS.

3 GEN: KEYBOARDS BUILT IN EUROPE WILL USE KEYCAP SET PART NUMBER 7019005 IN PLACE OF 7021081.

D	I	G	I	T	A	L	TITLE	SECTION D	OF H	SIZE	CODE	DOCUMENT NUMBER	REV
							LK201 KEYBOARD			K	PL	LK201-A-DBP	T

PARTS LIST

LINE	ITEM	TOP DOCUMENT	PART NUMBER	MIN REV	DESCRIPTION	QUANTITY PER VARIATION/REVISION									
						LJ A1	LK A1	LL A1	LM A1	LN A1	LP A1	LS A1	LT A1	LU A1	LV A1
1	1		37-00698-01		PKG KEYBOARD LK201 CUSTOMER	1	1	1	1	1	1	1	1	1	1
2	2		17-00083-09		PWR CORD,TERM 3-18 SJT 125V	-	-	-	-	-	-	-	-	-	-
3	3		17-00209-00		PWR CORD,TERM 3- .75MM 5A 250V	-	-	-	-	-	-	-	-	-	-
4	4		17-00199-00		PWR CORD,TERM 3 250V	-	-	-	-	-	-	-	-	-	-
5	5		17-00310-01		PWR CORD,TERM 3- .75MM 250V	-	-	-	-	-	-	-	-	-	-
6	6		17-00210-00		PWR CORD,TERM 3- .75MM 250V 6A	-	-	-	-	-	-	-	-	-	-
7	7		17-00364-01		PWR CORD,TERM 3- .75MM 250V 2	-	-	-	-	-	-	-	-	-	-
8	8		17-00198-00		PWR CORD,TERM 3-18 250V	-	-	-	-	-	-	-	-	-	-
9	9	K-DD-7023983-0-0	70-23983-AA		KEYBOARD,USA	-	-	-	-	-	-	-	-	-	-
10	10	K-DD-7023983-0-0	70-23983-AB		KEYBOARD,FLEMISH	-	-	-	-	-	-	-	-	-	-
11	11	K-DD-7023983-0-0	70-23983-AC		KEYBOARD,CANADIAN/FRENCH	-	-	-	-	-	-	-	-	-	-
12	12	K-DD-7023983-0-0	70-23983-AD		KEYBOARD,1ST DANISH	-	-	-	-	-	-	-	-	-	-
13	13	K-DD-7023983-0-0	70-23983-AE		KEYBOARD,UK	-	-	-	-	-	-	-	-	-	-
14	14	K-DD-7023983-0-0	70-23983-AF		KEYBOARD,1ST FINNISH	-	-	-	-	-	-	-	-	-	-
15	15	K-DD-7023983-0-0	70-23983-AG		KEYBOARD,GERMAN	-	-	-	-	-	-	-	-	-	-
16	16	K-DD-7023983-0-0	70-23983-AH		KEYBOARD,1ST HOLLAND	-	-	-	-	-	-	-	-	-	-
17	17	K-DD-7023983-0-0	70-23983-AI		KEYBOARD,ITALIAN	-	-	-	-	-	-	-	-	-	-
18	18	K-DD-7023983-0-0	70-23983-AJ		KEYBOARD,KATAKANA	1	-	-	-	-	-	-	-	-	-
19	19	K-DD-7023983-0-0	70-23983-AK		KEYBOARD,SWISS/FRENCH	-	1	-	-	-	-	-	-	-	-
20	20	K-DD-7023983-0-0	70-23983-AL		KEYBOARD,SWISS/GERMAN	-	-	1	-	-	-	-	-	-	-
21	21	K-DD-7023983-0-0	70-23983-AM		KEYBOARD,SWEDISH	-	-	-	1	-	-	-	-	-	-
22	22	K-DD-7023983-0-0	70-23983-AN		KEYBOARD,1ST NORWEGIAN	-	-	-	-	1	-	-	-	-	-
23	23	K-DD-7023983-0-0	70-23983-AP		KEYBOARD,FRENCH	-	-	-	-	-	1	-	-	-	-
24	24	K-DD-7023983-0-0	70-23983-AS		KEYBOARD,SPANISH	-	-	-	-	-	-	1	-	-	-
25	25	K-DD-7023983-0-0	70-23983-AT		KEYBOARD,HEBREW	-	-	-	-	-	-	-	1	-	-
26	26	K-DD-7023983-0-0	70-23983-AU		KEYBOARD,ICELANDIC	-	-	-	-	-	-	-	-	1	-
27	27	K-DD-7023983-0-0	70-23983-AV		KEYBOARD,PORTUGESE	-	-	-	-	-	-	-	-	-	1
28	28	K-DD-7023983-0-0	70-23983-AY		KEYBOARD,HIRAGANA	-	-	-	-	-	-	-	-	-	-
29	29	K-DD-7023983-0-0	70-23983-EB		KEYBOARD,STENOGRAPHIC	-	-	-	-	-	-	-	-	-	-
30	30	K-DD-7023983-0-0	70-23983-EC		KEYBOARD,APL	-	-	-	-	-	-	-	-	-	-
31	31	K-DD-7023983-0-0	70-23983-ED		KEYBOARD,2ND DANISH	-	-	-	-	-	-	-	-	-	-
32	32	K-DD-7023983-0-0	70-23983-EE		KEYBOARD,UK/USA	-	-	-	-	-	-	-	-	-	-

REVISION HISTORY			KPL MATRIX FORMAT SECTION E OF H:DRN: D. HEALY			DIGITAL			
ENG	ECO NUMBER	REV	SECTION/VARIATION INDEX			DATE: 18-MAR-82			
AL	LK201-ML003	D	[A]	AA,AB,AC,AD,AE,AF,AG,AH,AI,AJ	CHK'D: C. LARSON	TITLE PARTS LIST			
AL	LK201-A-ML004	E	[B]	AK,AL,AM,AN,AP,AR,AS,AT,AU,AV	DATE: 19-MAY-82	LK201 KEYBOARD			
AL	LK201-ML006	F	[C]	AY,AZ,EB,EC,ED,EE,EH,EN,ER,EU	DES.ENG: R. LIETERMANN	DOCUMENT NUMBER			
AL	LK201-A-ML007	H	[D]	EY,LA,LB,LC,LD,LE,LF,LG,LH,LI	DATE: 19-MAY-82	SIZE	CODE	NUMBER	
AL	LK201-ML008	J	[E]	LJ,LK,LL,LM,LN,LP,LS,LT,LU,LV	RESP.ENG.: A. LEN	K	PL	LK201-A-DBP	
DW	LK201-ML009	K	[F]	LY,NA,NF,NH,RB,RC,RD,RE,RH,RN	DATE: 19-MAY-82	REV T			
AJ	LK201-A-ML012	L	[H]	RR,RU,RY,XA,XB,XC,XD,XE	DATE: 19-MAY-82				
AJ	LK201-A-ML013	M	[J]		MFG.ENG: L. QUARLES	RELEASE DATE:			
DW	LK201-A-ML020	N			DATE: 19-MAY-82	RELEASE STATUS: VALID PARTS			
DW	LK201-ML021	P							
DW	LK201-ML022	R							
AJ	LK201-ML023	S							
DW	LK201-ML024	T							
			BASIC PART NUMBER:	ASSEMBLY NUMBER:	TOP DOCUMENT NUMBER:	FILE NAME:	EDIT #		
			LK201	E-UA-LK201-A-0	K-DD-LK201-0-DBF	Z4412T.PLS	9		

"THIS DRAWING AND THE SPECIFICATIONS CONTAINED HEREIN ARE CONFIDENTIAL AND PROPRIETARY. THEY ARE THE PROPERTY OF DIGITAL EQUIPMENT CORPORATION AND SHALL NOT BE REPRODUCED OR COPIED OR USED IN WHOLE OR IN PART AS THE BASIS FOR THE MANUFACTURE OR SALE OF ITEMS WITHOUT WRITTEN PERMISSION. THIS IS AN UNPUBLISHED WORK PROTECTED UNDER THE FEDERAL COPYRIGHT LAWS."

AUTOMATED BY VAXKPL (V1.3)

P A R T S L I S T

SHEET E2 OF E2

LINE	ITEM	TOP DOCUMENT	PART NUMBER	MIN REV	DESCRIPTION	QUANTITY PER VARIATION/REVISION										
						LJ A1	LK A1	LL A1	LM A1	LN A1	LP A1	LS A1	LT A1	LU A1	LV A1	
33	33	K-DD-7023983-0-0	70-23983-EH		KEYBOARD,GREEK	-	-	-	-	-	-	-	-	-	-	-
34	34	K-DD-7023983-0-0	70-23983-EN		KEYBOARD,2ND NORWEGIAN	-	-	-	-	-	-	-	-	-	-	-
35	35	K-DD-7023983-0-0	70-23983-ER		KEYBOARD,ARABIC-ENGLISH	-	-	-	-	-	-	-	-	-	-	-
36	36	K-DD-7023983-0-0	70-23983-EU		KEYBOARD,TURKISH	-	-	-	-	-	-	-	-	-	-	-
37	37	K-DD-7023983-0-0	70-23983-EY		KEYBOARD,YUGOSLAVIAN	-	-	-	-	-	-	-	-	-	-	-
38	38	K-DD-7023983-0-0	70-23983-NA		KEYBOARD,USA/UK,W/LOCAL EDITING	-	-	-	-	-	-	-	-	-	-	-
39	39	K-DD-7023983-0-0	70-23983-NF		KEYBOARD,2ND FINNISH	-	-	-	-	-	-	-	-	-	-	-
40	40	K-DD-7023983-0-0	70-23983-NH		KEYBOARD,2ND HOLLAND	-	-	-	-	-	-	-	-	-	-	-
41	41	K-DD-7023983-0-0	70-23983-XA		KEYBOARD,XEROX	-	-	-	-	-	-	-	-	-	-	-
42	42	K-DD-7023983-0-0	70-23983-XB		KEYBOARD,NS100	-	-	-	-	-	-	-	-	-	-	-
43	43	K-DD-7023983-0-0	70-23983-XC		KEYBOARD,NS200	-	-	-	-	-	-	-	-	-	-	-
44	44	K-DD-7023983-0-0	70-23983-XD		KEYBOARD,LRS1/10	-	-	-	-	-	-	-	-	-	-	-
45	45	K-DD-7023983-0-0	70-23983-XE		KEYBOARD,LRS100	-	-	-	-	-	-	-	-	-	-	-
46	83	K-DD-7023983-0-0	17-00457-08		PWR CORD,TERM 3- .75MM 250V	-	-	-	-	-	-	-	-	-	-	-

- 1 GEN: VARIATION A IS FOR DOCUMENTATION REFERENCE ONLY.
- 2 GEN: QUANTITY OF ITEM #3 IS .0002 GALS.
- 3 GEN: KEYBOARDS BUILT IN EUROPE WILL USE KEYCAP SET PART NUMBER 7019005 IN PLACE OF 7021081.

D	I	G	I	T	A	L	TITLE	SECTION E	OF H	SIZE	CODE	DOCUMENT NUMBER	REV
							LK201 KEYBOARD			K	PL	LK201-A-DBP	T

LINE	ITEM	TOP DOCUMENT	PART NUMBER	MIN REV	DESCRIPTION	QUANTITY PER VARIATION/REVISION									
						LY A1	NA A1	NF A1	NH A1	RB A1	RC A1	RD A1	RE A1	RH A1	RN A1
1	1		37-00698-01		PKG KEYBOARD LK201 CUSTOMER	1	1	1	1	1	1	1	1	1	1
2	2		17-00083-09		PWR CORD,TERM 3-18 SJT 125V	-	-	-	-	-	-	-	-	-	-
3	3		17-00209-00		PWR CORD,TERM 3- .75MM 5A 250V	-	-	-	-	-	-	-	-	-	-
4	4		17-00199-00		PWR CORD,TERM 3 250V	-	-	-	-	-	-	-	-	-	-
5	5		17-00310-01		PWR CORD,TERM 3- .75MM 250V	-	-	-	-	-	-	-	-	-	-
6	6		17-00210-00		PWR CORD,TERM 3- .75MM 250V 6A	-	-	-	-	-	-	-	-	-	-
7	7		17-00364-01		PWR CORD,TERM 3- .75MM 250V 2	-	-	-	-	-	-	-	-	-	-
8	8		17-00198-00		PWR CORD,TERM 3-18 250V	-	-	-	-	-	-	-	-	-	-
9	9	K-DD-7023983-0-0	70-23983-AA		KEYBOARD,USA	-	-	-	-	-	-	-	-	-	-
10	10	K-DD-7023983-0-0	70-23983-AB		KEYBOARD,FLEMISH	-	-	-	-	-	-	-	-	-	-
11	11	K-DD-7023983-0-0	70-23983-AC		KEYBOARD,CANADIAN/FRENCH	-	-	-	-	-	-	-	-	-	-
12	12	K-DD-7023983-0-0	70-23983-AD		KEYBOARD,1ST DANISH	-	-	-	-	-	-	-	-	-	-
13	13	K-DD-7023983-0-0	70-23983-AE		KEYBOARD,UK	-	-	-	-	-	-	-	-	-	-
14	14	K-DD-7023983-0-0	70-23983-AF		KEYBOARD,1ST FINNISH	-	-	-	-	-	-	-	-	-	-
15	15	K-DD-7023983-0-0	70-23983-AG		KEYBOARD,GERMAN	-	-	-	-	-	-	-	-	-	-
16	16	K-DD-7023983-0-0	70-23983-AH		KEYBOARD,1ST HOLLAND	-	-	-	-	-	-	-	-	-	-
17	17	K-DD-7023983-0-0	70-23983-AI		KEYBOARD,ITALIAN	-	-	-	-	-	-	-	-	-	-
18	18	K-DD-7023983-0-0	70-23983-AJ		KEYBOARD,KATAKANA	-	-	-	-	-	-	-	-	-	-
19	19	K-DD-7023983-0-0	70-23983-AK		KEYBOARD,SWISS/FRENCH	-	-	-	-	-	-	-	-	-	-
20	20	K-DD-7023983-0-0	70-23983-AL		KEYBOARD,SWISS/GERMAN	-	-	-	-	-	-	-	-	-	-
21	21	K-DD-7023983-0-0	70-23983-AM		KEYBOARD,SWEDISH	-	-	-	-	-	-	-	-	-	-
22	22	K-DD-7023983-0-0	70-23983-AN		KEYBOARD,1ST NORWEGIAN	-	-	-	-	-	-	-	-	-	-
23	23	K-DD-7023983-0-0	70-23983-AP		KEYBOARD,FRENCH	-	-	-	-	-	-	-	-	-	-
24	24	K-DD-7023983-0-0	70-23983-AS		KEYBOARD,SPANISH	-	-	-	-	-	-	-	-	-	-
25	25	K-DD-7023983-0-0	70-23983-AT		KEYBOARD,HEBREW	-	-	-	-	-	-	-	-	-	-
26	26	K-DD-7023983-0-0	70-23983-AU		KEYBOARD,ICELANDIC	-	-	-	-	-	-	-	-	-	-
27	27	K-DD-7023983-0-0	70-23983-AV		KEYBOARD,PORTUGESE	-	-	-	-	-	-	-	-	-	-
28	28	K-DD-7023983-0-0	70-23983-AY		KEYBOARD,HIRAGANA	1	-	-	-	-	-	-	-	-	-
29	29	K-DD-7023983-0-0	70-23983-EB		KEYBOARD,STENOGRAPHIC	-	-	-	-	1	-	-	-	-	-
30	30	K-DD-7023983-0-0	70-23983-EC		KEYBOARD,APL	-	-	-	-	-	1	-	-	-	-
31	31	K-DD-7023983-0-0	70-23983-ED		KEYBOARD,2ND DANISH	-	-	-	-	-	-	1	-	-	-
32	32	K-DD-7023983-0-0	70-23983-EE		KEYBOARD,UK/USA	-	-	-	-	-	-	-	1	-	-

REVISION HISTORY			KPL MATRIX FORMAT SECTION F OF H:DRN: D. HEALY			DATE: 18-MAR-82			DIGITAL			
ENG	ECO NUMBER	REV	SECTION/VARIATION INDEX			CHK'D: C. LARSON	TITLE PARTS LIST			LK201 KEYBOARD		
AL	LK201-ML003	D	[A]	AA,AB,AC,AD,AE,AF,AG,AH,AI,AJ	DATE: 19-MAY-82	DES.ENG: R. LIETERMANN			DOCUMENT NUMBER			
AL	LK201-A-ML004	E	[B]	AK,AL,AM,AN,AP,AR,AS,AT,AU,AV	DATE: 19-MAY-82	RESP.ENG.: A. LEN	SIZE	CODE	NUMBER	REV		
AL	LK201-ML006	F	[C]	AY,AZ,EB,EC,ED,EE,EH,EN,ER,EU	DATE: 19-MAY-82	DATE: 19-MAY-82	K	PL	LK201-A-DBP	T		
AL	LK201-A-ML007	H	[D]	EY,LA,LB,LC,LD,LE,LF,LG,LH,LI		MFG.ENG: L. QUARLES	RELEASE DATE:			RELEASE STATUS: VALID PARTS		
AL	LK201-ML008	J	[E]	LJ,LK,LL,LM,LN,LP,LS,LT,LU,LV		DATE: 19-MAY-82						
DW	LK201-ML009	K	[F]	LY,NA,NF,NH,RB,RC,RD,RE,RH,RN								
AJ	LK201-A-ML012	L	[H]	RR,RU,RY,XA,XB,XC,XD,XE								
AJ	LK201 A-ML013	M	[J]									
DW	LK201-A-ML020	N										
DW	LK201-ML021	P										
DW	LK201-ML022	R										
AJ	LK201-ML023	S										
DW	LK201-ML024	T										
			BASIC PART NUMBER:	ASSEMBLY NUMBER:	TOP DOCUMENT NUMBER:	FILE NAME:	EDIT #					
			LK201	E-UA-LK201-A-0	K-DD-LK201-0-DBF	Z4412T.PLS	9					

"THIS DRAWING AND THE SPECIFICATIONS CONTAINED HEREIN ARE CONFIDENTIAL AND PROPRIETARY. THEY ARE THE PROPERTY OF DIGITAL EQUIPMENT CORPORATION AND SHALL NOT BE REPRODUCED OR COPIED OR USED IN WHOLE OR IN PART AS THE BASIS FOR THE MANUFACTURE OR SALE OF ITEMS WITHOUT WRITTEN PERMISSION. THIS IS AN UNPUBLISHED WORK PROTECTED UNDER THE FEDERAL COPYRIGHT LAWS."

AUTOMATED BY VAXKPL (V1.3)

P A R T S L I S T

SHEET F2 OF F2

LINE	ITEM	TOP DOCUMENT	PART NUMBER	MIN REV	DESCRIPTION	QUANTITY PER VARIATION/REVISION										
						LY A1	NA A1	NF A1	NH A1	RB A1	RC A1	RD A1	RE A1	RH A1	RN A1	
33	33	K-DD-7023983-0-0	70-23983-EH		KEYBOARD,GRFEK	-	-	-	-	-	-	-	-	-	1	-
34	34	K-DD-7023983-0-0	70-23983-EN		KEYBOARD,2ND NORWEGIAN	-	-	-	-	-	-	-	-	-	-	1
35	35	K-DD-7023983-0-0	70-23983-ER		KEYBOARD,ARABIC-ENGLISH	-	-	-	-	-	-	-	-	-	-	-
36	36	K-DD-7023983-0-0	70-23983-EU		KEYBOARD,TURKISH	-	-	-	-	-	-	-	-	-	-	-
37	37	K-DD-7023983-0-0	70-23983-EY		KEYBOARD,YUGOSLAVIAN	-	-	-	-	-	-	-	-	-	-	-
38	38	K-DD-7023983-0-0	70-23983-NA		KEYBOARD,USA/UK,W/LOCAL EDITING	-	1	-	-	-	-	-	-	-	-	-
39	39	K-DD-7023983-0-0	70-23983-NF		KEYBOARD,2ND FINNISH	-	-	1	-	-	-	-	-	-	-	-
40	40	K-DD-7023983-0-0	70-23983-NH		KEYBOARD,2ND HOLLAND	-	-	-	1	-	-	-	-	-	-	-
41	41	K-DD-7023983-0-0	70-23983-XA		KEYBOARD,XEROX	-	-	-	-	-	-	-	-	-	-	-
42	42	K-DD-7023983-0-0	70-23983-XB		KEYBOARD,NS100	-	-	-	-	-	-	-	-	-	-	-
43	43	K-DD-7023983-0-0	70-23983-XC		KEYBOARD,NS200	-	-	-	-	-	-	-	-	-	-	-
44	44	K-DD-7023983-0-0	70-23983-XD		KEYBOARD,LRS1/10	-	-	-	-	-	-	-	-	-	-	-
45	45	K-DD-7023983-0-0	70-23983-XE		KEYBOARD,LRS100	-	-	-	-	-	-	-	-	-	-	-
46	83	K-DD-7023983-0-0	17-00457-08		PWR CORD,TERM 3- .75MM 250V	-	-	-	-	-	-	-	-	-	-	-

- 1 GEN: VARIATION A IS FOR DOCUMENTATION REFERENCE ONLY.
- 2 GEN: QUANTITY OF ITEM #3 IS .0002 GALS.
- 3 GEN: KEYBOARDS BUILT IN EUROPE WILL USE KEYCAP SET PART NUMBER 7019005 IN PLACE OF 7021081.

D	I	G	I	T	A	L	TITLE	SECTION F	OF H	SIZE	CODE	DOCUMENT NUMBER	REV
							LK201 KEYBOARD			K	PL	LK201-A-DBP	T

LINE	ITEM	TOP DOCUMENT	PART NUMBER	MIN REV	DESCRIPTION	QUANTITY PER VARIATION/REVISION							
						RR A1	RU A1	RY A1	XA B2	XB B2	XC B2	XD A2	XE A2
1	1		37-00698-01		PKG KEYBOARD LK201 CUSTOMER	1	1	1	1	1	1	1	1
2	2		17-00083-09		PWR CORD,TERM 3-18 SJT 125V	-	-	-	-	-	-	-	-
3	3		17-00209-00		PWR CORD,TERM 3- .75MM 5A 250V	-	-	-	-	-	-	-	-
4	4		17-00199-00		PWR CORD,TERM 3 250V	-	-	-	-	-	-	-	-
5	5		17-00310-01		PWR CORD,TERM 3- .75MM 250V	-	-	-	-	-	-	-	-
6	6		17-00210-00		PWR CORD,TERM 3- .75MM 250V 6A	-	-	-	-	-	-	-	-
7	7		17-00364-01		PWR CORD,TERM 3- .75MM 250V 2	-	-	-	-	-	-	-	-
8	8		17-00198-00		PWR CORD,TERM 3-18 250V	-	-	-	-	-	-	-	-
9	9	K-DD-7023983-0-0	70-23983-AA		KEYBOARD,USA	-	-	-	-	-	-	-	-
10	10	K-DD-7023983-0-0	70-23983-AB		KEYBOARD,FLEMISH	-	-	-	-	-	-	-	-
11	11	K-DD-7023983-0-0	70-23983-AC		KEYBOARD,CANADIAN/FRENCH	-	-	-	-	-	-	-	-
12	12	K-DD-7023983-0-0	70-23983-AD		KEYBOARD,1ST DANISH	-	-	-	-	-	-	-	-
13	13	K-DD-7023983-0-0	70-23983-AE		KEYBOARD,UK	-	-	-	-	-	-	-	-
14	14	K-DD-7023983-0-0	70-23983-AF		KEYBOARD,1ST FINNISH	-	-	-	-	-	-	-	-
15	15	K-DD-7023983-0-0	70-23983-AG		KEYBOARD,GERMAN	-	-	-	-	-	-	-	-
16	16	K-DD-7023983-0-0	70-23983-AH		KEYBOARD,1ST HOLLAND	-	-	-	-	-	-	-	-
17	17	K-DD-7023983-0-0	70-23983-AI		KEYBOARD,ITALIAN	-	-	-	-	-	-	-	-
18	18	K-DD-7023983-0-0	70-23983-AJ		KEYBOARD,KATAKANA	-	-	-	-	-	-	-	-
19	19	K-DD-7023983-0-0	70-23983-AK		KEYBOARD,SWISS/FRENCH	-	-	-	-	-	-	-	-
20	20	K-DD-7023983-0-0	70-23983-AL		KEYBOARD,SWISS/GERMAN	-	-	-	-	-	-	-	-
21	21	K-DD-7023983-0-0	70-23983-AM		KEYBOARD,SWEDISH	-	-	-	-	-	-	-	-
22	22	K-DD-7023983-0-0	70-23983-AN		KEYBOARD,1ST NORWEGIAN	-	-	-	-	-	-	-	-
23	23	K-DD-7023983-0-0	70-23983-AP		KEYBOARD,FRENCH	-	-	-	-	-	-	-	-
24	24	K-DD-7023983-0-0	70-23983-AS		KEYBOARD,SPANISH	-	-	-	-	-	-	-	-
25	25	K-DD-7023983-0-0	70-23983-AT		KEYBOARD,HEBREW	-	-	-	-	-	-	-	-
26	26	K-DD-7023983-0-0	70-23983-AU		KEYBOARD,ICELANDIC	-	-	-	-	-	-	-	-
27	27	K-DD-7023983-0-0	70-23983-AV		KEYBOARD,PORTUGESE	-	-	-	-	-	-	-	-
28	28	K-DD-7023983-0-0	70-23983-AY		KEYBOARD,HIRAGANA	-	-	-	-	-	-	-	-
29	29	K-DD-7023983-0-0	70-23983-EB		KEYBOARD,STENOGRAPHIC	-	-	-	-	-	-	-	-
30	30	K-DD-7023983-0-0	70-23983-EC		KEYBOARD,APL	-	-	-	-	-	-	-	-
31	31	K-DD-7023983-0-0	70-23983-ED		KEYBOARD,2ND DANISH	-	-	-	-	-	-	-	-
32	32	K-DD-7023983-0-0	70-23983-EE		KEYBOARD,UK/USA	-	-	-	-	-	-	-	-

REVISION HISTORY			KPL MATRIX FORMAT		SECTION H OF H		DRN: D. HEALY		DIGITAL						
							DATE: 18-MAR-82								
ENG	ECO NUMBER	REV	SECTION/VARIATION INDEX			CHK'D: C. LARSON		TITLE PARTS LIST							
AL	LK201-ML003	D	[A] AA,AB,AC,AD,AE,AF,AG,AH,AI,AJ			DATE: 19-MAY-82		LK201 KEYBOARD							
AL	LK201-A-ML004	E	[B] AK,AL,AM,AN,AP,AR,AS,AT,AU,AV			DES.ENG: R. LIETERMANN		DOCUMENT NUMBER							
AL	LK201-ML006	F	[C] AY,AZ,EB,EC,ED,EE,EH,EN,ER,EU			DATE: 19-MAY-82		SIZE		CODE		NUMBER	REV		
AL	LK201-A-ML007	H	[D] EY,LA,LB,LC,LD,LE,LF,LG,LH,LI			RESP.ENG.: A. LEN		K	PL	LK201-A-DBP		T			
AL	LK201-ML008	J	[E] LJ,LK,LL,LM,LN,LP,LS,LT,LU,LV			DATE: 19-MAY-82		RELEASE DATE:							
DW	LK201-ML009	K	[F] LY,NA,NF,NH,RB,RC,RD,RE,RH,RN			MFG.ENG: L. QUARLES		RELEASE STATUS: VALID PARTS							
AJ	LK201-A-ML012	L	[H] RR,RU,RY,XA,XB,XC,XD,XE			DATE: 19-MAY-82									
AJ	LK201-A-ML013	M	[J]												
DW	LK201-ML020	N						BASIC PART NUMBER:		ASSEMBLY NUMBER:		TOP DOCUMENT NUMBER:		FILE NAME:	EDIT #
DW	LK201-ML021	P						LK201		E-UA-LK201-A-0		K-DD-LK201-0-DBF		Z4412T.PLS	9
DW	LK201-ML022	R													
DW	LK201-ML023	S													
DW	LK201-ML024	T													

"THIS DRAWING AND THE SPECIFICATIONS CONTAINED HEREIN ARE CONFIDENTIAL AND PROPRIETARY. THEY ARE THE PROPERTY OF DIGITAL EQUIPMENT CORPORATION AND SHALL NOT BE REPRODUCED OR COPIED OR USED IN WHOLE OR IN PART AS THE BASIS FOR THE MANUFACTURE OR SALE OF ITEMS WITHOUT WRITTEN PERMISSION. THIS IS AN UNPUBLISHED WORK PROTECTED UNDER THE FEDERAL COPYRIGHT LAWS."

AUTOMATED BY VAXKPL (V1.3)

PARTS LIST

SHEET H2 OF H2

LINE	ITEM	TOP DOCUMENT	PART NUMBER	MIN REV	DESCRIPTION	QUANTITY PER VARIATION/REVISION							
						RR A1	RU A1	RY A1	XA B2	XB B2	XC B2	XD A2	XE A2
33	33	K-DD-7023983-0-0	70-23983-EH		KEYBOARD,GREEK	-	-	-	-	-	-	-	-
34	34	K-DD-7023983-0-0	70-23983-EN		KEYBOARD,2ND NORWEGIAN	-	-	-	-	-	-	-	-
35	35	K-DD-7023983-0-0	70-23983-ER		KEYBOARD,ARABIC-ENGLISH	1	-	-	-	-	-	-	-
36	36	K-DD-7023983-0-0	70-23983-EU		KEYBOARD,TURKISH	-	1	-	-	-	-	-	-
37	37	K-DD-7023983-0-0	70-23983-EY		KEYBOARD,YUGOSLAVIAN	-	-	1	-	-	-	-	-
38	38	K-DD-7023983-0-0	70-23983-NA		KEYBOARD,USA/UK,W/LOCAL EDITING	-	-	-	-	-	-	-	-
39	39	K-DD-7023983-0-0	70-23983-NF		KEYBOARD,2ND FINNISH	-	-	-	-	-	-	-	-
40	40	K-DD-7023983-0-0	70-23983-NH		KEYBOARD,2ND HOLLAND	-	-	-	-	-	-	-	-
41	41	K-DD-7023983-0-0	70-23983-XA		KEYBOARD,XEROX	-	-	-	1	-	-	-	-
42	42	K-DD-7023983-0-0	70-23983-XB		KEYBOARD,NS100	-	-	-	-	1	-	-	-
43	43	K-DD-7023983-0-0	70-23983-XC		KEYBOARD,NS200	-	-	-	-	-	1	-	-
44	44	K-DD-7023983-0-0	70-23983-XD		KEYBOARD,LRS1/10	-	-	-	-	-	-	1	-
45	45	K-DD-7023983-0-0	70-23983-XE		KEYBOARD,LRS100	-	-	-	-	-	-	-	1
46	83	K-DD-7023983-0-0	17-00457-08		PWR CORD,TERM 3- .75MM 250V	-	-	-	-	-	-	-	-

1 GEN: VARIATION A IS FOR DOCUMENTATION REFERENCE ONLY.

2 GEN: QUANTITY OF ITEM #3 IS .0002 GALS.

3 GEN: KEYBOARDS BUILT IN EUROPE WILL USE KEYCAP SET PART NUMBER 7019005 IN PLACE OF 7021081.

D	I	G	I	T	A	L	TITLE	SECTION H	OF H	SIZE	CODE	DOCUMENT NUMBER	REV
							LK201 KEYBOARD			K	PL	LK201-A-DBP	T

AUTOMATED BY VAXKPL (V1.3)

PARTS LIST

SHEET A1 OF A1

LINE	ITEM	TOP DOCUMENT	PART NUMBER	MIN REV	DESCRIPTION	QUANTITY PER VARIATION/REVISION									
						BA N1	BB C1	BC C1	BD D1	BE M1	BF D1	BG M1	BH C1	BI M1	BK C1
1	1		37-00698-01		PKG KEYBOARD LK201 CUSTOMER	1	1	1	1	1	1	1	1	1	1
2	2		17-00083-09		PWR CORD,TERM 3-18 SJT 125V	1	-	1	-	-	-	-	-	-	-
3	3		17-00209-00		PWR CORD,TERM 3- .75MM 5A 250V	-	-	-	-	1	-	-	-	-	-
4	4		17-00199-00		PWR CORD,TERM 3 250V	-	1	-	-	-	1	1	1	-	-
5	5		17-00310-01		PWR CORD,TERM 3- .75MM 250V	-	-	-	1	-	-	-	-	-	-
6	6		17-00210-00		PWR CORD,TERM 3- .75MM 250V 6A	-	-	-	-	-	-	-	-	-	1
7	7		17-00364-01		PWR CORD,TERM 3- .75MM 250V 2	-	-	-	-	-	-	-	-	1	-
8	8		17-00198-00		PWR CORD,TERM 3-18 250V	-	-	-	-	-	-	-	-	-	-
9	9	K-DD-7023983-0-0	70-23983-BA		KEYBOARD,WPS,USA-CANADA	1	-	-	-	1	-	-	-	-	-
10	10	K-DD-7023983-0-0	70-23983-BB		KEYBOARD,WPS,FLEMISH	-	1	-	-	-	-	-	-	-	-
11	11	K-DD-7023983-0-0	70-23983-BC		KEYBOARD,WPS,CANADIAN/FRENCH	-	-	1	-	-	-	-	-	-	-
12	12	K-DD-7023983-0-0	70-23983-BD		KEYBOARD,WPS,DANISH	-	-	-	1	-	-	-	-	-	-
13	13	K-DD-7023983-0-0	70-23983-BE		KEYBOARD,WPS,FINNISH	-	-	-	-	-	1	-	-	-	-
14	14	K-DD-7023983-0-0	70-23983-BF		KEYBOARD,WPS,GERMAN	-	-	-	-	-	-	1	-	-	-
15	15	K-DD-7023983-0-0	70-23983-BG		KEYBOARD,WPS,HOLLAND	-	-	-	-	-	-	-	1	-	-
16	16	K-DD-7023983-0-0	70-23983-BH		KEYBOARD,WPS,ITALIAN	-	-	-	-	-	-	-	-	1	-
17	17	K-DD-7023983-0-0	70-23983-BI		KEYBOARD,WPS,SWISS/FRENCH	-	-	-	-	-	-	-	-	-	1
18	18	K-DD-7023983-0-0	70-23983-BL		KEYBOARD,WPS,SWISS/GERMAN	-	-	-	-	-	-	-	-	-	-
19	19	K-DD-7023983-0-0	70-23983-BM		KEYBOARD,WPS,SWEDISH	-	-	-	-	-	-	-	-	-	-
20	20	K-DD-7023983-0-0	70-23983-BN		KEYBOARD,WPS,NORWEGIAN	-	-	-	-	-	-	-	-	-	-
21	21	K-DD-7023983-0-0	70-23983-BO		KEYBOARD,WPS,FRENCH	-	-	-	-	-	-	-	-	-	-
22	22	K-DD-7023983-0-0	70-23983-BS		KEYBOARD,WPS,SPANISH	-	-	-	-	-	-	-	-	-	-
23	23	K-DD-7023983-0-0	70-23983-FC		KEYBOARD,WPS,CANADIAN/ENGLISH	-	-	-	-	-	-	-	-	-	-
24	24	K-DD-7023983-0-0	70-23983-FS		KEYBOARD,WPS,F.A.O.	-	-	-	-	-	-	-	-	-	-
25	25	K-DD-7023983-0-0	70-23983-PA		KEYBOARD,WPS,USA/UK,W/LOCAL EDITIN	-	-	-	-	-	-	-	-	-	-

REVISION HISTORY			KPL MATRIX FORMAT SECTION A OF D			DRN: D.HEALY			DIGITAL		
ENG! ECO NUMBER			REV			SECTION/VARIATION INDEX			DATE: 19-MAY-82		
DW LK201-MLO24			F			[A] BA, BB, BC, BD, BE, BF, BG, BH, BI, BK			CHK'D: C.LARSON		
DW LK201-MLO25			H			[B] BL, BM, BN, BP, BR, BS, BZ, FC, FS, MA			DATE: 19-MAY-82		
						[C] MB, MC, MD, MF, MG, MH, MI, MK, ML, MM			DES.ENG: R.LIETERMAN		
						[D] MN, MP, MS, PA, SC, SS			DATE: 19-MAY-82		
						[E]			DOCUMENT NUMBER		
						[F]			SIZE! CODE! NUMBER		
						[H]			K ! PL ! LK201-B-DBP		
						[J]			H		
									RESP.ENG.: A.LEN		
									DATE: 19-MAY-82		
									MFG.ENG: L.QUARLES		
									DATE: 19-MAY-82		
									RELEASE DATE: 10-MAR-83		
									RELEASE STATUS: RELEASED		
									BASIC PART NUMBER: LK201		
									ASSEMBLY NUMBER: E-UA-LK201-A-0		
									TOP DOCUMENT NUMBER: K-DD-LK201-0-DBP		
									FILE NAME: Z6234H.PLS		
									EDIT # 7		

"THIS DRAWING AND THE SPECIFICATIONS CONTAINED HEREIN ARE CONFIDENTIAL AND PROPRIETARY. THEY ARE THE PROPERTY OF DIGITAL EQUIPMENT CORPORATION AND SHALL NOT BE REPRODUCED OR COPIED OR USED IN WHOLE OR IN PART AS THE BASIS FOR THE MANUFACTURE OR SALE OF ANY EQUIPMENT OR PRODUCT. THIS IS AN UNCLASSIFIED WORK PROTECTED UNDER THE FEDERAL COPYRIGHT LAWS."

AUTOMATED BY VAXKPL (V1.3)

PARTS LIST

SHEET B1 OF B1

LINE	ITEM	TOP DOCUMENT	PART NUMBER	MIN REV	DESCRIPTION	QUANTITY PER VARIATION/REVISION									
						BL C1	BM D1	BN C1	BP M1	BR B1	BS M1	BZ M1	FC C1	FS C1	MA C1
1	1		37-00698-01		PKG KEYBOARD LK201 CUSTOMER	1	1	1	1	1	1	1	1	1	1
2	2		17-00083-09		PWR CORD, TERM 3-18 SJT 125V	-	-	-	-	-	-	-	1	-	-
3	3		17-00209-00		PWR CORD, TERM 3- .75MM 5A 250V	-	-	-	-	-	-	-	-	-	-
4	4		17-00199-00		PWR CORD, TERM 3 250V	-	1	1	1	-	1	-	-	-	-
5	5		17-00310-01		PWR CORD, TERM 3- .75MM 250V	-	-	-	-	-	-	-	-	-	-
6	6		17-00210-00		PWR CORD, TERM 3- .75MM 250V 6A	1	-	-	-	-	-	-	-	-	-
7	7		17-00364-01		PWR CORD, TERM 3- .75MM 250V 2	-	-	-	-	-	-	-	-	1	-
8	8		17-00198-00		PWR CORD, TERM 3-18 250V	-	-	-	-	-	-	1	-	-	-
9	9	K-DD-7023983-0-0	70-23983-BA		KEYBOARD, WPS, USA-CANADA	-	-	-	-	-	-	1	-	-	1
10	10	K-DD-7023983-0-0	70-23983-BB		KEYBOARD, WPS, FLEMISH	-	-	-	-	-	-	-	-	-	-
11	11	K-DD-7023983-0-0	70-23983-BC		KEYBOARD, WPS, CANADIAN/FRENCH	-	-	-	-	-	-	-	-	-	-
12	12	K-DD-7023983-0-0	70-23983-BD		KEYBOARD, WPS, DANISH	-	-	-	-	-	-	-	-	-	-
13	13	K-DD-7023983-0-0	70-23983-BE		KEYBOARD, WPS, FINNISH	-	-	-	-	-	-	-	-	-	-
14	14	K-DD-7023983-0-0	70-23983-BF		KEYBOARD, WPS, GERMAN	-	-	-	-	-	-	-	-	-	-
15	15	K-DD-7023983-0-0	70-23983-BG		KEYBOARD, WPS, HOLLAND	-	-	-	-	-	-	-	-	-	-
16	16	K-DD-7023983-0-0	70-23983-BH		KEYBOARD, WPS, ITALIAN	-	-	-	-	-	-	-	-	-	-
17	17	K-DD-7023983-0-0	70-23983-BI		KEYBOARD, WPS, SWISS/FRENCH	-	-	-	-	-	-	-	-	-	-
18	18	K-DD-7023983-0-0	70-23983-BJ		KEYBOARD, WPS, SWISS/GERMAN	1	-	-	-	-	-	-	-	-	-
19	19	K-DD-7023983-0-0	70-23983-BK		KEYBOARD, WPS, SWEDISH	-	1	-	-	-	-	-	-	-	-
20	20	K-DD-7023983-0-0	70-23983-BL		KEYBOARD, WPS, NORWEGIAN	-	-	1	-	-	-	-	-	-	-
21	21	K-DD-7023983-0-0	70-23983-BM		KEYBOARD, WPS, FRENCH	-	-	-	1	-	-	-	-	-	-
22	22	K-DD-7023983-0-0	70-23983-BN		KEYBOARD, WPS, SPANISH	-	-	-	-	1	1	-	-	-	-
23	23	K-DD-7023983-0-0	70-23983-BO		KEYBOARD, WPS, CANADIAN/ENGLISH	-	-	-	-	-	-	-	1	-	-
24	24	K-DD-7023983-0-0	70-23983-BP		KEYBOARD, WPS, F.A.O.	-	-	-	-	-	-	-	-	1	-
25	25	K-DD-7023983-0-0	70-23983-BA		KEYBOARD, WPS, USA/UK, W/LOCAL EDITIN	-	-	-	-	-	-	-	-	-	-

REVISION HISTORY			KPL MATRIX FORMAT SECTION B OF D			DRN: D.HEALY			DIGITAL		
ENG	ECO NUMBER	REV	SECTION/VARIATION INDEX			DATE: 19-MAY-82			TITLE PARTS LIST		
DW	LK201-MLO24	F	[A]	BA, BB, BC, BD, BE, BF, BG, BH, BI, BK	DATE: 19-MAY-82			LK201 KEYBOARD			
DW	LK201-MLO25	H	[B]	BL, BM, BN, BP, BR, BS, BZ, FC, FS, MA	DES. ENG: R.LIETERMAN			DOCUMENT NUMBER			
			[C]	MB, MC, MD, ME, MF, MG, MH, MI, MK, ML, MM	DATE: 19-MAY-82			SIZE CODE NUMBER REV			
			[D]	MN, MP, MS, PA, SC, SS	RESP. ENG.: A.LEN			K PL LK201-B-DBP H			
			[E]		DATE: 19-MAY-82			RELEASE DATE: 10-MAR-88			
			[F]		MFG. ENG: L.QUARLES			RELEASE STATUS: RELEASED			
			[H]		DATE: 19-MAY-82						
			[J]								
BASIC PART NUMBER:			ASSEMBLY NUMBER:			TOP DOCUMENT NUMBER:			FILE NAME:		
LK201			E-UA-LK201-A-0			K-DD-LK201-0-DBF			Z6234H.PLS		
									EDIT # 7		

"THIS DRAWING AND THE SPECIFICATIONS CONTAINED HEREIN ARE CONFIDENTIAL AND PROPRIETARY. THEY ARE THE PROPERTY OF DIGITAL EQUIPMENT CORPORATION AND SHALL NOT BE REPRODUCED OR COPIED OR USED IN WHOLE OR IN PART AS THE BASIS FOR THE MANUFACTURE OR SALE OF ITEMS WITHOUT WRITTEN PERMISSION. THIS IS AN UNPUBLISHED WORK PROTECTED UNDER THE FEDERAL COPYRIGHT LAWS."

AUTOMATED BY VAXKPL (V1.3)

PARTS LIST

SHEET C1 OF C1

LINE	ITEM	TOP DOCUMENT	PART NUMBER	MIN REV	DESCRIPTION	QUANTITY PER VARIATION/REVISION									
						MB B1	MC B1	MD B1	MF B1	MG B1	MH B1	MI B1	MK B1	ML B1	MM B1
1	1		37-00698-01		PKG KEYBOARD LK201 CUSTOMER	1	1	1	1	1	1	1	1	1	1
2	2		17-00083-09		PWR CORD,TERM 3-18 SJT 125V	-	-	-	-	-	-	-	-	-	-
3	3		17-00209-00		PWR CORD,TERM 3- .75MM 5A 250V	-	-	-	-	-	-	-	-	-	-
4	4		17-00199-00		PWR CORD,TERM 3 250V	-	-	-	-	-	-	-	-	-	-
5	5		17-00310-01		PWR CORD,TERM 3- .75MM 250V	-	-	-	-	-	-	-	-	-	-
6	6		17-00210-00		PWR CORD,TERM 3- .75MM 250V 6A	-	-	-	-	-	-	-	-	-	-
7	7		17-00364-01		PWR CORD,TERM 3- .75MM 250V 2	-	-	-	-	-	-	-	-	-	-
8	8		17-00198-00		PWR CORD,TERM 3-18 250V	-	-	-	-	-	-	-	-	-	-
9	9	K-DD-7023983-0-0	70-23983-BA		KEYBOARD,WPS,USA-CANADA	-	-	-	-	-	-	-	-	-	-
10	10	K-DD-7023983-0-0	70-23983-BB		KEYBOARD,WPS,FLEMISH	1	-	-	-	-	-	-	-	-	-
11	11	K-DD-7023983-0-0	70-23983-BC		KEYBOARD,WPS,CANADIAN/FRENCH	-	1	-	-	-	-	-	-	-	-
12	12	K-DD-7023983-0-0	70-23983-BD		KEYBOARD,WPS,DANISH	-	-	1	-	-	-	-	-	-	-
13	13	K-DD-7023983-0-0	70-23983-BE		KEYBOARD,WPS,FINNISH	-	-	-	1	-	-	-	-	-	-
14	14	K-DD-7023983-0-0	70-23983-BF		KEYBOARD,WPS,GERMAN	-	-	-	-	1	-	-	-	-	-
15	15	K-DD-7023983-0-0	70-23983-BG		KEYBOARD,WPS,HOLLAND	-	-	-	-	-	1	-	-	-	-
16	16	K-DD-7023983-0-0	70-23983-BH		KEYBOARD,WPS,ITALIAN	-	-	-	-	-	-	1	-	-	-
17	17	K-DD-7023983-0-0	70-23983-BI		KEYBOARD,WPS,SWISS/FRENCH	-	-	-	-	-	-	-	1	-	-
18	18	K-DD-7023983-0-0	70-23983-BL		KEYBOARD,WPS,SWISS/GERMAN	-	-	-	-	-	-	-	-	1	-
19	19	K-DD-7023983-0-0	70-23983-BM		KEYBOARD,WPS,SWEDISH	-	-	-	-	-	-	-	-	-	1
20	20	K-DD-7023983-0-0	70-23983-BN		KEYBOARD,WPS,NORWEGIAN	-	-	-	-	-	-	-	-	-	-
21	21	K-DD-7023983-0-0	70-23983-BO		KEYBOARD,WPS,FRENCH	-	-	-	-	-	-	-	-	-	-
22	22	K-DD-7023983-0-0	70-23983-BP		KEYBOARD,WPS,SPANISH	-	-	-	-	-	-	-	-	-	-
23	23	K-DD-7023983-0-0	70-23983-BQ		KEYBOARD,WPS,CANADIAN/ENGLISH	-	-	-	-	-	-	-	-	-	-
24	24	K-DD-7023983-0-0	70-23983-BR		KEYBOARD,WPS,F.A.O.	-	-	-	-	-	-	-	-	-	-
25	25	K-DD-7023983-0-0	70-23983-BA		KEYBOARD,WPS,USA/UK,W/LOCAL EDITIN	-	-	-	-	-	-	-	-	-	-

REVISION HISTORY		KPL MATRIX FORMAT		SECTION C OF D		DRN: D.HEALY		DIGITAL	
ENG		ECO NUMBER	REV	SECTION/VARIATION INDEX		DATE: 19-MAY-82		TITLE PARTS LIST	
DW	LK201-ML024	F	[A]	BA,BB,BC,BD,BE,BF,BG,BH,BI,BK		CHK'D: C.LARSON		LK201 KEYBOARD	
DW	LK201-ML025	H	[B]	BL,BM,BN,BP,BR,BS,BZ,FC,FS,MA		DATE: 19-MAY-82			
			[C]	MB,MC,MD,MF,MG,MH,MI,MK,ML,MM		DES.ENG: R.LIETERMAN			
			[D]	MN,MP,MS,PA,SC,SS		DATE: 19-MAY-82		DOCUMENT NUMBER	
			[E]					SIZE CODE NUMBER REV	
			[F]			RESP.ENG.: A.LEN		K PL LK201-B-DBP H	
			[H]			DATE: 19-MAY-82			
			[J]			MFG.ENG: L.QUARLES		RELEASE DATE: 10-MAR-88	
						DATE: 19-MAY-82		RELEASE STATUS: RELEASED	
		BASIC PART NUMBER:		ASSEMBLY NUMBER:		TOP DOCUMENT NUMBER:		FILE NAME:	
		LK201		E-UA-LK201-A-0		K-DD-LK201-0-DBF		Z6234H,PLS	
								EDIT #	
								7	

"THIS DRAWING AND THE SPECIFICATIONS CONTAINED HEREIN ARE CONFIDENTIAL AND PROPRIETARY. THEY ARE THE PROPERTY OF DIGITAL EQUIPMENT CORPORATION AND SHALL NOT BE REPRODUCED OR COPIED OR USED IN WHOLE OR IN PART AS THE BASIS FOR THE MANUFACTURE OR SALE OF ITEMS WITHOUT WRITTEN PERMISSION. THIS IS AN UNPUBLISHED WORK PROTECTED UNDER THE FEDERAL COPYRIGHT LAWS."

AUTOMATED BY VAXKPL (V1.3)

PARTS LIST

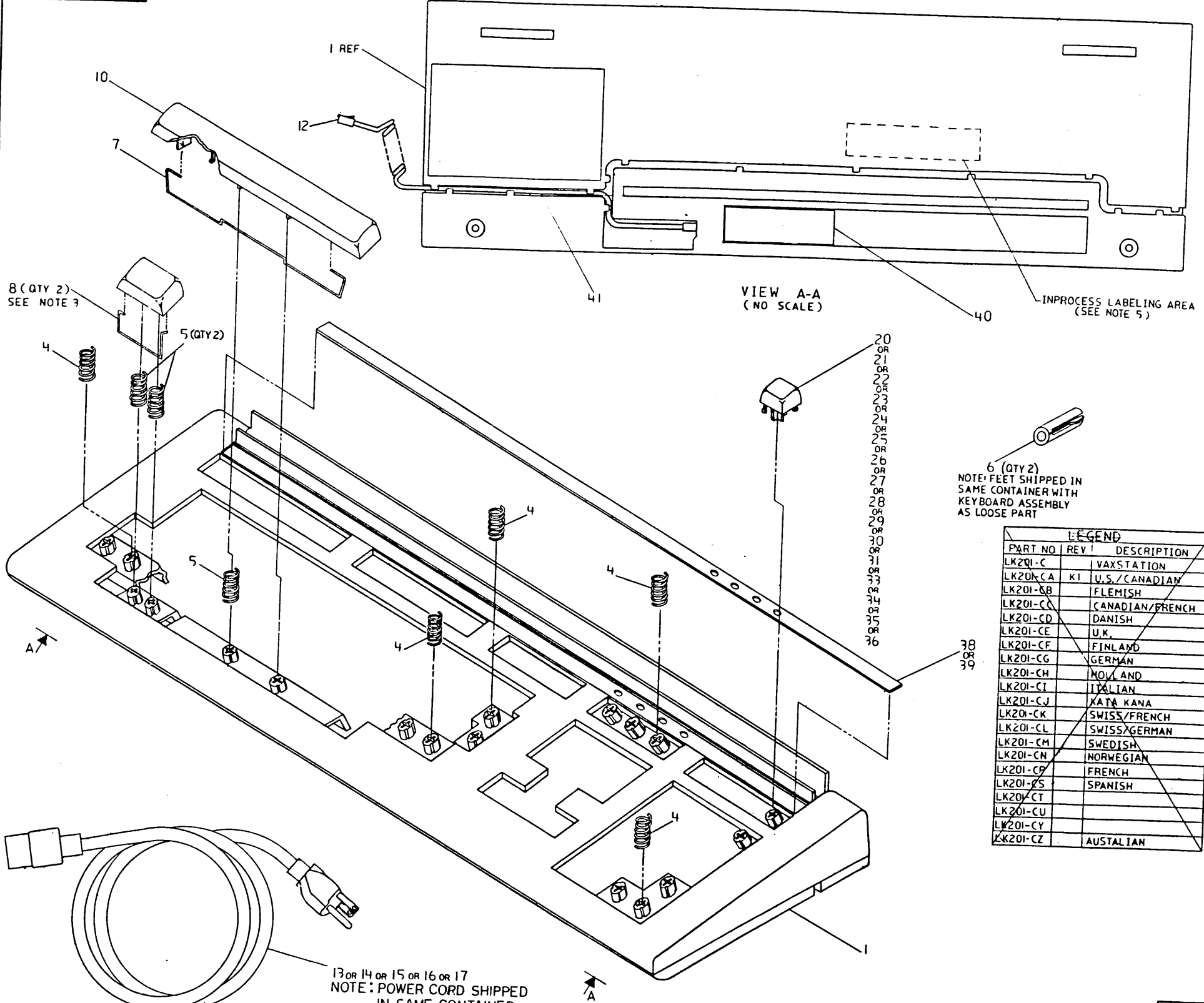
SHEET 01 OF 01

LINE	ITEM	TOP DOCUMENT	PART NUMBER	MIN REV	DESCRIPTION	QUANTITY PER VARIATION/REVISION					
						MN B1	MP B1	MS B1	PA B1	SC B1	SS B1
1	1		37-00698-01		PKG KEYBOARD LK201 CUSTOMER	1	1	1	1	1	1
2	2		17-00083-09		PWR CORD,TERM 3-18 SJT 125V	-	-	-	-	-	-
3	3		17-00209-00		PWR CORD,TERM 3- .75MM 5A 250V	-	-	-	-	-	-
4	4		17-00199-00		PWR CORD,TERM 3 250V	-	-	-	-	-	-
5	5		17-00310-01		PWR CORD,TERM 3- .75MM 250V	-	-	-	-	-	-
6	6		17-00210-00		PWR CORD,TERM 3- .75MM 250V 6A	-	-	-	-	-	-
7	7		17-00364-01		PWR CORD,TERM 3- .75MM 250V 2	-	-	-	-	-	-
8	8		17-00198-00		PWR CORD,TERM 3-18 250V	-	-	-	-	-	-
9	9	K-DD-7023983-0-0	70-23983-BA		KEYBOARD,WPS,USA-CANADA	-	-	-	-	-	-
10	10	K-DD-7023983-0-0	70-23983-BB		KEYBOARD,WPS,FLEMISH	-	-	-	-	-	-
11	11	K-DD-7023983-0-0	70-23983-BC		KEYBOARD,WPS,CANADIAN/FRENCH	-	-	-	-	-	-
12	12	K-DD-7023983-0-0	70-23983-BD		KEYBOARD,WPS,DANISH	-	-	-	-	-	-
13	13	K-DD-7023983-0-0	70-23983-BE		KEYBOARD,WPS,FINNISH	-	-	-	-	-	-
14	14	K-DD-7023983-0-0	70-23983-BF		KEYBOARD,WPS,GERMAN	-	-	-	-	-	-
15	15	K-DD-7023983-0-0	70-23983-BG		KEYBOARD,WPS,HOLLAND	-	-	-	-	-	-
16	16	K-DD-7023983-0-0	70-23983-BH		KEYBOARD,WPS,ITALIAN	-	-	-	-	-	-
17	17	K-DD-7023983-0-0	70-23983-BI		KEYBOARD,WPS,SWISS/FRENCH	-	-	-	-	-	-
18	18	K-DD-7023983-0-0	70-23983-BL		KEYBOARD,WPS,SWISS/GERMAN	-	-	-	-	-	-
19	19	K-DD-7023983-0-0	70-23983-BM		KEYBOARD,WPS,SWEDISH	-	-	-	-	-	-
20	20	K-DD-7023983-0-0	70-23983-BN		KEYBOARD,WPS,NORWEGIAN	1	-	-	-	-	-
21	21	K-DD-7023983-0-0	70-23983-BO		KEYBOARD,WPS,FRENCH	-	1	-	-	-	-
22	22	K-DD-7023983-0-0	70-23983-BP		KEYBOARD,WPS,SPANISH	-	-	1	-	-	-
23	23	K-DD-7023983-0-0	70-23983-BQ		KEYBOARD,WPS,CANADIAN/ENGLISH	-	-	-	-	1	-
24	24	K-DD-7023983-0-0	70-23983-BR		KEYBOARD,WPS,F.A.O.	-	-	-	-	-	1
25	25	K-DD-7023983-0-0	70-23983-BS		KEYBOARD,WPS,USA/UK,W/LOCAL EDITIN	-	-	-	1	-	-

REVISION HISTORY		KPL MATRIX FORMAT		SECTION D OF D		DRN: D.HEALY		DIGITAL			
ENG	ECO NUMBER	REV	SECTION/VARIATION INDEX	CHK'D:	C.LARSON	DATE:	19-MAY-82	TITLE	PARTS LIST		
DW	LK201-ML024	F	(A) BA,BB,BC,BD,BE,BF,BG,BH,BI,BK	DATE:	19-MAY-82			LK201 KEYBOARD			
DW	LK201-ML025	H	(B) BL,BM,BN,BP,BR,BS,BZ,FC,FS,MA	DES.ENG:	R.LIETERMAN	DATE:	19-MAY-82		DOCUMENT NUMBER		
			(C) MB,MC,MD,MF,MG,MH,MI,MK,ML,MM	DATE:	19-MAY-82			SIZE	CODE	NUMBER	REV
			(D) MN,MP,MS,PA,SC,SS	RESP.ENG.:	A.LEN	DATE:	19-MAY-82	K	PL	LK201-B-DBP	H
			(E)	MFG.ENG:	L.GUARLES	DATE:	19-MAY-82	RELEASE DATE:		10-MAR-88	
			(F)	DATE:	19-MAY-82	RELEASE STATUS:		RELEASED			
			(G)	BASIC PART NUMBER:		ASSEMBLY NUMBER:		TOP DOCUMENT NUMBER:		FILE NAME:	
			(H)	LK201		E-UA-LK201-A-0		K-DD-LK201-0-DBP		Z6234H,PLS	
			(I)							EDIT #	
			(J)							7	

"THIS DRAWING AND THE SPECIFICATIONS CONTAINED HEREIN ARE CONFIDENTIAL AND PROPRIETARY. THEY ARE THE PROPERTY OF DIGITAL EQUIPMENT CORPORATION AND SHALL NOT BE REPRODUCED OR COPIED OR USED IN WHOLE OR IN PART AS THE BASIS FOR THE MANUFACTURE OR SALE OF ITEMS WITHOUT WRITTEN PERMISSION. THIS IS AN UNPUBLISHED WORK PROTECTED UNDER THE FEDERAL COPYRIGHT LAWS."

This drawing and instructions shall be the property of the manufacturer. No part of this drawing or instructions shall be reproduced or transmitted in any form or by any means, electronic, mechanical, photocopying, recording, or by any information storage and retrieval system, without the prior written permission of the manufacturer.



- NOTES:
- KEYCAPS ARRANGED ACCORDING TO ARRANGEMENT DRAWING D-AR-7019005-0-DBU OR D-AD-7021081-0-DBU.
 - DELETED
 - ITEM 8 IS USED ON SWITCHES A20 A21 & A99 (THE TWO DOUBLE KEYS IN FIRST ROW) ON ARRANGEMENT DRAWING D-AR-7019005-0-DBU.
 - APPLY THIN FILM OF LUBRICANT (ITEM 3) ON PLUNGER AREA OF 5 KEYS PRIOR TO ADDING THEM TO THE KEYBOARD. KEYS IDENTIFIED BY LOCATIONS B99, B11, A23, C13 AND G16 ON KEYCAP ARRANGEMENT DRAWING D-AR-7019005-0-DBU LUBRICANT MUST BE KEPT OFF VISIBLE (TEXTURED) SURFACES OF KEYS.
 - REMOVE LABEL (3622838-01) FROM 5415172 ON 7019004 AND APPLY WITHIN INPROCESS LABELING AREA.

6 (QTY 2)
NOTE: FEET SHIPPED IN SAME CONTAINER WITH KEYBOARD ASSEMBLY AS LOOSE PART

PART NO	REV	DESCRIPTION
LK201-C		VAXSTATION
LK201-CA	K1	U.S./CANADIAN
LK201-CB		FLEMISH
LK201-CC		CANADIAN/FRENCH
LK201-CD		DANISH
LK201-CE		U.K.
LK201-CF		FINLAND
LK201-CG		GERMAN
LK201-CH		HOLLAND
LK201-CI		ITALIAN
LK201-CJ		KATA KANA
LK201-CK		SWISS/FRENCH
LK201-CL		SWISS/GERMAN
LK201-CM		SWEDISH
LK201-CN		NORWEGIAN
LK201-CO		FRENCH
LK201-OS		SPANISH
LK201-CT		
LK201-CU		
LK201-CY		
LK201-CZ		AUSTALIAN

CAUTION:
OFF SHEET PARTS LIST EXISTS.
SEE K-PL-LK201-C-DBP. (Z9826)

13 OR 14 OR 15 OR 16 OR 17
NOTE: POWER CORD SHIPPED IN SAME CONTAINER WITH KEYBOARD ASSY AS A LOOSE PART.

REV	DATE	BY	CHKD	DESCRIPTION
1				
2				
3				
4				
5				
6				
7				
8				
9				
10				
11				
12				
13				
14				
15				
16				
17				
18				
19				
20				
21				
22				
23				
24				
25				
26				
27				
28				
29				
30				
31				
32				
33				
34				
35				
36				
37				
38				
39				
40				
41				
42				
43				
44				
45				
46				
47				
48				
49				
50				

DESCRIPTION	DRAWING NO	PART NO	REV
LK201-C KEYBOARD			
UNLESS OTHERWISE SPECIFIED DIMENSIONS ARE IN INCHES AND THE FOLLOWING TOLERANCES APPLY (PER DEC STD 114)			
FINISH TOLERANCES	APPLICABLE DIMENSION RANGE	OVER	UNDER
2 + .1	0 TO .125	.0015	-.0015
3 + .1	.125 TO .250	.0020	-.0020
4 + .1	.250 TO .500	.0030	-.0030
5 + .1	.500 TO 1.000	.0050	-.0050
6 + .1	1.000 TO 2.000	.0080	-.0080
7 + .1	2.000 TO 5.000	.0120	-.0120
8 + .1	5.000 TO 10.000	.0150	-.0150
9 + .1	10.000 TO 25.000	.0200	-.0200
10 + .1	25.000 TO 50.000	.0250	-.0250
11 + .1	50.000 TO 100.000	.0300	-.0300
12 + .1	100.000 TO 250.000	.0400	-.0400
13 + .1	250.000 TO 500.000	.0500	-.0500
14 + .1	500.000 TO 1000.000	.0600	-.0600
15 + .1	1000.000 TO 2500.000	.0800	-.0800
16 + .1	2500.000 TO 5000.000	.0100	-.0100
17 + .1	5000.000 TO 10000.000	.0120	-.0120
18 + .1	10000.000 TO 25000.000	.0150	-.0150
19 + .1	25000.000 TO 50000.000	.0200	-.0200
20 + .1	50000.000 TO 100000.000	.0250	-.0250
21 + .1	100000.000 TO 250000.000	.0300	-.0300
22 + .1	250000.000 TO 500000.000	.0400	-.0400
23 + .1	500000.000 TO 1000000.000	.0500	-.0500
24 + .1	1000000.000 TO 2500000.000	.0600	-.0600
25 + .1	2500000.000 TO 5000000.000	.0800	-.0800
26 + .1	5000000.000 TO 10000000.000	.0100	-.0100
27 + .1	10000000.000 TO 25000000.000	.0120	-.0120
28 + .1	25000000.000 TO 50000000.000	.0150	-.0150
29 + .1	50000000.000 TO 100000000.000	.0200	-.0200
30 + .1	100000000.000 TO 250000000.000	.0250	-.0250
31 + .1	250000000.000 TO 500000000.000	.0300	-.0300
32 + .1	500000000.000 TO 1000000000.000	.0400	-.0400
33 + .1	1000000000.000 TO 2500000000.000	.0500	-.0500
34 + .1	2500000000.000 TO 5000000000.000	.0600	-.0600
35 + .1	5000000000.000 TO 10000000000.000	.0800	-.0800
36 + .1	10000000000.000 TO 25000000000.000	.0100	-.0100
37 + .1	25000000000.000 TO 50000000000.000	.0120	-.0120
38 + .1	50000000000.000 TO 100000000000.000	.0150	-.0150
39 + .1	100000000000.000 TO 250000000000.000	.0200	-.0200
40 + .1	250000000000.000 TO 500000000000.000	.0250	-.0250
41 + .1	500000000000.000 TO 1000000000000.000	.0300	-.0300
42 + .1	1000000000000.000 TO 2500000000000.000	.0400	-.0400
43 + .1	2500000000000.000 TO 5000000000000.000	.0500	-.0500
44 + .1	5000000000000.000 TO 10000000000000.000	.0600	-.0600
45 + .1	10000000000000.000 TO 25000000000000.000	.0800	-.0800
46 + .1	25000000000000.000 TO 50000000000000.000	.0100	-.0100
47 + .1	50000000000000.000 TO 100000000000000.000	.0120	-.0120
48 + .1	100000000000000.000 TO 250000000000000.000	.0150	-.0150
49 + .1	250000000000000.000 TO 500000000000000.000	.0200	-.0200
50 + .1	500000000000000.000 TO 1000000000000000.000	.0250	-.0250

DO NOT SCALE DRAWING

REMOVE BURRS AND BREAK SHARP CORNERS

SEE PARTS LIST

DATE: 5-2-82

BY: [Signature]

CHKD: [Signature]

APP'D: [Signature]

REV: 1

TITLE: LK201-C KEYBOARD

DOCUMENT NUMBER: E UA LK201-C-8 D

FORM: K-DD-LK201-C-DRF

LINE ITEM	TOP DOCUMENT	PART NUMBER	MIN REV	DESCRIPTION	C	CA M1	QUANTITY PER VARIATION/REVISION									
							CB B1	CC C1	CD C1	CE L1	CF B1	CG L1	CH B1	CI B1		
1	E-AD-7018416-0-0	70-18416-00		KEYBOARD ASSY	1	1	1	1	1	1	1	1	1	1	1	
2	A-PA-3700698-0-0	37-00698-01		PKG KEYBOARD LK201 CUSTOMER	1	1	1	1	1	1	1	1	1	1	1	
3	#SEE NOTE	49-01569-01		LUBRICANT,SILICONE	A/R	A/R	A/R	A/R	A/R	A/R	A/R	A/R	A/R	A/R	A/R	
4		12-20374-01		SPRING,COMPRESSION .4200DX .250	5	5	5	5	5	5	5	5	5	5	5	
5		12-20374-02		SPRING,COMPRESSION HIGH FORCE	3	3	3	3	3	3	3	3	3	3	3	
6	D-MD-7427577-0-DBU	74-27577-01		FOOT,KEYBOARD SLOPE,5 DEGREES	2	2	2	2	2	2	2	2	2	2	2	
7	C-MD-7427103-0-DBU	74-27103-01		EQUALIZER,SPACE BAR	1	1	1	1	1	1	1	1	1	1	1	
8	B-MD-7426989-0-DBU	74-26989-01		BAR,EQUALIZER,DOUBLE KEY	2	2	2	2	2	2	2	2	2	2	2	
9		74-26051-00		*** THIS ITEM IS NOT USED ***	-	-	-	-	-	-	-	-	-	-	-	
10	D-MD-7428773-0-DBU	74-28773-01		SPACE BAR,LOW-PROFILE,ALT.	-	1	1	1	1	1	1	1	1	1	1	
11		17-00294-00		*** THIS ITEM IS NOT USED ***	-	-	-	-	-	-	-	-	-	-	-	
12		17-00397-01		CABLE ASSY,COIL CORD 14'LG	-	1	1	1	1	1	1	1	1	1	1	
13		17-00083-26		PWR CORD,TERM 3-18 SJT 125V	-	1	1	1	1	1	1	1	1	1	1	
14		17-00209-00		PWR CORD,TERM 3- .75MM 5A 250V	-	-	-	-	-	1	-	-	-	-	-	
15		17-00199-00		PWR CORD,TERM 3 250V	-	-	1	-	-	-	1	1	1	-	-	
16		17-00310-01		PWR CORD,TERM 3- .75MM 250V	-	-	-	-	1	-	-	-	-	-	-	
17		17-00210-00		PWR CORD,TERM 3- .75MM 250V 6A	-	-	-	-	-	-	-	-	-	-	-	
18		17-00364-01		PWR CORD,TERM 3- .75MM 250V 2	-	-	-	-	-	-	-	-	-	-	1	
19		17-00198-00		PWR CORD,TERM 3-18 250V	-	-	-	-	-	-	-	-	-	-	-	
20	D-AD-7021081-0-DBU	70-21081-27		KEYCAP SET FLEMISH/FAX	-	-	1	-	-	-	-	-	-	-	-	
21	D-AD-7021081-0-DBU	70-21081-28		KEYCAP SET CAN/FR VAX	-	-	-	1	-	-	-	-	-	-	-	
22	D-AD-7021081-0-DBU	70-21081-29		KEYCAP SET DENMARK VAX	-	-	-	-	1	-	-	-	-	-	-	
23	D-AD-7021081-0-DBU	70-21081-30		KEYCAP SET FINLAND VAX	-	-	-	-	-	1	-	-	-	-	-	
24	D-AD-7021081-0-DBU	70-21081-31		KEYCAP SET HOLLAND VAX	-	-	-	-	-	-	1	-	-	-	-	
25	D-AD-7021081-0-DBU	70-21081-32		KEYCAP SET ITALIAN VAX	-	-	-	-	-	-	-	-	1	-	-	
26	D-AD-7021081-0-DBU	70-21081-33		KEYCAP SET KATA KANA VAX	-	-	-	-	-	-	-	-	-	-	1	
27	D-AD-7021081-0-DBU	70-21081-34		KEYCAP SET SWISS/FR VAX	-	-	-	-	-	-	-	-	-	-	-	
28	D-AD-7021081-0-DBU	70-21081-35		KEYCAP SET SWISS/GR VAX	-	-	-	-	-	-	-	-	-	-	-	
29	D-AD-7021081-0-DBU	70-21081-36		KEYCAP SET SWEDISH VAX	-	-	-	-	-	-	-	-	-	-	-	
30	D-AD-7021081-0-DBU	70-21081-37		KEYCAP SET NORWEGIAN VAX	-	-	-	-	-	-	-	-	-	-	-	
31	D-AD-7021081-0-DBU	70-21081-38		KEYCAP SET SPANISH VAX	-	-	-	-	-	-	-	-	-	-	-	
32	D-AD-7021081-0-DBU	70-21081-39		*** THIS ITEM IS NOT USED ***	-	-	-	-	-	-	-	-	-	-	-	

REVISION HISTORY			KPL MATRIX FORMAT SECTION A OF B		DRN: D. HEALY	DIGITAL				
ENG	ECO NUMBER	REV	SECTION/VARIATION INDEX		DATE: 18-MAR-82					
DW	LK201-A-MLO09	A	[A]	C ,CA,CB,CC,CD,CE,CF,CG,CH,CI	CHK'D: C. LARSON	TITLE PARTS LIST				
AJ	LK201-A-MLO12	B	[B]	CJ,CK,CL,CM,CN,CP,CS,CT,CZ	DATE: 19-MAY-82	LK201 KEYBOARD				
AJ	LK201-A-MLO13	C	[C]		DES.ENG: R. LIETERMANN					
DW	LK201-A-MLO20	D	[D]		DATE: 19-MAY-82	DOCUMENT NUMBER				
DW	LK201-MLO22	E	[E]			SIZE	CODE	NUMBER	REV	
			[F]		RESP.ENG.: A. LEN	K	PL	LK201-C-DBP	E	
			[H]		DATE: 19-MAY-82	RELEASE DATE: 30-DEC-85				
			[J]		MFG.ENG: L. QUARLES	RELEASE STATUS: RELEASED				
					DATE: 19-MAY-82					
BASIC PART NUMBER:			ASSEMBLY NUMBER:		TOP DOCUMENT NUMBER:		FILE NAME:		EDIT #	
LK201			E-UA-LK201-C-0		K-DD-LK201-0-DBF		Z9826E.PLS		9	

THIS DRAWING AND THE SPECIFICATIONS CONTAINED HEREIN ARE CONFIDENTIAL AND PROPRIETARY. THEY ARE THE PROPERTY OF DIGITAL EQUIPMENT CORPORATION AND SHALL NOT BE REPRODUCED OR COPIED OR USED IN WHOLE OR IN PART AS THE BASIS FOR THE MANUFACTURE OR SALE OF ITEMS WITHOUT WRITTEN PERMISSION. THIS IS AN UNPUBLISHED WORK PROTECTED UNDER THE FEDERAL COPYRIGHT LAWS.

LINE	ITEM	TOP DOCUMENT	PART NUMBER	MIN REV	DESCRIPTION	QUANTITY PER VARIATION/REVISION									
						CJ B1	CK B1	CL B1	CM B1	CN B1	CP L1	CS B1	CT B1	CZ B1	
1	1	E-AD-7018416-0-0	70-18416-00		KEYBOARD ASSY	1	1	1	1	1	1	1	1	1	1
2	2	A-PA-3700698-0-0	37-00698-01		PKG KEYBOARD LK201 CUSTOMER	1	1	1	1	1	1	1	1	1	1
3	3	#SEE NOTE	49-01569-01		LUBRICANT,SILICONE	A/R	A/R	A/R	A/R	A/R	A/R	A/R	A/R	A/R	A/R
4	4		12-20374-01		SPRING,COMPRESSION .4200DX .250	5	5	5	5	5	5	5	5	5	5
5	5		12-20374-02		SPRING,COMPRESSION HIGH FORCE	3	3	3	3	3	3	3	3	3	3
6	6	D-MD-7427577-0-DBU	74-27577-01		FOOT,KEYBOARD SLOPE,5 DEGREES	2	2	2	2	2	2	2	2	2	2
7	7	C-MD-7427103-0-DBU	74-27103-01		EQUALIZER,SPACE BAR	1	1	1	1	1	1	1	1	1	1
8	8	B-MD-7426989-0-DBU	74-26989-01		BAR,EQUALIZER,DOUBLE KEY	2	2	2	2	2	2	2	2	2	2
9	9		74-26051-00		*** THIS ITEM IS NOT USED ***	-	-	-	-	-	-	-	-	-	-
10	10	D-MD-7428773-0-DBU	74-28773-01		SPACE BAR,LOW-PROFILE,ALT.	1	1	1	1	1	1	1	-	-	1
11	11		17-00294-00		*** THIS ITEM IS NOT USED ***	-	-	-	-	-	-	-	-	-	-
12	12		17-00397-01		CABLE ASSY,COIL CORD 14'LG	1	1	1	1	1	1	1	-	-	1
13	13		17-00083-26		PWR CORD,TERM 3-18 SJT 125V	1	-	1	-	-	-	-	-	-	-
14	14		17-00209-00		PWR CORD,TERM 3- .75MM 5A 250V	-	-	-	-	-	-	-	-	-	-
15	15		17-00199-00		PWR CORD,TERM 3 250V	-	-	-	1	1	1	1	-	-	-
16	16		17-00310-01		PWR CORD,TERM 3- .75MM 250V	-	-	-	-	-	-	-	-	-	-
17	17		17-00210-00		PWR CORD,TERM 3- .75MM 250V 6A	-	1	1	-	-	-	-	-	-	-
18	18		17-00364-01		PWR CORD,TERM 3- .75MM 250V 2	-	-	-	-	-	-	-	-	-	-
19	19		17-00198-00		PWR CORD,TERM 3-18 250V	-	-	-	-	-	-	-	-	-	-
20	20	D-AD-7021081-0-DBU	70-21081-27		KEYCAP SET FLEMISH/FAX	-	-	-	-	-	-	-	-	-	1
21	21	D-AD-7021081-0-DBU	70-21081-28		KEYCAP SET CAN/FR VAX	-	-	-	-	-	-	-	-	-	-
22	22	D-AD-7021081-0-DBU	70-21081-29		KEYCAP SET DENMARK VAX	-	-	-	-	-	-	-	-	-	-
23	23	D-AD-7021081-0-DBU	70-21081-30		KEYCAP SET FINLAND VAX	-	-	-	-	-	-	-	-	-	-
24	24	D-AD-7021081-0-DBU	70-21081-31		KEYCAP SET HOLLAND VAX	-	-	-	-	-	-	-	-	-	-
25	25	D-AD-7021081-0-DBU	70-21081-32		KEYCAP SET ITALIAN VAX	-	-	-	-	-	-	-	-	-	-
26	26	D-AD-7021081-0-DBU	70-21081-33		KEYCAP SET KATA KANA VAX	1	-	-	-	-	-	-	-	-	-
27	27	D-AD-7021081-0-DBU	70-21081-34		KEYCAP SET SWISS/FR VAX	-	1	-	-	-	-	-	-	-	-
28	28	D-AD-7021081-0-DBU	70-21081-35		KEYCAP SET SWISS/GR VAX	-	-	1	-	-	-	-	-	-	-
29	29	D-AD-7021081-0-DBU	70-21081-36		KEYCAP SET SWEDISH VAX	-	-	-	1	-	-	-	-	-	-
30	30	D-AD-7021081-0-DBU	70-21081-37		KEYCAP SET NORWEGIAN VAX	-	-	-	-	1	-	-	-	-	-
31	31	D-AD-7021081-0-DBU	70-21081-38		KEYCAP SET SPANISH VAX	-	-	-	-	-	-	1	-	-	-
32	32	D-AD-7021081-0-DBU	70-21081-39		*** THIS ITEM IS NOT USED ***	-	-	-	-	-	-	-	1	-	-

REVISION HISTORY			KPL MATRIX FORMAT!SECTION B OF B!DRN: D. HEALY			DIGIT A L			
ENG!	ECO NUMBER	REV	SECTION/VARIATION INDEX			DATE: 18-MAR-82			
DW	LK201-A-ML009	A	[A]	C ,CA,CB,CC,CD,CE,CF,CG,CH,CI	CHK'D: C. LARSON				
AJ	LK201-A-ML012	B	[B]	CJ,CK,CL,CM,CN,CP,CS,CT,CZ	DATE: 19-MAY-82				
AJ	LK201-A-ML013	C	[C]		DES.ENG: R. LIETERMANN				
DW	LK201-A-ML020	D	[D]		DATE: 19-MAY-82				
DW	LK201-ML022	E	[E]		DOCUMENT NUMBER				
			[F]		SIZE!	CODE!	NUMBER	REV	
			[H]		RESP.ENG.: A. LEN	K	PL	LK201-C-DBP	E
			[J]		DATE: 19-MAY-82				
					MFG.ENG: L. QUARLES	RELEASE DATE: 30-DEC-85			
					DATE: 19-MAY-82	RELEASE STATUS: RELEASED			
BASIC PART NUMBER: LK201			ASSEMBLY NUMBER: E-UA-LK201-C-0			TOP DOCUMENT NUMBER: K-DD-LK201-0-DBF			
						FILE NAME: Z9826E.PLS			
						EDIT #: 9			

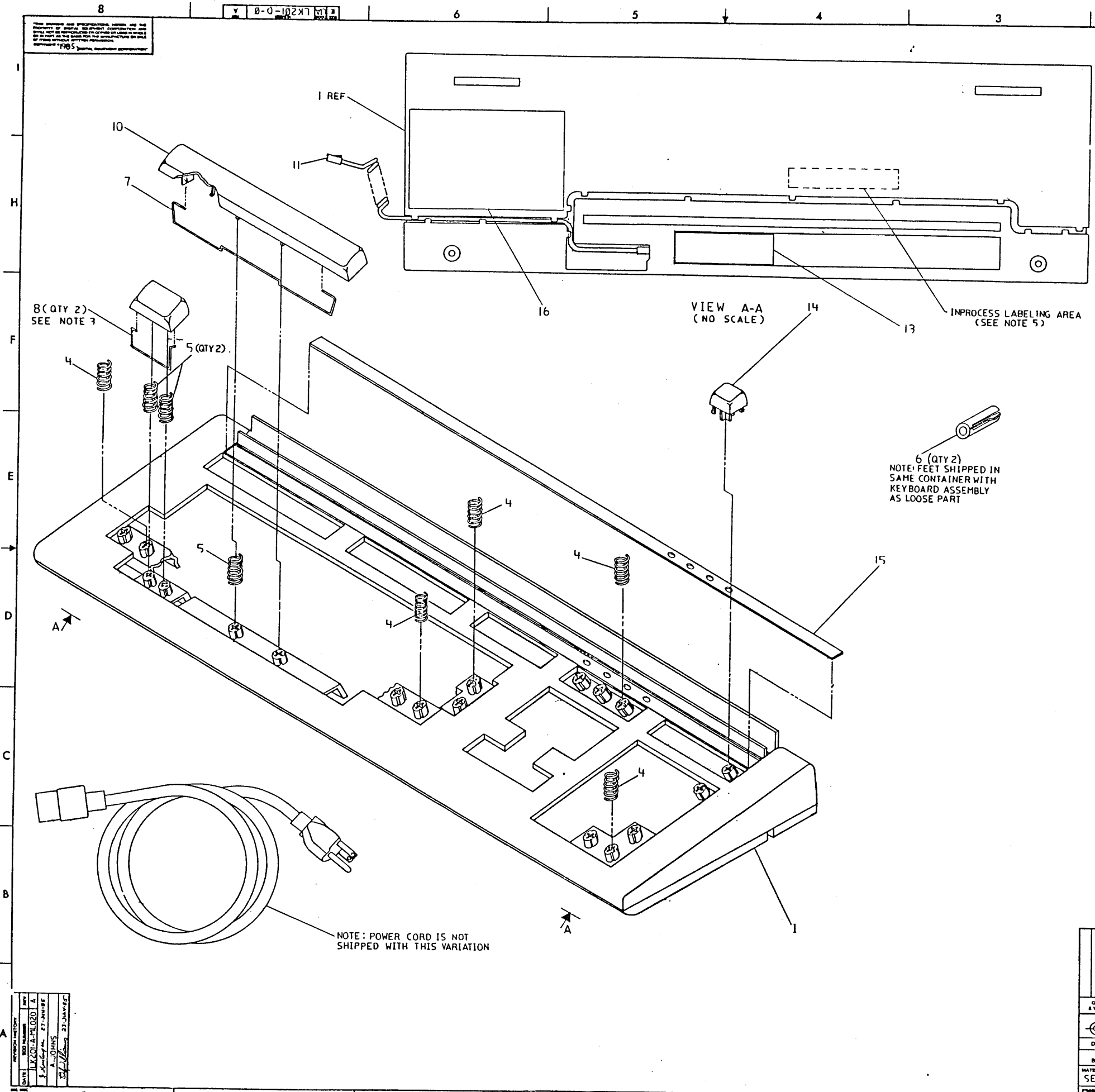
"THIS DRAWING AND THE SPECIFICATIONS CONTAINED HEREIN ARE CONFIDENTIAL AND PROPRIETARY. THEY ARE THE PROPERTY OF DIGITAL EQUIPMENT CORPORATION AND SHALL NOT BE REPRODUCED OR COPIED OR USED IN WHOLE OR IN PART AS THE BASIS FOR THE MANUFACTURE OR SALE OF ITEMS WITHOUT WRITTEN PERMISSION. THIS IS AN UNPUBLISHED WORK PROTECTED UNDER THE FEDERAL COPYRIGHT LAWS."

AUTOMATED BY VAXKPL (V1.1)

P A R T S L I S T

LINE	ITEM	TOP DOCUMENT	PART NUMBER	MIN REV	DESCRIPTION	QUANTITY PER VARIATION/REVISION								SHEET B2	OF B2	
						CJ B1	CK B1	CL B1	CM B1	CN B1	CP L1	CS B1	CT B1	CZ B1		
33	33	D-AD-7021081-0-DBU	70-21081-17		KEYCAP SET VAX/US	-	-	-	-	-	-	-	-	-	-	1
34	34	D-AD-7021081-0-DBU	70-21081-18		KEYCAP SET VAX/UK	-	-	-	-	-	-	-	-	-	-	-
35	35	D-AD-7021081-0-DBU	70-21081-19		KEYCAP SET VAX/GERMAN	-	-	-	-	-	-	-	-	-	-	-
36	36	D-AD-7021081-0-DBU	70-21081-20		KEYCAP SET VAX/FRENCH	-	-	-	-	-	1	-	-	-	-	-
37	37		17-00083-09		*** THIS ITEM IS NOT USED ***	-	-	-	-	-	-	-	-	-	-	-
38	38	A-PS-3620219-0-0	36-20219-17		LABEL,KEYBOARD,US,VAXSTATION	-	-	-	-	-	-	-	-	-	-	-
39	39	A-PS-3620219-0-0	36-20219-18		LABEL,KEYBOARD,NON-US,VAXSTATION	1	1	1	1	1	1	1	-	-	-	1
40	40		36-20312-03		LABEL,SERIAL/REGULATORY LK201-CA	1	1	1	1	1	1	1	-	-	-	-
41	41	A-PS-3623798-0-0	36-23798-01		LABEL,CABLE CAUTION,LK201	-	-	-	-	-	-	-	-	-	-	-

1 GEN: QUANTITY OF ITEM #3 IS .0002 GALS.
 2 GEN: VARIATION C FOR DOCUMENTATION REFERENCE ONLY.



- NOTES:**
- KEYCAPS ARRANGED ACCORDING TO ARRANGEMENT DRAWING D-AR-7019005-0-DBU OR D-AD-7021081-0-DBU.
 - DELETED
 - ITEM B IS USED ON SWITCHES A20 A21 & A99 (THE TWO DOUBLE KEYS IN FIRST ROW) ON ARRANGEMENT DRAWING D-AR-7019005-0-DBU.
 - APPLY THIN FILM OF LUBRICANT (ITEM 3) ON FLINGER AREA OF 5 KEYS PRIOR TO ADDING THEM TO THE KEYBOARD. KEYS IDENTIFIED BY LOCATIONS B99, B11, A23, C13 AND G16 ON KEYCAP ARRANGEMENT DRAWING D-AR-7019005-0-DBU LUBRICANT MUST BE KEPT OFF VISIBLE (TEXTURED) SURFACES OF KEYS.
 - REMOVE LABEL (3622883-01) FROM 5415172 ON 7019004 AND APPLY WITHIN INPROCESS LABELING AREA.

CAUTION:
OFF SHEET PARTS LIST EXISTS.
SEE K-PL-LK201-D-DBP. (Z9827)

REV	DATE	BY	CHKD
A	27 JUN 85	J. KUSHIGAN	A. JOHNS
B	27 JUN 85	D. WILLIAMS	E. HERRING
C	1 JUL 85	D. WILLIAMS	E. HERRING
D	2 JUL 85	E. HERRING	

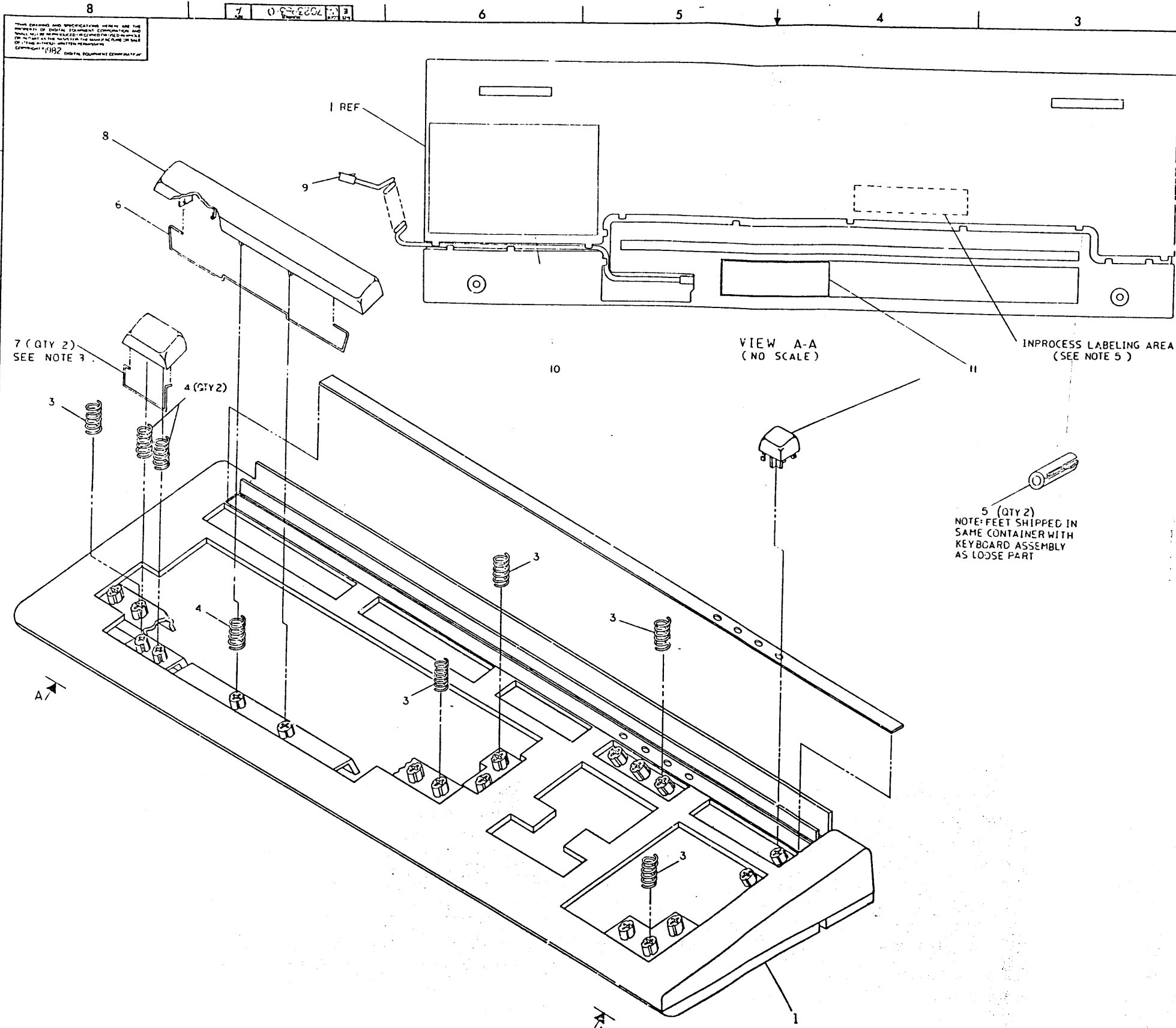
DESCRIPTION	DRAWING NO	PART NO.	REV
UNLESS OTHERWISE SPECIFIED DIMENSIONS ARE IN INCHES AND THE FOLLOWING TOLERANCES APPLY (PER DIM STD 114)			
FINISH	APPLICABLE DIMENSION RANGE	OVER	UNDER
AS SHOWN	0.000 - 0.250	+0.005	-0.005
SEE PARTS LIST	0.250 - 1.000	+0.010	-0.010
SEE PARTS LIST	1.000 - 2.000	+0.015	-0.015
SEE PARTS LIST	2.000 - 5.000	+0.020	-0.020
SEE PARTS LIST	5.000 - 10.000	+0.030	-0.030
SEE PARTS LIST	10.000 - 25.000	+0.040	-0.040
SEE PARTS LIST	25.000 - 50.000	+0.050	-0.050
SEE PARTS LIST	50.000 - 100.000	+0.060	-0.060
SEE PARTS LIST	100.000 - 250.000	+0.070	-0.070
SEE PARTS LIST	250.000 - 500.000	+0.080	-0.080
SEE PARTS LIST	500.000 - 1000.000	+0.090	-0.090
SEE PARTS LIST	1000.000 - 2500.000	+0.100	-0.100
SEE PARTS LIST	2500.000 - 5000.000	+0.120	-0.120
SEE PARTS LIST	5000.000 - 10000.000	+0.150	-0.150
SEE PARTS LIST	10000.000 - 25000.000	+0.200	-0.200
SEE PARTS LIST	25000.000 - 50000.000	+0.250	-0.250
SEE PARTS LIST	50000.000 - 100000.000	+0.300	-0.300
SEE PARTS LIST	100000.000 - 250000.000	+0.375	-0.375
SEE PARTS LIST	250000.000 - 500000.000	+0.450	-0.450
SEE PARTS LIST	500000.000 - 1000000.000	+0.525	-0.525
SEE PARTS LIST	1000000.000 - 2500000.000	+0.600	-0.600
SEE PARTS LIST	2500000.000 - 5000000.000	+0.750	-0.750
SEE PARTS LIST	5000000.000 - 10000000.000	+0.900	-0.900
SEE PARTS LIST	10000000.000 - 25000000.000	+1.125	-1.125
SEE PARTS LIST	25000000.000 - 50000000.000	+1.500	-1.500
SEE PARTS LIST	50000000.000 - 100000000.000	+1.875	-1.875
SEE PARTS LIST	100000000.000 - 250000000.000	+2.250	-2.250
SEE PARTS LIST	250000000.000 - 500000000.000	+2.625	-2.625
SEE PARTS LIST	500000000.000 - 1000000000.000	+3.000	-3.000
SEE PARTS LIST	1000000000.000 - 2500000000.000	+3.750	-3.750
SEE PARTS LIST	2500000000.000 - 5000000000.000	+4.500	-4.500
SEE PARTS LIST	5000000000.000 - 10000000000.000	+5.250	-5.250
SEE PARTS LIST	10000000000.000 - 25000000000.000	+6.000	-6.000
SEE PARTS LIST	25000000000.000 - 50000000000.000	+7.500	-7.500
SEE PARTS LIST	50000000000.000 - 100000000000.000	+9.000	-9.000
SEE PARTS LIST	100000000000.000 - 250000000000.000	+11.250	-11.250
SEE PARTS LIST	250000000000.000 - 500000000000.000	+13.500	-13.500
SEE PARTS LIST	500000000000.000 - 1000000000000.000	+15.750	-15.750
SEE PARTS LIST	1000000000000.000 - 2500000000000.000	+18.000	-18.000
SEE PARTS LIST	2500000000000.000 - 5000000000000.000	+21.000	-21.000
SEE PARTS LIST	5000000000000.000 - 10000000000000.000	+24.000	-24.000
SEE PARTS LIST	10000000000000.000 - 25000000000000.000	+27.000	-27.000
SEE PARTS LIST	25000000000000.000 - 50000000000000.000	+30.000	-30.000
SEE PARTS LIST	50000000000000.000 - 100000000000000.000	+33.750	-33.750
SEE PARTS LIST	100000000000000.000 - 250000000000000.000	+37.500	-37.500
SEE PARTS LIST	250000000000000.000 - 500000000000000.000	+45.000	-45.000
SEE PARTS LIST	500000000000000.000 - 1000000000000000.000	+52.500	-52.500
SEE PARTS LIST	1000000000000000.000 - 2500000000000000.000	+60.000	-60.000
SEE PARTS LIST	2500000000000000.000 - 5000000000000000.000	+75.000	-75.000
SEE PARTS LIST	5000000000000000.000 - 10000000000000000.000	+90.000	-90.000
SEE PARTS LIST	10000000000000000.000 - 25000000000000000.000	+112.500	-112.500
SEE PARTS LIST	25000000000000000.000 - 50000000000000000.000	+135.000	-135.000
SEE PARTS LIST	50000000000000000.000 - 100000000000000000.000	+157.500	-157.500
SEE PARTS LIST	100000000000000000.000 - 250000000000000000.000	+180.000	-180.000
SEE PARTS LIST	250000000000000000.000 - 500000000000000000.000	+225.000	-225.000
SEE PARTS LIST	500000000000000000.000 - 1000000000000000000.000	+270.000	-270.000
SEE PARTS LIST	1000000000000000000.000 - 2500000000000000000.000	+315.000	-315.000
SEE PARTS LIST	2500000000000000000.000 - 5000000000000000000.000	+360.000	-360.000
SEE PARTS LIST	5000000000000000000.000 - 10000000000000000000.000	+405.000	-405.000
SEE PARTS LIST	10000000000000000000.000 - 25000000000000000000.000	+450.000	-450.000
SEE PARTS LIST	25000000000000000000.000 - 50000000000000000000.000	+525.000	-525.000
SEE PARTS LIST	50000000000000000000.000 - 100000000000000000000.000	+600.000	-600.000
SEE PARTS LIST	100000000000000000000.000 - 250000000000000000000.000	+750.000	-750.000
SEE PARTS LIST	250000000000000000000.000 - 500000000000000000000.000	+900.000	-900.000
SEE PARTS LIST	500000000000000000000.000 - 1000000000000000000000.000	+1050.000	-1050.000
SEE PARTS LIST	1000000000000000000000.000 - 2500000000000000000000.000	+1200.000	-1200.000
SEE PARTS LIST	2500000000000000000000.000 - 5000000000000000000000.000	+1350.000	-1350.000
SEE PARTS LIST	5000000000000000000000.000 - 10000000000000000000000.000	+1500.000	-1500.000
SEE PARTS LIST	10000000000000000000000.000 - 25000000000000000000000.000	+1800.000	-1800.000
SEE PARTS LIST	25000000000000000000000.000 - 50000000000000000000000.000	+2100.000	-2100.000
SEE PARTS LIST	50000000000000000000000.000 - 100000000000000000000000.000	+2400.000	-2400.000
SEE PARTS LIST	100000000000000000000000.000 - 250000000000000000000000.000	+2700.000	-2700.000
SEE PARTS LIST	250000000000000000000000.000 - 500000000000000000000000.000	+3000.000	-3000.000
SEE PARTS LIST	500000000000000000000000.000 - 1000000000000000000000000.000	+3375.000	-3375.000
SEE PARTS LIST	1000000000000000000000000.000 - 2500000000000000000000000.000	+3750.000	-3750.000
SEE PARTS LIST	2500000000000000000000000.000 - 5000000000000000000000000.000	+4125.000	-4125.000
SEE PARTS LIST	5000000000000000000000000.000 - 10000000000000000000000000.000	+4500.000	-4500.000
SEE PARTS LIST	10000000000000000000000000.000 - 25000000000000000000000000.000	+5250.000	-5250.000
SEE PARTS LIST	25000000000000000000000000.000 - 50000000000000000000000000.000	+6000.000	-6000.000
SEE PARTS LIST	50000000000000000000000000.000 - 100000000000000000000000000.000	+6750.000	-6750.000
SEE PARTS LIST	100000000000000000000000000.000 - 250000000000000000000000000.000	+7500.000	-7500.000
SEE PARTS LIST	250000000000000000000000000.000 - 500000000000000000000000000.000	+8250.000	-8250.000
SEE PARTS LIST	500000000000000000000000000.000 - 1000000000000000000000000000.000	+9000.000	-9000.000
SEE PARTS LIST	1000000000000000000000000000.000 - 2500000000000000000000000000.000	+10500.000	-10500.000
SEE PARTS LIST	2500000000000000000000000000.000 - 5000000000000000000000000000.000	+12000.000	-12000.000
SEE PARTS LIST	5000000000000000000000000000.000 - 10000000000000000000000000000.000	+13500.000	-13500.000
SEE PARTS LIST	10000000000000000000000000000.000 - 25000000000000000000000000000.000	+15000.000	-15000.000
SEE PARTS LIST	25000000000000000000000000000.000 - 50000000000000000000000000000.000	+16500.000	-16500.000
SEE PARTS LIST	50000000000000000000000000000.000 - 100000000000000000000000000000.000	+18000.000	-18000.000
SEE PARTS LIST	100000000000000000000000000000.000 - 250000000000000000000000000000.000	+21000.000	-21000.000
SEE PARTS LIST	250000000000000000000000000000.000 - 500000000000000000000000000000.000	+24000.000	-24000.000
SEE PARTS LIST	500000000000000000000000000000.000 - 1000000000000000000000000000000.000	+27000.000	-27000.000
SEE PARTS LIST	1000000000000000000000000000000.000 - 2500000000000000000000000000000.000	+30000.000	-30000.000
SEE PARTS LIST	2500000000000000000000000000000.000 - 5000000000000000000000000000000.000	+33750.000	-33750.000
SEE PARTS LIST	5000000000000000000000000000000.000 - 10000000000000000000000000000000.000	+37500.000	-37500.000
SEE PARTS LIST	10000000000000000000000000000000.000 - 25000000000000000000000000000000.000	+41250.000	-41250.000
SEE PARTS LIST	25000000000000000000000000000000.000 - 50000000000000000000000000000000.000	+45000.000	-45000.000
SEE PARTS LIST	50000000000000000000000000000000.000 - 100000000000000000000000000000000.000	+52500.000	-52500.000
SEE PARTS LIST	100000000000000000000000000000000.000 - 250000000000000000000000000000000.000	+60000.000	-60000.000
SEE PARTS LIST	250000000000000000000000000000000.000 - 500000000000000000000000000000000.000	+67500.000	-67500.000
SEE PARTS LIST	500000000000000000000000000000000.000 - 1000000000000000000000000000000000.000	+75000.000	-75000.000
SEE PARTS LIST	1000000000000000000000000000000000.000 - 2500000000000000000000000000000000.000	+82500.000	-82500.000
SEE PARTS LIST	2500000000000000000000000000000000.000 - 5000000000000000000000000000000000.000	+90000.000	-90000.000
SEE PARTS LIST	5000000000000000000000000000000000.000 - 10000000000000000000000000000000000.000	+105000.000	-105000.000
SEE PARTS LIST	10000000000000000000000000000000000.000 - 25000000000000000000000000000000000.000	+120000.000	-120000.000
SEE PARTS LIST	25000000000000000000000000000000000.000 - 50000000000000000000000000000000000.000	+135000.000	-135000.000
SEE PARTS LIST	50000000000000000000000000000000000.000 - 100000000000000000000000000000000000.000	+150000.000	-150000.000
SEE PARTS LIST	100000000000000000000000000000000000.000 - 250000000000000000000000000000000000.000	+165000.000	-165000.000
SEE PARTS LIST	250000000000000000000000000000000000.000 - 500000000000000000000000000000000000.000	+180000.000	-180000.000
SEE PARTS LIST	500000000000000000000000000000000000.000 - 1000000000000000000000000000000000000.000	+210000.000	-210000.000
SEE PARTS LIST	1000000000000000000000000000000000000.000 - 2500000000000000000000000000000000000.000	+240000.000	-240000.000
SEE PARTS LIST	2500000000000000000000000000000000000.000 - 5000000000000000000000000000000000000.000	+270000.000	-270000.000
SEE PARTS LIST	5000000000000000000000000000000000000.000 - 10000000000000000000000000000000000000.000	+300000.000	-300000.000
SEE PARTS LIST	10000000000000000000000000000000000000.000 - 25000000000000000000000000000000000000.000	+337500.000	-337500.000
SEE PARTS LIST	25000000000000000000000000000000000000.000 - 50000000000000000000000000000000000000.000	+375000.000	-375000.000

LINE	ITEM	TOP DOCUMENT	PART NUMBER	MIN REV	DESCRIPTION	D	DA B1	QUANTITY PER VARIATION/REVISION
1	1	E-AD-7018416-0-0	70-18416-00		KEYBOARD ASSY	1	1	
2	2		37-00698-01		PKG KEYBOARD LK201 CUSTOMER	1	1	
3	3	#SEE NOTE	49-01569-01		LUBRICANT,SILICONE	A/R	A/R	
4	4		12-20374-01		SPRING,COMPRESSION .4200DX .250	5	5	
5	5		12-20374-02		SPRING,COMPRESSION HIGH FORCE	3	3	
6	6	D-MD-7427577-0-DBU	74-27577-01		FOOT,KEYBOARD SLOPE,5 DEGREES	2	2	
7	7	C-MD-7427103-0-DBU	74-27103-01		EQUALIZER,SPACE BAR	1	1	
8	8	B-MD-7426989-0-DBU	74-26989-01		BAR,EQUALIZER,DOUBLE KEY	2	2	
9	9	E-MD-7426051-0-DBU	74-26051-00		*** THIS ITEM IS NOT USED ***	-	-	
10	10	D-MD-7428773-0-DBU	74-28773-01		SPACE BAR,LOW-PROFILE,ALT.	-	1	
11	11		17-00294-00		CABLE,ASSY,CT150 KEYBOARD	-	1	
12	12		17-00397-01		*** THIS ITEM IS NOT USED ***	-	-	
13	13		36-20312-01		LABEL,SERIAL/REGULATORY	-	1	
14	14	D-AD-7021081-0-DBU	70-21081-46		KEYCAP AMERICAN PROG VAX	-	1	
15	15	A-PS-3620219-0-0	36-20219-25		LABEL,KEYBOARD,VMS PROGRAMMER	-	1	
16	16	A-PS-3623798-0-0	36-23798-01		LABEL,CABLE CAUTION,LK201	-	1	

1 GEN: QUANTITY OF ITEM 3 IS .0002 GALS.
 2 GEN: VARIATION D FOR DOCUMENTATION REF ONLY.

REVISION HISTORY			KPL MATRIX FORMAT SECTION A OF A			DRN: C.MCNEIL		DIGITAL			
ENG	ECO NUMBER	REV	SECTION/VARIATION INDEX			DATE:	10-JUN-85				
JB	LK201-A-MLO20	A	(A)	D	DA	CHK'D:	J.KUSHIGAN	TITLE PARTS LIST			
DW	LK201-MLO22	B	(B)			DATE:	10-JUN-85	LK201 KEYBOARD			
			(C)			DES.ENG:	R.LIETERMANN	DOCUMENT NUMBER			
			(D)			DATE:	10-JUN-85	SIZE	CODE	NUMBER	REV
			(E)			RESP.ENG.:	A.LEN	K	PL	LK201-D-DBP	B
			(F)			DATE:	10-JUN-85	RELEASE DATE: 30-DEC-85			
			(H)			MFG.ENG:	L.QUARLES	RELEASE STATUS: RELEASED			
			(J)			DATE:	10-JUN-85				
			BASIC PART NUMBER: LK201			ASSEMBLY NUMBER: E-UA-LK201-D-0			TOP DOCUMENT NUMBER: K-DD-LK201-0-DBF		
						FILE NAME: Z9827B.PLS			EDIT #: 6		

"THIS DRAWING AND THE SPECIFICATIONS CONTAINED HEREIN ARE CONFIDENTIAL AND PROPRIETARY. THEY ARE THE PROPERTY OF DIGITAL EQUIPMENT CORPORATION AND SHALL NOT BE REPRODUCED OR COPIED OR USED IN WHOLE OR IN PART AS THE BASIS FOR THE MANUFACTURE OR SALE OF ITEMS WITHOUT WRITTEN PERMISSION. THIS IS AN UNPUBLISHED WORK PROTECTED UNDER THE FEDERAL COPYRIGHT ACT."



VIEW A-A
(NO SCALE)

INPROCESS LABELING AREA
(SEE NOTE 5)

5 (QTY 2)
NOTE: FEET SHIPPED IN
SAME CONTAINER WITH
KEYBOARD ASSEMBLY
AS LOOSE PART

NOTES:

1. KEYCAPS ARRANGED ACCORDING TO ARRANGEMENT DRAWING D-AR-7019005-0-DBU OR D-AD-7021081-0-DBU.
2. DELETED
3. ITEM 8 IS USED ON SWITCHES A20 A21 & A99 (THE TWO DOUBLE KEYS IN FIRST ROW) ON ARRANGEMENT DRAWING D-AR-7019005-0-DBU.
4. APPLY THIN FILM OF LUBRICANT (ITEM 3) ON PLUNGER AREA OF 5 KEYS PRIOR TO ADDING THEM TO THE KEYBOARD. KEYS IDENTIFIED BY LOCATIONS B99, B11, A23, C13 AND G16 ON KEYCAP ARRANGEMENT DRAWING D-AR-7019005-0-DBU. LUBRICANT MUST BE KEPT OFF VISIBLE (TEXTURED) SURFACES OF KEYS.
5. REMOVE LABEL (7622838-01) FROM 541543 ON 7018415 AND APPLY WITHIN INPROCESS LABELING AREA.

CAUTION:
OFF SHEET PARTS LIST EXISTS.
SEE K-PL-7023983-0-DBP

DESCRIPTION		DRAWING NO.		PART NO.		ITEM NO.	
UNLESS OTHERWISE SPECIFIED DIMENSIONS ARE IN INCHES AND THE FOLLOWING TOLERANCES APPLY (PER DEC STD 114)							
INCHES	TOLERANCES	UNLESS OTHERWISE SPECIFIED	APPLICABLE DIMENSION RANGE	OVER 0	OVER 12	OVER 125	OVER 483
		TO .005	TO .125	TO .125	TO .125	TO .125	TO .125
QUANTITY & VARIATION	THIRD ANGLE PROJECTION	DATE	DATE	DATE	DATE	DATE	DATE
DO NOT SCALE DRAWING	REMOVE BURRS AND BREAK SHARP CORNERS	DATE	DATE	DATE	DATE	DATE	DATE
MATERIAL	SEE PARTS LIST	DATE	DATE	DATE	DATE	DATE	DATE
FORM		DATE	DATE	DATE	DATE	DATE	DATE
TITLE		DRAWING NO.		PART NO.		ITEM NO.	
LK201 KEYBOARD		K-00-LK201-0-DBF		EUA7023983-E		A	

THIS DRAWING AND SPECIFICATIONS ARE THE PROPERTY OF DIGITAL EQUIPMENT CORPORATION AND SHALL BE RETURNED TO THE COMPANY OR TO THE PARTY AT THE LOCATION OF THE MANUFACTURING OR SERVICE CENTER ON THE DATE SPECIFIED IN THE RETURN ORDER. COPYRIGHT © 1982 DIGITAL EQUIPMENT CORPORATION

DATE	INITIAL

LINE	ITEM	TOP DOCUMENT	PART NUMBER	MIN REV	DESCRIPTION	QUANTITY PER VARIATION/REVISION									
						AA A1	AB A1	AC A1	AD A1	AE A1	AF A1	AG A1	AH A1	AI A1	AJ A1
1	1	E-AD-7018416-0-0	70-18416-00		KEYBOARD ASSY	1	1	1	1	1	1	1	1	1	1
2	2	SEE NOTE	49-01569-01		LUBRICANT,SILICONE	A/R	A/R	A/R	A/R	A/R	A/R	A/R	A/R	A/R	A/R
3	3		12-20374-01		SPRING,COMPRESSION .4200DX .250	5	5	5	5	5	5	5	5	5	5
4	4		12-20374-02		SPRING,COMPRESSION HIGH FORCE	3	3	3	3	3	3	3	3	3	3
5	5	D-MD-7427577-0-DBU	74-27577-01		FOOT,KEYBOARD SLOPE,5 DEGREES	2	2	2	2	2	2	2	2	2	2
6	6	C-MD-7427103-0-DBU	74-27103-01		EQUALIZER,SPACE BAR	1	1	1	1	1	1	1	1	1	1
7	7	B-MD-7426989-0-DBU	74-26989-01		BAR,EQUALIZER,DOUBLE KEY	2	2	2	2	2	2	2	2	2	2
8	8	D-MD-7428773-0-DBU	74-28773-01		SPACE BAR,LOW-PROFILE,ALT.	1	1	1	1	1	1	1	1	1	1
9	9		17-00294-00		CABLE,ASSY,CT150 KEYBOARD	1	1	1	1	1	1	1	1	1	1
10	10	A-PS-3623798-0-0	36-23798-01		LABEL,CABLE CAUTION,LK201	1	1	1	1	1	1	1	1	1	1
11	11		36-20312-01		LABEL,SERIAL/REGULATORY	1	1	1	1	1	1	1	1	1	1
12	12		70-21081-53		KEYCAP SET WITH U.S. LEGENDS	1	-	-	-	-	-	-	-	-	-
13	13	A-PS-3620219-0-0	36-20219-01		LABEL,KEYBOARD,W/ADH,AMERICAN	1	-	-	-	1	-	-	-	-	-
14	14	D-AR-7021081-0-DBU	70-21081-16		KEYCAP SET FLEMISH	-	1	-	-	-	-	-	-	-	-
15	15	A-PS-3620219-0-0	36-20219-06		LABEL,KEYBOARD,W/ADH,DUTCH	-	1	-	-	-	-	-	1	-	-
16	16	D-AR-7021081-0-DBU	70-21081-01		KEYCAP SET CAN./FR.	-	-	1	-	-	-	-	-	-	-
17	17	A-PS-3620219-0-0	36-20219-04		LABEL,KEYBOARD,W/ADH,FRENCH	-	-	1	-	-	-	-	-	-	-
18	18	D-AR-7021081-0-DBU	70-21081-02		KEYCAP SET DANISH	-	-	-	1	-	-	-	-	-	-
19	19	A-PS-3620219-0-0	36-20219-03		LABEL,KEYBOARD,W/ADH,DANISH	-	-	-	1	-	-	-	-	-	-
20	20	D-AR-7021081-0-DBU	70-21081-03		KEYCAP SET UK	-	-	-	-	1	-	-	-	-	-
21	21	D-AR-7021081-0-DBU	70-21081-04		KEYCAP SET FINNISH	-	-	-	-	-	1	-	-	-	-
22	22	A-PS-3620219-0-0	36-20219-05		LABEL,KEYBOARD,W/ADH,FINNISH	-	-	-	-	-	1	-	-	-	-
23	23	D-AR-7021081-0-DBU	70-21081-05		KEYCAP SET GERMAN	-	-	-	-	-	-	1	-	-	-
24	24	A-PS-3620219-0-0	36-20219-02		LABEL,KEYBOARD,W/ADH,AUSTRIAN/GERM	-	-	-	-	-	-	1	-	-	-
25	25	D-AR-7021081-0-DBU	70-21081-06		KEYCAP SET DUTCH	-	-	-	-	-	-	-	1	-	-
26	26				*** THIS ITEM IS NOT USED ***	-	-	-	-	-	-	-	-	-	-
27	27	D-AR-7021081-0-DBU	70-21081-07		KEYCAP SET ITALIAN	-	-	-	-	-	-	-	-	1	-
28	28	A-PS-3620219-0-0	36-20219-07		LABEL,KEYBOARD,W/ADH,ITALIAN	-	-	-	-	-	-	-	-	1	-
29	29	D-AR-7021081-0-DBU	70-21081-08		KEYCAP SET KATA KANA	-	-	-	-	-	-	-	-	-	1
30	30	A-PS-3620219-0-0	36-20219-11		LABEL,KEYBOARD,W/ADH,KATAKANA	-	-	-	-	-	-	-	-	-	1
31	31	D-AR-7021081-0-DBU	70-21081-09		KEYCAP SET SWISS/FR.	-	-	-	-	-	-	-	-	-	-
32	32	D-AR-7021081-0-DBU	70-21081-10		KEYCAP SET SWISS/GR.	-	-	-	-	-	-	-	-	-	-

REVISION HISTORY		KPL MATRIX FORMAT		SECTION A OF F		DRN: S.H.PIPER		DIGITAL	
ENG: ECO NUMBER		REV		SECTION/VARIATION INDEX		DATE: 13-JAN-87		TITLE PARTS LIST	
DW LK201-MLO24		A		[A] AA,AB,AC,AD,AE,AF,AG,AH,AI,AJ		CHK'D: J.KUSHIGAN		LK201 KEYBOARD	
				[B] AK,AL,AM,AN,AP,AS,AT,AU,AV,AY		DATE: 23-JAN-87			
				[C] BA,BB,BC,BD,BF,BG,BH,BI,BK,BL		DES.ENG: D.WILLIAMS			
				[D] BM,BN,BP,BS,EB,EC,ED,EE,EH,EN		DATE: 13-JAN-87		DOCUMENT NUMBER	
				[E] ER,EU,EY,FC,FS,NA,NF,NH,PA,XA		RESP.ENG.: D.WILLIAMS		SIZE CODE NUMBER REV	
				[F] XB,XC,XD,XE		DATE: 13-JAN-87		K PL 7023983-0-DBP A	
				[H]		MFG.ENG: M.FLYNN		RELEASE DATE: 17-JUN-87	
				[J]		DATE: 23-JAN-87		RELEASE STATUS: RELEASED	
				BASIC PART NUMBER:		ASSEMBLY NUMBER:		TOP DOCUMENT NUMBER:	
				7023983		E-UA-7023983-0-0		K-DD-7023983-0-0	
								FILE NAME: MLAO796A.PLS	
								EDIT # 29	

"THIS DRAWING AND THE SPECIFICATIONS CONTAINED HEREIN ARE CONFIDENTIAL AND PROPRIETARY. THEY ARE THE PROPERTY OF DIGITAL EQUIPMENT CORPORATION AND SHALL NOT BE REPRODUCED OR COPIED OR USED IN WHOLE OR IN PART AS THE BASIS FOR THE MANUFACTURE OR SALE OF ITEMS WITHOUT WRITTEN PERMISSION. THIS IS AN UNPUBLISHED WORK PROTECTED UNDER THE FEDERAL COPYRIGHT LAWS."

LINE	ITEM	TOP DOCUMENT	PART NUMBER	MIN REV	DESCRIPTION	QUANTITY PER VARIATION/REVISION									
						AA A1	AB A1	AC A1	AD A1	AE A1	AF A1	AG A1	AH A1	AI A1	AJ A1
33	33	D-AR-7021081-0-DBU	70-21081-11		KEYCAP SET SWEDISH	-	-	-	-	-	-	-	-	-	-
34	34	A-PS-3620219-0-0	36-20219-09		LABEL,KEYBOARD,W/ADH,SWEDISH	-	-	-	-	-	-	-	-	-	-
35	35	D-AR-7021081-0-DBU	70-21081-12		KEYCAP SET NORWEGIAN	-	-	-	-	-	-	-	-	-	-
36	36	A-PS-3620219-0-0	36-20219-10		LABEL,KEYBOARD,W/ADH,NORWEIGN	-	-	-	-	-	-	-	-	-	-
37	37	D-AR-7021081-0-DBU	70-21081-13		KEYCAP SET FRENCH	-	-	-	-	-	-	-	-	-	-
38	38	D-AR-7021081-0-DBU	70-21081-14		KEYCAP SET SPANISH	-	-	-	-	-	-	-	-	-	-
39	39	A-PS-3620219-0-0	36-20219-08		LABEL,KEYBOARD,W/ADH,SPANISH	-	-	-	-	-	-	-	-	-	-
40	40	D-AR-7021081-0-DBU	70-21081-22		KEYCAP SET HEBREW	-	-	-	-	-	-	-	-	-	-
41	41	A-PS-3620219-0-0	36-20219-19		LABEL,KEYBOARD,HEBREW	-	-	-	-	-	-	-	-	-	-
42	42	D-AR-7021081-0-DBU	70-21081-45		KEYCAP SET ICELANDIC	-	-	-	-	-	-	-	-	-	-
43	43	D-AR-7021081-0-DBU	70-21081-57		KEYCAP SET W/PORTUGUESE LEGENDS	-	-	-	-	-	-	-	-	-	-
44	44	D-AR-7021081-0-DBU	70-21081-40		KEYCAP SET JAP HIRAGANA	-	-	-	-	-	-	-	-	-	-
45	45	A-PS-3620219-0-0	36-20219-24		LABEL,KEYBOARD,JAPANESE HIRAGANA	-	-	-	-	-	-	-	-	-	-
46	46	D-AR-7021081-0-DBU	70-21081-15		KEYCAP SET DECMATE/US	-	-	-	-	-	-	-	-	-	-
47	47	A-PS-3620219-0-0	36-20219-13		LABEL,KEYBOARD,DECMATE II	-	-	-	-	-	-	-	-	-	-
48	48	D-AR-7021081-0-DBU	70-21081-47		KEYCAP SET DECMATE FLEMISH	-	-	-	-	-	-	-	-	-	-
49	49	A-PS-3620219-0-0	36-20219-26		LABEL,KEYBOARD,W/ADH,DECMATE FLEMI	-	-	-	-	-	-	-	-	-	-
50	50	D-AR-7021081-0-DBU	70-21081-50		KEYCAP SET DECMATE CANADIAN FR	-	-	-	-	-	-	-	-	-	-
51	51	A-PS-3620219-0-0	36-20219-22		LABEL,KEYBOARD,DECMATE FRENCH	-	-	-	-	-	-	-	-	-	-
52	52	D-AR-7021081-0-DBU	70-21081-41		KEYCAP SET DENMARK	-	-	-	-	-	-	-	-	-	-
53	53	D-AR-7021081-0-DBU	70-21081-42		KEYCAP SET FINNISH	-	-	-	-	-	-	-	-	-	-
54	54	D-AR-7021081-0-DBU	70-21081-23		KEYCAP SET GERMAN DECMATE	-	-	-	-	-	-	-	-	-	-
55	55	A-PS-3620219-0-0	36-20219-20		LABEL,KEYBOARD,DECMATE GERMAN	-	-	-	-	-	-	-	-	-	-
56	56	D-AR-7021081-0-DBU	70-21081-51		KEYCAP SET W/DECMATE HOLLAND LEGEN	-	-	-	-	-	-	-	-	-	-
57	57	A-PS-3620219-0-0	36-20219-28		LABEL,KEYBOARD,W/ADH DUTCH	-	-	-	-	-	-	-	-	-	-
58	58	D-AR-7021081-0-DBU	70-21081-24		KEYCAP SET DECMATE ITALIAN	-	-	-	-	-	-	-	-	-	-
59	59	A-PS-3620219-0-0	36-20219-21		LABEL,KEYBOARD DECMATE ITALIAN	-	-	-	-	-	-	-	-	-	-
60	60	D-AR-7021081-0-DBU	70-21081-48		KEYCAP SET DECMATE SW-FR	-	-	-	-	-	-	-	-	-	-
61	61	D-AR-7021081-0-DBU	70-21081-49		KEYCAP SET DECMATE SW-GERMAN	-	-	-	-	-	-	-	-	-	-
62	62	D-AR-7021081-0-DBU	70-21081-43		KEYCAP SET SWEDISH	-	-	-	-	-	-	-	-	-	-
63	63		70-21081-44		KEYCAP SET NMORWEGIAN	-	-	-	-	-	-	-	-	-	-
64	64	D-AR-7021081-0-DBU	70-21081-25		KEYCAP SET DECMATE FRENCH	-	-	-	-	-	-	-	-	-	-
65	65	D-AR-7021081-0-DBU	70-21081-26		KEYCAP SET DECMATE SPANISH	-	-	-	-	-	-	-	-	-	-
66	66	A-PS-3620219-0-0	36-20219-23		LABEL,KEYBOARD,DECMATE SPANISH	-	-	-	-	-	-	-	-	-	-
67	67	D-AR-7021081-0-DBU	70-21081-59		KEYCAP SET W/STENOGRAPHIC LEGENDS	-	-	-	-	-	-	-	-	-	-
68	68	D-AR-7021081-0-DBU	70-21081-64		KEYCAPS SET W/APL LEGENDS	-	-	-	-	-	-	-	-	-	-
69	69	D-AR-7021081-0-DBU	70-21081-82		KEYCAP SET DANISH	-	-	-	-	-	-	-	-	-	-
70	70	D-AR-7021081-0-DBU	70-21081-83		KEYCAP SET UK/US	-	-	-	-	-	-	-	-	-	-
71	71	D-AR-7021081-0-DBU	70-21081-58		KEYCAP SET W/GREEK LEGENDS	-	-	-	-	-	-	-	-	-	-
72	72	A-PS-3620219-0-0	36-20219-29		LABEL,KEYBOARD GREEK	-	-	-	-	-	-	-	-	-	-
73	73	D-AR-7021081-0-DBU	70-21081-84		KEYCAP SET NORWEGIAN	-	-	-	-	-	-	-	-	-	-
74	74	D-AR-7021081-0-DBU	70-21081-54		KEYCAP SET W/ARABIC-ENG LEGEND	-	-	-	-	-	-	-	-	-	-
75	75	D-AR-7021081-0-DBU	70-21081-60		KEYCAP SET W/TURKISH LEGENDS	-	-	-	-	-	-	-	-	-	-
76	76	D-AR-7021081-0-DBU	70-21081-61		KEYCAP SET W/YUGOSLAVIAN LEGEND	-	-	-	-	-	-	-	-	-	-
77	77	D-AR-7021081-0-DBU	70-21081-56		KEYCAP SET W/DECMATE (CANADA) ENGL	-	-	-	-	-	-	-	-	-	-
78	78	D-AR-7021081-0-DBU	70-21081-55		KEYCAP SET W/DECMATE F.A.O. SPANIS	-	-	-	-	-	-	-	-	-	-
79	79	D-AR-7021081-0-DBU	70-21081-85		KEYCAP SET US/UK	-	-	-	-	-	-	-	-	-	-
80	80	A-PS-3620219-0-0	36-20219-34		LABEL,KEYBOARD ,VT300 US/UK	-	-	-	-	-	-	-	-	-	-
81	81	D-AR-7021081-0-DBU	70-21081-86		KEYCAP SET FINNISH	-	-	-	-	-	-	-	-	-	-
82	82	D-AR-7021081-0-DBU	70-21081-87		KEYCAP SET HOLLAND	-	-	-	-	-	-	-	-	-	-

D	I	G	I	T	A	L	TITLE	SECTION A	OF	F	SIZE	CODE	DOCUMENT NUMBER	REV
							LK201 KEYBOARD				K	PL	7023983-0-DBP	A

AUTOMATED BY VAXKPL (V1.3)

PARTS LIST

SHEET A3 OF A3

LINE	ITEM	TOP DOCUMENT	PART NUMBER	MIN REV	DESCRIPTION	QUANTITY PER VARIATION/REVISION										
						AA A1	AB A1	AC A1	AD A1	AE A1	AF A1	AG A1	AH A1	AI A1	AJ A1	
83	83	D-AR-7021081-0-DBU	70-21081-88		KEYCAP SET US/UK WPS	-	-	-	-	-	-	-	-	-	-	-
84	84	A-PS-3620219-0-0	36-20219-35		LABEL,KEYBOARD ,VT300 US/UK W	-	-	-	-	-	-	-	-	-	-	-
85	85	D-AR-7021081-0-DBU	70-21081-52		KEYCAP SET WITH XEROX LEGENDS	-	-	-	-	-	-	-	-	-	-	-
86	86	A-PS-3620219-0-0	36-20219-27		*** THIS ITEM IS NOT USED ***	-	-	-	-	-	-	-	-	-	-	-
87	87	D-AR-7021081-0-DBU	70-21081-62		KEYCAP SET W/NS100 TYPESETTER LEGE	-	-	-	-	-	-	-	-	-	-	-
88	88	A-PS-3620219-0-0	36-20219-30		LABEL,KEYBOARD,NS100	-	-	-	-	-	-	-	-	-	-	-
89	89	D-AR-7021081-0-DBU	70-21081-63		KEYCAP SET W/NS200 TYPESETTER LEGE	-	-	-	-	-	-	-	-	-	-	-
90	90	A-PS-3620219-0-0	36-20219-31		LABEL,KEYBOARD,NS200	-	-	-	-	-	-	-	-	-	-	-
91	91	D-AR-7021081-0-DBU	70-21081-66		KEYCAPS SET	-	-	-	-	-	-	-	-	-	-	-
92	92	A-PS-3620219-0-0	36-20219-33		LABEL,KEYBOARD,LRS-1/10,LRS-100	-	-	-	-	-	-	-	-	-	-	-
93	93	D-AR-7021081-0-DBU	70-21081-67		KEYCAPS SET	-	-	-	-	-	-	-	-	-	-	-

- 1 GEN: QUANTITY FOR ITEM 2 .002 GALLONS
- 2 GEN: KEYBOARDS BUILT IN EUROPE WILL USE KEYCAP PART NUMBER 7019005 IN PLACE OF 7021081.
- 3 GEN: KEYBOARDS BUILT IN EUROPE WILL USE 70-26053-02 IN PLACE OF 70-26053-01.

D	I	G	I	T	A	L	TITLE		SECTION A	OF	F	SIZE	CODE	DOCUMENT NUMBER	REV
							LK201 KEYBOARD					K	PL	7023983-0-DBP	A

PARTS LIST

LINE	ITEM	TOP DOCUMENT	PART NUMBER	MIN REV	DESCRIPTION	QUANTITY PER VARIATION/REVISION										
						AK A1	AL A1	AM A1	AN A1	AP A1	AS A1	AT A1	AU A1	AV A1	AY A1	
1	1	E-AD-7018416-0-0	70-18416-00		KEYBOARD ASSY	1	1	1	1	1	1	1	1	1	1	1
2	2	SEE NOTE	49-01569-01		LUBRICANT, SILICONE	A/R	A/R	A/R	A/R	A/R	A/R	A/R	A/R	A/R	A/R	A/R
3	3		12-20374-01		SPRING, COMPRESSION .4200DX .250	5	5	5	5	5	5	5	5	5	5	5
4	4		12-20374-02		SPRING, COMPRESSION HIGH FORCE	3	3	3	3	3	3	3	3	3	3	3
5	5	D-MD-7427577-0-DBU	74-27577-01		FOOT, KEYBOARD SLOPE, 5 DEGREES	2	2	2	2	2	2	2	2	2	2	2
6	6	C-MD-7427103-0-DBU	74-27103-01		EQUALIZER, SPACE BAR	1	1	1	1	1	1	1	1	1	1	1
7	7	B-MD-7426989-0-DBU	74-26989-01		BAR, EQUALIZER, DOUBLE KEY	2	2	2	2	2	2	2	2	2	2	2
8	8	D-MD-7428773-C-DBU	74-28773-01		SPACE BAR, LOW-PROFILE, ALT.	1	1	1	1	1	1	1	1	1	1	1
9	9		17-00294-00		CABLE, ASSY, CT150 KEYBOARD	1	1	1	1	1	1	1	1	1	1	1
10	10	A-PS-3623798-0-0	36-23798-01		LABEL, CABLE CAUTION, LK201	1	1	1	1	1	1	1	1	1	1	1
11	11		36-20312-01		LABEL, SERIAL/REGULATORY	1	1	1	1	1	1	1	1	1	1	1
12	12		70-21081-53		KEYCAP SET WITH U.S. LEGENDS	-	-	-	-	-	-	-	-	-	-	-
13	13	A-PS-3620219-0-0	36-20219-01		LABEL, KEYBOARD, W/ADH, AMERICAN	-	-	-	-	-	-	-	-	1	1	-
14	14	D-AR-7021081-0-DBU	70-21081-16		KEYCAP SET FLEMISH	-	-	-	-	-	-	-	-	-	-	-
15	15	A-PS-3620219-0-0	36-20219-06		LABEL, KEYBOARD, W/ADH, DUTCH	-	-	-	-	-	-	-	-	-	-	-
16	16	D-AR-7021081-0-DBU	70-21081-01		KEYCAP SET CAN./FR.	-	-	-	-	-	-	-	-	-	-	-
17	17	A-PS-3620219-0-0	36-20219-04		LABEL, KEYBOARD, W/ADH, FRENCH	-	-	-	-	-	-	-	-	-	-	-
18	18	D-AR-7021081-0-DBU	70-21081-02		KEYCAP SET DANISH	1	-	-	-	1	-	-	-	-	-	-
19	19	A-PS-3620219-0-0	36-20219-03		LABEL, KEYBOARD, W/ADH, DANISH	-	-	-	-	-	-	-	-	-	-	-
20	20	D-AR-7021081-0-DBU	70-21081-03		KEYCAP SET UK	-	-	-	-	-	-	-	-	-	-	-
21	21	D-AR-7021081-0-DBU	70-21081-04		KEYCAP SET FINNISH	-	-	-	-	-	-	-	-	-	-	-
22	22	A-PS-3620219-0-0	36-20219-05		LABEL, KEYBOARD, W/ADH, FINNISH	-	-	-	-	-	-	-	-	-	-	-
23	23	D-AR-7021081-0-DBU	70-21081-05		KEYCAP SET GERMAN	-	-	-	-	-	-	-	-	-	-	-
24	24	A-PS-3620219-0-0	36-20219-02		LABEL, KEYBOARD, W/ADH, AUSTRIAN/GERM	-	1	-	-	-	-	-	-	-	-	-
25	25	D-AR-7021081-0-DBU	70-21081-06		KEYCAP SET DUTCH	-	-	-	-	-	-	-	-	-	-	-
26	26				*** THIS ITEM IS NOT USED ***	-	-	-	-	-	-	-	-	-	-	-
27	27	D-AR-7021081-0-DBU	70-21081-07		KEYCAP SET ITALIAN	-	-	-	-	-	-	-	-	-	-	-
28	28	A-PS-3620219-0-0	36-20219-07		LABEL, KEYBOARD, W/ADH, ITALIAN	-	-	-	-	-	-	-	-	-	-	-
29	29	D-AR-7021081-0-DBU	70-21081-08		KEYCAP SET KATA KANA	-	-	-	-	-	-	-	-	-	-	-
30	30	A-PS-3620219-0-C	36-20219-11		LABEL, KEYBOARD, W/ADH, KATAKANA	-	-	-	-	-	-	-	-	-	-	-
31	31	D-AR-7021081-0-DBU	70-21081-09		KEYCAP SET SWISS/FR.	1	-	-	-	-	-	-	-	-	-	-
32	32	D-AR-7021081-0-DBU	70-21081-10		KEYCAP SET SWISS/GR.	-	1	-	-	-	-	-	-	-	-	-

REVISION HISTORY			KPL MATRIX FORMAT SECTION B OF F			DRN: S.H.PIPER		
ENG	ECO NUMBER	REV	SECTION/VARIATION INDEX			DATE: 13-JAN-87		
DW	LK201-MLO24	A	[A]	AA, AB, AC, AD, AE, AF, AG, AH, AI, AJ	CHK'D: J.KUSHIGAN	TITLE PARTS LIST		
			[B]	AK, AL, AM, AN, AP, AS, AT, AU, AV, AY	DATE: 23-JAN-87	LK201 KEYBOARD		
			[C]	BA, BB, BC, BD, BF, BG, BH, BI, BK, BL	DES. ENG: D.WILLIAMS	DOCUMENT NUMBER		
			[D]	BM, BN, BP, BS, EB, EC, ED, EE, EH, EN	DATE: 13-JAN-87	SIZE	CODE	NUMBER
			[E]	ER, EU, EY, FC, FS, NA, NF, NH, PA, XA	RESP. ENG.: D.WILLIAMS	K	PL	7023983-0-DBP
			[F]	XB, XC, XD, XE	DATE: 13-JAN-87			A
			[H]		MFG. ENG: M.FLYNN	RELEASE DATE: 17-JUN-87		
			[J]		DATE: 23-JAN-87	RELEASE STATUS: RELEASED		
			BASIC PART NUMBER:	ASSEMBLY NUMBER:	TOP DOCUMENT NUMBER:	FILE NAME:	EDIT #	
			7023983	E-UA-7023983-0-0	K-DD-7023983-0-0	MLA0796A.PLS	29	

"THIS DRAWING AND THE SPECIFICATIONS CONTAINED HEREIN ARE CONFIDENTIAL AND PROPRIETARY. THEY ARE THE PROPERTY OF DIGITAL EQUIPMENT CORPORATION AND SHALL NOT BE REPRODUCED OR COPIED OR USED IN WHOLE OR IN PART AS THE BASIS FOR THE MANUFACTURE OR SALE OF ITEMS WITHOUT WRITTEN PERMISSION. THIS IS AN UNPUBLISHED WORK PROTECTED UNDER THE FEDERAL COPYRIGHT LAWS."

AUTOMATED BY VAXKPL (V1.3)

P A R T S L I S T

SHEET B3 OF B3

LINE	ITEM	TOP DOCUMENT	PART NUMBER	MIN REV	DESCRIPTION	QUANTITY PER VARIATION/REVISION										
						AK A1	AL A1	AM A1	AN A1	AP A1	AS A1	AT A1	AU A1	AV A1	AY A1	
83	83	D-AR-7021081-0-DBU	70-21081-88		KEYCAP SET US/UK WPS	-	-	-	-	-	-	-	-	-	-	-
84	84	A-PS-3620219-0-0	36-20219-35		LABEL,KEYBOARD ,VT300 US/UK W	-	-	-	-	-	-	-	-	-	-	-
85	85	D-AR-7021081-0-DBU	70-21081-52		KEYCAP SET WITH XEROX LEGENDS	-	-	-	-	-	-	-	-	-	-	-
86	86	A-PS-3620219-0-0	36-20219-27		*** THIS ITEM IS NOT USED ***	-	-	-	-	-	-	-	-	-	-	-
87	87	D-AR-7021081-0-DBU	70-21081-62		KEYCAP SET W/NS100 TYPESETTER LEGE	-	-	-	-	-	-	-	-	-	-	-
88	88	A-PS-3620219-0-0	36-20219-30		LABEL,KEYBOARD,NS100	-	-	-	-	-	-	-	-	-	-	-
89	89	D-AR-7021081-0-DBU	70-21081-63		KEYCAP SET W/NS200 TYPESETTER LEGE	-	-	-	-	-	-	-	-	-	-	-
90	90	A-PS-3620219-0-0	36-20219-31		LABEL,KEYBOARD,NS200	-	-	-	-	-	-	-	-	-	-	-
91	91	D-AR-7021081-0-DBU	70-21081-66		KEYCAPS SET	-	-	-	-	-	-	-	-	-	-	-
92	92	A-PS-3620219-0-0	36-20219-33		LABEL,KEYBOARD,LRS-1/10,LRS-100	-	-	-	-	-	-	-	-	-	-	-
93	93	D-AR-7021081-0-DBU	70-21081-67		KEYCAPS SET	-	-	-	-	-	-	-	-	-	-	-

- 1 GEN: QUANTITY FOR ITEM 2 .002 GALLONS
- 2 GEN: KEYBOARDS BUILT IN EUROPE WILL USE KEYCAP PART NUMBER 7019005 IN PLACE OF 7021081.
- 3 GEN: KEYBOARDS BUILT IN EUROPE WILL USE 70-26053-02 IN PLACE OF 70-26053-01.

D	I	G	I	T	A	L	TITLE	SECTION B OF F	SIZE	CODE	DOCUMENT NUMBER	REV
							LK201 KEYBOARD		K	PL	7023983-0-DBP	A

LINE	ITEM	TOP DOCUMENT	PART NUMBER	MIN REV	DESCRIPTION	QUANTITY PER VARIATION/REVISION									
						BA A1	BB A1	BC A1	BD A1	BF A1	BG A1	BH A1	BI A1	BK A1	BL A1
1	1	E-AD-7018416-0-0	70-18416-00		KEYBOARD ASSY	1	1	1	1	1	1	1	1	1	1
2	2	SEE NOTE	49-01569-01		LUBRICANT,SILICONE	A/R	A/R	A/R	A/R	A/R	A/R	A/R	A/R	A/R	A/R
3	3		12-20374-01		SPRING,COMPRESSION .4200DX .250	5	5	5	5	5	5	5	5	5	5
4	4		12-20374-02		SPRING,COMPRESSION HIGH FORCE	3	3	3	3	3	3	3	3	3	3
5	5	D-MD-7427577-0-DBU	74-27577-01		FOOT,KEYBOARD SLOPE,5 DEGREES	2	2	2	2	2	2	2	2	2	2
6	6	C-MD-7427103-0-DBU	74-27103-01		EQUALIZER,SPACE BAR	1	1	1	1	1	1	1	1	1	1
7	7	B-MD-7426989-0-DBU	74-26989-01		BAR,EQUALIZER,DOUBLE KEY	2	2	2	2	2	2	2	2	2	2
8	8	D-MD-7428773-0-DBU	74-28773-01		SPACE BAR,LOW-PROFILE,ALT.	1	1	1	1	1	1	1	1	1	1
9	9		17-00294-00		CABLE,ASSY,CT150 KEYBOARD	1	1	1	1	1	1	1	1	1	1
10	10	A-PS-3623798-0-0	36-23798-01		LABEL,CABLE CAUTION,LK201	1	1	1	1	1	1	1	1	1	1
11	11		36-20312-01		LABEL,SERIAL/REGULATORY	1	1	1	1	1	1	1	1	1	1
12	12		70-21081-53		KEYCAP SET WITH U.S. LEGENDS	-	-	-	-	-	-	-	-	-	-
13	13	A-PS-3620219-0-0	36-20219-01		LABEL,KEYBOARD,W/ADH,AMERICAN	-	-	-	-	-	-	-	-	-	-
14	14	D-AR-7021081-0-DBU	70-21081-16		KEYCAP SET FLEMISH	-	-	-	-	-	-	-	-	-	-
15	15	A-PS-3620219-0-0	36-20219-06		LABEL,KEYBOARD,W/ADH,DUTCH	-	-	-	-	-	-	-	-	-	-
16	16	D-AR-7021081-0-DBU	70-21081-01		KEYCAP SET CAN./FR.	-	-	-	-	-	-	-	-	-	-
17	17	A-PS-3620219-0-0	36-20219-04		LABEL,KEYBOARD,W/ADH,FRENCH	-	-	-	-	-	-	-	-	-	-
18	18	D-AR-7021081-0-DBU	70-21081-02		KEYCAP SET DANISH	-	-	-	-	-	-	-	-	-	-
19	19	A-PS-3620219-0-0	36-20219-03		LABEL,KEYBOARD,W/ADH,DANISH	-	-	-	-	-	-	-	-	-	-
20	20	D-AR-7021081-0-DBU	70-21081-03		KEYCAP SET UK	-	-	-	-	-	-	-	-	-	-
21	21	D-AR-7021081-0-DBU	70-21081-04		KEYCAP SET FINNISH	-	-	-	-	-	-	-	-	-	-
22	22	A-PS-3620219-0-0	36-20219-05		LABEL,KEYBOARD,W/ADH.FINNISH	-	-	-	-	-	-	-	-	-	-
23	23	D-AR-7021081-0-DBU	70-21081-05		KEYCAP SET GERMAN	-	-	-	-	-	-	-	-	-	-
24	24	A-PS-3620219-0-0	36-20219-02		LABEL,KEYBOARD,W/ADH,AUSTRIAN/GERM	-	-	-	-	-	-	-	-	-	-
25	25	D-AR-7021081-0-DBU	70-21081-06		KEYCAP SET DUTCH	-	-	-	-	-	-	-	-	-	-
26	26				*** THIS ITEM IS NOT USED ***	-	-	-	-	-	-	-	-	-	-
27	27	D-AR-7021081-0-DBU	70-21081-07		KEYCAP SET ITALIAN	-	-	-	-	-	-	-	-	-	-
28	28	A-PS-3620219-0-0	36-20219-07		LABEL,KEYBOARD,W/ADH,ITALIAN	-	-	-	-	-	-	-	-	-	-
29	29	D-AR-7021081-0-DBU	70-21081-08		KEYCAP SET KATA KANA	-	-	-	-	-	-	-	-	-	-
30	30	A-PS-3620219-0-0	36-20219-11		LABEL,KEYBOARD,W/ADH,KATAKANA	-	-	-	-	-	-	-	-	-	-
31	31	D-AR-7021081-0-DBU	70-21081-09		KEYCAP SET SWISS/FR.	-	-	-	-	-	-	-	-	-	-
32	32	D-AR-7021081-0-DBU	70-21081-10		KEYCAP SET SWISS/GR.	-	-	-	-	-	-	-	-	-	-

REVISION HISTORY			KPL MATRIX FORMAT SECTION C OF F			DRN: S.H.PIPER			DIGITAL		
ENG	ECO NUMBER	REV	SECTION/VARIATION INDEX			DATE: 13-JAN-87					
DW	LK201-MLO24	A	[A]	AA,AB,AC,AD,AE,AF,AG,AH,AI,AJ	CHK'D: J.KUSHIGAN			TITLE PARTS LIST			
			[B]	AK,AL,AM,AN,AP,AS,AT,AU,AV,AY	DATE: 23-JAN-87			LK201 KEYBOARD			
			[C]	BA,BB,BC,BD,BF,BG,BH,BI,BK,BL	DES.ENG: D.WILLIAMS						
			[D]	BM,BN,BP,BS,EB,EC,ED,EE,EH,EN	DATE: 13-JAN-87			DOCUMENT NUMBER			
			[E]	ER,EU,EY,FC,FS,NA,NF,NH,PA,XA	RESP.ENG.: D.WILLIAMS			SIZE	CODE	NUMBER	REV
			[F]	XB,XC,XD,XE	DATE: 13-JAN-87			K	PL	7023983-0-DBP	A
			[H]		MFG.ENG: M.FLYNN			RELEASE DATE: 17-JUN-87			
			[J]		DATE: 23-JAN-87			RELEASE STATUS: RELEASED			
			BASIC PART NUMBER:		ASSEMBLY NUMBER:		TOP DOCUMENT NUMBER:		FILE NAME:		EDIT #
			7023983		E-UA-7023983-0-0		K-DD-7023983-0-0		MLA0796A.PLS		29

"THIS DRAWING AND THE SPECIFICATIONS CONTAINED HEREIN ARE CONFIDENTIAL AND PROPRIETARY. THEY ARE THE PROPERTY OF DIGITAL EQUIPMENT CORPORATION AND SHALL NOT BE REPRODUCED OR COPIED OR USED IN WHOLE OR IN PART AS THE BASIS FOR THE MANUFACTURE OR SALE OF ITEMS WITHOUT WRITTEN PERMISSION. THIS IS AN UNPUBLISHED WORK PROTECTED UNDER THE FEDERAL COPYRIGHT LAWS."

AUTOMATED BY VAXKPL (V1.3)

PARTS LIST

SHEET C2 OF C3

LINE	ITEM	TOP DOCUMENT	PART NUMBER	MIN REV	DESCRIPTION	QUANTITY PER VARIATION/REVISION									
						BA A1	BB A1	BC A1	BD A1	BF A1	BG A1	BH A1	BI A1	BK A1	BL A1
33	33	D-AR-7021081-0-DBU	70-21081-11		KEYCAP SET SWEDISH	-	-	-	-	-	-	-	-	-	-
34	34	A-PS-3620219-0-0	36-20219-09		LABEL,KEYBOARD,W/ADH,SWEDISH	-	-	-	-	-	-	-	-	-	-
35	35	D-AR-7021081-0-DBU	70-21081-12		KEYCAP SET NORWEGIAN	-	-	-	-	-	-	-	-	-	-
36	36	A-PS-3620219-0-0	36-20219-10		LABEL,KEYBOARD,W/ADH,NORWEIGN	-	-	-	-	-	-	-	-	-	-
37	37	D-AR-7021081-0-DBU	70-21081-13		KEYCAP SET FRENCH	-	-	-	-	-	-	-	-	-	-
38	38	D-AR-7021081-0-DBU	70-21081-14		KEYCAP SET SPANISH	-	-	-	-	-	-	-	-	-	-
39	39	A-PS-3620219-0-0	36-20219-08		LABEL,KEYBOARD,W/ADH,SPANISH	-	-	-	-	-	-	-	-	-	-
40	40	D-AR-7021081-0-DBU	70-21081-22		KEYCAP SET HEBREW	-	-	-	-	-	-	-	-	-	-
41	41	A-PS-3620219-0-0	36-20219-19		LABEL,KEYBOARD,HEBREW	-	-	-	-	-	-	-	-	-	-
42	42	D-AR-7021081-0-DBU	70-21081-45		KEYCAP SET ICELANDIC	-	-	-	-	-	-	-	-	-	-
43	43	D-AR-7021081-0-DBU	70-21081-57		KEYCAP SET W/PORTUGUESE LEGENDS	-	-	-	-	-	-	-	-	-	-
44	44	D-AR-7021081-0-DBU	70-21081-40		KEYCAP SET JAP HIRAGANA	-	-	-	-	-	-	-	-	-	-
45	45	A-PS-3620219-0-0	36-20219-24		LABEL,KEYBOARD,JAPANESE HIRAGANA	-	-	-	-	-	-	-	-	-	-
46	46	D-AR-7021081-0-DBU	70-21081-15		KEYCAP SET DECMATE/US	1	-	-	-	-	-	-	-	-	-
47	47	A-PS-3620219-0-0	36-20219-13		LABEL,KEYBOARD,DECMATE II	1	-	-	1	1	-	-	-	-	-
48	48	D-AR-7021081-0-DBU	70-21081-47		KEYCAP SET DECMATE FLEMISH	-	1	-	-	-	-	-	-	-	-
49	49	A-PS-3620219-0-0	36-20219-26		LABEL,KEYBOARD,W/ADH,DECMATE FLEMI	-	1	-	-	-	-	-	-	-	-
50	50	D-AR-7021081-0-DBU	70-21081-50		KEYCAP SET DECMATE CANADIAN FR	-	-	1	-	-	-	-	-	-	-
51	51	A-PS-3620219-0-0	36-20219-22		LABEL,KEYBOARD,DECMATE FRENCH	-	-	1	-	-	-	-	-	1	-
52	52	D-AR-7021081-0-DBU	70-21081-41		KEYCAP SET DENMARK	-	-	-	1	-	-	-	-	-	-
53	53	D-AR-7021081-0-DBU	70-21081-42		KEYCAP SET FINNISH	-	-	-	-	1	-	-	-	-	-
54	54	D-AR-7021081-0-DBU	70-21081-23		KEYCAP SET GERMAN DECMATE	-	-	-	-	-	1	-	-	-	-
55	55	A-PS-3620219-0-0	36-20219-20		LABEL,KEYBOARD,DECMATE GERMAN	-	-	-	-	-	1	-	-	-	1
56	56	D-AR-7021081-0-DBU	70-21081-51		KEYCAP SET W/DECMATE HOLLAND LEGEN	-	-	-	-	-	-	1	-	-	-
57	57	A-PS-3620219-0-0	36-20219-28		LABEL,KEYBOARD,W/ADH DUTCH	-	-	-	-	-	-	1	-	-	-
58	58	D-AR-7021081-0-DBU	70-21081-24		KEYCAP SET DECMATE ITALIAN	-	-	-	-	-	-	-	1	-	-
59	59	A-PS-3620219-0-0	36-20219-21		LABEL,KEYBOARD DECMATE ITALIAN	-	-	-	-	-	-	-	1	-	-
60	60	D-AR-7021081-0-DBU	70-21081-48		KEYCAP SET DECMATE SW-FR	-	-	-	-	-	-	-	-	1	-
61	61	D-AR-7021081-0-DBU	70-21081-49		KEYCAP SET DECMATE SW-GERMAN	-	-	-	-	-	-	-	-	-	1
62	62	D-AR-7021081-0-DBU	70-21081-43		KEYCAP SET SWEDISH	-	-	-	-	-	-	-	-	-	-
63	63		70-21081-44		KEYCAP SET NMORWEGIAN	-	-	-	-	-	-	-	-	-	-
64	64	D-AR-7021081-0-DBU	70-21081-25		KEYCAP SET DECMATE FRENCH	-	-	-	-	-	-	-	-	-	-
65	65	D-AR-7021081-0-DBU	70-21081-26		KEYCAP SET DECMATE SPANISH	-	-	-	-	-	-	-	-	-	-
66	66	A-PS-3620219-0-0	36-20219-23		LABEL,KEYBOARD,DECMATE SPANISH	-	-	-	-	-	-	-	-	-	-
67	67	D-AR-7021081-0-DBU	70-21081-59		KEYCAP SET W/STENOGRAPHIC LEGENDS	-	-	-	-	-	-	-	-	-	-
68	68	D-AR-7021081-0-DBU	70-21081-64		KEYCAPS SET W/APL LEGENDS	-	-	-	-	-	-	-	-	-	-
69	69	D-AR-7021081-0-DBU	70-21081-82		KEYCAP SET DANISH	-	-	-	-	-	-	-	-	-	-
70	70	D-AR-7021081-0-DBU	70-21081-83		KEYCAP SET UK/US	-	-	-	-	-	-	-	-	-	-
71	71	D-AR-7021081-0-DBU	70-21081-58		KEYCAP SET W/GREEK LEGENDS	-	-	-	-	-	-	-	-	-	-
72	72	A-PS-3620219-0-0	36-20219-29		LABEL,KEYBOARD GREEK	-	-	-	-	-	-	-	-	-	-
73	73	D-AR-7021081-0-DBU	70-21081-84		KEYCAP SET NORWEGIAN	-	-	-	-	-	-	-	-	-	-
74	74	D-AR-7021081-0-DBU	70-21081-54		KEYCAP SET W/ARABIC-ENG LEGEND	-	-	-	-	-	-	-	-	-	-
75	75	D-AR-7021081-0-DBU	70-21081-60		KEYCAP SET W/TURKISH LEGENDS	-	-	-	-	-	-	-	-	-	-
76	76	D-AR-7021081-0-DBU	70-21081-61		KEYCAP SET W/YUGOSLAVIAN LEGEND	-	-	-	-	-	-	-	-	-	-
77	77	D-AR-7021081-0-DBU	70-21081-56		KEYCAP SET W/DECMATE (CANADA) ENGL	-	-	-	-	-	-	-	-	-	-
78	78	D-AR-7021081-0-DBU	70-21081-55		KEYCAP SET W/DECMATE F.A.O. SPANIS	-	-	-	-	-	-	-	-	-	-
79	79	D-AR-7021081-0-DBU	70-21081-85		KEYCAP SET US/UK	-	-	-	-	-	-	-	-	-	-
80	80	A-PS-3620219-0-0	36-20219-34		LABEL,KEYBOARD ,VT300 US/UK	-	-	-	-	-	-	-	-	-	-
81	81	D-AR-7021081-0-DBU	70-21081-86		KEYCAP SET FINNISH	-	-	-	-	-	-	-	-	-	-
82	82	D-AR-7021081-0-DBU	70-21081-87		KEYCAP SET HOLLAND	-	-	-	-	-	-	-	-	-	-

D	I	G	I	T	A	L	TITLE	SECTION C	OF	F	SIZE	CODE	DOCUMENT NUMBER	REV
							LK201 KEYBOARD				K	PL	7023983-0-DBP	A

AUTOMATED BY VAXKPL (V1.3)

PARTS LIST

SHEET C3 OF C3

LINE ITEM	TOP DOCUMENT	PART NUMBER	MIN REV	DESCRIPTION	QUANTITY PER VARIATION/REVISION									
					BA A1	BB A1	BC A1	BD A1	BF A1	BG A1	BH A1	BI A1	BK A1	BL A1
83	83 D-AR-7021081-0-DBU	70-21081-88		KEYCAP SET US/UK WPS	-	-	-	-	-	-	-	-	-	-
84	84 A-PS-3620219-0-0	36-20219-35		LABEL,KEYBOARD ,VT300 US/UK W	-	-	-	-	-	-	-	-	-	-
85	85 D-AR-7021081-0-DBU	70-21081-52		KEYCAP SET WITH XEROX LEGENDS	-	-	-	-	-	-	-	-	-	-
86	86 A-PS-3620219-0-0	36-20219-27		*** THIS ITEM IS NOT USED ***	-	-	-	-	-	-	-	-	-	-
87	87 D-AR-7021081-0-DBU	70-21081-62		KEYCAP SET W/NS100 TYPESETTER LEGE	-	-	-	-	-	-	-	-	-	-
88	88 A-PS-3620219-0-0	36-20219-30		LABEL,KEYBOARD,NS100	-	-	-	-	-	-	-	-	-	-
89	89 D-AR-7021081-0-DBU	70-21081-63		KEYCAP SET W/NS200 TYPESETTER LEGE	-	-	-	-	-	-	-	-	-	-
90	90 A-PS-3620219-0-0	36-20219-31		LABEL,KEYBOARD,NS200	-	-	-	-	-	-	-	-	-	-
91	91 D-AR-7021081-0-DBU	70-21081-66		KEYCAPS SET	-	-	-	-	-	-	-	-	-	-
92	92 A-PS-3620219-0-0	36-20219-33		LABEL,KEYBOARD,LRS-1/10,LRS-100	-	-	-	-	-	-	-	-	-	-
93	93 D-AR-7021081-0-DBU	70-21081-67		KEYCAPS SET	-	-	-	-	-	-	-	-	-	-

- 1 GEN: QUANTITY FOR ITEM 2 .002 GALLONS
- 2 GEN: KEYBOARDS BUILT IN EUROPE WILL USE KEYCAP PART NUMBER 7019005 IN PLACE OF 7021081.
- 3 GEN: KEYBOARDS BUILT IN EUROPE WILL USE 70-26053-02 IN PLACE OF 70-26053-01.

D	I	G	I	T	A	L	TITLE		SECTION C OF F	SIZE	CODE	DOCUMENT NUMBER	REV
							LK201 KEYBOARD			K	PL	7023983-0-DBP	A

AUTOMATED BY VAXKPL (V1.3)

PARTS LIST

SHEET D1 OF D3

LINE	ITEM	TOP DOCUMENT	PART NUMBER	MIN REV	DESCRIPTION	QUANTITY PER VARIATION/REVISION									
						BM A1	BN A1	BP A1	BS A1	EB A1	EC A1	ED A1	EE A1	EH A1	EN A1
1	1	E-AD-7018416-0-0	70-18416-00		KEYBOARD ASSY	1	1	1	1	1	1	1	1	1	1
2	2	SEE NOTE	49-01569-01		LUBRICANT,SILICONE	A/R	A/R	A/R	A/R	A/R	A/R	A/R	A/R	A/R	A/R
3	3		12-20374-01		SPRING,COMPRESSION .4200DX .250	5	5	5	5	5	5	5	5	5	5
4	4		12-20374-02		SPRING,COMPRESSION HIGH FORCE	3	3	3	3	3	3	3	3	3	3
5	5	D-MD-7427577-0-DBU	74-27577-01		FOOT,KEYBOARD SLOPE,5 DEGREES	2	2	2	2	2	2	2	2	2	2
6	6	C-MD-7427103-0-DBU	74-27103-01		EQUALIZER,SPACE BAR	1	1	1	1	1	1	1	1	1	1
7	7	B-MD-7426989-0-DBU	74-26989-01		BAR,EQUALIZER,DOUBLE KEY	2	2	2	2	2	2	2	2	2	2
8	8	D-MD-7428773-0-DBU	74-28773-01		SPACE BAR,LOW-PROFILE,ALT.	1	1	1	1	1	1	1	1	1	1
9	9		17-00294-00		CABLE,ASSY,CT150 KEYBOARD	1	1	1	1	1	1	1	1	1	1
10	10	A-PS-3623798-0-0	36-23798-01		LABEL,CABLE CAUTION,LK201	1	1	1	1	1	1	1	1	1	1
11	11		36-20312-01		LABEL,SERIAL/REGULATORY	1	1	1	1	1	1	1	1	1	1
12	12		70-21081-53		KEYCAP SET WITH U.S. LEGENDS	-	-	-	-	-	-	-	-	-	-
13	13	A-PS-3620219-0-0	36-20219-01		LABEL,KEYBOARD,W/ADH,AMERICAN	-	-	-	-	1	1	-	1	-	-
14	14	D-AR-7021081-0-DBU	70-21081-16		KEYCAP SET FLEMISH	-	-	-	-	-	-	-	-	-	-
15	15	A-PS-3620219-0-0	36-20219-06		LABEL,KEYBOARD,W/ADH,DUTCH	-	-	-	-	-	-	-	-	-	-
16	16	D-AR-7021081-0-DBU	70-21081-01		KEYCAP SET CAN./FR.	-	-	-	-	-	-	-	-	-	-
17	17	A-PS-3620219-0-0	36-20219-04		LABEL,KEYBOARD,W/ADH,FRENCH	-	-	-	-	-	-	-	-	-	-
18	18	D-AR-7021081-0-DBU	70-21081-02		KEYCAP SET DANISH	-	-	-	-	-	-	-	-	-	-
19	19	A-PS-3620219-0-0	36-20219-03		LABEL,KEYBOARD,W/ADH,DANISH	-	-	-	-	-	-	1	-	-	-
20	20	D-AR-7021081-0-DBU	70-21081-03		KEYCAP SET UK	-	-	-	-	-	-	-	-	-	-
21	21	D-AR-7021081-0-DBU	70-21081-04		KEYCAP SET FINNISH	-	-	-	-	-	-	-	-	-	-
22	22	A-PS-3620219-0-0	36-20219-05		LABEL,KEYBOARD,W/ADH,FINNISH	-	-	-	-	-	-	-	-	-	-
23	23	D-AR-7021081-0-DBU	70-21081-05		KEYCAP SET GERMAN	-	-	-	-	-	-	-	-	-	-
24	24	A-PS-3620219-0-0	36-20219-02		LABEL,KEYBOARD,W/ADH,AUSTRIAN/GERM	-	-	-	-	-	-	-	-	-	-
25	25	D-AR-7021081-0-DBU	70-21081-06		KEYCAP SET DUTCH	-	-	-	-	-	-	-	-	-	-
26	26				*** THIS ITEM IS NOT USED ***	-	-	-	-	-	-	-	-	-	-
27	27	D-AR-7021081-0-DBU	70-21081-07		KEYCAP SET ITALIAN	-	-	-	-	-	-	-	-	-	-
28	28	A-PS-3620219-0-0	36-20219-07		LABEL,KEYBOARD,W/ADH,ITALIAN	-	-	-	-	-	-	-	-	-	-
29	29	D-AR-7021081-0-DBU	70-21081-08		KEYCAP SET KATA KANA	-	-	-	-	-	-	-	-	-	-
30	30	A-PS-3620219-0-0	36-20219-11		LABEL,KEYBOARD,W/ADH,KATAKANA	-	-	-	-	-	-	-	-	-	-
31	31	D-AR-7021081-0-DBU	70-21081-09		KEYCAP SET SWISS/FR.	-	-	-	-	-	-	-	-	-	-
32	32	D-AR-7021081-0-DBU	70-21081-10		KEYCAP SET SWISS/GR.	-	-	-	-	-	-	-	-	-	-

REVISION HISTORY			KPL MATRIX FORMAT		SECTION D OF F		DRN: S.H.PIPER		DIGITAL					
ENG	ECO NUMBER	REV	SECTION/VARIATION INDEX		DATE: 13-JAN-87		CHK'D: J.KUSHIGAN		TITLE PARTS LIST					
DW	LK201-MLO24	A	[A]	AA,AB,AC,AD,AE,AF,AG,AH,AI,AJ	DATE: 23-JAN-87		DATE: 23-JAN-87		LK201 KEYBOARD					
			[B]	AK,AL,AM,AN,AP,AS,AT,AU,AV,AY			DES.ENG: D.WILLIAMS							
			[C]	BA,BB,BC,BD,BF,BG,BH,BI,BK,BL			DATE: 13-JAN-87		DOCUMENT NUMBER					
			[D]	BM,BN,BP,BS,EB,EC,ED,EE,EH,EN					SIZE CODE NUMBER REV					
			[E]	ER,EU,EY,FC,FS,NA,NF,NH,PA,XA			RESP.ENG.: D.WILLIAMS		K PL 7023983-0-DBP A					
			[F]	XB,XC,XD,XE			DATE: 13-JAN-87							
			[H]				MFG.ENG: M.FLYNN		RELEASE DATE: 17-JUN-87					
			[J]				DATE: 23-JAN-87		RELEASE STATUS: RELEASED					
			BASIC PART NUMBER:		ASSEMBLY NUMBER:		TOP DOCUMENT NUMBER:		FILE NAME:		EDIT #			
			7023983		E-UA-7023983-0-0		K-DU-7023983-0-0		MLA0796A.PLS		29			

"THIS DRAWING AND THE SPECIFICATIONS CONTAINED HEREIN ARE CONFIDENTIAL AND PROPRIETARY. THEY ARE THE PROPERTY OF DIGITAL EQUIPMENT CORPORATION AND SHALL NOT BE REPRODUCED OR COPIED OR USED IN WHOLE OR IN PART AS THE BASIS FOR THE MANUFACTURE OR SALE OF ITEMS WITHOUT WRITTEN PERMISSION. THIS IS AN UNPUBLISHED WORK PROTECTED UNDER THE FEDERAL COPYRIGHT LAWS."

AUTOMATED BY VAXKPL (V1.3)

PARTS LIST

LINE	ITEM	TOP DOCUMENT	PART NUMBER	MIN REV	DESCRIPTION	SHEET D2 OF D3										
						QUANTITY	PER VARIATION/REVISION	BM	BN	BP	BS	EB	EC	ED	EE	EH
						A1	A1	A1	A1	A1	A1	A1	A1	A1	A1	A1
33	33	D-AR-7021081-0-DBU	70-21081-11		KEYCAP SET SWEDISH	-	-	-	-	-	-	-	-	-	-	-
34	34	A-PS-3620219-0-0	36-20219-09		LABEL,KEYBOARD,W/ADH,SWEDISH	-	-	-	-	-	-	-	-	-	-	-
35	35	D-AR-7021081-0-DBU	70-21081-12		KEYCAP SET NORWEGIAN	-	-	-	-	-	-	-	-	-	-	-
36	36	A-PS-3620219-0-0	36-20219-10		LABEL,KEYBOARD,W/ADH,NORWEIGN	-	-	-	-	-	-	-	-	-	-	-
37	37	D-AR-7021081-0-DBU	70-21081-13		KEYCAP SET FRENCH	-	-	-	-	-	-	-	-	-	-	1
38	38	D-AR-7021081-0-DBU	70-21081-14		KEYCAP SET SPANISH	-	-	-	-	-	-	-	-	-	-	-
39	39	A-PS-3620219-0-0	36-20219-08		LABEL,KEYBOARD,W/ADH,SPANISH	-	-	-	-	-	-	-	-	-	-	-
40	40	D-AR-7021081-0-DBU	70-21081-22		KEYCAP SET HEBREW	-	-	-	-	-	-	-	-	-	-	-
41	41	A-PS-3620219-0-0	36-20219-19		LABEL,KEYBOARD,HEBREW	-	-	-	-	-	-	-	-	-	-	-
42	42	D-AR-7021081-0-DBU	70-21081-45		KEYCAP SET ICELANDIC	-	-	-	-	-	-	-	-	-	-	-
43	43	D-AR-7021081-0-DBU	70-21081-57		KEYCAP SET W/PORTUGUESE LEGENDS	-	-	-	-	-	-	-	-	-	-	-
44	44	D-AR-7021081-0-DBU	70-21081-40		KEYCAP SET JAP HIRAGANA	-	-	-	-	-	-	-	-	-	-	-
45	45	A-PS-3620219-0-0	36-20219-24		LABEL,KEYBOARD,JAPANESE HIRAGANA	-	-	-	-	-	-	-	-	-	-	-
46	46	D-AR-7021081-0-DBU	70-21081-15		KEYCAP SET DECMATE/US	-	-	-	-	-	-	-	-	-	-	-
47	47	A-PS-3620219-0-0	36-20219-13		LABEL,KEYBOARD,DECMATE II	1	1	-	-	-	-	-	-	-	-	-
48	48	D-AR-7021081-0-DBU	70-21081-47		KEYCAP SET DECMATE FLEMISH	-	-	-	-	-	-	-	-	-	-	-
49	49	A-PS-3620219-0-0	36-20219-26		LABEL,KEYBOARD,W/ADH,DECMATE FLEMI	-	-	-	-	-	-	-	-	-	-	-
50	50	D-AR-7021081-0-DBU	70-21081-50		KEYCAP SET DECMATE CANADIAN FR	-	-	-	-	-	-	-	-	-	-	-
51	51	A-PS-3620219-0-0	36-20219-22		LABEL,KEYBOARD,DECMATE FRENCH	-	-	1	-	-	-	-	-	-	-	-
52	52	D-AR-7021081-0-DBU	70-21081-41		KEYCAP SET DENMARK	-	-	-	-	-	-	-	-	-	-	-
53	53	D-AR-7021081-0-DBU	70-21081-42		KEYCAP SET FINNISH	-	-	-	-	-	-	-	-	-	-	-
54	54	D-AR-7021081-0-DBU	70-21081-23		KEYCAP SET GERMAN DECMATE	-	-	-	-	-	-	-	-	-	-	-
55	55	A-PS-3620219-0-0	36-20219-20		LABEL,KEYBOARD,DECMATE GERMAN	-	-	-	-	-	-	-	-	-	-	-
56	56	D-AR-7021081-0-DBU	70-21081-51		KEYCAP SET W/DECMATE HOLLAND LEGEN	-	-	-	-	-	-	-	-	-	-	-
57	57	A-PS-3620219-0-0	36-20219-28		LABEL,KEYBOARD,W/ADH DUTCH	-	-	-	-	-	-	-	-	-	-	-
58	58	D-AR-7021081-0-DBU	70-21081-24		KEYCAP SET DECMATE ITALIAN	-	-	-	-	-	-	-	-	-	-	-
59	59	A-PS-3620219-0-0	36-20219-21		LABEL,KEYBOARD DECMATE ITALIAN	-	-	-	-	-	-	-	-	-	-	-
60	60	D-AR-7021081-0-DBU	70-21081-48		KEYCAP SET DECMATE SW-FR	-	-	-	-	-	-	-	-	-	-	-
61	61	D-AR-7021081-0-DBU	70-21081-49		KEYCAP SET DECMATE SW-GERMAN	-	-	-	-	-	-	-	-	-	-	-
62	62	D-AR-7021081-0-DBU	70-21081-43		KEYCAP SET SWEDISH	1	-	-	-	-	-	-	-	-	-	-
63	63		70-21081-44		KEYCAP SET NMORWEGIAN	-	1	-	-	-	-	-	-	-	-	-
64	64	D-AR-7021081-0-DBU	70-21081-25		KEYCAP SET DECMATE FRENCH	-	-	1	-	-	-	-	-	-	-	-
65	65	D-AR-7021081-0-DBU	70-21081-26		KEYCAP SET DECMATE SPANISH	-	-	-	1	-	-	-	-	-	-	-
66	66	A-PS-3620219-0-0	36-20219-23		LABEL,KEYBOARD,DECMATE SPANISH	-	-	-	1	-	-	-	-	-	-	-
67	67	D-AR-7021081-0-DBU	70-21081-59		KEYCAP SET W/STENOGRAPHIC LEGENDS	-	-	-	-	1	-	-	-	-	-	-
68	68	D-AR-7021081-0-DBU	70-21081-64		KEYCAPS SET W/APL LEGENDS	-	-	-	-	-	1	-	-	-	-	-
69	69	D-AR-7021081-0-DBU	70-21081-82		KEYCAP SET DANISH	-	-	-	-	-	-	1	-	-	-	-
70	70	D-AR-7021081-0-DBU	70-21081-83		KEYCAP SET UK/US	-	-	-	-	-	-	-	1	-	-	-
71	71	D-AR-7021081-0-DBU	70-21081-58		KEYCAP SET W/GREEK LEGENDS	-	-	-	-	-	-	-	-	1	-	-
72	72	A-PS-3620219-0-0	36-20219-29		LABEL,KEYBOARD GREEK	-	-	-	-	-	-	-	-	-	1	-
73	73	D-AR-7021081-0-DBU	70-21081-84		KEYCAP SET NORWEGIAN	-	-	-	-	-	-	-	-	-	-	1
74	74	D-AR-7021081-0-DBU	70-21081-54		KEYCAP SET W/ARABIC-ENG LEGEND	-	-	-	-	-	-	-	-	-	-	-
75	75	D-AR-7021081-0-DBU	70-21081-60		KEYCAP SET W/TURKISH LEGENDS	-	-	-	-	-	-	-	-	-	-	-
76	76	D-AR-7021081-0-DBU	70-21081-61		KEYCAP SET W/YUGOSLAVIAN LEGEND	-	-	-	-	-	-	-	-	-	-	-
77	77	D-AR-7021081-0-DBU	70-21081-56		KEYCAP SET W/DECMATE (CANADA) ENGL	-	-	-	-	-	-	-	-	-	-	-
78	78	D-AR-7021081-0-DBU	70-21081-55		KEYCAP SET W/DECMATE F.A.O. SPANIS	-	-	-	-	-	-	-	-	-	-	-
79	79	D-AR-7021081-0-DBU	70-21081-85		KEYCAP SET US/UK	-	-	-	-	-	-	-	-	-	-	-
80	80	A-PS-3620219-0-0	36-20219-34		LABEL,KEYBOARD ,VT300 US/UK	-	-	-	-	-	-	-	-	-	-	-
81	81	D-AR-7021081-0-DBU	70-21081-86		KEYCAP SET FINNISH	-	-	-	-	-	-	-	-	-	-	-
82	82	D-AR-7021081-0-DBU	70-21081-87		KEYCAP SET HOLLAND	-	-	-	-	-	-	-	-	-	-	-

D	I	G	I	T	A	L	TITLE	SECTION	D	OF	F	SIZE	CODE	DOCUMENT NUMBER	REV
							LK201 KEYBOARD					K	PL	7023983-0-DBP	A

AUTOMATED BY VAXKPL (V1.3)

PARTS LIST

SHEET D3 OF D3

LINE	ITEM	TOP DOCUMENT	PART NUMBER	MIN REV	DESCRIPTION	QUANTITY PER VARIATION/REVISION										
						BM A1	BN A1	BP A1	BS A1	EB A1	EC A1	ED A1	EE A1	EH A1	EN A1	
83	83	D-AR-7021081-0-DBU	70-21081-88		KEYCAP SET US/UK WPS	-	-	-	-	-	-	-	-	-	-	-
84	84	A-PS-3620219-0-0	36-20219-35		LABEL,KEYBOARD ,VT300 US/UK W	-	-	-	-	-	-	-	-	-	-	-
85	85	D-AR-7021081-0-DBU	70-21081-52		KEYCAP SET WITH XEROX LEGENDS	-	-	-	-	-	-	-	-	-	-	-
86	86	A-PS-3620219-0-0	36-20219-27		*** THIS ITEM IS NOT USED ***	-	-	-	-	-	-	-	-	-	-	-
87	87	D-AR-7021081-0-DBU	70-21081-62		KEYCAP SET W/NS100 TYPESETTER LEGE	-	-	-	-	-	-	-	-	-	-	-
88	88	A-PS-3620219-0-0	36-20219-30		LABEL,KEYBOARD,NS100	-	-	-	-	-	-	-	-	-	-	-
89	89	D-AR-7021081-0-DBU	70-21081-63		KEYCAP SET W/NS200 TYPESETTER LEGE	-	-	-	-	-	-	-	-	-	-	-
90	90	A-PS-3620219-0-0	36-20219-31		LABEL,KEYBOARD,NS200	-	-	-	-	-	-	-	-	-	-	-
91	91	D-AR-7021081-0-DBU	70-21081-66		KEYCAPS SET	-	-	-	-	-	-	-	-	-	-	-
92	92	A-PS-3620219-0-0	36-20219-33		LABEL,KEYBOARD,LRS-1/10,LRS-100	-	-	-	-	-	-	-	-	-	-	-
93	93	D-AR-7021081-0-DBU	70-21081-67		KEYCAPS SET	-	-	-	-	-	-	-	-	-	-	-

- 1 GEN: QUANTITY FOR ITEM 2 .002 GALLONS
- 2 GEN: KEYBOARDS BUILT IN EUROPE WILL USE KEYCAP PART NUMBER 7019005 IN PLACE OF 7021081.
- 3 GEN: KEYBOARDS BUILT IN EUROPE WILL USE 70-26053-02 IN PLACE OF 70-26053-01.

D	I	G	I	T	A	L	TITLE			SIZE	CODE	DOCUMENT NUMBER	REV
							LK201 KEYBOARD				PL	7023983-0-DBP	A
								SECTION D	OF F				

AUTOMATED BY VAXKPL (V1.3)

PARTS LIST

SHEET E1 OF E3

LINE	ITEM	TOP DOCUMENT	PART NUMBER	MIN REV	DESCRIPTION	QUANTITY PER VARIATION/REVISION									
						ER A1	EU A1	EY A1	FC A1	FS A1	NA A1	NF A1	NH A1	PA A1	XA A1
1	1	E-AD-7018416-0-0	70-18416-00		KEYBOARD ASSY.	1	1	1	1	1	1	1	1	1	1
2	2	SEE NOTE	49-01569-01		LUBRICANT, SILICONE	A/R	A/R	A/R	A/R	A/R	A/R	A/R	A/R	A/R	A/R
3	3		12-20374-01		SPRING, COMPRESSION .4200DX .250	5	5	5	5	5	5	5	5	5	5
4	4		12-20374-02		SPRING, COMPRESSION HIGH FORCE	3	3	3	3	3	3	3	3	3	3
5	5	D-MD-7427577-0-DBU	74-27577-01		FOOT, KEYBOARD SLOPE, 5 DEGREES	2	2	2	2	2	2	2	2	2	2
6	6	C-MD-7427103-0-DBU	74-27103-01		EQUALIZER, SPACE BAR	1	1	1	1	1	1	1	1	1	1
7	7	B-MD-7426989-0-DBU	74-26989-01		BAR, EQUALIZER, DOUBLE KEY	2	2	2	2	2	2	2	2	2	2
8	8	D-MD-7428773-0-DBU	74-28773-01		SPACE BAR, LOW-PROFILE, ALT.	1	1	1	1	1	1	1	1	1	1
9	9		17-00294-00		CABLE, ASSY, CT150 KEYBOARD	1	1	1	1	1	1	1	1	1	1
10	10	A-PS-3623798-0-0	36-23798-01		LABEL, CABLE CAUTION, LK201	1	1	1	1	1	1	1	1	1	1
11	11		36-20312-01		LABEL, SERIAL/REGULATORY	1	1	1	1	1	1	1	1	1	1
12	12		70-21081-53		KEYCAP SET WITH U.S. LEGENDS	-	-	-	-	-	-	-	-	-	-
13	13	A-PS-3620219-0-0	36-20219-01		LABEL, KEYBOARD, W/ADH, AMERICAN	1	1	1	-	-	-	1	-	-	1
14	14	D-AR-7021081-0-DBU	70-21081-16		KEYCAP SET FLEMISH	-	-	-	-	-	-	-	-	-	-
15	15	A-PS-3620219-0-0	36-20219-06		LABEL, KEYBOARD, W/ADH, DUTCH	-	-	-	-	-	-	-	1	-	-
16	16	D-AR-7021081-0-DBU	70-21081-01		KEYCAP SET CAN./FR.	-	-	-	-	-	-	-	-	-	-
17	17	A-PS-3620219-0-0	36-20219-04		LABEL, KEYBOARD, W/ADH, FRENCH	-	-	-	-	-	-	-	-	-	-
18	18	D-AR-7021081-0-DBU	70-21081-02		KEYCAP SET DANISH	-	-	-	-	-	-	-	-	-	-
19	19	A-PS-3620219-0-0	36-20219-03		LABEL, KEYBOARD, W/ADH, DANISH	-	-	-	-	-	-	-	-	-	-
20	20	D-AR-7021081-0-DBU	70-21081-03		KEYCAP SET UK	-	-	-	-	-	-	-	-	-	-
21	21	D-AR-7021081-0-DBU	70-21081-04		KEYCAP SET FINNISH	-	-	-	-	-	-	-	-	-	-
22	22	A-PS-3620219-0-0	36-20219-05		LABEL, KEYBOARD, W/ADH, FINNISH	-	-	-	-	-	-	-	-	-	-
23	23	D-AR-7021081-0-DBU	70-21081-05		KEYCAP SET GERMAN	-	-	-	-	-	-	-	-	-	-
24	24	A-PS-3620219-0-0	36-20219-02		LABEL, KEYBOARD, W/ADH, AUSTRIAN/GERM	-	-	-	-	-	-	-	-	-	-
25	25	D-AR-7021081-0-DBU	70-21081-06		KEYCAP SET CATCH	-	-	-	-	-	-	-	-	-	-
26	26				*** THIS ITEM IS NOT USED ***	-	-	-	-	-	-	-	-	-	-
27	27	D-AR-7021081-0-DBU	70-21081-07		KEYCAP SET ITALIAN	-	-	-	-	-	-	-	-	-	-
28	28	A-PS-3620219-0-0	36-20219-07		LABEL, KEYBOARD, W/ADH, ITALIAN	-	-	-	-	-	-	-	-	-	-
29	29	D-AR-7021081-0-DBU	70-21081-08		KEYCAP SET KATA KANA	-	-	-	-	-	-	-	-	-	-
30	30	A-PS-3620219-0-0	36-20219-11		LABEL, KEYBOARD, W/ADH, KATAKANA	-	-	-	-	-	-	-	-	-	-
31	31	D-AR-7021081-0-DBU	70-21081-09		KEYCAP SET SWISS/FR.	-	-	-	-	-	-	-	-	-	-
32	32	D-AR-7021081-0-DBU	70-21081-10		KEYCAP SET SWISS/GR.	-	-	-	-	-	-	-	-	-	-

REVISION HISTORY			KPL MATRIX FORMAT		SECTION E OF F	DRN:	S.H. PIPER		DIGITAL						
ENG!	ECO NUMBER	REV	SECTION/VARIATION INDEX			DATE:	13-JAN-87								
DW	LK201-ML024	A	[A]	AA, AB, AC, AD, AE, AF, AG, AH, AI, AJ		CHK'D:	J. KUSHIGAN		TITLE PARTS LIST						
			[B]	AK, AL, AM, AN, AP, AS, AT, AU, AV, AY		DATE:	23-JAN-87		LK201 KEYBOARD						
			[C]	BA, BB, BC, BD, BF, BG, BH, BI, BK, BL		DES. ENG:	D. WILLIAMS								
			[D]	BM, BN, BP, BS, EB, EC, ED, EE, EH, EN		DATE:	13-JAN-87		DOCUMENT NUMBER						
			[E]	ER, EU, EY, FC, FS, NA, NF, NH, PA, XA		RESP. ENG.:	D. WILLIAMS		SIZE	CODE	NUMBER	REV			
			[F]	XB, XC, XD, XE		DATE:	13-JAN-87		K	PL	7023983-0-DBP	A			
			[H]			MFG. ENG.:	M. FLYNN		RELEASE DATE: 17-JUN-87						
			[J]			DATE:	23-JAN-87		RELEASE STATUS: RELEASED						
			BASIC PART NUMBER:		ASSEMBLY NUMBER:	TOP DOCUMENT NUMBER:		FILE NAME:		EDIT #					
			7023983		E-UA-7023983-0-0	K-DD-7023983-0-0		MLA0796A.PLS		29					

"THIS DRAWING AND THE SPECIFICATIONS CONTAINED HEREIN ARE CONFIDENTIAL AND PROPRIETARY. THEY ARE THE PROPERTY OF DIGITAL EQUIPMENT CORPORATION AND SHALL NOT BE REPRODUCED OR COPIED OR USED IN WHOLE OR IN PART AS THE BASIS FOR THE MANUFACTURE OR SALE OF ITEMS WITHOUT WRITTEN PERMISSION. THIS IS AN UNPUBLISHED WORK PROTECTED UNDER THE FEDERAL COPYRIGHT LAWS."

AUTOMATED BY VAXKPL (V1.3)

PARTS LIST

SHEET E2 OF E3

LINE	ITEM	TOP DOCUMENT	PART NUMBER	MIN REV	DESCRIPTION	QUANTITY PER VARIATION/REVISION										
						ER A1	EU A1	EY A1	FC A1	FS A1	NA A1	NF A1	NH A1	PA A1	XA A1	
33	33	D-AR-7021081-0-DBU	70-21081-11		KEYCAP SET SWEDISH	-	-	-	-	-	-	-	-	-	-	-
34	34	A-PS-3620219-0-0	36-20219-09		LABEL,KEYBOARD,W/ADH,SWEDISH	-	-	-	-	-	-	-	-	-	-	-
35	35	D-AR-7021081-0-DBU	70-21081-12		KEYCAP SET NORWEGIAN	-	-	-	-	-	-	-	-	-	-	-
36	36	A-PS-3620219-0-0	36-20219-10		LABEL,KEYBOARD,W/ADH,NORWEIGN	-	-	-	-	-	-	-	-	-	-	-
37	37	D-AR-7021081-0-DBU	70-21081-13		KEYCAP SET FRENCH	-	-	-	-	-	-	-	-	-	-	-
38	38	D-AR-7021081-0-DBU	70-21081-14		KEYCAP SET SPANISH	-	-	-	-	-	-	-	-	-	-	-
39	39	A-PS-3620219-0-0	36-20219-08		LABEL,KEYBOARD,W/ADH,SPANISH	-	-	-	-	-	-	-	-	-	-	-
40	40	D-AR-7021081-0-DBU	70-21081-22		KEYCAP SET HEBREW	-	-	-	-	-	-	-	-	-	-	-
41	41	A-PS-3620219-0-0	36-20219-19		LABEL,KEYBOARD,HEBREW	-	-	-	-	-	-	-	-	-	-	-
42	42	D-AR-7021081-0-DBU	70-21081-45		KEYCAP SET ICELANDIC	-	-	-	-	-	-	-	-	-	-	-
43	43	D-AR-7021081-0-DBU	70-21081-57		KEYCAP SET W/PORTUGUESE LEGENDS	-	-	-	-	-	-	-	-	-	-	-
44	44	D-AR-7021081-0-DBU	70-21081-40		KEYCAP SET JAP HIRAGANA	-	-	-	-	-	-	-	-	-	-	-
45	45	A-PS-3620219-0-0	36-20219-24		LABEL,KEYBOARD,JAPANESE HIRAGANA	-	-	-	-	-	-	-	-	-	-	-
46	46	D-AR-7021081-0-DBU	70-21081-15		KEYCAP SET DECMATE/US	-	-	-	-	-	-	-	-	-	-	-
47	47	A-PS-3620219-0-0	36-20219-13		LABEL,KEYBOARD,DECMATE II	-	-	-	1	1	-	-	-	-	-	-
48	48	D-AR-7021081-0-DBU	70-21081-47		KEYCAP SET DECMATE FLEMISH	-	-	-	-	-	-	-	-	-	-	-
49	49	A-PS-3620219-0-0	36-20219-26		LABEL,KEYBOARD,W/ADH,DECMATE FLEMI	-	-	-	-	-	-	-	-	-	-	-
50	50	D-AR-7021081-0-DBU	70-21081-50		KEYCAP SET DECMATE CANADIAN FR	-	-	-	-	-	-	-	-	-	-	-
51	51	A-PS-3620219-0-0	36-20219-22		LABEL,KEYBOARD,DECMATE FRENCH	-	-	-	-	-	-	-	-	-	-	-
52	52	D-AR-7021081-0-DBU	70-21081-41		KEYCAP SET DENMARK	-	-	-	-	-	-	-	-	-	-	-
53	53	D-AR-7021081-0-DBU	70-21081-42		KEYCAP SET FINNISH	-	-	-	-	-	-	-	-	-	-	-
54	54	D-AR-7021081-0-DBU	70-21081-23		KEYCAP SET GERMAN DECMATE	-	-	-	-	-	-	-	-	-	-	-
55	55	A-PS-3620219-0-0	36-20219-20		LABEL,KEYBOARD,DECMATE GERMAN	-	-	-	-	-	-	-	-	-	-	-
56	56	D-AR-7021081-0-DBU	70-21081-51		KEYCAP SET W/DECMATE HOLLAND LEGEN	-	-	-	-	-	-	-	-	-	-	-
57	57	A-PS-3620219-0-0	36-20219-28		LABEL,KEYBOARD,W/ADH DUTCH	-	-	-	-	-	-	-	-	-	-	-
58	58	D-AR-7021081-0-DBU	70-21081-24		KEYCAP SET DECMATE ITALIAN	-	-	-	-	-	-	-	-	-	-	-
59	59	A-PS-3620219-0-0	36-20219-21		LABEL,KEYBOARD DECMATE ITALIAN	-	-	-	-	-	-	-	-	-	-	-
60	60	D-AR-7021081-0-DBU	70-21081-48		KEYCAP SET DECMATE SW-FR	-	-	-	-	-	-	-	-	-	-	-
61	61	D-AR-7021081-0-DBU	70-21081-49		KEYCAP SET DECMATE SW-GERMAN	-	-	-	-	-	-	-	-	-	-	-
62	62	D-AR-7021081-0-DEU	70-21081-43		KEYCAP SET SWEDISH	-	-	-	-	-	-	-	-	-	-	-
63	63		70-21081-44		KEYCAP SET NMORWEGIAN	-	-	-	-	-	-	-	-	-	-	-
64	64	D-AR-7021081-0-DBU	70-21081-25		KEYCAP SET DECMATE FRENCH	-	-	-	-	-	-	-	-	-	-	-
65	65	D-AR-7021081-0-DBU	70-21081-26		KEYCAP SET DECMATE SPANISH	-	-	-	-	-	-	-	-	-	-	-
66	66	A-PS-3620219-0-0	36-20219-23		LABEL,KEYBOARD,DECMATE SPANISH	-	-	-	-	-	-	-	-	-	-	-
67	67	D-AR-7021081-0-DBU	70-21081-59		KEYCAP SET W/STENOGRAPHIC LEGENDS	-	-	-	-	-	-	-	-	-	-	-
68	68	D-AR-7021081-0-DBU	70-21081-64		KEYCAPS SET W/APL LEGENDS	-	-	-	-	-	-	-	-	-	-	-
69	69	D-AR-7021081-0-DBU	70-21081-82		KEYCAP SET DANISH	-	-	-	-	-	-	-	-	-	-	-
70	70	D-AR-7021081-0-DBU	70-21081-83		KEYCAP SET UK/US	-	-	-	-	-	-	-	-	-	-	-
71	71	D-AR-7021081-0-DBU	70-21081-58		KEYCAP SET W/GREEK LEGENDS	-	-	-	-	-	-	-	-	-	-	-
72	72	A-PS-3620219-0-0	36-20219-29		LABEL,KEYBOARD GREEK	-	-	-	-	-	-	-	-	-	-	-
73	73	D-AR-7021081-0-DBU	70-21081-84		KEYCAP SET NORWEGIAN	-	-	-	-	-	-	-	-	-	-	-
74	74	D-AR-7021081-0-DBU	70-21081-54		KEYCAP SET W/ARABIC-ENG LEGEND	1	-	-	-	-	-	-	-	-	-	-
75	75	D-AR-7021081-0-DBU	70-21081-60		KEYCAP SET W/TURKISH LEGENDS	-	1	-	-	-	-	-	-	-	-	-
76	76	D-AR-7021081-0-DBU	70-21081-61		KEYCAP SET W/YUGOSLAVIAN LEGEND	-	-	1	-	-	-	-	-	-	-	-
77	77	D-AR-7021081-0-DBU	70-21081-56		KEYCAP SET W/DECMATE (CANADA) ENGL	-	-	-	1	-	-	-	-	-	-	-
78	78	D-AR-7021081-0-DBU	70-21081-55		KEYCAP SET W/DECMATE F.A.O. SPANIS	-	-	-	-	1	-	-	-	-	-	-
79	79	D-AR-7021081-0-DBU	70-21081-85		KEYCAP SET US/UK	-	-	-	-	-	1	-	-	-	-	-
80	80	A-PS-3620219-0-0	36-20219-34		LABEL,KEYBOARD ,VT300 US/UK	-	-	-	-	-	1	-	-	-	-	-
81	81	D-AR-7021081-0-DBU	70-21081-86		KEYCAP SET FINNISH	-	-	-	-	-	-	1	-	-	-	-
82	82	D-AR-7021081-0-DBU	70-21081-87		KEYCAP SET HOLLAND	-	-	-	-	-	-	-	1	-	-	-

D	I	G	I	T	A	L	TITLE	SECTION E OF F	SIZE	CODE	DOCUMENT NUMBER	REV
							LK201 KEYBOARD		K	PL	7023983-0-DBP	A

AUTOMATED BY VAXKPL (V1.3)

PARTS LIST

SHEET E3 OF E3

LINE ITEM	TOP DOCUMENT	PART NUMBER	MIN REV	DESCRIPTION	QUANTITY PER VARIATION/REVISION										
					ER A1	EU A1	EY A1	FC A1	FS A1	NA A1	NF A1	NH A1	PA A1	XA A1	
83	83 D-AR-7021081-0-DBU	70-21081-88		KEYCAP SET US/UK WPS	-	-	-	-	-	-	-	-	-	-	-
84	84 A-PS-3620219-0-0	36-20219-35		LABEL,KEYBOARD ,VT300 US/UK W	-	-	-	-	-	-	-	-	-	1	-
85	85 D-AR-7021081-0-DBU	70-21081-52		KEYCAP SET WITH XEROX LEGENDS	-	-	-	-	-	-	-	-	-	1	-
86	86 A-PS-3620219-0-0	36-20219-27		*** THIS ITEM IS NOT USED ***	-	-	-	-	-	-	-	-	-	-	1
87	87 D-AR-7021081-0-DBU	70-21081-62		KEYCAP SET W/NS100 TYPESETTER LEGE	-	-	-	-	-	-	-	-	-	-	-
88	88 A-PS-3620219-0-0	36-20219-30		LABEL,KEYBOARD,NS100	-	-	-	-	-	-	-	-	-	-	-
89	89 D-AR-7021081-0-DBU	70-21081-63		KEYCAP SET W/NS200 TYPESETTER LEGE	-	-	-	-	-	-	-	-	-	-	-
90	90 A-PS-3620219-0-0	36-20219-31		LABEL,KEYBOARD,NS200	-	-	-	-	-	-	-	-	-	-	-
91	91 D-AR-7021081-0-DBU	70-21081-66		KEYCAPS SET	-	-	-	-	-	-	-	-	-	-	-
92	92 A-PS-3620219-0-0	36-20219-33		LABEL,KEYBOARD,LRS-1/10,LRS-100	-	-	-	-	-	-	-	-	-	-	-
93	93 D-AR-7021081-0-DBU	70-21081-67		KEYCAPS SET	-	-	-	-	-	-	-	-	-	-	-

- 1 GEN: QUANTITY FOR ITEM 2 .002 GALLONS
- 2 GEN: KEYBOARDS BUILT IN EUROPE WILL USE KEYCAP PART NUMBER 7019005 IN PLACE OF 7021081.
- 3 GEN: KEYBOARDS BUILT IN EUROPE WILL USE 70-26053-02 IN PLACE OF 70-26053-01.

D	I	G	I	T	A	L	TITLE	SECTION E OF F	SIZE	CODE	DOCUMENT NUMBER	REV
							LK201 KEYBOARD		K	PL	7023983-0-DBP	A

LINE	ITEM	TOP DOCUMENT	PART NUMBER	MIN REV	DESCRIPTION	QUANTITY PER VARIATION/REVISION			
						XB A1	XC A1	XD A1	XE A1
1	1	E-AD-7018416-0-0	70-18416-00		KEYBOARD ASSY	1	1	1	1
2	2	SEE NOTE	49-01569-01		LUBRICANT,SILICONE	A/R	A/R	A/R	A/R
3	3		12-20374-01		SPRING,COMPRESSION .4200DX .250	5	5	5	5
4	4		12-20374-02		SPRING,COMPRESSION HIGH FORCE	3	3	3	3
5	5	D-MD-7427577-0-DBU	74-27577-01		FOOT,KEYBOARD SLOPE,5 DEGREES	2	2	2	2
6	6	C-MD-7427103-0-DBU	74-27103-01		EQUALIZER,SPACE BAR	1	1	1	1
7	7	B-MD-7426989-0-DBU	74-26989-01		BAR,EQUALIZER,DOUBLE KEY	2	2	2	2
8	8	D-MD-7428773-0-DBU	74-28773-01		SPACE BAR,LOW-PROFILE,ALT.	1	1	1	1
9	9		17-00294-00		CABLE,ASSY,CT150 KEYBOARD	1	1	1	1
10	10	A-PS-3623798-0-0	36-23798-01		LABEL,CABLE CAUTION,LK201	1	1	1	1
11	11		36-20312-01		LABEL,SERIAL/REGULATORY	1	1	1	1
12	12		70-21081-53		KEYCAP SET WITH U.S. LEGENDS	-	-	-	-
13	13	A-PS-3620219-0-0	36-20219-01		LABEL,KEYBOARD,W/ADH,AMERICAN	-	-	-	-
14	14	D-AR-7021081-0-DBU	70-21081-16		KEYCAP SET FLEMISH	-	-	-	-
15	15	A-PS-3620219-0-0	36-20219-06		LABEL,KEYBOARD,W/ADH,DUTCH	-	-	-	-
16	16	D-AR-7021081-0-DBU	70-21081-01		KEYCAP SET CAN./FR.	-	-	-	-
17	17	A-PS-3620219-0-0	36-20219-04		LABEL,KEYBOARD,W/ADH,FRENCH	-	-	-	-
18	18	D-AR-7021081-0-DBU	70-21081-02		KEYCAP SET DANISH	-	-	-	-
19	19	A-PS-3620219-0-0	36-20219-03		LABEL,KEYBOARD,W/ADH,DANISH	-	-	-	-
20	20	D-AR-7021081-0-DBU	70-21081-03		KEYCAP SET UK	-	-	-	-
21	21	D-AR-7021081-0-DBU	70-21081-04		KEYCAP SET FINNISH	-	-	-	-
22	22	A-PS-3620219-0-0	36-20219-05		LABEL,KEYBOARD,W/ADH,FINNISH	-	-	-	-
23	23	D-AR-7021081-0-DBU	70-21081-05		KEYCAP SET GERMAN	-	-	-	-
24	24	A-PS-3620219-0-0	36-20219-02		LABEL,KEYBOARD,W/ADH,AUSTRIAN/GERM	-	-	-	-
25	25	D-AR-7021081-0-DBU	70-21081-06		KEYCAP SET DUTCH	-	-	-	-
26	26				*** THIS ITEM IS NOT USED ***	-	-	-	-
27	27	D-AR-7021081-0-DBU	70-21081-07		KEYCAP SET ITALIAN	-	-	-	-
28	28	A-PS-3620219-0-0	36-20219-07		LABEL,KEYBOARD,W/ADH,ITALIAN	-	-	-	-
29	29	D-AR-7021081-0-DBU	70-21081-08		KEYCAP SET KATA KANA	-	-	-	-
30	30	A-PS-3620219-0-0	36-20219-11		LABEL,KEYBOARD,W/ADH,KATAKANA	-	-	-	-
31	31	D-AR-7021081-0-DBU	70-21081-09		KEYCAP SET SWISS/FR.	-	-	-	-
32	32	D-AR-7021081-0-DBU	70-21081-10		KEYCAP SET SWISS/GR.	-	-	-	-

REVISION HISTORY		KPL MATRIX FORMAT		SECTION F OF F		DPN: S.H.PIPER		DIGITAL			
ENG	ECO NUMBER	REV	SECTION/VARIATION INDEX		DATE: 13-JAN-87		TITLE PARTS LIST				
DW	LK201-MLO24	A	[[A]	AA,AB,AC,AD,AE,AF,AG,AH,AI,AJ	CHK'D: J.KUSHIGAN		LK201 KEYBOARD				
			[[B]	AK,AL,AM,AN,AP,AS,AT,AU,AV,AY	DATE: 23-JAN-87						
			[[C]	BA,BB,BC,BD,BF,BG,BH,BI,BK,BL	DES.ENG: D.WILLIAMS		DOCUMENT NUMBER				
			[[D]	BM,BN,BP,BS,EB,EC,ED,EE,EH,EN	DATE: 13-JAN-87		SIZE	CODE	NUMBER	REV	
			[[E]	ER,EU,EY,FC,FS,NA,NF,NH,PA,XA	RESP.ENG.: D.WILLIAMS		K	PL	7023983-0-DBP	A	
			[[F]	XB,XC,XD,XE	DATE: 13-JAN-87		RELEASE DATE: 17-JUN-87				
			[[H]		MFG.ENG: M.FLYNN		RELEASE STATUS: RELEASED				
			[[J]		DATE: 23-JAN-87						
			BASIC PART NUMBER:		ASSEMBLY NUMBER:		TOP DOCUMENT NUMBER:		FILE NAME:		EDIT #
			7023983		E-UA-7023983-0-0		K-DD-7023983-0-0		MLA0796A.PLS		29

"THIS DRAWING AND THE SPECIFICATIONS CONTAINED HEREIN ARE CONFIDENTIAL AND PROPRIETARY. THEY ARE THE PROPERTY OF DIGITAL EQUIPMENT CORPORATION AND SHALL NOT BE REPRODUCED OR COPIED OR USED IN WHOLE OR IN PART AS THE BASIS FOR THE MANUFACTURE OR SALE OF ITEMS WITHOUT WRITTEN PERMISSION. THIS IS AN UNPUBLISHED WORK PROTECTED UNDER THE FEDERAL COPYRIGHT LAWS."

LINE ITEM	TOP DOCUMENT	PART NUMBER	MIN REV	DESCRIPTION	QUANTITY PER VARIATION/REVISION			
					XB A1	XC A1	XD A1	XE A1
33	33	D-AR-7021081-0-DBU	70-21081-11	KEYCAP SET SWEDISH	-	-	-	-
34	34	A-PS-3620219-0-0	36-20219-09	LABEL,KEYBOARD,W/ADH,SWEDISH	-	-	-	-
35	35	D-AR-7021081-0-DBU	70-21081-12	KEYCAP SET NORWEGIAN	-	-	-	-
36	36	A-PS-3620219-0-0	36-20219-10	LABEL,KEYBOARD,W/ADH,NORWEIGN	-	-	-	-
37	37	D-AR-7021081-0-DBU	70-21081-13	KEYCAP SET FRENCH	-	-	-	-
38	38	D-AR-7021081-0-DBU	70-21081-14	KEYCAP SET SPANISH	-	-	-	-
39	39	A-PS-3620219-0-0	36-20219-08	LABEL,KEYBOARD,W/ADH,SPANISH	-	-	-	-
40	40	D-AR-7021081-0-DBU	70-21081-22	KEYCAP SET HEBREW	-	-	-	-
41	41	A-PS-3620219-0-0	36-20219-19	LABEL,KEYBOARD,HEBREW	-	-	-	-
42	42	D-AR-7021081-0-DBU	70-21081-45	KEYCAP SET ICELANDIC	-	-	-	-
43	43	D-AR-7021081-0-DBU	70-21081-57	KEYCAP SET W/PORTUGUESE L.F.GENDS	-	-	-	-
44	44	D-AR-7021081-0-DBU	70-21081-40	KEYCAP SET JAP HIRAGANA	-	-	-	-
45	45	A-PS-3620219-0-0	36-20219-24	LABEL,KEYBOARD,JAPANESE HIRAGANA	-	-	-	-
46	46	D-AR-7021081-0-DBU	70-21081-15	KEYCAP SET DECMATE/US	-	-	-	-
47	47	A-PS-3620219-0-0	36-20219-13	LABEL,KEYBOARD,DECMATE II	-	-	-	-
48	48	D-AR-7021081-0-DBU	70-21081-47	KEYCAP SET DECMATE FLEMISH	-	-	-	-
49	49	A-PS-3620219-0-0	36-20219-26	LABEL,KEYBOARD,W/ADH,DECMATE FLEMI	-	-	-	-
50	50	D-AR-7021081-0-DBU	70-21081-50	KEYCAP SET DECMATE CANADIAN FR	-	-	-	-
51	51	A-PS-3620219-0-0	36-20219-22	LABEL,KEYBOARD,DECMATE FRENCH	-	-	-	-
52	52	D-AR-7021081-0-DBU	70-21081-41	KEYCAP SET DENMARK	-	-	-	-
53	53	D-AR-7021081-0-DBU	70-21081-42	KEYCAP SET FINNISH	-	-	-	-
54	54	D-AR-7021081-0-DBU	70-21081-23	KEYCAP SET GERMAN DECMATE	-	-	-	-
55	55	A-PS-3620219-0-0	36-20219-20	LABEL,KEYBOARD,DECMATE GERMAN	-	-	-	-
56	56	D-AR-7021081-0-DBU	70-21081-51	KEYCAP SET W/DECMATE HOLLAND LEGEN	-	-	-	-
57	57	A-PS-3620219-0-0	36-20219-28	LABEL,KEYBOARD,W/ADH DUTCH	-	-	-	-
58	58	D-AR-7021081-0-DBU	70-21081-24	KEYCAP SET DECMATE ITALIAN	-	-	-	-
59	59	A-PS-3620219-0-0	36-20219-21	LABEL,KEYBOARD DECMATE ITALIAN	-	-	-	-
60	60	D-AR-7021081-0-DBU	70-21081-48	KEYCAP SET DECMATE SW-FR	-	-	-	-
61	61	D-AR-7021081-0-DBU	70-21081-49	KEYCAP SET DECMATE SW-GERMAN	-	-	-	-
62	62	D-AR-7021081-0-DBU	70-21081-43	KEYCAP SET SWEDISH	-	-	-	-
63	63		70-21081-44	KEYCAP SET NMORWEGIAN	-	-	-	-
64	64	D-AR-7021081-0-DBU	70-21081-25	KEYCAP SET DECMATE FRENCH	-	-	-	-
65	65	D-AR-7021081-0-DBU	70-21081-26	KEYCAP SET DECMATE SPANISH	-	-	-	-
66	66	A-PS-3620219-0-0	36-20219-23	LABEL,KEYBOARD,DECMATE SPANISH	-	-	-	-
67	67	D-AR-7021081-0-DBU	70-21081-59	KEYCAP SET W/STENOGRAPHIC LEGENDS	-	-	-	-
68	68	D-AR-7021081-0-DBU	70-21081-64	KEYCAPS SET W/APL LEGENDS	-	-	-	-
69	69	D-AR-7021081-0-DBU	70-21081-82	KEYCAP SET DANISH	-	-	-	-
70	70	D-AR-7021081-0-DBU	70-21081-83	KEYCAP SET UK/US	-	-	-	-
71	71	D-AR-7021081-0-DBU	70-21081-58	KEYCAP SET W/GREEK LEGENDS	-	-	-	-
72	72	A-PS-3620219-0-0	36-20219-29	LABEL,KEYBOARD GREEK	-	-	-	-
73	73	D-AR-7021081-0-DBU	70-21081-84	KEYCAP SET NORWEGIAN	-	-	-	-
74	74	D-AR-7021081-0-DBU	70-21081-54	KEYCAP SET W/ARABIC-ENG LEGEND	-	-	-	-
75	75	D-AR-7021081-0-DBU	70-21081-60	KEYCAP SET W/TURKISH LEGENDS	-	-	-	-
76	76	D-AR-7021081-0-DBU	70-21081-61	KEYCAP SET W/YUGOSLAVIAN LEGEND	-	-	-	-
77	77	D-AR-7021081-0-DBU	70-21081-56	KEYCAP SET W/DECMATE (CANADA) ENGL	-	-	-	-
78	78	D-AR-7021081-0-DBU	70-21081-55	KEYCAP SET W/DECMATE F.A.O. SPANIS	-	-	-	-
79	79	D-AR-7021081-0-DBU	70-21081-85	KEYCAP SET US/UK	-	-	-	-
80	80	A-PS-3620219-0-0	36-20219-34	LABEL,KEYBOARD ,VT300 US/UK	-	-	-	-
81	81	D-AR-7021081-0-DBU	70-21081-86	KEYCAP SET FINNISH	-	-	-	-
82	82	D-AR-7021081-0-DBU	70-21081-87	KEYCAP SET HOLLAND	-	-	-	-

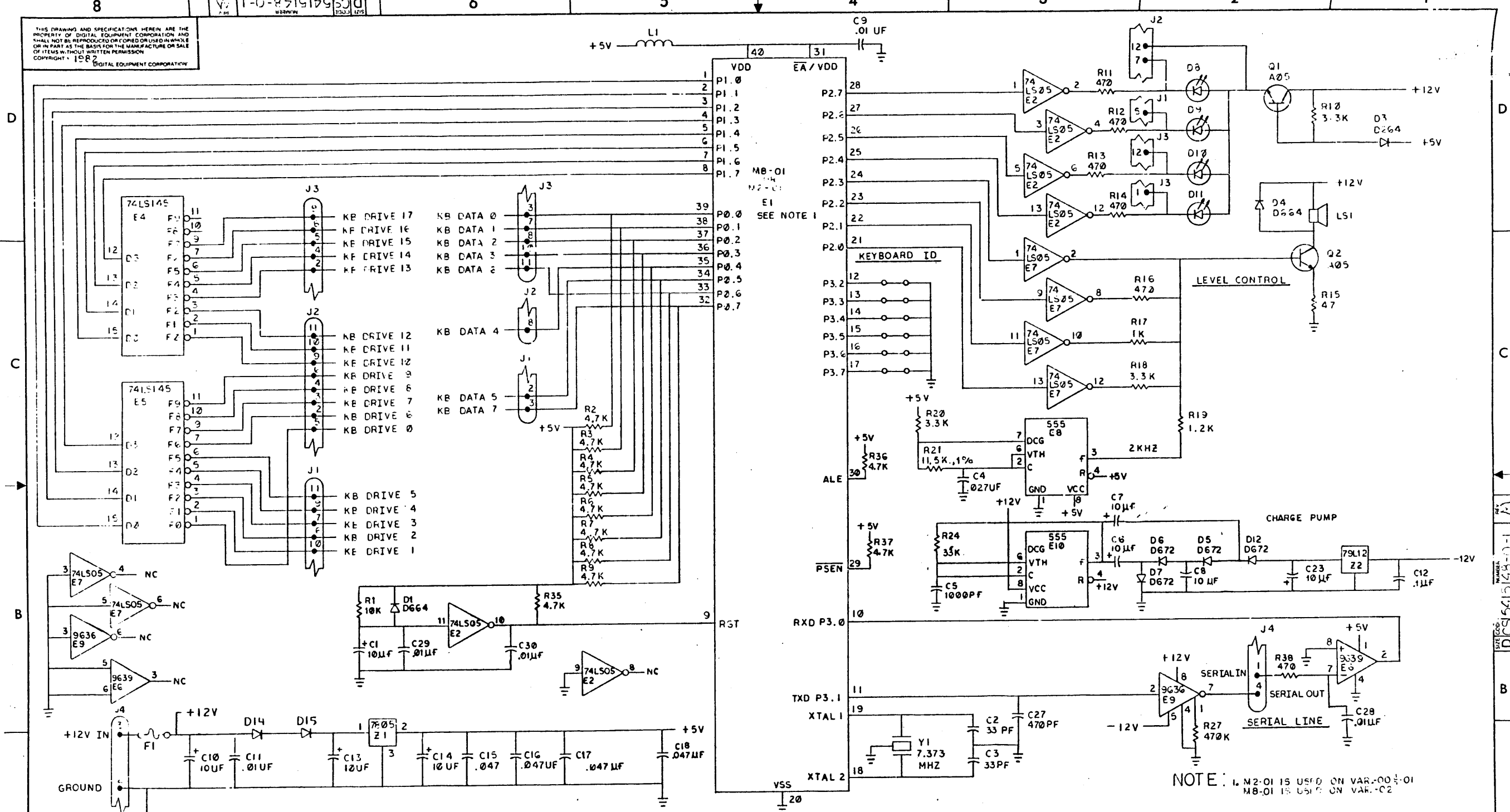
D	I	G	I	T	A	L	TITLE	SECTION F	OF	F	SIZE	CODE	DOCUMENT NUMBER	REV
							LK201 KEYBOARD				K	PL	7023983-0-DBP	A

LINE	ITEM	TOP DOCUMENT	PART NUMBER	MIN REV	DESCRIPTION	QUANTITY PER VARIATION/REVISION			
						XB A1	XC A1	XD A1	XE A1
83	83	D-AR-7021081-0-DBU	70-21081-88		KEYCAP SET US/UK WPS	-	-	-	-
84	84	A-PS-3620219-0-0	36-20219-35		LABEL,KEYBOARD ,VT300 US/UK W	-	-	-	-
85	85	D-AR-7021081-0-DBU	70-21081-52		KEYCAP SET WITH XEROX LEGENDS	-	-	-	-
86	86	A-PS-3620219-0-0	36-20219-27		*** THIS ITEM IS NOT USED ***	-	-	-	-
87	87	D-AR-7021081-0-DBU	70-21081-62		KEYCAP SET W/NS100 TYPESETTER LEGE	1	-	-	-
88	88	A-PS-3620219-0-0	36-20219-30		LABEL,KEYBOARD,NS100	1	-	-	-
89	89	D-AR-7021081-0-DBU	70-21081-63		KEYCAP SET W/NS200 TYPESETTER LEGE	-	1	-	-
90	90	A-PS-3620219-0-0	36-20219-31		LABEL,KEYBOARD,NS200	-	1	-	-
91	91	D-AR-7021081-0-DBU	70-21081-66		KEYCAPS SET	-	-	1	-
92	92	A-PS-3620219-0-0	36-20219-33		LABEL,KEYBOARD,LRS-1/10,LRS-100	-	-	1	1
93	93	D-AR-7021081-0-DBU	70-21081-67		KEYCAPS SET	-	-	-	1

- 1 GEN: QUANTITY FOR ITEM 2 .002 GALLONS
- 2 GEN: KEYBOARDS BUILT IN EUROPE WILL USE KEYCAP PART NUMBER 7019005 IN PLACE OF 7021081.
- 3 GEN: KEYBOARDS BUILT IN EUROPE WILL USE 70-26053-02 IN PLACE OF 70-26053-01.

D	I	G	I	T	A	L	TITLE		SECTION F	OF	F	SIZE	CODE	DOCUMENT NUMBER	REV
							LK201 KEYBOARD					K	PL	7023983-0-DBP	A

THIS DRAWING AND SPECIFICATIONS HEREIN ARE THE PROPERTY OF DIGITAL EQUIPMENT CORPORATION AND SHALL NOT BE REPRODUCED OR COPIED OR USED IN WHOLE OR IN PART AS THE BASIS FOR THE MANUFACTURE OR SALE OF ITEMS WITHOUT WRITTEN PERMISSION. COPYRIGHT © 1982 DIGITAL EQUIPMENT CORPORATION



NOTE: 1. M2-01 IS USED ON VAR-005-01
MB-01 IS USED ON VAR-C2

DATE	ECO NUMBER	REV	INITIAL
4/5	5415148-ML000	A	B
		B	B
		C	B
		D	B
		E	B
		F	B
		G	B
		H	B
		I	B
		J	B
		K	B
		L	B
		M	B
		N	B
		O	B
		P	B
		Q	B
		R	B
		S	B
		T	B
		U	B
		V	B
		W	B
		X	B
		Y	B
		Z	B

DATE	4/18/81	TITLE	digital
DESIGNER	Rick L...	ENCODING MOD.	
DESIGN	3/20/81	LK200 KEYBOARD	
DATE	9/27/82	DOCUMENT NUMBER	
DATE		SIZE	D
DATE		CODE	CS
DATE		NUMBER	5415148-0-1
DATE		REV	M
DATE		SCALE	
DATE		SHEET	1

LINE	ITEM	TOP DOCUMENT	PART NUMBER	MIN REV	DESCRIPTION	QTY PER VAR/REV			REFERENCE DESIGNATORS
						00 L1	01 B1	02 A1	
1	1	D-MD-5015147-0-0	50-15147-00		54-15148 DRILL AND ETCH BOARD	1	1	1	
2	2		10-01610-00		0.010MFD 50V +80/-20% Z5U C	5	5	5	C9,C11,C28-C30
3	3		10-12312-00		*** THIS ITEM IS NOT USED ***	-	-	-	
4	4		10-12784-00		0.047MFD 50V +80/-20% Z5U C	4	4	4	C15-C18
5	5		10-13466-02		*** THIS ITEM IS NOT USED ***	-	-	-	
6	6		10-13466-14		*** THIS ITEM IS NOT USED ***	-	-	-	
7	7		10-13466-19		470 PFD 50V +/- 5% NP0 C	1	1	1	C27
8	8		10-15573-00		0.027MFD 50V +/- 5% X7R C	1	1	1	C4
9	9		10-16549-00		*** THIS ITEM IS NOT USED ***	-	-	-	
10	10		10-17472-00		10 MFD 35V +75/-10% ALU	8	8	8	C1,C6-C8,C10,C13,C14,C23
11	11		11-00114-00		PIV= 25 IO=135 MA	3	3	3	D1,D3,D4
12	12		11-05796-00		PIV= 400 IO= 1.00A 1N4004 D0-41	2	2	2	D14,D15
13	13		11-20252-01		RED-ULTRA BRIGHT LED-T1 3/4 12MC	4	4	4	D8-D11
14	14		12-15006-08		SKT,IC 40PIN DIP TIN SOLD	-	-	1	
15	15		12-17477-00		TRANSDUCER,MINIATURE AUDIO,1.5V	1	1	1	LS1
16	16		12-18826-00		CONN,PHONE JACK 04 POS	1	1	1	J4
17	17		12-18827-00		CONN,ZIP 12POS STND FORCE CONN C	3	3	3	J1-J3
18	18		13-00202-00		47.0 .25 W 5.0 % CF	1	1	1	R15
19	19		13-00316-00		470.0 .25 W 5.0 % CF	6	6	6	R11-R14,R16,R38
20	20		13-00365-00		1.0 K .25 W 5.0 % CF	1	1	1	R17
21	21		13-00426-00		*** THIS ITEM IS NOT USED ***	-	-	-	
22	22		13-00439-00		3.30 K .25 W 5.0 % CF	3	3	3	R10,R18,R20
23	23		13-00447-00		4.70 K .25 W 5.0 % CF	11	11	11	R2-R9,R35-R37
24	24		13-00479-00		10.0 K .25 W 5.0 % CF	1	1	1	R1
25	25		13-01320-00		1.20 K .25 W 5.0 % CF	1	1	1	R19
26	26		13-02378-00		*** THIS ITEM IS NOT USED ***	-	-	-	
27	27		13-02398-00		470.0 K .25 W 5.0 % CF	1	1	1	R27
28	28		13-09415-00		11.50 K .25 W 1.0 % RN55D-F10	1	1	1	R21
29	29		13-09417-00		*** THIS ITEM IS NOT USED ***	-	-	-	
30	30		15-10705-00		XA 05 NPN 500MW SI 60 50 P	2	2	2	Q1,Q2
31	31		16-03421-00		*** THIS ITEM IS NOT USED ***	-	-	-	
32	32		16-18238-02		*** THIS ITEM IS NOT USED ***	-	-	-	

REVISION HISTORY			KPL MODULE FORMAT		SECTION A OF A		DRN: R.Z.BUREAU		DIGITAL			
ENG	ECO NUMBER	REV	SECTION/VARIATION INDEX		DATE: 26-MAR-82		CHK'D: DAVID DROZD		TITLE PARTS LIST			
CC	5415148-ML008	H	[A]	00,01,02	[M]	DATE: 26-MAR-82	DATE: 26-MAR-82		LK200 KEYBOARD ENCODING MODULE			
BG	5415148-ML009	J	[B]		[N]		DES.ENG: BOB GETTYS		DOCUMENT NUMBER			
DW	5415148-ML010	K	[C]		[P]		DATE: 26-MAR-82		SIZE	CODE	NUMBER	REV
BG	5415148-ML011	L	[D]		[Q]		RESP.ENG.: ART LEN		K	PL	5415148-0-DBP	Y
DW	5415148-ML012	M	[E]		[R]		DATE: 27-MAR-82		RELEASE DATE: 22-MAY-87			
BG	5415148-ML013	N	[F]		[S]		MFG.ENG: LEROY QUARLES		RELEASE STATUS: RELEASED			
DW	5415148-ML014	P	[H]		[T]		DATE: 25-MAY-82					
AJ	5415148-ML015	R	[J]		[V]							
AJ	5415148-ML016	S	[K]		[W]							
DW	5415148-ML017	T	[L]		[Y]							
DW	5415148-ML018	U										
DW	5415148-ML020	W	BASIC PART NUMBER:		ASSEMBLY NUMBER:		TOP DOCUMENT NUMBER:		FILE NAME:		EDIT #	
DW	5415148-ML021	Y	5415148		D-UA-5415148-0-0		B-DD-5415148-0		Z3085Y.PLS		4	

"THIS DRAWING AND THE SPECIFICATIONS CONTAINED HEREIN ARE CONFIDENTIAL AND PROPRIETARY. THEY ARE THE PROPERTY OF DIGITAL EQUIPMENT CORPORATION AND SHALL NOT BE REPRODUCED OR COPIED OR USED IN WHOLE OR IN PART AS THE BASIS FOR THE MANUFACTURE OR SALE OF ITEMS WITHOUT WRITTEN PERMISSION. THIS IS AN UNPUBLISHED WORK PROTECTED UNDER THE FEDERAL COPYRIGHT LAWS."

PARTS LIST

LINE	ITEM	TOP DOCUMENT	PART NUMBER	MIN REV	DESCRIPTION	QTY PER VAR/REV			REFERENCE DESIGNATORS
						00 L1	01 B1	02 A1	
33	33		18-12396-13		XTAL 7.373 MHZ	1	1	1	Y1
34	34		19-12536-01		7805 VOLT REG, FIX +5V	1	1	1	Z1
35	35		19-12804-00		LS05 INVERTER GATE-HEX 11	2	2	2	E2,E7
36	36		19-14392-00		*** THIS ITEM IS NOT USED ***	-	-	-	
37	37		19-15415-00		*** THIS ITEM IS NOT USED ***	-	-	-	
38	38		19-16028-00		*** THIS ITEM IS NOT USED ***	-	-	-	
39	39		19-19542-01		9639 RECEIVER, LINE, DUAL	1	1	1	E6
40	40		19-19580-01		LS145 DECODER, BCD/DECIMAL	2	2	2	E4,E5
41	41		23-4M1 -00		*** THIS ITEM IS NOT USED ***	-	-	-	
42	42		74-26223-01		SUPPORT, FOR LED, PC MOUNT	1	1	1	
43	43		90-09185-00		*** THIS ITEM IS NOT USED ***	-	-	-	
44	44		16-20585-01		*** THIS ITEM IS NOT USED ***	-	-	-	
45	45		19-16028-B0		*** THIS ITEM IS NOT USED ***	-	-	-	
46	46		19-15415-B0		9636 BURNED-IN DRIVER, DUA	1	1	1	E9
47	47		13-12496-00		*** THIS ITEM IS NOT USED ***	-	-	-	
48	48		12-15006-18		*** THIS ITEM IS NOT USED ***	-	-	-	
49	49		16-21534-01		*** THIS ITEM IS NOT USED ***	-	-	-	
50	50		10-13466-09		1000 PFD 50V +/-10% X7R C	1	1	1	C5
51	51		10-13466-22		0.10 MFD 50V +80/-20% Z5U C	1	1	1	C12
52	52		11-05275-00		PIV= 60 IO=300 MA -15NS	4	4	4	D5-D7,D12
53	53		13-13349-00		33.0 K .25 W 5.0 % CF	1	1	1	R24
54	54		19-11944-00		555CN TIMER, FUNCT. BLOCK	2	2	2	E8,E10
55	55		19-22163-01		79L12 VOLT REG 12V	1	1	1	Z2
56	56		74-29488-01		CLIP, CHASSIS GROUND	1	1	1	
57	57		48-40010-01		*** THIS ITEM IS NOT USED ***	-	-	-	
58	58		36-12911-00		*** THIS ITEM IS NOT USED ***	-	-	-	
59	59	SEE NOTE	36-21711-08		LABEL, BAR CODE 1.375 X .3125	A/R	A/R	A/R	E1
60	60		23-4M2 -00		M2-01	1	1	-	
61	61		13-00195-00		*** THIS ITEM IS NOT USED ***	-	-	-	
62	62		12-10929-11		FUSE PICO .375A 125V AXIAL LEA	1	1	-	F1
63	63		37-00689-05		PKG UNIVERSAL MODULE 30 PACK	-	1	1	
64	64	SEE NOTE	16-24955-01	A	BEAD, FERRITE 1TURN	1	1	1	L1
65	65		10-13466-04		33 PFD 50V +/- 5% NPO C	2	2	2	C2,C3
66	66		23-4M8 -00		M8-01	-	-	1	E1

- 1 GEN: PART NUMBER 23004M1 IS AN ACCEPTABLE ALTERNATE FOR ITEM 60
- 2 GEN: ITEM 59 MAYBE USED BY MFG FOR TRACKING POSES
- 3 GEN: FOR VLO MFG USE: PART NUMBER 16-21534-01 IS AN ACCEPTABLE ALTERNATIVE FOR ITEM 64 PART NUMBER 16-249955-01

D	I	G	I	T	A	L	TITLE	SECTION A	OF	A	SIZE	CODE	DOCUMENT NUMBER	REV
							LK200 KEYBOARD ENCODING MODULE				K	PL	5415148-0-DBP	Y

THIS DRAWING AND SPECIFICATIONS HEREIN ARE THE PROPERTY OF DIGITAL EQUIPMENT CORPORATION AND SHALL NOT BE REPRODUCED OR COPIED IN WHOLE OR IN PART WITHOUT THE WRITTEN PERMISSION OF DIGITAL EQUIPMENT CORPORATION © 1983

B. REFERENCE DATA (CONTINUED)

ACTUATION OF A SWITCH SHALL OCCUR WHEN A WEIGHT OF 32 GRAMS $1 \pm 10\% - 10\%$ IS APPLIED WITH A .08 DIAMETER HARD SPHERICAL ACTUATOR AT SWITCH CENTER 10R WITHIN .040 OF CENTER1. EACH SWITCH SHALL OPERATE CLEANLY AT UP TO 10 HZ ACTUATION FREQUENCY.

MAXIMUM ALLOWABLE CONTACT BOUNCE 5 MS.
CAPACITANCE ACROSS ANY OPEN SWITCH 100 PICO FARADS MAXIMUM.
MINIMUM RESISTANCE BETWEEN LINES 20 MEG OHMS.
MAXIMUM RESISTANCE ACROSS ANY CLOSED SWITCH WHEN MEASURED AT FLEX TAILS 200 OHMS.

UNIT MUST MEET ALL OF THE ABOVE CRITERIA WHEN SUBJECTED TO THE FOLLOWING CONDITIONS:
20 MILLION ACTUATION CYCLES WITH STANDARD SPHERICAL ACTUATOR WITH MAXIMUM ACTUATOR FORCE OF 150 GRAMS.
STORAGE TEMPERATURES FROM -20°C TO 60°C.
OPERATING TEMPERATURES FROM -10°C TO 40°C.
VOLTAGE ACROSS EACH SWITCH 5 VOLTS.
CURRENT ACROSS EACH SWITCH 2 MA MAXIMUM.
RELATIVE HUMIDITY 10% TO 90% WITH MAXIMUM WETBULB OF 28°C AND MINIMUM DEWPOINT 2°C.

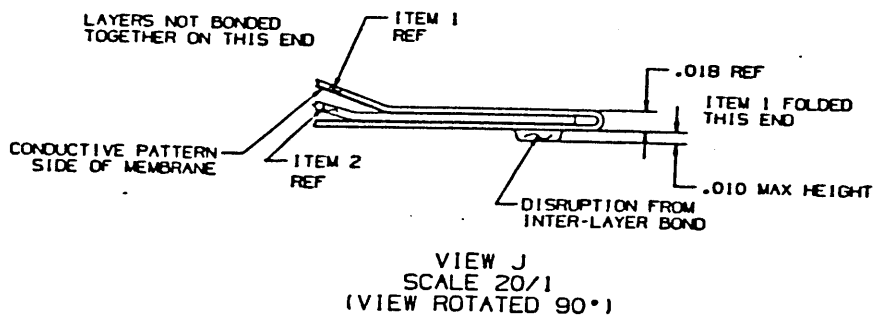
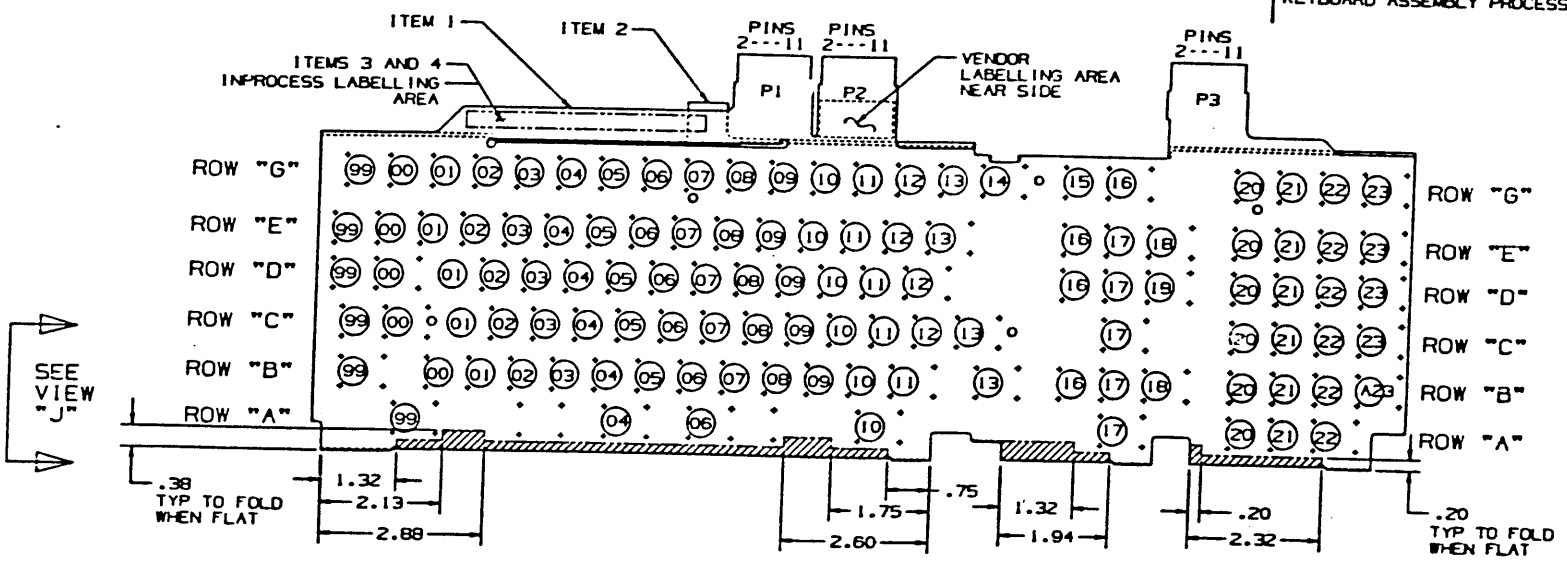
FLAMMABILITY: PART SHALL PASS UL94HB APPLICATION TEST WHEN TESTED IN FINAL END USER CONFIGURATION.

SHELF LIFE: ONE YEAR PACKAGED AT ABOVE TEMPERATURE AND HUMIDITY CONDITIONS WITHOUT DEGRADATION.
ASSEMBLY LIFE: 10 YEARS IN APPLICATION.

9. ADD BARCODE LABELS ITEM 3 AND ITEM 4 TO INPROCESS LABELLING AREA DURING KEYBOARD ASSEMBLY PROCESS.

NOTES:

- INTERLAYER BONDING:**
3 LAYERS TO BE PERMANENTLY BONDED BY MEANS OF A MINIMUM OF 4 TACK WELDS TO BE LOCATED COMPLETELY WITHIN CROSS-HATCHED AREA SHOWN. NO INTERLAYER BONDING ALLOWED OUTSIDE OF CROSS-HATCHED AREA SHOWN.
BONDING MAY BE VIA HEAT WELDING OR ULTRASONIC WELDING WITHIN REQUIREMENTS OF DETAIL J. BONDS MUST NOT CONTACT ANY CONDUCTIVE TRACE EVEN WITHIN CROSS-HATCHED AREAS.
BONDS ARE INTENDED TO MAINTAIN ALIGNMENT BETWEEN LAYERS AND NOT FOR SEALING PURPOSES. HOWEVER, BONDS SHOULD EXHIBIT STRENGTH OF THE BASE MATERIAL IN PEEL TEST.
- ALIGNMENT BETWEEN LAYERS:**
HOLE PATTERNS ON 2 HALVES OF FOLDED MEMBRANE (ITEM 1) AND HOLE PATTERN IN SPACER (ITEM 2) SHOULD BE SUBSTANTIALLY ALIGNED AFTER BONDING SUCH THAT WHEN ASSEMBLY IS RESTRAINED IN FLAT POSITION, A .076 DIAMETER PIN MAY PASS THROUGH EACH OF 290 .100 DIA MOUNTING HOLES WITHOUT CAUSING DEFORMATION OF ANY KIND. THIS IS A MINIMUM REQUIREMENT AND SUBSTANTIALLY BETTER ALIGNMENT BETWEEN HOLE PATTERNS IS A PLUS.
- FOLDS:**
INSIDE RADIUS OF 4 FOLDS IN ITEM 1 SHOULD BE GREATER THAN .015 INCHES.
- MARKING:**
PARTS SHOULD BE MARKED IN AREA SHOWN (BY MEANS OF INK STAMP OR LABEL) WITH THE FOLLOWING INFORMATION:
DIGITAL PART NUMBER AND REVISION LEVEL
VENDOR SYMBOL, VENDOR LOT NUMBER, AND DATE CODE.
- WORKMANSHIP:**
ITEM SHALL BE UNIFORM IN QUALITY AND BE FREE FROM DEFECTS. ITEM SHALL CONFORM TO ALL PROVISIONS OF DOCUMENTS DESCRIBING INDIVIDUAL PARTS PRIOR TO THIS ASSEMBLY.
- PACKAGING AND SHIPPING:**
UNIT SHALL BE SUPPLIED IN SEALED PLASTIC BAG. ITEM SHALL BE PROPERLY PACKAGED FOR PROTECTION AGAINST DAMAGE AND CONTAMINATION DURING HANDLING, TRANSIT AND STORAGE. PACKAGING SHALL BE SULPHUR FREE, LINT FREE AND FREE OF DEBRIS. MINIMUM MARKING DATA ON CONTAINER SHALL INCLUDE VENDOR SYMBOL, DIGITAL PART NUMBER AND REVISION LEVEL, PURCHASE ORDER NUMBER AND QUANTITY.
- QUALITY ASSURANCE PROVISION:**
ITEMS SUBMITTED SHALL HAVE BEEN INITIALLY APPROVED BY DIGITAL. APPROVAL SHALL BE GIVEN ONLY AFTER SAMPLES REPRESENTATIVE OF THE VENDOR'S NORMAL PRODUCTION RUN HAVE BEEN EXAMINED, TESTED AND FOUND TO MEET THE REQUIREMENTS OF THIS SPEC. NO CHANGES IN MATERIALS OR PROCESS MAY BE MADE WITHOUT REQUALIFICATION BY DIGITAL.
- PERFORMANCE CRITERIA (REFERENCE):**
THIS ASSEMBLY HAS BEEN DESIGNED TO OPERATE UNDER THE FOLLOWING CONDITIONS AND MEET THE FOLLOWING CRITERIA. WHEN PARTS ARE BUILT TO MEET THE ABOVE SPECIFICATIONS, IT IS DIGITAL'S BELIEF THAT THE FOLLOWING CRITERIA WILL AUTOMATICALLY BE MET. THEREFORE THIS INFORMATION IS PROVIDED FOR REFERENCE ONLY.



(CONTINUED IN NEXT COLUMN)

DEC CONFIDENTIAL PROPRIETARY INFORMATION

THIS DOCUMENT CONTAINS CONFIDENTIAL PROPRIETARY INFORMATION OF DEC. THIS INFORMATION SHALL NOT BE DISCLOSED TO PERSONS OUTSIDE THE EMPLOY OF DEC, EXCEPT TO PERSONS SO AUTHORIZED BY DEC, AND ONLY FOR USE BY SUCH OTHER PERSONS IN THE DESIGN, PRODUCTION, OR MANUFACTURE OF PRODUCTS FOR DEC.

CAUTION: OFF-SHEET PARTS LIST EXISTS
SEE K-PL-5415172-0-DBP

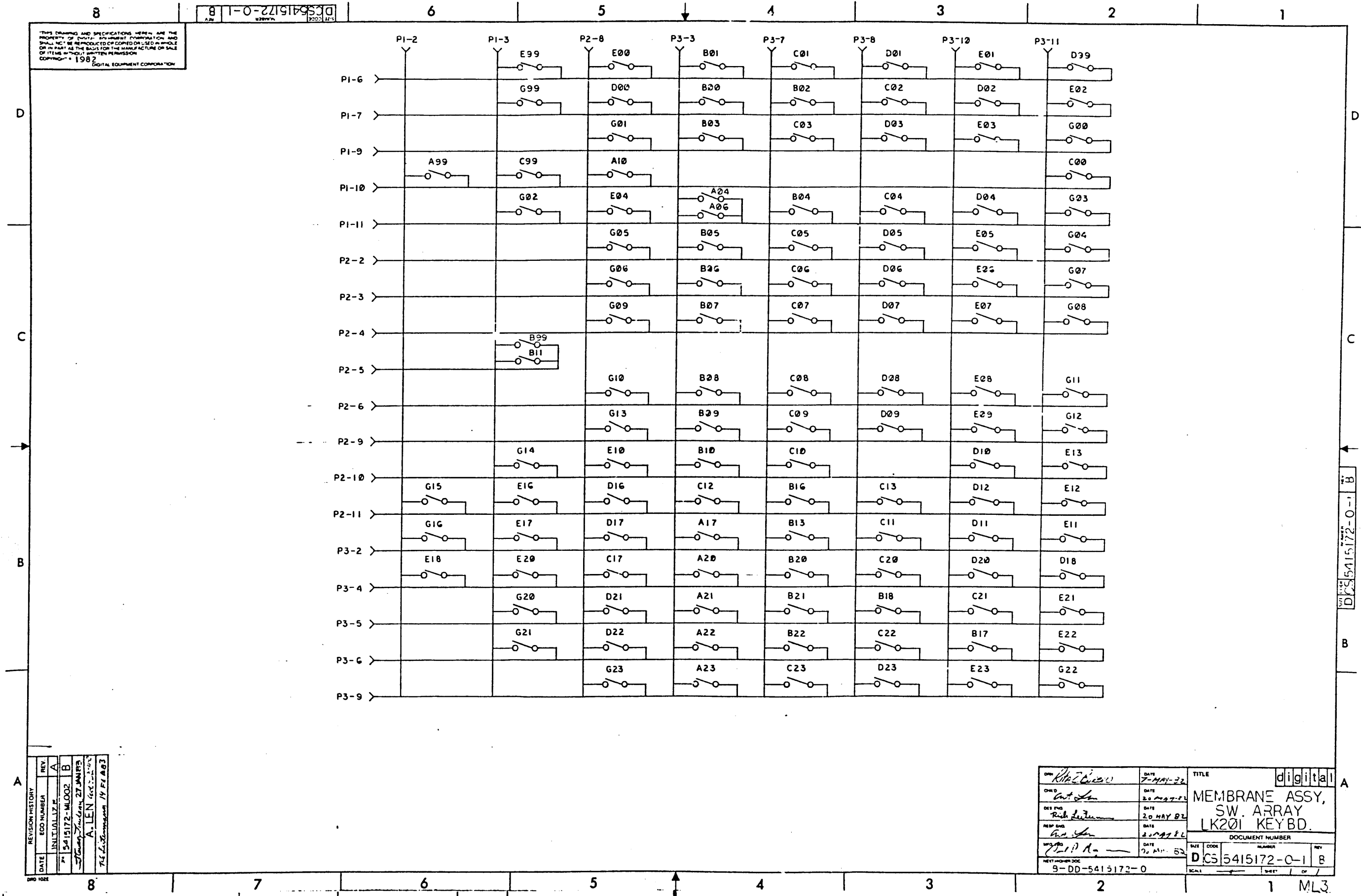
PLOT LAYER 1 AT SCALE 1/1

REV	DATE	BY	CHKD	DESCRIPTION
A	11/17/82	J.PAT	J.PAT	INITIAL
B	11/17/82	J.PAT	J.PAT	REVISION
C	11/17/82	J.PAT	J.PAT	REVISION
D	11/17/82	J.PAT	J.PAT	REVISION
E	11/17/82	J.PAT	J.PAT	REVISION
F	11/17/82	J.PAT	J.PAT	REVISION
G	11/17/82	J.PAT	J.PAT	REVISION
H	11/17/82	J.PAT	J.PAT	REVISION
I	11/17/82	J.PAT	J.PAT	REVISION
J	11/17/82	J.PAT	J.PAT	REVISION

DESCRIPTION	DWG NO.	PART NO.	REV
MEMBRANE ASSY SWITCH ARRAY LK201 KEYBO	E-1A-7019004-0-DDU		
DATE	13 MAY 82	DATE	13 MAY 82
BY	J.PAT	BY	J.PAT
CHKD	J.PAT	CHKD	J.PAT
APP'D	J.PAT	APP'D	J.PAT
DATE	13 MAY 82	DATE	13 MAY 82
BY	J.PAT	BY	J.PAT
CHKD	J.PAT	CHKD	J.PAT
APP'D	J.PAT	APP'D	J.PAT
DATE	13 MAY 82	DATE	13 MAY 82
BY	J.PAT	BY	J.PAT
CHKD	J.PAT	CHKD	J.PAT
APP'D	J.PAT	APP'D	J.PAT
DATE	13 MAY 82	DATE	13 MAY 82
BY	J.PAT	BY	J.PAT
CHKD	J.PAT	CHKD	J.PAT
APP'D	J.PAT	APP'D	J.PAT
DATE	13 MAY 82	DATE	13 MAY 82
BY	J.PAT	BY	J.PAT
CHKD	J.PAT	CHKD	J.PAT
APP'D	J.PAT	APP'D	J.PAT
DATE	13 MAY 82	DATE	13 MAY 82
BY	J.PAT	BY	J.PAT
CHKD	J.PAT	CHKD	J.PAT
APP'D	J.PAT	APP'D	J.PAT
DATE	13 MAY 82	DATE	13 MAY 82
BY	J.PAT	BY	J.PAT
CHKD	J.PAT	CHKD	J.PAT
APP'D	J.PAT	APP'D	J.PAT
DATE	13 MAY 82	DATE	13 MAY 82
BY	J.PAT	BY	J.PAT
CHKD	J.PAT	CHKD	J.PAT
APP'D	J.PAT	APP'D	J.PAT
DATE	13 MAY 82	DATE	13 MAY 82
BY	J.PAT	BY	J.PAT
CHKD	J.PAT	CHKD	J.PAT
APP'D	J.PAT	APP'D	J.PAT
DATE	13 MAY 82	DATE	13 MAY 82
BY	J.PAT	BY	J.PAT
CHKD	J.PAT	CHKD	J.PAT
APP'D	J.PAT	APP'D	J.PAT
DATE	13 MAY 82	DATE	13 MAY 82
BY	J.PAT	BY	J.PAT
CHKD	J.PAT	CHKD	J.PAT
APP'D	J.PAT	APP'D	J.PAT
DATE	13 MAY 82	DATE	13 MAY 82
BY	J.PAT	BY	J.PAT
CHKD	J.PAT	CHKD	J.PAT
APP'D	J.PAT	APP'D	J.PAT
DATE	13 MAY 82	DATE	13 MAY 82
BY	J.PAT	BY	J.PAT
CHKD	J.PAT	CHKD	J.PAT
APP'D	J.PAT	APP'D	J.PAT
DATE	13 MAY 82	DATE	13 MAY 82
BY	J.PAT	BY	J.PAT
CHKD	J.PAT	CHKD	J.PAT
APP'D	J.PAT	APP'D	J.PAT
DATE	13 MAY 82	DATE	13 MAY 82
BY	J.PAT	BY	J.PAT
CHKD	J.PAT	CHKD	J.PAT
APP'D	J.PAT	APP'D	J.PAT
DATE	13 MAY 82	DATE	13 MAY 82
BY	J.PAT	BY	J.PAT
CHKD	J.PAT	CHKD	J.PAT
APP'D	J.PAT	APP'D	J.PAT
DATE	13 MAY 82	DATE	13 MAY 82
BY	J.PAT	BY	J.PAT
CHKD	J.PAT	CHKD	J.PAT
APP'D	J.PAT	APP'D	J.PAT
DATE	13 MAY 82	DATE	13 MAY 82
BY	J.PAT	BY	J.PAT
CHKD	J.PAT	CHKD	J.PAT
APP'D	J.PAT	APP'D	J.PAT
DATE	13 MAY 82	DATE	13 MAY 82
BY	J.PAT	BY	J.PAT
CHKD	J.PAT	CHKD	J.PAT
APP'D	J.PAT	APP'D	J.PAT
DATE	13 MAY 82	DATE	13 MAY 82
BY	J.PAT	BY	J.PAT
CHKD	J.PAT	CHKD	J.PAT
APP'D	J.PAT	APP'D	J.PAT
DATE	13 MAY 82	DATE	13 MAY 82
BY	J.PAT	BY	J.PAT
CHKD	J.PAT	CHKD	J.PAT
APP'D	J.PAT	APP'D	J.PAT
DATE	13 MAY 82	DATE	13 MAY 82
BY	J.PAT	BY	J.PAT
CHKD	J.PAT	CHKD	J.PAT
APP'D	J.PAT	APP'D	J.PAT
DATE	13 MAY 82	DATE	13 MAY 82
BY	J.PAT	BY	J.PAT
CHKD	J.PAT	CHKD	J.PAT
APP'D	J.PAT	APP'D	J.PAT
DATE	13 MAY 82	DATE	13 MAY 82
BY	J.PAT	BY	J.PAT
CHKD	J.PAT	CHKD	J.PAT
APP'D	J.PAT	APP'D	J.PAT
DATE	13 MAY 82	DATE	13 MAY 82
BY	J.PAT	BY	J.PAT
CHKD	J.PAT	CHKD	J.PAT
APP'D	J.PAT	APP'D	J.PAT
DATE	13 MAY 82	DATE	13 MAY 82
BY	J.PAT	BY	J.PAT
CHKD	J.PAT	CHKD	J.PAT
APP'D	J.PAT	APP'D	J.PAT
DATE	13 MAY 82	DATE	13 MAY 82
BY	J.PAT	BY	J.PAT
CHKD	J.PAT	CHKD	J.PAT
APP'D	J.PAT	APP'D	J.PAT
DATE	13 MAY 82	DATE	13 MAY 82
BY	J.PAT	BY	J.PAT
CHKD	J.PAT	CHKD	J.PAT
APP'D	J.PAT	APP'D	J.PAT
DATE	13 MAY 82	DATE	13 MAY 82
BY	J.PAT	BY	J.PAT
CHKD	J.PAT	CHKD	J.PAT
APP'D	J.PAT	APP'D	J.PAT
DATE	13 MAY 82	DATE	13 MAY 82
BY	J.PAT	BY	J.PAT
CHKD	J.PAT	CHKD	J.PAT
APP'D	J.PAT	APP'D	J.PAT
DATE	13 MAY 82	DATE	13 MAY 82
BY	J.PAT	BY	J.PAT
CHKD	J.PAT	CHKD	J.PAT
APP'D	J.PAT	APP'D	J.PAT
DATE	13 MAY 82	DATE	13 MAY 82
BY	J.PAT	BY	J.PAT
CHKD	J.PAT	CHKD	J.PAT
APP'D	J.PAT	APP'D	J.PAT
DATE	13 MAY 82	DATE	13 MAY 82
BY	J.PAT	BY	J.PAT
CHKD	J.PAT	CHKD	J.PAT
APP'D	J.PAT	APP'D	J.PAT
DATE	13 MAY 82	DATE	13 MAY 82
BY	J.PAT	BY	J.PAT
CHKD	J.PAT	CHKD	J.PAT
APP'D	J.PAT	APP'D	J.PAT
DATE	13 MAY 82	DATE	13 MAY 82
BY	J.PAT	BY	J.PAT
CHKD	J.PAT	CHKD	J.PAT
APP'D	J.PAT	APP'D	J.PAT
DATE	13 MAY 82	DATE	13 MAY 82
BY	J.PAT	BY	J.PAT
CHKD	J.PAT	CHKD	J.PAT
APP'D	J.PAT	APP'D	J.PAT
DATE	13 MAY 82	DATE	13 MAY 82
BY	J.PAT	BY	J.PAT
CHKD	J.PAT	CHKD	J.PAT
APP'D	J.PAT	APP'D	J.PAT
DATE	13 MAY 82	DATE	13 MAY 82
BY	J.PAT	BY	J.PAT
CHKD	J.PAT	CHKD	J.PAT
APP'D	J.PAT	APP'D	J.PAT
DATE	13 MAY 82	DATE	13 MAY 82
BY	J.PAT	BY	J.PAT
CHKD	J.PAT	CHKD	J.PAT
APP'D	J.PAT	APP'D	J.PAT
DATE	13 MAY 82	DATE	13 MAY 82
BY	J.PAT	BY	J.PAT
CHKD	J.PAT	CHKD	J.PAT
APP'D	J.PAT	APP'D	J.PAT
DATE	13 MAY 82	DATE	13 MAY 82
BY	J.PAT	BY	J.PAT
CHKD	J.PAT	CHKD	J.PAT
APP'D	J.PAT	APP'D	J.PAT
DATE	13 MAY 82	DATE	13 MAY 82
BY	J.PAT	BY	J.PAT
CHKD	J.PAT	CHKD	J.PAT
APP'D	J.PAT	APP'D	J.PAT
DATE	13 MAY 82	DATE	13 MAY 82
BY	J.PAT	BY	J.PAT
CHKD	J.PAT	CHKD	J.PAT
APP'D	J.PAT	APP'D	J.PAT
DATE	13 MAY 82	DATE	13 MAY 82
BY	J.PAT	BY	J.PAT
CHKD	J.PAT	CHKD	J.PAT
APP'D	J.PAT	APP'D	J.PAT
DATE	13 MAY 82	DATE	13 MAY 82
BY	J.PAT	BY	J.PAT
CHKD	J.PAT	CHKD	J.PAT
APP'D	J.PAT	APP'D	J.PAT
DATE	13 MAY 82	DATE	13 MAY 82
BY	J.PAT	BY	J.PAT
CHKD	J.PAT	CHKD	J.PAT
APP'D	J.PAT	APP'D	J.PAT
DATE	13 MAY 82	DATE	13 MAY 82
BY	J.PAT	BY	J.PAT
CHKD	J.PAT	CHKD	J.PAT
APP'D	J.PAT	APP'D	J.PAT
DATE	13 MAY 82	DATE	13 MAY 82
BY	J.PAT	BY	J.PAT
CHKD	J.PAT	CHKD	J.PAT
APP'D	J.PAT	APP'D	J.PAT
DATE	13 MAY 82	DATE	13 MAY 82
BY	J.PAT	BY	J.PAT
CHKD	J.PAT	CHKD	J.PAT
APP'D	J.PAT	APP'D	J.PAT
DATE	13 MAY 82	DATE	13 MAY 82
BY	J.PAT	BY	J.PAT
CHKD	J.PAT	CHKD	J.PAT
APP'D	J.PAT	APP'D	J.PAT
DATE	13 MAY 82	DATE	13 MAY 82
BY	J.PAT	BY	J.PAT
CHKD	J.PAT	CHKD	J.PAT
APP'D	J.PAT	APP'D	J.PAT
DATE	13 MAY 82	DATE	13 MAY 82
BY	J.PAT	BY	J.PAT
CHKD	J.PAT	CHKD	J.PAT
APP'D	J.PAT	APP'D	J.PAT
DATE	13 MAY 82	DATE	13 MAY 82
BY	J.PAT	BY	J.PAT
CHKD	J.PAT	CHKD	J.PAT
APP'D	J.PAT	APP'D	J.PAT
DATE	13 MAY 82	DATE	13 MAY 82
BY	J.PAT	BY	J.PAT
CHKD	J.PAT	CHKD	J.PAT
APP'D	J.PAT	APP'D	J.PAT
DATE	13 MAY 82	DATE	13 MAY 82
BY	J.PAT	BY	J.PAT
CHKD	J.PAT	CHKD	J.PAT
APP'D	J.PAT	APP'D	J.PAT
DATE	13 MAY 82	DATE	13 MAY 82
BY	J.PAT	BY	J.PAT
CHKD	J.PAT	CHKD	J.PAT
APP'D	J.PAT	APP'D	J.PAT
DATE	13 MAY 82	DATE	13 MAY 82
BY	J.PAT	BY	J.PAT
CHKD	J.PAT	CHKD	J.PAT
APP'D	J.PAT	APP'D	J.PAT
DATE	13 MAY 82	DATE	13 MAY 82
BY	J.PAT	BY	J.PAT
CHKD	J.PAT	CHKD	J.PAT
APP'D	J.PAT	APP'D	J.PAT
DATE	13 MAY 82	DATE	13 MAY 82
BY	J.PAT	BY	J.PAT
CHKD	J.PAT	CHKD	J.PAT
APP'D	J.PAT	APP'D	J.PAT
DATE	13 MAY 82	DATE	13 MAY 82
BY	J.PAT		

THIS DRAWING AND SPECIFICATIONS HEREIN ARE THE PROPERTY OF DIGITAL EQUIPMENT CORPORATION AND SHALL NOT BE REPRODUCED OR COPIED OR USED IN WHOLE OR IN PART AS THE BASIS FOR THE MANUFACTURE OR SALE OF ITEMS WITHOUT WRITTEN PERMISSION OF DIGITAL EQUIPMENT CORPORATION © 1982

DCS 5415172-0-1 B



REVISION HISTORY	
DATE	ECO NUMBER
	REV. A
	INITIALS: F.
	5415172-ML002 B
	27 JAN 82
	A. LEN
	14 FEB 82

DATE	7-MAY-82	TITLE	digital
DATE	20 MAY 82	MEMBRANE ASSY, SW. ARRAY LK201 KEYBD.	
DATE	20 MAY 82	DOCUMENT NUMBER	DCS 5415172-0-1 B
DATE	20 MAY 82	SCALE	1 ML3
9-00-5415172-0			

LINE ITEM	TOP DOCUMENT	PART NUMBER	MIN REV	DESCRIPTION	QTY PER VARIATION
1	1	E-MD-5015171-0-DBU	5015171-00	F CIRCUIT DRILL & ETCH	1
2	2	E-MD-7426056-0-DBU	7426056-00	C SPACER, SWITCH ARRAY, KEYBOARD	1
3	3	SEE NOTE	3618460-09	LABEL, BAR CODE BLANK .312X1.6	A/R
4	4		3622883-01	LABEL, BAR CODE, POLYESTER, CLEAR	1

5 NOTE: ITEM 3 MAY BE USED BY MANUFACTURING FOR TRACKING PURPOSES.

REVISION HISTORY			BASIC PART NO: 5415172		
ENG	ECO NUMBER	REV	SECTION A OF A	DRN: JOHN COTE	DATE: 9-APR-82
---	INITIAL	A	SECTION VARIATION INDEX	CHK'D: C. LARSEN	DATE: 19-MAY-82
RL	5415172-ML001	B	{A}00	DES.ENG: R. LEITERMANN	DATE: 19-MAY-82
RL	5415172-ML002	C		RESP.ENG.: A. LEN	DATE: 19-MAY-82
AJ	5415172-ML003	D	{B}	MFG.ENG.: J. FAY	DATE: 19-MAY-82
AJ	5415172-ML004	E	{C}	ASSEMBLY NUMBER:	TOP DOCUMENT NUMBER:
AJ	5415172-ML005	F	{D}	E-IA-5415172-0-DBU	#B-DD-5415172-0
			{E}		
			{F}		
				FILE NAME:	EDIT #
				Z3254F.PLS	13

"THIS DRAWING AND THE SPECIFICATIONS CONTAINED HEREIN ARE CONFIDENTIAL AND PROPRIETARY. THEY ARE THE PROPERTY OF DIGITAL EQUIPMENT CORPORATION AND SHALL NOT BE REPRODUCED OR COPIED OR USED IN WHOLE OR IN PART AS THE BASIS FOR THE MANUFACTURE OR SALE OF ITEMS WITHOUT WRITTEN PERMISSION. THIS IS AN UNPUBLISHED WORK PROTECTED UNDER THE FEDERAL COPYRIGHT LAWS."

DRAWING NO.	NO. OF SHTS.	PART NO.	DESCRIPTION	REVISIONS																									
				A	B	C	D	E	F	G	H	I	J	K	L	M	N	O	P	Q	R	S	T	U	V	W	X	Y	Z
		5415172-00	MEMBRANE ASSY SWITCH ARRAY	A	B	C	D	E	F																				
			LK201 KEYBOARD																										
E-IA-5415172-0-DBU	1		MEMBRANE ASSY SWITCH ARRAY	A	B	C	D	E	F																				
			LK201 KEYBOARD																										
K-PL-5415172-0-DBP	1		MEMBRANE ASSY SWITCH ARRAY	A	B	C	D	E	F																				
			LK201 KEYBOARD																										
D-CS-5415172-0-1	1		MEMBRANE ASSY SWITCH ARRAY	A	A	B	B	B	B																				
			LK201 KEYBOARD																										
K-PC-5415172-0-DBG	-		PC DESIGN DATA BASE	C	D	E	E	E	E																				
		5015171-00	FLEXCIRCUIT SWITCH ARRAY	C	D	E	F	F	F																				
E-MD-5015171-0-DBU	2		FLEXCIRCUIT SWITCH ARRAY	B	C	C	D	D	D																				
			LK201 KEYBOARD																										
E-MD-5015171-0-0	1		FLEXCIRCUIT SWITCH ARRAY	B	C	D	D	D	D																				
			LK201																										
E-MD-5415171-0-DBU	2		SPACER SWITCH ARRAY	A	B	B																							

NOTES:

REVISIONS		DATE	CHG NO.	REV.	A	B	C	D	E	F
		6/5/82	INITIAL	A						
		10/27/82	MLO01	B						
		2/8/83	MLO02	C						
		2-9-84	MLO03	D						
		14 NOV 84	MLO04	E						
		1/85	MLO05	F						

"THIS DRAWING AND SPECIFICATIONS, HEREIN, ARE THE PROPERTY OF DIGITAL EQUIPMENT CORPORATION AND SHALL NOT BE REPRODUCED OR COPIED OR USED IN WHOLE OR IN PART AS THE BASIS FOR THE MANUFACTURE OR SALE OF ITEMS WITHOUT WRITTEN PERMISSION.
 COPYRIGHT © 1982 DIGITAL EQUIPMENT CORPORATION



USED ON OPTION/MODEL	DRN. C. Larsen	3JUN82	TITLE	MEMBRANE ASSY
LK201-A	CHK'D C. Larsen	21JUN82	SWITCH ARRAY LK201 KEYBOARD	
LK201-AA	ENG. R. Gettys	14JUN82	SIZE B	CODE DD
	PRGD. L. Quarles	21JUN82	NUMBER 5415172-0	REV. F
			SHEET 1 OF 1	

**DIGITAL EQUIPMENT CORPORATION
MAYNARD MASSACHUSETTS**

PACKAGING INSTRUCTION REV E DATE 11/20/87

TITLE PKG. PKG KEYBOARD LK201-A

LEGEND

VARIATION PART	REV	PACKAGE TYPE	REMARKS
37-00698-01	C1	CUSTOMER	LK201 KEYBOARD
37-00698-02	D1	PALLETIZED/80 PAK (STRETCHWRAP)	LK201 (37-00698-01) LK250 (37-00698-01) RFLK201-AA (37-00698-03) LK207 (37-00698-07)
37-00698-03	C1	CUSTOMER	RFLK201-AA
37-00698-04	B1	PALLETIZED/80 PAK (STRAPPING) REPLACEMENT PAK	LK201 (37-00698-01) LK250 (37-00698-01) RFLK201-AA (37-00698-03) LK207 (37-00698-07)
37-00698-05	B1	INTERPLAN/70 PAK	80-LK201-AA SERIES
37-00698-06	A1	PALLETIZED/50 PCS	80-LK201-NX (37-00698-05)
37-00698-07	B1	CUSTOMER	LK207 SERIES
37-00698-08	B1	CUSTOMER	LK201 SERIES (EUROPEAN)
37-00698-09	A1	PALLETIZED	37-00698-03 (SHRINKWRAP)

ENG *John Bellick* *John J. Johnson* APP'D SIZE CODE NUMBER REV E
 SHEET 1 OF 11

PACKAGING INSTRUCTION

TITLE CONTINUATION SHEET

PKG. PKG KEYBOARD LK201-A

PARTS LIST 3700698-01 THRU 37-00698-04
 REFER TO OFF-SHEET PARTS LIST K-PL-3700698-O-DBP, REV D
 PACKAGING ASSEMBLIES 37-00698-01 THRU 37-00698-09
 REFER TO FIGURES 1 THROUGH 8 FOR PICTORIAL PROCEDURE

PACKAGING ASSEMBLIES (37-00698-01 AND 37-00698-03)
 FIGURE 1

- STEP PROCEDURE
1. SET UP DIE CUT CARTON (99-07139-01 (ITEM #2)).
 2. FIX THERMOFORMED TRAY (99-07137-02 (ITEM #3)) OVER THE KEYBOARD.
 3. ATTACH ONE WHITE POLYSTYRENE END CAP ON EACH END OF THE KEYBOARD.
 4. PLACE KEYBOARD WITH END CAPS AND TRAY INTO DIE CUT CARTON.
 5. PLACE FEET (74-27577-01), ENCLOSED IN POLY BAG, AND SPECIFIC COUNTRY POWER CORD INTO THE DIE CUT CARTON (99-07139-01 (ITEM #2)).
 6. APPLY TWO (2) BAR CODE LABELS (36-28231-01 (ITEM #6)) WITH MATCHING POWER CORD VARIATIONS ONTO CARTON--ONE ON END PANEL AND ONE ON SIDE PANEL.
 7. PLACE PACKAGED KEYBOARD ON CONVEYOR SO THAT IT TRAVELS TO THE CARTON SEALER, WHICH WILL APPLY 31 INCHES OF CLEAR PRESSURE SENSITIVE TAPE (99-06487-02 (ITEM #5)).
 8. FOR VARIATION -03 ONLY:
 ADHERE THREE (3) RFLK201-AA LABELS (36-23790-01 (ITEM #11)) ONTO THE CARTON, COMPLETELY COVERING THE DIGITAL LOGOS PER FIGURE 1.
 9. FOR FIELD SERVICE RETROFITS AND MANUAL OPERATIONS:
 THE REGULAR SLOTTED CARTON (99-07008-01 (ITEM #12)) MAY BE USED IN PLACE OF THE DIE CUT CARTON.

SIZE CODE NUMBER REV E
 A PA 3700698-0-0 E
 SHEET 2 OF 11

PACKAGING INSTRUCTION

TITLE CONTINUATION SHEET

PKG. PKG KEYBOARD LK201-A

PACKAGING ASSEMBLY (37-00698-02 & -04)
 FIGURES 2 & 3

- STEP PROCEDURE
1. PLACE EIGHTY (80) PACKAGED KEYBOARDS (37-00698-01 (ITEM #7) OR 37-00698-03 (ITEM #13)) ONTO THE SHIPPING PALLET (99-06199-13 (ITEM #8)). ARRANGEMENT TO BE EIGHT (8) CARTONS PER TIER (2 X 4) WITH TEN (10) TIERS HIGH.
 2. WHEN STACKING THE KEYBOARDS ONTO THE PALLET, MAKE SURE THAT THE BAR CODE LABEL/S IS ALWAYS VISIBLE.
 3. VARIATION -02 ONLY--
 BEFORE STRETCH WRAPPING (99-06553-00 (ITEM #9)) THE KEYBOARDS TO THE PALLET, PLACE OR TAPE A VERTICAL ANGLEBOARD (99-06185-23 (ITEM #21)) TO EACH CORNER. NOTE: START AND FINISH THE STRETCH WRAPPING WITH FOUR (4) WRAPS ALONG THE BOTTOM OF THE PALLET LOAD -- EIGHT (8) WRAPS TOTAL.
 4. VARIATION -04 ONLY--
 BEFORE STRAPPING (99-05734-02 (ITEM #16)) THE KEYBOARDS TO THE PALLET, PLACE OR TAPE FOUR (4) VERTICAL ANGLEBOARDS (ITEM #21) AND FOUR (4) HORIZONTAL ANGLEBOARDS (ITEM #15) PER FIGURE 3.

SIZE CODE NUMBER REV E
 A PA .1700698-0-0 E
 SHEET 3 OF 11

THIS DRAWING AND THE SPECIFICATIONS CONTAINED HEREIN ARE THE PROPERTY OF DIGITAL EQUIPMENT CORPORATION AND SHALL NOT BE REPRODUCED OR COPIED OR USED IN ANY MANNER WITHOUT WRITTEN PERMISSION FROM DIGITAL EQUIPMENT CORPORATION. THIS IS AN UNCLASSIFIED DOCUMENT UNDER THE FEDERAL COPYRIGHT LAWS.

PACKAGE DIMENSIONS, WEIGHTS & PLASTIC PACKING MATERIAL

	USA	METRIC
WEIGHT	6.00 LBS.	2.72 KG.
LENGTH	23.75 IN.	603 MM.
WIDTH	10.38 IN.	264 MM.
HEIGHT	4.25 IN.	108 MM.
CUBE	.61 CU.FT.	0.017 CU.M.
DENSITY	9.84 LBS/CU.FT.	160 KG/CU.M.
PLASTIC	15%*	EPS TYPE

*% VOLUME (EXPANDED)
% WEIGHT (UNEXPANDED)

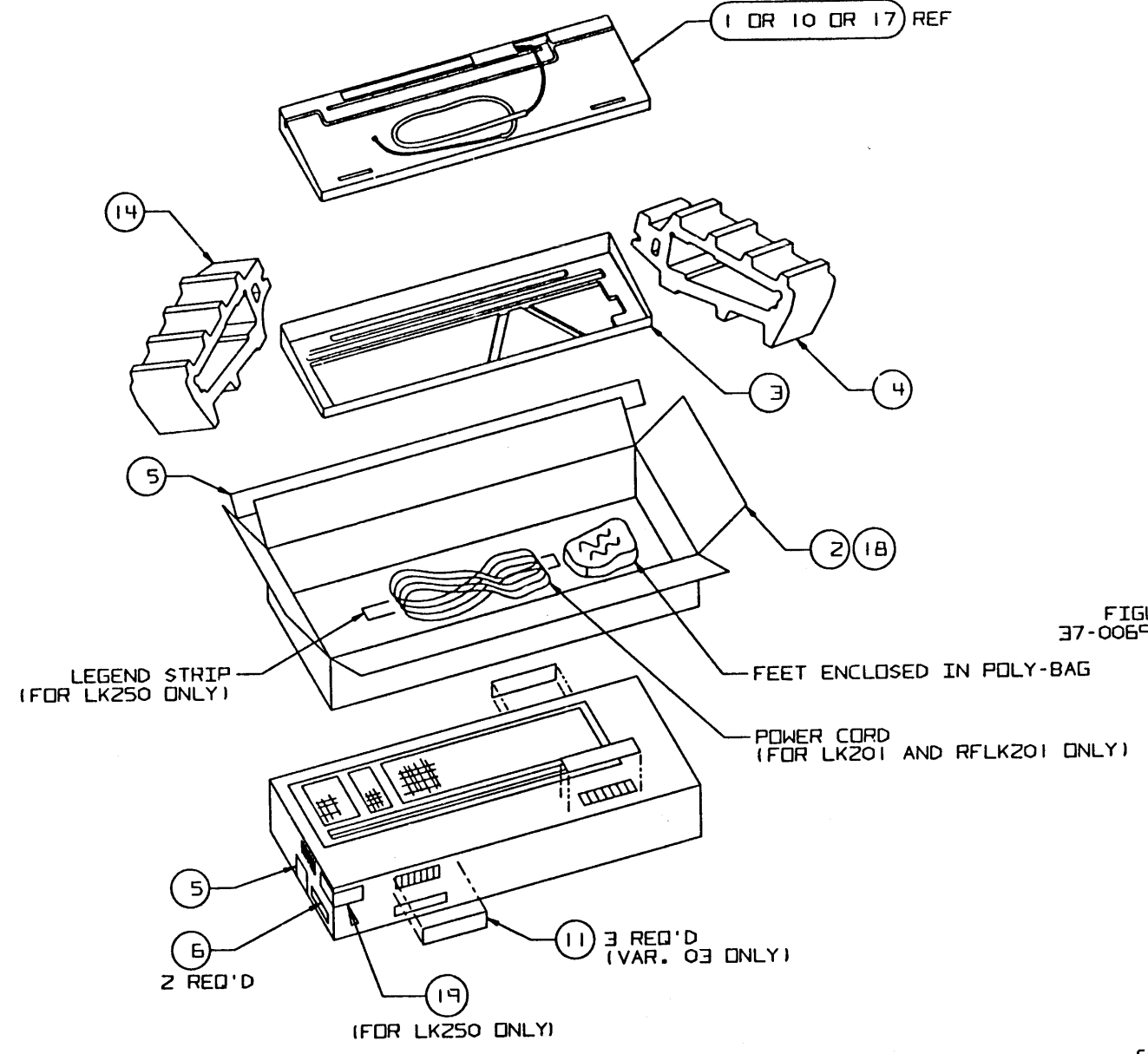


FIGURE 1
37-0069B-01 & 03

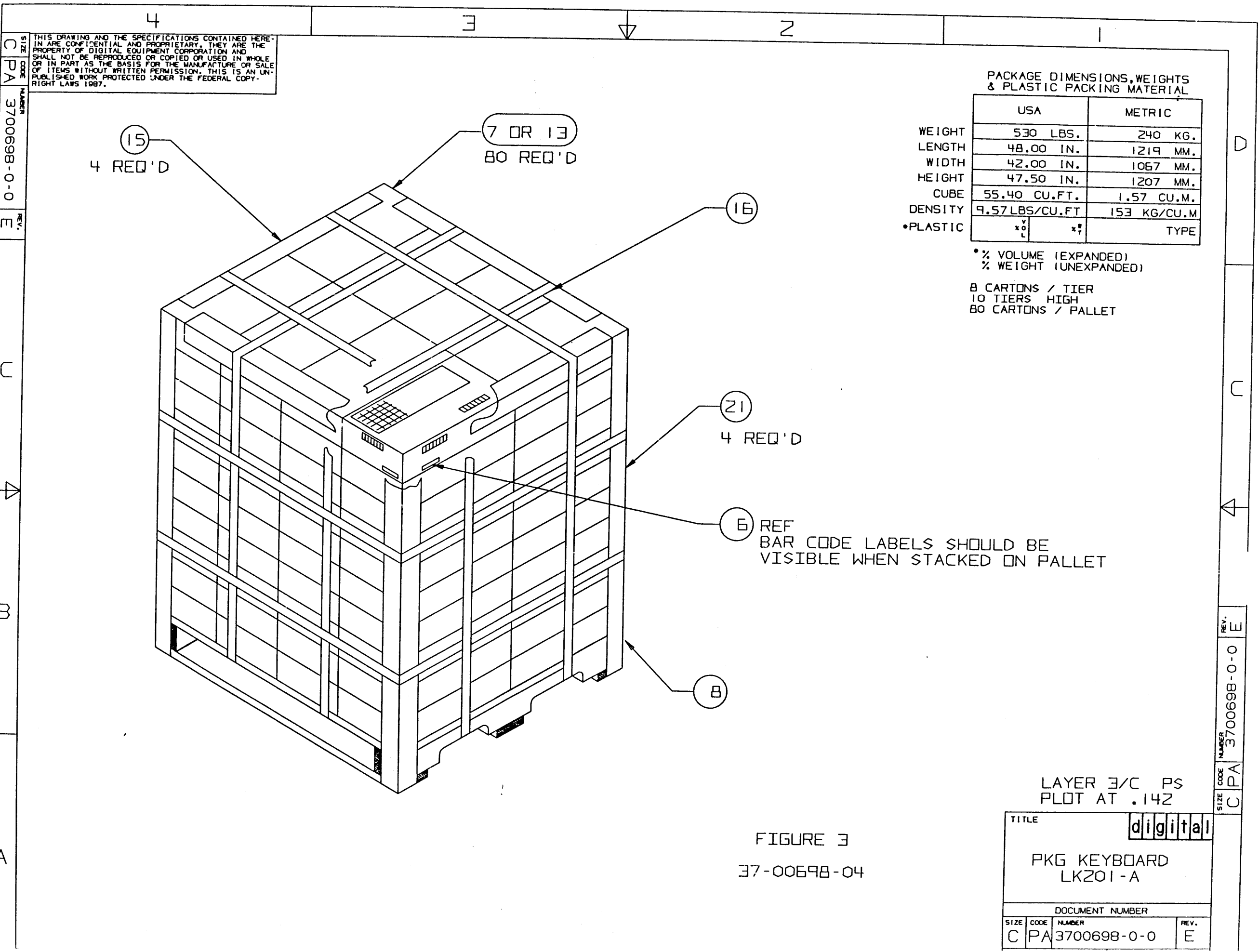
REVISIONS

REV	ECO NUMBER	DATE
B	370069B-PL001	2/85
C	370069B-PL002	11/85
D	370069B-PL003	3/87
E	370069B-PL004	11/87

CAUTION:
FOR OFF SHEET PARTS LIST SEE K-PL-370069B-0-DBB (24201)

LAYER 1/D TD
PLOT AT .25

DRN	T. DOMBROSKI	DATE	8/22/84	TITLE	digital
DR'D	R.P. SPINELLI	DATE	8/22/84	PKG KEYBOARD LK201-A	DOCUMENT NUMBER
DES. ENG.	J. LAVIGNE	DATE	8/22/84		
REP. ENG.	J. LAVIGNE	DATE	8/22/84	370069B-0-0-0	REV. E
SFS. ENG.	C. KNIGHT	DATE	8/22/84		
TOP DOC. NO.	A-PA-370069B-0-0			SCALE	NONE



THIS DRAWING AND THE SPECIFICATIONS CONTAINED HEREIN ARE CONFIDENTIAL AND PROPRIETARY. THEY ARE THE PROPERTY OF DIGITAL EQUIPMENT CORPORATION AND SHALL NOT BE REPRODUCED OR COPIED OR USED IN WHOLE OR IN PART AS THE BASIS FOR THE MANUFACTURE OR SALE OF ITEMS WITHOUT WRITTEN PERMISSION. THIS IS AN UNPUBLISHED WORK PROTECTED UNDER THE FEDERAL COPYRIGHT LAWS 1987.

PACKAGE DIMENSIONS, WEIGHTS & PLASTIC PACKING MATERIAL

	USA	METRIC
WEIGHT	530 LBS.	240 KG.
LENGTH	48.00 IN.	1219 MM.
WIDTH	42.00 IN.	1067 MM.
HEIGHT	47.50 IN.	1207 MM.
CUBE	55.40 CU.FT.	1.57 CU.M.
DENSITY	9.57 LBS/CU.FT.	153 KG/CU.M.
•PLASTIC	*% L	*% T TYPE

*% VOLUME (EXPANDED)
 % WEIGHT (UNEXPANDED)
 8 CARTONS / TIER
 10 TIERS HIGH
 80 CARTONS / PALLET

6 REF BAR CODE LABELS SHOULD BE VISIBLE WHEN STACKED ON PALLET

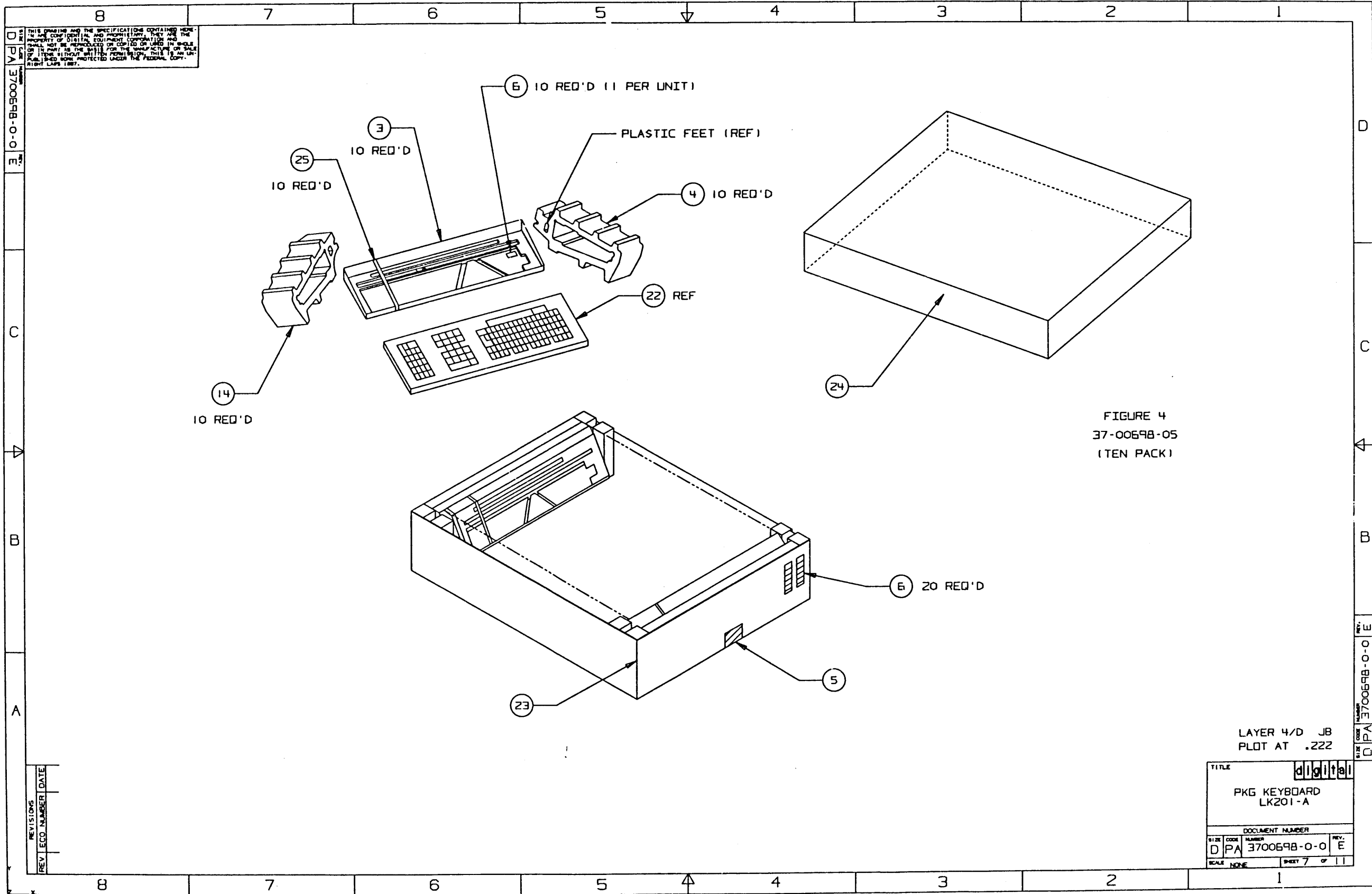
FIGURE 3
 40-89900-04

LAYER 3/C PS
 PLOT AT .142

TITLE	digital		
	PKG KEYBOARD LK201-A		
DOCUMENT NUMBER			
SIZE	CODE	NUMBER	REV.
C	PA	3700698-0-0	E

SIZE CODE NUMBER
 C PA 3700698-0-0
 REV. E

SIZE CODE NUMBER
 C PA 3700698-0-0
 REV. E



THIS DRAWING AND THE SPECIFICATIONS CONTAINED HEREIN ARE CONFIDENTIAL AND PROPRIETARY. THEY ARE THE PROPERTY OF DIGITAL EQUIPMENT CORPORATION AND SHALL NOT BE REPRODUCED OR COPIED IN WHOLE OR IN PART, AS THE BASIS FOR THE MANUFACTURE OR SALE OF ANY TYPE, WITHOUT WRITTEN PERMISSION. THIS DRAWING AND THE SPECIFICATIONS CONTAINED HEREIN ARE UNCLASSIFIED AND ARE NOT PROTECTED UNDER THE FEDERAL COPYRIGHT LAWS.

FIGURE 4
37-00698-05
(TEN PACK)

REV	ECO NUMBER	DATE

TITLE		DIGITAL	
PKG KEYBOARD LK201-A			
DOCUMENT NUMBER			
REV. NO.	CODE	NUMBER	REV.
D	PA	3700698-0-0	E
SCALE		SHEET 7 OF 11	

4 E 2 1

THIS DRAWING AND THE SPECIFICATIONS CONTAINED HEREIN ARE CONFIDENTIAL AND PROPRIETARY. THEY ARE THE PROPERTY OF DIGITAL EQUIPMENT CORPORATION AND SHALL NOT BE REPRODUCED OR COPIED OR USED IN WHOLE OR IN PART AS THE BASIS FOR THE MANUFACTURE OR SALE OF ITEMS WITHOUT WRITTEN PERMISSION. THIS IS AN UNPUBLISHED WORK PROTECTED UNDER THE FEDERAL COPYRIGHT LAWS 1987.

SIZE CODE NUMBER
C PA 3700698-0-0

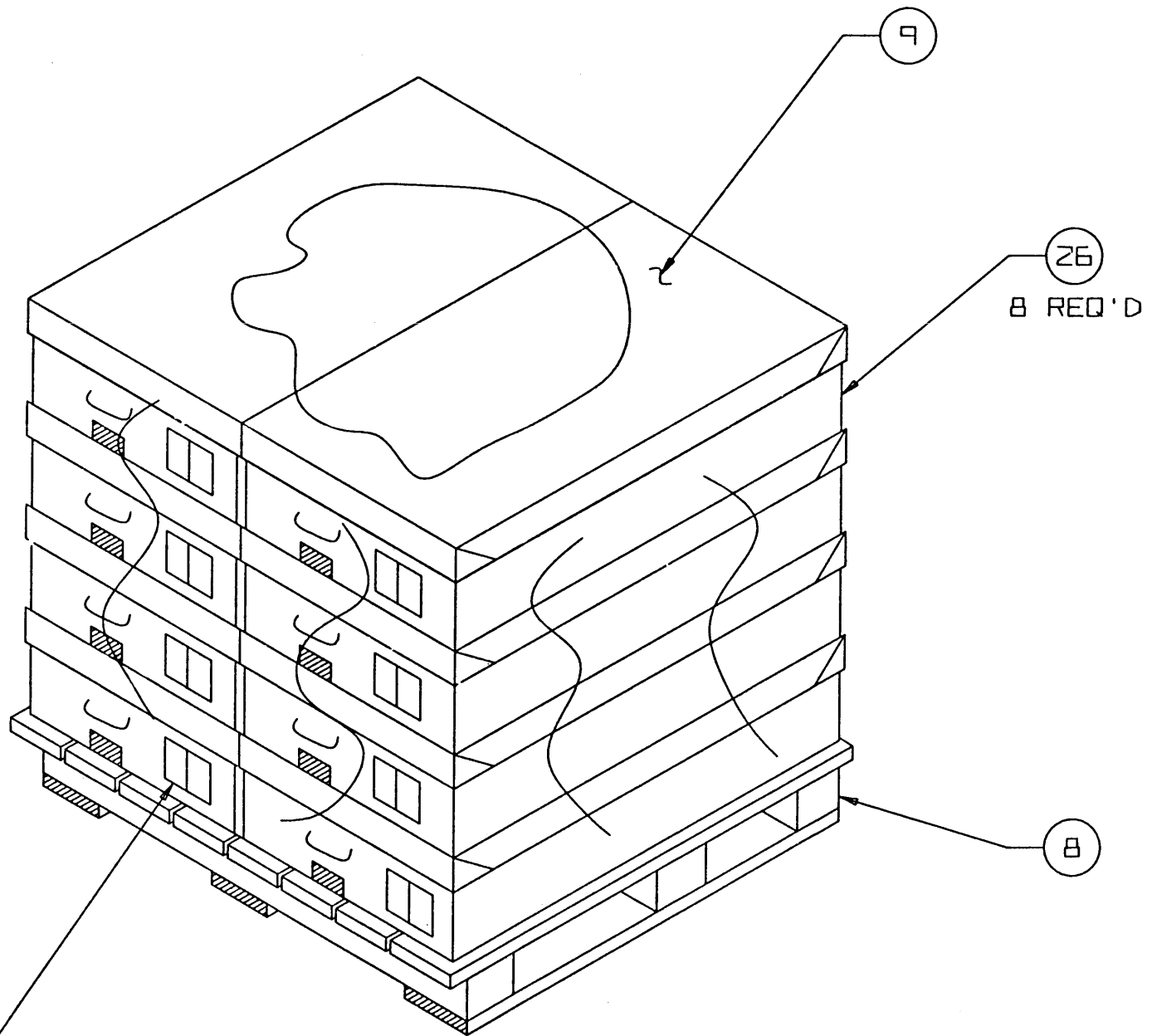
REV.
E

U

Δ

B

A



STRETCH WRAP DETAIL

FIGURE 5
37-00698-06

BAR CODE LABELS REF:
(POSITION ALL LABELS ON SAME
SIDE OF PALLET)

LAYER 5/C JB
PLOT AT .143

TITLE	digital
PKG KEYBOARD LK201-A	
DOCUMENT NUMBER	

SIZE	CODE	NUMBER	REV.
C	PA	3700698-0-0	E

SIZE CODE NUMBER
C PA 3700698-0-0
REV.
E

THIS DRAWING AND THE SPECIFICATIONS CONTAINED HEREIN ARE CONFIDENTIAL AND PROPRIETARY. THEY ARE THE PROPERTY OF DIGITAL EQUIPMENT CORPORATION AND SHALL NOT BE REPRODUCED OR COPIED OR USED IN WHOLE OR IN PART AS THE BASIS FOR THE MANUFACTURE OR SALE OF ITEMS WITHOUT WRITTEN PERMISSION. THIS IS AN UNPUBLISHED WORK PROTECTED UNDER THE FEDERAL COPYRIGHT LAWS 1987.

SIZE CODE NUMBER
C PA 3700698-0-0
REV. E

U

B

A

4

E

2

1

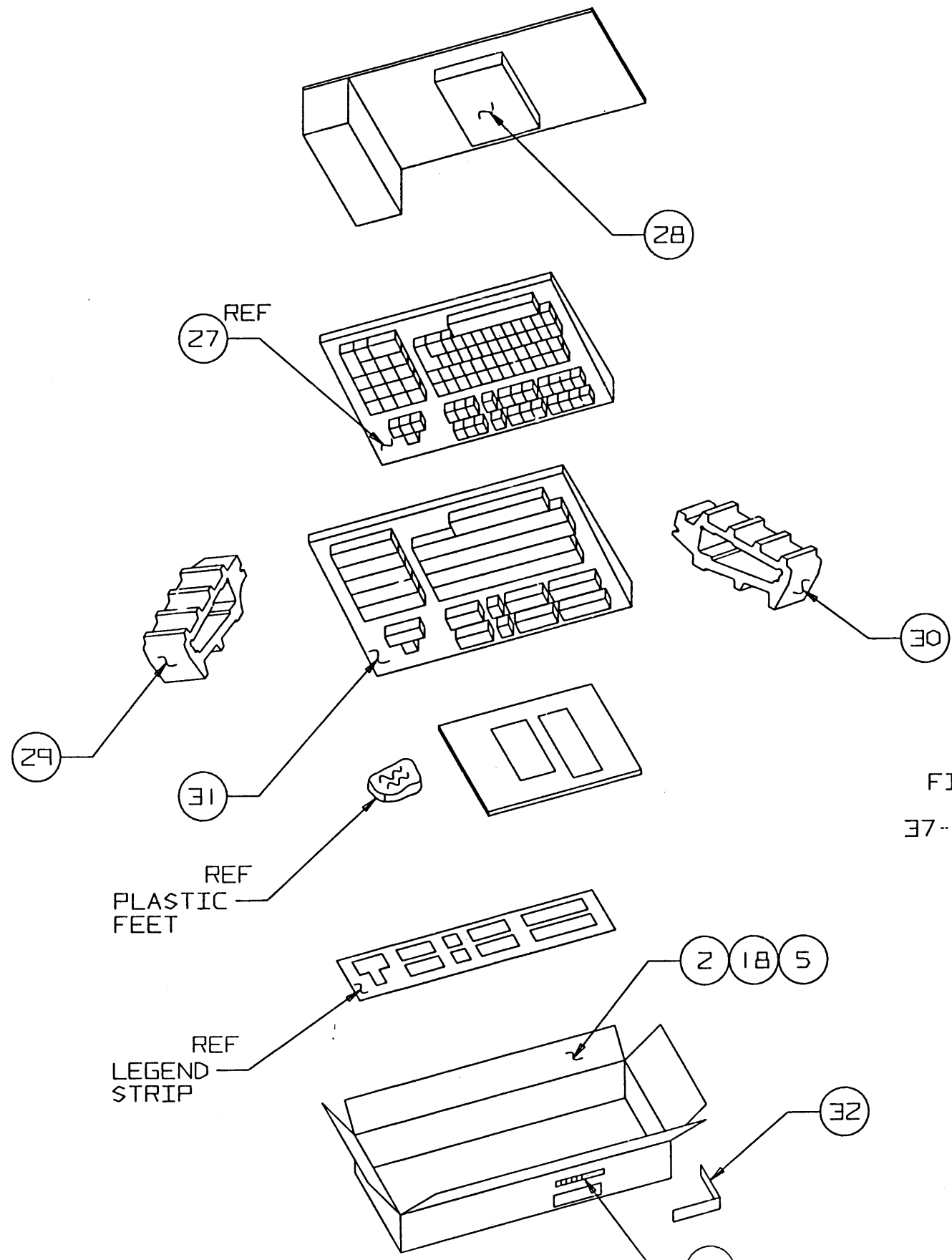


FIGURE 6
37-00698-07

TITLE			
PKG KEYBOARD			digital
LK201-A			
DOCUMENT NUMBER			
SIZE	CODE	NUMBER	REV.
C	PA	3700698-0-0	E

REV. E
NUMBER 3700698-0-0
SIZE CODE C PA

THIS DRAWING AND THE SPECIFICATIONS CONTAINED HEREIN ARE CONFIDENTIAL AND PROPRIETARY. THEY ARE THE PROPERTY OF DIGITAL EQUIPMENT CORPORATION AND SHALL NOT BE REPRODUCED OR COPIED OR USED IN WHOLE OR IN PART AS THE BASIS FOR THE MANUFACTURE OR SALE OF ITEMS WITHOUT WRITTEN PERMISSION. THIS IS AN UNPUBLISHED WORK PROTECTED UNDER THE FEDERAL COPYRIGHT LAWS 1987.

SIZE CODE NUMBER
 C PA 3700698-0-0
 REV. E

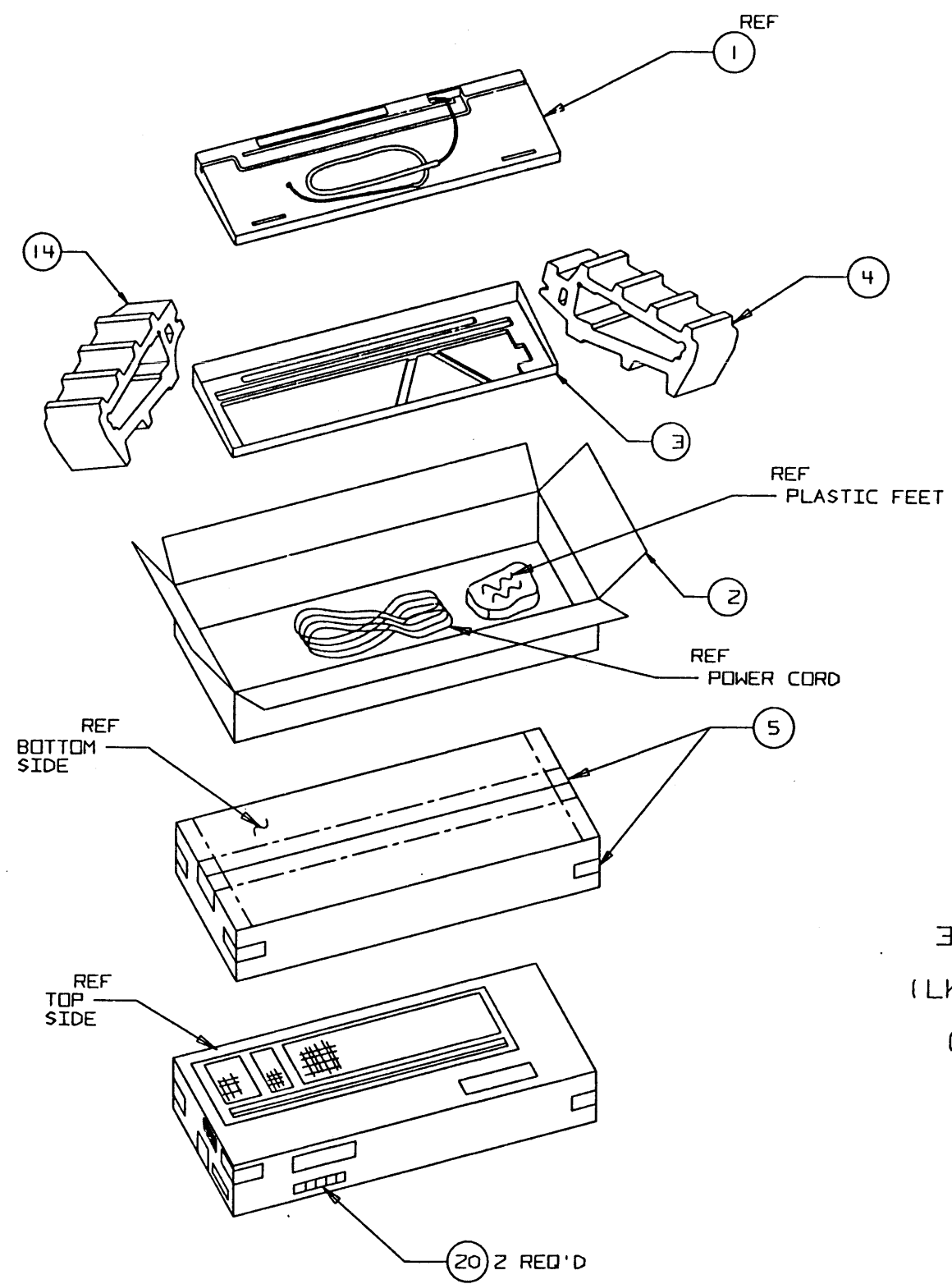
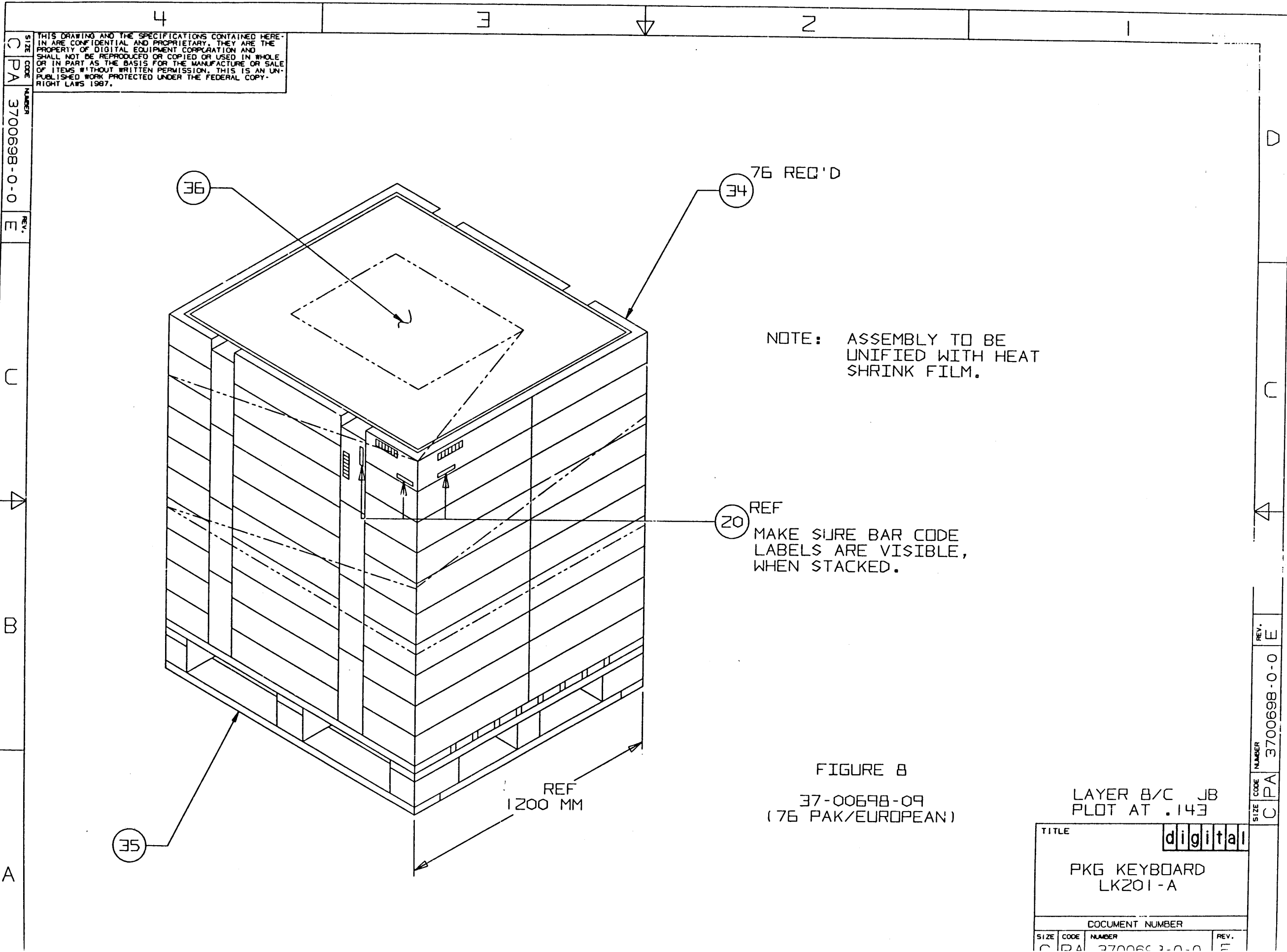


FIGURE 7
 37-00698-08
 (LK201 SERIES)
 (EUROPEAN)

LAYER 7/C JB
 PLOT AT .166

TITLE	digital
PKG KEYBOARD LK201-A	
DOCUMENT NUMBER	
SIZE CODE NUMBER	REV.

SIZE CODE NUMBER
 C PA 3700698-0-0
 REV. E



THIS DRAWING AND THE SPECIFICATIONS CONTAINED HEREIN ARE CONFIDENTIAL AND PROPRIETARY. THEY ARE THE PROPERTY OF DIGITAL EQUIPMENT CORPORATION AND SHALL NOT BE REPRODUCED OR COPIED OR USED IN WHOLE OR IN PART AS THE BASIS FOR THE MANUFACTURE OR SALE OF ITEMS WITHOUT WRITTEN PERMISSION. THIS IS AN UNPUBLISHED WORK PROTECTED UNDER THE FEDERAL COPYRIGHT LAWS 1987.

SIZE CODE
C PA
NUMBER
3700698-0-0
REV.
E

U

▽

B

A

76 REQ'D

NOTE: ASSEMBLY TO BE UNIFIED WITH HEAT SHRINK FILM.

REF
20 MAKE SURE BAR CODE LABELS ARE VISIBLE, WHEN STACKED.

REF
1200 MM

FIGURE B
37-00698-09
(76 PAK/EUROPEAN)

LAYER B/C JB
PLOT AT .143

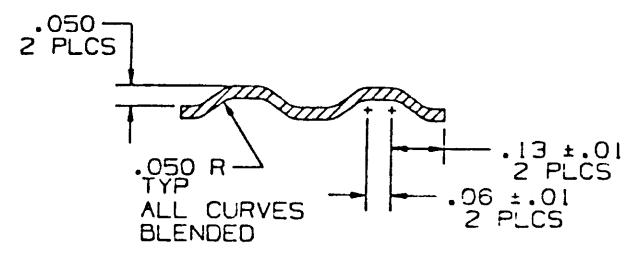
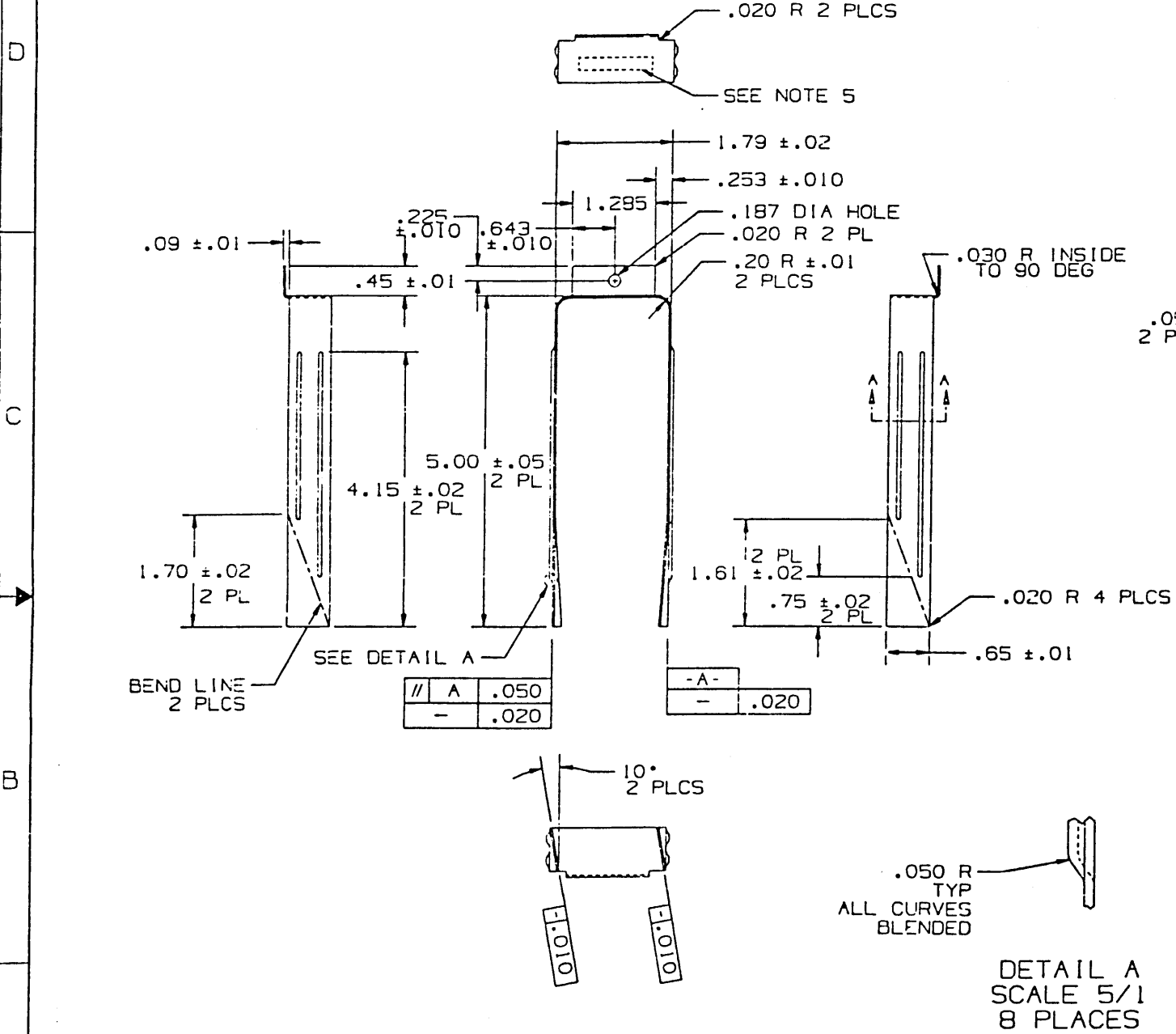
TITLE		digital	
PKG KEYBOARD		LK201-A	
DOCUMENT NUMBER			
SIZE	CODE	NUMBER	REV.
C	PA	3700698-0-0	E

REV.
E
NUMBER
3700698-0-0
C PA

THIS DRAWING AND SPECIFICATIONS, HEREIN ARE THE PROPERTY OF DIGITAL EQUIPMENT CORPORATION AND SHALL NOT BE REPRODUCED OR COPIED OR USED IN WHOLE OR IN PART AS THE BASIS FOR THE MANUFACTURE OR SALE OF ITEMS WITHOUT WRITTEN PERMISSION.
 COPYRIGHT © 1982 DIGITAL EQUIPMENT CORPORATION

LEGEND		
PART NO.	REV	VARIATION
7427314-01		AS SHOWN

- NOTES:
1. MATERIAL IS TO BE AISI 301 STAINLESS STEEL, 1/2 HARD. A CERTIFICATE OF COMPLIANCE IS REQUIRED WITH EACH LOT FROM VENDOR.
 2. MATERIAL THICKNESS IS $.030 \pm .003$
 3. FINISHED PART SHOULD BE FREE OF BURRS, SHARP EDGES, AND GREASE.
 4. UNLESS OTHERWISE SPECIFIED: DIMENSIONS ARE $\pm .005$ ANGLES ARE $\pm .5^\circ$
 5. PART SHALL BE STAMPED WITH PART NUMBER IN $.125$ HIGH CHARACTERS AT THE LOCATION INDICATED.



//	A	.050
-		.020

-	A	.020
---	---	------

DETAIL A
 SCALE 5/1
 8 PLACES

DESCRIPTION	DRAWING NO.	PART NO.	ITEM NO.
UNLESS OTHERWISE SPECIFIED DIMENSIONS ARE IN INCHES AND THE FOLLOWING TOLERANCES APPLY (PER DEC STD 114)			
DIMENSIONS	APPLICABLE DIMENSION RANGE	DIMENSION RANGE IN INCHES	
		OVER 0.2 TO 0.3	OVER 0.3 TO 0.4
ANGLES	SURFACE QUALITY	0.004	0.008
0.005		0.012	0.018
FINISH	SEE NOTE 3	0.024	0.030
QUANTITY & VARIATION	FOR FIELD SERVICE USE	0.036	0.042
THIRD ANGLE PROJECTION	DATE 11-5-82	TITLE digital	
DO NOT SCALE DRAWING	DRW'D C. LARSEN CL3 DATE 11-5-82	TOOL, KEYCAP REMOVAL	
REMOVE BURRS AND BREAK SHARP CORNERS	DES. ENG. JEFF LEWIS DATE 11-5-82	DOCUMENT NUMBER	
MATERIAL SEE NOTE 1	RESP. ENG. ART LEN DATE 11-5-82	D:MD 7427314-0-DBU A	
FINISH SEE NOTE 3	MFG. ENG. JIM FAY DATE 11-5-82	SCALE 1/1 SHEET 1 OF 1	
	TOP DOC. B-TC-LK201-A-1		

REV	NO.	REV.	A
CHK	INITIALS	PER EGN	#1518