

LINE ITEM	TOP DOCUMENT	PART NUMBER	MIN REV	DESCRIPTION	AA A1
1	B-DD-5416804-0-0	54-16804-01		NETWORK INTERFACE OPTION FOR VAXMA	1
2	K-PL-7023767-0-DBP	70-23767-01		THIN WIRE ETHERNET KIT	1
3	A-PS-1700303-0-0	17-00303-07		CABLE ASSY,40COND,FLAT,	2
4		EK-NETAA-UG		NETWORK GUIDE	1
5		37-00719-06		PKG MODULE OPTION DEQNA-M CUST.	1

REVISION HISTORY			KPL MATRIX FORMAT		SECTION A OF A		DRN: PAUL GAGNE		D I G I T A L	
ENG	ECO NUMBER	REV	SECTION/VARIATION INDEX		CHK'D:	D. HEALY		TITLE	PARTS LIST	
---	INITIAL	A	[A]	AA	DATE:	23-FEB-87		ETHERNET INTERFACE		
			[B]		DES.ENG:	L. KIZINA		DOCUMENT NUMBER		
			[C]		DATE:	23-FEB-87		SIZE	CODE	NUMBER
			[D]		RESP.ENG.:	G. LORD		K	PL	DESVA-0-DBP
			[E]		DATE:	23-FEB-87		RELEASE DATE:	26-FEB-87	
			[F]		MFG.ENG:	F. OSOWSKI		RELEASE STATUS:	RELEASED	
			[G]		DATE:	23-FEB-87				
			[H]		BASIC PART NUMBER:	DESVA		ASSEMBLY NUMBER:		
			[I]		TOP DOCUMENT NUMBER:	K-PL-DESVA-0-DBP		FILE NAME:	MLA0753A.PLS	
			[J]		EDIT #	14				

THIS DRAWING AND THE SPECIFICATIONS CONTAINED HEREIN ARE CONFIDENTIAL AND PROPRIETARY. THEY ARE THE PROPERTY OF DIGITAL EQUIPMENT CORPORATION AND SHALL NOT BE REPRODUCED OR COPIED OR USED IN WHOLE OR IN PART AS THE BASIS FOR THE MANUFACTURE OR SALE OF ITEMS WITHOUT WRITTEN PERMISSION. THIS IS AN UNPUBLISHED WORK PROTECTED UNDER THE FEDERAL COPYRIGHT LAWS.

DRAWING NO.	NO. SHEETS	PART NO.	DESCRIPTION	REVISIONS
D-UA-5416804-0-0	1	5416804-01	NETWORK INTERFACE OPTION UNIT ASSEMBLY	A1
K-CS-5416804-0-1	5		CIRCUIT SCHEMATICS	A
K-CS-5416804-0-DBX	1		SCHEMATICS DATABASE	A
K-PL-5416804-0-DBP	2		PARTS LIST	A
K-PC-5416804-0-DBJ	1		DESIGN DATABASE	F
K-DD-5016803-0-0	1	5016803-01	ETCHED CIRCUIT BOARD E.C.B. DRAWING DIRECTORY	F1 A

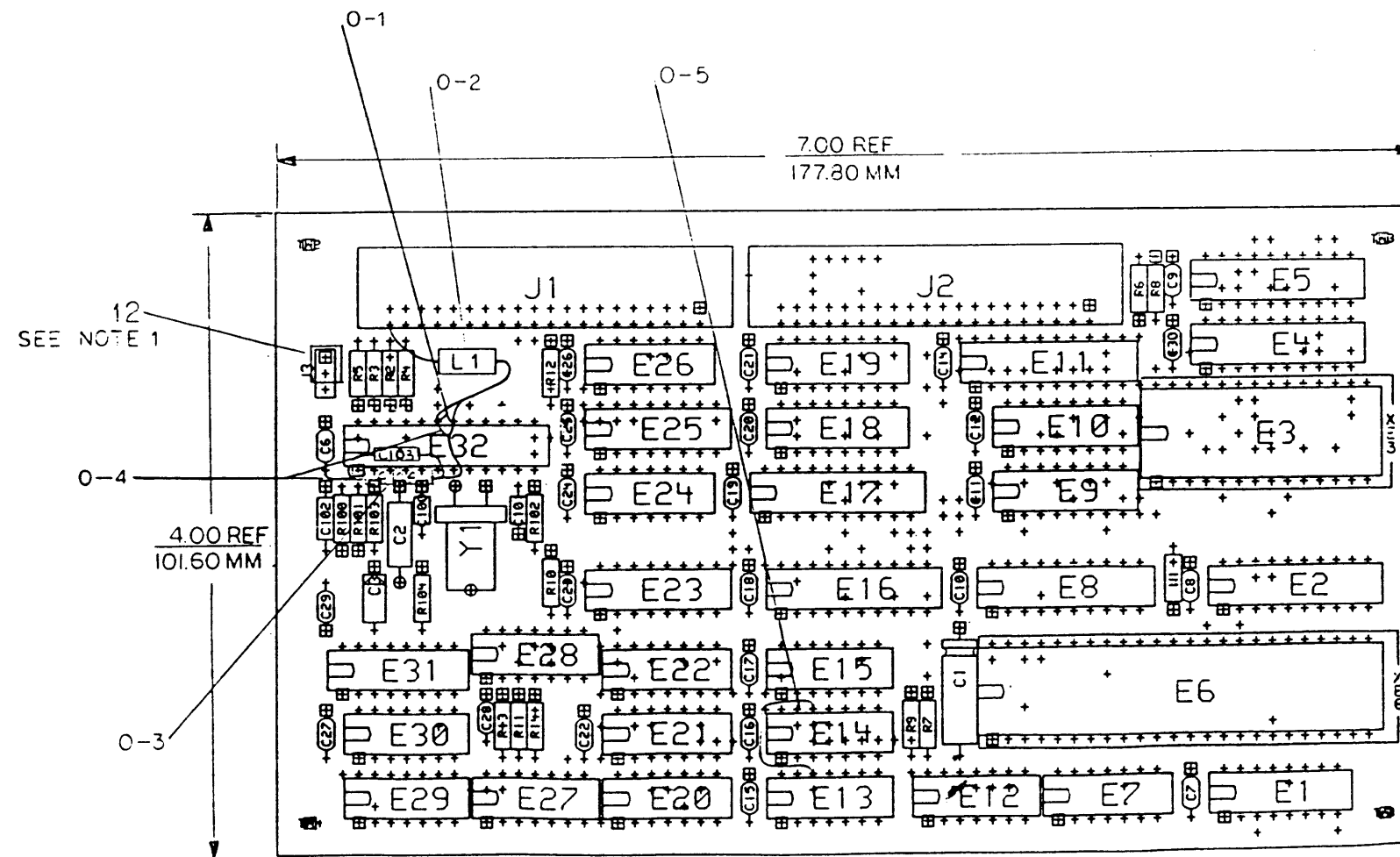
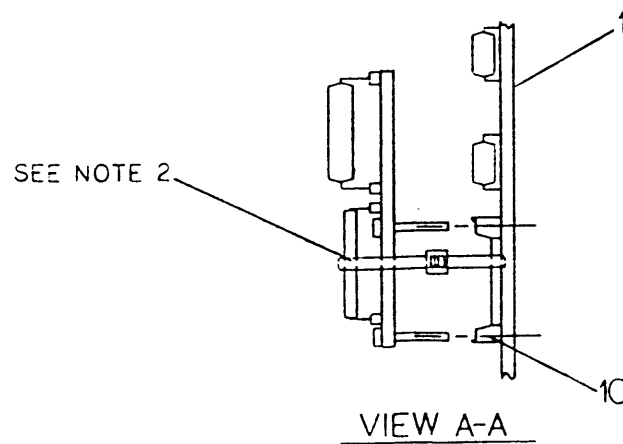
NOTES:

R
E
V
I
S
I
O
N
S
I
N
D
I
C
E
D
I
N
T
E
R
D
I
R
E
C
T
O
R
Y

THIS DRAWING AND THE SPECIFICATIONS CONTAINED HEREIN ARE CONFIDENTIAL AND PROPRIETARY. THEY ARE THE PROPERTY OF DIGITAL EQUIPMENT CORPORATION AND SHALL NOT BE REPRODUCED OR COPIED OR USED IN WHOLE OR IN PART AS THE BASIS FOR THE MANUFACTURE OR SALE OF ITEMS WITHOUT WRITTEN PERMISSION. THIS IS AN UNPUBLISHED WORK PROTECTED UNDER THE FEDERAL COPYRIGHT LAWS.	DRN: BLAISE DITOMMASO	DATE: 10 JAN 87	d i g i t a l	
	CHK'D: BARRY CORMIER	DATE: 10 JAN 87	TITLE	
	DES.ENG.: LARRY NAHRI	DATE: 10 JAN 87	SHEET 1 OF 1	EDIT: 0
	RESP.ENG.: P. SCANTLESURY	DATE: 10 JAN 87	DOCUMENT NUMBER	
			DD FILENAME: 5416804A.DDF	
	MFG.ENG.: W. BEAN	DATE: 10 JAN 87	SIZE CODE NUMBER REV	K DD 5416804-0-0 A

REWORK INSTRUCTION

- 0-1. Lift legs of E32-18 and E32-19.
- 0-2. Add 13 uH [Note: error in parts list desc. of 15 uH] inductor, L1 (16-23481-01) with one lead soldered to J1-40 and the other lead soldered to lifted legs E32-18 and E32-19. Use tubing (91-07256-11) to cover the exposed leads.
- 0-3. Solder the .047 uF cap, C103 (10-12784-00) in parallel with the 10 uF cap, C104 (10-17472-00).
- 0-4. Add the C103/C104 combination with the minus (-) side lead being soldered to C6 terminal 2. Solder the plus (+) side of the cap to the lifted legs of E32-18 and E32-19. Use tubing (91-07256-11) to cover exposed leads.
- 0-5. CLIP LEG OF E14-12. ADD WIRE FROM E13-12 TO CLIPPED LEG OF E14-12. USE WIRE .30 AWG (91-05740-55).



NOTES:

- 1. INSTALL W2 (WIRE) BETWEEN PINS 13 AND 22 IF E6 IS A 20-23347-02, OR PINS 223 IF E6 IS A 21-21672-04.
- 2. TIE WRAP TO GO UNDER SOCKET OF E6.

STEP E	+ Y AXIS	STEP	TIMES
--------	----------	------	-------

REVISION NO	REV	DATE	BY

ETCH REV.	F1
-----------	----

SIGNATURES		DATE	digita	
DRN.	J. Leplank	5-30-86		
CHK'D.	J. DeMarco	5-30-86		
MECH. ENG.	J. Nishi	5-25-86		
PROJ. ENG.	J. Nishi	5-25-86		
PROD.	W. Bean	5-25-86	TITLE NETWORK INTERFACE OPT	
SCALE	2/1	SIZE	CODE	NUMBER
SHT.	1 OF 1	D	LA	5416804-1
NEXT DRAWING REVISION: K-00-5416804-0-0				

PARTS LIST

LINE	ITEM	TOP DOCUMENT	PART NUMBER	MIN REV	DESCRIPTION	QTY PER VAR/REV	REFERENCE DESIGNATORS
						01 A1	
1	1	D-MD-5016803-0-0	50-16803-01		CIRCUIT DRILL AND ETCH	1	
2	2		10-12784-00		0.047MFD 50V +80/-20% Z5U C	25	C6-C12,C14-C30,C103
3	3		10-13466-33		100 PFD 50V +/- 2% NPO C	2	C100,C101
4	4		10-13466-42		4700 PFD 50V +/- 2% NPO C	1	C2
5	5		10-13466-50		580 PFD 50V +/- 5% NPO C	1	C102
6	6		10-15573-02		0.10 MFD 50V +/-10% X7R C	1	C3
7	7		10-17472-00		10 MFD 35V +75/-10% ALU	2	C1,C104
8	8		12-15006-07		SKT,IC 28PIN DIP TIN SOLD	1	XE3
9	9		12-15006-20		SKT,IC 48PIN DIP TIN SOLD	1	XE6
10	10		12-15901-06		PCB HEADER 03PIN(1X03).100CC STR	1	J3
11	11		12-18762-02		CONN,P+S 40PIN(2X20).100CC	2	J1,J2
12	12		12-18733-00		JUMPER 02POS(1X02).100CC	1	W2
13	13		13-00229-00		100.0 .25 W 5.0 % CF	3	R6,R102,R104
14	14		13-00316-00		470.0 .25 W 5.0 % CF	1	R13
15	15		13-00432-00		3.0 K .25 W 5.0 % CF	1	R100
16	16		13-00447-00		4.70 K .25 W 5.0 % CF	7	R7-R12,R14
17	17		13-11522-00		200.0 .25 W 5.0 % CF	1	R103
18	18		13-13150-75		40.20 .25 W 1.0 % RN55D-F10	4	R2-R5
19	19		13-18247-00		510.0 .25 W 5.0 % CF	1	R101
20	20		16-23481-01		CHOKE,MINI,HIGH CURRENT,15UH	1	L1
21	21		18-22815-01		XTAL 20.000 MHZ	1	Y1
22	22		19-10533-00		74S03 NAND GATE-QUAD 2IN,0	1	E29
23	23		19-12649-00		LS75 LATCH 4BIT,BISTABLE	1	E1
24	24		19-12808-00		LS11 AND GATE-TRIPLE 3IN	1	E28
25	25		19-12810-00		LS20 NAND GATE-DUAL 4IN	1	E26
26	26		19-12816-00		LS32 OR GATE-QUAD 2IN,POS	1	E7
27	27		19-12824-00		LS74 FF-D DUAL,EDGE TRIGG	1	E27
28	28		19-13471-00		LS367 DRIVER,BUS,HEX,TRI-S	1	E25
29	29		19-15193-00		LS244 DRIVER,LINE,OCTAL,TR	1	E4
30	30		19-15219-00		LS373 FF-D OCTAL-TRANSPARE	2	E2,E5
31	31		19-15932-00		LS125 BUFFER,QUAD BUS	1	E20
32	32		19-20373-01		LS137 DECODER,3 TO 8	1	E23

REVISION HISTORY		KPL MODULE FORMAT		SECTION A OF A		DRN: B. DITOMMASO		DIGITAL	
ENG	ECO NUMBER	REV	SECTION/VARIATION INDEX	CHK'D:	B. CORMIER	TITLE PARTS LIST			
INITIAL		A	[A] 01 [M]	DATE:	08-JAN-87	NETWORK INTERFACE OPTION			
			[B] [N]	DES.ENG:	L. NAHRI	DOCUMENT NUMBER			
			[C] [P]	DATE:	08-JAN-87	SIZE	CODE	NUMBER	REV
			[D] [Q]	RESP.ENG.:	P. SCANTLEBURY	K	PL	5416804-0-DBP	A
			[E] [R]	DATE:	03-JAN-87	RELEASE DATE: 08-JAN-87			
			[F] [S]	MFG.ENG.:	W. BEAN	RELEASE STATUS: RELEASED			
			[G] [T]	DATE:	08-JAN-87	BASIC PART NUMBER: 5416804			
			[H] [V]	ASSEMBLY NUMBER: D-UA-5416804-0-0		TOP DOCUMENT NUMBER: K-DD-5416804-0-0		FILE NAME: GH058A.PLS	
			[I] [W]	TOP DOCUMENT NUMBER: K-DD-5416804-0-0		FILE NAME: GH058A.PLS		EDIT #: 33	
			[J] [X]	TOP DOCUMENT NUMBER: K-DD-5416804-0-0		FILE NAME: GH058A.PLS		EDIT #: 33	
			[K] [Y]	TOP DOCUMENT NUMBER: K-DD-5416804-0-0		FILE NAME: GH058A.PLS		EDIT #: 33	
			[L] [Z]	TOP DOCUMENT NUMBER: K-DD-5416804-0-0		FILE NAME: GH058A.PLS		EDIT #: 33	

"THIS DRAWING AND THE SPECIFICATIONS CONTAINED HEREIN ARE CONFIDENTIAL AND PROPRIETARY. THEY ARE THE PROPERTY OF DIGITAL EQUIPMENT CORPORATION AND SHALL NOT BE REPRODUCED OR COPIED OR USED IN WHOLE OR IN PART AS THE BASIS FOR THE MANUFACTURE OR SALE OF ITEMS WITHOUT WRITTEN PERMISSION. THIS IS AN UNPUBLISHED WORK PROTECTED UNDER THE FEDERAL COPYRIGHT LAWS."

*** DOCUMENT CONVERTED TO VAX ***

AUTOMATED BY VAXKPL (V1.3)

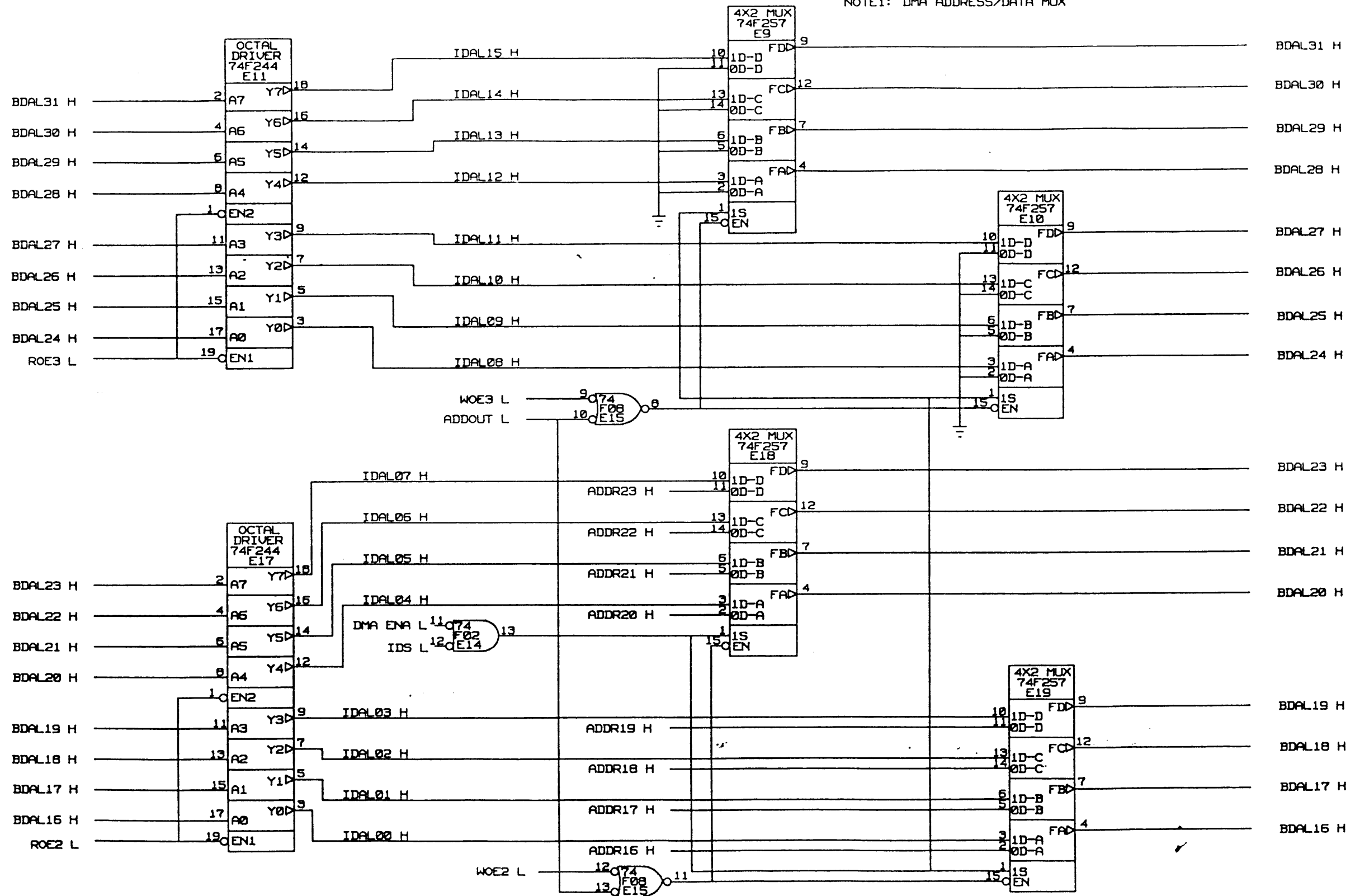
PARTS LIST

LINE	ITEM	TOP DOCUMENT	PART NUMBER	MIN REV	DESCRIPTION	QTY PER VAR/REV	REFERENCE DESIGNATORS
33	33		19-20441-01		74F245 TRANSCEIVER, BI-DIREC	2	E8, E16
34	34		19-20572-01		74F244 BUFFER/LINE DRIVER, 0	2	E11, E17
35	35		19-21306-01		74F02 NOR GATE, QUAD, 2-IN	1	E14
36	36		19-21307-01		74F04 HEX INVERTER	2	E12, E30
37	37		19-21309-01		74F08 AND GATE, QUAD, 2-IN	2	E15, E24
38	38		19-21312-01		74F32 OR GATE, QUAD, 2-IN	2	E21, E22
39	39		19-21314-01		74F74 FF-D, DUAL, POS., EDGE	1	E13
40	40		19-21324-01		74F175 FF-D, QUAD	1	E31
41	41		19-21330-01		74F257 MUX, QUAD, 2-IN	4	E9, E10, E18, E19
42	42		19-21671-03		INTERFACE, SERIAL ADAPTOR 300MIL	1	E32
43	43	SEE NOTE # 43	21-21672-07		CONTROLLER, LOCAL AREA NET	1	E6
44	44		23-180E6-00		E6-01, E6-02, E6-03 U	1	E3
45	45		90-09135-00		JUMPER, WIRE, INSULATED, BLACK B	1	W1
46	46	SEE NOTE # 46	90-10152-00		TIE, CABLE	1	
47	47		91-05740-55		WIRE(WRAP) 30AWG KYNAR UL14	A/R	
48	48		91-07256-11		TUBING, TEFLON .027ID	A/R	

43 NOTE: SUBSTITUTE 70-23347-02 (SHORT PIN LANCE ASSY) FOR THE 21-21672-07 IF UNAVAILABLE
 46 NOTE: USE ONLY WITH 70-23347-02

D	I	G	I	T	A	L	TITLE	SECTION A OF A	SIZE	CODE	DOCUMENT NUMBER	REV
							NETWORK INTERFACE OPTION		K	PL	5416804-0-DBP	A

NOTE1: DMA ADDRESS/DATA MUX



(HIGH WORD DATA PATH TO/FROM UMAX)

THIS DRAWING AND SCHEMATIC DIAGRAMS ARE THE PROPERTY OF DIGITAL EQUIPMENT CORPORATION. IT IS TO BE USED ONLY FOR THE PROJECT AND FOR THE EQUIPMENT SPECIFIED THEREON. IT IS NOT TO BE REPRODUCED OR COPIED IN ANY MANNER WITHOUT THE WRITTEN PERMISSION OF DIGITAL EQUIPMENT CORPORATION.

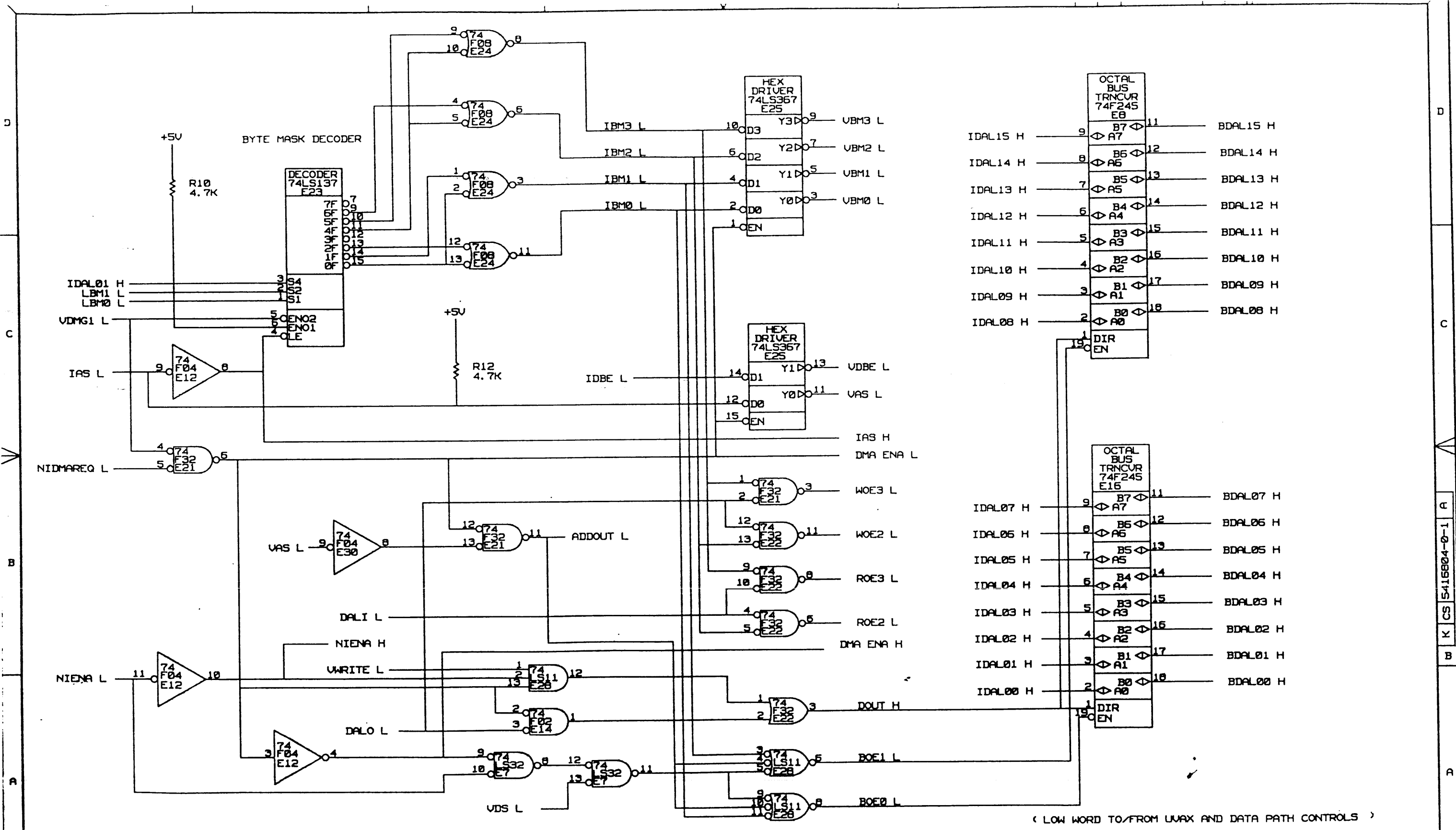
REVISION	DATE
OK CHANGE NO. REV	

	L. NARHI	3/26/85
	L. NARHI	3/26/85

L. NARHI	3/26/85
SHEET 2 OF 5	
TOP EQUIPMENT NUMBER K-DD-5416804-0-0	

TITLE			
NETWORK INTERFACE			
SIZE	CODE	NUMBER	REV.
K	CS	5416804-0-1	A

A
B
C
D
K
CS 5416804-0-1
A



(LOW WORD TO/FROM LWAX AND DATA PATH CONTROLS)

ALL RIGHTS RESERVED
 THIS DOCUMENT IS UNCLASSIFIED
 DATE 08-14-2011 BY 60322 UCBAW/SJS

REVISION	NO.	REV.
OK CHANGE NO.		

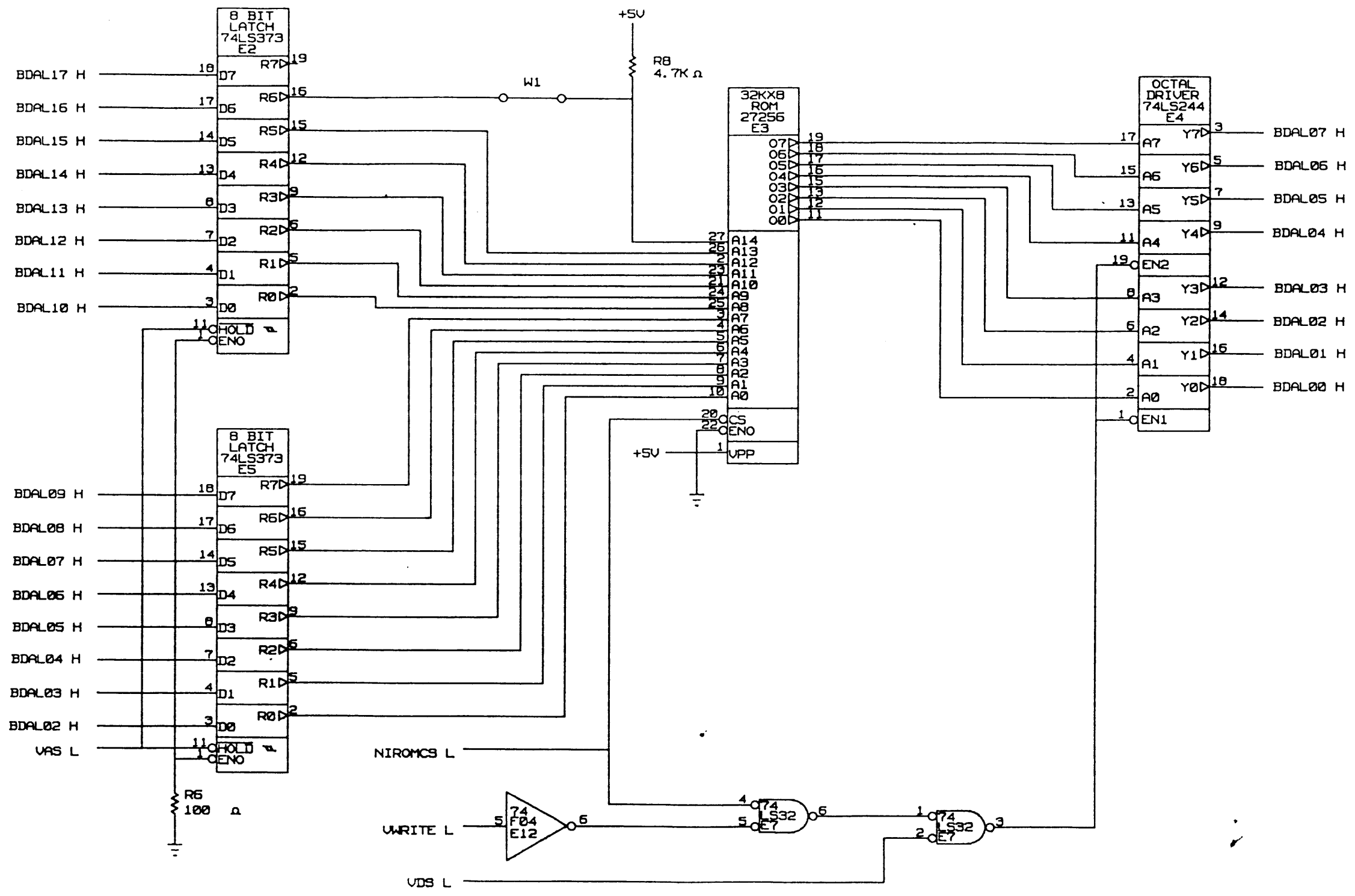
DESIGNER	L. NARHI	DATE	3/26/85
CHECKED	L. NARHI	DATE	3/26/85
DESIGN	DESIGN	DATE	

DESIGNER	L. NARHI	DATE	3/26/85
CHECKED	L. NARHI	DATE	3/26/85
DESIGN	DESIGN	DATE	

DESIGNER	L. NARHI	DATE	3/26/85
CHECKED	L. NARHI	DATE	3/26/85
DESIGN	DESIGN	DATE	

TITLE	NETWORK INTERFACE		
SIZE	K	CODE	CS
NUMBER	5416804-0-1		
REV.	A		

D
 C
 B
 A
 A
 B
 K
 CS
 5416804-0-1
 A



THIS DRAWING AND SPECIFICATIONS
 SHALL BE THE PROPERTY OF DIGITAL
 EQUIPMENT CORPORATION AND
 SHALL NOT BE REPRODUCED OR
 TRANSMITTED IN ANY FORM OR
 BY ANY MEANS, ELECTRONIC OR
 MECHANICAL, INCLUDING PHOTOCOPYING,
 RECORDING, OR BY ANY INFORMATION
 STORAGE AND RETRIEVAL SYSTEM,
 WITHOUT PERMISSION IN WRITING
 FROM DIGITAL EQUIPMENT CORPORATION.

REVISION	DATE
CHK CHANGE NO. REV	

DESIGNER	DATE	FILE	DATE	TITLE
L. NARHI	3/26/85	L. NARHI	3/26/85	NETWORK INTERFACE
L. NARHI	3/26/85			

digital
 FIRST USED ON OPTION #0001
 DESOR-FR

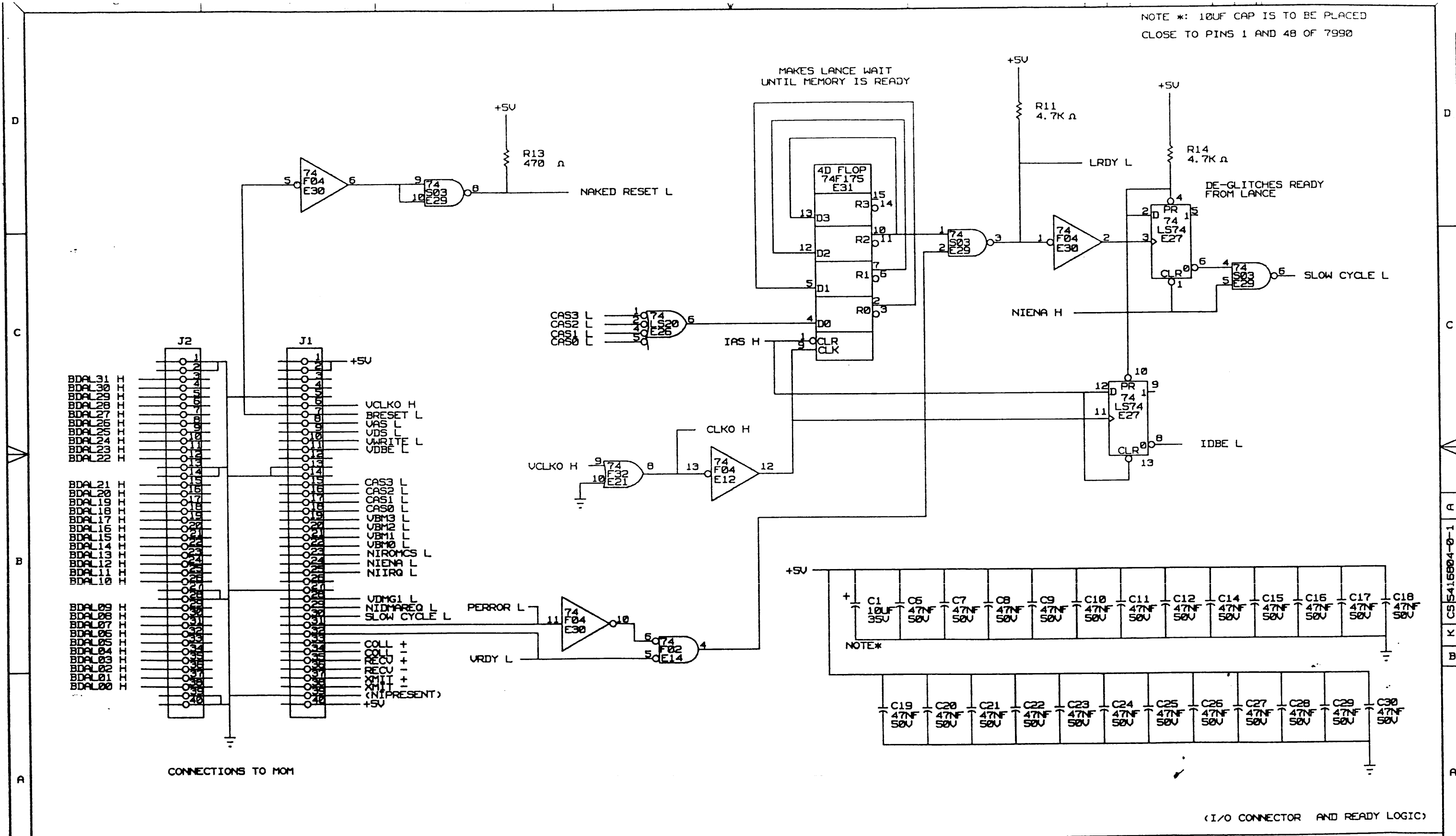
TOP DOCUMENT NUMBER	SIZE	CODE	NUMBER	REV.
K-DD-5416804-0-0	K	CS	5416804-0-1	A

(NI OPTION (P)ROM)
 TITLE: NETWORK INTERFACE
 SIZE: K CS
 NUMBER: 5416804-0-1
 REV: A

SIZE	CODE	NUMBER	REV.
K	CS	5416804-0-1	A

K CS 5416804-0-1 A

NOTE *: 10UF CAP IS TO BE PLACED CLOSE TO PINS 1 AND 48 OF 7990



REV	REVISION

	DESIGNED BY	L. NARHI	DATE	3/26/85	CHKD BY	L. NARHI	DATE	3/26/85	TITLE	NETWORK INTERFACE
	L. NARHI 3/26/85	L. NARHI 3/26/85	5 OF 5	K CS	NUMBER 5416804-0-1	REV. A				