

" THE MATERIAL HEREIN IS FOR INFORMATION PURPOSES ONLY AND IS SUBJECT TO CHANGE WITHOUT NOTICE. DIGITAL EQUIPMENT CORPORATION ASSUMES NO RESPONSIBILITY FOR ANY ERRORS WHICH MAY APPEAR HEREIN."

TABLE OF CONTENTS

" THIS DRAWING AND SPECIFICATIONS, HEREIN, ARE THE PROPERTY OF DIGITAL EQUIPMENT CORPORATION AND SHALL NOT BE REPRODUCED OR COPIED OR USED IN WHOLE OR IN PART AS THE BASIS FOR THE MANUFACTURE OR SALE OF ITEMS WITHOUT WRITTEN PERMISSION." COPYRIGHT © 1983 DIGITAL EQUIPMENT CORPORATION.

FIELD MAINTENANCE PRINT SET

B-TC-CI750-0-DBU1	FIELD MAINTENANCE PRINT SET MP 01647
B-DD-CI750-0-DBU	CI750 DRAWING DIRECTORY
E-UA-CI750-0-DBU	CI750 UNIT ASSEMBLY
K-PL-CI750-0-DBP	CI750 PARTS LIST
E-IC-CI750-0-DBU2	CI750 INTERCONNECT DIAGRAM
E-IC-CI750-0-DBU3	CI750 DUAL IC DIAGRAM
K-BD-CI750-0-0	CI750 BLOCK DIAGRAM
E-UA-H9544-A-0 (SHEETS 1 & 4)	END PANEL ASSY (W/LOCK BRKT) UNIT ASSY
K-PL-H9544-A-DBP	END PANEL ASSY (W/LOCK BRKT) UNIT ASSY
E-UA-H9544-B-0 (SHEETS 1 & 7)	H9544-B REAR DOOR UNIT ASSY
K-PL-H9544-B-DBP	H9544-B REAR DOOR PARTS LIST
E-UA-H9544-E-0 (SHEETS 1 & 5)	SHIELDED FRONT DOOR, 40" SINGLE WIDTH
K-PL-H9544-E-DBP	SHIELDED FRONT DOOR, 40" SINGLE WIDTH- PARTS LIST
E-UA-H9544-J-0 (SHEETS 1 & 5)	H9544-J CABINET ADD-ON KIT UNIT ASSY
K-PL-H9544-J-DBP	H9544-J CABINET ADD-ON KIT PARTS LIST
E-UA-H9544-L-0 (SHEETS 1 & 3)	TOP COVER ASSY
K-PL-H9544-L-DBP	TOP COVER PARTS LIST
E-AR-H9544-SK-DBU	H9544-SK FRAME I/O POWER CONT. KIT ASSY UNIT ASSY
K-PL-H9544-SK-DBP	H9544-SK FRAME I/O POWER CONT. KIT ASSY PARTS LIST
E-AD-7020700-0-DBU	CI750-C ASSEMBLY
K-PL-7020700-0-DBP	CI750-C ASSEMBLY PARTS LIST
C-IA-7008288-0-0	CABLE ASSEMBLY
E-IA-7020406-0-DBU (SHEETS 1 & 2)	FRAME ASSEMBLY
K-PL-7020406-0-DBP	FRAME ASSEMBLY PARTS LIST
E-AD-7020407-0-DBU	POWER SUPPLY ASSEMBLY
K-PL-7020407-0-DBP	POWER SUPPLY ASSEMBLY

UNIT VARIATIONS COVERED BY THIS PRINT SET
CI750-AA
CI750-AB
CI750-BA
CI750-BB
CI750-BC
CI750-BD
CI750-CA
CI750-CB
CI750-FA
CI750-FB
CI750-HA
CI750-HB
CI750-SA
CI750-SB

CI750
FIELD MAINTENANCE
PRINT SET

MP01647-01
DIGITAL EQUIPMENT
CORPORATION

PLOT AT: 1.00

LAYER #1: SHEET 1 OF 3
LAYER #2: SHEET 2 OF 3
LAYER #3: SHEET 3 OF 3

REVISIONS	CHANGE NO.	REV.	INITIAL	DATE	DESCRIPTION	USED ON OPTION/MODEL	DRN.	DATE	TITLE	SIZE	CODE	NUMBER	REV.
CHK			A			CI750	P. MARCOTTE	8JUN83	CI750 ASSEMBLY	B	TC	CI750-0-DBU1	C
			B				F. HALLIDAY	27JUL83					
			B				B. MONDOR	27JUL83					
			B				J. FAIRCHILD	27JUL83					
			B										
K.	GAGNON	14FEB84											
R.	MORIN												
FH	CI750-LTN03	C											
S.	CHARTIER	22FEB85											
R.	MORIN	06MAY85											

SHEET 1 OF 3

DIST.

LTN

" THE MATERIAL HEREIN IS FOR INFORMATION PURPOSES ONLY AND IS SUBJECT TO CHANGE WITHOUT NOTICE. DIGITAL EQUIPMENT CORPORATION ASSUMES NO RESPONSIBILITY FOR ANY ERRORS WHICH MAY APPEAR HEREIN."

TABLE OF CONTENTS

" THIS DRAWING AND SPECIFICATIONS, HEREIN, ARE THE PROPERTY OF DIGITAL EQUIPMENT CORPORATION AND SHALL NOT BE REPRODUCED OR COPIED OR USED IN WHOLE OR IN PART AS THE BASIS FOR THE MANUFACTURE OR SALE OF ITEMS WITHOUT WRITTEN PERMISSION." COPYRIGHT © 1984 DIGITAL EQUIPMENT CORPORATION.

FIELD MAINTENANCE PRINT SET

<p>E-UA-L0400-0-0 K-PL-L0400-0-DBP K-CS-L0400-0-CDPA THRU CDPDD (COMPLETE) K-BD-L0400-0-CDPEE K-TD-L0400-0-CDPFF B-DD-L0101-0 E-UA-L0101-0-0 K-PL-L0101-0-DBP D-CS-L0101-0-PBA THRU P8BB (COMPLETE) D-BS-L0101-0-2 B-TD-L0101-0-3 B-DD-L0100-0 E-UA-L0100-0-0 K-PL-L0100-0-DBP D-CS-L0100-0-1 D-BS-L0100-0-3 D-TD-L0100-0-2 B-TC-BNCIA-0-1 B-TC-SC008-A-1 K-PL-7022467-0-DBP E-AD-7022193-0-DBU K-PL-7022193-0-DBP B-DD-5417523-0 D-UA-5417523-0-0 K-PL-5417523-0-DBP K-CS-5417523-1-0</p>	<p>CDP UNIT ASSEMBLY CDP PARTS LIST CDP SCHEMATICS CDP BLOCK DIAGRAM CDP TIMING/STATE TRANSITION DIAG. IPB DRAWING DIRECTORY IPB UNIT ASSEMBLY IPB PARTS LIST IPB SCHEMATICS IPB BLOCK DIAGRAMS IPB TIMING DIAGRAMS ILI DRAWING DIRECTORY ILI UNIT ASSEMBLY ILI PARTS LIST ILI SCHEMATICS ILI BLOCK DIAGRAMS ILI TIMING DIAGRAMS BNCIA CABLE ASSY (TC ONLY) STAR COUPLER AND CABLE ASSY (TC ONLY) SHIPLIST CI750 STAR COUPLER ASSY, 4 NODE STAR COUPLER ASSY, 4 NODE - PARTS LIST STAR COUPLER MODULE, 4 NODE - DWG. DIR. STAR COUPLER MODULE, 4 NODE - ASSY STAR COUPLER MODULE, 4 NODE - PARTS LIST STAR COUPLER MODULE, 4 NODE - SCHEMATIC</p>
--------------------------------------------------------------------------------------------------------------------------------------------------------------------------------------------------------------------------------------------------------------------------------------------------------------------------------------------------------------------------------------------------------------------------------------------------------------------------------------------------------------------------------------------------------------------------------------------------------	-----------------------------------------------------------------------------------------------------------------------------------------------------------------------------------------------------------------------------------------------------------------------------------------------------------------------------------------------------------------------------------------------------------------------------------------------------------------------------------------------------------------------------------------------------------------------------------------------------------------------------------------------------------------------------------------------------------------------------------------------------------------

UNIT VARIATIONS COVERED BY THIS PRINT SET

FIELD MAINTENANCE PRINT SET

DIGITAL EQUIPMENT CORPORATION

REVISIONS	REV.				
	CHANGE NO.				
	CHK				
	USED ON OPTION/MODEL	DRN. P. MARCOTTE	DATE 8JUN83	TITLE	<div style="border: 1px solid black; display: inline-block; padding: 2px; font-size: 8px;">digital</div> <h2 style="margin: 0;">CI750 ASSEMBLY</h2>
	CHK'D	F. HALLIDAY	DATE 27JUL83		
	PROJ. ENG.	B. MONDOR	DATE 27JUL83		
	FIELD SERV.	J. FAIRCHILD	DATE 27JUL83		
		SIZE	CODE B TC	NUMBER CI750-0-DBU1	REV. C
			DIST.		
	SHEET 3 OF 3				

LTN

" THE MATERIAL HEREIN IS FOR INFORMATION PURPOSES ONLY AND IS SUBJECT TO CHANGE WITHOUT NOTICE. DIGITAL EQUIPMENT CORPORATION ASSUMES NO RESPONSIBILITY FOR ANY ERRORS WHICH MAY APPEAR HEREIN."


DRAWING DIRECTORY

" THIS DRAWING AND SPECIFICATIONS, HEREIN, ARE THE PROPERTY OF DIGITAL EQUIPMENT CORPORATION AND SHALL NOT BE REPRODUCED OR COPIED OR USED IN WHOLE OR IN PART AS THE BASIS FOR THE MANUFACTURE OR SALE OF ITEMS WITHOUT WRITTEN PERMISSION." COPYRIGHT © 1984 DIGITAL EQUIPMENT CORPORATION.

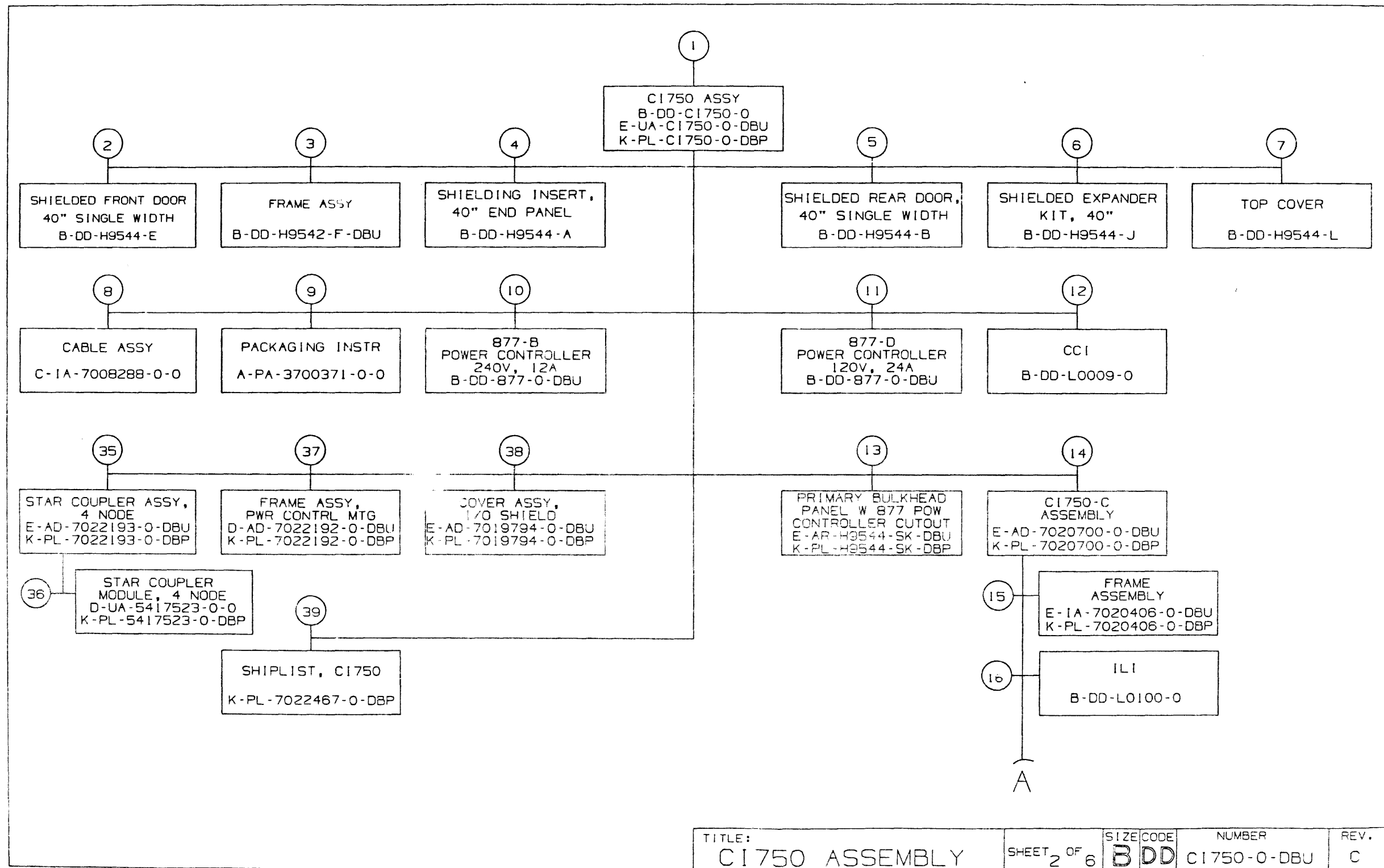
UNIT VARIATIONS	
VAR	TITLE
C1750-AA	11/750 CI PORT TO STAR COUPLER, 120V
C1750-AB	11/750 CI PORT TO STAR COUPLER, 240V
C1750-BA	C1750-AA WITH FCC HARDENED H9542, 120V
C1750-BB	C1750-AB WITH FCC HARDENED H9542, 240V
C1750-BC	C1750-AA, W/FCC H9542, W/O SC004-A, 120V
C1750-BD	C1750-AB, W/FCC H9542, W/O SC004-A, 240V
C1750-CA	C1750-AA, W/O L0009, 120V
C1750-CB	C1750-AB, W/O L0009, 240V
C1750-FA	DUAL C1750-AA, SC004-A, 2X877-D, H9542 FCC, 120V
C1750-FB	DUAL C1750-AB, SC004-A, 2X877-B, H9542 FCC, 240V
C1750-HA	C1750-FA, W/O SC004-A, 120V
C1750-HB	C1750-FB, W/O SC004-A, 240V
C1750-SA	2 X C1750-BA, 1 SC008-AC, 2 BNC1A-10, 120V
C1750-SB	2 X C1750-BB, 1 SC008-AC, 2 BNC1A-10, 240V

PLOT AT: 1.00

- LAYER # 1 : SHEET 1 OF 6
- LAYER # 2 : SHEET 2 OF 6
- LAYER # 3 : SHEET 3 OF 6
- LAYER # 4 : SHEET 4 OF 6
- LAYER # 5 : SHEET 5 OF 6
- LAYER # 6 : SHEET 6 OF 6

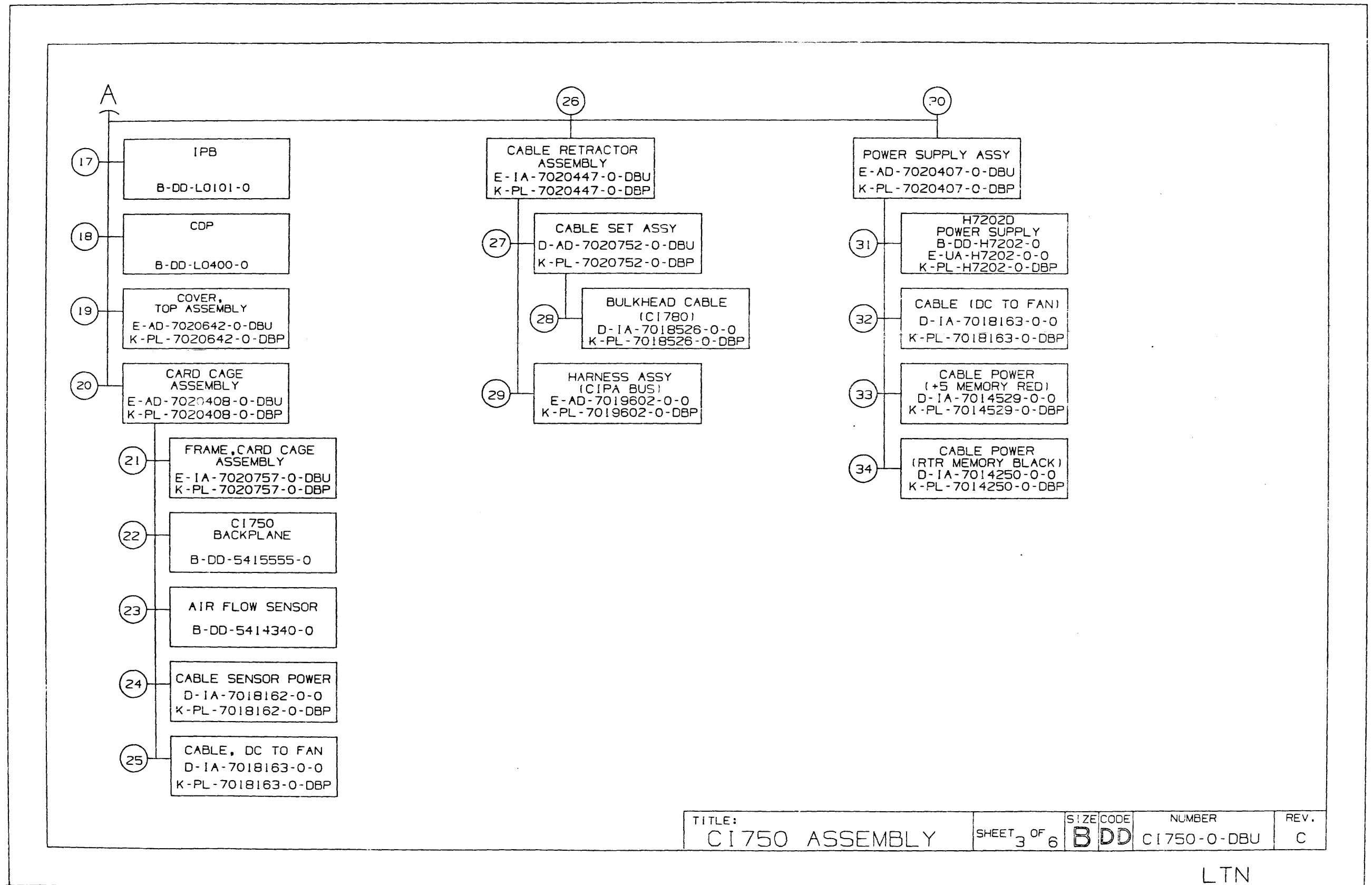
REVISIONS	CHK	CHANGE NO.	REV.	INITIAL		K. GAGNON 14FEB84	R. MORIN	FH	C1750-LTN03	C	S. CHARTIER 22FEB85	R. MORIN 06MAY85	USED ON OPTION/MODEL	C1750	DRN.	P. MARCOTTE	DATE	27 JUN 83	TITLE	<div style="text-align: right;">  C1750 ASSEMBLY </div>				
			A																					CHK'D
			B												PROJ. ENG.	B. MONDOR	DATE	27 JUN 83	SIZE CODE	B DD	NUMBER	C1750-0-DBU	REV.	C
															PROD.	B. SMITH	DATE	27 JUN 83						
														SHEET 1 OF 6	TOP DOC.	B-DD-C1750-0-DBU	DIST.							

LTN



TITLE:	SIZE CODE	NUMBER	REV.
CI750 ASSEMBLY	BDD	CI750-0-DBU	C
SHEET 2 OF 6			

LTN



TITLE:	SHEET 3 OF 6	SIZE CODE	NUMBER	REV.
CI750 ASSEMBLY		BDD	CI750-0-DBU	C

LTN

FIND NO.	DRAWING NO.	DESCRIPTION	TYPE	FIND NO.	DRAWING NO.	DESCRIPTION	TYPE
1	MP 01647	FIELD MAINTENANCE PRINT SET (MP)		11	B-DD-877-0-DBU	877-D POWER CONTROLLER 120V, 24A	E/M
	B-TC-C1750-0-DBU1	FIELD MAINTENANCE PRINT SET (TC)					
	B-DD-C1750-0-DBU	C1750 ASSEMBLY-DWG DIRECTORY		12	B-DD-L0009-0	CCI	E/M
	E-UA-C1750-0-DBU	C1750 ASSEMBLY	E/M				
	K-PL-C1750-0-DBP	C1750 ASSEMBLY-PARTS LIST	E/M	13	B-DD-H9544-SK-DBU	PRIMARY BULKHEAD PANEL W 877 POW CONTROLLER CUTOUT	E/M
	E-IC-C1750-0-DBU2	C1750 INTERCONNECT DIAGRAM	E				
	E-IC-C1750-0-DBU3	C1750 DUAL IC DIAGRAM	E	14	E-AD-7020700-0-DBU	C1750-C ASSEMBLY	E/M
	K-BD-C1750-0-0	C1750 BLOCK DIAGRAM	M		K-PL-7020700-0-DBP	C1750-C ASSEMBLY PARTS LIST	
	A-PS-1215843-0-0	CLIP, FLAT CABLE W/ ADHESIVE BACK	M		D-MD-7428678-0-DBU	BRACKET, CIRCUIT BREAKER	M
	E-1A-7431440-0-DBU	PANEL, FRONT, SC 4	M		B-MD-7423050-0-DBU	COVER PLATE	M
	C-SS-7431440-0-1	SILK SCREEN, PANEL, FRONT			B-1A-7423049-0-DBU	STUD PLATE	M
	C-SS-7431440-0-2	SILK SCREEN, PANEL, REAR			E-MD-7427861-0-0	COVER, CARD CAGE	M
	C-MD-7431439-0-DBU	PLATE CONTROLLER	M		C-MD-7428979-0-DBU	COVER, LEXAN	M
	E-1A-7431233-0-DBU	FRAME, MOUNTING, SC4	M		D-MD-7428427-0-DBU	BRACKET, MODULE SUPPORT	M
	C-MD-7428810-0-DBU	BRACKET, FRONT DOOR LOCK	M		C-1A-7427380-0-DBU	BRACKET, RETAINER	M
	B-MD-7425168-0-0	BAR, NUT	M				
	D-MD-7419261-0-0	BRACKET, CHASSIS SLIDE	M	15	E-AD-7020406-0-DBU	FRAME ASSEMBLY	E/M
	E-1A-7432233-0-DBU	BRACKET, LOCKING	M		K-PL-7020406-0-DBP	FRAME ASSEMBLY PARTS LIST	
					E-MD-7430175-0-0	FRAME, BOTTOM	M
2	B-DD-H9544-E	SHIELDED FRONT DOOR, 40" SINGLE WIDTH	M		E-1A-7430176-0-0	PANEL, RIGHT SIDE	M
					E-1A-7430177-0-0	PANEL, LEFT SIDE	M
					E-1A-7430179-0-0	FRAME, FRONT	M
					E-MD-7430178-0-0	FRAME, REAR	M
3	B-DD-H9542-F-DBU	FRAME ASSY	M		D-MD-7430185-0-DBU	DOOR, SIDE	M
					D-MD-7427865-0-DBU	HINGE, DOOR	M
					D-MD-7421616-0-0	SPRING, BOX LOCK	M
4	B-DD-H9544-A	SHIELDING INSERT, " END PANEL	M		D-1A-7427863-0-DBU	STRUT, BOTTOM	M
					D-MD-7427866-0-DBU	FILTER, FOAM	M
					D-MD-7427867-0-DBU	FOAM, FAN	V
5	B-DD-H9544-B	SHIELDED REAR DOOR, 40" SINGLE WIDTH	M		D-MD-7427862-0-DBU	FOAM, CARD CAGE	V
					D-1A-7430180-0-0	BRACKET, CC MOUNT	M
					K-PL-7430180-0-DBP	BRACKET, CC MOUNT PARTS LIST	
6	B-DD-H9544-J	SHIELDED EXPANDER KIT, 40"	M		C-MD-7423073-0-DBU	VELCRO STRIP, UPPER	M
					A-PS-1219059-0-0	CLIP, FLAT CABLE 2.45"W	M
					C-1A-7428677-0-DBU	BRACKET, CIRCUIT	M
7	B-DD-H9544-L	SHIELDED TOP COVER, 40" SINGLE WIDTH	M		K-PL-7428677-0-DBP	BRACKET, CIRCUIT PARTS LIST	
					D-MD-7430181-0-0	BRKT, LOWER, FR & RR	M
					C-1A-7430310-0-0	BRKT, UPPER, FRONT	M
8	C-1A-7008288-0-0	CABLE ASSEMBLY	E/M		K-PL-7430310-0-DBP	BRKT, UPPER, FRONT PARTS LIST	
					C-MD-7430311-0-0	BRKT, UPPER REAR	M
					C-1A-7430183-0-0	NUT PLATE	M
9	A-PA-3700371-0-0	PACKAGING INSTRUCTIONS	M		K-PL-7430183-0-DBP	NUT PLATE PARTS LIST	
					C-MD-7430184-0-0	WINDOW, PLASTIC	V
					A-PS-1213686-01	MOUNTING RAIL	M
10	B-DD-877-0-DBU	877-B POWER CONTROLLER 240V, 12A	E/M				
				16	B-DD-L0100-0	ILI	E/M

TYPE: E ELECTRICAL
M MECHANICAL
E/M ELECTRO/MECHANICAL

digital

TITLE: CI750 ASSEMBLY

SHEET 4 OF 6

SIZE CODE BDD

NUMBER CI750-0-DBU

REV. C

DRB 108A

LTN

FIND NO.	DRAWING NO.	DESCRIPTION	TYPE	FIND NO.	DRAWING NO.	DESCRIPTION	TYPE
17	B-DD-L0101-0	IPB	E/M	24	D-1A-7018162-0-0	CABLE, SENSOR POWER	E/M
					K-PL-7018162-0-DBP	CABLE, SENSOR POWER -PARTS LIST	
18	B-DD-L0400-0	CDP	E/M				
				25	D-1A-7018163-0-0	CABLE, DC TO FAN	E/M
19	E-AD-7020642-0-DBU	COVER, TOP ASSEMBLY	M		K-PL-7018163-0-DBP	CABLE, DC TO FAN-PARTS LIST	
	K-PL-7020642-0-DBP	COVER, TOP ASSEMBLY - PARTS LIST	M				
	E-MD-7430189-0-0	COVER, TOP	M				
				26	E-1A-7020447-0-DBU	CABLE RETRACTOR ASSEMBLY	E/M
20	E-AD-7020408-0-DBU	CARD CAGE ASSEMBLY	E/M		K-PL-7020447-0-DBP	CABLE RETRACTOR ASSEMBLY-PARTS LIST	
	K-PL-7020408-0-DBP	CARD CAGE ASSEMBLY-PARTS LIST	E/M		D-MD-7428769-0-DBU	RETRACTOR, RIBBON CABLE	M
	E-1A-7427378-0-DBU	PLENUM	M				
	D-MD-7427925-0-DBU	INSULATOR	M	27	D-AD-7020752-0-DBU	CABLE SET ASSEMBLY	E/M
	D-1A-7428581-0-DBU	BRACKET, L, STRAIN RELIEF	M		K-PL-7020752-0-DBP	CABLE SET ASSEMBLY-PARTS LIST	
	C-1A-7428368-0-DBU	BRACKET, LEFT STRAIN RELIEF	M		D-1A-7426407-26-DBU	PANEL, MASTER (T/RA)	M
	C-MD-7428580-0-DBU	PLATE, STRAIN RELIEF	M		K-PL-7426407-26-DBP	PANEL, MASTER (T/RA) -PARTS LIST	
	A-PS-1217556-0-0	FAN, TUBE AXIAL	E/M		D-1A-7426407-27-DBU	PANEL, MASTER (T/RB)	M
	A-PS-1210263-0-0	GUARD, FINGER	M		K-PL-7426407-27-DBP	PANEL, MASTER (T/RB) -PARTS LIST	
21	E-1A-7020757-0-DBU	FRAME, CARD CAGE ASSEMBLY	M	28	D-1A-7018526-0-0	BULKHEAD CABLE (C1780)	E/M
	K-PL-7020757-0-DBP	FRAME, CARD CAGE ASSEMBLY-PARTS LIST			K-PL-7018526-0-DBP	BULKHEAD CABLE (C1780) -PARTS LIST	
	E-1A-7430186-0-DBU	BOTTOM, CC	M				
	K-PL-7430186-0-DBP	BOTTOM, CC-PARTS LIST		29	E-AD-7019602-0-0	HARNESS ASSEMBLY (CIPA BUS)	E/M
	E-1A-7430187-0-DBU	FRAME, CARDCAGE, FRONT	M		K-PL-7019602-0-DBP	HARNESS ASSEMBLY (CIPA BUS) -PARTS LIST	
	K-PL-7430187-0-DBP	FRAME, CARDCAGE, FRONT-PARTS LIST					
	E-1A-7430188-0-DBU	FRAME, CARDCAGE, REAR	M				
	K-PL-7430188-0-DBP	FRAME, CARDCAGE, REAR-PARTS LIST		30	E-1A-7020407-0-DBU	POWER SUPPLY ASSEMBLY	E/M
	C-MD-7423051-0-0	ROD SUPPORT	M		K-PL-7020407-0-DBP	POWER SUPPLY ASSEMBLY-PARTS LIST	E/M
	D-MD-7428365-0-DBU	STRUT, HORIZONTAL	M		D-MD-7427369-0-DBU	BRACKET, LEFT, P.S.	M
	A-PS-1211630-0-0	GUIDE, CARD	M		D-MD-7427370-0-DBU	BRACKET, RIGHT, P.S.	M
					A-PS-1217556-0-0	FAN, TUBE AXIAL	E/M
					A-PS-1700388-0-0	FLEX CABLE ASSEMBLY	E/M
22	B-DD-5415555-0	C1750 BACKPLANE-DWG DIRECTORY					
	E-UA-5415555-0-0	C1750 BACKPLANE ASSEMBLY	E/M				
	K-PL-5415555-0-DBP	C1750 BACKPLANE ASSEMBLY-PARTS LIST		31	B-DD-H7202-0	H7202 POWER SUPPLY-DWG DIRECTORY	
	D-EC-5015554-0-0	C1750 BACKPLANE ASSEMBLY-ETCH CUT	E				
23	B-DD-5414340-0	AIR FLOW SENSOR-DWG DIRECTORY		32	D-1A-7018163-0-0	CABLE, DC TO FAN	E/M
	D-UA-5414340-0-0	AIR FLOW SENSOR ASSEMBLY	E/M		K-PL-7018163-0-DBP	CABLE, DC TO FAN -PARTS LIST	
	K-PL-5414340-0-DBP	AIR FLOW SENSOR ASSEMBLY-PARTS LIST		33	D-1A-7014529-0-0	CABLE POWER (+5 MEMORY-RED)	E/M
	D-CS-5414340-0-0	AIR FLOW SENSOR-CIRCUIT SCHEMATIC	E		K-PL-7014529-0-DBP	CABLE POWER (+5 MEMORY-RED) -PARTS LIST	
			E/M	34	D-1A-7014250-0-0	CABLE POWER (RTR MEMORY-BLK)	E/M
					K-PL-7014250-0-DBP	CABLE POWER (RTR MEMORY-BLK) -PARTS LIST	

TYPE: E ELECTRICAL
M MECHANICAL
E/M ELECTRO/MECHANICAL

digital

TITLE: C1750 ASSEMBLY SHEET 5 OF 6 SIZE CODE BDD NUMBER C1750-0-DBU REV. C

DRB 108A

LTN

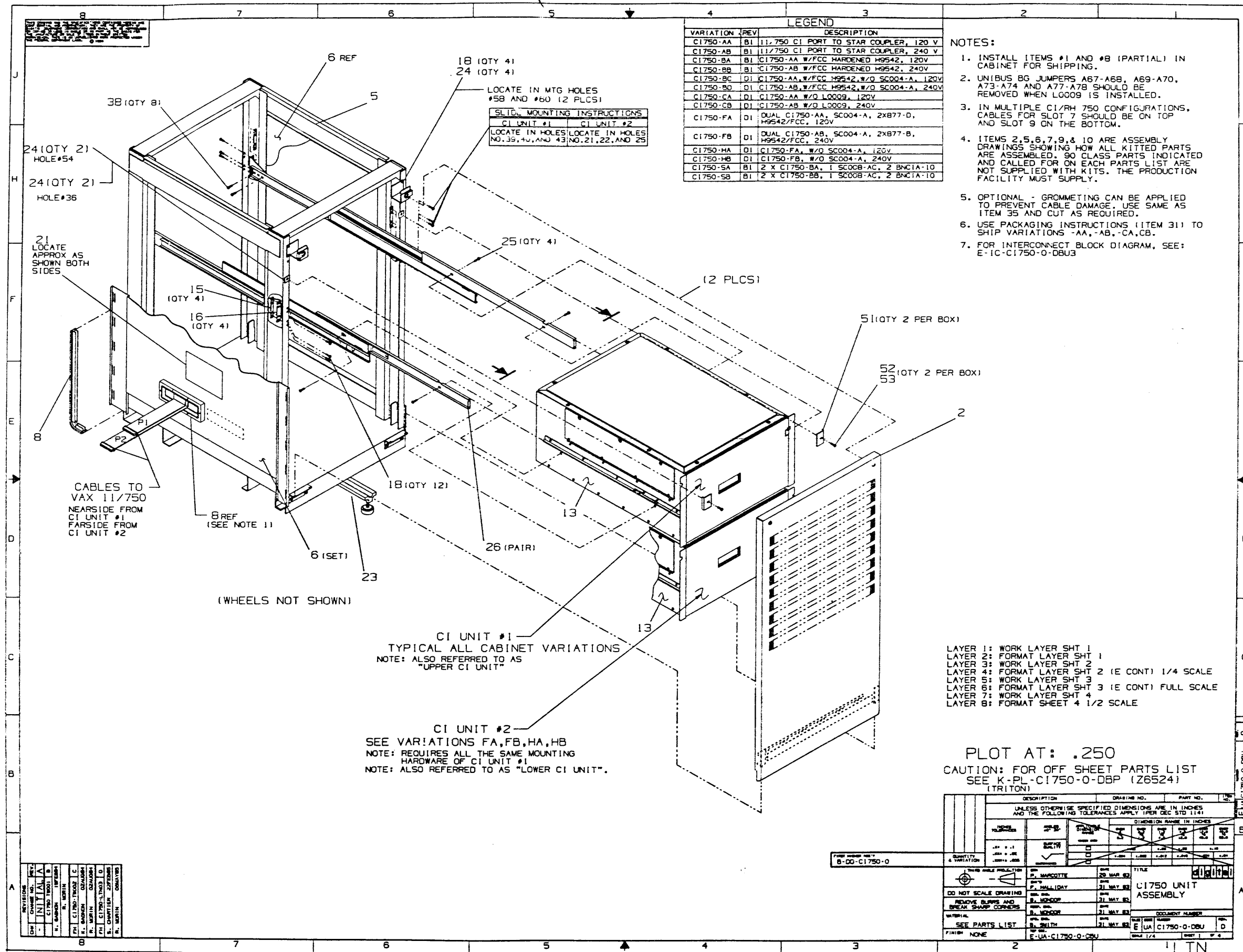
FIND NO.	DRAWING NO.	DESCRIPTION	TYPE	FIND NO.	DRAWING NO.	DESCRIPTION	TYPE
35	E-AD-7022193-0-DBU	STAR COUPLER ASSY, 4 NODE	E/M				
	K-PL-7022193-0-DBP	STAR COUPLER ASSY, 4 NODE-PARTS LIST					
	E-1A-7431438-0-DBU	BRKT, MTG, SC 4 MODULE	M				
	K-PL-7431438-0-DBP	BRKT, MTG, SC 4 MODULE-PARTS LIST					
	C-SS-7431438-0-1	SILK SCREEN, BRKT MTG					
	E-1A-7431440-0-DBU	PANEL, FRONT, SC 4	M				
	K-PL-7431440-0-DBP	PANEL, FRONT, SC 4-PARTS LIST					
	C-SS-7431440-0-1	SILK SCREEN, PANEL,FRONT					
	C-SS-74301440-0-2	SILK SCREEN, PANEL,REAR					
36	B-DD-5417523-0	STAR COUPLER MODULE, 4 NODE-DWG DIR					
	D-UA-5417523-0-0	STAR COUPLER MODULE, 4 NODE	E/M				
	K-PL-5417523-0-DBP	STAR COUPLER MODULE, 4 NODE-PARTS LIST					
	K-CS-5417523-1-0	STAR COUPLER MODULE, 4 NODE-SCHEM	M				
37	D-AD-7022192-0-DBU	FRAME ASSY, PWR CONTRL MTG	M				
	K-PL-7022192-0-DBP	FRAME ASSY, PWR CONTRL MTG-PARTS LIST					
	E-1A-7431030-0-DBU	FRAME, PWR CONTRL MTG	M				
38	E-AD-7019794-0-0	COVER ASSY, I/O SHIELD	M				
	K-PL-7019794-0-DBP	COVER ASSY, I/O SHIELD-PART LIST					
	D-MD-7426408-0-DBU	COVER, I/O SHIELD	M				
39	K-PL-7022467-0-DBP	CI750 SHIPLIST					

TYPE: E ELECTRICAL
M MECHANICAL
E/M ELECTRO/MECHANICAL



TITLE: CI750 ASSEMBLY	SHEET 6 OF 6	SIZE CODE B DD	NUMBER CI750-0-DBU	REV. C
--------------------------	--------------	-------------------	-----------------------	-----------

LTN



LEGEND

VARIATION	REV	DESCRIPTION
C1750-AA	B1	11/750 CI PORT TO STAR COUPLER, 120 V
C1750-AB	B1	11/750 CI PORT TO STAR COUPLER, 240 V
C1750-BA	B1	C1750-AA W/FCC HARDENED H9542, 120V
C1750-BB	B1	C1750-AA W/FCC HARDENED H9542, 240V
C1750-BC	D1	C1750-AA W/FCC H9542, W/O SC004-A, 120V
C1750-BD	D1	C1750-AA W/FCC H9542, W/O SC004-A, 240V
C1750-CA	D1	C1750-AA W/O L0009, 120V
C1750-CB	D1	C1750-AA W/O L0009, 240V
C1750-FA	D1	DUAL C1750-AA, SC004-A, 2X877-D, H9542/FCC, 120V
C1750-FB	D1	DUAL C1750-AB, SC004-A, 2X877-B, H9542/FCC, 240V
C1750-HA	D1	C1750-FA, W/O SC004-A, 120V
C1750-HB	D1	C1750-FB, W/O SC004-A, 240V
C1750-SA	B1	2 X C1750-BA, 1 SC00B-AC, 2 BNC1A-10
C1750-SB	B1	2 X C1750-BB, 1 SC00B-AC, 2 BNC1A-10

- NOTES:**
1. INSTALL ITEMS #1 AND #8 (PARTIAL) IN CABINET FOR SHIPPING.
 2. UNIBUS BG JUMPERS A67-A68, A69-A70, A73-A74 AND A77-A78 SHOULD BE REMOVED WHEN L0009 IS INSTALLED.
 3. IN MULTIPLE CI/PH 750 CONFIGURATIONS, CABLES FOR SLOT 7 SHOULD BE ON TOP AND SLOT 9 ON THE BOTTOM.
 4. ITEMS 2,5,6,7,9, & 10 ARE ASSEMBLY DRAWINGS SHOWING HOW ALL KITTED PARTS ARE ASSEMBLED. 90 CLASS PARTS INDICATED AND CALLED FOR ON EACH PARTS LIST ARE NOT SUPPLIED WITH KITS. THE PRODUCTION FACILITY MUST SUPPLY.
 5. OPTIONAL - GROMMETING CAN BE APPLIED TO PREVENT CABLE DAMAGE. USE SAME AS ITEM 35 AND CUT AS REQUIRED.
 6. USE PACKAGING INSTRUCTIONS (ITEM 31) TO SHIP VARIATIONS -AA,-AB,-CA,CB.
 7. FOR INTERCONNECT BLOCK DIAGRAM, SEE: E-1C-C1750-0-DBU3

LOCATE IN MTG HOLES #58 AND #60 (2 PLCS)

LOCATE IN HOLES #39,40, AND 43

SLIDING MOUNTING INSTRUCTIONS	
CI UNIT #1	CI UNIT #2
LOCATE IN HOLES NO. 21, 22, AND 25	LOCATE IN HOLES NO. 21, 22, AND 25

CI UNIT #1
TYPICAL ALL CABINET VARIATIONS
NOTE: ALSO REFERRED TO AS "UPPER CI UNIT"

CI UNIT #2
SEE VARIATIONS FA, FB, HA, HB
NOTE: REQUIRES ALL THE SAME MOUNTING HARDWARE OF CI UNIT #1
NOTE: ALSO REFERRED TO AS "LOWER CI UNIT".

- LAYER 1: WORK LAYER SHT 1
LAYER 2: FORMAT LAYER SHT 1
LAYER 3: WORK LAYER SHT 2
LAYER 4: FORMAT LAYER SHT 2 (E CONTI) 1/4 SCALE
LAYER 5: WORK LAYER SHT 3
LAYER 6: FORMAT LAYER SHT 3 (E CONTI) FULL SCALE
LAYER 7: WORK LAYER SHT 4
LAYER 8: FORMAT SHEET 4 1/2 SCALE

PLOT AT: .250
CAUTION: FOR OFF SHEET PARTS LIST SEE K-PL-C1750-0-DBP (26524) (TRITON)

REV	DATE	BY	CHKD	DESCRIPTION
A	INITIAL			C1750 TRAIL B
B				
C				
D				
E				
F				
G				
H				
I				
J				

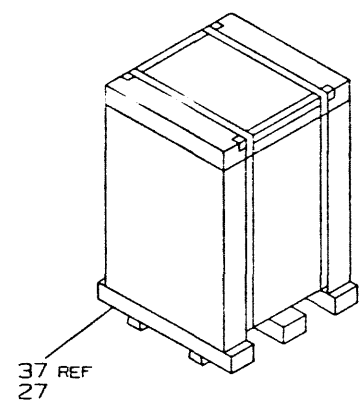
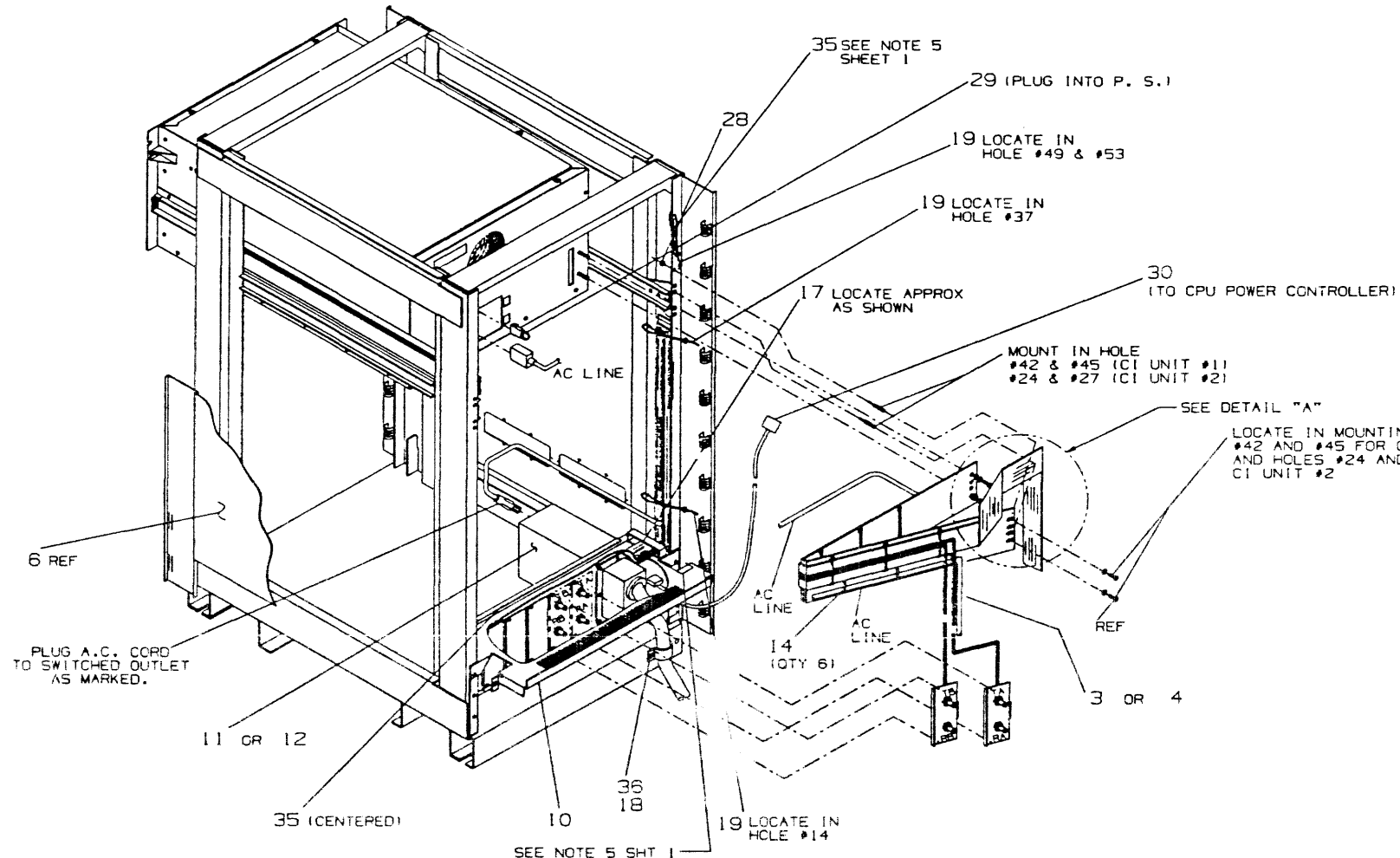
DESCRIPTION	QUANTITY	UNIT	PART NO.	REV
0-00-C1750-0				

TITLE		DRAWING NO.		PART NO.	
C1750 UNIT ASSEMBLY		0-00-C1750-0			

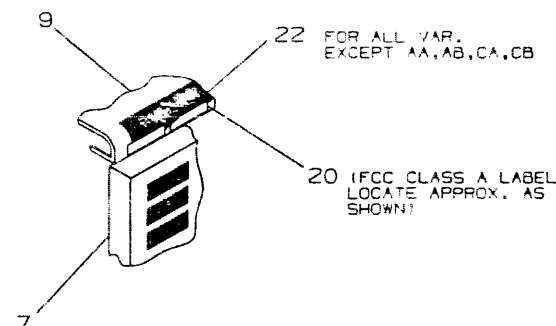
DATE	BY	CHKD	DESCRIPTION
20 MAR 82			
21 MAY 82			
21 MAY 82			
21 MAY 82			
21 MAY 82			

THIS DRAWING AND SPECIFICATIONS, HEREINAFTER THE PROPERTY OF DIGITAL EQUIPMENT CORPORATION AND SHALL NOT BE REPRODUCED OR COPIED OR USED IN WHOLE OR IN PART AS THE BASIS FOR THE MANUFACTURE OR SALE OF ITEMS WITHOUT WRITTEN PERMISSION. DIGITAL EQUIPMENT CORPORATION. COPYRIGHT © 1984

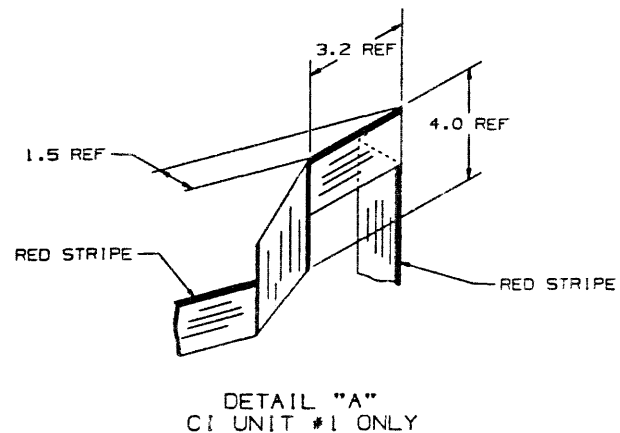
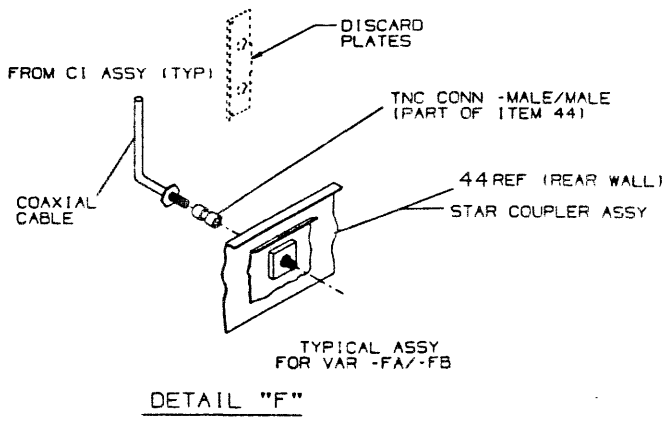
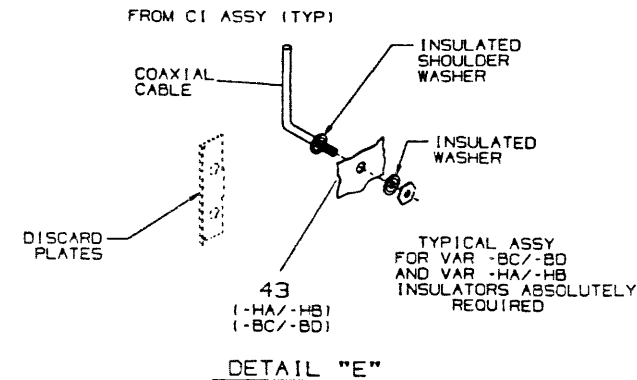
E LA C1750-0-DBU D



SHIPPING & PACKAGING
EXTEND STABILIZER LEG TO EDGE OF SHIPPING CONTAINER FOR SHIPPING.



VARIATIONS-BA/-BB SHOWN

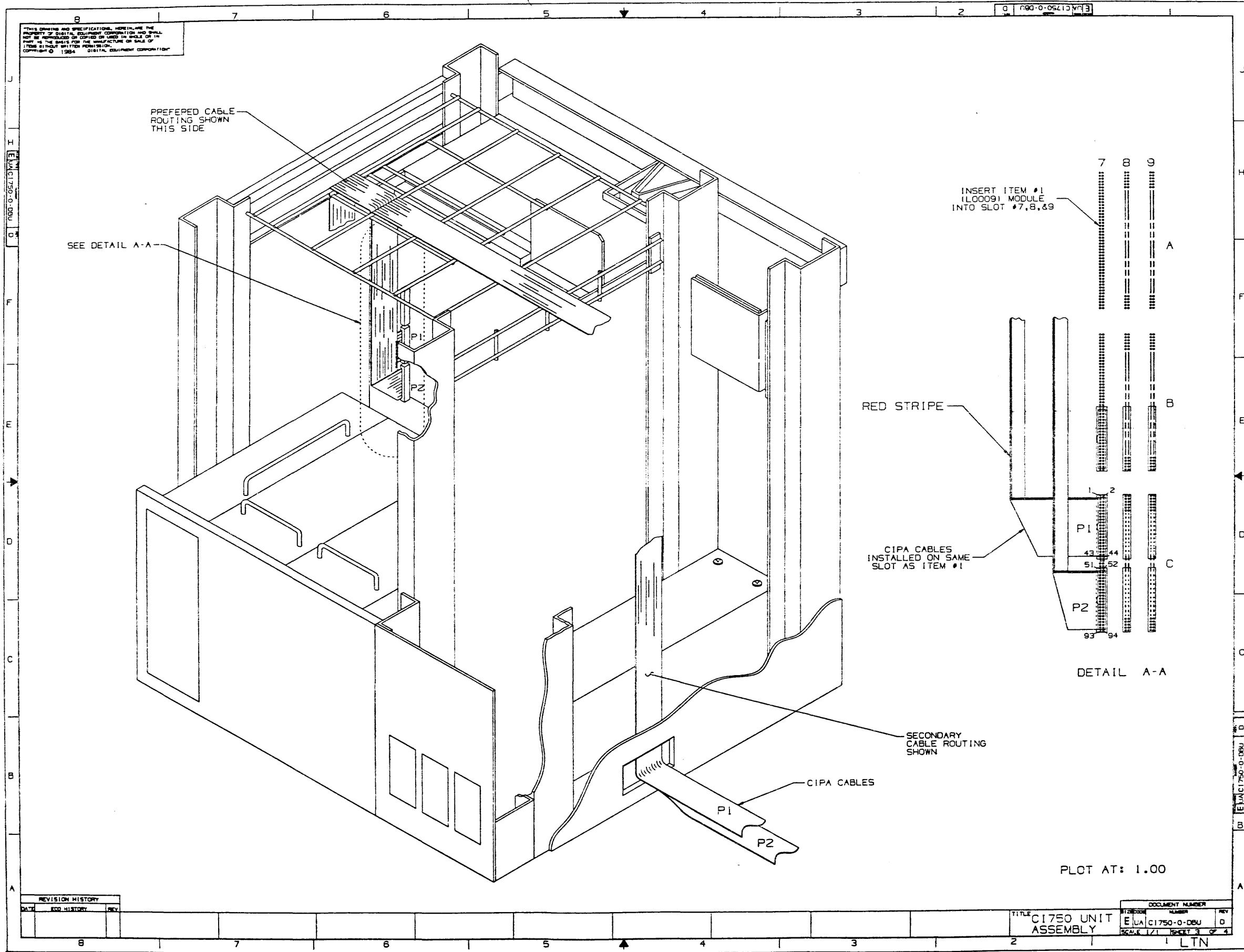


PLOT AT: .250

REVISION HISTORY		
DATE	ECO HISTORY	REV

TITLE C1750 UNIT ASSEMBLY
DOCUMENT NUMBER E LA C1750-0-DBU D
SCALE 1/4 SHEET 2 OF 4

LTN



REVISION HISTORY		
DATE	ECO HISTORY	REV

TITLE C1750 UNIT ASSEMBLY

DOCUMENT NUMBER E LA C1750-0-DBU D

SCALE 1/2" = 1" SHEET 3 OF 4

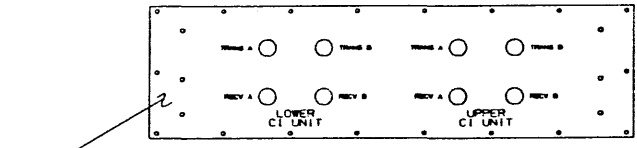
LTN

THIS DRAWING AND SPECIFICATIONS CONTAINED HEREIN ARE CONFIDENTIAL AND PROPRIETARY TO THE UNITED STATES GOVERNMENT CONTRACTOR AND THE UNITED STATES GOVERNMENT. IT IS TO BE CONTAINED WITHIN THE PROTECTIVE CASE AND NOT TO BE REPRODUCED OR TRANSMITTED IN ANY FORM OR BY ANY MEANS, ELECTRONIC OR MECHANICAL, INCLUDING PHOTOCOPYING, RECORDING, OR BY ANY INFORMATION STORAGE AND RETRIEVAL SYSTEM, WITHOUT PERMISSION IN WRITING FROM THE FEDERAL BUREAU OF INVESTIGATION.

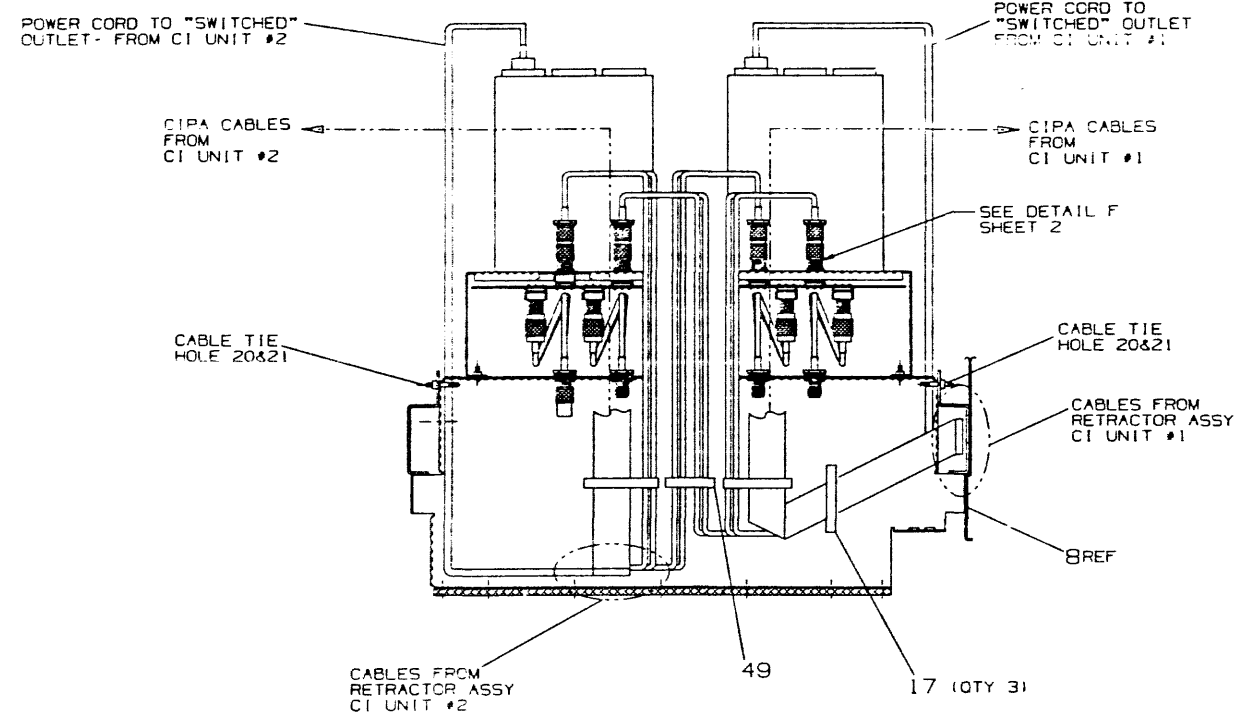
VARIATIONS -FA/-FB SHOWN
 NOTE: IF STAR COUPLER IS TO BE DISCARDED, FRONT PANEL CAN BE REMOVED FROM ASSY AND OPPOSITE SIDE CAN BE USED AS NEW FCC OR I/O PANEL. PRINTED CONNECTOR INFO ALREADY ON PANEL.

VARIATIONS -HA/-HB (NOT SHOWN)
 SUBSTITUTE ITEM 43 FOR 44 USING SAME REQUIRED HARDWARE. SEE VIEW "D" FOR CONNECTOR INFO.

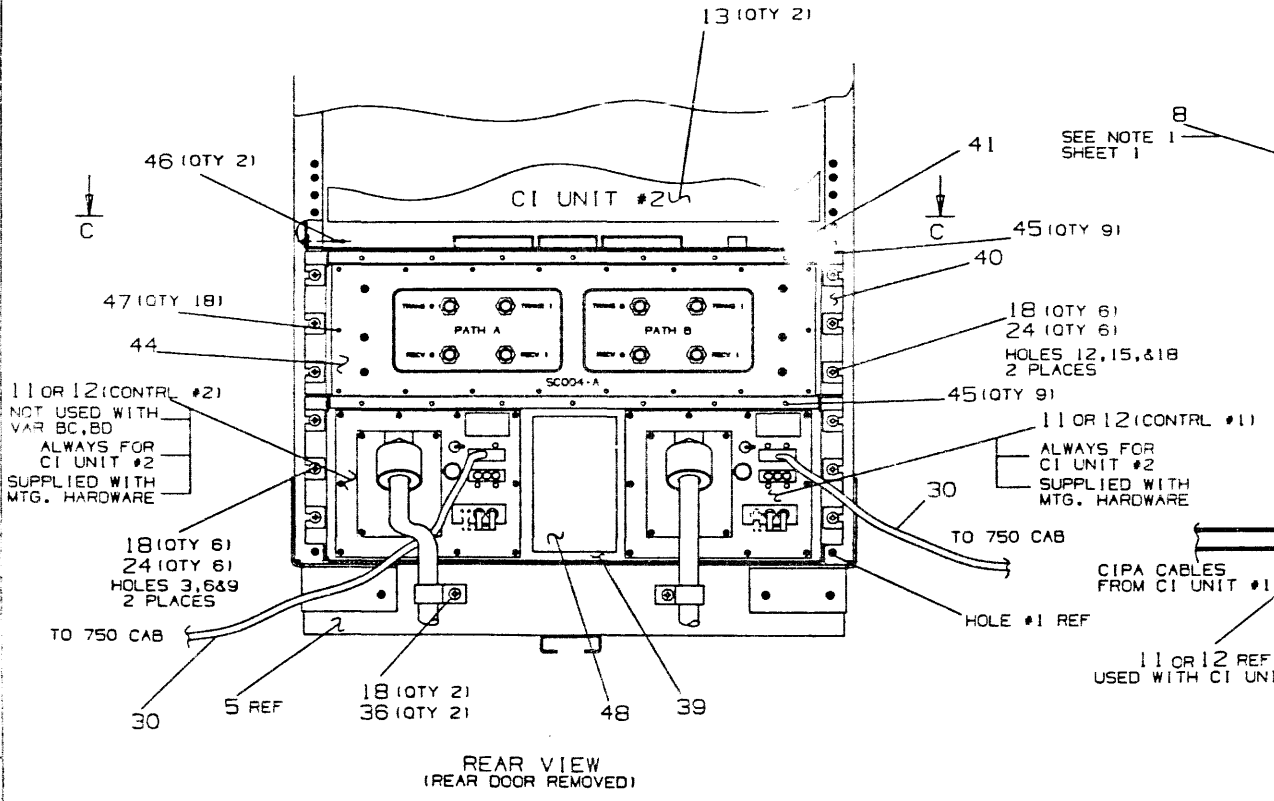
VARIATIONS -BC/-BD (NOT SHOWN)
 SAME AS -HA/-HB, BUT USES SINGLE CI UNIT AT UPPER LEVEL. REPLACE CONTROLLER #2 WITH ITEM 42 USING 45 (QTY 10).



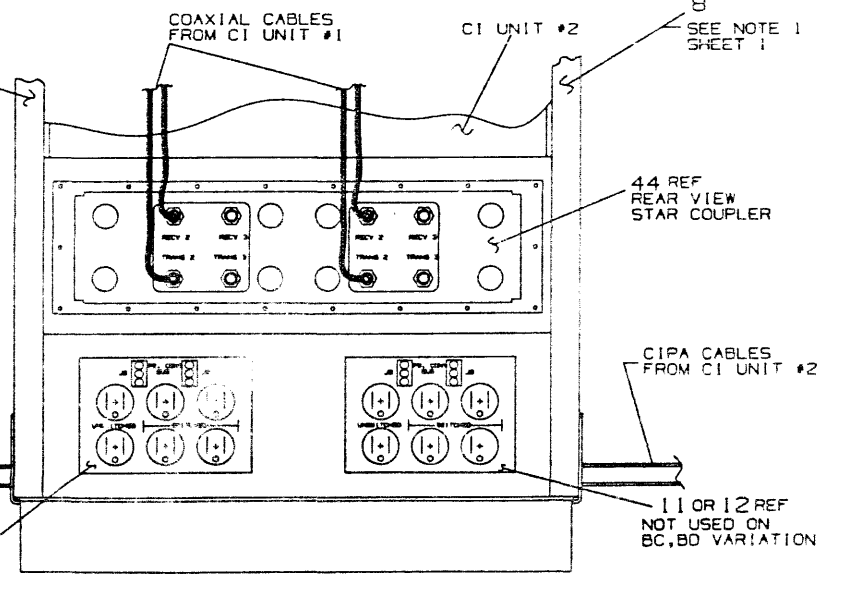
VIEW "D"
 VAR -HA/-HB
 (SEE DETAIL E, SHEET 2)



VIEW C-C



REAR VIEW
 (REAR DOOR REMOVED)



INSIDE FRONT VIEW
 (FRONT DOOR REMOVED)

VARIATIONS -FA/-FB SHOWN
 SEE ABOVE LEFT FOR OTHER VARIATIONS.

PLOT AT: .500

REVISION HISTORY		
DATE	ECO HISTORY	REV

TITLE
 CI750 UNIT
 ASSEMBLY

DOCUMENT NUMBER			
SYMBOL	NUMBER	REV	
E	UA	CI750-0-DBU	0
SCALE: NONE			SHEET 4 OF 4

LTN

AUTOMATED BY PRTLST.4Q(50)

PARTS LIST

SHEET A1 OF A2

LINE	ITEM	TOP DOCUMENT	PART NUMBER	MIN REV	DESCRIPTION	QTY PER VARIATION															
						AA C1	AB C1	BA C1	BB C1	BC D1	BD D1	CA D1	CB D1	FA D1	FB D1	HA D1	HB D1				
1	1		L0009-00		CCI (CMI TO CIPA INTERFACE),4-LA	1	1	1	1	1	1	-	-	2	2	2	2				
2	2	E-UA-H9544-E-0	H9544-ET		FRONT DOOR ASSY,SHIELDED,CI750,G	-	-	1	1	1	1	-	-	1	1	1	1				
3	3	A-PS-1700083-0-0	1700083-22		PWR CORD,TERM 3-14 SJT 125	1	-	1	-	1	-	1	-	2	-	2	-				
4	4	A-PS-1700083-0-0	1700083-21		PWR CORD,TERM 3-14 SJT 250	-	-	1	-	1	-	1	-	2	-	2	-				
5	5	E-UA-H9542-F-DBU	H9542-FD		40" FRONT LOADING CAB FRAME (H95	-	-	1	1	1	1	-	-	1	1	1	1				
6	6	E-UA-H9544-A-0	H9544-AE		SHIELDING INSERT,40" END PANEL	-	-	1	1	1	1	-	-	1	1	1	1				
7	7	E-UA-H9544-B-0	H9544-BF		SHIELDED REAR DOOR,40" SINGLE WI	-	-	1	1	1	1	-	-	1	1	1	1				
8	8	E-UA-H9544-J-0	H9544-JE		SHIELDED EXPANDER KIT,40"	-	-	1	1	1	1	-	-	2	2	2	2				
9	9	E-UA-H9544-L-0	H9544-LG		SHIELDED TOP COVER,40" SINGLE WI	-	-	1	1	1	1	-	-	1	1	1	1				
10	10	E-UA-H9544-S-DBU	H9544-SK		PRIMARY BULKHEAD PANEL W 877 POW	-	-	1	1	-	-	-	-	-	-	-	-				
11	11	E-UA-877-0-0	00877-D		120V 24A FILTERED POWER CTL,4 SW	-	-	1	-	1	-	-	-	2	-	2	-				
12	12	E-UA-877-0-0	00877-B		240V 12A FILTERED POWER CTL,4 SW	-	-	-	1	-	1	-	-	-	2	-	2				
13	13	E-AD-7020700-0-DBU	7020700-01		CI750-C ASSEMBLY	1	1	1	1	1	1	1	1	2	2	2	2				
14	14		9007031-00		TIE,CABLE BUNDL.DIA 0- 3/4"=101	6	6	6	6	6	6	-	-	12	12	12	12				
15	15	B-MD-7425168-0-0	7425168-01		BAR, NUT	4	4	4	4	4	4	4	4	8	8	8	8				
16	16	D-MD-7419261-0-0	7419261-00		BRACKET CHASSIS SLIDE	4	4	4	4	4	4	4	4	8	8	8	8				
17	17	A-PS-1215843-0-0	1215843-02		CLIP,FLAT CABLE W/ADHESIVE BK	-	-	1	1	1	1	-	-	3	3	3	3				
18	18		9009700-00		SCREW,SEMS TRUSS PHIL 10-	12	12	17	17	29	29	12	12	42	42	42	42				
19	19		9009617-00		TIE,CABLE BUNDL.DIA 0-3"TYPE=101	-	-	3	3	3	3	-	-	4	4	4	4				
20	20	A-PS-3617880-0-0	3617880-03		LABEL,FCC,CLASS A,PERIPHERAL	-	-	1	1	1	1	-	-	1	1	1	1				
21	21	A-PS-3621986-0-0	3621986-01		LABEL,MFCH.FASTENED F/CI750	-	-	2	2	2	2	-	-	2	2	2	2				
22	22	A-PS-3617674-0-0	3617674-01		LABEL,SERIAL/POWER W UL & CSA	-	-	1	1	1	1	-	-	1	1	1	1				
23	23		H9544-HC		KIT OF 1 STABILIZER LEG WITH LEV	-	-	1	1	1	1	-	-	1	1	1	1				
24	24		9007786-00		RETAINER,U-NUT 10-32X	-	-	6	6	12	12	-	-	20	20	20	20				
25	25		9010174-00		SCREW,SEMS PAN PHIL 6-	4	4	4	4	16	16	4	4	8	8	8	8				
26	26		1213686-00		CHASSIS SLIDE SET INCLUDED 1 L.H	1	1	1	1	1	1	1	1	2	2	2	2				
27	27		3700436-10		PKG. CAB H9642/H9645/H9646	-	-	1	1	1	1	-	-	1	1	1	1				
28	28		9006565-00		NUT,HEX EXT TOOTH LCKWSHR 10-32	1	1	1	1	1	1	-	-	2	2	2	2				
29	29		7007006-03		JUMPER H724	1	1	1	1	1	1	1	1	2	2	2	2				
30	30	C-IA-7008288-0-0	7008288-06		CABLE ASSY	1	1	1	1	1	1	1	1	2	2	2	2				

REVISION HISTORY			BASIC PART NO: CI750			DRN: P. MARCOTTE			DATE: 15-MAR-83			D I G I T A L		
ENG:	ECO NUMBER	REV	SECTION A OF B			CHK'D: FRANK HALLIDAY			DATE: 15-MAR-83			TITLE PARTS LIST		
---	INITIAL	A	SECTION VARIATION INDEX			DES.ENG: BOB MONDOR			DATE: 15-MAR-83			DOCUMENT NUMBER		
RM	CI750-TW001	B	(A)AA,AB,BA,BB,BC,BD,			RESP.ENG.: BOB MONDOR			DATE: 15-MAR-83			SIZE!CODE! NUMBER ! REV		
BM	CI750-TW002	C	CA,CB,FA,FB,HA,HB			MFG.ENG.: B SMITH			DATE: 15-MAR-83			K ! PL ! CI750-0-DBP ! D		
RM	CI750-LTN03	D	(B)SA,SB			ASSEMBLY NUMBER:			TOP DOCUMENT NUMBER:			FILE NAME: !EDIT #!		
			(C)			E-UA-CI750-0-DBU			E-UA-CI750-0-DBU			Z6524D.PLS ! 12 !		
			(D)											
			(E)									RELEASE DATE: 07-MAY-85		
			(F)											

"THIS DRAWING AND THE SPECIFICATIONS CONTAINED HEREIN ARE CONFIDENTIAL AND PROPRIETARY. THEY ARE THE PROPERTY OF DIGITAL EQUIPMENT CORPORATION AND SHALL NOT BE REPRODUCED OR COPIED OR USED IN WHOLE OR IN PART AS THE BASIS FOR THE MANUFACTURE OR SALE OF ITEMS WITHOUT WRITTEN PERMISSION. THIS IS AN UNPUBLISHED WORK PROTECTED UNDER THE FEDERAL COPYRIGHT LAWS."

LINE	ITEM	TOP DOCUMENT	PART NUMBER	MIN REV	DESCRIPTION	QTY PER VARIATION													
						AA	AB	BA	BB	BC	BD	CA	CB	FA	FB	HA	HB		
						C1	C1	C1	C1	D1	D1	D1	D1	D1	D1	D1	D1	D1	
31	31		3700731-01		PKG COMPUTER CI750-AA/AB (CUS)	1	1	-	-	-	-	1	1	-	-	-	-		
32	32	E-UA-SC008-AA-DBP	SC008-AC		*** THIS ITEM IS NOT USED ***	-	-	-	-	-	-	-	-	-	-	-	-		
33	33	K-PL-BNCIA-O-DBP	BNCIA-10		*** THIS ITEM IS NOT USED ***	-	-	-	-	-	-	-	-	-	-	-	-		
34	34		9009718-04		GROMMET,STRIP STYRENE	-	-	1	1	1	1	-	-	1	1	1	1		
35	35		9009718-00		GROMMET,STRIP STYRENE	-	-	1	1	1	1	-	-	1	1	1	1		
36	36		9007087-00		CLAMP,CABLE,SCREW MTD. 5/8 "	-	-	1	1	1	1	-	-	2	2	2	2		
37	37		7016995-00		PALLET ASSY.	-	-	REF	REF	REF	REF	-	-	REF	REF	REF	REF		
38	38		9010174-01		SCREW,SEMS PAN PHIL 8-	8	8	8	8	8	8	8	8	16	16	16	16		
39	39	D-AD-7022192-0-DBU	7022192-01		FRAME ASSY, POWER CONTROL MOUNT	-	-	-	-	1	1	-	-	1	1	1	1		
40	40	E-IA-7431233-0-DBU	7431233-01		FRAME,MOUNTING,SC4	-	-	-	-	1	1	-	-	1	1	1	1		
41	41	E-AD-7019794-0-DBU	7019794-00		COVER, I/O SHIELD ASSY	-	-	-	-	1	1	-	-	1	1	1	1		
42	42	C-MD-7431439-0-DBU	7431439-01		PLATE,CONTROLLER	-	-	-	-	1	1	-	-	-	-	-	-		
43	43	E-IA-7431440-0-DBU	7431440-01		PANEL,FRONT,SC4	-	-	-	-	1	1	-	-	-	-	1	1		
44	44	E-AD-7022193-0-DBU	7022193-01		STAR COUPLER ASSY	-	-	-	-	-	-	-	-	1	1	-	-		
45	45		9010155-00		SCREW,SEMS PAN PHIL 6-	-	-	-	-	28	28	-	-	18	18	18	18		
46	46		9010253-00		SCREW,SEMS PAN PHIL 10-	-	-	-	-	2	2	-	-	2	2	2	2		
47	47		9009546-00		SCREW,SEMS PAN PHIL 4-	-	-	-	-	18	18	-	-	18	18	18	18		
48	48	A-PS-3624195-0-0	3624195-01		LABEL,CAUTION,MULTI POWER CORDS	-	-	-	-	-	-	-	-	1	1	1	1		
49	49	A-PS-1215843-0-0	1215843-00		CLIP,FLAT CABLE W/ADHESIVE BK	-	-	-	-	1	1	-	-	1	1	1	1		
50	50	K-PL-7022467-0-DBP	7022467-01		SHIPLIST CI750	1	1	1	1	1	1	1	1	1	1	1	1		
51	51	B-MD-7432233-0-DBU	7432233-01		BRACKET,LOCKING	-	-	2	2	2	2	-	-	4	4	4	4		
52	52		9006075-03		SCREW,MACH TRUSS PHIL 10-	-	-	2	2	2	2	-	-	4	4	4	4		
53	53		9007651-00		WASHER,LOCK EXTERNAL STEEL	-	-	2	2	2	2	-	-	4	4	4	4		
54	54		9007906-00		*** THIS ITEM IS NOT USED ***	-	-	-	-	-	-	-	-	-	-	-	-		

D	I	G	I	T	A	L	TITLE	SECTION A	OF	B	SIZE	CODE	DOCUMENT NUMBER	REV
							CI750 UNIT ASSY						K PL CI750-0-DBP	D

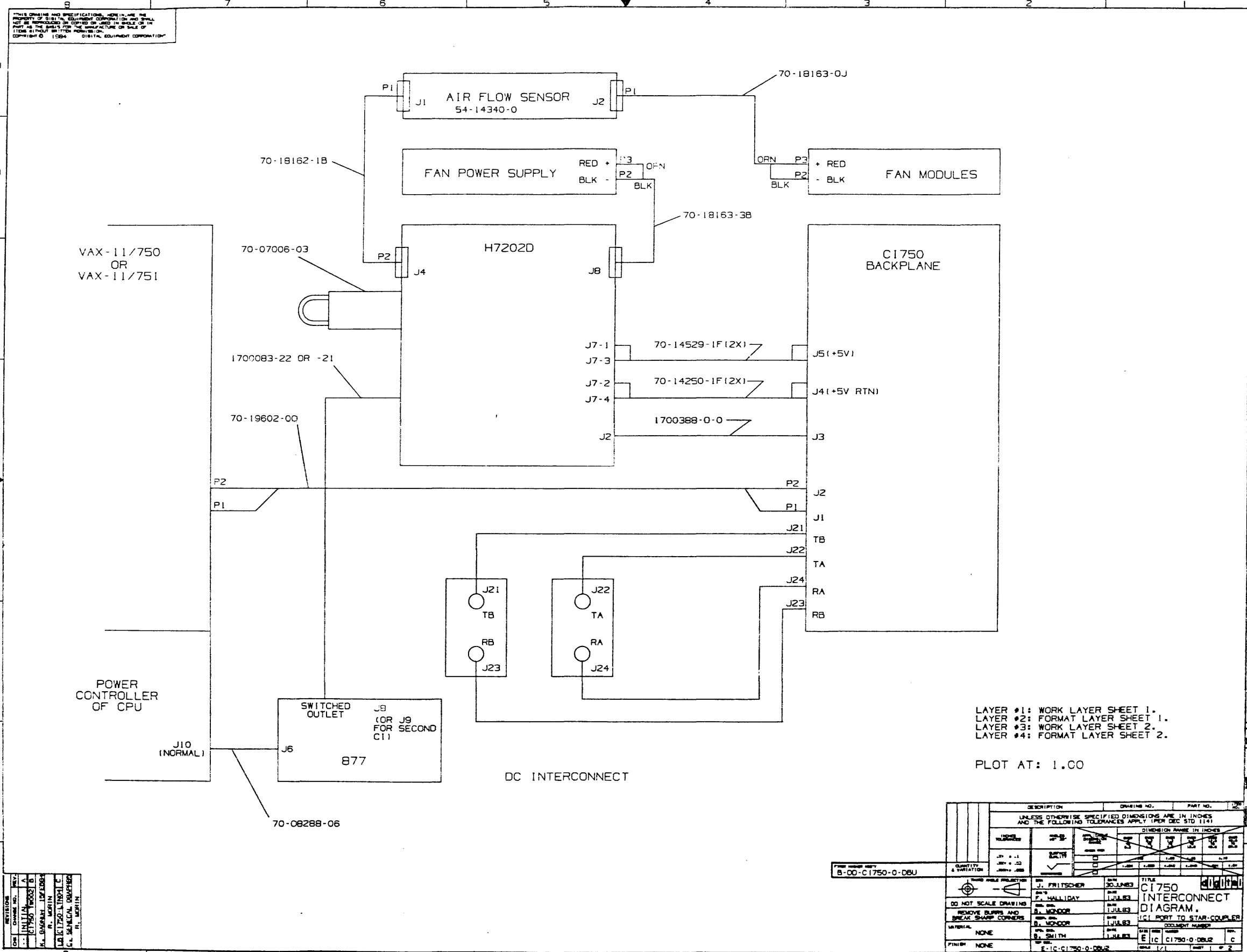
LINE	ITEM	TOP DOCUMENT	PART NUMBER	MIN REV	DESCRIPTION	QTY PER VARIATION	
						SA	SB
						C1	C1
1	1		L0009-00		CCI (CMI TO CIPA INTERFACE),4-LA	2	2
2	2	E-UA-H9544-E-0	H9544-ET		FRONT DOOR ASSY,SHIELDED,CI750,G	2	2
3	3	A-PS-1700083-0-0	1700083-22		PWR CORD,TERM 3-14 SJT 125	2	-
4	4	A-PS-1700083-0-0	1700083-21		PWR CORD,TERM 3-14 SJT 250	-	2
5	5	E-UA-H9542-F-DBU	H9542-FD		40" FRONT LOADING CAB FRAME (H95	2	2
6	6	E-UA-H9544-A-0	H9544-AE		SHIELDING INSERT,40" END PANEL	2	2
7	7	E-UA-H9544-B-0	H9544-BF		SHIELDED REAR DOOR,40" SINGLE WI	2	2
8	8	E-UA-H9544-J-0	H9544-JE		SHIELDED EXPANDER KIT,40"	2	2
9	9	E-UA-H9544-L-0	H9544-LG		SHIELDED TOP COVER,40" SINGLE WI	2	2
10	10	E-UA-H9544-S-DBU	H9544-SK		PRIMARY BULKHEAD PANEL W 877 POW	2	2
11	11	E-UA-877-0-0	00877-D		120V 24A FILTERED POWER CTL,4 SW	2	-
12	12	E-UA-877-0-0	00877-B		240V 12A FILTERED POWER CTL,4 SW	-	2
13	13	E-AD-7020700-0-DBU	7020700-01		CI750-C ASSEMBLY	2	2
14	14		9007031-00		TIE,CABLE BUNDL.DIA 0- 3/4"=101	12	12
15	15	B-MD-7425168-0-0	7425168-01		BAR, NUT	8	8
16	16	D-MD-7419261-0-0	7419261-00		BRACKET CHASSIS SLIDE	8	8
17	17	A-PS-1215843-0-0	1215843-02		CLIP,FLAT CABLE W/ADHESIVE BK	2	2
18	18		9009700-00		SCREW,SEMS TRUSS PHIL 10-	34	34
19	19		9009617-00		TIE,CABLE BUNDL.DIA 0-3"TYPE=101	6	6
20	20	A-PS-3617880-0-0	3617880-03		LABEL,FCC,CLASS A,PERIPHERAL	2	2
21	21	A-PS-3621986-0-0	3621986-01		LABEL,MECH.FASTENED F/CI750	4	4
22	22	A-PS-3617674-0-0	3617674-01		LABEL,SERIAL/POWER W UL & CSA	2	2
23	23		H9544-HC		KIT OF 1 STABILIZER LEG WITH LEV	2	2
24	24		9007786-00		RETAINER,U-NUT 10-32X	12	12
25	25		9010174-00		SCREW,SEMS PAN PHIL 6-	8	8
26	26		1213686-00		CHASSIS SLIDE SET INCLUDED 1 L.H	2	2
27	27		3700436-10		PKG. CAB H9642/H9645/H9646	2	2
28	28		9006565-00		NUT,HEX EXT TOOTH LCKWSHR 10-32	2	2
29	29		7007006-03		JUMPER H724	2	2
30	30	C-IA-7008288-0-0	7008288-06		CABLE ASSY	2	2

REVISION HISTORY			BASIC PART NO: CI750		DRN:	P. MARCOTTE	DATE:	15-MAR-83	DIGIT A L			
ENG	ECO NUMBER	REV	SECTION B OF B		CHK'D:	FRANK HALLIDAY	DATE:	15-MAR-83	TITLE PARTS LIST			
			SECTION VARIATION INDEX				DATE:	15-MAR-83	CI750 UNIT ASSY			
---	INITIAL	A					DATE:	15-MAR-83				
RM	CI750-TW001	B	[A]AA,AB,BA,BB,BC,BD,									
BM	CI750-TW002	C	CA,CB,FA,FB,HA,HB									
RM	CI750-LTN03	D	[B]SA,SB		DES.ENG:	BOB MONDOR	DATE:	15-MAR-83	DOCUMENT NUMBER			
			[C]						SIZE	CODE	NUMBER	REV
			[D]		RESP.ENG.:	BOB MONDOR	DATE:	15-MAR-83	K	PL	CI750-0-DBP	D
			[E]		MFG.ENG.:	B SMITH	DATE:	15-MAR-83	RELEASE DATE: 07-MAY-85			
			[F]		ASSEMBLY NUMBER:	E-UA-CI750-0-DBU	TOP DOCUMENT NUMBER:	E-UA-CI750-0-DBU	FILE NAME:	Z6524D.PLS	EDIT #:	12

"THIS DRAWING AND THE SPECIFICATIONS CONTAINED HEREIN ARE CONFIDENTIAL AND PROPRIETARY. THEY ARE THE PROPERTY OF DIGITAL EQUIPMENT CORPORATION AND SHALL NOT BE REPRODUCED OR COPIED OR USED IN WHOLE OR IN PART AS THE BASIS FOR THE MANUFACTURE OR SALE OF ITEMS WITHOUT WRITTEN PERMISSION. THIS IS AN UNPUBLISHED WORK PROTECTED UNDER THE FEDERAL COPYRIGHT LAWS."

LINE	ITEM	TOP DOCUMENT	PART NUMBER	MIN REV	DESCRIPTION	QTY PER VARIATION	
						SA	SB
						C1 C1	
31	31		3700731-01		*** THIS ITEM IS NOT USED ***	-	-
32	32	E-UA-SC008-AA-DBP	SC008-AC		SC008-AA + SC008-AB	1	1
33	33	K-PL-BNCIA-0-DBP	BNCIA-10		1 PAIR OF BNCI-10 (4 CABLES)	2	2
34	34		9009718-04		GROMMET,STRIP STYRENE	2	2
35	35		9009718-00		GROMMET,STRIP STYRENE	2	2
36	36		9007087-00		CLAMP,CABLE,SCREW MTD. 5/8 "	2	2
37	37		7016995-00		PALLET ASSY.	REF	REF
38	38		9010174-01		SCREW,SEMS PAN PHIL 8-	16	16
39	39	D-AD-7022192-0-DBU	7022192-01		*** THIS ITEM IS NOT USED ***	-	-
40	40	E-IA-7431233-0-DBU	7431233-01		*** THIS ITEM IS NOT USED ***	-	-
41	41	E-AD-7019794-0-DBU	7019794-00		*** THIS ITEM IS NOT USED ***	-	-
42	42	C-MD-7431439-0-DBU	7431439-01		*** THIS ITEM IS NOT USED ***	-	-
43	43	E-IA-7431440-0-DBU	7431440-01		*** THIS ITEM IS NOT USED ***	-	-
44	44	E-AD-7022193-0-DBU	7022193-01		*** THIS ITEM IS NOT USED ***	-	-
45	45		9010155-00		*** THIS ITEM IS NOT USED ***	-	-
46	46		9010253-00		*** THIS ITEM IS NOT USED ***	-	-
47	47		9009546-00		*** THIS ITEM IS NOT USED ***	-	-
48	48	A-PS-3624195-0-0	3624195-01		*** THIS ITEM IS NOT USED ***	-	-
49	49	A-PS-1215843-0-0	1215843-00		*** THIS ITEM IS NOT USED ***	-	-
50	50	K-PL-7022467-0-DBP	7022467-01		SHIPLIST CI750	1	1
51	51	B-MD-7432233-0-DBU	7432233-01		BRACKET,LOCKING	4	4
52	52		9006075-03		SCREW,MACH TRUSS PHIL 10-	4	4
53	53		9007651-00		WASHER,LOCK EXTERNAL STEEL	4	4
54	54		9007906-00		*** THIS ITEM IS NOT USED ***	-	-

D	I	G	I	T	A	L	TITLE	SECTION B OF B	SIZE	CODE	DOCUMENT NUMBER	REV
							CI750 UNIT ASSY		K	PL	CI750-0-DBP	D



THIS DRAWING AND SPECIFICATIONS, HEREINAFTER, ARE THE PROPERTY OF DIGITAL EQUIPMENT CORPORATION AND SHALL NOT BE REPRODUCED OR COPIED IN WHOLE OR IN PART AS THE BASIS FOR THE MANUFACTURE OR SALE OF THE ITEM WITHOUT WRITTEN PERMISSION. COPYRIGHT © 1984 DIGITAL EQUIPMENT CORPORATION

LAYER #1: WORK LAYER SHEET 1.
 LAYER #2: FORMAT LAYER SHEET 1.
 LAYER #3: WORK LAYER SHEET 2.
 LAYER #4: FORMAT LAYER SHEET 2.

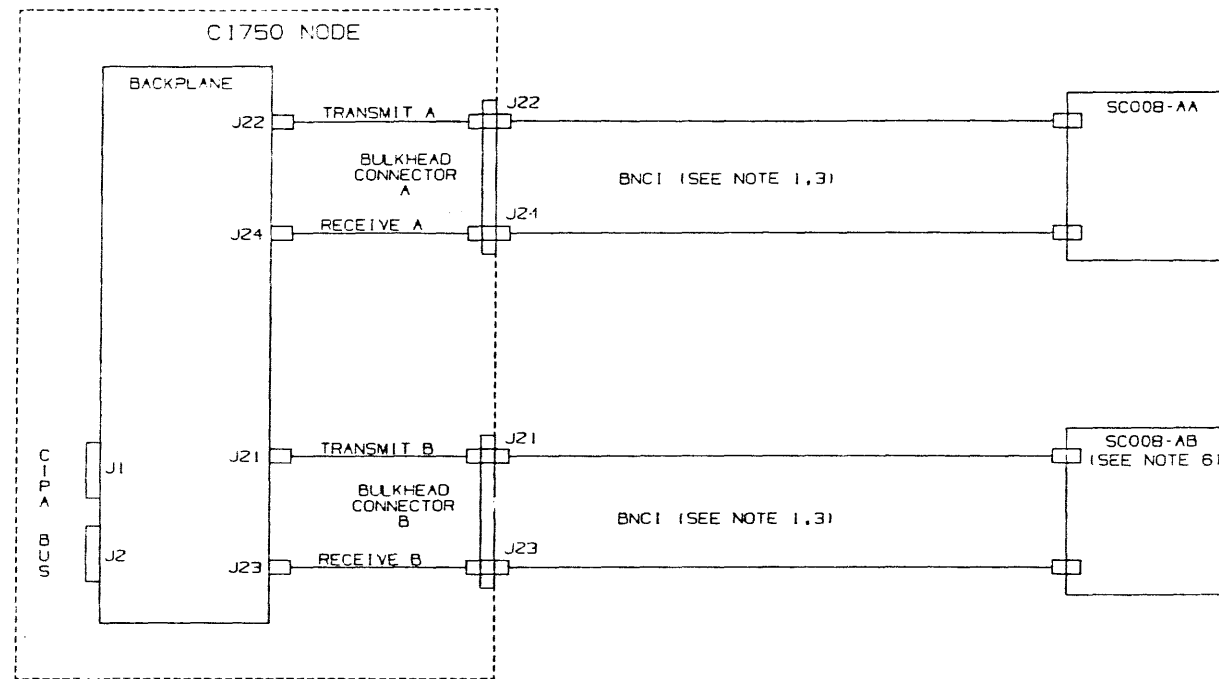
PLOT AT: 1.00

REV	DATE	BY	CHKD
1	11/11/84	W. MORIN	
2	11/14/84	R. MORIN	
3	11/17/84	C. W. SHANKS	
4	11/20/84	R. MORIN	

DESCRIPTION		DRAWING NO.	PART NO.
UNLESS OTHERWISE SPECIFIED DIMENSIONS ARE IN INCHES AND THE FOLLOWING TOLERANCES APPLY (PER DEC STD 114)			
DIMENSION RANGE IN INCHES			
0 - .125	.125 - .250	.250 - .375	.375 - .500
±.005	±.005	±.005	±.005
QUANTITY & TOLERANCE			
B-00-C1750-0-DBU			
MATERIAL		DATE	TITLE
NONE		11/14/84	C1750 INTERCONNECT DIAGRAM
FINISH		DATE	DOC. NO.
NONE		11/14/84	EIC C1750-0-DBU
DRAWN BY		DATE	REV
J. FRITSCHER		11/14/84	1
CHECKED BY		DATE	REV
P. WALLIDAY		11/14/84	1
APPROVED BY		DATE	REV
J. MORIN		11/14/84	1
DESIGNED BY		DATE	REV
B. WOOD		11/14/84	1
DRAWN BY		DATE	REV
B. SMITH		11/14/84	1

LTN

THIS DRAWING AND SPECIFICATIONS, HEREINAFTER THE PROPERTY OF DIGITAL EQUIPMENT CORPORATION AND SHALL NOT BE REPRODUCED OR COPIED OR USED IN WHOLE OR IN PART AS THE BASIS FOR THE MANUFACTURE OR SALE OF ITEMS WITHOUT WRITTEN PERMISSION.
 COMPANY © 1983 DIGITAL EQUIPMENT CORPORATION



NOTES:

1. A BNCI CONSISTS OF TWO CABLES (1) TRANSMIT (TX), 1 RECEIVE (RX).
2. SYSTEM SHOWN IS DUAL PATH. BOTH SCOOB'S ARE MOUNTED IN THE SAME CABINET.
3. B 21 CABLE ID TAGS (36188081) ARE COMPLETED WITH NODE, PATH AND CLUSTER INFORMATION AT SYSTEM CONFIGURATION TIME.
4. FOR VAX I/O PANEL CONNECTOR LOCATIONS SEE DRAWING E-UA-C1750.
5. FOR STAR COUPLER CONNECTOR LOCATIONS SEE DRAWING E-UA-SCOOB.
6. SCOOB-AB OPTION IS REQUIRED FOR DUAL PATH CONFIGURATION.

NODE	FROM C1750	TO SCOOB	DESCRIPTION
0	J22	T(A)0	TRANSMIT PATH A
	J24	R(A)0	RECEIVE PATH A
	J21	T(B)0	TRANSMIT PATH B
	J23	R(B)0	RECEIVE PATH B
1	J22	T(A)1	SAME AS NODE 0
	J24	R(A)1	
	J21	T(B)1	
	J23	R(B)1	
2	J22	T(A)2	SAME AS NODE 0
	J24	R(A)2	
	J21	T(B)2	
	J23	R(B)2	
3	J22	T(A)3	SAME AS NODE 0
	J24	R(A)3	
	J21	T(B)3	
	J23	R(B)3	
4	J22	T(A)4	SAME AS NODE 0
	J24	R(A)4	
	J21	T(B)4	
	J23	R(B)4	
5	J22	T(A)5	SAME AS NODE 0
	J24	R(A)5	
	J21	T(B)5	
	J23	R(B)5	
6	J22	T(A)6	SAME AS NODE 0
	J24	R(A)6	
	J21	T(B)6	
	J23	R(B)6	
7	J22	T(A)7	SAME AS NODE 0
	J24	R(A)7	
	J21	T(B)7	
	J23	R(B)7	

TABLE 1
 8 NODE DUAL PATH
 INTERCONNECT TABLE

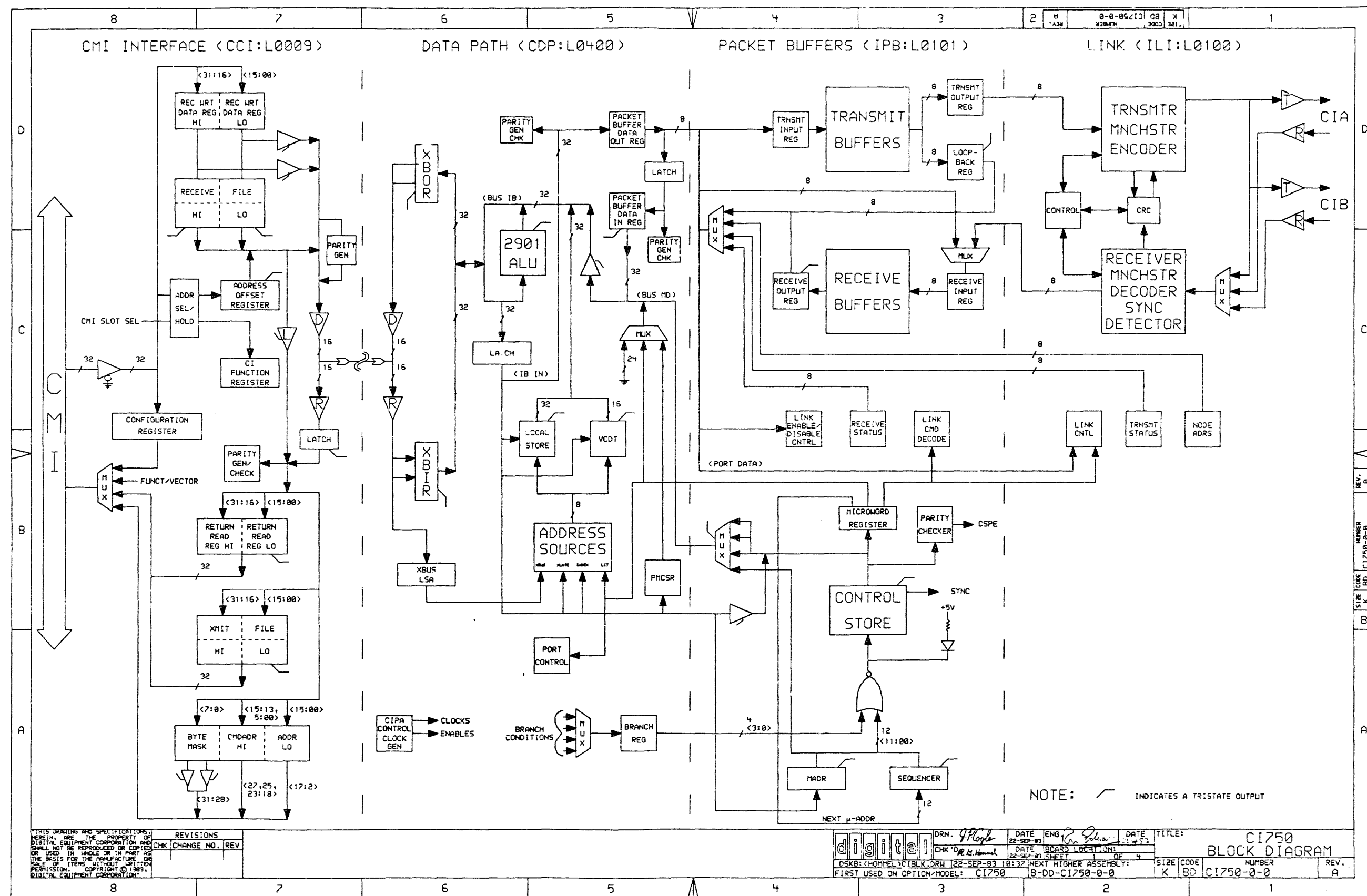
NODE	FROM C1750	TO SCOOB	DESCRIPTION
0-7	SAME AS TABLE 1		
8	J22	T(A)8	SAME AS NODE B
	J24	R(A)8	
	J21	T(B)8	
	J23	R(B)8	
9	J22	T(A)9	SAME AS NODE B
	J24	R(A)9	
	J21	T(B)9	
	J23	R(B)9	
10	J22	T(A)10	SAME AS NODE B
	J24	R(A)10	
	J21	T(B)10	
	J23	R(B)10	
11	J22	T(A)11	SAME AS NODE B
	J24	R(A)11	
	J21	T(B)11	
	J23	R(B)11	
12	J22	T(A)12	SAME AS NODE B
	J24	R(A)12	
	J21	T(B)12	
	J23	R(B)12	
13	J22	T(A)13	SAME AS NODE B
	J24	R(A)13	
	J21	T(B)13	
	J23	R(B)13	
14	J22	T(A)14	SAME AS NODE B
	J24	R(A)14	
	J21	T(B)14	
	J23	R(B)14	
15	J22	T(A)15	SAME AS NODE B
	J24	R(A)15	
	J21	T(B)15	
	J23	R(B)15	

TABLE 2
 16 NODE DUAL PATH
 INTERCONNECT TABLE

PLOT AT: 1.00

REVISION HISTORY		
DATE	REV. HISTORY	REV.

DOCUMENT NUMBER		
TITLE	NUMBER	REV.
TITLE C1750 INTERCONNECT DIAGRAM.	Elic C1750-0-0602	C
SCALE NONE SHEET 2 OF 2		



THIS DRAWING AND SPECIFICATIONS ARE THE PROPERTY OF DIGITAL EQUIPMENT CORPORATION AND SHALL NOT BE REPRODUCED OR COPIED OR USED IN WHOLE OR IN PART AS THE BASIS FOR THE MANUFACTURE OR SALE OF ITEMS WITHOUT WRITTEN PERMISSION. COPYRIGHT © 1983, DIGITAL EQUIPMENT CORPORATION.		ORN: <i>J. Ployle</i> CHK'D: <i>R. L. Harnell</i>	DATE: 22-SEP-83 DATE: 22-SEP-81	ENG: <i>R. P. Sola</i> DATE: 22-SEP-83	TITLE: CI750 BLOCK DIAGRAM
DSKB:(HOMMEL)CIBLK.DRW 22-SEP-83 10:37 FIRST USED ON OPTION/MODEL: CI750	NEXT HIGHER ASSEMBLY: B-DD-CI750-0-0	SIZE: K CODE: BD	NUMBER: CI750-0-0	REV: A	REV. A NUMBER CI750-0-0

NOTE:
1. X - 4.6.8.A.C.E

SEE NOTE
F3X000 (CNFGR) CONFIGURATION

31	30	29	28	27	26	25	24	23	22	21	20	19	18	17	16	15	14	13	12	11	10	09	08	07	06	05	04	03	02	01	00	
0	0	0	0	0	0	0	0	0	PDM	PUP	0	NXM	RLTO	0	UCE	CRD	CBPE	DIAG	CTO	NO CIPA	0	T ACLO	T OCLO	PFD	0	0	1	1	1	0	0	0

BIT	FUNCTION	BIT	FUNCTION	BIT	FUNCTION
31:24	RESERVED AND READ AS 0	18	RESERVED AND READ AS 0	12	NO CIPA
23	ADAPTER POWER DOWN	17	UNCORRECTABLE DATA ERROR RESPONSE	11	RESERVED AND READ AS 0
22	ADAPTER POWER UP	16	CORRECTED READ DATA	10	TRANSMIT ACLO
21	RESERVED AND READ AS 0	15	CIPA PARITY ERROR	09	TRANSMIT OCLO
20	NON EXISTENT MEMORY RESPONSE	14	DIAGNOSE	08	POWER FAIL DISABLE
19	READ-LOCK TRANSFER TIME OUT	13	CIPA TIME OUT	07:00	ADAPTER CODE (38 HEX)

F3X004 (PMCSR) PORT MAINTENANCE CONTROL AND STATUS

31	30	29	28	27	26	25	24	23	22	21	20	19	18	17	16	15	14	13	12	11	10	09	08	07	06	05	04	03	02	01	00
0	0	0	0	0	0	0	0	0	0	0	0	0	0	0	0	0	0	0	0	0	0	0	0	0	0	0	0	0	0	0	0

BIT	FUNCTION	BIT	FUNCTION	BIT	FUNCTION
15	PARITY ERROR	09	OUTPUT PARITY ERROR	04	WRONG PARITY
14	CONTROL STORE PARITY ERROR	08	TRANSMIT BUFFER PARITY ERROR	03	MAINTENANCE INTERRUPT FLAG
13	LOCAL STORE PARITY ERROR	07	UNINITIALIZED STATE	02	MAINTENANCE INTERRUPT ENABLE
12	RECEIVE BUFFER PARITY ERROR	06	PROGRAMMABLE STARTING ADDRESS	01	MAINTENANCE TIMER DISABLE
11	TRANSMIT BUFFER PARITY ERROR	05	RESERVED	00	MAINTENANCE INITIALIZE
10	CIPA BUS PARITY ERROR				

F3X014 (MADR) MAINTENANCE ADDRESS

31	30	29	28	27	26	25	24	23	22	21	20	19	18	17	16	15	14	13	12	11	10	09	08	07	06	05	04	03	02	01	00
0	0	0	0	0	0	0	0	0	0	0	0	0	0	0	0	0	0	0	0	0	0	0	0	0	0	0	0	0	0	0	0

MAINTENANCE CONTROL STORE ADDRESS <12:00>

F3X018 (MDATR) MAINTENANCE DATA

31	30	29	28	27	26	25	24	23	22	21	20	19	18	17	16	15	14	13	12	11	10	09	08	07	06	05	04	03	02	01	00
MAINTENANCE CONTROL STORE DATA <31:00>																															

H F3X020 COMMAND/ADDRESS HI (IN DIAGNOSE MODE ONLY)

31	30	29	28	27	26	25	24	23	22	21	20	19	18	17	16	15	14	13	12	11	10	09	08	07	06	05	04	03	02	01	00
F1	F0	F2	DON'T CARE									ADDR 23	ADDR 22	ADDR 21	ADDR 20	ADDR 19	ADDR 18	DON'T CARE													

H F3X024 ADDRESS LO REGISTER (IN DIAGNOSE MODE ONLY)

31	30	29	28	27	26	25	24	23	22	21	20	19	18	17	16	15	14	13	12	11	10	09	08	07	06	05	04	03	02	01	00	
DON'T CARE																	ADDR 17	ADDR 16	ADDR 15	ADDR 14	ADDR 13	ADDR 12	ADDR 11	ADDR 10	ADDR 09	ADDR 08	ADDR 07	ADDR 06	ADDR 05	ADDR 04	ADDR 03	ADDR 02

H F3X02C BYTE MASK REGISTER (IN DIAGNOSE MODE ONLY)

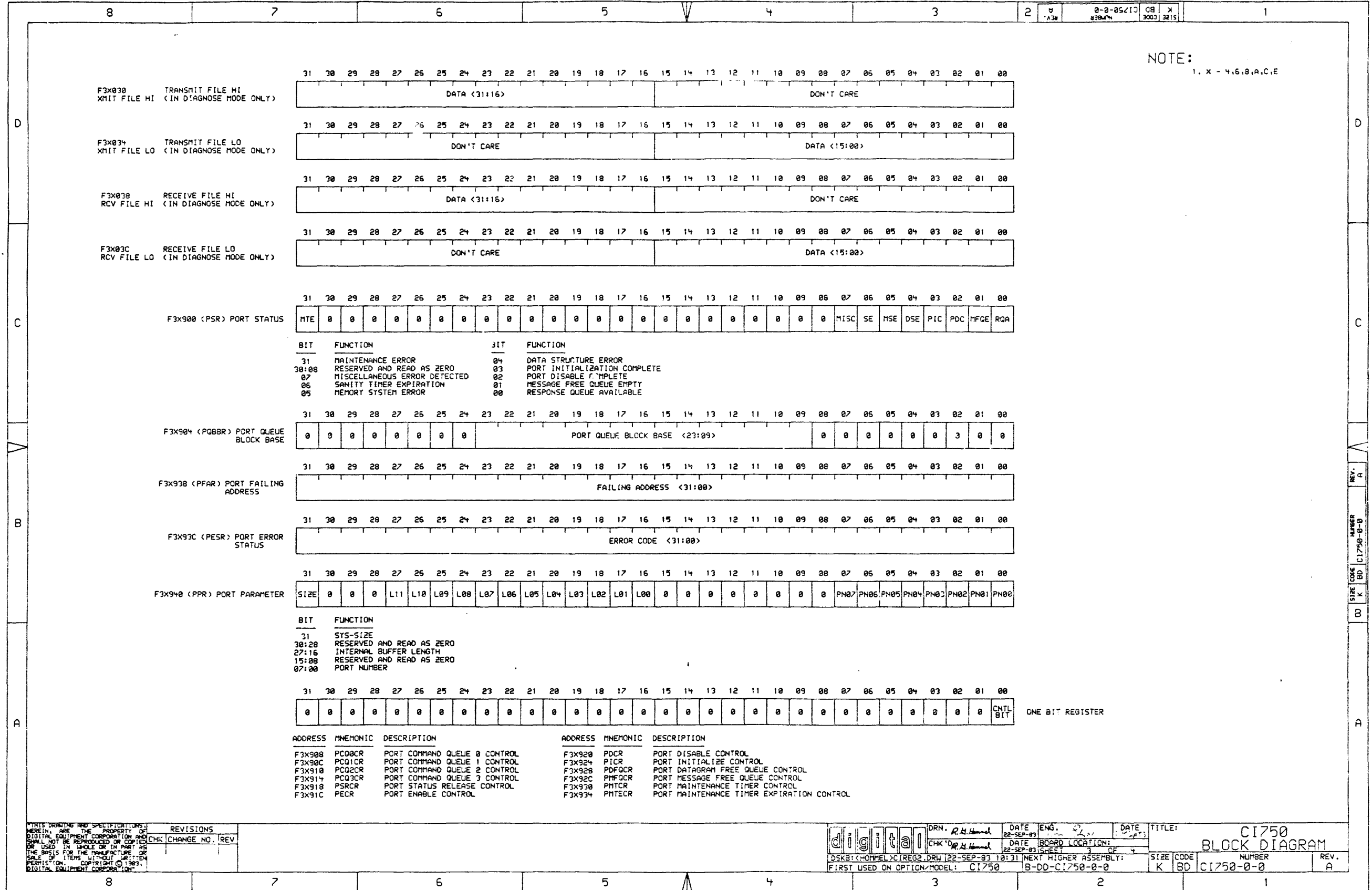
31	30	29	28	27	26	25	24	23	22	21	20	19	18	17	16	15	14	13	12	11	10	09	08	07	06	05	04	03	02	01	00
DON'T CARE																							BM 7	BM 6	BM 5	BM 4	BM 3	BM 2	BM 1	BM 0	

R F3X020 } COMMAND ADDRESS (IN DIAGNOSE MODE ONLY)
R F3X024 }
R F3X02C }

31	30	29	28	27	26	25	24	23	22	21	20	19	18	17	16	15	14	13	12	11	10	09	08	07	06	05	04	03	02	01	00
BM (4)	BM (3)	BM (2)	BM (1)	F2	0	F0	0	ADDRESS BITS (23:02)																		DON'T CARE					

REVISIONS	
CHK	CHANGE NO. REV

digital	DRN. R. L. Hommel	DATE ENG. 22-SEP-83	DATE	TITLE: C1750
	CHK'D R. L. Hommel	DATE BOARD LOCATION: 22-SEP-83		BLOCK DIAGRAM
DSKB: <HOMMEL>CIREG3.DRW		22-SEP-83	10:30	NEXT HIGHER ASSEMBLY:
FIRST USED ON OPTION/MODEL: C1750		B-DD-C1750-0-0		SIZE CODE NUMBER REV.
				K BD C1750-0-0 A



digital DRN: R.H. Hommel DATE 22-SEP-83 ENG. DATE TITLE: CI750 BLOCK DIAGRAM
 CHK'D: R.H. Hommel DATE 22-SEP-83 BOARD LOCATION: SHEET 3 OF 4
 DSKB:(HOMMEL)CIREG2.DRW 22-SEP-83 10:31 NEXT HIGHER ASSEMBLY: B-DD-CI750-0-0
 FIRST USED ON OPTION/MODEL: CI750 B-DD-CI750-0-0 SIZE CODE NUMBER REV. K BD CI750-0-0 A

CCI BACKPLANE PINNING
SLOTS (7, 8, OR 9) OF CPU BACKPLANE

BACKPLANE ROW A

(NOT USED) A1 A2 +12 V
 (NOT USED) A3 A4 (NOT USED)
 (NOT USED) A5 A6 (NOT USED)
 (NOT USED) A7 A8 (NOT USED)
 (NOT USED) A9 A10 (NOT USED)
 +2.5 V A11 A12 (NOT USED)
 (NOT USED) A13 A14 (NOT USED)
 (NOT USED) A15 A16 (NOT USED)
 (NOT USED) A17 A18 (NOT USED)
 (NOT USED) A19 A20 +5.0 V
 (NOT USED) A21 A22 (NOT USED)
 GND A23 A24
 (NOT USED) A25 A26 (NOT USED)
 (NOT USED) A27 A28 (NOT USED)
 +2.5 V A29 A30 (NOT USED)
 (NOT USED) A31 A32 (NOT USED)
 (NOT USED) A33 A34 (NOT USED)
 (NOT USED) A35 A36 (NOT USED)
 (NOT USED) A37 A38 +5.0 V
 (NOT USED) A39 A40 (NOT USED)
 (NOT USED) A41 A42 (NOT USED)
 GND A43 A44
 CMI SLOW ENA L A45 A46 CMI SLOT SEL 2 H
 +2.5 V A47 A48 (NOT USED)
 (NOT USED) A49 A50 (NOT USED)
 GND A51 A52
 CMI SLOT SEL 0 H A53 A54 CMI SLOT SEL 1 H
 CMI ARB 5 L A55 A56 (NOT USED)
 ARB OUT [A] L A57 A58 +5.0 V
 CMI ARB 6 L A59 A60 ARB IN 1 [A] L
 ARB IN 0 [A] L A61 A62 CMI ARB 3 L
 CMI ARB 2 L A63 A64 ARB OUT [A] L
 +2.5 V A65 A66 CMI ARB 1 L
 UBUS BG4 [A] H A67 A68 UBUS BG4 [A+1] H
 UBUS BG5 [A] H A69 A70 UBUS BG5 [A+1] H
 GND A71 A72
 UBUS BG6 [A] H A73 A74 UBUS BG6 [A+1] H
 (NOT USED) A75 A76 +5.0 V
 UBUS BG7 [A] H A77 A78 UBUS BG7 [A+1] H
 UBUS BG4 L A79 A80 UBUS BR5 L
 UBUS BG6 L A81 A82 UBUS BR7 L
 +2.5 V A83 A84 CMI ARB 1 L
 CMI ARB 2 L A85 A86 CMI ARB 3 L
 CMI ARB 4 L A87 A88 CMI ARB 5 L
 CMI ARB 6 L A89 A90 CMI ARB 7 L
 -15 V A91 A92 CMI HOLD L
 CMI WAIT L A93 A94 -5.0 V

BACKPLANE ROW B

CMI DATA 0 H B1 B2 +12.0 V
 CMI DATA 1 H B3 B4 CMI DATA 2 H
 CMI DATA 3 H B5 B6 CMI DATA 4 H
 CMI DATA 5 H B7 B8 CMI DATA 6 H
 CMI DATA 7 H B9 B10 CMI DATA 8 H
 +2.5 V B11 B12 CMI DATA 9 H
 CMI DATA 10 H B13 B14 CMI DATA 11 H
 CMI DATA 12 H B15 B16 CMI DATA 13 H
 CMI DATA 14 H B17 B18 CMI DATA 15 H
 CMI DATA 16 H B19 B20 +5.0 V
 CMI DATA 17 H B21 B22 CMI DATA 18 H
 GND B23 B24
 CMI DATA 19 H B25 B26 CMI DATA 20 H
 CMI DATA 21 H B27 B28 CMI DATA 22 H
 +2.5 V B29 B30 CMI DATA 23 H
 CMI DATA 24 H B31 B32 CMI DATA 25 H
 CMI DATA 26 H B33 B34 CMI DATA 27 H
 CMI DATA 28 H B35 B36 CMI DATA 29 H
 CMI DATA 30 H B37 B38 +5.0 V
 CMI DATA 31 H B39 B40 CMI STATUS 00 L
 CMI STATUS 01 L B41 B42 CMI DBBZ L
 GND B43 B44
 DPM17 B CLK L B45 B46 +5.0 V
 +2.5 V B47 B48 RC512 CPU LB REG L
 +2.5 V B49 B50 +5.0 V
 GND B51 B52
 (NOT USED) B53 B54 (NOT USED)
 (NOT USED) B55 B56 (NOT USED)
 (NOT USED) B57 B58 (NOT USED)
 (NOT USED) B59 B60 (NOT USED)
 (NOT USED) B61 B62 (NOT USED)
 (NOT USED) B63 B64 (NOT USED)
 (NOT USED) B65 B66 (NOT USED)
 (NOT USED) B67 B68 (NOT USED)
 (NOT USED) B69 B70 (NOT USED)
 (NOT USED) B71 B72 (NOT USED)
 (NOT USED) B73 B74 (NOT USED)
 (NOT USED) B75 B76 (NOT USED)
 (NOT USED) B77 B78 (NOT USED)
 (NOT USED) B79 B80 (NOT USED)
 (NOT USED) B81 B82 (NOT USED)
 (NOT USED) B83 B84 (NOT USED)
 (NOT USED) B85 B86 (NOT USED)
 (NOT USED) B87 B88 (NOT USED)
 (NOT USED) B89 B90 (NOT USED)
 (NOT USED) B91 B92
 GND B93 B94
 BUS 2 AVAILABLE H

BACKPLANE ROW C

BUS 2 AV GRANT H C1 C2 +12.0 V
 CIPA RSVD A L C3 C4 CIPA CABLE GND
 CIPA CPU ACLO L C5 C6 CIPA CABLE GND
 CIPA DCLO L C7 C8 CIPA CABLE GND
 CIPA SET HSE L C9 C10 CIPA CABLE GND
 CIPA PARITY L C11 C12 CIPA CABLE GND
 CIPA MIN L C13 C14 CIPA CABLE GND
 CIPA ERROR L C15 C16 CIPA CABLE GND
 CIPA DATA 00 L C17 C18 CIPA CABLE GND
 CIPA DATA 09 L C19 C20 CIPA CABLE GND
 CIPA DATA 10 L C21 C22 CIPA CABLE GND
 CIPA DATA 11 L C23 C24 CIPA CABLE GND
 CIPA DATA 12 L C25 C26 CIPA CABLE GND
 CIPA DATA 13 L C27 C28 CIPA CABLE GND
 CIPA DATA 14 L C29 C30 CIPA CABLE GND
 CIPA DATA 15 L C31 C32 CIPA CABLE GND
 CIPA REG SEL 0 L C33 C34 CIPA CABLE GND
 CIPA REG SEL 1 L C35 C36 CIPA CABLE GND
 CIPA REG SEL 2 L C37 C38 CIPA CABLE GND
 CIPA REG SEL 3 L C39 C40 CIPA CABLE GND
 CIPA CLK L C41 C42 GND
 GND C43 C44
 UPUS AD0 L C45 C46 +5.0 V
 +2.5 V C47 C48 UBUS INIT L
 +2.5 V C49 C50 +5.0 V
 GND C51 C52
 CIPA RSVD B L C53 C54 CIPA T ACLO L
 CIPA CABLE GND C55 C56 CIPA T DCLO L
 CIPA CABLE GND C57 C58 CIPA CIPA UP L
 CIPA CABLE GND C59 C60 CIPA DATA 00 L
 CIPA CABLE GND C61 C62 CIPA DATA 01 L
 CIPA CABLE GND C63 C64 CIPA DATA 02 L
 CIPA CABLE GND C65 C66 CIPA DATA 03 L
 CIPA CABLE GND C67 C68 CIPA DATA 04 L
 CIPA CABLE GND C69 C70 CIPA DATA 05 L
 CIPA CABLE GND C71 C72 CIPA DATA 06 L
 CIPA CABLE GND C73 C74 CIPA DATA 07 L
 CIPA CABLE GND C75 C76 CIPA READ L
 CIPA CABLE GND C77 C78 CIPA REGLEST L
 CIPA CABLE GND C79 C80 CIPA A DONE L
 CIPA CABLE GND C81 C82 CIPA B DONE L
 CIPA CABLE GND C83 C84 CIPA GRANT L
 CIPA CABLE GND C85 C86 CIPA PORT INT L
 CIPA CABLE GND C87 C88 CIPA B GO L
 CIPA CABLE GND C89 C90 CIPA A GO L
 CIPA CABLE GND C91 C92 GND
 UBUS DCLO L C93 C94 -5.0 V

CCI BACKPLANE PINNING

NOTES: 1. DRAGON...
 2. ...
 3. ...
 4. ...
 5. ...
 6. ...
 7. ...
 8. ...
 9. ...
 10. ...

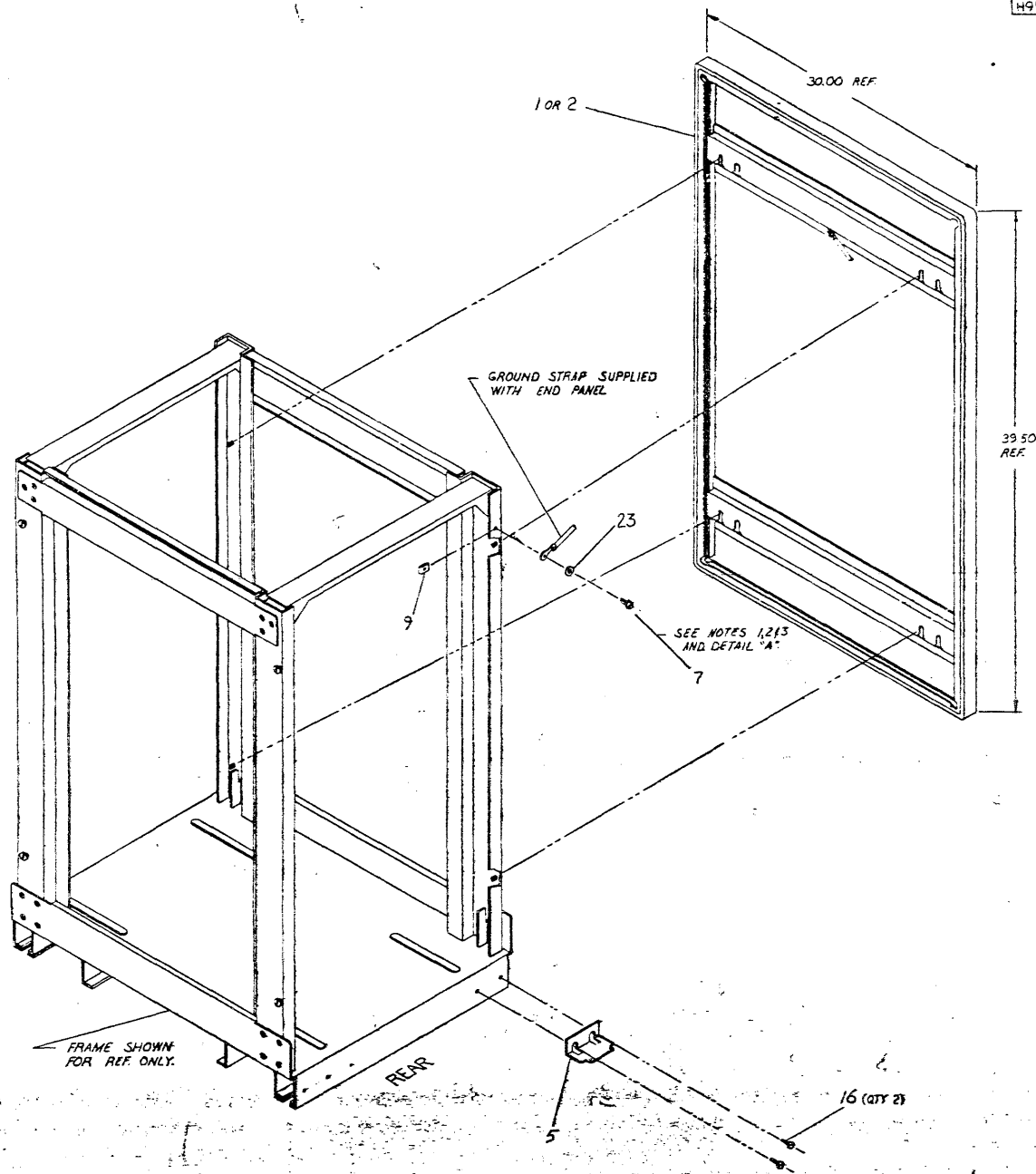
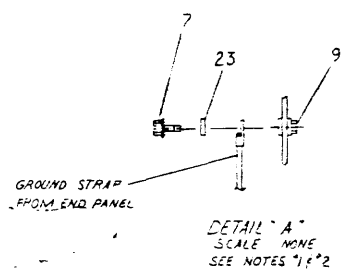
REV.	CHANGE NO.	REV.

digital	DRN. R.H.H.	DATE 22-SEP-83	ENG. J.P.	DATE	TITLE: C1750
	CHK. R.H.H.	DATE 22-SEP-83	DRWG. LOCATION: 4	SHEET 4	BLOCK DIAGRAM
DSK8: HOMMEL\CIBAPI.DRW		22-SEP-83 10:33	NEXT HIGHER ASSEMBLY:	SIZE CODE K 60	NUMBER C1750-0-0
FIRST USED ON OPTION/MODEL: C1750		B-00-C1750-0-0		REV. A	

THIS DRAWING AND INFORMATION CONTAINED HEREIN IS THE PROPERTY OF THE UNITED STATES GOVERNMENT AND IS LOANED TO YOU BY THE NATIONAL BUREAU OF STANDARDS. IT IS TO BE USED FOR THE PURPOSES SPECIFIED IN THE ORDER AND IS NOT TO BE REPRODUCED OR TRANSMITTED IN ANY FORM OR BY ANY MEANS, ELECTRONIC OR MECHANICAL, INCLUDING PHOTOCOPYING, RECORDING, OR BY ANY INFORMATION STORAGE AND RETRIEVAL SYSTEM.

LEGEND	
NUMBER	VARIATION
H9544-AA	40 IN. PANEL DARK BROWN (SHEET 1)
H9544-AB	40 IN. PANEL LIGHT GRAY (SHEET 1)
H9544-AC	60 IN. PANEL DARK BROWN (SHEET 2)
H9544-AD	60 IN. PANEL LIGHT GRAY (SHEET 2)
H9544-AG	40 IN. PANEL DARK BROWN (SHEET 3)
H9544-AE	40 IN. PANEL INSERT SHIELDED (SHEET 4)
H9544-AH	40 IN. PANEL INSERT SHIELDED (SHEET 5)
H9544-AF	60 IN. PANEL INSERT SHIELDED (SHEET 6)

- NOTES:
1. WHEN ASSEMBLING GROUND STRAP TO UPRIGHT, USING SCREW (ITEM #7), NUT (ITEM #9) AND WASHER (ITEM #23) USE CLOSEST AVAILABLE HOLE.
 2. 27 INCH POUNDS OF TORQUE TO BE USED WHEN FASTENING SCREW (ITEM #7) TO CAB FOR GROUNDING. FOR OTHER TORQUE REQUIREMENTS REFER TO A-SP-7653289.
 3. GROUND STRAP NOT TO BE USED IN H9544-AE AND H9544-AH AND H9544-AF VARIATIONS.
 4. KEY BUTTONS ARE SUPPLIED WITH FRAME.



THIS CONFIGURATION IS FOR
H9544-AA (H9544-AB)
(40 IN. VARIATIONS)

NO.	DESCRIPTION	QTY	UNIT
1	END PANEL ASSY (W/LOCK BRKT.)	1	EA
2	SCREW	1	EA
3	NUT	1	EA
4	WASHER	1	EA
5	KEY BUTTON	1	EA
6	GROUND STRAP	1	EA
7	SCREW	1	EA
8	NUT	1	EA
9	WASHER	1	EA
10	KEY BUTTON	1	EA

OFF SHEETS PARTS LIST REFER TO K-PL-H9544-A-DBP.

QTY	DESCRIPTION	CHG. PART NO.	ITEM NO.
1	END PANEL ASSY (W/LOCK BRKT.)	H9642-A	1
1	SCREW		2
1	NUT		3
1	WASHER		4
1	KEY BUTTON		5
1	GROUND STRAP		6
1	SCREW		7
1	NUT		8
1	WASHER		9
1	KEY BUTTON		10

SCALE: 1/4" = 1"

DATE: 1/1/68

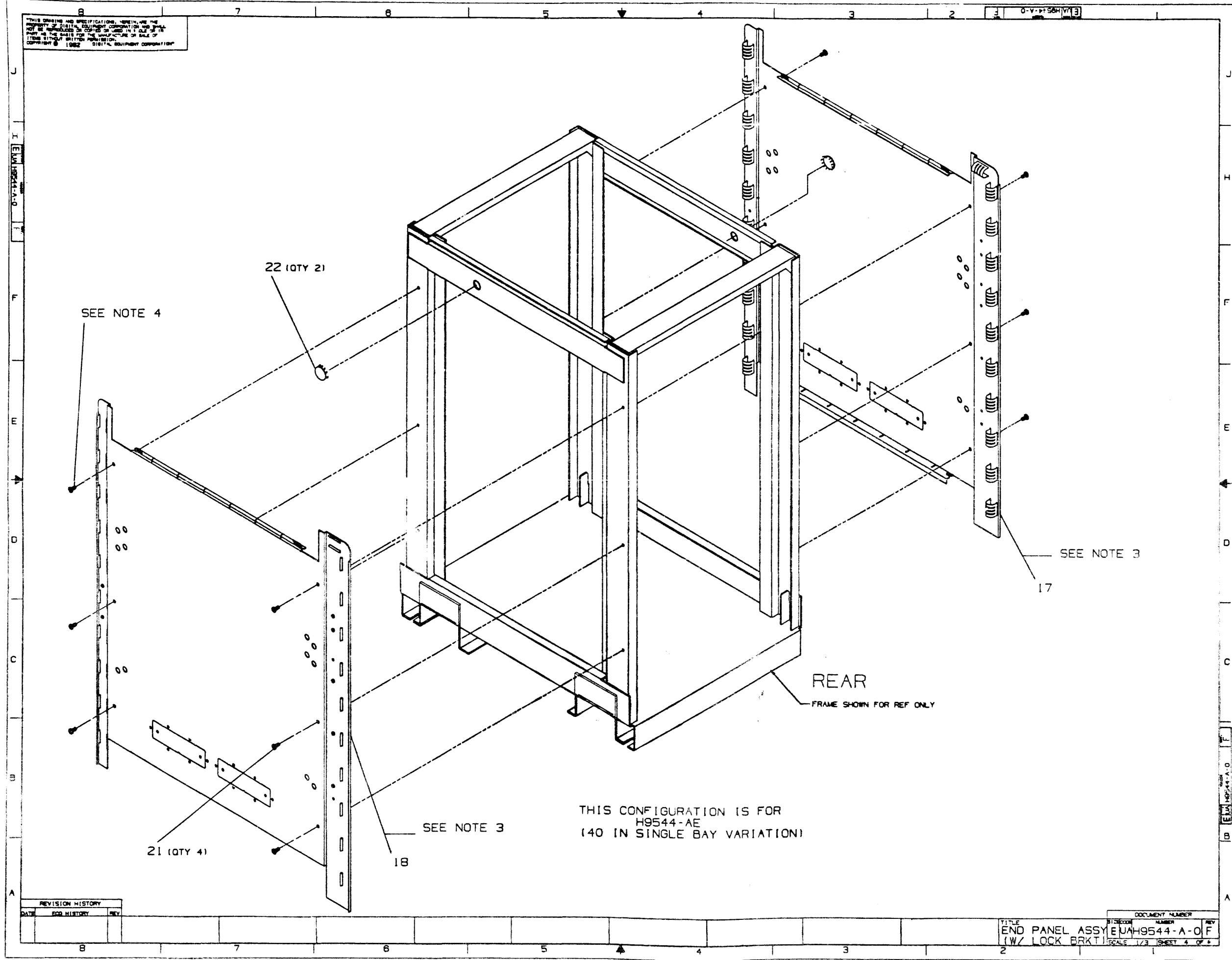
BY: [Signature]

CHKD: [Signature]

APP'D: [Signature]

THIS DRAWING AND SPECIFICATIONS, HEREIN, ARE THE PROPERTY OF DIGITAL EQUIPMENT CORPORATION AND SHALL NOT BE REPRODUCED OR COPIED IN ANY MANNER OR IN ANY MANNER FOR THE BASIS FOR THE MANUFACTURE OF SUCH ITEMS WITHOUT WRITTEN PERMISSION. COPYRIGHT © 1982 DIGITAL EQUIPMENT CORPORATION

0-V-PF58(V)E



SEE NOTE 4

22 (QTY 2)

21 (QTY 4)

SEE NOTE 3

18

SEE NOTE 3

17

REAR

FRAME SHOWN FOR REF ONLY

THIS CONFIGURATION IS FOR
H9544-AE
(40 IN SINGLE BAY VARIATION)

REVISION HISTORY		
DATE	BY	REV

DOCUMENT NUMBER	
NUMBER	REV
EUAH9544-A-0	F

TITLE: END PANEL ASSY (W/ LOCK BRKT)
SCALE: 1/3 SHEET 4 OF 4

PARTS LIST

LINE	ITEM	TOP DOCUMENT	PART NUMBER	MIN REV DESCRIPTION	QTY PER VARIATION								
					AA	AB	AC	AD	AG	AE	AH	AF	
1	1	E-AD-7016534-0-0	7016534-00	END PANEL ASSY	1	-	-	-	-	-	-	-	-
2	2	E-AD-7016534-0-0	7016534-01	PANEL ASSY,END	-	1	-	-	-	-	-	-	-
3	3	E-AD-7016699-0-0	7016699-00	END PANEL ASSY 60 INCH	-	-	1	-	-	-	-	-	-
4	4	E-AD-7016699-0-0	7016699-01	END PANEL ASSY 60IN LT GREY	-	-	-	1	-	-	-	-	-
5	5	C-MD-7422221-0-0	7422221-00	BRKT,DOOR HINGE/END PANEL LOCK	1	1	1	1	-	-	-	-	-
6	6	C-MD-7414318-0-0	7414318-00	*** THIS ITEM IS NOT USED ***	-	-	-	-	-	-	-	-	-
7	7		9010156-00	SCREW,SEMS HEX 10-	1	1	1	1	1	-	-	-	-
8	8		9007651-00	*** THIS ITEM IS NOT USED ***	-	-	-	-	-	-	-	-	-
9	9		9007786-00	RETAINER,U-NUT 10-32X	1	1	1	1	1	-	-	-	-
10	10		9006243-09	*** THIS ITEM IS NOT USED ***	-	-	-	-	-	-	-	-	-
11	11		9006676-00	WASHER,FLAT SST	-	-	-	-	0	-	-	-	-
12	12		9007797-00	*** THIS ITEM IS NOT USED ***	-	-	-	-	-	-	-	-	-
13	13		2200021-00	*** THIS ITEM IS NOT USED ***	-	-	-	-	-	-	-	-	-
14	14	D-IA-7019083-0-0	7019083-01	END PANEL ASSEMBLY (40 INCH)	-	-	-	-	1	-	-	-	-
15	15	D-IA-7019076-0-DBU	7019076-01	BRKT, DOOR HINGE/END PANEL LOCK	-	-	-	-	1	-	-	-	-
16	16		9009988-14	SCREW,SEMS HEX 1/4-	2	2	2	2	2	-	-	-	-
17	17	E-AD-7019799-0-DBU	7019799-00	INSERT, END PANEL ASSY. L.H.	-	-	-	-	-	1	-	-	-
18	18	E-AD-7019799-0-DBU	7019799-01	INSERT, END PANEL ASSY. R.H.	-	-	-	-	-	1	-	-	-
19	19	E-AD-7019773-0-DBU	7019773-00	INSERT, END PANEL ASSY.	-	-	-	-	-	-	1	-	-
20	20	E-AD-7019773-0-DBU	7019773-01	INSERT, END PANEL ASSY. R.H.	-	-	-	-	-	-	1	-	-
21	21		9009700-00	SCREW,SEMS TRUSS PHIL 10-	-	-	-	-	-	4	4	4	4
22	22		9007065-00	PLUG,BUTTON 1.000HOLE BRASS	-	-	-	-	-	2	2	2	2
23	23		9006664-00	WASHER,FLAT SST	1	1	1	1	1	-	-	-	-
24	24	E-AD-7020391-0-DBU	7020391-01	INSERT, 60 IN. PNL. ASSY (L.H.)	-	-	-	-	-	-	-	-	1
25	25	E-AD-7020391-0-DBU	7020391-02	INSERT 60 IN. PNL. ASSY (R.H.)	-	-	-	-	-	-	-	-	1

REVISION HISTORY			BASIC PART NO: H9544		DRN:	M. JOSEPH	DATE:	16-MAR-79				DIGITAL			
ENG	ECO NUMBER	REV	SECTION A OF A		CHK'D:	S. ROBERTS	DATE:	16-MAR-79				TITLE PARTS LIST			
---	INITIAL	*	SECTION VARIATION INDEX		CHK'D:	S. ROBERTS	DATE:	16-MAR-79				END PANEL ASSY (W. LOCK BRKT)			
DS	H9544-A-ML001	A	[A]AA,AB,AC,AD,AG,AE,												
WR	H9544-A-ML002	B	AH,AF												
DB	H9642-B-ML008	C	[B]		DES.ENG:	W. F. MC CARTHY	DATE:	16-MAR-79				DOCUMENT NUMBER			
DB	H9544A-ML005	D										SIZE	CODE	NUMBER	REV
RC	H9544-A-LTN07	E	[C]												
DD	H9544-A-LTN08	F	[D]		RESP.ENG.:	P. DUBE	DATE:	16-MAR-79				K	PL	H9544-A-DBP	F
			[E]		MFG.ENG.:	R. CARRIER	DATE:	16-MAR-79				RELEASE DATE: 30-APR-84			
			[F]		ASSEMBLY NUMBER:		TOP DOCUMENT NUMBER:					FILE NAME:	EDIT #		
					E-UA-H9544-A-0		#B-DD-H9544-A					Z0236F.PLS	15		

"THIS DRAWING AND THE SPECIFICATIONS CONTAINED HEREIN ARE CONFIDENTIAL AND PROPRIETARY. THEY ARE THE PROPERTY OF DIGITAL EQUIPMENT CORPORATION AND SHALL NOT BE REPRODUCED OR COPIED OR USED IN WHOLE OR IN PART AS THE BASIS FOR THE MANUFACTURE OR SALE OF ITEMS WITHOUT WRITTEN PERMISSION. THIS IS AN UNPUBLISHED WORK PROTECTED UNDER THE FEDERAL COPYRIGHT LAWS."

AUTOMATED BY PRTLST.3J(25)

P A R T S L I S T

SHEET A2 OF A2

LINE ITEM	TOP DOCUMENT	PART NUMBER	REV	DESCRIPTION	MIN	QTY PER VARIATION									
						AA	AB	AC	AD	AG	AE	AH	AF	F1	

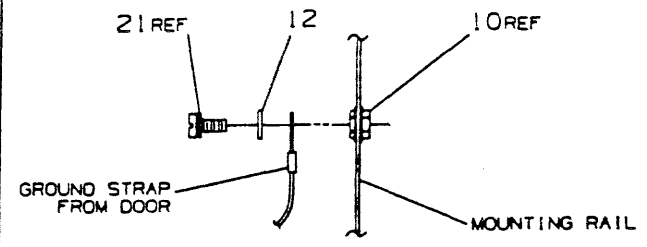
26 NOTE: 90 CLASS ITEMS SHOWN ABOVE ARE REQUIRED FOR ASSEMBLY, BUT ARE NOT
27 NOTE: SHIPPED AS PART OF ASSEMBLY KIT.

D	I	G	I	T	A	L	TITLE	END PANEL ASSY (W. LOCK BRKT)	SECTION A	OF A	SIZE	CODE	DOCUMENT NUMBER	REV
											K	PL	H9544-A-DBP	F

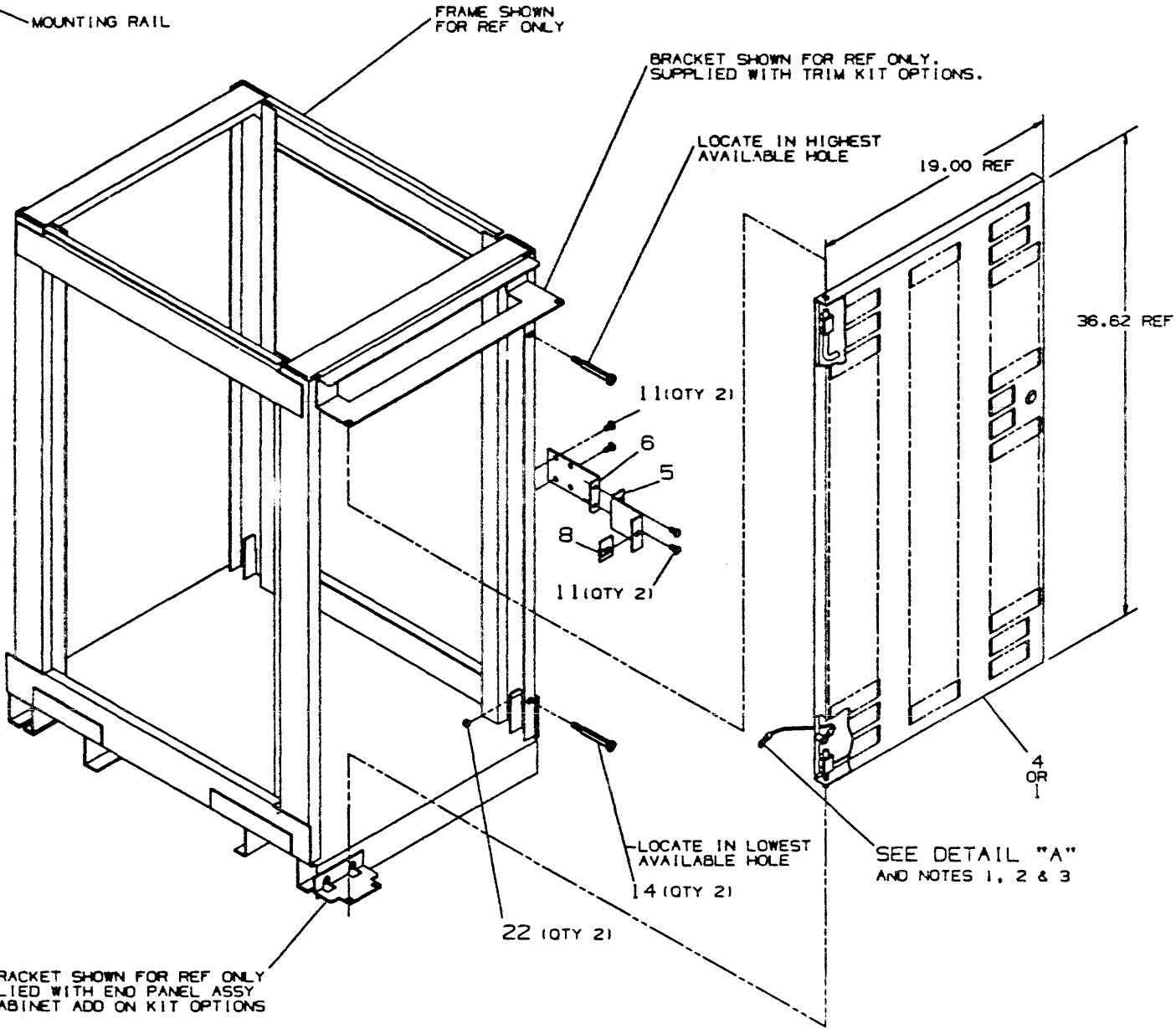
THIS DRAWING AND SPECIFICATIONS ARE THE PROPERTY OF IBM CORPORATION. IT IS TO BE USED ONLY FOR THE MANUFACTURE OF IBM EQUIPMENT. IT IS NOT TO BE REPRODUCED OR TRANSMITTED IN ANY FORM OR BY ANY MEANS, ELECTRONIC OR MECHANICAL, INCLUDING PHOTOCOPYING, RECORDING, OR BY ANY INFORMATION STORAGE AND RETRIEVAL SYSTEM. WITHOUT THE WRITTEN PERMISSION OF IBM CORPORATION © 1982 IBM CORPORATION

LEGEND		
PART NO.	REV	VARIATION
H9544-BA	K2	SINGLE BAY 40 INCH (SEE SHEET 1)
H9544-BB	K2	SINGLE BAY 60 INCH (SEE SHEET 2)
H9544-BC	K2	1-1/2 BAY 40 INCH (SEE SHEET THREE)
H9544-BD	K2	H9544-BA WITHOUT FILTER (SEE SHEET 1)
H9544-BE	K2	11/750 DOOR (SEE SHEET 4)
H9544-BK	K2	SINGLE BAY 40 INCH (SEE SHEET 5)
H9544-BM	K2	SINGLE BAY 40 INCH (SEE SHEET 6)
H9544-BF	K2	SINGLE BAY 40 INCH SHIELDED (SEE SHEET 7)
H9544-BH	K2	1/2 BAY COVER (SEE SHEET 8)
H9544-BJ	K2	11/750 SHIELDED DOOR (SEE SHEET 9)
H9544-BN	A1	SINGLE BAY 60 INCH SHIELDED (SEE SHEET 10)
H9544-BS	A1	SINGLE BAY 80 INCH SHIELDED (SEE SHEET 11)
H9544-BP	A1	1/2 BAY 60 INCH COVER (SEE SHEET 12)
H9544-BX	A1	SINGLE BAY 40 INCH SHIELD (SEE SHEET 13)

- NOTES:
- ATTACH SAFETY GROUND STRAP TO CABINET FRAME MOUNTING RAIL IN NEAREST AVAILABLE MOUNTING RAIL HOLE PER DETAIL "A".
 - 27 INCH POUNDS OF TORQUE TO BE USED WHEN FASTENING GROUND STRAP TO MOUNTING RAIL; SEE DETAIL "A". FOR OTHER TORQUE REQUIREMENTS REFER TO A-SP-7665328-0-0.
 - GROUND STRAP NOT TO BE USED ON H9544-BF, H9544-BH, H9544-BJ, H9544-BN, H9544-BS, H9544-BP AND H9544-BX VARIATIONS.
 - TAPE ITEM #39 TO INSIDE OF DOOR FOR SHIPPING.



DETAIL "A"
SCALE: 1/1
SEE NOTES 1, 2 & 3



BRACKET SHOWN FOR REF ONLY
SUPPLIED WITH END PANEL ASSY
AND/OR CABINET ADD ON KIT OPTIONS

THIS CONFIGURATION FOR
H9544-BA & BD
(40 INCH SINGLE BAY VARIATION)

LAYER 1: WORK LAYER (SH 1)
LAYER 2: FORMAT LAYER (SH 1)

PLOT AT 1.00

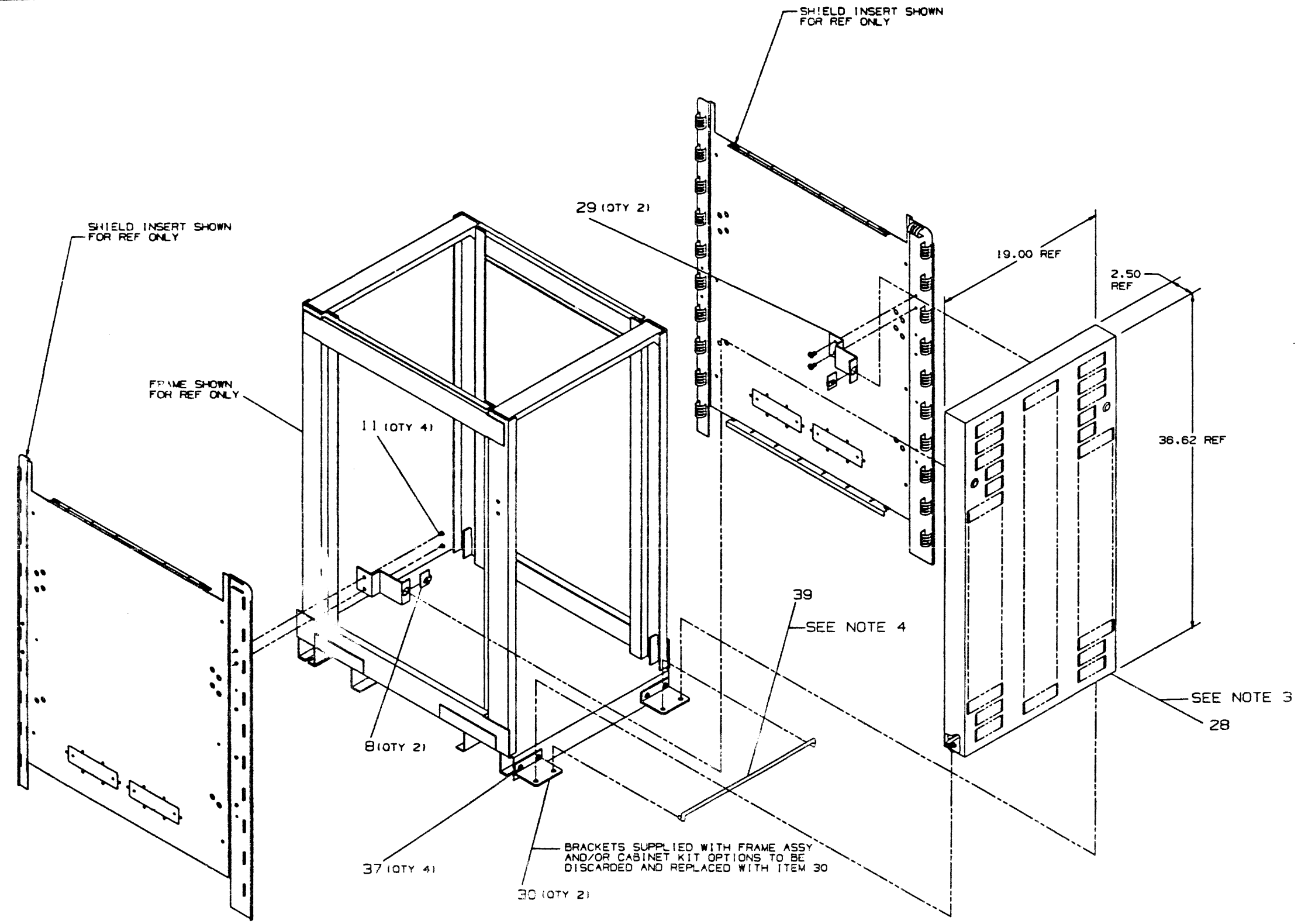
CAUTION: OFF SHEET PARTS LIST
SEE K-PL-H9544-B-DBP.
(Z0237)

REV	NO.	BY	DATE	DESCRIPTION
1	1
2	1
3	1
4	1
5	1
6	1
7	1
8	1
9	1
10	1
11	1
12	1
13	1
14	1
15	1
16	1
17	1
18	1
19	1
20	1
21	1
22	1
23	1
24	1
25	1
26	1
27	1
28	1
29	1
30	1

DESCRIPTION		DRAWING NO.		PART NO.	
UNLESS OTHERWISE SPECIFIED DIMENSIONS ARE IN INCHES AND THE FOLLOWING TOLERANCES APPLY (PER DEC STD 114)					
DIMENSION RANGE IN INCHES					
0.00 - 0.25	0.25 - 0.50	0.50 - 1.00	1.00 - 2.00	2.00 - 5.00	5.00 - 10.00
±0.005	±0.005	±0.005	±0.005	±0.005	±0.005
DATE: 19 JAN 79					
DRAWN BY: KEN CAVAN					
CHECKED BY: S. ROBERTS					
APPROVED BY: MC CARTHY					
DATE: 21 MAR 79					
DATE: 14 MAR 79					
DATE: 27 MAR 79					
TITLE: H9544-B REAR DOOR					
DRAWING NO.: E-UA-H9544-B-DBU					
PART NO.: E-UA-H9544-B-DBU L					

THIS DRAWING AND SPECIFICATIONS, HEREINAFTER THE PROPERTY OF DIGITAL EQUIPMENT CORPORATION AND SHALL NOT BE REPRODUCED OR COPIED OR USED IN WHOLE OR IN PART AS THE BASIS FOR THE MANUFACTURE OR SALE OF THIS WITHOUT WRITTEN PERMISSION. COPYRIGHT © 1982 DIGITAL EQUIPMENT CORPORATION

J
I
H
G
F
E
D
C
B
A



THIS CONFIGURATION FOR
H9544-BF
(140 INCH SINGLE BAY VARIATION)

LAYER 1: WORK LAYER (SH 7)
LAYER 2: FORMAT LAYER (SH 7)
PLOT AT 1.00

REVISION HISTORY		
DATE	REV. HISTORY	REV.

DOCUMENT NUMBER			
PROJECT	NUMBER	REV.	
EUA	H9544-B-DBU	L	

TITLE: H9544-B REAR DOOR
SCALE: NONE SHEET 7 OF 13

J
I
H
G
F
E
D
C
B
A

AUTOMATED BY PRTLST,3J(25)

P A R T S L I S T

SHEET A1 OF A2

LINE	ITEM	TOP DOCUMENT	PART NUMBER	MIN REV	DESCRIPTION	QTY PER VARIATION											
						BA	BB	BC	BD	BE	BK	BM	BF	BH	BJ	BN	BS
1	1	E-AD-7016533-0-0	7016533-00		DOOR ASSY,REAR(SINGLE BAY,40INCH	1	-	-	-	-	-	1	-	-	-	-	-
2	2	E-AD-7016695-0-0	7016695-00		DOOR ASSY REAR(SINGLE BAY,60")	-	1	-	-	-	-	-	-	-	-	-	-
3	3	E-AD-7016697-0-0	7016697-00		DOOR ASSY REAR(1 1/2 BAY 40")	-	-	1	-	-	-	-	-	-	-	-	-
4	4	E-AD-7016533-0-0	7016533-01		DOOR ASSY REAR(REAR DOOR W/O FIL	-	-	-	1	-	-	-	-	-	-	-	-
5	5	C-MD-7422222-0-0	7422222-00		BRACKET,DOOR LOCK	1	1	1	1	1	-	1	-	-	-	-	-
6	6	C-IA-7422267-0-0	7422267-00		BRKT,DOOR LOCK MTG	1	-	1	1	1	-	-	-	-	-	-	-
7	7		4700045-00		*** THIS ITEM IS NOT USED ***	-	-	-	-	-	-	-	-	-	-	-	-
8	8		1212972-02		SPRING,RECEPTACLE 1.04 WDX1.5	1	1	1	1	1	2	1	2	1	-	2	2
9	9		9007651-00		*** THIS ITEM IS NOT USED ***	-	-	-	-	-	-	-	-	-	-	-	-
10	10		9007786-00		RETAINER,U-NUT 10-32X	1	1	1	1	3	1	1	-	-	-	-	-
11	11		9009700-00		SCREW,SEMS TRUSS PHIL 10-	4	4	4	4	6	8	4	4	3	-	4	4
12	12		9006664-00		WASHER,FLAT SST	-	-	-	-	-	1	1	-	-	-	-	-
13	13		9007906-00		*** THIS ITEM IS NOT USED ***	-	-	-	-	-	-	-	-	-	-	-	-
14	14	B-AD-7016703-0-0	7016703-00		STOP DOOR (REAR)	2	2	2	2	2	-	-	-	-	-	-	-
15	15	D-AD-7016632-0-0	7016632-00		DOOR ASSY REAR(1 1/2 BAY)	-	-	-	-	1	-	-	-	-	-	-	-
16	16	C-MD-7422272-0-0	7422272-01		PIVOT BRKT BOTTOM REAR DOOR L.H.	-	-	-	-	1	-	-	-	-	-	-	-
17	17		2200024-00		*** THIS ITEM IS NOT USED ***	-	-	-	-	-	-	-	-	-	-	-	-
18	18		2200024-01		*** THIS ITEM IS NOT USED ***	-	-	-	-	-	-	-	-	-	-	-	-
19	19		9009005-00		NUT,HEX 10-32X .245AF SS/N	-	-	-	-	2	-	-	-	-	-	-	-
20	20	C-IA-7424014-0-0	7424014-00		BRKT, DOORLOCK MTG	-	1	-	-	-	-	-	-	-	-	-	-
21	21		9010156-00		SCREW,SEMS HEX 10-	1	1	1	1	1	1	1	-	-	-	-	-
22	22		9006565-00		NUT,HEX EXT TOOTH LCKWSHR 10-32	2	2	2	2	2	-	2	-	-	-	-	-
23	23	E-IA-7019166-0-DBU	7019166-01		DOOR, REAR ASSY. SINGLE BAY 40"	-	-	-	-	-	1	-	-	-	-	-	-
24	24	C-IA-7426710-0-DBU	7426710-01		BRACKET,DOOR LOCK,MTG	-	-	-	-	-	2	-	-	-	-	-	-
25	25	C-MD-7426711-0-DBU	7426711-01		BRACKET,DOOR LOCK	-	-	-	-	-	2	-	-	-	-	-	-
26	26	C-IA-7426256-0-DBU	7426256-01		BRACKET, DOOR LOCK MOUNTING	-	-	-	-	-	-	1	-	-	-	-	-
27	27	C-AD-7019088-0-0	7019088-01		STOP DOOR	-	-	-	-	-	-	2	-	-	-	-	-
28	28	E-AD-7019792-0-DBU	7019792-00		DOOR, REAR ASSY	-	-	-	-	-	-	-	1	-	-	-	-
29	29	C-MD-7427386-0-DBU	7427386-01		BRACKET,REAR DOOR LOCK	-	-	-	-	-	-	-	2	-	-	2	2
30	30	C-MD-7427921-0-DBU	7427921-01		BRACKET,REAR DOOR HINGE	-	-	-	-	-	-	-	2	-	-	-	-

REVISION HISTORY			BASIC PART NO: H9544			DRN: K. DAVAN		DATE: 13-MAR-79		D I G I T A L			
ENG!	ECO NUMBER	REV	SECTION A OF B		CHK'D:	S. ROBERTS		DATE: 13-MAR-79		TITLE PARTS LIST			
---	INITIAL	*	SECTION VARIATION INDEX		DES.ENG:	W. F. MC CARTHY		DATE: 13-MAR-79		DOCUMENT NUMBER			
!DS	!H9544-B-ML001	!A	!A!BA,BB,BC,BD,BE,BK,								SIZE!CODE!		REV
!DS	!H9646-AC-ML001	!B	!B!BM,BF,BH,BJ,BN,BS								NUMBER		
!WR	!H9544-B-ML002	!C	!B!BP,BX								K ! PL !		H9544-B-DBP
!W.R	!H9544-B-ML003	!D	!C								H9544-B-DBP		L
!RB	!H9544-B-ML005	!E	!D								RELEASE DATE: 02-MAY-85		
!DB	!H9642-B-ML008	!F	!E										
!DB	!H9544-B-ML006	!H	!F										
!RC	!H9544-B-LTN07	!J											
!RC	!H9544-B-LTN08	!K											
!DD	!H9544-B-LTN09	!L											
			!ASSEMBLY NUMBER:			!TOP DOCUMENT NUMBER:			!FILE NAME:			!EDIT #!	
			!E-UA-H9544-B-DBU			!#B-DD-H9544-B			!Z0237L.PLS			!4	

"THIS DRAWING AND THE SPECIFICATIONS CONTAINED HEREIN ARE CONFIDENTIAL AND PROPRIETARY. THEY ARE THE PROPERTY OF DIGITAL EQUIPMENT CORPORATION AND SHALL NOT BE REPRODUCED OR COPIED OR USED IN WHOLE OR IN PART AS THE BASIS FOR THE MANUFACTURE OR SALE OF ITEMS WITHOUT WRITTEN PERMISSION. THIS IS AN UNPUBLISHED WORK PROTECTED UNDER THE FEDERAL COPYRIGHT LAWS."

AUTOMATED BY PRTLST.3J(25)

P A R T S L I S T

SHEET A2 OF A2

LINE	ITEM	TOP DOCUMENT	PART NUMBER	MIN REV	DESCRIPTION	QTY PER VARIATION													
						BA	BB	BC	BD	BE	BK	BM	BF	BH	BJ	BN	BS		
						VARIATION REVISION LEVEL:													
																	L1	L1	
31	31	D-AD-7019793-0-DBU	7019793-00		COVER, REAR 1/2 BAY ASSY	-	-	-	-	-	-	-	-	-	-	1	-	-	-
32	32	C-IA-7427966-0-DBU	7427966-01		BRACKET, DOOR LOCK	-	-	-	-	-	-	-	-	-	-	1	-	-	-
33	33	D-IA-7427465-0-DBU	7427465-01		BRACKET, DOOR SUPPORT 1/2 BAY	-	-	-	-	-	-	-	-	-	-	1	-	-	-
34	34	C-IA-7427463-0-DBU	7427463-01		BAR, CABLE DRESS	-	-	-	-	-	-	-	-	-	-	1	-	-	-
35	35	E-AD-7019770-0-DBP	7019770-00		DOOR, REAR ASSY	-	-	-	-	-	-	-	-	-	-	-	1	-	-
36	36	E-AD-7019769-0-DBU	7019769-00		BRACKET ASSY, BOTTOM REAR DOOR	-	-	-	-	-	-	-	-	-	-	-	1	1	-
37	37		9009988-14		SCREW, SEMS HEX SLOT 1/4-	-	-	-	-	-	-	-	-	4	2	4	4	4	
38	38		9006241-09		SCREW, MACH HEX PLN 1/4-	-	-	-	-	-	-	-	-	-	-	1	-	-	-
39	39	C-MD-7428543-0-DBU	7428543-01		ROD, REAR CABLE #3	-	-	-	-	-	-	-	-	-	1	-	-	-	1
40	40	E-AD-7020399-0-DBU	7020399-01		DOOR REAR ASSY	-	-	-	-	-	-	-	-	-	-	-	-	1	-
41	41	E-AD-7020399-0-DBU	7020399-02		DOOR REAR ASSY W/CUTOUT	-	-	-	-	-	-	-	-	-	-	-	-	-	1
42	42	D-IA-7020402-0-DBU	7020402-01		*** THIS ITEM IS NOT USED ***	-	-	-	-	-	-	-	-	-	-	-	-	-	-
43	43	C-MD-7429304-0-DBU	7429304-01		BRACKET, REAR DOOR, HINGE	-	-	-	-	-	-	-	-	-	-	-	-	-	2

44 NOTE: 90 CLASS ITEMS SHOWN ABOVE ARE REQUIRED FOR ASSEMBLY,
 45 NOTE: BUT ARE NOT SHIPPED AS PART OF THE ASSEMBLY

D	I	G	I	T	A	L	TITLE	H9544-B REAR DOOR	SECTION A	OF B	SIZE	CODE	DOCUMENT NUMBER	REV
											K	PL	H9544-B-DBP	L

LINE	ITEM	TOP DOCUMENT	PART NUMBER	MIN REV	DESCRIPTION	VARIATION REVISION LEVEL:	QTY	PER	BP	BX
							L1	L1		
1	1	E-AD-7016533-0-0	7016533-00		*** THIS ITEM IS NOT USED ***		-	-		
2	2	E-AD-7016695-0-0	7016695-00		*** THIS ITEM IS NOT USED ***		-	-		
3	3	E-AD-7016697-0-0	7016697-00		*** THIS ITEM IS NOT USED ***		-	-		
4	4	E-AD-7016533-0-0	7016533-01		*** THIS ITEM IS NOT USED ***		-	-		
5	5	C-MD-7422222-0-0	7422222-00		*** THIS ITEM IS NOT USED ***		-	-		
6	6	C-IA-7422267-0-0	7422267-00		*** THIS ITEM IS NOT USED ***		-	-		
7	7		4700045-00		*** THIS ITEM IS NOT USED ***		-	-		
8	8		1212972-02		SPRING, RECEPTACLE 1.04 WDX1.5		1	2		
9	9		9007651-00		*** THIS ITEM IS NOT USED ***		-	-		
10	10		9007786-00		*** THIS ITEM IS NOT USED ***		-	-		
11	11		9009700-00		SCREW, SEMS TRUSS PHIL 10-		3	4		
12	12		9006664-00		*** THIS ITEM IS NOT USED ***		-	-		
13	13		9007906-00		*** THIS ITEM IS NOT USED ***		-	-		
14	14	B-AD-7016703-0-0	7016703-00		*** THIS ITEM IS NOT USED ***		-	-		
15	15	D-AD-7016632-0-0	7016632-00		*** THIS ITEM IS NOT USED ***		-	-		
16	16	C-MD-7422272-0-0	7422272-01		*** THIS ITEM IS NOT USED ***		-	-		
17	17		2200024-00		*** THIS ITEM IS NOT USED ***		-	-		
18	18		2200024-01		*** THIS ITEM IS NOT USED ***		-	-		
19	19		9009005-00		*** THIS ITEM IS NOT USED ***		-	-		
20	20	C-IA-7424014-0-0	7424014-00		*** THIS ITEM IS NOT USED ***		-	-		
21	21		9010156-00		*** THIS ITEM IS NOT USED ***		-	-		
22	22		9006565-00		*** THIS ITEM IS NOT USED ***		-	-		
23	23	E-IA-7019166-0-DBU	7019166-01		*** THIS ITEM IS NOT USED ***		-	-		
24	24	C-IA-7426710-0-DBU	7426710-01		*** THIS ITEM IS NOT USED ***		-	-		
25	25	C-MD-7426711-0-DBU	7426711-01		*** THIS ITEM IS NOT USED ***		-	-		
26	26	C-IA-7426256-0-DBU	7426256-01		*** THIS ITEM IS NOT USED ***		-	-		
27	27	C-AD-7019088-0-0	7019088-01		*** THIS ITEM IS NOT USED ***		-	-		
28	28	E-AD-7019792-0-DBU	7019792-00		*** THIS ITEM IS NOT USED ***		-	-		
29	29	C-MD-7427386-0-DBU	7427386-01		BRACKET, REAR DOOR LOCK		-	2		
30	30	C-MD-7427921-0-DBU	7427921-01		*** THIS ITEM IS NOT USED ***		-	-		

REVISION HISTORY			BASIC PART NO: H9544		DRN: K. DAVAN		DATE: 13-MAR-79		D I G I T A L		
ENG	ECO NUMBER	REV	SECTION B OF B	CHK'D:	S. ROBERTS	DATE:	13-MAR-79	TITLE PARTS LIST			
---	INITIAL	*	SECTION VARIATION INDEX	DES.ENG:	W. F. MC CARTHY <td>DATE:</td> <td>13-MAR-79 <td colspan="3">DOCUMENT NUMBER</td> </td>	DATE:	13-MAR-79 <td colspan="3">DOCUMENT NUMBER</td>	DOCUMENT NUMBER			
DS	H9544-B-ML001	A	(A)BA, BB, BC, BD, BE, BK,	RESP.ENG.:	R. BELLIVEAU <td>DATE:</td> <td>13-MAR-79 <td>SIZE</td> <td>CODE</td> <td>NUMBER</td> <td>REV</td> </td>	DATE:	13-MAR-79 <td>SIZE</td> <td>CODE</td> <td>NUMBER</td> <td>REV</td>	SIZE	CODE	NUMBER	REV
DS	H9646-AC-ML001	B	BM, BF, BH, BJ, BN, BS	MFG.ENG.:	J. SOUZA <td>DATE:</td> <td>13-MAR-79 <td>K</td> <td>PL</td> <td>H9544-B-DBP</td> <td>L</td> </td>	DATE:	13-MAR-79 <td>K</td> <td>PL</td> <td>H9544-B-DBP</td> <td>L</td>	K	PL	H9544-B-DBP	L
WR	H9544-B-ML002	C	(B)BP, BX	ASSEMBLY NUMBER:	E-UA-H9544-B-DBU <td>TOP DOCUMENT NUMBER:</td> <td>#B-DD-H9544-B</td> <td colspan="2">FILE NAME:</td> <td>Z0237L.PLS</td> <td>EDIT #</td>	TOP DOCUMENT NUMBER:	#B-DD-H9544-B	FILE NAME:		Z0237L.PLS	EDIT #
W.R	H9544-B-ML003	D	(C)			RELEASE DATE:	02-MAY-85				4
RB	H9544-B-ML005	E	(D)								
DB	H9642-B-ML008	F	(E)								
DB	H9544-B-ML006	H	(F)								
RC	H9544-B-LTN07	J									
RC	H9544-B-LTN08	K									
DD	H9544-B-LTN09	L									

"THIS DRAWING AND THE SPECIFICATIONS CONTAINED HEREIN ARE CONFIDENTIAL AND PROPRIETARY. THEY ARE THE PROPERTY OF DIGITAL EQUIPMENT CORPORATION AND SHALL NOT BE REPRODUCED OR COPIED OR USED IN WHOLE OR IN PART AS THE BASIS FOR THE MANUFACTURE OR SALE OF ITEMS WITHOUT WRITTEN PERMISSION. THIS IS AN UNPUBLISHED WORK PROTECTED UNDER THE FEDERAL COPYRIGHT LAWS."

LINE	ITEM	TOP DOCUMENT	PART NUMBER	MIN REV	DESCRIPTION	QTY PER VARIATION	
						BP	BX
31	31	D-AD-7019793-0-DBU	7019793-00		*** THIS ITEM IS NOT USED ***	-	-
32	32	C-IA-7427966-0-DBU	7427966-01		*** THIS ITEM IS NOT USED ***	-	-
33	33	D-IA-7427465-0-DBU	7427465-01		BRACKET, DOOR SUPPORT 1/2 BAY	1	-
34	34	C-IA-7427463-0-DBU	7427463-01		BAR, CABLE DRESS	1	-
35	35	E-AD-7019770-0-DBP	7019770-00		DOOR, REAR ASSY	1	1
36	36	E-AD-7019769-0-DBU	7019769-00		BRACKET ASSY, BOTTOM REAR DOOR	-	1
37	37		9009988-14		SCREW, SEMS HEX SLOT 1/4-	2	4
38	38		9006241-09		SCREW, MACH HEX PLN 1/4-	1	-
39	39	C-MD-7428543-0-DBU	7428543-01		*** THIS ITEM IS NOT USED ***	-	-
40	40	E-AD-7020399-0-DBU	7020399-01		*** THIS ITEM IS NOT USED ***	-	-
41	41	E-AD-7020399-0-DBU	7020399-02		*** THIS ITEM IS NOT USED ***	-	-
42	42	D-IA-7020402-0-DBU	7020402-01		COVER REAR 1/2 BAY ASSY	1	-
43	43	C-MD-7429304-0-DBU	7429304-01		*** THIS ITEM IS NOT USED ***	-	-

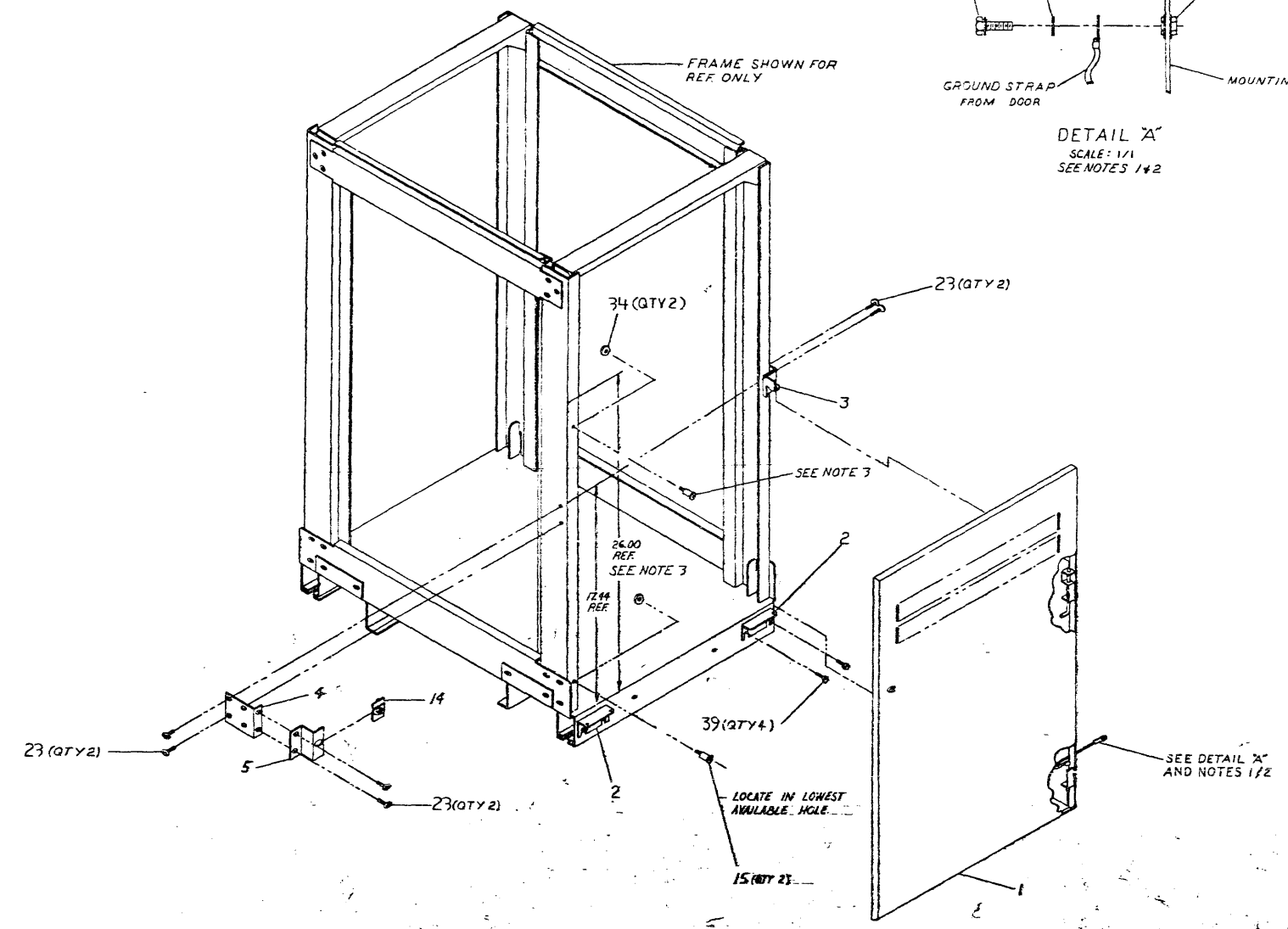
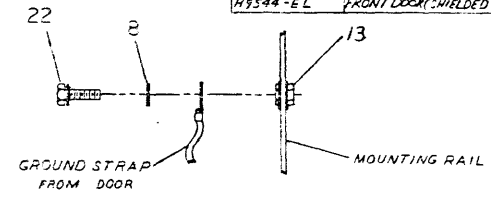
44 NOTE: 90 CLASS ITEMS SHOWN ABOVE ARE REQUIRED FOR ASSEMBLY,
 45 NOTE: BUT ARE NOT SHIPPED AS PART OF THE ASSEMBLY

D	I	G	I	T	A	L	TITLE	H9544-B REAR DOOR	SECTION B OF B	SIZE	CODE	DOCUMENT NUMBER	REV
										K	PL	H9544-B-DBP	L

THE DRAWING AND SPECIFICATION SHALL BE THE PROPERTY OF THE COMPANY. IT IS TO BE USED ONLY FOR THE PURPOSES INTENDED AND IS NOT TO BE REPRODUCED OR TRANSMITTED IN ANY FORM OR BY ANY MEANS, ELECTRONIC OR MECHANICAL, INCLUDING PHOTOCOPYING, RECORDING, OR BY ANY INFORMATION STORAGE AND RETRIEVAL SYSTEM. WITHOUT THE WRITTEN PERMISSION OF THE COMPANY.

LEGEND	
NUMBER	VARIATION
H9544-EA	FRONT DOOR (SINGLE BAY) (SHEET 3)
H9544-EB	FRONT DOOR (SINGLE BAY) (SHEET 1)
H9544-EE	FRONT DOOR (COMET) (SHEET 2)
H9544-EK	FRONT DOOR (COMET) (SHEET 4)
H9544-EG	FRONT DOOR (SHIELDED SINGLE BAY) (SHEET 5)
H9544-EJ	FRONT DOOR (SHIELDED COMET) (SHEET 6)
H9544-EH	FRONT DOOR (SHIELDED FULL) (SHEET 7)
H9544-EM	FRONT DOOR (SHIELDED 18.75) (SHEET 8)
H9544-EL	FRONT DOOR (SHIELDED KERNEL) (SHEET 9)

- NOTES:
- ATTACH SAFETY GROUND STRAP TO THE CABINET FRAME MOUNTING RAIL IN NEAREST AVAILABLE MOUNTING RAIL HOLE PER DETAIL 'A'
 - 27 INCH POUNDS OF TORQUE TO BE USED WHEN FASTENING (ITEM #22) TO MOUNTING RAIL. FOR OTHER TORQUE REQUIREMENTS REFER TO A-5P-7445328-0-0
 - LOCATE IN HIGHEST AVAILABLE HOLE BELOW 27 INCH FROM TOP OF MOUNTING RAIL.
 - ITEMS 23 AND 24 ARE PARTS OF THE HARDWARE KIT. ITEMS 25 AND 26 ARE SHOWN FOR REFERENCE ONLY.
 - HOLE LOCATIONS ARE FROM TOP OF MOUNTING RAILS. (SHEET 4)
 - POSITION ITEM #31 ON ITEM #20 AS SHOWN. (SHEET 4)



THIS CONFIGURATION FOR
H9544-EB

REV	DESCRIPTION	DATE
1	ISSUED FOR CONSTRUCTION	11/17/77
2	REVISED TO REFLECT CHANGES TO THE DRAWING	11/17/77
3	REVISED TO REFLECT CHANGES TO THE DRAWING	11/17/77
4	REVISED TO REFLECT CHANGES TO THE DRAWING	11/17/77
5	REVISED TO REFLECT CHANGES TO THE DRAWING	11/17/77
6	REVISED TO REFLECT CHANGES TO THE DRAWING	11/17/77
7	REVISED TO REFLECT CHANGES TO THE DRAWING	11/17/77
8	REVISED TO REFLECT CHANGES TO THE DRAWING	11/17/77
9	REVISED TO REFLECT CHANGES TO THE DRAWING	11/17/77
10	REVISED TO REFLECT CHANGES TO THE DRAWING	11/17/77
11	REVISED TO REFLECT CHANGES TO THE DRAWING	11/17/77
12	REVISED TO REFLECT CHANGES TO THE DRAWING	11/17/77
13	REVISED TO REFLECT CHANGES TO THE DRAWING	11/17/77
14	REVISED TO REFLECT CHANGES TO THE DRAWING	11/17/77
15	REVISED TO REFLECT CHANGES TO THE DRAWING	11/17/77
16	REVISED TO REFLECT CHANGES TO THE DRAWING	11/17/77
17	REVISED TO REFLECT CHANGES TO THE DRAWING	11/17/77
18	REVISED TO REFLECT CHANGES TO THE DRAWING	11/17/77
19	REVISED TO REFLECT CHANGES TO THE DRAWING	11/17/77
20	REVISED TO REFLECT CHANGES TO THE DRAWING	11/17/77
21	REVISED TO REFLECT CHANGES TO THE DRAWING	11/17/77
22	REVISED TO REFLECT CHANGES TO THE DRAWING	11/17/77
23	REVISED TO REFLECT CHANGES TO THE DRAWING	11/17/77
24	REVISED TO REFLECT CHANGES TO THE DRAWING	11/17/77
25	REVISED TO REFLECT CHANGES TO THE DRAWING	11/17/77
26	REVISED TO REFLECT CHANGES TO THE DRAWING	11/17/77
27	REVISED TO REFLECT CHANGES TO THE DRAWING	11/17/77
28	REVISED TO REFLECT CHANGES TO THE DRAWING	11/17/77
29	REVISED TO REFLECT CHANGES TO THE DRAWING	11/17/77
30	REVISED TO REFLECT CHANGES TO THE DRAWING	11/17/77
31	REVISED TO REFLECT CHANGES TO THE DRAWING	11/17/77
32	REVISED TO REFLECT CHANGES TO THE DRAWING	11/17/77
33	REVISED TO REFLECT CHANGES TO THE DRAWING	11/17/77
34	REVISED TO REFLECT CHANGES TO THE DRAWING	11/17/77
35	REVISED TO REFLECT CHANGES TO THE DRAWING	11/17/77
36	REVISED TO REFLECT CHANGES TO THE DRAWING	11/17/77
37	REVISED TO REFLECT CHANGES TO THE DRAWING	11/17/77
38	REVISED TO REFLECT CHANGES TO THE DRAWING	11/17/77
39	REVISED TO REFLECT CHANGES TO THE DRAWING	11/17/77
40	REVISED TO REFLECT CHANGES TO THE DRAWING	11/17/77
41	REVISED TO REFLECT CHANGES TO THE DRAWING	11/17/77
42	REVISED TO REFLECT CHANGES TO THE DRAWING	11/17/77
43	REVISED TO REFLECT CHANGES TO THE DRAWING	11/17/77
44	REVISED TO REFLECT CHANGES TO THE DRAWING	11/17/77
45	REVISED TO REFLECT CHANGES TO THE DRAWING	11/17/77
46	REVISED TO REFLECT CHANGES TO THE DRAWING	11/17/77
47	REVISED TO REFLECT CHANGES TO THE DRAWING	11/17/77
48	REVISED TO REFLECT CHANGES TO THE DRAWING	11/17/77
49	REVISED TO REFLECT CHANGES TO THE DRAWING	11/17/77
50	REVISED TO REFLECT CHANGES TO THE DRAWING	11/17/77

OFF SHEET PARTS LIST REFER TO K-P-H9544-E-DBP-2-2310

DESCRIPTION	QTY	UNIT	REMARKS
ITEM 1	1	EA	
ITEM 2	1	EA	
ITEM 3	1	EA	
ITEM 4	1	EA	
ITEM 5	1	EA	
ITEM 6	1	EA	
ITEM 7	1	EA	
ITEM 8	1	EA	
ITEM 9	1	EA	
ITEM 10	1	EA	
ITEM 11	1	EA	
ITEM 12	1	EA	
ITEM 13	1	EA	
ITEM 14	1	EA	
ITEM 15	1	EA	
ITEM 16	1	EA	
ITEM 17	1	EA	
ITEM 18	1	EA	
ITEM 19	1	EA	
ITEM 20	1	EA	
ITEM 21	1	EA	
ITEM 22	1	EA	
ITEM 23	1	EA	
ITEM 24	1	EA	
ITEM 25	1	EA	
ITEM 26	1	EA	
ITEM 27	1	EA	
ITEM 28	1	EA	
ITEM 29	1	EA	
ITEM 30	1	EA	
ITEM 31	1	EA	
ITEM 32	1	EA	
ITEM 33	1	EA	
ITEM 34	1	EA	
ITEM 35	1	EA	
ITEM 36	1	EA	
ITEM 37	1	EA	
ITEM 38	1	EA	
ITEM 39	1	EA	
ITEM 40	1	EA	
ITEM 41	1	EA	
ITEM 42	1	EA	
ITEM 43	1	EA	
ITEM 44	1	EA	
ITEM 45	1	EA	
ITEM 46	1	EA	
ITEM 47	1	EA	
ITEM 48	1	EA	
ITEM 49	1	EA	
ITEM 50	1	EA	

REVISED TO REFLECT CHANGES TO THE DRAWING

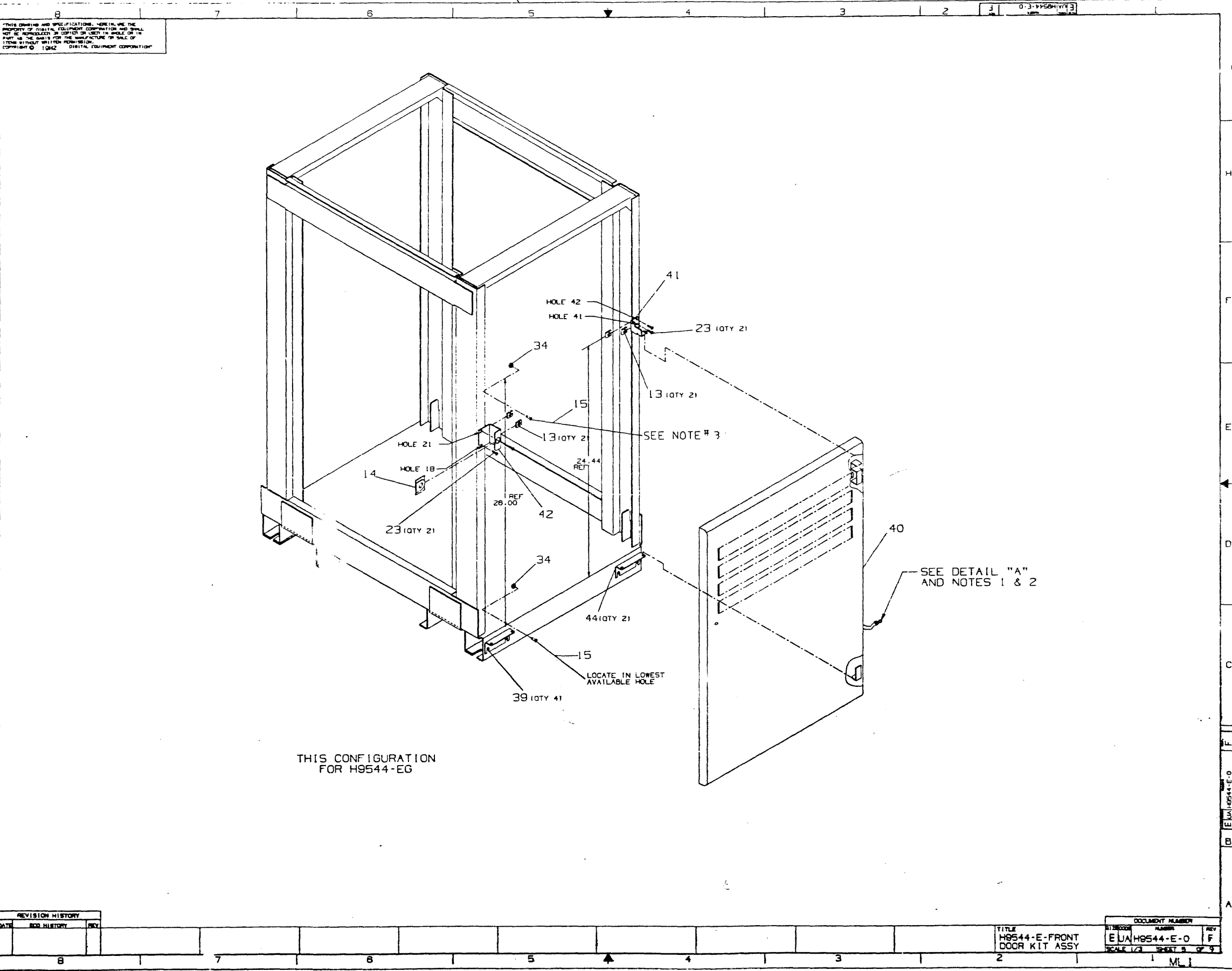
DATE: 11/17/77

BY: [Signature]

APP: [Signature]

SCALE: 1/1

TITLE: H9544-E FRONT DOOR



THIS DRAWING AND SPECIFICATIONS, HEREIN, ARE THE PROPERTY OF DIGITAL EQUIPMENT CORPORATION AND SHALL NOT BE REPRODUCED OR COPIED OR USED IN WHOLE OR IN PART AS THE BASIS FOR THE MANUFACTURE OF ANY OF THESE WITHOUT WRITTEN PERMISSION. COPYRIGHT © 1982, DIGITAL EQUIPMENT CORPORATION.

THIS CONFIGURATION FOR H9544-EG

REVISION HISTORY		
DATE	REV. HISTORY	REV.

TITLE
H9544-E-FRONT DOOR KIT ASSY

DOCUMENT NUMBER
EJAH9544-E-0 F
SCALE 1/2" SHEET 5 OF 9

ML

LINE	ITEM	DOCUMENT NUMBER	PART NUMBER	DESCRIPTION	QUANTITY PER VARIATION								
					EB	EE	EA	EK	EG	EJ	EH	EM	EL
1	1	D-AD-7016562-0-0	7016562-00	FRONT DOOR ASSY	1	-	-	-	-	-	-	-	-
2	2	C-MD-7422262-0-0	7422262-00	BRACKET,FRONT DOOR PIVOT	2	-	-	-	-	-	-	-	-
3	3	C-MD-7422264-0-0	7422264-00	BRKT, TOP PIVOT	1	-	-	-	-	-	-	-	-
4	4	C-IA-7422267-0-0	7422267-00	BRKT,DOOR LOCK MTG	1	-	1	1	-	-	-	-	-
5	5	C-MD-7422222-0-0	7422222-00	BRACKET,DOOR LOCK	1	-	1	1	-	-	-	-	-
6	6		9006074-01	*** THIS ITEM IS NOT USED ***	-	-	-	-	-	-	-	-	-
7	7		9007906-00	WASHER,HELICAL SPLIT STEEL	2	2	2	2	-	-	-	-	-
8	8		9006664-00	WASHER,FLAT SST	-	-	-	-	1	1	1	1	-
9	9		9006243-09	SCREW,MACH HEX PLN 1/4-	4	-	4	-	-	-	-	-	-
10	10		9007797-00	WASHER,HELICAL SPLIT SST	4	-	4	-	-	-	-	-	-
11	11		9006676-00	*** THIS ITEM IS NOT USED ***	-	-	-	-	-	-	-	-	-
12	12		9007651-00	WASHER,LOCK EXTERNAL STEEL	1	1	1	-	-	-	-	-	-
13	13		9007786-00	RETAINER,U-NUT 10-32X	3	7	5	7	5	3	1	5	-
14	14		1212972-02	SPRING,RECEPTACLE 1.04 WDX1.5	1	-	1	1	1	-	1	2	1
15	15	B-AD-7016703-0-0	7016703-02	STOP DOOR 1.62	2	-	2	2	2	-	2	-	-
16	16	B-AD-7016703-0-0	7016703-01	STOP, DOOR .88	-	2	-	-	-	2	-	-	-
17	17	E-AD-7016631-0-0	7016631-00	DOOR ASSY,FRONT (1 1/2 BAY)	-	1	-	-	-	-	-	-	-
18	18	C-MD-7422278-0-0	7422278-00	BRKT,HINGE (FRONT DOOR TOP) R.H.	-	1	-	-	-	-	-	-	-
19	19	C-MD-7422278-0-0	7422278-01	BRKT HINGE FRONT DOOR TOP	-	1	-	-	-	-	-	-	-
20	20		2200027-00	*** THIS ITEM IS NOT USED ***	-	-	-	-	-	-	-	-	-
21	21		2200027-01	*** THIS ITEM IS NOT USED ***	-	-	-	-	-	-	-	-	-
22	22		9010156-00	SCREW,SEMS HEX 10-	1	1	1	1	1	1	1	-	-
23	23		9009700-00	SCREW,SEMS TRUSS PHIL 10-	6	4	6	8	4	2	-	4	2
24	24	D-AD-7018554-0-0	7018554-01	DOOR ASSY, FRONT	-	-	1	-	-	-	-	-	-
25	25	D-MD-7425876-0-0	7425876-00	BRACKET,DOOR SUPPORT	-	-	1	-	-	-	-	-	-
26	26	C-MD-7425881-0-0	7425881-00	BRACKET,DOOR HINGE & END PANEL L	-	-	1	-	-	-	-	-	-
27	27	E-UA-7019542-0-0	7019542-00	DOOR ASSY, FRONT	-	-	-	1	-	-	-	-	-
28	28	C-MD-7426785-0-0	7426785-01	BRACKET,DOOR,PIVOT TOP	-	-	-	1	-	-	-	-	-
29	29	C-MD-7426784-0-0	7426784-01	BRACKET,DOOR,PIVOT BOTTOM	-	-	-	1	-	-	-	-	-
30	30	D-MD-7426783-0-0	7426783-01	STRIP,TRIM,FRONT DOOR	-	-	-	1	-	-	-	-	-

REVISION HISTORY			BASIC PART NO: H9544			DRN: KEN DAVAN			DATE: 04-APR-79			D I G I T A L		
ENG	ECO NUMBER	REV	SECTION A OF A			CHK'D: S. ROBERTS			DATE: 04-APR-79			TITLE PARTS LIST		
	INITIAL	*	SECTION. VARIATION INDEX			DES.ENG.: R. BELLIVEAU			DATE: 04-APR-79			H9544-E FRONT DOOR		
DS	H9544E-ML001	A	[A] EB,EE,EA,EK,EG,EJ, EH,EM,EL			RESP.ENG.: R. BELLIVEAU			DATE: 04-APR-79			DOCUMENT NUMBER		
R.B	H9544-E-ML003	B	[B]			MFG.ENG.: J. SOUZA			DATE: 04-APR-79			SIZE: CODE: NUMBER REV		
E.R	H9544-E-ML004	C	[C]			ASSEMBLY NUMBER: E-UA-H9544-0-0			TOP DOCUMENT NUMBER: #8-DD-H9544-E			FILE NAME: Z0239F.PLS		
DB	H9544-E-ML005	D	[D]									EDIT #		
R.B	H9544-E-ML006	E	[E]									4		
RC	H9544-E-LTN07	F	[F]											

"THIS DRAWING AND SPECIFICATIONS HEREIN, ARE THE PROPERTY OF DIGITAL EQUIPMENT CORPORATION AND SHALL NOT BE REPRODUCED OR COPIED OR USED IN WHOLE OR IN PART AS THE BASIS FOR THE MANUFACTURE OR SALE OF ITEMS WITHOUT WRITTEN PERMISSION. COPYRIGHT (C) 1983. DIGITAL EQUIPMENT CORPORATION "

LINE	ITEM	DOCUMENT NUMBER	PART NUMBER	DESCRIPTION	QUANTITY PER VARIATION								
					EB	EE	EA	EK	EG	EJ	EH	EM	EL
31	31	D-MD-7427144-0-0	7427144-01	FOAM,TAPE (REWORK)	-	-	-	1	-	-	-	-	-
32	32		9009949-00	WASHER,FLAT STEEL	-	-	-	10	-	-	-	-	-
33	33		9006560-00	NUT,HEX EXT TOOTH LCKWSHR 6-32	-	-	-	10	-	-	-	-	-
34	34		9006565-00	NUT,HEX EXT TOOTH LCKWSHR 10-32	-	-	-	4	2	2	2	-	-
35	35	E-IA-7427752-0-DBU	7427752-01	BEZEL,TU8X	-	-	-	1	-	-	-	-	-
36	36	E-AD-7019805-0-DBU	7019805-00	DOOR, FRONT 1 1/2 BAY ASSY	-	-	-	-	-	1	-	-	-
37	37	B-MD-7427475-0-DBU	7427475-01	BRACKET,FRONT DOOR PIVOT COMET	-	-	-	-	-	2	-	-	-
38	38	C-MD-7427473-0-DBU	7427473-01	BRACKET, TOP FRONT DOOR(COMET FC	-	-	-	-	-	1	-	-	-
39	39		9009988-14	SCREW,SEMS HEX SLOT 1/4-	4	-	4	-	4	4	4	4	2
40	40	E-AD-7019751-0-DBU	7019751-00	FRONT DOOR ASSY SNG BAY	-	-	-	-	1	-	-	-	-
41	41	C-MD-7427340-0-DBU	7427340-01	BRACKET,DOOR TOP PIVOT	-	-	-	-	1	-	-	-	-
42	42	B-MD-7427339-0-DBU	7427339-01	BRACKET,DOOR LOCK	-	-	-	-	1	-	-	2	-
43	43	E-AD-7019949-0-DBU	7019949-00	DOOR, FRONT 1/3 BAY KIT ASSY.	-	-	-	-	-	-	-	1	-
44	44	C-MD-7427949-0-DBU	7427949-01	BRACKET,FRONT DOOR PIVOT	-	-	-	-	2	-	2	2	-
45	45	C-MD-7428076-0-DBU	7428076-01	BRACKET,DOOR LOCK	-	-	-	-	-	-	1	-	-
46	46	E-AD-7019761-0-DBU	7019761-00	DOOR, FRONT ASSY.	-	-	-	-	-	-	1	-	-
47	47		9010437-01	SCREW,MACH FLAT PHIL 10-	-	-	-	-	-	-	2	-	-
48	48	E-AD-7019812-0-DBU	7019812-00	DOOR FRONT 1/2 BAY ASSY.	-	-	-	-	-	-	-	-	1
49	49	C-MD-7427488-0-DBU	7427488-01	BRKT DOOR LOCK 1/2 BAY	-	-	-	-	-	-	-	-	1
50	50	D-MD-7427489-0-DBU	7427489-01	DOOR PIVOT BRKT 1/2 BAY	-	-	-	-	-	-	-	-	1

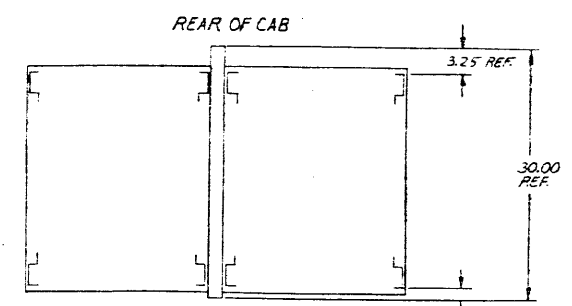
51 NOTE: 90-CLASS ITEMS SHOWN ABOVE ARE REQUIRED FOR ASSEMBLY, BUT ARE NOT SHIPPED
 52 NOTE: AS PART OF THE ASSEMBLY KIT.

D	I	G	I	T	A	L	TITLE	H9544-E FRONT DOOR	SECTION A OF A	SIZE	CODE	DOCUMENT NUMBER	REV
43										K	PL	H9544-E-DBP	F

THIS SHEET AND PROVISIONAL SHEET ARE THE PROPERTY OF THE U.S. GOVERNMENT AND ARE LOANED TO YOU BY THE U.S. GOVERNMENT. IT IS TO BE USED ONLY FOR THE PURPOSES AUTHORIZED BY THE U.S. GOVERNMENT. IT IS TO BE RETURNED TO THE U.S. GOVERNMENT AT THE END OF THE LOAN PERIOD. (FORM 1575) (REV. 10-65)

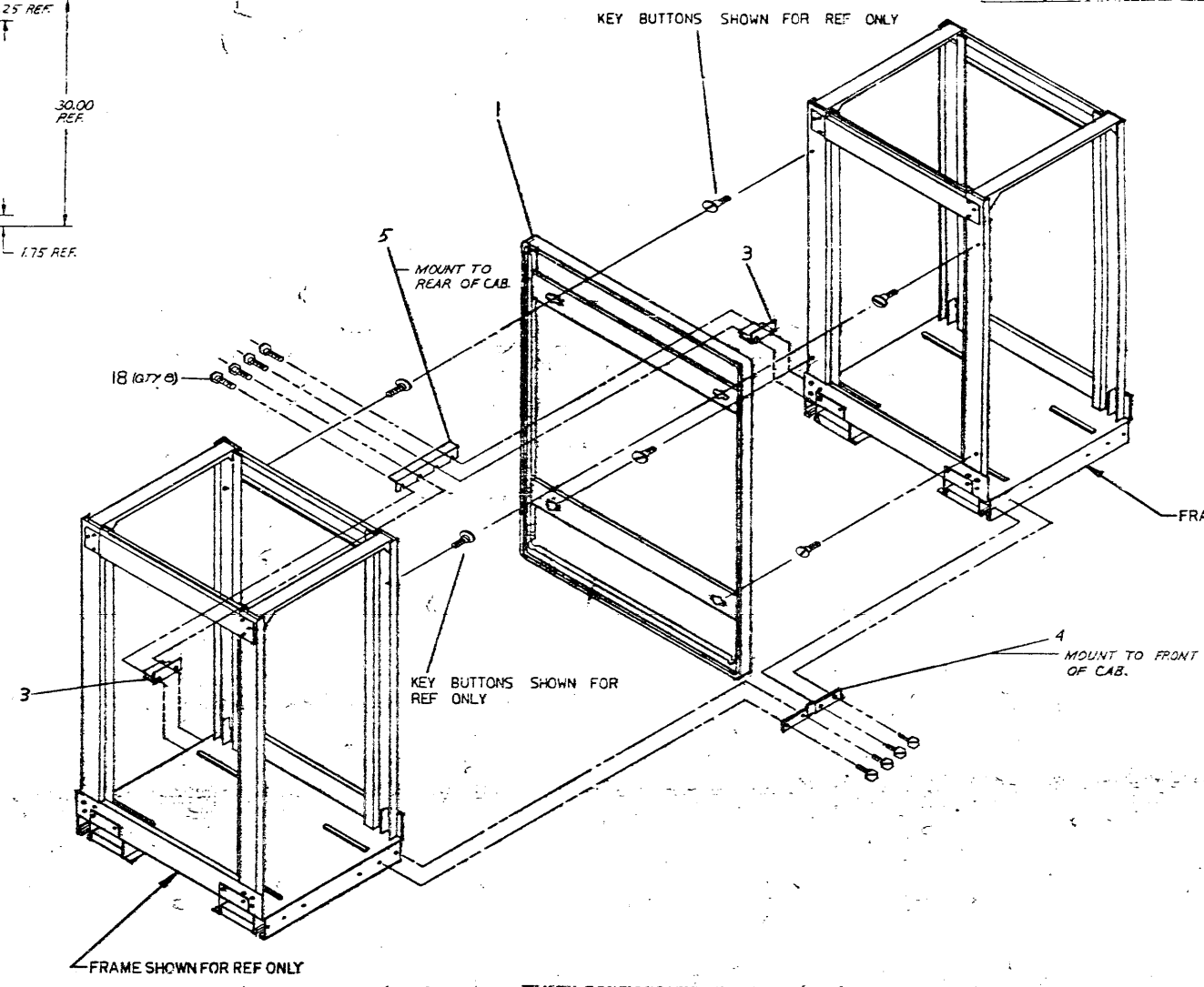
NUMBER	VARIATION
H9544-JA	40 INCH ROLL FORM (SHEET 1)
H9544-JC	60 INCH ROLL FORM (SHEET 2)
H9544-JD	48" / 60" CONVERSION (SHEET 3)
H9544-JH	40" ROLL FORM (SHEET 4)
H9544-JE	40" SHIELDED EXPAND KIT (SHEET 5)
H9544-JF	60" SHIELDED EXPAND KIT (SHEET 6)

- NOTES:
1. THE HARDWARE USED FOR MOUNTING ITEM NO. 4 (LOCKING BRACKET), IS SUPPLIED WITH OTHER OPTIONS AND IS SHOWN FOR REFERENCE ONLY.
 2. ITEMS 1 THROUGH 5 ARE FOR REFERENCE ONLY.
 3. FOR TORQUE REQUIREMENTS REFER TO ASP-744-5328-O-0.
 4. WHEN ASSEMBLING GROUND STRAP TO UPRIGHT USING SCREW (ITEM 11) LOCK WASHER (ITEM 12) AND WASHER (ITEM 23) USE CLOSEST AVAILABLE HOLE.
 5. PROCEDURE FOR SHIELDED EXPANSION:
 - A. TWO CABLE FEED BRACKETS (ITEM #21) ARE SUPPLIED FOR MAXIMUM CABLE FEED THROUGH UTILIZATION. USE ONLY BRACKET/BRACKETS NEEDED FOR OPTIMUM CABLE FEED THROUGH.
 - B. SELECT KNOCKOUT PANEL/PANELS REQUIRED FOR INTERCONNECT CABLING.
 - C. KNOCKOUT PANEL/PANELS NEEDED.
 - D. INSTALL CABLE FEED BRACKET / BRACKETS (ITEM #21) ON ONE INSERT PANEL.
 - E. HANG ROLL FORM ASSEMBLY (ITEM #20) ON ONE CABINET.
 - F. ENGAGE SECOND CABINET ONTO ROLLFORM ASSEMBLY.
 - G. SLIDE ROLLFORM ASSEMBLY DOWN TO JOIN THE TWO CABINETS TOGETHER.
 - H. ADD SECOND SET OF SCREWS (ITEM #22) THROUGH INSIDE OF SECOND CABINET.
 - I. ATTACH FRONT AND REAR LOCKING BRACKETS (ITEM 4 & ITEM 5).



FRONT OF CAB
TOP VIEW OF INTERMEDIATE END PANEL MOUNTED BETWEEN TWO CABINETS. SHOWN FOR REF. ONLY. THIS IS COMMON FOR JA, JC + JD VARIATION ONLY

1.75 REF



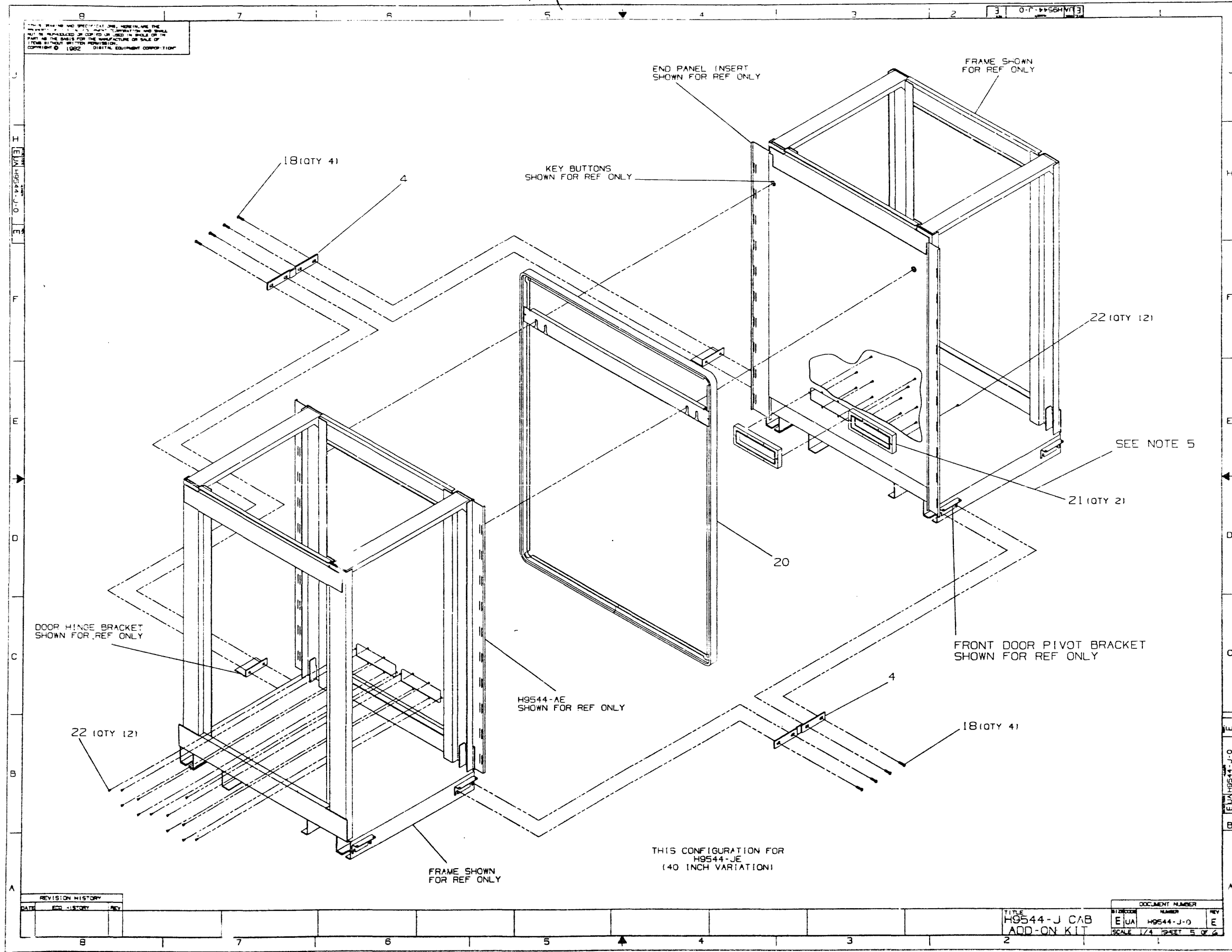
THIS CONFIGURATION FOR H9544-JA (40 INCH VARIATION)

NO.	DESCRIPTION	QTY	UNIT
1	40 INCH ROLL FORM	1	EA
2	60 INCH ROLL FORM	1	EA
3	48" / 60" CONVERSION	1	EA
4	40" ROLL FORM	1	EA
5	40" SHIELDED EXPAND KIT	1	EA
6	60" SHIELDED EXPAND KIT	1	EA

OFF SHEET PARTS LIST REFER TO K-PL-H9544-J-DBP

ITEM NO.	DESCRIPTION	QTY	UNIT
1	40 INCH ROLL FORM	1	EA
2	60 INCH ROLL FORM	1	EA
3	48" / 60" CONVERSION	1	EA
4	40" ROLL FORM	1	EA
5	40" SHIELDED EXPAND KIT	1	EA
6	60" SHIELDED EXPAND KIT	1	EA

DATE: 11/10/77
DRAWN BY: J. J. BROWN
CHECKED BY: J. J. BROWN
SCALE: AS SHOWN
SHEET 1 OF 2



THIS DRAWING AND SPECIFICATIONS HEREIN ARE THE PROPERTY OF THE UNITED STATES GOVERNMENT AND SHALL NOT BE REPRODUCED OR COPIED OR USED IN WHOLE OR IN PART AS THE BASIS FOR THE MANUFACTURE OF BULK OF ITEMS WITHOUT THE WRITTEN PERMISSION OF THE UNITED STATES GOVERNMENT. COPYRIGHT © 1982 DIGITAL EQUIPMENT CORPORATION

REVISION HISTORY		
DATE	BY	REVISION

DOCUMENT NUMBER	
SYMBOL	NUMBER
EUA	H9544-J-0
SCALE 1/4" = 1" SET 5 OF 2	

TITLE
H9544-J CAB
ADD-ON KIT

LINE	ITEM	DOCUMENT NUMBER	PART NUMBER	DESCRIPTION	QUANTITY PER VARIATION					
					JA	JC	JD	JH	JE	JF
1	1	E-IA-7016539-0-0	7016539-00	ROLL FORM ASSY. 40 INCH	1	-	-	-	-	-
2	2	D-IA-7016700-0-0	7016700-00	ROLL FORM ASSY 60 INCH	-	1	-	-	-	-
3	3	C-MD-7422221-0-0	7422221-00	BRKT,DOOR HINGE/END PANEL LOCK	2	2	2	-	-	-
4	4	C-MD-7422224-0-0	7422224-00	BRACKET,CABINET FRONT LOCKING	1	1	1	1	2	2
5	5	C-MD-7422225-0-0	7422225-00	BRACKET,CABINET REAR LOCKING	1	1	1	-	-	-
6	6	C-MD-7414318-0-0	7414318-00	*** THIS ITEM IS NOT USED ***	-	-	-	-	-	-
7	7		9006243-09	*** THIS ITEM IS NOT USED ***	-	-	-	-	-	-
8	8		9006676-00	*** THIS ITEM IS NOT USED ***	-	-	-	-	-	-
9	9		9007797-00	*** THIS ITEM IS NOT USED ***	-	-	-	-	-	-
10	10		2200023-00	*** THIS ITEM IS NOT USED ***	-	-	-	-	-	-
11	11		9006074-01	*** THIS ITEM IS NOT USED ***	-	-	-	-	-	-
12	12		9007651-00	*** THIS ITEM IS NOT USED ***	-	-	-	-	-	-
13	13	E-AD-7017092-0-0	7017092-00	END PANEL ASSY	-	-	1	-	-	-
14	14		9010156-00	SCREW,SEMS HEX 10-	-	-	1	-	-	-
15	15		9007786-00	RETAINER,U-NUT 10-32X	-	-	1	-	-	-
16	16	D-IA-7019084-0-0	7019084-01	ROLL FORM ASSEMBLY (40 INCH)	-	-	-	1	-	-
17	17	D-IA-7019076-0-0	7019076-01	BRKT, DOOR HINGE/END PANEL LOCK	-	-	-	2	-	-
18	18		9009988-14	SCREW,SEMS HEX SLOT 1/4-	8	8	8	8	8	8
19	19	C-MD-7426557-0-0	7426557-01	BRACKET,CABINET REAR LOCKING	-	-	-	1	-	-
20	20	D-IA-7019994-0-DBU	7019994-00	ROLL FORM ASSY.	-	-	-	-	1	1
21	21	D-MD-7427810-0-DBU	7427810-01	PANEL,CABLE FEED	-	-	-	-	2	2
22	22		9009545-00	SCREW,SEMS PAN PHIL 8-	-	-	-	-	24	24
23	23		9006664-00	WASHER,FLAT SST	-	-	1	-	-	-
24	24		7020748-01	ROLL FORM ASSY, 60 IN.	-	-	-	-	-	1

25 NOTE: 1. 90 CLASS ITEMS SHOWN ABOVE ARE REQUIRED FOR ASSEMBLY,BUT ARE NOT

REVISION HISTORY		BASIC PART NO: H9544		DRN: F. KEYES	DATE: 04-APR-79	D I G I T A L				
ENG	ECO NUMBER	REV	SECTION A OF A	CHK'D: S. ROBERTS	DATE: 04-APR-79	TITLE		PARTS LIST		
	INITIAL	*	SECTION VARIATION INDEX	DES.ENG.: W. F. MC CARTHY	DATE: 04-APR-79	H9544-J CABINET ADD-ON KIT				
DS	H9544-J-ML001	A	[A] JA,JC,JD,JH,JE,JF	RESP.ENG.: P. DUBE	DATE: 04-APR-79	DOCUMENT NUMBER				
W.R	H9544-J-ML003	B	[B]	MFG.ENG.: R. CARRIER	DATE: 04-APR-79	SIZE	CODE	NUMBER	REV	
DB	H9642-B-ML008	C	[C]	ASSEMBLY NUMBER:	TOP DOCUMENT NUMBER:	K	PL	H9544-J-DBP	E	
DB	H9544-J-ML005	D	[D]	E-UA-H9544-J-0	#8-DD-H9544-J	FILE NAME:		EDIT #		
RC	H9544-J-LTN06	E	[E]			Z0242E.PLS		4		
			[F]							

"THIS DRAWING AND SPECIFICATIONS HEREIN, ARE THE PROPERTY OF DIGITAL EQUIPMENT CORPORATION AND SHALL NOT BE REPRODUCED OR COPIED OR USED IN WHOLE OR IN PART AS THE BASIS FOR THE MANUFACTURE OR SALE OF ITEMS WITHOUT WRITTEN PERMISSION. COPYRIGHT (C) 1983. DIGITAL EQUIPMENT CORPORATION "

AUTOMATED BY PRTLST.3K(26)

PARTS LIST

SHEET A2 OF A2

LINE ITEM DOCUMENT NUMBER

PART NUMBER

DESCRIPTION

QUANTITY PER VARIATION
JA JC JD JH JE JF

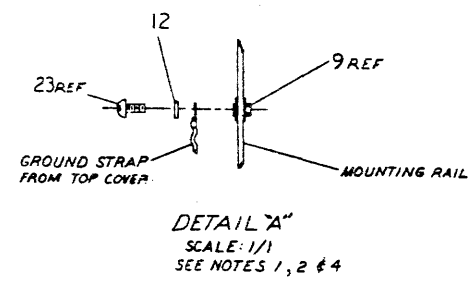
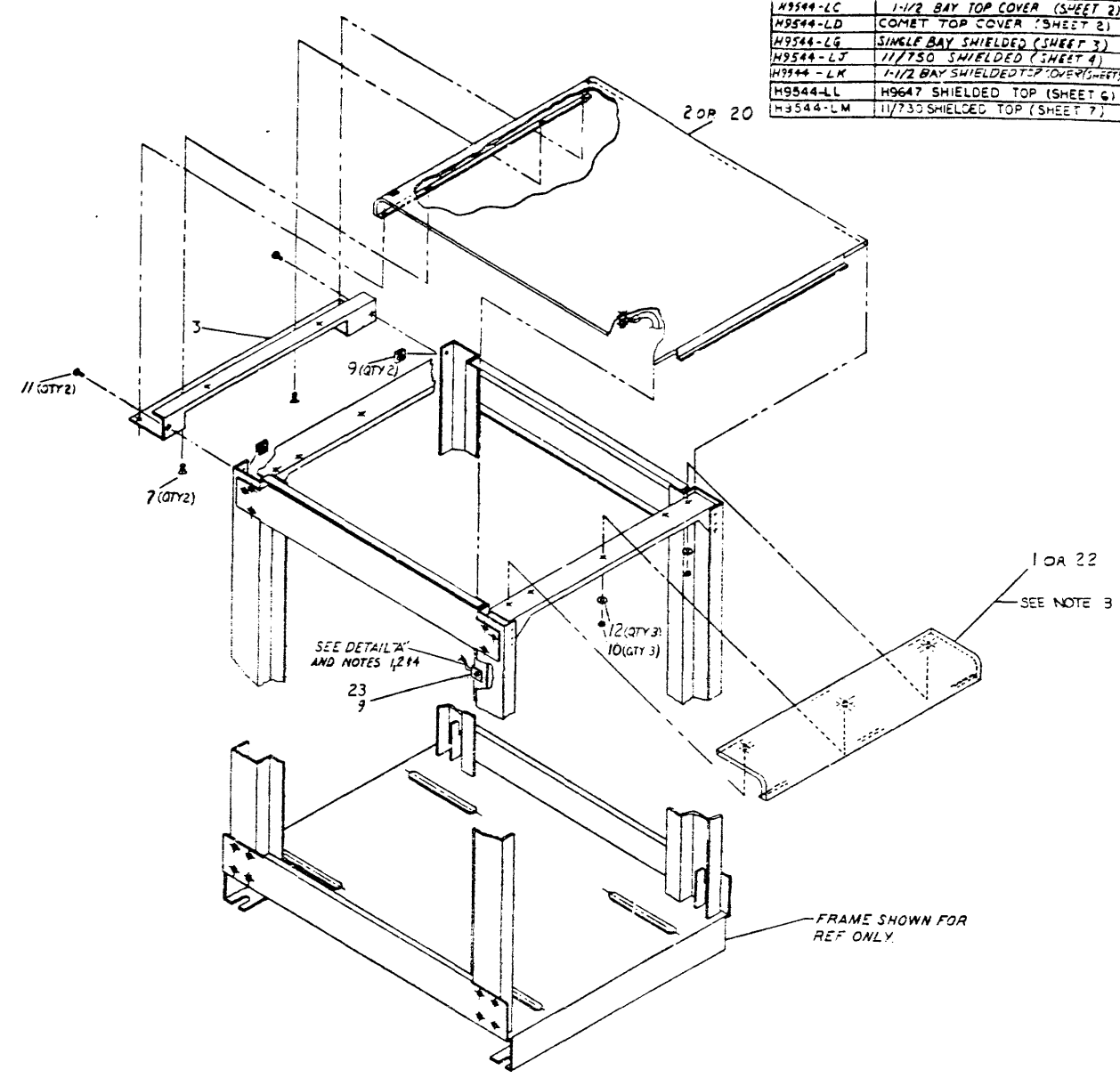
26 NOTE: SHIPPED AS PART OF ASSEMBLY KIT.

D	I	G	I	T	A	L	TITLE	H9544-J CABINET ADD-ON KIT	SECTION A OF A	SIZE	CODE	DOCUMENT NUMBER	REV
Y&HK	HH	63								K	PL	H9544-J-DBP	E

PROPERTY OF DIGITAL EQUIPMENT CORPORATION AND NOT TO BE REPRODUCED OR TRANSMITTED IN ANY FORM OR BY ANY MEANS, ELECTRONIC OR MECHANICAL, INCLUDING PHOTOCOPYING, RECORDING, OR BY ANY INFORMATION STORAGE AND RETRIEVAL SYSTEM.

LEGEND	
NUMBER	VARIATION
H9544-LA	4D SINGLE BAY TOP COVER (SHEET 1)
H9544-LB	6D SINGLE BAY TOP COVER (SHEET 1)
H9544-LC	1-1/2 BAY TOP COVER (SHEET 2)
H9544-LD	COMET TOP COVER (SHEET 2)
H9544-LG	SINGLE BAY SHIELDED (SHEET 3)
H9544-LJ	11/750 SHIELDED (SHEET 4)
H9544-LK	1-1/2 BAY SHIELDED TOP COVERS (SHEET 5)
H9544-LL	H9647 SHIELDED TOP (SHEET 6)
H9544-LM	11/733 SHIELDED TOP (SHEET 7)

- NOTES:
- ATTACH SAFETY GROUND STRAP TO THE CABINET FRAME MOUNTING RAIL IN NEAREST AVAILABLE MOUNTING RAIL HOLE PER DETAIL "A".
 - 27 INCH POUNDS OF TORQUE TO BE USED WHEN FASTENING ITEM #11 (SCREW) TO MOUNTING RAIL, FOR OTHER TORQUE REQUIREMENTS REFER TO A-SP-7265323-0-0.
 - 10 INCH POUNDS OF TORQUE TO BE USED WHEN FASTENING ITEM #10 (NUT) TO ITEM #14 OR 14 FRONT COVER, TO PREVENT DIMPLING OF THE COVER.
 - ITEM #7, #8, #9 AND #12 ARE PART OF H9544-L HARDWARE KIT. ITEM #14 IS SHOWN FOR REFERENCE ONLY.
 - GROUND STRAP NOT USED ON H9544-L, H9544-LJ AND H9544-LM VARIATIONS.



THIS CONFIGURATION FOR H9544-LA AND -LB

REV	DESCRIPTION	DATE	BY	CHKD
1	ISSUED FOR PRODUCTION	11/18/77	M. BELT	
2	REVISED TO ADD H9544-LM	11/18/77	M. BELT	
3	REVISED TO ADD H9544-LJ	11/18/77	M. BELT	
4	REVISED TO ADD H9544-LK	11/18/77	M. BELT	
5	REVISED TO ADD H9544-LG	11/18/77	M. BELT	
6	REVISED TO ADD H9544-LD	11/18/77	M. BELT	
7	REVISED TO ADD H9544-LC	11/18/77	M. BELT	
8	REVISED TO ADD H9544-LB	11/18/77	M. BELT	
9	REVISED TO ADD H9544-LA	11/18/77	M. BELT	
10	REVISED TO ADD H9544-L	11/18/77	M. BELT	
11	REVISED TO ADD H9544-L	11/18/77	M. BELT	
12	REVISED TO ADD H9544-L	11/18/77	M. BELT	
13	REVISED TO ADD H9544-L	11/18/77	M. BELT	
14	REVISED TO ADD H9544-L	11/18/77	M. BELT	
15	REVISED TO ADD H9544-L	11/18/77	M. BELT	
16	REVISED TO ADD H9544-L	11/18/77	M. BELT	
17	REVISED TO ADD H9544-L	11/18/77	M. BELT	
18	REVISED TO ADD H9544-L	11/18/77	M. BELT	
19	REVISED TO ADD H9544-L	11/18/77	M. BELT	
20	REVISED TO ADD H9544-L	11/18/77	M. BELT	

OFF SHEET PARTS LIST REFER TO K-PL-H9544-L-288

DESCRIPTION	QTY	UNIT	ITEM NO.
11	2	SCREW	
7	2	NUT	
9	2	WASHER	
12	3	NUT	
10	3	NUT	
23	3	NUT	

THIS DRAWING IS THE PROPERTY OF DIGITAL EQUIPMENT CORPORATION AND NOT TO BE REPRODUCED OR TRANSMITTED IN ANY FORM OR BY ANY MEANS, ELECTRONIC OR MECHANICAL, INCLUDING PHOTOCOPYING, RECORDING, OR BY ANY INFORMATION STORAGE AND RETRIEVAL SYSTEM.

DATE: 11/18/77

BY: M. BELT

CHKD: [Signature]

PROJ: 11/18/77

PROD: 11/18/77

DO NOT SCALE DIMS

MATERIAL: 3-20-H9544-L

SCALE: 1/4

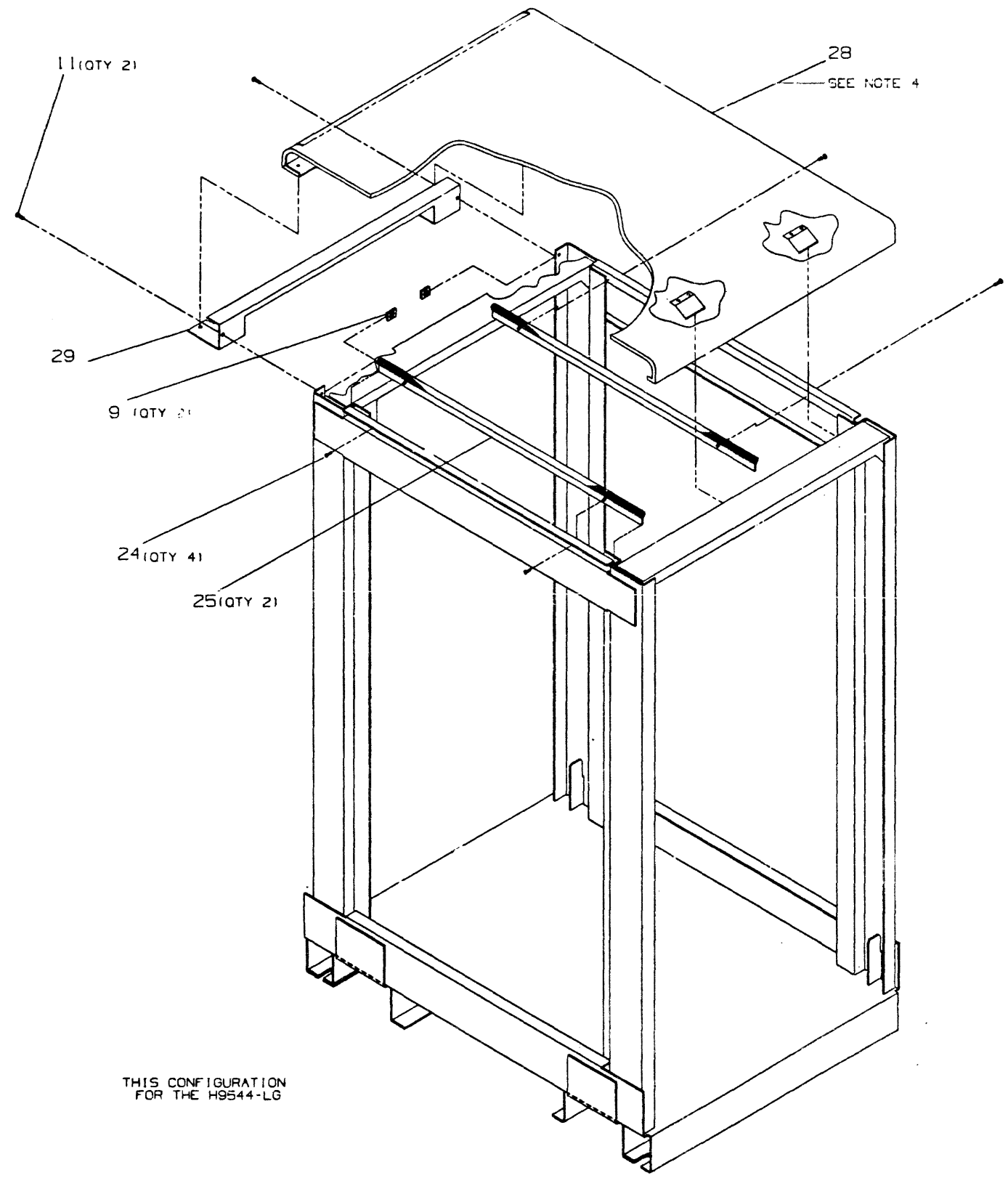
SIZE: 3-20-H9544-L

NUMBER: E UA H9544-L-0

REV: F

THIS DRAWING AND SPECIFICATIONS, HEREIN, ARE THE PROPERTY OF DIGITAL EQUIPMENT CORPORATION AND SHALL NOT BE REPRODUCED OR COPIED OR USED IN WHOLE OR IN PART AS THE BASIS FOR THE MANUFACTURE OR SALE OF ITEMS WITHOUT WRITTEN PERMISSION. COPYRIGHT © 1982 DIGITAL EQUIPMENT CORPORATION

J
I
EUAH9544-L-0
E
F
E
D
C
B
A



THIS CONFIGURATION FOR THE H9544-LG

REVISION HISTORY		
DATE	ECO HISTORY	REV

TITLE H9544-L TOP COVER
 DOCUMENT NUMBER EUAH9544-L-0 F
 SCALE 1/1 SHEET 3 OF 7

J
I
EUAH9544-L-0
E
F
E
D
C
B
A

LINE	ITEM	TOP DOCUMENT	PART NUMBER	MIN REV	DESCRIPTION	QTY PER VARIATION									
						LA	LC	LB	LD	LG	LJ	LK	LL	LM	
1	1	D-MD-7422242-0-0	7422242-00		COVER, TOP FRONT (SINGLE BAY)	1	-	-	-	-	-	-	-	-	-
2	2	E-AD-7016545-0-0	7016545-00		COVER ASSY TOPREAR(SINGLEBAY)	1	-	-	-	-	-	-	-	-	-
3	3	D-MD-7422244-0-0	7422244-00		BRACKET, REAR VENT SUPPORT (SINGL	1	-	1	-	-	-	-	-	-	-
4	4	D-IA-7422281-0-0	7422281-00		COVER, TOP FRONT(1 1/2 BAY)	-	1	-	-	-	-	-	-	-	-
5	5	E-AD-7016671-0-0	7016671-00		COVER ASSY TOP REAR (1/2 BAY)	-	1	-	1	-	-	-	-	-	-
6	6	E-MD-7422271-0-0	7422271-00		BRKT, REAR VENT SUPPORT (1-1/2 BA	-	1	-	1	-	-	-	-	-	-
7	7		9006070-02		SCREW, MACH FLAT PHIL 10-	2	-	2	-	-	-	-	-	-	-
8	8		9007651-00		*** THIS ITEM IS NOT USED ***	-	-	-	-	-	-	-	-	-	-
9	9		9007786-00		RETAINER, U-NUT 10-32X	3	3	3	3	2	2	2	2	2	2
10	10		9008965-00		NUT, HEX SLF LCKNG NYL INS 10-32	3	3	3	3	-	-	-	-	-	-
11	11		9009700-00		SCREW, SEMS TRUSS PHIL 10-	2	2	2	2	2	2	2	2	2	2
12	12		9006664-00		WASHER, FLAT SST	4	4	4	4	-	-	-	-	-	-
13	13		9007906-00		*** THIS ITEM IS NOT USED ***	-	-	-	-	-	-	-	-	-	-
14	14	D-IA-7422257-0-0	7422257-00		COVER, TOP FRONT (1-1/2 BAY)	-	-	-	1	-	-	-	-	-	-
15	15		2200028-00		*** THIS ITEM IS NOT USED ***	-	-	-	-	-	-	-	-	-	-
16	16		2200028-01		*** THIS ITEM IS NOT USED ***	-	-	-	-	-	-	-	-	-	-
17	17		9000026-03		FASTENER, 1/4 TURN FLUSH	-	2	-	2	-	-	-	-	-	-
18	18		9010287-00		/REPLACED BY 90-10434-01	-	2	-	2	-	-	-	-	-	-
19	19		9008981-00		WASHER, RETAINER SPLIT STEEL	-	2	-	2	-	-	-	-	-	-
20	20	E-AD-7016545-0-0	7016545-01		COVER ASSY, TOP REAR	-	-	1	-	-	-	-	-	-	-
21	21	D-MD-7422244-0-0	7422244-01		*** THIS ITEM IS NOT USED ***	-	-	-	-	-	-	-	-	-	-
22	22	D-MD-7422242-0-0	7422242-01		COVER, TOP FRONT	-	-	1	-	-	-	-	-	-	-
23	23		9010156-00		SCREW, SEMS HEX 10-	1	1	1	1	-	-	-	-	-	-
24	24		9009985-01		SCREW, SEMS HEX SLOT 8-	-	-	-	-	4	4	4	6	4	4
25	25	A-PS-1220589-0-0	1220589-01		SHIELD, NEOPRENE, RFI 19.75LGX3/8	0	-	-	-	2	2	2	3	2	2
26	26	D-IA-7019768-0-DBU	7427349-01		BRACKET, TOP COVER (1-1/2 BAY)	-	-	-	-	-	1	1	1	-	-
27	27	E-AD-7019768-0-DBU	7019768-00		TOP COVER ASSY	-	-	-	-	-	1	-	-	-	-
28	28	E-IA-7019803-0-DBU	7019803-00		COVER TOP ASSY	-	-	-	-	1	-	-	-	-	-
29	29	D-IA-7427478-0-DBU	7427478-01		BRACKET, TOP REAR	-	-	-	-	1	-	-	-	1	-
30	30	E-AD-7019807-0-DBU	7019807-00		COVER, TOP SHIELD ASSY	-	-	-	-	-	-	1	-	-	-

REVISION HISTORY		BASIC PART NO: H9544		DRN: M. JOSEPH	DATE: 14-MAR-79	D I G I T A L			
ENG!	ECO NUMBER	REV	SECTION A OF A	CHK'D: S. ROBERTS	DATE: 14-MAR-79	TITLE PARTS LIST			
---	INITIAL	*	SECTION, VARIATION INDEX	DES. ENG: W. F. MC CARTHY	DATE: 14-MAR-79	DOCUMENT NUMBER			
DS	H9544-L-ML003	B	[A] LA, LC, LB, LD, LG, LJ, LK, LL, LM	RESP. ENG.: P. DUBE	DATE: 14-MAR-79	SIZE	CODE	NUMBER	REV
DB	H9544-L-ML004	C		MFG. ENG.: J. SOUZA	DATE: 14-MAR-79	K	PL	H9544-L-DBP	F
RB	H9544-L-ML005	D	[B]	ASSEMBLY NUMBER: E-UA-H9544-L-0	TOP DOCUMENT NUMBER:	FILE NAME:		EDIT #	
RC	H9544-L-LTN07	E	[C]			Z0244F.PLS		3	
RC	H9544-L-LTN08	F	[D]			RELEASE DATE: 09-MAY-84			
			[E]						
			[F]						

"THIS DRAWING AND THE SPECIFICATIONS CONTAINED HEREIN ARE CONFIDENTIAL AND PROPRIETARY. THEY ARE THE PROPERTY OF DIGITAL EQUIPMENT CORPORATION AND SHALL NOT BE REPRODUCED OR COPIED OR USED IN WHOLE OR IN PART AS THE BASIS FOR THE MANUFACTURE OR SALE OF ITEMS WITHOUT WRITTEN PERMISSION. THIS IS AN UNPUBLISHED WORK PROTECTED UNDER THE FEDERAL COPYRIGHT LAWS."

LINE	ITEM	TOP DOCUMENT	PART NUMBER	MIN REV	DESCRIPTION	QTY PER VARIATION								
						LA	LC	LB	LD	LG	LJ	LK	LL	LM
31	31	E-AD-7020417-0-DBU	7020417-00		COVER, TOP SHIELD ASSY.	-	-	-	-	-	-	-	1	-
32	32	E-AD-7019619-0-0	7019619-01		TOP COVER ASSY (11730)	-	-	-	-	-	-	-	-	1

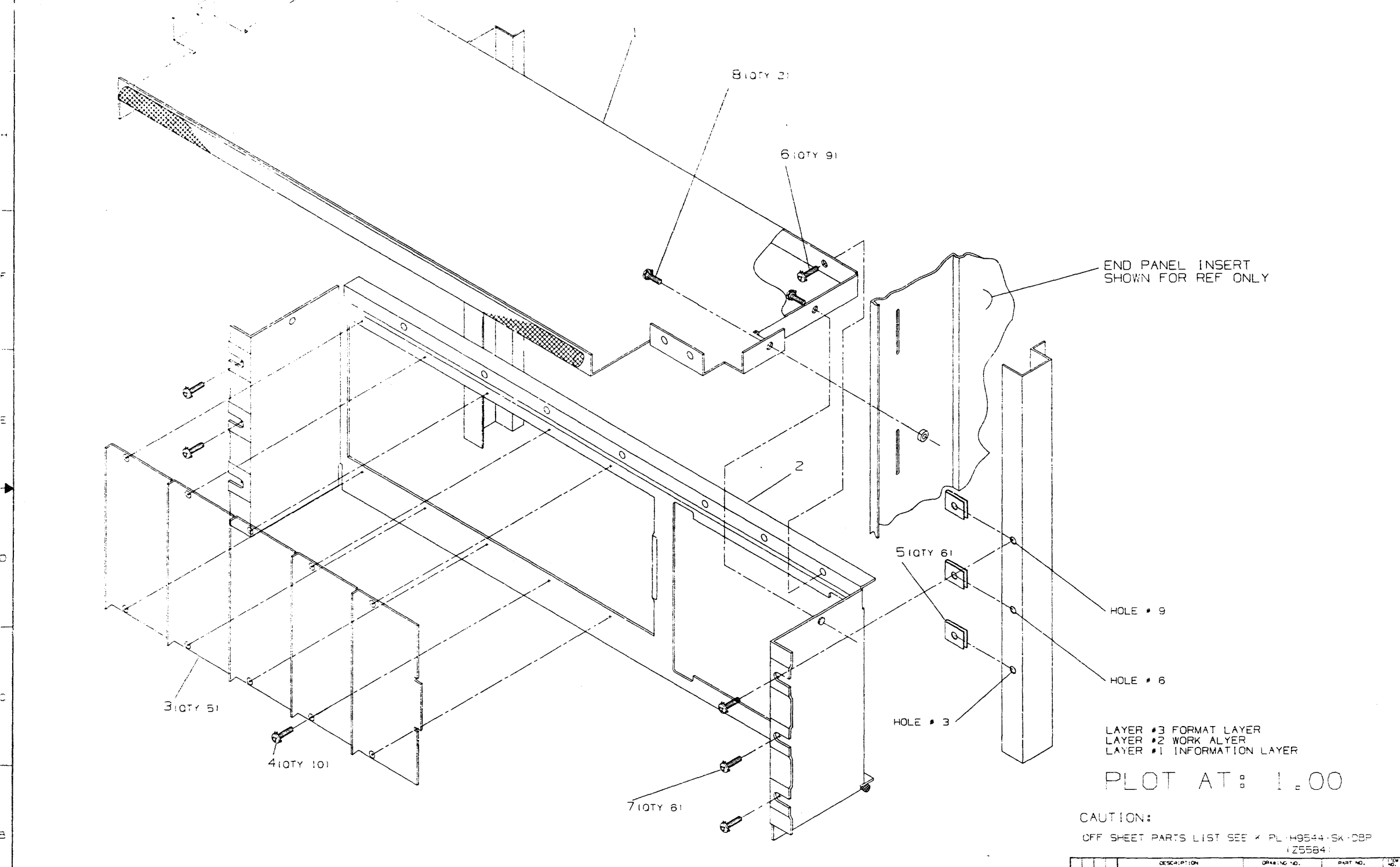
33 NOTE: 90 CLASS ITEMS SHOWN ABOVE ARE REQUIRED FOR ASSEMBLY,
 34 NOTE: BUT ARE NOT SHIPPED AS PART OF THE ASSEMBLY KIT.

D	I	G	I	T	A	L	TITLE	H9544-L TOP COVER	SECTION A	OF A	SIZE	CODE	DOCUMENT NUMBER	REV
											K	PL	H9544-L-DBP	F

THIS DRAWING AND SPECIFICATIONS HEREBY CONSTITUTE THE
 AGREEMENT OF DIGITAL EQUIPMENT CORPORATION, AND NO OTHER
 TERMS OR CONDITIONS SHALL BE APPLICABLE UNLESS THEY APPEAR
 IN WRITING TO THE BUYER FOR THE MANUFACTURE OF THE
 ITEMS SPECIFICALLY SET FORTH THEREIN.

LEGEND		
PART NO.	REV.	VARIATION
H9544 SK	B1	AS SHOWN

NOTES:
 1. FOR TORQUE VALUES SEE
 A SP-1665328 0-0.



CAB REAR

LAYER #3 FORMAT LAYER
 LAYER #2 WORK ALYER
 LAYER #1 INFORMATION LAYER

PLOT AT: 1.00

CAUTION:
 OFF SHEET PARTS LIST SEE K PL H9544-SK-CBP
 1Z5584

DESCRIPTION		DRAWING NO.	PART NO.	REV.
UNLESS OTHERWISE SPECIFIED DIMENSIONS ARE IN INCHES AND THE FOLLOWING TOLERANCES APPLY (REF DEC 510-114)				
DIMENSION RANGE IN INCHES				
INCHES	TOLERANCES			
.01	+ .01			
.01	+ .00			
.01	+ .00			
QUANTITY & TOLERANCE				
1		1.00	1.00	1.00
TITLE		DIGITAL		
M. JOSEPH				
F. MALLIDA		H9544-SK-FRAME		
D. BELLIVEAU		10 POWER		
D. BELLIVEAU		CONT. KIT ASSY		
MATERIAL		SEE PARTS LIST		
FINISH		NONE		

REVISIONS:
 REV. NO. 1
 DATE 10/12/79
 BY M. JOSEPH
 FOR APPROVAL
 DATE 10/12/79
 BY F. MALLIDA

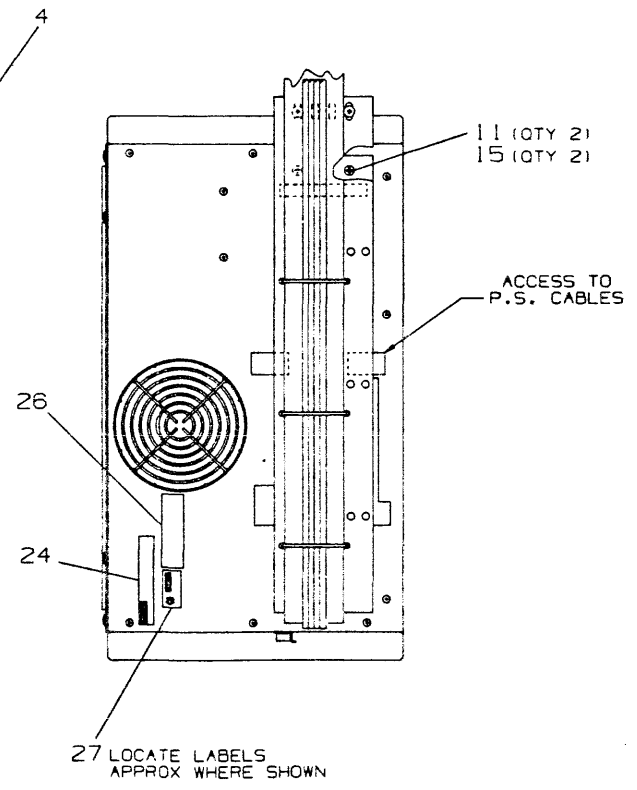
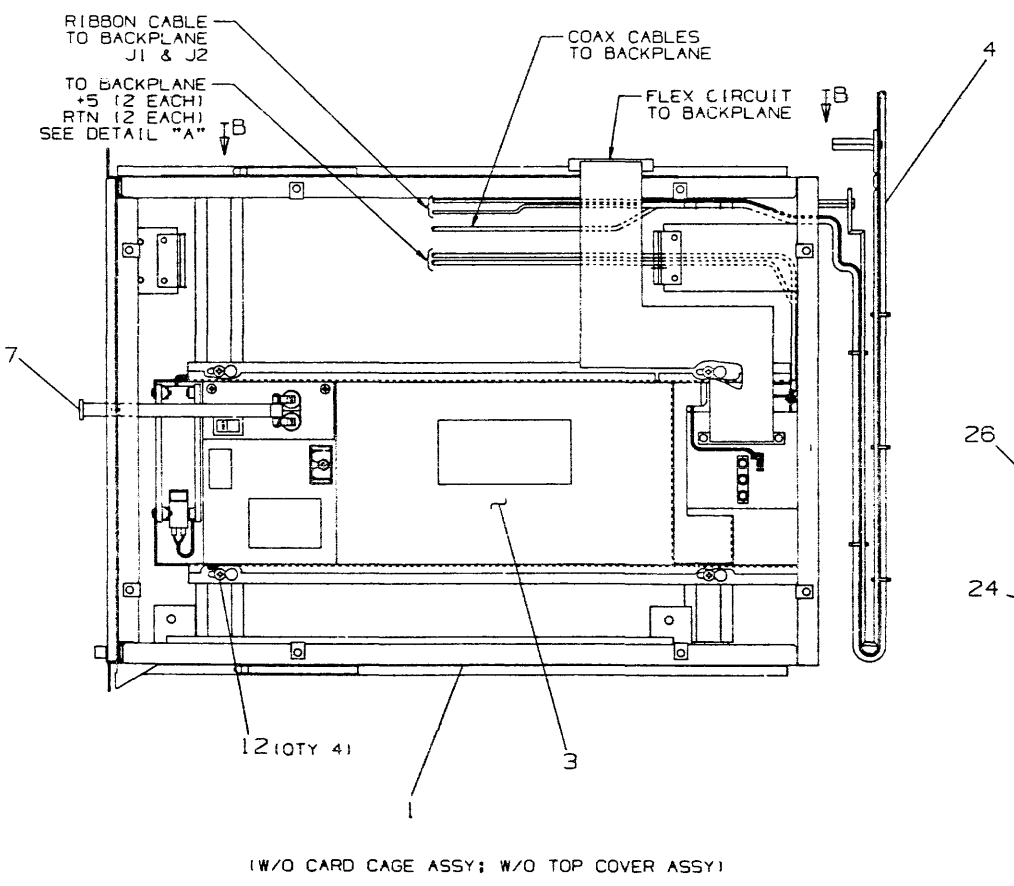
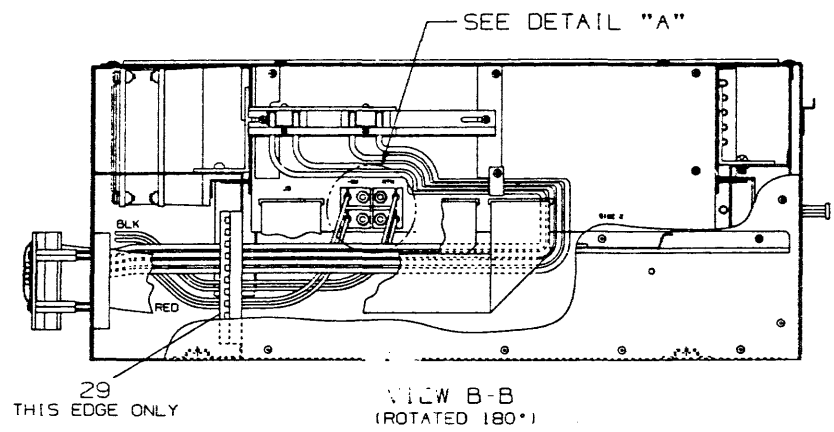
LINE	ITEM	DOCUMENT NUMBER	PART NUMBER	DESCRIPTION	QUANTITY PER VARIATION	SK
1	1	E-AD-7019794-0-DBU	7019794-00	COVER, I/O SHIELD ASSY	1	
2	2	D-AD-7020393-0-DBU	7020393-00	FRAME, I/O POWER ASSY.	1	
3	3	D-MD-7426407-0-DBU	7426407-01	PANEL, SUB, DOUBLE	5	
4	4		9009546-00	SCREW, SEMS PAN PHIL	4-	10
5	5		9007786-00	RETAINER, U-NUT	10-32X	6
6	6		9010155-00	SCREW, SEMS PAN PHIL	6-	9
7	7		9009700-00	SCREW, SEMS TRUSS PHIL	10-	6
8	8		9010253-00	SCREW, SEMS PAN PHIL	10-	2

9 NOTE: 90 PARTS ITEMS SHOWN ABOVE ARE REQUIRED FOR ASSEMBLY, BUT ARE NOT SHIPPED AS PART OF THE KIT.

REVISION HISTORY			BASIC PART NO: H9544		DRN: M. JOSEPH		DATE: 10-SEP-82		D I G I T A L			
ENG	ECO NUMBER	REV	SECTION A	OF A	CHK'D:	F. HALLIDAY	DATE:	10-SEP-82	TITLE PARTS LIST			
	INITIAL	A	SECTION VARIATION INDEX		CHK'D:	F. HALLIDAY	DATE:	10-SEP-82	H9544-SK FRAME I/O POWER CONT. KIT ASSY			
RC	H9544-SK-LTN01	B	[A] SK		DES.ENG.:	R. BELLIVEAU	DATE:	10-SEP-82	DOCUMENT NUMBER			
			[B]		RESP.ENG.:	R. BELLIVEAU	DATE:	10-SEP-82	SIZE	CODE	NUMBER	REV
			[C]		MFG.ENG.:	J. SOUZA	DATE:	10-SEP-82	K	PL	H9544-SK-DBP	B
			[D]		ASSEMBLY NUMBER:	E-AR-H9544-SK-DBU	TOP DOCUMENT NUMBER:	E-AR-H9544-SK-DBU	FILE NAME:	Z5584B.PLS	EDIT #:	12
			[E]		"THIS DRAWING AND SPECIFICATIONS HEREIN, ARE THE PROPERTY OF DIGITAL EQUIPMENT CORPORATION AND SHALL NOT BE REPRODUCED OR COPIED OR USED IN WHOLE OR IN PART AS THE BASIS FOR THE MANUFACTURE OR SALE OF ITEMS WITHOUT WRITTEN PERMISSION. COPYRIGHT (C) 1983. DIGITAL EQUIPMENT CORPORATION "							
			[F]		yCHK_HH_13							

LEGEND		
PART NO	REV	VARIATION
7020700-01	B1	AS SHOWN

NOTES:
1. LOCATE APPROXIMATELY WHERE SHOWN.



(W/O CARD CAGE ASSY; W/O TOP COVER ASSY)

LAYER 5: FORMAT LAYER SHEET 2 & 3
LAYER 4: WORK LAYER SHEET 3
LAYER 3: WORK LAYER SHEET 2
LAYER 2: FORMAT LAYER SHEET 1
LAYER 1: WORK LAYER SHEET 1

PLOT AT: .500

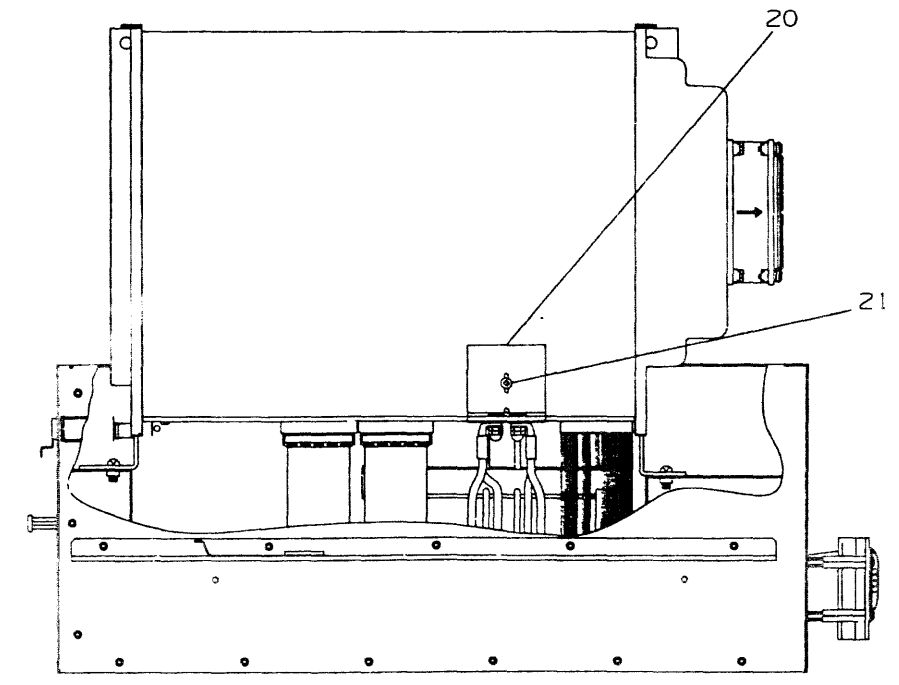
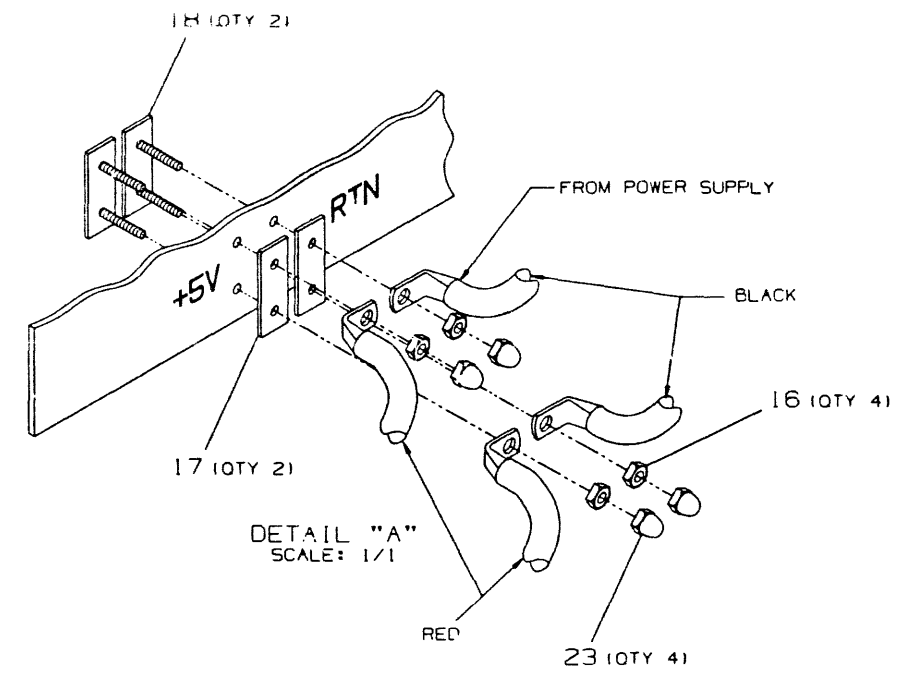
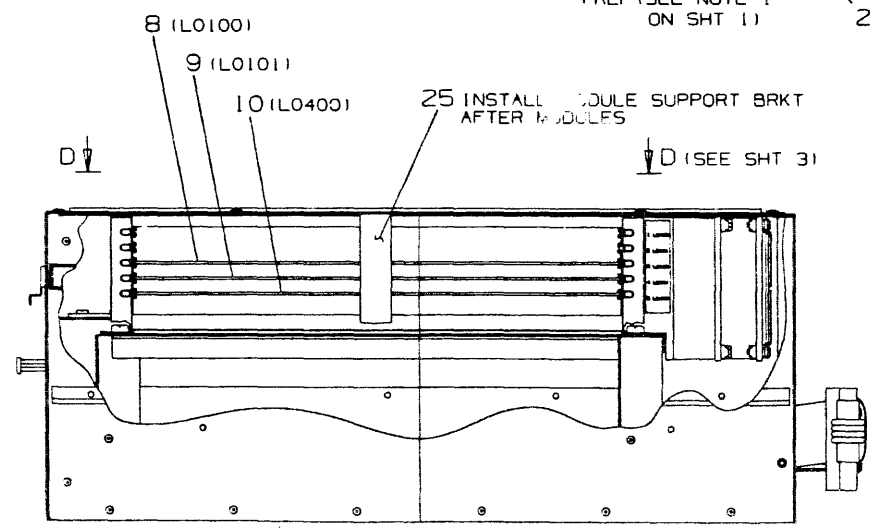
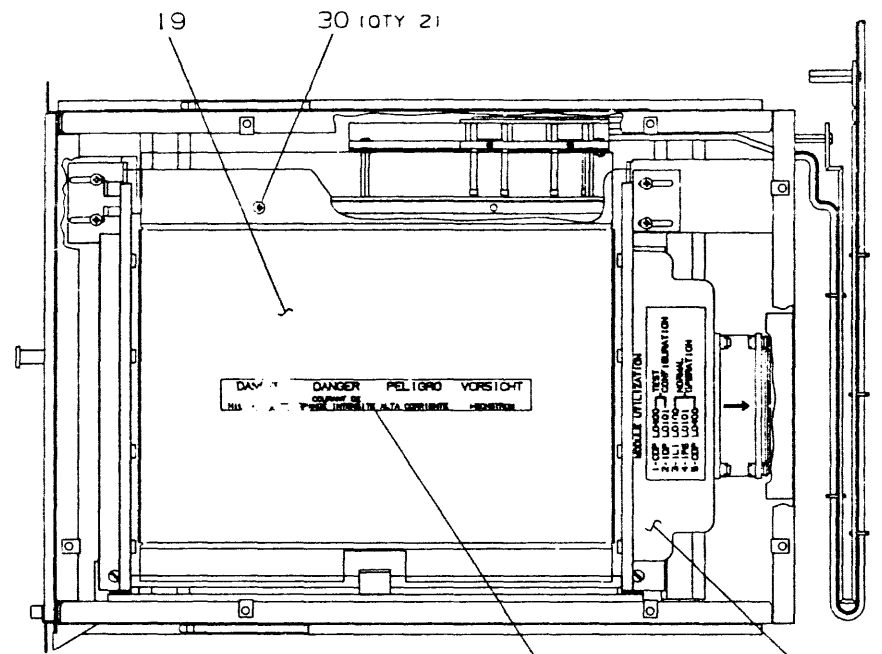
CAUTION: FOR OFF SHEET PARTS LIST
SEE K-PL-7020700-0-DBP (Z6422)

REV	DATE	BY	CHKD
INITIAL			
7020700-01			
DESIGNED			
DATE			

DESCRIPTION	DRAWING NO.	PART NO.	ITER
UNLESS OTHERWISE SPECIFIED DIMENSIONS ARE IN INCHES AND THE FOLLOWING TOLERANCES APPLY (PER DEC STD 114)			
INCHES TOLERANCES	FRACTIONS	DIMENSION RANGE IN INCHES	0.000 - 0.250
			0.250 - 0.500
SURFACE QUALITY	FINISH	DIMENSION RANGE IN INCHES	0.000 - 0.250
			0.250 - 0.500
QUANTITY & VARIATION			
THIRD ANGLE PROJECTION			
DO NOT SCALE DRAWING			
REMOVE BURRS AND BREAK SHARP CORNERS			
MATERIAL SEE PARTS LIST			
E-UA-C1750-0-DBU		TITLE	
E. HANSEN		C1750-C ASSY	
F. HALLIDAY		DOCUMENT NUMBER	
R. MONROE		7020700-0-DBU	
R. MONROE		B	

THIS DRAWING AND SPECIFICATIONS HEREIN ARE THE PROPERTY OF DIGITAL EQUIPMENT CORPORATION AND SHALL NOT BE REPRODUCED OR COPIED OR USED IN WHOLE OR IN PART AS THE BASIS FOR THE MANUFACTURE OR SALE OF ITEMS WITHOUT WRITTEN PERMISSION.
 COPYRIGHT © 1973 DIGITAL EQUIPMENT CORPORATION

E AD 7020700-0-DBU B



PLOT AT: .500

REVISION HISTORY		
DATE	ECO HISTORY	BY

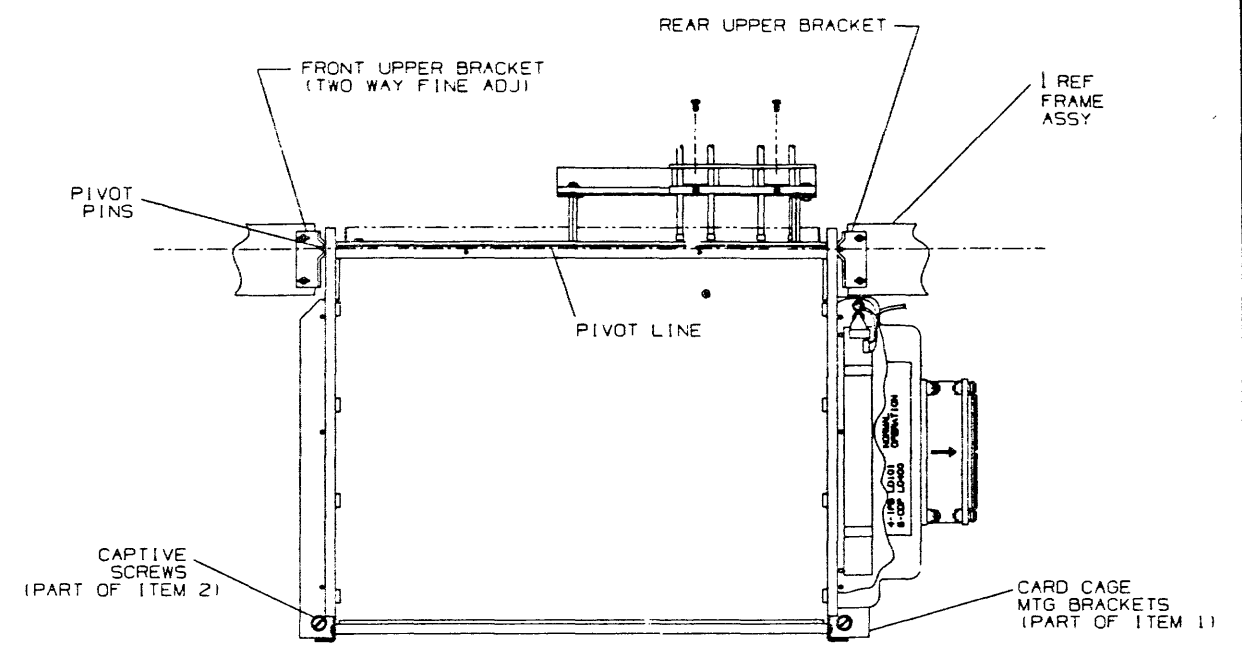
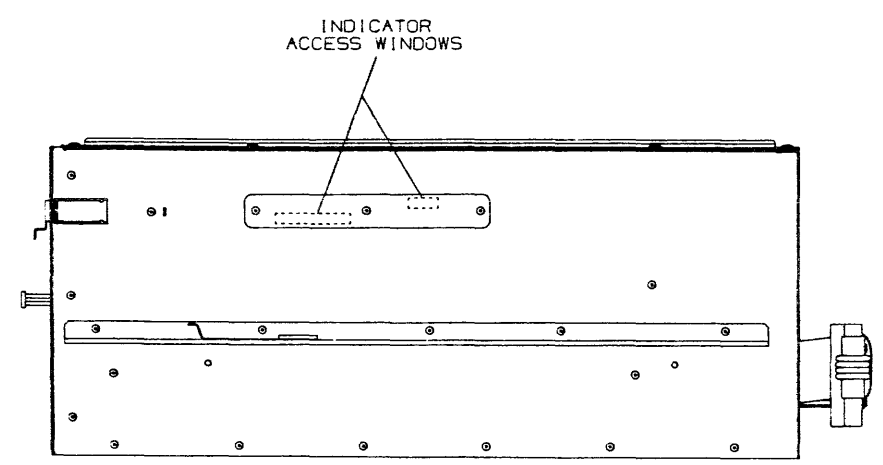
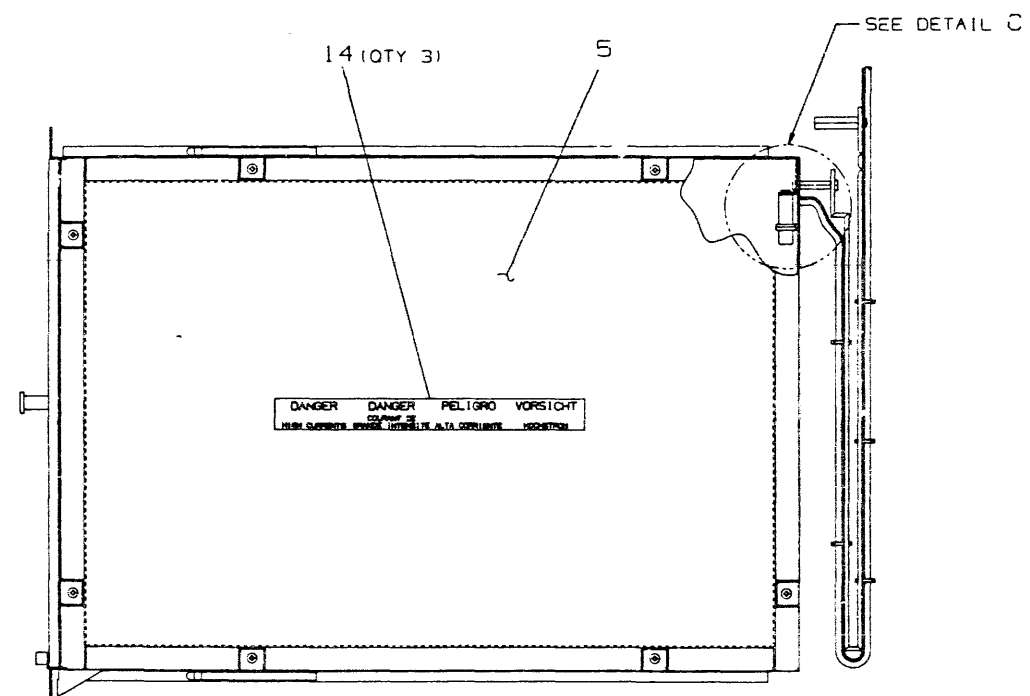
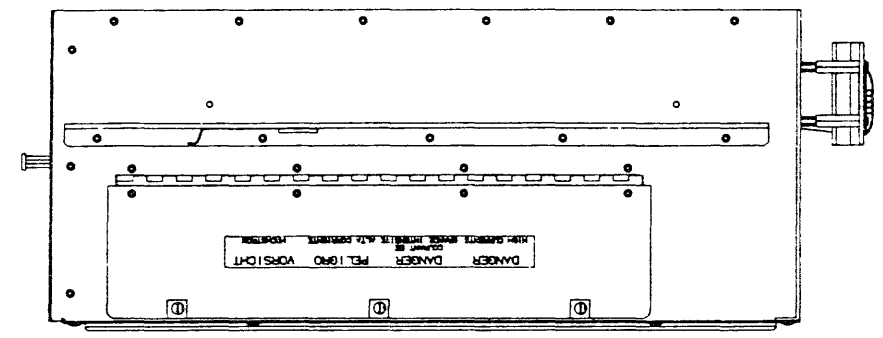
TITLE C1750-C
 ASSY

DOCUMENT NUMBER			
SYMBOL	ALPHABET	REV	REV
E AD	7020700-0-DBU	B	B

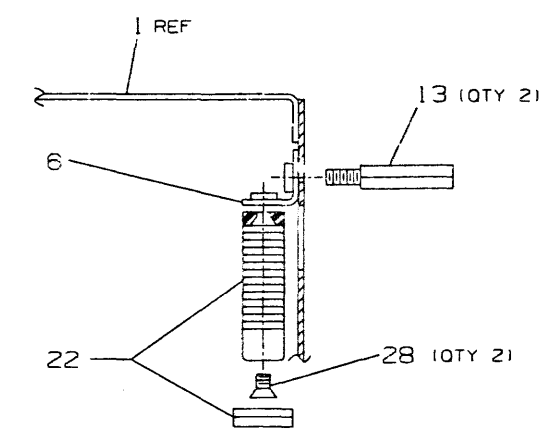
THIS DRAWING AND SPECIFICATIONS, HEREIN, ARE THE PROPERTY OF DIGITAL EQUIPMENT CORPORATION AND SHALL NOT BE REPRODUCED OR COPIED OR USED IN WHOLE OR IN PART AS THE BASIS FOR THE MANUFACTURE OR SALE OF ITEMS WITHOUT WRITTEN PERMISSION.
 COPYRIGHT © 1983 DIGITAL EQUIPMENT CORPORATION

7020700-0-DBU DIV 3

J
I
H
F
E
D
C
B
A



VIEW D-D: CARD CAGE POSITIONING AND ASSEMBLING.
 INITIAL INSTALLATION: POSITION CARD CAGE ASSY AND TIGHTEN 2 CAPTIVE SCREWS. POSITION FRONT UPPER BRACKET UNTO PIVOT PIN AND TIGHTEN IT'S 2 SCREWS. POSITION REAR UPPER BRACKET UNTO PIVOT PIN, MAINTAIN A SLIGHT PRESSURE, AND TIGHTEN IT'S 2 SCREWS.
 DISASSEMBLY/ASSEMBLY: LOOSEN AND SLIDE REAR UPPER BRACKET ONLY.



DETAIL C

PLOT AT: .500

REVISION HISTORY		
DATE	ECO HISTORY	REV

J
H
F
E
D
C
B
A

LINE	ITEM	TOP DOCUMENT	PART NUMBER	MIN REV	DESCRIPTION	QTY	PER VARIATION
					VARIATION REVISION LEVEL:	01	B1
1	1	E-IA-7020406-0-DBU	7020406-01	B	FRAME ASSY	1	
2	2	E-IA-7020408-0-DBU	7020408-01	C	CARD CAGE ASSY.	1	
3	3	E-IA-7020407-0-DBU	7020407-01		POWER SUPPLY ASSY.	1	(F)
4	4	E-IA-7020447-0-DBU	7020447-01		RETRACTOR ASSY.	1	
5	5	E-AD-7020642-0-DBU	7020642-01	B	COVER, TOP ASSY.	1	
6	6	C-IA-7427380-0-DBU	7427380-01		BRACKET, RET	1	
7	7	D-MD-7428678-0-DBU	7428678-01	B	BRACKET,CIRCUIT BREAKER	1	
8	8		L0100-00		ILI (CI LINK INTERFACE),HEX 12	1	
9	9		L0101-00		IPB (CI CONTROL STORE & PACKET B	1	
10	10		L0400-00		CDP (CI750 DATA PATH MODULE),4-L	1	
11	11		9009545-01		SCREW,SEMS PAN PHIL (F) 8-	2	
12	12		9009988-08		SCREW,SEMS HEX SLOT 8-	4	
13	13		9000001-03		STANDOFF,MALE/FEMALE HEX 8-32	2	
14	14	A-PS-3615087-0-0	3615087-02		LABEL,"DANGER-HIGH CURRENT"	3	
AT15	15	SST 2	9006660-00		WASHER,FL		
16	16		9006565-00		NUT,HEX EXT TOOTH LCKWSHR 10-32	4	
17	17	B-MD-7423050-0-DBU	7423050-00		COVER PLATE	2	
18	18	B-IA-7423049-0-DBU	7423049-00		STUD PLATE	2	
19	19	E-MD-7427861-0-DBU	74278 (F)61-01	B	COVER,CARD CAGE	1	
20	20	C-MD-7428979-0-DBU	7428979-01		COVER,LEXAN	1	
21	21		9009643-02		SCREW,SEMS PAN PHIL 4-	1	
22	22		1219059-00		CLIP FLAT WIRE ADH MMNT ACCOM	1	
23	23		9006610-00		NUT,CAP,RELOCK 10-32X .438AF NYL 4		
24	24	A-PS-3617674-0-0	3617674-00		LABEL,SERIAL/POWER W/O UL + CSA	1	
25	25	D-MD-7428427-0-DBU	7428427-01		BRACKET, MODULE SUPPORT	1	
26	26	A-PS-3617880-0-0	3617880-09		LABEL,CLASS "A" SUBASSEMBLY	1	
27	27	A-PS-3613211-0-0	3613211-01		DECAL,CLEAR PREPRINTED CSA 1-1/4	1	
28	28		9006020-02		SCREW,MACH FLAT PHIL 6-	2	
29	29		9009718-04		GROMMET,STRIP STYRENE	1	
30	30		9000049-24		SCREW,SEMS PAN PHIL 6-	2	

REVISION HISTORY			BASIC PART NO: 7020700		DRN: E HANSEN		DATE: 25-JAN-83		D I G I T A L	
ENG	ECO NUMBER	REV	SECTION A OF A							
---	INITIAL	A	SECTION VARIATION INDEX	CHK'D: F HALLIDAY	DATE: 25-JAN-83				TITLE	PARTS LIST
BM	7020700-TW001	B	(A)01						CI750-C ASSY	
			(B)	DES.ENG: B MONDOR	DATE: 25-JAN-83				DOCUMENT NUMBER	
			(C)						SIZE	CODE
			(D)	(F)!RESP.ENG.: B MONDOR	DATE: 25-JAN-83				NUMBER	REV
			(E)	MFG.ENG.: B SMITH	DATE: 25-JAN-83					
			(F)	ASSEMBLY NUMBER:	TOP DOCUMENT NUMBER:				FILE NAME:	EDIT #
				E-AD-7020700-0-DBU	E-AD-7020700-0-DBU				Z6422B.PLS	13

"THIS (F)DRAWING AND THE SPECIFICATIONS CONTAINED HEREIN ARE CONFIDENTIAL AND PROPRIETARY. THEY ARE THE PROPERTY OF DIGITAL EQUIPMENT CORPORATION AND SHALL NOT BE REPRODUCED OR COPIED OR USED IN WHOLE OR IN PART AS THE BASIS FOR THE MANUFACTURE OR SALE OF ITEMS WITHOUT WRITTEN PERMISSION. THIS IS AN UNPUBLISHED WORK PROTECTED UNDER THE FEDERAL COPYRIGHT LAWS."

This drawing and specifications, herein, are the property of Digital Equipment Corporation and shall not be reproduced or copied or used in whole or in part as the basis for the manufacture or sale of items without written permission.

WIRE TABLE

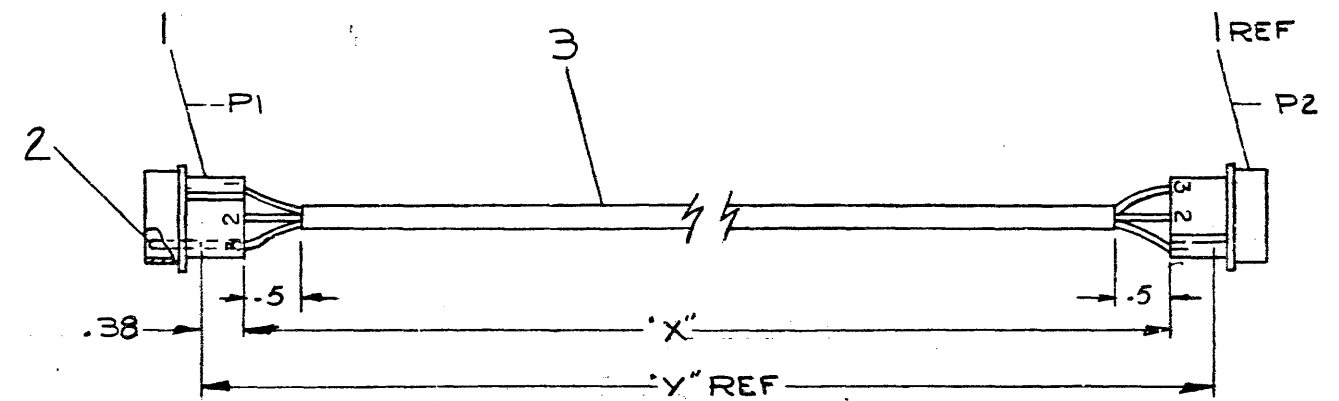
ITEM NO	DESCRIPTION		FROM		TO	
	AWG	COLOR	CONNECTION	WITH	CONNECTION	WITH
3	22	RED	PI-1	2	P2-1	2
3	22	BLK.	PI-2	2	P2-2	2
3	22	GRN	PI-3	2	P2-3	2

LEGEND

NUMBER	DIM X VARIATION	DIM Y (PRECUT) REF
7008288-3P	3FT. 6IN ± 1 IN.	3FT. 6.8 IN ± 1 IN.
7008288-8F	8FT. 6IN ± 2 IN.	8FT. 6.8 IN ± 2 IN.
7008288-06	6FT. ± 2 IN.	6FT. 0.8 IN ± 2 IN.
7008288-12	12FT. ± 3 IN.	12FT. 0.8 IN ± 3 IN.
7008288-05	5FT. ± 1 IN.	5FT. 0.8 IN ± 2 IN.
7008288-10	10FT. ± 2 IN.	10FT. 0.8 IN ± 3 IN.
7008288-15	15FT. ± 3 IN.	15FT. 0.8 IN ± 3 IN.
7008288-08	8FT. ± 2 IN.	8FT. 0.8 IN ± 2 IN.
7008288-30	30FT. ± 7 IN.	30FT. 0.8 IN ± 7 IN.
7008288-40	40FT. ± 10 IN.	40FT. 0.8 IN ± 10 IN.
7008288-25	25FT. ± 10 IN.	25FT. 0.8 IN ± 10 IN.

NOTES:

~~THE REMAINING BLK WIRE IS TO BE CUT BACK AT JACKET (BOTH ENDS.)~~



CHK	CHANGE NO.	REV.
3/8	7008288-0000	A
		10-25-72
		8-5-74
		8-13-74
3/8	7008288-0000	B
		3-27-75
		3-28-75
3/8	7008288-0000	D
		6-10-75
3/8	7008288-0000	E
		3-MAR-76
3/8	7008288-0000	F
		23-MAR-76
3/8	7012401-0000	H
		23 May 77
3/8	7008288-ML007 J	
		5/2/80

FIRST USED ON OPTION/MODEL
PDP/11

UNLESS OTHERWISE SPECIFIED:
DIMENSION IN INCHES
TOLERANCES
FRACTIONS: ± .005
DECIMALS: ± .001
ANGLES: ± 0°30'

FINAL SURFACE QUALITY
REMOVE BURRS AND BREAK SHARP CORNERS

MATERIAL
SEE PARTS LIST

FINISH
#

QTY.	DESCRIPTION	PART NO.	ITEM NO.
	A/R WIRE, 3 COND #22 AWG	9107756	3
	6 PIN MALE #60620-1	1209378-03	2
	2 PIN HOUSING #1-480305-0	1209351-03	1

PARTS LIST

DRN. *Stauden* DATE 3/22/71
CHK'D. *Stauden* DATE 3/31/71
ENG. *R. Blasi* DATE 4-9-71
PROJ. ENG. *R. Blasi* DATE 4-9-71
PROD. *H. Call* DATE 4/12/71

TITLE
digital CORPORATION
MAYNARD, MASSACHUSETTS

CABLE ASSY

SIZE CODE: C I A 7008288-0-0
NUMBER: 7008288-0-0
REV.: J

SCALE: 1 OF 1
SHEET: 1 OF 1

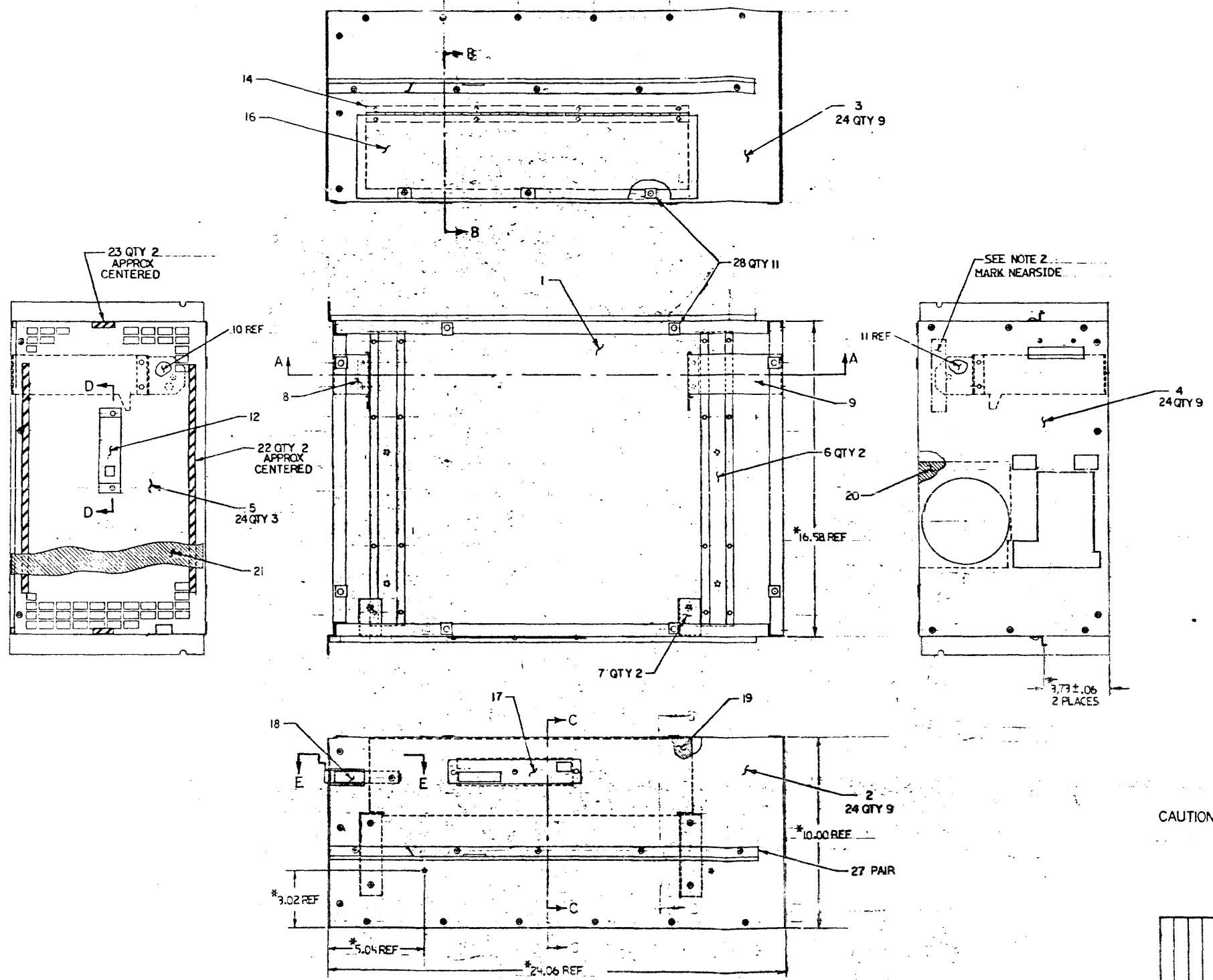
NUMBER 7008288-0-0
 REV. J
 SIZE CODE C I A

8

7 6 5 4 3 2 1

LEGEND		
PART NO.	REV.	VARIATION
7020406-01	B1	AS SHOWN

NOTES:
 1. ASTERISK'S DIMENSIONS FOR ASSEMBLY INSPECTION. (SEE A-11-7020406-0-1)
 2. MARK PER DEC STD 178 AND LOCATE APPROX AS SHOWN.



CAUTION: OFF-SHEET PARTS LIST EXISTS
 SEE K-PL-7020406-0-DBP
 (Z5917 B)

DESCRIPTION	DRAWING NO.	PART NO.	REV.
FRAME ASSEMBLY	7020406-01	7020406-01	B1

INCH TOLERANCES	ANGLES ± FIVE	APPLICABLE DIMENSION RANGE	DIMENSION RANGE IN INCHES					
			OVER .01	OVER .12	OVER .25	OVER .37	OVER .50	OVER .75
± .01		0.00 - 1.00						
± .02		1.00 - 2.00						
± .03		2.00 - 3.00						
± .04		3.00 - 4.00						
± .05		4.00 - 6.00						
± .06		6.00 - 10.00						
± .07		10.00 - 15.00						
± .08		15.00 - 20.00						
± .09		20.00 - 30.00						
± .10		30.00 - 48.00						

THIRD ANGLE PROJECTION	DATE	TITLE
DO NOT SCALE DRAWING	21 DEC 73	FRAME ASSEMBLY
SEE PARTS LIST		

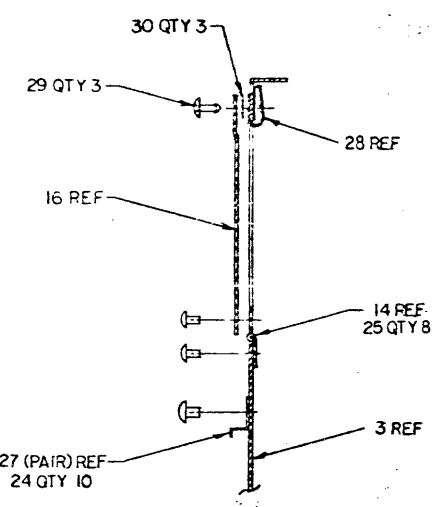
8

7 6 5 4 3 2 1

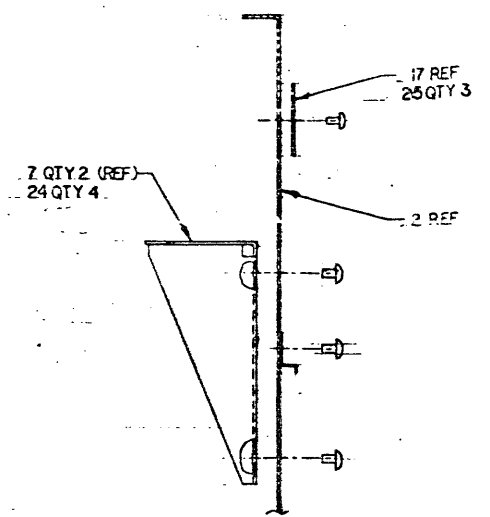
TU 1

8 7 6 5 4 3 2 1

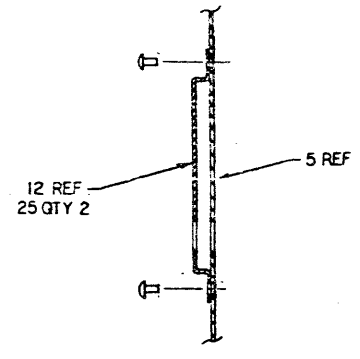
REVISION HISTORY
 DATE BY
 0-0-60 0204 3



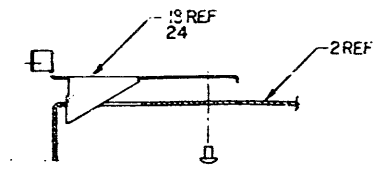
SECTION B-B
 (ROTATED 180°)



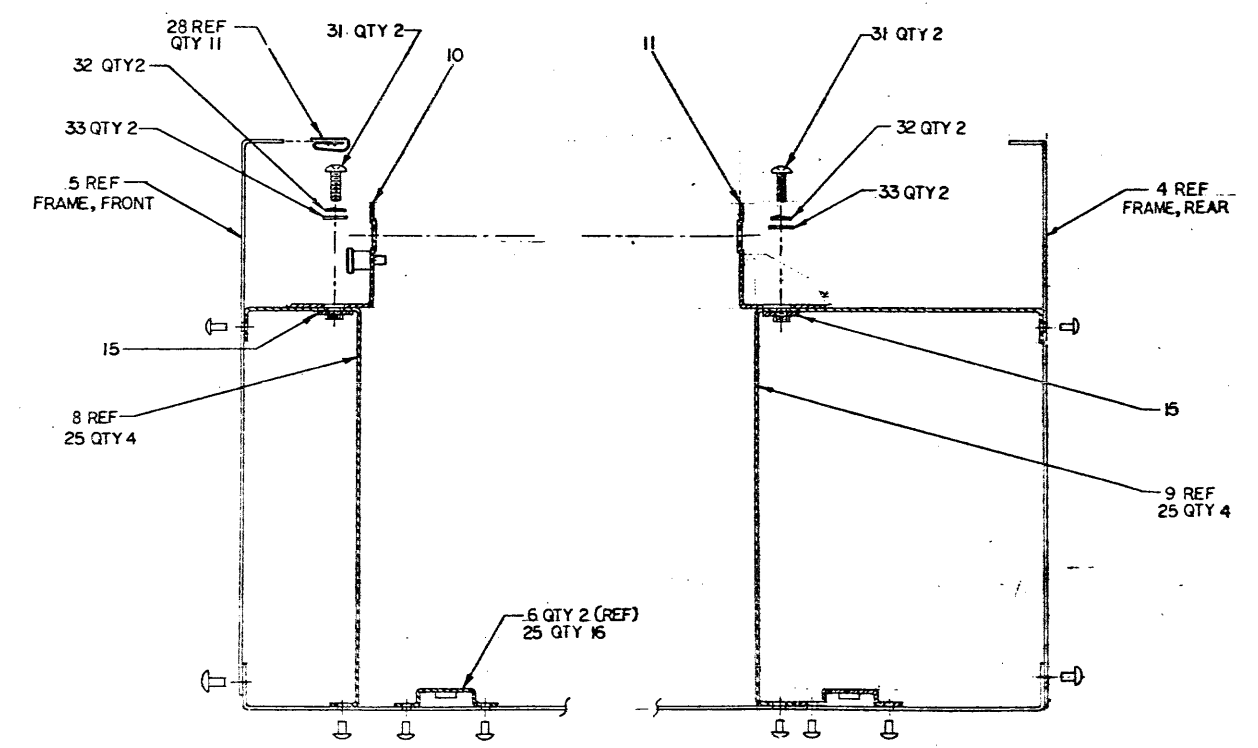
SECTION C-C



SECTION D-D



SECTION E-E



SECTION A-A

REV	DESCRIPTION

LINE	ITEM	TOP DOCUMENT	PART NUMBER	MIN REV	DESCRIPTION	QTY PER VARIATION
					VARIATION REVISION LEVEL:	B1
1	1	E-MD-7430175-0-0	7430175-01		FRAME,BOTTOM	1
2	2	E-IA-7430176-0-0	7430176-01		FRAME,RIGHT SIDE	1
3	3	E-IA-7430177-0-0	7430177-01		FRAME,LEFT SIDE	1
4	4	E-IA-7430179-0-0	7430179-01		FRAME,REAR	1
5	5	E-MD-7430178-0-0	7430178-01		FRAME,FRONT	1
6	6	D-IA-7427863-0-DBU	7427863-01	C	STRUT,BOTTOM	2
7	7	D-IA-7430180-0-0	7430180-01		BRACKET,C/C MOUNT	2
8	8	D-MD-7430181-0-0	7430181-01		BRACKET,LOWER,FRONT	1
9	9	D-MD-7430181-0-0	7430181-02		BRACKET,LOWER,REAR	1
10	10	C-IA-7430310-0-0	7430310-01		BRACKET,UPPER,FRONT	1
11	11	C-MD-7430311-0-0	7430311-01		BRACKET,UPPER,REAR	1
12	12	C-IA-7428677-0-DBU	7428677-01	C	BRACKET,CIRCUIT	1
13	13	BLANK			*** THIS ITEM IS NOT USED ***	-
14	14	D-MD-7427865-0-DBU	7427865-01	B	HINGE,DOOR	1
15	15	C-IA-7430183-0-0	7430183-01		PLATE,NUT	2
16	16	D-MD-7430185-0-DBU	7430185-01		DOOR,SIDE	1
17	17	C-MD-7430184-0-0	7430184-01		WINDOW,PLASTIC	1
18	18	D-MD-7421616-0-0	7421616-02		SPRING,BOX LOCK	1
19	19	D-MD-7427862-0-DBU	7427862-01	B	FOAM,CARD CAGE	1
20	20	D-MD-7427867-0-DBU	7427867-01	B	FOAM,PAN	1
21	21	D-MD-7427866-0-DBU	7427866-01		FILTER,FOAM	1
22	22	C-MD-7423073-0-DBU	7423073-00		VELCRO STRIP, UPPER	2
23	23	C-MD-7423073-0-DBU	7423073-03		STRIP,VELCRO	2
24	24		9000030-01		RIVET,BLIND DOME 0.156DX0.300	45
25	25		9000030-10		RIVET,BLIND DOME 0.125DX0.275	37
26	26	BLANK			*** THIS ITEM IS NOT USED ***	-
27	27		1213686-01		MOUNTING RAIL FOR 12-13686-00	1
28	28		9010434-01		RECEPTACLE,CLIP-ON STEEL	11
29	29		9000026-02		FASTENER,1/4 TURN OVAL	3
30	30		9010308-00		RETAINER,PUSH-ON SS/PAS	3

REVISION HISTORY			BASIC PART NO: 7020406						
ENG	ECO NUMBER	REV	SECTION A OF A	DRN:	A PINKARD	DATE:	10-SEP-84	D I G I T A L	
---	INITIAL	B	SECTION VARIATION INDEX [A]01	CHK'D:	F HALLIDAY	DATE:	10-SEP-84	TITLE PARTS LIST	
			[B]	DES.ENG:	B MONDOR	DATE:	10-SEP-84	DOCUMENT NUMBER	
			[C]	RESP.ENG.:	B MONDOR	DATE:	10-SEP-84	SIZE	CODE
			[D]	MFG.ENG.:	B SMITH	DATE:	10-SEP-84	NUMBER	REV
			[E]	ASSEMBLY NUMBER:	E-AD-7020406-0-DBU	TOP DOCUMENT NUMBER:	E-AD-7020406-0-DBU	FILE NAME:	Z59178.PLS
			[F]			RELEASE DATE:	19-DEC-84	EDIT #	6

"THIS DRAWING AND THE SPECIFICATIONS CONTAINED HEREIN ARE CONFIDENTIAL AND PROPRIETARY. THEY ARE THE PROPERTY OF DIGITAL EQUIPMENT CORPORATION AND SHALL NOT BE REPRODUCED OR COPIED OR USED IN WHOLE OR IN PART AS THE BASIS FOR THE MANUFACTURE OR SALE OF ITEMS WITHOUT WRITEN PERMISSION. THIS IS AN UNPUBLISHED WORK PROTECTED UNDER THE FEDERAL COPYRIGHT LAWS."

AUTOMATED BY PRTLST.5R(55)

P A R T S L I S T

SHEET A2 OF A2

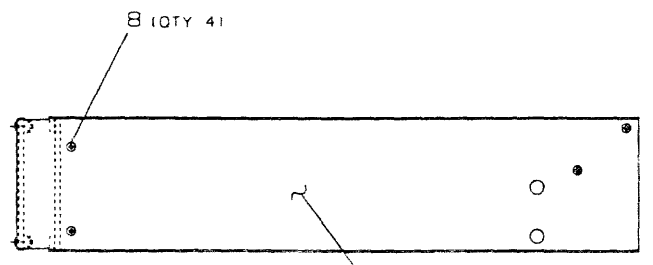
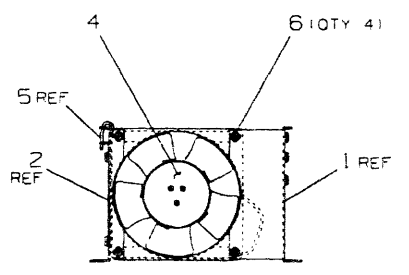
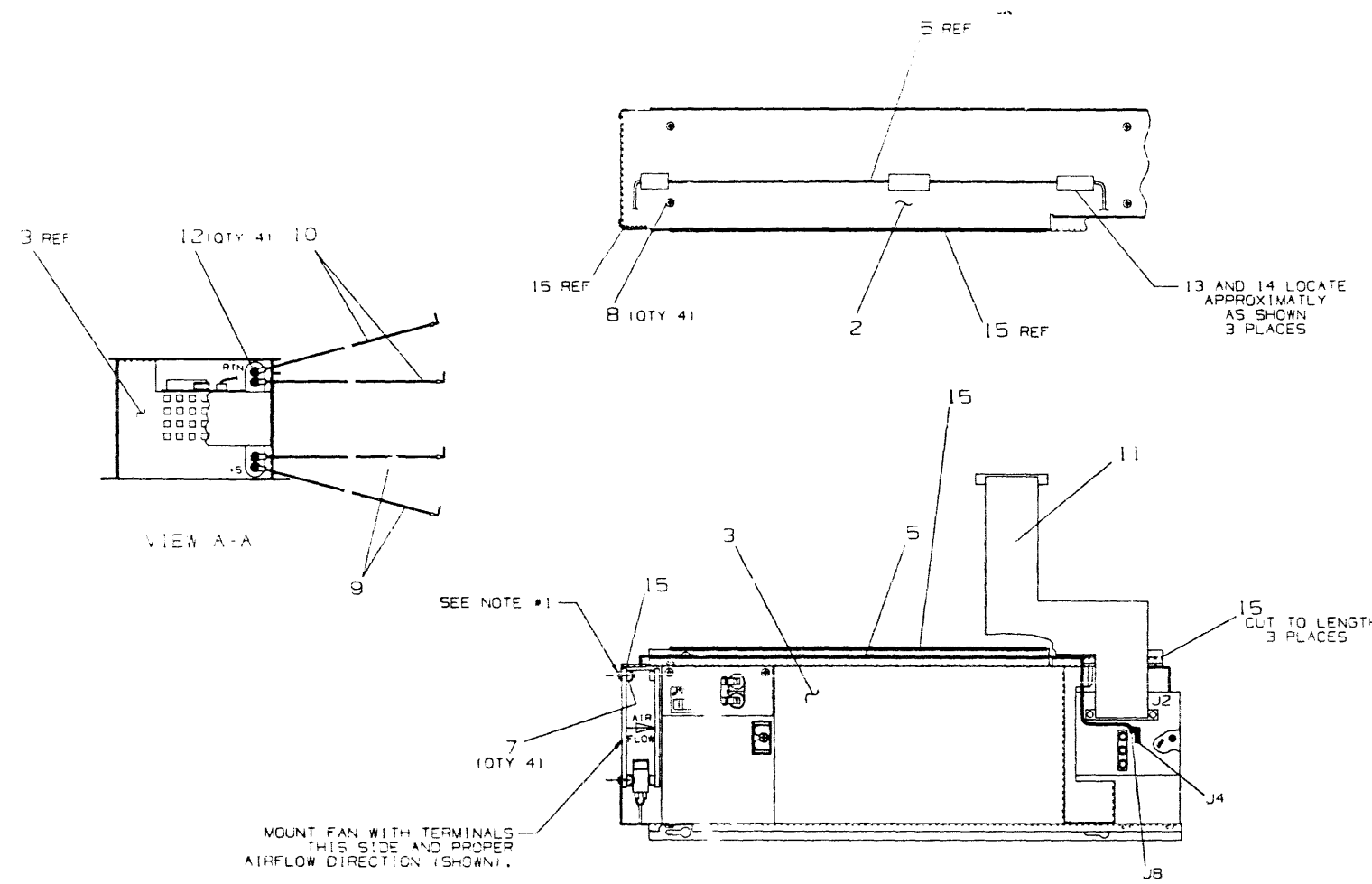
LINE	ITEM	TOP DOCUMENT	PART NUMBER	MIN REV	DESCRIPTION	VARIATION REVISION LEVEL:	QTY PER VARIATION
31	31		9006039-01		SCREW,MACH PAN PHIL	8-	4

D	I	G	I	T	A	L	TITLE	FRAME ASSY	SECTION A	OF A	SIZE	CODE	DOCUMENT NUMBER	REV
											K	PL	7020406-0-DBP	B

UNLESS OTHERWISE SPECIFIED, DIMENSIONS ARE IN INCHES. DIMENSIONS IN PARENTHESES ARE FOR INFORMATION ONLY. DIMENSIONS IN BRACKETS ARE FOR INFORMATION ONLY. DIMENSIONS IN BOLD TYPE ARE FOR INFORMATION ONLY. DIMENSIONS IN ITALIC TYPE ARE FOR INFORMATION ONLY.

LEGEND	
0202407-0-A	AS SHOWN

NOTES:
 1. INSERT SCREWS WITH 6 IN. LBS TORQUE MAX.



LAYER #3: FORMAT LAYER
 LAYER #2: WORK LAYER
 LAYER #1: INFORMATION LAYER
 PLOT AT .475

CAUTION: OFF SHEET PARTS LIST EXISTS, REFER TO K-PL-7020407-0-DBP (Z5918)

DESCRIPTION	DRAWING NO.	PART NO.	REV.
UNLESS OTHERWISE SPECIFIED DIMENSIONS ARE IN INCHES AND THE FOLLOWING TOLERANCES APPLY: .0005 TO .0010			
INCHES TOLERANCES	INCHES .0010 TO .0020	INCHES .0020 TO .0050	INCHES .0050 TO .0100
FRAMES	±.0010	±.0015	±.0020
HOLES	±.0010	±.0015	±.0020
KEYWAYS	±.0010	±.0015	±.0020
SPURGE QUALITY	✓		
QUANTITY & VARIATION	1.000	1.000	1.000
THIRD ANGLE PROJECTION	DATE 12/2/83	BY KEVIN R. KEEFE	
DO NOT SCALE DRAWING	DATE 17 MAY 83	BY F. HALLIDAY	
REMOVE BURRS AND BREAK SHARP CORNERS	DATE 17 MAY 83	BY BOB MCGOOR	
MATERIAL	DATE 17 MAY 83	BY BOB MCGOOR	
SEE PARTS LIST	DATE 17 MAY 83	BY BOB SMITH	
FINISH NONE	DATE 17 MAY 83	BY BOB MCGOOR	

POWER SUPPLY ASSY

E-AD-7020407-0-DBP-A

REV. 1
 DATE 12/2/83
 BY KEVIN R. KEEFE

LINE ITEM	DOCUMENT NUMBER	PART NUMBER	DESCRIPTION	QUANTITY PER VARIATION
1	D-MD-7427369-0-DBU	7427369-01	BRACKET,LEFT,P.S.	1
2	D-MD-7427370-0-DBU	7427370-01	BRACKET,RIGHT,P.S.	1
3		H7202-D	H7200,H7216,120V/240V	1
4	A-PS-1217556-0-0	1217556-01	FAN,TUBE AXIAL 4.5" 105CFM 12V	1
5	D-IA-7018163-0-0	7018163-3B	CABLE, DC FAN	1
6		9010109-00	SCREW,SEMS PAN PHIL 6-	4
7		9009165-00	CLIP, FAN MOUNTING (12-05033 FAN	4
8		9010174-01	SCREW,SEMS PAN PHIL 8-	8
9	D-IA-7014529-0-0	7014529-1F	CABLE POWER 5 MEMORY RED	2
10	D-IA-7014250-0-0	7014250-1F	CABLE POWER RTP MEM BLK	2
11	A-PS-1700388-0-0	1700388-01	CIRCUIT,FLEXIBLE POWER/SIGNAL	1
12		9009988-08	SCREW,SEMS HEX SLOT 8-	4
13		9008264-00	MCJNT, CABLE TIE, ADHESIVE BACKE	3
14		9007032-00	TIE,CABLE BUNDL.DIA 0-1-3/4"=101	3
15		9010299-00	CHANNEL"U"NEOPRENE,BLK 3/32SLOT	A/R

REVISION HISTORY		BASIC PART NO: 7020407		DRN:	DATE:	DIGITAL			
ENG:	ECO NUMBER	REV	SECTION A OF A	A PINKARD	25-JAN-83	PARTS LIST			
	INITIAL	A	SECTION. VARIATION INDEX	F HALLIDAY	23-MAY-83	POWER SUPPLY ASSY			
			[A] 01			DOCUMENT NUMBER			
			[B]	B MONDOR	23-MAY-83	SIZE CODE NUMBER REV			
			[C]	B MONDOR	23-MAY-83	K	PL	7020407-0-DBP	A
			[D]			FILE NAME: Z5918A.PLS			
			[E]	B SMITH	23-MAY-83	EDIT #: 11			
			[F]						
				ASSEMBLY NUMBER:	TOP DOCUMENT NUMBER:				
				E-AD-7020407-0-DBU	E-AD-7020407-0-DBU				

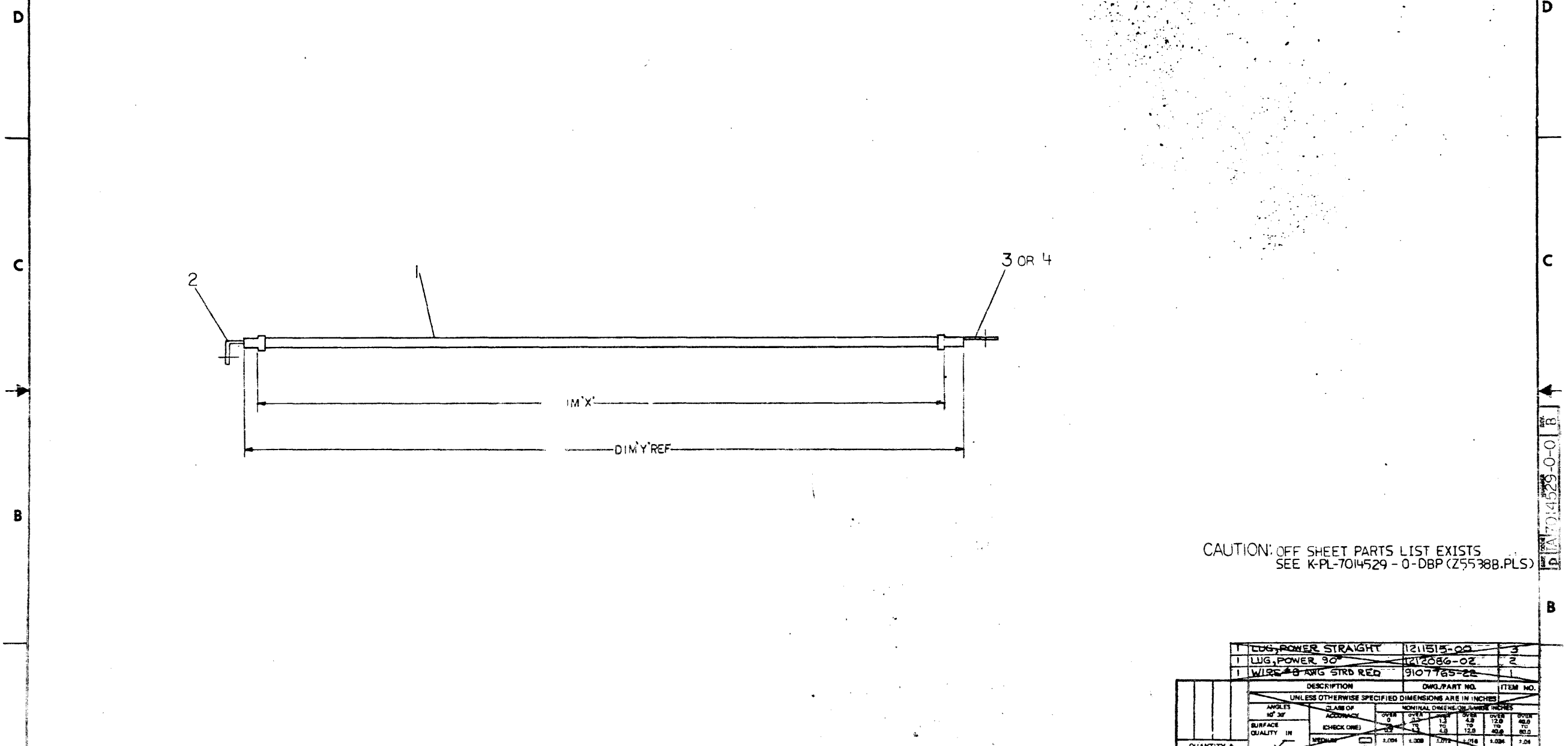
"THIS DRAWING AND SPECIFICATIONS HEREIN, ARE THE PROPERTY OF DIGITAL EQUIPMENT CORPORATION AND SHALL NOT BE REPRODUCED OR COPIED OR USED IN WHOLE OR IN PART AS THE BASIS FOR THE MANUFACTURE OR SALE OF ITEMS WITHOUT WRITTEN PERMISSION. COPYRIGHT (C) 1983. DIGITAL EQUIPMENT CORPORATION "

8 7 6 5 4 3 2 1

THIS DRAWING AND SPECIFICATIONS HEREBY ARE THE PROPERTY OF DIGITAL EQUIPMENT CORPORATION AND SHALL NOT BE REPRODUCED OR COPIED OR USED IN WHOLE OR IN PART AS THE BASIS FOR THE MANUFACTURE OR SALE OF ITEMS WITHOUT WRITTEN PERMISSION.
COPYRIGHT © 1977, DIGITAL EQUIPMENT CORPORATION

LEGEND		
PART NO	DIM X VARIATION	DIM Y (PRECUT) REF
7014529-ID	IFT-3 IN ±.5 IN	IFT-4 IN ±.5 IN
7014529-OK	ØFT-8 IN ±.5 IN	ØFT-9 IN ±.5 IN
7014529-IF	IFT-5 IN ±.5 IN	IFT-6 IN ±.5 IN

8 0-0-62910/2 2



CAUTION: OFF SHEET PARTS LIST EXISTS
SEE K-PL-7014529-0-DBP (Z55388.PLS)

REV	DATE	BY	CHKD
1	10/11/78	W. J.
2	11/17/78

1	LUG, POWER STRAIGHT	121515-00	3
1	LUG, POWER 90°	1212086-02	2
1	WIRE, 8 AWG STRD RED	9107765-22	1

DESCRIPTION	DWG/PART NO.	ITEM NO.
UNLESS OTHERWISE SPECIFIED DIMENSIONS ARE IN INCHES		
ANGLES	CLASS OF ACCURACY	NOMINAL DIMENSION RANGE INCHES
SURFACE QUALITY	IN	OVER 0.008

THIRD ANGLE PROJECTION	DRN: 20/11/78	FIRST USED ON: VAX 11/780
REMOVE BURRS AND BREAK SHARP CORNERS	ENGR: [Signature]	TITLE: CABLE, POWER (+5 MEMORY RED)
DO NOT SCALE DWG	PROL ENG: [Signature]	NEXT HIGHER ASSY:
MATERIAL SEE PARTS LIST	FINISH: [Signature]	E-LA-11780-0-0
		SIZE: D
		CODE: LA7014529-0-0
		NUMBER: 8
		REV: 8

8 7 6 5 4 3 2 1

AUTOMATED BY PRTLST.4Q(50)

PARTS LIST

SHEET A1 OF A1

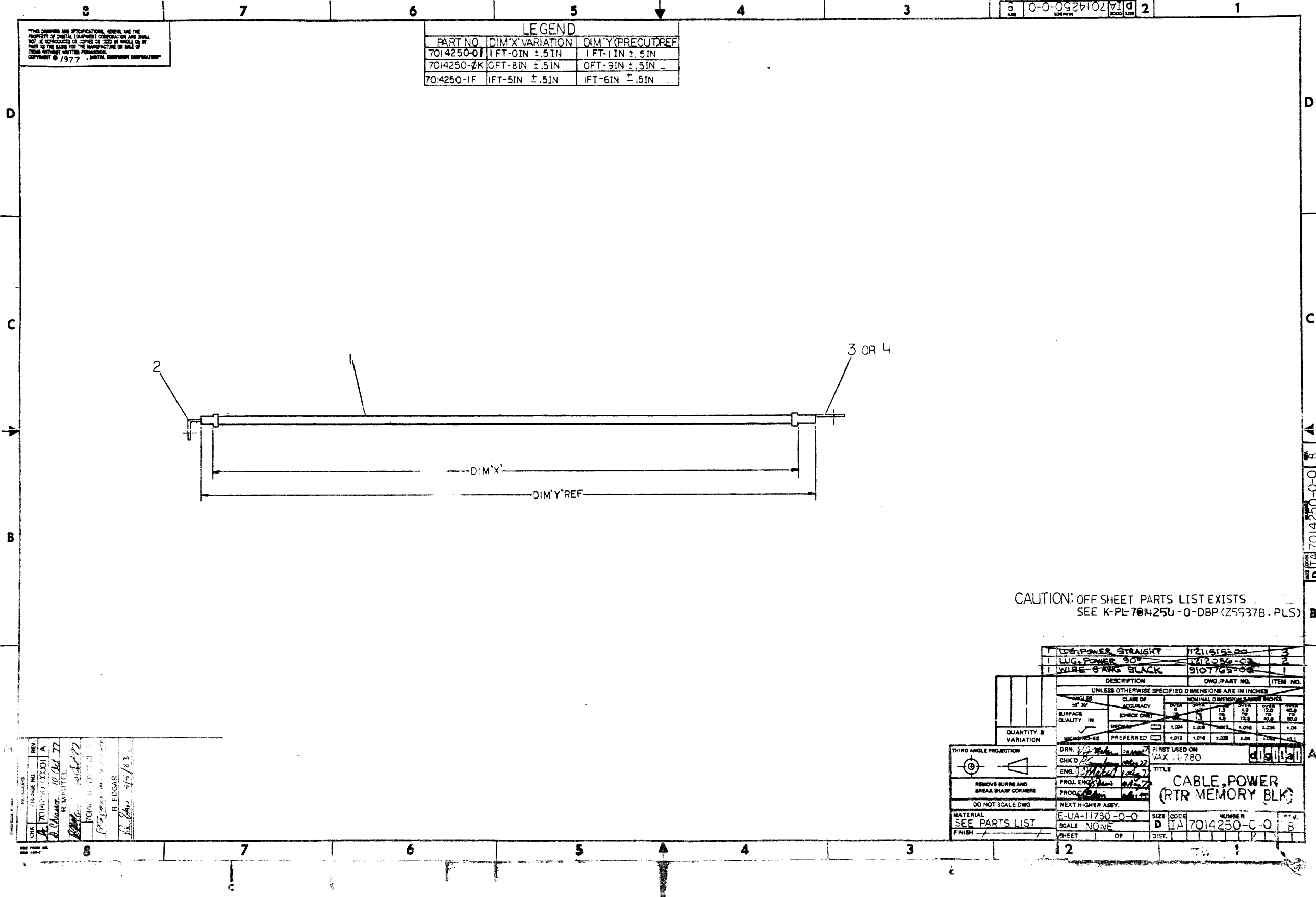
LINE	ITEM	DOCUMENT NUMBER	PART NUMBER	DESCRIPTION	QUANTITY PER VARIATION		
					1D	OK	1F
1	1		9107765-22	WIRE, 08AWG(168/30)IPVC 600V1	A/R	A/R	A/R
2	2		1212086-02	TERM,RING 8,9,10STUD FLAG	1	1	1
3	3		1211515-00	TERM,RING 1/4STUD CRIMP	1	1	-
4	4		1211515-01	TERM,RING #10STUD CRIMP	-	-	1

REVISION HISTORY			BASIC PART NO: 7014529			D I G I T A L		
ENG:	ECO NUMBER	REV	SECTION A OF A	DRN:	J.FERGUSON	DATE:	27-APR-83	
---	INITIAL	B	SECTION. VARIATION INDEX	CHK'D:	M.NORMAND	DATE:	27-APR-83	TITLE PARTS LIST
			[A] 1D,OK,1F	DES.ENG.:	R.EDGAR	DATE:	27-APR-83	CABLE,POWER (+5 MEMORY RED)
			[B]	RESP.ENG.:	R.EDGAR	DATE:	27-APR-83	DOCUMENT NUMBER
			[C]	MFG.ENG.:	M.MILAZZO	DATE:	27-APR-83	SIZE!CODE! NUMBER REV
			[D]	ASSEMBLY NUMBER:	E-UA-11780-0-0	TOP DOCUMENT NUMBER:	B-DD-11780-0-0	K PL 7014529-0-DBP B
			[E]			FILE NAME:	Z5538B.PLS	EDIT #
			[F]					5

"THIS DRAWING AND SPECIFICATIONS HEREIN, ARE THE PROPERTY OF DIGITAL EQUIPMENT CORPORATION AND SHALL NOT BE REPRODUCED OR COPIED OR USED IN WHOLE OR IN PART AS THE BASIS FOR THE MANUFACTURE OR SALE OF ITEMS WITHOUT WRITTEN PERMISSION. COPYRIGHT (C) 1983. DIGITAL EQUIPMENT CORPORATION "

THIS DRAWING AND SPECIFICATIONS, HEREIN, ARE THE PROPERTY OF DIGITAL EQUIPMENT CORPORATION AND SHALL NOT BE REPRODUCED OR COPIED IN WHOLE OR IN PART AS THE BASIS FOR THE MANUFACTURE OR SALE OF THIS NETWORK WITHOUT PERMISSION. COPYRIGHT © 1977, DIGITAL EQUIPMENT CORPORATION

LEGEND		
PART NO.	DIM'X VARIATION	DIM'Y (PRECUT) REF.
7014250-01	1 FT-0 IN $\pm .5$ IN	1 FT-1 IN $\pm .5$ IN
7014250-02	0 FT-8 IN $\pm .5$ IN	0 FT-9 IN $\pm .5$ IN
7014250-1F	1 FT-5 IN $\pm .5$ IN	1 FT-6 IN $\pm .5$ IN



CAUTION: OFF SHEET PARTS LIST EXISTS - SEE K-PL-7014250-0-DBP (Z55378, PLS)

REV	DESCRIPTION	DATE	BY
1	7014250-00001 A		
2			
3			
4			
5			
6			
7			
8			

1	CABLE POWER STRAIGHT	7211515-00	2
1	LUG POWER 90°	1412036-03	2
1	WIRE GANG BLACK	9107765-08	1
DESCRIPTION DWG. PART NO. ITEM NO.			
UNLESS OTHERWISE SPECIFIED DIMENSIONS ARE IN INCHES			
ANGLES	CLASS OF ACCURACY	NOMINAL DIMENSIONS - INCHES	
30°/30'		OVER 18	OVER 40.9
		13	19
		10	16
		7.5	10
		5	7.5
		3	5
		1.5	2
SURFACE QUALITY IN			
		1.004	1.016
		1.028	1.048
		1.072	1.096
		1.144	1.176
		1.248	1.296
		1.392	1.448
		1.584	1.648
		1.824	1.896
		2.112	2.196
MICRONS PREFERRED			
MICRONS			
MICRONS PREFERRED			
MICRONS			
MICRONS PREFERRED			
MICRONS			
THIRD ANGLE PROJECTION	DRN. <i>[Signature]</i> 28 APR 77	FIRST USED ON	WAX II 780
REMOVE BURRS AND BREAK SHARP CORNERS	CHK'D <i>[Signature]</i> 1 MAY 77	digital	
DO NOT SCALE DWG	ENGR. <i>[Signature]</i> 28 APR 77	TITLE	
	PROJ. ENG. <i>[Signature]</i>	CABLE POWER	
	PRODC. <i>[Signature]</i>	(RTR MEMORY BLK)	
MATERIAL	E-UA-11780-0-0	SIZE	CODE
SEE PARTS LIST		D	IA
FINISH	SCALE NONE	NUMBER	8
	SHEET 1 OF 1	DIST.	

AUTOMATED BY PRTLST.4Q(50)

PARTS LIST

SHEET A1 OF A1

LINE	ITEM	DOCUMENT NUMBER	PART NUMBER	DESCRIPTION	QUANTITY PER VARIATION		
					01	OK	1F
1	1		9107765-00	WIRE, 08AWG(168/30)IPVC 600V1	A/R	A/R	A/R
2	2		1212086-02	TERM,RING 8,9,10STUD FLAG	1	1	1
3	3		1211515-00	TERM,RING 1/4STUD CRIMP	1	1	-
4	4		1211515-01	TERM,RING #10STUD CRIMP	-	-	1

REVISION HISTORY		BASIC PART NO: 7014250		DRN: J.FERGUSON	DATE: 26-APR-83	D I G I T A L		
ENG:	ECO NUMBER	REV	SECTION A OF A	CHK'D: M.NORMAND	DATE: 26-APR-83	TITLE PARTS LIST		
---	INITIAL	B	SECTION VARIATION INDEX	DES.ENG.: R.EDGAR	DATE: 26-APR-83	CABLE, POWER (RTR MEMORY BLK)		
			[A] 01,OK,1F	RESP.ENG.: R.EDGAR	DATE: 26-APR-83	DOCUMENT NUMBER		
			[B]	MFG.ENG.: M.MILAZZO	DATE: 26-APR-83	SIZE: K	CODE: PL	NUMBER: 7014250-0-DBP
			[C]	ASSEMBLY NUMBER: E-UA-11780-0-0	TOP DOCUMENT NUMBER: B-DD-11780-0-0	FILE NAME: Z5537B.PLS	REV: B	EDIT #: 7
			[D]					
			[E]					
			[F]					

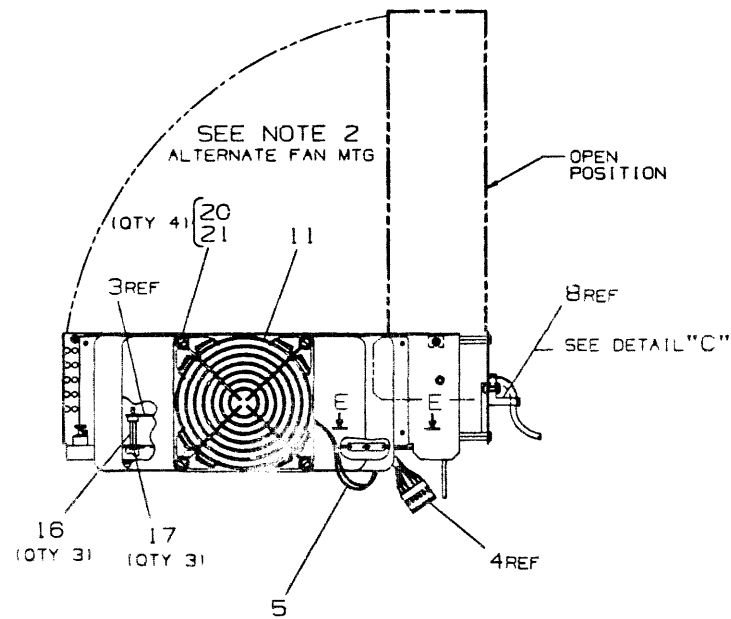
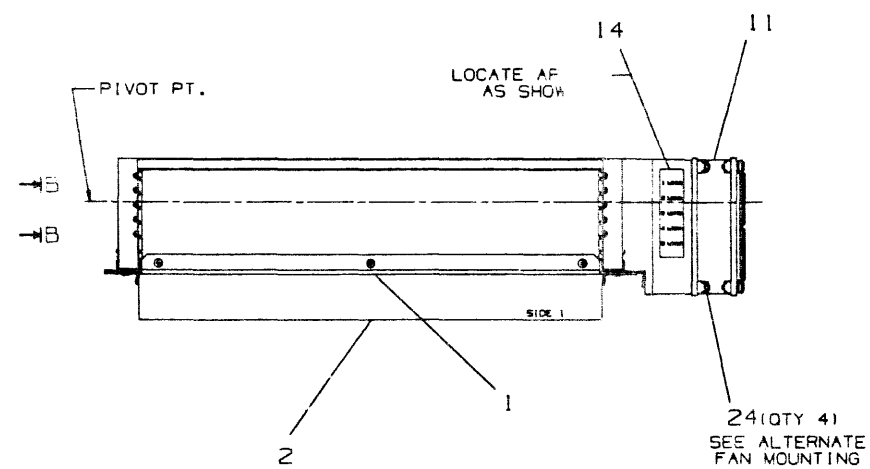
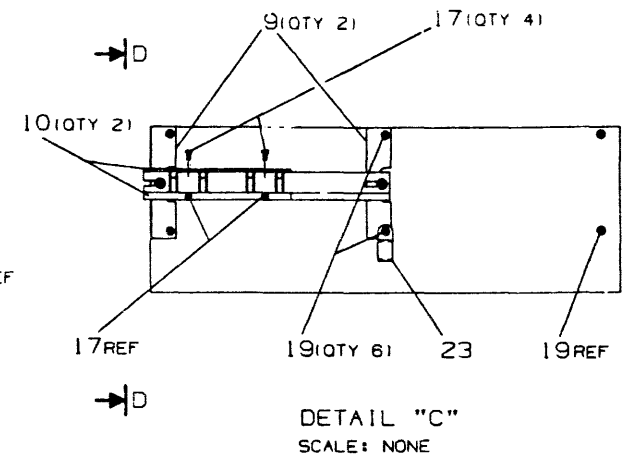
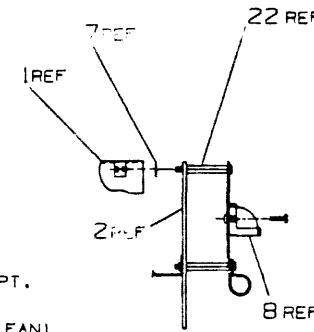
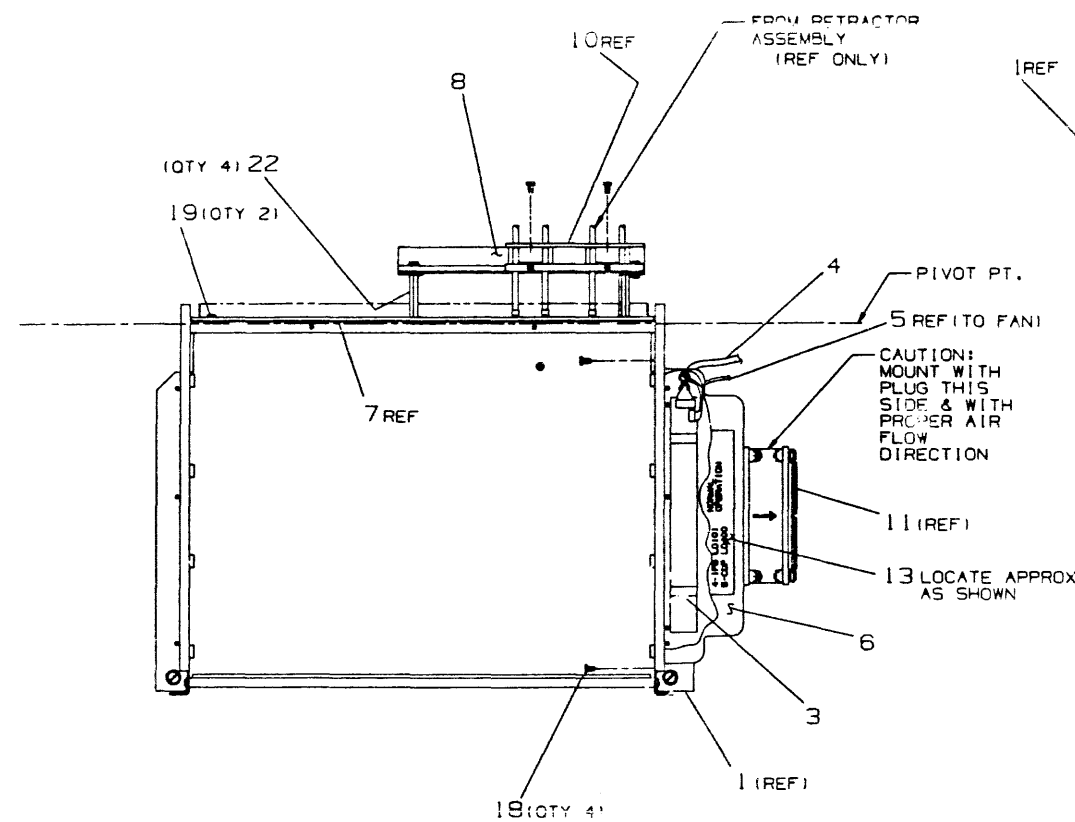
"THIS DRAWING AND SPECIFICATIONS HEREIN, ARE THE PROPERTY OF DIGITAL EQUIPMENT CORPORATION AND SHALL NOT BE REPRODUCED OR COPIED OR USED IN WHOLE OR IN PART AS THE BASIS FOR THE MANUFACTURE OR SALE OF ITEMS WITHOUT WRITTEN PERMISSION. COPYRIGHT (C) 1983. DIGITAL EQUIPMENT CORPORATION "

THIS DRAWING AND SPECIFICATIONS HEREAFTER ARE THE PROPERTY OF DIGITAL EQUIPMENT CORPORATION AND SHALL NOT BE REPRODUCED OR COPIED OR USED IN WHOLE OR IN PART AS THE BASIS FOR THE MANUFACTURE OF SALE OF ITEMS WITHOUT WRITTEN PERMISSION.
COPYRIGHT © 1983 DIGITAL EQUIPMENT CORPORATION

LEGEND		
PART NO.	REV	VARIATION
7020408-01	C1	AS SHOWN

NOTES:

1. PASS INDIVIDUAL FAN POWER CONNECTOR THRU GROMMET, ITEM 15, AND INSTALL IN SPECIAL HOLE SIDE BY SIDE WITH GROMMET FROM SENSOR CABLE ASSY.
2. IF PLENUM HAS MOLDED-IN THREADED INSERTS: USE 9000049-32 (QTY 4)

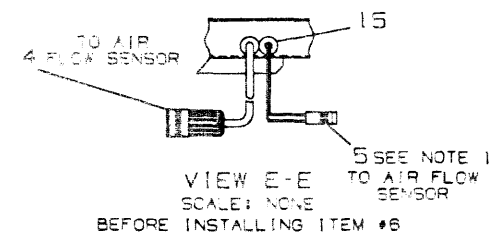
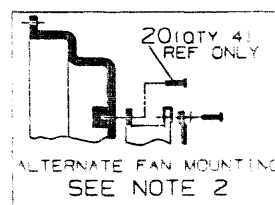
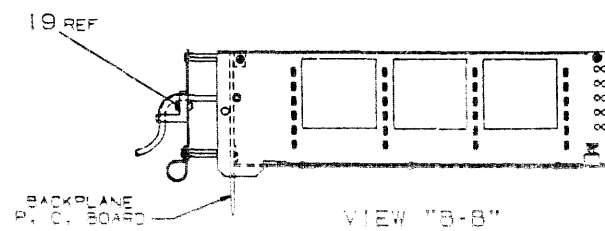


FILE NAME: CARDCAGEASSY-C

LAYER 2: FORMAT LAYER
LAYER 1: WORK LAYER

PLOT AT: .475

CAUTION: OFF-SHEET PARTS LIST EXISTS
SEE K-PL-7020408-0-DBP
(Z5919)



E:AO-7020700-0-DBU

DESCRIPTION	DRAWING NO.	PART NO.	REV
UNLESS OTHERWISE SPECIFIED DIMENSIONS ARE IN INCHES AND THE FOLLOWING TOLERANCES APPLY (REF DEC STD 11.1)			
DIAMETER	±.005		
HOLE DIA	±.005		
PLATE THICK	±.005		
WELD SIZE	±.005		
SPACING	±.005		
ANGLES	±.005		
QUANTITY	±.005		
INTER ANGLE PROJECTION	±.005		
DO NOT SCALE DRAWING	±.005		
REMOVE BURRS AND BREAK SHARP CORNERS	±.005		
MATERIAL	±.005		
SEE PARTS LIST	±.005		
DRW. BY	DRW. DATE	DRW. REV	DRW. DATE
A. PINKARD	30 NOV 82		
F. HALLIDAY	23 MAY 83		
BOB MONCOR	23 MAY 83		
BOB MONCOR	23 MAY 83		
B. SMITH	23 MAY 83		
TITLE	DOCUMENT NUMBER	REV	DATE
CARD CAGE ASSY	E:AO-7020408-0-DBU	C	

REV	CHANGED BY	DATE
1	BOB MONCOR	23 MAY 83
2	BOB MONCOR	23 MAY 83

LINE ITEM	TOP DOCUMENT	PART NUMBER	MIN REV	DESCRIPTION	QTY	PER VARIATION
1	1	E-IA-7020757-0-DBU	7020757-01	B FRAME, CARD CAGE ASSY	1	
2	2	E-UA-5415555-0-0	5415555-00	CI750 BACKPLANE	1	
3	3	D-UA-5414340-0-0	5414340-00	AIR FLOW SENSOR	1	[F
4	4	D-IA-7018162-0-0	7018162-1B	SENSOR POWER CABLE	1	
5	5	D-IA-7018163-0-0	7018163-0J	CABLE DC TO FAN	1	
6	6	E-IA-7427378-0-DBU	7427378-01	B PLENUM	1	
7	7	D-MD-7427925-0-DBU	7427925-01	INSULATOR	1	
8	8	D-IA-7428581-0-DBU	7428581-01	BRACKET,L,STRAIN RELIEF	1	
9	9	C-IA-7428368-0-DBU	7428368-01	BRACKET,LEFT STRAIN RELIEF	2	
10	10	C-MD-7428580-0-DBU	7428580-01	PLATE,STRAIN RELIEF	2	
11	11	A-PS-1210263-0-0	1210263-00	GUARD,FINGER 4.125 X 4.125 MT [F]G H	1	
12	12	A-PS-1217556-0-0	1217556-01	FAN,TUBE AXIAL 4.5" 105CFM 12V	1	
13	13	A-PS-3621737-0-0	3621737-01	LABEL,MODULE UTILIZATION,CI750	1	
14	14	A-PS-3621737-0-0	3621737-02	LABEL,SIDE,CI750	1	
15	15	RUBBER	9007017-00	GROMMET,R		
16	16		9009284-00	STANDOFF,MALE/FEMALE HEX 4-40	3	
17	17		9000049-44	SCREW,SEMS PAN PHIL 4-	7	
18	18		9000049-22	SCREW,SEMS PAN PHIL 6-	4	
19	19		90000 [F]49-24	SCREW,SEMS PAN PHIL 6-	8	
20	20		9000049-32	SCREW,SEMS PAN PHIL 6-	4	
21	21		9006659-00	WASHER,FLAT S/PAS	4	
22	22		9000001-29	STANDOFF,MALE/FEMALE HEX 6-3	4	
23	23	9007087-00		CLAMP,CABLE,SCREW MTD. 5/8 " 1		
24	24		9006560-00	NUT,HEX EXT TOOTH LCKWSHR 6-32	4	

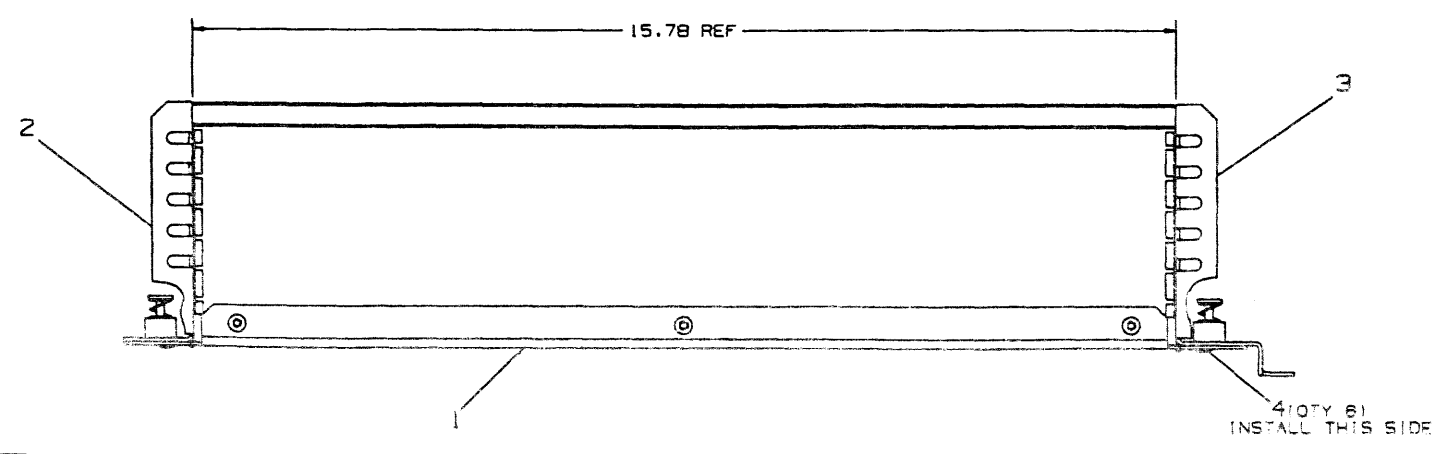
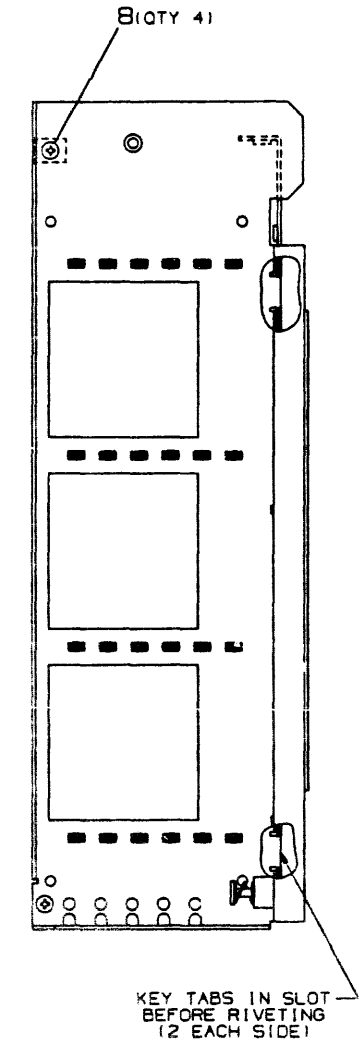
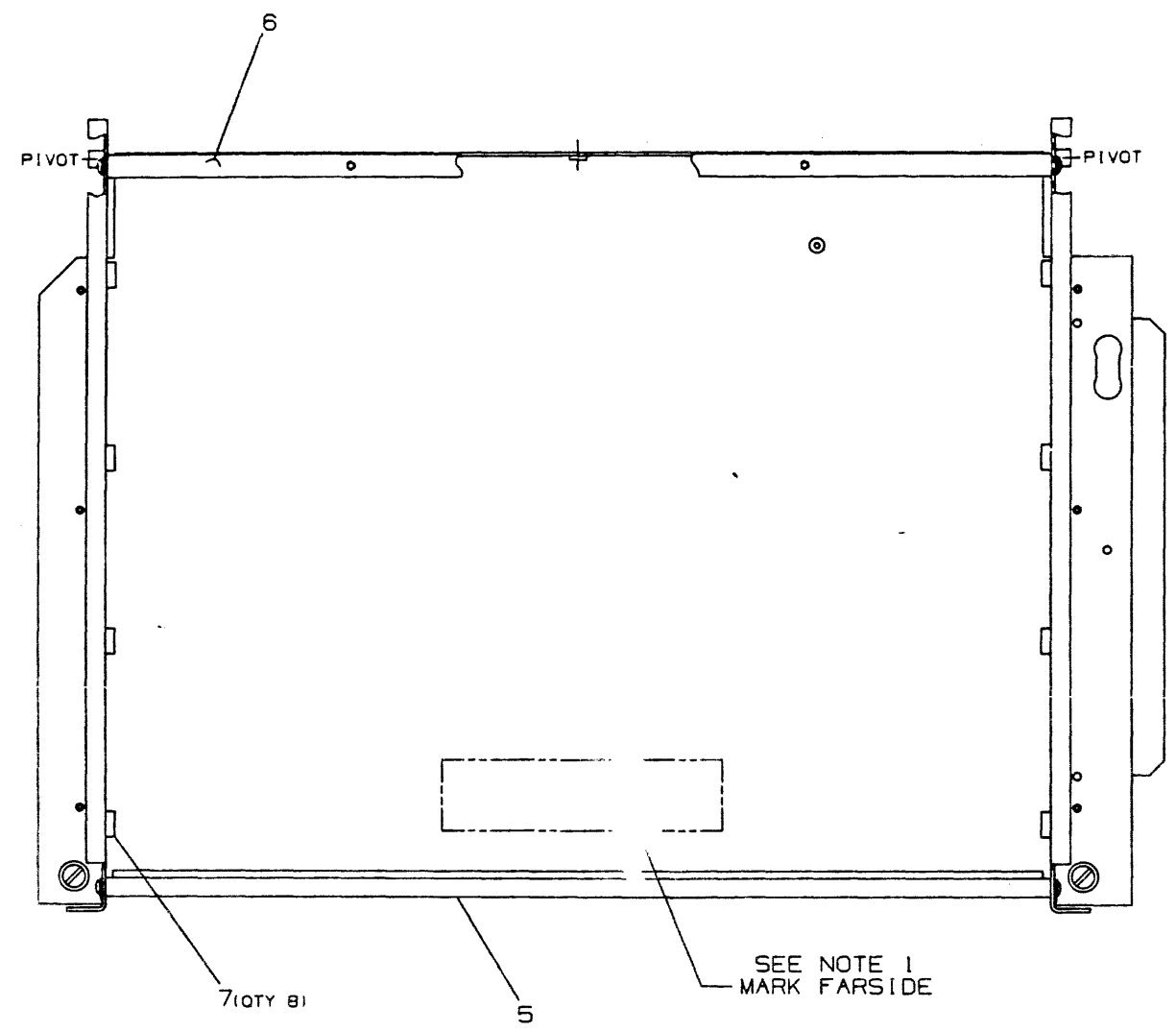
REVISION HISTORY		BASIC PART NO: 7020408		[F]	
ENG	ECO NUMBER	REV	SECTION A OF A	DRN: B. PELLICCIA	DATE: 12-SEP-84
4--	CARD CAGE ASSY	A	SECTION VARIATION INDEX	CHK'D: F. HALLIDAY	DATE: 12-SEP-8
RM	7020408-TW001	B	[A]01	DES.ENG: B. MONDOR	DATE: 12-SEP-84
RM	7020408-TW002	C	[B]	[F]	!SIZE!CODE! NUMBER ! REV
			[C]	RESP.ENG.: B. MONDOR	DATE: 12-SEP-84
			[D]	MFG.ENG.: B. SMITH	DATE: 12-SEP-84
			[E]	ASSEMBLY NUMBER:	TOP DOCUMENT NUMBER:
			[F]	!E-IA-7020408-0-DBU	!E-IA-7020408-0-DBU
			[F]		FILE NAME: !EDIT #!
					! Z5919C.PLS !

"THIS DRAWING AND THE SPECIFICATIONS CONTAINED HEREIN ARE CONFIDENTIAL AND PROPRIETARY. THEY ARE THE PROPERTY OF DIGITAL EQUIPMENT CORPORATION AND SHALL NOT BE REPRODUCED OR COPIED OR USED IN WHOLE OR IN PART AS THE BASIS FOR THE MANUFACTURE OR SALE OF ITEMS WITHOUT WRITTEN PERMISSION. THIS IS AN UNPUBLISHED WORK PROTECTED UNDER THE FEDERAL COPYRIGHT LAWS."

THIS DRAWING AND SPECIFICATIONS HEREBY ARE THE PROPERTY OF DIGITAL EQUIPMENT CORPORATION. THEY ARE TO BE REPRODUCED BY COPY OR LOAN IN WHOLE OR IN PART FOR THE PURPOSES OF THE MANUFACTURE OR SALE OF ITEMS IDENTICAL TO THOSE DESCRIBED HEREIN. COPYRIGHT © 1983 DIGITAL EQUIPMENT CORPORATION

LEGEND		
PART NO.	REV	VARIATION
7020757-01	B1	AS SHOWN

NOTES:
 1. MARK PER DEC STD #178 APPROX. AS SHOWN,
 A- ASSEMBLY NO.
 B- LAST REVISION
 C- VENDOR CODE
 D- DATE



LAYER #2: FORMAT LAYER
 LAYER #1: WORK LAYER
 PLOT AT 1.00

CAUTION: OFF SHEET PARTS LIST EXISTS, REFER TO K-PL-7020757-0-DBP. (Z 6719)

REV	DATE	BY	CHKD
1	11/11/83	KEVIN R. KEEFE	F. HALLIDAY
2	12/22/83	BOB MONDOR	BOB MONDOR
3	12/23/83	BOB MONDOR	BOB MONDOR
4	12/23/83	BOB SMITH	BOB SMITH

DESCRIPTION	DRAWING NO.	PART NO.	REV
UNLESS OTHERWISE SPECIFIED DIMENSIONS ARE IN INCHES AND THE FOLLOWING TOLERANCES APPLY (PER DEC STD 114)			
$\pm .01$	$\pm .01$	$\pm .01$	$\pm .01$
$\pm .02$	$\pm .02$	$\pm .02$	$\pm .02$
$\pm .05$	$\pm .05$	$\pm .05$	$\pm .05$
$\pm .10$	$\pm .10$	$\pm .10$	$\pm .10$
$\pm .15$	$\pm .15$	$\pm .15$	$\pm .15$
$\pm .20$	$\pm .20$	$\pm .20$	$\pm .20$
$\pm .30$	$\pm .30$	$\pm .30$	$\pm .30$
$\pm .50$	$\pm .50$	$\pm .50$	$\pm .50$
± 1.00	± 1.00	± 1.00	± 1.00
± 2.00	± 2.00	± 2.00	± 2.00
± 3.00	± 3.00	± 3.00	± 3.00
± 4.00	± 4.00	± 4.00	± 4.00
± 5.00	± 5.00	± 5.00	± 5.00
± 6.00	± 6.00	± 6.00	± 6.00
± 7.00	± 7.00	± 7.00	± 7.00
± 8.00	± 8.00	± 8.00	± 8.00
± 9.00	± 9.00	± 9.00	± 9.00
± 10.00	± 10.00	± 10.00	± 10.00

QUANTITY	DESCRIPTION	REV	DATE	TITLE
1	FRAME, CARD CAGE ASSEMBLY	1	23 MAR 83	FRAME, CARD CAGE ASSEMBLY
1	FRAME, CARD CAGE ASSEMBLY	2	25 APR 83	FRAME, CARD CAGE ASSEMBLY
1	FRAME, CARD CAGE ASSEMBLY	3	25 APR 83	FRAME, CARD CAGE ASSEMBLY
1	FRAME, CARD CAGE ASSEMBLY	4	25 APR 83	FRAME, CARD CAGE ASSEMBLY
1	FRAME, CARD CAGE ASSEMBLY	5	25 APR 83	FRAME, CARD CAGE ASSEMBLY
1	FRAME, CARD CAGE ASSEMBLY	6	25 APR 83	FRAME, CARD CAGE ASSEMBLY
1	FRAME, CARD CAGE ASSEMBLY	7	25 APR 83	FRAME, CARD CAGE ASSEMBLY
1	FRAME, CARD CAGE ASSEMBLY	8	25 APR 83	FRAME, CARD CAGE ASSEMBLY
1	FRAME, CARD CAGE ASSEMBLY	9	25 APR 83	FRAME, CARD CAGE ASSEMBLY
1	FRAME, CARD CAGE ASSEMBLY	10	25 APR 83	FRAME, CARD CAGE ASSEMBLY

LINE	ITEM	TOP DOCUMENT	PART NUMBER	MIN REV	DESCRIPTION	QTY PER VARIATION
					VARIATION REVISION LEVEL:	A1
1	1	E-IA-7430186-0-DBU	7430186-01		CARD CAGE,BOTTOM	1
2	2	E-IA-7430187-0-DBU	7430187-01		CARD CAGE,FRONT	1
3	3	E-IA-7430188-0-DBU	7430188-01		CARD CAGE,REAR	1
4	4		9000030-01		RIVET,BLIND DOME 0.156DX0.300	6
5	5	C-MD-7423051-0-0	7423051-00		ROD,SUPPORT	1
6	6	D-MD-7428365-0-DBU	7428365-01		STRUT,HORIZONTAL	1
7	7		1211630-00		GUIDE,CARD ,POLMIDE,NATURAL	8
8	8		9000049-22		SCREW,SEMS PAN PHIL 6-	4

REVISION HISTORY		BASIC PART NO: 7020757		DRN:	K.R. KEEFE	DATE:	23-MAR-83	D I G I T A L			
ENG	ECO NUMBER	REV	SECTION A OF A	CHK'D:	F.HALLIDAY	DATE:	23-MAY-83	TITLE PARTS LIST			
---	INITIAL	A	SECTION VARIATION INDEX					FRAME, CARD CAGE			
BM	7020757-TW001	B	[A]01					ASSEMBLY			
			[B]	DES.ENG:	BOB MONDOR	DATE:	23-MAY-83	DOCUMENT NUMBER			
			[C]					SIZE	CODE	NUMBER	REV
			[D]	RESP.ENG.:	BOB MONDOR	DATE:	23-MAY-83	K	PL	7020757-0-DBP	B
			[E]	MFG.ENG.:	BOB SMITH	DATE:	23-MAY-83	RELEASE DATE: 31-OCT-84			
			[F]	ASSEMBLY NUMBER:		TOP DOCUMENT NUMBER:		FILE NAME:		EDIT #	
				E-IA-7020757-0-DBU		E-IA-7020757-0-DBU		Z6719B.PLS		4	

"THIS DRAWING AND THE SPECIFICATIONS CONTAINED HEREIN ARE CONFIDENTIAL AND PROPRIETARY. THEY ARE THE PROPERTY OF DIGITAL EQUIPMENT CORPORATION AND SHALL NOT BE REPRODUCED OR COPIED OR USED IN WHOLE OR IN PART AS THE BASIS FOR THE MANUFACTURE OR SALE OF ITEMS WITHOUT WRITTEN PERMISSION. THIS IS AN UNPUBLISHED WORK PROTECTED UNDER THE FEDERAL COPYRIGHT LAWS."

REV. 1
 541555-0-0
 DD B
 CODE SIZE
 NUMBER

DRAWING NO.	NO. OF SHTS.	PART NO.	DESCRIPTION	REVISIONS
		541555-0-0	CI 750 BACKPLANE PART REVISION	A B C
K-PL-541555-0-DBP	1		PARTLIST DRAWING	A B C
D-MD-5015554-0-0	3		DRILL AND ETCH DRAWING	A B C
E-UA-5415555-0-0	2		UNIT ASSEMBLY DRAWING	A B C
D-EC-5015554-0-0	1		ETCH CUT DRAWING	A A B
		5015554-0-0	ETCH	B B C
K-PC-5415555-0-DBI	—		P.C. DATABASE	B B C

NOTES:

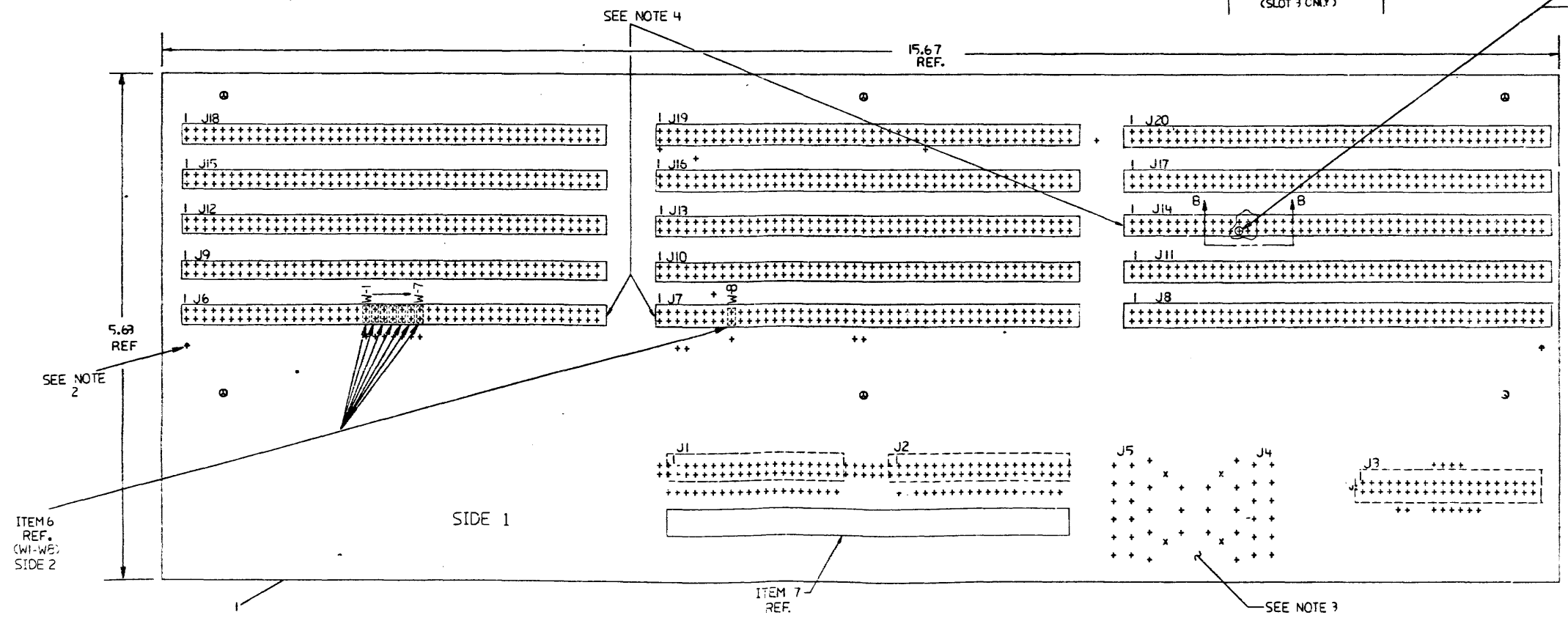
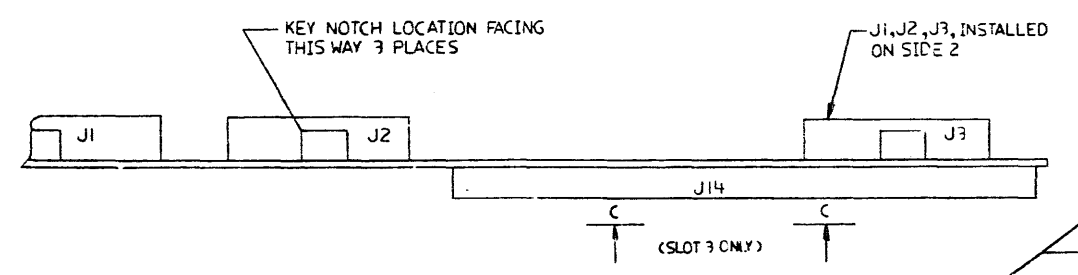
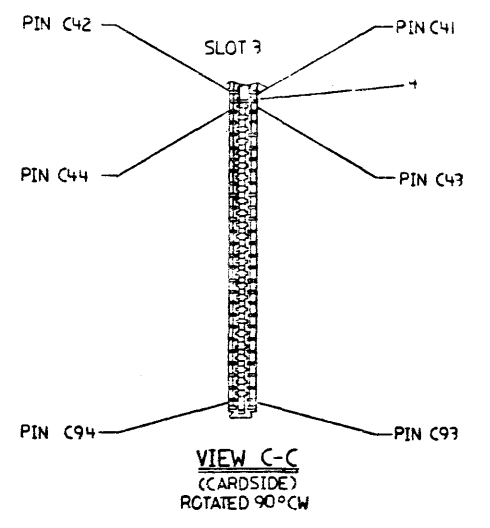
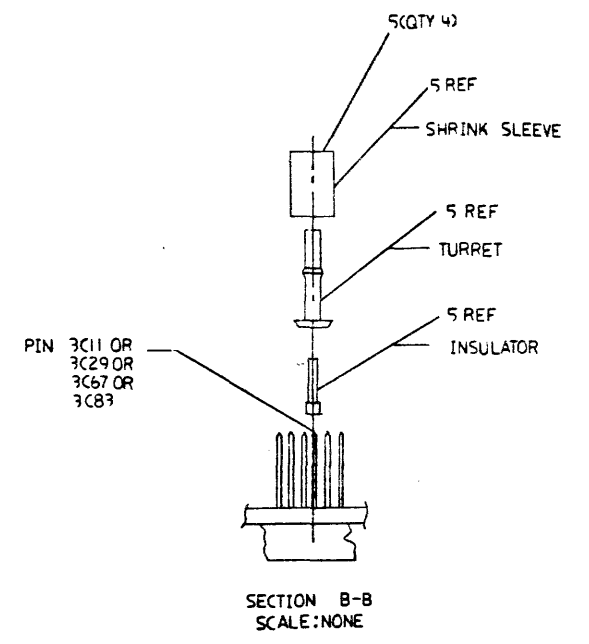
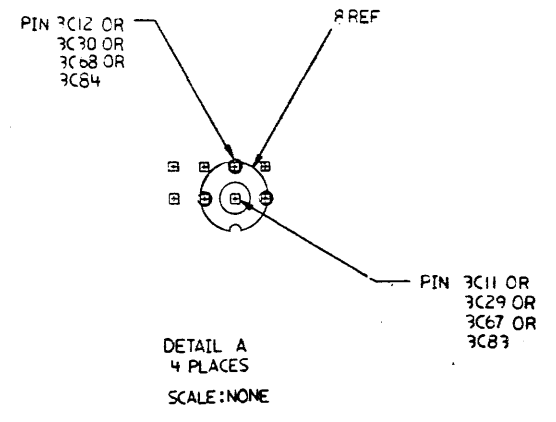
REVISIONS	DATE	CHG NO.	REV.
	2/83	INIT	A
	2-84	TWO01	B
	4/84	TWO02	C

THIS DRAWING AND SPECIFICATIONS, HEREIN, ARE THE PROPERTY OF DIGITAL EQUIPMENT CORPORATION AND SHALL NOT BE REPRODUCED OR COPIED OR USED IN WHOLE OR IN PART AS THE BASIS FOR THE MANUFACTURE OR SALE OF ITEMS WITHOUT WRITTEN PERMISSION.
 COPYRIGHT © 1983 DIGITAL EQUIPMENT CORPORATION



USEE ON OPTION/MODEL DRW: James F. Walsh CHK'D: James F. Walsh ENG: Genard Koeckler PROD: Mitch Livingston, G.K.	2-21-83 2-21-93 5-9-83 5-9-83	TITLE CI 750 BACKPLANE SIZE CODE NUMBER B DD 541555-0	SHEET 1 OF 1 REV. C
------------------------------------------------------------------------------------------------------------------------------	----------------------------------------	----------------------------------------------------------------	------------------------

J
H
F
E
D
C
B
A



DATE	1/15/71
DESIGNED BY	W. J. ...
CHK'D BY	...
MECH. ENG.	...
PROD. ENG.	...
SCALE	...
SHEET NO.	1 OF 1
NEXT NUMBER	5415555-0-0
STATION	...
TITLE	C1750 BACKPLANE
SYMBOL	...
UNIT	...
SIZE	...
REV.	...
ETCH REV.	...

STEP	1	Y AXIS
REPERT	X	X AXIS
STEP	2
REPERT
STEP
REPERT

NOTES:
1. U/L RATING IS LPMR
2. PRESS PIN TOOLING HOLES CIRCULARITY
3. J1 & 2 ARE ADDED AT 70 LEVEL ASSY.
4. J3, J4, J5, J6, J7, J8, J9, J10, J11, J12, J13, J14, J15, J16, J17, J18, J19, J20, J21, J22, J23, J24, J25, J26, J27, J28, J29, J30, J31, J32, J33, J34, J35, J36, J37, J38, J39, J40, J41, J42, J43, J44, J45, J46, J47, J48, J49, J50, J51, J52, J53, J54, J55, J56, J57, J58, J59, J60, J61, J62, J63, J64, J65, J66, J67, J68, J69, J70, J71, J72, J73, J74, J75, J76, J77, J78, J79, J80, J81, J82, J83, J84, J85, J86, J87, J88, J89, J90, J91, J92, J93, J94, J95, J96, J97, J98, J99, J100, J101, J102, J103, J104, J105, J106, J107, J108, J109, J110, J111, J112, J113, J114, J115, J116, J117, J118, J119, J120, J121, J122, J123, J124, J125, J126, J127, J128, J129, J130, J131, J132, J133, J134, J135, J136, J137, J138, J139, J140, J141, J142, J143, J144, J145, J146, J147, J148, J149, J150, J151, J152, J153, J154, J155, J156, J157, J158, J159, J160, J161, J162, J163, J164, J165, J166, J167, J168, J169, J170, J171, J172, J173, J174, J175, J176, J177, J178, J179, J180, J181, J182, J183, J184, J185, J186, J187, J188, J189, J190, J191, J192, J193, J194, J195, J196, J197, J198, J199, J200, J201, J202, J203, J204, J205, J206, J207, J208, J209, J210, J211, J212, J213, J214, J215, J216, J217, J218, J219, J220, J221, J222, J223, J224, J225, J226, J227, J228, J229, J230, J231, J232, J233, J234, J235, J236, J237, J238, J239, J240, J241, J242, J243, J244, J245, J246, J247, J248, J249, J250, J251, J252, J253, J254, J255, J256, J257, J258, J259, J260, J261, J262, J263, J264, J265, J266, J267, J268, J269, J270, J271, J272, J273, J274, J275, J276, J277, J278, J279, J280, J281, J282, J283, J284, J285, J286, J287, J288, J289, J290, J291, J292, J293, J294, J295, J296, J297, J298, J299, J300, J301, J302, J303, J304, J305, J306, J307, J308, J309, J310, J311, J312, J313, J314, J315, J316, J317, J318, J319, J320, J321, J322, J323, J324, J325, J326, J327, J328, J329, J330, J331, J332, J333, J334, J335, J336, J337, J338, J339, J340, J341, J342, J343, J344, J345, J346, J347, J348, J349, J350, J351, J352, J353, J354, J355, J356, J357, J358, J359, J360, J361, J362, J363, J364, J365, J366, J367, J368, J369, J370, J371, J372, J373, J374, J375, J376, J377, J378, J379, J380, J381, J382, J383, J384, J385, J386, J387, J388, J389, J390, J391, J392, J393, J394, J395, J396, J397, J398, J399, J400, J401, J402, J403, J404, J405, J406, J407, J408, J409, J410, J411, J412, J413, J414, J415, J416, J417, J418, J419, J420, J421, J422, J423, J424, J425, J426, J427, J428, J429, J430, J431, J432, J433, J434, J435, J436, J437, J438, J439, J440, J441, J442, J443, J444, J445, J446, J447, J448, J449, J450, J451, J452, J453, J454, J455, J456, J457, J458, J459, J460, J461, J462, J463, J464, J465, J466, J467, J468, J469, J470, J471, J472, J473, J474, J475, J476, J477, J478, J479, J480, J481, J482, J483, J484, J485, J486, J487, J488, J489, J490, J491, J492, J493, J494, J495, J496, J497, J498, J499, J500, J501, J502, J503, J504, J505, J506, J507, J508, J509, J510, J511, J512, J513, J514, J515, J516, J517, J518, J519, J520, J521, J522, J523, J524, J525, J526, J527, J528, J529, J530, J531, J532, J533, J534, J535, J536, J537, J538, J539, J540, J541, J542, J543, J544, J545, J546, J547, J548, J549, J550, J551, J552, J553, J554, J555, J556, J557, J558, J559, J560, J561, J562, J563, J564, J565, J566, J567, J568, J569, J570, J571, J572, J573, J574, J575, J576, J577, J578, J579, J580, J581, J582, J583, J584, J585, J586, J587, J588, J589, J590, J591, J592, J593, J594, J595, J596, J597, J598, J599, J600, J601, J602, J603, J604, J605, J606, J607, J608, J609, J610, J611, J612, J613, J614, J615, J616, J617, J618, J619, J620, J621, J622, J623, J624, J625, J626, J627, J628, J629, J630, J631, J632, J633, J634, J635, J636, J637, J638, J639, J640, J641, J642, J643, J644, J645, J646, J647, J648, J649, J650, J651, J652, J653, J654, J655, J656, J657, J658, J659, J660, J661, J662, J663, J664, J665, J666, J667, J668, J669, J670, J671, J672, J673, J674, J675, J676, J677, J678, J679, J680, J681, J682, J683, J684, J685, J686, J687, J688, J689, J690, J691, J692, J693, J694, J695, J696, J697, J698, J699, J700, J701, J702, J703, J704, J705, J706, J707, J708, J709, J710, J711, J712, J713, J714, J715, J716, J717, J718, J719, J720, J721, J722, J723, J724, J725, J726, J727, J728, J729, J730, J731, J732, J733, J734, J735, J736, J737, J738, J739, J740, J741, J742, J743, J744, J745, J746, J747, J748, J749, J750, J751, J752, J753, J754, J755, J756, J757, J758, J759, J760, J761, J762, J763, J764, J765, J766, J767, J768, J769, J770, J771, J772, J773, J774, J775, J776, J777, J778, J779, J780, J781, J782, J783, J784, J785, J786, J787, J788, J789, J790, J791, J792, J793, J794, J795, J796, J797, J798, J799, J800, J801, J802, J803, J804, J805, J806, J807, J808, J809, J810, J811, J812, J813, J814, J815, J816, J817, J818, J819, J820, J821, J822, J823, J824, J825, J826, J827, J828, J829, J830, J831, J832, J833, J834, J835, J836, J837, J838, J839, J840, J841, J842, J843, J844, J845, J846, J847, J848, J849, J850, J851, J852, J853, J854, J855, J856, J857, J858, J859, J860, J861, J862, J863, J864, J865, J866, J867, J868, J869, J870, J871, J872, J873, J874, J875, J876, J877, J878, J879, J880, J881, J882, J883, J884, J885, J886, J887, J888, J889, J890, J891, J892, J893, J894, J895, J896, J897, J898, J899, J900, J901, J902, J903, J904, J905, J906, J907, J908, J909, J910, J911, J912, J913, J914, J915, J916, J917, J918, J919, J920, J921, J922, J923, J924, J925, J926, J927, J928, J929, J930, J931, J932, J933, J934, J935, J936, J937, J938, J939, J940, J941, J942, J943, J944, J945, J946, J947, J948, J949, J950, J951, J952, J953, J954, J955, J956, J957, J958, J959, J960, J961, J962, J963, J964, J965, J966, J967, J968, J969, J970, J971, J972, J973, J974, J975, J976, J977, J978, J979, J980, J981, J982, J983, J984, J985, J986, J987, J988, J989, J990, J991, J992, J993, J994, J995, J996, J997, J998, J999, J1000.

J
H
F
E
D
C
B
A

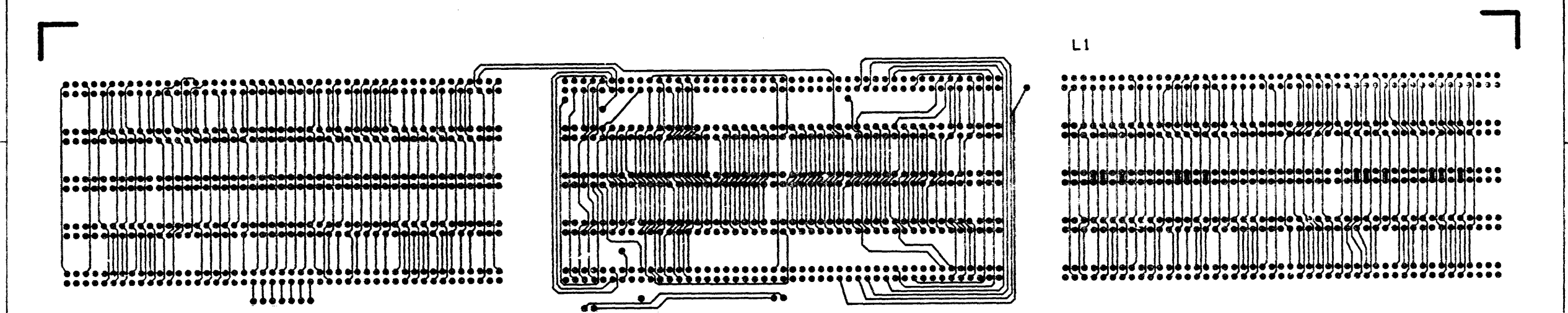
LINE	ITEM	TOP DOCUMENT	PART NUMBER	MIN REV	DESCRIPTION	QTY PER VARIATION	REFERENCE DESIGNATOR
					VARIATION REVISION LEVEL:	00	
1	1	D-MD-5015554-0-0	5015554-00		DRILL AND ETCH BOARD	1	
2	2		1217869-00		PCB,HEADER 40PIN(2X20).100CC STR	3	J1,J2,J3
3	3		1218421-02		CARD EDGE 94PIN(2X47).100CC STR	3	J6,J7,J14
4	4		9010495-02		PLUG,KEYING F/.100X.100 PRESS F	1	
5	5		1218506-00		CONN,COAX BKP 50 OHM PLUG CLAM	4	
6	6		1214314-00		CONN,P+S 02SKT(1X02).100CC JUM	REF	W1-W8
7	7		7411881-01		DECAL	1	
8	8		1218421-03		CARD EDGE 94PIN(2X47).100CC STR	12	J8-J13,J15-J20
9	9		9905016-04		FOLDER,DIE CUT,SELF LOCK W/FOAM	REF	

REVISION HISTORY		BASIC PART NO: 5415555		DRN: F. SMART	DATE: 05-OCT-82	D I G I T A L	
ENG	ECO NUMBER	REV	SECTION A OF A	CHK'D: F. GAROFALO	DATE: 05-OCT-82	TITLE PARTS LIST	
---	INITIAL	A	----	SECTION VARIATION INDEX	DATE: 05-OCT-82	CI-750 BACKPLANE	
RE	5415555-TW001	B	(A) 00	DES.ENG: G. KOECKHOVEN	DATE: 05-OCT-82	DOCUMENT NUMBER	
OK	5415555-TW002	C	(B)	RESP.ENG.: G. KOECKHOVEN	DATE: 05-OCT-82	SIZE	CODE NUMBER REV
			(C)	MFG.ENG.: M. LIVINGSTON	DATE: 5-9-83	K	PL 5415555-0-DBP C
			(D)	ASSEMBLY NUMBER:	TOP DOCUMENT NUMBER:	FILE NAME:	EDIT #
			(E)	E-UA-5415555-0-0	B-DD-5415555-0-0	Z3930C.PLS	18
			(F)				
			(G)				
			(H)				
			(I)				
			(J)				
			(K)				
			(L)				
			(M)				
			(N)				

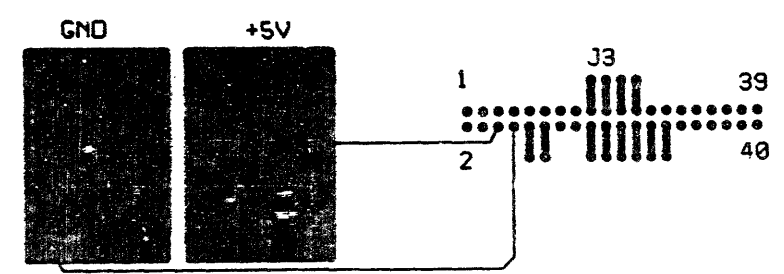
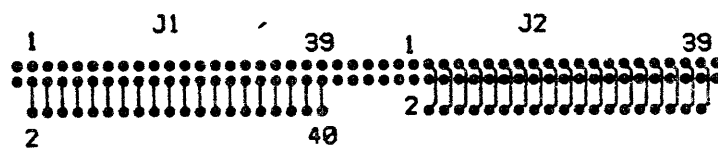
"THIS DRAWING AND THE SPECIFICATIONS CONTAINED HEREIN ARE CONFIDENTIAL AND PROPRIETARY. THEY ARE THE PROPERTY OF DIGITAL EQUIPMENT CORPORATION AND SHALL NOT BE REPRODUCED OR COPIED OR USED IN WHOLE OR--- IN PART AS THE BASIS FOR THE MANUFACTURE OR SALE OF ITEMS WITHOUT WRITTEN PERMISSION. THIS IS AN UNPUBLISHED WORK PROTECTED UNDER THE FEDERAL COPYRIGHT LAWS."

8 7 6 5 4 3 2 1

THIS DRAWING AND THE INFORMATION CONTAINED HEREIN ARE CONFIDENTIAL AND PROPRIETARY. THEY ARE THE PROPERTY OF DIGITAL EQUIPMENT CORPORATION AND SHALL NOT BE REPRODUCED, COPIED, EITHER WHOLLY OR IN PART, BY ANY MANUFACTURER, OR ANY OTHER PERSON, WITHOUT THE WRITTEN PERMISSION OF DIGITAL EQUIPMENT CORPORATION. UNLESS OTHERWISE SPECIFIED, ALL DIMENSIONS ARE IN INCHES.



94V0 5415555 5015554C-P1
 SIDE 1 CI-750 BACKPLANE



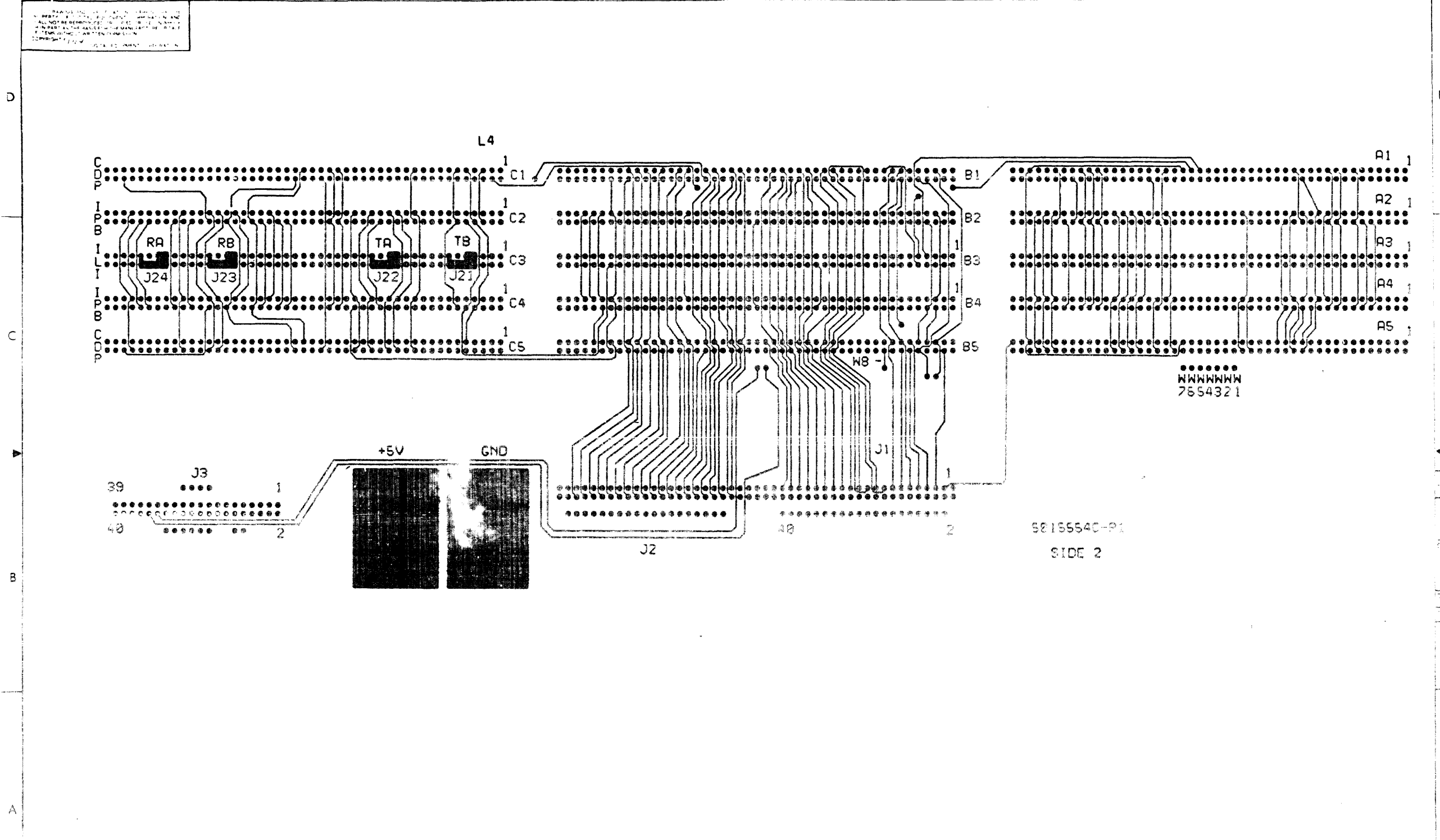
REVISION HISTORY	
REV	DATE
1	5/15/77
2	5/15/77
3	5/15/77
4	5/15/77
5	5/15/77

DESIGNED BY: <i>[Signature]</i>	DATE: 2-22-77	TITLE: digital
CHECKED BY: <i>[Signature]</i>	DATE: 3-10-77	ETCH CUT DRAWING
APPROVED BY: <i>[Signature]</i>	DATE: 3-10-77	DOCUMENT NUMBER: DEC 5015554-0-0 B
TOP DOC NO: BDD-5015554-0-0	SCALE: 2/1	SHEET: 1 OF 2

8 7 6 5 4 3 2 1

8 6 5 4 3 2 1

DEC 501554-0-0 B
 PREPARED BY: [illegible]
 ALL WORK IS TO BE DONE IN ACCORDANCE WITH THE MANUFACTURING INSTRUCTIONS
 AND THE DRAWING IS TO BE USED AS A GUIDE ONLY.



WWWWWW
 7654321

6015540-P1
 SIDE 2

REVISION HISTORY			DATE			ECC NUMBER			REV		

TITLE: ETCH CUT DRAWING
 DEC 501554-0-0 B
 ISSUE 2.1 SHEET 2 OF 2

8 7 6 5 4 3 2 1

REV. B	NUMBER 5414340-0	DD	B
--------	------------------	----	---

DRAWING NO.	NO. OF SHTS.	PART NO.	DESCRIPTION	REVISIONS															
				A	B														
		5414340-00	PART. REVISION	A	B														
D-UA-5414340-0-0	1		AIR FLOW SENSOR	A	B														
D-MD-5014339-0-0	3		DRILL AND ETCH DRAWING	A	A														
D-EG-5014339-0-0	2		ETCH CUT DRAWING	A	A														
D CS 5414340-0-1	1		AIR FLOW SENSOR	A	B														
K-PL-5414340-0-DBP	1		AIR FLOW SENSOR	A	B														
		5014339	ETCHED BOARD	D	D														
K-PG-5414340-0-DBC			PC DESIGN DATA BASE	D	D														
A-SP-3700646-0-0	6	3700646-01	PKG MODULE (5413340) 54PACK	A	A														
A-SP-5414340-0-2	17		AIR FLOW SENSOR SPEC	A	B														

NOTES:

DATE	CHG NO.	REV.	REVISIONS															
			A	B														
9/17	TW002	B																

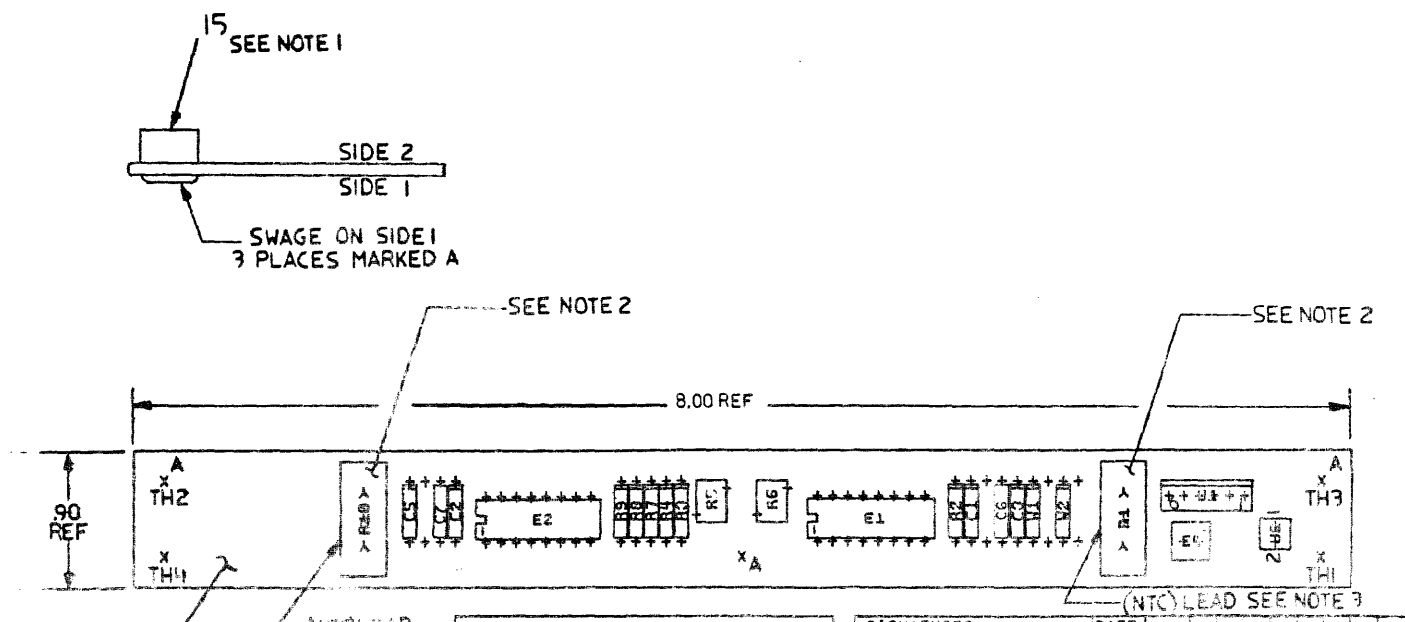
"THIS DRAWING AND SPECIFICATIONS, HEREIN, ARE THE PROPERTY OF DIGITAL EQUIPMENT CORPORATION AND SHALL NOT BE REPRODUCED OR COPIED OR USED IN WHOLE OR IN PART AS THE BASIS FOR THE MANUFACTURE OR SALE OF ITEMS WITHOUT WRITTEN PERMISSION.
 COPYRIGHT © 1981 DIGITAL EQUIPMENT CORPORATION



USED ON OPTION/MODEL	DRN. <i>Ferguson 8-10-81</i>	TITLE
BA11-Z	CHK'D <i>Ferguson 8-10-81</i>	AIR FLOW SENSOR
	ENG. <i>W. P. ... 9-17-81</i>	SIZE CODE NUMBER
	PROD. <i>W. P. ... 9/17/81</i>	B DD 5414340-0
		REV. B
		SHEET 1 OF 1

TW

THIS DRAWING AND SPECIFICATIONS, UNLESS AND UNLESS OTHERWISE SPECIFIED, SHALL BE THE PROPERTY OF DIGITAL AND SHALL REMAIN THE PROPERTY OF DIGITAL. NO REPRODUCTION OR TRANSMISSION IN ANY FORM OR BY ANY MEANS, ELECTRONIC OR MECHANICAL, INCLUDING PHOTOCOPYING, RECORDING, OR BY ANY INFORMATION STORAGE AND RETRIEVAL SYSTEM, IS PERMITTED WITHOUT PERMISSION. DEPARTMENT © 1981



NOTES: 1. ALL ITEM IS FROM SIDE 2
 2. AFTER WAY SOLDER & AFTER BOARD IS
 3. ALL DIMENSIONS ARE TO BOARD SIZE
 4. ALL DIMENSIONS MUST BE RAISED 125 TO 150
 5. OFF PC BOARD
 6. NOTE ORIENTATION OF R1 AND R10

STEP #	Y AXIS	STEP	TIMES
REPORT	X AXIS	STEP	TIMES

CHECK/CHANGE NO	REV
PC	5414340.TW2 B
	9/17/81
	DRINKWALE
	9/21/81

ETCH REV. D

SIGNATURES	DATE
DRN. <i>[Signature]</i>	2/9/81
CHK'D <i>[Signature]</i>	2/9/81
MECH. ENG. <i>[Signature]</i>	9/17/81
PROJ. ENG. <i>[Signature]</i>	9/17/81
SCALE 2/1	9/1981
SHT. 1 OF 1	
NEXT INTERFER PREY. A-55-5414340.0	

digital		
TITLE AIR FLOW SENSOR		
SIZECODE	NUMBER	REV
	UA 5414340-0-0	

LINE	ITEM	TOP DOCUMENT	PART NUMBER	MIN REV	DESCRIPTION	QTY	PER VARIATION	REFERENCE DESIGNATOR
					VARIATION REVISION LEVEL:	00		
						B1		
1	1		5014339-00		DRILL & ETCH BD.	1		
2	2		1018000-01		15 MFD 25V +50-10 AL EL	1		C4
3	3		1013466-22		.1 MFD 50V +80-20% Z5U CER	2		C3,C5
4	4		1302391-00		20.0 K .25 W 5.0 % CF	2		R3,R8
5	5		1310632-00		2.37 K .25 W 1.0 % RN55D-F10	1		R7
6	6		1312987-00		10.50 K .25 W 1.0 % RN55D-F10	2		R2,R9
7	7		1314120-00		78.70 K .25 W 1.0 % RN55D-F10	1		R4
8	8		1317202-00		9.739K 7.0 % NTC THERM	1		R5
9	9		1317202-02		119.128K 7.0 % NTC THERM	1		R6
10	10		1321816-04		12.5 5V NTC THERM A	2		R1,R10
11	11		1218243-03		PCB HEADER 06PIN(1X06).100CC STR	1		J1
12	12		1218243-02		PCB HEADER 02PIN(1X02).100CC STR	1		J2
13	13		1918102-00		9903 AIRFLOW SENSOR	2		E1,E2
14	14		9009185-00		JUMPER, WIRE, INSULATED, BLACK B	2		W1,W2
15	15		9010292-00		STANDOFF, SWAGE MOUNT RND 4-4	3		
16	16	A-SP-3700646-0-0	3700646-01		PKG. MODULE 5414340 (54 PACK)	1		
17	17		1013466-11		.22 MFD 50V +80-20% Z5U CER	4		C1,C2,C6,C7

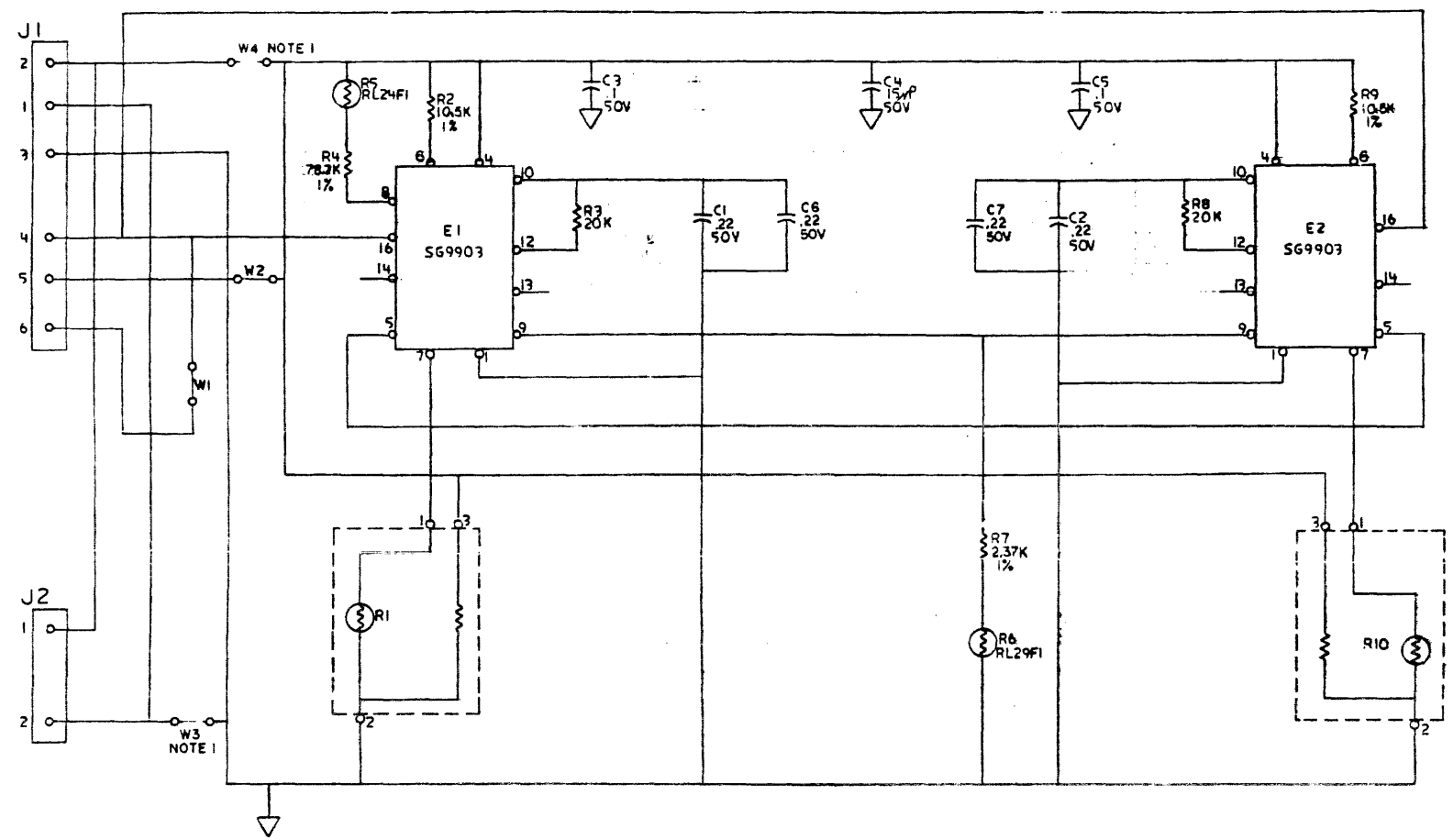
REVISION HISTORY			BASIC PART NO: 5414340		DRN:	J. FERGUSON	DATE:	30-JAN-81	D I G I T A L			
ENG!	ECO NUMBER	REV	SECTION A OF A		CHK'D:	F. GAROFALO	DATE:	30-JAN-81	TITLE PARTS LIST			
---	INITIAL	A	SECTION VARIATION INDEX		DES. ENG:	D. DRINKWATER	DATE:	30-JAN-81	DOCUMENT NUMBER			
DD	5414340-TW002	B	[A]	00	RESP. ENG.:	D. DRINKWATER <td>DATE:</td> <td>30-JAN-81 <td>SIZE!</td> <td>CODE!</td> <td>NUMBER</td> <td>REV</td> </td>	DATE:	30-JAN-81 <td>SIZE!</td> <td>CODE!</td> <td>NUMBER</td> <td>REV</td>	SIZE!	CODE!	NUMBER	REV
			[B]		MFG. ENG.:	W. WYCKOFF <td>DATE:</td> <td>9-10-81 <td>K</td> <td>PL</td> <td>5414340-0-DBP</td> <td>B</td> </td>	DATE:	9-10-81 <td>K</td> <td>PL</td> <td>5414340-0-DBP</td> <td>B</td>	K	PL	5414340-0-DBP	B
			[C]		ASSEMBLY NUMBER:		TOP DOCUMENT NUMBER:		FILE NAME:		EDIT #	
			[D]		D-UA-5414340-0-0		B-DD-5414340-0-0		Z3015B.PLS		11	
			[E]						RELEASE DATE:		22-OCT-84	
			[F]									
			[G]									
			[H]									
			[I]									
			[J]									
			[K]									
			[L]									
			[M]									
			[N]									

"THIS DRAWING AND THE SPECIFICATIONS CONTAINED HEREIN ARE CONFIDENTIAL AND PROPRIETARY. THEY ARE THE PROPERTY OF DIGITAL EQUIPMENT CORPORATION AND SHALL NOT BE REPRODUCED OR COPIED OR USED IN WHOLE OR IN PART AS THE BASIS FOR THE MANUFACTURE OR SALE OF ITEMS WITHOUT WRITTEN PERMISSION. THIS IS AN UNPUBLISHED WORK PROTECTED UNDER THE FEDERAL COPYRIGHT LAWS."

8 7 6 5 4 3 2 1

THIS DRAWING AND SPECIFICATIONS HEREIN ARE THE PROPERTY OF DIGITAL EQUIPMENT CORPORATION AND SHALL NOT BE REPRODUCED OR COPIED OR USED IN WHOLE OR IN PART AS THE BASIS FOR THE MANUFACTURE OR SALE OF ITEMS WITHOUT WRITTEN PERMISSION.
 COPYRIGHT © 1971 DIGITAL EQUIPMENT CORPORATION

NOTES:
 1. W3 & W4 JUMPERS ARE NOT USED ON THIS 5414340-00, VARIATION. W1 THROUGH W4 JUMPERS MAY BE USED OR NOT USED AS NECESSARY DEPENDING ON INTENDED APPLICATIONS. IF IT IS NECESSARY TO USE W3 & W4 JUMPERS AN ADDITIONAL VARIATION WILL HAVE TO BE CREATED.



REV.	B
DATE	17 Sep 81
BY	D. DRINKWATER
CHKD BY	
DATE	
BY	
CHKD BY	
DATE	

DESIGNED BY	T. McNeill	DATE	3/10/81	TITLE	digital
DRAWN BY	T. McNeill	DATE	3/11/81	AIR FLOW SENSOR	
CHECKED BY	D. Drinkwater	DATE	9-11-81	DOCUMENT NUMBER	
DATE	9-11-81	SCALE		NONE	
D-UX-5414340-0-0			REV.	B	
T. McNeill					

8 7 6 5 4 3 2 1

D C B A

5414340-0-1

B

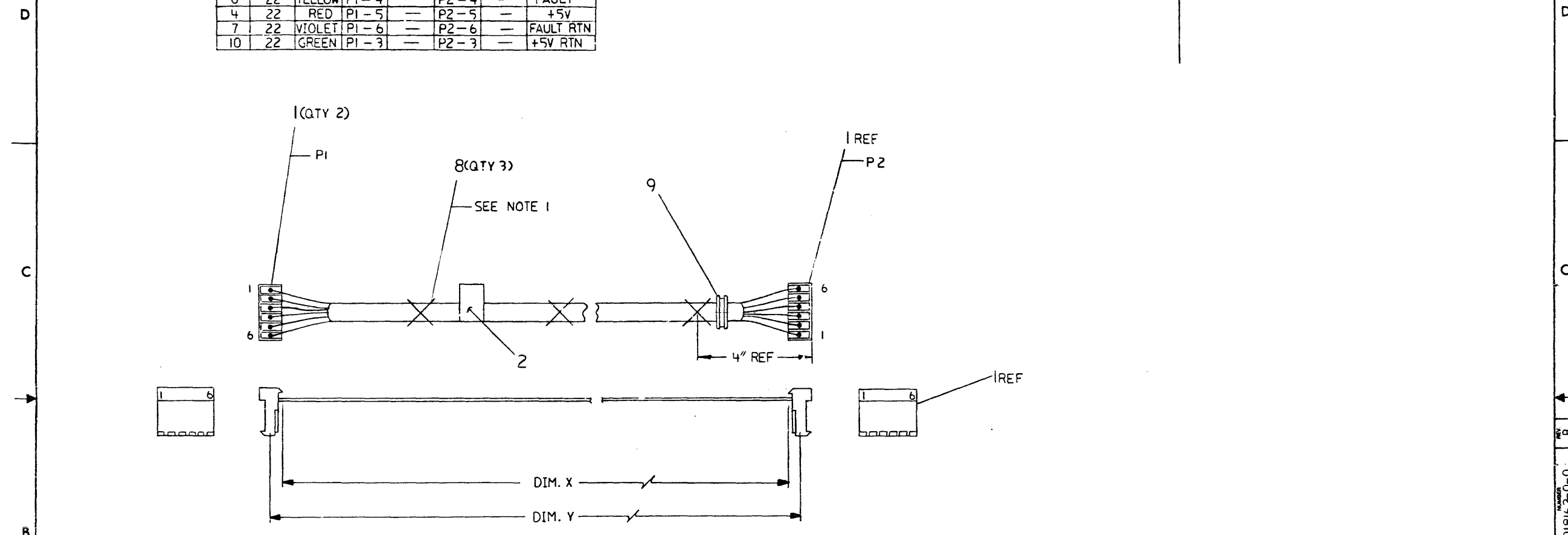
A

THE DIMENSIONS AND SPECIFICATIONS HEREIN ARE THE PROPERTY OF DIGITAL EQUIPMENT CORPORATION AND SHALL NOT BE REPRODUCED OR USED IN WHOLE OR IN PART AS THE BASIS FOR THE MANUFACTURE OR SALE OF ITEMS WITHOUT WRITTEN PERMISSION.
COPYRIGHT © 1981

WIRE TABLE							
ITEM NO.	DESCRIPTION	FROM	TO	REMARKS			
3	22 BLACK	P1-1	P2-1	+12V RTN			
5	22 ORANGE	P1-2	P2-2	+12V			
6	22 YELLOW	P1-4	P2-4	FAULT			
4	22 RED	P1-5	P2-5	+5V			
7	22 VIOLET	P1-6	P2-6	FAULT RTN			
10	22 GREEN	P1-3	P2-3	+5V RTN			

LEGEND		
NUMBER	DIM. X VARIATION	DIM. Y (PRECUT) REF
7018162-0M	11. IN ± 5 IN	11.50 IN ± 5 IN.
7018162-1B	14. IN ± 5 IN	14.50 IN ± 5 IN.

- NOTES:
- ATTACH CABLE TIES (ITEM 8) APPROX. EVERY 3 IN. AS SHOWN.
 - WIRES NEED NOT HAVE ANY INSULATION REMOVED.



REV	ECO NUMBER	DATE	DESCRIPTION
A			
B			

REVISION HISTORY

DATE: 1/15/81
ECO: 115
DATE: 4/16/81
ECO: 116
DATE: 4/16/81
ECO: 117
DATE: 4/16/81
ECO: 118
DATE: 4/16/81
ECO: 119

SEE OFF SHEET PARTS LIST
K-PL- 7018162-0-DBR, (Z1852B, PLS).

DESCRIPTION	DRAWING NO.	PART NO.	ITEM NO.
UNLESS OTHERWISE SPECIFIED DIMENSIONS ARE IN INCHES AND THE FOLLOWING TOLERANCES APPLY (PER DEC STD 114)			
INCHES TOLERANCES	ANGLES ± 0' 30"	APPLICABLE DIMENSION RANGE	DIMENSION RANGE IN INCHES
X ± .1 XX ± .02 XXX ± .005	SURFACE QUALITY	CHECK ONE	OVER TO 0.2 OVER TO 0.4 OVER TO 0.6 OVER TO 1.0 OVER TO 1.2 OVER TO 1.8 OVER TO 3.0 OVER TO 6.0 OVER TO 80.0
QUANTITY & VARIATION	THIRD ANGLE PROJECTION	DATE	TITLE
		1-15-81	CABLE, SENSOR POWER
	DO NOT SCALE DRAWING	DATE	DOCUMENT NUMBER
	REMOVE BURRS AND BREAK SHARP CORNERS	4/16/81	DIA 7018162-0-0
MATERIAL	FINISH	DATE	SCALE
SEE PARTS LIST		4/16/81	1/1
		DATE	
		1/15/81	

DRAWING NUMBER: DIA 7018162-0-0

REV B

A

TW

LINE ITEM	DOCUMENT NUMBER	PART NUMBER	DESCRIPTION	QUANTITY PER VARIATION	
				OM	1B
1	1	1218296-03	CONN, IDC 06SKT(1X06).100CC GOL	2	2
2	2	9009255-01	LABEL, POWER SUPPLY, 2-7/8" LG X	1	1
3	3	9107796-00	WIRE, 22AWG(07/30)IPVC 300V1	12	15
4	4	9107796-22	WIRE, 22AWG(07/30)IPVC 300V1	12	15
5	5	9107796-33	WIRE, 22AWG(07/30)IPVC 300V1	12	15
6	6	9107796-44	WIRE, 22AWG(07/30)IPVC 300V1	12	15
7	7	9107796-77	WIRE, 22AWG(07/30)IPVC 300V1	12	15
8	8	9007031-00	TIE, CABLE BUNDL. DIA 0- 3/4"=101	3	3
9	9	9007017-00	GROMMET, ROUND RUBBER	1	1
10	10	9107796-55	WIRE, 22AWG(07/30)IPVC 300V1	12	15

11 NOTE: ITEMS 3,4,5,6,7 AND 10 ARE IN INCHES LONG.

REVISION HISTORY		BASIC PART NO: 7018. 62		DRN: P. TOUSIGNANT		DATE: 23-JUL-81		D I G I T A L			
ENG	ECO NUMBER	REV	SECTION A OF A	CHK'D:	A. ROCHA	DATE:	23-JUL-81	TITLE PARTS LIST			
RE	INITIAL 7018162-TW001	A B	SECTION. VARIATION INDEX [A] OM,1B	DES.ENG.:	R. MORIN	DATE:	23-JUL-81	SENSOR POWER CABLE			
			[B]	RESP.ENG.:	R. MORIN	DATE:	23-JUL-81	DOCUMENT NUMBER			
			[C]	MFG.ENG.:	S. CASTIGLIONE	DATE:	23-JUL-81	SIZE	CODE	NUMBER	REV
			[D]	ASSEMBLY NUMBER:	D-IA-7018162-0-0	TOP DOCUMENT NUMBER:	E-AD-7018081-0-0	K	PL	7018162-0-DBP	B
			[E]			FILE NAME:	Z1852B.PLS				EDIT #
			[F]								5

THIS DRAWING AND SPECIFICATIONS HEREIN, ARE THE PROPERTY OF DIGITAL EQUIPMENT CORPORATION AND SHALL NOT BE REPRODUCED OR COPIED OR USED IN WHOLE OR IN PART AS THE BASIS FOR THE MANUFACTURE OR SALE OF ITEMS WITHOUT WRITTEN PERMISSION.
COPYRIGHT (C) 1983. DIGITAL EQUIPMENT CORPORATION "

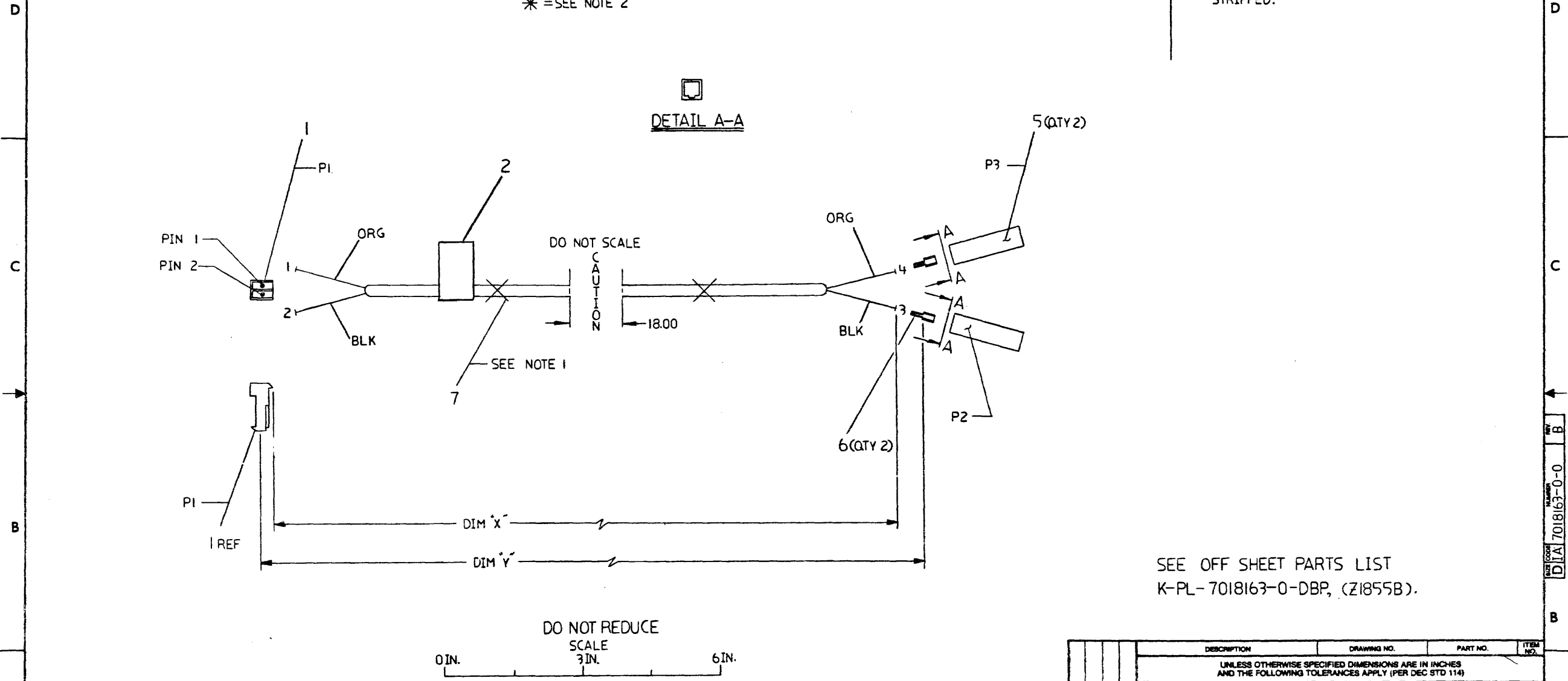
THIS DRAWING AND SPECIFICATIONS HEREIN ARE THE PROPERTY OF DIGITAL EQUIPMENT CORPORATION AND SHALL NOT BE REPRODUCED OR COPIED OR USED IN WHOLE OR IN PART AS THE BASIS FOR THE MANUFACTURE OR SALE OF ITEMS WITHOUT WRITTEN PERMISSION.
 COPYRIGHT © 1980 DIGITAL EQUIPMENT CORPORATION

WIRE TABLE									
ITEM NO.	AWG	COLOR	POINT	FROM CONNECTION	WITH	POINT	TO CONNECTION	WITH	LENGTH
3	22	BLK	2	P1-2	-	3*	P2	6	38 IN. ± 1 IN.
4	22	ORG	1	P1-1	-	4*	P3	6	38 IN. ± 1 IN.

* = SEE NOTE 2

LEGEND		
NUMBER	DIA. X VARIATION	DIA. Y VARIATION
7018163-3B	37 IN. ± 1 IN.	38 IN. ± 1 IN.
7018163-0J	7 IN. ± 5 IN.	8 IN. ± 5 IN.

- NOTES:
- ATTACH CABLE TIES (ITEM 7) APPROX. EVERY 3 IN. AS SHOWN.
 - THE WIRE ENDS GOING TO P2 & P3 SHOULD BE STRIPPED. WIRE ENDS GOING TO P1 NEED NOT BE STRIPPED.



SEE OFF SHEET PARTS LIST
 K-PL-7018163-0-DBP, (Z1855B).

DATE	REVISION HISTORY	ECO NUMBER	REV
11/11/80	RECEIVED AT KEVA		A
11/11/80	REVISION 1		B
11/11/80	REVISION 2		C
11/11/80	REVISION 3		D

DESCRIPTION	DRAWING NO.	PART NO.	ITEM NO.
UNLESS OTHERWISE SPECIFIED DIMENSIONS ARE IN INCHES AND THE FOLLOWING TOLERANCES APPLY (PER DEC STD 114)			
INCHES TOLERANCES	ANGLES TYPICAL	APPLICABLE DIMENSION RANGE	DIMENSION RANGE IN INCHES
X ± .1	SURFACE QUALITY	CHECK ONLY	OVER 0 TO 1.2
XX ± .02			OVER 1.2 TO 4.0
XXX ± .01			OVER 4.0 TO 12.0
			OVER 12.0 TO 40.0
			OVER 40.0 TO 80.0
			OVER 80.0 TO 100.0
QUANTITY & VARIATION			
THIRD ANGLE PROJECTION	DATE 11/21/80	TITLE	digital
DO NOT SCALE DRAWING	DATE 9 AUG 81	CABLE, DC TO FAN	
REMOVE BURRS AND BREAK SHARP CORNERS	DATE 9 AUG 81	DOCUMENT NUMBER	
MATERIAL	DATE 13 OCT 81	DIA 7018163-0-0 B	
FINISH	SCALE 1/1	SHEET 1 OF 1	

LINE ITEM	DOCUMENT NUMBER	PART NUMBER	DESCRIPTION	QUANTITY PER VARIATION	
				3B	0J
1	1	1218296-02	CONN, IDC 02SKT(1X02).100CC GOL	1	1
2	2	9009255-01	LABEL, POWER SUPPLY, 2-7/8" LG X	1	1
3	3 SEE NOTE 1	9107796-00	WIRE, 22AWG(07/30)IPVC 300V1	38	8
4	4 SEE NOTE 1	9107796-33	WIRE, 22AWG(07/30)IPVC 300V1	38	8
5	5	1210820-01	TERM, QUICK HSG, STR RECPTACLE .	2	2
6	6	1210820-03	TERM, QUICK .020TAB 22-18AWG	2	2
7	7	9007031-00	TIE, CABLE BUNDL. DIA 0- 3/4"=101	9	9

8 NOTE: 1. ITEMS 4 & 5 IN INCHES.

REVISION HISTORY		BASIC PART NO: 7018163		DRN: P. TOUSIGNANT	DATE: 23-JUL-81	D I G I T A L				
ENG	ECO NUMBER	REV	SECTION A OF A	CHK'D: A. ROCHA	DATE: 23-JUL-81	TITLE		PARTS LIST		
---	INITIAL	A	SECTION, VARIATION INDEX	DES. ENG.: R. MORIN	DATE: 23-JUL-81	CABLE, DC TO FAN				
RE	7018163-TW001	B	[A] 3B,0J	RESP. ENG.: R. MORIN	DATE: 23-JUL-81	DOCUMENT NUMBER				
			[B]	MFG. ENG.: S. CASTIGLIONE	DATE: 23-JUL-81	SIZE	CODE	NUMBER	REV	
			[C]	ASSEMBLY NUMBER:	TOP DOCUMENT NUMBER:	K	PL	7018163-0-DBP	8	
			[D]	D-IA-7018163-0-0	E-UA-BA11-Z-0	FILE NAME:		EDIT #		
			[E]			Z1855B.PLS		4		
			[F]							

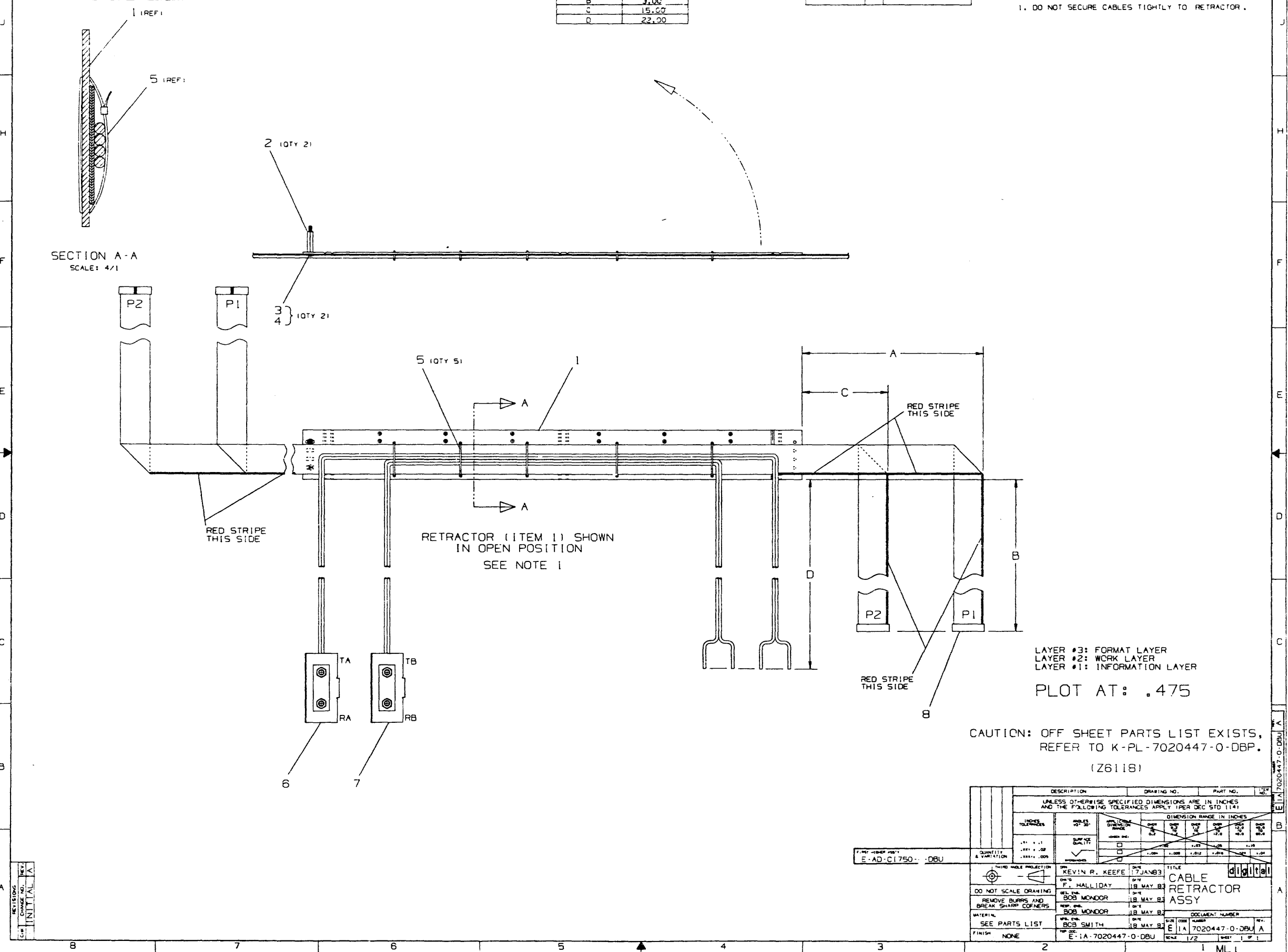
"THIS DRAWING AND SPECIFICATIONS HEREIN, ARE THE PROPERTY OF DIGITAL EQUIPMENT CORPORATION AND SHALL NOT BE REPRODUCED OR COPIED OR USED IN WHOLE OR IN PART AS THE BASIS FOR THE MANUFACTURE OR SALE OF ITEMS WITHOUT WRITTEN PERMISSION. COPYRIGHT (C) 1983. DIGITAL EQUIPMENT CORPORATION "

THIS DRAWING AND SPECIFICATIONS HEREAFTER ARE THE PROPERTY OF DIGITAL EQUIPMENT CORPORATION AND SHALL NOT BE REPRODUCED OR COPIED OR USED IN WHOLE OR IN PART AS THE BASIS FOR THE MANUFACTURE OR SALE OF ITEMS WITHOUT WRITTEN PERMISSION.
 DATE: 11-10-73 DIGITAL EQUIPMENT CORPORATION
 DRAWING NO. 7020447-0

CABLE EXTENSION	
TABULATION	DIM
A	17.50
B	3.00
C	15.00
D	22.00

LEGEND		
PART NO.	REV	VARIATION
7020447-01	A1	AS SHOWN

NOTES:
 1. DO NOT SECURE CABLES TIGHTLY TO RETRACTOR.



LAYER #3: FORMAT LAYER
 LAYER #2: WORK LAYER
 LAYER #1: INFORMATION LAYER

PLOT AT: .475

CAUTION: OFF SHEET PARTS LIST EXISTS,
 REFER TO K-PL-7020447-0-DBP.
 (Z6118)

UNLESS OTHERWISE SPECIFIED DIMENSIONS ARE IN INCHES AND THE FOLLOWING TOLERANCES APPLY (PER DEC STD 11A)	
DIMENSION RANGE IN INCHES	TOLERANCE
0 - .125	±.005
.125 - .250	±.006
.250 - .375	±.007
.375 - .500	±.008
.500 - .750	±.010
.750 - 1.000	±.012
1.000 - 1.500	±.015
1.500 - 2.000	±.018
2.000 - 3.000	±.022
3.000 - 4.000	±.026
4.000 - 6.000	±.032
6.000 - 10.000	±.040
10.000 - 18.000	±.050
18.000 - 30.000	±.063
30.000 - 48.000	±.078
48.000 - 72.000	±.095
72.000 - 120.000	±.012
120.000 - 180.000	±.015
180.000 - 240.000	±.018
240.000 - 300.000	±.022
300.000 - 420.000	±.027
420.000 - 480.000	±.032
480.000 - 600.000	±.039
600.000 - 720.000	±.047
720.000 - 840.000	±.056
840.000 - 960.000	±.066
960.000 - 1080.000	±.077
1080.000 - 1200.000	±.089
1200.000 - 1440.000	±.010
1440.000 - 1680.000	±.012
1680.000 - 1920.000	±.015
1920.000 - 2160.000	±.018
2160.000 - 2400.000	±.022
2400.000 - 2640.000	±.027
2640.000 - 2880.000	±.032
2880.000 - 3120.000	±.039
3120.000 - 3360.000	±.047
3360.000 - 3600.000	±.056
3600.000 - 3840.000	±.066
3840.000 - 4080.000	±.077
4080.000 - 4320.000	±.089
4320.000 - 4560.000	±.010
4560.000 - 4800.000	±.012
4800.000 - 5040.000	±.015
5040.000 - 5280.000	±.018
5280.000 - 5520.000	±.022
5520.000 - 5760.000	±.027
5760.000 - 6000.000	±.032
6000.000 - 6240.000	±.039
6240.000 - 6480.000	±.047
6480.000 - 6720.000	±.056
6720.000 - 6960.000	±.066
6960.000 - 7200.000	±.077
7200.000 - 7440.000	±.089
7440.000 - 7680.000	±.010
7680.000 - 7920.000	±.012
7920.000 - 8160.000	±.015
8160.000 - 8400.000	±.018
8400.000 - 8640.000	±.022
8640.000 - 8880.000	±.027
8880.000 - 9120.000	±.032
9120.000 - 9360.000	±.039
9360.000 - 9600.000	±.047
9600.000 - 9840.000	±.056
9840.000 - 10080.000	±.066
10080.000 - 10320.000	±.077
10320.000 - 10560.000	±.089
10560.000 - 10800.000	±.010
10800.000 - 11040.000	±.012
11040.000 - 11280.000	±.015
11280.000 - 11520.000	±.018
11520.000 - 11760.000	±.022
11760.000 - 12000.000	±.027
12000.000 - 12240.000	±.032
12240.000 - 12480.000	±.039
12480.000 - 12720.000	±.047
12720.000 - 12960.000	±.056
12960.000 - 13200.000	±.066
13200.000 - 13440.000	±.077
13440.000 - 13680.000	±.089
13680.000 - 13920.000	±.010
13920.000 - 14160.000	±.012
14160.000 - 14400.000	±.015
14400.000 - 14640.000	±.018
14640.000 - 14880.000	±.022
14880.000 - 15120.000	±.027
15120.000 - 15360.000	±.032
15360.000 - 15600.000	±.039
15600.000 - 15840.000	±.047
15840.000 - 16080.000	±.056
16080.000 - 16320.000	±.066
16320.000 - 16560.000	±.077
16560.000 - 16800.000	±.089
16800.000 - 17040.000	±.010
17040.000 - 17280.000	±.012
17280.000 - 17520.000	±.015
17520.000 - 17760.000	±.018
17760.000 - 18000.000	±.022
18000.000 - 18240.000	±.027
18240.000 - 18480.000	±.032
18480.000 - 18720.000	±.039
18720.000 - 18960.000	±.047
18960.000 - 19200.000	±.056
19200.000 - 19440.000	±.066
19440.000 - 19680.000	±.077
19680.000 - 19920.000	±.089
19920.000 - 20160.000	±.010
20160.000 - 20400.000	±.012
20400.000 - 20640.000	±.015
20640.000 - 20880.000	±.018
20880.000 - 21120.000	±.022
21120.000 - 21360.000	±.027
21360.000 - 21600.000	±.032
21600.000 - 21840.000	±.039
21840.000 - 22080.000	±.047
22080.000 - 22320.000	±.056
22320.000 - 22560.000	±.066
22560.000 - 22800.000	±.077
22800.000 - 23040.000	±.089
23040.000 - 23280.000	±.010
23280.000 - 23520.000	±.012
23520.000 - 23760.000	±.015
23760.000 - 24000.000	±.018
24000.000 - 24240.000	±.022
24240.000 - 24480.000	±.027
24480.000 - 24720.000	±.032
24720.000 - 24960.000	±.039
24960.000 - 25200.000	±.047
25200.000 - 25440.000	±.056
25440.000 - 25680.000	±.066
25680.000 - 25920.000	±.077
25920.000 - 26160.000	±.089
26160.000 - 26400.000	±.010
26400.000 - 26640.000	±.012
26640.000 - 26880.000	±.015
26880.000 - 27120.000	±.018
27120.000 - 27360.000	±.022
27360.000 - 27600.000	±.027
27600.000 - 27840.000	±.032
27840.000 - 28080.000	±.039
28080.000 - 28320.000	±.047
28320.000 - 28560.000	±.056
28560.000 - 28800.000	±.066
28800.000 - 29040.000	±.077
29040.000 - 29280.000	±.089
29280.000 - 29520.000	±.010
29520.000 - 29760.000	±.012
29760.000 - 30000.000	±.015

REV	DESCRIPTION	DATE	INITIALS
1	INITIAL		

E:IA 7020447-0-DBU

1 ML 1

LINE ITEM	DOCUMENT NUMBER	PART NUMBER	DESCRIPTION	QUANTITY PER VARIATION
1	D-MD-7428769-0-DBU	7428769-01	RETRACTOR,RIBBON CABLE	1
2		9000001-17	STANDOFF,MALE/FEMALE HEX 10-32	2
3		9006659-00	WASHER,FLAT STEEL	2
4		9010155-00	SCREW,SEMS PAN PHIL 6-	2
5		9009617-00	TIE,CABLE BUNDL.DIA 0-3"TYPE=101	5
6	D-AD-7020752-0-DBU	7020752-01	CABLE SET ASSY CI750 (T/RA)	1
7	D-AD-7020752-0-DBU	7020752-02	CABLE SET ASSY CI750 (T/RB)	1
8		7019602-00	HARNES ASSY (CIP BUS)	1

REVISION HISTORY		BASIC PART NO: 7020447		D I G I T A L	
ENG:	ECO NUMBER	REV	SECTION A OF A	WRN:	K KEEFE
	INITIAL	A	SECTION. VARIATION INDEX	CHK'D:	F HALLIDAY
			[A] 01	DATE:	25-JAN-83
			[B]	DATE:	25-JAN-83
			[C]	DES.ENG.:	B MONDOR
			[D]	DATE:	25-JAN-83
			[E]	RESP.ENG.:	B MONDOR
			[F]	DATE:	25-JAN-83
				MFG.ENG.:	B SMITH
				DATE:	25-JAN-83
				ASSEMBLY NUMBER:	E-IA-7020447-0-DBU
				TOP DOCUMENT NUMBER:	E-IA-7020447-0-DBU
				FILE NAME:	Z5158A.PLS
				EDIT #	10
<p>"THIS DRAWING AND SPECIFICATIONS HEREIN, ARE THE PROPERTY OF DIGITAL EQUIPMENT CORPORATION AND SHALL NOT BE REPRODUCED OR COPIED OR USED IN WHOLE OR IN PART AS THE BASIS FOR THE MANUFACTURE OR SALE OF ITEMS WITHOUT WRITTEN PERMISSION. COPYRIGHT (C) 1983. DIGITAL EQUIPMENT CORPORATION "</p>					
<p>V&HK HH 63</p>					

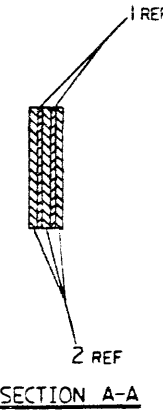
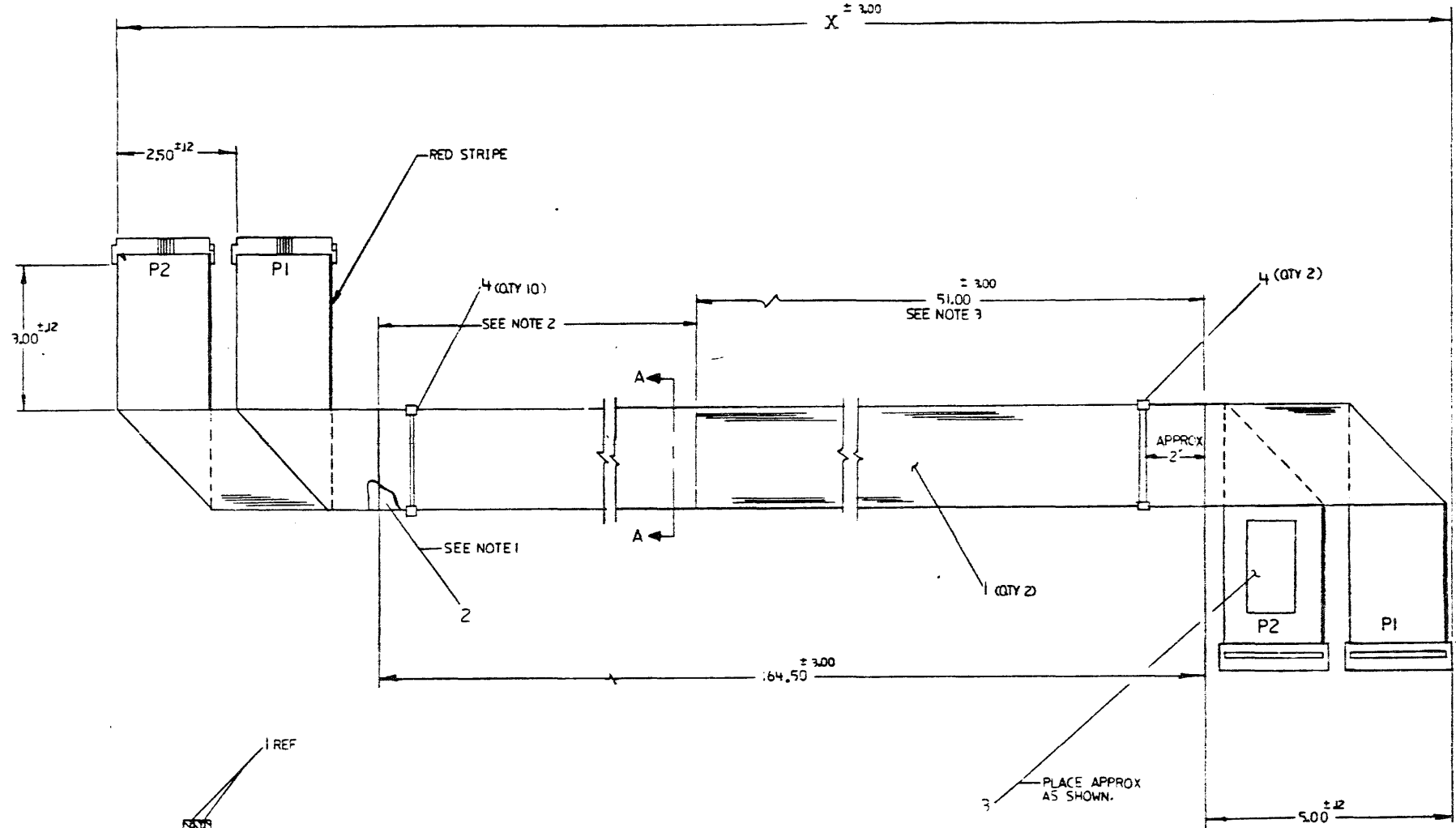
REVISIONS TO BE INDICATED BY CIRCLED OR SQUARED NUMBERS
OR BY THE LETTERS A, B, C, D, E, F, G, H, J, K, L, M, N, O, P, Q, R, S, T, U, V, W, X, Y, Z,
OR BY THE NUMBERS 1, 2, 3, 4, 5, 6, 7, 8, 9, 10, 11, 12, 13, 14, 15, 16, 17, 18, 19, 20, 21, 22, 23, 24, 25,
26, 27, 28, 29, 30, 31, 32, 33, 34, 35, 36, 37, 38, 39, 40, 41, 42, 43, 44, 45, 46, 47, 48, 49, 50, 51, 52, 53, 54, 55, 56, 57, 58, 59, 60, 61, 62, 63, 64, 65, 66, 67, 68, 69, 70, 71, 72, 73, 74, 75, 76, 77, 78, 79, 80, 81, 82, 83, 84, 85, 86, 87, 88, 89, 90, 91, 92, 93, 94, 95, 96, 97, 98, 99, 100.
DATE: 1983

PART NUMBER	"X" DIM.
7019602-00	175.00 IN.
7019602-01	36.00 IN.

- 1. ITEM 2 TO BE INSTALLED BETWEEN CARLES AND ON EACH SIDE.
- 2. APPLY TIE WRAPS, ITEM 4, APPROX EVERY 26 INCHES, IN AREA SHOWN.
- 3. DO NOT INSTALL ITEM 2 IN THIS AREA, TYP BOTH SIDES.

J
H
F
E
D
C
B
A

J
H
F
E
D
C
B
A



CAUTION: SEE OFF SHEET PARTS LIST
K-PL-7019602-0-DEP
(25479A)

REVISIONS TO BE INDICATED BY CIRCLED OR SQUARED NUMBERS OR BY THE LETTERS A, B, C, D, E, F, G, H, J, K, L, M, N, O, P, Q, R, S, T, U, V, W, X, Y, Z, OR BY THE NUMBERS 1, 2, 3, 4, 5, 6, 7, 8, 9, 10, 11, 12, 13, 14, 15, 16, 17, 18, 19, 20, 21, 22, 23, 24, 25, 26, 27, 28, 29, 30, 31, 32, 33, 34, 35, 36, 37, 38, 39, 40, 41, 42, 43, 44, 45, 46, 47, 48, 49, 50, 51, 52, 53, 54, 55, 56, 57, 58, 59, 60, 61, 62, 63, 64, 65, 66, 67, 68, 69, 70, 71, 72, 73, 74, 75, 76, 77, 78, 79, 80, 81, 82, 83, 84, 85, 86, 87, 88, 89, 90, 91, 92, 93, 94, 95, 96, 97, 98, 99, 100.

INCHES	TOLERANCES UNLESS OTHERWISE SPECIFIED	DIMENSIONAL TOLERANCES IN INCHES						
		OVER	UNDER	OVER	UNDER	OVER	UNDER	
1 - 1/2		±.015	±.010	±.010	±.008	±.008	±.008	
1/2 - 1 - 1/2		±.010	±.007	±.007	±.005	±.005	±.005	
1/8 - 1/2		±.008	±.005	±.005	±.004	±.004	±.004	
ALL DIMENSIONS		±.005	±.003	±.003	±.002	±.002	±.002	
QUANTITY & VARIATION	DESCRIPTION	DATE	BY	APP'D	DATE	BY	APP'D	
		6-21-82	W. C. B. B.		6-21-82			
		6-21-82			6-21-82			
		6-21-82			6-21-82			
TITLE			HARNES ASSY. (CIPA BUS)					
DRAWING NO.			EAD7019602-0-0					
PART NO.			EAD7019602-0-0					

LINE	ITEM	DOCUMENT NUMBER	PART NUMBER	DESCRIPTION	QUANTITY PER VARIATION
1	1	C-IA-BC168-0-0	BC168-15	BC05L-15 MODIFIED FOR PRESSPIN B	2
2	2	SEE NOTE	9009087-00	FOAM, TAPE, SINGLE SIDED 1/8 THK	400
3	3		3616073-00	LABEL, ID W/COPY VERTICAL	1
4	4		9007032-00	TIE, CABLE BUNDL. DIA 0-1-3/4"=101	12

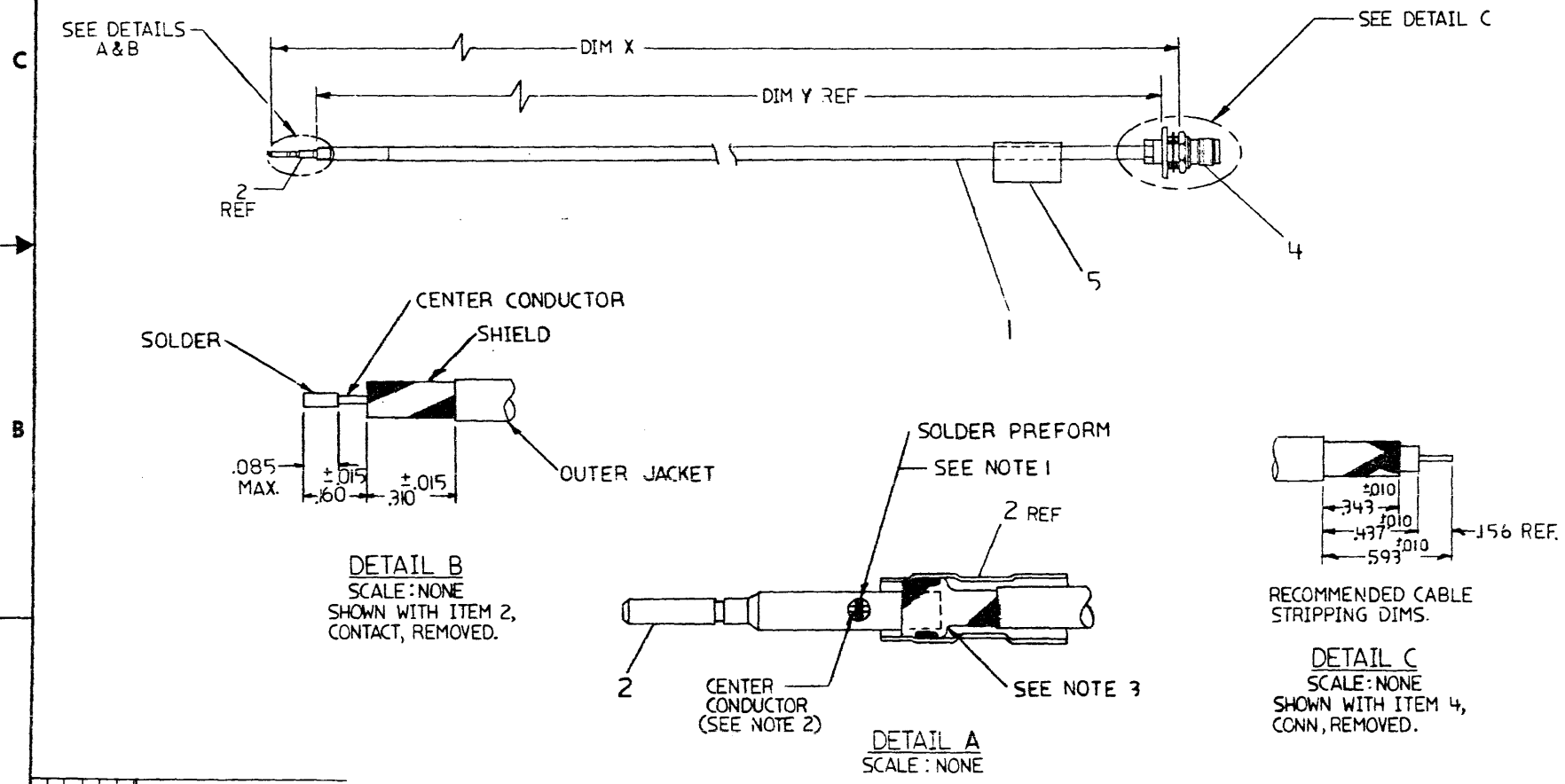
5 NOTE: QTY OF ITEM 2 IS IN INCHES

REVISION HISTORY		BASIC PART NO: 7-19602		DRN: R. J. RILEY		DATE: 19-MAY-83		D I G I T A L			
ENG	ECO NUMBER	REV	SECTION A OF A	CHK'D:	R. J. RILEY	DATE:	19-MAY-83	TITLE PARTS LIST			
	INITIAL	A	SECTION VARIATION INDEX					HARNES ASSEMBLY (CIPA BUS)			
			[A] 00	DES. ENG.:	R. EDGAR	DATE:	19-MAY-83	DOCUMENT NUMBER			
			[B]	RESP. ENG.:	R. EDGAR	DATE:	19-MAY-83	SIZE	CODE	NUMBER	REV
			[C]	MFG. ENG.:	B. NEUMANN	DATE:	19-MAY-83	K	PL	7019602-0-DBP	A
			[D]	ASSEMBLY NUMBER:	E-UA-7019602-0-0	TOP DOCUMENT NUMBER:		FILE NAME:		Z5479A.PLS	EDIT #
			[E]								6
			[F]	"THIS DRAWING AND SPECIFICATIONS HEREIN, ARE THE PROPERTY OF DIGITAL EQUIPMENT CORPORATION AND SHALL NOT BE REPRODUCED OR COPIED OR USED IN WHOLE OR IN PART AS THE BASIS FOR THE MANUFACTURE OR SALE OF ITEMS WITHOUT WRITTEN PERMISSION. COPYRIGHT (C) 1983. DIGITAL EQUIPMENT CORPORATION "							

THIS DRAWING AND SPECIFICATIONS HEREBY ARE THE PROPERTY OF DIGITAL EQUIPMENT CORPORATION AND SHALL NOT BE REPRODUCED OR TRANSMITTED IN ANY FORM OR BY ANY MEANS FOR THE MANUFACTURE OR SALE OF ITEMS WITHOUT WRITTEN PERMISSION. COPYRIGHT © 1981 DIGITAL EQUIPMENT CORPORATION

NUMBER	DIM X VARIATION	DIM Y (PRECUT) REF
708526-1A	1 FT. 1 IN. ± 1.0 IN.	1 FT. 0 IN. ± 1.0 IN.
708526-2A	2 FT. 1 IN. ± 1.0 IN.	2 FT. 0 IN. ± 1.0 IN.
708526-3A	3 FT. 1 IN. ± 1.0 IN.	3 FT. 0 IN. ± 1.0 IN.
708526-4A	4 FT. 1 IN. ± 1.0 IN.	4 FT. 0 IN. ± 1.0 IN.
708526-5A	5 FT. 1 IN. ± 1.0 IN.	5 FT. 0 IN. ± 2.0 IN.
708526-6A	6 FT. 1 IN. ± 1.0 IN.	6 FT. 0 IN. ± 2.0 IN.
708526-7A	7 FT. 1 IN. ± 2.0 IN.	7 FT. 0 IN. ± 2.0 IN.
708526-8A	8 FT. 1 IN. ± 2.0 IN.	8 FT. 0 IN. ± 2.0 IN.

- NOTES:
1. SOLDER PREFORM IS PART OF ITEM 2.
 2. CENTER CONDUCTOR TO PASS THRU SOLDER PREFORM OF ITEM 2.
 3. SHIELD TO BE FLARED BEFORE ASSY TO ITEM 2 & SMOOTHED OVER AFTER.



DETAIL B
SCALE: NONE
SHOWN WITH ITEM 2,
CONTACT, REMOVED.

DETAIL A
SCALE: NONE

RECOMMENDED CABLE
STRIPPING DIMS.

DETAIL C
SCALE: NONE
SHOWN WITH ITEM 4,
CONN. REMOVED.

CAUTION: SEE OFF SHEETS PARTS LIST
K-PL-7018526-0-DBP (Z2284B)

REV	DESCRIPTION
1	7018526-0-DBP (Z2284B)
2	REVISED TO 7018526-0-DBP (Z2284B)
3	REVISED TO 7018526-0-DBP (Z2284B)

DESCRIPTION	DWG. PART NO.	ITEM NO.
UNLESS OTHERWISE SPECIFIED DIMENSIONS ARE IN INCHES		
ANGLES 30° 30'	CLASS OF ACCURACY	NOMINAL DIMENSION RANGE INCHES
SURFACE QUALITY IN	CHECK ONE	OVER 15.0 TO 12.0 TO 9.0 TO 6.0 TO 3.0 TO 1.5
QUANTITY & VARIATION	MEDIUM	1.004 1.006 1.008 1.010 1.012 1.014
THIRD ANGLE PROJECTION	PREFERRED	1.016 1.018 1.020 1.022 1.024 1.026
DRN. <i>J. P. Sullivan</i> 1/28/81	FIRST USED ON	C1780 digital
CHK'D <i>J. P. Sullivan</i> 1/28/81	TITLE	CABLE ASSY (C1780)
ENG. <i>Z. C. D. ...</i> 1/28/81	MATERIAL	SEE PARTS LIST
PROL. ENG. <i>J. P. Sullivan</i> 1/28/81	SCALE	NONE
PROD. <i>J. P. Sullivan</i> 1/28/81	SIZE	D IA
DO NOT SCALE DWG	NEXT HIGHER ASSY.	
FINISH	SHEET 1 OF 1	DIST.

AUTOMATED BY PRTLST.4Q(50)

P A R T S L I S T

SHEET A1 OF A1

LINE	ITEM	DOCUMENT NUMBER	PART NUMBER	DESCRIPTION	QUANTITY PER VARIATION							
					1A	2A	3A	4A	5A	6A	7A	8A
1	1		1700278-00	CABLE,COAX 01COND 20AWG BRAIDSHL	1	1	1	1	1	1	1	1
2	2		1218505-00	CONN,COAX RG58 JACK SGLD	1	1	1	1	1	1	1	1
3	4		1217991-00	CONN,COAX TNC RG58 JACK	1	1	1	1	1	1	1	1
4	5	A-PS-3616073-0-0	3616073-00	LABEL,ID W/COPY VERTICAL	1	1	1	1	1	1	1	1

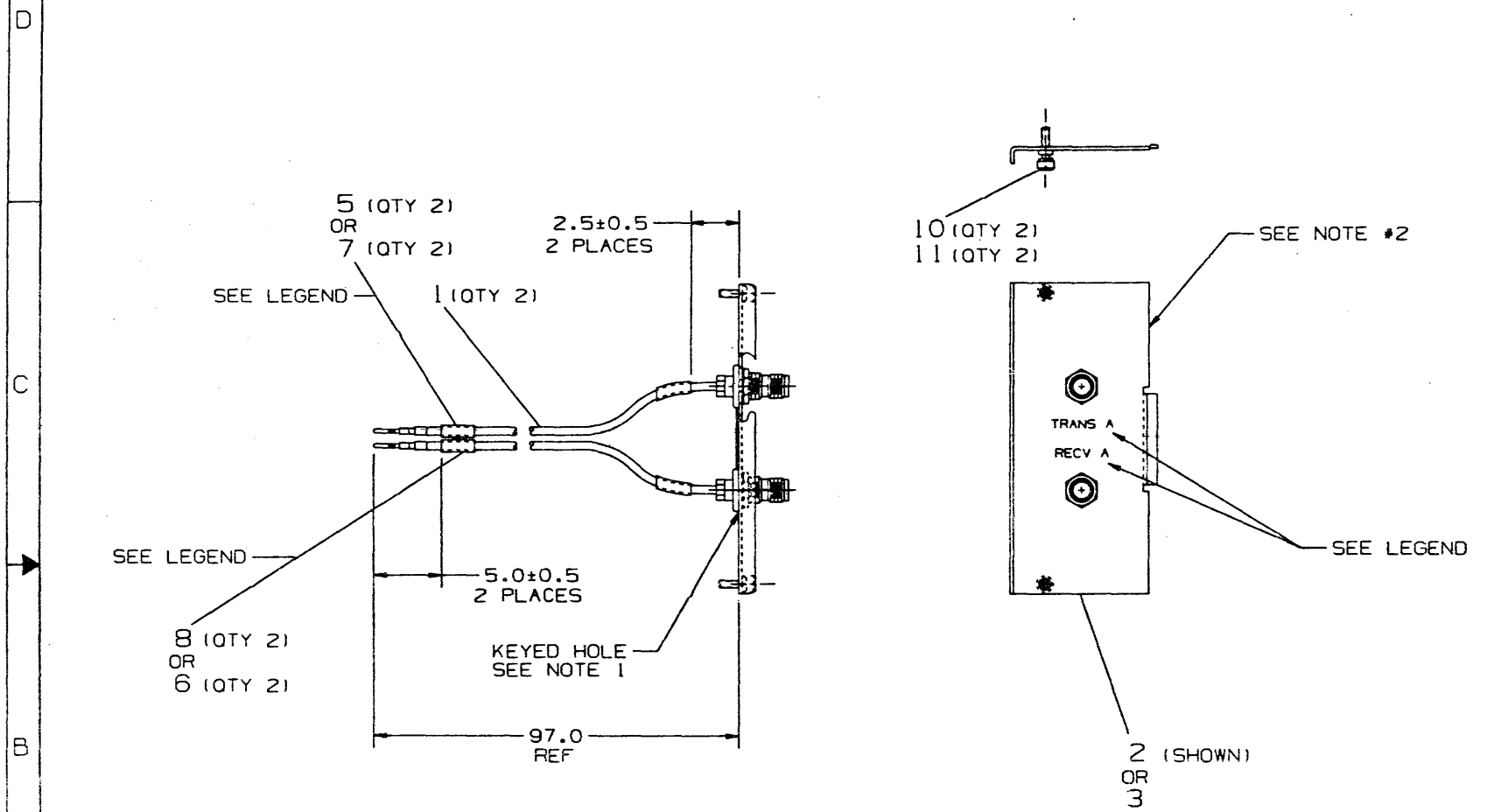
REVISION HISTORY		BASIC PART NO: 7018526		DRN: S. CHARTIER	DATE: 24-SEP-81	D I G I T A L				
ENG	ECO NUMBER	REV	SECTION A OF A	CHK'D: J. SULLIVAN	DATE: 24-SEP-81	TITLE		PARTS LIST		
	INITIAL	A	SECTION VARIATION INDEX	DES.ENG.: R. NUEBLING	DATE: 24-SEP-81	CABLE ASSY(CI780)				
RN	7018526-TW001	B	[A] 1A,2A,3A,4A,5A,6A, 7A,8A	RESP.ENG.: R. CASABONA	DATE: 24-SEP-81	DOCUMENT NUMBER				
			[B]	MFG.ENG.: M. WARSHAW	DATE: 24-SEP-81	SIZE	CODE	NUMBER	REV	
			[C]	ASSEMBLY NUMBER:	TOP DOCUMENT NUMBER:	K	PL	7018526-0-DBP	B	
			[D]	D-IA-7018526-0-0	E-UA-CI780-0-0	FILE NAME:		EDIT #		
			[E]			Z22848.PLS		15		
			[F]							

"THIS DRAWING AND SPECIFICATIONS HEREIN, ARE THE PROPERTY OF DIGITAL EQUIPMENT CORPORATION AND SHALL NOT BE REPRODUCED OR COPIED OR USED IN WHOLE OR IN PART AS THE BASIS FOR THE MANUFACTURE OR SALE OF ITEMS WITHOUT WRITTEN PERMISSION. COPYRIGHT (C) 1983. DIGITAL EQUIPMENT CORPORATION "

THIS DRAWING AND SPECIFICATIONS, HEREIN, ARE THE PROPERTY OF DIGITAL EQUIPMENT CORPORATION AND SHALL NOT BE REPRODUCED OR COPIED OR USED IN WHOLE OR IN PART AS THE BASIS FOR THE MANUFACTURE OR SALE OF ITEMS WITHOUT WRITTEN PERMISSION.
 COPYRIGHT © 1983 DIGITAL EQUIPMENT CORPORATION

LEGEND			
PART NO.	REV	VARIATION	LABELS
7020752-01	B2	T/R A (SILKSCREEN)	ITEM 5 (TA), ITEM 6 (RA)
7020752-02	B2	T/R B (SILKSCREEN)	ITEM 7 (TB), ITEM 8 (RB)

NOTES:
 1. FLAT ON CONNECTOR FITS INTO KEYED HOLE.
 2. PACKAGE IN ITEM #9.



LAYER #3: FORMAT LAYER
 LAYER #2: WORK LAYER
 LAYER #1: INFORMATION LAYER
 PLOT AT 1.00

CAUTION: OFF SHEET PARTS LIST EXISTS, REFER TO K-PL-7020752-0-DBP. (Z6710)

REV.	CHANGE NO.	INITIAL
A		
B		
C		
D		

DESCRIPTION		DRAWING NO.		PART NO.		ITEM NO.
UNLESS OTHERWISE SPECIFIED DIMENSIONS ARE IN INCHES AND THE FOLLOWING TOLERANCES APPLY (PER DEC STD 114)						
DIMENSION RANGE IN INCHES						
INCHES	ANGLES 10°-30°	APPLICABLE DIMENSION RANGE	OVER 0.2 TO 0.4	OVER 0.4 TO 0.6	OVER 0.6 TO 1.0	OVER 1.0 TO 20.0
.XX ± .1			±.02	±.03	±.04	±.10
.XX ± .02			±.01	±.02	±.03	±.08
.XXX ± .005			±.005	±.008	±.012	±.018
QUANTITY & VARIATION		THIRD ANGLE PROJECTION		DATE		TITLE
E-1A-7020447-0-DBU		KEVIN R. KEEFE		22MAR83		digital
DO NOT SCALE DRAWING		F. HALLIDAY		17 MAY 83		CABLE SET ASSY (OF 750)
REMOVE BURRS AND BREAK SHARP CORNERS		BOB MONROE		17 MAY 83		
MATERIAL		BOB SMITH		17 MAY 83		
SEE PARTS LIST		D-AD-7020752-0-DBU		SCALE 1/1		SHEET 1 OF 1
FINISH NONE		D-AD-7020752-0-DBU		SCALE 1/1		SHEET 1 OF 1

LINE	ITEM	TOP DOCUMENT	PART NUMBER	MIN REV	DESCRIPTION	QTY PER VARIATION	
						01	02
					VARIATION REVISION LEVEL:	B1	B1
1	1	D-IA-7018526-0-0	7018526-8A		BULK HEAD CABLE CI780	2	2
2	2	D-IA-7426407-26-DBU	7426407-26		PANEL, DOUBLE (P/RA)	1	-
3	3	D-IA-7426407-27-DBU	7426407-27		PANEL, DOUBLE (P/RB)	-	1
4	4	A-PS-3616073-0-0	3616073-00		*** THIS ITEM IS NOT USED ***	-	-
5	5		9107840-00		TUBING, SHRINK HOT STAMP YEL-BLK	2	-
6	6		9107840-01		TUBING, SHRINK HOT STAMP YEL-BLK	2	-
7	7		9107840-02		TUBING, SHRINK HOT STAMP YEL-BLK	-	2
8	8		9107840-03		TUBING, SHRINK HOT STAMP YEL-BLK	-	2
9	9		9906557-01		BAG, POLY RECLOSE 2 MIL THK WRIT	1	1
10	10		1219534-01		SCREW, CAPTV SLOT 4-	2	2
11	11		9006688-00		WASHER, HELICAL SPLIT SST	2	2

REVISION HISTORY			BASIC PART NO: 7020752			D I G I T A L		
ENG	ECO NUMBER	REV	SECTION A OF A	DRN:	K R KEEFE	DATE:	21-MAR-83	
---	INITIAL	A	SECTION VARIATION INDEX	CHK'D:	F HALLIDAY	DATE:	21-MAR-83	TITLE PARTS LIST
BM	7020752-TW001	B	(A)01,02					CABLE SET ASSY (CI750)
BM	7020752-LTN02	C	(B)	DES.ENG:	B MONDOR	DATE:	21-MAR-83	DOCUMENT NUMBER
			(C)					SIZE CODE NUMBER REV
			(D)	RESP.ENG.:	B MONDOR	DATE:	21-MAR-83	K PL 7020752-0-DBP C
			(E)	MFG.ENG.:	B SMITH	DATE:	21-MAR-83	RELEASE DATE: 01-MAY-85
			(F)	ASSEMBLY NUMBER:		TOP DOCUMENT NUMBER:		FILE NAME: EDIT #
				D-AD-7020752-0-DBU		D-AD-7020752-0-DBU		Z6710C.PLS 12

"THIS DRAWING AND THE SPECIFICATIONS CONTAINED HEREIN ARE CONFIDENTIAL AND PROPRIETARY. THEY ARE THE PROPERTY OF DIGITAL EQUIPMENT CORPORATION AND SHALL NOT BE REPRODUCED OR COPIED OR USED IN WHOLE OR IN PART AS THE BASIS FOR THE MANUFACTURE OR SALE OF ITEMS WITHOUT WRITTEN PERMISSION. THIS IS AN UNPUBLISHED WORK PROTECTED UNDER THE FEDERAL COPYRIGHT LAWS."

REV. B
 NUMBER 0-0-60007
 CODE DD
 SIZE B

DRAWING NO.	NO. OF SHTS.	PART NO.	DESCRIPTION	REVISIONS																				
				1	2	3	4	5	6	7	8	9	10	11	12	13	14	15	16	17	18	19	20	
		L0009-0-0	PARTS REVISION	A1	A2																			
E-UA-L0009-0-0	2		UNIT ASSEMBLY	A	A																			
K-PL-L0009-0-DBP	2		PARTSLIST	A	B																			
D-MD-5015556-0-0	2		DRILL AND ETCH	A	A																			
		5015556-0-0	ETCH BOARD	A	A																			
K-PG-L0009-0-DBI	-		P.C. DATABASE	A	A																			
E-EC-5015556-0-0	2		ETCH CUT	A	A																			
K-CS-L0009-0-01	1	}	SCHEMATICS	A	A																			
K-CS-L0009-0-02	1			A	A																			
K-CS-L0009-0-03	1			A	A																			
K-CS-L0009-0-04	1			A	A																			
K-CS-L0009-0-05	1			A	A																			
K-CS-L0009-0-06	1			A	A																			
K-CS-L0009-0-07	1			A	A																			
K-CS-L0009-0-08	1			A	A																			
K-CS-L0009-0-09	1			A	A																			
K-CS-L0009-0-10	1			A	A																			
K-CS-L0009-0-11	1			A	A																			
K-CS-L0009-0-12	1			A	A																			
K-CS-L0009-0-13	1			A	A																			
K-CS-L0009-0-14	1			A	A																			
K-CS-L0009-0-15	1			A	A																			
K-CS-L0009-0-16	1			A	A																			
K-CS-L0009-0-17	1			A	A																			
K-CS-L0009-0-18	1			A	A																			
K-CS-L0009-0-19	1			A	A																			

NOTES:

REVISIONS		DATE	CHG NO.	INIT	REV.
		6/83		INIT	A
		2/84		TWOI	B

"THIS DRAWING AND SPECIFICATIONS, HEREIN, ARE THE PROPERTY OF DIGITAL EQUIPMENT CORPORATION AND SHALL NOT BE REPRODUCED OR COPIED OR USED IN WHOLE OR IN PART AS THE BASIS FOR THE MANUFACTURE OR SALE OF ITEMS WITHOUT WRITTEN PERMISSION.
 COPYRIGHT © 1983 DIGITAL EQUIPMENT CORPORATION



USED ON OPTION/MODEL	DRM <i>Thomas F. Walsh</i> 4-7-83	TITLE	C.C.I.		
	CHK'G <i>Thomas F. Walsh</i> 4-7-83	SIZE	CODE	NUMBER	REV.
	ENG. <i>G. Koelbe</i> 6-20-83	B	DD	L0009-0-0	B
	PROD. <i>GARRY NEUMANN GK</i> 6-20-83	SHEET	1 OF 2		

TW

DRAWING NO.	NO. OF SHTS.	PART NO.	DESCRIPTION	REVISIONS																			
KCS L0009-0-20	1		SCHEMATIC	A	A																		
K-BD-L0009-0-21	1		BLOCK DIAGRAM	A	A																		
K-TD-L0009-0-22	2		TIMING DIAGRAM	A	A																		
K-CS-L0009-0-DBS	-																						

NOTES:

REVISIONS	DATE	CHG NO.	REV.
	6/83	INIT	A
2/84	TWOI	B	

THIS DRAWING AND SPECIFICATIONS, HEREIN, ARE THE PROPERTY OF DIGITAL EQUIPMENT CORPORATION AND SHALL NOT BE REPRODUCED OR COPIED OR USED IN WHOLE OR IN PART AS THE BASIS FOR THE MANUFACTURE OR SALE OF ITEMS WITHOUT WRITTEN PERMISSION.

COPYRIGHT © 1983 DIGITAL EQUIPMENT CORPORATION



USED ON OPTION/MODEL	DRN.	TITLE
	CHK'D	C.C.I.
	ENG.	SIZE CODE NUMBER REV.
	PROD.	B DD L0009-0-0 B
		SHEET 2 OF 2

THIS DRAWING AND SPECIFICATIONS HERETO AND THE
REVISIONS HEREON ARE THE PROPERTY OF THE
UNITED STATES GOVERNMENT. IT IS TO BE
REPRODUCED AND TRANSMITTED IN ANY FORM
AND BY ANY MEANS, ELECTRONIC OR MECHANICAL,
INCLUDING PHOTOCOPYING, RECORDING, OR BY
ANY INFORMATION STORAGE AND RETRIEVAL
SYSTEM, WITHOUT PERMISSION IN WRITING
FROM THE DIRECTOR, ARMY ELECTRONIC CENTER,
FORT MONMOUTH, NEW JERSEY 08050.

REWORK INSTRUCTION:
WIRE ADDS SIDE I

- 0-1 FROM E17.3 TO E17.5
- 0-2 FROM PTH BELOW E146.7 TO E12.13
- 0-3 FROM E72.15 TO E142.10
- 0-4 FROM E29.17 TO E23.2
- 0-5 FROM E23.3 TO E4.13
- 0-6 FROM E29.18 TO E28.10
- 0-7 FROM E42.10 TO E29.10
- 0-8 FROM E9.13 TO E29.9
- 0-9 FROM E9.9 TO E29.8
- 0-10 FROM E41.9 TO E109.11
- 0-11 FROM E131.8 TO E41.12
- 0-12 FROM E132.11 TO E132.13
- 0-13 FROM E101.5 TO E121.3
- 0-14 FROM E116.3 TO E116.2
- 0-15 FROM E152.1 TO E108.4
- 0-16 FROM E152.2 TO E108.6
- 0-17 FROM E152.20 TO E152.19

COMPONENT ADDS: SIDE I

- 0-20 FROM E152.1 TO E152.20 (D2, 11-00114-00)
- 0-21 FROM E152.2 TO E152.19 (D1, 11-00114-00)

COMPONENT DELETES

- 0-30 DELETE RI2

REVISION HISTORY		
DATE	BY	REVISION

TITLE
CC

DOCUMENT NUMBER			
ASSEMBLY	GROUP	REVISION	DATE
E	A	1	

SCALE: 1" = 1'-0"

E
A
L000970-0
A

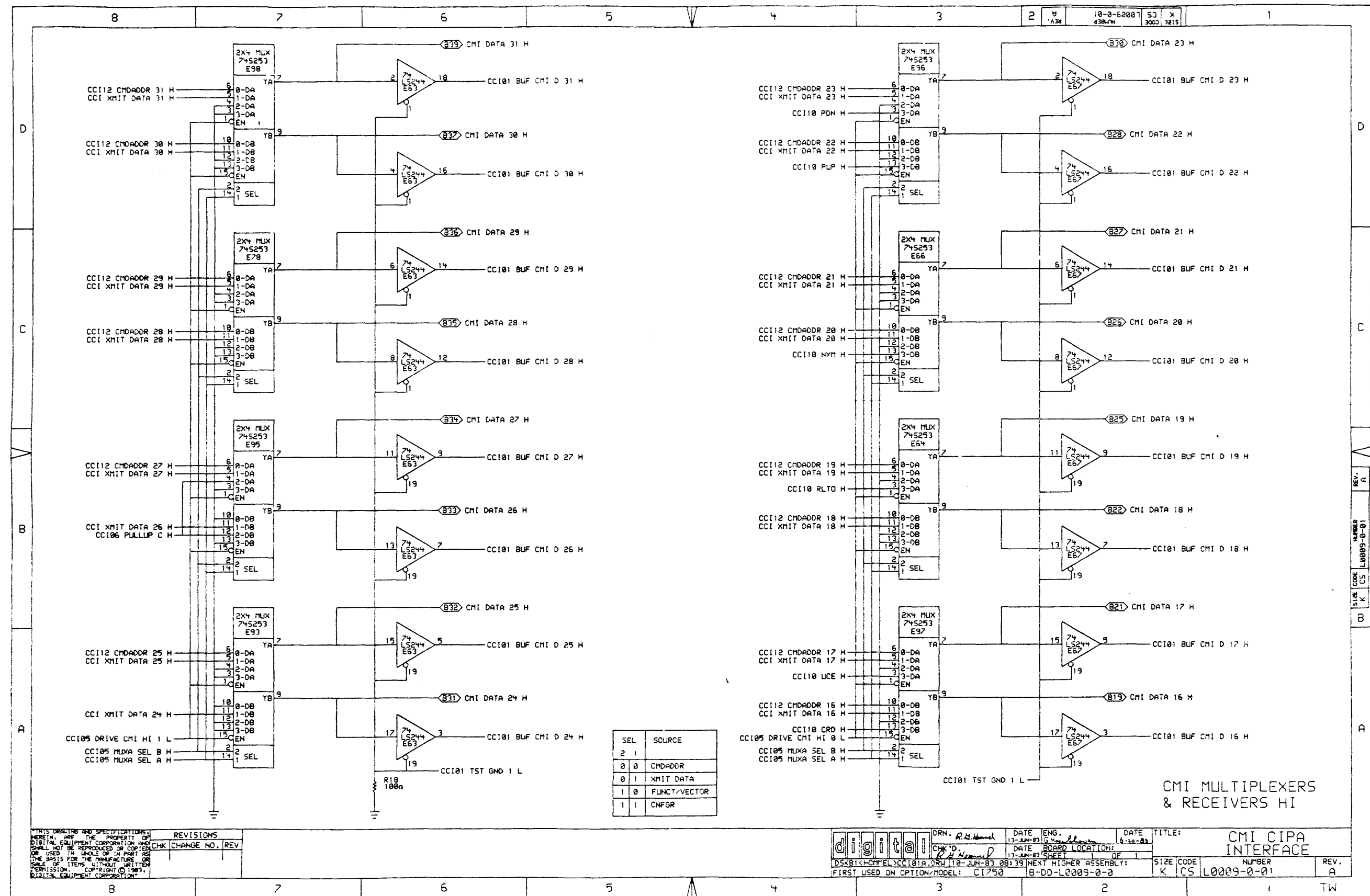
LINE	ITEM	TOP DOCUMENT	PART NUMBER	MIN REV	DESCRIPTION	QTY	PER VARIATION	REFERENCE DESIGNATOR
1	1	D-MD-5015556-0-0	5015556-00		ETCH CUT BOARD	1		
2	53	BLANK			*** THIS ITEM IS NOT USED ***	-		
3	57		1012784-00		.047 MFD 50V +80-20% CER	60		C1,C8-C66
4	56		1017472-00		10 MFD 35V +50-10% AL EL	6		C2-C7
5	22		1318784-00		R NETWORK MULTI-VALUE 16PIN	1		E31
6	60		1216988-02		HANDLE,MODULE,HEX TWO EJECTORS	1		
7	55		1300005-01		R NETWORK 13-1K 5.0 % 14PIN	1		E16
8	47		1300229-00		100.0 .25 W 5.0 % CF	4		R1,R15,R18,R20
9	48		1300250-00		150.0 .25 W 5.0 % CF	4		R3,R4,R5,R6
10	49		1302379-00		75.0 .25 W 5.0 % CF	4		R7,R11,R21,R22
11	51		1305125-00		383.0 .25 W 1.0 % RN55D-F10	1		R9
12	50		1311422-00		178.0 .25 W 1.0 % RN55D-F10	2		R8,R10
13	39		1312628-00		R NETWORK 14-176.5 14-375 16PIN	3		E108,E123,E138
14	52		1503121-00		2N 2369 NPN 350MW SI N	1		Q1
15	29		1616653-01		DELAY= 100NS,10TAPS WITH TTLBU	2		E46,E160
16	23		1909705-00		DEC 8881 NAND GATE-QUAD 2IN 0	2		E32,E146
17	9		1910532-00		74S00 NAND GATE-QUAD 2IN	4		E11,E44,E137,E163
18	17		1910534-00		74S04 INVERTER GATE-HEX 1I	4		E24,E129,E132,E161
19	13		1910535-00		74S05 INVERTER GATE-HEX 1	1		E17
20	10		1910536-00		74S10 NAND GATE-TRIPLE 3IN	4		E13,E54,E112,E136
21	2		1910537-00		74S11 AND GATE-TRIPLE 3INP	3		E2,E12,E149
22	27		1910544-00		74S74 FF-D DUAL,EDGE TRIGG	1		E41
23	28		1910545-00		74S112 FF-JK DUAL,EDGE TRIG	3		E43,E106,E147
24	44		1910549-00		74S158 MUX 1 OF 2 (QUAD)	2		E142,E143
25	16		1910550-00		74S174 FF-D HEX	4		E23,E25,E27,E164
26	8		1910957-00		74S175 FF-D QUAD COMMON CLO	4		E9,E42,E72,E162
27	45		1911469-00	DEC	8640 RECEIVER,BUS,QUAD,U	1		E144
28	25		1911573-00		74S280 PARITY GEN/CHKR,9BIT	4		E38,E59,E103,E114
29	40		1911675-00		74S138 DECODER/DEMUX 3-8 LI	2		E115,E157
30	46		1911712-00		74S51 AND-OR GATE-INVERT D	1		E148

REVISION HISTORY			BASIC PART NO: L0009			DRN: D. SIREEN			DATE: 11-17-82			DIGITAL		
ENG	ECO NUMBER	REV	SECTION A OF A			CHK'D: E.T. GERRY			DATE: 11-17-82			TITLE PARTS LIST		
---	INITIAL	A	SECTION VARIATION INDEX			DES.ENG: G. KOECKHOVEN			DATE: 11-17-82			DOCUMENT NUMBER		
RE	L0009-TW001	B	[A]	00	RESP.ENG.: G. KOECKHOVEN			DATE: 11-17-82			SIZE	CODE	NUMBER	REV
			[B]		MFG.ENG.: BARRY NEWMANN			DATE: 20-JUN-83			K	PL	L0009-0-DBP	B
			[C]		ASSEMBLY NUMBER:			TOP DOCUMENT NUMBER:			FILE NAME:			EDIT #
			[D]		E-UA-L0009-0-0			B-DD-L0009-0-0			Z3933B.PLS			15
			[E]											
			[F]											
			[G]											
			[H]											
			[I]											
			[J]											
			[K]											
			[L]											
			[M]											
			[N]											

"THIS DRAWING AND THE SPECIFICATIONS CONTAINED HEREIN ARE CONFIDENTIAL AND PROPRIETARY. THEY ARE THE PROPERTY OF DIGITAL EQUIPMENT CORPORATION AND SHALL NOT BE REPRODUCED OR COPIED OR USED IN WHOLE OR IN PART AS THE BASIS FOR THE MANUFACTURE OR SALE OF ITEMS WITHOUT WRITTEN PERMISSION. THIS IS AN UNPUBLISHED WORK PROTECTED UNDER THE FEDERAL COPYRIGHT LAWS."

LINE	ITEM	TOP DOCUMENT	PART NUMBER	MIN REV	DESCRIPTION	QTY	PER VARIATION	REFERENCE DESIGNATOR
					VARIATION REVISION LEVEL:	00		
						A2		
31	31		1912096-00		DEC 74S86 XOR GATE,QUAD 2IN	1		E55
32	4		1912388-00		74S02 NOR GATE-QUAD 2IN,PO	4		E4,E5,E116,E145
33	20		1912389-00		74S08 AND GATE-QUAD 2IN,PO	6		E29,E90,E128,E133,E150,E156
34	15		1912656-00		LS670 REGISTER FILE,4X4,LO	16		E20,E21,E22,E37,E52,F53,F57,E58, CONT E60,E70,E74,E85,E87,E89,E104, CONT E105
35	30		1912660-00		74S253 MUX 1 OF 4 (DUAL)	16		E47,E49,E50,E61,E64,E66,E78,E79, CONT E80,E81,E86,E93,E95,E96,E97,E98 CONT E101
36	38		1912746-00		DEC 74S37 NAND GATE-QUAD 2IN	1		E8
37	7		1912808-00		LS11 AND GATE-TRIPLE 3IN	1		E134
38	43		1912816-00		LS32 OR GATE-QUAD 2IN,POS	1		E122
39	41		1912820-00		LS51 A-O-I GATE 2-WIDE 2I	1		E75
40	33		1912824-00		LS74 FF-D DUAL,EDGE TRIGG	1		E33
41	24		1912829-00		LS86 X-OR GATE-QUAD 2IN	1		E40,E100,E120,E130
42	26		1912834-00		LS112 FF-JK,DUAL,EDGE TRIG	4		E14
43	11		1912842-00		LS138 DECODER-THREE INPUT,	1		E71,E82
44	32		1912854-00		LS193 COUNTER,SYNCHR,4BIT,	2		E77
45	35		1912863-00		LS273 FF-D OCTAL W/CLEAR	1		E91,E117,E135
46	36		1913340-00		74S32 OR GATE-QUAD 2IN	3		E126,E141
47	42		1913670-00		74S373 LATCH,8BIT TRANS TRI	2		E7,E18,E35,E48,E51,E68,E83
48	6		1913671-00		74S374 FF-D,OCTAL,TRI STATE	7		E76
49	34		1913777-00		LS240 DRIVER,LINE,OCTAL,T	1		E94,E109,E110,E111,E124,E125, CONT E139,E140,E153,E154
50	37		1913788-00		26S10 TRANSCEIVER,BUS,QUA	10		E3,E10,E131
51	3		1914085-00		74S260 NOR GATE-DUAL,POS	3		E19,E56,E73,E88,E99,E102
52	54		1914086-00		74S30 NAND GATE-POS 8IN	2		E45,E107,E151,E165
53	14		1914214-00		LS374 FF-D OCTAL EDGE TRIG	6		E6
54	21		1914451-00		LS393 COUNTER,BINARY,4BIT	4		E15,E34,E36,E62,E63,E65,E67,E69, CONT E84,E113,E127
55	5		1914845-00		2918 FF-D QUAD TRI-STATE	1		E28
56	12		1915193-00		LS244 DRIVER,LINE,OCTAL,T	11		E26
57	19		2309381-00		B1-01	1		E121
58	18		2309506-00		C6-01	1		W1
59	58		23053K5-00		K5-01	1		XE31
60	61		9000024-01		EYELET,ROLLED 0.1210DX0.192	12		XE28,XE121
61	59		9009185-00		JUMPER, WIRE, INSULATED, BLACK B	1		XE26
62	62		1215006-02		SKT,IC 16PIN DIP TIN SOLDER	1		E118,E119,E158,E159
63	63		1215006-04		SKT,IC 20PIN DIP TIN SOLDER	2		D1,D2
64	64		1215006-07		SKT,IC 28PIN DIP TIN SOLDER	1		E155
65	65		1910544-01		74S74-60GG-D DUAL,EDGE TRIG	4		
66	66		1100114-00		PIV= 25 IO=135 MA	2		
67	67		9105740-55		WIRE(WRAP) 30AWG KYNAR UL14	1		
68	68		1913671-50		74S374 FF-D,OCTAL,TRI STATE	1		

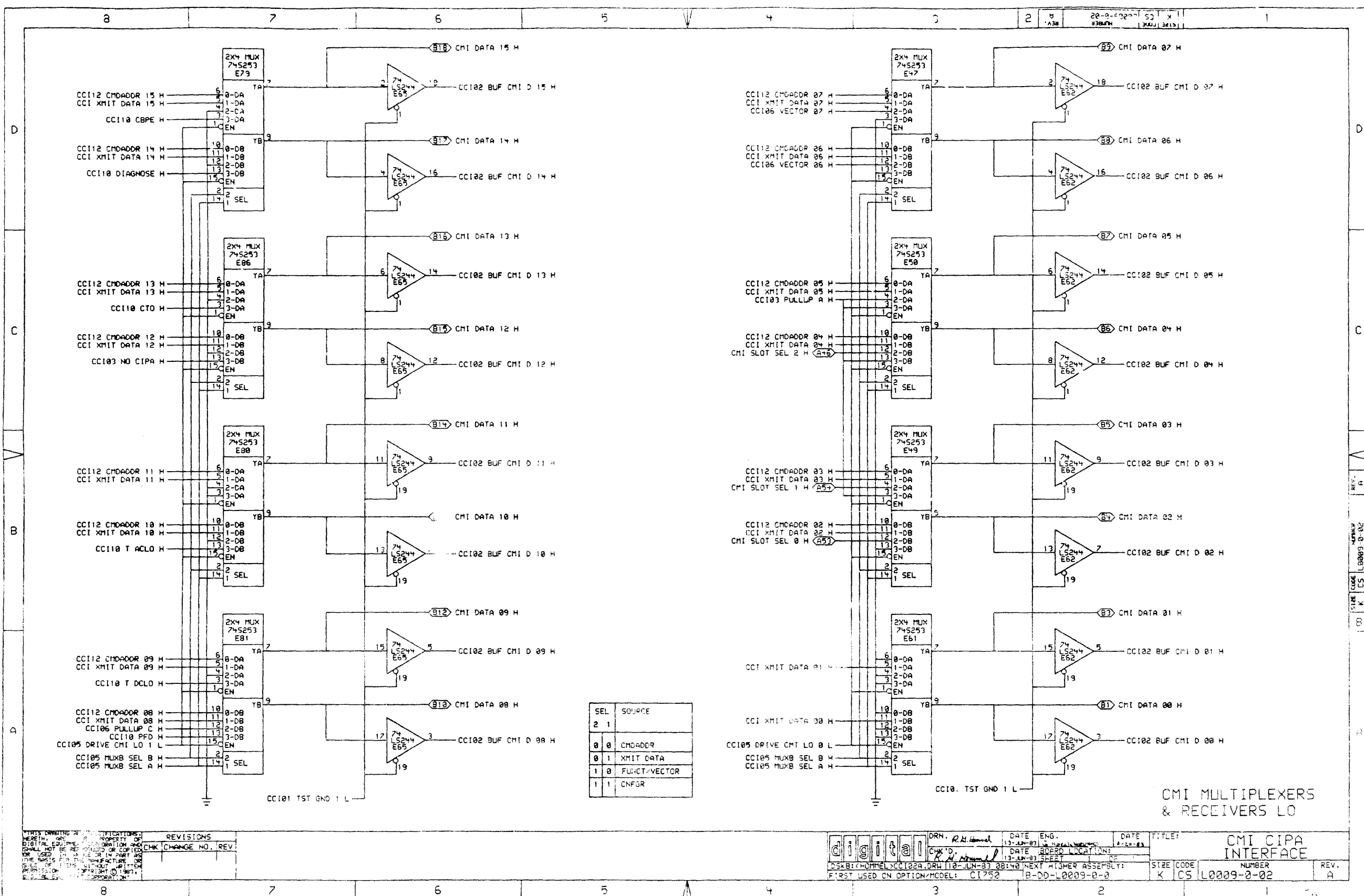
D	I	G	I	T	A	L	TITLE	C.C.I.	SECTION A	OF A	SIZE	CODE	DOCUMENT NUMBER	REV
											K	PL	L0009-0-DBP	B



SEL	SOURCE
0 0	CMDADDR
0 1	XMIT DATA
1 0	FUNCT/VECTOR
1 1	CNFGR

REV	CHG	NO.	REV

digital	DRN: R.H. Hummel	DATE: 12-22-81	ENG: G. M. ...	DATE: 6-10-82	TITLE: CMI CIPA INTERFACE
DSKB: <CHMEL>CC101A.DPL.1	CHK'D: R.H. Hummel	DATE: 17-JUN-83	BOARD LOCATION: 17-JUN-83	DE: 1	NUMBER: L0009-0-01
FIRST USED ON OPTION/MODEL: CI750					REV: A



SEL	SOURCE
2 1	
0 0	CMDADDR
0 1	XMIT DATA
1 0	FUNCT/VECTOR
1 1	CNFR

CMI MULTIPLEXERS & RECEIVERS LO

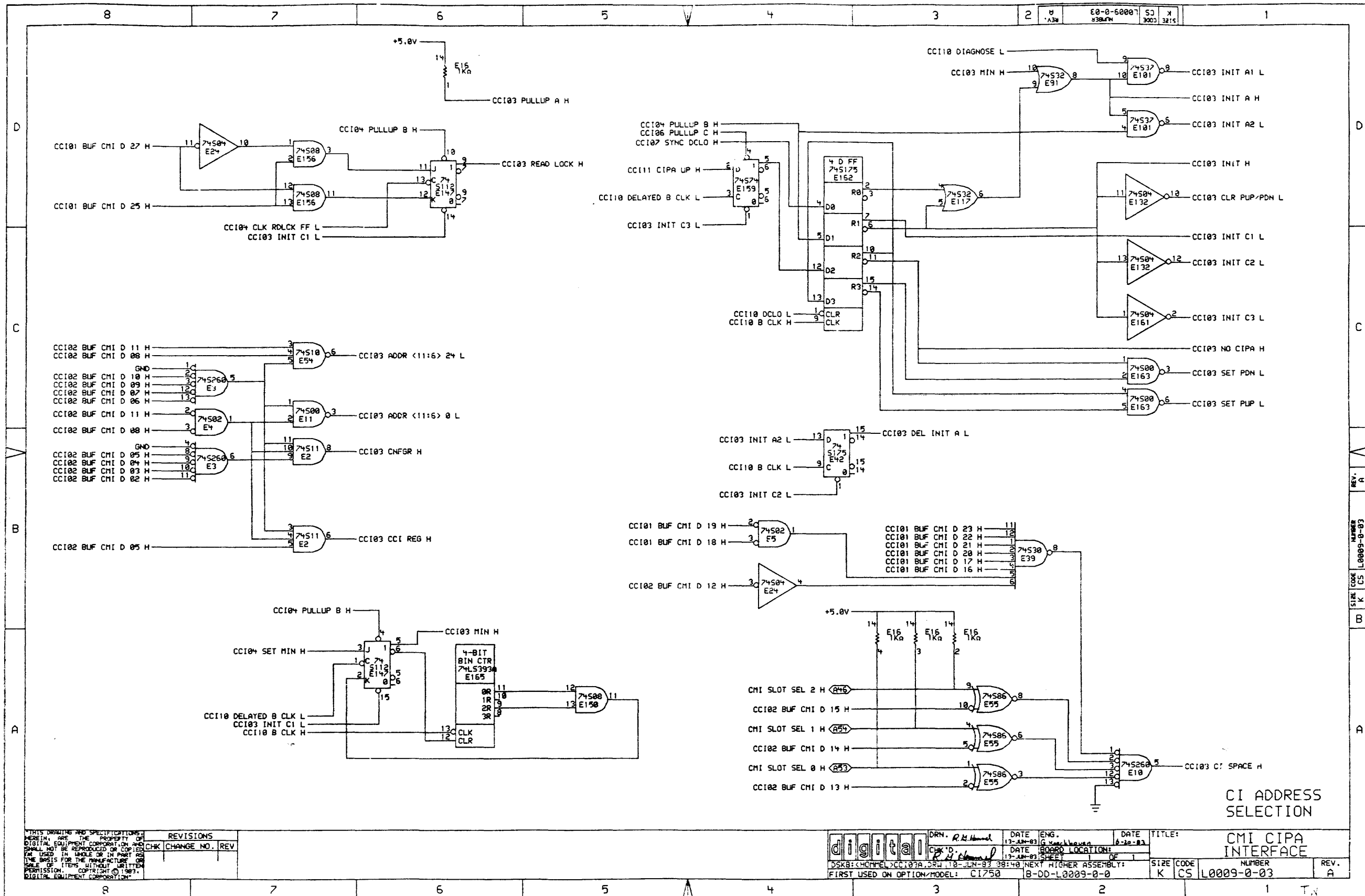
REVISIONS	CHK	CHANGE NO.	REV.

digit@l DRN. R. L. Howell DATE ENG. 13-JUN-83 DATE BOARD LOCATION: 13-JUN-83 SHEET 1 OF 1

DSKB: <HOMTEL>CC102A.DRW 118-JUN-83 08:48 NEXT HIGHER ASSEMBLY: B-DD-L0009-0-0

FIRST USED ON OPTION/MODEL: C1752

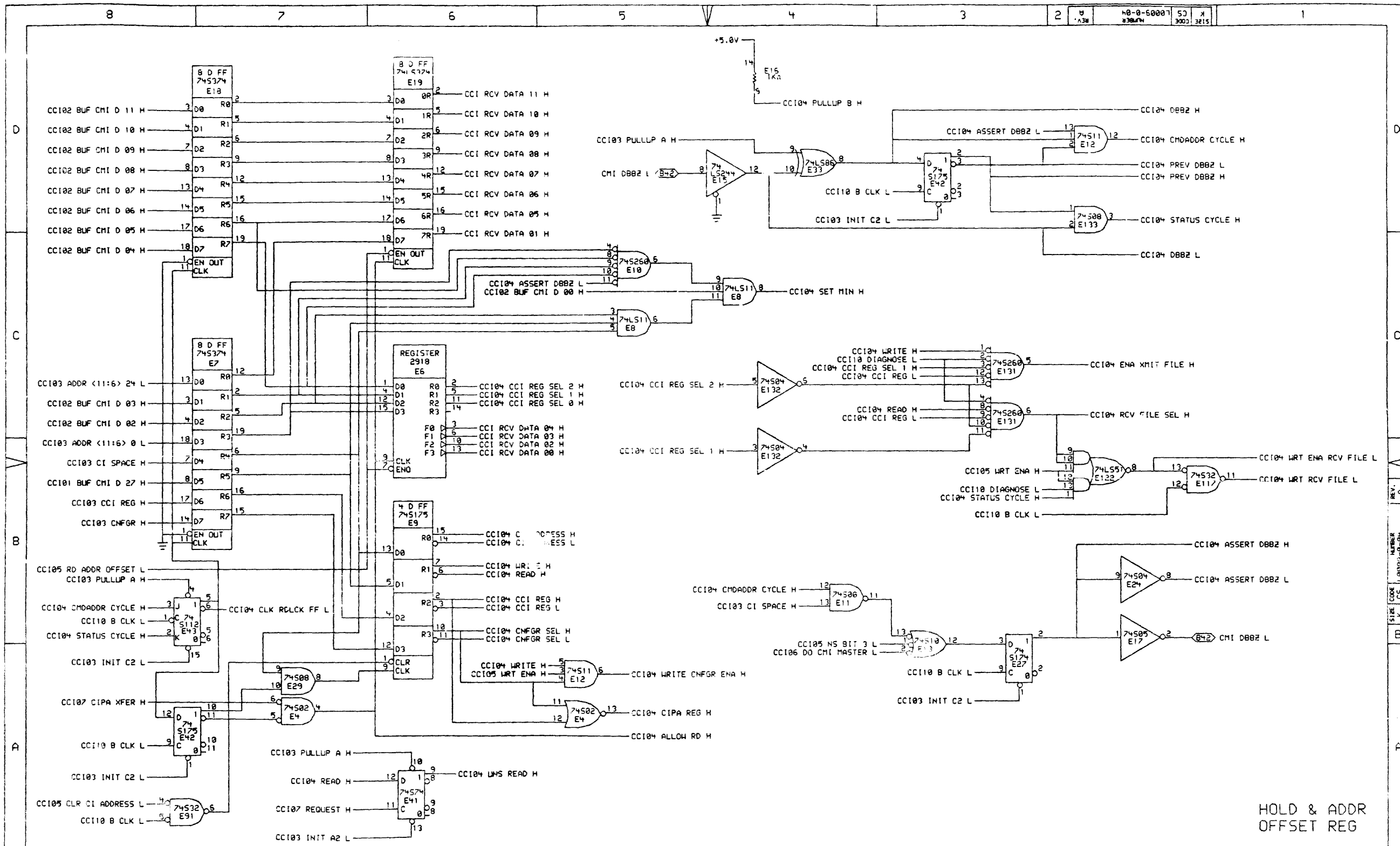
SIZE	CODE	NUMBER	REV.
K	CS	L0009-0-02	A



REV.	DATE	BY	CHK	CHANGE NO.	REV

	DRN. R.H. Howard	DATE 13-JUN-83	ENG. G. Sackhausen	DATE 6-22-83	TITLE: CMI CIPA INTERFACE

REV. A
NUMBER L0009-0-03
SIZE CODE CS
K CS L0009-0-03
REV. A



HOLD & ADDR
OFFSET REG

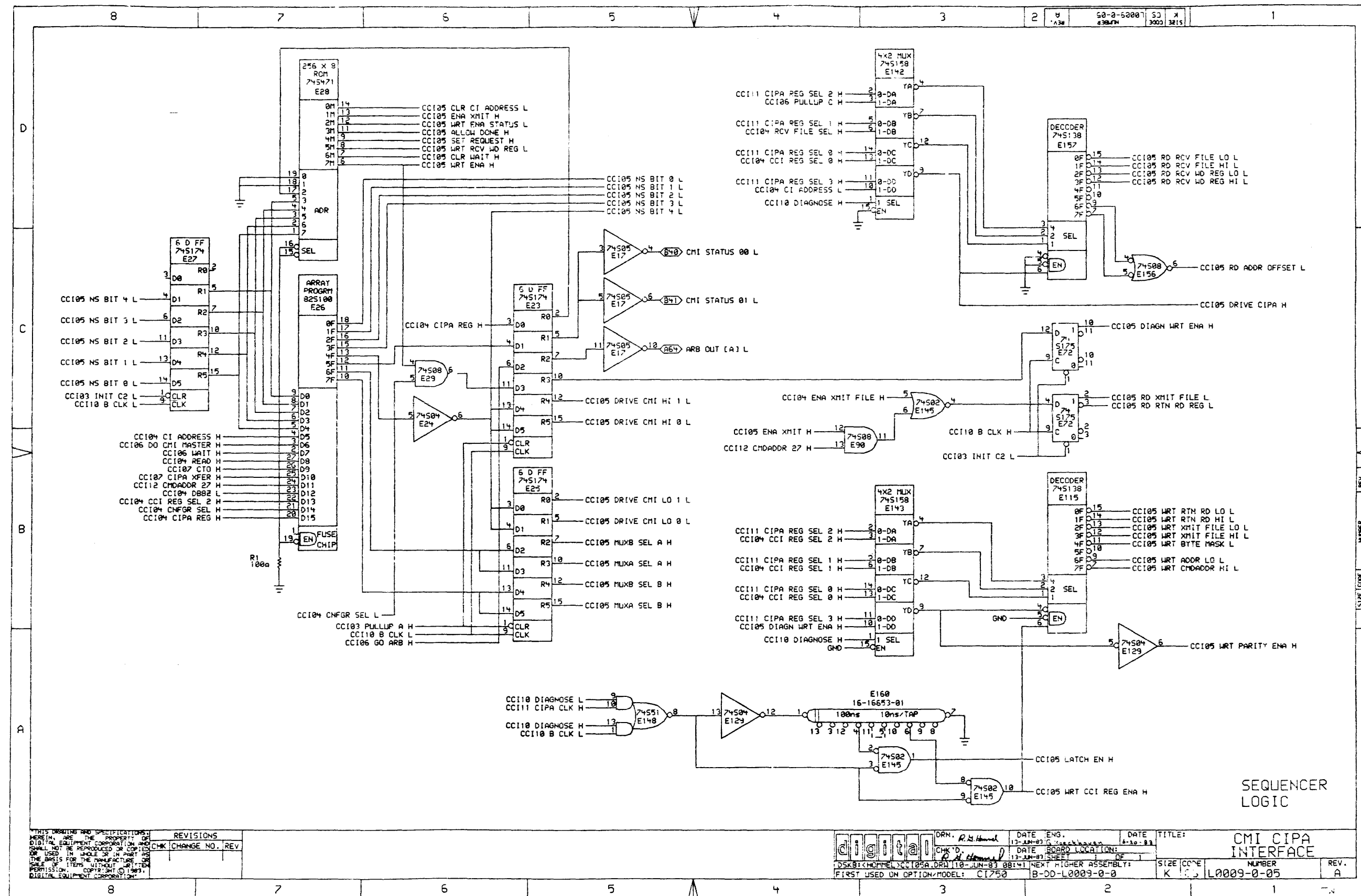
THIS DRAWING AND SPECIFICATION ARE THE PROPERTY OF DIGITAL EQUIPMENT CORPORATION AND ARE NOT TO BE REPRODUCED OR COPIED IN ANY MANNER OR IN ANY MEDIUM WITHOUT THE WRITTEN PERMISSION OF DIGITAL EQUIPMENT CORPORATION.

REV	DESCRIPTION	DATE
1	INITIAL	12-10-82

CHK	CHANGE NO.	REV

DRN: R. A. Hamel	DATE ENG: 12-10-82	DATE: 5-10-83	TITLE: CMI CIPA INTERFACE
CHK'D: R. A. Hamel	DATE BOARD LOCATION: 12-10-82	DATE: 5-10-83	REV: A
DSKB: C:\HOMMEL\CC104A.DPL.1	13-JUN-83 08:41	NEXT HIGHER ASSEMBLY: B-DD-L0009-0-0	SIZE: K
FIRST USED ON OPTION: MODEL: C1750			NUMREF: 6

8	7	6	5	4	3	2	1
---	---	---	---	---	---	---	---

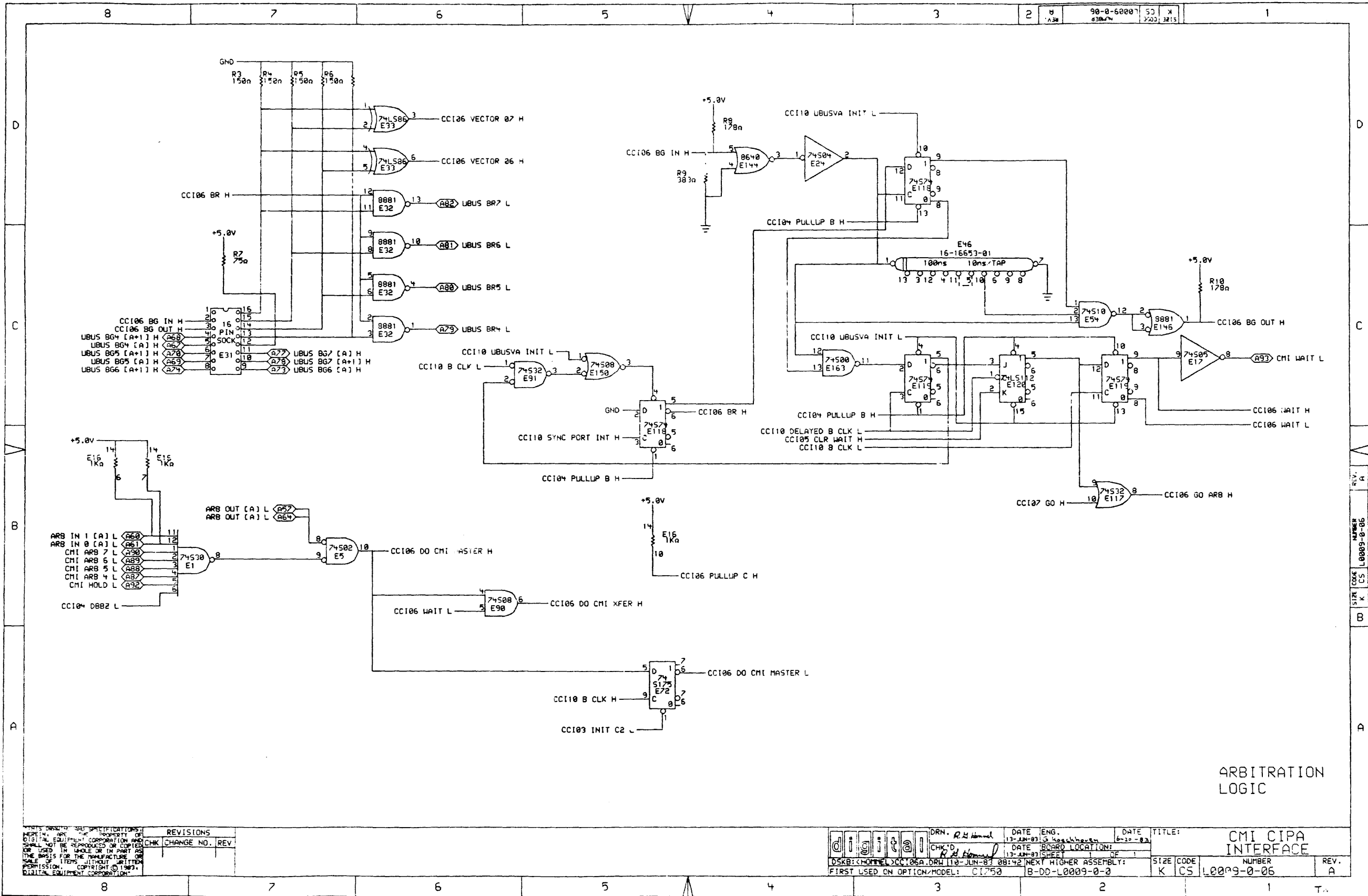


THIS DRAWING AND SPECIFICATIONS HEREIN ARE THE PROPERTY OF DIGITAL EQUIPMENT CORPORATION AND SHALL NOT BE REPRODUCED OR COPIED OR USED IN WHOLE OR IN PART AS THE BASIS FOR THE MANUFACTURE OR SALE OF ITEMS WITHOUT WRITTEN PERMISSION. COPYRIGHT © 1983, DIGITAL EQUIPMENT CORPORATION.

REV.	DESCRIPTION
1	INITIAL RELEASE

REV.	DESCRIPTION
1	INITIAL RELEASE

DRN: R. L. Howard	DATE: 12-20-83	ENG: S. J. Gagnier	DATE: 8-20-83	TITLE: CMI CIPA INTERFACE
CHK'D: R. L. Howard	DATE: 12-20-83	BOARD LOCATION: 1	SHEET: 1 OF 1	SIZE CODE: K
DSKB: HOMMEL CCI05A.DRA 110 JUN-83 08:41	NEXT HIGHER ASSEMBLY: B-DD-L0009-0-0	NUMBER: L0009-0-05	REV: A	
FIRST USED ON OPTION/MODEL: CI750				

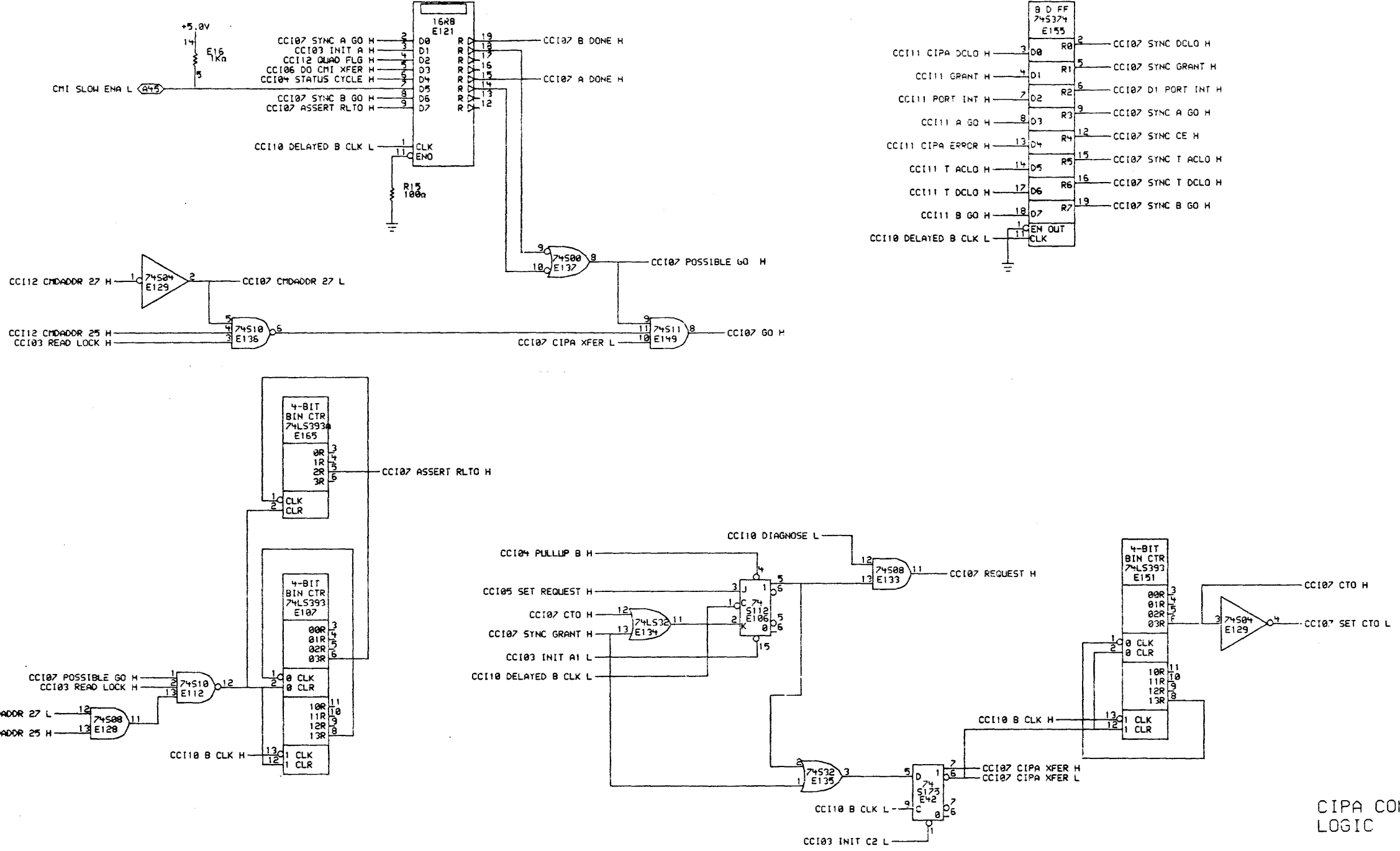


REV	CHG	CHANGE NO.	REV

	DRN: R.H. [Signature] CHK'D: R.H. [Signature]	DATE: 13-JUN-83 DATE: 13-JUN-83	DATE: 6-20-83 DATE: 6-20-83	TITLE: CMI CIPA INTERFACE
DSKB: HOMMEL CCI06A.DRW 110-JUN-83 08:42 NEXT HIGHER ASSEMBLY: B-DD-L0009-0-0	FIRST USED ON OPTION/MODEL: C1750	SIZE: K CS	NUMBER: L0009-0-06	REV: A

8 7 6 5 4 3 2 1

A GO/B GO



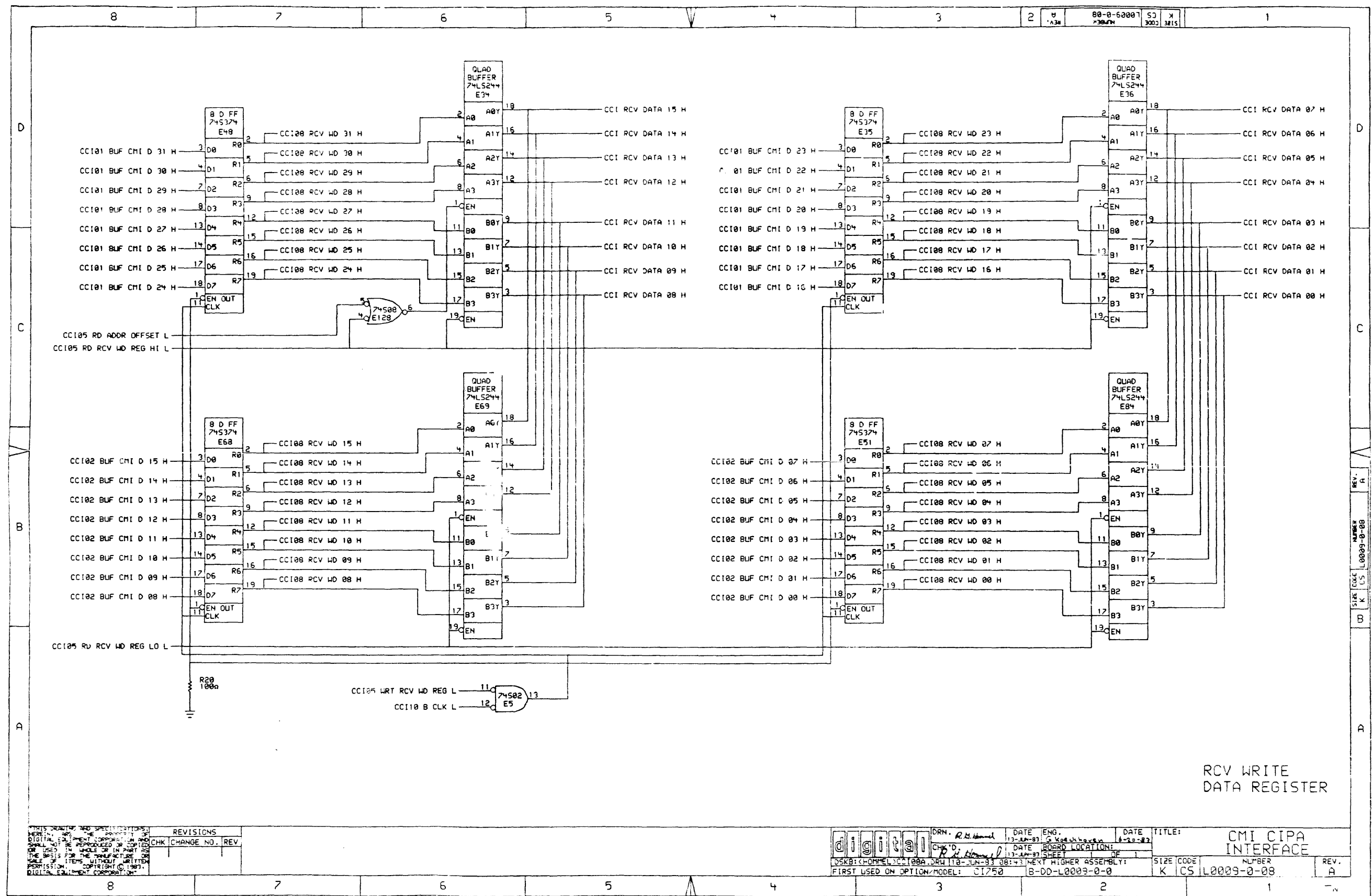
CIPA CONTROL LOGIC

THIS DRAWING AND SPECIFICATIONS HEREIN ARE THE PROPERTY OF DIGITAL EQUIPMENT CORPORATION AND SHALL NOT BE REPRODUCED OR COPIED OR USED IN WHOLE OR IN PART AS THE BASIS FOR THE MANUFACTURE OR SALE OF ITEMS WITHOUT WRITTEN PERMISSION. COPYRIGHT © 1983, DIGITAL EQUIPMENT CORPORATION.

REV. NO.	DATE	BY	CHK	CHANGE NO.	REV

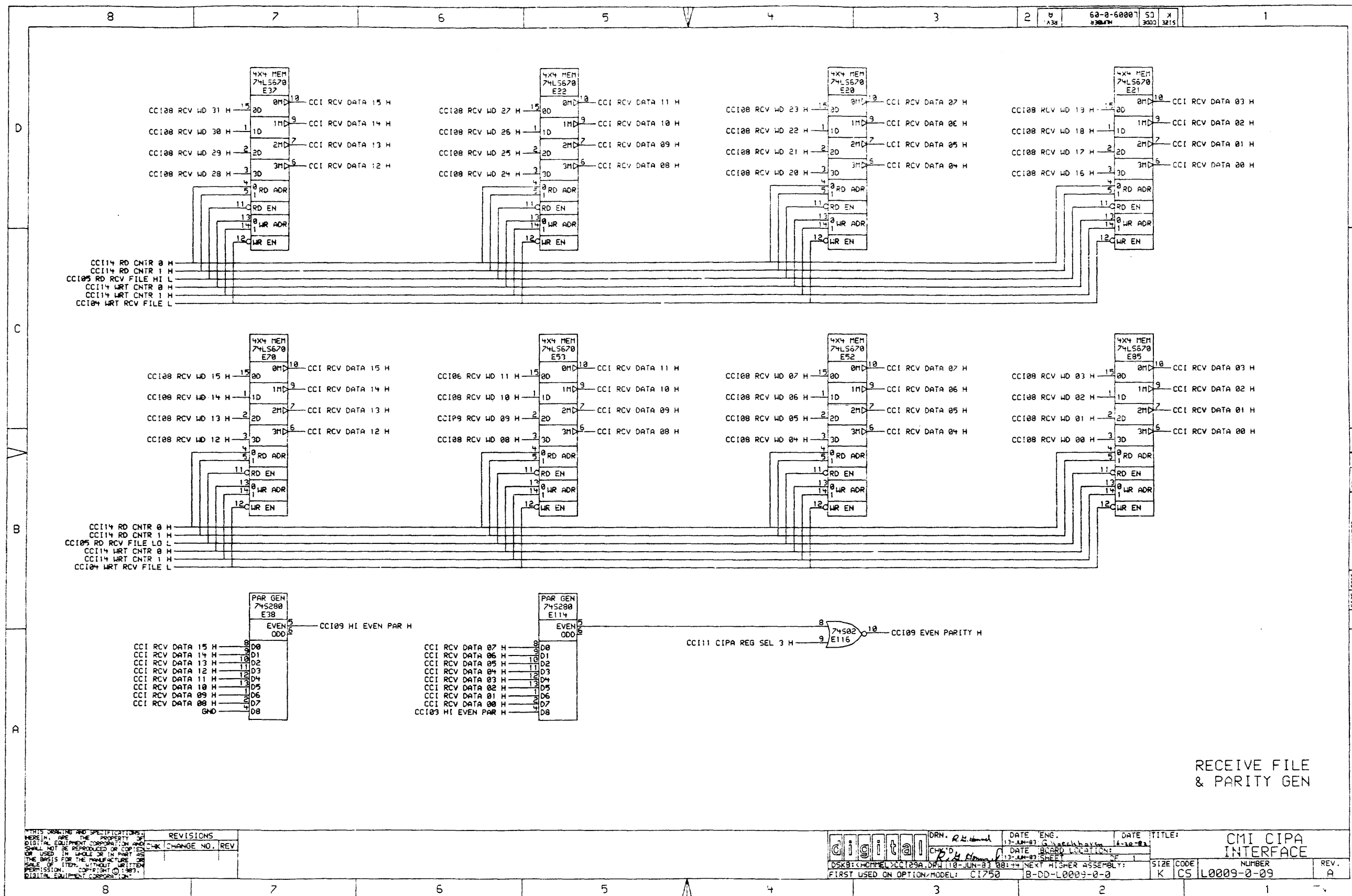
digital	DRN. R. H. ...	DATE ENG. 12-20-83	DATE 1-20-83	TITLE: CMI CIPA INTERFACE
DSKB: <HOME>CC107A.DPL.1	DATE BOARD LOCATION: 13-JUN-83 SHEET 1	SIZE CODE K	NUMBER CS L0009-0-07	REV. A
FIRST USED ON OPTION/MODEL: CI750	NEXT HIGHER ASSEMBLY: B-DD-L0009-0-0			

8 7 6 5 4 3 2 1



REVISIONS	
CHK	CHANGE NO. REV.

digital	DRN. R. H. Hamed	DATE ENG. 12-22-82	DATE 4-22-83	TITLE: CMI CIPA INTERFACE
	CHK'D. R. H. Hamed	DATE BOARD LOCATION: 12-22-82	OF 1	NUMBER L0009-0-08
FIRST USED ON OPTION/MODEL: C1250			SIZE CODE K CS	REV. A

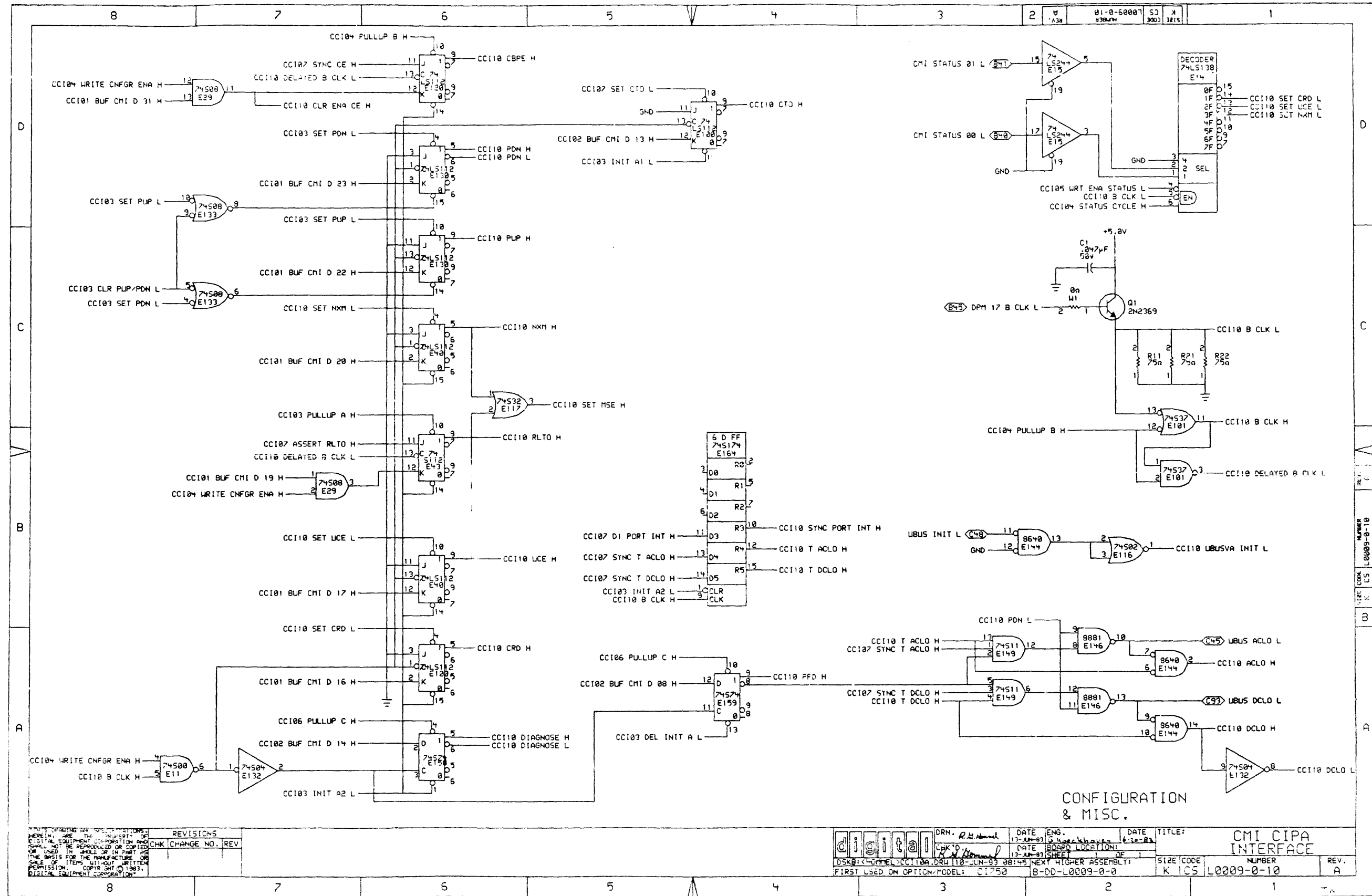


REV. A
NUMBER L0009-0-09
SIZE CS
K
D

WHILE DRAWING AND SPECIFICATIONS HEREIN, ARE THE PROPERTY OF DIGITAL EQUIPMENT CORPORATION AND SHALL NOT BE REPRODUCED OR COPIED OR USED IN WHOLE OR IN PART AS THE BASIS FOR THE MANUFACTURE OR SALE OF ITEMS, WITHOUT WRITTEN PERMISSION OF DIGITAL EQUIPMENT CORPORATION.

REVISIONS	CHANGE NO.	REV.

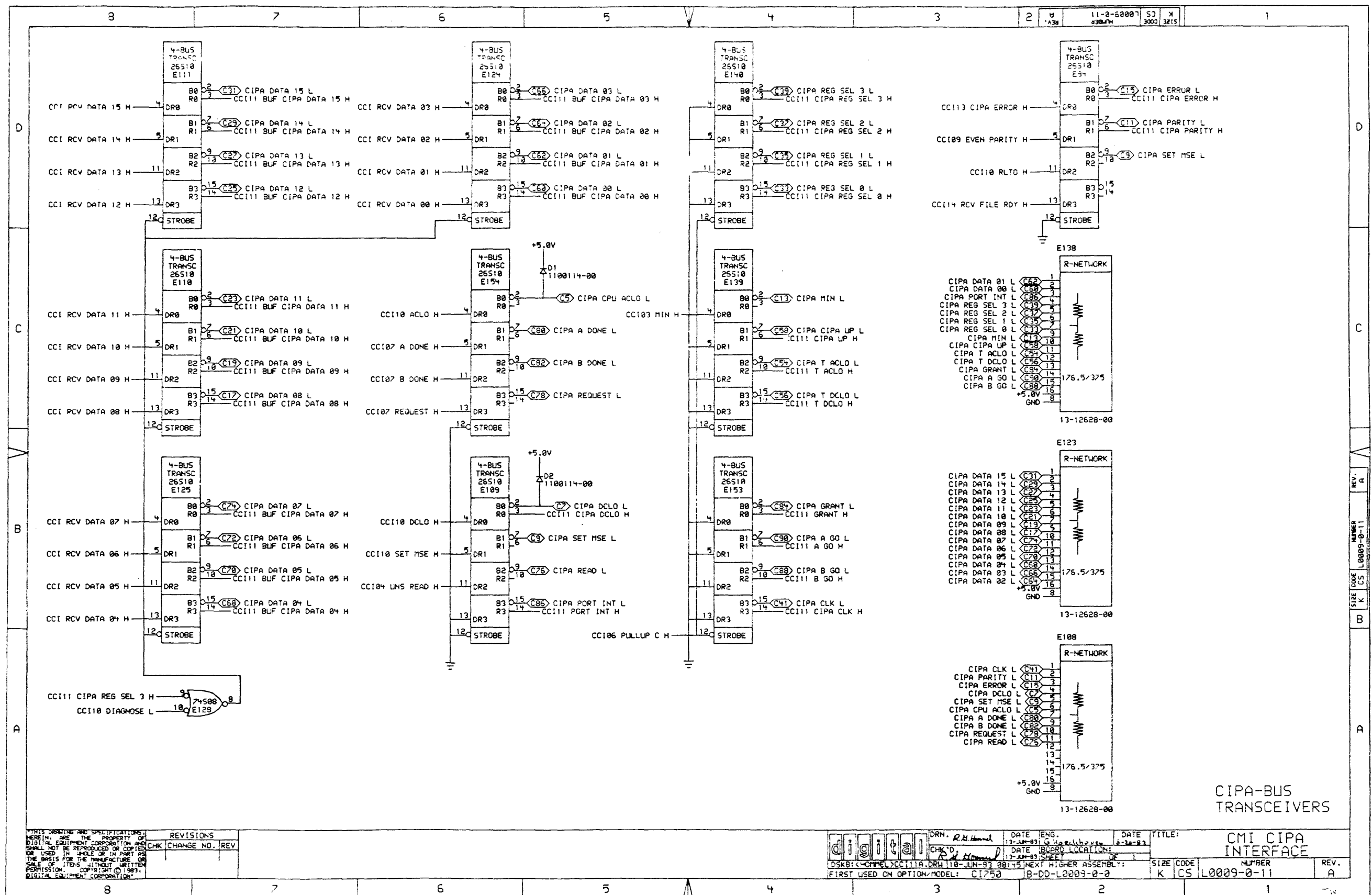
	DATE ENG.	DATE	TITLE:
	13-AN-87 G. Macchiarini	4-10-81	CMI CIPA INTERFACE
DATE BOARD LOCATION:	DATE		
13-AN-87 SHEET 1 OF 1			
DSKB:\HOMMEL\CCI09A.DPL.1 10-JUN-83 08:44 NEXT HIGHER ASSEMBLY:	SIZE CODE	NUMBER	REV.
FIRST USED ON OPTION/MODEL: C1750	K CS	L0009-0-09	A



CONFIGURATION & MISC.

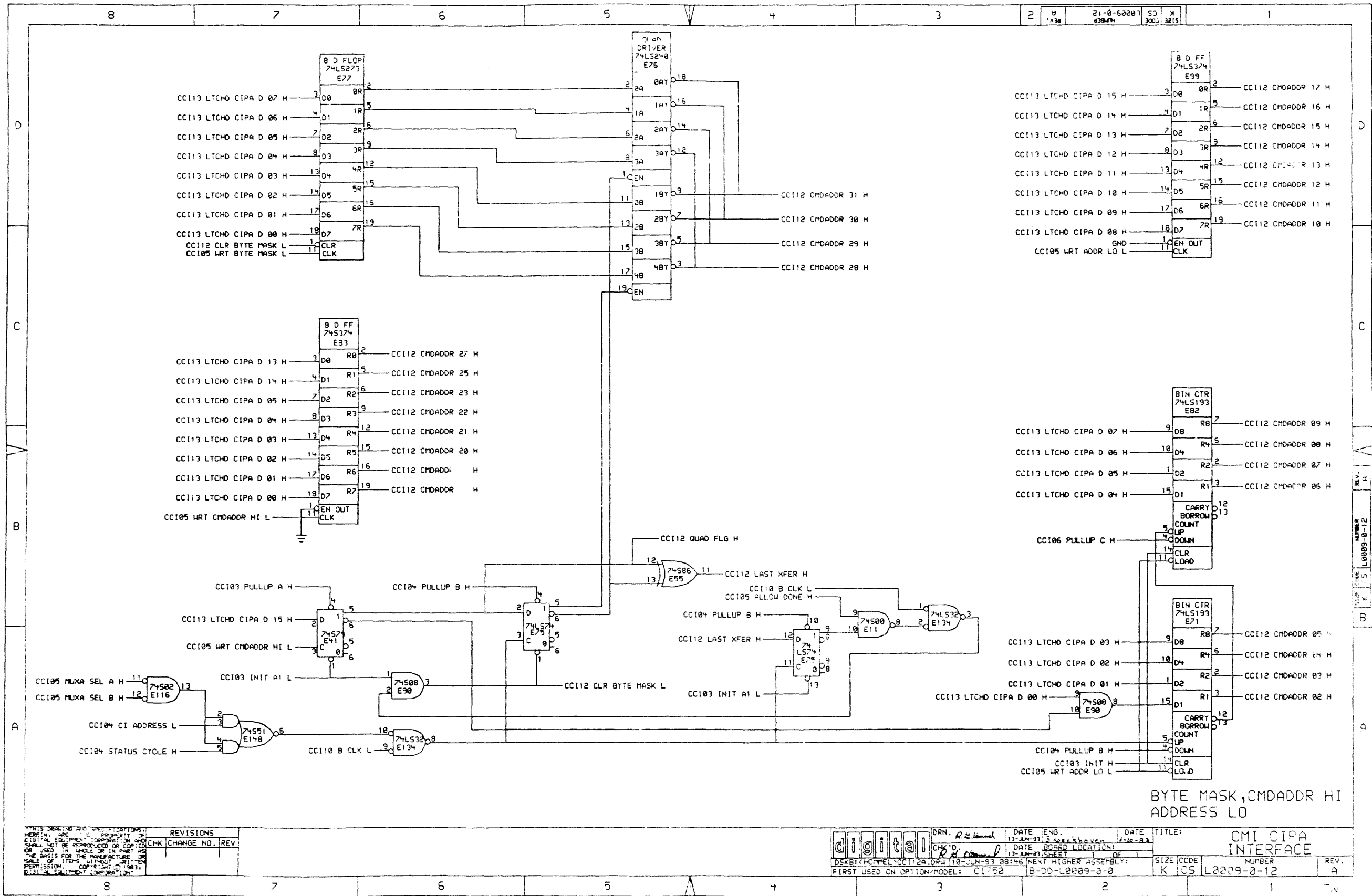
REV.	CHG.	NO.	REV.

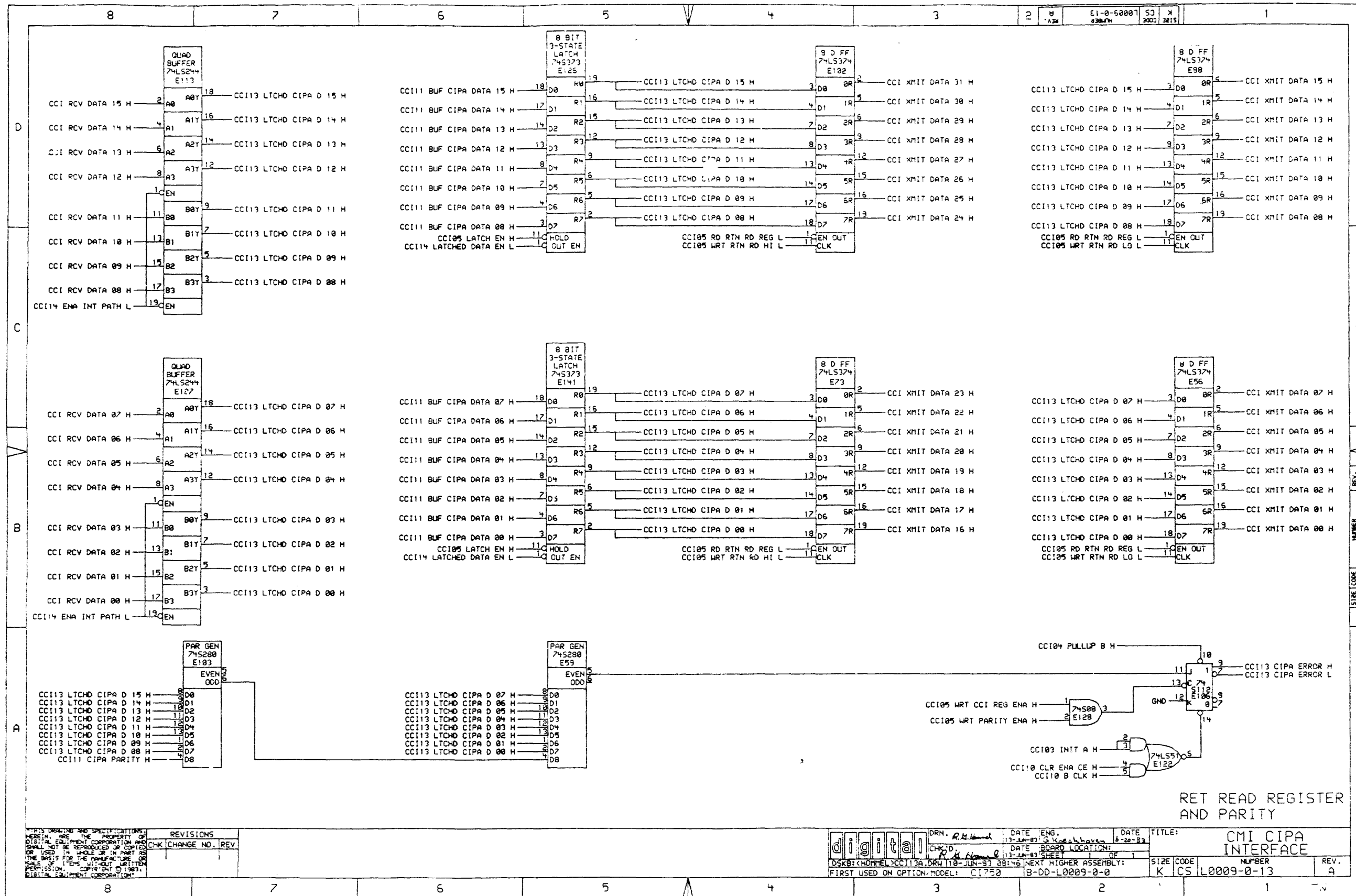
DRN. R.H. Howard	DATE 12-28-83	ENG. S. W. ...	DATE 6-30-83	TITLE: CMI CIPA INTERFACE
CHK'D Howard	DATE 12-28-83	BOARD LOCATION: 1	SIZE CODE: K 105	NUMBER: L0009-0-10
DSK8: <HOMMEL>CC110A.DRW110-JUN-83 08:45	NEXT HIGHER ASSEMBLY: B-00-L0009-0-0	SHEET 1 OF 1	REV. A	
FIRST USED ON OPTION/MODEL: C1750				



REVISIONS		
CHK	CHANGE NO.	REV

digital	DRN: R.H. Howard	DATE ENG: 13-JUN-83	DATE: 8-30-83	TITLE: CMI CIPA INTERFACE
	CHK'D: R.H. Howard	DATE BOARD LOCATION: 13-JUN-83	SHEET: 1 DE 1	SIZE CODE: K CS L0009-0-11
DSKB: C:\CMEL\CC111A.DRM 110-JUN-83 08:15		NEXT HIGHER ASSEMBLY: 18-DD-L0009-0-0	NUMBER: L0009-0-11	REV: A
FIRST USED ON OPTION/MODEL: C1750				



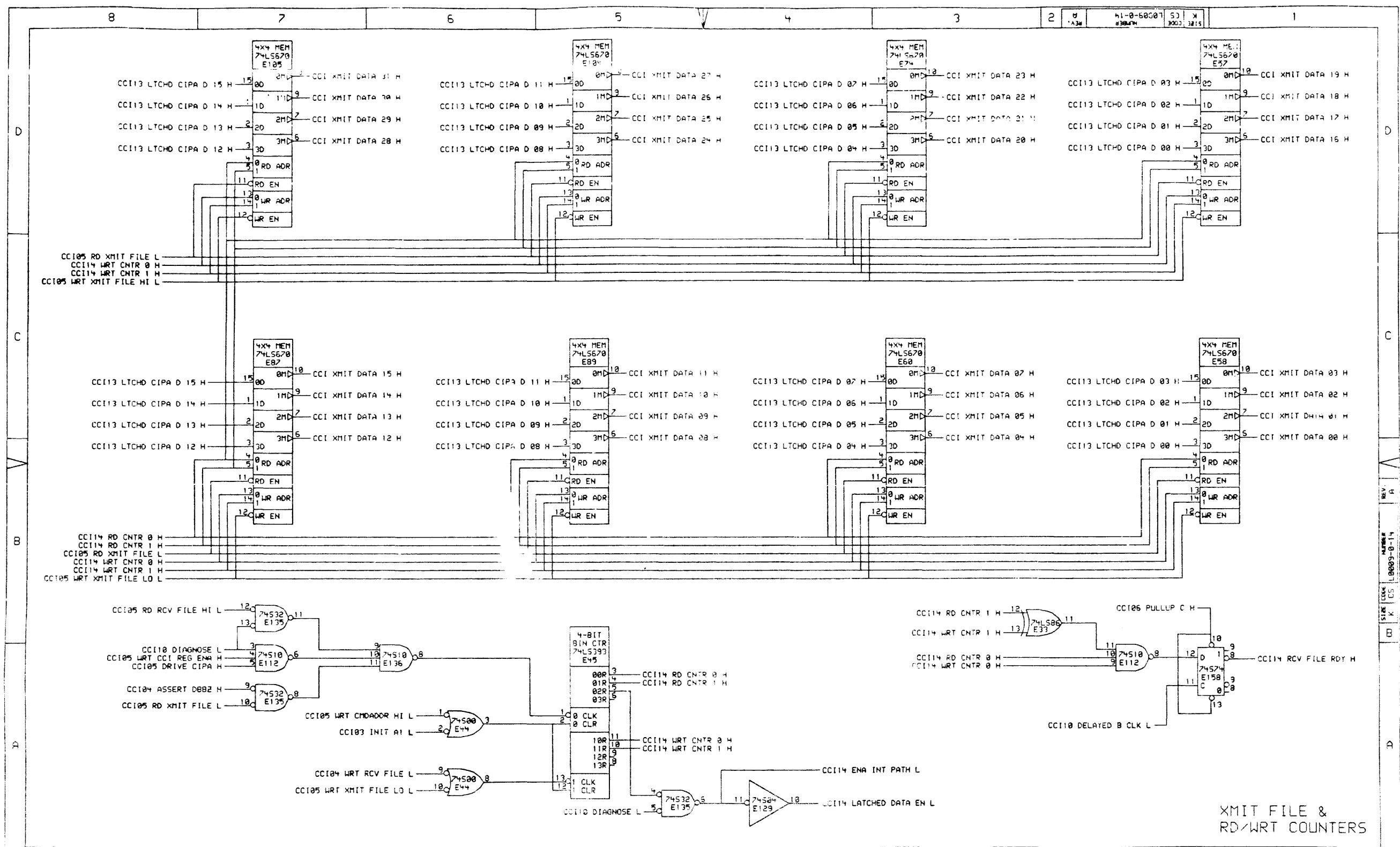


THIS DRAWING AND SPECIFICATIONS HEREIN ARE THE PROPERTY OF DIGITAL EQUIPMENT CORPORATION AND SHALL NOT BE REPRODUCED OR COPIED OR USED IN WHOLE OR IN PART AS THE BASIS FOR THE MANUFACTURE OR SALE OF ITEMS WITHOUT WRITTEN PERMISSION. COPYRIGHT © 1983. DIGITAL EQUIPMENT CORPORATION

REV.	NO.	DATE	BY	CHK.
1	1	12-18-83	S. K. ...	
2	1	6-22-83		

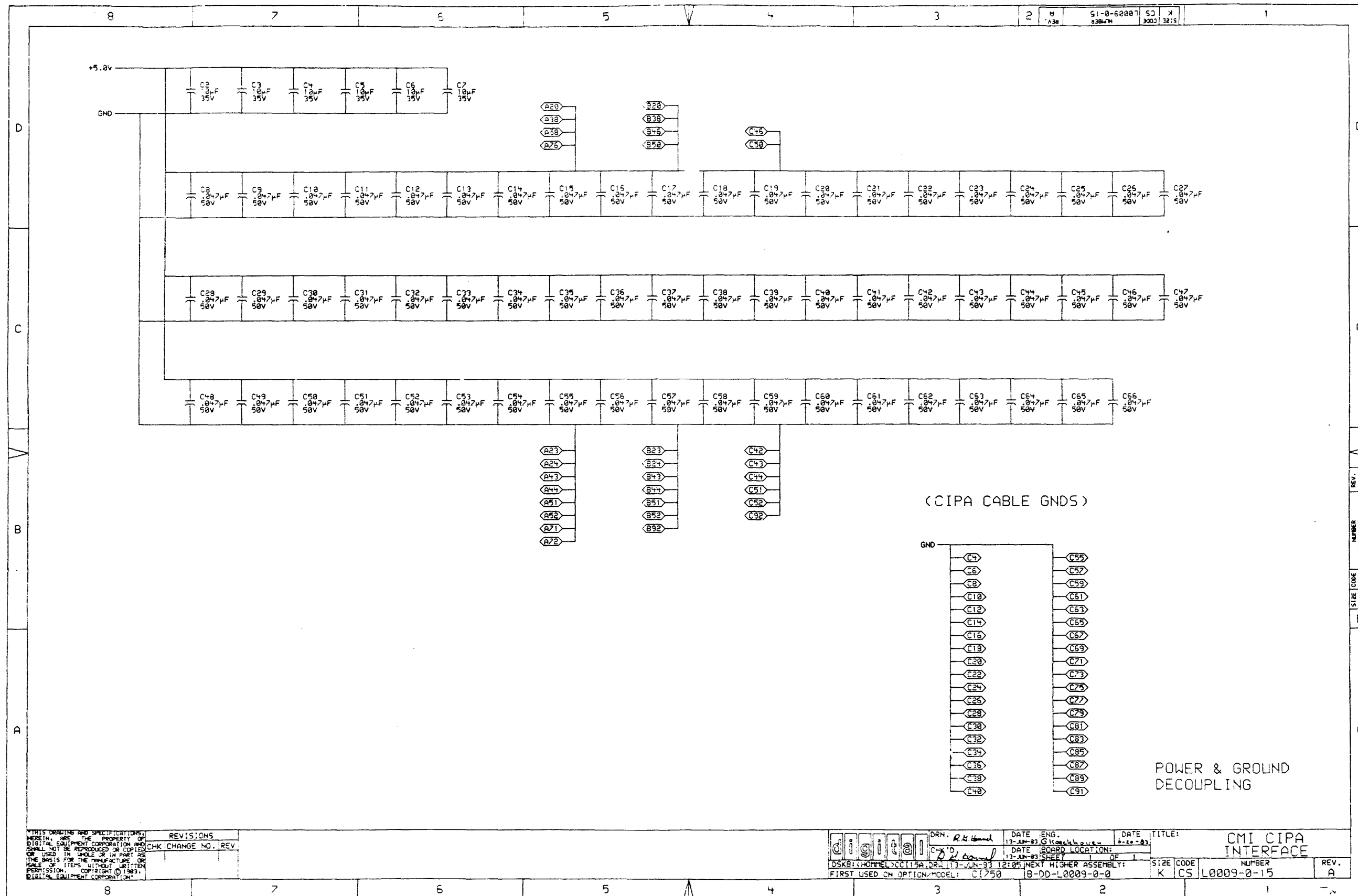
REV.	NO.	DATE	BY	CHK.
1	1	12-18-83	S. K. ...	
2	1	6-22-83		

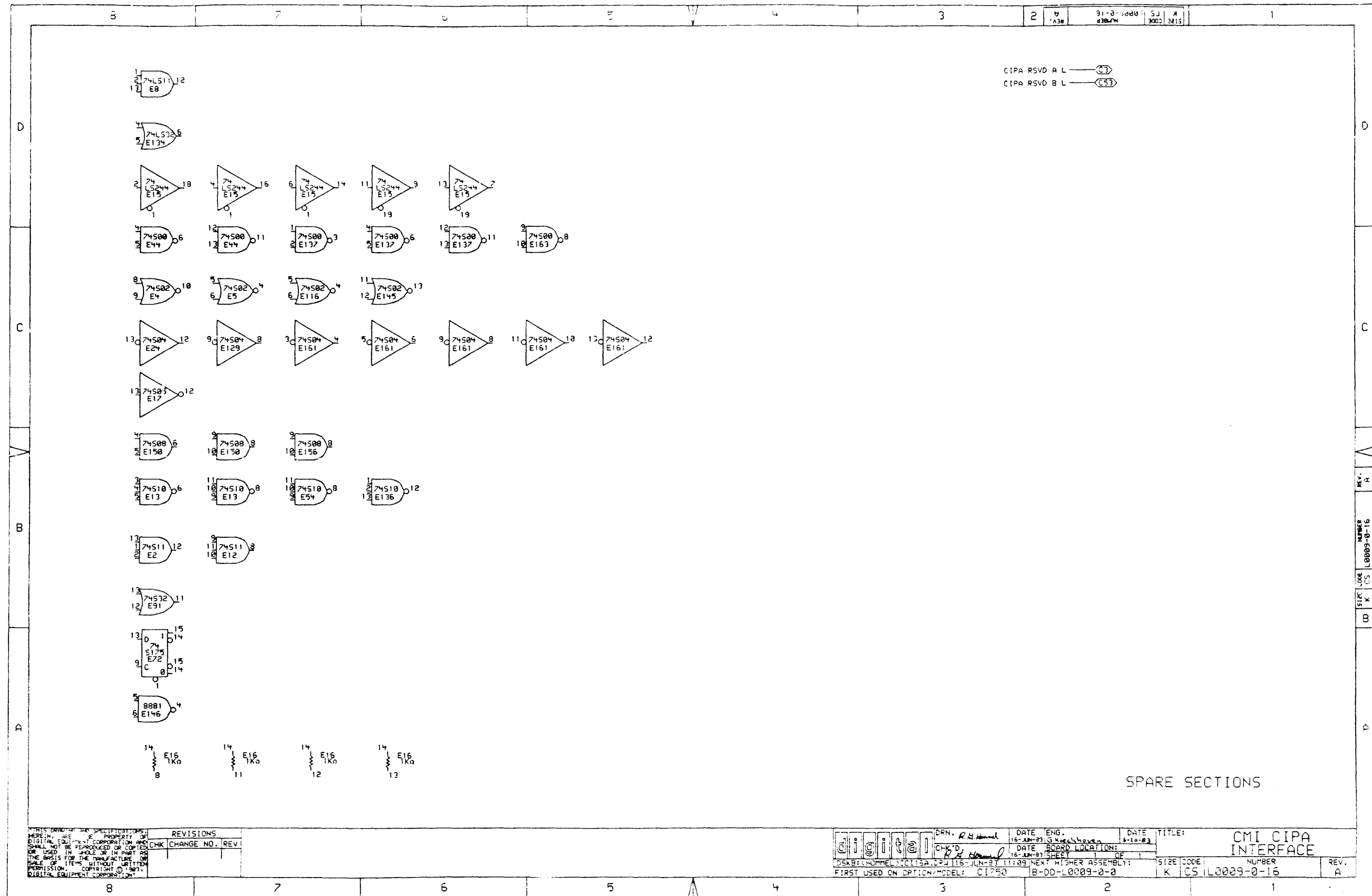
DRN. <i>R. H. ...</i>	DATE ENG. <i>12-18-83</i>	DATE BOARD LOCATION <i>6-22-83</i>	TITLE: CMI CIPA INTERFACE
CHK'D. <i>R. H. ...</i>	DATE <i>12-18-83</i>	SHEET <i>1</i>	SIZE CODE NUMBER REV. K CS L0009-0-13 A
DSKB: <HOMTEL>CCI13A.DRW 10-JUN-83 09:16	NEXT HIGHER ASSEMBLY:		
FIRST USED ON OPTION MODEL: C1750	B-DD-L0009-0-0		



REVISIONS	
CHK	CHANGE NO. REV

digital	ORN: R.H. Hannel	DATE ENG. 12-14-81	DATE 6-10-82	TITLE: CMI CIPA INTERFACE
CHK'D	DATE 11-18-81	SHEET 1 OF 1	SIZE CODE K	NUMBER L2009-0-14
DSKB: HOMPEL/CC114A.SRL 110-LN-83 09:02	NEXT HIGHER ASSEMBLY: B-DD-L2009-0-0	REV. A		
FIRST USED ON OPTION MODEL: CI750				





SPARE SECTIONS

REVISIONS	
CHK	CHANGE NO. REV

DIGITAL	DRN. R. L. Howard	DATE ENG. 16-11-63	DATE 6-12-63	TITLE: CMI CIPA INTERFACE
	CHK'D R. S. Howard	DATE BOARD LOCATION: 16-11-63	SHEET 1 OF 1	NUMBER 1
DSKB:KHMELJCC116A.DPL118 JUN 67 11:09 NEXT PITCHER ASSEMBLY:		FIRST USED ON OPTION/MODEL: C1250		REV. A

SIGNAL NAME	PAGE NUMBER(S)	SIGNAL NAME	PAGE NUMBER(S)	SIGNAL NAME	PAGE NUMBER(S)
ARB IN 0 (A) L	06	CCI XMIT DATA 31 H	01,13,14	CCI03 PULLUP A H	03,05,04,12,10,02
ARB IN 1 (A) L	06	CCI01 BUF CHI D 16 H	08,03,01,10	CCI03 READ LOCK H	07,03
ARB OUT (A) L	06,05	CCI01 BUF CHI D 17 H	08,03,10,01	CCI03 SET PON L	10,03
CCI RCV DATA 00 H	04,09,08,11,13	CCI01 BUF CHI D 18 H	03,08,01	CCI03 SET PUP L	10,03
CCI RCV DATA 01 H	04,09,08,11,13	CCI01 BUF CHI D 19 H	03,10,09,01	CCI04 ALLOW RD H	04
CCI RCV DATA 02 H	04,09,08,11,13	CCI01 BUF CHI D 20 H	08,03,10,01	CCI04 ASSERT DBB2 H	04,14
CCI RCV DATA 03 H	04,09,08,11,13	CCI01 BUF CHI D 21 H	08,03,01	CCI04 ASSERT DBB2 L	04
CCI RCV DATA 04 H	04,09,08,11,13	CCI01 BUF CHI D 22 H	08,03,01,10	CCI04 CCI REG H	04
CCI RCV DATA 05 H	04,09,08,11,13	CCI01 BUF CHI D 23 H	08,03,01,10	CCI04 CCI REG L	04
CCI RCV DATA 06 H	04,09,08,11,13	CCI01 BUF CHI D 24 H	08,01	CCI04 CCI REG SEL 0 H	04,05
CCI RCV DATA 07 H	04,09,08,11,13	CCI01 BUF CHI D 25 H	08,01,03	CCI04 CCI REG SEL 1 H	04,05
CCI RCV DATA 08 H	04,09,08,11,13	CCI01 BUF CHI D 26 H	09,01	CCI04 CCI REG SEL 2 H	04,05
CCI RCV DATA 09 H	04,09,08,11,13	CCI01 BUF CHI D 27 H	04,03,08,01	CCI04 CI ADDRESS H	04,05
CCI RCV DATA 10 H	04,09,08,11,13	CCI01 BUF CHI D 28 H	08,01	CCI04 CI ADDRESS L	04,05,12
CCI RCV DATA 11 H	04,09,08,11,13	CCI01 BUF CHI D 29 H	08,01	CCI04 CIPA REG H	04,05
CCI RCV DATA 12 H	08,09,11,13	CCI01 BUF CHI D 30 H	08,01	CCI04 CLK ROLCK FF L	04,03
CCI RCV DATA 13 H	08,09,11,13	CCI01 BUF CHI D 31 H	10,08,01	CCI04 CMDADDR CYCLE H	04
CCI RCV DATA 14 H	08,09,11,13	CCI01 TST GND 1 L	02,01	CCI04 CNFGR SEL H	04,05
CCI RCV DATA 15 H	08,09,11,13	CCI02 BUF CHI D 00 H	04,08,02	CCI04 CNFGR SEL L	04,05
CCI XMIT DATA 00 H	13,14,02	CCI02 BUF CHI D 01 H	08,02	CCI04 DBB2 H	04
CCI XMIT DATA 01 H	13,14,02	CCI02 BUF CHI D 02 H	03,04,08,02	CCI04 DBB2 L	06,04,05
CCI XMIT DATA 02 H	02,13,14	CCI02 BUF CHI D 03 H	03,04,08,02	CCI04 ENA XMIT FILE H	04,05
CCI XMIT DATA 03 H	02,13,14	CCI02 BUF CHI D 04 H	03,04,08,02	CCI04 PREV DBB2 H	04
CCI XMIT DATA 04 H	02,13,14	CCI02 BUF CHI D 05 H	03,04,08,02	CCI04 PREV DBB2 L	04
CCI XMIT DATA 05 H	02,13,14	CCI02 BUF CHI D 06 H	03,04,08,02	CCI04 PULLUP B H	04,12,10,03,07,13,06
CCI XMIT DATA 06 H	02,13,14	CCI02 BUF CHI D 07 H	03,04,08,02	CCI04 RCV FILE SEL H	04,05
CCI XMIT DATA 07 H	02,13,14	CCI02 BUF CHI D 08 H	03,04,02,08,10	CCI04 READ H	04,05
CCI XMIT DATA 08 H	02,13,14	CCI02 BUF CHI D 09 H	03,04,02,08	CCI04 SET MIN H	04,03
CCI XMIT DATA 09 H	02,13,14	CCI02 BUF CHI D 10 H	03,04,02,08	CCI04 STATUS CYCLE H	10,04,07,12
CCI XMIT DATA 10 H	02,13,14	CCI02 BUF CHI D 11 H	03,04,02,08	CCI04 UNS READ H	04,11
CCI XMIT DATA 11 H	02,13,14	CCI02 BUF CHI D 12 H	03,02,08	CCI04 WRITE CNFGR ENA H	10,04
CCI XMIT DATA 12 H	02,14,13	CCI02 BUF CHI D 13 H	03,02,08,10	CCI04 WRITE H	04
CCI XMIT DATA 13 H	02,14,13	CCI02 BUF CHI D 14 H	03,02,08,10	CCI04 WRT ENA RCV FILE L	04
CCI XMIT DATA 14 H	02,14,13	CCI02 BUF CHI D 15 H	03,02,08	CCI04 WRT RCV FILE L	09,14,04
CCI XMIT DATA 15 H	02,14,13	CCI03 ADDR <11:6> 0 L	04,03	CCI05 ALL IN DO E H	12,05
CCI XMIT DATA 16 H	14,13,01	CCI03 ADDR <11:6> 24 L	04,03	CCI05 CLR CI ADDRESS L	05,04
CCI XMIT DATA 17 H	14,13,01	CCI03 CCI REG H	03,04	CCI05 CLR WAIT H	05,06
CCI XMIT DATA 18 H	14,01,13	CCI03 CI SPACE H	04,03	CCI05 DIAGN WRT ENA H	05
CCI XMIT DATA 19 H	14,01,13	CCI03 CLR PUP/PDN: L	03,10	CCI05 DRIVE CIPA H	14,05
CCI XMIT DATA 20 H	01,13,14	CCI03 CNFGR H	03,04	CCI05 DRIVE CHI HI 0 L	05,01
CCI XMIT DATA 21 H	01,13,14	CCI03 DEL INIT A L	03,10	CCI05 DRIVE CHI HI 1 L	05,01
CCI XMIT DATA 22 H	13,14,01	CCI03 INIT A H	03,07,13	CCI05 DRIVE CHI LO 0 L	05,02
CCI XMIT DATA 23 H	13,14,01	CCI03 INIT A1 L	12,14,10,03,07	CCI05 DRIVE CHI LO 1 L	05,02
CCI XMIT DATA 24 H	01,13,14	CCI03 INIT A2 L	10,04,03	CCI05 ENA XMIT H	05
CCI XMIT DATA 25 H	01,13,14	CCI03 INIT C1 L	03	CCI05 LATCH EN H	13,05
CCI XMIT DATA 26 H	01,13,14	CCI03 INIT C2 L	04,05,03,07,06	CCI05 MUXA SEL A H	05,01,12
CCI XMIT DATA 27 H	01,13,14	CCI03 INIT C3 L	03	CCI05 MUXA SEL B H	05,01,12
CCI XMIT DATA 28 H	01,13,14	CCI03 INIT H	12,03	CCI05 MUXB SEL A H	05,02
CCI XMIT DATA 29 H	01,13,14	CCI03 MIN H	03,11	CCI05 MUXB SEL B H	05,02
CCI XMIT DATA 30 H	01,13,14	CCI03 NO CIPA H	02,03	CCI05 NS BIT 0 L	05

NOTES:
1. THIS PAGE LISTS THE SCHEMATIC PAGE NUMBER(S) WHERE A SIGNAL NAME IS REFERENCED.

CCI FORWARD REFERENCING

THIS DRAWING AND SPECIFICATIONS ARE THE PROPERTY OF DIGITAL EQUIPMENT CORPORATION AND SHALL NOT BE REPRODUCED OR COPIED OR USED IN WHOLE OR IN PART AS THE BASIS FOR THE MANUFACTURE OR SALE OF ITEMS WITHOUT WRITTEN PERMISSION. COPYRIGHT © 1983, DIGITAL EQUIPMENT CORPORATION.

REVISIONS	CHK	CHANGE NO.	REV

digital	DRN. R. L. Howell	DATE ENG. 13-JUN-83	DATE 6-20-83	TITLE: CMI CIPA INTERFACE
	CHK'D. R. L. Howell	DATE BOARD LOCATED: 13-JUN-83	SHEET 1 OF 1	NUMBER L0009-0-17
DSKB: <HOME>CCI17A.DRW		NEXT HIGHER ASSEMBLY: 18-DD-L0009-0-0		REV. A
FIRST USED ON OPTION/MODEL: C1750		SIZE K	CODE C5	

8		7		6		5		4		3		2		1	
SIGNAL NAME		PAGE NUMBER(S)		SIGNAL NAME		PAGE NUMBER(S)		SIGNAL NAME		PAGE NUMBER(S)					
CCI05 NS BIT 1 L	05	CCI07 SYNC CE H	10,07	CCI10 DIAGNOSE L	03,14,09,11,07,05,10										
CCI05 NS BIT 2 L	05	CCI07 SYNC DCLO H	07,03	CCI10 NXM H	10,01										
CCI05 NS BIT 3 L	04,05	CCI07 SYNC GRANT H	07	CCI10 PDN H	01,10										
CCI05 NS BIT 4 L	05	CCI07 SYNC T ACLO H	10,07	CCI10 PDN L	10										
CCI05 RD ADDR OFFSET L	04,08,05	CCI07 SYNC T DCLO H	10,07	CCI10 PFD H	02,10										
CCI05 RD RCV FILE HI L	09,14,05	CCI08 RCV WD 00 H	08,09	CCI10 PUP H	01,10										
CCI05 RD RCV FILE LO L	09,05	CCI08 RCV WD 01 H	08,09	CCI10 RLTO H	10,01,11										
CCI05 RD RCV WD REG HI L	08,05	CCI08 RCV WD 02 H	08,09	CCI10 SET CRD L	10										
CCI05 RD RCV WD REG LO L	08,05	CCI08 RCV WD 03 H	08,09	CCI10 SET MSE H	11,10										
CCI05 RD RTN RD REG L	13,05	CCI08 RCV WD 04 H	08,09	CCI10 SET NXM L	10										
CCI05 RD XMIT FILE L	14,05	CCI08 RCV WD 05 H	08,09	CCI10 SET LCE L	10										
CCI05 SET REQUEST H	05,07	CCI08 RCV WD 06 H	08,09	CCI10 SYNC PORT INT H	06,10										
CCI05 WRT ADDR LO L	12,05	CCI08 RCV WD 07 H	08,09	CCI10 T ACLO H	02,10										
CCI05 WRT BYTE MASK L	12,05	CCI08 RCV WD 08 H	09,08	CCI10 T DCLO H	02,10										
CCI05 WRT CCI REG ENA H	14,05,13	CCI08 RCV WD 09 H	09,08	CCI10 UBUSVA INIT L	10,06										
CCI05 WRT CHDADDR HI L	12,14,05	CCI08 RCV WD 10 H	09,08	CCI10 LCE H	10,01										
CCI05 WRT ENA H	04,05	CCI08 RCV WD 11 H	09,08	CCI11 A GO H	11,07										
CCI05 WRT ENA STATUS L	10,05	CCI08 RCV WD 12 H	08,09	CCI11 B GO H	11,07										
CCI05 WRT PARITY ENA H	13,05	CCI08 RCV WD 13 H	08,09	CCI11 BUF CIPA DATA 00 H	11,13										
CCI05 WRT RCV WD REG L	08,05	CCI08 RCV WD 14 H	08,09	CCI11 BUF CIPA DATA 01 H	11,13										
CCI05 WRT RTN RD HI L	13,05	CCI08 RCV WD 15 H	08,09	CCI11 BUF CIPA DATA 02 H	11,13										
CCI05 WRT RTN RD LO L	13,05	CCI08 RCV WD 16 H	09,08	CCI11 BUF CIPA DATA 03 H	11,13										
CCI05 WRT XMIT FILE HI L	14,05	CCI08 RCV WD 17 H	09,08	CCI11 BUF CIPA DATA 04 H	11,13										
CCI05 WRT XMIT FILE LO L	14,05	CCI08 RCV WD 18 H	09,08	CCI11 BUF CIPA DATA 05 H	11,13										
CCI06 BG IN H	06	CCI08 RCV WD 19 H	09,08	CCI11 BUF CIPA DATA 06 H	11,13										
CCI06 BG OUT H	06	CCI08 RCV WD 20 H	09,08	CCI11 BUF CIPA DATA 07 H	11,13										
CCI06 BR H	06	CCI08 RCV WD 21 H	09,08	CCI11 BUF CIPA DATA 08 H	11,13										
CCI06 DO CMI MASTER H	06,05	CCI08 RCV WD 22 H	09,08	CCI11 BUF CIPA DATA 09 H	11,13										
CCI06 DO CMI MASTER L	04,06	CCI08 RCV WD 23 H	09,08	CCI11 BUF CIPA DATA 10 H	11,13										
CCI06 DO CMI XFER H	06,07	CCI08 RCV WD 24 H	09,08	CCI11 BUF CIPA DATA 11 H	11,13										
CCI06 GO ARB H	05,06	CCI08 RCV WD 25 H	09,08	CCI11 BUF CIPA DATA 12 H	11,13										
CCI06 PULLUP C H	06,02,12,01,11,05,10,14,03	CCI08 RCV WD 26 H	09,08	CCI11 BUF CIPA DATA 13 H	11,13										
CCI06 VECTOR 06 H	06,02	CCI08 RCV WD 27 H	09,08	CCI11 BUF CIPA DATA 14 H	11,13										
CCI06 VECTOR 07 H	06,02	CCI08 RCV WD 28 H	08,09	CCI11 BUF CIPA DATA 15 H	11,13										
CCI06 WAIT H	06,05	CCI08 RCV WD 29 H	08,09	CCI11 CIPA CLK F	05,11										
CCI06 WAIT L	06	CCI08 RCV WD 30 H	08,09	CCI11 CIPA DCLO H	11,07										
CCI07 A DONE H	07,11	CCI08 RCV WD 31 H	08,09	CCI11 CIPA ERROR H	11,07										
CCI07 ASSERT RLTO H	10,07	CCI09 EVEN PARITY H	11,09	CCI11 CIPA PARITY H	11,13										
CCI07 B DONE H	07,11	CCI09 HI EVEN PAR H	09	CCI11 CIPA REG SEL 0 H	11,05										
CCI07 CIPA XFER H	04,05,07	CCI10 ACLO H	10,11	CCI11 CIPA REG SEL 1 H	11,05										
CCI07 CIPA XFER L	07	CCI10 B CLK H	10,05,06,07,13,03	CCI11 CIPA REG SEL 2 H	11,05										
CCI07 CHDADDR 27 L	07	CCI10 B CLK L	08,10,05,04,03,07,06,12	CCI11 CIPA REG SEL 3 H	09,11,05										
CCI07 CTO H	05,07	CCI10 CBPE H	02,10	CCI11 CIPA UP H	11,03										
CCI07 DI PORT INT H	07,10	CCI10 CLR ENA CE H	10,13	CCI11 GRANT H	11,07										
CCI07 GO H	06,07	CCI10 CRD H	01,10	CCI11 PORT INT H	11,07										
CCI07 POSSIBLE GO H	07	CCI10 CTO H	02,10	CCI11 T ACLO H	11,07										
CCI07 REQUEST H	04,07,11	CCI10 DCLO H	11,10	CCI11 T DCLO H	11,07										
CCI07 SET CTO L	10,07	CCI10 DCLO L	10,03	CCI12 CLR BYTE MASK L	12										
CCI07 SYNC A GO H	07	CCI10 DELAYED B CLK L	10,07,06,03,14	CCI12 CHDADDR 02 H	02,12										
CCI07 SYNC B GO H	07	CCI10 DIAGNOSE H	02,05,10	CCI12 CHDADDR 03 H	02,12										

NOTES:
1. THIS PAGE LISTS THE SCHEMATIC PAGE NUMBER(S) WHERE A SIGNAL NAME IS REFERENCED.

CCI FORWARD REFERENCING

<small> THIS DRAWING AND SPECIFICATIONS HEREIN ARE THE PROPERTY OF DIGITAL EQUIPMENT CORPORATION AND SHALL NOT BE REPRODUCED OR COPIED OR USED IN WHOLE OR IN PART AS THE BASIS FOR THE MANUFACTURE OR SALE OF ITEMS WITHOUT WRITTEN PERMISSION. COPYRIGHT © 1981 DIGITAL EQUIPMENT CORPORATION </small>	REVISIONS CHG. CHANGE NO. REV.	ORN. <i>R. A. Arnold</i> DATE ENG. <i>12-JUN-83</i> CHG'D. <i>R. A. Arnold</i> DATE BOARD LOCATION: <i>117-JUN-83</i> SHEET <i>1</i> OF <i>1</i>	TITLE: CMI CIPA INTERFACE
	SIZE CODE K JCS NUMBER L0009-0-18 REV. A		
	FIRST USED ON OPTION/MODEL: C1750 18-DD-L0009-0-0		

SIGNAL NAME	PAGE NUMBER(S)	SIGNAL NAME	PAGE NUMBER(S)	SIGNAL NAME	PAGE NUMBER(S)
CCI12 CMDADDR 04 H	02,12	CCI14 RD CNTR 1 H	09,14	CMI DATA 05 H	02
CCI12 CMDADDR 05 H	02,12	CCI14 WRT CNTR 0 H	09,14	CMI DATA 06 H	02
CCI12 CMDADDR 06 H	02,12	CCI14 WRT CNTR 1 H	09,14	CMI DATA 07 H	02
CCI12 CMDADDR 07 H	02,12	CIPA A DONE L	11	CMI DATA 08 H	02
CCI12 CMDADDR 08 H	02,12	CIPA A GO L	11	CMI DATA 09 H	02
CCI12 CMDADDR 09 H	02,12	CIPA B DONE L	11	CMI DATA 10 H	02
CCI12 CMDADDR 10 H	02,12	CIPA B GO L	11	CMI DATA 11 H	02
CCI12 CMDADDR 11 H	02,12	CIPA CIPA UP L	11	CMI DATA 12 H	02
CCI12 CMDADDR 12 H	02,12	CIPA CLK L	11	CMI DATA 13 H	02
CCI12 CMDADDR 13 H	02,12	CIPA CPU ACLO L	11	CMI DATA 14 H	02
CCI12 CMDADDR 14 H	02,12	CIPA DATA 00 L	11	CMI DATA 15 H	02
CCI12 CMDADDR 15 H	02,12	CIPA DATA 01 L	11	CMI DATA 16 H	01
CCI12 CMDADDR 16 H	01,12	CIPA DATA 02 L	11	CMI DATA 17 H	01
CCI12 CMDADDR 17 H	01,12	CIPA DATA 03 L	11	CMI DATA 18 H	01
CCI12 CMDADDR 18 H	01,12	CIPA DATA 04 L	11	CMI DATA 19 H	01
CCI12 CMDADDR 19 H	01,12	CIPA DATA 05 L	11	CMI DATA 20 H	01
CCI12 CMDADDR 20 H	01,12	CIPA DATA 06 L	11	CMI DATA 21 H	01
CCI12 CMDADDR 21 H	01,12	CIPA DATA 07 L	11	CMI DATA 22 H	01
CCI12 CMDADDR 22 H	12,01	CIPA DATA 08 L	11	CMI DATA 23 H	01
CCI12 CMDADDR 23 H	12,01	CIPA DATA 09 L	11	CMI DATA 24 H	01
CCI12 CMDADDR 25 H	12,01,07	CIPA DATA 10 L	11	CMI DATA 25 H	01
CCI12 CMDADDR 27 H	05,12,01,07	CIPA DATA 11 L	11	CMI DATA 26 H	01
CCI12 CMDADDR 28 H	12,01	CIPA DATA 12 L	11	CMI DATA 27 H	01
CCI12 CMDADDR 29 H	12,01	CIPA DATA 13 L	11	CMI DATA 28 H	01
CCI12 CMDADDR 30 H	12,01	CIPA DATA 14 L	11	CMI DATA 29 H	01
CCI12 CMDADDR 31 H	12,01	CIPA DATA 15 L	11	CMI DATA 30 H	01
CCI12 LAST XFER H	12	CIPA DCLO L	11	CMI DATA 31 H	01
CCI12 QUAD FLG H	12,07	CIPA ERROR L	11	CMI DBEZ L	04
CCI13 CIPA ERROR H	11,13	CIPA GRANT L	11	CMI HOLD L	06
CCI13 CIPA ERROR L	1	CIPA MIN L	11	CMI SLOT SEL 0 H	03,02
CCI13 LTCHD CIPA D 00 H	13,14,12	CIPA PARITY L	11	CMI SLOT SEL 1 H	03,02
CCI13 LTCHD CIPA D 01 H	13,14,12	CIPA PORT INT L	11	CMI SLOT SEL 2 H	03,02
CCI13 LTCHD CIPA D 02 H	13,14,12	CIPA READ L	11	CMI SLOW ENA L	07
CCI13 LTCHD CIPA D 03 H	13,14,12	CIPA REG SEL 0 L	11	CMI STATUS 00 L	10,05
CCI13 LTCHD CIPA D 04 H	13,14,12	CIPA REG SEL 1 L	11	CMI STATUS 01 L	10,05
CCI13 LTCHD CIPA D 05 H	13,14,12	CIPA REG SEL 2 L	11	CMI WAIT L	06
CCI13 LTCHD CIPA D 06 H	13,14,12	CIPA REG SEL 3 L	11	DPM 17 B CLK L	10
CCI13 LTCHD CIPA D 07 H	13,14,12	CIPA REQUEST L	11	UBUS ACLO L	10
CCI13 LTCHD CIPA D 08 H	13,14,12	CIPA SET MSE L	11	UBUS 804 [A+1] H	06
CCI13 LTCHD CIPA D 09 H	13,14,12	CIPA T ACLO L	11	UBUS 804 [A1] H	06
CCI13 LTCHD CIPA D 10 H	13,14,12	CIPA T DCLO L	11	UBUS 805 [A+1] H	06
CCI13 LTCHD CIPA D 11 H	13,14,12	CMI ARB 4 L	06	UBUS 805 [A] H	06
CCI13 LTCHD CIPA D 12 H	14,13,12	CMI ARB 5 L	06	UBUS 806 [A+1] H	06
CCI13 LTCHD CIPA D 13 H	12,14,13	CMI ARB 6 L	06	UBUS 806 [A] H	06
CCI13 LTCHD CIPA D 14 H	12,14,13	CMI ARB 7 L	06	UBUS 807 [A+1] H	06
CCI13 LTCHD CIPA D 15 H	12,14,13	CMI DATA 00 H	02	UBUS 807 [A] H	06
CCI14 ENA INT PATH L	13,14	CMI DATA 01 H	02	UBUS BR4 L	06
CCI14 LATCHED DATA EN L	13,14	CMI DATA 02 H	02	UBUS BR5 L	06
CCI14 RCV FILE RDT H	11,14	CMI DATA 03 H	02	UBUS BR6 L	06
CCI14 RD CNTR 0 H	09,14	CMI DATA 04 H	02		

NOTES:
1. THIS PAGE LISTS THE SCHEMATIC PAGE NUMBER(S) WHERE A SIGNAL NAME IS REFERENCED.

CCI FORWARD REFERENCING

THIS DRAWING AND SPECIFICATIONS ARE THE PROPERTY OF DIGITAL EQUIPMENT CORPORATION AND SHALL NOT BE REPRODUCED OR COPIED IN ANY MANNER WITHOUT THE WRITTEN PERMISSION OF DIGITAL EQUIPMENT CORPORATION.

REVISIONS	CHK	CHANGE NO.	REV

digital	DRN. R. L. Daniel	DATE ENG. 10-10-83	DATE 10-10-83	TITLE: CMI CIPA INTERFACE
	CHK'D. R. L. Daniel	DATE BOARD LOCATION: 10-10-83	DATE 10-10-83	
DSK81:CC19A.DPL.1:15-JUN-83 09:03 NEXT HIGHER ASSEMBLY:				SIZE CODE NUMBER REV. K CS L0009-0-19 A
FIRST USED ON OPTION/MODEL: C1750				B-DD-L0009-0-0

SIGNAL NAME		PAGE NUMBER(S)	SIGNAL NAME		PAGE NUMBER(S)	SIGNAL NAME		PAGE NUMBER(S)
LIBUS BR7 L		06						
LIBUS DCLO L		18						
LIBUS INIT L		18						

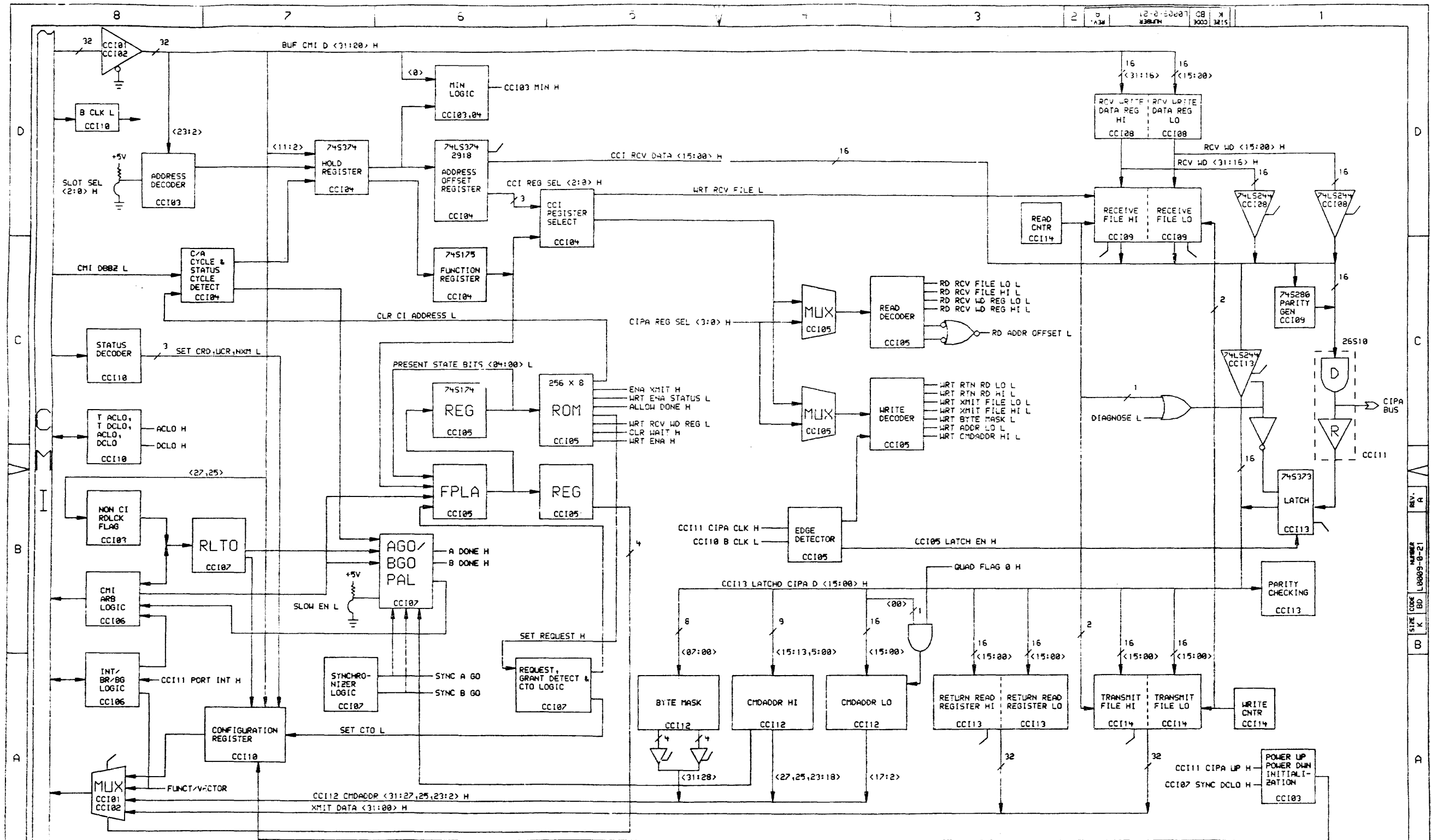
NOTES:
1. THIS PAGE LISTS THE SCHEMATIC PAGE NUMBER(S) WHERE A SIGNAL NAME IS REFERENCED.

CCI FORWARD REFERENCING

THIS DRAWING AND SPECIFICATIONS HEREIN ARE THE PROPERTY OF DIGITAL EQUIPMENT CORPORATION AND SHALL NOT BE REPRODUCED OR COPIED OR USED IN WHOLE OR IN PART AS THE BASIS FOR THE MANUFACTURE OR SALE OF ITEMS WITHOUT WRITTEN PERMISSION. COPYRIGHT © 1987, DIGITAL EQUIPMENT CORPORATION.

REVISIONS	
CHK	CHANGE NO. REV

digital	DRN: R. H. Hanel	DATE ENG. 12-10-93	DATE 6-10-92	TITLE: CMI CIDA INTERFACE
	CHK'D: P. H. Hanel	DATE BOARD LOCATION 12-10-93	SHEET 1 OF 1	REV. A
DSK:K:\HOMMEL\CC120A.DRW 10-JUN-93 09:03		NEXT HIGHER ASSEMBLY: B-00-L0009-0-0	SIZE: K	NUM: 0510009-0-20
FIRST USED ON OPTION/MODEL: C1750				



THIS DRAWING AND SPECIFICATIONS ARE THE PROPERTY OF DIGITAL EQUIPMENT CORPORATION AND SHALL NOT BE REPRODUCED OR COPIED OR USED IN WHOLE OR IN PART OR FOR ANY PURPOSE WITHOUT THE WRITTEN PERMISSION OF DIGITAL EQUIPMENT CORPORATION. COPYRIGHT © 1983.

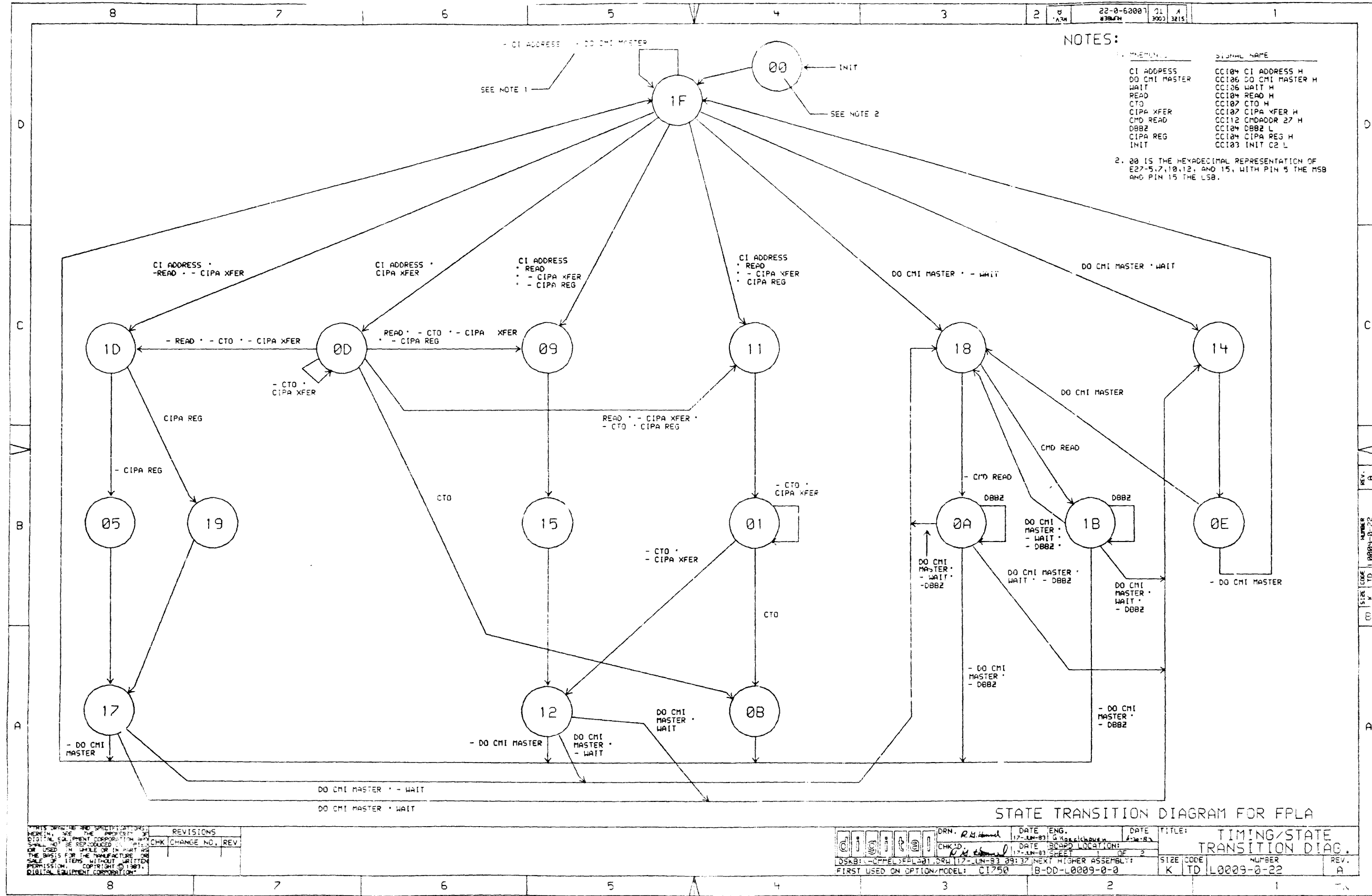
REVISIONS	CHK	CHANGE NO.	REV

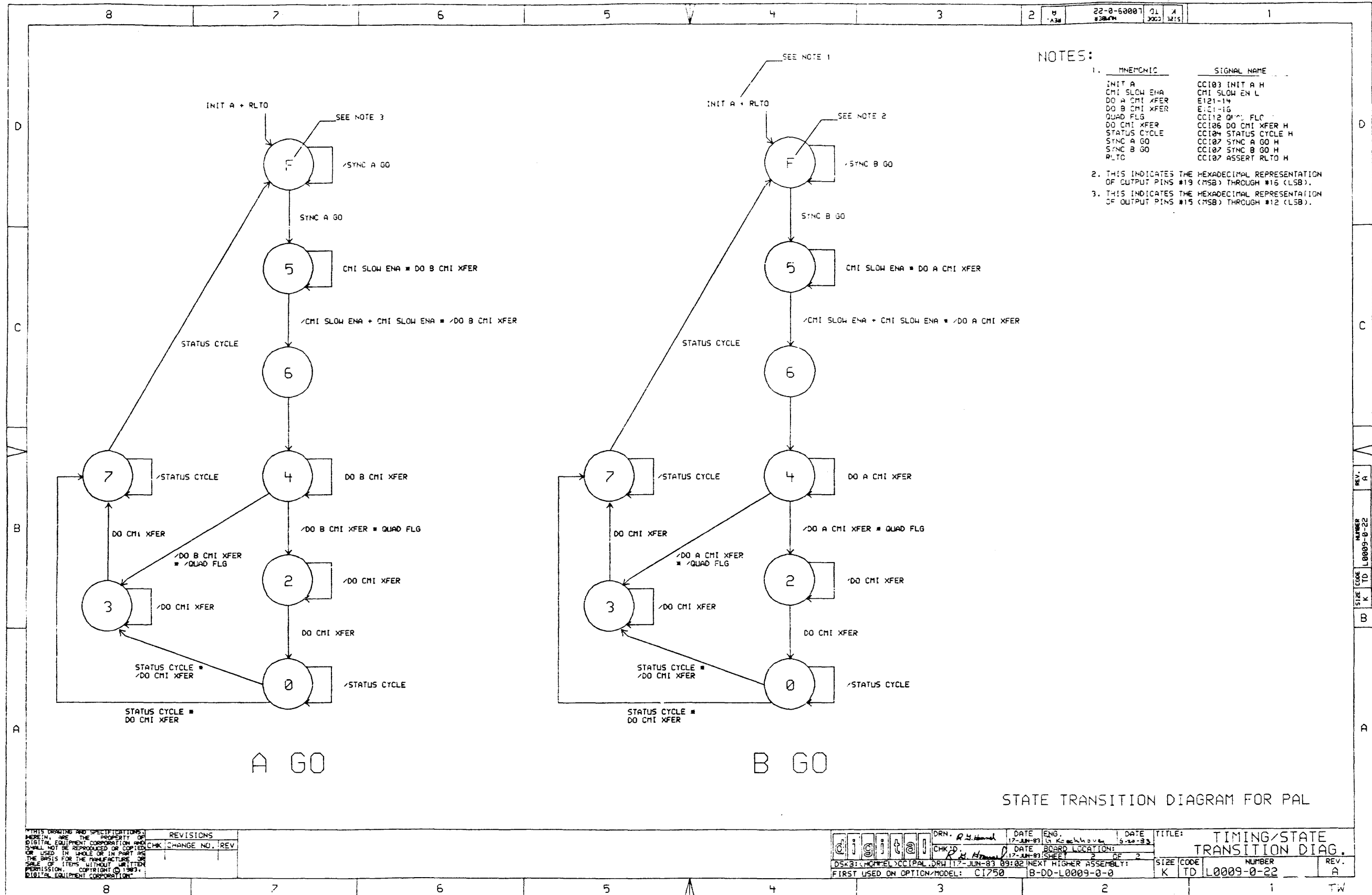
digital	DRN. R. H. Howard	DATE 11-28-83	ENG. G. Mackay	DATE 6-22-83	TITLE: C.C.I. BLOCK DIAGRAM
DSKB: <HOMEL>CC1BLK.DPL.1	CHK'D. R. H. Howard	DATE 11-28-83	BOARD LOCATION: DE 1	SIZE CODE: K	NUMBER: BD L0009-0-21
FIRST USED ON OPTION/MODEL: C1750			NEXT HIGHER ASSEMBLY: B-00-L0009-0-0		REV. A

NOTE: / INDICATES TRI STATE

NOTES:

- | SYMBOL | SIGNAL NAME |
|---------------|-----------------------|
| CI ADDRESS | CC104 CI ADDRESS H |
| DO CHI MASTER | CC106 DO CHI MASTER H |
| WAIT | CC106 WAIT H |
| READ | CC104 READ H |
| CTO | CC107 CTO H |
| CIPA XFER | CC107 CIPA XFER H |
| CMD READ | CC112 CMDADDR 27 H |
| DBBZ | CC104 DBBZ L |
| CIPA REG | CC104 CIPA REG H |
| INIT | CC103 INIT C2 L |
2. 00 IS THE HEXADECIMAL REPRESENTATION OF E27-5,7,10,12, AND 15, WITH PIN 5 THE MSB AND PIN 15 THE LSB.





DRAWING NO.	NO. OF SHTS.	PART NO.	DESCRIPTION	REVISIONS														
				A	B	C												
		L0400-C-0	PARTS REVISION	A	B	C												
E-UA-L0400-0-0	2		UNIT ASSEMBLY	A	B	C												
K-PL-L0400-C-DBP	3		PARTSLIST	A	B	C												
D-MD-5015550-0-0	5		DRILL AND ETCH	A	A	A												
		5015550-0-0	ETCH BOARD	B	B	B												
K-PC-L0400-0-DBI	-		P.C. DATABASE	B	B	B												
E-EC-5015550-0-0	3		ETCH CUT	A	B	B												
K-CS-L0400-0-CDPA	1	}	SCHEMATICS	A	A	A												
K-CS-L0400-0-CDPB	1			A	A	A												
K-CS-L0400-0-CDPC	1			A	A	B												
K-CS-L0400-0-CDPD	1			A	A	B												
K-CS-L0400-0-CDPE	1			A	A	A												
K-CS-L0400-0-CDPF	1			A	A	A												
K-CS-L0400-0-CDPH	1			A	A	A												
K-CS-L0400-0-CDPJ	1			A	B	B												
K-CS-L0400-0-CDPK	1			A	A	A												
K-CS-L0400-0-CDPL	1			A	B	B												
K-CS-L0400-0-CDPM	1			A	B	B												
K-CS-L0400-0-CDPN	1			A	B	B												
K-CS-L0400-0-CDPP	1			A	A	A												
K-CS-L0400-0-CDPR	1			A	B	B												
K-CS-L0400-0-CDPS	1			A	A	A												
K-CS-L0400-0-CDPT	1			A	A	A												
K-CS-L0400-0-CDPU	1			A	A	A												
K-CS-L0400-0-CDPV	1			A	A	A												
K-CS-L0400-0-CDPW	1			A	A	A												

NOTES:

REVISIONS		DATE	CHG NO.	REV.
		4/83	INIT	A
		12/83	TW001	B
		12/84	TW002	C

THIS DRAWING AND SPECIFICATIONS, HEREIN, ARE THE PROPERTY OF DIGITAL EQUIPMENT CORPORATION AND SHALL NOT BE REPRODUCED OR COPIED OR USED IN WHOLE OR IN PART AS THE BASIS FOR THE MANUFACTURE OR SALE OF ITEMS WITHOUT WRITTEN PERMISSION.
 COPYRIGHT © 1983 DIGITAL EQUIPMENT CORPORATION



USED ON OPTION/MODEL	DRN <i>Thomas W. Wash</i>	4-8-83	TITLE C.D.P.
	CHK'D <i>Thomas W. Wash</i>	4-8-83	
	ENG. <i>G. Koesthove</i>	6/83	SIZE CODE B DD
	PROD. <i>Berry Neumann</i>	6/83	NUMBER L0400-0-0
			REV. C
			SHEET 1 OF 2

TW

DRAWING NO.	NO. OF SHTS.	PART NO.	DESCRIPTION	REVISIONS		
				A	B	C
K-CS-L0400-0-CDPX	1		SCHEMATICS	A	B	B
K-CS-L0400-0-CDPY	1			A	A	A
K-CS-L0400-0-CDPZ	1			A	B	B
K-CS-L0400-0-CD AA	1			A	A	A
K-CS-L0400-0-CD BB	1			A	A	A
K-CS-L0400-0-CD CC	1			A	A	A
K-CS-L0400-0-CD DD	1			A	A	A
K-BD-L0400-0-CD EE	1		BLOCK DIAGRAM	A	A	B
K-TD-L0400-0-CD FF	1		TIMING DIAGRAM	A	B	B
K-CS-L0400-0-DBS	-		SUDS DATA BASE	A	B	C

NOTES:

REVISIONS	DATE	CHG NO.	REV.

"THIS DRAWING AND SPECIFICATIONS, HEREIN, ARE THE PROPERTY OF DIGITAL EQUIPMENT CORPORATION AND SHALL NOT BE REPRODUCED OR COPIED OR USED IN WHOLE OR IN PART AS THE BASIS FOR THE MANUFACTURE OR SALE OF ITEMS WITHOUT WRITTEN PERMISSION.



COPYRIGHT © 1973 DIGITAL EQUIPMENT CORPORATION

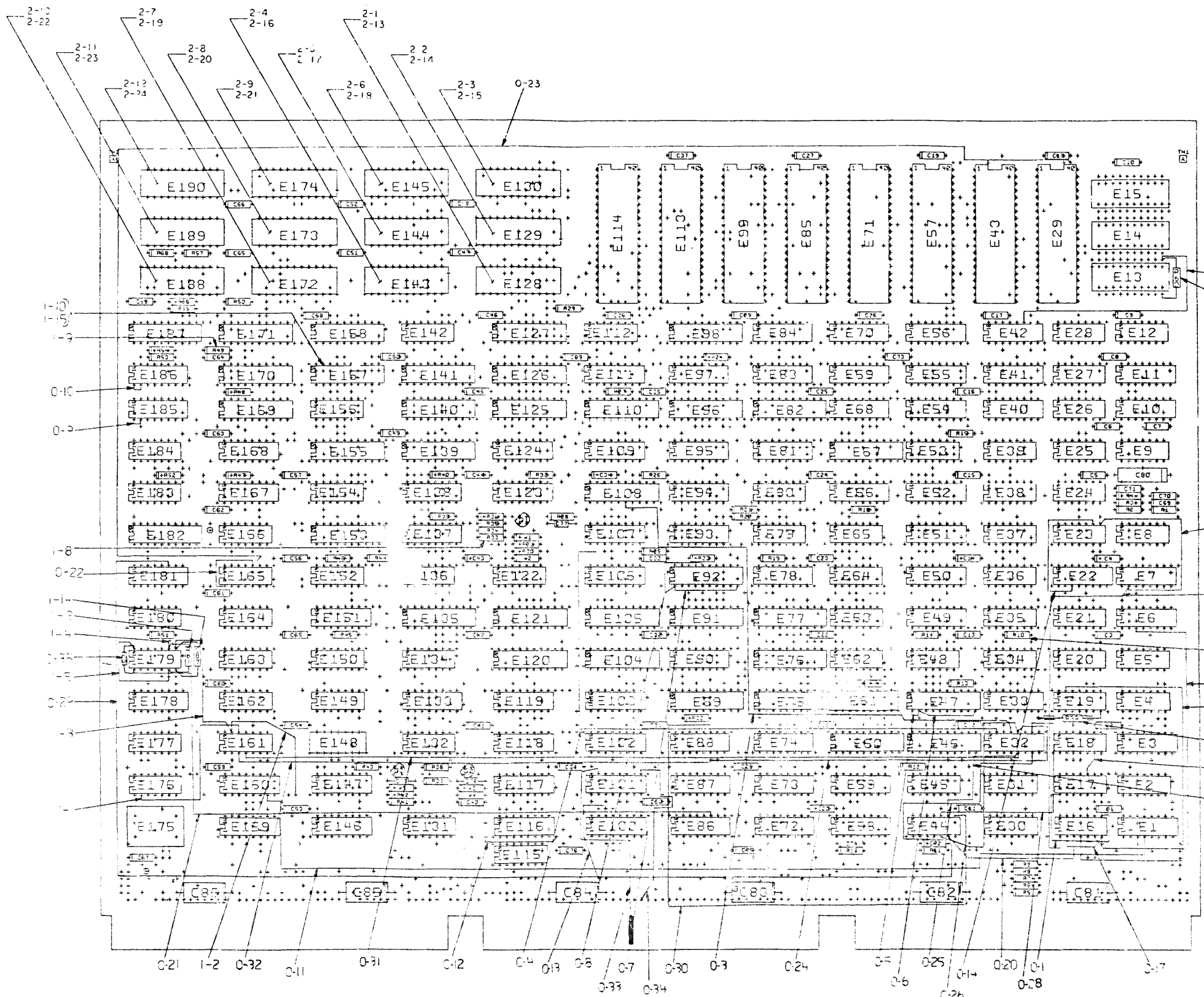
USED ON OPTION/MODEL

DRN. *Thomas F. Wale* 4-8-83
 CHK'D *Thomas F. Wale* 4-8-83
 ENG.
 PROD.

TITLE
C.D.P.

SIZE	CODE	NUMBER	REV.
B	DD	L0400-0-0	C

SHEET 2 OF 2



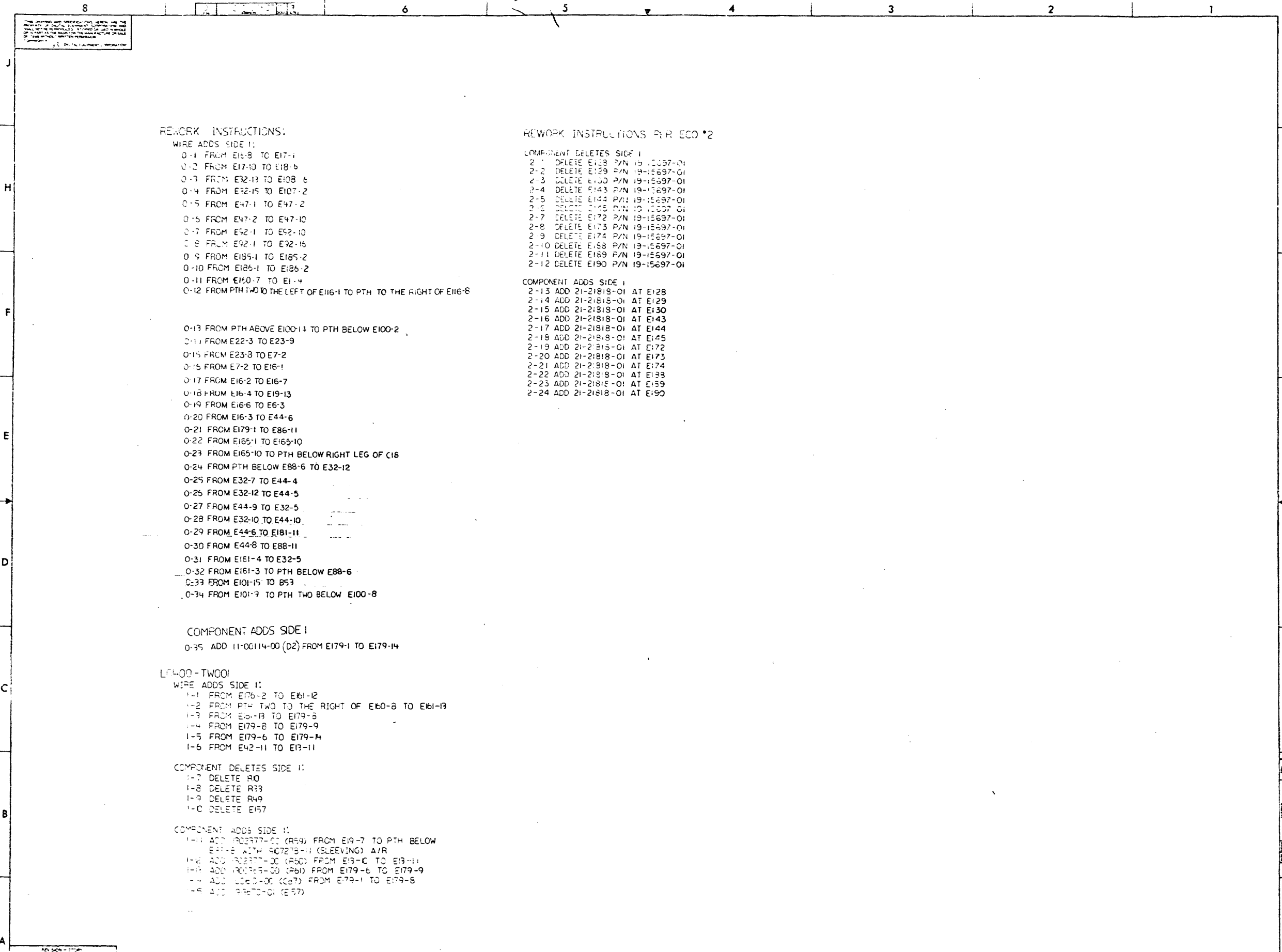
DATE	10/11/68
DRN	D. J. ...
CHKD BY	...
DESIGNED BY	...
APP'D BY	...
PROB. CDR	...
SCALE	1:1
INT. NET. REF. SYST.	EDD-0-000
TITLE	digital
MODULE	CDP
SIZE/CASE	E U/LC-10-C-C
NUMBER	...
REV	C

STEP	1	2	3	4
DESCRIPTION
DATE

NOTES:
 1. START LOCATION ARE ELEMENTS

J
H
F
E
D
C
B
A

J
H
F
E
D
C
B
A



REWORK INSTRUCTIONS:

WIRE ADDS SIDE 1:

- 0-1 FROM E16-8 TO E17-1
- 0-2 FROM E17-10 TO E18-9
- 0-3 FROM E32-13 TO E108-6
- 0-4 FROM E32-15 TO E107-2
- 0-5 FROM E47-1 TO E47-2
- 0-5 FROM E47-2 TO E47-10
- 0-7 FROM E92-1 TO E92-10
- 0-8 FROM E92-1 TO E92-15
- 0-9 FROM E185-1 TO E185-2
- 0-10 FROM E185-1 TO E185-2
- 0-11 FROM E180-7 TO E1-4
- 0-12 FROM PTH TWO TO THE LEFT OF E116-1 TO PTH TO THE RIGHT OF E116-8

- 0-13 FROM PTH ABOVE E100-14 TO PTH BELOW E100-2
- 0-14 FROM E22-3 TO E23-9
- 0-15 FROM E23-3 TO E7-2
- 0-15 FROM E7-2 TO E16-1
- 0-17 FROM E16-2 TO E16-7
- 0-18 FROM E16-4 TO E19-13
- 0-19 FROM E16-6 TO E6-3
- 0-20 FROM E16-3 TO E44-6
- 0-21 FROM E179-1 TO E86-11
- 0-22 FROM E165-1 TO E165-10
- 0-23 FROM E165-10 TO PTH BELOW RIGHT LEG OF C16
- 0-24 FROM PTH BELOW E88-6 TO E32-12
- 0-25 FROM E32-7 TO E44-4
- 0-25 FROM E32-12 TO E44-5
- 0-27 FROM E44-9 TO E32-5
- 0-28 FROM E32-10 TO E44-10
- 0-29 FROM E44-6 TO E181-11
- 0-30 FROM E44-8 TO E88-11
- 0-31 FROM E161-4 TO E32-5
- 0-32 FROM E161-3 TO PTH BELOW E88-6
- 0-33 FROM E101-15 TO B53
- 0-34 FROM E101-9 TO PTH TWO BELOW E100-8

COMPONENT ADDS SIDE 1

- 0-35 ADD 11-00114-00 (D2) FROM E179-1 TO E179-14

L14-00-TWOI

WIRE ADDS SIDE 1:

- 1-1 FROM E176-2 TO E161-12
- 1-2 FROM PTH TWO TO THE RIGHT OF E160-8 TO E161-13
- 1-3 FROM E161-13 TO E179-5
- 1-4 FROM E179-8 TO E179-9
- 1-5 FROM E179-6 TO E179-14
- 1-6 FROM E42-11 TO E13-11

COMPONENT DELETES SIDE 1:

- 1-7 DELETE R10
- 1-8 DELETE R33
- 1-9 DELETE R49
- 1-0 DELETE E157

COMPONENT ADDS SIDE 1:

- 1-11 ADD R02877-00 (R59) FROM E19-7 TO PTH BELOW E116-8 WITH R07278-11 (SLEEVING) A/R
- 1-12 ADD R12877-00 (R60) FROM E13-C TO E13-11
- 1-13 ADD R02875-00 (R61) FROM E179-6 TO E179-9
- 1-14 ADD R060-00 (C67) FROM E179-1 TO E179-5
- 1-15 ADD R3670-00 (E57)

REWORK INSTRUCTIONS FOR ECO #2

COMPONENT DELETES SIDE 1

- 2-1 DELETE E113 P/N 19-15697-01
- 2-2 DELETE E129 P/N 19-15697-01
- 2-3 DELETE E130 P/N 19-15697-01
- 2-4 DELETE E143 P/N 19-15697-01
- 2-5 DELETE E144 P/N 19-15697-01
- 2-6 DELETE E145 P/N 19-15697-01
- 2-7 DELETE E172 P/N 19-15697-01
- 2-8 DELETE E173 P/N 19-15697-01
- 2-9 DELETE E174 P/N 19-15697-01
- 2-10 DELETE E188 P/N 19-15697-01
- 2-11 DELETE E189 P/N 19-15697-01
- 2-12 DELETE E190 P/N 19-15697-01

COMPONENT ADDS SIDE 1

- 2-13 ADD 21-21818-01 AT E128
- 2-14 ADD 21-21818-01 AT E129
- 2-15 ADD 21-21818-01 AT E130
- 2-16 ADD 21-21818-01 AT E143
- 2-17 ADD 21-21818-01 AT E144
- 2-18 ADD 21-21818-01 AT E145
- 2-19 ADD 21-21818-01 AT E172
- 2-20 ADD 21-21818-01 AT E173
- 2-21 ADD 21-21818-01 AT E174
- 2-22 ADD 21-21818-01 AT E188
- 2-23 ADD 21-21818-01 AT E189
- 2-24 ADD 21-21818-01 AT E190

DATE	REVISION	BY

LINE	ITEM	TOP DOCUMENT	PART NUMBER	MIN REV	DESCRIPTION	QTY	PER VARIATION	REFERENCE DESIGNATOR
					VARIATION REVISION LEVEL:	00		
						C1		
1	1	D-MD-5015550-0-0	5015550-00		DRILL AND ETCH	0		
2	43		23054K5-00		K5-01	1		E60
3	4		1001610-00		.01 MFD 50V +80-20% Z5U CER	4		C77-C79,C87
4	80		1004813-00		10 MFD 20V 10% S.TANT	1		C80
5	2		1012784-00		.047 MFD 50V +80-20% CER	72		C1-C68,C70,C73,C75,C76
6	3		1013466-09		1000.0 MMF 50V 10% X7R CER	4		C69,C71,C72,C74
7	81		1017472-00		10 MFD 35V +75-10% AL EL	6		C81-C86
8	5		1114136-00		LED 16MA 5V	1		D1
9	78		1216988-02		HANDLE,MODULE,HEX TWO EJECTORS	1		
10	73		1300229-00		100.0 .25 W 5.0 % CF	4		R13,R23,R22,R55
11	76		1300309-00		390.0 .25 W 5.0 % CF	2		R11,R16
12	63		1300316-00		470.0 .25 W 5.0 % CF	1		R29
13	64		1300365-00		1.0 K .25 W 5.0 % CF	17		R6-R9,R14,R18,R19,R24,R27,R35, R44,R46,R47,R50,R51,R17,R61
14	72		1300197-00		33.0 .25 W 5.0 % CF	11	CONT	R15,R20,R21,R25,R26,R28,R32,R39, R40,R52,R56
15	67		1302298-00		261.0 K .25 W 1.0 % RN55C-F 5	1		R4
16	68		1302379-00		75.0 .25 W 5.0 % CF	1		R12
17	70		1302858-00		100.0 .25 W 1.0 % RN55D-F10	4		R57,R53,R31,R42
18	69		1303064-00		75.0 .25 W 1.0 % RN55D-F10	7		R5,R34,R36,R37,R38,R43,R48
19	65		1304839-00		51.0 K .25 W 5.0 % CF	2		R2,R3
20	71		1304857-00		237.0 .25 W 1.0 % RN55D-F10	2		R58,R54
21	52		1312628-00		R NETWORK 14-176.5 14-375 16PIN	3		E86,E100,E116
22	75		1316836-00		402.0 .25 W 1.0 % RN55D-F10	2		R30,R41
23	66		1318150-13		53.60 K .25 W 1.0 % RN55D-F10	1		R1
24	77		1503121-00		2N 2369 NPN 350MW SI N	3		Q1,Q2,Q3
25	58		1616653-1		DELAY= 100NS,10TAPS WITH TTLBU	1		E148
26	60		1811660-		OSCILLATOR, XTAL 20.000 MHZ	1		E175
27	21		1910532-00		74S00 NAND GATE-QUAD 2IN	4		E20,E64,E80,E163
28	23		1910534-00		74S04 INVERTER GATE-HEX 1I	4		E23,E35,E161,E162

REVISION HISTORY			BASIC PART NO: L0400		DRN:	S.MANSOR	DATE:	14-JUL-83	D I G I T A L			
ENG!	ECO NUMBER	REV	SECTION A OF A		CHK'D:	E.T.GERRY	DATE:	11-17-82	TITLE PARTS LIST			
---			SECTION VARIATION INDEX		DES.ENG:	G.KOECKHOVEN	DATE:	27-JUN-83	DOCUMENT NUMBER			
RE	L0400-TW001	B	[A] 00		RESP.ENG.:	J COYLE	DATE:	11-17-82	SIZE!	CODE!	NUMBER	REV
RE	L0400-TW002	C	[B]		MFG.ENG.:	BARRY NEWMANN	DATE:	27-JUN-83	K	PL	L0400-0-DBP	C
			[C]		ASSEMBLY NUMBER:	E-UA-L0400-0-0	TOP DOCUMENT NUMBER:	B-DD-L0400-0-0	FILE NAME:	Z3934C.PLS		
			[D]					RELEASE DATE:	25-JAN-85			
			[E]					EDIT #	17			
			[F]									
			[H]									
			[J]									
			[K]									
			[L]									
			[M]									
			[N]									

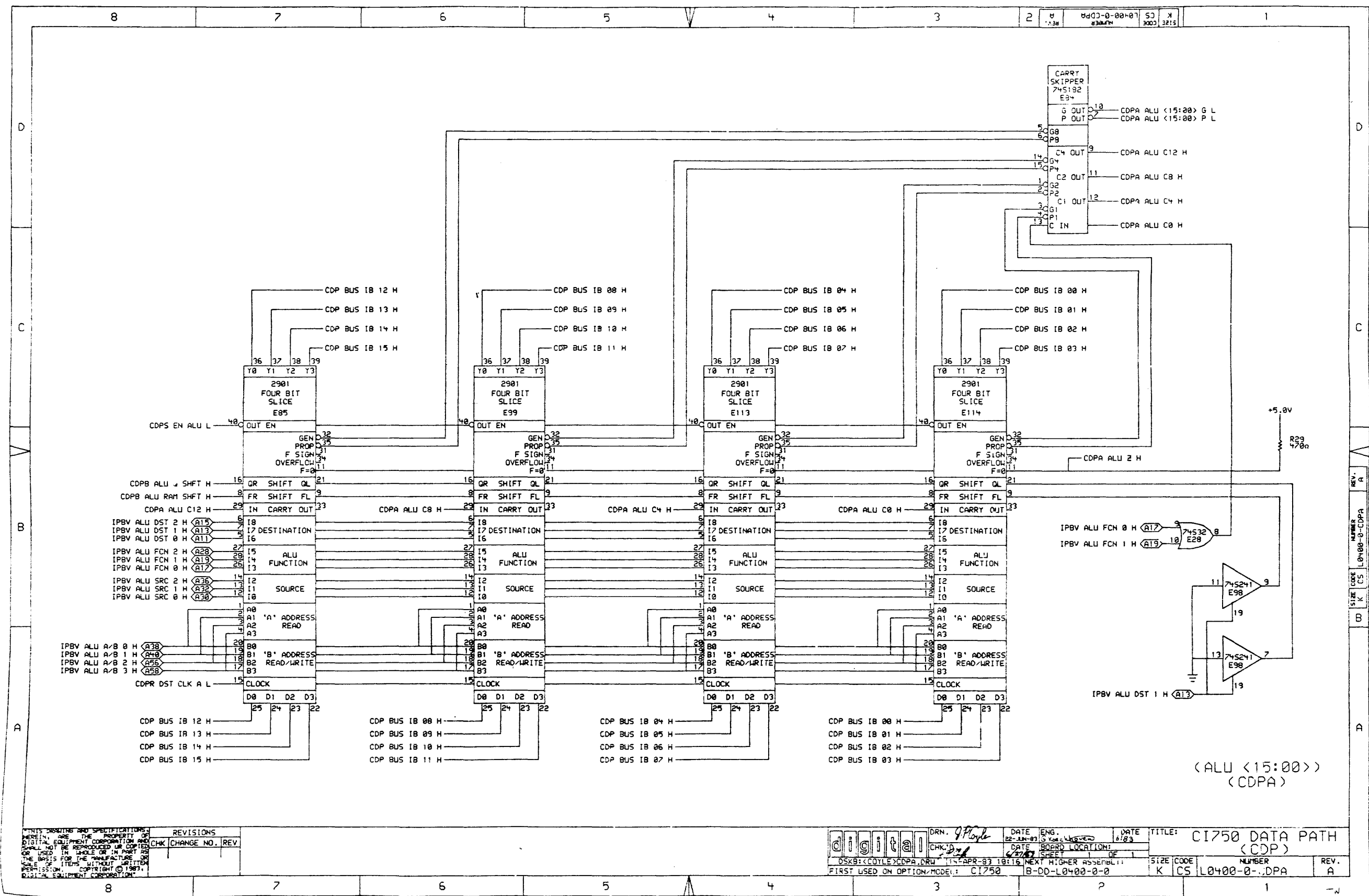
"THIS DRAWING AND THE SPECIFICATIONS CONTAINED HEREIN ARE CONFIDENTIAL AND PROPRIETARY. THEY ARE THE PROPERTY OF DIGITAL EQUIPMENT CORPORATION AND SHALL NOT BE REPRODUCED OR COPIED OR USED IN WHOLE OR IN PART AS THE BASIS FOR THE MANUFACTURE OR SALE OF ITEMS WITHOUT WRITTEN PERMISSION. THIS IS AN UNPUBLISHED WORK PROTECTED UNDER THE FEDERAL COPYRIGHT LAWS."

LINE	ITEM	TOP DOCUMENT	PART NUMBER	MIN REV	DESCRIPTION	QTY	PER VARIATION	REFERENCE DESIGNATOR
						00		
						C1		
29	25		1910536-00		74S10 NAND GATE-TRIPLE 3IN	1		E27
30	10		1910537-00		74S11 AND GATE-TRIPLE 3INP	4		E5,E36,E38,E45
31	9		1910539-00		74S20 NAND GATE-DUAL 4INPU	1		E4
32	31		1910542-00		74S64 A-0-I GATE 4-2-3-2	4		E37,E142,E183,E184
33	18		1910544-00		74S74 FF-D DUAL,EDGE TRIGG	5		E16,E18,E30,E149,E152
34	57		1910545-00		74S112 FF-JK DUAL,EDGE TRIG	1		E147
35	51		1910547-00		74S153 MUX 1 OF 4 (DUAL)	5		E83,E93,E94,E123,E138
36	61		1910549-00		74S158 MUX 1 OF 2 (QUAD)	1		E178
37	29		1910550-00		74S174 FF-D HEX	7		E33,E59,E90,E106,E119,E124,E137
38	32		1910552-00		74S194 SHIFT REG.,4BIT RIGH	3		E40,E42,E78
39	33		1910956-00		74S151 MUX 1 OF 8	2		E41,E52
40	37		1910957-00		74S175 FF-D QUAD COMMON CLO	3		E50,E160,E167
41	55		1911573-00		74S280 PARITY GEN/CHKR,9BIT	5		E112,E134,E136,E154,E156
42	49		1911641-00	SN	74S257 MUX,QUAD 2 TO 1	4		E81,E95,E107,E109
43	8		1911675-00		74S138 DECODER/DEMUX 3-8 LI	2		E3,E133
44	59		1911676-00		74S139 DECODER-DUAL TWO-INP	2		E151,E159
45	19		1911712-00		74S51 AND-OR GATE-INVERT D	3		E17,E24,E176
46	40		1912089-00		74S85 CMPRTR-4BIT MAGNITUD	1		E55
47	27		1912096-00	DEC	74S86 XOR GATE,QUAD 2IN	2		E31,E177
48	41		1912097-00	SN	74S182 LOOK AHD CARRY GEN	3		E56,E70,E84
49	17		1912388-00		74S02 NOR GATE-QUAD 2IN,PO	4		E12,E39,E48,E180
50	7		1912389-00		74S08 AND GATE-QUAD 2IN,PO	3		E2,E21,E65
51	16		1912646-00		LS253 MUX 1 OF 4 (DUAL)	1		E11
52	15		1912697-00		LS174 FF-D HEX W/CLEAR	1		E10
53	38		1912728-00		74S251 MUX 1 OF 8 TRI-STA	3		E51,E97,E111
54	30		1912746-00	DEC	74S37 NAND GATE-QUAD 2IN	4		E34,E115,E131,E150
55	45		1912805-00		LS08 AND GATE-QUAD 2IN,PO	2		E63,E132
56	24		1912813-00		LS27 NOR GATE-TRIPLE 3IN	1		E26
57	20		1912824-00		LS74 FF-D DUAL,EDGE TRIGG	3		E19,E25,E62
58	11		1912828-00		LS85 COMPARATOR,4BIT MAGN	1		E6
59	6		1912833-00		LS109 FF-JK DUAL,POS EDGE	6		E1,E49,E66,E88,E168,E181
60	34		1912838-00		LS132 NAND GATE-QUAD 2IN P	1		E44
61	12		1912849-00		LS161 COUNTER,SYNCHR,4BIT	1		E7
62	28		1912853-00		LS175 FF-D QUAD	1		E32
63	39		1912860-00		LS259 LATCH 8BIT	1		E54
64	54		1912863-00		LS273 FF-D OCTAL W/CLEAR	3		E108,E182,E187
65	26		1913245-02		2901A-1 MICROPRESCCESSOR 4-	8		E29,E43,E57,E71,E85,E99,E113, CONT E114
66	13		1913340-00		74S32 OR GATE-QUAD 2IN	5		E8,E28,E53,E79,E122
67	50		1913493-00		74S241 OCTAL BUFFER,TRI-STA	5		E82,E96,E98,E125,E126
68	62		1913662-01		RAM 1KX1 16 PIN TT	2		E185,E186
69	53		1913670-00		74S373 LATCH,8BIT TRANS TRI	4		E89,E110,E127,E171
70	35		1913671-00		74S374 FF-D,OCTAL,TR1 STATE	8		E77,E91,E104,E105,E135,E153, CONT E155,E158
71	42		1913788-00		26S10 TRANSCEIVER,BUS,QUA	10		E58,E72,E73,E74,E87,E101,E102, CONT E103,E117,E118
72	47		1914082-00		74S163 COUNTER,SYNCH UP/DOW	3		E68,E69,E146
73	48		1914214-00		LS374 FF-D OCTAL EDGE TRIG	8		E75,E76,E120,E121,E139,E140.

D	I	G	I	T	A	L	TITLE	C.D.P. MODULE	SECTION A	OF A	SIZE	CODE	DOCUMENT NUMBER	REV
											K	PL	L0400-0-DBP	C

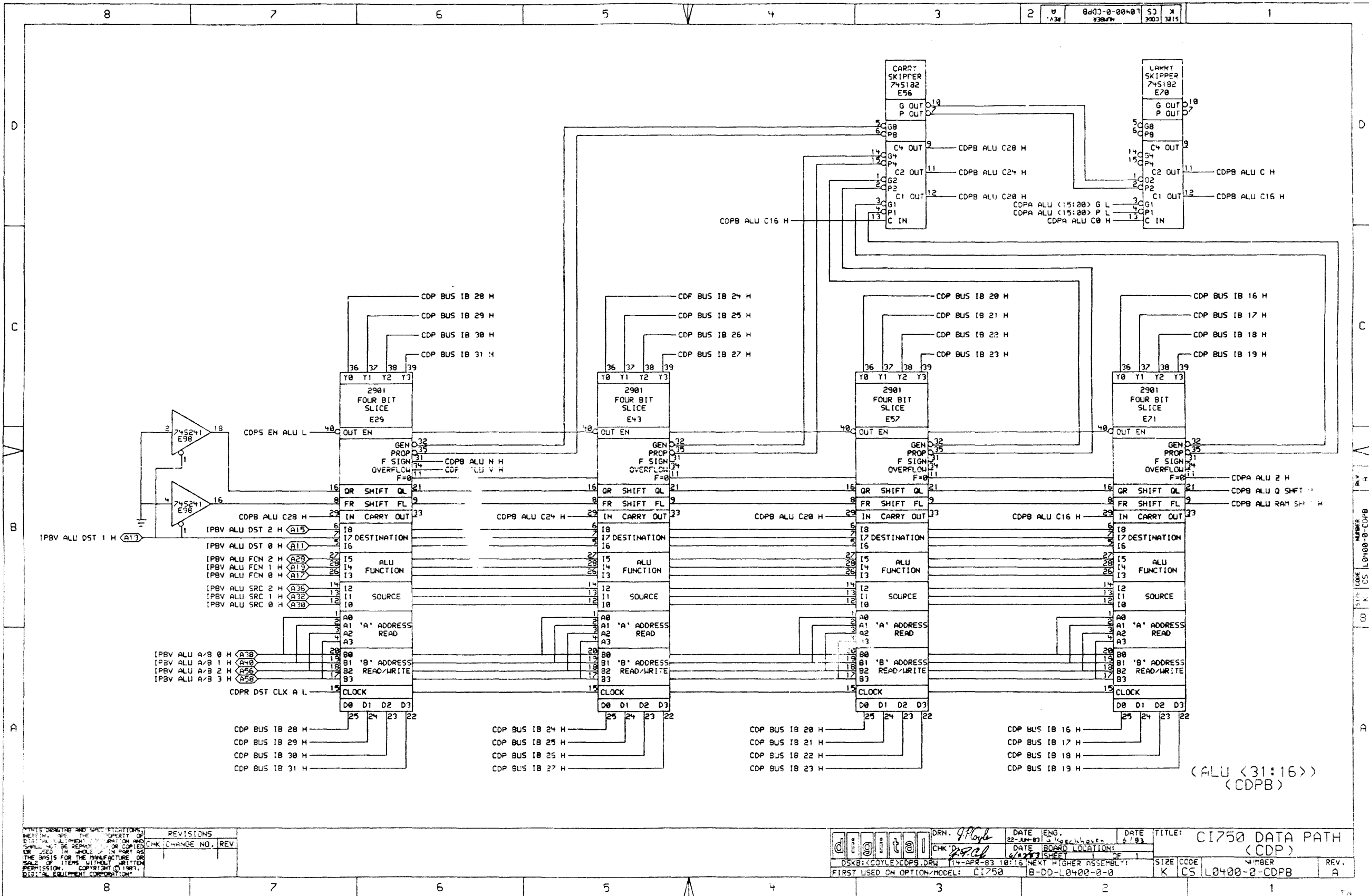
LINE	ITEM	TOP DOCUMENT	PART NUMBER	MIN REV	DESCRIPTION	QTY	PER VARIATION	REFERENCE DESIGNATOR
					VARIATION REVISION LEVEL:	00		
						C1		
74	14		1914392-00		556 TIMER-DUAL	1	CONT	E141,E169
75	46		1915193-00		LS244 DRIVER,LINE,OCTAL,TR	2		E9 E67,E170
76	22		1915234-00		LS390 COUNTER,DECADE,DUAL,	1		E22
77	56		2121818-01		MOS STATIC RAM 256X4 SEPARATE I/	12	CONT	E128,E129,E130,E143,E144,E145, E172,E173,E174,E188,E189,E190
78	36		23094B1-00		B1-01	1		E47
79	44		23E12F1-00		F1-01	1		E61
80	79		9000024-01		EYELET,ROLLED 0.1210DX0.192	12		
81	74		9009185-00		JUMPER, WIRE, INSULATED, BLACK B	3		W1,R45,W5
82	82		1215006-03		SKT,IC 18PIN DIP TIN SOLD	1		XE61
83	83		1215006-04		SKT,IC 20PIN DIP TIN SOLD	3		XE47,XE92,XE60
84	84		1910544-01		74S74-60GG-D DUAL,EDGE TRIG	1		E165
85	85		1100114-00		PIV= 25 IO=135 MA	1		D2
86	86		9105740-55		WIRE(WRAP) 30AWG KYNAR UL14	1		
87	87		23095B1-00		B1-01	1		E92
88	88		1913671-50		74S374 FF-D,OCTAL,TRI STATE	1		E46
89	89		9107278-11		TUBING,TEFLON .042ID	A/R		
90	90		1302377-00		39.0 .25 W 5.0 % CF	2		R59,R60
91	91		1913670-01		DM 74S373N LATCH,8BIT TRANS	1		E157

D	I	G	I	T	A	L	TITLE	C.D.P. MODULE	SECTION A OF A	SIZE	CODE	DOCUMENT NUMBER	REV
										K	PL	L0400-0-DBP	C



REVISIONS
CHK CHANGE NO. REV.

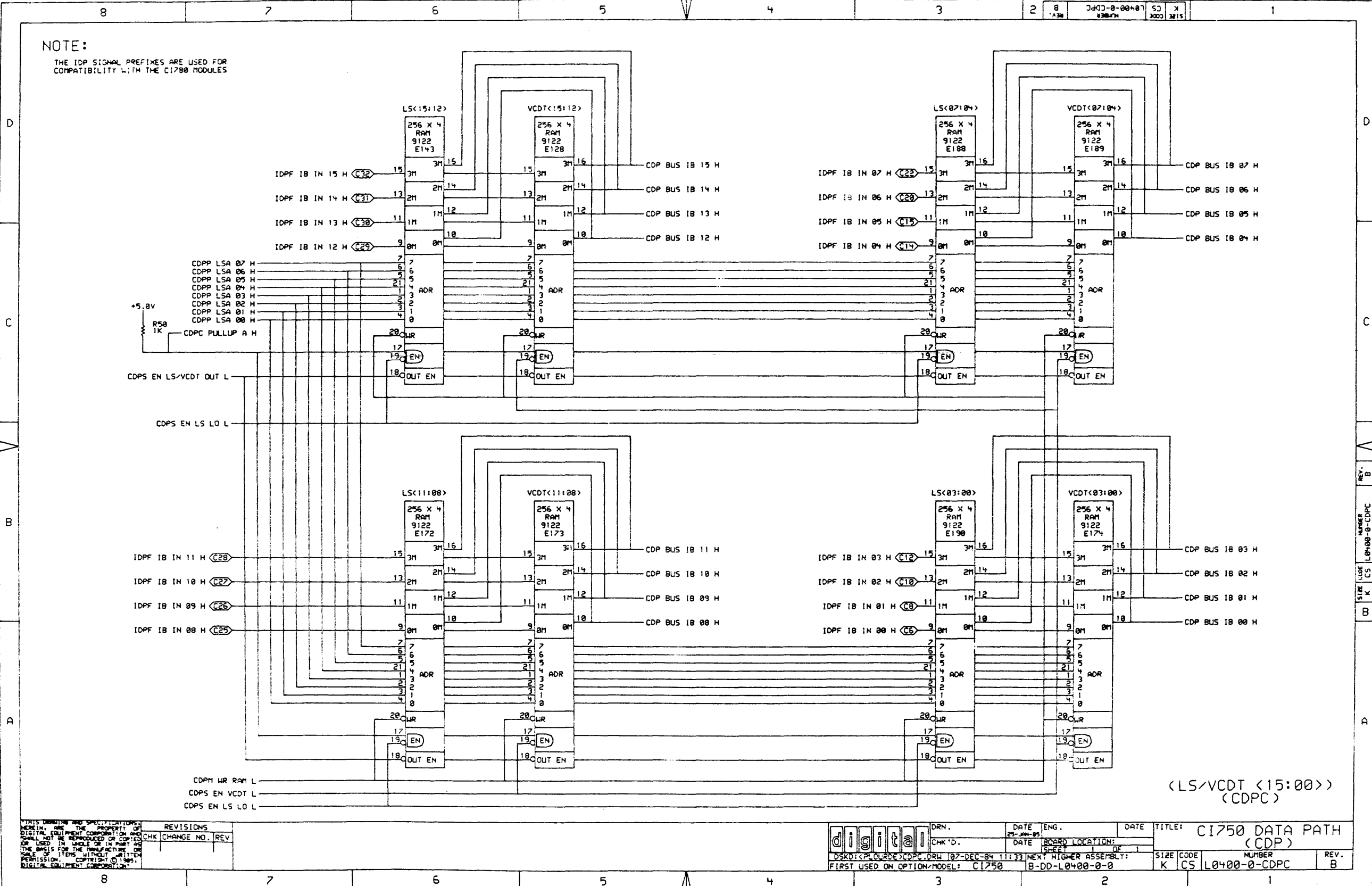
DRN: 9/10/82	DATE: 22-APR-83	ENG: S. K. W.	DATE: 8/83	TITLE: CI750 DATA PATH (CDP)
CHK: DPL	DATE: 6/27/83	DATE: 8/83	DATE: 8/83	DATE: 8/83
DSKB: <<COYLE>>CDPA.DPL.1	15-APR-83 10:16	NEXT HIGHER ASSEMBLY: B-D0-L0400-0-0	SIZE CODE: K CS	NUMBER: L0400-0-CDPA
FIRST USED ON OPTION/MODEL: CI750				REV: A



REV. H
 NAME: L0400-0-CDPB
 CS
 CD

REVISIONS	CHK	CHANGE NO.	REV.

DRN. <i>J.P. Coyle</i>	DATE <i>22-APR-83</i>	ENG. <i>J. Kogel</i>	DATE <i>6/83</i>	TITLE: CI750 DATA PATH (CDP)
CHK <i>J.P. Coyle</i>	DATE <i>14-APR-83</i>	BOARD LOCATION: <i>1</i>	SHEET <i>1</i>	SIZE CODE: K CS
DSKB: <COYLE>CDPB.DPL.1	14-APR-83 10:15	NEXT HIGHER ASSEMBLY: B-DD-L0400-0-0	NUMBER: L0400-0-CDPB	REV. A
FIRST USED ON OPTION/MODEL: CI750				



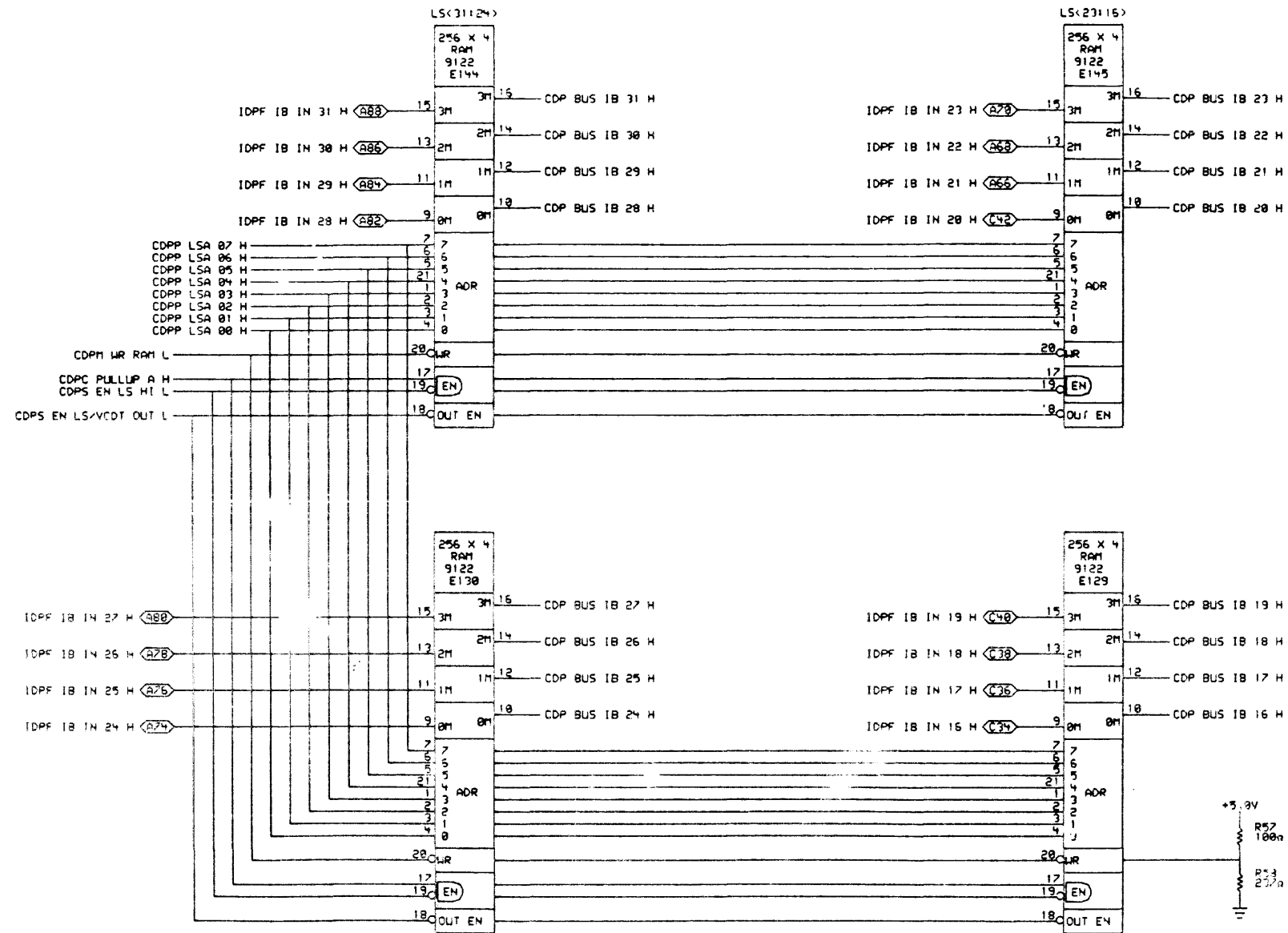
REV.	DESCRIPTION
1	INITIAL

CHK	CHANGE NO.	REV.

digital	DRN.	DATE	ENG.	DATE	TITLE:
	CHK'D.	DATE	BOARD LOCATION:	SHEET	OF
DSKD:KPL:CDPC:DRW 02-DEC-84 11:33		NEXT HIGHER ASSEMBLY:		SIZE	CODE
FIRST USED ON OPTION/MODEL: CI750		B-DD-L0400-0-0		K	CS L0400-0-CDPC
				NUMBER	REV.
					B

NOTE:

THE IDP SIGNAL PREFIXES ARE USED FOR COMPATIBILITY WITH THE C1790 MODULES



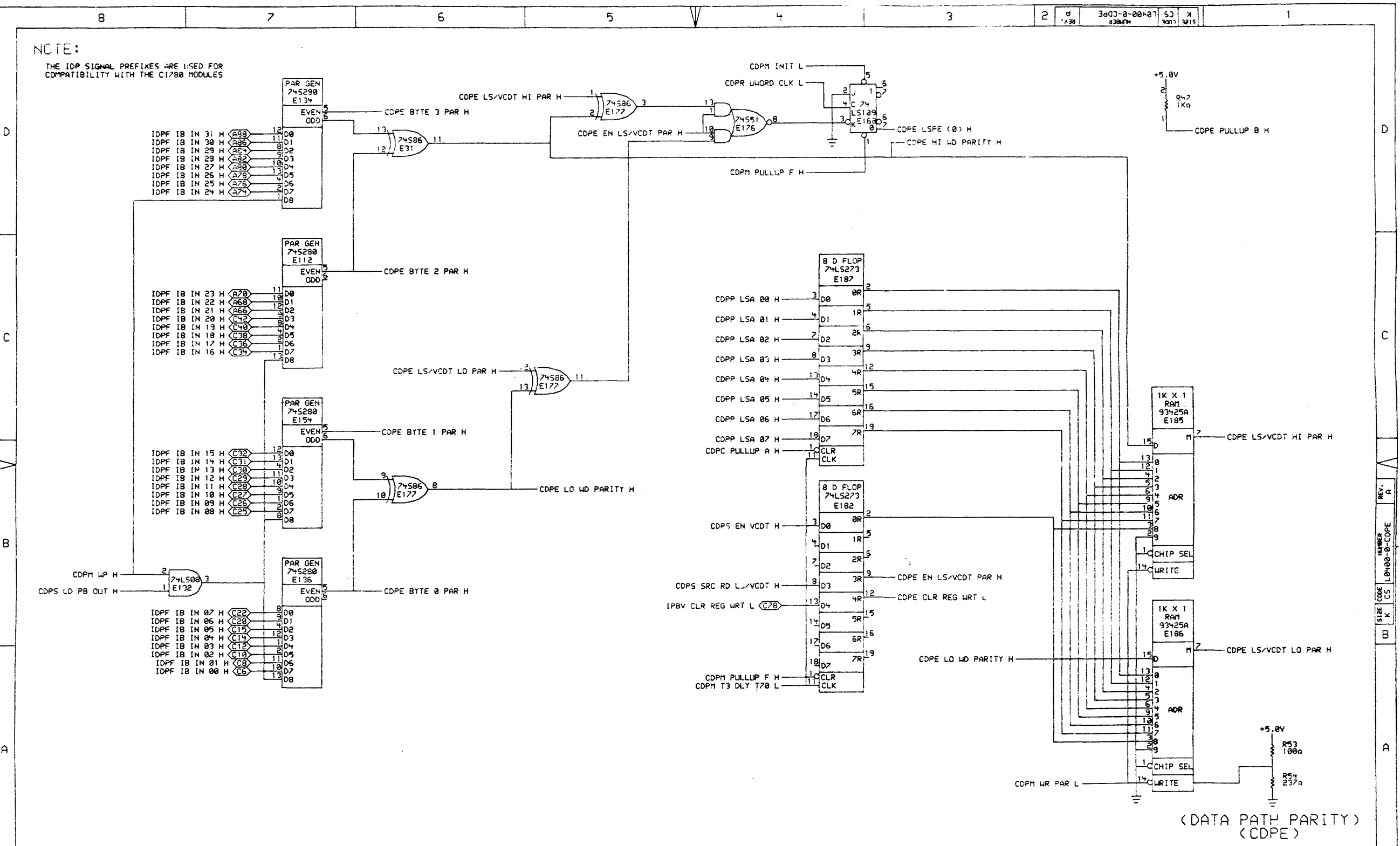
(LS <31:16>)
(CDPD)

THIS DRAWING AND ITS CONTENTS ARE THE PROPERTY OF DIGITAL EQUIPMENT CORPORATION AND SHALL NOT BE REPRODUCED OR COPIED IN WHOLE OR IN PART AS A BASIS FOR THE MANUFACTURE OF ANY ITEMS WITHOUT WRITTEN PERMISSION. COPYRIGHT © 1984, DIGITAL EQUIPMENT CORPORATION.

REVISIONS	
CHK	CHANGE NO. REV.

digital	DRN.	DATE	ENG.	DATE	TITLE: C1750 DATA PATH (CDP)
	CHK'D.	DATE	BOARD LOCATION:		
FIRST USED ON OPTION MODEL: C1750		NEXT HIGHER ASSEMBLY: B-DD-L0400-0-0		SIZE: K	CODE: CS
				NUMBER: L0400-0-CDPD	REV.: B

NOTE:
THE IDP SIGNAL PREFIXES ARE USED FOR
COMPATIBILITY WITH THE C1700 MODULES

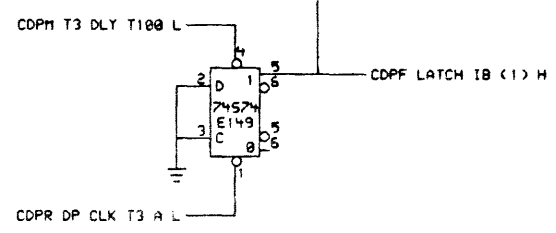
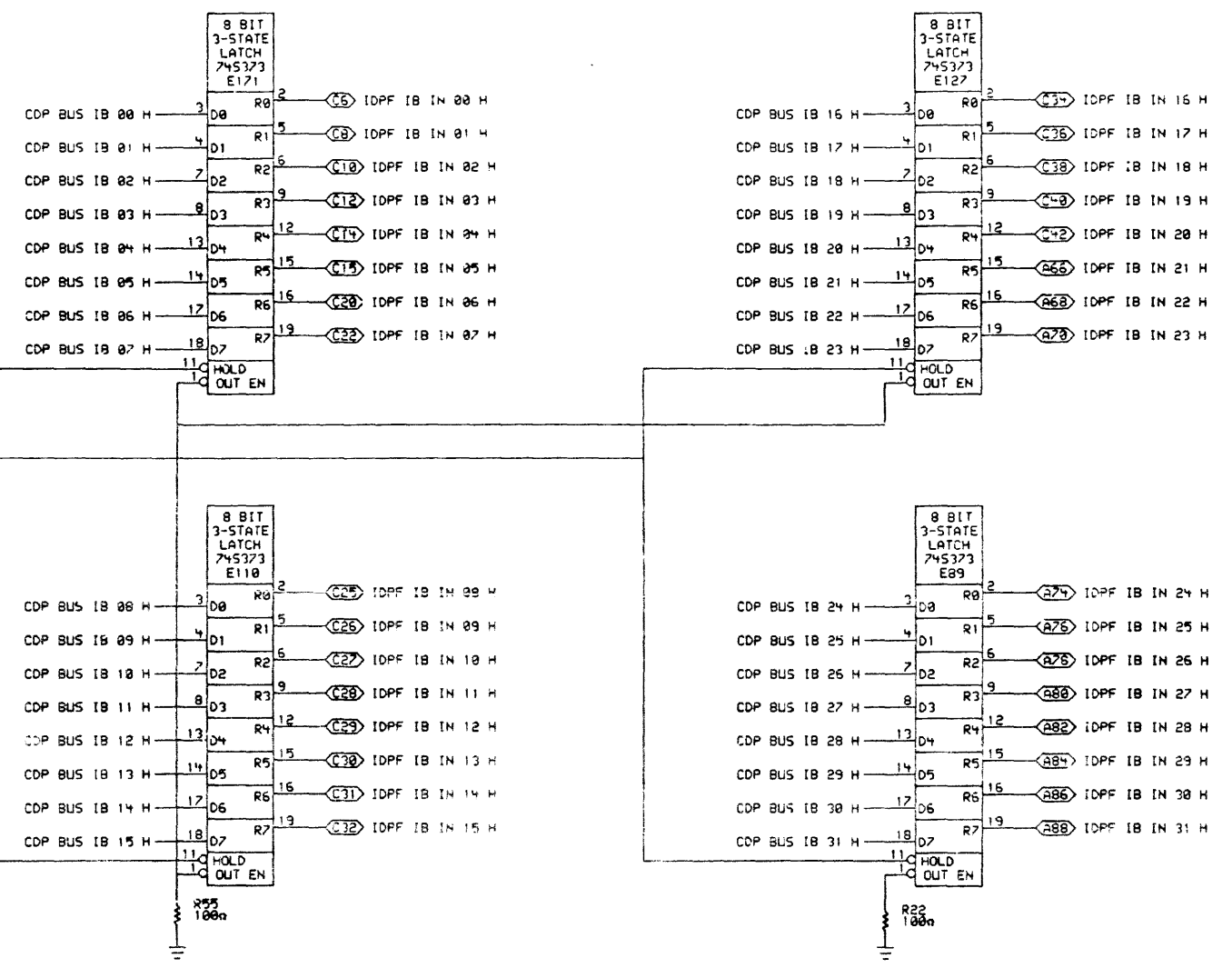


(DATA PATH PARITY)
(CDPE)

REVISIONS	
CHK	CHANGE NO. REV

DRN. <i>J.P. [signature]</i>	DATE <i>22-JUN-83</i>	ENG. <i>[signature]</i>	DATE <i>6/83</i>	TITLE: CI750 DATA PATH (CDP)
CHK'D <i>[signature]</i>	DATE <i>2/17/83</i>	BOARD LOCATION: <i>[blank]</i>	SHEET <i>1</i>	SIZE CODE: K CS L0400-0-COPE
DSKB: <COYLE>CDPE.DRW 114-APR-83 18:17		NEXT HIGHER ASSEMBLY: B-DD-L0400-0-0		NUMBER: 1
FIRST USED ON OPTION/MODEL: CI750		REV. A		

NOTE:
THE IDP SIGNAL PREFIXES ARE USED FOR COMPATIBILITY WITH THE CI780 MODULES

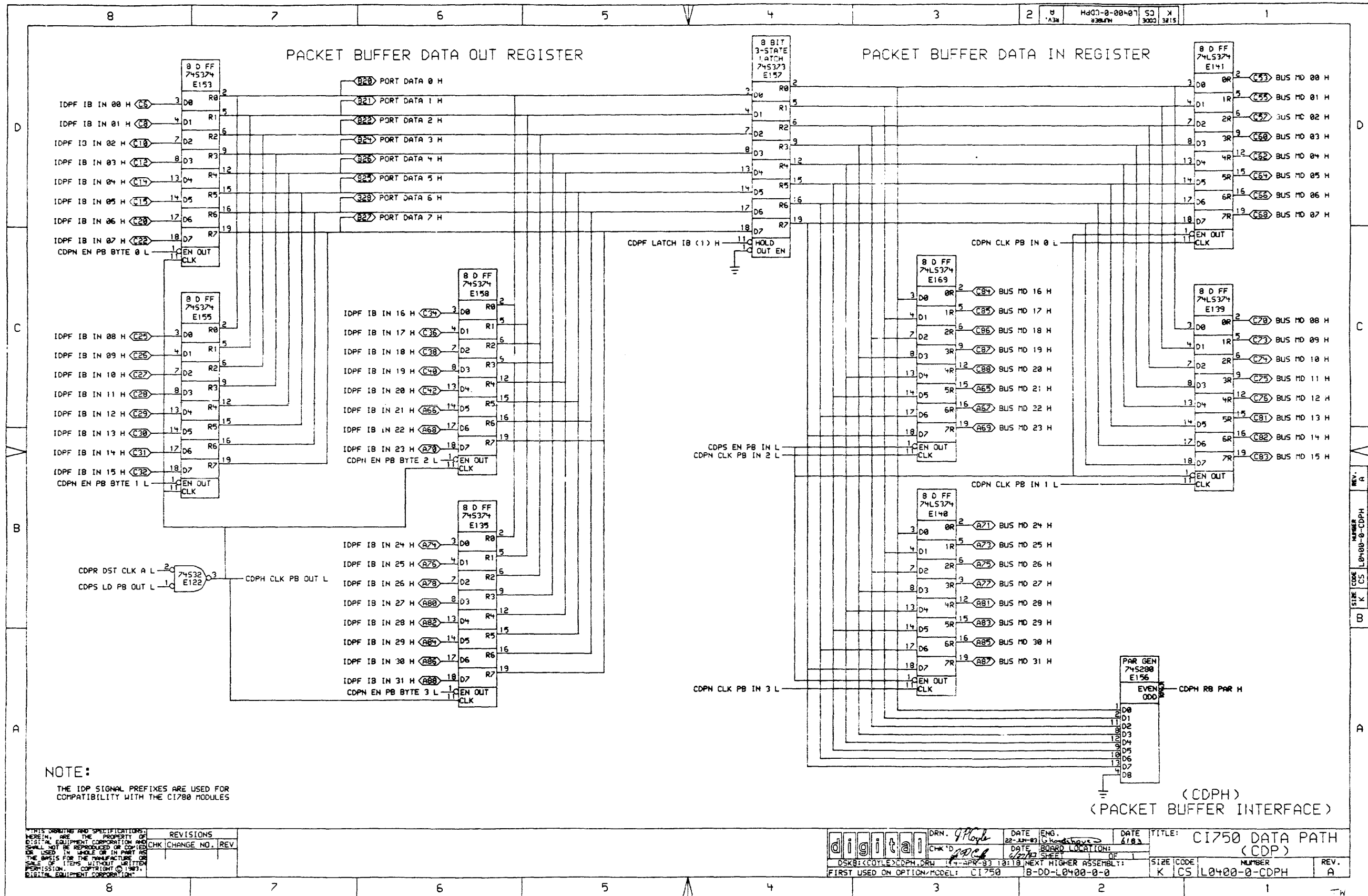


(BUS IB BUFFERS)
(CDPF)

REV.	DATE	BY	CHK	CHANGE NO.	REV

REV.	DATE	BY	CHK	CHANGE NO.	REV

digital	DRN. <i>4/8/83</i>	DATE ENG. <i>22-APR-83</i>	DATE <i>6/83</i>	TITLE: CI750 DATA PATH (CDP)
	CHK'D <i>2/8/83</i>	DATE <i>2/8/83</i>	DATE <i>6/83</i>	
FIRST USED ON OPTION/MODEL: CI750		NEXT HIGHER ASSEMBLY: B-DD-L2+22-0-0		SIZE CODE: K
		NUMBER: IC51L0400-0-CDPF	REV. A	

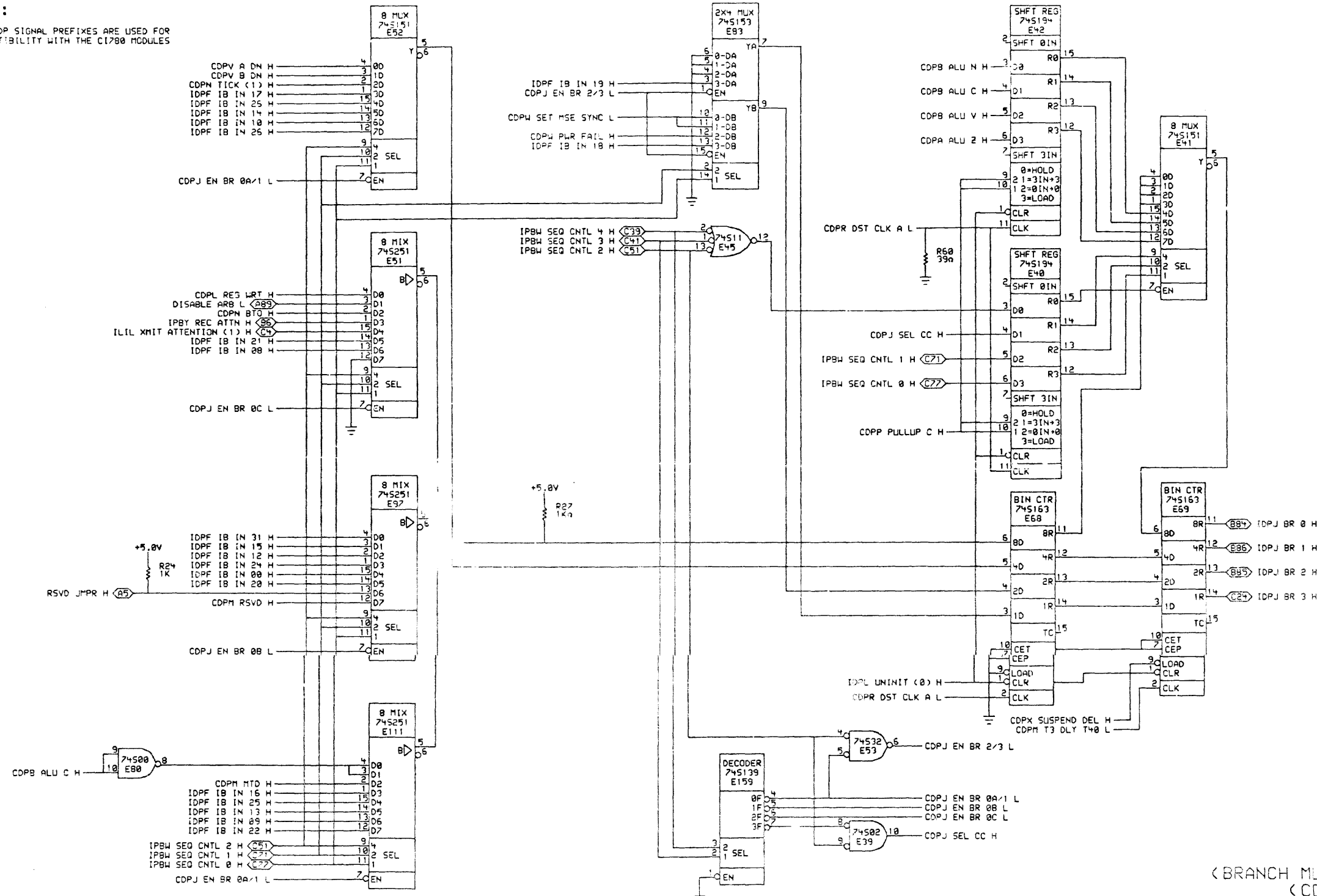


NOTE:
THE IDP SIGNAL PREFIXES ARE USED FOR COMPATIBILITY WITH THE C1700 MODULES

REVISIONS	CHK	CHANGE NO.	REV

digital	DRN. 4/10/83	DATE ENG. 22-APR-83	DATE 4/18/83	TITLE: CI750 DATA PATH (CDP)
	CHK'D [Signature]	DATE BOARD LOCATION: 4/18/83	SHEETS: 1 OF 1	SIZE CODE NUMBER REV. K CS L0400-0-CDPH A
DSKB: <COYLE>CDPH.DRW		NEXT HIGHER ASSEMBLY: B-DD-L0400-0-0		FIRST USED ON OPTION/MODEL: CI750

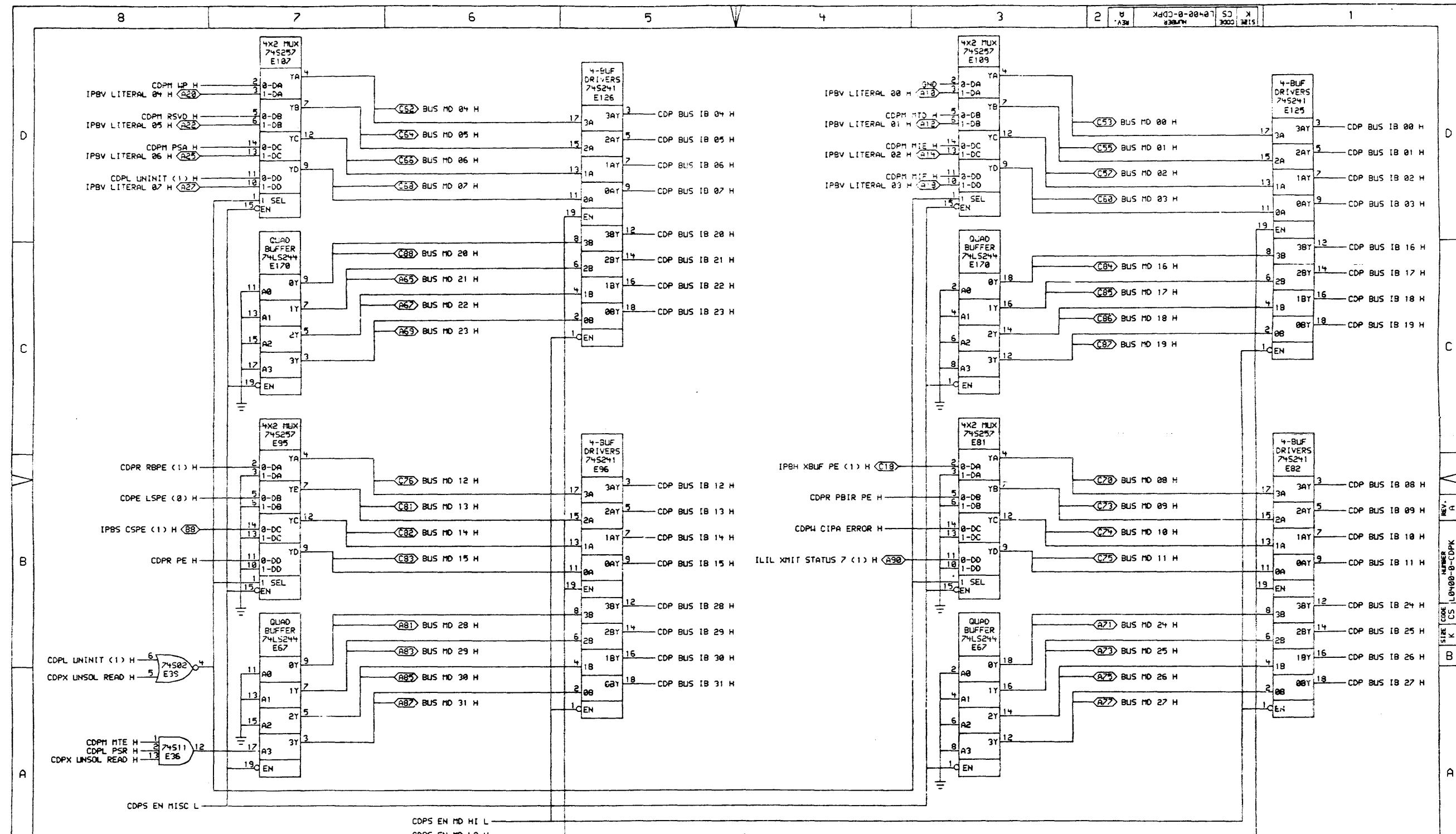
NOTE:
THE IDP SIGNAL PREFIXES ARE USED FOR
COMPATIBILITY WITH THE C1780 MODULES



(BRANCH MULTIPLEXER)
(CDPJ)

REVISIONS	CHK	CHANGE NO.	REV.

digital	DRN.	DATE	ENG.	DATE	TITLE: C1750 DATA PATH
	CHK'D.	DATE	BOARD LOCATION:	SHEET 1 OF 1	(CDPJ)
DSKD:\PLOURDE\CDPJ.DRW 186-FEB-84 15:01			NEXT HIGHER ASSEMBLY:		SIZE CODE
FIRST USED ON OPTION/MODEL: C1750			B-DD-L0400-0-0		NUMBER
					REV. B



(CDPK)
(PMCSR/LITERAL DATA MUX)

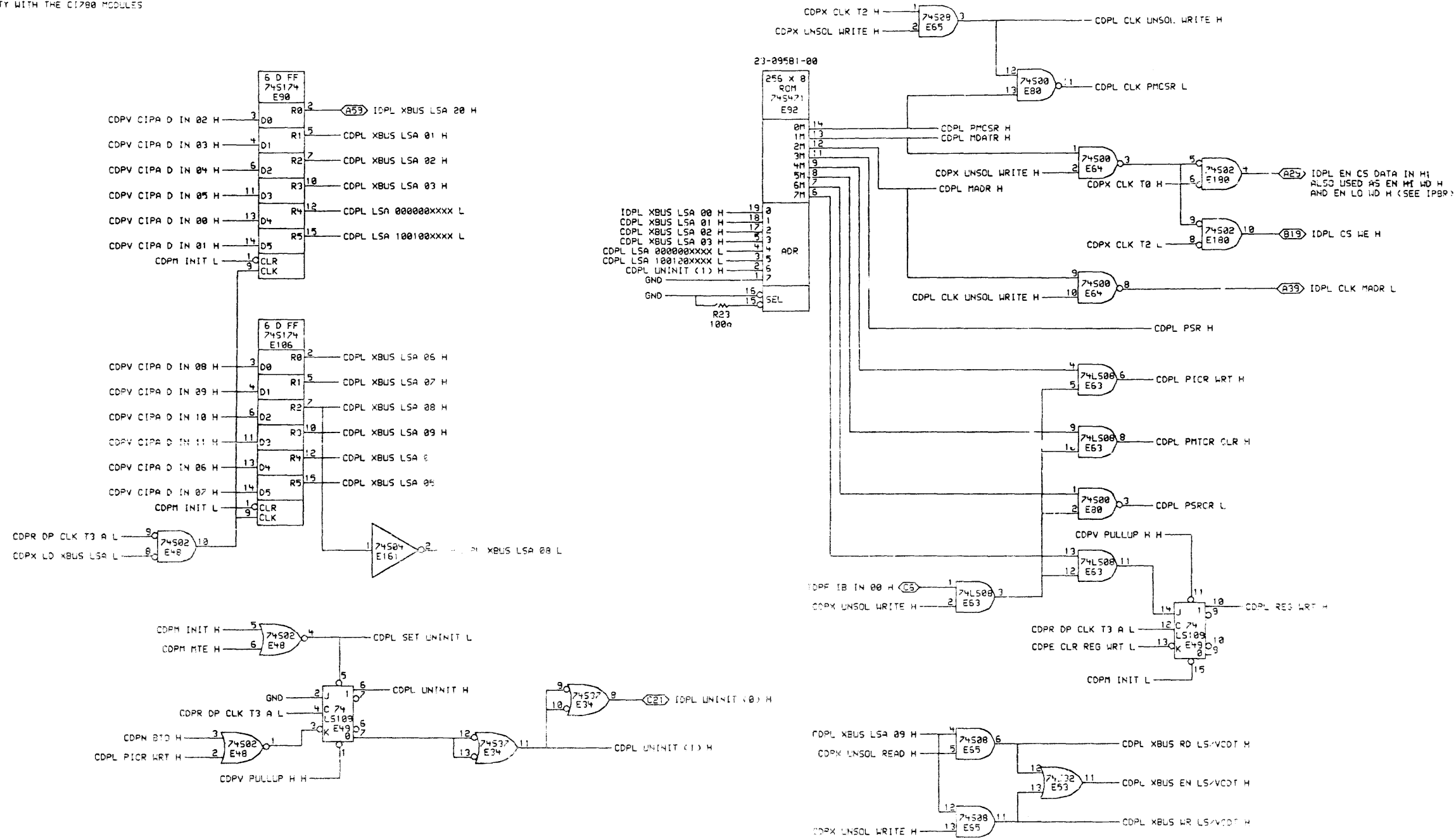
THIS DRAWING AND SPECIFICATIONS HEREIN ARE THE PROPERTY OF DIGITAL EQUIPMENT CORPORATION AND SHALL NOT BE REPRODUCED OR COPIED OR USED IN WHOLE OR IN PART AS THE BASIS FOR THE MANUFACTURE OR SALE OF ITEMS WITHOUT WRITTEN PERMISSION. COPYRIGHT © 1981, DIGITAL EQUIPMENT CORPORATION.

REVISIONS	
CHK	CHANGE NO. REV

DRN. <i>J. P. Pyle</i>	DATE ENG. 22-JUN-83	DATE 01/83	TITLE: CI750 DATA PATH (CDPK)
CHK'D <i>1984</i>	DATE BOARD LOCATION: 1	SHEET 1 OF 1	
DSKB: COYLE\CDPK.DRW 14-APR-83 10:18 NEXT HIGHER ASSEMBLY: B-DD-L0400-0-0		SIZE CODE K CS	NUMBER L0400-0-CDPK
FIRST USED ON OPTION: MODEL: CI750			REV. A

NOTE:

THE IDP SIGNAL PREFIXES ARE USED FOR COMPATIBILITY WITH THE C1700 MODULES



(REGISTER CONTROL)
(CDPL)

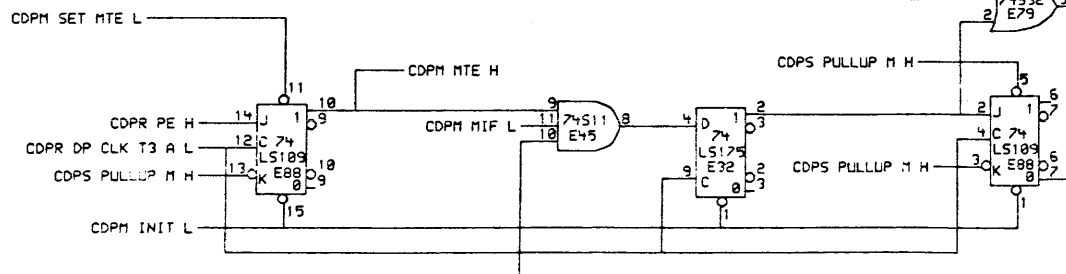
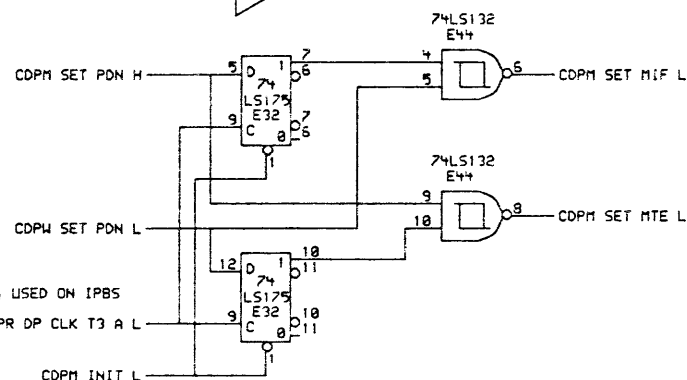
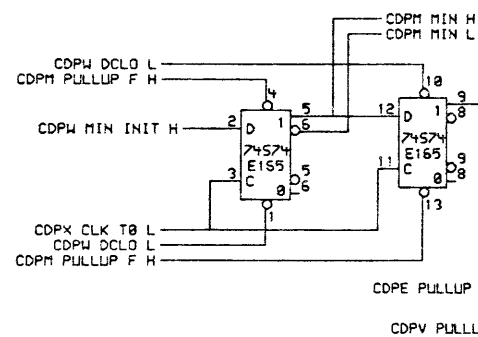
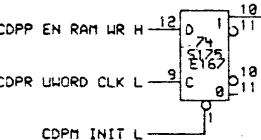
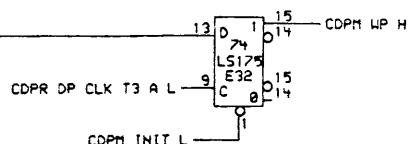
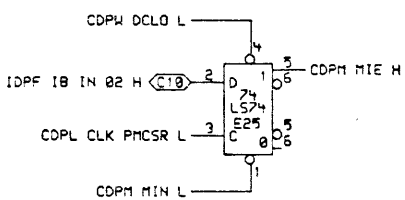
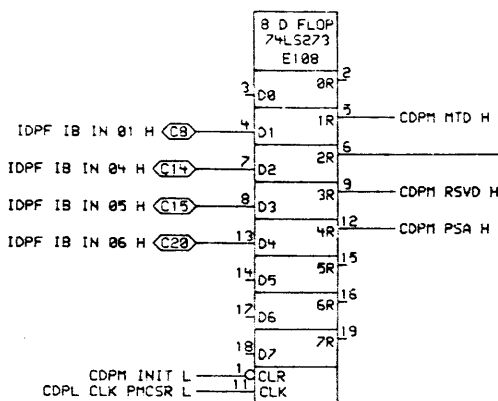
REV.	DATE	DESCRIPTION
1	17-FEB-81	INITIAL DESIGN
2	17-FEB-81	REVISIONS
3	17-FEB-81	CHK CHANGE NO. REV

ORN.	DATE	ENG.	DATE	TITLE:
CHK'D.	17-FEB-81			C1750 DATA PATH
DATE	17-FEB-81	BOARD LOCATION:		(CDPL)
SHEET				
NO. OF SHEETS	1518	NEXT HIGHER ASSEMBLY:		
FIRST USED ON OPTION/MODEL:	C1750	18-00-L0-20-2-0	SIZE CODE	NO. PER
			K CS L2-20-0-CDPL	REV.
				B

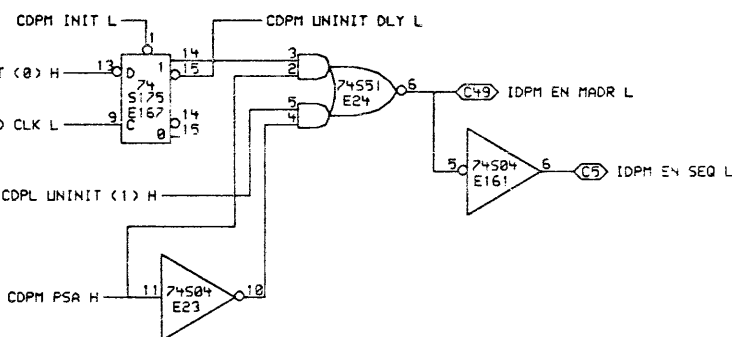
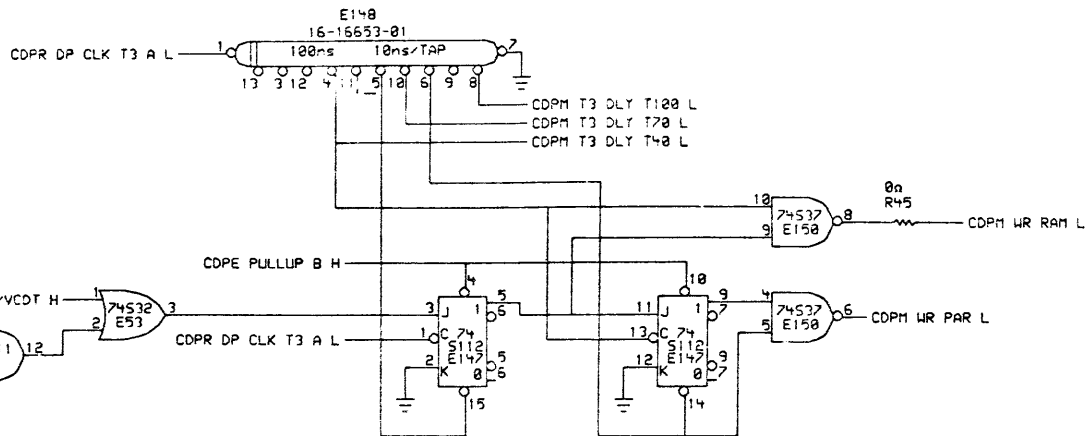
NOTE:

THE IDP SIGNAL PREFIXES ARE USED FOR COMPATIBILITY WITH THE CI750 MODULES

PMCSR (READ/WRITE BITS)



LS/VCDT WRITE TIMING

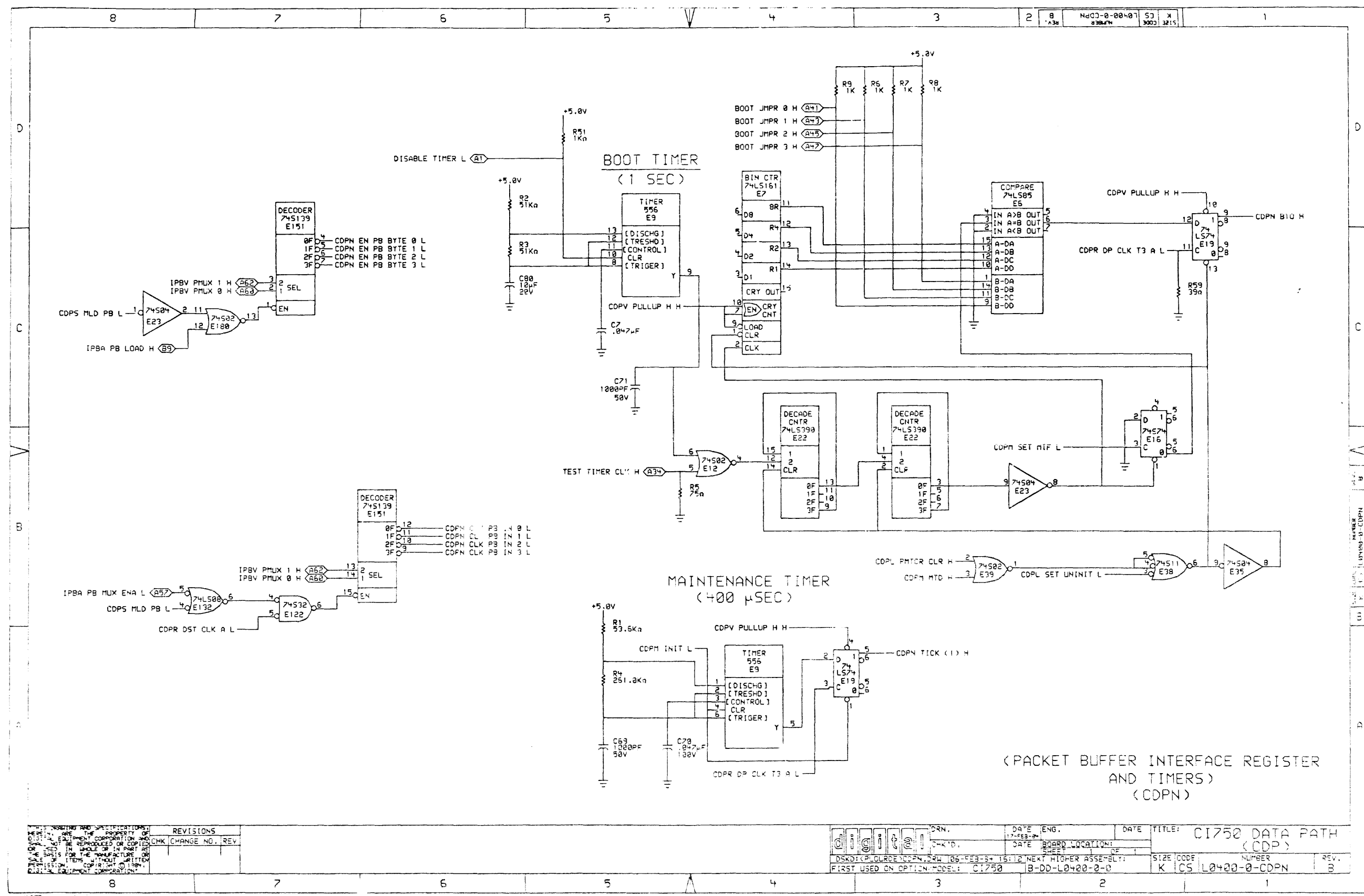


(PMCSR & LS/VCDT WRITE) (CDPM)

REV.	NO.	DATE	BY	CHK'D.	DATE	BY	DATE	BY	DATE	BY

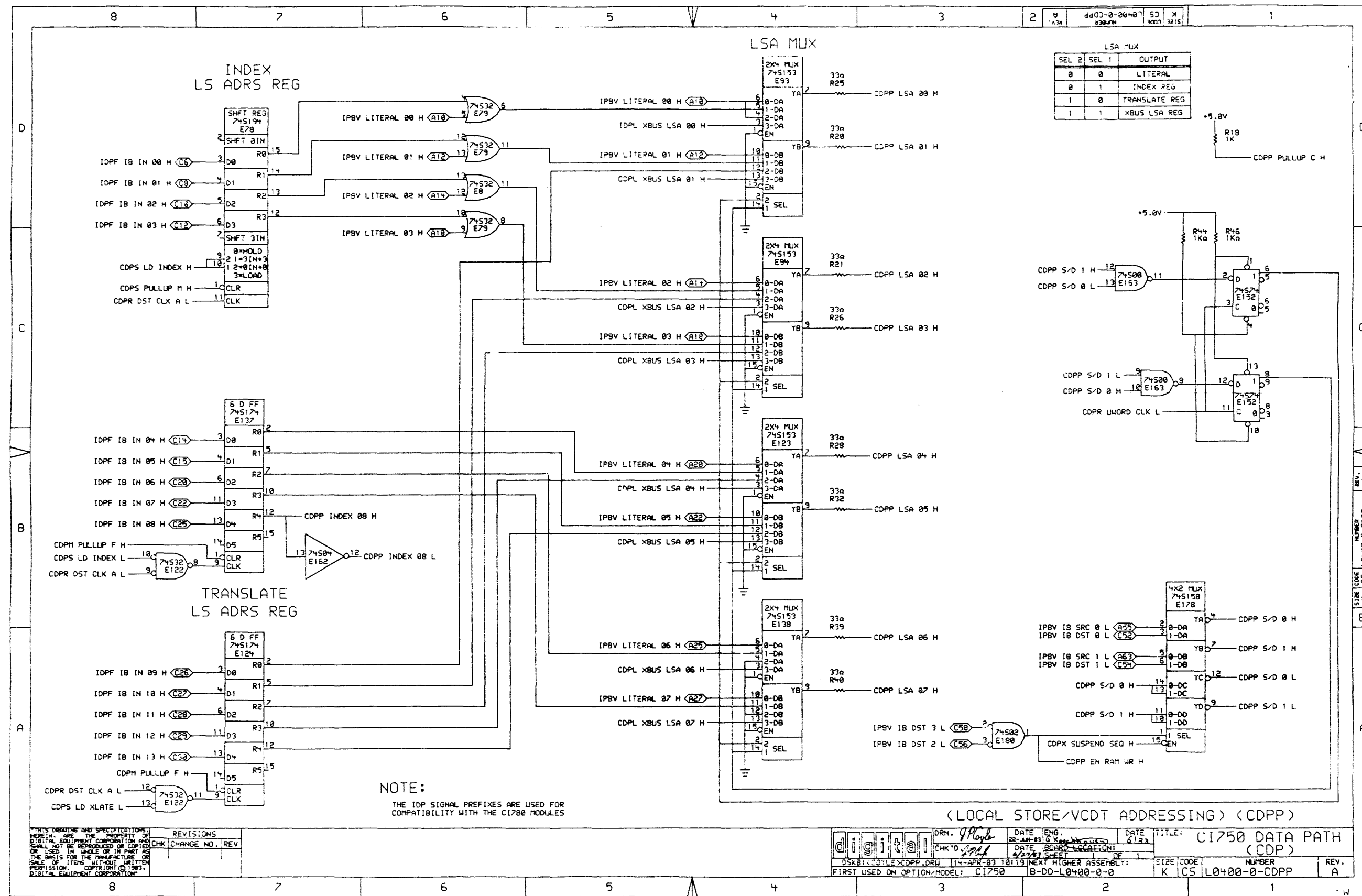
REV.	NO.	DATE	BY	CHK'D.	DATE	BY	DATE	BY	DATE	BY

DRN.	DATE	ENG.	DATE	TITLE:	CI750 DATA PATH (CDP)
CHK'D.	DATE	LOC.	DATE	SIZE	CODE
DSKD: <PLURDE> CDPM.DRW 106-FEB-84 16:35	NEXT HIGHER ASSEMBLY:	8-DD-L0400-0-0	REV.	B	
FIRST USED ON OPTION/MODEL:	CI750				



REVISIONS	
CHK	CHANGE NO. REV

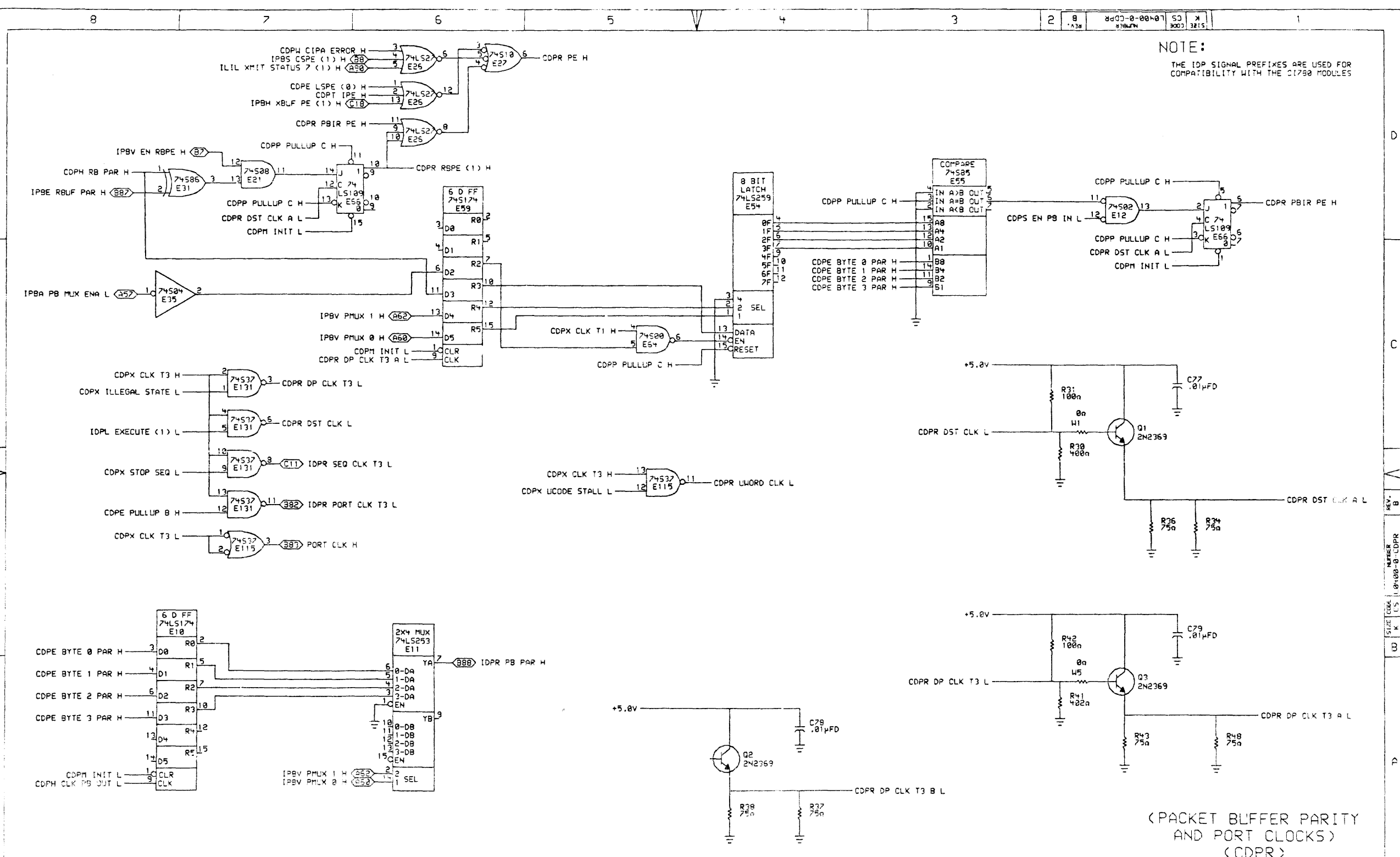
DATE	ENG.	DATE	TITLE:
17-FEB-80			CI750 DATA PATH (CDP)
DATE	BOARD LOCATION	DATE	
DSK/DISK/CLRD/CDPN/CDL	06-FEB-80 15:12	NEXT HIGHER ASSEMBLY:	
FIRST USED ON OPTION MODEL:	CI750	B-DD-L0400-0-0	
SIZ	CODE	NUMBER	REV.
K	CS	L0400-0-CDPN	3



THIS DRAWING AND SPECIFICATIONS ARE THE PROPERTY OF DIGITAL EQUIPMENT CORPORATION AND SHALL NOT BE REPRODUCED OR COPIED OR USED IN WHOLE OR IN PART AS A BASIS FOR THE MANUFACTURE OR SALE OF ITEMS WITHOUT WRITTEN PERMISSION. COPYRIGHT © 1983, DIGITAL EQUIPMENT CORPORATION.

REV.	DATE	DESCRIPTION
1	11-82	INITIAL RELEASE

DRN. <i>J. P. Doyle</i>	DATE ENG. <i>22-APR-83</i>	DATE <i>6/1/83</i>	TITLE: C1750 DATA PATH (CDP)
CHK'D <i>J. P. Doyle</i>	DATE BOARD LOCATION: <i>6/27/83</i>	SHEET <i>1</i>	REV. A
DSKB:COYLEXCDPP.DRW	14-APR-83 10:13	NEXT HIGHER ASSEMBLY: B-00-L0400-0-0	NUMBER L0400-0-CDPP
FIRST USED ON OPTION/MODEL: C1750			



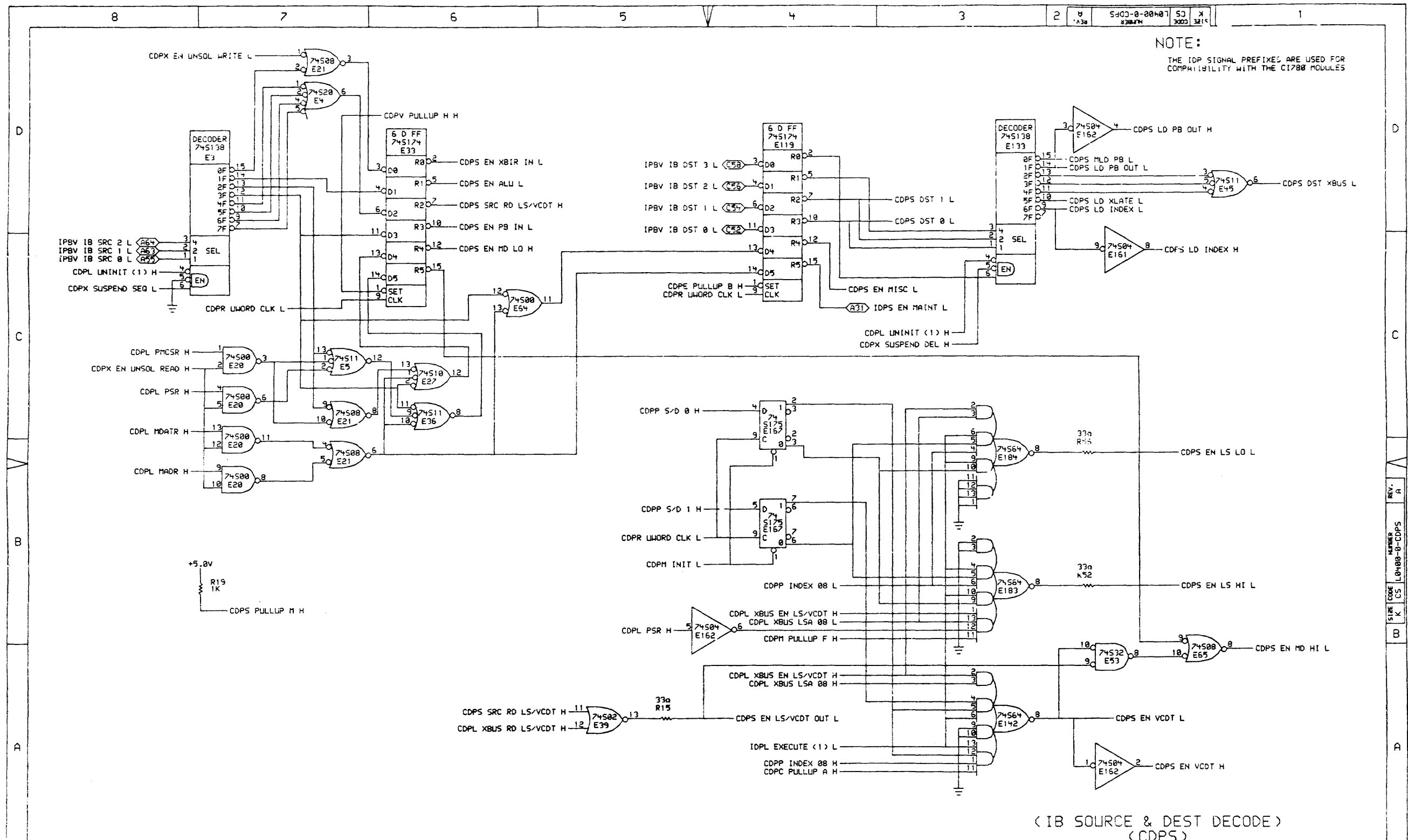
NOTE:
THE IDP SIGNAL PREFIXES ARE USED FOR
COMPATIBILITY WITH THE C1750 MODULES

(PACKET BUFFER PARITY
AND PORT CLOCKS)
(CDPR)

REVISIONS
CHK CHANGE NO. REV

NO.	DESCRIPTION	DATE	BY	CHK'D.	DATE	BY
1	INITIAL DESIGN	17-FEB-84				
2	REVISION					

DRN.	DATE	ENG.	DATE	TITLE:
C1750	17-FEB-84			C1750 DATA PATH (CDP)
BOARD LOCATION:	DATE	BY	DATE	BY
B-DD-L0400-0-0				
SIZE: CODE	NUMBER	REV.		
K CS L0420-0-00PR	B			

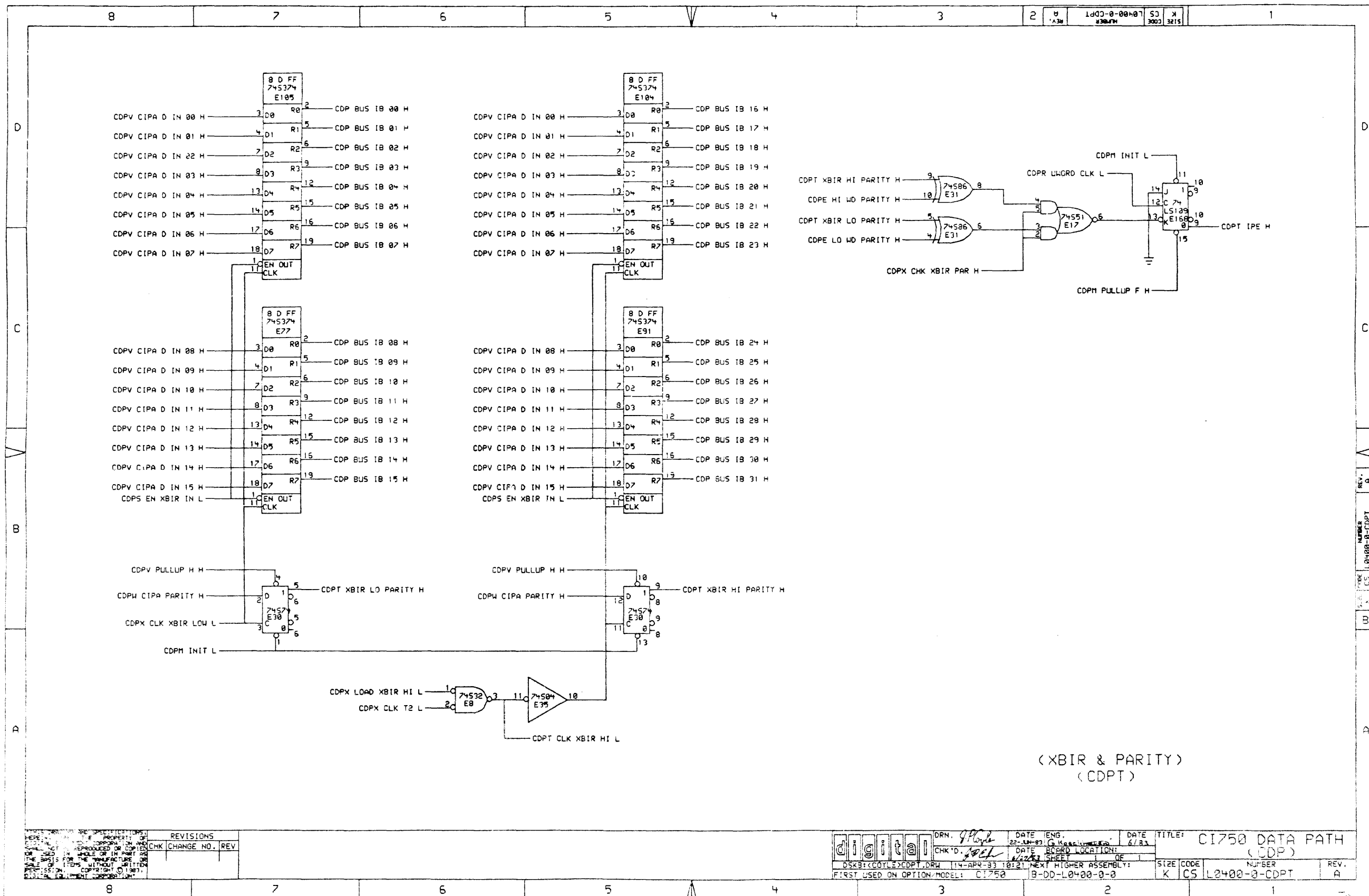


NOTE:
THE IDP SIGNAL PREFIXES ARE USED FOR
COMPATIBILITY WITH THE CI788 MODULES

(IB SOURCE & DEST DECODE)
(CDPS)

REVISIONS	
CHK	CHANGE NO. REV

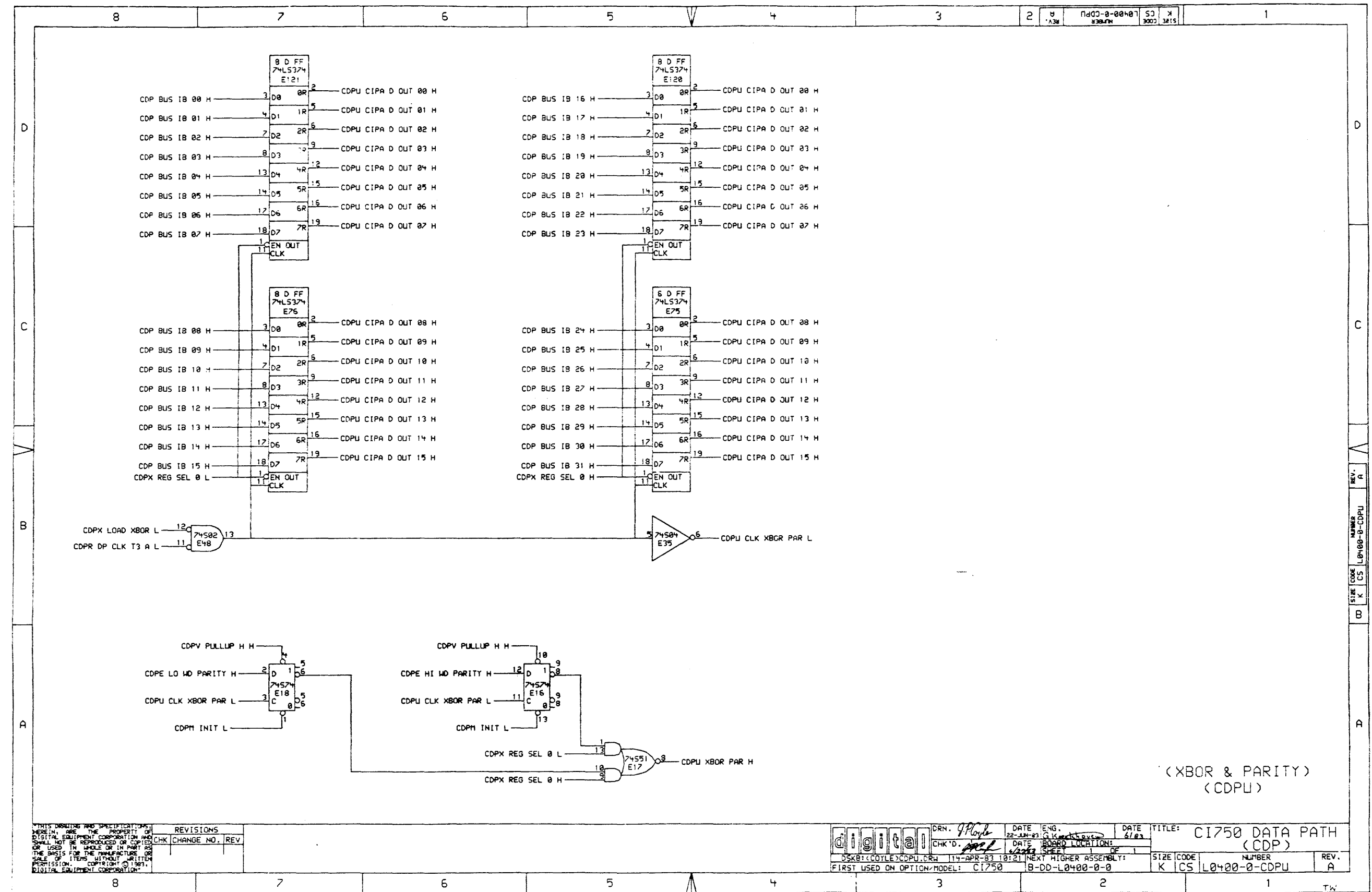
DRN. 9/10/82	DATE ENG. 22-JUN-83	DATE 8/18/83	TITLE: CI750 DATA PATH (CDP)
CHK'D. PPL	DATE BOARD LOCATION: 6/22/83	SHEET 1 OF 1	SIZE CODE NUMBER REV. K CS L0400-0-CDPS A
DSKB: <<COYLE>>CDPS.DRW		14-APR-83 18:20	NEXT HIGHER ASSEMBLY: B-DD-L0400-0-0
FIRST USED ON OPTION/MODEL: CI750			



(XBIR & PARITY)
(CDPT)

REVISIONS	
CHK	CHANGE NO. REV.

digital	DRN: 4902	DATE: 22-JUN-83	ENG: G. K. ...	DATE: 6/83	TITLE: C1750 DATA PATH (CDP)
	CHK'D: 10/83	DATE: 10/83	DESIGN LOCATION: ...	SHEET: 1 OF 1	
DSK: COYLE\CDPT.DRW		14-APR-83 10:21	NEXT HIGHER ASSEMBLY: ...	SIZE: K CS	NUMBER: L0400-0-COPT
FIRST USED ON OPTION/MODEL: C1750		B-DD-L0400-0-0		REV: A	

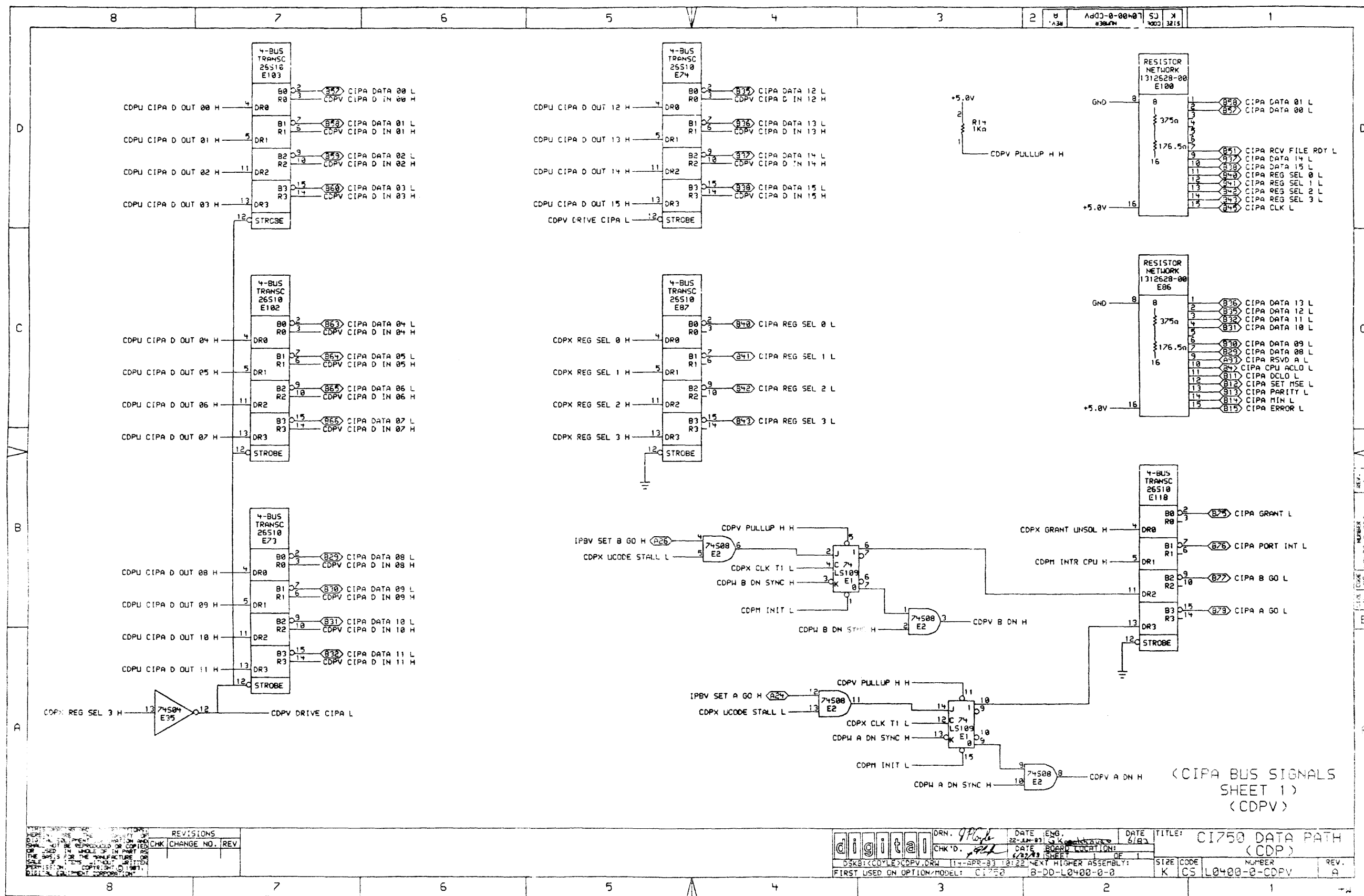


THIS DRAWING AND SPECIFICATIONS HEREIN ARE THE PROPERTY OF DIGITAL EQUIPMENT CORPORATION AND SHALL NOT BE REPRODUCED OR COPIED OR USED IN WHOLE OR IN PART AS THE BASIS FOR THE MANUFACTURE OR SALE OF ITEMS WITHOUT WRITTEN PERMISSION. COPYRIGHT © 1981, DIGITAL EQUIPMENT CORPORATION.

REVISIONS	
CHK	CHANGE NO. REV

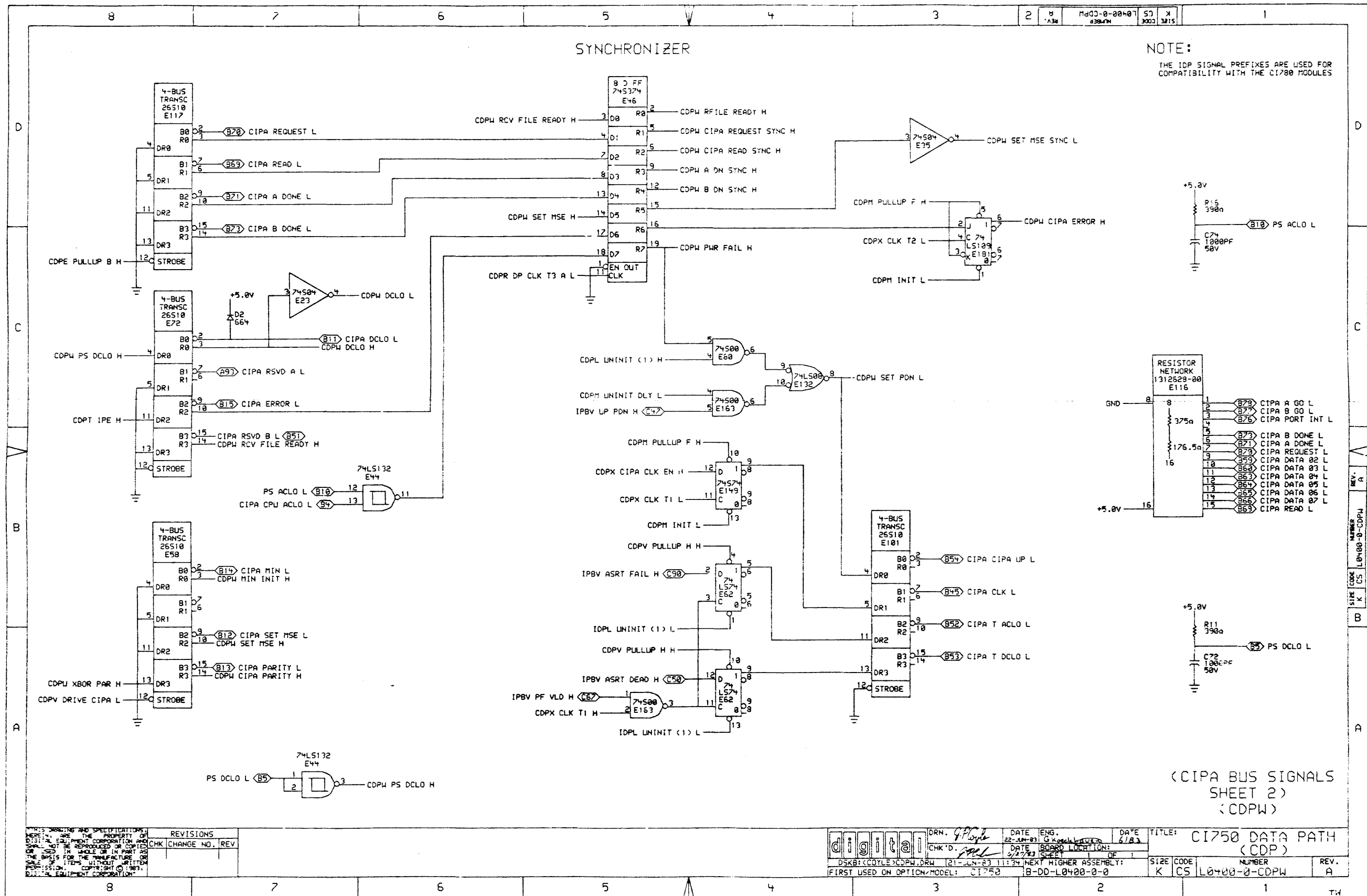
	DRN. <i>9P6</i>	DATE ENG. <i>22-JUN-83</i>	DATE <i>6/83</i>	TITLE: CI750 DATA PATH (CDPU)
	CHK'D. <i>AKL</i>	DATE BOARD LOCATION: <i>117-APR-83</i>	DATE SHEET <i>1</i>	OF <i>1</i>
DSKB: <COYLE>CDPU.DPL.1		NEXT HIGHER ASSEMBLY: <i>B-DD-L0400-0-0</i>		SIZE CODE K CS
FIRST USED ON OPTION/MODEL: <i>CI750</i>		NUMBER L0400-0-CDPU		REV. A

REV. A
 NUMBER L0400-0-CDPU
 SIZE CODE K CS
 T.W.

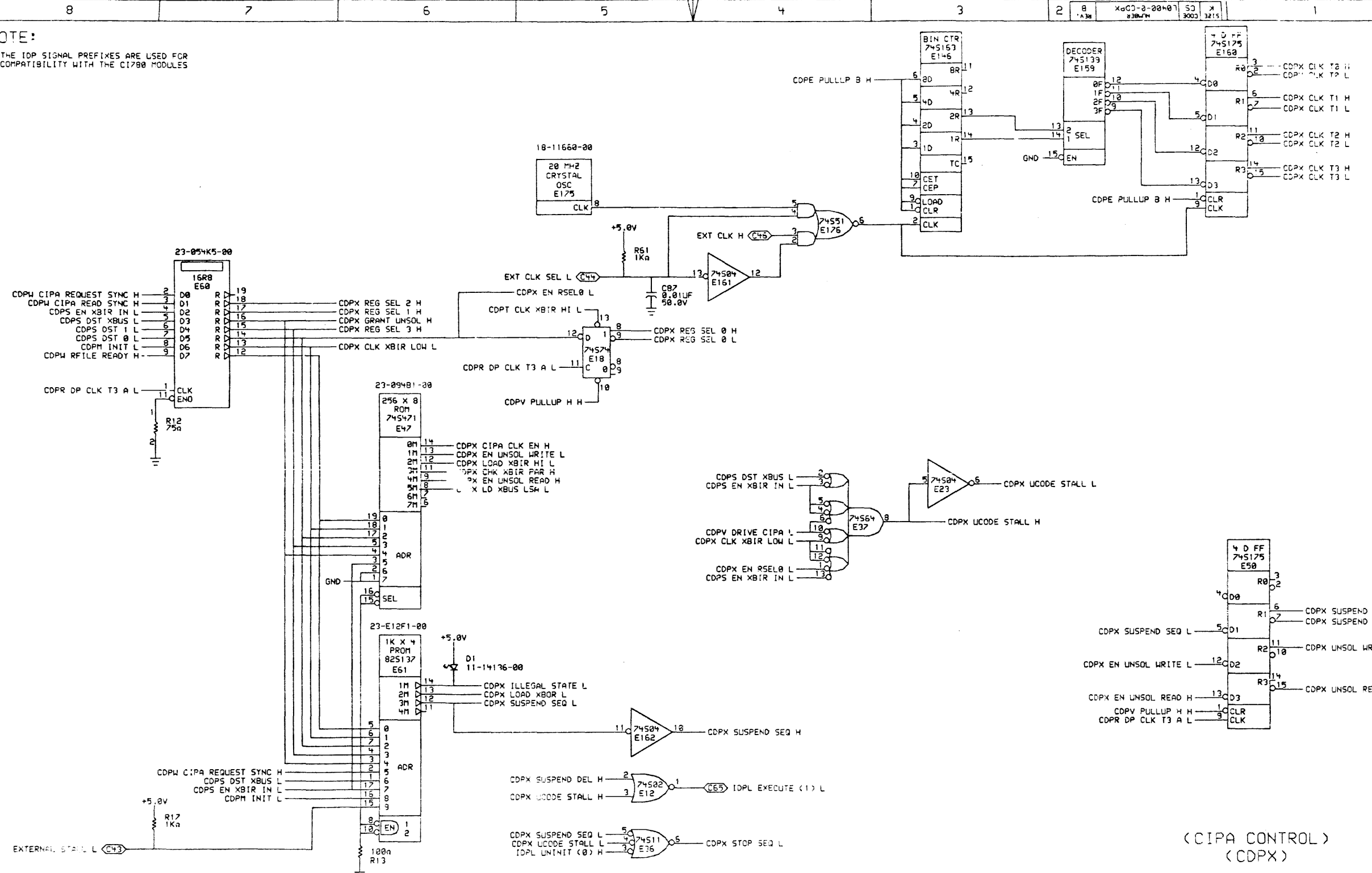


CIPA BUS SIGNALS
SHEET 1)
(CDPV)

REVISIONS			DATE		TITLE	
CHK	CHANGE NO.	REV	ENG.	DATE	DESIGNER	DATE
			9/10/83	22-APR-83	COYLE	6/83
			CHK'D.	DATE BOARD LOCATION:		
			DATE BOARD LOCATION:			
			OSK: ((COYLE)CDPV.DRW	11-APR-83	1822	NEXT HIGHER ASSEMBLY:
			FIRST USED ON OPTION/MODEL:	CIP20	B-DD-L0400-0-0	
			SIZE	CODE	NUMBER	REV.
			K	CS	L0400-0-CDPV	A



NOTE:
THE IDP SIGNAL PREFIXES ARE USED FOR
COMPATIBILITY WITH THE CI700 MODULES

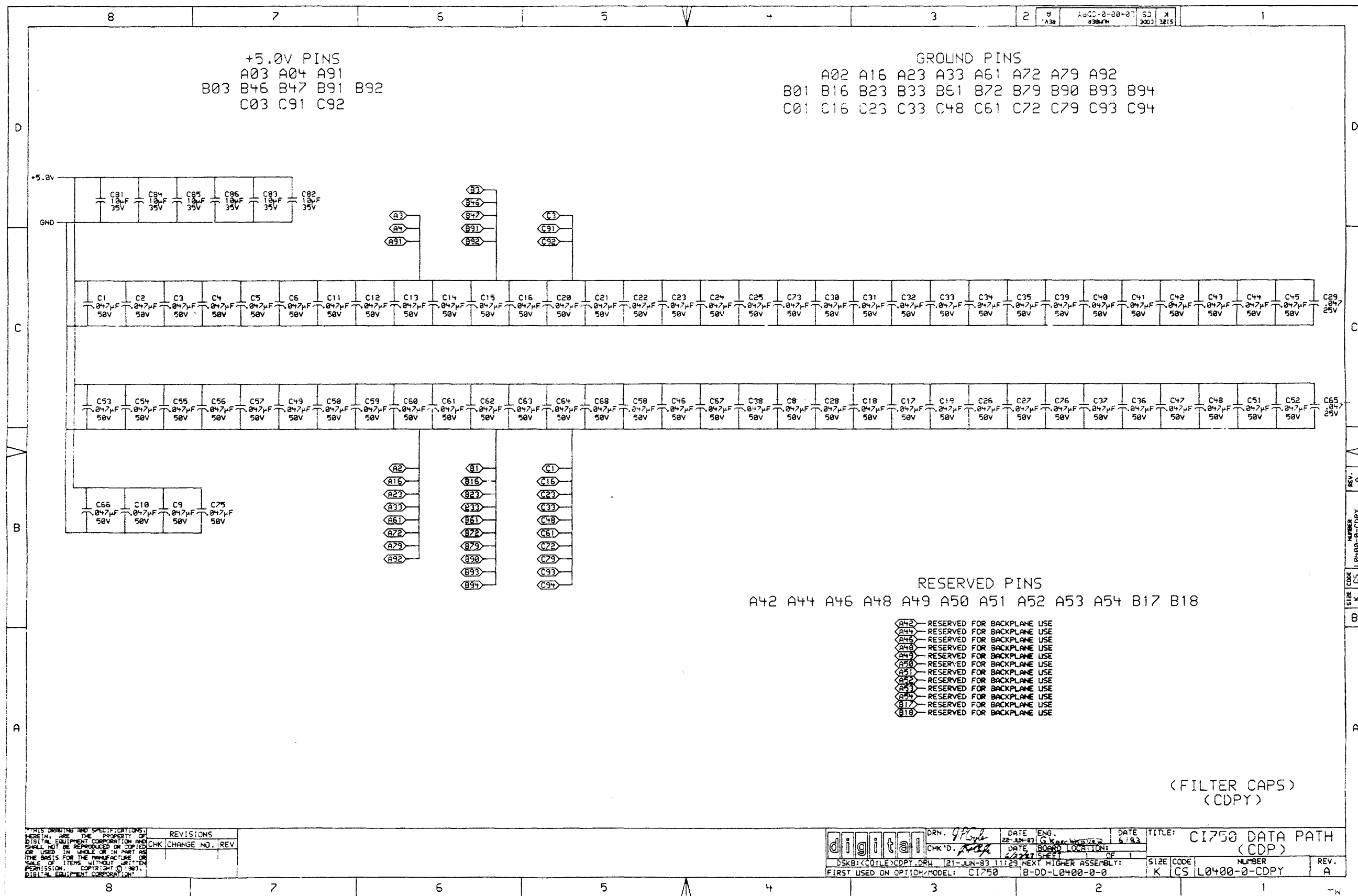


(CIPA CONTROL)
(CDPX)

REV.	DATE	BY	CHK	CHANGE NO.	REV.

DRN.	DATE	ENG.	DATE	TITLE:	CI750 DATA PATH
CHK'D.	DATE	BOARD LOCATION:		(CDPX)	

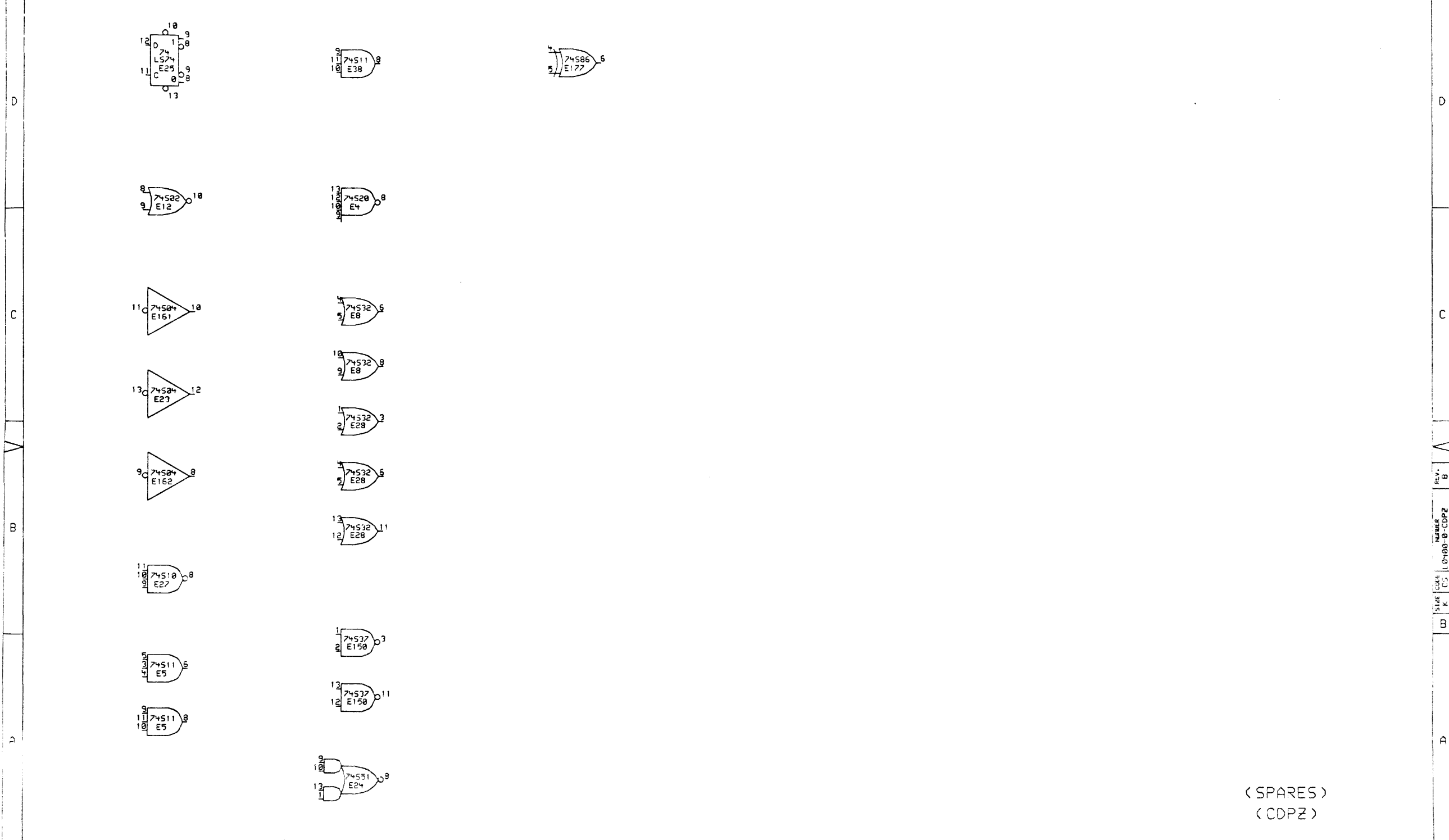
REV. B
 NAME L0400-0-CDPX
 SIZE 3x6
 K CS
 D



(FILTER CAPS)
(CDPY)

REVISIONS	
CHK	CHANGE NO. REV

	DRN. <i>gpl</i>	DATE ENG. 22-10-81	DATE 6-1-83	TITLE: CI750 DATA PATH (CDP)
	CHK'D. <i>AKB</i>	DATE BOARD LOCATION: 6/27/83	OF 1	
DSKB: <COYLE>CDPY.DRW 121-JUN-83 11:29 NEXT HIGHER ASSEMBLY: B-DD-L0400-0-0				SIZE CODE NUMBER REV. K CS L0400-0-CDPY A



(SPARES)
(CDPZ)

THIS DRAWING AND SPECIFICATIONS
HEREIN ARE THE PROPERTY OF
DIGITAL EQUIPMENT CORPORATION AND
SHALL NOT BE REPRODUCED OR COPIED
OR USED IN WHOLE OR IN PART
AS A BASIS FOR THE MANUFACTURE OR
REPAIR OF ITEMS WITHOUT WRITTEN
PERMISSION. COPYRIGHT © 1974
DIGITAL EQUIPMENT CORPORATION

REV.	DATE	ENG.	DRN.	CHK'D.
1	17-FEB-84			

DATE	ENG.	DRN.	CHK'D.	TITLE: CI750 DATA PATH (CDP)
DATE	BOARD LOCATION:	SHEET		
OSKD: (P, CL, AD, E) CDPZ, DRU 107-FEB-84 03:25	NEXT HIGHER ASSEMBLY:	SIZE	CODE	NUMBER
FIRST USED ON OPTION/MODEL: CI750	B-00-L0400-0-0	K	CS	L0400-0-CDPZ
				REV. B

REV. B
NUMBER L0400-0-CDPZ
SHEET 1 OF 2
CD K CS

SIGNAL NAME	PAGE NUMBER(S)	SIGNAL NAME	PAGE NUMBER(S)	SIGNAL NAME	PAGE NUMBER(S)
BOOT JMPR 0 H	CDPN	CDP BUS IB 14 H	CDPU,T,A,K,F,C	CDPJ EN BR 0A/1 L	CDPJ
BOOT JMPR 1 H	CDPN	CDP BUS IB 15 H	CDPU,T,A,K,F,C	CDPJ EN BR 0B L	CDPJ
BOOT JMPR 2 H	CDPN	CDP BUS IB 16 H	CDPB,T,U,K,F,D	CDPJ EN BR 0C L	CDPJ
BOOT JMPR 3 H	CDPN	CDP BUS IB 17 H	CDPB,T,U,K,F,D	CDPJ EN BR 2/3 L	CDPJ
BUS MD 00 H	CDPK,H	CDP BUS IB 18 H	CDPB,T,U,K,F,D	CDPJ SEL CC H	CDPJ
BUS MD 01 H	CDPK,H	CDP BUS IB 19 H	CDPB,T,U,K,F,D	CDPL CLK PMSR L	CDPM,L
BUS MD 02 H	CDPK,H	CDP BUS IB 20 H	CDPB,T,U,K,F,D	CDPL CLK UNSOL WRITE H	CDPL
BUS MD 03 H	CDPK,H	CDP BUS IB 21 H	CDPB,T,U,K,F,D	CDPL LSA 000000XXXX L	CDPL
BUS MD 04 H	CDPK,H	CDP BUS IB 22 H	CDPB,T,U,K,F,D	CDPL LSA 100100XXXX L	CDPL
BUS MD 05 H	CDPK,H	CDP BUS IB 23 H	CDPB,T,U,K,F,D	CDPL MADR H	CDPS,L
BUS MD 06 H	CDPK,H	CDP BUS IB 24 H	CDPB,U,K,F,T,D	CDPL MDATR H	CDPS,L
BUS MD 07 H	CDPK,H	CDP BUS IB 25 H	CDPB,U,K,F,T,D	CDPL PCCR WRT H	CDPL
BUS MD 08 H	CDPK,H	CDP BUS IB 26 H	CDPB,U,K,F,T,D	CDPL PMSR H	CDPS,L
BUS MD 09 H	CDPK,H	CDP BUS IB 27 H	CDPB,U,K,F,T,D	CDPL PMSR CLR H	CDPN,L
BUS MD 10 H	CDPK,H	CDP BUS IB 28 H	CDPB,U,F,T,K,D	CDPL PSR H	CDPS,K,L
BUS MD 11 H	CDPK,H	CDP BUS IB 29 H	CDPB,U,F,T,K,D	CDPL PSRCR L	CDPL,H
BUS MD 12 H	CDPK,H	CDP BUS IB 30 H	CDPB,U,F,T,K,D	CDPL REG WRT H	CDPL,J
BUS MD 13 H	CDPK,H	CDP BUS IB 31 H	CDPB,U,F,T,K,D	CDPL SET UNINIT L	CDPN,L
BUS MD 14 H	CDPK,H	CDPA ALU <15:00> G L	CDPB,A	CDPL UNINIT <1> H	CDPS,M L,K,H
BUS MD 15 H	CDPK,H	CDPA ALU <15:00> P L	CDPB,A	CDPL UNINIT H	CDPL
BUS MD 16 H	CDPK,H	CDPA ALU C0 H	CDPA,B	CDPL XBUS EN LS/VCDT H	CDPL,S
BUS MD 17 H	CDPK,H	CDPA ALU C12 H	CDPA	CDPL XBUS LSA 01 H	CDPL,P
BUS MD 18 H	CDPK,H	CDPA ALU C4 H	CDPA	CDPL XBUS LSA 02 H	CDPL,P
BUS MD 19 H	CDPK,H	CDPA ALU C8 H	CDPA	CDPL XBUS LSA 03 H	CDPL,P
BUS MD 20 H	CDPK,H	CDPA ALU 2 H	CDPB,J,A	CDPL XBUS LSA 04 H	CDPL,P
BUS MD 21 H	CDPK,H	CDPB ALU C H	CDPJ,B	CDPL XBUS LSA 05 H	CDPL,P
BUS MD 22 H	CDPK,H	CDPB ALU C16 H	CDPB	CDPL XBUS LSA 06 H	CDPL,P
BUS MD 23 H	CDPK,H	CDPB ALU C20 H	CDPB	CDPL XBUS LSA 07 H	CDPL,P
BUS MD 24 H	CDPK,H	CDPB ALU C24 H	CDPB	CDPL XBUS LSA 08 H	CDPL,S
BUS MD 25 H	CDPK,H	CDPB ALU C28 H	CDPB	CDPL XBUS LSA 08 L	CDPL,S
BUS MD 26 H	CDPK,H	CDPB ALU N H	CDPB,J	CDPL XBUS LSA 09 H	CDPL
BUS MD 27 H	CDPK,H	CDPB ALU Q SHFT H	CDPB,A	CDPL XBUS RD LS/VCDT H	CDPS,L
BUS MD 28 H	CDPK,H	CDPB ALU RAM SHFT H	CDPB,A	CDPL XBUS WR LS/VCDT H	CDPM,L
BUS MD 29 H	CDPK,H	CDPB ALU V H	CDPB,J	CDPM INIT H	CDPM,L
BUS MD 30 H	CDPK,H	CDPC PULLUP A H	CDPC,D,S,E	CDPM INIT L	CDPV,N,R,U,T,M,L,X,H,S,E
BUS MD 31 H	CDPK,H	CDPE BYTE 0 PAR H	CDPR,E	CDPM INTR CPU H	CDPM
CDP BUS IB 00 H	CDPT,A,U,K,F,C	CDPE BYTE 1 PAR H	CDPR,E	CDPM MIE H	CDPM,K
CDP BUS IB 01 H	CDPT,A,U,K,F,C	CDPE BYTE 2 PAR H	CDPR,E	CDPM MIF H	CDPM,H
CDP BUS IB 02 H	CDPT,A,U,K,F,C	CDPE BYTE 3 PAR H	CDPR,E	CDPM MIF L	CDPM
CDP BUS IB 03 H	CDPT,A,U,K,F,C	CDPE CLR REG WRT L	CDPL,E	CDPM MIN H	CDPM
CDP BUS IB 04 H	CDPT,A,U,K,F,C	CDPE EN LS/VCDT PAR H	CDPE	CDPM MIN L	CDPM
CDP BUS IB 05 H	CDPT,A,U,K,F,C	CDPE HI MD PARITY H	CDPU,T,E	CDPM MTD H	CDPM,M,K,J
CDP BUS IB 06 H	CDPT,A,U,K,F,C	CDPE LO MD PARITY H	CDPU,T,E	CDPM MTE H	CDPK,M,L
CDP BUS IB 07 H	CDPT,A,U,K,F,C	CDPE LS/VCDT HI PAR H	CDPE	CDPM PSA H	CDPM,K
CDP BUS IB 08 H	CDPU,T,K,A,F,C	CDPE LS/VCDT LO PAR H	CDPE	CDPM PULLUP F H	CDPM,M,E,T,S
CDP BUS IB 09 H	CDPU,T,K,A,F,C	CDPE LSPE (0) H	CDPR,K,E	CDPM RSVD H	CDPJ,K,M
CDP BUS IB 10 H	CDPU,T,K,A,F,C	CDPE PULLUP B H	CDPM,U,S,R,X,E	CDPM SET MIF L	CDPM,H
CDP BUS IB 11 H	CDPU,T,K,A,F,C	CDPE LATCH IB <1> H	CDPF,H	CDPM SET MTE L	CDPM
CDP BUS IB 12 H	CDPU,T,K,A,F,C	CDPM CLK PB OUT L	CDPR,H	CDPM SET PDN H	CDPM
CDP BUS IB 13 H	CDPU,T,K,A,F,C	CDPM RB PAR H	CDPR,H	CDPM T3 DLY T100 L	CDPM,F

NOTES:
1. THIS PAGE LISTS THE SCHEMATIC PAGE NUMBER(S) WHERE A SIGNAL NAME IS REFERENCED.

<small>THIS DRAWING AND SPECIFICATIONS ARE THE PROPERTY OF DIGITAL EQUIPMENT CORPORATION AND SHALL NOT BE REPRODUCED OR COPIED OR USED IN WHOLE OR IN PART AS THE BASIS FOR THE MANUFACTURE OR SALE OF ITEMS WITHOUT WRITTEN PERMISSION. COPYRIGHT © 1983, DIGITAL EQUIPMENT CORPORATION.</small>	REVISIONS CHK CHANGE NO. REV	ORN. <i>g/Flah</i> DATE ENG. 18-JUL-83 BY <i>g/Flah</i> DATE 7-19-83 CHK'D <i>g/Flah</i> DATE 18-JUL-83 BY <i>g/Flah</i>	TITLE: C1750 DATA PATH (CDP)	
	DSKB: <HOMMEL>CDPAA.DPL.3, SCALE 2, "D" RELEASE BOX, SIGNED OFF	FIRST USED ON OPTION/MODEL: C1750	NEXT HIGHER ASSEMBLY: B-DD-L2-30-0-0	SIZE CODE NUMBER REV. K CS L0400-0-CDAA A
	DIGITAL			

8		7		6		5		4		3		2		1			
SIGNAL NAME		PAGE NUMBER(S)		SIGNAL NAME		PAGE NUMBER(S)		SIGNAL NAME		PAGE NUMBER(S)		SIGNAL NAME		PAGE NUMBER(S)			
CDPM T3 DLY T40 L	CDP,J,M	CDPS EN MISC L	CDPK,S	CDPV CIPA D IN 13 H	CDPV,T	CDPM T3 DLY T70 L	CDPM,E	CDPS EN PB IN L	CDPS,S,H	CDPV CIPA D IN 14 H	CDPV,T	CDPM UNINIT DLY L	CDPM,M	CDPS EN VCDT H	CDPS,E	CDPV CIPA D IN 15 H	CDPV,T
CDPM LP H	CDPM,K,E	CDPS EN VCDT L	CDPS,C	CDPV DRIVE CIPA L	CDPV,X,H	CDPM WR PAR L	CDPM,E	CDPS EN XBIR IN L	CDPS,X,T	CDPV PULLUP H H	CDPV,N,U,X,T,S,M,L,H	CDPM WR RAM L	CDPC,D,H	CDPS LD INDEX H	CDPP,S	CDPM B DN SYNC H	CDPV,U
CDPM BT0 H	CDPN,L,J	CDPS LD INDEX L	CDPP,S	CDPM A DN SYNC H	CDPV,U	CDPM CLK PB IN 0 L	CDPN,H	CDPS LD PB OUT H	CDPE,S	CDPM B DN SYNC H	CDPV,U	CDPM CLK PB IN 1 L	CDPN,H	CDPS LD PB OUT L	CDPH,S	CDPM CIPA ERROR H	CDPR,K,H
CDPM CLK PB IN 2 L	CDPN,H	CDPS LD X-LATE L	CDPP,S	CDPM CIPA PARITY H	CDPT,U	CDPM CLK PB IN 3 L	CDPN,H	CDPS MLD PB L	CDPN,S	CDPM CIPA READ SYNC H	CDPV,X	CDPM CLK PB IN 3 L	CDPN,H	CDPS PULLUP M H	CDPP,M,S	CDPM CLK PB IN 3 L	CDPN,H
CDPM EN PB BYTE 0 L	CDPN,H	CDPS SRC RD LS/VCDT H	CDPS,E	CDPM CIPA REQUEST SYNC H	CDPV,X	CDPM EN PB BYTE 0 L	CDPN,H	CDPT CLK XBIR HI L	CDPT,X	CDPM DCLO H	CDPV,U	CDPM EN PB BYTE 1 L	CDPN,H	CDPT IPE H	CDPR,U,T	CDPM EN PB BYTE 1 L	CDPN,H
CDPM EN PB BYTE 1 L	CDPN,H	CDPT XBI HI PARITY H	CDPT	CDPM DCLO L	CDPV,U	CDPM EN PB BYTE 2 L	CDPN,H	CDPT XBI LO PARITY H	CDPT	CDPM MIN INIT H	CDPV,U	CDPM EN PB BYTE 2 L	CDPN,H	CDPT XBI HI PARITY H	CDPT	CDPM EN PB BYTE 3 L	CDPN,H
CDPM EN PB BYTE 2 L	CDPN,H	CDPT XBI LO PARITY H	CDPT	CDPM PS DCLO H	CDPV,U	CDPM EN PB BYTE 3 L	CDPN,H	CDPU CIPA D OUT 00 H	CDPV,U	CDPM PUR FAIL H	CDPV,U	CDPM TICK <1> H	CDPN,J	CDPU CIPA D OUT 01 H	CDPV,U	CDPM EN RAM WR H	CDPN,P
CDPM EN PB BYTE 3 L	CDPN,H	CDPU CIPA D OUT 00 H	CDPV,U	CDPM RCV FILE READY H	CDPV,U	CDPM EN RAM WR H	CDPN,P	CDPU CIPA D OUT 01 H	CDPV,U	CDPM SET FILE READY H	CDPV,U	CDPM INDEX 00 H	CDPP,S	CDPU CIPA D OUT 02 H	CDPV,U	CDPM INDEX 00 H	CDPP,S
CDPM TICK <1> H	CDPN,J	CDPU CIPA D OUT 01 H	CDPV,U	CDPM SET MSE H	CDPV,U	CDPM INDEX 00 L	CDPP,S	CDPU CIPA D OUT 02 H	CDPV,U	CDPM SET MSE SYNC L	CDPV,U	CDPM INDEX 08 H	CDPP,S	CDPU CIPA D OUT 03 H	CDPV,U	CDPM LSA 00 H	CDPC,D,E,P
CDPM EN RAM WR H	CDPN,P	CDPU CIPA D OUT 02 H	CDPV,U	CDPM SET PDM L	CDPV,U	CDPM LSA 01 H	CDPC,D,E,P	CDPU CIPA D OUT 03 H	CDPV,U	CDPM CHK XBIR PAR H	CDPT,X	CDPM LSA 02 H	CDPC,D,E,P	CDPU CIPA D OUT 04 H	CDPV,U	CDPM LSA 03 H	CDPC,D,E,P
CDPM INDEX 08 H	CDPP,S	CDPU CIPA D OUT 03 H	CDPV,U	CDPM CIPA CLK EN H	CDPV,U	CDPM LSA 04 H	CDPC,D,E,P	CDPU CIPA D OUT 04 H	CDPV,U	CDPM CLK T0 H	CDPV,U	CDPM LSA 05 H	CDPC,D,E,P	CDPU CIPA D OUT 05 H	CDPV,U	CDPM LSA 04 H	CDPC,D,E,P
CDPM INDEX 08 L	CDPP,S	CDPU CIPA D OUT 04 H	CDPV,U	CDPM CLK T0 L	CDPV,U	CDPM LSA 05 H	CDPC,D,E,P	CDPU CIPA D OUT 06 H	CDPV,U	CDPM CLK T0 L	CDPV,U	CDPM LSA 06 H	CDPC,D,E,P	CDPU CIPA D OUT 07 H	CDPV,U	CDPM LSA 05 H	CDPC,D,E,P
CDPM LSA 00 H	CDPC,D,E,P	CDPU CIPA D OUT 05 H	CDPV,U	CDPM CLK T1 H	CDPV,U	CDPM LSA 06 H	CDPC,D,E,P	CDPU CIPA D OUT 08 H	CDPV,U	CDPM CLK T1 L	CDPV,U	CDPM LSA 07 H	CDPC,D,E,P	CDPU CIPA D OUT 09 H	CDPV,U	CDPM LSA 06 H	CDPC,D,E,P
CDPM LSA 01 H	CDPC,D,E,P	CDPU CIPA D OUT 06 H	CDPV,U	CDPM CLK T1 L	CDPV,U	CDPM LSA 07 H	CDPC,D,E,P	CDPU CIPA D OUT 10 H	CDPV,U	CDPM CLK T2 H	CDPL,X	CDPM LSA 08 H	CDPC,D,E,P	CDPU CIPA D OUT 11 H	CDPV,U	CDPM LSA 07 H	CDPC,D,E,P
CDPM LSA 02 H	CDPC,D,E,P	CDPU CIPA D OUT 07 H	CDPV,U	CDPM CLK T2 L	CDPL,X	CDPM PULLUP C H	CDPJ,R,P	CDPU CIPA D OUT 12 H	CDPV,U	CDPM CLK T2 L	CDPL,X	CDPM S/D 0 H	CDPP,S	CDPU CIPA D OUT 13 H	CDPV,U	CDPM S/D 0 H	CDPP,S
CDPM LSA 03 H	CDPC,D,E,P	CDPU CIPA D OUT 08 H	CDPV,U	CDPM CLK T3 H	CDPR,X	CDPM S/D 0 L	CDPP,S	CDPU CIPA D OUT 14 H	CDPV,U	CDPM CLK T3 L	CDPR,X	CDPM S/D 1 H	CDPP,S	CDPU CIPA D OUT 15 H	CDPV,U	CDPM S/D 1 L	CDPP,S
CDPM LSA 04 H	CDPC,D,E,P	CDPU CIPA D OUT 09 H	CDPV,U	CDPM CLK T3 L	CDPR,X	CDPM S/D 1 L	CDPP,S	CDPU CIPA D OUT 16 H	CDPV,U	CDPM CLK XBIR LO H L	CDPT,X	CDPM S/D 1 H	CDPP,S	CDPU CIPA D OUT 17 H	CDPV,U	CDPM S/D 1 L	CDPP,S
CDPM LSA 05 H	CDPC,D,E,P	CDPU CIPA D OUT 10 H	CDPV,U	CDPM EN RSEL0 L	CDPV,U	CDPM S/D 1 L	CDPP,S	CDPU CIPA D OUT 18 H	CDPV,U	CDPM EN RSEL0 L	CDPV,U	CDPM S/D 1 L	CDPP,S	CDPU CIPA D OUT 19 H	CDPV,U	CDPM S/D 1 L	CDPP,S
CDPM LSA 06 H	CDPC,D,E,P	CDPU CIPA D OUT 11 H	CDPV,U	CDPM EN UNSOL READ H	CDPS,X	CDPM S/D 0 H	CDPP,S	CDPU CIPA D OUT 20 H	CDPV,U	CDPM EN UNSOL WRITE L	CDPS,X	CDPM S/D 0 L	CDPP,S	CDPU CIPA D OUT 21 H	CDPV,U	CDPM S/D 0 L	CDPP,S
CDPM LSA 07 H	CDPC,D,E,P	CDPU CIPA D OUT 12 H	CDPV,U	CDPM EN UNSOL WRITE L	CDPS,X	CDPM S/D 0 L	CDPP,S	CDPU CIPA D OUT 22 H	CDPV,U	CDPM GRANT UNSOL H	CDPS,X	CDPM S/D 0 L	CDPP,S	CDPU CIPA D OUT 23 H	CDPV,U	CDPM S/D 0 L	CDPP,S
CDPM PULLUP C H	CDPJ,R,P	CDPU CIPA D OUT 13 H	CDPV,U	CDPM ILLEGAL STATE L	CDPS,X	CDPM S/D 0 L	CDPP,S	CDPU CIPA D OUT 24 H	CDPV,U	CDPM LD XBUS LSA L	CDPS,X	CDPM S/D 0 L	CDPP,S	CDPU CIPA D OUT 24 H	CDPV,U	CDPM S/D 0 L	CDPP,S
CDPM S/D 0 H	CDPP,S	CDPU CIPA D OUT 14 H	CDPV,U	CDPM LD XBUS LSA L	CDPS,X	CDPM S/D 0 L	CDPP,S	CDPU CIPA D OUT 25 H	CDPV,U	CDPM LOAD XBIR HI L	CDPT,X	CDPM S/D 0 L	CDPP,S	CDPU CIPA D OUT 25 H	CDPV,U	CDPM S/D 0 L	CDPP,S
CDPM S/D 0 L	CDPP,S	CDPU CIPA D OUT 15 H	CDPV,U	CDPM LOAD XBIR HI L	CDPT,X	CDPM S/D 0 L	CDPP,S	CDPU CIPA D OUT 26 H	CDPV,U	CDPM LOAD XBOR L	CDPL,X	CDPM S/D 0 L	CDPP,S	CDPU CIPA D OUT 26 H	CDPV,U	CDPM S/D 0 L	CDPP,S
CDPM S/D 1 H	CDPP,S	CDPU CIPA D OUT 16 H	CDPV,U	CDPM LOAD XBOR L	CDPL,X	CDPM S/D 1 H	CDPP,S	CDPU CIPA D OUT 27 H	CDPV,U	CDPM REG SEL 0 H	CDPV,U	CDPM S/D 1 H	CDPP,S	CDPU CIPA D OUT 27 H	CDPV,U	CDPM S/D 1 H	CDPP,S
CDPM S/D 1 L	CDPP,S	CDPU CIPA D OUT 17 H	CDPV,U	CDPM REG SEL 0 L	CDPV,U	CDPM S/D 1 H	CDPP,S	CDPU CIPA D OUT 28 H	CDPV,U	CDPM REG SEL 0 L	CDPV,U	CDPM S/D 1 L	CDPP,S	CDPU CIPA D OUT 28 H	CDPV,U	CDPM S/D 1 L	CDPP,S
CDPM DP CLK T3 A L	CDPX,N,M,H,L,U,R,F	CDPU CIPA D OUT 18 H	CDPV,U	CDPM REG SEL 1 H	CDPV,U	CDPM S/D 1 L	CDPP,S	CDPU CIPA D OUT 29 H	CDPV,U	CDPM REG SEL 1 L	CDPV,U	CDPM S/D 1 L	CDPP,S	CDPU CIPA D OUT 29 H	CDPV,U	CDPM S/D 1 L	CDPP,S
CDPM DP CLK T3 B L	CDPR	CDPU CIPA D OUT 19 H	CDPV,U	CDPM REG SEL 2 H	CDPV,U	CDPM S/D 1 L	CDPP,S	CDPU CIPA D OUT 30 H	CDPV,U	CDPM REG SEL 2 L	CDPV,U	CDPM S/D 1 L	CDPP,S	CDPU CIPA D OUT 30 H	CDPV,U	CDPM S/D 1 L	CDPP,S
CDPM DP CLK T3 L	CDPR	CDPU CIPA D OUT 20 H	CDPV,U	CDPM REG SEL 3 H	CDPV,U	CDPM S/D 1 L	CDPP,S	CDPU CIPA D OUT 31 H	CDPV,U	CDPM REG SEL 3 L	CDPV,U	CDPM S/D 1 L	CDPP,S	CDPU CIPA D OUT 31 H	CDPV,U	CDPM S/D 1 L	CDPP,S
CDPM DST CLK A L	CDPB,J,R,P,A,H,N	CDPU CIPA D OUT 21 H	CDPV,U	CDPM REG SEL 3 H	CDPV,U	CDPM S/D 1 L	CDPP,S	CDPU CIPA D OUT 32 H	CDPV,U	CDPM STOP SEQ L	CDPV,U	CDPM S/D 1 L	CDPP,S	CDPU CIPA D OUT 32 H	CDPV,U	CDPM S/D 1 L	CDPP,S
CDPM DST CLK L	CDPR	CDPU CIPA D OUT 22 H	CDPV,U	CDPM STOP SEQ L	CDPV,U	CDPM S/D 1 L	CDPP,S	CDPU CIPA D OUT 33 H	CDPV,U	CDPM SUSPEND DEL H	CDPV,U	CDPM S/D 1 L	CDPP,S	CDPU CIPA D OUT 33 H	CDPV,U	CDPM S/D 1 L	CDPP,S
CDPM PBIR PE H	CDPR,K	CDPU CIPA D OUT 23 H	CDPV,U	CDPM SUSPEND DEL H	CDPV,U	CDPM S/D 1 L	CDPP,S	CDPU CIPA D OUT 34 H	CDPV,U	CDPM SUSPEND DEL L	CDPV,U	CDPM S/D 1 L	CDPP,S	CDPU CIPA D OUT 34 H	CDPV,U	CDPM S/D 1 L	CDPP,S
CDPM PE H	CDPR,M,K	CDPU CIPA D OUT 24 H	CDPV,U	CDPM SUSPEND DEL L	CDPV,U	CDPM S/D 1 L	CDPP,S	CDPU CIPA D OUT 35 H	CDPV,U	CDPM SUSPEND SEQ H	CDPV,U	CDPM S/D 1 L	CDPP,S	CDPU CIPA D OUT 35 H	CDPV,U	CDPM S/D 1 L	CDPP,S
CDPM RBPE <1> H	CDPR,K	CDPU CIPA D OUT 25 H	CDPV,U	CDPM SUSPEND SEQ H	CDPV,U	CDPM S/D 1 L	CDPP,S	CDPU CIPA D OUT 36 H	CDPV,U	CDPM SUSPEND SEQ L	CDPV,U	CDPM S/D 1 L	CDPP,S	CDPU CIPA D OUT 36 H	CDPV,U	CDPM S/D 1 L	CDPP,S
CDPM UWORD CLK L	CDPS,R,P,M,E,T	CDPU CIPA D OUT 26 H	CDPV,U	CDPM SUSPEND SEQ L	CDPV,U	CDPM S/D 1 L	CDPP,S	CDPU CIPA D OUT 37 H	CDPV,U			CDPM S/D 1 L	CDPP,S	CDPU CIPA D OUT 37 H	CDPV,U	CDPM S/D 1 L	CDPP,S
CDPS DST 0 L	CDPX,S	CDPU CIPA D OUT 27 H	CDPV,U			CDPM S/D 1 L	CDPP,S	CDPU CIPA D OUT 38 H	CDPV,U			CDPM S/D 1 L	CDPP,S	CDPU CIPA D OUT 38 H	CDPV,U	CDPM S/D 1 L	CDPP,S
CDPS DST 1 L	CDPX,S	CDPU CIPA D OUT 28 H	CDPV,U			CDPM S/D 1 L	CDPP,S	CDPU CIPA D OUT 39 H	CDPV,U			CDPM S/D 1 L	CDPP,S	CDPU CIPA D OUT 39 H	CDPV,U	CDPM S/D 1 L	CDPP,S
CDPS DST XBUS L	CDPX,S	CDPU CIPA D OUT 29 H	CDPV,U			CDPM S/D 1 L	CDPP,S	CDPU CIPA D OUT 40 H	CDPV,U			CDPM S/D 1 L	CDPP,S	CDPU CIPA D OUT 40 H	CDPV,U	CDPM S/D 1 L	CDPP,S
CDPS EN ALU L	CDPB,S,A	CDPU CIPA D OUT 30 H	CDPV,U			CDPM S/D 1 L	CDPP,S	CDPU CIPA D OUT 41 H	CDPV,U			CDPM S/D 1 L	CDPP,S	CDPU CIPA D OUT 41 H	CDPV,U	CDPM S/D 1 L	CDPP,S
CDPS EN LS HI L	CDPD,S	CDPU CIPA D OUT 31 H	CDPV,U			CDPM S/D 1 L	CDPP,S	CDPU CIPA D OUT 42 H	CDPV,U			CDPM S/D 1 L	CDPP,S	CDPU CIPA D OUT 42 H	CDPV,U	CDPM S/D 1 L	CDPP,S
CDPS EN LS LO L	CDPC,S	CDPU CIPA D OUT 32 H	CDPV,U			CDPM S/D 1 L	CDPP,S	CDPU CIPA D OUT 43 H	CDPV,U			CDPM S/D 1 L	CDPP,S	CDPU CIPA D OUT 43 H	CDPV,U	CDPM S/D 1 L	CDPP,S
CDPS EN LS/VCDT OUT L	CDPS,C,D	CDPU CIPA D OUT 33 H	CDPV,U			CDPM S/D 1 L	CDPP,S	CDPU CIPA D OUT 44 H	CDPV,U			CDPM S/D 1 L	CDPP,S	CDPU CIPA D OUT 44 H	CDPV,U	CDPM S/D 1 L	CDPP,S
CDPS EN MD HI L	CDPS,K	CDPU CIPA D OUT 34 H	CDPV,U			CDPM S/D 1 L	CDPP,S	CDPU CIPA D OUT 45 H	CDPV,U			CDPM S/D 1 L	CDPP,S	CDPU CIPA D OUT 45 H	CDPV,U	CDPM S/D 1 L	CDPP,S
CDPS EN MD LO H	CDPS,K	CDPU CIPA D OUT 35 H	CDPV,U			CDPM S/D 1 L	CDPP,S	CDPU CIPA D OUT 46 H	CDPV,U			CDPM S/D 1 L	CDPP,S	CDPU CIPA D OUT 46 H	CDPV,U	CDPM S/D 1 L	CDPP,S

NOTES:
 1. THIS PAGE LISTS THE SCHEMATIC PAGE NUMBER(S) WHERE A SIGNAL NAME IS REFERENCED.

<small>THIS DRAWING AND SPECIFICATIONS HEREIN ARE THE PROPERTY OF DIGITAL EQUIPMENT CORPORATION AND SHALL NOT BE REPRODUCED OR COPIED OR USED IN WHOLE OR IN PART OR THE BASIS FOR THE MAKING OR USE OF SALE OF ITEMS WITHOUT WRITTEN PERMISSION. COPYRIGHT © 1983, DIGITAL EQUIPMENT CORPORATION.</small>	REVISIONS CHG. NO. REV.	DRN. <i>J.P. Pyle</i> CHK'D <i>J.P. Pyle</i>	DATE 10-18-83 DATE 10-11-83	ENG. <i>S. Knechtgen</i> BOARD LOCATION: 1	DATE 7-19-83	TITLE: C1750 DATA PATH (CDP)
	FIRST USED ON OPTION/MODEL: C1750	NEXT HIGHER ASSEMBLY: B-DD-L0400-0-2	SIZE CODE: K CS	NUMBER: L0400-0-CDBB	REV. A	

SIGNAL NAME	PAGE NUMBER(S)	SIGNAL NAME	PAGE NUMBER(S)	SIGNAL NAME	PAGE NUMBER(S)
CDPX UCODE STALL H	CDPX	IDPF IB IN 01 H	CDPP,M,E,H,F,C	IPBA PB LOAD H	CDPH
CDPX UCODE STALL L	CDPX,X,R	IDPF IB IN 02 H	CDPM,P,E,H,F,C	IPBA PB MUX ENA L	CDPR,M
CDPX UNSOL READ H	CDPX,X,L	IDPF IB IN 03 H	CDPP,E,H,F,C	IPBE RBUF PAR	CDPR
CDPX UNSOL WRITE H	CDPX,L	IDPF IB IN 04 H	CDPM,E,P,H,F,C	IPBH XBLF PE (1)H	CDPR,K
CIPA A DONE L	CDPW	IDPF IB IN 05 H	CDPM,E,P,H,F,C	IPBS CSPE (1)H	CDPR,K
CIPA A GO L	CDPW,V	IDPF IB IN 06 H	CDPM,E,P,H,F,C	IPBV ALU A/B 0 H	CDPB,A
CIPA B DONE L	CDPW	IDPF IB IN 07 H	CDPE,P,H,F,C	IPBV ALU A/B 1 H	CDPB,A
CIPA B GO L	CDPW,V	IDPF IB IN 08 H	CDPJ,F,P,E,H,C	IPBV ALU A/B 2 H	CDPB,A
CIPA CIPA UP L	CDPW	IDPF IB IN 09 H	CDPF,J,P,E,H,C	IPBV ALU A/B 3 H	CDPB,A
CIPA CLK L	CDPW,H	IDPF IB IN 10 H	CDPJ,F,P,E,H,C	IPBV ALU DST 0 H	CDPB,A
CIPA CPU ACLO L	CDPW,V	IDPF IB IN 11 H	CDPF,P,E,H,C	IPBV ALU DST 1 H	CDPB,A
CIPA DATA 00 L	CDPV	IDPF IB IN 12 H	CDPJ,F,P,C,E,H	IPBV ALU DST 2 H	CDPB,A
CIPA DATA 01 L	CDPV	IDPF IB IN 13 H	CDPF,J,P,C,E,H	IPBV ALU FCN 0 H	CDPA,B
CIPA DATA 02 L	CDPV,H	IDPF IB IN 14 H	CDPJ,F,C,E,H	IPBV ALU FCN 1 H	CDPA,B
CIPA DATA 03 L	CDPV,H	IDPF IB IN 15 H	CDPJ,F,C,E,H	IPBV ALU FCN 2 H	CDPB,A
CIPA DATA 04 L	CDPV,H	IDPF IB IN 16 H	CDPJ,E,F,D,H	IPBV ALU SRC 0 H	CDPB,A
CIPA DATA 05 L	CDPV,H	IDPF IB IN 17 H	CDPJ,E,F,D,H	IPBV ALU SRC 1 H	CDPB,A
CIPA DATA 06 L	CDPV,H	IDPF IB IN 18 H	CDPJ,E,F,D,H	IPBV ALU SRC 2 H	CDPB,A
CIPA DATA 07 L	CDPV,H	IDPF IB IN 19 H	CDPJ,E,F,D,H	IPBV ASRT DEAD H	CDPW
CIPA DATA 08 L	CDPV	IDPF IB IN 20 H	CDPJ,E,F,D,H	IPBV ASRT FAIL H	CDPW
CIPA DATA 09 L	CDPV	IDPF IB IN 21 H	CDPJ,E,F,D,H	IPBV CLR REG WRT L	CDPE
CIPA DATA 10 L	CDPV	IDPF IB IN 22 H	CDPJ,E,F,D,H	IPBV EN RBPE H	CDPR
CIPA DATA 11 L	CDPV	IDPF IB IN 23 H	CDPE,F,D,H	IPBV IB DST 0 L	CDPS,P
CIPA DATA 12 L	CDPV	IDPF IB IN 24 H	CDPF,J,D,E,H	IPBV IB DST 1 L	CDPS,P
CIPA DATA 13 L	CDPV	IDPF IB IN 25 H	CDPF,J,D,E,H	IPBV IB DST 2 L	CDPS,P
CIPA DATA 14 L	CDPV	IDPF IB IN 26 H	CDPJ,F,D,E,H	IPBV IB DST 3 L	CDPS,P
CIPA DATA 15 L	CDPV	IDPF IB IN 27 H	CDPF,D,E,H	IPBV IS SPC 0 L	CDPS,P
CIPA DCLO L	CDPW,V	IDPF IB IN 28 H	CDPF,E,H,D	IPBV IB SRC 1 L	CDPS,P
CIPA ERROR L	CDPW,V	IDPF IB IN 29 H	CDPF,E,H,D	IPBV IB SRC 2 L	CDPS
CIPA GRANT L	CDPV	IDPF IB IN 30 H	CDPF,E,H,D	IPBV INTR H	CDPM
CIPA MIN L	CDPW,V	IDPF IB IN 31 H	CDPF,J,E,H,D	IPBV LITER L 00 H	CDPP,K
CIPA PARITY L	CDPW,V	IDPJ BR 0 H	CDPJ	IPBV LITERAL 01 H	CDPP,K
CIPA PORT INT L	CDPW,V	IDPJ BR 1 H	CDPJ	IPBV LITERAL 02 H	CDPP,K
CIPA RCV FILE RDT L	CDPW,V	IDPJ BR 2 H	CDPJ	IPBV LITERAL 03 H	CDPP,K
CIPA READ L	CDPW	IDPJ BR 3 H	CDPJ	IPBV LITERAL 04 H	CDPK,P
CIPA REG SEL 0 L	CDPV	IDPL CLK MAOR L	CDPL	IPBV LITERAL 05 H	CDPK,P
CIPA REG SEL 1 L	CDPV	IDPL CS WE H	CDPL	IPBV LITERAL 06 H	CDPK,P
CIPA REG SEL 2 L	CDPV	IDPL EN CS DATA IN H	CDPL	IPBV LITERAL 07 H	CDPK,P
CIPA REG SEL 3 L	CDPV	IDPL EXECUTE (0)H	CDPX,M,R,S	IPBV PF VLD H	CDPW
CIPA REQUEST L	CDPW	IDPL LINIT (0)H	CDPL,X,M,J,H	IPBV PMUX 0 H	CDPR,H
CIPA RSVD A L	CDPW,V	IDPL XBUS LSA 00 H	CDPL,P	IPBV PMUX 1 H	CDPR,H
CIPA SET MSE L	CDPW,V	IDPM EN MAOR L	CDPM	IPBV SET A GO H	CDPV
CIPA T ACLO L	CDPW	IDPM EN SEQ L	CDPM	IPBV SET B GO H	CDPV
CIPA T DCLO L	CDPW	IDPM LOGIC CLR L	CDPM	IPBV UP PDN H	CDPW
DISABLE ARB L	CDPJ	IDPR PB PAR H	CDPR	IPBH SEQ CNTL 0 H	CDPJ
DISABLE TIMER L	CDPN	IDPR PORT CLK T3 L	CDPR	IPBH SEQ CNTL 1 H	CDPJ
EXT CLK H	CDPX	IDPR SEQ CLK T3 L	CDPR	IPBH SEQ CNTL 2 H	CDPJ
EXT CLK SEL L	CDPX	IDPS EN MAINT L	CDPS	IPBH SEQ CNTL 3 H	CDPJ
EXTERNAL STALL L	CDPX	ILIL XMIT ATTENTION (1)H	CDPJ	IPBH SEQ CNTL 4 H	CDPJ
IDPF IB IN 00 H	CDPL,P,J,E,H,F,C	ILIL XMIT STATUS 7 (1)H	CDPR,K	IPBT REC ATTN H	CDPJ

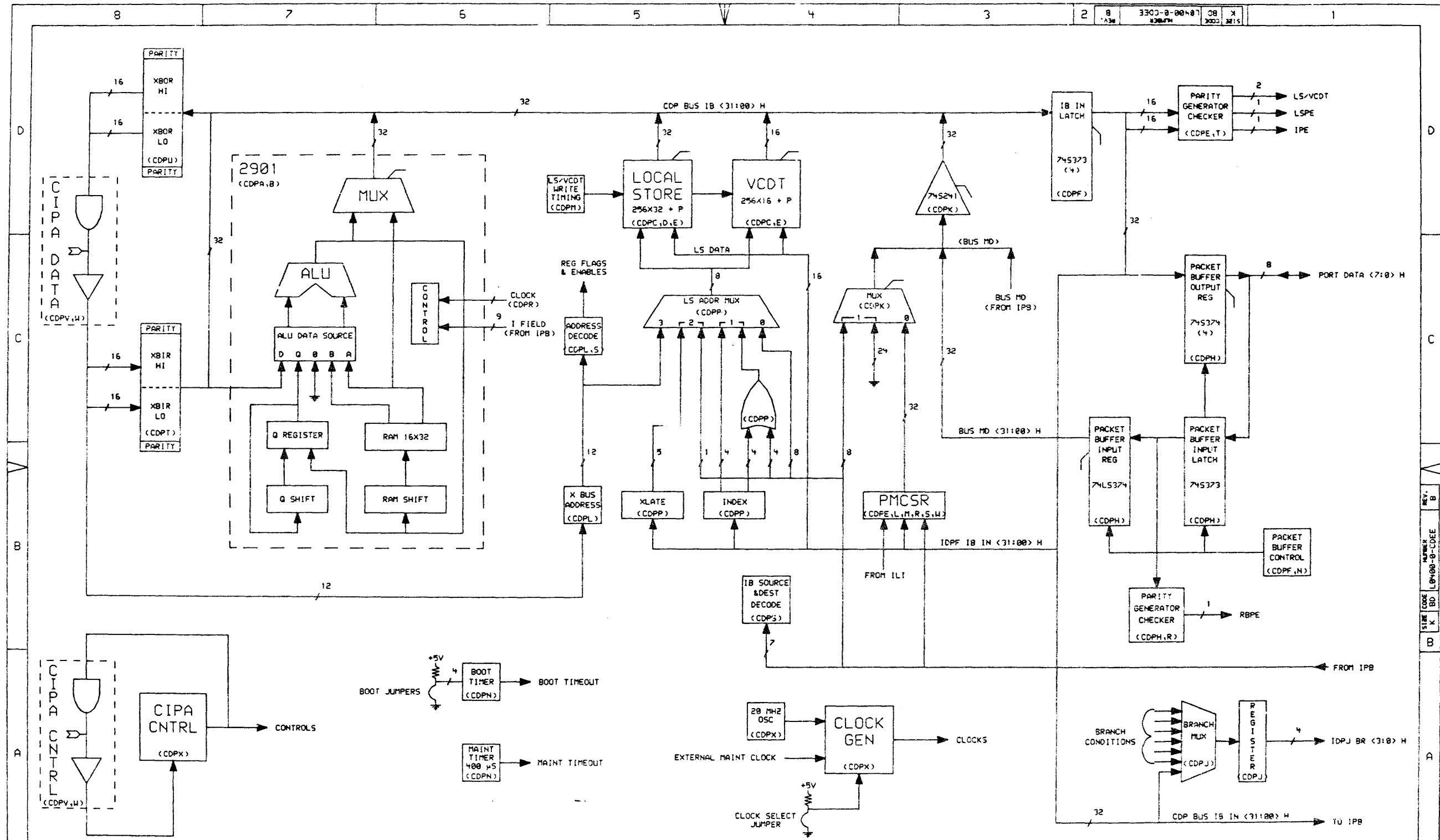
NOTES:
1. THIS PAGE LISTS THE SCHEMATIC PAGE NUMBER(S) WHERE A SIGNAL NAME IS REFERENCED.

THIS DRAWING AND SPECIFICATIONS
HEREIN ARE THE PROPERTY OF
DIGITAL EQUIPMENT CORPORATION AND
SHALL NOT BE REPRODUCED OR COPIED
OR USED IN WHOLE OR IN PART AS
THE BASIS FOR THE MANUFACTURE OR
SALE OF ITEMS WITHOUT WRITTEN
PERMISSION. COPYRIGHT © 1983,
DIGITAL EQUIPMENT CORPORATION.

REVISIONS
CHK CHANGE NO. REV

digital	DRN. 9706	DATE ENG. 18-JUL-83	ENG. G. Koedtgen	DATE 7-19-83	TITLE: CI750 DATA PATH (CDP)
	CHK'D 9706	DATE BOARD LOCATION: 18-JUL-83	SHEET 1	OF 1	
DSK: (HOMMEL)CDPCC.DRW		18-JUL-83 11:38	NEXT HIGHER ASSEMBLY:	SIZE CODE K CS	NUMBER L0400-0-CDCC
FIRST USED ON OPTION/MODEL: CI750		B-DD-L0400-0-0			REV. A

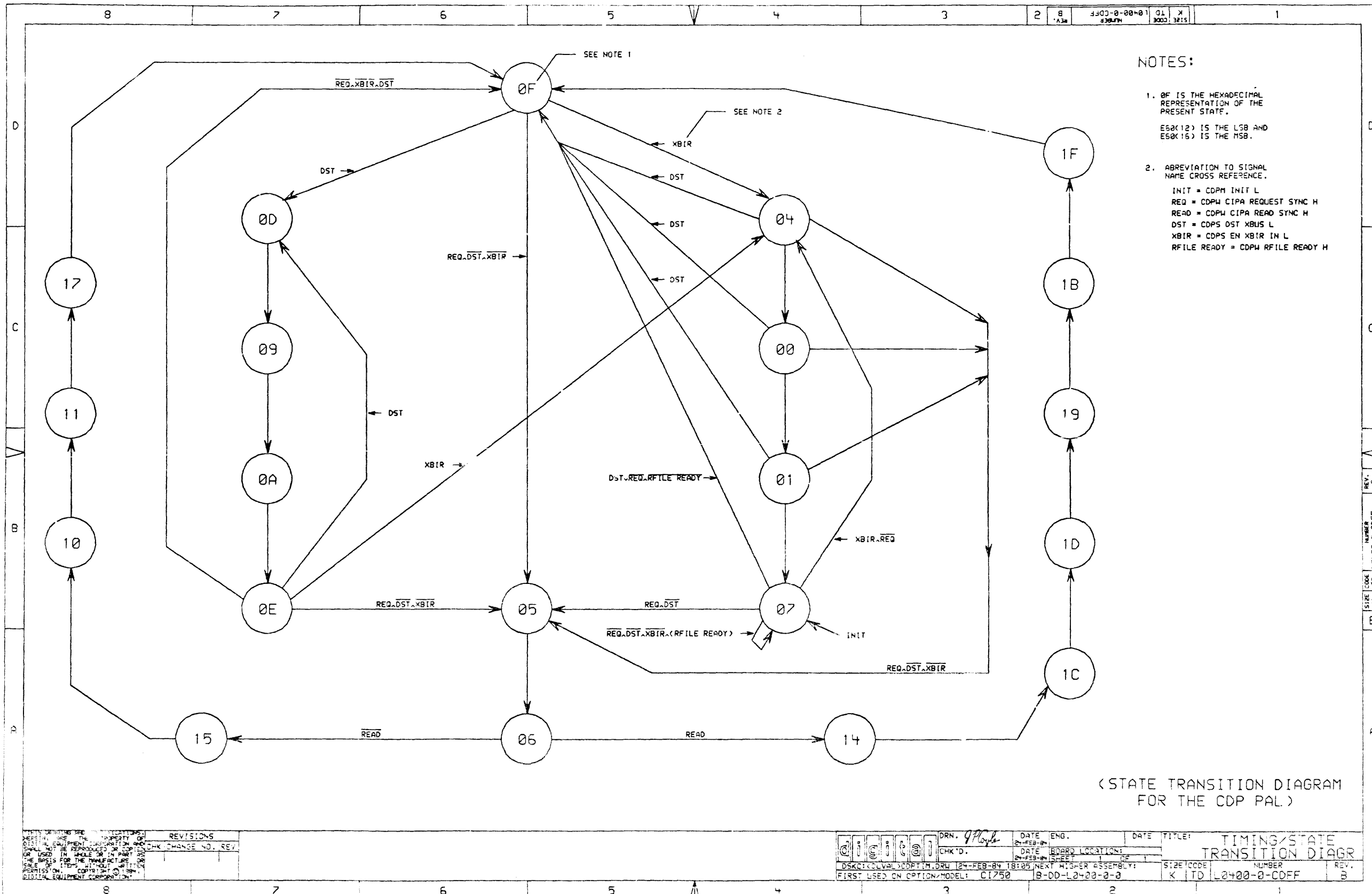
8	7	6	5	4	3	2	1																																																								
<p style="text-align: center;">D</p> <table border="1" style="width: 100%; border-collapse: collapse;"> <thead> <tr> <th style="width: 33%;">SIGNAL NAME</th> <th style="width: 33%;">PAGE NUMBER(S)</th> <th style="width: 33%;">SIGNAL NAME</th> <th style="width: 33%;">PAGE NUMBER(S)</th> </tr> </thead> <tbody> <tr><td>PORT CLK H</td><td>CDPR</td><td></td><td></td></tr> <tr><td>PORT DATA 0 H</td><td>CDPH</td><td></td><td></td></tr> <tr><td>PORT DATA 1 H</td><td>CDPH</td><td></td><td></td></tr> <tr><td>PORT DATA 2 H</td><td>CDPH</td><td></td><td></td></tr> <tr><td>PORT DATA 3 H</td><td>CDPH</td><td></td><td></td></tr> <tr><td>PORT DATA 4 H</td><td>CDPH</td><td></td><td></td></tr> <tr><td>PORT DATA 5 H</td><td>CDPH</td><td></td><td></td></tr> <tr><td>PORT DATA 6 H</td><td>CDPH</td><td></td><td></td></tr> <tr><td>PORT DATA 7 H</td><td>CDPH</td><td></td><td></td></tr> <tr><td>PS ACLO L</td><td>CDPW</td><td></td><td></td></tr> <tr><td>PS DCLO L</td><td>CDPW</td><td></td><td></td></tr> <tr><td>RSVD JMPR H</td><td>CDPJ</td><td></td><td></td></tr> <tr><td>TEST TIMER CLK H</td><td>CDPN</td><td></td><td></td></tr> </tbody> </table> <p style="text-align: center;">C</p> <p style="text-align: center;">B</p> <p style="text-align: center;">A</p> <p style="text-align: center;">D</p>								SIGNAL NAME	PAGE NUMBER(S)	SIGNAL NAME	PAGE NUMBER(S)	PORT CLK H	CDPR			PORT DATA 0 H	CDPH			PORT DATA 1 H	CDPH			PORT DATA 2 H	CDPH			PORT DATA 3 H	CDPH			PORT DATA 4 H	CDPH			PORT DATA 5 H	CDPH			PORT DATA 6 H	CDPH			PORT DATA 7 H	CDPH			PS ACLO L	CDPW			PS DCLO L	CDPW			RSVD JMPR H	CDPJ			TEST TIMER CLK H	CDPN		
SIGNAL NAME	PAGE NUMBER(S)	SIGNAL NAME	PAGE NUMBER(S)																																																												
PORT CLK H	CDPR																																																														
PORT DATA 0 H	CDPH																																																														
PORT DATA 1 H	CDPH																																																														
PORT DATA 2 H	CDPH																																																														
PORT DATA 3 H	CDPH																																																														
PORT DATA 4 H	CDPH																																																														
PORT DATA 5 H	CDPH																																																														
PORT DATA 6 H	CDPH																																																														
PORT DATA 7 H	CDPH																																																														
PS ACLO L	CDPW																																																														
PS DCLO L	CDPW																																																														
RSVD JMPR H	CDPJ																																																														
TEST TIMER CLK H	CDPN																																																														
<p style="text-align: center;">NOTES:</p> <p style="text-align: center;">1. THIS PAGE LISTS THE SCHEMATIC PAGE NUMBER(S) WHERE A SIGNAL NAME IS REFERENCED.</p>																																																															
<p>REVISIONS</p> <table border="1" style="width: 100%; border-collapse: collapse;"> <thead> <tr> <th>CHK</th> <th>CHANGE NO.</th> <th>REV</th> </tr> </thead> <tbody> <tr> <td> </td> <td> </td> <td> </td> </tr> </tbody> </table>		CHK	CHANGE NO.	REV				<p style="text-align: center;">digital</p> <table border="1" style="width: 100%; border-collapse: collapse;"> <tr> <td>DRN. <i>J. Poyls</i></td> <td>DATE ENG. 10-11-83</td> <td>DATE 7-19-83</td> <td>TITLE: C1750 DATA PATH (CDP)</td> </tr> <tr> <td>CHK'D <i>J. Poyls</i></td> <td>DATE BOARD LOCATION: 10-11-83</td> <td>SHEET 1 OF 1</td> <td></td> </tr> <tr> <td>DSKB: <HOMTEL>CDPDD.DRW</td> <td>18-JUL-83 11:48</td> <td>NEXT HIGHER ASSEMBLY: B-DD-L0400-0-0</td> <td>SIZE CODE NUMBER REV. K CS L0400-0-CDDD A</td> </tr> <tr> <td>FIRST USED ON OPTION/MODEL: C1750</td> <td></td> <td></td> <td></td> </tr> </table>						DRN. <i>J. Poyls</i>	DATE ENG. 10-11-83	DATE 7-19-83	TITLE: C1750 DATA PATH (CDP)	CHK'D <i>J. Poyls</i>	DATE BOARD LOCATION: 10-11-83	SHEET 1 OF 1		DSKB: <HOMTEL>CDPDD.DRW	18-JUL-83 11:48	NEXT HIGHER ASSEMBLY: B-DD-L0400-0-0	SIZE CODE NUMBER REV. K CS L0400-0-CDDD A	FIRST USED ON OPTION/MODEL: C1750																																					
CHK	CHANGE NO.	REV																																																													
DRN. <i>J. Poyls</i>	DATE ENG. 10-11-83	DATE 7-19-83	TITLE: C1750 DATA PATH (CDP)																																																												
CHK'D <i>J. Poyls</i>	DATE BOARD LOCATION: 10-11-83	SHEET 1 OF 1																																																													
DSKB: <HOMTEL>CDPDD.DRW	18-JUL-83 11:48	NEXT HIGHER ASSEMBLY: B-DD-L0400-0-0	SIZE CODE NUMBER REV. K CS L0400-0-CDDD A																																																												
FIRST USED ON OPTION/MODEL: C1750																																																															



THIS DRAWING AND SPECIFICATIONS ARE THE PROPERTY OF DIGITAL EQUIPMENT CORPORATION AND SHALL NOT BE REPRODUCED OR COPIED OR USED IN WHOLE OR IN PART AS THE BASIS FOR THE MANUFACTURE OR SALE OF ITEMS WITHOUT WRITTEN PERMISSION. COPYRIGHT © 1985, DIGITAL EQUIPMENT CORPORATION.

REV. NO.	CHANGE NO.	REV.

DRN.	DATE	ENG.	DATE	TITLE:
CHK'D.	DATE	BOARD LOCATION:		CDP (L0400)
		SHEET	OF	BLOCK DIAGRAM
DISK: PLOUDES/CDPBLK.DRW/127-DEC-84 11:14 NEXT HIGHER ASSEMBLY:				SIZE CODE NUMBER REV.
FIRST USED ON OPTION/MODEL: C1750				K BD L0400-0-COEE B



REV. NO.	DATE	DESCRIPTION

DRN: 9P...	DATE: 24-FEB-84	ENG.	DATE:	TITLE: TIMING/STATE TRANSITION DIAGR
CHK'D:	DATE: 24-FEB-84	BOARD LOCATION: K 1D	SHEET: 1	
DSKC: COLVAL DDP... M. DRW	18:05	NEXT NUMBER ASSEMBLY: B-DD-L2400-0-0	SIZE CODE: K 1D	NUMBER: L2400-0-COFF
FIRST USED ON OPTION/MODEL: C1750				REV. B

DRAWING NO.	NO. OF SHTS.	PART NO.	DESCRIPTION	REVISIONS																			
K-CS-10101-0-PBS	1	*	CI780 PACKET BUFFER	B	B	B	B	B	B														
K-CS-10101-0-PBT	1	*	CI780 PACKET BUFFER	B	B	B	B	B	B														
K-CS-10101-0-PBU	1	*	CI780 PACKET BUFFER	B	B	B	B	B	B														
K-CS-10101-0-PBV	1	*	CI780 PACKET BUFFER	B	B	B	B	B	B														
K-CS-10101-0-PBW	1	*	CI780 PACKET BUFFER	B	B	B	B	B	B														
K-CS-10101-0-PBX	1	*	CI780 PACKET BUFFER	B	B	B	B	B	B														
K-CS-10101-0-PBY	1	*	CI780 PACKET BUFFER	B	B	B	B	B	B														
K-CS-10101-0-PBZ	1	*	CI780 PACKET BUFFER	B	B	B	B	B	B														
K-CS-10101-0-PBAA	1	*	CI780 PACKET BUFFER	B	B	B	B	B	B														
K-CS-10101-0-PBBB	1	*	CI780 PACKET BUFFER	B	C	C	C	C	C														

NOTES:

REVISIONS		DATE	CHG NO.	REV.
		3-82	TW001	B
		9-82	TW002	C
		11-83	TW003	D
		4-84	TW004	E
		8-84	TW005	F
		10-84	TW006	H

"THIS DRAWING AND SPECIFICATIONS, HEREIN, ARE THE PROPERTY OF DIGITAL EQUIPMENT CORPORATION AND SHALL NOT BE REPRODUCED OR COPIED OR USED IN WHOLE OR IN PART AS THE BASIS FOR THE MANUFACTURE OR SALE OF ITEMS WITHOUT WRITTEN PERMISSION.
 COPYRIGHT © 1982 DIGITAL EQUIPMENT CORPORATION



USED ON OPTION/MODEL	DRN.
CI780	

TITLE	CI780 PACKET BUFFER		
SIZE	CODE	NUMBER	REV.
B	DD	10101-C	H
SHEET 2 OF 3			

8 7 6 5 4 3 2 1

This drawing and specifications shall be the property of the U.S. Government and shall remain the property of the U.S. Government. It is loaned to you for your information and use only. It is not to be distributed outside your organization. U.S. GOVERNMENT PRINTING OFFICE: 1964 O-348-000

REWORK INSTRUCTIONS ECO 5
WIRE ACDS SIDE 1:
5-1 PTH BELOW E163-1 TO PTH RIGHT OF E179-9

J
H
F
E
D
C
B
A

J
H
F
E
D
C
B
A

DATE	REVISION HISTORY	ECO NUMBER	REV	TITLE	SCALE	DATE	BY	CHKD	APP'D	DOC NUMBER
				IPA PACKET BUFFER						UA 0101-0-0 E

8 7 6 5 4 3 2 1

LINE	ITEM	TOP DOCUMENT	PART NUMBER	MIN REV	DESCRIPTION	QTY	PER VARIATION	REFERENCE DESIGNATOR
					VARIATION REVISION LEVEL:	00		
						E1		
1	1		5014971-00		MULTI LAYER BOARD	1		
2	4		1012784-00		.047 MFD 50V +30-20% CER	61		C7-C67
3	7		1017472-00		10 MFD 35V +75-10% AL EL	6		C1-C6
4	6		1114136-00		LED 16MA 5V	12		D1-D12
5	60		1215006-02		SKT,IC 16PIN DIP TIN SOLD	2		XE59, XE118
6	61		1215006-06		SKT,IC 24PIN DIP TIN SOLD	6		XE76, XE95, XE114, XE134, XE154, XE174
							CONT	
7	2		1216988-02		HANDLE, MODULE, HEX TWO EJECTORS	1		
8	5		1300365-00		1.0 K .25 W 5.0 % CF	17		R1, R2, R4-R18
9	33		1616653-01		DELAY= 100NS, 10TAPS WITH TTLBU	2		E10, E149
10	42		1910532-00		74S00 NAND GATE-QUAD 2IN	7		E86, E89, E46, E12, E107, E108, E168
11	39		1910534-00		74S04 INVERTER GATE-HEX 1I	8		E22, E47, E87, E200, E148, E167, E223, E218
							CONT	
12	59		1910536-00		74S10 NAND GATE-TRIPLE 3IN	3		E61, E80, E192
13	16		1910537-00		74S11 AND GATE-TRIPLE 3INP	1		E226
14	38		1910539-00		74S20 NAND GATE-DUAL 4INPU	1		E69
15	46		1910542-00		74S64 A-O-I GATE 4-2-3-2	7		E25, E26, E88, E147, E128, E30, E50
16	47		1910544-00		74S74 FF-D DUAL, EDGE TRIGG	19		E18, E129, E126, E7, E8, E11, E189, E31, E71, E72, E29, E90, E91, E190, E191, E224, E6, E239, E209
							CONT	
							CONT	
17	35		1910545-00		74S112 FF-JK DUAL, EDGE TRIG	2		E208, E217
18	49		1910548-00		74S157 MUX 1 OF 2 (QUAD)	2		E119, E120
19	43		1910550-00		74S174 FF-D HEX	7		E43, E64, E1, E63, E179, E185, E44
20	20		1911573-00		74S280 PARITY GEN/CHKR, 9BIT	8		E56, E65, E110, E139, E150, E178, E196, E197
							CONT	
21	50		1911675-00		74S138 DECODER/DEMUX 3-8 LI	2		E66, E68
22	44		1911712-00		74S51 AND-OR GATE-INVERT D	8		E186, E210, E214, E14, E34, E13, E4
							CONT	
23	15		1912096-00		DEC 74S86 XOR GATE, QUAD 2IN	1		E227
24	40		1912388-00		74S02 NOR GATE-QUAD 2IN, PO	5		E228 E207, E24, E48, E140, E144

REVISION HISTORY			BASIC PART NO: L0101		DRN:	DATE:	D I G I T A L			
ENG	ECO NUMBER	REV	SECTION A OF A	CHK'D:		DATE:	TITLE			
---	INITIAL	A	SECTION VARIATION INDEX	F. GAROFALO		25-SEP-81	PARTS LIST			
S.B	L0101-TW001	B	(A) 00			25-SEP-81	CI780 PACKET BUFFER (1PB)			
SE	L0101-TW002	C	(B)				DOCUMENT NUMBER			
FD	L0101-TW004	D	(C)	M. CARRAFIELLO		25-SEP-81	SIZE	CODE	NUMBER	REV
RE	L0101-TW006	E	(D)				K	PL	L0101-0-DBP	E
			(E)							
			(F)	M. CARRAFIELLO		25-SEP-81				
			(H)							
			(J)							
			(K)	MFG. ENG.: K. MEISSNER		25-SEP-81	RELEASE DATE: 15-NOV-84			
			(L)							
			(M)	ASSEMBLY NUMBER:			TOP DOCUMENT NUMBER:	FILE NAME:	EDIT #	
			(N)	E-UA-L0101-0-0				Z1283E.PLS	23	

"THIS DRAWING AND THE SPECIFICATIONS CONTAINED HEREIN ARE CONFIDENTIAL AND PROPRIETARY. THEY ARE THE PROPERTY OF DIGITAL EQUIPMENT CORPORATION AND SHALL NOT BE REPRODUCED OR COPIED OR USED IN WHOLE OR IN PART AS THE BASIS FOR THE MANUFACTURE OR SALE OF ITEMS WITHOUT WRITTEN PERMISSION. THIS IS AN UNPUBLISHED WORK PROTECTED UNDER THE FEDERAL COPYRIGHT LAWS."

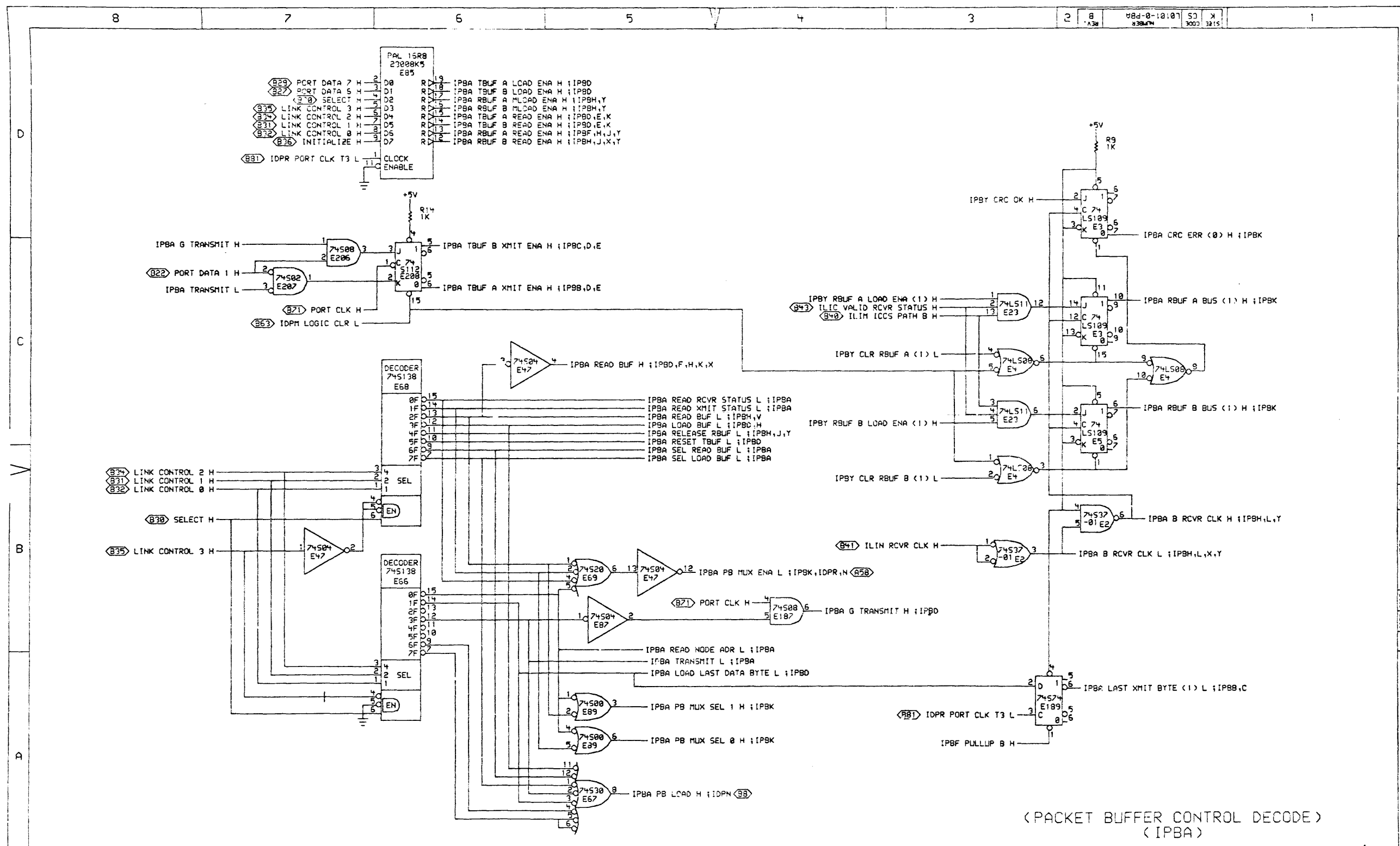
LINE	ITEM	TOP DOCUMENT	PART NUMBER	MIN REV	DESCRIPTION	QTY	PER VARIATION	REFERENCE DESIGNATOR
						00		
						E1		
25	41		1912389-00		74S08 AND GATE-QUAD 2IN,PO	5		E206,E216,E187,E109,E222
26	52		1912646-00		LS253 MUX 1 OF 4 (DUAL)	8		E221,E201-E203,E180-E183
27	58		1912647-00		LS257 MUX 1 OF 2 (QUAD)	4		E42,E21,E62,E220
28	53		1912660-00		74S253 MUX 1 OF 4 (DUAL)	4		E81-E84
29	56		1912746-00	DEC	74S37 NAND GATE-QUAD 2IN	1		E2
30	24		1912799-00		LS00 NAND-GATE-QUAD 2IN,P	3		E51,E130,E205
31	30		1912801-00		LS02 NOR-GATE-QUAD 2IN	3		E9,E28,E127
32	29		1912805-00		LS08 AND GATE-QUAD 2IN,PO	5		E4,E145,E146,E184,E229
33	25		1912808-00		LS11 AND GATE-TRIPLE 3IN	3		E23,E39,E52
34	43		1912811-00		LS21 AND GATE-DUAL 4IN,PO	2		E38,E215
35	37		1912816-00		LS32 OR GATE-QUAD 2IN,POS	1		E204
36	26		1912820-00		LS51 A-O-I GATE 2-WIDE 2I	1		E27
37	27		1912822-00		LS55 A-O-I GATE,DUAL 4IN	3		E32,E33,E70
38	22		1912824-00		LS74 FF-D DUAL,EDGE TRIGG	1		E225
39	28		1912833-00		LS109 FF-JK DUAL,POS EDGE	3		E3,E5,E188
40	19		1912851-00		LS169 COUNTER,SYNCH. UP/D0	3		E121-E123
41	23		1913340-00		74S32 OR GATE-QUAD 2IN	1		E199
42	45		1913462-00		74S240 OCTAL BUFFER,INVERTI	3		E166,E193,E194
43	34		1913662-01		RAM 1KX1 16 PIN TT	2		E37,E55
44	54		1913671-00		74S374 FF-D,OCTAL,TR1 STATE	11		E99-E106,E124,E125,E195
45	51		1914082-00		74S163 COUNTER,SYNCH UP/DOW	12		E19,E57,E58,E15-E17,E236-E238,
							CONT	E230-E232
46	21		1914085-00		74S260 NOR GATE-DUAL,POS	1		E45
47	36		1914086-00		74S30 NAND GATE-POS 8IN	2		E67,E198
48	17		1914214-00		LS374 FF-D OCTAL EDGE TRIG	2		E160,E162
49	57		1915193-00		LS244 DRIVER,LINE,OCTAL,T	8		E41,E141-E143,E158,E159,E161,
							CONT	E138
50	18		1916680-01		2911A MICROPROGRAM SEQUENC	3		E163-E165
51	8		2114523-01		4K MOS RAM 70NS 18PIN	1		E170
52	31	SEE NOTE	2116957-02		1K MOS RAM 70NS 1	30		E74,E75,E77,E78,E93,E94,E96,E97,
							CONT	E112,E113,E115,E116,E132,E133,
							CONT	E135,E136,E152,E153,E155,E156,
							CONT	E172,E173,E175,E176,E211-E213,
							CONT	E233-E235
53	32		2116957-03		1K MOS RAM 55NS 1	4		E35,E36,E53,E54
54	55		23008K5-00	K5-01		1		E85
55	9		23269F3-00	F3-03		1		E114
56	10		23270F3-00	F3-03		1		E95
57	11		23271F3-00	F3-03		1		E76
58	12		23272F3-00	F3-03		1		E174
59	13		23273F3-00	F3-03		1		E154
60	14		23274F3-00	F3-03		1		E134
61	3		9000024-01		EYELET,ROLLED 0.1210DX0.192	12		
62	62		9009135-00		JUMPER,WIRE, INSULATED, BLACK B	1		W1
63	63		9105740-55		WIRE(WRAP) 30AWG KYNAR UL14 A/R			

D	I	G	I	T	A	L	TITLE	SECTION A OF A	SIZE	CODE	DOCUMENT NUMBER	REV
							CI780 PACKET BUFFER (IPB)		K	PL	L0101-0-DBP	E

LINE ITEM	TOP DOCUMENT	PART NUMBER	MIN REV	DESCRIPTION	QTY PER VARIATION 00	REFERENCE DESIGNATOR
				VARIATION REVISION LEVEL:	E1	

64 NOTE: 21-16957-03 CAN BE USED IN PLACE OF 21-16957-02

D I G I T A L	TITLE		SECTION A OF A	SIZE	CODE	DOCUMENT NUMBER	REV
	CI780 PACKET BUFFER (IPB)			K	PL	L0101-0-DBP	E

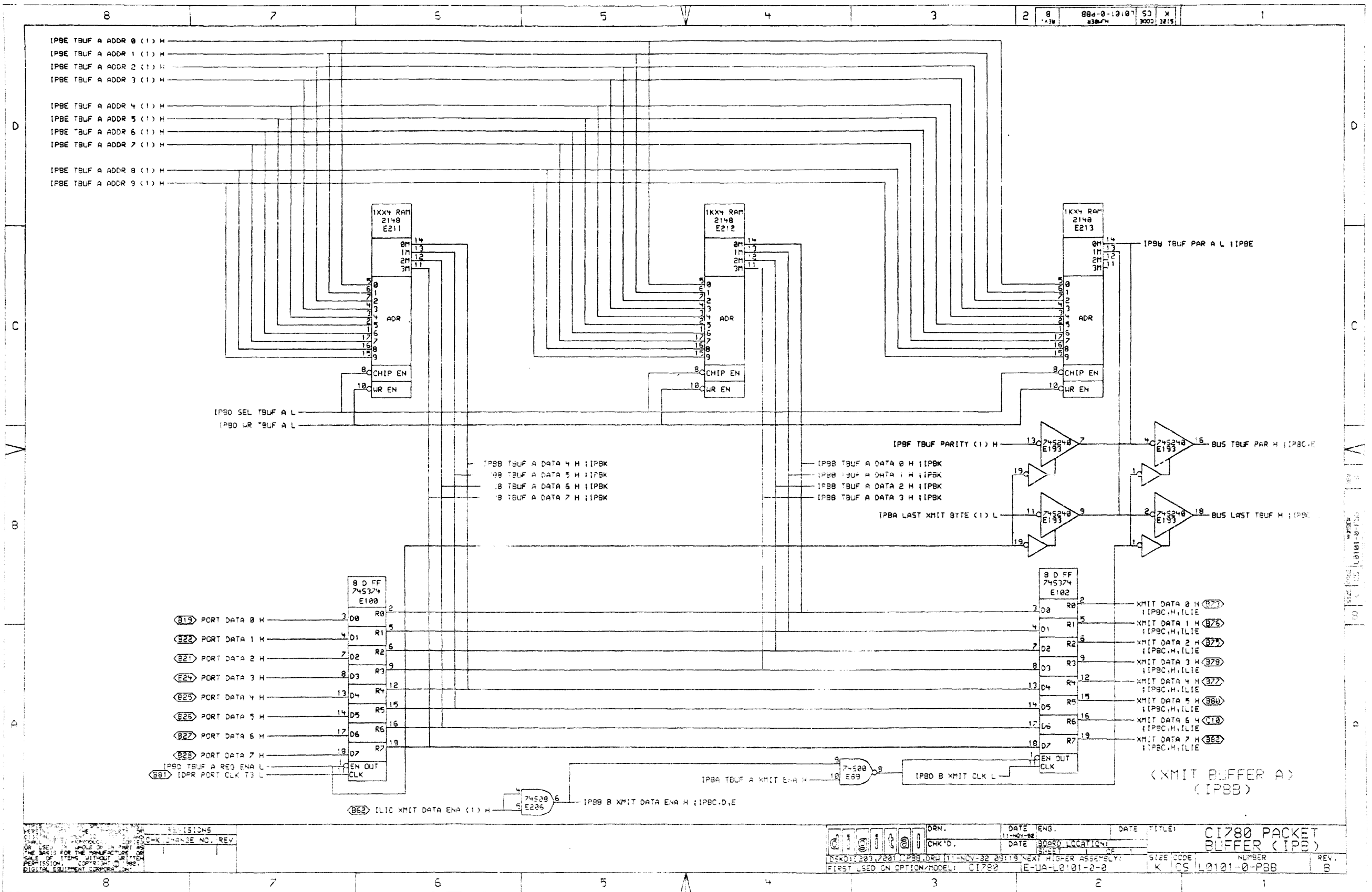


(PACKET BUFFER CONTROL DECODE)
(IPBA)

THIS DRAWING AND SPECIFICATIONS HERETOIN ARE THE PROPERTY OF DIGITAL EQUIPMENT CORPORATION AND SHALL NOT BE REPRODUCED OR COPIED IN ANY MANNER OR IN PART OR FOR ANY PURPOSE WITHOUT THE WRITTEN PERMISSION OF DIGITAL EQUIPMENT CORPORATION.

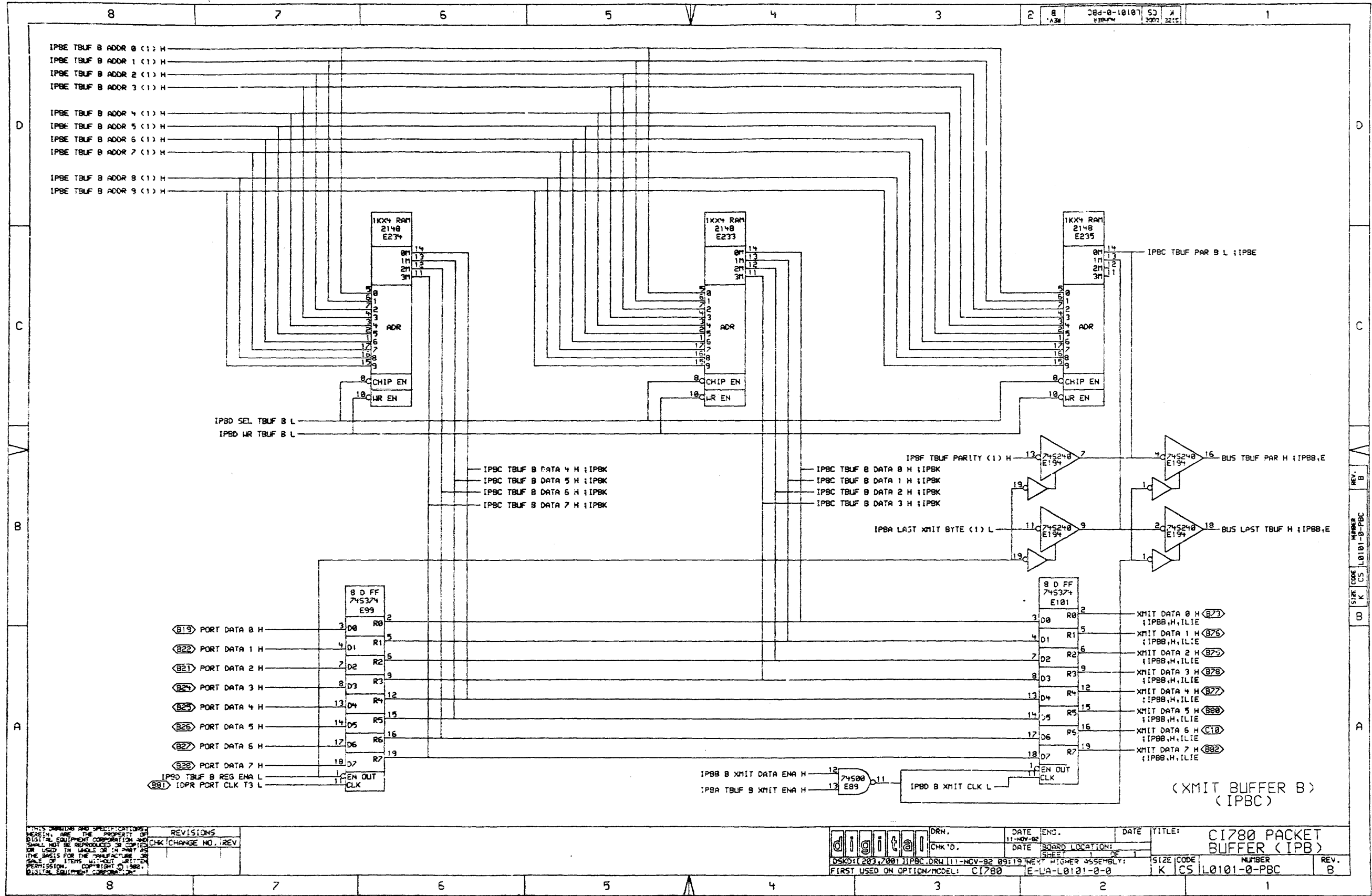
REVISIONS	
CHK	CHANGE NO. REV

	DRN.	DATE	ENG.	DATE	TITLE:
	CHK'D.	DATE	BOARD LOCATION:		C1780 PACKET BUFFER (IPB)
DSKD: 203,2001 IPBA.DRW	11-NOV-82 09:13	NEXT HIGHER ASSEMBLY:		SIZE	CODE
FIRST USED ON OPTION/MODEL:	C1780	E-LA-L0101-0-0		K	CS
				NUMBER	REV.
				L0101-0-PBA	B



15:245
 CHECK CHANGE NO. REV

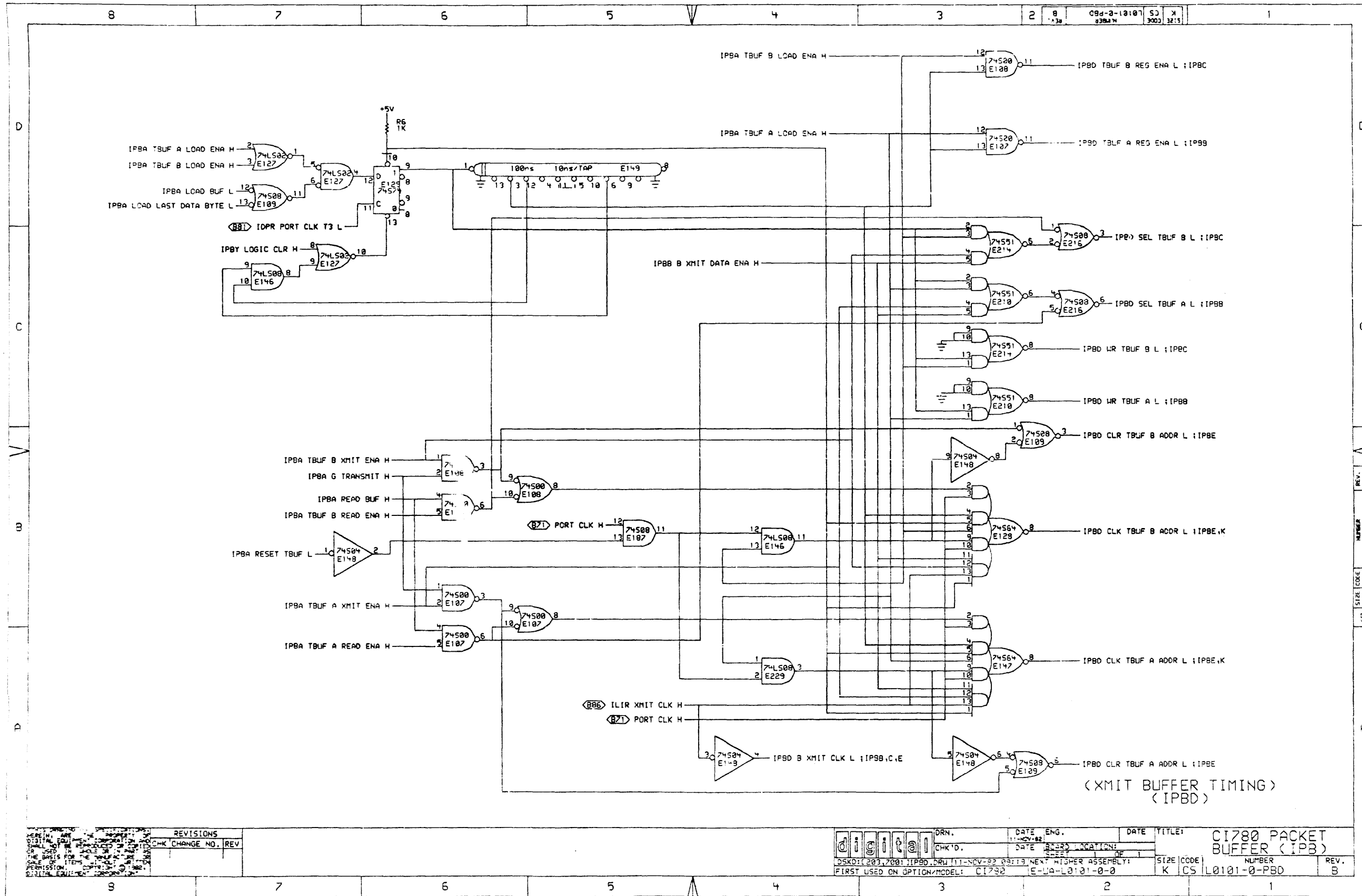
DRN. DATE ENG. DATE TITLE: C1780 PACKET BUFFER (IPB)
 11-NOV-88
 BOARD LOCATION:
 SHEET NO. 1 OF 1
 SIZE CODE NUMBER REV.
 K CS L0101-0-PBB B



THIS DRAWING AND SPECIFICATIONS
HEREIN ARE THE PROPERTY OF
DIGITAL EQUIPMENT CORPORATION AND
SHALL NOT BE REPRODUCED OR
USED IN WHOLE OR IN PART AS
THE BASIS FOR THE MANUFACTURE OR
SALE OF ITEMS WITHOUT WRITTEN
PERMISSION. COPYRIGHT © 1982,
DIGITAL EQUIPMENT CORPORATION.

REVISIONS	
CHK	CHANGE NO. / REV

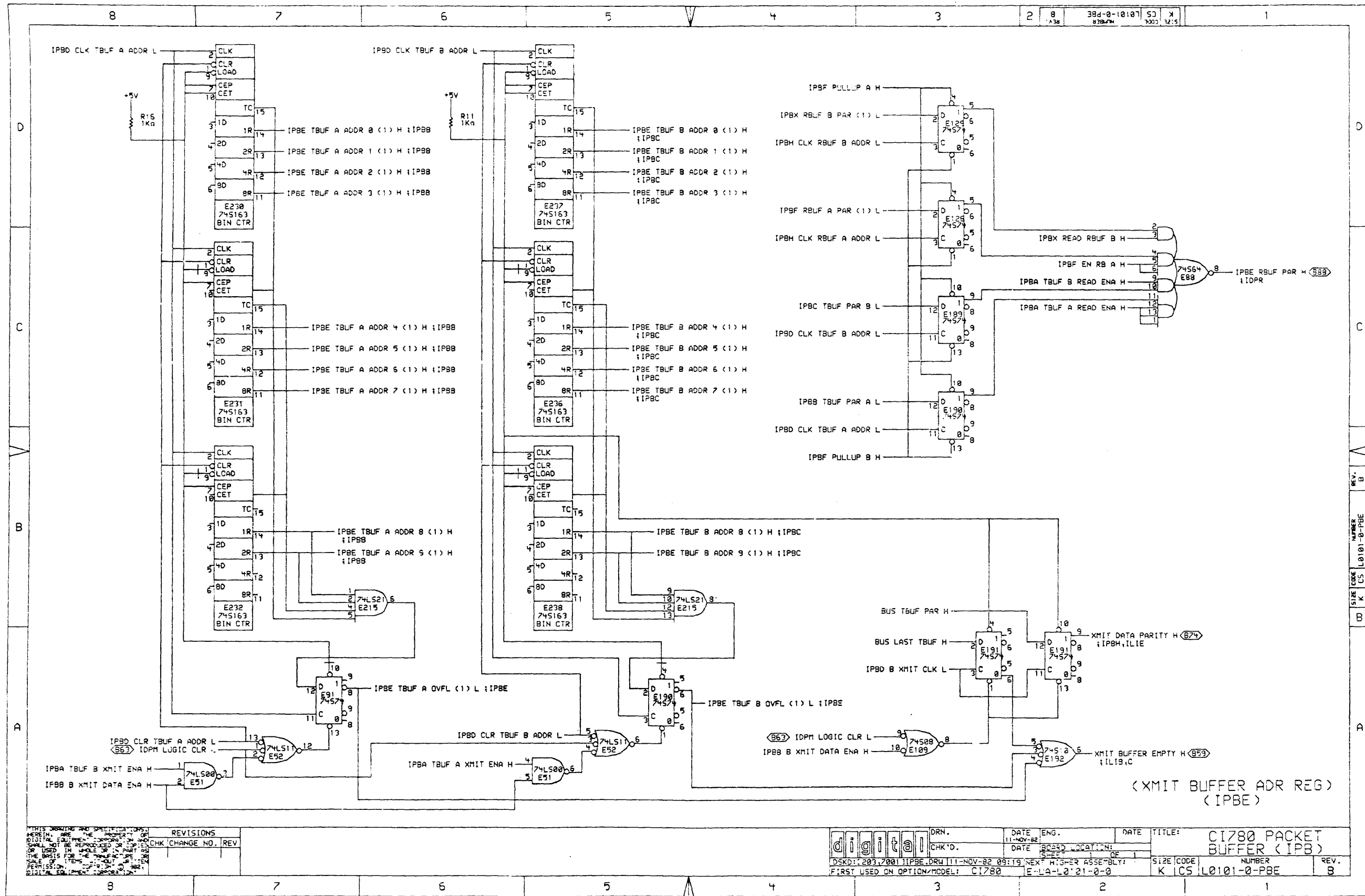
	DRN.	DATE	ENG.	DATE	TITLE:
	CHK'D.	11-NOV-82			C1780 PACKET BUFFER (IPB)
OSKD:(203,700)IPBC.DRW (11-NOV-82 09:19)NEW YORK W/IGER ASSEMBLY:		BOARD LOCATION:		SIZE CODE	NUMBER
FIRST USED ON OPTION/MODEL: C1780		E-LA-L0101-0-0		K CS	L0101-0-PBC
					REV. B



REVISIONS	
CHK	CHANGE NO. REV

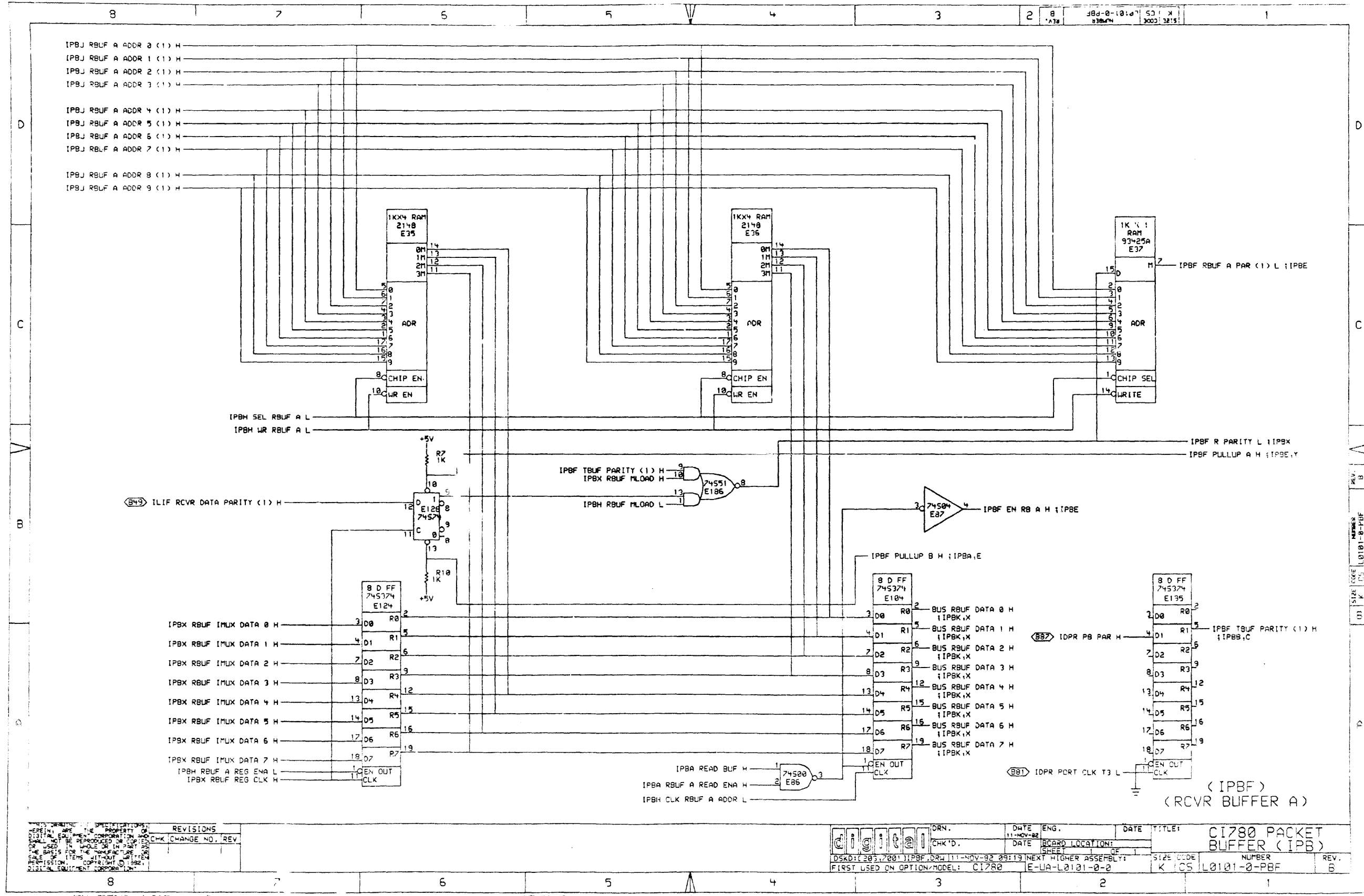
digital	DRN.	DATE	ENG.	DATE	TITLE:
	CHK'D.	DATE	DESIGN	LOCATION:	CI780 PACKET BUFFER (IPB)
DSKD: 203,700; IPBD.DRW (11-NOV-82 09:13); NEXT HIGHER ASSEMBLY:					SIZE CODE
FIRST USED ON OPTION/MODEL: CI780 E-4A-L0101-0-0					NUMBER REV.
					L0101-0-PBD B

REV. B
 NUMBER
 L0101-0-PBD
 SIZE CODE
 K CS
 L0



REV.	NO.	DESCRIPTION
1	1	INITIAL DESIGN
2	1	REVISIONS
3	1	CHK CHANGE NO. REV

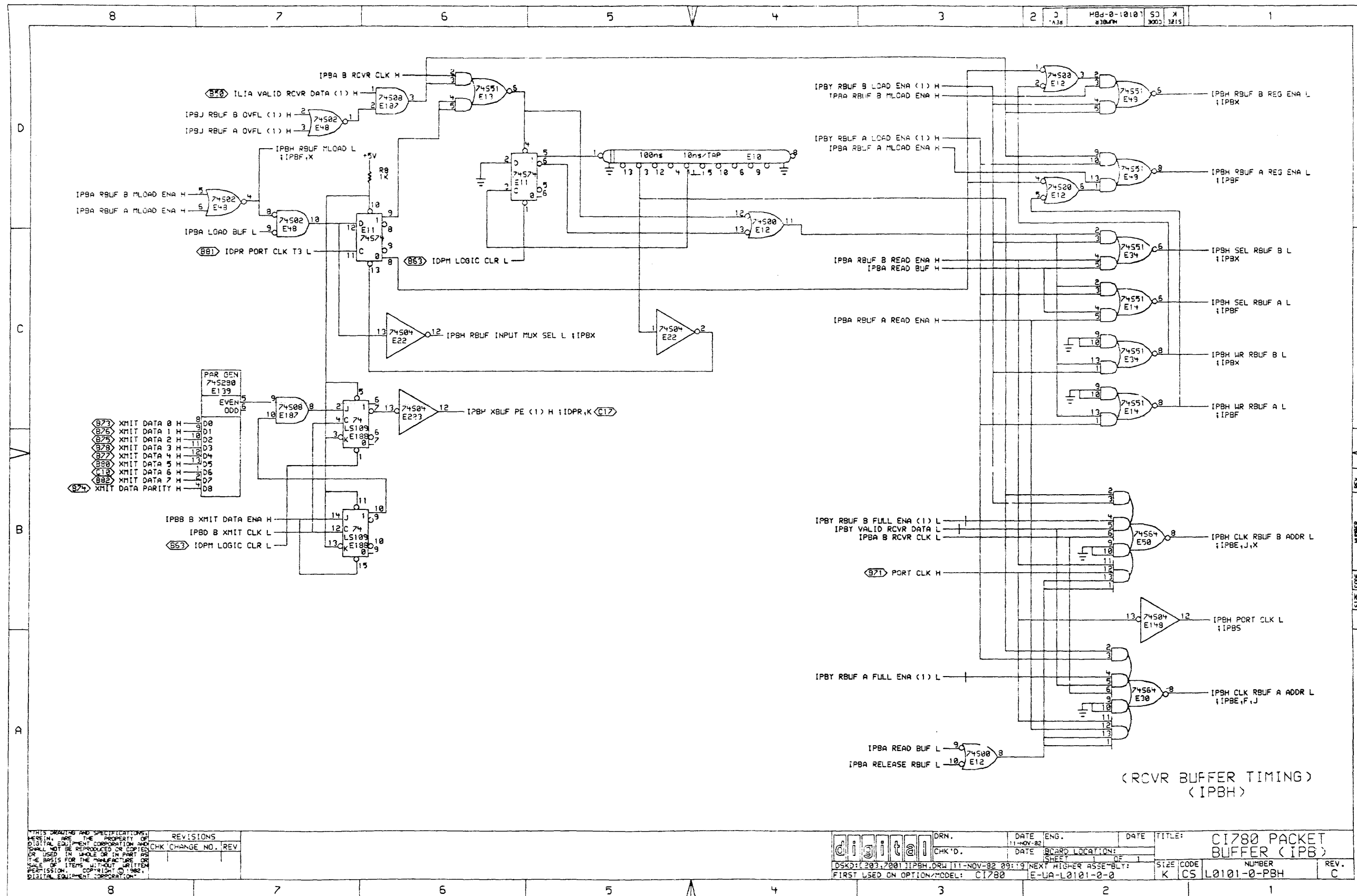
DRN.	DATE	ENG.	DATE	TITLE:
CHK'D.	11-NOV-82			C1780 PACKET BUFFER (IPB)
DESIGNED BY:	DATE	LOCATED:	OF	
SKD: 203,2001 IPBE, DRW 11-NOV-82 09:19 NEX HIGHER ASSEMBLY:				
FIRST USED ON OPTION/MODEL: C1780	E-LA-L021-0-0			
SIZE	CODE	NUMBER	REV.	
K	CS	L0101-0-PBE	B	



REVISIONS	
CHK	CHANGE NO. REV

ORN.	DATE	ENG.	DATE	TITLE:
CHK'D.	11-NOV-82			CI780 PACKET BUFFER (IPB)
FIRST USED ON OPTION/MODEL: CI780		NEXT HIGHER ASSEMBLY: E-UA-L0101-0-0		SIZE CODE NUMBER REV.
				K ICS L0101-0-PBF B

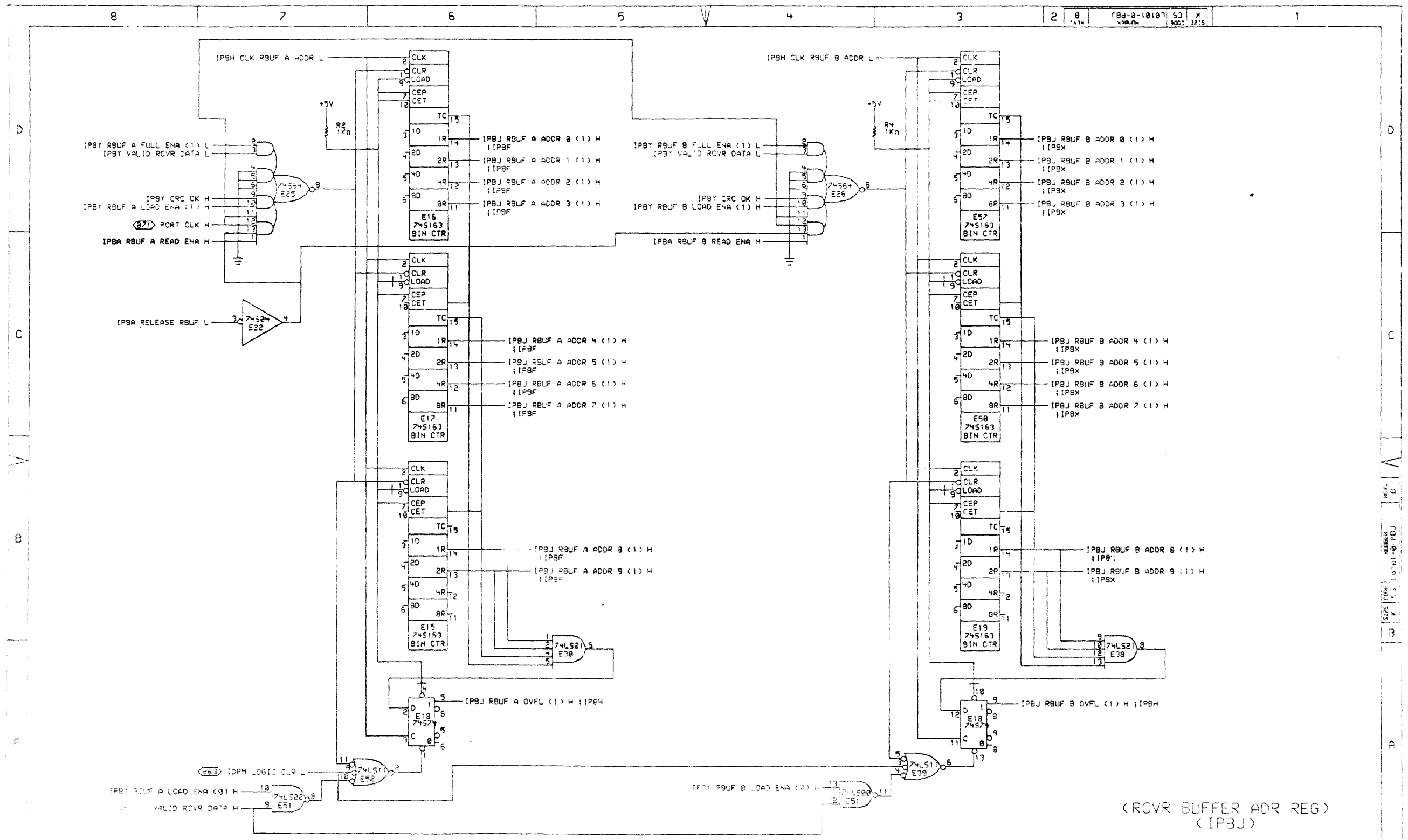
REV. B
 NUMBER L0101-0-PBF
 SIZE CODE K ICS
 01 K 05



THIS DRAWING AND SPECIFICATIONS
HEREIN ARE THE PROPERTY OF
DIGITAL EQUIPMENT CORPORATION AND
SHALL NOT BE REPRODUCED OR COPIED
OR USED IN WHOLE OR IN PART AS
THE BASIS FOR THE MANUFACTURE OR
SALE OF ITEMS WITHOUT WRITTEN
PERMISSION. COPYRIGHT © 1984,
DIGITAL EQUIPMENT CORPORATION.

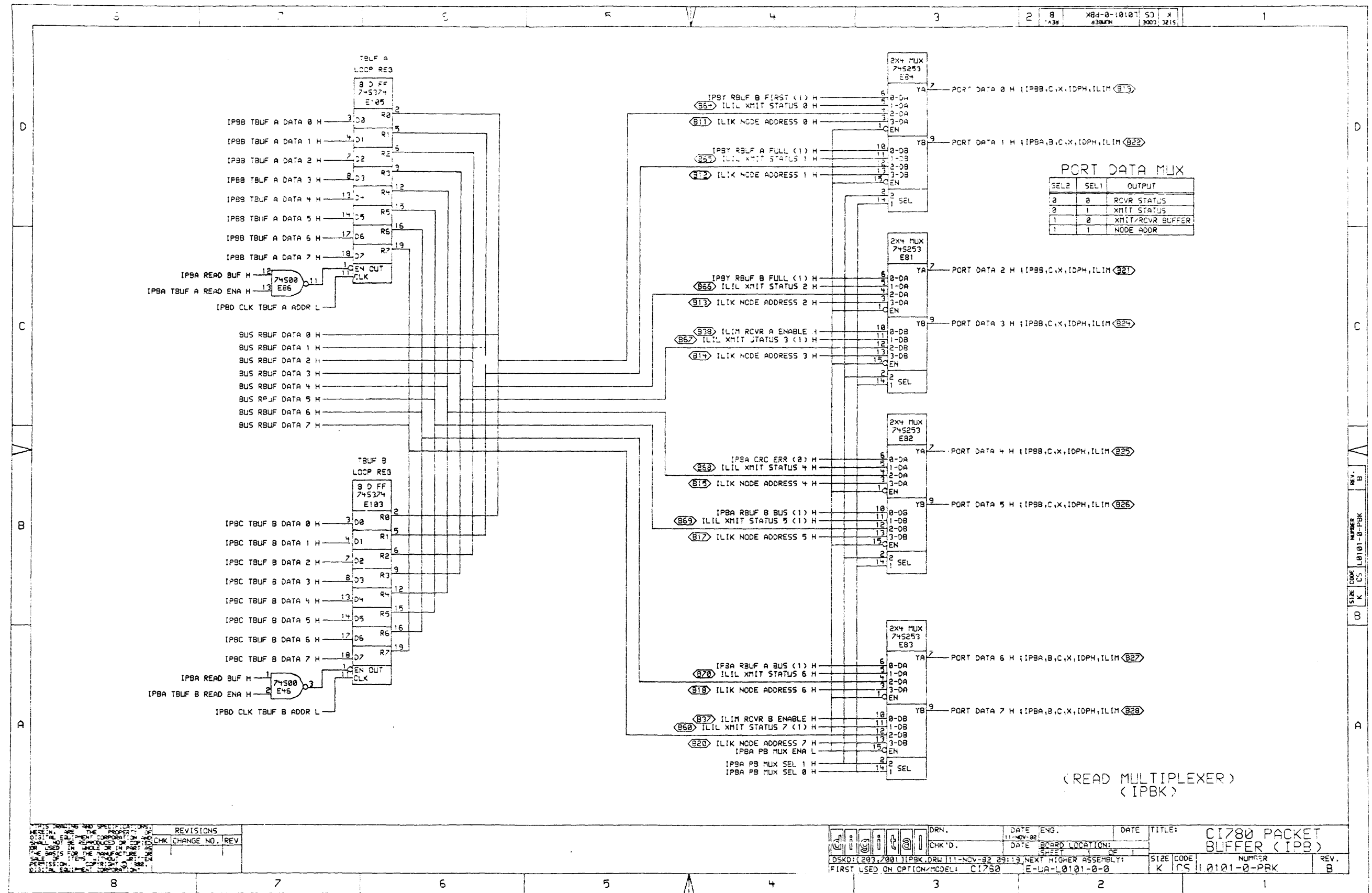
REVISIONS	CHK	CHANGE NO.	REV

digital	DRN.	DATE	ENG.	DATE	FILE#	C1780 PACKET BUFFER (IPB)	
CHK'D.		11-NOV-82				SIZE	CODE
DATE	BOARD LOCATION:	NEXT HIGHER ASSEMBLY:		SHEET	OF	K	CS
LSKD: [283.200]IPBH.DRW [11-NOV-82 09:19		E-LA-L0101-0-0		1	1	NUMBER	REV.
FIRST USED ON OPTION/MODEL: C1780						L0101-0-PBH	C



REV.	CHG	NO.	REV.

DATE	ENG.	DATE	TITLE
11-NOV-82			C1780 PACKET BUFFER (IPBJ)
DATE	SCRD LOCATION	DATE	REV.
FIRST USED ON OPTION MODEL: C1780		DATE	REV.
E-UA-L0101-0-0		11-NOV-82	B



PORT DATA MUX

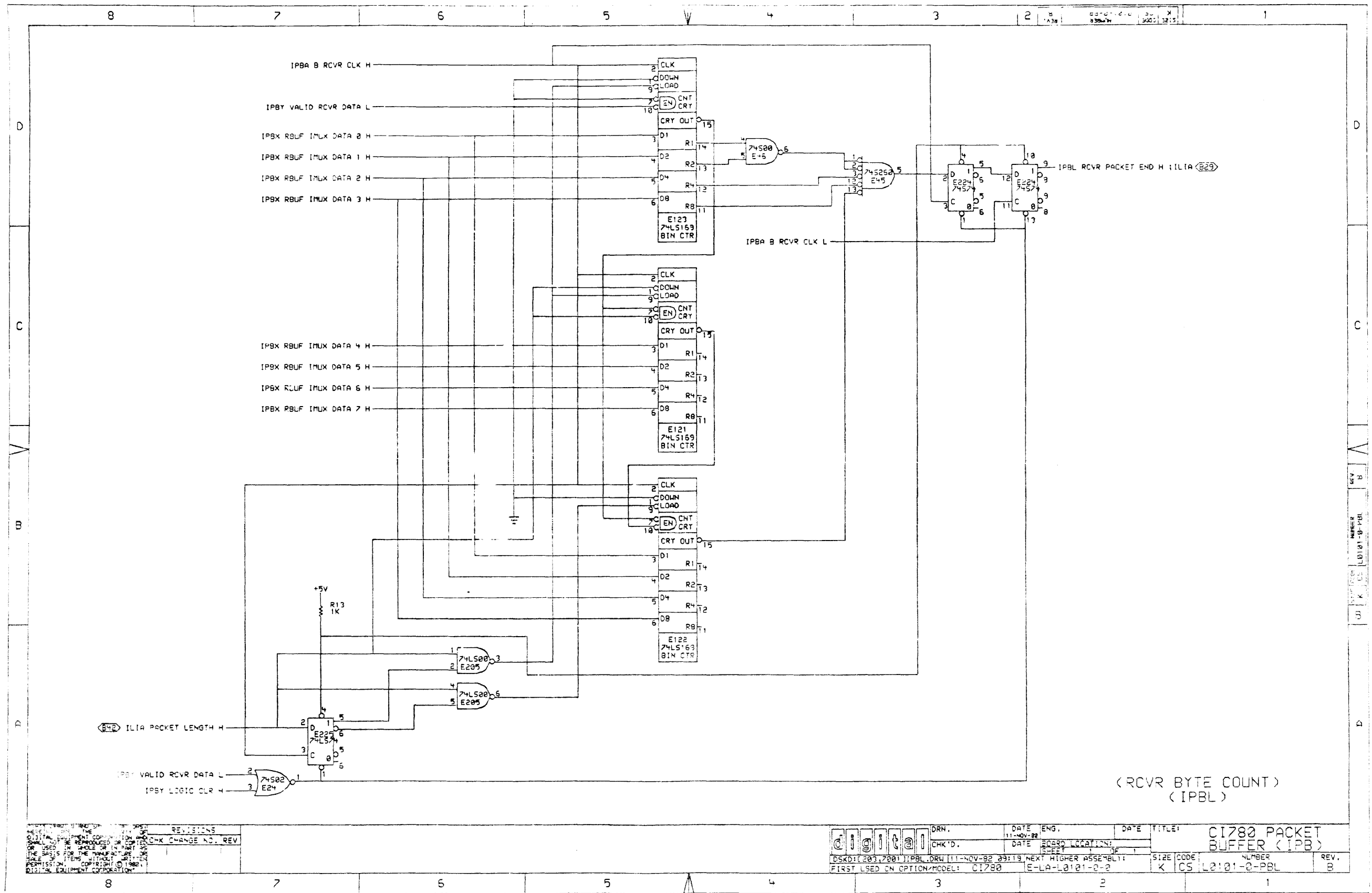
SEL2	SEL1	OUTPUT
0	0	RCVR STATUS
0	1	XMIT STATUS
1	0	XMIT/RCVR BUFFER
1	1	NODE ADDR

(READ MULTIPLEXER)
(IPBK)

HEREIN ARE THE PROPER AND SPECIFICATIONS OF THE BOARD. THIS BOARD IS NOT TO BE REPRODUCED OR COPIED IN ANY MANNER WITHOUT THE EXPRESS PERMISSION OF THE MANUFACTURER.

REVISIONS	
CHK	CHANGE NO. REV

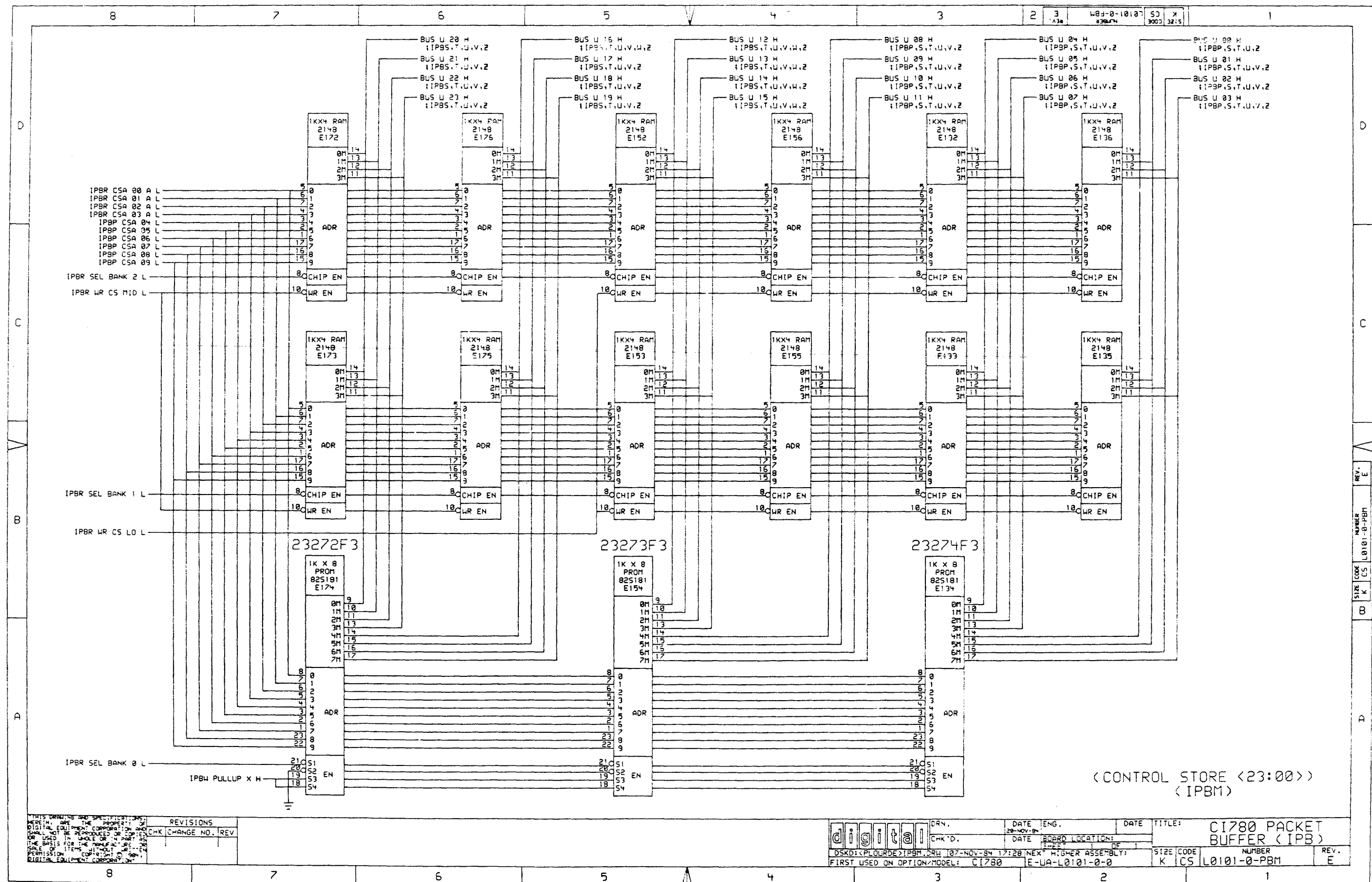
DRN.	DATE	ENG.	DATE	TITLE:
CHK'D.	11-NOV-82			C1780 PACKET BUFFER (IPB)
OSKD: (20) 7801 IPBK.DRW	11-NOV-82	09:19	NEXT HIGHER ASSEMBLY:	SIZE
FIRST USED ON OPTION/MODEL:	C1780	E-LA-L0101-0-0		CODE
				K CS
				11 0101-0-PRK
				NUMBER
				B
				REV.



REV.	DATE	DESCRIPTION

DRN.	DATE	ENG.	DATE	TITLE
CHK'D.	11-NOV-82			CI780 PACKET BUFFER (IPB)
BOARD LOCATION:	E121			
SIZE	CODE	NUMBER	REV.	
K	CS	L0101-0-PBL	B	

REV B
NUMBER L0101-0-PBL
DATE 11-NOV-82
UJ K CL



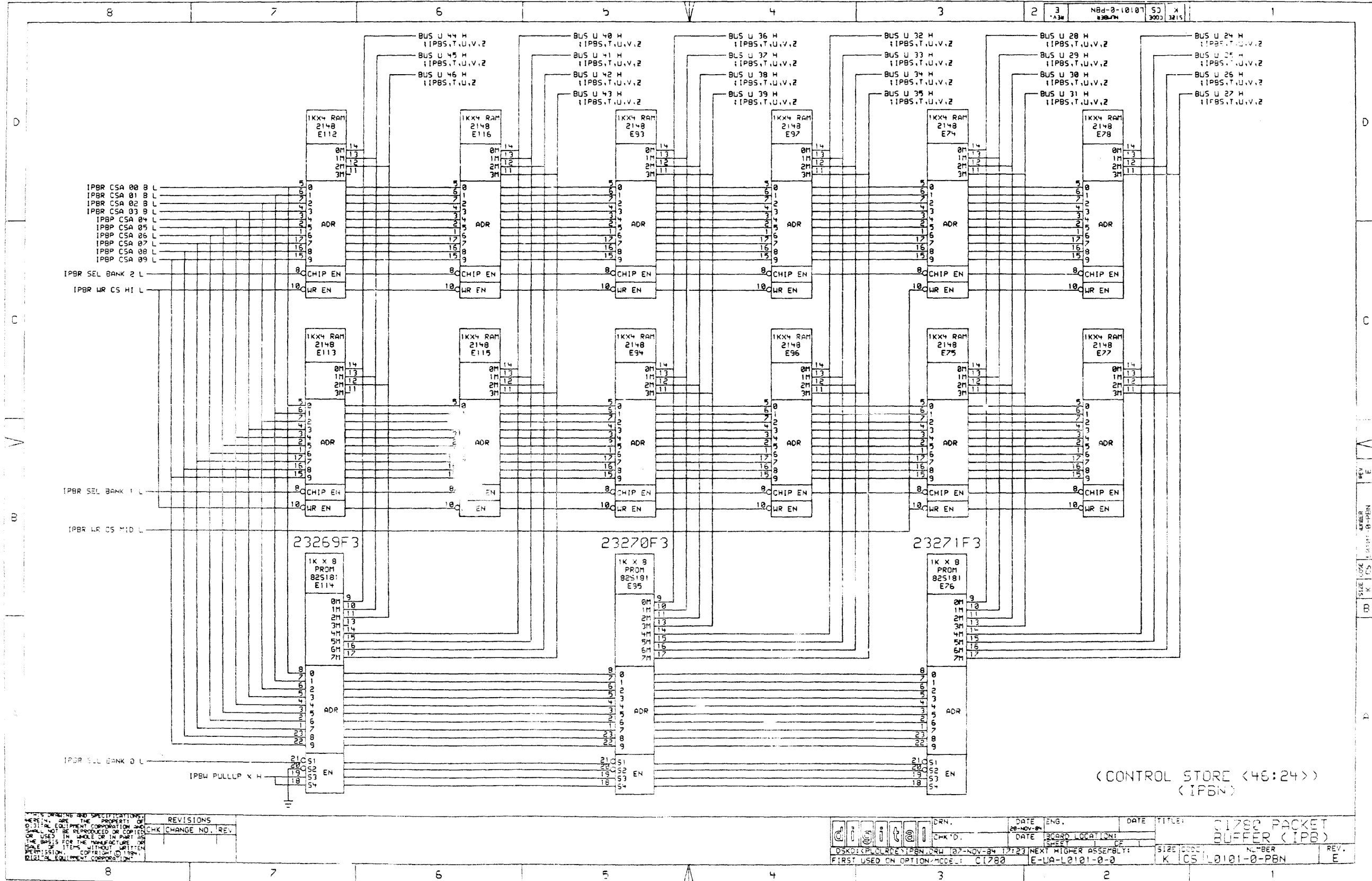
(CONTROL STORE <23:00>
<IPBM>

THIS DRAWING AND SPECIFICATIONS HEREIN ARE THE PROPERTY OF DIGITAL EQUIPMENT CORPORATION AND SHALL NOT BE REPRODUCED OR COPIED OR USED IN WHOLE OR IN PART AS THE BASIS FOR THE MANUFACTURE OF ANY ITEMS, WITHOUT WRITTEN PERMISSION OF DIGITAL EQUIPMENT CORPORATION.

REVISIONS	
CHK	CHANGE NO. REV

	DATE	ENG.	DATE	TITLE:
	28-NOV-84			C1780 PACKET BUFFER (IPB)
CHK'D.	DATE	BOARD LOCATION:	OF	SIZE CODE
				K CS
DSKD: PLOURDET: PBM.DR1 107-NOV-84 17:28 NEX? HIGHER ASSEMBLY: FIRST USED ON OPTION/MODEL: C1780 E-UA-L0101-0-0				NUMBER L0101-0-PBM
				REV. E

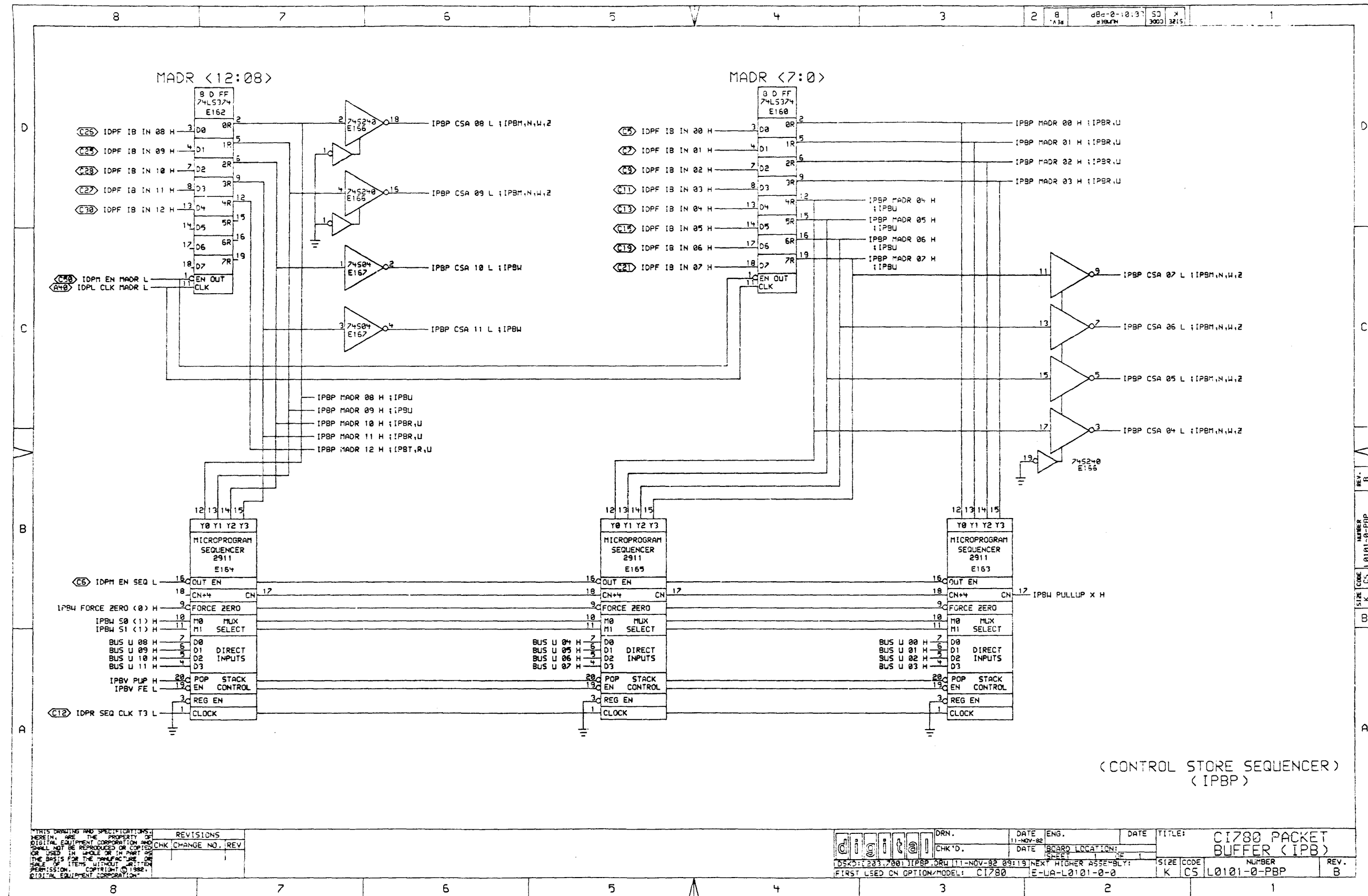
REV. E
NUMBER L0101-0-PBM
SIZE CODE K CS



REVISIONS	
CHK	CHANGE NO. REV.

DRN.	DATE	ENG.	DATE	TITLE:
	28-NOV-84			C1780 PACKET BUFFER (IPB)
CHK'D.	DATE	LOC'D	LOCATION:	

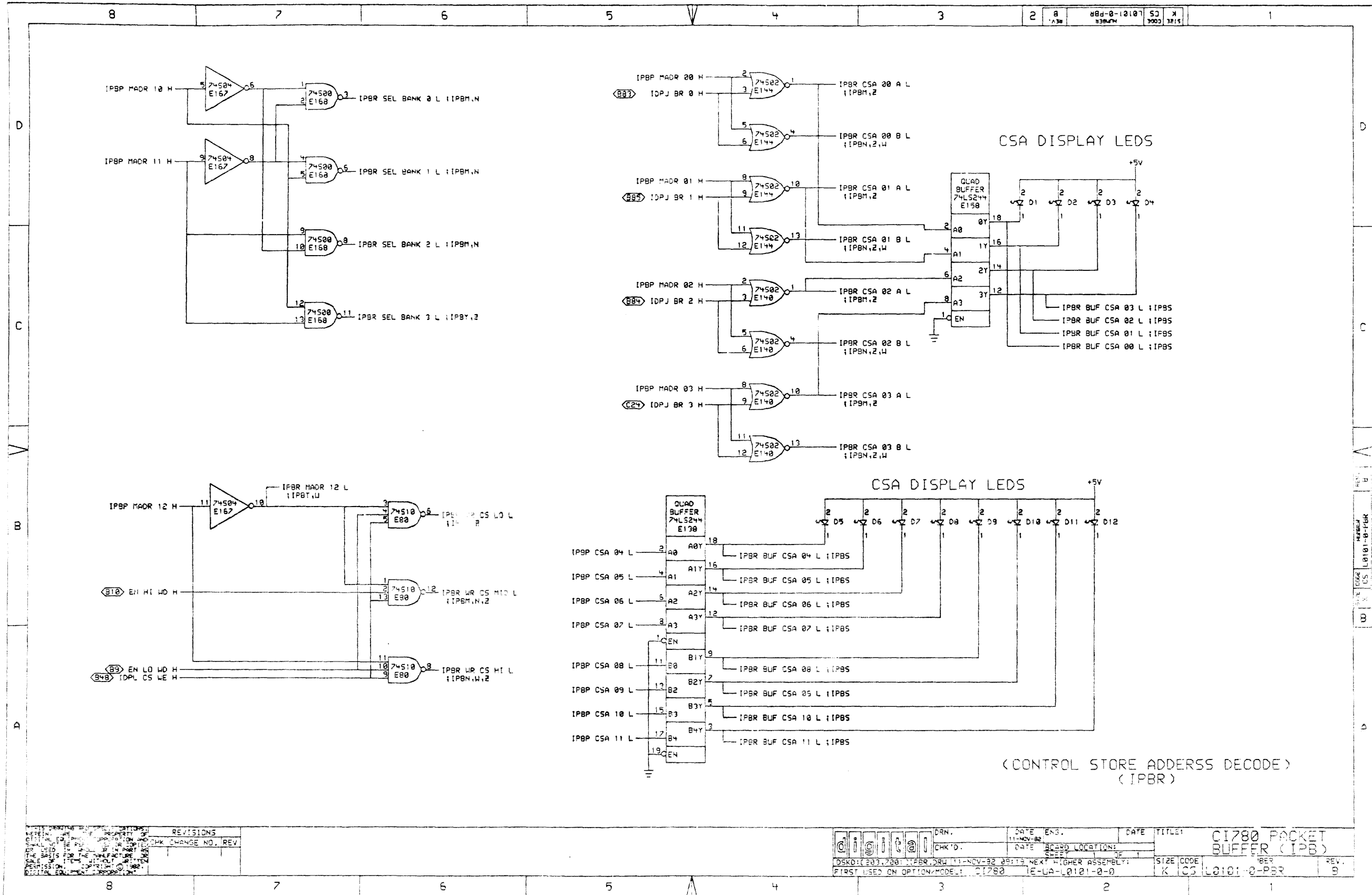
REV E
 DRAWN BY KCS
 DATE 28-NOV-84
 TITLE: C1780 PACKET BUFFER (IPB)
 SHEET 1 OF 1
 SIZE CODE: KCS L0101-0-PBN
 NUMBER: E



THIS DRAWING AND SPECIFICATIONS
HEREIN ARE THE PROPERTY OF
DIGITAL EQUIPMENT CORPORATION AND
SHALL NOT BE REPRODUCED OR COPIED
OR USED IN WHOLE OR IN PART AS
THE BASIS FOR THE MANUFACTURE OF
SIMILAR ITEMS WITHOUT WRITTEN
PERMISSION. COPYRIGHT © 1982,
DIGITAL EQUIPMENT CORPORATION.

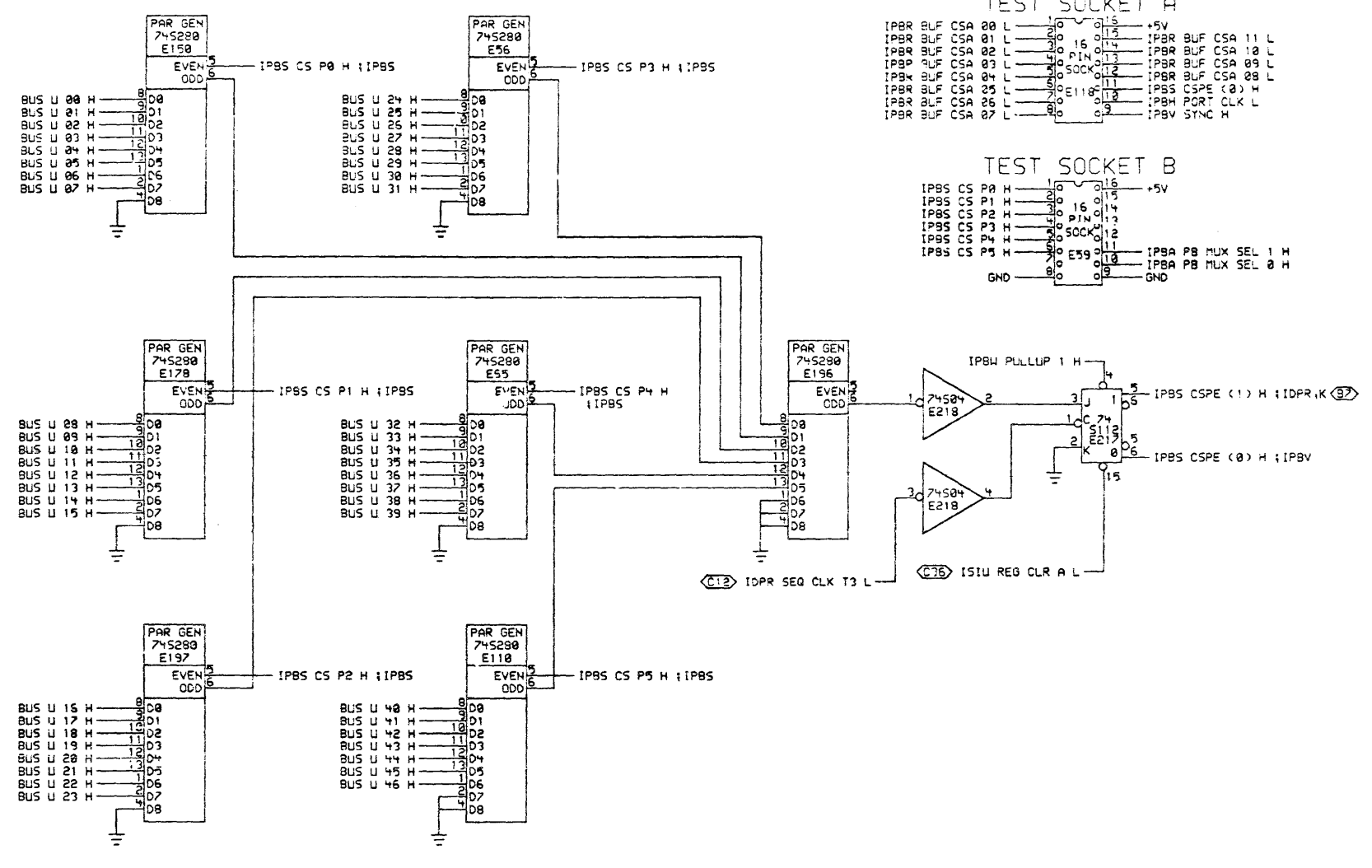
REVISIONS
CHK CHANGE NO. REV

digital	DRN.	DATE	ENG.	DATE	TITLE:
	CHK'D.	11-NOV-82			CI780 PACKET BUFFER (IPB)
DSKD: 233,2001 (IPBP).DRW		NEXT HIGHER ASSEMBLY:		SIZE	CODE
FIRST USED ON OPTION/MODEL: CI780		E-LA-L0101-0-0		K	CS
				NUMBER	REV.
				L0101-0-PBP	B



REV. NO.	DATE	DESCRIPTION
1		INITIAL DESIGN
2		DESIGN CHANGE NO. 1

DRN.	DATE	ENG.	DATE	TITLE
CHK'D.	11-NOV-82			C1780 PACKET BUFFER (IPB)
OSKO: (207,230) IPBR, DRU 11-NOV-82 09:15	NEXT HIGHER ASSEMBLY:		SIZE	CODE
FIRST USED ON OPTION/MODEL:	C1780	(E-1A-L0101-0-0)	K	CS L0101-0-PBR



TEST SOCKET A

IPBR BUF CSA 00 L	1	15	+5V
IPBR BUF CSA 01 L	2	14	
IPBR BUF CSA 02 L	3	13	
IPBR BUF CSA 03 L	4	12	
IPBR BUF CSA 04 L	5	11	
IPBR BUF CSA 05 L	6	10	
IPBR BUF CSA 06 L	7	9	
IPBR BUF CSA 07 L	8	8	
IPBR BUF CSA 11 L	16	0	
IPBR BUF CSA 10 L	17	1	
IPBR BUF CSA 09 L	18	2	
IPBR BUF CSA 08 L	19	3	
IPSS CSPE (0) H	20	4	
IPBH PORT CLK L	21	5	
IPBV SYNC H	22	6	

TEST SOCKET B

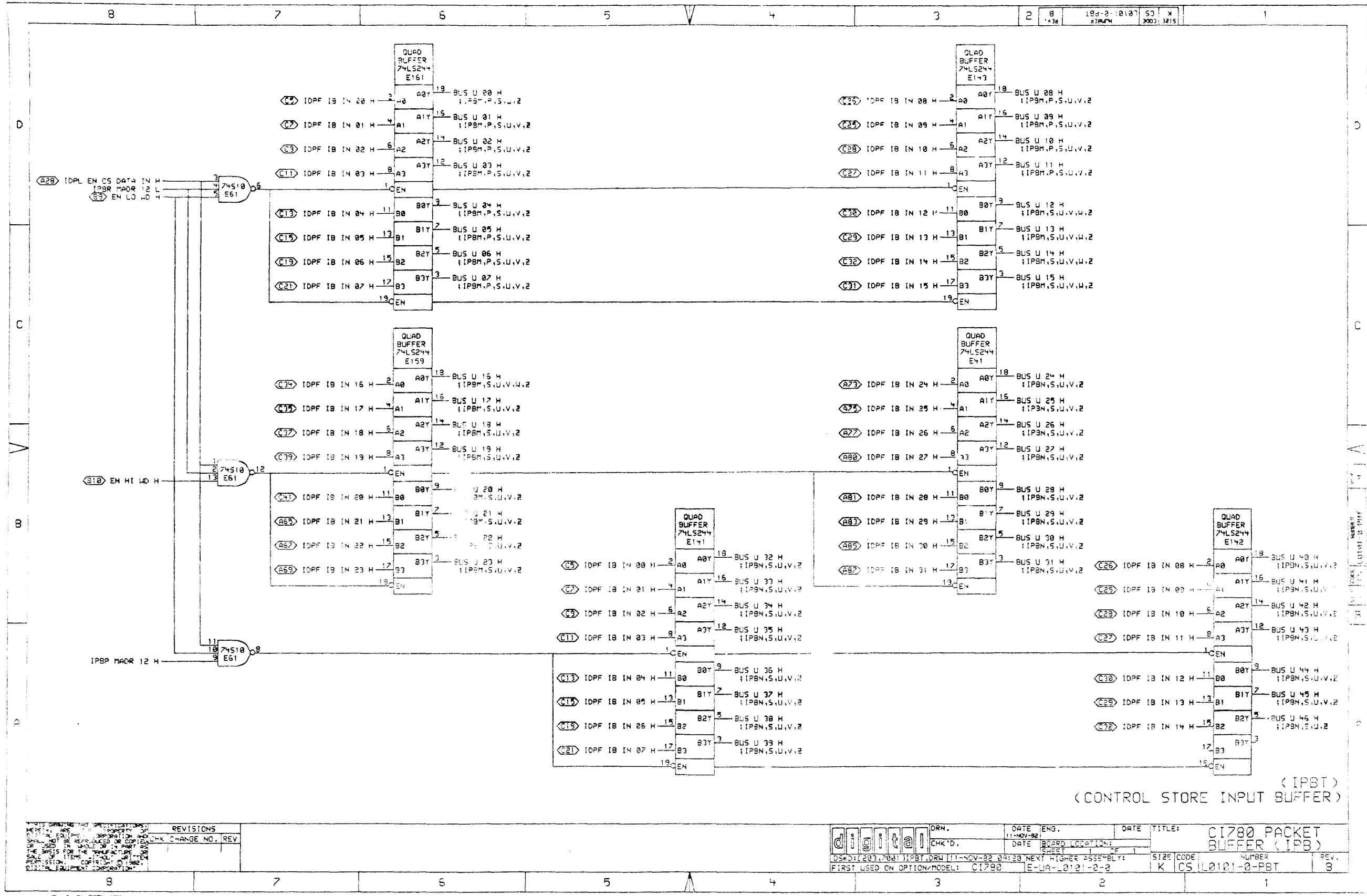
IPBS CS P0 H	1	15	+5V
IPBS CS P1 H	2	14	
IPBS CS P2 H	3	13	
IPBS CS P3 H	4	12	
IPBS CS P4 H	5	11	
IPBS CS P5 H	6	10	
GND	7	9	
GND	8	8	
IPBA PB MUX SEL 1 H	16	0	
IPBA PB MUX SEL 0 H	17	1	

(CONTROL STORE PARITY)
 (IPBS)

REVISIONS

CHK	CHANGE NO.	REV.

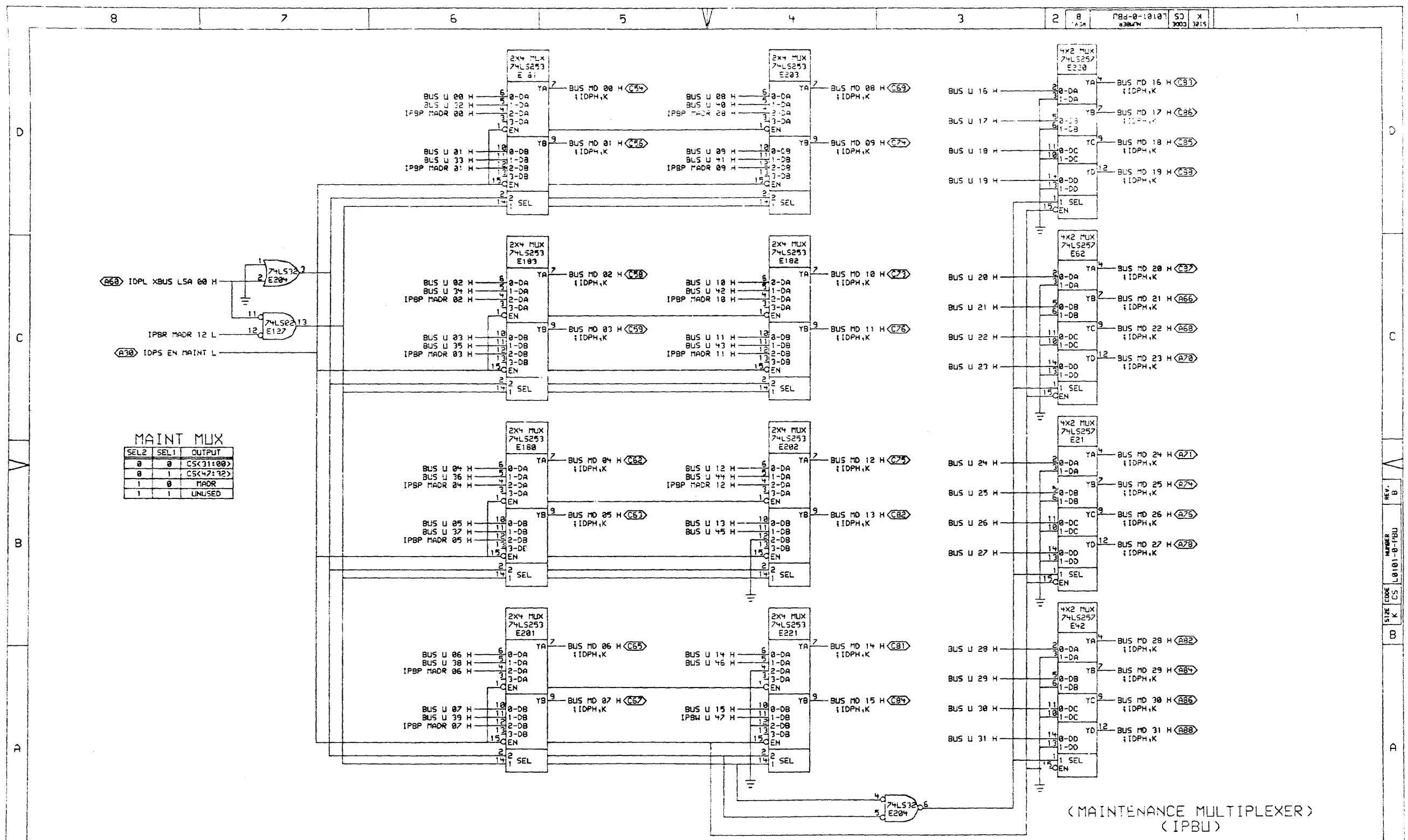
DRN.	DATE	ENG.	DATE	TITLE:
CHK'D.	11-NOV-82			C1780 PACKET BUFFER (IPB)
FIRST USED ON OPTION MODEL: C1780		NEXT HIGHER ASSEMBLY: E-LA-L0101-0-0		SIZE CODE: K CS
NUMBER: L0101-0-PBS			REV. B	



REV.	DATE	DESCRIPTION
1		INITIAL DESIGN
2		REVISION

REV.	DATE	DESCRIPTION
1		INITIAL DESIGN
2		REVISION

digit@l	DRN.	DATE	ENG.	DATE	TITLE:
CHK'D.		11-NOV-82			C1780 PACKET BUFFER (IPB)
DATE	RECORD LOCATION	SHEET		OF	1
DSKID: 203,7001 IPBT.DRW 11-NOV-82 09:20 NEXT HIGHER ASSEMBLY:					SIZE CODE
FIRST USED ON OPTION/MODEL: C1780 E-0A-0101-2-2					NUMBER
					REV.
					3



MAINT MUX

SEL2	SEL1	OUTPUT
0	0	CS<31:00>
0	1	CS<47:32>
1	0	MADR
1	1	UNUSED

(MAINTENANCE MULTIPLEXER)
(IPBU)

THIS DRAWING AND SPECIFICATIONS ARE THE PROPERTY OF DIGITAL EQUIPMENT CORPORATION AND SHALL NOT BE REPRODUCED OR COPIED IN WHOLE OR IN PART FOR USE IN THE MANUFACTURE OF ANY ITEMS WITHOUT THE EXPRESS WRITTEN PERMISSION OF DIGITAL EQUIPMENT CORPORATION.

REVISIONS		
CHK	CHANGE NO.	REV

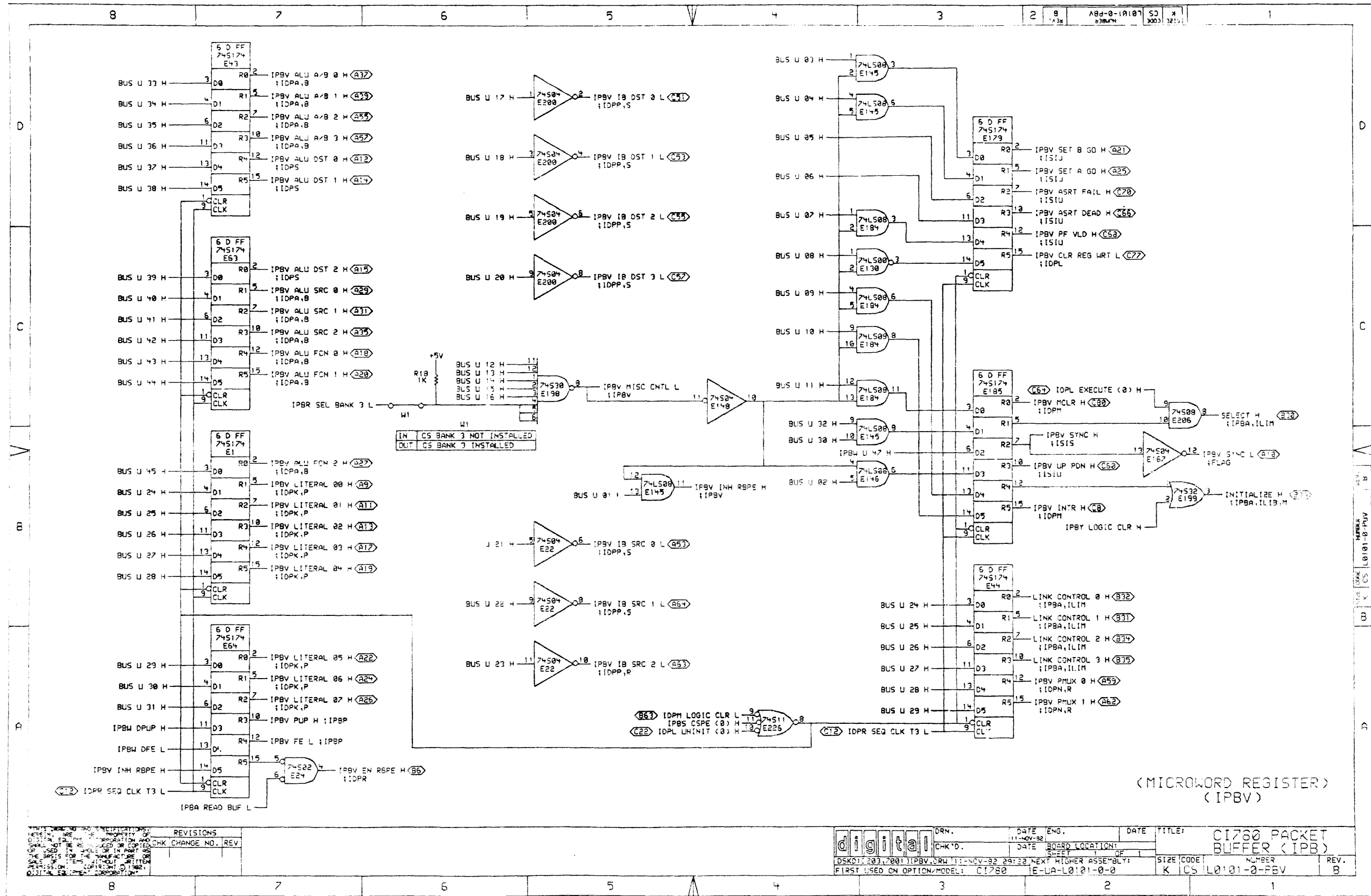
digital DRN. DATE ENG. DATE TITLE: CI780 PACKET BUFFER (IPB)

CHK'D. DATE BOARD LOCATION: SHEET OF

OSKD: 203,7001 IPBU.DRW 11-NOV-82 09:20 NEXT HIGHER ASSEMBLY: SIZE CODE NUMBER REV. E

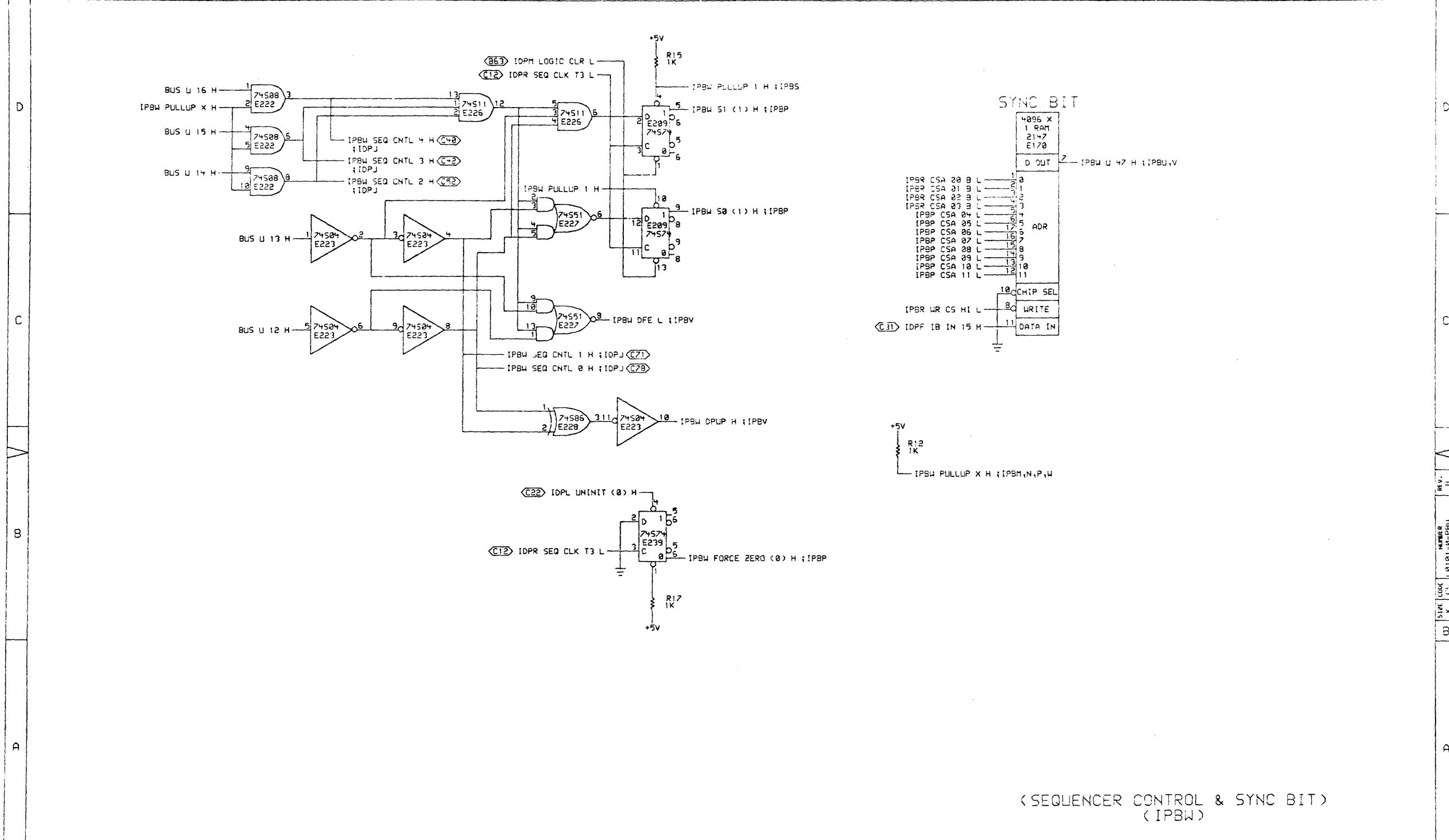
FIRST USED ON OPTION/MODEL: CI780 E-LA-L0101-0-0 K CS L0101-0-PBU

REV. B
NUMBER L0101-0-IPBU
SIZE CODE CS K CS L0101-0-PBU
B
A



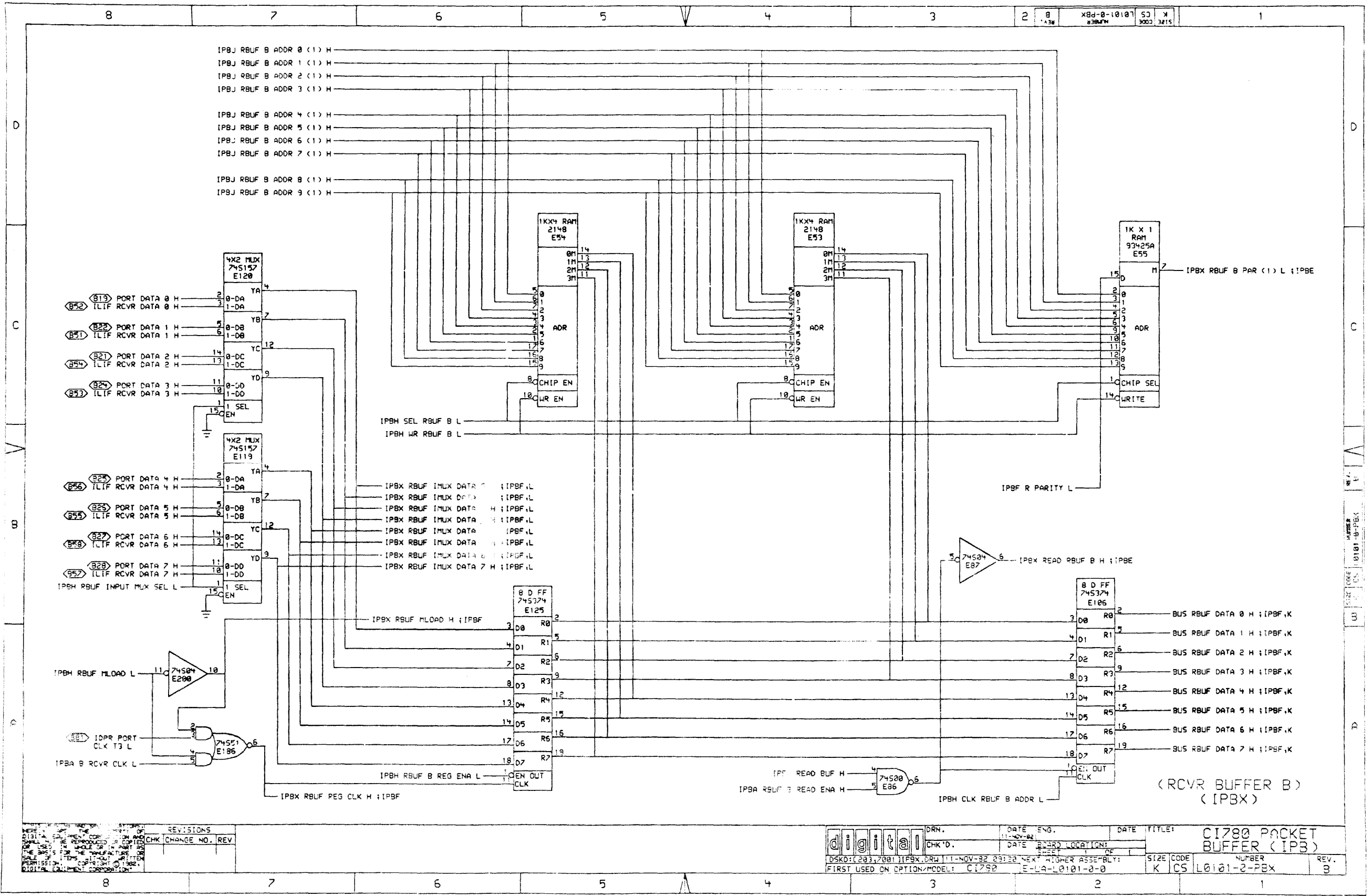
REV	DESCRIPTION
1	INITIAL DESIGN
2	REVISION 1
3	REVISION 2

digital	DRN.	DATE	ENG.	DATE	TITLE:
	CHK'D.	11-NOV-82			C1780 PACKET BUFFER (IPB)
DSK01:200,2001 IPBV.SRU 11-NOV-82 29:20		NEXT HIGHER ASSEMBLY:		SIZE	CODE
FIRST USED ON OPTION/MODEL: C1780		E-UA-L0101-0-0		NUMBER	REV.
				K	B



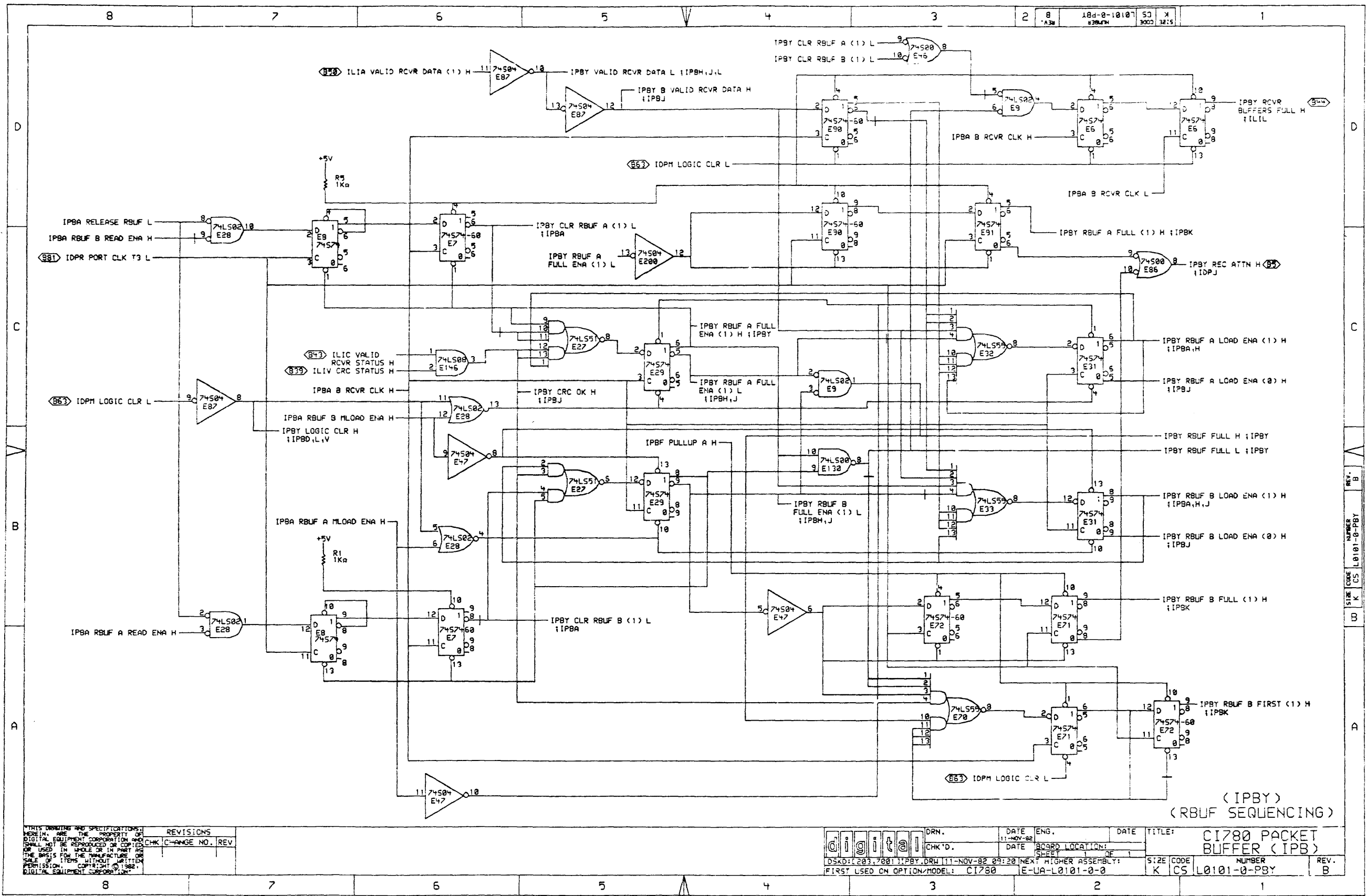
(SEQUENCER CONTROL & SYNC BIT)
 (IPBW)

THIS DRAWING AND SPECIFICATIONS ARE THE PROPERTY OF DIGITAL EQUIPMENT CORPORATION AND SHALL NOT BE REPRODUCED OR COPIED OR USED IN WHOLE OR IN PART OR THE BASIS FOR THE MANUFACTURE OR SALE OF ITEMS WITHOUT WRITTEN PERMISSION. COPYRIGHT © 1982, DIGITAL EQUIPMENT CORPORATION.		REVISIONS CHK CHANGE NO. REV		digital DRN. DATE 11-NOV-82 ENG. DATE 11-NOV-82 TITLE: C1780 PACKET BUFFER (IPB)	
DSKD: (203,700) IPBW.DRW (11-NOV-82 09:20) NEXT HIGHER ASSEMBLY: E-LA-L0101-0-0		FIRST USED ON OPTION/MODEL: C1780		SIZE CODE NUMBER REV. K CS L0101-0-FBW B	



REVISIONS		
CHK	CHANGE NO.	REV.

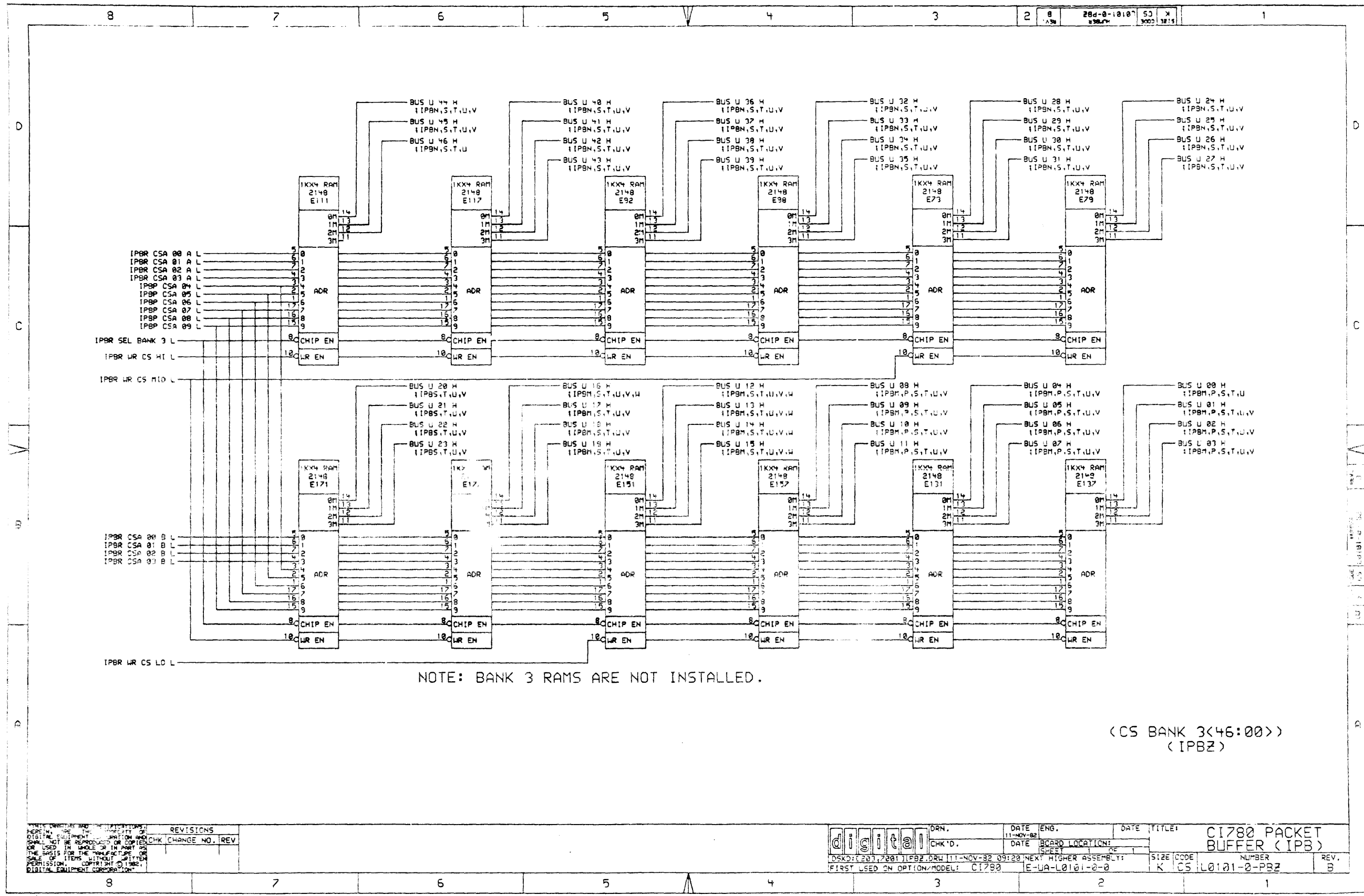
DRN.	DATE ENG.	DATE	TITLE:
CHK'D.	DATE		C1780 PACKET BUFFER (IPB)
DSKD: (203,200) IPBX.DRW 11-NOV-82 09:32			
FIRST USED ON OPTION/MODEL: C1780			
SIZE	CODE	NUMBER	REV.
K	CS	L0101-2-PBX	3



THIS DRAWING AND SPECIFICATIONS ARE THE PROPERTY OF DIGITAL EQUIPMENT CORPORATION AND SHALL NOT BE REPRODUCED OR COPIED IN WHOLE OR IN PART AS THE BASIS FOR THE MANUFACTURE OR SALE OF ITEMS WITHOUT WRITTEN PERMISSION. COPYRIGHT © 1982, DIGITAL EQUIPMENT CORPORATION.

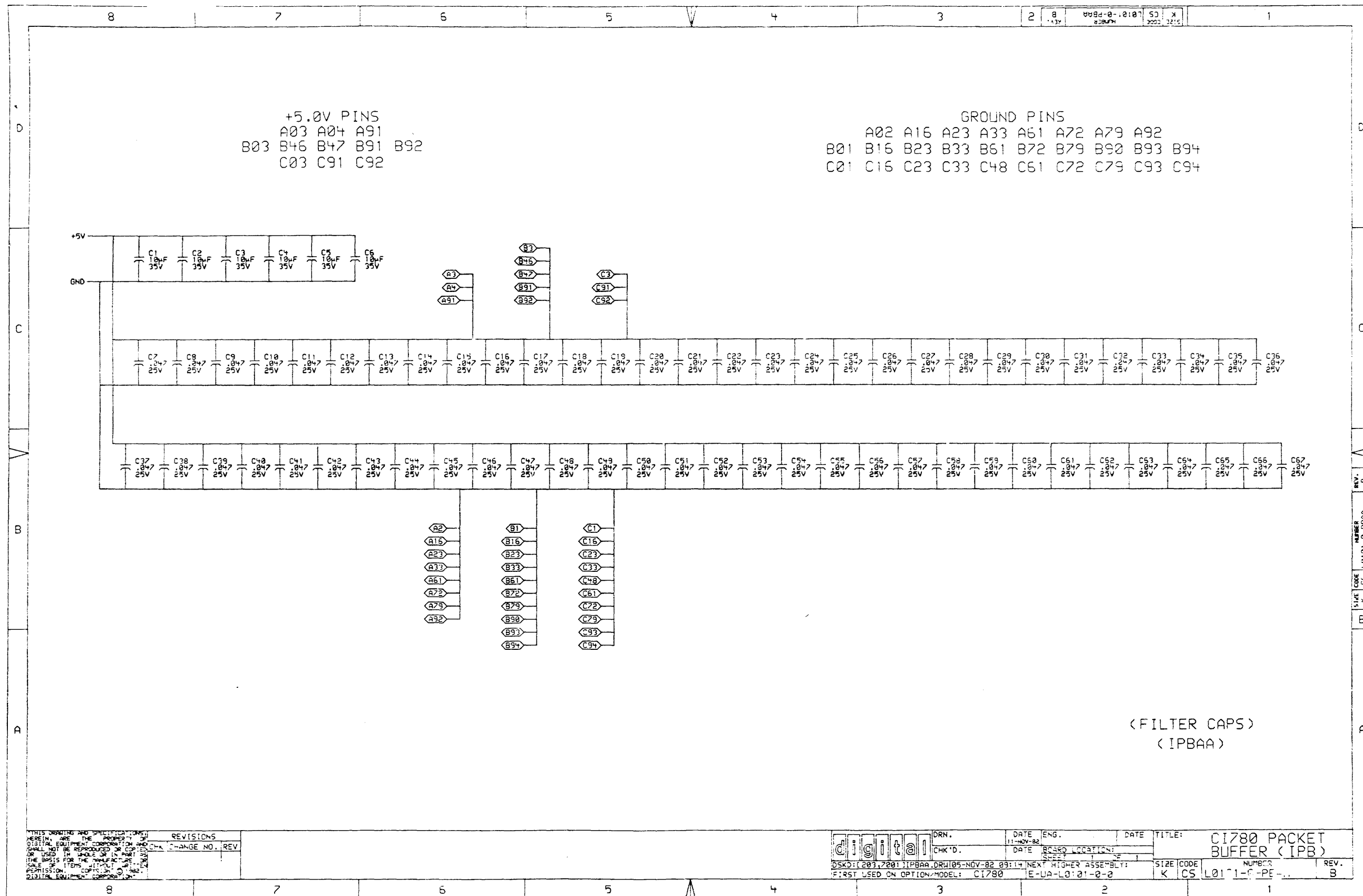
REVISIONS
CHK CHANGE NO. REV

digital	DRN.	DATE	ENG.	DATE	TITLE:
	CHK'D.	11-NOV-82			CI780 PACKET BUFFER (IPB)
DSAD: 203,700 IPBY.DRW 11-NOV-82 09:20		NEXT HIGHER ASSEMBLY:		SIZE	CODE
FIRST USED ON OPTION/MODEL: CI780		E-UA-L0101-0-0		K	CS
				NUMBER	REV.
				L0101-0-PBY	B



REVISIONS	
CHK	CHANGE NO. REV.

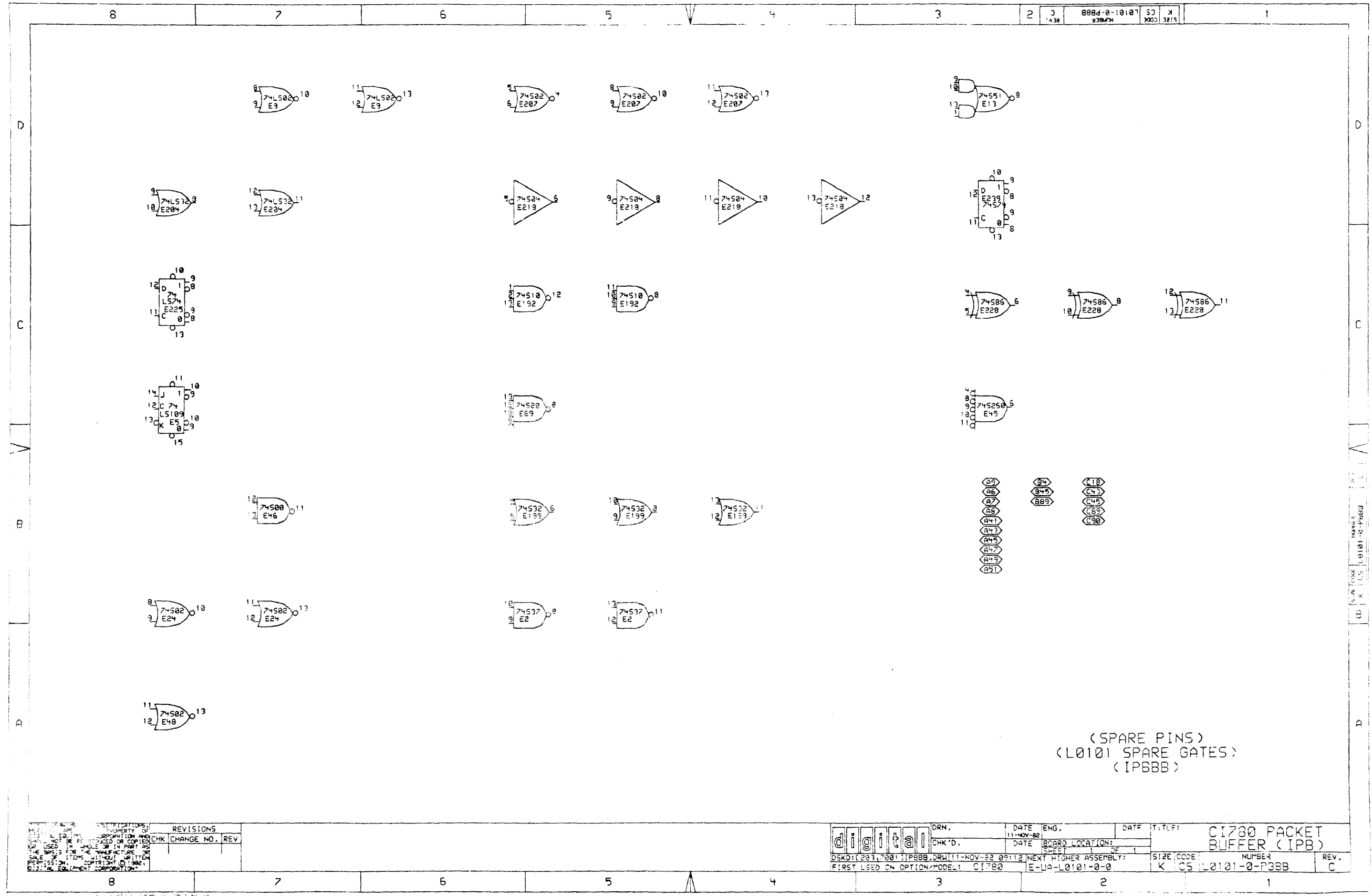
digital	ORN.	DATE	ENG.	DATE	TITLE	CI780 PACKET BUFFER (IPB)
	CHK'D.	DATE	BOARD LOCATION:	SHEET		
DSKID: 207,280 IPBZ.DRW		11-NOV-82 09:20		NEXT HIGHER ASSEMBLY:		SIZE CODE
FIRST USED ON OPTION/MODEL: CI780		E-UA-L0101-0-0		K CS		NUMBER
				L0101-0-PBZ		REV.
						B



THIS DRAWING AND SPECIFICATIONS HEREIN ARE THE PROPERTY OF DIGITAL EQUIPMENT CORPORATION AND SHALL NOT BE REPRODUCED OR COPIED OR USED IN ANY MANNER OR FOR ANY PURPOSE WITHOUT THE EXPRESS WRITTEN PERMISSION OF DIGITAL EQUIPMENT CORPORATION.

REV.	CHANGE NO.	REV.

digital	DRN.	DATE	ENG.	DATE	TITLE:
	CHK'D.	DATE	DESIGN LOCATION:		C1780 PACKET BUFFER (IPB)
DSKD: (203,7201) IPBAA, DRN105-NOV-82 09:14		NEXT HIGHER ASSEMBLY:		SIZE CODE	NUMBER
FIRST USED ON OPTION/MODEL: C1780		E-LA-L0:01-0-0		K CS	L0111-F-PE-... B

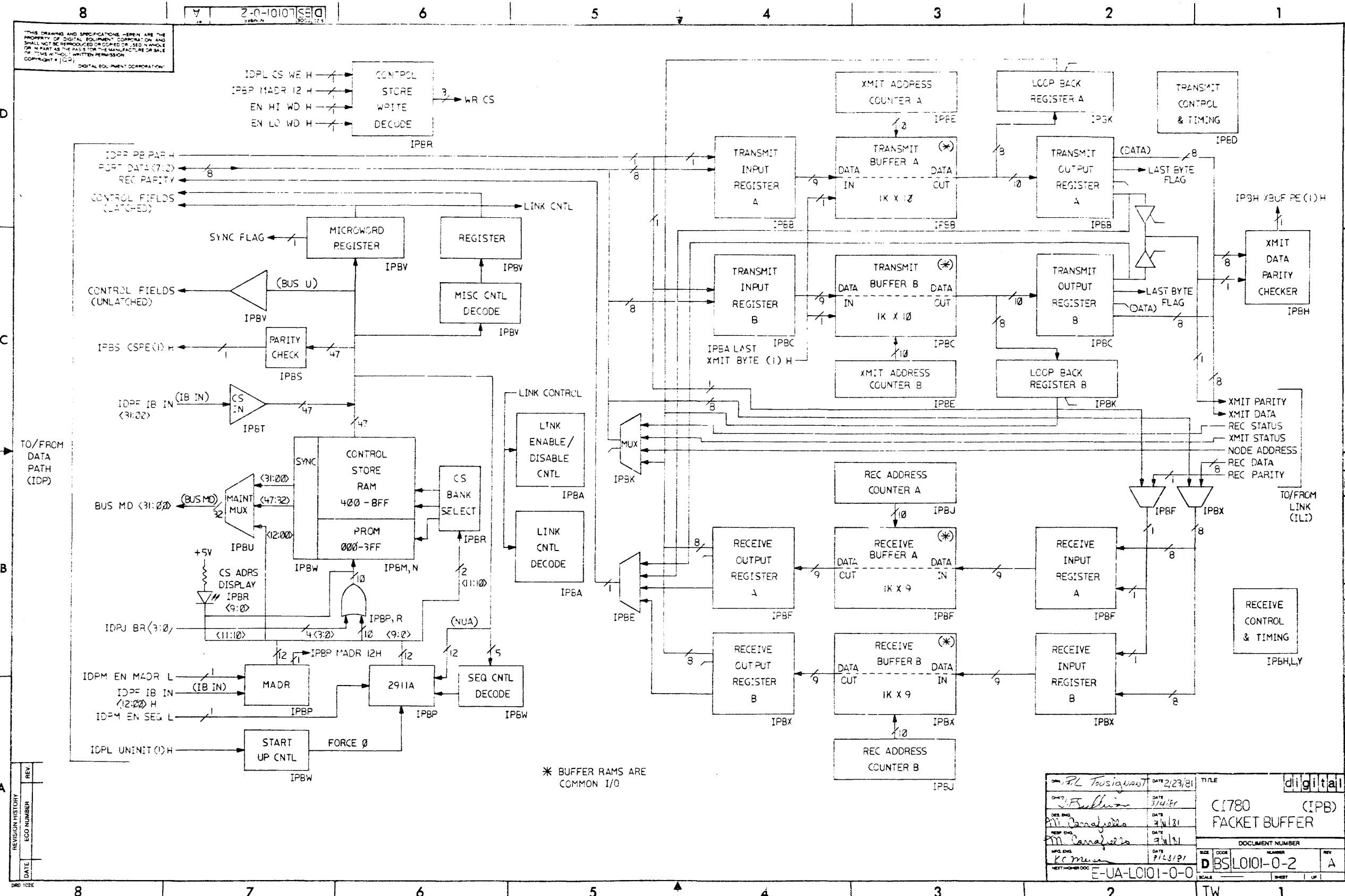


(SPARE PINS)
 (L0101 SPARE GATES)
 (IPBBB)

REVISIONS	
CHK	CHANGE NO. REV

digital	DRN.	DATE	ENG.	DATE	TITLE:
	CHK'D.	DATE	BOARD LOCATION:		CI780 PACKET
DSKD: (203,700) IPBBB.DRW (11-NOV-82 09:12) NEXT HIGHER ASSEMBLY:					SIZE CODE
FIRST USED ON OPTION/MODEL: CI780 E-LA-L0101-0					NUMBER
					L0101-0-P388
					REV. C

NAME: L0101-0-IPBBB
 SIZE: K CS
 CD: K CS

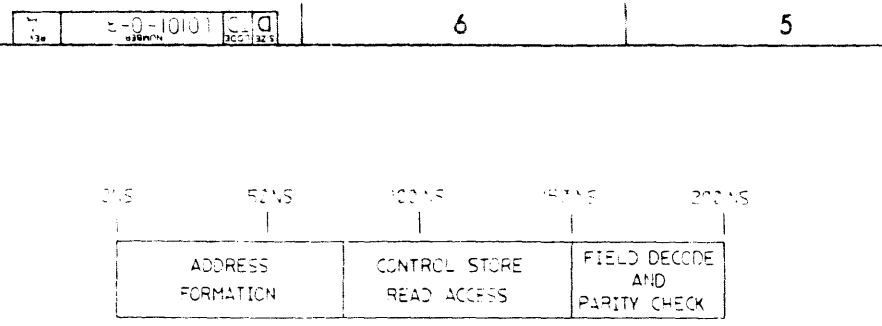


THIS DRAWING AND SPECIFICATIONS HEREIN ARE THE PROPERTY OF DIGITAL EQUIPMENT CORPORATION AND SHALL NOT BE REPRODUCED OR COPIED OR USED IN WHOLE OR IN PART AS THE BASIS FOR THE MANUFACTURE OR SALE OF THIS PRODUCT WITHOUT WRITTEN PERMISSION FROM DIGITAL EQUIPMENT CORPORATION.

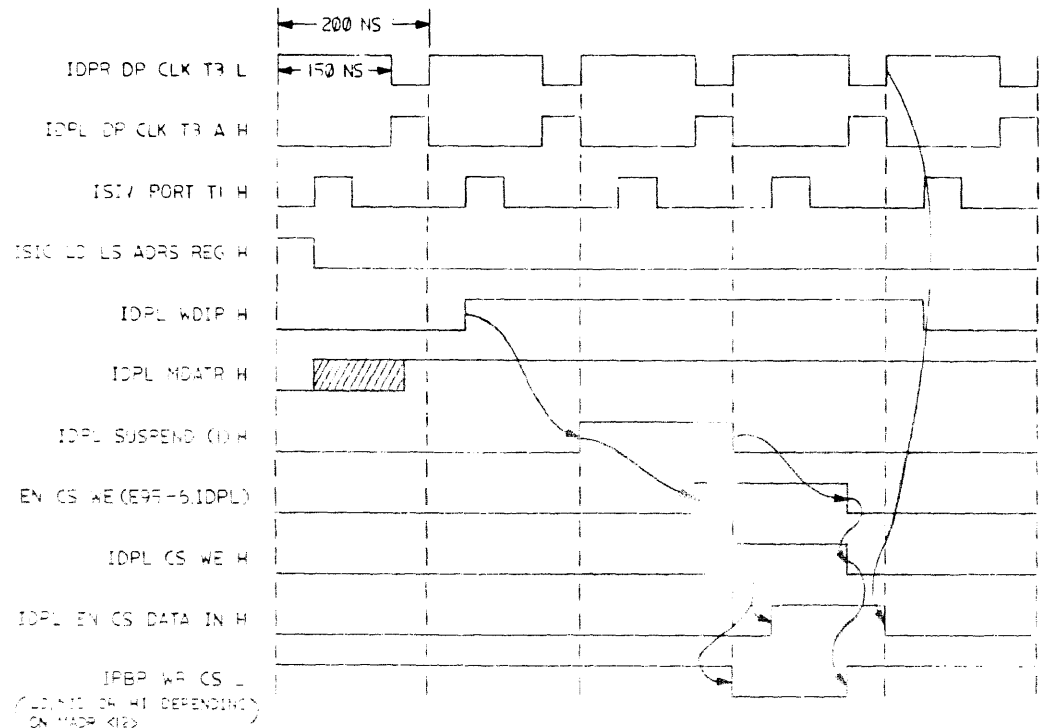
DATE	ECO NUMBER	REV.

DESIGNED BY R. L. Toussaint	DATE 2/23/81	TITLE digital
CHECKED BY J. F. Sullivan	DATE 3/14/81	C1780 (IPB) PACKET BUFFER
DESIGNED BY M. Canafale	DATE 3/11/81	DOCUMENT NUMBER D BSL0101-0-2
DESIGNED BY M. Canafale	DATE 3/11/81	SCALE 1 of 1
DESIGNED BY K. C. Munn	DATE 7/23/81	

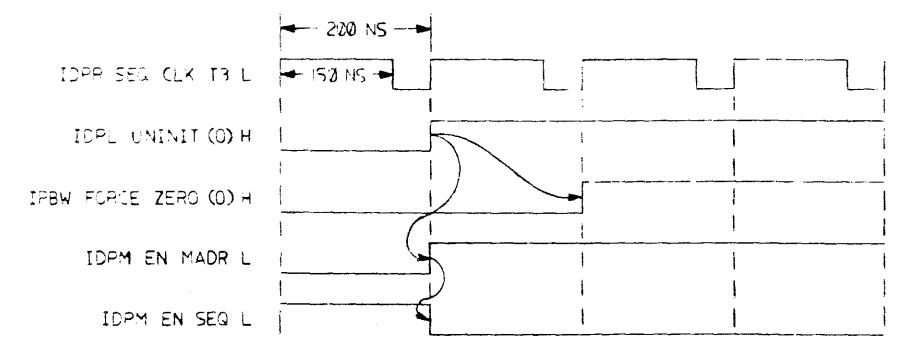
THIS DRAWING AND SPECIFICATIONS HEREIN ARE THE PROPERTY OF DIGITAL EQUIPMENT CORPORATION. IT SHALL NOT BE REPRODUCED, COPIED, TRANSMITTED, OR IN ANY MANNER BE MADE PUBLIC IN ANY MANNER WITHOUT THE WRITTEN PERMISSION OF DIGITAL EQUIPMENT CORPORATION.



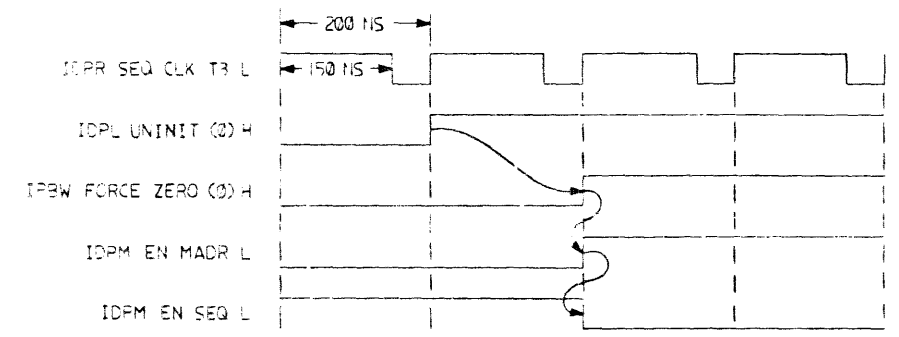
CONTROL STORE READ CYCLE



CONTROL STORE WRITE TIMING



MICROCODE START UP (PSA=0)
(SEQUENCE IS FORCED TO 300 DURING FIRST MICROCODE EXECUTION CYCLE)



MICROCODE START UP (PSA=1)
(MADR IS ADDRESS SOURCE DURING FIRST MICROCODE EXECUTION CYCLE)

REVISION HISTORY

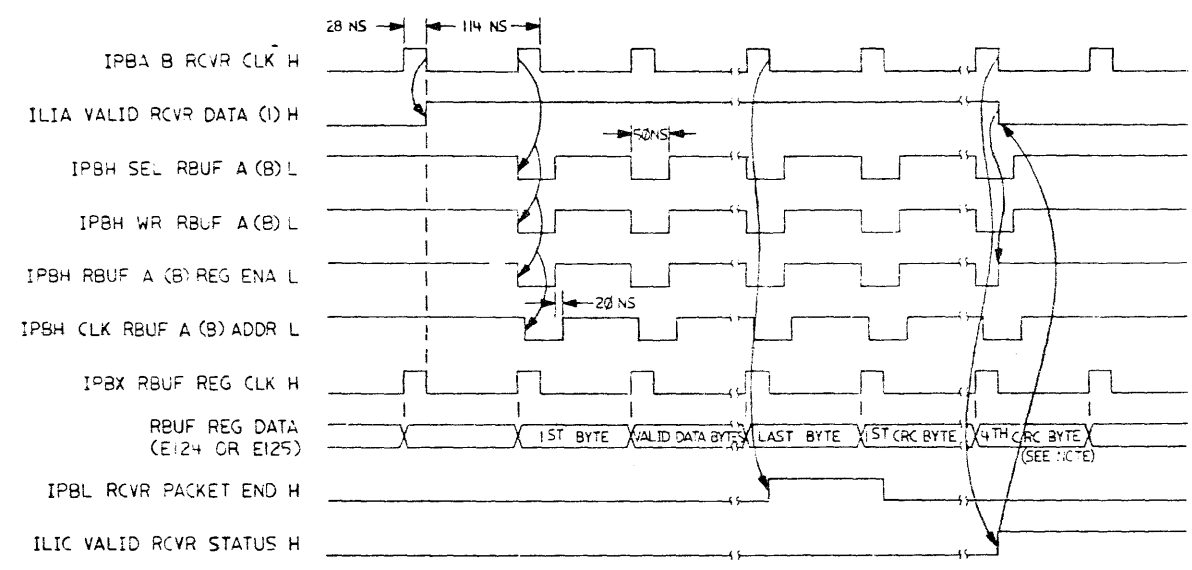
REV	DATE	DESCRIPTION
1		

DESIGNED BY: <i>J. J. ...</i>	DATE: 4/22/81	TITLE: digital
DRAWN BY: <i>J. J. ...</i>	DATE: 4/22/81	C1780 (IPB)
CHECKED BY: <i>J. J. ...</i>	DATE: 4/22/81	PACKET BUFFER
APP'D BY: <i>J. J. ...</i>	DATE: 4/22/81	DOCUMENT NUMBER
DATE: 4/22/81	SIZE: 11x17	NUMBER: 1
E-UA-LO101-0-0		DOCUMENT NUMBER: DTD10101-0-3
		REV: A

THIS DRAWING AND SPECIFICATIONS HEREIN ARE THE PROPERTY OF DIGITAL EQUIPMENT CORPORATION AND SHALL NOT BE REPRODUCED OR COPIED OR USED IN WHOLE OR IN PART AS THE BASIS FOR THE MANUFACTURE OR SALE OF ITEMS WITHOUT WRITTEN PERMISSION.
 COPYRIGHT © 1981 DIGITAL EQUIPMENT CORPORATION

6-0-1010-0110

NOTE:
 1. THE FOURTH CRC BYTE IS NOT WRITTEN INTO THE RECEIVE BUFFER BECAUSE IPBH RBUF A OR B REG ENA L IS NOT VALID FOR THE ENTIRE WRITE CYCLE.



RECEIVER BUFFER WRITE TIMING FOR LINK → BUFFER LOAD

REVISION HISTORY		
DATE	ECO NUMBER	REV

TITLE
 CI780
 PACKET BUFFER (IPB)

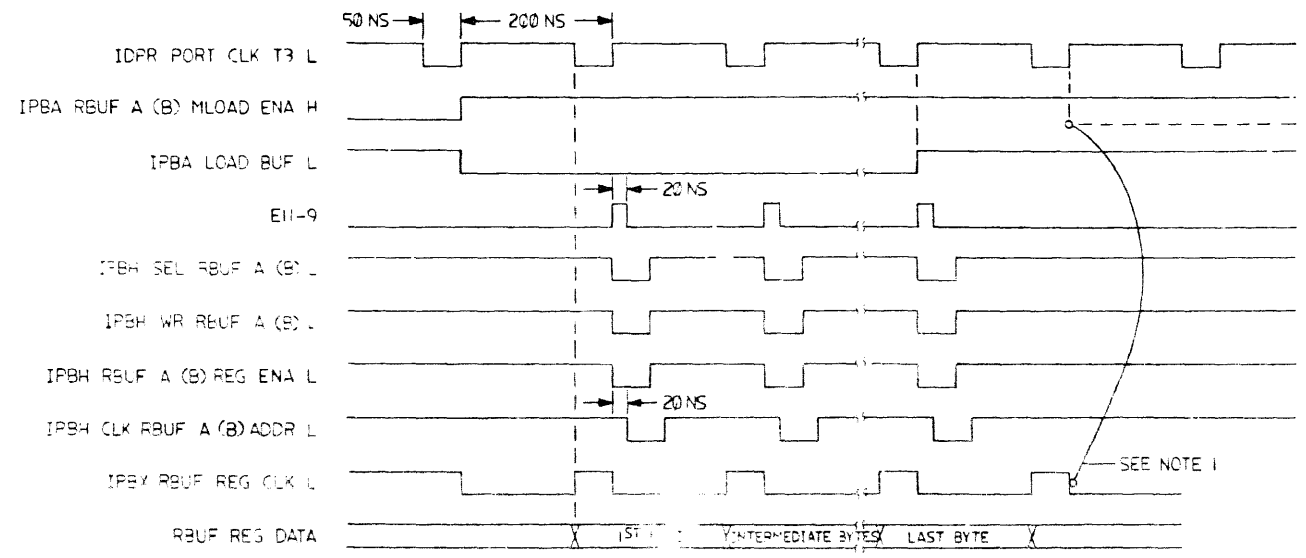
DOCUMENT NUMBER		
SIZE CODE	NUMBER	REV
DTD	L0101-0-3	A
SCALE	SHEET 2 OF 4	

DATE CHECKED DTD
 NUMBER L0101-0-3
 REV A

8 7 6 5 4 3 2 1

THIS DRAWING AND SPECIFICATIONS HEREIN ARE THE PROPERTY OF DIGITAL EQUIPMENT CORPORATION AND SHALL NOT BE REPRODUCED OR COPIED IN WHOLE OR IN PART AS THE BASIS FOR THE MANUFACTURE OR SALE OF THIS PRODUCT WITHOUT WRITTEN PERMISSION OF DIGITAL EQUIPMENT CORPORATION.

NOTE:
 1. IPBX RBUF REG CLK L SOURCE IS DERIVED FROM IPBA B DCVR CLK L WHEN IPBA RBUF A (OR B) MLOAD ENA H IS FALSE.



RECEIVER BUFFER MLOAD TIMING

REV. HISTORY		
DATE	ECO NUMBER	REV.

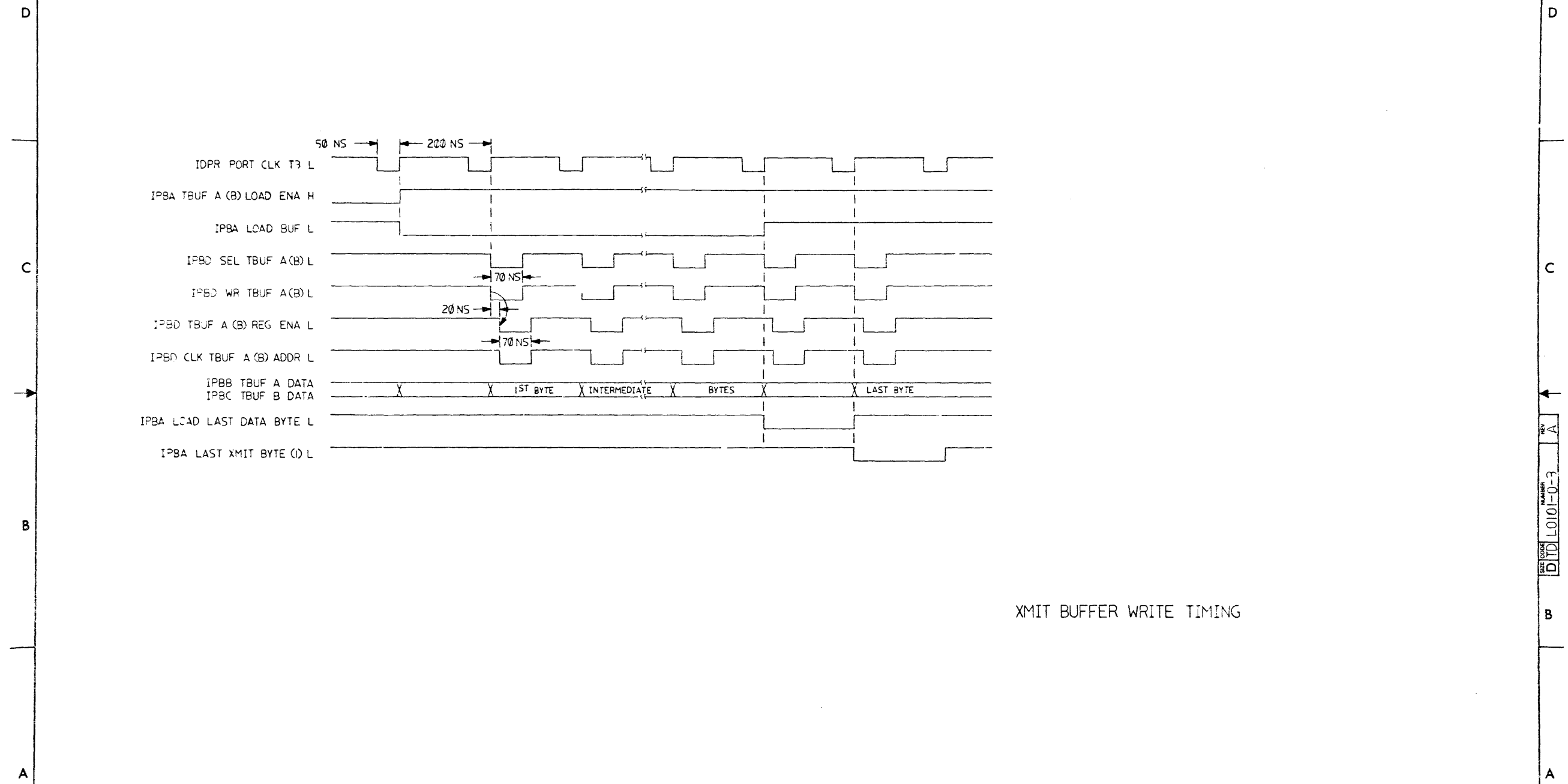
TITLE CI780
 PACKET BUFFER (IPB)

DOCUMENT NUMBER		
SIZE CODE	NUMBER	REV.
D	LO101-0-3	A
SCALE	SHEET 3 OF 4	

8 7 6 5 4 3 2 1

8 6 5 4 3 2 1

THIS DRAWING AND SPECIFICATIONS HEREIN ARE THE PROPERTY OF DIGITAL EQUIPMENT CORPORATION AND SHALL NOT BE REPRODUCED OR COPIED IN WHOLE OR IN PART AS THE BASIS FOR THE MANUFACTURE OR SALE OF ITEMS WITHOUT WRITTEN PERMISSION. COPYRIGHT © 1981 DIGITAL EQUIPMENT CORPORATION



XMIT BUFFER WRITE TIMING

REVISION HISTORY		
DATE	ECO NUMBER	REV

TITLE CI780
PACKET BUFFER (IPB)

DOCUMENT NUMBER		
SIZE/ CODE	NUMBER	REV
DTD	L0101-0-3	A
SCALE	SHEET 4 OF 4	

REV. A
NUMBER L0101-0-3
DATE DTD

DRAWING NO.	NO. OF SHTS.	PART NO.	DESCRIPTION	REVISIONS			
				A	B	C	D
		LO100-01	PART REVISION				DI
BDD-LO100-0	1		ILI	A	B	C	D
EUA-LO100-0-0	3		ILI	A	B	C	D
DMD-5014430-0-0	5		DRILL & ETCH DRAWING	A	A	B	C
EEC-5014430-0-0	3		ETCH CUT DRAWING	A	B	C	D
		5014430	ETCHED BOARD	B	B	C	CP
KPG-LO100-0-DBI			PC DATA BASE	B	B	C	C
KCS-LO100-0-DBS			CS DATA BASE	A	A	A	B
KPL-LO100-0-DBF	4		PL DATA BASE	A	B	B	C
KBS-LO100-0-DBS			BS DATA BASE	A	A	A	A
KTD-LO100-0-DBS			TD DATA BASE	A	A	A	A
D-TD-LO100-0-2	8		ILI	A	A	A	A
D-BS-LO100-0-3	1		ILI	A	A	A	A
KCS-LO100-0-ILIA	1			-	-	C	C
KCS-LO100-0-ILIB	1			-	-	C	D
KCS-LO100-0-ILIC	1			-	-	C	C
KCS-LO100-0-ILID	1			-	-	C	C
KCS-LO100-0-ILIE	1			-	-	C	C
KCS-LO100-0-ILIF	1			-	-	C	C
KCS-LO100-0-ILIH	1			-	-	C	C
KCS-LO100-0-ILIJ	1			-	-	C	D
KCS-LO100-0-ILIK	1			-	-	C	D
KCS-LO100-0-ILIL	1			-	-	C	D
KCS-LO100-0-ILIM	1			-	-	C	D
KCS-LO100-0-ILIN	1			-	-	C	C

NOTES:

REVISIONS	DATE	CHG NO.	REV.
	6-82	TW001	B
	9-82	TW002	C
	10-82	TW003	D

THIS DRAWING AND SPECIFICATIONS, HEREIN, ARE THE PROPERTY OF DIGITAL EQUIPMENT CORPORATION AND SHALL NOT BE REPRODUCED OR COPIED OR USED IN WHOLE OR IN PART AS THE BASIS FOR THE MANUFACTURE OR SALE OF ITEMS WITHOUT WRITTEN PERMISSION.

COPYRIGHT © 1981 DIGITAL EQUIPMENT CORPORATION



USED ON OPTION/MODEL

CI780
CI750
HSC50
CI20

DRN. *J. Casey*
CHK'D *J. Casey*
ENG. *M. W. Warkins*
PROD. *M. W. Warkins*

9-28-81
9-28-81
9-28-81
9-28-81

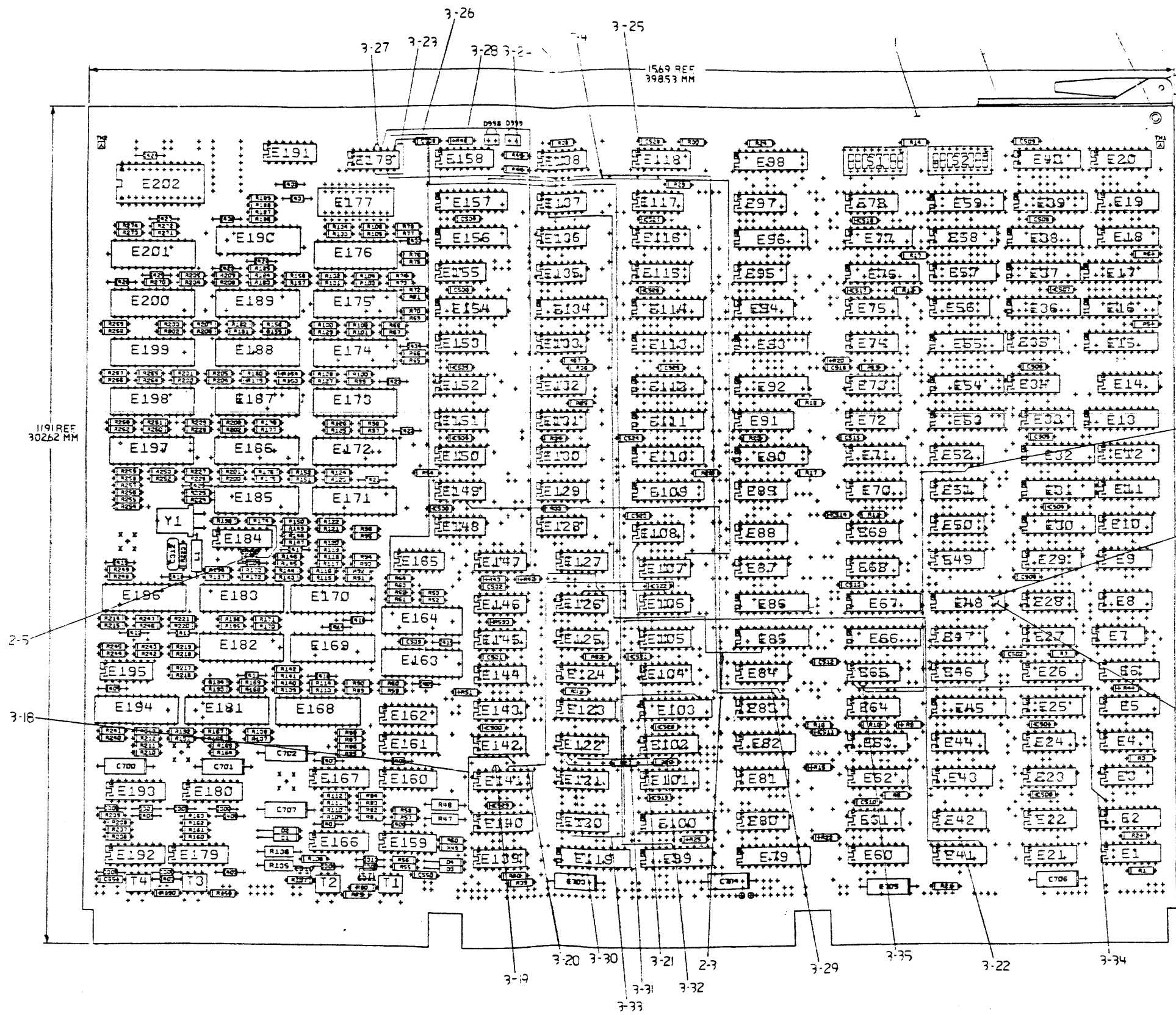
TITLE INTERPROCESSOR LINK INTERFACE

SIZE B CODE DD NUMBER LO100-0 REV. D

SHEET OF 3

TW

COMPONENT SIDE VIEW



DATE	11/74
DESIGNED BY	W. J. GIBNEY
PROJECT NO.	10000000
REV.	1
DATE	11/74
DESIGNED BY	W. J. GIBNEY
PROJECT NO.	10000000
REV.	1
DATE	11/74
DESIGNED BY	W. J. GIBNEY
PROJECT NO.	10000000
REV.	1

digital
TITLE INTERPROCESSOR
LINK INTERFACE
LINK INTERFACE
NUMBER
E (JA) L10100-0-0
SIZE CODE
E (JA) L10100-0-0
NEXT NUMBER 10554-B-DD-L10100-0
E (JA) L10100-0-0

1191 REF 30262 MM

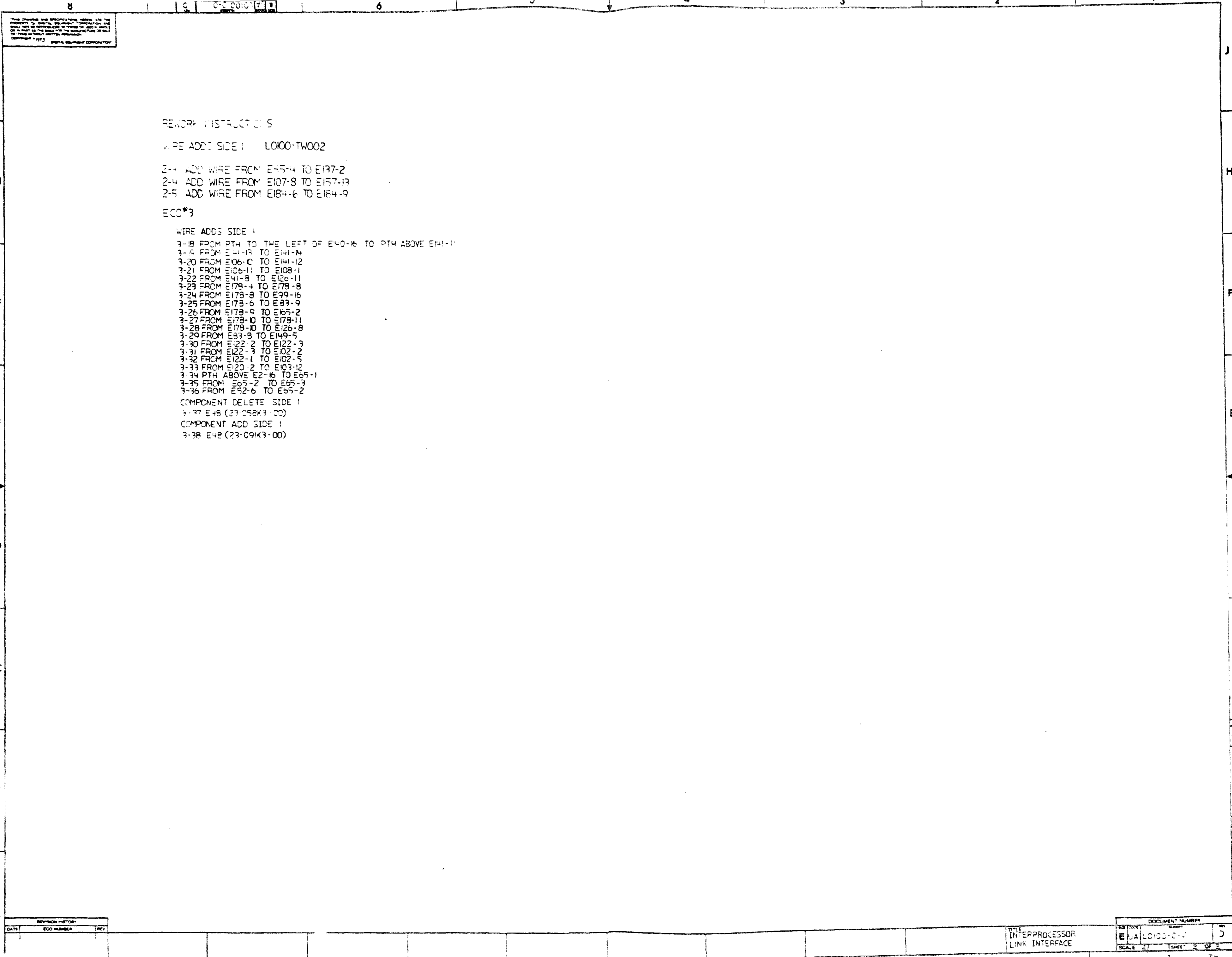
3-36
3-37
3-38

3-33
3-32

NOTES:
1. SPARE LOCATIONS ARE E177 & E202
2. ...
3. ...
4. ...
5. ...
6. ...
7. ...
8. ...
9. ...
10. ...
11. ...
12. ...
13. ...
14. ...
15. ...
16. ...
17. ...
18. ...
19. ...
20. ...
21. ...
22. ...
23. ...
24. ...
25. ...
26. ...
27. ...
28. ...
29. ...
30. ...
31. ...
32. ...
33. ...
34. ...
35. ...
36. ...
37. ...
38. ...
39. ...
40. ...
41. ...
42. ...
43. ...
44. ...
45. ...
46. ...
47. ...
48. ...
49. ...
50. ...
51. ...
52. ...
53. ...
54. ...
55. ...
56. ...
57. ...
58. ...
59. ...
60. ...
61. ...
62. ...
63. ...
64. ...
65. ...
66. ...
67. ...
68. ...
69. ...
70. ...
71. ...
72. ...
73. ...
74. ...
75. ...
76. ...
77. ...
78. ...
79. ...
80. ...
81. ...
82. ...
83. ...
84. ...
85. ...
86. ...
87. ...
88. ...
89. ...
90. ...
91. ...
92. ...
93. ...
94. ...
95. ...
96. ...
97. ...
98. ...
99. ...
100. ...
101. ...
102. ...
103. ...
104. ...
105. ...
106. ...
107. ...
108. ...
109. ...
110. ...
111. ...
112. ...
113. ...
114. ...
115. ...
116. ...
117. ...
118. ...
119. ...
120. ...
121. ...
122. ...
123. ...
124. ...
125. ...
126. ...
127. ...
128. ...
129. ...
130. ...
131. ...
132. ...
133. ...
134. ...
135. ...
136. ...
137. ...
138. ...
139. ...
140. ...
141. ...
142. ...
143. ...
144. ...
145. ...
146. ...
147. ...
148. ...
149. ...
150. ...
151. ...
152. ...
153. ...
154. ...
155. ...
156. ...
157. ...
158. ...
159. ...
160. ...
161. ...
162. ...
163. ...
164. ...
165. ...
166. ...
167. ...
168. ...
169. ...
170. ...
171. ...
172. ...
173. ...
174. ...
175. ...
176. ...
177. ...
178. ...
179. ...
180. ...
181. ...
182. ...
183. ...
184. ...
185. ...
186. ...
187. ...
188. ...
189. ...
190. ...
191. ...
192. ...
193. ...
194. ...
195. ...
196. ...
197. ...
198. ...
199. ...
200. ...
201. ...
202. ...

1191 REF 30262 MM

E (JA) L10100-0-0



These drawings and specifications shall be the property of the Government and shall not be distributed or used in any way without the express written permission of the Department of Defense.

GENERAL INSTRUCTIONS

WIRE ADDS SIDE 1 LO100-TW002

- 2-4 ADD WIRE FROM E45-4 TO E197-2
- 2-4 ADD WIRE FROM E107-8 TO E157-19
- 2-5 ADD WIRE FROM E184-6 TO E184-9

ECO*3

WIRE ADDS SIDE 1

- 3-18 FROM PTH TO THE LEFT OF E10-16 TO PTH ABOVE E141-11
- 3-19 FROM E141-13 TO E141-14
- 3-20 FROM E106-10 TO E141-12
- 3-21 FROM E105-11 TO E108-11
- 3-22 FROM E141-8 TO E125-11
- 3-23 FROM E179-4 TO E178-8
- 3-24 FROM E179-8 TO E99-16
- 3-25 FROM E179-6 TO E93-9
- 3-26 FROM E179-9 TO E65-2
- 3-27 FROM E179-10 TO E178-11
- 3-28 FROM E179-10 TO E125-8
- 3-29 FROM E133-9 TO E149-5
- 3-30 FROM E122-2 TO E122-3
- 3-31 FROM E122-3 TO E102-2
- 3-32 FROM E122-1 TO E102-5
- 3-33 FROM E120-2 TO E103-12
- 3-34 PTH ABOVE E2-16 TO E65-1
- 3-35 FROM E65-2 TO E65-3
- 3-36 FROM E52-6 TO E65-2

COMPONENT DELETE SIDE 1

3-37 E48 (23-058K3-00)

COMPONENT ADD SIDE 1

3-38 E48 (23-091K3-00)

REVISION HISTORY		
DATE	ECO NUMBER	REV

WIRE INTERPROCESSOR LINK INTERFACE

DOCUMENT NUMBER	
ESTIMATE	WAVE
EJA	LO100-0-0
SCALE 2" = 1" SHEET 2 OF 2	

EJA LO100-0-0

LINE	ITEM	TOP DOCUMENT	PART NUMBER	MIN REV	DESCRIPTION	QTY	PER VARIATION	REFERENCE DESIGNATOR
						00		
						VARIATION REVISION LEVEL:		
1	1		5014430-00		L0100 ETCH BOARD	1		
2	78		1001610-00		.01 MFD 50V +80-20% Z5U CER	45		C300-C308,C313,C400-C434
3	2		1001739-00		27.0 MMF 100V 5%200PPM MICA	1		C312
4	3		1011740-01		3300.0 MMF 50V 10% CER	3		C309-C311
5	9		1012784-00		.047 MFD 50V +80-20% CER	42		C500-C538,C550,C551,C539
6	90		1017472-00		10 MFD 35V +75-10% AL EL	8		C700-C707
7	4		1109517-00		PIV= 75 IO=150 MA - 4NS 1N914B	4		D1-D4
8	98		1117373-00		LED ASSY GREEN	1		D998
9	99		1117373-01		LED ASSY RED	1		D999
10	5		1217310-05		SW,DIP 8POS/1PST 5VDC100MA S	2		S1,S2
11	6		1216988-02		HANDLE,MODULE,HEX TWO EJECTORS	1		
12	7		1300005-01		R NETWORK 13-1K 5.0 % 14PIN	1		E78
13	8		1300005-07		R NETWORK 15-4.7K 5.0 % 16PIN	2		E19,E56
14	9		1300250-00		150.0 .25 W 5.0 % CF	7		R17,R18,R28,R55,R56,R107,R108
15	10		1300295-00		330.0 .25 W 5.0 % CF	2		R44,R45
16	11		1300365-00		1.0 K .25 W 5.0 % CF	40		R1-R5,R7-R11,R14-R16,R19-R26, CONT R29,R30,R32-R36,R42,R43,R46,R51, CONT R54,R593,R27,R31,R37,R38-R40
17	18		1300447-00		4.70 K .25 W 5.0 % CF	2		R12,R13
18	12		1301425-00		300.0 .25 W 5.0 % CF	4		R79,R80,R159,R190
19	13		1301781-00		82.0 .50 W 5.0 % CF	4		R47,R48,R135,R136
20	14		1302602-00		56.0 .25 W 5.0 % CF	1		R6
21	15		1302956-00		196.0 .25 W 1.0 % RN55D-F10	103		R50,R53,R58,R60,R61,R63,R66,R67, CONT R69,R72,R74,R75,R77,R81,R83,R86, CONT R88,R90,R92,R93,R96,R97,R100, CONT R102,R104,R106,R109,R111,R113, CONT R115,R118,R120,R121,R124,R126, CONT R128,R129,R132,R133,R137,R139, CONT R142,R146,R148,R150,R152,R154, CONT R155,R158,R164,R166,R169,R170,

REVISION HISTORY			BASIC PART NO: L0100		DRN: J.CASEY		DATE: 24-JUN-81		D I G I T A L	
ENG	ECO NUMBER	REV	SECTION A OF A		CHK'D: E.T.GERRY		DATE: 24-JUN-81		TITLE PARTS LIST	
---	INITIAL	A	SECTION VARIATION INDEX		DES.ENG: J.BUZYNSKI		DATE: 28-SEP-81		DOCUMENT NUMBER	
JB	L0100-TW001	B	(A)	00	RESP.ENG.: J.BUZYNSKI		DATE: 28-SEP-81		K	PL L0100-0-DBP C
FD	L0100-TW003	C	(B)		MFG.ENG.: M.WARSHAW		DATE: 28-SEP-81		RELEASE DATE: 26-MAR-84	
			(C)		ASSEMBLY NUMBER:		TOP DOCUMENT NUMBER:		FILE NAME: Z1292C.PLS	
			(D)		E-UA-L0100-0-0				EDIT # 23	
			(E)							
			(F)							
			(H)							
			(J)							
			(K)							
			(L)							
			(M)							
			(N)							

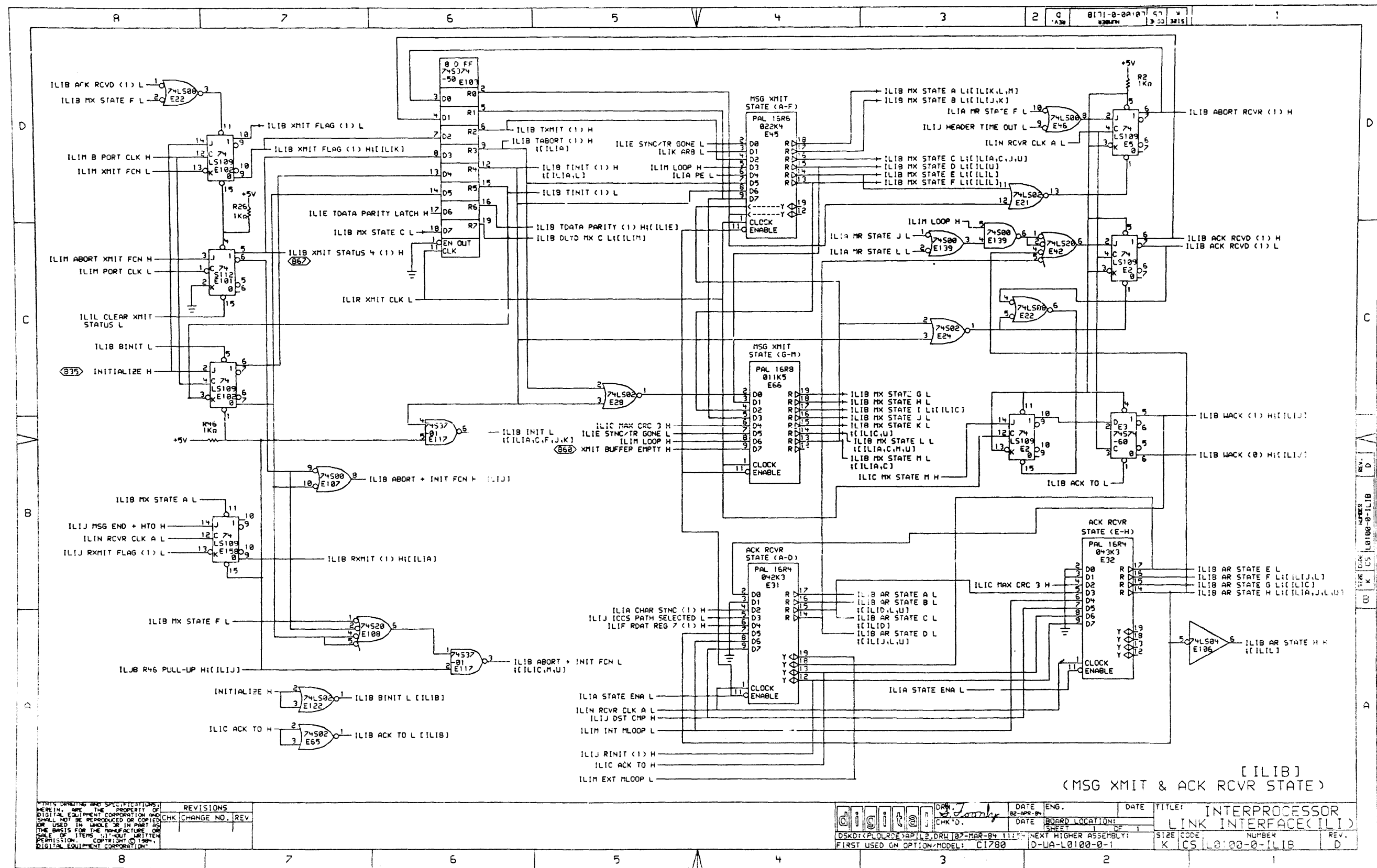
"THIS DRAWING AND THE SPECIFICATIONS CONTAINED HEREIN ARE CONFIDENTIAL AND PROPRIETARY. THEY ARE THE PROPERTY OF DIGITAL EQUIPMENT CORPORATION AND SHALL NOT BE REPRODUCED OR COPIED OR USED IN WHOLE OR IN PART AS THE BASIS FOR THE MANUFACTURE OR SALE OF ITEMS WITHOUT WRITTEN PERMISSION. THIS IS AN UNPUBLISHED WORK PROTECTED UNDER THE FEDERAL COPYRIGHT LAWS."

LINE ITEM	TOP DOCUMENT	PART NUMBER	MIN REV DESCRIPTION	VARIATION REVISION LEVEL	QTY PER VARIATION	REFERENCE DESIGNATOR
22	16	1302957-00	121.0 .25 W 1.0 % RN55D-F10		99	CONT R173-R175,R178,R180,R181, CONT R184-R186,R188,R191,R194,R195, CONT R197,R201,R203,R205,R206,R208, CONT R210,R212,R215,R217,R218,R220, CONT R224,R226,R228,R231,R232,R234, CONT R241,R242,R245,R247,R249,R252, CONT R254,R256,R258,R261,R262,R264, CONT R266,R268-R271,R273,R143 R49,R52,R57,R59,R62,R64,R65,R68, CONT R70,R71,R73,R76,R78,R82,R84,R85, CONT R87,R89,R91,R94,R95,R98,R99, CONT R101,R103,R105,R110,R112,R114, CONT R116,R117,R119,R122,R123,R125, CONT R127,R130,R131,R134,R138,R140, CONT R141,R144,R145,R147,R149,R151, CONT R153,R156,R157,R165,R167,R168, CONT R172,R176,R177,R179,R182,R183, CONT R187,R189,R192,R193,R196, CONT R198-R200,R202,R204,R207,R209, CONT R211,R213,R214,R216,R219,R221, CONT R225,R227,R229,R230,R233,R235, CONT R240,R243,R244,R246,R248,R253, CONT R255,R257,R259,R260,R265,R267, CONT R272,R274,R171,R263 R163,R239 R223 R160,R161,R237,R238 R162,R236 L1 T1,T2 E195 T3,T4 Y1 E33,E52,E89,E107,E128,E139,E145, CONT E149,E151 E61,E69,E126,E129 E34,E35,E87,E148 E104 E108,E127 E125,E131,E152 E3,E4,E121,E133,E153,E10,E80, CONT E81,E136,E138,E191 E26,E29,E63,E101,E118 E6 E115,E116 E160,E162 E167,E184 E161
23	17	1303111-00	205.0 .25 W 1.0 % RN55D-F10		2	
24	19	1312930-00	5.10 K .25 W 5.0 % CF		1	
25	20	1313008-00	5.11 .25 W 1.0 % RN55D-F10		4	
26	21	1313155-00	604.0 .25 W 1.0 % RN55D-F10		2	
27	22	1603377-00	.22UH 10% 2.7A #WEE.22		1	
28	23	1617970-00	PULSE XFMR 250MW 6PIN DIP		2	
29	24	1617985-00	DELAY= 10.2NS 14PIN DIP		1	
30	103	1618515-00	PULSE XFMR RATIO 2:1,250 MW		2	
31	25	1812051-18	XTAL 70.000 MHZ		1	
32	26	1910532-00	74S00 NAND GATE-QUAD 2IN		9	
33	27	1910534-00	74S04 INVERTER GATE-HEX 1I		4	
34	28	1910536-00	74S10 NAND GATE-TRIPLE 3IN		4	
35	29	1910537-00	74S11 AND GATE-TRIPLE 3INP		1	
36	30	1910539-00	74S20 NAND GATE-DUAL 4INPU		2	
37	31	1910544-00	74S74 FF-D DUAL,EDGE TRIGG		3	
38	32	1910544-01	74S74-60GG-D DUAL,EDGE TRIG		11	
39	33	1910545-00	74S112 FF-JK DUAL,EDGE TRIG		5	
40	34	1910547-00	74S153 MUX 1 OF 4 (DUAL)		1	
41	35	1910548-00	74S157 MUX 1 OF 2 (QUAD)		2	
42	36	1911404-00	10107 XOR/NOR GATE,S-2IN		2	
43	37	1911409-00	10115 QUAD DIF.LINE RCVR		2	
44	38	1911414-00	10124 TTL TO ECL TRNSLTR		1	

D	I	G	I	T	A	L	TITLE	SECTION A	OF	A	SIZE	CODE	DOCUMENT NUMBER	REV
							INTERPROCESSOR LINK INTERFACE				K	PL	L0100-0-DBP	C

LINE	ITEM	TOP DOCUMENT	PART NUMBER	MIN REV	DESCRIPTION	VARIATION REVISION LEVEL:	QTY PER VARIATION	REFERENCE DESIGNATOR
							CO	
91	86		23055K3-00		K3-01	PAL,REG CONT	1	E79
92	83		23091K3-00		K3-01	PAL,REG	1	E48
93	77		23071B1-00		B1-01		1	E76
94	74		23309A1-00		A1-07		1	E94
95	75		23601A2-00		A2-05		1	E20
96	92		23817F1-00		F1-01		1	E58
97	93		23818F1-00		F1-01		1	E40
98	94		23819F1-00		F1-01		1	E77
99	95		23820F1-00		F1-01		1	E57
100	76		23964A9-00		A9-01		1	E18
101	96		9000024-01		EYELET,ROLLED	0.1210DX0.192	12	
102	101		9105740-55		WIRE(WRAP)	30AWG KYNAR UL14	A/R	
103	102		9107688-00		WIRE(WRAP)	24AWG KYNAR UL13	A/R	
104	104		1912815-00		LS30 NAND GATE-SINGLE	8IN	1	E7

D I G I T A L	TITLE	SECTION A OF A	SIZE	CONF	DOCUMENT NUMBER	REV
	INTERPROCESSOR LINK INTERFACE		K	PL	L0100-0-05P	C



REV.	DATE	ENG.	DATE	FILE:
1	82-APR-84	J. Lashly		INTERPROCESSOR LINK INTERFACE (ILI)

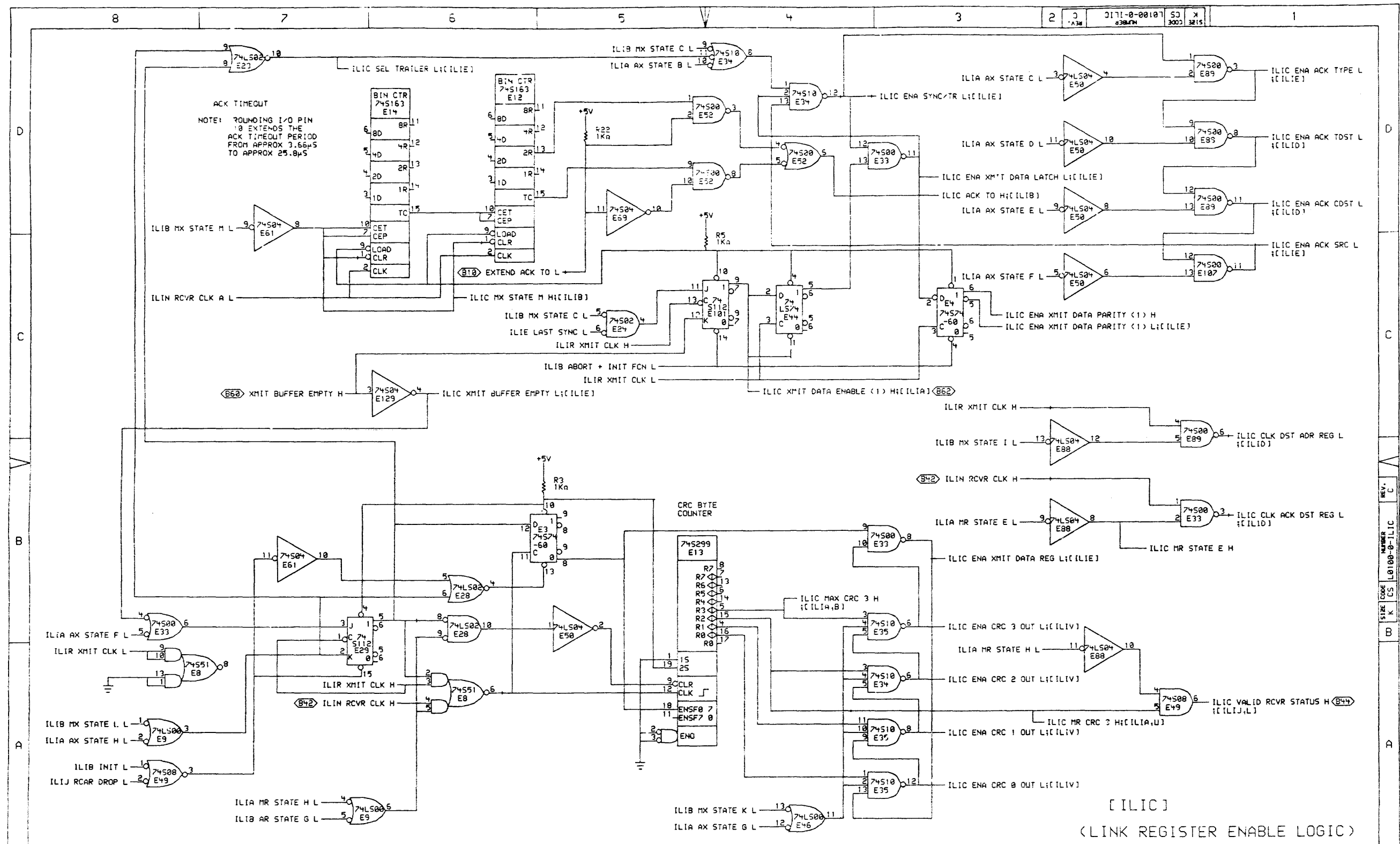
REV.	DATE	ENG.	DATE	FILE:
1	82-APR-84	J. Lashly		INTERPROCESSOR LINK INTERFACE (ILI)

REV.	DATE	ENG.	DATE	FILE:
1	82-APR-84	J. Lashly		INTERPROCESSOR LINK INTERFACE (ILI)

REV.	DATE	ENG.	DATE	FILE:
1	82-APR-84	J. Lashly		INTERPROCESSOR LINK INTERFACE (ILI)

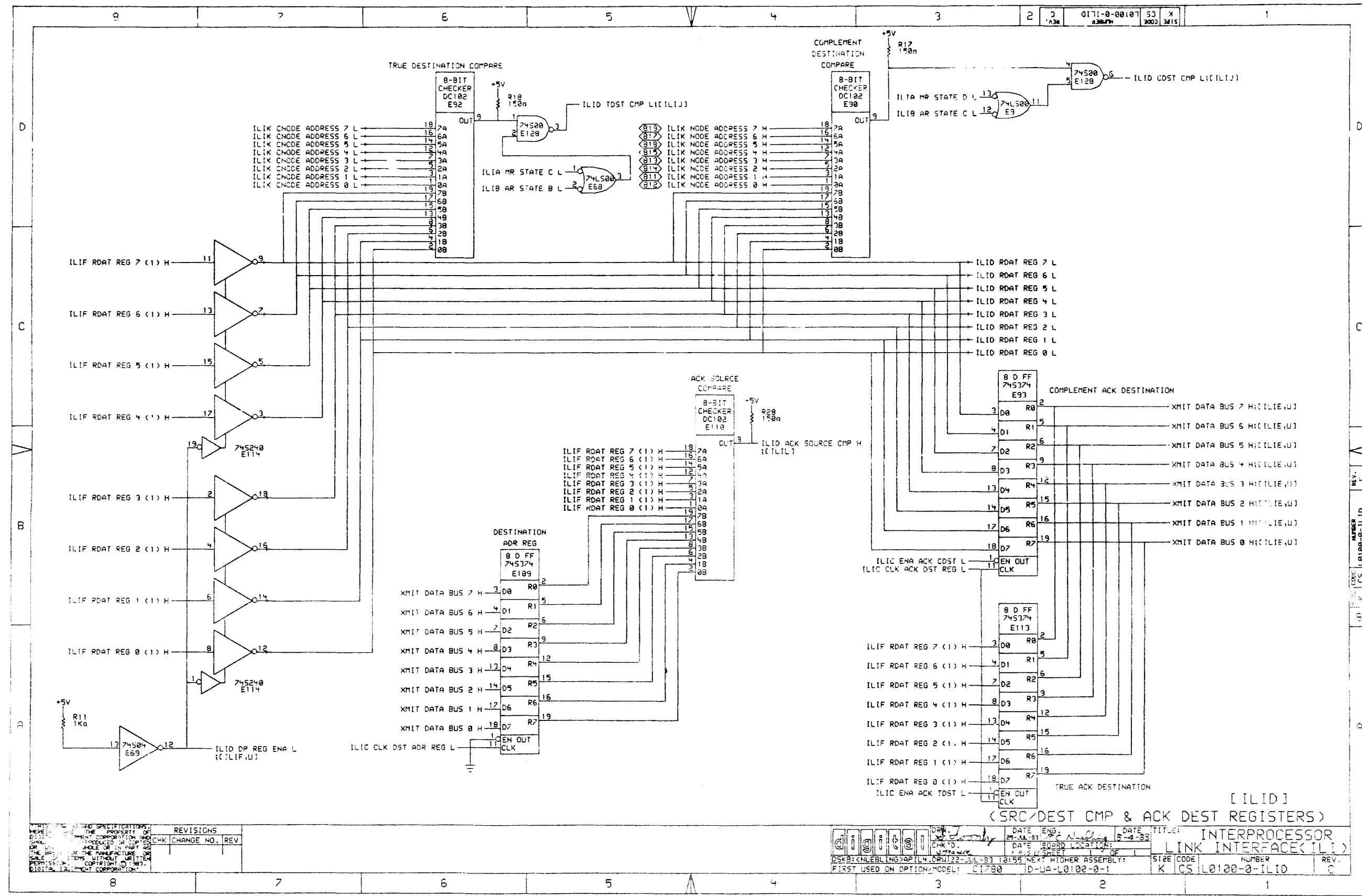
REV.	DATE	ENG.	DATE	FILE:
1	82-APR-84	J. Lashly		INTERPROCESSOR LINK INTERFACE (ILI)

REV. D
 SIZE K CS L0100-0-ILIB
 SHEET 1 OF 1



REVISIONS	CHK	CHANGE NO.	REV.

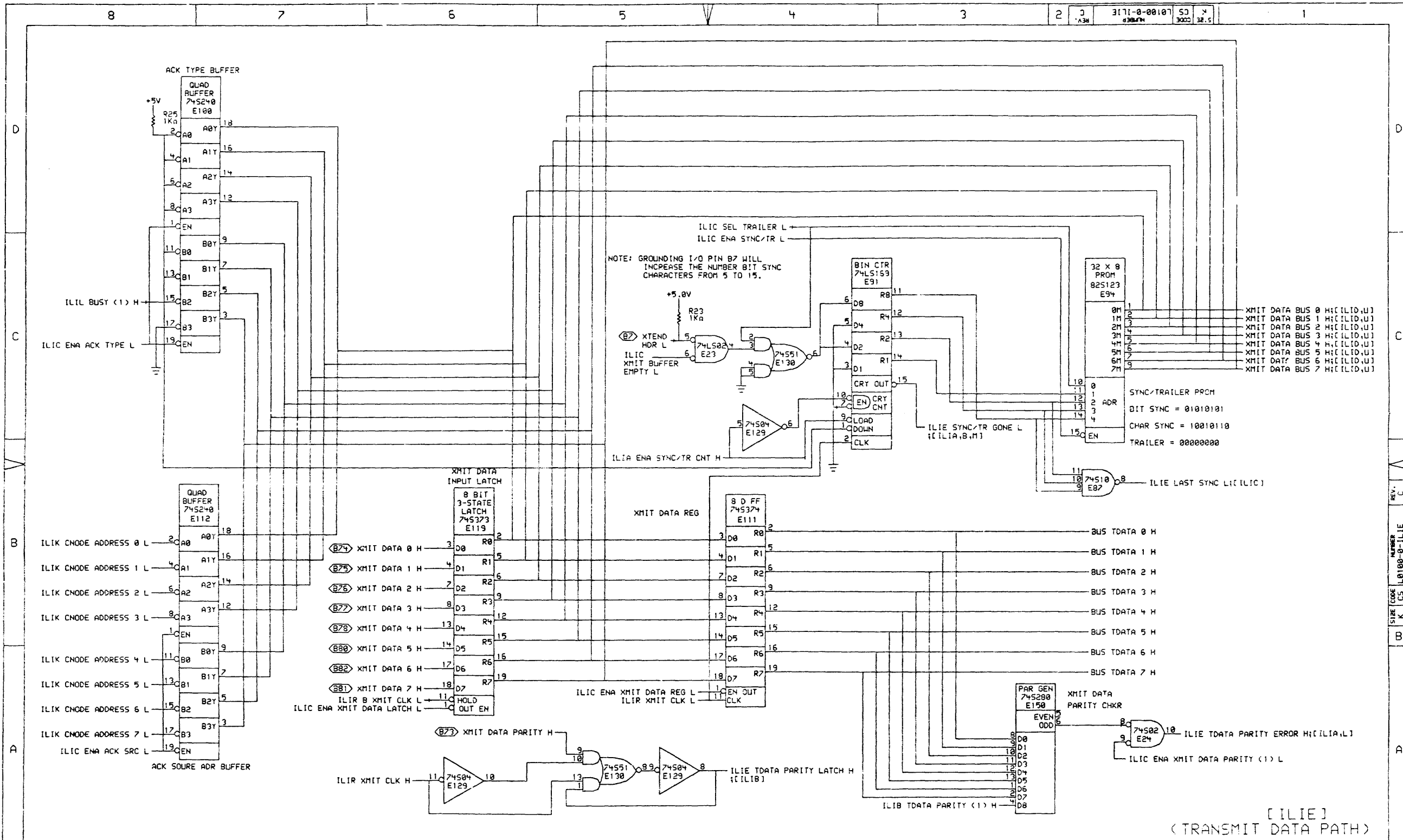
digit DATE: 27-JUL-83 CHK'D: [Signature] FIRST USED ON OPTION/MODEL: C1780	DATE: 27-JUL-83 BOARD LOCATION: 1-4-93 SHEET: 1 OF 1	DATE: 27-JUL-83 NEXT HIGHER ASSEMBLY: D-UA-L0100-0-1	TITLE: INTERPROCESSOR LINK INTERFACE (ILI) SIZE CODE: K CS NUMBER: L0100-0-ILIC REV.: C
--------------------------------------------------------------------------------------------	------------------------------------------------------------	---------------------------------------------------------	--------------------------------------------------------------------------------------------------



NO.	DESCRIPTION	DATE	BY	CHK'D.
1	INITIAL DESIGN	25-11-83	J. C. K.	J. C. K.
2	REVISION	27-07-83	J. C. K.	J. C. K.

DATE	25-11-83	DATE	27-07-83
BY	J. C. K.	BY	J. C. K.
CHK'D.	J. C. K.	CHK'D.	J. C. K.
DATE	27-07-83	DATE	27-07-83
BY	J. C. K.	BY	J. C. K.
CHK'D.	J. C. K.	CHK'D.	J. C. K.
DATE	27-07-83	DATE	27-07-83
BY	J. C. K.	BY	J. C. K.
CHK'D.	J. C. K.	CHK'D.	J. C. K.

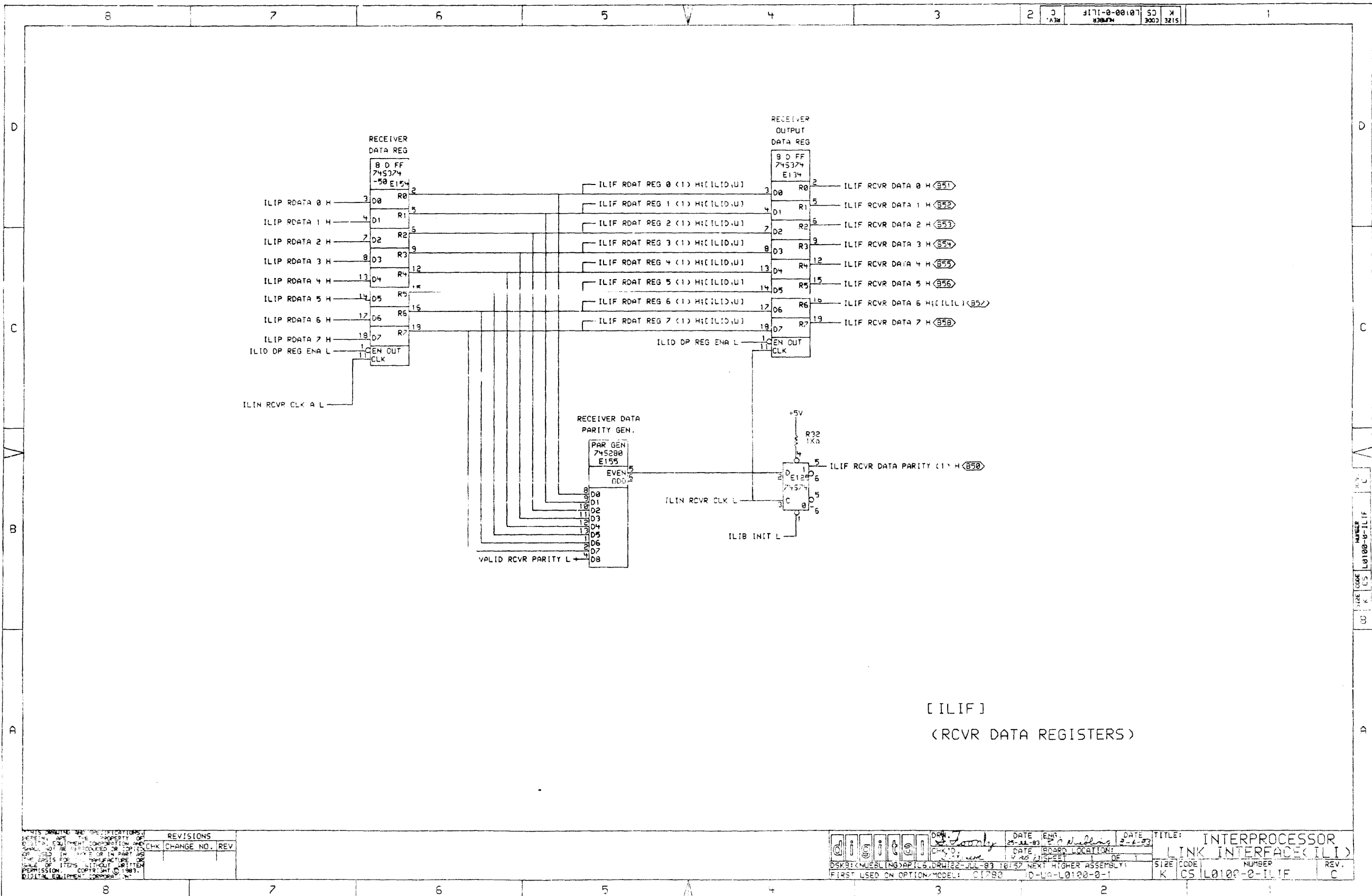
INTERPROCESSOR LINK INTERFACE (ILI)
 SIZE CODE NUMBER
 K CS IL0100-0-IL10



REVISIONS	CHK	CHANGE NO.	REV.

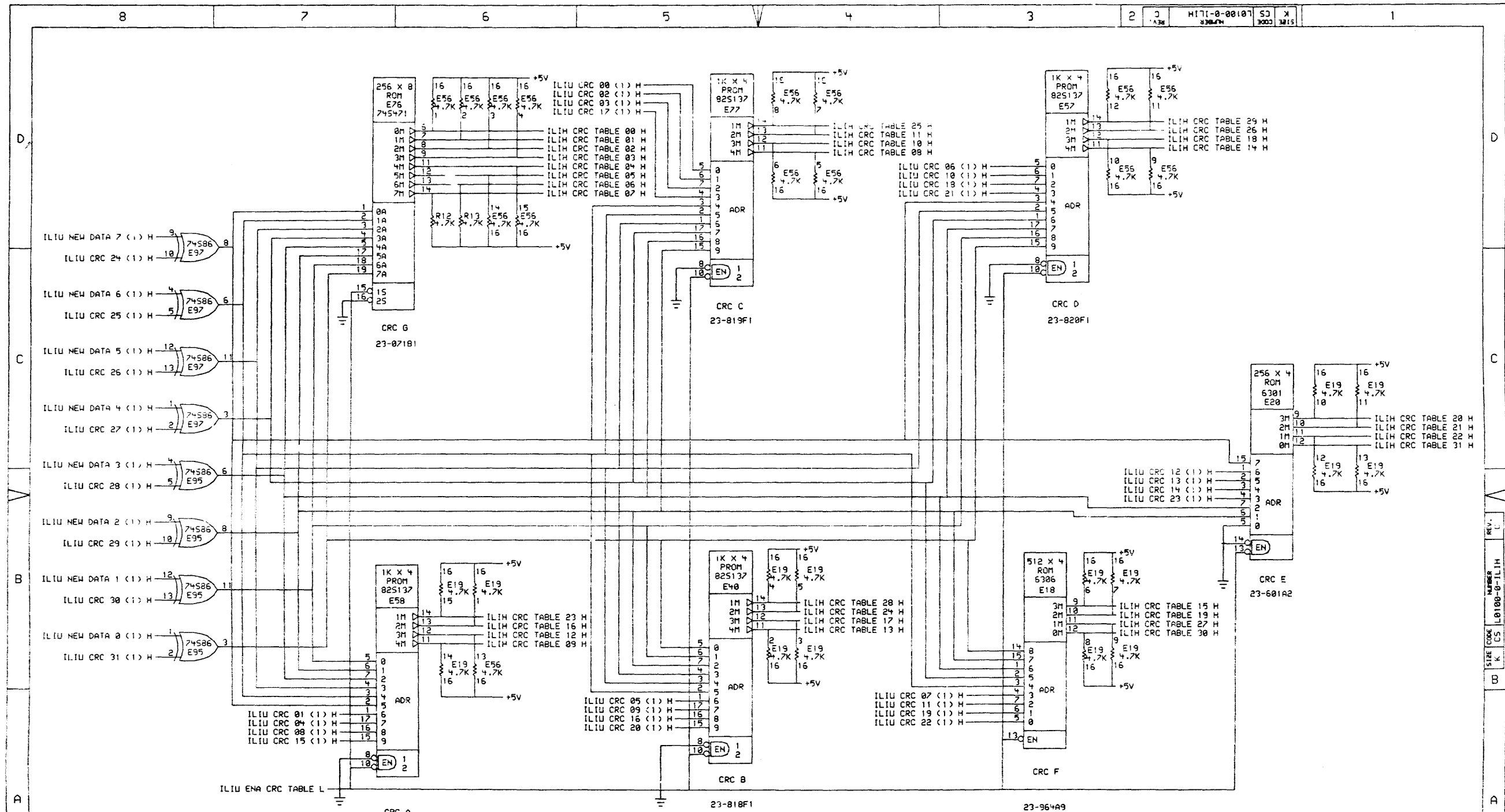
DATE: 23-JUL-83	ENG: R.C. Nussling	DATE: 3-7-83	TITLE: INTERPROCESSOR LINK INTERFACE (ILI)
CHK'D: [Signature]	DATE: 23-JUL-83	BOARD LOCATION: DE 1	SIZE: K CS
DSKB: <NLEBLING>APIL5.DRW	22-JUL-83 10:55	NEXT HIGHER ASSEMBLY: 10-UA-L0100-0-1	NUMBER: L0100-0-ILIE
FIRST USED ON OPTION/MODEL: C1700			REV. C

REV. C
NUMBER L0100-0-ILIE
SIZE CODE K CS



REVISIONS	
CHK	CHANGE NO. REV

DATE: 2-11-83	DATE: 2-11-83	DATE: 2-11-83	TITLE: INTERPROCESSOR LINK INTERFACE (ILI)
DATE: 2-11-83	DATE: 2-11-83	DATE: 2-11-83	SIZE: K CS IL0100-0-ILIF
DATE: 2-11-83	DATE: 2-11-83	DATE: 2-11-83	NUMBER: 10-00-0-1
DATE: 2-11-83	DATE: 2-11-83	DATE: 2-11-83	REV: C



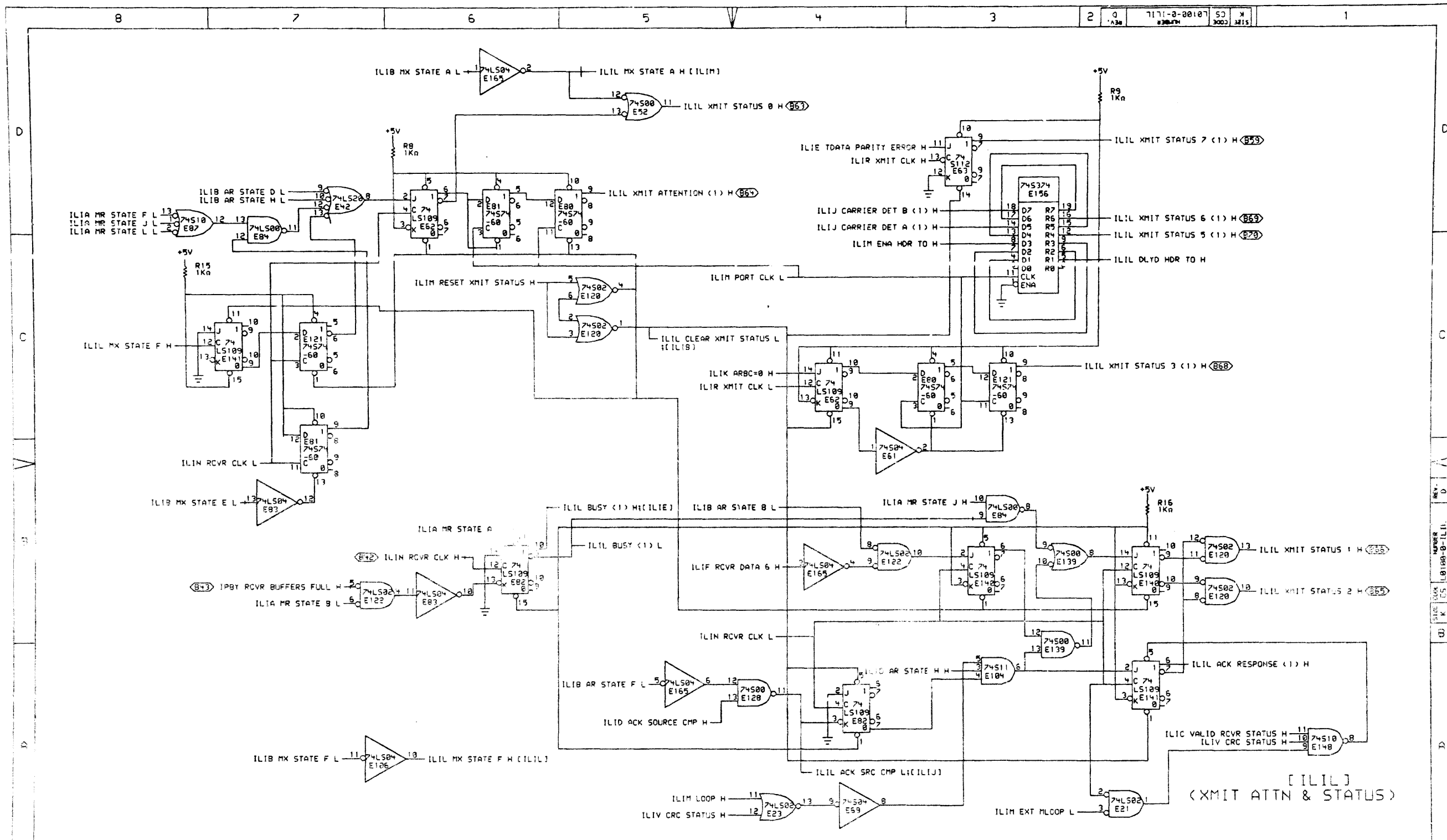
NOTE: FOR FORWARD REFERENCING, SIGNALS ILIH CRC TABLE 00-31 H ALSO APPEAR ON SHEET ILIU.

[ILIH]
(CRC LOOKUP TABLE)

THIS DRAWING AND SPECIFICATIONS ARE THE PROPERTY OF DIGITAL EQUIPMENT CORPORATION AND SHALL NOT BE REPRODUCED OR COPIED OR USED IN WHOLE OR IN PART FOR THE BASIS FOR THE MANUFACTURE OR SALE OF ITEMS WITHOUT WRITTEN PERMISSION. COPYRIGHT © 1983, DIGITAL EQUIPMENT CORPORATION.

REVISIONS	CHK	CHANGE NO.	REV

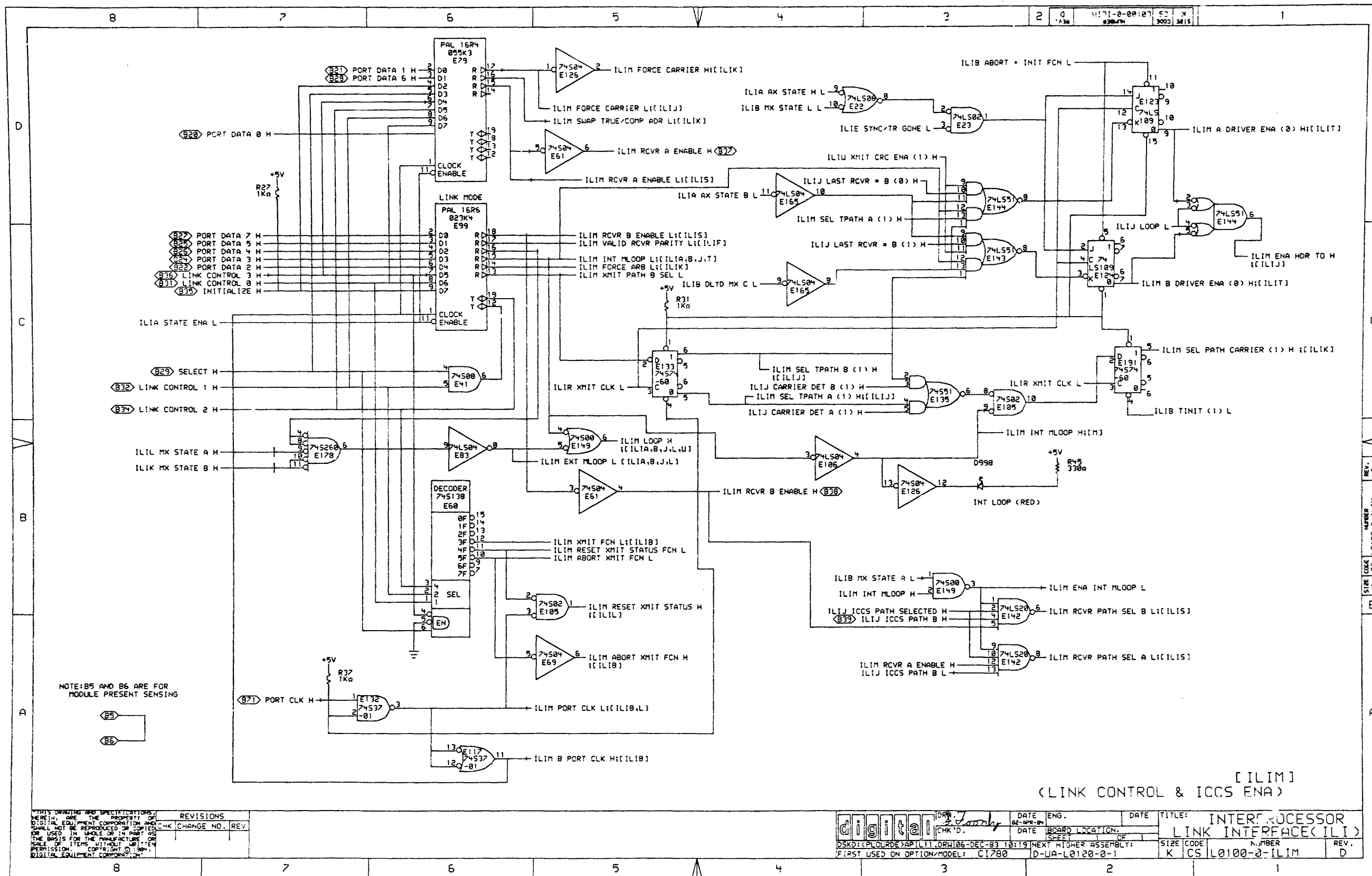
	DATE	ENG.	DATE	TITLE:
	27-JUL-83	J. J. ...	27-JUL-83	INTERPROCESSOR LINK INTERFACE (ILI)
CHK'D	DATE	BOARD LOCATION	DEPT.	
DSKB: <NLEBLING>APIL7.DRW	22-JUL-83 10:52	NEXT HIGHER ASSEMBLY:	SIZE	CODE
FIRST USED ON OPTION/MODEL:	C1780	D-WA-L0100-0-1	K	CS
			NUMBER	REV.
			L0100-0-ILIH	C



8 7 6 5 4 3 2 1
 7171-8-00107 50 X 3000 3415
 REV. D
 NUMBER 10100-0-ILIL
 SIZE K CS
 TITLE: [ILIL] (XMIT ATTN & STATUS)

REVISIONS	CHK	CHANGE NO.	REV

	DATE: 02-09-94 ENG: [blank] DATE: [blank] SHEET: [blank]	DATE: [blank] TITLE: INTERPROCESSOR LINK INTERFACE (I.L.I.)
05K01, ENCL003, APR110, DRW102, MAR-91, 12105, NEXT AT: 3-18-91 ASSEMBLY: [blank]	FIRST USED ON OPTION/MODEL: C1780	SIZE CODE: K NUMBER: CS L0100-0-ILIL REV: 0

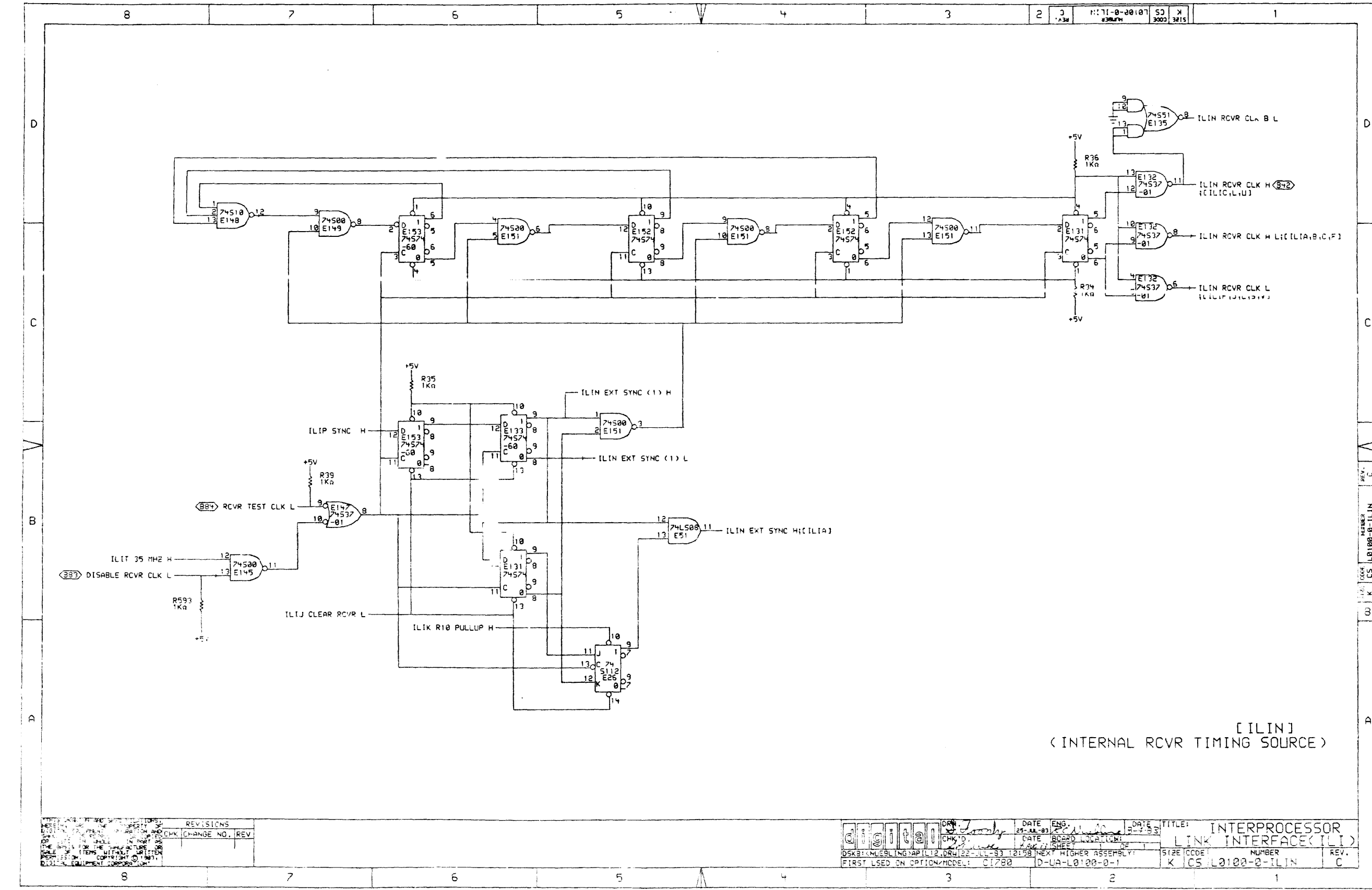


THIS DRAWING AND SPECIFICATIONS, HEREIN, ARE THE PROPERTY OF DIGITAL EQUIPMENT CORPORATION AND SHALL NOT BE REPRODUCED OR COPIED FOR USE IN WHOLE OR IN PART AS THE BASIS FOR THE MANUFACTURE OR SALE OF ITEMS WITHOUT WRITTEN PERMISSION. COPYRIGHT © 1983 DIGITAL EQUIPMENT CORPORATION.

REV.	DESCRIPTION
1	INITIAL RELEASE

DATE	ENG.	DATE	TITLE:
02-APR-84	J. J. J.		INTERPROCESSOR LINK INTERFACE (ILI)
DATE	BOARD LOCATION:	SHEET	OF
18-19	D-UA-L0120-0-1	1	1
OSK0:PL0URDAPIL11.DRW186-DEC-83	NEXT HIGHER ASSEMBLY:	SIZE CODE	NUMBER
FIRST USED ON OPTION/MODEL: C1780	D-UA-L0120-0-1	K	CS L0100-2-ILIM

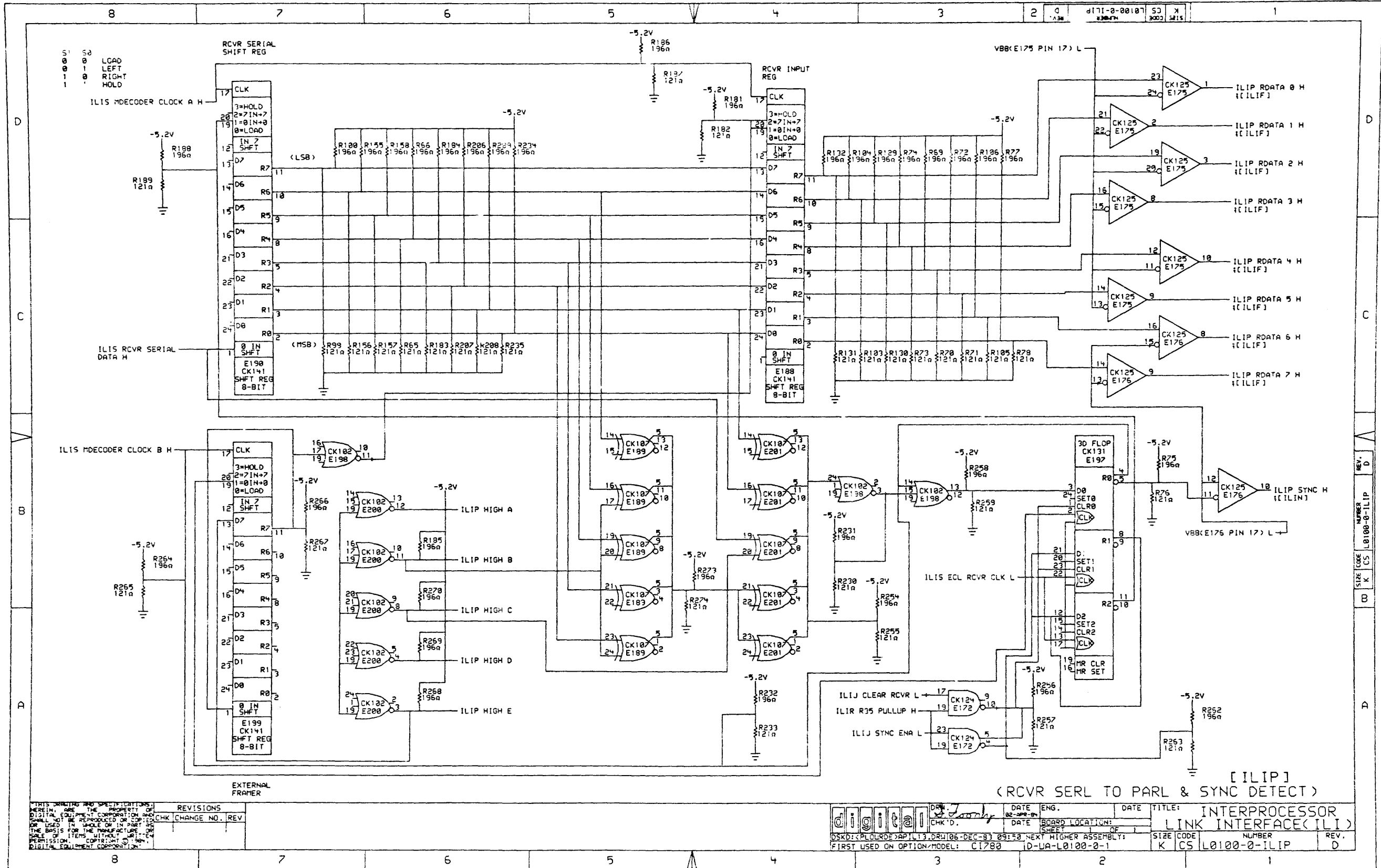
REV. D
NUMBER ILIM
CS L0100-2-ILIM



REV. NO.	DATE	DESCRIPTION
1		

DATE	ENG.	DATE	TITLE:
25-11-83	J. J. J.	2-7-83	INTERPROCESSOR
DATE	BOARD	DATE	LINK INTERFACE (ILI)
12-27-83	LOA100	12-27-83	
DATE	SHEET	DATE	
12-27-83	1	12-27-83	
SIZE	CODE	NUMBER	REV.
K	CS	L0100-0-ILIN	C

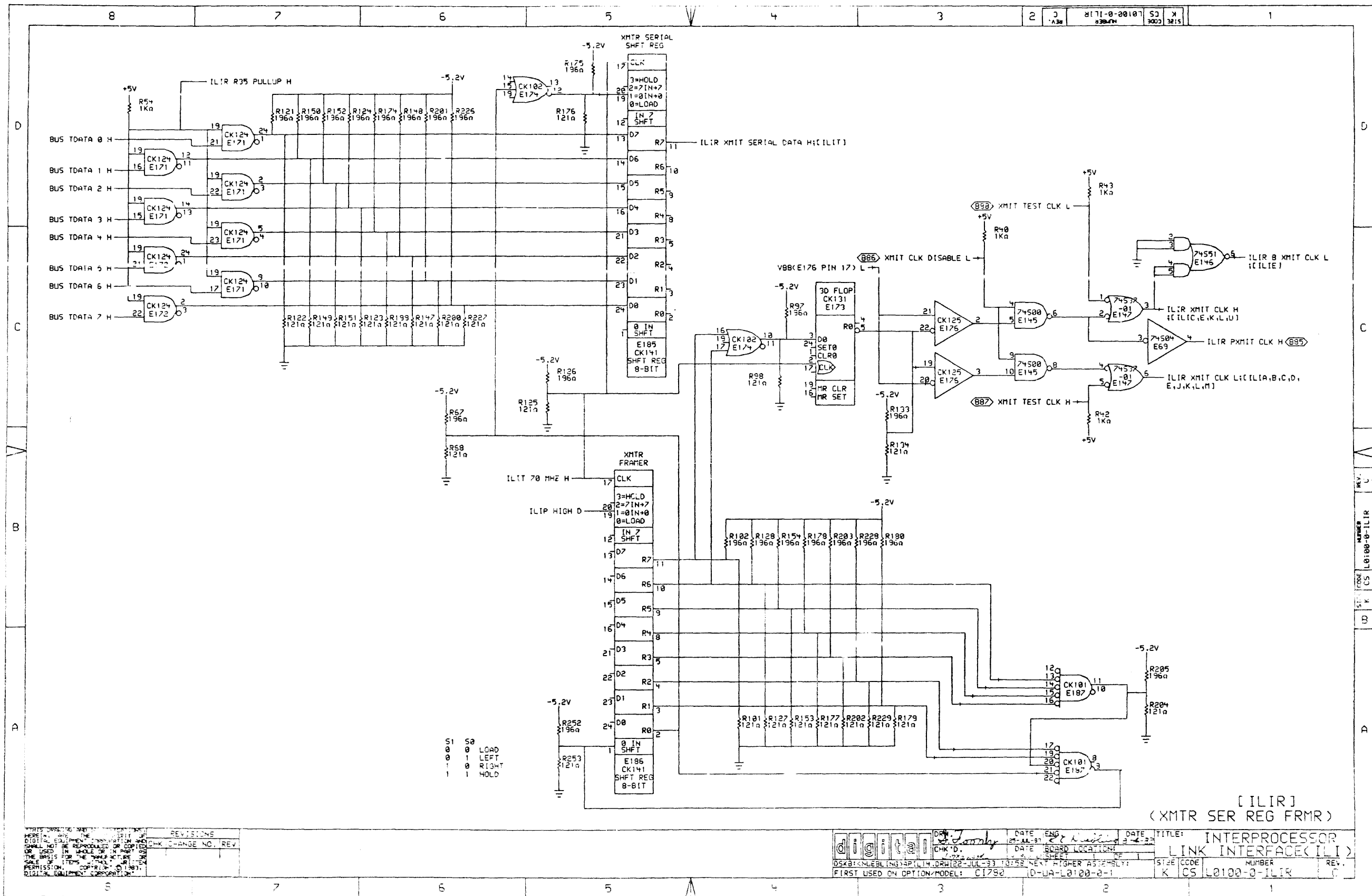
NUEBLINS, DSKB:KNUBLINSAPIL2,DFL1, SCALE 2, "D" RELEASE BOX



THIS DRAWING AND SPECIFICATIONS, HEREIN, ARE THE PROPERTY OF DIGITAL EQUIPMENT CORPORATION AND SHALL NOT BE REPRODUCED OR COPIED OR USED IN WHOLE OR IN PART AS THE BASIS FOR THE MANUFACTURE OR SALE OF ITEMS WITHOUT WRITTEN PERMISSION. COPYRIGHT © 1984, DIGITAL EQUIPMENT CORPORATION.

REV.	DESCRIPTION	DATE
1	INITIAL DESIGN	08-1983
2	REVISIONS	
	CHK	CHANGE NO.
		REV.

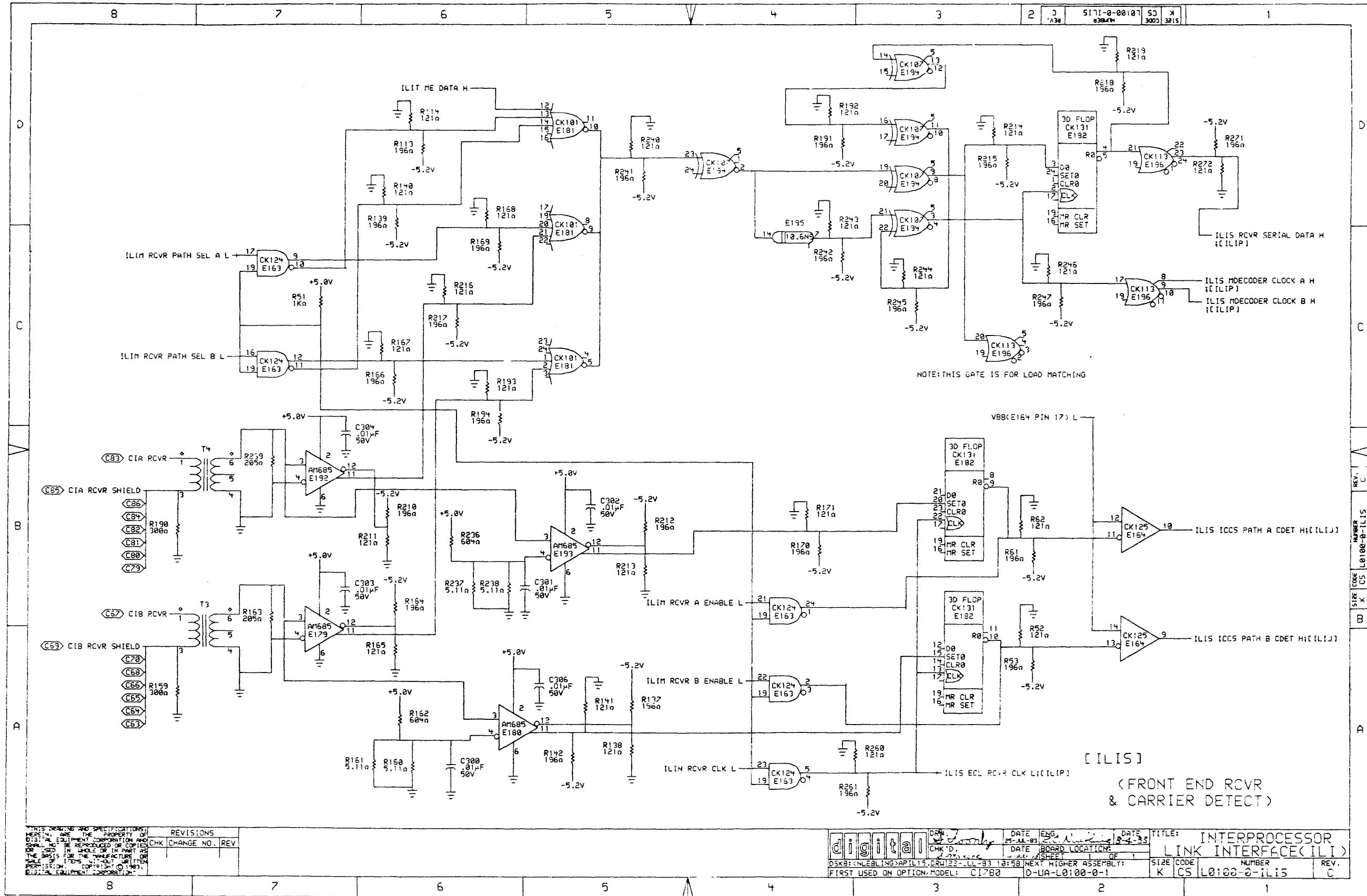
digital	DATE ENG.	DATE	TITLE: INTERPROCESSOR LINK INTERFACE (ILI)
DRW. J. J. J.	08-1983		
CHK. D.	DATE	BOARD LOCATION:	
		SHEET	
OSKD: <P>LCLDRDAPIL13.0R106-DEC-83 09:58	NEXT HIGHER ASSEMBLY:	SIZE	CODE
FIRST USED ON OPTION/MODEL: C1780	10-UA-L0100-0-1	K	CS
		NUMBER	REV.
		L0100-0-ILIP	D



[ILIR]
(XMIT SER REG FRMR)

REVISIONS
CHK CHANGE NO. REV

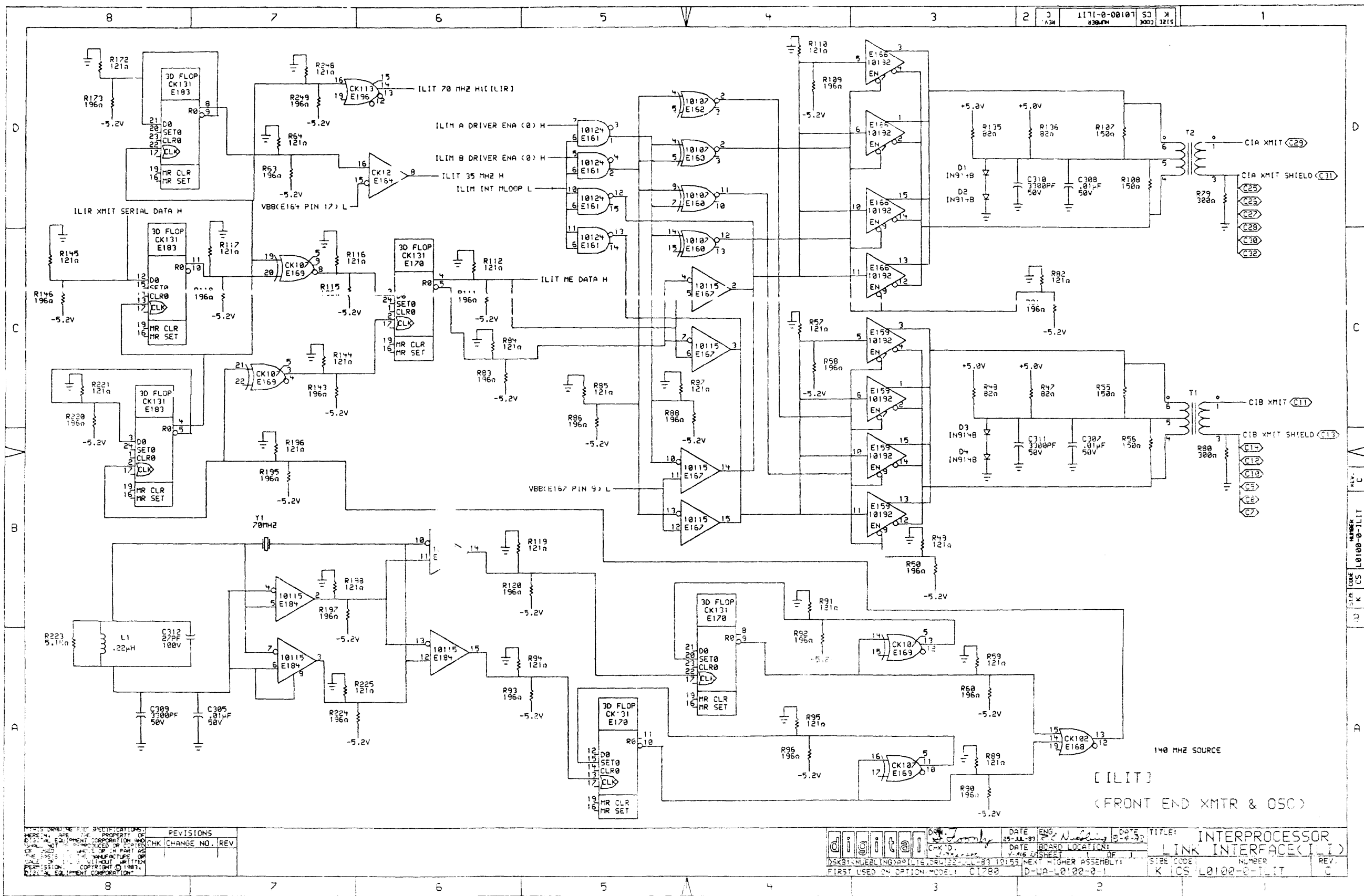
DATE: 27-JUL-83
TITLE: INTERPROCESSOR LINK INTERFACE (ILI)
FIRST USED ON OPTION/MODEL: C1780 10-0A-L0100-0-1



REV. NO.	CHK	CHANGE NO.	REV.

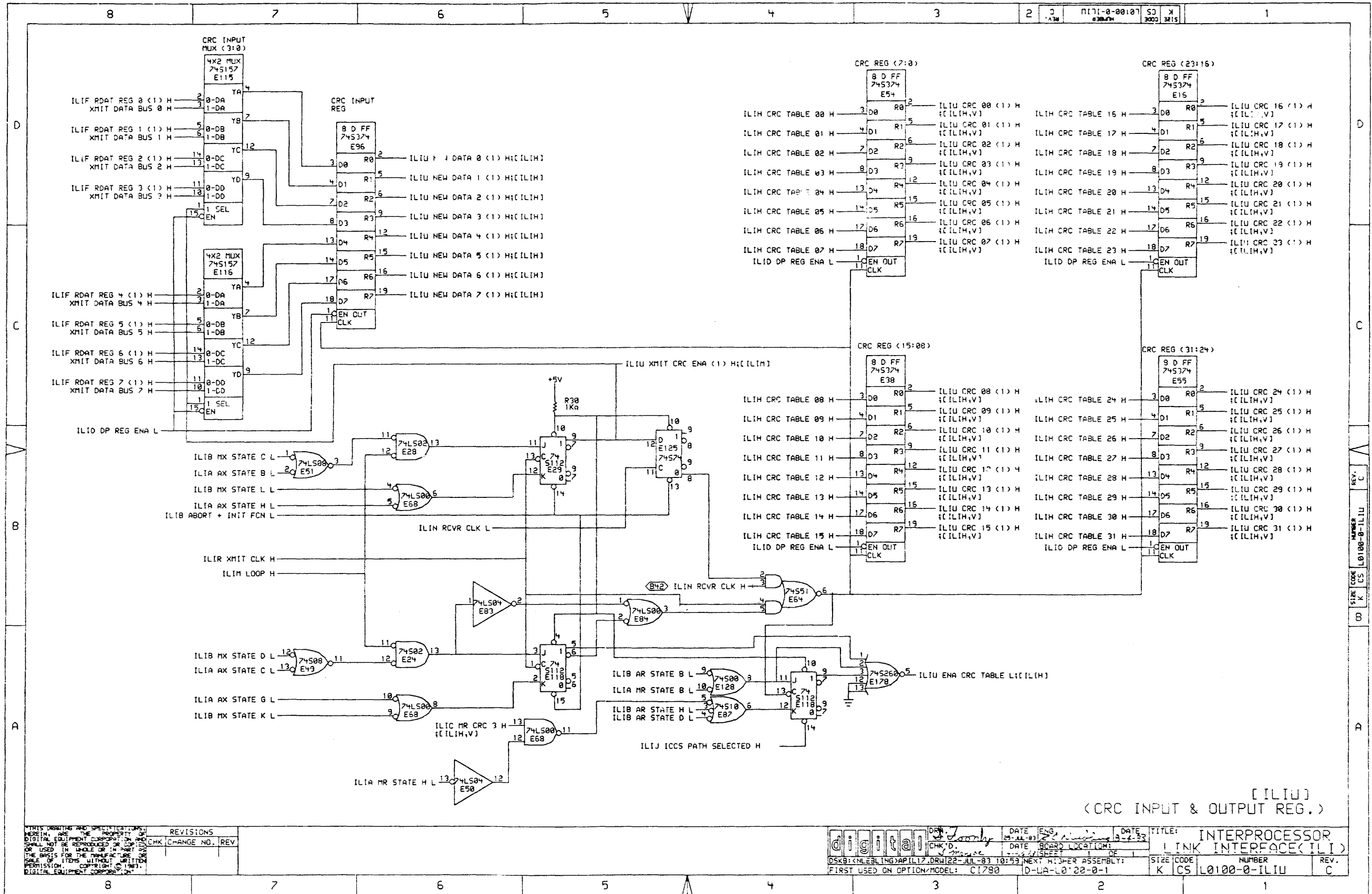
DATE ENG. <i>12-11-83</i>	DATE <i>12-11-83</i>	TITLE: INTERPROCESSOR LINK INTERFACE (ILI)
DATE BOARD LOCATION	DATE	SIZE CODE: K CS L0100-0-ILIS
DATE	DATE	NUMBER: 1
DATE	DATE	REV. C

OSK: (NLSBLING)APIL15.DRW122-LL-83 18:58 NEXT HIGHER ASSEMBLY: D-UA-L0100-0-1



REVISIONS	CHK	CHANGE NO.	REV.

	DATE	25-JUL-83	ENG.	N. N. N.	DOCS	10-2-83	TITLE:	INTERPROCESSOR
	DATE	7-16-83	BOARD LOCATION:				LINK INTERFACE (ILI)	

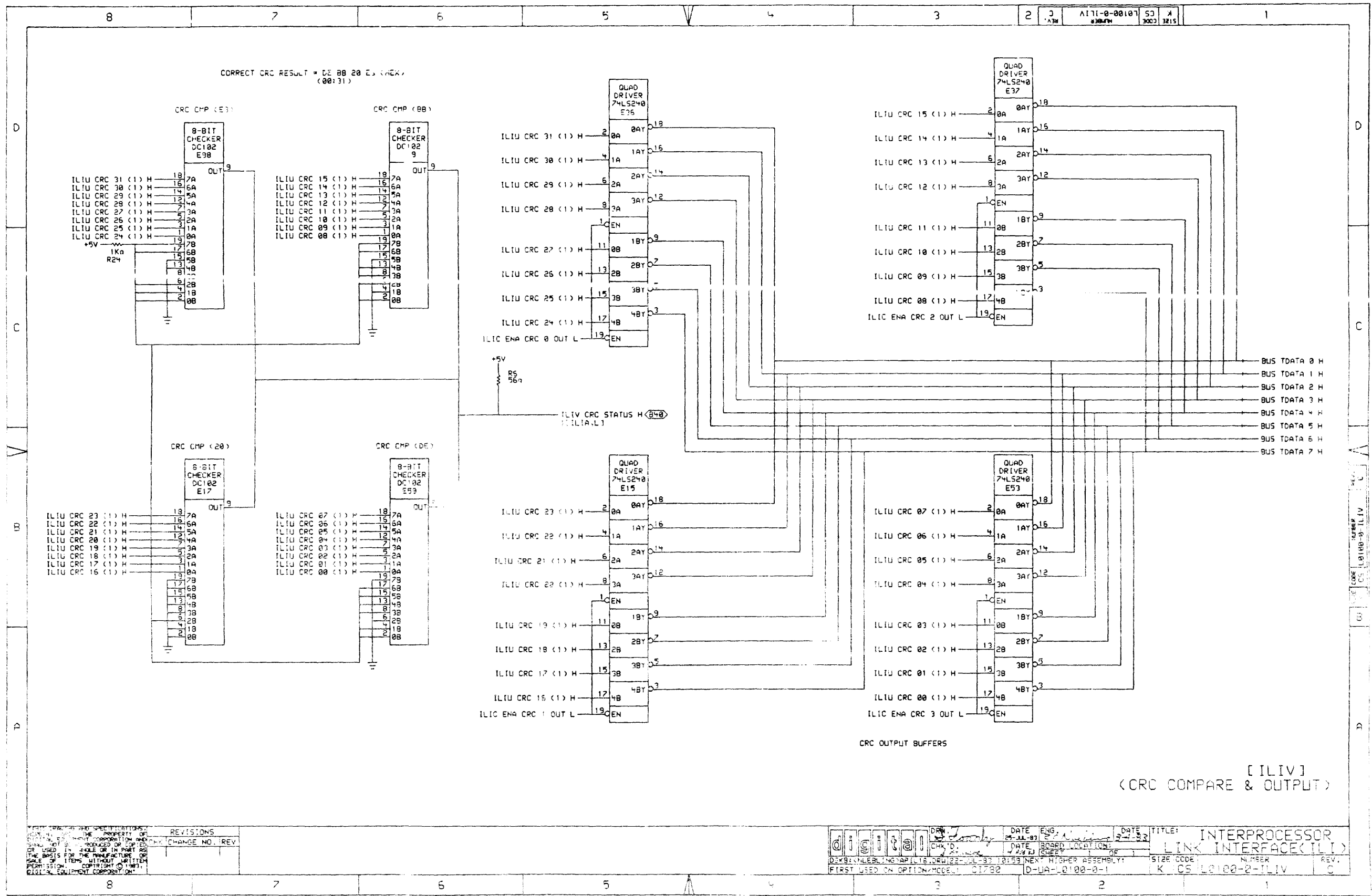


[ILIU]
(CRC INPUT & OUTPUT REG.)

REV.	CHK	CHANGE NO.	REV

digital DATE: 25-JUL-83 DATE: 3-4-83 DATE: 3-4-83 DATE: 3-4-83	TITLE: INTERPROCESSOR LINK INTERFACE (ILI)
	SIZE: K CS NUMBER: L0100-0-ILIU REV.: C

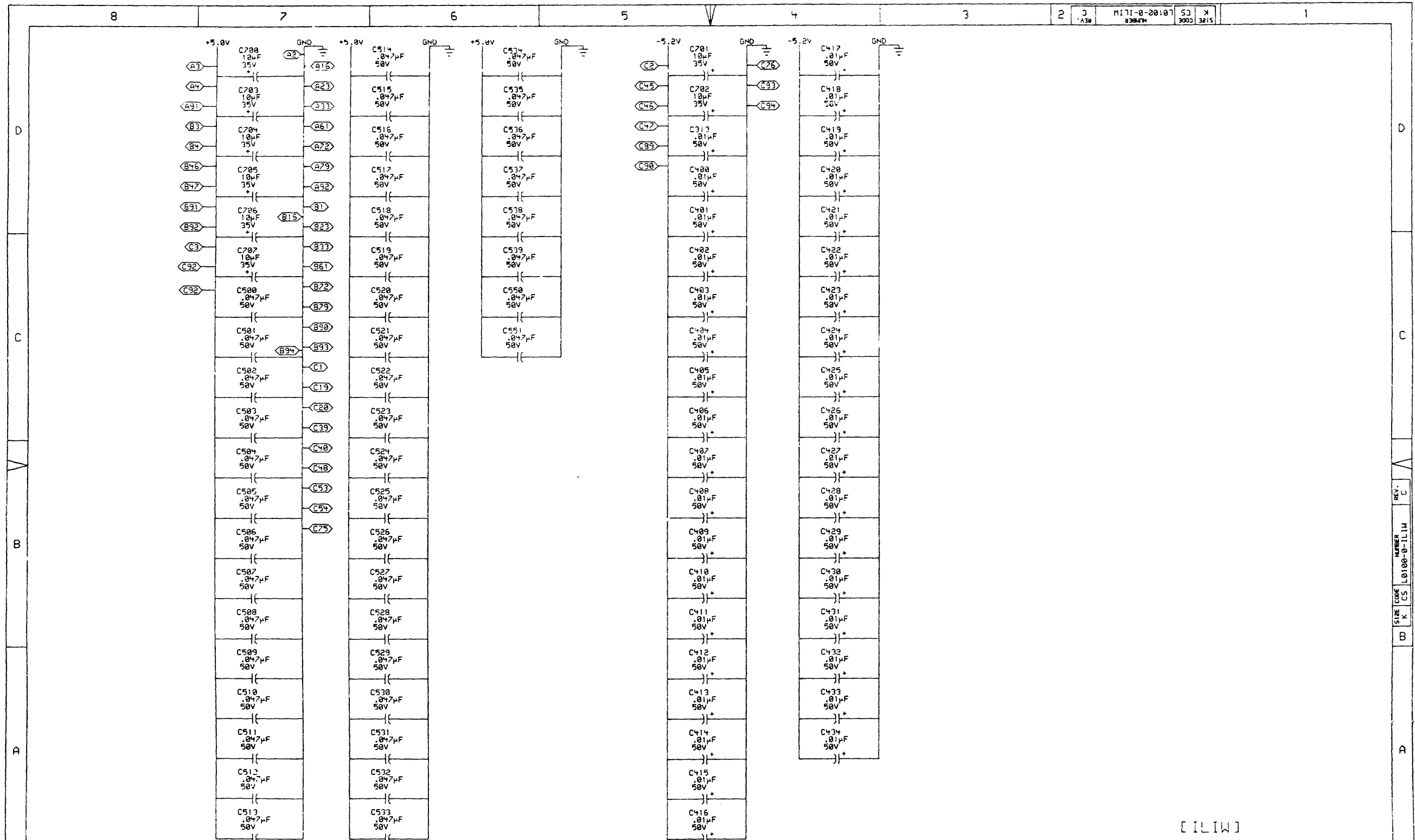
DSKB: <NLEBLING>APIL17.DRW 22-JUL-83 10:53 NEXT: H3PER ASSEMBLY: D-LA-L0'22-0-1
FIRST USED ON OPTION/MODEL: C1780



REV.	DATE	DESCRIPTION
1		

REV.	DATE	DESCRIPTION
1		

	DATE: 27-JUL-83 ENG: [Signature] DATE: [Signature] BOARD LOCATION: [Signature]	TITLE: INTERPROCESSOR LINK INTERFACE (ILIV)
DSKB: NUBLEING-APL18.DRW 27-JUL-83 18:59 NEXT HIGHER ASSEMBLY:	FIRST USED ON OPTION/PCCT: 01782	SIZE CODE: K CS L0100-2-ILIV NUMBER: [Blank] REV: C

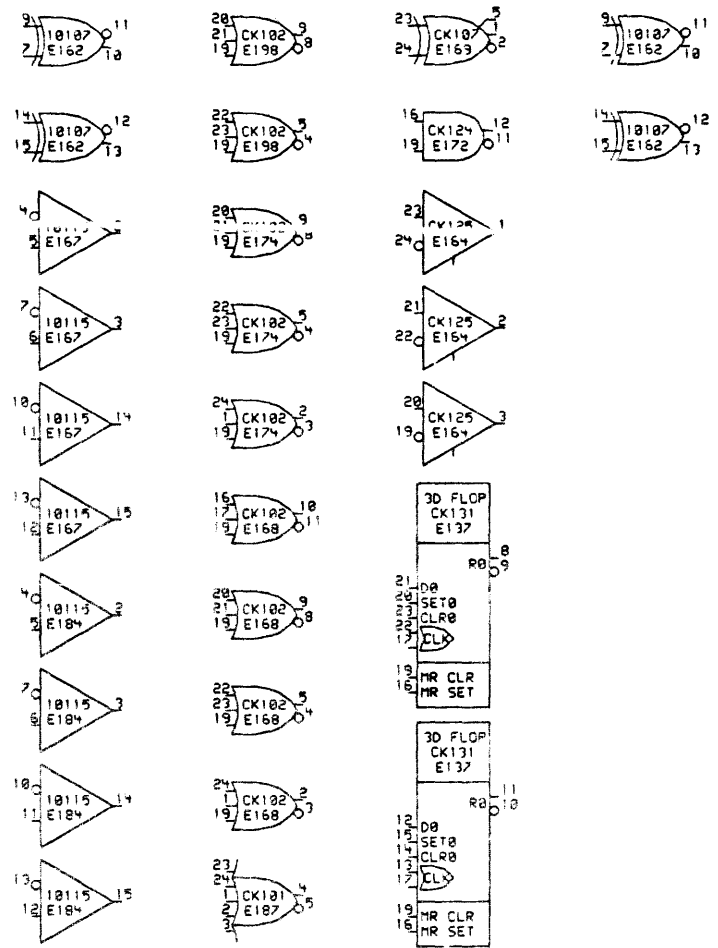


[ILIW]

REVISIONS	
CHK	CHANGE NO. REV.

	DATE: 8-11-83	ENG: <i>N. M. ...</i>	DATE: 8-2-83	TITLE: INTERPROCESSOR LINK INTERFACE (ILI)
	CHK: <i>J. ...</i>	DATE: 8-2-83	BOARD LOCATION: 1	SIZE CODE: K CS L0100-0-ILIW
DSKB: <NUEBLING>APIL19.DRU122-JUL-83 10:59 NEXT HIGHER ASSEMBLY: D-UA-L0100-0-1			REV. C	

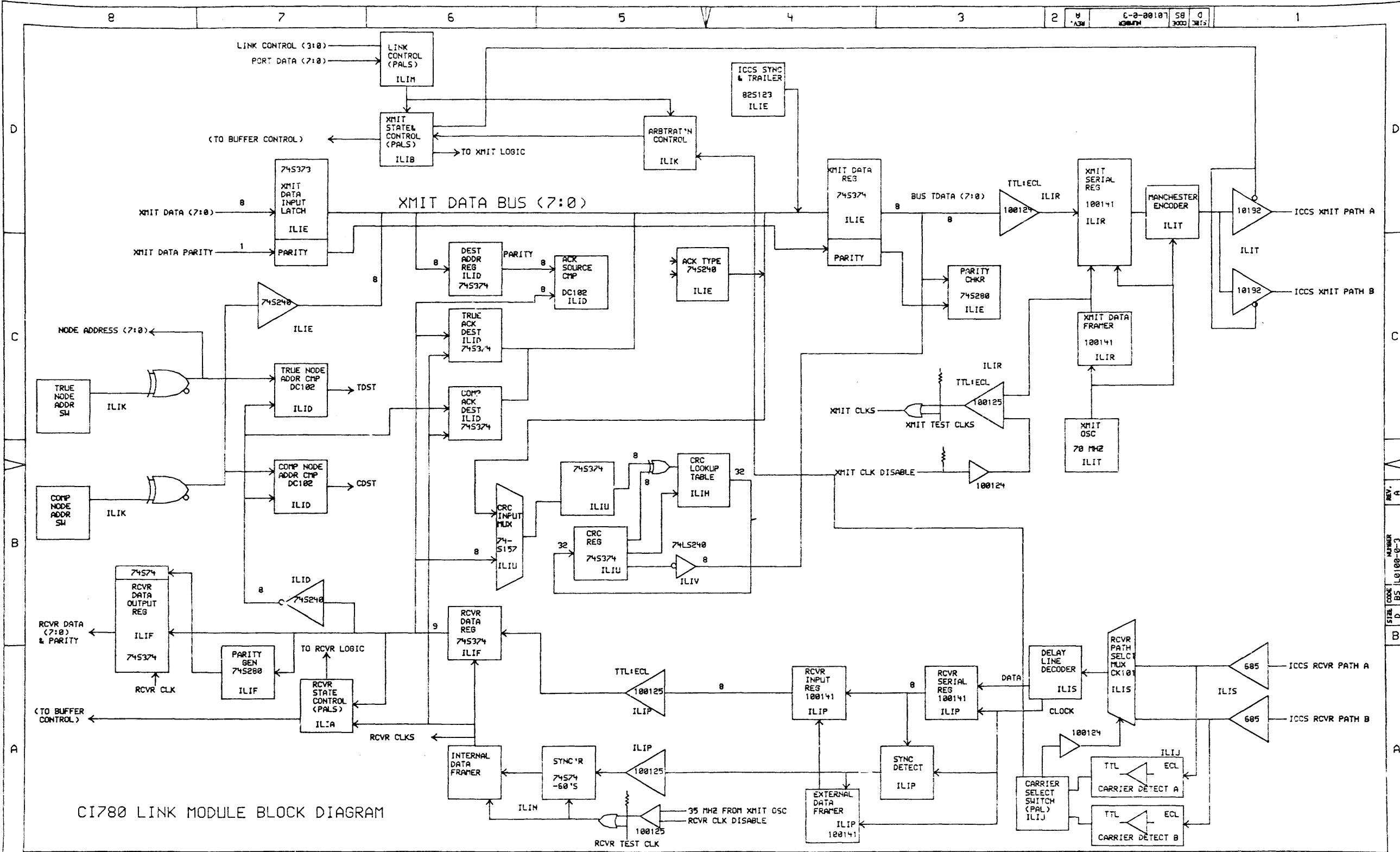
SPARE GATES AND I/O PINS



[ILIX]

REVISIONS	
CHK	CHANGE NO. REV

digital	DATE: 02-09-84	ENG.:	DATE:	TITLE: INTERPROCESSOR LINK INTERFACE (ILI)
CHK'D. <i>Jandy</i>	DATE: 02-09-84	DATE:	DATE:	SIZE: K
DISK: (PLURD) SAPL 20.DRW 06-DEC-83 09:51 NEXT 408-ER ASSEMBLY				NUMBER: L2100 2-ILIX
FIRST USED ON OPTION/MODEL: C1782 D-1A-L2100-2-1				REV: 0



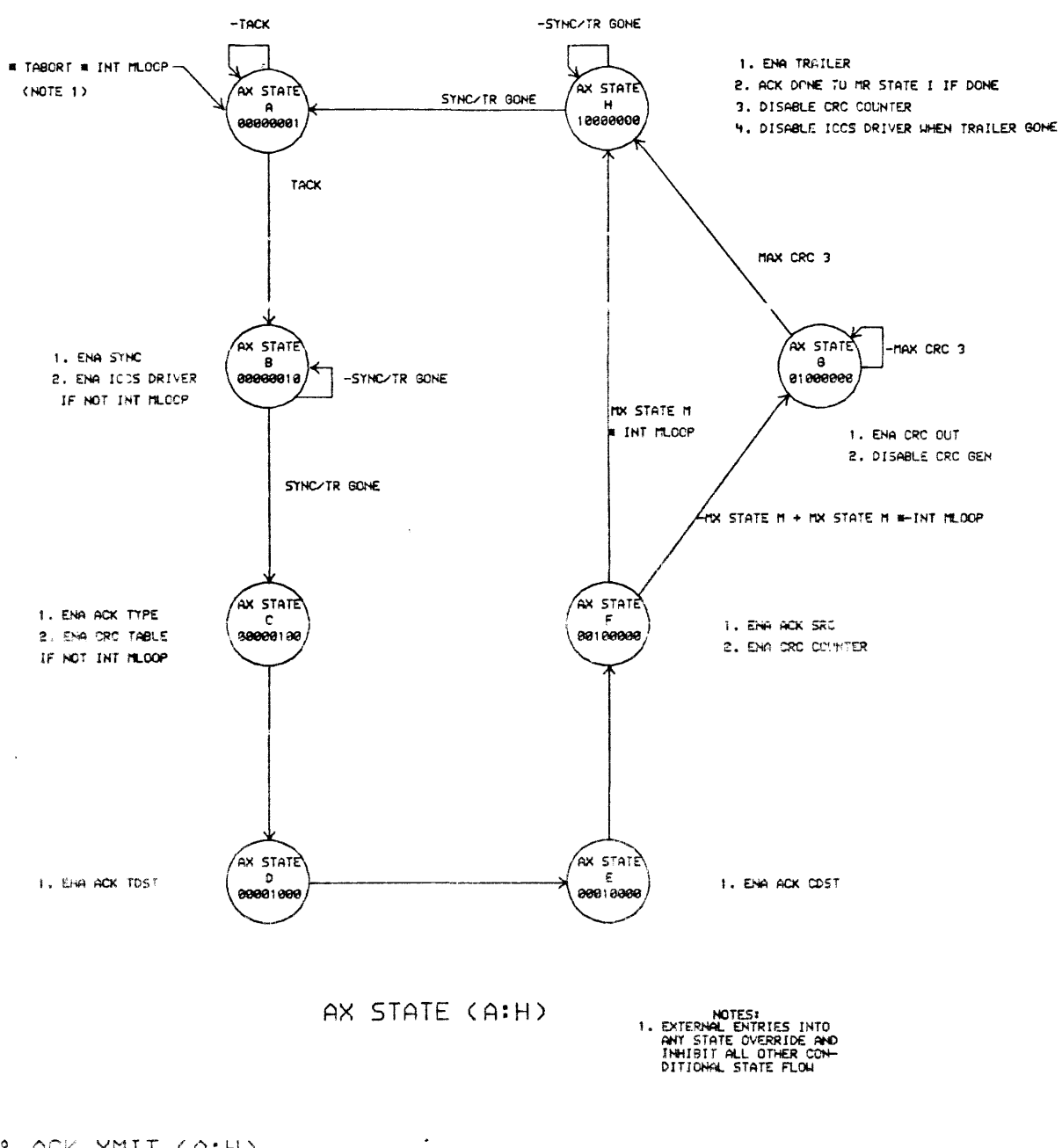
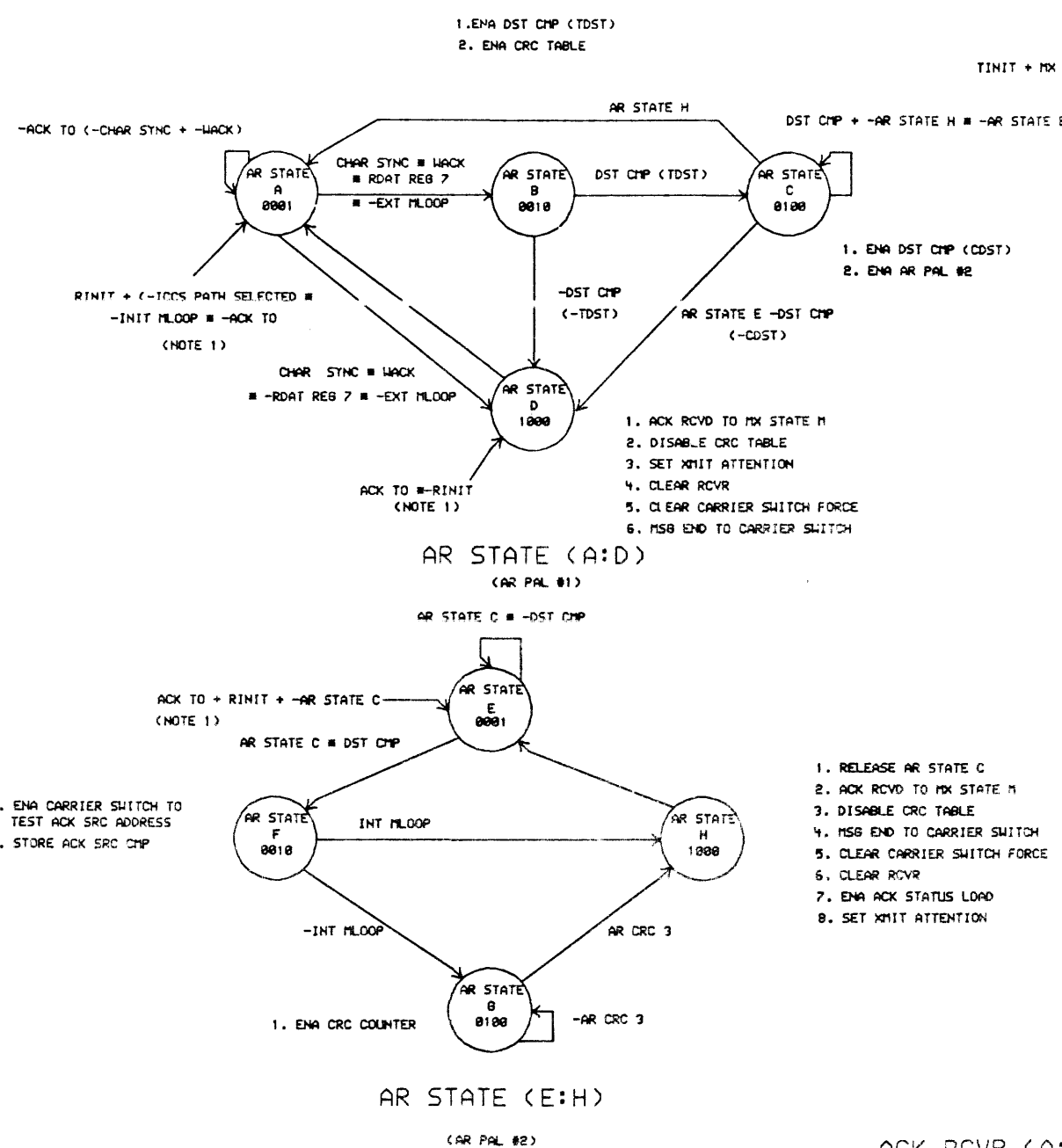
CI780 LINK MODULE BLOCK DIAGRAM

THIS DRAWING AND SPECIFICATIONS ARE THE PROPERTY OF DIGITAL EQUIPMENT CORPORATION AND SHALL NOT BE REPRODUCED OR COPIED OR USED IN WHOLE OR IN PART AS THE BASIS FOR THE MANUFACTURE OF ANY ITEMS WITHOUT WRITTEN PERMISSION. COPYRIGHT © 1981, DIGITAL EQUIPMENT CORPORATION.

REVISIONS	CHK	CHANGE NO.	REV

	DRN. DC:KA DATE ENG. 2 DATE BOARD LOCATION: 20-SEP-81 SHEET 7 OF 1	TITLE: INTERPROCESSOR LINK INTERFACE SIZE CODE NUMBER REV. D BS L0100-0-3 A
C367,5200-BLOCK1.DRN 130-SEP-81 11:01 NEXT HIGHER ASSEMBLY: D-UA-L0120-A-1 FIRST USED ON OPTION MODEL: CI780	DATE 82-5-7-71	TW 1

REV. A
 NUMBER L0100-0-3
 CODE BS
 SIZE D
 TITLE INTERPROCESSOR LINK INTERFACE



THIS DRAWING AND SPECIFICATIONS ARE THE PROPERTY OF DIGITAL EQUIPMENT CORPORATION AND SHALL NOT BE REPRODUCED OR COPIED OR USED IN WHOLE OR IN PART AS THE BASIS FOR THE MANUFACTURE OR SALE OF ITEMS WITHOUT WRITTEN PERMISSION. COPYRIGHT © 1971, DIGITAL EQUIPMENT CORPORATION.

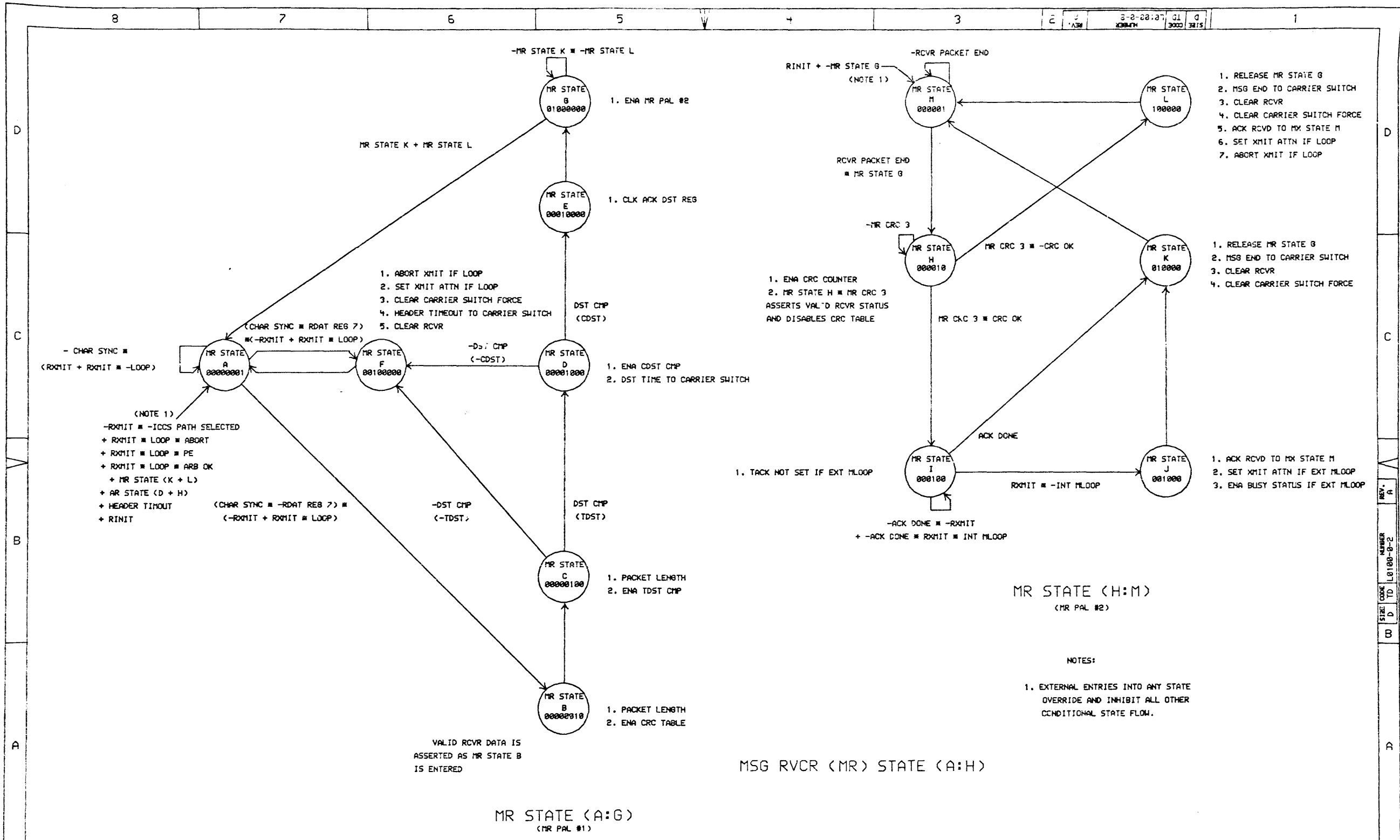
REVISIONS	CHK	CHANGE NO.	REV

digital DRN. DATE ENG. DATE TITLE: INTERPROCESSOR LINK INTERFACE

DATE BOARD LOCATION: DATE

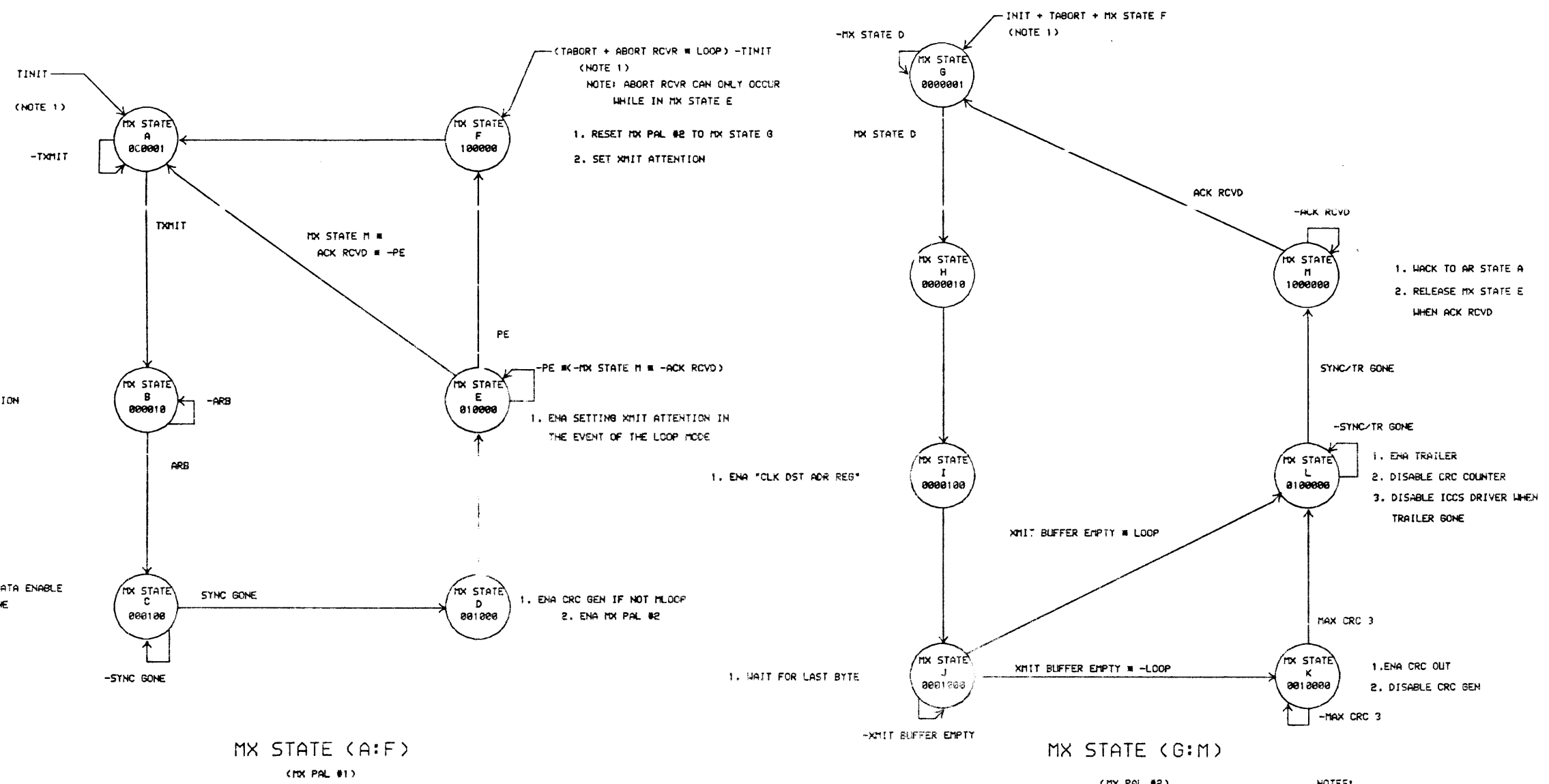
C367,5000 CHART, DRW 10-52-81 (8:45 NEXT HIGHER ASSEMBLY) SIZE CODE NUMBER REV. P

FIRST USED ON OPTION/MODEL: C1700 D-4A-L0100-0-1 10 TD L0100-0-2



REV.	CHG.	CHANGE NO.	REV.

digital	DRN. 0112KA	DATE 30-SEP-91	ENG. DATE	DATE	TITLE: INTERPROCESSOR LINK INTERFACE
(367,5000) CHART 2.DRW	130-SEP-91 10:51	NEXT HIGHER ASSEMBLY:	SIZE CODE D	NUMBER TO L0100-0-2	REV. A
FIRST USED ON OPTION/MODEL: C1780	D-LA-L0100-0-1				



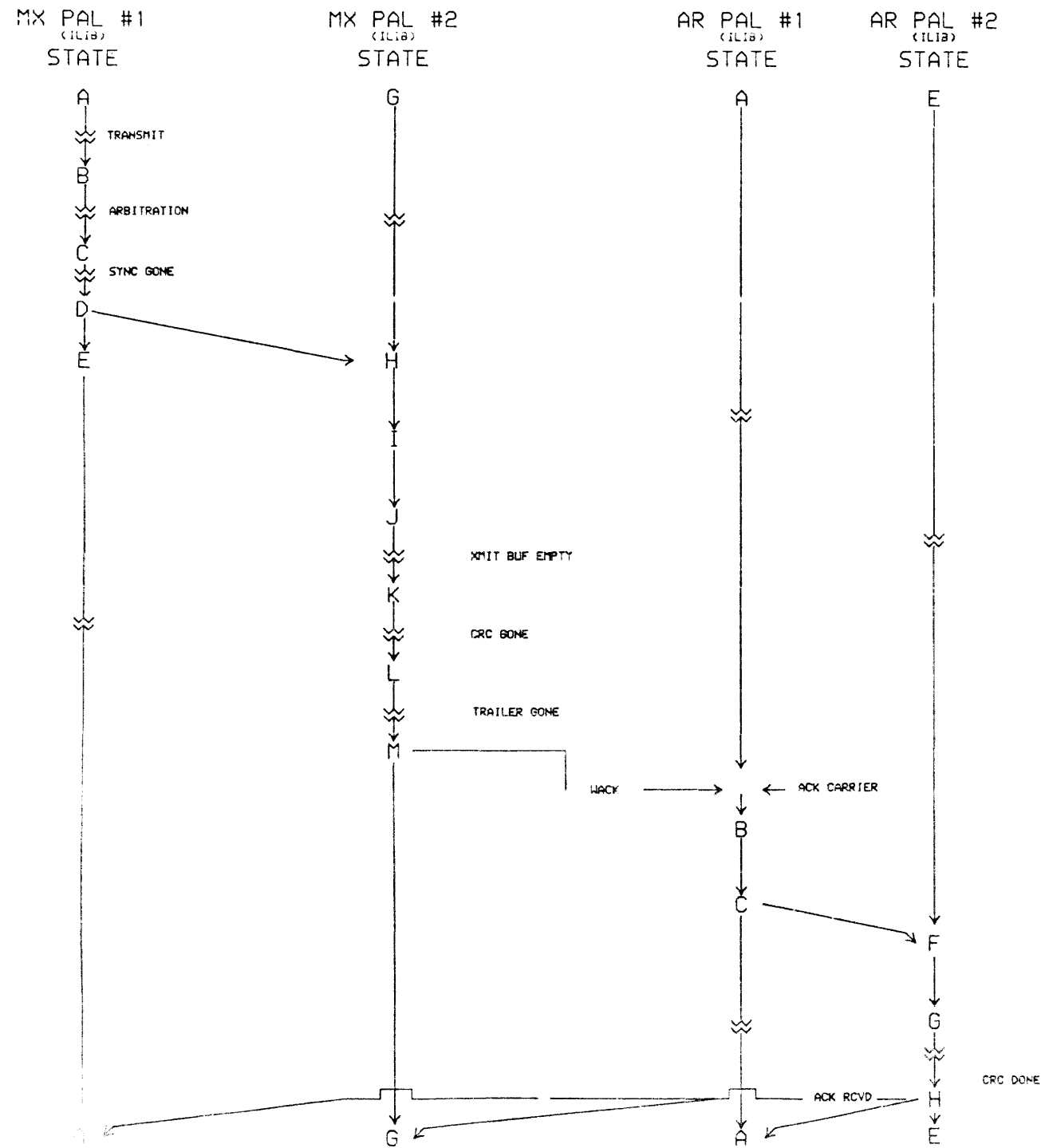
MESSAGE XMIT STATE (A:H)

NOTES:
1. EXTERNAL ENTRIES INTO ANY STATE OVERRIDE AND INHIBIT ALL OTHER CONDITIONAL STATE FLOW.

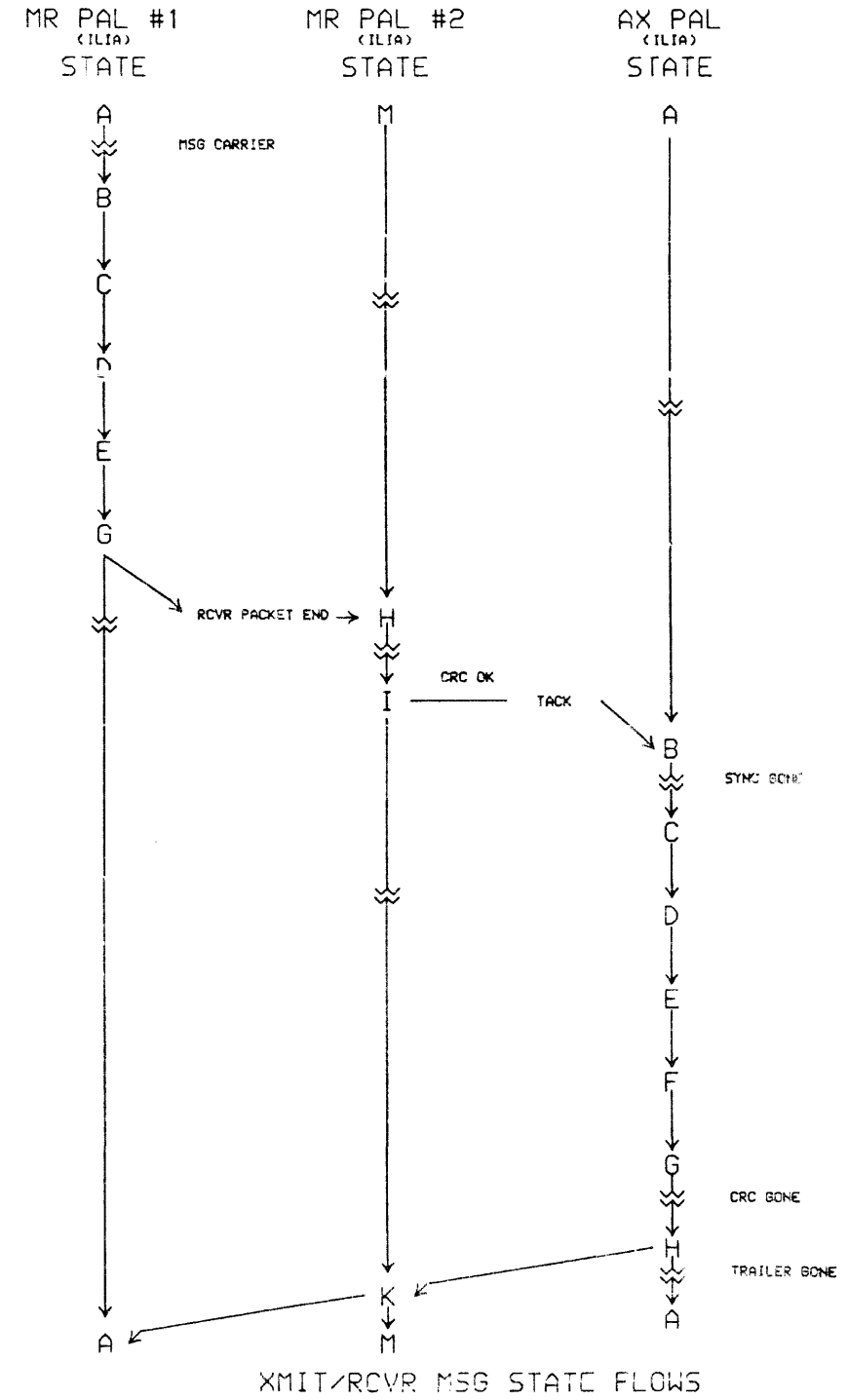
REV.	DATE	DESCRIPTION
1		

DRN.	DATE	ENR.	DATE	TITLE
010001	30-SEP-81			INTERPROCESSOR LINK INTERFACE
SIZE CODE	NUMBER	REV.		
D	10100-0-2	A		

NORMAL MESSAGE TRANSMISSION STATE FLOW



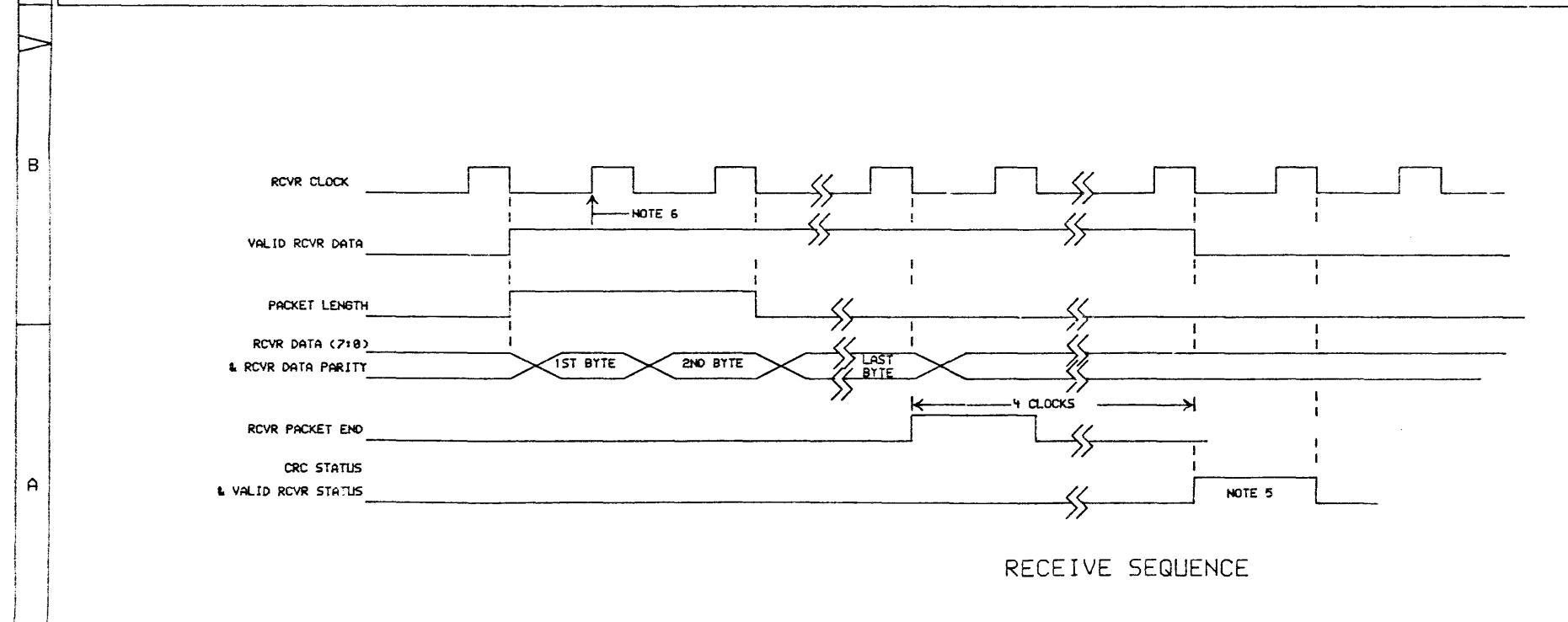
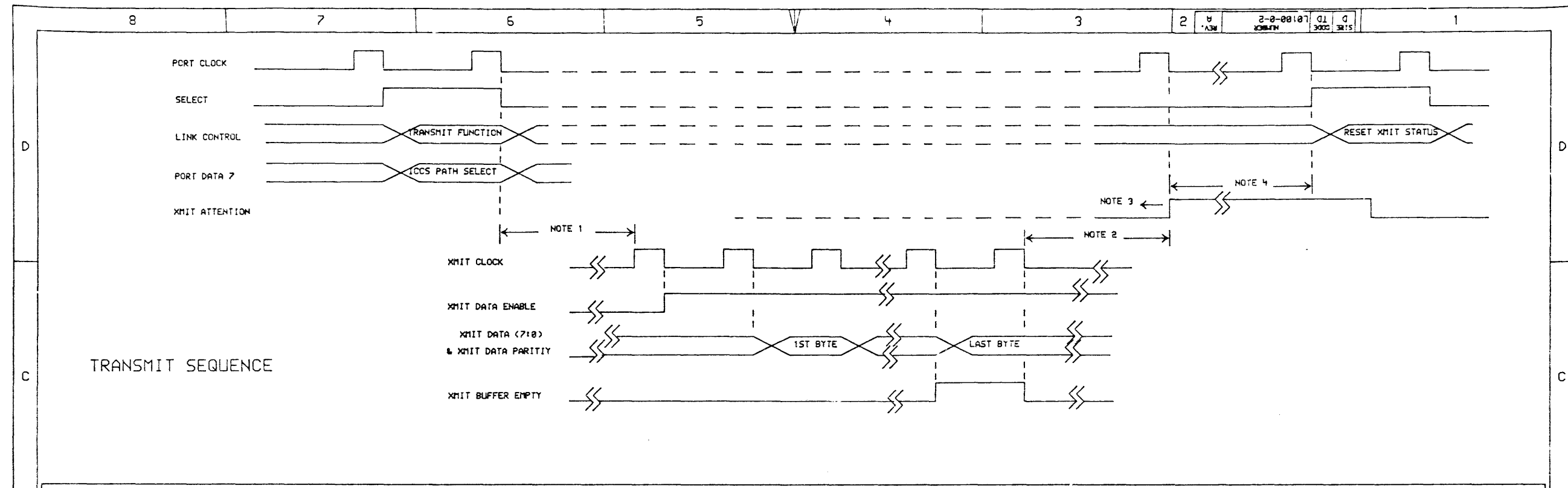
NORMAL MESSAGE RECEPTION STATE FLOW



XMIT/RCVR MSG STATE FLOWS

REV. NO.	DATE	DESCRIPTION
1		

1357,5828.CHARTS.DRAW	130-SEP-81	18155	NEXT ASSEMBLY:	D-UA-L0100-2-1	SIZE CODE	D ITD	NUMBER	L0100-0-2	REV.	A
-----------------------	------------	-------	----------------	----------------	-----------	-------	--------	-----------	------	---



- NOTES:**
1. ARBITRATION OCCURS DURING THIS TIME.
 2. LINK WAITS FOR A RESPONSE FROM THE DESTINATION NODE AND SETS UP XMIT STATUS DURING THIS TIME.
 3. XMIT ATTENTION MAY OCCUR EARLIER AS A RESULT OF A XMIT DATA PARITY ERROR OR ABORT TRANSMISSION FCN.
 4. THE PORT READS XMIT STATUS DURING THIS TIME.
 5. CRC STATUS & RCVR PATH INDICATOR ARE VALID DURING THIS TIME.
 6. RCVR BUFFERS FULL SIGNAL IS STROBED AT THIS TIME.

LINK/PORT PROCESSOR/TIMING

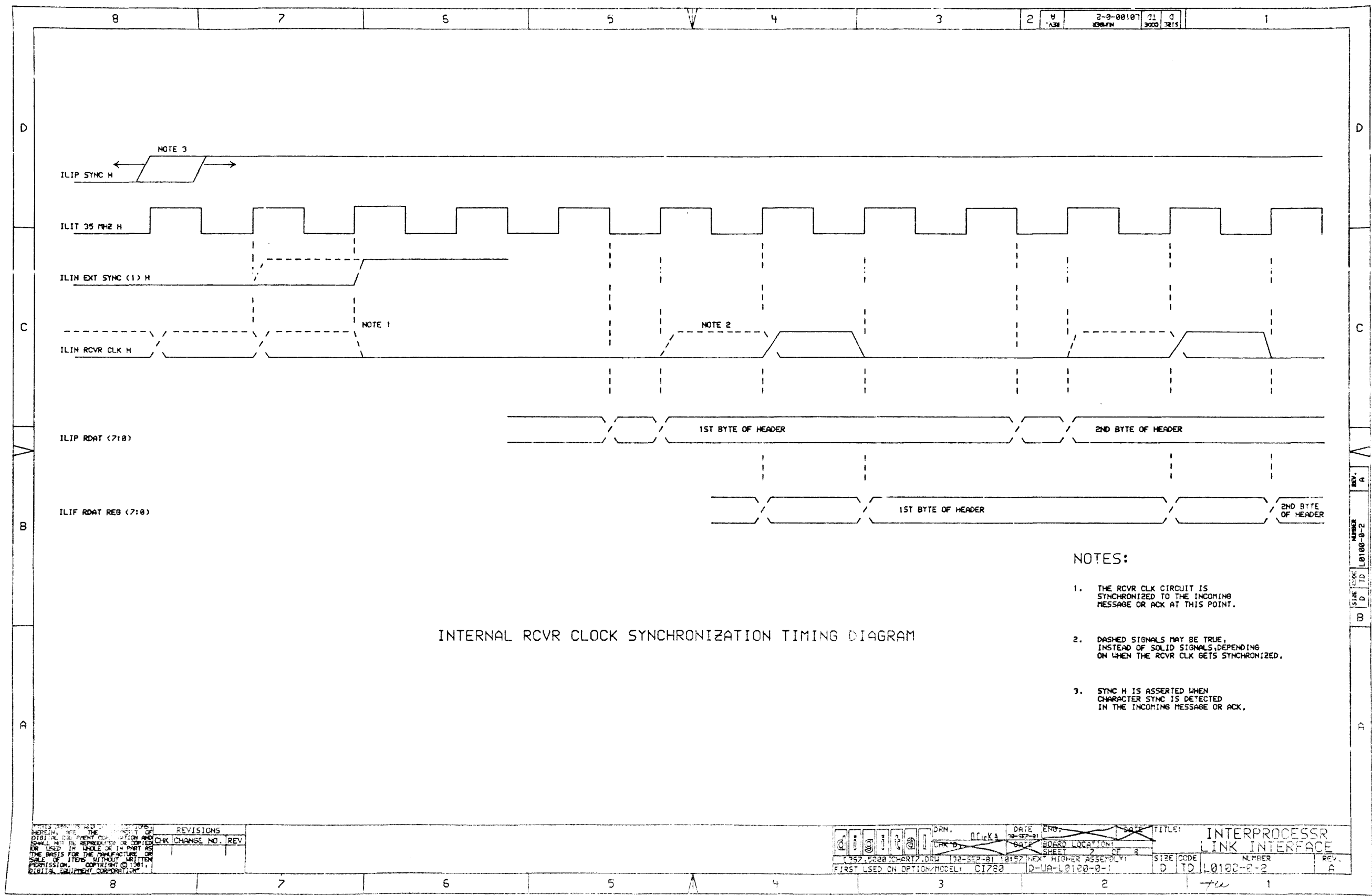
THIS DRAWING AND SPECIFICATIONS HEREIN ARE THE PROPERTY OF DIGITAL EQUIPMENT CORPORATION AND SHALL NOT BE REPRODUCED OR COPIED OR USED IN WHOLE OR IN PART FOR ANY PURPOSES WITHOUT WRITTEN PERMISSION. COPYRIGHT © 1981, DIGITAL EQUIPMENT CORPORATION.

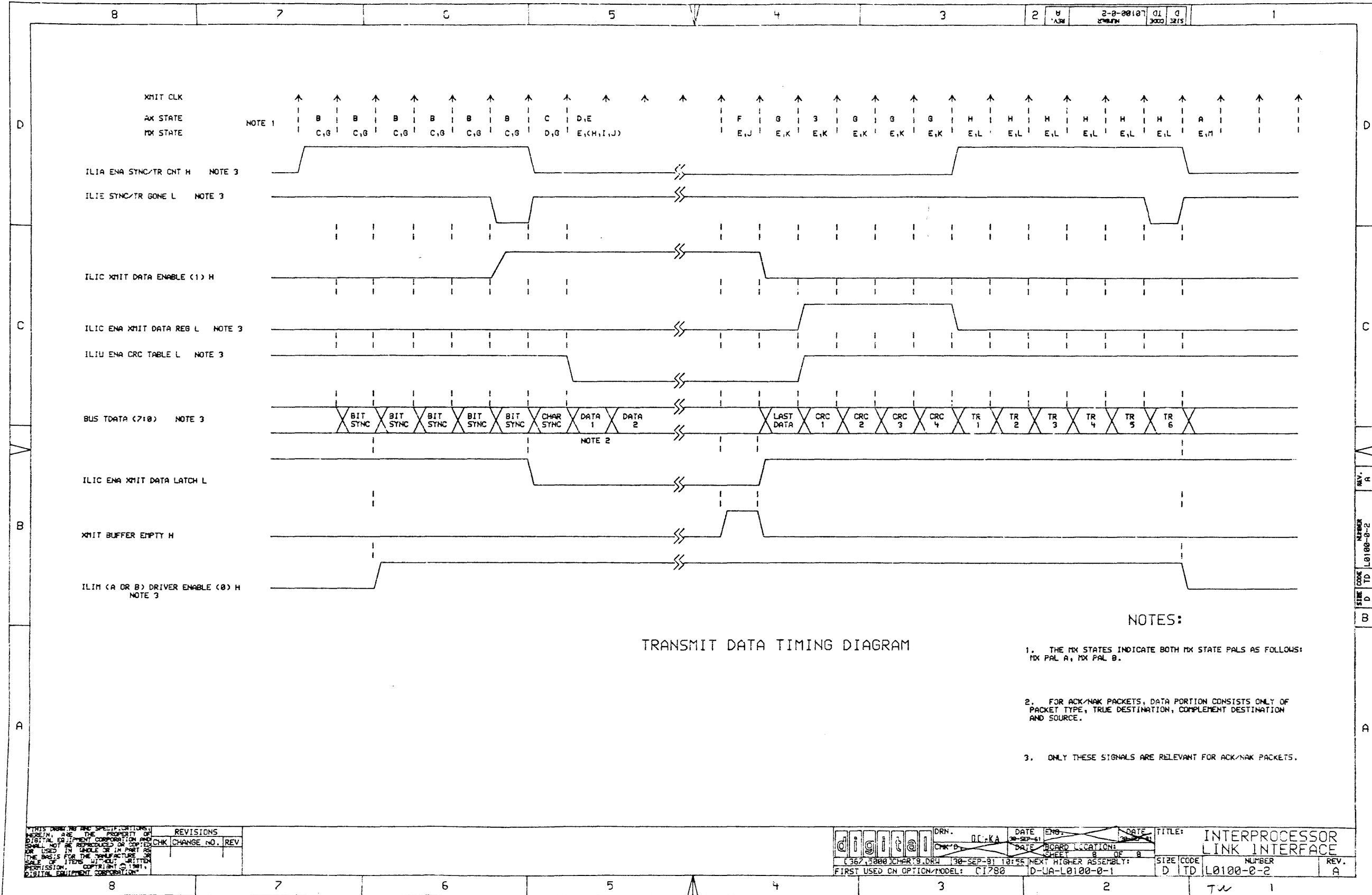
REVISIONS		
CHK	CHANGE NO.	REV

	DRN. 01:KA	DATE 20-SEP-81	ENG.	DATE	TITLE: INTERPROCESSOR LINK INTERFACE
	CHK ID	DATE 13-SEP-81 13:56	BOARD LOCATION: SHEET 6 OF 8	SIZE CODE: D TD	NUMBER: L0100-0-2
FIRST USED ON OPTION/MODEL: CI780		NEXT HIGHER ASSEMBLY: D-UA-L0100-0-1		REV. A	

REV. A
NUMBER L0100-0-2
SIZE CODE D TD

A





TRANSMIT DATA TIMING DIAGRAM

NOTES:

1. THE TX STATES INDICATE BOTH TX STATE PALS AS FOLLOWS:
TX PAL A, TX PAL B.
2. FOR ACK/NAK PACKETS, DATA PORTION CONSISTS ONLY OF
PACKET TYPE, TRUE DESTINATION, COMPLEMENT DESTINATION
AND SOURCE.
3. ONLY THESE SIGNALS ARE RELEVANT FOR ACK/NAK PACKETS.

THIS DRAWING AND SPECIFICATIONS
HEREIN ARE THE PROPERTY OF
DIGITAL EQUIPMENT CORPORATION AND
SHALL NOT BE REPRODUCED OR COPIED
OR USED IN WHOLE OR IN PART AS
THE BASIS FOR THE MANUFACTURE OR
SALE OF ITEMS UNLESS WRITTEN
PERMISSION IS OBTAINED FROM
DIGITAL EQUIPMENT CORPORATION.

REVISIONS	
CHK	CHANGE NO. REV

DIGITAL	DRN.	DATE	ENG.	DATE	TITLE:
	CHK'D.	30-SEP-81	DC:KA	30-SEP-81	INTERPROCESSOR LINK INTERFACE
FIRST USED ON OPTION/MODEL:		30-SEP-81 10:55	NEXT HIGHER ASSEMBLY:		SIZE/BOARD LOCATION:
C1780		D-UA-L0100-0-1	SHEET 8 OF 8		D ITD L0100-0-2
					NUMBER
					REV.
					A

REV. A
 NUMBER
 L0100-0-2
 SIZE CODE
 D ITD
 B

"THE MATERIAL HEREIN IS FOR INFORMATION PURPOSES ONLY AND IS SUBJECT TO CHANGE WITHOUT NOTICE. DIGITAL EQUIPMENT CORPORATION ASSUMES NO RESPONSIBILITY FOR ANY ERRORS WHICH MAY APPEAR HEREIN."

***** FIELD MAINTENANCE PRINT SET *****

TABLE OF CONTENTS

B-DD-SC008-AA	STAR COUPLER & CAB ASSY (AA)
E-UA-SC008-AA	STAR COUPLER & CAB ASSY (AA)
K-PL-SC008-AA	STAR COUPLER & CAB ASSY (AA)
E-AD-70-18554	DOOR ASSEMBLY FRONT
K-PL-70-18554	DOOR ASSEMBLY FRONT
AD-70-18555	REAR DOOR ASSEMBLY SC008
PL-70-18555	REAR DOOR ASSEMBLY SC008
B-DD-SC008-AB	STAR COUPLER EXPANDER
E-UA-SC008-AB	STAR COUPLER EXPANDER
K-PL-SC008-AB	STAR COUPLER EXPANDER
E-AD-70-18771	STAR COUPLER ASSY (BOX)
K-PL-70-18771	STAR COUPLER ASSY (BOX)
E-AD-70-18717	FRONT PANEL ASSY SC008
K-PL-70-18717	FRONT PANEL ASSY SC008
D-UA-54-14216	STAR COUPLER MODULE
K-PL-54-14216	STAR COUPLER MODULE
B-BD-54-14216	STAR COUPLER MODULE
D-CS-54-14216	STAR COUPLER MODULE
C-UA-70-18530	8/16 JUMPER CABLE
K-PL-70-18530	8/16 JUMPER CABLE
A-PS-36-18845	LABEL, NODE 8-16
A-PS-36-18806-01	LABEL, CONFIGURATION PATH CI780
A-PS-36-19211	LABEL, CAUTION BEND RADII
A-PS-36-19264-01/16	LABEL, NODE ID
D-SS-74-25772-00	PAN, STAR COUPLER
D-SS-74-25772-01	PAN, STAR COUPLER
A-SP-37-00669-0-0	PACKING INSTRUCTIONS AA & AB
D-IC-SC008-0-2	STAR SYSTEM INTERCONNECT

UNIT VARIATIONS

SC008-AA

SC008-AB

FIELD MAINTENANCE
PRINT SET
MP01370
DIGITAL EQUIPMENT
CORPORATION

SC008-A

USED ON OPTION/MODEL

SC008

DRN.	DATE
M. BAPTISTE	2/10/82
CHK'D	DATE
R. NUEBLING	2/10/82
PROJ. ENG.	DATE
R. NUEBLING	2/10/82
FIELD SERV.	DATE
B. LOVETT	2/10/82

SHEET 1 OF 1

digital

"THIS DRAWING AND SPECIFICATIONS, HEREIN, ARE THE PROPERTY OF DIGITAL EQUIPMENT CORPORATION AND SHALL NOT BE REPRODUCED OR COPIED OR USED IN WHOLE OR IN PART AS THE BASIS FOR THE MANUFACTURE OR SALE OF ITEMS WITHOUT WRITTEN PERMISSION. COPYRIGHT © 1982 DIGITAL EQUIPMENT CORPORATION."

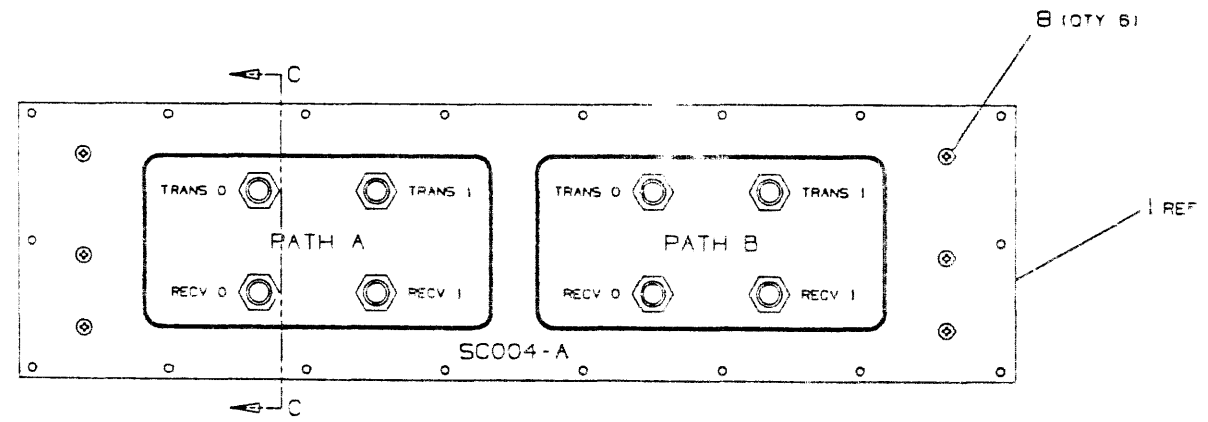
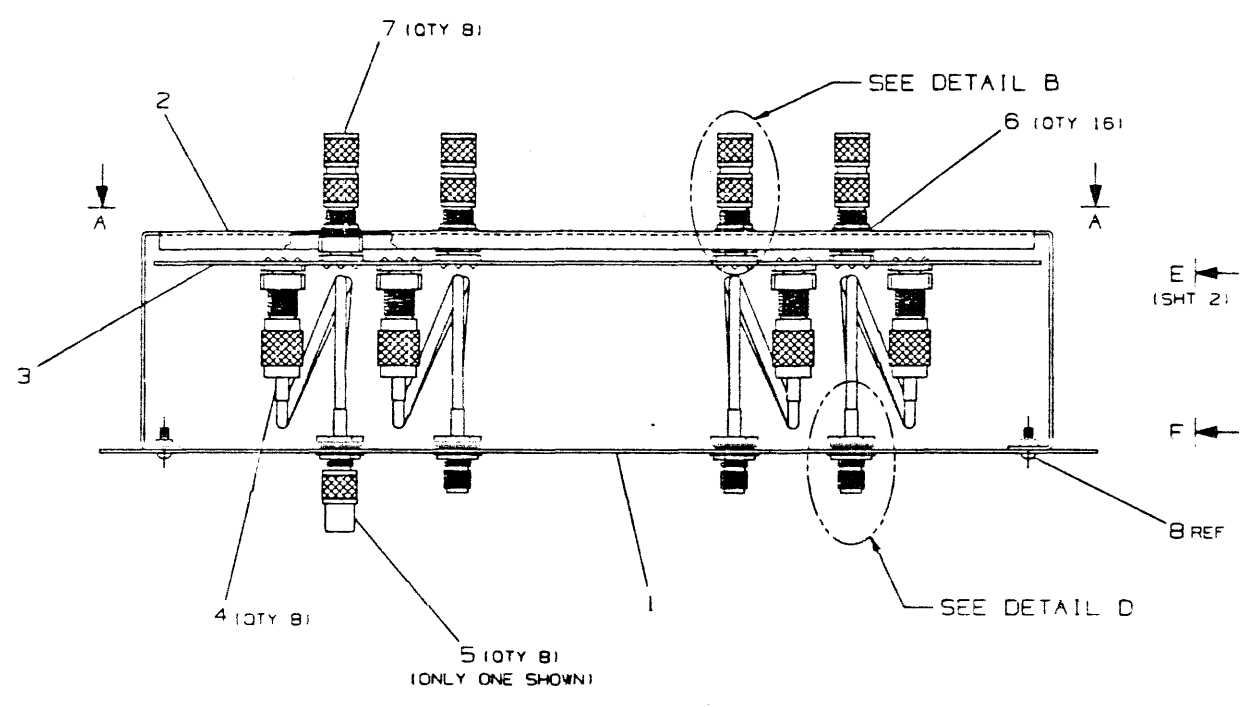
TITLE:
SC008 FIELD MAINT. PRINT SET

SIZE	CODE	NUMBER	REV
B	TC	SC008-A-1	A
DIST.			

TW

THIS DRAWING SPECIFICATION CONTAINS ALL INFORMATION NECESSARY FOR THE FABRICATION OF THIS PART AND THE ASSEMBLY OF THIS PART INTO THE COMPLETE UNIT. ALL DIMENSIONS ARE IN UNLESS OTHERWISE SPECIFIED.

LEGEND		
PART NO	REV	VARIATION
7022193-0	A1	AS SHOWN



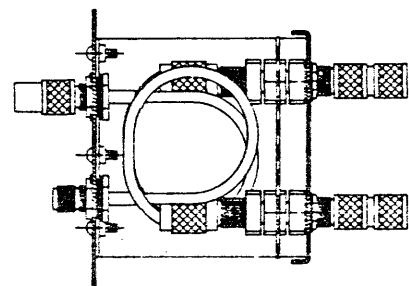
LAYER #4 = FORMAT SHT 2
 LAYER #3 = WORK SHT 2
 LAYER #2 = FORMAT LAYER
 LAYER #1 = WORK LAYER

PLOT AT: 1.00
 CAUTION: OFF SHEET PARTS LIST EXISTS
 SEE K-PL-7022193-0-DBP
 (TWOSI)

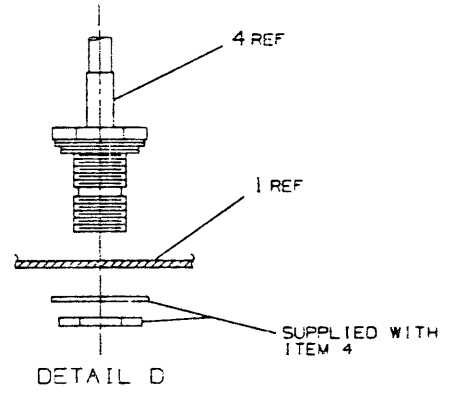
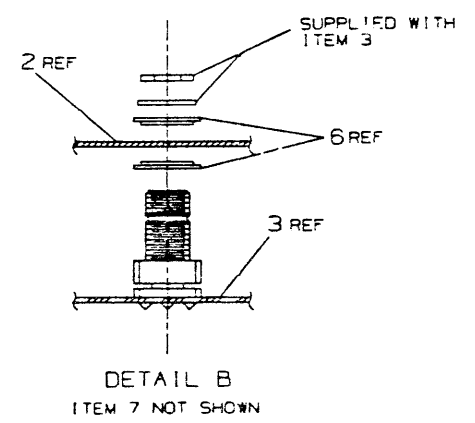
DESCRIPTION	DRAWING NO.	PART NO.	REV.
UNLESS OTHERWISE SPECIFIED DIMENSIONS ARE IN INCHES AND THE FOLLOWING TOLERANCES APPLY PER DEC STD 114:			
DIMENSION RANGE IN INCHES			
0.000 - 0.250	±0.005	0.250 - 0.500	±0.005
0.500 - 1.000	±0.005	1.000 - 2.000	±0.005
2.000 - 4.000	±0.005	4.000 - 6.000	±0.005
6.000 - 10.000	±0.005	10.000 - 16.000	±0.005
16.000 - 24.000	±0.005	24.000 - 48.000	±0.005
48.000 - 96.000	±0.005	96.000 - 192.000	±0.005
192.000 - 384.000	±0.005	384.000 - 768.000	±0.005
768.000 - 1536.000	±0.005	1536.000 - 3072.000	±0.005
3072.000 - 6144.000	±0.005	6144.000 - 12288.000	±0.005
12288.000 - 24576.000	±0.005	24576.000 - 49152.000	±0.005
49152.000 - 98304.000	±0.005	98304.000 - 196608.000	±0.005
196608.000 - 393216.000	±0.005	393216.000 - 786432.000	±0.005
786432.000 - 1572864.000	±0.005	1572864.000 - 3145728.000	±0.005
3145728.000 - 6291456.000	±0.005	6291456.000 - 12582912.000	±0.005
12582912.000 - 25165824.000	±0.005	25165824.000 - 50331648.000	±0.005
50331648.000 - 100663296.000	±0.005	100663296.000 - 201326592.000	±0.005
201326592.000 - 402653184.000	±0.005	402653184.000 - 805306368.000	±0.005
805306368.000 - 1610612736.000	±0.005	1610612736.000 - 3221225472.000	±0.005
3221225472.000 - 6442450944.000	±0.005	6442450944.000 - 12884901888.000	±0.005
12884901888.000 - 25769803776.000	±0.005	25769803776.000 - 51539607552.000	±0.005
51539607552.000 - 103079215104.000	±0.005	103079215104.000 - 206158430208.000	±0.005
206158430208.000 - 412316860416.000	±0.005	412316860416.000 - 824633720832.000	±0.005
824633720832.000 - 1649267441664.000	±0.005	1649267441664.000 - 3298534883328.000	±0.005
3298534883328.000 - 6597069766656.000	±0.005	6597069766656.000 - 13194139533312.000	±0.005
13194139533312.000 - 26388279066624.000	±0.005	26388279066624.000 - 52776558133248.000	±0.005
52776558133248.000 - 105553116266496.000	±0.005	105553116266496.000 - 211106232532992.000	±0.005
211106232532992.000 - 422212465065984.000	±0.005	422212465065984.000 - 844424930131968.000	±0.005
844424930131968.000 - 1688849860263936.000	±0.005	1688849860263936.000 - 3377699720527872.000	±0.005
3377699720527872.000 - 6755399441055744.000	±0.005	6755399441055744.000 - 13510798882111488.000	±0.005
13510798882111488.000 - 27021597764222976.000	±0.005	27021597764222976.000 - 54043195528445952.000	±0.005
54043195528445952.000 - 108086391056891904.000	±0.005	108086391056891904.000 - 216172782113783808.000	±0.005
216172782113783808.000 - 432345564227567616.000	±0.005	432345564227567616.000 - 864691128455135232.000	±0.005
864691128455135232.000 - 1729382256910270464.000	±0.005	1729382256910270464.000 - 3458764513820540928.000	±0.005
3458764513820540928.000 - 6917529027641081856.000	±0.005	6917529027641081856.000 - 13835058055282163712.000	±0.005
13835058055282163712.000 - 27670116110564327424.000	±0.005	27670116110564327424.000 - 55340232221128654848.000	±0.005
55340232221128654848.000 - 110680464442257309696.000	±0.005	110680464442257309696.000 - 221360928884514619392.000	±0.005
221360928884514619392.000 - 442721857769029238784.000	±0.005	442721857769029238784.000 - 885443715538058477568.000	±0.005
885443715538058477568.000 - 1770887431076116955136.000	±0.005	1770887431076116955136.000 - 3541774862152233910272.000	±0.005
3541774862152233910272.000 - 7083549724304467820544.000	±0.005	7083549724304467820544.000 - 14167099448608935641088.000	±0.005
14167099448608935641088.000 - 28334198897217871282176.000	±0.005	28334198897217871282176.000 - 56668397794435742564352.000	±0.005
56668397794435742564352.000 - 113336795588871485128704.000	±0.005	113336795588871485128704.000 - 226673591177742970257408.000	±0.005
226673591177742970257408.000 - 453347182355485940514816.000	±0.005	453347182355485940514816.000 - 906694364710971881029632.000	±0.005
906694364710971881029632.000 - 1813388729421943762059264.000	±0.005	1813388729421943762059264.000 - 3626777458843887524118528.000	±0.005
3626777458843887524118528.000 - 7253554917687775048237056.000	±0.005	7253554917687775048237056.000 - 14507109835375550096474112.000	±0.005
14507109835375550096474112.000 - 29014219670751100192948224.000	±0.005	29014219670751100192948224.000 - 58028439341502200385896448.000	±0.005
58028439341502200385896448.000 - 116056878683004400771792896.000	±0.005	116056878683004400771792896.000 - 232113757366008801543585792.000	±0.005
232113757366008801543585792.000 - 464227514732017603087171584.000	±0.005	464227514732017603087171584.000 - 928455029464035206174343168.000	±0.005
928455029464035206174343168.000 - 1856910058928070412388686336.000	±0.005	1856910058928070412388686336.000 - 3713820117856140824777372672.000	±0.005
3713820117856140824777372672.000 - 7427640235712281649554745344.000	±0.005	7427640235712281649554745344.000 - 14855280471424563299109490688.000	±0.005
14855280471424563299109490688.000 - 29710560942849126598218981376.000	±0.005	29710560942849126598218981376.000 - 59421121885698253196437962752.000	±0.005
59421121885698253196437962752.000 - 118842243771396506392875925504.000	±0.005	118842243771396506392875925504.000 - 237684487542793012785751851008.000	±0.005
237684487542793012785751851008.000 - 475368975085586025571503702016.000	±0.005	475368975085586025571503702016.000 - 950737950171172051143007404032.000	±0.005
950737950171172051143007404032.000 - 1901475900342344102286014808064.000	±0.005	1901475900342344102286014808064.000 - 3802951800684688204572029616128.000	±0.005
3802951800684688204572029616128.000 - 7605903601369376409144059232256.000	±0.005	7605903601369376409144059232256.000 - 15211807202738752818288118464512.000	±0.005
15211807202738752818288118464512.000 - 30423614405477505636576236929024.000	±0.005	30423614405477505636576236929024.000 - 60847228810955011273152473858048.000	±0.005
60847228810955011273152473858048.000 - 121694457621910022546304947716096.000	±0.005	121694457621910022546304947716096.000 - 243388915243820045092609895432192.000	±0.005
243388915243820045092609895432192.000 - 486777830487640090185219790864384.000	±0.005	486777830487640090185219790864384.000 - 973555660975280180370439581728768.000	±0.005
973555660975280180370439581728768.000 - 1947111321950560360740879163457536.000	±0.005	1947111321950560360740879163457536.000 - 3894222643901120721481758326915072.000	±0.005
3894222643901120721481758326915072.000 - 7788445287802241442963516653830144.000	±0.005	7788445287802241442963516653830144.000 - 15576890575604482859327033307660288.000	±0.005
15576890575604482859327033307660288.000 - 31153781151208965718654066615320576.000	±0.005	31153781151208965718654066615320576.000 - 62307562302417931437308133230641152.000	±0.005
62307562302417931437308133230641152.000 - 124615124604835862874616266461282304.000	±0.005	124615124604835862874616266461282304.000 - 249230249209671725749232532922564608.000	±0.005
249230249209671725749232532922564608.000 - 498460498419343451498465065845129216.000	±0.005	498460498419343451498465065845129216.000 - 996920996838686902996930131690258432.000	±0.005
996920996838686902996930131690258432.000 - 1993841993677373805993860263380516864.000	±0.005	1993841993677373805993860263380516864.000 - 3987683987354747611987720526761033728.000	±0.005
3987683987354747611987720526761033728.000 - 7975367974709495223975441053522067456.000	±0.005	7975367974709495223975441053522067456.000 - 15950735949418990447950882107044134912.000	±0.005
15950735949418990447950882107044134912.000 - 31901471898837980895901764214088269824.000	±0.005	31901471898837980895901764214088269824.000 - 63802943797675961791803528428176539648.000	±0.005
63802943797675961791803528428176539648.000 - 127605887595351923583607056856353079296.000	±0.005	127605887595351923583607056856353079296.000 - 255211775190703847167214113712706158592.000	±0.005
255211775190703847167214113712706158592.000 - 510423550381407694334428227425412317184.000	±0.005	510423550381407694334428227425412317184.000 - 1020847100762815388668856454850824634368.000	±0.005
1020847100762815388668856454850824634368.000 - 2041694201525630777337712909701649268736.000	±0.005	2041694201525630777337712909701649268736.000 - 4083388403051261554675425819403298537472.000	±0.005
4083388403051261554675425819403298537472.000 - 8166776806102523109350851638806597074944.000	±0.005	8166776806102523109350851638806597074944.000 - 16333553612205046218701703277613194149888.000	±0.005
16333553612205046218701703277613194149888.000 - 32667107224410092437403406555226388299776.000	±0.005	32667107224410092437403406555226388299776.000 - 65334214448820184874806813110452776599552.000	±0.005
65334214448820184874806813110452776599552.000 - 130668428897640369749613626220905551999104.000	±0.005	130668428897640369749613626220905551999104.000 - 261336857795280739499227252441811103998208.000	±0.005
261336857795280739499227252441811103998208.000 - 522673715590561478998454504883622207996416.000	±0.005	522673715590561478998454504883622207996416.000 - 1045347431181122957996909009767244415888.000	±0.005
1045347431181122957996909009767244415888.000 - 20906948623622459159938180195344888317776.000	±0.005	20906948623622459159938180195344888317776.000 - 41813897247244918319876360390689776635552.000	±0.005
41813897247244918319876360390689776635552.000 - 83627794494489836639752720781379553271104.000	±0.005	83627794494489836639752720781379553271104.000 - 167255588988979673279505441562759106542208.000	±0.005
167255588988979673279505441562759106542208.000 - 334511177977959346559010883125518213084416.000	±0.005	334511177977959346559010883125518213084416.000 - 669022355955918693118021766251036426168832.000	±0.005
669022355955918693118021766251036426168832.000 - 1338044711911837386236043532502072852337664.000	±0.005	1338044711911837386236043532502072852337664.000 - 2676089423823674772472087065004145664675328.000	±0.005
2676089423823674772472087065004145664675328.000 - 535217884764734954494417413000831333350656.000	±0.		

REVISION HISTORY
 DATE FOR HISTOR

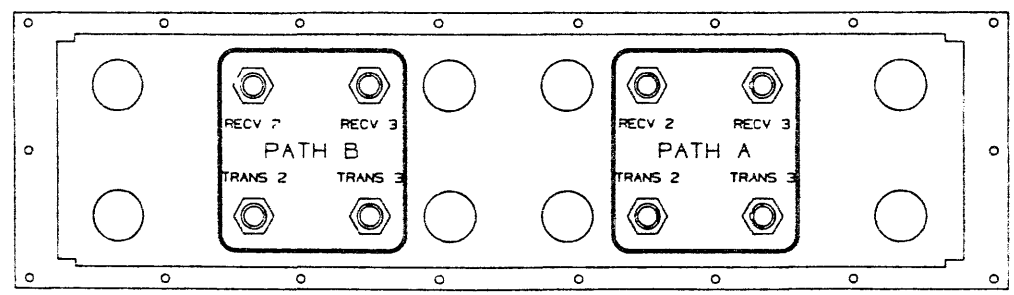
V 7022193-0-DBU 3



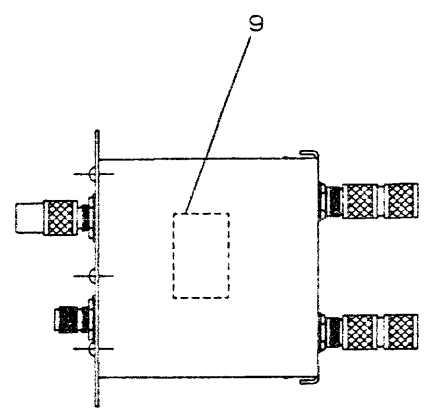
SECTION E-E



DETAIL D



VIEW A-A
 ROTATED 180°



SECTION C-C

PLOT AT : 1.00

REVISION HISTORY
 DATE FOR HISTOR

TITLE STAR COUPLER ASSY, 14 NODE
 DOCUMENT NUMBER EAD 7022193-0-DBU A
 SCALE 1:1 SHEET 2 OF 2

LINE	ITEM	TOP DOCUMENT	PART NUMBER	MIN REV	DESCRIPTION	QTY	PER VARIATION
					VARIATION REVISION LEVEL:	01	A1
1	1	E-IA-7431440-0-DBU	7431440-01		PANEL,FRONT,SC4	1	
2	2	E-IA-7431438-0-DBU	7431438-01		BRACKET,MTG.,SC4 MODULE	1	
3	3	D-UA-5417523-0-0	5417523-01		PC BOARD,4 NODE STAR COUPLER	1	
4	4	A-PS-1700967-0-0	1700967-01		CABLE ASSY W/CONN,9"LG	8	
5	5	A-PS-1218633-0-0	1218633-00		CONN,COAX TNC 50 OHM PLUG CRIM	8	
6	6	A-PS-1220575-0-0	1220575-01		BUSHING,INSULATD MYLAR .56 IDX	16	
7	7	A-PS-1224139-0-0	1224139-01		CONN,COAX TNC 500HMS	8	
8	8		9000049-24		SCREW,SEMS PAN PHIL	6-	6
9	9	A-PS-3619264-0-0	3619264-17		LABEL,SET VAR 01 THRU 16		1

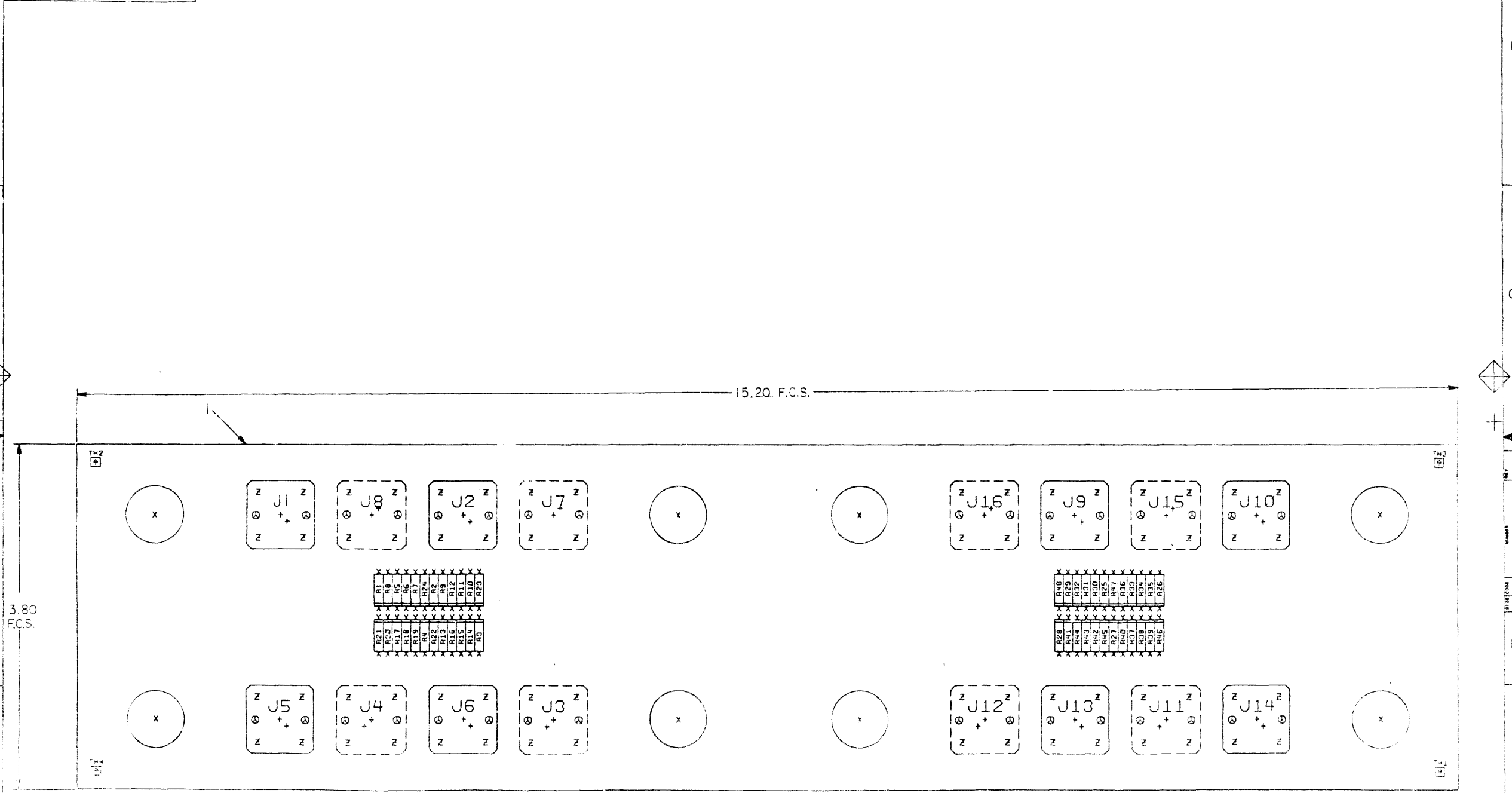
REVISION HISTORY			BASIC PART NO: 7022193						
ENG	ECO NUMBER	REV	SECTION A OF A	DRN: C. SENECALE	DATE: 25 OCT 84	D I G I T A L			
---	INITIAL	A	SECTION VARIATION INDEX [A]01	CHK'D: L. BOURGAULT	DATE: 9 FEB 85	TITLE PARTS LIST STAR COUPLER ASSY			
			[B]	DES.ENG: B. MORIN	DATE: 9 FEB 85	DOCUMENT NUMBER			
			[C]	RESP.ENG.: B. MORIN	DATE: 9 FEB 85	SIZE	CODE	NUMBER	REV
			[D]	MFG.ENG.: G. JARVIS	DATE: 9 FEB 85	K	PL	7022193-0-DBP	A
			[E]	ASSEMBLY NUMBER:	TOP DOCUMENT NUMBER:	FILE NAME:		EDIT #	
			[F]	E-AD-7022193-0-DBU	E-AD-7022193-0-DBU	TW091A.PLS		6	

"THIS DRAWING AND THE SPECIFICATIONS CONTAINED HEREIN ARE CONFIDENTIAL AND PROPRIETARY. THEY ARE THE PROPERTY OF DIGITAL EQUIPMENT CORPORATION AND SHALL NOT BE REPRODUCED OR COPIED OR USED IN WHOLE OR IN PART AS THE BASIS FOR THE MANUFACTURE OR SALE OF ITEMS WITHOUT WRITTEN PERMISSION. THIS IS AN UNPUBLISHED WORK PROTECTED UNDER THE FEDERAL COPYRIGHT LAWS."

8 7 6 5 4 3 2 1

THIS DRAWING AND SPECIFICATIONS HEREIN ARE THE PROPERTY OF DIGITAL EQUIPMENT CORPORATION AND SHALL NOT BE REPRODUCED OR TRANSMITTED IN ANY FORM OR BY ANY MEANS, ELECTRONIC OR MECHANICAL, INCLUDING PHOTOCOPYING, RECORDING, OR BY ANY INFORMATION STORAGE AND RETRIEVAL SYSTEM, WITHOUT PERMISSION IN WRITING FROM DIGITAL EQUIPMENT CORPORATION.

COMPONENT SIDE VIEW



NOTES

1. REFER TO S. LEAF
2. ALL CONNECTORS ON SIDE 2
3. J1, J2, J3, J4, J5 AND J16
4. STEP AND REPEAT CODE IS 2A0155

STEP 1	+ Y AXIS	3.80	STEP 2 TIMES
STEP 2	+ X AXIS		STEP 0 TIMES

CHANCE, NO REV	

ETCH REV. A1

SIGNATURES	DATE	DIGITAL	TITLE	NO. OF STAP	COPIES
DRN. S. LEAF	11-27-74				
CHK'D. <i>P. Smith</i>	10-23-74				
MECH. ENG. S. LEAF	1-21-75				
PROD. ENG. S. LEAF	2-21-75				
PROD. S. LEAF	2-21-75				
SCALE 2:1		SIZE CODE	NUMBER	REV.	
SHT. 1 OF 1		D 11A 5417523-0-0			
NEXT HIGHER ASSY. B-00-5417523-0-0					

D 11A 5417523-0-0 A

B

D

WO# 701451

AUTOMATED BY PRTLST.5R(55)

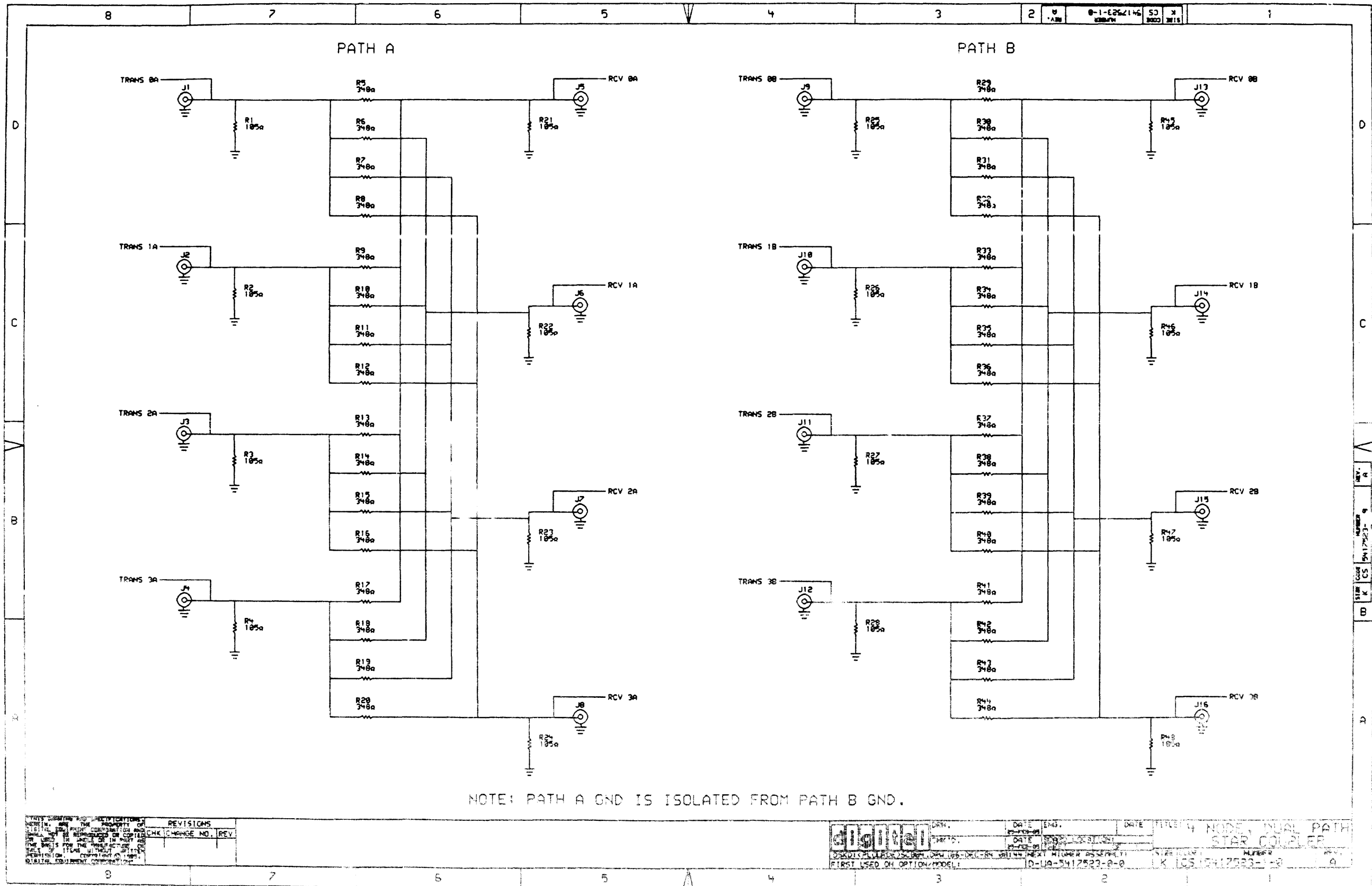
P A R T S L I S T

SHEET A1 OF A1

LINE	ITEM	TOP DOCUMENT	PART NUMBER	MIN REV	DESCRIPTION	QTY PER VARIATION	REFERENCE DESIGNATOR
					VARIATION REVISION LEVEL:	A1	
1	1	D-MD-5017522-0-0	5017522-01		DRILL & ETCH BOARD	1	
2	2		1217979-00		CONN,COAX TNC 50 OHM JACK PC 0	16	J1-J16
3	3		1309294-00		105.0 .25 W .10% RN55E-B 2	16	R1-R4,R21-R28,R45-R48
4	4		1321573-01		348.0 .25 W .10% RN55E-B 2	32	R5-R20,R29-R44

REVISION HISTORY			BASIC PART NO: 5417523		
ENG	ECO NUMBER	REV	SECTION A OF A	DRN: S.MANSOR	DATE: 03-OCT-84
---	INITIAL	A	SECTION VARIATION INDEX	CHK'D: F.GAROFALO	DATE: 10-OCT-84
			[A] 01	DES.ENG: STEVE BARBAS	DATE: 10-OCT-84
			[B]	RESP.ENG.: STEVE BARBAS	DATE: 10-OCT-84
			[C]	MFG.ENG.: GARTH JARVIS	DATE: 21-FEB-85
			[D]	ASSEMBLY NUMBER:	TOP DOCUMENT NUMBER:
			[E]	D-UA-5417523-0-0	B-DD-5417523-0-0
			[F]		FILE NAME:
			[G]		227A.PLS
			[H]		EDIT #
			[I]		4
			[J]		
			[K]		
			[L]		
			[M]		
			[N]		

"THIS DRAWING AND THE SPECIFICATIONS CONTAINED HEREIN ARE CONFIDENTIAL AND PROPRIETARY. THEY ARE THE PROPERTY OF DIGITAL EQUIPMENT CORPORATION AND SHALL NOT BE REPRODUCED OR COPIED OR USED IN WHOLE OR IN PART AS THE BASIS FOR THE MANUFACTURE OR SALE OF ITEMS WITHOUT WRITTEN PERMISSION. THIS IS AN UNPUBLISHED WORK PROTECTED UNDER THE FEDERAL COPYRIGHT LAWS."



NOTE: PATH A GND IS ISOLATED FROM PATH B GND.

REV.	DATE	DESCRIPTION
1		

REV.	DATE	DESCRIPTION
1		

REV.	DATE	DESCRIPTION
1		