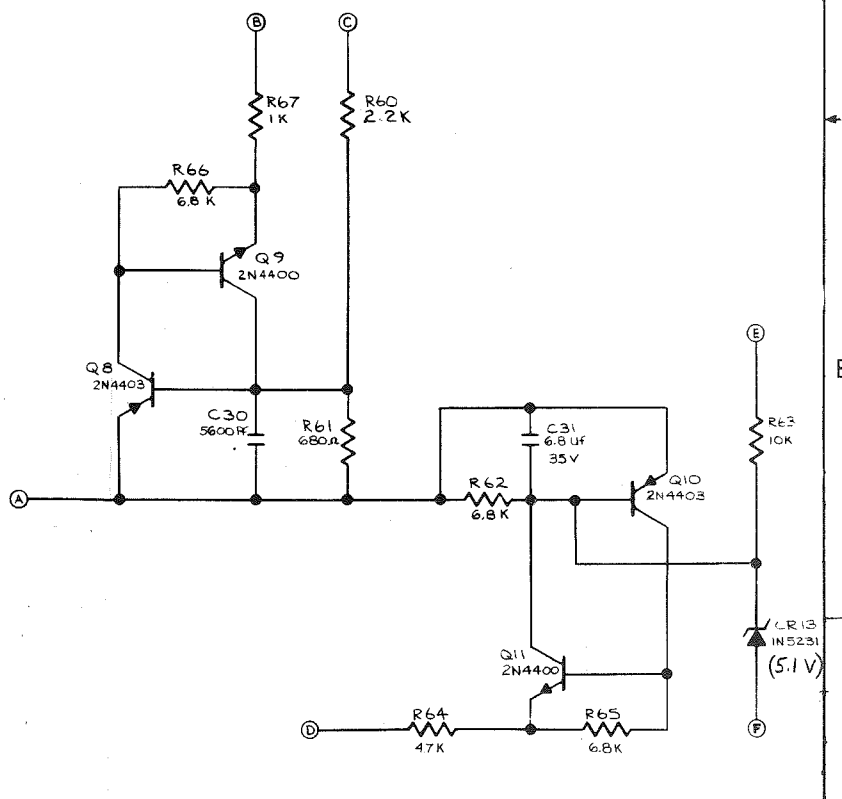
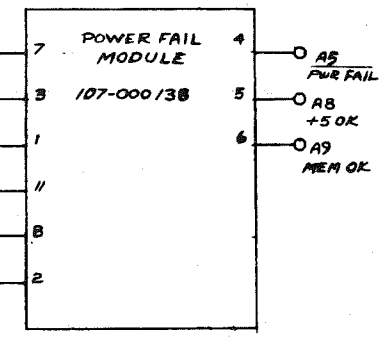
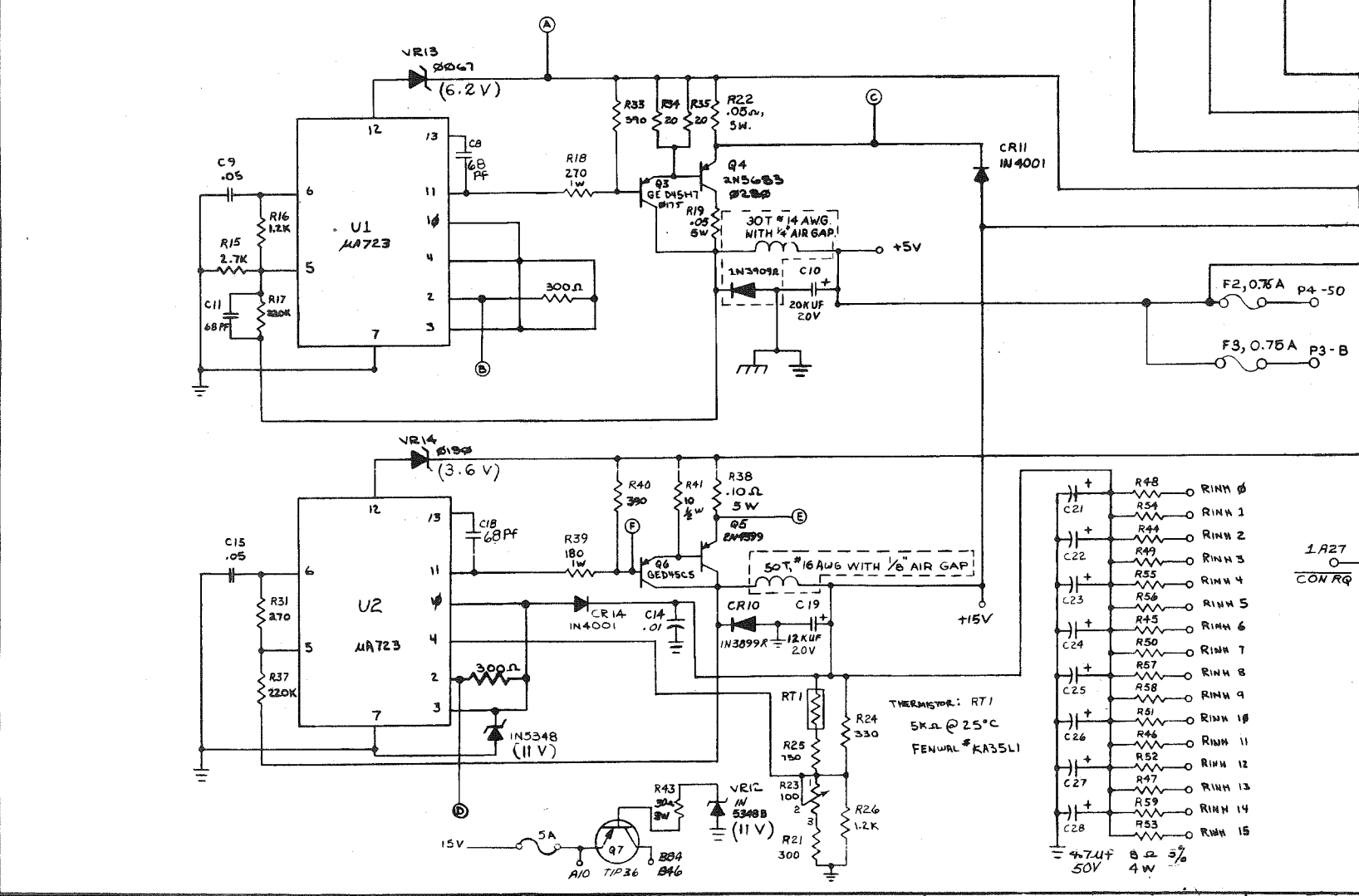
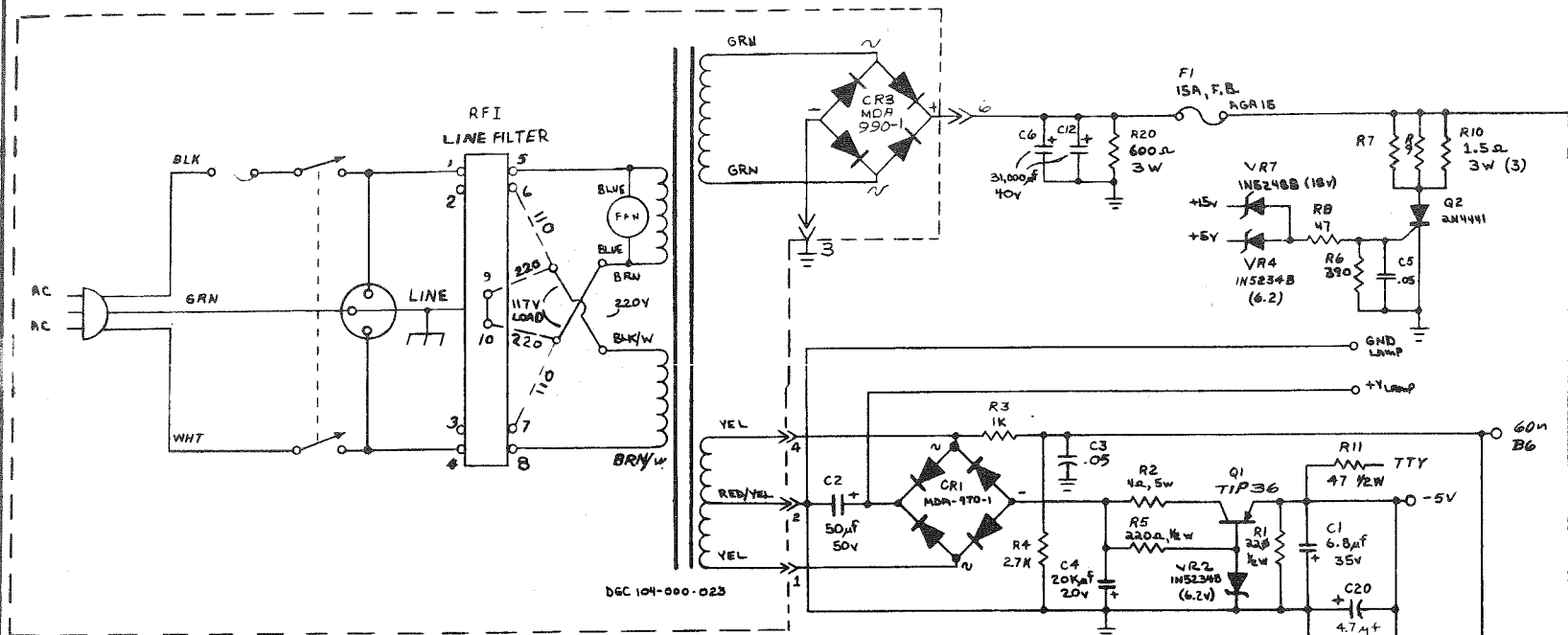


THIS DRAWING AND SPECIFICATIONS HEREIN ARE THE PROPERTY OF DATA GENERAL CORPORATION AND SHALL NOT BE REPRODUCED OR COPIED OR USED IN WHOLE OR IN PART AS THE BASIS FOR MANUFACTURE OR SALE OF ITEMS WITHOUT WRITTEN PERMISSION.

| REVISIONS | | | | |
|-----------|-------------------|--------|--------|----------|
| REV | DESCRIPTION | DRFTG | APP BY | DATE |
| 01 | REV PER MFD PRINT | RHS | | 11/20/74 |
| 02 | ECO # 829 848 | RNK | | 2/11/75 |
| 03 | ECO # 975 | R.F. | | 4/1/75 |
| 04 | ECO # 1025 | M.J.P. | | 6-72 |
| 05 | ECO # 1038 | M.J.P. | | 6-72 |
| 06 | ECO # 1046 | M.J.P. | | 6-72 |
| 07 | ECO # 1179 | R.W.C. | | 10/9/72 |
| 08 | ECO # 1184 | M.J.P. | | 11/21/72 |
| 09 | ECO # 1197 | M.J.P. | | 11/21/72 |
| 10 | ECO # 1261 | M.J.P. | | 11/20/72 |
| 11 | ECO # 1784 | R.W.C. | | 7-20-73 |
| 12 | ECO # 2255 | R.W.C. | | 7-74 |
| 13 | ECO # 2521 | G.W.M. | | 7-5-74 |
| 14 | ECO # 2662 | G.W.M. | | 7-5-74 |
| 15 | ECO # 2808 | RAS | | 9-10-74 |
| 16 | ECO # 3851 | DAZ | | 12-18-74 |
| 17 | ECO # 3177 | TJK | | 2-20-75 |
| 18 | ECO # 4988A | WLS | | 3-9-77 |
| 19 | ECO # 5951 | WLS | | 3-9-77 |
| 20 | ECO # 6044 | WLS | | 4-8-77 |



| UNLESS OTHERWISE SPECIFIED— DIMENSIONS ARE IN INCHES FRACTIONS DECIMALS ANGLES TOLERANCES ON XXX ± .010 PARTS TO BE FREE FROM BURRS BREAK ALL EDGES .010 | | QTY. | DESCRIPTION | PART NO. |
|--|------|----------------|-------------|----------|
| DRAWN | | | | |
| CHECKED | | | | |
| ENGINEER | | | | |
| APPROVED | | | | |
| MATERIAL | | | | |
| FINISH | | | | |
| FIRST USED ON | | 2091 | | |
| | | 107-000/28 | | |
| SIZE | CODE | DRAWING NUMBER | REV. | |
| D | 001 | 000173 | 20 | |