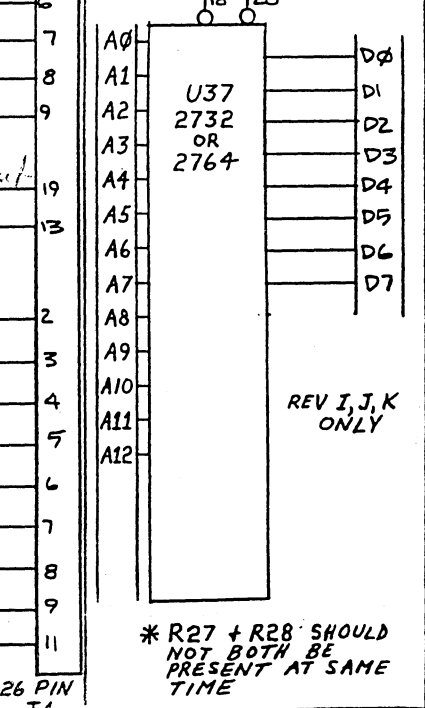
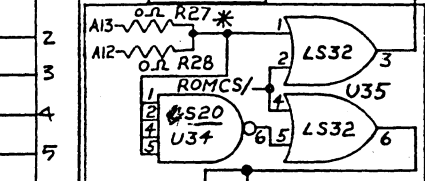


Δ1 R24 CHANGED FROM 100K TO 82K; ECO 1100
 Δ2 U2 CHANGED FROM AN 8276 TO AN 8275; ECO 1124
 Δ3 U28 " " A 74LS08 TO A 7408
 U29 " " A 74S74 TO A 74LS74
 U31 " " A 74S74 TO A 74F74
 ECO 1153
 Δ4 U23 " " 74LS04 " 74S04
 Δ5 U43 " " 74LS20 TO 74S20
 Δ6 ADD 22 pf CAP

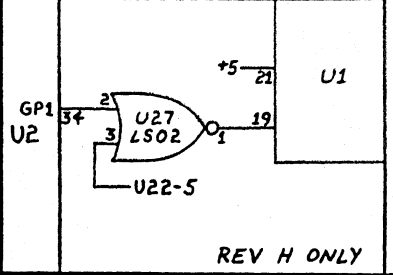
ECO 1223 → Rev P (U45 U43)

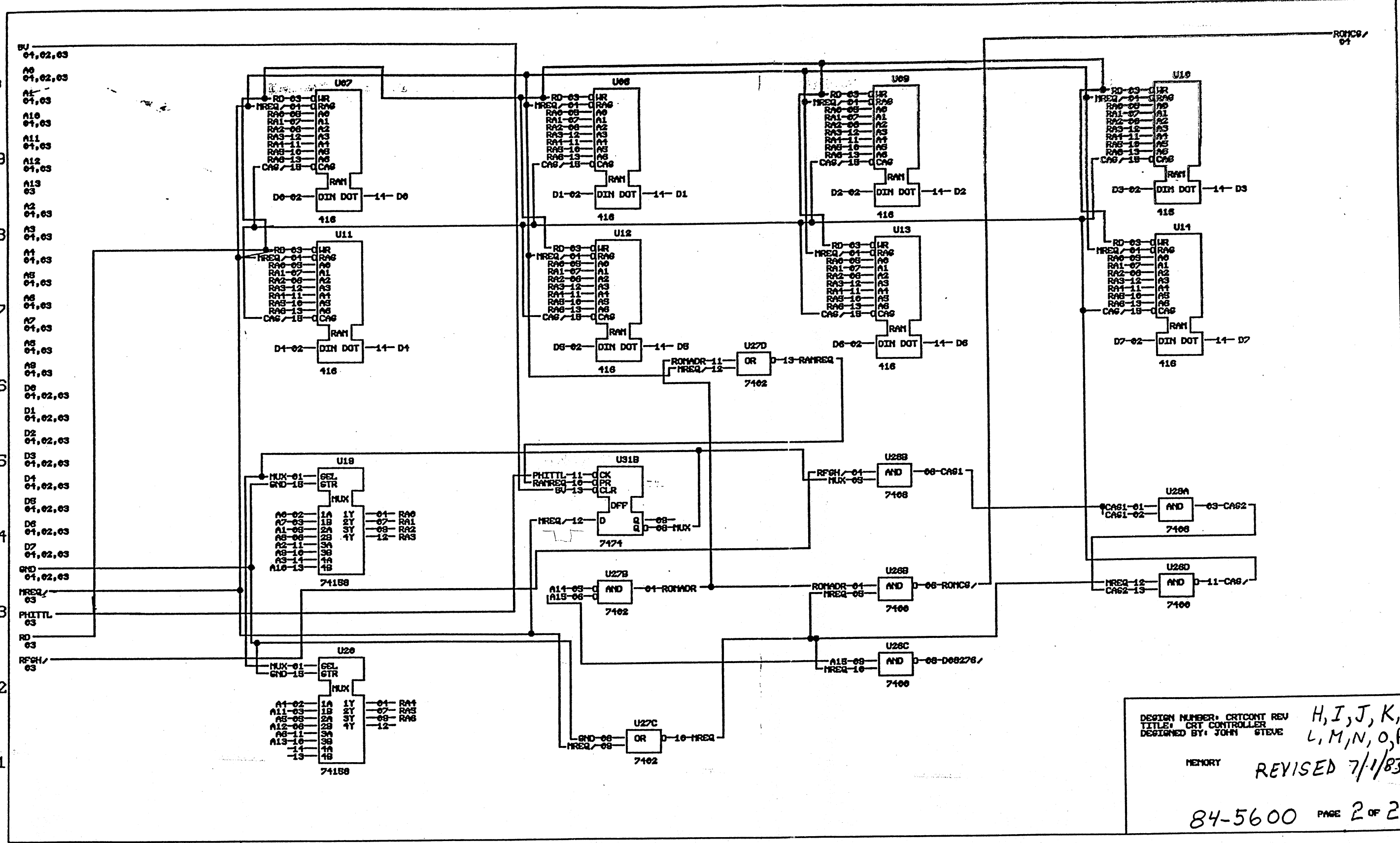
ROMCS/REV H ONLY

A0	8	10	11	9	D0
A1	7	9	12	10	D1
A2	6	8	27	13	D2
A3	5	7	27	15	D3
A4	4	6	27	16	D4
A5	3	5	17	19	D5
A6	2	4	18	16	D6
A7	1	3	19	17	D7
A8	23	25	27	5V	
A9	22	24	28		
A10	19	21			
A11	21	23			
A12	2				



* R27 + R28: SHOULD NOT BOTH BE PRESENT AT SAME TIME





DESIGN NUMBER: CRTCONT REV H, I, J, K,
 TITLE: CRT CONTROLLER L, M, N, O, P
 DESIGNED BY: JOHN STEVE

MEMORY REVISED 7/1/83

BU 01,02,03
 A0 01,02,03
 A1 01,03
 A10 01,03
 A11 01,03
 A12 01,03
 A13 03
 A2 01,03
 A3 01,03
 A4 01,03
 A5 01,03
 A6 01,03
 A7 01,03
 A8 01,03
 A9 01,03
 D0 01,02,03
 D1 01,02,03
 D2 01,02,03
 D3 01,02,03
 D4 01,02,03
 D5 01,02,03
 D6 01,02,03
 D7 01,02,03
 GND 01,02,03
 NREQ/03
 PHITTL 03
 RD 03
 RFCH/03
 2
 1

A B C D E F G H I J K L M N O P Q R S T U V W X