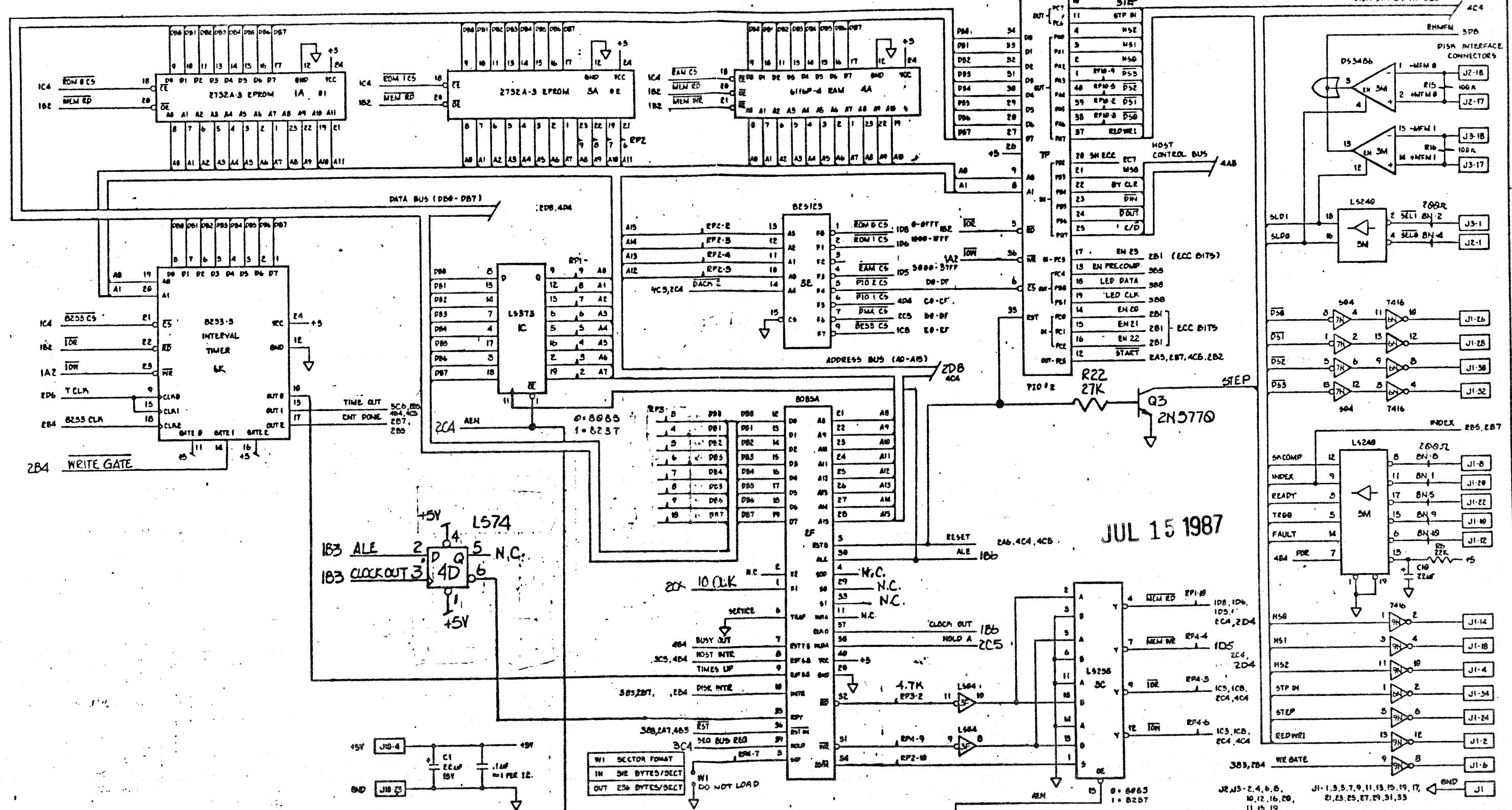
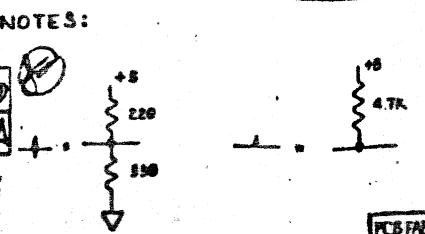
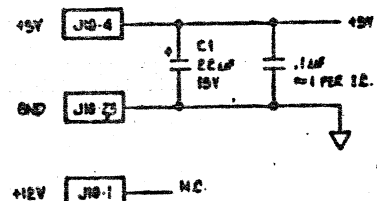


ZONE	REV	DESCRIPTION	DATE	APPROVED
A	SHT 1, 2, 3, 4		1-25-82	VJ
	PCB FAB REV. 01	SCHEM KEY B1 SHT. 1, 2, 3, 4	2-26-82	VJ



JUL 15 1987



NOTES:

PCB FAB REV 09	ASSY REV K2	ECO.# 055.14	7.26.83	KD
PCB FAB REV 09	ASSY REV K1	ECO.# 055.13	7.13.83	TA
PCB FAB REV. 09	SCH. REV. J	SHT. 2	9-30-82	VJ
PCB FAB REV. 08	SCH. REV. I	SHT. 1, 2, 3, 4	9/22/82	VJ
PCB FAB. REV. 07	SCH. REV. H	PG. 1, 2, 3	8/10/82	VJ
PCB FAB. REV. 06	SCH. REV. G	PR. 2, 3	6/22/82	CT
PCB FAB REV. 05	SCH. REV. F	PR. 2	5-21-82	CT

QTY	REQD	PART NO.	PART OR IDENTIFYING NO.	NO. IN QUANTITY OR DESCRIPTION	MATERIAL SPECIFICATION
PARTS LIST					
UNLESS OTHERWISE SPECIFIED DIMENSIONS ARE IN INCHES TOLERANCES ARE: FRACTIONS DECIMALS ANGLES					
MATERIAL					
FINISH					
TEXT BODY					
USED ON					
APPLICATION					
DO NOT SCALE DRAWING					

DTC Data Technology Corporation

DTC 510A

APPROVALS: Y JEW, DATE: 5-11-82

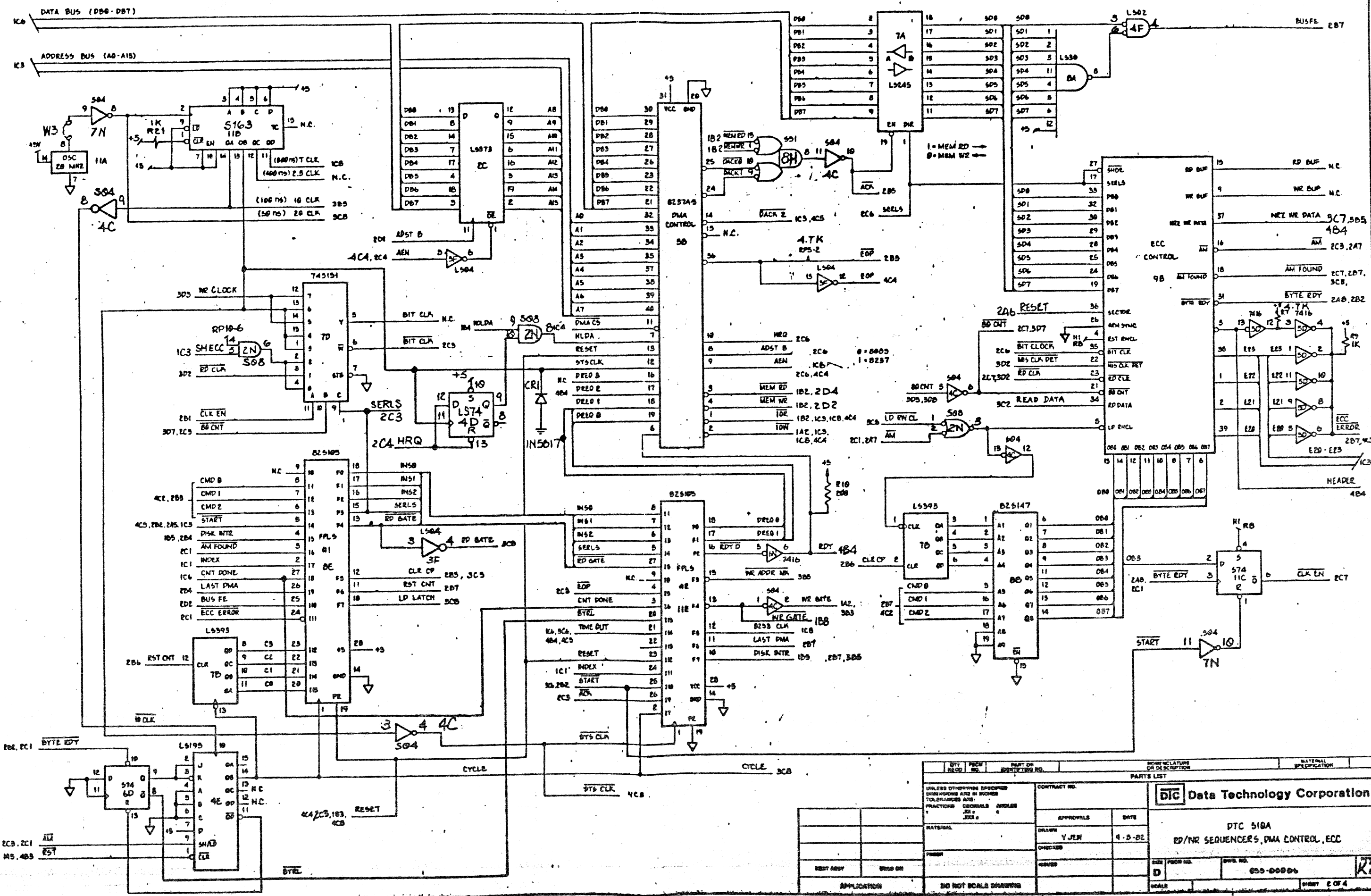
DATE: 2/21/83

SCALE: D

PCB NO.: 055-00006

SHEET 1 OF 4

REVISIONS			
REV	DATE	DESCRIPTION	APPROVED



QTY	FRONT NO.	PART OR IDENTIFYING NO.	NOMENCLATURE OR DESCRIPTION	MATERIAL SPECIFICATION

PARTS LIST		CONTRACT NO.	

APPROVALS		DATE

MATERIAL		DRAWN	

CHECKED		DATE	

NEXT ASSY		USED ON	

APPLICATION		DO NOT SCALE DRAWING	

DTC Data Technology Corporation	

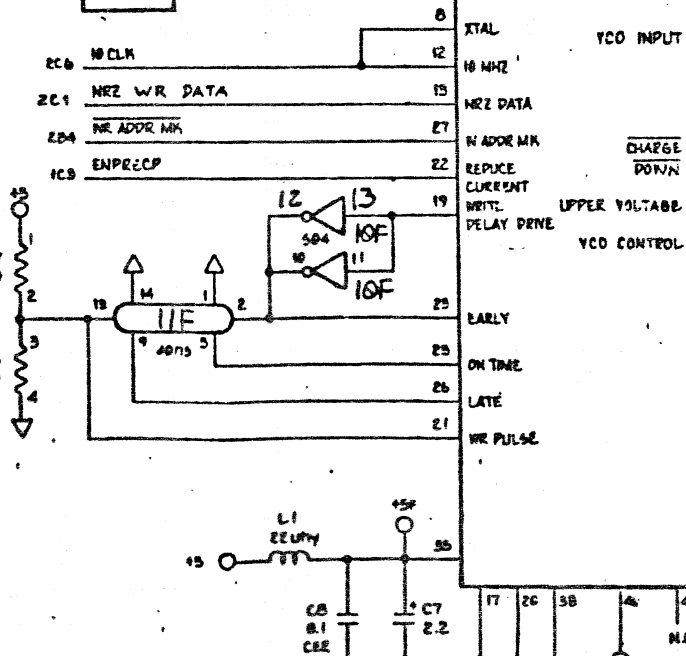
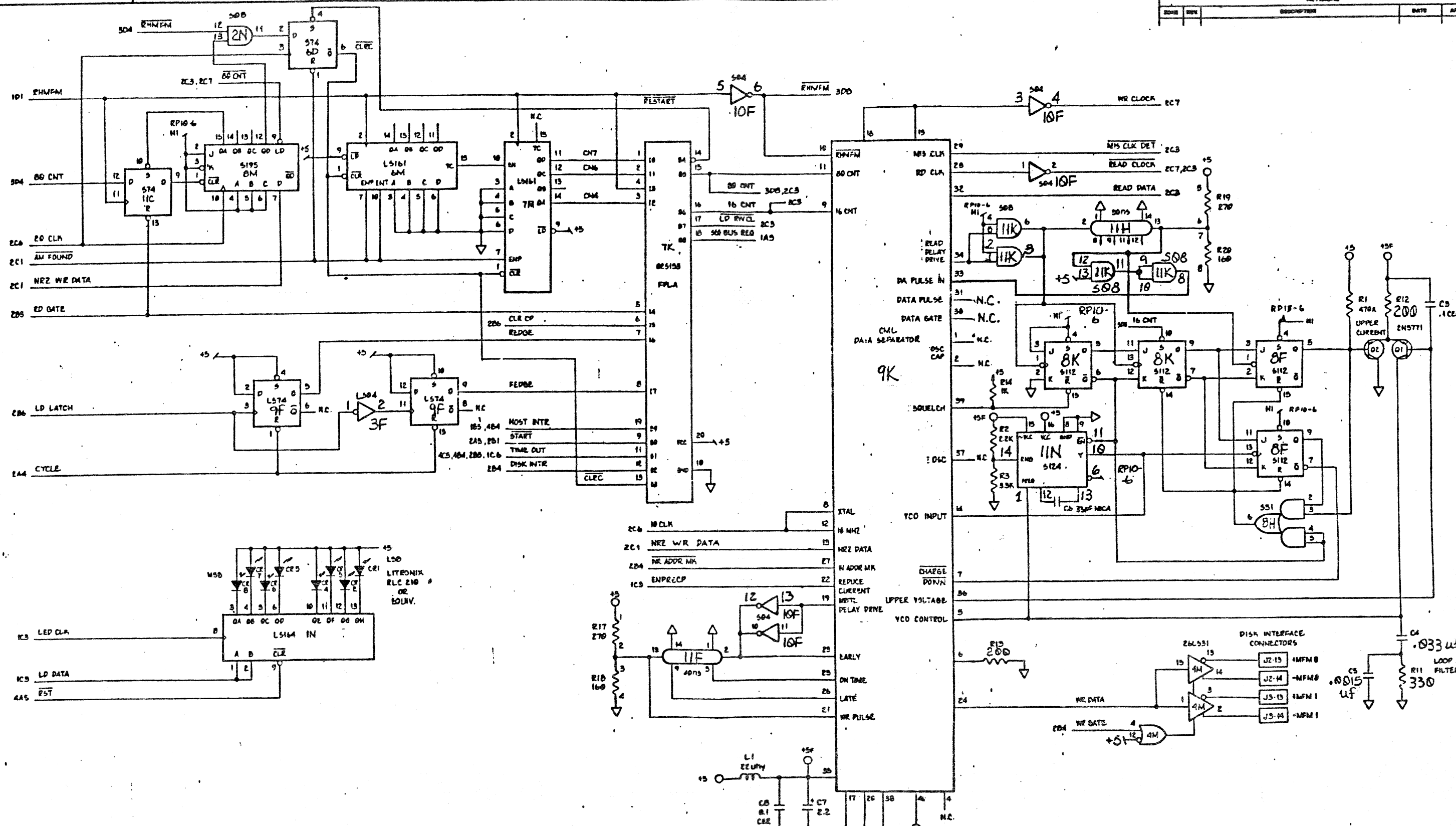
DTC 510A	

EP/NR SEQUENCERS, DMA CONTROL, ECC	

REV	FRONT NO.	DATE

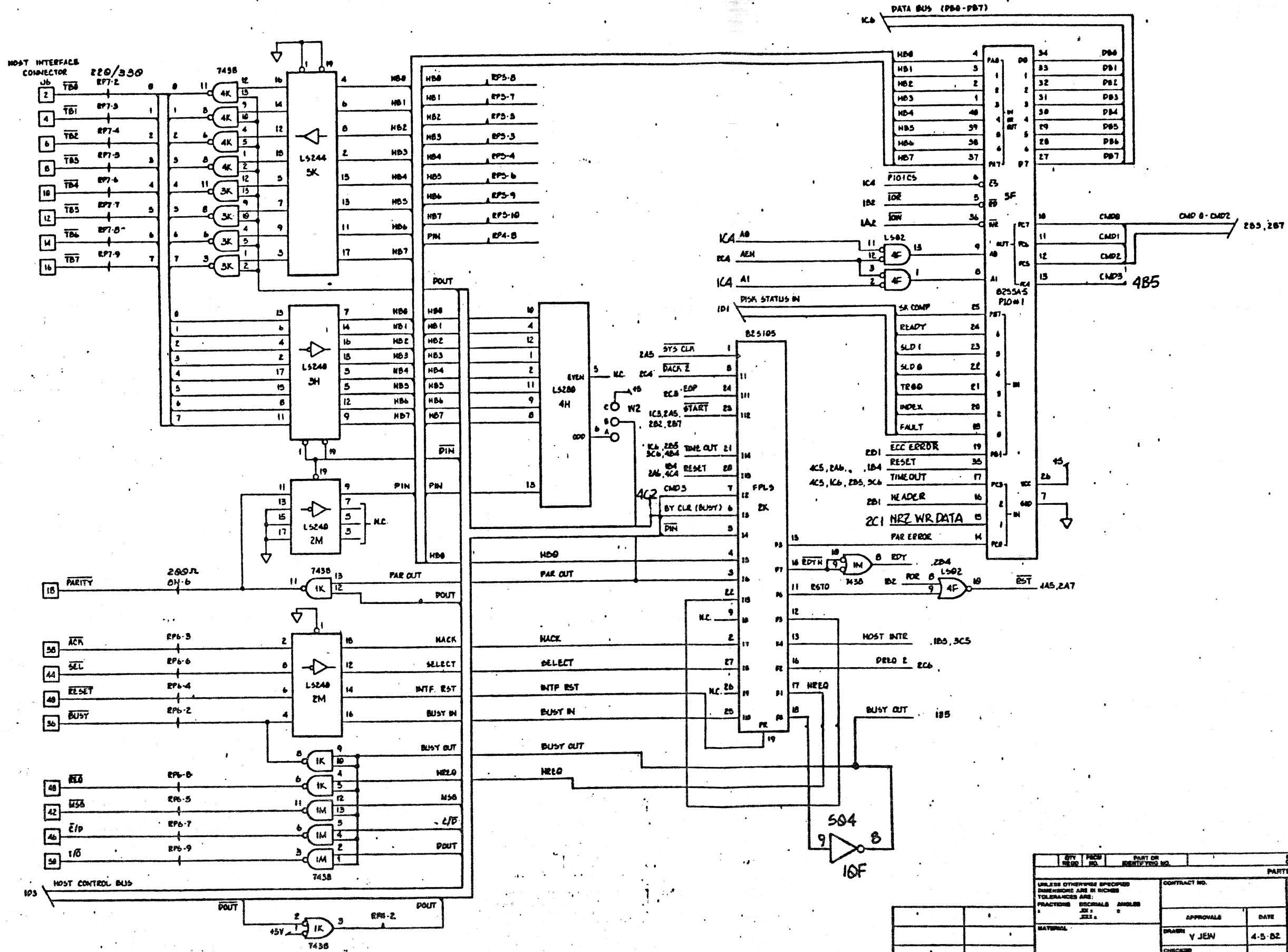
PARTS LIST	

REV	DATE	APPROVED



QTY	PCSU	PART NO	IDENTIFYING NO	SYMBOLIC	DESCRIPTION	MATERIAL SPECIFICATION
PARTS LIST						
UNLESS OTHERWISE SPECIFIED DIMENSIONS ARE IN INCHES TOLERANCES ARE FRACTIONS DECIMALS ANGLES SEE JES-3						
CONTRACT NO.			APPROVALS DATE			
MATERIAL			DRAWN YJEW 4-8-82			
PRICE			CHECKED			
NEXT ASSY			ISSUED			
USED OR			SCALE			
APPLICATION			DO NOT SCALE DRAWING			

DTC Data Technology Corporation	
PTC 510A	
SYNC AREA DETECT LOGIC AND DATA SEPARATOR	
REV: D	REV: K2
DATE: 4-8-82	DATE: 4-8-82
ISSUED: 4-8-82	ISSUED: 4-8-82
SCALE: 1:1	SCALE: 1:1
APP: 695-00006	APP: 695-00006
DRW: 695-00006	DRW: 695-00006
SHEET 3 OF 4	



QTY	PRES	PART OR IDENTIFY NO.	NOVOLUME OR DESCRIPTION	MATERIAL SPECIFICATION
PARTS LIST				
UNLESS OTHERWISE SPECIFIED DIMENSIONS ARE IN INCHES TOLERANCES ARE: FRACTIONS DECIMALS ANGLES .XX" .XX" .XX"				
CONTRACT NO.		DTC Data Technology Corporation		
APPROVALS		DATE		
DRAWN V JEW		4-5-82		
CHECKED				
ISSUED				
NEXT ASSY		ISSUED ON		
APPLICATION		DO NOT SCALE DRAWING		
SCALE		SHEET 4 OF 4		
REV		REV NO. 055-00004		
DATE		DATE		