

TermiNet*

300 PRINTER

**SERVICE
DRAWINGS**

GENERAL  ELECTRIC

The information contained herein does not purport to cover all details or variations in equipment nor to provide for every possible contingency to be met in connection with installation, operation, or maintenance. Should further information be desired or should particular problems arise which are not covered sufficiently for the purchaser's purposes, the matter should be referred to General Electric Company.

TermiNet DATA
COMMUNICATION
PRODUCTS

TermiNet 300 Printer

Service Drawings - GEZ-5775B

Printed December, 1974 (2000)

TABLE OF CONTENTS

MOTHER BOARD CONNECTIONS AND SIGNAL NAME DEFINITIONS FOR "B" AND "C" MODEL PRINTERS

Description of Connection Lists		Page 1
Connector Cross Reference		Page 1
Mother Board Connector Numbering		Page 2
Connection List and Signal Names, "B" Model	44A410433, Sheets 2 - 48	
Connection List, "C" Model	44A410753, Sheets 2 - 39 ✓	
Mother Board Outline Drawing, "B" Model	44B412167, Sheets 1 and 2	
Mother Board Outline Drawing, "C" Model (Typical)	44B412426, Sheets 1, 2, 3, and 4 ✓✓	

NOTE

The following drawings are placed in ascending alpha-numeric sequence in the document, while the descriptions below are listed in alphabetical order. An exception to this, however, is one 19R drawing which appears at the end of the package.

INTERCONNECTION DIAGRAMS

Printer Assembly

- Hammer and Frame, "A" and "B" Models	44C400125, Sheet 2
- Hammer and Frame, "C" Model	44C400172 ✓
- Frame and Drive Harness Run, "A" and "B" Models	44C414054, Sheet 2
- Frame and Drive Harness Run, "C" Model	44C400170, Sheet 1 ✓
- Coil Bank Assembly	44C400142, Sheets 1 and 2
- Control Panel, "A" and "B" Models, KSR	44C400135
- Control Panel, "C" Model, KSR	44B400008 ✓
- Control Panel, "A" and "B" Models, RO	44C400148
- Control Panel, "C" Model, RO	44B400010, 44B400011

Standard Printed Circuit Boards

CLC/1	-	Clock and Cycle Control	44C400109, Sheet 1	Obsolete
CLC/2 ✓	-	Clock and Cycle Control	44C400109, Sheet 2	Obsolete
CLCC/3/4	-	Clock and Cycle Control	• 44C400109, Sheet 3	✓ CARD POS 9
CLCC/5	-	Clock and Cycle Control	44C400109, Sheet 5	
CLCC/6/7	-	Clock and Cycle Control	44C400109, Sheet 6	
CKIF/1	-	Keyboard Interface	44A400631	
DAT/1/2	-	Data Set Control	44C400101	
DATB/1 ✓	-	Data Set Control	44D400300	
DATC/1/2/3	-	Data Set Control	• 44D400309, Sheet 1	✗ CARD POS. 17
DATC/4	-	Data Set Control	44D400309, Sheet 2	
DATC/5	-	Data Set Control	44D400309, Sheet 3	
DATC/6	-	Data Set Control	44D400309, Sheet 5	
DATC/7	-	Data Set Control	44D400309, Sheet 4	
DATC/8	-	Data Set Control	44D400309, Sheet 7	
DATC/9	-	Data Set Control	44D400309, Sheet 6	

Printed Circuit Boards, Cont'd

DEC/1	-	Serial Decoder and Amplifier	44C400118, Sheet 1
DEC/2	-	Serial Decoder and Amplifier	44C400118, Sheet 2
DECC/3	-	Serial Decoder and Amplifier	44C400118, Sheet 3
DECC/4 ✓	-	Serial Decoder and Amplifier	• 44C400118, Sheet 4 ✗ CARD POSITION 14
FMEM/1/2/3/4	-	Memory and Write Control	44C400178
FMEM/5/6/7/8	-	Memory and Write Control	44C400178, Sheet 1
HDA/1	-	Hammer Driver Accessory	44D400220
HDC/1 thru /19	-	Hammer Driver Controller	44D400306, Sheets 1 and 2
HD/1 thru /6	-	Hammer Decoder	44D400219
HSLA/1	-	Hall Effect Sense Line Amplifier	44C401236
HSLE/1	-	Hall Effect Sense Line Amplifier	44C401236
KIF/1/3	-	Keyboard	44C400102
LDIC/1 ✓	-	Light Diode Indicator	• 44C400161 ✗ CARD POSITION 15
LMP/1 ✓	-	Lamp Regulator and Ribbon Lift	44C400115, Sheet 1
LMPC/3/4 ✓	-	Lamp Regulator and Ribbon Lift	44C400115, Sheet 1 ✗ CARD POSITION 13
LMP/2	-	Lamp Regulator and Ribbon Lift	44C400115, Sheet 2
MEM/1	-	Memory and Write Control	44C400108, Sheet 1
MEM/2 ✓	-	Memory and Write Control	44C400108, Sheet 2
MEMC/3/5/6/7/8	-	Memory and Write Control	••• 44C400108, Sheet 3 ✗ CARD POSITION 6
MEMC/4	-	Memory and Write Control	44C400108, Sheet 4
MEMC/9/10/12	-	Memory and Write Control	44C400108, Sheet 3
MEMC/11	-	Memory and Write Control	44C400108, Sheet 5
MEMC/13	-	Memory and Write Control	44D400246
PMEM/1/2	-	Memory and Write Control	44C400169
PC/1	-	Photocell	44B400000
PCA/1, PCAC/2 ✓	-	Photocell Amplifier	44C400128 ✗ CARD POSITION 21
POW/1/2	-	Low Voltage Power Supply	44C400105
POW/3/4 ✓	-	Low Voltage Power Supply	44C400164, Sheets 1 and 2 ✗ CARD POSITION 17
PPI/1	-	Print Position Indicator	44C400112
PRO/1, PROC/1/2 ✓	-	Speed/Voltage Protection	44C400127 ✗ CARD POSITION 16
PSC/1	-	P/S Converter	44C400119, Sheet 1
PSC/2	-	P/S Converter	44C400119, Sheet 2
PSC/3	-	P/S Converter	44C400119, Sheet 3
PSCC/1 ✓	-	P/S Converter	• 44C400166, Sheet 1 ✗ CARD POSITION 2
PSCC/2	-	P/S Converter	44C400166, Sheet 2
PSCC/3/4	-	P/S Converter	44D400313
PSCC/5	-	P/S Converter	44D400315
PSCC/8	-	P/S Converter	44C400166, Sheet 5
PSCC/9	-	P/S Converter	44C400166, Sheet 6
R&P/1	-	Reader and Punch	44C400113, Sheet 1
R&P/3	-	Reader and Punch	44C400113, Sheet 2
R&P/4	-	Reader and Punch	44C400113, Sheet 3
R&P/7	-	Reader and Punch	44C400113, Sheet 4
R&P/5/8	-	Reader and Punch	44C400113, Sheet 5
R&P/2/6	-	Reader and Punch	44D400305, Sheets 1 and 2
R&PC/9	-	Reader and Punch	44C400113, Sheet 6
R&PC/10/11	-	Reader and Punch	44D400305, Sheet 3
R&PC/12	-	Reader and Punch	44C401293

Printed Circuit Boards, Cont'd

SLA/1 ✓	-	Sense Line Amplifier	44D400223, Sheet 1
SLC/1/2/3/4/5/6 ✓	-	Sense Line Amplifier	44D400304, Sheets 1, 2, 3, 4, and 5 ✓
SPC/1	-	Serial to Parallel Converter	44C400106, Sheet 2
SPC/2	-	Serial to Parallel Converter	44C400106, Sheet 1 Obsolete - Use SPCC/4
SPCC/3	-	Serial to Parallel Converter	44D400311, Sheet 1
SPCC/4 ✓	-	Serial to Parallel Converter	• • • 44D400311, Sheet 2 X CARD POSITION 5
SPCC/5	-	Serial to Parallel Converter	44D400311, Sheet 3
SPCC/6	-	Serial to Parallel Converter	44D400311, Sheet 2
T&A/1, T&AC/2, ✓ T&AC/3	-	Timing and Alarm	• 44C400111 X CARD POSITION 8
TXP/1/3	-	Transformer Power Supply Board	44C400104
TXPC/1	-	Transformer Power Supply Board	44C400171, Sheet 1
TXPC/2 ✓	-	Transformer Power Supply Board (50 Hz)	44C400171, Sheet 2
TXPC/3/4/5	-	Transformer Power Supply Board	44C400171, Sheet 3 ✓
TXPC/6	-	Transformer Power Supply Board	44C400171, Sheet 4
TXPC/7	-	Transformer Power Supply Board	44C400171, Sheet 6
TXPC/8	-	Transformer Power Supply Board	44C400171, Sheet 5
TXPC/9	-	Transformer Power Supply Board	44C400171, Sheet 6

Option Printed Circuit Boards

ANS/1	-	Answerback	44C400110
ANSC/1/2/3/4	-	Answerback	44D400308, Sheets 1 and 2
ASXC/1	-	Automatic Select Transmission	44D400314
AUX/1	-	Auxiliary Parallel Interface	44C400141
DATI/1/2/3/4/5	-	Data/Control Current Interface	44D400310, Sheets 1 through 4
HTB/1/2 ✓	-	Horizontal Tabulation Memory	• • 44C400103 X CARD POSITION 10
MOD-1-3	-	Module Data Set, Originate Only	19R620379
202/2 MOD	-	202/2 Modem Interface	44C400185, Sheet 2
PAR/1/2	-	Character Parity Detection	44C400139, Sheets 1 and 2
PARC/1	-	Character Parity Detection	44C400177, Sheet 1
TRP/1	-	TCA Interface	44C420203, Sheet 1
TRP/2	-	TCA Interface	44C420203, Sheet 2
TRP/4	-	TCA Interface	44C420203, Sheet 2
VTEFF/1	-	Vertical Tab and Form Feed	44C400152
VTFC/2/4	-	Vertical Tab and Form Feed	44C400167, Sheets 1 and 2
VTFC/3	-	Vertical Tab and Form Feed	44C401219
VTFC/6	-	Vertical Tab and Form Feed	44C401219

MOTHER BOARD CONNECTIONS AND SIGNAL NAME DEFINITIONS FOR "B" AND "C" MODEL PRINTERS

DESCRIPTION OF CONNECTION LISTS

The following tabulated information is a list of TermiNet Mother Board runs and various signals using the runs.

The first column has a maximum of six characters and is used for signal identification. A hyphen at the end of the signal name designates a barred signal. Conversely, no hyphen means that the signal is not barred.

The second column can have a maximum of three characters, R or S, C, and B. The R stands for receive and designates that the location is a signal sink. The S stands for source and designates that the location acts as a signal source. The C stands for cable and means that there is a cable connection at that point. The B stands for board and means that the signal is brought into the board at that location.

The third column has a maximum of six characters and designates which board or plug is located in a particular slot in the bustle rack.

The fourth column gives the exact signal location. The first two digits identify the slot number, the letter identifies the connector, and the last two digits give the pin number.

The fifth column contains information used by the factory.

The sixth and last column gives the group and revision number of the Mother Board to which the listed signal applies.

ACA stands for auxiliary cable. This cable connects the AUX board with the equipment being interfaced with the TermiNet Printer. The cable is connected to the back of the AUX board and passes through the bustle cover to the outside equipment. There are no

Mother Board runs. This is an external cable connected directly to the AUX board. The ACA has been entered in this list along with DSPLG, PCHPLG, and RDRPLG to help keep track of signals going to external equipment.

It should be noted that ACA, DSPLG, PCHPLG, and RDRPLG have been assigned dummy slots merely to facilitate sorting of computer cards for this printout.

Sheets 2 through 39 of 44A410433 pertain to the "B" Model Printer.

The signal definitions on sheets 40 through 48 of 44A410433 pertain to the "B" Model Printer and, in most cases, to the "C" Model Printer.

Sheets 2 through 39 of 44A410753 pertain to the "C" Model Printer.

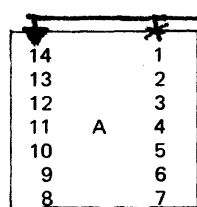
CONNECTOR CROSS REFERENCE

Starting approximately January 1972, some of the Burndy type connectors used in the TermiNet 300 Printer Desk Console, and TermiNet Cassette Accessory were replaced by the AMP type connector. The Burndy type connector is green in color and uses numeric characters only to identify the connection. The AMP type connector is brown in color and uses alpha and numeric characters to identify the connections. Because all of the drawings involved are not changed, and earlier TermiNet products will still have the Burndy type connector, the following cross reference table should be used when:

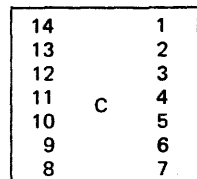
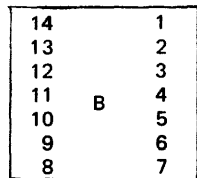
1. A drawing reflecting the AMP type connector is used to troubleshoot a TermiNet product with the Burndy type connector.
2. A drawing reflecting the Burndy type connector is used to troubleshoot a TermiNet product with the AMP type connector.

CONNECTOR CROSS REFERENCE TABLE

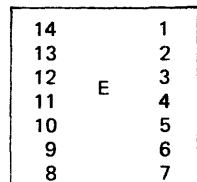
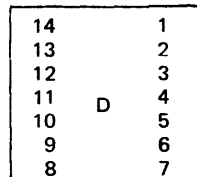
AMP (BROWN) CONNECTOR	BURNDY (GREEN) CONNECTOR	AMP (BROWN) CONNECTOR	BURNDY (GREEN) CONNECTOR	AMP (BROWN) CONNECTOR	BURNDY (GREEN) CONNECTOR
1	1	13	25	J	16
2	3	14	27	K	18
3	5	15	29	L	20
4	7	16	31	M	22
5	9	17	33	N	24
6	11	A	2	P	26
7	13	B	4	R	28
8	15	C	6	S	30
9	17	D	8	T	32
10	19	E	10	U	34
11	21	F	12		
12	23	H	14		



COMPONENT SIDE



Printed Circuit Board Connectors On Mother Board as Viewed From Keyboard



Mother Board Connector Numbering

GENERAL ELECTRIC

TITLE

TERMINET MB SIGNAL LIST

44A410433

Cont. on 3 SH. NO. 2

SIGN	RCB	BOARD	SL	PIN	GR/REV
002	UNSORTED	040010	D	11	SORTED
040010	D	11	SORTED	040010	D
12	13	14	15		
002	UNSORTED	040010	D	11	SORTED
040010	D	11	SORTED	040010	D
12	13	14	15		
0V		DSPLG	27	07	0897
					01/000
0V		KIF	01	B11	0025
					01/000
0V		PCHPLG	25	07	0847
					01/000
0V		RDRPLG	26	19	0884
					01/000
0V	R P	MOD	22	A01	0701
					01/000
0V	R B	MOD	22	A14	0714
					01/000
0V	R B	PAR	15	A01	0561
					01/000
0V	R B	PAR	15	A14	0574
					01/000
0V	RC	PCA	17	A01	0617
					01/000
0V	RC	PCA	17	A02	0618
					01/000
0V	RC	PCA	17	A03	0619
					01/000
0V	RC	PCA	17	A04	0620
					01/000
0V	RC	PCA	17	A11	0627
					01/000
0V	RCB	PCA	17	A14	0630
					01/000
0V	RCB	PPI	23	A01	0729
					01/000
0V	RCB	PPI	23	A14	0742
					01/000
0V	R B	PRO	16	A01	0589
					01/000
0V	R B	PRO	16	A14	0602
					01/000
0V	R B	PSC	03	A08	0120
					01/000
0V	R B	PSC	03	A14	0126
					01/000
0V	R B	PSC	03	B10	0136
					01/000
0V	R B	PSC	03	D11	0151
					01/000
0V	R B	PSC	03	D12	0152
					01/000
0V	R B	PSC	03	D13	0153
					01/000
0V	RCB	R.P	02	A14	0056
					01/000
0V	R B	SPC/D	06	A08	0246
					01/000
0V	R B	SPC/D	06	A14	0252
					01/000
0V	R B	T.A/D	11	A01	0463
					01/000
0V	R B	T.A/D	11	A14	0476
					01/000
0V	RCB	VT	09	A01	0393
					01/000
0V	R B	VT	09	A14	0406
					01/000
0V	R	ACA	28	P12	0927
					01/000
0V	R B	ANS	04	A08	0176
					01/000
0V	R B	ANS	04	A14	0182
					01/000
0V	R B	AUX	05	A14	0210
					01/000
0V	R B	CLC	12	A14	0518
					01/000
0V	RCB	DAT/D	24	A14	0784
					01/000
0V	RCR	DAT/D	24	B10	0794
					01/000
0V	RCB	DEC	10	A14	0434
					01/000
0V	R B	HTB	08	A08	0372
					01/000
0V	R B	HTB	08	A14	0378
					01/000
0V	RCB	KIF	01	A14	0014
					01/000
0V	RCB	KIF	01	B06	0020
					01/000
0V	RCB	KIF	01	B07	0021
					01/000
0V	R B	LMP	13	A01	0533
					01/000
0V	R B	LMP	13	A14	0546
					01/000
0V	R B	MEM	07	A12	0320
					01/000

29^{VN} 35²
 33² 38²
 34 41³
 74⁴

GEN

TITLE
TERMINET MB SIGNAL DEST

44A410433
Cont. on 4 SH. NO. 3

0V	R B	MEM	07	A14	0322	01/000
0V	SCB	POW	18	A01	0659	01/000
0V	SCB	POW	18	A14	0672	01/000
120CPSS	B	MEM	07	A08	0316	01/000
1SET-	R B	PPI	23	E12	0768	01/000
1SET-	S B	MEM	07	E04	0354	01/000
1TL	SCB	PPI	23	B14	0756	01/000
1UL	SCB	PPI	23	B01	0743	01/000
2TL	SCB	PPI	23	B13	0755	01/000
2UL	SCB	PPI	23	B02	0744	01/000
3TL	SCB	PPI	23	B12	0754	01/000
3UL	SCB	PPI	23	B03	0745	01/000
4TL	SCB	PPI	23	B11	0753	01/000
4UL	SCR	PPI	23	B04	0746	01/000
536MS-	R B	R.P	02	E04	0102	01/000
536MS-	R B	TAD	11	C05	0481	01/000
536MS-	S B	DAT/D	24	C01	0799	01/000
5TL	SCB	PPI	23	B10	0752	01/000
5UL	SCB	PPI	23	B05	0747	01/000
600-	R B	T.A/D	11	C06	0482	01/000
600-	R B	CLC	12	E04	0522	01/000
63P	R B	SPC/D	06	A02	0240	01/000
63P	R B	DEC	10	E09	0457	01/000
63P	S B	MEM	07	A02	0310	01/000
64A	R B	SPC/D	06	B06	0258	01/000
64A	S B	MEM	07	B09	0331	01/000
64P	R B	SPC/D	06	F03	0297	01/000
64P	S B	MEM	07	E12	0362	01/000
672KHZR	R	CLC	12	A02	0506	01/000
672KHZR	R	CLC	12	A03	0507	01/000
67MS-	R B	R.P	02	C02	0072	01/000
67MS-	R B	ANS	04	A03	0171	01/000
67MS-	S B	DAT/D	24	D04	0816	01/000
6TL	SCB	PPI	23	B09	0751	01/000
6UL	SCB	PPI	23	B06	0748	01/000
75H	R B	MEM	07	B11	0333	01/000
7TL	SCB	PPI	23	B08	0750	01/000
7UL	SCB	PPI	23	B07	0749	01/000
815V		RDRPLG	26	20	0885	01/000
815V	R B	MOD	22	A08	0708	01/000
815V	R B	PAR	15	A08	0568	01/000
815V	PCB	PCA	17	A08	0624	01/000
815V	PCB	PPI	23	A08	0736	01/000
815V	R B	PRO	16	A08	0596	01/000
815V	R B	T.A/D	11	A08	0470	01/000
815V	R B	VT	09	A08	0400	01/000
815V	R B	AUX	05	A08	0204	01/000
815V	R B	CLC	12	A08	0512	01/000
815V	RCB	DAT/D	24	A08	0778	01/000
815V	RCB	DEC	10	A08	0428	01/000
815V	P B	LMP	12	A08	0540	01/000
815V	SCB	POW	18	A08	0666	01/000
815V	C	DAT	24	B09	0793	01/000

29VN 35²
 33² 38²
 34 41³
 744

R. D. Wesner ISSUED MAR 12 1970	RDW 3/12/70 CCD 549	COMMUNICATION & CONTROL	
		DEVICES DEPARTMENT WAYNESBORO, VA. 22980	44A410433 Cont. on 4 SH. NO. 3

TITLE
TERMINET MB SIGNAL LIST

44A410433
Cont. on 5 SH. NO. 4

&16V		PCHPLG25	16	0856	01/000
&16V	R B	PRO	16 A03	0591	01/000
&16V	R B	LMP	13 A03	0535	01/000
&16V	R B	MEM	07 B07	0329	01/000
&16V	SCB	POW	18 A03	0661	01/000
&2.3V	RC	PCA	17 A05	0621	01/000
&2.3V	RC	PCA	17 A10	0626	01/000
&2.3V	S B	LMP	13 A05	0537	01/000
&20V	R R	VT	09 E05	0411	01/000
&20V	R B	LMP	13 A02	0534	01/000
&20V	SCB	POW	18 A02	0660	01/000
&3V	RC	PCA	17 A09	0625	01/000
&3V	S B	LMP	13 A06	0538	01/000
&P		DSPLG	27 09	0899	01/000
A1		PCHPLG25	21	0861	01/000
A1	R B	AUX	05 C01	0211	01/000
A1	R B	MEM	07 D14	0350	01/000
A1	S B	SPC/D	06 D01	0281	01/000
A2		PCHPLG25	08	0848	01/000
A2	R R	AUX	05 C02	0212	01/000
A2	R R	MEM	07 D13	0349	01/000
A2	S B	SPC/D	06 D02	0282	01/000
A3		PCHPLG25	20	0860	01/000
A3	R B	AUX	05 C03	0213	01/000
A3	R B	MEM	07 D12	0348	01/000
A3	S B	SPC/D	06 D03	0283	01/000
A4		PCHPLG25	18	0858	01/000
A4	R B	AUX	05 C11	0221	01/000
A4	R B	MEM	07 D11	0347	01/000
A4	S B	SPC/D	06 D04	0284	01/000
A5		PCHPLG25	19	0859	01/000
A5	R R	AUX	05 C10	0220	01/000
A5	R B	MEM	07 D10	0346	01/000
A5	S B	SPC/D	06 D05	0285	01/000
A6		PCHPLG25	05	0845	01/000
A6	R B	PAR	15 E10	0584	01/000
A6	R B	AUX	05 C09	0219	01/000
A6	R B	MEM	07 D09	0345	01/000
A6	S B	SPC/D	06 D06	0286	01/000
A7		PCHPLG25	06	0846	01/000
A7	R B	PAR	15 E11	0585	01/000
A7	R B	AUX	05 C08	0218	01/000
A7	R B	MEM	07 D08	0344	01/000
A7	S B	SPC/D	06 D07	0287	01/000
A8		PCHPLG25	22	0862	01/000
A8	R B	AUX	05 C07	0217	01/000
A8	S B	SPC/D	06 B07	0259	01/000
AA		DSPLG	27 01	0891	01/000
AA		PCHPLG25	01	0841	01/000
AA		RDRPLG26	13	0878	01/000
AA	R B	MOD	22 E07	0721	01/000
AACKR	S	ACA	28 P09	0924	01/000
ABOPT	R B	PSC	03 E02	0156	01/000

29^{VN}
33²
34
35²
38²
41³
74⁴

TITLE
TERMINET MB SIGNAL LIST

44A410433

Cont. on 6 SH. NO. 5

AROFT S B	ANS	04	A01	0169	01/000
ACKR S B	PSC	03	B03	0129	01/000
ADV	PCHPLG25	10		0850	01/000
ADV S B	R.P	02	B09	0065	01/000
A11 R	ACA	28	P01	0916	01/000
A12 R	ACA	28	P02	0917	01/000
A13 R	ACA	28	P03	0918	01/000
A14 R	ACA	28	P04	0919	01/000
A15 R	ACA	28	P05	0920	01/000
A16 R	ACA	28	P06	0921	01/000
A17 R	ACA	28	P07	0922	01/000
A18 R	ACA	28	P08	0923	01/000
AINH R	ACA	28	P21	0936	01/000
AISWI-R	ACA	28	P25	0940	01/000
AISWO-R	ACA	28	P24	0939	01/000
ALALMPSCB	DAT/D	24	A06	0776	01/000
ALFSW- C	DAT	24	B03	0787	01/000
ALFSW-R B	KIF	01	E05	0033	01/000
ANAKR S	ACA	28	P22	0937	01/000
ANS R B	PSC	03	A04	0116	01/000
ANS S B	ANS	04	A11	0179	01/000
ATOFF S	ACA	28	P15	0930	01/000
ATON S	ACA	28	P14	0929	01/000
AUXRDYR	ACA	28	P11	0926	01/000
BA	DSPLG	27	02	0892	01/000
BA S R	DAT	24	E05	0831	01/000
BA S R	MOD	22	F06	0720	01/000
RAIL	PCHPLG25	25		0865	01/000
BAIL S B	R.P	02	B14	0070	01/000
BR	DSPLG	27	03	0893	01/000
BR R B	DAT/D	24	E04	0830	01/000
BR S B	MOD	22	F05	0719	01/000
BITRR R B	HTE	08	E13	0391	01/000
BITRR S B	MEM	07	E02	0352	01/000
BSLPR-	RDRPLG26	14		0879	01/000
BSLPR-RCP	R.P	02	D08	0092	01/000
C2- R B	T.A/D	11	A06	0468	01/000
C2- S B	CLC	12	A09	0513	01/000
C3- R B	T.A/D	11	E02	0492	01/000
C3- S B	CLC	12	E13	0531	01/000
C4- R B	T.A/D	11	E03	0493	01/000
C4- S B	CLC	12	E12	0530	01/000
CA	DSPLG	27	04	0894	01/000
CA R B	MOD	22	E04	0718	01/000
CA S B	DAT	24	E03	0829	01/000
CB	DSPLG	27	05	0895	01/000
CB R B	MOD	22	E02	0716	01/000
CB R B	DAT/D	24	E02	0828	01/000
CC	DSPLG	27	06	0896	01/000
CC R B	MOD	22	E08	0722	01/000
CD	DSPLG	27	20	0910	01/000
CD R B	MOD	22	E14	0728	01/000
CD S B	DAT	24	D01	0813	01/000

29^{VN} 35²
33² 38²
34 41³
74⁴

TITLE

TERMINET MB SIGNAL LIST

44A410433

Cont. on 8 SH. NO. 6

CDN	R B	PPI	23	E13	0769	01/000
CDN	S B	MEM	07	E03	0353	01/000
CD/ADA		DSPLG	27	23	0913	01/000
CD/ADAS	B	MOD	22	A06	0706	01/000
CE		DSPLG	27	22	0912	01/000
CE	R B	MOD	22	A07	0707	01/000
CEVEN-RC		PCA	17	B03	0633	01/000
CEVEN-R	B	T.A/D	11	C13	0489	01/000
CEVEN-S	B	SPC/D	06	C02	0268	01/000
CF		DSPLG	27	08	0898	01/000
CF	R B	MOD	22	E01	0715	01/000
CHAPB-		RDRPLG	26	16	0881	01/000
CHAPB-RCB		R.P	02	D12	0096	01/000
CODD- RC		PCA	17	B12	0642	01/000
CODD- S B		SPC/D	06	C11	0277	01/000
COMP1	C	KIF	01	B14	0028	01/000
COMP2	C	KIF	01	B13	0027	01/000
COPY 1		MOD	22	E13	0727	01/000
COPY 2		MOD	22	E11	0725	01/000
COUNT	R B	PPI	23	E10	0766	01/000
COUNT	S B	MEM	07	D02	0338	01/000
CS-		PCHPLG	25	09	0849	01/000
CS-	R B	PAR	15	A11	0571	01/000
CS-	R B	PSC	03	A07	0119	01/000
CS-	R B	R.P	02	A07	0049	01/000
CS-	R B	AUX	05	A05	0201	01/000
CS-	R B	HTB	08	A07	0371	01/000
CS-	S B	SPC/D	06	A07	0245	01/000
CSM-	R B	AUX	05	A02	0198	01/000
CSM-	R B	MEM	07	A07	0315	01/000
CSM-	S B	SPC/D	06	A12	0250	01/000
CX		DSPLG	27	12	0902	01/000
CY		DSPLG	27	11	0901	01/000
DATA	R B	PAR	15	E13	0587	01/000
DATA	S B	SPC/D	06	D08	0288	01/000
DELSW		RDRPLG	26	09	0874	01/000
DELSW	RCB	R.P	02	C06	0076	01/000
DETBK	R B	R.P	02	B04	0060	01/000
DETPK	R B	AUX	05	A06	0202	01/000
DETBK	R B	DAT	24	C02	0800	01/000
DETBK	S B	SPC	06	B04	0256	01/000
DLE.EOS	B	PSC	03	B07	0133	01/000
DLE.EOR	B	DAT/D	24	D12	0824	01/000
DLE%S	R B	DAT/D	24	D10	0822	01/000
DLE%S	S B	PSC	03	B09	0135	01/000
DLES	R B	SPC/D	06	D09	0289	01/000
DLES	S B	PSC	03	D06	0146	01/000
DLF-	C	DAT	24	B11	0795	01/000
DLF-	R B	MEM	07	D05	0341	01/000
E1A	R B	MEM	07	A11	0319	01/000
E1A	S B	SPC/D	06	A04	0242	01/000
EF	R B	SPC/D	06	C06	0272	01/000
EF	S B	PCA	17	E12	0656	01/000

29VN 352
33² 382
34 413
744

R. D. Wesner

MAR 12 1970

R DW 3/12/70

CCD 549

COMMUNICATION & CONTROL

DEVICES DEPARTMENT

WAYNESBORO, VA. 22980

44A410433

Cont. on 7 SH. NO. 6

ISSUED

TITLE
TERMINET MB SIGNAL LIST

44A410433
Cont. on 8 SH. NO. 7

TL	R B	T.A	11	E06	0496	01/000
TL	R B	HTR	08	E06	0384	01/000
TL	S B	MEM	07	E09	0359	01/000
TL2	R B	MEM	07	D04	0340	01/000
TL2	S B	T.A/D	11	C08	0484	01/000
FNQRD	R B	ANS	04	A10	0178	01/000
FNQRD	S B	PSC	03	A05	0117	01/000
FRASE	R B	ANS	04	A09	0177	01/000
FRASE	R B	KIF	01	E02	0030	01/000
FRASE	S B	PSC	03	A06	0118	01/000
FSC.-	RCE	DATE		B04		01/000
FSC.-	S B	SPC/D		E13		01/000
FSC.P-RCE		DATE		C05		01/000
FSC.P-S B		SPC/D		B03		01/000
FSCF- R D		R.P	02	B05	0061	01/000
FSCF- R B		AUX	05	C04	0214	01/000
FSCF- R B		HTR	08	A11	0375	01/000
FSCF- S B		SPC/D	06	B05	0257	01/000
FVINOUSCB		PCA	17	B07	0637	01/000
FVENPCRCB		PCA	17	B01	0631	01/000
FDR- R B		SPC/D	06	C04	0270	01/000
FDR- S B		T.A/D	11	C09	0485	01/000
TEH	C	DEC	10	A04	0424	01/000
TEH	S B	T.A/D	11	A11	0473	01/000
FEBO	RCE	VT	09	A04	0396	01/000
FIRE	R B	T.A/D	11	C12	0488	01/000
FIRE	S B	SPC/D	06	C03	0269	01/000
FOH	C	DEC	10	A05	0425	01/000
FOH	S B	T.A/D	11	A10	0472	01/000
FR	R B	KIF	01	E11	0039	01/000
FR	R B	MEM	07	A04	0312	01/000
FR	S B	SPC/D	06	A11	0249	01/000
GENDA-R B		DATE	24	E06	0832	01/000
GENDA-R B		SPC/D	06	B11	0263	01/000
GENDA-R B		T.A/D	11	A09	0471	01/000
GENDA-S B		PSC	03	B04	0130	01/000
H0-	SCB	DEC	10	A07	0427	01/000
H10-	SCB	DEC	10	B06	0440	01/000
H112-	SCB	DEC	10	B08	0442	01/000
H12-	SCB	DEC	10	B03	0437	01/000
H14-	SCB	DEC	10	B07	0441	01/000
H16-	SCB	DEC	10	B14	0448	01/000
H8-	SCB	DEC	10	B04	0438	01/000
H02-	SCB	DEC	10	B13	0447	01/000
H40-	SCB	DEC	10	B12	0446	01/000
H4-	SCB	DEC	10	B01	0435	01/000
H64-	SCB	DEC	10	B11	0445	01/000
H6-	SCB	DEC	10	B05	0439	01/000
H00-	SCB	DEC	10	B10	0444	01/000
H8-	SCB	DEC	10	B02	0436	01/000
H06-	SCB	DEC	10	B09	0443	01/000
HI-	C	DAT	24	B12	0796	01/000
HI-	R B	PSC	03	A03	0115	01/000

29VN 352
332 382
34 413
744

R. D. Wesner
ISSUED **MAR 12 1970**

RDW 3/12/70
CCD 849

COMMUNICATION & CONTROL
DEVICES DEPARTMENT
WAYNESBORO, VA, 22980

44A410433
Cont. on 8 SH. NO. 7

TITLE
TERMINET MB SIGNAL LIST

44A410433
Cont. on 9 SH. NO. 8

HI-	R B	R.P	02	A03	0045	01/000
HI-	R B	AUX	05	E05	0229	01/000
HI-	R B	CLC	12	A06	0510	01/000
HIS-	C	DAT	24	B02	0786	01/000
HIS-	R B	T&A	11	C03	0479	01/000
HIS-	R B	ANS	04	E02	0184	01/000
HOLD	R B	LMP	13	E11	0557	01/000
HOLD	S B	MEM	07	E05	0355	01/000
HZ-	SCB	DEC	10	A06	0426	01/000
I1-	S B	ANS	04	A04	0172	01/000
I1-	S B	AUX	05	A11	0207	01/000
I1-	S B	KIF	01	E06	0034	01/000
I1-	S B	PSC	03	A11	0123	01/000
I1-	S B	R.P	02	A11	0053	01/000
I2-	S B	ANS	04	A05	0173	01/000
I2-	S B	AUX	05	A10	0206	01/000
I2-	S B	KIF	01	E08	0036	01/000
I2-	S B	PSC	03	A10	0122	01/000
I2-	S B	R.P	02	A05	0047	01/000
I3-	S B	ANS	04	A06	0174	01/000
I3-	S B	AUX	05	A09	0205	01/000
I3-	S B	KIF	01	E07	0035	01/000
I3-	S B	PSC	03	A09	0121	01/000
I3-	S B	R.P	02	A06	0048	01/000
I4-	R B	PSC	03	E12	0166	01/000
I4-	S B	ANS	04	E12	0194	01/000
I4-	S B	AUX	05	E13	0237	01/000
I4-	S B	KIF	01	E03	0031	01/000
I4-	S B	R.P	02	E12	0110	01/000
I5-	S B	ANS	04	E11	0193	01/000
I5-	S B	AUX	05	E12	0236	01/000
I5-	S B	KIF	01	E04	0032	01/000
I5-	S B	PSC	03	E11	0165	01/000
I5-	S B	R.P	02	E11	0109	01/000
I6-	R B	PSC	03	E10	0164	01/000
I6-	S B	ANS	04	E05	0187	01/000
I6-	S B	AUX	05	E11	0235	01/000
I6-	S B	KIF	01	E10	0038	01/000
I6-	S B	R.P	02	E05	0103	01/000
I7-	R B	PSC	03	E09	0163	01/000
I7-	S B	ANS	04	E06	0188	01/000
I7-	S B	AUX	05	E09	0233	01/000
I7-	S B	KIF	01	E09	0037	01/000
I7-	S B	R.P	02	E06	0104	01/000
ICA	S B	DAT/D	24	C04	0802	01/000
ICBD-	R B	R.P	02	B07	0063	01/000
ICBD-	R B	ANS	04	A02	0170	01/000
ICBD-	R B	AUX	05	E03	0227	01/000
ICBD-	S B	PSC	03	B01	0127	01/000
ICB-	R B	PSC	03	B08	0134	01/000
ICB-	R B	ANS	04	E03	0185	01/000
ICB-	R B	AUX	05	E06	0230	01/000
ICB-	S B	DAT/D	24	D05	0817	01/000

29^{VN}
33²
34
35²
38²
41³
74⁴

TITLE
TERMINET MB SIGNAL LIST

44A410433
Cont. on 10 SH. NO. 9

ICD	R B	T.A/D	11	A05	0467	01/000
ICD	S B	DAT/D	24	C08	0806	01/000
INHPR	R B	MEM	07	D07	0343	01/000
INHPRTR	C	DAT	24	B07	0791	01/000
INHPRTR	B	MEM	07	B08	0330	01/000
INHPRTR	B	R.P	02	A04	0046	01/000
INHPRTR	B	AUX	05	E02	0226	01/000
INHPRTR	B	PAR	15	E03	0577	01/000
INTLMPSCB		DAT/D	24	A05	0775	01/000
INTLNDR	B	DAT/D	24	C09	0807	01/000
INTLNDS	B	PAR	15	E02	0576	01/000
IPP-	RCE	DAT/D	24	B01	0785	01/000
IP-	R B	PSC	03	D08	0148	01/000
IP-	S B	AUX	05	C13	0223	01/000
IP-	S B	KIF	01	E01	0029	01/000
IP-	S B	R.P	02	D07	0091	01/000
ISWIP-R	B	PSC	03	D09	0149	01/000
ISWIP-S	B	AUX	05	C14	0224	01/000
ISWIP-S	B	R.P	02	D06	0090	01/000
ISWOP-S	B	ANS	04	E09	0191	01/000
ISWOP-S	B	AUX	05	E10	0234	01/000
ISWOP-S	B	PSC	03	E06	0160	01/000
-15V		RDFPLG26	07		0872	01/000
-15V	R B	MOD	22	A13	0713	01/000
-15V	R B	PAR	15	A13	0573	01/000
-15V	RCE	PCA	17	A13	0629	01/000
-15V	RCE	PFI	23	A13	0741	01/000
-15V	R B	PRC	16	A13	0601	01/000
-15V	R B	PSC	03	A13	0125	01/000
-15V	RCE	R.P	02	A13	0055	01/000
-15V	R B	SPC/D	06	A13	0251	01/000
-15V	R B	T.A/D	11	A13	0475	01/000
-15V	R B	VT	09	A13	0405	01/000
-15V	R B	ANS	04	A13	0181	01/000
-15V	R B	AUX	05	A13	0209	01/000
-15V	R B	CLC	12	A13	0517	01/000
-15V	RCE	DAT/D	24	A13	0783	01/000
-15V	RCE	DEC	10	A13	0433	01/000
-15V	R B	HTV	08	A13	0377	01/000
-15V	RCE	KIF	01	A13	0013	01/000
-15V	R B	LMP	13	A13	0545	01/000
-15V	R B	MEM	07	A13	0321	01/000
-15V	SCR	POW	18	A13	0671	01/000
-10V	R B	LVD	13	A04	0536	01/000
-16V	SCR	POW	18	A05	0663	01/000
-20V	SCR	POW	18	A06	0664	01/000
-27V		RCHPLG25	13		0853	01/000
-27V	R B	MOD	22	A12	0712	01/000
-27V	R B	PAR	15	A12	0572	01/000
-27V	RCE	PCA	17	A12	0628	01/000
-27V	R B	PRC	16	A12	0600	01/000
-27V	R B	PSC	03	A12	0124	01/000
-27V	R B	T.A/D	11	A12	0474	01/000

29VN 35²
33² 38²
34 41³
74⁴

TITLE

TERMINET MB SIGNAL LIST

44A410433

Cont. on 11 SH. NO. 10

-27V	R B	VT	09	A12	0404	01/000
-27V	R B	ANS	04	A12	0180	01/000
-27V	R B	AUX	05	A12	0208	01/000
-27V	R B	CLC	12	A12	0516	01/000
-27V	RCB	DAT	24	A12	0782	01/000
-27V	R B	HTB	08	A12	0376	01/000
-27V	RCB	KIF	01	A12	0012	01/000
-27V	R B	LMP	13	A12	0544	01/000
-27V	SCB	POW	18	A12	0670	01/000
-27VF	RC	VT	09	A02	0394	01/000
-33V	RC	PCA	17	A07	0623	01/000
-33V	R B	TA	11	C04	0480	01/000
-33V	R B	VT	09	A07	0399	01/000
-33V	R B	CLC	12	A10	0514	01/000
-33V	R B	LMP	13	A07	0539	01/000
-33V	SCB	POW	18	A07	0665	01/000
-P		DSPLG	27	10	0900	01/000
-RIB	RC	PCA	17	B10	0640	01/000
-RIB	S B	LMP	13	E09	0555	01/000
KINH-	R B	KIF	01	E13	0041	01/000
KINH-	S B	ANS	04	E04	0186	01/000
KINH-	S B	DAT/D	24	D07	0819	01/000
KS-	R B	PSC	03	E03	0157	01/000
KS-	R B	T.A/D	11	E13	0503	01/000
KS-	S B	KIF	01	E12	0040	01/000
LAMP&	SCB	VT	09	A05	0397	01/000
LDR-		FCHPLG	25	04	0844	01/000
LDR-	R B	R.P	02	E09	0107	01/000
LETCAPSCB		KIF	01	B12	0026	01/000
LF	C	DAT	24	B08	0792	01/000
LF	R B	MEM	07	B14	0336	01/000
LF	S B	VT	09	E04	0410	01/000
LFG-	RC	PCA	17	B13	0643	01/000
LFG-	R B	TAD		C03		01/000
LFG-	R B	TAD	11	C02	0478	01/000
LFG-	R B	VT	09	E03	0409	01/000
LFG-	SCB	DATD		B02		01/000
LFG-	S B	MEM	07	B06	0328	01/000
LINE1		DSPLG	27	24	0914	01/000
LINE1	R B	MOD	22	A04	0704	01/000
LINE2		DSPLG	27	25	0915	01/000
LINE2	R B	MOD	22	A03	0703	01/000
LINPB-		RDRPLG	26	15	0880	01/000
LINPB-RCB		R.P	02	D10	0094	01/000
LOCLMPSCB		DAT	24	A02	0772	01/000
LOCS-	R B	SPC/D	06	C05	0271	01/000
LOCS-	S B	DAT/D	24	C07	0805	01/000
LO-	C	DAT	24	B14	0798	01/000
LO-	R B	PSC	03	A01	0113	01/000
LO-	R B	R.P	02	A01	0043	01/000
LO-	R B	AUX	05	A01	0197	01/000
LO-	R B	CLC	12	A04	0508	01/000
LPR-	RCB	DAT	24	A11	0781	01/000

29VN	352
332	382
34	413
	744

COMMUNICATION & CONTROL

ISSUED	R. D. Wesner MAR 12 1970	R Dw 3/12/70 CCD 549	DEVICES DEPARTMENT WAYNESBORO, VA. 22980	44A410433 Cont. on 11 SH. NO. 10
--------	-----------------------------	-------------------------	---	-------------------------------------

TITLE
TERMINET MB SIGNAL LIST

44A410433
 Cont. on 12SH. NO. 11

LV	R B	MEM	07	E14	0364	01/000
LV	R B	PAR	15	E14	0588	01/000
LV	R B	PSC	03	E14	0168	01/000
LV	R B	R.P	02	E14	0112	01/000
LV	R B	SPC/D	06	E14	0308	01/000
LV	R B	VT	09	E14	0420	01/000
LV	R B	ANS	04	E14	0196	01/000
LV	R B	AUX	05	E14	0238	01/000
LV	R B	DAT/D	24	E14	0840	01/000
LV	R B	HTB	08	E14	0392	01/000
LV	R B	KIF	01	E14	0042	01/000
LV	R B	LMP	13	E01	0547	01/000
LV	S B	PRO	16	E01	0603	01/000
LV-	R B	DAT	24	C06	0804	01/000
LV-	S B	LMP	13	E02	0548	01/000
MA	R B	T.A/D	11	C14	0490	01/000
MA	S B	MEM	07	R01	0323	01/000
MED-	C	DAT	24	B13	0797	01/000
MED-	R B	PSC	03	A02	0114	01/000
MED-	R B	R.P	02	A02	0044	01/000
MED-	R B	AUX	05	E04	0228	01/000
MED-	R B	CLC	12	A05	0509	01/000
MOTOR-R B		LMP	13	E04	0550	01/000
MOTOR-R B		MEM	07	E01	0351	01/000
MOTOR-R B		PPI	23	E04	0760	01/000
MOTOR-R B		SPC/D	06	E09	0303	01/000
MOTOR-R B		VT	09	E13	0419	01/000
MOTOR-S B		DAT/D	24	E11	0837	01/000
MTR.PSR B		SPCD		B04		01/000
MTR.PSS B		DATD		C02		01/000
MTROFFER B		DAT/D	24	C03	0801	01/000
MTROFFS B		SPC/D	06	R01	0253	01/000
MTRON R B		DAT/D	24	D03	0815	01/000
MTRON S B		SPC/D	06	E10	0304	01/000
MTRRELRC		POW	18	B13	0685	01/000
MTRRELS B		DAT/D	24	E12	0838	01/000
MTRRPBRCE		DATD		A11		01/000
NAKR R B		DAT/D	24	D14	0826	01/000
NAKR S B		PSC	03	R06	0132	01/000
NEWSFELS B		TAD	11	C11	0487	01/000
NORM- C		DAT	24	R05	0789	01/000
NORM- R B		SPC	06	C07	0273	01/000
01	R B	PAR	15	E08	0582	01/000
01	R B	PPI	23	E08	0764	01/000
01	R B	PSC	03	E08	0162	01/000
01	R B	R.P	02	E08	0106	01/000
01	R B	SPC/D	06	E08	0302	01/000
01	R B	T.A/D	11	E08	0498	01/000
01	R B	VT	09	E08	0414	01/000
01	R B	ANS	04	F08	0190	01/000
01	R B	AUX	05	F08	0232	01/000
01	R B	DAT/D	24	F08	0834	01/000
01	R B	DEC	10	F08	0456	01/000

29VN 352
 33² 382
 34 413
 74

TITLE

TERMINET MB SIGNAL LIST

44A410433

Cont. on 13 SH. NO. 12

01	R B	HTB	08	E08	0386	01/000
01	R B	LMP	13	E08	0554	01/000
01	R B	MEM	07	E08	0358	01/000
01	S B	CLC	12	E08	0526	01/000
02	R B	PAR	15	E07	0581	01/000
02	R B	PPI	23	E07	0763	01/000
02	R B	PSC	03	E07	0161	01/000
02	R B	R.P	02	E07	0105	01/000
02	R R	SPC/D	06	E07	0301	01/000
02	R B	VT	09	E07	0413	01/000
02	R B	ANS	04	E07	0189	01/000
02	R B	AUX	05	E07	0231	01/000
02	R B	CLC	12	E07	0525	01/000
02	R B	DAT/D	24	E07	0833	01/000
02	R B	DEC	10	E07	0455	01/000
02	R B	HTB	08	E07	0385	01/000
02	R B	LMP	13	E07	0553	01/000
02	R B	MEM	07	E07	0357	01/000
02	S B	T.A/D	11	E07	0497	01/000
02	TP	TA	11	C01	0477	01/000
0A		RDRPLG26	06		0871	01/000
0A	SCE	R.P	02	D02	0086	01/000
0B		RDRPLG26	18		0883	01/000
0B	SCB	R.P	02	D03	0087	01/000
0C		RDRPLG26	04		0869	01/000
0C	SCB	R.P	02	D04	0088	01/000
ODDIN		PRO	16	E13	0615	01/000
ODDIN	S B	PCA	17	E02	0646	01/000
ODDOUTSCB		PCA	17	B08	0638	01/000
ODDPC	RCE	PCA	17	B14	0644	01/000
OE	R B	PRO	16	E11	0613	01/000
OE	S B	PCA	17	E04	0648	01/000
OF	R B	SPC/D	06	C01	0267	01/000
OF	S B	PCA	17	E14	0658	01/000
OFFPB-		RDRPLG26	02		0867	01/000
OFFPB-RCE		R.P	02	D09	0093	01/000
ONL.S-R	B	R.P	02	E03	0101	01/000
ONL.S-R	B	SPC	06	B03	0255	01/000
ONL.S-S	B	DAT	24	C05	0803	01/000
ONLMP	SCB	DAT	24	A04	0774	01/000
OPB-	RCE	DAT	24	A09	0779	01/000
PCHLMP		PCHPLG25	11		0851	01/000
PCHLMPS	B	R.P	02	B11	0067	01/000
PCOSW	R B	SPCD		C07		01/000
PE1		RDRPLG26	25		0890	01/000
PE1	RCE	R.P	02	C14	0084	01/000
PE2		RDRPLG26	12		0877	01/000
PE2	RCE	R.P	02	C13	0083	01/000
PE3		RDRPLG26	24		0889	01/000
PE3	RCE	R.P	02	C12	0082	01/000
PE4		RDRPLG26	23		0888	01/000
PE4	RCE	R.P	02	C11	0081	01/000
PE5		RDRPLG26	22		0887	01/000

29^{VN} 35²
 33² 38²
 34 41³
 74⁴

ISSUED

R. D. Wesner
MAR 12 1970R DW 3/12/70
CCD 549COMMUNICATION & CONTROL
DEVICES DEPARTMENT
WAYNEBORO, VA. 2298044A410433
Cont. on 13 SH. NO. 12

TITLE
TERMINET MB SIGNAL LIST

44A410433
Cont. on 14 SH. NO. 13

PE5	RCP	R.P	02	C10	0080	01/000
PE6		RDRPLG26	21		0886	01/000
PE6	RCP	R.P	02	C09	0079	01/000
PE7		RDRPLG26	05		0873	01/000
PE7	RCP	R.P	02	C08	0078	01/000
PE8		RDRPLG26	05		0870	01/000
PE8	RCP	R.P	02	D14	0098	01/000
PER	S B	PAR	15	E04	0578	01/000
PER-	S B	PAR	15	E05	0579	01/000
PICK	R B	SPC/D	06	B13	0265	01/000
PICK	R B	LMP	13	E14	0560	01/000
PICK	S B	MEM	07	B02	0324	01/000
PO1-	RC	PCA	17	B02	0632	01/000
PO1-	R B	DAT/D	24	E13	0839	01/000
PO2-	RC	PCA	17	B05	0635	01/000
PO2-	R B	DAT/D	24	E01	0827	01/000
POFF-		RCHPLG25	12		0852	01/000
POFF-	R B	R.P	02	B13	0069	01/000
PON-		RCHPLG25	17		0857	01/000
PON-	R B	R.P	02	E10	0108	01/000
PONOD-R	P	DAT/D	24	C11	0809	01/000
PONOD-S	C	AUX	05	A04	0200	01/000
PONOD-S	P	PAR	15	E01	0575	01/000
PPILMP	C	PPI	23	A06	0734	01/000
PPILMPS	R	LMP	13	A09	0541	01/000
PRT1	R B	PRO	16	E09	0611	01/000
PRT1	S B	LMP	13	E06	0552	01/000
PRT2	RC	PCA	17	B04	0634	01/000
PRT2	R B	PRO	16	E10	0612	01/000
PRT3	R B	PCA	17	E01	0645	01/000
PRT3	S B	PRO	16	E14	0616	01/000
PRT4	R B	PRO	16	E04	0606	01/000
PRT4	R B	LMP	13	E05	0551	01/000
PSI-	R B	SPC/D	06	B12	0264	01/000
PSI-	S B	MEM	07	B04	0326	01/000
PSIX-	R B	MEM	07	A01	0309	01/000
PSIX-	S B	SPC/D	06	A01	0239	01/000
PSVI-	R B	PSC	03	D05	0145	01/000
PSVI-	R B	R.P	02	B08	0064	01/000
PSVI-	R B	T.A/D	11	E12	0502	01/000
PSVI-	R B	AUX	05	E01	0225	01/000
PSVI-	S B	DAT/D	24	D06	0818	01/000
PTDF-	R B	DAT/D	24	D13	0825	01/000
PTDF-	S B	R.P	02	C07	0077	01/000
PTDF-		RCHPLG25	23		0863	01/000
PTOS-	R B	R.P	02	B10	0066	01/000
PTTR	R B	DAT/D	24	D11	0823	01/000
PTTR	S B	PSC	03	B05	0131	01/000
PUNCH		RCHPLG25	24		0864	01/000
PUNCH	S B	R.P	02	B12	0068	01/000
PS-	R B	T.A/D	11	E04	0494	01/000
PS-	S B	DAT/D	24	D02	0814	01/000
PCLOCKR	R	SPC/D	06	C13	0279	01/000

29^{VN} 35²
33² 38²
34 41³
74⁴

TITLE
TERMINET MB SIGNAL LIST

44A410433
Cont. on 15 SH. NO. 14

RCLOCKS	P	CLC	12	E02	0520	01/000
RCVD	R B	PSC	03	B02	0128	01/000
RCVD	R B	SPC/D	06	B08	0260	01/000
RCVD	R B	T.A/D	11	A03	0465	01/000
RCVD	S B	DAT/D	24	C12	0810	01/000
RCV-	R B	PSC	03	B11	0137	01/000
RCV-	R B	R.P	02	C01	0071	01/000
RCV-	R B	SPC/D	06	B10	0262	01/000
RCV-	R B	ANS	04	A07	0175	01/000
RCV-	R B	AUX	05	A07	0203	01/000
RCV-	S B	T.A/D	11	A07	0469	01/000
REALMPSCB		DAT/D	24	A07	0777	01/000
REV-		RDRPLG26	01		0866	01/000
REV-	SCB	R.P	02	A12	0054	01/000
RNC	R B	R.P	02	E13	0111	01/000
RNC	S B	PSC	03	D07	0147	01/000
ROSW		RDRPLG26	10		0875	01/000
ROSW	RCB	R.P	02	C05	0075	01/000
RU-	R B	MEM	07	E11	0361	01/000
RU-	S B	SPC/D	06	E04	0298	01/000
RUNPB-		RDRPLG26	17		0882	01/000
RUNPB-RCB		R.P	02	D13	0097	01/000
S0-	R B	PSC	03	E01	0155	01/000
S0-	R B	T.A/D	11	E01	0491	01/000
S0-	R B	ANS	04	E01	0183	01/000
S0-	R B	DAT/D	24	C10	0808	01/000
S0-	S B	SPC/D	06	E01	0295	01/000
S104-	S B	SPC/D	06	C08	0274	01/000
S16-	R B	PSC	03	D10	0150	01/000
S16-	R B	R.P	02	D05	0089	01/000
S16-	R B	TAD	11	E14	0504	01/000
S16-	S B	SPC/D	06	D10	0290	01/000
S1-	R B	R.P	02	B06	0062	01/000
S1-	R B	HTB	08	A02	0366	01/000
S1-	S B	SPC/D	06	B09	0261	01/000
S24-	S B	SPC/D	06	C14	0280	01/000
S2-	R B	R.P	02	A09	0051	01/000
S2-	R B	VT	09	E10	0416	01/000
S2-	R B	HTB	08	A09	0373	01/000
S2-	R B	MEM	07	A06	0314	01/000
S2-	S B	SPC/D	06	A06	0244	01/000
S32-	R B	HTB	08	E12	0390	01/000
S32-	S B	SPC/D	06	C10	0276	01/000
S3-	R B	PSC	03	D04	0144	01/000
S3-	R B	R.P	02	A08	0050	01/000
S3-	R B	TAD	11	C10	0486	01/000
S3-	R B	VT	09	E01	0407	01/000
S3-	S B	SPC/D	06	D11	0291	01/000
S48-	R B	R.P	02	E01	0099	01/000
S48-	R B	HTB	08	E03	0381	01/000
S48-	S B	SPC/D	06	E12	0306	01/000
S4-	R B	PSC	03	B14	0140	01/000
S4-	R B	R.P	02	B01	0057	01/000

29VN 352
33² 38²
34 41³
74⁴

TITLE
TERMINET MB SIGNAL LIST

44A410433
Cont. on 16 SH. NO. 15

S4-	R B	VT	09	E02	0408	01/000
S4-	R B	DAT/D	24	C13	0811	01/000
S4-	S B	SPC/D	06	R14	0266	01/000
S56-	R B	PSC	03	D01	0141	01/000
S56-	S B	SPC/D	06	D14	0294	01/000
S5-	R B	MEM	07	E13	0363	01/000
S5-	R B	PSC	03	E13	0167	01/000
S5-	R B	ANS	04	E13	0195	01/000
S5-	R B	HTR	08	E02	0380	01/000
S5-	S B	SPC/D	06	E02	0296	01/000
S6-	R B	PSC	03	D03	0143	01/000
S6-	S B	SPC/D	06	D12	0292	01/000
S72-	S B	SPC/D	06	C09	0275	01/000
S7-	R B	PSC	03	D02	0142	01/000
S7-	R B	T.A/D	11	E11	0501	01/000
S7-	S B	SPC/D	06	D13	0293	01/000
S8-	R B	T.A/D	11	E10	0500	01/000
S8-	R B	VT	09	E11	0417	01/000
S8-	R B	HTR	08	E05	0383	01/000
S8-	R B	MEM	07	E10	0360	01/000
S8-	S B	SPC/D	06	E05	0299	01/000
SRB-	RCB	DAT	24	A10	0780	01/000
S-	R B	PAR	15	A10	0570	01/000
S-	S B	SPC/D	06	A09	0247	01/000
SL1R	RCB	KIF	01	A07	0007	01/000
SL1T	RCB	KIF	01	B04	0018	01/000
SL2R	RCB	KIF	01	A06	0006	01/000
SL2T	RCB	KIF	01	A05	0005	01/000
SL3R	RCB	KIF	01	R10	0024	01/000
SL3T	RCB	KIF	01	B01	0015	01/000
SL4R	RCB	KIF	01	B05	0019	01/000
SL4T	RCB	KIF	01	B03	0017	01/000
SL5R	RCB	KIF	01	A09	0009	01/000
SL5T	RCB	KIF	01	A10	0010	01/000
SL6R	RCB	KIF	01	A03	0003	01/000
SL6T	RCB	KIF	01	A08	0008	01/000
SL7R	RCB	KIF	01	B02	0016	01/000
SL7T	RCB	KIF	01	A02	0002	01/000
SLCT	RCB	KIF	01	R09	0023	01/000
SLFS	RCB	KIF	01	B08	0022	01/000
SLF	R B	MEM	07	D06	0342	01/000
SLF	S B	VT	09	A09	0401	01/000
SLLP	RCB	KIF	01	A11	0011	01/000
SL013	R B	DAT/D	24	E10	0836	01/000
SL013	S B	PRO	16	E05	0607	01/000
SLRP	RCB	KIF	01	A04	0004	01/000
SLSH	RCB	KIF	01	A01	0001	01/000
SPARE		ACA	28	P13	0928	01/000
SPARE		ACA	28	P16	0931	01/000
SPARE		ACA	28	P17	0932	01/000
SPARE		ACA	28	P18	0933	01/000
SPARE		ACA	28	P19	0934	01/000
SPARE		ACA	28	P20	0935	01/000

29VN 352
332 382
34 413
744

COMMUNICATION & CONTROL

R. D. Wesner ISSUED MAR 12 1970	RDW 3/12/70 CCD 549	DEVICES DEPARTMENT WAYNESBORO, VA. 22980	44A410433 Cont. on 16 SH. NO. 15
---	------------------------	---	-------------------------------------

TITLE
TERMINET MB SIGNAL LIST

44A410433
Cont. on 17 SH. NO. 16

SPARE	ACA	28	P23	0938	01/000
SPARE	AUX	05	C05	0215	01/000
SPARE	AUX	05	C06	0216	01/000
SPARE	AUX	05	C12	0222	01/000
SPARE	CLC	12	E05	0523	01/000
SPARE	CLC	12	E06	0524	01/000
SPARE	CLC	12	E10	0528	01/000
SPARE	CLC	12	E14	0532	01/000
SPARE	DEC	10	A01	0421	01/000
SPARE	DEC	10	A02	0422	01/000
SPARE	DEC	10	A03	0423	01/000
SPARE	DEC	10	A09	0429	01/000
SPARE	DEC	10	A10	0430	01/000
SPARE	DEC	10	A11	0431	01/000
SPARE	DEC	10	A12	0432	01/000
SPARE	DEC	10	E01	0449	01/000
SPARE	DEC	10	E02	0450	01/000
SPARE	DEC	10	E03	0451	01/000
SPARE	DEC	10	E04	0452	01/000
SPARE	DEC	10	E05	0453	01/000
SPARE	DEC	10	E06	0454	01/000
SPARE	DEC	10	E10	0458	01/000
SPARE	DEC	10	E11	0459	01/000
SPARE	DEC	10	E12	0460	01/000
SPARE	DEC	10	E13	0461	01/000
SPARE	DEC	10	E14	0462	01/000
SPARE	DSPLG	27	13	0903	01/000
SPARE	DSPLG	27	14	0904	01/000
SPARE	DSPLG	27	15	0905	01/000
SPARE	DSPLG	27	16	0906	01/000
SPARE	DSPLG	27	17	0907	01/000
SPARE	DSPLG	27	18	0908	01/000
SPARE	DSPLG	27	19	0909	01/000
SPARE	DSPLG	27	21	0911	01/000
SPARE	HTB	08	A03	0367	01/000
SPARE	HTB	08	A04	0368	01/000
SPARE	HTB	08	A05	0369	01/000
SPARE	HTB	08	E01	0379	01/000
SPARE	HTB	08	E10	0388	01/000
SPARE	HTB	08	E11	0389	01/000
SPARE	LMP	13	A10	0542	01/000
SPARE	LMP	13	A11	0543	01/000
SPARE	LMP	13	E03	0549	01/000
SPARE	LMP	13	E10	0556	01/000
SPARE	LMP	13	E12	0558	01/000
SPARE	LMP	13	E13	0559	01/000
SPARE	MEM	07	B05	0327	01/000
SPARE	MEM	07	B12	0334	01/000
SPARE	MEM	07	B13	0335	01/000
SPARE	MOD	22	A02	0702	01/000
SPARE	MOD	22	A05	0705	01/000
SPARE	MOD	22	A09	0709	01/000
SPARE	MOD	22	A10	0710	01/000

29VN 352
332 382
34 413
74

TITLE
TERMINET MB SIGNAL LIST

44A410433
Cont. on 18 sh. no.17

SPARE	MOD	22	A11	0711	01/000
SPARE	MOD	22	E03	0717	01/000
SPARE	MOD	22	E09	0723	01/000
SPARE	MOD	22	E10	0724	01/000
SPARE	MOD	22	E12	0726	01/000
SPARE	PAR	15	A02	0562	01/000
SPARE	PAR	15	A03	0563	01/000
SPARE	PAR	15	A04	0564	01/000
SPARE	PAR	15	A05	0565	01/000
SPARE	PAR	15	A07	0567	01/000
SPARE	PAR	15	A09	0569	01/000
SPARE	PCA	17	A06	0622	01/000
SPARE	PCA	17	B06	0636	01/000
SPARE	PCA	17	B09	0639	01/000
SPARE	PCA	17	B11	0641	01/000
SPARE	PCA	17	E05	0649	01/000
SPARE	PCA	17	E06	0650	01/000
SPARE	PCA	17	E07	0651	01/000
SPARE	PCA	17	E08	0652	01/000
SPARE	PCA	17	E09	0653	01/000
SPARE	PCA	17	E10	0654	01/000
SPARE	PCA	17	E11	0655	01/000
SPARE	PCA	17	E13	0657	01/000
SPARE	PCHPLG25	02		0842	01/000
SPARE	PCHPLG25	03		0843	01/000
SPARE	PCHPLG25	14		0854	01/000
SPARE	PCHPLG25	15		0855	01/000
SPARE	POW	18	A04	0662	01/000
SPARE	POW	18	A09	0667	01/000
SPARE	POW	18	A10	0668	01/000
SPARE	POW	18	A11	0669	01/000
SPARE	POW	18	E01	0687	01/000
SPARE	POW	18	E02	0688	01/000
SPARE	POW	18	E03	0689	01/000
SPARE	POW	18	E04	0690	01/000
SPARE	POW	18	E05	0691	01/000
SPARE	POW	18	E06	0692	01/000
SPARE	POW	18	E07	0693	01/000
SPARE	POW	18	E08	0694	01/000
SPARE	POW	18	E09	0695	01/000
SPARE	POW	18	E10	0696	01/000
SPARE	POW	18	E11	0697	01/000
SPARE	POW	18	E12	0698	01/000
SPARE	POW	18	E13	0699	01/000
SPARE	POW	18	E14	0700	01/000
SPARE	PPI	23	A02	0730	01/000
SPARE	PPI	23	A03	0731	01/000
SPARE	PPI	23	A04	0732	01/000
SPARE	PPI	23	A05	0733	01/000
SPARE	PPI	23	A09	0737	01/000
SPARE	PPI	23	A10	0738	01/000
SPARE	PPI	23	A11	0739	01/000
SPARE	PPI	23	A12	0740	01/000

29^{VN} 35²
33² 38²
34 41³
74⁴

TITLE

GE

TERMINET MB SIGNAL LIST

44A410433

Cont. on 19 SH. NO. 18

SPARE	PPI	23	E01	0757	01/000	
SPARE	PPI	23	E02	0758	01/000	
SPARE	PPI	23	E03	0759	01/000	
SPARE	PPI	23	E05	0761	01/000	
SPARE	PPI	23	E06	0762	01/000	
SPARE	PPI	23	E09	0765	01/000	
SPARE	PPI	23	E11	0767	01/000	
SPARE	PPI	23	E14	0770	01/000	
SPARE	PRO	16	A02	0590	01/000	
SPARE	PRO	16	A04	0592	01/000	
SPARE	PRO	16	A05	0593	01/000	
SPARE	PRO	16	A06	0594	01/000	
SPARE	PRO	16	A07	0595	01/000	
SPARE	PRO	16	A09	0597	01/000	
SPARE	PRO	16	A10	0598	01/000	
SPARE	PRO	16	A11	0599	01/000	
SPARE	PRO	16	E02	0604	01/000	
SPARE	PRO	16	E03	0605	01/000	
SPARE	PRO	16	E07	0609	01/000	
SPARE	PRO	16	E08	0610	01/000	
SPARE	T.A	11	E05	0495	01/000	
SPARE	VT	09	E06	0412	01/000	
SPARE	VT	09	E09	0415	01/000	
SPARE	VT	09	E12	0418	01/000	
SPKR	C	DAT	24	A01	0771	01/000
SPKR	S B	T.A/D	11	A04	0466	01/000
SPKT		RDRPLG26	11		0876	01/000
SPKT	RCB	R.P	02	C04	0074	01/000
SPSW-	C	DAT	24	B04	0788	01/000
SPSW-	R B	SPC	06	E13	0307	01/000
SPSW-	R B	T.A/D	11	E09	0499	01/000
S/V	R B	DAT/D	24	E09	0835	01/000
S/V	S B	PRO	16	E06	0608	01/000
STALMPSCB		DAT	24	A03	0773	01/000
START-R B		CLC	12	E03	0521	01/000
START-R B		PAR	15	E12	0586	01/000
START-S B		SPC/D	06	C12	0278	01/000
STIN	R B	R.P	02	B03	0059	01/000
STIN	R B	VT	09	A11	0403	01/000
STIN	R B	AUX	05	A03	0199	01/000
STIN	S B	PSC	03	B12	0138	01/000
STINX-S		ACA	28	P10	0925	01/000
SUPXM-RCB		DAT/D	24	B06	0790	01/000
SYNC	R B	PCA	17	E03	0647	01/000
SYNC	R B	PRO	16	E12	0614	01/000
SZ-	R B	PSC	03	B13	0139	01/000
SZ-	R B	R.P	02	B02	0058	01/000
SZ-	R B	T.A/D	11	A02	0464	01/000
SZ-	R B	MEM	07	B03	0325	01/000
SZ-	S B	SPC/D	06	B02	0254	01/000
T1	R B	R.P	02	E02	0100	01/000
T1	R B	SPC/D	06	E11	0305	01/000
T1	R B	HTB	08	E04	0382	01/000

29^{VN} 35²
 33² 38²
 34 41³
 74⁴

R. D. Wesner

ISSUED

MAR 12 1970

RDW 3/12/70

CCD 509

COMMUNICATION & CONTROL

DEVICES DEPARTMENT
WAYNESBORO, VA. 22980

44A410433

Cont. on 19 SH. NO. 18

TITLE
TERMINET MB SIGNAL LIST

44A410433

Cont. on 20 SH. NO. 19

T1	S B	CLC	12	E11	0529	01/000
T128	R B	SPC/D	06	A05	0243	01/000
T128	R B	HTR	08	A06	0370	01/000
T128	R B	MEM	07	A10	0318	01/000
T128	S B	CLC	12	A07	0511	01/000
T32	R B	SPC/D	06	A03	0241	01/000
T32	R B	MEM	07	A03	0311	01/000
T32	S B	CLC	12	A11	0515	01/000
T64	R B	PAR	15	E09	0583	01/000
T64	R B	SPC/D	06	A10	0248	01/000
T64	R B	HTB	08	A01	0365	01/000
T64	R B	MEM	07	A09	0317	01/000
T64	S B	CLC	12	A01	0505	01/000
TA	R B	ANS	04	E10	0192	01/000
TA	S B	PSC	03	F04	0158	01/000
TCA	R B	MEM	07	A05	0313	01/000
TCA	S B	HTB	08	A10	0374	01/000
TL	R B	R.P	02	D01	0085	01/000
TL	R B	DAT/D	24	D08	0820	01/000
TL	S B	MEM	07	D01	0337	01/000
TLTESTS	P	MEM	07	B10	0332	01/000
TRI	R B	CLC	12	E01	0519	01/000
TRI	S B	TAD	11	C07	0483	01/000
VT.FFHR	P	R.P	02	C03	0073	01/000
VT.FFHS	B	VT	09	A10	0402	01/000
VT.FFSRCE	P	R.P	02	A10	0052	01/000
VT.FFSS	P	VT	09	A06	0398	01/000
VTPC	RCB	VT	09	A03	0395	01/000
W127	R B	MEM	07	D03	0339	01/000
W127	S B	PAR	15	A06	0566	01/000
WORPB-		RDRPLG26	03		0868	01/000
WORPB-RCB		R.P	02	D11	0095	01/000
WPA	R B	PAR	15	E06	0580	01/000
WPA	R B	SPC/D	06	E06	0300	01/000
WPA	R B	HTB	08	E09	0387	01/000
WPA	S B	MEM	07	E06	0356	01/000
X10	RCB	POW	18	B07	0679	01/000
X10	RCB	POW	18	B08	0680	01/000
X6	RCB	POW	18	B04	0676	01/000
X6	RCB	POW	18	B11	0683	01/000
X7	RCB	POW	18	B01	0673	01/000
X7	RCB	POW	18	B02	0674	01/000
X7	RCB	POW	18	B03	0675	01/000
X7	RCB	POW	18	B12	0684	01/000
X7	RCB	POW	18	B14	0686	01/000
X8	RCB	POW	18	B05	0677	01/000
X8	RCB	POW	18	B10	0682	01/000
X9	RCB	POW	18	B06	0678	01/000
X9	RCB	POW	18	B09	0681	01/000
XCLOCKP	P	PSC	03	F05	0159	01/000
XCLOCKS	B	CLC	12	E09	0527	01/000
XDATA-S	R B	DAT	24	C14	0812	01/000
XHL	SCP	PPI	23	A07	0735	01/000

29VN 352
 33² 38²
 34 41³
 74⁴

R. D. Wesner ISSUED MAR 12 1970	ADW 3/12/70 CCD 549	DEPARTMENT WAYNESBORO, VA. 22980	44A410433 Cont. on 20 SH. NO. 19
---	------------------------	-------------------------------------	-------------------------------------

TITLE
TERMINET MB SIGNAL

44A410433
Cont. on 21 SH. NO. 20

XTC R B DAT/D 24 D09 0821 01/000
XTC S B PSC 03 D14 0154 01/000

29VN 352
33² 38²
34 41²
744

COMMUNICATION & CONTROL

ISSUED R. D. Wesper MAR 12 1970	<i>RDW 3/12/70</i> CCD 549	DEVICES DEPARTMENT WAYNESBORO, VA. 22980	44A410433 Cont. on 21 SH. NO. 20
--	-------------------------------	---	-------------------------------------

TITLE

TERMINET MB SIGNAL LIST

44A410433

Cont. on 22 SH. NO. 21

SIGN RCF BOARD SL PIN

GR/REV

002UNSORTED			040010 D 11 SORTED		040010 D 12 13 14 15
002UNSORTED			040010 D 11 SORTED		040010 D 12 13 14 15
A11 R	ACA	28 P01	0916		01/000
A12 R	ACA	28 P02	0917		01/000
A13 R	ACA	28 P03	0918		01/000
A14 R	ACA	28 P04	0919		01/000
A15 R	ACA	28 P05	0920		01/000
A16 R	ACA	28 P06	0921		01/000
A17 R	ACA	28 P07	0922		01/000
A18 R	ACA	28 P08	0923		01/000
AACKR S	ACA	28 P09	0924		01/000
STINX-S	ACA	28 P10	0925		01/000
AUXRDYR	ACA	28 P11	0926		01/000
OV R	ACA	28 P12	0927		01/000
SPARE	ACA	28 P13	0928		01/000
ATON S	ACA	28 P14	0929		01/000
ATOFF S	ACA	28 P15	0930		01/000
SPARE	ACA	28 P16	0931		01/000
SPARE	ACA	28 P17	0932		01/000
SPARE	ACA	28 P18	0933		01/000
SPARE	ACA	28 P19	0934		01/000
SPARE	ACA	28 P20	0935		01/000
AINH R	ACA	28 P21	0936		01/000
ANAKP S	ACA	28 P22	0937		01/000
SPARE	ACA	28 P23	0938		01/000
AISWO-R	ACA	28 P24	0939		01/000
AISWI-R	ACA	28 P25	0940		01/000
ABOPT S B	ANS	04 A01	0169		01/000
ICBD- R B	ANS	04 A02	0170		01/000
67MS- R B	ANS	04 A03	0171		01/000
I1- S B	ANS	04 A04	0172		01/000
I2- S B	ANS	04 A05	0173		01/000
I3- S B	ANS	04 A06	0174		01/000
RCV- R B	ANS	04 A07	0175		01/000
OV R B	ANS	04 A08	0176		01/000
ERASE R B	ANS	04 A09	0177		01/000
ENQRD R B	ANS	04 A10	0178		01/000
ANS S B	ANS	04 A11	0179		01/000
-27V R B	ANS	04 A12	0180		01/000
-15V R B	ANS	04 A13	0181		01/000
OV R B	ANS	04 A14	0182		01/000
S0- R B	ANS	04 E01	0183		01/000
HIS- R B	ANS	04 E02	0184		01/000
ICB- R B	ANS	04 E03	0185		01/000
KINH- S B	ANS	04 E04	0186		01/000
16- S B	ANS	04 E05	0187		01/000
17- S B	ANS	04 E06	0188		01/000
02 R B	ANS	04 E07	0189		01/000
01 R B	ANS	04 E08	0190		01/000

29VN	352
33 ²	38 ²
34	413 ₄
	74 ₄

COMMUNAL TELE CONTROL

R. D. Wesner
ISSUED MAR 12 1970

R D W 3/12/70
CCD 549

DEVICES DEPARTMENT
WAYNESBORO, VA. 22980

44A410433
Cont. on 22 SH. NO. 21

TITLE
TERMINET MB SIGNAL LIST

44A410433
Cont. on 23 SH. NO. 22

ISWOP-S B	ANS	04	E09	0191	01/000
TA R B	ANS	04	E10	0192	01/000
I5- S B	ANS	04	E11	0193	01/000
I4- S B	ANS	04	E12	0194	01/000
S5- R B	ANS	04	E13	0195	01/000
LV R B	ANS	04	E14	0196	01/000
LO- R B	AUX	05	A01	0197	01/000
CSM- R B	AUX	05	A02	0198	01/000
STIN R B	AUX	05	A03	0199	01/000
PONOD-S B	AUX	05	A04	0200	01/000
CS- R B	AUX	05	A05	0201	01/000
DETBK R B	AUX	05	A06	0202	01/000
RCV- R B	AUX	05	A07	0203	01/000
G15V R B	AUX	05	A08	0204	01/000
I3- S B	AUX	05	A09	0205	01/000
I2- S B	AUX	05	A10	0206	01/000
I1- S B	AUX	05	A11	0207	01/000
-27V R B	AUX	05	A12	0208	01/000
-15V R B	AUX	05	A13	0209	01/000
0V R B	AUX	05	A14	0210	01/000
A1 R B	AUX	05	C01	0211	01/000
A2 R B	AUX	05	C02	0212	01/000
A3 R B	AUX	05	C03	0213	01/000
ESCF- R B	AUX	05	C04	0214	01/000
SPARE	AUX	05	C05	0215	01/000
SPARE	AUX	05	C06	0216	01/000
A8 R B	AUX	05	C07	0217	01/000
A7 R B	AUX	05	C08	0218	01/000
A6 R B	AUX	05	C09	0219	01/000
A5 R B	AUX	05	C10	0220	01/000
A4 R B	AUX	05	C11	0221	01/000
SPARE	AUX	05	C12	0222	01/000
IP- S B	AUX	05	C13	0223	01/000
ISWIP-S B	AUX	05	C14	0224	01/000
PSVI- R B	AUX	05	E01	0225	01/000
INHPRTS B	AUX	05	E02	0226	01/000
ICBD- R B	AUX	05	E03	0227	01/000
MED- R B	AUX	05	E04	0228	01/000
H1- R B	AUX	05	E05	0229	01/000
ICB- R B	AUX	05	E06	0230	01/000
O2 R B	AUX	05	E07	0231	01/000
O1 R B	AUX	05	E08	0232	01/000
I7- S B	AUX	05	E09	0233	01/000
ISWOP-S B	AUX	05	E10	0234	01/000
I6- S B	AUX	05	E11	0235	01/000
I5- S B	AUX	05	E12	0236	01/000
I4- S B	AUX	05	E13	0237	01/000
LV R B	AUX	05	E14	0238	01/000
T64 S B	CLC	12	A01	0505	01/000
672KHZR B	CLC	12	A02	0506	01/000
672KHZR B	CLC	12	A03	0507	01/000
LO- R B	CLC	12	A04	0508	01/000
MED- R B	CLC	12	A05	0509	01/000

29^{VN} 35²
33² 38²
34 41³
74

TITLE

TERMINET MB SIGNAL LIST

44A410433

Cont. on 24 SH. NO. 23

HI-	R B	CLC	12	A06	0510	01/000
T128	S B	CLC	12	A07	0511	01/000
&15V	R B	CLC	12	A08	0512	01/000
C2-	S B	CLC	12	A09	0513	01/000
-33V	R B	CLC	12	A10	0514	01/000
T32	S B	CLC	12	A11	0515	01/000
-27V	R B	CLC	12	A12	0516	01/000
-15V	R B	CLC	12	A13	0517	01/000
OV	R B	CLC	12	A14	0518	01/000
TR1	R B	CLC	12	E01	0519	01/000
RCLOCK	S B	CLC	12	E02	0520	01/000
START-	R B	CLC	12	E03	0521	01/000
600-	R B	CLC	12	E04	0522	01/000
SPARE		CLC	12	E05	0523	01/000
SPARE		CLC	12	E06	0524	01/000
02	R B	CLC	12	E07	0525	01/000
01	S B	CLC	12	E08	0526	01/000
XCLOCK	S B	CLC	12	E09	0527	01/000
SPARE		CLC	12	E10	0528	01/000
T1	S B	CLC	12	E11	0529	01/000
C4-	S B	CLC	12	E12	0530	01/000
C3-	S B	CLC	12	E13	0531	01/000
SPARE		CLC	12	E14	0532	01/000
SPKR	C	DAT	24	A01	0771	01/000
LOCIMP	SCB	DAT	24	A02	0772	01/000
STALMP	SCB	DAT	24	A03	0773	01/000
ONLMP	SCB	DAT	24	A04	0774	01/000
INTLMP	SCB	DAT/D	24	A05	0775	01/000
ALALMP	SCB	DAT/D	24	A06	0776	01/000
REALMP	SCB	DAT/D	24	A07	0777	01/000
&15V	RCB	DAT/D	24	A08	0778	01/000
OPB-	RCB	DAT	24	A09	0779	01/000
SBB-	RCB	DAT	24	A10	0780	01/000
LPB-	RCB	DAT	24	A11	0781	01/000
MTRRPB	RCB	DATD		A11		01/000
-27V	RCB	DAT	24	A12	0782	01/000
-15V	RCB	DAT/D	24	A13	0783	01/000
OV	RCB	DAT/D	24	A14	0784	01/000
1PB-	RCB	DAT/D	24	B01	0785	01/000
HIS-	C	DAT	24	B02	0786	01/000
LPG-	SCB	DATD		B02		01/000
ALFSW-	C	DAT	24	B03	0787	01/000
SPSW-	C	DAT	24	B04	0788	01/000
ESC.-	RCB	DATD		B04		01/000
NORM-	C	DAT	24	B05	0789	01/000
SUPXM-	RCB	DAT/D	24	B06	0790	01/000
INHPR1	C	DAT	24	B07	0791	01/000
LF	C	DAT	24	B08	0792	01/000
&16V	C	DAT	24	B09	0793	01/000
OV	RCB	DAT/D	24	B10	0794	01/000
CLF-	C	DAT	24	B11	0795	01/000
HI-	C	DAT	24	B12	0796	01/000
MED-	C	DAT	24	B13	0797	01/000
LO-	C	DAT	24	B14	0798	01/000
536MS-	S B	DAT/D	24	C01	0799	01/000

29^{VN} 35²
 33² 38²
 34 41³
 74⁴

COMMUNICATIONS & CONTROL

R. D. Weener ISSUED MAR 12 1970	RDW 3/12/70 CCD 549	DEVICES DEPARTMENT WAYNESBORO, VA. 22980	44A410433 Cont. on 24 SH. NO. 23
---	------------------------	---	-------------------------------------

TITLE
TERMINET MB SIGNAL LIST

44A410433
 Cont. on 25 SH. NO. 24

DETBK	R B	DAT	24	C02	0800	01/000
MTR. PS	S B	DATD		C02		01/000
MTROFF	R B	DAT/D	24	C03	0801	01/000
ICA	S B	DAT/D	24	C04	0802	01/000
ONL. S-	S B	DAT	24	C05	0803	01/000
ESC. P-	RCB	DATD		C05		01/000
LV-	R B	DAT	24	C06	0804	01/000
LOCS-	S B	DAT/D	24	C07	0805	01/000
ICD	S B	DAT/D	24	C08	0806	01/000
INTLND	R B	DAT/D	24	C09	0807	01/000
SO-	R B	DAT/D	24	C10	0808	01/000
PONOD-	R B	DAT/D	24	C11	0809	01/000
RCVD	S B	DAT/D	24	C12	0810	01/000
S4-	R B	DAT/D	24	C13	0811	01/000
XDATA-	S B	DAT	24	C14	0812	01/000
CD	S B	DAT	24	D01	0813	01/000
RBS-	S B	DAT/D	24	D02	0814	01/000
MTRON	R B	DAT/D	24	D03	0815	01/000
67MS-	S B	DAT/D	24	D04	0816	01/000
ICB-	S B	DAT/D	24	D05	0817	01/000
PSVI-	S B	DAT/D	24	D06	0818	01/000
KINH-	S B	DAT/D	24	D07	0819	01/000
TL	R B	DAT/D	24	D08	0820	01/000
XTC	R B	DAT/D	24	D09	0821	01/000
DLEZS	R B	DAT/D	24	D10	0822	01/000
PTTR	R B	DAT/D	24	D11	0823	01/000
DLE.EO	R B	DAT/D	24	D12	0824	01/000
PTOF-	R B	DAT/D	24	D13	0825	01/000
NAKR	R B	DAT/D	24	D14	0826	01/000
PO2-	R B	DAT/D	24	E01	0827	01/000
CB	R B	DAT/D	24	E02	0828	01/000
CA	S B	DAT	24	E03	0829	01/000
BB	R B	DAT/D	24	E04	0830	01/000
BA	S B	DAT	24	E05	0831	01/000
GENDA-	R B	DAT/D	24	E06	0832	01/000
02	R B	DAT/D	24	E07	0833	01/000
01	R B	DAT/D	24	E08	0834	01/000
S/V	R B	DAT/D	24	E09	0835	01/000
SLO13	R B	DAT/D	24	E10	0836	01/000
MOTOR-	S B	DAT/D	24	E11	0837	01/000
MTRREL	S B	DAT/D	24	E12	0838	01/000
PO1-	R B	DAT/D	24	E13	0839	01/000
LV	R B	DAT/D	24	E14	0840	01/000
SPARE		DEC	10	A01	0421	01/000
SPARE		DEC	10	A02	0422	01/000
SPARE		DEC	10	A03	0423	01/000
FEH	C	DEC	10	A04	0424	01/000
FOH	C	DEC	10	A05	0425	01/000
HZ-	SCB	DEC	10	A06	0426	01/000
HO-	SCB	DEC	10	A07	0427	01/000
&15V	RCB	DEC	10	A08	0428	01/000

29VN 352
 332 382
 34 413
 704

COMMUNICATIONS CONTROL

R. D. Wesner ISSUED MAR 12 1970	<i>ADW 3/12/70</i> CCD 549	DEVICES DEPARTMENT WAYNESBORO, VA. 22980	44A410433 Cont. on 25 SH. NO. 24
---	-------------------------------	---	-------------------------------------

TITLE
TERMINET MB SIGNAL LIST

44A410433
Cont. on 26 SH. NO. 25

SPARE	DEC	10	A09	0429	01/000	
SPARE	DEC	10	A10	0430	01/000	
SPARE	DEC	10	A11	0431	01/000	
SPARE	DEC	10	A12	0432	01/000	
-15V	RCB	DEC	10	A13	0433	01/000
0V	RCB	DEC	10	A14	0434	01/000
H4-	SCB	DEC	10	B01	0435	01/000
H8-	SCB	DEC	10	B02	0436	01/000
H12-	SCB	DEC	10	B03	0437	01/000
H2-	SCB	DEC	10	B04	0438	01/000
H6-	SCB	DEC	10	B05	0439	01/000
H10-	SCB	DEC	10	B06	0440	01/000
H14-	SCB	DEC	10	B07	0441	01/000
H112-	SCB	DEC	10	B08	0442	01/000
H96-	SCB	DEC	10	B09	0443	01/000
H80-	SCB	DEC	10	B10	0444	01/000
H64-	SCB	DEC	10	B11	0445	01/000
H48-	SCB	DEC	10	B12	0446	01/000
H32-	SCB	DEC	10	B13	0447	01/000
H16-	SCB	DEC	10	B14	0448	01/000
SPARE	DEC	10	E01	0449	01/000	
SPARE	DEC	10	E02	0450	01/000	
SPARE	DEC	10	E03	0451	01/000	
SPARE	DEC	10	E04	0452	01/000	
SPARE	DEC	10	E05	0453	01/000	
SPARE	DEC	10	E06	0454	01/000	
02	R B	DEC	10	E07	0455	01/000
01	R B	DEC	10	E08	0456	01/000
63B	R B	DEC	10	E09	0457	01/000
SPARE	DEC	10	E10	0458	01/000	
SPARE	DEC	10	E11	0459	01/000	
SPARE	DEC	10	E12	0460	01/000	
SPARE	DEC	10	E13	0461	01/000	
SPARE	DEC	10	E14	0462	01/000	
AA	DSPLG	27	01	0891	01/000	
BA	DSPLG	27	02	0892	01/000	
BB	DSPLG	27	03	0893	01/000	
CA	DSPLG	27	04	0894	01/000	
CB	DSPLG	27	05	0895	01/000	
CC	DSPLG	27	06	0896	01/000	
0V	DSPLG	27	07	0897	01/000	
CF	DSPLG	27	08	0898	01/000	
GP	DSPLG	27	09	0899	01/000	
-P	DSPLG	27	10	0900	01/000	
CY	DSPLG	27	11	0901	01/000	
CX	DSPLG	27	12	0902	01/000	
SPARE	DSPLG	27	13	0903	01/000	
SPARE	DSPLG	27	14	0904	01/000	
SPARE	DSPLG	27	15	0905	01/000	
SPARE	DSPLG	27	16	0906	01/000	
SPARE	DSPLG	27	17	0907	01/000	
SPARE	DSPLG	27	18	0908	01/000	
SPARE	DSPLG	27	19	0909	01/000	

29VN 35²
33² 38²
34 41³
74

COMMUNICATION & CONTROL

<p>ISSUED R. D. Wesner MAR 12 1970</p>	<p>R DW 3/12/70 CCD 549</p>	<p>DEVICES DEPARTMENT WAYNESBORO, VA. 22980</p>	<p>44A410433 Cont. on 26 SH. NO. 25</p>
--	---------------------------------	---	---

TITLE

TERMINET MB SIGNAL LIST

44A410433

Cont. on 27 SH. NO. 26

CD		DSPLG	27	20	0910	01/000
SPARE		DSPLG	27	21	0911	01/000
CE		DSPLG	27	22	0912	01/000
CD/ADA		DSPLG	27	23	0913	01/000
LINE1		DSPLG	27	24	0914	01/000
LINE2		DSPLG	27	25	0915	01/000
T64	R B	HTB	08	A01	0365	01/000
S1-	R B	HTB	08	A02	0366	01/000
SPARE		HTB	08	A03	0367	01/000
SPARE		HTB	08	A04	0368	01/000
SPARE		HTB	08	A05	0369	01/000
T128	R B	HTB	08	A06	0370	01/000
CS-	R B	HTB	08	A07	0371	01/000
0V	R B	HTB	08	A08	0372	01/000
S2-	R B	HTB	08	A09	0373	01/000
TCA	S B	HTB	08	A10	0374	01/000
ESCF-	R B	HTB	08	A11	0375	01/000
-27V	R B	HTB	08	A12	0376	01/000
-15V	R B	HTB	08	A13	0377	01/000
0V	R B	HTB	08	A14	0378	01/000
SPARE		HTB	08	E01	0379	01/000
S5-	R B	HTB	08	E02	0380	01/000
S48-	R B	HTB	08	E03	0381	01/000
T1	R B	HTB	08	E04	0382	01/000
S8-	R B	HTB	08	E05	0383	01/000
EL	R B	HTB	08	E06	0384	01/000
02	R B	HTB	08	E07	0385	01/000
01	R B	HTB	08	E08	0386	01/000
WPA	R B	HTB	08	E09	0387	01/000
SPARE		HTB	08	E10	0388	01/000
SPARE		HTB	08	E11	0389	01/000
S32-	R B	HTB	08	E12	0390	01/000
BIT88	R B	HTB	08	E13	0391	01/000
LV	R B	HTB	08	E14	0392	01/000
SLSH	RCB	KIF	01	A01	0001	01/000
SL7T	RCB	KIF	01	A02	0002	01/000
SL6R	RCB	KIF	01	A03	0003	01/000
SLRP	RCB	KIF	01	A04	0004	01/000
SL2T	RCB	KIF	01	A05	0005	01/000
SL2R	RCB	KIF	01	A06	0006	01/000
SL1R	RCB	KIF	01	A07	0007	01/000
SL6T	RCB	KIF	01	A08	0008	01/000
SL5R	RCB	KIF	01	A09	0009	01/000
SL5T	RCB	KIF	01	A10	0010	01/000
SLLP	RCB	KIF	01	A11	0011	01/000
-27V	RCB	KIF	01	A12	0012	01/000
-15V	RCB	KIF	01	A13	0013	01/000
0V	RCB	KIF	01	A14	0014	01/000
SL3T	RCB	KIF	01	B01	0015	01/000
SL7R	RCB	KIF	01	B02	0016	01/000
SL4T	RCB	KIF	01	B03	0017	01/000
SL1T	RCB	KIF	01	B04	0018	01/000
SL4R	RCB	KIF	01	B05	0019	01/000

29VN 352
33² 38²
34 41³
7⁴

COMMUNICATION & CONTROL

R. D. Wesner

MAR 12 1970

RDW 3/12/70

CCD 549

DEVICES DEPARTMENT
WAYNESBORO, VA. 22980

44A410433

Cont. on 27 SH. NO. 26

ISSUED

TITLE

TERMINET MB SIGNAL LIST

44A410433

Cont. on 28SH. NO. 27

0V	RCB	KIF	01	B06	0020	01/000
0V	RCB	KIF	01	B07	0021	01/000
SLES	RCB	KIF	01	B08	0022	01/000
SLCT	RCB	KIF	01	B09	0023	01/000
SL3R	RCB	KIF	01	B10	0024	01/000
0V		KIF	01	B11	0025	01/000
LETCAP	SCB	KIF	01	B12	0026	01/000
COMP2	C	KIF	01	B13	0027	01/000
COMP1	C	KIF	01	B14	0028	01/000
IP-	S B	KIF	01	E01	0029	01/000
ERASE	R B	KIF	01	E02	0030	01/000
14-	S B	KIF	01	E03	0031	01/000
15-	S B	KIF	01	E04	0032	01/000
ALFSW-	R B	KIF	01	E05	0033	01/000
11-	S B	KIF	01	E06	0034	01/000
13-	S B	KIF	01	E07	0035	01/000
12-	S B	KIF	01	E08	0036	01/000
17-	S B	KIF	01	E09	0037	01/000
16-	S B	KIF	01	E10	0038	01/000
FR	R B	KIF	01	E11	0039	01/000
KS-	S B	KIF	01	E12	0040	01/000
KINH-	R B	KIF	01	E13	0041	01/000
LV	R B	KIF	01	E14	0042	01/000
0V	R B	LMP	13	A01	0533	01/000
&20V	R B	LMP	13	A02	0534	01/000
&16V	R B	LMP	13	A03	0535	01/000
-16V	R B	LMP	13	A04	0536	01/000
&2.3V	S B	LMP	13	A05	0537	01/000
&3V	S B	LMP	13	A06	0538	01/000
-33V	R B	LMP	13	A07	0539	01/000
&15V	R B	LMP	13	A08	0540	01/000
PPILMP	S B	LMP	13	A09	0541	01/000
SPARE		LMP	13	A10	0542	01/000
SPARE		LMP	13	A11	0543	01/000
-27V	R B	LMP	13	A12	0544	01/000
-15V	R B	LMP	13	A13	0545	01/000
0V	R B	LMP	13	A14	0546	01/000
LV	R B	LMP	13	E01	0547	01/000
LV-	S B	LMP	13	E02	0548	01/000
SPARE		LMP	13	E03	0549	01/000
MOTOR-	R B	LMP	13	E04	0550	01/000
PRT4	R B	LMP	13	E05	0551	01/000
PRT1	S B	LMP	13	E06	0552	01/000
02	R B	LMP	13	E07	0553	01/000
01	R B	LMP	13	E08	0554	01/000
-RIB	S B	LMP	13	E09	0555	01/000
SPARE		LMP	13	E10	0556	01/000
HOLD	R B	LMP	13	E11	0557	01/000
SPARE		LMP	13	E12	0558	01/000
SPARE		LMP	13	E13	0559	01/000
PICK	R B	LMP	13	E14	0560	01/000
PSIX-	R B	MEM	07	A01	0309	01/000
63B	S B	MEM	07	A02	0310	01/000

29^{VN} 35²
 33² 38²
 34 41³
 74⁴

COMMUNICATION & CONTROL

R. D. Wesner

RDW 3/12/70

DEVICES DEPARTMENT
WAYNESBORO, VA. 22980

44A410433

ISSUED

MAR 12 1970

CCD 549

Cont. on 28 SH. NO. 27

TITLE

TERMINET MB SIGNAL LIST

44A410433

Cont. on 29 SH. NO. 28

T32	R B	MEM	07 A03	0311	01/000
FR	R B	MEM	07 A04	0312	01/000
TCA	R B	MEM	07 A05	0313	01/000
S2-	R B	MEM	07 A06	0314	01/000
CSM-	R B	MEM	07 A07	0315	01/000
120CPSS	B	MEM	07 A08	0316	01/000
T64	R B	MEM	07 A09	0317	01/000
T128	R B	MEM	07 A10	0318	01/000
E1A	R B	MEM	07 A11	0319	01/000
OV	R B	MEM	07 A12	0320	01/000
-15V	R B	MEM	07 A13	0321	01/000
OV	R B	MEM	07 A14	0322	01/000
MA	S B	MEM	07 B01	0323	01/000
PICK	S B	MEM	07 B02	0324	01/000
SZ-	R B	MEM	07 B03	0325	01/000
PSI-	S B	MEM	07 B04	0326	01/000
SPARE		MEM	07 B05	0327	01/000
LFG-	S B	MEM	07 B06	0328	01/000
&16V	R B	MEM	07 B07	0329	01/000
INHPRTR	B	MEM	07 B08	0330	01/000
64A	S B	MEM	07 B09	0331	01/000
TLTESTS	B	MEM	07 B10	0332	01/000
75H	R B	MEM	07 B11	0333	01/000
SPARE		MEM	07 B12	0334	01/000
SPARE		MEM	07 B13	0335	01/000
LF	R B	MEM	07 B14	0336	01/000
TL	S B	MEM	07 D01	0337	01/000
COUNT	S B	MEM	07 D02	0338	01/000
W127	R B	MEM	07 D03	0339	01/000
EL2	R B	MEM	07 D04	0340	01/000
DLF-	R B	MEM	07 D05	0341	01/000
SLF	R B	MEM	07 D06	0342	01/000
INH D	R B	MEM	07 D07	0343	01/000
A7	R B	MEM	07 D08	0344	01/000
A6	R B	MEM	07 D09	0345	01/000
A5	R B	MEM	07 D10	0346	01/000
A4	R B	MEM	07 D11	0347	01/000
A3	R B	MEM	07 D12	0348	01/000
A2	R B	MEM	07 D13	0349	01/000
A1	R B	MEM	07 D14	0350	01/000
MOTOR-	R B	MEM	07 E01	0351	01/000
BIT8B	S B	MEM	07 E02	0352	01/000
CDN	S B	MEM	07 E03	0353	01/000
1SET-	S B	MEM	07 E04	0354	01/000
HOLD	S B	MEM	07 E05	0355	01/000
WPA	S B	MEM	07 E06	0356	01/000
O2	R B	MEM	07 E07	0357	01/000
O1	R B	MEM	07 E08	0358	01/000
EL	S B	MEM	07 E09	0359	01/000
S8-	R B	MEM	07 E10	0360	01/000
RU-	R B	MEM	07 E11	0361	01/000
64B	S B	MEM	07 E12	0362	01/000
S5-	R B	MEM	07 E13	0363	01/000

29VN 352
332 382
34 413
744

COMMUNICATION & CONTROL

R. D. Wesner

RDW 3/12/70

DEVICES DEPARTMENT

44A410433

ISSUED

MAR 12 1970

CCD 549

WAYNESBORO, VA. 22980

Cont. on 29 SH. NO. 28

TITLE

GEI

44A410433

TERMINET MB SIGNAL LIST

Cont. on 30 SH. NO. 29

LV	R B	MEM	07	E14	0364	01/000
0V	R B	MOD	22	A01	0701	01/000
SPARE		MOD	22	A02	0702	01/000
LINE2	R B	MOD	22	A03	0703	01/000
LINE1	R B	MOD	22	A04	0704	01/000
SPARE		MOD	22	A05	0705	01/000
CD/ADAS	R	MOD	22	A06	0706	01/000
CE	R B	MOD	22	A07	0707	01/000
G15V	R B	MOD	22	A08	0708	01/000
SPARE		MOD	22	A09	0709	01/000
SPARE		MOD	22	A10	0710	01/000
SPARE		MOD	22	A11	0711	01/000
-27V	R B	MOD	22	A12	0712	01/000
-15V	R B	MOD	22	A13	0713	01/000
0V	R B	MOD	22	A14	0714	01/000
CF	R B	MOD	22	E01	0715	01/000
CB	R B	MOD	22	E02	0716	01/000
SPARE		MOD	22	E03	0717	01/000
CA	R B	MOD	22	E04	0718	01/000
BB	S B	MOD	22	E05	0719	01/000
BA	S B	MOD	22	E06	0720	01/000
AA	R B	MOD	22	E07	0721	01/000
CC	R B	MOD	22	E08	0722	01/000
SPARE		MOD	22	E09	0723	01/000
SPARE		MOD	22	E10	0724	01/000
COPY 2		MOD	22	E11	0725	01/000
SPARE		MOD	22	E12	0726	01/000
COPY 1		MOD	22	E13	0727	01/000
CD	R B	MOD	22	E14	0728	01/000
0V	R B	PAR	15	A01	0561	01/000
SPARE		PAR	15	A02	0562	01/000
SPARE		PAR	15	A03	0563	01/000
SPARE		PAR	15	A04	0564	01/000
SPARE		PAR	15	A05	0565	01/000
W127	S B	PAR	15	A06	0566	01/000
SPARE		PAR	15	A07	0567	01/000
G15V	R B	PAR	15	A08	0568	01/000
SPARE		PAR	15	A09	0569	01/000
S-	R B	PAR	15	A10	0570	01/000
CS-	R B	PAR	15	A11	0571	01/000
-27V	R B	PAR	15	A12	0572	01/000
-15V	R B	PAR	15	A13	0573	01/000
0V	R B	PAR	15	A14	0574	01/000
PONOD-	S B	PAR	15	E01	0575	01/000
INTLNDS	B	PAR	15	E02	0576	01/000
INHPRTS	B	PAR	15	E03	0577	01/000
PER	S B	PAR	15	E04	0578	01/000
PER-	S B	PAR	15	E05	0579	01/000
WPA	R B	PAR	15	E06	0580	01/000
O2	R B	PAR	15	E07	0581	01/000
O1	R B	PAR	15	E08	0582	01/000
T64	P B	PAR	15	E09	0583	01/000
A6	R B	PAR	15	E10	0584	01/000

29VN 352
332 382
34 413
744

COMMUNICATION & CONTROL

R. D. Wesner

ADW 3/12/70

DEVICES DEPARTMENT
WAYNESBORO, VA. 22980

44A410433

ISSUED

MAR 12 1970

CCD 549

Cont. on 30 SH. NO. 29

TITLE

6E

TERMINET MB SIGNAL

44A410433

Cont. on 31 SH. NO. 30

A7	R B	PAR	15 E11	0585	01/000
START-R	R B	PAR	15 E12	0586	01/000
DATA	R B	PAR	15 E13	0587	01/000
LV	R B	PAR	15 E14	0588	01/000
0V	RC	PCA	17 A01	0617	01/000
0V	RC	PCA	17 A02	0618	01/000
0V	RC	PCA	17 A03	0619	01/000
0V	RC	PCA	17 A04	0620	01/000
&2.3V	RC	PCA	17 A05	0621	01/000
SPARE		PCA	17 A06	0622	01/000
-33V	RC	PCA	17 A07	0623	01/000
&15V	RCB	PCA	17 A08	0624	01/000
&3V	RC	PCA	17 A09	0625	01/000
&2.3V	RC	PCA	17 A10	0626	01/000
0V	RC	PCA	17 A11	0627	01/000
-27V	RCB	PCA	17 A12	0628	01/000
-15V	RCB	PCA	17 A13	0629	01/000
0V	RCP	PCA	17 A14	0630	01/000
EVENPCRCB		PCA	17 B01	0631	01/000
P01-	RC	PCA	17 B02	0632	01/000
CEVEN-	RC	PCA	17 B03	0633	01/000
PRT2	RC	PCA	17 B04	0634	01/000
P02-	RC	PCA	17 B05	0635	01/000
SPARE		PCA	17 B06	0636	01/000
EVENOUSCB		PCA	17 B07	0637	01/000
ODDOUTSCB		PCA	17 B08	0638	01/000
SPARE		PCA	17 B09	0639	01/000
-RIB	RC	PCA	17 B10	0640	01/000
SPARE		PCA	17 B11	0641	01/000
CODD-	RC	PCA	17 B12	0642	01/000
LFG-	RC	PCA	17 B13	0643	01/000
ODDPC	RCB	PCA	17 B14	0644	01/000
PRT3	R B	PCA	17 E01	0645	01/000
ODDIN	S B	PCA	17 E02	0646	01/000
SYNC	R B	PCA	17 E03	0647	01/000
OE	S B	PCA	17 E04	0648	01/000
SPARE		PCA	17 E05	0649	01/000
SPARE		PCA	17 E06	0650	01/000
SPARE		PCA	17 E07	0651	01/000
SPARE		PCA	17 E08	0652	01/000
SPARE		PCA	17 E09	0653	01/000
SPARE		PCA	17 E10	0654	01/000
SPARE		PCA	17 E11	0655	01/000
EF	S B	PCA	17 E12	0656	01/000
SPARE		PCA	17 E13	0657	01/000
OF	S B	PCA	17 E14	0658	01/000
AA		PCHPLG25	01	0841	01/000
SPARE		PCHPLG25	02	0842	01/000
SPARE		PCHPLG25	03	0843	01/000
LDR-		PCHPLG25	04	0844	01/000
A6		PCHPLG25	05	0845	01/000
A7		PCHPLG25	06	0846	01/000
0V		PCHPLG25	07	0847	01/000

29^{VN} 35²
 33² 38²
 34 41³
 74^v

COMMUNICATION & CONTROL

R. D. Wesner
 MAR 12 1970

RDW 3/12/70

DEVICES DEPARTMENT
 WAYNESBORO, VA. 22980

44A410433

Cont. on 31 SH. NO. 30

ISSUED

CCD 549

TITLE

GENI

44A410433

TERMINET MB SIGNAL LIST

Cont. on 32 SH. NO. 31

A2	PCHPLG25	08	0848	01/000
CS-	PCHPLG25	09	0849	01/000
ADV	PCHPLG25	10	0850	01/000
PCHLMP	PCHPLG25	11	0851	01/000
POFF-	PCHPLG25	12	0852	01/000
-27V	PCHPLG25	13	0853	01/000
SPARE	PCHPLG25	14	0854	01/000
SPARE	PCHPLG25	15	0855	01/000
&16V	PCHPLG25	16	0856	01/000
PON-	PCHPLG25	17	0857	01/000
A4	PCHPLG25	18	0858	01/000
A5	PCHPLG25	19	0859	01/000
A3	PCHPLG25	20	0860	01/000
A1	PCHPLG25	21	0861	01/000
A8	PCHPLG25	22	0862	01/000
PTOS-	PCHPLG25	23	0863	01/000
PUNCH	PCHPLG25	24	0864	01/000
BAIL	PCHPLG25	25	0865	01/000
0V SCB	POW	18 A01	0659	01/000
&20V SCB	POW	18 A02	0660	01/000
&16V SCB	POW	18 A03	0661	01/000
SPARE	POW	18 A04	0662	01/000
-16V SCB	POW	18 A05	0663	01/000
-20V SCB	POW	18 A06	0664	01/000
-33V SCB	POW	18 A07	0665	01/000
&15V SCB	POW	18 A08	0666	01/000
SPARE	POW	18 A09	0667	01/000
SPARE	POW	18 A10	0668	01/000
SPARE	POW	18 A11	0669	01/000
-27V SCB	POW	18 A12	0670	01/000
-15V SCB	POW	18 A13	0671	01/000
0V SCB	POW	18 A14	0672	01/000
X7 RCB	POW	18 B01	0673	01/000
X7 RCB	POW	18 B02	0674	01/000
X7 RCB	POW	18 B03	0675	01/000
X6 RCB	POW	18 B04	0676	01/000
X8 RCB	POW	18 B05	0677	01/000
X9 RCB	POW	18 B06	0678	01/000
X10 RCB	POW	18 B07	0679	01/000
X10 RCB	POW	18 B08	0680	01/000
X9 RCB	POW	18 B09	0681	01/000
X8 RCB	POW	18 B10	0682	01/000
X6 RCB	POW	18 B11	0683	01/000
X7 RCB	POW	18 B12	0684	01/000
MTRRELRC	POW	18 B13	0685	01/000
X7 RCB	POW	18 B14	0686	01/000
SPARE	POW	18 E01	0687	01/000
SPARE	POW	18 E02	0688	01/000
SPARE	POW	18 E03	0689	01/000
SPARE	POW	18 E04	0690	01/000
SPARE	POW	18 E05	0691	01/000
SPARE	POW	18 E06	0692	01/000
SPARE	POW	18 E07	0693	01/000

29 VN 35²
 33² 38²
 34 41³
 74⁴

COMMUNICATION & CONTROL

DEVICES DEPARTMENT
 WAYNESBORO, VA. 22980

44A410433

Cont. on 32 SH. NO. 31

R. D. ~~Woods~~
 MAR 12 1970

RDW 3/12/70

ISSUED

CCD 549

GEI

TITLE

TERMINET MB SIGNAL

44A410433

Cont. on 33SH. NO. 32

SPARE	POW	18	E08	0694	01/000	
SPARE	POW	18	E09	0695	01/000	
SPARE	POW	18	E10	0696	01/000	
SPARE	POW	18	E11	0697	01/000	
SPARE	POW	18	E12	0698	01/000	
SPARE	POW	18	E13	0699	01/000	
SPARE	POW	18	E14	0700	01/000	
0V	RCB	PPI	23	A01	0729	01/000
SPARE		PPI	23	A02	0730	01/000
SPARE		PPI	23	A03	0731	01/000
SPARE		PPI	23	A04	0732	01/000
SPARE		PPI	23	A05	0733	01/000
PPILMP	C	PPI	23	A06	0734	01/000
XHL	SCB	PPI	23	A07	0735	01/000
&15V	RCB	PPI	23	A08	0736	01/000
SPARE		PPI	23	A09	0737	01/000
SPARE		PPI	23	A10	0738	01/000
SPARE		PPI	23	A11	0739	01/000
SPARE		PPI	23	A12	0740	01/000
-15V	RCB	PPI	23	A13	0741	01/000
0V	RCB	PPI	23	A14	0742	01/000
1UL	SCB	PPI	23	B01	0743	01/000
2UL	SCB	PPI	23	B02	0744	01/000
3UL	SCB	PPI	23	B03	0745	01/000
4UL	SCB	PPI	23	B04	0746	01/000
5UL	SCB	PPI	23	B05	0747	01/000
6UL	SCB	PPI	23	B06	0748	01/000
7UL	SCB	PPI	23	B07	0749	01/000
7TL	SCB	PPI	23	B08	0750	01/000
6TL	SCB	PPI	23	B09	0751	01/000
5TL	SCB	PPI	23	B10	0752	01/000
4TL	SCB	PPI	23	B11	0753	01/000
3TL	SCB	PPI	23	B12	0754	01/000
2TL	SCB	PPI	23	B13	0755	01/000
1TL	SCB	PPI	23	B14	0756	01/000
SPARE		PPI	23	E01	0757	01/000
SPARE		PPI	23	E02	0758	01/000
SPARE		PPI	23	E03	0759	01/000
MOTOR-R	B	PPI	23	E04	0760	01/000
SPARE		PPI	23	E05	0761	01/000
SPARE		PPI	23	E06	0762	01/000
02	R B	PPI	23	E07	0763	01/000
01	R B	PPI	23	E08	0764	01/000
SPARE		PPI	23	E09	0765	01/000
COUNT	R B	PPI	23	E10	0766	01/000
SPARE		PPI	23	E11	0767	01/000
1SET-	R B	PPI	23	E12	0768	01/000
CDN	R B	PPI	23	E13	0769	01/000
SPARE		PPI	23	E14	0770	01/000
0V	R B	PRO	16	A01	0589	01/000
SPARE		PRO	16	A02	0590	01/000
&16V	R B	PRO	16	A03	0591	01/000
SPARE		PRO	16	A04	0592	01/000

29VN 352
 33² 382
 34 413
 74

ISSUED R. D. Wesner MAR 12 1970	<i>RDW 3/12/70</i> CCD 549	COMMUNICATION & CONTROL DEVICES DEPARTMENT WAYNESBORO, VA. 22980	44A410433 Cont. on 33SH. NO. 32
---	-------------------------------	---	------------------------------------

TITLE
TERMINET MB SIGNAL LIST

44A410433
 Cont. on 34 SH. NO. 33

SPARE	PRO	16	A05	0593	01/000
SPARE	PRO	16	A06	0594	01/000
SPARE	PRO	16	A07	0595	01/000
G15V R B	PRO	16	A08	0596	01/000
SPARE	PRO	16	A09	0597	01/000
SPARE	PRO	16	A10	0598	01/000
SPARE	PRO	16	A11	0599	01/000
-27V R B	PRO	16	A12	0600	01/000
-15V R B	PRO	16	A13	0601	01/000
OV R B	PRO	16	A14	0602	01/000
LV S B	PRO	16	E01	0603	01/000
SPARE	PRO	16	E02	0604	01/000
SPARE	PRO	16	E03	0605	01/000
PRT4 R B	PRO	16	E04	0606	01/000
SL013 S B	PRO	16	E05	0607	01/000
S/V S B	PRO	16	E06	0608	01/000
SPARE	PRO	16	E07	0609	01/000
SPARE	PRO	16	E08	0610	01/000
PRT1 R B	PRO	16	E09	0611	01/000
PRT2 R B	PRO	16	E10	0612	01/000
OE R B	PRO	16	E11	0613	01/000
SYNC R B	PRO	16	E12	0614	01/000
ODDIN	PRO	16	E13	0615	01/000
PRT3 S B	PRO	16	E14	0616	01/000
LO- R B	PSC	03	A01	0113	01/000
MED- R B	PSC	03	A02	0114	01/000
HI- R B	PSC	03	A03	0115	01/000
ANS R B	PSC	03	A04	0116	01/000
ENGRD S B	PSC	03	A05	0117	01/000
FRASE S B	PSC	03	A06	0118	01/000
CS- R B	PSC	03	A07	0119	01/000
OV R B	PSC	03	A08	0120	01/000
I3- S B	PSC	03	A09	0121	01/000
I2- S B	PSC	03	A10	0122	01/000
I1- S B	PSC	03	A11	0123	01/000
-27V R B	PSC	03	A12	0124	01/000
-15V R B	PSC	03	A13	0125	01/000
OV R B	PSC	03	A14	0126	01/000
ICBD- S B	PSC	03	B01	0127	01/000
RCVD R B	PSC	03	B02	0128	01/000
ACKR S B	PSC	03	B03	0129	01/000
GENDA- S B	PSC	03	B04	0130	01/000
PTTR S B	PSC	03	B05	0131	01/000
NAKR S B	PSC	03	B06	0132	01/000
DLE.FOS S B	PSC	03	B07	0133	01/000
ICB- R B	PSC	03	B08	0134	01/000
DLE% S B	PSC	03	B09	0135	01/000
OV R B	PSC	03	B10	0136	01/000
RCV- R B	PSC	03	B11	0137	01/000
STIN S B	PSC	03	B12	0138	01/000
SZ- R B	PSC	03	B13	0139	01/000
S4- R B	PSC	03	B14	0140	01/000
S56- R B	PSC	03	D01	0141	01/000

29^{VN} 35²
 33² 38²
 34 41³
 74⁴

TITLE

GEI

TERMINET MB SIGNAL 1

44A410433

Cont. on 35 SH. NO. 34

S7-	R B	PSC	03	D02	0142	01/000
S6-	R B	PSC	03	D03	0143	01/000
S3-	R B	PSC	03	D04	0144	01/000
PSVI-	R B	PSC	03	D05	0145	01/000
DLES	S B	PSC	03	D06	0146	01/000
RNC	S B	PSC	03	D07	0147	01/000
IP-	R B	PSC	03	D08	0148	01/000
ISWIP-	R B	PSC	03	D09	0149	01/000
S16-	R B	PSC	03	D10	0150	01/000
OV	R B	PSC	03	D11	0151	01/000
OV	R B	PSC	03	D12	0152	01/000
OV	R B	PSC	03	D13	0153	01/000
XTC	S B	PSC	03	D14	0154	01/000
S0-	R B	PSC	03	E01	0155	01/000
ABOPT	R B	PSC	03	E02	0156	01/000
KS-	R B	PSC	03	E03	0157	01/000
TA	S B	PSC	03	E04	0158	01/000
XCLOCKR	B	PSC	03	E05	0159	01/000
ISWOP-	S B	PSC	03	E06	0160	01/000
02	R B	PSC	03	E07	0161	01/000
01	R B	PSC	03	E08	0162	01/000
I7-	R B	PSC	03	E09	0163	01/000
I6-	R B	PSC	03	E10	0164	01/000
I5-	S B	PSC	03	E11	0165	01/000
I4-	R B	PSC	03	E12	0166	01/000
S5-	R B	PSC	03	E13	0167	01/000
LV	R B	PSC	03	E14	0168	01/000
LO-	R B	R.P	02	A01	0043	01/000
MED-	R B	R.P	02	A02	0044	01/000
HI-	R B	R.P	02	A03	0045	01/000
INHPRTR	B	R.P	02	A04	0046	01/000
I2-	S B	R.P	02	A05	0047	01/000
I3-	S B	R.P	02	A06	0048	01/000
CS-	R B	R.P	02	A07	0049	01/000
S3-	R B	R.P	02	A08	0050	01/000
S2-	R B	R.P	02	A09	0051	01/000
VT.FFSRCE	B	R.P	02	A10	0052	01/000
I1-	S B	R.P	02	A11	0053	01/000
REV-	SCB	R.P	02	A12	0054	01/000
-15V	RCE	R.P	02	A13	0055	01/000
OV	RCE	R.P	02	A14	0056	01/000
S4-	R B	R.P	02	B01	0057	01/000
SZ-	R B	R.P	02	B02	0058	01/000
STIN	R B	R.P	02	B03	0059	01/000
DETRK	R B	R.P	02	B04	0060	01/000
ESCF-	R B	R.P	02	B05	0061	01/000
S1-	R B	R.P	02	B06	0062	01/000
ICBD-	R B	R.P	02	B07	0063	01/000
PSVI-	R B	R.P	02	B08	0064	01/000
ADV	S B	R.P	02	B09	0065	01/000
PTOS-	R B	R.P	02	B10	0066	01/000
PCHLMPS	B	R.P	02	B11	0067	01/000
PUNCH	S B	R.P	02	B12	0068	01/000

29^{VN} 35²
 33² 38²
 34 41²
 74

TITLE	TERMINET
-------	----------

44A410433
Cont. on 36 SH. NO. 35

POFF-	R B	R.P	02 B13	0069	01/000
BAIL	S B	R.P	02 B14	0070	01/000
RCV-	R B	R.P	02 C01	0071	01/000
67MS-	R B	R.P	02 C02	0072	01/000
VT.FFHR	R	R.P	02 C03	0073	01/000
SPKT	RCB	R.P	02 C04	0074	01/000
ROSW	RCB	R.P	02 C05	0075	01/000
DELSW	RCB	R.P	02 C06	0076	01/000
PTOF-	S B	R.P	02 C07	0077	01/000
PE7	RCB	R.P	02 C08	0078	01/000
PE6	RCB	R.P	02 C09	0079	01/000
PE5	RCB	R.P	02 C10	0080	01/000
PE4	RCB	R.P	02 C11	0081	01/000
PE3	RCB	R.P	02 C12	0082	01/000
PE2	RCB	R.P	02 C13	0083	01/000
PE1	RCB	R.P	02 C14	0084	01/000
TL	R B	R.P	02 D01	0085	01/000
OA	SCB	R.P	02 D02	0086	01/000
OB	SCB	R.P	02 D03	0087	01/000
OC	SCB	R.P	02 D04	0088	01/000
S16-	R B	R.P	02 D05	0089	01/000
ISWIP-	S B	R.P	02 D06	0090	01/000
IP-	S B	R.P	02 D07	0091	01/000
BSLPB-	RCB	R.P	02 D08	0092	01/000
OFFPB-	RCB	R.P	02 D09	0093	01/000
LINPB-	RCB	R.P	02 D10	0094	01/000
WORPB-	RCB	R.P	02 D11	0095	01/000
CHAPB-	RCB	R.P	02 D12	0096	01/000
RUNPB-	RCB	R.P	02 D13	0097	01/000
PE8	RCB	R.P	02 D14	0098	01/000
S48-	R B	R.P	02 E01	0099	01/000
T1	R B	R.P	02 E02	0100	01/000
ONL.S-	R B	R.P	02 E03	0101	01/000
536MS-	R B	R.P	02 E04	0102	01/000
I6-	S B	R.P	02 E05	0103	01/000
I7-	S B	R.P	02 E06	0104	01/000
O2	R B	R.P	02 E07	0105	01/000
O1	R B	R.P	02 E08	0106	01/000
LDR-	R B	R.P	02 E09	0107	01/000
PON-	R B	R.P	02 E10	0108	01/000
I5-	S B	R.P	02 E11	0109	01/000
I4-	S B	R.P	02 E12	0110	01/000
RNC	R B	R.P	02 E13	0111	01/000
LV	R B	R.P	02 E14	0112	01/000
REV-		RDRPLG26	01	0866	01/000
OFFPB-		RDRPLG26	02	0867	01/000
WORPB-		RDRPLG26	03	0868	01/000
OC		RDRPLG26	04	0869	01/000
PE8		RDRPLG26	05	0870	01/000
OA		RDRPLG26	06	0871	01/000
-15V		RDRPLG26	07	0872	01/000
PE7		RDRPLG26	08	0873	01/000
DELSW		RDRPLG26	09	0874	01/000

29VN 352
332 382
34 413
744

ISSUED	R. D. Wesner MAR 12 1970	Rdw 3/12/70 CCD 549	COMMUNICATION & CONTROL DEVICES DEPARTMENT WAYNESBORO, VA. 22980	44A410433 Cont. on 36 SH. NO. 35
--------	-----------------------------	------------------------	--	-------------------------------------

TITLE

GEN

44A410433

TERMINET MB SIGNAL LIST

Cont. on 37 SH. NO. 36

ROSW		RDRPLG26	10	0875	01/000
SPKT		RDRPLG26	11	0876	01/000
PE2		RDRPLG26	12	0877	01/000
AA		RDRPLG26	13	0878	01/000
BSLPB-		RDRPLG26	14	0879	01/000
LINPB-		RDRPLG26	15	0880	01/000
CHAPB-		RDRPLG26	16	0881	01/000
RUNPB-		RDRPLG26	17	0882	01/000
OB		RDRPLG26	18	0883	01/000
OV		RDRPLG26	19	0884	01/000
&15V		RDRPLG26	20	0885	01/000
PE6		RDRPLG26	21	0886	01/000
PE5		RDRPLG26	22	0887	01/000
PE4		RDRPLG26	23	0888	01/000
PE3		RDRPLG26	24	0889	01/000
PE1		RDRPLG26	25	0890	01/000
PSIX-	S B	SPC/D 06	A01	0239	01/000
63B	R B	SPC/D 06	A02	0240	01/000
T32	R B	SPC/D 06	A03	0241	01/000
E1A	S B	SPC/D 06	A04	0242	01/000
T128	R B	SPC/D 06	A05	0243	01/000
S2-	S B	SPC/D 06	A06	0244	01/000
CS-	S B	SPC/D 06	A07	0245	01/000
OV	R B	SPC/D 06	A08	0246	01/000
S-	S B	SPC/D 06	A09	0247	01/000
T64	R B	SPC/D 06	A10	0248	01/000
FR	S B	SPC/D 06	A11	0249	01/000
CSM-	S B	SPC/D 06	A12	0250	01/000
-15V	R B	SPC/D 06	A13	0251	01/000
OV	R B	SPC/D 06	A14	0252	01/000
MTR OFF	S B	SPC/D 06	B01	0253	01/000
SZ-	S B	SPC/D 06	B02	0254	01/000
ONL. S-	R B	SPC	06 B03	0255	01/000
ESC. P-	S B	SPCD	B03		01/000
DET BK	S B	SPC	06 B04	0256	01/000
MTR. PS	R B	SPCD	B04		01/000
ESCF-	S B	SPC/D 06	B05	0257	01/000
64A	R B	SPC/D 06	B06	0258	01/000
A8	S B	SPC/D 06	B07	0259	01/000
RCVD	R B	SPC/D 06	B08	0260	01/000
S1-	S B	SPC/D 06	B09	0261	01/000
RCV-	R B	SPC/D 06	B10	0262	01/000
GENDA-	R B	SPC/D 06	B11	0263	01/000
PSI-	R B	SPC/D 06	B12	0264	01/000
PICK	R B	SPC/D 06	B13	0265	01/000
S4-	S B	SPC/D 06	B14	0266	01/000
OF	R B	SPC/D 06	C01	0267	01/000
CEVEN-	S B	SPC/D 06	C02	0268	01/000
FIRE	S B	SPC/D 06	C03	0269	01/000
FDR-	R B	SPC/D 06	C04	0270	01/000
LOCS-	R B	SPC/D 06	C05	0271	01/000
EF	R B	SPC/D 06	C06	0272	01/000
NORM-	R B	SPC	06 C07	0273	01/000
PCOSW	R B	SPCD	C07		01/000

29VN 35²
332 38²
34 41³
74

R. D. Wesner

RDW 3/12/70

COMMUNICATIONS CONTROL

44A410433

ISSUED

MAR 12 1970

CCD 549

DEVELOPMENT

WAYNESBORO, VA 22980

Cont. on 37 SH. NO. 36

TITLE

GE

TERMINET MB SIGNAL

44A410433

Cont. on 38 SH. NO. 37

S104-	S B	SPC/D 06 C08	0274	01/000
S72-	S B	SPC/D 06 C09	0275	01/000
S32-	S B	SPC/D 06 C10	0276	01/000
CODD-	S B	SPC/D 06 C11	0277	01/000
START-	S B	SPC/D 06 C12	0278	01/000
RCLOCK	R B	SPC/D 06 C13	0279	01/000
S24-	S B	SPC/D 06 C14	0280	01/000
A1	S B	SPC/D 06 D01	0281	01/000
A2	S B	SPC/D 06 D02	0282	01/000
A3	S B	SPC/D 06 D03	0283	01/000
A4	S B	SPC/D 06 D04	0284	01/000
A5	S B	SPC/D 06 D05	0285	01/000
A6	S B	SPC/D 06 D06	0286	01/000
A7	S B	SPC/D 06 D07	0287	01/000
DATA	S B	SPC/D 06 D08	0288	01/000
DLES	R B	SPC/D 06 D09	0289	01/000
S16-	S B	SPC/D 06 D10	0290	01/000
S3-	S B	SPC/D 06 D11	0291	01/000
S6-	S B	SPC/D 06 D12	0292	01/000
S7-	S B	SPC/D 06 D13	0293	01/000
S56-	S B	SPC/D 06 D14	0294	01/000
S0-	S B	SPC/D 06 E01	0295	01/000
S5-	S B	SPC/D 06 E02	0296	01/000
64B	R B	SPC/D 06 E03	0297	01/000
RU-	S B	SPC/D 06 E04	0298	01/000
S8-	S B	SPC/D 06 E05	0299	01/000
WPA	R B	SPC/D 06 E06	0300	01/000
02	R B	SPC/D 06 E07	0301	01/000
01	R B	SPC/D 06 E08	0302	01/000
MOTOR-	R B	SPC/D 06 E09	0303	01/000
MTRON	S B	SPC/D 06 E10	0304	01/000
T1	R B	SPC/D 06 E11	0305	01/000
S48-	S B	SPC/D 06 E12	0306	01/000
SPSW-	R B	SPC 06 E13	0307	01/000
ESC.-	S B	SPCD E13		01/000
LV	R B	SPC/D 06 E14	0308	01/000
0V	R B	T.A/D 11 A01	0463	01/000
SZ-	R B	T.A/D 11 A02	0464	01/000
RCVD	R B	T.A/D 11 A03	0465	01/000
SPKR	S B	T.A/D 11 A04	0466	01/000
ICD	R B	T.A/D 11 A05	0467	01/000
C2-	R B	T.A/D 11 A06	0468	01/000
RCV-	S B	T.A/D 11 A07	0469	01/000
&15V	R B	T.A/D 11 A08	0470	01/000
GENDA-	R B	T.A/D 11 A09	0471	01/000
FOH	S B	T.A/D 11 A10	0472	01/000
FEH	S B	T.A/D 11 A11	0473	01/000
-27V	R B	T.A/D 11 A12	0474	01/000
-15V	R B	T.A/D 11 A13	0475	01/000
0V	R B	T.A/D 11 A14	0476	01/000

29^{VN} 35²
 33² 38²
 34 41³
 74⁴

R. D. Wesner

MAR 12 1970

ISSUED

RDC 3/12/70

CCD 349

COMMUNICATION & CONTROL

DEVICES DEPARTMENT

WAYNESBORO, VA. 22980

44A410433

Cont. on 38 SH. NO. 37

TITLE

G

TERMINET MB SIGNAL

44A410433

Cont. on 39 SH. NO. 38

02 TP		TA	11	C01	0477	01/000
LFG-	R B	TAD	11	C02	0478	01/000
HIS-	R B	T.A	11	C03	0479	01/000
LFG-	R B	TAD		C03		01/000
-33V	R B	TA	11	C04	0480	01/000
536MS-	R B	TAD	11	C05	0481	01/000
600-	R B	T.A/D	11	C06	0482	01/000
TRI	S B	TAD	11	C07	0483	01/000
EL2	S B	T.A/D	11	C08	0484	01/000
FDR-	S B	T.A/D	11	C09	0485	01/000
S3-	R B	TAD	11	C10	0486	01/000
NEWSFL	S B	TAD	11	C11	0487	01/000
FIRE	R B	T.A/D	11	C12	0488	01/000
CEVEN-	R B	T.A/D	11	C13	0489	01/000
MA	R B	T.A/D	11	C14	0490	01/000
SO-	R B	T.A/D	11	E01	0491	01/000
C3-	R B	T.A/D	11	E02	0492	01/000
C4-	R B	T.A/D	11	E03	0493	01/000
RBS-	R B	T.A/D	11	E04	0494	01/000
SPARE		T.A	11	E05	0495	01/000
EL	R B	T.A	11	E06	0496	01/000
02	S B	T.A/D	11	E07	0497	01/000
01	R B	T.A/D	11	E08	0498	01/000
SPSW-	R B	T.A/D	11	E09	0499	01/000
S8-	R B	T.A/D	11	E10	0500	01/000
S7-	R B	T.A/D	11	E11	0501	01/000
PSVI-	R B	T.A/D	11	E12	0502	01/000
KS-	R B	T.A/D	11	E13	0503	01/000
S16-	R B	TAD	11	E14	0504	01/000
OV	RCB	VT	09	A01	0393	01/000
-27VF	RC	VT	09	A02	0394	01/000
VTPC	RCB	VT	09	A03	0395	01/000
FFPC	RCB	VT	09	A04	0396	01/000
LAMP&	SCB	VT	09	A05	0397	01/000
VT. FFS	S B	VT	09	A06	0398	01/000
-33V	R B	VT	09	A07	0399	01/000
&15V	R B	VT	09	A08	0400	01/000
SLF	S B	VT	09	A09	0401	01/000
VT. FFH	S B	VT	09	A10	0402	01/000
STIN	R B	VT	09	A11	0403	01/000
-27V	R B	VT	09	A12	0404	01/000
-15V	R B	VT	09	A13	0405	01/000
OV	R B	VT	09	A14	0406	01/000
S3-	R B	VT	09	E01	0407	01/000
S4-	R B	VT	09	E02	0408	01/000
LFG-	R B	VT	09	E03	0409	01/000
LF	S B	VT	09	E04	0410	01/000
&20V	R B	VT	09	E05	0411	01/000
SPARE		VT	09	E06	0412	01/000
02	R B	VT	09	E07	0413	01/000
01	R B	VT	09	E08	0414	01/000
SPARE		VT	09	E09	0415	01/000
S2-	R B	VT	09	E10	0416	01/000
S8-	R B	VT	09	E11	0417	01/000
SPARE		VT	09	E12	0418	01/000

29^{VN} 352
33² 382
34 412
744

ISSUED	R. D. Wesner MAR 12 1970	RDW 3/12/70	COMMUNICATION & CONTROL DEVICES DEPARTMENT WAYNESBORO, VA. 22980	44A410433 Cont. on 39 SH. NO. 38
--------	-----------------------------	-------------	--	-------------------------------------

TITLE **GEN**
TERMINET MB SIGNAL

44A410433
Cont. on SH. NO. 39

MOTOR-R B VT 09 E13 0419 01/000
LV R B VT 09 E14 0420 01/000

29^{VN} 35²
33² 38²
34 41³
744

ISSUED	R. D. Wesner MAR 12 1970	<i>RDW 3/12/70</i> CCD 349	COMMUNICATION & CONTROL DEVICES DEPARTMENT WAYNESBORO, VA. 22980	44A410433 Cont. on SH. NO. 39
--------	------------------------------------	-------------------------------	--	---

GENERAL  ELECTRIC

TITLE

TERMINET MOTHER BOARD SIGNAL LIST

44A410433

SH. NO. 40

0V	Signal Ground.	
120 CPS	Full Wave 60 Hz Used to Generate TL Signals. 120 Hz Pulse Generated from Full Wave 60 Hz.	
<u>1 SET</u>	PPI Reset.	
1TL thru 8TL	Tens Position for PPI Lamp.	
<u>536 MS</u>	536 Millisecond Clock.	
<u>600</u>	600 Baud Select.	
63A	Serial Character Bit Data Stored in Memory. One Bit Upstream from 64A.	
64A	Serial Character Bit Data Stored in Memory.	
63B	Serial Position Bit Data Stored in Memory. One Bit Upstream from 64B.	
64B	Serial Position Bit Data Stored in Memory.	
672 KHZ	Crystal Master Clock.	
<u>67 MS</u>	67 MS Clock.	
75H	75/118 Line Length Selector.	
/15V	Regulated /15 Volt D.C. Supply.	
/16V	Positive Full Wave Supply.	
/20V	Unregulated /20V D.C. Supply.	
/2.3V	Regulated /2.3V D.C. Supply.	
/3V	Regulated /3V D.C. Supply.	
/P	Positive Power Supplied by and Used by Telephone Company. Equipment Only.	
A1 - A8	Character Data Bits in Parallel Form from SPC Board.	
AACKR	Auxiliary ACK Received.	VII 292
AA	Protective (Frame) Ground.	33
ABOPT	Answerback Option is in.	34 35 ²
ACKR	ACK Received.	38 ² 41 ³
ADV	Advance Punch Tape.	71 ⁴
<u>A11 - A18</u>	Auxiliary Parallel Input Data	
AINH	Auxiliary Inhibit Print.	

ISSUED R. D. Wesner MAY 13 1970	RDW 5/13/70 CCD 349		44A410433 SH. NO. 40
---------------------------------------	------------------------	--	-------------------------

TITLE	44A410433
TERMINET MOTHER BOARD SIGNAL LIST	SH. NO. 41

<u>AISWIP</u>	Auxiliary Input Strobe with Parity.		
<u>AISWOP</u>	Auxiliary Input Strobe without Parity.		
<u>ALALMP</u>	Alarm Lamp.		
<u>ALFSW</u>	Automatic Line Feed Switch.		
<u>ANAKR</u>	Auxiliary NAK Received.		
<u>ANS</u>	Answerback Signal to PSC with Turnaround Option; Used to Enable Sending of ACK or NAK.		
<u>ATOFF</u>	Auxiliary Turn-Off.		
<u>ATON</u>	Auxiliary Turn-On.		
<u>AUXRDY</u>	Auxiliary Ready.		
<u>BAIL</u>	Bail Punch Slugs.		
<u>BA</u>	Dataset Transmitted Data.		
<u>BB</u>	Dataset Received Data.		
<u>BIT 8B³</u>	Eighth Bit in Position Memory.		
<u>BSLPB</u>	Backspace Load Pushbutton.		
<u>C1 - C4</u>	1.5 Microsecond Clock Pulses.		
<u>CA</u>	RS-232 Request to Send.		
<u>CB</u>	RS-232 Clear to Send.		
<u>CC</u>	RS-232 Dataset Ready.		
<u>CDN</u>	Countdown.		
<u>CD</u>	RS-232 Data Terminal Ready.		
<u>CD/ADA</u>	Data Terminal Ready for Automatic Data Access.		
<u>CE</u>	RS-232 Ring Indicator.	29 ^{vn}	33 ²
<u>CEVEN</u>	Compare Even.	34	35 ²
<u>CF</u>	RS-232 Received Line Signal Detector.	38 ²	41 ³ 744
<u>CHAPB</u>	Reader Character Pushbutton.		
<u>CODD</u>	Compare Odd.		
<u>COMPI</u>	Compensation 1.		

ISSUED R. D. Wesner MAY 13 1970	R.D.W. 5/13/70 CCD 349		44A410433 SH. NO. 41
------------------------------------	---------------------------	--	-------------------------

TITLE	44A410433
TERMINET MOTHER BOARD SIGNAL LIST	SH. NO. 42

COMP2 Compensation 2.

COPY 1 Transmitted Data for Teletype Local Copy.

COPY 2 Received Data for Teletype Local Copy.

COUNT Count Up or Down to PPI Chip.

CS Character Strobe.

GSM Character Strobe to Memory.

DATA Serial Data.

DELSW Delete Switch.

DETBK Detect a "BREAK" Signal.

DLE·EOT Data Link Escape EOT Sequence.

DLES Data Link Escape Stored.

DLE?S Data Link Escape ? Stored.

DLF Double Line Feed Switch.

E1A Erase Character Memory.

EF Even Font Finger.

EL2 End of Line, 2.

EL End of Line.

ENQRD Enquiry Received Delayed.

ERASE Second Bit of PSC Programmer.

ESCF Escape Flip-flop.

ESC: Escape Colon Pulse.

ESC·PCO Escape Flip-Flop and Press Cut-Out

EVENOUT Even Hammer Bus Drive Signal.

EVEN PC Even Photocell Signal.

FDR Full Duplex Reset.

FEH Fire Even Hammers.

FFPC Form Feed Photocell Signal.

FIRE Fire Pulse (Initiates Hammer Firing Sequence).

29^{VN}
 33²
 34
 35²
 38²
 41³
 7⁴

ISSUED	R. D. Wesner MAY 13 1970	R.D.W. 5/13/70	44A410433 SH. NO. 42
--------	-----------------------------	----------------	-------------------------

TITLE TERMINET MOTHER BOARD SIGNAL LIST	44A410433 SH. NO. 43
--	-----------------------------

FOH	Fire Odd Hammers.		
FR	Font Reset.		
<u>GENDAT</u>	Generated Serial Data.		
<u>HO - H112</u>	Hammer Decoder Signals from Upper 4 Data Bits.		
<u>HI</u>	High Baud Rate.		
<u>HIS</u>	"Here Is" Signal to Initiate Answerback Sequence.		
HOLD	Ribbon Hold Control.		
<u>HZ - H14</u>	Hammer Decoder Signals from Lower 3 Data Bits.		
<u>I1 - I8</u>	Parallel Data Input Signals.		
ICA	Internal Request to Send.		
<u>ICBD</u>	Internal Clear to Send Delayed.		
<u>ICB</u>	Internal Clear to Send.		
ICD	Internal Data Terminal Ready.		
INHd	Inhibit Margin Alarm and End of Line.		
INHPRt	Inhibit Printer during Transparency.		
INTLMP	Interrupt Lamp.		
INTLND	Interrupt Lamp Node.		
<u>IPB</u>	Interrupt Pushbutton.		
<u>IP</u>	Parallel Input Data, Parity Bit.		
<u>ISWIP</u>	Input Strobe with Parity.		
<u>ISWOP</u>	Input Strobe with without Parity.		
-15V	Regulated -15V D.C. Supply.	29 ^{VN}	35 ²
-16V	Full Wave Negative Supply.	33 ²	38 ²
-20V	Unregulated -20V D.C. Supply.	34	413 70 ⁴
-27V	Regulated -27V D.C. Supply.		
-33V	Unregulated -33V D.C. Supply.		
-P	Negative Power Supplied and Used by Telephone Co. Equipment Only.		

R. D. Wesner ISSUED <i>MAR 10 1970</i>	<i>Auto 5/10/70</i> CCD 549		44A410433 SH. NO. 43
---	--------------------------------	--	-------------------------

GENERAL ELECTRIC

TITLE TERMINET MOTHER BOARD SIGNAL LIST	44A410433 SH. NO. 44
---	-----------------------------

<u>-RIB</u>	Ribbon Solenoid.
<u>KINH</u>	Keyboard Inhibit.
<u>KS</u>	Keyboard Strobe.
<u>LAMP/</u>	Vertical Tab and Form Feed Lamp Voltage.
<u>LDR</u>	Punch Leader Switch.
<u>LETCAP</u>	All Capital Letters Switch.
<u>LFG</u>	Line Feed Gate.
<u>LF</u>	Automatic Line Feed Pushbutton on RO Units.
<u>LINE 1</u>	Telephone Line for Modem Use.
<u>LINE 2</u>	Telephone Line for Modem Use.
<u>LINE PB</u>	Reader Line Pushbutton.
<u>LOCLMP</u>	Local Lamp.
<u>LO</u>	Low Baud Rate.
<u>LPB</u>	Local Pushbutton.
<u>LV</u>	Low Voltage Protection Signal.
<u>MA</u>	Margin Alarm.
<u>MED</u>	Medium Baud Rate.
<u>MOTOR</u>	Signal to Motor Relay Coil.
<u>MTR•PS</u>	Motor Off or PSVI Signal for Dow Jones Terminal.
<u>MTROFF</u>	Motor Off Pulse from ESC J.
<u>MTRON</u>	Motor On Pulse from ESC H.
<u>MTRREL</u>	Motor Relay Coil Signal.
<u>MTRRPB</u>	Motor Run Pushbutton for Dow Jones Terminal.
<u>NAKR</u>	NAK Received.
<u>NEWSFL</u>	News Flash Signal for Dow Jones Terminal.
<u>NORM</u>	Normal Operation Switch on Panel.
<u>Ø1</u>	Phase 1 Clock.

29^{rn} 35²
 33² 38²
 34 413
 70

R. D. Wesner ISSUED MAR 18 1970	<i>R.D.W. 5/13/70</i> CCD 549	44A410433 SH. NO. 44
---	----------------------------------	-----------------------------

TITLE TERMINET MOTHER BOARD SIGNAL LIST	44A410433 SH. NO. 45
---	-------------------------

- Ø2 Phase 2 Clock.
- ØA Phase A for Reader Motor.
- ØB Phase B for Reader Motor.
- ØC Phase C for Reader Motor.
- ODDIN Odd Photocell Input.
- ODDOUT Odd Hammer Bus Drive.
- ODDPC Odd Photocell Signal.
- OE Odd-Even Drive Time.
- OFFPB Reader Off Pushbutton.
- OF Odd Font Finger.
- ONL·SBY On Line or Standby Mode.
- ONLMP On Line Lamp.
- OPB On Line Pushbutton.
- PCHLMP Punch On Lamp.
- PCOSW Press Cut-Out Switch.
- PE1 - PE8 Reader Control Board Parallel Data Signals.
- PER Parity Error Pulse.
- PER Inverted PER.
- PICK Ribbon Coil Pick-Up.
- P01 Low Paper Warning Signal.
- P02 Shield Up Warning Signal.
- POFF Punch Off.
- PON Punch On.
- PONODE Paper Out Node Indicates Low Paper, Shield Up, Low Voltage, or Parity Error Warning.
- PPI LMP PPI Lamp /3V Voltage Supply.
- PRT 1 Protection 1, Indicates Hammer Overload Protection.
- PRT 2 Protection 2, Indicates Hammer Coil Protection.
- PRT 3 Protection 3, Indicates Low Belt Speed Protection.

29^{VN} 35²
 33² 38²
 34 71³
 74⁴

ISSUED R. D. Wesner MAY 19 1960	2/13/70 CCD 349		44A410433 SH. NO. 45
---	--------------------	--	-------------------------

TITLE	TERMINET MOTHER BOARD SIGNAL LIST	44A410433
		SH. NO. 46

- PRT 4 Protection 4, Indicates Low Voltage Protection.
- PSI Print Space Inhibit Stretched to Two Character Lengths for ESC SEQ.
- PSIX Print Space Inhibit, not Stretched Out.
- PSVI Paper, Speed, Voltage Inhibit. Turns Motor Off and Gives Alarm. Generates a Break Signal.
- PTOF Paper Tape Out Flip-Flop.
- PTTR Turn to Receive.
- PUNCH Punch Tape.
- RBS Receive Break Store.
- R CLOCK Receive Clock.
- RCVD Received Data.
- RCV Receive Flip-Flop.
- REALMP Ready Lamp.
- REV Reader Tape Reverse Status
- RNC Request New Character from PSC Programmer.
- ROSW Read-Omit Switch on Reader.
- RU Ribbon Up.
- RUNPB Reader Run Pushbutton.
- S0 - S104 Upper 4 Data Bits Decoded.
- SZ - S7 Lower 3 Data Bits Decoded.
- SBB Standby Pushbutton.
- S Shift Pulse for Serial Data.
- SL1R-SL7R Sense Line Reverse Pulses.
- SL1T-SL7T Sense Line True Pulses.
- SLCT Sense Line Control Pulse.
- SLES Sense Line Escape Pulse.
- SLF Sustained Line Feed.
- SLLP Sense Line Leading Pulse.
- SLO13 Motor Relay Override.

29^{RU} 35²
 33² 38²
 34 41³
 74⁴

ISSUED	R. D. Wesner MAY 13 1970	RDW 5/13/70	44A410433
		CCD 549	SH. NO. 46

TITLE TERMINET MOTHER BOARD SIGNAL LIST	44A410433 SH. NO. 47
--	-------------------------

- SLRP Sense Line Repeat Pulse.
- SLSH Sense Line Shift.
- SPKR Speaker Signal (either 500 or 1,000 Hz).
- SPKT Reader Sprocket Signal
- SPSW Suppress Print Switch. Suppresses Generation of Local Data.
- S/V Speed/Voltage. Warns of Low Speed or Voltage.
- STALMP Standby Lamp Voltage Signal.
- START Receive Clock Reset.
- STIN Strobe In Pulse from PSC Programmer.
- STINX Auxiliary Strobe In Pulse.
- SUPXMT Suppress Transmit Switch. Suppresses Transmission of Local Data.
- SYNC Hammer Bus Synchronizing Signal.
- SZ - See S7
- T1 - T128 Fast Serial Bits 1-8.
- TA Turnaround Option.in. .
- TCA Tab Output.
- TL 8.3 Millisecond Clock.
- TLTEST TL Test Point.
- TRI Should Be 200 Baud 29KC Clock but Presently 300 Baud Due to Chip Error.
- VT·FF H Vertical Tab and Form Feed Hold.
- VT·FF S Vertical Tab and Form Feed Start.
- VTPC Vertical Tab Photocell Signal.
- W127 Word 127, All 7 Character Bits Present.
- WORPB Reader Word Pushbutton.
- WPA Write Pulse A. Writes Data Into Character Memory.
- X6 - X10 Power Transformer Lead Connections.
- X CLOCK Transmit Clock.
- X DATA Transmitted Data.

29VN 352
 332 382
 34 412
 742

GENERAL  ELECTRIC

TITLE TERMINET MOTHER BOARD SIGNAL LIST	44A410433 Fnl. SH. NO. 48
--	------------------------------

XHL Hundreds Position, PPI Lamp.

XSTROBE Unfiltered Keyboard Strobe.

XTC Turn to Transmit.

29^{VN} 35²
 33² 38²
 34 41³
 70⁴

R. D. Wesner ISSUED MAY 13 1970	<i>RDC 5/13/70</i> CCD 549	44A410433 Fnl. SH. NO. 48
---	-------------------------------	------------------------------

GENERAL ELECTRIC

TITLE

C - MACHINE MOTHERBOARD WIRING LIST

44A410753

SH. NO. 2

OV	R	ACA	28	P12	0936	01/000
OV	R B	ANS	03	A08	0185	01/000
OV	R B	ANS	03	A14	0191	01/000
OV	R B	ANS	03	C07		01/001
OV	R B	AUX	04	A14	0219	01/000
OV	R B	CLC	09	A14	0527	01/000
OV	RCB	DAT	07	A14	0792	01/000
OV	RCB	DAT	07	B10	0802	01/000
OV	RCB	DEC	14	A14	0443	01/000
OV	R B	HTB	10	A08	0381	01/000
OV	R B	HTB	10	A14	0387	01/000
OV	R B	LMP	13	A01	0542	01/000
OV	R B	LMP	13	A14	0555	01/000
OV	R B	MEM	06	A12	0329	01/000
OV	R B	MEM	06	A14	0331	01/000
OV	R B	MOD	24	A01	0710	01/000
OV	R B	MOD	24	A14	0722	01/000
OV	R B	PAR	11	A01	0570	01/000
OV	R B	PAR	11	A14	0583	01/000
OV	RC	PCA	21	A01	0626	01/000
OV	RC	PCA	21	A02	0627	01/000
OV	RC	PCA	21	A03	0628	01/000
OV	RC	PCA	21	A04	0629	01/000
OV	RC	PCA	21	A11	0636	01/000
OV	RCB	PCA	21	A14	0639	01/000
OV	RCB	PPI	15	A01	0737	01/000
OV	RCB	PPI	15	A14	0750	01/000
OV	R B	PRO	16	A01	0598	01/000
OV	R B	PRO	16	A14	0611	01/000
OV	RCB	PSC	02	A05		01/001
OV	RCB	PSC	02	A06		01/001
OV	RCB	PSC	02	A07		01/001
OV	RCB	PSC	02	A08		01/001
OV	RCB	PSC	02	A14		01/001
OV	R B	RCM	22	A14		01/001
OV	RCB	R.P	01	A14	0065	01/000
OV	R B	SPC	05	A08	0255	01/000
OV	R B	SPC	05	A14	0261	01/000
OV	R B	T.A	08	A01	0472	01/000
OV	R B	T.A	08	A14	0485	01/000
OV	RCB	VT	12	A01	0402	01/000
OV	R B	VT	12	A14	0415	01/000
OV		DSPLG	27	07	0906	01/000
OV		PCHPLG25	07		0856	01/000
OV		RDRPLG26	19		0893	01/000
OV	SCB	POW	17	A01	0668	01/000
OV	SCB	POW	17	A14	0681	01/000
120CPSS B		MEM	06	A08	0325	01/000
1SET- R B		PPI	15	E12	0776	01/000
1SET- S B		MEM	06	E04	0363	01/000
1TL	SCB	PPI	15	B14	0764	01/000

13 35

18 33

33² 41^{A3}

34

1

R. D. Wesner

NOV 18 1971

ISSUED

CCB 849

DCPD

Waynesboro, Virginia

44A410753

SH. NO. 2

TITLE

GENERAL  ELECTRIC

C - MACHINE MOTHERBOARD WIRING LIST

44A410753

SH. NO. 3

1UL	SCB	PPI	15	B01	0751	01/000
2TL	SCB	PPI	15	B13	0763	01/000
2UL	SCB	PPI	15	B02	0752	01/000
3TL	SCB	PPI	15	B12	0762	01/000
3UL	SCB	PPI	15	B03	0753	01/000
4TL	SCB	PPI	15	B11	0761	01/000
4UL	SCB	PPI	15	B04	0754	01/000
536MS-R B	ANS	03	C01			01/001
536MS-R B	R.P	01	E04	0111		01/000
536MS-S B	DAT	07	C01	0807		01/000
5TL	SCB	PPI	15	B10	0760	01/000
5UL	SCB	PPI	15	B05	0755	01/000
600-	R B	CLC	09	E04	0531	01/000
600-	R B	T.A	08	C06	0491	01/000
63B	R B	DEC	14	E09	0466	01/000
63B	R B	SPC	05	A02	0249	01/000
63B	S B	MEM	06	A02	0319	01/000
64A	R B	SPC	05	B06	0267	01/000
64A	S B	MEM	06	B09	0340	01/000
64B	R B	SPC	05	E03	0306	01/000
64B	S B	MEM	06	E12	0371	01/000
672KHZR B	CLC	09	A02	0515		01/000
672KHZR B	CLC	09	A03	0516		01/000
67MS-	R B	ANS	03	A03	0180	01/000
67MS-	R B	R.P	01	C02	0081	01/000
67MS-	S B	DAT	07	D04	0825	01/000
6TL	SCB	PPI	15	B09	0759	01/000
6UL	SCB	PPI	15	B06	0756	01/000
75H	R B	MEM	06	B11	0342	01/000
7TL	SCB	PPI	15	B08	0758	01/000
7UL	SCB	PPI	15	B07	0757	01/000
815V	R B	AUX	04	A08	0213	01/000
815V	R B	CLC	09	A08	0521	01/000
815V	R B	DAT	07	A08	0786	01/000
815V	R B	DEC	14	A08	0437	01/000
815V	R B	LMP	13	A08	0549	01/000
815V	R B	MOD	24	A08	0717	01/000
815V	R B	PAR	11	A08	0577	01/000
815V	R B	PCA	21	A08	0633	01/000
815V	R B	PPI	15	A08	0744	01/000
815V	R B	PRO	16	A08	0605	01/000
815V	R B	RCV	22	A08		01/001
815V	R B	T.A	08	A08	0479	01/000
815V	R B	VT	12	A08	0409	01/000
815V		RDRPLG26	20		0894	01/000
815V	SCB	POW	17	A08	0675	01/000
816V	R B	LMP	13	A03	0544	01/000
816V	R B	MEM	06	B07	0338	01/000
816V	R B	PPC	16	A03	0600	01/000
816V	C	DAT	07	B09	0801	01/000
816V		RDRPLG25	16		0865	01/000
816V	SCB	POW	17	A03	0670	01/000
820V	R B	LMP	13	A02	0543	01/000

13 35
 13 33
 33² 41²
 34

R. D. Wesner

NOV 18 1971

ISSUED

CCD 349

DCPD

Waynesboro, Virginia

44A410753

SH. NO. 3

GENERAL ELECTRIC

TITLE

C - MACHINE MOTHERBOARD WIRING LIST

44A410753

SH. NO. 4

G20V	R B	VT	12	E05	0420	01/000
G20V	SCB	POW	17	A02	0669	01/000
G2.3V	RC	PCA	21	A05	0630	01/000
G2.3V	RC	PCA	21	A10	0635	01/000
G2.3V	S B	LMP	13	A05	0546	01/000
G3V	RC	PCA	21	A09	0634	01/000
G3V	S B	LMP	13	A06	0547	01/000
G P		DSPLG	27	09	0908	01/000
A1	R B	AUX	04	C01	0220	01/000
A1	R B	MEM	06	D14	0359	01/000
A1		PCHPLG25	21		0870	01/000
A1	S B	SPC	05	D01	0290	01/000
A2	R B	AUX	04	C02	0221	01/000
A2	R B	MEM	06	D13	0358	01/000
A2		PCHPLG25	08		0857	01/000
A2	S B	SPC	05	D02	0291	01/000
A3	R B	AUX	04	C03	0222	01/000
A3	R B	MEM	06	D12	0357	01/000
A3		PCHPLG25	20		0869	01/000
A3	S B	SPC	05	D03	0292	01/000
A4	R B	AUX	04	C11	0230	01/000
A4	R B	MEM	06	D11	0356	01/000
A4		PCHPLG25	18		0867	01/000
A4	S B	SPC	05	D04	0293	01/000
A5	R B	AUX	04	C10	0229	01/000
A5	R B	MEM	06	D10	0355	01/000
A5		PCHPLG25	19		0868	01/000
A5	S B	SPC	05	D05	0294	01/000
A6	R B	AUX	04	C09	0228	01/000
A6	R B	MEM	06	D09	0354	01/000
A6	R B	PAR	11	E10	0593	01/000
A6	R B	PSC	02	C14		01/001
A6		PCHPLG25	05		0854	01/000
A6	S B	SPC	05	D06	0295	01/000
A7	R B	AUX	04	C08	0227	01/000
A7	R B	MEM	06	D08	0353	01/000
A7	R B	PAR	11	E11	0594	01/000
A7	R B	PSC	02	C13		01/001
A7		PCHPLG25	06		0855	01/000
A7	S B	SPC	05	D07	0296	01/000
A8	R B	AUX	04	C07	0226	01/000
A8		PCHPLG25	22		0871	01/000
A8	S B	SPC	05	B07	0268	01/000
AACKR	S	ACA	28	P09	0933	01/000
AA	R B	MOD	24	E07	0729	01/000
AA		DSPLG	27	01	0900	01/000
AA		PCHPLG25	01		0841	01/000
AA		RDRPLG26	13		0878	01/000
ABINH-R	B	ANS	03	C02		01/001
ABOPT	RCB	PSC	02	B06		01/001
ABOPT	S B	ANS	03	A01		01/000
ADV		PCHPLG25	10		0859	01/000
ADV	S B	R.P	01	B09	0074	01/000

13 35
13 33
33² 41²³
34

R. D. Wesner

NOV 18 1971

ISSUED

CCD 449

DCPD

Waynesboro, Virginia

44A410753

SH. NO. 4

GENERAL ELECTRIC

TITLE

C - MACHINE MOTHERBOARD WIRING LIST

44A410753

SH. NO. 5

AI1	R	ACA	28	P01	0925	01/000
AI2	R	ACA	28	P02	0926	01/000
AI3	R	ACA	28	P03	0927	01/000
AI4	R	ACA	28	P04	0928	01/000
AI5	R	ACA	28	P05	0929	01/000
AI6	R	ACA	28	P06	0930	01/000
AI7	R	ACA	28	P07	0931	01/000
AI8	R	ACA	28	P08	0932	01/000
AINH	R	ACA	28	P21	0945	01/000
AISWI-R		ACA	28	P25	0949	01/000
AISWO-R		ACA	28	P24	0948	01/000
ALALMPSCR		DAT	07	A06	0784	01/000
ALFSW-RCB		PSC	02	A04		01/001
ANAKR-S		ACA	28	P22	0946	01/000
ANS R B		PSC	02	C04		01/001
ANS S B		ANS	03	A11	0188	01/000
ATOFF S		ACA	28	P15	0939	01/000
ATON S		ACA	28	P14	0938	01/000
AUXRDYR		ACA	28	P11	0935	01/000
BAIL		PCHPLG	25	25	0874	01/000
BAIL S B		R.P	01	B14	0079	01/000
BA R B		RCM	22	E06		01/001
BA		DSPLG	27	02	0901	01/000
BA S B		DAT	07	E05	0840	01/000
BA S B		MOD	24	E06	0728	01/000
BB R B		DAT	07	E04	0839	01/000
BB R B		RCM	22	E05		01/001
BB		DSPLG	27	03	0902	01/000
BB S B		MOD	24	E05	0727	01/000
BIT8B R B		HT	10	E13	0400	01/000
BIT8B S B		MEM	06	E02	0361	01/000
BSLPB-RCB		R.P	01	D08	0101	01/000
BSLPB-		RDRPLG	26	14	0888	01/000
C2- R B		T.A	08	A06	0477	01/000
C2- S B		CLC	09	A09	0522	01/000
C3- R B		T.A	08	E02	0501	01/000
C3- S B		CLC	09	E13	0540	01/000
C4- R B		T.A	08	E03	0502	01/000
C4- S B		CLC	09	E12	0539	01/000
CA R B		MOD	24	E04	0726	01/000
CA R B		RCM	22	E04		01/001
CA		DSPLG	27	04	0903	01/000
CA S B		DAT	07	E03	0838	01/000
CB R B		DAT	07	E02	0837	01/000
CB R B		MOD	24	E02	0724	01/000
CB		DSPLG	27	05	0904	01/000
CC R B		MOD	24	E08	0730	01/000
CC	R B	DSPLG	27	06	0905	01/000
CDN	R B	MEM	06	B12	0341	01/000
CDN	R B	PPI	15	E13	0777	01/000
CDN	S B	MEM	06	E03	0362	01/000
CD R B		MOD	24	E14	0736	01/000
CD		DSPLG	27	20	0919	01/000
CD R B		RCM	22	E01		01/001
CD/ADA		DSPLG	27	23	0922	01/000

1	ANTZ-6592 J. STANLEY DEC 4 1972
---	------------------------------------

13 35
13 38
33² 41²³
34

GENERAL ELECTRIC

TITLE

C - MACHINE MOTHERBOARD WIRING LIST

44A410753

SH. NO. 6

CD/ADAS	S	MOD	24	A06	0715	01/000
CE	R	ANS	03	C03		01/001
CE	R	MOD	24	A07	0716	01/000
CE		DSPLG	27	22	0921	01/000
CEVEN-RC		PCA	21	B03	0642	01/000
CEVEN-R	B	T.A	08	C13	0498	01/000
CEVEN-S	B	SPC	05	C02	0277	01/000
CF	R	ANS	03	C11		01/001
CF	R	MOD	24	E01	0723	01/000
CF		DSPLG	27	08	0907	01/000
CHAPB-RCB		R.P	01	D12	0105	01/000
CHAPB-		RDRPLG	26	16	0890	01/000
CL1	R	MOD	24	A09		01/001
CL1	R	RCM	22	A06		01/001
CL2	R	MOD	24	A11		01/001
CL2	R	RCM	22	A04		01/001
CL3	R	MOD	24	E03		01/001
CL3	R	RCM	22	E12		01/001
CL4	R	MOD	24	E12		01/001
CL4	R	RCM	22	E03		01/001
COOD-	RC	PCA	21	B12	0651	01/000
CODD-	S	SPC	05	C11	0286	01/000
COPY 1	R	MOD	24	E13	0735	01/000
COPY 1	R	RCM	22	E03		01/001
COPY 2	R	MOD	24	E11	0733	01/000
COPY 2	R	RCM	22	E02		01/001
COUNT	R	PPT	15	E10	0774	01/000
COUNT	S	MEM	06	D02	0347	01/000
CS-	R	AUX	04	A05	0210	01/000
CS-	R	HTB	10	A07	0380	01/000
CS-	R	PAR	11	A11	0580	01/000
CS-	R	PSC	02	C07		01/001
CS-	R	R.P	01	A07	0058	01/000
CS-		PCHPLG	25	09	0858	01/000
CS-	S	SPC	05	A07	0254	01/000
CSM	R	AUX	04	A02	0207	01/000
CSM-	R	MEM	06	A07	0324	01/000
CSM-	S	SPC	05	A12	0259	01/000
DATA	R	PAR	11	E13	0596	01/000
DATA	S	SPC	05	D08	0288	01/000
DELSW	RCB	R.P	01	C06	0085	01/000
DELSW		RDRPLG	26	09	0883	01/000
DETBK	R	AUX	04	A06	0211	01/000
DETBK	R	DAT	07	C02	0808	01/000
DETBK	R	RCM	22	E14		01/001
DETBK	R	R.P	01	B04	0069	01/000
DETBK	S	SPC	05	B04	0265	01/000
DLE.EOR	B	DAT	07	D12	0833	01/000
DLE.EOR	B	MOD	24	A02	0711	01/001
DLE.EOS	B	ANS	03	C05		01/001
DLE.EOS	B	PSC	02	D13		01/001
DLE%S	R	DAT	07	D10	0831	01/000
DLE%S	S	PSC	02	E02		01/001
DLES	R	SPC	05	D09	0298	01/000
DLES	S	PSC	02	D06	0155	01/000
DLF-	R	MEM	06	D05	0350	01/000
DLF-	C	DAT	07	B11	0803	01/000

AN72-65
J 57 AM
DEC 4 1971

13 35
18 38
33² 41²³
34

C - MACHINE MOTHERBOARD WIRING LIST

E1A	R B	MEM	06	A11	0328	01/000
E1A	S B	SPC	05	A04	0251	01/000
EF	R B	SPC	05	C06	0281	01/000
EF	S B	PCA	21	E12	0665	01/000
EL2	R B	MEM	06	D04	0349	01/000
EL2	S B	T.A	08	C08	0493	01/000
EL	R B	HTB	10	E06	0393	01/000
EL	R B	T.A	08	E06	0505	01/000
EL	S B	MEM	06	E09	0368	01/000
ENQRD	R B	ANS	03	A10	0187	01/000
ENQRD.	S B	PSC	02	C05		01/001
ERASE	R B	ANS	03	A09	0186	01/000
ERASE	SCB	PSC	02	B02		01/001
ESCF-	R B	AUX	04	C04	0223	01/000
ESCF-	R B	HTB	10	A11	0384	01/000
ESCF-	R B	R.P	01	B05	0070	01/000
ESCF-	S B	SPC	05	B05	0266	01/000
EVENOUSCB		PCA	21	B07	0646	01/000
EVENRCRCB		PCA	21	B01	0640	01/000
FDR-	R B	SPC	05	C04	0279	01/000
FDR-	S B	T.A	08	C09	0494	01/000
FEH	C	DEC	14	A04	0433	01/000
FEH	S B	T.A	08	A11	0482	01/000
FFPB-	R B	VT	12	E09		01/001
FFPR-	C	DAT	07	B03		01/001
FFPC	RCB	VT	12	A04	0405	01/000
FIRE	R B	T.A	08	C12	0497	01/000
FIRE	S B	SPC	05	C03	0278	01/000
FOH	C	DEC	14	A05	0434	01/000
FOH	S B	T.A	08	A10	0481	01/000
FR	R B	MEM	06	A04	0321	01/000
FR	RCB	PSC	02	B05		01/001
FR	S B	SPC	05	A11	0258	01/000
GENDA-R	B	DAT	07	E06	0841	01/000
GENDA-R	C	SPC	05	B11	0272	01/000
GENDA-S	B	PSC	02	C09		01/001
H0-	SCB	DEC	14	A07	0436	01/000
H10-	SCB	DEC	14	B06	0449	01/000
H112-	SCB	DEC	14	B08	0451	01/000
H12-	SCB	DEC	14	B03	0446	01/000
H14-	SCB	DEC	14	B07	0450	01/000
H16-	SCB	DEC	14	B14	0457	01/000
H2-	SCB	DEC	14	B04	0447	01/000
H32-	SCB	DEC	14	B13	0456	01/000
H48-	SCB	DEC	14	B12	0455	01/000
H4-	SCB	DEC	14	B01	0444	01/000
H64-	SCB	DEC	14	B11	0454	01/000
H6-	SCB	DEC	14	B05	0448	01/000
H80-	SCB	DEC	14	B10	0453	01/000
H8-	SCB	DEC	14	B02	0445	01/000
H96-	SCB	DEC	14	B09	0452	01/000
H1-	R B	AUX	04	E05	0238	01/000
H1-	R B	CLC	09	A06	0519	01/000

E2A A B AUX 04 C05 0224 01/010
E2A S MEM 06 B12 0343 01/010

AM72-6583
J. S. [unclear]
DEC 4 1972
1

13 35
 18 33
 33² 4173
 34

GENERAL  ELECTRIC

TITLE <p align="center">C - MACHINE MOTHERBOARD WIRING LIST</p>	44A410753 SH. NO. 8
--	-----------------------------------

HI-	RCB	PSC	02	B10		01/001
HI-	R B	R.P	01	A03	0054	01/000
HI-	C	DAT	07	B12	0804	01/000
HIS-	R B	ANS	03	E02	0193	01/000
HIS-	R B	T.A	08	C03	0488	01/000
HIS-	C	DAT	07	B02	0794	01/000
HOLD	R B	LMP	13	E11	0566	01/000
HOLD	S B	MEM	06	E05	0364	01/000
HZ-	SCB	DEC	14	A06	0435	01/000
I1-	S B	ANS	03	A04	0181	01/000
I1-	S B	AUX	04	A11	0216	01/000
I1-	SCB	PSC	02	A11		01/001
I1-	S B	R.P	01	A11	0062	01/000
I2-	S B	ANS	03	A05	0182	01/000
I2-	S B	AUX	04	A10	0215	01/000
I2-	SCB	PSC	02	A10		01/001
I2-	S B	R.P	01	A05	0056	01/000
I3-	S B	ANS	03	A06	0183	01/000
I3-	S B	AUX	04	A09	0214	01/000
I3-	SCB	PSC	02	A09		01/001
I3-	S B	R.P	01	A06	0057	01/000
I4-	RCB	PSC	02	B03		01/001
I4-	S B	ANS	03	E12	0203	01/000
I4-	S B	AUX	04	E13	0246	01/000
I4-	S B	R.P	01	E12	0119	01/000
I5-	RCB	PSC	02	B04		01/001
I5-	S B	ANS	03	E11	0202	01/000
I5-	S B	AUX	04	E12	0245	01/000
I5-	S B	R.P	01	E11	0118	01/000
I6-	RCB	PSC	02	B08		01/001
I6-	S B	ANS	03	E05	0196	01/000
I6-	S B	AUX	04	E11	0244	01/000
I6-	S B	R.P	01	E05	0112	01/000
I7-	RCB	PSC	02	B09		01/001
I7-	S B	ANS	03	E06	0197	01/000
I7-	S B	AUX	04	E09	0242	01/000
I7-	S B	R.P	01	E06	0113	01/000
ICA	S B	DAT	07	C04	0811	01/000
ICBD53	S B	ANS	03	C06		01/001
ICBD-	R B	ANS	03	A02	0179	01/000
ICBD-	R B	AUX	04	E03	0236	01/000
ICBD-	R B	R.P	01	B07	0072	01/000
ICBD-	S B	PSC	02	C06		01/001
ICB-	R B	ANS	03	E03	0194	01/000
ICB-	R B	AUX	04	E06	0239	01/000
ICB-	R B	PSC	02	E04		01/001
ICB-	S B	DAT	07	D05	0826	01/000
ICD	R B	T.A	08	A05	0476	01/000
ICD	S B	DAT	07	C08	0815	01/000
ICE-	S B	ANS	03	C04		01/001
ICF-	S B	ANS	03	C12		01/001

13 35
18 33
33² 41³
34

AM72-6572
 J. STARR
 DEC 4 1972

R. D. Wesner NOV 18 1971	DCPD Waynesboro, Virginia	44A410753 SH. NO. 8
------------------------------------	------------------------------	------------------------

GENERAL ELECTRIC

TITLE

C - MACHINE MOTHERBOARD WIRING LIST

44A410753

SH. NO. 9

INH D R B	MEM	06	D07	0352	01/000
INH PRTR B	MEM	06	B08	0339	01/000
INH PRTR B	R.P	01	A04	0055	01/000
INH PRTR C	DAT	07	B07	0799	01/000
INH PRTS B	AUX	04	E02	0235	01/000
INH PRTS B	PAR	11	E03	0586	01/000
INTLMPSCB	DAT	07	A05	0783	01/000
INTLNDR B	DAT	07	C09	0816	01/000
INTLNDR B	RCM	22	E11		01/001
INTLNDS B	PAR	11	E02	0585	01/000
IPB- RCB	DAT	07	B01	0793	01/000
IPB- R B	RCM	22	E10		01/001
IP- R B	PSC	02	C08		01/001
IP- S B	AUX	04	C13	0232	01/000
IP- S B	R.P	01	D07	0100	01/000
ISWIP-R B	PSC	02	D09	0158	01/000
ISWIP-S B	AUX	04	C14	0233	01/000
ISWIP-S B	R.P	01	D06	0099	01/000
ISWOP-S B	ANS	03	E09	0200	01/000
ISWOP-S B	AUX	04	E10	0243	01/000
ISWOP-S B	PSC	02	E06	0169	01/000
-15V R B	ANS	03	A13	0190	01/000
-15V R B	AUX	04	A13	0218	01/000
-15V R B	CLC	09	A13	0526	01/000
-15V RCB	DAT	07	A13	0791	01/000
-15V RCB	DEC	14	A13	0442	01/000
-15V R B	HTE	10	A13	0386	01/000
-15V R B	LMP	13	A13	0554	01/000
-15V R B	MEM	06	A13	0330	01/000
-15V R B	MOD	24	A13	0721	01/000
-15V R B	PAR	11	A13	0582	01/000
-15V RCB	PCA	21	A13	0638	01/000
-15V RCB	PPI	15	A13	0749	01/000
-15V R B	PRO	16	A13	0610	01/000
-15V RCB	PSC	02	A13		01/001
-15V R B	RCM	22	A13		01/001
-15V RCB	R.P	01	A13	0064	01/000
-15V R B	SPC	05	A13	0260	01/000
-15V R B	T.A	08	A13	0484	01/000
-15V R B	VT	12	A13	0414	01/000
-15V	RDRPLG26	07		0881	01/000
-15V SCB	POW	17	A13	0680	01/000
-16V R B	LMP	13	A04	0545	01/000
-16V SCB	POW	17	A05	0672	01/000
-20V SCB	POW	17	A06	0673	01/000
-27VF RC	VT	12	A02	0403	01/000
-27V R B	ANS	03	A12	0189	01/000
-27V R B	AUX	04	A12	0217	01/000
-27V R B	CLC	09	A12	0525	01/000
-27V RCB	DAT	07	A12	0790	01/000
-27V R B	HTB	10	A12	0385	01/000
-27V R B	LMP	13	A12	0553	01/000
-27V R B	MOD	24	A12	0720	01/000

13 35
18 38
33² 41² 3
34

R. D. Wesner
NOV 18 1971

ISSUED

CCD 349

DCPD
Waynesboro, Virginia

44A410753

SH. NO. 9

GENERAL ELECTRIC

TITLE

C - MACHINE MOTHERBOARD WIRING LIST

44A410753

SH. NO. 10

-27V	R B	PAR	11	A12	0581	01/000
-27V	RCB	PCA	21	A12	0637	01/000
-27V	R B	PRO	16	A12	0609	01/000
-27V	RCB	PSC	02	A12		01/001
-27V	R B	RCM	22	A12		01/001
-27V	R B	T.A	08	A12	0483	01/000
-27V	R B	VT	12	A12	0413	01/000
-27V		PCHPLG25	13		0862	01/000
-27V	SCB	POW	17	A12	0679	01/000
-33V	R B	CLC	09	A10	0523	01/000
-33V	R B	LMP	13	A07	0548	01/000
-33V	RC	PCA	21	A07	0632	01/000
-33V	R B	PRO	16	A10		01/001
-33V	R B	T.A	08	C04	0489	01/000
-33V	R B	VT	12	A07	0408	01/000
-33V	SCB	POW	17	A07	0674	01/000
-P		DSPLG	27	10	0909	01/000
-RIB	RC	PCA	21	B10	0649	01/000
-RIB	S B	LMP	13	E09	0564	01/000
KINH-	RCB	PSC	02	B13		01/001
KINH-	S B	ANS	03	E04	0195	01/000
KINH-	S B	DAT	07	D07	0828	01/000
KS-	RCB	PSC	02	B12		01/001
KS-	R B	T.A	08	E13	0512	01/000
LAMP&	SCB	VT	12	A05	0406	01/000
LDR-	R B	R.P	01	E09	0116	01/000
LDR-		PCHPLG25	04		0853	01/000
LFG-	R B	AUX	04	C05		01/001
LFG-	RC	PCA	21	B13	0652	01/000
LFG-	R B	VT	12	E03	0418	01/000
LFG-	S B	MEM	06	B06	0337	01/000
LF	R B	MEM	06	B14	0345	01/000
LF	C	DAT	07	B08	0800	01/000
LF	S B	VT	12	E04	0419	01/000
LINE1	R B	MOD	24	A04	0713	01/000
LINE1		DSPLG	27	24	0923	01/000
LINE2	R B	MOD	24	A03	0712	01/000
LINE2		DSPLG	27	25	0924	01/000
LINE3	R B	MOD	24	E09		01/001
LINE3		DSPLG	27	17		01/001
LINE4	R B	MOD	24	E10		01/001
LINE4		DSPLG	27	18		01/001
LINPB-RCB		R.P	01	D10	0103	01/000
LINPB-		RDRPLG26	15		0889	01/000
LOCLMPSCB		DAT	07	A02	0780	01/000
LOCS-	R B	SPC	05	C05	0280	01/000
LOCS-	S B	DAT	07	C07	0814	01/000
LO-	R B	CLC	09	A04	0517	01/000
LO-	RCB	PSC	02	B07		01/001
LO-	C	DAT	07	B14	0806	01/000
LPB-	RCB	DAT	07	A11	0789	01/000
LV-	R B	DAT	07	C06	0813	01/000

13 35
18 38
33² 41³
34

AN72-6582
 J. S. Stallings
 DEC 4 1972

GENERAL ELECTRIC

TITLE

C - MACHINE MOTHERBOARD WIRING LIST

444410753

SH. NO. 11

LV-	S B	LMP	13 E02	0557	01/000
LV	R B	ANS	03 E14	0205	01/000
LV	R B	AUX	04 E14	0247	01/000
LV	R B	DAT	07 E14	0849	01/000
LV	R B	HTB	10 E14	0401	01/000
LV	R B	LMP	13 E01	0556	01/000
LV	R B	MEM	06 E14	0373	01/000
LV	R B	PAR	11 E14	0597	01/000
LV	RCB	PSC	02 B14		01/001
LV	R B	R.P	01 E14	0121	01/000
LV	R B	SPC	05 E14	0317	01/000
LV	R B	VT	12 E14	0429	01/000
LV	S B	PRO	16 E01	0612	01/000
MA	R B	T.A	08 C14	0499	01/000
MA	S B	MEM	06 B01	0332	01/000
MED-	R B	AUX	04 E04	0237	01/000
MED-	R B	CLC	09 A05	0518	01/000
MED-	RCB	PSC	02 B11		01/001
MED-	R B	R.P	01 A02	0053	01/000
MED-	C	DAT	07 B13	0805	01/000
MOTOR-R	B	LMP	13 E04	0559	01/000
MOTOR-R	B	MEM	06 E01	0360	01/000
MOTOR-R	B	PPI	15 E04	0768	01/000
MOTOR-R	B	SPC	05 E09	0312	01/000
MOTOR-R	B	VT	12 E13	0428	01/000
MOTOR-S	B	DAT	07 E11	0846	01/000
MTROFFR	B	DAT	07 C03	0810	01/000
MTROFFS	B	SPC	05 B01	0262	01/000
MTRON	R B	DAT	07 D03	0824	01/000
MTRON	S B	SPC	05 E10	0313	01/000
MTRRELRC		POW	17 B13	0694	01/000
MTRRELS	B	DAT	07 E12	0847	01/000
NAKR-	R B	DAT	07 D14		01/000
NAKR-	S B	PSC	02 D11		01/001
NORM-	R B	SPC	05 C07	0282	01/000
NORM-	C	DAT	07 B05	0797	01/000
01	R B	ANS	03 E08	0199	01/000
01	R B	AUX	04 E08	0241	01/000
01	R B	DAT	07 E08	0843	01/000
01	R B	DEC	14 E08	0465	01/000
01	R B	HTB	10 E08	0395	01/000
01	R B	LMP	13 E08	0563	01/000
01	R B	MEM	06 E08	0367	01/000
01	R B	PAR	11 E08	0591	01/000
01	R B	POW	17 E08		01/001
01	R B	PPI	15 E08	0772	01/000
01	R B	PSC	02 E08	0171	01/000
01	R B	RCM	22 E08		01/001
01	R B	R.P	01 E08	0115	01/000
01	R B	SPC	05 E08	0311	01/000
01	R B	T.A	08 E08	0507	01/000
01	R B	VT	12 E08	0423	01/000
01	S B	CLC	09 E08	0535	01/000

13 35

13 38

33² 41³

34

R. D. Wesner

NOV 18 1971

ISSUED

CCD 349

BCFB

Wynnsboro, Virginia

444410753

SH. NO. 11

GENERAL ELECTRIC

TITLE

C - MACHINE MOTHERBOARD WIRING LIST

44A410753

SH. NO. 12

02	R B	ANS	03 E07	0198	01/000
02	R B	AUX	04 E07	0240	01/000
02	R B	CLC	09 E07	0534	01/000
02	R B	DAT	07 E07	0842	01/000
02	R B	DEC	14 E07	0464	01/000
02	R B	HTB	10 E07	0394	01/000
02	R B	LMP	13 E07	0562	01/000
02	R B	MEM	06 E07	0366	01/000
02	R B	PAR	11 E07	0590	01/000
02	R B	POW	17 E07		01/001
02	R B	PPI	15 E07	0771	01/000
02	R B	PSC	02 E07	0170	01/000
02	R B	RCM	22 E07		01/001
02	R B	R.P	01 E07	0114	01/000
02	R B	SPC	05 E07	0310	01/000
02	R B	VT	12 E07	0422	01/000
02	S B	T.A	08 E07	0506	01/000
02 TP		T.A	08 C01	0486	01/000
0A		RDRPLG26	06	0880	01/000
0A	SCB	R.P	01 D02	0095	01/000
0B		RDRPLG26	18	0892	01/000
0B	SCB	R.P	01 D03	0096	01/000
0C		RDRPLG26	04	0878	01/000
0C	SCB	R.P	01 D04	0097	01/000
ODDIN		PRO	16 E13	0624	01/000
ODDIN S B		PCA	21 E02	0655	01/000
ODDOUTSCB		PCA	21 B08	0647	01/000
ODDPC RCB		PCA	21 B14	0653	01/000
OE R B		PRO	16 E11	0622	01/000
OE S B		PCA	21 E04	0657	01/000
OFFPB-R B		PSC	02 C02		01/001
OFFPB-RCB		R.P	01 D09	0102	01/000
OFFPB-		RDRPLG26	02	0876	01/000
OF R B		SPC	05 C01	0276	01/000
OF S B		PCA	21 E14	0667	01/000
ONLMP SCB		DAT	07 A04	0782	01/000
ONL.S-R B		R.P	01 E03	0110	01/000
ONL.S-R B		SPC	05 B03	0264	01/000
ONL.S-S B		DAT	07 C05	0812	01/000
OPB- RCB		DAT	07 A09	0787	01/000
PCHLMP		PCHPLG25	11	0860	01/000
PCHLMPS B		R.P	01 B11	0076	01/000
PE1 RCB		R.P	01 C14	0093	01/000
PE1		RDRPLG26	25	0899	01/000
PE2 RCB		R.P	01 C13	0092	01/000
PE2		RDRPLG26	12	0886	01/000
PE3 RCB		R.P	01 C12	0091	01/000
PE3		RDRPLG26	24	0898	01/000
PE4 RCB		R.P	01 C11	0090	01/000
PE4		RDRPLG26	23	0897	01/000
PE5 RCB		R.P	01 C10	0089	01/000
PE5		RDRPLG26	22	0896	01/000
PE6 RCB		R.P	01 C09	0088	01/000

13 35

13 38

33² 41³

34

R. D. Wesner NOV 18 1971 ISSUED	DCPD Waynesboro, Virginia CCD 349	44A410753 SH. NO. 12
--	---	-------------------------

GENERAL ELECTRIC

TITLE

C - MACHINE MOTHERBOARD WIRING LIST

444410753

SH. NO. 13

PE6		RDRPLG26	21	0895	01/000		
PE7	RCB	R.P	01 C08	0087	01/000		
PE7		RDRPLG26	08	0882	01/000		
PE8	RCB	R.P	01 D14	0107	01/000		
PE8		RDRPLG26	05	0879	01/000		
PER-	S B	PAR	11 E05	0588	01/000		
PER	R B	PSC	02 C12		01/001		
PER	S B	PAR	11 E04	0587	01/000		
PICK	R B	LMP	13 E14	0569	01/000		
PICK	R B	SPC	05 B13	0274	01/000		
PICK	S B	MEM	06 B02	0333	01/000		
P01-	R B	DAT	07 E13	0848	01/000		
P01-	RC	PCA	21 B02	0641	01/000		
P02-	R B	DAT	07 E01	0836	01/000		
P02-	RC	PCA	21 B05	0644	01/000		
POFF-	R B	R.P	01 B13	0078	01/000		
POFF-		PCHPLG25	12	0861	01/000		
POLL	R B	PSC	02 C03		01/001		
POLL	S B	AUX	04 C12		01/001		
PON-	R B	R.P	01 E10	0117	01/000		
PON-		PCHPLG25	17	0866	01/000		
PONOD-R	B	DAT	07 C11	0818	01/000		
PONOD-S	B	AUX	04 A04	0209	01/000		
PONOD-S	B	PAR	11 E01	0584	01/000		
PPILMP	C	PPI	15 A06	0742	01/000		
PPILMPS	B	LMP	13 A09	0550	01/000		
PRT1	R E	PRO	16 E09	0620	01/000		
PRT1	S E	LMP	13 E06	0561	01/000		
PRT2	RC	PCA	21 B04	0643	01/000		
PRT2	R E	PRO	16 E10	0621	01/000		
PRT3	R E	PCA	21 E01	0654	01/000		
PRT3	S E	PRO	16 E14	0625	01/000		
PRT4	R E	LMP	13 E05	0560	01/000		
PRT4	R E	PRO	16 E04	0615	01/000		
PSI-	R E	SPC	05 B12	0273	01/000		
PSI-	S E	MEM	06 B04	0335	01/000		
PSIX-	R E	MEM	06 A01	0318	01/000		
PSIX-	S E	SPC	05 A01	0248	01/000		
PSVI-	R E	AUX	04 E01	0234	01/000		
PSVI-	R E	PSC	02 D05	0154	01/000		
PSVI-	R E	R.P	01 B08	0073	01/000		
PSVI-	R E	T.A	08 E12	0511	01/000		
PSVI-	S E	DAT	07 D06	0827	01/000		
PTOF-	R E	DAT	07 D13	0834	01/000		
PTOF-	S E	R.P	01 C07	0086	01/000		
PTOS-	R E	R.P	01 B10	0075	01/000		
PTOS-		PCHPLG25	23	0872	01/000		
PTRR	R B	DAT	07 D11	0832	01/000		
PTTR	S B	PSC	02 C10		01/001		
PUNCH		PCHPLG25	24	0873	01/000		
PUNCH	S B	R.P	01 B12	0077	01/000	13	35
PUT	S B	ANS	03 C08		01/001	18	33
RBHOLD	S	MEM	06 B05	0336	01/000	33 ²	41 ¹³
RBHOLD	S B	SPC	05 C08	0283	01/000		
RBS-	R B	RCM	22 E13		01/001	34	
RBS-	R B	T.A	08 E04	0503	01/000		

R. D. Wesner

NOV 18 1971

ISSUED

CCD 549

DCPD

Waynesboro, Virginia

444410753

SH. NO. 13

GENERAL ELECTRIC

TITLE <p style="text-align: center;">C - MACHINE MOTHERBOARD WIRING LIST</p>	44A410753 SH. NO. 14
---	------------------------------------

RBS-	S B	DAT	07	D02	0823	01/000
RCLOCKR	B	SPC	05	C13	0288	01/000
RCLOCKS	B	CLC	09	E02	0529	01/000
RCVD	R B	SPC	05	B08	0269	01/000
RCVD	R B	T.A	08	A03	0474	01/000
RCVD	S B	DAT	07	C12	0819	01/000
RCV-	R B	ANS	03	A07	0184	01/000
RCV-	R B	AUX	04	A07	0212	01/000
RCV-	R B	PSC	02	D12		01/001
RQV-	R B	R.P	01	C01	0080	01/000
RCV-	R B	SPC	05	B10	0271	01/000
RCV-	S B	T.A	08	A07	0478	01/000
REALMP	SCB	DAT	07	A07	0785	01/000
RES	S B	ANS	03	C09		01/001
REV-	SCB	RDRPLG	26	01	0875	01/000
RNC	R B	R.P	01	A12	0063	01/000
RNC	S B	R.P	01	E13	0120	01/000
RNC	S B	PSC	02	D07	0156	01/000
ROSW	RCB	R.P	01	C05	0084	01/000
ROSW		RDRPLG	26	10	0884	01/000
RU-	R B	MEM	06	E11	0370	01/000
RU-	S B	SPC	05	E04	0307	01/000
RUNPB-	R B	PSC	02	C01		01/001
RUNPB-	RCB	R.P	01	D13	0106	01/000
RUNPB-		RDRPLG	26	17	0891	01/000
S0-	R B	ANS	03	E01	0192	01/000
S0-	R B	DAT	07	C10	0817	01/000
S0-	R B	PSC	02	E01	0164	01/000
S0-	R B	T.A	08	E01	0500	01/000
S0-	S B	SPC	05	E01	0304	01/000
S16-	R B	PSC	02	D10	0159	01/000
S16-	R B	R.P	01	D05	0098	01/000
S16-	S B	SPC	05	D10	0299	01/000
S1-	R B	HTB	10	A02	0375	01/000
S1-	R B	R.P	01	B06	0071	01/000
S1-	S B	SPC	05	B09	0270	01/000
S24-	R B	R.P	01	A01		01/001
S24-	S B	SPC	05	C14	0289	01/000
S2-	R B	HTB	10	A09	0382	01/000
S2-	R B	MEM	06	A06	0323	01/000
S2-	R B	R.P	01	A09	0060	01/000
S2-	R B	VT	12	E10	0425	01/000
S2-	S B	SPC	05	A06	0253	01/000
S32-	R B	HTB	10	E12	0399	01/000
S32-	S B	SPC	05	C10	0285	01/000
S3-	R B	PSC	02	D04	0153	01/000
S3-	R B	R.P	01	A08	0059	01/000
S3-	R B	VT	12	E01	0416	01/000
S3-	S B	SPC	05	D11	0300	01/000
S48-	R B	HTB	10	E03	0390	01/000
S48-	R B	R.P	01	E01	0108	01/000
S48-	S B	SPC	05	E12	0315	01/000
S4-	R B	DAT	07	C13	0820	01/000

13 35
 18 33
 33² 41³
 34

R.D. Wegner NOV 18 1971 ISSUED	CCD 549	DCPD Waynesboro, Virginia	44A410753 SH. NO. 14
---	---------	------------------------------	-------------------------

GENERAL ELECTRIC

TITLE <p style="text-align: center;">C - MACHINE MOTHERBOARD WIRING LIST</p>	44A410753 SH. NO. 15
---	---

S4-	R B	PSC	02 E14		01/001
S4-	R B	R.P	01 B01	0066	01/000
S4-	R B	VT	12 E02	0417	01/000
S4-	S B	SPC	05 B14	0275	01/000
S56-	R B	PSC	02 D01	0150	01/000
S56-	S B	SPC	05 D14	0303	01/000
S5-	R B	ANS	03 E13	0204	01/000
S5-	R B	HTB	10 E02	0389	01/000
S5-	R B	MEM	06 E13	0372	01/000
S5-	R B	PSC	02 E13	0176	01/000
S5-	S B	SPC	05 E02	0305	01/000
S6-	R B	PSC	02 D03	0152	01/000
S6-	S B	SPC	05 D12	0301	01/000
S72-	S B	SPC	05 C09	0284	01/000
S7-	R B	PSC	02 D02	0151	01/000
S7-	R B	T.A	08 E11	0510	01/000
S7-	S B	SPC	05 D13	0302	01/000
S8-	R B	HTB	10 E05	0392	01/000
S8-	R B	MEM	06 E10	0369	01/000
S8-	R B	T.A	08 E10	0509	01/000
S8-	R B	VT	12 E11	0426	01/000
S8-	S B	SPC	05 E05	0308	01/000
S8B-	RCB	DAT	07 A10	0788	01/000
SCA	R B	MOD	24 A10		01/001
SCA		DSPLG	27 11		01/001
SCA		DSPLG	27 19		01/001
SCA	S B	AUX	04 C06		01/001
SCA	S B	RCM	22 A05		01/001
SCF	R B	MOD	24 A05		01/001
SCF	R B	RCM	22 A10		01/001
SCF		DSPLG	27 12		01/001
S-	R B	PAR	11 A10	0579	01/000
S-	S B	SPC	05 A09	0247	01/000
SLF	R B	MEM	06 D06	0351	01/000
SLF	S B	VT	12 A09	0410	01/000
SL013	R B	DAT	07 E10	0845	01/000
SL013	S B	PRO	16 E05	0616	01/000
SPARE		ACA	28 P13	0937	01/000
SPARE		ACA	28 P16	0940	01/000
SPARE		ACA	28 P17	0941	01/000
SPARE		ACA	28 P18	0942	01/000
SPARE		ACA	28 P19	0943	01/000
SPARE		ACA	28 P20	0944	01/000
SPARE		ACA	28 P23	0947	01/000

SPARE	ANS	03 C13			01/001
-------	-----	--------	--	--	--------

13 35
 13 33
 33² 41¹³
 34

R.D. Wesner NOV 18 1971	DCPD Waynesboro, Virginia	44A410753	SH. NO. 15
-----------------------------------	------------------------------	-----------	-------------------

GENERAL ELECTRIC

TITLE

C - MACHINE MOTHERBOARD WIRING LIST

44A410753

SH. NO. 16

SPARE	ANS	03	C14	017001	
SPARE	CLC	09	E05	0532	01/000
SPARE	CLC	09	E06	0533	01/000
SPARE	CLC	09	E10	0537	01/000
SPARE	CLC	09	E14	0541	01/000
SPARE	DEC	14	A01	0430	01/000
SPARE	DEC	14	A02	0431	01/000
SPARE	DEC	14	A03	0432	01/000
SPARE	DEC	14	A09	0438	01/000
SPARE	DEC	14	A10	0439	01/000
SPARE	DEC	14	A11	0440	01/000
SPARE	DEC	14	A12	0441	01/000
SPARE	DEC	14	E01	0458	01/000
SPARE	DEC	14	E02	0459	01/000
SPARE	DEC	14	E03	0460	01/000
SPARE	DEC	14	E04	0461	01/000
SPARE	DEC	14	E05	0462	01/000
SPARE	DEC	14	E06	0463	01/000
SPARE	DEC	14	E10	0467	01/000
SPARE	DEC	14	E11	0468	01/000
SPARE	DEC	14	E12	0469	01/000
SPARE	DEC	14	E13	0470	01/000
SPARE	DEC	14	E14	0471	01/000
SPARE	DSPLG	27	13	0912	01/000
SPARE	DSPLG	27	14	0913	01/000
SPARE	DSPLG	27	15	0914	01/000
SPARE	DSPLG	27	16	0915	01/000
SPARE	DSPLG	27	21	0920	01/000
SPARE	HTB	10	A03	0376	01/000
SPARE	HTB	10	A04	0377	01/000
SPARE	HTB	10	A05	0378	01/000
SPARE	HTB	10	E01	0388	01/000
SPARE	HTB	10	E10	0397	01/000
SPARE	HTB	10	E11	0398	01/000
SPARE	LMP	13	A10	0551	01/000
SPARE	LMP	13	A11	0552	01/000
SPARE	LMP	13	E03	0558	01/000
SPARE	LMP	13	E10	0565	01/000
SPARE	LMP	13	E12	0567	01/000
SPARE	LMP	13	E13	0568	01/000

SPARE	MEM	06	B13	0344	01/000
SPARE	PAR	11	A02	0571	01/000
SPARE	PAR	11	A03	0572	01/000
SPARE	PAR	11	A04	0573	01/000
SPARE	PAR	11	A05	0574	01/000
SPARE	PAR	11	A07	0576	01/000
SPARE	PAR	11	A09	0578	01/000
SPARE	PCA	21	A06	0631	01/000
SPARE	PCA	21	B06	0645	01/000
SPARE	PCA	21	B09	0648	01/000
SPARE	PCA	21	B11	0650	01/000

ANTZ-6582
J. S. Albany
DEC 4 1972

13 35
18 33
33² 41²³
34

GENERAL ELECTRIC

TITLE <p style="text-align: center;">C - MACHINE MOTHERBOARD WIRING LIST</p>	44A410753 SH. NO. 17
---	---

SPARE	PCA	21	E05	0658	01/000
SPARE	PCA	21	E06	0659	01/000
SPARE	PCA	21	E07	0660	01/000
SPARE	PCA	21	E08	0661	01/000
SPARE	PCA	21	E09	0662	01/000
SPARE	PCA	21	E10	0663	01/000
SPARE	PCA	21	E11	0664	01/000
SPARE	PCA	21	E13	0666	01/000
SPARE	PCHPLG25	02		0851	01/000
SPARE	PCHPLG25	03		0852	01/000
SPARE	PCHPLG25	14		0863	01/000
SPARE	PCHPLG25	15		0864	01/000
SPARE	POW	17	A04	0671	01/000
SPARE	POW	17	A09	0676	01/000
SPARE	POW	17	A10	0677	01/000
SPARE	POW	17	A11	0678	01/000
SPARE	POW	17	E01	0696	01/000
SPARE	POW	17	E02	0697	01/000
SPARE	POW	17	E03	0698	01/000
SPARE	POW	17	E04	0699	01/000
SPARE	POW	17	E05	0700	01/000
SPARE	POW	17	E06	0701	01/000
SPARE	POW	17	E09	0704	01/000
SPARE	POW	17	E10	0705	01/000
SPARE	POW	17	E11	0706	01/000
SPARE	POW	17	E12	0707	01/000
SPARE	POW	17	E13	0708	01/000
SPARE	POW	17	E14	0709	01/000
SPARE	PPI	15	A02	0738	01/000
SPARE	PPI	15	A03	0739	01/000
SPARE	PPI	15	A04	0740	01/000
SPARE	PPI	15	A05	0741	01/000
SPARE	PPI	15	A09	0745	01/000
SPARE	PPI	15	A10	0746	01/000
SPARE	PPI	15	A11	0747	01/000
SPARE	PPI	15	A12	0748	01/000
SPARE	PPI	15	E01	0765	01/000
SPARE	PPI	15	E02	0766	01/000
SPARE	PPI	15	E03	0767	01/000
SPARE	PPI	15	E05	0769	01/000
SPARE	PPI	15	E06	0770	01/000
SPARE	PPI	15	E09	0773	01/000
SPARE	PPI	15	E11	0775	01/000
SPARE	PPI	15	E14	0778	01/000
SPARE	PRO	16	A02	0599	01/000
SPARE	PRO	16	A04	0601	01/000
SPARE	PRO	16	A05	0602	01/000
SPARE	PRO	16	A06	0603	01/000
SPARE	PRO	16	A07	0604	01/000
SPARE	PRO	16	A09	0606	01/000
SPARE	PRO	16	A11	0608	01/000
SPARE	PRO	16	E02	0613	01/000
SPARE	PRO	16	E03	0614	01/000

13 35
 18 38
 33² 41¹³
 34

R. D. Wesner NOV 18 1971	DCFD Waynesboro, Virginia	44A410753 SH. NO. 17
-----------------------------	------------------------------	-------------------------

GENERAL ELECTRIC

TITLE <p style="text-align: center;">C - MACHINE MOTHERBOARD WIRING LIST</p>	44A410753 SH. NO. 18
---	------------------------------------

SPARE	PRO	16	E07	0618	01/000
SPARE	PRO	16	E08	0619	01/000
SPARE	PSC	02	A01		01/001
SPARE	PSC	02	A02		01/001
SPARE	PSC	02	A03		01/001
SPARE	PSC	02	C11		01/001
SPARE	PSC	02	E09		01/001
SPARE	PSC	02	E10		01/001
SPARE	PSC	02	E11		01/001
SPARE	PSC	02	E12		01/001
SPARE	RCM	22	A01		01/001
SPARE	RCM	22	A02		01/001
SPARE	RCM	22	A03		01/001
SPARE	RCM	22	A07		01/001
SPARE	RCM	22	A09		01/001
SPARE	RCM	22	A11		01/001

1

SPARE	T.A	08	C02	0487	01/001
SPARE	T.A	08	C05	0490	01/001
SPARE	T.A	08	C10	0495	01/001
SPARE	T.A	08	C11	0496	01/001
SPARE	T.A	08	E05	0504	01/000
SPARE	T.A	08	E14	0513	01/001
SPARE	VT	12	E06	0421	01/000

SPKR	C	DAT	07	A01	0779	01/000
SPKR	S B	T.A	08	A04	0475	01/000
SPKT	RCB	R.P	01	C04	0083	01/000
SPKT		RDRPLG26	11		0885	01/000
SPSW-	R B	SPC	05	E13	0316	01/000
SPSW-	R B	T.A	08	E09	0508	01/000
SPSW-	C	DAT	07	B04	0796	01/000
SPSW-	R B	VT	12	E12	0427	01/000
S/V	R B	DAT	07	E09	0544	01/000
S/V	S B	PRO	16	E06	0617	01/000
STALMPSCB		DAT	07	A03	0781	01/000
START-R B		CLC	09	E03	0530	01/000
START-R B		PAR	11	E12	0595	01/000
START-R B		T.A	08	A09		01/001
START-S B		SPC	05	C12	0287	01/000
STIN	R B	AUX	04	A03	0208	01/000
STIN	R B	R.P	01	B03	0068	01/000
STIN	R B	VT	12	A11	0412	01/000
STIN	S B	PSC	02	D08		01/001
STINX-S		ACA	28	P10	0934	01/000
SUPXM-	R B	AUX	04	A01	0206	01/000
SUPXM-	RCB	DAT	07	B06	0798	01/000
SYNC	R B	PCA	21	E03	0656	01/000
SYNC	R B	PRO	16	E12	0623	01/000
SZ-	R B	MEM	06	B03	0334	01/000
SZ-	R B	PSC	02	E03		01/001
SZ-	R B	R.P	01	B02	0067	01/000

ANT-655
 J. Stalder
 DEC 1 1971

13 35
 18 33
 33² 41^{PS}
 34

GENERAL ELECTRIC

TITLE C - MACHINE MOTHERBOARD WIRING LIST	44A410753 SH. NO. 19
--	--------------------------------

SZ-	R B	T.A	08	A02	0473	01/000
SZ-	S B	SPC	05	B02	0263	01/000
T128	R B	HTB	10	A06	0379	01/000
T128	R B	MEM	06	A10	0327	01/000
T128	R B	SPC	05	A03	0250	01/000
T128	R B	AUX	04	A02	0257	01/000
T128	S B	CLC	09	A07	0520	01/000
T1	R B	HTB	10	E04	0391	01/000
T1	R B	R.P	01	E02	0109	01/000
T1	R B	SPC	05	E11	0314	01/000
T1	S B	CLC	09	E11	0538	01/000
T32	R B	MEM	06	A03	0320	01/000
T32	R B	SPC	05	A03	0250	01/000
T32	S B	CLC	09	A11	0524	01/000
T64	R B	HTB	10	A01	0374	01/000
T64	R B	MEM	06	A09	0326	01/000
T64	R B	PAR	11	E09	0592	01/000
T64	R B	SPC	05	A10	0257	01/000
T64	S B	CLC	09	A01	0514	01/000
TA	R B	ANS	03	E10	0201	01/000
TA	SCB	PSC	02	B01		01/001
TCA	R B	MEM	06	A05	0322	01/000
TCA	S B	HTB	10	A10	0383	01/000
TL	R B	DAT	07	D08	0829	01/000
TL	R B	R.P	01	D01	0094	01/000
TL	S B	MEM	06	D01	0346	01/000
TLTESTS	B	MEM	06	B10	0341	01/000
TRI	R B	CLC	09	E01	0528	01/000
TRI	S B	T.A	08	C07	0483	01/000
VTPC	RCB	VT	12	A03	0404	01/000
VT.FFHR	B	R.P	01	C03	0082	01/000
VT.FFHS	B	VT	12	A10	0411	01/000
VT.FFSRCB	B	R.P	01	A10	0061	01/000
VT.FFSS	B	VT	12	A06	0407	01/000
W127	R B	MEM	06	D03	0348	01/000
W127	S B	PAR	11	A06	0575	01/000
WORPB-RCB	B	R.P	01	D11	0104	01/000
WORPB-		RDRPLG26	03		0877	01/000
WPA	R B	HTB	10	E09	0396	01/000
WPA	R B	PAR	11	E06	0589	01/000
WPA	R B	SPC	05	E06	0309	01/000
WPA	S B	MEM	06	E06	0365	01/000
X10	RCB	POW	17	B07	0688	01/000
X10	RCB	POW	17	B08	0689	01/000
X6	RCB	POW	17	B04	0685	01/000
X6	RCB	POW	17	B11	0692	01/000
X7	RCB	POW	17	B01	0682	01/000
X7	RCB	POW	17	B02	0683	01/000
X7	RCB	POW	17	B03	0684	01/000
X7	RCB	POW	17	B12	0693	01/000
X7	RCB	POW	17	B14	0695	01/000
X8	RCB	POW	17	B05	0686	01/000
X8	RCB	POW	17	B10	0691	01/000
X9	RCB	POW	17	B06	0687	01/000

AM72-657 DEC 4 1972
 J. S. [unclear]

13 35
 18 38
 33² 41¹³
 34

GENERAL  ELECTRIC

TITLE

C - MACHINE MOTHERBOARD WIRING LIST

44A410753

SH. NO. 20

X9	RCB	POW	17	B09	0690	01/000
XCLOCKR	B	PSC	02	E05	0168	01/000
XCLOCKS	B	CLC	09	E09	0536	01/000
XDATA-S	B	DAT	07	C14	0821	01/000
XHL	SCB	PPI	15	A07	0743	01/000
XTC	S B	ANS	03	C10		01/001
XTC	R B	DAT	07	D09	0830	01/000
XTC	S B	PSC	02	D14	0163	01/000

13 35
 13 33
 33² 41¹³
 34

R.D. Wesner

NOV 18 1977

ISSUED

CCD 549

DCPD

Waynesboro, Virginia

44A410753

SH. NO. 20

TITLE

44A410753

C - MACHINE MOTHERBOARD WIRING LIST

SH. NO. 21

AI1	R	ACA	28	P01	0925	01/000
AI2	R	ACA	28	P02	0926	01/000
AI3	R	ACA	28	P03	0927	01/000
AI4	R	ACA	28	P04	0928	01/000
AI5	R	ACA	28	P05	0929	01/000
AI6	R	ACA	28	P06	0930	01/000
AI7	R	ACA	28	P07	0931	01/000
AI8	R	ACA	28	P08	0932	01/000
AACKR	S	ACA	28	P09	0933	01/000
STINX-S		ACA	28	P10	0934	01/000
AUXRDYR		ACA	28	P11	0935	01/000
OV	R	ACA	28	P12	0936	01/000
SPARE		ACA	28	P13	0937	01/000
ATON	S	ACA	28	P14	0938	01/000
ATOFF	S	ACA	28	P15	0939	01/000
SPARE		ACA	28	P16	0940	01/000
SPARE		ACA	28	P17	0941	01/000
SPARE		ACA	28	P18	0942	01/000
SPARE		ACA	28	P19	0943	01/000
SPARE		ACA	28	P20	0944	01/000
AINH	R	ACA	28	P21	0945	01/000
ANAKR	S	ACA	28	P22	0946	01/000
SPARE		ACA	28	P23	0947	01/000
AISWO-R		ACA	28	P24	0948	01/000
AISWI-R		ACA	28	P25	0949	01/000

ABOPT	S B	ANS	03	A01		01/000
ICBD-	R B	ANS	03	A02	0179	01/000
67MS-	R B	ANS	03	A03	0180	01/000
I1-	S B	ANS	03	A04	0181	01/000
I2-	S B	ANS	03	A05	0182	01/000
I3-	S B	ANS	03	A06	0183	01/000
RCV-	R B	ANS	03	A07	0184	01/000
OV	R B	ANS	03	A08	0185	01/000
FRASF	R B	ANS	03	A09	0186	01/000
ENQRD	R B	ANS	03	A10	0187	01/000
ANS	S B	ANS	03	A11	0188	01/000
-27V	R B	ANS	03	A12	0189	01/000
-15V	R B	ANS	03	A13	0190	01/000
OV	R B	ANS	03	A14	0191	01/000
536MS-R	B	ANS	03	C01		01/001
ABINH-R	B	ANS	03	C02		01/001
CE	R B	ANS	03	C03		01/001
ICE-	S B	ANS	03	C04		01/001
DLE.EOS	B	ANS	03	C05		01/001
ICBD53S	B	ANS	03	C06		01/001
OV		ANS	03	C07		01/001
PUT		ANS	03	C08		01/001
RES		ANS	03	C09		01/001
XTC		ANS	03	C10		01/001
CF		ANS	03	C11		01/001
ICF-		ANS	03	C12		01/001
SPARE		ANS	03	C13		01/001
ICD		ANS	03	C14		01/001 olo

AN72-658 J. S. H. DEC 4 1972

13 35
13 33
33² 41⁷³
34

TITLE	44A410753
C - MACHINE MOTHERBOARD WIRING LIST	SH. NO. 22

S0-	R B	ANS	03	E01	0192	01/000
HIS-	R B	ANS	03	E02	0193	01/000
ICB-	R B	ANS	03	E03	0194	01/000
KINH-	S B	ANS	03	E04	0195	01/000
I6-	S B	ANS	03	E05	0196	01/000
I7-	S B	ANS	03	E06	0197	01/000
O2	R B	ANS	03	E07	0198	01/000
O1	R B	ANS	03	E08	0199	01/000
ISWOP-	S B	ANS	03	E09	0200	01/000
TA	R B	ANS	03	E10	0201	01/000
I5-	S B	ANS	03	E11	0202	01/000
I4-	S B	ANS	03	E12	0203	01/000
S5-	R B	ANS	03	E13	0204	01/000
LV	R B	ANS	03	E14	0205	01/000
SUPXR-	R B	AUX	04	A01	0206	01/000
7128	R B	AUX	04	A02	0207	01/000 010
STIN	R B	AUX	04	A03	0208	01/000
PONOD-	S B	AUX	04	A04	0209	01/000
CS-	R B	AUX	04	A05	0210	01/000
DETBK	R B	AUX	04	A06	0211	01/000
RCV-	R B	AUX	04	A07	0212	01/000
615V	R B	AUX	04	A08	0213	01/000
I3-	S B	AUX	04	A09	0214	01/000
I2-	S B	AUX	04	A10	0215	01/000
I1-	S B	AUX	04	A11	0216	01/000
-27V	R B	AUX	04	A12	0217	01/000
-15V	R B	AUX	04	A13	0218	01/000
0V	R B	AUX	04	A14	0219	01/000
A1	R B	AUX	04	C01	0220	01/000
A2	R B	AUX	04	C02	0221	01/000
A3	R B	AUX	04	C03	0222	01/000
ESCF-	R B	AUX	04	C04	0223	01/000
E2A	R B	AUX	04	C05		01/000 010
SCA	S B	AUX	04	C06		01/001
A8	R B	AUX	04	C07	0226	01/000
A7	R B	AUX	04	C08	0227	01/000
A6	R B	AUX	04	C09	0228	01/000
A5	R B	AUX	04	C10	0229	01/000
A4	R B	AUX	04	C11	0230	01/000
POLL	S B	AUX	04	C12		01/001
IP-	S B	AUX	04	C13	0232	01/000
ISWIP-	S B	AUX	04	C14	0233	01/000
PSVI-	R B	AUX	04	E01	0234	01/000
INHPRTS	B	AUX	04	E02	0235	01/000
ICBD-	R B	AUX	04	E03	0236	01/000
MED-	R B	AUX	04	E04	0237	01/000
HI-	R B	AUX	04	E05	0238	01/000
ICB-	R B	AUX	04	E06	0239	01/000
O2	R B	AUX	04	E07	0240	01/000
O1	R B	AUX	04	E08	0241	01/000
I7-	S B	AUX	04	E09	0242	01/000
ISWOP-	S B	AUX	04	E10	0243	01/000
I6-	S B	AUX	04	E11	0244	01/000

1 ANT-6582
 J. Stoll-DEC 4 1972

13 35
 18 38
 33² 41²³
 34

GENERAL ELECTRIC

TITLE <p align="center">C - MACHINE MOTHERBOARD WIRING LIST</p>	44A410753 SH. NO. 23
--	------------------------------------

DATC-1 DATA SET CONTROL CLOCK CLCC-13 MODULE

I5-	S B	AUX	04	E12	0245	01/000
I4-	S B	AUX	04	E13	0246	01/000
LV	R B	AUX	04	E14	0247	01/000
<hr/>						
T64	S B	CLC	09	A01	0514	01/000
672KHZR	B	CLC	09	A02	0515	01/000
672KHZR	B	CLC	09	A03	0516	01/000
LO-	R B	CLC	09	A04	0517	01/000
MED-	R B	CLC	09	A05	0518	01/000
HI-	R B	CLC	09	A06	0519	01/000
T128	S B	CLC	09	A07	0520	01/000
G15V	R B	CLC	09	A08	0521	01/000
C2-	S B	CLC	09	A09	0522	01/000
-33V	R B	CLC	09	A10	0523	01/000
T32	S B	CLC	09	A11	0524	01/000
-27V	R B	CLC	09	A12	0525	01/000
-15V	R B	CLC	09	A13	0526	01/000
0V	R B	CLC	09	A14	0527	01/000
<hr/>						
TRI	R B	CLC	09	E01	0528	01/000
RCLOCKS	B	CLC	09	E02	0529	01/000
START-	R B	CLC	09	E03	0530	01/000
600-	R B	CLC	09	E04	0531	01/000
SPARE		CLC	09	E05	0532	01/000
SPARE		CLC	09	E06	0533	01/000
C-2	R B	CLC	09	E07	0534	01/000
01	S B	CLC	09	E08	0535	01/000
XCLOCKS	B	CLC	09	E09	0536	01/000
SPARE		CLC	09	E10	0537	01/000
T1	S B	CLC	09	E11	0538	01/000
C4-	S B	CLC	09	E12	0539	01/000
C3-	S B	CLC	09	E13	0540	01/000
SPARE		CLC	09	E14	0541	01/000
<hr/>						
SPKR	CB	DAT	07	A01 B	0779	01/000
LOCLMPS	CB	DAT	07	A02 ✓	0780	01/000
STALMPS	CB	DAT	07	A03 ✓	0781	01/000
ONLMP	CB	DAT	07	A04 ✓	0782	01/000
INTLMPS	CB	DAT	07	A05 ✓	0783	01/000
ALALMPS	CB	DAT	07	A06 ✓	0784	01/000
REALMPS	CB	DAT	07	A07 ✓	0785	01/000
G15V	RCB	DAT	07	A08 ✓	0786	01/000
OPB-	RCB	DAT	07	A09 ✓	0787	01/000
SBB-	RCB	DAT	07	A10 ✓	0788	01/000
LPB-	RCB	DAT	07	A11 ✓	0789	01/000
-27V	RCB	DAT	07	A12 ✓	0790	01/000
-15V	RCB	DAT	07	A13 ✓	0791	01/000
0V	RCB	DAT	07	A14 ✓	0792	01/000
<hr/>						
IPB-	RCB	DAT	07	B01 ✓	0793	01/000
HIS-	CB	DAT	07	B02 B	0794	01/000
FFPB-	CB	DAT	07	B03 B	01/001	
SPSW-	CB	DAT	07	B04 B	0796	01/000
NORM-	CB	DAT	07	B05 B	0797	01/000
SUPXM-R	CB	DAT	07	B06 ✓	0798	01/000
INHPR	CB	DAT	07	B07 B	0799	01/000
LF	CB	DAT	07	B08 B	0800	01/000

R = SIGNAL INTO BOARD
 S = SIGNAL OUT OF BOARD
 C = CABLE CONNECTION AT THAT POINT
 B = INTO THE BOARD AT THAT POINT

13 35
 18 38
 33² 41^B
 34

R. D. Wesner NOV 18 1971	DCFD Waynesboro, Virginia	44A410753 SH. NO. 23	ISSUED NOV 18 1971 CCB 249
------------------------------------	------------------------------	-------------------------	----------------------------------

TITLE

C - MACHINE MOTHERBOARD WIRING LIST

44A410753

SH. NO. 24

DATC"-1 DATA SET CONTROL MODULE

G16V	CB	DAT	07	B09	B	0801	01/000
0V	RCB	DAT	07	B10	✓	0802	01/000
DLF-	CB	DAT	07	B11	B	0803	01/000
HI-	CB	DAT	07	B12	B	0804	01/000
MED-	CB	DAT	07	B13	B	0805	01/000
LO-	CB	DAT	07	B14	B	0806	01/000
536MS-S	B	DAT	07	C01	✓	0807	01/000
DETBK	R B	DAT	07	C02	✓	0808	01/000
MTROFFR	B	DAT	07	C03	✓	0810	01/000
ICA	S B	DAT	07	C04	✓	0811	01/000
ONL.S-S	B	DAT	07	C05	✓	0812	01/000
LV-	R B	DAT	07	C06	✓	0813	01/000
LOCS-	S B	DAT	07	C07	✓	0814	01/000
ICD	S B	DAT	07	C08	✓	0815	01/000
INTLNDR	B	DAT	07	C09	✓	0816	01/000
S0-	R B	DAT	07	C10	✓	0817	01/000
PONOD-R	B	DAT	07	C11	✓	0818	01/000
RCVD	S B	DAT	07	C12	✓	0819	01/000
S4-	R B	DAT	07	C13	✓	0820	01/000
XDATA-S	B	DAT	07	C14	✓	0821	01/000
CD	S B	DAT	07	D01	✓	0822	01/000
RBS-	S B	DAT	07	D02	✓	0823	01/000
MTRON	R B	DAT	07	D03	✓	0824	01/000
67MS-	S B	DAT	07	D04	✓	0825	01/000
ICB-	S B	DAT	07	D05	✓	0826	01/000
PSVI-	S B	DAT	07	D06	✓	0827	01/000
KINH-	S B	DAT	07	D07	✓	0828	01/000
TL	R B	DAT	07	D08	✓	0829	01/000
XTC	R B	DAT	07	D09	✓	0830	01/000
DLE%S	R B	DAT	07	D10	✓	0831	01/000
PTTR	R B	DAT	07	D11	✓	0832	01/000
DLE.EOR	B	DAT	07	D12	✓	0833	01/000
PTOF-	R B	DAT	07	D13	✓	0834	01/000
NAKR-	R B	DAT	07	D14	✓	0835	01/000
P02-	R B	DAT	07	E01	✓	0836	01/000
CB	R B	DAT	07	E02	✓	0837	01/000
CA	S B	DAT	07	E03	✓	0838	01/000
BB	R B	DAT	07	E04	✓	0839	01/000
BA	S B	DAT	07	E05	✓	0840	01/000
GENDA-R	B	DAT	07	E06	✓	0841	01/000
O2	R B	DAT	07	E07	✓	0842	01/000
O1	R B	DAT	07	E08	✓	0843	01/000
S/V	R B	DAT	07	E09	✓	0844	01/000
SLO13	R B	DAT	07	E10	✓	0845	01/000
MOTOR-S	B	DAT	07	E11	✓	0846	01/000
MTRRELS	B	DAT	07	E12	✓	0847	01/000
P01-	R B	DAT	07	E13	✓	0848	01/000
LV	R B	DAT	07	E14	✓	0849	01/000
SPARE	CB	DEC	14	A01		0430	01/000
SPARE	CB	DEC	14	A02		0431	01/000
SPARE	CB	DEC	14	A03		0432	01/000
FEH	CB	DEC	14	A04		0433	01/000
FOH	CB	DEC	14	A05		0434	01/000

44D400309
SHEET 2

13 35
13 38
33² 41³
34

DEC"-4

R. D. Wesner

NOV 18 1971

ISSUED

CCD 349

DCPD

Waynesboro, Virginia

44A410753

SH. NO. 24

GENERAL ELECTRIC

TITLE

C - MACHINE MOTHERBOARD WIRING LIST

44A410753

SH. NO. 25

DATA SET OUTPUT PLUG DECC-4 SERIAL DECODER AND AMPLIFIER

HZ-	SCB	DEC	14	A06	0435	01/000
H0-	SCB	DEC	14	A07	0436	01/000
G15V	RCB	DEC	14	A08	0437	01/000
SPARE	CB	DEC	14	A09	0438	01/000
SPARE	CB	DEC	14	A10	0439	01/000
SPARE	CB	DEC	14	A11	0440	01/000
SPARE	CB	DEC	14	A12	0441	01/000
-15V	RCB	DEC	14	A13	0442	01/000
CV	RCB	DEC	14	A14	0443	01/000
H4-	SCB	DEC	14	B01	0444	01/000
H8-	SCB	DEC	14	B02	0445	01/000
H12-	SCB	DEC	14	B03	0446	01/000
H2-	SCB	DEC	14	B04	0447	01/000
H6-	SCB	DEC	14	B05	0448	01/000
H10-	SCB	DEC	14	B06	0449	01/000
H14-	SCB	DEC	14	B07	0450	01/000
H112-	SCB	DEC	14	B08	0451	01/000
H96-	SCB	DEC	14	B09	0452	01/000
H80-	SCB	DEC	14	B10	0453	01/000
H64-	SCB	DEC	14	B11	0454	01/000
H48-	SCB	DEC	14	B12	0455	01/000
H32-	SCB	DEC	14	B13	0456	01/000
H16-	SCB	DEC	14	B14	0457	01/000
SPARE		DEC	14	E01	0458	01/000
SPARE		DEC	14	E02	0459	01/000
SPARE		DEC	14	E03	0460	01/000
SPARE		DEC	14	E04	0461	01/000
SPARE		DEC	14	E05	0462	01/000
SPARE		DEC	14	E06	0463	01/000
02	R B	DEC	14	E07	0464	01/000
01	R B	DEC	14	E08	0465	01/000
63B	R B	DEC	14	E09	0466	01/000
SPARE		DEC	14	E10	0467	01/000
SPARE		DEC	14	E11	0468	01/000
SPARE		DEC	14	E12	0469	01/000
SPARE		DEC	14	E13	0470	01/000
SPARE		DEC	14	E14	0471	01/000
AA		DSPLG	27	01	0900	01/000
BA		DSPLG	27	02	0901	01/000
BB		DSPLG	27	03	0902	01/000
CA		DSPLG	27	04	0903	01/000
CB		DSPLG	27	05	0904	01/000
CC		DSPLG	27	06	0905	01/000
CV		DSPLG	27	07	0906	01/000
CF		DSPLG	27	08	0907	01/000
CP		DSPLG	27	09	0908	01/000
-P		DSPLG	27	10	0909	01/000
SCA		DSPLG	27	11		01/001
SCF		DSPLG	27	12		01/001
SPARE		DSPLG	27	13	0912	01/000
SPARE		DSPLG	27	14	0913	01/000
SPARE		DSPLG	27	15	0914	01/000
SPARE		DSPLG	27	16	0915	01/000

13 35
13 33
33² 41²³
34

R. D. Wesner

NOV 18 1971

CCD 549

DCPD

Waynesboro, Virginia

44A410753

SH. NO. 25

ISSUED

GENERAL ELECTRIC

TITLE <p align="center">C - MACHINE MOTHERBOARD WIRING LIST</p>	<p>44A410753</p> <p>SH. NO. 26</p>
--	------------------------------------

**DATA SET
OUTPUT PLUG**

LINE3	DSPLG	27	17		01/001
LINE4	DSPLG	27	18		01/001
SCA	DSPLG	27	19		01/001
CD	DSPLG	27	20	0919	01/000
SPARE	DSPLG	27	21	0920	01/000
CE	DSPLG	27	22	0921	01/000
CD/ADA	DSPLG	27	23	0922	01/000
LINE1	DSPLG	27	24	0923	01/000
LINE2	DSPLG	27	25	0924	01/000

**HTB-2
HORIZONTAL TABULATION MEMORY**

T64	R B	HTB	10	A01	0374	01/000
S1-	R B	HTB	10	A02	0375	01/000
SPARE		HTB	10	A03	0376	01/000
SPARE		HTB	10	A04	0377	01/000
SPARE		HTB	10	A05	0378	01/000
T128	R B	HTB	10	A06	0379	01/000
CS-	R B	HTB	10	A07	0380	01/000
OV	R B	HTB	10	A08	0381	01/000
S2-	R B	HTB	10	A09	0382	01/000
TCA	S B	HTB	10	A10	0383	01/000
ESCF-	R B	HTB	10	A11	0384	01/000
-27V	R B	HTB	10	A12	0385	01/000
-15V	R B	HTB	10	A13	0386	01/000
OV	R B	HTB	10	A14	0387	01/000
SPARE		HTB	10	E01	0388	01/000
S5-	R B	HTB	10	E02	0389	01/000
S48-	R B	HTB	10	E03	0390	01/000
T1	R B	HTB	10	E04	0391	01/000
S8-	R B	HTB	10	E05	0392	01/000
EL	R B	HTB	10	E06	0393	01/000
O2	R B	HTB	10	E07	0394	01/000
O1	R B	HTB	10	E08	0395	01/000
WPA	R B	HTB	10	E09	0396	01/000
SPARE		HTB	10	E10	0397	01/000
SPARE		HTB	10	E11	0398	01/000
S32-	R B	HTB	10	E12	0399	01/000
BITBB	R B	HTB	10	E13	0400	01/000
LV	R B	HTB	10	E14	0401	01/000

LDI (SEE PPI SECTION)

HTB-2

LMP C-4

LAMP REGUL. & RIBBON LIFT

OV	R B	LMP	13	A01	0542	01/000
&20V	R B	LMP	13	A02	0543	01/000
&16V	R B	LMP	13	A03	0544	01/000
-16V	R B	LMP	13	A04	0545	01/000
&2.3V	S B	LMP	13	A05	0546	01/000
&3V	S B	LMP	13	A06	0547	01/000
-33V	R B	LMP	13	A07	0548	01/000
&15V	R B	LMP	13	A08	0549	01/000
PPILMPS	S B	LMP	13	A09	0550	01/000
SPARE		LMP	13	A10	0551	01/000
SPARE		LMP	13	A11	0552	01/000
-27V	R B	LMP	13	A12	0553	01/000
-15V	R B	LMP	13	A13	0554	01/000
OV	R B	LMP	13	A14	0555	01/000
LV	R B	LMP	13	E01	0556	01/000
LV-	S B	LMP	13	E02	0557	01/000

44C400115

13 35
13 35
33² 41³
34

<p align="center">R. D. Wesner</p> <p align="center">NOV 18 1971</p> <p>ISSUED</p>	<p align="center">DCPD</p> <p align="center">Waynesboro, Virginia</p> <p>CCD 349</p>	<p align="center">44A410753</p> <p align="center">SH. NO. 26</p>
--	--	--

GENERAL ELECTRIC

TITLE <p style="text-align: center;">C - MACHINE MOTHERBOARD WIRING LIST</p>	44A410753 SH. NO. 27
---	------------------------------------

AND RIBBON LIFT

44C400115

SPARE	LMP	13	E03	0558	01/000
MOTOR-R B	LMP	●13	E04	0559	01/000
PRT4 R B	LMP	●13	E05	0560	01/000
PRT1 S B	LMP	●13	E06	0561	01/000
02 R B	LMP	13	E07	0562	01/000
01 R B	LMP	13	E08	0563	01/000
-RIB S B	LMP	13	E09	0564	01/000
SPARE	LMP	13	E10	0565	01/000
HOLD R B	LMP	●13	E11	0566	01/000
SPARE	LMP	13	E12	0567	01/000
SPARE	LMP	13	E13	0568	01/000
PICK R B	LMP	●13	E14	0569	01/000
<hr/>					
PSIX- R B	MEM	06	A01	0318	01/000
63B S B	MEM	06	A02	0319	01/000
T32 R B	MEM	06	A03	0320	01/000
FR R B	MEM	06	A04	0321	01/000
TCA R B	MEM	06	A05	0322	01/000
S2- R B	MEM	06	A06	0323	01/000
CSM- R B	MEM	06	A07	0324	01/000
120CPS S B	MEM	06	A08	0325	01/000
T64 R B	MEM	06	A09	0326	01/000
T128 R B	MEM	06	A10	0327	01/000
E1A R B	MEM	06	A11	0328	01/000
0V R B	MEM	06	A12	0329	01/000
-15V R B	MEM	06	A13	0330	01/000
0V R B	MEM	06	A14	0331	01/000
<hr/>					
MA S B	MEM	06	B01	0332	01/000
PICK S B	MEM	06	B02	0333	01/000
SZ- R B	MEM	06	B03	0334	01/000
PSI- S B	MEM	06	B04	0335	01/000
RBHOLD	MEM	06	B05	0336	01/000
LFG- S B	MEM	06	B06	0337	01/000
616V R B	MEM	06	B07	0338	01/000
INHPRTR B	MEM	06	B08	0339	01/000
64A S B	MEM	06	B09	0340	01/000
TLTESTS B	MEM	06	B10	0341	01/000
75H R B	MEM	06	B11	0342	01/000
E2A3004	MEM	06	B12	0343	01/000 010
T128 SPARE	MEM	06	B13	0344	01/000 010
LF R B	MEM	06	B14	0345	01/000
<hr/>					
TL S B	MEM	06	D01	0346	01/000
COUNT S B	MEM	06	D02	0347	01/000
W127 R B	MEM	06	D03	0348	01/000
EL2 R B	MEM	06	D04	0349	01/000
DLF- R B	MEM	06	D05	0350	01/000
SLF R B	MEM	06	D06	0351	01/000
INH D R B	MEM	06	D07	0352	01/000
A7 R B	MEM	06	D08	0353	01/000
A6 R B	MEM	06	D09	0354	01/000
A5 R B	MEM	06	D10	0355	01/000
A4 R B	MEM	06	D11	0356	01/000
A3 R B	MEM	06	D12	0357	01/000
A2 R B	MEM	06	D13	0358	01/000

1
 AN72-6572
 J. S. G. 92-DEC 4 1972

35 35
 13 33
 33² 41¹³
 34

GENERAL ELECTRIC

TITLE <p style="text-align: center;">C - MACHINE MOTHERBOARD WIRING LIST</p>	44A410753 SH. NO. 28
---	------------------------------------

A1	R B	MEM	06 D14	0359	01/000
MOTOR-	R B	MEM	06 E01	0360	01/000
BIT8B	S B	MEM	06 E02	0361	01/000
CDN	S B	MEM	06 E03	0362	01/000
1SET-	S B	MEM	06 E04	0363	01/000
HOLD	S B	MEM	06 E05	0364	01/000
WPA	S B	MEM	06 E06	0365	01/000
02	R B	MEM	06 E07	0366	01/000
01	R B	MEM	06 E08	0367	01/000
EL	S B	MEM	06 E09	0368	01/000
S8-	R B	MEM	06 E10	0369	01/000
RU-	R B	MEM	06 E11	0370	01/000
64B	S B	MEM	06 E12	0371	01/000
S5-	R B	MEM	06 E13	0372	01/000
LV	R B	MEM	06 E14	0373	01/000
0V	R B	MOD	24 A01	0710	01/000
DLE-EOR	R B	MOD	24 A02	0711	01/001
LINE2	R B	MOD	24 A03	0712	01/000
LINE1	R B	MOD	24 A04	0713	01/000
SCF	R B	MOD	24 A05		01/001
CD/ADAS	R B	MOD	24 A06	0715	01/000
CE	R B	MOD	24 A07	0716	01/000
&15V	R B	MOD	24 A08	0717	01/000
CL1	R B	MOD	24 A09		01/001
SCA	R B	MOD	24 A10		01/001
CL2	R B	MOD	24 A11		01/001
-27V	R B	MOD	24 A12	0720	01/000
-15V	R B	MOD	24 A13	0721	01/000
0V	R B	MOD	24 A14	0722	01/000
CF	R B	MOD	24 E01	0723	01/000
CB	R B	MOD	24 E02	0724	01/000
CL3	R B	MOD	24 E03		01/001
CA	R B	MOD	24 E04	0726	01/000
BB	S B	MOD	24 E05	0727	01/000
BA	S B	MOD	24 E06	0728	01/000
AA	R B	MOD	24 E07	0729	01/000
CC	R B	MOD	24 E08	0730	01/000
LINE3	R B	MOD	24 E09		01/001
LINE4	R B	MOD	24 E10		01/001
COPY 2		MOD	24 E11	0733	01/000
CL4	R B	MOD	24 E12		01/001
COPY 1		MOD	24 E13	0735	01/000
CD	R B	MOD	24 E14	0736	01/000
0V	R B	PAR	11 A01	0570	01/000
SPARE		PAR	11 A02	0571	01/000
SPARE		PAR	11 A03	0572	01/000
SPARE		PAR	11 A04	0573	01/000
SPARE		PAR	11 A05	0574	01/000
W127	S B	PAR	11 A06	0575	01/000
SPARE		PAR	11 A07	0576	01/000
&15V	R B	PAR	11 A08	0577	01/000
SPARE		PAR	11 A09	0578	01/000
S-	R B	PAR	11 A10	0579	01/000

13 35
 18 33
 33² 41²
 34

TITLE

C - MACHINE MOTHERBOARD WIRING LIST

44A410753

SH. NO. 29

CS-	R B	PAR	11	A11	0580	01/000
-27V	R B	PAR	11	A12	0581	01/000
-15V	R B	PAR	11	A13	0582	01/000
0V	R B	PAR	11	A14	0583	01/000
PONOD-S	D	PAR	11	E01	0584	01/000
INTLNDS	B	PAR	11	E02	0585	01/000
INHPRTS	B	PAR	11	E03	0586	01/000
PER	S B	PAR	11	E04	0587	01/000
PER-	S B	PAR	11	E05	0588	01/000
WPA	R B	PAR	11	E06	0589	01/000
02	R B	PAR	11	E07	0590	01/000
01	R B	PAR	11	E08	0591	01/000
T64	R B	PAR	11	E09	0592	01/000
A6	R B	PAR	11	E10	0593	01/000
A7	R B	PAR	11	E11	0594	01/000
START	R B	PAR	11	E12	0595	01/000
DATA	R B	PAR	11	E13	0596	01/000
LV	R B	PAR	11	E14	0597	01/000

0V	RCB	PCA	21	A01	0626	01/000
0V	RCB	PCA	21	A02	0627	01/000
0V	RCB	PCA	21	A03	0628	01/000
0V	RCB	PCA	21	A04	0629	01/000
02.3V	RCB	PCA	21	A05	0630	01/000
SPARE	CB	PCA	21	A06	0631	01/000
-33V	RCB	PCA	21	A07	0632	01/000
+15V	RCB	PCA	21	A08	0633	01/000
03V	RCB	PCA	21	A09	0634	01/000
02.3V	RCB	PCA	21	A10	0635	01/000
0V	RCB	PCA	21	A11	0636	01/000
-27V	RCB	PCA	21	A12	0637	01/000
-15V	RCB	PCA	21	A13	0638	01/000
0V	RCB	PCA	21	A14	0639	01/000

EVENRCB	PCA	21	B01	0640	01/000	
P01-	RCB	PCA	21	B02	0641	01/000
CEVEN-	RCB	PCA	21	B03	0642	01/000
PET2	RCB	PCA	21	B04	0643	01/000
P02-	RCB	PCA	21	B05	0644	01/000
SPARE	CB	PCA	21	B06	0645	01/000
EVENOUS	CB	PCA	21	B07	0646	01/000
ODDOUTS	CB	PCA	21	B08	0647	01/000
SPARE	CB	PCA	21	B09	0648	01/000
-RIB	RCB	PCA	21	B10	0649	01/000
SPARE	CB	PCA	21	B11	0650	01/000
CODD-	RCB	PCA	21	B12	0651	01/000
LFG-	RCB	PCA	21	B13	0652	01/000
ODDPC	RCB	PCA	21	B14	0653	01/000

PRT3	R B	PCA	21	E01	0654	01/000
ODDIN	S B	PCA	21	E02	0655	01/000
SYNC	R B	PCA	21	E03	0656	01/000
OE	S B	PCA	21	E04	0657	01/000
SPARE		PCA	21	E05	0658	01/000
SPARE		PCA	21	E06	0659	01/000
SPARE		PCA	21	E07	0660	01/000

A	
014	01
013	02
012	03
011	04
010	05
09	06
08	07
●	0
●	●
0	0
B	
014	01
013	02
012	03
011	04
010	05
09	06
08	07

PHOTOCELL AMPLIFIER PCAC/2

13 35
18 33
33² 41²³
34

GENERAL ELECTRIC

TITLE <p style="text-align: center;">C - MACHINE MOTHERBOARD WIRING LIST</p>	44A410753 SH. NO. 30
---	------------------------------------

SPARE	PCA	21	E08	0661	01/000
SPARE	PCA	21	E09	0662	01/000
SPARE	PCA	21	E10	0663	01/000
SPARE	PCA	21	E11 B	0664	01/000
EF	S B	PCA	21 E12 ✓	0665	01/000
SPARE	PCA	21	E13 B	0666	01/000
OF	S B	PCA	21 E14 ✓	0667	01/000
<hr/>					
AA		PCHPLG25	01	0841	01/000
SPARE		PCHPLG25	02	0851	01/000
SPARE		PCHPLG25	03	0852	01/000
LDR-		PCHPLG25	04	0853	01/000
A6		PCHPLG25	05	0854	01/000
A7		PCHPLG25	06	0855	01/000
0V		PCHPLG25	07	0856	01/000
A2		PCHPLG25	08	0857	01/000
CS-		PCHPLG25	09	0858	01/000
ADV		PCHPLG25	10	0859	01/000
PCHLMP		PCHPLG25	11	0860	01/000
POFF-		PCHPLG25	12	0861	01/000
-27V		PCHPLG25	13	0862	01/000
SPARE		PCHPLG25	14	0863	01/000
SPARE		PCHPLG25	15	0864	01/000
&16V		PCHPLG25	16	0865	01/000
PON-		PCHPLG25	17	0866	01/000
A4		PCHPLG25	18	0867	01/000
A5		PCHPLG25	19	0868	01/000
A3		PCHPLG25	20	0869	01/000
A1		PCHPLG25	21	0870	01/000
A8		PCHPLG25	22	0871	01/000
PTOS-		PCHPLG25	23	0872	01/000
PUNCH		PCHPLG25	24	0873	01/000
BAIL		PCHPLG25	25	0874	01/000
<hr/>					
0V	SCB	POW	17 A01	0668	01/000
&20V	SCB	POW	17 A02	0669	01/000
&16V	SCB	POW	17 A03	0670	01/000
SPARE	CB	POW	17 A04	0671	01/000
-16V	SCB	POW	17 A05	0672	01/000
-20V	SCB	POW	17 A06	0673	01/000
-33V	SCB	POW	17 A07	0674	01/000
&15V	SCB	POW	17 A08	0675	01/000
SPARE	CB	POW	17 A09	0676	01/000
SPARE	CB	POW	17 A10	0677	01/000
SPARE	CB	POW	17 A11	0678	01/000
-27V	SCB	POW	17 A12	0679	01/000
-15V	SCB	POW	17 A13	0680	01/000
0V	SCB	POW	17 A14	0681	01/000
<hr/>					
X7	RCB	POW	17 B01	0682	01/000
X7	RCB	POW	17 B02	0683	01/000
X7	RCB	POW	17 B03	0684	01/000
X6	RCB	POW	17 B04	0685	01/000
X8	RCB	POW	17 B05	0686	01/000
X9	RCB	POW	17 B06	0687	01/000
X10	RCB	POW	17 B07	0688	01/000

13 35
18 38
33² 41³
34

R. D. Warner NOV 18 1971 ISSUED	DCPD Waynesboro, Virginia CCD 349	44A410753 SH. NO. 30
--	---	-------------------------

GENERAL ELECTRIC

TITLE <p style="text-align: center;">C - MACHINE MOTHERBOARD WIRING LIST</p>	44A410753 SH. NO. 31
---	---------------------------------------

X10	RCB	POW	17 B08	0689	01/000
X9	RCB	POW	17 B09	0690	01/000
X8	RCB	POW	17 B10	0691	01/000
X6	RCB	POW	17 B11	0692	01/000
X7	RCB	POW	17 B12	0693	01/000
MTRREL	RCB	POW	17 B13	0694	01/000
X7	RCB	POW	17 B14	0695	01/000
SPARE		POW	17 E01	0696	01/000
SPARE		POW	17 E02	0697	01/000
SPARE		POW	17 E03	0698	01/000
SPARE		POW	17 E04	0699	01/000
SPARE		POW	17 E05	0700	01/000
SPARE		POW	17 E06	0701	01/000
O2	R B	POW	17 E07		01/001
O1	R B	POW	17 E08		01/001
SPARE		POW	17 E09	0704	01/000
SPARE		POW	17 E10	0705	01/000
SPARE		POW	17 E11	0706	01/000
SPARE		POW	17 E12	0707	01/000
SPARE		POW	17 E13	0708	01/000
SPARE		POW	17 E14	0709	01/000
0V	RCB	PPI	15 A01	0737	01/000
SPARE	CB	PPI	15 A02	0738	01/000
SPARE	CB	PPI	15 A03	0739	01/000
SPARE	CB	PPI	15 A04	0740	01/000
SPARE	CB	PPI	15 A05	0741	01/000
PPILMP	CB	PPI	15 A06	0742	01/000
XHL	SCB	PPI	15 A07	0743	01/000
&15V	RCB	PPI	15 A08	0744	01/000
SPARE	CB	PPI	15 A09	0745	01/000
SPARE	CB	PPI	15 A10	0746	01/000
SPARE	CB	PPI	15 A11	0747	01/000
SPARE	CB	PPI	15 A12	0748	01/000
-15V	RCB	PPI	15 A13	0749	01/000
0V	RCB	PPI	15 A14	0750	01/000
1UL	SCB	PPI	15 B01	0751	01/000
2UL	SCB	PPI	15 B02	0752	01/000
3UL	SCB	PPI	15 B03	0753	01/000
4UL	SCB	PPI	15 B04	0754	01/000
5UL	SCB	PPI	15 B05	0755	01/000
6UL	SCB	PPI	15 B06	0756	01/000
7UL	SCB	PPI	15 B07	0757	01/000
7TL	SCB	PPI	15 B08	0758	01/000
6TL	SCB	PPI	15 B09	0759	01/000
5TL	SCB	PPI	15 B10	0760	01/000
4TL	SCB	PPI	15 B11	0761	01/000
3TL	SCB	PPI	15 B12	0762	01/000
2TL	SCB	PPI	15 B13	0763	01/000
1TL	SCB	PPI	15 B14	0764	01/000
SPARE		PPI	15 E01	0765	01/000
SPARE		PPI	15 E02	0766	01/000
SPARE		PPI	15 E03	0767	01/000
MOTOR-R B		PPI	15 E04	0768	01/000

13 35
 13 33
 33² 41³
 34

R. D. Wesner ISSUED NOV 18 1971	DCPD Waynesboro, Virginia	44A410753 SH. NO. 31
---	------------------------------	--------------------------------

GENERAL ELECTRIC

TITLE

C - MACHINE MOTHERBOARD WIRING LIST

44A410753

SH. NO. 32

SPARE		PPI	15 E05	0769	01/000
SPARE		PPI	15 E06	0770	01/000
02	R B	PPI	15 E07	0771	01/000
01	R B	PPI	15 E08	0772	01/000
SPARE		PPI	15 E09	0773	01/000
COUNT	R B	PPI	15 E10	0774	01/000
SPARE		PPI	15 E11	0775	01/000
1SET-	R B	PPI	15 E12	0776	01/000
CDN	R B	PPI	15 E13	0777	01/000
SPARE		PPI	15 E14	0778	01/000
0V	R B	PRO	16 A01	0598	01/000
SPARE		PRO	16 A02	0599	01/000
&16V	R B	PRO	16 A03	0600	01/000
SPARE		PRO	16 A04	0601	01/000
SPARE		PRO	16 A05	0602	01/000
SPARE		PRU	16 A06	0603	01/000
SPARE		PRO	16 A07	0604	01/000
&15V	R B	PRO	16 A08	0605	01/000
SPARE		PRO	16 A09	0606	01/000
-33V	R B	PRO	16 A10		01/001
SPARE		PRO	16 A11	0608	01/000
-27V	R B	PRO	16 A12	0609	01/000
-15V	R B	PRO	16 A13	0610	01/000
0V	R B	PRO	16 A14	0611	01/000
LV	S B	PRO	16 E01	0612	01/000
SPARE		PRO	16 E02	0613	01/000
SPARE		PRO	16 E03	0614	01/000
PRT4	R B	PRO	16 E04	0615	01/000
SLO13	S B	PRO	16 E05	0616	01/000
S/V	S B	PRO	16 E06	0617	01/000
SPARE		PRO	16 E07	0618	01/000
SPARE		PRO	16 E08	0619	01/000
PRT1	R B	PRO	16 E09	0620	01/000
PRT2	R B	PRO	16 E10	0621	01/000
OE	R B	PRO	16 E11	0622	01/000
SYNC	R B	PRO	16 E12	0623	01/000
ODDIN		PRO	16 E13	0624	01/000
PRT3	S B	PRO	16 E14	0625	01/000
SPARE	EB	PSC	02 A01		01/001
SPARE	CB	PSC	02 A02		01/001
SPARE	CB	PSC	02 A03		01/001
ALFSW	RCB	PSC	02 A04		01/001
0V	RCB	PSC	02 A05		01/001
0V	RCB	PSC	02 A06		01/001
0V	RCB	PSC	02 A07		01/001
0V	RCB	PSC	02 A08		01/001
13-	SCB	PSC	02 A09		01/001
12-	SCB	PSC	02 A10		01/001
11-	SCB	PSC	02 A11		01/001
-27V	RCB	PSC	02 A12		01/001
-15V	RCB	PSC	02 A13		01/001
0V	RCB	PSC	02 A14		01/001
TA	SCB	PSC	02 B01		01/001

13 35
13 33
33² 41³
34

R. D. WOOD

NOV 18 1971

ISSUED

CCD 549

DEPD

Waynesboro, Virginia

44A410753

SH. NO. 32

GENERAL ELECTRIC

TITLE

C - MACHINE MOTHERBOARD WIRING LIST

44A410753

SH. NO. 33

ERASE	SCB	PSC	02	B02		01/001
I4-	RCB	PSC	02	B03		01/001
I5-	RCB	PSC	02	B04		01/001
FR	RCB	PSC	02	B05		01/001
ABOPT	RCB	PSC	02	B06		01/001
LC-	RCB	PSC	02	B07		01/001
I6-	RCB	PSC	02	B08		01/001
I7-	RCB	PSC	02	B09		01/001
HI-	RCB	PSC	02	B10		01/001
MED-	RCB	PSC	02	B11		01/001
KS-	RCB	PSC	02	B12		01/001
KINH-	RCB	PSC	02	B13		01/001
LV	RCB	PSC	02	B14		01/001
<hr/>						
RUNPB-R	B	PSC	02	C01		01/001
OFFPB-R	B	PSC	02	C02		01/001
POLL	R B	PSC	02	C03		01/001
ANS	R B	PSC	02	C04		01/001
ENGRD	S B	PSC	02	C05		01/001
ICBD-	S B	PSC	02	C06		01/001
CS-	R B	PSC	02	C07		01/001
IP-	R B	PSC	02	C08		01/001
GENDA-	S B	PSC	02	C09		01/001
PTTR	S B	PSC	02	C10		01/001
SPARE		PSC	02	C11		01/001
PER	R B	PSC	02	C12		01/001
A7	R B	PSC	02	C13		01/001
A6	R B	PSC	02	C14		01/001
<hr/>						
S56-	R B	PSC	02	D01	0150	01/000
S7-	R B	PSC	02	D02	0151	01/000
S6-	R B	PSC	02	D03	0152	01/000
S3-	R B	PSC	02	D04	0153	01/000
PSVI-	R B	PSC	02	D05	0154	01/000
OLES	S B	PSC	02	D06	0155	01/000
RNC	S B	PSC	02	D07	0156	01/000
STIN	S B	PSC	02	D08		01/001
ISWIP-	R B	PSC	02	D09	0158	01/000
S16-	R B	PSC	02	D10	0159	01/000
NAKR-	S B	PSC	02	D11		01/001
RCV-	R B	PSC	02	D12		01/001
DLE.EOS	B	PSC	02	D13		01/001
XTC	S B	PSC	02	D14	0163	01/000
<hr/>						
S0-	R B	PSC	02	E01	0164	01/000
DLE.XS	S B	PSC	02	E02		01/001
SZ-	R B	PSC	02	E03		01/001
ICE-	R B	PSC	02	E04		01/001
XCLOCKR	B	PSC	02	E05	0168	01/000
ISWOP-	S B	PSC	02	E06	0169	01/000
O2	R B	PSC	02	E07	0170	01/000
O1	R B	PSC	02	E08	0171	01/000
<hr/>						
SPARE		PSC	02	E09		01/001
SPARE		PSC	02	E10		01/001

13 35
18 38
33² 41³
34

R. D. Wesner

NOV 18 1971

ISSUED

ECD 549

DCPD

Waynesboro, Virginia

44A410753

SH. NO. 33

GENERAL ELECTRIC

TITLE <p style="text-align: center;">C - MACHINE MOTHERBOARD WIRING LIST</p>	44A410753 SH. NO. 34
---	------------------------------------

SPARE		PSC	02	E11		01/001
SPARE		PSC	02	E12		01/001
S5-	R B	PSC	02	E13	0176	01/000
S4-	R B	PSC	02	E14		01/001
<hr/>						
SPARE		RCM	22	A01		01/001
SPARE		RCM	22	A02		01/001
SPARE		RCM	22	A03		01/001
CL2	R B	RCM	22	A04		01/001
SCA	S B	RCM	22	A05		01/001
CL1	R B	RCM	22	A06		01/001
SPARE		RCM	22	A07		01/001
&15V	R B	RCM	22	A08		01/001
SPARE		RCM	22	A09		01/001
SCF	R B	RCM	22	A10		01/001
SPARE		RCM	22	A11		01/001
-27V	R B	RCM	22	A12		01/001
-15V	R B	RCM	22	A13		01/001
0V	R B	RCM	22	A14		01/001
CD		RCM	22	E01		01/001
COPY2		RCM	22	E02		01/001
CL4	R B	RCM	22	E03		01/001
CA	R B	RCM	22	E04		01/001
BB	R B	RCM	22	E05		01/001
BA	R B	RCM	22	E06		01/001
02	R B	RCM	22	E07		01/001
01	R B	RCM	22	E08		01/001
COPY1		RCM	22	E09		01/001
IPB-	R B	RCM	22	E10		01/001
INTLNDR	B	RCM	22	E11		01/001
CL3	R B	RCM	22	E12		01/001
RBS-	R B	RCM	22	E13		01/001
DETBK	R B	RCM	22	E14		01/001
<hr/>						
REV-		RDRPLG26	01	0875		01/000
OFFPB-		RDRPLG26	02	0876		01/000
WORPB-		RDRPLG26	03	0877		01/000
OC		RDRPLG26	04	0878		01/000
PE8		RDRPLG26	05	0879		01/000
OA		RDRPLG26	06	0880		01/000
-15V		RDRPLG26	07	0881		01/000
PE7		RDRPLG26	08	0882		01/000
DELSW		RDRPLG26	09	0883		01/000
ROSW		RDRPLG26	10	0884		01/000
SPKT		RDRPLG26	11	0885		01/000
PE2		RDRPLG26	12	0886		01/000
AA		RDRPLG26	13	0878		01/000
BSLPB-		RDRPLG26	14	0888		01/000
LINPB-		RDRPLG26	15	0889		01/000
CHAPB-		RDRPLG26	16	0890		01/000
RUNPB-		RDRPLG26	17	0891		01/000
OB		RDRPLG26	18	0892		01/000
OV		RDRPLG26	19	0893		01/000

13 35
13 33
33² 41³
34

R. D. Wesner NOV 18 1971 ISSUED	CCD 549	DCPD Waynesboro, Virginia	44A410753 SH. NO. 34
--	---------	------------------------------	-------------------------

GENERAL ELECTRIC

TITLE <p style="text-align: center;">C - MACHINE MOTHERBOARD WIRING LIST</p>	44A410753 SH. NO. 35
---	---

S15V	RDRPLG26	20	0894	01/000
PE6	RDRPLG26	21	0895	01/000
PE5	RDRPLG26	22	0896	01/000
PE4	RDRPLG26	23	0897	01/000
PE3	RDRPLG26	24	0898	01/000
PE1	RDRPLG26	25	0899	01/000
<hr/>				
S24-	R B R.P	01 A01		01/001
MED-	R B R.P	01 A02	0053	01/000
HI-	R B R.P	01 A03	0054	01/000
INHPRTR	R B R.P	01 A04	0055	01/000
I2-	S B R.P	01 A05	0056	01/000
I3-	S B R.P	01 A06	0057	01/000
CS-	R B R.P	01 A07	0058	01/000
S3-	R B R.P	01 A08	0059	01/000
S2-	R B R.P	01 A09	0060	01/000
VT.FFSRCB	R.P	01 A10	0061	01/000
I1-	S B R.P	01 A11	0062	01/000
REV-	S B R.P	01 A12	0063	01/000
-15V	R B R.P	01 A13	0064	01/000
OV	R B R.P	01 A14	0065	01/000
S4-	R B R.P	01 B01	0066	01/000
SZ-	R B R.P	01 B02	0067	01/000
STIN	R B R.P	01 B03	0068	01/000
DETBK	R B R.P	01 B04	0069	01/000
ESCF-	R B R.P	01 B05	0070	01/000
S1-	R B R.P	01 B06	0071	01/000
ICBD-	R B R.P	01 B07	0072	01/000
PSVI-	R B R.P	01 B08	0073	01/000
ADV	S B R.P	01 B09	0074	01/000
PTOS-	R B R.P	01 B10	0075	01/000
PCHLMP	S B R.P	01 B11	0076	01/000
PUNCH	S B R.P	01 B12	0077	01/000
POFF-	R B R.P	01 B13	0078	01/000
BAIL	S B R.P	01 B14	0079	01/000
RCV-	R B R.P	01 C01	0080	01/000
67MS-	R B R.P	01 C02	0081	01/000
VT.FFHR	R B R.P	01 C03	0082	01/000
SPKT	R B R.P	01 C04	0083	01/000
ROSW	R B R.P	01 C05	0084	01/000
DELSW	R B R.P	01 C06	0085	01/000
PTOF-	S B R.P	01 C07	0086	01/000
PE7	R B R.P	01 C08	0087	01/000
PE6	R B R.P	01 C09	0088	01/000
PE5	R B R.P	01 C10	0089	01/000
PE4	R B R.P	01 C11	0090	01/000
PE3	R B R.P	01 C12	0091	01/000
PE2	R B R.P	01 C13	0092	01/000
PE1	R B R.P	01 C14	0093	01/000
TL	R B R.P	01 D01	0094	01/000
OA	S B R.P	01 D02	0095	01/000
OB	S B R.P	01 D03	0096	01/000
OC	S B R.P	01 D04	0097	01/000
S16-	R B R.P	01 D05	0098	01/000

13 35
 18 38
 33² 41¹³
 34

R. D. Wesner NOV 18 1971	DCFD Waynesboro, Virginia	44A410753 SH. NO. 35
ISSUED	CCD 549	

GENERAL ELECTRIC

TITLE

C - MACHINE MOTHERBOARD WIRING LIST

44A410753

SH. NO. 36

ISWIP-S B	R.P	01	D06	0099	01/000
IP- S B	R.P	01	D07	0100	01/000
BFLPB-R/B	R.P	01	D08	0101	01/000
OFFPB-R/B	R.P	01	D09	0102	01/000
LINPB-R/B	R.P	01	D10	0103	01/000
WORPB-R/B	R.P	01	D11	0104	01/000
CHAPB-R/B	R.P	01	D12	0105	01/000
RUNPB-R/B	R.P	01	D13	0106	01/000
PEB R/B	R.P	01	D14	0107	01/000
S48- R B	R.P	01	E01	0108	01/000
T1 R B	R.P	01	E02	0109	01/000
ONL.S-R B	R.P	01	E03	0110	01/000
536MS-R B	R.P	01	E04	0111	01/000
I6- S B	R.P	01	E05	0112	01/000
I7- S B	R.P	01	E06	0113	01/000
O2 R B	R.P	01	E07	0114	01/000
O1 R B	R.P	01	E08	0115	01/000
LDR- R B	R.P	01	E09	0116	01/000
PON- R B	R.P	01	E10	0117	01/000
I5- S B	R.P	01	E11	0118	01/000
I4- S B	R.P	01	E12	0119	01/000
RNC R B	R.P	01	E13	0120	01/000
LV R B	R.P	01	E14	0121	01/000
<hr/>					
PSIX- S B	SPC	05	A01	0248	01/000
63B R B	SPC	05	A02	0249	01/000
T32 R B	SPC	05	A03	0250	01/000
E1A S B	SPC	05	A04	0251	01/000
T128 R B	SPC	05	A05	0252	01/000
S2- S B	SPC	05	A06	0253	01/000
CS- S B	SPC	05	A07	0254	01/000
OV R B	SPC	05	A08	0255	01/000
S- S B	SPC	05	A09	0247	01/000
T64 R B	SPC	05	A10	0257	01/000
FR S B	SPC	05	A11	0258	01/000
CSM- S B	SPC	05	A12	0259	01/000
-15V R B	SPC	05	A13	0260	01/000
OV R B	SPC	05	A14	0261	01/000
MTROFFS B	SPC	05	B01	0262	01/000
SZ- S B	SPC	05	B02	0263	01/000
ONL.S-R B	SPC	05	B03	0264	01/000
DETBK S B	SPC	05	B04	0265	01/000
ESCF- S B	SPC	05	B05	0266	01/000
64A R B	SPC	05	B06	0267	01/000
AB S B	SPC	05	B07	0268	01/000
RCVD R B	SPC	05	B08	0269	01/000
S1- S B	SPC	05	B09	0270	01/000
RCV- R B	SPC	05	B10	0271	01/000
GENDA-R B	SPC	05	B11	0272	01/000
PSI- R B	SPC	05	B12	0273	01/000
PICK R B	SPC	05	B13	0274	01/000
S4- S B	SPC	05	B14	0275	01/000
OF R B	SPC	05	C01	0276	01/000
CEVEN-S B	SPC	05	C02	0277	01/000

13 35
18 38
33² 41¹³
34

GENERAL ELECTRIC

TITLE <p style="text-align: center;">C - MACHINE MOTHERBOARD WIRING LIST</p>	44A410753 SH. NO. 37
---	---

FIRE	S B	SPC	05	C03	0278	01/000
FDR-	R B	SPC	05	C04	0279	01/000
LOCS-	R B	SPC	05	C05	0280	01/000
EF	R B	SPC	05	C06	0281	01/000
NORM-	R B	SPC	05	C07	0282	01/000
RBHOLD	S B	SPC	05	C08	0283	01/000
S72-	S B	SPC	05	C09	0284	01/000
S32-	S B	SPC	05	C10	0285	01/000
COOD-	S B	SPC	05	C11	0286	01/000
START-	S B	SPC	05	C12	0287	01/000
RCLOCKR	B	SPC	05	C13	0288	01/000
S24-	S B	SPC	05	C14	0289	01/000
A1	S B	SPC	05	D01	0290	01/000
A2	S B	SPC	05	D02	0291	01/000
A3	S B	SPC	05	D03	0292	01/000
A4	S B	SPC	05	D04	0293	01/000
A5	S B	SPC	05	D05	0294	01/000
A6	S B	SPC	05	D06	0295	01/000
A7	S B	SPC	05	D07	0296	01/000
DATA	S B	SPC	05	D08	0288	01/000
DLFS	R B	SPC	05	D09	0298	01/000
S16-	S B	SPC	05	D10	0299	01/000
S3-	S B	SPC	05	D11	0300	01/000
S6-	S B	SPC	05	D12	0301	01/000
S7-	S B	SPC	05	D13	0302	01/000
S56-	S B	SPC	05	D14	0303	01/000
S0-	S B	SPC	05	E01	0304	01/000
S5-	S B	SPC	05	E02	0305	01/000
64H	R B	SPC	05	E03	0306	01/000
RU-	S B	SPC	05	E04	0307	01/000
S8-	S B	SPC	05	E05	0308	01/000
WPA	R B	SPC	05	E06	0309	01/000
O2	R B	SPC	05	E07	0310	01/000
O1	R B	SPC	05	E08	0311	01/000
MOTOR-	R B	SPC	05	E09	0312	01/000
MTRON	S B	SPC	05	E10	0313	01/000
T1	R B	SPC	05	E11	0314	01/000
S48-	S B	SPC	05	E12	0315	01/000
SPSW-	R B	SPC	05	E13	0316	01/000
LV	R B	SPC	05	E14	0317	01/000
<hr/>						
OV	R B	T.A	08	A01	0472	01/000
SZ-	R B	T.A	08	A02	0473	01/000
RCVD	R B	T.A	08	A03	0474	01/000
SPKR	S B	T.A	08	A04	0475	01/000
ICD	R B	T.A	08	A05	0476	01/000
C2-	R B	T.A	08	A06	0477	01/000
RCV-	S B	T.A	08	A07	0478	01/000
615V	R B	T.A	08	A08	0479	01/000
GENDS START	R B	T.A	08	A09	01/001	old
FOH	S B	T.A	08	A10	0481	01/000
FEH	S B	T.A	08	A11	0482	01/000
-27V	R B	T.A	08	A12	0483	01/000
-15V	R B	T.A	08	A13	0484	01/000

 1 AN72-65 REC 4 1972
 J. S. ...

13 35
 18 33
 33² 41³
 34

TITLE	6.	ERIC
C - MACHINE MOTHERBOARD WIRL		44A410753
		SH. NO. 38

0V	R B	T.A	08	A14	0485	01/000
02 TP		T.A	08	C01	0486	01/000
SPARE		T.A	08	C02	0487	01/001
HIS-	R B	T.A	08	C03	0488	01/000
-33V	R B	T.A	08	C04	0489	01/000
SPARE		T.A	08	C05	0490	01/001
600-	R B	T.A	08	C06	0491	01/000
TRI	S B	T.A	08	C07	0483	01/000
EL2	S B	T.A	08	C08	0493	01/000
FDR-	S B	T.A	08	C09	0494	01/000
SPARE		T.A	08	C10	0495	01/001
SPARE		T.A	08	C11	0496	01/001
FIRE	R B	T.A	08	C12	0497	01/000
CEVEN-	R B	T.A	08	C13	0498	01/000
MA	R B	T.A	08	C14	0499	01/000
S0-	R B	T.A	08	E01	0500	01/000
C3-	R B	T.A	08	E02	0501	01/000
C4-	R B	T.A	08	E03	0502	01/000
RBS-	R B	T.A	08	E04	0503	01/000
SPARE		T.A	08	E05	0504	01/000
EL	R B	T.A	08	E06	0505	01/000
02	S B	T.A	08	E07	0506	01/000
01	R B	T.A	08	E08	0507	01/000
SPSW-	R B	T.A	08	E09	0508	01/000
S8-	R B	T.A	08	E10	0509	01/000
S7-	R B	T.A	08	E11	0510	01/000
PSVI-	R B	T.A	08	E12	0511	01/000
KS-	R B	T.A	08	E13	0512	01/000
SPARE		T.A	08	E14	0513	01/001
<hr/>						
0V	RCB	VT	12	A01	0402	01/000
-27VF	RCB	VT	12	A02	0403	01/000
VTPC	RCB	VT	12	A03	0404	01/000
FFPC	RCB	VT	12	A04	0405	01/000
LAMP&	SCB	VT	12	A05	0406	01/000
VT.FFSS	B	VT	12	A06	0407	01/000
-33V	RCB	VT	12	A07	0408	01/000
&15V	R B	VT	12	A08	0409	01/000
SLF	S B	VT	12	A09	0410	01/000
VT.FFHS	B	VT	12	A10	0411	01/000
STIN	R B	VT	12	A11	0412	01/000
-27V	R B	VT	12	A12	0413	01/000
-15V	R B	VT	12	A13	0414	01/000
0V	R B	VT	12	A14	0415	01/000
S3-	R B	VT	12	E01	0416	01/000
S4-	R B	VT	12	E02	0417	01/000
LFG-	R B	VT	12	E03	0418	01/000
LF	S B	VT	12	E04	0419	01/000
&20V	R B	VT	12	E05	0420	01/000
TL SPARE		VT	12	E06	0421	01/000 old
02	R B	VT	12	E07	0422	01/000
01	R B	VT	12	E08	0423	01/000
FFPB-	R B	VT	12	E09		01/001
S2-	R B	VT	12	E10	0425	01/000

AM72-6552
 J. ST. J. DEC 4 1972

13 35
 18 38
 33² 41
 34

R. D. Wesner	NOV 18 1971	CCD 549	DCPD Waynesboro, Virginia
			44A410753 SH. NO. 38

GENERAL  ELECTRIC

TITLE <p align="center">C - MACHINE MOTHERBOARD WIRING LIST</p>	44A410753 <i>FNL</i> SH. NO. 39
---	---

S8-	R B	VT	12 E11	0426	01/000
SPSW-		VT	12 E12	0427	01/000
MOTOR-	R B	VT	12 E13	0428	01/000
LV	R B	VT	12 E14	0429	01/000

13 35
 13 38
 33² 41²³
 34

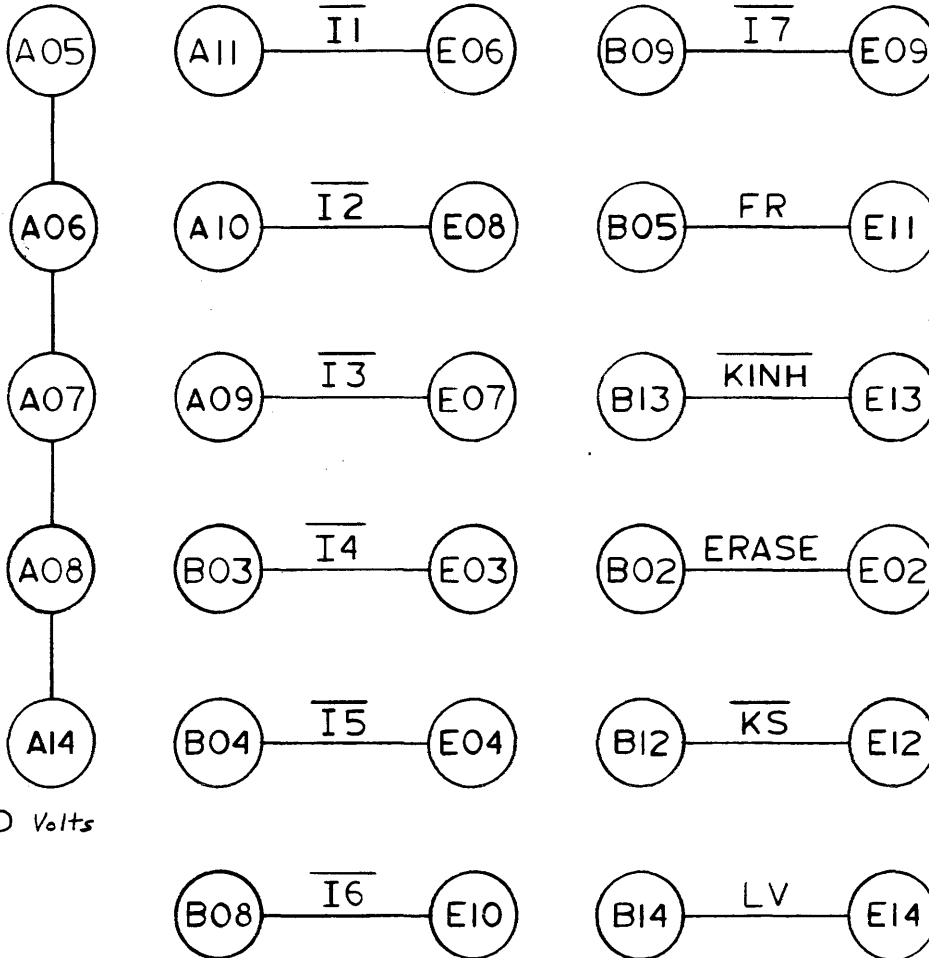
R. F. Wesner NOV 18 1971 <small>JED</small>	<small>CCD 349</small>	DCPD Waynesboro, Virginia	44A410753 <i>FNL</i> SH. NO. 39
--	------------------------	------------------------------	---

REV NO.
44A400631
CONT ON SHEET FNL SH NO. 1

TITLE
CKIF/1
FIRST MADE FOR 35300

(FCF 44-B417403G1)

REVISIONS



THIS BOARD IS PLUGGED INTO THE KIF SLOT OF AN "A" OR "B" MODEL TERMINET 300 TO ALLOW THE USE OF A "C" MODEL KEYBOARD ASSEMBLY.

13	33
34	38 ²
41	54
71 ²	77 ²
77	

PRINTS TO

MADE BY
D. Skull 8-3-73
ISSUED
DEC 13 1973

APPROVALS
JW Joffe
8-3-73

DATA COMMUNICATION
PRODUCTS DEPT.
WAYNESBORO, VA.

DIV OR
DEPT.
LOCATION

44A400631
CONT ON SHEET FNL SH NO. 1

CODE IDENT NO.

GENERAL ELECTRIC

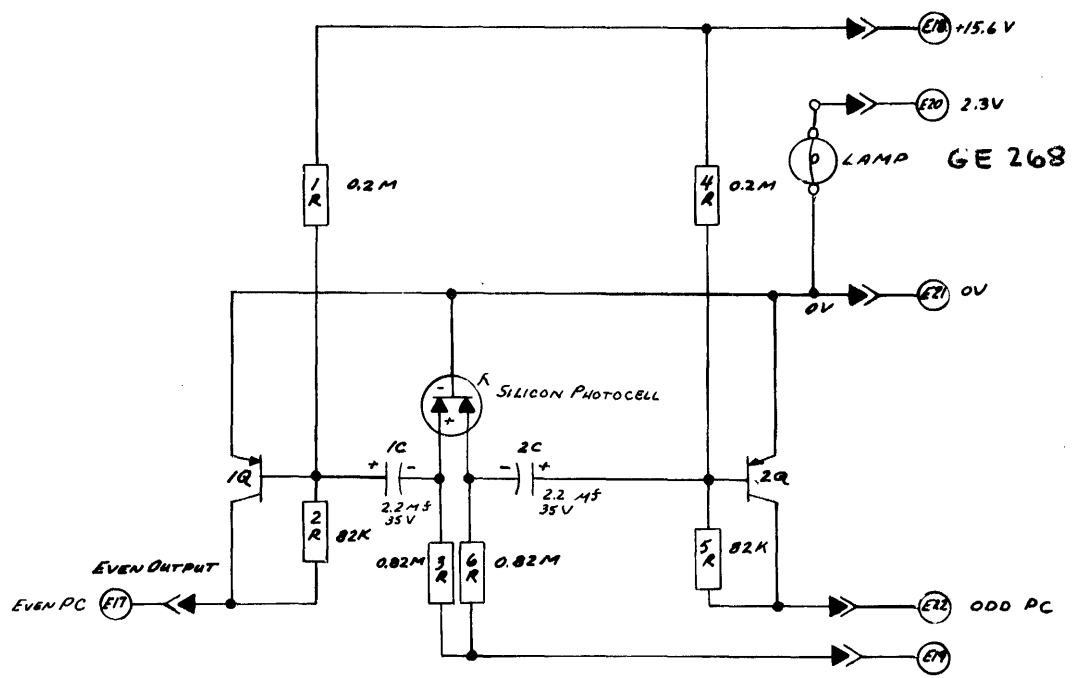
44B400000

030007377

UNLESS OTHERWISE SPECIFIED USE THE FOLLOWING:

APPLIED PRACTICES	SURFACES	TOLERANCES ON MEASURED DIMENSIONS		
		FINISH	FORM	ANGLE
	✓	+	+	+

TITLE: PHOTOCELL UNIT (PC)
 FIRST MADE FOR: ELEMENTARY DIAGRAM



TRANSISTORS
 1Q, 2Q - PNP - 44A417023 - 001

RESISTORS
 ALL RESISTORS 1/4 WATT

REVISIONS	PRINTS TO
	29 th 71
	33 rd 74 th
	34 th 179 th
	35 th 77
	36 th
	41 st

MADE BY: R. Y. M. Funglin 11 Dec 68
 JAN 13 1969

SPECIALTY CONTROL
 WAYNESBORO, VA

447100000

GENERAL ELECTRIC

44B400008

CONTROL PANEL
CONNECTION DIAGRAM

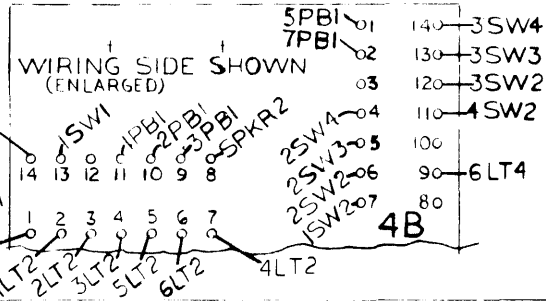
289A500AL

44B400008

FIRST MADE FOR "C" MODEL

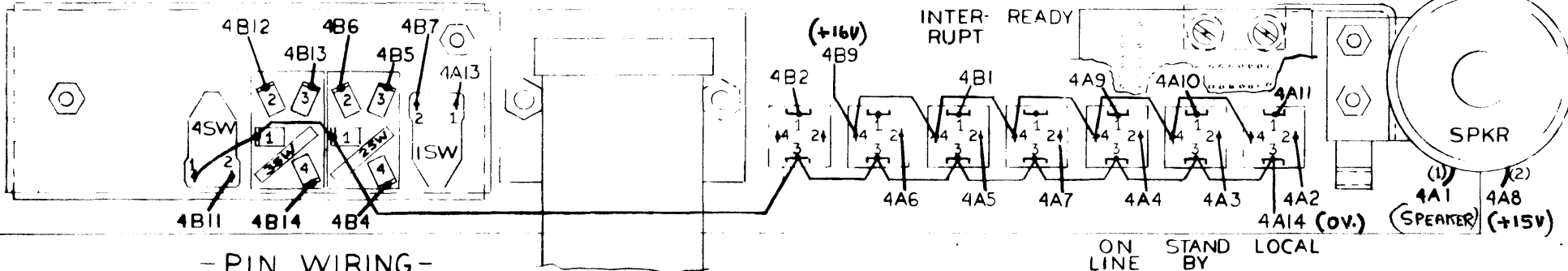
NOTE:

WIRES TO BE HARNESSSED & ROUTED ABOVE SWITCHES & PUSH BUTTONS.
WIRES AT 4A & 4B TO BE WIRE WRAP JOINTS, WITH SLEEVING OVER EACH JOINT & PIN. ALL OTHER POINTS TO BE SOLDER JOINTS.
USE SLEEVING OVER JOINTS AT SPKR.



LINE RATE INHIBIT TRANS-
SPACE PARENCEY

HERE IS ALARM



- PIN WIRING -

FROM 4A	TO DEVICE	FROM 4B	TO DEVICE
1	SPKR1	1	5PB1
2	1LT2	2	7PB1
3	2LT2	3	2SW4
4	3LT2	4	2SW3
5	5LT2	5	2SW2
6	6LT2	6	1SW2
7	4LT2	7	6LT4
8	SPKR2	8	4SW2
9	3PB1	9	3SW2
10	2PB1	10	3SW3
11	1PB1	11	3SW4
12		12	
13	ISW1	13	
14	IPB3	14	

WIRE: AWG #24 SOLID WITH WHITE NYLON JACKET

- WIRE TABLE -

SEQUENCE OF CONNECTIONS	WIRE
4SW1, 3SW1, 2SW1	AWG #22 SOLID (BARE)
7PB3, 6PB3, 5PB3, 4PB3, 3PB3, 2PB3, 1PB3	CONTINUOUS RUN THRU TERMINALS & SOLDER
6LT4, 5LT4, 4LT4, 3LT4, 2LT4, 1LT4	
2SW1, 7PB3	AWG #24 STRANDED GRAY INSULATION

ON LINE STAND BY LOCAL

7LT (2-4)	6LT (2-4)	5LT (2-4)	4LT (2-4)	3LT (2-4)	2LT (2-4)	1LT (2-4)
7PB (1-3)	6PB (1-3)	5PB (1-3)	4PB (1-3)	3PB (1-3)	2PB (1-3)	1PB (1-3)

REVISIONS	PRINTS TO
	33 ²
	34
	35
	38
	41 ²

MADE BY C.W. Thompson 1-29-71
ISSUED MAR 24 1971

APPROVALS
90B 3/17/71

COMM. & CONT. DEVICES DIV. OR
WAYNESBORO, VA. LOCATION

44B400008
CONT ON SHEET P.N.A. SH 1

44B400010
DRAWING NO. 44B400010
CENT. ON SHEET ENL. SH. NO. 1

GENERAL ELECTRIC

44B400010
ENL. SH. NO. 1

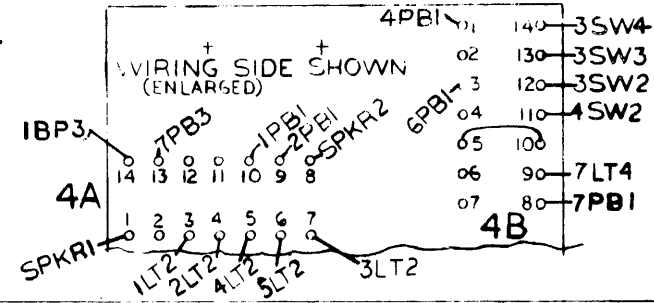
UNLESS OTHERWISE SPECIFIED USE THE FOLLOWING—

APPLIED PRACTICES 289A500AL	SURFACES ✓	TOLERANCES ON MANUFACTURED DIMENSIONS		
		FRACTIONS	DIMINALS	ANGLES
		+	+	+

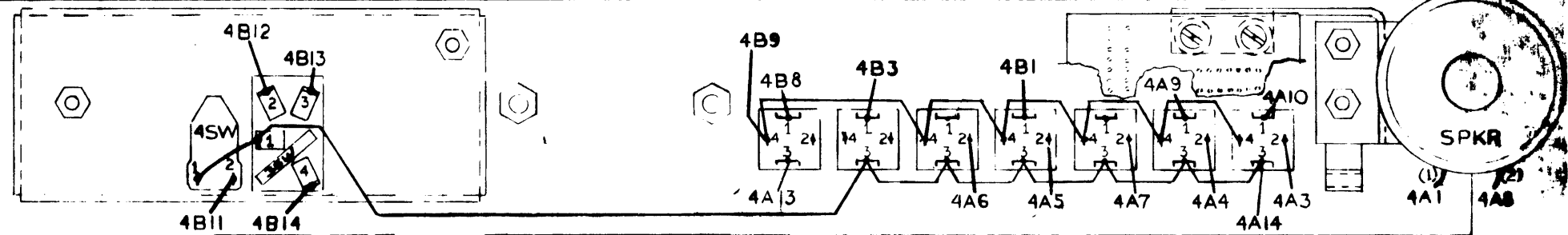
REV. NO. 1
44B400010
CONT. ON SHEET ENL. SH. NO. 1

TITLE CONTROL PANEL
CONNECTION DIAGRAM
FIRST MADE FOR "C" MODEL (REF 44C41168)

NOTE:
WIRES TO BE HARNESSED & ROUTED ABOVE SWITCHES & PUSH BUTTONS.
WIRES AT 4A & 4B TO BE WIRE WRAP JOINTS, WITH SLEEVING OVER EACH JOINT & PIN. ALL OTHER POINTS TO BE SOLDER JOINTS.
USE SLEEVING OVER JOINTS AT SPKR.



LINE RATE SPACE



- PIN WIRING -

FROM 4A	TO DEVICE	FROM 4B	TO DEVICE
1	SPKR1	1	4PB1
2		2	
3	1LT2	3	6PB1
4	2LT2	4	4B10
5	4LT2	5	
6	5LT2	6	
7	3LT2	7	
8	SPKR2	8	7PB1
9	2PB1	9	7LT4
10	1PB1	10	4B5
11		11	4SW2
12		12	3SW2
13	7PB3	13	3SW3
14	1PB3	14	3SW4

WIRE: AWG #24 SOLID WITH WHITE NYLON JACKET

LINE FEED	FORM FEED	ALARM	INTER-RUPT	READY	MOTOR ON	MOTOR OFF
7LT (2-4)	6LT (2-4)	5LT (2-4)	4LT (2-4)	3LT (2-4)	2LT (2-4)	1LT (2-4)
7PB (1-3)	6PB (1-3)	5PB (1-3)	4PB (1-3)	3PB (1-3)	2PB (1-3)	1PB (1-3)

- WIRE TABLE -

SEQUENCE OF CONNECTIONS	WIRE
4SW1, 3SW1, 6PB3, 5PB3, 4PB3, 3PB3, 2PB3, 1PB3	AWG #22 SOLID (BARE) CONTINUOUS RUN THRU TERMINALS & SOLDER
7LT4, 5LT4, 4LT4, 3LT4, 2LT4, 1LT4	
3SW1, 6PB3	AWG #24 STRANDED GRAY INSULATION

REVISIONS	PRINTS TO
1 AW73-5552 Down	53
	4
	35
	38
	41
	71

MADE BY C.W. Thompson 1-29-71
ISSUED MAR 24 1971

COMM. & CONT. DEVICES DIV. OR DEPT.
WAYNESBORO, VA. LOCATION

44B400010
CONT. ON SHEET ENL. SH. NO. 1

44B400011

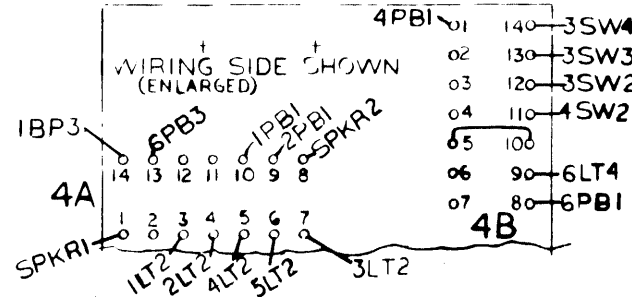
GENERAL ELECTRIC

44B400011

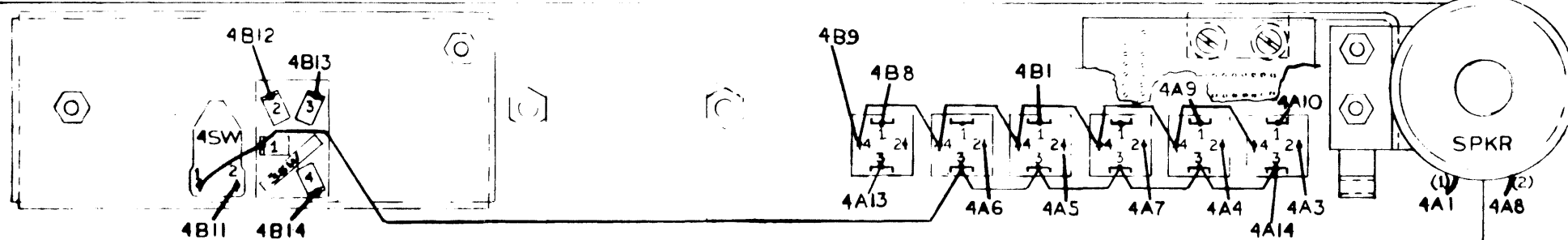
289A500AL	✓	+	+	+	44B400011	CONTROL PANEL	CONNECTION DIAGRAM
FIRST MADE FOR "C" MODEL							

NOTE:

WIRES TO BE HARNESSSED & ROUTED ABOVE SWITCHES & PUSH BUTTONS.
WIRES AT 4A & 4B TO BE WIRE WRAP JOINTS, WITH SLEEVING OVER EACH JOINT & PIN. ALL OTHER POINTS TO BE SOLDER JOINTS.
USE SLEEVING OVER JOINTS AT SPKR.



LINE RATE SPACE



PIN WIRING-

FROM 4A	TO DEVICE	FROM 4B	TO DEVICE
1	SPKR1	1	4PB1
2		2	
3	1LT2	3	
4	2LT2	4	
5	4LT2	5	4B10
6	5LT2	6	
7	3LT2	7	
8	SPKR2	8	6PB1
9	2PB1	9	6LT4
10	1PB1	10	4B5
11		11	4SW2
12		12	3SW2
13	7PB3	13	3SW3
14	1PB3	14	3SW4

WIRE: AWG #24 SOLID WITH WHITE NYLON JACKET

LINE FEED	ALARM	INTER RUPT	READY	MOTOR ON	MOTOR OFF
6LT (2-4)	5LT (2-4)	4LT (2-4)	3LT (2-4)	2LT (2-4)	1LT (2-4)
6PB (1-3)	5PB (1-3)	4PB (1-3)	3PB (1-3)	2PB (1-3)	1PB (1-3)

WIRE TABLE-

SEQUENCE OF CONNECTIONS	WIRE
4SW1, 3SW1	AWG #22 SOLID (BARE)
5PB3, 4PB3, 3PB3, 2PB3, 1PB3	CONTINUOUS RUN THRU TERMINALS & SOLDER
7LT4, 5LT4, 4LT4, 3LT4, 2LT4, 1LT4	
3SW1, 5PB3	AWG #24 STRANDED GRAY INSULATION

REVISIONS	PRINTS TO
1	33
2	34
	35
	38
	41
	71

MADE BY: C.W. Thompson 1-29-71
 APPROVALS: [Signature]
 DATA COMMUNICATION PRODUCTS DEPT. DIV OR DEPT. 44B400011
 WAYNESBORO, VA. LOCATION: CONT. ON SHEET ENCL. SH. NO. 1

44 B4 12167
CONT ON SHEET 2

GENERAL ELECTRIC

44 B4 12167
CONT ON SHEET 2

UNLESS OTHERWISE SPECIFIED USE THE FOLLOWING—

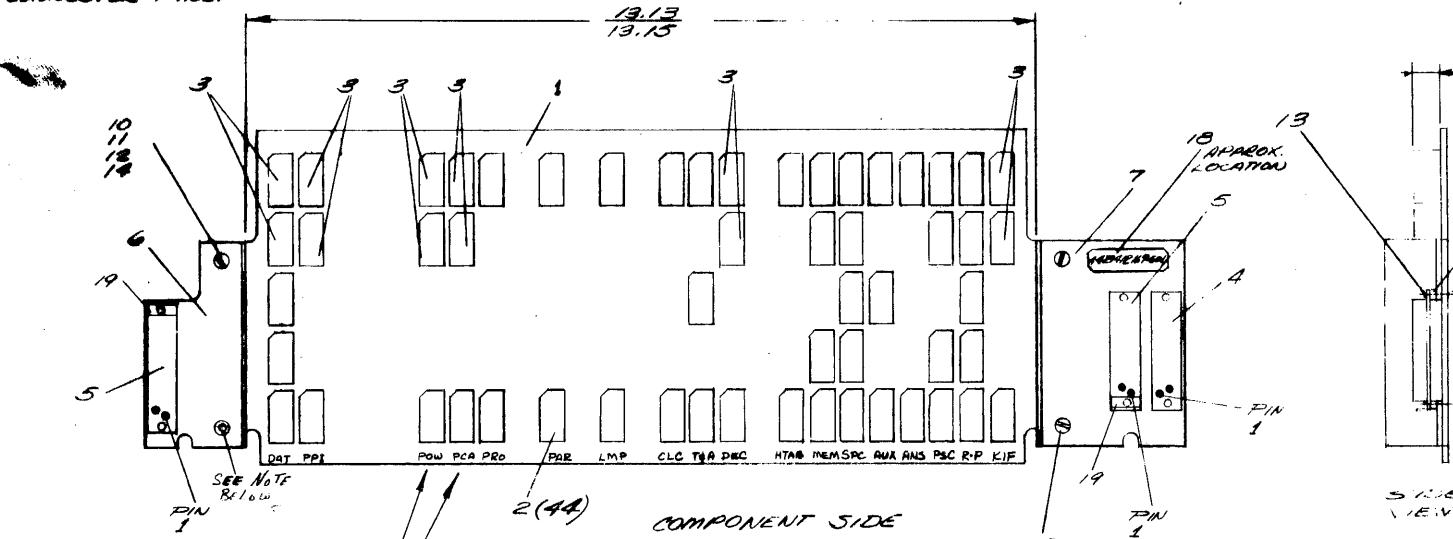
APPLIED PRACTICES	SURFACES	TOLERANCES ON MACHINED DIMENSIONS		
	✓	FRACTIONS	DECIMALS	ANGLES
		+	+	+
		-	-	-

REV. NO. 44 B4 12167
CONT ON SHEET SH. NO.

TITLE
ASSEMBLY DRAWING (11 B)
FIRST MADE FOR 353000HAI00 (REV. 44-11-11-11)
FCF 44 B4 12177

.07 MAX. SOLDER WILL BE COLLAIDED TO THIS AREA ON ALL LONG CONDUCTIVE TRACES.
ANGULARITY $\pm 2^\circ$ ON ϕ THRU HOLE CONTACT CAVITY.

PL 155 6



.065 MAX HEIGHT ABOVE PC. BOARD

SIDE VIEW

COMPONENT SIDE

NOTE: MASK THIS HOLE ON SOLDER SIDE OF BOARD

(501)

IDENTIFICATION FOR ENGINEERING USE ONLY. THEY WILL NOT BE PLACED ON BOARD

REVISIONS	PRINTS TO
1	32
2	34
3	35
4	38
5	39
6	40
7	41
8	42
9	43
10	44
11	45
12	46
13	47
14	48
15	49
16	50
17	51
18	52
19	53
20	54
21	55
22	56
23	57
24	58
25	59
26	60
27	61
28	62
29	63
30	64
31	65
32	66
33	67
34	68
35	69
36	70
37	71
38	72
39	73
40	74
41	75
42	76
43	77
44	78
45	79
46	80
47	81
48	82
49	83
50	84
51	85
52	86
53	87
54	88
55	89
56	90
57	91
58	92
59	93
60	94
61	95
62	96
63	97
64	98
65	99
66	100

MADE BY [Signature]
ISSUED [Signature] JAN 10 1963

APPROVALS

SPECIALTY CONTROL DIV. 25
WAYNESBORO, VA LOCATION

44 B4 12167
CONT ON SHEET 3 SH. NO.

FOLD

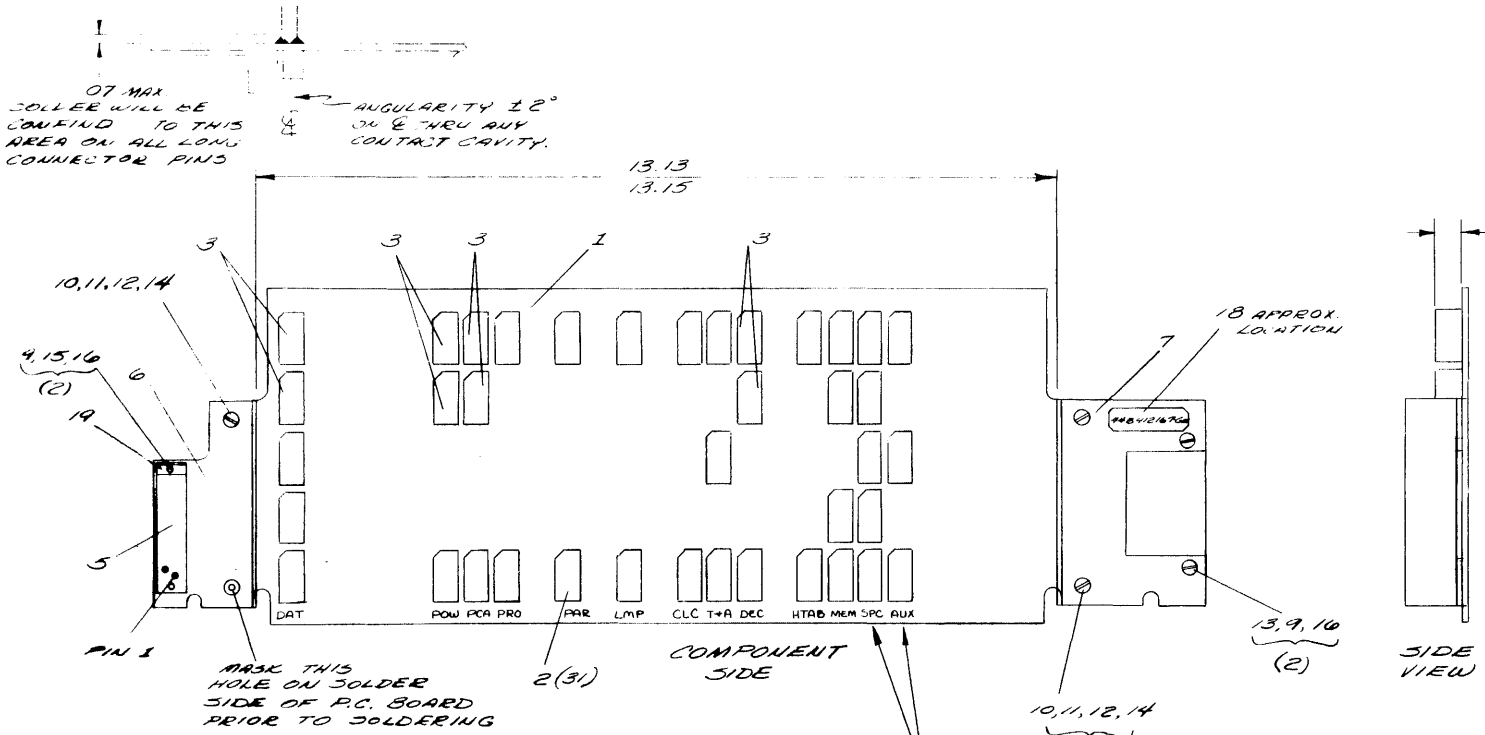
44B412167

GENERAL ELECTRIC

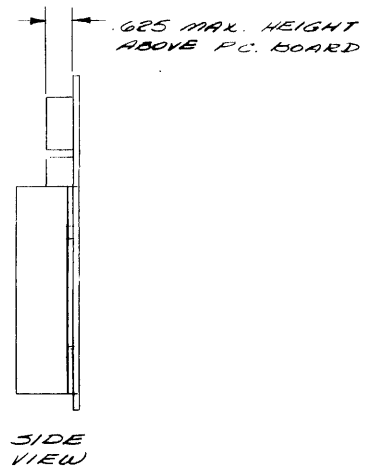
44B412167
CONT ON SHEET *PL* SH NO. *2*

UNLESS OTHERWISE SPECIFIED USE THE FOLLOWING			
APPLIED PRACTICES	SURFACES	TOLERANCES ON MACHINE DIMENSIONS	
	✓	FRACTIONS	DECIMALS
		+	+
		-	-
		ANGLES	
		+	+
		-	-
		REV	NO
		44B412167	
		CONT ON SHEET <i>PL</i>	SH NO. <i>2</i>

TITLE	ASSEMBLY DRAWING (INC) (R0)
FIRST MADE FOR	335001



PL ISSUED



REVISIONS	PRINTS TO	
	18	39
	33	41
	33	79
	34	54
	35	71
	38	79

GOE

IDENTIFICATION FOR ENGINEERING USE ONLY. THEY WILL NOT BE PLACED ON BOARD.

MADE BY <i>[Signature]</i>	ISSUED MAR 13 1970	APPROVALS <i>[Signature]</i>	COMM. & CONT DEVICES WAYNESBORO, VA.	44B412167
			LOCATION	CONT ON SHEET <i>PL</i> SH NO. <i>2</i>

44B412426
CONT. ON SHEET 2
ON DRAWING

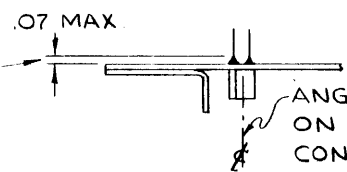
GENERAL ELECTRIC

44B412426

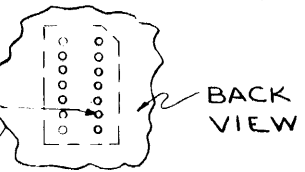
UNLESS OTHERWISE SPECIFIED USE THE FOLLOWING:				REV. NO.
APPLIED PRACTICES	SURFACES	TOLERANCES ON MACHINED DIMENSIONS:		44B412426
	✓	FRACTIONS	DECIMALS	
		+	-	
			ANGLES	CONT. ON SHEET 2 SH. NO. 1

TITLE
MOTHER BOARD ASM. (KSR)
FIRST MADE FOR BLOCK C (FCF 44D415575)

SOLDER WILL BE CONFINED TO THIS AREA ON ALL LONG CONNECTOR PINS

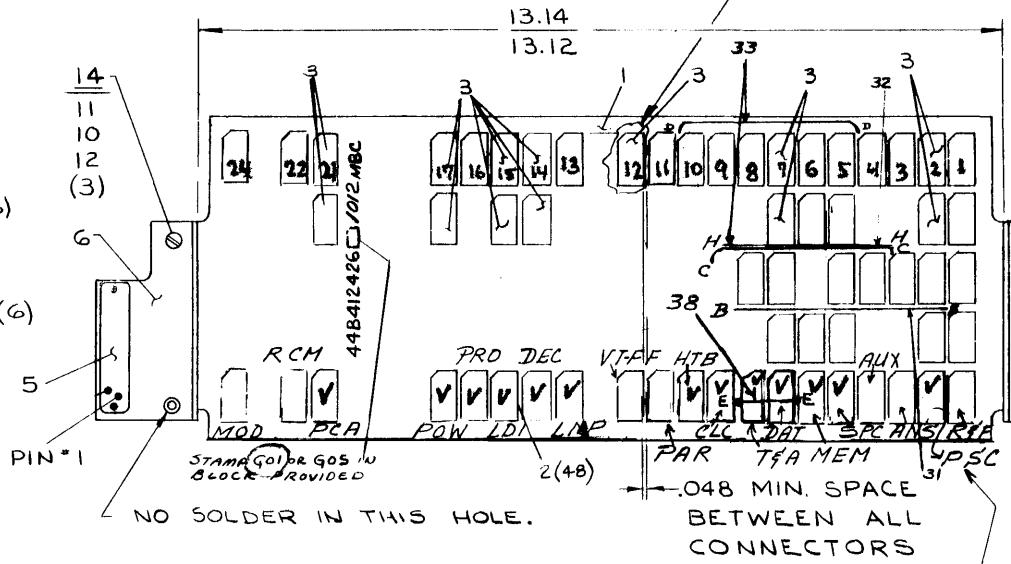
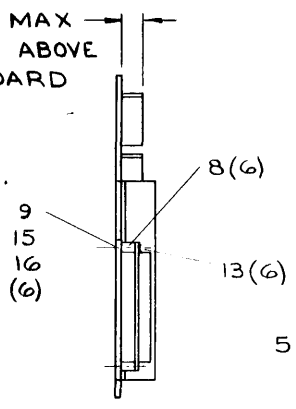


NOTE: CUT OFF THIS PIN FLUSH TO .060 ABOVE BOARD.



BACK VIEW

.625 MAX HEIGHT ABOVE P.C. BOARD



GO1 NOTE: JUMPERS B-B, C-C, D-D, E-E AND H-H TO BE POSITIONED ON BOARD AS SHOWN.
Note: Insert Jumpers D & E from solder side.

GO5 SEE SHEET 5 FOR GO5 ALTERNATIONS

IDENTIFICATION FOR ENGINEERING USE ONLY. THEY WILL NOT BE PLACED ON THE BOARD.

REVISIONS	DATE	PRINTS TO
1	MAY 20 1971	18 41 ⁵
2	SEP 23 1971	33 ² 54 ¹
3	DEC 1 1971	71
4	DEC 6 1971	79 ²
		38 ² 71 ²
		82

MADE BY
ISSUED
MAR 24 1971

APPROVALS
79-6695
J. STALLINGS
73-6578
G.D. WALKER

COMM & CONT DEVICES
WAYNESBORO, VA.

44B412426
CONT. ON SHEET 2 SH. NO. 1

MODEL "C" MOTHER BOARD

V

44B412426
CONT ON SHEET 3 SH NO 2

GENERAL ELECTRIC

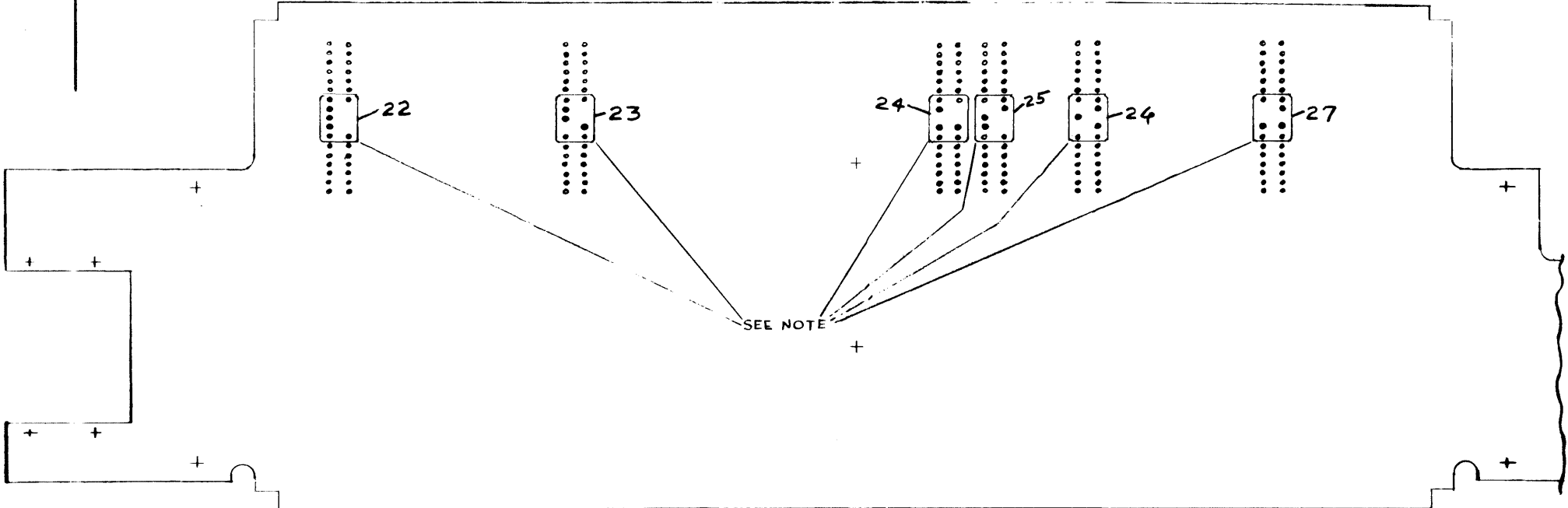
44B412426
CONT ON SHEET 3 SH NO 2

UNLESS OTHERWISE SPECIFIED USE THE FOLLOWING:

APPLIED PRACTICES	SURFACES ✓	TOLERANCES ON MACHINED DIMENSIONS		
		FRACTIONS +	DECIMALS +	ANGLES +

REV. NO. 44B412426
CONT ON SHEET 3 SH NO. 2

TITLE MOTHER BOARD ASM.
FIRST MADE FOR C MODEL FCF 44D915575



R4P PSC ANS AUX SPC MEM DAT T4A CLC HTB PAR VTFF LMP DEC LDI PRO POW PCA PCM MOD

SOLDER SIDE SHOWN

NOTE:
ADD PLATE ASSEMBLIES AS SHOWN, AS CALLED FOR ON ASSEMBLY DRAWING.

-PARTS LIST ISSUED-

REVISIONS	PRINTS TO
1 ADDED PRO JUL 25 1972	13 54
2 ADDED 607 DEC 21 1972	18 41
3 ADDED 608 CD 144 DON HALL IN	33 23
4 73 8087 FEB 7 1974 G.B. Hall	34 1 35 74 36 77

MADE BY C. W. Thompson Feb 24, 1971
ISSUED MAR 24 1971

APPROVALS CD 3/24/71

COMM. ELECTRONICS DIV OR DEPT
HAYNESBORO, VA. LOCATION

44B412426
CONT ON SHEET 3 SH NO. 2

16 58

44B41242G
 11395 NO. IN 3
 24 ON SHEET

GENERAL ELECTRIC

44B41242G
 4

UNLESS OTHERWISE SPECIFIED USE THE FOLLOWING				REV	TITLE
APPLIED PRACTICES	SURFACES	TOLERANCES IN MILLIMETERS		44B41242G	MOTHER BOARD ASM. (XO)
	✓	FRACTIONS	DECIMALS	CONT ON SHEET 4	FIRST MADE FOR BLOCK C (FCF 44D415575)
		+	+	SH NO 3	

SOLDER WILL BE
 CONFINED TO THIS
 AREA ON ALL LONG
 CONNECTOR PINS

Ø7 MAX.

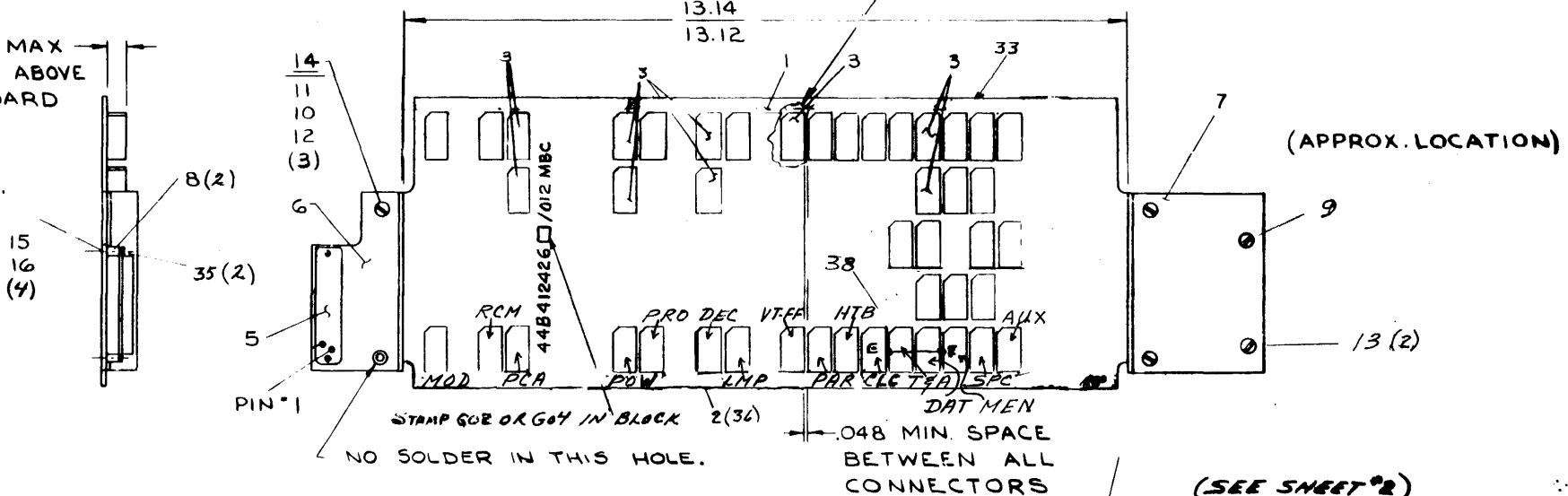
ANGULARITY ± 2°
 ON E THRU ANY
 CONTACT CAVITY

NOTE:
 CUT OFF THIS
 PIN FLUSH TO
 .060 ABOVE
 BONED.

BACK
 VIEW

PL ISSUED

Ø25 MAX
 HEIGHT ABOVE
 P.C. BOARD



(APPROX. LOCATION)

(SEE SHEET #2)

GO2

NOTE: JUMPERS D-D AND E-E
 TO BE POSITIONED ON BOARD
 AS SHOWN.
 Insert Jumpers 'D' & 'E' From Solder Side

GO4

SEE SH 6 & 7 ALSO

IDENTIFICATION FOR ENGINEERING
 USE ONLY. THEY WILL NOT BE
 PLACED ON THE BOARD.

REVISIONS		PRINTS TO	
1	72-5751 X MIL 27 1972	18	41 ³
2	AN72-5814 DON HALL 11-12-72	33	54
3	AN72-6582 DON HALL DEC 4 1972	71	82
4	72-6614 Alco Hand JAN 24 1973	792	992
5	AN73-65 G.D. Wain DEC 12 1972	302	792

DATE: 30 AUG 1971
 SEP 1 1971

72-6645
 7 STALL VCS

DATA COMMUNICATION
 PRODUCTS DEPT.
 WAYNESBORO, VA.

44B41242G

CONT ON SHEET 4 SH NO 3

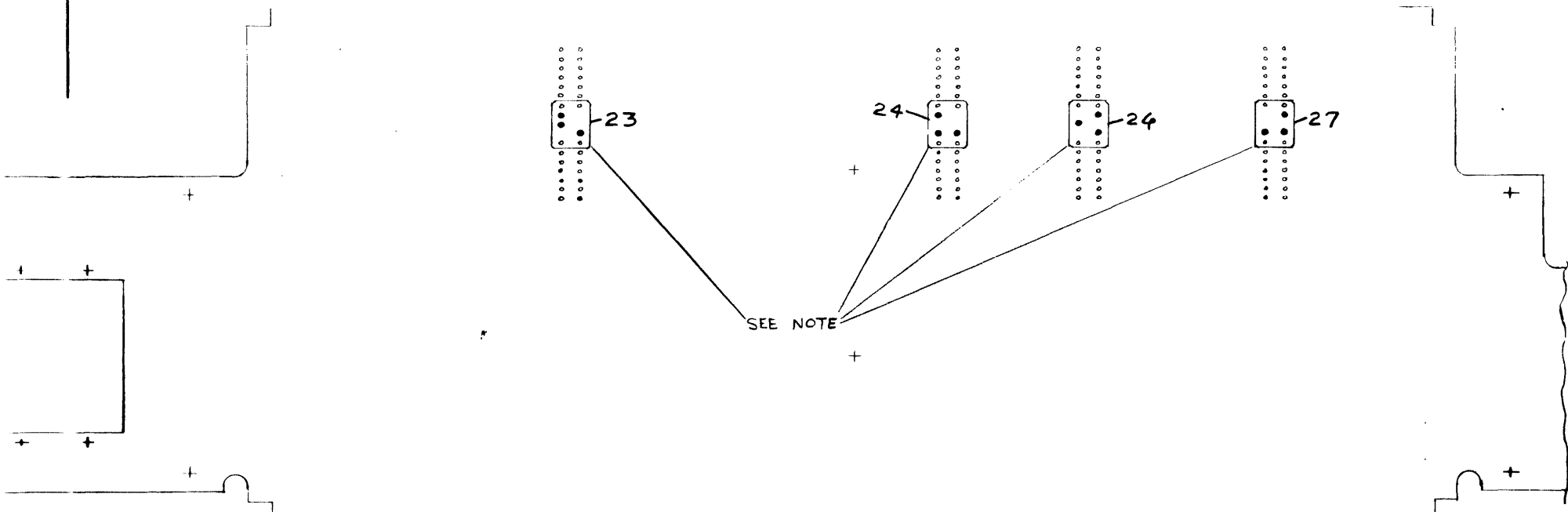
44B412426

GENERAL ELECTRIC

44B412426

APPLIED PRACTICES	SURFACES	1. DIMENSIONS	2. MATERIALS	3. FINISHES	4. TOLERANCES	5. OTHER
	✓	+	+	+	+	

44B412426
MOTHER BOARD ASM.(R.O.)
FIRST MADE FOR "C" MODEL
FCF 44D415575



SEE NOTE

AUX SPC MEM DAT T/A CLC HTB PAR VT-FF LMP DEC PRO POW PCA PCM MOD

-PARTS LIST ISSUED-

REVISIONS	PRINTS TO
1 AN72-65-05 FEB 24 1972	23 40
2 JUN 5 1972	18 54
3 AN72-65-02 DEC 4 1972	33 74
4 DEC 29 1972	35 77
5 DEC 11 1973	38 71

NOTE:
ADD PLATE ASSEMBLIES AS SHOWN, AS CALLED FOR ON ASSEMBLY DRAWING.

SOLDER SIDE SHOWN

73 3089
M. Bellamy 7 1974

MADE BY: DON HALL 30 AUG 1971
ISSUED: SEP 1 1971

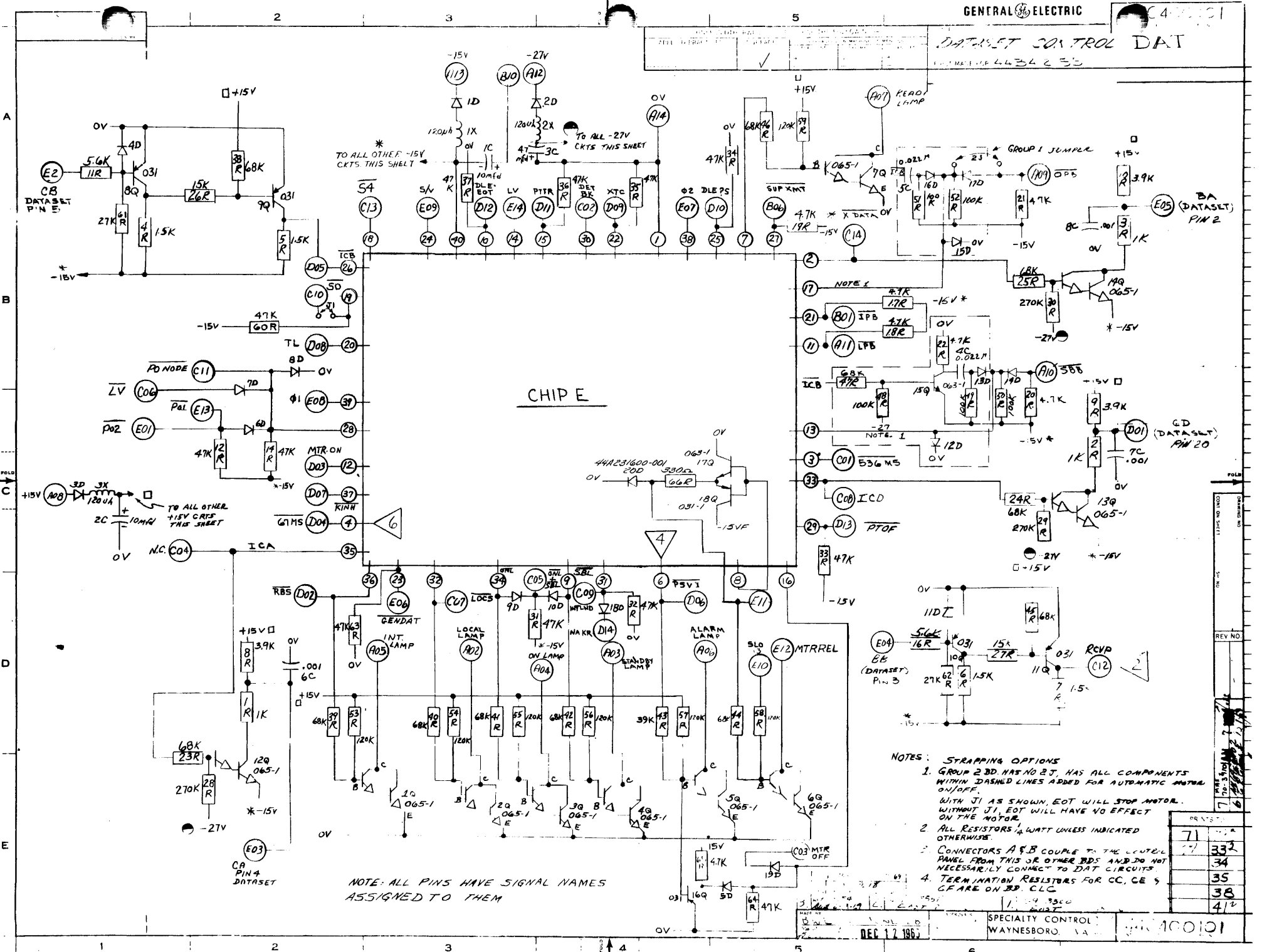
APPROVED BY: [Signature]

DATA COMMUNICATION PRODUCTS DEPT. WAYNESBORO, VA.

DIV OR DEPT: 44B412426
LOCATION: CONT ON SHEET 5
VN NO. 4

24

DATASET CONTROL DAT



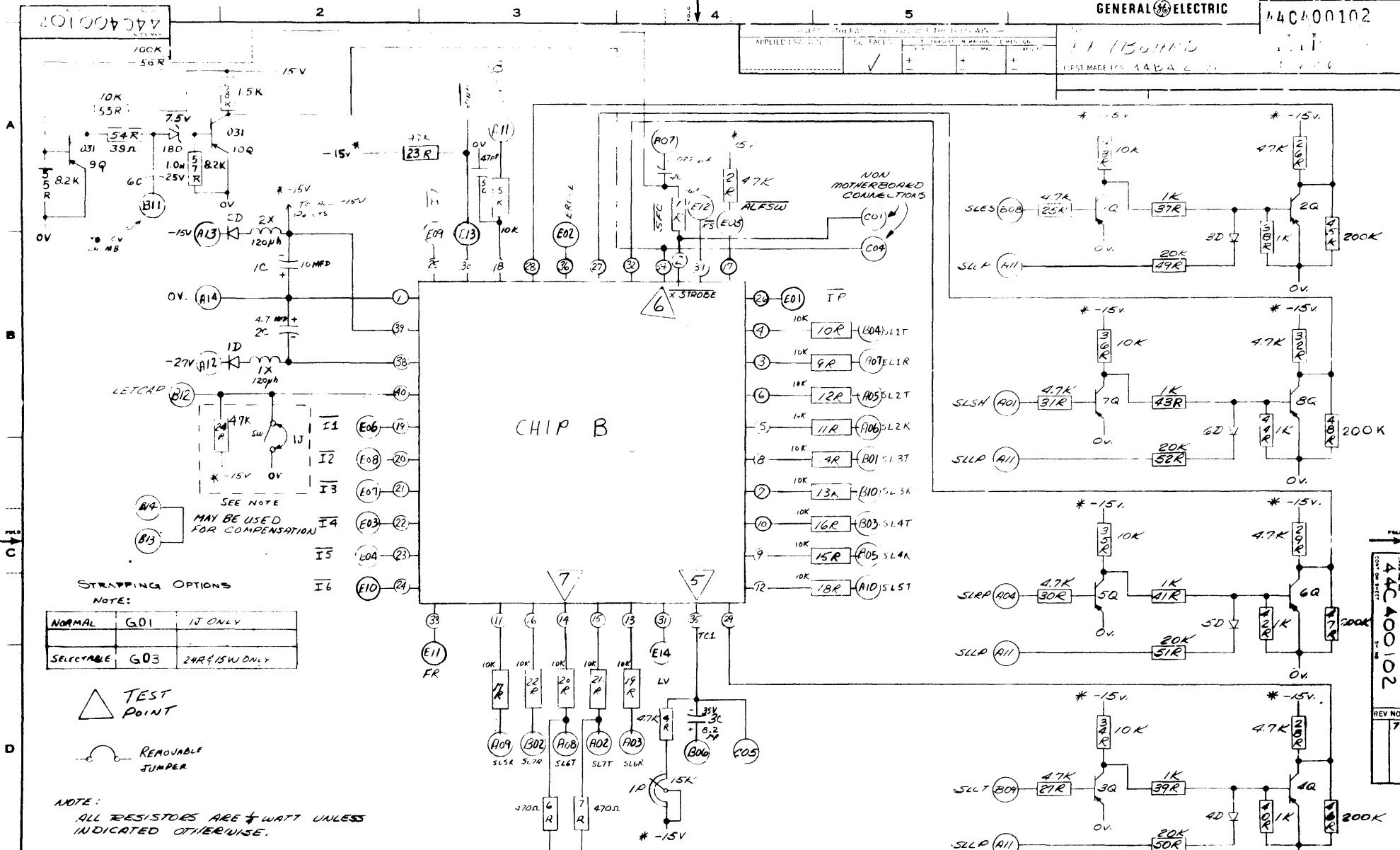
CHIPE

- NOTES: STRAPPING OPTIONS
- GROUP 23D HAS NO 23, HAS ALL COMPONENTS WITHIN DASHED LINES ADDED FOR AUTOMATIC MOTOR ON/OFF. WITH J1 AS SHOWN, EOT WILL STOP MOTOR. WITHOUT J1, EOT WILL HAVE NO EFFECT ON THE MOTOR.
 - ALL RESISTORS 1/4 WATT UNLESS INDICATED OTHERWISE.
 - CONNECTORS A & B COUPLE TO THE CONTROL PANEL FROM THIS OR OTHER BDS AND DO NOT NECESSARILY CONNECT TO DAT CIRCUITS.
 - TERMINATION RESISTORS FOR CC, CE & CF ARE ON 3D. CLC.

71	...
33	...
34	...
35	...
38	...
41	...

NOTE: ALL PINS HAVE SIGNAL NAMES ASSIGNED TO THEM

APPLIED ENGINEERING	FACTORY	TEST MADE IN U.S.A.
✓	+	+



STRAPPING OPTIONS

NOTE:

NORMAL	G01	IJ ONLY
SELECTABLE	G03	24R & 15W ONLY

TEST POINT

REMOVABLE JUMPER

NOTE: ALL RESISTORS ARE 1/2 WATT UNLESS INDICATED OTHERWISE.

REMAINING CONNECTOR PINS HAVE BEEN ASSIGNED AS FOLLOWS:

PINS	SIGNALS
B11	0V (FOR TEST)

MADE BY	DATE	APPROVAL	REVISIONS	PRINTS TO
201	12/19/66	1/1/67	7	77 ²
201	12/19/66	1/1/67	1	33 ²
201	12/19/66	1/1/67	2	34
201	12/19/66	1/1/67	3	35
201	12/19/66	1/1/67	4	36
201	12/19/66	1/1/67	5	37
201	12/19/66	1/1/67	6	38
201	12/19/66	1/1/67	7	39

44C400102

0100

2

3

5

GENERAL ELECTRIC

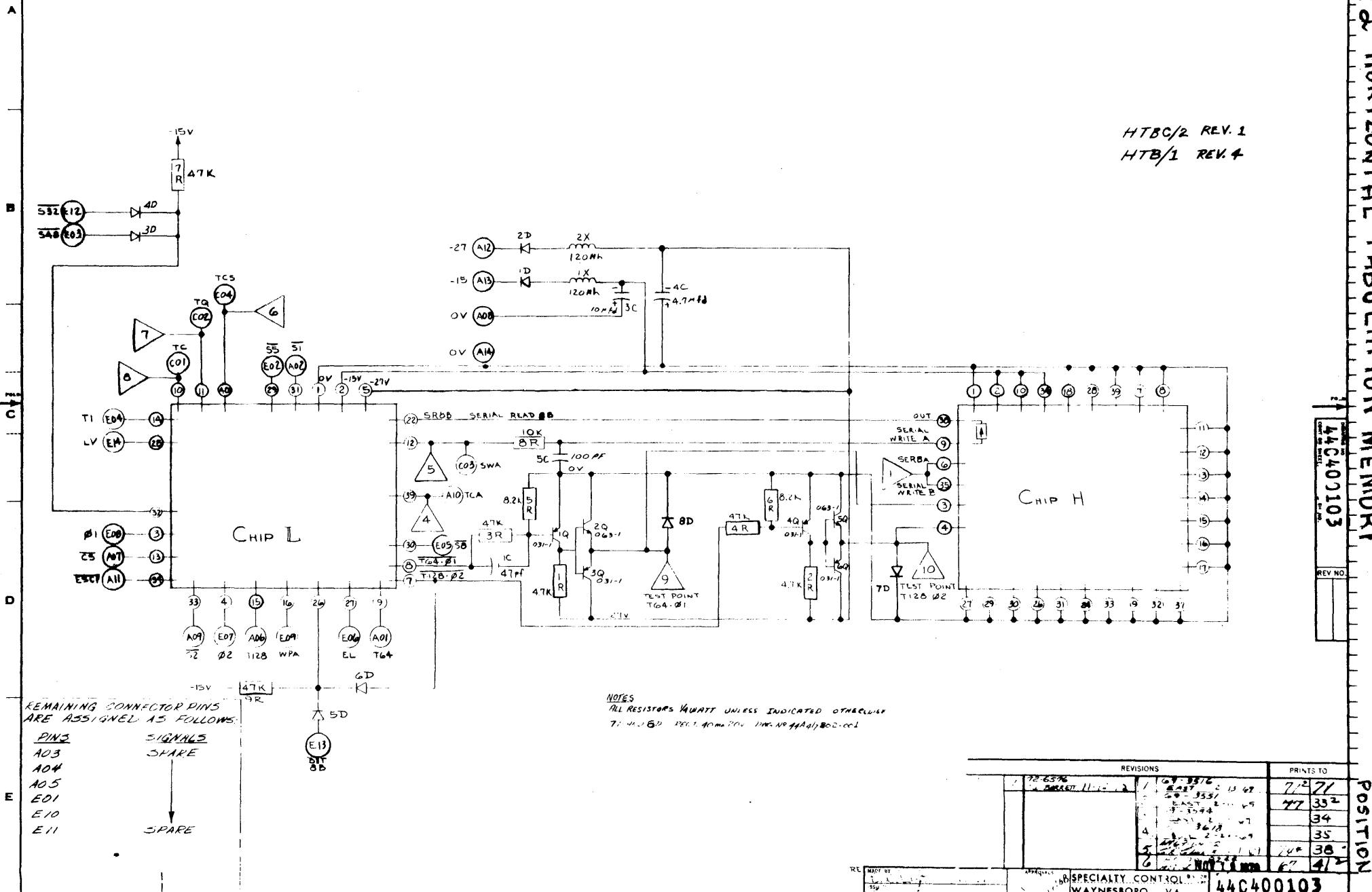
400103

APPLIED TECHNIQUES	✓	DESIGN		TESTING		PRODUCTION	
--------------------	---	--------	--	---------	--	------------	--

HORIZ. TAB. MEMORY HTB
FIRST MADE FOR 448 APRIL 57

HTB/2 HORIZONTAL TABULATION MEMORY

HTBC/2 REV. 1
HTB/1 REV. 4



REMAINING CONNECTOR PINS ARE ASSIGNED AS FOLLOWS:

PINS	SIGNALS
A03	SHARE
A04	
A05	
E01	
E10	
E11	SPARE

NOTES
ALL RESISTORS 1/4WATT UNLESS INDICATED OTHERWISE
7: 448 6D REEL 40ma 20V DIM. NO #A41) #02-001

44C400103

REV NO.

REVISIONS		PRINTS TO	
1	REV. 11-1-57	77	35
2	REV. 11-1-57	77	35
3	REV. 11-1-57	77	35
4	REV. 11-1-57	77	35
5	REV. 11-1-57	77	35
6	REV. 11-1-57	77	35

SPECIALTY CONTROL
WAYNESBORO, VA

44C400103

POSITION 10

13

WIRING DIAGRAM FOR
"MOTOR LINE FEED CIRCUIT"

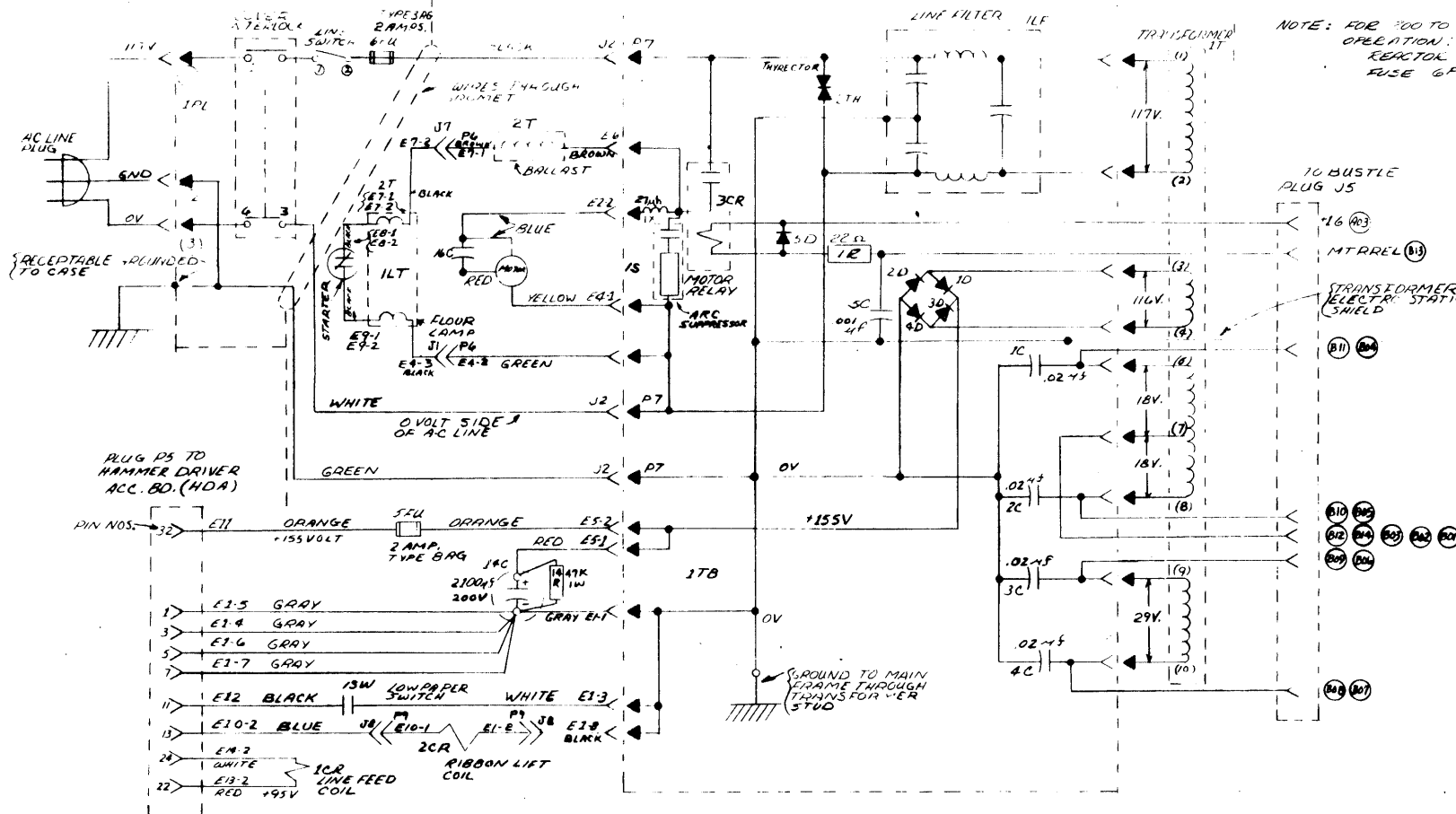
FIRMS MARK
ELEM E

CASE AREA

MAIN FRAME AREA

TRANSFORMER POWER SUPPLY BOARD (TXP)

NOTE: FOR 100 TO 260 VOLTS, 50-60 HZ,
OPERATION:
REACTOR 1X = 120 H A
FUSE 6FU = 1 AMP.



PLUG P5 TO
HAMMER DRIVER
ACC. BD. (HDA)

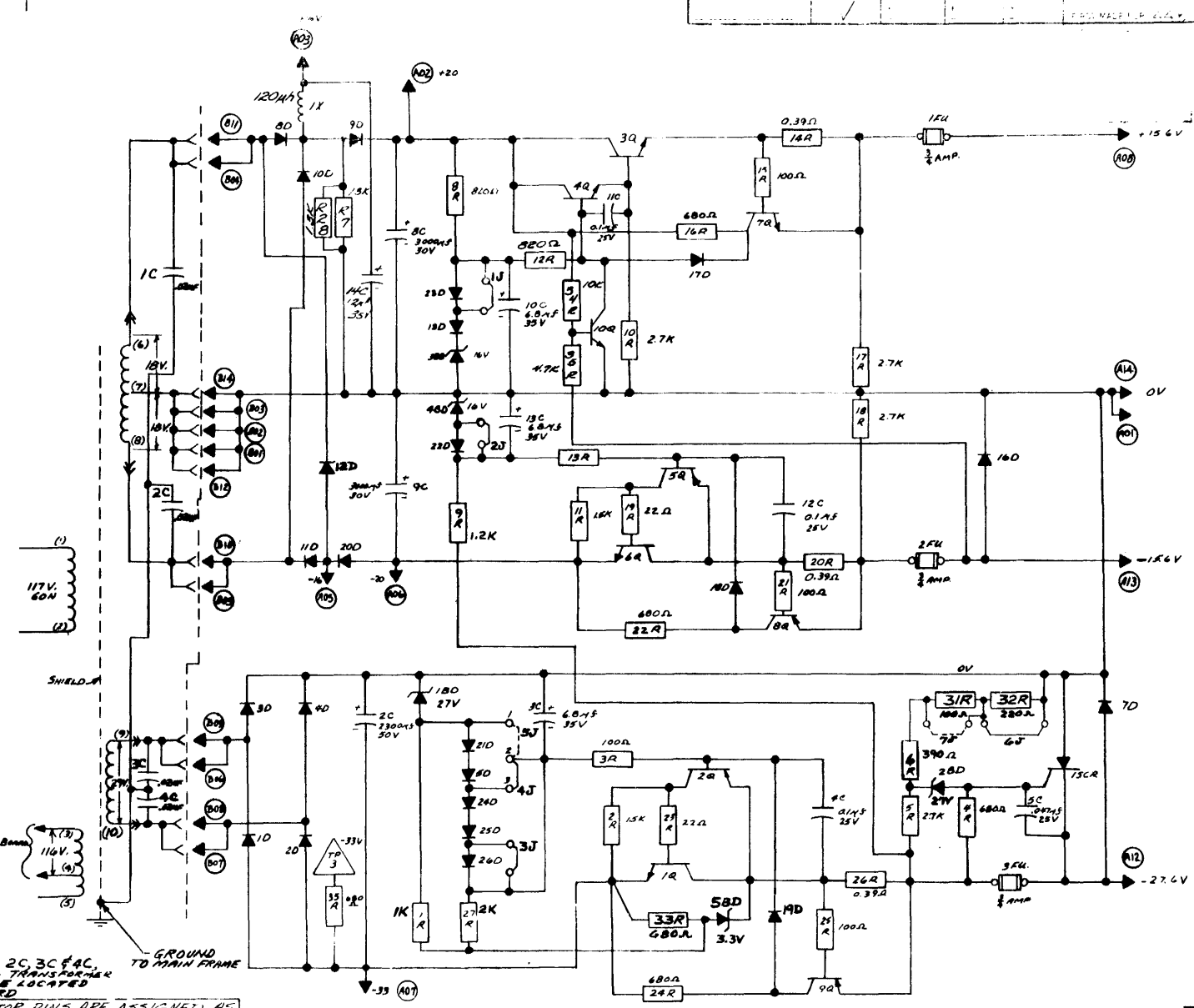
PIN NOS. 32

- 1 E1-5 GRAY
- 3 E1-4 GRAY
- 5 E1-6 GRAY
- 7 E1-7 GRAY
- 11 E1-2 BLACK 13W LOW PAPER SWITCH
- 13 E1-0-2 BLUE
- 28 EM-2 WHITE
- 12 E1-3 RED 195V
- ORANGE 5FU ORANGE 2 AMP. TYPE BAG
- RED E51
- GRAY E1-1
- WHITE E1-3
- EL-1
- EL-2
- EL-3
- EL-4
- EL-5
- EL-6
- EL-7
- EL-8
- EL-9
- EL-10
- EL-11
- EL-12

Fuses
 6FU - 2 AMP, LITTLE FUSE TYPE 3AG
 NO. 31202
 5FU - 20 AMP, LITTLE FUSE TYPE BAG
 NO. 361002

REVISIONS	PRINTS TO
1 ANG 3704	29 71
2 ANG 3257	33 76
3 70 30 31 11 11	35 77
	37
	41

44C400104
 REV NO.



LOWER SUPPLY VOLTAGE
 1. OUTPUT VOLTAGES ARE NOMINAL VALUES WITH LOAD OF 117 VOLTS A-C INPUT. ACTUAL VALUES SHOULD BE WITHIN A RANGE OF 15.2 TO 16.5 VOLTS FOR THE 15.6 VOLT BUSES & 27 TO 29 VOLTS FOR 27.6 VOLT BUSES
 2. JUMPERS ARE PROVIDED FOR MAKING SMALL CHANGES IN VOLTAGES. THE 15.6 BUSES CAN BE INCREASED BY 0.6 VOLTS BY REMOVAL OF 17J. THE -15.6 BUSES CAN BE MADE 0.6 VOLTS MORE NEGATIVE BY REMOVAL OF 21J. THE -27.6 VOLT BUSES CAN BE MADE 1.3 VOLTS MORE NEGATIVE BY REMOVAL OF 4J, & 1.3 VOLTS LESS NEGATIVE BY ADDITION OF 5J AND REMOVAL OF 4J.

ADJUSTMENT OF 15CR CROWBAR VOLTAGE
 1. THE PURPOSE OF JUMPERS 6J & 7J IS TO COMPENSATE FOR TOLERANCE IN ZENER DIODE 28D AND ASSOCIATED DIVIDER RESISTORS 5R, 6R, 31R & 32R. CROWBAR VOLTAGE SHOULD BE WITHIN THE RANGE OF 30.5 AND 32.5 VOLTS.
 IF CROWBAR VOLTAGE IS UNDER 30.5 VOLTS, REMOVE JUMPER 6J.
 IF VOLTAGE IS ABOVE 32.5, ADD JUMPER 7J.

.02 CAP. 1C, 2C, 3C & 4C, CONNECTED TO TRANSFORMER SECONDARY ARE LOCATED ON TAP BOARD
 REMAINING CONNECTOR PINS ARE ASSIGNED AS FOLLOWS:

PINS	SIGNALS	PINS	SIGNALS
A04	SPARE	E10	SPARE
A09	SPARE	E11	SPARE
A10	SPARE	E12	SPARE
A11	SPARE	E13	SPARE
B13	INTRRL	E14	SPARE
E01	SPARE		
E04	SPARE		
E15	SPARE		
E06	SPARE		

TRANSISTORS:
 1Q, 3Q, 4Q (NPN) - 44A41702-001
 4Q, 7Q, 10Q (NPN) - 44A417063-001
 2Q, 5Q, 8Q, 9Q (PNP) - 44A417023-001
SCR:
 15CR - 44A310053-002

FUSES:
 LITTLE FUSE CAT. NO. 276-750
 (GE. NO. 44A417081-005)

REVISIONS	PRINTS TO
1	71
2	76
3	
4	
5	

90100+2

2

3

4

5

GENERAL ELECTRIC

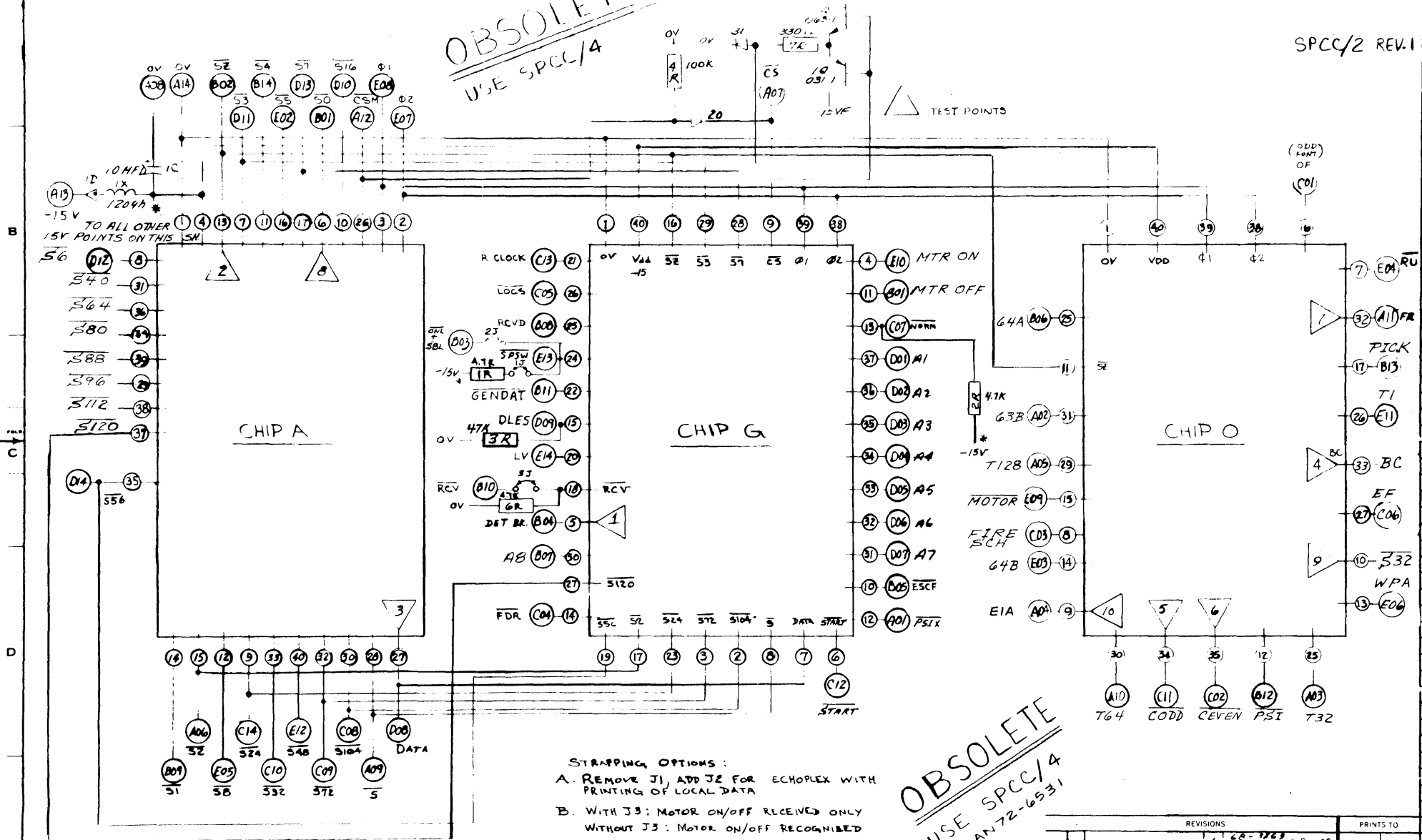
44C400106

TOLERANCES UNLESS OTHERWISE SPECIFIED USE THE FOLLOWING—	
LENGTHS	FRACTIONS
DECIMALS	ANGLES
DIAMETERS	
RADIUSES	
SPACINGS	

TITLE
S/P CONVERTER DECODER, SPC
FIRST MADE PER 44C400106 26

OBSOLETE
USE SPCC/4

SPCC/2 REV.1



- STRAPPING OPTIONS:
- A. REMOVE J1, ADD J2 FOR ECHOPLEX WITH PRINTING OF LOCAL DATA
 - B. WITH J3: MOTOR ON/OFF RECEIVED ONLY
WITHOUT J3: MOTOR ON/OFF RECOGNIZED

NOTE:
ALL PINS HAVE ASSIGNED SIGNAL NAMES

OBSOLETE
USE SPCC/4
PER AN72-6531

REVISONS	PRINTS TO
1. 6-12-63	33
2. 1-15-64	34
3. 1-15-64	35
4. 1-15-64	36
5. 1-15-64	37
6. 1-15-64	38
7. 1-15-64	39
8. 1-15-64	40
9. 1-15-64	41
10. 1-15-64	42
11. 1-15-64	43
12. 1-15-64	44
13. 1-15-64	45

MADE BY
SPECIALTY CONTROL
WAYNESBORO, VA.

400106

FORMERLY 10-1264 4

901007

2

3

5

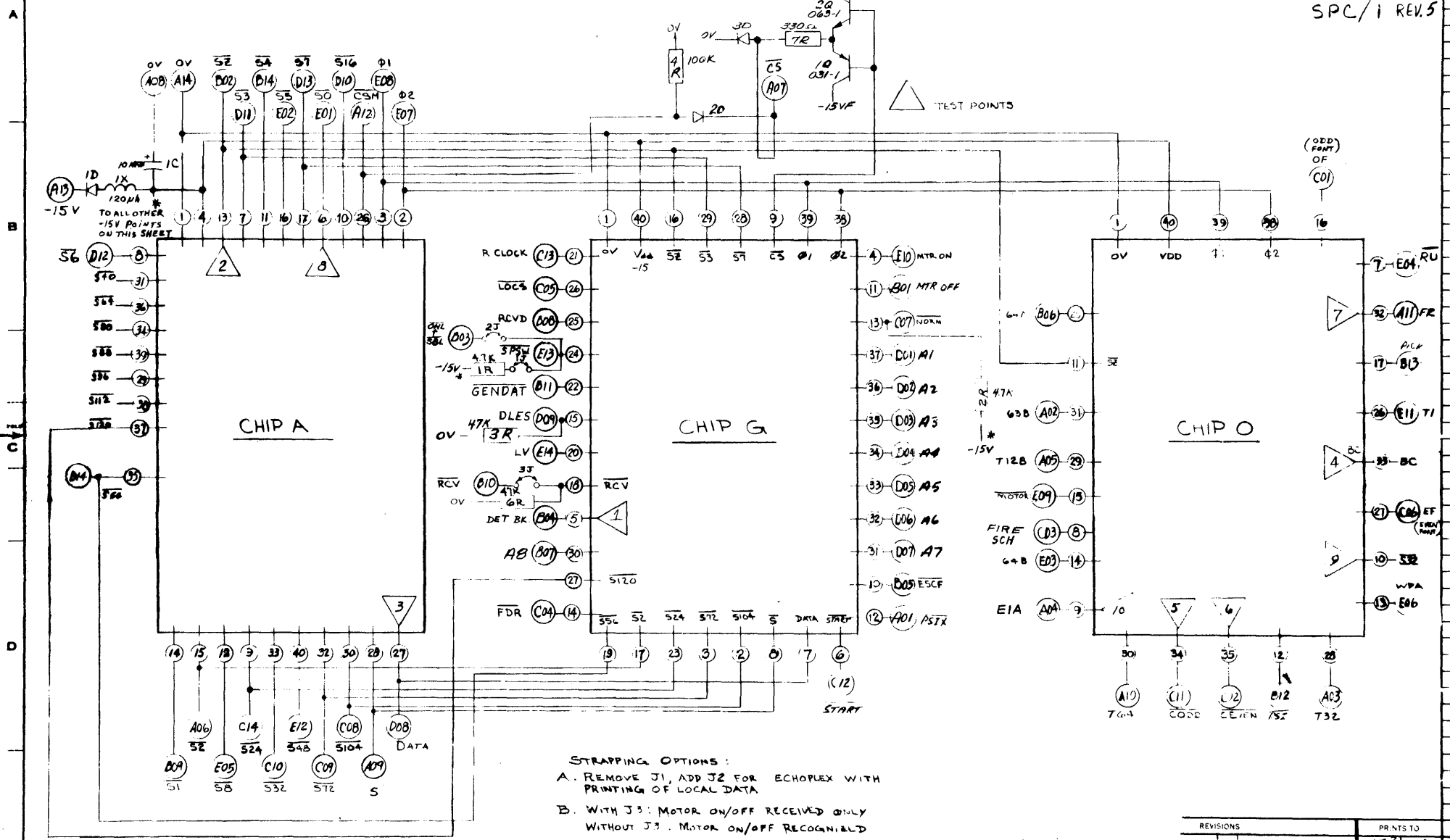
GENERAL ELECTRIC

44-00106
FNL. 2

UNLESS OTHERWISE SPECIFIED USE THE FOLLOWING			
APPLIED PRACTICES	SURFACES	TOLERANCES IN MACHINED DIMENSIONS	FINISHES
✓	+	+	+

TITLE
S/P CONVERTER DECODER SPC
FIRST MADE FOR 44-00106

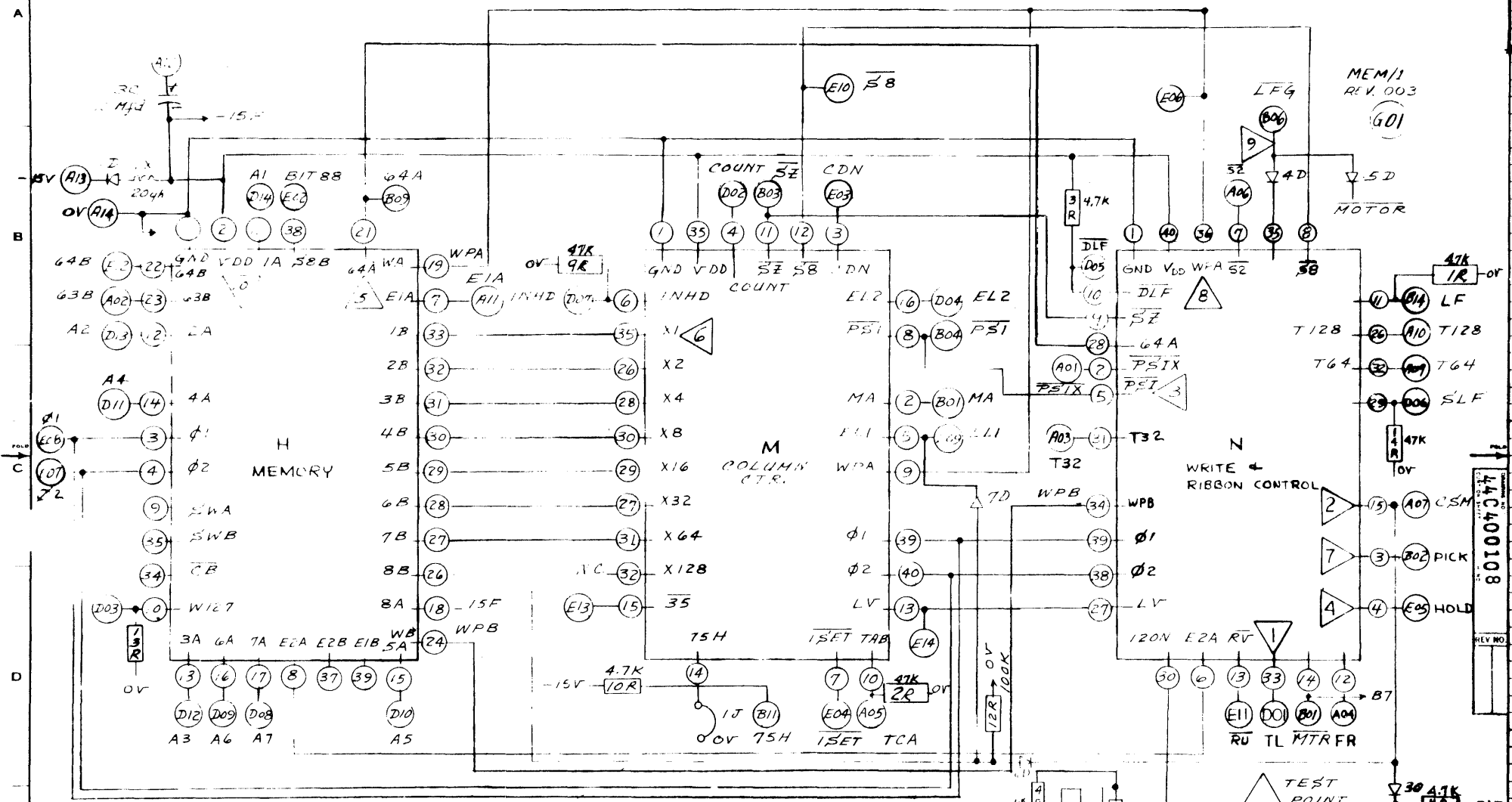
SPC/1 REV.5



- STRAPPING OPTIONS:
- A. REMOVE J1, ADD J2 FOR ECHOPLEX WITH PRINTING OF LOCAL DATA
 - B. WITH J3: MOTOR ON/OFF RECEIVED ONLY WITHOUT J3. MOTOR ON/OFF RECOGNIZED

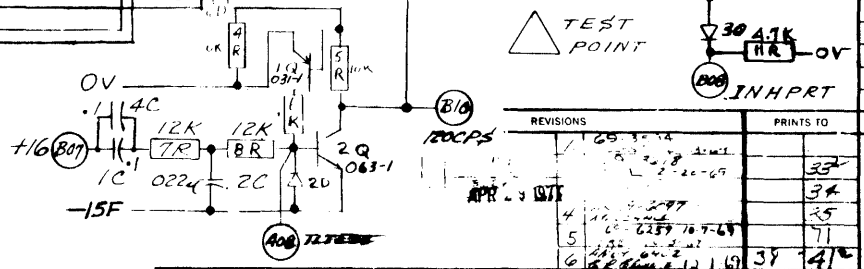
NOTE:
ALL PINS HAVE ASSIGNED SIGNAL NAMES

REVISIONS	PRINTS TO
77	33 ^a
77	34
	38
	44 ^a
	67
	71

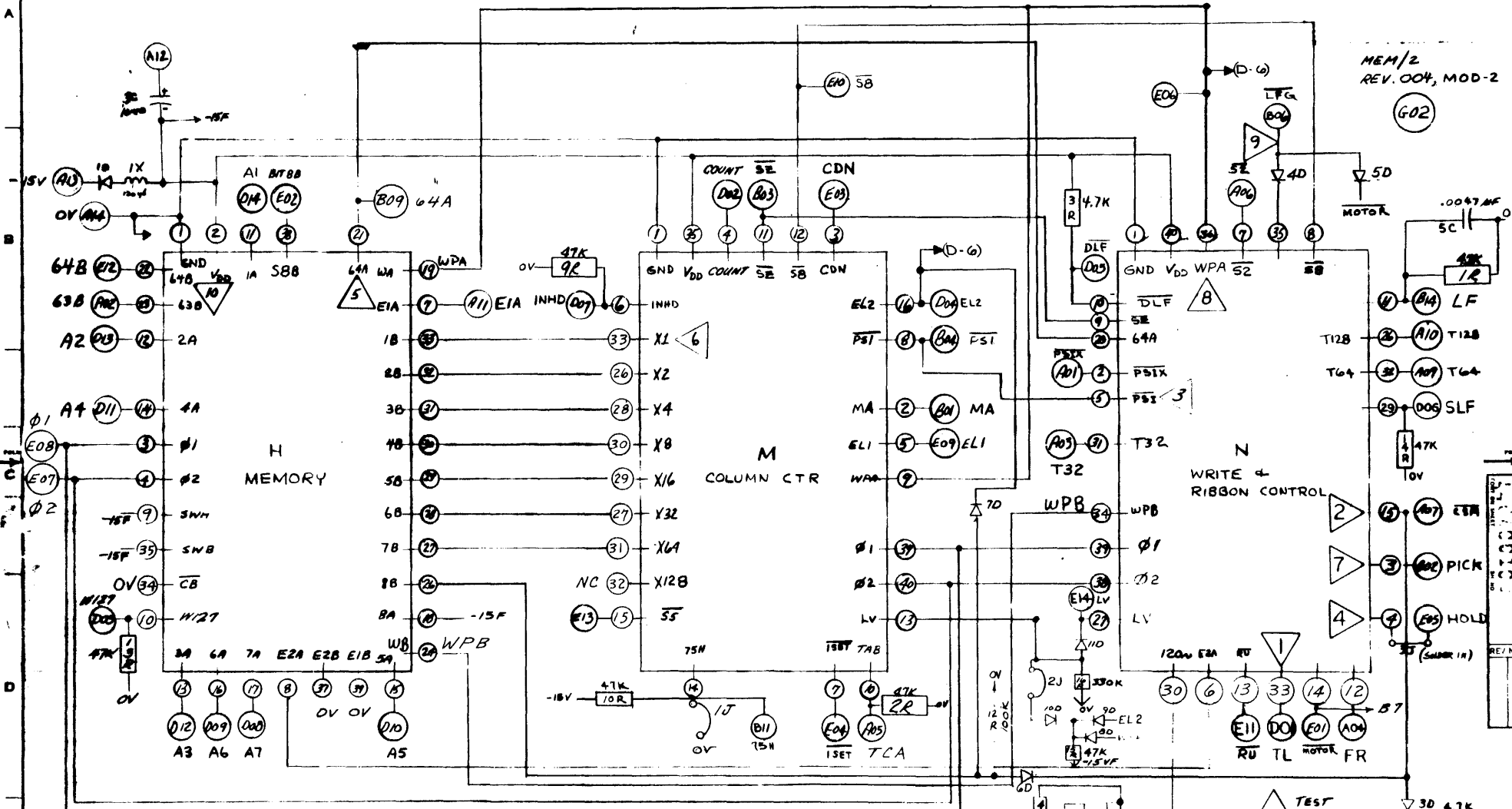


(STRAPPING) OPTIONS:
 WITHOUT 1J: 75H HAMMER
 WITH 1J: 118 HAMMER
 WITH 2J: AUTOMATIC CR AT END OF LINE
 WITH 3J: ALWAYS INSTALLED

REMOVABLE JUMPER:



REVISIONS	PRINTS TO
1	33
2	3*
3	35
4	71
5	39
6	47



MEM/2 REV. 004, MOD-2

602

T128 T128

T64 T64

SLF

WRITE & RIBBON CONTROL

TEST POINT

TEST POINT

TEST POINT

TEST POINT

TEST POINT

TEST POINT

TEST POINT

TEST POINT

TEST POINT

TEST POINT

TEST POINT

TEST POINT

TEST POINT

TEST POINT

TEST POINT

NOTES: ALL RESISTORS 1/4 WATT UNLESS OTHERWISE SPECIFIED. N.C. MEANS NOT CONNECTED. REMAINING CONNECTOR PINS ARE ASSIGNED AS FOLLOWS:

PINS	SIGNALS
B05	SPARE
B12	SPARE
B13	SPARE

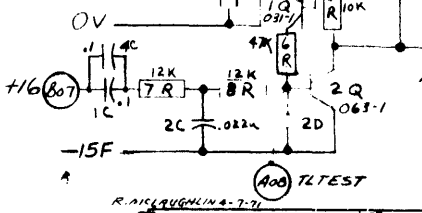
STRAPPING OPTIONS:

WITHOUT 1J : 75 HAMMER

WITH 1J : 118 HAMMER

WITH 2J : AUTOMATIC OR AT END OF LINE

WITH 3J : ALWAYS INSTALLED



1	APR 23 1971	71	552
2	APR 23 1971	71	552
3			
4			
5			
6			
7			
8			
9			
10			
11			
12			
13			
14			
15			
16			
17			
18			
19			
20			
21			
22			
23			
24			
25			
26			
27			
28			
29			
30			
31			
32			
33			
34			
35			
36			
37			
38			
39			
40			
41			
42			
43			
44			
45			
46			
47			
48			
49			
50			
51			
52			
53			
54			
55			
56			
57			
58			
59			
60			
61			
62			
63			
64			
65			
66			
67			
68			
69			
70			
71			
72			
73			
74			
75			
76			
77			
78			
79			
80			
81			
82			
83			
84			
85			
86			
87			
88			
89			
90			
91			
92			
93			
94			
95			
96			
97			
98			
99			
100			

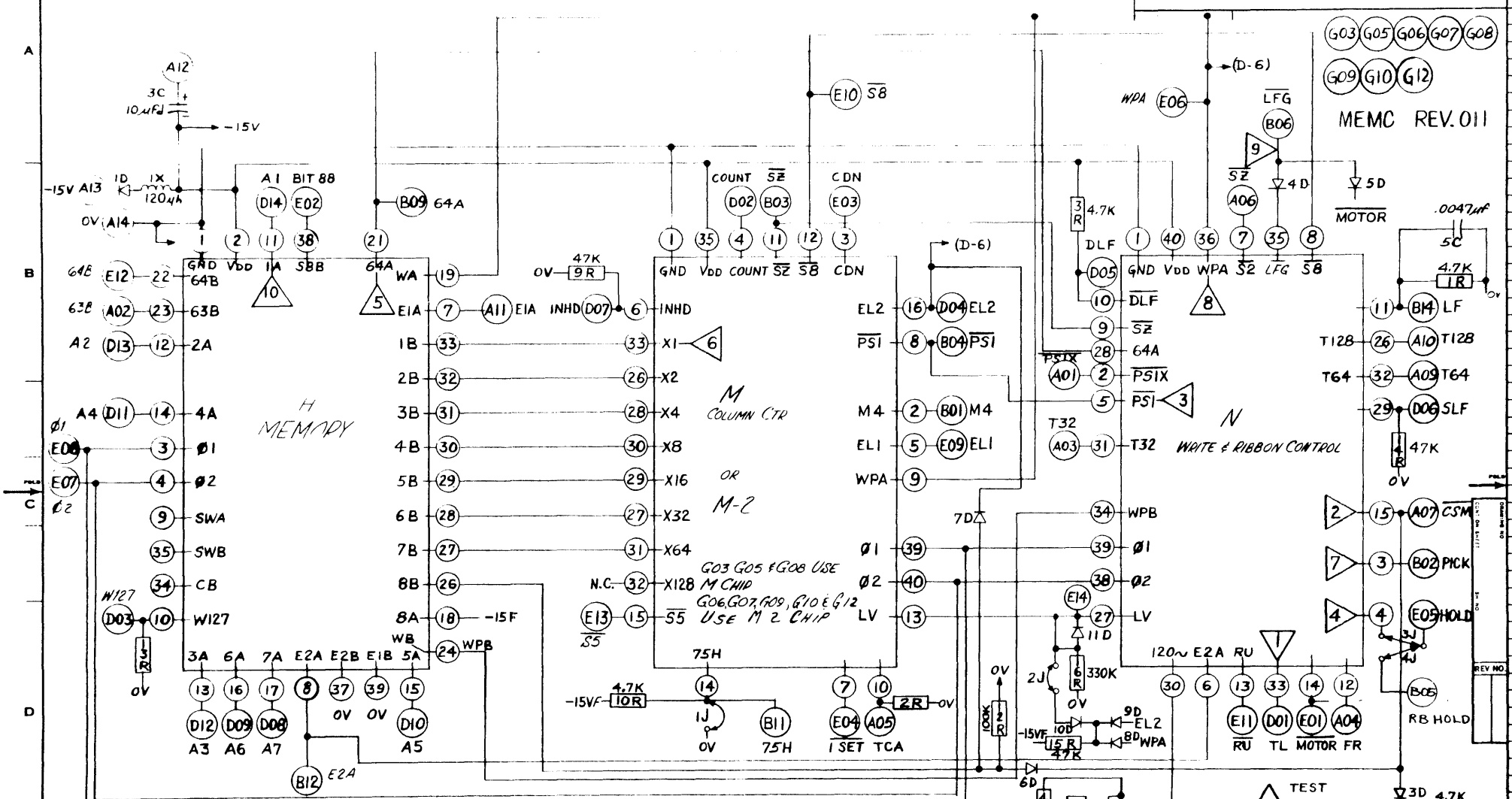
R. A. LAUGHLIN - 771

APR 23 1971

DATA COMMUNICATION PRODUCTS DEPT WAYNESBORO VA

UNLESS OTHERWISE SPECIFIED USE THE FOLLOWING—			
APPLIED PRACTICES	SURFACES	TOLERANCES ON DIMENSIONS	
✓	✓	FRACTIONS	DECIMALS
		+	-

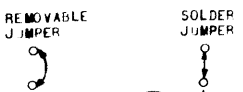
TITLE
MEMORY & WRITE CONTROL MEM
 FIRST MADE FOR 44B416128-903



NOTES: ALL RESISTORS 1/4 W UNLESS OTHERWISE SPECIFIED.
 N.C. = NOT CONNECTED

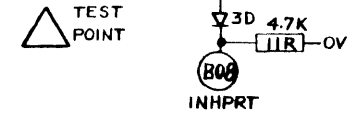
REMAINING CONNECTOR PINS ARE ASSIGNED AS FOLLOWS:

PINS	SIGNALS
B05	RB HOLD
B13	SPARE



STRAPPING OPTIONS:

- 1J OUT FOR 75 COLUMN UNITS ON G03, G05, AND G08.
- 1J IN FOR 118 COLUMN UNITS ON G03, G05, AND G08.
- 1J OMITTED ON ALL G04, G07 AND G12 BOARDS--80 COLUMN UNITS.
- 1J INSTALLED ON ALL G09 NAD G10 BOARDS--120 COLUMN UNITS.
- 2J IN ENABLES THE AUTOMATIC END OF LINE CARRIAGE RETURN OPTION ON ALL BOARD GROUPS.
- 3J IN AND 4J OUT FOR ONE COLOR RIBBON - G03, G06, G08, G09 AND G17.
- 3J OUT AND 4J IN FOR TWO COLOR RIBBON - G05, G07, AND G10.

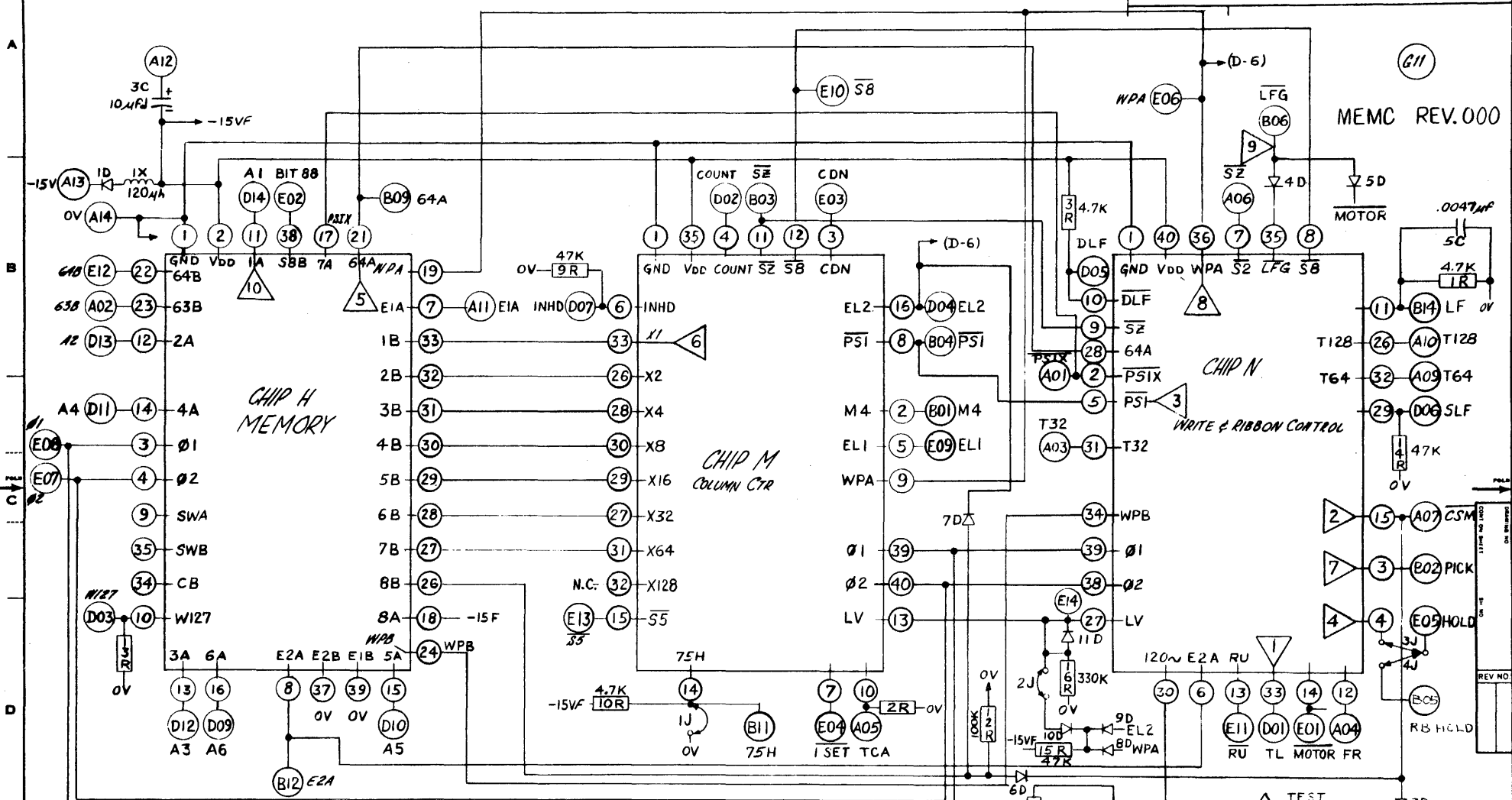


REVISIONS	PRINTS TO
5 REDRAWN & ADDED G09 & G10 DON HALSETT 11/27/73	332 79
6 73 G08 & G10 23 11/27/73	382 82
7 1/16/74	413
8 1/16/74	67
9 1/16/74	71
10 1/16/74	77

MADE BY KVM - 9 APRIL 73
 REDRAWN - DON HALSETT 12/28/73
 REVISION 13 9/1/73
 APPROVALS
 DATA COMMUNICATION PRODUCTION DEPT.
 WAYNESBORO, VA
 44C400108

UNLESS OTHERWISE SPECIFIED USE THE FOLLOWING—			
APPLIED PRACTICES	SURFACES	TOLERANCES ON MACHINED DIMENSIONS	
		FRACTIONS	DECIMALS
	✓	+	-

TITLE
MEMORY & WRITE CONTROL MEM
FIRST MADE FOR 44B91215A-623



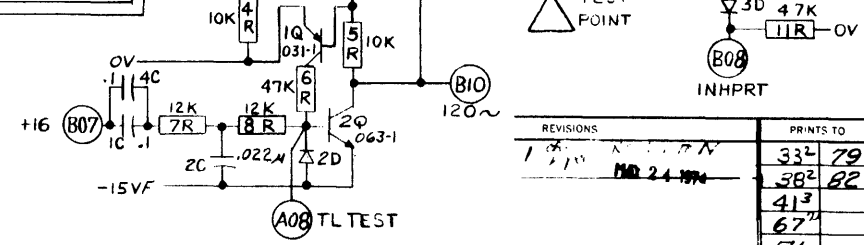
NOTES: ALL RESISTORS 1/4 W UNLESS OTHERWISE SPECIFIED.
N.C. = NOT CONNECTED

REMAINING CONNECTOR PINS ARE ASSIGNED AS FOLLOWS:

PINS	SIGNALS
B13	SPARE



- STRAPPING OPTIONS:
- 1J OUT FOR 75 COLUMN UNITS
1J IN FOR 118 COLUMN UNITS
 - 2J IN ENABLES THE AUTOMATIC END OF LINE CARRIAGE RETURN OPTION
 - 3J IN AND 4J OUT FOR ONE COLOR RIBBON - SOLDER IN JUMPER



REVISIONS	PRINTS TO
1	33 79
2	38 82
3	41 82
4	67 82
5	71 82
6	77 82

601007377

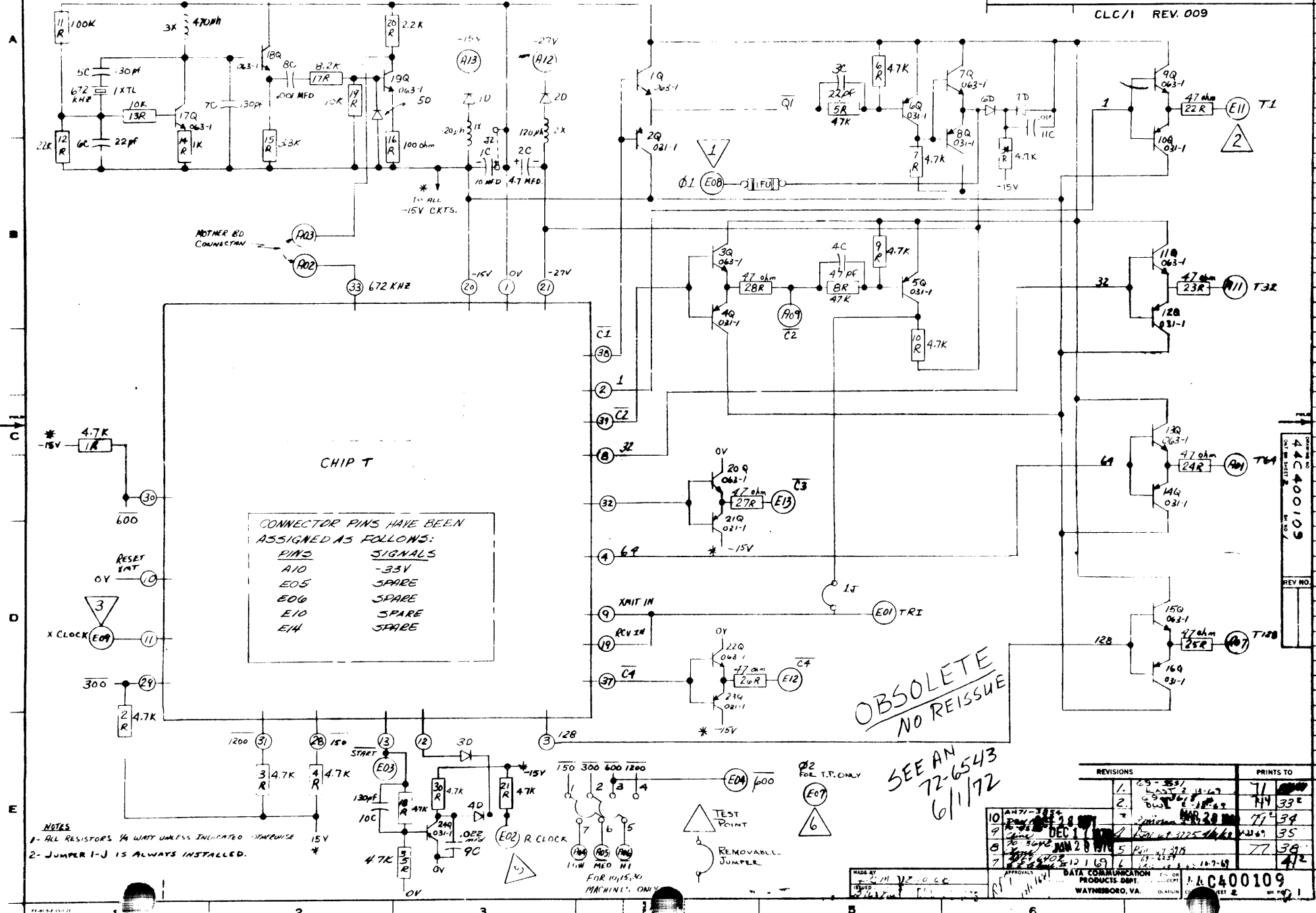
GENERAL ELECTRIC

44C400109

UNLESS OTHERWISE SPECIFIED USE THE FOLLOWING—			
APPLIED PRACTICES	SURFACES	TOLERANCES ON MACHINE DIMENSIONS	
		FRACTIONS	DECIMALS
✓	✓	±	±

TITLE
CLOCK & CYCLE CONTROL CLC
 FIRST MADE FOR 44B41219

CLC/1 REV.009



CHIP T

CONNECTOR PINS HAVE BEEN ASSIGNED AS FOLLOWS:

PINS	SIGNALS
A10	-35V
E05	SPARE
E06	SPARE
E10	SPARE
E14	SPARE

- NOTES
- 1- ALL RESISTORS 1/4 WATT UNLESS INDICATED OTHERWISE
 - 2- JUMPER 1-J IS ALWAYS INSTALLED.

OBSOLETE
NO REISSUE

SEE AN
 72-6543
 6/1/72

REVISIONS	PRINTS TO
1. 65-353	71
2. 65-353	74 39
3. 65-353	77 39
4. 65-353	77 39
5. 65-353	77 39
6. 65-353	77 39
7. 65-353	77 39
8. 65-353	77 39
9. 65-353	77 39
10. 65-353	77 39

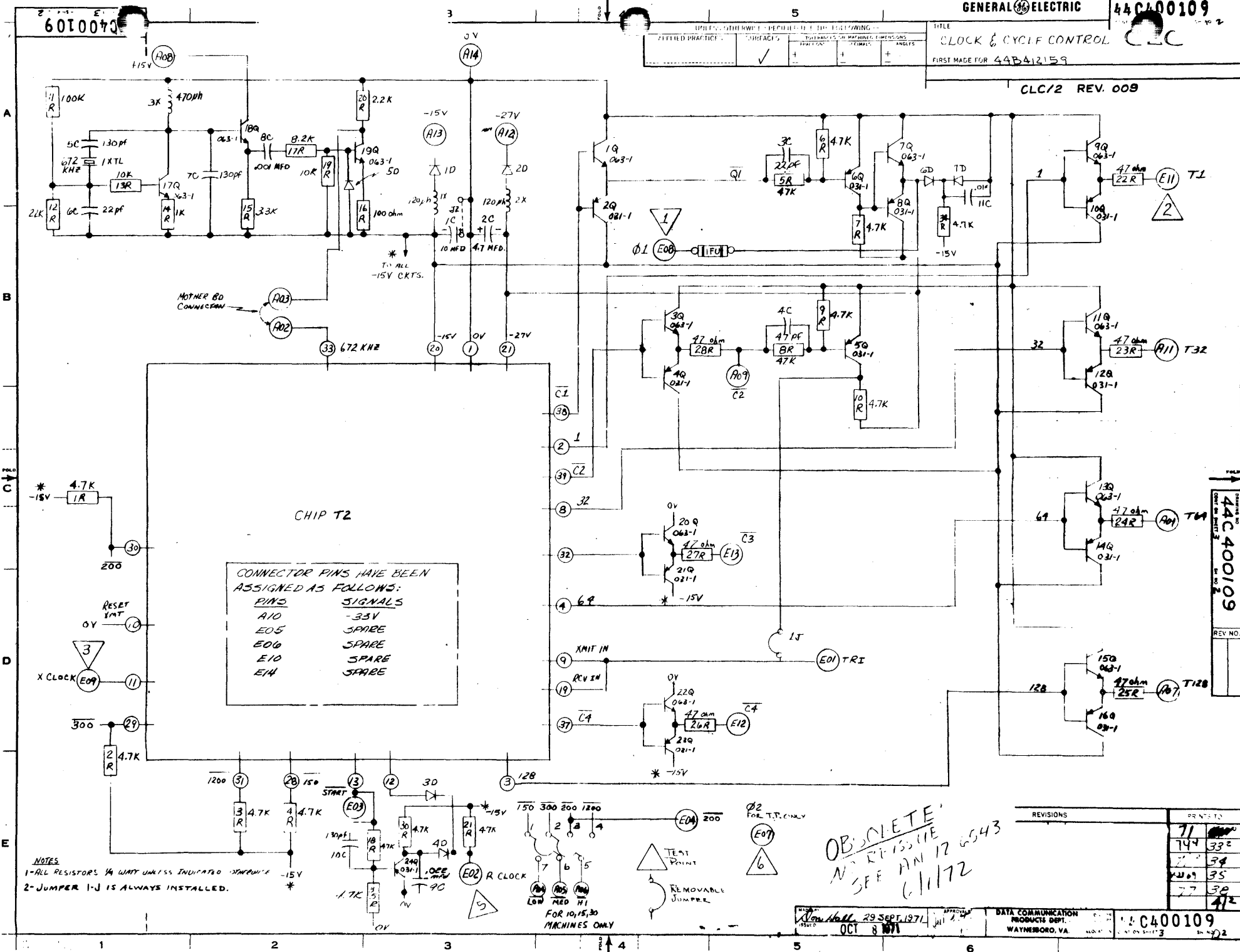
10	APR 11 1972	77	39
9	DEC 1 1971	77	39
8	NOV 28 1971	77	39
7	NOV 16 1971	77	39
6	NOV 12 1971	77	39
5	NOV 11 1971	77	39
4	NOV 10 1971	77	39
3	NOV 9 1971	77	39
2	NOV 8 1971	77	39
1	NOV 7 1971	77	39

MADE BY
 2-11 12-0-66
 2-11 12-0-66

APPROVALS
 DATA COMMUNICATION
 PRODUCTS DIV.
 WAYNESBORO, VA.

44C400109

DESIGNED PRACTICE	✓	+	+	+
CONTRACTS				
TECHNICAL				
TESTS				
ANGLES				



CONNECTOR PINS HAVE BEEN ASSIGNED AS FOLLOWS:

PINS	SIGNALS
A10	-33V
E05	SPARE
E06	SPARE
E10	SPARE
E14	SPARE

NOTES
 1-ALL RESISTORS 1/4 WATT UNLESS INDICATED OTHERWISE
 2-JUMPER 1-J IS ALWAYS INSTALLED.

OBSCLETE
 NO REISSUE
 SEE JAN 12 6543
 6/1/72

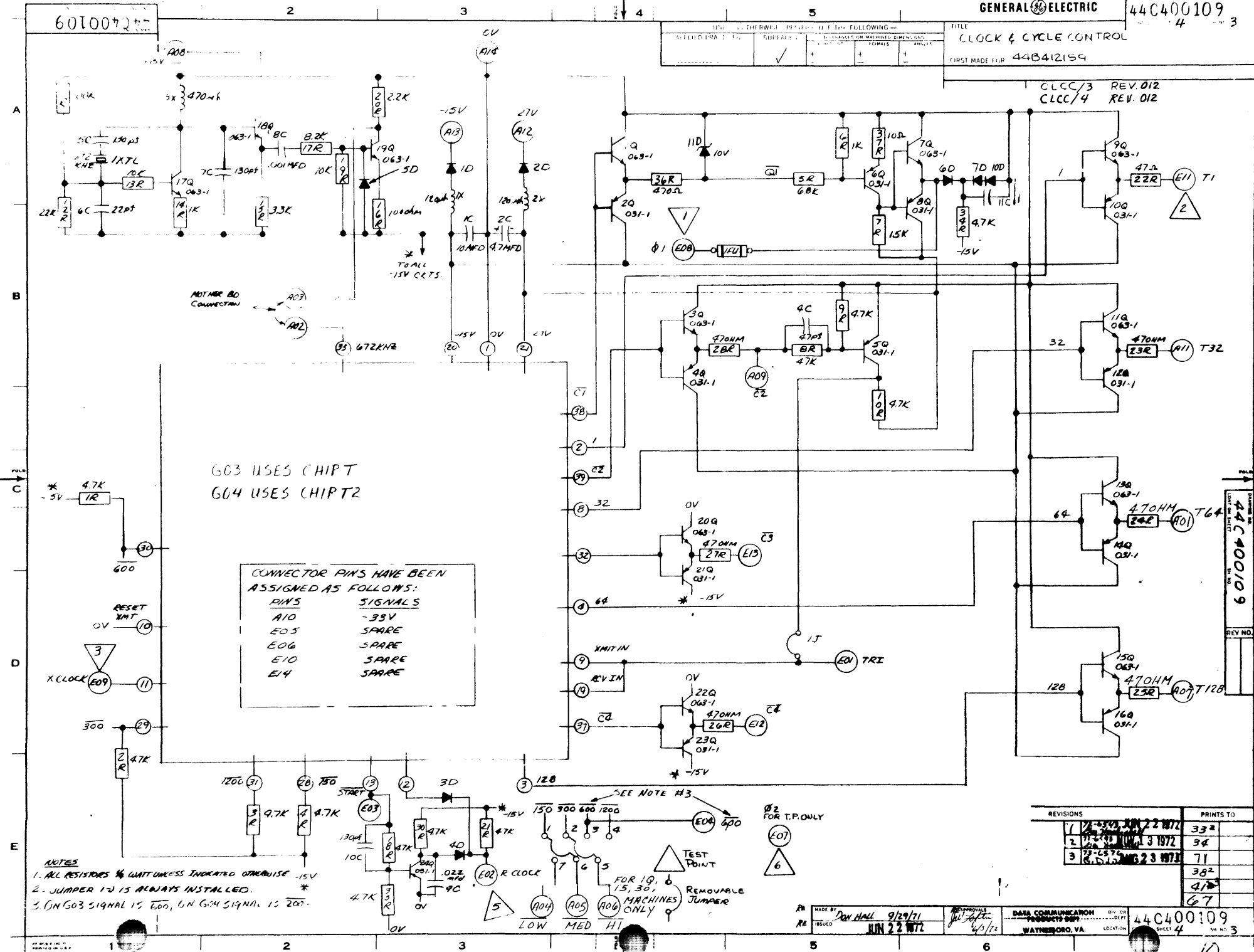
44C400109
 REV NO

REVISIONS	PRINTED
71	330
74	332
75	34
77	35
77	38
77	47

DESIGN	INTERVIEW	REVISION	DATE
✓	✓	✓	✓

TITLE
CLOCK & CYCLE CONTROL
 FIRST MADE FOR 44B412159

CLCC/3 REV. 012
 CLCC/4 REV. 012



G03 USES CHIPT
 G04 USES CHIPT2

CONNECTOR PINS HAVE BEEN ASSIGNED AS FOLLOWS:

PINS	SIGNALS
A10	-35V
E05	SPARE
E06	SPARE
E10	SPARE
E14	SPARE

- NOTES
1. ALL RESISTORS $\frac{1}{2}$ WATT UNLESS INDICATED OTHERWISE. -15V
 2. JUMPER J1 IS ALWAYS INSTALLED.
 3. ON G03 SIGNAL IS E07, ON G04 SIGNAL IS E07.

REVISIONS	PRINTS TO
1	332
2	34
3	71
	382
	418
	67

MADE BY: Dan Hall 9/29/71
 ISSUED: JUN 22 1972
 DATA COMMUNICATION PRODUCTS DEPT.
 WATSON, VA. LOCATION: 44C400109 SHEET 4

44C400109

POSITION 10

601007

2 3

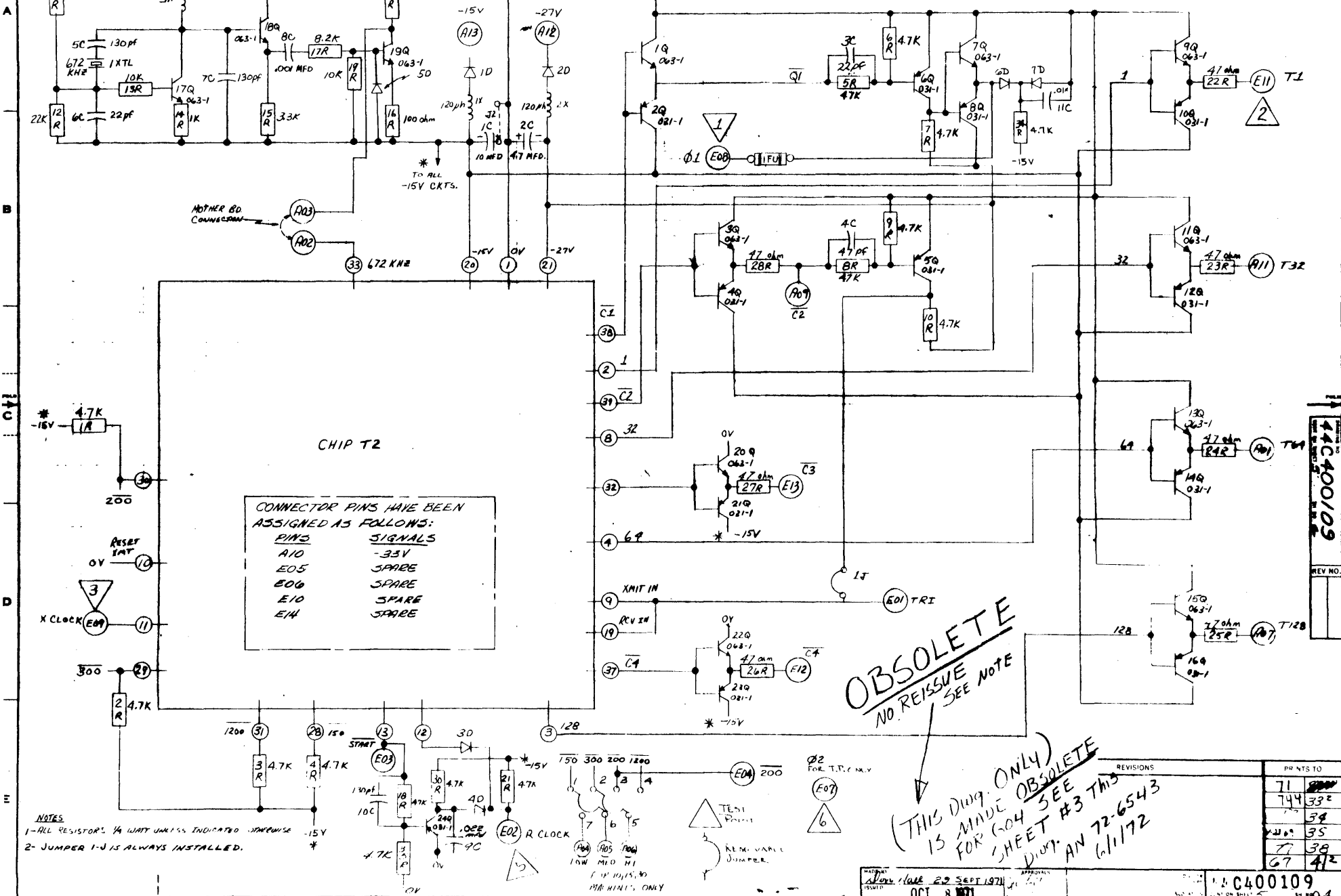
GENERAL ELECTRIC

41 00109

UNLESS OTHERWISE SPECIFIED USE THE FOLLOWING—			
WELD PRACTICES	SURFACES	TOLERANCES ON DIMENSIONS	TYPICAL ANGLES
✓		+	+

TITLE
CLOCK & CYCLE CONTROL CLC
 FIRST MADE FOR 44B42159

CLCC/4 REV. 001



CONNECTOR PINS HAVE BEEN ASSIGNED AS FOLLOWS:

PINS	SIGNALS
A10	-33V
E05	SPARE
E06	SPARE
E10	SPARE
E14	SPARE

NOTES
 1-ALL RESISTORS 1/4 WATT UNLESS INDICATED OTHERWISE
 2- JUMPER 1-3 IS ALWAYS INSTALLED.

OBSOLETE
 NO REISSUE
 SEE NOTE

(THIS DIAG. ONLY)
 IS MADE OBSOLETE
 FOR 604 SEE
 SHEET #3 THIS
 DIAG. AN 72-6543
 6/1/72

REVISONS	PRINTS TO
71	33
744	332
75	34
77	35
77	38
67	42

DATE 22 SEPT 1971
 OCT 8 1971

44C400109

6010072

2

3

4

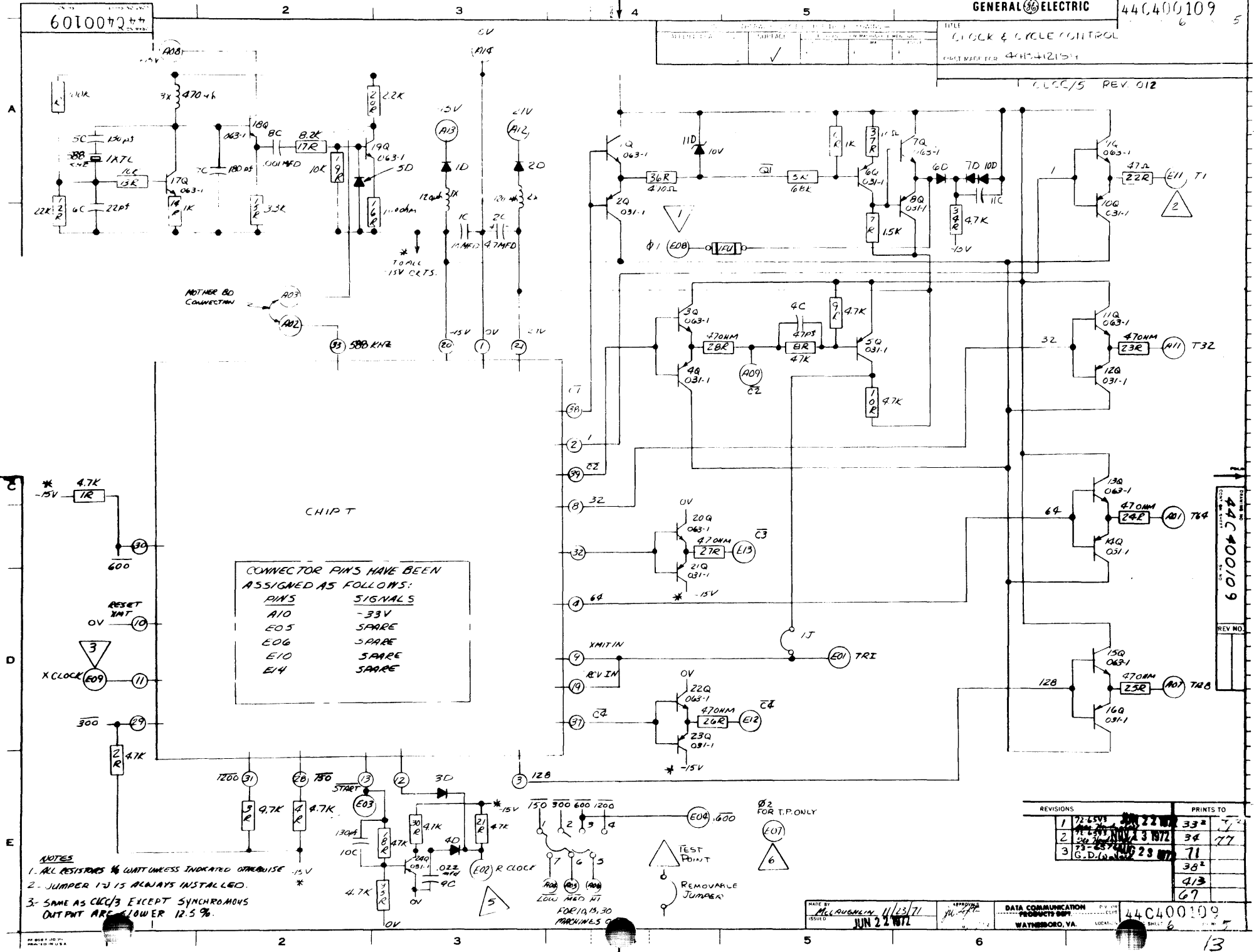
5

REVISIONS	DATE	BY	APPROVED
1	7/24/51	J.W.	
2	11/13/52	J.W.	
3	10/23/57	G.D.W.	

TITLE: CLOCK & CYCLE CONTROL

PRINT MADE FOR: 44C400109

CLCC/5 REV. 012



CONNECTOR PINS HAVE BEEN ASSIGNED AS FOLLOWS:

PINS	SIGNALS
A10	-33V
E05	SPARE
E06	SPARE
E10	SPARE
E14	SPARE

- NOTES
1. ALL RESISTORS % WATTAGE UNLESS INDICATED OTHERWISE.
 2. JUMPER 13 IS ALWAYS INSTALLED.
 3. SAME AS CLK/3 EXCEPT SYNCHRONOUS OUTPUT ARE SLOWER 12.5%.

REVISIONS	DATE	BY	APPROVED	PRINTS TO
1	7/24/51	J.W.		33*
2	11/13/52	J.W.		34
3	10/23/57	G.D.W.		71
				38*
				43
				67

MADE BY: M. CROUGHER 11/23/71
 JUN 22 1972
 DATA COMMUNICATION PRODUCTS DEPT.
 WATSONVILLE, VA. LOCAL: 6
 44C400109
 SHEET 6 OF 5

011007077

2

3

4

5

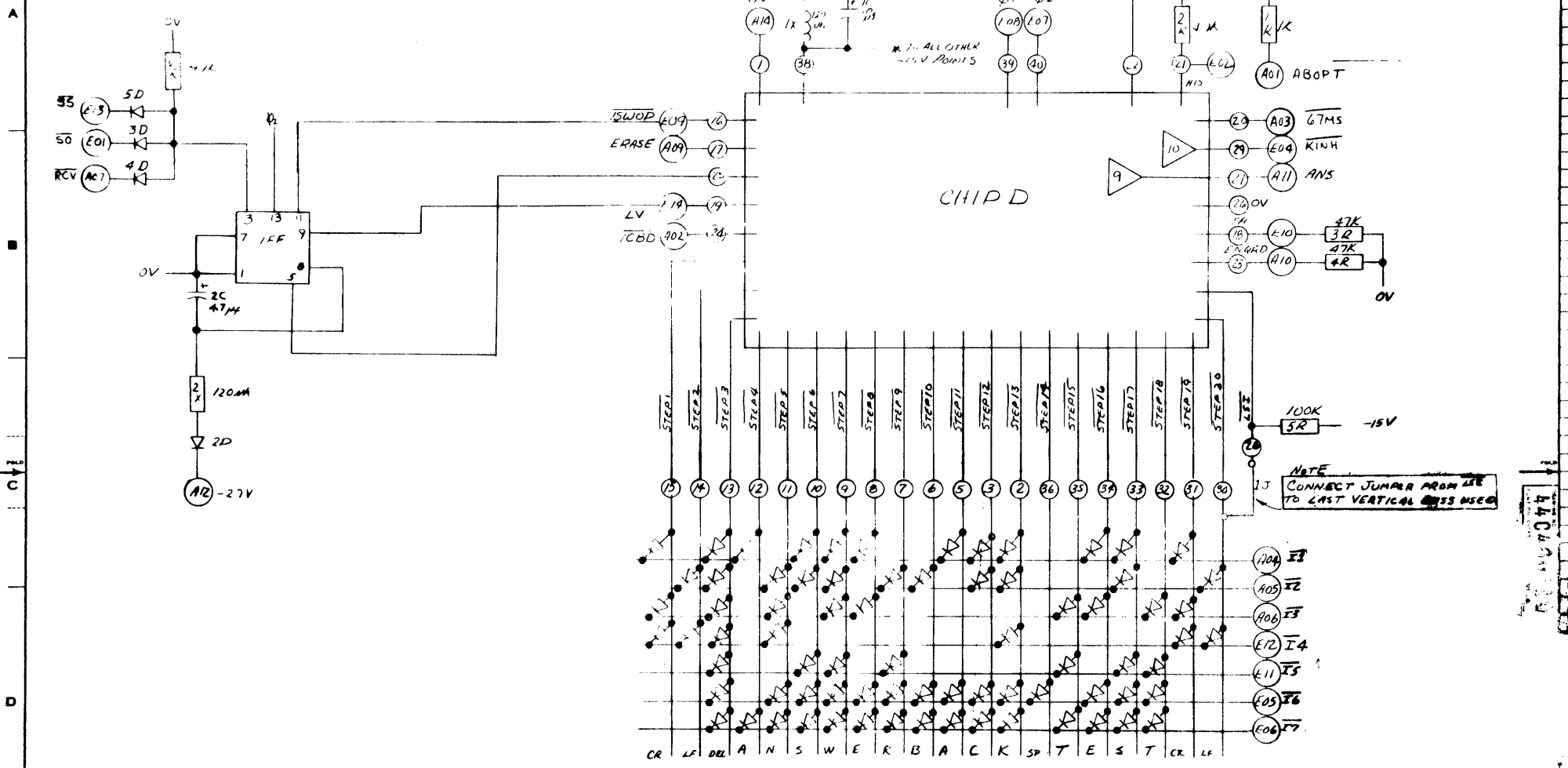
GENERAL ELECTRIC

44C1-00110

ANS

APPLIED PRACTICES	CURFACE	FINISH	FINISH	FINISH
	✓	+	+	+

TITLE
FIRST MADE FOR 425112 23



REMAINING CONNECTOR PINS ARE ASSIGNED AS FOLLOWS:

PINS	SIGNALS
E03	ICB

(NO SPARE PINS)

NOTE
ANSWER-BACK TEST MESSAGE INSTALLED
USE MESSAGE REQUIRED BY CUSTOMER

ALL RESISTORS KΩ UNLESS INDICATED OTHERWISE

RE DRAWN

APPROVALS
R. V. McLaughlin

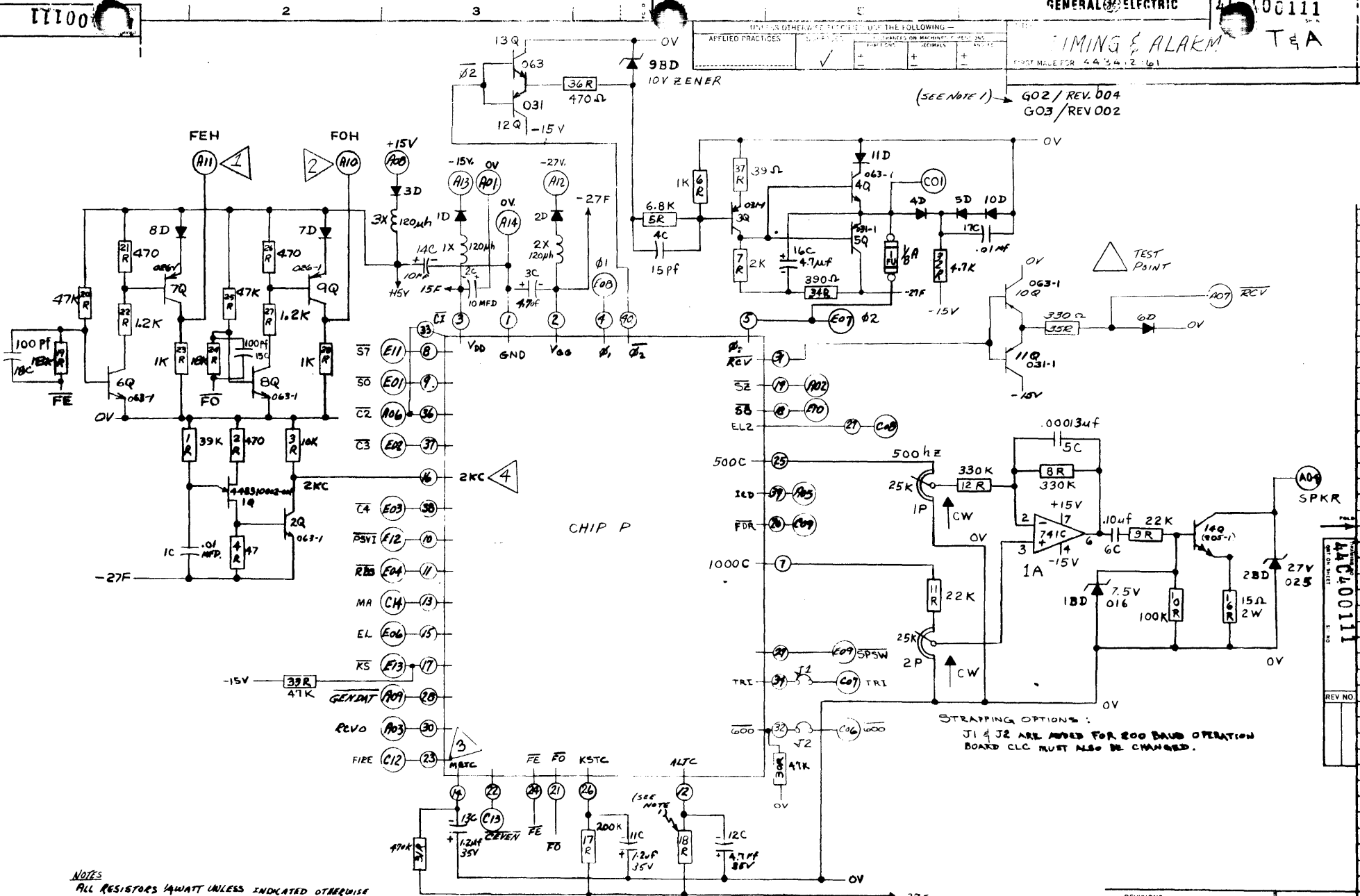
APPROVALS
RR9 11/16/51

44C1-00110

11100

T&A/C/2 TIMING AND ALARM

A
B
C
D
E



NOTES
ALL RESISTORS 1/4WATT UNLESS INDICATED OTHERWISE
REMAINING TERMINAL PINS

C04 -33V
E05 SPARE

NOTE 1- G02/REV.004-18R IS 4.70K
G03/REV.002-18R IS 82K

(SEE NOTE 1) → G02/REV.004
G03/REV.002

STRAPPING OPTIONS:
J1 & J2 ARE ADDED FOR 600 BAUD OPERATION
BOARD CLC MUST ALSO BE CHANGED.

REVISIONS		PRINTS TO	
12	REDED G03 DON HACKETT DEC 27 1972	72-65 TIM BAKER	
13	ANTL 5788 DOW HALL 1 1973	AUG 25 1972	77 33
			34
			74
			71 38
			48

MADE BY: E.M. BUKOSKEY 6-27-66
TESTED: []
DATA COMMUNICATION PRODUCTS DEPT.
WAYNESBORO, VA

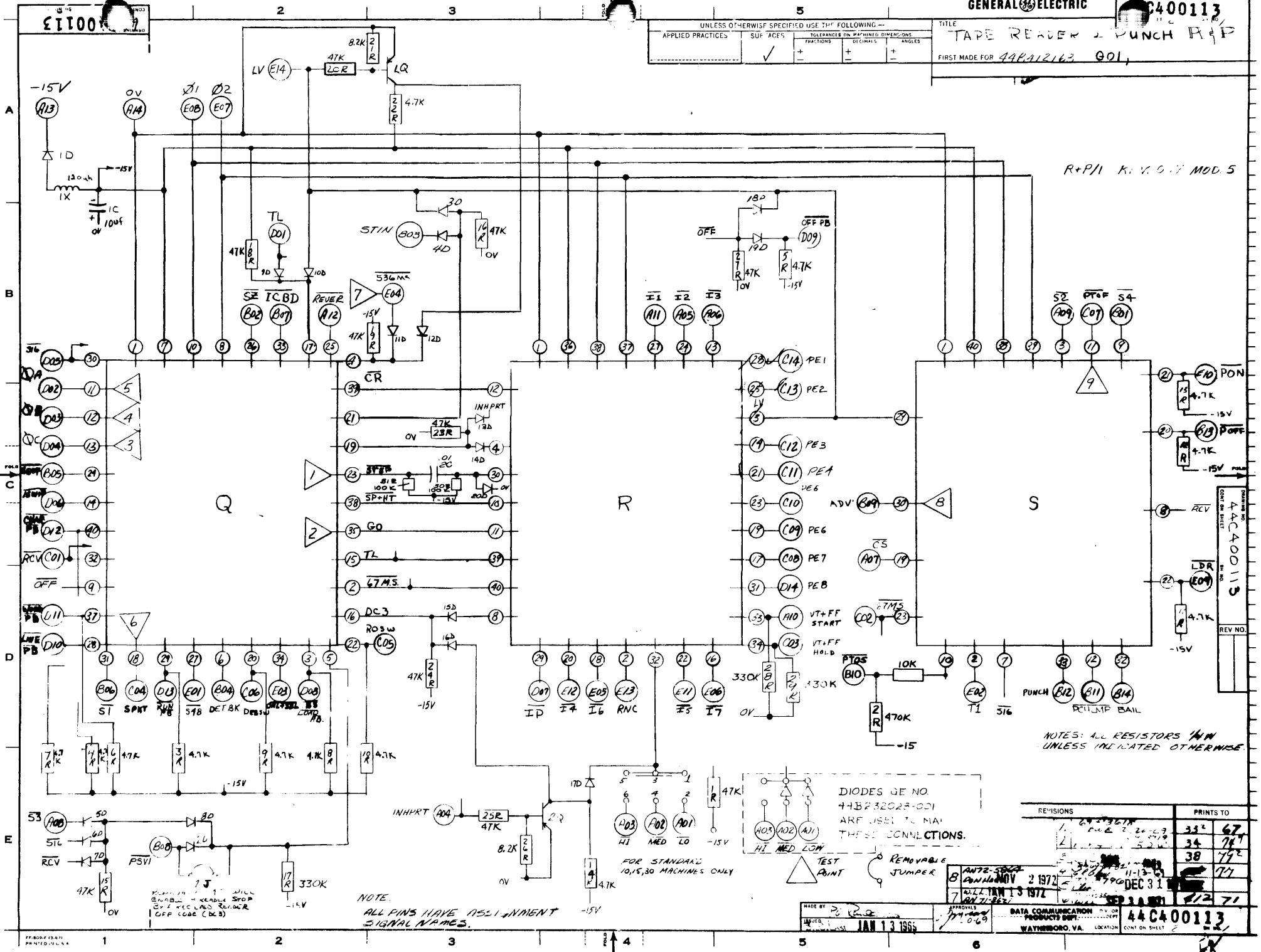
44000111

POSITION

(8)

UNLESS OTHERWISE SPECIFIED USE THE FOLLOWING—			
APPLIED PRACTICES	SUP. ACES	TOLERANCES ON DIMENSIONS	
		FRACTIONS	DECIMALS
		+	-
		+	-
		+	-
		+	-

TITLE
TAPE READER PUNCH R&P
FIRST MADE FOR 44E412163 G01



R+P/1 K.V.O.V MOD.5

NOTES: ALL RESISTORS 1/4W UNLESS INDICATED OTHERWISE

DIODES GE NO. 44B23202R-001 ARE USED TO MAKE THESE CONNECTIONS.

REVISIONS	PRINTS TO
1	33
2	67
3	78
4	34
5	77
6	77
7	77
8	71

APPROVED BY: [Signature]
DATE: JAN 13 1972
REVISED BY: [Signature]
DATE: DEC 31 1971

MADE BY: [Signature]
DATE: JAN 13 1966

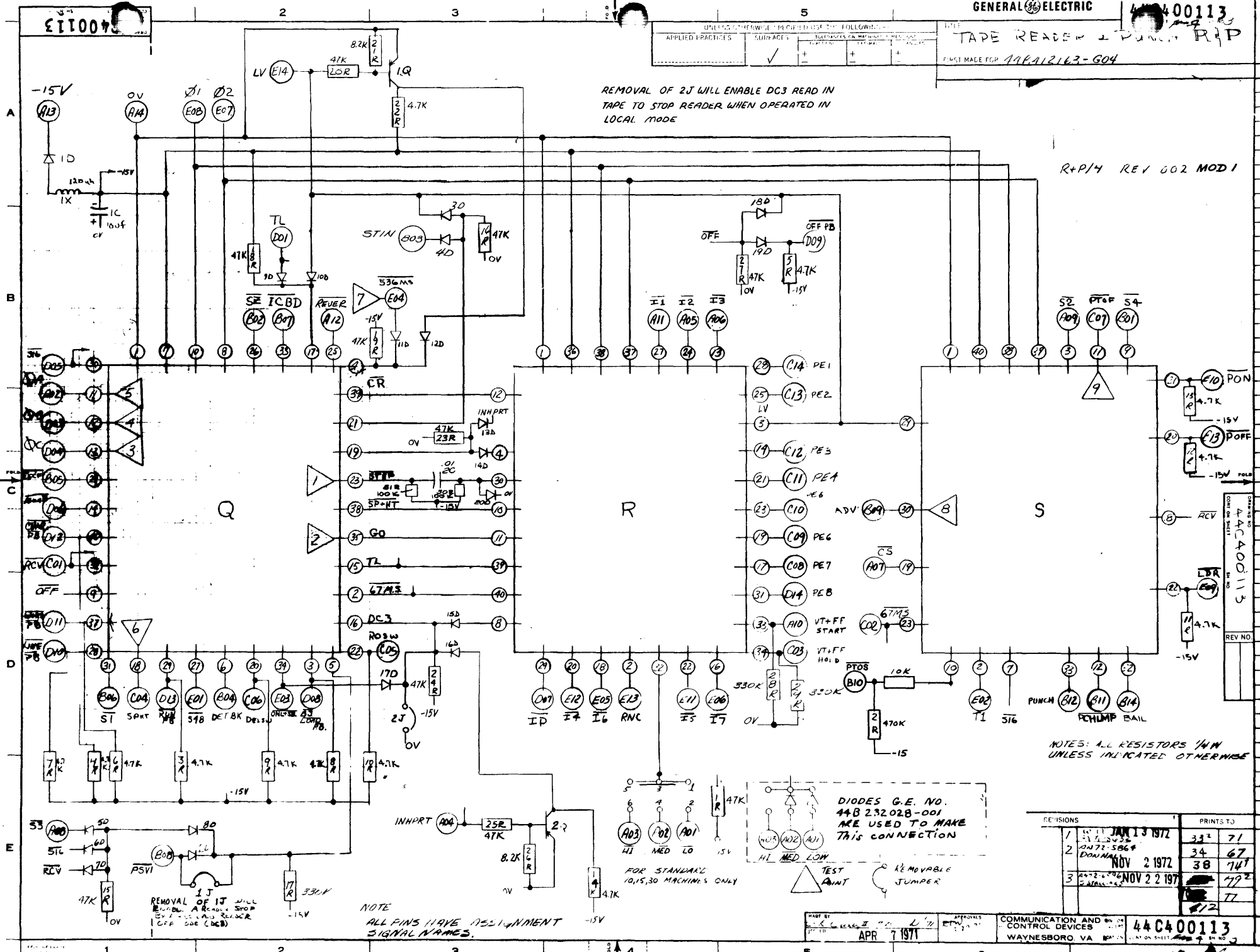
DATA COMMUNICATION PRODUCTS DIV. WATSONBORO, VA. LOCATION: CONT. ON SHEET 2

NOTE: ALL PINS HAVE 1/16\"/>

APPLIED PRACTICES	SUBCIRCUITS	TELETYPE	TELETYPE	TELETYPE

REMOVAL OF 2J WILL ENABLE DC3 READ IN TAPE TO STOP READER WHEN OPERATED IN LOCAL MODE

R+P/4 REV 002 MOD 1



44C400113
REV NO.

NOTES: ALL RESISTORS 1/4W UNLESS INDICATED OTHERWISE

DIODES G.E. NO. 44B 232 028-001
ARE USED TO MAKE THIS CONNECTION

HL MED LOW
TEST POINT
REMOVABLE JUMPER

FOR STANDARD 10,15,30 MACHINES ONLY

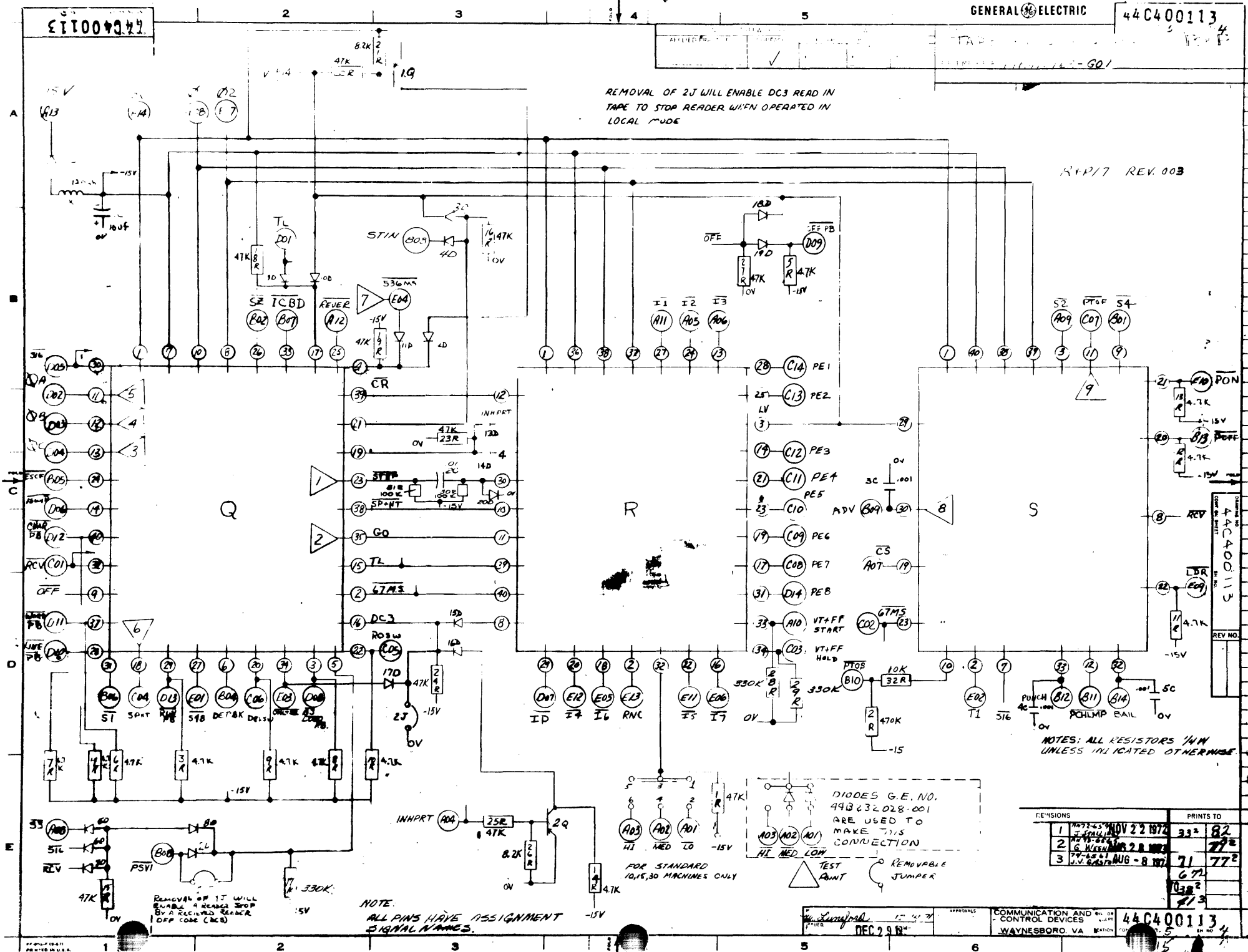
REMOVAL OF 1J WILL ENABLE A READ, STOP AND REVERSE TO BE USED IN LOCAL MODE

NOTE ALL PINS HAVE ASSIGNMENT SIGNAL NAMES.

REVISIONS	DATE	PRINTS TO
1	JAN 13 1972	31 71
2	NOV 2 1972	34 67
3	NOV 2 1972	38 747
		77 2
		77

REMOVAL OF 2J WILL ENABLE DC3 READ IN TAPE TO STOP READER WHEN OPERATED IN LOCAL MODE

RVP/7 REV.003



REMOVAL OF 1T WILL ENABLE A READER STOP BY A REVERSED READER OFF CODE (MCD)

NOTE: ALL PINS HAVE ASSIGNMENT ORIGINAL NAMES.

DIODES G.E. NO. 49B232028-001 ARE USED TO MAKE THIS CONNECTION

HI MED LO

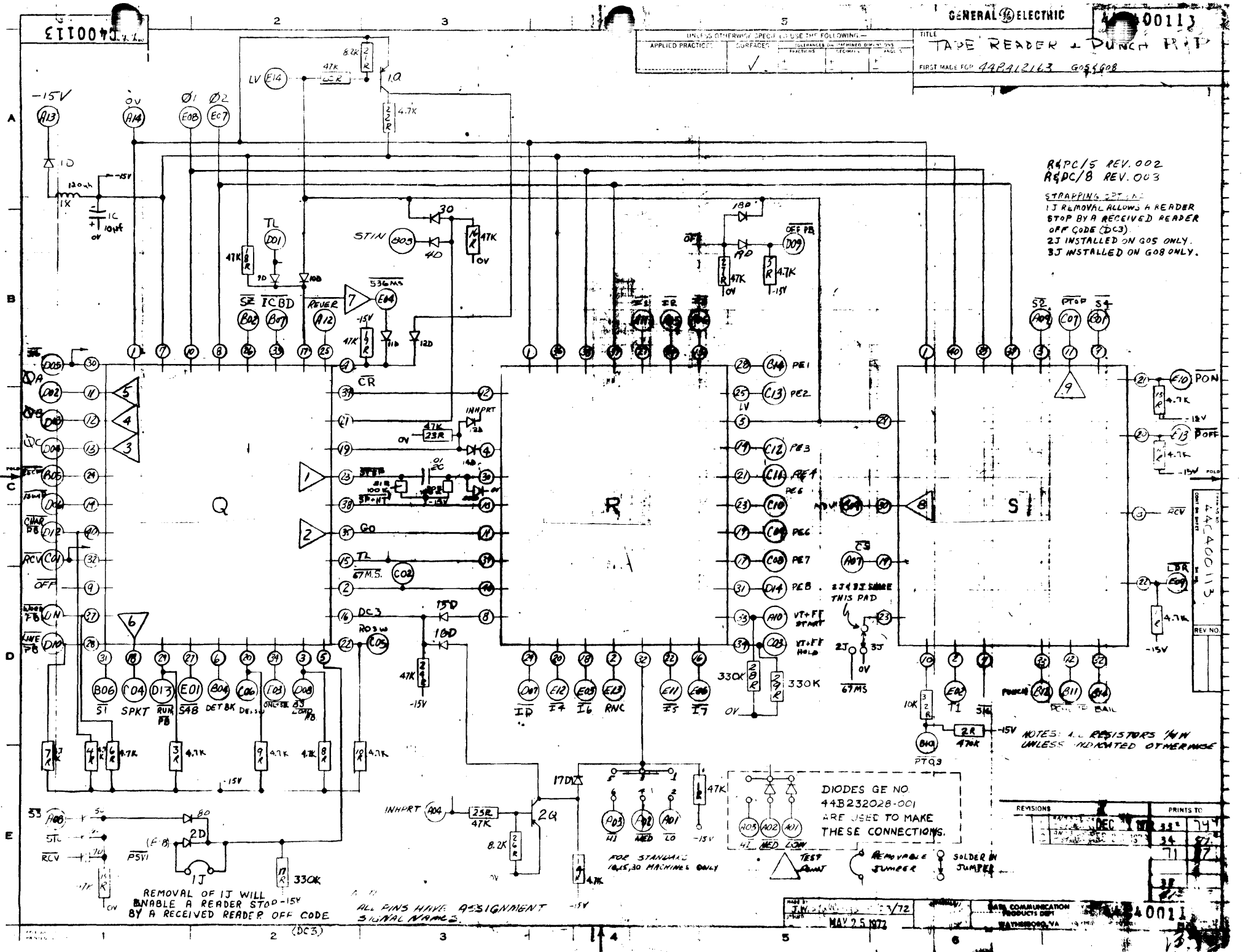
TEST POINT

REMOVABLE JUMPER

NOTES: ALL RESISTORS 1/4W UNLESS INDICATED OTHERWISE

REV. NO.	DATE	BY	CHKD	PRINTS TO
1	NOV 22 1972	332	82	
2			77	
3	AUG - 8 1972	71	77	
		67		
		03		
		71		

UNLESS OTHERWISE SPECIFIED USE THE FOLLOWING—	TITLE
APPLIED PRACTICES	TAPE READER & PUNCH UNIT
SURFACES	FIRST MADE FOR 44R12163 G05G08
TOLERANCES UNLESS OTHERWISE SPECIFIED	
FINISHES	
TERMINALS	
ANGLES	



R4PC/5 REV.002
 R4PC/B REV.003
 STRAPPING 22T 1A
 1J REMOVAL ALLOWS A READER STOP BY A RECEIVED READER OFF CODE (DC3).
 2J INSTALLED ON G05 ONLY.
 3J INSTALLED ON G08 ONLY.

NOTES: ALL RESISTORS 1/4W UNLESS INDICATED OTHERWISE

DIODES GE NO. 44B232028-001 ARE USED TO MAKE THESE CONNECTIONS.

REMOVAL OF 1J WILL ENABLE A READER STOP BY A RECEIVED READER OFF CODE (DC3).

ALL PINS HAVE ASSIGNMENT SIGNAL NAMES.

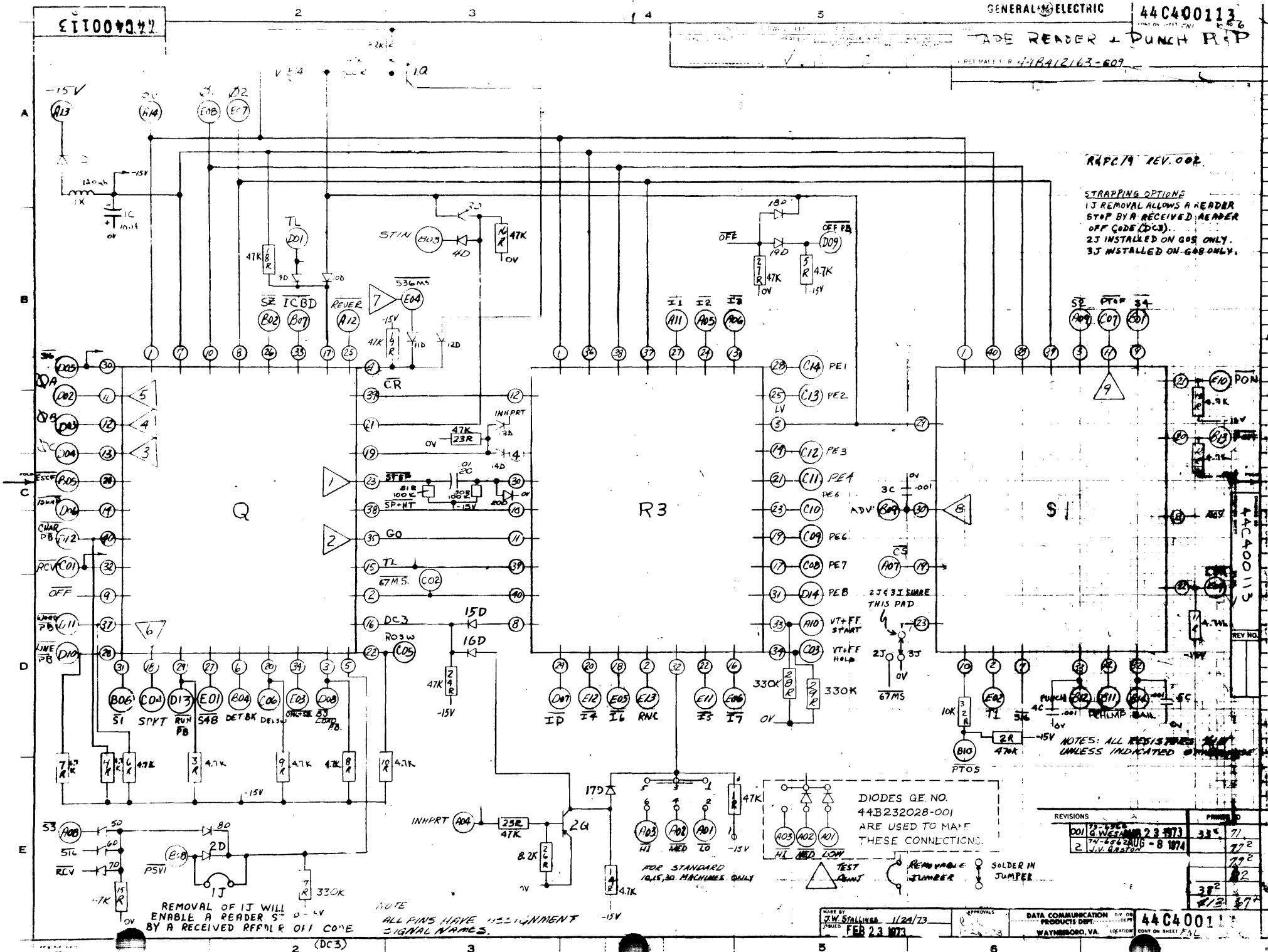
REVISIONS	PRINTS TO
1	74
2	74
3	74
4	74
5	74
6	74
7	74
8	74
9	74
10	74
11	74
12	74
13	74
14	74
15	74
16	74
17	74
18	74
19	74
20	74
21	74
22	74
23	74
24	74
25	74
26	74
27	74
28	74
29	74
30	74
31	74
32	74
33	74
34	74
35	74
36	74
37	74
38	74
39	74
40	74
41	74
42	74
43	74
44	74
45	74
46	74
47	74
48	74
49	74
50	74
51	74
52	74
53	74
54	74
55	74
56	74
57	74
58	74
59	74
60	74
61	74
62	74
63	74
64	74
65	74
66	74
67	74
68	74
69	74
70	74
71	74
72	74
73	74
74	74
75	74
76	74
77	74
78	74
79	74
80	74
81	74
82	74
83	74
84	74
85	74
86	74
87	74
88	74
89	74
90	74
91	74
92	74
93	74
94	74
95	74
96	74
97	74
98	74
99	74
100	74

DATE: MAY 25 1972

COMMUNICATION PRODUCTS DEPT. RATHERSON, VA

R4FC19 REV. 002

STRAPPING OPTIONS
1J REMOVAL ALLOWS A READER
STOP BY A RECEIVED READER
OFF CODE (DC3).
2J INSTALLED ON G05 ONLY.
3J INSTALLED ON G08 ONLY.



DIODES GE. NO. 44B232028-001 ARE USED TO MAKE THESE CONNECTIONS.

REVISIONS	DATE	BY	CHKD
001	12-23-66	G. WESLEY	33
2	1-11-67	J. V. BASTON	77

REMOVAL OF 1J WILL ENABLE A READER STOP BY A RECEIVED READER OFF CODE (DC3)

NOTE ALL PINS HAVE ASSIGNMENT SIGNAL NAMES.

MADE BY J.W. STALLINS 1/29/73
TEST POINT FEB 23 1973

DATA COMMUNICATION PRODUCTS DEPT. WATSONVILLE, CA 95070
44C400113

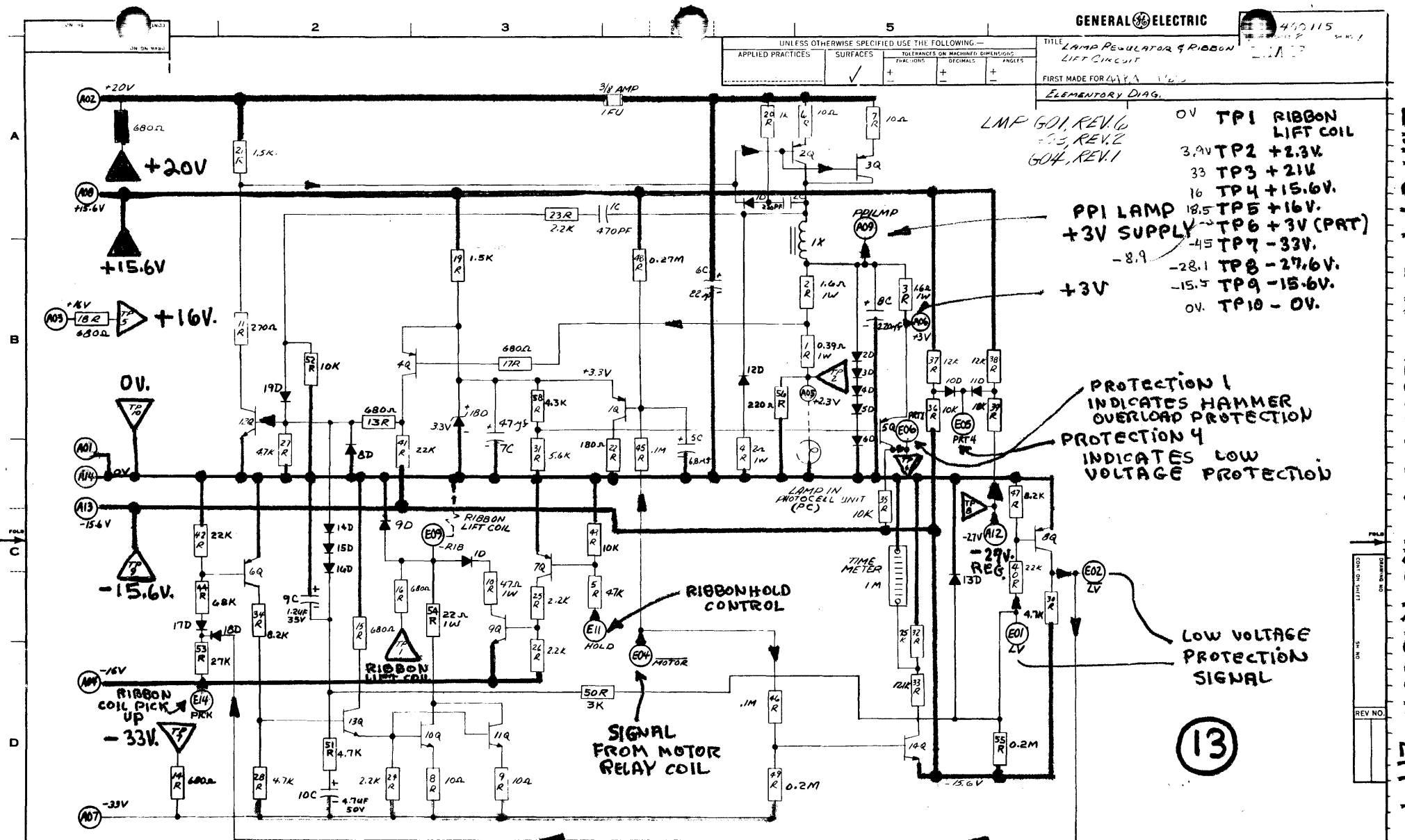
UNLESS OTHERWISE SPECIFIED USE THE FOLLOWING—

APPLIED PRACTICES	SURFACES	TOLERANCES ON MEASURED DIMENSIONS		
✓	✓	FRACTIONS	DECIMALS	ANGLES
		+	+	+

TITLE
LAMP REGULATOR & RIBBON
LIFT CIRCUIT
FIRST MADE FOR G.P.A. 1/6/59
ELEMENTARY DIAG.

LMP 601, REV. 6
603, REV. 2
604, REV. 1

- 0V TP1 RIBBON LIFT COIL
- 3.9V TP2 +3.3V
- 33 TP3 +21V
- 16 TP4 +15.6V
- 18.5 TP5 +16V
- +3V SUPPLY TP6 +3V (PART)
- 4.5 TP7 -33V
- 28.1 TP8 -27.6V
- 15.5 TP9 -15.6V
- 0V TP10 - 0V



PROTECTION 1
INDICATES HAMMER
OVERLOAD PROTECTION
PROTECTION 4
INDICATES LOW
VOLTAGE PROTECTION

Low Voltage
Protection
Signal

13

REMAINING CONNECTOR PINS ARE ASSIGNED AS FOLLOWS:

PINS	SIGNALS
A10	SPARE
A11	SPARE
E03	SPARE
E07	02
E08	01
E10	SPARE
E12	SPARE
E13	SPARE

RESISTORS
ALL RESISTORS 1/4 WATT UNLESS OTHERWISE NOTED

FUSE
1Fu - 3/8 AMP. PICO FUSE
LITTLE FUSE CAT. NO. 276-275
G.E. CAT. NO. *4A 11087-003

TIME METER (1M) IS INSTALLED IN GROUPS 1 AND 4
TIME METER (1M) IS NOT INSTALLED IN GROUP 3

REVISIONS	PRINTS TO
1	71 NY
2	73 76
3	82 77
4	85 77
5	85 77

MADE BY
JAN 10 1959

SPECIALTY CONTROL
WAYNESBORO, VA
440400115

LMP C14 LAMP REGULATOR AND RIBBON LIFT

ON HY 811004
ON DU-WARD

GENERAL ELECTRIC

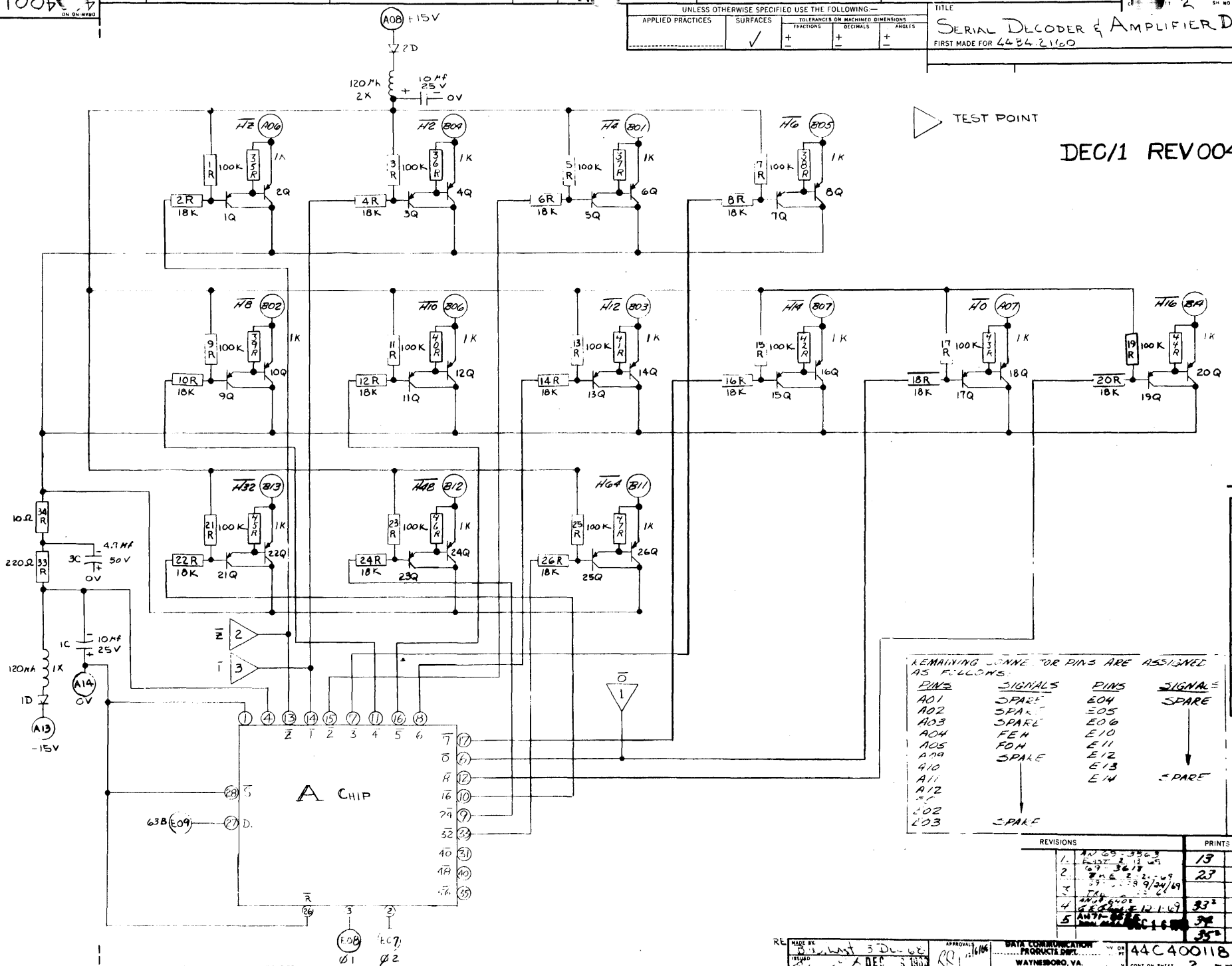
400118
2 SH NO 1

UNLESS OTHERWISE SPECIFIED USE THE FOLLOWING—

APPLIED PRACTICES	SURFACES	TOLERANCES ON MACHINED DIMENSIONS		
	✓	FRACTIONS	DECIMALS	ANGLES
		+	+	-

TITLE
SERIAL DECODER & AMPLIFIER DEC
FIRST MADE FOR 4484-2160

A
B
C
D
E



TEST POINT

DEC/1 REV 004

REMAINING SIGNALS FOR PINS ARE ASSIGNED AS FOLLOWS:

PINS	SIGNALS	PINS	SIGNALS
A01	SPARE	E04	SPARE
A02	SPARE	E05	SPARE
A03	SPARE	E06	SPARE
A04	FEN	E10	SPARE
A05	FDN	E11	SPARE
A09	SPARE	E12	SPARE
A10	SPARE	E13	SPARE
A11	SPARE	E14	SPARE
A12	SPARE		
A13	SPARE		
A14	SPARE		
A15	SPARE		

REVISIONS	PRINTS TO
1/ 400118-3503	13 38
2/ 400118-3617	23 41
3/ 400118-3709	31 44
4/ 400118-3812	32 44
5/ 400118-3916	32 44

RE MADE BY: [Signature] 3 Dec 68
ISSUED: DEC 3 1968
APPROVALS: [Signature] 11/16/68
DATA COMMUNICATION PRODUCTS DIV. WATSON, VA.
44C400118
CONT ON SHEET 2 SH NO 1

DRAWING NO. 44C400118
REV. NO.

44400118

2

3

4

5

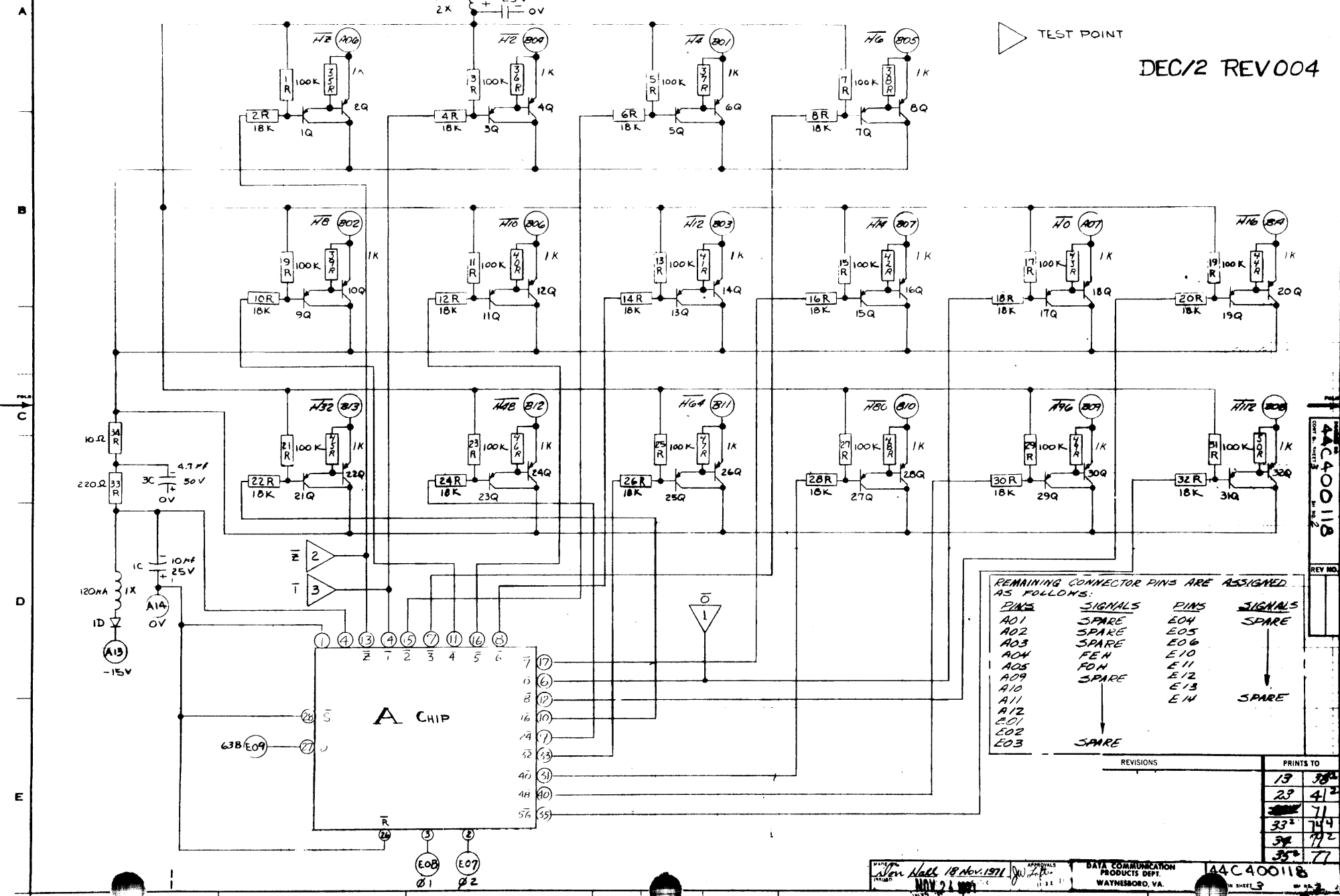
GENERAL ELECTRIC

44C400118

UNLESS OTHERWISE SPECIFIED THE FOLLOWING --	TITLE
AFFECTED PARTS:	SERIAL DECODER & AMPLIFIER DEC
SURFACES:	FIRST MADE FOR 44B42160
TOLERANCES IN MACHINE DIMENSIONS:	
FINISHES:	
ANGLES:	

TEST POINT

DEC/2 REV 004



REMAINING CONNECTOR PINS ARE ASSIGNED AS FOLLOWS:

PINS	SIGNALS	PINS	SIGNALS
A01	SPARE	E04	SPARE
A02	SPARE	E05	SPARE
A03	SPARE	E06	SPARE
A04	FEH	E10	SPARE
A05	FDH	E11	SPARE
A09	SPARE	E12	SPARE
A10	SPARE	E13	SPARE
A11	SPARE	E14	SPARE
A12	SPARE		
E01	SPARE		
E02	SPARE		
E03	SPARE		

REVISIONS	PRINTS TO
19	38
23	41
33	71
35	74
35	77
35	77

APPROVALS
Nov 18 1971

DATA COMMUNICATION PRODUCTS DEPT. WAYNESBORO, VA.

44C400118 SHEET 3

ON THE 8110018 ON DOWNWARD

GENERAL ELECTRIC

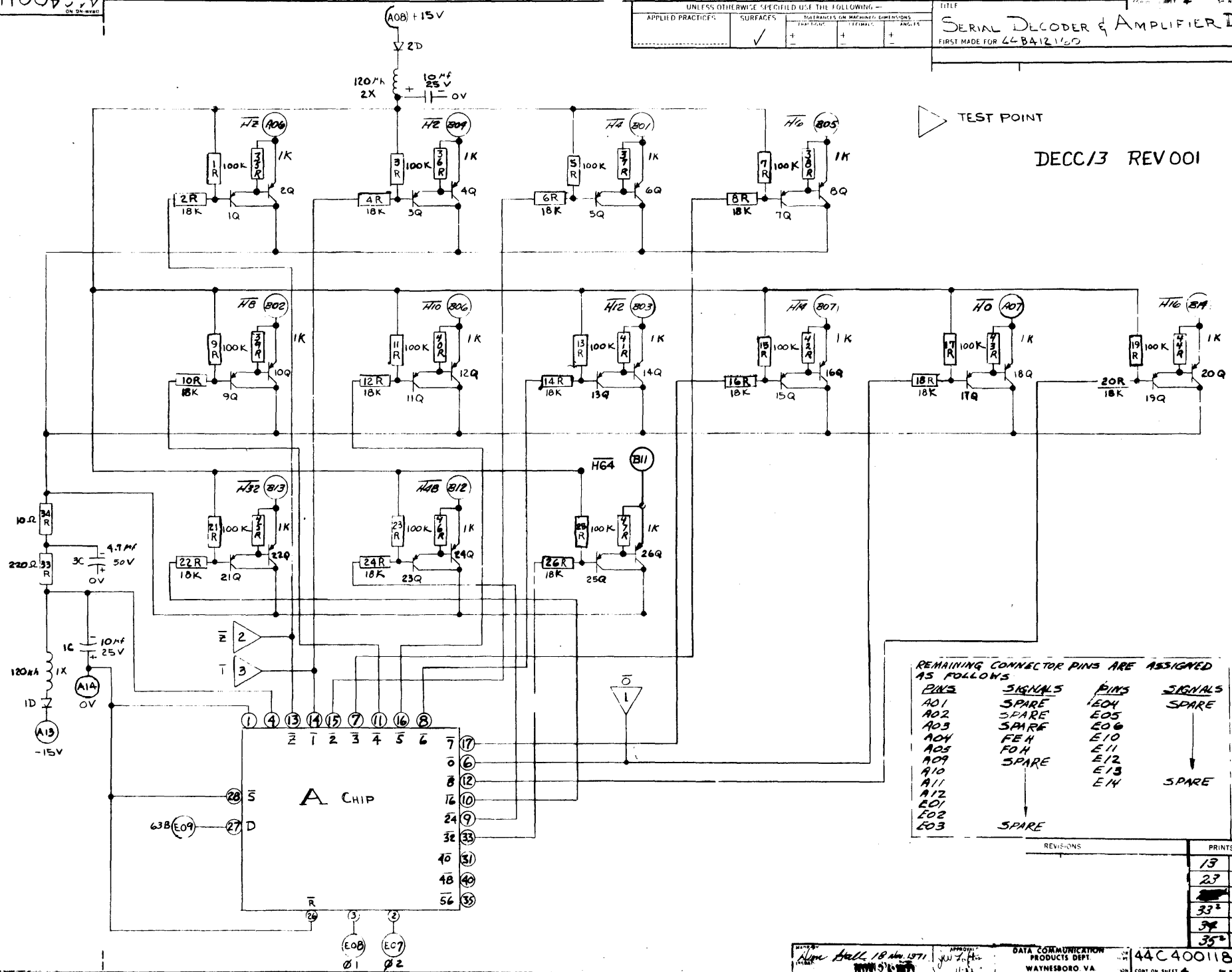
44C400118

UNLESS OTHERWISE SPECIFIED USE THE FOLLOWING —

APPLIED PRACTICES	SURFACES	TOLERANCES ON DIMENSIONS	FINISHES	ANGLES
✓	+	+	+	+

TITLE
 SERIAL DECODER & AMPLIFIER DEC
 FIRST MADE FOR 44B4121100

A
B
C
D
E



TEST POINT
 DECC/3 REV 001

REMAINING CONNECTOR PINS ARE ASSIGNED AS FOLLOWS

PINS	SIGNALS	PINS	SIGNALS
A01	SPARE	E04	SPARE
A02	SPARE	E05	SPARE
A03	SPARE	E06	SPARE
A04	FEH	E10	SPARE
A05	FOH	E11	SPARE
A09	SPARE	E12	SPARE
A10	SPARE	E13	SPARE
A11	SPARE	E14	SPARE
A12	SPARE		
E01	SPARE		
E02	SPARE		
E03	SPARE		

REVISIONS	PRINTS TO
	13 38 ^a
	23 41 ^z
	33 71
	34 74
	35 77

44C400118
 REV NO.

44C400118

2

3

4

5

GENERAL ELECTRIC

44C400118

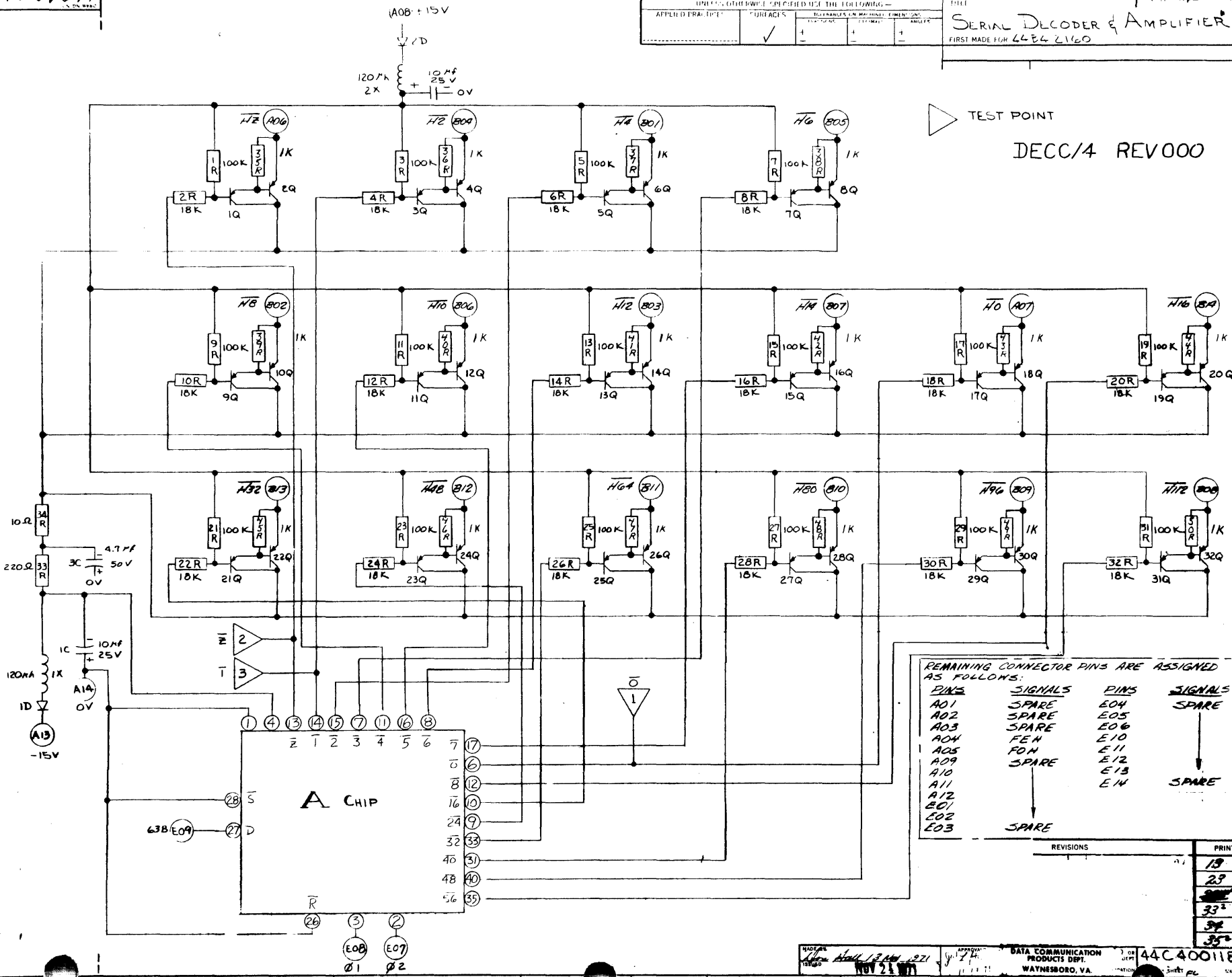
APPLIED TECHNIQUE	SURFACES	TOLERANCES UNLESS OTHERWISE SPECIFIED	FINISHES UNLESS OTHERWISE SPECIFIED
		FRACTIONAL	ANGLES
		±	±

SERIAL DECODER & AMPLIFIER DEC
FIRST MADE FOR 44E4 2160

TEST POINT

DECC/4 REV000

A
B
C
D
E



REMAINING CONNECTOR PINS ARE ASSIGNED AS FOLLOWS:

PINS	SIGNALS	PINS	SIGNALS
A01	SPARE	E04	SPARE
A02	SPARE	E05	SPARE
A03	SPARE	E06	SPARE
A04	FEN	E10	SPARE
A05	F0N	E11	SPARE
A09	SPARE	E12	SPARE
A10	SPARE	E13	SPARE
A11	SPARE	E14	SPARE
A12	SPARE		
E01	SPARE		
E02	SPARE		
E03	SPARE		

REVISIONS	PRINTS TO
19	38 ²
23	41 ²
33 ²	71 ⁴
35 ²	77 ²
	77 ²

DATE: NOV 13 1964 221 APPROVAL: [Signature] DATA COMMUNICATION PRODUCTS DEPT. 44C400118 WATSONBORO, VA. 22160

2

3

5

6

44C400118

REV NO.

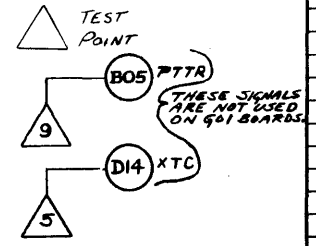
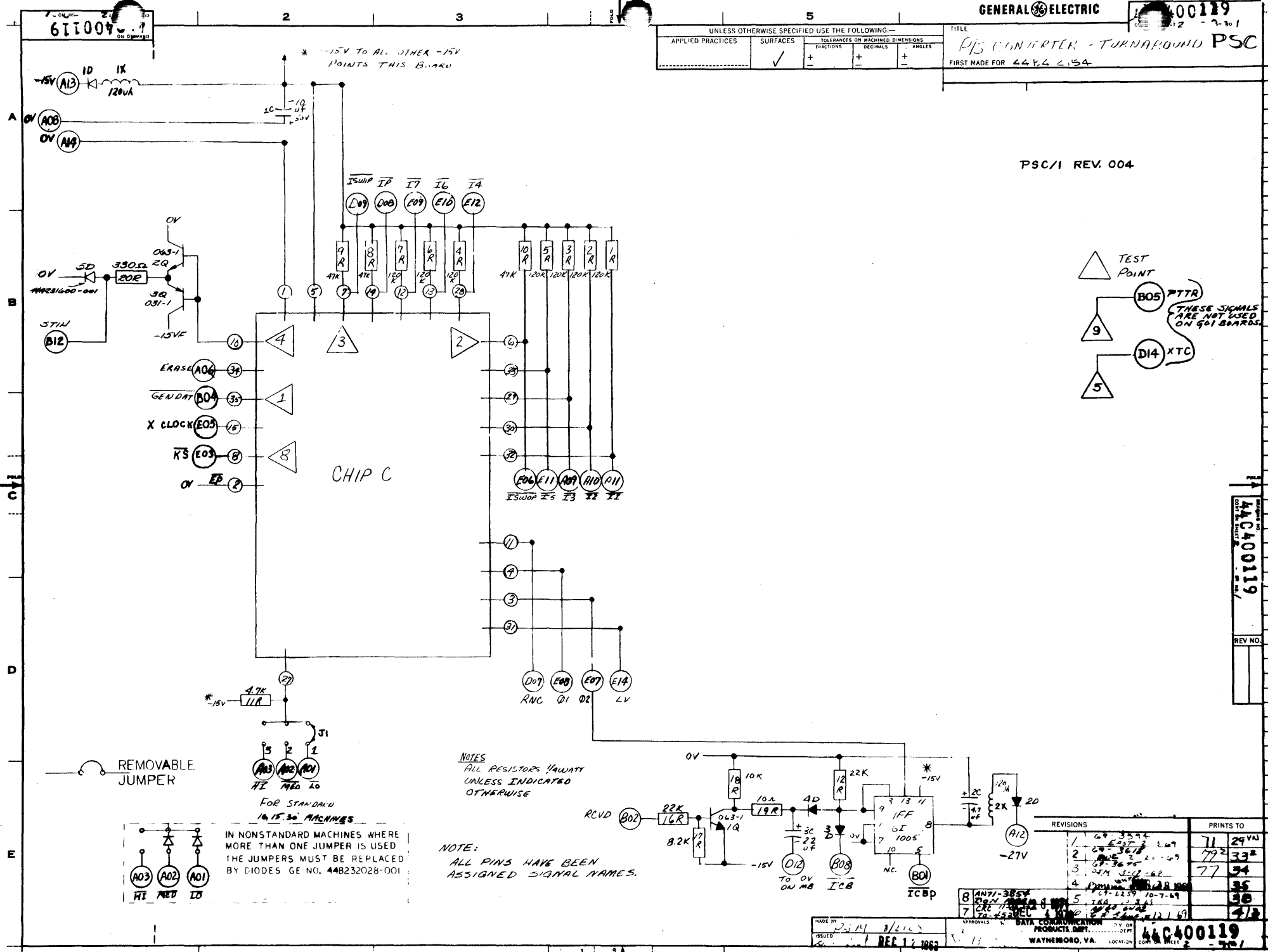
44C400118

UNLESS OTHERWISE SPECIFIED USE THE FOLLOWING—

APPLIED PRACTICES	SURFACES	TOLERANCES ON MACHINED DIMENSIONS		
		FRACTIONS	DECIMALS	ANGLES
	✓	+	+	+
		-	-	-

TITLE
P/S CONVERTER - TURNAROUND PSC
 FIRST MADE FOR 4424234

PSC/I REV. 004



REMOVABLE JUMPER

FOR STANDARD 14, 15, 30 MACHINES

IN NONSTANDARD MACHINES WHERE MORE THAN ONE JUMPER IS USED THE JUMPERS MUST BE REPLACED BY DIODES GE NO. 44B23202B-001

A03 HI
A02 MED
A01 ID

NOTES

ALL RESISTORS 1/4WATT UNLESS INDICATED OTHERWISE

NOTE: ALL PINS HAVE BEEN ASSIGNED SIGNAL NAMES.

REVISIONS	PRINTS TO
1. 69 3594	71 29 VU
2. 69 3678	77 33
3. 69 3678	77 34
4. 69 3678	77 35
5. 69 3678	77 36
6. 69 3678	77 37
7. 69 3678	77 38
8. ANTI-385V	77 39

MADE BY 2-114 8/21/62

ISSUED BY REF 12 1063

APPROVALS DATA COMMUNICATION PRODUCTS DEPT. WAYNESBORO, VA. LOCATION COM 1111

44C400119

44C400119

REV NO.

611004377

GENERAL ELECTRIC

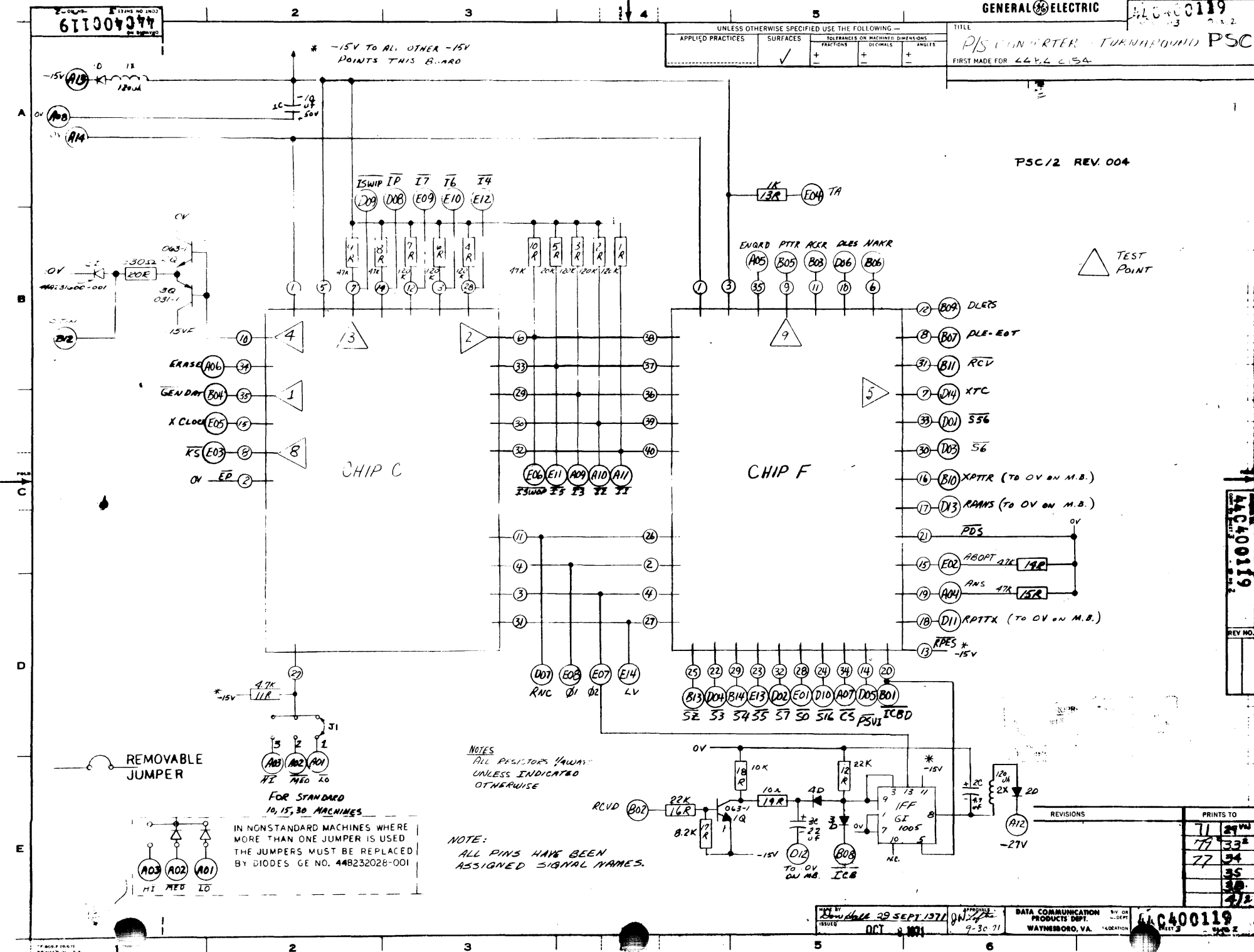
44C400119

UNLESS OTHERWISE SPECIFIED USE THE FOLLOWING —			
APPLIED PRACTICES	SURFACES	TOLERANCES ON MACHINED DIMENSIONS	
		FRACTIONS	DECIMALS
		+	-
		+	-
		+	-

TITLE
P/S CONVERTER - TURNAROUND PSC
FIRST MADE FOR 44V.6 C.5A

PSC/2 REV. 004

TEST POINT



* -15V TO ALL OTHER -15V POINTS THIS BOARD

CHIP C

CHIP F

NOTES
ALL RESISTORS HAWAII
UNLESS INDICATED
OTHERWISE

NOTE:
ALL PINS HAVE BEEN
ASSIGNED SIGNAL NAMES.

REMOVABLE JUMPER

FOR STANDARD
10, 15, 30 MACHINES

IN NONSTANDARD MACHINES WHERE
MORE THAN ONE JUMPER IS USED
THE JUMPERS MUST BE REPLACED
BY DIODES GE NO. 44B232028-001

44C400119

REV. NO.

PRINTS TO

71	29
77	33
77	34
	35
	36
	41/2

DATE BY
29 SEPT 1971
ISSUED OCT 8 1971

APPROVED BY
9-30-71

DATA COMMUNICATION
PRODUCTS DEPT.
WAYNESBORO, VA.

44C400119
REV. 2

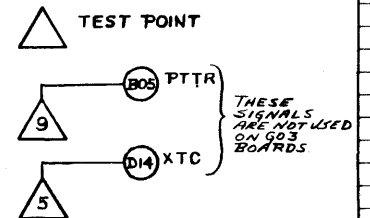
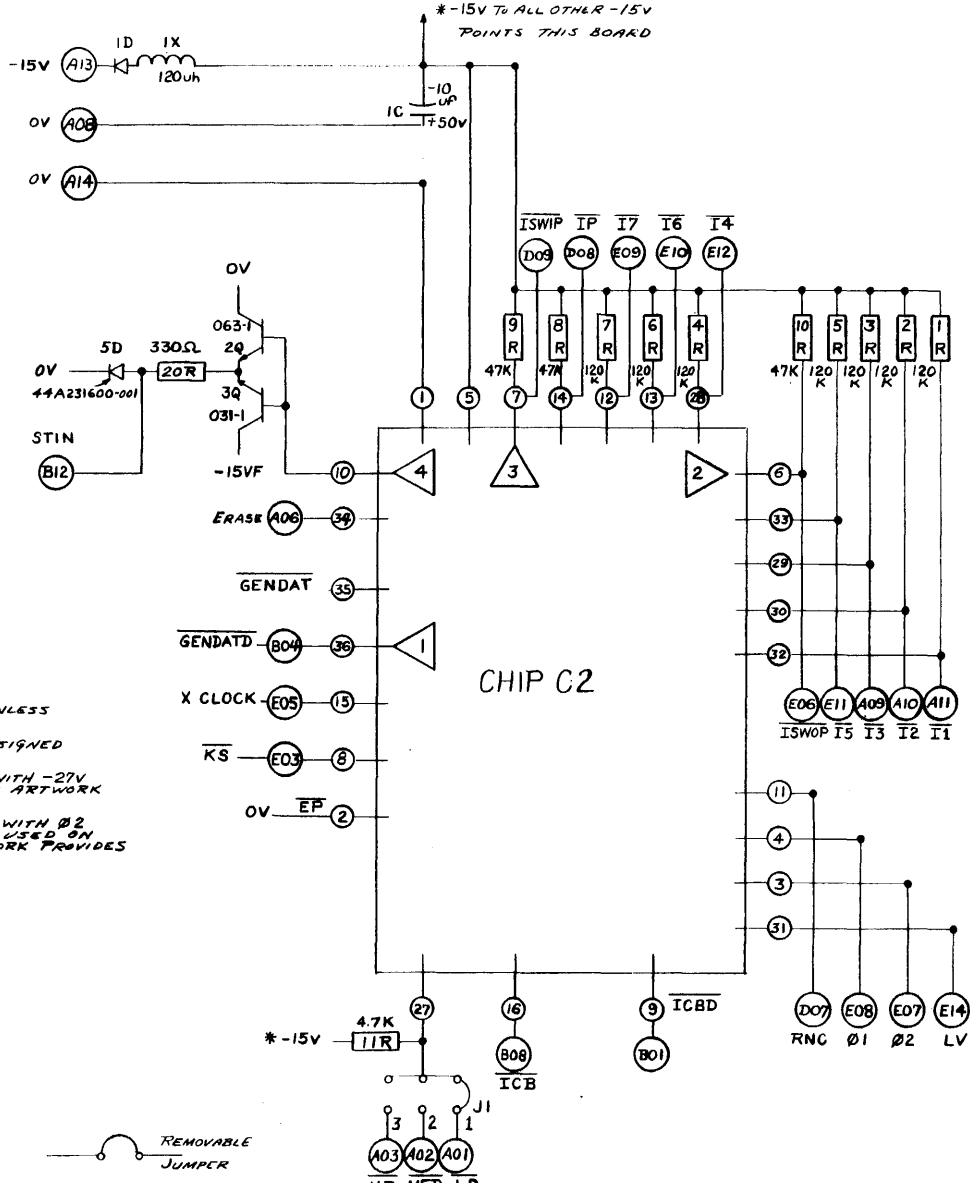
611001

GENERAL ELECTRIC

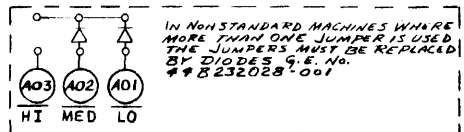
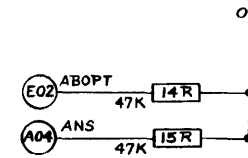
44C400119

P/S CONVERTER
TURNAROUND PSC
112912/ST

PSC/3 REV. 001



- NOTES:
- 1- ALL RESISTORS 1/4 WATT UNLESS INDICATED OTHERWISE.
 - 2- ALL PINS HAVE BEEN ASSIGNED SIGNAL NAMES.
 - 3- BOARD NOT ASSEMBLED WITH -27V FILTER BUT CONDUCTOR ARTWORK PROVIDES FOR IT.
 - 4- BOARD NOT ASSEMBLED WITH B2 SYNCHRONIZER CIRCUIT USED ON 601 AND 602 BUT ARTWORK PROVIDES FOR IT.



FOR STANDARD 10, 15, 30 MACHINES

44C400119

29	71
33	77
34	77
35	
38	
41	

Don Hall 29 SEPT 1971
OCT 8 1971

DATA COMMUNICATION PRODUCTS DEPT. WAYNESBORO, VA.

44C400119

HAMMER & FRAME
CONNECTION DIAGRAM

(WIRE FROM JACK ASM)
ELECTRIC PART 353000AA100

(WIRING SIDE OF PLUGS SHOWN)

-POWER CABLE FROM J2 SHOWN FOR REFERENCE
SEE 44C414034 FOR WIRING

WIRE IDENT.	FROM	TO	WIRE SIZE & COLOR
E1-1	14C	ITB	#18 GRAY
E1-3	ITB	ISW	#24 WHITE
E1-4	14C	P5	#24 GRAY
E1-5	14C	P5	#24 GRAY
E1-6	14C	P5	#24 GRAY
E1-7	14C	P5	#24 GRAY
E1-8	J8	ITB	#24 BLACK

E2-2	16C	ITB	#18 BLUE
E4-2	ITB	P6	#18 GREEN
E5-1	14C	ITB	#18 RED
E5-2	ITB	5FU	#18 ORANGE
E6	ITB	2T	#18 BROWN
E7-1	2T	P6	#18 BROWN
E10-2	J8	P5	#24 BLUE
E11	5FU	P5	#24 ORANGE
E12	JACK	P5	#24 BLACK
E13-2	J7	P5	#24 RED
E14-2	J7	P5	#24 WHITE
E15	2SW	P3	#24 BLACK
E16	2SW	P2	#24 BLUE
E17	J3	3TB	#24 ORANGE
E18	J3	3TB	#24 RED
E19	J3	3TB	#24 WHITE
E20	J3	3TB	#24 BLACK
E21	J3	3TB	#24 GRAY
E22	J3	3TB	#24 BLUE
E28	ISW	JACK	#24 WHITE
E29	ISW	JACK	#24 RED

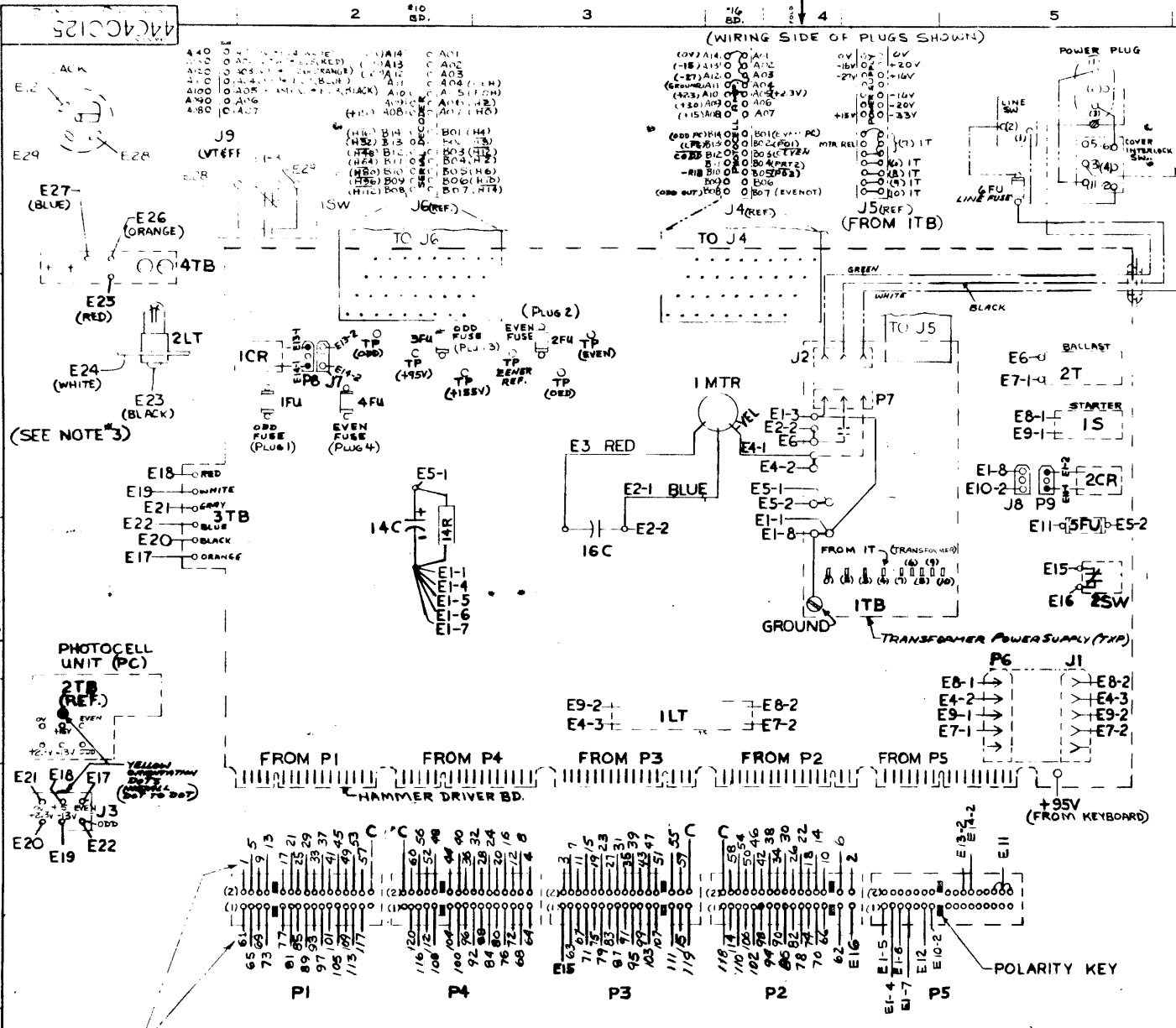
LEAD IDENT.	CONNECT TO	COLOR
E2-1	16C	BLUE
E3	16C	RED
E4-1	ITB	YELLOW

LEAD IDENT.	CONNECT TO	COLOR
E8-1	P6	BLACK
E8-2	J1	BLACK
E9-2	J1	BLACK

LEAD IDENT.	CONNECT TO	COLOR
E13-1	P8	RED
E14-1	P8	WHITE

LEAD IDENT.	CONNECT TO	COLOR
E4-3	J1	BLACK
E7-2	J1	BLACK
E8-2	J1	BLACK
E9-2	J1	BLACK

LEAD IDENT.	CONNECT TO	COLOR
E10-1	P9	BLACK
E10-2	P9	BLACK



- NOTES
- (SELF LEADS FROM HAMMER BANKS TO PLUG)
NO.1 = NO.1 HAMMER, NO. 61 = NO. 61 HAMMER ETC.
 - WIRING SIDE OF PLUGS SHOWN, READ PLUG NO., FROM LEFT TO RIGHT STARTING WITH NO.1,
(DO NOT CONFUSE PLUG NO. WITH WIRE IDENTIFICATION NO.)
 - 2LT & 4TB ON VERTICAL TAB FORM FEED OPTION ONLY.

4TB (SEE NOTE #3)

LEAD IDENT.	CONNECT TO	COLOR
E25	J9(A02)	RED
E26	J9(A03)	ORANGE
E27	J9(A04)	BLUE

2LT (SEE NOTE #3)

LEAD IDENT.	CONNECT TO	COLOR
E23	J9(A05)	BLACK
E24	J9(A01)	WHITE

DRAWING NO. 44C 400125

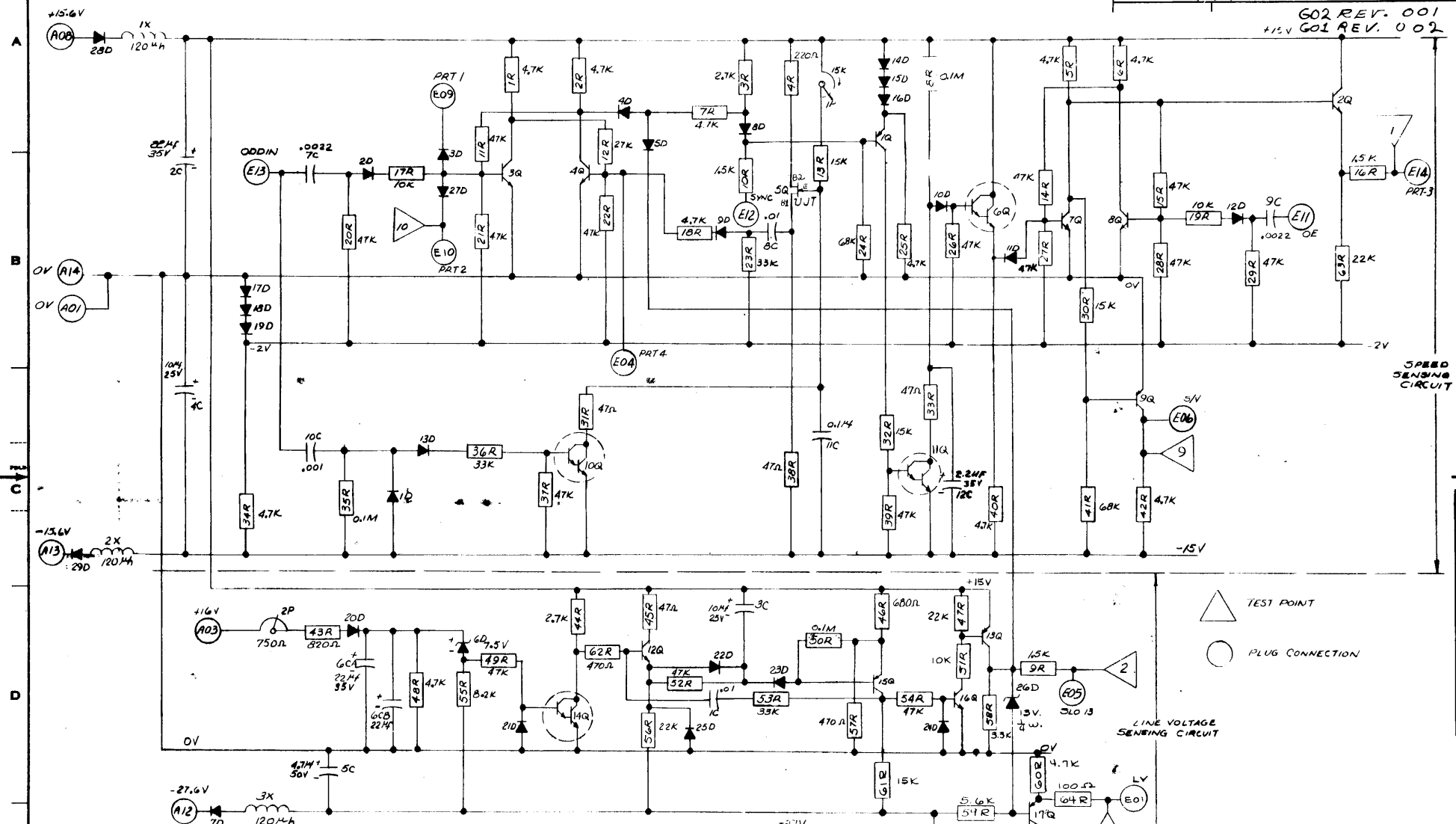
REVISIONS	PRINTS TO
	8 44
	332
	34
	362
	38

UNLESS OTHERWISE SPECIFIED USE THE FOLLOWING --

APPLIED PRACTICES	SURFACES	TOLERANCES ON MACHINED DIMENSIONS		
		FRACTIONS	DECIMALS	ANGLES
✓		+	+	+

TITLE
 PHED/VOLTAGE PROTECTION PRO
 FIRST MADE FOR 4424 L L4
 EEMPL... LING

G02 REV. 001
 +15V G01 REV. 002



SPEED SENSING CIRCUIT

TEST POINT
 PLUG CONNECTION

LINE VOLTAGE SENSING CIRCUIT

NOTES
 ALL RESISTORS 1/4 WATT UNLESS INDICATED OTHERWISE

REMAINING CONNECTOR PINS

PINS	SIGNALS	PINS	SIGNALS
A02	SPARE	E01	SPARE
A04		E08	SPARE
A05			
A06			
A07			
A09			
A10			
A11			
E02			
E03	SPARE		

REVISIONS

NO.	DATE	BY	REVISION
1			
2			
3	JUN 1 1970		
4	MAR 1 1972		
5	OCT 7 1973		

MADE BY
 ISSUED
 DEC 26 1963

SPECIALTY...
 WANNESBRO...

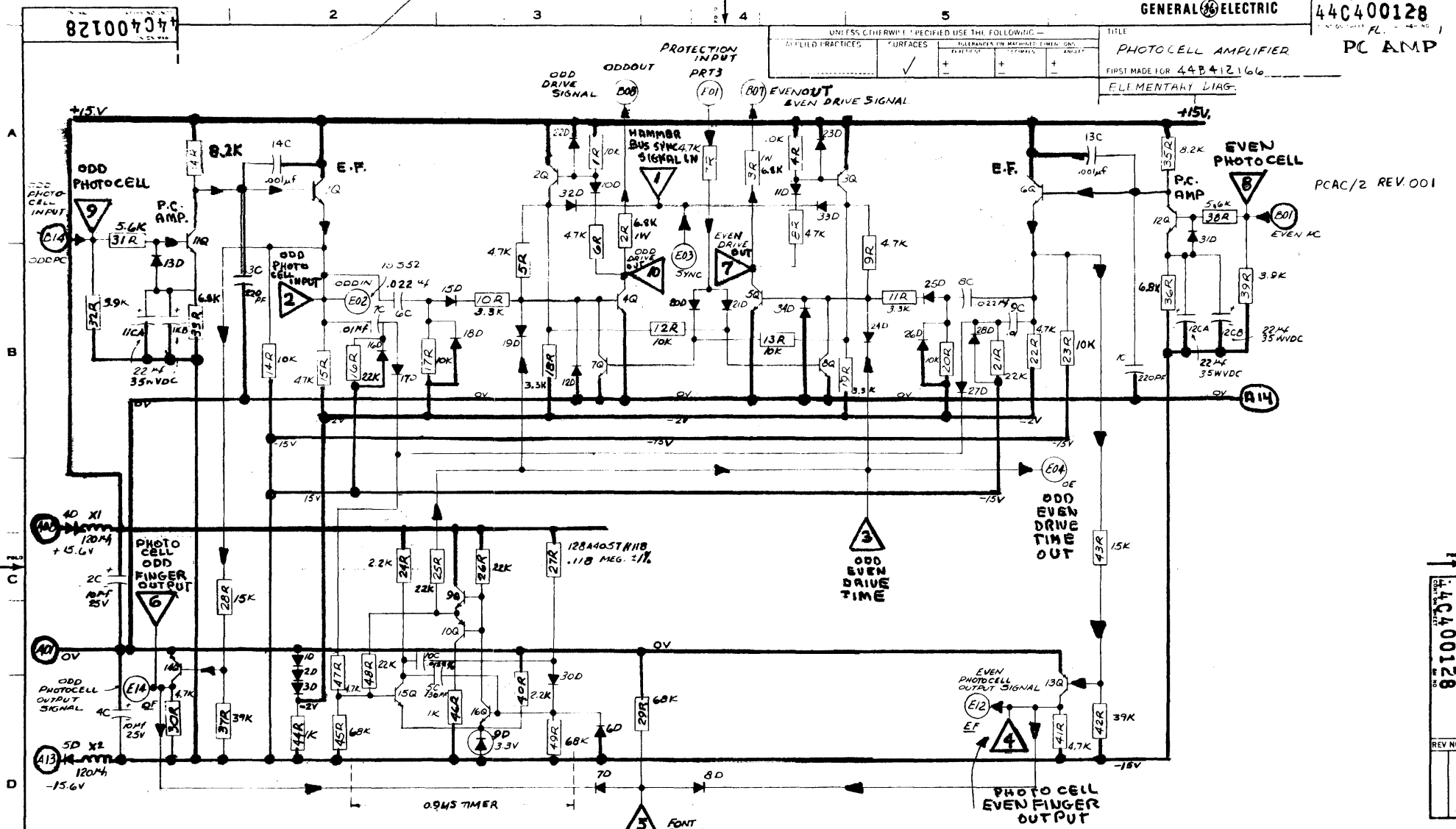
127

PROC 12 SPEED VOLTAGE PROTECTION

POSITION 16

MAC400127
 REV NO.

UNLESS OTHERWISE SPECIFIED USE THE FOLLOWING—			
APPLIED PRACTICES	SURFACES	TOLERANCES UNLESS OTHERWISE SPECIFIED	ANGLE
✓	+	+	+



△ TEST POINT

○ PLUG CONNECTION

NOTES:
ALL RESISTORS 1/4 W UNLESS INDICATED OTHERWISE

REMAINING CONNECTOR PINS ARE ASSIGNED AS FOLLOWS:

PINS	SIGNALS	PINS	SIGNALS	PINS	SIGNALS
A01	0V	B04	PRT2	E10	SPARE
A02	↓	B05	PO2	E11	SPARE
A03		B06	SPARE	E12	SPARE
A04	0V	B09	RTB		
A05	+2.3V	B10	SPARE		
A06	SPARE	B11	SPARE		
A07	-3V	B12	CDD		
A09	+3V	B13	LFG		
A10	+2.3V	E05	SPARE		
A11	0V	E06			
A12	-2V	E07			
B02	PO1	E08			
B03	↓	E09	SPARE		

REVISIONS	PRINTS TO
1 2ND 3543	38 71
2 2ND 3543	33 74
3 2ND 3543	34 77
	41

MADE BY: C.P. Kintner 31 Oct 1968
 ISSUED BY: B.W. Felt DEC 26 1968
 APPROVALS: S'BM
 SPECIALTY CONTROL: WAYNESBORO, VA. LOCATION
 C 400128

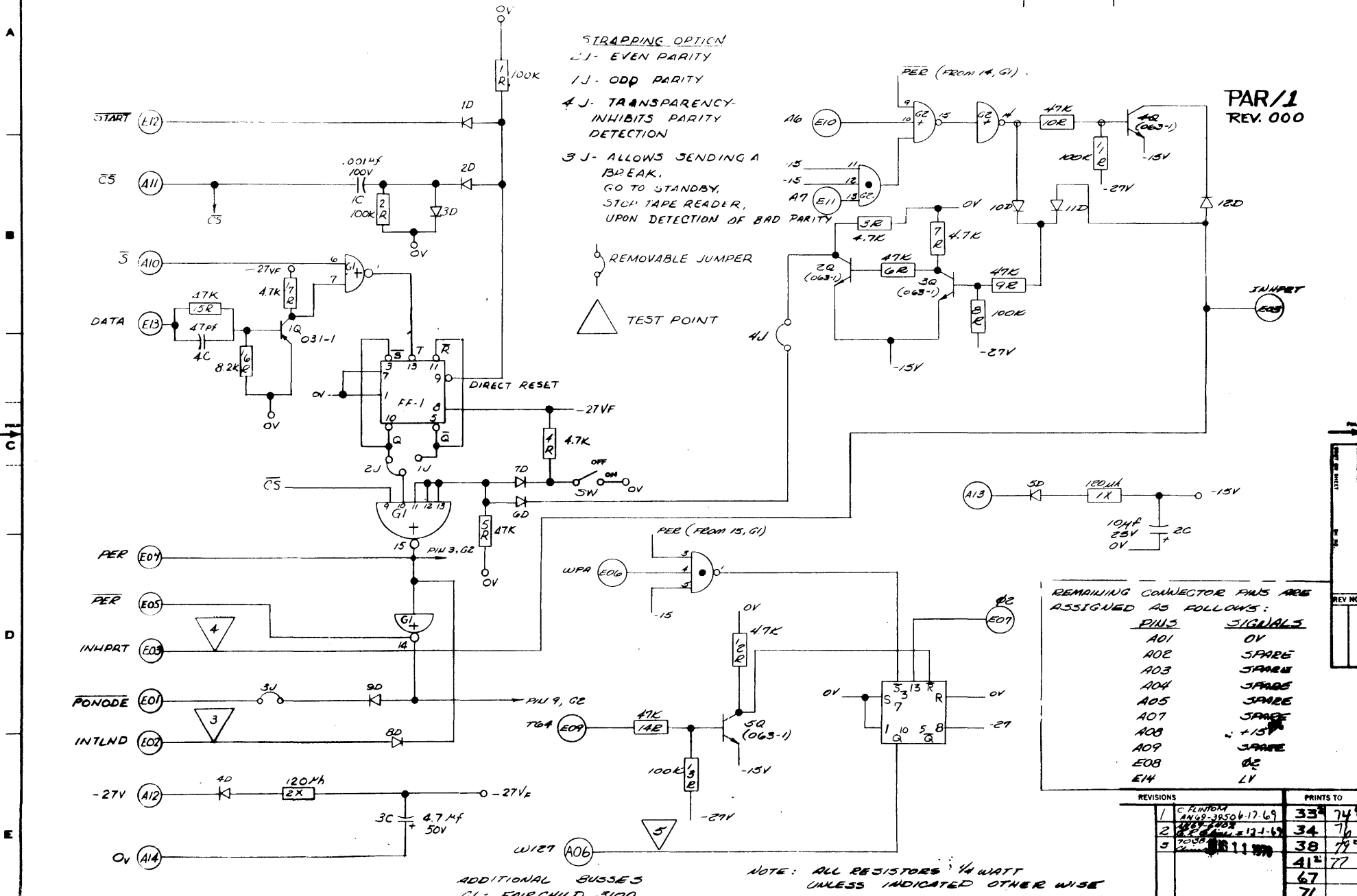
44C400128 REV NO.

UNLESS OTHERWISE SPECIFIED USE THE FOLLOWING—			
APPLIED PRACTICES	SURFACES	TOLERANCES ON MACHINED DIMENSIONS	TITLES
	✓	FRACTIONS DECIMALS ANGLES	CHARACTER PARITY DETECTION
		+	PAR
		-	FIRST MADE FOR
			44-440412260

STRAPPING OPTION
 2J - EVEN PARITY
 1J - ODD PARITY
 4J - TRANSPARENCY - INHIBITS PARITY DETECTION
 3J - ALLOWS SENDING A BREAK, GO TO STANDBY, STOP TAPE READER, UPON DETECTION OF BAD PARITY

REMOVABLE JUMPER
 TEST POINT

PAR/1
 REV. 000



REMAINING CONNECTOR PINS ARE ASSIGNED AS FOLLOWS:

PINS	SIGNALS
A01	0V
A02	SPARE
A03	SPARE
A04	SPARE
A05	SPARE
A07	SPARE
A08	+15V
A09	SPARE
E08	02
E14	LV

ADDITIONAL BUSES
 G1 - FAIRCHILD 3100
 QV = 3, 4, 5, 8
 -E14 - 10

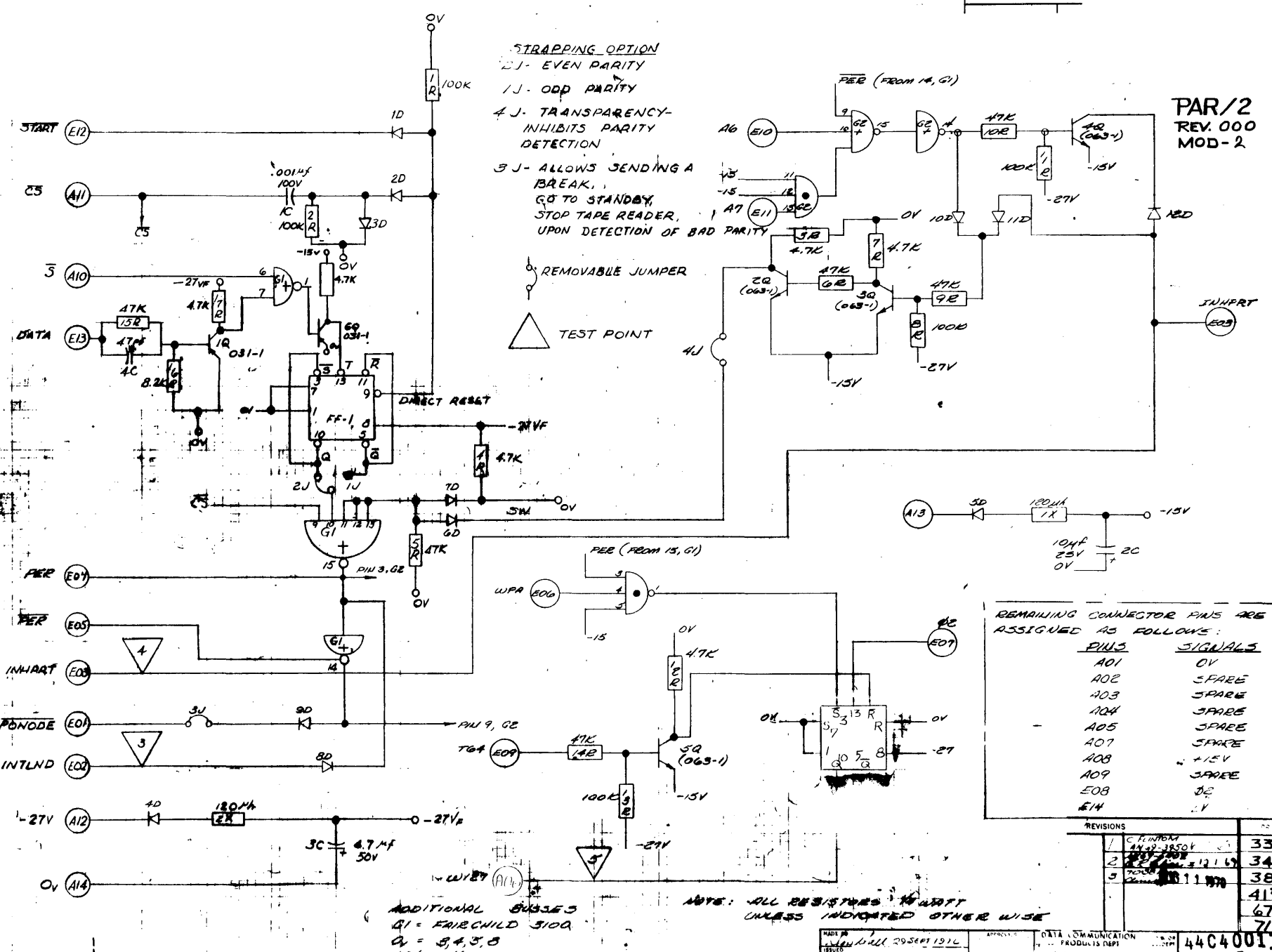
NOTE: ALL RESISTORS 1/4 WATT UNLESS INDICATED OTHERWISE

REVISIONS	PRINTS TO
1 C PLINTON ANG-38506-17-69	33 74
2 [unclear] 12-1-69	34 76
3 [unclear] 11-1-69	38 77
	41 77
	67
	71

UNLESS OTHERWISE SPECIFIED USE THE FOLLOWING —

APPLIED PRACTICES	TOLERANCES ON MACHINED DIMENSIONS		
	FACTORS	DECIMALS	ANGLES
✓	+	+	+

STRAPPING OPTION
 2J - EVEN PARITY
 1J - ODD PARITY
 4J - TRANSPARENCY - INHIBITS PARITY DETECTION
 3J - ALLOWS SENDING A BREAK, GO TO STANDBY, STOP TAPE READER, UPON DETECTION OF BAD PARITY



PAR/2
 REV. 000
 MOD-2

REMAINING CONNECTOR PINS ARE ASSIGNED AS FOLLOWS:

PIN#	SIGNALS
401	0V
402	SPARE
403	SPARE
404	SPARE
405	SPARE
407	SPARE
408	+15V
409	SPARE
408	0V
414	0V

REVISIONS	DATE	BY
1	11/11/54	33
2	12/16/54	34
3	11/11/55	38
		41
		67
		71

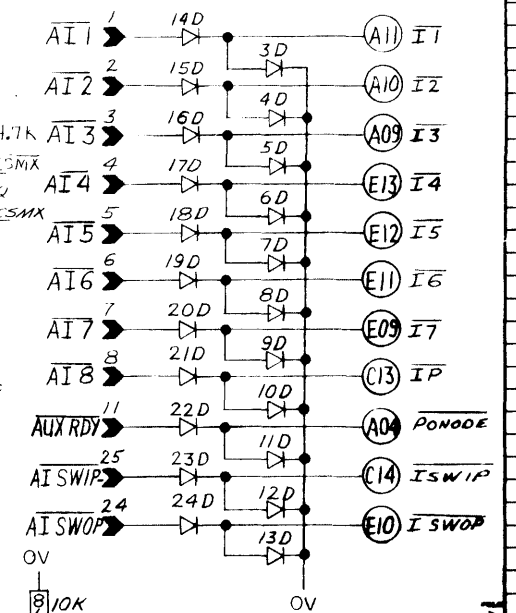
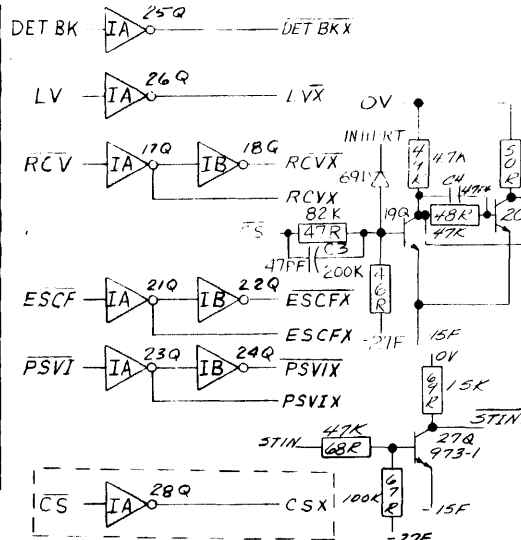
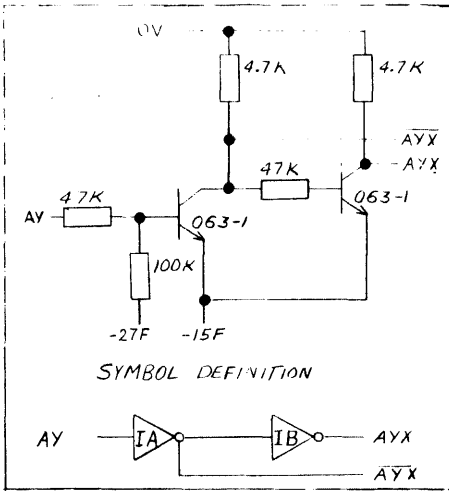
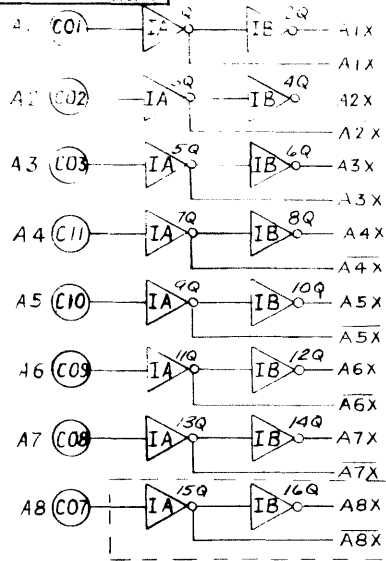
ADDITIONAL BUSSES
 G1 - FAIRCHILD 510A
 G2 - 8, 4, 3, 8
 - 100K 10

NOTE: ALL RESISTORS IN OHMS UNLESS INDICATED OTHERWISE

APPLIED PRACTICES	SURFACES	TELEGRAPHIC SYMBOLS	GENERAL	INDUSTRIAL
	✓	+	+	+

AUXILIARY PARALLEL INTERFACE (AUX)

FIRST MADE FOR 44SA12177



ESCF (C04) → ESCF

PSVI (E01) → PSVI

CS (A09) → CS

RCV (A07) → RCV

INHPRT (E02) → INHPRT

HI (E05) → NC

MED (E04) → NC

LO (A01) → NC

LV (E14) → LV

DET BK (A06) → DET BK

STIN (A03) → STIN

ICB (E06) → NC

-15V (A13) → -15V

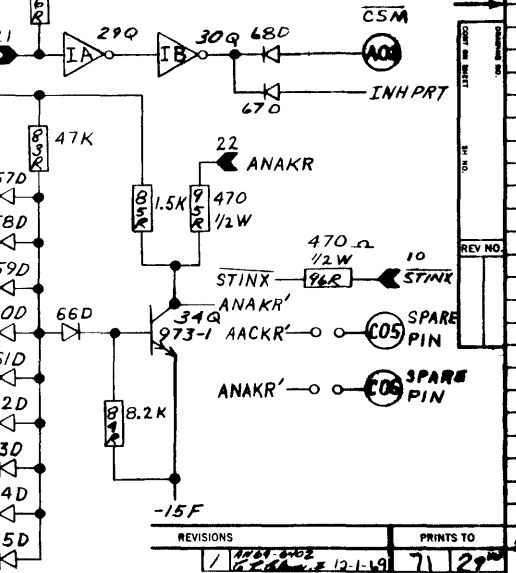
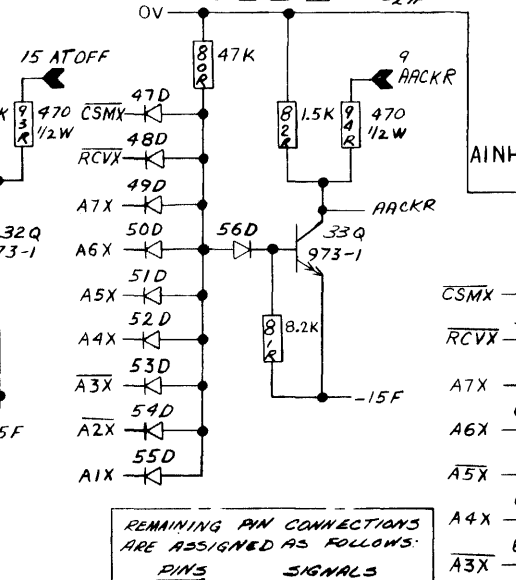
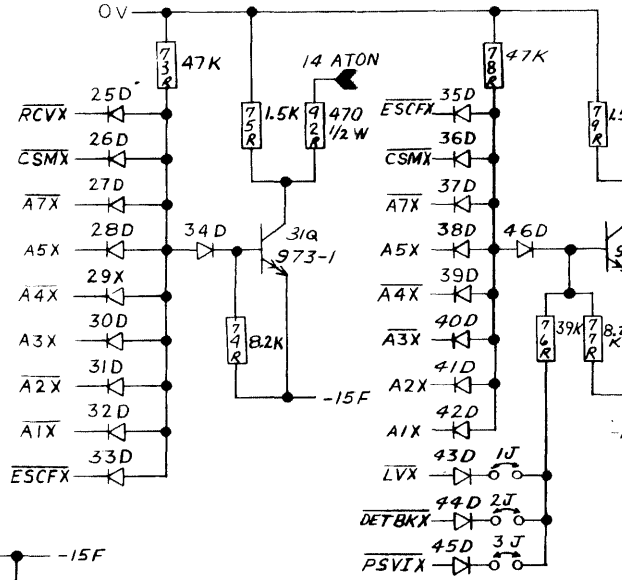
-27V (A12) → -27V

OV (A14) → 12 SIGNAL GROUND

Φ1 (E08) → NC

Φ2 (E07) → NC

ICBD (E03) → NC



REMAINING PIN CONNECTIONS ARE ASSIGNED AS FOLLOWS:

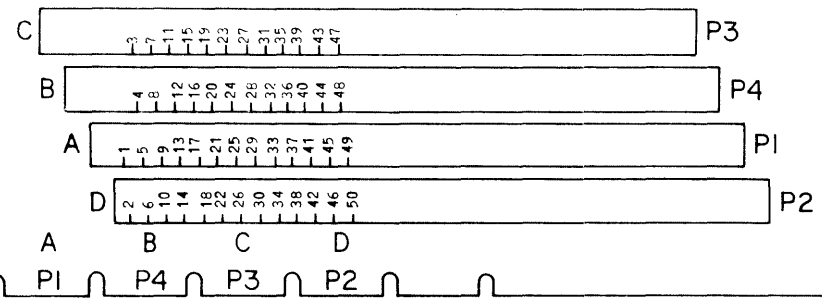
PINS	SIGNALS
A08	+15V
C05	SPARE
C06	SPARE
C12	SPARE

NOTES:
 1. BOARD MOUNTED CONNECTOR
 STRAPPING OPTIONS:
 A. 1J CAUSES ATOFF ON LV.
 B. 2J CAUSES ATOFF ON DET BK.
 C. 3J CAUSES ATOFF ON PSVI.
 2. COMPONENTS WITHIN DASHED LINES ARE FOR GROUP 2 ONLY

COIL BANK WIRING (REF)

44C414663

50 HAMMER



REVISIONS	PRINTS TO	
1 REDRAWING CHANGE 300 APR 23 1973	18	41
	33 ²	74 ⁴
	34	
	35 ²	
	38 ²	
	39	

RE	MADE BY A.V. Co 4-17-73	RE APPROVALS T.M.B. 4/21/73	DATA COMMUNICATION PRODANCIS DEPT. WAYNESBORO, VA.	DIV. OR OFFICE LOCALITY	44C400142 F 2
	ISSUED APR 23 1973				

13755 NO. AND
ON 14
ON NUMBER

REV NO.

871004

GENERAL ELECTRIC

400148

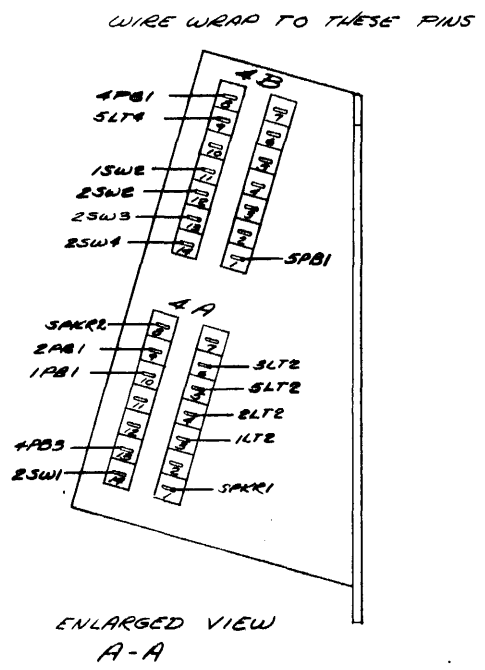
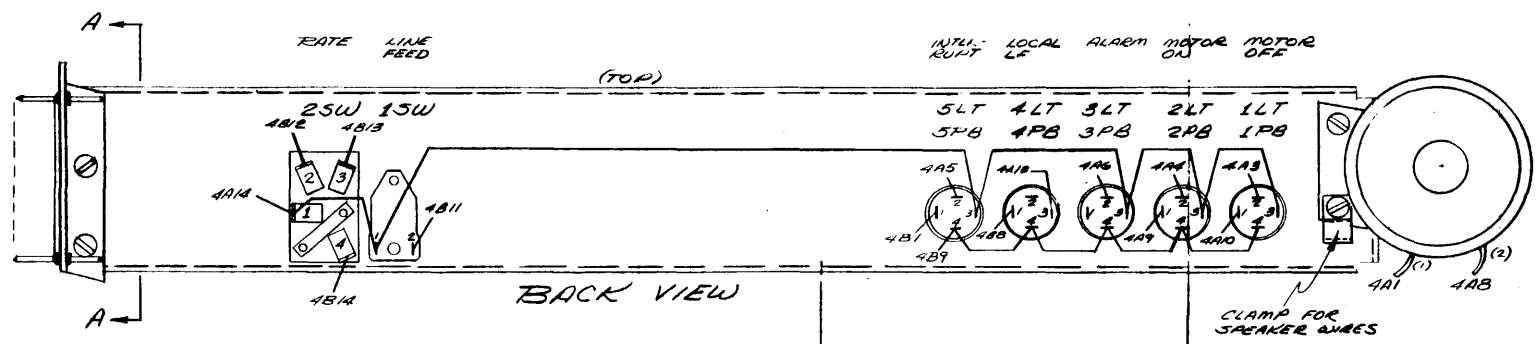
UNLESS OTHERWISE SPECIFIED USE THE FOLLOWING:

APPLIED PRACTICES	SURFACES	TOLERANCES UNLESS OTHERWISE SPECIFIED	FINISHES	TREATMENTS	PROTECTIVE
	✓	+	+	+	+

TITLE
CONNECTION DIAGRAM
CONTROL PANEL SUPPORT (ASIN - R.O.)
 FIRST MADE FOR 3030015562010 (REF 416 414 79-502)

NOTE:

WHEN WIRING FRONT PANEL WIRES SHOULD BE HARNESSSED & ROUTED ABOVE SWITCHES.



TERMINAL A B	WIRE SIZE & COLOR	CONNECT TO DEVICE
8	AWG #24	5PB1, 4PB1
9	WHITE	5LT4, 4LT4, 3LT4, 2LT4, 1LT4
11		1SW2
12		2SW2
13		2SW3
14		2SW4
4 A		
1	AWG #24	5PB1
3	WHITE	1LT2
4		2LT2
5		3LT2
6		3LT2
8		5PB2
9		2PB1
10		1PB1
14		2SW1, 1SW1, 5PB3, 3PB3, 2PB3
15		4PB3

CLAMP FOR SPEAKER WIRES

44C400148

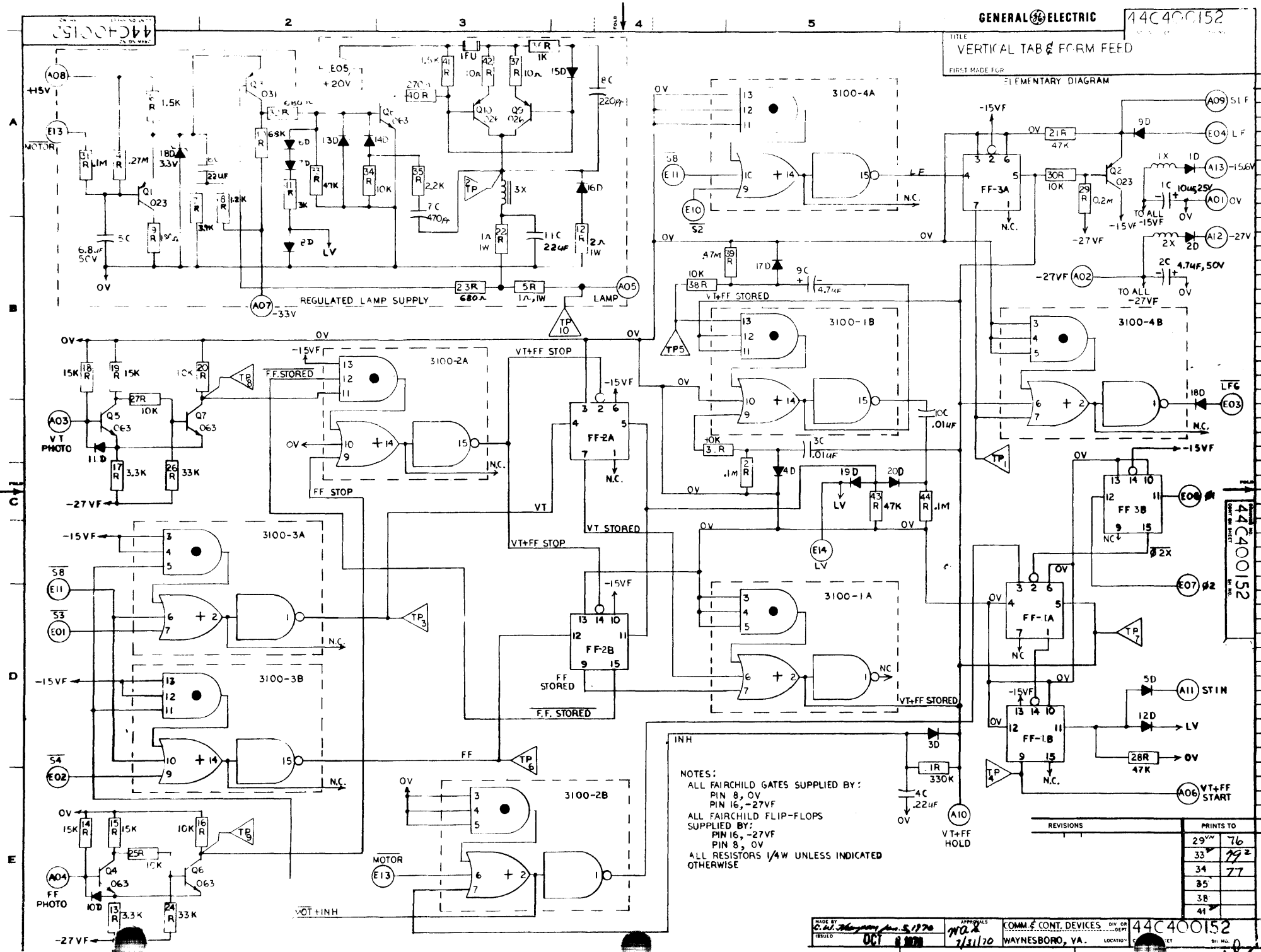
REV. NO.

REVISIONS	DATE	BY	APP'D
1	10-30-59	Don H. ...	18
2	11-11-59	Don H. ...	33 ²
			34
			35
			36

MATERIAL BY: SPECIALTY CONTROL SYSTEMS, WAYNESBORO, VA. 44C400148

VERTICAL TAB & FORM FEED

FIRST MADE FOR
ELEMENTARY DIAGRAM



NOTES:
ALL FAIRCHILD GATES SUPPLIED BY:
PIN 8, 0V
PIN 16, -27VF
ALL FAIRCHILD FLIP-FLOPS
SUPPLIED BY:
PIN 16, -27VF
PIN 8, 0V
ALL RESISTORS 1/4W UNLESS INDICATED
OTHERWISE

REVISIONS	PRINTS TO
	29 76
	33 77
	34 77
	35
	38
	41

1910075

2

3

5

GENERAL ELECTRIC

400161

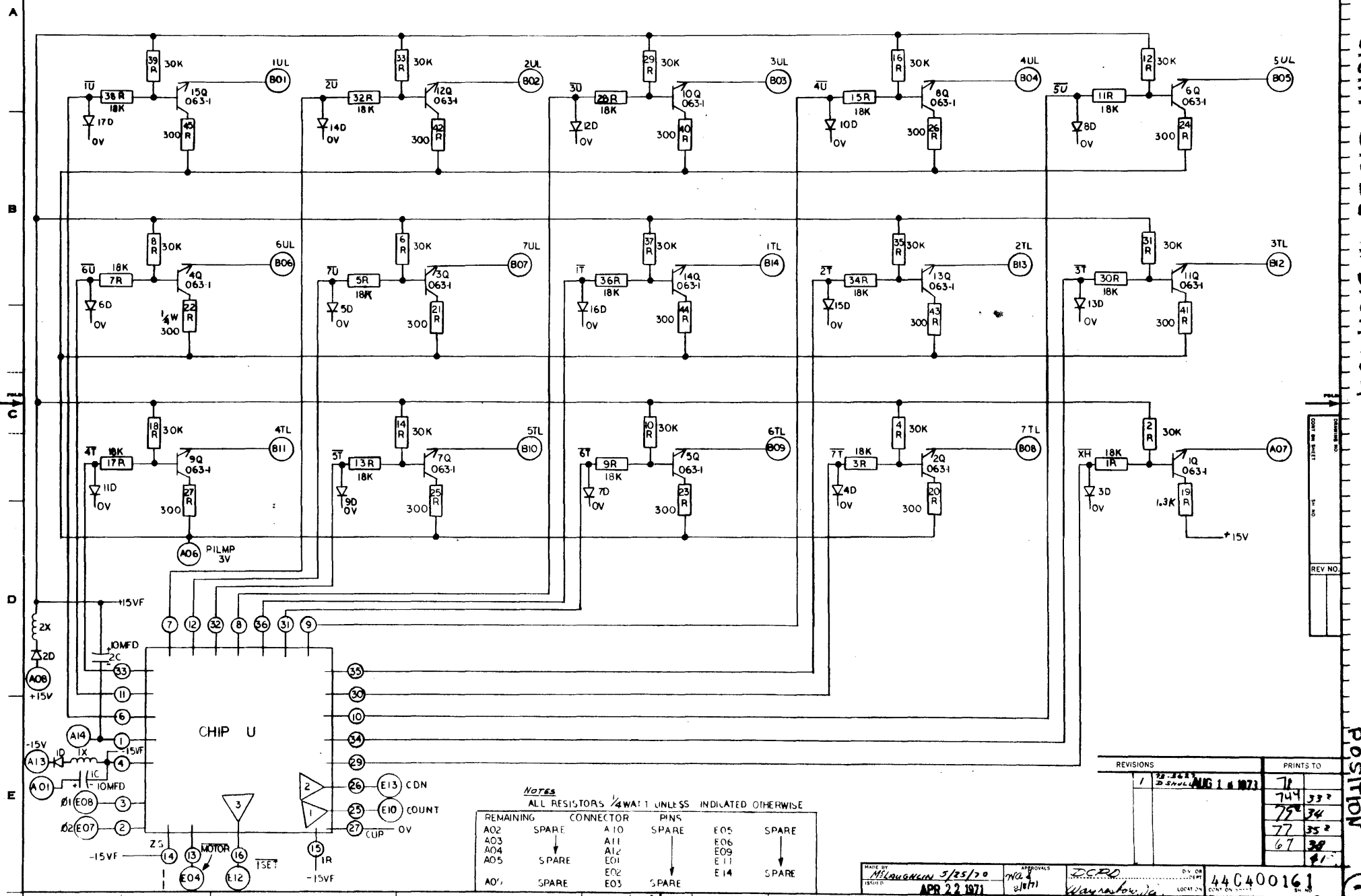
UNLESS OTHERWISE SPECIFIED USE THE FOLLOWING—

APPLIED PRACTICES	SURFACES	TOLERANCES ON MACHINE DIMENSIONS		
		FRACTIONS	DECIMALS	ANGLES
	✓	+	+	+

TITLE
LIGHT DIODE INDICATOR (LDIC)

FIRST MADE FOR

601 REV 000



NOTES

ALL RESISTORS 1/4WAT UNLESS INDICATED OTHERWISE

REMAINING	CONNECTOR	PINS			
A02	SPARE	A10	SPARE	E05	SPARE
A03	↓	A11	↓	E06	↓
A04	↓	A12	↓	E09	↓
A05	SPARE	E01	↓	E11	↓
		E02	↓	E14	↓
A07	SPARE	E03	SPARE		

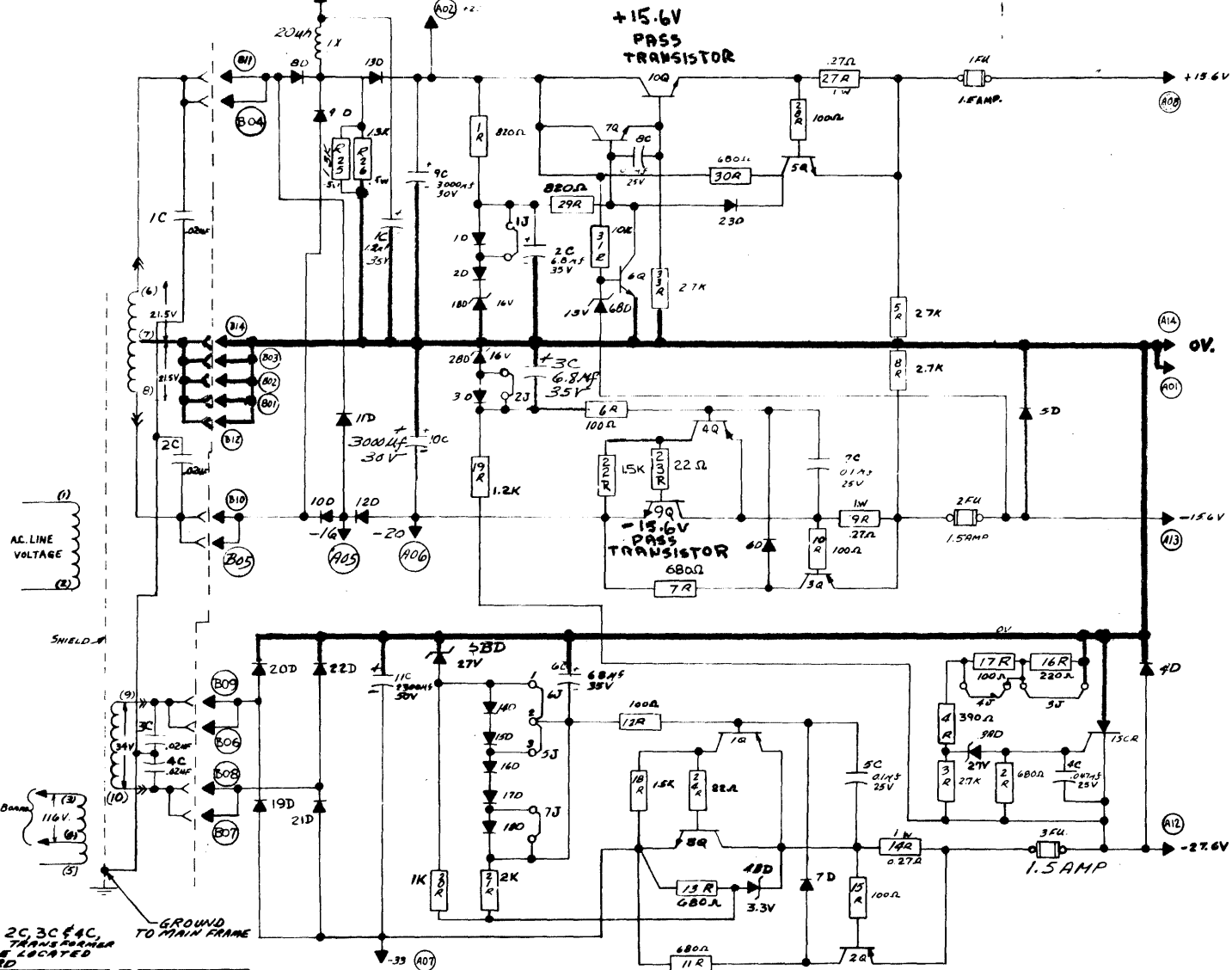
REVISIONS	PRINTS TO
1 25 JUN 71	71
2 25 AUG 71	74 33 2
	75 34
	77 35 2
	67 36
	81

MADE BY *MILWAUKEE* 5/25/70 APPROVALS *W.A. 2/17/71* *W.A. 2/17/71* *Waym...* LOCAL 24

APR 22 1971

446400161

CARD POSITION 15



- POWER SUPPLY VOLTAGE**
1. OUTPUT VOLTAGES ARE NOMINAL VALUES WITH LOAD AND 117 VOLTS A-C INPUT. ACTUAL VALUES SHOULD BE WITHIN A RANGE OF 15.6 TO 16.5 VOLTS FOR THE 15.6 VOLT BUSES AND 27 TO 29 VOLTS FOR 27.6 VOLT BUSS.
 2. JUMPERS ARE PROVIDED FOR MAKING SMALL CHANGES IN VOLTAGES. THE +15.6 BUSS CAN BE INCREASED BY 0.6 VOLTS BY REMOVAL OF 1J. THE -15.6 BUSS CAN BE MADE 0.6 VOLTS MORE NEGATIVE BY REMOVAL OF 2J. THE -27.6 VOLT BUSS CAN BE MADE 1.3 VOLTS MORE NEGATIVE BY REMOVAL OF 6J & 2.6 VOLTS MORE NEGATIVE BY REMOVAL OF BOTH 5J AND 6J, AND 3.2 VOLTS MORE NEGATIVE BY REMOVAL OF 5J, 6J, AND 7J.

- ADJUSTMENT OF 1SCR CROWBAR VOLTAGE**
1. THE PURPOSE OF JUMPERS 3J & 4J IS TO COMPENSATE FOR TOLERANCE IN ZENER DIODE 38D AND ASSOCIATED DIVIDER RESISTORS 3A, 4A, 16A, & 17A. CROWBAR VOLTAGE SHOULD BE WITHIN THE RANGE OF -30.5 TO 32.5 VOLTS.
IF CROWBAR ACTION OCCURS BELOW 28.2 VOLTS, REMOVE 3J AND 4J. IF CROWBAR ACTION OCCURS BETWEEN 28.2 & 29.5 VOLTS, REMOVE ONLY 3J. IF CROWBAR ACTION OCCURS BETWEEN 29.5 & 30.5 VOLTS, REMOVE ONLY 4J.

0.02 CAP. 1C, 2C, 3C, 4C, CONNECTED TO TRANSFORMER SECONDARY ARE LOCATED ON TXP BOARD

REMAINING CONNECTOR PINS ARE ASSIGNED AS FOLLOWS:

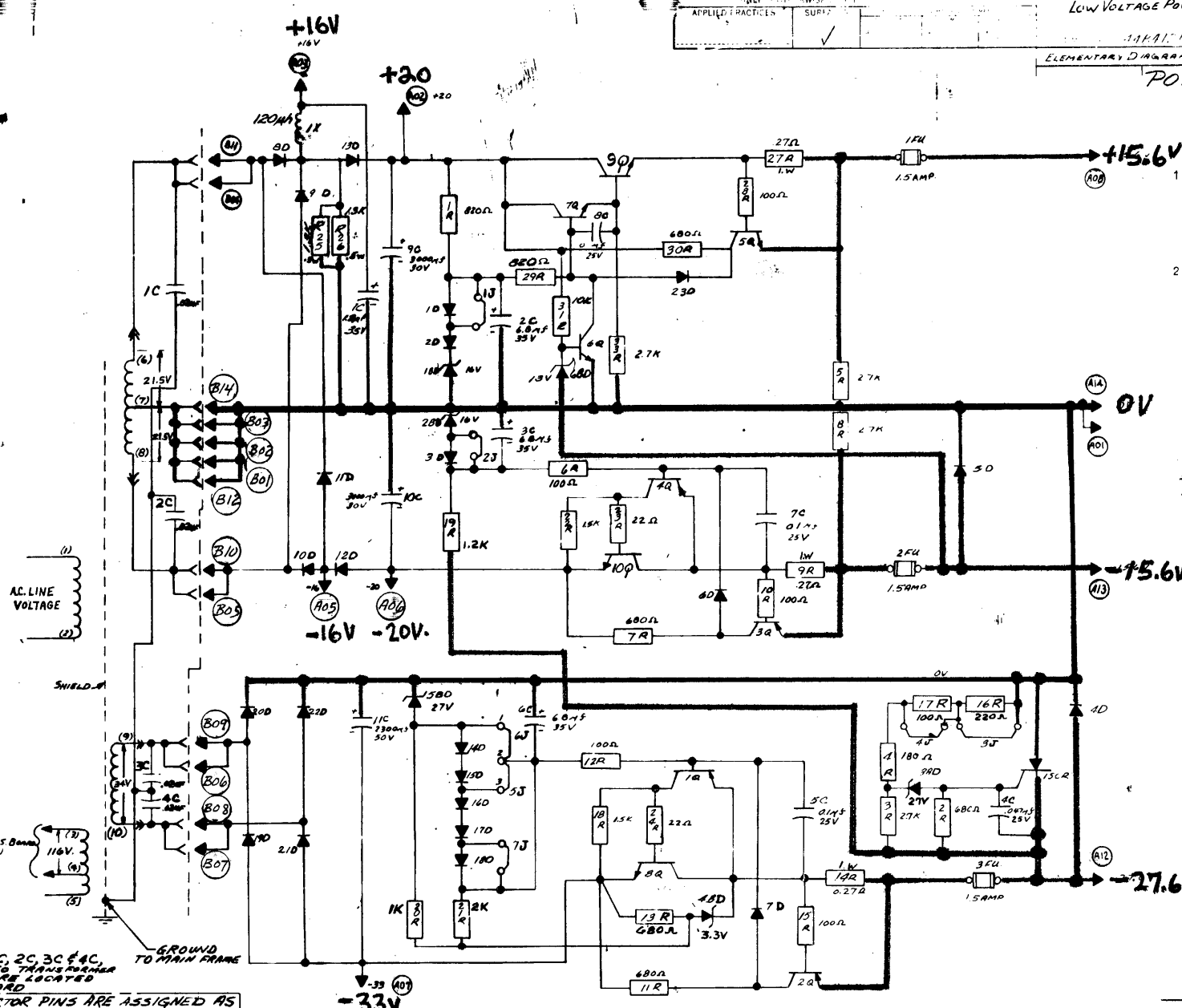
PINS	SIGNALS	PINS	SIGNALS
A04	SPARE	E07	SPARE
A09	SPARE	E08	SPARE
A10	SPARE	E09	SPARE
A11	SPARE	E10	SPARE
A12	SPARE	E11	SPARE
A13	SPARE	E12	SPARE
A14	SPARE	E13	SPARE
A15	SPARE	E14	SPARE
A16	SPARE		
A17	SPARE		
A18	SPARE		
A19	SPARE		
A20	SPARE		
A21	SPARE		
A22	SPARE		
A23	SPARE		
A24	SPARE		
A25	SPARE		
A26	SPARE		
A27	SPARE		
A28	SPARE		
A29	SPARE		
A30	SPARE		
A31	SPARE		
A32	SPARE		
A33	SPARE		
A34	SPARE		
A35	SPARE		
A36	SPARE		
A37	SPARE		
A38	SPARE		
A39	SPARE		
A40	SPARE		
A41	SPARE		
A42	SPARE		
A43	SPARE		
A44	SPARE		
A45	SPARE		
A46	SPARE		
A47	SPARE		
A48	SPARE		
A49	SPARE		
A50	SPARE		
A51	SPARE		
A52	SPARE		
A53	SPARE		
A54	SPARE		
A55	SPARE		
A56	SPARE		
A57	SPARE		
A58	SPARE		
A59	SPARE		
A60	SPARE		
A61	SPARE		
A62	SPARE		
A63	SPARE		
A64	SPARE		
A65	SPARE		
A66	SPARE		
A67	SPARE		
A68	SPARE		
A69	SPARE		
A70	SPARE		
A71	SPARE		
A72	SPARE		
A73	SPARE		
A74	SPARE		
A75	SPARE		
A76	SPARE		
A77	SPARE		
A78	SPARE		
A79	SPARE		
A80	SPARE		
A81	SPARE		
A82	SPARE		
A83	SPARE		
A84	SPARE		
A85	SPARE		
A86	SPARE		
A87	SPARE		
A88	SPARE		
A89	SPARE		
A90	SPARE		
A91	SPARE		
A92	SPARE		
A93	SPARE		
A94	SPARE		
A95	SPARE		
A96	SPARE		
A97	SPARE		
A98	SPARE		
A99	SPARE		
A100	SPARE		

TRANSISTORS:
 8Q, 9Q, 10Q (NPN) - 44A417032-001
 5Q, 6Q, 7Q (NPN) - 44A417063-001
 1A, 2A, 3A, 4A (PNP) - 44A417033-001
SCR:
 15CR - 44A417331-001

FUSES:
 LITTLE FUSE CAT. NO 276-750
 (GE NO. 44A417087-007)
ZENER DIODES:
 18D-28D - 44B232024-001
 38D-58D - 44B232025-001
 48D, - 44B232023-001
 68D, - 44B232035-001

REVISIONS	PRINTS TO
1	44B2-5826 Daw/Alc SEP 26 1972 33
2	44B2-5826 Daw/Alc OCT 7 1972 34
3	44B2-5826 Daw/Alc OCT 7 1972 35
	44B2-5826 Daw/Alc OCT 7 1972 67
	44B2-5826 Daw/Alc OCT 7 1972 71

MAILED 10/10/70 JUN 16 1971
 SPECIALTY CONTROL WAYNESBORO, VA
 44C400164



- POWER SUPPLY VOLTAGE**
- OUTPUT VOLTAGES ARE NOMINAL VALUES WITH LOAD AND 117 VOLTS A-C INPUT. ACTUAL VALUES SHOULD BE WITHIN A RANGE OF 15.2 TO 16.5 VOLTS FOR THE 15.6 VOLT BUSES AND 27 TO 29 VOLTS FOR 27.6 VOLT BUSES.
 - JUMPERS ARE PROVIDED FOR MAKING SMALL CHANGES IN VOLTAGES. THE +15.6 BUSS CAN BE INCREASED 3V, 0.6 VOLTS BY REMOVAL OF 3J. THE -15.6 BUSS CAN BE MADE 0.6 VOLTS MORE NEGATIVE BY REMOVAL OF 2J. THE -27.6 VOLT BUSS CAN BE MADE 1.3 VOLTS MORE NEGATIVE BY REMOVAL OF 6J AND 2.6 VOLTS MORE NEGATIVE BY REMOVAL OF BOTH 5J AND 6J AND 3.2 VOLTS MORE NEGATIVE BY REMOVAL OF 5J, 6J, AND 7J.

ADJUSTMENT OF 1SCR CROWBAR VOLTAGE

- THE PURPOSE OF JUMPERS 3J & 4J IS TO COMPENSATE FOR TOLERANCE IN ZENER DIODE 38D AND ASSOCIATED DIVIDER RESISTORS 3R, 4R, 16R & 17R. CROWBAR VOLTAGE SHOULD BE WITHIN RANGE OF 30.5 TO 32.5 VOLTS. IF CROWBAR ACTION OCCURS BELOW 28.7 VOLTS, REMOVE 3J AND IF CROWBAR ACTION OCCURS BETWEEN 28.7 AND 29.7 VOLTS, REMOVE ONLY 3J. IF CROWBAR ACTION OCCURS BETWEEN 29.7 AND 30.5 VOLTS, REMOVE ONLY 4J.

.02 CAP. 1C, 2C, 3C & 4C, CONNECTED TO TRANSFORMER SECONDARY ARE LOCATED ON TXD BOARD

REMAINING CONNECTOR PINS ARE ASSIGNED AS FOLLOWS:

PIN#	SIGNALS	PIN#	SIGNALS
A04	SPARE	E07	SPARE
A09	SPARE	E08	SPARE
A11	SPARE	E09	SPARE
A12	SPARE	E10	SPARE
A13	MITREL	E11	SPARE
A01	SPARE	E12	SPARE
E04	SPARE	E13	SPARE
E05	SPARE	E14	SPARE
E06	SPARE		

TRANSISTORS:

- 8Q, 9Q, 10Q (NPN) - 44A41702-001
 - 5R, 6R, 7R (NPN) - 44A417063-001
 - 2, 1Q, 3Q, 4Q (PNP) - 44A417023-001
- SCR:**
1SCR - 44A417331-001

FUSES:

- LITTLE FUSE CAT. NO. 276.750 (GE NO. 44A417087-007)
- ZENER DIODES**
- 1BD 2BD - 44B232 024-001
- 5BD 5BD - 44B232 025-001
- 4BD - 44B232 023-001
- 6SD - 44B232 035-001

44C400166

GENERAL ELECTRIC

44C400166

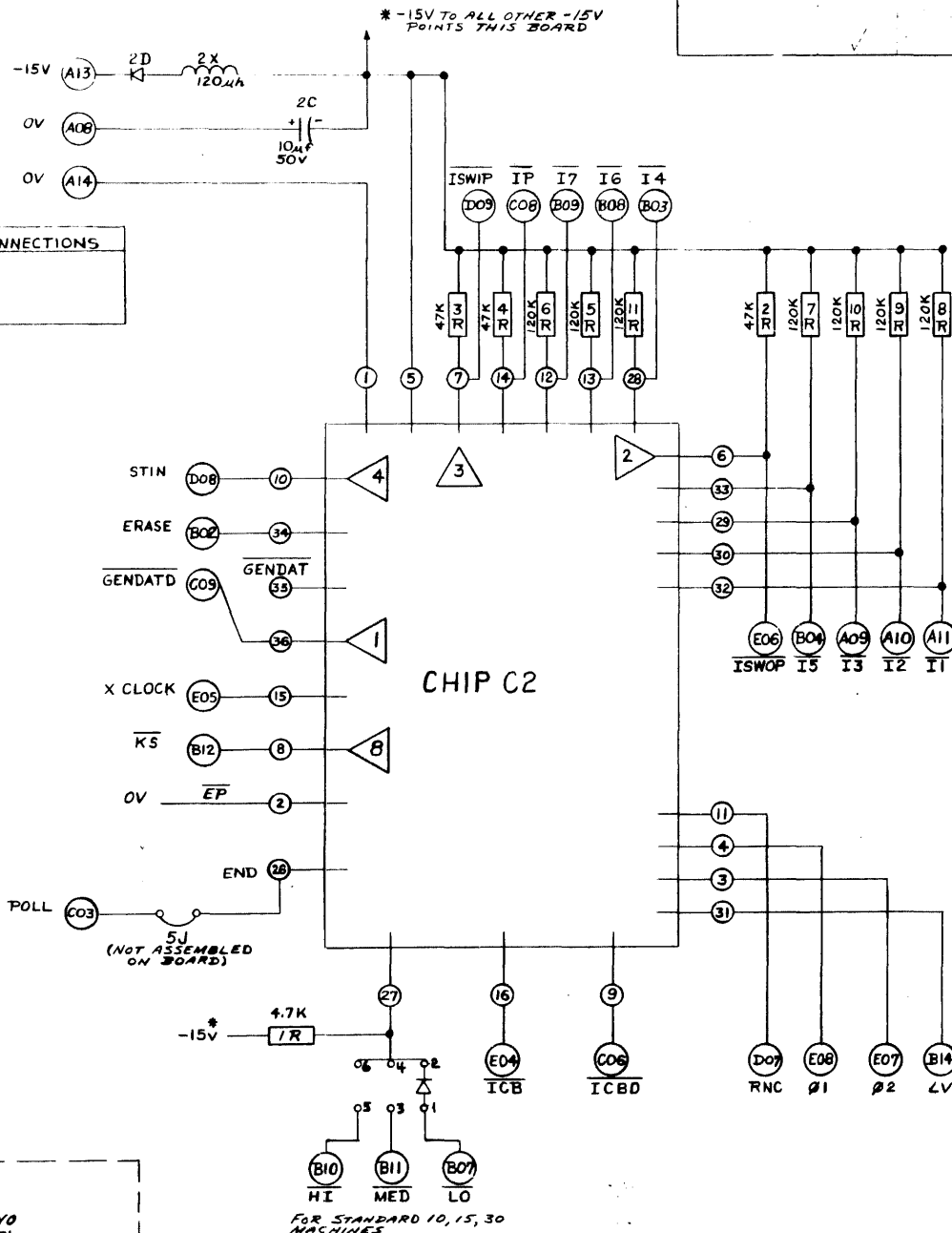
P/S CONVERTER
TURNAROUND

PSCC

PSCC/1 REV. 006

TEST POINTS

SPARE MOTHER BOARD CONNECTIONS	
A01	C11
A02	E11
A03	E12



NOTES:

- 1- ALL RESISTORS 1/4 WATT UNLESS INDICATED OTHERWISE.
- 2- BOARD NOT ASSEMBLED WITH -27V FILTER, BUT CONDUCTOR ARTWORK PROVIDES FOR IT.

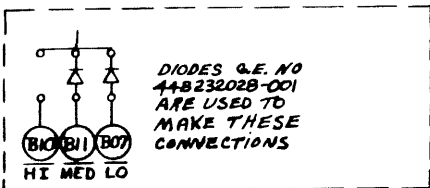
A

B

C

D

E



FOR STANDARD 10, 15, 30 MACHINES

REMOVABLE JUMPER

REVISIONS	PRINTS TO
1 RE-DESIGN WITH CHANGE PER AN-71-888	32 77
2 71-8617	34 77
3 71-888	35 77
	38 71
	41 62
	71

MADE BY G.E. GENERAL ELECTRIC 9-25-71
 APPROVED BY [Signature]
 DATA COMMUNICATION PRODUCTS DEPT. WATSONBORO, VA. LOCATION 44C400166

44C400166

991007

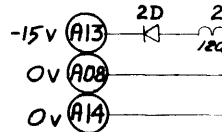
GENERAL ELECTRIC

400166

UNLESS OTHERWISE SPECIFIED USE THE FOLLOWING—			
APPLIED PRACTICES	SURFACES	TOLERANCES ON MEASURED DIMENSIONS	
	✓	FRACTIONS	DIMINALS
		+	+
		-	-
		±	±

TITLE
 215 CONVERTER MAINBOARD
 FIRST MADE FOR
 PSCC
 44847489

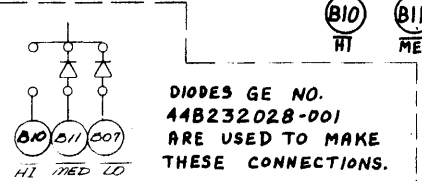
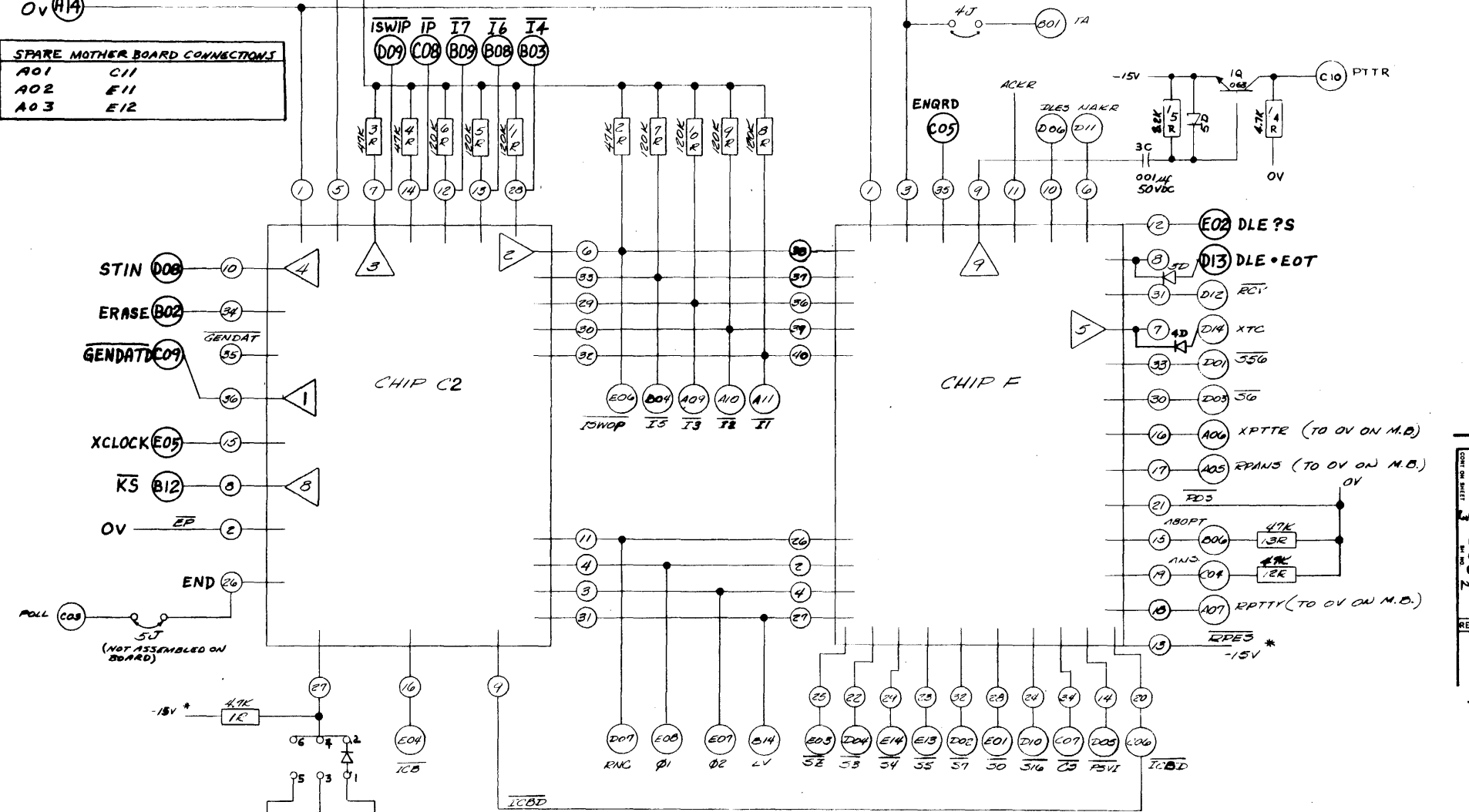
PSCC/2 REV. 006



SPARE MOTHER BOARD CONNECTIONS

A01	C11
A02	E11
A03	E12

* -15V TO ALL OTHER -15V POINTS THIS BOARD



FOR STANDARD 10, 15, 30 MACHINES

- NOTES:
1. ALL RESISTORS 1/4 WATT UNLESS INDICATED OTHERWISE.
 2. Board not assembled with -27V filter, BUT CONDUCTOR ARTWORK PROVIDES FOR IT.

REVISIONS		PRINTS TO	
1	71-8617	35E	74Y
2	71-8617	34	77Z
3	73-288	38	79Z
		41Z	
		67	
		71	

APPROVED: *[Signature]* DATE: 30 Sept 1971
 PRODUCED BY: WATSON, VA. LOCATION: WATSON, VA.
 PART NO. 400166 SH. NO. 2

400166

REV NO

P/S CONVERTER PSCC

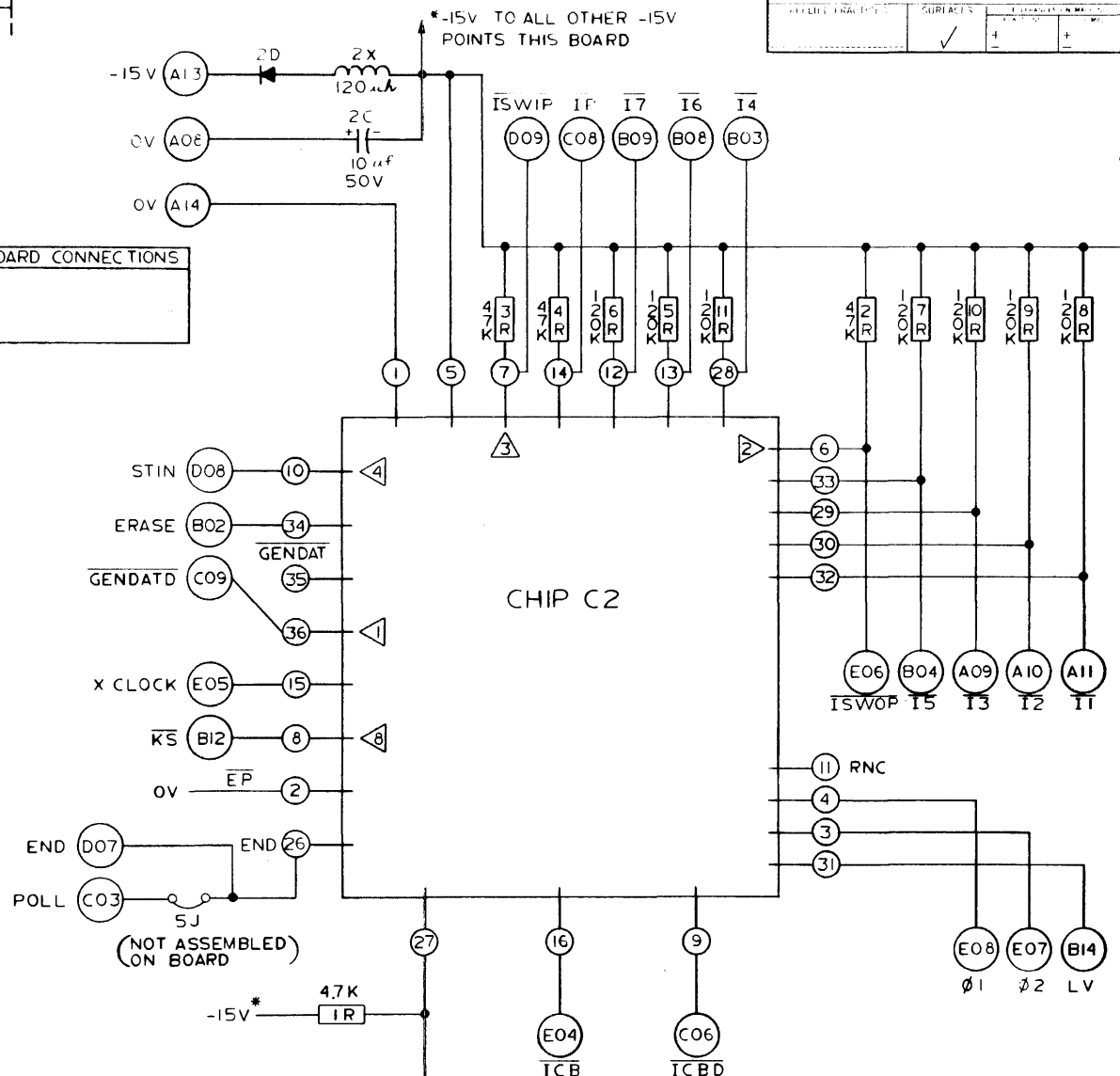
(EFC 44B417409)

PSCC/8 REV. 000

△ TEST POINTS

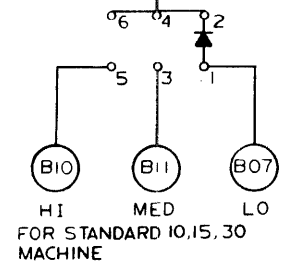
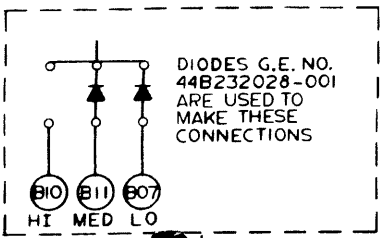
SPARE MOTHERBOARD CONNECTIONS

A01	C 11
A02	E 11
A03	E 12



NOTES:

1. ALL RESISTORS 1/4 WATT UNLESS INDICATED OTHERWISE.
2. BOARD NOT ASSEMBLED WITH -27V FILTER, BUT CONDUCTOR ARTWORK PROVIDES FOR IT.
3. 6J AND 7J INSTALLED TO TURN ON CA WHEN TAPE IS LOADED IN THE READER AND LOCK SWITCH IS OFF.
4. THIS BOARD IS FUNCTIONALLY IDENTICAL TO PSCC/6 WHEN 6J AND 7J ARE REMOVED.



REVISIONS	PRINTS TO
	71
	77*
	33*
	79*
	34
	67
	38*
	41*

991004

GENERAL ELECTRIC

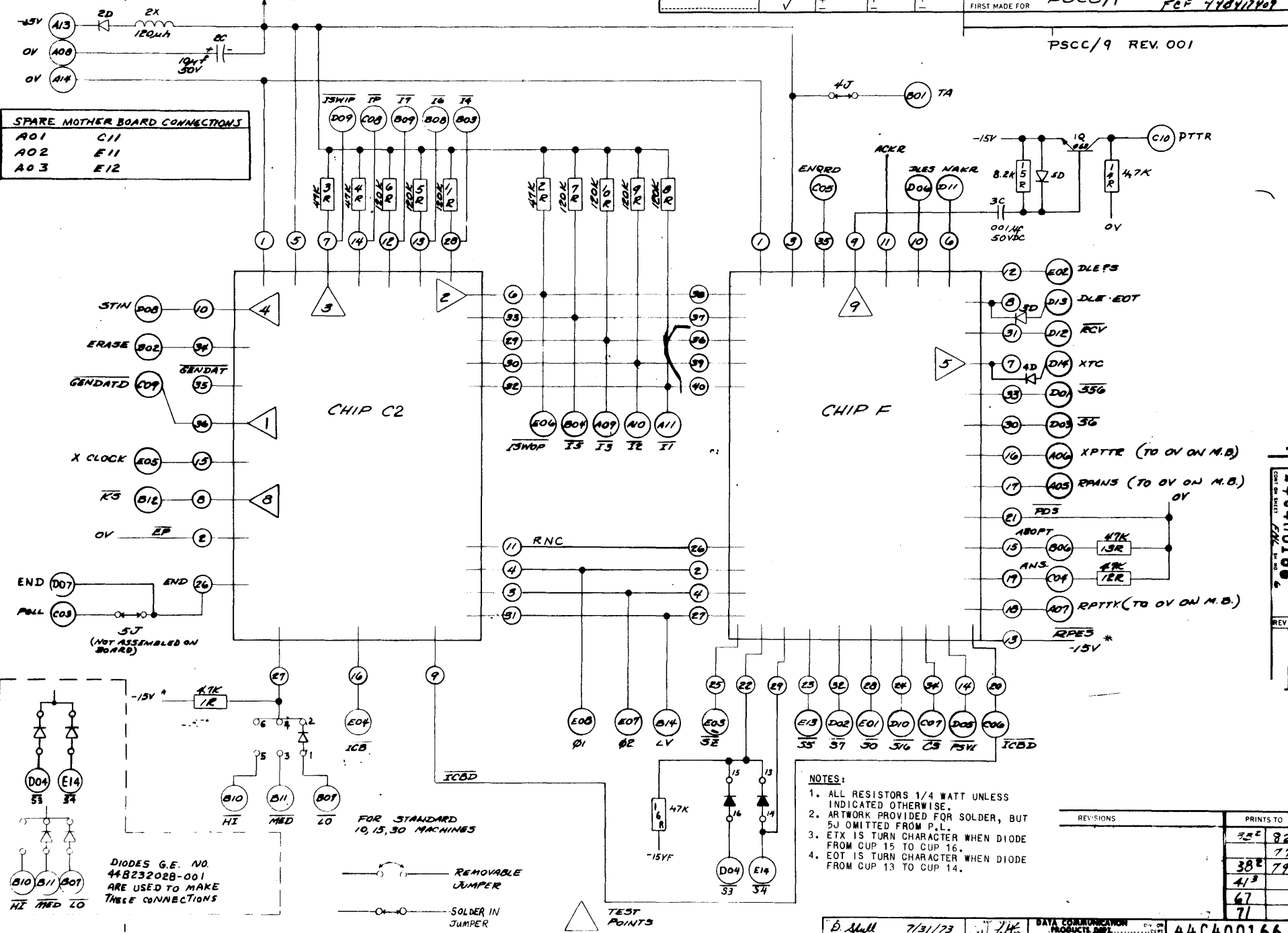
400166
FNL 10-6

UNLESS OTHERWISE SPECIFIED USE THE FOLLOWING—

APPLIED PRACTICES	TOLERANCES ON MACHINED DIMENSIONS		
	FRACTIONS	DECIMALS	ANGLES
✓	+	+	+

TITLE
D/S CONVERTER - TURN AROUND
 PSCC/9
 FIRST MADE FOR
 FCP 718412409

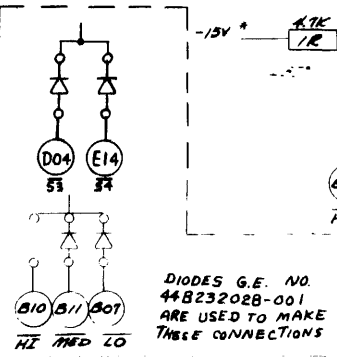
PSCC/9 REV. 001



SPARE MOTHER BOARD CONNECTIONS

A01	C11
A02	E11
A03	E12

- STIN (D08) (10)
- ERASE (B02) (94)
- GENDATD (C09) (95)
- X CLOCK (E05) (15)
- RS (B12) (8)
- OV (EP) (2)
- END (D07) (26)
- POLL (C03) (26)



- NOTES:
- ALL RESISTORS 1/4 WATT UNLESS INDICATED OTHERWISE.
 - ARTWORK PROVIDED FOR SOLDER, BUT 5J OMITTED FROM P.L.
 - ETX IS TURN CHARACTER WHEN DIODE FROM CUP 15 TO CUP 16.
 - EOT IS TURN CHARACTER WHEN DIODE FROM CUP 13 TO CUP 14.

REVISIONS	PRINTS TO
	32 82
	38 77
	41 79
	67
	71

DATE 7/31/73
 AUG 1 1973
 WAYNESBORO, VA. LOCATION
 44C400166
 CONT. ON SHEET FNL 10-6

44C400166
REV NO.

14

44C400167

2

3

4

5

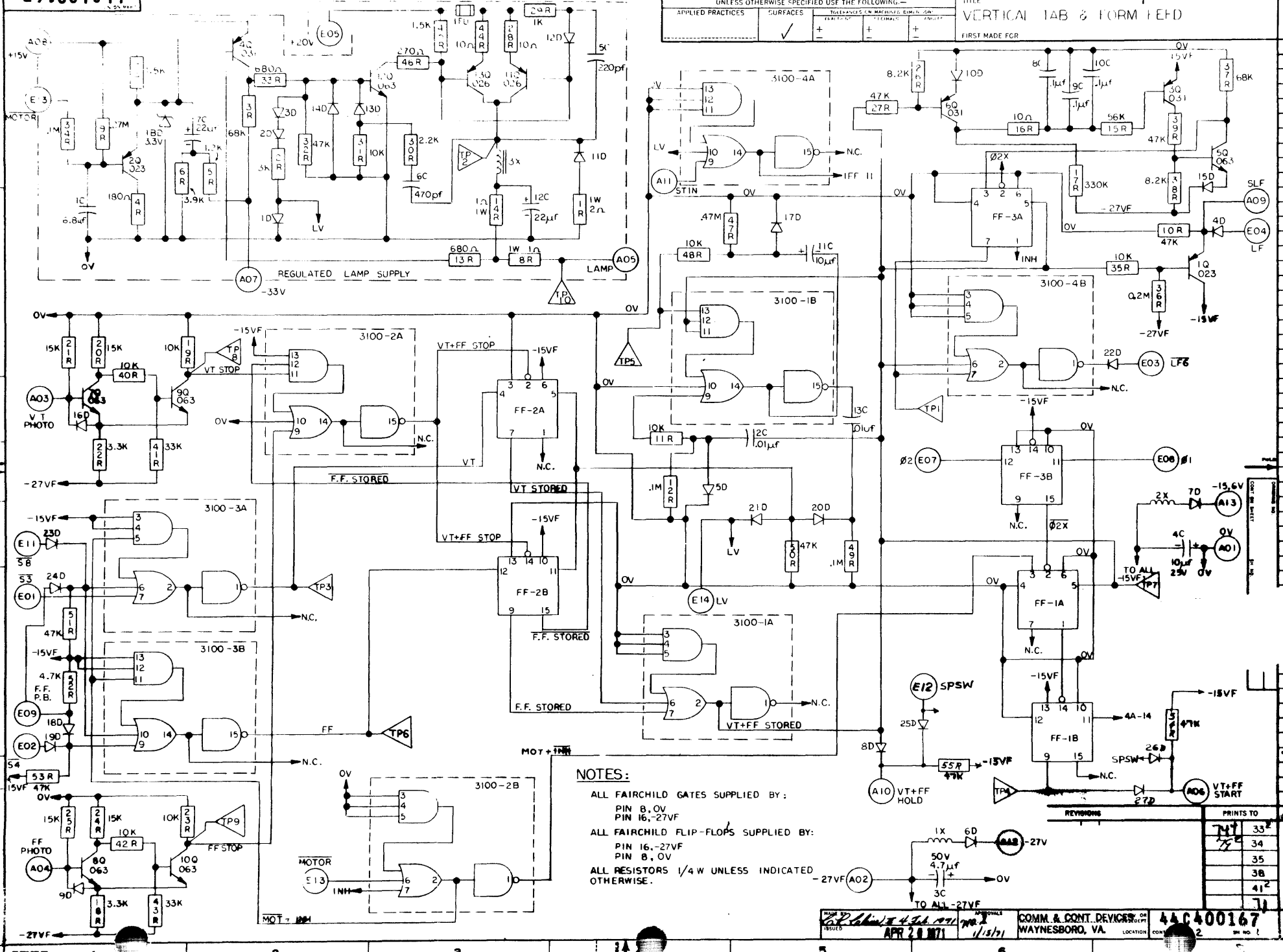
GENERAL ELECTRIC

44C400167

UNLESS OTHERWISE SPECIFIED USE THE FOLLOWING—

APPLIED PRACTICES	SURFACES	TERMINALS ON MACHINED SURFACES	TERMINALS ON PLATED SURFACES
✓	+	+	+

TITLE
VERTICAL TAB & FORM FEED
FIRST MADE FOR



NOTES:
 ALL FAIRCHILD GATES SUPPLIED BY:
 PIN 8, 0V
 PIN 16, -27VF
 ALL FAIRCHILD FLIP-FLOPS SUPPLIED BY:
 PIN 16, -27VF
 PIN 8, 0V
 ALL RESISTORS 1/4 W UNLESS INDICATED OTHERWISE.

REVISED	REVISIONS	PRINTS TO
		33
		34
		35
		38
		41
		71

COMM. & CONT. DEVICES DIV. WAYNESBORO, VA. 44C400167
 APR 28 1971

44C400167

GENERAL ELECTRIC

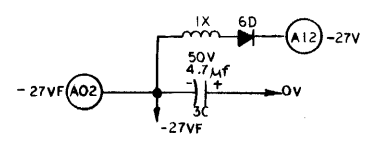
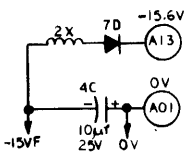
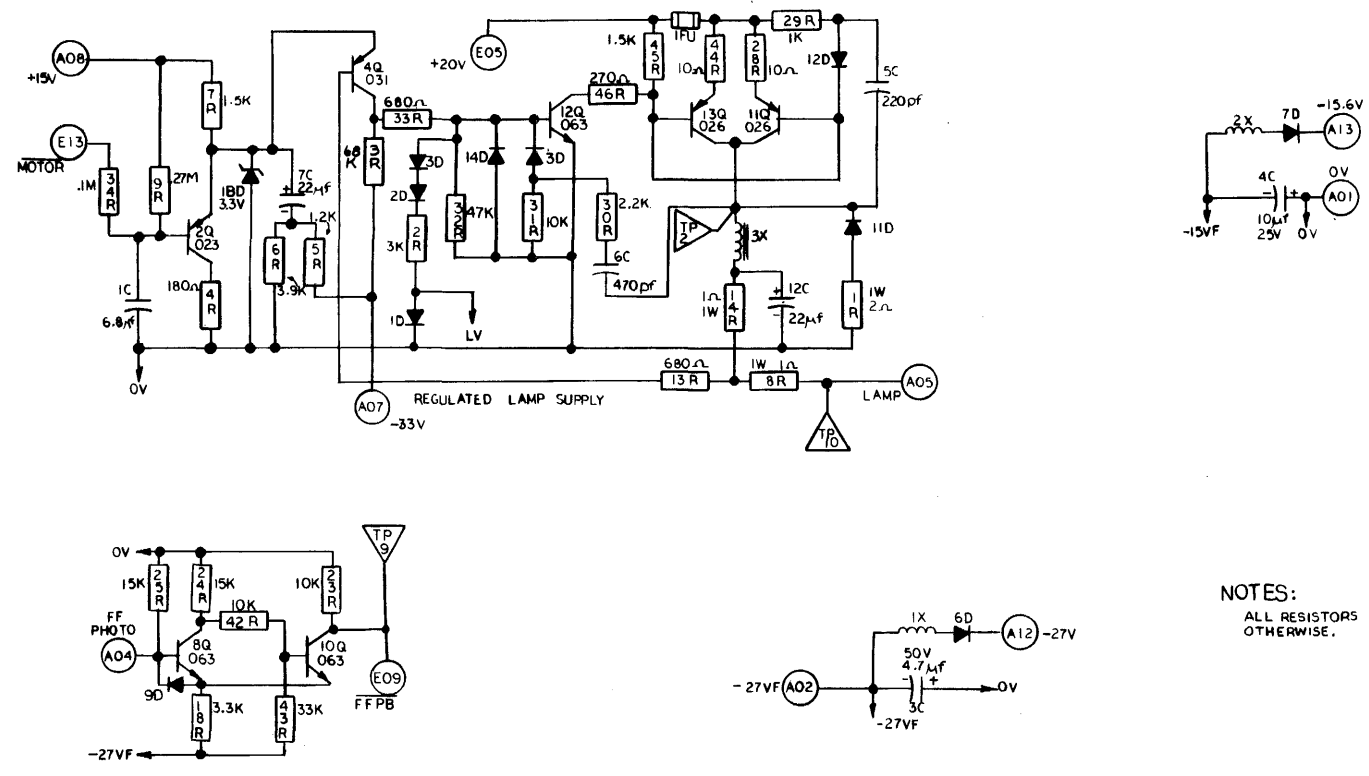
44C400167
FNL. SH. NO. 2

UNLESS OTHERWISE SPECIFIED USE THE FOLLOWING—

APPLIED PRACTICES	SURFACES	TOLERANCES ON MACHINED DIMENSIONS		
		FRACTIONS	DECIMALS	ANGLES
	✓	+	+	-

TITLE
VERTICAL TAB & FORM FEED
FIRST MADE FOR 353001EE104C2

VTFC/4



NOTES:
ALL RESISTORS 1/4W UNLESS INDICATED OTHERWISE.

DRAWING NO. 44C400167
REV. NO. 2

REVISIONS	PRINTS TO
	179
	332
	34
	16
	38
	412
	744

MADE BY: McLAUGHLIN 6-872
DATE: 6/4/72
APPROVALS: MLO
DATA COMMUNICATION PRODUCTS DEPT.
WAYNESBORO, VA. LOCATION: 44C400167
CONT. ON SHEET FNL. SH. NO. 2

671004 J44

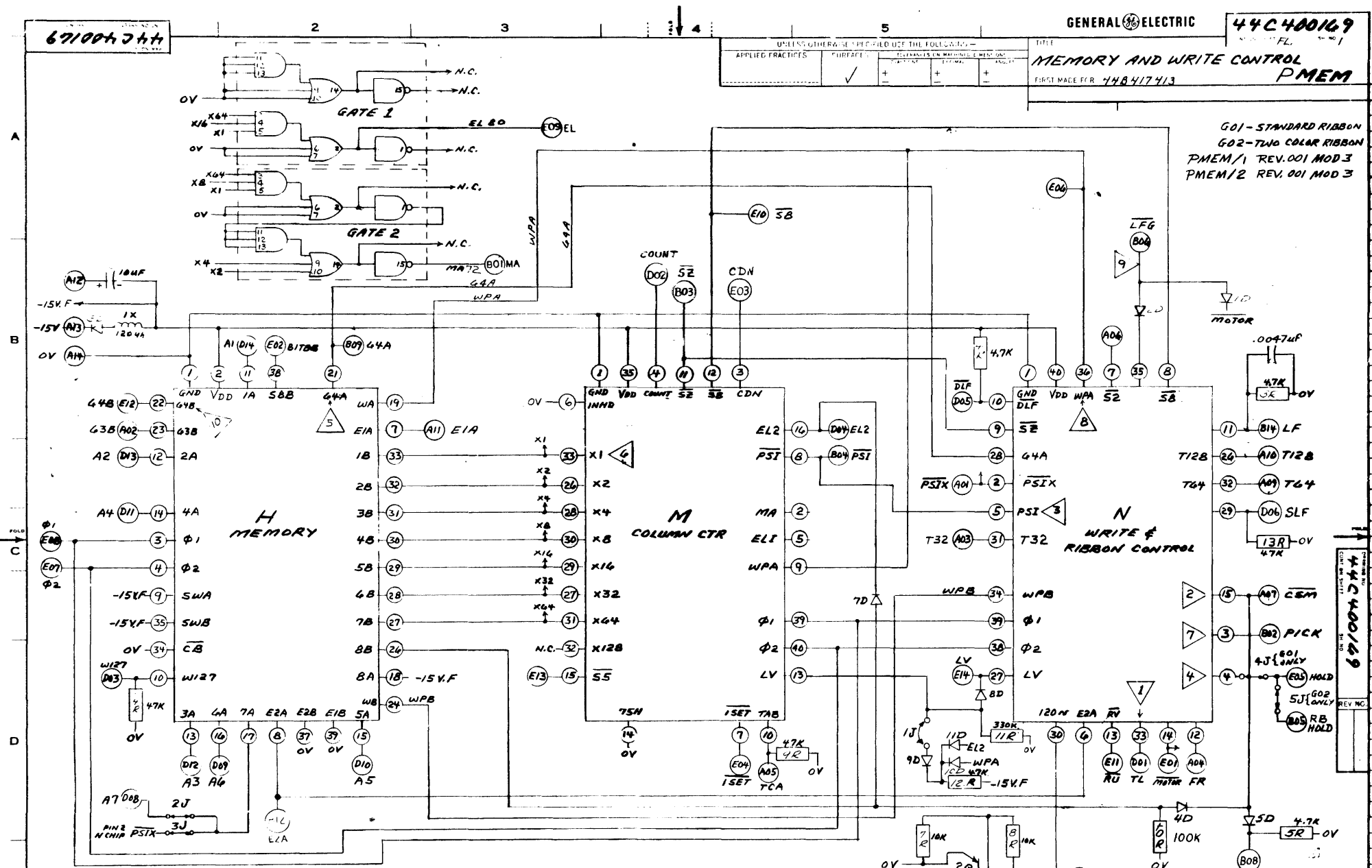
GENERAL ELECTRIC

44C 400169

UNLESS OTHERWISE SPECIFIED USE THE FOLLOWING —		TOLERANCES ON MATERIALS AND COMPONENTS	
APPLIED PRACTICES	SURFACE	+	+
		+	+

TITLE
MEMORY AND WRITE CONTROL
P MEM
 FIRST MADE FOR 44B417413

G01 - STANDARD RIBBON
 G02 - TWO COLOR RIBBON
 P MEM/1 REV. 001 MOD 3
 P MEM/2 REV. 001 MOD 3

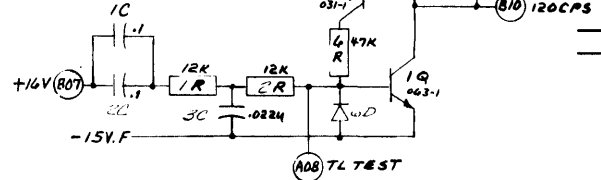
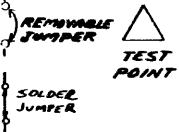


NOTES:
 ALL RESISTORS 1/4 WATT UNLESS OTHERWISE SPECIFIED

REMAINING CONNECTOR PINS ARE ASSIGNED AS FOLLOWS:
 PINS SIGNALS

- B11 75N (NOT USED)
- B13 T12B (NOT USED)
- D07

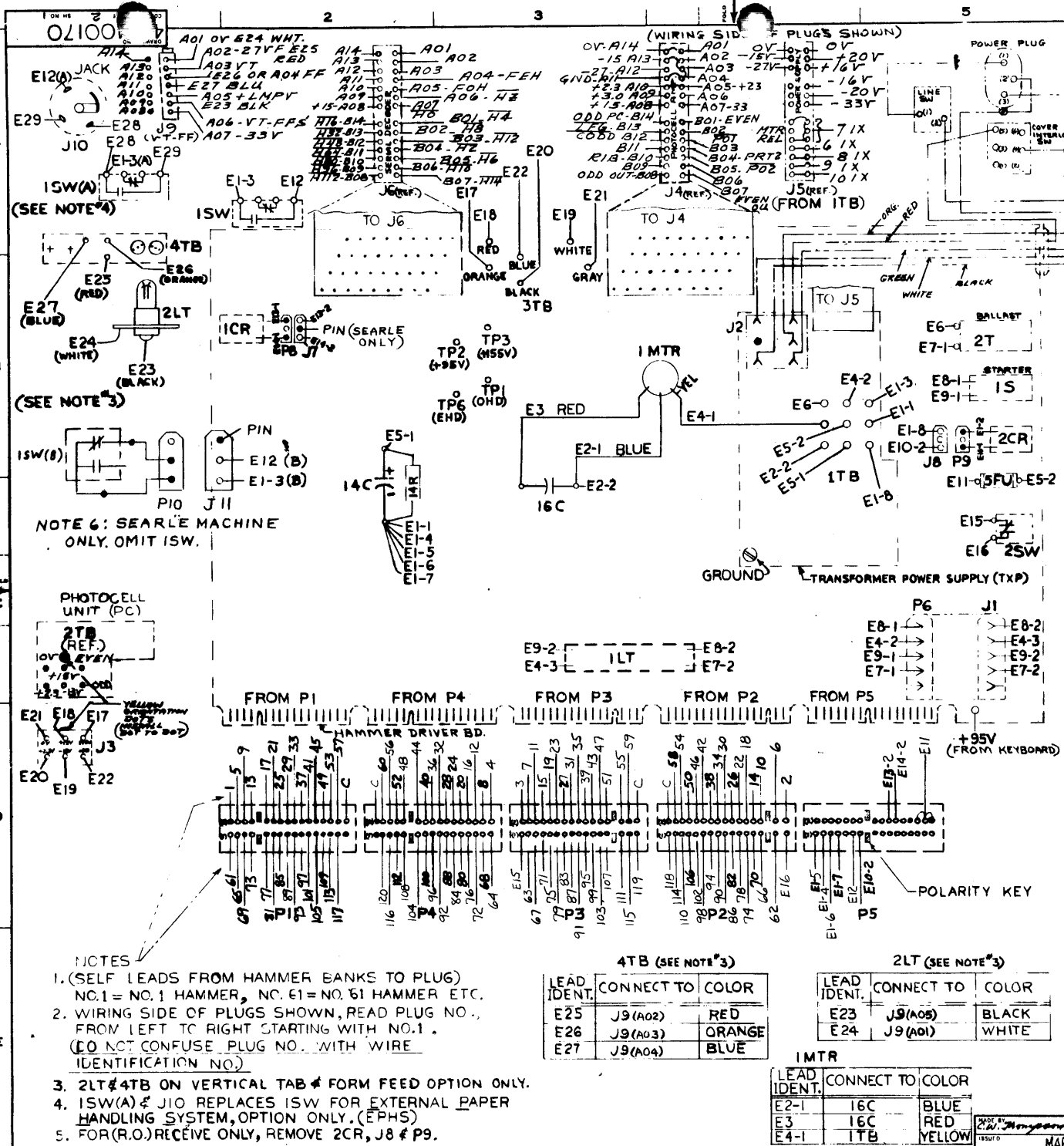
JUMPER OPTIONS
 1J IN ENABLES THE AUTO END OF LINE CARRIAGE RETURN OPTION.
 2J IN FOR TWO FONT UNITS - ALWAYS IN FOR P MEM/1 AND P MEM/2
 3J IN FOR THREE FONT UNITS - NEVER IN FOR P MEM/1 AND P MEM/2
 4J IN, 5J OUT ON P MEM/1
 4J OUT, 5J IN ON P MEM/2



REVISIONS	PRINTS TO
1	33 71
2	34 72
	35 73
	38 77
	41 77
	67

TITLE HAMMER & FRAME CONNECTION DIAGRAM

FIRST MADE FOR "C" MODEL



WIRE IDENT.	FROM	TO	WIRE SIZE & COLOR
E1-1	14C	1TB	#18 GRAY
E1-3	1TB	1SW	#24 WHITE
E1-4	14C	P5	#24 GRAY
E1-5	14C	P5	#24 GRAY
E1-6	14C	P5	#24 GRAY
E1-7	14C	P5	#24 GRAY
E1-8	J8	1TB	#24 BLACK

E2-2	16C	1TB	#18 BLUE
E4-2	1TB	P6	#18 GREEN
E5-1	14C	1TB	#18 RED
E5-2	1TB	5FU	#18 ORANGE
E6	1TB	2T	#18 BROWN
E7-1	2T	P6	#18 BROWN
E10-2	J8	P5	#24 BLUE
E11	5FU	P5	#24 ORANGE
E12	1SW	P5	#24 BLACK
E13-2	J7	P5	#24 RED
E14-2	J7	P5	#24 WHITE
E15	2SW	P3	#24 BLACK
E16	2SW	P2	#24 BLUE
E17	J3	3TB	#24 ORANGE
E18	J3	3TB	#24 RED
E19	J3	3TB	#24 WHITE
E20	J3	3TB	#24 BLACK
E21	J3	3TB	#24 GRAY
E22	J3	3TB	#24 BLUE
E1-3(A)	1TB	1SW(A)	#24 WHITE
E12(A)	J10	P5	#24 BLACK
E28	J10	1SW(A)	#24 WHITE
E29	J10	1SW(A)	#24 RED
E1-3(B)	1TB	J11	#24 WHITE
E12(B)	J11	P5	#24 BLACK

IS		
LEAD IDENT.	CONNECT TO	COLOR
E4-3	J1	BLACK
E7-2	J1	BLACK
E8-1	P6	BLACK
E9-1	P6	BLACK

1LT		
LEAD IDENT.	CONNECT TO	COLOR
E4-3	J1	BLACK
E7-2	J1	BLACK
E8-2	J1	BLACK
E9-2	J1	BLACK

ICR		
LEAD IDENT.	CONNECT TO	COLOR
E13-1	P8	RED
E14-1	P8	WHITE

2CR (SEE NOTE 5)		
LEAD IDENT.	CONNECT TO	COLOR
E1-2	P9	BLACK
E10-1	P9	BLACK

4TB (SEE NOTE 3)		
LEAD IDENT.	CONNECT TO	COLOR
E25	J9(A02)	RED
E26	J9(A03)	ORANGE
E27	J9(A04)	BLUE

2LT (SEE NOTE 3)		
LEAD IDENT.	CONNECT TO	COLOR
E23	J9(A05)	BLACK
E24	J9(A01)	WHITE

1MTR		
LEAD IDENT.	CONNECT TO	COLOR
E2-1	16C	BLUE
E3	16C	RED
E4-1	1TB	YELLOW

REVISIONS		PRINTS TO	
1	MAY 13 1971	18	67
2	MAR 22 1971	33	77
3	MAR 22 1971	34	77
		38	77
		38	
		41	

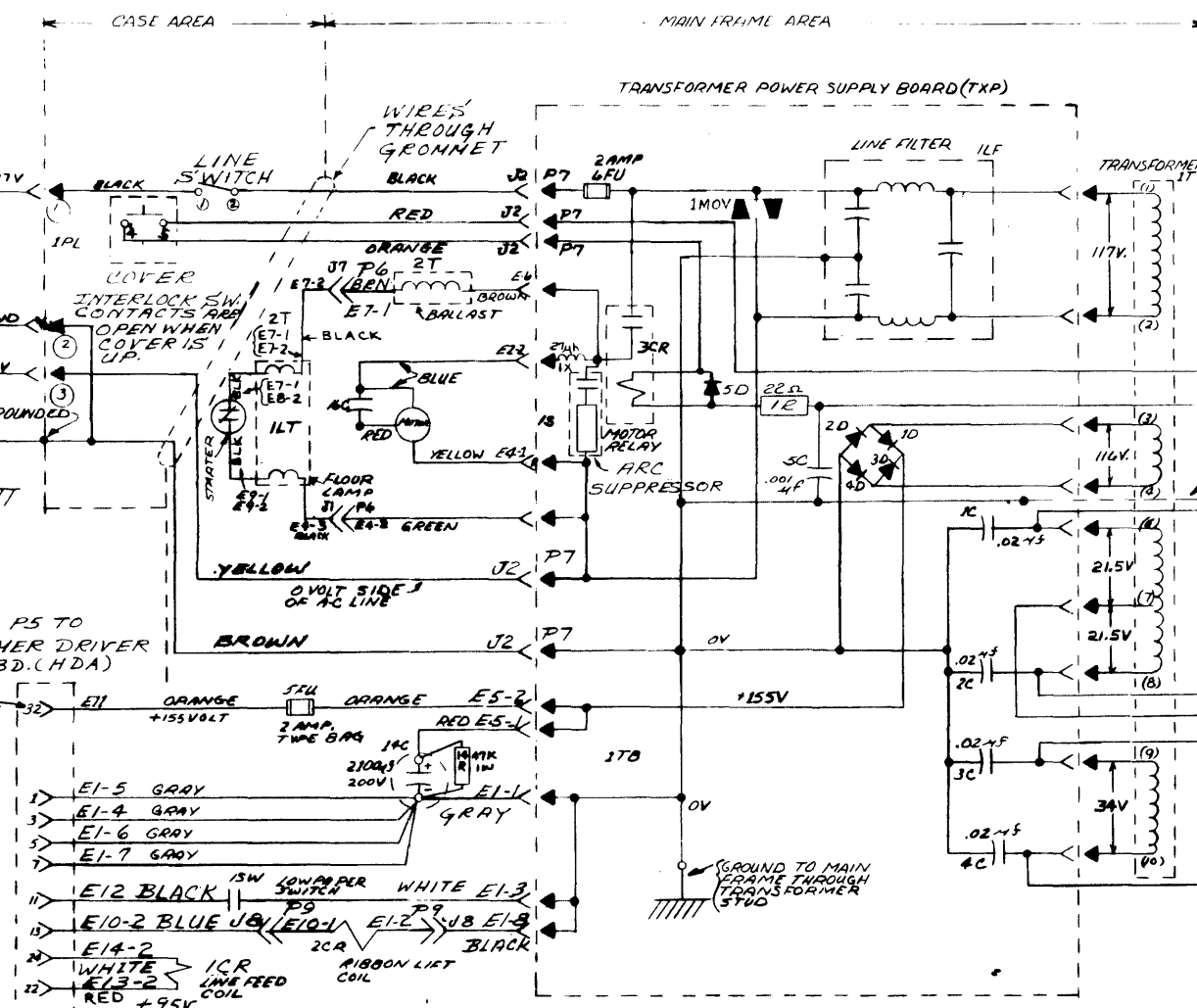
- NOTES
- (SELF LEADS FROM HAMMER BANKS TO PLUG) NO. 1 = NO. 1 HAMMER, NO. E1 = NO. E1 HAMMER ETC.
 - WIRING SIDE OF PLUGS SHOWN, READ PLUG NO. FROM LEFT TO RIGHT STARTING WITH NO. 1. (DO NOT CONFUSE PLUG NO. WITH WIRE IDENTIFICATION NO.)
 - 2LT & 4TB ON VERTICAL TAB & FORM FEED OPTION ONLY.
 - 1SW(A) & J10 REPLACES 1SW FOR EXTERNAL PAPER HANDLING SYSTEM, OPTION ONLY. (EPHS)
 - FOR (R.O.) RECEIVE ONLY, REMOVE 2CR, J8 & P9.

FRAME & DRIVE HARNESS RUN "C" MODEL

44C400170

UNLESS OTHERWISE SPECIFIED USE THE FOLLOWING—			
APPLIED PRACTICES	SURFACES	TOLERANCES UNLESS OTHERWISE SPECIFIED	ANGLE
	✓	+ / -	+

TITLE TRANSFORMER POWER SUPPLY
 (TXPC & EXTERNAL CIRCUITS)
 FIRST MADE FOR "C" MODEL
 ELEMENTARY DIAG.
 44B417406



TXPC/1
REV.001

PLUG P5 TO HAMMER DRIVER ACC. BD. (HDA)

FUSES
 GFU-2 AMP, TYPE 3AG OR AGC
 SFU-2 AMP, TYPE BAF OR AGX

G01

REVISIONS	PRINTS TO
1	71 79
2	72 79
	76 79
	77
	78
	79

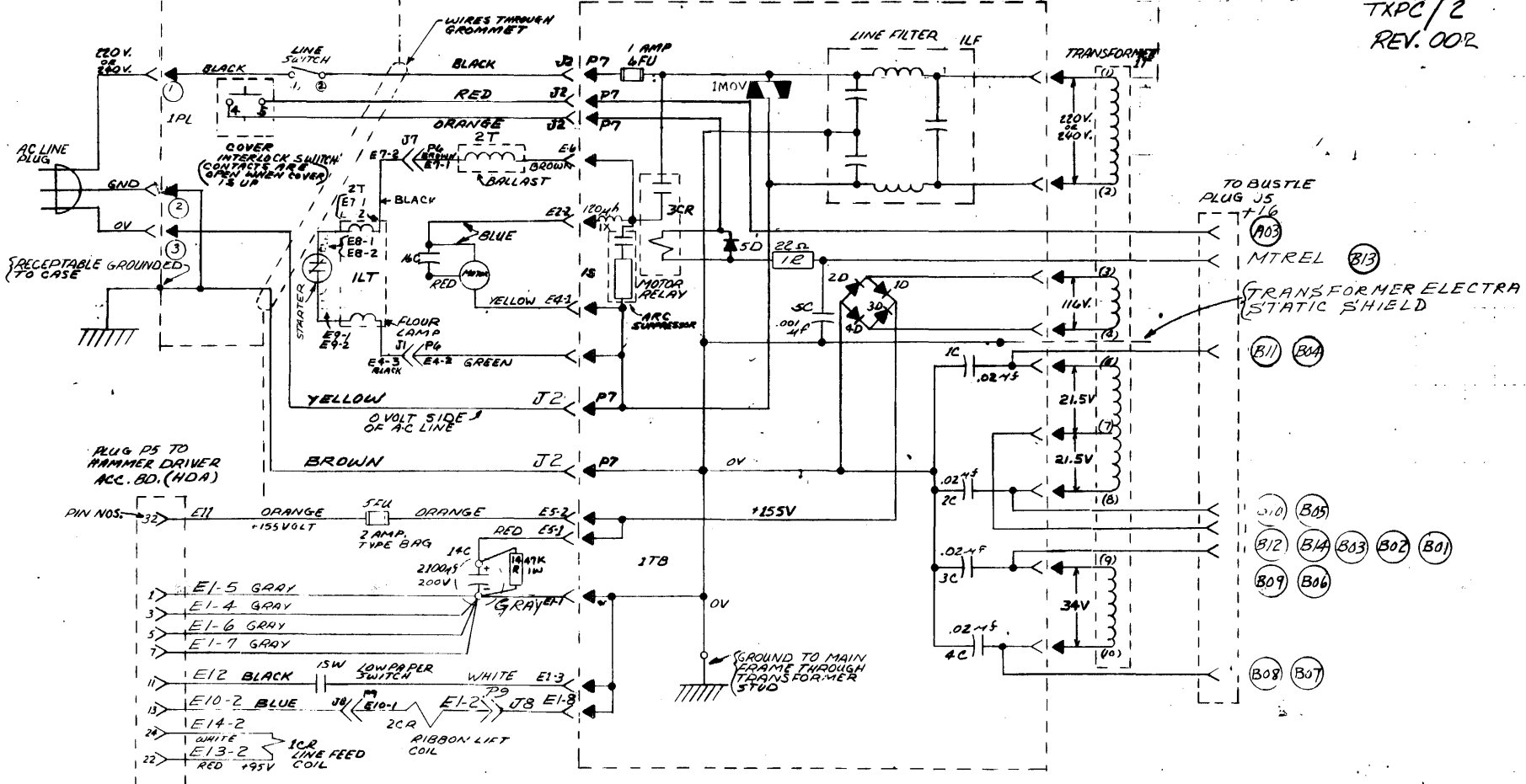
UNLESS OTHERWISE SPECIFIED USE THE FOLLOWING--

APPLIED PRACTICES	SURFACES	TOLERANCES ON MACHINED DIMENSIONS		
✓		FRACTIONS	DECIMALS	ANGLES
		+	+	+
		-	-	-

CASE AREA MAIN FRAME AREA

TRANSFORMER POWER SUPPLY BOARD (TXP)

TXPC/2
REV. 002



- TO BUSTLE PLUG J5
- (A03)
 - MTR EL (B13)
 - (TRANSFORMER ELECTRA STATIC SHIELD)
 - (B11) (B04)
 - (B12) (B05)
 - (B14) (B03) (B02) (B01)
 - (B09) (B06)
 - (B08) (B07)

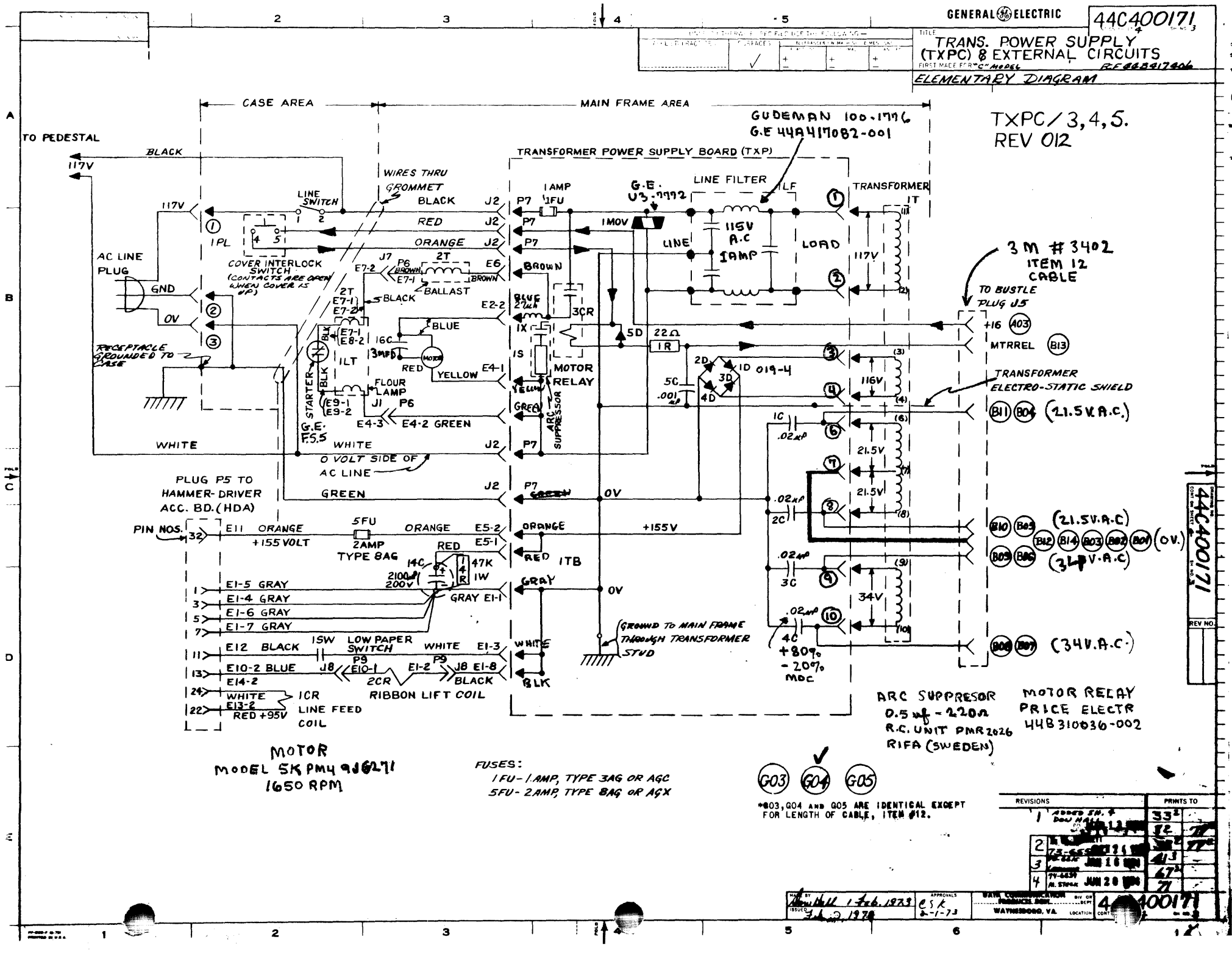
44C400171
REV. NO. 2

Fuses
6FU - 1 AMP, TYPE 3AG OR AGC
5FU - 2 AMP, TYPE BAG OR AGX

REVISIONS	DATE	PRINTS TO
1	FEB 24 1972	71 744
2		72 72
3		79 792
4		77 77

TRANS. POWER SUPPLY (TXPC) & EXTERNAL CIRCUITS
FIRST MADE FOR "C" MODEL
ELEMENTARY DIAGRAM

TXPC/3,4,5.
REV 012



GUDEMAN 100-1796
G.E. 44A417082-001

TRANSFORMER POWER SUPPLY BOARD (TXP)

3 M #3402
ITEM 12
CABLE

TO BUSTLE
PLUG J5
+16 (A03)
MTRREL (B13)
TRANSFORMER
ELECTRO-STATIC SHIELD
(B11) (B04) (21.5V.A.C.)

(B10) (B03) (21.5V.A.C.)
(B12) (B14) (B03) (B07) (0V.)
(B05) (B06) (34V.A.C.)

(B08) (B07) (34V.A.C.)

ARC SUPPRESSOR
0.5 μf - 220V
R.C. UNIT PMR2626
RIFA (SWEDEN)

MOTOR RELAY
PRICE ELECTR
44B310636-002

MOTOR
MODEL SK PM4 906271
1650 RPM

FUSES:
1FU - 1 AMP, TYPE 3AG OR AGC
5FU - 2 AMP, TYPE BA9 OR AGX

G03 G04 G05

*B03, G04 AND G05 ARE IDENTICAL EXCEPT FOR LENGTH OF CABLE, ITEM #12.

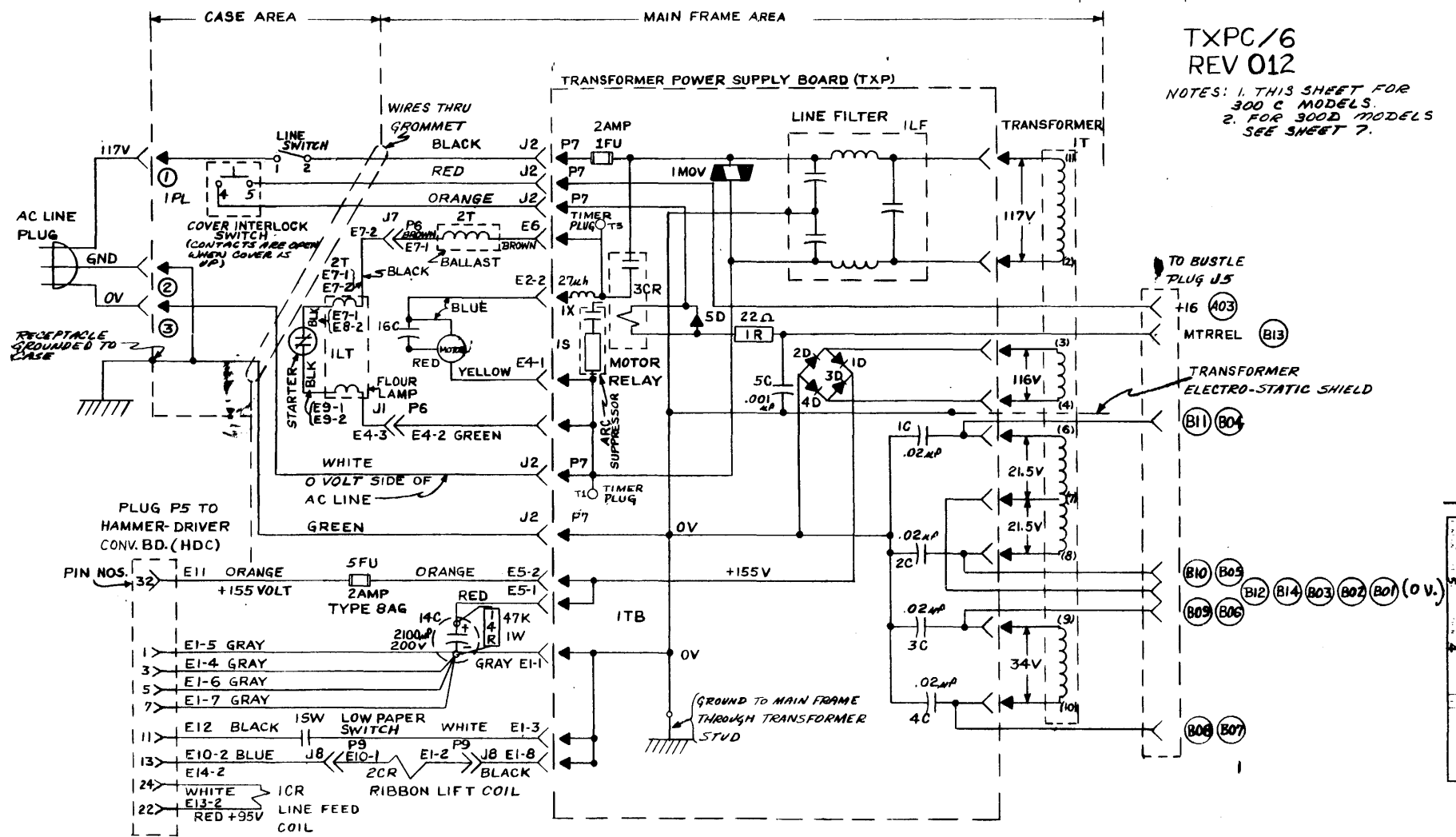
REVISIONS	PRINTS TO
1	33
2	32
3	41
4	47

DATE: 1-26-1973
ISSUED: 2-1-73
APPROVALS: CSK
DATE COMPLETION: 4-1-73
BY OR FOR: 400171
LOCATION: WATSON, VA

APPLIED PRACTICES		SURFACES		TO FRAMES IN MACHINE	
	✓				

TITLE
TRANS. POWER SUPPLY (TXPC) & EXTERNAL CIRCUITS
 FIRST MADE FOR "C" MODEL
ELEMENTARY DIAGRAM

A
B
C
D
E



**TXPC/6
 REV 012**
 NOTES: 1. THIS SHEET FOR 300 C MODELS.
 2. FOR 300D MODELS SEE SHEET 7.

FUSES:
 1FU - 2AMP, TYPE 3AG OR AGC
 5FU - 2AMP, TYPE 8AG OR AGX

606

1	T.W. Board	33 ²
2	73-655	82 ² 79 ²
3	73-655	38 ² 77 ²
4	JUN 20 1974	41 ¹ 67 ¹ 71

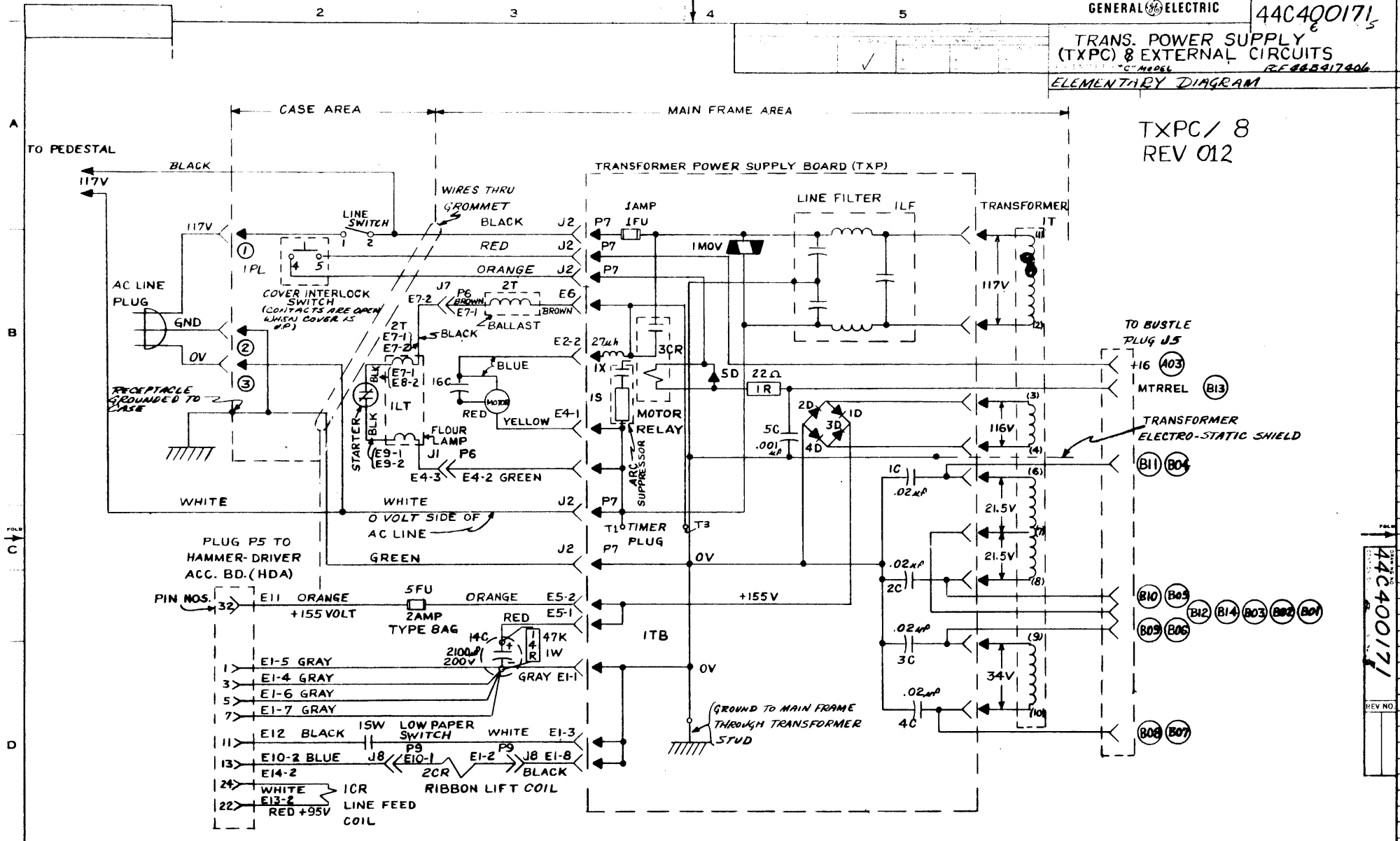
March 13 MARCH 1973
 MAR 20 1973

DATA COMMUNICATION
 PRODUCTS DEPT
 WAYNESBORO VA

44C400171

TRANS. POWER SUPPLY (TXPC) & EXTERNAL CIRCUITS
"C" MODEL
ELEMENTARY DIAGRAM

TXPC / 8
REV 012



FUSES:
1FU - 1AMP, TYPE 3AG OR AQC
5FU - 2AMP, TYPE 8AG OR AQC

(608)

REVISIONS	PRINTS TO
1 73-655 26 070	33
2 73-655 26 071	82 77
3 73-655 26 072	38 77
	413
	67
	71

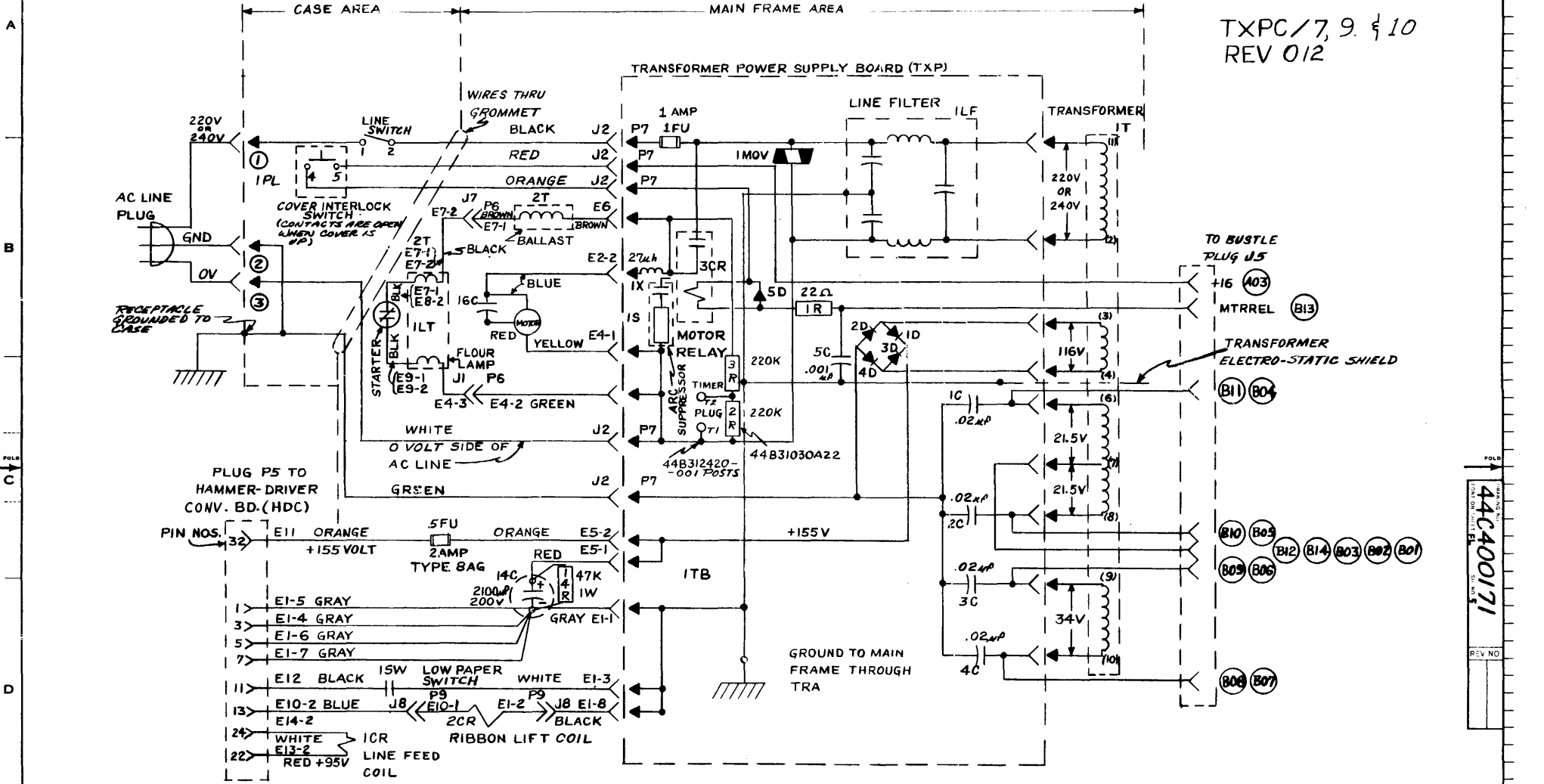
APPROVALS: *W. Hall* 21 FEB 1973
MAR 8 1973
DATA COMMUNICATION DIV. OR PRODUCTS DIV. WATSONBORO, VA. 44C400171
6 5

44C400171
REV NO.

151

TRANS. POWER SUPPLY (TXPC) & EXTERNAL CIRCUITS
ELEMENTARY DIAGRAM 50 HZ

TXPC/7, 9, & 10
REV 012



- PLUG P5 TO HAMMER-DRIVER CONV. BD. (HDC)
- PIN NOS. →
- 1 → E1-5 GRAY
 - 3 → E1-4 GRAY
 - 5 → E1-6 GRAY
 - 7 → E1-7 GRAY
 - 11 → E12 BLACK
 - 13 → E10-2 BLUE
 - 24 → WHITE
 - 22 → RED +95V
- 32 → E11 ORANGE +155VOLT
- 1 → E1-5 GRAY
- 3 → E1-4 GRAY
- 5 → E1-6 GRAY
- 7 → E1-7 GRAY
- 11 → E12 BLACK
- 13 → E10-2 BLUE
- 24 → WHITE
- 22 → RED +95V

FUSES:
1FU - 1 AMP, TYPE 3AG OR AGC
5FU - 2 AMP, TYPE BAG OR AGX

- (G07) FOREIGN POWER
- (G09) SEARLE
- (G10)

REVISIONS	DATE	PRINTS TO
1	10-18-1974	332 772
2	11-27-1974	82 792
3	11-20-1974	38
4	1-21-1975	413
		67
		71

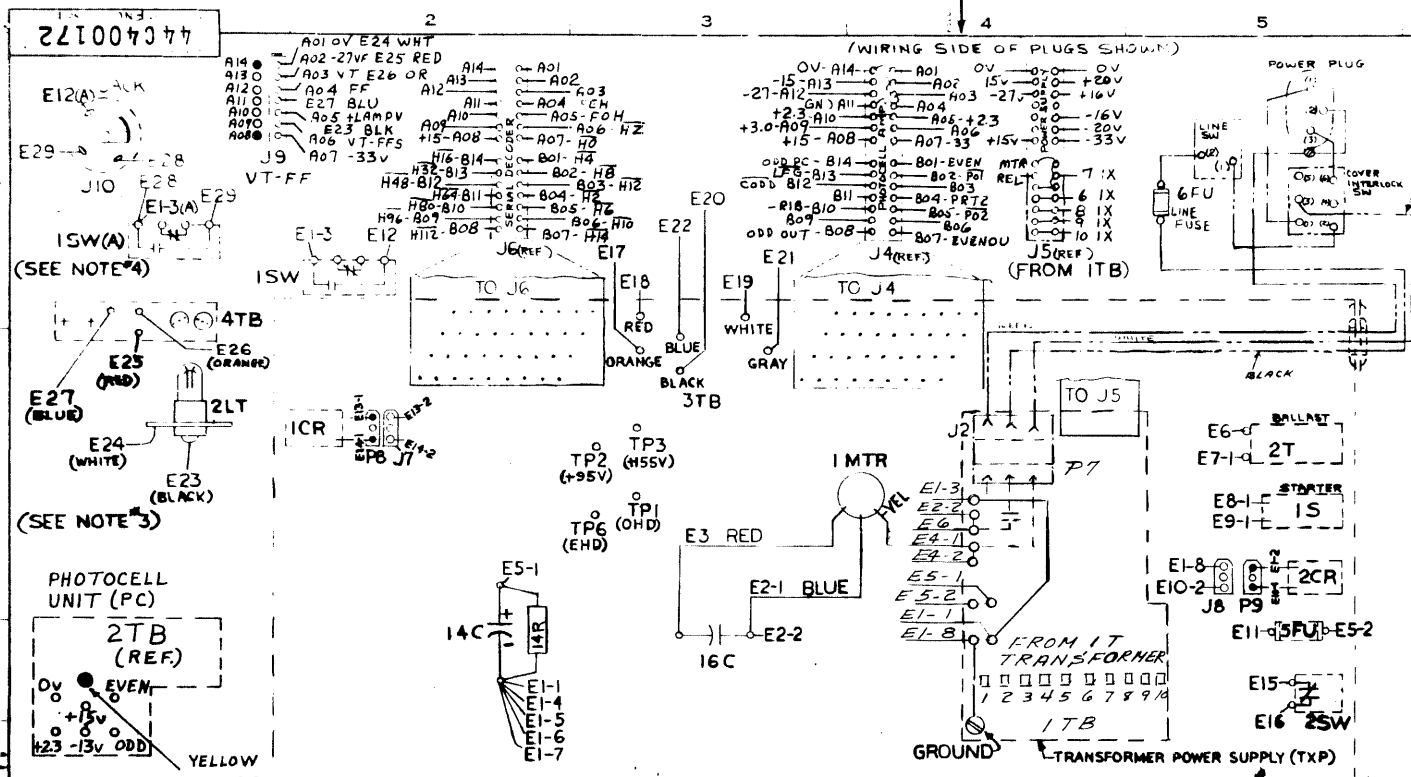
APPROVED: *[Signature]* 13 MARCH 1973

DATA COMMUNICATION PRODUCTS DEPT. WAYNESBORO, VA.

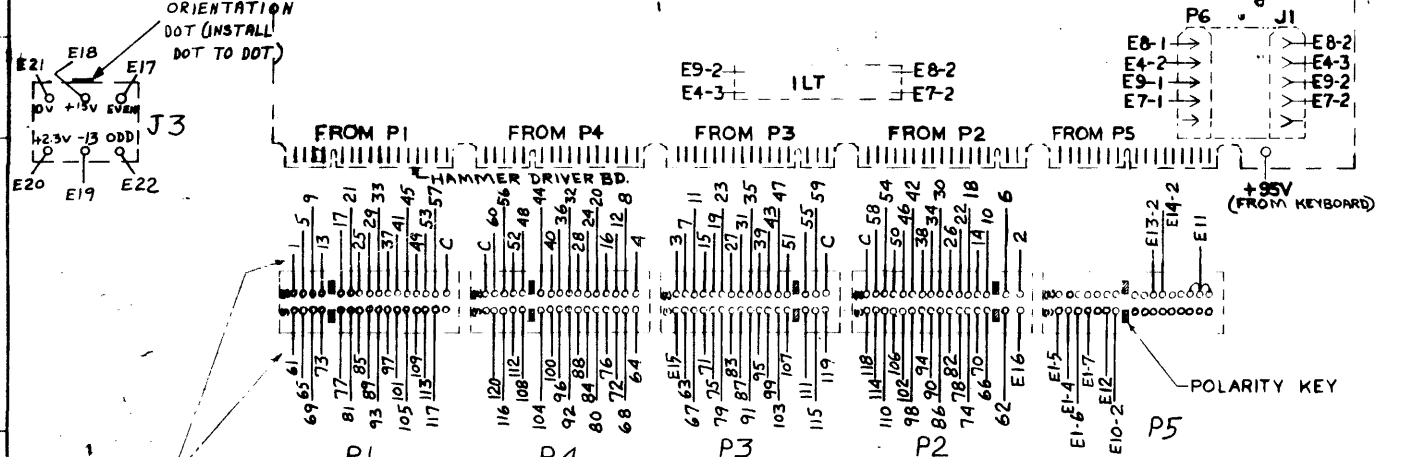
44C400171

44C400171

A
B
C
D
E



WIRE IDENT.	FROM	TO	WIRE SIZE & COLOR
E1-1	14C	1TB	#18 GRAY
E1-3	1TB	ISW	#24 WHITE
E1-4	14C	P5	#24 GRAY
E1-5	14C	P5	#24 GRAY
E1-6	14C	P5	#24 GRAY
E1-7	14C	P5	#24 GRAY
E1-8	J8	1TB	#24 BLACK
E2-2	16C	1TB	#18 BLUE
E4-2	1TB	P6	#18 GREEN
E5-1	14C	1TB	#18 RED
E5-2	1TB	5FU	#18 ORANGE
E6	1TB	2T	#18 BROWN
E7-1	2T	P6	#18 BROWN
E10-2	J8	P5	#24 BLUE
E11	5FU	P5	#24 ORANGE
E12	ISW	P5	#24 BLACK
E13-2	J7	P5	#24 RED
E14-2	J7	P5	#24 WHITE
E15	2SW	P3	#24 BLACK
E16	2SW	P2	#24 BLUE
E17	J3	3TB	#24 ORANGE
E18	J3	3TB	#24 RED
E19	J3	3TB	#24 WHITE
E20	J3	3TB	#24 GRAY
E21	J3	3TB	#24 GRAY
E22	J3	3TB	#24 BLUE
E1-3(A)	1TB	ISW(A)	#24 WHITE
E12(A)	J10	P5	#24 BLACK
E28	J10	ISW(A)	#24 WHITE
E29	J10	ISW(A)	#24 RED



IS			1LT		
LEAD IDENT.	CONNECT TO	COLOR	LEAD IDENT.	CONNECT TO	COLOR
E4-3	J1	BLACK	E4-3	J1	BLACK
E7-2	J1	BLACK	E8-2	J1	BLACK
E8-1	P6	BLACK	E8-2	J1	BLACK
E9-1	P6	BLACK	E9-2	J1	BLACK

ICR			2CR (SEE NOTE 5)		
LEAD IDENT.	CONNECT TO	COLOR	LEAD IDENT.	CONNECT TO	COLOR
E13-1	P8	RED	E1-2	P9	BLACK
E14-1	P8	WHITE	E10-1	P9	BLACK

- NOTES
- (SELF LEADS FROM HAMMER BANKS TO PLUG) NO.1 = NO.1 HAMMER, NO. 61 = NO. 61 HAMMER ETC.
 - WIRING SIDE OF PLUGS SHOWN, READ PLUG NO., FROM LEFT TO RIGHT STARTING WITH NO.1, (DO NOT CONFUSE PLUG NO. WITH WIRE IDENTIFICATION NO.)
 - 2LT & 4TB ON VERTICAL TAB & FORM FEED OPTION ONLY.
 - ISW(A) & J10 REPLACES ISW FOR EXTERNAL PAPER HANDLING SYSTEM, OPTION ONLY. (EPHS)
 - FOR RECEIVE ONLY, REMOVE 2CR, J8 & J9.

4TB (SEE NOTE 3)			2LT (SEE NOTE 3)		
LEAD IDENT.	CONNECT TO	COLOR	LEAD IDENT.	CONNECT TO	COLOR
E25	J9(A02)	RED	E23	J9(A05)	BLACK
E26	J9(A03)	ORANGE	E24	J9(A01)	WHITE
E27	J9(A04)	BLUE			

IMTR		
LEAD IDENT.	CONNECT TO	COLOR
E2-1	16C	BLUE
E3	16C	RED
E4-1	1TB	YELLOW

REVISIONS	
16	
33	
34	
35	
38	
41	

REMAINING CONNECTOR PINS ARE ASSIGNED AS FOLLOWS:

PINS	SIGNALS
A01	0V
A02	SPARE
A03	SPARE
A04	SPARE
A05	SPARE
A07	SPARE
A08	+15V
A09	SPARE
E08	Ø1
E14	LV

UNLESS OTHERWISE SPECIFIED USE THE FOLLOWING—

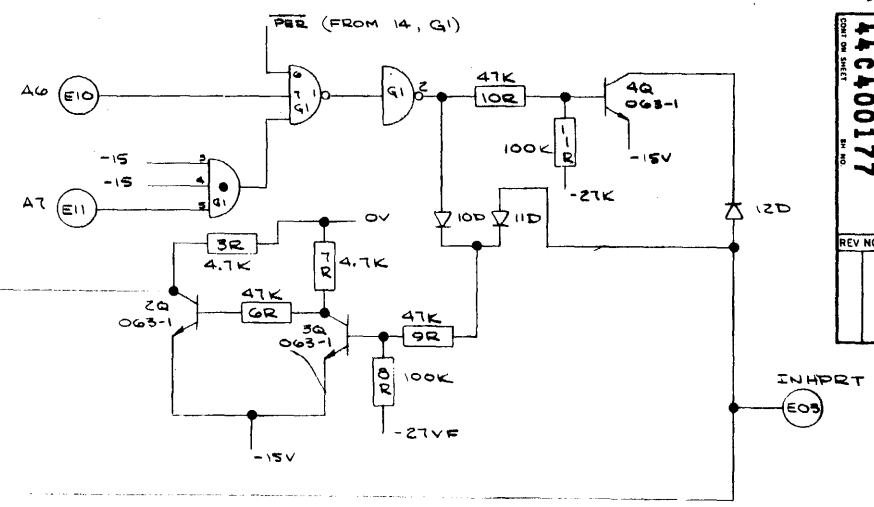
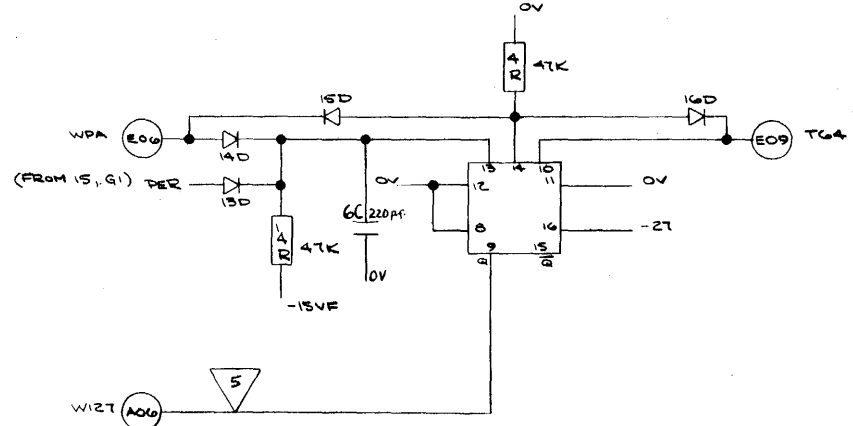
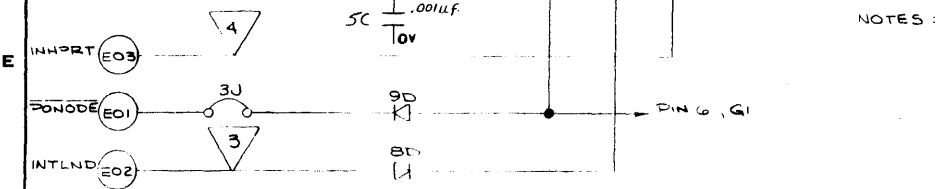
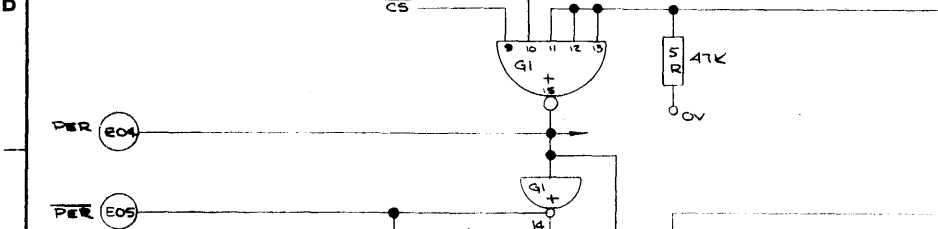
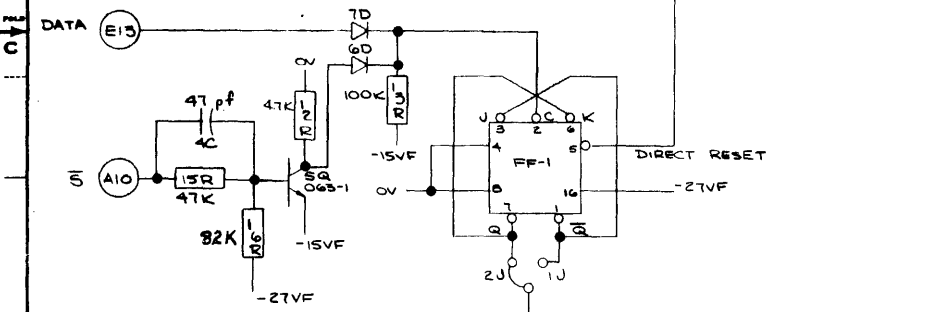
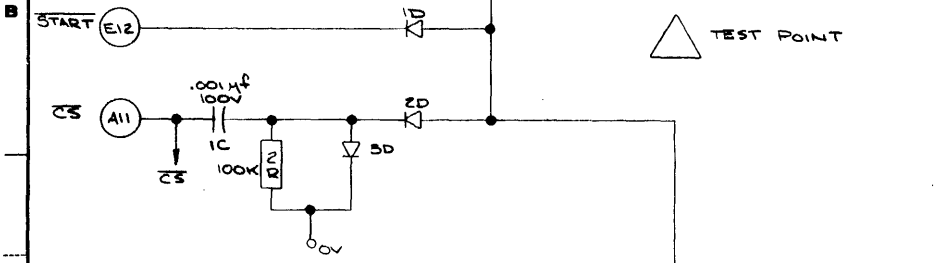
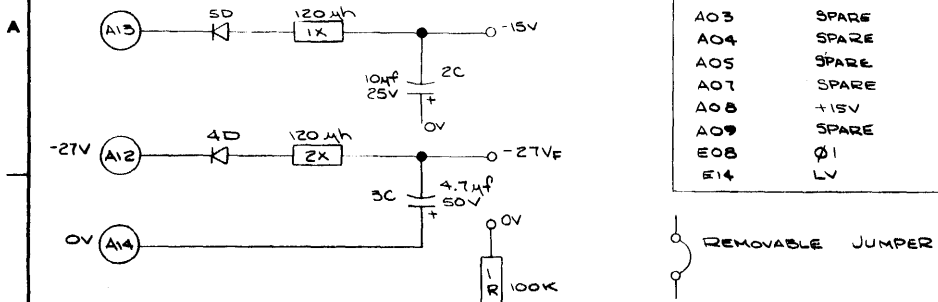
APPLIED PRACTICES	SURFACES	TOLERANCES ON MEASURED DIMENSIONS		
		FRACTIONS	DECIMALS	ANGLES
	✓	+	-	-

TITLE
CHARACTER PARITY DETECTION PARC
FIRST MADE FOR
EGE 400177/15

STRAPPING OPTION

- 2U - EVEN PARITY
- 1U - ODD PARITY
- 4J - TRANSPARENCY - INHIBITS PARITY DETECTION
- 3J - ALLOWS SENDING A BREAK, GO TO STANDBY, STOP TAPE READER, UPON DETECTION OF BAD PARITY.

PARC / 1
REV. 003



NOTES: ALL RESISTORS 1/4 WATT UNLESS INDICATED OTHERWISE
ADDITIONAL BUSES
G1 = FAIRCHILD 5100
0V = 3, 4, 5, 8
-27V = 16

REVISIONS	PRINTS TO
1	33 76
2	34 76
3	38 77
4	41 77
	67
	71

44C400177
REV. NO.

MEMORY & WRITE CONTROL
EMEM

FIRST MADE FOR 23200
PCF 44C400178

STRAPPING OPTIONS:

- 1J IN AND 3J OUT FOR 2 FONT UNITS (G01-G09).
- 1J OUT AND 3J IN FOR 3 FONT UNITS
- 2J IN, ENABLES THE AUTOMATIC END OF LINE CARRIAGE RETURN OPTION (G01-G09).
- 4J IN AND 5J OUT FOR G01, G03, G05, G06, AND G07 - ONE COLOR RIBBON.
- 4J OUT AND 5J IN FOR G02, G04, G08, AND G09 BOARDS - TWO COLOR RIBBON.
- 6J IN FOR 118 COLUMN UNITS ON G01, G02, G05, AND G08.
- 6J OUT FOR 75 COLUMN UNITS ON G01, G02, G05, AND G08.
- 6J OUT FOR ALL G03, G04, AND G06 BOARDS - 80 COLUMN ONLY.
- 6J IN FOR 120 COLUMN UNITS FOR G07 AND G09.
- 6J OUT FOR 80 COLUMN UNITS FOR G07 AND G09.

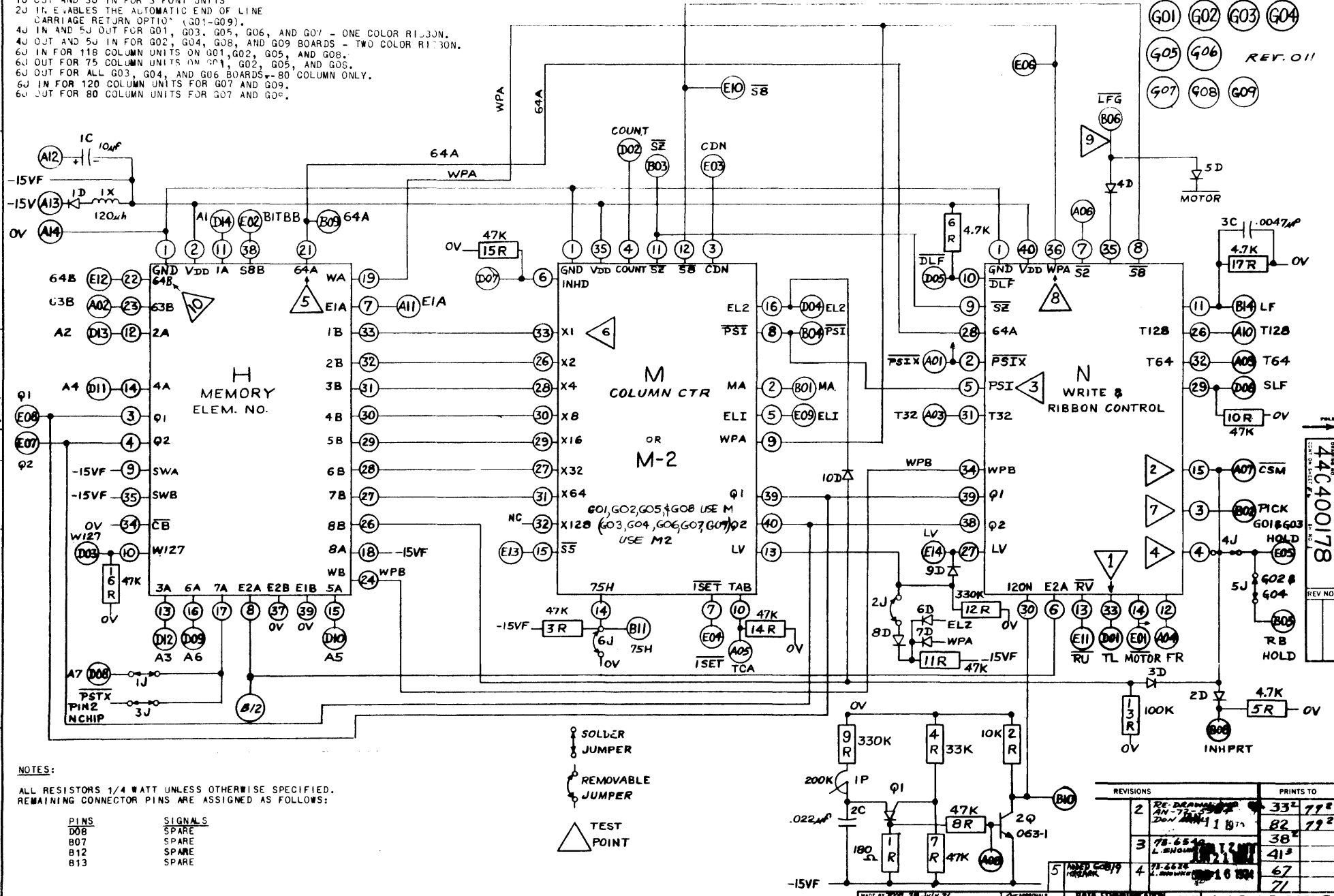
A

B

C

D

E



NOTES:

ALL RESISTORS 1/4 WATT UNLESS OTHERWISE SPECIFIED.
REMAINING CONNECTOR PINS ARE ASSIGNED AS FOLLOWS:

PINS	SIGNALS
D08	SPARE
B07	SPARE
B12	SPARE
B13	SPARE

- SOLDER JUMPER
- REMOVABLE JUMPER
- TEST POINT

REVISONS	PRINTS TO
2	332 792
3	82 792
4	38
5	413
6	67
7	71

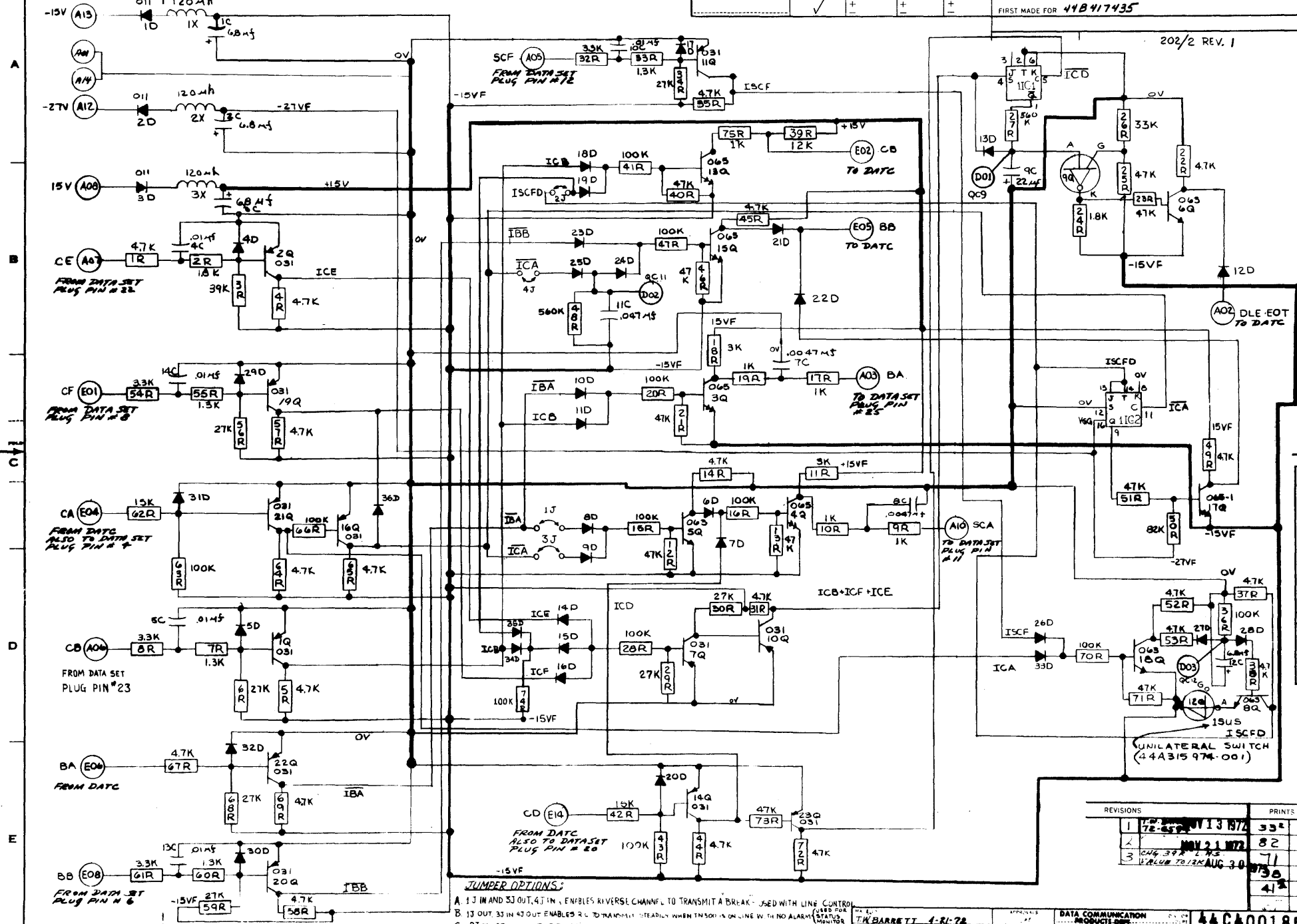
MADE BY WPM 28 JULY 77
 REWORKED BY CHALL 19 DEC 1978
 DESIGNED BY CSE
 DATE 1-2-73
 WATSONVILLE, VA. LOCATION

581007377

UNLESS OTHERWISE SPECIFIED USE THE FOLLOWING —		
APPLIED PRACTICES	SURFACES	TOLERANCES ON MACHINE DIMENSIONS
		FRACTIONS DECIMALS ANGLES
		+ - +

TITLE 202/2 MOD/DEM INTERFACE
FIRST MADE FOR 44B417435

202/2 REV. 1



JUMPER OPTIONS:
 A. 1J IN AND 5J OUT, 4J IN, ENABLES REVERSE CHANNEL TO TRANSMIT A BREAK. USED WITH LINE CONTROL.
 B. 13 OUT 33 IN 43 OUT ENABLES R/C TO TRANSMIT STEADILY WHEN TMS004 IS ON LINE WITH NO ALARM (STATUS MONITOR).
 C. 27 IN - CB WILL NOT BE RECOGNIZED UNTIL THE REVERSE CHANNEL TONE IS RECEIVED FROM THE OTHER END OF LINE.

REVISIONS	PRINTS TO
1 72-657-0113 872	33 74
2 72-657-0113 872	82 77
3 1049 398 2 75	71 75
VALUE TO 125 AUG 30	41

44C400185

APR 25 1972

DATA COMMUNICATION PRODUCTS DIV. WAYNEBORO, VA. 44C400185

9E2107

2

3

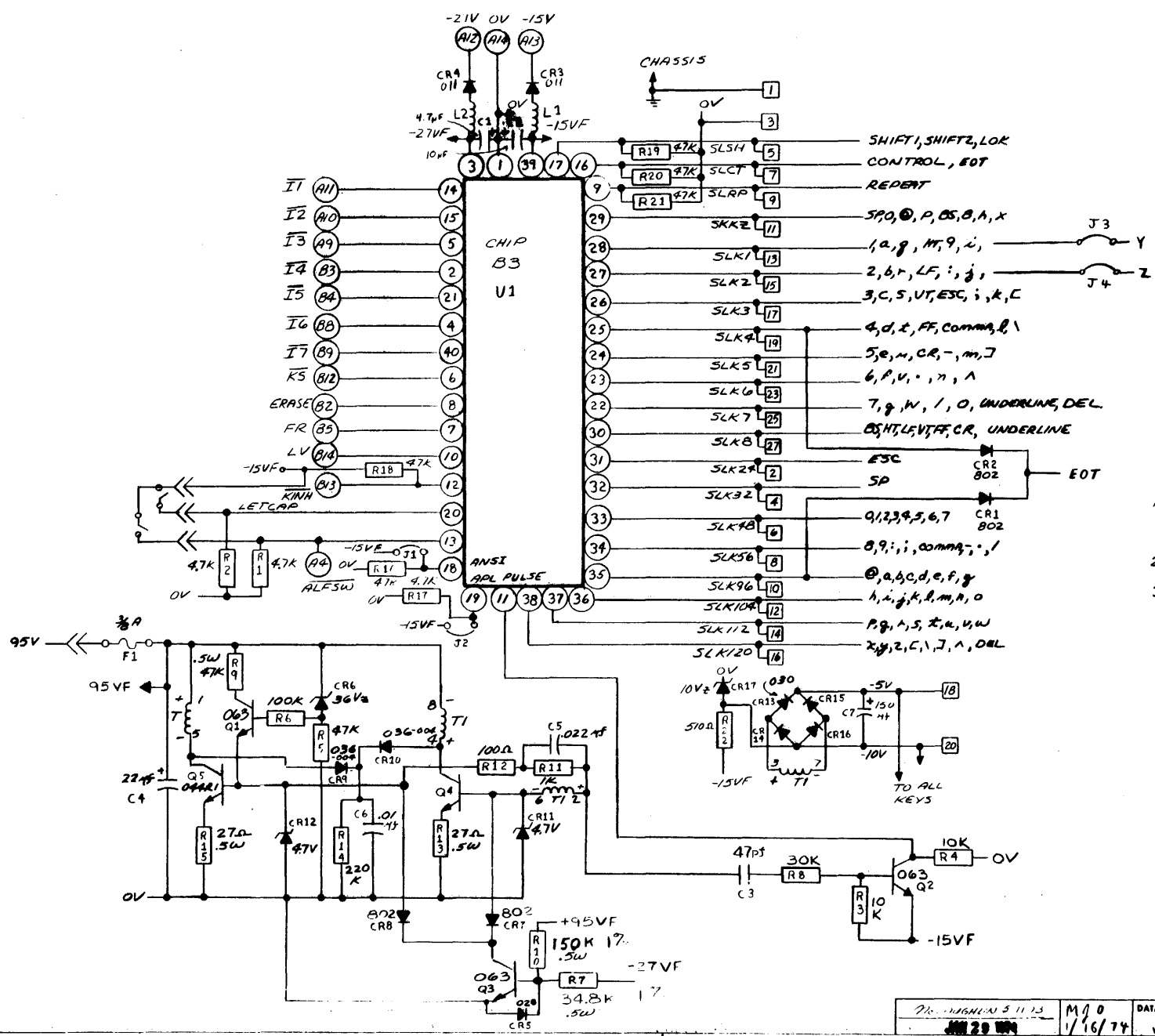
5

GENERAL ELECTRIC

44C401236
FMC

HSLA/1 & HSLE/1
3510, 35300
FCF 44C417508

HSLA/1
GOI/001
HSLE/1
GOI/001



- NOTES:
1. HHO RESISTOR 4R(1K-5W) OR HDC RESISTOR 4BR(1K-1W) MUST BE REPLACED WITH 100Ω-1W M6986139-D10
 2. ANS1 J1 IN J2 OUT, APL J2 IN J1 OUT, ECMA V1 & 2 OUT
 3. 3J AND 4J PARALLEL FOR 2 LOWER ROW, CROSSED FOR Y-Z INTERCHANGE.

1	74-6548	JUL '68	792
	M.J. SERENCSA		
			71 82
			38
			41
			67
			77

A
B
C
D
E

1 2 3 4 5 6

ON NO 13346 NO 13353
E62102300
 ON DRWING

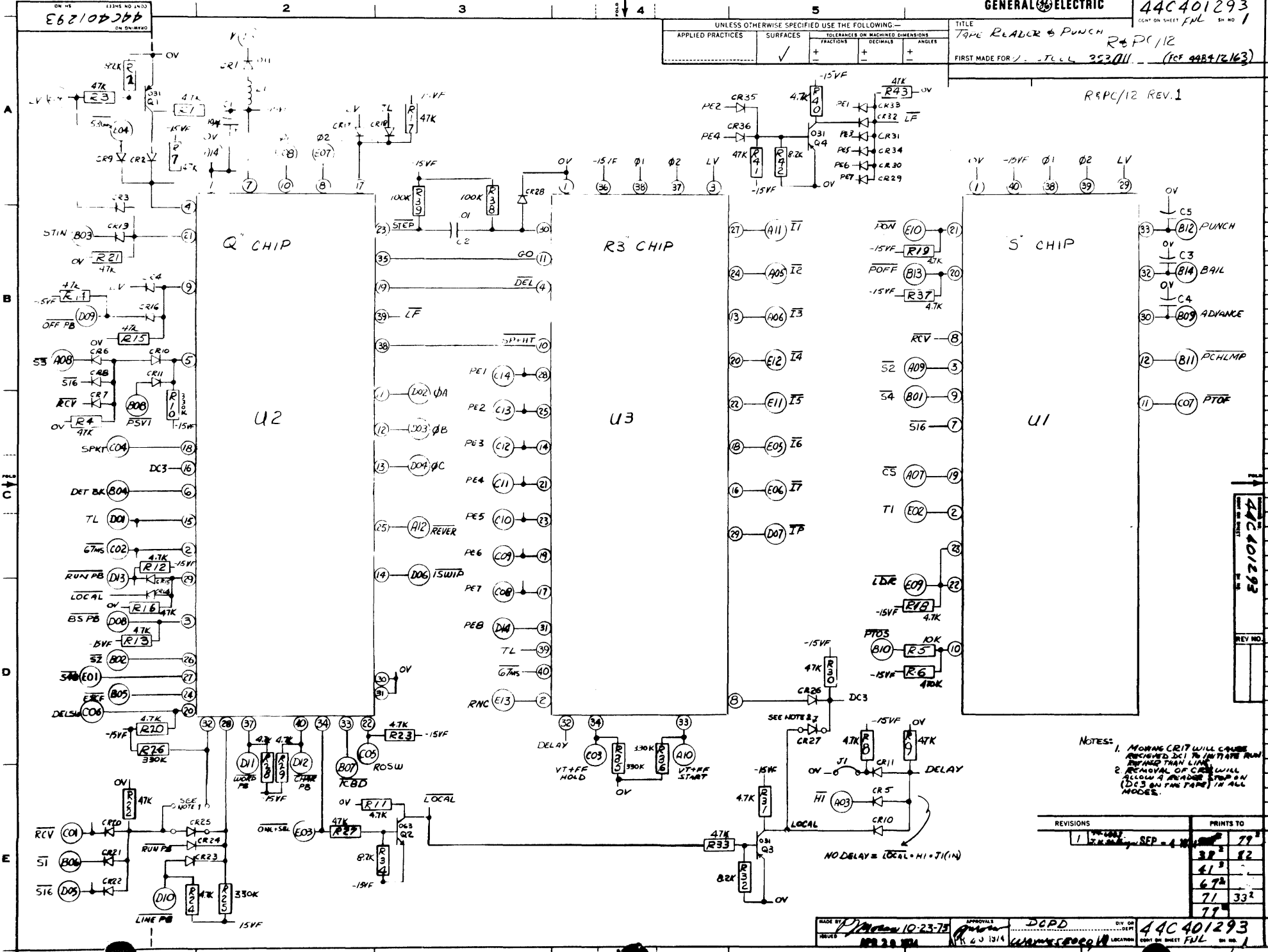
GENERAL ELECTRIC

44C401293
 CONT. ON SHEET FUL SH NO 1

UNLESS OTHERWISE SPECIFIED USE THE FOLLOWING—

APPLIED PRACTICES	SURFACES	TOLERANCES ON MACHINED DIMENSIONS		
		FRACTIONS	DECIMALS	ANGLES
✓	✓	+	-	+

TITLE
Tape Reader & Punch
 R&PC/12
 FIRST MADE FOR J. TULL 253011 (100 9484/2163)



NOTES:
 1. MOVING CR17 WILL CAUSE
 REVERSE DEL TO INITIATE RUN
 PURPOSE THAN LINE
 2. REMOVAL OF CR17 WILL
 ALLOW A REVERSE STOP ON
 (L23 ON THE TAPE) IN ALL
 MODES.

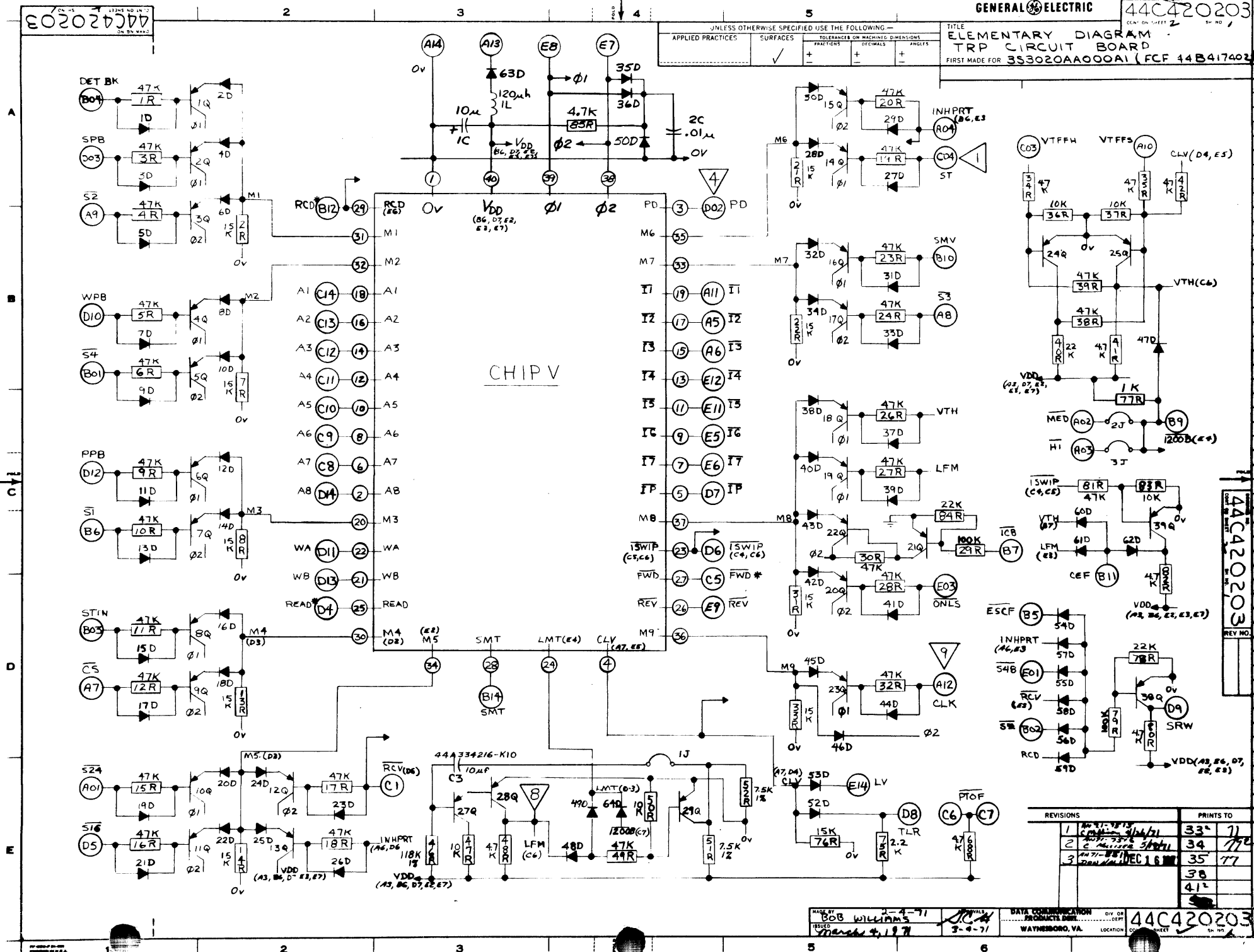
REVISIONS	PRINTS TO
1	77
	72
	61
	72
	71 33
	77

MADE BY **10-23-73** APPROVALS **DCPD** DIV. ON **44C401293**
 REVISED **SEP 28 1974** DATE **10 13 74** NAME **WAMES, CROOK** LOCATION **CONT. ON SHEET FUL SH NO 1**

44C401293
 REV. NO.

UNLESS OTHERWISE SPECIFIED USE THE FOLLOWING—			
APPLIED PRACTICES	SURFACES	TOLERANCES ON MACHINE DIMENSIONS	
✓	✓	FRACTIONS	DIMINALS
		+	-
		+	-

TITLE
ELEMENTARY DIAGRAM
TRP CIRCUIT BOARD
 FIRST MADE FOR 353020AA000A1 (FCF 44B417402)



REVISIONS	PRINTS TO
1	33 71
2	34 77
3	35 77
	38
	41

44C420203

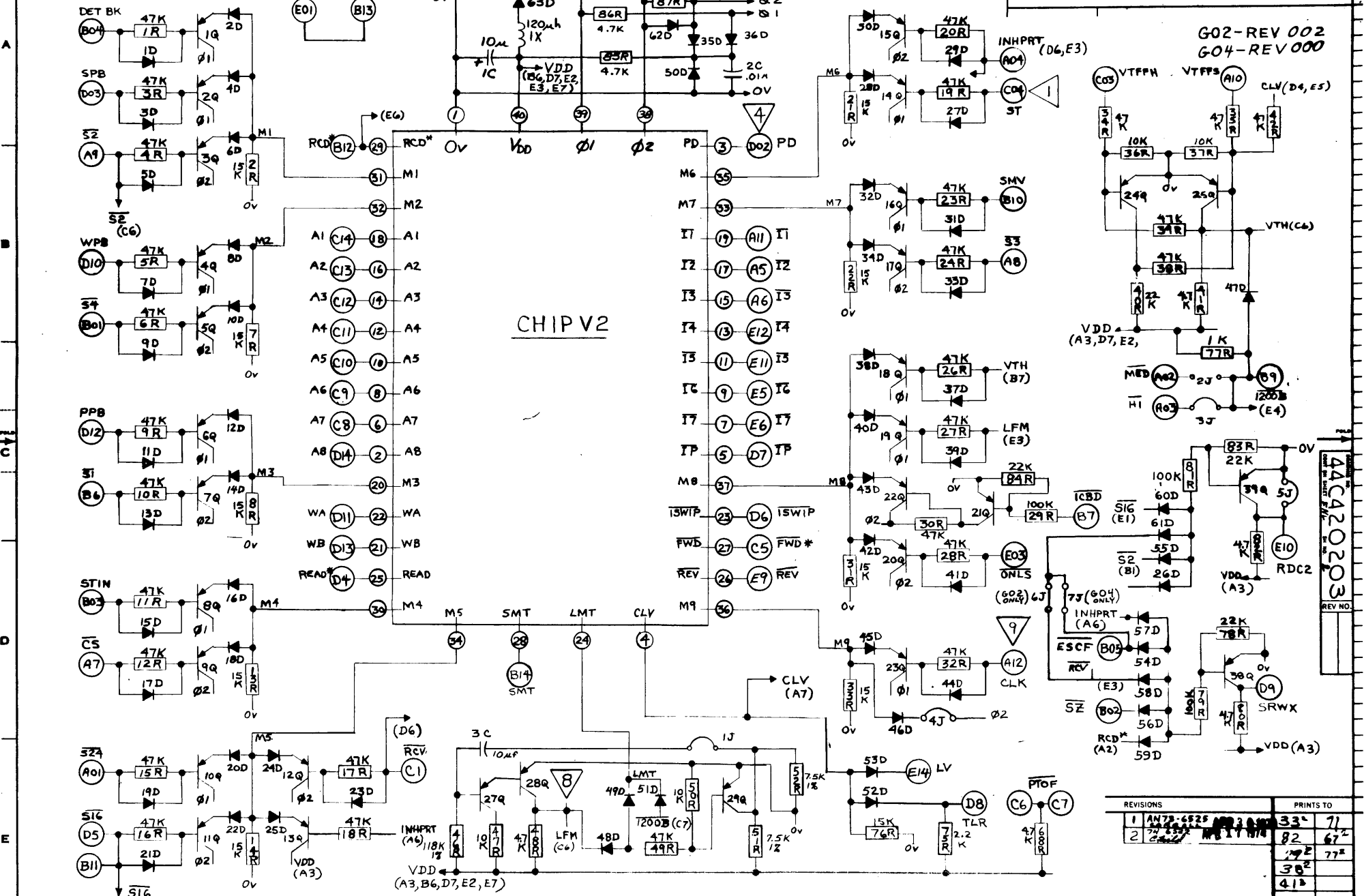
GENERAL ELECTRIC

4420203

UNLESS OTHERWISE SPECIFIED USE THE FOLLOWING—

APPLIED PRACTICES	SURFACES	TOLERANCES ON MACHINED DIMENSIONS
	✓	FRACTIONS DECIMALS ANGLES
		+ - +

TITLE
ELEMENTARY DIAGRAM
TRP/2 CIRCUIT BOARD
 FIRST MADE FOR 353020A000A2 (FCF 44B417402-)



G02-REV 002
 G04-REV 000

44C420203
 REV NO.

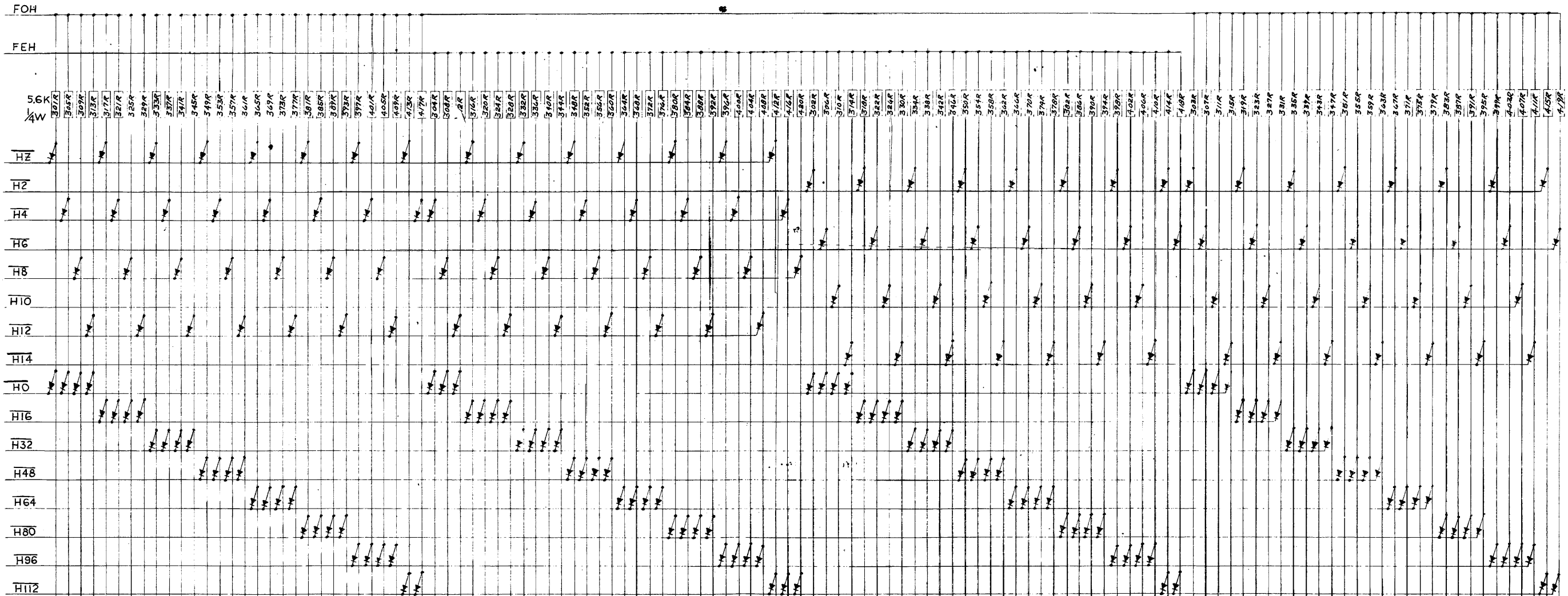
REVISIONS	PRINTS TO
1	33 71
2	82 67
	72 77
	38 77
	41 8

APPROVED FOR THE WORK	DATE	BY
✓	+	+

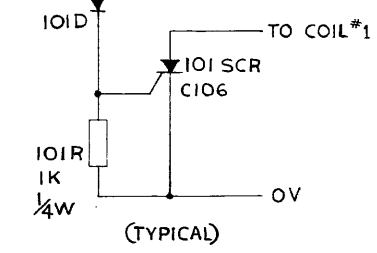
440 4 00219

HAMMER DECODER (HDEC)
 FIRST MADE FOR S.S. A.P.C.
 ELEMENTARY DIAGRAM

A
 B
 C
 D
 E
 F
 H



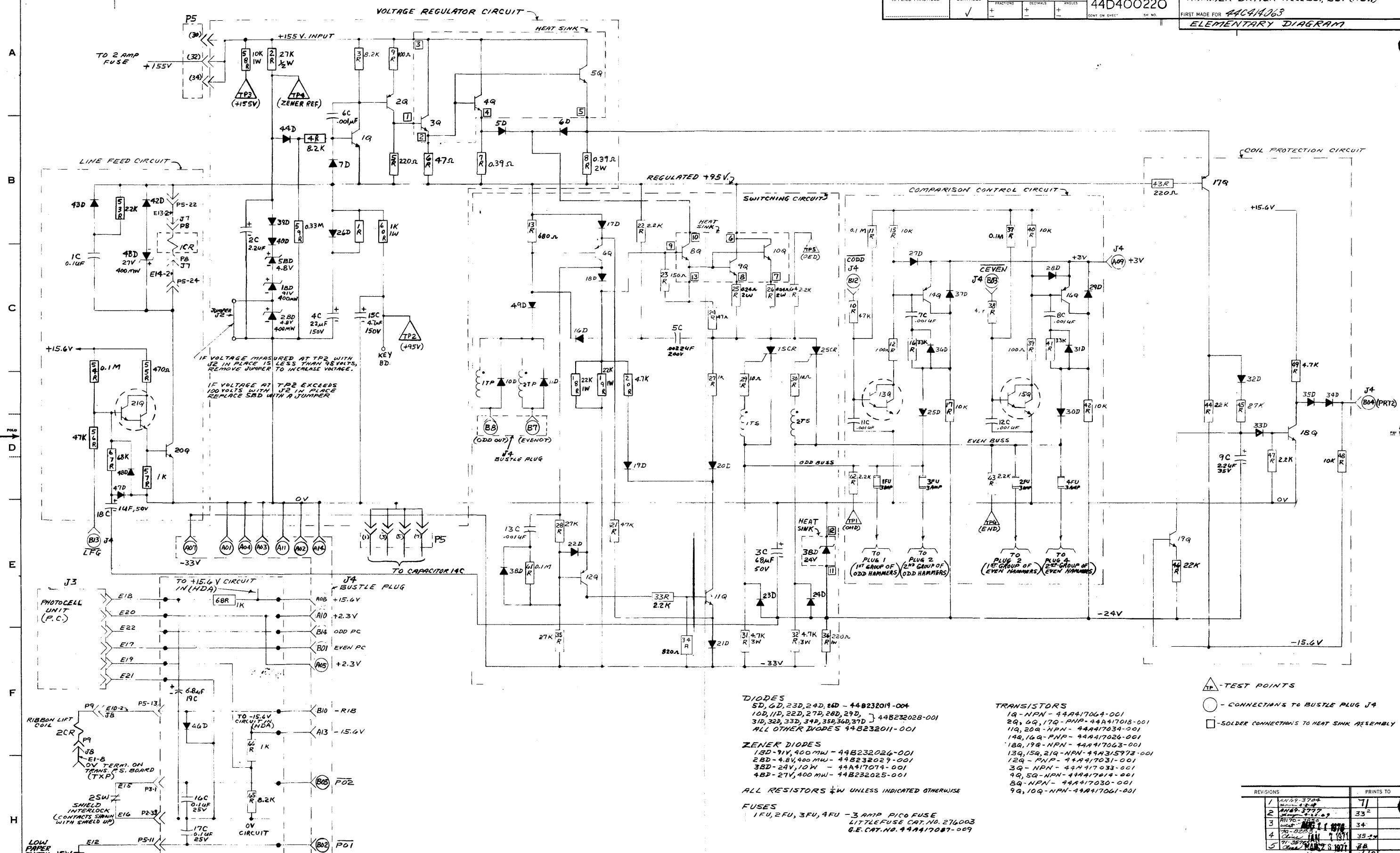
5 13 21 29 37 45 53 61 69 77 85 93 101 109 117 8 16 24 32 40 48 56 64 72 80 88 96 104 112 120 6 14 22 30 38 46 54 62 70 78 86 94 102 110 118 7 15 23 31 39 47 55 63 71 79 87 95 103 111 119
 1 9 17 25 33 41 49 57 65 73 81 89 97 105 113 4 12 20 28 36 44 52 60 68 76 84 92 100 108 116 2 10 18 26 34 42 50 58 66 74 82 90 98 106 114 3 11 19 27 35 43 51 59 67 75 83 91 99 107 115



REVISIONS	PRINTS TO
	18 ³
	23
	33
	34
	35 ²
	41 ²

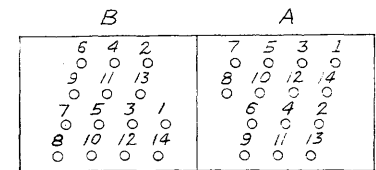
UNLESS OTHERWISE SPECIFIED USE THE FOLLOWING:	
APPLIED PRACTICES	TOLERANCES ON MACHINED DIMENSIONS
SURFACES	FRACTIONS DECIMALS ANGLES
✓	+ - ±

REV. NO. 44D400220
 TITLE HAMMER DRIVER ACCESS. BD. (HDA)
 FIRST MADE FOR 44C414063
 ELEMENTARY DIAGRAM

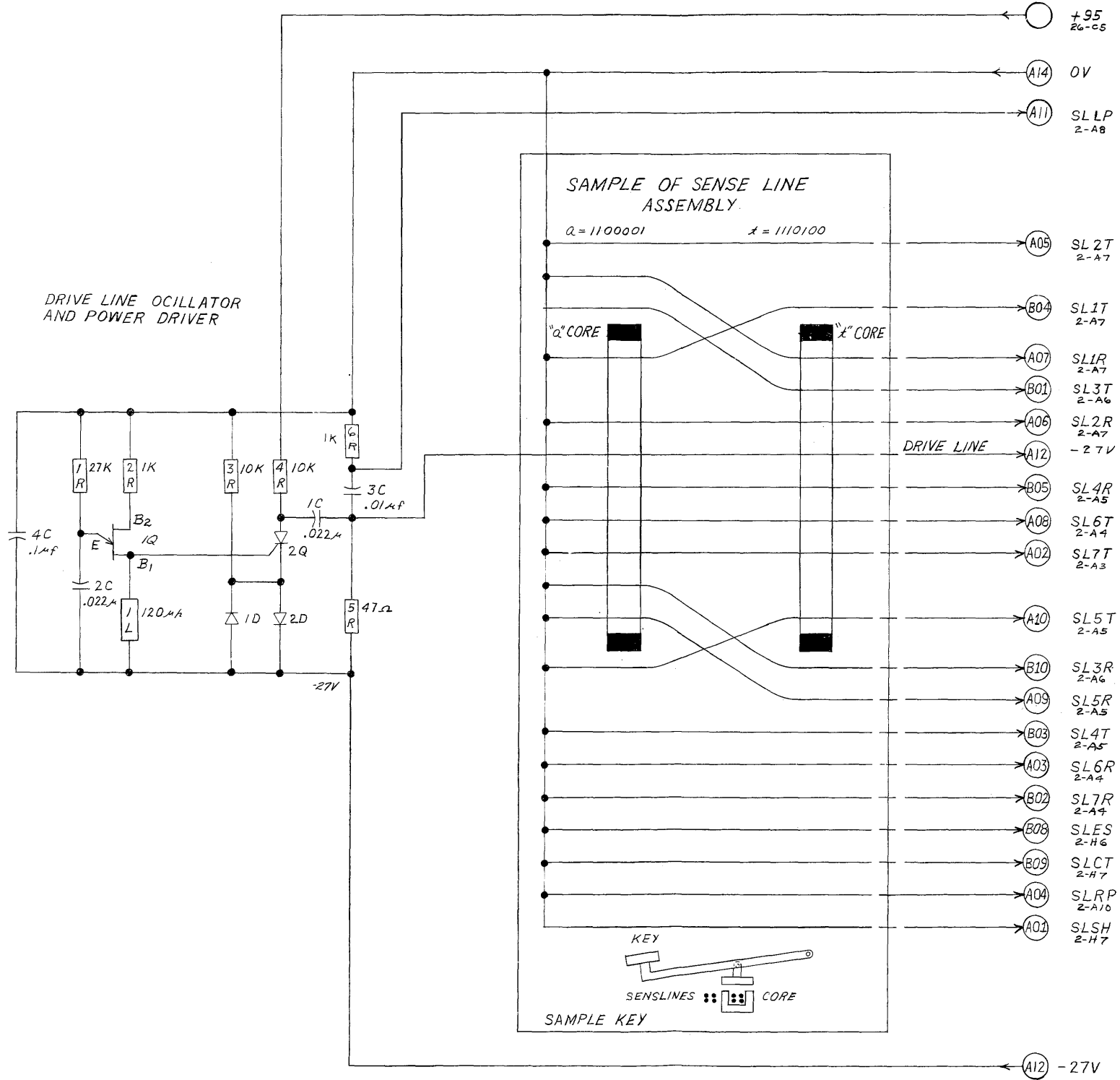


REVISIONS	PRINTS TO
1 44D400220	71
2 44D400220	33
3 44D400220	34
4 44D400220	35
5 44D400220	36

UNLESS OTHERWISE SPECIFIED USE THE FOLLOWING:			
APPLIED PRACTICES	SURFACES	TOLERANCES ON MACHINED DIMENSIONS	
✓	+	FRACTIONS	DIGITALS
		+	+
		-	-
		+	-
		-	+
			ANGLES
			+
			-
			CONT. ON SHEET
			SH. NO.



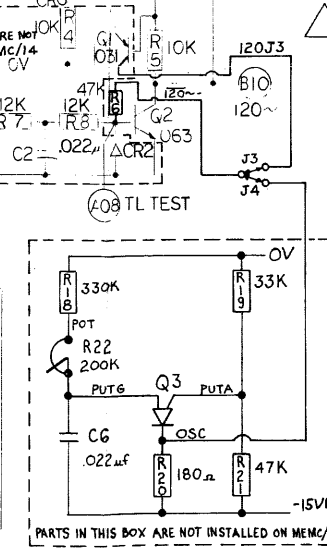
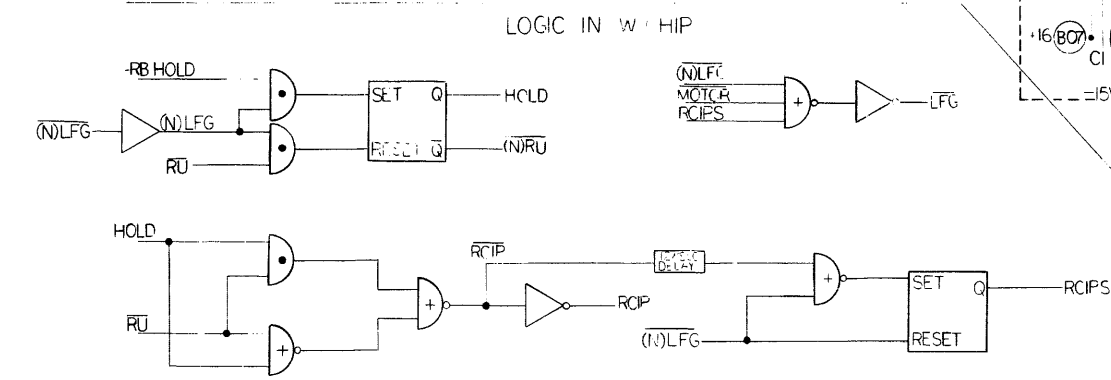
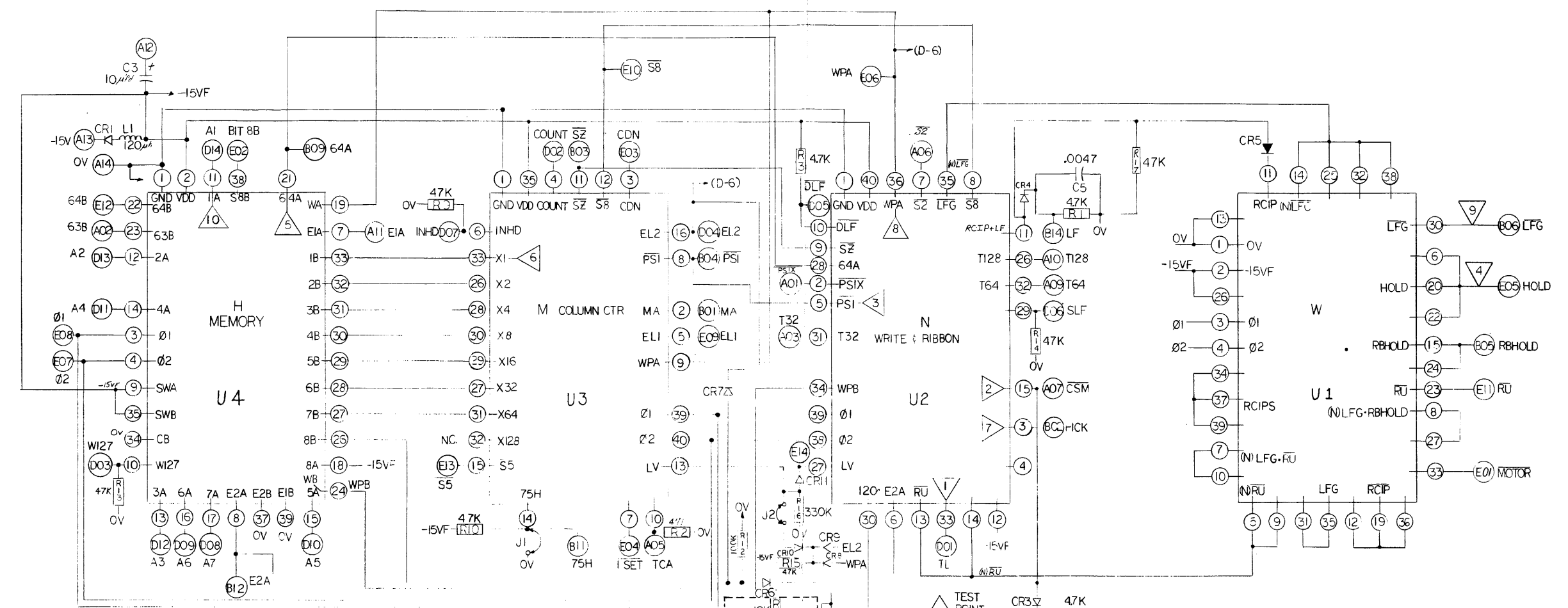
CONNECTOR VIEWED FROM SOLDER SIDE OF BOARD



A
B
C
D
E
F
H

REVISIONS	PRINTS TO
1	34
2	38 2
	41 2
	71

MEMC/13 MEMC/14
 REV.002 REV.002



ALL RESISTORS 1/4W UNLESS OTHERWISE SPECIFIED
 N.C. = NOT CONNECTED
 REMAINING CONNECTOR PINS ARE ASSIGNED AS FOLLOWS:
 PINS SIGNALS
 *13 SPACE

STAPPING OPTIONS:
 J1 OUT FOR 75 C. ...
 J1 IN FOR 118 COLUMN UNITS
 J2 ENABLES THE AUTOMATIC END OF LINE CARRIAGE
 RETURN OPTION.
 J3 IN, J4 OUT FOR MEMC/13
 J4 IN, J3 OUT FOR MEMC/14

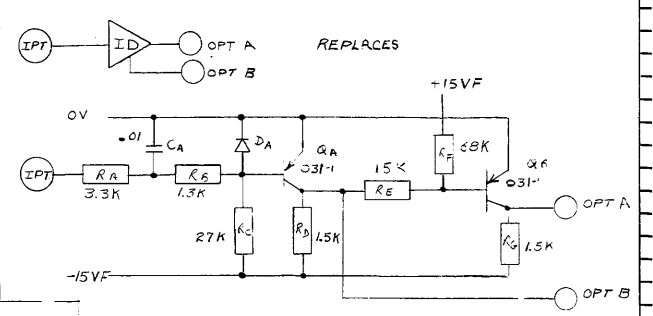
REVISIONS	AUG 8 1974	PRINTS TO
1	74-6569 AUG 9 1974	332 798
2	74-6612 AUG 12 1974	387 82
		417
		672
		71
		772

UNLESS OTHERWISE SPECIFIED USE THE FOLLOWING:

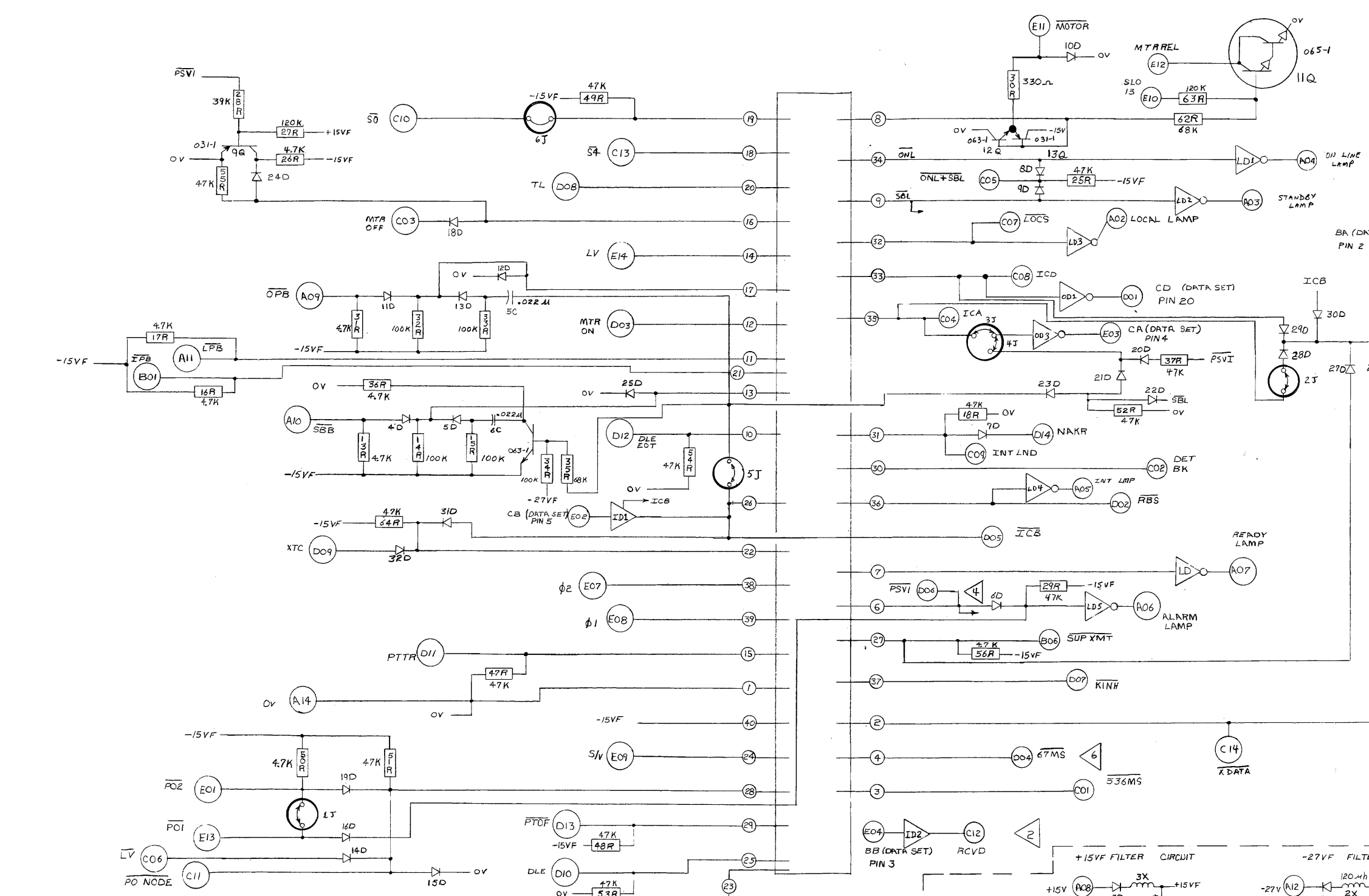
APPLIED PRACTICES	SURFACES	FRACTIONS	TOLERANCES ON MACHINED DIMENSIONS	DIMENSIONS	ANGLES
✓	✓	+	+	+	+

TITLE: DATASET CONTROL (DATB)
 FIRST MADE FOR: 44B 412 42B

SYMBOLS



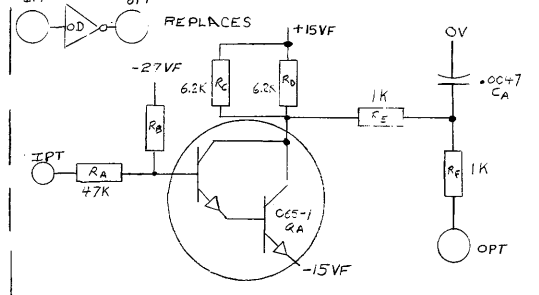
Type	CA	DA	QA	RA	RB	RC	RD	RE	RF	RF
1	01N	02B	03H	04H	05K	06K	07N	08N	09K	10K
2	17C	18D	19G	20K	21K	22K	23K	24K	25K	26K
3	27C	28D	29G	30K	31K	32K	33K	34K	35K	36K



CHIP E
 ELEM. NO. 44D400207

- NOTES:
- ALL RESISTORS 1/4 WATT UNLESS INDICATED OTHERWISE.
 - ALL PINS HAVE SIGNAL NAMES ASSIGNED TO THEM.
 - CONNECTORS A&B COUPLE TO THE CONTROL PANEL FROM THIS OR OTHER BOARDS AND DO NOT NECESSARILY CONNECT TO DATB CIRCUITS.
 - BOARD IS MANUFACTURED WITH: J1, J2, J4, J5, J6
 - DAT-001 REPLACEMENT ONLY INCLUDES: J1, J4, J6
 - DAT-002 REPLACEMENT ONLY INCLUDES: J1, J4, J5, J6
 - AUTO MOTOR ON/OFF ADDS: J5
 - CA STATUS MONITOR WITH AUT ON/OFF INCLUDES: J1, J4, J5, J6
 - LINE TURNAROUND INCLUDES: J2, J3, J6

Type	CA	DA	QA	RA	RB	RC	RD	RE	RF	RF
1	01N	02B	03H	04H	05K	06K	07N	08N	09K	10K
2	17C	18D	19G	20K	21K	22K	23K	24K	25K	26K
3	27C	28D	29G	30K	31K	32K	33K	34K	35K	36K

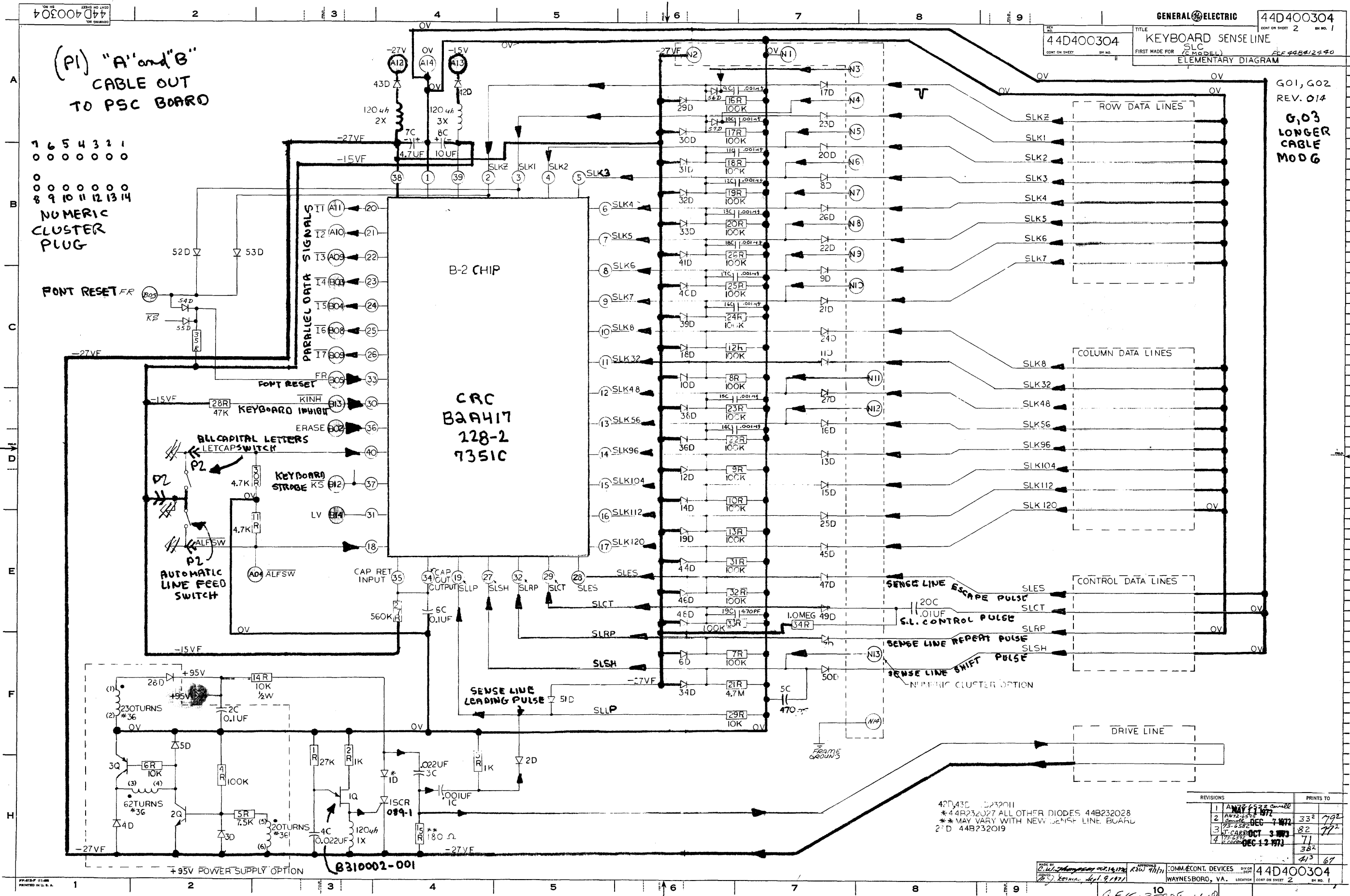


Type	CA	DA	QA	RA	RB	RC	RD	RE	RF	RF
1	007W	065-1	47K	62K	62K	1K	1K			
2	10C	8G	19R	24K	20R	21R	22R	23R		
3	28B	18	76	27K	74	75	73	72		
4	4	10	42	43	40	41	39	38		

REVISED	PRINTS TO
	29VN
	33
	34
	352
	38
	412

SLC/I SENSE LINE AMPLIFIER

UNDER KEYBOARD



(P1) "A" and "B" CABLE OUT TO PSC BOARD

1 6 5 4 3 2 1
0 0 0 0 0 0 0
0 0 0 0 0 0 0
8 9 10 11 12 13 14
NUMERIC CLUSTER PLUG

FONT RESET FR

ALLCAPITAL LETTERS LETCAPSWITCH

KEYBOARD STORAGE K'S

AUTOMATIC LINE FEED SWITCH

+95V POWER SUPPLY OPTION

GENERAL ELECTRIC 44D400304
TITLE: KEYBOARD SENSE LINE SLC (C MODEL) ELEMENTARY DIAGRAM
REV. 014
G.O.3 LONGER CABLE MOD 6

G.O.1, G.O.2 REV. 014
G.O.3 LONGER CABLE MOD 6

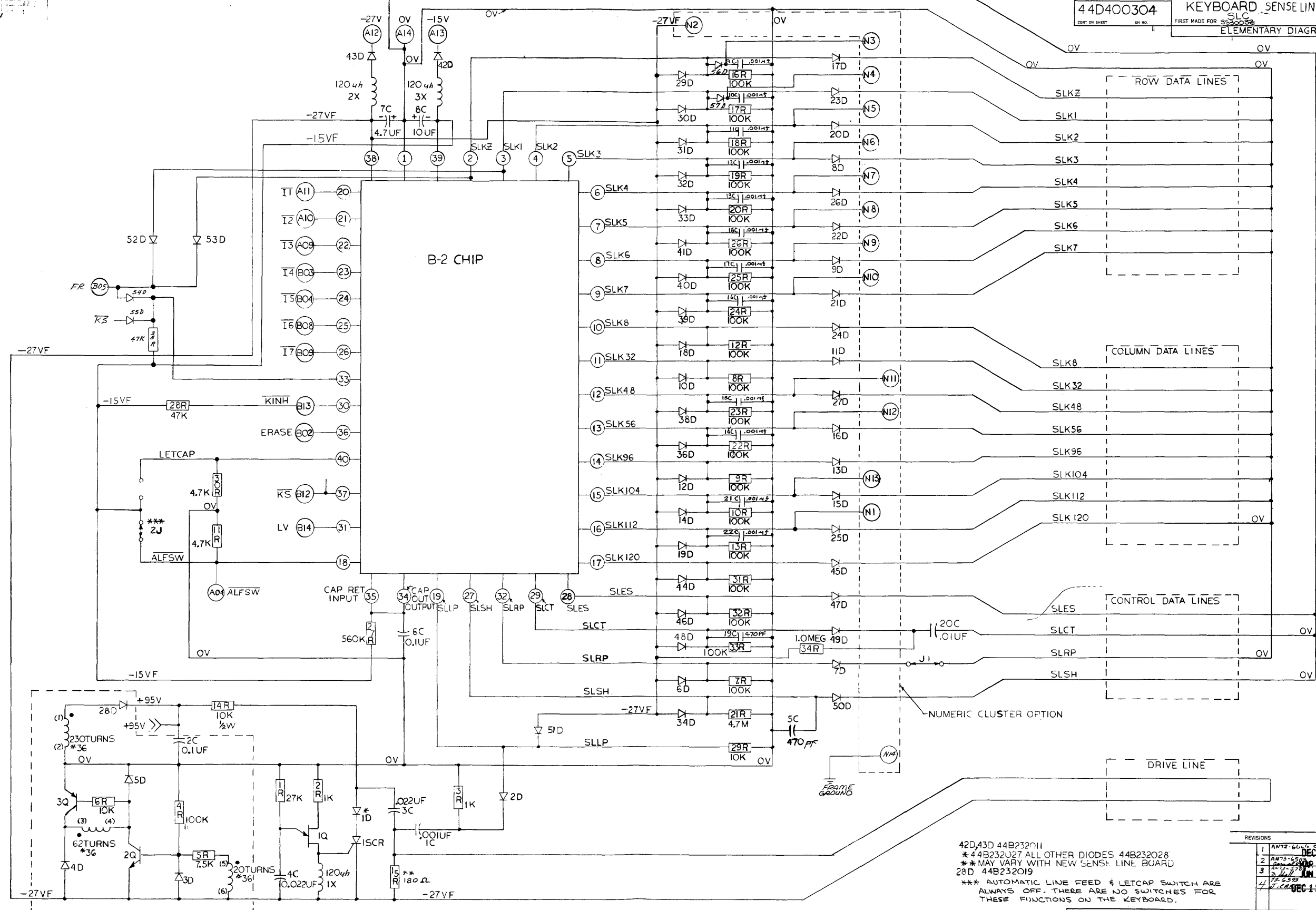
REV.	DESCRIPTION	DATE	BY	CHKD.
1	AMT 6522 04/11/77			
2	AMT 6522 04/11/77	DEC 7 1977	338	792
3	AMT 6522 04/11/77	OCT 3 1977	82	772
4	AMT 6522 04/11/77	OCT 12 1977	71	382

44D430 1282011
*44R232027 ALL OTHER DIODES 44B232028
**MAY VARY WITH NEW SENSE LINE BOARD
2'D 44B232019

MADE BY: COMM. CONT. DEVICES, WAYNESBORO, VA.
44D400304
PRINTED IN U.S.A.

BEK-35988 4498

GO4
 REV. 004

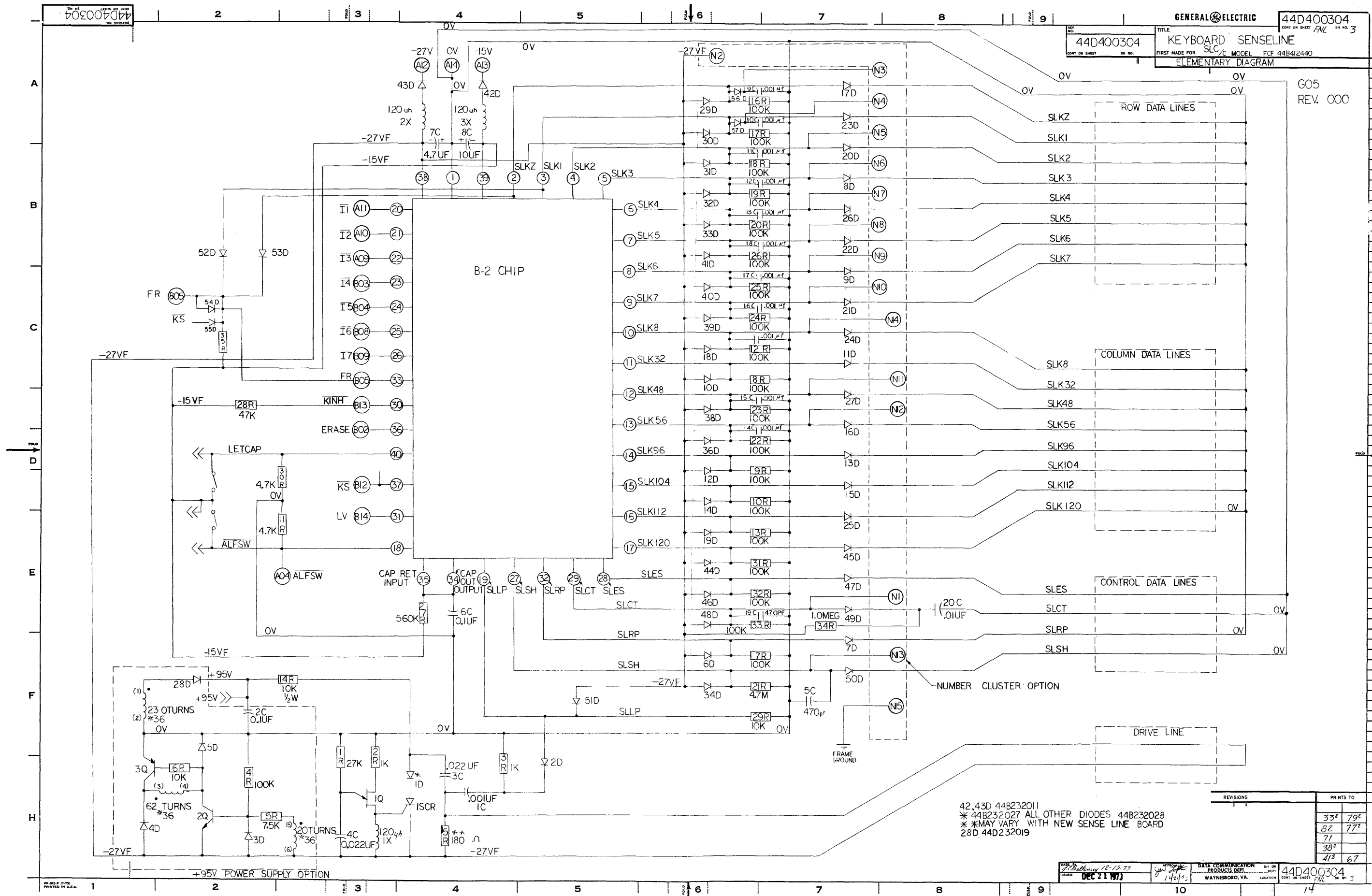


42D43D 44B232011
 * 44B232027 ALL OTHER DIODES 44B232028
 ** MAY VARY WITH NEW SENSE LINE BOARD
 28D 44B232019
 *** AUTOMATIC LINE FEED & LETCAP SWITCH ARE ALWAYS OFF. THERE ARE NO SWITCHES FOR THESE FUNCTIONS ON THE KEYBOARD.

REVISIONS	PRINTS TO
1 ANTZ 6/11/72	7/1
2 ANTS 8/20/72	33 77
3 ANTS 8/20/72	34 77
4 ANTS 8/20/72	47 77
5 ANTS 8/20/72	38 77

44D400304

G05 REV. 000



42.43D 44B232011
 * 44B232027 ALL OTHER DIODES 44B232028
 ** MAY VARY WITH NEW SENSE LINE BOARD
 28D.44D232019

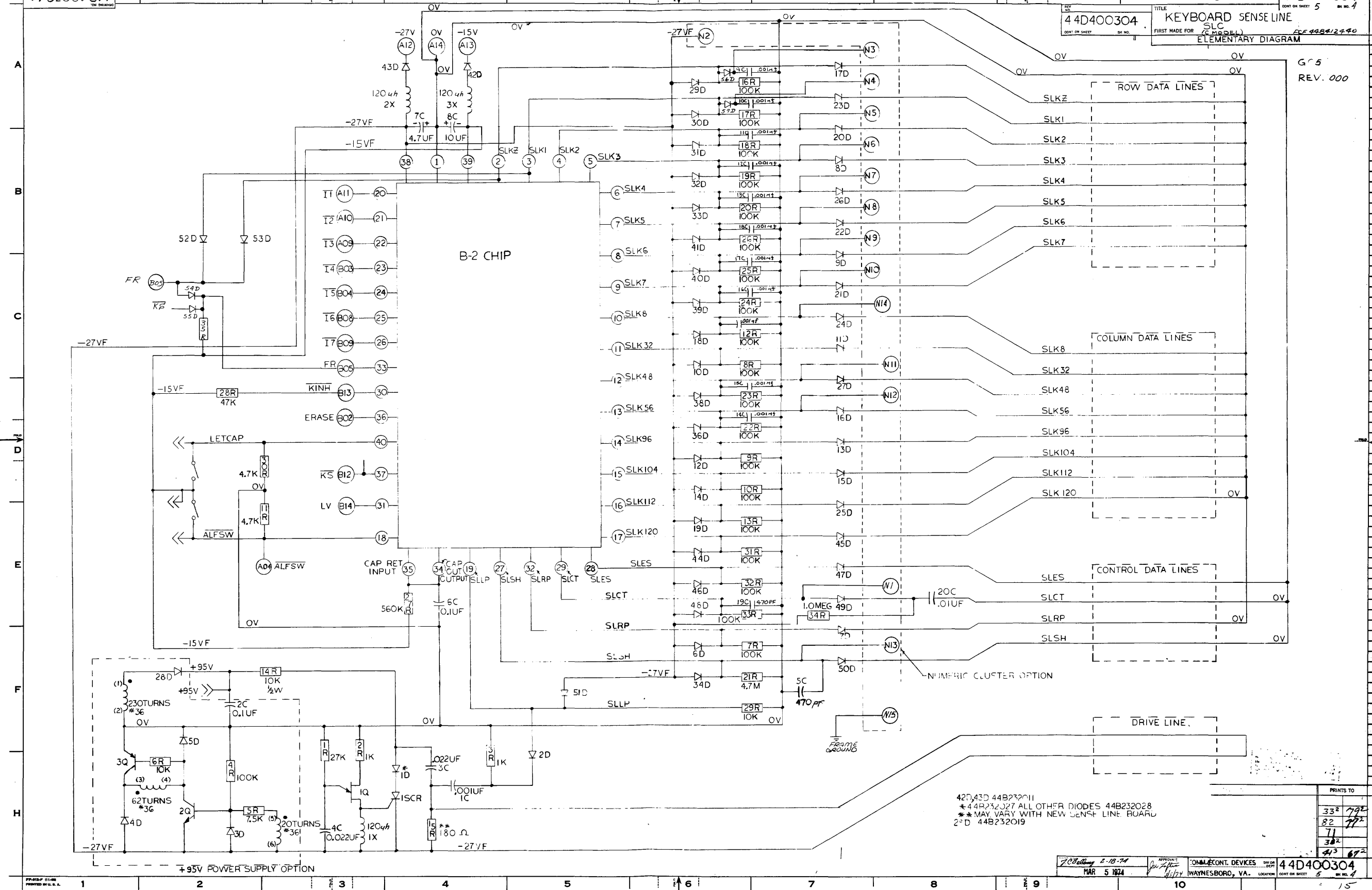
REVISIONS	PRINTS TO
332	792
82	772
71	
382	
413	67

44D400304

GENERAL ELECTRIC 44D400304

44D400304 KEYBOARD SENSE LINE
FIRST MADE FOR SLC (C MODEL) REF 4484/2490
ELEMENTARY DIAGRAM

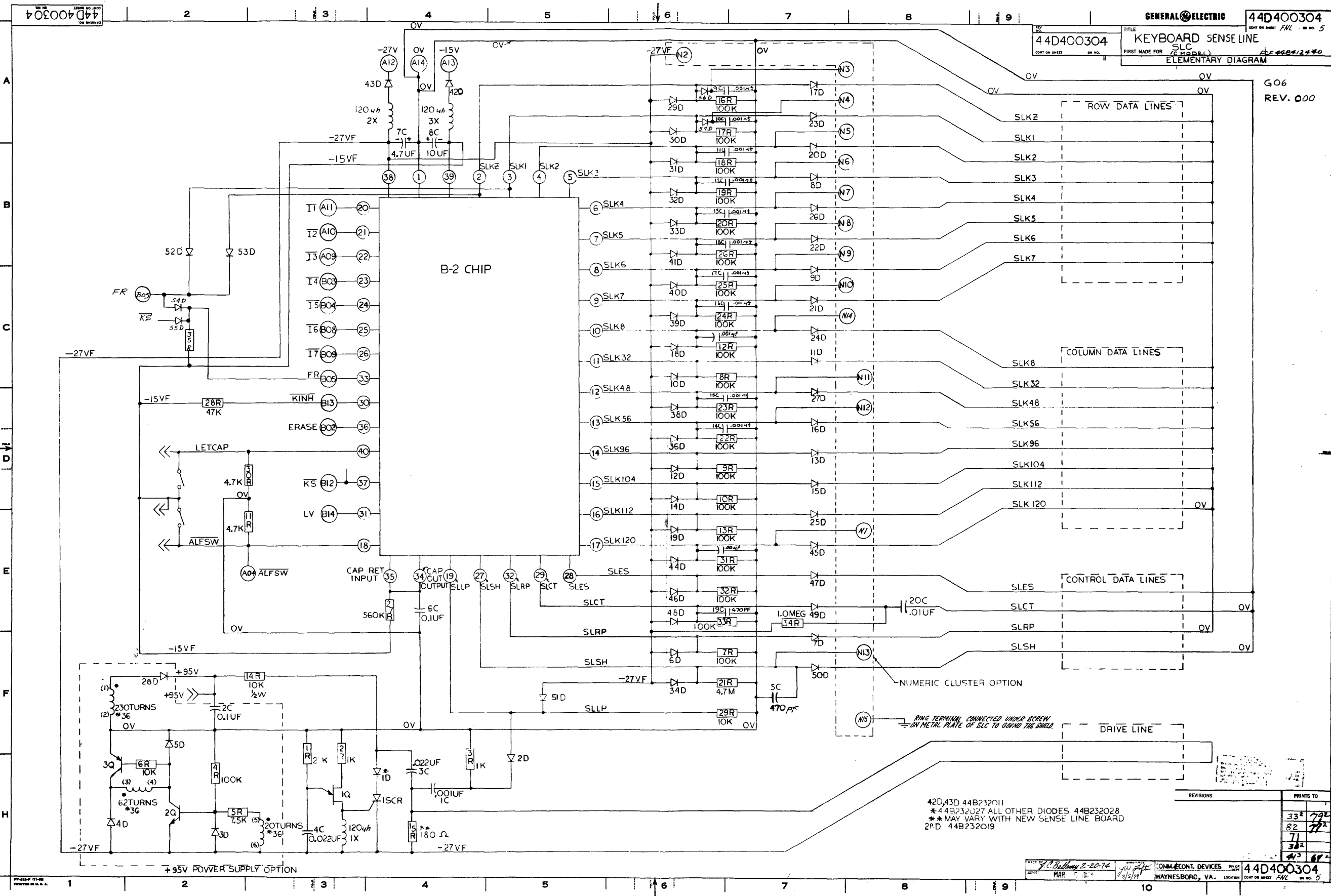
G 5 REV. 000



42D43D 44B232011
 * 44R232027 ALL OTHER DIODES 44B232028
 *** MAY VARY WITH NEW SENSE LINE BOARD
 2°D 44B232019

PRINTS TO	
332	792
82	772
71	
382	
413	872

2-18-74
 MAR 5 1974
 CONMONT. DEVICES
 WAYNESBORO, VA.
 44D400304



GO6
 REV. 000

42D, 43D 44B232011
 * 44B232027 ALL OTHER DIODES 44B232028
 ** MAY VARY WITH NEW SENSE LINE BOARD
 2PD 44B232019

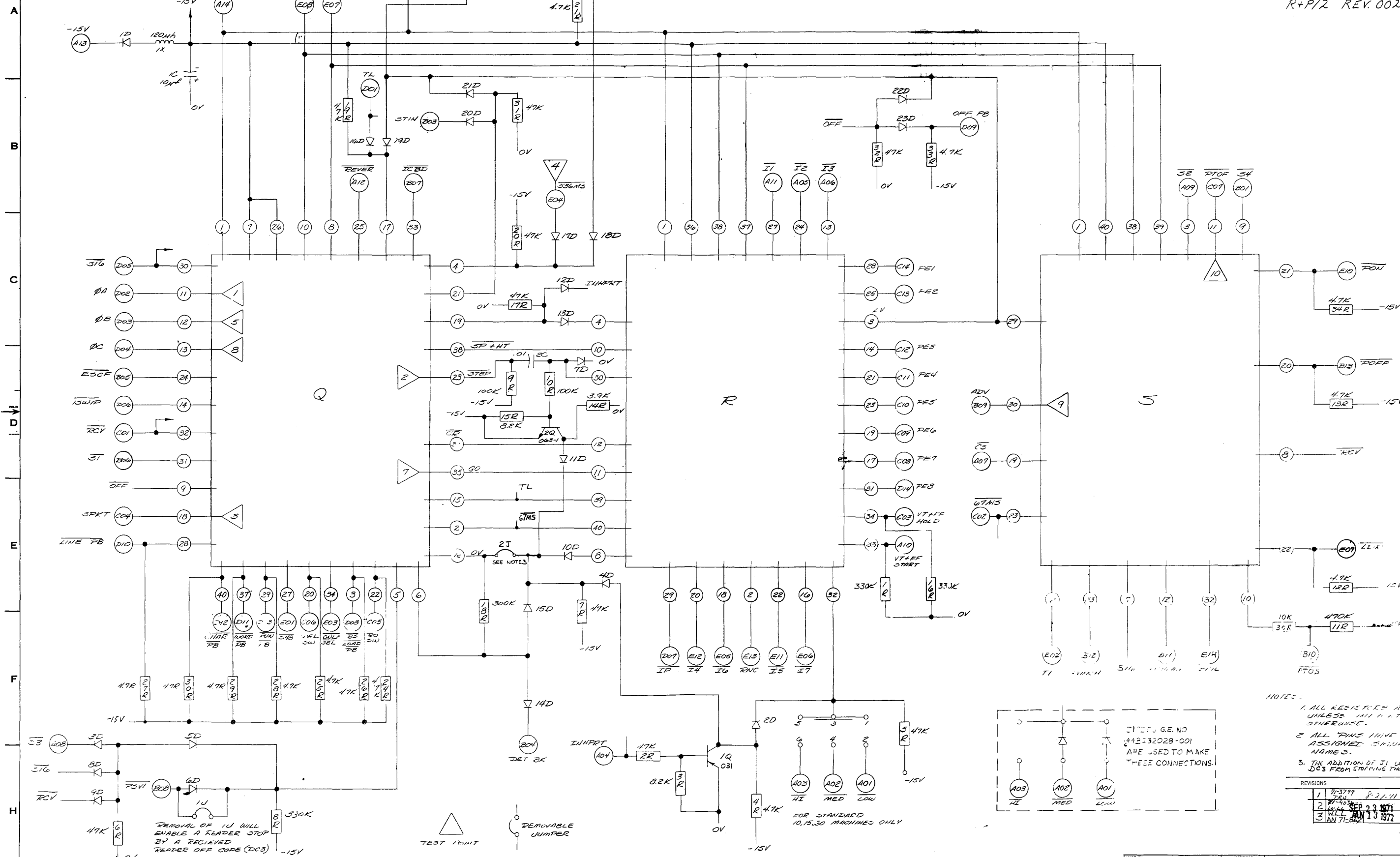
REVISIONS	PRINTS TO
33	792
82	772
71	
38	
43	672

UNLESS OTHERWISE SPECIFIED USE THE FOLLOWING:			
APPLIED PRACTICES	SURFACES	TOLERANCES ON MACHINED DIMENSIONS	REV. NO.
	✓	FRACTIONS DECIMALS ANGLES	44D400305

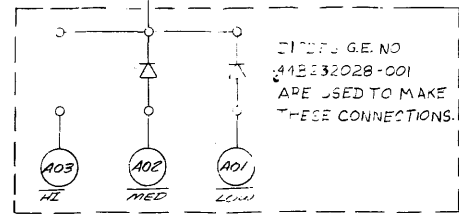
CONT ON SHEET 2
44D400305
SH NO.

TITLE
TAPE READER & PUNCH (RFP)
FIRST MADE FOR 44B417008 G02
ELEMENTARY DIAGRAM

R+P/2 REV.002 MOD.3



- NOTES:
1. ALL RESISTORS ARE 1/4W UNLESS INDICATED OTHERWISE.
 2. ALL TUBES HAVE BEEN ASSIGNED SERIAL NUMBERS.
 3. THE ADDITION OF J1 WILL PREVENT DC3 FROM STOPPING THE READER.



REVISONS	PRINTS TO
1 7/23/77	744
2 8/2/77	744
3 8/2/77	744
	744
	744
	744
	744
	744
	744

5030040305

GENERAL ELECTRIC

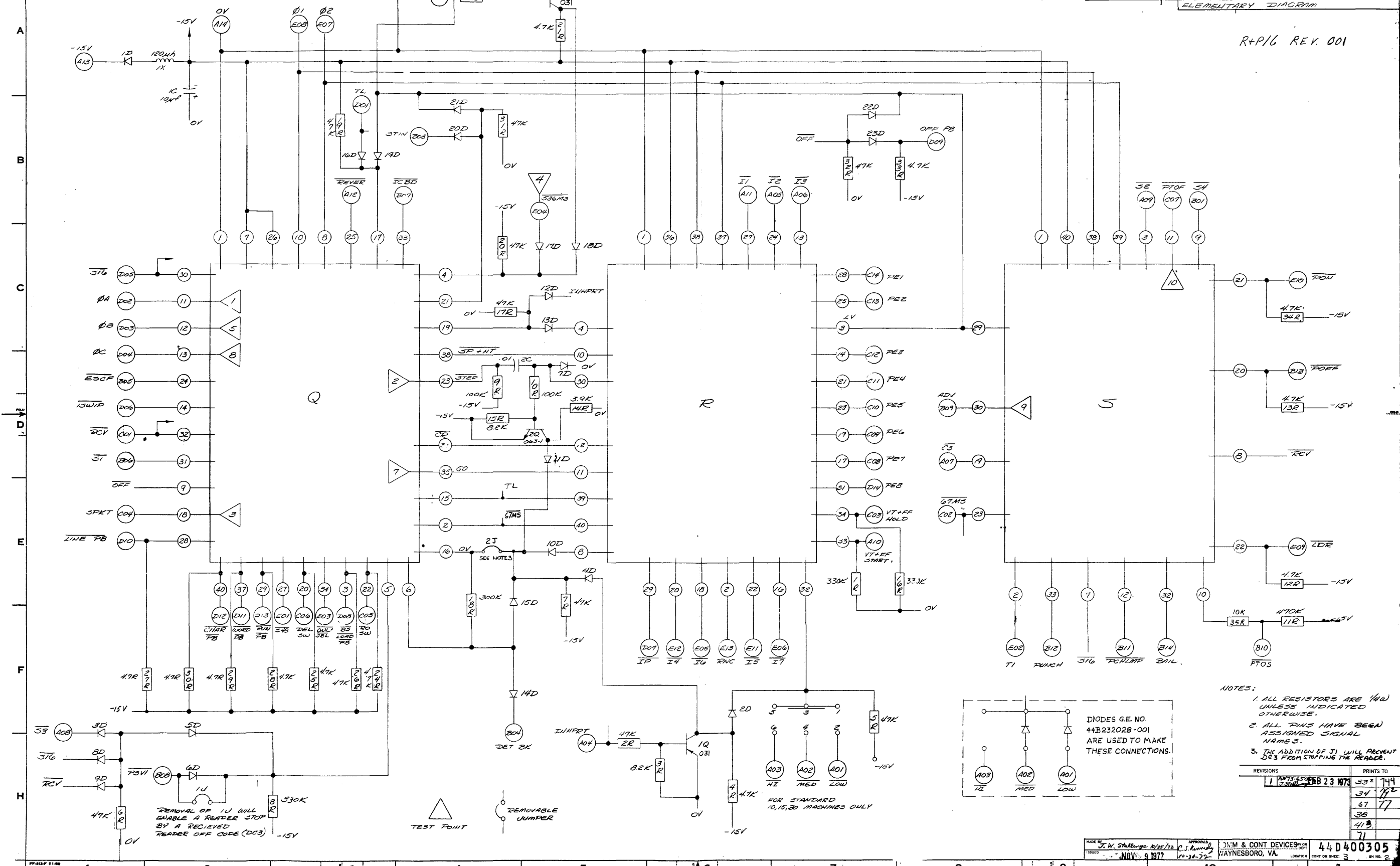
44D400305

UNLESS OTHERWISE SPECIFIED USE THE FOLLOWING—			
APPLIED PRACTICES	SURFACES	TOLERANCES ON MACHINED DIMENSIONS	FRANCHISE
✓	+	+	+

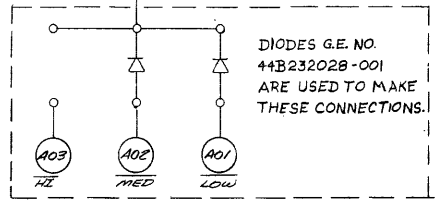
44D400305

TITLE
TAPE READER & PUNCH (R&P)
FIRST MADE FOR 44E417408 G06
ELEMENTARY DIAGRAM

R+P/6 REV. 001



- NOTES:
1. ALL RESISTORS ARE 1/4W UNLESS INDICATED OTHERWISE.
 2. ALL PINS HAVE BEEN ASSIGNED SIGNAL NAMES.
 3. THE ADDITION OF J1 WILL PREVENT DC'S FROM STAFFING THE READER.



REVISONS	PRINTS TO
1	714
2	715
3	717
4	718
5	719

440305

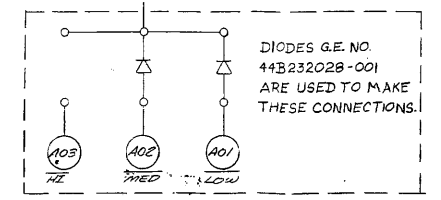
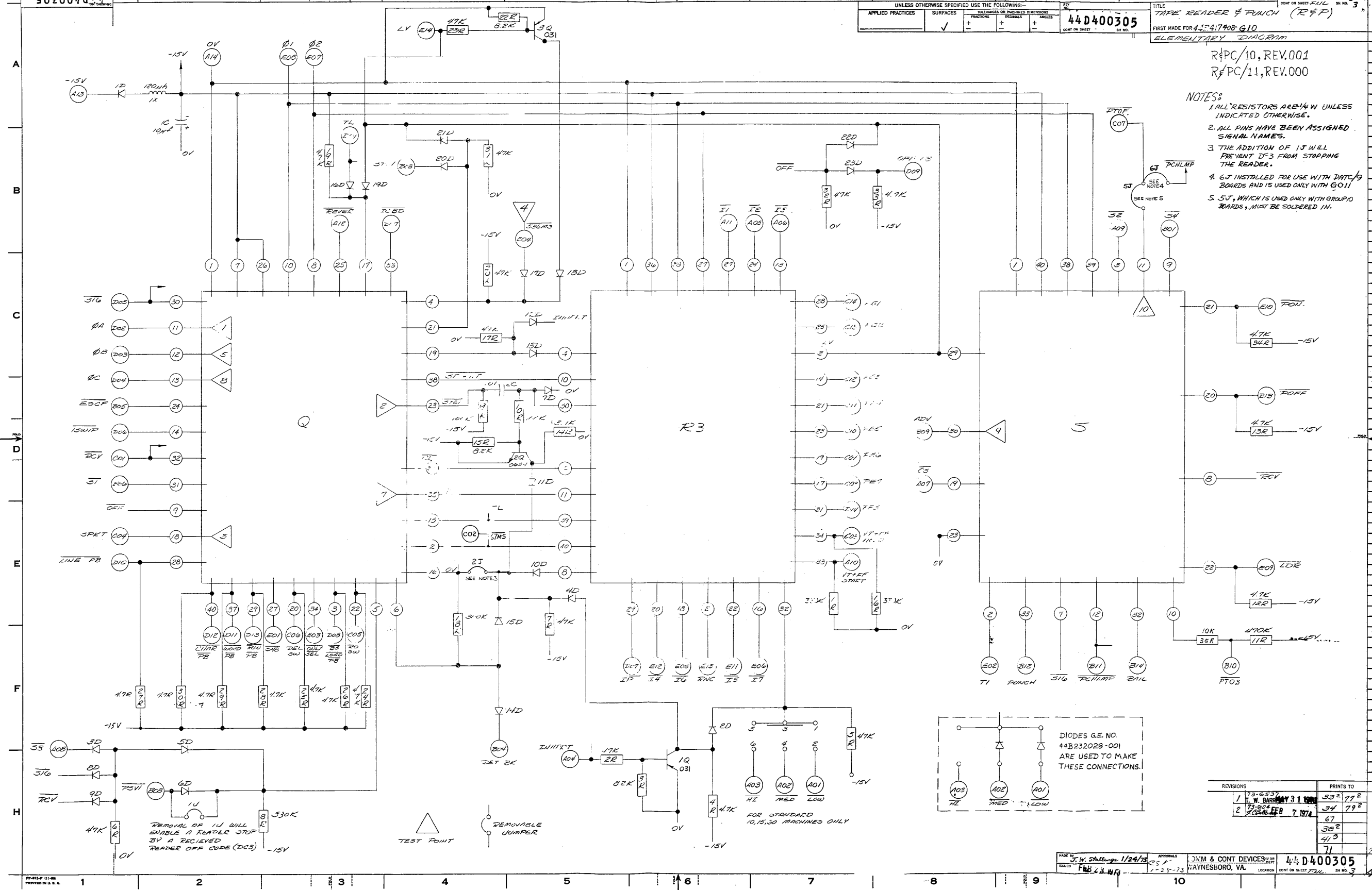
GENERAL ELECTRIC 440305

UNLESS OTHERWISE SPECIFIED USE THE FOLLOWING—			
APPLIED PRACTICES	SURFACES	TOLERANCES ON DIMENSIONS	ANGLES
✓	✓	✓	✓

TITLE
TAPE READER & PUNCH (R&P)
FIRST MADE FOR 44241708 G10
ELEMENTARY DIAGRAM

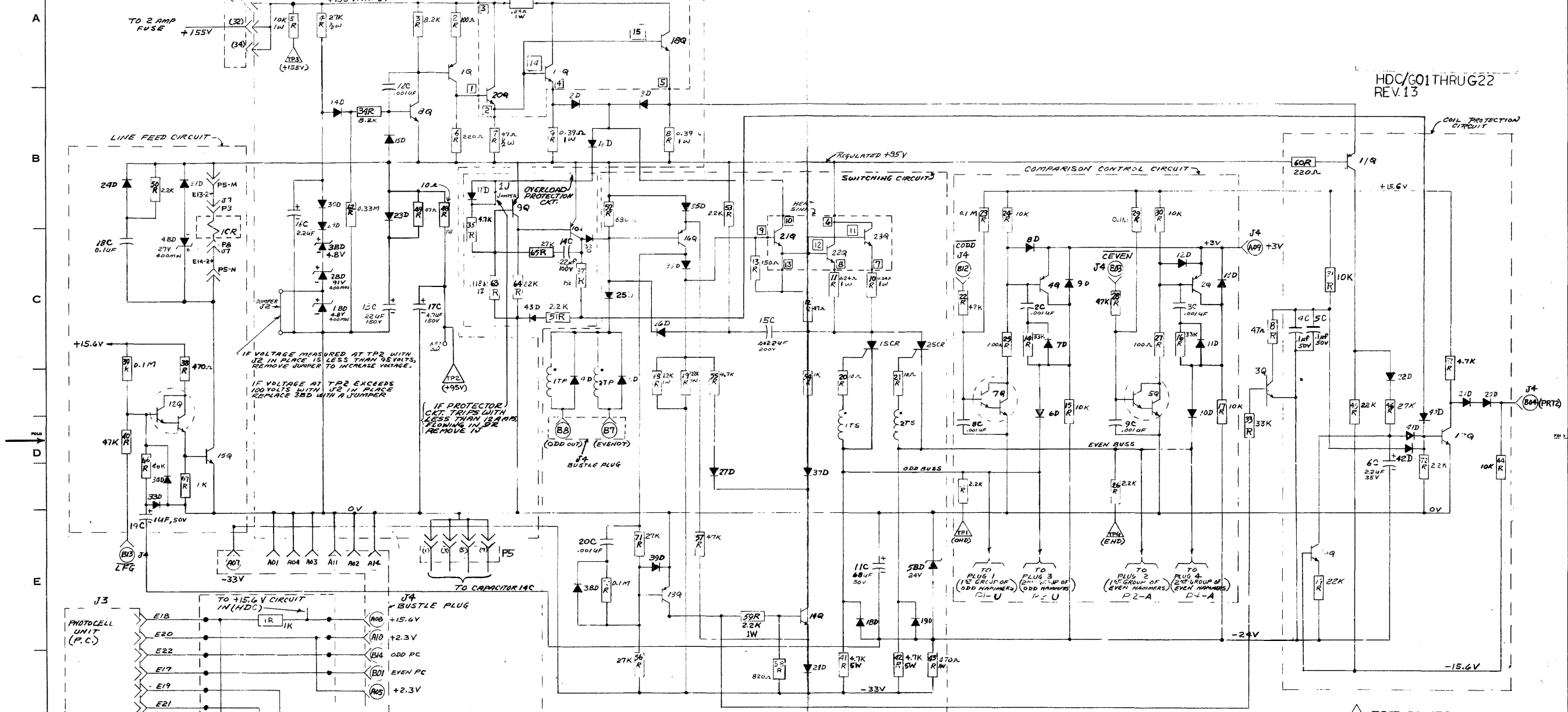
R/PC/10, REV.001
R/PC/11, REV.000

- NOTES
1. ALL RESISTORS ARE 1/4 W UNLESS INDICATED OTHERWISE.
 2. ALL PINS HAVE BEEN ASSIGNED SIGNAL NAMES.
 3. THE ADDITION OF 1J WILL PREVENT DCS FROM STOPPING THE READER.
 4. 6J INSTALLED FOR USE WITH DATE/9 BOARDS AND IS USED ONLY WITH G011
 5. 5J, WHICH IS USED ONLY WITH GROUP 0 BOARDS, MUST BE SOLDERED IN.



REVISIONS	PRINTS TO
1 1/3-6537	33 79 2
2 73-804	34 79 2
3 73-804	35 79 2
4 73-804	36 79 2
5 73-804	37 79 2
6 73-804	38 79 2
7 73-804	39 79 2
8 73-804	40 79 2
9 73-804	41 79 2
10 73-804	42 79 2

440305



- TRANSISTORS**
- 10, 60, 100, 145-170, 443232011-001
 - 240-290, 300-380
 - 20, 30, 180, 190, 230 448232019-004
 - 40, 50, 70-80, 110-130, 443232028-001
 - 200-220, 390-420
- DIODES**
- 10, 16Q
 - 20, 4Q
 - 30, 4Q
 - 50, 7Q, 12Q
 - 60, 11Q
 - 130
 - 140, 15Q
 - 180, 19Q
 - 20Q
 - 21Q
 - 22Q, 23Q
- ZENER DIODES**
- 130, 38D - 4.8V, 400 mW - 448232029-001
 - 25D - 91V, 400 mW - 448232026-001
 - 43D - 27V, 400 mW - 448232025-001
 - 53D - 24V, 5W - 448232040-001
- RESISTORS**
- 10K, 100K, 1M, 10M
 - 100Ω, 1K, 10K, 100K, 1M, 10M
 - 100Ω, 1K, 10K, 100K, 1M, 10M
- CAPACITORS**
- 100pF, 1nF, 10nF, 100nF, 1μF, 10μF, 100μF, 1mF
 - 100pF, 1nF, 10nF, 100nF, 1μF, 10μF, 100μF, 1mF
- PRINT POSITION B MODEL**
- G01 50 PRINT POSITION B MODEL
 - G02 75 PRINT POSITION B MODEL WITH LONG CABLES FOR G.D. SEARLE UNITS.
 - G03 80 PRINT POSITION B MODEL
 - G04 118 PRINT POSITION C MODEL KSR WITH LONG CABLES FOR WESTERN UNION PEDESTAL UNITS
 - G05 50 PRINT POSITION C MODEL KSR
 - G06 75 PRINT POSITION C MODEL KSR
 - G07 80 PRINT POSITION C MODEL KSR
 - G08 118 PRINT POSITION C MODEL KSR
 - G09 50 PRINT POSITION C MODEL RO EXCEPT WESTERN UNION PEDESTAL UNITS
 - G10 75 PRINT POSITION C MODEL RO
 - G11 80 PRINT POSITION C MODEL RO
 - G12 118 PRINT POSITION C MODEL RO
- PRINT POSITION C MODEL RO**
- G13 75 PRINT POSITION C MODEL RO WITH LONG CABLES FOR G.D. SEARLE UNITS.
 - G14 118 PRINT POSITION C MODEL KSR WITH LONG CABLES FOR WESTERN UNION PEDESTAL UNITS
 - G15 50 PRINT POSITION B OR C MODEL
 - G16 80 PRINT POSITION B OR C MODEL
 - G17 118 PRINT POSITION B OR C MODEL EXCEPT WESTERN UNION PEDESTAL UNITS
 - G18 120 PRINT POSITION B OR C MODEL
- MODEL DIFFERENCES:**
 B Model and C Model KSR boards differ only by length of cables and type of 95v connector which goes to keyboard.
 C Model KSR and C Model RO boards differ only by; there is no 95v connector which goes to the keyboard on the RO boards.
 Use keyboard lead assembly 44A410566-004 with G15, THRU G22 FOR C Model KSR UNITS.

REVISIONS

NO.	DATE	DESCRIPTION	PRINTS TO
1	APR 17 1974	ANTZ - G05 SW-4	33
2	APR 28 1974	ANTZ - SW-5	82
3	SEP 21 1972	SW-4	77
4	DEC 21 1972	SW-4	38
5	SEP 27 1971	SW-4	413
6	APR 17 1974	ANTZ - SW-4	67

PRINTS TO

- 33
- 82
- 77
- 38
- 413
- 67

REVISIONS

- G19-80 PRINT POSITION B OR C MODEL WITH LONG CABLES FOR W.U. PEDESTAL UNITS.
- G20-50 PRINT POSITION C OR D MODEL FOR HALL EFFECT KEYBOARD UNITS.
- G21-80 PRINT POSITION C OR D MODEL FOR HALL EFFECT KEYBOARD UNITS.
- G22-120 PRINT POSITION C OR D MODEL FOR HALL EFFECT KEYBOARD UNITS.

903007077

2

3

4

5

6

7

8

9

GENERAL ELECTRIC

440 400306
CONT. ON SHEET ENCL. SH. NO. 2

UNLESS OTHERWISE SPECIFIED USE THE FOLLOWING:			
APPLIED PRACTICES	SURFACES	REFERENCES	ANGLES
	✓	+	+
			440 400306
			CONT. ON SHEET ENCL. SH. NO. 2

TITLE
HAMMER DRIVER CONTROLLER
(HDC)
FIRST MADE FOR
ELEMENTARY DIAGRAM

A

B

C

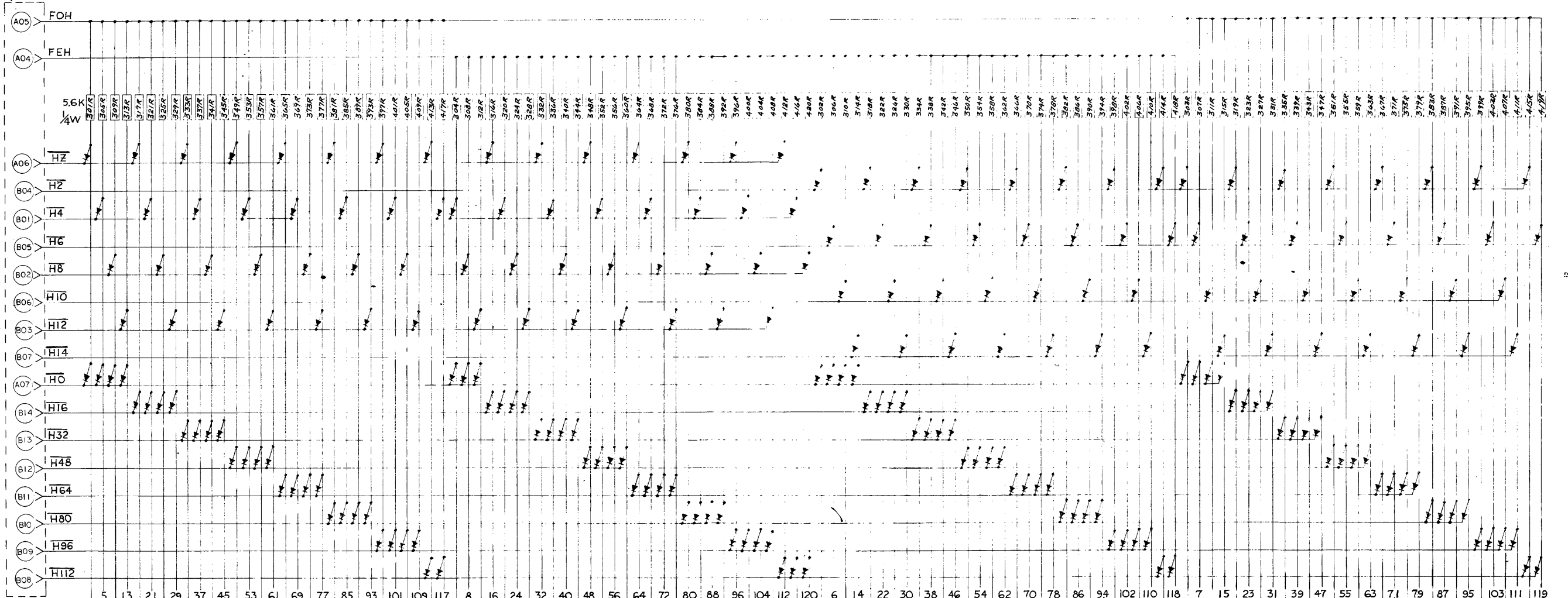
D

E

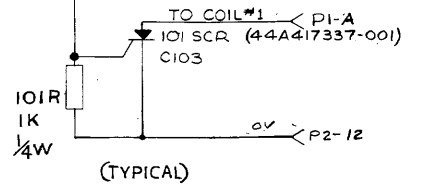
F

H

J6 BUSTLE PLUG
(FROM DEC)

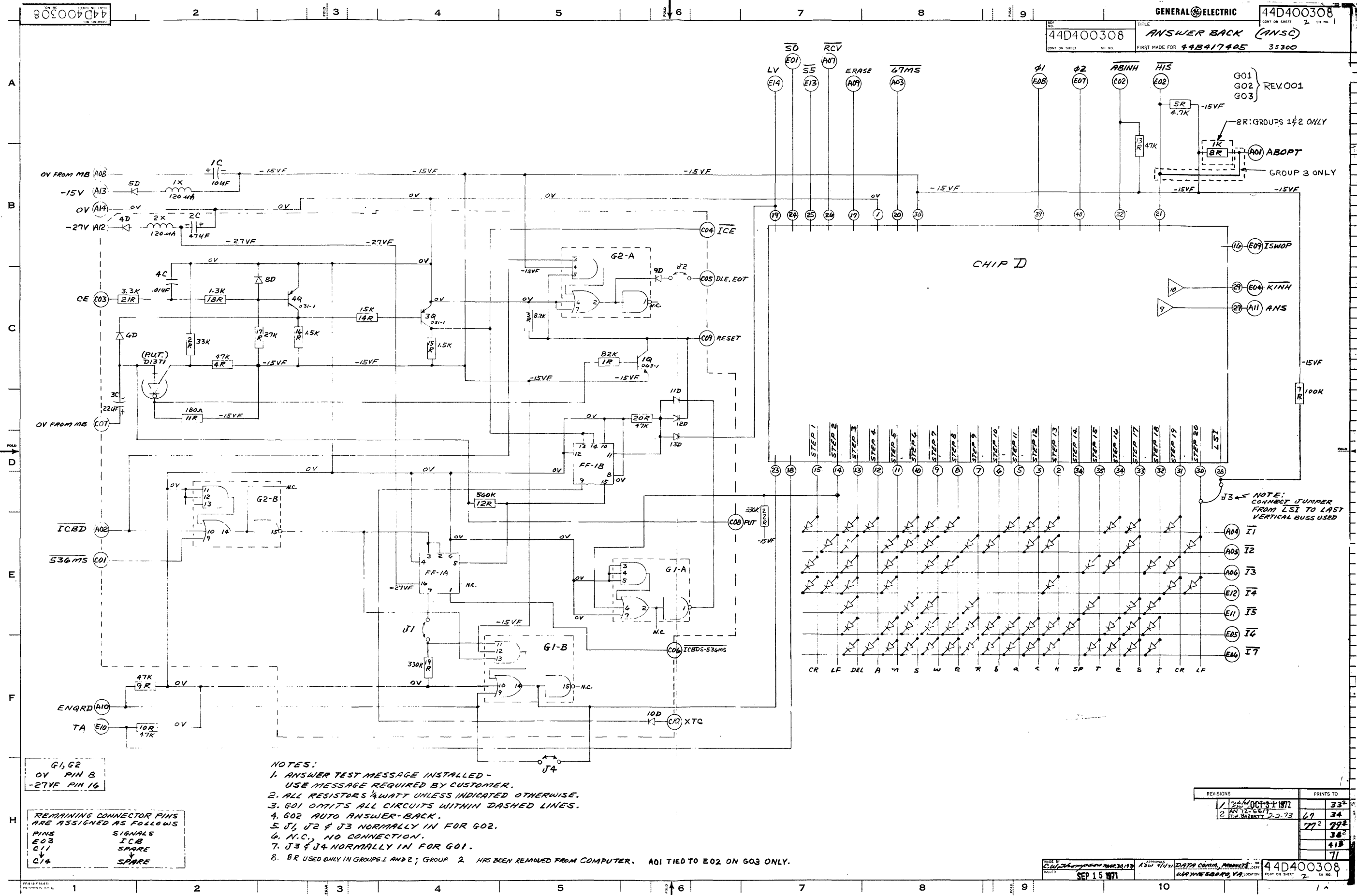


5 13 21 29 37 45 53 61 69 77 85 93 101 109 117 8 16 24 32 40 48 56 64 72 80 88 96 104 112 120 6 14 22 30 38 46 54 62 70 78 86 94 102 110 118 7 15 23 31 39 47 55 63 71 79 87 95 103 111 119
 I 9 17 25 33 41 49 57 65 73 81 89 97 105 113 4 12 20 28 36 44 52 60 68 76 84 92 100 108 116 2 10 18 26 34 42 50 58 66 74 82 90 98 106 114 3 11 19 27 35 43 51 59 67 75 83 91 99 107 115
 P1-B P1-D P1-H P1-K P1-M P1-P P1-S P1-1 P1-3 P1-6 P1-8 P1-10 P1-12 P1-14 P1-16 P1-18 P1-20 P1-22 P1-24 P1-26 P1-28 P1-30 P1-32 P1-34 P1-36 P1-38 P1-40 P1-42 P1-44 P1-46 P1-48 P1-50 P1-52 P1-54 P1-56 P1-58 P1-60 P1-62 P1-64 P1-66 P1-68 P1-70 P1-72 P1-74 P1-76 P1-78 P1-80 P1-82 P1-84 P1-86 P1-88 P1-90 P1-92 P1-94 P1-96 P1-98 P1-100 P1-102 P1-104 P1-106 P1-108 P1-110 P1-112 P1-114 P1-116 P1-118 P1-120 P1-122 P1-124 P1-126 P1-128 P1-130 P1-132 P1-134 P1-136 P1-138 P1-140 P1-142 P1-144 P1-146 P1-148 P1-150 P1-152 P1-154 P1-156 P1-158 P1-160 P1-162 P1-164 P1-166 P1-168 P1-170 P1-172 P1-174 P1-176 P1-178 P1-180 P1-182 P1-184 P1-186 P1-188 P1-190 P1-192 P1-194 P1-196 P1-198 P1-200 P1-202 P1-204 P1-206 P1-208 P1-210 P1-212 P1-214 P1-216 P1-218 P1-220 P1-222 P1-224 P1-226 P1-228 P1-230 P1-232 P1-234 P1-236 P1-238 P1-240 P1-242 P1-244 P1-246 P1-248 P1-250 P1-252 P1-254 P1-256 P1-258 P1-260 P1-262 P1-264 P1-266 P1-268 P1-270 P1-272 P1-274 P1-276 P1-278 P1-280 P1-282 P1-284 P1-286 P1-288 P1-290 P1-292 P1-294 P1-296 P1-298 P1-300 P1-302 P1-304 P1-306 P1-308 P1-310 P1-312 P1-314 P1-316 P1-318 P1-320 P1-322 P1-324 P1-326 P1-328 P1-330 P1-332 P1-334 P1-336 P1-338 P1-340 P1-342 P1-344 P1-346 P1-348 P1-350 P1-352 P1-354 P1-356 P1-358 P1-360 P1-362 P1-364 P1-366 P1-368 P1-370 P1-372 P1-374 P1-376 P1-378 P1-380 P1-382 P1-384 P1-386 P1-388 P1-390 P1-392 P1-394 P1-396 P1-398 P1-400 P1-402 P1-404 P1-406 P1-408 P1-410 P1-412 P1-414 P1-416 P1-418 P1-420 P1-422 P1-424 P1-426 P1-428 P1-430 P1-432 P1-434 P1-436 P1-438 P1-440 P1-442 P1-444 P1-446 P1-448 P1-450 P1-452 P1-454 P1-456 P1-458 P1-460 P1-462 P1-464 P1-466 P1-468 P1-470 P1-472 P1-474 P1-476 P1-478 P1-480 P1-482 P1-484 P1-486 P1-488 P1-490 P1-492 P1-494 P1-496 P1-498 P1-500 P1-502 P1-504 P1-506 P1-508 P1-510 P1-512 P1-514 P1-516 P1-518 P1-520 P1-522 P1-524 P1-526 P1-528 P1-530 P1-532 P1-534 P1-536 P1-538 P1-540 P1-542 P1-544 P1-546 P1-548 P1-550 P1-552 P1-554 P1-556 P1-558 P1-560 P1-562 P1-564 P1-566 P1-568 P1-570 P1-572 P1-574 P1-576 P1-578 P1-580 P1-582 P1-584 P1-586 P1-588 P1-590 P1-592 P1-594 P1-596 P1-598 P1-600 P1-602 P1-604 P1-606 P1-608 P1-610 P1-612 P1-614 P1-616 P1-618 P1-620 P1-622 P1-624 P1-626 P1-628 P1-630 P1-632 P1-634 P1-636 P1-638 P1-640 P1-642 P1-644 P1-646 P1-648 P1-650 P1-652 P1-654 P1-656 P1-658 P1-660 P1-662 P1-664 P1-666 P1-668 P1-670 P1-672 P1-674 P1-676 P1-678 P1-680 P1-682 P1-684 P1-686 P1-688 P1-690 P1-692 P1-694 P1-696 P1-698 P1-700 P1-702 P1-704 P1-706 P1-708 P1-710 P1-712 P1-714 P1-716 P1-718 P1-720 P1-722 P1-724 P1-726 P1-728 P1-730 P1-732 P1-734 P1-736 P1-738 P1-740 P1-742 P1-744 P1-746 P1-748 P1-750 P1-752 P1-754 P1-756 P1-758 P1-760 P1-762 P1-764 P1-766 P1-768 P1-770 P1-772 P1-774 P1-776 P1-778 P1-780 P1-782 P1-784 P1-786 P1-788 P1-790 P1-792 P1-794 P1-796 P1-798 P1-800 P1-802 P1-804 P1-806 P1-808 P1-810 P1-812 P1-814 P1-816 P1-818 P1-820 P1-822 P1-824 P1-826 P1-828 P1-830 P1-832 P1-834 P1-836 P1-838 P1-840 P1-842 P1-844 P1-846 P1-848 P1-850 P1-852 P1-854 P1-856 P1-858 P1-860 P1-862 P1-864 P1-866 P1-868 P1-870 P1-872 P1-874 P1-876 P1-878 P1-880 P1-882 P1-884 P1-886 P1-888 P1-890 P1-892 P1-894 P1-896 P1-898 P1-900 P1-902 P1-904 P1-906 P1-908 P1-910 P1-912 P1-914 P1-916 P1-918 P1-920 P1-922 P1-924 P1-926 P1-928 P1-930 P1-932 P1-934 P1-936 P1-938 P1-940 P1-942 P1-944 P1-946 P1-948 P1-950 P1-952 P1-954 P1-956 P1-958 P1-960 P1-962 P1-964 P1-966 P1-968 P1-970 P1-972 P1-974 P1-976 P1-978 P1-980 P1-982 P1-984 P1-986 P1-988 P1-990 P1-992 P1-994 P1-996 P1-998 P1-1000



REVISONS	PRINTS TO
1 4472-5783 Don 1/80	3 71
	67
	71
	74
	76
	418 74

ISSUED BY: [Signature]
 JUN 7 1971
 DATA COMMUNICATION PRODUCTS DEPT.
 WATNESBORO, VA.
 440 400306
 CONT. ON SHEET ENCL. SH. NO. 2



G1, G2
 0V PIN 8
 -27V PIN 14

REMAINING CONNECTOR PINS ARE ASSIGNED AS FOLLOWS

PINS	SIGNALS
E03	ICB
C11	SPARE
C14	SPARE

- NOTES:
- ANSWER TEST MESSAGE INSTALLED - USE MESSAGE REQUIRED BY CUSTOMER.
 - ALL RESISTORS 1/4WATT UNLESS INDICATED OTHERWISE.
 - G01 OMITTS ALL CIRCUITS WITHIN DASHED LINES.
 - G02 AUTO ANSWER-BACK.
 - J1, J2 & J3 NORMALLY IN FOR G02.
 - N.C., NO CONNECTION.
 - J3 & J4 NORMALLY IN FOR G01.
 - BR USED ONLY IN GROUPS 1 AND 2; GROUP 2 HAS BEEN REMOVED FROM COMPUTER. A01 TIED TO E02 ON G03 ONLY.

REVISIONS	PRINTS TO
1 2/24/67 OCT 3 1972	33
2 AN 12-66/173	34
FW BARRETT 2-2-73	77 79
	36
	41
	71

6020001111

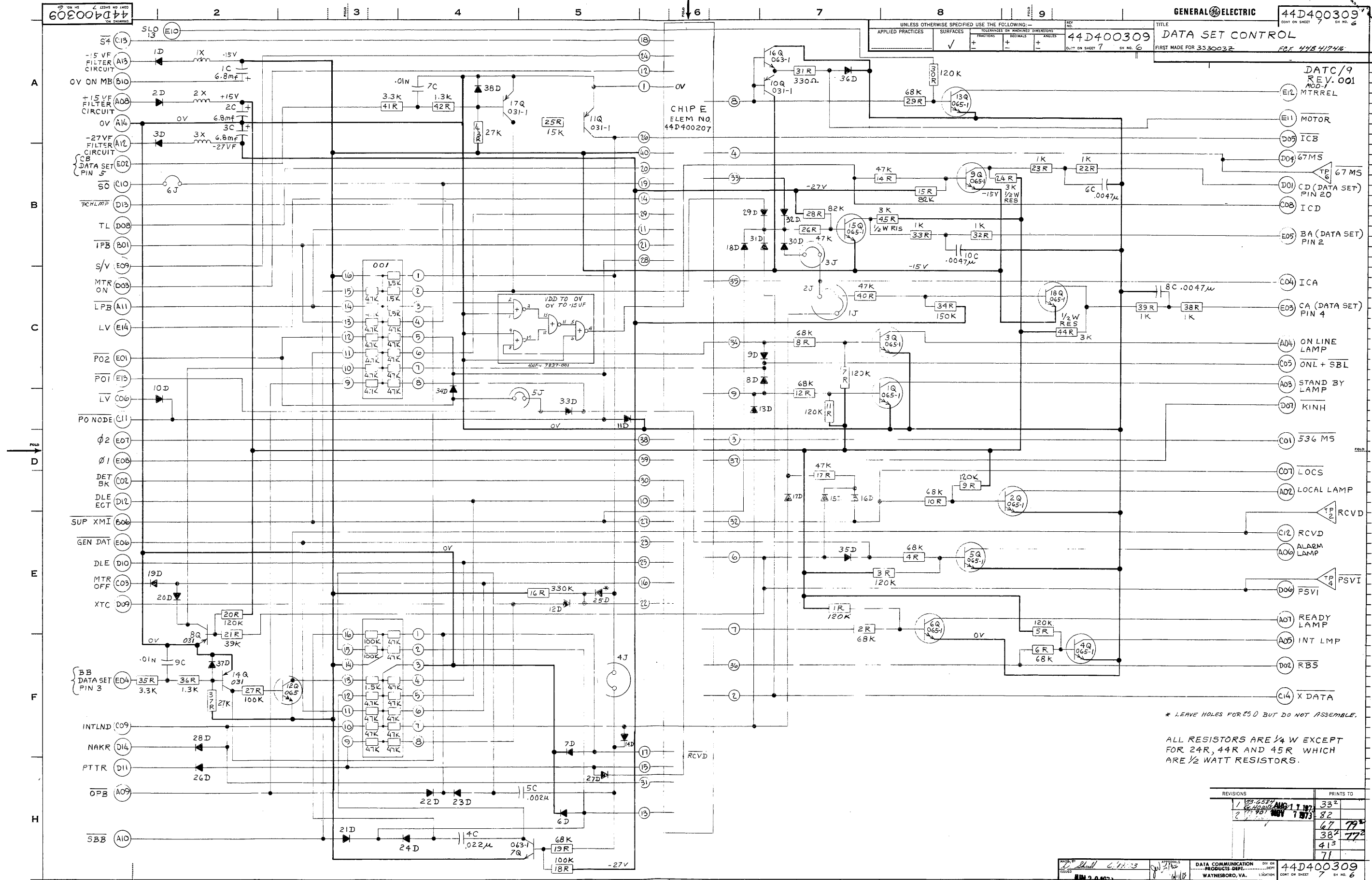
GENERAL ELECTRIC 44D400309

UNLESS OTHERWISE SPECIFIED USE THE FOLLOWING:

APPLIED PRACTICES	SURFACES	TOLERANCES ON DIMENSIONS
✓	+	+
	FRACTIONS	DECIMALS
	+	+

44D400309
REV. 001
FIRST MADE FOR 3530037
DATE 4/18/46

TITLE DATA SET CONTROL
REV. 001
MOD. 1
MTRREL
MOTOR
ICB
67MS
CD (DATA SET) PIN 20
ICD
BA (DATA SET) PIN 2
ICA
CA (DATA SET) PIN 4
ON LINE LAMP
ONL + SBL
STAND BY LAMP
KINH
536 MS
LOCS
LOCAL LAMP
RCVD
RCVD
ALARM LAMP
PSVI
PSVI
READY LAMP
INT LMP
RBS
X DATA



* LEAVE HOLES FOR 25D BUT DO NOT ASSEMBLE.

ALL RESISTORS ARE 1/4 W EXCEPT FOR 24R, 44R AND 45R WHICH ARE 1/2 WATT RESISTORS.

REVISIONS	PRINTS TO
1	33
2	32
3	77
4	38
5	41
6	71

44D400309
REV. 001
MTRREL
MOTOR
ICB
67MS
CD (DATA SET) PIN 20
ICD
BA (DATA SET) PIN 2
ICA
CA (DATA SET) PIN 4
ON LINE LAMP
ONL + SBL
STAND BY LAMP
KINH
536 MS
LOCS
LOCAL LAMP
RCVD
RCVD
ALARM LAMP
PSVI
PSVI
READY LAMP
INT LMP
RBS
X DATA

44D400309

GENERAL ELECTRIC 44D400309

DATA SET CONTROL (DATC)

DATC/8 REV.000
MOD-1

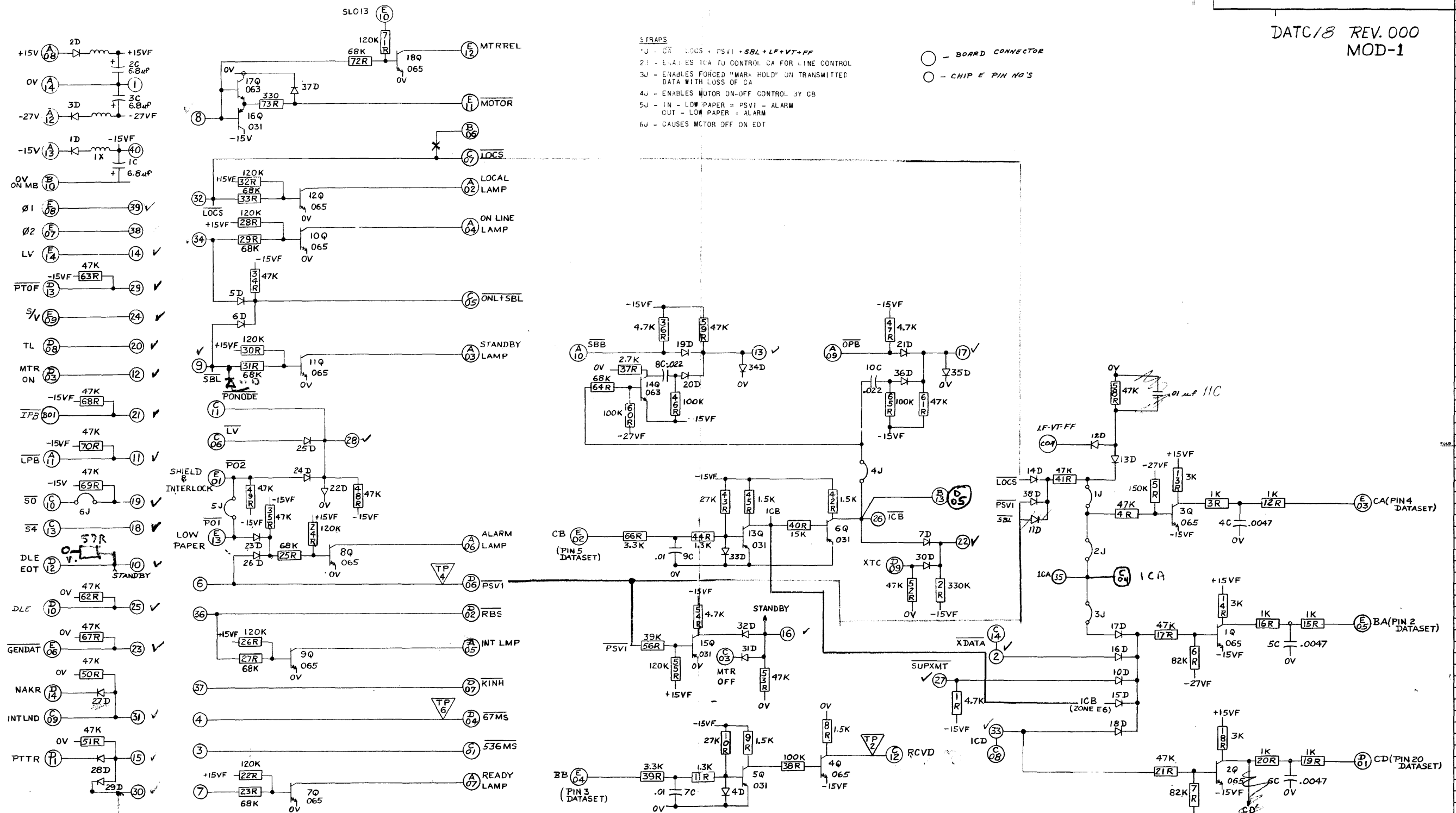
UNLESS OTHERWISE SPECIFIED USE THE FOLLOWING:			
APPLIED PRACTICES	SURFACES	TOLERANCES ON MEASURED DIMENSIONS	ANGLES
✓	+	+	+

44D400309

FIRST MADE FOR

- STRAPS
- 1J - CA LOCS + PSV1 + SBL + LF + VT + FF
 - 2J - ENABLES 1CA TO CONTROL CA FOR LINE CONTROL
 - 3J - ENABLES FORCED "MARK HOLD" ON TRANSMITTED DATA WITH LOSS OF CA
 - 4J - ENABLES MOTOR ON-OFF CONTROL BY CB
 - 5J - IN - LOW PAPER = PSV1 - ALARM
OUT - LOW PAPER = ALARM
 - 6J - CAUSES MOTOR OFF ON EOT

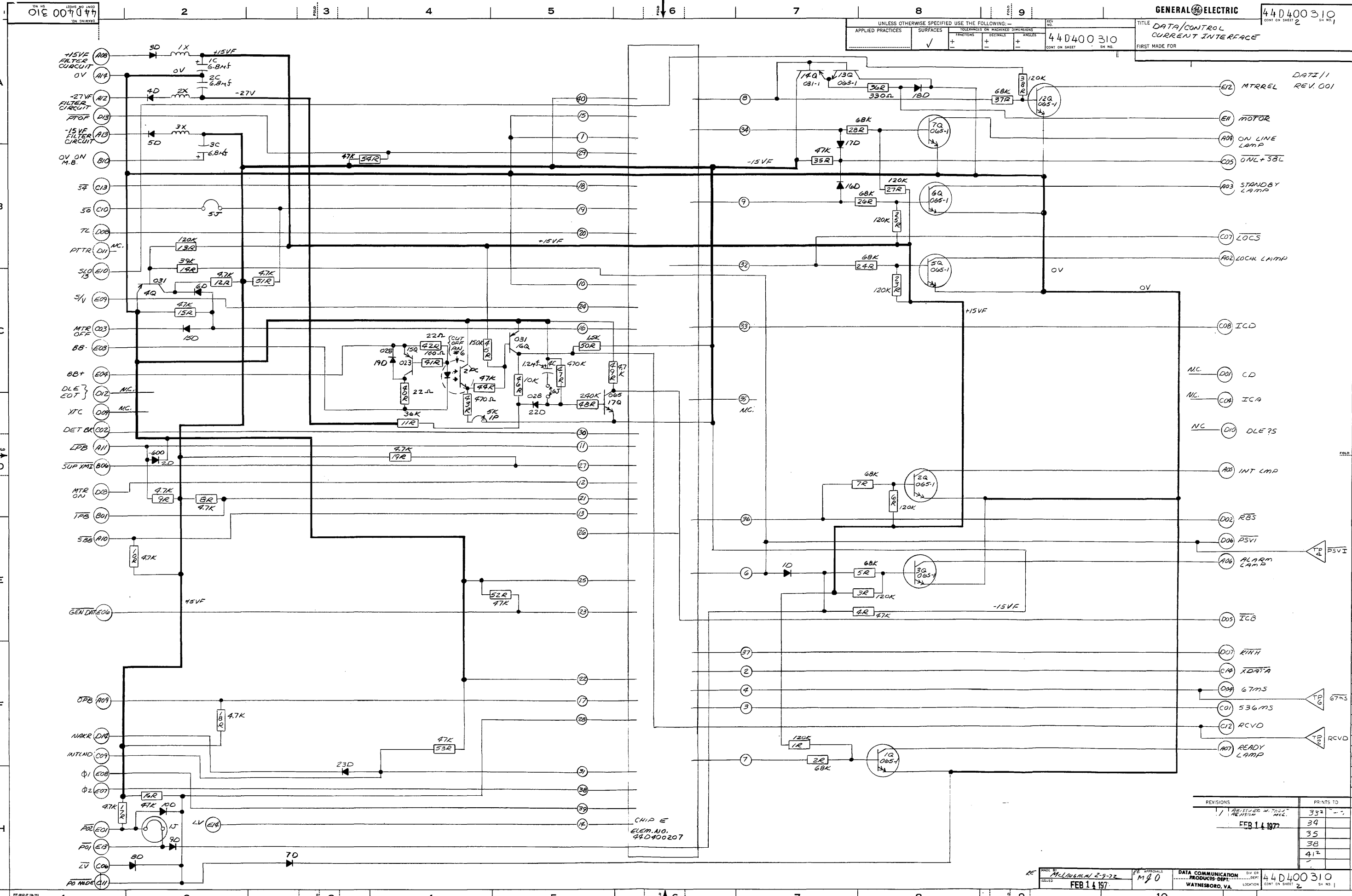
- - BOARD CONNECTOR
- - CHIP E PIN NO'S



NET C
12R

REVISIONS	PRINTS TO
1	33 2 74
	34 77
	38 77
	41 77
	67
	71

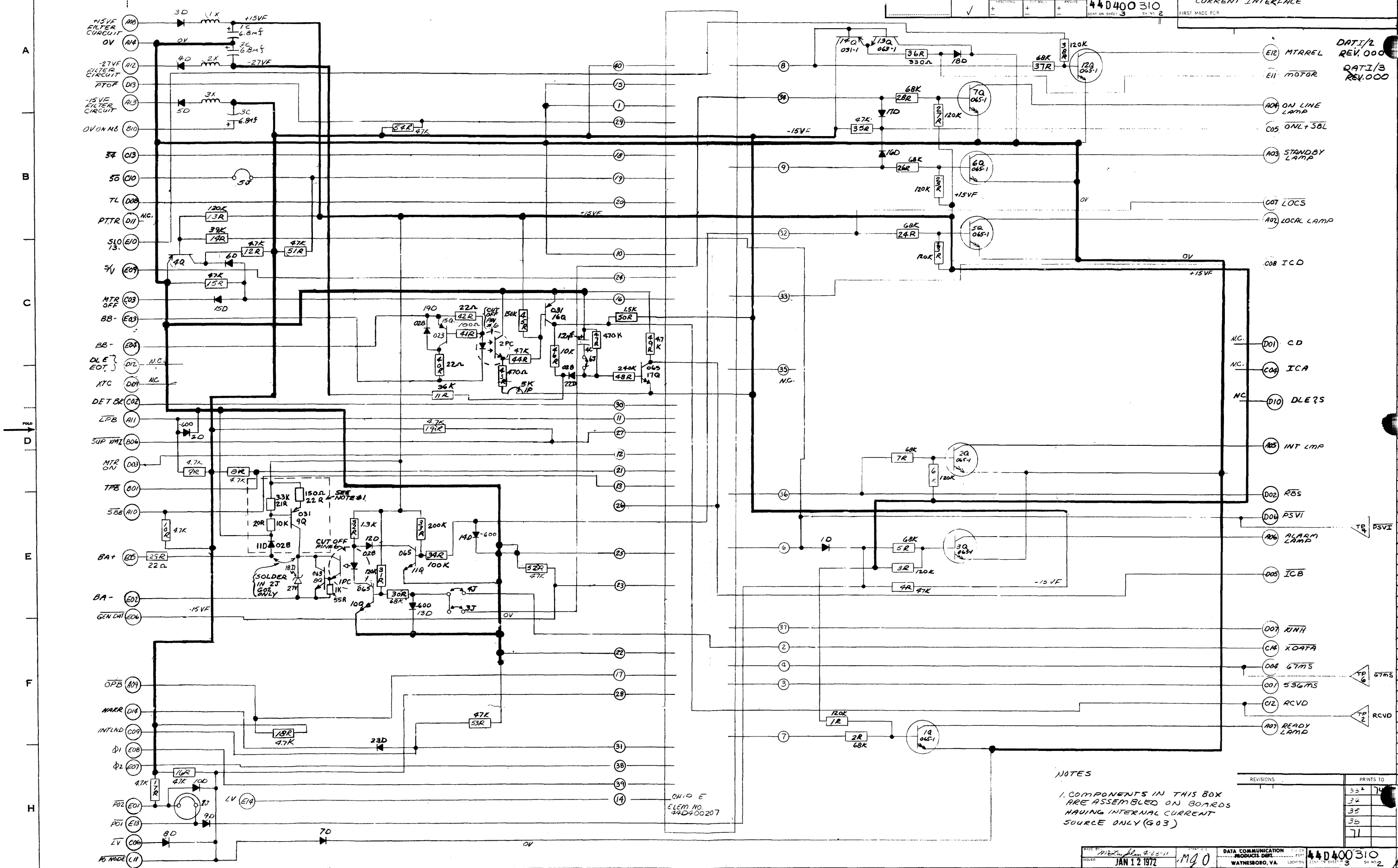
D. Skell 7/31/71
AUG 1 1971
DATA COMMUNICATION PRODUCTS DEPT. WATSONBORO, VA
44D400309



REVISIONS	PRINTS TO
1	33
2	34
3	35
4	38
5	41

UNLESS OTHERWISE SPECIFIED USE THE FOLLOWING:			
APPLIED PRACTICES	SURFACES	TOLERANCES ON DIMENSIONS	POSITIONS
✓	+	+	+

TITLE DATA/CONTROL CURRENT INTERFACE
 REV. 000
 FIRST MADE FOR



NOTES
 1. COMPONENTS IN THIS BOX ARE ASSEMBLED ON BOARDS HAVING INTERNAL CURRENT SOURCE ONLY (G03)

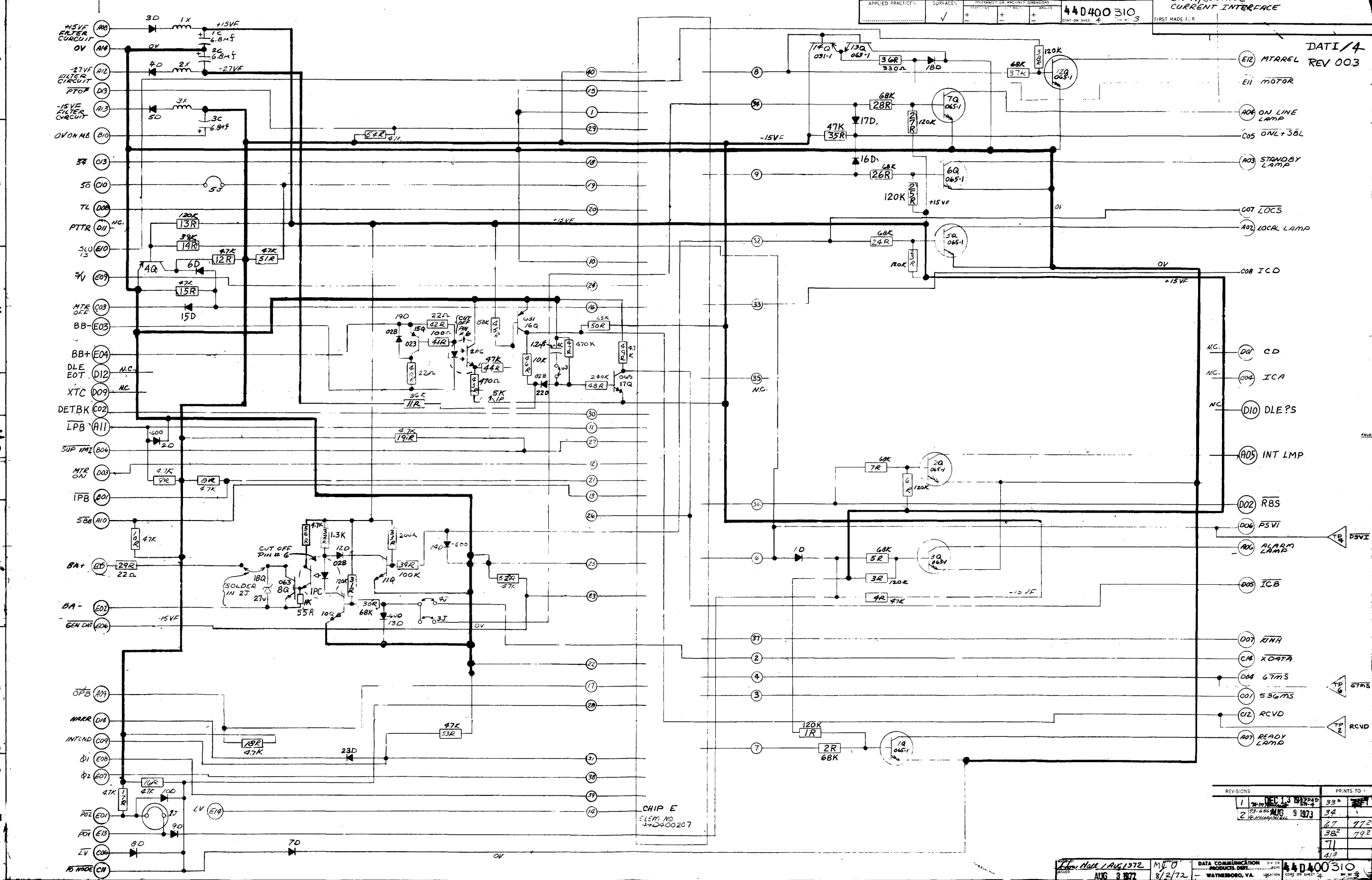
REVISONS	PRINTS TO
33	74
34	
35	
36	
37	

UNLESS OTHERWISE SPECIFIED USE THE FOLLOWING—

APPLIED PRACTICES	SURFACES	TOLERANCES UNLESS OTHERWISE SPECIFIED	ANGLES
✓			

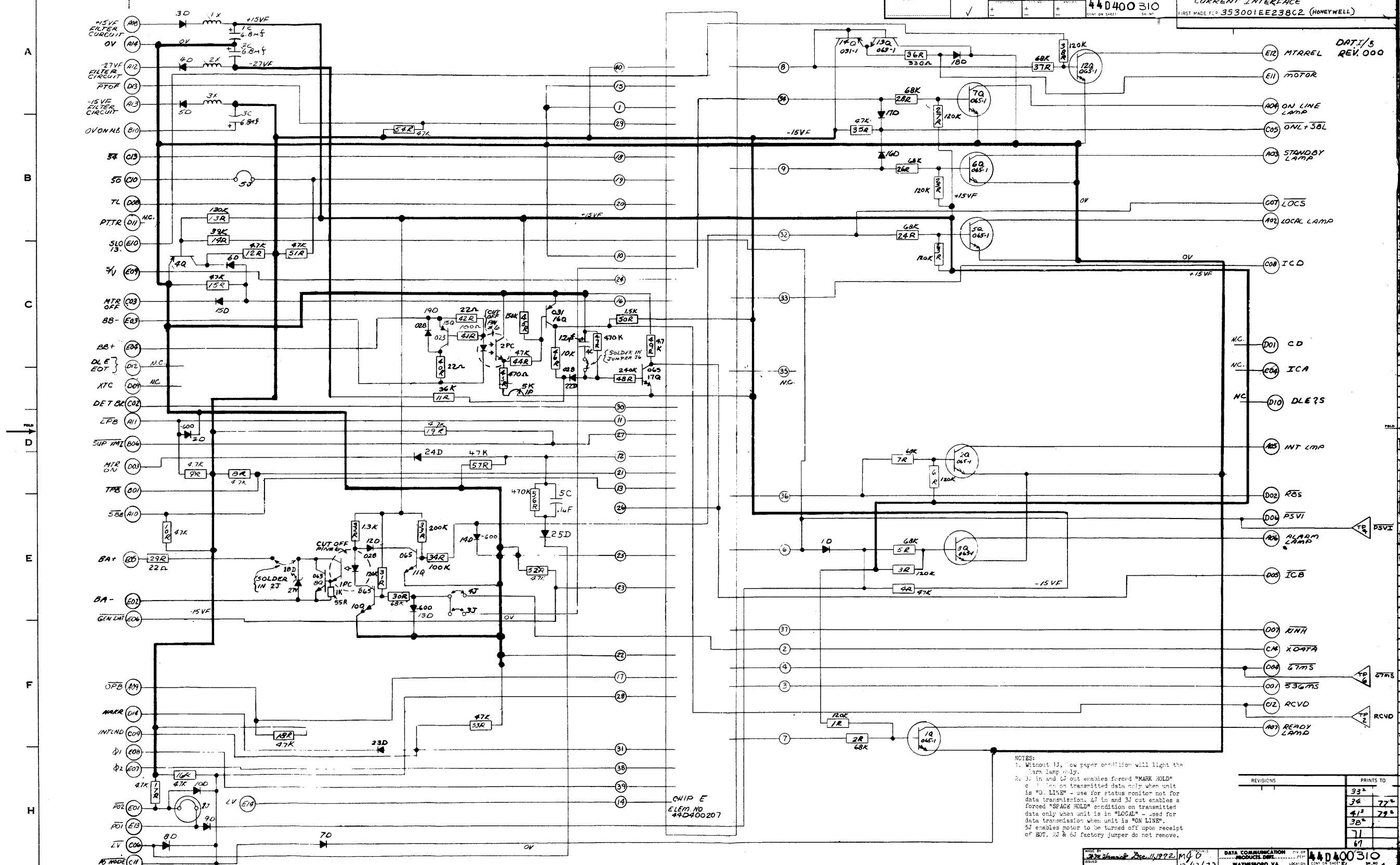
44D400310
 DATE ON SHEET 4 OF 3

DATA/4
 REV 003



REVISIONS	PRINTS TO
1 DEL 1.3 W/2P/4	33 2
2 173-450 AUG 9 1973	34 1
	67 772
	382 792
	71 413

UNLESS OTHERWISE SPECIFIED USE THE FOLLOWING—
 APPLIED PRACTICES: SURFACES: TOLERANCES: DIMENSIONS: DIMENSIONS: DIMENSIONS: DIMENSIONS:
 44D400310
 PRINT ON SHEET



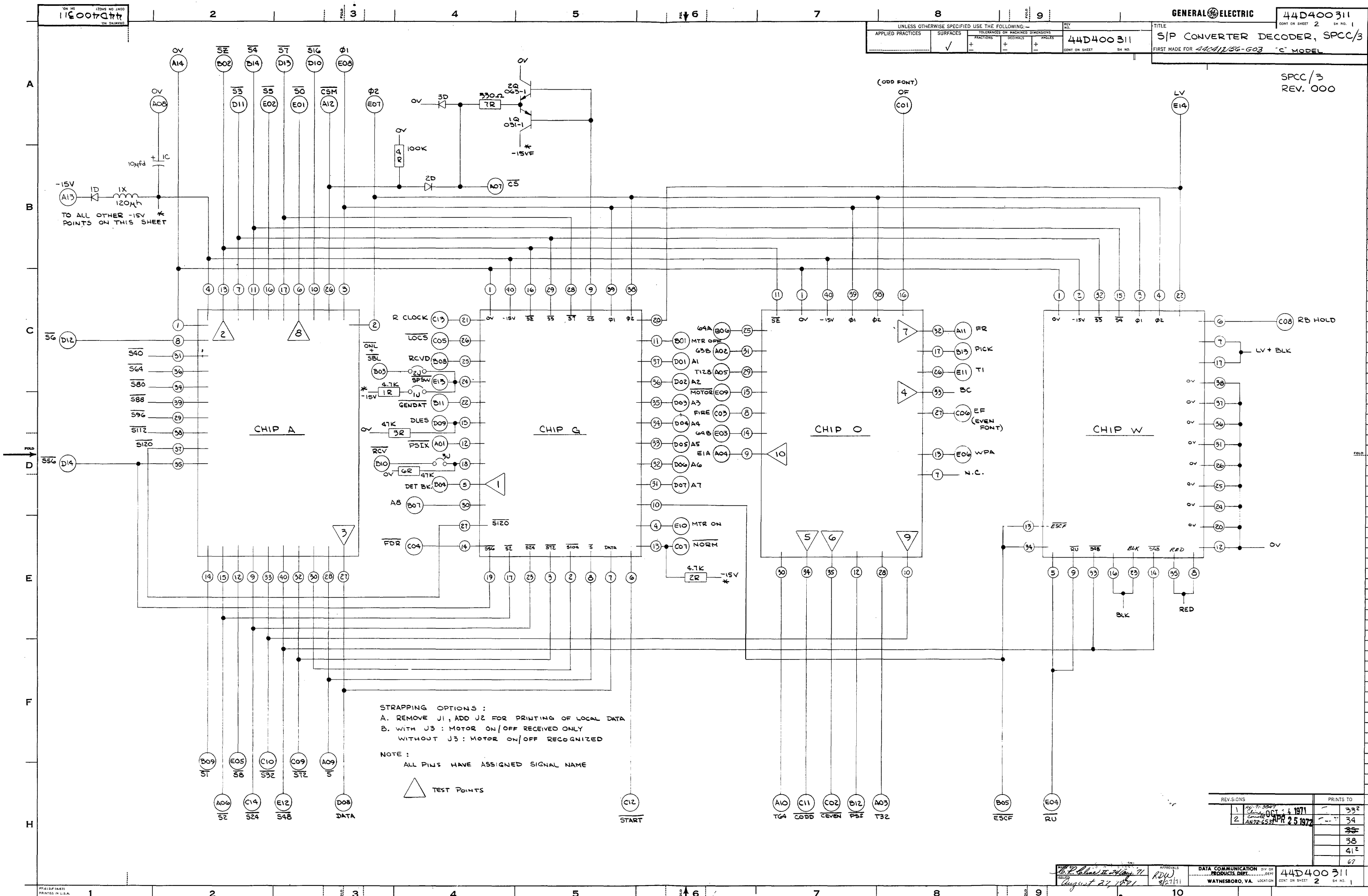
NOTES:
 1. Without 1J, low paper condition will light the alarm lamp only.
 2. 3J in and 4J cut enables forced "MARK HOLD" condition on transmitted data only when unit is "ON LINE" - use for status monitor not for data transmission. 4J in and 3J cut enables a forced "SPACE HOLD" condition on transmitted data only when unit is in "LOCAL" - used for data transmission when unit is "ON LINE".
 5J enables motor to be turned off upon receipt of EOT. 2J & 6J factory jumper do not remove.

REVISIONS	PRINTS TO
33	33
34	77
41	77
38	77
71	
67	

UNLESS OTHERWISE SPECIFIED USE THE FOLLOWING:			
APPLIED PRACTICES	SURFACES	TOLERANCES ON MACHINED DIMENSIONS	REV. NO.
✓		FRACTIONS DECIMALS ANGLES	44D400311
			CONT. ON SHEET

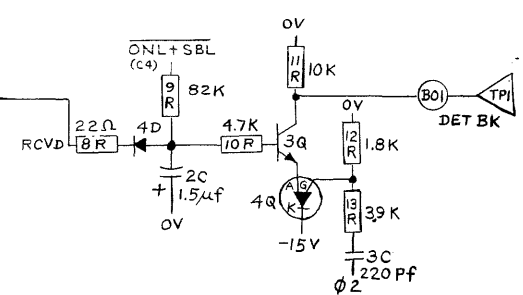
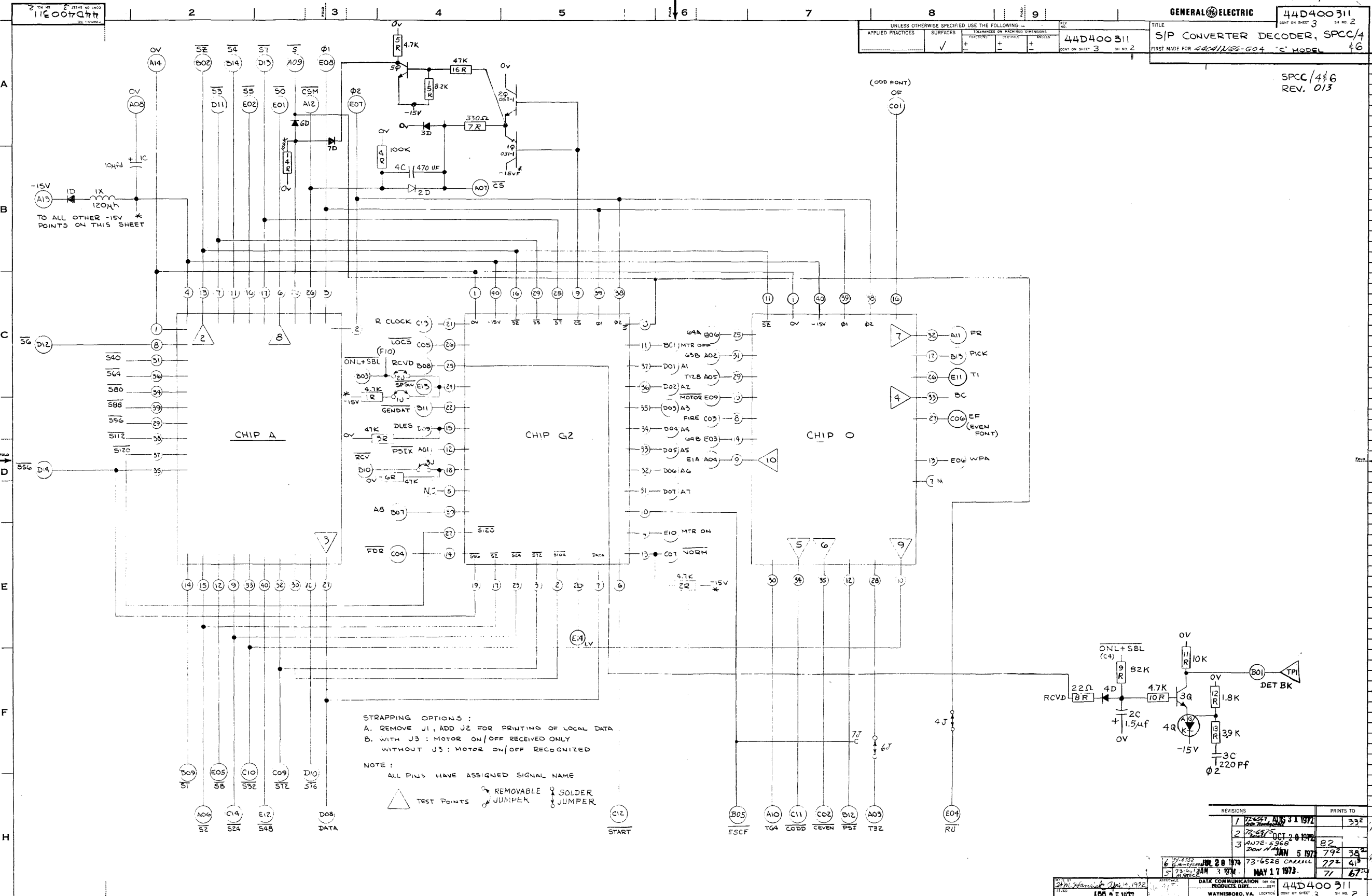
TITLE
S/P CONVERTER DECODER, SPCC/3
FIRST MADE FOR 4404156-603 'C' MODEL

SPCC/3
REV. 000



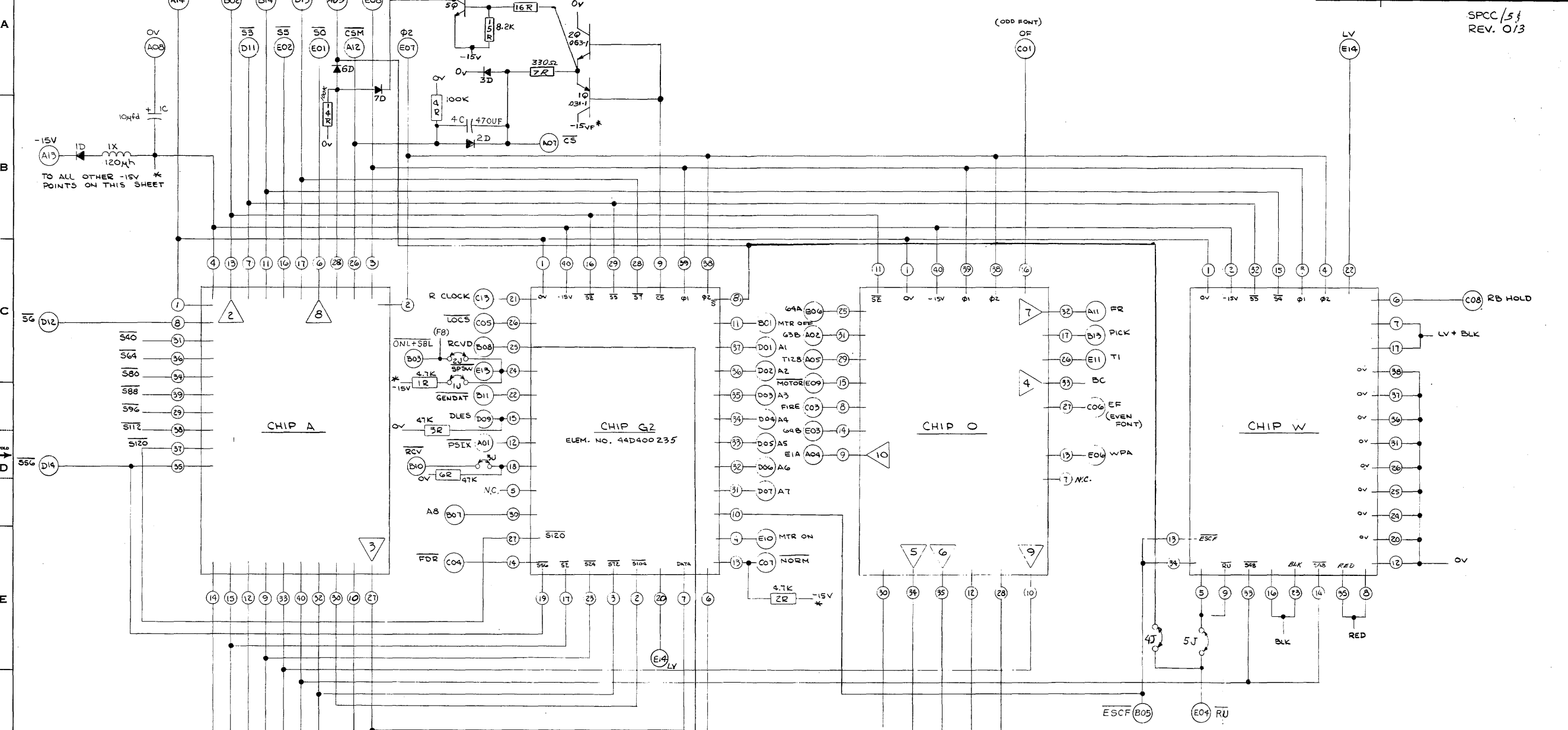
SPCC/4 SERIAL TO PARALLEL CONVERTER

POSITION



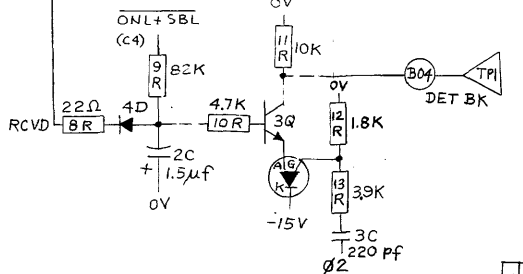
REVISIONS	PRINTS TO
1 12-4541 11/31/1972	332
2 12-4541 10/20/1972	82
3 12-4541 10/20/1972	792 382
4 12-4541 10/20/1972	772 412
5 12-4541 10/20/1972	77 672

DATE: 4/25/77
 APR 25 1977
 DATA COMMUNICATION DIV OF
 PRODUCTS BUREAU
 WATNESBORO, VA. LOCATION
 44D400311
 CONT ON SHEET 3 SHE NO. 2



STRAPPING OPTIONS:
 A. REMOVE J1, ADD J2 FOR PRINTING OF LOCAL DATA
 B. WITH J3: MOTOR ON/OFF RECEIVED ONLY
 WITHOUT J3: MOTOR ON/OFF RECOGNIZED
 C. WITH J4: NORMAL RIBBON LIFT OPERATION
 D. WITH J5: RED/BLACK RIBBON LIFT OPTION.
 NOTE: ALL PINS HAVE ASSIGNED SIGNAL NAME

TEST POINTS REMOVABLE JUMPER SOLDER JUMPER



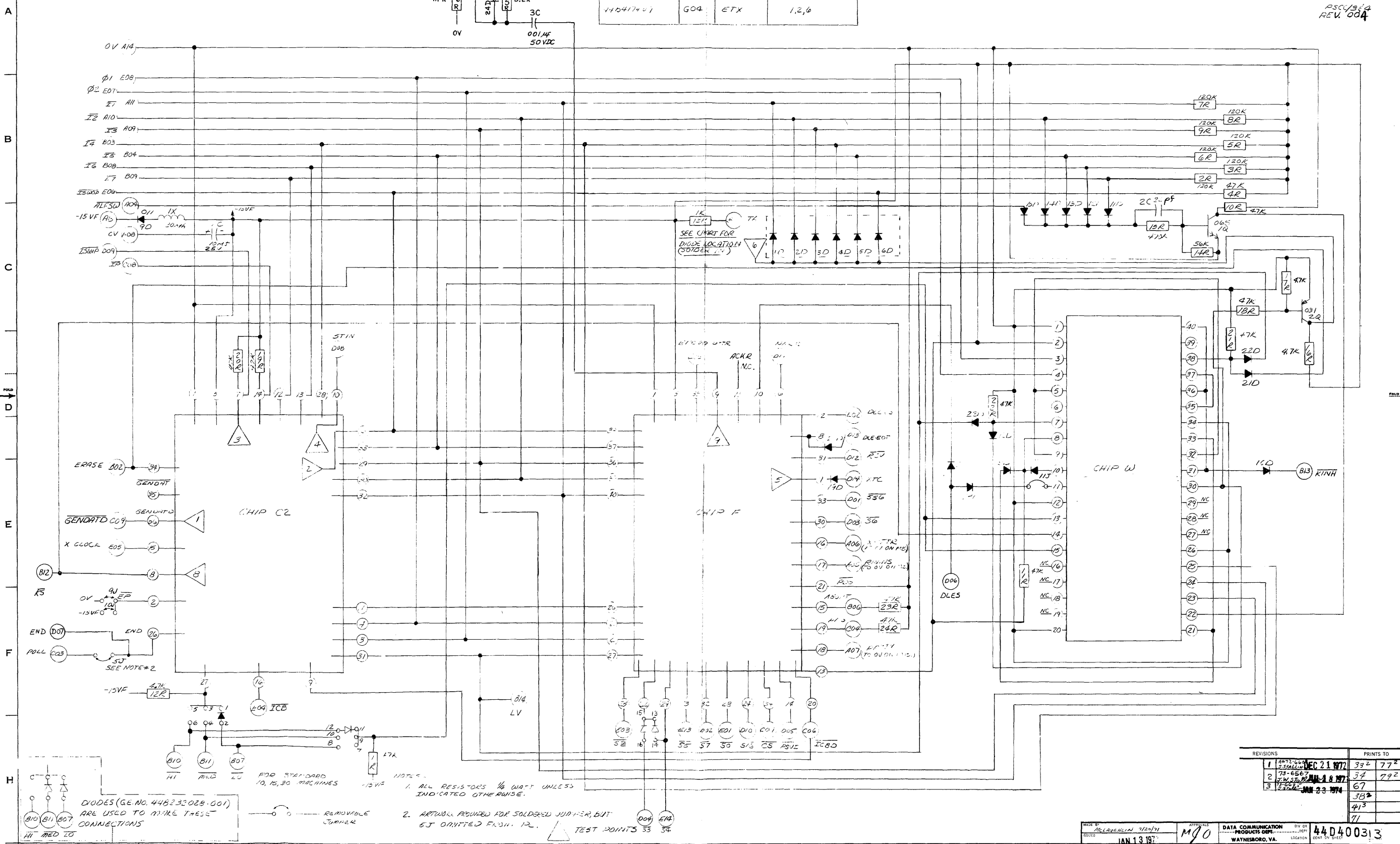
REVISIONS	PRINTS TO
1 72-547 AUG 31 1972	332
2 73-6875 OCT 2 6 1972	
3 73-5968	82
4 74-6522 JUL 20 1974	77 38
5 73-6617 IN STOCK	79 413
	77 67

UNLESS OTHERWISE SPECIFIED USE THE FOLLOWING:			
APPLIED PRACTICES	SURFACES	TOLERANCES ON DIMENSIONS	ANGLE
✓	+	+	+

REV. NO. 44D400313
CONT. ON SHEET

TITLE P/S CONVERTER
TURNAROUND CONTROL CODE GENERATOR
FIRST MADE FOR PSC/3/4

BOARD ASSEMBLY	BOARD GROUP	CONTROL CHARACTER	DIODE LOCATION
44B417401	G03	EOT	3,6
44D417401	G04	ETX	1,2,6



DIODES (GE NO. 44B33028-001) ARE USED TO MAKE THESE CONNECTIONS

FOR STANDARD 10, 15, 30 MACHINES

REMOVABLE JUMPER

NOTES:

1. ALL RESISTORS 1/4 WATT UNLESS INDICATED OTHERWISE.
2. NETWORK PROVIDED FOR SOLDERED JUMPER, BUT IS PRINTED EXH. 12.

TEST POINTS 53 54

REVISIONS	DATE	BY	PRINTS TO
1	DEC 21 1972	392	772
2	JAN 8 1973	37	792
3	JAN 23 1974	67	383
			413
			771

44D400314

2

3

4

5

6

7

8

9

GENERAL ELECTRIC

44D400314

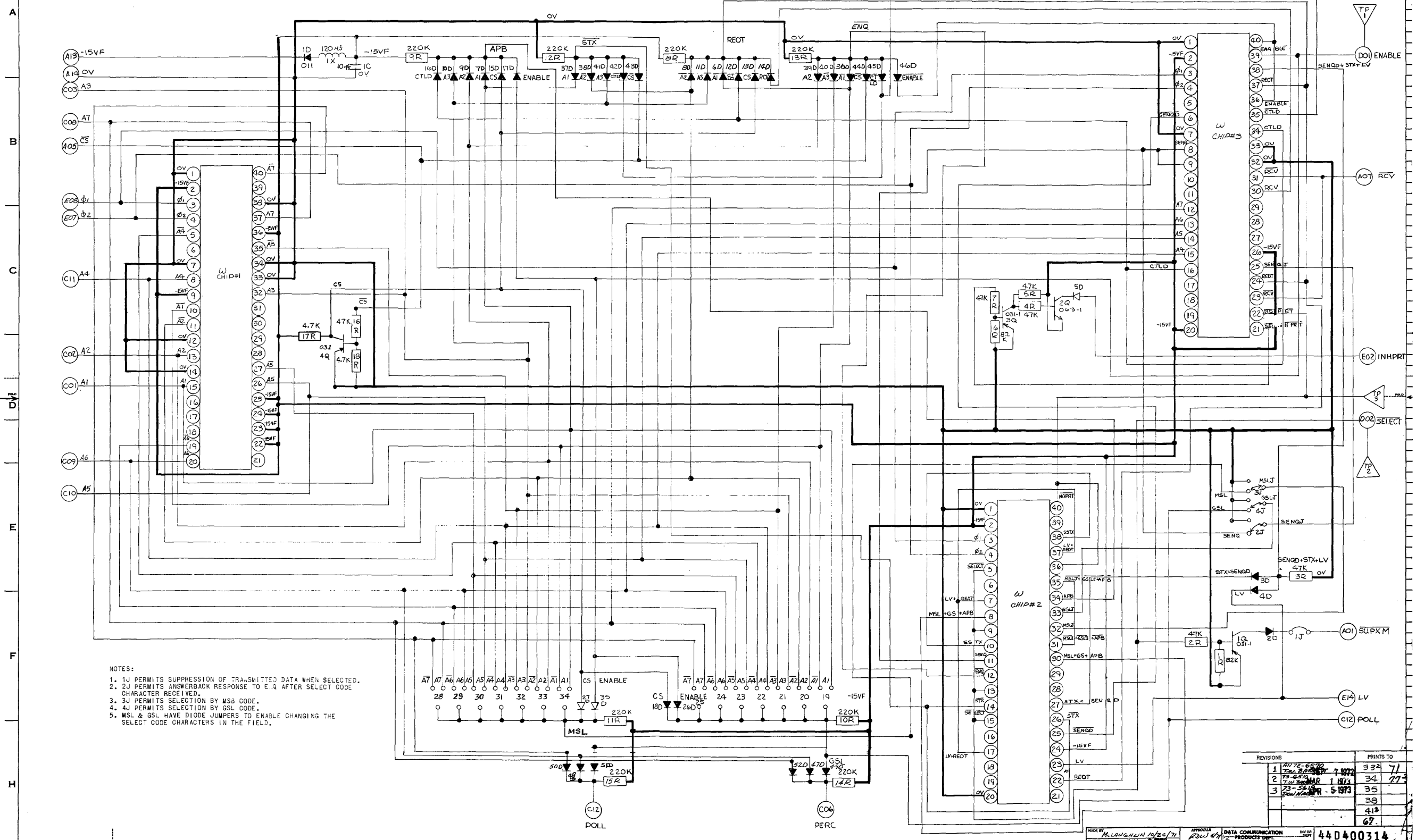
G01/REV.2

UNLESS OTHERWISE SPECIFIED USE THE FOLLOWING--
APPLIED PRACTICES SURFACES TOLERANCES ON MACHINED DIMENSIONS
FRACTIONS DECIMALS ANGLES

44D400314
CONT. ON SHEET

TITLE ASXC
FIRST MADE FOR

REF 440417418



- NOTES:
- 1J PERMITS SUPPRESSION OF TRANSMITTED DATA WHEN SELECTED.
 - 2J PERMITS ANSWERBACK RESPONSE TO E.Q AFTER SELECT CODE CHARACTER RECEIVED.
 - 3J PERMITS SELECTION BY MSB CODE.
 - 4J PERMITS SELECTION BY GSL CODE.
 5. MSL & GSL HAVE DIODE JUMPERS TO ENABLE CHANGING THE SELECT CODE CHARACTERS IN THE FIELD.

REVISIONS	PRINTS TO
1 10-22-65 20	33 71
2 10-22-65 20	34 77
3 10-22-65 20	35 38
	419
	67

MADE BY M. L. GUNN 10/26/71
ISSUED JUN 8 1974
APPROVED R. W. G. 10/26/71
DATA COMMUNICATION PRODUCTS DEPT.
WATTSBORO, VA
44D400314
CONT. ON SHEET

PRINTED IN U.S.A.

1

2

3

4

5

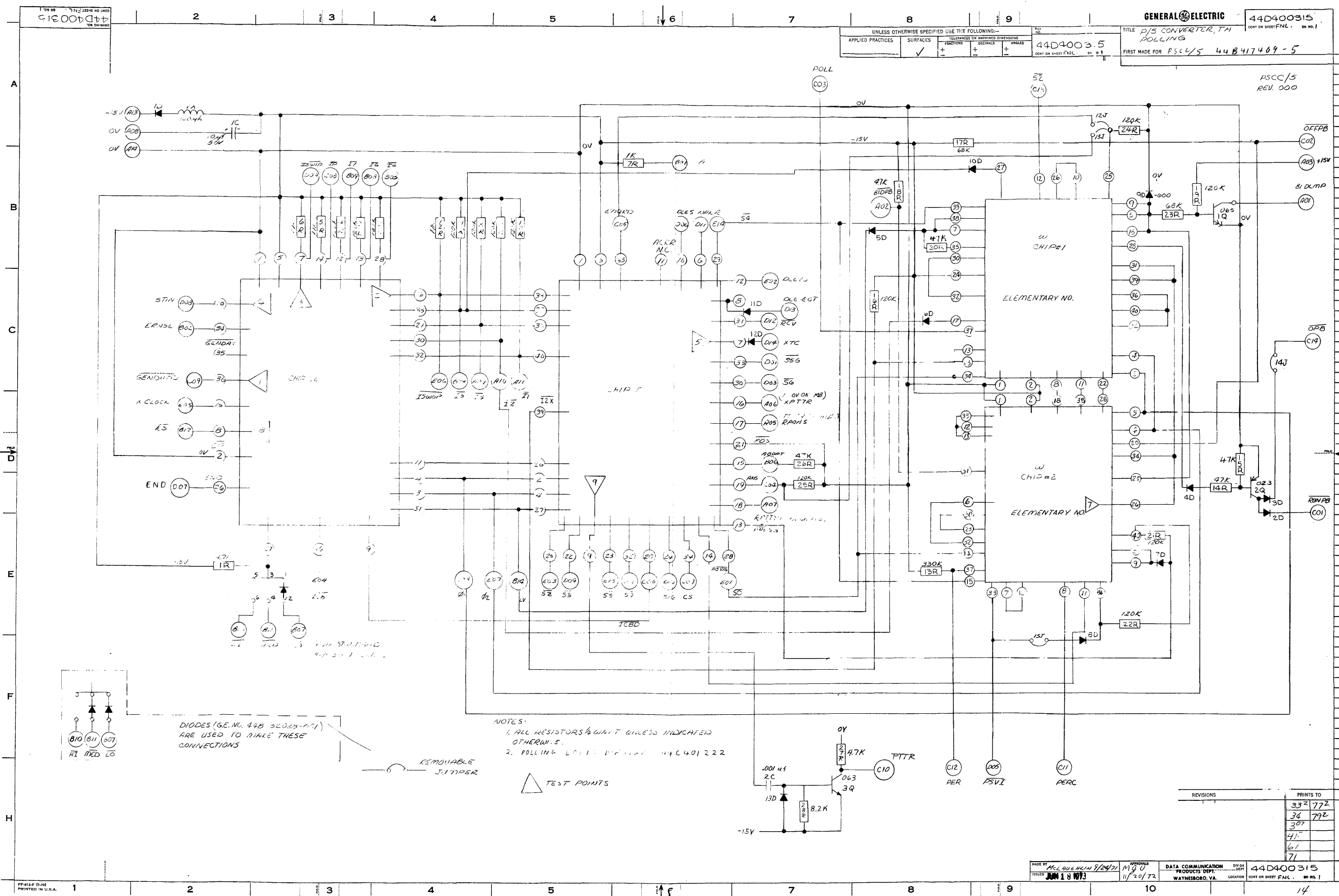
6

7

8

9

10



UNLESS OTHERWISE SPECIFIED USE THE FOLLOWING:
 APPLIED PRACTICES SURFACES TOLERANCES OR DIMENSIONS FRACTIONS DECIMALS ANGLES
 44D4003.5
 CONT. ON SHEET FNL. SH. 0.1

GENERAL ELECTRIC 44D400315
 TITLE D/S CONVERTER, TH POLLING
 FIRST MADE FOR PSCC/5 44B417409-5
 RSCC/5 REV. 000

NOTES:
 1. ALL RESISTORS 1/4 WATT UNLESS INDICATED OTHERWISE.
 2. POLLING LOGIC PART NO. 44C401222

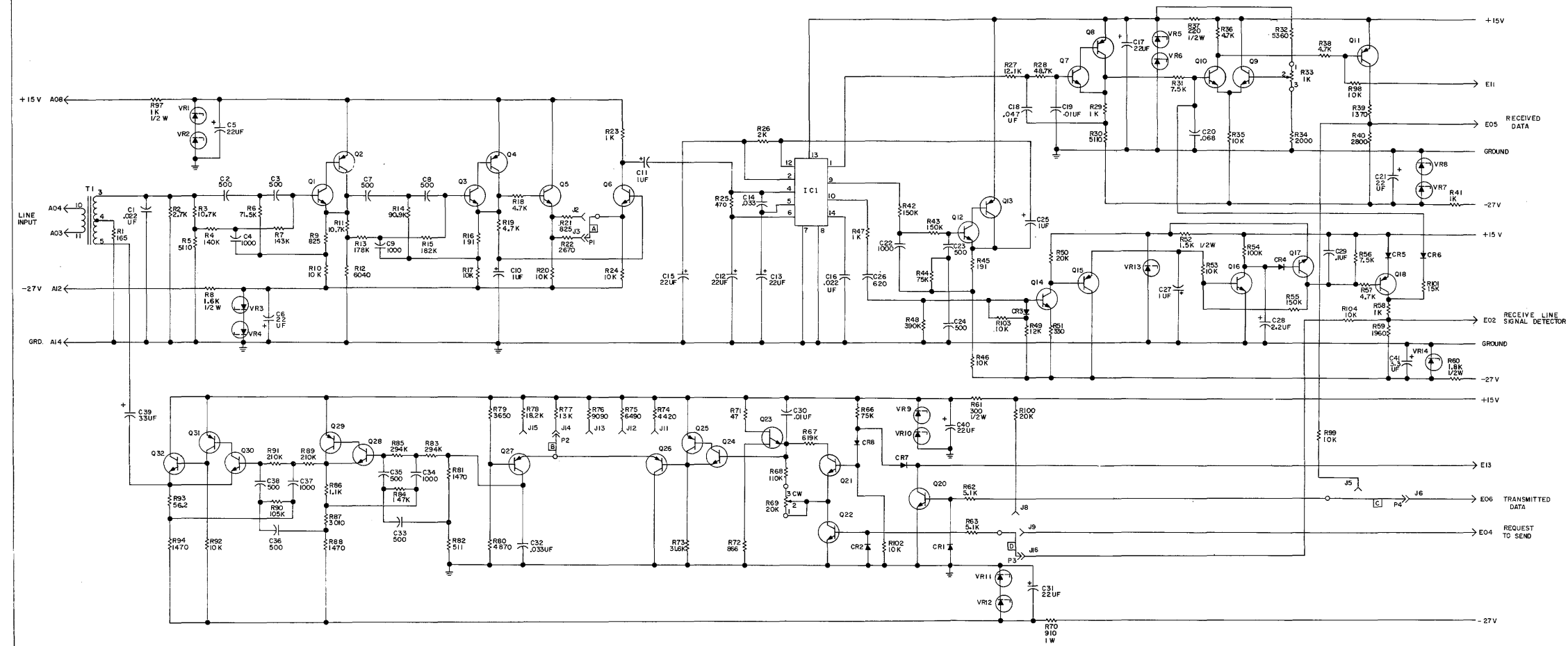
DIODES (G.E. NO. 44B 52025-071) ARE USED TO MAKE THESE CONNECTIONS

REMOVABLE JUMPER

TEST POINTS

REVISIONS	PRINTS TO
	33 772
	34 792
	307
	41
	61
	71

MADE BY MCL 9/24/71 APPROVED M9 U
 ISSUED JUN 18 1973 11/20/72 DATA COMMUNICATION PRODUCTS DEPT. 44D400315
 WAYNESBORO, VA. LOCATOR COURT OR SHEET FNL. SH. 0.1



JUMPER OPTION CHART FOR GROUPS I & 2

OPTION	JUMPER POSITION
TRANSMITTER LEVEL (DBM)	
-3	B J1
-5	B J3
-8	B J4 *
-12	B J5
RECEIVE SENSITIVITY (DBM)	
-40	A J3 *
-50	A J2
REQUEST TO SEND ON ROLLED BY TERMINAL	D J9
TRANSMITTED DATA CONNECTED TO TERMINAL	C J5 *
TEST (RECEIVED DATA CONNECTED TO TRANSMITTED DATA)	C J5
REQUEST TO SEND TURNED ON BY REC. LINE SIGNAL DETECTOR	D J6 *

* AS SHIPPED BY FACTORY

SEMI-CONDUCTOR CHART

ITEM NO.	S.E. IDENT. NO.	SIMILAR TO JEDEC REG. NO.
CR1 - CR7	19A115250P1	SSD-753
Q1, Q2, Q24, Q28 & Q30	19A115362P1	2N2925
Q2, Q4, Q8, Q11, Q15, Q5, Q18, Q25, Q26, Q27, Q29, Q31	19A115768P1	2N3702
Q5, Q6, Q9, Q10, Q16, Q17, Q21	19A115123P1	
Q19 & Q33	19A115562P1	
Q20 & Q22	19A115552P1	2N2714
Q23	19A115569P1	DSK1
VR1, VR3, VR5, VR7, VR9	4036887P6	
VR2, VR4, VR6, VR8, VR10	4036887P3	
VR12	4036887P4	
VR11, VR15, VR16	4036887P5	
VR13 & VR14	4036887P7	
Q7, Q12	19A12184P1	

** FOR REFERENCE ONLY NOT RECOMMENDED FOR EXACT REPLACEMENT.

ALL RESISTORS ARE 1/4 WATT UNLESS OTHERWISE SPECIFIED AND RESISTOR VALUES IN OHMS UNLESS FOLLOWED BY K=1000 OHMS OR MEG = 1,000,000 OHMS. CAPACITOR VALUES IN PICOFARADS (EQUAL TO MICROMICROFARADS) UNLESS FOLLOWED BY UF = MICROFARADS, INDUCTIVE VALUES IN MICROHENRYS UNLESS FOLLOWED BY MH = MILLIHENRYS OR H = HENRYS.

REV.	DATE	BY	CHKD.	APP.
1	10/1/59
2	10/1/59
3	10/1/59
4	10/1/59
5	10/1/59

Data Communication Products Department • General Electric Company

Waynesboro, Virginia 22980, USA

GENERAL  **ELECTRIC**