

Honeywell

MAGNETIC TAPE

PROCESSOR

MODULE

MANUAL

OPTION WMTP66LA/C/E
AND SUBOPTIONS

58010061

VOLUME 1

HARDWARE

HONEYWELL CONFIDENTIAL & PROPRIETARY

The following notice is provided in accordance with the United States Federal Communications Commission's (FCC) regulations:

Warning: This equipment generates, uses, and can radiate radio frequency energy, and if not installed and used in accordance with the instruction manual, may cause interference to radio communications. The equipment manufactured after October 1, 1983 has been tested and found to comply with the limits for a Class A computing device pursuant to Subpart J of Part 15 of FCC Rules, which are designed to provide reasonable protection against such interference when operated in a commercial environment. Operation of this equipment in a residential area is likely to cause interference, in which case the user at his own expense will be required to take whatever measures may be required to correct the interference.

This document and the information contained herein are confidential to and the property of Honeywell Information Systems, Inc. and are made available only to Honeywell employees for the sole purpose of maintaining Honeywell's products. This document, any copy thereof and the information contained herein shall be maintained in strictest confidence; shall not be copied in whole or in part except as authorized by the employee's manager; and shall not be disclosed or distributed (a) to persons who are not Honeywell employees, or (b) to Honeywell employees for whom such information is not necessary in connection with their assigned responsibilities. Upon request, or when the employee in possession of this document no longer has need for the document for the authorized Honeywell purpose, this document and any copies thereof shall be returned to the employee's manager. There shall be no exceptions to the terms and conditions set forth herein except as authorized in writing by the responsible Honeywell Vice President.

HONEYWELL CONFIDENTIAL & PROPRIETARY

| RECORD OF REVISION | | | |
|--------------------|------|---------------|--|
| REV | DATE | AUTHORIZATION | PAGES AFFECTED |
| A | 8/84 | PHAFTH925 | 58010061-031,1F 58010061-012,1,2F 58010061-900,1F 58010061-501 58010061-011,1F 58010061-014,1F 58010061-531,1,2F 58010061-015,1-1F 58010061-051,2-1,2-2,2-3F 58010061-800,1F 58010061-101,1,2F 58010061-102,1F 58010061-103,1F 58010061-403,1F 58010061-104,1F 58010061-404,1F 58010061-105,1F 58010061-405,1F 58010061-106,1F 58010061-107,1F 58010061-108,1F 58010061-109,1F 58010061-110,1F 58010061-111,1F 58010061-112,1F 58010061-113,1F 58010061-114,1F 58010061-115,1F 58010061-116,1F 58010061-117,1F 58010061-417,1F 58010061-118,1F 58010061-418,1F 58010061-600,1F 58010061-502 58010061-532,1F |

| RECORD OF REVISION | | | |
|--------------------|-------|---------------|---|
| REV | DATE | AUTHORIZATION | PAGES AFFECTED |
| B | 11/84 | PHAFTH933 | REVISED AND RETRACED MANUAL IN ITS ENTIRETY 58010061-012,1,2F 58010061-031,1F 58010061-501 58010061-502 58010061-503 58010061-011,1F 58010061-014,1F 58010061-531,1F 58010061-532,1F 58010061-533,1F 58010061-015,1-1F 58010061-051,2-1,2-2,2-3F 58010061-800,1F 58010061-900,1,2,3F 58010061-600,1F 58010061-101,1F 58010061-102,1F 58010061-802,1F 58010061-103,1F 58010061-403,1,2,3,4,5F 58010061-803,1F 58010061-104,1F 58010061-804,1F 58010061-105,1F 58010061-805,1F 58010061-106,1F 58010061-107,1F 58010061-108,1F 58010061-109,1F 58010061-110,1F |
| C | 7/85 | PHAFTH944 | 58010061-012,1,2F 58010061-501 58010061-502 58010061-503 58010061-014,1F 58010061-034,1F 58010061-531,1F 58010061-051,2-1,2-2F 58010061-600,1F 58010061-104,1F 58010061-804,1F 58010061-105,1F 58010061-805,1F |

HONEYWELL CONFIDENTIAL & PROPRIETARY

| RECORD OF REVISION | | | |
|--------------------|------|---------------|--|
| REV | DATE | AUTHORIZATION | PAGES AFFECTED |
| D | 3/86 | PHAFTH945 | 58010061-031,1F 58010061-501 58010061-014,1,2F 58010061-034,1F 58010061-035,1F 58010061-531,1F 58010061-015,1-1F 58010061-051,2-1,2-2F 58010061-800,1F 58010061-900,1,2 58010061-101,1F 58010061-102,1F 58010061-802,1F 58010061-103,1F 58010061-403,1 THRU 7F 58010061-803,1F 58010061-106,1F 58010061-502 58010061-532,1F 58010061-533,1F 58010061-503 |

| RECORD OF REVISION | | | |
|--------------------|------|---------------|----------------|
| REV | DATE | AUTHORIZATION | PAGES AFFECTED |
| | | | |

HONEYWELL CONFIDENTIAL & PROPRIETARY

SUMMARY OF CHANGES

1. ADDED "USER REMARKS FORM"
2. ADDED THE FOLLOWING NEW SHIELDED CABLE OPTIONS TO VOLUME 3F:
 - WMTP66LE
 - WMTP66LF
 - WADE66LB
 - WADC66LE
3. GENERAL UPDATE

HONEYWELL CONFIDENTIAL & PROPRIETARY

Honeywell Large Systems Hardware Publications
P. O. Box 8000, MS C84
Phoenix, Arizona 85066-8000

| | | | |
|-------|----------------------|----------|----------------------|
| TITLE | <input type="text"/> | MANUAL # | <input type="text"/> |
| | | REVISION | <input type="text"/> |
| | | DATED | <input type="text"/> |

ERRORS IN PUBLICATION

SUGGESTIONS FOR IMPROVEMENT TO PUBLICATION

⏏ Your comments will be investigated by appropriate technical personnel and action will be taken as required. Receipt of all forms will be acknowledged; however, if you require a detailed reply, check here.

FROM: NAME _____ DATE _____

TITLE _____

ADDRESS _____

PHONE # _____

HONEYWELL CONFIDENTIAL & PROPRIETARY

USER REMARKS

TABLE OF CONTENTS
 MODULE MANUAL
 MAGNETIC TAPE PROCESSOR WMTP66LA/C/E
 VOLUME 1

| | |
|--|---------------|
| Binder, B-Size, 4-Ring, 2-Inch | 58009884-008 |
| Spine, 1-Inch | 58010061-031 |
| Custom Separator Tabs, B-Size | 58010061-012 |
| Title Page | 58010061-501 |
| Notice Page | 58010061-011 |
| Record of Revision | 58010061-014 |
| Summary of Changes | 58010061-034 |
| User Remarks | 58010061-035 |
| Table of Contents | 58010061-531 |
| | |
| GENERAL (TAB) | 58010061-015 |
| | |
| PHYSICAL OUTLINE (TAB) | 58010061-051 |
| | |
| THEORY OF OPERATION | (a) |
| | |
| PARTS (TAB) | |
| | |
| Module & Backpanel Asm | 58059556 & PL |
| Thermostat Cable Asm | 58059375 & PL |
| Configuration Panel Asm | 58037521 & PL |
| Configuration Panel PWB Asm | 58044185 & PL |
| Configuration Panel Harness Asm | 58060877 & PL |
| LED Lamp PWB Asm | 58039690 & PL |
| Oscillator Board Asm | 58058436 & PL |
| Jumper Board Asm | 58047483 & PL |
| Patch Plug Asm (MTF/GCR Options) | 58081142 |
| Connector Guide Asm | 58034134 & PL |
| I/O Cable (ADE Options) | 58081041 & PL |
| I/O Cable (ADC Options) | 58034110 & PL |
| PSIA Cable | 58006130 & PL |
| Cable Configurator (ADC/ADE Options) | 58059885 |
| Cable Configurator (ADC Options) | 43C227335 |
| | |
| WIRE LISTS/SCHEMATICS (TAB) | |
| | |
| Microfiche Index | 58010061-800 |
| PSIA Cable Asm WL | 58028075 |
| Configuration Panel Schematic | 58040066 |
| Configuration Panel Harness WL | 58078303 |

(a) See EPS-2 listed on Microfiche Index under WIRE LISTS TAB.

WIRE LISTS/SCHEMATICS TAB (Continued)

| | |
|---|--------------|
| Configuration Panel PWB Schematic | 58044186 |
| LED Lamp PWB Schematic | 58039691 |
| Oscillator Board Schematic | 58058437 |
| Connector Guide Schematic | 58054157 |
| Connector Guide Schematic | 58052546 |
| Connector Guide Schematic | 58051465 |
| | |
| OPTIONS (SEE VOLUME 3F) | |
| | |
| CKT/LOGIC (TAB) | |
| | |
| MTP Functional Block Diagram | 58010061-600 |
| | |
| MT8AC (TAB) | |
| | |
| MT8AC LBD | 58041524 |
| MT8AC ASM | 58071460 RSS |
| MT8AC CIL | 58071462 |
| | |
| MT8BH (TAB) | |
| | |
| MT8BH LBD | 58066514 |
| MT8BH ASM | 58071760 RSS |
| MT8BH CIL | 58071762 |
| | |
| MT8CB (TAB) | |
| | |
| MT8CB LBD | 58033744 |
| MT8CB ASM | 58066960 RSS |
| MT8CB CIL | 58066962 |
| | |
| MPCFN (TAB) | |
| | |
| MPCFN LBD | 43D234054 |
| MPCFN ASM | 58048920 RSS |
| MPCFN CIL | 58048922 |
| | |
| MT8FX (TAB) | |
| | |
| MT8FX LBD | 58039254 |
| MT8FX ASM | 58071470 RSS |
| MT8FX CIL | 58071472 |

(CONTINUED IN VOLUME 2)

HONEYWELL CONFIDENTIAL & PROPRIETARY

1.0 GENERAL

1.1 INTRODUCTION

This section contains an introduction to the WMTP66LA/C/E Magnetic Tape Processor Module Manual describing the scope, purpose, and make up of the manual.

1.1.1 SCOPE

This manual is designed as part of the Product Maintenance Documentation (PMD) for the Honeywell Series WMTP66LA/C/E Magnetic Tape Processors. The manual is primarily for use by the Customer Services Division (CSD) and LCPD Manufacturing. The manual is Honeywell Confidential & Proprietary and is divided into sections separated by tabs.

1.1.1.1 GENERAL TAB

This section contains the introductory material.

1.1.1.2 PHYSICAL OUTLINE TAB

This section contains an outline drawing of the functional unit showing the installed location of its options and optimum replaceable units (ORUs).

1.1.1.3 THEORY OF OPERATION

The theory of operation is contained on Microfiche cards located in the Microfiche card box (see EPS-2s listed on the MICROFICHE INDEX under the WIRE LISTS TAB).

1.1.1.4 PARTS TAB

This section contains the MTP assembly and subassembly drawings and parts lists (PLs).

1.1.1.5 WIRE LISTS/SCHEMATICS TAB

This section contains the MICROFICHE INDEX which lists the EPS-2s and logic wire lists that are contained on Microfiche cards located in the Microfiche card box. It also contains the schematics pertinent to the MTP assemblies and subassemblies.

1.1.1.6 OPTIONS TAB

This section contains the installation kits, installation instructions and LBDs (where applicable) for the MTP options.

1.1.1.7 CKT/LOGIC TAB

This section contains the logic block diagram (LBD), the revision status sheet (RSS), and the component installation list (CIL) or installation instructions for each circuit board.

1.1.2 PURPOSE

This manual is a reference document which contains information to aid CSD instructors and students in training on the MTP and CSD installation and maintenance of the MTP in the field.

1.1.2.1 CSD TRAINING

The student should become familiar with and be able to effectively use this manual even if the student is supported with additional material (handouts) by the instructor.

1.1.2.2 CSD FIELD INSTALLATION AND MAINTENANCE

This manual can be used by CSD trained specialists for installation of the MTP options or for direct maintenance of the MTP at customer sites to isolate failures not found by T&D ORU callout and replacement.

1.1.2.3 CSD TECHNICAL ASSISTANCE CENTER (TAC)

This manual can be used for remote support of field sites. It should be part of a primary reference library for use by TAC specialists in contact with a CSD specialist or a maintenance computer at a customer site.

1.2 REFERENCE DOCUMENTATION

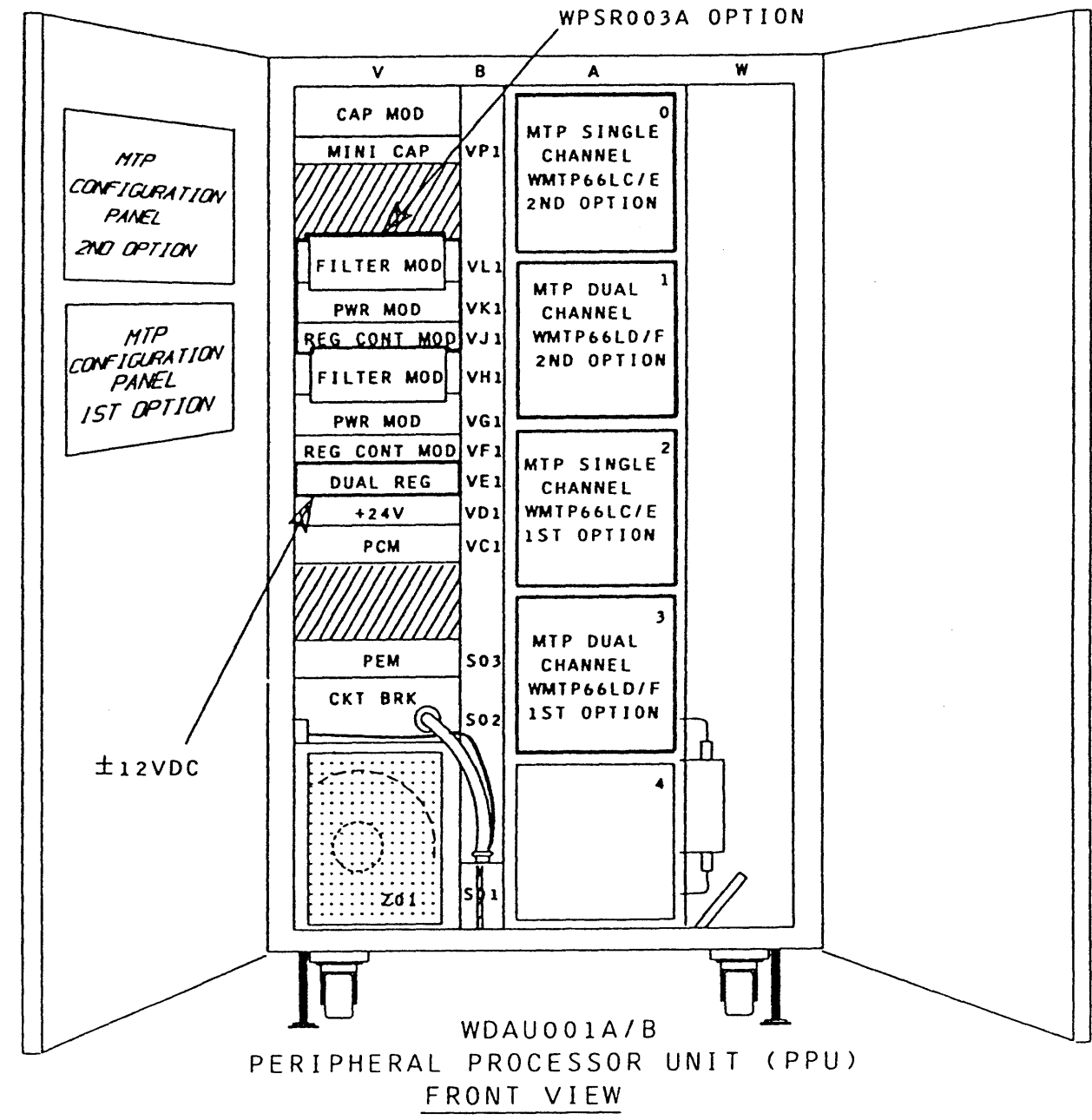
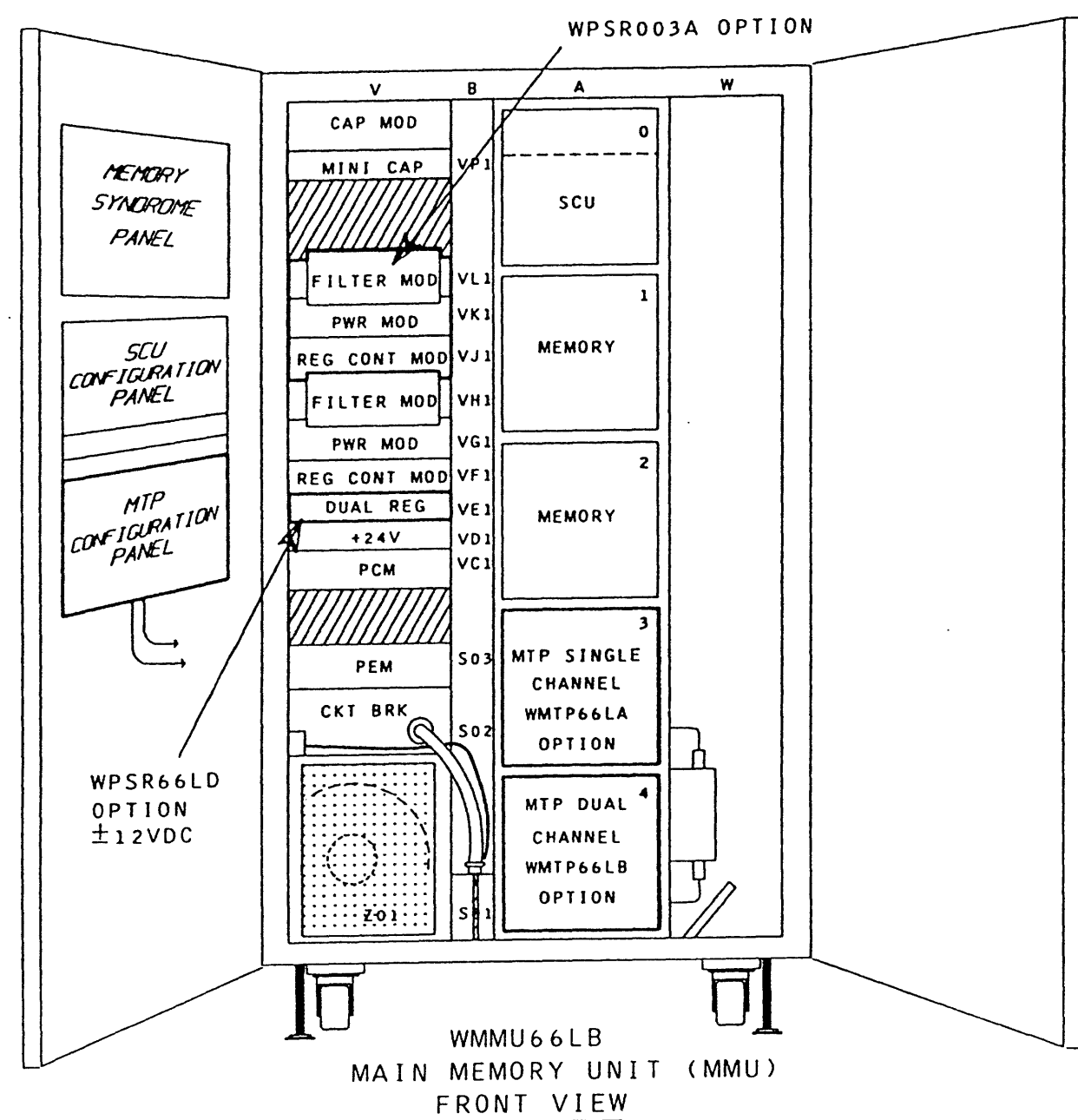
The following manuals contain supplemental documentation for servicing the MTP:

- 58010012 Test and Repair Manual
- 58010065 Power and Cooling Subsystem Manual

1.3 FEEDBACK

Send comments on this manual to Honeywell Large Computer Products Division, P.O. Box 8000, MS C84, Phoenix, AZ 85066. See the USER REMARKS form provided in this manual.

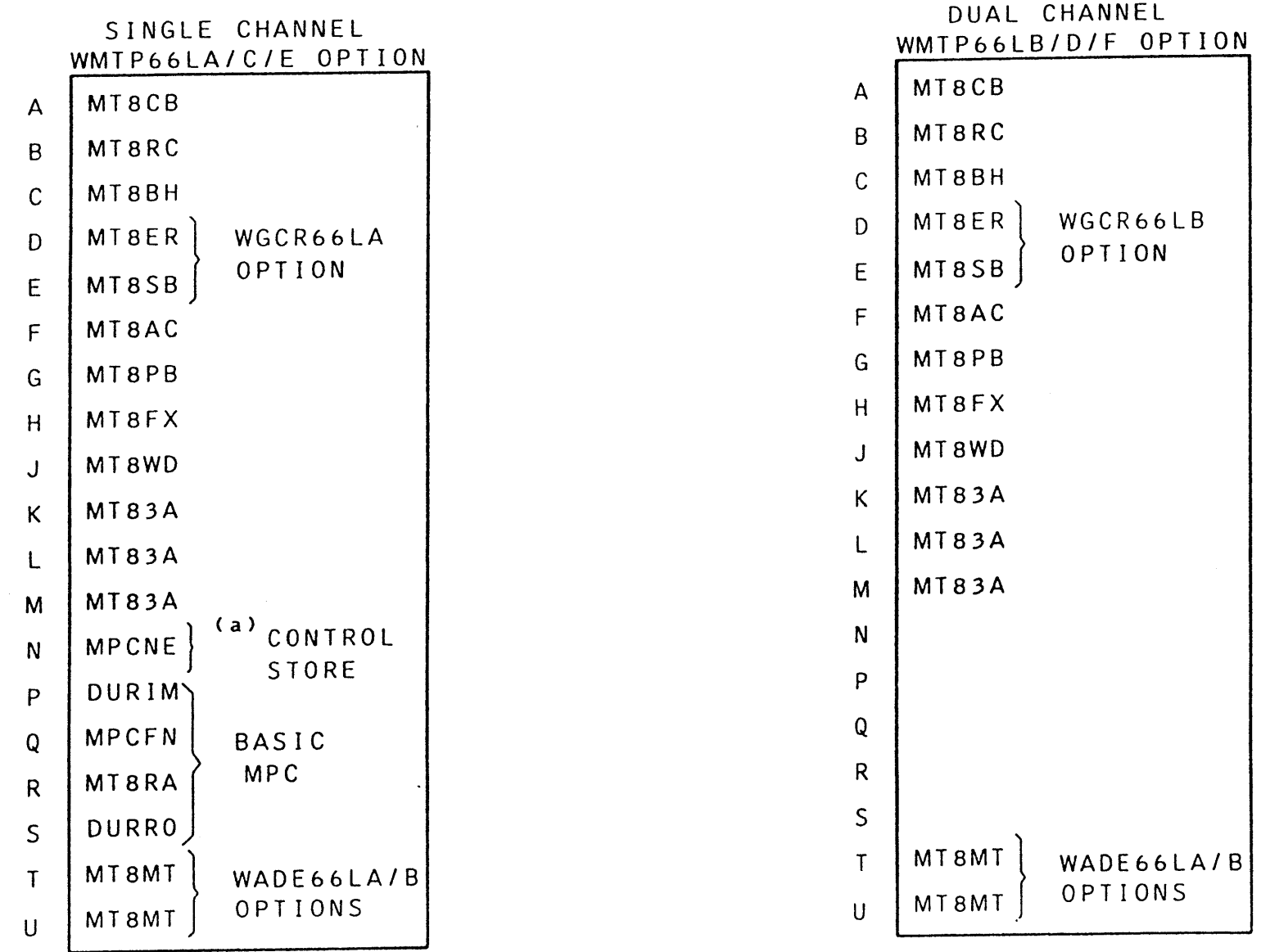
HONEYWELL CONFIDENTIAL & PROPRIETARY



NOTE: PPU WDAU001B REQUIRES CABLE CABINET WCAB001A (NOT SHOWN)

FIGURE 2.0-1. WMTP66LA/B/C/D/E/F MODULES LOCATION
HONEYWELL CONFIDENTIAL & PROPRIETARY

(SEE OPTIONS, VOLUME 3F, FOR INSTALLATION KITS AND INSTRUCTIONS)



(a) MPCNE TAB -006 ONLY)

FIGURE 2.0-2. LOGIC BOARDS LOCATION (INCLUDING ALL OPTIONS)
HONEYWELL CONFIDENTIAL & PROPRIETARY

58059556

| REV | AUTHORITY | DATE | | | SIGNATURE | ASSEMBLY TAB | | | | | PL | |
|-----|------------------------|------|-----|-----|------------------------|--------------|----|----|----|----|----|----|
| | | YR | MO | DAY | | 01 | 02 | 03 | 04 | 05 | | |
| A | LEVEL 1 ISSUE | 81 | 11 | 02 | J.M. Boyle 10-30-81 | A | A | A | | | | A |
| B | PHAOXS058 | 82 | 02 | 15 | C.A. Bantley | | | B | | | | B |
| C | PHAOXS072 | 82 | 04 | 05 | J Drentz | C | | | | | | C |
| D | PHAOXS095 | 82 | JUN | 03 | B U anasik | D | | | | | | D |
| E | PHAOXS120 | 82 | 08 | 18 | S. Miller | | | E | | | | E |
| F | PHAOXNT004 | 82 | 09 | 01 | B U anasik | F | F | F | | | | F |
| G | PHAOXS136 | 82 | 11 | 11 | B U anasik | G | | | | | | G |
| H | PHAOXNJ007 | 82 | 12 | 15 | S. Miller | H | H | H | | | | H |
| J | PHAOXS151 | 83 | 01 | 25 | J Drentz | | J | | | | | J |
| K | PHAOXS163 | 83 | 03 | 14 | T. Inouy | | K | | | | | K |
| L | PHAOXS162 | | ND | | J Drentz | L | | | | | | L |
| L1 | ADD TABS -004 E-005 | 83 | 04 | 04 | S. Miller | | | L1 | L1 | | | L1 |
| M | PHAOXS177 | 83 | JUN | 21 | J Drentz | | M | | | | | M |
| N | PHAOXS219 | 83 | 06 | 24 | J Drentz | | N | | | | | N |
| P | PHAOXS256 | 83 | 08 | 12 | J Drentz | P | P | | | | | P |
| R | PHAOBE090 | | ND | | J Drentz | | | R | | | | R |

FCF 58059584

FOR CONTINUATION OF REVISION STATUS SEE SHEET

BRUNING 44-141 40366

Honeywell
 HONEYWELL INFORMATION SYSTEMS INC.
 LOC PHOENIX ARIZONA

MADE BY *S. Jameson* 21 OCT 81
 APPROVED *J. Flannery* 27 SEPT 81
 REVISION STATUS FOR EACH PAGE SHEET OR GROUP IS SHOWN BY LAST ENTRY IN THE CORRESPONDING NUMBERED COLUMN

TITLE
MODULE & BKPNL ASM.

| | | | |
|------|---------------------|-------|-----|
| SIZE | REVISION STATUS FOR | SHEET | REV |
| X | 58059556 | 1/2 | 5 |

DIST. C125-5

58059556

| REV | AUTHORITY | DATE | | | SIGNATURE | ASSEMBLY TAB | | | | | | | | | | PL | | | | |
|-----|-----------|------|----|-----|-----------|--------------|-----|-----|-----|-----|--|--|----|--|--|----|--|--|--|----|
| | | YR | MO | DAY | | 001 | 002 | 003 | 004 | 005 | | | | | | | | | | |
| S | PHABBE089 | 83 | 09 | 14 | J Drentle | P | P | H | R | S | | | | | | | | | | S |
| T | PHABXS275 | 83 | 09 | 15 | J Drentle | T | | | | | | | | | | | | | | T |
| U | PHABNJ016 | 83 | 10 | 05 | J Drentle | | | U | | | | | | | | | | | | U |
| V | PHABXS322 | 83 | 10 | 19 | T. Anoung | V | V | | | | | | | | | | | | | V |
| VI | ENXS144 | | ND | | J Drentle | | | | | VI | | | | | | | | | | W |
| W | PHABXS341 | 83 | 11 | 11 | J Drentle | W | | | | | | | | | | | | | | W |
| W1 | ENXS162 | | ND | | J Drentle | | | | | | | | W1 | | | | | | | |
| W2 | ENXS149 | | ND | | J Drentle | | | | | W2 | | | | | | | | | | |
| X | PHABXS296 | 84 | 03 | 06 | J Drentle | | | X | | | | | | | | | | | | X |
| Y | PHABTG233 | | ND | | J Drentle | | | | | Y | | | | | | | | | | Y |
| Z | PHABTG232 | 84 | 08 | 13 | J Drentle | | | | | Z | | | | | | | | | | Z |
| AA | PHABNJ032 | 84 | 10 | 10 | J Drentle | | | AA | | | | | | | | | | | | AA |
| AB | PHABXS611 | 84 | 11 | 19 | J Drentle | | | | | AB | | | | | | | | | | AB |

FOR CONTINUATION OF REVISION STATUS SEE SHEET

BRUNING 44-141 40366

Honeywell
 HONEYWELL INFORMATION SYSTEMS INC.
 LOC PHOENIX ARIZONA

MADE BY S. JAMESON 21OCT81
 APPROVED F.J. FLOWERS 27SEP81
 REVISION STATUS FOR EACH PAGE SHEET OR GROUP IS SHOWN BY LAST ENTRY IN THE CORRESPONDING NUMBERED COLUMN

TITLE
 MODULE + BKPNL ASM.
 SIZE X REVISION STATUS FOR 58059556 SHEET 2F REV AB

CE 300 A-3 (1-79)

DIST. -5

PD 84/11/19

X 58059556

1/2 AB

| | | | 001 | 002 | 003 | 004 | 005 | |
|------|--------------|------------------------|-------|-------|-----|-------|-------|----|
| 1 X | 58071940-103 | A BKPNL WRD WDAAO | | | 1 | | | |
| 2 X | 58066470-106 | A BKPNL WIRED IPCAO | 1 | | | | | EA |
| 2 X | 58066470-406 | A BKPNL WIRED IPCAO | NOINT | | | | | EA |
| 3 X | 58078410-307 | A BKPNL WRD WXCA1 | | 1 | | | | EA |
| 3 X | 58078410-206 | A BKPNL WRD WXCA1 | | NOINT | | | | EA |
| 9 D | 58060822 | D MOD COMM ASM INSTR | X | X | X | X | X | EA |
| 10 B | 43B137240P3 | W NUT CLIP | 2 | 2 | 2 | 2 | 2 | |
| 11 C | 43C243202G4 | A CARD CAGE | 1 | 1 | 1 | 1 | 1 | EA |
| 12 C | 58059375-001 | A THERMOSTAT CABLE ASM | | 1 | | | | EA |
| 13 A | 58056756-001 | P ROD. SLIDE | | 3 | | | | EA |
| 14 A | 58053358-001 | W NUT. PUSH-ON | | 6 | | | | EA |
| 15 X | 58078220-103 | A BKPNL WRD TC3A0 | | | | 1 | | EA |
| 15 X | 58078220-203 | A BKPNL WRD TC3A0 | | | | INTCH | | EA |
| 15 X | 58078220-002 | A BKPL WRD TC3A0 | | | | NOINT | | EA |
| 16 X | 58078230-103 | A BKPNL WRD TC3A1 | | | | | 1 | EA |
| 16 X | 58078230-203 | A BKPNL WRD TC3A1 | | | | | INTCH | EA |

MODULE & BKPNL ASM

X 58059556

1/2 AB

PD 84/11/19

X 58059556

2/F AB

001

002

003

004

005

16 X 58078230-002 A BKPL WRD TC3A1

NOINT

EA

MODULE & BKPNL ASM

X 58059556

2/F AB

58059375

| REV | AUTHORITY | DATE | | | SIGNATURE | TAB NO. | | | | | | | | | | PL | DWG SH. | | | | | | | | | | | | | | | | | | | | |
|-----|---------------|------|----|-----|----------------------|---------|--|--|--|--|--|--|--|--|--|----|---------|---|---|--|--|--|--|--|--|--|--|--|--|--|--|--|--|--|--|--|--|
| | | YR | MO | DAY | | 001 | | | | | | | | | | | | | | | | | | | | | | | | | | | | | | | |
| A | LEVEL 1 ISSUE | 82 | 11 | 15 | J. M. Boyle 11-15-82 | A | | | | | | | | | | | | A | I | | | | | | | | | | | | | | | | | | |
| B | PHANJ007 | 82 | 12 | 15 | B. Miller | B | | | | | | | | | | | | B | B | | | | | | | | | | | | | | | | | | |
| C | PHASR154 | 83 | 03 | 10 | A. Drentz | C | | | | | | | | | | | | C | C | | | | | | | | | | | | | | | | | | |
| D | PHANJ014 | 83 | 06 | 17 | A. Drentz | D | | | | | | | | | | | | D | D | | | | | | | | | | | | | | | | | | |

FCF: 58059556

FOR CONTINUATION OF REVISION STATUS SEE SHEET

BRUNING 44-141 40366

Honeywell
 HONEYWELL INFORMATION SYSTEMS INC.
 LOC PHOENIX ARIZONA

MADE BY *J. B. [Signature]* 82 NOV 10
 APPROVED *J. G. Roehlke* 11/10/82
 REVISION STATUS FOR EACH PAGE SHEET OR GROUP IS SHOWN BY LAST ENTRY IN THE CORRESPONDING NUMBERED COLUMN

TITLE THERMOSTAT ASM
 SIZE C REVISION STATUS FOR 58059375 SHEET 111 REV D

DIST. C96, C120, C125 -3

CE 300 A-3 (1-79)

PD 83/06/18 C 58059375 1/1 D

| | | | | |
|-------|--------------|------------------------|-------|----|
| | | | 001 | |
| 1 B | 58059707-002 | P SLIDE BAR | 1 | EA |
| 1 B | 58059707-001 | P SLIDE BAR | NOINT | EA |
| 2 B | 43B167226P11 | V MIN.SPRING SOCKET | 3 | EA |
| 3 C | 43C216131P8 | V THERMOSTAT | 1 | EA |
| 4 C | 43C216131P9 | V THERMOSTAT | 1 | EA |
| * 5 A | 58000061-004 | V CABLE 3COND TW | 14 | IN |
| 6 C | 43C142270P8 | V CLAMP CABLE | 1 | EA |
| 7 A | 58053379-003 | V CONN. HOUSING | 1 | EA |
| 8 C | 58000084-023 | V CONTACT PIN & SOCKET | 3 | EA |
| 9 B | 878B222P080 | V SLEEVING THERMO | 3 | IN |

THERMOSTAT CABLE ASM

C 58059375 1/1 D

THE INFORMATION CONTAINED IN THIS DOCUMENT PROPRIETARY TO HONEYWELL INFORMATION SYSTEMS, INC. AND IS INTENDED FOR INTERNAL HONEYWELL USE ONLY. SUCH INFORMATION MAY BE DISTRIBUTED TO OTHERS BY WRITTEN PERMISSION OF AN AUTHORIZED HONEYWELL OFFICIAL. THIS RESTRICTION DOES NOT APPLY TO VENDOR PROPRIETARY THAT MAY BE DISCLOSED IN THIS DOCUMENT.

58037521

| REV | AUTHORITY | DATE | | | SIGNATURE | ASSEMBLY TAB | | | | PL SH. DWG. SH. | | | | | |
|-----|---------------|------|-----|-----|---------------------|--------------|---|--|--|-----------------|---|---|---|--|--|
| | | YR | MO | DAY | | | | | | ALL | I | | | | |
| A | LEVEL 1 ISSUE | 78 | 05 | 15 | D. S. Miller 780512 | A | A | | | | | A | A | | |
| B | CO*PHAØBB075 | 78 | JUN | 29 | A. B. Ripley | B | B | | | | | B | | | |
| C | CO*PHAØBE003 | 78 | AUG | 15 | A. B. Ripley | C | C | | | | | C | | | |
| D | PHAØBE004 | 78 | 10 | 11 | R. H. Hockstra | D | | | | | | D | | | |
| E | PHAØBB083 | 78 | 11 | 10 | A. B. Ripley | E | E | | | | | E | | | |
| F | PHAØBE009 | 79 | 01 | 12 | R. H. Hockstra | F | F | | | | | F | | | |
| G | PHAØBB091 | 79 | FEB | 15 | S. Miller | G | | | | | | G | | | |
| H | PHAØBB093 | 79 | MAR | 30 | A. O. Mulligan | H | H | | | | | H | | | |
| J | PHAØNG052 | 79 | 06 | 14 | P. M. D. Agostini | J | | | | | | J | J | | |
| K | PHAØBE025 | 79 | SEP | 27 | D. P. Binash | K | K | | | | | K | K | | |
| L | PHAØBA034 | 79 | 12 | 07 | C. Ripley | L | L | | | | | L | L | | |
| | | | | | | OB | | | | | | | | | |
| | | | | | | SO | | | | | | | | | |
| | | | | | | LETE | | | | | | | | | |

FOR CONTINUATION OF REVISION STATUS SEE SHEET

| | | | |
|---|--------------------------------------|--|---|
| Honeywell HONEYWELL INFORMATION SYSTEMS LOC PHOENIX, ARIZONA | MADE BY <i>A. B. Ripley 78-05-12</i> | TITLE PANEL ASM., I.C.U. / I.O.M. | |
| | APPROVED <i>(Signature) 78-02-21</i> | SIZE D | REVISION STATUS FOR SHEET 1/1 REV L |

CE 300 A-3 (12-71) DRUNING 44-141

DISTR: **C76-24-3**

THE INFORMATION CONTAINED IN THIS DOCUMENT IS PROPRIETARY TO HONEYWELL INFORMATION SYSTEMS INC. AND IS INTENDED FOR INTERNAL HONEYWELL USE ONLY. SUCH INFORMATION MAY BE DISTRIBUTED TO OTHERS ONLY BY WRITTEN PERMISSION OF AN AUTHORIZED HONEYWELL OFFICIAL. THIS RESTRICTION DOES NOT APPLY TO VENDOR PROPRIETARY PARTS THAT MAY BE DISCLOSED IN THIS DOCUMENT.

PD 79/12/06

| | | | |
|-----------|----------|--------------|-----------|
| SIZE D | 58037521 | SHEET 1/4 | REV. L |
|-----------|----------|--------------|-----------|

| * | ITEM NO. | P C | IDENTIFICATION NO. | S C | DRAWING TITLE | ASSEMBLY / QUANTITY | | | | | | | U M | |
|---|----------|-----|--------------------|-----|----------------------|---------------------|--|--|--|--|--|--|-----|----|
| | | | | | | 002 | | | | | | | | |
| * | 1 | D | 58040021-002 | P | PANEL | 1 | | | | | | | | EA |
| | 2 | A | 60067007-301 | V | SWITCH, TOG MIN | 2 | | | | | | | | EA |
| | 3 | A | 58008225-405 | V | SWITCH, MIN TOGGLE | 1 | | | | | | | | EA |
| | 4 | B | 876B219P8 | V | SWITCH PB | 2 | | | | | | | | EA |
| | 5 | B | 876B219P1101 | V | GUARD, BUTTON | 2 | | | | | | | | EA |
| | 6 | A | 43A137338P2 | V | RECEP BLKHD | 1 | | | | | | | | EA |
| | 8 | C | 58000083-076 | V | CONNECTOR ASM | 1 | | | | | | | | EA |
| | 9 | C | 58000083-081 | V | CONNECTOR ASM | 1 | | | | | | | | EA |
| V | 10 | A | 58008225-004 | V | SWITCH MIN TOGGLE | 19 | | | | | | | | EA |
| | 11 | C | 58044185-001 | A | PWB ASM MPC MNT PNL | 1 | | | | | | | | EA |
| | 12 | C | 58000084-026 | V | CONTACT PIN & SOCKET | 35 | | | | | | | | EA |
| | 13 | C | 58020345-006 | V | SWITCH, P.B. INDIC | 4 | | | | | | | | EA |
| | 15 | A | N136P504C13 | V | TC SCREW | 2 | | | | | | | | EA |
| | 17 | B | 43B229038P1 | V | LUG SLD TINNED | 1 | | | | | | | | EA |
| | 18 | A | 12A7721P9 | V | WASHER | 1 | | | | | | | | EA |
| | 19 | A | 12A7745P9 | V | WASHER | 1 | | | | | | | | EA |

| | | | | | |
|--|---|--|--|---------------------------------|-------------------------|
| <p>Honeywell</p> <p>HONEYWELL INFORMATION SYSTEMS LOC: PHOENIX, ARIZONA, U.S.A.</p> | <p>UM = UNIT OF MEASURE</p> <p>EA = EACH IN = INCHES</p> <p>CM = CENTIMETER OZ = OUNCE</p> <p>G = GRAMS</p> | | <p>TITLE</p> <p>PANEL ASM, ICU/IOM</p> | | |
| | <p>* ITEMS REVISED SINCE PREVIOUS ISSUE</p> | | <p>SIZE</p> <p>D</p> | <p>P.L. NO.</p> <p>58037521</p> | <p>SHEET</p> <p>1/4</p> |
| | | | <p>REV.</p> <p>L</p> | | |

DOES A DOCUMENT REVISION STATUS SHEET EXIST? YES

THE INFORMATION CONTAINED IN THIS DOCUMENT IS PROPRIETARY TO HONEYWELL INFORMATION SYSTEMS INC. AND IS INTENDED FOR INTERNAL HONEYWELL USE ONLY. INFORMATION MAY BE DISTRIBUTED TO OTHERS ONLY BY WRITTEN PERMISSION OF AN AUTHORIZED HONEYWELL OFFICIAL. THIS RESTRICTION DOES NOT APPLY TO VENDOR PROPRIETARY PARTS THAT MAY BE DISCLOSED IN THIS DOCUMENT.

PD 79/12/06

| | | |
|------|-------|------|
| SIZE | SHEET | REV. |
| D | 2/4 | L |

58037521

| * ITEM NO. | P C | IDENTIFICATION NO. | S C | DRAWING TITLE | ASSEMBLY / QUANTITY | | | | | | | | U M | |
|------------|-----|--------------------|-----|----------------------|---------------------|--|--|--|--|--|--|--|-----|----|
| | | | | | 002 | | | | | | | | | |
| 20 | A | 58039665-005 | D | WL ICU-DUR-MINI-MP | X | | | | | | | | | |
| 22 | A | 70928102-057 | V | RESISTOR | 1 | | | | | | | | | EA |
| 23 | D | 58040066 | D | SCHEMATIC DIAGRAM | X | | | | | | | | | |
| 24 | C | 58020345-009 | V | SWITCH, P.B. INDIC | 1 | | | | | | | | | EA |
| 27 | C | 58000084-025 | V | CONTACT PIN & SOCKET | 32 | | | | | | | | | EA |
| 28 | B | 43B216136P1 | V | HOUSING MINI | 3 | | | | | | | | | EA |
| 29 | B | 43B216136P3 | V | HOUSING MINI | 1 | | | | | | | | | EA |
| 30 | B | 43B216106P1 | V | MINI TERMINAL | 157 | | | | | | | | | EA |
| 31 | B | 43B111126P15 | V | WIRE BARE SOLID | 36 | | | | | | | | | IN |
| 32 | B | 873B126P40 | P | SLEEVING ELEC | 10 | | | | | | | | | IN |
| 33 | A | 43A167218P029 | V | WIRE | 1500 | | | | | | | | | IN |
| 34 | A | 43A167218P069 | V | WIRE | 600 | | | | | | | | | IN |
| 35 | B | 43B216136P7 | V | HOUSING MINI | 1 | | | | | | | | | EA |
| 36 | B | 43B216136P9 | V | HOUSING MINI | 8 | | | | | | | | | EA |
| 38 | B | 877B280P11 | V | RECEPTACLE FAST | 2 | | | | | | | | | EA |
| 41 | B | 878B222P090 | V | SLVG SHRINKING | 10 | | | | | | | | | IN |

| | | | | |
|--|---|--|--|---------------------------------|
| <p>Honeywell</p> <p>HONEYWELL INFORMATION SYSTEMS LOC: PHOENIX, ARIZONA, U.S.A.</p> | <p>UM = UNIT OF MEASURE</p> <p>EA = EACH IN = INCHES</p> <p>CM = CENTIMETER OZ = OUNCE</p> <p>G = GRAMS</p> | | <p>TITLE</p> <p>PANEL ASM, ICU/IOM</p> | |
| | <p>* ITEMS REVISED SINCE PREVIOUS ISSUE</p> | | <p>SIZE</p> <p>D</p> | <p>P.L. NO.</p> <p>58037521</p> |

DOES A DOCUMENT REVISION STATUS SHEET EXIST? YES

THE INFORMATION CONTAINED IN THIS DOCUMENT IS PROPRIETARY TO HONEYWELL INFORMATION SYSTEMS INC. AND IS INTENDED FOR INTERNAL HONEYWELL USE ONLY. THIS INFORMATION MAY BE DISTRIBUTED TO OTHERS ONLY BY WRITTEN PERMISSION OF AN AUTHORIZED HONEYWELL OFFICIAL. THIS RESTRICTION DOES NOT APPLY TO VENDOR PROPRIETARY PARTS THAT MAY BE DISCLOSED IN THIS DOCUMENT.

PD 79/12/06

| | | | |
|------|----------|-------|------|
| SIZE | 58037521 | SHEET | REV. |
| D | | 3/4 | L |

| * | ITEM NO. | P C | IDENTIFICATION NO. | S C | DRAWING TITLE | ASSEMBLY / QUANTITY | | | | | | | | U M | |
|---|----------|-----|--------------------|-----|----------------------|---------------------|--|--|--|--|--|--|--|-----|----|
| | | | | | | 002 | | | | | | | | | |
| | 42 | B | 43B166701P3 | V | DECAL | 3 | | | | | | | | | EA |
| | 43 | B | 43B166701P4 | V | DECAL | 5 | | | | | | | | | EA |
| | 45 | B | 43B219248P9 | V | MARKING | 1 | | | | | | | | | EA |
| | 46 | B | 43B219248P1 | V | MARKING | 1 | | | | | | | | | EA |
| | 47 | B | 43B219248P5 | V | MARKING | 3 | | | | | | | | | EA |
| | 48 | A | 58020363-053 | V | LENS INFO-P.B.SWITCH | 1 | | | | | | | | | EA |
| | 49 | A | 58020363-049 | V | LENS INFO-P.B.SWITCH | 1 | | | | | | | | | EA |
| | 50 | A | 58020363-123 | V | LENS INFO-P.B.SWITCH | 1 | | | | | | | | | EA |
| | 51 | A | 58020363-048 | V | LENS INFO-P.B.SWITCH | 1 | | | | | | | | | EA |
| | 52 | A | 58020363-046 | V | LENS INFO-P.B.SWITCH | 1 | | | | | | | | | EA |
| | 53 | A | 60067053-001 | P | LAMP, SUBMIN, FLA | 10 | | | | | | | | | EA |
| | 54 | A | 70928102-049 | V | RESISTOR | 2 | | | | | | | | | EA |
| | 55 | B | 43B166701P5 | V | DECAL | 1 | | | | | | | | | EA |
| | 57 | A | 43A180043P609 | V | WIRE PAIR TWIST | 14 | | | | | | | | | IN |
| | 58 | A | 43A232701 | D | SPEC MAINT PNL | X | | | | | | | | | |
| | 59 | B | 43B216136P2 | V | HOUSING MINI | 1 | | | | | | | | | EA |

| | | | | |
|---|---|--|--|---------------------------------|
| <p>Honeywell</p> <p>HONEYWELL INFORMATION SYSTEMS</p> <p>LOC: PHOENIX, ARIZONA, U.S.A.</p> | <p>UM = UNIT OF MEASURE</p> <p>EA = EACH IN = INCHES</p> <p>CM = CENTIMETER OZ = OUNCE</p> <p>G = GRAMS</p> | | <p>TITLE</p> <p>PANEL ASM, ICU/IOM</p> | |
| | <p>* ITEMS REVISED SINCE PREVIOUS ISSUE</p> | | <p>SIZE</p> <p>D</p> | <p>P.L. NO.</p> <p>58037521</p> |
| | | | <p>SHEET</p> <p>3/4</p> | <p>REV.</p> <p>L</p> |

DOES A DOCUMENT REVISION STATUS SHEET EXIST? YES

THE INFORMATION CONTAINED IN THIS DOCUMENT IS PROPRIETARY TO HONEYWELL INFORMATION SYSTEMS INC. AND IS INTENDED FOR INTERNAL HONEYWELL USE ONLY. SUCH INFORMATION MAY BE DISTRIBUTED TO OTHERS ONLY BY WRITTEN PERMISSION OF AN AUTHORIZED HONEYWELL OFFICIAL. THIS RESTRICTION DOES NOT APPLY TO VENDOR PROPRIETARY PARTS THAT MAY BE DISCLOSED IN THIS DOCUMENT.

PD 79/12/06

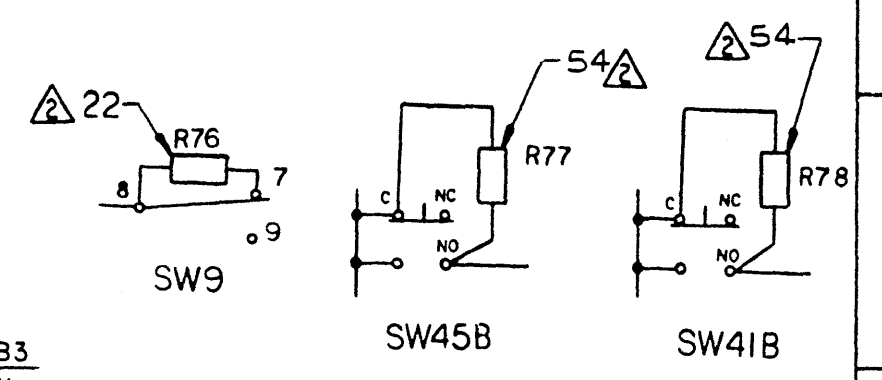
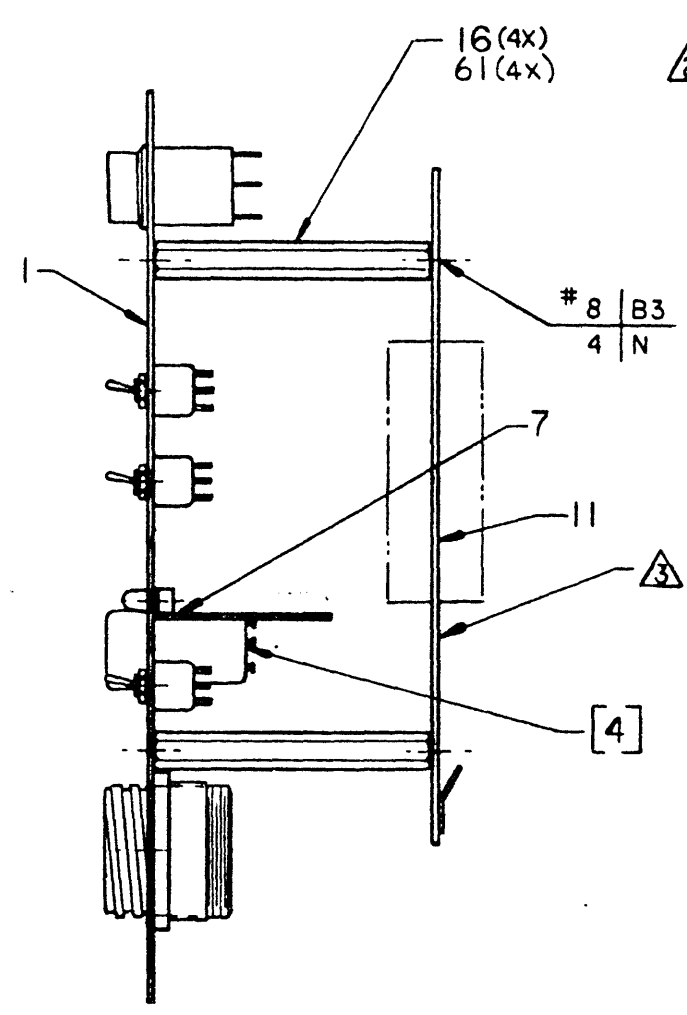
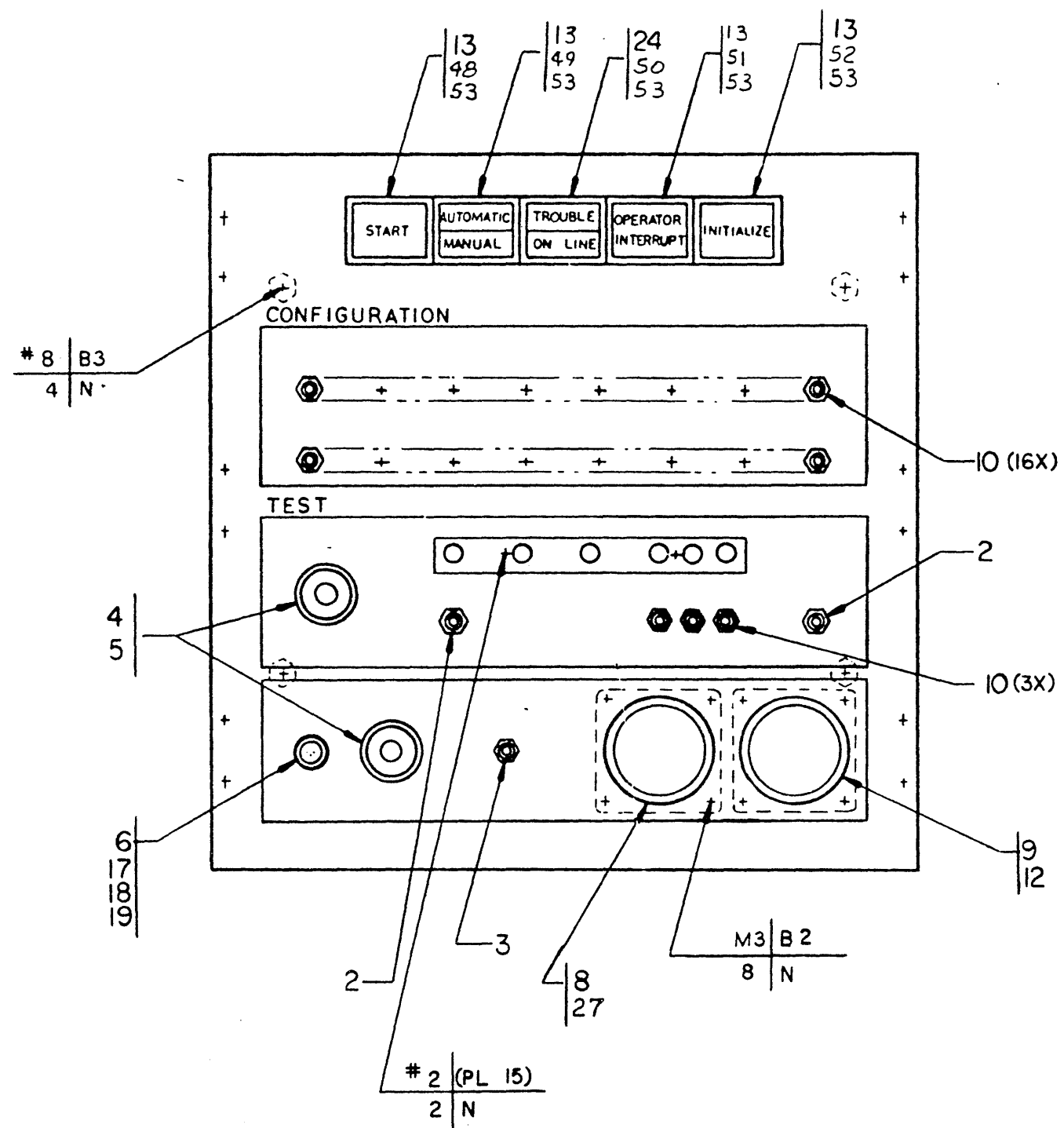
| | | | |
|-----------|----------|--------------|-----------|
| SIZE D | 58037521 | SHEET 4/F | REV. L |
|-----------|----------|--------------|-----------|

| * | ITEM NO. | P C | IDENTIFICATION NO. | S C | DRAWING TITLE | ASSEMBLY / QUANTITY | | | | | | | | U M | | | |
|---|----------|-----|--------------------|-----|----------------------|---------------------|---|--|--|--|--|--|--|-----|--|--|----|
| | | | | | | | | | | | | | | | | | |
| | | | | | | 002 | | | | | | | | | | | |
| | 60 | C | 58000084-024 | V | CONTACT PIN & SOCKET | | 2 | | | | | | | | | | EA |
| | 61 | A | 12A7784P32 | P | SPACER HEX | | 4 | | | | | | | | | | EA |
| | 62 | X | 58039690-003 | A | PWB ASM LED LMP DR09 | | 1 | | | | | | | | | | EA |
| | | | | | | | | | | | | | | | | | |
| | | | | | | | | | | | | | | | | | |
| | | | | | | | | | | | | | | | | | |
| | | | | | | | | | | | | | | | | | |
| | | | | | | | | | | | | | | | | | |
| | | | | | | | | | | | | | | | | | |
| | | | | | | | | | | | | | | | | | |
| | | | | | | | | | | | | | | | | | |
| | | | | | | | | | | | | | | | | | |
| | | | | | | | | | | | | | | | | | |
| | | | | | | | | | | | | | | | | | |
| | | | | | | | | | | | | | | | | | |
| | | | | | | | | | | | | | | | | | |
| | | | | | | | | | | | | | | | | | |
| | | | | | | | | | | | | | | | | | |
| | | | | | | | | | | | | | | | | | |
| | | | | | | | | | | | | | | | | | |
| | | | | | | | | | | | | | | | | | |
| | | | | | | | | | | | | | | | | | |
| | | | | | | | | | | | | | | | | | |
| | | | | | | | | | | | | | | | | | |
| | | | | | | | | | | | | | | | | | |
| | | | | | | | | | | | | | | | | | |
| | | | | | | | | | | | | | | | | | |
| | | | | | | | | | | | | | | | | | |
| | | | | | | | | | | | | | | | | | |
| | | | | | | | | | | | | | | | | | |
| | | | | | | | | | | | | | | | | | |
| | | | | | | | | | | | | | | | | | |
| | | | | | | | | | | | | | | | | | |
| | | | | | | | | | | | | | | | | | |
| | | | | | | | | | | | | | | | | | |
| | | | | | | | | | | | | | | | | | |
| | | | | | | | | | | | | | | | | | |
| | | | | | | | | | | | | | | | | | |
| | | | | | | | | | | | | | | | | | |

| | | | | | |
|---|---|--|-----------|----------------------|--------------|
| <p>Honeywell</p> <p>HONEYWELL INFORMATION SYSTEMS</p> <p>LOC: PHOENIX, ARIZONA, U.S.A.</p> | <p>UM = UNIT OF MEASURE</p> <p>EA = EACH IN = INCHES</p> <p>CM = CENTIMETER OZ = OUNCE</p> <p>G = GRAMS</p> | <p>TITLE</p> <p>PANEL ASM, ICU/IOM</p> | | | |
| | <p>* ITEMS REVISED SINCE PREVIOUS ISSUE</p> | <table border="1"> <tr> <td>SIZE D</td> <td>P.L. NO. 58037521</td> <td>SHEET 4/F</td> <td>REV. L</td> </tr> </table> | SIZE D | P.L. NO. 58037521 | SHEET 4/F |
| SIZE D | P.L. NO. 58037521 | SHEET 4/F | REV. L | | |

DOES A DOCUMENT REVISION STATUS SHEET EXIST? YES

| REVISIONS | | | |
|-----------|-----------|---------------|-----------|
| REV | AUTHORITY | DATE | SIGNATURE |
| | | TR MO CAT | |

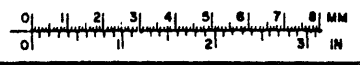


4. CABLE CLAMPS, TIES AND ROUTING TO BE ESTABLISHED BY MANUFACTURING.
- △ 3. COMPONENT SIDE OF P.W.B.
- △ 2. ASSEMBLE RESISTORS [ITEMS 22 AND 54] TO SWITCHES AS INDICATED PER 43A226454.
1. ASSEMBLE HARDWARE PER M50E00506-C.R.
- NOTES:

⊙001 OBSOLETE
⊙002

FOR DOCUMENT STATUS, SEE REVISION STATUS SHEET

| |
|--------------|
| 43A226454 |
| M50E00506-CR |
| REF SPEC NO |



| | | | |
|--------------------------------|----------------|-----------|--|
| UNLESS OTHERWISE SPECIFIED | | MATERIAL | |
| DIMENSIONS = | INCHES | HONEYWELL | |
| TOLERANCE OF SIZE AND FORM PER | INITIAL DESIGN | LOC | HONEYWELL INFORMATION SYSTEMS PHOENIX, ARIZONA U. S. A. |
| PROJECTION | SCALE | TITLE | PANEL ASM., I.C.U./I.O.M. |
| CODE | DR | SIZE | DWG NO |
| APPD | 79 Feb. 28 | D | 58037521 |
| DISTR | C76-3 | SH | 1/1 |
| | | REV | L |

58037521

THE INFORMATION CONTAINED IN THIS DOCUMENT PROPRIETARY TO HONEYWELL INFORMATION SYSTEMS, INC. AND IS INTENDED FOR INTERNAL HONEYWELL USE ONLY. SUCH INFORMATION MAY BE DISTRIBUTED TO OTHERS BY WRITTEN PERMISSION OF AN AUTHORIZED HONEYWELL OFFICIAL. THIS RESTRICTION DOES NOT APPLY TO VENDOR PROPRIETARY THAT MAY BE DISCLOSED IN THIS DOCUMENT.

58044185

| REV | AUTHORITY | DATE | | | SIGNATURE | ASM-TAB | | | | | | | | | | PL. | DWG. SH. NO. | | | | | | |
|-----|---------------|------|-----|-----|----------------------------|---------|--|--|--|--|--|--|--|--|--|-----|--------------|---|----|--|--|--|--|
| | | YR | MO | DAY | | 001 | | | | | | | | | | | | | | | | | |
| A | LEVEL 1 ISSUE | 78 | 11 | 09 | <i>J. Chaudhri</i> 11/6/78 | A | | | | | | | | | | | | A | A | | | | |
| B | PHAOBB091 | 79 | FEB | 15 | <i>William Scholandi</i> | B | | | | | | | | | | | | B | | | | | |
| C | PHAOBE027 | 79 | 07 | 26 | <i>M.C. Oetting</i> | C | | | | | | | | | | | | | | | | | |
| C1 | PHAOBE029 | 79 | AUG | 09 | <i>C. Shoulond</i> | C1 | | | | | | | | | | | | | C1 | | | | |
| D | PHAOBE080 | 82 | JUL | 16 | <i>E. Miller</i> | D | | | | | | | | | | | | | D | | | | |
| | | | | | | | | | | | | | | | | | | | | | | | |
| | 58044188 | | | | BD ETCH & DRILL | B | | | | | | | | | | | | | | | | | |
| | 58044186 | | | | SCHEM. DIAG. | A | | | | | | | | | | | | | | | | | |

FOR CONTINUATION OF REVISION STATUS SEE SHEET

| | | | | | |
|---|---|---|-----------|---------------------------------|--------------|
| Honeywell HONEYWELL INFORMATION SYSTEMS LOC PHOENIX, ARIZONA | MADE BY <i>William Scholandi 4/3/78</i> | TITLE P.W.B. ASM. (MPC MINI-PANEL) | | | |
| | APPROVED <i>Jack Gooding 78-10-20</i> | REVISION STATUS FOR EACH PAGE, SHEET OR GROUP IS SHOWN BY LAST ENTRY IN THE CORRESPONDING NUMBERED COLUMN | SIZE C | REVISION STATUS FOR 58044185 | SHEET 1/1 |

CE 300 A-3 (12-71) BRUNING 44-141

DISTR: C68-30,31

PD 79/02/14

C 58044185

1/1 B

001

| | | | | | | |
|----|---|--------------|------------------------|-----|--|----|
| 1 | D | 58044186 | D SCH DIA MPC-MINI-MPL | X | | |
| 3 | C | 58044188-001 | P BD ETCH & DRILL | 1 | | EA |
| 4 | A | 43A216107P6 | V PIN WIRE WRAP | 202 | | EA |
| 5 | B | 43B168475P7 | V TERMINAL-TAB | 7 | | EA |
| 6 | A | N33QP12Q5E | V EYELET | 7 | | EA |
| 7 | A | 43A114748P9 | V CAPACITOR TANT | 2 | | EA |
| 8 | A | 70928101-058 | V RESISTOR 1/2 W | 67 | | EA |
| 9 | A | 70928102-049 | V RESISTOR | 3 | | EA |
| 10 | A | 70928102-057 | V RESISTOR | 5 | | EA |
| 11 | C | 43C216403P1 | V DIGITAL IC | 2 | | EA |
| 12 | B | 43B216548P1 | V GATE IC | 1 | | EA |
| 13 | A | 58002476-001 | V IC HEX INVERTER | 2 | | EA |

_PWB_ASM_MPC_MNT_PNL_

C 58044185

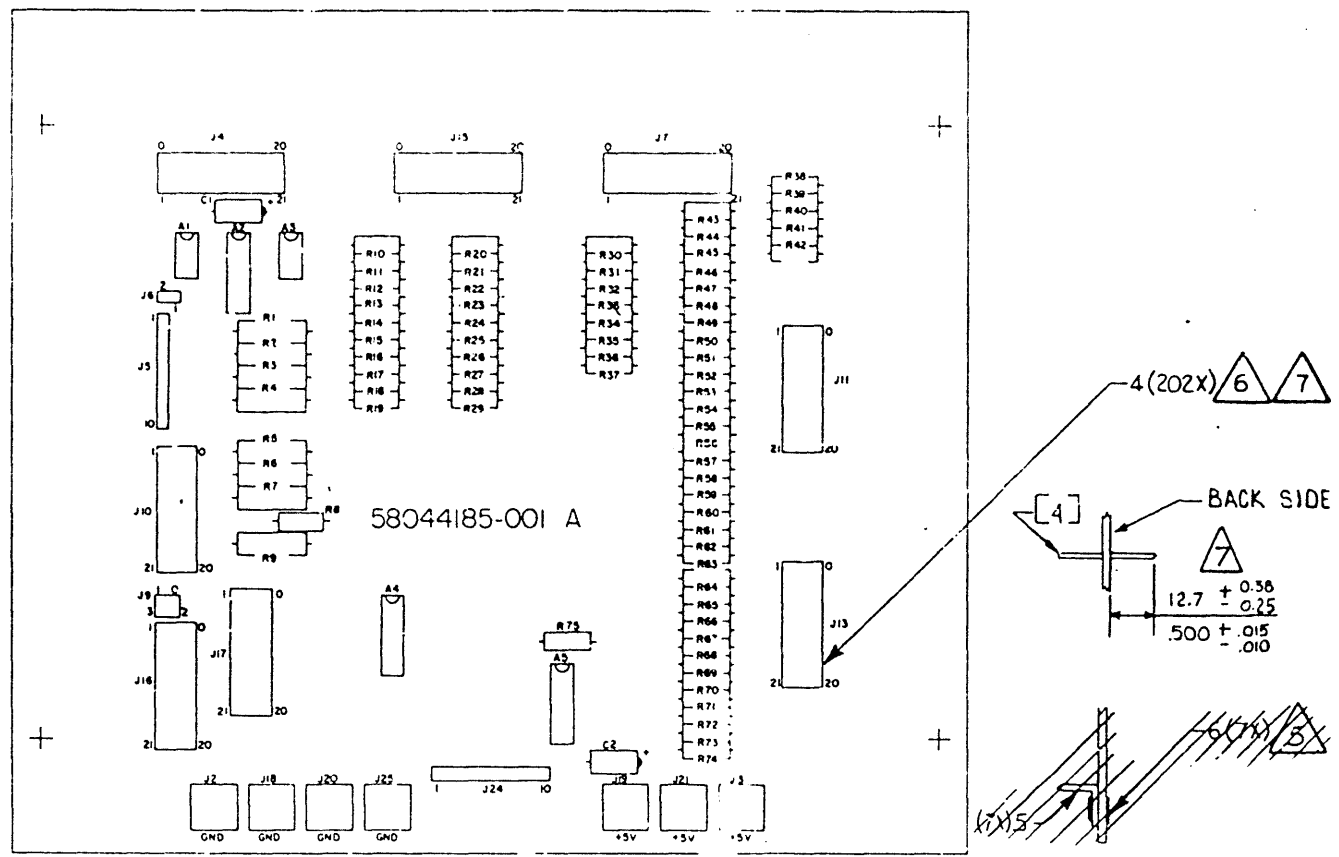
1/1 B

Honeywell

| RESISTOR | P.L. ITEM | COMP. SP. |
|----------|-----------|-----------|
| R1 | 10 | 20.3 |
| R2 | 10 | |
| R3 | 10 | |
| R4 | 9 | |
| R5 | 10 | |
| R6 | 10 | |
| R7 | 9 | 20.3 |
| R8 | 8 | 15.4 |
| R9 | 9 | 20.3 |
| R10 | 8 | 15.4 |
| R11 | | |
| R12 | | |
| R13 | | |
| R14 | | |
| R15 | | |
| R16 | | |
| R17 | | |
| R18 | | |
| R19 | | |
| R20 | | |
| R21 | | |
| R22 | | |
| R23 | | |
| R24 | | |
| R25 | | |
| R26 | | |
| R27 | | |
| R28 | | |
| R29 | | |
| R30 | | |
| R31 | | |
| R32 | | |
| R33 | | |
| R34 | | |
| R35 | | |
| R36 | | |
| R37 | | |
| R38 | | |
| R39 | | |
| R40 | | |
| R41 | | |
| R42 | | |
| R43 | | |
| R44 | | |
| R45 | | |
| R46 | | |
| R47 | | |
| R48 | | |
| R49 | | |
| R50 | | |
| R51 | | |
| R52 | | |
| R53 | | |
| R54 | | |
| R55 | | |
| R56 | | |
| R57 | | |
| R58 | | |
| R59 | | |
| R60 | | |
| R61 | | |
| R62 | | |
| R63 | | |
| R64 | 8 | 15.4 |

| REVISIONS | | | |
|-----------|-----------|-----------|-----------|
| REV | AUTHORITY | DATE | SIGNATURE |
| | | YR MO DAY | |
| | | | |

COMPONENT MARKING MASTER REV A



| RESISTOR | P.L. ITEM | COMP. SP. |
|----------|-----------|-----------|
| R65 | 8 | 15.4 |
| R66 | | |
| R67 | | |
| R68 | | |
| R69 | | |
| R70 | | |
| R71 | | |
| R72 | | |
| R73 | | |
| R74 | 8 | 15.4 |
| R75 | | |

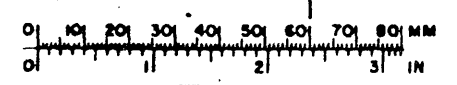
| CAPACITOR | P.L. ITEM | COMP. SP. |
|-----------|-----------|-----------|
| C1 | 7 | 15.4 |
| C2 | 7 | 15.4 |

| I.C. | P.L. ITEM | COMP. SP. |
|------|-----------|-----------|
| A1 | 11 | STD |
| A2 | 13 | STD |
| A3 | 11 | STD |
| A4 | 13 | STD |
| A5 | 12 | STD |

- NOTES:
- 8. INSTALL ITEM 5 WITH TAB PROTRUDING TO THE RIGHT AS SHOWN
 - 7. PIN PROTRUSION BACK SIDE OF THE BOARD 12.7.
 - 6. INSERT PIN PL ITEM 4 IN J4, J5, J6, J7, J9, J10, J11, J13, J16, J17 & J24
 - 5. RIVET OVER ON FRONT SIDE.
 - 4. ASM. PER 43A226454.
 - 3. MAX. COMPONENT HEIGHT IS NOT CRITICAL.
 - 2. MAX. PROJECTION ON BACK SIDE OF THE BOARD IS NOT CRITICAL.
 - 1. FOR LOGIC DIAGRAM SEE 58044186

| |
|-------------|
| 43A226454 |
| 58044186 |
| REF SPEC NO |

| | | | |
|---|----------------|-------------------------------|-------------------------|
| FOR DOCUMENT STATUS SEE REVISION STATUS SHEET | | | |
| UNLESS OTHERWISE SPECIFIED | MATL | Honeywell | |
| DIMENSIONS= | MILLIMETERS | HONEYWELL INFORMATION SYSTEMS | |
| TOLERANCE OF SIZE AND | INCHES | PHOENIX, ARIZONA U. S. A. | |
| FORM PER | INITIAL DESIGN | LOC | TITLE |
| PROJECTION | SCALE | FIN. | P.W.B. ASM. |
| SCALE | CODE | DR | (MPC MAINTENANCE PANEL) |
| NONE | 1/8/70 | APPD | SIZE |
| | | FIN. | DWG NO |
| | | DISTR | C |
| | | | 58044185 |
| | | | SH |
| | | | 1/1 |
| | | | REV D |
| | | | E |



THE INFORMATION CONTAINED IN THIS DOCUMENT IS PROPRIETARY TO HONEYWELL INFORMATION SYSTEMS AND IS INTENDED FOR INTERNAL HONEYWELL USE ONLY. SUCH INFORMATION MAY BE DISTRIBUTED TO OTHERS ONLY BY WRITTEN PERMISSION OF AN AUTHORIZED HONEYWELL OFFICIAL. THIS RESTRICTION DOES NOT APPLY TO VENDOR PROPRIETARY PARTS THAT MAY BE DISCLOSED IN THIS DOCUMENT.

58060877

| REV | AUTHORITY | DATE | | | SIGNATURE | TAB | | | | | | | PL | DWG. |
|-----|----------------------|------|----|-----|------------|-----|-----|--|--|--|--|--|----|------|
| | | YR | MO | DAY | | 001 | 701 | | | | | | | |
| A | LEVEL-1 ISSUE | 83 | 10 | 10 | J.M. Boyle | A | | | | | | | A | |
| B | PHAOXS330 | 83 | 11 | 02 | L. Miller | B | | | | | | | B | |
| C | PHAOXS389 | 84 | 01 | 10 | J. Drenth | C | C | | | | | | C | |
| D | Level 2 PHAOXS611 | 84 | 11 | 19 | J. Drenth | D | D | | | | | | D | D |
| | | | | | | | | | | | | | | |
| | | | | | | | | | | | | | | |
| | | | | | | | | | | | | | | |
| | | | | | | | | | | | | | | |
| | | | | | | | | | | | | | | |
| | | | | | | | | | | | | | | |
| | | | | | | | | | | | | | | |
| | | | | | | | | | | | | | | |
| | | | | | | | | | | | | | | |
| | | | | | | | | | | | | | | |
| | | | | | | | | | | | | | | |

F.C.F.

FOR CONTINUATION OF REVISION STATUS SEE SHEET

BRUNING 44-141 40366

Honeywell
 HONEYWELL INFORMATION SYSTEMS INC.
 LOC PHOENIX, ARIZONA

MADE BY *Ted Guillard* 83, AUG 24
 APPROVED *R. A. [Signature]* AUG 25
 REVISION STATUS FOR EACH PAGE SHEET OR GROUP IS SHOWN BY LAST ENTRY IN THE CORRESPONDING NUMBERED COLUMN

| | | | |
|--|---------------------|-------|-----|
| TITLE HARNES ASM MPC PNL ASM | | | |
| SIZE | REVISION STATUS FOR | SHEET | REV |
| C | 58060877 | 1/1 | D |

DIST. -71

CE 300 A-3 (1-79)

PD 84/11/19 C 58060877 1/2 D

001 701

| | | | | | |
|------|-----------------|----------------------|---|-----|----|
| 2 B | 43B216106P1 | V MINI TERMINAL | | 4 | EA |
| 3 A | 43A180043P609 | V WIRE PAIR TWIST | | 200 | IN |
| 4 B | 877B280P11 | V RECEPTACLE FAST | | 2 | EA |
| 5 B | 877B280P3 | P RECEP FASTON | | 2 | EA |
| 6 A | 43A167219P00129 | V WIRE 600 105C | | 85 | IN |
| 7 C | 676C207P9 | V TERM SOLDERLESS | | 2 | EA |
| 8 B | 43B216136P7 | V HOUSING MINI | | 1 | EA |
| 9 B | 43B216136P9 | V HOUSING MINI | | 8 | EA |
| 10 B | 43B166701P3 | W DECAL | | 2 | EA |
| 11 B | 43B166701P4 | W DECAL | | 10 | EA |
| 12 B | 43B166701P5 | W DECAL | | 1 | EA |
| 13 C | 43C175991P1 | P CONNECTOR 88PIN | | 2 | EA |
| 14 D | 58035970-001 | W COVER,CONN BRACKET | 2 | | EA |
| 15 D | 58016519-001 | W SHIELD CONN | 2 | | EA |
| 16 B | 878B222P060 | V SLEEVING THERMO | | 4 | IN |
| 17 B | 878B222P090 | V SLVG SHRINKING | | 60 | IN |

HARN ASM,MPC PNL

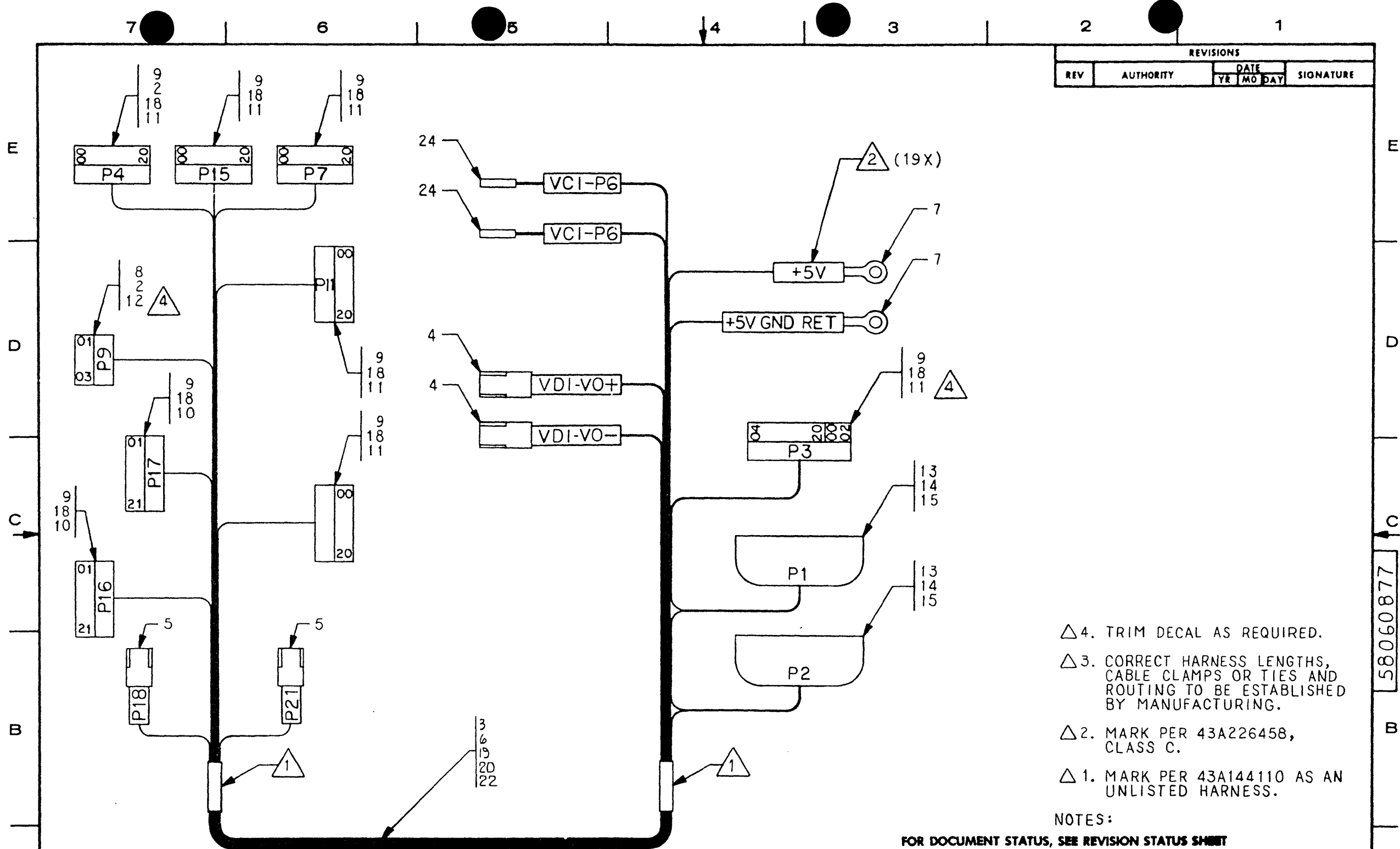
C 58060877 1/2 D

PD 84/11/19 C 58060877 2/F D

| | | | | |
|----------------------|----------------------|-------|--|----|
| | 001 | 701 | | |
| * 18 B 43B216106P2 | V MINI TERMINAL | 110 | | EA |
| 19 A 43A167256P2 | V WIRE MACH WRAP | 13385 | | IN |
| 20 A 43A175958P0146 | V WIRE TW PR SOL | 588 | | IN |
| * 21 A 58078303-003 | D WL TAPE CONF PANEL | X | | |
| * 21 A 58078303-002 | D WL TAPE CONF PANEL | NOINT | | |
| 22 A 43A167219P00120 | V WIRE 600 105C | 18 | | IN |
| * 24 A 58053310-002 | V CONTACT, SOCKET | 2 | | EA |
| 25 C 58060877-701 | A HARN ASM MPC PN | 1 | | EA |
| 26 B 8788222P050 | V SLEEVING | 4 | | IN |
| 27 B 8788222P100 | V SLEEVING | 52 | | IN |
| 28 B 8788222P120 | V SLEEVING | 94 | | IN |

HARN ASM, MPC PNL

C 58060877 2/F D



| REVISIONS | | | | |
|-----------|-----------|-----------|-----------|--|
| REV | AUTHORITY | DATE | SIGNATURE | |
| | | YR MO DAY | | |
| | | | | |

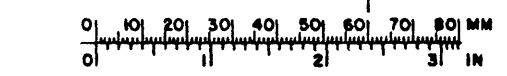
- NOTES:
- △ 4. TRIM DECAL AS REQUIRED.
 - △ 3. CORRECT HARNESS LENGTHS, CABLE CLAMPS OR TIES AND ROUTING TO BE ESTABLISHED BY MANUFACTURING.
 - △ 2. MARK PER 43A226458, CLASS C.
 - △ 1. MARK PER 43A144110 AS AN UNLISTED HARNESS.

FOR DOCUMENT STATUS, SEE REVISION STATUS SHEET

| |
|-------------|
| |
| |
| |
| |
| 43A226458 |
| 43A144110 |
| REF SPEC NO |

001 △ 3

| | | | | | |
|----------------------------|------|---------------------------|--|--|----------|
| UNLESS OTHERWISE SPECIFIED | | MATH | | Honeywell HONEYWELL INFORMATION SYSTEMS PHOENIX, ARIZONA U. S. A. | |
| DIMENSIONS= | | MILLIMETERS | | | |
| TOLERANCE OF SIZE AND | | INCHES | | LOC | |
| FORM PER | | DES: <i>smg</i> | | TITLE | |
| INITIAL DESIGN | | CHK: <i>PJH 24 Nov 84</i> | | HARNESS ASM MPC PNL | |
| PROJECTION | | FIN. | | FCF: 58082272 | |
| SCALE | CODE | DR | | SIZE | DWG NO |
| NONE | | C. Ripley 84 OCT 23 | | C | 58060877 |
| | | APPD | | SH | REV |
| | | C. E. Ester 84 Nov 84 | | 1/1 | D |
| | | DISTR 71 | | | |



6 5 4 1

THE INFORMATION CONTAINED IN THIS DOCUMENT IS PROPRIETARY TO HONEYWELL INFORMATION SYSTEMS AND IS INTENDED FOR INTERNAL HONEYWELL USE ONLY. SUCH INFORMATION MAY BE DISTRIBUTED TO OTHERS ONLY BY WRITTEN PERMISSION OF AN AUTHORIZED HONEYWELL OFFICIAL. THIS RESTRICTION DOES NOT APPLY TO VENDOR PROPRIETARY PARTS THAT MAY BE DISCLOSED IN THIS DOCUMENT

58060877

THE INFORMATION CONTAINED IN THIS DOCUMENT PROPRIETARY TO HONEYWELL INFORMATION SYSTEMS, INC. AND IS INTENDED FOR INTERNAL HONEYWELL USE ONLY. SUCH INFORMATION MAY BE DISTRIBUTED TO OTHERS BY WRITTEN PERMISSION OF AN AUTHORIZED HONEYWELL OFFICIAL. THIS RESTRICTION DOES NOT APPLY TO VENDOR PROPRIETARY THAT MAY BE DISCLOSED IN THIS DOCUMENT.

58039690

| REV | AUTHORITY | DATE | | | SIGNATURE | TAB - ASM | | | | | | | | | | PL | DWG. SH. NO. | | | | | | |
|-----|-----------------------------|------|-----|-----|------------------|-----------|-----|-----|-----|--|--|--|--|--|--|----|--------------|---|---|---|--|--|--|
| | | YR | MO | DAY | | 001 | 002 | 003 | 004 | | | | | | | | | | | | | | |
| A | LEVEL 1 ISSUE | 78 | 04 | 27 | T. Chaille | A | A | | | | | | | | | | | A | A | | | | |
| B | PHAØGD157 | 78 | 09 | 06 | W. Scholinski | B | B | | | | | | | | | | | B | B | | | | |
| C | PHAØGB053 | 79 | 01 | 22 | W. Scholinski | C | C | | | | | | | | | | | | C | | | | |
| D | ADDED TAB-003 PER EWA 26397 | 79 | SEP | 21 | Thackelford | | | D | | | | | | | | | | D | D | D | | | |
| E | PHAØGD244 | 79 | 12 | 03 | Thackelford | E | E | E | | | | | | | | | | E | E | | | | |
| F | ADDED TAB 004 PER EWA 26710 | 80 | FEB | 19 | Carrie Dale | | | | F | | | | | | | | | F | F | | | | |
| G | PHAØG291 | 80 | 06 | 26 | Thackelford | G | | G | G | | | | | | | | | G | G | | | | |
| | 58047155 | | | | BD ETCH & DRILL | | | | B | | | | | | | | | | | | | | |
| | 58037495 | | | | TEST SPEC. | A | A | A | A | | | | | | | | | | | | | | |
| | 58039692 | | | | BD. ETCH & DRILL | D | D | | D | | | | | | | | | | | | | | |
| | 58039691 | | | | SCHEM. DIAG. | A | A | A | A | | | | | | | | | | | | | | |

FOR CONTINUATION OF REVISION STATUS SEE SHEET

| | | | | |
|---|---|---|-------------------------------------|------------------|
| Honeywell HONEYWELL INFORMATION SYSTEMS LOC PHOENIX, ARIZONA | MADE BY <i>William Scholinski 78/2/70</i> | TITLE PWB ASM (LED LAMP DRIVER 0-9) | | |
| | APPROVED <i>DePamier 78/4/24</i> | SIZE B | REVISION STATUS FOR 58039690 | SHEET 1/1 |
| | REVISION STATUS FOR EACH PAGE, SHEET OR GROUP IS SHOWN BY LAST ENTRY IN THE CORRESPONDING NUMBERED COLUMN | | | REV G |

THE INFORMATION CONTAINED IN THIS DOCUMENT IS PROPRIETARY TO HONEYWELL INFORMATION SYSTEMS INC. AND IS INTENDED FOR INTERNAL HONEYWELL USE ONLY. SUCH INFORMATION MAY BE DISTRIBUTED TO OTHERS ONLY BY WRITTEN PERMISSION OF AN AUTHORIZED HONEYWELL OFFICIAL. THIS RESTRICTION DOES NOT APPLY TO VENDOR PROPRIETARY PARTS THAT MAY BE DISCLOSED IN THIS DOCUMENT.

PD 80/06/26

| | | | |
|------|----------|-------|------|
| SIZE | 58039690 | SHEET | REV. |
| B | | 1/1 | G |

| * ITEM NO. | P C | IDENTIFICATION NO. | S C | DRAWING TITLE | ASSEMBLY / QUANTITY | | | | U M |
|------------|-----|--------------------|-----|---------------------|---------------------|-----|-----|-----|-----|
| | | | | | 001 | 002 | 003 | 004 | |
| 1 | D | 58039691 | D | SCH DIAG 0-9 LED DR | X | X | X | X | |
| 2 | A | 58037495 | D | TEST SPEC | X | X | X | X | |
| 3 | B | 58039692-001 | P | BD ETCH & DRILL | 1 | 1 | | 1 | EA |
| 4 | B | 43B216114P3 | V | CONTACT ELECT PIN | 15 | 15 | | 15 | EA |
| 5 | C | 43C232494P1 | V | BRACKET, L.E.D. | 1 | 1 | 1 | 1 | EA |
| 6 | A | N136P504C13 | V | TC SCREW | 2 | 2 | 2 | 2 | EA |
| 7 | A | 43A216107P2 | V | PIN WIRE WRAP | 2 | 18 | 15 | | EA |
| 8 | A | 43A114748P9 | V | CAPACITOR TANT | 1 | 1 | 1 | 1 | EA |
| 9 | A | 58000073-002 | V | DIODE LITE EMIT | 9 | | 9 | 1 | EA |
| 10 | A | 70928100-025 | V | RESISTOR FILM | 9 | 9 | 9 | 9 | EA |
| 11 | A | 58002097-001 | V | IC LED DRIVER | 3 | 3 | 3 | 3 | EA |
| 12 | B | 58047155-001 | P | BD ETCH & DRILL | | | 1 | | EA |
| 13 | A | 58008275-001 | V | DIODE LITE EMIT | | | | 8 | EA |

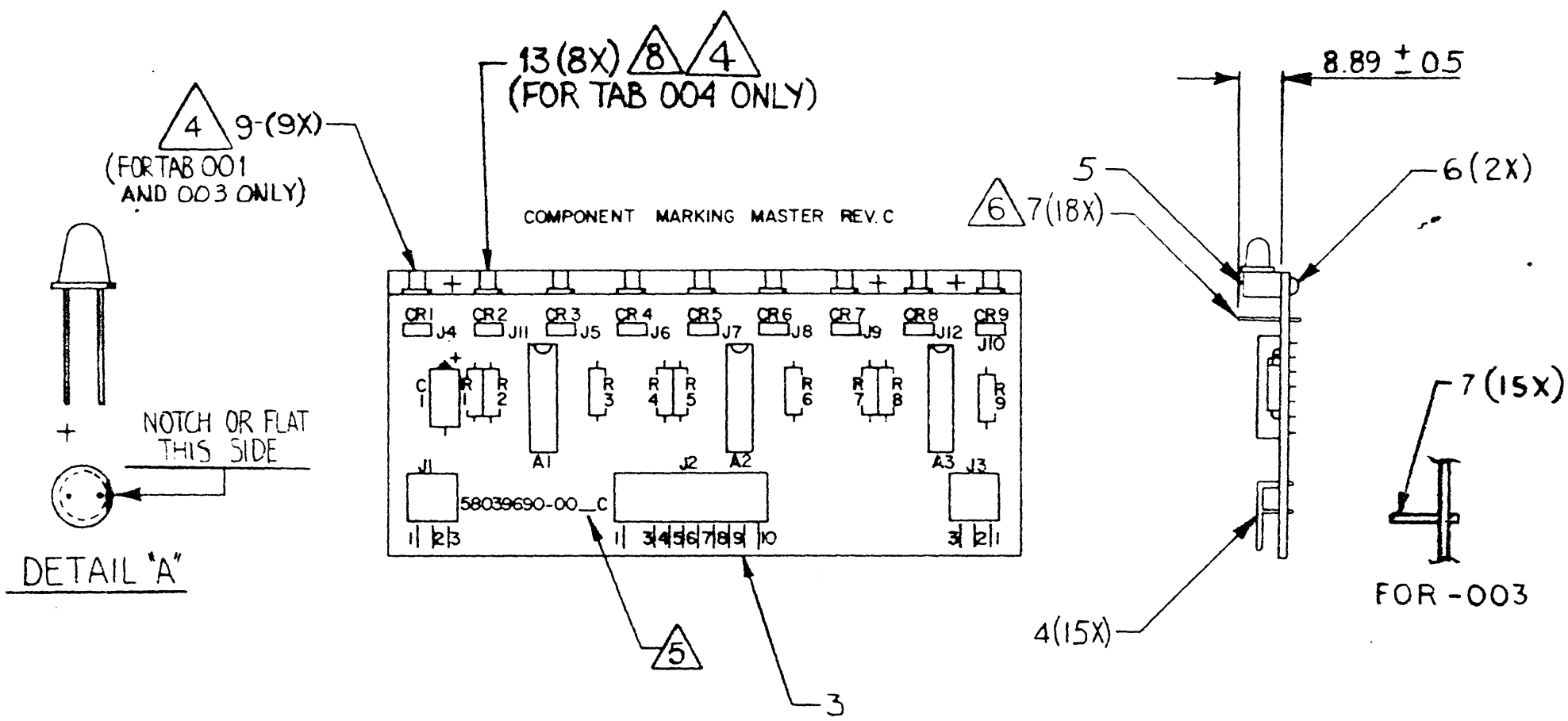
| | | | | |
|---|---|--|--|---------------------------------|
| <p>Honeywell</p> <p>HONEYWELL INFORMATION SYSTEMS</p> <p>LOC: PHOENIX, ARIZONA, U.S.A.</p> | <p>UM = UNIT OF MEASURE</p> <p>EA = EACH IN = INCHES</p> <p>CM = CENTIMETER OZ = OUNCE</p> <p>G = GRAMS</p> | | <p>TITLE</p> <p>PWB ASM LED LMP DR09</p> | |
| | <p>* ITEMS REVISED SINCE PREVIOUS ISSUE</p> | | <p>SIZE</p> <p>B</p> | <p>P.L. NO.</p> <p>58039690</p> |
| | | | <p>SHEET</p> <p>1/1</p> | <p>REV.</p> <p>G</p> |

DOES A DOCUMENT REVISION STATUS SHEET EXIST?

YES

| REVISION | | | |
|----------|-----------|---------------------|-----------|
| REV | AUTHORITY | DATE YR. MO. DAY | SIGNATURE |

0 10 20 30 40 50 60 70 80 90 MM
0 1 2 3 IN



- △8. INSTALL ITEM 13 IN CR2 THRU CR9.
- △7. TAB 004 SAME AS TAB 002 EXCEPT LED'S AND PINS.
- △6. QUANTITY SHOWN FOR TAB-002 ONLY. QUANTITY OF 2 USED ON TAB-001 IN LOCATION J4 ONLY.
- △5 MFG WILL MARK APPROPRIATE ASM. TAB NUMBER TO AGREE WITH P.W.B. ASM. PER 43A226458 CLASS C.
- △4 ALTHOUGH THERE IS ONE CONFIGURATION OF NINE LED'S SHOWN HERE THERE ARE 32 POSSIBLE LED CONFIGURATIONS (0-9) THEREFORE IT WILL BE A MFG. OPTION TO DETERMINE WHETHER UNUSED LED'S ARE INSTALLED, REMOVED, OMITTED OR BENT ASIDE TO MEET THE MAINTENANCE PANEL CONFIGURATION REQUIREMENTS.

- 3. MAX. PROJECTION ON BACK SIDE IS NOT CRITICAL.
 - 2. ASSEMBLE PWB PER 43A226454.
 - 1. FOR SCHEMATIC DIA. SEE 58039691.
- NOTES:

| CAPACITOR | P.L. ITEM | COMP. SP. |
|-----------|-----------|-----------|
| C1 | 8 | 15.2 |

| RESISTOR | P.L. ITEM | COMP. SP. |
|----------|-----------|-----------|
| R1 | 10 | 12.7 |
| R2 | 10 | 12.7 |
| R3 | 10 | 12.7 |
| R4 | 10 | 12.7 |
| R5 | 10 | 12.7 |
| R6 | 10 | 12.7 |
| R7 | 10 | 12.7 |
| R8 | 10 | 12.7 |
| R9 | 10 | 12.7 |

| I.C. | P.L. ITEM | COMP. SP. |
|------|-----------|-----------|
| A1 | 11 | STD |
| A2 | 11 | STD |
| A3 | 11 | STD |

| |
|-------------|
| 43A226458 |
| 43A226454 |
| 58039691 |
| REF SPEC NO |

001
002
△ 004 003 SEE SH. 2 F

FOR DOCUMENT STATUS SEE REVISION STATUS SHEET

| | | | | | |
|--|--|---|-----------------|--------|-------|
| UNLESS OTHERWISE SPECIFIED DIMENSIONS= $\frac{\text{MILLIMETERS}}{\text{INCHES}}$ TOLERANCE OF SIZE AND FORM PER INITIAL DESIGN <input checked="" type="checkbox"/> M PROJECTION <input checked="" type="checkbox"/> \odot <input checked="" type="checkbox"/> \triangleleft | MATL | Honeywell HONEYWELL INFORMATION SYSTEMS LOC PHOENIX, ARIZONA U. S. A. TITLE P.W.B ASM. (LED LAMP DRIVER 0-9) | | | |
| SCALE NONE CODE | TREAT CHECKED BY: <i>J. K...</i> FIN. | | | | |
| DR: <i>William J. ...</i> 3/14/78 | APPRO: <i>...</i> 7/8/78 | SIZE B | DWG NO 58039690 | SH 1/2 | REV G |
| DISTR L31-31 | | | | | |

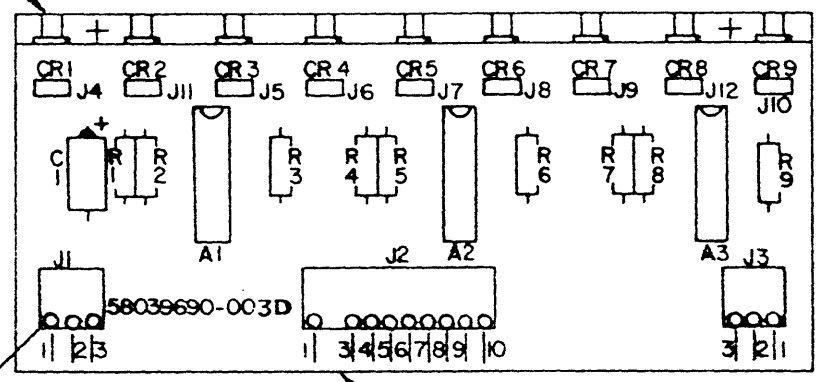
THE INFORMATION CONTAINED IN THIS DOCUMENT IS PROPRIETARY TO HONEYWELL INFORMATION SYSTEMS AND IS INTENDED FOR INTERNAL HONEYWELL USE ONLY. SUCH INFORMATION MAY BE DISTRIBUTED TO OTHERS ONLY BY WRITTEN PERMISSION OF AN AUTHORIZED HONEYWELL OFFICIAL. THIS RESTRICTION DOES NOT APPLY TO VENDOR PROPRIETARY PARTS THAT MAY BE DISCLOSED IN THIS DOCUMENT.

58039690

| REVISION | | | |
|----------|-----------|-------------------|-----------|
| REV | AUTHORITY | DATE YR MO DAY | SIGNATURE |
| | | | |

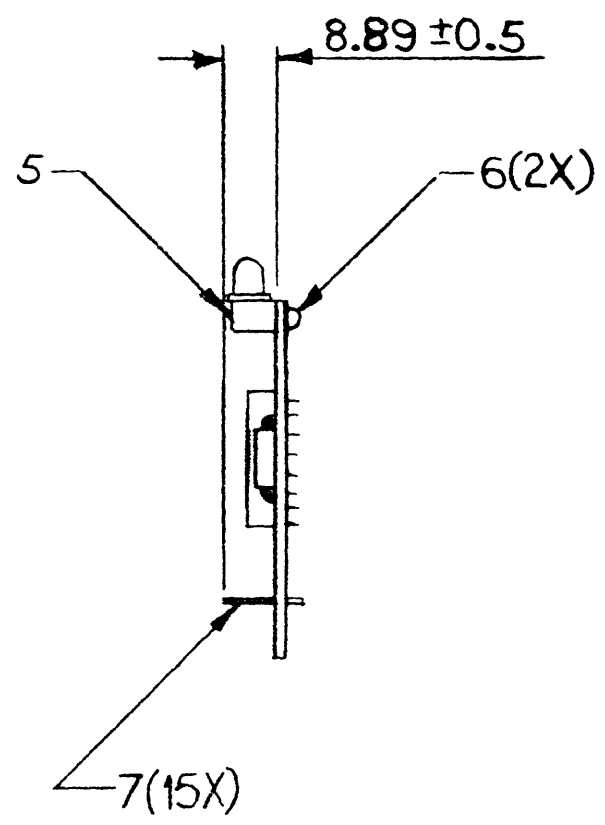
0 10 20 30 40 50 60 70 80 MM
0 1 2 3 IN

4
(FOR TAB 001 AND 003 ONLY)



FOR -003 ONLY

12



003

INFORMATION CONTAINED IN THIS DOCUMENT IS PROPRIETARY TO HONEYWELL INFORMATION SYSTEMS
 AND IS INTENDED FOR INTERNAL HONEYWELL USE ONLY. SUCH INFORMATION MAY BE DISTRIBUTED TO
 OTHERS ONLY BY WRITTEN PERMISSION OF AN AUTHORIZED HONEYWELL OFFICIAL. THIS RESTRICTION
 DOES NOT APPLY TO VENDOR PROPRIETARY PARTS THAT MAY BE DISCLOSED IN THIS DOCUMENT

| |
|--|
| |
| |
| |
| |
| |
| |
| |
| |

REF SPEC NO

| | | | | |
|---|--------|--|--------------------|-----|
| UNLESS OTHERWISE SPECIFIED DIMENSIONS = $\frac{\text{MILLIMETERS}}{\text{INCHES}}$ TOLERANCE OF SIZE AND FORM PER INITIAL DESIGN PROJECTION | MATL | Honeywell HONEYWELL INFORMATION SYSTEMS LOC PHOENIX, ARIZONA U. S. A. | | |
| | TREAT. | | | |
| SCALE NONE | CODE | DR | SIZE | REV |
| 7/9/79 | 9/9/79 | 79 AUG 9 R. J. ... | DWG NO 58039690 | D |
| | | | SH 2F | |

58058436

| REV | AUTHORITY | DATE | | | SIGNATURE | TAB NO | | | | PL | | | | DWG |
|-----|---------------|------|-----|-----|--------------------|--------|---|--|--|----|--|--|--|-----|
| | | YR | MO | DAY | | | | | | | | | | |
| A | LEVEL 1 ISSUE | 81 | APR | 21 | <i>[Signature]</i> | A | | | | | | | | A |
| B | PHADTHOIO | 81 | 10 | 22 | <i>[Signature]</i> | B | B | | | | | | | B |
| | | | | | | | | | | | | | | |
| | | | | | | | | | | | | | | |
| | | | | | | | | | | | | | | |
| | | | | | | | | | | | | | | |
| | | | | | | | | | | | | | | |
| | | | | | | | | | | | | | | |
| | | | | | | | | | | | | | | |
| | 58058437 | | | | SCHEMATIC | A | A | | | | | | | |
| | 58057884 | | | | TEST SPEC | A | A | | | | | | | |
| | 58058438 | | | | PWB ETCH | A | B | | | | | | | |

OBSOLETE

FOR CONTINUATION OF REVISION STATUS SEE SHEET

DRAWING 44-141 40366

Honeywell

HONEYWELL INFORMATION SYSTEMS INC.
LOC PHOENIX, ARIZONA

MADE BY *[Signature]* 8/27/02

APPROVED *[Signature]* 8/27/02

REVISION STATUS FOR EACH PAGE, SHEET OR GROUP IS SHOWN BY LAST ENTRY IN THE CORRESPONDING NUMBERED COLUMN

TITLE OSCILLATOR BOARD

| SIZE | REVISION STATUS FOR | SHEET | REV |
|------|---------------------|-------|-----|
| C | 58058436 | 1/1 | B |

DIST. C106-30, 31

CE 300 A-3 (1-79)

PD 81/10/22 C 58058436 1/1 B

002

| | | | | | | |
|---|----|---|----------------|------------------------|----|----|
| • | 1 | D | 58058437 | D SCHEMATIC DIAG | X | |
| • | 2 | C | 58058438-002 | A PWB ETCH | 1 | EA |
| • | 3 | A | 58057884 | D ACCEPTANCE TEST SPEC | X | |
| • | 4 | A | 43A114748P9 | V CAPACITOR TANT | 2 | EA |
| • | 5 | C | 43C212092P1043 | V CAPACITOR CERAM | 2 | EA |
| • | 6 | C | 43C216463P1 | V DIGITAL IC | 1 | EA |
| • | 7 | A | 58002017-001 | V HEX INVERTER | 2 | EA |
| • | 8 | A | 70928101-058 | V RESISTOR 1/2 W | 1 | EA |
| • | 9 | A | 43A216107P1 | V PIN WIRE WRAP | 18 | EA |
| • | 10 | C | 43C216118P47 | V OSCILLATOR PCB MOUNT | 1 | EA |
| • | 11 | C | 43C216118P46 | V OSCILLATOR PCB MOUNT | 1 | EA |
| • | 12 | C | 43C216118P48 | V OSCILLATOR PCB MOUNT | 1 | EA |

OSCILLATOR BD ASM

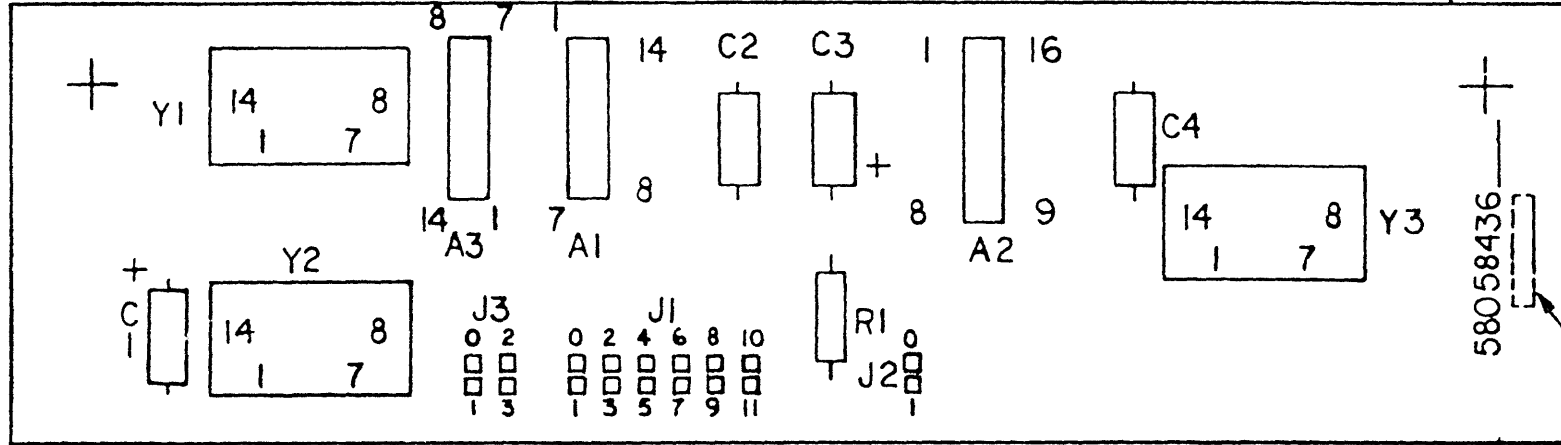
C 58058436 1/1 B

7 6 5 4 3 2 1

| REVISIONS | | | | |
|-----------|-----------|------|--------|-----------|
| REV | AUTHORITY | DATE | | SIGNATURE |
| | | YR | MO DAY | |
| | | | | |

E

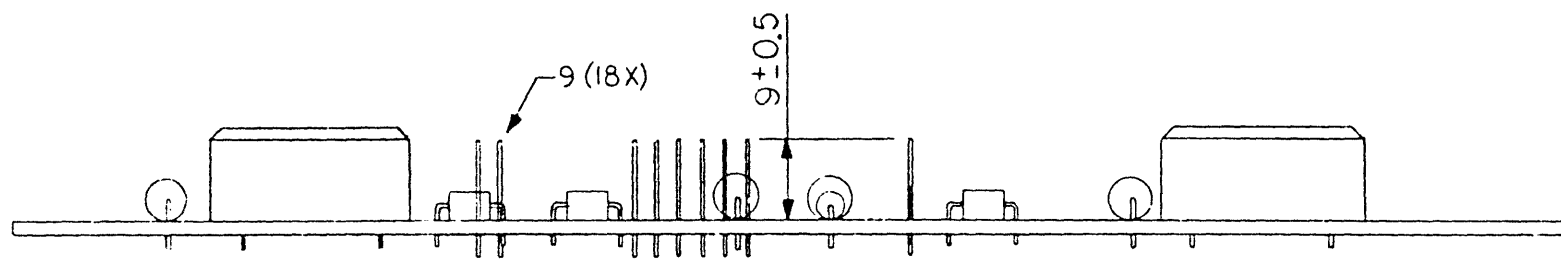
COMPONENT MARKING MASTER REV. A



b

(001) OBSOLETE
(002)

c



- △ 4. MARK APPROPRIATE TAB NO. AND REVISION PER 43A226458 CLASS C AT ASSEMBLY.
 3. MAXIMUM COMPONENT HEIGHT = 10.2.
 2. MAXIMUM PROJECTION ON BACK SIDE = 3.2.
 1. ASSEMBLE PER 43A226454.

NOTES:

B

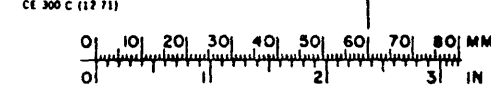
| COMP | PL ITEM | |
|------|---------|----|
| | TAB | NO |
| A1 | 7 | 7 |
| A2 | 6 | 6 |
| C1 | 4 | 4 |
| C2 | 5 | 5 |
| C3 | 4 | 4 |
| C4 | 5 | 5 |
| R1 | 8 | 8 |
| Y1 | 11 | 11 |
| Y2 | 10 | 10 |
| Y3 | 12 | 12 |
| A3 | 7 | 7 |

FOR DOCUMENT STATUS, SEE REVISION STATUS SHEET

A

| |
|-------------|
| |
| |
| |
| |
| |
| 43A226458 |
| 43A226454 |
| REF SPEC NO |

| | | | | | |
|---|------|------------------------------|-----|--|----------|
| UNLESS OTHERWISE SPECIFIED | | MATL | | Honeywell HONEYWELL INFORMATION SYSTEMS LOC PHOENIX, ARIZONA U. S. A. | |
| DIMENSIONS = $\frac{\text{MILLIMETERS}}{\text{INCHES}}$ | | TREAT. | | | |
| TOLERANCE OF SIZE AND FORM PER INITIAL DESIGN | | FIN. | | TITLE OSCILLATOR BOARD ASM | |
| PROJECTION $\left[\begin{array}{c} \text{M} \\ \text{---} \\ \text{---} \\ \text{---} \end{array} \right]$ | | DR <i>J. Payne</i> 3/2/81 | | SIZE | DWG NO |
| SCALE 2/1 | CODE | APPD <i>R. A. ...</i> 8/2/81 | | C | 58058436 |
| DISTR C106-31 | | SH | 1/1 | REV | B |



58058436

A

BRUNING 44 141 2304 1.3
CE 300 C (12 71)

THE INFORMATION CONTAINED IN THIS DOCUMENT PROPRIETARY TO HONEYWELL INFORMATION SYSTEMS, INC. AND IS INTENDED FOR INTERNAL HONEYWELL USE ONLY. SUCH INFORMATION MAY BE DISTRIBUTED TO OTHERS BY WRITTEN PERMISSION OF AN AUTHORIZED HONEYWELL OFFICIAL. THIS RESTRICTION DOES NOT APPLY TO VENDOR PROPRIETARY THAT MAY BE DISCLOSED IN THIS DOCUMENT.

58047483

| REV | AUTHORITY | DATE | | | SIGNATURE | TAB NO. | | | | PL SH | | | | DWG SH | | | | | |
|-----|--------------------|------|----|-----|--------------------|----------|-----|--|--|-------|---|--|--|--------|--|---|--|--|--|
| | | YR | MO | DAY | | 001 | 002 | | | ALL | | | | | | | | | |
| A | LEVEL 1 ISSUE | 79 | 09 | 19 | T. Chandle 9/13/79 | A | | | | | A | | | | | A | | | |
| B | PHADGD 289 | 80 | 06 | 20 | J. Ashford | B | B | | | | B | | | | | B | | | |
| C | ENXWOOD PHADGD 468 | 83 | 04 | 22 | J. Drenth | BI | BI | | | | C | | | | | | | | |
| D | PHADGD 592 | 84 | 05 | 14 | J. Drenth | INACTIVE | D | | | | | | | | | D | | | |

FOR CONTINUATION OF REVISION STATUS SEE SHEET

| | | | | | |
|---|-------------------------------------|---|-----------|---------------------------------|--------------|
| Honeywell HONEYWELL INFORMATION SYSTEMS LOC PHOENIX, ARIZONA | MADE BY <i>N.E. Harkin</i> 79/04/05 | TITLE JUMPER BD ASM | | | |
| | APPROVED <i>J. Ashford</i> 79/08/06 | REVISION STATUS FOR EACH PAGE, SHEET OR GROUP IS SHOWN BY LAST ENTRY IN THE CORRESPONDING NUMBERED COLUMN | SIZE C | REVISION STATUS FOR 58047483 | SHEET 1/1 |

PD 83/04/23 C 58047483 1/1 C

| | | | 001 | 002 | |
|-----|--------------|-------------------|-----|-------|----|
| 1 C | 43C175991P1 | P CONNECTOR 88PIN | 2 | 2 | EA |
| 2 C | 58047482-001 | A PWB ETCH & DRL | 1 | 1 | EA |
| 3 B | 58047415-002 | P HANDLE | 1 | | EA |
| 4 C | 58047478-001 | P COVER | 1 | 1 | EA |
| 5 A | N5601P9 | P BUNA N O-RING | 2 | | EA |
| 5 A | 12A1566P80 | V SEAL O RING | | 2 | EA |
| 5 A | N5601P9 | P BUNA N O-RING | | INTCH | EA |
| 6 B | 58056711-004 | P HANDLE | | 1 | EA |

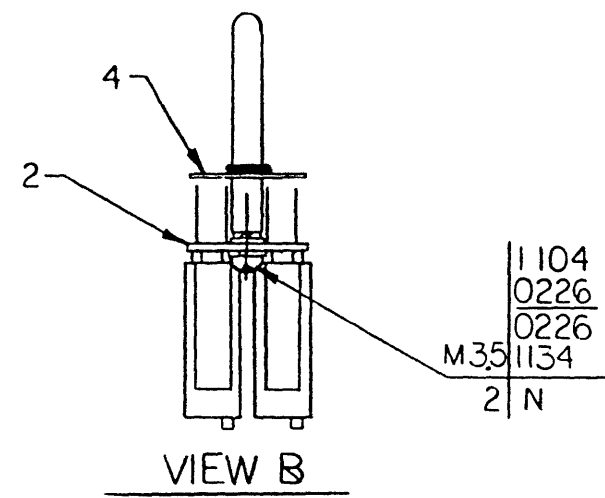
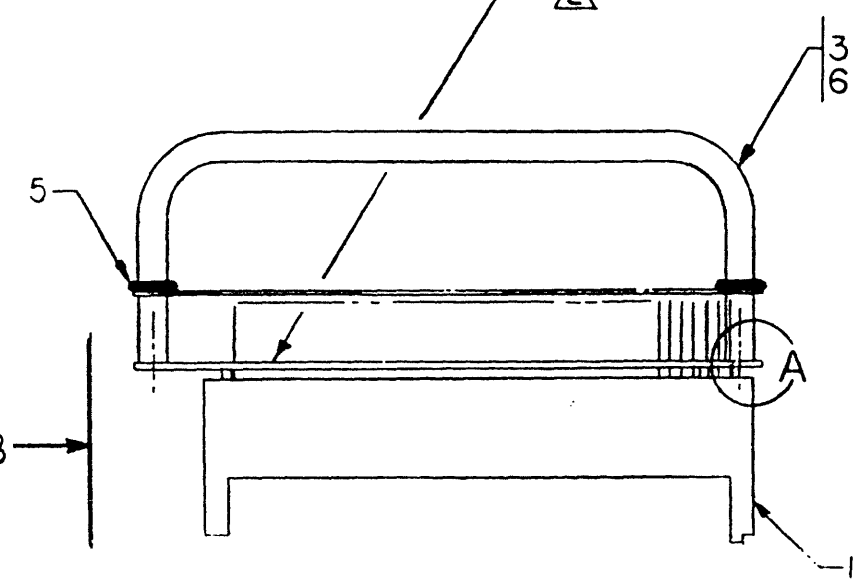
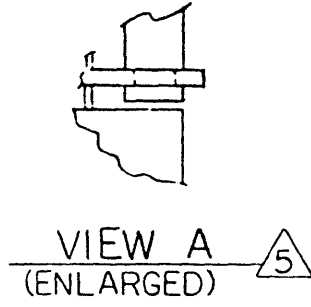
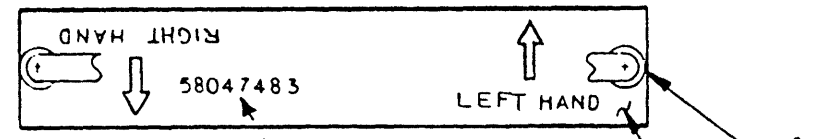
JUMPER BD ASM

C 58047483 1/1 C

| REVISIONS | | | | |
|-----------|-----------|------|--------|-----------|
| REV | AUTHORITY | DATE | | SIGNATURE |
| | | YR | MO DAY | |
| | | | | |

E
D
C
B
A

E
D
C
B
A



1104
0226
0226
M35 1134
2 N

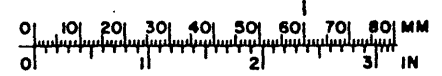
- NOTES:
- △5. FIT GROOVE IN HANDLE INTO NOTCH ON END OF BOARD AND ATTACH FASTENING HARDWARE TO OPPOSITE END.
 - △4. PWB NOTCH THIS END.
 - 3. ASSEMBLE HARDWARE PER M50E800506-CR.
 - △2. MARK ASSEMBLY NUMBER PER 43A226458 CLASS C.
 - 1. ASSEMBLE PER 43A226454.

⊙001 INACTIVE-DO NOT USE ON NEW DRAWINGS-SEE TAB-002.
⊙002 △5

FOR DOCUMENT STATUS, SEE REVISION STATUS SHEET

| |
|---------------|
| |
| |
| |
| |
| M50E800506-CR |
| 43A226458 |
| 43A226454 |
| REF SPEC NO |

| | | | | | | | | | | |
|---|---|------------|-------|------|---|--|---------------------------|-----|---|--|
| UNLESS OTHERWISE SPECIFIED DIMENSIONS= MILLIMETERS INCHES | TOLERANCE OF SIZE AND FORM PER INITIAL DESIGN | PROJECTION | SCALE | CODE | MATL | Honeywell HONEYWELL INFORMATION SYSTEMS PHOENIX, ARIZONA U. S. A. | | | | |
| | | | | | PREP. CHECKED <i>K. Keizer</i> 4/10/1919 FIN. | | | | | |
| 1/1 | | | | | DR | W. E. Hakkinen 7/10/05 | | | | |
| | | | | | APPD | [Signature] 5/11/79 | | | | |
| | | | | | DISTR | C 107-30 | | | | |
| TITLE JUMPER BOARD ASM | | | | | | LOC | PHOENIX, ARIZONA U. S. A. | | | |
| SIZE DWG NO SH REV | | | | | | C | 58047483 | 1/1 | D | |



58047483

58081142

| REV | AUTHORITY | DATE | | | SIGNATURE | ASM TAB | | | | | | | | | | | | | PL | DWG | | | | | |
|-----|---------------|------|----|-----|-----------|---------|-----|-----|-----|-----|-----|-----|-----|-----|-----|-----|-----|-----|----|-----|-----|-----|-----|---|---|
| | | YR | MO | DAY | | 001 | 002 | 003 | 004 | 005 | 006 | 007 | 701 | 702 | 703 | 704 | 705 | 706 | | | 707 | 708 | ALL | I | |
| A | LEVEL I ISSUE | 83 | 05 | 16 | J. Miller | A | A | A | A | A | A | A | | | | | | | | | | | A | A | |
| B | PHAOXS 238 | 83 | 07 | 19 | J. Miller | B | B | B | B | B | B | B | | | | | | | | | | | | | B |
| C | PHAOXS 302 | 83 | 10 | 10 | J. Drenth | C | C | C | C | C | C | C | | | | | | | | | | | | C | C |
| D | PHAOXS 329 | 83 | 10 | 20 | J. Miller | D | D | D | D | D | D | D | D | D | D | D | D | D | D | D | D | D | | D | |

FOR CONTINUATION OF REVISION STATUS SEE SHEET

Honeywell

HONEYWELL INFORMATION SYSTEMS INC.

LOC PHOENIX, ARIZONA

MADE BY *Z. Danbeck* 83 MAY 3

APPROVED *W. R. Keenan* 5/5/83

REVISION STATUS FOR EACH PAGE SHEET OR GROUP IS SHOWN BY LAST ENTRY IN THE CORRESPONDING NUMBERED COLUMN

TITLE **PATCH PLUG ASM**

| | | | |
|------|---------------------|-------|-----|
| SIZE | REVISION STATUS FOR | SHEET | REV |
| B | 58081142 | 1/1 | D |

DIST. C117, C120-71

DRAWING 44-141 40366

PD 83/10/21 B 58081142 1/1 D

- 1 B 43B216136P2 V HOUSING MINI
- 2 B 43B216106P1 V MINI TERMINAL
- 3 A 43A167218P029 V WIRE
- 4 B 878B222P050 V SLEEVING
- 5 B 43B166701P8 V DECAL
- 7 B 43B166701P14 V DECAL
- 8 B 43B166701P47 V DECAL
- 9 B 43B166701P30 V DECAL
- 16 B 58081142-707 A PATCH PLUG ASM

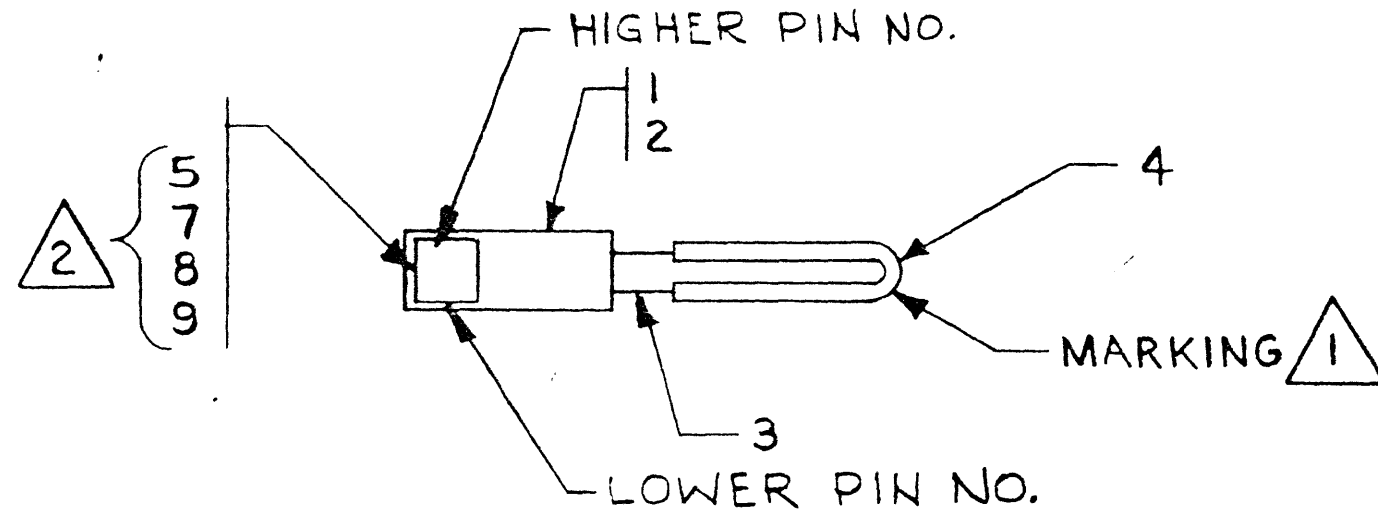
| 007 | 701 | 702 | 703 | 704 | 705 | 706 | 707 | |
|-----|-----|-----|-----|-----|-----|-----|-----|------|
| | 1 | 1 | 1 | 1 | 1 | 1 | 1 | 1 EA |
| | 2 | 2 | 2 | 2 | 2 | 2 | 2 | 2 EA |
| | 3 | 3 | 3 | 3 | 3 | 3 | 3 | 3 IN |
| | 2 | 2 | 2 | 2 | 2 | 2 | 2 | 2 IN |
| | 1 | 1 | | | | | | EA |
| | | | 1 | | | | | EA |
| | | | | 1 | 1 | | | EA |
| | | | | | | | 1 | 1 EA |
| 1 | | | | | | | | EA |

14 TOTAL GROUPS
PATCH PLUG ASM

B 58081142 1/1 D

58081142

| REVISION | | | | |
|----------|-----------|------|--------|-----------|
| REV | AUTHORITY | DATE | | SIGNATURE |
| | | YR | MO DAY | |



| TAB | MARKING | LOGIC | DECAL ITEM |
|-----|-------------|-----------|------------|
| 001 | AWJ00/AWJ02 | OPTH2 | 5 |
| 002 | AWJ04/AWJ06 | OPTABS/6 | 5 |
| 003 | AWJ07/AWJ09 | OPTNRZI | 7 |
| 004 | AWJ08/AWJ10 | OPTASC2/6 | 8 |
| 005 | AWJ12/AWJ14 | OPTAS/EB | 8 |
| 006 | AWJ15/AWJ17 | OPT7TK | 9 |
| 007 | AWJ19/AWJ21 | OPTGCR | 9 |

△ 2. TRIM DECAL AS NECESSARY.
 △ 1. MARK PER 43A226458 CLASS C.
 NOTES:

FOR DOCUMENT STATUS, SEE REVISION STATUS SHEET

| |
|-------------|
| |
| |
| |
| |
| |
| 43A226458 |
| REF SPEC NO |

| | | | | | | | |
|--|--|--|--|-----------------------------|------------------------|---------------|--------------|
| UNLESS OTHERWISE SPECIFIED DIMENSIONS= $\frac{\text{MILLIMETERS}}{\text{INCHES}}$ | MATL | Honeywell HONEYWELL INFORMATION SYSTEMS LOC PHOENIX, ARIZONA U. S. A. | | | | | |
| TOLERANCE OF SIZE AND FORM PER INITIAL DESIGN | TREAT. DES. ZD CHK. ZB 83 MAY 5 FIN. | | | TITLE PATCH PLUG ASM | | | |
| PROJECTION $\begin{matrix} \odot \\ \ominus \end{matrix}$ | SCALE | CODE | DR. Danbeck 83 MAY 3 APPD. W.R. K... 5/5/83 | SIZE B | DWG NO 58081142 | SH 1/1 | REV C |
| DISTR C117, C120-71 | | | | | | | |

0 10 20 30 40 50 60 70 80 MM
 0 1 2 3 IN

THE INFORMATION CONTAINED IN THIS DOCUMENT IS PROPRIETARY TO HONEYWELL INFORMATION SYSTEMS AND IS INTENDED FOR INTERNAL HONEYWELL USE ONLY. SUCH INFORMATION MAY BE DISTRIBUTED TO OTHERS ONLY BY WRITTEN PERMISSION OF AN AUTHORIZED HONEYWELL OFFICIAL. THIS RESTRICTION DOES NOT APPLY TO VENDOR PROPRIETARY PARTS THAT MAY BE DISCLOSED IN THIS DOCUMENT.

58034134

| REV | AUTHORITY | DATE | | | SIGNATURE | TAB | | | | PL | DWG SH | | | | | |
|-----|--------------------|------|-----|-----|--------------------|-----|-----|-----|-----|----|--------|---|--|--|--|--|
| | | YR | MO | DAY | | 001 | 002 | 003 | 004 | | ALL | I | | | | |
| A | LEVEL 1 ISSUE | 79 | 10 | 09 | T. Chaille 10/2/79 | A | A | | | | A | A | | | | |
| B | PHAOPV083 | 79 | 12 | 13 | Noel L. Diaz | B | B | | | | B | B | | | | |
| C | PHAOPS308 | 80 | DEC | 09 | Jim Richardson | C | C | C | C | | C | C | | | | |
| D | PHAOPV313 | 82 | JAN | 15 | Eben Anaya | D | D | D | D | | D | D | | | | |
| D1 | Level 2 ENBE014 | | ND | | J. Drenth | D1 | | | D1 | | | | | | | |
| D2 | Level 3 ENPV128 | | ND | | J. Drenth | D2 | | | D2 | | | | | | | |
| E | PHAOPV563 | 82 | DEC | 10 | B. Vanasck | E | E | E | E | | E | E | | | | |
| F | PHAOPGD694 | 84 | OCT | 01 | J. Drenth | F | F | F | F | | | F | | | | |

DRAWING 44-141 40366

FCF: FOR CONTINUATION OF REVISION STATUS SEE SHEET

Honeywell
 HONEYWELL INFORMATION SYSTEMS INC.
 LOC PHOENIX ARIZONA

MADE BY *[Signature]* 75 JUN 5
 APPROVED *[Signature]* 79/09/20
 REVISION STATUS FOR EACH PAGE SHEET OR GROUP IS SHOWN BY LAST ENTRY IN THE CORRESPONDING NUMBERED COLUMN

TITLE
CONNECTOR GUIDE

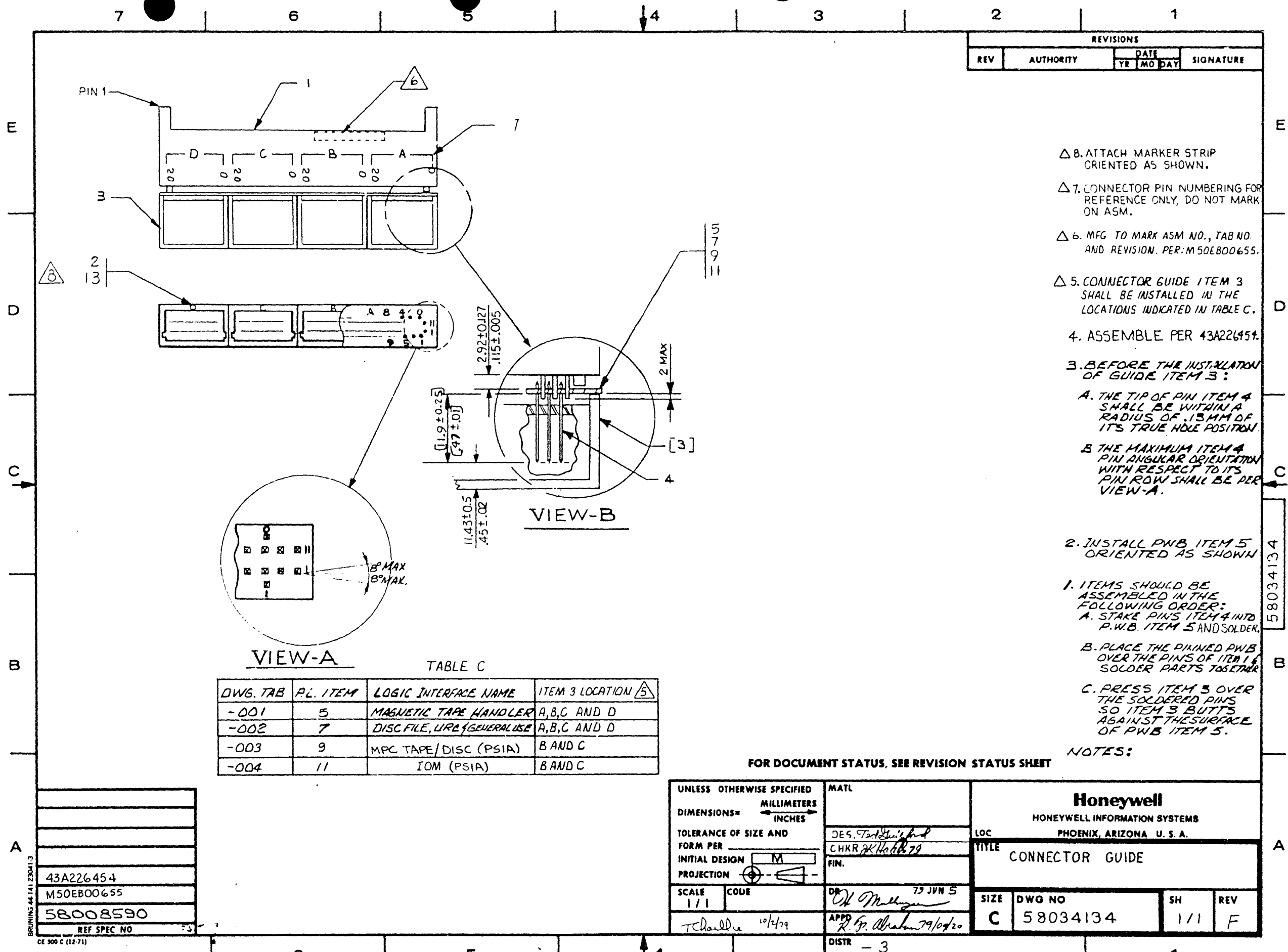
| | | | |
|-----------|---------------------------------|--------------|----------|
| SIZE C | REVISION STATUS FOR 58034134 | SHEET 1/1 | REV F |
|-----------|---------------------------------|--------------|----------|

GE 388 A-3 (1-79)

DIST. - 3

| | | | 001 | 002 | 003 | 004 | |
|------|--------------|-----------------------|-------|-------|-------|-------|----|
| 1 A | 58052731-001 | P CONNECTOR 88 PIN | | 1 | 1 | 1 | EA |
| 2 B | 58059668-003 | V LABEL | 1 | 1 | | | EA |
| 2 B | 58059668-001 | V LABEL | INTCH | INTCH | | | EA |
| 3 C | 58034050-001 | V CONNECTOR GUIDE | 4 | 4 | 2 | 2 | EA |
| 4 A | 43A216107P13 | V PIN, WIRE WRAP | 80 | 80 | 40 | 40 | EA |
| 5 X | 58054156-002 | A PWB BOND & ETCH | 1 | | | | EA |
| 6 C | 58051465 | D SCH-FE/CABLE ADD BD | | X | | | |
| 7 X | 58051464-001 | A PWB BOND & DRILL | | 1 | | | EA |
| 8 C | 58054157 | D SCH FE/CABLE ADP BD | X | | | | |
| 9 X | 58052517-001 | A PWB BOND & DRILL | | | 1 | | EA |
| 10 D | 58052546 | D SCHEMATIC | | | X | | |
| 11 X | 58052518-001 | A PWB BOND & DRILL | | | | 1 | EA |
| 12 D | 58052545 | D SCHEMATIC | | | | X | |
| 13 B | 58059668-004 | V LABEL | | | 1 | 1 | EA |
| 13 B | 58059668-002 | V LABEL | | | INTCH | INTCH | EA |

CONNECTOR GUIDE



| REVISIONS | | | | |
|-----------|-----------|------|--------|-----------|
| REV | AUTHORITY | DATE | | SIGNATURE |
| | | YR | MO DAY | |

1. ITEMS SHOULD BE ASSEMBLED IN THE FOLLOWING ORDER:
 - A. STAKE PINS ITEM 4 INTO P.W.B. ITEM 5 AND SOLDER.
 - B. PLACE THE PINNED PWB OVER THE PINS OF ITEM 1 & SOLDER PARTS TOGETHER.
 - C. PRESS ITEM 3 OVER THE SOLDERED PINS SO ITEM 3 BUTTS AGAINST THE SURFACE OF PWB ITEM 5.
 2. INSTALL PWB ITEM 5 ORIENTED AS SHOWN.
 3. BEFORE THE INSTALLATION OF GUIDE ITEM 3:
 - A. THE TIP OF PIN ITEM 4 SHALL BE WITHIN A RADIUS OF .13 MM OF ITS TRUE HOLE POSITION.
 - B. THE MAXIMUM ITEM 4 PIN ANGULAR ORIENTATION WITH RESPECT TO ITS PIN ROW SHALL BE PER VIEW-A.
 4. ASSEMBLE PER 43A226454.
 5. CONNECTOR GUIDE ITEM 3 SHALL BE INSTALLED IN THE LOCATIONS INDICATED IN TABLE C.
 6. MFG TO MARK ASM NO., TAB NO. AND REVISION. PER: M50E00655.
 7. CONNECTOR PIN NUMBERING FOR REFERENCE ONLY, DO NOT MARK ON ASM.
 8. ATTACH MARKER STRIP ORIENTED AS SHOWN.
- NOTES:

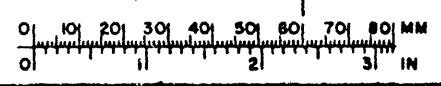
| DWG. TAB | PL. ITEM | LOGIC INTERFACE NAME | ITEM 3 LOCATION Δ |
|----------|----------|------------------------------|--------------------------|
| -001 | 5 | MAGNETIC TAPE HANDLER | A,B,C AND D |
| -002 | 7 | DISC FILE, UPL / GENERAL USE | A,B,C AND D |
| -003 | 9 | MPC TAPE/DISC (PSIA) | B AND C |
| -004 | 11 | IOM (PSIA) | B AND C |

FOR DOCUMENT STATUS, SEE REVISION STATUS SHEET

| |
|-----------------------|
| BRUNING 44-141 230413 |
| 43A226454 |
| M50E00655 |
| 58008590 |
| REF SPEC NO |

| | | |
|---|----------------------------|------------------------------------|
| UNLESS OTHERWISE SPECIFIED | | MATL |
| DIMENSIONS= | MILLIMETERS | |
| | INCHES | |
| TOLERANCE OF SIZE AND FORM PER INITIAL DESIGN | DES. <i>Tad... 10/4/79</i> | |
| PROJECTION | CHKR <i>RK... 10/4/79</i> | |
| SCALE | CODE | DR <i>M... 79 JUN 5</i> |
| 1/1 | | APPD <i>R. G. Abraham 79/10/20</i> |
| | | DISTR - 3 |

| | | | |
|-------------------------------|----------|----------|-----|
| Honeywell | | | |
| HONEYWELL INFORMATION SYSTEMS | | | |
| PHOENIX, ARIZONA U. S. A. | | | |
| TITLE | | LOC | |
| CONNECTOR GUIDE | | 58034134 | |
| SIZE | DWG NO | SH | REV |
| C | 58034134 | 1/1 | F |



58081041

| REV | AUTHORITY | DATE | | | SIGNATURE | ASM TAB NO. | | | | | | PL DWG.NO. | | | | | | | |
|-----|------------------------------|------|-----|-----|------------|-------------|-----|-----|-----|-----|-----|------------|---|----|---|---|---|---|---|
| | | YR | MO | DAY | | 001 | 014 | 018 | 022 | 009 | 012 | ALL | 1 | 2 | 3 | 4 | 5 | 6 | |
| A | LEVEL 1 ISSUE | 83 | JUN | 10 | J. M. Bate | A | A | A | A | | | | | A | A | | | | |
| B | PHAOGD519 | 83 | OCT | 31 | G. Drent | B | B | B | B | | | | | B | B | | | | |
| C | PHAOGD526 | 83 | DEC | 09 | B. U. Wash | C | C | C | C | | | | | C | C | | | | |
| C1 | LEVEL 2 ENX149 | | ND | | G. Drent | C1 | C1 | C1 | C1 | | | | | | | | | | |
| D | PHAOGD539 | 84 | 01 | 26 | E. Wash | D | D | D | D | | | | | D | D | D | D | D | D |
| D1 | ADD TABS 009, 012 LEVEL 2 | 84 | JUN | 18 | G. Drent | | | | | D1 | D1 | | | D1 | | | | | |

FOR CONTINUATION OF REVISION STATUS SEE SHEET

BRUNING 44-141 40366

Honeywell

HONEYWELL INFORMATION SYSTEMS INC.
LOC PHOENIX ARIZONA

MADE BY *R. P. ... 83, April 04*
APPROVED *R. ... 5/20/83*

TITLE **CABLE I/O ASM**

REVISION STATUS FOR EACH PAGE SHEET OR GROUP IS SHOWN BY LAST ENTRY IN THE CORRESPONDING NUMBERED COLUMN

| | | | |
|------------------|--|---------------------|------------------|
| SIZE A | REVISION STATUS FOR 58081041 | SHEET 1/1 | REV D1 |
|------------------|--|---------------------|------------------|

DIST. 71

PD 84/06/18 A 58081041 1/2 D1

| | | | 001 | 009 | 012 | 014 | 018 | 022 | | |
|---|------|--------------|------------------------|-------|-----|-----|-------|-------|-------|----|
| * | 1 C | 58034066-001 | V PADDLE BD COVER | 1 | 1 | 1 | 1 | 1 | 1 | EA |
| * | 2 A | 58000038-008 | V CONNECTOR, PWB | 1 | 1 | 1 | 1 | 1 | 1 | EA |
| * | 3 C | 58047470-003 | A PWB ETCH & DRILL | 1 | 1 | 1 | 1 | 1 | 1 | EA |
| * | 6 A | 76951105-563 | V SCREW THD FORMING | 2 | 2 | 2 | 2 | 2 | 2 | EA |
| * | 7 A | 58020397-001 | V CABL MULTICOND COAX | 600 | 354 | 472 | 551 | 709 | 866 | IN |
| * | 8 A | 76951105-502 | V SCREW THD FORMING | 5 | 5 | 5 | 5 | 5 | 5 | EA |
| * | 9 D | 60121950-001 | P HOOD CONN CASTING | 1 | 1 | 1 | 1 | 1 | 1 | EA |
| * | 10 C | 60121964-001 | P COVER | 1 | 1 | 1 | 1 | 1 | 1 | EA |
| * | 11 A | 60120593-001 | P RING PULL | 1 | 1 | 1 | 1 | 1 | 1 | EA |
| * | 12 C | 60121967-001 | P CAPTIVE SCREW | 1 | 1 | 1 | 1 | 1 | 1 | EA |
| * | 13 B | 60117607-001 | P STRAIN RELIEF | 1 | 1 | 1 | 1 | 1 | 1 | EA |
| * | 14 A | 03910182-001 | V LABEL PERMANENT | 1 | 1 | 1 | 1 | 1 | 1 | EA |
| * | 15 B | 58054218-003 | A PWB ETCH & DRL | 1 | 1 | 1 | 1 | 1 | 1 | EA |
| | 15 B | 58054218-002 | A PWB ETCH & DRILL | NOINT | | | NOINT | NOINT | NOINT | EA |
| * | 16 B | 878B222P120 | V SLEEVING | 15 | 15 | 15 | 15 | 15 | 15 | IN |
| * | 21 A | 58073431-011 | V LK/WASH.EXT.TOOTH,ST | 2 | 2 | 2 | 2 | 2 | 2 | EA |

CABLE I/O ASSEMBLY

A 58081041 1/2 D1

PD 84/06/18 A 58081041 2/F D1

| | | | 001 | 009 | 012 | 014 | 018 | 022 | | |
|---|------|--------------|---------------------|-----|-----|-----|-----|-----|----|----|
| * | 22 A | 76951715-045 | V LOCKWASHER | 1 | 1 | 1 | 1 | 1 | 1 | EA |
| * | 23 A | 76951715-059 | V LOCKWASHER | 2 | 2 | 2 | 2 | 2 | 2 | EA |
| * | 24 A | 58033849 | V #608 HYSOL | AR | AR | AR | AR | AR | AR | OZ |
| * | 25 B | 43B111126P15 | V WIRE BARE SOLID | 3 | 3 | 3 | 3 | 3 | 3 | IN |
| * | 26 A | 58053382-006 | V TUBING,FLEX,CLEAR | 1 | 1 | 1 | 1 | 1 | 1 | IN |
| * | 27 A | 58053732 | V IPL EXT CABLE ASM | X | X | X | X | X | X | EA |

CABLE I/O ASSEMBLY

A 58081041 2/F D1

0 10 20 30 40 50 60 70 80 MM
 0 1 2 3 IN

58081041

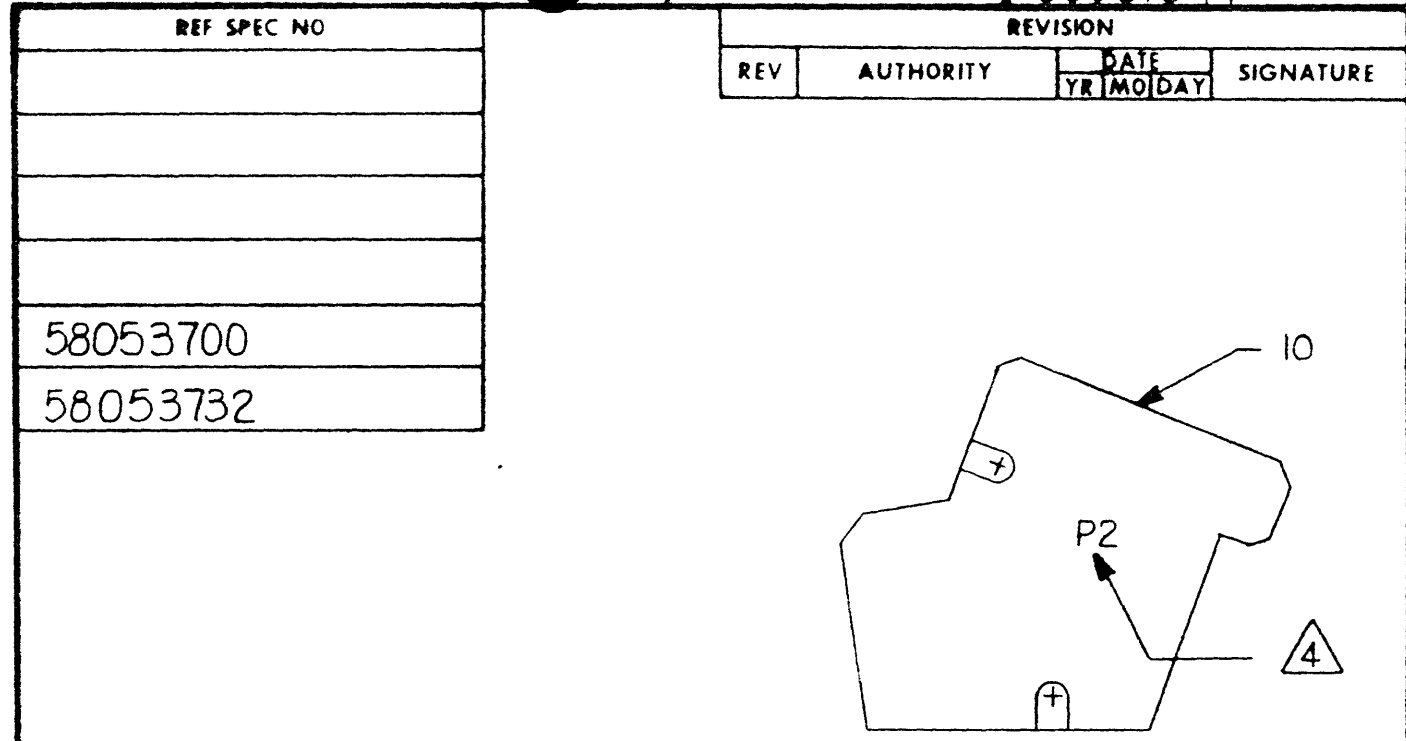
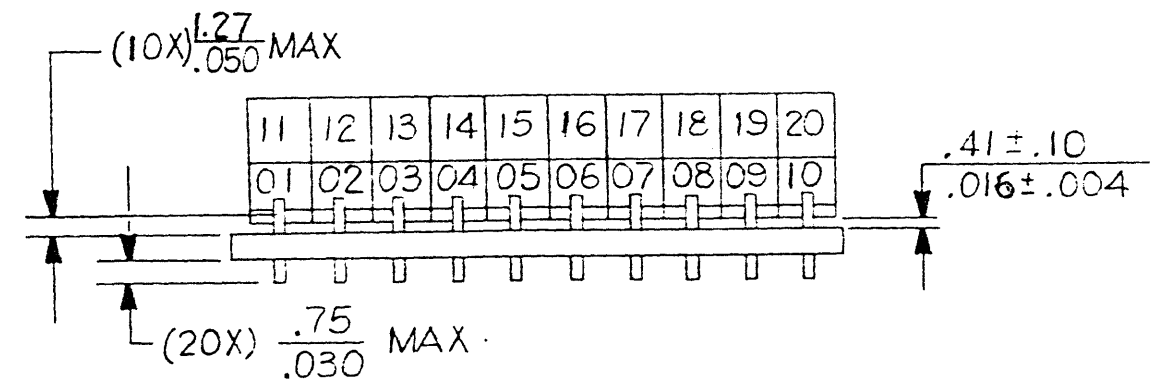


FIGURE 1. EXTERNAL CABLE ASSEMBLY

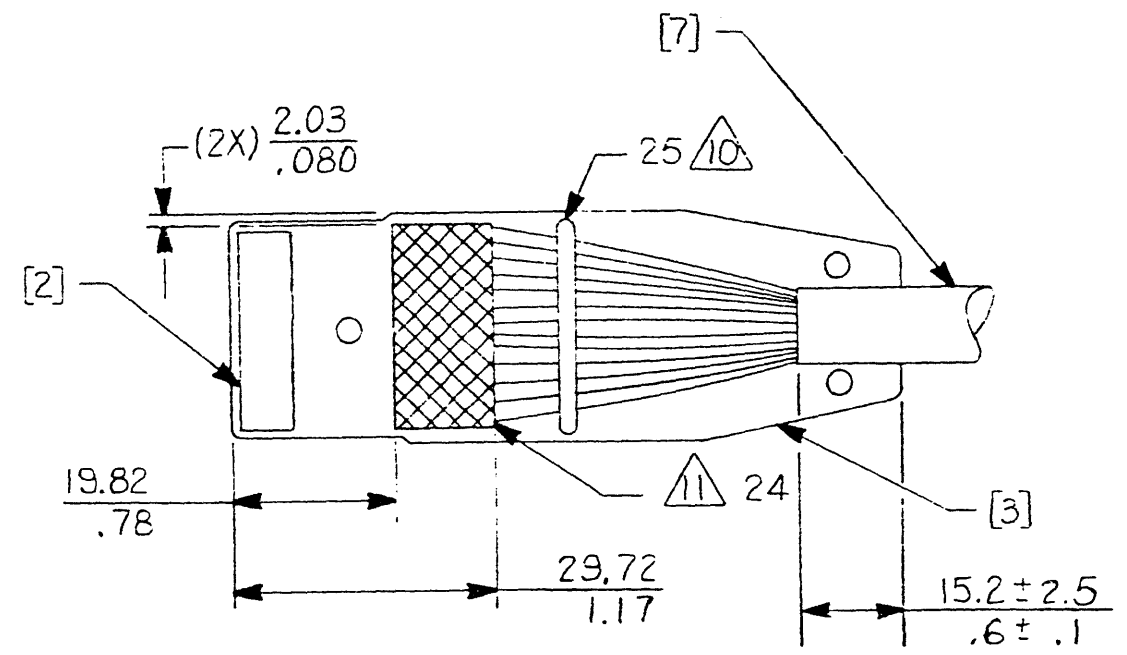
FOR DOCUMENT STATUS, SEE REVISION STATUS SHEET

| | | | | | | | |
|---|------|-----------------------|----------|--|----------|-----|-----|
| UNLESS OTHERWISE SPECIFIED DIMENSIONS = $\frac{\text{MILLIMETERS}}{\text{INCHES}}$ | | MATERIAL | | Honeywell HONEYWELL INFORMATION SYSTEMS LOC PHOENIX, ARIZONA U. S. A. | | | |
| TOLERANCE OF SIZE AND FORM PER | | TREAT. | | | | | |
| INITIAL DESIGN | | FIN. | | TITLE | | | |
| PROJECTION | | | | CABLE I/O ASSEMBLY | | | |
| SCALE | CODE | DR | DATE | SIZE | DWG NO | SH | REV |
| NONE | | R. HOEKSTRA | 83-04-05 | A | 58081041 | 1/6 | D |
| | | APP. ABRAHAM 83-05-20 | | | | | |

58081041



VIEW-A
 PIN NUMBERING LOOKING
 AT CONNECTOR P1



VIEW-B

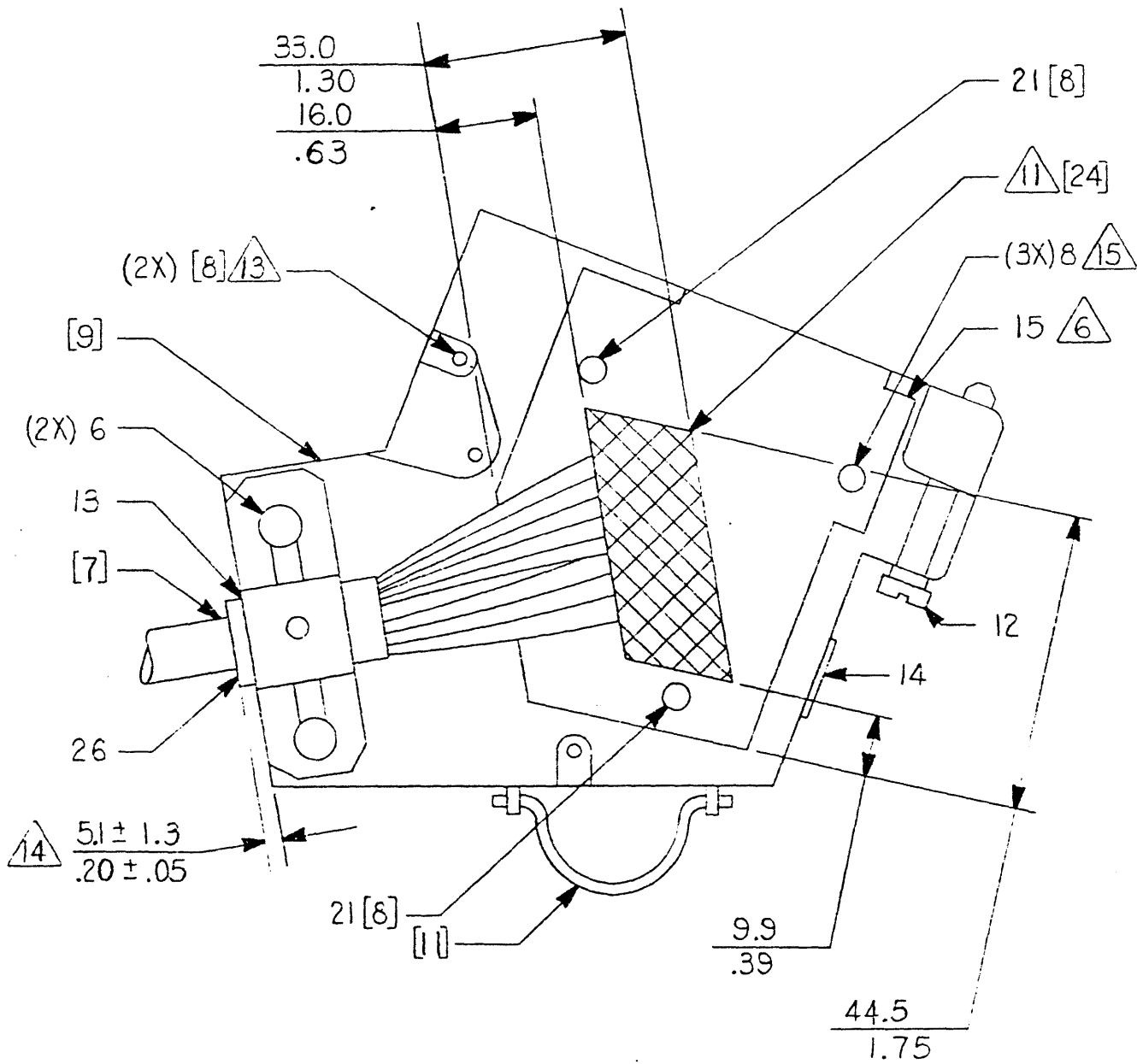
FIGURE 1. EXTERNAL CABLE ASSEMBLY - CONTINUED

| | | | | | |
|------------------|--|------|----------|----|-----|
| Honeywell | | SIZE | DWG NO | SH | REV |
| | | A | 58081041 | 2 | D |

THE INFORMATION CONTAINED IN THIS DOCUMENT IS PROPRIETARY TO HONEYWELL INFORMATION SYSTEMS
 AND IS INTENDED FOR INTERNAL HONEYWELL USE ONLY. SUCH INFORMATION MAY BE DISTRIBUTED TO
 OTHERS ONLY BY WRITTEN PERMISSION OF AN AUTHORIZED HONEYWELL OFFICIAL. THIS RESTRICTION
 DOES NOT APPLY TO VENDOR PROPRIETARY PARTS THAT MAY BE DISCLOSED IN THIS DOCUMENT

THE INFORMATION CONTAINED IN THIS DOCUMENT IS PROPRIETARY TO HONEYWELL INFORMATION SYSTEMS
 AND IS INTENDED FOR INTERNAL HONEYWELL USE ONLY. SUCH INFORMATION MAY BE DISTRIBUTED TO
 OTHERS ONLY BY WRITTEN PERMISSION OF AN AUTHORIZED HONEYWELL OFFICIAL. THIS RESTRICTION
 DOES NOT APPLY TO VENDOR PROPRIETARY PARTS THAT MAY BE DISCLOSED IN THIS DOCUMENT.

58081041



VIEW-C $\triangle 16$

FIGURE I. EXTERNAL CABLE ASSEMBLY

Honeywell

SIZE **A** DWG NO 58081041 SH 3 REV D

58081041

TABLE I. TOLERANCE FOR CABLE ASM LENGTH $\triangle 2$

| LENGTH RANGE (M) | TOLERANCE (M) |
|------------------|---------------|
| 1 TO 10 | + .15 , -0 |
| 11 TO 20 | + .20 , -0 |
| 21 TO 30 | + .30 , -0 |
| 31 TO 40 | + .40 , -0 |
| 41 TO 50 | + .50 , -0 |

TABLE II. WIRE LIST $\triangle 6$ $\triangle 17$

| FROM P1 | TO P2 |
|---------|-------|
| 01 | 13 |
| 03 | 14 |
| 04 | 16 |
| 06 | 59 |
| 07 | 19 |
| 09 | 21 |
| 10 | 20 |
| 11 | 11 |
| 12 | 12 |
| 14 | 53 |
| 15 | 15 |
| 17 | 56 |
| 18 | 17 |
| 20 | 22 |

Honeywell

SIZE **A** DWG NO 58081041 SH 4 REV D

THE INFORMATION CONTAINED IN THIS DOCUMENT IS PROPRIETARY TO HONEYWELL INFORMATION SYSTEMS AND IS INTENDED FOR INTERNAL HONEYWELL USE ONLY. SUCH INFORMATION MAY BE DISTRIBUTED TO OTHERS ONLY BY WRITTEN PERMISSION OF AN AUTHORIZED HONEYWELL OFFICIAL. THIS RESTRICTION DOES NOT APPLY TO VENDOR PROPRIETARY PARTS THAT MAY BE DISCLOSED IN THIS DOCUMENT.

THE INFORMATION CONTAINED IN THIS DOCUMENT IS PROPRIETARY TO HONEYWELL INFORMATION SYSTEMS AND IS INTENDED FOR INTERNAL HONEYWELL USE ONLY. SUCH INFORMATION MAY BE DISTRIBUTED TO OTHERS ONLY BY WRITTEN PERMISSION OF AN AUTHORIZED HONEYWELL OFFICIAL. THIS RESTRICTION DOES NOT APPLY TO VENDOR PROPRIETARY PARTS THAT MAY BE DISCLOSED IN THIS DOCUMENT.

NOTES:

1. TAB-001 OF THIS DRAWING SHALL BE USED ONLY FOR ADVANCE ORDERING OF MATERIAL. THE CONDUCTOR LENGTH SPECIFIED IN TAB-001 IS AN AVERAGE LENGTH TO FACILITATE ADVANCE ORDERING.

2. THE TAB NUMBER (EXCEPT TAB 001) SPECIFIES THE CABLE ASM LENGTH IN METERS.

EXAMPLE:

580XXXXX-003 IS THE L DIMENSION OF A 3 METER CABLE ASM. TOLERANCE OF THE CABLE ASM LENGTH SHALL BE PER TABLE I.

3. SOLDER CONNECTOR (ITEM 2) TO PWB (ITEM 3) PER 58053700.

4. MARK PER 58053700.

5. MARK PER 58053700 AS A UL LISTED LOGIC CABLE ASM USING DRAWING NUMBER 58081041, TAB NUMBER, AND REVISION LETTER AS THE ASM IDENTIFICATION.

6. TERMINATE CABLE (ITEM 7) TO PWB'S (ITEM 3 AND ITEM 15) PER TABLE II WIRE LIST AND 58053700. SOLDER CONNECTIONS AND EPOXY COAT PER 58053700.

7. SCREWS (ITEM 18 AND ITEM 19) ATTACH COVER (ITEM 1) TO PWB (ITEM 3).

8. THERE SHALL BE NO EVIDENCE OF THE CABLE'S JACKET MATERIAL HARDENING AS A RESULT OF THE SOLVENT CLEANING PROCESS.

9. LEADS OF CONNECTOR (ITEM 2) SHALL NOT HAVE ANY SOLDER BEYOND DIMENSION SPECIFIED.

10. HOLD DOWN WIRE (ITEM 25) TO BE INSTALLED PER 58053700 AND SHALL HAVE A MAX EXTENSION BEYOND BOTTOM SIDE OF PWB (ITEM 3) OF .75 MM (.030 INCH).

THE INFORMATION CONTAINED IN THIS DOCUMENT IS PROPRIETARY TO HONEYWELL INFORMATION SYSTEMS AND IS INTENDED FOR INTERNAL HONEYWELL USE ONLY. SUCH INFORMATION MAY BE DISTRIBUTED TO OTHERS ONLY BY WRITTEN PERMISSION OF AN AUTHORIZED HONEYWELL OFFICIAL. THIS RESTRICTION DOES NOT APPLY TO VENDOR PROPRIETARY PARTS THAT MAY BE DISCLOSED IN THIS DOCUMENT

Honeywell

| | | | |
|------|----------|----|-----|
| SIZE | DWG NO | SH | REV |
| A | 58081041 | 5 | D |

NOTES (CONTINUED):

11. CABLE TERMINATION NOT SHOWN IN ORDER TO MORE CLEARLY SHOW THE AREA TO WHICH THE EPOXY (ITEM 24) IS RESTRICTED. THE HEIGHT OF THE CURED EPOXY SHALL BE 2.21 MM (.087 IN.) MAX.

12. VIEW B IS SHOWN WITHOUT COVER (ITEM 1) INSTALLED.

13. SCREWS (ITEM 8) ATTACH COVER (ITEM 10) TO CONNECTOR CASTING (ITEM 9).

14. CABLE (ITEM 7) SHALL BE SECURELY CLAMPED TO CONNECTOR CASTING (ITEM 9) USING STRAIN RELIEF (ITEM 13), SCREWS (ITEM 6), AND TUBING (ITEM 26). WHEN INSTALLED, TUBING (ITEM 26) SHALL EXTEND WITHIN DIMENSION SPECIFIED.

15. SCREWS (ITEM 8) ATTACH PWB (ITEM 15) TO CONNECTOR CASTING (ITEM 9).

16. VIEW C IS SHOWN WITHOUT COVER (ITEM 10) INSTALLED.

17. PINS 02, 05, 08, 13, 16, AND 19 ARE GROUNDED TO CABLE SHIELDS IN BOTH P1 AND P2.

18. CABLE ASM SHALL MEET THE COMPLETED CABLE ASM REQUIREMENTS OF 58053700.

19. THIS CABLE ASM IS GOVERNED BY PURCHASE SPECIFICATION 58053732.

THE INFORMATION CONTAINED IN THIS DOCUMENT IS PROPRIETARY TO HONEYWELL INFORMATION SYSTEMS AND IS INTENDED FOR INTERNAL HONEYWELL USE ONLY. SUCH INFORMATION MAY BE DISTRIBUTED TO OTHERS ONLY BY WRITTEN PERMISSION OF AN AUTHORIZED HONEYWELL OFFICIAL. THIS RESTRICTION DOES NOT APPLY TO VENDOR PROPRIETARY PARTS THAT MAY BE DISCLOSED IN THIS DOCUMENT

Honeywell

| | | | |
|------|----------|----|-----|
| SIZE | DWG NO | SH | REV |
| A | 58081041 | 6F | D |

THE INFORMATION CONTAINED IN THIS DOCUMENT PROPRIETARY TO HONEYWELL INFORMATION SYSTEMS, INC. AND IS INTENDED FOR INTERNAL HONEYWELL USE ONLY. SUCH INFORMATION MAY BE DISTRIBUTED TO OTHERS BY WRITTEN PERMISSION OF AN AUTHORIZED HONEYWELL OFFICIAL. THIS RESTRICTION DOES NOT APPLY TO VENDOR PROPRIETARY THAT MAY BE DISCLOSED IN THIS DOCUMENT.

58034110

| REV | AUTHORITY | DATE | | | SIGNATURE | TAB | | | | | | PL | ASM. SH. | | | | | | |
|-----|---------------|------|-----|-----|---------------------------------|-----|----|----|----|----|----|----|----------|---|---|---|---|---|--|
| | | YR | MO | DAY | | 01 | 04 | 08 | 02 | 09 | 12 | | 1 | 2 | 3 | 4 | 5 | 6 | |
| A | LEVEL 1 ISSUE | 79 | 10 | 09 | S.E. Strode ⁷⁹⁻⁰⁹⁻²⁸ | A | | | | | | A | | | | | | | |
| B | PHAØFC008 | 79 | Nov | 15 | C. Ripley | B | | | | | | | B | | | | | | |
| C | PHAØPV083 | 79 | 12 | 13 | P.M. Elgstrom | C | | | | | | C | | | | | | | |
| D | PHAØPV140 | 80 | MAR | 24 | A. Jopley | D | | | | | | D | | | | | | | |
| E | PHAØPS293 | 80 | 08 | 06 | P. Bylund | E | | | | | | E | | | | | | | |
| F | PHAØPV165 | 80 | DEC | 10 | Conrad Dale | F | | | | | | F | | | | | | | |
| G | PHAØXW114 | 82 | APR | 02 | S.J. Steele | G | G | G | G | | | G | | | | | | | |
| H | PHAØGD451 | 82 | 11 | 08 | S. Miller | H | H | H | H | | | H | | | | | | | |
| J | PHAØGD489 | 83 | 07 | 27 | S. Miller | J | J | J | J | | | J | | | | | | | |
| K | PHAØGD535 | 83 | 12 | 23 | S. Miller | K | K | K | K | K | | K | | | | | | | |

F.C.F.

FOR CONTINUATION OF REVISION STATUS SEE SHEET

| | | | | | |
|---|---|---|---------------|-------------------------------------|-----------------|
| Honeywell HONEYWELL INFORMATION SYSTEMS LOC PHOENIX, ARIZONA | MADE BY <i>Tech Engineering 79, MAY, 29</i> | TITLE <i>I/O CABLE ASSEMBLY</i> | | | |
| | APPROVED <i>R. Abraham 79/09/20</i> | REVISION STATUS FOR EACH PAGE, SHEET OR GROUP IS SHOWN BY LAST ENTRY IN THE CORRESPONDING NUMBERED COLUMN | SIZE <i>A</i> | REVISION STATUS FOR <i>58034110</i> | SHEET <i>11</i> |

DIST. C106: 75

PD 84/01/03

A 58034110

1/2 K

| | | | 001 | 009 | 012 | 014 | 018 | 022 | | |
|---|------|--------------|-------------------------|-------|-------|-------|-------|-------|-------|----|
| * | 1 C | 58034066-001 | V PADDLE BD COVER | 1 | 1 | 1 | 1 | 1 | 1 | EA |
| * | 2 A | 58000038-008 | V CONNECTOR, PWB | 1 | 1 | 1 | 1 | 1 | 1 | EA |
| * | 3 C | 58047470-003 | A PWB ETCH & DRILL | 1 | 1 | 1 | 1 | 1 | 1 | EA |
| * | 6 B | 43B133945P21 | V CONNECTOR, PLUG | 1 | 1 | 1 | 1 | 1 | 1 | EA |
| * | 7 A | 58014257-010 | M TAPE POLY .007X0035 | 2 | 2 | 2 | 2 | 2 | 2 | EA |
| * | 7 A | 43A981308P1 | V TAPE | INTCH | INTCH | INTCH | INTCH | INTCH | INTCH | IN |
| * | 8 A | 58020397-001 | V CABL MULTICOND COAX | 600 | 354 | 472 | 551 | 709 | 866 | IN |
| * | 9 B | 58003743-001 | P CLOSED ENT. GUIDE | 1 | 1 | 1 | 1 | 1 | 1 | EA |
| * | 10 B | 43B240058P2 | P CONNECTOR HOUSING | 1 | 1 | 1 | 1 | 1 | 1 | EA |
| * | 11 C | 43C142270P4 | V CLAMP CABLE | 2 | 2 | 2 | 2 | 2 | 2 | EA |
| * | 12 B | 878B222P120 | V SLEEVING | 10 | 10 | 10 | 10 | 10 | 10 | EA |
| * | 13 A | 58059844-003 | A CONTACT ACCUM KIT | 14 | 14 | 14 | 14 | 14 | 14 | IN |
| * | 13 A | 58020371-001 | V CONTACT, SUBMIN. COAX | INTCH | INTCH | INTCH | INTCH | INTCH | INTCH | EA |
| * | 17 A | 43A115944P42 | P TAPE POLYESTER | 2 | 2 | 2 | 2 | 2 | 2 | EA |
| * | 18 A | 76951715-045 | V LOCKWASHER | 1 | 1 | 1 | 1 | 1 | 1 | IN |
| * | 19 A | 76951715-059 | V LOCKWASHER | 2 | 2 | 2 | 2 | 2 | 2 | EA |

I/O CABLE ASSEMBLY

A 58034110

1/2 K

PD 84/01/03 A 58034110 2/F K

| | | | 001 | 009 | 012 | 014 | 018 | 022 | | |
|---|------|--------------|----------------------|-----|-----|-----|-----|-----|----|----|
| * | 20 A | 58033849 | V #608 HYSOL | AR | AR | AR | AR | AR | AR | OZ |
| * | 21 B | 43B111126P15 | V WIRE BARE SOLID | 3 | 3 | 3 | 3 | 3 | 3 | IN |
| * | 22 A | 58053707 | V IPL EXTRNL CBL ASM | | X | X | X | X | X | EA |

I/O CABLE ASSEMBLY

A 58034110 2/F K

0 10 20 30 40 50 60 70 80 MM
 0 1 2 3 IN

THE INFORMATION CONTAINED IN THIS DOCUMENT IS PROPRIETARY TO HONEYWELL INFORMATION SYSTEMS AND IS INTENDED FOR INTERNAL HONEYWELL USE ONLY. SUCH INFORMATION MAY BE DISTRIBUTED TO OTHERS ONLY BY WRITTEN PERMISSION OF AN AUTHORIZED HONEYWELL OFFICIAL. THIS RESTRICTION DOES NOT APPLY TO VENDOR PROPRIETARY PARTS THAT MAY BE DISCLOSED IN THIS DOCUMENT.

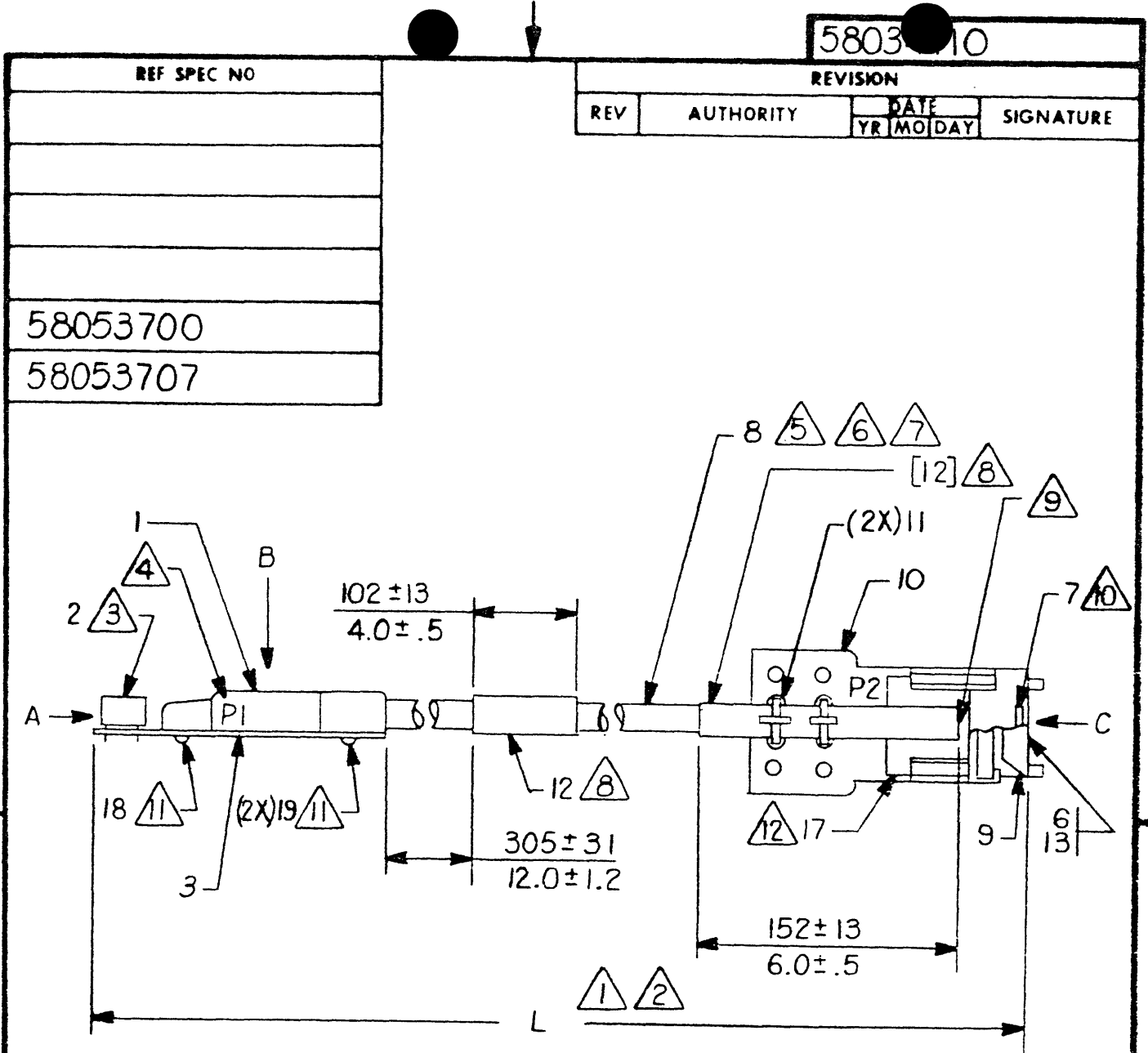


FIGURE 1. EXTERNAL CABLE ASSEMBLY

FOR DOCUMENT STATUS, SEE REVISION STATUS SHEET

| | | | | | | | |
|---|------|-------------------------|-----------------------------|--|--------------------|-----------|----------|
| UNLESS OTHERWISE SPECIFIED DIMENSIONS = $\frac{\text{MILLIMETERS}}{\text{INCHES}}$ | | MATERIAL | | Honeywell HONEYWELL INFORMATION SYSTEMS LOC PHOENIX, ARIZONA U. S. A. | | | |
| TOLERANCE OF SIZE AND FORM PER INITIAL DESIGN | | TREAT. | | | | | |
| PROJECTION | | FIN. | | TITLE I/O CABLE ASSEMBLY | | | |
| SCALE NONE | CODE | DR C. RIPLEY 79-9-27 | APP R.T. ABRAHAM 79-9-27 | SIZE A | DWG NO 58034110 | SH 1/6 | REV K |

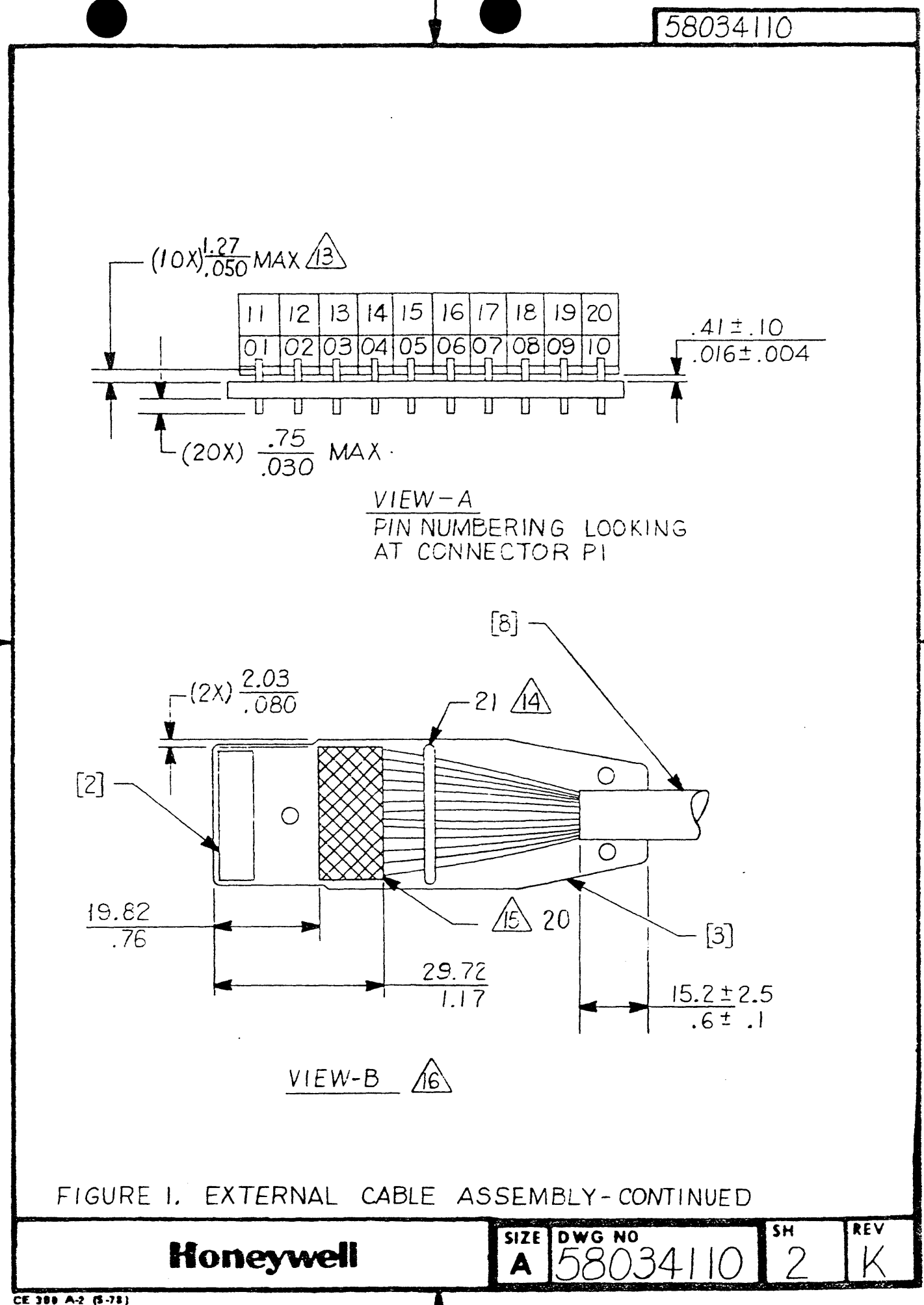


FIGURE 1. EXTERNAL CABLE ASSEMBLY-CONTINUED

| | | | | | |
|------------------|--|-----------|--------------------|---------|----------|
| Honeywell | | SIZE A | DWG NO 58034110 | SH 2 | REV K |
|------------------|--|-----------|--------------------|---------|----------|

58034110

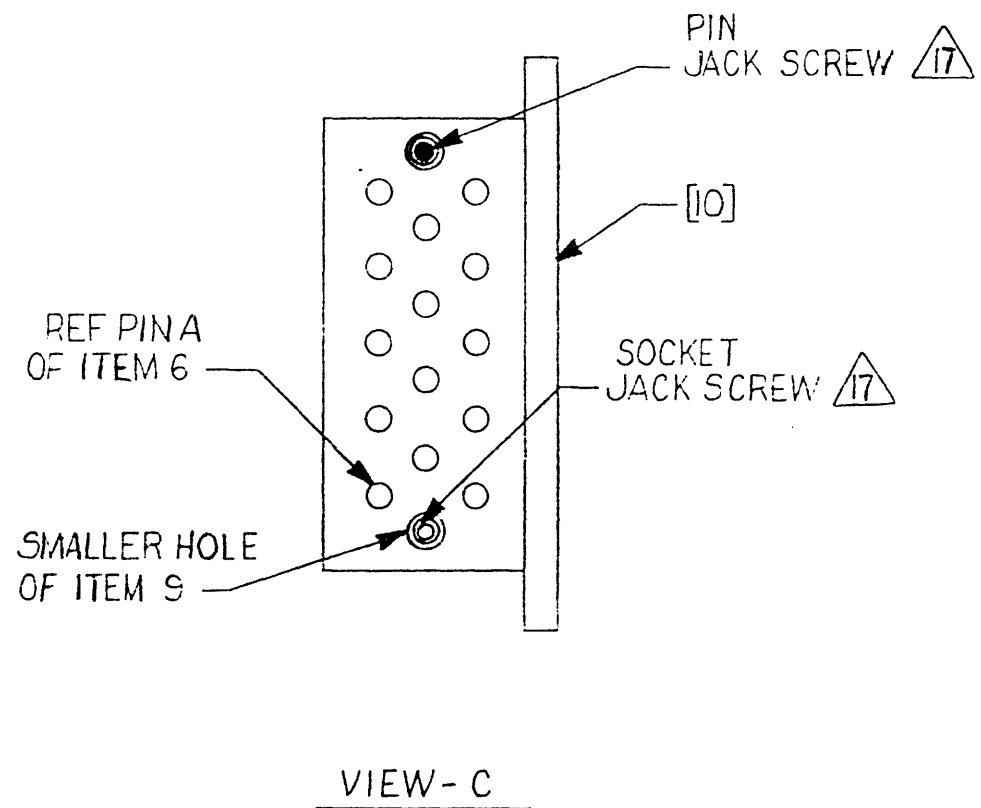


FIGURE I. EXTERNAL CABLE ASSEMBLY- CONTINUED

Honeywell

| | | | |
|------|----------|----|-----|
| SIZE | DWG NO | SH | REV |
| A | 58034110 | 3 | K |

THE INFORMATION CONTAINED IN THIS DOCUMENT IS PROPRIETARY TO HONEYWELL INFORMATION SYSTEMS AND IS INTENDED FOR INTERNAL HONEYWELL USE ONLY. SUCH INFORMATION MAY BE DISTRIBUTED TO OTHERS ONLY BY WRITTEN PERMISSION OF AN AUTHORIZED HONEYWELL OFFICIAL. THIS RESTRICTION DOES NOT APPLY TO VENDOR PROPRIETARY PARTS THAT MAY BE DISCLOSED IN THIS DOCUMENT

58034110

TABLE I. TOLERANCE FOR CABLE ASM LENGTH $\triangle 2$

| LENGTH RANGE (M) | TOLERANCE (M) |
|------------------|---------------|
| 1 TO 10 | + .15 , -0 |
| 11 TO 20 | + .20 , -0 |
| 21 TO 30 | + .30 , -0 |
| 31 TO 40 | + .40 , -0 |
| 41 TO 50 | + .50 , -0 |

TABLE II. WIRE LIST $\triangle 5$ $\triangle 7$ $\triangle 18$

| FROM P1 | TO P2 |
|---------|-------|
| 20 | A |
| 09 | B |
| 10 | C |
| 07 | D |
| 06 | E |
| 18 | F |
| 04 | H |
| 17 | J |
| 15 | K |
| 03 | L |
| 01 | M |
| 14 | N |
| 12 | P |
| 11 | R |

Honeywell

| | | | |
|------|----------|----|-----|
| SIZE | DWG NO | SH | REV |
| A | 58034110 | 4 | K |

THE INFORMATION CONTAINED IN THIS DOCUMENT IS PROPRIETARY TO HONEYWELL INFORMATION SYSTEMS AND IS INTENDED FOR INTERNAL HONEYWELL USE ONLY. SUCH INFORMATION MAY BE DISTRIBUTED TO OTHERS ONLY BY WRITTEN PERMISSION OF AN AUTHORIZED HONEYWELL OFFICIAL. THIS RESTRICTION DOES NOT APPLY TO VENDOR PROPRIETARY PARTS THAT MAY BE DISCLOSED IN THIS DOCUMENT

NOTES:

- △ 1. TAB-001 OF THIS DRAWING SHALL BE USED ONLY FOR ADVANCE ORDERING OF MATERIAL. THE CONDUCTOR LENGTH SPECIFIED IN TAB-001 IS AN AVERAGE LENGTH TO FACILITATE ADVANCE ORDERING.
- △ 2. THE TAB NUMBER (EXCEPT TAB 001) SPECIFIES THE CABLE ASM LENGTH IN METERS.
- EXAMPLE:
580XXXXX-003 IS THE L DIMENSION OF A 3 METER CABLE ASM. TOLERANCE OF THE CABLE ASM LENGTH SHALL BE PER TABLE I.
- △ 3. SOLDER CONNECTOR (ITEM 2) TO PWB (ITEM 3) PER 58053700.
- △ 4. MARK PER 58053700.
- △ 5. TERMINATE CABLE (ITEM 8) TO PWB (ITEM 3) PER TABLE II WIRE LIST AND 58053700. EXTENSION OF CABLE'S CENTER CONDUCTORS BEYOND THE BOTTOM SIDE OF PWB (ITEM 3) SHALL BE .75 MM (.030 INCH) MAX. SOLDER CONNECTIONS AND EPOXY COAT PER 58053700.
- △ 6. THERE SHALL BE NO EVIDENCE OF THE CABLE'S JACKET MATERIAL HARDENING AS A RESULT OF THE SOLVENT CLEANING PROCESS.
- △ 7. TERMINATE CABLE (ITEM 8) TO CONTACTS (ITEM 13) PER 58053700 AND INSTALL INTO CONNECTOR (ITEM 6) PER TABLE II WIRE LIST.
- △ 8. MARK PER 58053700 AS A UL LISTED LOGIC CABLE ASM USING DRAWING NUMBER 58034110, TAB NUMBER, AND REVISION LETTER AS THE ASM IDENTIFICATION.
- △ 9. GAP BETWEEN THE CONNECTOR'S (ITEM 6) PLASTIC BODY AND SLEEVING (ITEM 12) SHALL BE 5 MM (.197 INCH) MAX.
- △ 10. APPLY TAPE (ITEM 7) TO BOTH SIDES OF CONNECTOR (ITEM 6) IN THE APPROXIMATE LOCATION SHOWN.

Honeywell

| | | | |
|------|----------|----|-----|
| SIZE | DWG NO | SH | REV |
| A | 58034110 | 5 | K |

NOTES (CONTINUED):

- △ 11. SCREWS (ITEM 18 AND ITEM 19) ATTACH COVER (ITEM 1) TO PWB (ITEM 3).
- △ 12. APPLY TAPE (ITEM 17) TO CONNECTOR HOUSING (ITEM 10) AS SHOWN.
- △ 13. LEADS OF CONNECTOR (ITEM 2) SHALL NOT HAVE ANY SOLDER BEYOND DIMENSION SPECIFIED.
- △ 14. HOLD DOWN WIRE (ITEM 21) TO BE INSTALLED PER 58053700 AND SHALL HAVE A MAX EXTENSION BEYOND BOTTOM SIDE OF PWB (ITEM 3) OF .75 MM (.030 INCH).
- △ 15. CABLE TERMINATION NOT SHOWN IN ORDER TO MORE CLEARLY SHOW THE AREA TO WHICH THE EPOXY (ITEM 20) IS RESTRICTED. THE HEIGHT OF THE CURED EPOXY SHALL BE 2.21 MM (.087 IN.) MAX.
- △ 16. VIEW B IS SHOWN WITHOUT COVER (ITEM 1) INSTALLED.
- △ 17. JACKSCREWS OF CONNECTOR (ITEM 6) TO BE ASSEMBLED AS SHOWN.
- △ 18. PINS 02, 05, 08, 13, 16, AND 19 ARE GROUNDED TO CABLE SHIELD IN P1.
19. CABLE ASM SHALL MEET THE COMPLETED CABLE ASM REQUIREMENTS OF 58053700.
20. THIS CABLE ASM IS GOVERNED BY PURCHASE SPECIFICATION 58053707.

Honeywell

| | | | |
|------|----------|----|-----|
| SIZE | DWG NO | SH | REV |
| A | 58034110 | 6F | K |

ORIGINAL LOST

58006130

| REV | AUTHORITY | DATE | | | SIGNATURE | ASM TAB. NO | | | | | | PL | DWG. SH. | | | | | |
|-----|---|------|----|-----|--------------------|-------------|-----|-----|---|--|--|----|----------|--|--|--|--|--|
| | | YR | MO | DAY | | 001 | 002 | 003 | | | | | | | | | | |
| A | ISSUED | 73 | 03 | 26 | R. HOEKSTRA | A | | | | | | | | | | | | |
| B | PHAØCX011 | 74 | 05 | 06 | R. HOEKSTRA | B | | | | | | | | | | | | |
| BI | <small>C.D.# AT REV B SHOULD BE PHAØXC011</small> PHAØXC011 | 74 | 07 | 15 | R. HOEKSTRA | BI | | | | | | | | | | | | |
| BZ | <small>ADD TAB 002 PEREWA 23921</small> PEREWA 23921 | 77 | 02 | 03 | W. SEIDERS | | BZ | | | | | | | | | | | |
| C | <small>PHAØXJ043 AND ADDED TAB 003</small> PHAØXJ043 AND ADDED TAB 003 | 78 | 06 | 05 | R. HOEKSTRA | | C | C | | | | | | | | | | |
| D | PHAØGB066 | 79 | 05 | 11 | B. VANASIK | | D | D | D | | | | | | | | | |
| E | PHAØGB097 | 81 | 07 | 31 | <i>[Signature]</i> | | E | E | E | | | E | E | | | | | |

FCF: 58006131

FOR CONTINUATION OF REVISION STATUS SEE SHEET

BRUNING 44-141 40366

Honeywell

HONEYWELL INFORMATION SYSTEMS INC.
LOC PHOENIX, ARIZONA

MADE BY ^{S. J. Still 81-JULY-73}
R. HOEKSTRA 73-FEB-19
APPROVED J.M. WOODS 3-7-73

TITLE
CABLE, PSI ADAPTER

REVISION STATUS FOR EACH PAGE SHEET OR GROUP IS SHOWN BY LAST ENTRY IN THE CORRESPONDING NUMBERED COLUMN

| SIZE | REVISION STATUS FOR | SHEET | REV |
|------|---------------------|-------|-----|
| C | 58006130 | VI | E |


DIST. L 22-2-3

THE INFORMATION CONTAINED IN THIS DOCUMENT IS PROPRIETARY TO HONEYWELL INFORMATION SYSTEMS, INC. AND IS INTENDED FOR INTERNAL HONEYWELL USE ONLY. SUCH INFORMATION MAY BE DISTRIBUTED TO OTHERS ONLY BY WRITTEN PERMISSION OF AN AUTHORIZED HONEYWELL OFFICIAL. THIS RESTRICTION DOES NOT APPLY TO UNCLASSIFIED INFORMATION OR INFORMATION THAT MAY BE DISCLOSED IN THIS DOCUMENT.

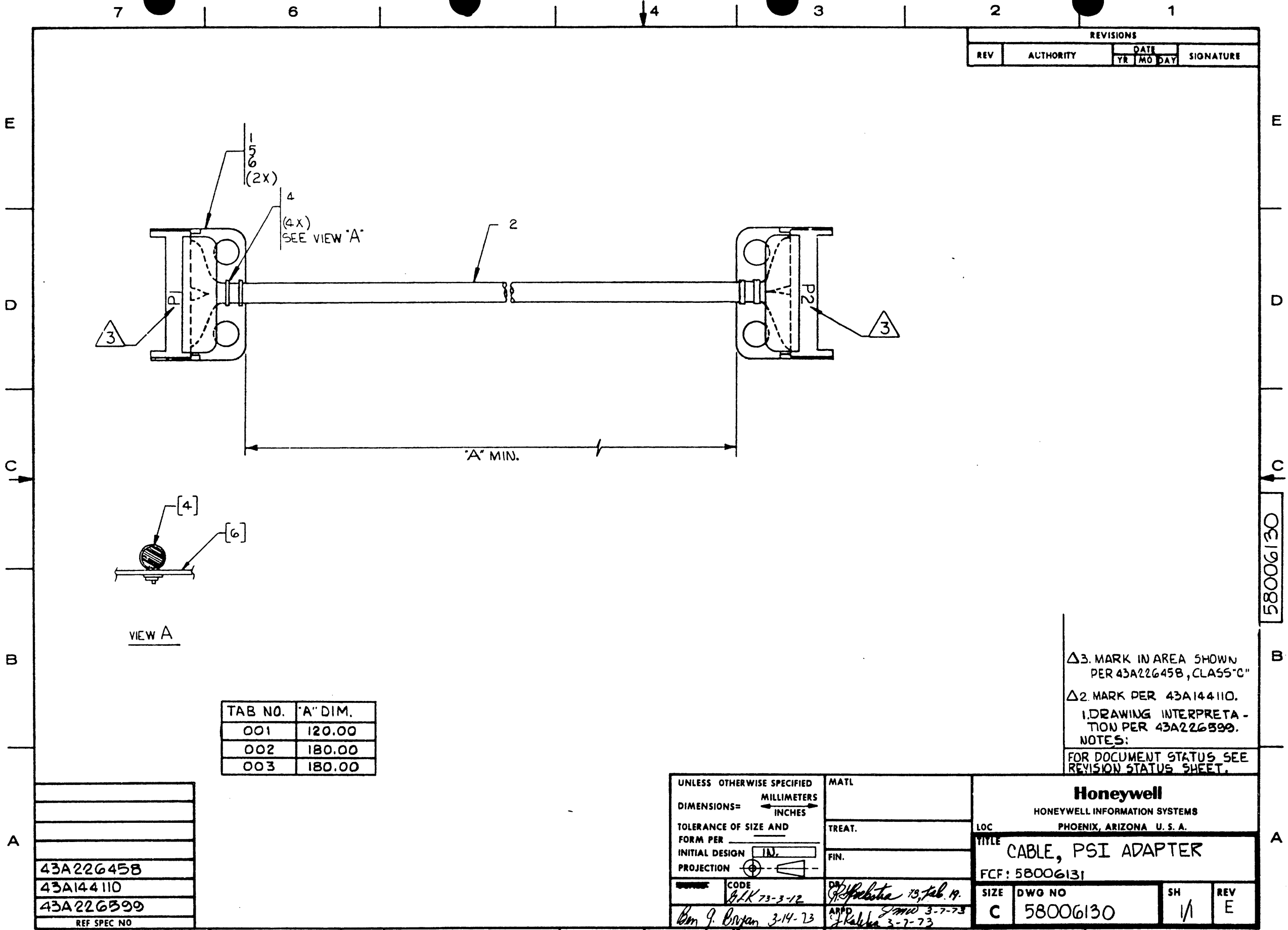
PD 81/07/28

| | | | |
|-----------|----------|--------------|-----------|
| SIZE C | 58006130 | SHEET 1/1 | REV. E |
|-----------|----------|--------------|-----------|

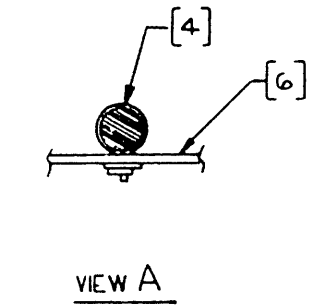
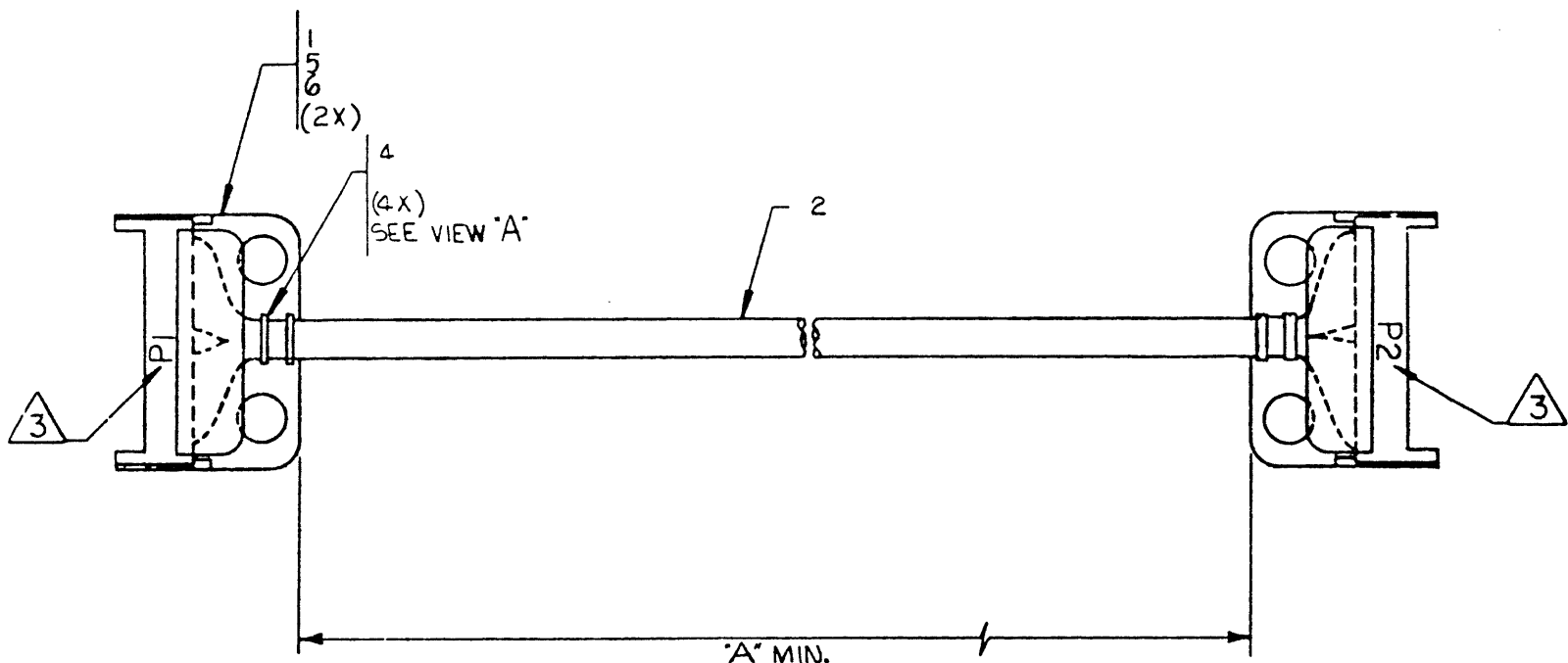
| ITEM NO. | REV. | C | IDENTIFICATION NO. | S C | DRAWING TITLE | ASSEMBLY / QUANTITY | | | | | | U M | |
|----------|------|---|--------------------|--------|---------------------|---------------------|-------|-------|--|--|--|--------|----|
| | | | | | | 001 | 002 | 003 | | | | | |
| 1 | C | | 43C175991P1 | P | CONNECTOR 88PIN | 2 | 2 | 2 | | | | | EA |
| * | A | | 43A216152P2 | V | CABLE MULTICOND | 131 | 191 | 191 | | | | | IN |
| 3 | A | | 58003661-001 | D | WIRE LIST | X | | X | | | | | |
| 4 | C | | 43C142270P8 | V | CLAMP CABLE | 4 | 4 | 4 | | | | | EA |
| 5 | D | | 58035970-001 | V | COVER, CONN BRACKET | 2 | 2 | 2 | | | | | EA |
| 5 | D | | 43D232042P1 | P | CONN. SHIELD ID | INTCH | INTCH | INTCH | | | | | EA |
| 6 | D | | 58016519-001 | V | SHIELD CONN | 2 | 2 | 2 | | | | | EA |
| 6 | D | | 43D232043P1 | P | CONN. SHIELD | INTCH | INTCH | INTCH | | | | | EA |
| 7 | D | | 43D232044 | D | ASM INSTRUCTION | X | X | X | | | | | |
| 8 | A | | N402P5C13 | V | WASHER FLAT | DISC | | | | | | | EA |
| 9 | A | | 58028075-001 | D | WL PSI FREE EDGE | | X | | | | | | |

| | | | | |
|---|---|--------------------------|----------------------|--------------|
|  HONEYWELL INFORMATION SYSTEMS LOC: PHOENIX, ARIZONA, U.S.A. | UM = UNIT OF MEASURE EA = EACH IN = INCHES CM = CENTIMETER OZ = OUNCE G = GRAM | TITLE CABLE PSI ADAPT | | |
| | * ITEMS REVISED SINCE PREVIOUS ISSUE | SIZE C | P.L. NO. 58006130 | SHEET 1/1 |

IS THERE A PREVIOUS REVISION STATUS SHEET EXIST? YES



| REVISIONS | | | | |
|-----------|-----------|------|--------|-----------|
| REV | AUTHORITY | DATE | | SIGNATURE |
| | | YR | MO DAY | |
| | | | | |



| TAB NO. | 'A' DIM. |
|---------|----------|
| 001 | 120.00 |
| 002 | 180.00 |
| 003 | 180.00 |

Δ3. MARK IN AREA SHOWN PER 43A22645B, CLASS "C"
 Δ2. MARK PER 43A144110.
 1. DRAWING INTERPRETATION PER 43A226599.
 NOTES:
 FOR DOCUMENT STATUS SEE REVISION STATUS SHEET.

| |
|-------------|
| |
| |
| |
| |
| 43A22645B |
| 43A144110 |
| 43A226599 |
| REF SPEC NO |

| | | | | |
|--|---|------------|---|-----------------|
| UNLESS OTHERWISE SPECIFIED DIMENSIONS= $\frac{\text{MILLIMETERS}}{\text{INCHES}}$ | | MATL | Honeywell HONEYWELL INFORMATION SYSTEMS LOC PHOENIX, ARIZONA U. S. A. TITLE CABLE, PSI ADAPTER FCF: 58006131 | |
| TOLERANCE OF SIZE AND FORM PER INITIAL DESIGN $\frac{IN.}{-}$ | | TREAT. | | |
| PROJECTION | | FIN. | SIZE C | DWG NO 58006130 |
| SUPPLIER CODE 6LK 73-3-12 Ben J. Bryan 3-14-73 | DRN G. Probst 13, Feb. 73 APP J. Kalika 3-7-73 | DISTR 22-3 | SH 1/1 | REV E |



58006130

THIS RSS AND ALL SHEETS ARE ON APERTURE CARDS

58059885

| REV | AUTHORITY | DATE | | | SIGNATURE | SHEET NO. | | | | | | | | | | | | | | |
|-----|-----------|------|----|-----|--------------------|-----------|---|---|---|---|---|--|--|--|--|--|--|--|--|--|
| | | YR | MO | DAY | | 1 | 2 | 3 | 4 | 5 | 6 | | | | | | | | | |
| D | PHAOXS502 | | | | SEE SIGNATURE CARD | D | D | D | D | D | D | | | | | | | | | |
| | | | | | | | | | | | | | | | | | | | | |
| | | | | | | | | | | | | | | | | | | | | |
| | | | | | | | | | | | | | | | | | | | | |
| | | | | | | | | | | | | | | | | | | | | |
| | | | | | | | | | | | | | | | | | | | | |
| | | | | | | | | | | | | | | | | | | | | |
| | | | | | | | | | | | | | | | | | | | | |
| | | | | | | | | | | | | | | | | | | | | |
| | | | | | | | | | | | | | | | | | | | | |
| | | | | | | | | | | | | | | | | | | | | |
| | | | | | | | | | | | | | | | | | | | | |
| | | | | | | | | | | | | | | | | | | | | |
| | | | | | | | | | | | | | | | | | | | | |
| | | | | | | | | | | | | | | | | | | | | |
| | | | | | | | | | | | | | | | | | | | | |
| | | | | | | | | | | | | | | | | | | | | |
| | | | | | | | | | | | | | | | | | | | | |
| | | | | | | | | | | | | | | | | | | | | |
| | | | | | | | | | | | | | | | | | | | | |
| | | | | | | | | | | | | | | | | | | | | |
| | | | | | | | | | | | | | | | | | | | | |
| | | | | | | | | | | | | | | | | | | | | |
| | | | | | | | | | | | | | | | | | | | | |
| | | | | | | | | | | | | | | | | | | | | |

FCF: WIOU100A

FOR CONTINUATION OF STATUS SEE SHEET

HONEYWELL
 HONEYWELL INFORMATION SYSTEMS INC.
 PHOENIX, ARIZOA

MADE BY *S. J. Steele* 82FEB01
 APPROVED
 F FLOWERS 82FEB05

TITLE
CABLE CONFIGURATION

REVISION STATUS FOR EACH PAGE SHEET OR GROUP IS SHOWN BY LAST ENTRY IN THE CORRESPONDING NUMBERED COLUMN.

| SIZE | REVISION STATUS FOR | SHEET | REV |
|------|---------------------|-------|-----|
| B | 58059885 | 1/1 | D |

DIST. 73

SYM/RSS FEED; 2 SIZE; 5

58059885

REVISION


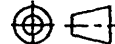
| REV | AUTHORITY | DATE | | | SIGNATURE |
|-----|-----------|------|----|-----|-----------|
| | | YR | MO | DAY | |

5. THESE CABLES ARE SUPPLIED WITH THE PERIPHERALS UNITS
4. THIS CABLE IS NEEDED WHEN MORE THAN ONE IMU UNIT WITH CONSOLE OPTIONS ARE USED ON ONE SYSTEM.
3. -XXX REFERS TO CABLE LENGTHS IN FEET F OR METERS M AS SPECIFIED ON CABLE DRAWING. PREFERRED LENGTHS SHOWN.
2. QUANTITY OF CABLES INDICATED MUST MUST BE ORDERED TO CONNECT THE OPTIONS INDICATED.
1. THE PURPOSE OF THIS DOCUMENT IS TO PROVIDE EXTERNAL CABLE DATA TO BE USED IN CONJUNCTION WITH CUSTOMER SITE LAYOUTS, FOR ESTABLISHING CABLE LENGTHS REQUIREMENTS BETWEEN EQUIPMENT AND TO CREATE A SYSTEM INSTALLATION PARTS LIST. (IPL FOR ORDERING EXTERNAL SYSTEM CABLES).

NOTES:

FOR DOCUMENT STATUS, SEE REVISION STATUS SHEET

THE INFORMATION CONTAINED IN THIS DOCUMENT IS PROPRIETARY HONEYWELL INFORMATION SYSTEMS AND IS INTENDED FOR INTERNAL HONEYWELL USE ONLY. SUCH INFORMATION MAY BE DISTRIBUTED TO OTHERS ONLY BY WRITTEN PERMISSION OF AN AUTHORIZED HONEYWELL OFFICIAL. THIS RESTRICTION DOES NOT APPLY TO VENDOR PROPRIETARY PARTS THAT MAY BE DISCLOSED IN THIS DOCUMENT

| | | | | | | | |
|--|--|-----------------------------|--|------------------------------------|----------|-----|-----|
| UNLESS OTHERWISE SPECIFIED DIMENSIONS— MILLIMETERS INCHES | | MATL | | HONEYWELL | | | |
| TOLERANCE OF SIZE AND FORM PER _____ | | DES 82FEB05 | | HONEYWELL INFORMATION SYSTEMS | | | |
| INITIAL DESIGN  | | CHK <i>J. Bentley</i> | | LOC PHOENIX, ARIZONA U.S.A. | | | |
| PROJECTION  | | FIN | | TITLE CABLE CONFIGURATOR | | | |
| SCALE CODE | | DR <i>J. Steele</i> 83FEB01 | | SIZE | DWG NO | SH | REV |
| | | APPD F FLOWERS 82FEB04 | | B | 58059885 | 1/6 | D |
| | | DISTR 73 | | | | | |

58059885

| REVISION | | | | | |
|----------|-----------|------|----|-----|-----------|
| REV | AUTHORITY | DATE | | | SIGNATURE |
| | | YR | MO | DAY | |

| PRIME UNIT OPTION MODEL NUMBER | CABLE QTY DRAWING NUMBER M/F | PRIME UNIT STUB-OUT LENGTH FROM FLOOR UP METERS FEET | TOTAL CABLE LENGTH | | | | SECONDARY UNIT STUB OUT LENGTH FROM FLOOR UP METERS FEET | | SECONDARY UNIT OPTION DRAWING NUMBER DEVICE | |
|--------------------------------------|---|---|--------------------|------|--------|------|--|--|--|--|
| | | | METERS | FEET | METERS | FEET | METERS | FEET | | |
| | | | 2 | 3 | | | | | | |
| WCHD66LC NDIC | 1 58057332-XXX 58057332-018 58057332-022 | M 1.52 5 15.24 50 | 22 | 72.2 | 1.52 | 5 | DN-8 18X | FNP | | |
| WCH066LA PSIA 2 TRIP | 2 58034118-XXX 58034118-012 58034118-018 58034118-022 | M 1.52 5 12 40 | 22 | 72.2 | 1.52 | 5 | WMSP645A WNLA001A WASP645A WADC645A WDDA66LC WADC66LB WMTP800A WDCH800A WADC66LA WADC800A WTCI66LB | LP DISK MPC LP TAPE MPC LP | | |
| | 2 58056536-XXX 58056536-009 5805636-014 58056536-022 | M 1.52 5 7 23 | 22 | 72.2 | 0.91 | 5 | WMSP600A WOPT601A WMTP610 | DISK MPC TAPE MPC | | |

THE INFORMATION CONTAINED IN THIS DOCUMENT IS PROPRIETARY HONEYWELL INFORMATION SYSTEMS AND IS INTENDED FOR INTERNAL HONEYWELL USE ONLY. SUCH INFORMATION MAY BE DISTRIBUTED TO OTHERS ONLY BY WRITTEN PERMISSION OF AN AUTHORIZED HONEYWELL OFFICIAL. THIS RESTRICTION DOES NOT APPLY TO VENDOR PROPRIETARY PARTS THAT MAY BE DISCLOSED IN THIS DOCUMENT

| | | | | | |
|---|--|--|-----------------|---|----------|
| UNLESS OTHERWISE SPECIFIED DIMENSIONS - $\frac{\text{MILLIMETERS}}{\text{INCHES}}$ TOLERANCE OF SIZE AND FORM PER INITIAL DESIGN <input type="checkbox"/> PROJECTION | MATL | HONEYWELL HONEYWELL INFORMATION SYSTEMS LOC PHOENIX, ARIZONA U.S.A. TITLE CABLE CONFIGURATOR (IPL) IOU | | | |
| | DES 82FEB05 CHK <i>Bentley</i> FIN | | | DR <i>J. Steele</i> 83FEB01 APPD <i>F. FLOWERS</i> 82FEB04 | |
| SCALE | CODE | SIZE | DWG NO | SH | REV |
| | | | 58059885 | 2 | D |

DISTR 73

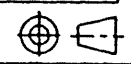
58059885

REVISION

| REV | AUTHORITY | DATE | | | SIGNATURE |
|-----|-----------|------|----|-----|-----------|
| | | YR | MO | DAY | |

| PRIME UNIT OPTION MODEL NUMBER | CABLE | | | PRIME UNIT STUB-OUT LENGTH FROM FLOOR UP | | TOTAL CABLE LENGTH | | | | SECONDARY UNIT STUB OUT LENGTH FROM FLOOR UP | | SECONDARY UNIT | |
|--------------------------------------|--------|--|--------|---|------|--------------------|------|--------|------|---|------|--|-------------|
| | QTY | DRAWING NUMBER | M/F | METERS | FEET | METERS | FEET | METERS | FEET | METERS | FEET | OPTION DRAWING NUMBER | DEVICE |
| | △ 2 | | △ 3 | | | | | | | | | | |
| WCH066LB PSIA 4 TRIP | 2 | 58056536-XXX 58056536-009 58056536-014 58056536-022 | M | 1.52 | 5 | 7 | 23 | 22 | 72.2 | .91 | 3 | 4WURC-002 4WURF-001 4WURP-600 | URC MPC |
| | | | | | | | | | | | | 4WDSC181 4WDSC190 4WMSP310 4WMSP400 4WMSP450 | DISK MPC |
| | | | | | | | | | | | | 4WMTCS01 4WXTCS01 4WMTCS01 | TAPE MPC |

THE INFORMATION CONTAINED IN THIS DOCUMENT IS PROPRIETARY HONEYWELL INFORMATION SYSTEMS AND IS INTENDED FOR INTERNAL HONEYWELL USE ONLY. SUCH INFORMATION BE DISTRIBUTED TO OTHERS ONLY BY WRITTEN PERMISSION OF AN AUTHORIZED HONEYWELL OFFICIAL. THIS RESTRICTION DOES NOT APPLY TO VENDOR PROPRIETARY PARTS THAT MAY BE DISCLOSED IN THIS DOCUMENT

| | | | | | | | | | | | | | |
|---|--|--------------------|--|---|--|------|--|----------|--|----|--|-----|--|
| UNLESS OTHERWISE SPECIFIED DIMENSIONS— MILLIMETERS INCHES | | MATL | | HONEYWELL HONEYWELL INFORMATION SYSTEMS LOC PHOENIX, ARIZONA U.S.A. | | | | | | | | | |
| TOLERANCE OF SIZE AND FORM PER | | DES 82FEB05 | | | | | | | | | | | |
| INITIAL DESIGN | | CHK <i>Bentley</i> | | TITLE CABLE CONFIGURATOR (IPL) IOU | | | | | | | | | |
| PROJECTION | | FIN | | SCALE | | SIZE | | DWG NO | | SH | | REV | |
|  | | | | DR <i>J. Steele</i> 83FEB01 | | B | | 58059885 | | 3 | | D | |
| | | | | APPD <i>F. FLOWERS</i> 82FEB04 | | | | | | | | | |
| | | | | DISTR 73 | | | | | | | | | |

58059885

| REVISION | | | |
|----------|-----------|-----------|-----------|
| REV | AUTHORITY | DATE | SIGNATURE |
| | | YR MO DAY | |

| PRIME UNIT OPTION MODEL NUMBER | CABLE | | | PRIME UNIT STUB-OUT LENGTH FROM FLOOR UP | | TOTAL CABLE LENGTH | | | | SECONDARY UNIT STUB OUT LENGTH FROM FLOOR UP | | SECONDARY UNIT | |
|--------------------------------------|--------|--|--------|---|------|--------------------|------|--------|------|---|------|--------------------------|-----------------------|
| | QTY | DRAWING NUMBER | M/F | METERS | FEET | METERS | FEET | METERS | FEET | METERS | FEET | OPTION DRAWING NUMBER | DEVICE |
| | △ 2 | | △ 3 | | | | | | | | | | |
| WIPO66LH BUS 0 PORT | 1 | 58017084-XXX 58017984-024 58017984-030 58017984-050 | F | 1.5 | 5 | 2.9 | 9.5 | 15 | 50 | 1.5 | 5 | | SCU |
| WIPC66LD CONSOLE | 1 | 43C144536G1 | M | 1.5 | 5 | N/A | N/A | 45.7 | 150 | .91 | 3 | VIP205 | CON ELS DPU |
| | 1 | 43C144536G1 | M | 1.5 | 5 | N/A | N/A | 45.7 | 150 | .91 | 3 | PRU1005 | |
| | 1 | 43C144536G1 | M | 1.5 | 5 | N/A | N/A | 45.7 | 150 | .91 | 3 | MODEM | |
| | 1 | 58054284-002 | M | 1.5 | 5 | N/A | N/A | 45.7 | 150 | .91 | 3 | | |
| | △ 4 | 58060482-XXX 58060482-010 58060482-030 58060482-050 | M | 2.4 | 8 | 10 | 34 | 50 | 160 | 2.4 | 8 | MULTI DROP EXTERNAL | |
| WIPC66LE | 2 | △ 5 | N/A | N/A | N/A | N/A | N/A | N/A | N/A | N/A | N/A | FIPS | DISK TAPE |
| WFIP400A | | △ 5 | | | | | | | | | | FIPS SEQUENCING | |
| WFIP500A | | △ 5 | | | | | | | | | | FIPS SEQUENCING | |

THE INFORMATION CONTAINED IN THIS DOCUMENT IS PROPRIETARY HONEYWELL INFORMATION SYSTEMS AND IS INTENDED FOR INTERNAL HONEYWELL USE ONLY. SUCH INFORMATION MAY BE DISTRIBUTED TO OTHERS ONLY BY WRITTEN PERMISSION OF AN AUTHORIZED HONEYWELL OFFICIAL. THIS RESTRICTION DOES NOT APPLY TO VENDOR PROPRIETARY PARTS THAT MAY BE DISCLOSED IN THIS DOCUMENT

| | | | | | | | | | |
|---|------|--------------------------------|--|---|--|----------|--------|----|-----|
| UNLESS OTHERWISE SPECIFIED DIMENSIONS - $\frac{\text{MILLIMETERS}}{\text{INCHES}}$ | | MATL | | HONEYWELL HONEYWELL INFORMATION SYSTEMS LOC PHOENIX, ARIZONA U.S.A. | | | | | |
| TOLERANCE OF SIZE AND FORM PER | | DES 82FEB05 | | | | | | | |
| INITIAL DESIGN <input type="text"/> | | CHK <i>Bentley</i> | | TITLE CABLE CONFIGURATOR (IPL) IOU | | | | | |
| PROJECTION | | FIN | | DR <i>J. Steele</i> 83FEB01 | | SIZE | DWG NO | SH | REV |
| SCALE | CODE | APPD <i>F. Flowers</i> 82FEB04 | | DISTR 73 | | 58059885 | | 4 | D |

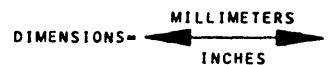
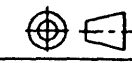
58059885

REVISION

| | | | | | |
|-----|-----------|------|----|-----|-----------|
| REV | AUTHORITY | DATE | | | SIGNATURE |
| | | YR | MO | DAY | |

| PRIME UNIT OPTION MODEL NUMBER | CABLE | | | PRIME UNIT STUB-OUT LENGTH FROM FLOOR UP | | TOTAL CABLE LENGTH | | | | SECONDARY UNIT STUB OUT LENGTH FROM FLOOR UP | | SECONDARY UNIT | |
|--------------------------------------|--------|--|--------|---|------|--------------------|------|--------|-------|---|------|---|--------|
| | QTY | DRAWING NUMBER | M/F | METERS | FEET | METERS | FEET | METERS | FEET | METERS | FEET | OPTION DRAWING NUMBER | DEVICE |
| | △ 2 | | △ 3 | | | | | | | | | | |
| WIPC66LB PERI DEV | 1 | 58056843-XXX 58056843-014 58056843-024 PERIPHERIAL CABLE | M | 1.52 | 5 | 10 | 32.8 | 150 | 492.1 | 0.30 | 1 | PRU1201 PRU901 | PRINT |
| WIPC66LC DEV. ADAPT INTERFACE | 2 | 58081041-XXX 58081041-014 58081041-018 58081041-022 | M | 1.52 | 5 | 9 | 29.5 | 22 | 72.2 | 0.61 | 2 | CRU1050 CRU0501 PCU0120 PCU0121 CCU0401 PRU1200 PRU1600 | |
| | 2 | 58081326-XXX 58081326-031 58081326-038 58081326-045 | M | 1.52 | 5 | 22 | 72.2 | 45.7 | 150 | 0.61 | 2 | CRU1050 CRU0501 PCU0120 PCU0121 CCU0401 PRU1200 PRU1600 | |

THE INFORMATION CONTAINED IN THIS DOCUMENT IS PROPRIETARY HONEYWELL INFORMATION SYSTEMS
 AND IS INTENDED FOR INTERNAL HONEYWELL USE ONLY. SUCH INFORMATION BE DISTRIBUTED TO
 OTHERS ONLY BY WRITTEN PERMISSION OF AN AUTHORIZED HONEYWELL OFFICIAL. THIS RESTRICTION
 DOES NOT APPLY TO VENDOR PROPRIETARY PARTS THAT MAY BE DISCLOSED IN THIS DOCUMENT

| | | | | | |
|---|------|---|--|---------|----------|
| UNLESS OTHERWISE SPECIFIED DIMENSIONS—  — TOLERANCE OF SIZE AND FORM PER _____ INITIAL DESIGN <input type="text"/> PROJECTION  | | MATL | HONEYWELL HONEYWELL INFORMATION SYSTEMS LOC PHOENIX, ARIZONA U.S.A. TITLE CABLE CONFIGURATOR (IPL) IOU | | |
| SCALE | CODE | DES 82FEB05 CHK <i>J. Bentley</i> FIN | | | |
| | | DR <i>J. Steele</i> 83FEB01 APPD F FLOWERS 82FEB04 | SIZE DWG NO B 58059885 | SH 5 | REV D |
| | | DISTR 73 | | | |

58059885

| REVISION | | | | | |
|----------|-----------|------|----|-----|-----------|
| REV | AUTHORITY | DATE | | | SIGNATURE |
| | | YR | MO | DAY | |

| PRIME UNIT OPTION MODEL NUMBER | CABLE QTY DRAWING NUMBER M/F | PRIME UNIT STUB-OUT LENGTH FROM FLOOR UP METERS FEET | TOTAL CABLE LENGTH | | | | SECONDARY UNIT STUB OUT LENGTH FROM FLOOR UP METERS FEET | | SECONDARY UNIT OPTION DRAWING NUMBER DEVICE | | |
|--------------------------------------|---|---|--------------------|------|--------|------|---|------|--|---|----------------------|
| | | | METERS | FEET | METERS | FEET | METERS | FEET | | | |
| | | | 2 | 3 | | | | | | | |
| WDAU66LA | 2 58034110-XXX 58034110-009 58034110-014 58034110-022 58081041-XXX 58081041-014 58081041-018 58081041-022 | M | 1.52 | 5 | 9 | 29.5 | 22 | 72.2 | .61 | 2 | 4XX DISK DRIVE |
| | | | | | | | | | | | 50X DISK DRIVE |
| WDAU66LB | 2 58034110-XXX 58034110-009 58034110-014 58034110-022 58081041-XXX 58081041-014 58081041-018 58081041-022 | M | 1.52 | 5 | 9 | 29.5 | 22 | 72.2 | .61 | 2 | 4XX DISK DRIVE |
| | | | | | | | | | | | 50X DISK DRIVE |
| WDDI66LA | 2 58034110-XXX 58034110-009 58034110-014 58034110-022 58081041-XXX 58081041-014 58081041-018 58081041-022 | M | 1.52 | 5 | 9 | 29.5 | 22 | 72.2 | .61 | 2 | 4XX DISK DRIVE |
| | | | | | | | | | | | 50X DISK DRIVE |

THE INFORMATION CONTAINED IN THIS DOCUMENT IS PROPRIETARY HONEYWELL INFORMATION SYSTEMS
 AND IS INTENDED FOR INTERNAL HONEYWELL USE ONLY. SUCH INFORMATION BE DISTRIBUTED TO
 OTHERS ONLY BY WRITTEN PERMISSION OF AN AUTHORIZED HONEYWELL OFFICIAL. THIS RESTRICTION
 DOES NOT APPLY TO VENDOR PROPRIETARY PARTS THAT MAY BE DISCLOSED IN THIS DOCUMENT

| | | | | | | | | | |
|---|--|-----------------------------------|--|---|--|----------|--------|--|-----|
| UNLESS OTHERWISE SPECIFIED DIMENSIONS- \longleftrightarrow MILLIMETERS INCHES | | MATL | | HONEYWELL HONEYWELL INFORMATION SYSTEMS LOC PHOENIX, ARIZONA U.S.A. | | | | | |
| TOLERANCE OF SIZE AND FORM PER | | DES 82FEB05 CHK <i>Bentley</i> | | | | | | TITLE CABLE CONFIGURATOR (IPL) IOU | |
| INITIAL DESIGN <input type="checkbox"/> | | FIN | | DR <i>J. Steele</i> 83FEB01 | | SIZE | DWG NO | SH | REV |
| PROJECTION | | SCALE | | APPD <i>F. FLOWERS</i> 82FEB04 | | 58059885 | | 6F | D |
| SCALE | | CODE | | DISTR 73 | | | | | |

43C227335

| REV | AUTHORITY | DATE | | | SIGNATURE | DRAWING SHEET | | | | | | | | | | | | | | | | | | | | |
|-----|-----------|------|-----|-----|------------------|---------------|---|--|--|--|--|--|--|--|--|--|--|--|--|--|--|--|--|--|--|--|
| | | YR | MO | DAY | | 1 | 2 | | | | | | | | | | | | | | | | | | | |
| L | PHAØPW066 | 81 | AUG | 13 | J. Dahley 8/7/81 | L | L | | | | | | | | | | | | | | | | | | | |
| M | PHAØTH016 | 81 | 09 | 28 | H. Salkowski | | M | | | | | | | | | | | | | | | | | | | |
| N | PHAØPW085 | | ND | | by Young | N | N | | | | | | | | | | | | | | | | | | | |
| P | PHAØPW083 | 82 | JAN | 12 | H. Salkowski | P | N | | | | | | | | | | | | | | | | | | | |
| R | PHAØPV388 | 82 | FEB | 01 | C. Bantley | | R | | | | | | | | | | | | | | | | | | | |
| S | PHAØPW100 | 82 | APR | 15 | A. J. Stule | | S | | | | | | | | | | | | | | | | | | | |
| T | PHAØXS205 | 83 | MAY | 24 | G. Drecht | | T | | | | | | | | | | | | | | | | | | | |
| U | PHAØPD289 | 83 | SEP | 21 | S. Miller | U | | | | | | | | | | | | | | | | | | | | |

BRUNING 44-141 40366

Honeywell

HONEYWELL INFORMATION SYSTEMS INC.
LOC PHOENIX ARIZONA

CE 300 A-3 (1-79)

FOR CONTINUATION OF REVISION STATUS SEE SHEET

MADE BY *Walter D. Duda* 8/July 21

APPROVED J. KALEKA 11-16-70

REVISION STATUS FOR EACH PAGE SHEET OR GROUP IS SHOWN BY LAST ENTRY IN THE CORRESPONDING NUMBERED COLUMN

TITLE
CABLE CONFIGURATOR

| | | | |
|------|---------------------|-------|-----|
| SIZE | REVISION STATUS FOR | SHEET | REV |
| C | 43C227335 | 1/1 | -U |

DIST. L5-73, C111-73

| OPTION MODEL NUMBER | QUAN. | EXTERNAL CABLE DRAWING NUMBER & DESCRIPTION | CABLE STUB-OUT LENGTH FOR MAJOR UNIT FROM FLOOR UP | | MAX. CABLE LENGTH PORT TO PORT | | MIN. CABLE LENGTH PORT TO PORT | | OPTION MODEL NUMBER | REVISIONS | | | |
|----------------------------|---------|--|--|--------|--------------------------------|--------|--------------------------------|--------|---------------------|--|--|-------------------|------------|
| | | | FEET | METERS | FEET | METERS | FEET | METERS | | REV | AUTHORITY | DATE YR MO DAY | SIGNATURE |
| FROM | NOTE #2 | NOTE #3 | | | | | | | TO | | | | |
| 4WCPP635AAI | 6 | 43D219358 - CABLE, SYSTEM | 5 | 1.53 | 50 | 15.25 | | | | F1 | ADDED WIP000IA PER EWA 21719 | 75 03 24 | S. JAMESON |
| 4WCPP655AAI | 3 | 43D219358 - CABLE, SYSTEM | 5 | 1.53 | 50 | 15.25 | | | | F2 | ADDED 4WSG5970AAI AND 4WSG5970BAI PER EWA 23139 RETRACED | 76 03 23 | R. JAMESON |
| 4WCPP655ABI | 1 | 58017984 - CABLE, SYSTEM | 5 | 1.53 | 50 | 15.25 | 10 | 3.048 | | F3 | ADD WCPP66BAI PER CP 52545 | 76 07 13 | J. KALEKA |
| 4WIOP635AAI | 6 | 43D219358 - CABLE, SYSTEM | 5 | 1.53 | 50 | 15.25 | | | | F4 | ADD 4WCM100IA, 002A PER CP 53900 | 76 11 22 | L. DANKOFF |
| 4WIOP655AAI | 3 | 43D219358 - CABLE, SYSTEM | 5 | 1.53 | 50 | 15.25 | | | | G | PHAO MJ070 | 76 11 24 | J. KALEKA |
| 4WCH0034AAI | 1 | 43C136655G2XXXX - CABLE | 5 | 1.53 | 150 | 45.72 | 25 | 7.62 | | G1 | ADD WIPOAPIA PER CP 56439 | 77 1 1 | C. YOUNG |
| 4WBSC635AAI | 6 | 43D219358 - CABLE, SYSTEM | 5 | 1.53 | 50 | 15.25 | | | | G2 | ADD WIPCAPIB PER CP 25569 | 80 02 05 | C. YOUNG |
| 4WCPP645ABI | 1 | 58017984 - CABLE | 5 | 1.53 | 50 | 15.25 | 10 | 3.048 | | H | PHAO PV183 | 80 04 17 | J. KALEKA |
| 4WBSC645AAI | 1 | 58017984 - CABLE | 5 | 1.53 | 50 | 15.25 | 10 | 3.048 | | H1 | ADDED WIP066LA, 66LB & WIP066LA OPT PER CO # PHAOXW008 | 80 06 17 | A. BLISS |
| 4WIOP655ABI | 1 | 58017984 - CABLE, SYSTEM | 5 | 1.53 | 50 | 15.25 | 10 | 3.048 | | H2 | ADDED WCH004IB, 4WCH0042B OPTIONS PER CO # PHAOXW008 | 80 07 10 | A. BLISS |
| 4WCH0034AAI | 1 | 43C136655G2XXXX - CABLE | 5 | 1.53 | 150 | 45.72 | 25 | 7.62 | | J | CO # PHAOXW008 | 80 08 28 | A. BLISS |
| 4WCH0034BAI | 1 | 43C136655G2XXXX - CABLE | 5 | 1.53 | 150 | 45.72 | 25 | 7.62 | | REVISIONS CONTINUED IN ZONE A6 | | | |
| WIP000IA-001 | 1 | 58017984 - XXX CABLE | 5 | 1.53 | 50 | 15.25 | 10 | 3.048 | | 5. ORDER ONE CABLE PER CM66 UNIT AND NOT PER OPTION. | | | |
| 4WSG5970AAI | 9 | 43C240327G3, 6, 7 & 8 ONLY OR 58006349-001, -002, OR -003 ONLY | 5 | 1.53 | 75 | 23.00 | 45 | 13.75 | | 4. REFER TO SPECIFIC PERIPHERAL EQUIPMENT OUTLINE FOR CABLE STUB LENGTH AND RESTRICTIONS WHERE APPLICABLE. | | | |
| 4WSG5970BAI | 5 | 43C240327G3, 6, 7 & 8 ONLY OR 58006349-001, -002, OR -003 ONLY | 5 | 1.53 | 100 | 30.50 | 85 | 27.50 | | 3. CABLE LENGTH TO BE ESTABLISHED FROM CUSTOMER EQUIPMENT SITE LAYOUT. REFER TO SPECIFIC CABLE DRAWING FOR DETAIL INSTRUCTIONS OF CABLE GROUP ORDERING. | | | |
| WCPP66BAI | 1 | 58017984 - CABLE | 5 | 1.53 | 50 | 15.25 | 10 | 3.048 | | 2. QUANTITY OF CABLES DESIGNATED ADJACENT TO EACH MODEL NO. MUST BE ORDERED TO INTERFACE WITH EACH OPTION ORDERED. | | | |
| 4WCM100IA | 1 | 58006517-001 STRAP EXT GRD | 5 | 1.53 | 50 | 15.25 | 10 | 3.048 | | 1. THE PURPOSE OF THIS DOCUMENT IS TO PROVIDE EXTERNAL CABLE DATA TO BE USED IN CONJUNCTION WITH CUSTOMER SITE LAYOUTS, FOR ESTABLISHING CABLE LENGTH REQUIREMENTS BETWEEN EQUIPMENT AND TO CREATE A SYSTEM INSTALLATION PARTS LIST (IPL) FOR ORDERING EXTERNAL SYSTEM CABLES. | | | |
| 4WCM1002A | 1 | 58006517-001 STRAP EXT GRD | 5 | 1.53 | 50 | 15.25 | 10 | 3.048 | | | | | |
| WIP0APIA | 1 | 58046549-001 CABLE | 5 | 1.53 | 50 | 15.25 | 10 | 3.048 | | | | | |
| WIP0APIB | 1 | 58047309-001 | 5 | 1.53 | 50 | 15.25 | 10 | 3.048 | | | | | |
| WIP0001D | 2 | 58017984 - XXX CABLE | 5 | 1.53 | 50 | 15.25 | 10 | 3.048 | | | | | |
| WIP0002D | | | | | | | | | | | | | |
| WIP066LA | 1 | 58046549 - XXX, CABLE | 5 | 1.53 | 50 | 15.25 | 10 | 3.048 | | | | | |
| 4WDDC645AAI, BAI, BBI, CAI | 1 | 58057332 - XXX | 5 | 1.53 | 75 | 22.86 | 50 | 15.24 | DNB | | | | |
| WIP066LD | 1 | 58046549 - XXX CABLE | 5 | 1.53 | 50 | 15.25 | 10 | 3.048 | | | | | |
| WIP0APIC | 1 | 58046549 - XXX CABLE | 5 | 1.53 | 50 | 15.25 | 10 | 3.048 | | | | | |
| WIP010IA | 1 | 58017984 - XXX, CABLE | 5 | 1.53 | 50 | 15.25 | 15 | 4.57 | | | | | |
| WIP010IB | 1 | 58017984 - XXX, CABLE | 5 | 1.53 | 50 | 15.25 | 15 | 4.57 | | | | | |
| WIP010IC | 1 | 58017984 - XXX, CABLE | 5 | 1.53 | 50 | 15.25 | 15 | 4.57 | | | | | |
| WIP068LA | 1 | 58046549 - XXX, CABLE | 5 | 1.53 | 50 | 15.25 | 10 | 3.048 | | | | | |

△ 6. TO DETERMINE WHICH CABLE TO ORDER, THE CONNECTOR INTERFACE ON THE DNB6 MUST BE ESTABLISHED AS EITHER A TWO OR THREE CONNECTOR INTERFACE. ORDER CABLE 58056586-XXX FOR A TWO CONNECTOR INTERFACE. ORDER CABLE 58057332-XXX FOR A THREE CONNECTOR INTERFACE.

(REVISIONS CONTINUED ON P. 5.5.)

| | | | | | |
|-----|------------|----|----|----|-------------------|
| K | PHAOXW05B | 81 | PR | 27 | W. KALEKA |
| J1 | PHAO PV279 | 81 | 01 | 28 | TERRILL WILKINSON |
| REV | AUTHORITY | YR | MO | DA | SIGNATURE |

FOR DOCUMENT STATUS, SEE REVISION STATUS SHEET

| | |
|---|-------------------------|
| UNLESS OTHERWISE SPECIFIED | MATL |
| DIMENSIONS = MILLIMETERS / INCHES | TREAT. |
| TOLERANCE OF SIZE AND FORM PER INITIAL DESIGN | FIN. |
| PROJECTION | SCALE - CODE |
| DR R.W. BLISS 70 NOV 76 | APPD J. KALEKA 11-16-70 |
| D.E. TOMLINSON 70 NOV 77 | DISTR L5-7B, C111-73 |

NOTES:

Honeywell
HONEYWELL INFORMATION SYSTEMS
PHOENIX, ARIZONA U. S. A.

LOC TITLE
CABLE CONFIGURATOR

| | | | |
|--------|------------------|--------|-------|
| SIZE C | DWG NO 43C227335 | SH 1/2 | REV U |
|--------|------------------|--------|-------|

| OPTION MODEL NUMBER | QUANT | EXTERNAL CABLE DRAWING NUMBER AND DESCRIPTION | CABLE STUB-OUT LENGTH FOR MAJOR UNIT FROM FLOOR UP | | MAX. CABLE LENGTH PORT TO PORT | | MIN. CABLE LENGTH PORT TO PORT | | OPTION MODEL NUMBER TO | DEVICE |
|---------------------|-------|---|--|--------|--------------------------------|--------|--------------------------------|--------|---|--------------------|
| | | | FEET | METRES | FEET | METRES | FEET | METRES | | |
| WCH0038E-001 | 2 | 58034110-XXX - CABLE | 5 | 1.5 | 75 | 22.8 | 25 | 7.6 | WMSP645A-001 WHLA001A-001 WASP645A-001 WADC645A-001 | DISC MPC |
| WCH0038E-001 | 2 | 58034110-XXX CABLE | 5 | 1.5 | 75 | 22.8 | 25 | 7.6 | WMTP800A-001 WDCH800A-001 VIADC66LA-001 WADC800A-001 | TAPE MPC ADC |
| WIP0666E-001 | 1 | 58017984-XXX | 5 | 1.53 | 50 | 15.25 | 10 | 3.048 | | SCU |
| WIIP0001J | 1 | 58017984-XXX | 5 | 1.53 | 50 | 15.25 | 10 | 3.048 | | SCU |
| | | | | | | | | | | |
| | | | | | | | | | | |
| | | | | | | | | | | |

43C227335

| |
|-------------|
| |
| |
| |
| |
| |
| |
| |
| |
| REF SPEC NO |

| | | | | |
|---|------|---------------------------------|--|---------------------|
| UNLESS OTHERWISE SPECIFIED DIMENSIONS \rightarrow MILLIMETERS \leftarrow INCHES | | MATL. | Honeywell HONEYWELL INFORMATION SYSTEMS PHOENIX, ARIZONA U. S. A. | |
| TOLERANCE OF SIZE AND FORM PER INITIAL DESIGN | | TREAT. | | |
| PROJECTION | | FIN. | LOC. TITLE CABLE CONFIGURATOR | |
| SCALE | CODE | DR <i>Kaleka</i> 9/1 July 71 | SIZE C | DWG NO 43C227335 |
| | | | SH 2F | REV T |

MICROFICHE INDEX
 MODULE MANUAL
 MAGNETIC TAPE PROCESSOR WTMP66LA/C/E

| | |
|-------------------------------------|--------------|
| Card Box | 43A229674 AR |
| WTMP66LA/C/E TAB | 58010061-900 |
| | |
| EPS-2 Basic MPC | 43A232631 |
| EPS-2 Magnetic Tape Processor | 58035008 |
| | |
| MT8AC EWL | 58071465 |
| MT8BH EWL | 58071765 |
| MT8CB EWL | 58066965 |
| MPCFN EWL | 58048925 |
| MT8FX EWL | 58071475 |
| DURIM EWL | 58037405 |
| MPCNE/MPCNA EWL | 58055605 |
| MT8PB EWL | 58089275 |
| MT8RA EWL | 58063075 |
| MT8RC EWL | 58066975 |
| DURRO EWL | 58039725 |
| MT8WD EWL | 58071485 |
| MT83A EWL | 58066695 |
| | |
| Backpanel EWL TC3A0 | 58078225 |
| Backpanel EWL TC3A1 | 58078235 |

HONEYWELL CONFIDENTIAL & PROPRIETARY

THE INFORMATION CONTAINED IN THIS DOCUMENT PROPRIETARY TO HONEYWELL INFORMATION SYSTEMS, INC. AND IS INTENDED FOR INTERNAL HONEYWELL USE ONLY. SUCH INFORMATION MAY BE DISTRIBUTED TO OTHERS BY WRITTEN PERMISSION OF AN AUTHORIZED HONEYWELL OFFICIAL. THIS RESTRICTION DOES NOT APPLY TO VENDOR PROPRIETARY THAT MAY BE DISCLOSED IN THIS DOCUMENT.

58028075

| REV | AUTHORITY | DATE | | | SIGNATURE | TAB | SHEETS | | | | | | | | | | | | | |
|-----|---------------|------|-----|-----|------------|-----|--------|---|---|---|---|---|--|--|--|--|--|--|--|--|
| | | YR | MO | DAY | | 001 | 1 | 2 | 3 | - | 5 | F | | | | | | | | |
| A | LEVEL 1 ISSUE | 77 | FEB | 03 | Michaelson | A | | | | | | | | | | | | | | |
| | | | | | | | | | | | | | | | | | | | | |
| | | | | | | | | | | | | | | | | | | | | |
| | | | | | | | | | | | | | | | | | | | | |
| | | | | | | | | | | | | | | | | | | | | |
| | | | | | | | | | | | | | | | | | | | | |
| | | | | | | | | | | | | | | | | | | | | |
| | | | | | | | | | | | | | | | | | | | | |
| | | | | | | | | | | | | | | | | | | | | |
| | | | | | | | | | | | | | | | | | | | | |
| | | | | | | | | | | | | | | | | | | | | |
| | | | | | | | | | | | | | | | | | | | | |
| | | | | | | | | | | | | | | | | | | | | |
| | | | | | | | | | | | | | | | | | | | | |
| | | | | | | | | | | | | | | | | | | | | |
| | | | | | | | | | | | | | | | | | | | | |
| | | | | | | | | | | | | | | | | | | | | |
| | | | | | | | | | | | | | | | | | | | | |
| | | | | | | | | | | | | | | | | | | | | |
| | | | | | | | | | | | | | | | | | | | | |
| | | | | | | | | | | | | | | | | | | | | |
| | | | | | | | | | | | | | | | | | | | | |
| | | | | | | | | | | | | | | | | | | | | |
| | | | | | | | | | | | | | | | | | | | | |
| | | | | | | | | | | | | | | | | | | | | |
| | | | | | | | | | | | | | | | | | | | | |
| | | | | | | | | | | | | | | | | | | | | |

FMF WCH0038F FCF LATER

FOR CONTINUATION OF REVISION STATUS SEE SHEET

| | | | |
|---|--|--------------------------|------------------------------|
| Honeywell HONEYWELL INFORMATION SYSTEMS LOC PHOENIX, ARIZONA | MADE BY EDP 17 JAN 31 | TITLE WIRE LIST PSI FREE | |
| | APPROVED R E Jones 77 Feb 2 | EDGE TO FREE EDGE CABLE | |
| | REVISION STATUS FOR EACH PAGE SHEET OR GROUP IS SHOWN BY LAST ENTRY IN THE CORRESPONDING NUMBERED COLUMN | SIZE A | REVISION STATUS FOR 58028075 |
| | | SHEET 1/1 | REV A |

1) TYPE (WIRE TYPE : WIRE SIZE)
WIRE TYPE (SEE P.D.B. 7.2.1 FOR PREFERRED SIZES)

| CODE | DESCRIPTION | DWG. OR IDENT. |
|------|----------------------|----------------|
| A | 1/C STRANDED | 43A167218 |
| B | 1/C SOLID | 43A167218 |
| C | 1/C 600V STRANDED | 43A167219 |
| D | 1/C 600V SOLID | 43A167219 |
| E | TW. PR. STRANDED | 43A162530 |
| F | SHLD. TW. PR. STRND | 878R247 |
| G | TENDRIL WIRE | |
| H | TW. TRIPLE STRND | 12A8267 |
| J | JUMPER | 43A114946 |
| K | 1/C SHLD STRND | 43R135641 |
| L | (RESERVED) | |
| M | BARE SOLID | 43R111126 |
| N | TW. PR. | 43A180043 |
| P | WIRE WRAP G/D #24 | 43A127043 |
| Q | KYNAR TW. PR. SOLID | 43A175958 |
| R | WIRE WRAP G/D #30 | 43A167256 |
| S | 1/C SHLD STRND | 878R285 |
| T | CABLE STRAP | 43B228384 |
| U | JUMPER | 43A108800 |
| V | A. C. 3 COND. WIRE | 12A8230 |
| W | RUSS-BAR JUMPER | 43R111125 |
| X | 30 AWG RIBBON CABLE | 58005026 |
| Y | 27 AWG RIBBON CABLE | 58005027 |
| Z | 75 OHM COAXIAL CABLE | 58000062 |

WIRE SIZE

| CODE | GAGE (AWG) | |
|------|------------|--|
| A | 4 | |
| B | 6 | |
| C | 8 (LO) | |
| D | 10 (LO) | |
| F | 12 (LO) | |
| G | 14 | |
| H | 16 | |
| J | 18 | |
| K | 20 | |
| L | 22 | |
| M | 24 | |
| N | 26 | |
| P | 28 | |
| Q | (NONE) | |
| R | 30 | |
| S | 8 (HIGH) | |
| T | 10 (HIGH) | |
| | 12 (HIGH) | |

I PIN CODING AS FOLLOWS - 0A - UPPER CASE A
I AA - UPPER CASE AA
I 1A - LOWER CASE A
I 2A - LOWER CASE AA

NOTE:
ON TWISTED PAIR WIRING, THE LIGHTER
COLOR WIRE IS THE GROUND WIRE, DARKER
WIRE THE SIGNAL.

FOR DOCUMENT STATUS, SEE REVISION STATUS SHEET

2) COLOR CODE (WIRE COLOR : TRACER COLOR)

| CODE | COLOR |
|------|----------------|
| 0 | BLACK |
| 1 | BROWN |
| 2 | RED |
| 3 | ORANGE |
| 4 | YELLOW |
| 5 | GREEN |
| 6 | BLUE |
| 7 | PURPLE |
| 8 | GRAY |
| 9 | WHITE |
| - | NONE SPECIFIED |

3) TERMINATIONS (FROM END : TO END)

TYPE

| | |
|---|-------------------------------------|
| A | SOLDERLESS |
| B | 43C140824P1,P3,P5 |
| C | 43C140824P2,P4,P5 |
| D | 43C140847P1 OR 43C140824P1,P3,P5,P7 |
| F | TEMP SENSER 43A216171 |
| F | FASTON |
| G | (RESERVED) |
| H | WIRE-WRAPPED |
| J | CONTACT |
| K | SPLICE |
| L | CRIMPED CONTACT (REPG) 43B216106 |
| M | 43C140824P2,P4,P5,P7 |
| N | SOLDER |
| P | (RESERVED) |
| Q | STRIP-CRIMP LATER |
| R | STRIP-TIN |
| S | FERRULE |
| T | WIRE-WRAPPED & SOLDER |
| U | 43B112143 |
| V | (RESERVED) |
| W | 43D140854P2 |
| X | 43D140854P1 |
| Y | 43D140854P3 |
| Z | 43D140854P4 |

WIRE LIST
 PSI FREE EDGE TO FREE EDGE CABLE 3

58028075

| TAB | SEQ | FROM | TO | TY | CL | TM | LOGIC | RV | BK |
|-----|------|----------|--------|----|----|----|-------------------|----|----|
| 001 | 0001 | P1-A02 | P1-A04 | RQ | 66 | HH | *PS-DATA-0;100 | | JJ |
| 001 | 0002 | P1-A05 | P1-A10 | RQ | 66 | HH | *PS-DATA-1;100 | | JJ |
| 001 | 0003 | P1-A13 | P1-A19 | RQ | 66 | HH | *PS-DATA-2;100 | | JJ |
| 001 | 0004 | P1-A14 | P1-A21 | RQ | 66 | HH | *PS-DATA-3;100 | | JJ |
| 001 | 0005 | P1-A03 | P1-A06 | RQ | 66 | HH | *PS-DATA-4;100 | | JJ |
| 001 | 0006 | P1-A11 | P1-A15 | RQ | 66 | HH | *PS-DATA-5;100 | | JJ |
| 001 | 0007 | P1-B10 | P1-B14 | RQ | 66 | HH | *PS-DATA-6;100 | | JJ |
| 001 | 0008 | P1-B18 | P1-B20 | RQ | 66 | HH | *PS-DATA-7;100 | | JJ |
| 001 | 0009 | P1-C19 | P1-C21 | RQ | 66 | HH | *PS-DATA-PRTY;100 | | JJ |
| 001 | 0010 | P2-A02 | P2-A04 | RQ | 66 | HH | | | JJ |
| 001 | 0011 | P2-A10 | P2-A05 | RQ | 66 | HH | | | JJ |
| 001 | 0012 | P2-A19 | P2-A13 | RQ | 66 | HH | | | JJ |
| 001 | 0013 | P2-A21 | P2-A14 | RQ | 66 | HH | | | JJ |
| 001 | 0014 | P2-A03 | P2-A06 | RQ | 66 | HH | | | JJ |
| 001 | 0015 | P2-A11 | P2-A15 | RQ | 66 | HH | | | JJ |
| 001 | 0016 | P2-B10 | P2-B14 | RQ | 66 | HH | | | JJ |
| 001 | 0017 | P2-B18 | P2-B20 | RQ | 66 | HH | | | JJ |
| 001 | 0018 | P2-C19 | P2-C21 | RQ | 66 | HH | | | JJ |
| 001 | | CABLE #1 | | | | | | | |
| 001 | 0019 | P1-A02 | P2-A02 | XQ | 66 | HH | *PS-DATA-0;100 | | TP |
| 001 | 0020 | P1-A00 | P2-A00 | XQ | 44 | HH | *PS-DATA-0;100GN | | TP |
| 001 | 0021 | P1-A10 | P2-A10 | XQ | 66 | HH | *PS-DATA-1;100 | | TP |
| 001 | 0022 | P1-A08 | P2-A08 | XQ | 44 | HH | *PS-DATA-1;100GN | | TP |
| 001 | 0023 | P1-A19 | P2-A19 | XQ | 66 | HH | *PS-DATA-2;100 | | TP |
| 001 | 0024 | P1-A17 | P2-A17 | XQ | 44 | HH | *PS-DATA-2;100GN | | TP |
| 001 | 0025 | P1-A21 | P2-A21 | XQ | 66 | HH | *PS-DATA-3;100 | | TP |
| 001 | 0026 | P1-B01 | P2-B01 | XQ | 44 | HH | *PS-DATA-3;100GN | | TP |
| 001 | 0027 | P1-A03 | P2-A03 | XQ | 66 | HH | *PS-DATA-4;100 | | TP |
| 001 | 0028 | P1-A01 | P2-A01 | XQ | 44 | HH | *PS-DATA-4;100GN | | TP |
| 001 | 0029 | P1-A11 | P2-A11 | XQ | 66 | HH | *PS-DATA-5;100 | | TP |
| 001 | 0030 | P1-A09 | P2-A09 | XQ | 44 | HH | *PS-DATA-5;100GN | | TP |
| 001 | 0031 | P1-B10 | P2-B10 | XQ | 66 | HH | *PS-DATA-6;100 | | TP |
| 001 | 0032 | P1-B12 | P2-B11 | XQ | 44 | HH | *PS-DATA-6;100GN | | TP |
| 001 | 0033 | P1-B18 | P2-B18 | XQ | 66 | HH | *PS-DATA-7;100 | | TP |
| 001 | 0034 | P1-B16 | P2-B16 | XQ | 44 | HH | *PS-DATA-7;100GN | | TP |

Honeywell

WIRE LIST
 PSI FREE EDGE TO FREE EDGE CABLE 4

58028075

| TAB | SEQ | FROM | TO | TY | CL | TM | LOGIC | RV | BK |
|-----|------|----------|--------|----|----|----|------------------|----|----|
| 001 | 0035 | P1-C19 | P2-C19 | XQ | 66 | HH | *PS-DATA-8;100 | | TP |
| 001 | 0036 | P1-C17 | P2-C17 | XQ | 44 | HH | *PS-DATA-8;100GN | | TP |
| 001 | 0037 | P1-B11 | P2-C00 | XQ | 66 | HH | *PS-RS0;100 | | TP |
| 001 | 0038 | P1-B13 | P2-C01 | XQ | 44 | HH | *PS-RS0;100GN | | TP |
| 001 | 0039 | P1-B19 | P2-D07 | XQ | 66 | HH | *PS-CPW;100 | | TP |
| 001 | 0040 | P1-B17 | P2-D06 | XQ | 44 | HH | *PS-CPW;100GN | | TP |
| 001 | 0041 | P1-C15 | P2-B21 | XQ | 66 | HH | *PS-IIW;100 | | TP |
| 001 | 0042 | P1-C14 | P2-B17 | XQ | 44 | HH | *PS-IIW;100GN | | TP |
| 001 | 0043 | P1-D09 | P2-D00 | XQ | 66 | HH | *PS-OP0;100 | | TP |
| 001 | 0044 | P1-D10 | P2-D02 | XQ | 44 | HH | *PS-OP0;100GN | | TP |
| 001 | 0045 | P1-D00 | P2-D09 | XQ | 66 | HH | *PS-OPI;100 | | TP |
| 001 | 0046 | P1-D02 | P2-D10 | XQ | 44 | HH | *PS-OPI;100GN | | TP |
| 001 | 0047 | P1-C00 | P2-D16 | XQ | 66 | HH | *PS-SCI;100 | | TP |
| 001 | 0048 | P1-C01 | P2-D17 | XQ | 44 | HH | *PS-SCI;100GN | | TP |
| 001 | | CABLE #2 | | | | | | | |
| 001 | 0049 | P1-C08 | P2-C09 | XQ | 66 | HH | *PS-TMI;100 | | TP |
| 001 | 0050 | P1-C06 | P2-C13 | XQ | 44 | HH | *PS-TMI;100GN | | TP |
| 001 | 0051 | P1-C05 | P2-C09 | XQ | 66 | HH | *PS-TMI;100 | | TP |
| 001 | 0052 | P1-C06 | P2-C13 | XQ | 44 | HH | *PS-TMI;100GN | | TP |
| 001 | 0053 | P1-C05 | P2-C11 | XQ | 66 | HH | *PS-TMI;100 | | TP |
| 001 | 0054 | P1-C06 | P2-C13 | XQ | 44 | HH | *PS-TMI;100GN | | TP |
| 001 | 0055 | P1-C11 | P2-B15 | XQ | 66 | HH | *PS-ST0;100 | | TP |
| 001 | 0056 | P1-C13 | P2-B13 | XQ | 44 | HH | *PS-ST0;100GN | | TP |
| 001 | 0057 | P1-C10 | P2-B15 | XQ | 66 | HH | *PS-ST0;100 | | TP |
| 001 | 0058 | P1-C13 | P2-B13 | XQ | 44 | HH | *PS-ST0;100GN | | TP |
| 001 | 0059 | P1-C10 | P2-B12 | XQ | 66 | HH | *PS-ST0;100 | | TP |
| 001 | 0060 | P1-C13 | P2-B13 | XQ | 44 | HH | *PS-ST0;100GN | | TP |
| 001 | 0061 | P1-D07 | P2-D15 | XQ | 66 | HH | *PS-STI;100 | | TP |
| 001 | 0062 | P1-D06 | P2-D20 | XQ | 44 | HH | *PS-STI;100GN | | TP |

Honeywell

WIRE LIST
 PSI FREE EDGE TO FREE EDGE CABLE

58028075

5F

| TAB | SEQ | FROM | TO | TY | CL | TM | LOGIC | RV | BK |
|-----|------|--------|--------|----|----|----|---------------|----|----|
| 001 | 0063 | P1-D05 | P2-D15 | XQ | 66 | HH | *PS-STI;100 | | TP |
| 001 | 0064 | P1-D06 | P2-D20 | XQ | 44 | HH | *PS-STI;100GN | | TP |
| 001 | 0065 | P1-D05 | P2-D21 | XQ | 66 | HH | *PS-STI;100 | | TP |
| 001 | 0066 | P1-D06 | P2-D20 | XQ | 44 | HH | *PS-STI;100GN | | TP |
| 001 | 0067 | P1-D16 | P2-C05 | XQ | 66 | HH | *PS-SEQ;100 | | TP |
| 001 | 0068 | P1-D17 | P2-C06 | XQ | 44 | HH | *PS-SEQ;100GN | | TP |
| 001 | 0069 | P1-D15 | P2-C05 | XQ | 66 | HH | *PS-SEQ;100 | | TP |
| 001 | 0070 | P1-D17 | P2-C06 | XQ | 44 | HH | *PS-SEQ;100GN | | TP |
| 001 | 0071 | P1-D15 | P2-C08 | XQ | 66 | HH | *PS-SEQ;100 | | TP |
| 001 | 0072 | P1-D17 | P2-C06 | XQ | 44 | HH | *PS-SEQ;100GN | | TP |
| 001 | 0073 | P1-D21 | P2-D08 | XQ | 66 | HH | *PS-TMO;100 | | TP |
| 001 | 0074 | P1-D20 | P2-D11 | XQ | 44 | HH | *PS-TMO;100GN | | TP |
| 001 | 0075 | P1-D19 | P2-D08 | XQ | 66 | HH | *PS-TMO;100 | | TP |
| 001 | 0076 | P1-D20 | P2-D11 | XQ | 44 | HH | *PS-TMO;100GN | | TP |
| 001 | 0077 | P1-D19 | P2-D14 | XQ | 66 | HH | *PS-TMO;100 | | TP |
| 001 | 0078 | P1-D20 | P2-D11 | XQ | 44 | HH | *PS-TMO;100GN | | TP |

Honeywell

EDA 77 JAN 31

77 JAN 31

REV A

58028075

5F

THE INFORMATION CONTAINED IN THIS DOCUMENT PROPRIETARY TO HONEYWELL INFORMATION SYSTEMS, INC. AND IS INTENDED FOR INTERNAL HONEYWELL USE ONLY. SUCH INFORMATION MAY BE DISTRIBUTED TO OTHERS BY WRITTEN PERMISSION OF AN AUTHORIZED HONEYWELL OFFICIAL. THIS RESTRICTION DOES NOT APPLY TO VENDOR PROPRIETARY THAT MAY BE DISCLOSED IN THIS DOCUMENT.

58040066

| REV | AUTHORITY | DATE | | | SIGNATURE | DWG SHEET NUMBER | | | | | | | | | | | | | | | | | | | | | | | | | | | | | | | | | | |
|-----|---------------|------|----|-----|--------------------|------------------|---|---|---|---|--|--|--|--|--|--|--|--|--|--|--|--|--|--|--|--|--|--|--|--|--|--|--|--|--|--|--|--|--|--|
| | | YR | MO | DAY | | 1 | 2 | 3 | 4 | 5 | | | | | | | | | | | | | | | | | | | | | | | | | | | | | | |
| A | LEVEL 3 ISSUE | 78 | 05 | 15 | <i>[Signature]</i> | A | A | A | A | A | | | | | | | | | | | | | | | | | | | | | | | | | | | | | | |
| B | PHAØBE004 | 78 | 05 | 11 | C. M. Ripley | B | B | B | B | B | | | | | | | | | | | | | | | | | | | | | | | | | | | | | | |
| C | PHAØBB091 | 79 | 02 | 15 | Bonnie Carr | C | C | C | C | C | | | | | | | | | | | | | | | | | | | | | | | | | | | | | | |
| | | | | | | | | | | | | | | | | | | | | | | | | | | | | | | | | | | | | | | | | |
| | | | | | | | | | | | | | | | | | | | | | | | | | | | | | | | | | | | | | | | | |
| | | | | | | | | | | | | | | | | | | | | | | | | | | | | | | | | | | | | | | | | |
| | | | | | | | | | | | | | | | | | | | | | | | | | | | | | | | | | | | | | | | | |
| | | | | | | | | | | | | | | | | | | | | | | | | | | | | | | | | | | | | | | | | |
| | | | | | | | | | | | | | | | | | | | | | | | | | | | | | | | | | | | | | | | | |
| | | | | | | | | | | | | | | | | | | | | | | | | | | | | | | | | | | | | | | | | |
| | | | | | | | | | | | | | | | | | | | | | | | | | | | | | | | | | | | | | | | | |
| | | | | | | | | | | | | | | | | | | | | | | | | | | | | | | | | | | | | | | | | |
| | | | | | | | | | | | | | | | | | | | | | | | | | | | | | | | | | | | | | | | | |
| | | | | | | | | | | | | | | | | | | | | | | | | | | | | | | | | | | | | | | | | |
| | | | | | | | | | | | | | | | | | | | | | | | | | | | | | | | | | | | | | | | | |
| | | | | | | | | | | | | | | | | | | | | | | | | | | | | | | | | | | | | | | | | |
| | | | | | | | | | | | | | | | | | | | | | | | | | | | | | | | | | | | | | | | | |
| | | | | | | | | | | | | | | | | | | | | | | | | | | | | | | | | | | | | | | | | |
| | | | | | | | | | | | | | | | | | | | | | | | | | | | | | | | | | | | | | | | | |
| | | | | | | | | | | | | | | | | | | | | | | | | | | | | | | | | | | | | | | | | |
| | | | | | | | | | | | | | | | | | | | | | | | | | | | | | | | | | | | | | | | | |
| | | | | | | | | | | | | | | | | | | | | | | | | | | | | | | | | | | | | | | | | |
| | | | | | | | | | | | | | | | | | | | | | | | | | | | | | | | | | | | | | | | | |
| | | | | | | | | | | | | | | | | | | | | | | | | | | | | | | | | | | | | | | | | |
| | | | | | | | | | | | | | | | | | | | | | | | | | | | | | | | | | | | | | | | | |
| | | | | | | | | | | | | | | | | | | | | | | | | | | | | | | | | | | | | | | | | |
| | | | | | | | | | | | | | | | | | | | | | | | | | | | | | | | | | | | | | | | | |
| | | | | | | | | | | | | | | | | | | | | | | | | | | | | | | | | | | | | | | | | |
| | | | | | | | | | | | | | | | | | | | | | | | | | | | | | | | | | | | | | | | | |

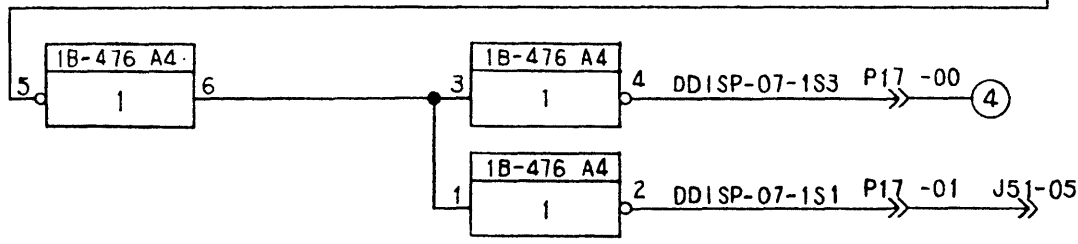
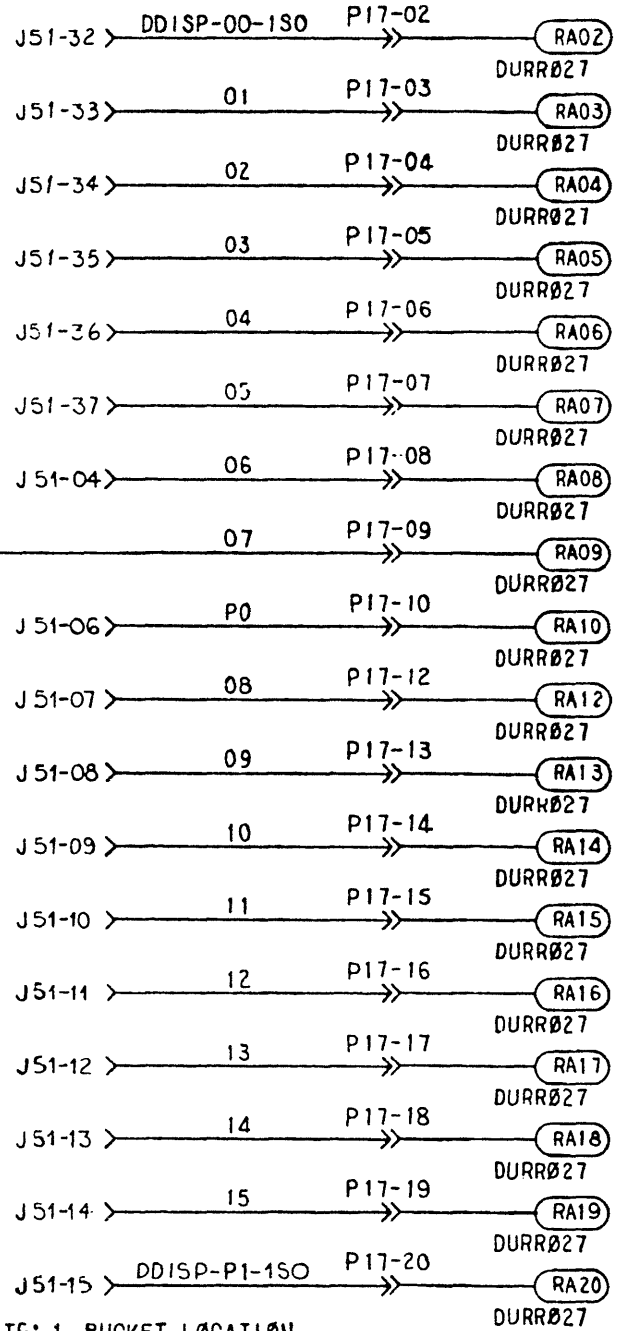
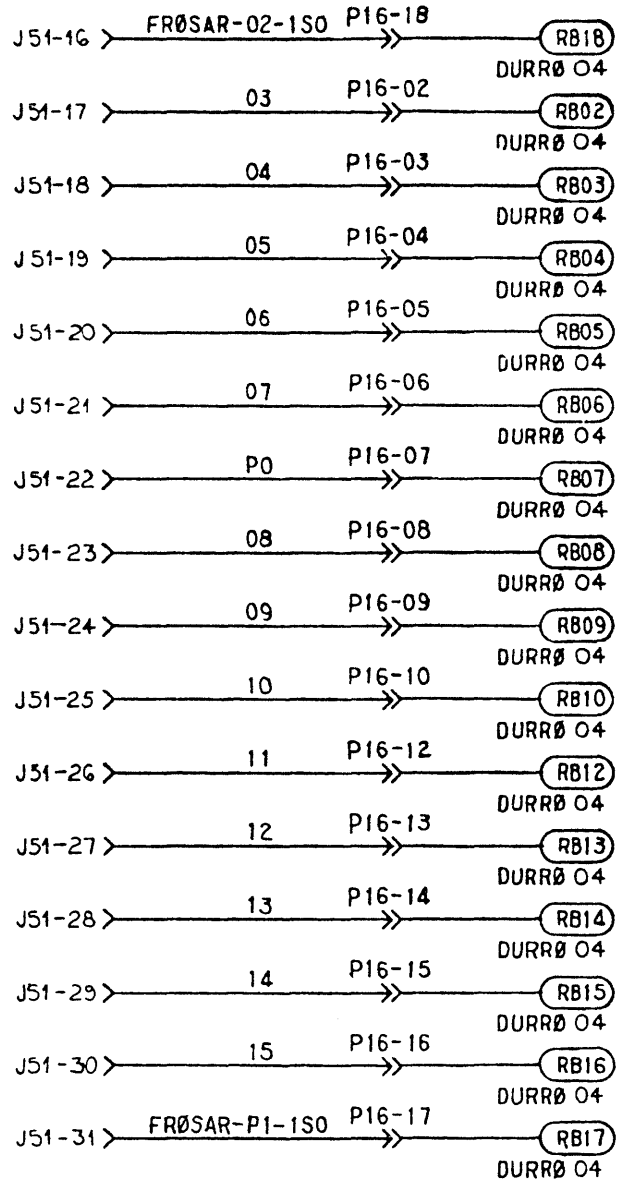
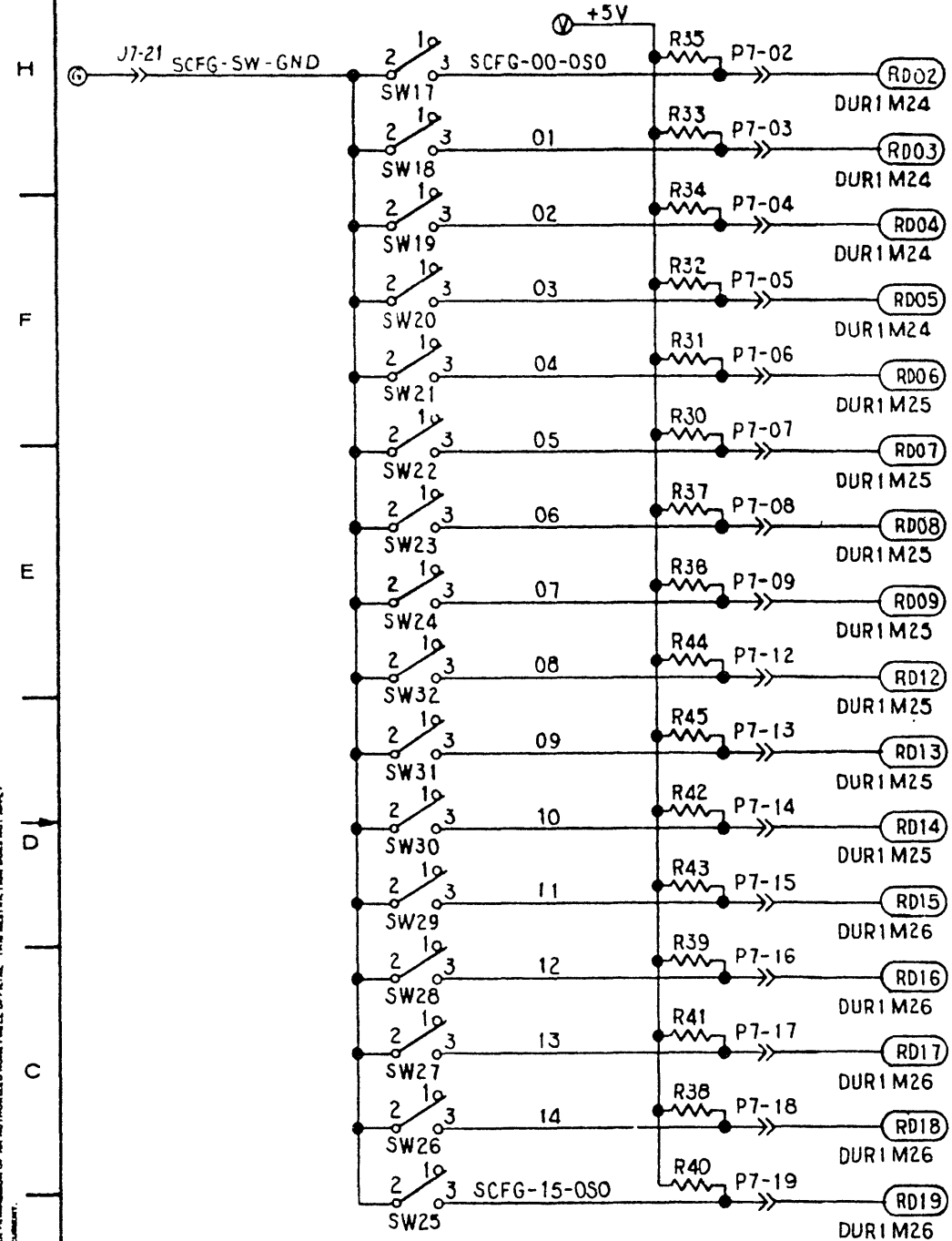
FOR CONTINUATION OF REVISION STATUS SEE SHEET

| | | | | |
|--|---|---------------|-------------------------------------|------------------|
| <p>Honeywell</p> <p>HONEYWELL INFORMATION SYSTEMS</p> <p>LOC PHOENIX, ARIZONA</p> | MADE BY <i>C. M. Ripley</i> 78 MAR 6 | | TITLE | |
| | APPROVED <i>T. Thomas</i> 5/10/79 | | SCHEMATIC DIAGRAM | |
| | REVISION STATUS FOR EACH PAGE, SHEET OR GROUP IS SHOWN BY LAST ENTRY IN THE CORRESPONDING NUMBERED COLUMN | SIZE D | REVISION STATUS FOR 58040066 | SHEET 1/1 |

CE 300 A-3 (12-71) BRUNING 44-141

DIST. CODE - C68-10

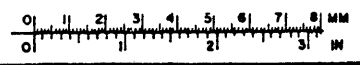
| REVISIONS | | | | |
|-----------|-----------|-----------|-----------|--|
| REV | AUTHORITY | DATE | SIGNATURE | |
| | | YE MO DAY | | |
| | | | | |



- NOTE: 1. **BUCKET LOCATION**
 AA1-FREE STANDING
 AA0-10M URP
 AA4-ICU MSP
 AB5-ICU-URP
2. THE PWR THAT IS PART OF THIS UNIT IS 58039465 (SCHEM)
3. ALL RESISTORS EXCEPT WHERE OTHERWISE NOTED ARE 1K 1/2W
- FOR DOCUMENT STATUS, SEE REVISION STATUS SHEET

THE INFORMATION CONTAINED IN THIS DOCUMENT IS PROPRIETARY TO HONEYWELL INFORMATION SYSTEMS AND IS INTENDED FOR INTERNAL HONEYWELL USE ONLY. SUCH INFORMATION MAY BE DISTRIBUTED TO OTHERS ONLY BY WRITTEN PERMISSION OF AN AUTHORIZED HONEYWELL OFFICIAL. THIS RESTRICTION DOES NOT APPLY TO VENDOR PROPRIETARY PARTS THAT MAY BE INCLUDED IN THIS DOCUMENT.

| |
|--|
| |
| |
| |
| |
| |
| |
| |
| |
| |
| |
| |
| |
| |

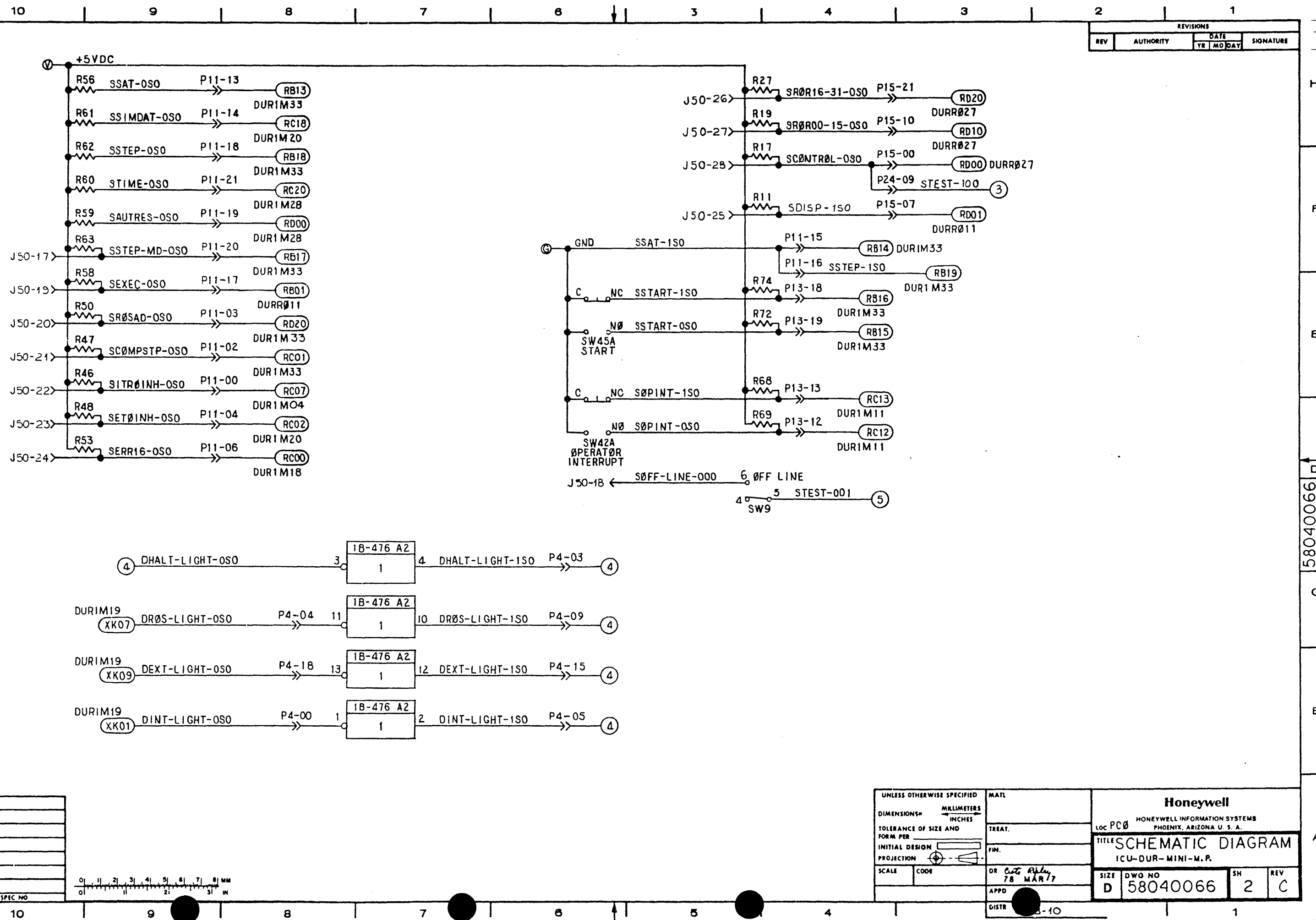


| | | | | | |
|---|------|--------------------------------------|--|-------------------------|----------|
| UNLESS OTHERWISE SPECIFIED | | MATERIAL | | Honeywell | |
| DIMENSIONS— MILLIMETERS INCHES | | TREAT: <i>17/6/78 Agustin 2/2/81</i> | | LOC PC0 | |
| TOLERANCE OF SIZE AND FORM PER INITIAL DESIGN | | FIN. | | TITLE SCHEMATIC DIAGRAM | |
| PROJECTION | | DR <i>Art Pichay</i> | | ICU-DUR-MINI-M. P. | |
| SCALE | CODE | APPD <i>78 MAR 78</i> | | SIZE | DWG NO |
| | | DISTR C68-10 | | D | 58040066 |
| | | | | SH | REV |
| | | | | 1/5 | C |

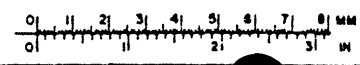
58040066

| REVISIONS | | | |
|-----------|-----------|-----------------------|-----------|
| REV | AUTHORITY | DATE YR MO DAY | SIGNATURE |
| | | | |

THE INFORMATION CONTAINED IN THIS DOCUMENT IS PROPRIETARY TO HONEYWELL INFORMATION SYSTEMS AND IS INTENDED FOR INTERNAL USE ONLY. IT IS NOT TO BE DISTRIBUTED TO OTHERS OR BY ANY MEANS IN ANY FORM OR BY ANY MEANS, WITHOUT THE EXPRESS WRITTEN PERMISSION OF HONEYWELL INFORMATION SYSTEMS.



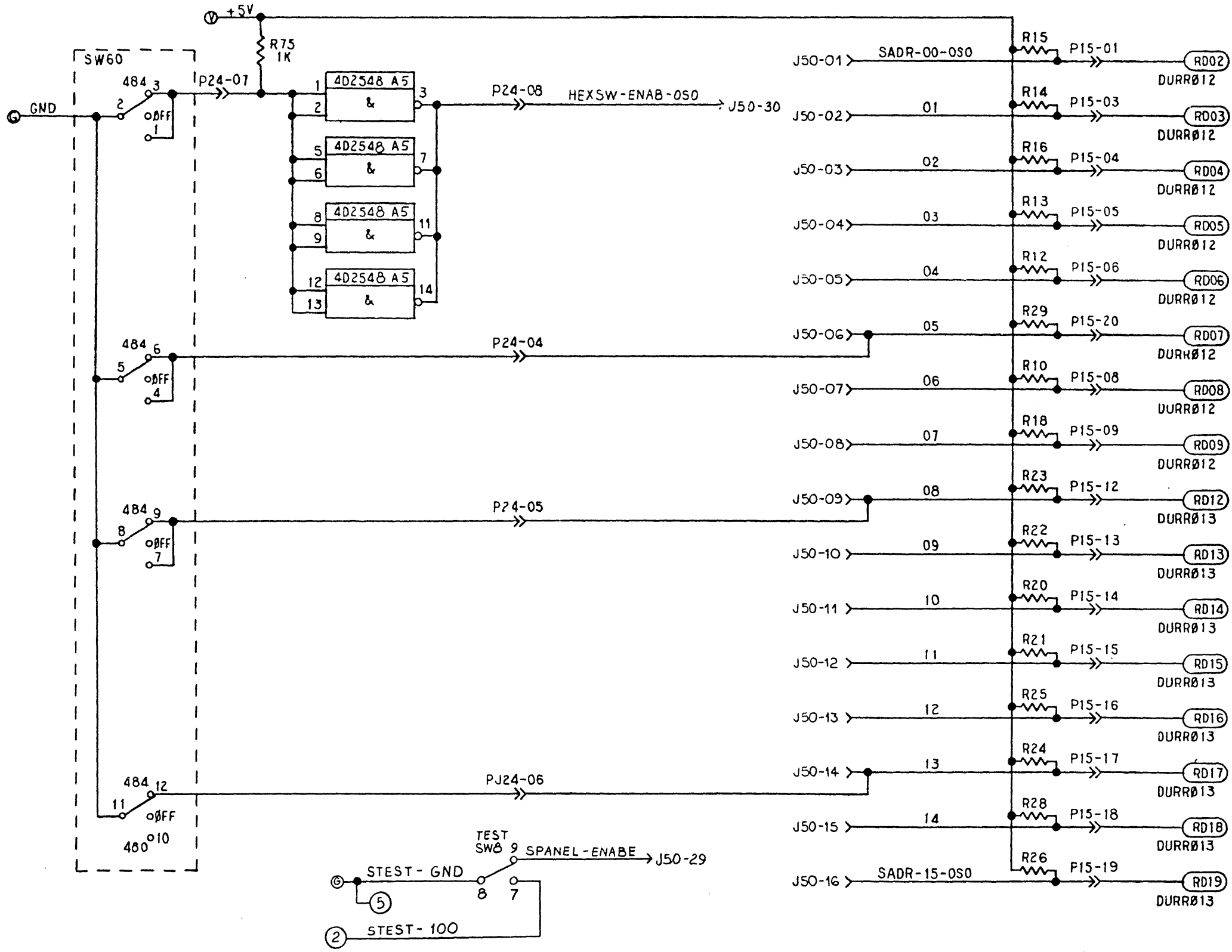
| REV | DATE | BY | CHKD | APPD |
|-----|------|----|------|------|
| | | | | |



| | | | |
|--------------------------------|--------------------------------|--|------------------------|
| UNLESS OTHERWISE SPECIFIED | MATL | Honeywell | |
| DIMENSIONS— | TREAT. | HONEYWELL INFORMATION SYSTEMS PHOENIX, ARIZONA U. S. A. | |
| TOLERANCE OF SIZE AND FORM PER | FIN. | LOC PCØ | |
| INITIAL DESIGN PROJECTION | DR <i>Costley</i> 78 MAR 77 | TITLE SCHEMATIC DIAGRAM ICU-DUR-MINI-M.P. | |
| SCALE CODE | APPD | SIZE D | DWG NO 58040066 |
| GISTR | | SH 2 | REV C |

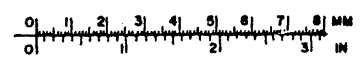
58040066

| REVISIONS | | | |
|-----------|-----------|------|-----------|
| REV | AUTHORITY | DATE | SIGNATURE |
| | | | |



THE INFORMATION CONTAINED IN THIS DOCUMENT IS PROPRIETARY TO HONEYWELL INFORMATION SYSTEMS AND IS INTENDED FOR INTERNAL HONEYWELL USE ONLY. SUCH INFORMATION MAY BE DISTRIBUTED TO OTHERS ONLY BY WRITTEN PERMISSION OF AN AUTHORIZED HONEYWELL OFFICIAL. THIS RESTRICTION DOES NOT APPLY TO VENDOR PROPRIETARY PARTS THAT MAY BE ENCLOSED IN THIS DOCUMENT.

| |
|--|
| |
| |
| |
| |
| |
| |
| |
| |

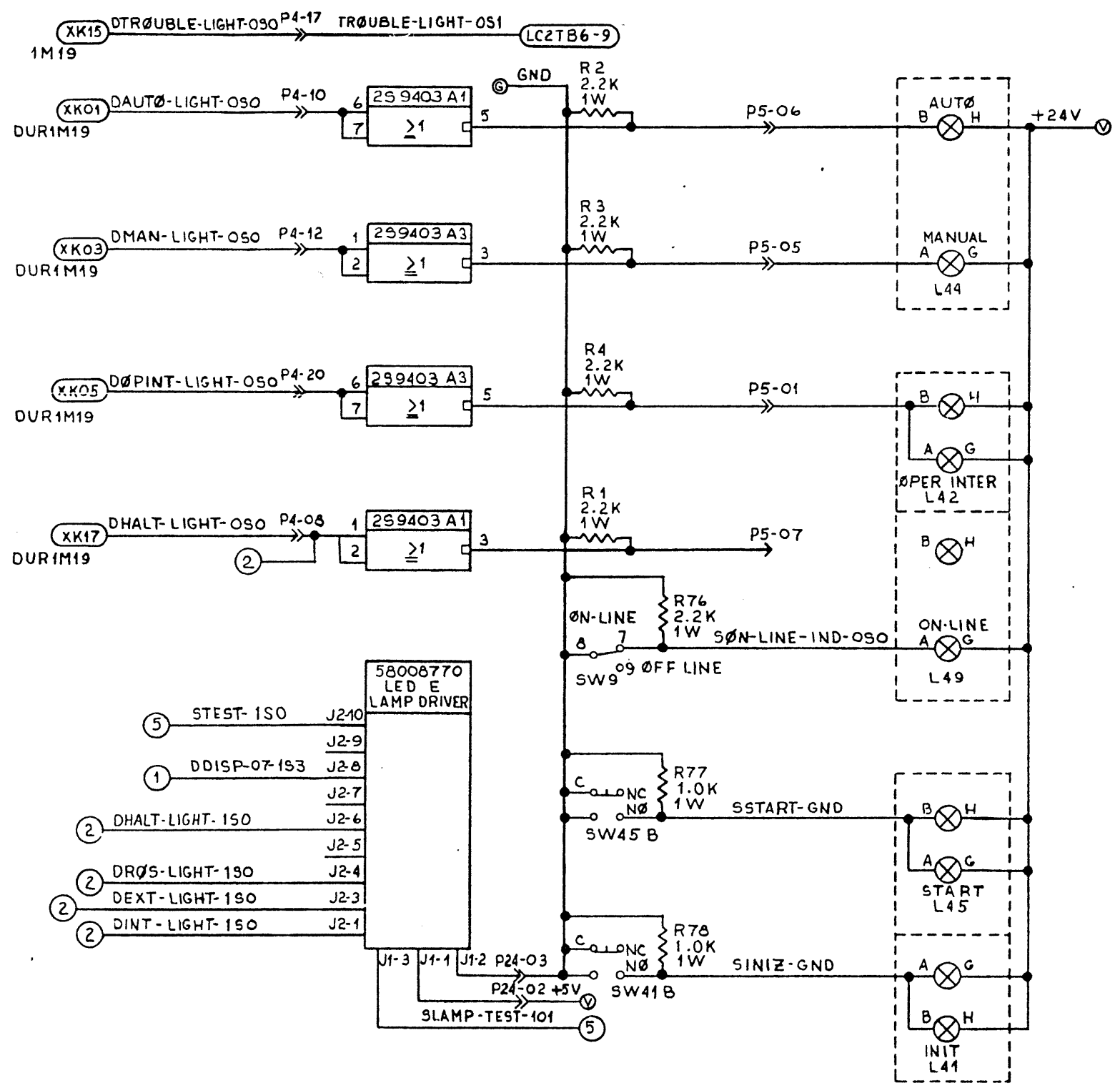


| | | |
|---|------------|-----------------------------------|
| UNLESS OTHERWISE SPECIFIED | | MATL |
| DIMENSIONS = $\frac{\text{MILLIMETERS}}{\text{INCHES}}$ | | TREAT. |
| TOLERANCE OF SIZE AND FORM PER | | FN. |
| INITIAL DESIGN | PROJECTION | DR <i>Chris Riley</i> 78 MAR 8 |
| SCALE | CODE | APPD |
| DISTR | | C68-10 |

| | | |
|--|--|----------------------|
| Honeywell HONEYWELL INFORMATION SYSTEMS PHOENIX, ARIZONA U. S. A. | | LOC PC |
| | | TITLE |
| SIZE DWG NO D 58040066 | | SH REV 3 C |

58040066

| REVISIONS | | | |
|-----------|-----------|------|-----------|
| REV | AUTHORITY | DATE | SIGNATURE |
| YR | MO | DAY | |
| | | | |



- | | | |
|---|-----------------|-------|
| ⑤ | STEST-150 | J2-10 |
| ① | DDISP-07-153 | J2-9 |
| | | J2-8 |
| | | J2-7 |
| ② | DHALT-LIGHT-150 | J2-6 |
| | | J2-5 |
| ② | DRØS-LIGHT-150 | J2-4 |
| ② | DEXT-LIGHT-150 | J2-3 |
| ② | DINT-LIGHT-150 | J2-1 |

THE INFORMATION CONTAINED HEREIN IS UNCLASSIFIED EXCEPT WHERE SHOWN OTHERWISE AND IS INTENDED FOR INTERNAL USE ONLY. IT IS THE PROPERTY OF HONEYWELL INFORMATION SYSTEMS AND IS NOT TO BE DISTRIBUTED TO OTHERS WITHOUT THE WRITTEN PERMISSION OF AN AUTHORIZED REPRESENTATIVE OF HONEYWELL INFORMATION SYSTEMS. THIS INFORMATION IS UNCLASSIFIED EXCEPT WHERE SHOWN OTHERWISE AND IS INTENDED FOR INTERNAL USE ONLY.

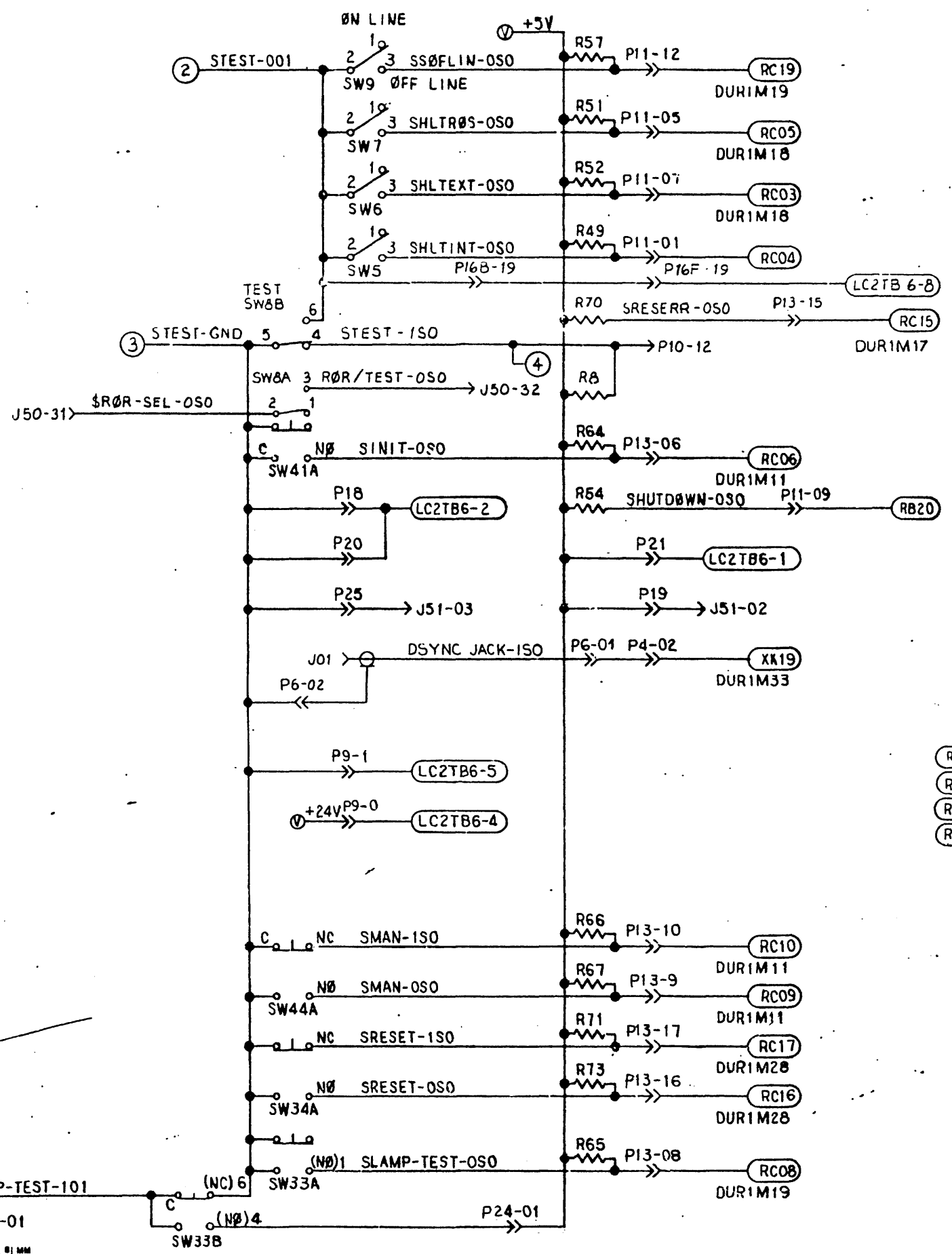
| | |
|-------------|--|
| REF SPEC NO | |
| DATE | |
| REV | |
| APPD | |
| DISTR | |

01 11 21 31 41 51 61 71 81 MM
 01 11 21 31 41 51 IN

| | | | |
|---|----------|--|-----|
| UNLESS OTHERWISE SPECIFIED | | MATERIAL | |
| DIMENSIONS* MILLIMETERS INCHES | | | |
| TOLERANCE OF SIZE AND FORM PER INITIAL DESIGN | | TREAT. | |
| PROJECTION | | FIN. | |
| SCALE | CODE | DR <i>Butt P...</i> | |
| | | 78 MAR 9 | |
| | | APPD | |
| | | DISTR | |
| Honeywell HONEYWELL INFORMATION SYSTEMS PHOENIX, ARIZONA U. S. A. | | TITLE SCHEMATIC DIAGRAM ICU-DUR-MINI-M.R. | |
| SIZE | DWO NO | SH | REV |
| D | 58040066 | 4 | C |
| 8-10 | | | |

58040066

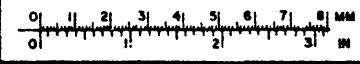
| REVISIONS | | | |
|-----------|-----------|-----------|-----------|
| REV | AUTHORITY | DATE | SIGNATURE |
| | | YR MO DAY | |



- RD11 D HELP -ISO
- RD10 DPSCØNFIDENCE-1S1
- RB08 DPSCØNFIDENCE-1S1-ØN1
- LC2TB6-3
- RB09 DPSCØNFIDENCE-1S1-ØN1
- LC2TB6-10
- RD10 DHELP-ISO
- RD11

THE INFORMATION CONTAINED IN THIS DOCUMENT IS PROPRIETARY TO HONEYWELL INFORMATION SYSTEMS AND IS INTENDED FOR INTERNAL USE ONLY. NO PART OF THIS DOCUMENT IS TO BE REPRODUCED OR TRANSMITTED IN ANY FORM OR BY ANY MEANS, ELECTRONIC OR MECHANICAL, INCLUDING PHOTOCOPYING, RECORDING, OR BY ANY INFORMATION STORAGE AND RETRIEVAL SYSTEM, WITHOUT PERMISSION IN WRITING FROM HONEYWELL INFORMATION SYSTEMS.

| | |
|--|--|
| | |
| | |
| | |
| | |
| | |
| | |
| | |
| | |
| | |
| | |
| | |



| | | | |
|--------------------------------|-------------|--|----------------------------------|
| UNLESS OTHERWISE SPECIFIED | | MATERIAL | |
| DIMENSIONS = | MILLIMETERS | | |
| TOLERANCE OF SIZE AND FORM PER | INCHES | | |
| INITIAL DESIGN PROJECTION | | | |
| SCALE | CODE | | |
| | | Honeywell HONEYWELL INFORMATION SYSTEMS PHOENIX, ARIZONA U. S. A. | |
| | | LOC PCØ TITLE SCHEMATIC DIAGRAM 1 CU-DUR-MINI-M. R. | |
| | | DR <i>Carl P. ...</i> 78 MAR 78 | SIZE DWG NO D 58040066 |
| | | APPD DISTR CGØ-1Ø | SH REV 5F C |

58040066

58078303

| REV | AUTHORITY | DATE | | | SIGNATURE | TAB'S | | | | | | | | | | SHEETS | | | | | |
|-----|---------------|------|----|-----|--------------------|----------|-----|-----|--|--|--|--|--|--|--|--------|---|---|---|---|---|
| | | YR | MO | DAY | | 001 | 002 | 003 | | | | | | | | | 1 | 2 | 3 | | |
| A | LEVEL 3 ISSUE | 83 | 09 | 23 | <i>C. Seabrook</i> | A | | | | | | | | | | | | | A | A | A |
| B | PHAXS 330 | 83 | 11 | 02 | <i>S. Miller</i> | B | B | | | | | | | | | | | | B | B | B |
| C | PHAXS 611 | 84 | 11 | 19 | <i>K. Drenth</i> | C | C | C | | | | | | | | | | | C | C | C |
| | | | | | | OBSOLETE | | | | | | | | | | | | | | | |
| | | | | | | OBSOLETE | | | | | | | | | | | | | | | |

STD: 58037000

FCE: 58060877-001 FME: MTP66LA-001

FOR CONTINUATION OF REVISION STATUS SEE SHEET

BRUNING 44-141 40366

Honeywell

HONEYWELL INFORMATION SYSTEMS INC.
LOC PHOENIX, ARIZONA

MADE BY *DAPS* 83 SEPT 6

APPROVED *J. J. [Signature]* 9/16/83

REVISION STATUS FOR EACH PAGE SHEET OR GROUP IS SHOWN BY LAST ENTRY IN THE CORRESPONDING NUMBERED COLUMN

| | | | |
|----------|---|------------|----------|
| TITLE | <i>WIRE LIST SB TAPE CONF PANEL</i> | | |
| SIZE | REVISION STATUS FOR | SHEET | REV |
| <i>A</i> | <i>58078303</i> | <i>1/1</i> | <i>C</i> |

DIST. *-18*

| TAB | SEQ | FROM | TO | TY | CL | TM | LOGIC | RV | BK |
|-------------------------|------|---------|----------|----|----|----|------------------|----|----|
| NOTE W = 58053310-002 C | | | | | | | | | |
| 003 | 0001 | P7F-02 | P1-RD-02 | RQ | 66 | LH | SCFG-00-OSO | | |
| 003 | 0002 | P7F-03 | P1-RD-03 | RQ | 66 | LH | SCFG-01-OSO | | |
| 003 | 0003 | P7F-04 | P1-RD-04 | RQ | 66 | LH | SCFG-02-OSO | | |
| 003 | 0004 | P7F-05 | P1-RD-05 | RQ | 66 | LH | SCFG-03-OSO | | |
| 003 | 0005 | P7F-06 | P1-RD-06 | RQ | 66 | LH | SCFG-04-OSO | | |
| 003 | 0006 | P7F-07 | P1-RD-07 | RQ | 66 | LH | SCFG-05-OSO | | |
| 003 | 0007 | P7F-08 | P1-RD-08 | RQ | 66 | LH | SCFG-06-OSO | | |
| 003 | 0008 | P7F-09 | P1-RD-09 | RQ | 66 | LH | SCFG-07-OSO | | |
| 003 | 0009 | P7F-12 | P1-RD-12 | RQ | 66 | LH | SCFG-08-OSO | | |
| 003 | 0010 | P7F-13 | P1-RD-13 | RQ | 66 | LH | SCFG-09-OSO | | |
| 003 | 0011 | P7F-14 | P1-RD-14 | RQ | 66 | LH | SCFG-10-OSO | | |
| 003 | 0012 | P7F-15 | P1-RD-15 | RQ | 66 | LH | SCFG-11-OSO | | |
| 003 | 0013 | P7F-16 | P1-RD-16 | RQ | 66 | LH | SCFG-12-OSO | | |
| 003 | 0014 | P7F-17 | P1-RD-17 | RQ | 66 | LH | SCFG-13-OSO | | |
| 003 | 0015 | P7F-18 | P1-RD-18 | RQ | 66 | LH | SCFG-14-OSO | | |
| 003 | 0016 | P7F-19 | P1-RD-19 | RQ | 66 | LH | SCFG-15-OSO | | |
| 003 | 0017 | P4F-20 | P3-WJ-10 | QQ | 66 | LL | DOPINT-LIGHT-OSO | C | TP |
| 003 | 0018 | P4F-18 | P3-WJ-14 | QQ | 44 | LL | DEXT-LIGHT-OSO | C | TP |
| 003 | 0019 | P4F-16 | P3-WJ-20 | QQ | 66 | LL | DTRBLE-LIGHT-OSO | C | TP |
| 003 | 0020 | P4F-14 | P3-WJ-18 | QQ | 44 | LL | DREADY-LIGHT-OSO | C | TP |
| 003 | 0021 | P4F-12 | P3-WJ-08 | QQ | 66 | LL | DMAN-LIGHT-OSO | C | TP |
| 003 | 0022 | P4F-10 | P3-WJ-06 | QQ | 44 | LL | DAUTO-LIGHT-OSO | C | TP |
| 003 | 0023 | P4F-08 | P3-WK-00 | QQ | 66 | LL | DHALT-LIGHT-OSO | C | TP |
| 003 | 0024 | P4F-00 | P3-WJ-16 | QQ | 44 | LL | DINT-LIGHT-OSO | C | TP |
| 003 | 0025 | P4F-04 | P3-WJ-12 | QQ | 66 | LL | DROS-LIGHT-OSO | C | TP |
| 003 | 0026 | P4F-02 | P3-WK-02 | QQ | 44 | LL | DSYNCJACK-1SO | C | TP |
| 003 | 0027 | P9F-00 | VD1-V0+ | FK | 00 | LF | +24V | C | TP |
| 003 | 0028 | P9F-01 | VD1-V0- | FK | 99 | LF | GND | C | TP |
| 003 | 0029 | P17F-02 | P2-RA-02 | RQ | 66 | LH | DDISP-00-1SO | | |
| 003 | 0030 | P17F-03 | P2-RA-03 | RQ | 66 | LH | DDISP-01-1SO | | |
| 003 | 0031 | P17F-04 | P2-RA-04 | RQ | 66 | LH | DDISP-02-1SO | | |
| 003 | 0032 | P17F-05 | P2-RA-05 | RQ | 66 | LH | DDISP-03-1SO | | |
| 003 | 0033 | P17F-06 | P2-RA-06 | RQ | 66 | LH | DDISP-04-1SO | | |
| 003 | 0034 | P17F-07 | P2-RA-07 | RQ | 66 | LH | DDISP-05-1SO | | |
| 003 | 0035 | P17F-08 | P2-RA-08 | RQ | 66 | LH | DDISP-06-1SO | | |
| 003 | 0036 | P17F-09 | P2-RA-09 | RQ | 66 | LH | DDISP-07-1SO | | |

| TAB | SEQ | FROM | TO | TY | CL | TM | LOGIC | RV | BK |
|-----|------|---------|----------|----|----|----|---------------|----|----|
| 003 | 0037 | P17F-10 | P2-RA-10 | RQ | 66 | LH | DDISP-PO-1SO | | |
| 003 | 0038 | P17F-12 | P2-RA-12 | RQ | 66 | LH | DDISP-08-1SO | | |
| 003 | 0039 | P17F-13 | P2-RA-13 | RQ | 66 | LH | DDISP-09-1SO | | |
| 003 | 0040 | P17F-14 | P2-RA-14 | RQ | 66 | LH | DDISP-10-1SO | | |
| 003 | 0041 | P17F-15 | P2-RA-15 | RQ | 66 | LH | DDISP-11-1SO | | |
| 003 | 0042 | P17F-16 | P2-RA-16 | RQ | 66 | LH | DDISP-12-1SO | | |
| 003 | 0043 | P17F-17 | P2-RA-17 | RQ | 66 | LH | DDISP-13-1SO | | |
| 003 | 0044 | P17F-18 | P2-RA-18 | RQ | 66 | LH | DDISP-14-1SO | | |
| 003 | 0045 | P17F-19 | P2-RA-19 | RQ | 66 | LH | DDISP-15-1SO | | |
| 003 | 0046 | P17F-20 | P2-RA-20 | RQ | 66 | LH | DDISP-P1-1SO | | |
| 003 | 0047 | P16F-18 | P2-RB-18 | RQ | 66 | LH | FROSAR-02-1SO | | |
| 003 | 0048 | P16F-02 | P2-RB-02 | RQ | 66 | LH | FROSAR-03-1SO | | |
| 003 | 0049 | P16F-03 | P2-RB-03 | RQ | 66 | LH | FROSAR-04-1SO | | |
| 003 | 0050 | P16F-04 | P2-RB-04 | RQ | 66 | LH | FROSAR-05-1SO | | |
| 003 | 0051 | P16F-05 | P2-RB-05 | RQ | 66 | LH | FROSAR-06-1SO | | |
| 003 | 0052 | P16F-06 | P2-RB-06 | RQ | 66 | LH | FROSAR-07-1SO | | |
| 003 | 0053 | P16F-07 | P2-RB-07 | RQ | 66 | LH | FROSAR-PO-1SO | | |
| 003 | 0054 | P16F-08 | P2-RB-08 | RQ | 66 | LH | FROSAR-08-1SO | | |
| 003 | 0055 | P16F-09 | P2-RB-09 | RQ | 66 | LH | FROSAR-09-1SO | | |
| 003 | 0056 | P16F-10 | P2-RB-10 | RQ | 66 | LH | FROSAR-10-1SO | | |
| 003 | 0057 | P16F-12 | P2-RB-12 | RQ | 66 | LH | FROSAR-11-1SO | | |
| 003 | 0058 | P16F-13 | P2-RB-13 | RQ | 66 | LH | FROSAR-12-1SO | | |
| 003 | 0059 | P16F-14 | P2-RB-14 | RQ | 66 | LH | FROSAR-13-1SO | | |
| 003 | 0060 | P16F-15 | P2-RB-15 | RQ | 66 | LH | FROSAR-14-1SO | | |
| 003 | 0061 | P16F-16 | P2-RB-16 | RQ | 66 | LH | FROSAR-15-1SO | | |
| 003 | 0062 | P16F-17 | P2-RB-17 | RQ | 66 | LH | FROSAR-P1-1SO | | |
| 003 | 0063 | P11F-00 | P1-RC-07 | RQ | 66 | LH | SITROINH-OSO | | |
| 003 | 0064 | P11F-01 | P1-RC-04 | RQ | 66 | LH | SHLTINT-OSO | | |
| 003 | 0065 | P11F-02 | P1-RC-01 | RQ | 66 | LH | SCOMPSTP-OSO | | |
| 003 | 0066 | P11F-03 | P1-RD-20 | RQ | 66 | LH | SROSAD-OSO | | |
| 003 | 0067 | P11F-04 | P1-RC-02 | RQ | 66 | LH | SETOINH-OSO | | |
| 003 | 0068 | P11F-05 | P1-RC-05 | RQ | 66 | LH | SHLTROS-OSO | | |
| 003 | 0069 | P11F-06 | P1-RC-00 | RQ | 66 | LH | SERRIG-OSO | | |
| 003 | 0070 | P11F-07 | P1-RC-03 | RQ | 66 | LH | SHLTEXT-OSO | | |
| 003 | 0071 | P11F-09 | P1-RB-20 | RQ | 66 | LH | DSHUTDOWN-OSO | | |
| 003 | 0072 | P11F-12 | P1-RC-19 | RQ | 66 | LH | SOFFLINE-OSO | | |
| 003 | 0073 | P11F-13 | P1-RB-13 | RQ | 66 | LH | SSAT-OSO | | |
| 003 | 0074 | P11F-14 | P1-RC-18 | RQ | 66 | LH | SSIMDAT-OSO | | |
| 003 | 0075 | P11F-15 | P1-RB-14 | RQ | 66 | LH | SSAT-1SO | | |
| 003 | 0076 | P11F-16 | P1-RB-19 | RQ | 66 | LH | SSTEP-1SO | | |
| 003 | 0077 | P11F-17 | P2-RB-01 | RQ | 66 | LH | SEXEC-OSO | | |
| 003 | 0078 | P11F-18 | P1-RB-18 | RQ | 66 | LH | SSTEP-OSO | | |
| 003 | 0079 | P11F-19 | P1-RD-00 | RQ | 66 | LH | SAUTRES-OSO | | |
| 003 | 0080 | P11F-20 | P1-RB-17 | RQ | 66 | LH | SSTEPMD-OSO | | |
| 003 | 0081 | P11F-21 | P1-RC-20 | RQ | 66 | LH | STIME-OSO | | |

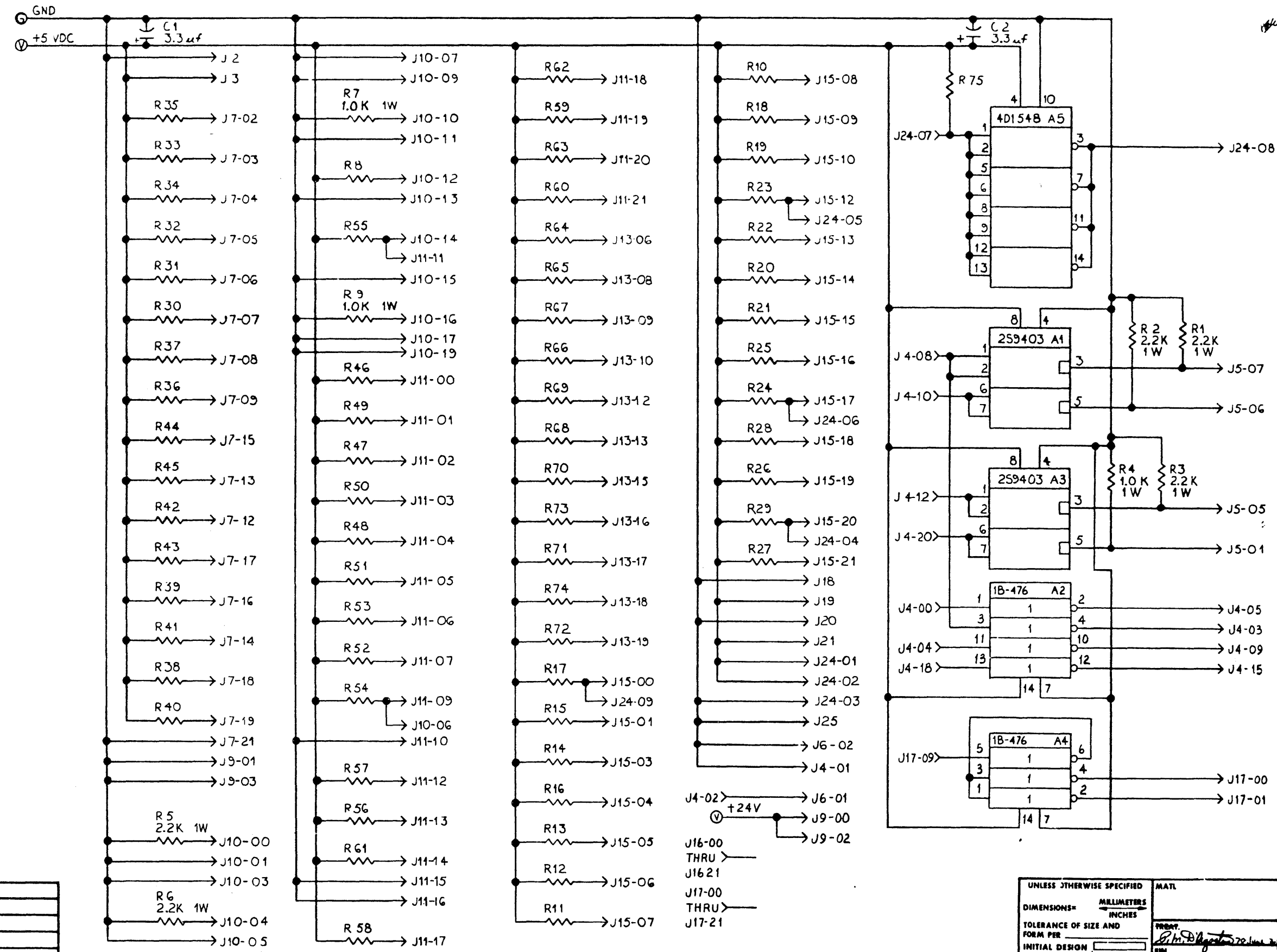
WIRE LIST
SB TAPE CONF PNL

FINAL

3

| TAB | SEQ | FROM | TO | TY | CL | TM | LOGIC | RV | BK |
|-----|------|----------|----------|----|----|----|-----------------------|----|----|
| 003 | 0082 | P13F-06 | P1-RC-06 | RQ | 66 | LH | SINIT-OSO | | |
| 003 | 0083 | P13F-08 | P1-RC-08 | RQ | 66 | LH | SL AMP-TEST-OSO | | |
| 003 | 0084 | P13F-09 | P1-RC-09 | RQ | 66 | LH | SMAN-OSO | | |
| 003 | 0085 | P13F-10 | P1-RC-10 | RQ | 66 | LH | SMAN-1SO | | |
| 003 | 0086 | P13F-12 | P1-RC-12 | RQ | 66 | LH | SOPINT-OSO | | |
| 003 | 0087 | P13F-13 | P1-RC-13 | RQ | 66 | LH | SOPINT-1SO | | |
| 003 | 0088 | P13F-15 | P1-RC-15 | RQ | 66 | LH | SRESERR-OSO | | |
| 003 | 0089 | P13F-16 | P1-RC-16 | RQ | 66 | LH | SRESET-OSO | | |
| 003 | 0090 | P13F-17 | P1-RC-17 | RQ | 66 | LH | SRESET-1SO | | |
| 003 | 0091 | P13F-18 | P1-RB-16 | RQ | 66 | LH | START-1SO | | |
| 003 | 0092 | P13F-19 | P1-RB-15 | RQ | 66 | LH | START-OSO | | |
| 003 | 0093 | P15F-00 | P2-RD-00 | RQ | 66 | LH | SCONTROL-OSO | | |
| 003 | 0094 | P15F-01 | P2-RD-02 | RQ | 66 | LH | SADR-00-OSO | | |
| 003 | 0095 | P15F-03 | P2-RD-03 | RQ | 66 | LH | SADR-01-OSO | | |
| 003 | 0096 | P15F-04 | P2-RD-04 | RQ | 66 | LH | SADR-02-OSO | | |
| 003 | 0097 | P15F-05 | P2-RD-05 | RQ | 66 | LH | SADR-03-OSO | | |
| 003 | 0098 | P15F-06 | P2-RD-06 | RQ | 66 | LH | SADR-04-OSO | | |
| 003 | 0099 | P15F-07 | P2-RD-01 | RQ | 66 | LH | SDISP-1SO | | |
| 003 | 0100 | P15F-08 | P2-RD-08 | RQ | 66 | LH | SADR-06-OSO | | |
| 003 | 0101 | P15F-09 | P2-RD-09 | RQ | 66 | LH | SADR-07-OSO | | |
| 003 | 0102 | P15F-10 | P2-RD-10 | RQ | 66 | LH | SROR00-15-OSO | | |
| 003 | 0103 | P15F-12 | P2-RD-12 | RQ | 66 | LH | SADR-08-OSO | | |
| 003 | 0104 | P15F-13 | P2-RD-13 | RQ | 66 | LH | SADR-09-OSO | | |
| 003 | 0105 | P15F-14 | P2-RD-14 | RQ | 66 | LH | SADR-10-OSO | | |
| 003 | 0106 | P15F-15 | P2-RD-15 | RQ | 66 | LH | SADR-11-OSO | | |
| 003 | 0107 | P15F-16 | P2-RD-16 | RQ | 66 | LH | SADR-12-OSO | | |
| 003 | 0108 | P15F-17 | P2-RD-17 | RQ | 66 | LH | SADR-13-OSO | | |
| 003 | 0109 | P15F-18 | P2-RD-18 | RQ | 66 | LH | SADR-14-OSO | | |
| 003 | 0110 | P15F-19 | P2-RD-19 | RQ | 66 | LH | SADR-15-OSO | | |
| 003 | 0111 | P15F-20 | P2-RD-07 | RQ | 66 | LH | SADR-05-OSO | | |
| 003 | 0112 | P15F-21 | P2-RD-20 | RQ | 66 | LH | SROR16-31-OSO | | |
| 003 | 0113 | P1-RD-11 | P1-RD-10 | RQ | 66 | HH | DHELP-1SO | | C |
| 003 | 0114 | P21 | +5V-BUS | CF | 00 | FA | +5V | | TP |
| 003 | 0115 | P18 | +5V-GND | CF | 99 | FA | GND | | TP |
| 003 | 0116 | P4F-17 | VC1-P616 | FK | 00 | LW | DTROUBLE-LIGHT-OSO | B | TP |
| 003 | 0117 | P4F-01 | VC1-P608 | FK | 99 | LW | DTROUBLE-LIGHT-OSOGND | C | TP |

| REVISIONS | | | | | |
|-----------|---------------|------|-----------|-----|--------------------|
| REV | AUTHORITY | DATE | SIGNATURE | | |
| REV | | YR | MO | DAY | |
| A | LEVEL 3 ISSUE | 77 | 06 | 07 | <i>[Signature]</i> |
| B | PH40BE008 | 78 | 03 | 19 | Bonnie Carr |
| C | PH40BB131 | 83 | 11 | 20 | C. Ripley |



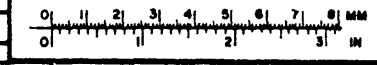
- 3. R4, R7 AND R9 ARE 70928102P049
- 2. R1, R2, R3, R5, AND R6 ARE 70928102P057
- 1. ALL RESISTORS ARE 1K Ω 1/2 WATT UNLESS SPECIFIED OTHERWISE.

NOTES:

THE INFORMATION CONTAINED IN THIS DOCUMENT IS PROPRIETARY TO HONEYWELL INFORMATION SYSTEMS AND IS INTENDED FOR INTERNAL USE ONLY. SUCH INFORMATION MAY BE DISSEMINATED TO OTHERS ONLY BY WRITTEN PERMISSION OF AN AUTHORIZED HONEYWELL OFFICIAL. THE HONEYWELL LOGO MAY BE USED BY OTHERS ONLY BY WRITTEN PERMISSION OF HONEYWELL.

| | | | | | | |
|---|------------------------------------|---|--|---|------------------------------------|--|
| UNLESS OTHERWISE SPECIFIED DIMENSIONS = $\frac{\text{MILLIMETERS}}{\text{INCHES}}$ TOLERANCE OF SIZE AND FORM PER INITIAL DESIGN PROJECTION: Φ (Third Angle) | | MATL | Honeywell HONEYWELL INFORMATION SYSTEMS PHOENIX, ARIZONA U. S. A. | | | |
| SCALE | CODE | FRONT: <i>[Signature]</i> PIN. | | LOC HONEYWELL INFORMATION SYSTEMS PHOENIX, ARIZONA U. S. A. | | |
| DR 78, JANUARY 26 Ray C. Murray | APPD. <i>[Signature]</i> 2/1/74 | TITLE SCHEMATIC DIAGRAM MPC-MINI-MAINT-PNL PWB | | | | |
| DISTR C68-10 | DR 78, JANUARY 26 Ray C. Murray | DR 78, JANUARY 26 Ray C. Murray | DR 78, JANUARY 26 Ray C. Murray | DR 78, JANUARY 26 Ray C. Murray | DR 78, JANUARY 26 Ray C. Murray | |
| SIZE D | | DWO NO 58044186 | | SH 1/1 | REV C | |

| | |
|--|--|
| | |
| | |
| | |
| | |
| | |
| | |
| | |



58044186

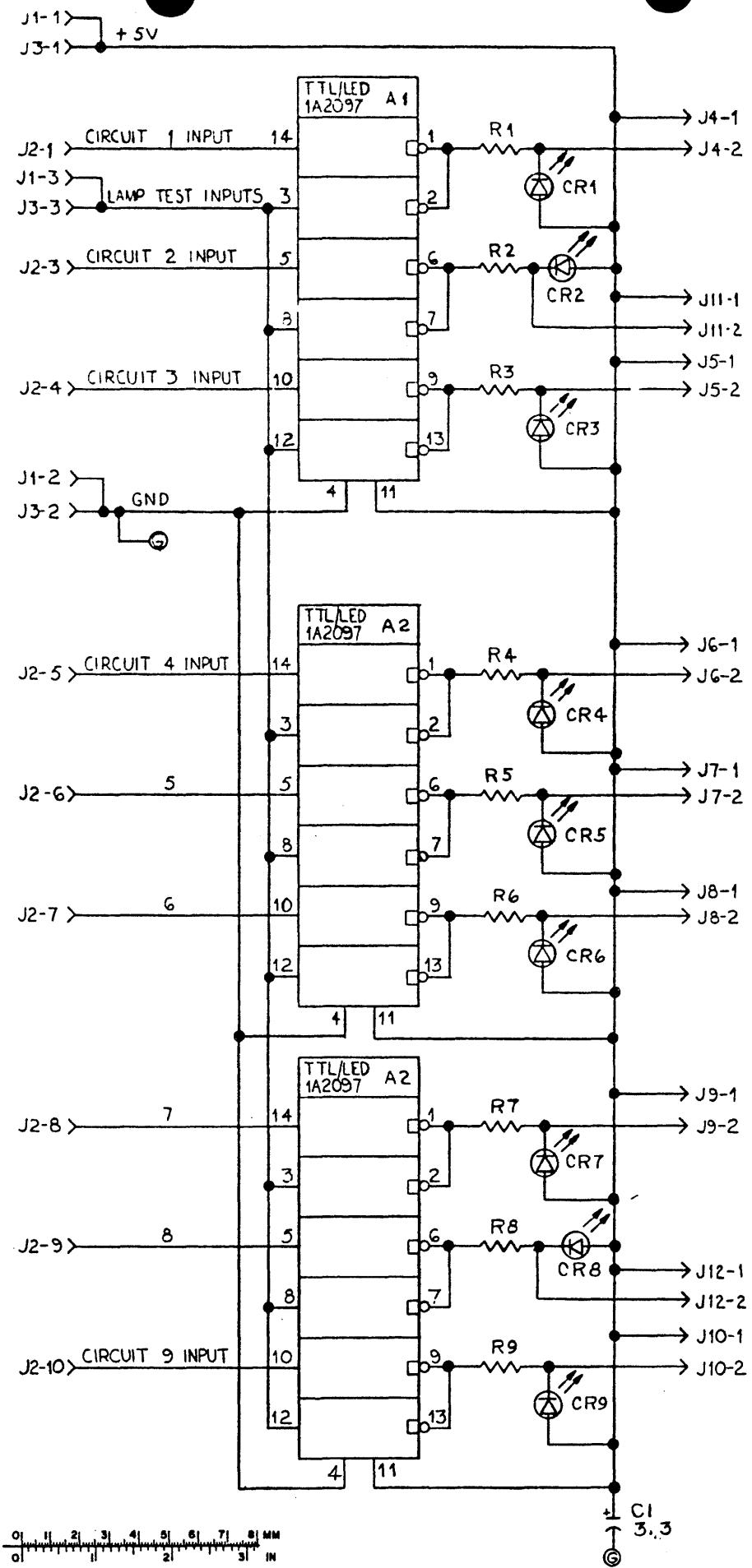
10 9 8 7 6 5 4 3 2 1

I
F
E
D
C
B
A

I
F
E
D
C
B
A

10 9 8 7 6 5 4 3 2 1

| REVISIONS | | | | |
|-----------|-----------|-----------|-----------|--|
| REV | AUTHORITY | DATE | SIGNATURE | |
| | | YE MO DAY | | |

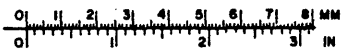


THE INFORMATION CONTAINED IN THIS DOCUMENT IS PROPRIETARY TO HONEYWELL INFORMATION SYSTEMS AND IS INTENDED FOR INTERNAL HONEYWELL USE ONLY. NO PART OF THIS DOCUMENT IS TO BE REPRODUCED OR TRANSMITTED IN ANY FORM OR BY ANY MEANS, ELECTRONIC OR MECHANICAL, INCLUDING PHOTOCOPYING, RECORDING, OR BY ANY INFORMATION STORAGE AND RETRIEVAL SYSTEM, WITHOUT PERMISSION IN WRITING FROM HONEYWELL INFORMATION SYSTEMS. THIS RESTRICTION DOES NOT APPLY TO SOURCE INFORMATION WHICH IS IDENTIFIED AS SUCH IN THIS DOCUMENT.

- 3. SHEET 1 FOR TAB 001, SHEET 2 FOR TAB 002
 - 2. ALL RESISTORS ARE 100Ω, 1/4 W ± 2%
 - 1. ALL CAPACITORS ARE IN MICROFARADS
- NOTES: UNLESS OTHERWISE SPECIFIED

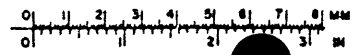
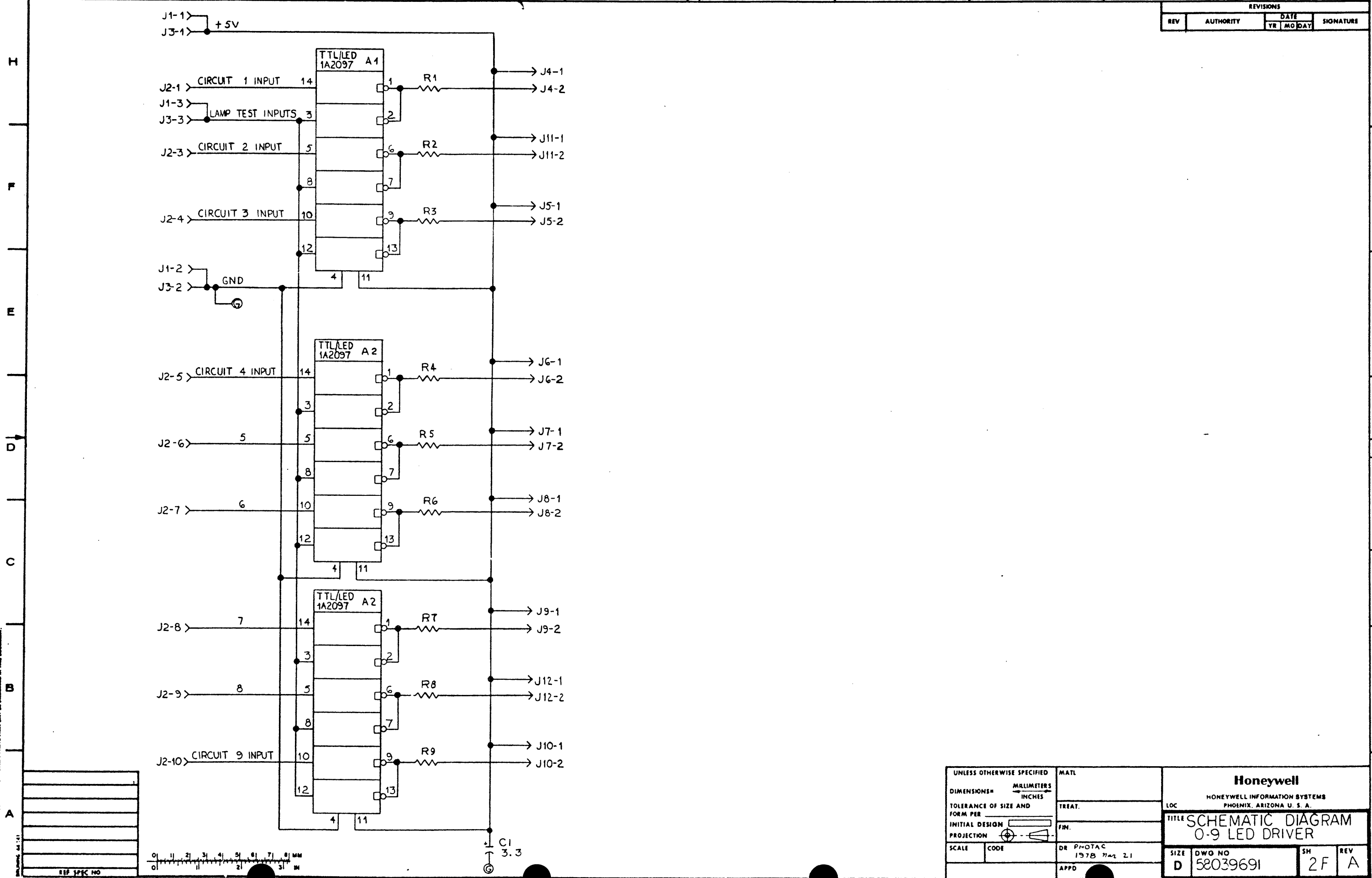
FOR DOCUMENT STATUS, SEE REVISION STATUS SHEET

| | | | | | |
|--------------------------------|-----------------------|---------------------|-----|--|----------|
| UNLESS OTHERWISE SPECIFIED | | MATERIAL | | Honeywell HONEYWELL INFORMATION SYSTEMS PHOENIX, ARIZONA U. S. A. | |
| DIMENSIONS= | MILLIMETERS INCHES | | | | |
| TOLERANCE OF SIZE AND FORM PER | INITIAL DESIGN | DATE | LOC | TITLE SCHEMATIC DIAGRAM 0-9 LED DRIVER | |
| PROJECTION | | DR DECEMBER 22 1977 | | SIZE | DWG NO |
| SCALE | CODE | APPD | | D | 58039691 |
| | | DISTR | | SH | REV |
| | | C 31-32 | | 1/2 | A |



58039691

| REVISIONS | | | | |
|-----------|-----------|------|----|-----------|
| REV | AUTHORITY | DATE | | SIGNATURE |
| | | YR | MO | |
| | | | | |



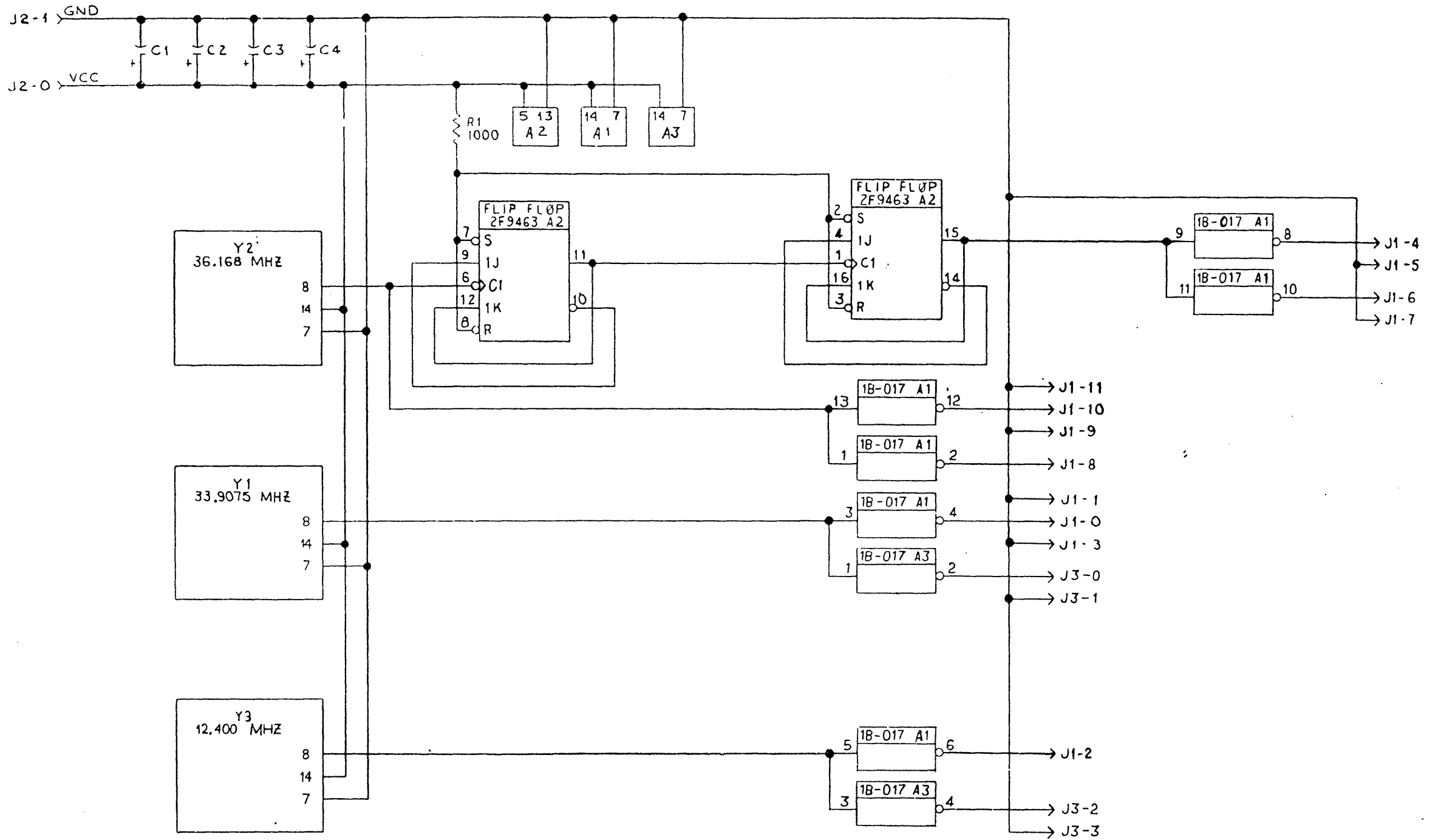
| REV | DATE | BY | CHKD |
|-----|------|----|------|
| | | | |
| | | | |
| | | | |
| | | | |

| | | | | | |
|---|-----------------------|---------------------------|---|--|-----------|
| UNLESS OTHERWISE SPECIFIED | | MATERIAL | | Honeywell HONEYWELL INFORMATION SYSTEMS PHOENIX, ARIZONA U. S. A. | |
| DIMENSIONS* | MILLIMETERS INCHES | TREAT. | LOC. | | |
| TOLERANCE OF SIZE AND FORM PER INITIAL DESIGN | PROJECTION | DR PHOTAC 197B 742 2.1 | TITLE SCHEMATIC DIAGRAM 0-9 LED DRIVER | | |
| SCALE | CODE | APPD | SIZE D | DWG NO 58039691 | SH 2 F |
| DISTR | | 32 | REV A | | |

*Unless otherwise specified, all dimensions are in millimeters and tolerances are in inches. The dimensions are given in millimeters and inches. The dimensions are given in millimeters and inches. The dimensions are given in millimeters and inches.

58039691

| REVISIONS | | | | |
|-----------|---------------|--------|----|--------------------|
| REV | AUTHORITY | DATE | TR | SIGNATURE |
| A | LEVEL 3 ISSUE | 8/1/80 | 21 | <i>[Signature]</i> |



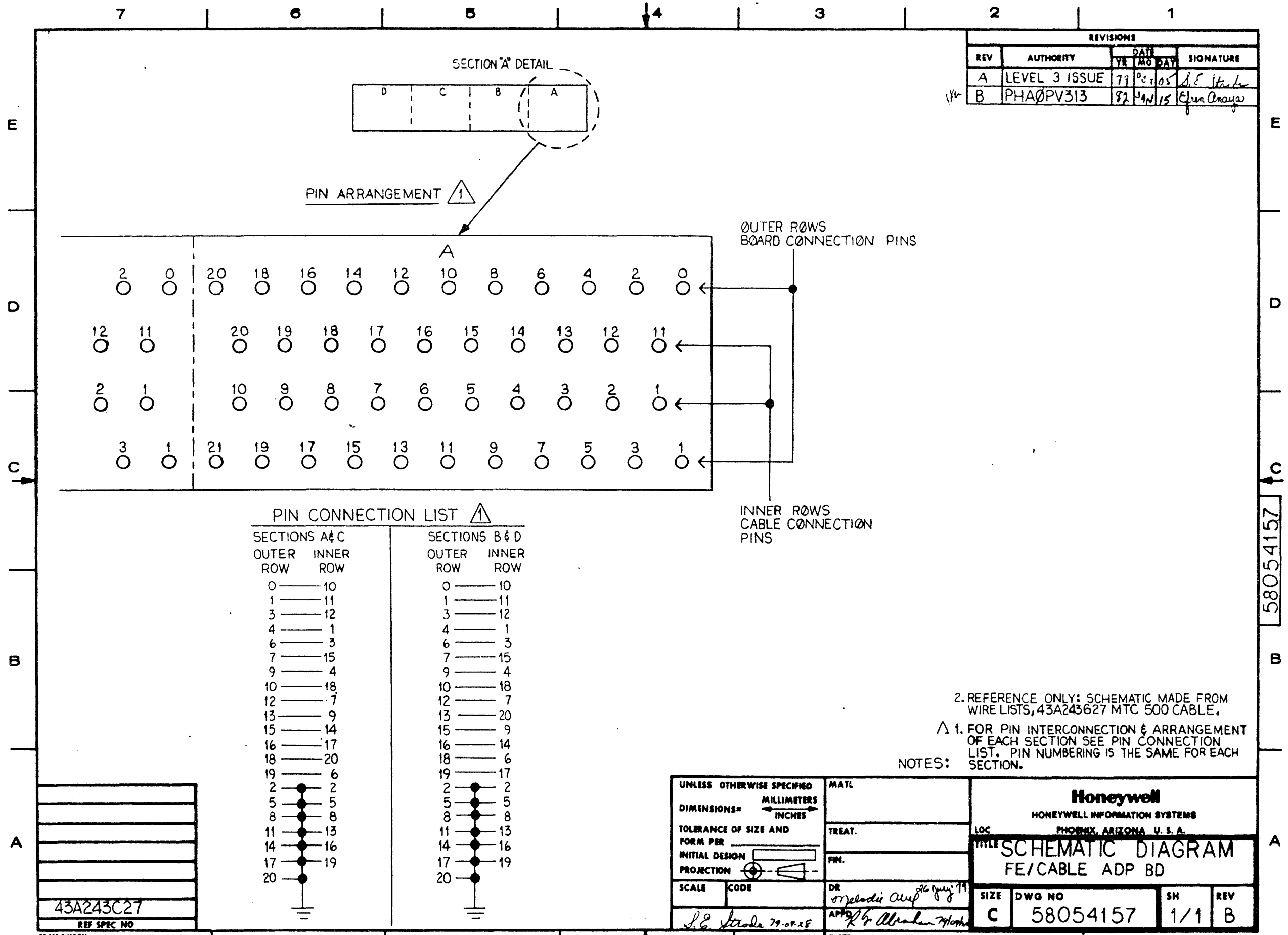
THE INFORMATION CONTAINED IN THIS DOCUMENT IS PROPRIETARY TO HONEYWELL INFORMATION SYSTEMS AND IS INTENDED FOR INTERNAL HONEYWELL USE ONLY. NO INFORMATION IS TO BE DISSEMINATED TO OTHERS WITHOUT THE WRITTEN PERMISSION OF AN AUTHORIZED HONEYWELL OFFICIAL. THIS RESTRICTION DOES NOT APPLY TO HONEYWELL PROPRIETARY PARTS THAT MAY BE DISCLOSED IN THIS DOCUMENT.

| |
|--|
| |
| |
| |
| |
| |
| |
| |
| |
| |
| |
| |

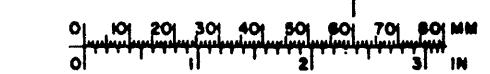


| | | | |
|---|------------------------|--|---|
| UNLESS OTHERWISE SPECIFIED DIMENSIONS* MILLIMETERS INCHES | MATL | Honeywell HONEYWELL INFORMATION SYSTEMS PHOENIX, ARIZONA U. S. A. | |
| TOLERANCE OF SIZE AND FORM PER | TREAT | | |
| INITIAL DESIGN PROJECTION | FIN. | | |
| SCALE CODE | DR PHOTAC 11-25-80 | TITLE | SCHEMATIC DIAGRAM OSCILLATOR PWB GCR TAPE CONTROLLER |
| | APPL R. J. [Signature] | SIZE | |
| | DISTP C106-32 | DWG NO | 58058437 |
| | | SH | 1/1 |
| | | REV | A |

58058437

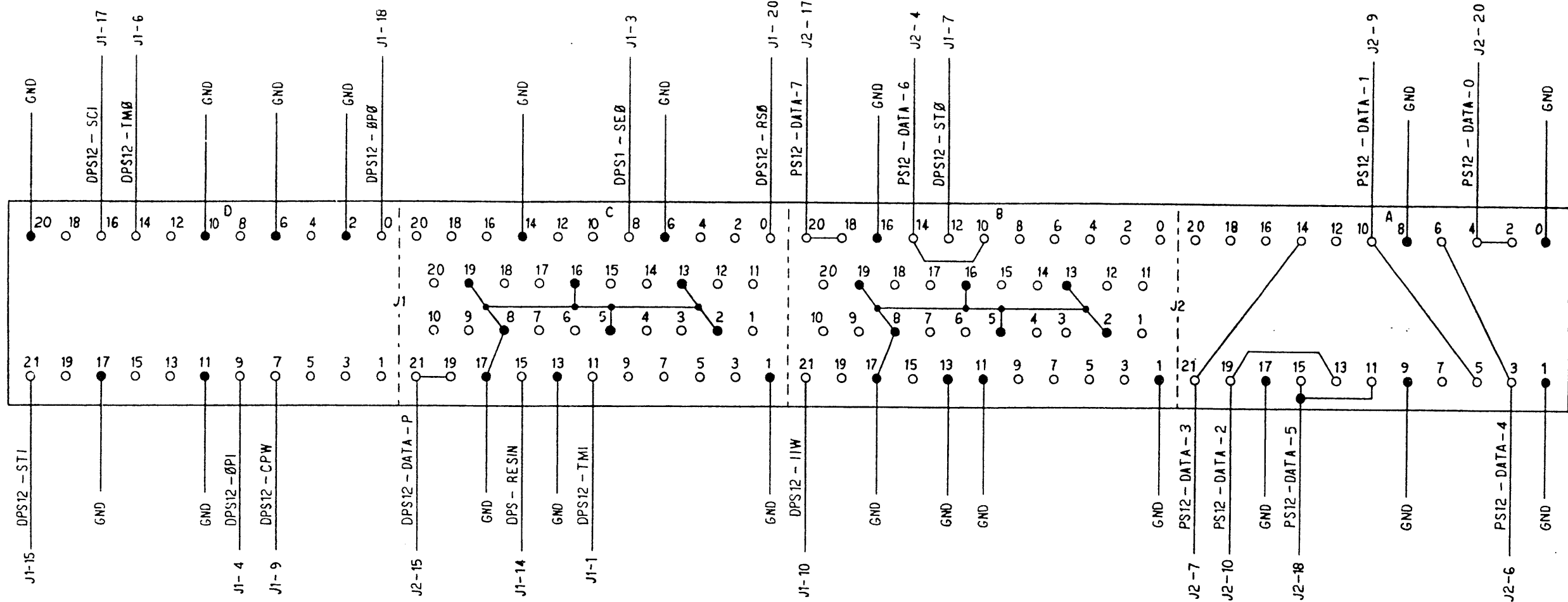


58054157

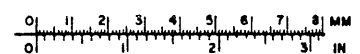


THE INFORMATION CONTAINED IN THIS DOCUMENT IS PROPRIETARY TO HONEYWELL INFORMATION SYSTEMS AND IS INTENDED FOR INTERNAL USE ONLY. SUCH INFORMATION MAY BE DISTRIBUTED TO OTHERS ONLY BY WRITTEN PERMISSION OF AN AUTHORIZED HONEYWELL OFFICIAL. THIS RESTRICTION DOES NOT APPLY TO VENDOR PROPRIETARY PARTS THAT MAY BE DISCLOSED IN THIS DOCUMENT.

| REVISIONS | | | | |
|-----------|---------------|------|--------|--------------------|
| REV | AUTHORITY | DATE | | SIGNATURE |
| | | YR | MO DAY | |
| A | LEVEL 3 ISSUE | 82 | 09 09 | <i>[Signature]</i> |



| | |
|--|--|
| | |
| | |
| | |
| | |
| | |
| | |
| | |
| | |
| | |
| | |



REFERENCE W.L. 58018720

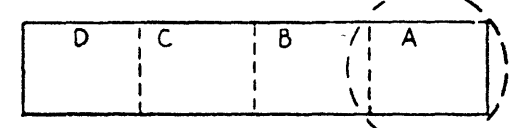
| | | | | | |
|---|--------|--|----------|-----|-----|
| UNLESS OTHERWISE SPECIFIED | MATL | Honeywell HONEYWELL INFORMATION SYSTEMS PHOENIX, ARIZONA U. S. A. | | | |
| DIMENSIONS - MILLIMETERS / INCHES | TREAT. | | | | |
| TOLERANCE OF SIZE AND FORM PER INITIAL DESIGN | FIN. | TITLE SCHEMATIC HSLA (MPC) | | | |
| PROJECTION | DR | SIZE | DWG NO | SH | REV |
| SCALE | CODE | D | 58052546 | 1/1 | A |
| | | APPD <i>R. A. L.</i> 82/08/23 | | | |
| | | DISTR C106-10 | | | |

58052546

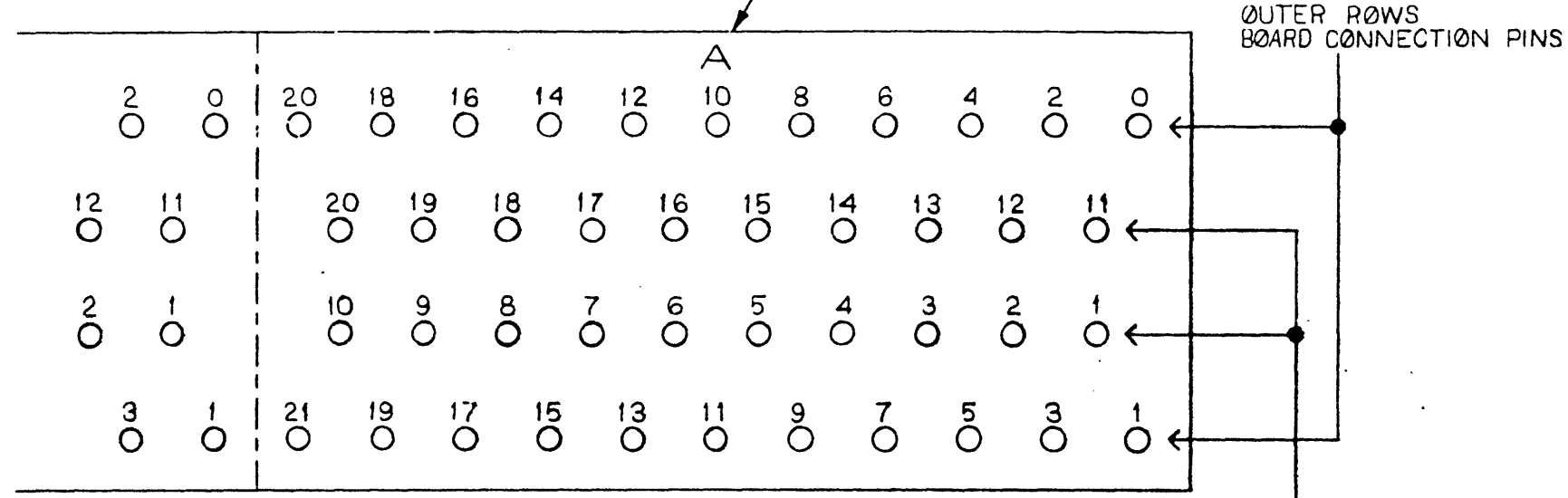
7 6 5 4 3 2 1

| REVISIONS | | | |
|-----------|---------------|-----------|-------------|
| REV | AUTHORITY | DATE | SIGNATURE |
| A | LEVEL 3 ISSUE | 79 OCT 05 | J.E. Steele |
| B | PHA0PV313 | 82 JAN 15 | Chun Anghu |

SECTION 'A' DETAIL



PIN ARRANGEMENT Δ 1



PIN CONNECTION LIST Δ

| PIN NO. OUTER ROWS | PIN NO. INNER ROWS |
|--------------------|--------------------|
| 0 | 20 |
| 1 | 9 |
| 3 | 10 |
| 4 | 7 |
| 6 | 6 |
| 7 | 18 |
| 9 | 4 |
| 10 | 17 |
| 12 | 15 |
| 13 | 3 |
| 13 | 1 |
| 16 | 14 |
| 18 | 12 |
| 19 | 11 |
| 2 | 2 |
| 3 | 5 |
| 8 | 8 |
| 11 | 13 |
| 14 | 16 |
| 17 | 19 |
| 20 | 20 |

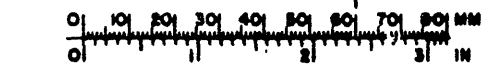
2. REFERENCE ONLY: SCHEMATIC MADE FROM WIRE LISTS, 43A229856 MTC 500 DLI CABLE, 43A243630 MPCMX CABLE, 43A229761 DLI CABLE, & 58018104 LSMX CABLE.

Δ 1. SECTIONS A, B, C & D HAVE THE SAME PIN INTERCONNECTION & ARRANGEMENTS.

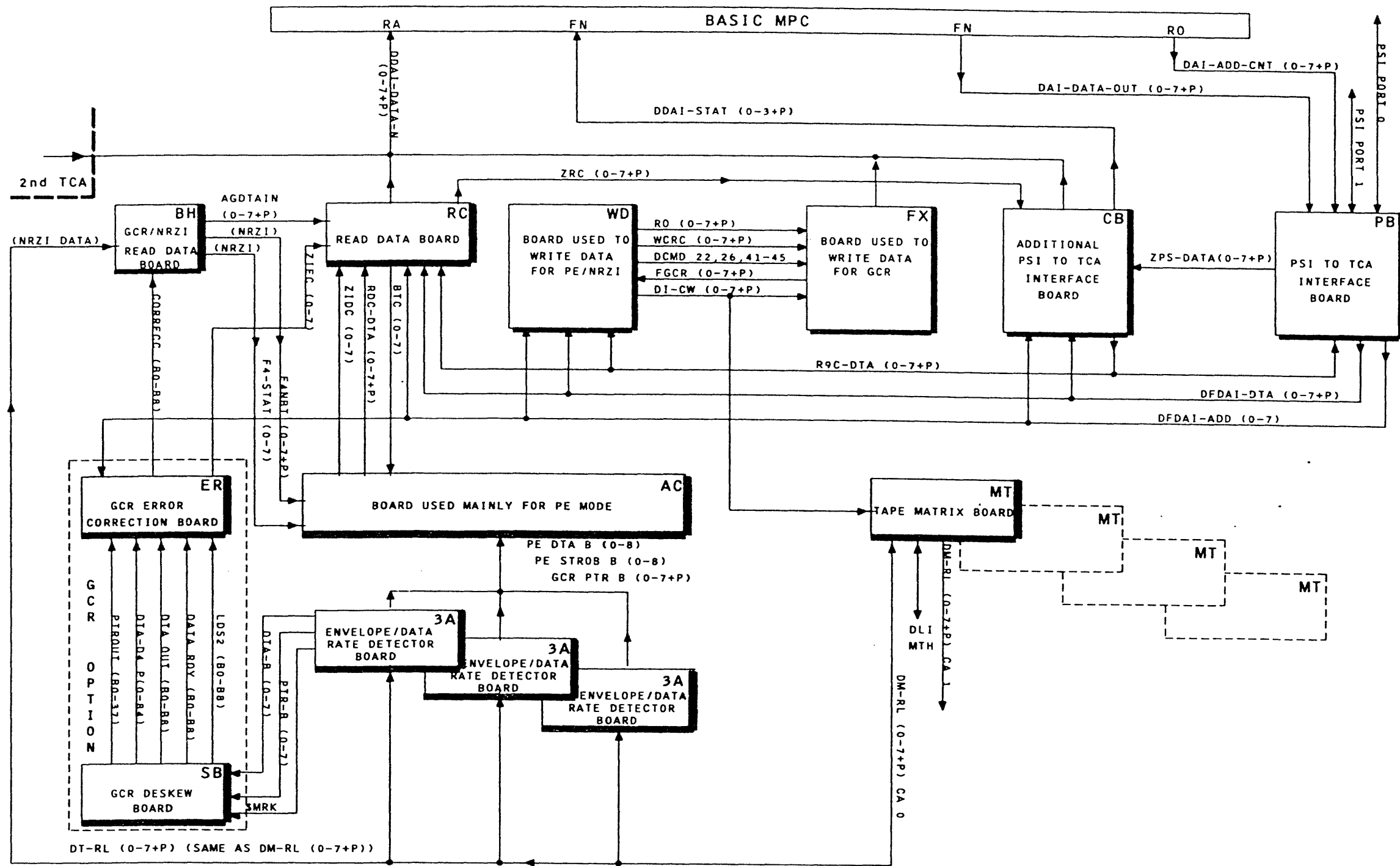
NOTES:

| |
|-------------|
| 43A229856 |
| 43A243630 |
| 43A229761 |
| 58018104 |
| |
| |
| REF SPEC NO |

| | | | | | | |
|--|-------------|----------|--|-------------------------|--------|-------|
| UNLESS OTHERWISE SPECIFIED DIMENSIONS— TOLERANCE OF SIZE AND FORM PER INITIAL DESIGN PROJECTION | MILLIMETERS | MATERIAL | Honeywell HONEYWELL INFORMATION SYSTEMS PHOENIX, ARIZONA, U.S.A. SCHMATIC DIAGRAM FE/CABLE ADP BD | | | |
| | INCHES | | | | | |
| | | | | | | |
| SCALE | CODE | TREAT. | FIN. | DR | DATE | |
| | | | | Melodie Alby 26 July 79 | | |
| | | | | R. J. Abraham 7/07/80 | | |
| | | | | J.E. Steele 71-09-28 | | |
| DISTR C106-10 | | | SIZE C | DWG NO 58051465 | SH 1/1 | REV B |



58051465



MTP FUNCTIONAL BLOCK DIAGRAM
 HONEYWELL CONFIDENTIAL & PROPRIETARY

| | | |
|-----|-----------|---------|
| REV | AUTHORITY | DATE |
| M | PHAOTG208 | 84MAR09 |

H

F

E

D

C

B

A

| SIGNAL NAME | PAGE |
|-----------------|------|
| \$12-SL5*000 | 32.0 |
| \$34-SL5*000 | 32.0 |
| \$36-SL5*000 | 32.0 |
| \$CLR*040 | 34.0 |
| \$CLR*041 | 34.0 |
| \$CLR*042 | 34.0 |
| \$CLR*043 | 34.0 |
| \$CLR*044 | 34.0 |
| \$CLR*045 | 34.0 |
| \$CLR*130 | 34.0 |
| \$CLR*131 | 34.0 |
| \$D-REF*000 | 32.0 |
| \$LOAD*000 | 27.0 |
| \$LOAD*001 | 29.0 |
| \$N-RAW*000 | 35.0 |
| \$PCLR-DC*020 | 34.0 |
| \$PCLR-DC*030 | 34.0 |
| \$PCLR-DC*120 | 34.0 |
| \$PE-00*100 | 4.0 |
| \$PE-01*100 | 4.0 |
| \$PE-02*100 | 4.0 |
| \$PE-03*100 | 4.0 |
| \$PE-04*100 | 6.0 |
| \$PE-05*100 | 6.0 |
| \$PE-06*100 | 6.0 |
| \$PE-07*100 | 6.0 |
| \$PE-0P*100 | 4.0 |
| \$PE-REF*000 | 31.0 |
| \$PE-REF*100 | 31.0 |
| \$PE-REF*101 | 31.0 |
| \$PE-ST00*000 | 7.0 |
| \$PE-ST00*110 | 7.0 |
| \$PE-ST01*000 | 7.0 |
| \$PE-ST01*110 | 7.0 |
| \$PE-ST02*000 | 7.0 |
| \$PE-ST02*110 | 7.0 |
| \$PE-ST03*000 | 7.0 |
| \$PE-ST03*110 | 7.0 |
| \$PE-ST04*000 | 7.0 |
| \$PE-ST04*110 | 7.0 |
| \$PE-ST05*000 | 7.0 |
| \$PE-ST05*110 | 7.0 |
| \$PE-ST06*000 | 7.0 |
| \$PE-ST06*110 | 7.0 |
| \$PE-ST07*000 | 7.0 |
| \$PE-ST07*110 | 7.0 |
| \$PE-ST0P*000 | 7.0 |
| \$PE-ST0P*110 | 7.0 |
| \$PE-UNLOAD*000 | 17.0 |
| \$PE-UNLOAD*010 | 17.0 |
| \$PE-UNLOAD*011 | 17.0 |
| \$PE-UNLOAD*012 | 17.0 |
| \$PE-UNLOAD*100 | 17.0 |
| \$PN-REF*100 | 35.0 |
| \$RAW*000 | 32.0 |
| \$RAW*020 | 32.0 |
| \$RAW*100 | 32.0 |
| \$RAW*120 | 32.0 |
| \$RAW*121 | 32.0 |
| \$RAW*122 | 32.0 |
| \$RAW*123 | 32.0 |
| \$RAW-SL5*015 | 32.0 |
| \$REAL-RAW*000 | 32.0 |
| \$REAL-RAW*100 | 32.0 |
| \$REF*100 | 32.0 |

| SIGNAL NAME | PAGE |
|------------------|------|
| \$RESET*000 | 27.0 |
| \$RESET*010 | 27.0 |
| \$RESET*011 | 27.0 |
| \$RESET*012 | 29.0 |
| \$RESET*112 | 29.0 |
| \$WT-CLK*000 | 35.0 |
| 0-SBIT-LD*000 | 5.0 |
| 0BUF-OVRLO*000 | 18.0 |
| 0BUF-OVRLO*100 | 18.0 |
| 0RD-OVR-LD*000 | 9.0 |
| 0RD-OVR-LD*100 | 5.0 |
| 1-SBIT-LD*000 | 5.0 |
| 125-IPS*100 | 32.0 |
| 18UF-OVRLO*000 | 18.0 |
| 18UF-OVRLO*100 | 18.0 |
| 10LY-PRAM-CK*100 | 28.0 |
| 1RD-OVR-LD*000 | 10.0 |
| 1RD-OVR-LD*100 | 5.0 |
| 1ZN-AZ1Z2-UP*000 | 37.0 |
| 1ZN-AZ1Z2-UP*100 | 37.0 |
| 1ZON-ALLUP*100 | 37.0 |
| 2-SBIT-LD*000 | 5.0 |
| 200-IPS*100 | 32.0 |
| 28UF-OVRLO*000 | 18.0 |
| 28UF-OVRLO*100 | 18.0 |
| 2DLY-PRAM-CK*000 | 28.0 |
| 2DLY-PRAM-CK*100 | 28.0 |
| 2RD-OVR-LD*000 | 11.0 |
| 2RD-OVR-LD*100 | 5.0 |
| 3-SBIT-LD*000 | 5.0 |
| 38UF-OVRLO*000 | 18.0 |
| 38UF-OVRLO*100 | 18.0 |
| 3RD-OVR-LD*000 | 12.0 |
| 3RD-OVR-LD*100 | 5.0 |
| 4-SBIT-LD*000 | 5.0 |
| 40-FR*000 | 35.0 |
| 48UF-OVRLO*000 | 18.0 |
| 48UF-OVRLO*001 | 18.0 |
| 48UF-OVRLO*100 | 18.0 |
| 4RD-OVR-LD*000 | 13.0 |
| 4RD-OVR-LD*100 | 5.0 |
| 5-SBIT-LD*000 | 5.0 |
| 5BIT-LD*100 | 17.0 |
| 58UF-OVRLO*000 | 18.0 |
| 58UF-OVRLO*100 | 18.0 |
| 5RD-OVR-LD*000 | 14.0 |
| 5RD-OVR-LD*100 | 5.0 |
| 6-SBIT-LD*000 | 5.0 |
| 68UF-OVRLO*000 | 18.0 |
| 68UF-OVRLO*100 | 18.0 |
| 6RD-OVR-LD*000 | 15.0 |
| 6RD-OVR-LD*100 | 5.0 |
| 7-SBIT-LD*000 | 5.0 |
| 78UF-OVRLO*000 | 18.0 |
| 78UF-OVRLO*100 | 18.0 |
| 7RD-OVR-LD*000 | 16.0 |
| 7RD-OVR-LD*100 | 5.0 |
| 9TRK*100 | 36.0 |
| A-ENB*100 | 35.0 |
| ACK*000 | 28.0 |
| ACK*100 | 28.0 |
| ACK-DLY*000 | 28.0 |
| ACK-DLY*100 | 28.0 |
| ACK-GLCH*000 | 28.0 |
| ALL-ONES*000 | 25.0 |

| SIGNAL NAME | PAGE |
|------------------|------|
| ALL-ONES-SET*100 | 27.0 |
| ALLZONOWN*000 | 37.0 |
| ANY-NRZ-ERR*000 | 30.0 |
| ANY-NRZ-ERR*100 | 30.0 |
| ARAI DC*000 | 37.0 |
| ARAI DC*110 | 37.0 |
| 00-ROY*100 | 9.0 |
| 01-ROY*100 | 10.0 |
| 02-ROY*100 | 11.0 |
| 03-ROY*100 | 12.0 |
| 04-ROY*100 | 13.0 |
| 05-ROY*100 | 14.0 |
| 06-ROY*100 | 15.0 |
| 07-ROY*100 | 16.0 |
| BLANK*010 | 28.0 |
| BLANK*100 | 25.0 |
| BLANK-DLY*000 | 28.0 |
| BLANK-DLY*001 | 28.0 |
| BLANK-DLY*100 | 28.0 |
| BLANK-FF*000 | 25.0 |
| BLANK-FF*100 | 25.0 |
| BLANK-FULL*100 | 27.0 |
| 0P-ROY*100 | 8.0 |
| CCC-PAR-ADJ*100 | 24.0 |
| CLK-CNT*000 | 32.0 |
| CLK-CNT-1*100 | 32.0 |
| CLK-CNT-2*100 | 32.0 |
| CLK-CNT-4*100 | 32.0 |
| CLK-CNT-8*100 | 32.0 |
| CLR*000 | 34.0 |
| CLR*100 | 34.0 |
| CNT-32*100 | 35.0 |
| CNT-8*000 | 35.0 |
| CNT-8*100 | 35.0 |
| CNT1-0*100 | 9.0 |
| CNT1-1*100 | 10.0 |
| CNT1-2*100 | 11.0 |
| CNT1-3*100 | 12.0 |
| CNT1-4*100 | 13.0 |
| CNT1-5*100 | 14.0 |
| CNT1-6*100 | 15.0 |
| CNT1-7*100 | 16.0 |
| CNT1-P*100 | 8.0 |
| CNT2-0*100 | 9.0 |
| CNT2-1*100 | 10.0 |
| CNT2-2*100 | 11.0 |
| CNT2-3*100 | 12.0 |
| CNT2-4*100 | 13.0 |
| CNT2-5*100 | 14.0 |
| CNT2-6*100 | 15.0 |
| CNT2-7*100 | 16.0 |
| CNT2-P*100 | 8.0 |
| CNT3-1*100 | 10.0 |
| CNT4-0*100 | 9.0 |
| CNT4-1*100 | 10.0 |
| CNT4-2*100 | 11.0 |
| CNT4-3*100 | 12.0 |
| CNT4-4*100 | 13.0 |
| CNT4-5*100 | 14.0 |
| CNT4-6*100 | 15.0 |
| CNT4-7*100 | 16.0 |
| CNT4-P*100 | 8.0 |
| CNT8-0*100 | 9.0 |
| CNT8-2*100 | 11.0 |
| CNT8-3*100 | 12.0 |

| SIGNAL NAME | PAGE |
|--------------------|------|
| CNT8-4*100 | 13.0 |
| CNT8-5*100 | 14.0 |
| CNT8-6*100 | 15.0 |
| CNT8-7*100 | 16.0 |
| CNT8-P*100 | 8.0 |
| CONT6*000 | 33.0 |
| CONT6*100 | 33.0 |
| CONT7*000 | 33.0 |
| CONT7*100 | 33.0 |
| CRY-256*000 | 35.0 |
| D-LOAD*000 | 29.0 |
| D-LOAD*100 | 27.0 |
| D-LOAD*101 | 29.0 |
| D-NRZ*000 | 19.0 |
| D-NRZ*100 | 19.0 |
| D-NRZ-FULL*100 | 29.0 |
| D-PE-FULL*000 | 25.0 |
| D-PE-FULL*100 | 17.0 |
| D-PLUP*100 | 34.0 |
| D-PLUP*101 | 34.0 |
| D-PLUP*102 | 34.0 |
| D-PLUP*103 | 34.0 |
| D4-CRY-256*110 | 35.0 |
| DATA-ERR-0*000 | 23.0 |
| DATA-ERR-1*000 | 23.0 |
| DATA-ERR-2*000 | 23.0 |
| DATA-ERR-3*000 | 23.0 |
| DATA-ERR-4*000 | 24.0 |
| DATA-ERR-5*000 | 24.0 |
| DATA-ERR-6*000 | 24.0 |
| DATA-ERR-7*000 | 24.0 |
| DATA-ERR-P*000 | 23.0 |
| DC-DTA-0*100 | 23.0 |
| DC-DTA-1*100 | 23.0 |
| DC-DTA-2*100 | 23.0 |
| DC-DTA-3*100 | 23.0 |
| DC-DTA-4*100 | 24.0 |
| DC-DTA-5*100 | 24.0 |
| DC-DTA-6*100 | 24.0 |
| DC-DTA-7*100 | 24.0 |
| DC-DTA-P*100 | 23.0 |
| DCDARDY*010 | 28.0 |
| DD-EOF*000 | 37.0 |
| DD-EOF*100 | 37.0 |
| DD-NRZ*100 | 19.0 |
| DD-PE*100 | 19.0 |
| DD-PREND*000 | 7.0 |
| DD-RESET*000 | 30.0 |
| DD-WRITE*100 | 31.0 |
| DFDAI-ADD-CNT6*100 | 33.0 |
| DFDAI-ADD-CNT7*100 | 33.0 |
| DGCRM*010 | 19.0 |
| DLY-A-ENB*100 | 35.0 |
| DNZRIM/T*010 | 19.0 |
| DTARDY*000 | 35.0 |
| ECO-RD*100 | 31.0 |
| ENABLE*100 | 31.0 |

H

F

E

D

C

B

A

58041524

DISTRIBUTION -26 CODE

| | | | |
|---------------------------------|------|----------|-----|
| HONEYWELL | | | |
| HONEYWELL INFORMATION SYSTEMS | | | |
| LOC CED PHOENIX, ARIZONA U.S.A. | | | |
| TITLE LOGIC DIAGRAM- MTBAC | | | |
| LOGIC - | | | |
| PAGE CROSS REFERENCE | | | |
| DATA BASE | SIZE | DWG NO | SH |
| ACTPK/UMTBACPB | B | 58041524 | 1.0 |
| REV | M | | |

| | |
|-----------|--------------|
| ASN REF | 58041520-X14 |
| DATA BASE | DFTG 77DEC08 |

| | | |
|-----|-----------|---------|
| REV | AUTHORITY | DATE |
| M | PHAOTG208 | 84MAR09 |

H
F
E
O
C
B
A

| SIGNAL NAME | PAGE |
|-----------------|------|
| ENB-ERR-LCH•100 | 31.0 |
| ENB-PRAM-CK•100 | 35.0 |
| ENB-TRK-ERR•000 | 31.0 |
| ENO-ERR-CK•000 | 30.0 |
| ENV-UP-80•101 | 36.0 |
| ENV-UP-81•101 | 36.0 |
| ENV-UP-82•101 | 36.0 |
| ENV-UP-83•101 | 36.0 |
| ENV-UP-84•101 | 36.0 |
| ENV-UP-85•101 | 36.0 |
| ENV-UP-86•101 | 36.0 |
| ENV-UP-87•101 | 36.0 |
| ENV-UP-8P•101 | 36.0 |
| EOF-ERR•000 | 37.0 |
| ERA•000 | 30.0 |
| ERA-ERB•000 | 30.0 |
| FRA-ERB•100 | 30.0 |
| ERB•000 | 30.0 |
| ERR-0•000 | 26.0 |
| ERR-0•001 | 26.0 |
| ERR-012•000 | 26.0 |
| ERR-012•100 | 26.0 |
| ERR-1•000 | 26.0 |
| ERR-1•001 | 26.0 |
| ERR-100 | 26.0 |
| ERR-101 | 26.0 |
| ERR-2•000 | 26.0 |
| ERR-2•001 | 26.0 |
| ERR-4•000 | 26.0 |
| ERR-4•001 | 26.0 |
| ERR-8•000 | 26.0 |
| ERR-8•001 | 26.0 |
| ERR-A•000 | 26.0 |
| ERR-A•100 | 26.0 |
| ERR-B•000 | 26.0 |
| ERR-B•100 | 26.0 |
| ERR-C•000 | 26.0 |
| ERR-D•000 | 26.0 |
| ERR-E•000 | 26.0 |
| ERR-F•000 | 26.0 |
| EVN-PTY•100 | 29.0 |
| EVN-PTY-CK•100 | 25.0 |
| EVN-PTY-ERR•100 | 25.0 |
| EVN-PTY-ERR•101 | 29.0 |
| EXPECEVNP•000 | 29.0 |
| F-BIT0-RDY•100 | 9.0 |
| F-BIT1-RDY•100 | 10.0 |
| F-BIT2-RDY•100 | 11.0 |
| F-BIT3-RDY•100 | 12.0 |
| F-BIT4-RDY•100 | 13.0 |
| F-BIT5-RDY•100 | 14.0 |
| F-BIT6-RDY•100 | 15.0 |
| F-BIT7-RDY•100 | 16.0 |
| F-BITP-RDY•100 | 8.0 |
| F-LOAD•100 | 27.0 |
| F-LOAD•101 | 29.0 |
| F-PBYTE-RDY•000 | 17.0 |
| F-PBYTE-RDY•100 | 17.0 |
| F-PE-DTA-0•100 | 9.0 |
| F-PE-DTA-1•100 | 10.0 |
| F-PE-DTA-2•100 | 11.0 |
| F-PE-DTA-3•100 | 12.0 |
| F-PE-DTA-4•100 | 13.0 |
| F-PE-DTA-5•100 | 14.0 |
| F-PE-DTA-6•100 | 15.0 |

| SIGNAL NAME | PAGE |
|------------------|------|
| F-PE-DTA-7•100 | 16.0 |
| F-PE-DTA-P•100 | 8.0 |
| F-PE-RESET•000 | 17.0 |
| F-PE-RESET•100 | 17.0 |
| F-PRE-ND0•100 | 5.0 |
| F-PRE-ND1•100 | 5.0 |
| F-PRE-ND2•100 | 5.0 |
| F-PRE-ND3•100 | 5.0 |
| F-PRE-ND4•100 | 5.0 |
| F-PRE-ND5•100 | 5.0 |
| F-PRE-ND6•100 | 5.0 |
| F-PRE-ND7•100 | 5.0 |
| F-PRE-NOP•100 | 5.0 |
| F-RESET•000 | 27.0 |
| F-RESET•100 | 27.0 |
| F4-NBT-FUL•100 | 29.0 |
| F4-NBT0•100 | 20.0 |
| F4-NBT1•100 | 20.0 |
| F4-NBT2•100 | 20.0 |
| F4-NBT3•100 | 20.0 |
| F4-NBT4•100 | 20.0 |
| F4-NBT5•100 | 20.0 |
| F4-NBT6•100 | 20.0 |
| F4-NBT7•100 | 20.0 |
| F4-NBTP•100 | 20.0 |
| F4-NCLIP-ERR•100 | 30.0 |
| F4-STAT-ERR•100 | 33.0 |
| F4-STAT-FL•100 | 33.0 |
| F4-STAT0•100 | 33.0 |
| F4-STAT1•100 | 33.0 |
| F4-STAT2•100 | 33.0 |
| F4-STAT3•100 | 33.0 |
| F4-STAT4•100 | 33.0 |
| F4-STAT5•100 | 33.0 |
| F4-STAT6•100 | 33.0 |
| F4-STAT7•100 | 33.0 |
| FRC-ACK•010 | 28.0 |
| FRC-ACK•110 | 28.0 |
| FSCLKM•110 | 19.0 |
| G5•6•000 | 37.0 |
| G5•6•110 | 37.0 |
| GCR-200•000 | 32.0 |
| GCR-ENB-ERR•000 | 31.0 |
| GCR-ENB-ERR•100 | 18.0 |
| GCR-END•010 | 25.0 |
| GCR-ERR•000 | 18.0 |
| GCR-ERR•100 | 18.0 |
| GCR-PNTR-B0•100 | 20.0 |
| GCR-PNTR-B1•100 | 20.0 |
| GCR-PNTR-B2•100 | 20.0 |
| GCR-PNTR-B3•100 | 20.0 |
| GCR-PNTR-B4•100 | 20.0 |
| GCR-PNTR-B5•100 | 20.0 |
| GCR-PNTR-B6•100 | 20.0 |
| GCR-PNTR-B7•100 | 20.0 |
| GCR-PNTR-BP•100 | 20.0 |
| GCR-PRAM-ERR•000 | 35.0 |
| GCR-RDY•100 | 35.0 |
| GCR4-PE2•000 | 37.0 |
| GCR4-PE2•100 | 37.0 |
| GID•000 | 37.0 |
| GID•001 | 37.0 |
| GID•100 | 37.0 |
| GND-0A12 | 8.0 |
| GND-0B12 | 9.0 |

| SIGNAL NAME | PAGE |
|-----------------|------|
| GND-0C12 | 10.0 |
| GND-0D12 | 11.0 |
| GND-0E12 | 12.0 |
| GND-0F12 | 13.0 |
| GND-0G12 | 14.0 |
| GND-0H12 | 15.0 |
| GND-0J12 | 16.0 |
| GND-0P08 | 26.0 |
| GND-0T | 26.0 |
| GND-1A12 | 8.0 |
| GND-1B12 | 9.0 |
| GND-1C12 | 10.0 |
| GND-1D12 | 11.0 |
| GND-1E12 | 12.0 |
| GND-1F12 | 13.0 |
| GND-1G12 | 14.0 |
| GND-1H12 | 15.0 |
| GND-1J12 | 16.0 |
| GND-2B08 | 18.0 |
| GND-2F08 | 18.0 |
| GND-2L08 | 17.0 |
| GND-3E08 | 17.0 |
| GND-3K08 | 19.0 |
| GND-3L07 | 21.0 |
| GND-3M12 | 21.0 |
| GND-4M12 | 21.0 |
| GND-5K | 31.0 |
| GND-5M08 | 31.0 |
| GND-5P08 | 25.0 |
| GND-5Q08 | 25.0 |
| GND-6A08 | 8.0 |
| GND-6B08 | 9.0 |
| GND-6C08 | 10.0 |
| GND-6D08 | 11.0 |
| GND-6E08 | 12.0 |
| GND-6F08 | 13.0 |
| GND-6G08 | 14.0 |
| GND-6H08 | 15.0 |
| GND-6J08 | 16.0 |
| GND-6Q08 | 30.0 |
| GND-7B08 | 7.0 |
| GND-7C08 | 17.0 |
| GND-7H07 | 5.0 |
| GND-7J13 | 5.0 |
| GND-7J13 | 30.0 |
| GND-7T | 34.0 |
| GND-7U13 | 25.0 |
| GND-7V12 | 34.0 |
| GND-8C07 | 5.0 |
| GND-8D07 | 5.0 |
| GND-8H07 | 5.0 |
| GND-8J | 32.0 |
| GND-8K | 32.0 |
| GND-8L | 32.0 |
| GND-8N13 | 27.0 |
| GND-9M07 | 34.0 |
| GOOD-EOF•000 | 37.0 |
| GOOD-EOF•100 | 37.0 |
| HIGH•100 | 34.0 |
| IT-MOD•000 | 35.0 |
| IT-MOD•100 | 35.0 |
| LCH-40FR•100 | 34.0 |
| LCH-ANY-ERR•100 | 34.0 |
| LCH-BLKDET•000 | 34.0 |
| LCH-BLKDET•100 | 34.0 |

| SIGNAL NAME | PAGE |
|------------------|------|
| LCH-OVRLO•000 | 20.0 |
| LCH-OVRLO•100 | 34.0 |
| LCH-XFTM-ERR•100 | 34.0 |
| LD-TRK-ERR•000 | 21.0 |
| LD-TRK-ERR•100 | 21.0 |
| LD-TRK-ERR•101 | 21.0 |
| LOAD•100 | 27.0 |
| LOAD1-0•000 | 9.0 |
| LOAD1-0•100 | 9.0 |
| LOAD1-1•000 | 10.0 |
| LOAD1-1•100 | 10.0 |
| LOAD1-2•000 | 11.0 |
| LOAD1-2•100 | 11.0 |
| LOAD1-3•000 | 12.0 |
| LOAD1-3•100 | 12.0 |
| LOAD1-4•000 | 13.0 |
| LOAD1-4•100 | 13.0 |
| LOAD1-5•000 | 14.0 |
| LOAD1-5•100 | 14.0 |
| LOAD1-6•000 | 15.0 |
| LOAD1-6•100 | 15.0 |
| LOAD1-7•000 | 16.0 |
| LOAD1-7•100 | 16.0 |
| LOAD1-P•000 | 8.0 |
| LOAD1-P•100 | 8.0 |
| LOAD2-0•000 | 9.0 |
| LOAD2-0•100 | 9.0 |
| LOAD2-1•000 | 10.0 |
| LOAD2-1•100 | 10.0 |
| LOAD2-2•000 | 11.0 |
| LOAD2-2•100 | 11.0 |
| LOAD2-3•000 | 12.0 |
| LOAD2-3•100 | 12.0 |
| LOAD2-4•000 | 13.0 |
| LOAD2-4•100 | 13.0 |
| LOAD2-5•000 | 14.0 |
| LOAD2-5•100 | 14.0 |
| LOAD2-6•000 | 15.0 |
| LOAD2-6•100 | 15.0 |
| LOAD2-7•000 | 16.0 |
| LOAD2-7•100 | 16.0 |
| LOAD2-P•000 | 8.0 |
| LOAD2-P•100 | 8.0 |
| LOAD3-0•000 | 9.0 |
| LOAD3-0•100 | 9.0 |
| LOAD3-1•000 | 10.0 |
| LOAD3-1•100 | 10.0 |
| LOAD3-2•000 | 11.0 |
| LOAD3-2•100 | 11.0 |
| LOAD3-3•000 | 12.0 |
| LOAD3-3•100 | 12.0 |
| LOAD3-4•000 | 13.0 |
| LOAD3-4•100 | 13.0 |
| LOAD3-5•000 | 14.0 |
| LOAD3-5•100 | 14.0 |
| LOAD3-6•000 | 15.0 |
| LOAD3-6•100 | 15.0 |

DISTRIBUTION -26 CODE

HONEYWELL
 HONEYWELL INFORMATION SYSTEMS
 LOC CEO PHOENIX, ARIZONA U.S.A.
 TITLE LOGIC DIAGRAM- MT8AC
 LOGIC -
 PAGE CROSS REFERENCE

| | | | | |
|----------------|------|----------|-----|-----|
| DATA BASE | SIZE | DWG NO | SH | REV |
| ACTPK/UMTBACPB | B | 58041524 | 1.1 | M |
| OR DFTG | | 77DEC08 | | |

ASH REF 58041520-X14

H
F
E
O
C
B
A

58041524

THE INFORMATION CONTAINED IN THIS DOCUMENT IS UNCLASSIFIED EXCEPT WHERE SHOWN OTHERWISE BY A CONTROLLED UNCLASSIFICATION AUTHORITY.

| | | |
|-----|-----------|---------|
| REV | AUTHORITY | DATE |
| M | PHAO7G208 | 84MAR09 |

H
F
E
D
C
B
A

| SIGNAL NAME | PAGE |
|----------------|------|
| LOAD3-7-000 | 16.0 |
| LOAD3-7-100 | 16.0 |
| LOAD3-P-000 | 8.0 |
| LOAD3-P-100 | 8.0 |
| LOAD4-0-000 | 9.0 |
| LOAD4-0-100 | 9.0 |
| LOAD4-1-000 | 10.0 |
| LOAD4-1-100 | 10.0 |
| LOAD4-2-000 | 11.0 |
| LOAD4-2-100 | 11.0 |
| LOAD4-3-000 | 12.0 |
| LOAD4-3-100 | 12.0 |
| LOAD4-4-000 | 13.0 |
| LOAD4-4-100 | 13.0 |
| LOAD4-5-000 | 14.0 |
| LOAD4-5-100 | 14.0 |
| LOAD4-6-000 | 15.0 |
| LOAD4-6-100 | 15.0 |
| LOAD4-7-000 | 16.0 |
| LOAD4-7-100 | 16.0 |
| LOAD4-P-000 | 8.0 |
| LOAD4-P-100 | 8.0 |
| LOAD5-0-000 | 9.0 |
| LOAD5-0-100 | 9.0 |
| LOAD5-1-000 | 10.0 |
| LOAD5-1-100 | 10.0 |
| LOAD5-2-000 | 11.0 |
| LOAD5-2-100 | 11.0 |
| LOAD5-3-000 | 12.0 |
| LOAD5-3-100 | 12.0 |
| LOAD5-4-000 | 13.0 |
| LOAD5-4-100 | 13.0 |
| LOAD5-5-000 | 14.0 |
| LOAD5-5-100 | 14.0 |
| LOAD5-6-000 | 15.0 |
| LOAD5-6-100 | 15.0 |
| LOAD5-7-000 | 16.0 |
| LOAD5-7-100 | 16.0 |
| LOAD5-P-000 | 8.0 |
| LOAD5-P-100 | 8.0 |
| LOAD6-0-000 | 9.0 |
| LOAD6-1-000 | 10.0 |
| LOAD6-2-000 | 11.0 |
| LOAD6-3-000 | 12.0 |
| LOAD6-4-000 | 13.0 |
| LOAD6-5-000 | 14.0 |
| LOAD6-6-000 | 15.0 |
| LOAD6-7-000 | 16.0 |
| LOAD6-P-000 | 8.0 |
| LOAD6-P-100 | 8.0 |
| LOAD6-PTA0-000 | 30.0 |
| LOAD6-PTA0-100 | 29.0 |
| LOAD6-PTA1-000 | 30.0 |
| LOAD6-PTA1-100 | 29.0 |
| LOAD6-PTA2-000 | 30.0 |
| LOAD6-PTA2-100 | 29.0 |
| LOAD6-PTA3-000 | 30.0 |
| LOAD6-PTA3-100 | 29.0 |
| LOAD6-PTA4-000 | 30.0 |
| LOAD6-PTA4-100 | 29.0 |
| LOAD6-PTA5-000 | 30.0 |
| LOAD6-PTA5-100 | 29.0 |
| LOAD6-PTA6-000 | 30.0 |
| LOAD6-PTA6-100 | 29.0 |
| LOAD6-PTA7-000 | 30.0 |
| LOAD6-PTA7-100 | 29.0 |

| SIGNAL NAME | PAGE |
|-------------------|------|
| LOCLP-DTAP-000 | 30.0 |
| LOCLP-DTAP-100 | 29.0 |
| LOCLP-FUL-100 | 29.0 |
| LOCLP-PTY-ERR-100 | 29.0 |
| LOCLP-RDY-100 | 29.0 |
| MLTI-SYNC-1-100 | 26.0 |
| MLTI-SYNC-2-100 | 26.0 |
| MLTI-TRK-ERR-000 | 26.0 |
| MLTI-TRK-ERR-100 | 26.0 |
| MX-16-000 | 35.0 |
| MX-16-100 | 35.0 |
| N-PTY-ERR-000 | 29.0 |
| N-PTY-ERR-100 | 29.0 |
| NO-ZON-ALLOWN-000 | 37.0 |
| NO-ZON-ALLOWN-100 | 37.0 |
| NRZ-100 | 19.0 |
| NRZ-101 | 19.0 |
| NRZ-G200-100 | 32.0 |
| NRZ-ICLK-MO-000 | 19.0 |
| NRZ-CLR-000 | 29.0 |
| NRZ-CLR-030 | 17.0 |
| NRZ-ERR-010 | 30.0 |
| NRZ-ERR-011 | 30.0 |
| NRZ-ERR-100 | 30.0 |
| NRZ-ERR-110 | 35.0 |
| NRZ-ERR-120 | 30.0 |
| NRZ-FUL-000 | 29.0 |
| NRZ-GO-100 | 22.0 |
| NRZ-PTY-ERR-000 | 24.0 |
| NRZ-PTY-ERR-010 | 24.0 |
| NRZ-PTY-ERR-110 | 24.0 |
| NXFIM-ERR-010 | 30.0 |
| ODD-PTY-CK-100 | 25.0 |
| ODD-PTY-ERR-100 | 25.0 |
| ODD-PTY-ERR-101 | 29.0 |
| OUT-DTA-000 | 27.0 |
| OUT-DTA-100 | 28.0 |
| OUT-DTA-DLY-100 | 28.0 |
| P-SBIT-LO-000 | 5.0 |
| P-BYTE-RDY-000 | 17.0 |
| P-BYTE-RDY-100 | 17.0 |
| P-STB0-000 | 7.0 |
| P-STB1-000 | 7.0 |
| P-STB2-000 | 7.0 |
| P-STB3-000 | 7.0 |
| P-STB4-000 | 7.0 |
| P-STB5-000 | 7.0 |
| P-STB6-000 | 7.0 |
| P-STB7-000 | 7.0 |
| P-STB8-000 | 7.0 |
| P-TRK0-ERR-100 | 19.0 |
| P-TRK1-ERR-100 | 19.0 |
| P-TRK2-ERR-100 | 19.0 |
| P-TRK3-ERR-100 | 19.0 |
| P-TRK4-ERR-100 | 19.0 |
| P-TRK5-ERR-100 | 19.0 |
| P-TRK6-ERR-100 | 19.0 |
| P-TRK7-ERR-100 | 19.0 |
| P-TRKP-ERR-100 | 19.0 |
| P3+4-000 | 37.0 |
| P3+4-110 | 37.0 |
| PBUF-OVRLO-000 | 18.0 |
| PBUF-OVRLO-100 | 18.0 |
| PE-000 | 19.0 |
| PE-100 | 19.0 |

| SIGNAL NAME | PAGE |
|------------------|------|
| PE+GCR-RDY-000 | 35.0 |
| PE+GCR-RDY-001 | 35.0 |
| PE+Z1-2UP-100 | 37.0 |
| PE-B0-100 | 4.0 |
| PE-B1-100 | 4.0 |
| PE-B2-100 | 4.0 |
| PE-B3-100 | 4.0 |
| PE-B4-100 | 6.0 |
| PE-B5-100 | 6.0 |
| PE-B6-100 | 6.0 |
| PE-B7-100 | 6.0 |
| PE-BP-100 | 4.0 |
| PE-BUF-OVRLO-100 | 19.0 |
| PE-DTA-0-100 | 9.0 |
| PE-DTA-1-100 | 10.0 |
| PE-DTA-2-100 | 11.0 |
| PE-DTA-3-100 | 12.0 |
| PE-DTA-4-100 | 13.0 |
| PE-DTA-5-100 | 14.0 |
| PE-DTA-6-100 | 15.0 |
| PE-DTA-7-100 | 16.0 |
| PE-DTA-80-000 | 9.0 |
| PE-DTA-80-001 | 9.0 |
| PE-DTA-80-100 | 4.0 |
| PE-DTA-81-000 | 10.0 |
| PE-DTA-81-001 | 10.0 |
| PE-DTA-81-100 | 4.0 |
| PE-DTA-82-000 | 11.0 |
| PE-DTA-82-001 | 11.0 |
| PE-DTA-82-100 | 4.0 |
| PE-DTA-83-000 | 12.0 |
| PE-DTA-83-001 | 12.0 |
| PE-DTA-83-100 | 4.0 |
| PE-DTA-84-000 | 13.0 |
| PE-DTA-84-001 | 13.0 |
| PE-DTA-84-100 | 6.0 |
| PE-DTA-85-000 | 14.0 |
| PE-DTA-85-001 | 14.0 |
| PE-DTA-85-100 | 6.0 |
| PE-DTA-86-000 | 15.0 |
| PE-DTA-86-001 | 15.0 |
| PE-DTA-86-100 | 6.0 |
| PE-DTA-87-000 | 16.0 |
| PE-DTA-87-001 | 16.0 |
| PE-DTA-87-100 | 6.0 |
| PE-DTA-8P-000 | 8.0 |
| PE-DTA-8P-001 | 8.0 |
| PE-DTA-8P-100 | 4.0 |
| PE-DTA-P-100 | 8.0 |
| PE-ENABLE-000 | 31.0 |
| PE-ENABLE-100 | 31.0 |
| PE-ENABLE-110 | 26.0 |
| PE-ENB-000 | 31.0 |
| PE-ENB-100 | 31.0 |
| PE-ON-000 | 31.0 |
| PE-ON-100 | 31.0 |
| PE-PNTR-80-100 | 19.0 |
| PE-PNTR-81-100 | 19.0 |
| PE-PNTR-82-100 | 19.0 |
| PE-PNTR-83-100 | 19.0 |
| PE-PNTR-84-100 | 19.0 |
| PE-PNTR-85-100 | 19.0 |
| PE-PNTR-86-100 | 19.0 |
| PE-PNTR-87-100 | 19.0 |
| PE-PNTR-BP-100 | 19.0 |

| SIGNAL NAME | PAGE |
|------------------|------|
| PE-PSTAM-MO-000 | 31.0 |
| PE-PSTAM-MO-001 | 31.0 |
| PE-PSTAM-MO-002 | 31.0 |
| PE-PSTAM-MO-100 | 31.0 |
| PE-PTY-ERR-000 | 25.0 |
| PE-PTY-ERR-100 | 25.0 |
| PE-STROB-80-100 | 7.0 |
| PE-STROB-81-100 | 7.0 |
| PE-STROB-82-100 | 7.0 |
| PE-STROB-83-100 | 7.0 |
| PE-STROB-84-100 | 7.0 |
| PE-STROB-85-100 | 7.0 |
| PE-STROB-86-100 | 7.0 |
| PE-STROB-87-100 | 7.0 |
| PE-STROB-8P-100 | 7.0 |
| PG-714-05PUP-110 | 36.0 |
| PGBLOCKDET-000 | 37.0 |
| PGBLOCKDET-100 | 37.0 |
| PID-000 | 37.0 |
| PID-001 | 37.0 |
| PID-100 | 37.0 |
| PLUP-100 | 17.0 |
| PN-ANY-ERR-100 | 30.0 |
| PN-DATA-0-000 | 22.0 |
| PN-DATA-1-000 | 22.0 |
| PN-DATA-2-000 | 22.0 |
| PN-DATA-3-000 | 22.0 |
| PN-DATA-4-000 | 22.0 |
| PN-DATA-5-000 | 22.0 |
| PN-DATA-6-000 | 22.0 |
| PN-DATA-7-000 | 22.0 |
| PN-DATA-P-000 | 22.0 |
| PN-FULL-000 | 22.0 |
| PN-FULL-100 | 22.0 |
| POST-010 | 25.0 |
| POSTAM-DET-000 | 25.0 |
| POSTAM-DET-001 | 20.0 |
| POSTAM-DET-100 | 25.0 |
| POSTAM-ERR-000 | 25.0 |
| POSTAM-ERR-100 | 25.0 |
| POSTAM-ERR-101 | 35.0 |
| POSTAM-ERR-S-000 | 21.0 |
| POSTAM-ERR-S-100 | 21.0 |
| POSTAM-SET-000 | 25.0 |
| POSTAM-SET-100 | 25.0 |
| PRAM-CK-000 | 35.0 |
| PRAM-CK-100 | 35.0 |
| PRAM-ERR-100 | 35.0 |
| PRD-OVR-LO-000 | 8.0 |
| PRD-OVR-LO-100 | 5.0 |
| PRE-NO0-000 | 5.0 |
| PRE-NO1-000 | 5.0 |
| PRE-NO2-000 | 5.0 |
| PRE-NO3-000 | 5.0 |
| PRE-NO4-000 | 5.0 |
| PRE-NO5-000 | 5.0 |
| PRE-NO6-000 | 5.0 |

DISTRIBUTION -26 CODE

HONEYWELL
 HONEYWELL INFORMATION SYSTEMS
 LOC CED PHOENIX, ARIZONA U.S.A.

TITLE LOGIC DIAGRAM- MT8AC
 LOGIC -
 PAGE CROSS REFERENCE

| | | | | |
|----------------|------|----------|-----|-----|
| DATA BASE | SIZE | DWG NO | SH | REV |
| ACTPK/UMT8ACP8 | B | 58041524 | 1.2 | M |

ASH REF 58041520-X14
 OR DTG 770EC08

58041524

THE INFORMATION CONTAINED IN THIS DOCUMENT IS UNCLASSIFIED EXCEPT WHERE SHOWN OTHERWISE. IT IS RELEASED TO THE PUBLIC UNLESS INDICATED OTHERWISE.

| | | |
|-----|-----------|---------|
| REV | AUTHORITY | DATE |
| M | PHAOTG208 | 84MAR09 |

H
F
E
D
C
B
A

| SIGNAL NAME | PAGE | SIGNAL NAME | PAGE |
|-------------------|------|------------------|------|
| PRE-ND7•000 | 5.0 | TRK4-ERR•100 | 21.0 |
| PRE-NOP•000 | 5.0 | TRK5-ERR•000 | 21.0 |
| PREND•100 | 7.0 | TRK5-ERR•100 | 21.0 |
| PST-MD•000 | 31.0 | TRK6-ERR•000 | 21.0 |
| PXFTM-ERR•000 | 34.0 | TRK6-ERR•100 | 21.0 |
| RC-ITSM•100 | 35.0 | TRK7-ERR•000 | 21.0 |
| RD•100 | 31.0 | TRK7-ERR•100 | 21.0 |
| ROC-DTA-0•100 | 27.0 | TRKP-ERR•000 | 21.0 |
| ROC-DTA-1•100 | 27.0 | TRKP-ERR•100 | 21.0 |
| ROC-DTA-2•100 | 27.0 | TST-WA08 | 17.0 |
| ROC-DTA-3•100 | 27.0 | TST-WA10 | 34.0 |
| ROC-DTA-4•100 | 27.0 | TST-WF12 | 34.0 |
| ROC-DTA-5•100 | 27.0 | TST-WJ10 | 34.0 |
| ROC-DTA-6•100 | 27.0 | TST-WK12 | 35.0 |
| ROC-DTA-7•100 | 27.0 | TST-WK20 | 35.0 |
| ROC-DTA-P•100 | 27.0 | WAIT-ONE•000 | 25.0 |
| RECYCLE•010 | 35.0 | XFTM-ERR•100 | 34.0 |
| RESET•000 | 27.0 | Z1-0SUP•000 | 36.0 |
| RESET•110 | 27.0 | Z1-0PUP•000 | 36.0 |
| RESET•120 | 30.0 | Z1-2UP•000 | 37.0 |
| RPN-FULL•100 | 27.0 | Z1-2UP•100 | 37.0 |
| RRC-9TRK•010 | 36.0 | Z1-5PUP•000 | 36.0 |
| RRC-ENBOR•010 | 31.0 | Z1-714-0SPDN•000 | 36.0 |
| RRC-RD/ECHORD•010 | 31.0 | Z1-714-0SPDN•110 | 36.0 |
| RRC-SC1•010 | 32.0 | Z1-714-0SPUP•000 | 36.0 |
| RRC-SC2•010 | 32.0 | Z1-TRK3ONLY•000 | 36.0 |
| RST-CLR•100 | 34.0 | Z1-TRK4ONLY•000 | 36.0 |
| RST-F-DTA•100 | 30.0 | Z2-26UP•000 | 36.0 |
| RTC-0•100 | 23.0 | Z2-27UP•000 | 36.0 |
| RTC-1•100 | 23.0 | Z2-2UP•100 | 37.0 |
| RTC-2•100 | 23.0 | Z2-582-267DN•000 | 36.0 |
| RTC-3•100 | 23.0 | Z2-582-267DN•110 | 36.0 |
| RTC-4•100 | 24.0 | Z2-582-267UP•000 | 36.0 |
| RTC-5•100 | 24.0 | Z2-582-267UP•110 | 36.0 |
| RTC-6•100 | 24.0 | Z2-67UP•000 | 36.0 |
| RTC-7•100 | 24.0 | Z2-DWN/7•000 | 36.0 |
| RTC-P•100 | 23.0 | Z2-DWN/9•000 | 36.0 |
| S-40FR•100 | 35.0 | Z3-639-134DN•000 | 36.0 |
| S-ALL-ONES•000 | 25.0 | Z3-639-134DN•110 | 36.0 |
| SUMPIN-RDY•000 | 28.0 | Z3-639-134UP•000 | 36.0 |
| T3-7TRK•100 | 36.0 | Z3-639-134UP•110 | 36.0 |
| T4-9TRK•100 | 36.0 | Z3-DWN/7•000 | 36.0 |
| T5-7TRK•100 | 37.0 | Z3-DWN/9•000 | 36.0 |
| T6-9TRK•100 | 37.0 | Z3-TRKSONLY•000 | 36.0 |
| TAKE-LOCLP•000 | 30.0 | Z3-TRKSONLY•000 | 36.0 |
| TAKE-LOCLP•100 | 24.0 | ZIDC-0•100 | 33.0 |
| TEST-WK16 | 26.0 | ZIDC-1•100 | 33.0 |
| TRK-ERR-0•100 | 20.0 | ZIDC-2•100 | 33.0 |
| TRK-ERR-1•100 | 20.0 | ZIDC-3•100 | 33.0 |
| TRK-ERR-2•100 | 20.0 | ZIDC-4•100 | 33.0 |
| TRK-ERR-3•100 | 20.0 | ZIDC-5•100 | 33.0 |
| TRK-ERR-4•100 | 20.0 | ZIDC-6•100 | 33.0 |
| TRK-ERR-5•100 | 20.0 | ZIDC-7•100 | 33.0 |
| TRK-ERR-6•100 | 20.0 | [WAIT]•100 | 25.0 |
| TRK-ERR-7•100 | 20.0 | | |
| TRK-ERR-P•100 | 20.0 | | |
| TRK0-ERR•000 | 21.0 | | |
| TRK0-ERR•100 | 21.0 | | |
| TRK1-ERR•000 | 21.0 | | |
| TRK1-ERR•100 | 21.0 | | |
| TRK2-ERR•000 | 21.0 | | |
| TRK2-ERR•100 | 21.0 | | |
| TRK3-ERR•000 | 21.0 | | |
| TRK3-ERR•100 | 21.0 | | |
| TRK4-ERR•000 | 21.0 | | |

H
F
E
D
C
B
A

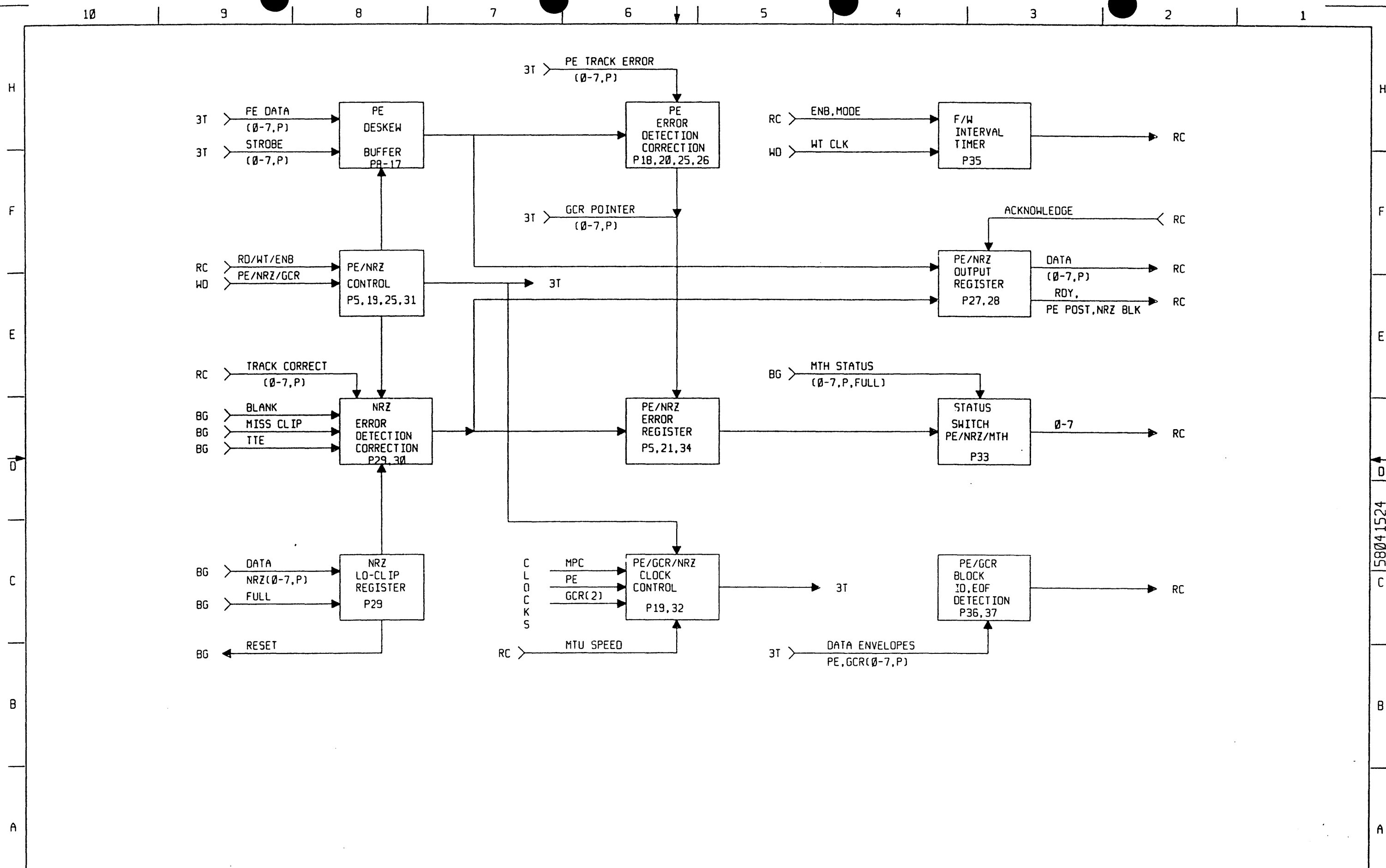
58041524

DISTRIBUTION -26 CODE

| | | | |
|--|------|----------|-----|
| HONEYWELL | | | |
| HONEYWELL INFORMATION SYSTEMS LOC CEO PHOENIX, ARIZONA U.S.A. | | | |
| TITLE LOGIC DIAGRAM- MT8AC | | | |
| LOGIC | | | |
| PAGE CROSS REFERENCE | | | |
| DATA BASE | SIZE | DWG NO | SH |
| ACTPK/UMT8ACP8 | B | 58041524 | 1.3 |
| OR | | | |
| DTG 77DEC08 | | | |
| REV | | | M |

ASH REF 58041520-X14

THE INFORMATION CONTAINED IN THIS DOCUMENT IS UNCLASSIFIED EXCEPT WHERE SHOWN OTHERWISE. IT IS THE PROPERTY OF HONEYWELL INFORMATION SYSTEMS AND IS LOANED TO YOUR AGENCY. IT IS TO BE RETURNED TO HONEYWELL INFORMATION SYSTEMS AT THE END OF THE LOAN PERIOD. IT IS NOT TO BE REPRODUCED OR TRANSMITTED IN ANY FORM OR BY ANY MEANS, ELECTRONIC OR MECHANICAL, INCLUDING PHOTOCOPYING, RECORDING, OR BY ANY INFORMATION STORAGE AND RETRIEVAL SYSTEM.



58041524

H
F
E
D
C
B
A

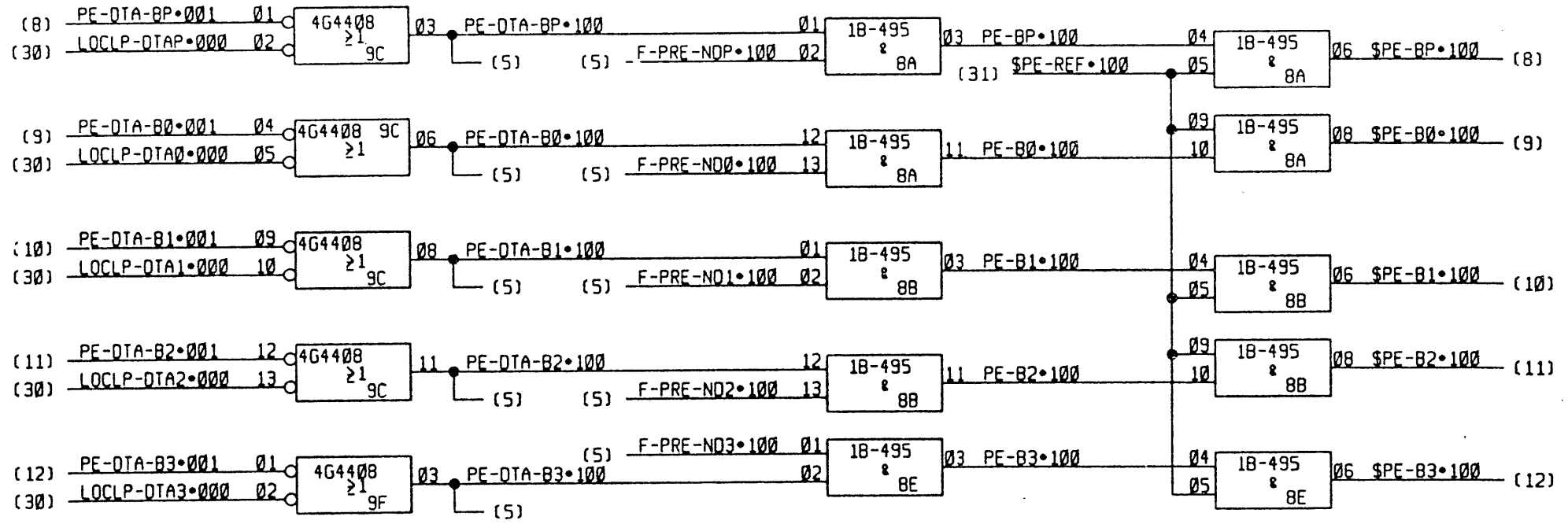
| I/O PIN | PAGE | SIGNAL NAME | I/O PIN | PAGE | SIGNAL NAME | I/O PIN | PAGE | SIGNAL NAME | | | |
|---------|------|-------------|-------------------|------|-------------|---------|--------------------|-------------|---|------|----------------|
| WA06 | I | 24.0 | CCC-PAR-ADJ•100 | WG00 | I | 36.0 | ENV-UP-BP•101 | WK06 | O | 35.0 | O4-CRY-256•110 |
| WA08 | I | 17.0 | TST-WA08 | WG02 | I | 36.0 | ENV-UP-B0•101 | WK07 | O | 37.0 | ARAIOC•110 |
| WA10 | I | 34.0 | TST-WA10 | WG03 | I | 36.0 | ENV-UP-B1•101 | WK08 | O | 37.0 | ALLZONOWN•000 |
| WA12 | I | 7.0 | PE-STROB-BP•100 | WG04 | I | 36.0 | ENV-UP-B2•101 | WK09 | O | 37.0 | PID•100 |
| WA16 | I | 19.0 | PE-PNTR-BP•100 | WG05 | I | 36.0 | ENV-UP-B3•101 | WK10 | O | 37.0 | GID•100 |
| WA17 | I | 20.0 | GCR-PNTR-BP•100 | WG06 | I | 20.0 | F4-NBT0•100 | WK12 | I | 35.0 | TST-WK12 |
| WA19 | I | 7.0 | PE-STROB-B0•100 | WG07 | I | 20.0 | F4-NBT1•100 | WK15 | O | 37.0 | PGBLOCKDET•000 |
| WB01 | I | 7.0 | PE-STROB-B1•100 | WG08 | I | 20.0 | F4-NBT2•100 | WK16 | I | 26.0 | TEST-WK16 |
| WB04 | I | 19.0 | PE-PNTR-B0•100 | WG09 | I | 20.0 | F4-NBT3•100 | WK18 | I | 35.0 | RC-ITSM•100 |
| WB05 | I | 20.0 | GCR-PNTR-B0•100 | WG10 | I | 20.0 | F4-NBT4•100 | WK20 | I | 35.0 | TST-WK20 |
| WB07 | I | 19.0 | PE-PNTR-B1•100 | WG12 | I | 20.0 | F4-NBT5•100 | | | | |
| WB08 | I | 20.0 | GCR-PNTR-B1•100 | WG13 | I | 20.0 | F4-NBT6•100 | | | | |
| WB09 | I | 20.0 | GCR-PNTR-B2•100 | WG14 | I | 20.0 | F4-NBT7•100 | | | | |
| WB10 | I | 19.0 | PE-PNTR-B2•100 | WG15 | I | 20.0 | F4-NBTP•100 | | | | |
| WB13 | I | 8.0 | PE-DTA-BP•000 | WG16 | I | 29.0 | F4-NBT-FUL•100 | | | | |
| WB16 | I | 9.0 | PE-DTA-B0•000 | WG17 | I | 30.0 | F4-NCLIP-ERR•100 | | | | |
| WB19 | I | 10.0 | PE-DTA-B1•000 | WG18 | I | 36.0 | ENV-UP-B4•101 | | | | |
| WC00 | I | 11.0 | PE-DTA-B2•000 | WG19 | I | 36.0 | ENV-UP-B5•101 | | | | |
| WC02 | I | 19.0 | PE-PNTR-B3•100 | WG20 | I | 36.0 | ENV-UP-B6•101 | | | | |
| WC03 | I | 20.0 | GCR-PNTR-B3•100 | WH00 | O | 30.0 | DD-RESET•000 | | | | |
| WC05 | I | 7.0 | PE-STROB-B2•100 | WH01 | I | 36.0 | ENV-UP-B7•101 | | | | |
| WC06 | I | 14.0 | PE-DTA-B5•000 | WH02 | O | 27.0 | RDC-DTA-0•100 | | | | |
| WC07 | I | 13.0 | PE-PNTR-B4•100 | WH03 | O | 27.0 | RDC-DTA-1•100 | | | | |
| WC08 | I | 20.0 | GCR-PNTR-B4•100 | WH04 | O | 27.0 | RDC-DTA-2•100 | | | | |
| WC09 | O | 7.0 | DD-PREND•000 | WH05 | O | 27.0 | RDC-DTA-3•100 | | | | |
| WC10 | I | 19.0 | PE-PNTR-B5•100 | WH06 | O | 27.0 | RDC-DTA-4•100 | | | | |
| WC13 | I | 7.0 | PE-STROB-B3•100 | WH07 | O | 27.0 | RDC-DTA-5•100 | | | | |
| WC15 | I | 19.0 | PE-PNTR-B6•100 | WH08 | O | 27.0 | RDC-DTA-6•100 | | | | |
| WC17 | I | 7.0 | PE-STROB-B4•100 | WH09 | O | 27.0 | RDC-DTA-7•100 | | | | |
| WC19 | I | 19.0 | PE-PNTR-B7•100 | WH10 | O | 27.0 | RDC-DTA-P•100 | | | | |
| WC20 | I | 20.0 | GCR-PNTR-B5•100 | WH12 | I | 33.0 | F4-STAT-FL•100 | | | | |
| WD00 | I | 12.0 | PE-DTA-B3•000 | WH13 | I | 33.0 | F4-STAT0•100 | | | | |
| WD03 | I | 13.0 | PE-DTA-B4•000 | WH14 | I | 33.0 | F4-STAT1•100 | | | | |
| WD09 | I | 15.0 | PE-DTA-B6•000 | WH15 | I | 33.0 | F4-STAT2•100 | | | | |
| WD10 | I | 28.0 | FRC-ACK•010 | WH16 | I | 33.0 | F4-STAT3•100 | | | | |
| WD12 | I | 7.0 | PE-STROB-B5•100 | WH17 | I | 33.0 | F4-STAT4•100 | | | | |
| WD15 | I | 7.0 | PE-STROB-B6•100 | WH18 | I | 33.0 | F4-STAT5•100 | | | | |
| WD18 | I | 7.0 | PE-STROB-B7•100 | WH19 | I | 33.0 | F4-STAT6•100 | | | | |
| WD19 | I | 32.0 | \$36-SL5•000 | WH20 | I | 33.0 | F4-STAT7•100 | | | | |
| WD20 | I | 20.0 | GCR-PNTR-B6•100 | WJ00 | I | 33.0 | F4-STAT-ERR•100 | | | | |
| WE00 | O | 19.0 | DD-PE•100 | WJ01 | I | 36.0 | RRC-9TRK•010 | | | | |
| WE01 | I | 20.0 | GCR-PNTR-B7•100 | WJ02 | O | 33.0 | ZIDC-0•100 | | | | |
| WE04 | I | 16.0 | PE-DTA-B7•000 | WJ03 | O | 33.0 | ZIDC-1•100 | | | | |
| WE09 | I | 32.0 | \$34-SL5•000 | WJ04 | O | 33.0 | ZIDC-2•100 | | | | |
| WE13 | I | 34.0 | \$PCLR-DC•020 | WJ05 | O | 33.0 | ZIDC-3•100 | | | | |
| WE16 | I | 32.0 | \$RAW-SL5•015 | WJ06 | O | 33.0 | ZIDC-4•100 | | | | |
| WE21 | O | 32.0 | \$D-REF•000 | WJ07 | O | 33.0 | ZIDC-5•100 | | | | |
| WF01 | O | 28.0 | OCDTARDY•010 | WJ08 | O | 33.0 | ZIDC-6•100 | | | | |
| WF03 | O | 28.0 | BLANK•010 | WJ09 | O | 33.0 | ZIDC-7•100 | | | | |
| WF05 | I | 25.0 | BLANK•100 | WJ10 | I | 34.0 | TST-WJ10 | | | | |
| WF06 | O | 31.0 | DD-WRITE•100 | WJ12 | I | 23.0 | RTC-0•100 | | | | |
| WF07 | I | 31.0 | RRC-RD/ECHORD•010 | WJ13 | I | 23.0 | RTC-1•100 | | | | |
| WF08 | I | 31.0 | RRC-ENBDR•010 | WJ14 | I | 23.0 | RTC-2•100 | | | | |
| WF09 | I | 32.0 | \$12-SL5•000 | WJ15 | I | 23.0 | RTC-3•100 | | | | |
| WF10 | O | 25.0 | POST•010 | WJ16 | I | 24.0 | RTC-4•100 | | | | |
| WF12 | I | 34.0 | TST-WF12 | WJ17 | I | 24.0 | RTC-5•100 | | | | |
| WF13 | I | 30.0 | NXFIM-ERR•010 | WJ18 | I | 24.0 | RTC-6•100 | | | | |
| WF14 | I | 25.0 | GCR-END•010 | WJ19 | I | 24.0 | RTC-7•100 | | | | |
| WF15 | I | 32.0 | RRC-SC1•010 | WJ20 | I | 23.0 | RTC-P•100 | | | | |
| WF16 | I | 32.0 | RRC-SC2•010 | WK00 | I | 29.0 | EXPECEVNP•000 | | | | |
| WF17 | O | 19.0 | DD-NRZ•100 | WK01 | O | 37.0 | GD-EDF•000 | | | | |
| WF18 | I | 35.0 | DTARDY•000 | WK02 | I | 33.0 | DFDAI-ADD-CNT6•100 | | | | |
| WF19 | I | 19.0 | FSCLKM•110 | WK03 | I | 33.0 | DFDAI-ADD-CNT7•100 | | | | |
| WF20 | I | 19.0 | DGCRM•010 | WK04 | I | 35.0 | \$WT-CLK•000 | | | | |
| WF21 | I | 19.0 | DNRZIM/T•010 | WK05 | I | 35.0 | RECYCLE•010 | | | | |

H
F
E
D
C
B
A

58041524

THE INFORMATION CONTAINED IN THIS DOCUMENT IS PROPERTY OF HONEYWELL INFORMATION SYSTEMS AND IS INTENDED FOR INTERNAL USE ONLY. NO PART OF THIS DOCUMENT IS TO BE REPRODUCED OR TRANSMITTED IN ANY FORM OR BY ANY MEANS, ELECTRONIC OR MECHANICAL, INCLUDING PHOTOCOPYING, RECORDING, OR BY ANY INFORMATION STORAGE AND RETRIEVAL SYSTEM.

H
F
E
D
C
B
A



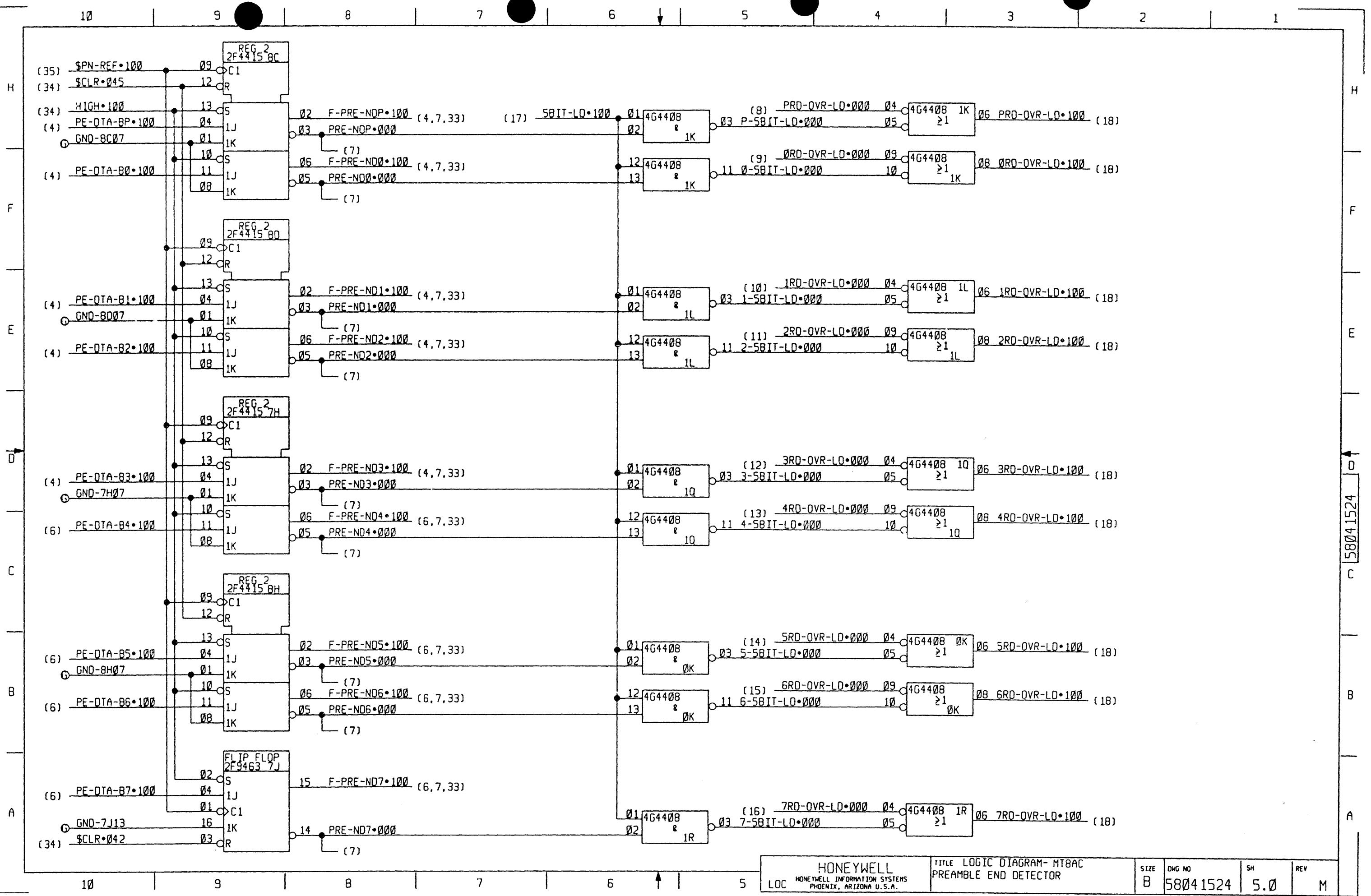
| MT83T SLOT | | BIT | 9TRK | 7TRK |
|------------|------|-----|------|------|
| CA-0 | CA-1 | | | |
| 0 | 3 | 0 | 7 | - |
| | | 1 | 6 | - |
| | | 2 | 5 | 6 |
| 1 | 4 | 3 | 3 | 5 |
| | | 4 | 9 | 4 |
| | | 5 | 1 | 3 |
| 2 | 5 | 6 | 8 | 2 |
| | | 7 | 2 | 1 |
| | | P | 4 | 7 |
| | | | | |

THE INFORMATION CONTAINED IN THIS DOCUMENT IS UNCLASSIFIED EXCEPT WHERE SHOWN OTHERWISE. IT IS HEREBY RELEASED TO THE PUBLIC.

H
F
E
D
C
B
A

58041524

THIS INFORMATION CONTAINED IN THIS DOCUMENT IS UNCLASSIFIED EXCEPT WHERE SHOWN OTHERWISE BY THIS DOCUMENT. IT IS THE PROPERTY OF HONEYWELL INFORMATION SYSTEMS AND IS LOANED TO YOUR AGENCY. IT IS TO BE REPRODUCED AND DISTRIBUTED ONLY AS AUTHORIZED BY HONEYWELL INFORMATION SYSTEMS.



| | | | | | | |
|---|--|---|--------|-----------------|--------|-------|
| HONEYWELL LOC HONEYWELL INFORMATION SYSTEMS PHOENIX, ARIZONA U.S.A. | | TITLE LOGIC DIAGRAM- MT8AC PREAMBLE END DETECTOR | SIZE B | DWG NO 58041524 | SH 5.0 | REV M |
|---|--|---|--------|-----------------|--------|-------|

58041524

10 9 8 7 6 5 4 3 2 1

H

F

E

D

C

B

A

H

F

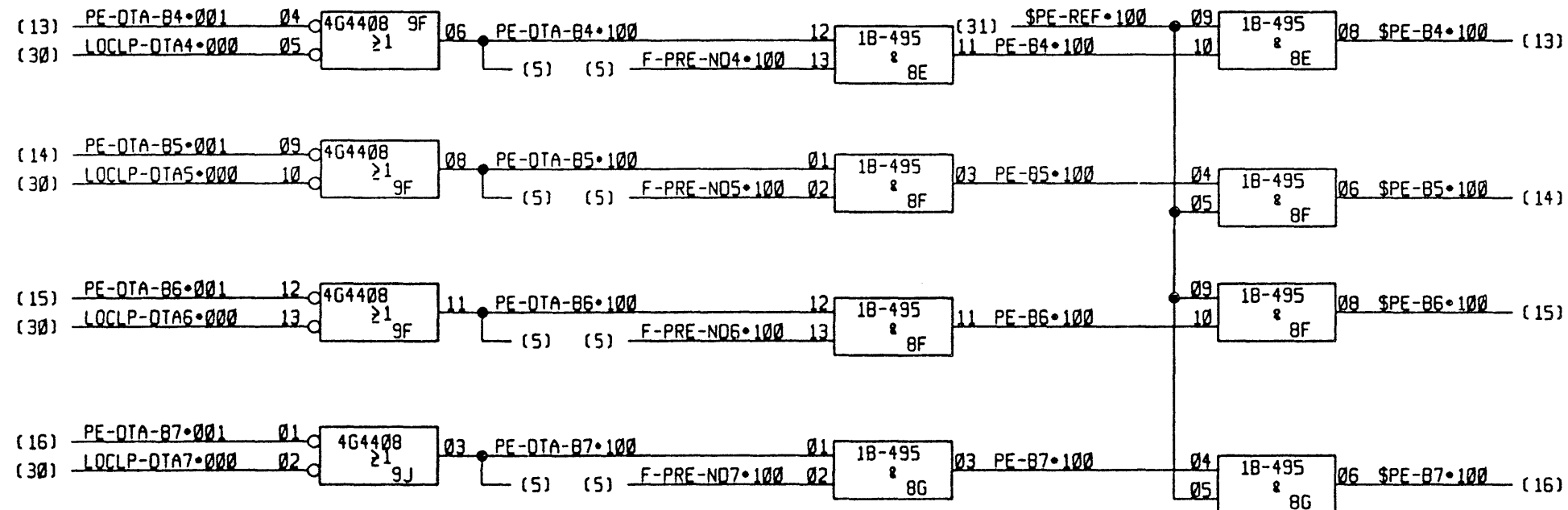
E

D

C

B

A



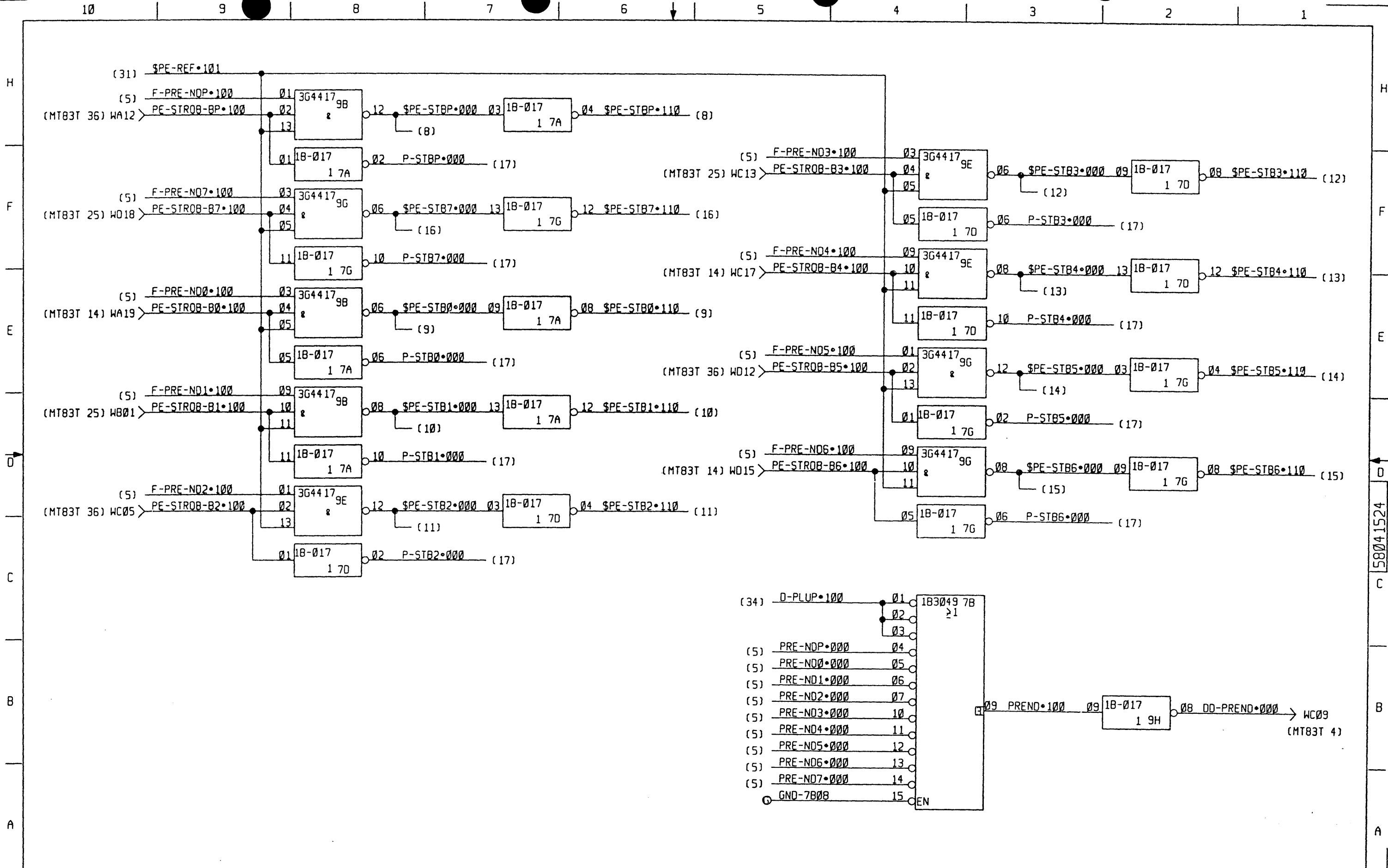
58041524

THE INFORMATION CONTAINED IN THIS DOCUMENT IS UNCLASSIFIED EXCEPT WHERE SHOWN OTHERWISE. IT IS UNCLASSIFIED EXCEPT WHERE SHOWN OTHERWISE. DATE 10/15/2010 BY 60322 UCBAW/SJS/STP

| | | | | | | |
|-----|---|--|--------|-----------------|--------|-------|
| LOC | HONEYWELL HONEYWELL INFORMATION SYSTEMS PHOENIX, ARIZONA U.S.A. | TITLE LOGIC DIAGRAM- MTBAC PE DATA & PREAMBLE END | SIZE B | DWG NO 58041524 | SH 6.0 | REV M |
|-----|---|--|--------|-----------------|--------|-------|

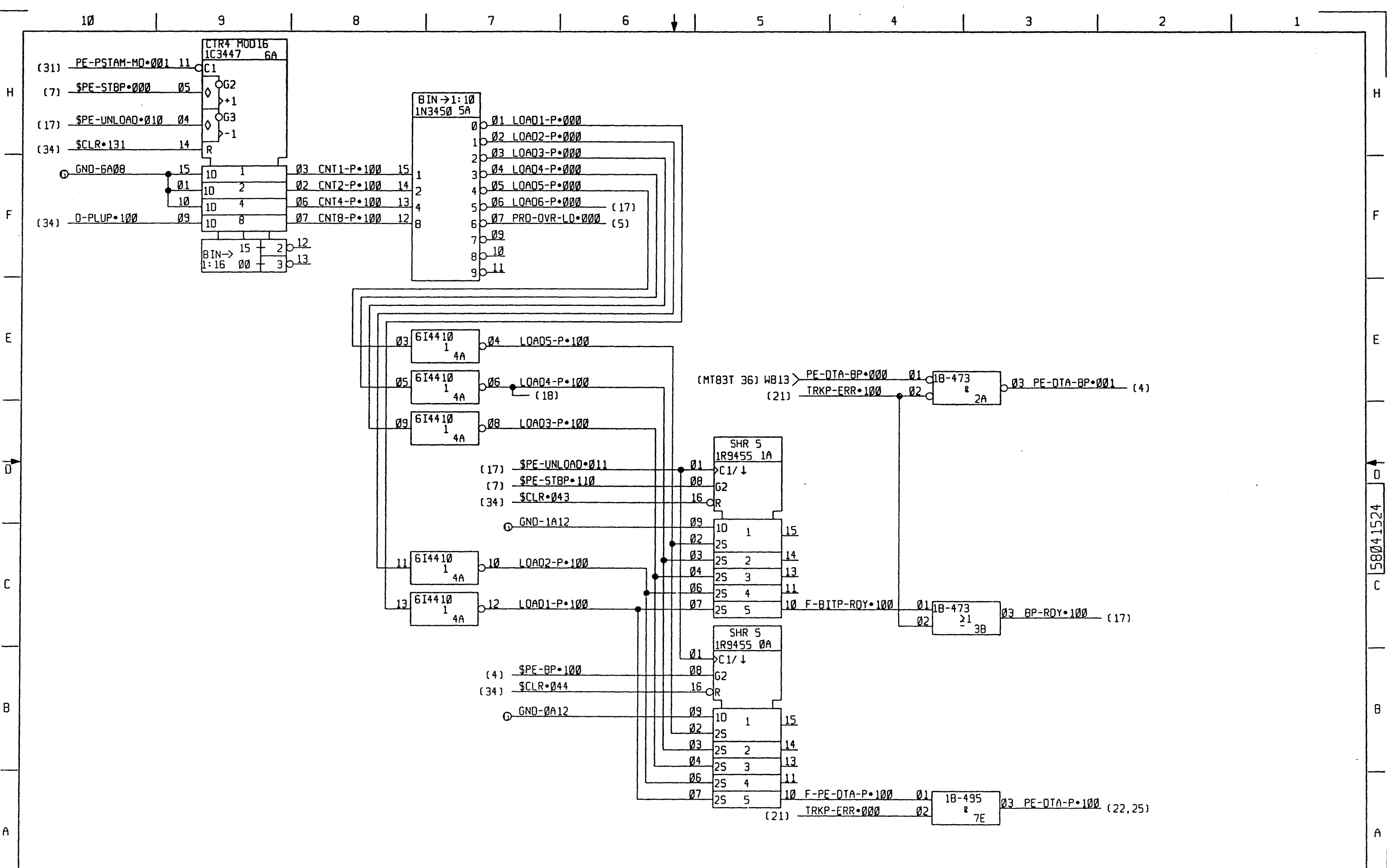
10 9 8 7 6 5

THE INFORMATION CONTAINED IN THIS DOCUMENT IS UNCLASSIFIED EXCEPT WHERE SHOWN OTHERWISE. IT IS UNCLASSIFIED EXCEPT WHERE SHOWN OTHERWISE. IT IS UNCLASSIFIED EXCEPT WHERE SHOWN OTHERWISE.



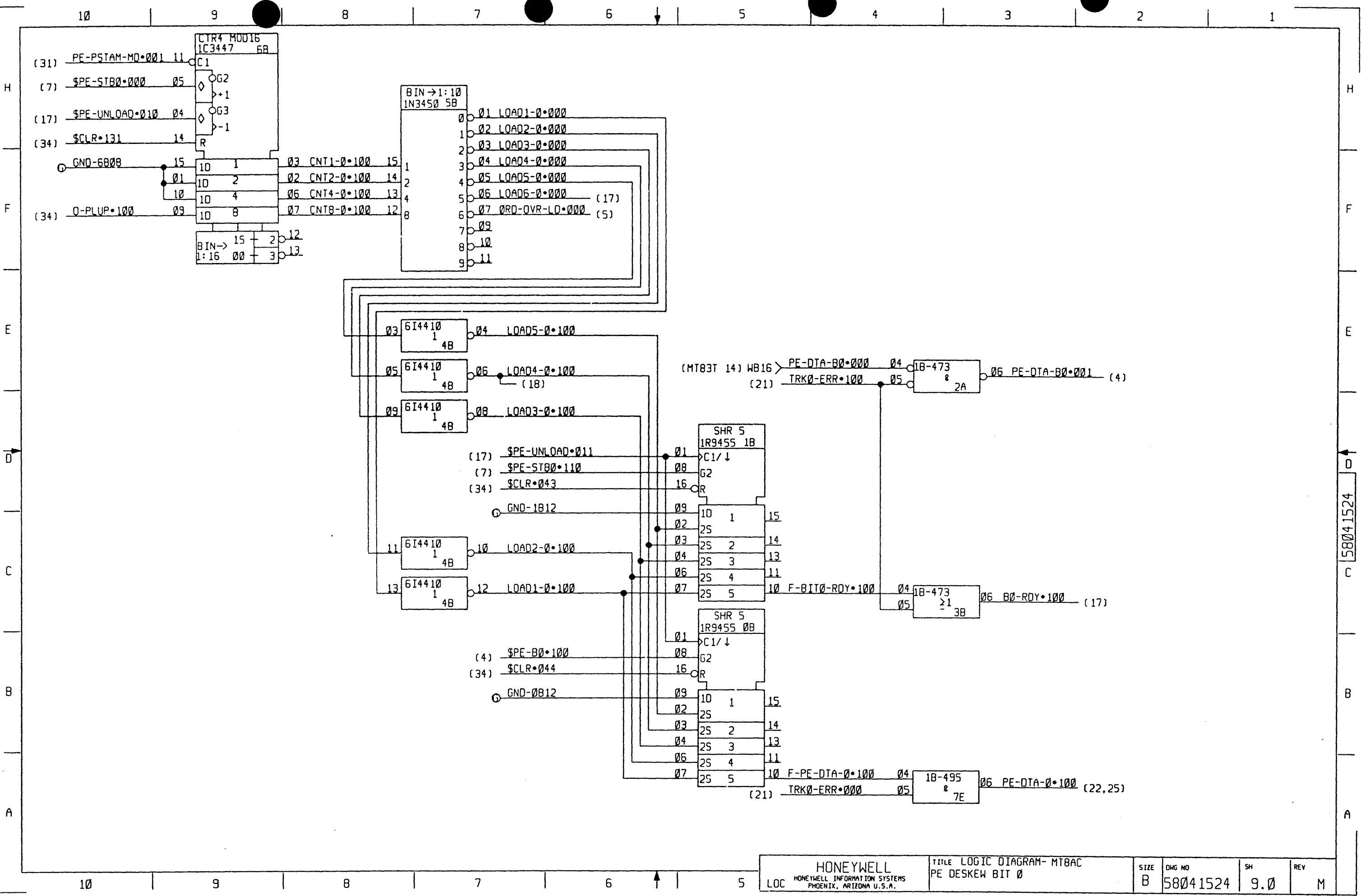
58041524

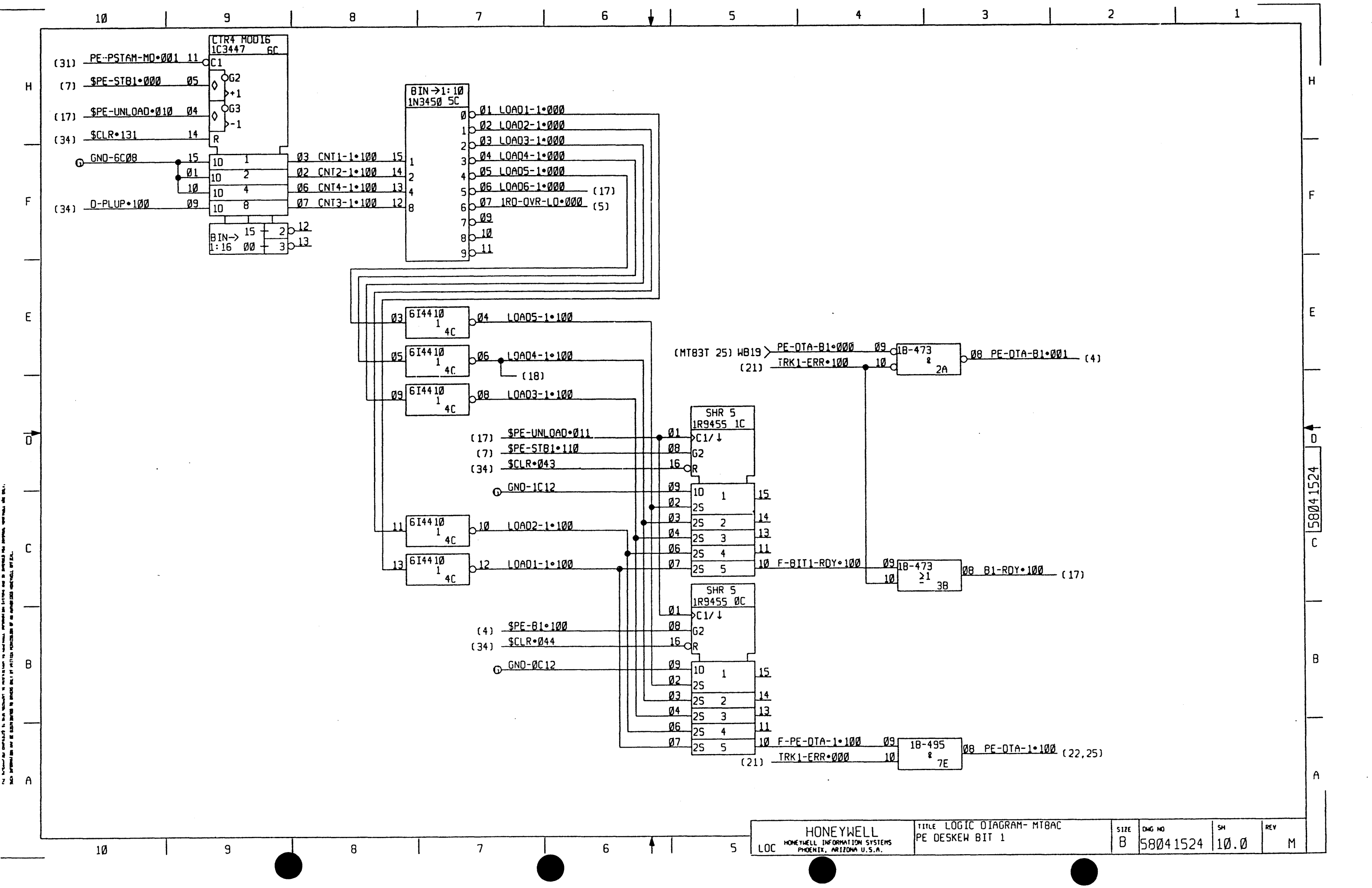
THE INFORMATION CONTAINED IN THIS DOCUMENT IS UNCLASSIFIED EXCEPT WHERE SHOWN OTHERWISE. IT IS UNCLASSIFIED EXCEPT WHERE SHOWN OTHERWISE. IT IS UNCLASSIFIED EXCEPT WHERE SHOWN OTHERWISE. IT IS UNCLASSIFIED EXCEPT WHERE SHOWN OTHERWISE.



58041524

THE INFORMATION CONTAINED IN THIS DOCUMENT IS UNCLASSIFIED EXCEPT WHERE SHOWN OTHERWISE. IT IS THE PROPERTY OF HONEYWELL INFORMATION SYSTEMS AND IS LOANED TO YOUR AGENCY. IT IS TO BE RETURNED TO HONEYWELL INFORMATION SYSTEMS AT THE END OF THE LOAN PERIOD.

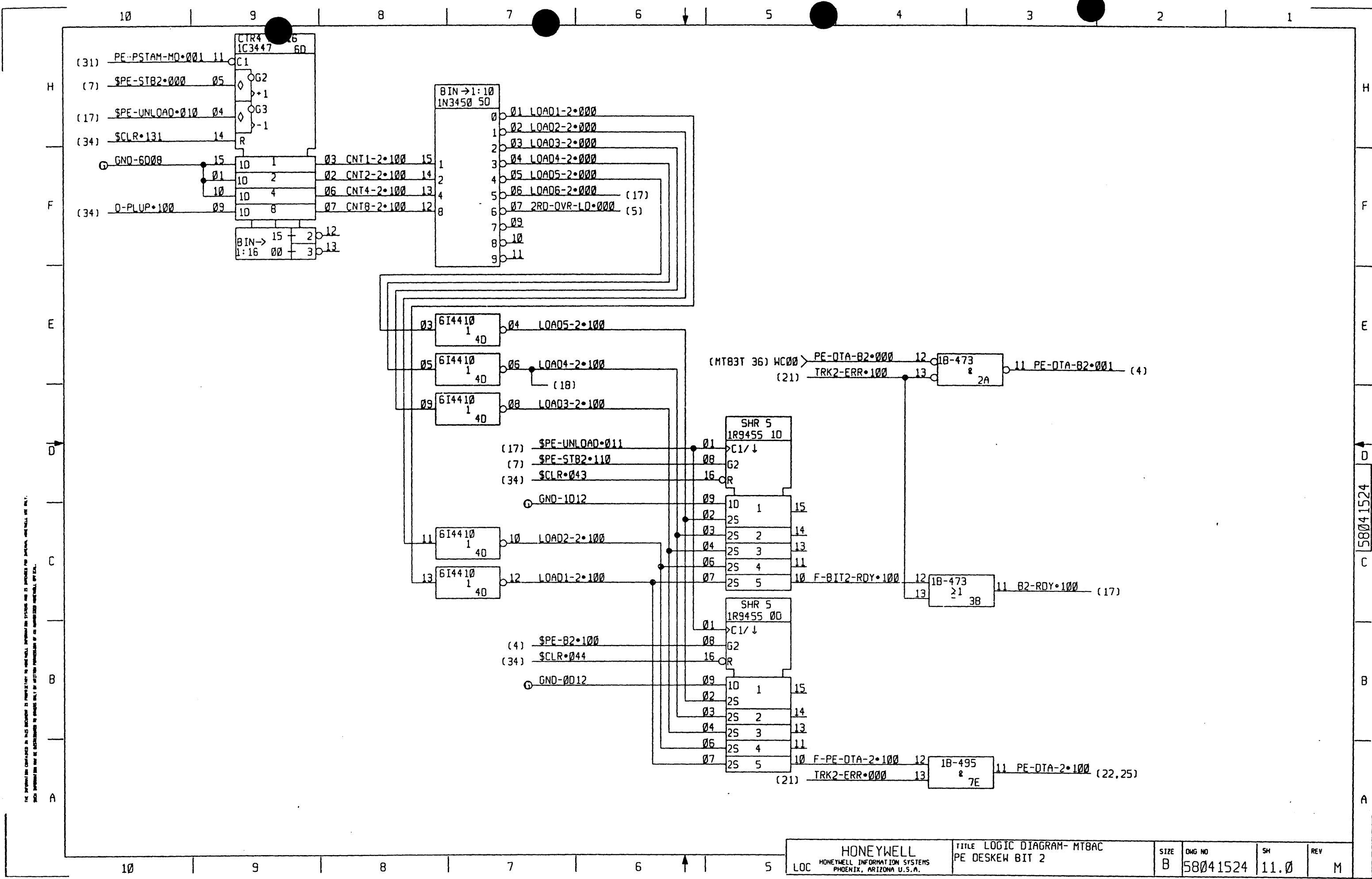




2. This diagram is intended to be used as a reference only. It is not intended to be used as a substitute for the original design. It is not intended to be used as a substitute for the original design. It is not intended to be used as a substitute for the original design.

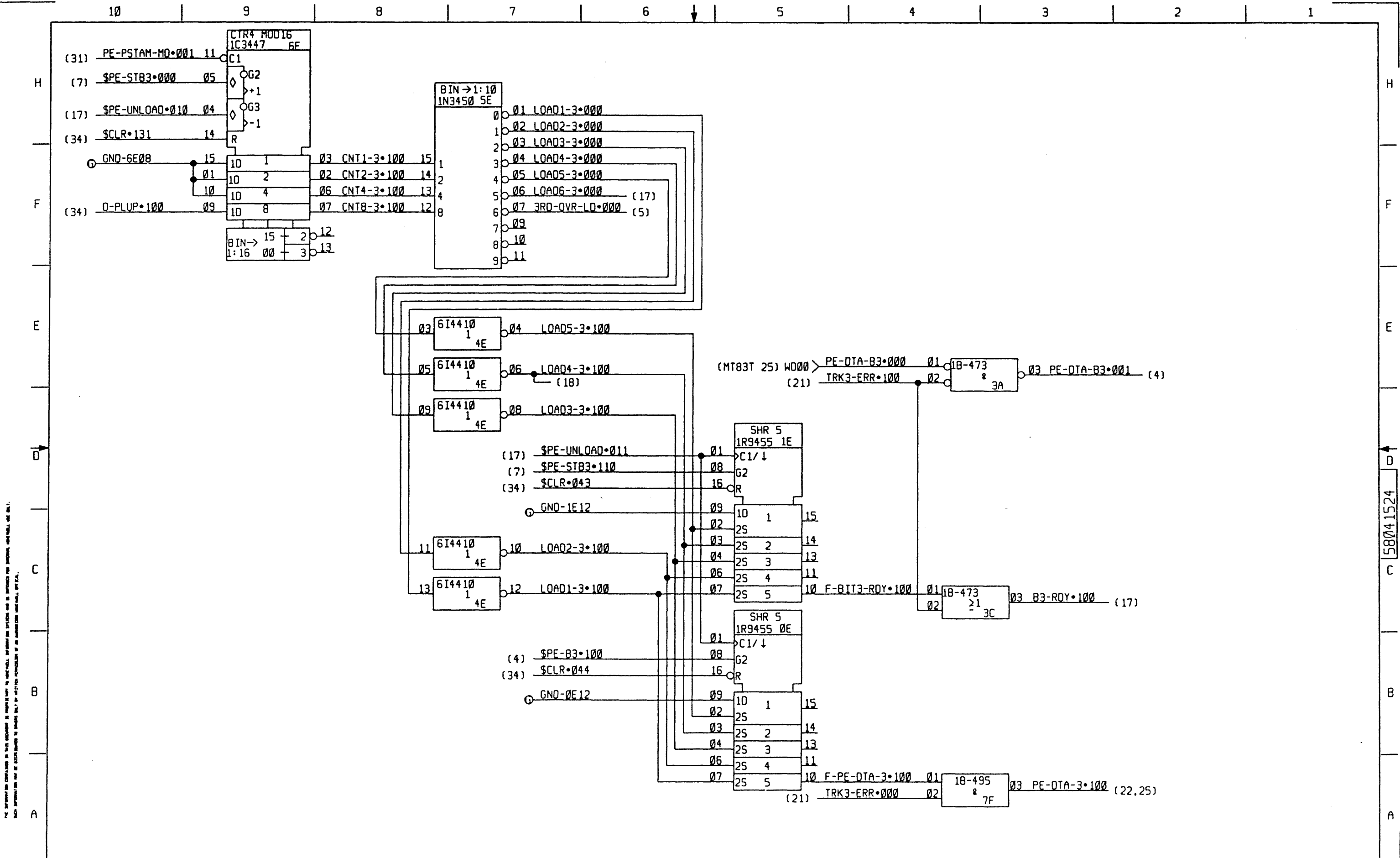
58041524

| | | | | | | |
|--|--|---|--------|-----------------|---------|-------|
| HONEYWELL HONEYWELL INFORMATION SYSTEMS PHOENIX, ARIZONA U.S.A. | | TITLE LOGIC DIAGRAM- MT8AC PE DESKEW BIT 1 | SIZE B | DWG NO 58041524 | SH 10.0 | REV M |
|--|--|---|--------|-----------------|---------|-------|



THE INFORMATION CONTAINED IN THIS DOCUMENT IS PRESENTED IN PARTIAL FULFILLMENT OF THE CONTRACT NUMBER DA-28-044 ORD-4850. THE INFORMATION CONTAINED HEREIN IS UNCLASSIFIED EXCEPT WHERE SHOWN OTHERWISE.

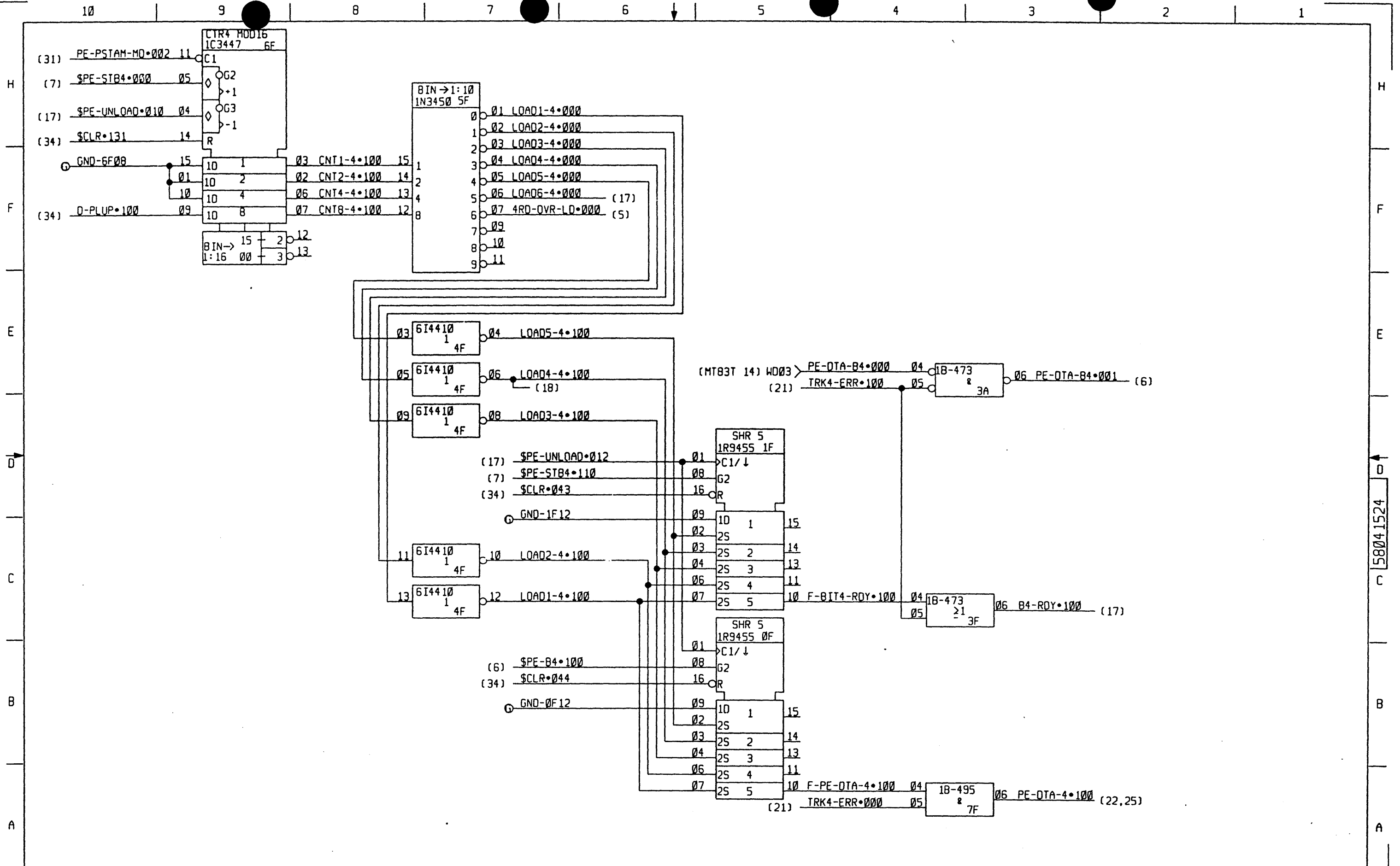
58041524



ALL INFORMATION CONTAINED HEREIN IS UNCLASSIFIED EXCEPT WHERE SHOWN OTHERWISE. THIS DOCUMENT IS UNCLASSIFIED EXCEPT WHERE SHOWN OTHERWISE.

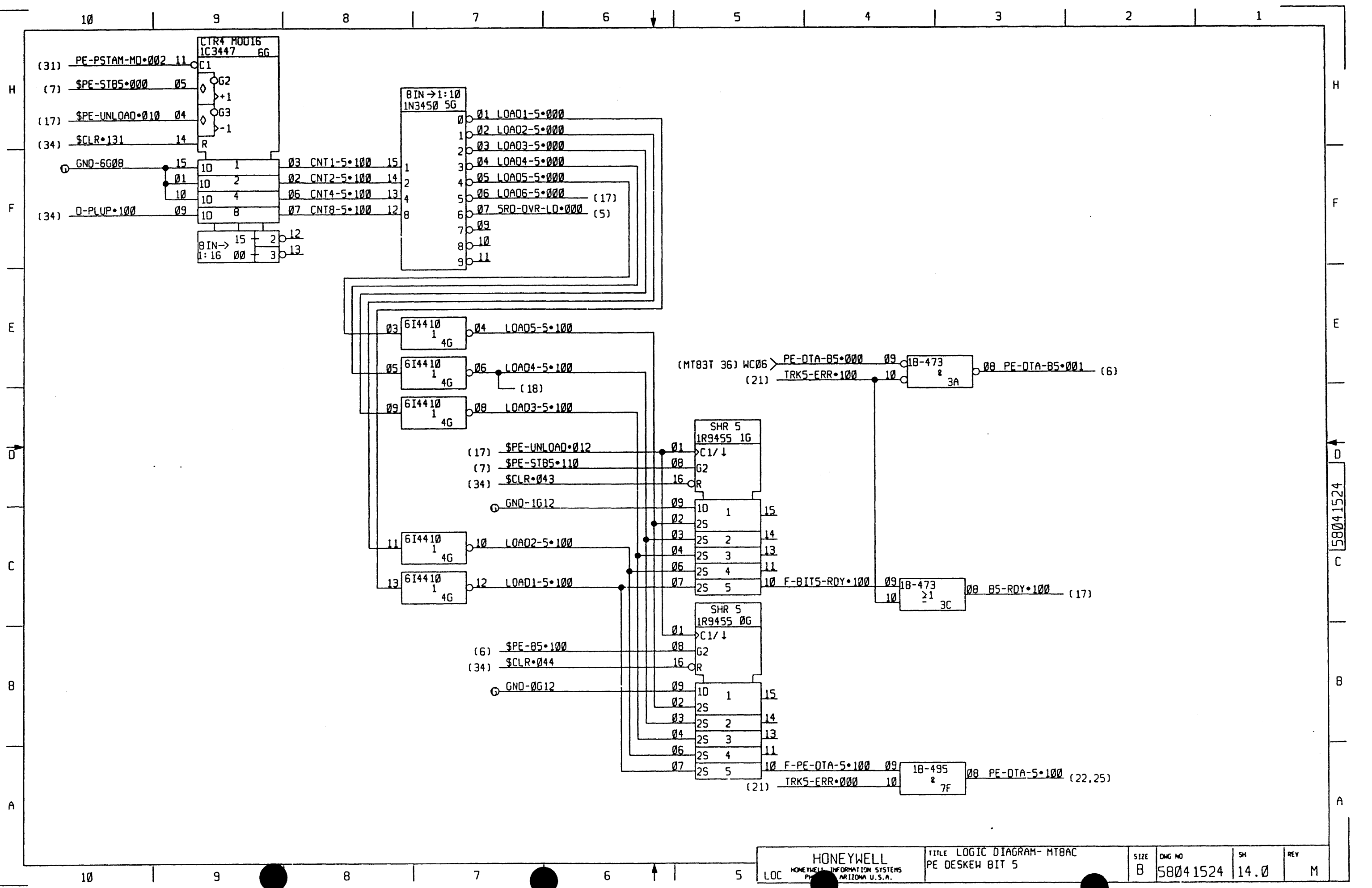
58041524

THE INFORMATION CONTAINED IN THIS DOCUMENT IS UNCLASSIFIED EXCEPT WHERE SHOWN OTHERWISE. IT IS UNCLASSIFIED EXCEPT WHERE SHOWN OTHERWISE. IT IS UNCLASSIFIED EXCEPT WHERE SHOWN OTHERWISE.



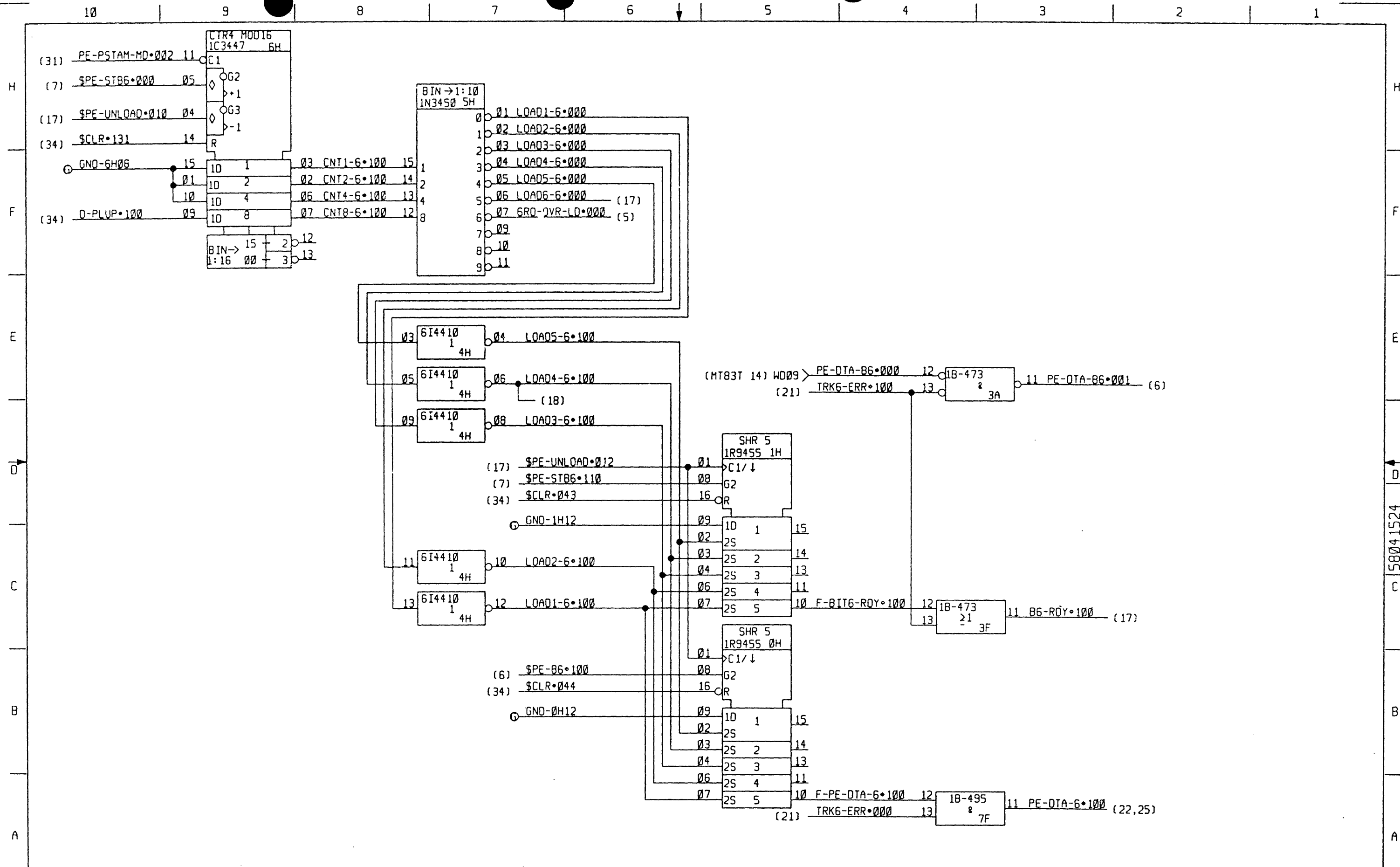
58041524

| | | | |
|--|--|---|---|
| HONEYWELL HONEYWELL INFORMATION SYSTEMS PHOENIX, ARIZONA U.S.A. | | TITLE LOGIC DIAGRAM- MT8AC PE DESKEW BIT 4 | SIZE B DWG NO 58041524 SH 13.0 REV M |
|--|--|---|---|



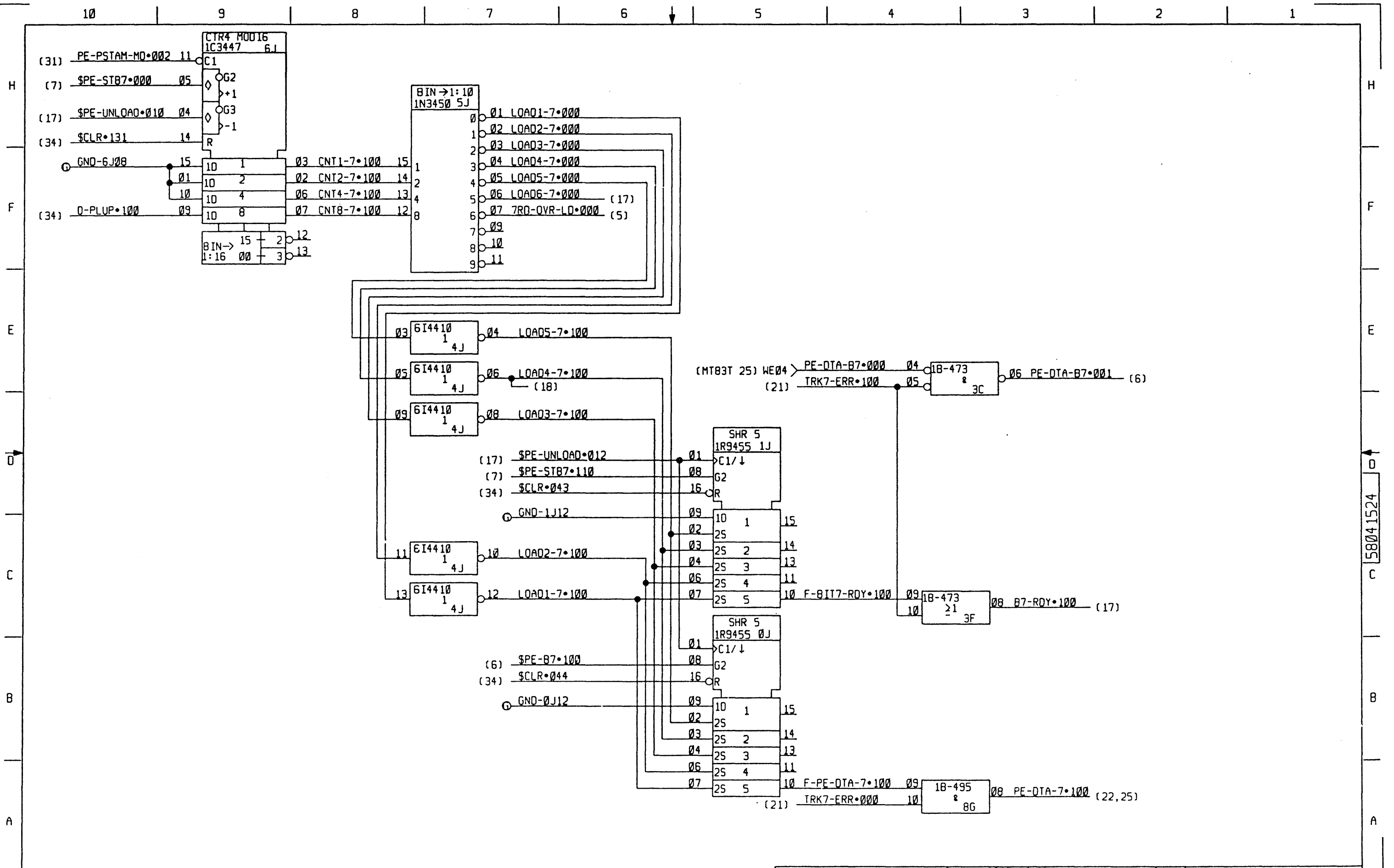
THE INFORMATION CONTAINED IN THIS DOCUMENT IS UNCLASSIFIED EXCEPT WHERE SHOWN OTHERWISE. IT IS THE PROPERTY OF HONEYWELL INFORMATION SYSTEMS AND IS LOANED TO YOUR ORGANIZATION. IT AND ITS CONTENTS ARE NOT TO BE DISTRIBUTED OUTSIDE YOUR ORGANIZATION.

58041524



THE INFORMATION CONTAINED IN THIS DOCUMENT IS UNCLASSIFIED EXCEPT WHERE SHOWN OTHERWISE. IT IS THE PROPERTY OF HONEYWELL INFORMATION SYSTEMS AND IS LOANED TO YOU. IT IS TO BE USED ONLY FOR THE PURPOSES AUTHORIZED BY THE CONTRACT. IT IS TO BE RETURNED TO HONEYWELL INFORMATION SYSTEMS AT THE END OF THE PROJECT.

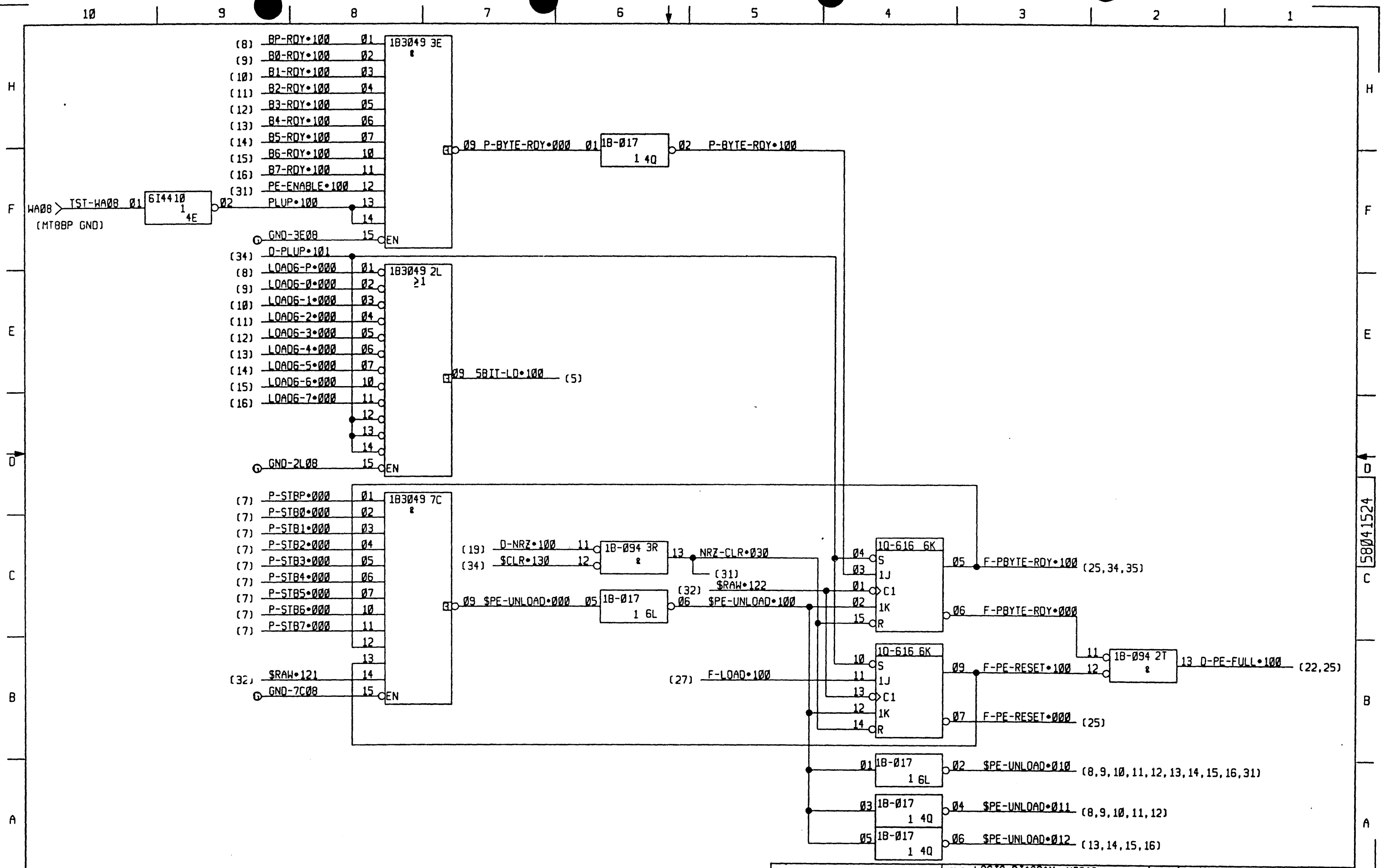
58041524



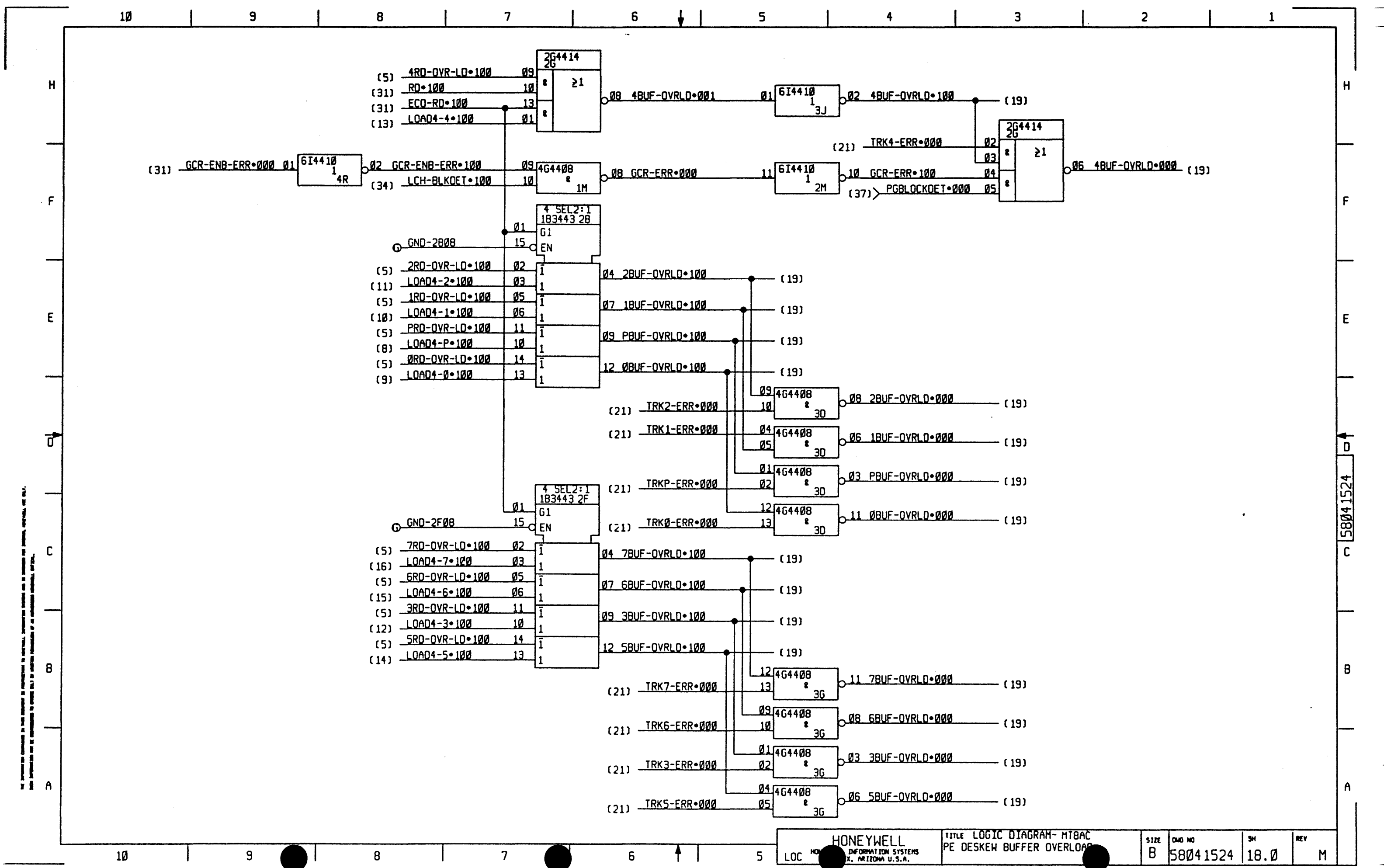
THE INFORMATION CONTAINED IN THIS DOCUMENT IS UNCLASSIFIED EXCEPT WHERE SHOWN OTHERWISE. IT IS UNCLASSIFIED EXCEPT WHERE SHOWN OTHERWISE. IT IS UNCLASSIFIED EXCEPT WHERE SHOWN OTHERWISE.

58041524

THE INFORMATION CONTAINED HEREIN IS UNCLASSIFIED EXCEPT WHERE SHOWN OTHERWISE. IT IS THE PROPERTY OF HONEYWELL INFORMATION SYSTEMS AND IS LOANED TO YOUR AGENCY. IT IS TO BE RETURNED TO THE SOURCE OF ORIGIN.



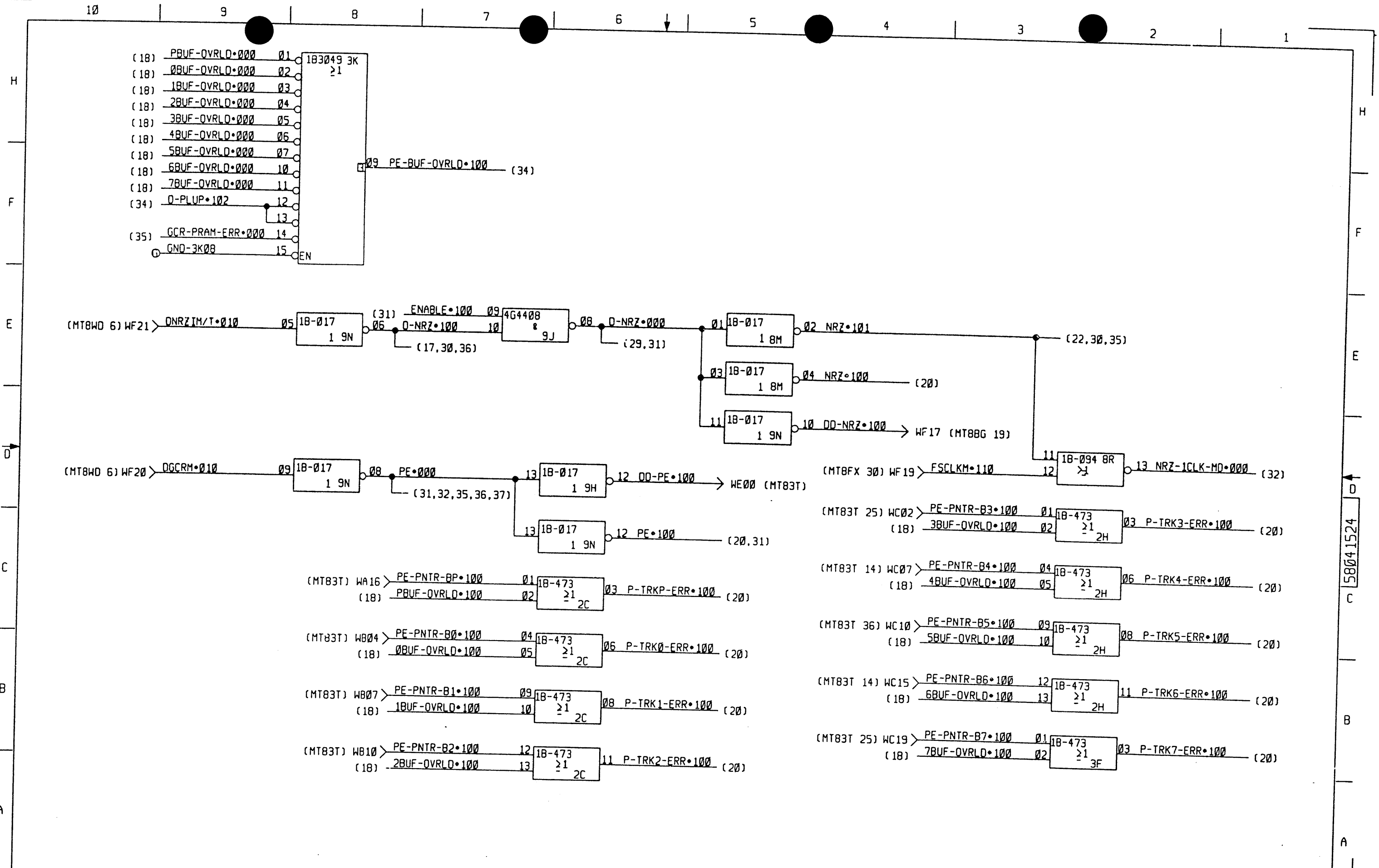
58041524



HONEYWELL INFORMATION SYSTEMS
 16535 W. AVENUE, BOSTON, MASSACHUSETTS 02116
 ALL INFORMATION IS UNCLASSIFIED EXCEPT WHERE SHOWN OTHERWISE

58041524

THE INFORMATION CONTAINED IN THIS DOCUMENT IS UNCLASSIFIED EXCEPT WHERE SHOWN OTHERWISE. IT IS UNCLASSIFIED EXCEPT WHERE SHOWN OTHERWISE. IT IS UNCLASSIFIED EXCEPT WHERE SHOWN OTHERWISE. IT IS UNCLASSIFIED EXCEPT WHERE SHOWN OTHERWISE.



H

F

E

D

C

B

A

H

F

E

D

C

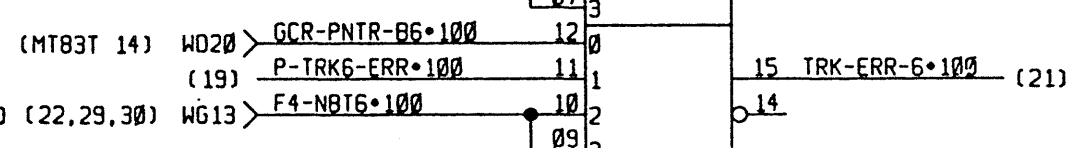
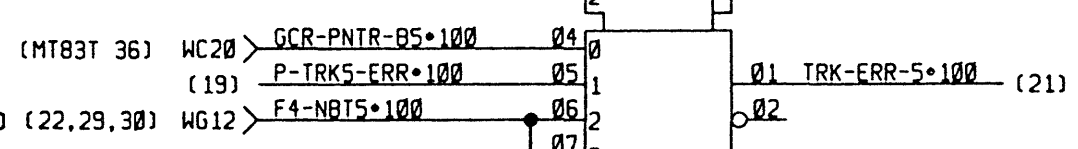
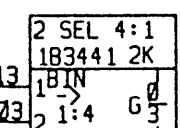
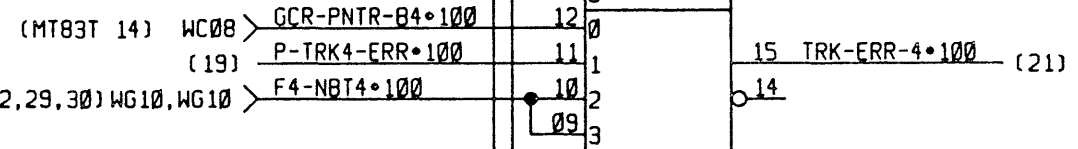
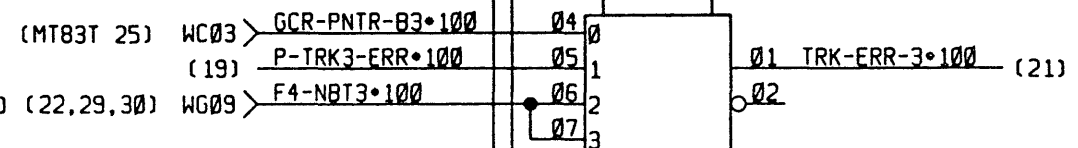
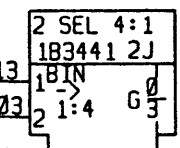
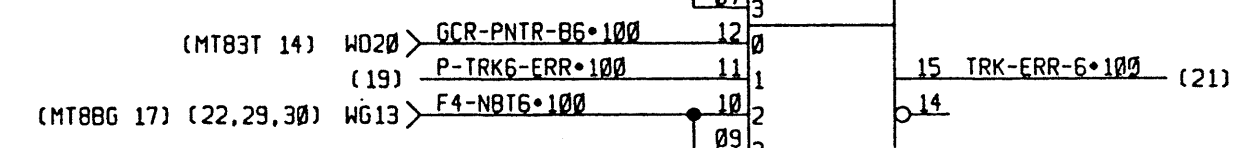
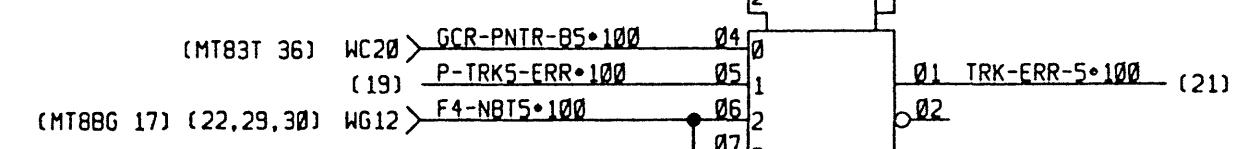
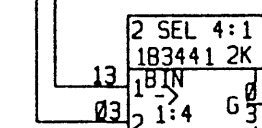
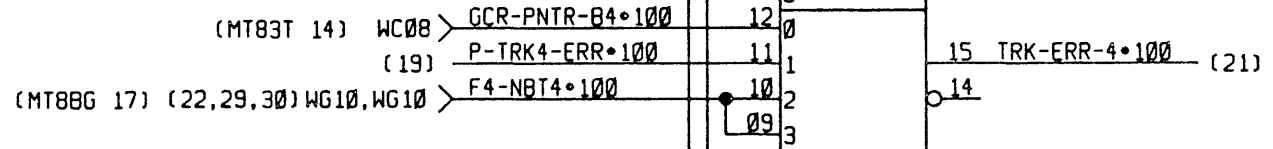
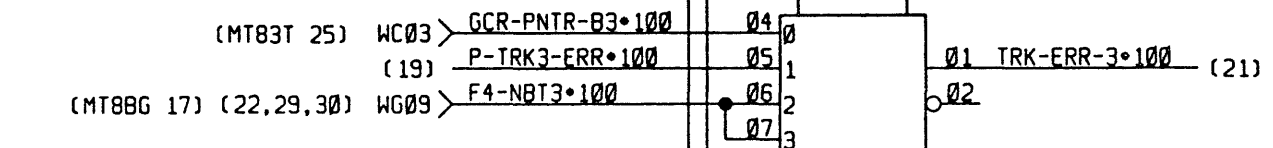
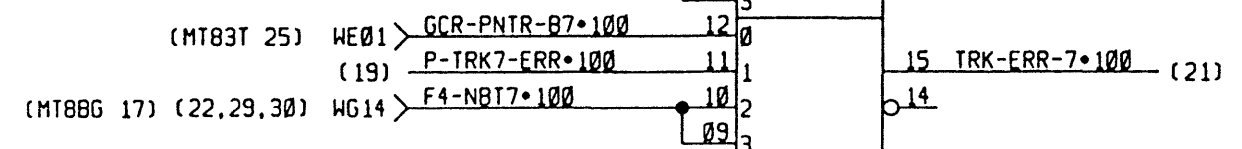
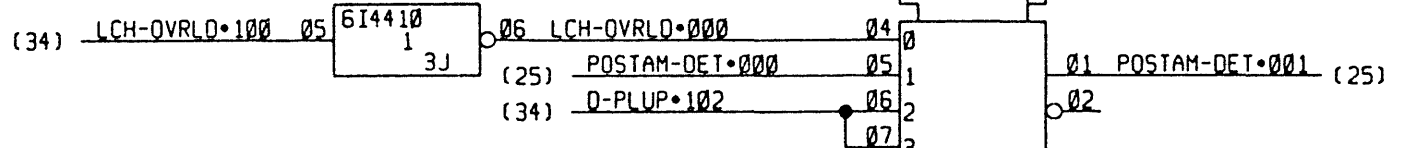
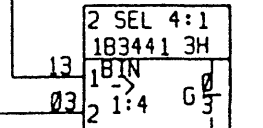
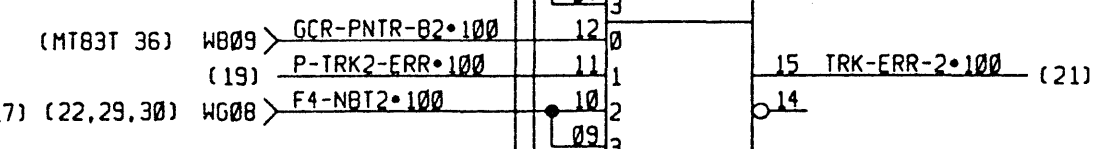
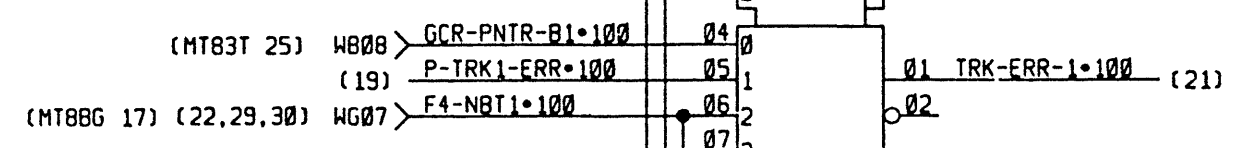
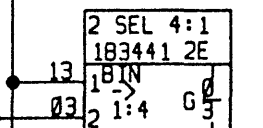
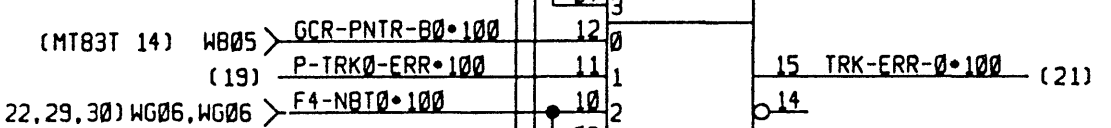
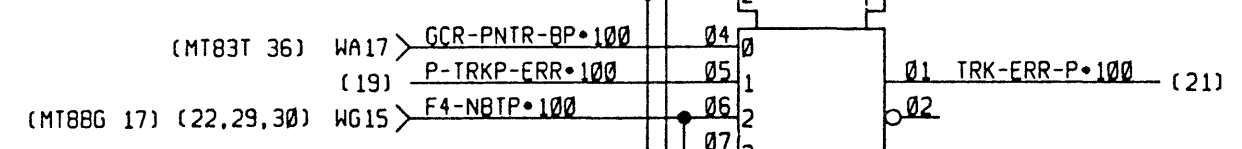
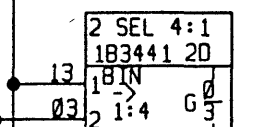
B

A

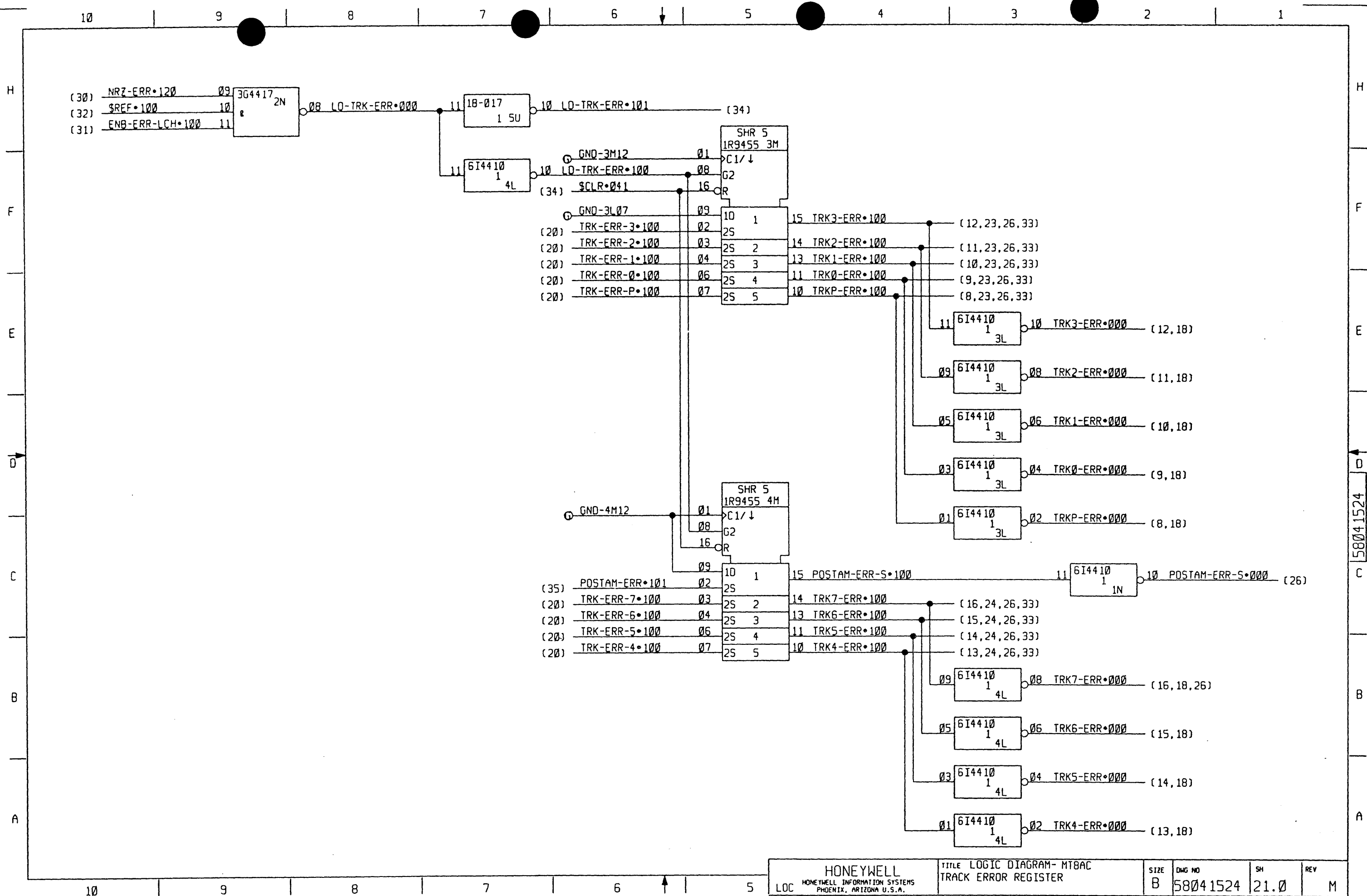
ALL INFORMATION CONTAINED HEREIN IS UNCLASSIFIED EXCEPT WHERE SHOWN OTHERWISE AND IS SUBJECT TO THE PROVISIONS OF THE NATIONAL ARCHIVES ACT OF 1950 (44 USC 2101) AND THE NATIONAL ARCHIVES RECORDS MANAGEMENT ACT OF 1980 (44 USC 2201).

58041524

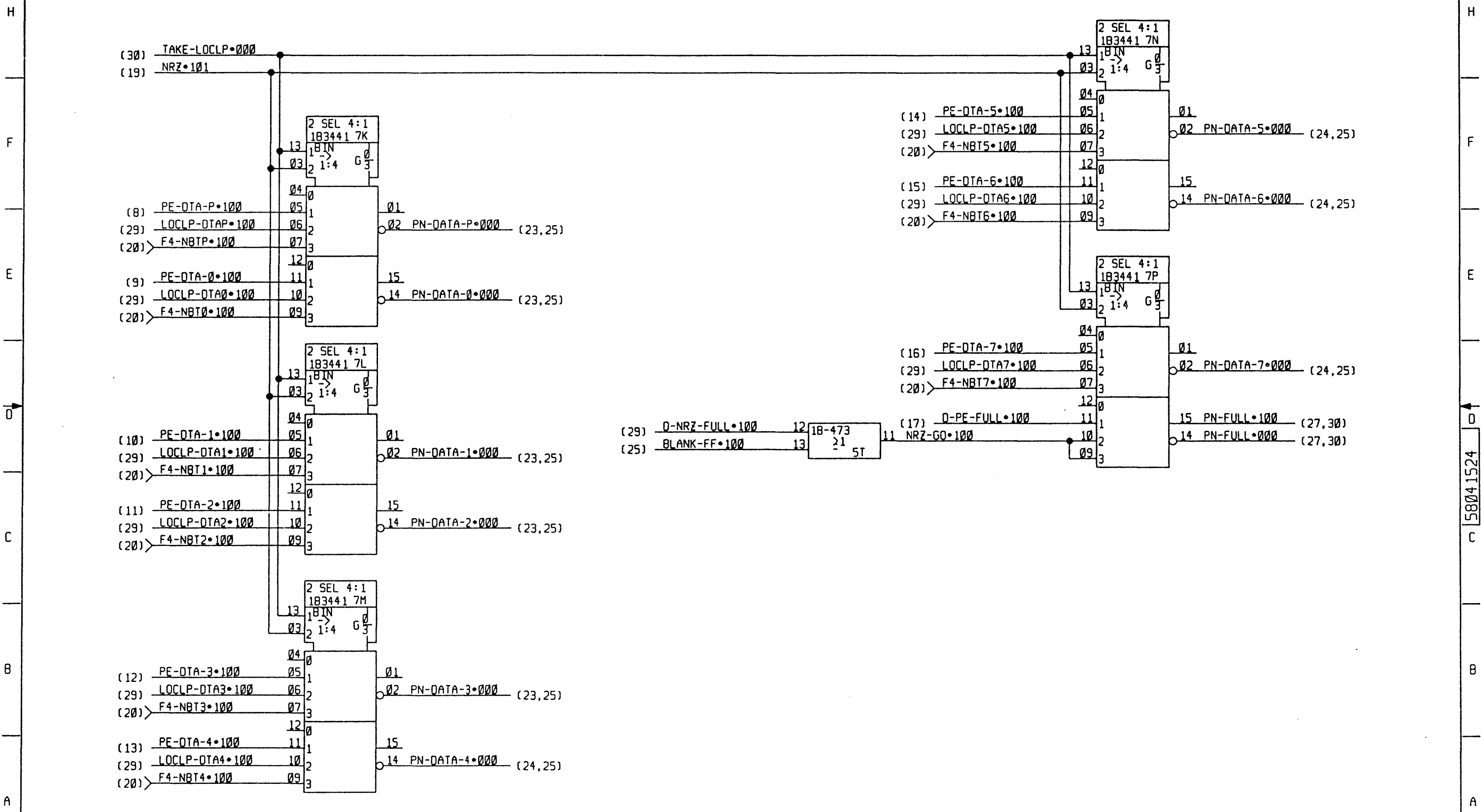
(19) PE•100
(19) NRZ•100



THE INFORMATION CONTAINED IN THIS DOCUMENT IS PROPRIETARY TO HONEYWELL INFORMATION SYSTEMS AND IS INTENDED FOR INTERNAL USE ONLY. SUCH INFORMATION SHOULD BE DISTRIBUTED TO PERSONS ONLY BY AN AUTHORIZED REPRESENTATIVE OF HONEYWELL INFORMATION SYSTEMS.



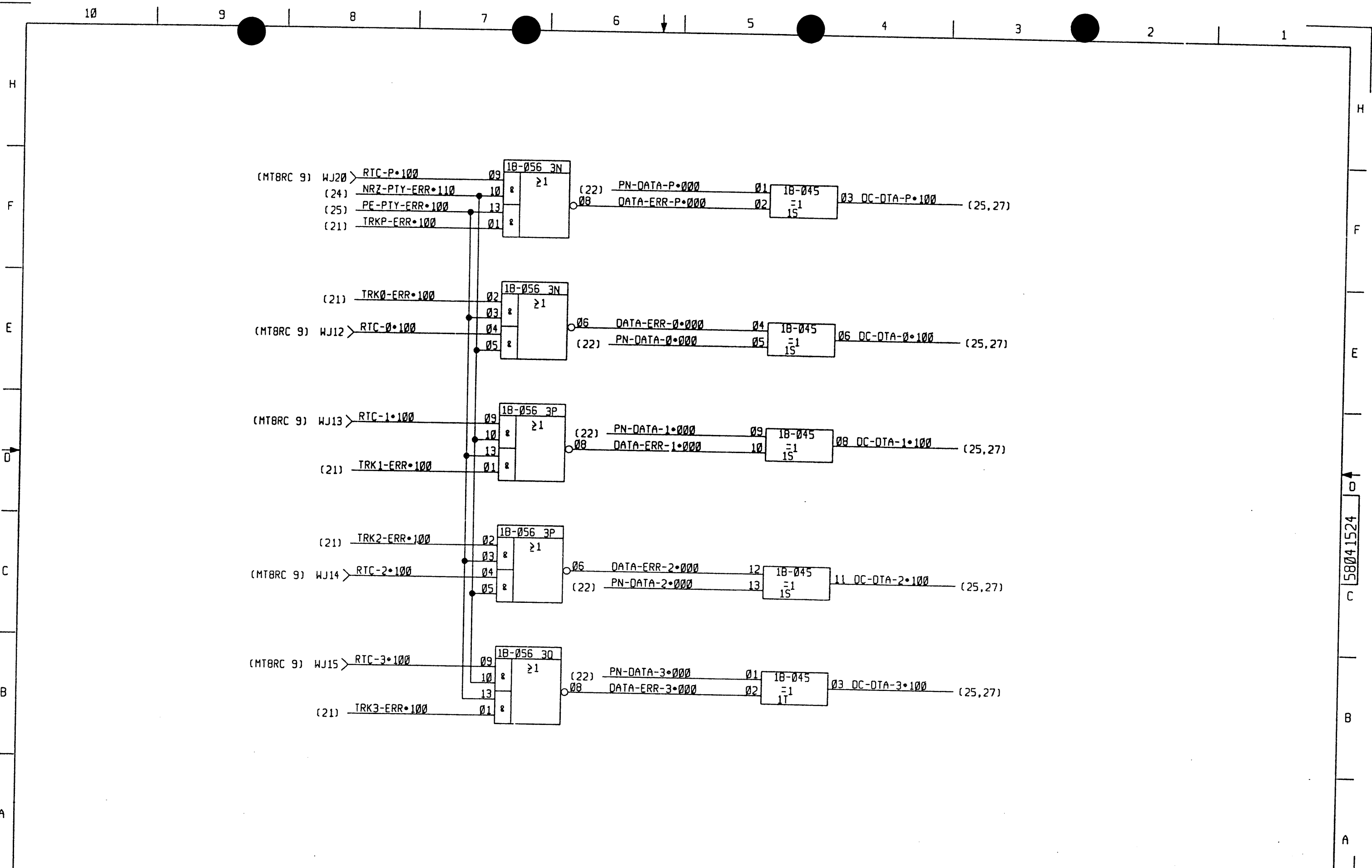
58041524



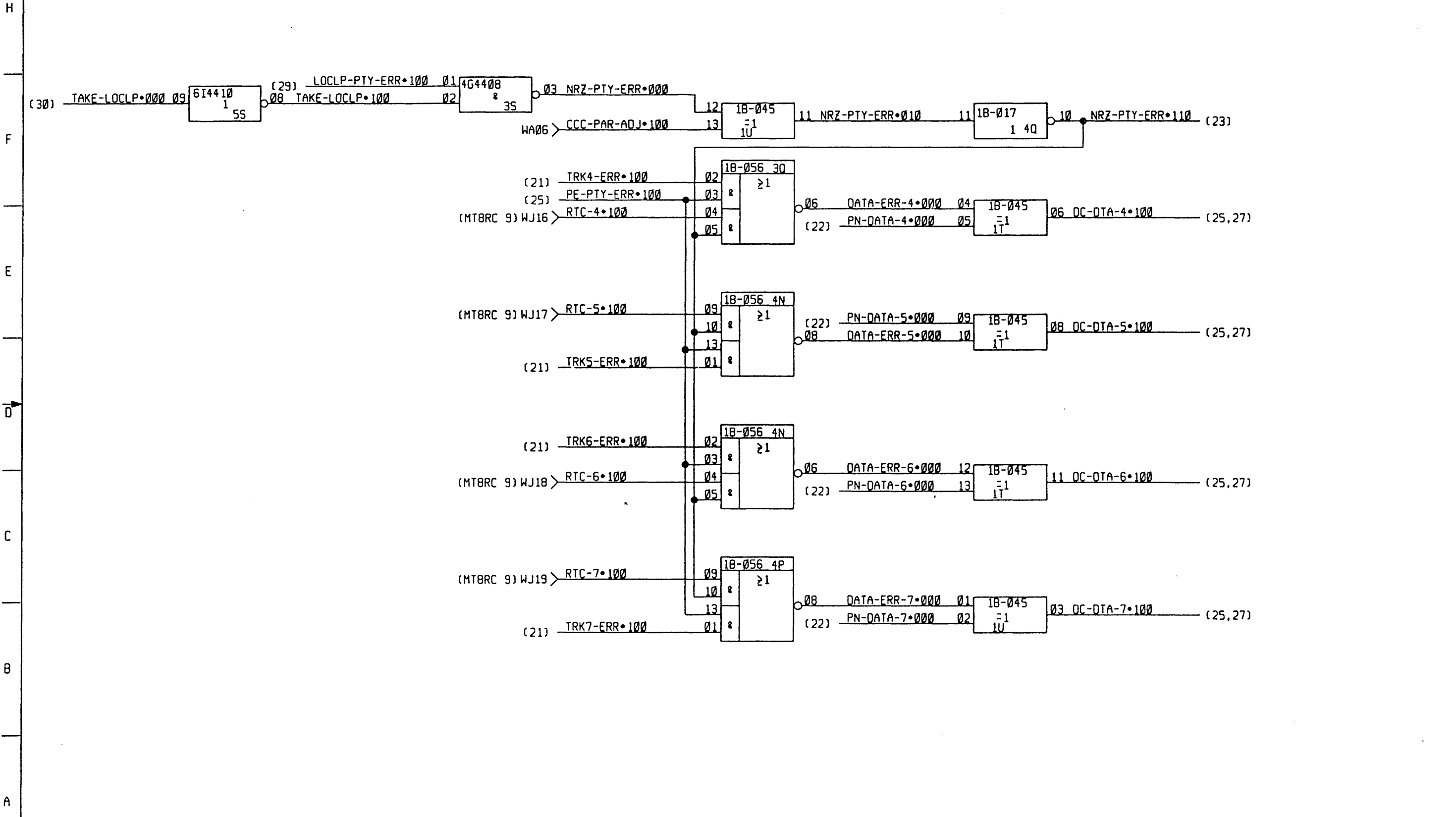
NO WARRANTY OR LIABILITY IS MADE BY HONEYWELL INFORMATION SYSTEMS INC. IN CONNECTION WITH THE USE OF THIS LOGIC DIAGRAM. THE USER ASSUMES ALL RESPONSIBILITY FOR THE PROPER OPERATION OF THE SYSTEM.

58041524

THE INFORMATION CONTAINED IN THIS DOCUMENT IS PRESENTED IN UNCLASSIFIED FORM TO SUPPORT THE PROVISION OF TECHNICAL ASSISTANCE TO THE
 SUCH INFORMATION IS NOT TO BE DISTRIBUTED TO OTHERS WITHOUT THE WRITTEN PERMISSION OF THE INFORMATION SYSTEMS DIVISION.

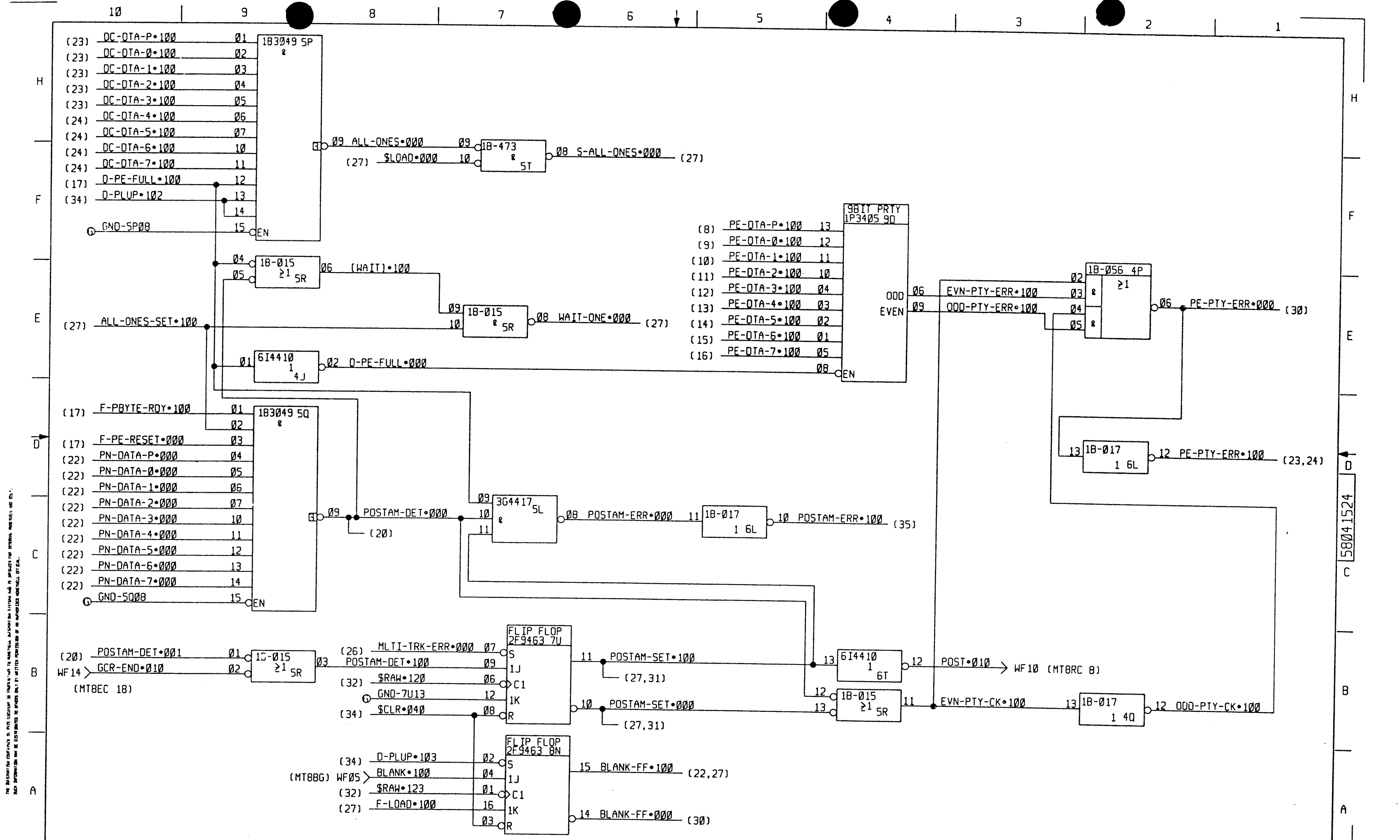


58041524



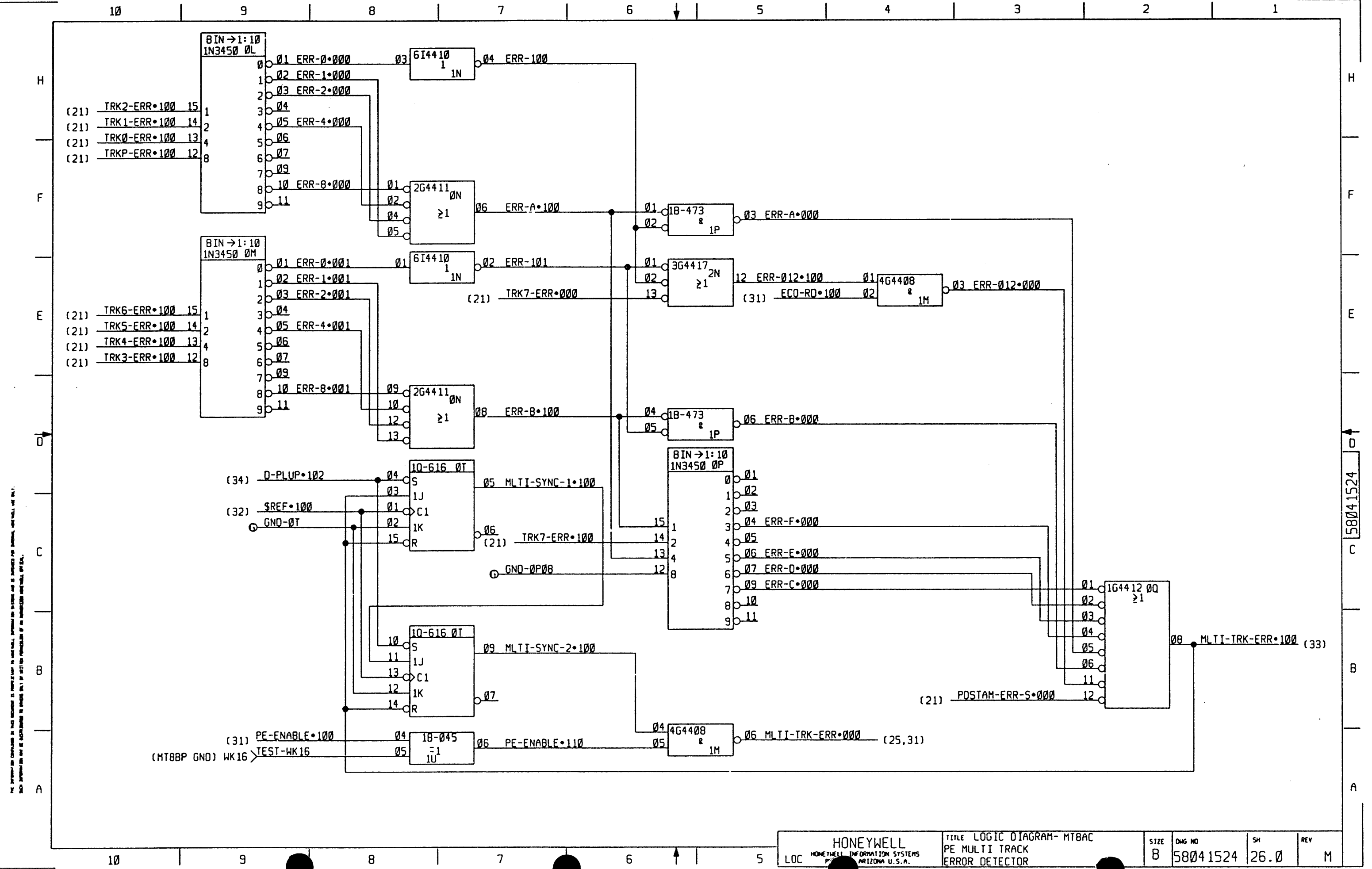
NOT BE USED IN CONNECTION WITH THIS EQUIPMENT OR REPRODUCED IN ANY MANNER WITHOUT THE WRITTEN PERMISSION OF HONEYWELL INFORMATION SYSTEMS.

58041524



THE INFORMATION CONTAINED HEREIN IS UNCLASSIFIED EXCEPT WHERE SHOWN OTHERWISE. IT IS THE PROPERTY OF HONEYWELL INFORMATION SYSTEMS AND IS LOANED TO YOUR AGENCY. IT IS TO BE RETURNED TO THE ORIGINATOR.

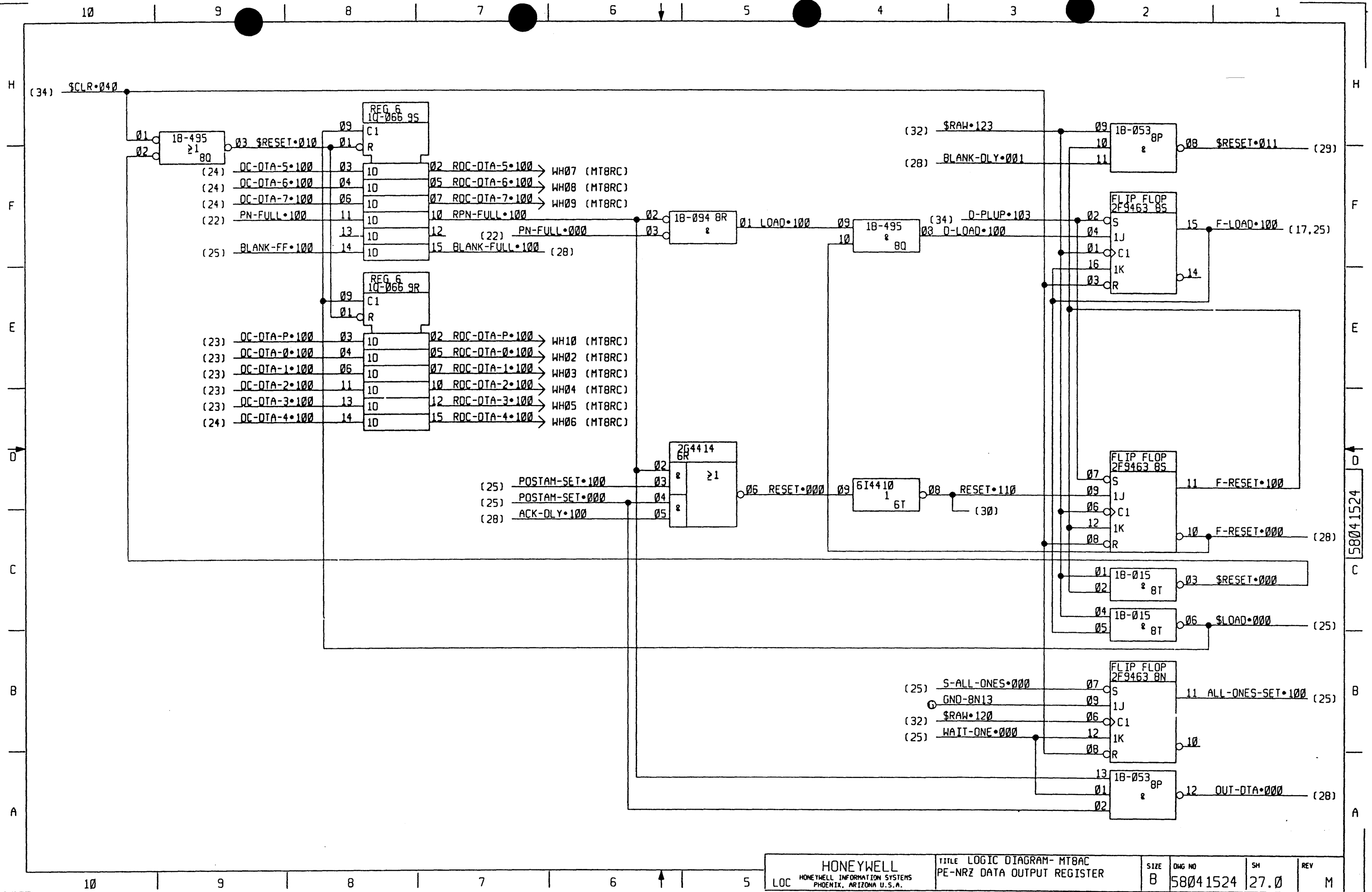
58041524



THE INFORMATION CONTAINED IN THIS DOCUMENT IS SUBJECT TO THE HONEYWELL INFORMATION SYSTEMS POLICY AND IS INTENDED FOR INTERNAL USE ONLY. NO INFORMATION IS TO BE DISCLOSED TO ANY OTHER PARTY WITHOUT THE WRITTEN PERMISSION OF THE HONEYWELL INFORMATION SYSTEMS POLICY.

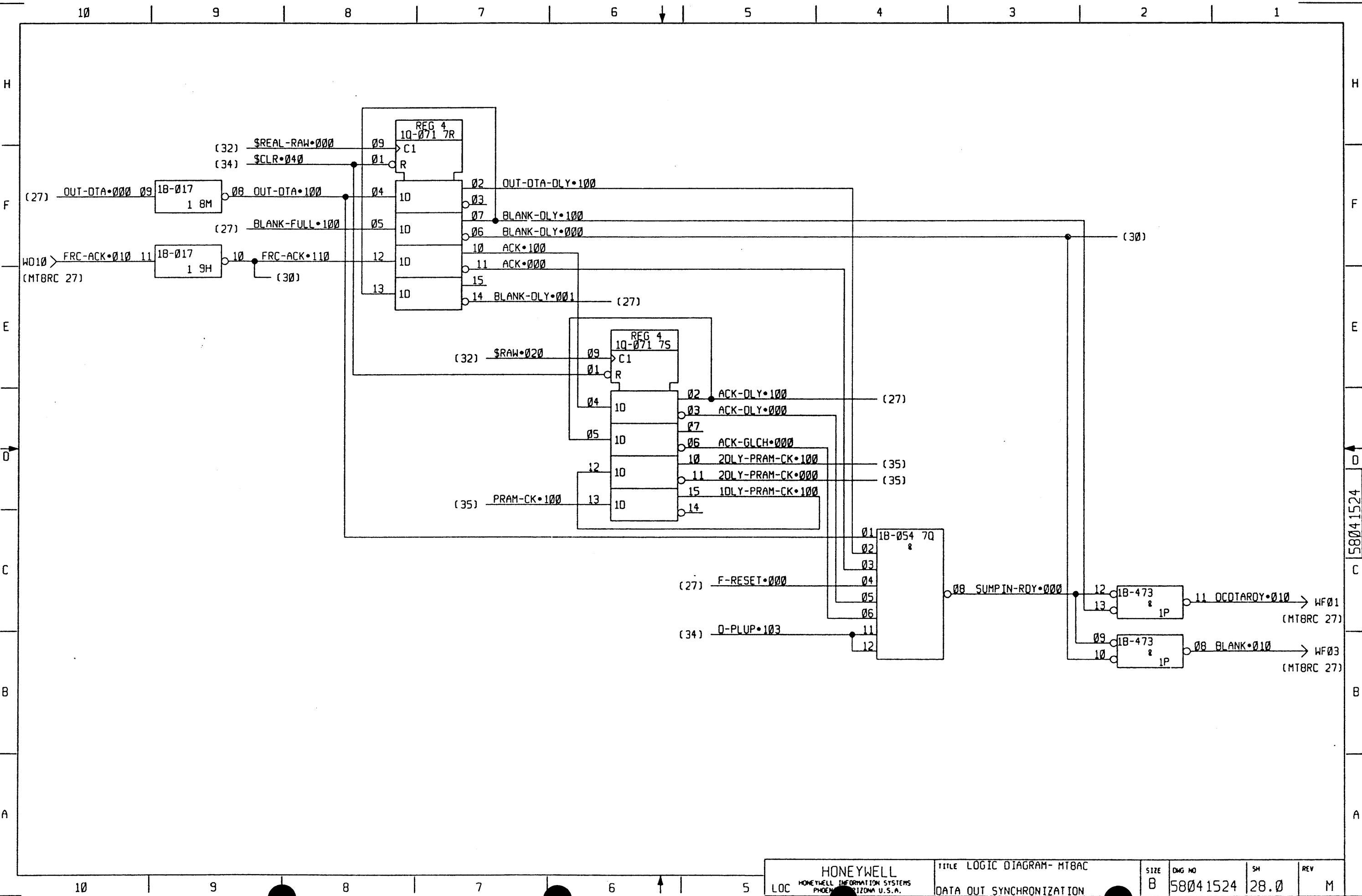
58041524

THE INFORMATION CONTAINED IN THIS DOCUMENT IS PROPRIETARY TO HONEYWELL INFORMATION SYSTEMS AND IS SUPPLIED TO YOU UNDER A LICENSE. ANY REPRODUCTION OR TRANSMISSION OF THIS INFORMATION WITHOUT THE WRITTEN PERMISSION OF HONEYWELL INFORMATION SYSTEMS IS STRICTLY PROHIBITED.



58041524

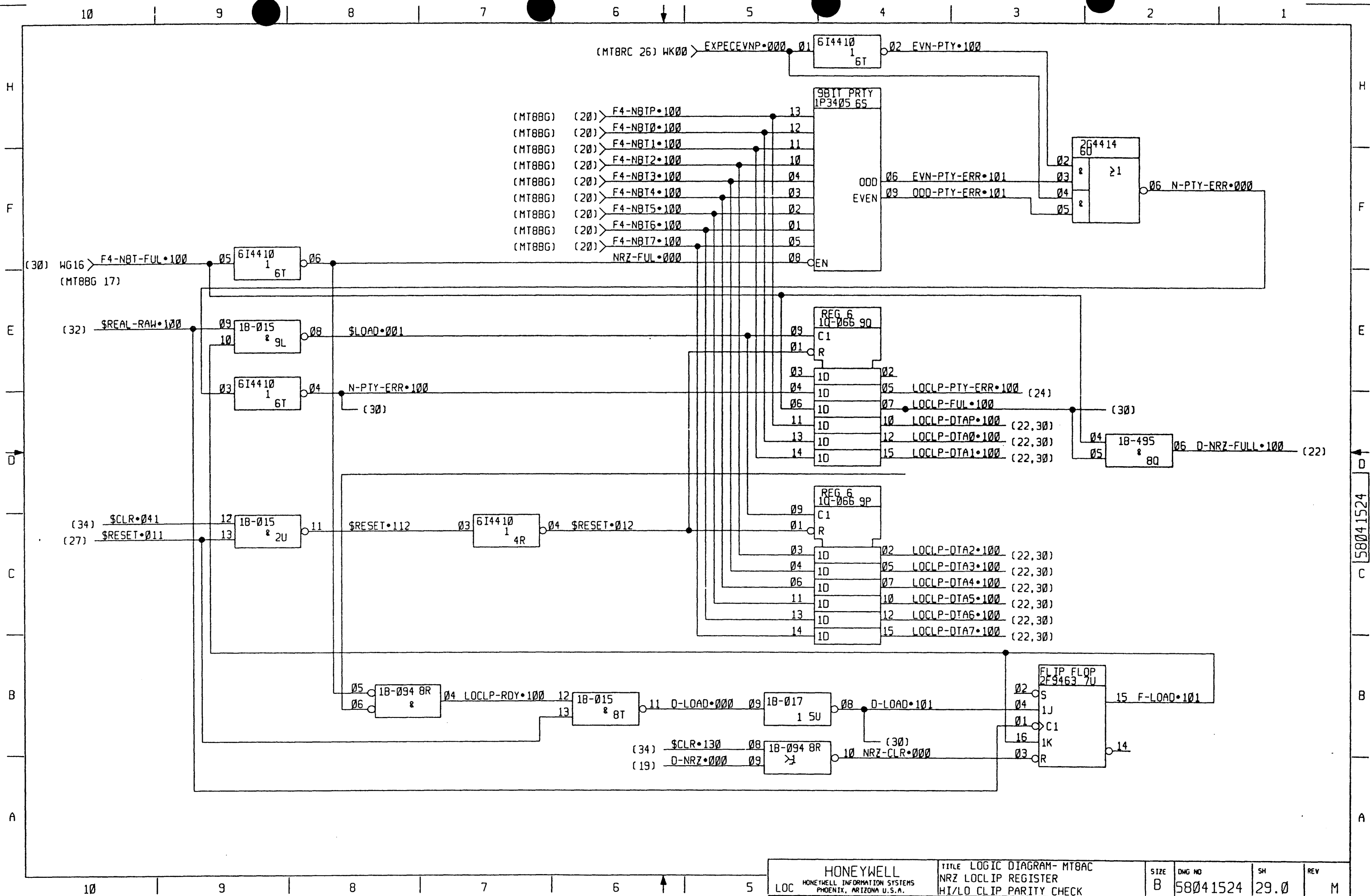
THE INFORMATION CONTAINED HEREIN IS UNCLASSIFIED EXCEPT WHERE SHOWN OTHERWISE. IT IS THE PROPERTY OF HONEYWELL INFORMATION SYSTEMS AND IS LOANED TO YOUR AGENCY. IT IS TO BE RETURNED TO THE SOURCE OF ORIGIN.



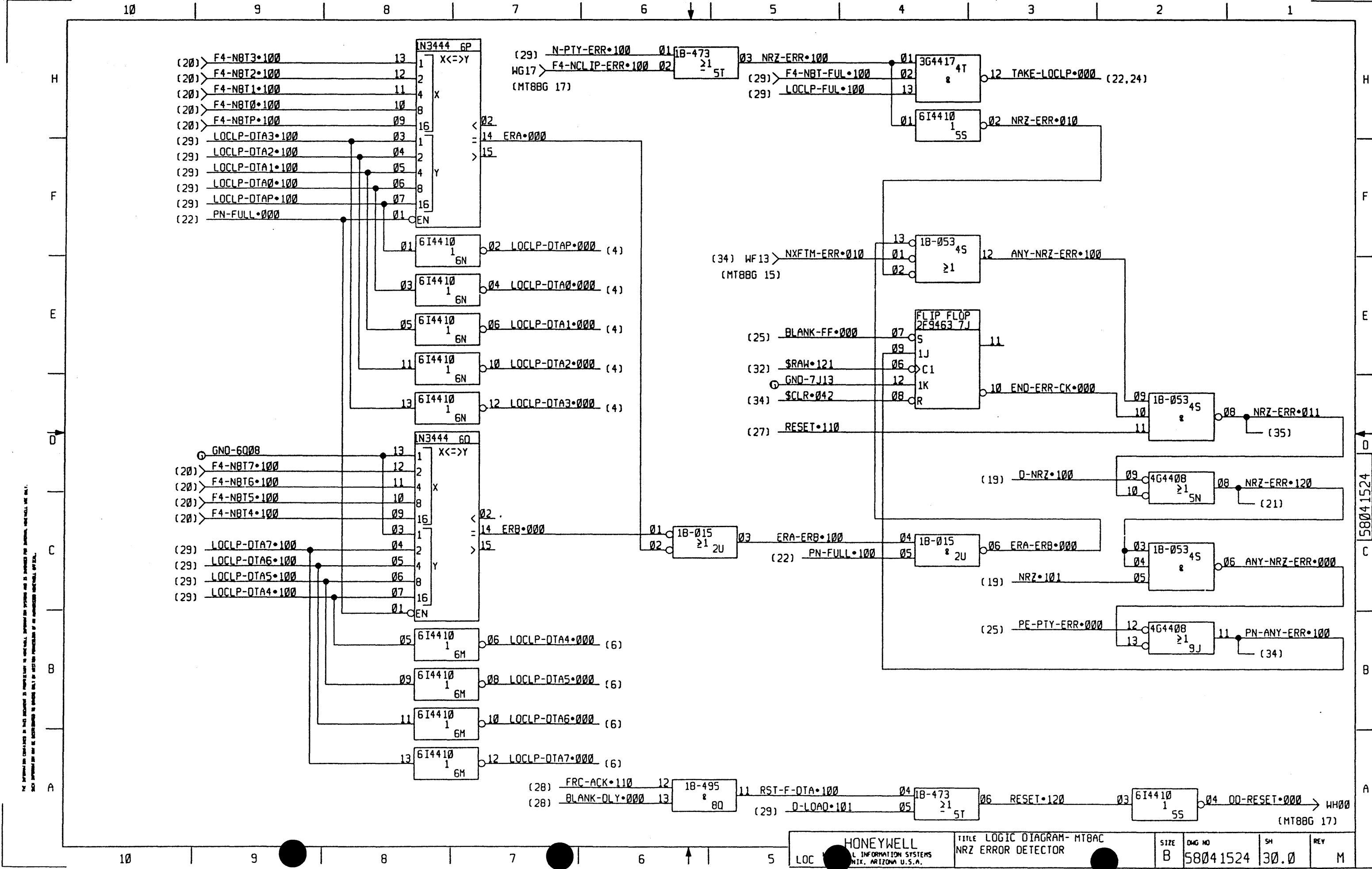
| | | | | | |
|--|--|---|---------------------------|---------|-------|
| HONEYWELL HONEYWELL INFORMATION SYSTEMS PHOENIX, ARIZONA U.S.A. | | TITLE LOGIC DIAGRAM- MT8C DATA OUT SYNCHRONIZATION | SIZE B DWG NO 58041524 | SH 28.0 | REV M |
|--|--|---|---------------------------|---------|-------|

58041524

THE INFORMATION CONTAINED IN THIS DOCUMENT IS PROPRIETARY TO HONEYWELL INFORMATION SYSTEMS AND IS INTENDED FOR INTERNAL USE ONLY. SUCH INFORMATION MAY BE DISTRIBUTED TO OTHERS ONLY BY WRITTEN PERMISSION OF AN AUTHORIZED HONEYWELL OFFICE.



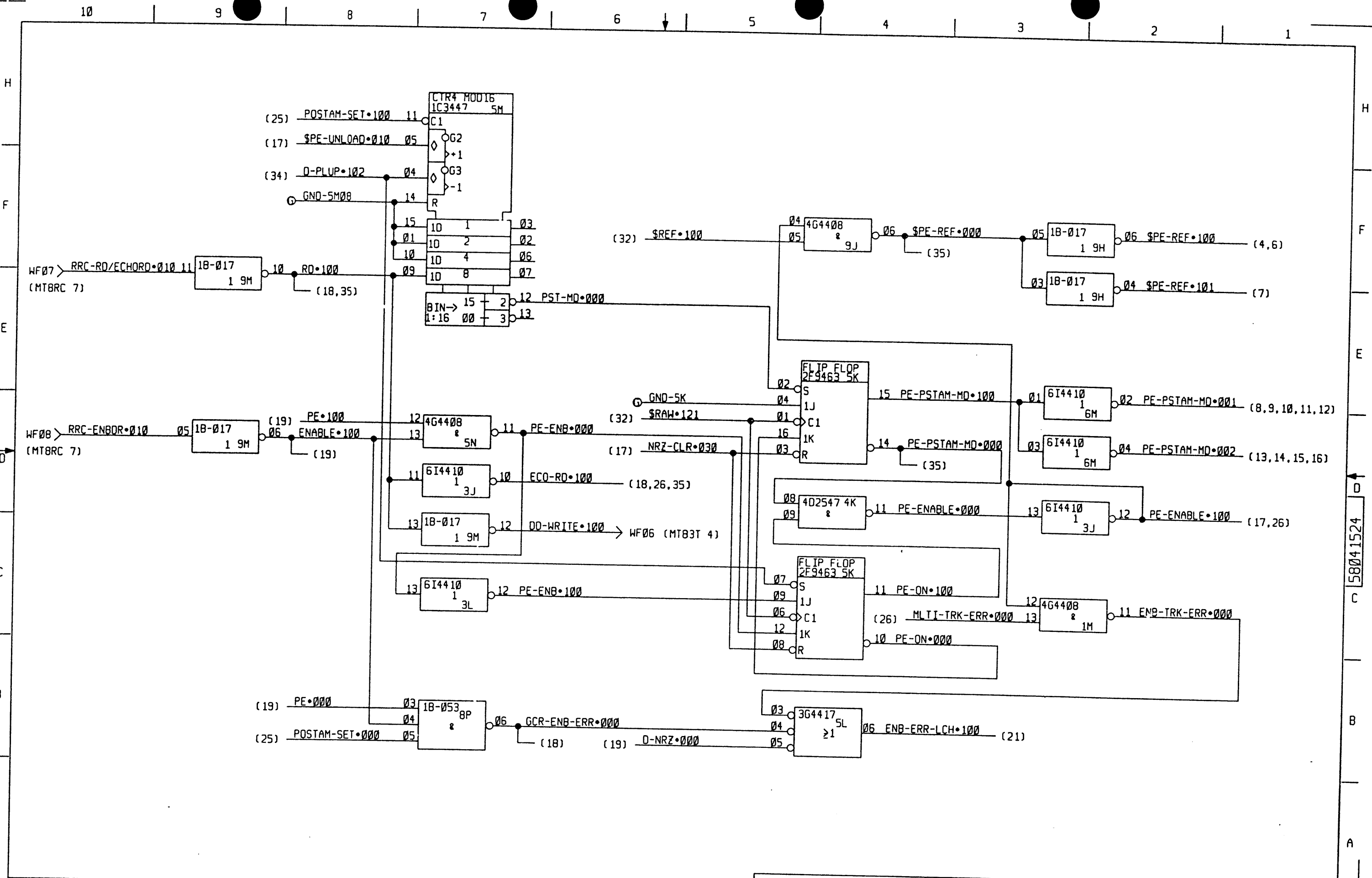
58041524



THE INFORMATION CONTAINED IN THIS DOCUMENT IS UNCLASSIFIED EXCEPT WHERE SHOWN OTHERWISE. IT IS SUBJECT TO THE PROVISIONS OF THE AUTOMATIC DECLASSIFICATION SCHEDULE IN GPO GENERAL REGULATION TITLE 32, PART 1985.

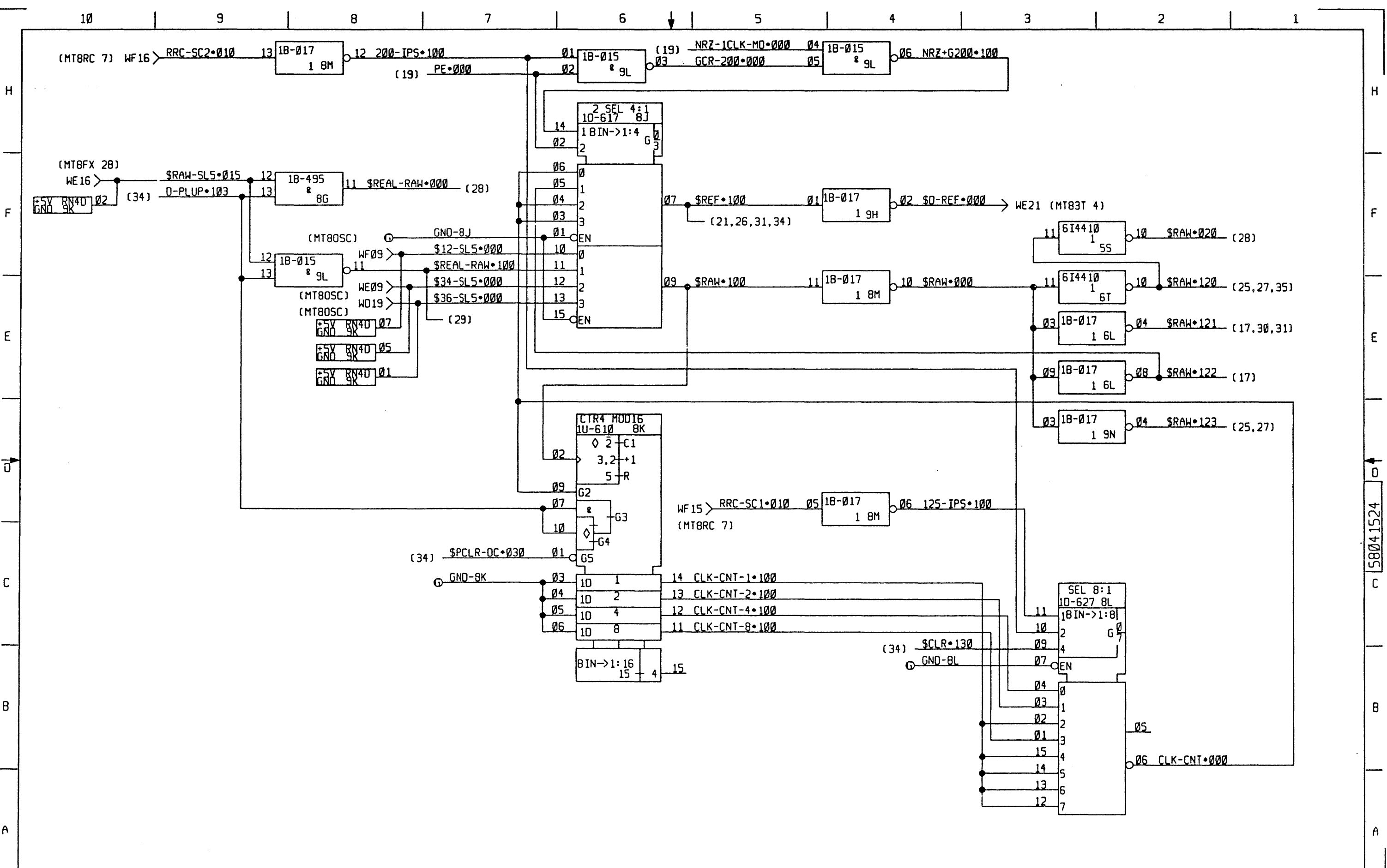
58041524

THE INFORMATION CONTAINED IN THIS DOCUMENT IS PROPRIETARY TO HONEYWELL INFORMATION SYSTEMS AND IS SUPPLIED TO YOU UNDER A LICENSE. IT IS NOT TO BE DISCLOSED TO ANY OTHER PERSON OR ENTITY WITHOUT THE WRITTEN PERMISSION OF AN AUTHORIZED HONEYWELL OFFICIAL.



58041524

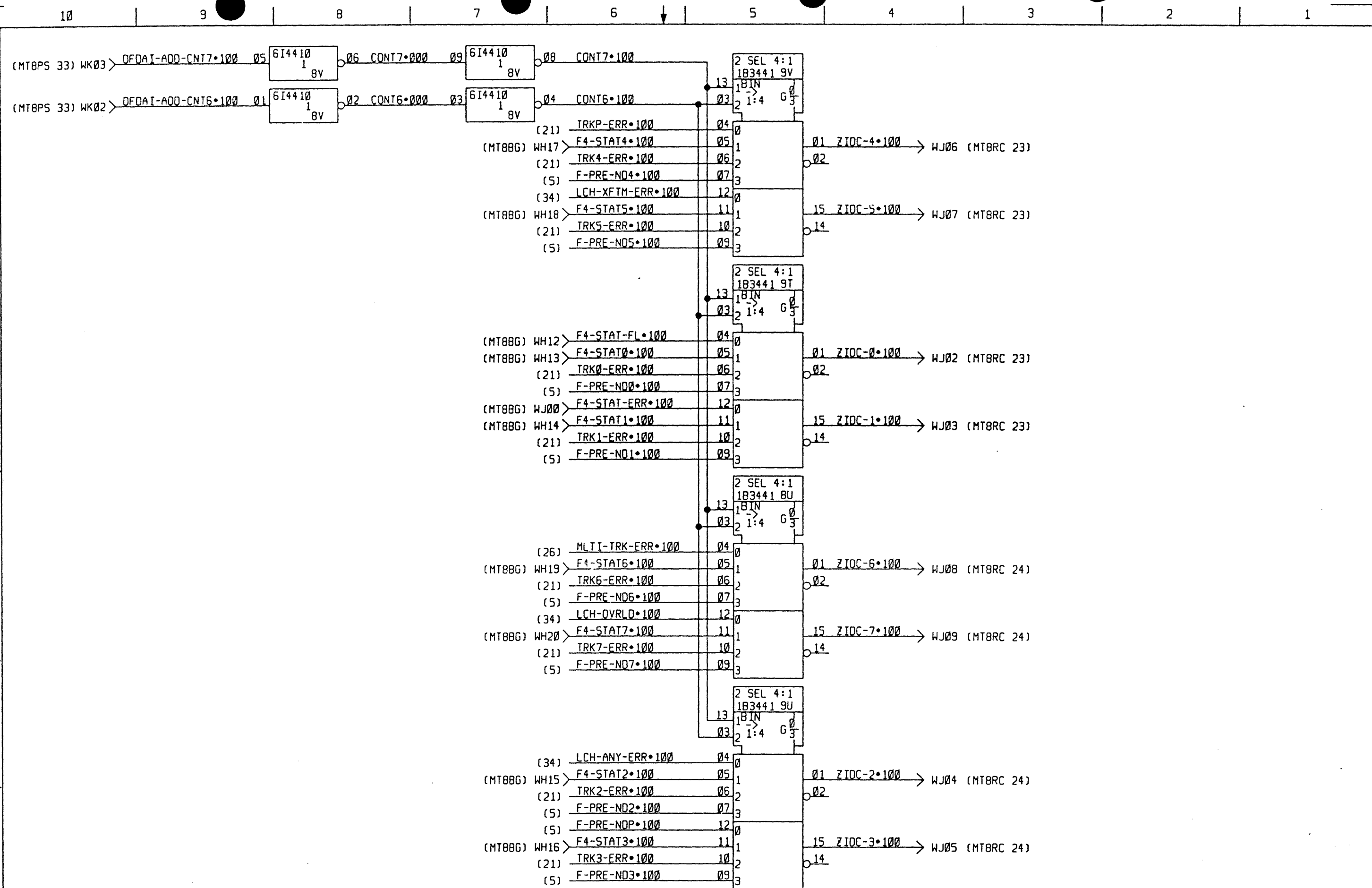
No. 100-10000-01 (REV. 10-65) IS A HONEYWELL TRADE SECRET. IT IS THE PROPERTY OF HONEYWELL INFORMATION SYSTEMS, INC. AND IS LOANED TO YOU BY HONEYWELL INFORMATION SYSTEMS, INC. IT IS NOT TO BE REPRODUCED OR TRANSMITTED IN ANY FORM OR BY ANY MEANS, ELECTRONIC OR MECHANICAL, INCLUDING PHOTOCOPYING, RECORDING, OR BY ANY INFORMATION STORAGE AND RETRIEVAL SYSTEM, WITHOUT THE WRITTEN PERMISSION OF HONEYWELL INFORMATION SYSTEMS, INC.



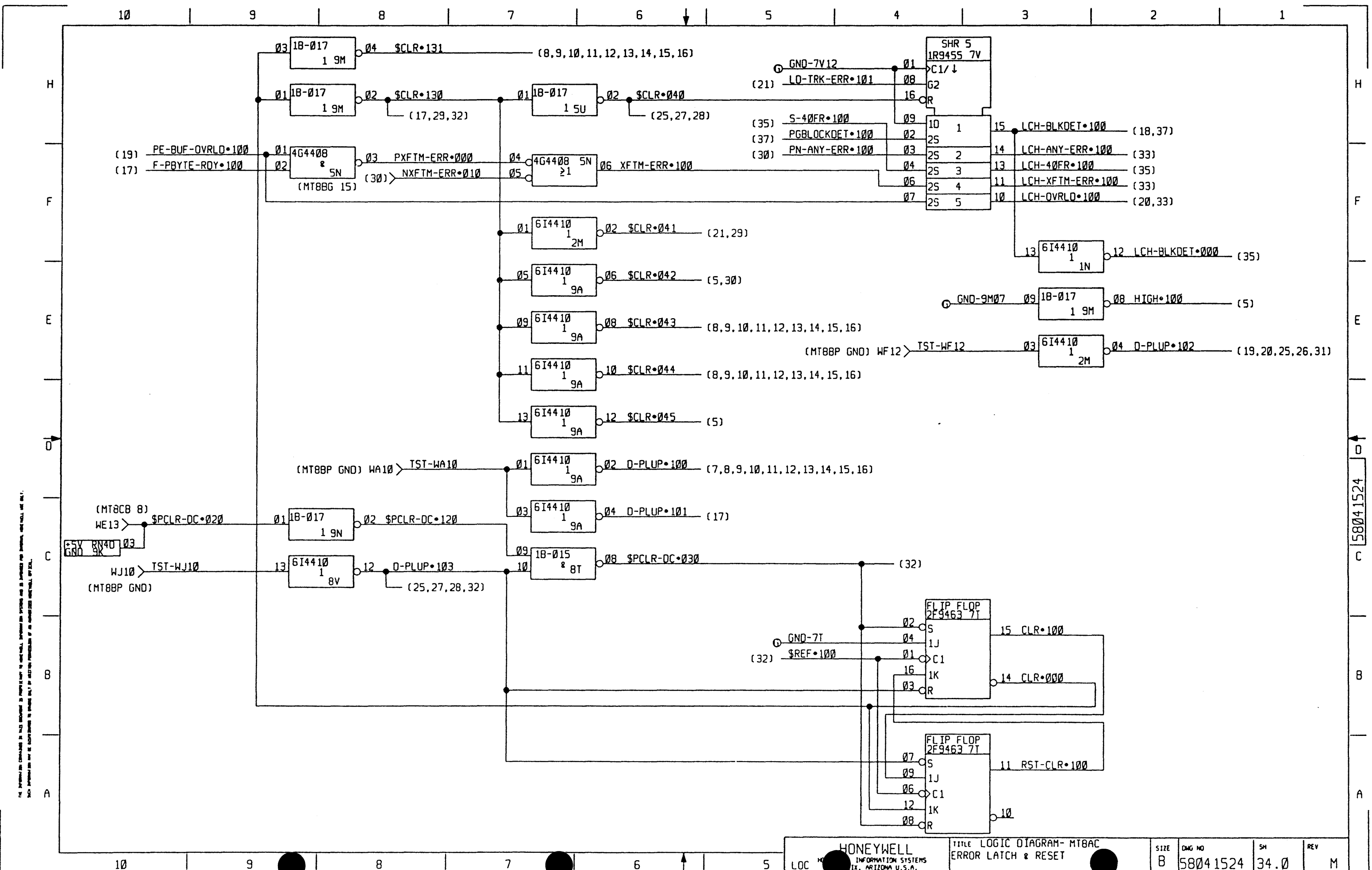
| | | | | | |
|--|--|---|---------------------------|---------|-------|
| HONEYWELL HONEYWELL INFORMATION SYSTEMS PHOENIX, ARIZONA U.S.A. | | TITLE LOGIC DIAGRAM- MT8AC CLOCK CONTROL | SIZE B DWG NO 58041524 | SH 32.0 | REV M |
|--|--|---|---------------------------|---------|-------|

58041524

THE INFORMATION CONTAINED IN THIS DOCUMENT IS PROPERTY OF HONEYWELL INFORMATION SYSTEMS AND IS SUPPLIED FOR YOUR INFORMATION ONLY. IT IS NOT TO BE REPRODUCED OR TRANSMITTED IN ANY FORM OR BY ANY MEANS, ELECTRONIC OR MECHANICAL, INCLUDING PHOTOCOPYING, RECORDING, OR BY ANY INFORMATION STORAGE AND RETRIEVAL SYSTEM, WITHOUT PERMISSION IN WRITING FROM HONEYWELL INFORMATION SYSTEMS.

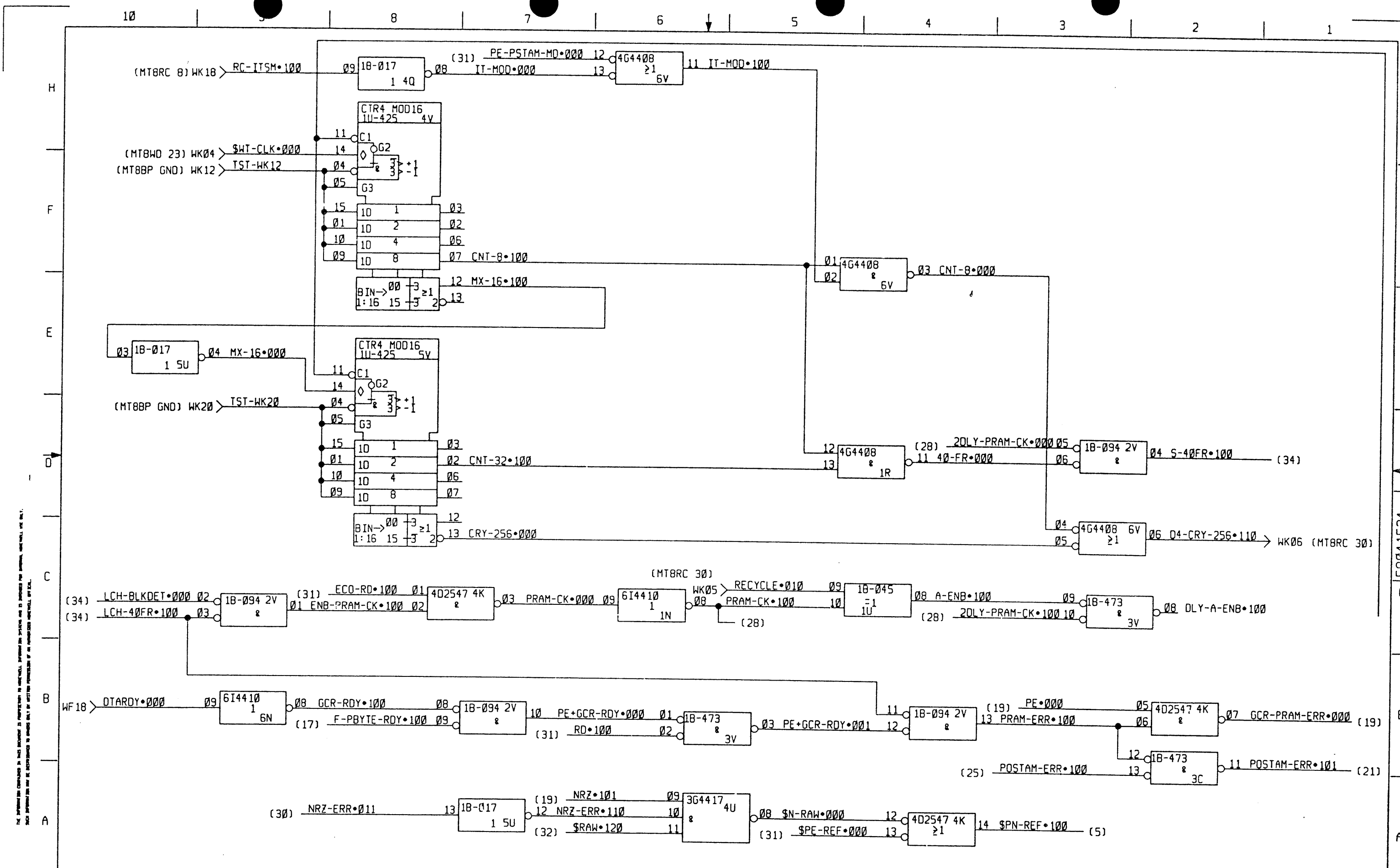


58041524



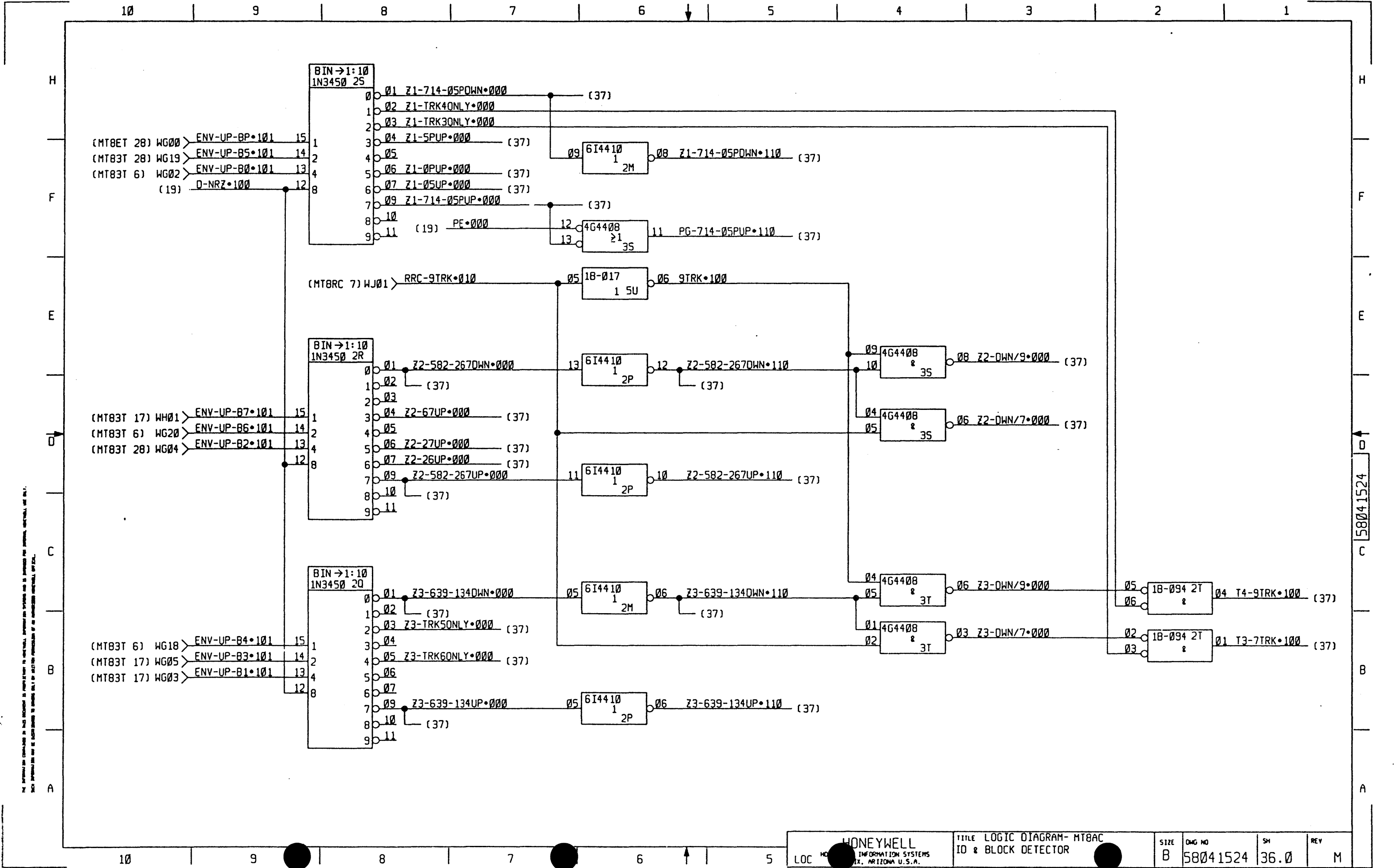
THE INFORMATION CONTAINED IN THIS DOCUMENT IS SUBJECT TO THE HONEYWELL INFORMATION SYSTEMS SECURITY POLICY AND IS TO BE CONTAINED WITHIN THE HONEYWELL INFORMATION SYSTEMS SECURITY POLICY.

58041524



THE INFORMATION CONTAINED IN THIS DOCUMENT IS UNCLASSIFIED EXCEPT WHERE SHOWN OTHERWISE. IT IS THE PROPERTY OF HONEYWELL INFORMATION SYSTEMS AND IS LOANED TO YOUR ORGANIZATION. IT IS TO BE USED ONLY FOR THE PURPOSES SPECIFIED BY THE ORIGINAL CONTRACTOR.

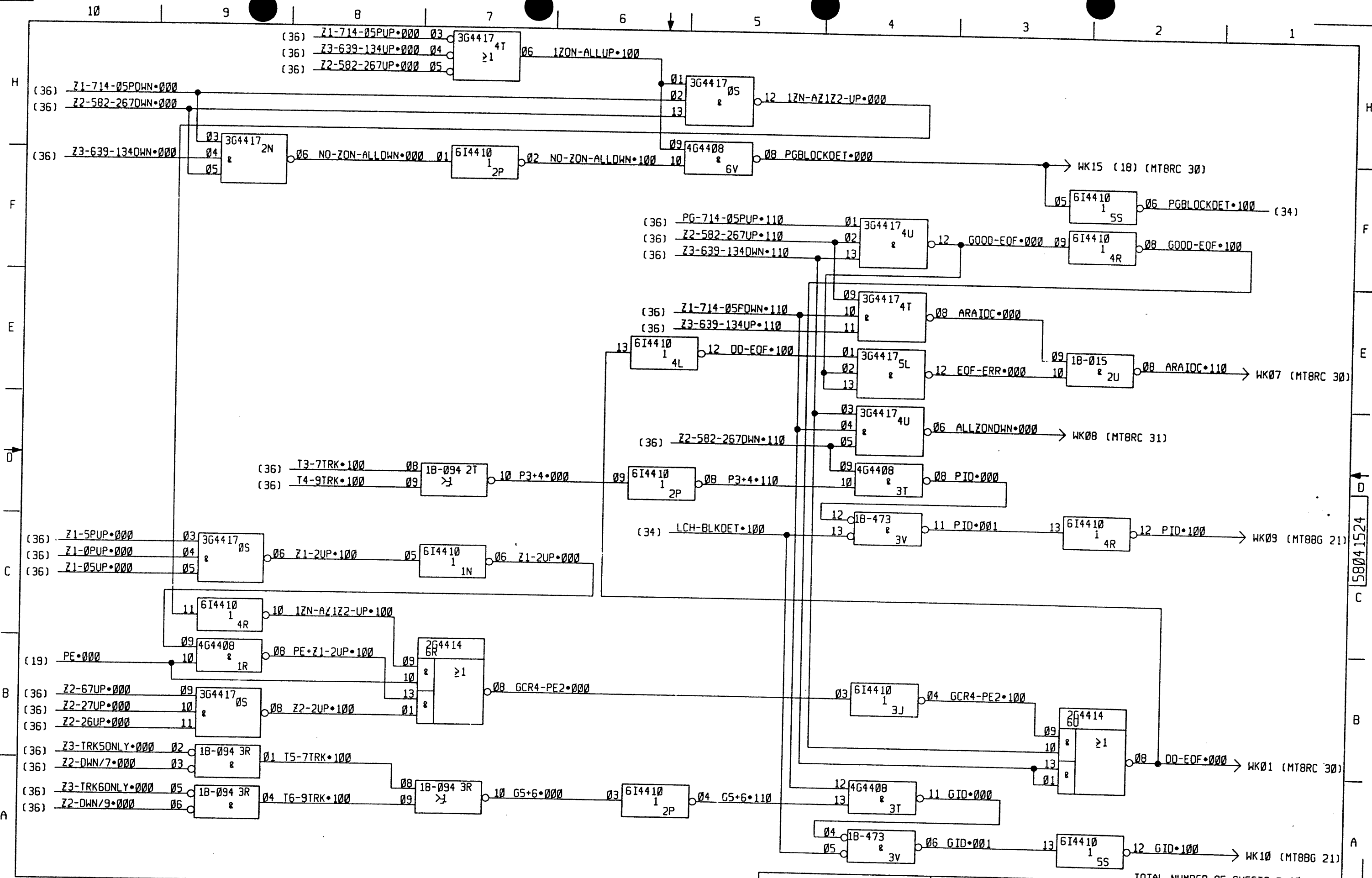
58041524



The information contained in this document is proprietary to Honeywell Information Systems and is intended for internal use only. It is not to be distributed outside the organization.

58041524

THE INFORMATION CONTAINED IN THIS DOCUMENT IS UNCLASSIFIED EXCEPT WHERE SHOWN OTHERWISE. IT IS UNCLASSIFIED EXCEPT WHERE SHOWN OTHERWISE. IT IS UNCLASSIFIED EXCEPT WHERE SHOWN OTHERWISE. IT IS UNCLASSIFIED EXCEPT WHERE SHOWN OTHERWISE.



58041524

58071460

| REV | AUTHORITY | DATE | | | SIGNATURE | TAB NO | | | | | | | | | | | | PL SH | |
|-----|---------------|------|-----|-----|------------------------|----------|----|----|----|----|----|----|----|----|----|----|----|-------|--|
| | | YR | MO | DAY | | 01 | 02 | 03 | 04 | 05 | 06 | 07 | 08 | 09 | 10 | 11 | 12 | ALL | |
| A | LEVEL 1 ISSUE | 81 | NOV | 09 | J. M. Boyle 11-2-81 | A | | | | | | | | | | | | A | |
| B | PHUTG208 | 84 | MAR | 28 | E. Hicks | B | B | | | | | | | | | | | B | |
| C | PHAGD749 | 85 | MAR | 29 | H. Douthett | C | | | | | | | | | | | | | |
| | | | | | | OBSOLETE | | | | | | | | | | | | | |
| | | | | | | | | | | | | | | | | | | | |
| | | | | | | | | | | | | | | | | | | | |
| | | | | | | | | | | | | | | | | | | | |
| | | | | | | | | | | | | | | | | | | | |
| | | | | | | | | | | | | | | | | | | | |
| | | | | | | | | | | | | | | | | | | | |
| | | | | | | | | | | | | | | | | | | | |
| | | | | | | | | | | | | | | | | | | | |
| | | | | | | | | | | | | | | | | | | | |
| | 58041524 | | | | LOGIC DIAGRAM | L | M | | | | | | | | | | | | |
| | 58030392 | | | | BD TEST DATA | A | G | | | | | | | | | | | | |

FOR CONTINUATION OF REVISION STATUS SEE SHEET

BRUNING 44-141 40366

Honeywell

HONEYWELL INFORMATION SYSTEMS INC.
LOC PHOENIX ARIZONA

MADE BY *Shackelford* 81 JUN 16
 APPROVED *R. A. Martin* 26 Oct 81
 REVISION STATUS FOR EACH PAGE SHEET OR GROUP IS SHOWN BY LAST ENTRY IN THE CORRESPONDING NUMBERED COLUMN

| | | | |
|------------------|---------------------|-------|-----|
| TITLE | | | |
| H DUHC PWA MT8AC | | | |
| SIZE | REVISION STATUS FOR | SHEET | REV |
| X | 58071460 | 1/1 | C |

DIST. -30

1/9

COMP INSTL LIST - MTBAC

TAB-001

STANDARD LOCATION CODE PATTERN
X-POS & Y-POS PER 58046507-001
UNLESS OTHERWISE SHOWN, ROTATION IS NORTH

| LOC | TYPE | IDENT | X-POS | Y-POS | ROTATION |
|------|--------|-------|-------|-------|----------|
| 00AE | P1043 | 43C21 | 2092 | P1043 | |
| 00BE | P9 | 43A11 | 4748 | P9 | |
| 00CE | P1043 | 43C21 | 2092 | P1043 | |
| 00EE | P9 | 43A11 | 4748 | P9 | |
| 00FE | P1043 | 43C21 | 2092 | P1043 | |
| 00JE | P1043 | 43C21 | 2092 | P1043 | |
| 00LE | P1043 | 43C21 | 2092 | P1043 | |
| 00ME | P9 | 43A11 | 4748 | P9 | |
| 00PE | P1043 | 43C21 | 2092 | P1043 | |
| 00RE | P9 | 43A11 | 4748 | P9 | |
| 00SE | P1043 | 43C21 | 2092 | P1043 | |
| 00TE | P9 | 43A11 | 4748 | P9 | |
| 00WE | P9 | 43A11 | 4748 | P9 | |
| 00AA | 1R9455 | 43C21 | 6455 | P1 | |
| 00AB | 1R9455 | 43C21 | 6455 | P1 | |
| 00AC | 1R9455 | 43C21 | 6455 | P1 | |
| 00AD | 1R9455 | 43C21 | 6455 | P1 | |
| 00AE | 1R9455 | 43C21 | 6455 | P1 | |
| 00AF | 1R9455 | 43C21 | 6455 | P1 | |
| 00AG | 1R9455 | 43C21 | 6455 | P1 | |
| 00AH | 1R9455 | 43C21 | 6455 | P1 | |
| 00AJ | 1R9455 | 43C21 | 6455 | P1 | |
| 00AK | 4G4408 | 43C21 | 6408 | P1 | |
| 00AL | 1N3450 | 43C21 | 6450 | P1 | |
| 00AM | 1N3450 | 43C21 | 6450 | P1 | |
| 00AN | 2G4411 | 43C21 | 6411 | P1 | |
| 00AO | 1N3450 | 43C21 | 6450 | P1 | |
| 00AP | 1G4412 | 43C21 | 6412 | P1 | |
| 00AQ | 3G4417 | 43C21 | 6417 | P1 | |
| 00AT | 1Q-616 | 58000 | 2616 | -001 | |
| 10AE | P1043 | 43C21 | 2092 | P1043 | |
| 10BE | P9 | 43A11 | 4748 | P9 | |

EDA

1/9

2

COMP INSTL LIST - MTBAC

TAB-001

| LOC | TYPE | IDENT | X-POS | Y-POS | ROTATION |
|------|--------|-------|-------|-------|----------|
| 10CE | P1043 | 43C21 | 2092 | P1043 | |
| 10EE | P9 | 43A11 | 4748 | P9 | |
| 10FE | P1043 | 43C21 | 2092 | P1043 | |
| 10JE | P1043 | 43C21 | 2092 | P1043 | |
| 10LE | P1043 | 43C21 | 2092 | P1043 | |
| 10ME | P9 | 43A11 | 4748 | P9 | |
| 10PE | P1043 | 43C21 | 2092 | P1043 | |
| 10RE | P9 | 43A11 | 4748 | P9 | |
| 10SE | P1043 | 43C21 | 2092 | P1043 | |
| 10TE | P9 | 43A11 | 4748 | P9 | |
| 10UE | P1043 | 43C21 | 2092 | P1043 | |
| 10WE | P9 | 43A11 | 4748 | P9 | |
| 1A | 1R9455 | 43C21 | 6455 | P1 | |
| 1B | 1R9455 | 43C21 | 6455 | P1 | |
| 1C | 1R9455 | 43C21 | 6455 | P1 | |
| 1D | 1R9455 | 43C21 | 6455 | P1 | |
| 1E | 1R9455 | 43C21 | 6455 | P1 | |
| 1F | 1R9455 | 43C21 | 6455 | P1 | |
| 1G | 1R9455 | 43C21 | 6455 | P1 | |
| 1H | 1R9455 | 43C21 | 6455 | P1 | |
| 1J | 1R9455 | 43C21 | 6455 | P1 | |
| 1K | 4G4408 | 43C21 | 6408 | P1 | |
| 1L | 4G4408 | 43C21 | 6408 | P1 | |
| 1M | 4G4408 | 43C21 | 6408 | P1 | |
| 1N | 6I4410 | 43C21 | 6410 | P1 | |
| 1P | 1B-473 | 58000 | 2473 | -001 | |
| 1R | 4G4408 | 43C21 | 6408 | P1 | |
| 1S | 4G4408 | 43C21 | 6408 | P1 | |
| 1T | 1B-045 | 58000 | 2045 | -001 | |
| 1U | 1B-045 | 58000 | 2045 | -001 | |
| 20AE | P1043 | 43C21 | 2092 | P1043 | |
| 20BE | P9 | 43A11 | 4748 | P9 | |
| 20CE | P1043 | 43C21 | 2092 | P1043 | |
| 20EE | P9 | 43A11 | 4748 | P9 | |
| 20FE | P1043 | 43C21 | 2092 | P1043 | |
| 20JE | P1043 | 43C21 | 2092 | P1043 | |
| 20LE | P1043 | 43C21 | 2092 | P1043 | |

EDA

2

COMP INSTL LIST - MT8AC

TAB-001

| LOC | TYPE | IDENT | X-POS | Y-POS | ROTATION |
|------|--------|----------------|-------|-------|----------|
| 20ME | P9 | 43A114748P9 | | | |
| 20PE | P1043 | 43C212092P1043 | | | |
| 20QE | P9 | 43A114748P9 | | | |
| 20SE | P1043 | 43C212092P1043 | | | |
| 20TE | P9 | 43A114748P9 | | | |
| 20UE | P1043 | 43C212092P1043 | | | |
| 20WE | P9 | 43A114748P9 | | | |
| 21A | 1B-473 | 58002473-001 | | | |
| 21B | 1B3443 | 43C216443P1 | | | |
| 21C | 1B-473 | 58002473-001 | | | |
| 21D | 1B3441 | 43C216441P1 | | | |
| 21E | 1B3441 | 43C216441P1 | | | |
| 21F | 1B3443 | 43C216443P1 | | | |
| 21G | 2G4414 | 43C216414P1 | | | |
| 21H | 1B-473 | 58002473-001 | | | |
| 21J | 1B3441 | 43C216441P1 | | | |
| 21K | 1B3441 | 43C216441P1 | | | |
| 21L | 1B3049 | 58002049-001 | | | |
| 21M | 6I4410 | 43C216410P1 | | | |
| 21N | 3G4417 | 43C216417P1 | | | |
| 21P | 6I4410 | 43C216410P1 | | | |
| 21Q | 1N3450 | 43C216450P1 | | | |
| 21R | 1N3450 | 43C216450P1 | | | |
| 21S | 1N3450 | 43C216450P1 | | | |
| 21T | 1B-094 | 58002094-001 | | | |
| 21U | 1B-015 | 58002015-001 | | | |
| 21V | 1B-094 | 58002094-001 | | | |
| 21W | P1043 | 43C212092P1043 | | | |
| 21X | P1043 | 43C212092P1043 | | | |
| 21Y | P9 | 43A114748P9 | | | |
| 21Z | P1043 | 43C212092P1043 | | | |
| 22A | P1043 | 43C212092P1043 | | | |
| 22B | P1043 | 43C212092P1043 | | | |
| 22C | P1043 | 43C212092P1043 | | | |
| 22D | P1043 | 43C212092P1043 | | | |
| 22E | P9 | 43A114748P9 | | | |
| 22F | P1043 | 43C212092P1043 | | | |
| 22G | P9 | 43A114748P9 | | | |
| 22H | P1043 | 43C212092P1043 | | | |
| 22I | P9 | 43A114748P9 | | | |
| 22J | P1043 | 43C212092P1043 | | | |
| 22K | P1043 | 43C212092P1043 | | | |
| 22L | P1043 | 43C212092P1043 | | | |
| 22M | P9 | 43A114748P9 | | | |
| 22N | P1043 | 43C212092P1043 | | | |
| 22O | P9 | 43A114748P9 | | | |
| 22P | P1043 | 43C212092P1043 | | | |
| 22Q | P1043 | 43C212092P1043 | | | |
| 22R | P1043 | 43C212092P1043 | | | |
| 22S | P1043 | 43C212092P1043 | | | |
| 22T | P1043 | 43C212092P1043 | | | |
| 22U | P1043 | 43C212092P1043 | | | |
| 22V | P1043 | 43C212092P1043 | | | |
| 22W | P1043 | 43C212092P1043 | | | |
| 22X | P1043 | 43C212092P1043 | | | |
| 22Y | P1043 | 43C212092P1043 | | | |
| 22Z | P1043 | 43C212092P1043 | | | |

COMP INSTL LIST - MT8AC

TAB-001

| LOC | TYPE | IDENT | X-POS | Y-POS | ROTATION |
|------|--------|----------------|-------|-------|----------|
| 30WE | P9 | 43A114748P9 | | | |
| 31A | 1B-473 | 58002473-001 | | | |
| 31B | 1B-473 | 58002473-001 | | | |
| 31C | 1B-473 | 58002473-001 | | | |
| 31D | 4G4408 | 43C216408P1 | | | |
| 31E | 1B3049 | 58002049-001 | | | |
| 31F | 1B-473 | 58002473-001 | | | |
| 31G | 4G4408 | 43C216408P1 | | | |
| 31H | 1B3441 | 43C216441P1 | | | |
| 31I | 6I4410 | 43C216410P1 | | | |
| 31J | 1B3049 | 58002049-001 | | | |
| 31K | 6I4410 | 43C216410P1 | | | |
| 31L | 1R9455 | 43C216455P1 | | | |
| 31M | 1B-056 | 58002056-001 | | | |
| 31N | 1B-056 | 58002056-001 | | | |
| 31O | 1B-056 | 58002056-001 | | | |
| 31P | 1B-094 | 58002094-001 | | | |
| 31Q | 4G4408 | 43C216408P1 | | | |
| 31R | 4G4408 | 43C216408P1 | | | |
| 31S | 1B-473 | 58002473-001 | | | |
| 31T | P1043 | 43C212092P1043 | | | |
| 31U | P9 | 43A114748P9 | | | |
| 31V | P1043 | 43C212092P1043 | | | |
| 31W | P9 | 43A114748P9 | | | |
| 31X | P1043 | 43C212092P1043 | | | |
| 31Y | P9 | 43A114748P9 | | | |
| 31Z | P1043 | 43C212092P1043 | | | |
| 32A | P1043 | 43C212092P1043 | | | |
| 32B | P1043 | 43C212092P1043 | | | |
| 32C | P1043 | 43C212092P1043 | | | |
| 32D | P1043 | 43C212092P1043 | | | |
| 32E | P9 | 43A114748P9 | | | |
| 32F | P1043 | 43C212092P1043 | | | |
| 32G | P9 | 43A114748P9 | | | |
| 32H | P1043 | 43C212092P1043 | | | |
| 32I | P9 | 43A114748P9 | | | |
| 32J | P1043 | 43C212092P1043 | | | |
| 32K | P1043 | 43C212092P1043 | | | |
| 32L | P1043 | 43C212092P1043 | | | |
| 32M | P9 | 43A114748P9 | | | |
| 32N | P1043 | 43C212092P1043 | | | |
| 32O | P9 | 43A114748P9 | | | |
| 32P | P1043 | 43C212092P1043 | | | |
| 32Q | P1043 | 43C212092P1043 | | | |
| 32R | P1043 | 43C212092P1043 | | | |
| 32S | P1043 | 43C212092P1043 | | | |
| 32T | P1043 | 43C212092P1043 | | | |
| 32U | P1043 | 43C212092P1043 | | | |
| 32V | P1043 | 43C212092P1043 | | | |
| 32W | P1043 | 43C212092P1043 | | | |
| 32X | P1043 | 43C212092P1043 | | | |
| 32Y | P1043 | 43C212092P1043 | | | |
| 32Z | P1043 | 43C212092P1043 | | | |

COMP INSTL LIST - MTBAC

TAB-001

| LOC | TYPE | IDENT | X-POS | Y-POS | ROTATION |
|------|---------|----------------|-------|-------|----------|
| 4E | 6I4410 | 43C216410P1 | | | |
| 4F | 6I4410 | 43C216410P1 | | | |
| 4G | 6I4410 | 43C216410P1 | | | |
| 4H | 6I4410 | 43C216410P1 | | | |
| 4J | 6I4410 | 43C216410P1 | | | |
| 4K | 4D2547 | 43B216547P1 | | | |
| 4L | 6I4410 | 43C216410P1 | | | |
| 4M | 1R9455 | 43C216455P1 | | | |
| 4N | 1B-0556 | 580020556-001 | | | |
| 4P | 1B-0556 | 580020556-001 | | | |
| 4Q | 1B-017 | 58002017-001 | | | |
| 4R | 6I4410 | 43C216410P1 | | | |
| 4S | 1B-0553 | 580020553-001 | | | |
| 4T | 3G4417 | 43C216417P1 | | | |
| 4U | 3G4417 | 43C216417P1 | | | |
| 4V | 1U-425 | 58002425-001 | | | |
| 50AE | P1043 | 43C212092P1043 | | | |
| 50BE | P9 | 43A114748P9 | | | |
| 50CE | P1043 | 43C212092P1043 | | | |
| 50DE | P9 | 43A114748P9 | | | |
| 50FE | P1043 | 43C212092P1043 | | | |
| 50JE | P1043 | 43C212092P1043 | | | |
| 50LE | P1043 | 43C212092P1043 | | | |
| 50ME | P9 | 43A114748P9 | | | |
| 50PE | P1043 | 43C212092P1043 | | | |
| 50QE | P9 | 43A114748P9 | | | |
| 50SE | P1043 | 43C212092P1043 | | | |
| 50TE | P9 | 43A114748P9 | | | |
| 50UE | P1043 | 43C212092P1043 | | | |
| 50WE | P9 | 43A114748P9 | | | |
| 5A | 1N3450 | 43C216450P1 | | | |
| 5B | 1N3450 | 43C216450P1 | | | |
| 5C | 1N3450 | 43C216450P1 | | | |
| 5D | 1N3450 | 43C216450P1 | | | |
| 5E | 1N3450 | 43C216450P1 | | | |
| 5F | 1N3450 | 43C216450P1 | | | |
| 5G | 1N3450 | 43C216450P1 | | | |
| 5H | 1N3450 | 43C216450P1 | | | |

COMP INSTL LIST - MTBAC

TAB-001

| LOC | TYPE | IDENT | X-POS | Y-POS | ROTATION |
|------|---------|----------------|-------|-------|----------|
| 5J | 1N3450 | 43C216450P1 | | | |
| 5K | 2F9463 | 43C216463P1 | | | |
| 5L | 3G4417 | 43C216417P1 | | | |
| 5M | 1C3447 | 43C216447P1 | | | |
| 5N | 4G4408 | 43C216408P1 | | | |
| 5P | 1B3049 | 58002049-001 | | | |
| 5Q | 1B3049 | 58002049-001 | | | |
| 5R | 1B-015 | 58002015-001 | | | |
| 5S | 6I4410 | 43C216410P1 | | | |
| 5T | 1B-4748 | 580024748-001 | | | |
| 5U | 1B-017 | 58002017-001 | | | |
| 5V | 1U-425 | 58002425-001 | | | |
| 60AE | P1043 | 43C212092P1043 | | | |
| 60CE | P1043 | 43C212092P1043 | | | |
| 60DE | P9 | 43A114748P9 | | | |
| 60FE | P1043 | 43C212092P1043 | | | |
| 60JE | P1043 | 43C212092P1043 | | | |
| 60LE | P1043 | 43C212092P1043 | | | |
| 60ME | P9 | 43A114748P9 | | | |
| 60PE | P1043 | 43C212092P1043 | | | |
| 60QE | P9 | 43A114748P9 | | | |
| 60SE | P1043 | 43C212092P1043 | | | |
| 60UE | P1043 | 43C212092P1043 | | | |
| 60WE | P9 | 43A114748P9 | | | |
| 6A | 1C3447 | 43C216447P1 | | | |
| 6B | 1C3447 | 43C216447P1 | | | |
| 6C | 1C3447 | 43C216447P1 | | | |
| 6D | 1C3447 | 43C216447P1 | | | |
| 6E | 1C3447 | 43C216447P1 | | | |
| 6F | 1C3447 | 43C216447P1 | | | |
| 6G | 1C3447 | 43C216447P1 | | | |
| 6H | 1C3447 | 43C216447P1 | | | |
| 6J | 1C3447 | 43C216447P1 | | | |
| 6K | 1R-616 | 58002616-001 | | | |
| 6L | 1B-017 | 58002017-001 | | | |
| 6M | 6I4410 | 43C216410P1 | | | |
| 6N | 6I4410 | 43C216410P1 | | | |
| 6P | 1N3444 | 43C216444P1 | | | |

TAB-001

| LOC | TYPE | IDENT | X-POS | Y-POS | ROTATION |
|-------|--------|----------------|-------|-------|----------|
| 6Q | 1N3444 | 43C216444P1 | | | |
| 6R | 2G4414 | 43C216414P1 | | | |
| 6S | 1P3405 | 43C216405P1 | | | |
| 6T | 6I4410 | 43C216410P1 | | | |
| 6U | 2G4414 | 43C216414P1 | | | |
| 6V | 4G4408 | 43C216408P1 | | | |
| 70AE | P1043 | 43C212092P1043 | | | |
| 70BE | P9 | 43A114748P9 | | | |
| 70CEE | P1043 | 43C212092P1043 | | | |
| 70EEE | P9 | 43A114748P9 | | | |
| 70FFE | P1043 | 43C212092P1043 | | | |
| 70JJE | P1043 | 43C212092P1043 | | | |
| 70LJE | P1043 | 43C212092P1043 | | | |
| 70ME | P9 | 43A114748P9 | | | |
| 70PE | P1043 | 43C212092P1043 | | | |
| 70QEE | P9 | 43A114748P9 | | | |
| 70SE | P1043 | 43C212092P1043 | | | |
| 70TE | P9 | 43A114748P9 | | | |
| 70UE | P1043 | 43C212092P1043 | | | |
| 70WE | P9 | 43A114748P9 | | | |
| 7A | 1B-017 | 58002017-001 | | | |
| 7B | 1B3049 | 58002049-001 | | | |
| 7C | 1B3049 | 58002049-001 | | | |
| 7D | 1B-017 | 58002017-001 | | | |
| 7E | 1B-495 | 58002495-001 | | | |
| 7F | 1B-495 | 58002495-001 | | | |
| 7G | 1B-017 | 58002017-001 | | | |
| 7H | 2F4415 | 43C216415P1 | | | |
| 7J | 2F9463 | 43C216463P1 | | | |
| 7K | 1B3441 | 43C216441P1 | | | |
| 7L | 1B3441 | 43C216441P1 | | | |
| 7M | 1B3441 | 43C216441P1 | | | |
| 7N | 1B3441 | 43C216441P1 | | | |
| 7P | 1B3441 | 43C216441P1 | | | |
| 7Q | 1B-054 | 58002054-001 | | | |
| 7R | 1Q-071 | 58002071-001 | | | |
| 7S | 1Q-071 | 58002071-001 | | | |
| 7T | 2F9463 | 43C216463P1 | | | |

TAB-001

| LOC | TYPE | IDENT | X-POS | Y-POS | ROTATION |
|-------|--------|----------------|-------|-------|----------|
| 7U | 2F9463 | 43C216463P1 | | | |
| 7V | 1R9455 | 43C216455P1 | | | |
| 80AE | P1043 | 43C212092P1043 | | | |
| 80BE | P9 | 43A114748P9 | | | |
| 80CEE | P1043 | 43C212092P1043 | | | |
| 80EEE | P9 | 43A114748P9 | | | |
| 80FFE | P1043 | 43C212092P1043 | | | |
| 80JJE | P1043 | 43C212092P1043 | | | |
| 80LJE | P1043 | 43C212092P1043 | | | |
| 80ME | P9 | 43A114748P9 | | | |
| 80PE | P1043 | 43C212092P1043 | | | |
| 80QEE | P9 | 43A114748P9 | | | |
| 80SE | P1043 | 43C212092P1043 | | | |
| 80TE | P9 | 43A114748P9 | | | |
| 80UE | P1043 | 43C212092P1043 | | | |
| 80WE | P9 | 43A114748P9 | | | |
| 8A | 1B-495 | 58002495-001 | | | |
| 8B | 1B-495 | 58002495-001 | | | |
| 8C | 2F4415 | 43C216415P1 | | | |
| 8D | 2F4415 | 43C216415P1 | | | |
| 8E | 1B-495 | 58002495-001 | | | |
| 8F | 1B-495 | 58002495-001 | | | |
| 8G | 1B-495 | 58002495-001 | | | |
| 8H | 2F4415 | 43C216415P1 | | | |
| 8J | 1D-617 | 58002617-001 | | | |
| 8K | 1U-610 | 58002610-001 | | | |
| 8L | 1D-627 | 58002627-001 | | | |
| 8M | 1B-017 | 58002017-001 | | | |
| 8N | 2F9463 | 43C216463P1 | | | |
| 8P | 1B-053 | 58002053-001 | | | |
| 8Q | 1B-495 | 58002495-001 | | | |
| 8R | 1B-094 | 58002094-001 | | | |
| 8S | 2F9463 | 43C216463P1 | | | |
| 8T | 1B-015 | 58002015-001 | | | |
| 8U | 1B3441 | 43C216441P1 | | | |
| 8V | 6I4410 | 43C216410P1 | | | |
| 90AE | P1043 | 43C212092P1043 | | | |
| 90EE | P9 | 43A114748P9 | | | |

HONEYWELL INFORMATION SYSTEMS
 LOC PHOENIX, ARIZONA, U.S.A.

58071462
 FINAL

COMP INSTL LIST - MTBAC

TAB-001

| LOC | TYPE | IDENT | X-POS | Y-POS | ROTATION |
|------|--------|----------------|-------|-------|----------|
| 90FE | P1043 | 43C212092P1043 | | | |
| 90JE | P1043 | 43C212092P1043 | | | |
| 90LE | P1043 | 43C212092P1043 | | | |
| 90ME | P9 | 43A114748P9 | | | |
| 90PE | P1043 | 43C212092P1043 | | | |
| 90QE | P9 | 43A114748P9 | | | |
| 90UE | P1043 | 43C212092P1043 | | | |
| 90WE | P9 | 43A114748P9 | | | |
| 9A | 6I4410 | 43C216410P1 | | | |
| 9B | 3G4417 | 43C216417P1 | | | |
| 9C | 4G4408 | 43C216408P1 | | | |
| 9D | 1P3405 | 43C216405P1 | | | |
| 9E | 3G4417 | 43C216417P1 | | | |
| 9F | 4G4408 | 43C216408P1 | | | |
| 9G | 3G4417 | 43C216417P1 | | | |
| 9H | 1B-017 | 58002017-001 | | | |
| 9J | 4G4408 | 43C216408P1 | | | |
| 9K | RN4D | 43B216592P17 | | | |
| 9L | 1B-015 | 580003015-001 | | | |
| 9M | 1B-017 | 580002017-001 | | | |
| 9N | 1B-017 | 580002017-001 | | | |
| 9P | 1R-066 | 580002066-001 | | | |
| 9R | 1R-066 | 580002066-001 | | | |
| 9S | 1R-066 | 580002066-001 | | | |
| 9T | 1B3441 | 43C216441P1 | | | |
| 9U | 1B3441 | 43C216441P1 | | | |
| 9V | 1B3441 | 43C216441P1 | | | |

| REV | AUTHORITY | DATE |
|-----|------------|---------|
| B | PHAO TH037 | 84FEB16 |

| SIGNAL NAME | PAGE | SIGNAL NAME | PAGE | SIGNAL NAME | PAGE | SIGNAL NAME | PAGE |
|---------------------|------|---------------|------|-----------------|------|------------------|------|
| \$10X-CLK*000 | 26.0 | ACRC-B5*000T | 10.0 | BLANK*100 | 24.0 | CRC-B1*100T | 9.0 |
| \$10X-CLK*100 | 26.0 | ACRC-B5*110 | 11.0 | BLK-RLO*100 | 19.0 | CRC-B2*100 | 9.0 |
| \$BLNK*000 | 21.0 | ACRC-B6*000 | 10.0 | BLNK-RELOD*000 | 19.0 | CRC-B2*100T | 9.0 |
| \$CAR-BLK*000 | 21.0 | ACRC-B6*000T | 10.0 | BLNK-RELOD*000T | 19.0 | CRC-B3*010 | 11.0 |
| \$CLIP-ERR*000 | 19.0 | ACRC-B7*000 | 10.0 | BREG-80*000 | 6.0 | CRC-B3*100 | 9.0 |
| \$CLIP-ERR*001 | 19.0 | ACRC-B7*000T | 10.0 | BREG-80*100 | 6.0 | CRC-B3*100T | 9.0 |
| \$CLR*040 | 19.0 | ACRC-B8*000 | 10.0 | BREG-81*000 | 6.0 | CRC-B4*100 | 9.0 |
| \$CLR*130 | 19.0 | ACRC-B8*000T | 10.0 | BREG-81*100 | 6.0 | CRC-B4*100T | 9.0 |
| \$CLR-EN*000 | 19.0 | ADDB3-ACB*100 | 10.0 | BREG-82*000 | 6.0 | CRC-B5*010 | 11.0 |
| \$CNT-B*000 | 21.0 | ADDB6-ACB*100 | 10.0 | BREG-82*100 | 6.0 | CRC-B5*100 | 9.0 |
| \$D-REF*000 | 26.0 | ADR1*000 | 15.0 | BREG-83*000 | 7.0 | CRC-B5*100T | 9.0 |
| \$INC-MISS-CLIP*100 | 24.0 | ADR1*030 | 5.0 | BREG-83*100 | 7.0 | CRC-B6*100 | 9.0 |
| \$NRZ*040 | 19.0 | ADR1*110 | 15.0 | BREG-84*000 | 7.0 | CRC-B6*100T | 9.0 |
| \$NRZ*120 | 19.0 | ADR1*120 | 15.0 | BREG-84*100 | 7.0 | CRC-B7*100 | 9.0 |
| \$NRZ*120T | 19.0 | ADR1*130 | 5.0 | BREG-85*000 | 7.0 | CRC-B7*100T | 9.0 |
| \$NRZ*140 | 19.0 | AGR1*131 | 5.0 | BREG-85*100 | 7.0 | CRC-B8*100 | 9.0 |
| \$NRZ*141 | 19.0 | ADR1*131T | 5.0 | BREG-86*000 | 8.0 | CRC-B8*100T | 9.0 |
| \$NRZ-KSR*000 | 19.0 | AG-PE*000 | 11.0 | BREG-86*100 | 8.0 | CRCOK*000 | 11.0 |
| \$NRZ-STAT*020 | 16.0 | AG-PE*100 | 6.0 | BREG-87*000 | 8.0 | CRC2*8*100 | 9.0 |
| \$NRZ-STAT*110 | 16.0 | AGDTA-80*100 | 6.0 | BREG-87*100 | 8.0 | CRC3*8*100 | 9.0 |
| \$NRZ-STAT*111 | 16.0 | AGDTA-81*100 | 6.0 | BREG-88*000 | 8.0 | CRC4*8*100 | 9.0 |
| \$NRZ-STAT*120 | 16.0 | AGDTA-82*100 | 6.0 | BREG-88*100 | 8.0 | CRC8*AREG5*100 | 9.0 |
| \$PCLR-ST*020 | 25.0 | AGDTA-83*100 | 7.0 | BYTE-1*000 | 15.0 | CRERR*000 | 11.0 |
| \$PCLR-AG*040 | 4.0 | AGDTA-84*100 | 7.0 | CCERR*000 | 11.0 | CRERR*100 | 11.0 |
| \$PCLR-AG*041 | 13.0 | AGDTA-85*100 | 7.0 | CHANGE-125*000 | 26.0 | CROK*100 | 11.0 |
| \$PCLR-AG*042 | 13.0 | AGDTA-86*100 | 8.0 | CHANGE-200*000 | 26.0 | D-9-TRACK*120 | 23.0 |
| \$PCLR-AG*043 | 13.0 | AGDTA-87*100 | 8.0 | CLK-GCR*000 | 22.0 | D-CLIP*040 | 19.0 |
| \$PCLR-AG*130 | 13.0 | AGDTA-88*100 | 8.0 | CLK-GCR*100 | 22.0 | D-IN-IPS-125*000 | 26.0 |
| \$PCLR-BG*020 | 19.0 | AGDTARDY*000 | 13.0 | CLK-PE*100 | 23.0 | D-IN-IPS-200*000 | 26.0 |
| \$PCLR-BG*020 | 13.0 | AGDTARDY*010 | 13.0 | CLK-PE-TMR*000 | 23.0 | D-K-SR*000 | 20.0 |
| \$RAW*000 | 20.0 | AGDTARDY*100 | 13.0 | CLR-DTARDY*000 | 14.0 | D-K-SR*001 | 20.0 |
| \$RAW*001 | 20.0 | AGPARERR*100 | 11.0 | CLR3*000 | 15.0 | D-LD-CNT*000 | 21.0 |
| \$RAW*100 | 20.0 | AGTERM*000 | 14.0 | CMD-23*24*000 | 17.0 | D-LD-CNT*100 | 21.0 |
| \$RAW-SL2*000 | 20.0 | AGTERM*010 | 14.0 | CMOD32-1*100 | 12.0 | D-NRZ*000 | 20.0 |
| \$RAW-SL2*012 | 20.0 | AGTERM*100 | 14.0 | CMOD32-16*100 | 12.0 | D-NRZ*100 | 20.0 |
| \$RAW-SL2*122 | 14.0 | ALL-D-1*000 | 26.0 | CMOD32-2*100 | 12.0 | D-PLUP*100 | 21.0 |
| \$STAT*100 | 20.0 | ALL-D-2*100 | 26.0 | CMOD32-4*100 | 12.0 | D-RESET*010 | 18.0 |
| \$STAT*110 | 20.0 | ALLZON*100 | 26.0 | CMOD32-8*100 | 12.0 | D-RESET*100 | 20.0 |
| \$STAT*110T | 20.0 | ALLZONDWN*000 | 26.0 | CNT-1*100 | 13.0 | D-RESET*100T | 20.0 |
| 1CNT*100 | 14.0 | ANY-TMR*100 | 22.0 | CNT-1*100T | 13.0 | D-RESET*110 | 18.0 |
| 1JROY*100 | 13.0 | AREG-B0*100 | 5.0 | CNT-15*100 | 12.0 | D-RL-0P*100 | 16.0 |
| 2CNT*100 | 14.0 | AREG-B0*100T | 5.0 | CNT-2*000 | 13.0 | D-RL0*110 | 16.0 |
| 4CNT*100 | 14.0 | AREG-B1*100 | 5.0 | CNT-2*100 | 13.0 | D-RL1*110 | 16.0 |
| 6CNT*100 | 15.0 | AREG-B1*100T | 5.0 | CNT-2*101 | 13.0 | D-RL2*110 | 16.0 |
| 7CNT*000 | 15.0 | AREG-B2*100 | 5.0 | CNT-2*101T | 13.0 | D-RL3*110 | 16.0 |
| 8CNT*010 | 14.0 | AREG-B2*100T | 5.0 | CNT-3*000 | 13.0 | D-RL4*110 | 16.0 |
| 8CNT*100 | 14.0 | AREG-B3*100 | 5.0 | CNT-3*100 | 13.0 | D-RL5*110 | 16.0 |
| 8CNT*101 | 14.0 | AREG-B3*100T | 5.0 | CNT-3*100T | 13.0 | D-RL6*110 | 16.0 |
| ACK*000 | 11.0 | AREG-B4*100 | 4.0 | CNT-DN*000 | 26.0 | D-RL7*110 | 16.0 |
| ACK*100 | 11.0 | AREG-B4*100T | 4.0 | CNT-DN*001 | 26.0 | D-RLP*110 | 16.0 |
| ACK*100T | 11.0 | AREG-B5*100 | 4.0 | CNT-DN*100 | 26.0 | D-STAT*010 | 20.0 |
| ACRC-0K*000 | 11.0 | AREG-B5*100T | 4.0 | CNT-DN*101 | 26.0 | D-STAT-ERR*100 | 17.0 |
| ACRC-B0*000 | 10.0 | AREG-B6*100 | 4.0 | CORRECC-B0*100 | 4.0 | D-STAT-FUL*010 | 17.0 |
| ACRC-B0*000T | 10.0 | AREG-B6*100T | 4.0 | CORRECC-B1*100 | 4.0 | D-STAT-FUL*100 | 17.0 |
| ACRC-B1*000 | 10.0 | AREG-B7*100 | 4.0 | CORRECC-B2*100 | 4.0 | D-STAT-ID*000 | 20.0 |
| ACRC-B1*000T | 10.0 | AREG-B7*100T | 4.0 | CORRECC-B3*100 | 4.0 | D-STAT-ID*110 | 20.0 |
| ACRC-B2*000 | 10.0 | AREG-B8*100 | 4.0 | CORRECC-B4*100 | 4.0 | D-STB2*010 | 16.0 |
| ACRC-B2*000T | 10.0 | AREG-B8*100T | 4.0 | CORRECC-B5*100 | 4.0 | | |
| ACRC-B2*110 | 11.0 | ARESET*000 | 26.0 | CORRECC-B6*100 | 4.0 | | |
| ACRC-B3*000 | 10.0 | ARESET*100 | 26.0 | CORRECC-B7*100 | 4.0 | | |
| ACRC-B3*000T | 10.0 | B4-AND-B1*000 | 22.0 | CORRECC-B8*100 | 4.0 | | |
| ACRC-B4*000 | 10.0 | BBUFAYAIL*000 | 15.0 | CR-OK*000 | 11.0 | | |
| ACRC-B4*000T | 10.0 | BBUFAYAIL*100 | 15.0 | CRC-B0*100 | 9.0 | | |
| ACRC-B4*110 | 11.0 | BBUFAYAIL*101 | 15.0 | CRC-B0*100T | 9.0 | | |
| ACRC-B5*000 | 10.0 | BLANK*010 | 24.0 | CRC-B1*100 | 9.0 | | |

DISTRIBUTION -26 CODE

HONEYWELL
HONEYWELL INFORMATION SYSTEMS
LOC CEO PHOENIX, ARIZONA U.S.A.

TITLE LOGIC DIAGRAM- MT8BH
LOGIC -
PAGE CROSS REFERENCE

| | | | | |
|-------------------------|--------------------|--------------------|-----------|----------|
| DATA BASE L2/MT8BHJ | SIZE B | DWG NO 58066514 | SH 1.0 | REV B |
| ASH REF 58071760-103 | OR DFIG 78MAR14 | | | |

The information contained in this document is confidential and its disclosure to unauthorized persons is prohibited. It is the property of Honeywell Information Systems, Inc. and is loaned to you for your use only. It is not to be distributed outside your organization.

58066514

| REV | AUTHORITY | DATE |
|-----|------------|---------|
| B | PHAO TH037 | 84FEB16 |

H

F

E

D

C

B

A

| SIGNAL NAME | PAGE |
|----------------|------|
| D-STB3•010 | 16.0 |
| D4-RESET•100 | 20.0 |
| DCMO-23•100 | 17.0 |
| DCMO-24•100 | 17.0 |
| DD-NRZ•100 | 20.0 |
| DD-PE•100 | 25.0 |
| DD-RESET•000 | 18.0 |
| DD-WRITE•100 | 23.0 |
| DN-7-B1•100 | 22.0 |
| DN-7-B3•100 | 22.0 |
| DN-7-B5•100 | 23.0 |
| DN-7-BP•100 | 23.0 |
| DO-RST•000 | 26.0 |
| DOWN-PL•000 | 26.0 |
| DR-RESET•101 | 26.0 |
| DT-RL-0•000 | 16.0 |
| DT-RL-1•000 | 16.0 |
| DT-RL-2•000 | 16.0 |
| DT-RL-3•000 | 16.0 |
| DT-RL-4•000 | 16.0 |
| DT-RL-5•000 | 16.0 |
| DT-RL-6•000 | 16.0 |
| DT-RL-7•000 | 16.0 |
| DT-RL-P•000 | 16.0 |
| DT-RL-STID•000 | 20.0 |
| EC-PE•000 | 4.0 |
| EC-PE•100 | 11.0 |
| ECPARERR•000 | 11.0 |
| ECPARERR•100 | 11.0 |
| ENCNT4•100 | 13.0 |
| ENCNT4•100T | 13.0 |
| ENCR-1•100 | 15.0 |
| END-CRC•000 | 15.0 |
| END-CRC•100 | 15.0 |
| ENODET•000 | 13.0 |
| ENODET•000T | 13.0 |
| ENV-MIN-B1•102 | 22.0 |
| ENV-MIN-B3•102 | 22.0 |
| ENV-MIN-B5•102 | 23.0 |
| ENV-MIN-BP•102 | 23.0 |
| F-BT-FUL•100T | 18.0 |
| F-BT0•100 | 18.0 |
| F-BT1•100 | 18.0 |
| F-BT2•100 | 18.0 |
| F-BT3•100 | 18.0 |
| F-BT4•100 | 18.0 |
| F-BT5•100 | 18.0 |
| F-BT6•100 | 18.0 |
| F-BT7•100 | 18.0 |
| F-BTP•100 | 18.0 |
| F-CLIP•000 | 19.0 |
| F-CLIP•040 | 19.0 |
| F-CLIP•100 | 19.0 |
| F-CLIP•100T | 19.0 |
| F-CLIP•140 | 19.0 |
| F-CLIP•140T | 19.0 |
| F-FL-BLK•100 | 21.0 |
| F-FL-BLK•100T | 21.0 |
| F-LD-CNT•000 | 21.0 |
| F-LD-CNT•100 | 21.0 |
| F-LD-CNT•100T | 21.0 |
| F-RESET•100 | 18.0 |
| F-RL0•100 | 17.0 |
| F-RL1•100 | 17.0 |
| F-RL2•100 | 17.0 |

| SIGNAL NAME | PAGE |
|------------------|------|
| F-RL3•100 | 17.0 |
| F-RL4•100 | 17.0 |
| F-RL5•100 | 17.0 |
| F-RL6•100 | 17.0 |
| F-RL7•100 | 17.0 |
| F-RLP•100 | 17.0 |
| F-STAT•010 | 20.0 |
| F-STAT•020 | 20.0 |
| F-STAT•100 | 20.0 |
| F-STAT•110 | 20.0 |
| F-STAT•120 | 20.0 |
| F-STAT•130 | 20.0 |
| F-STAT-FUL•100 | 17.0 |
| F-STB1•100 | 16.0 |
| F-STB2•100 | 16.0 |
| F-STB3•100 | 16.0 |
| F4-NBT-FUL•100 | 18.0 |
| F4-NBT0•100 | 18.0 |
| F4-NBT1•100 | 18.0 |
| F4-NBT2•100 | 18.0 |
| F4-NBT3•100 | 18.0 |
| F4-NBT4•100 | 18.0 |
| F4-NBT5•100 | 18.0 |
| F4-NBT6•100 | 18.0 |
| F4-NBT7•100 | 18.0 |
| F4-NBTP•100 | 18.0 |
| F4-NCLIP-ERR•100 | 18.0 |
| F4-STAT-ERR•100 | 17.0 |
| F4-STAT-FL•100 | 17.0 |
| F4-STAT0•100 | 17.0 |
| F4-STAT1•100 | 17.0 |
| F4-STAT2•100 | 17.0 |
| F4-STAT3•100 | 17.0 |
| F4-STAT4•100 | 17.0 |
| F4-STAT5•100 | 17.0 |
| F4-STAT6•100 | 17.0 |
| F4-STAT7•100 | 17.0 |
| FCLP-ERR•100 | 18.0 |
| FO-STAT•000 | 20.0 |
| FIRST-BIT•100 | 19.0 |
| FIRST-BIT•100T | 19.0 |
| FORMCODE•010 | 13.0 |
| FORMCODE•120 | 13.0 |
| FRC-ACK•010 | 13.0 |
| FRC-ACK•120 | 13.0 |
| GCR•000 | 25.0 |
| GCR•100 | 25.0 |
| GCR+200IPS•100 | 25.0 |
| GCR-125•000 | 25.0 |
| GCR-200•000 | 25.0 |
| GCR-75•000 | 25.0 |
| GCR-CRY•000 | 22.0 |
| GCR-CRY•100T | 22.0 |
| GCR-DOWN•000 | 22.0 |
| GCR-DOWN•100 | 22.0 |
| GCR-END•010 | 14.0 |
| GCR-END•100 | 14.0 |
| GCR-MN-MX•100 | 22.0 |
| GCR-MN-MX•100T | 22.0 |
| GCR-TMR•000 | 22.0 |
| GCR-TMR•110 | 22.0 |
| GCR-TMR-B1•100 | 22.0 |
| GCR-TMR-B1•100T | 22.0 |
| GCR-TMR-B2•100 | 22.0 |

| SIGNAL NAME | PAGE |
|------------------|------|
| GCR-TMR-B2•100T | 22.0 |
| GCR-TMR-B4•100 | 22.0 |
| GCR-TMR-B4•100T | 22.0 |
| GCR-TMR-B8•100 | 22.0 |
| GCR-TMR-B8•100T | 22.0 |
| GCR-TMR-ENAB•000 | 22.0 |
| GCR-TMR-INT•000 | 23.0 |
| GCR-TMR-INT•100 | 23.0 |
| GCR-TMR-STOP•000 | 22.0 |
| GCR-TMR-STOP•100 | 22.0 |
| GCR-TMR=5•100 | 22.0 |
| GCR200+PE125•100 | 25.0 |
| GCR75+PE200•100 | 25.0 |
| GID•100 | 22.0 |
| GND-0C13 | 15.0 |
| GND-0D13 | 11.0 |
| GND-0E13 | 15.0 |
| GND-0E13 | 11.0 |
| GND-2A13 | 13.0 |
| GND-2E08 | 14.0 |
| GND-3A13 | 11.0 |
| GND-3C13 | 14.0 |
| GND-3D08 | 14.0 |
| GND-3F08 | 13.0 |
| GND-4E08 | 11.0 |
| GND-4G08 | 12.0 |
| GND-4H08 | 12.0 |
| GND-4K08 | 25.0 |
| GND-5H08 | 26.0 |
| GND-5L13 | 19.0 |
| GND-5U07 | 25.0 |
| GND-6A08 | 6.0 |
| GND-6B08 | 6.0 |
| GND-6C08 | 6.0 |
| GND-6G08 | 26.0 |
| GND-6J13 | 24.0 |
| GND-6K13 | 19.0 |
| GND-6L13 | 18.0 |
| GND-6M12 | 17.0 |
| GND-6N12 | 17.0 |
| GND-6P12 | 18.0 |
| GND-6Q12 | 18.0 |
| GND-7A08 | 7.0 |
| GND-7B08 | 7.0 |
| GND-7C08 | 7.0 |
| GND-7G08 | 26.0 |
| GND-7N08 | 24.0 |
| GND-7P08 | 24.0 |
| GND-7Q08 | 24.0 |
| GND-7R08 | 22.0 |
| GND-7S08 | 23.0 |
| GND-7U12 | 16.0 |
| GND-8A08 | 8.0 |
| GND-8B08 | 8.0 |
| GND-8C08 | 8.0 |
| GND-8G08 | 26.0 |
| GND-8S08 | 23.0 |
| GND-9K08 | 21.0 |
| GND-9R08 | 22.0 |
| GND-9S08 | 23.0 |
| GND-9U08 | 16.0 |
| GRP1•000 | 15.0 |
| GRP1•100 | 15.0 |
| GRP1•100T | 15.0 |
| GRP2•100 | 15.0 |

| SIGNAL NAME | PAGE |
|--------------------|------|
| GRP2•100T | 15.0 |
| GRP3•000 | 15.0 |
| HIGH•100 | 25.0 |
| IN-IPS-125•100 | 25.0 |
| IN-IPS-200•100 | 25.0 |
| INC-MISS-CLIP•100 | 24.0 |
| INC-MISS-CLIP•100T | 24.0 |
| LAST-7CNT•100 | 14.0 |
| LAST-7CNT•100T | 14.0 |
| LD/CLR•010 | 14.0 |
| LD/CLR•100 | 14.0 |
| LOCNT•000 | 14.0 |
| LOCNT•100 | 14.0 |
| LOCNT•100T | 14.0 |
| MIN-MAX•100 | 22.0 |
| MISS-CLIP•100 | 24.0 |
| MISS-CLP-MSB•100 | 24.0 |
| MISS-CLP-MSB•100T | 24.0 |
| MOD-2•000 | 15.0 |
| MOD-2•100 | 15.0 |
| MOD-2•100T | 15.0 |
| MOD32-1•100 | 4.0 |
| MOD32-16•100 | 5.0 |
| MOD32-2•100 | 4.0 |
| MOD32-4•100 | 4.0 |
| MOD32-8•100 | 4.0 |
| MOD32-OK•100 | 12.0 |
| MOD7-1•010 | 13.0 |
| MOD7-1•100 | 5.0 |
| MOD7-2•010 | 13.0 |
| MOD7-2•100 | 5.0 |
| MOD7-4•010 | 13.0 |
| MOD7-4•100 | 5.0 |
| MODE•000 | 25.0 |
| MODE•100 | 25.0 |
| MODE•110 | 25.0 |
| MODE-CHANGE•000 | 25.0 |
| MTH-STS-ID•100 | 24.0 |
| MTH-STS-ID•100T | 24.0 |
| NOM-DATA•000 | 26.0 |
| NOM-DATA•100 | 26.0 |
| NORMAL-B1•000 | 22.0 |
| NORMAL-B3•000 | 22.0 |
| NORMAL-B5•000 | 23.0 |
| NORMAL-BP•000 | 23.0 |
| NRZ•021 | 19.0 |
| NRZ•121 | 19.0 |
| NXFIM-ERR•010 | 16.0 |
| ONLY-125IPS•100 | 25.0 |
| OUTEN•100 | 13.0 |
| OUTEN•100T | 13.0 |
| PAR-SPD-RST•010 | 26.0 |
| PE-125•000 | 25.0 |
| PE-125•100 | 25.0 |
| PE-200•000 | 25.0 |
| PE-75•000 | 25.0 |
| PE-75•100 | 25.0 |

DISTRIBUTION -26 CODE

HONEYWELL
 HONEYWELL INFORMATION SYSTEMS
 LOC CEO PHOENIX, ARIZONA U.S.A.
 TITLE LOGIC DIAGRAM- MT8BH
 LOGIC -
 PAGE CROSS REFERENCE

| | | | | | |
|-----------|--------------|------|----------|-----|-----|
| DATA BASE | L2/MT8BH81 | SIZE | DWG NO | SH | REV |
| ASH REF | 58071760-103 | OR | 58066514 | 1.1 | B |
| | | DATE | 78MAR14 | | |

58066514

THIS INFORMATION CONTAINED HEREIN IS UNCLASSIFIED EXCEPT WHERE SHOWN OTHERWISE. IT IS THE PROPERTY OF HONEYWELL INFORMATION SYSTEMS AND IS LOANED TO YOUR AGENCY. IT IS TO BE RETURNED TO THE SOURCE FROM WHICH IT WAS OBTAINED.

| | | |
|-----|------------|---------|
| REV | AUTHORITY | DATE |
| B | PHAO TH037 | 84FEB16 |

| SIGNAL NAME | PAGE | SIGNAL NAME | PAGE |
|-----------------|------|---------------|------|
| PE-DOWN*100 | 23.0 | SPD-RST*001 | 26.0 |
| PE-MN-MX*100 | 23.0 | ST-TM-OUT*000 | 20.0 |
| PE-MN-MX*100T | 23.0 | STCRC-B0*100 | 9.0 |
| PE-TMR*000 | 22.0 | STCRC-B1*100 | 9.0 |
| PE-TMR-B1*100 | 23.0 | STCRC-B2*100 | 9.0 |
| PE-TMR-B1*100T | 23.0 | STCRC-B3*100 | 9.0 |
| PE-TMR-B2*100 | 23.0 | STCRC-B4*100 | 9.0 |
| PE-TMR-B2*100T | 23.0 | STCRC-B5*100 | 9.0 |
| PE-TMR-ENAB*000 | 22.0 | STCRC-B6*100 | 9.0 |
| PE-TMR-INT*000 | 23.0 | STCRC-B7*100 | 9.0 |
| PE-TMR-INT*100 | 23.0 | STCRC-B8*100 | 9.0 |
| PE-TMR-STOP*000 | 23.0 | STEND*000 | 13.0 |
| PE-TMR-STOP*100 | 23.0 | SYNC*010 | 13.0 |
| PE-TMR-15*100 | 23.0 | SYNC*120 | 13.0 |
| PID*100 | 22.0 | TGND*000 | 13.0 |
| PULLUP*100 | 13.0 | TMR-DOWN*000 | 23.0 |
| R-BLK-CNT*000 | 24.0 | TMR-DOWN*100 | 23.0 |
| R-MISS-CLP*000 | 24.0 | TMRS=03*100 | 23.0 |
| R-STS-ID*000 | 24.0 | TMRS=24*100 | 23.0 |
| RESET*000 | 16.0 | TMRS=28*100 | 23.0 |
| RESET*100 | 16.0 | XFEREND*010 | 13.0 |
| RESET-CLR*000 | 26.0 | XFEREND*100 | 13.0 |
| RESET-CLR*001 | 26.0 | XFEREND*120 | 13.0 |
| RESET-CLR*100 | 26.0 | | |
| RESET-CNT*100 | 26.0 | | |
| RMOD32-1*100 | 12.0 | | |
| RMOD32-16*100 | 12.0 | | |
| RMOD32-2*100 | 12.0 | | |
| RMOD32-4*100 | 12.0 | | |
| RMOD32-8*100 | 12.0 | | |
| RRC-9TRK*010 | 23.0 | | |
| RRC-SC1*010 | 25.0 | | |
| RRC-SC2*010 | 25.0 | | |
| RWTC00*010 | 21.0 | | |
| RWTC01*010 | 21.0 | | |
| RWTC02*010 | 21.0 | | |
| RWTC03*010 | 21.0 | | |
| RWTC04*010 | 21.0 | | |
| SET-TERM*000 | 14.0 | | |
| SET1*100 | 13.0 | | |
| SET1*100T | 13.0 | | |
| SET2*100 | 13.0 | | |
| SET2*100T | 13.0 | | |
| SET4*100 | 13.0 | | |
| SET4*100T | 13.0 | | |
| SETACRC-B0*100 | 10.0 | | |
| SETACRC-B1*100 | 10.0 | | |
| SETACRC-B2*100 | 10.0 | | |
| SETACRC-B3*100 | 10.0 | | |
| SETACRC-B4*100 | 10.0 | | |
| SETACRC-B5*100 | 10.0 | | |
| SETACRC-B6*100 | 10.0 | | |
| SETACRC-B7*100 | 10.0 | | |
| SETACRC-B8*100 | 10.0 | | |
| SHACK*100 | 15.0 | | |
| SHACRC*100 | 13.0 | | |
| SHACRC*100T | 13.0 | | |
| SHACRC-END*000 | 14.0 | | |
| SHBREG*000 | 15.0 | | |
| SHBREG*110 | 15.0 | | |
| SHBREG*110T | 15.0 | | |
| SHCRC*000 | 15.0 | | |
| SHCRC*100 | 15.0 | | |
| SHCRC*100T | 15.0 | | |
| SPD-RST*000 | 26.0 | | |

THE INFORMATION CONTAINED IN THIS DOCUMENT IS UNCLASSIFIED EXCEPT WHERE SHOWN OTHERWISE. IT IS UNCLASSIFIED EXCEPT WHERE SHOWN OTHERWISE. IT IS UNCLASSIFIED EXCEPT WHERE SHOWN OTHERWISE. IT IS UNCLASSIFIED EXCEPT WHERE SHOWN OTHERWISE.

H
F
E
D
C
B
A

H
F
E
D
C
B
A

58066514

DISTRIBUTION -26 CODE

| | | | |
|---------------------------------|------|----------|-----|
| HONEYWELL | | | |
| HONEYWELL INFORMATION SYSTEMS | | | |
| LOC CEO PHOENIX, ARIZONA U.S.A. | | | |
| TITLE LOGIC DIAGRAM- MT88H | | | |
| LOGIC - | | | |
| PAGE CROSS REFERENCE | | | |
| DATA BASE | SIZE | DWG NO | SH |
| L2/MT88HB1 | B | 58066514 | 1.2 |
| OR | DEFG | 78MAR14 | |
| REV | | | |
| B | | | |

ASH REF 58071760-103

CORRECC-B0-8

ADR1

MOD7-4

MOD7-2

MOD7-1

AREG-B0 SH. 5

AREG-B1 SH. 5

AREG-B2 SH. 5

AREG-B3 SH. 5

AREG-B4 SH. 4

AREG-B5 SH. 4

AREG-B6 SH. 4

AREG-B7 SH. 4

AREG-B8 SH. 4

(SHIFT REGISTER)

PARITY CHECK

SH. 4

ECPARERR

BREG-B0 SH. 6

BREG-B1 SH. 6

BREG-B2 SH. 6

BREG-B3 SH. 7

BREG-B4 SH. 7

BREG-B5 SH. 7

BREG-B6 SH. 8

BREG-B7 SH. 8

BREG-B8 SH. 8

(SHIFT REGISTER)

CRC REG. & CHECK

SH. 9,11

SHCRC

CRCHK

OUTEN

OUTPUT GATES

SH. 6,7

SHARC

RCRC REG. & CHECK

SH. 10,11

ACRC-OK

OR

CRERR

\$RAW
ADR1
ZFEREND
SYNC
FORMCODE

ADR1
SHCRC
BBUFAVAIL
CNT-2

FRC-ACK
MOD7-1
MOD7-2
MOD7-4

SHBREG
SHACRC
OUTEN
AGOTARDY
AGTERM

PARITY CHECK

SH. 6

AGPARERR

AGOTA-B0-8

THE INFORMATION CONTAINED IN THIS DOCUMENT IS UNCLASSIFIED EXCEPT WHERE SHOWN OTHERWISE. IT IS HEREBY RELEASED TO THE PUBLIC.

58066514

| H | | | | H | | | | | | | |
|---------|------|-------------|--------------------|------|-------------|---------|-------------------|-------------|---|------|------------------|
| I/O PIN | PAGE | SIGNAL NAME | I/O PIN | PAGE | SIGNAL NAME | I/O PIN | PAGE | SIGNAL NAME | | | |
| LB01 | 0 | 19.0 | F-CLIP*100T | RC18 | 0 | 13.0 | SET4*100T | WE09 | 0 | 20.0 | O4-RESET*100 |
| LB02 | 0 | 19.0 | F-CLIP*140T | RC19 | 0 | 13.0 | OUTEN*100T | WE10 | I | 18.0 | OO-RESET*000 |
| LB03 | 0 | 19.0 | FIRST-BIT*100T | TP09 | 0 | 23.0 | PE-TMR-B2*100T | WE13 | I | 13.0 | \$PCLR-BG*020 |
| LB04 | 0 | 19.0 | BLNK-RELOD*000T | TP10 | 0 | 22.0 | GCR-TMR-B8*100T | WE16 | I | 20.0 | \$RAW-SL2*012 |
| LB05 | 0 | 21.0 | F-FL-BLK*100T | TP11 | 0 | 20.0 | D-RESET*100T | WE19 | I | 20.0 | OO-NRZ*100 |
| LB06 | 0 | 21.0 | F-LO-CNT*100T | TP15 | 0 | 24.0 | MISS-CLP-MSB*100T | WE20 | 0 | 16.0 | NXFTM-ERR*010 |
| LB07 | 0 | 24.0 | MTH-ST5-ID*100T | TP16 | 0 | 21.0 | F-FL-BLK*100T | WF00 | I | 21.0 | RWTC00*010 |
| LB08 | 0 | 24.0 | INC-MISS-CLIP*100T | TP17 | 0 | 19.0 | F-CLIP*100T | WF01 | I | 21.0 | RWTC01*010 |
| LB09 | 0 | 24.0 | MISS-CLP-MSB*100T | TP29 | 0 | 13.0 | OUTEN*100T | WF02 | I | 21.0 | RWTC02*010 |
| LC01 | 0 | 20.0 | \$STAT*110T | TP30 | 0 | 13.0 | ENDDT*000T | WF03 | I | 21.0 | RWTC03*010 |
| LC02 | 0 | 19.0 | \$NRZ*120T | TP31 | 0 | 13.0 | CNT-1*100T | WF04 | I | 21.0 | RWTC04*010 |
| LC03 | 0 | 20.0 | D-RESET*100T | TP32 | 0 | 15.0 | SHCRC*100T | WF05 | I | 22.0 | PID*100 |
| LC04 | 0 | 22.0 | GCR-TMR-B1*100T | TP33 | 0 | 15.0 | GRP1*100T | WF06 | I | 22.0 | GIO*100 |
| LC05 | 0 | 22.0 | GCR-TMR-B2*100T | TP37 | 0 | 10.0 | ACRC-B8*000T | WF07 | I | 23.0 | RRC-9TRK*010 |
| LC06 | 0 | 22.0 | GCR-TMR-B4*100T | TP38 | 0 | 10.0 | ACRC-B4*000T | WF09 | 0 | 24.0 | BLANK*100 |
| LC07 | 0 | 22.0 | GCR-TMR-B8*100T | TP39 | 0 | 10.0 | ACRC-B0*000T | WF10 | 0 | 23.0 | GCR-TMR-INT*000 |
| LC08 | 0 | 22.0 | GCR-MN-MX*100T | TP40 | 0 | 9.0 | CRC-B6*100T | WF12 | 0 | 23.0 | PE-TMR-INT*000 |
| LC09 | 0 | 22.0 | GCR-CRY*100T | TP41 | 0 | 9.0 | CRC-B2*100T | WF13 | 0 | 17.0 | F4-STAT0*100 |
| LC10 | 0 | 23.0 | PE-TMR-B1*100T | TP42 | 0 | 4.0 | AREG-B8*100T | WF14 | 0 | 17.0 | F4-STAT1*100 |
| LC11 | 0 | 23.0 | PE-TMR-B2*100T | TP43 | 0 | 4.0 | AREG-B4*100T | WF15 | 0 | 17.0 | F4-STAT2*100 |
| LC12 | 0 | 23.0 | PE-MN-MX*100T | TP44 | 0 | 5.0 | AREG-B0*100T | WF16 | 0 | 17.0 | F4-STAT3*100 |
| RA03 | 0 | 5.0 | AREG-B0*100T | WA02 | 0 | 25.0 | GCR*200IPS*100 | WF17 | 0 | 17.0 | F4-STAT4*100 |
| RA04 | 0 | 5.0 | AREG-B1*100T | WA03 | 0 | 25.0 | PE-125*100 | WF18 | 0 | 17.0 | F4-STAT5*100 |
| RA05 | 0 | 5.0 | AREG-B2*100T | WA04 | 0 | 25.0 | PE-75*100 | WF19 | 0 | 17.0 | F4-STAT6*100 |
| RA06 | 0 | 5.0 | AREG-B3*100T | WA05 | 0 | 25.0 | GCR200+PE125*100 | WF20 | 0 | 17.0 | F4-STAT7*100 |
| RA07 | 0 | 4.0 | AREG-B4*100T | WA06 | 0 | 25.0 | ONLY-125IPS*100 | WG00 | I | 17.0 | DCMD-23*100 |
| RA08 | 0 | 4.0 | AREG-B5*100T | WA07 | 0 | 25.0 | GCR75+PE200*100 | WG02 | I | 17.0 | DCMD-24*100 |
| RA09 | 0 | 4.0 | AREG-B6*100T | WA12 | 0 | 26.0 | CNT-ON*101 | WG03 | 0 | 17.0 | F4-STAT-FL*100 |
| RA10 | 0 | 4.0 | AREG-B7*100T | WA13 | 0 | 26.0 | NOM-DATA*100 | WG04 | 0 | 17.0 | F4-STAT-ERR*100 |
| RA11 | 0 | 4.0 | AREG-B8*100T | WA14 | 0 | 25.0 | IN-IPS-200*100 | WG05 | 0 | 18.0 | F4-NBT0*100 |
| RA13 | 0 | 9.0 | CRC-B0*100T | WA15 | 0 | 25.0 | IN-IPS-125*100 | WG07 | 0 | 18.0 | F4-NBT1*100 |
| RA14 | 0 | 9.0 | CRC-B1*100T | WA16 | 0 | 26.0 | DR-RESET*101 | WG08 | 0 | 18.0 | F4-NBT2*100 |
| RA15 | 0 | 9.0 | CRC-B2*100T | WA17 | 0 | 26.0 | RESET-CLR*001 | WG09 | 0 | 18.0 | F4-NBT3*100 |
| RA16 | 0 | 9.0 | CRC-B3*100T | WB00 | 0 | 6.0 | AGDTA-B0*100 | WG10 | 0 | 18.0 | F4-NBT4*100 |
| RA17 | 0 | 9.0 | CRC-B4*100T | WB01 | 0 | 6.0 | AGDTA-B1*100 | WG12 | 0 | 18.0 | F4-NBT5*100 |
| RA18 | 0 | 9.0 | CRC-B5*100T | WB02 | 0 | 6.0 | AGDTA-B2*100 | WG13 | 0 | 18.0 | F4-NBT6*100 |
| RA19 | 0 | 9.0 | CRC-B6*100T | WB03 | 0 | 7.0 | AGDTA-B3*100 | WG14 | 0 | 18.0 | F4-NBT7*100 |
| RA20 | 0 | 9.0 | CRC-B7*100T | WB04 | 0 | 7.0 | AGDTA-B4*100 | WG15 | 0 | 18.0 | F4-NBTP*100 |
| RA21 | 0 | 9.0 | CRC-B8*100T | WB05 | 0 | 7.0 | AGDTA-B5*100 | WG16 | 0 | 18.0 | F4-NBT-FUL*100 |
| RB01 | 0 | 10.0 | ACRC-B0*000T | WB06 | 0 | 8.0 | AGDTA-B6*100 | WG17 | 0 | 18.0 | F4-NCLIP-ERR*100 |
| RB02 | 0 | 10.0 | ACRC-B1*000T | WB07 | 0 | 8.0 | AGDTA-B7*100 | WH00 | 0 | 22.0 | NORMAL-B1*000 |
| RB03 | 0 | 10.0 | ACRC-B2*000T | WB08 | 0 | 8.0 | AGDTA-B8*100 | WH01 | 0 | 22.0 | NORMAL-B3*000 |
| RB04 | 0 | 10.0 | ACRC-B3*000T | WC00 | I | 4.0 | CORRECC-B0*100 | WH02 | 0 | 23.0 | NORMAL-B5*000 |
| RB05 | 0 | 10.0 | ACRC-B4*000T | WC01 | I | 4.0 | CORRECC-B1*100 | WH03 | 0 | 23.0 | NORMAL-BP*000 |
| RB06 | 0 | 10.0 | ACRC-B5*000T | WC02 | I | 4.0 | CORRECC-B2*100 | WH04 | I | 22.0 | ENV-MIN-B1*102 |
| RB07 | 0 | 10.0 | ACRC-B6*000T | WC03 | I | 4.0 | CORRECC-B3*100 | WH05 | I | 22.0 | ENV-MIN-B3*102 |
| RB08 | 0 | 10.0 | ACRC-B7*000T | WC04 | I | 4.0 | CORRECC-B4*100 | WH06 | I | 23.0 | ENV-MIN-B5*102 |
| RB09 | 0 | 10.0 | ACRC-B8*000T | WC05 | I | 4.0 | CORRECC-B5*100 | WH07 | I | 23.0 | ENV-MIN-BP*102 |
| RC01 | 0 | 14.0 | LDCNT*100T | WC06 | I | 4.0 | CORRECC-B6*100 | WH08 | I | 22.0 | DN-7-B1*100 |
| RC02 | 0 | 14.0 | LAST-7CNT*100T | WC07 | I | 4.0 | CORRECC-B7*100 | WH09 | I | 22.0 | DN-7-B3*100 |
| RC03 | 0 | 15.0 | GRP1*100T | WC08 | I | 4.0 | CORRECC-B8*100 | WH10 | I | 23.0 | DN-7-B5*100 |
| RC04 | 0 | 15.0 | GRP2*100T | WC16 | I | 15.0 | ADR1*110 | WH12 | I | 23.0 | DN-7-BP*100 |
| RC05 | 0 | 15.0 | MOD-2*100T | WC20 | 0 | 15.0 | BBUFVAIL*100 | WH19 | I | 23.0 | DD-WRITE*100 |
| RC06 | 0 | 15.0 | SHBREG*110T | WD02 | 0 | 11.0 | CRERR*100 | WJ00 | I | 20.0 | DT-RL-STID*000 |
| RC07 | 0 | 15.0 | SHCRC*100T | WD03 | 0 | 11.0 | ECPARERR*100 | WJ02 | I | 16.0 | DT-RL-0*000 |
| RC08 | 0 | 13.0 | SHACRC*100T | WD04 | 0 | 11.0 | AGPARERR*100 | WJ04 | I | 16.0 | DT-RL-1*000 |
| RC09 | 0 | 11.0 | ACK*100T | WD05 | I | 13.0 | SYNC*010 | WJ06 | I | 16.0 | DT-RL-2*000 |
| RC10 | 0 | 13.0 | ENCNT4*100T | WD06 | I | 13.0 | FORMCODE*010 | | | | |
| RC11 | 0 | 13.0 | CNT-1*100T | WD07 | I | 13.0 | XFEREND*100 | | | | |
| RC12 | 0 | 13.0 | CNT-2*101T | WD09 | 0 | 13.0 | AGDTARDY*010 | | | | |
| RC13 | 0 | 13.0 | CNT-3*100T | WD10 | 0 | 14.0 | AGTERM*010 | | | | |
| RC14 | 0 | 5.0 | ADR1*131T | WD12 | I | 13.0 | FRC-ACK*010 | | | | |
| RC15 | 0 | 13.0 | ENDDT*000T | WD19 | 0 | 13.0 | CNT-2*100 | | | | |
| RC16 | 0 | 13.0 | SET1*100T | WD20 | I | 14.0 | GCR-END*010 | | | | |
| RC17 | 0 | 13.0 | SET2*100T | WE04 | I | 26.0 | ALLZONDOWN*000 | | | | |

THE INFORMATION CONTAINED IN THIS DOCUMENT IS UNCLASSIFIED EXCEPT WHERE SHOWN OTHERWISE. IT IS THE PROPERTY OF HONEYWELL INFORMATION SYSTEMS AND IS LOANED TO YOUR ORGANIZATION. IT IS TO BE USED ONLY FOR THE PURPOSES AND IN THE MANNER SPECIFIED BY THE LOAN AGREEMENT. IT IS NOT TO BE REPRODUCED, COPIED, OR TRANSMITTED IN ANY FORM OR BY ANY MEANS, ELECTRONIC OR MECHANICAL, INCLUDING PHOTOCOPYING, RECORDING, OR BY ANY INFORMATION STORAGE AND RETRIEVAL SYSTEM.

58066514

H

F

E

D

C

B

A

| I/O PIN | | PAGE | SIGNAL NAME |
|---------|---|------|---------------|
| WJ08 | I | 16.0 | DT-RL-3*000 |
| WJ10 | I | 16.0 | DT-RL-4*000 |
| WJ12 | I | 16.0 | DT-RL-5*000 |
| WJ14 | I | 16.0 | DT-RL-6*000 |
| WJ16 | I | 16.0 | DT-RL-7*000 |
| WJ18 | I | 16.0 | DT-RL-P*000 |
| WK01 | I | 25.0 | OO-PE*100 |
| WK02 | I | 25.0 | RRC-SC2*010 |
| WK03 | I | 25.0 | RRC-SC1*010 |
| WK04 | I | 25.0 | \$PCLR-5T*020 |
| WK05 | I | 26.0 | \$D-REF*000 |
| WZ00 | I | 13.0 | TGND*000 |

H

F

E

D

C

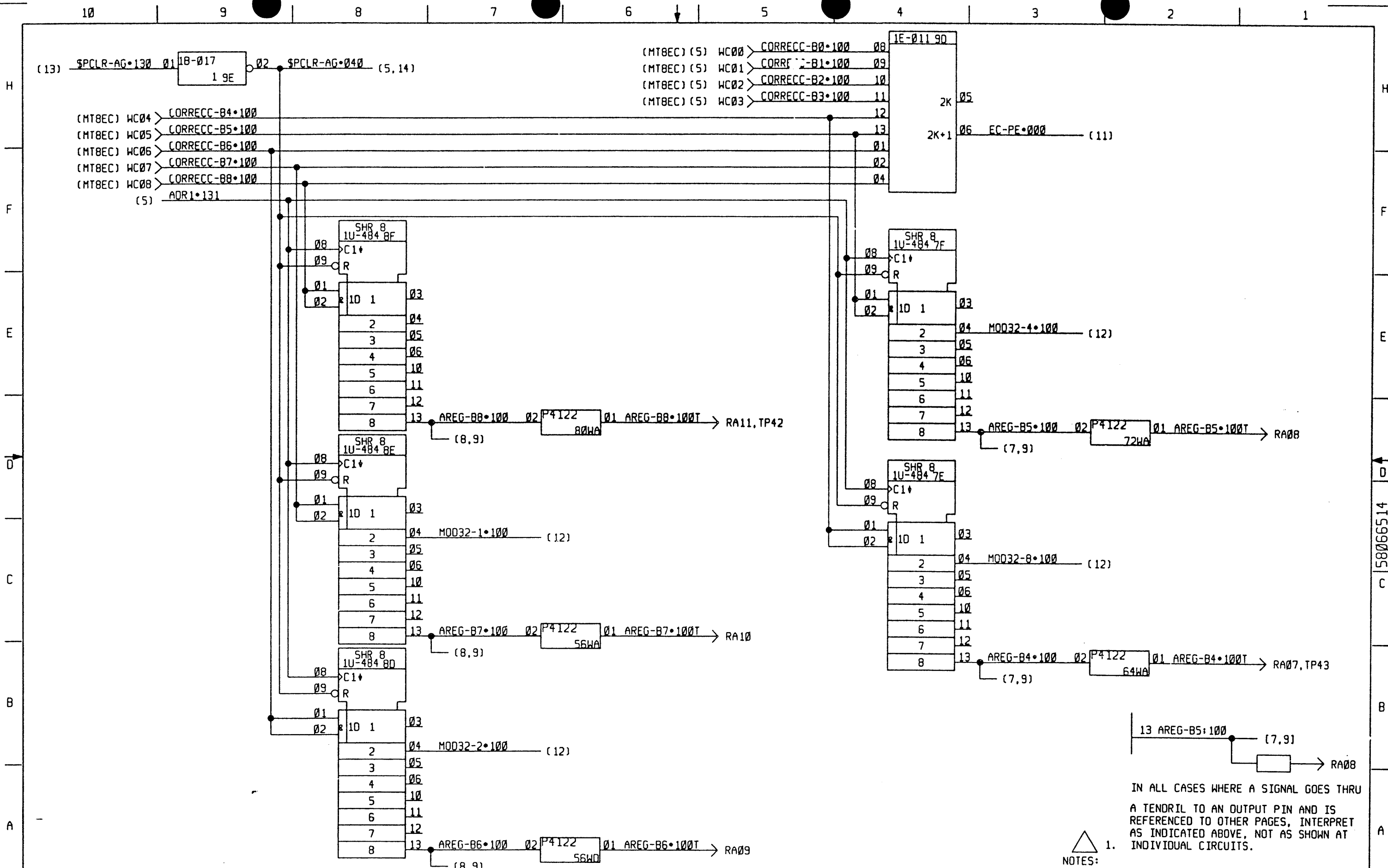
B

A

58066514

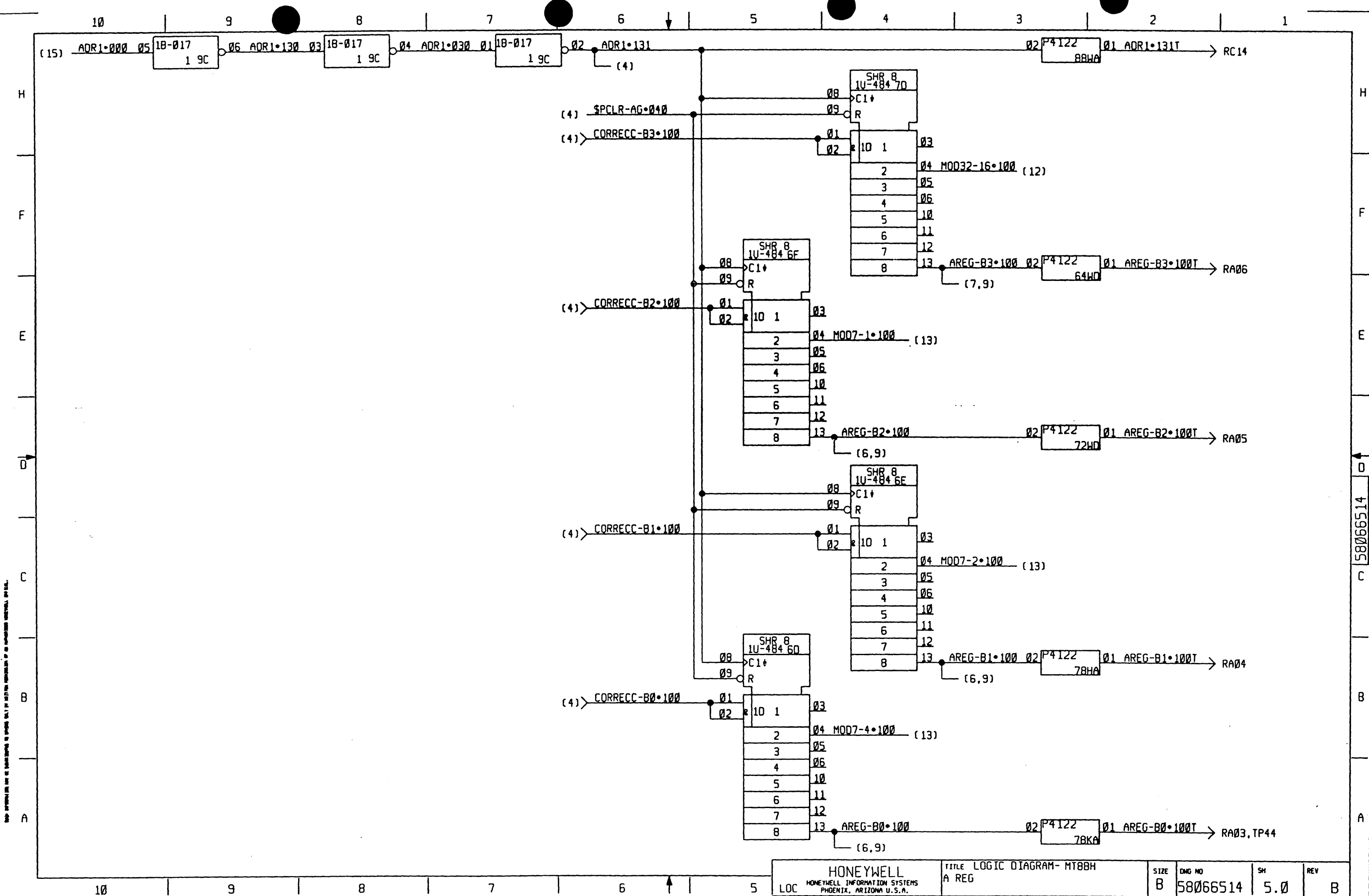
THE INFORMATION CONTAINED IN THIS DOCUMENT IS PROPRIETARY TO HONEYWELL INFORMATION SYSTEMS AND IS LOANED TO YOU BY HONEYWELL INFORMATION SYSTEMS. IT IS NOT TO BE REPRODUCED OR TRANSMITTED IN ANY FORM OR BY ANY MEANS, ELECTRONIC OR MECHANICAL, INCLUDING PHOTOCOPYING, RECORDING, OR BY ANY INFORMATION STORAGE AND RETRIEVAL SYSTEM, WITHOUT THE WRITTEN PERMISSION OF HONEYWELL INFORMATION SYSTEMS.

THE INFORMATION CONTAINED IN THIS DOCUMENT IS PROPRIETARY TO HONEYWELL INFORMATION SYSTEMS AND IS SUPPLIED TO YOU UNDER A LICENSE. IT IS NOT TO BE DISCLOSED TO ANY OTHER PERSON OR ENTITY WITHOUT THE WRITTEN PERMISSION OF HONEYWELL INFORMATION SYSTEMS.



NOTES:
 1.

58066514



| | | | | | | | | |
|---|--|-----|-------------------------------------|--|-----------|--------------------|-----------|----------|
| HONEYWELL HONEYWELL INFORMATION SYSTEMS PHOENIX, ARIZONA U.S.A. | | LOC | TITLE LOGIC DIAGRAM- MT8BH A REG | | SIZE B | DWG NO 58066514 | SH 5.0 | REV B |
|---|--|-----|-------------------------------------|--|-----------|--------------------|-----------|----------|

THIS INFORMATION IS UNCLASSIFIED EXCEPT WHERE SHOWN OTHERWISE IN THE ORIGINAL DOCUMENT.

58066514

Do not reproduce this drawing without the written permission of Honeywell Information Systems, Inc. All rights reserved. This drawing is the property of Honeywell Information Systems, Inc. and is loaned to you for your use only. It is not to be distributed outside your organization.

10 | 9 | 8 | 7 | 6 | 5 | 4 | 3 | 2 | 1

H

F

E

D

C

B

A

H

F

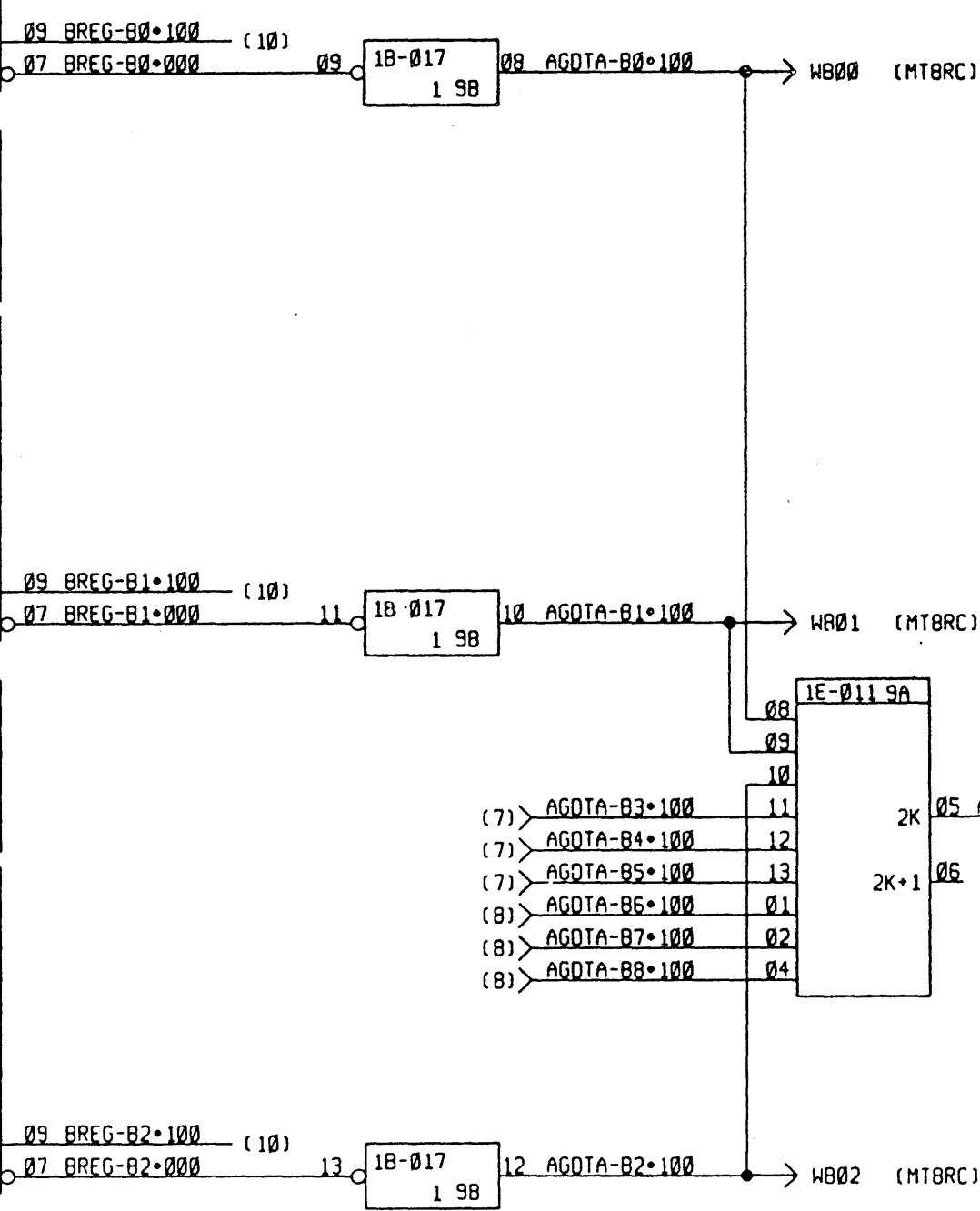
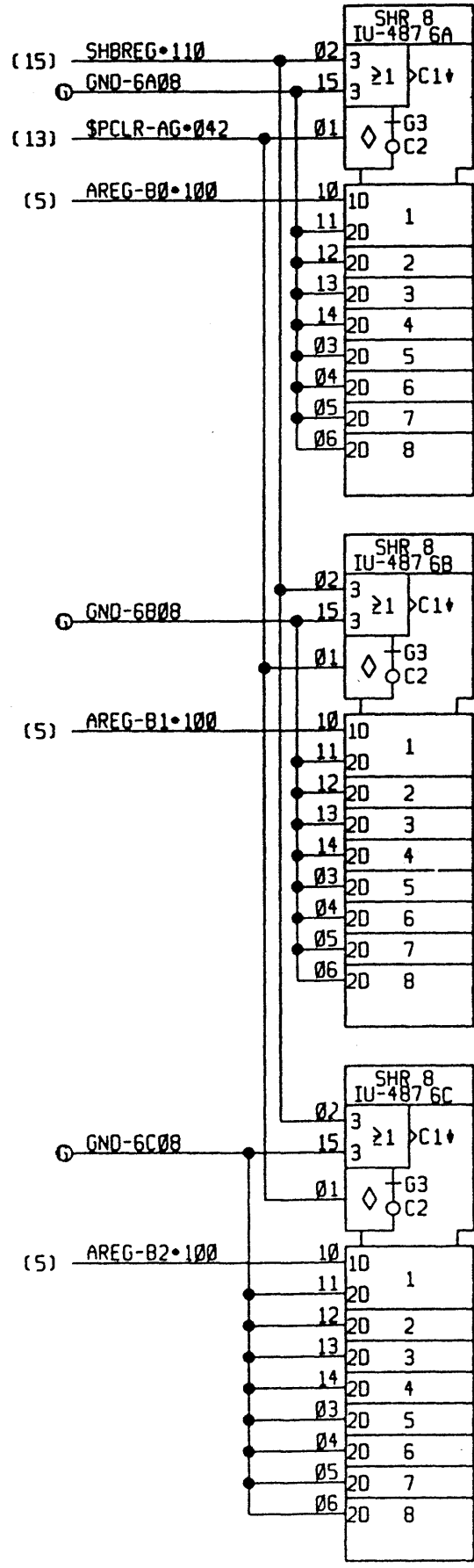
E

D

C

B

A



58066514

10 9 8 7 6 5 4 3 2 1

H

F

E

D

C

B

A

H

F

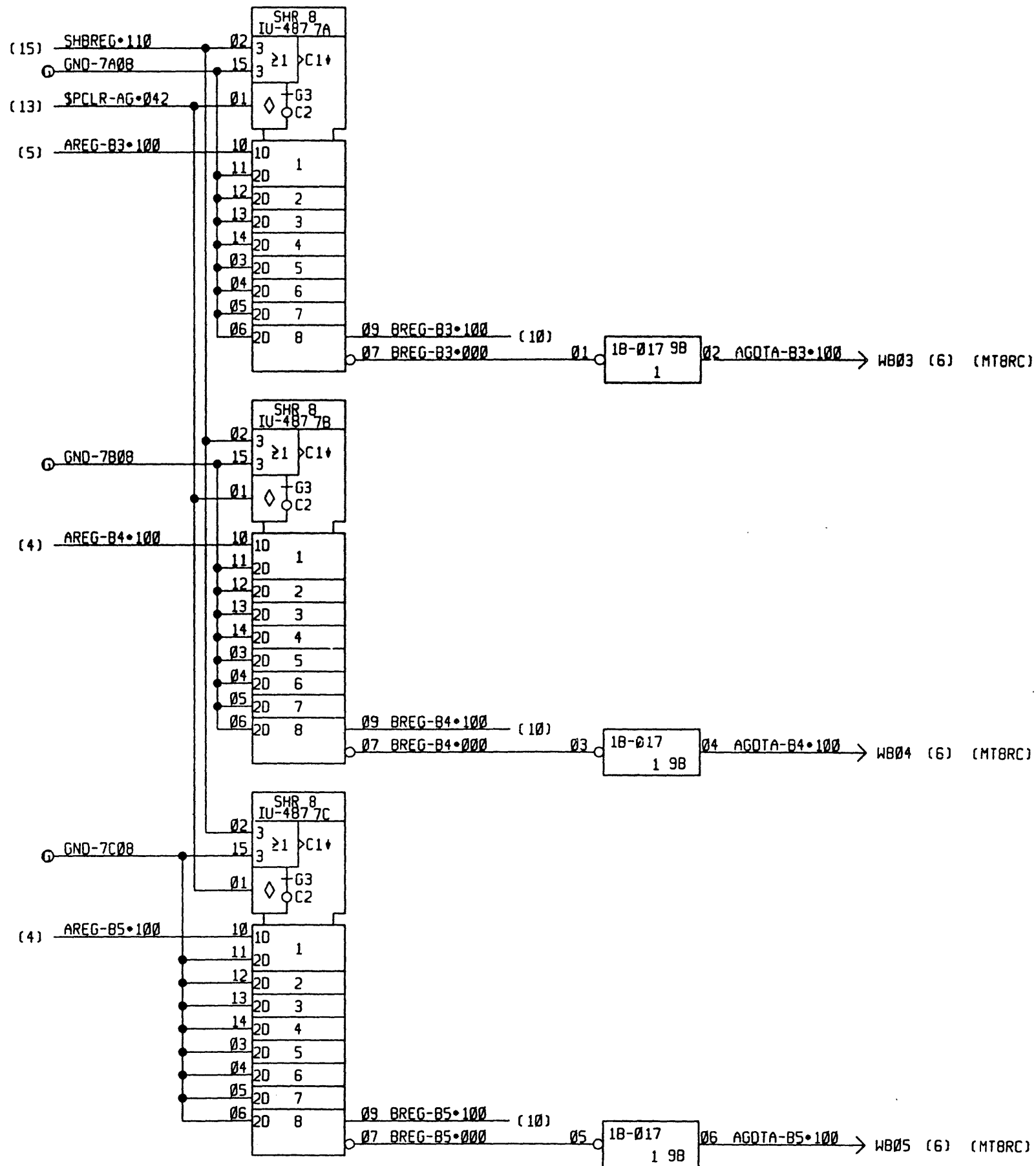
E

D

C

B

A



58066514

| | | | | | | | |
|---|--|-------------------------------------|--|-----------|--------------------|-----------|----------|
| HONEYWELL HONEYWELL INFORMATION SYSTEMS PHOENIX, ARIZONA U.S.A. | | TITLE LOGIC DIAGRAM- MT08H B REG | | SIZE B | DWG NO 58066514 | SH 7.0 | REV B |
|---|--|-------------------------------------|--|-----------|--------------------|-----------|----------|

10 9 8 7 6 5

10 9 8 7 6 5 4 3 2 1

H

F

E

C

B

A

H

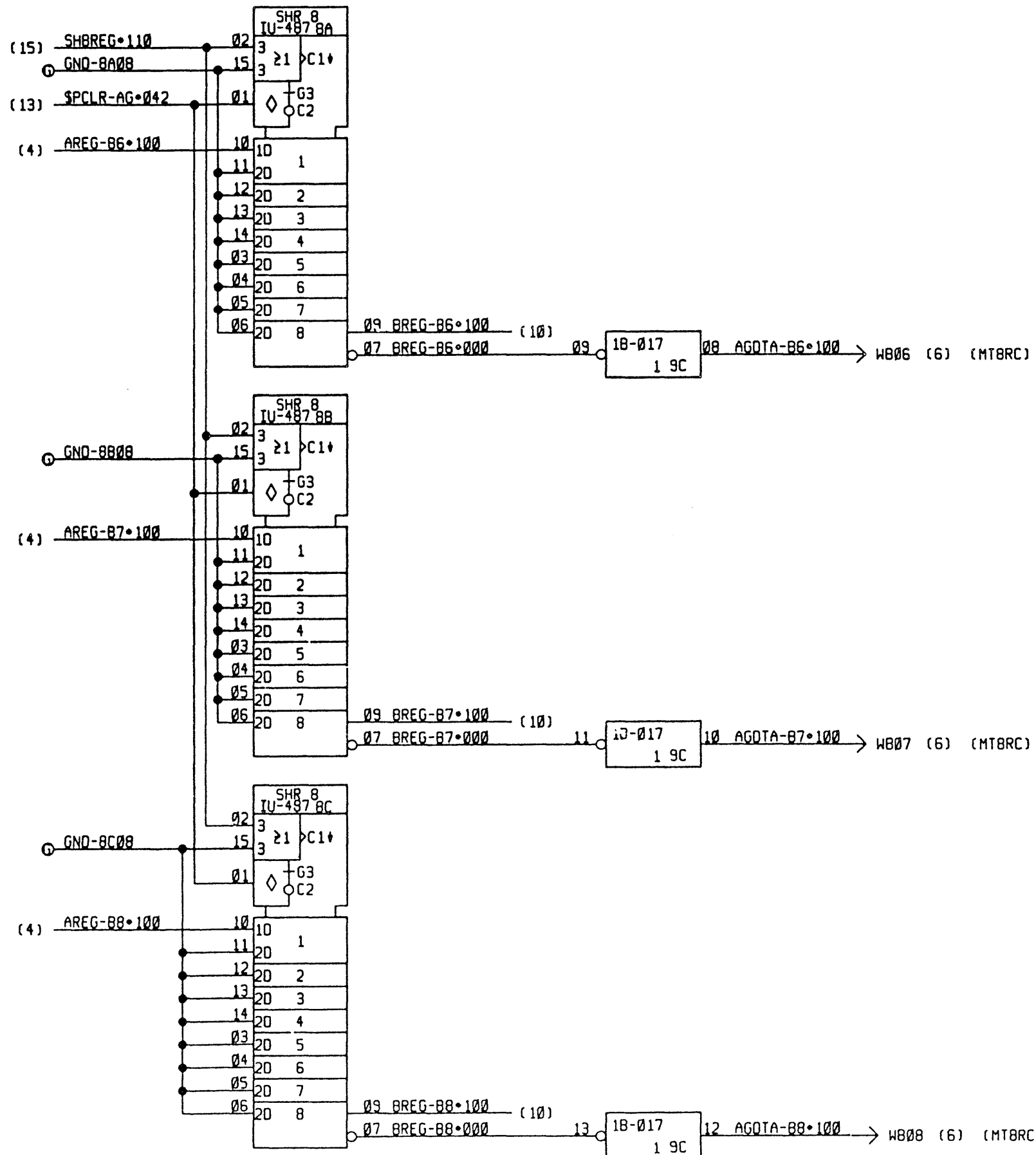
F

E

C

B

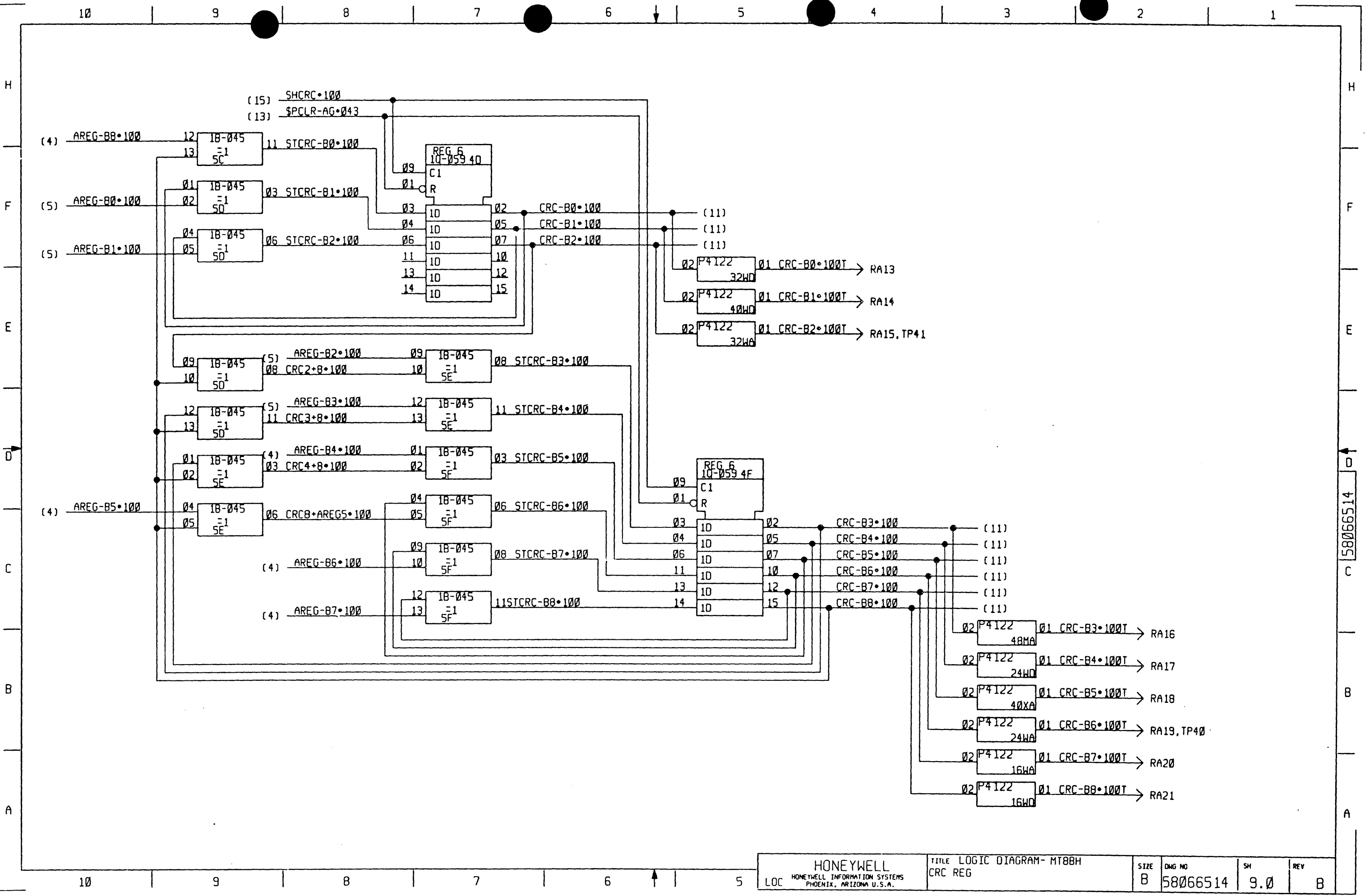
A



58066514

DO NOT WRITE IN THESE SPACES. ALL INFORMATION CONTAINED HEREIN IS UNCLASSIFIED EXCEPT WHERE SHOWN OTHERWISE. DATE 08-01-2010 BY 60322 UCBAW/SJS

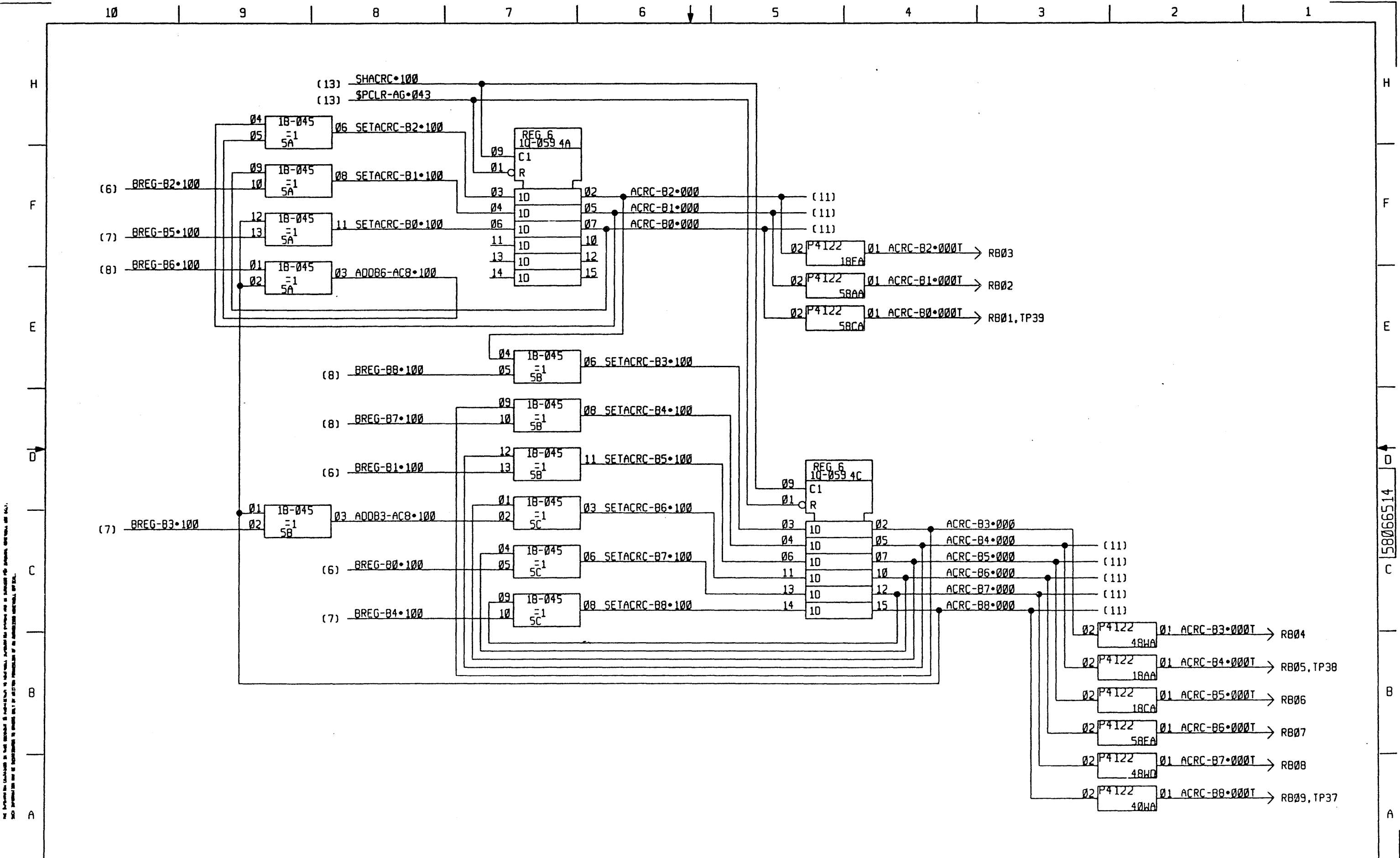
| | | | | | | |
|-----|---|--|-----------|--------------------|-----------|----------|
| LOC | HONEYWELL INFORMATION SYSTEMS PHOENIX, ARIZONA U.S.A. | TITLE LOGIC DIAGRAM- MT8BH B REG | SIZE B | DWG NO 58066514 | SH 8.0 | REV B |
|-----|---|--|-----------|--------------------|-----------|----------|



THIS DOCUMENT IS UNCLASSIFIED EXCEPT WHERE SHOWN OTHERWISE AND IS RELEASED FOR EXTENSIVE DISSEMINATION AND USE. IT IS THE PROPERTY OF HONEYWELL INFORMATION SYSTEMS AND IS LOANED TO YOUR ORGANIZATION. IT AND ITS CONTENTS ARE NOT TO BE REPRODUCED OR TRANSMITTED IN ANY FORM OR BY ANY MEANS, ELECTRONIC OR MECHANICAL, INCLUDING PHOTOCOPYING, RECORDING, OR BY ANY INFORMATION STORAGE AND RETRIEVAL SYSTEM, WITHOUT THE WRITTEN PERMISSION OF HONEYWELL INFORMATION SYSTEMS.

58066514

| | | | | | |
|--|--|---------------------------------------|---------------------------|--------|-------|
| HONEYWELL HONEYWELL INFORMATION SYSTEMS PHOENIX, ARIZONA U.S.A. | | TITLE LOGIC DIAGRAM- MTBBH CRC REG | SIZE B DWG NO 58066514 | SH 9.0 | REV B |
|--|--|---------------------------------------|---------------------------|--------|-------|

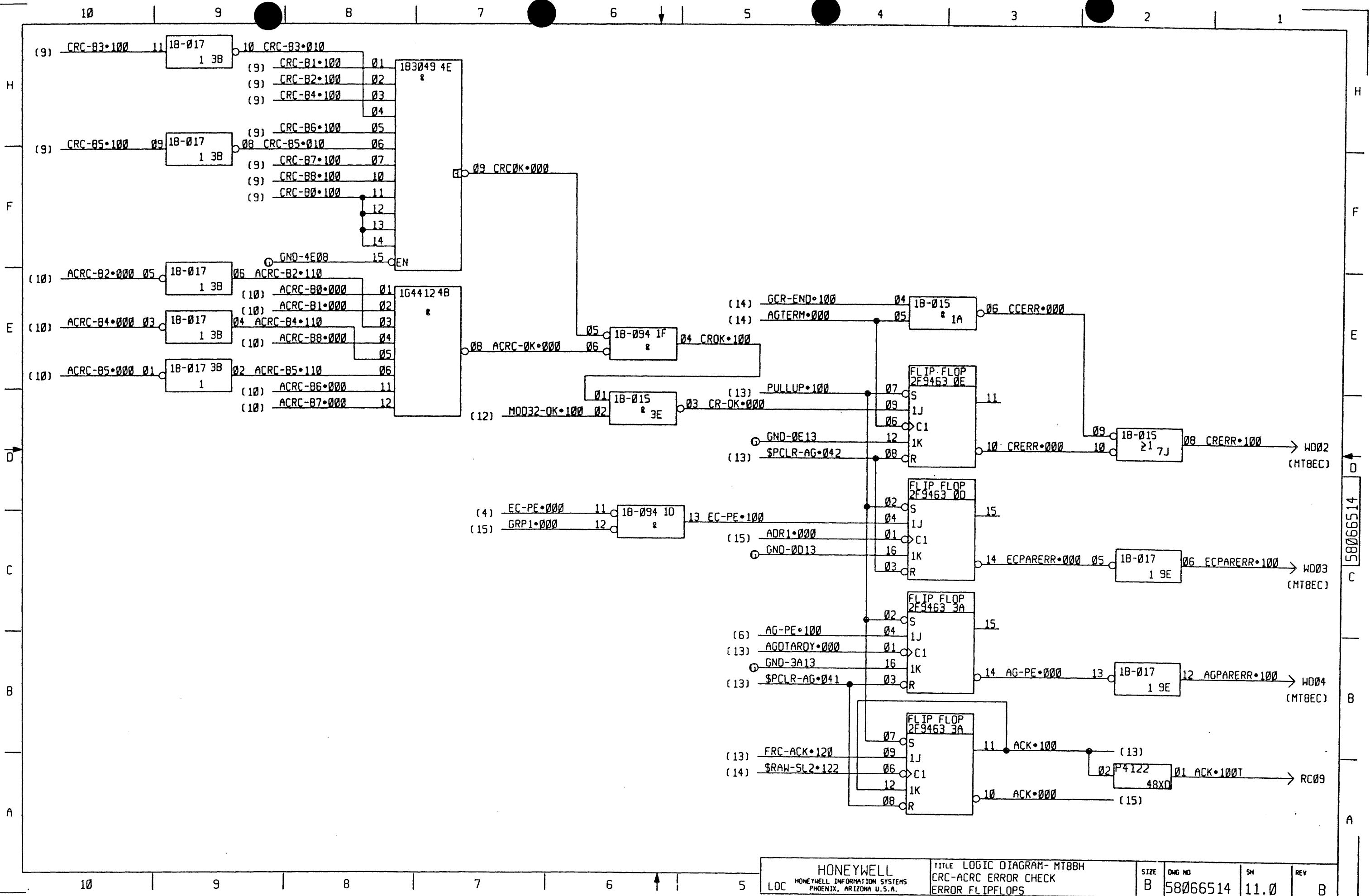


This document contains information that is classified as CONFIDENTIAL. It is intended for use by personnel who are authorized to receive this information. It is not to be distributed outside the organization.

58066514

| | | | | | | | | | | | |
|-----|---|-------|----------------------------------|------|---|--------|----------|----|------|-----|---|
| LOC | HONEYWELL INFORMATION SYSTEMS PHOENIX, ARIZONA U.S.A. | TITLE | LOGIC DIAGRAM- MT88H ACRC REG | SIZE | B | DWG NO | 58066514 | SH | 10.0 | REV | B |
|-----|---|-------|----------------------------------|------|---|--------|----------|----|------|-----|---|

THE INFORMATION CONTAINED HEREIN IS UNCLASSIFIED EXCEPT WHERE SHOWN OTHERWISE. IT IS THE PROPERTY OF HONEYWELL INFORMATION SYSTEMS AND IS LOANED TO YOUR AGENCY. IT IS TO BE RETURNED TO THE SOURCE FROM WHICH IT WAS OBTAINED. IT IS NOT TO BE REPRODUCED OR DISTRIBUTED OUTSIDE YOUR AGENCY WITHOUT THE WRITTEN PERMISSION OF HONEYWELL INFORMATION SYSTEMS.

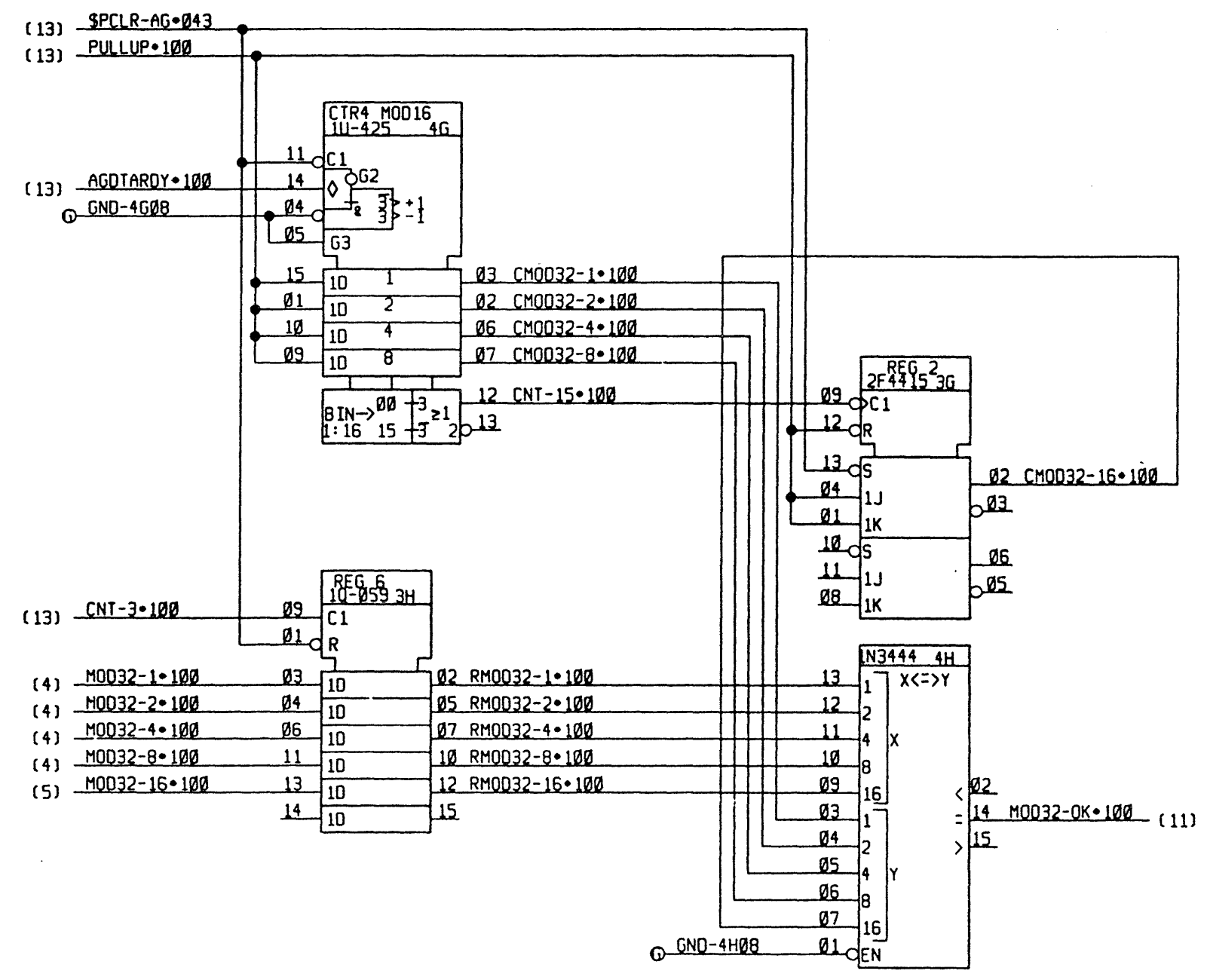


| | | | | | |
|--|--|--|---------------------------|---------|-------|
| HONEYWELL HONEYWELL INFORMATION SYSTEMS PHOENIX, ARIZONA U.S.A. | | TITLE LOGIC DIAGRAM - MT8BH CRC-ACRC ERROR CHECK ERROR FLIPFLOPS | SIZE B DWG NO 58066514 | SH 11.0 | REV B |
|--|--|--|---------------------------|---------|-------|

10 9 8 7 6 5 4 3 2 1

H
F
E
D
C
B
A

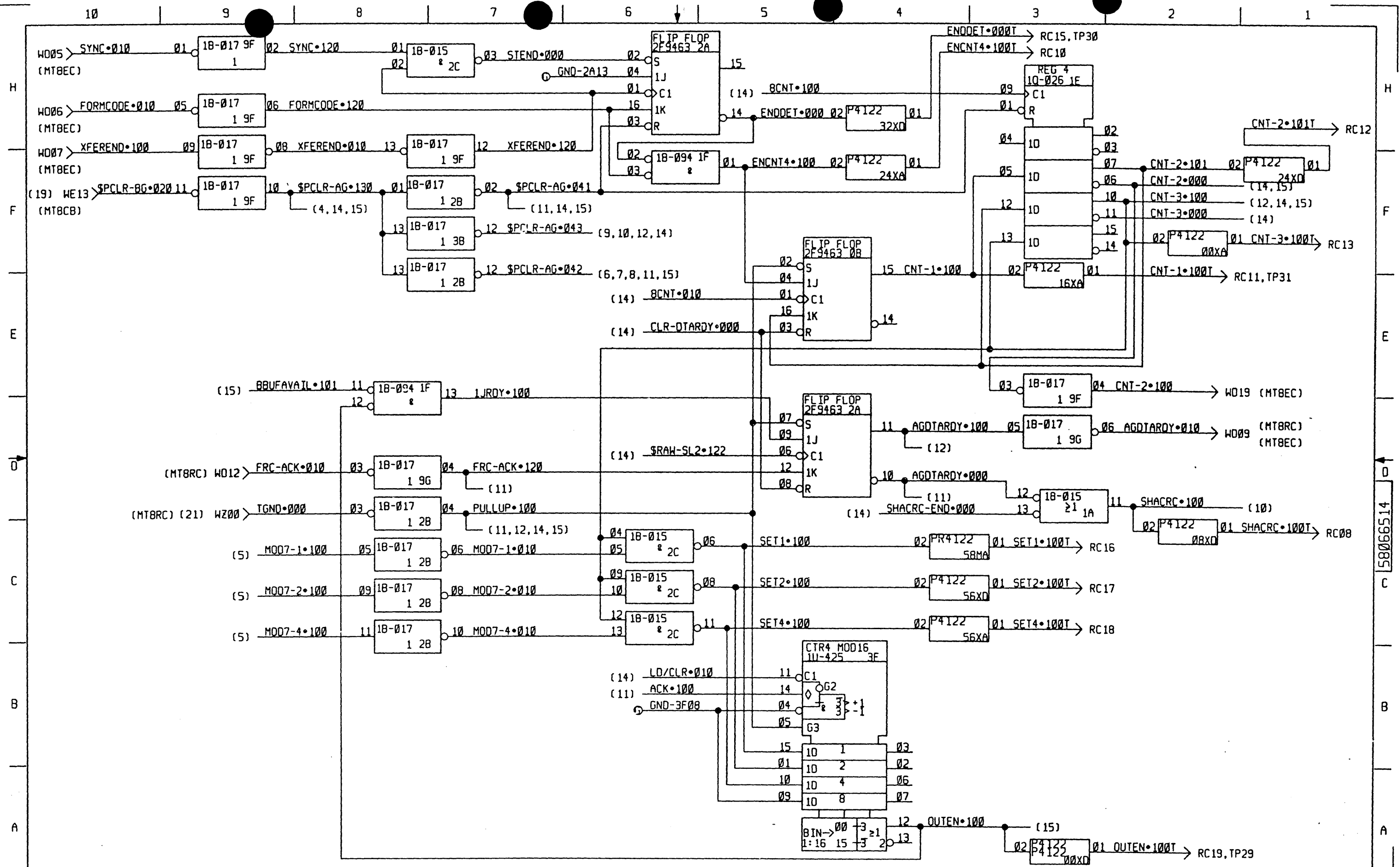
H
F
E
D
C
B
A



THE INFORMATION CONTAINED IN THIS DOCUMENT IS UNCLASSIFIED EXCEPT WHERE SHOWN OTHERWISE AND IS SUBJECT TO PUBLIC RELEASE UNDER EXECUTIVE ORDER 11652.

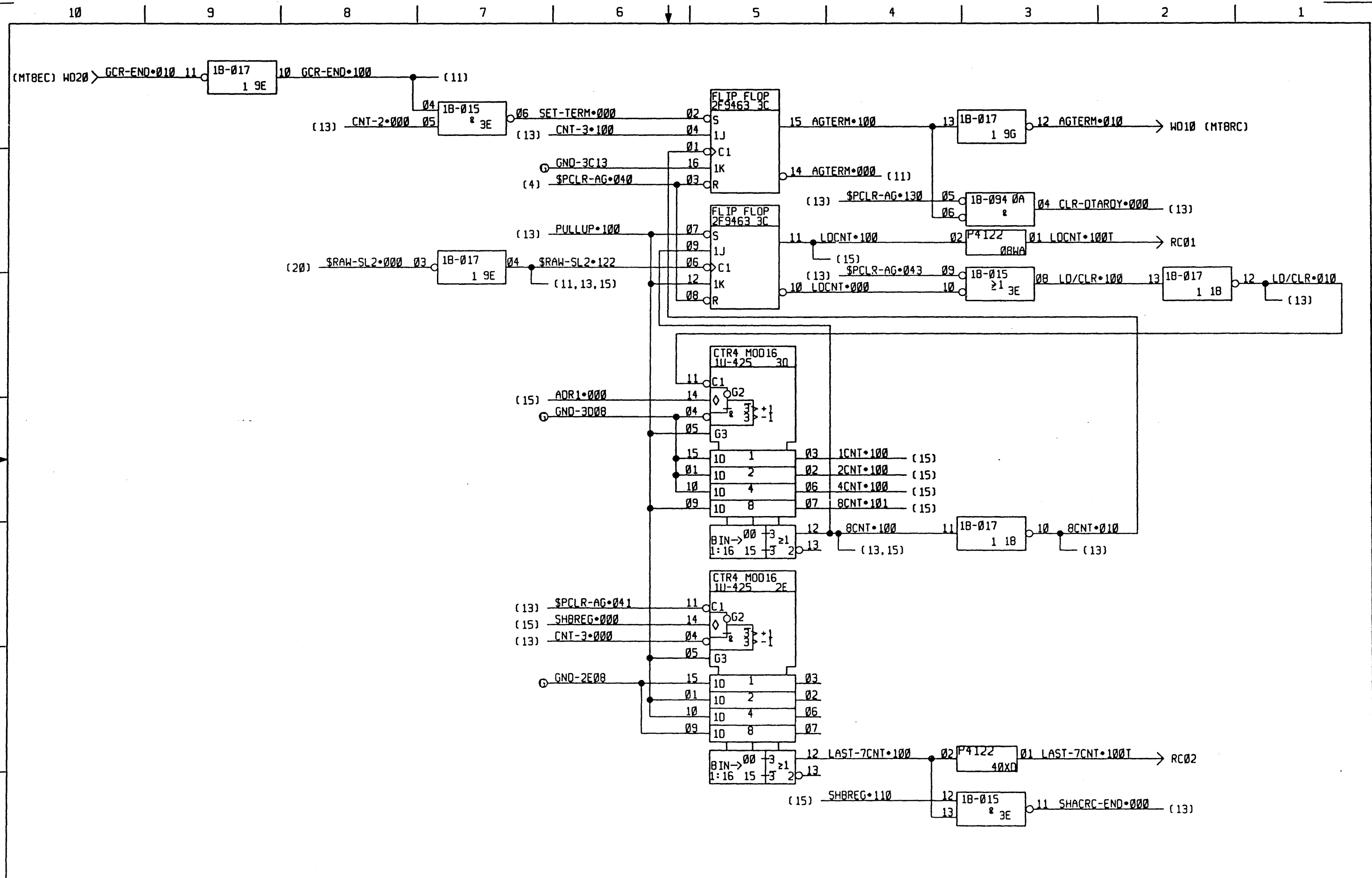
58066514

THE INFORMATION CONTAINED IN THIS DOCUMENT IS UNCLASSIFIED EXCEPT WHERE SHOWN OTHERWISE AND IS SUBJECT TO THE EXTENT PERMITTED BY THE APPLICABLE LAWS.

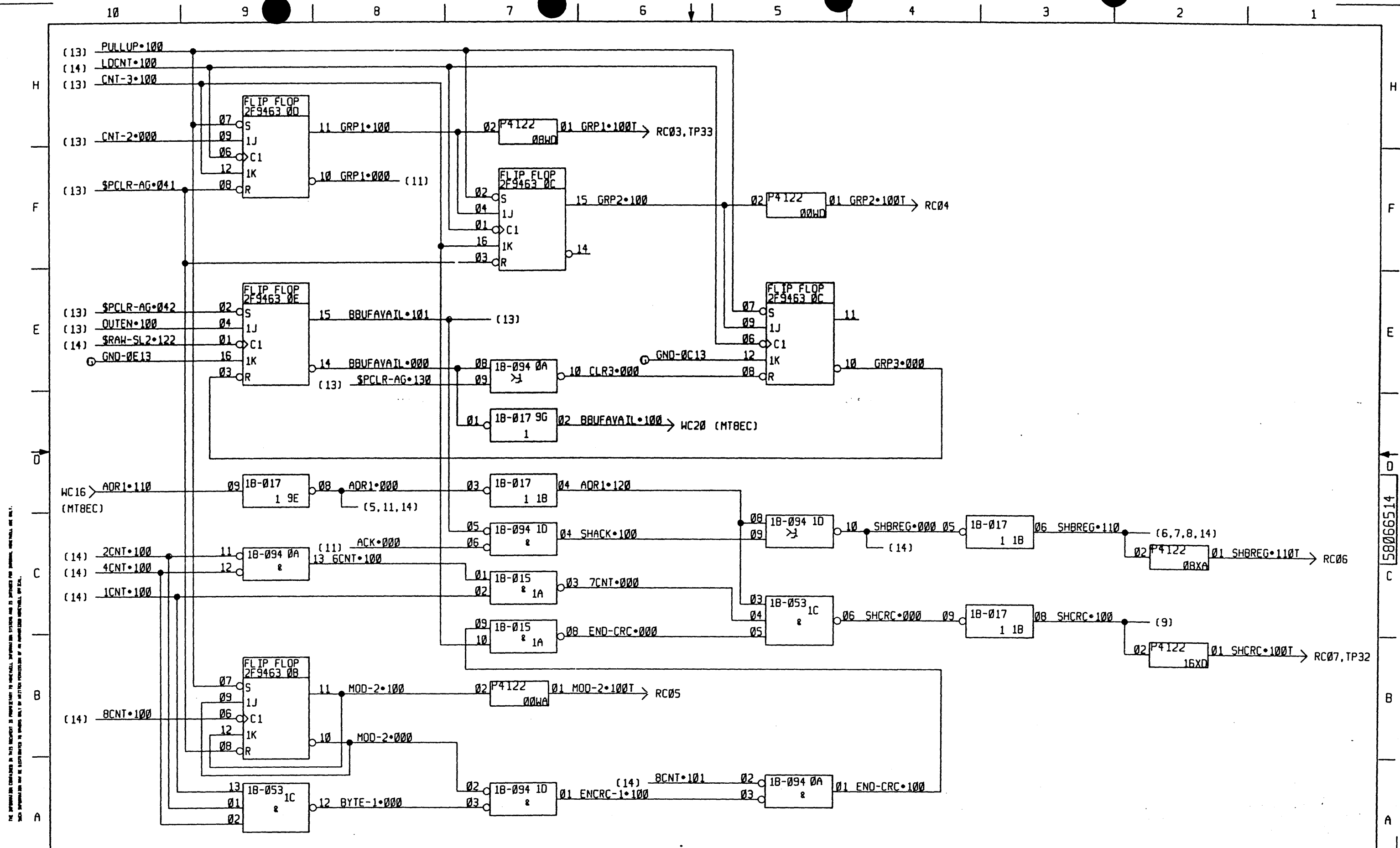


58066514

THE INFORMATION CONTAINED IN THIS DOCUMENT IS UNCLASSIFIED EXCEPT WHERE SHOWN OTHERWISE. IT IS UNCLASSIFIED EXCEPT WHERE SHOWN OTHERWISE.

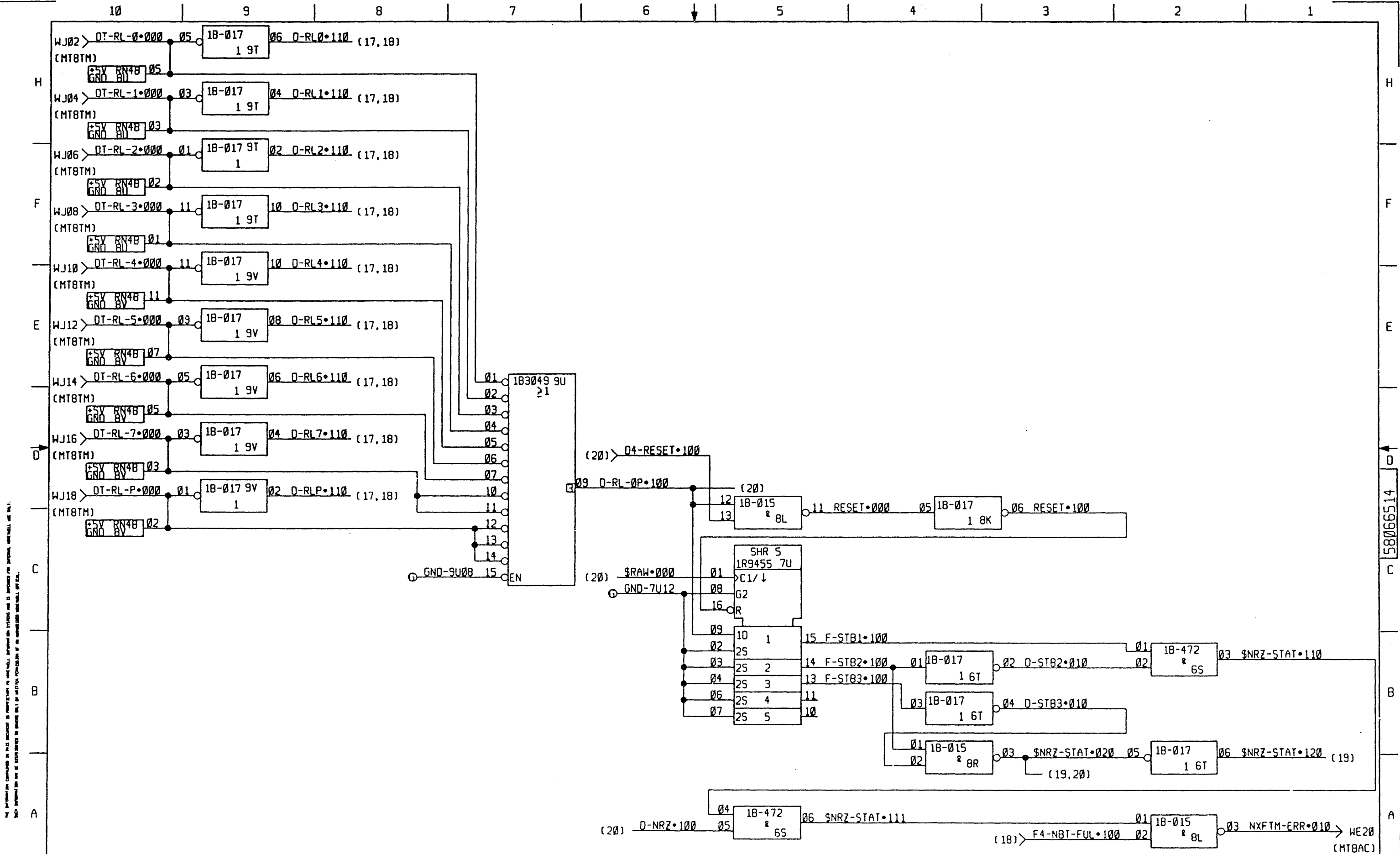


58066514



THE INFORMATION CONTAINED IN THIS DOCUMENT IS PROPRIETARY TO HONEYWELL INFORMATION SYSTEMS AND IS SUPPLIED FOR INTERNAL USE ONLY. NO DISSEMINATION OR REPRODUCTION IS PERMITTED WITHOUT THE WRITTEN PERMISSION OF HONEYWELL INFORMATION SYSTEMS.

58066514

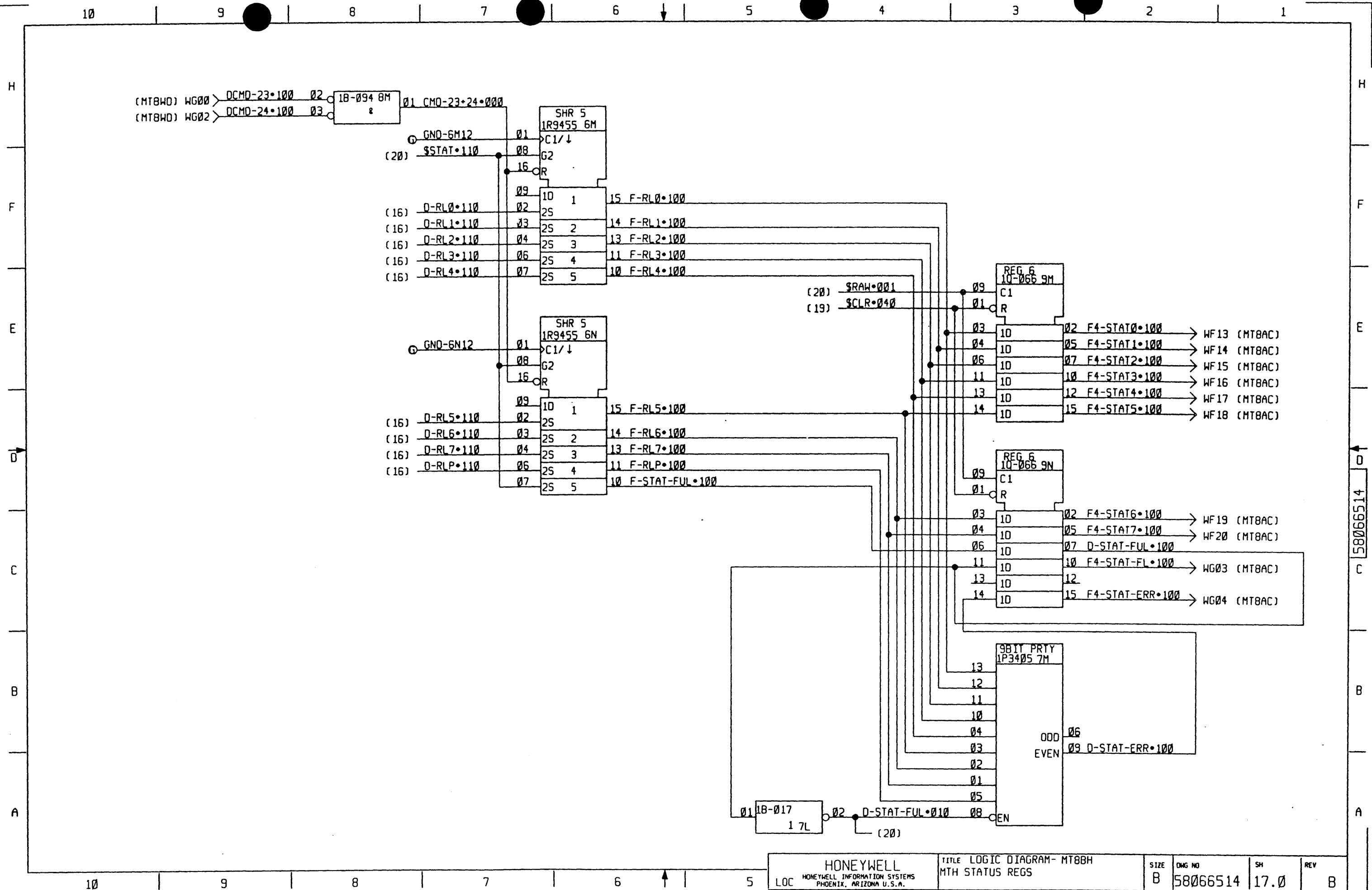


ALL INFORMATION CONTAINED HEREIN IS UNCLASSIFIED EXCEPT WHERE SHOWN OTHERWISE. IT IS THE POLICY OF THE NATIONAL ARCHIVES AND RECORDS ADMINISTRATION TO MAKE ALL INFORMATION CONTAINED HEREIN AVAILABLE TO THE PUBLIC UNLESS IT IS DETERMINED THAT DISCLOSURE OF THE INFORMATION WOULD BE DETERMINED TO BE IN THE INTERESTS OF NATIONAL DEFENSE.

58066514

| | | | | | | |
|-----|---|---|--------|-----------------|---------|-------|
| LOC | NEYWELL INFORMATION SYSTEMS PHOENIX, ARIZONA U.S.A. | FILE LOGIC DIAGRAM- MT88H READ DATA LINES NRZ/STATUS CLK GEN. | SIZE B | ENG NO 58066514 | SH 16.0 | REV B |
|-----|---|---|--------|-----------------|---------|-------|

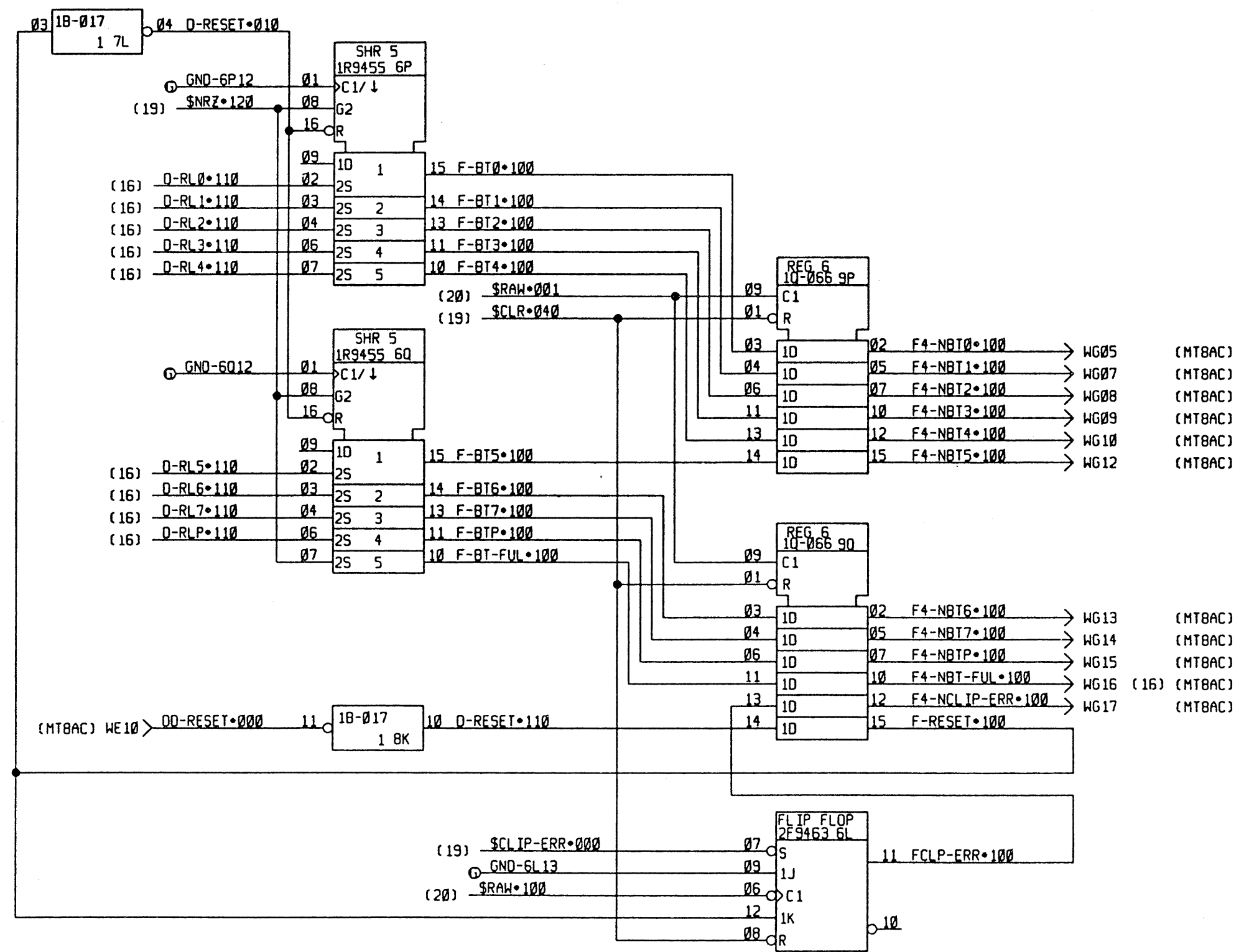
THE INFORMATION CONTAINED IN THIS DOCUMENT IS UNCLASSIFIED EXCEPT WHERE SHOWN OTHERWISE AND IS SUBJECT TO THE GENERAL DECLASSIFICATION SCHEDULE.



58066514

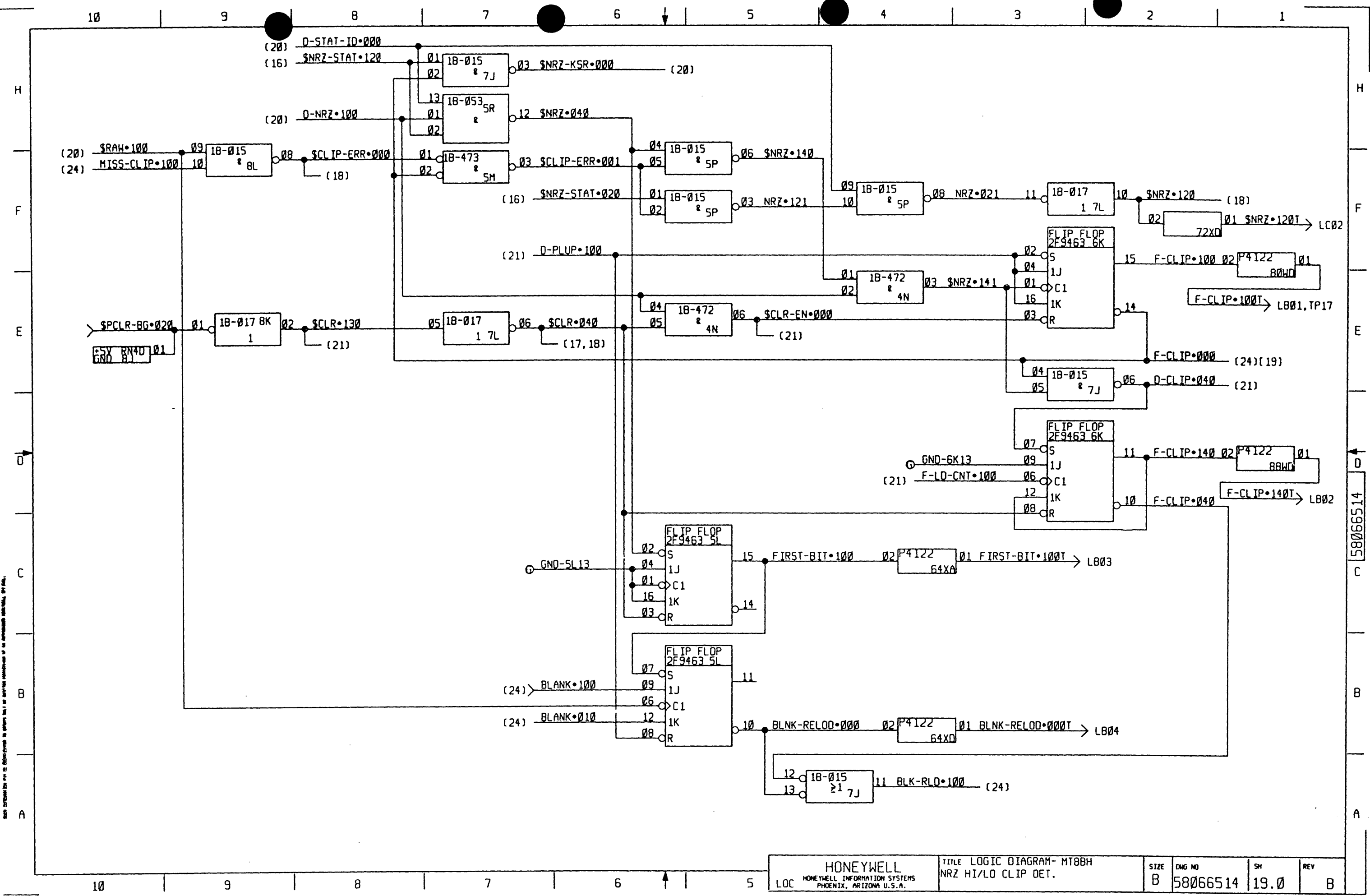
H
F
E
D
C
B
A

H
F
E
D
C
B
A



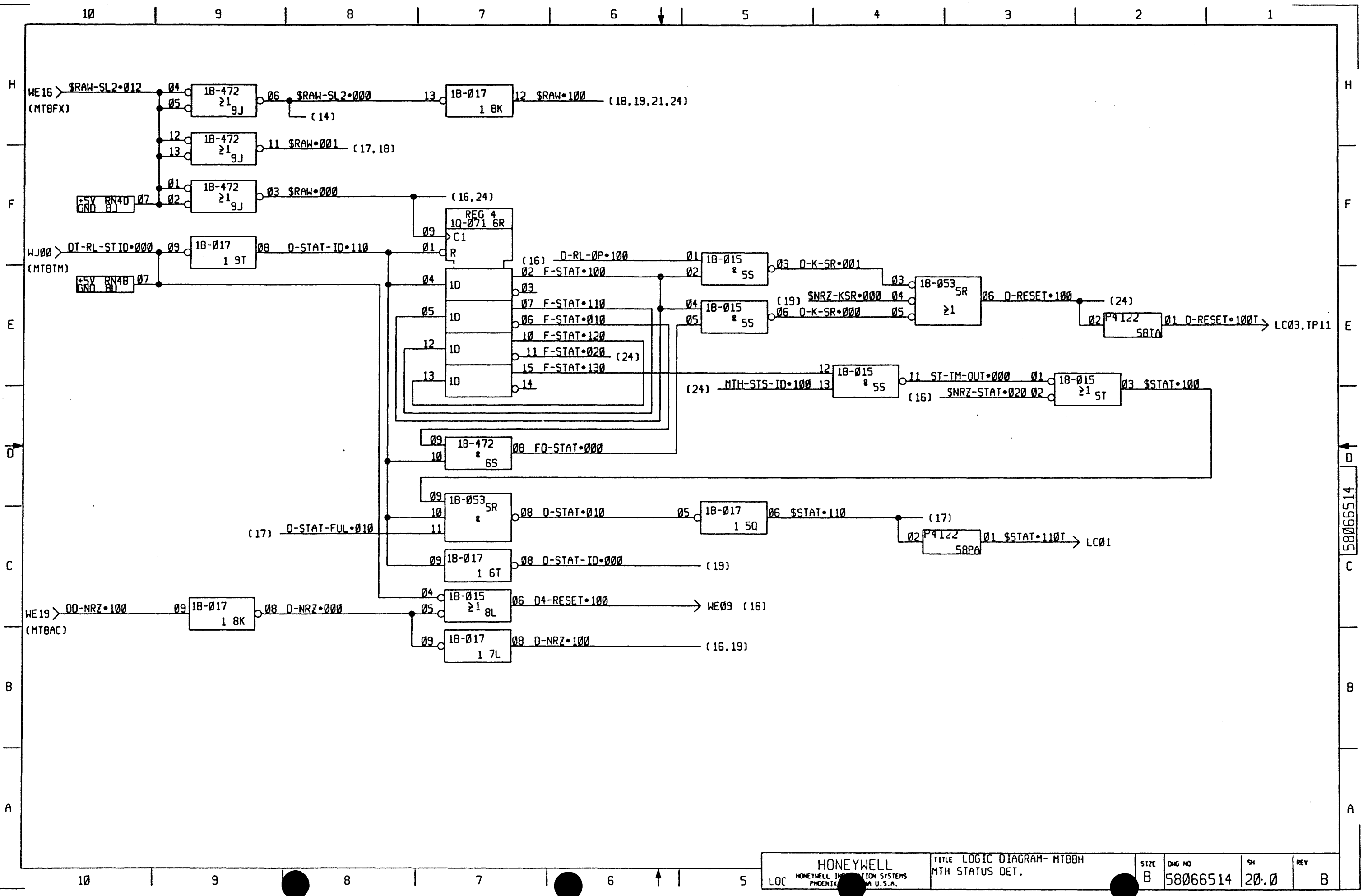
58066514

ALL INFORMATION CONTAINED HEREIN IS UNCLASSIFIED EXCEPT WHERE SHOWN OTHERWISE. DATE 08-14-2010 BY 60322 UCBAW/SJS



THIS INFORMATION IS UNCLASSIFIED EXCEPT WHERE SHOWN OTHERWISE IN CONNECTION WITH THE INFORMATION CONTAINED HEREIN.

| | | | | | | |
|---|--|---|--------|-----------------|---------|-------|
| HONEYWELL HONEYWELL INFORMATION SYSTEMS PHOENIX, ARIZONA U.S.A. | | TITLE LOGIC DIAGRAM- MT8BH NRZ HI/LO CLIP DET. | SIZE B | DWG NO 58066514 | SH 19.0 | REV B |
|---|--|---|--------|-----------------|---------|-------|

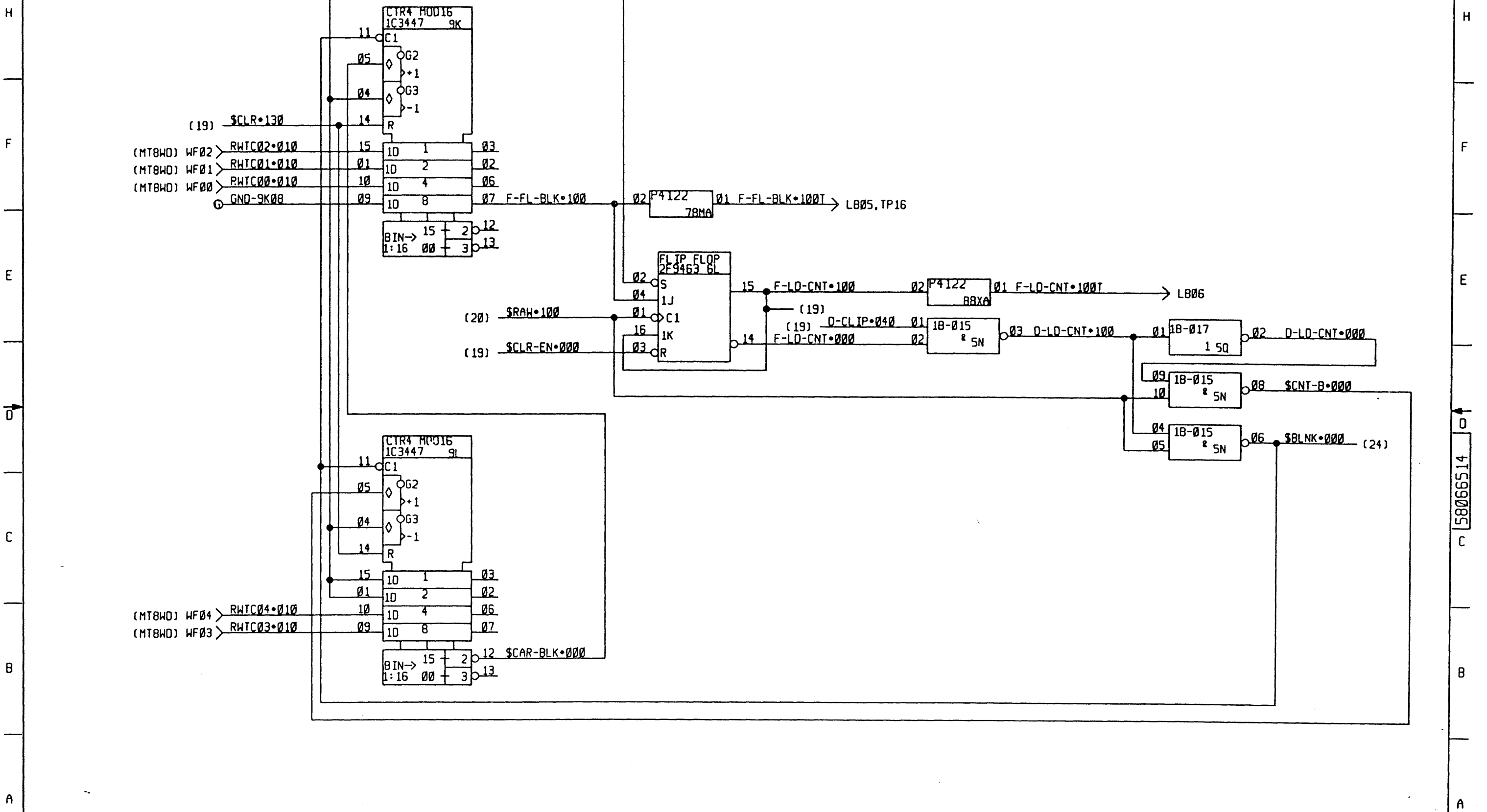


THIS DOCUMENT IS UNCLASSIFIED EXCEPT WHERE SHOWN OTHERWISE BY THE MARKING.

58066514

| | | | | | | |
|---|--|---|--------|-----------------|---------|-------|
| HONEYWELL HONEYWELL INFORMATION SYSTEMS PHOENIX, ARIZONA, U.S.A. | | TITLE LOGIC DIAGRAM- MT8BH MTH STATUS DET. | SIZE B | DWG NO 58066514 | SH 20.0 | REV B |
|---|--|---|--------|-----------------|---------|-------|

10 9 8 7 6 5 4 3 2 1



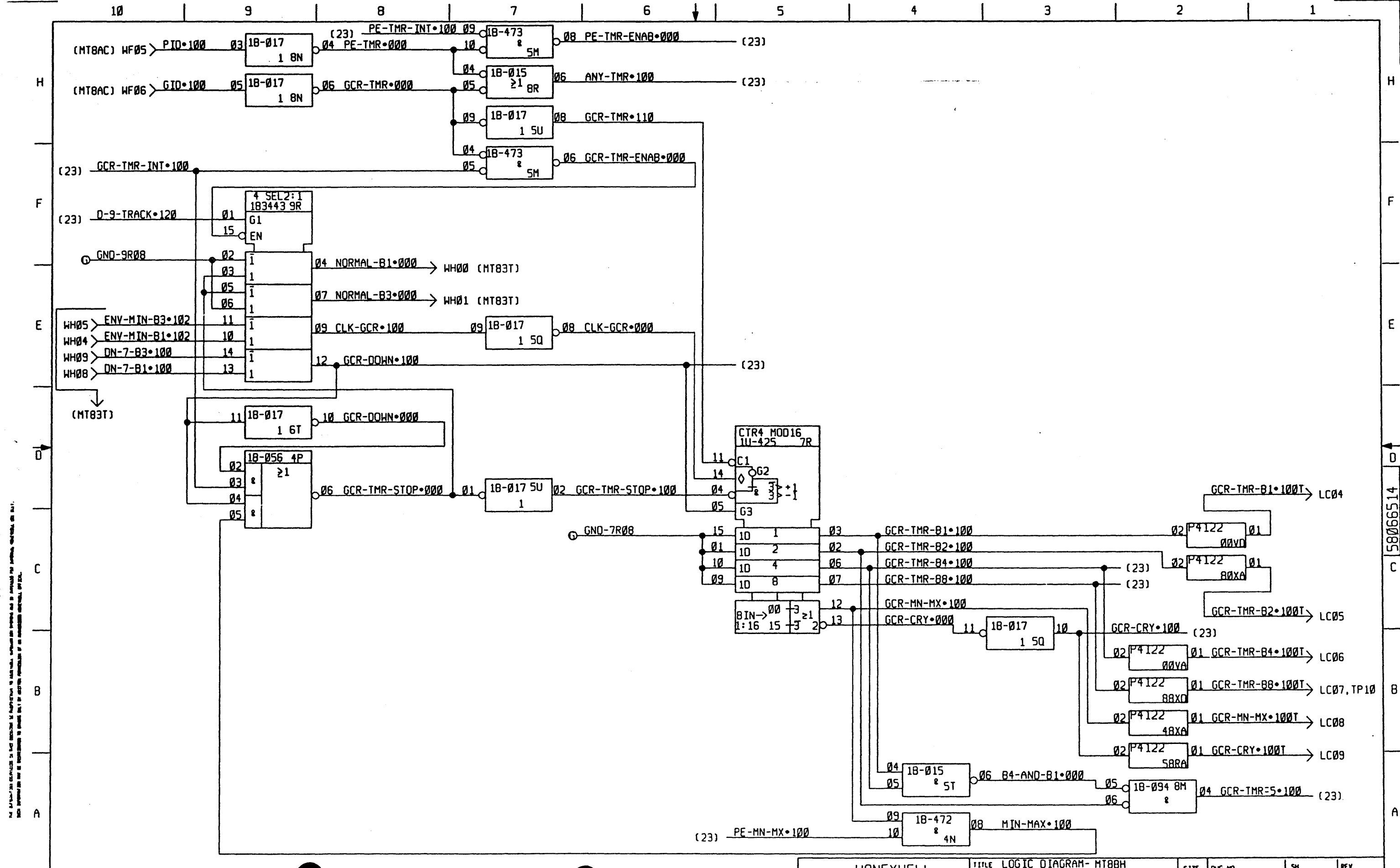
H
F
E
D
C
B
A

H
F
E
D
C
B
A

10 9 8 7 6 5

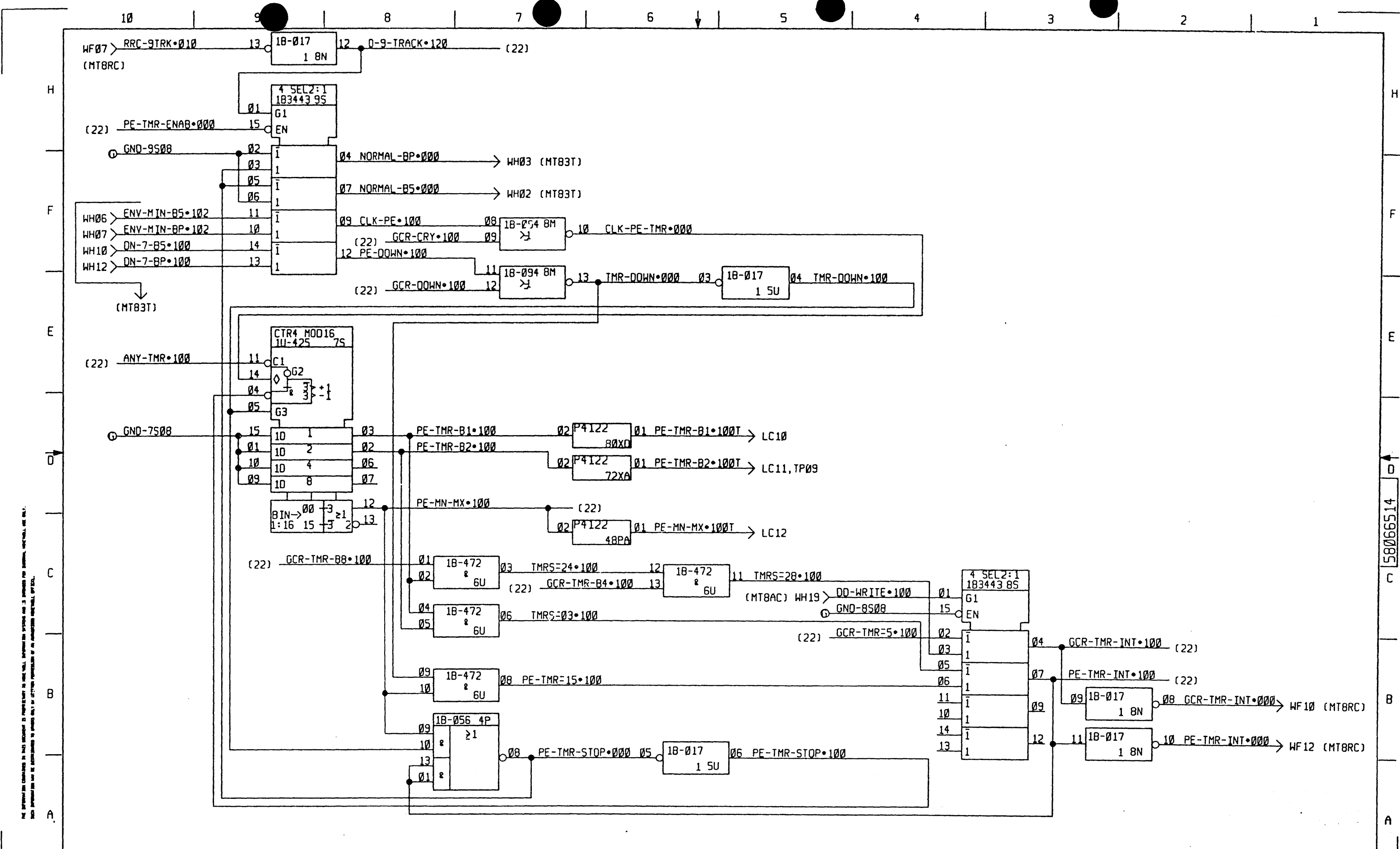
| | | | | | |
|--|--|---|---------------------------|---------|-------|
| HONEYWELL HONEYWELL INFORMATION SYSTEMS PHOENIX, ARIZONA U.S.A. | | TITLE LOGIC DIAGRAM- MT88H NRZ BLANK TIM. GEN. | SIZE B DWG NO 58066514 | SH 21.0 | REV B |
|--|--|---|---------------------------|---------|-------|

58066514



ALL DIMENSIONS UNLESS OTHERWISE SPECIFIED ARE IN MILLIMETERS. DIMENSIONS ARE GIVEN TO THE CENTER OF HOLES UNLESS OTHERWISE SPECIFIED. DIMENSIONS ARE GIVEN TO THE CENTER OF HOLES UNLESS OTHERWISE SPECIFIED. DIMENSIONS ARE GIVEN TO THE CENTER OF HOLES UNLESS OTHERWISE SPECIFIED. DIMENSIONS ARE GIVEN TO THE CENTER OF HOLES UNLESS OTHERWISE SPECIFIED.

58066514

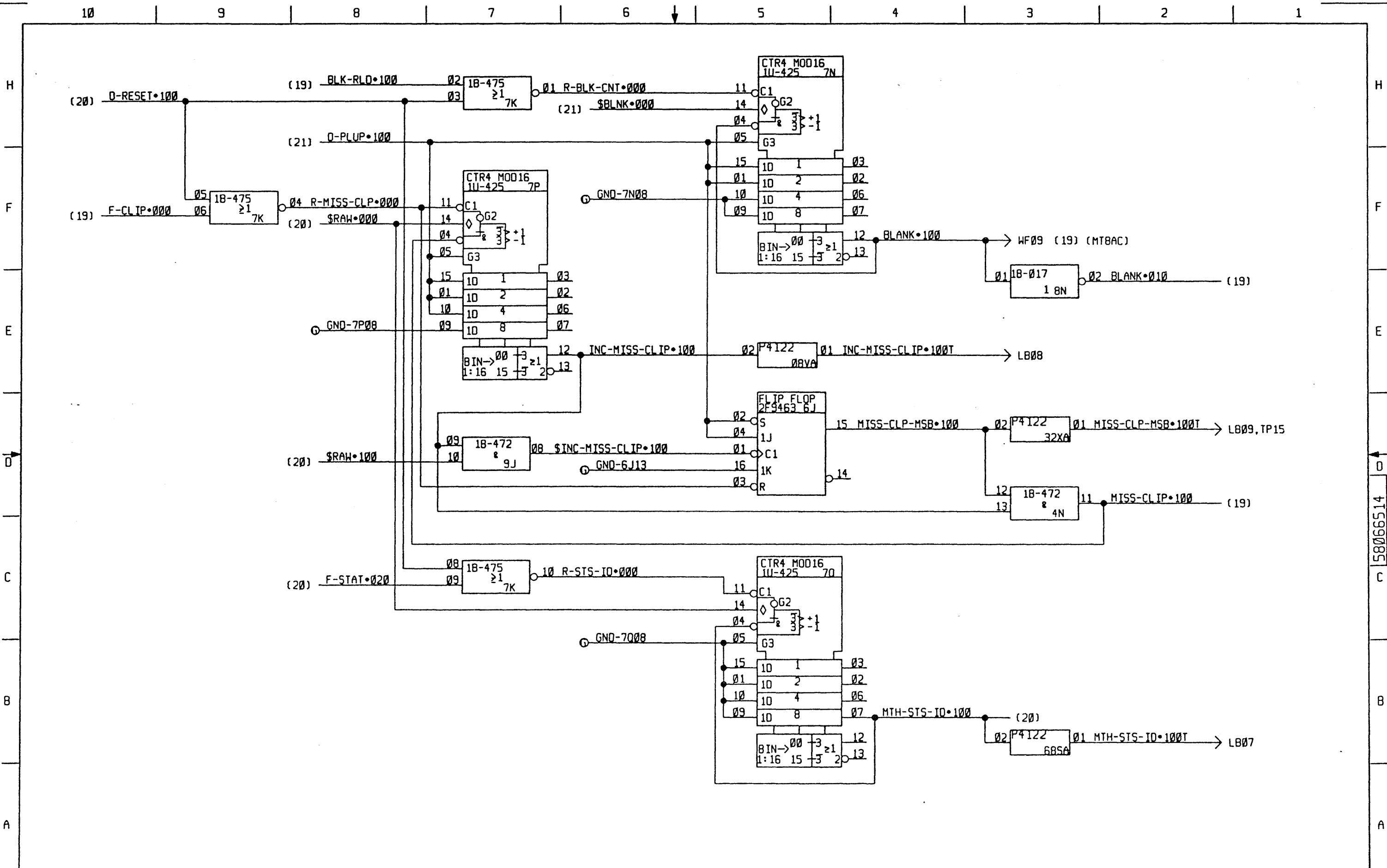


THE INFORMATION CONTAINED IN THIS DOCUMENT IS UNCLASSIFIED EXCEPT WHERE SHOWN OTHERWISE. IT IS THE POLICY OF THE NATIONAL ARCHIVES AND RECORDS ADMINISTRATION TO MAKE ALL INFORMATION CONTAINED HEREIN AVAILABLE TO THE PUBLIC.

58066514

| | | | | | |
|---|--|---|---------------------------|---------|-------|
| HONEYWELL HONEYWELL INFORMATION SYSTEMS PHOENIX, ARIZONA U.S.A. | | TITLE LOGIC DIAGRAM- MT8BH PE ID TIMER | SIZE B DWG NO 58066514 | SH 23.0 | REV B |
|---|--|---|---------------------------|---------|-------|

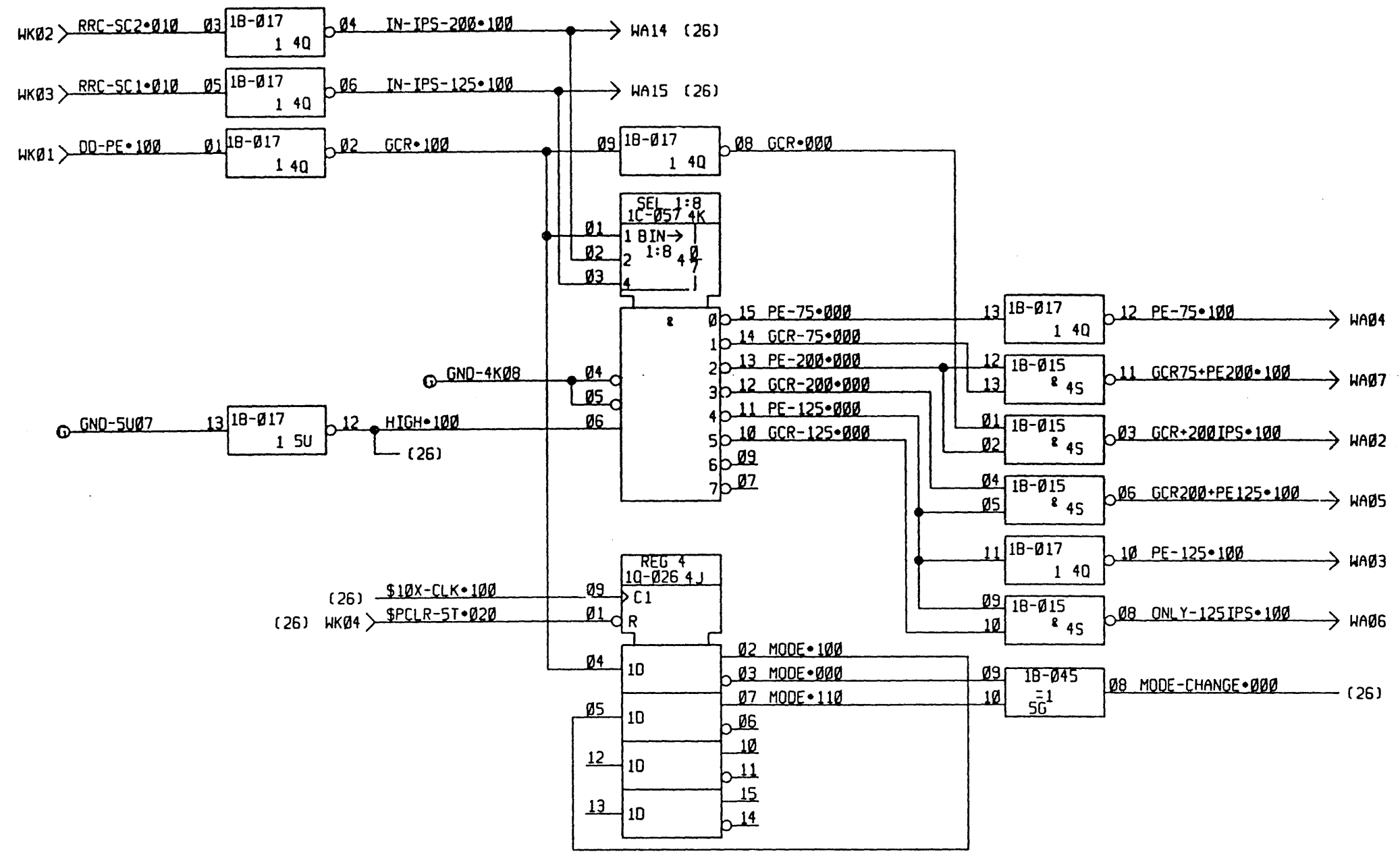
THE INFORMATION CONTAINED IN THIS DOCUMENT IS UNCLASSIFIED EXCEPT WHERE SHOWN OTHERWISE AND IS INTENDED FOR UNCLASSIFIED USE ONLY. IT IS THE PROPERTY OF HONEYWELL INFORMATION SYSTEMS AND IS LOANED TO YOUR AGENCY. IT IS TO BE RETURNED TO THE SOURCE OF ORIGIN.



58066514

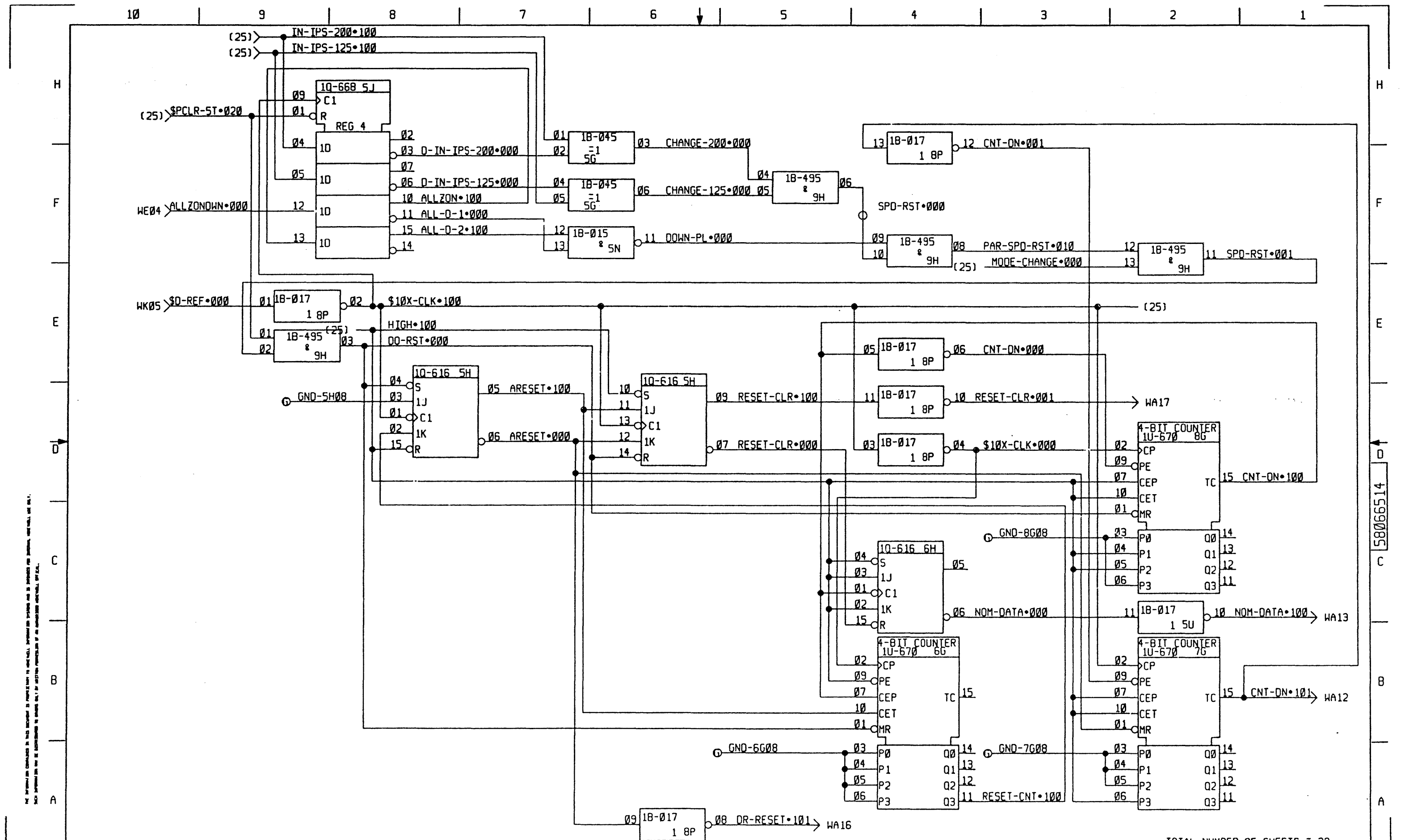
10 9 8 7 6 5 4 3 2 1

H
F
E
D
C
B
A



58066514

10 9 8 7 6 5



THE INFORMATION CONTAINED IN THIS DOCUMENT IS SUBJECT TO THE TERMS AND CONDITIONS OF THE HONEYWELL INFORMATION SYSTEMS LICENSE. NO PART OF THIS DOCUMENT IS TO BE REPRODUCED OR TRANSMITTED IN ANY FORM OR BY ANY MEANS, ELECTRONIC OR MECHANICAL, INCLUDING PHOTOCOPYING, RECORDING, OR BY ANY INFORMATION STORAGE AND RETRIEVAL SYSTEM.

58066514

58071760

| REV | AUTHORITY | DATE | | | SIGNATURE | TAB | | | | | | | | | | | | PL | | | | | | | | | | | | | | | |
|----------|--------------------|------|-----|-----|------------------------|-----------------|-----|--|--|--|--|--|--|--|--|--|--|----|--|-----|--|---|---|--|--|--|--|--|--|--|--|--|--|
| | | YR | MO | DAY | | 002 | 103 | | | | | | | | | | | | | ALL | | | | | | | | | | | | | |
| A | LEVEL 1 ISSUE | 81 | 09 | 29 | <i>Chuck [unclear]</i> | A | | | | | | | | | | | | | | A | | | | | | | | | | | | | |
| B | PHA0TH021 | 81 | 10 | 27 | <i>Blackford</i> | B | | | | | | | | | | | | | | B | | | | | | | | | | | | | |
| BI | Level 3 ENPV128 | | ND | | <i>R. Drentle</i> | BI | | | | | | | | | | | | | | | | | | | | | | | | | | | |
| C | PHA0TH037 | 84 | MAR | 01 | <i>R. Drentle</i> | C | C | | | | | | | | | | | | | C | | | | | | | | | | | | | |
| | | | | | | O B S O L E T E | | | | | | | | | | | | | | | | | | | | | | | | | | | |
| | | | | | | | | | | | | | | | | | | | | | | | | | | | | | | | | | |
| | | | | | | | | | | | | | | | | | | | | | | | | | | | | | | | | | |
| | | | | | | | | | | | | | | | | | | | | | | | | | | | | | | | | | |
| | | | | | | | | | | | | | | | | | | | | | | | | | | | | | | | | | |
| 58066514 | | | | | | LOGIC DIAG | | | | | | | | | | | | | | | | A | B | | | | | | | | | | |
| 58030078 | | | | | | TEST DATA | | | | | | | | | | | | | | | | A | B | | | | | | | | | | |

FOR CONTINUATION OF REVISION STATUS SEE SHEET

BRUNING 44-141 40366

| | | | | | |
|---|---|--|-----------|---------------------------------|--------------|
| Honeywell HONEYWELL INFORMATION SYSTEMS INC. LOC PHOENIX ARIZONA | MADE BY <i>J. Richardson</i> SEP 16, 1981 | TITLE HDUHC PWA MT8BH | | | |
| | APPROVED <i>R. A. Mast</i> 17 Sep 81 | REVISION STATUS FOR EACH PAGE SHEET OR GROUP IS SHOWN BY LAST ENTRY IN THE CORRESPONDING NUMBERED COLUMN | SIZE X | REVISION STATUS FOR 58071760 | SHEET 1/1 |

DIST. CI17-30

58071762

| REV | AUTHORITY | DATE | | | SIGNATURE | TAB. NO. | | | | | | | | DWG SHEET DWGS. | | | | | | | | | | |
|-----|-------------|------|----|-----|------------------------------|----------|--|--|--|--|--|--|--|-----------------|--|--|--|--|--|--|--|--|--|--|
| | | YR | MO | DAY | | | | | | | | | | | | | | | | | | | | |
| A | LVL 3 ISSUE | 81 | 09 | 28 | <i>Chet. Romanek</i> 9-23-81 | 001 | | | | | | | | | | | | | | | | | | |
| | | | | | | | | | | | | | | | | | | | | | | | | |
| | | | | | | | | | | | | | | | | | | | | | | | | |
| | | | | | | | | | | | | | | | | | | | | | | | | |
| | | | | | | | | | | | | | | | | | | | | | | | | |
| | | | | | | | | | | | | | | | | | | | | | | | | |
| | | | | | | | | | | | | | | | | | | | | | | | | |
| | | | | | | | | | | | | | | | | | | | | | | | | |
| | | | | | | | | | | | | | | | | | | | | | | | | |
| | | | | | | | | | | | | | | | | | | | | | | | | |
| | | | | | | | | | | | | | | | | | | | | | | | | |
| | | | | | | | | | | | | | | | | | | | | | | | | |
| | | | | | | | | | | | | | | | | | | | | | | | | |
| | | | | | | | | | | | | | | | | | | | | | | | | |
| | | | | | | | | | | | | | | | | | | | | | | | | |
| | | | | | | | | | | | | | | | | | | | | | | | | |
| | | | | | | | | | | | | | | | | | | | | | | | | |

BRUNING 44-141 40366

Honeywell

HONEYWELL INFORMATION SYSTEMS INC.
LOC PHOENIX ARIZONA

MADE BY *D. Kazunski* 8/Sept. 10
APPROVED *R.A. Mast* 17 Sep 81

REVISION STATUS FOR EACH PAGE SHEET OR GROUP IS SHOWN BY LAST ENTRY IN THE CORRESPONDING NUMBERED COLUMN

TITLE *CIL MT8BH*

| SIZE | REVISION STATUS FOR | SHEET | REV |
|------|---------------------|-------|-----|
| A | 58071762 | 1/1 | A |

DIST. C117-37

CE 300 A-3 (1-75)

TAB-001

STANDARD LOCATION CODE PATTERN
 X-POS & Y-POS PER 58046507-001
 UNLESS OTHERWISE SHOWN, ROTATION IS NORTH

| LOC | TYPE | IDENT | X-POS | Y-POS | ROTATION |
|------|--------|----------------|-------|-------|----------|
| 00AE | P1043 | 43C212092P1043 | | | |
| 00BE | P9 | 43A114748P9 | | | |
| 00CE | P1043 | 43C212092P1043 | | | |
| 00EE | P9 | 43A114748P9 | | | |
| 00VA | P4122 | 70928100-051 | | | |
| 00VD | P4122 | 70928100-051 | | | |
| 00WA | P4122 | 70928100-051 | | | |
| 00WD | P4122 | 70928100-051 | | | |
| 00XA | P4122 | 70928100-051 | | | |
| 00XD | P4122 | 70928100-051 | | | |
| 08VA | P4122 | 70928100-051 | | | |
| 08WA | P4122 | 70928100-051 | | | |
| 08WD | P4122 | 70928100-051 | | | |
| 08XA | P4122 | 70928100-051 | | | |
| 08XD | P4122 | 70928100-051 | | | |
| 0A | 1B-094 | 58002094-001 | | | |
| 0B | 2F9463 | 43C216463P1 | | | |
| 0C | 2F9463 | 43C216463P1 | | | |
| 0D | 2F9463 | 43C216463P1 | | | |
| 0E | 2F9463 | 43C216463P1 | | | |
| 10AE | P1043 | 43C212092P1043 | | | |
| 10BE | P9 | 43A114748P9 | | | |
| 10CE | P1043 | 43C212092P1043 | | | |
| 10EE | P9 | 43A114748P9 | | | |
| 10FE | P1043 | 43C212092P1043 | | | |
| 16WA | P4122 | 70928100-051 | | | |
| 16WD | P4122 | 70928100-051 | | | |
| 16XA | P4122 | 70928100-051 | | | |
| 16XD | P4122 | 70928100-051 | | | |
| 18AA | P4122 | 70928100-051 | | | |
| 18CA | P4122 | 70928100-051 | | | |
| 18FA | P4122 | 70928100-051 | | | |

TAB-001

| LOC | TYPE | IDENT | X-POS | Y-POS | ROTATION |
|------|--------|----------------|-------|-------|----------|
| 1A | 1B-015 | 58002015-001 | | | |
| 1B | 1B-017 | 58002017-001 | | | |
| 1C | 1B-053 | 58002053-001 | | | |
| 1D | 1B-094 | 58002094-001 | | | |
| 1E | 1Q-026 | 58002026-001 | | | |
| 1F | 1B-094 | 58002094-001 | | | |
| 20AE | P1043 | 43C212092P1043 | | | |
| 20BE | P9 | 43A114748P9 | | | |
| 20CE | P1043 | 43C212092P1043 | | | |
| 20EE | P9 | 43A114748P9 | | | |
| 20FE | P1043 | 43C212092P1043 | | | |
| 24WA | P4122 | 70928100-051 | | | |
| 24WD | P4122 | 70928100-051 | | | |
| 24XA | P4122 | 70928100-051 | | | |
| 24XD | P4122 | 70928100-051 | | | |
| 2A | 2F9463 | 43C216463P1 | | | |
| 2B | 1B-017 | 58002017-001 | | | |
| 2C | 1B-015 | 58002015-001 | | | |
| 2E | 1U-425 | 58002425-001 | | | |
| 30AE | P1043 | 43C212092P1043 | | | |
| 30CE | P1043 | 43C212092P1043 | | | |
| 30EE | P9 | 43A114748P9 | | | |
| 30FE | P1043 | 43C212092P1043 | | | |
| 32WA | P4122 | 70928100-051 | | | |
| 32WD | P4122 | 70928100-051 | | | |
| 32XA | P4122 | 70928100-051 | | | |
| 32XD | P4122 | 70928100-051 | | | |
| 3A | 2F9463 | 43C216463P1 | | | |
| 3B | 1B-017 | 58002017-001 | | | |
| 3C | 2F9463 | 43C216463P1 | | | |
| 3D | 1U-425 | 58002425-001 | | | |
| 3E | 1B-015 | 58002015-001 | | | |
| 3F | 1U-425 | 58002425-001 | | | |
| 3G | 2F4415 | 43C216415P1 | | | |
| 3H | 1Q-059 | 58002059-001 | | | |
| 40AE | P1043 | 43C212092P1043 | | | |
| 40BE | P9 | 43A114748P9 | | | |
| 40CE | P1043 | 43C212092P1043 | | | |

HONEYWELL INFORMATION SYSTEMS
 LOC PHOENIX, ARIZONA, U.S.A.

58071762
 4

3

COMP INSTL LIST - MT8BH

TAB-001

| LOC | TYPE | IDENT | X-POS | Y-POS | ROTATION |
|------|--------|----------------|-------|-------|----------|
| 40EE | P9 | 43A114748P9 | | | |
| 40FE | P1043 | 43C212092P1043 | | | |
| 40JE | P1043 | 43C212092P1043 | | | |
| 40LE | P1043 | 43C212092P1043 | | | |
| 40ME | P9 | 43A114748P9 | | | |
| 40PE | P1043 | 43C212092P1043 | | | |
| 40QE | P9 | 43A114748P9 | | | |
| 40WA | P4122 | 70928100-051 | | | |
| 40WD | P4122 | 70928100-051 | | | |
| 40WE | P9 | 43A114748P9 | | | |
| 40XA | P4122 | 70928100-051 | | | |
| 40XD | P4122 | 70928100-051 | | | |
| 48MA | P4122 | 70928100-051 | | | |
| 48PA | P4122 | 70928100-051 | | | |
| 48WA | P4122 | 70928100-051 | | | |
| 48WD | P4122 | 70928100-051 | | | |
| 48XA | P4122 | 70928100-051 | | | |
| 48XD | P4122 | 70928100-051 | | | |
| 4A | 1R-059 | 58002059-001 | | | |
| 4B | 1G4412 | 43C216412P1 | | | |
| 4C | 1R-059 | 58002059-001 | | | |
| 4D | 1R-059 | 58002059-001 | | | |
| 4E | 1B3049 | 58002049-001 | | | |
| 4F | 1R-059 | 58002059-001 | | | |
| 4G | 1U-425 | 58002425-001 | | | |
| 4H | 1N3444 | 43C216444P1 | | | |
| 4J | 1R-026 | 58002026-001 | | | |
| 4K | 1C-057 | 58002057-001 | | | |
| 4N | 1B-472 | 58002472-001 | | | |
| 4P | 1B-056 | 58002056-001 | | | |
| 4R | 1B-017 | 58002017-001 | | | |
| 4S | 1B-015 | 58002015-001 | | | |
| 50AE | P1043 | 43C212092P1043 | | | |
| 50BE | P9 | 43A114748P9 | | | |
| 50CE | P1043 | 43C212092P1043 | | | |
| 50EE | P9 | 43A114748P9 | | | |
| 50FE | P1043 | 43C212092P1043 | | | |
| 50JE | P1043 | 43C212092P1043 | | | |

EDA

81-09-01 REV. A

58071762
 4

3

HONEYWELL INFORMATION SYSTEMS
 LOC PHOENIX, ARIZONA, U.S.A.

58071762
 5

4

COMP INSTL LIST - MT8BH

TAB-001

| LOC | TYPE | IDENT | X-POS | Y-POS | ROTATION |
|------|--------|----------------|-------|-------|----------|
| 50LE | P1043 | 43C212092P1043 | | | |
| 50ME | P9 | 43A114748P9 | | | |
| 50PE | P1043 | 43C212092P1043 | | | |
| 50QE | P9 | 43A114748P9 | | | |
| 50SE | P1043 | 43C212092P1043 | | | |
| 50TE | P9 | 43A114748P9 | | | |
| 50UE | P1043 | 43C212092P1043 | | | |
| 50WE | P9 | 43A114748P9 | | | |
| 56WA | P4122 | 70928100-051 | | | |
| 56WD | P4122 | 70928100-051 | | | |
| 56XA | P4122 | 70928100-051 | | | |
| 56XD | P4122 | 70928100-051 | | | |
| 58AA | P4122 | 70928100-051 | | | |
| 58CA | P4122 | 70928100-051 | | | |
| 58EA | P4122 | 70928100-051 | | | |
| 58MA | P4122 | 70928100-051 | | | |
| 58PA | P4122 | 70928100-051 | | | |
| 58RA | P4122 | 70928100-051 | | | |
| 58TA | P4122 | 70928100-051 | | | |
| 5A | 1B-045 | 58002045-001 | | | |
| 5B | 1B-045 | 58002045-001 | | | |
| 5C | 1B-045 | 58002045-001 | | | |
| 5D | 1B-045 | 58002045-001 | | | |
| 5E | 1B-045 | 58002045-001 | | | |
| 5F | 1B-045 | 58002045-001 | | | |
| 5G | 1B-045 | 58002045-001 | | | |
| 5H | 1R-616 | 58002616-001 | | | |
| 5J | 1R-668 | 58002668-001 | | | |
| 5L | 2F9463 | 43C216463P1 | | | |
| 5M | 1B-473 | 58002473-001 | | | |
| 5N | 1B-015 | 58002015-001 | | | |
| 5P | 1B-015 | 58002015-001 | | | |
| 5R | 1B-017 | 58002017-001 | | | |
| 5S | 1B-053 | 58002053-001 | | | |
| 5T | 1B-015 | 58002015-001 | | | |
| 5U | 1B-017 | 58002017-001 | | | |
| 60AE | P1043 | 43C212092P1043 | | | |

EDA

81-09-01 REV. A

58071762
 5

4

COMP INSTL LIST - MT8BH

TAB-001

| LOC | TYPE | IDENT | X-POS | Y-POS | ROTATION |
|------|--------|----------------|-------|-------|----------|
| 60CE | P1043 | 43C212092P1043 | | | |
| 60EE | P9 | 43A114748P9 | | | |
| 60FE | P1043 | 43C212092P1043 | | | |
| 60JE | P1043 | 43C212092P1043 | | | |
| 60LE | P1043 | 43C212092P1043 | | | |
| 60ME | P9 | 43A114748P9 | | | |
| 60PE | P1043 | 43C212092P1043 | | | |
| 60QE | P9 | 43A114748P9 | | | |
| 60SE | P1043 | 43C212092P1043 | | | |
| 60UE | P1043 | 43C212092P1043 | | | |
| 60WE | P9 | 43A114748P9 | | | |
| 64WA | P4122 | 70928100-051 | | | |
| 64WD | P4122 | 70928100-051 | | | |
| 64XA | P4122 | 70928100-051 | | | |
| 64XD | P4122 | 70928100-051 | | | |
| 68SA | P4122 | 70928100-051 | | | |
| 6A | 1U-487 | 58002487-001 | | | |
| 6B | 1U-487 | 58002487-001 | | | |
| 6C | 1U-487 | 58002487-001 | | | |
| 6D | 1U-484 | 58002484-001 | | | |
| 6E | 1U-484 | 58002484-001 | | | |
| 6F | 1U-484 | 58002484-001 | | | |
| 6G | 1U-670 | 58002670-001 | | | |
| 6H | 1Q-616 | 58002616-001 | | | |
| 6J | 2F9463 | 43C216463P1 | | | |
| 6K | 2F9463 | 43C216463P1 | | | |
| 6L | 2F9463 | 43C216463P1 | | | |
| 6M | 1R9455 | 43C216455P1 | | | |
| 6N | 1R9455 | 43C216455P1 | | | |
| 6P | 1R9455 | 43C216455P1 | | | |
| 6Q | 1R9455 | 43C216455P1 | | | |
| 6R | 1Q-071 | 58002071-001 | | | |
| 6S | 1B-472 | 58002472-001 | | | |
| 6T | 1B-017 | 58002017-001 | | | |
| 6U | 1B-472 | 58002472-001 | | | |
| 70AE | P1043 | 43C212092P1043 | | | |
| 70BE | P9 | 43A114748P9 | | | |
| 70CE | P1043 | 43C212092P1043 | | | |

COMP INSTL LIST - MT8BH

TAB-001

| LOC | TYPE | IDENT | X-POS | Y-POS | ROTATION |
|------|--------|----------------|-------|-------|----------|
| 70EE | P9 | 43A114748P9 | | | |
| 70FE | P1043 | 43C212092P1043 | | | |
| 70JE | P1043 | 43C212092P1043 | | | |
| 70LE | P1043 | 43C212092P1043 | | | |
| 70ME | P9 | 43A114748P9 | | | |
| 70PE | P1043 | 43C212092P1043 | | | |
| 70QE | P9 | 43A114748P9 | | | |
| 70SE | P1043 | 43C212092P1043 | | | |
| 70TE | P9 | 43A114748P9 | | | |
| 70UE | P1043 | 43C212092P1043 | | | |
| 70WE | P9 | 43A114748P9 | | | |
| 72WA | P4122 | 70928100-051 | | | |
| 72WD | P4122 | 70928100-051 | | | |
| 72XA | P4122 | 70928100-051 | | | |
| 72XD | P4122 | 70928100-051 | | | |
| 78HA | P4122 | 70928100-051 | | | |
| 78KA | P4122 | 70928100-051 | | | |
| 78MA | P4122 | 70928100-051 | | | |
| 7A | 1U-487 | 58002487-001 | | | |
| 7B | 1U-487 | 58002487-001 | | | |
| 7C | 1U-487 | 58002487-001 | | | |
| 7D | 1U-484 | 58002484-001 | | | |
| 7E | 1U-484 | 58002484-001 | | | |
| 7F | 1U-484 | 58002484-001 | | | |
| 7G | 1U-670 | 58002670-001 | | | |
| 7J | 1B-015 | 58002015-001 | | | |
| 7K | 1B-475 | 58002475-001 | | | |
| 7L | 1B-017 | 58002017-001 | | | |
| 7M | 1P3405 | 43C216405P1 | | | |
| 7N | 1U-425 | 58002425-001 | | | |
| 7P | 1U-425 | 58002425-001 | | | |
| 7Q | 1U-425 | 58002425-001 | | | |
| 7R | 1U-425 | 58002425-001 | | | |
| 7S | 1U-425 | 58002425-001 | | | |
| 7U | 1R9455 | 43C216455P1 | | | |
| 80AE | P1043 | 43C212092P1043 | | | |
| 80BE | P9 | 43A114748P9 | | | |
| 80CE | P1043 | 43C212092P1043 | | | |

HONEYWELL INFORMATION SYSTEMS
 LOC PHOENIX, ARIZONA, U.S.A.

58071762
 8

7

COMP INSTL LIST - MT8BH

HONEYWELL INFORMATION SYSTEMS
 LOC PHOENIX, ARIZONA, U.S.A.

58071762
 FINAL

8

COMP INSTL LIST - MT8BH

TAB-001

| LOC | TYPE | IDENT | X-POS | Y-POS | ROTATION |
|------|--------|----------------|-------|-------|----------|
| 80EE | P9 | 43A114748P9 | | | |
| 80FE | P1043 | 43C212092P1043 | | | |
| 80JE | P1043 | 43C212092P1043 | | | |
| 80LE | P1043 | 43C212092P1043 | | | |
| 80ME | P9 | 43A114748P9 | | | |
| 80PE | P1043 | 43C212092P1043 | | | |
| 80QE | P9 | 43A114748P9 | | | |
| 80SE | P1043 | 43C212092P1043 | | | |
| 80TE | P9 | 43A114748P9 | | | |
| 80UE | P1043 | 43C212092P1043 | | | |
| 80WA | P4122 | 70928100-051 | | | |
| 80WD | P4122 | 70928100-051 | | | |
| 80WE | P9 | 43A114748P9 | | | |
| 80XA | P4122 | 70928100-051 | | | |
| 80XD | P4122 | 70928100-051 | | | |
| 88WA | P4122 | 70928100-051 | | | |
| 88WD | P4122 | 70928100-051 | | | |
| 88XA | P4122 | 70928100-051 | | | |
| 88XD | P4122 | 70928100-051 | | | |
| 8A | 1U-487 | 58002487-001 | | | |
| 8B | 1U-487 | 58002487-001 | | | |
| 8C | 1U-487 | 58002487-001 | | | |
| 8D | 1U-484 | 58002484-001 | | | |
| 8E | 1U-484 | 58002484-001 | | | |
| 8F | 1U-484 | 58002484-001 | | | |
| 8G | 1U-670 | 58002670-001 | | | |
| 8J | RN4D | 43B216592P17 | | | |
| 8K | 1B-017 | 58002017-001 | | | |
| 8L | 1B-015 | 58002015-001 | | | |
| 8M | 1B-094 | 58002094-001 | | | |
| 8N | 1B-017 | 58002017-001 | | | |
| 8P | 1B-017 | 58002017-001 | | | |
| 8R | 1B-015 | 58002015-001 | | | |
| 8S | 1B3443 | 43C216443P1 | | | |
| 8U | RN4B | 43B216592P15 | | | |
| 8V | RN4B | 43B216592P15 | | | |
| 90AE | P1043 | 43C212092P1043 | | | |
| 90EE | P9 | 43A114748P9 | | | |

TAB-001

| LOC | TYPE | IDENT | X-POS | Y-POS | ROTATION |
|------|--------|----------------|-------|-------|----------|
| 90FE | P1043 | 43C212092P1043 | | | |
| 90JE | P1043 | 43C212092P1043 | | | |
| 90LE | P1043 | 43C212092P1043 | | | |
| 90ME | P9 | 43A114748P9 | | | |
| 90PE | P1043 | 43C212092P1043 | | | |
| 90QE | P9 | 43A114748P9 | | | |
| 90UE | P1043 | 43C212092P1043 | | | |
| 90WE | P9 | 43A114748P9 | | | |
| 9A | 1E-011 | 58002011-001 | | | |
| 9B | 1B-017 | 58002017-001 | | | |
| 9C | 1B-017 | 58002017-001 | | | |
| 9D | 1E-011 | 58002011-001 | | | |
| 9E | 1B-017 | 58002017-001 | | | |
| 9F | 1B-017 | 58002017-001 | | | |
| 9G | 1B-017 | 58002017-001 | | | |
| 9H | 1B-495 | 58002495-001 | | | |
| 9J | 1B-472 | 58002472-001 | | | |
| 9K | 1C3447 | 43C216447P1 | | | |
| 9L | 1C3447 | 43C216447P1 | | | |
| 9M | 1Q-066 | 58002066-001 | | | |
| 9N | 1Q-066 | 58002066-001 | | | |
| 9P | 1Q-066 | 58002066-001 | | | |
| 9Q | 1Q-066 | 58002066-001 | | | |
| 9R | 1B3443 | 43C216443P1 | | | |
| 9S | 1B3443 | 43C216443P1 | | | |
| 9T | 1B-017 | 58002017-001 | | | |
| 9U | 1B3049 | 58002049-001 | | | |
| 9V | 1B-017 | 58002017-001 | | | |

EDA

81-09-01

REV. A

58071762
 FINAL

8

EDA

81-09-01

REV. A

58071762
 8

7

H
F
E
D
C
B
A

| SIGNAL NAME | PAGE |
|-----------------|------|
| \$CLRPSCB:100 | 8.0 |
| \$EXEC-SATS:120 | 7.0 |
| \$EXEC-SL0:011 | 7.0 |
| \$EXEC-SL1:121 | 7.0 |
| \$EXEC-SL1:122 | 7.0 |
| \$HWCLR:020 | 8.0 |
| \$HWCLR:110 | 8.0 |
| \$KRL-0:000 | 7.0 |
| \$KRL-1:000 | 7.0 |
| \$LDRG:000 | 7.0 |
| \$ORCLR:100 | 8.0 |
| \$P:100 | 8.0 |
| \$PC:000 | 8.0 |
| \$PCC:100 | 8.0 |
| \$PCLR-4T:020 | 8.0 |
| \$PCLR-5T:020 | 8.0 |
| \$PCLR-AG:020 | 8.0 |
| \$PCLR-CB:020 | 8.0 |
| \$PCLR-CB:120 | 8.0 |
| \$PCLR-DC:020 | 8.0 |
| \$PCLR-EC:020 | 8.0 |
| \$PCLR-FW:020 | 8.0 |
| \$PCLR-GD:020 | 8.0 |
| \$PCLR-PS:020 | 8.0 |
| \$PCLR-RC:020 | 8.0 |
| \$PCLR-SATS:131 | 8.0 |
| \$PCLR-WC:020 | 8.0 |
| \$PCLR09:000 | 8.0 |
| \$PCLR:030 | 8.0 |
| \$PCLR:031 | 8.0 |
| \$PCLR:032 | 8.0 |
| \$PCLR:033 | 8.0 |
| \$PCLR:034 | 8.0 |
| \$PCLRSTK:010 | 8.0 |
| \$PK:000 | 8.0 |
| \$R0:000 | 10.0 |
| \$R1:000 | 10.0 |
| \$R8:000 | 24.0 |
| \$R9:000 | 25.0 |
| \$RAW-SATS:120 | 19.0 |
| \$RAW-SL0:011 | 19.0 |
| \$RAW1:120 | 19.0 |
| \$RAW2:120 | 19.0 |
| \$RAW3:120 | 19.0 |
| \$RAW4:120 | 19.0 |
| \$STK01:010 | 24.0 |
| \$STK:010 | 24.0 |
| \$TCLR-00:020 | 8.0 |
| \$TCLR-01:020 | 8.0 |
| \$TCLR-CB:020 | 8.0 |
| \$TCLR-CB:120 | 8.0 |
| \$TCLR-PS:020 | 8.0 |
| \$TCLR-RC:020 | 8.0 |
| \$TCLR-WC:020 | 8.0 |
| \$TCLR:030 | 8.0 |
| \$TRMCLR:000 | 8.0 |
| \$WIDECLR:000 | 8.0 |
| \$WIDECLR:100 | 8.0 |
| \$XDLY:000 | 8.0 |
| \$XDLY:020 | 8.0 |
| \$XDLY:110 | 8.0 |
| \$HOLD:000 | 25.0 |
| ABORT-TERM:100 | 5.0 |
| ACK:000 | 20.0 |

| SIGNAL NAME | PAGE |
|--------------------|------|
| ACK:110 | 20.0 |
| ACPE:100 | 6.0 |
| BLINK:100 | 7.0 |
| BUFFERINGAVAIL:100 | 20.0 |
| BYTE-RDPACK:000 | 24.0 |
| C=0:3:000 | 23.0 |
| C=0:100 | 23.0 |
| C=1:100 | 23.0 |
| CB-ERR:100 | 26.0 |
| CMDB:000 | 7.0 |
| DC-DTAAVAIL:000 | 17.0 |
| DCC-CB-PWB:000 | 7.0 |
| DCC-CB-PWB:110 | 7.0 |
| DCC0A:100 | 7.0 |
| DCC0C:100 | 7.0 |
| DCC0X0:100 | 7.0 |
| DCC0X0:000 | 7.0 |
| DCC0X1+2:110 | 8.0 |
| DCC0X1:000 | 7.0 |
| DCC0X1:110 | 7.0 |
| DCC0X1:111 | 8.0 |
| DCC0X2:000 | 7.0 |
| DCC0X2:110 | 7.0 |
| DCC0X3+4:011 | 19.0 |
| DCC0X3+4:100 | 7.0 |
| DCC0X36:100 | 7.0 |
| DCC0X3:000 | 7.0 |
| DCC0X4:000 | 7.0 |
| DCC0X5:000 | 7.0 |
| DCC0X6:000 | 7.0 |
| DCC0X7:000 | 7.0 |
| DCC034NOT:100 | 7.0 |
| DCC07F&RST:000 | 7.0 |
| DCC09F&RST:000 | 7.0 |
| DDAI-DATA-IN00-050 | 18.0 |
| DDAI-DATA-IN01-050 | 18.0 |
| DDAI-DATA-IN02-050 | 18.0 |
| DDAI-DATA-IN03-050 | 18.0 |
| DDAI-DATA-IN04-050 | 18.0 |
| DDAI-DATA-IN05-050 | 18.0 |
| DDAI-DATA-IN06-050 | 18.0 |
| DDAI-DATA-IN07-050 | 18.0 |
| DDAI-DATA-INP0-050 | 18.0 |
| DDAI-EXEC-050 | 19.0 |
| DDAI-INIT-050 | 8.0 |
| DDAI-SEL-DA0-050 | 4.0 |
| DDAI-STAT0-050 | 26.0 |
| DDAI-STAT1-050 | 26.0 |
| DDAI-STAT2-050 | 26.0 |
| DDAI-STAT3-050 | 26.0 |
| DDAI-STATP-050 | 26.0 |
| DFDAI-ADD-CNT0:100 | 6.0 |
| DFDAI-ADD-CNT1:100 | 6.0 |
| DFDAI-ADD-CNT2:100 | 6.0 |
| DFDAI-ADD-CNT3:100 | 6.0 |
| DFDAI-ADD-CNT4:100 | 6.0 |
| DFDAI-ADD-CNT5:100 | 6.0 |
| DFDAI-ADD-CNT6:100 | 6.0 |
| DFDAI-ADD-CNT7:100 | 6.0 |
| DFDAI-ADD-CNTP:100 | 6.0 |
| DFDAI-DTA-0-00:010 | 4.0 |
| DFDAI-DTA-0-01:010 | 4.0 |
| DFDAI-DTA-0-02:010 | 4.0 |
| DFDAI-DTA-0-03:010 | 4.0 |

| SIGNAL NAME | PAGE |
|--------------------|------|
| DFDAI-DTA-0-04:010 | 4.0 |
| DFDAI-DTA-0-05:010 | 4.0 |
| DFDAI-DTA-0-06:010 | 4.0 |
| DFDAI-DTA-0-07:010 | 4.0 |
| DFDAI-DTA-0-P:010 | 4.0 |
| DO-00:120 | 4.0 |
| DO-01:120 | 4.0 |
| DO-02:120 | 4.0 |
| DO-03:120 | 4.0 |
| DO-04:120 | 4.0 |
| DO-05:120 | 4.0 |
| DO-06:120 | 4.0 |
| DO-07:120 | 4.0 |
| DO-P0:030 | 4.0 |
| DO-P0:120 | 4.0 |
| DOPE:100 | 4.0 |
| DRC-AVAIL:000 | 20.0 |
| DRC-TRM:000 | 9.0 |
| DRC-TRM:110 | 9.0 |
| DTAHERE:100 | 24.0 |
| DTANRDY:100 | 20.0 |
| DTATAKEN:120 | 25.0 |
| DTATST:000 | 20.0 |
| EMP6:000 | 22.0 |
| EMP7:000 | 22.0 |
| EREGP:110 | 18.0 |
| ERINTSATS:000 | 6.0 |
| ERINTSATS:110 | 6.0 |
| ERR:000 | 6.0 |
| ERRINTCB:000 | 26.0 |
| ERRINTCB:100 | 6.0 |
| F2BCD:010 | 27.0 |
| F2F:000 | 21.0 |
| F2F:100 | 21.0 |
| F2T:000 | 22.0 |
| F2T:100 | 22.0 |
| F2T:110 | 22.0 |
| F3F:000 | 21.0 |
| F3F:100 | 21.0 |
| F4F:000 | 21.0 |
| F4F:100 | 21.0 |
| F5F:000 | 21.0 |
| F5F:100 | 21.0 |
| F6/ASC11/6:010 | 27.0 |
| F6/EBS/6:010 | 28.0 |
| F6/EBS/6:030 | 28.0 |
| F6/EBS/6:120 | 28.0 |
| F6BCD-7:010 | 28.0 |
| F6F:000 | 21.0 |
| F6F:100 | 21.0 |
| F7F:100 | 21.0 |
| F7T:000 | 22.0 |
| F7T:100 | 22.0 |
| F8F:100 | 25.0 |
| F8T:000 | 25.0 |
| F9F:000 | 25.0 |
| F9F:100 | 25.0 |
| F9T:100 | 25.0 |
| FACK:000 | 20.0 |
| FACK:100 | 20.0 |
| FACPE:000 | 6.0 |
| FACPE:100 | 6.0 |
| FASC11/EBS:010 | 28.0 |
| FASC11/EBS:030 | 28.0 |

| SIGNAL NAME | PAGE |
|--------------------|------|
| FASC11/EBS:120 | 28.0 |
| FBLINK:100 | 26.0 |
| FC-DTARDYACK:110 | 20.0 |
| FC-DTATRM:010 | 25.0 |
| FCBINT:000 | 19.0 |
| FDOPE:000 | 4.0 |
| FDOPE:100 | 4.0 |
| FENBPACK:000 | 26.0 |
| FICP:000 | 19.0 |
| FICP:100 | 19.0 |
| FINT:100 | 19.0 |
| FK0:000 | 23.0 |
| FK0:100 | 23.0 |
| FK1:000 | 23.0 |
| FK1:100 | 23.0 |
| FK2:100 | 23.0 |
| FL&S:000 | 24.0 |
| FL&S:010 | 21.0 |
| FL&S:100 | 24.0 |
| FL&S:110 | 24.0 |
| FLOB:000 | 24.0 |
| FLOB:100 | 24.0 |
| FORMF:000 | 20.0 |
| FP-DTAAVAIL:010 | 20.0 |
| FP-RDDTA-TAKEN:010 | 25.0 |
| FPWIDECLR:000 | 8.0 |
| FR0F:000 | 20.0 |
| FR0F:100 | 20.0 |
| FR1F:000 | 20.0 |
| FR1F:100 | 20.0 |
| FRIPER:000 | 26.0 |
| FRIPER:100 | 26.0 |
| FRIT:100 | 20.0 |
| FR67PER:000 | 26.0 |
| FR67PER:100 | 26.0 |
| FR9PE:000 | 16.0 |
| FR9PE:100 | 16.0 |
| FSTKFUL:000 | 24.0 |
| FSTKFUL:100 | 24.0 |
| FTCP:100 | 19.0 |
| FTERM:000 | 19.0 |
| FTERM:100 | 19.0 |
| FULL:000 | 19.0 |
| FULL:100 | 19.0 |
| FULREGP:100 | 18.0 |
| FW-DTARDYACK:000 | 25.0 |
| FWIDECLR:000 | 23.0 |
| FWWAIT:000 | 24.0 |
| GND-0C12 | 12.0 |
| GND-0D12 | 12.0 |
| GND-0E12 | 12.0 |
| GND-0F12 | 12.0 |
| GND-0G12 | 12.0 |
| GND-0J07 | 21.0 |
| GND-0M08 | 14.0 |
| GND-0N08 | 14.0 |
| GND-0P08 | 14.0 |

H
F
E
D
C
B
A

58033744

NO INFORMATION CONTAINED IN THIS DOCUMENT IS TO BE RELEASED TO THE PUBLIC OR TO ANY OTHER PERSON OR ORGANIZATION WITHOUT THE WRITTEN PERMISSION OF THE HONEYWELL CORPORATION.

FOR DOCUMENT STATUS SEE REVISION STATUS SHEET

| | | | |
|---|--|--|--|
| HONEYWELL | | | |
| HONEYWELL INFORMATION SYSTEMS LOC. CEO PHOENIX, ARIZONA U.S.A. | | | |
| TITLE LOGIC DIAGRAM- MT8CB | | | |
| LOGIC - | | | |
| PAGE CROSS REFERENCE | | | |

| | | | | |
|----------------|------|----------|-----|-----|
| DATA BASE | SIZE | DWG NO | SH | REV |
| ACTPK/UMT8CB17 | B | 58033744 | 1.0 | G |
| OR | | | | |
| DFIG 77AUG30 | | | | |

H
F
E
D
C
B
A

| SIGNAL NAME | PAGE |
|---------------|------|
| GND-0008 | 14.0 |
| GND-0R08 | 14.0 |
| GND-1B08 | 11.0 |
| GND-1C12 | 12.0 |
| GND-1D12 | 12.0 |
| GND-1E12 | 12.0 |
| GND-1F12 | 12.0 |
| GND-1H08 | 12.0 |
| GND-1N08 | 13.0 |
| GND-1P08 | 15.0 |
| GND-1Q08 | 15.0 |
| GND-1R08 | 15.0 |
| GND-1S08 | 16.0 |
| GND-1T08 | 16.0 |
| GND-2N08 | 17.0 |
| GND-2P08 | 17.0 |
| GND-2Q08 | 17.0 |
| GND-2R08 | 17.0 |
| GND-2S08 | 17.0 |
| GND-2U07 | 16.0 |
| GND-3G13 | 20.0 |
| GND-3N08 | 18.0 |
| GND-3P08 | 18.0 |
| GND-3Q08 | 18.0 |
| GND-3R08 | 5.0 |
| GND-3U13 | 16.0 |
| GND-4B08 | 10.0 |
| GND-4E08 | 4.0 |
| GND-4G13 | 8.0 |
| GND-4J13 | 23.0 |
| GND-4T13 | 26.0 |
| GND-4U13 | 26.0 |
| GND-5B08 | 10.0 |
| GND-5S13 | 22.0 |
| GND-6G13 | 4.0 |
| GND-6G13 | 6.0 |
| GND-6V08 | 28.0 |
| GND-7K08 | 5.0 |
| GND-7P07 | 18.0 |
| GND-7Q07 | 18.0 |
| GND-7R07 | 18.0 |
| GND-7S08 | 28.0 |
| GND-7T08 | 28.0 |
| GND-7U08 | 28.0 |
| GND-7V08 | 28.0 |
| GND-8G07 | 4.0 |
| GND-8U08 | 27.0 |
| GND-9J07 | 19.0 |
| GND-9U07 | 26.0 |
| GND-601N:100 | 24.0 |
| HAY1:000 | 19.0 |
| HAY2:000 | 19.0 |
| HAY3:000 | 19.0 |
| HELP:100 | 19.0 |
| ICP6:000 | 22.0 |
| ICP7:000 | 22.0 |
| ICP:100 | 19.0 |
| INH7T08:000 | 5.0 |
| INIT:010 | 8.0 |
| INI?:100 | 8.0 |
| K=3:010 | 23.0 |
| K=3:100 | 23.0 |
| KENB:100 | 23.0 |
| KICKPCT00:000 | 22.0 |

| SIGNAL NAME | PAGE |
|----------------|------|
| L&S:000 | 24.0 |
| L&S:010 | 24.0 |
| LASTOTA:100 | 25.0 |
| LDB:000 | 24.0 |
| LDB:010 | 24.0 |
| LSTOTA:100 | 20.0 |
| MASTERMODE:010 | 19.0 |
| MASTERMODE:100 | 19.0 |
| MCCNVA-0:010 | 27.0 |
| MCCNVA-0:100 | 27.0 |
| MCCNVA-0:120 | 27.0 |
| MCCNVA-1:100 | 27.0 |
| MCCNVA-2:100 | 27.0 |
| MCCNVA-3:100 | 27.0 |
| MCCNVA-4:100 | 27.0 |
| MCCNVA-5:100 | 27.0 |
| MCCNVA-6:100 | 27.0 |
| MCCNVA-7:100 | 27.0 |
| MCCNVA-P:000 | 27.0 |
| MCCNVA-P:100 | 27.0 |
| MCCNVB-2:100 | 27.0 |
| MCCNVB-3:100 | 27.0 |
| MCCNVB-4:100 | 27.0 |
| MCCNVB-5:100 | 27.0 |
| MCCNVB-6:100 | 27.0 |
| MCCNVB-7:100 | 27.0 |
| MCCNVB-P:000 | 27.0 |
| MFTA:000 | 20.0 |
| MISCP:100 | 18.0 |
| MOD24:000 | 22.0 |
| MOVE-TERM:100 | 20.0 |
| MPCLD:000 | 24.0 |
| NACK:000 | 19.0 |
| NORT:000 | 20.0 |
| NRST:000 | 20.0 |
| ODDWRPAD:000 | 20.0 |
| OPOND:000 | 23.0 |
| OWET:000 | 20.0 |
| P001:000 | 10.0 |
| P003:000 | 10.0 |
| P023:000 | 10.0 |
| P101:000 | 10.0 |
| P103:000 | 10.0 |
| P107:000 | 10.0 |
| P107:150 | 10.0 |
| P123:000 | 10.0 |
| P125:000 | 10.0 |
| P145:000 | 10.0 |
| P147:000 | 10.0 |
| P167:000 | 10.0 |
| P601:000 | 13.0 |
| P607:000 | 13.0 |
| P623:000 | 13.0 |
| P625:000 | 13.0 |
| P625P747:000 | 13.0 |
| P627:000 | 13.0 |
| P627P767:000 | 13.0 |
| P645:000 | 13.0 |
| P667:000 | 13.0 |
| P701:000 | 13.0 |
| P707:000 | 13.0 |
| P707:150 | 13.0 |
| P723:000 | 12.0 |
| P727:000 | 13.0 |

| SIGNAL NAME | PAGE |
|-----------------|------|
| P727P623:000 | 13.0 |
| P745:000 | 13.0 |
| P747:000 | 13.0 |
| P767:000 | 13.0 |
| PACK3:000 | 22.0 |
| PACK3:110 | 22.0 |
| PACKINGWAIT-000 | 20.0 |
| PGUNPK0:000 | 10.0 |
| PGUNPK1:000 | 10.0 |
| PGUNPK2:000 | 10.0 |
| PGUNPK3:000 | 10.0 |
| PRELDRST:000 | 4.0 |
| PSBLOCK:000 | 15.0 |
| PSPWB:000 | 7.0 |
| PULUPI:100 | 4.0 |
| R0-0:100 | 10.0 |
| R0-1:100 | 10.0 |
| R0-2:100 | 10.0 |
| R0-3:100 | 10.0 |
| R0-4:100 | 10.0 |
| R0-5:100 | 10.0 |
| R0-6:100 | 10.0 |
| R0-7:100 | 10.0 |
| R0-P:100 | 10.0 |
| R0F:000 | 20.0 |
| R0T:010 | 10.0 |
| R0T:100 | 10.0 |
| R1-0:100 | 10.0 |
| R1-1:100 | 10.0 |
| R1-2:100 | 10.0 |
| R1-3:100 | 10.0 |
| R1-4:100 | 10.0 |
| R1-5:100 | 10.0 |
| R1-6:100 | 10.0 |
| R1-7:100 | 10.0 |
| R1-P:100 | 10.0 |
| RIF+UNLD:100 | 24.0 |
| RIPERR:000 | 10.0 |
| RIT:100 | 20.0 |
| R6+7PER:000 | 13.0 |
| R6-0:100 | 12.0 |
| R6-1:100 | 12.0 |
| R6-2:100 | 12.0 |
| R6-3:100 | 12.0 |
| R6-4:100 | 12.0 |
| R6-5:100 | 12.0 |
| R6-6:100 | 12.0 |
| R6-7:100 | 12.0 |
| R6-P:000 | 12.0 |
| R6PERR:100 | 13.0 |
| R7-0:100 | 12.0 |
| R7-1:100 | 12.0 |
| R7-2:100 | 12.0 |
| R7-3:100 | 12.0 |
| R7-4:100 | 12.0 |
| R7-5:100 | 12.0 |
| R7-6:100 | 12.0 |
| R7-7:100 | 12.0 |
| R7-P:000 | 12.0 |
| R7ERR:100 | 13.0 |
| R8-0:100 | 16.0 |
| R8-1:100 | 16.0 |
| R8-2:100 | 16.0 |
| R8-3:100 | 16.0 |

| SIGNAL NAME | PAGE |
|---------------|------|
| R8-4:100 | 16.0 |
| R8-5:100 | 16.0 |
| R8-6:100 | 16.0 |
| R8-7:100 | 16.0 |
| R8-P:100 | 16.0 |
| R8ZPCKPE:100 | 16.0 |
| R9-0:100 | 16.0 |
| R9-1:100 | 16.0 |
| R9-2:100 | 16.0 |
| R9-3:100 | 16.0 |
| R9-4:100 | 16.0 |
| R9-5:100 | 16.0 |
| R9-6:100 | 16.0 |
| R9-7:100 | 16.0 |
| R9-HOLD:010 | 5.0 |
| R9-HOLD:100 | 5.0 |
| R9-P:000 | 16.0 |
| R9-P:100 | 16.0 |
| R9C-DTA0:010 | 16.0 |
| R9C-DTA1:010 | 16.0 |
| R9C-DTA2:010 | 16.0 |
| R9C-DTA3:010 | 16.0 |
| R9C-DTA4:010 | 16.0 |
| R9C-DTA5:010 | 16.0 |
| R9C-DTA6:010 | 16.0 |
| R9C-DTA7:010 | 16.0 |
| R9C-DTAP:010 | 16.0 |
| R9PE:000 | 16.0 |
| R9PE:100 | 16.0 |
| R9ZPCKPE:100 | 16.0 |
| RC-4X3:011 | 5.0 |
| RC-4X3:100 | 5.0 |
| RC-6886:011 | 5.0 |
| RC-6886:100 | 5.0 |
| RC-6886:120 | 5.0 |
| RC-ENBINT:010 | 5.0 |
| RC-ENBINT:100 | 5.0 |
| RC-HOLD:100 | 5.0 |
| RC-KRL0P:000 | 5.0 |
| RC-KRL0P:110 | 5.0 |
| RC-OP10:010 | 5.0 |
| RC-OP10:100 | 5.0 |
| RC-OP11:010 | 5.0 |
| RC-OP11:100 | 5.0 |
| RC-PORT1:010 | 5.0 |
| RC-PORT1:100 | 5.0 |
| RC-PSTST:010 | 5.0 |
| RC-PSTST:100 | 5.0 |
| RC-SC:010 | 5.0 |
| RC-SC:100 | 5.0 |
| RC-TEST:010 | 5.0 |
| RC-TEST:100 | 5.0 |
| RC-WRAP:010 | 5.0 |
| RC-WRAP:100 | 5.0 |
| RC-WRT:010 | 5.0 |
| RC-WRT:011 | 5.0 |
| RC-WRT:100 | 5.0 |

H
F
E
D
C
B
A

NO INFORMATION CONTAINED IN THIS DOCUMENT IS TO BE RELEASED UNLESS INDICATED OTHERWISE BY THE ISSUING OFFICE.

58033744

FOR DOCUMENT STATUS SEE REVISION STATUS SHEET

HONEYWELL
HONEYWELL INFORMATION SYSTEMS
LOC. CEO PHOENIX, ARIZONA U.S.A.

TITLE LOGIC DIAGRAM- MT8CB
LOGIC
PAGE CROSS REFERENCE

| | | | | |
|----------------|------|----------|-----|-----|
| DATA BASE | SIZE | ORG NO | SH | REV |
| ACTPK/UMT8CB17 | B | 58033744 | 1.1 | G |

OR
FIG. 77AUG30

H
F
E
D
C
B
A

| SIGNAL NAME | PAGE |
|------------------|------|
| RCTST-ACK:000 | 22.0 |
| ROTAPE:000 | 9.0 |
| ROTATOSATS:000 | 25.0 |
| ROTATOSATS:100 | 25.0 |
| ROTRWOSATS:100 | 25.0 |
| READ-SATS:100 | 9.0 |
| READ-WRAP:100 | 9.0 |
| RL0:100 | 4.0 |
| RL1:100 | 4.0 |
| RL2:100 | 4.0 |
| RL3:100 | 4.0 |
| RL4:100 | 4.0 |
| RL5:100 | 4.0 |
| RL6:100 | 4.0 |
| RL7:100 | 4.0 |
| RLP:000 | 4.0 |
| RLP:110 | 4.0 |
| RRIF:000 | 20.0 |
| RRC-CBINTENB:010 | 19.0 |
| RRC-CBINTENB:100 | 19.0 |
| RSTKFUL:100 | 24.0 |
| RULL:100 | 19.0 |
| RUNILATE:000 | 24.0 |
| S-TACK:010 | 25.0 |
| S-TACK:100 | 22.0 |
| S2F:100 | 21.0 |
| S2T:000 | 22.0 |
| S2T:110 | 22.0 |
| S3F:100 | 21.0 |
| S4F:100 | 21.0 |
| S5F:100 | 21.0 |
| S6F:100 | 21.0 |
| S7F:010 | 26.0 |
| S7F:100 | 21.0 |
| S8T:000 | 25.0 |
| S8T:110 | 25.0 |
| S9F:000 | 25.0 |
| S9F:110 | 25.0 |
| S9T:100 | 25.0 |
| SATS-TST:010 | 9.0 |
| SATS-TST:100 | 9.0 |
| SATSDTAVAL:000 | 20.0 |
| SATSMODE:000 | 26.0 |
| SATSMODE:020 | 26.0 |
| SATSMODE:110 | 26.0 |
| SATSRDACK:000 | 22.0 |
| SATSRUPT:000 | 19.0 |
| SATSRUPT:110 | 19.0 |
| SATSWBFRMODE:000 | 9.0 |
| SATSWBFRMODE:020 | 9.0 |
| SATSWBFRMODE:110 | 9.0 |
| SATSWRT:000 | 9.0 |
| SFK0:100 | 23.0 |
| SFK1:000 | 23.0 |
| SFK1:110 | 23.0 |
| SINT:000 | 19.0 |
| SINT:110 | 19.0 |
| SRIF:010 | 20.0 |
| SRIF:100 | 20.0 |
| SRIP:100 | 26.0 |
| SR67P:100 | 26.0 |
| SR9PE:100 | 16.0 |
| STKTRM1:000 | 22.0 |
| STKTRM2:000 | 22.0 |

| SIGNAL NAME | PAGE |
|----------------|------|
| STKTRM2:110 | 22.0 |
| STKTRM:000 | 25.0 |
| STKTRM:100 | 22.0 |
| IACK:000 | 19.0 |
| ICP6:000 | 22.0 |
| ICP7:000 | 4.0 |
| ICP:100 | 19.0 |
| ICPWAIT:000 | 20.0 |
| TERM:100 | 19.0 |
| TFK1:100 | 23.0 |
| TFK2:000 | 23.0 |
| TFK2:110 | 23.0 |
| ULL:100 | 19.0 |
| UNLOAD:000 | 24.0 |
| UNPKDTARDY:100 | 24.0 |
| UP2U:100 | 16.0 |
| UP9J:100 | 19.0 |
| UPS:100 | 21.0 |
| VACENCY:100 | 24.0 |
| WRTUNPK:000 | 23.0 |
| WRTUNPK:110 | 24.0 |
| WRTUNPKRDY:000 | 24.0 |
| XFRSTK:000 | 24.0 |
| ZCC0:100 | 28.0 |
| ZCC1:100 | 28.0 |
| ZCC2:100 | 28.0 |
| ZCC3:100 | 28.0 |
| ZCC4:100 | 28.0 |
| ZCC5:100 | 28.0 |
| ZCC6:100 | 28.0 |
| ZCC7:100 | 28.0 |
| ZCCP:000 | 28.0 |
| ZD1-00:100 | 17.0 |
| ZD1-01:100 | 17.0 |
| ZD1-02:100 | 17.0 |
| ZD1-03:100 | 17.0 |
| ZD1-04:100 | 17.0 |
| ZD1-05:100 | 18.0 |
| ZD1-06:100 | 18.0 |
| ZD1-07:100 | 18.0 |
| ZD1-P0:100 | 5.0 |
| ZIN0:100 | 9.0 |
| ZIN1:100 | 9.0 |
| ZIN2:100 | 9.0 |
| ZIN3:100 | 9.0 |
| ZIN4:100 | 9.0 |
| ZIN5:100 | 9.0 |
| ZIN6:100 | 9.0 |
| ZIN7:100 | 9.0 |
| ZINP:100 | 9.0 |
| ZINT:100 | 9.0 |
| ZPCK0:000 | 14.0 |
| ZPCK0:100 | 14.0 |
| ZPCK1:000 | 14.0 |
| ZPCK1:100 | 14.0 |
| ZPCK2:000 | 14.0 |
| ZPCK2:100 | 14.0 |
| ZPCK3:000 | 14.0 |
| ZPCK3:100 | 14.0 |
| ZPCK4:100 | 14.0 |
| ZPCK5:100 | 15.0 |
| ZPCK6:100 | 15.0 |
| ZPCK7:100 | 15.0 |
| ZPCKP:000 | 13.0 |

| SIGNAL NAME | PAGE |
|--------------|------|
| ZPCKP:100 | 13.0 |
| ZPCKPE:100 | 14.0 |
| ZPS-DTA0:100 | 9.0 |
| ZPS-DTA1:100 | 9.0 |
| ZPS-DTA2:100 | 9.0 |
| ZPS-DTA3:100 | 9.0 |
| ZPS-DTA4:100 | 9.0 |
| ZPS-DTA5:100 | 9.0 |
| ZPS-DTA6:100 | 9.0 |
| ZPS-DTA7:100 | 9.0 |
| ZPS-DTAP:100 | 5.0 |
| ZPS-TRM:100 | 9.0 |
| ZRC-0:100 | 9.0 |
| ZRC-1:100 | 9.0 |
| ZRC-2:100 | 9.0 |
| ZRC-3:100 | 9.0 |
| ZRC-4:100 | 9.0 |
| ZRC-5:100 | 9.0 |
| ZRC-6:100 | 9.0 |
| ZRC-7:100 | 9.0 |
| ZRC-P:100 | 9.0 |
| ZRST2:100 | 21.0 |
| ZRST3:100 | 21.0 |
| ZRST4:100 | 21.0 |
| ZRST5:100 | 21.0 |
| ZRST6:100 | 22.0 |
| ZRST7:100 | 22.0 |
| ZSATS-W0:100 | 9.0 |
| ZSATS-W1:100 | 9.0 |
| ZSATS-W2:100 | 9.0 |
| ZSATS-W3:100 | 9.0 |
| ZSATS-W4:100 | 9.0 |
| ZSATS-W5:100 | 9.0 |
| ZSATS-W6:100 | 9.0 |
| ZSATS-W7:100 | 9.0 |
| ZSATS-WP:100 | 9.0 |
| ZSATS-WT:100 | 9.0 |
| ZSTKP:000 | 11.0 |
| ZUNPK0:100 | 11.0 |
| ZUNPK1:100 | 11.0 |
| ZUNPK2:100 | 11.0 |
| ZUNPK3:100 | 11.0 |
| ZUNPK4:100 | 11.0 |
| ZUNPK5:100 | 11.0 |
| [2*6BCD:010 | 28.0 |
| [2*6BCD:100 | 28.0 |
| [2F:000 | 21.0 |
| [AC-0:010 | 6.0 |
| [AC-1:010 | 6.0 |
| [AC-2:010 | 6.0 |
| [AC-3:010 | 6.0 |
| [AC-3:120 | 6.0 |
| [AC-4:010 | 6.0 |
| [AC-4:120 | 6.0 |
| [AC-5:010 | 6.0 |
| [AC-5:120 | 6.0 |
| [AC-6:010 | 6.0 |
| [AC-6:120 | 6.0 |
| [AC-7:010 | 6.0 |
| [AC-7:120 | 6.0 |
| [AC-P:010 | 6.0 |
| [AC-X0:000 | 7.0 |
| [BINARY:000 | 28.0 |
| [CBALLRD:110 | 7.0 |

| SIGNAL NAME | PAGE |
|----------------|------|
| [CODE:100 | 28.0 |
| [DBI:000 | 7.0 |
| [DBI:110 | 7.0 |
| [E:000 | 21.0 |
| [E:100 | 21.0 |
| [EXEC:010 | 19.0 |
| [EXEC:100 | 19.0 |
| [FIL:000 | 15.0 |
| [FWLD:000 | 15.0 |
| [FWLD:110 | 15.0 |
| [ICPING:000 | 21.0 |
| [ICPING:110 | 21.0 |
| [ILEGAL:000 | 27.0 |
| [ILEGAL:110 | 27.0 |
| [INT:100 | 19.0 |
| [K:000 | 23.0 |
| [K:110 | 23.0 |
| [PACK:000 | 26.0 |
| [PACK:110 | 26.0 |
| [SAC-0:011 | 6.0 |
| [SAC-1:011 | 6.0 |
| [SAC-2:011 | 6.0 |
| [SAC-3:011 | 6.0 |
| [SAC-4:011 | 6.0 |
| [SAC-5:011 | 6.0 |
| [SAC-6:011 | 6.0 |
| [SAC-7:011 | 6.0 |
| [SAC-P:011 | 6.0 |
| [SEL128:010 | 27.0 |
| [SEL128:100 | 27.0 |
| [SEL1:000 | 28.0 |
| [SEL1:010 | 28.0 |
| [SEL1:100 | 11.0 |
| [SEL2:000 | 28.0 |
| [SEL2:010 | 28.0 |
| [SEL2:100 | 11.0 |
| [SEL64A:100 | 27.0 |
| [SEL64B:100 | 27.0 |
| [SELD-SATS:011 | 4.0 |
| [SELD:020 | 4.0 |
| [SELD:110 | 4.0 |
| [SELGRP:000 | 19.0 |
| [STKRL:100 | 24.0 |
| [TCPING:000 | 21.0 |
| [TCPING:110 | 21.0 |
| [UNLD:000 | 21.0 |
| [UNLD:110 | 21.0 |
| [WAIT:000 | 24.0 |
| [WAIT:100 | 24.0 |
| [ZPCK1:000 | 15.0 |
| [ZPCK1:110 | 15.0 |
| [ZPCK2:000 | 15.0 |
| [ZPCK2:110 | 15.0 |
| [ZPCK4:100 | 15.0 |

H
F
E
D
C
B
A

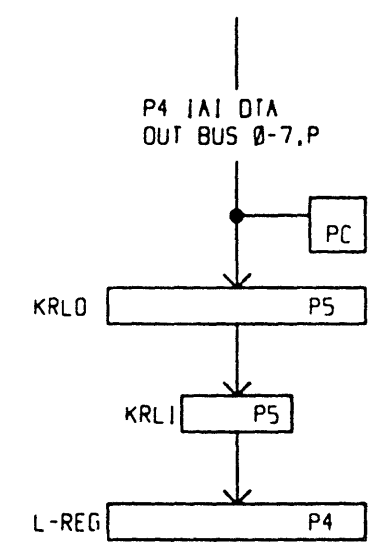
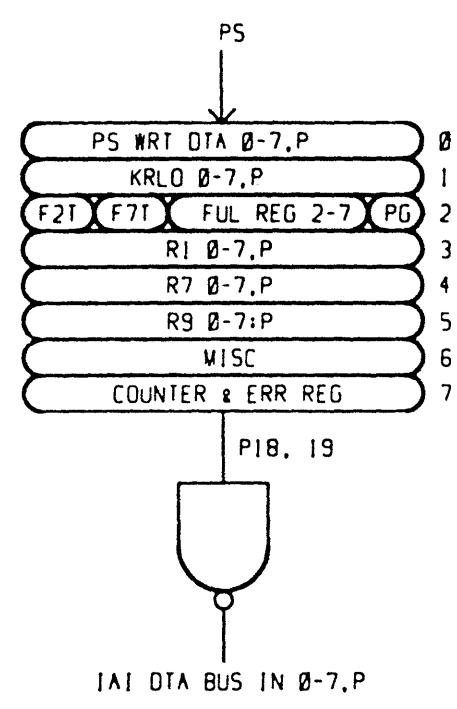
58033744

FOR DOCUMENT STATUS SEE REVISION STATUS SHEET

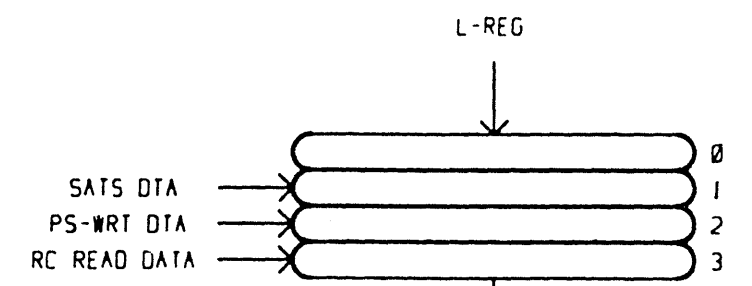
| | | | |
|--|--|--|--|
| HONEYWELL | | | |
| HONEYWELL INFORMATION SYSTEMS LOC CED PHOENIX, ARIZONA U.S.A. | | | |
| TITLE LOGIC DIAGRAM- MTBCB | | | |
| LOGIC - | | | |
| PAGE CROSS REFERENCE | | | |

| | | | | |
|-----------------------------|-----------|--------------------|-----------|----------|
| DATA BASE ACTPK/UMTBCB/7 | SIZE B | DRG NO 58033744 | SM 1.2 | REV G |
| DATE 07TG 77AUG30 | | | | |

PC PC PRTY GEN P0,1,2,3,4,5,6,7 P13

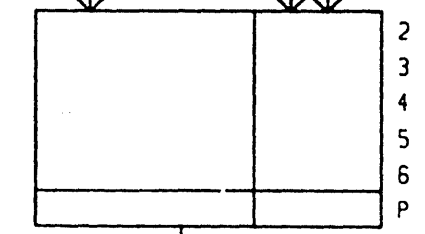
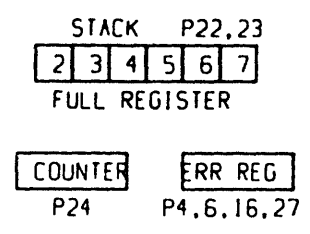


| | |
|-----|------|
| P20 | FULL |
| P20 | TRM |
| P20 | ICP |
| P20 | TCP |



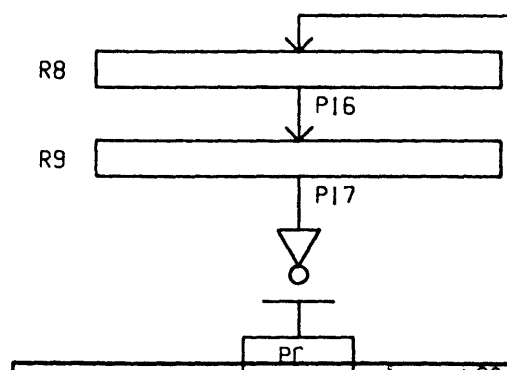
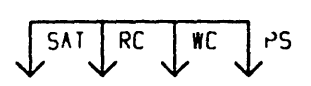
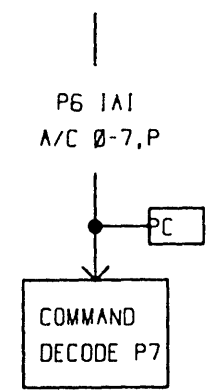
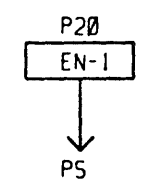
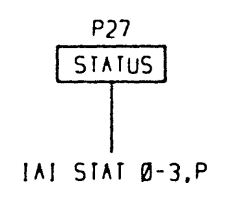
UNPACK SW
PARITY P210
CHECK R1 & GEN P0,1,2,3.

| | |
|----|-------------------|
| P0 | 15 14 13 12 11 10 |
| P1 | 03 02 01 00 17 16 |
| P2 | 01 00 17 16 15 14 |
| P3 | 17 16 15 14 13 12 |



PACK SWITCH

| | |
|----|-------------------------|
| P0 | 77 76 75 74 73 72 71 70 |
| P1 | 63 62 77 76 75 74 73 72 |
| P2 | 65 64 63 62 77 76 75 74 |
| P3 | 67 66 65 64 63 62 77 76 |
| P4 | L7 L6 L5 L4 L3 L2 L1 L0 |
| P5 | Z Z 77 76 75 74 73 72 |
| P6 | Z Z Z Z 77 76 75 74 |
| P7 | Z Z Z Z Z Z 77 76 |



58033744

H
F
E
D
C
B
A

| | | | | | | | | | |
|---------------------------------------|----|-------------|-----------------|----------|------------------|------------------|-----------------|-------------------------|-----------------|
| READ ID REG | 00 | 1 | 1 | 0 | 1 | 0 | 0 | 0 | 1 |
| READ KRL 0 | 01 | WRT READ | SERVICE CODE | 6886 | R9 HOLD | 4 X 3 | R7 HOLD | ENB INT | ABORT TERM |
| READ STACK FUL | 02 | F2I | F7I | F2F | F3F | F4F | F5F | F6F | F7F |
| READ R1 REG | 03 | 0 | 1 | 2 | 3 | 4 | 5 | 6 | 7 |
| READ R7 REG | 04 | 0 | 1 | 2 | 3 | 4 | 5 | 6 | 7 |
| READ R9 REG | 05 | 0 | 1 | 2 | 3 | 4 | 5 | 6 | 7 |
| READ MISC F/F | 06 | ACK | R0F | ROT | L & S | R9F | R9I | STK FUL | LOB |
| READ COUNTER & ERR REG | 07 | M5 K2 | K1 | LS K0 | A/C PRY ERROR | DB0 PRY ERROR | R1 PRY ERROR | R6 & R7 PRY ERROR | R9 PRY ERROR |
| KRL1 (NOT READABLE) FOR LOADING | | | | | PORT 1 PORT 0 | PS TEST | CB TEST | OP10 | OP11 |

| CODE | COMMAND |
|------|---------------------|
| 00H | READ ID REG |
| 01 | CONTROL REG 0 |
| 02 | STACK FULLS |
| 03 | R1 REG |
| 04 | R7 REG |
| 05 | R9 REG |
| 06 | MISC |
| 07 | COUNTER & ERROR REG |
| 08 | PS EN REG |
| 0A | R9 REG & RESET 9F |
| 0C | R7 REG & RESET 7F |
| 10 | PS IE REG |
| 11 | LOAD CONTROL REG 0 |
| 12 | LOAD CONTROL REG 1 |
| 13 | L-REG FULL |
| 14 | FULL/TRM |
| 15 | ICP |
| 16 | TCP |
| 17 | COUNTER TO 3 |
| 18 | ISSUE PARTIAL CLEAR |
| 19 | TOTAL |
| 1B | BLINK |

58033744

H
F
E
D
C
B
A

H
F
E
D
C
B
A

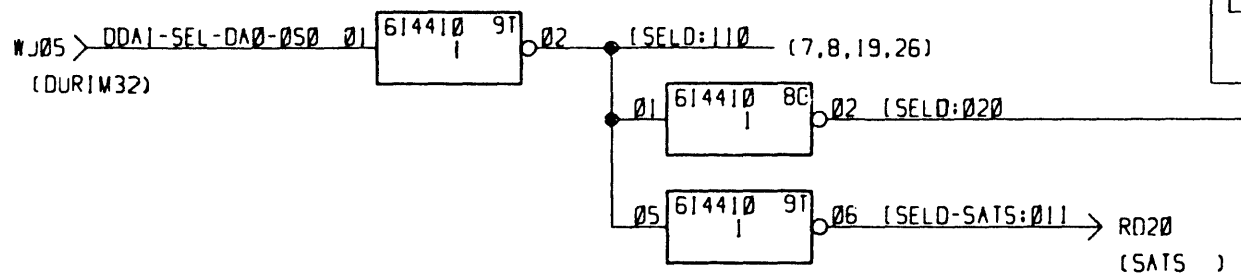
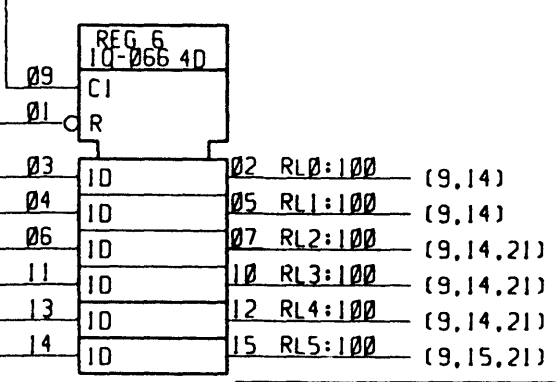
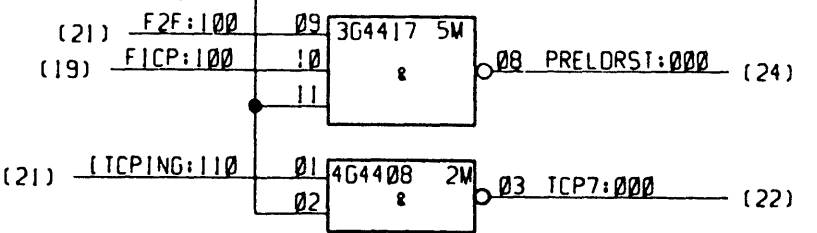
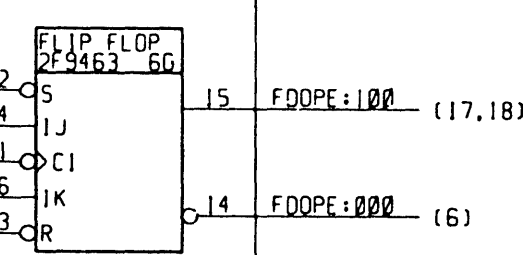
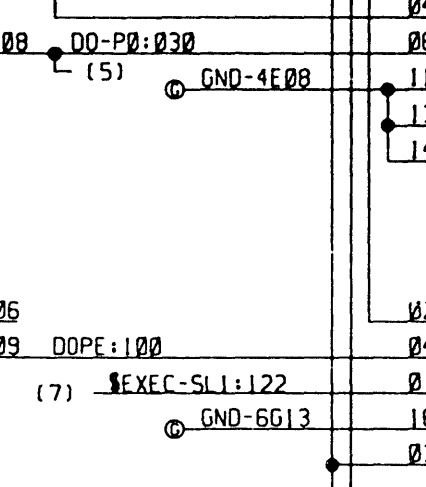
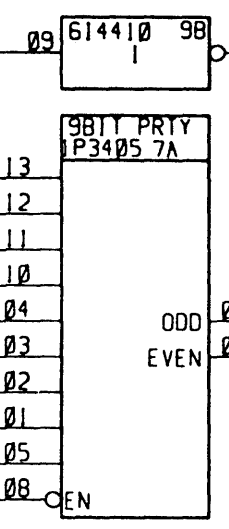
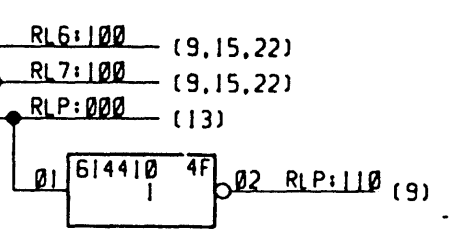
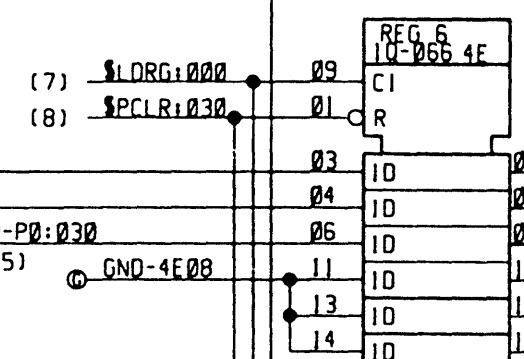
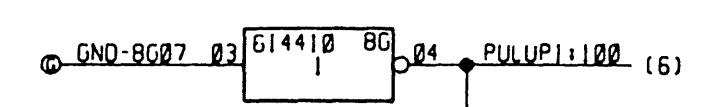
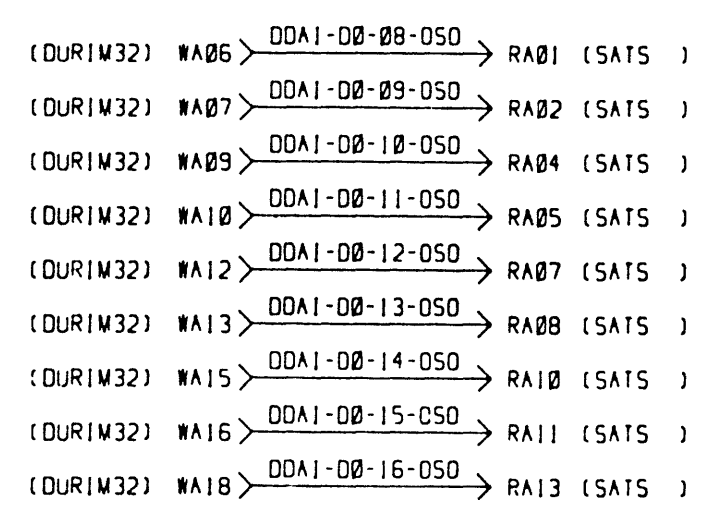
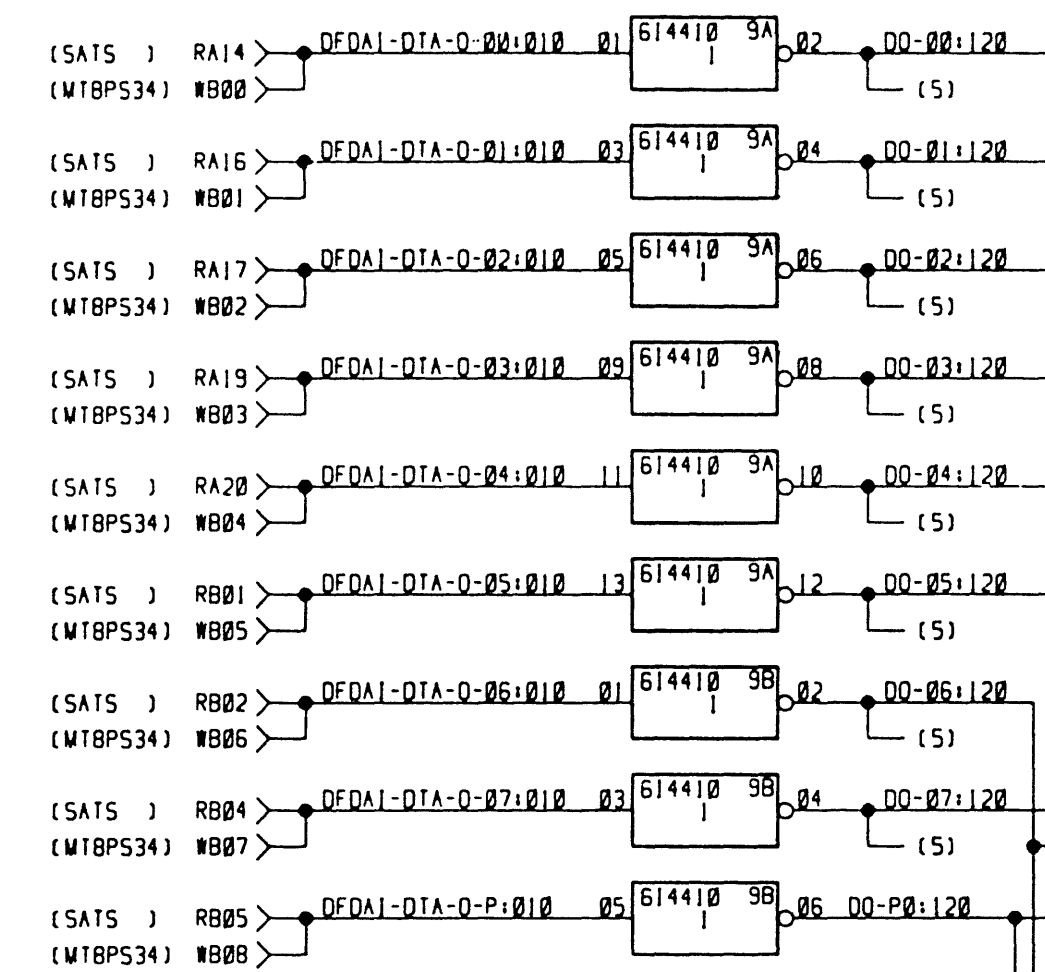
| I/O PIN | PAGE | SIGNAL NAME | I/O PIN | PAGE | SIGNAL NAME | I/O PIN | PAGE | SIGNAL NAME | | | |
|---------|------|-------------|--------------------|------|-------------|---------|--------------------|-------------|---|------|--------------------|
| LA02 | 0 | 13.0 | R6PERR:100 | RD00 | 0 | 8.0 | \$TCLR-00:020 | WD20 | 0 | 8.0 | \$PCLR-GD:020 |
| LA04 | 0 | 13.0 | P707:150 | RD02 | 1 | 9.0 | ZSATS-WP:100 | WE02 | 0 | 8.0 | \$PCLR-OC:020 |
| LA06 | 0 | 13.0 | ZPCKP:100 | RD03 | 1 | 9.0 | ZSATS-WT:100 | WE04 | 0 | 8.0 | \$PCLR-4T:020 |
| LA08 | 0 | 14.0 | ZPCK0:000 | RD07 | 0 | 8.0 | \$PCLR-SATS:131 | WE06 | 1 | 19.0 | DDAI-EXEC-050 |
| LA12 | 0 | 14.0 | ZPCK2:000 | RD08 | 1 | 22.0 | SATSRDACK:000 | WE07 | 0 | 20.0 | FC-DTARDYACK:110 |
| LA14 | 0 | 14.0 | ZPCK3:000 | RD10 | 0 | 19.0 | [EXEC:010 | WE09 | 0 | 8.0 | \$PCLR-ST:020 |
| LB03 | 0 | 26.0 | DDAI-STAT0-050 | RD14 | 0 | 19.0 | \$RAW-SATS:120 | WE10 | 0 | 8.0 | \$PCLR-PS:020 |
| LB04 | 0 | 26.0 | DDAI-STAT1-050 | RD19 | 0 | 20.0 | FC-DTARDYACK:110 | WE13 | 0 | 8.0 | \$PCLR-RC:020 |
| LB06 | 0 | 26.0 | DDAI-STAT2-050 | RD20 | 0 | 4.0 | [SELD-SATS:011 | WE16 | 0 | 19.0 | \$RAW-SL0:011 |
| LB07 | 0 | 26.0 | DDAI-STAT3-050 | WA00 | 1 | 27.0 | F6/ASC11/6:010 | WE18 | 1 | 20.0 | FP-DTAAVAL:010 |
| LB09 | 0 | 26.0 | DDAI-STATP-050 | WA02 | 0 | 5.0 | ABORT-TERM:100 | WE19 | 1 | 25.0 | FP-ROOTA-TAKEN:010 |
| LB16 | 0 | 16.0 | R9-P:100 | WA03 | 1 | 28.0 | FASC11/EBS:010 | WE20 | 1 | 25.0 | FW-DTARDYACK:000 |
| LB17 | 0 | 16.0 | R9-7:100 | WA04 | 1 | 28.0 | F6BCD-7:010 | WE21 | 1 | 7.0 | \$EXEC-SL0:011 |
| LB18 | 0 | 16.0 | R9-6:100 | WA05 | 1 | 27.0 | F2BCD:010 | WF00 | 0 | 8.0 | \$TCLR-PS:020 |
| LB19 | 0 | 16.0 | R9-5:100 | WA08 | 1 | 28.0 | F6/EBS/6:010 | WF02 | 1 | 9.0 | ZPS-DTA6:100 |
| LB20 | 0 | 16.0 | R9-4:100 | WA20 | 1 | 19.0 | RRC-CBINTENB:100 | WF03 | 1 | 9.0 | ZPS-DTA7:100 |
| LC00 | 0 | 16.0 | R9-3:100 | WB00 | 1 | 4.0 | DFDAI-DTA-0-00:010 | WF04 | 1 | 5.0 | ZPS-DTAP:100 |
| LC01 | 0 | 16.0 | R9-2:100 | WB01 | 1 | 4.0 | DFDAI-DTA-0-01:010 | WF05 | 0 | 8.0 | \$TCLR-RC:020 |
| LC02 | 0 | 16.0 | R9-1:100 | WB02 | 1 | 4.0 | DFDAI-DTA-0-02:010 | WF09 | 0 | 8.0 | \$TCLR-WC:020 |
| LC03 | 0 | 16.0 | R9-0:100 | WB03 | 1 | 4.0 | DFDAI-DTA-0-03:010 | WF15 | 0 | 8.0 | \$TCLR-01:020 |
| LC05 | 1 | 19.0 | MASTERMODE:100 | WB04 | 1 | 4.0 | DFDAI-DTA-0-04:010 | WF18 | 0 | 8.0 | \$PCLR-EC:020 |
| LC06 | 1 | 19.0 | SATSRUPT:000 | WB05 | 1 | 4.0 | DFDAI-DTA-0-05:010 | WG00 | 1 | 8.0 | DDAI-INIT-050 |
| LC08 | 1 | 26.0 | SATSMODE:000 | WB06 | 1 | 4.0 | DFDAI-DTA-0-06:010 | WG02 | 0 | 8.0 | \$PCLR-WC:020 |
| LC09 | 1 | 20.0 | SATSDTAAVAL:000 | WB07 | 1 | 4.0 | DFDAI-DTA-0-07:010 | WG06 | 0 | 8.0 | \$PCLR-FW:020 |
| LC11 | 0 | 18.0 | DDAI-DATA-IN00-050 | WB08 | 1 | 4.0 | DFDAI-DTA-0-P:010 | WG09 | 0 | 17.0 | DC-DTAAVAL:000 |
| LC12 | 0 | 18.0 | DDAI-DATA-IN01-050 | WB10 | 1 | 9.0 | ZPS-TRM:100 | WG10 | 0 | 25.0 | FC-DTATRM:010 |
| LC14 | 0 | 18.0 | DDAI-DATA-IN02-050 | WB12 | 1 | 6.0 | DFDAI-ADD-CNT0:100 | WG12 | 0 | 16.0 | R9C-DTA0:010 |
| LC15 | 0 | 18.0 | DDAI-DATA-IN03-050 | WB14 | 1 | 6.0 | DFDAI-ADD-CNT1:100 | WG13 | 0 | 16.0 | R9C-DTA1:010 |
| LC17 | 0 | 18.0 | DDAI-DATA-IN04-050 | WB16 | 1 | 6.0 | DFDAI-ADD-CNT2:100 | WG14 | 0 | 16.0 | R9C-DTA2:010 |
| LC18 | 0 | 18.0 | DDAI-DATA-IN05-050 | WB18 | 1 | 6.0 | DFDAI-ADD-CNT3:100 | WG15 | 0 | 16.0 | R9C-DTA3:010 |
| LD02 | 0 | 18.0 | DDAI-DATA-IN06-050 | WB20 | 1 | 6.0 | DFDAI-ADD-CNT4:100 | WG16 | 0 | 16.0 | R9C-DTA4:010 |
| LD03 | 0 | 18.0 | DDAI-DATA-IN07-050 | WC00 | 1 | 6.0 | DFDAI-ADD-CNT5:100 | WG17 | 0 | 16.0 | R9C-DTA5:010 |
| LD05 | 0 | 18.0 | DDAI-DATA-INP0-050 | WC02 | 1 | 6.0 | DFDAI-ADD-CNT6:100 | WG18 | 0 | 16.0 | R9C-DTA6:010 |
| LD20 | 1 | 9.0 | SATSWBFRMODE:000 | WC04 | 1 | 6.0 | DFDAI-ADD-CNT7:100 | WG19 | 0 | 16.0 | R9C-DTA7:010 |
| RA14 | 1 | 4.0 | DFDAI-DTA-0-00:010 | WC06 | 1 | 6.0 | DFDAI-ADD-CNTP:100 | WG20 | 0 | 16.0 | R9C-DTAP:010 |
| RA16 | 1 | 4.0 | DFDAI-DTA-0-01:010 | WC09 | 1 | 20.0 | DRC-AVAL:000 | WH00 | 0 | 18.0 | DDAI-DATA-IN00-050 |
| RA17 | 1 | 4.0 | DFDAI-DTA-0-02:010 | WC10 | 1 | 9.0 | DRC-TRM:000 | WH01 | 0 | 18.0 | DDAI-DATA-IN01-050 |
| RA19 | 1 | 4.0 | DFDAI-DTA-0-03:010 | WC12 | 1 | 9.0 | ZRC-0:100 | WH02 | 0 | 18.0 | DDAI-DATA-IN02-050 |
| RA20 | 1 | 4.0 | DFDAI-DTA-0-04:010 | WC13 | 1 | 9.0 | ZRC-1:100 | WH03 | 0 | 18.0 | DDAI-DATA-IN03-050 |
| RB01 | 1 | 4.0 | DFDAI-DTA-0-05:010 | WC14 | 1 | 9.0 | ZRC-2:100 | WH04 | 0 | 18.0 | DDAI-DATA-IN04-050 |
| RB02 | 1 | 4.0 | DFDAI-DTA-0-06:010 | WC15 | 1 | 9.0 | ZRC-3:100 | WH05 | 0 | 18.0 | DDAI-DATA-IN05-050 |
| RB04 | 1 | 4.0 | DFDAI-DTA-0-07:010 | WC16 | 1 | 9.0 | ZRC-4:100 | WH06 | 0 | 18.0 | DDAI-DATA-IN06-050 |
| RB05 | 1 | 4.0 | DFDAI-DTA-0-P:010 | WC17 | 1 | 9.0 | ZRC-5:100 | WH07 | 0 | 18.0 | DDAI-DATA-IN07-050 |
| RB07 | 0 | 6.0 | [SAC-0:011 | WC18 | 1 | 9.0 | ZRC-6:100 | WH08 | 0 | 18.0 | DDAI-DATA-INP0-050 |
| RB08 | 0 | 6.0 | [SAC-1:011 | WC19 | 1 | 9.0 | ZRC-7:100 | WH10 | 0 | 26.0 | CB-ERR:100 |
| RB10 | 0 | 6.0 | [SAC-2:011 | WC20 | 1 | 9.0 | ZRC-P:100 | WH12 | 1 | 8.0 | \$HWCLR:110 |
| RB13 | 0 | 6.0 | [SAC-3:011 | WD00 | 0 | 5.0 | RC-WRT:010 | WH14 | 0 | 26.0 | DDAI-STAT0-050 |
| RB14 | 0 | 6.0 | [SAC-4:011 | WD01 | 0 | 5.0 | RC-SC:010 | WH15 | 0 | 26.0 | DDAI-STAT1-050 |
| RB16 | 0 | 6.0 | [SAC-5:011 | WD02 | 0 | 26.0 | ERRINTCB:000 | WH16 | 0 | 26.0 | DDAI-STAT2-050 |
| RB17 | 0 | 6.0 | [SAC-6:011 | WD03 | 0 | 5.0 | RC-PORT1:010 | WH17 | 0 | 26.0 | DDAI-STAT3-050 |
| RB19 | 0 | 6.0 | [SAC-7:011 | WD04 | 0 | 19.0 | FCBINT:000 | WH18 | 0 | 26.0 | DDAI-STATP-050 |
| RB20 | 0 | 6.0 | [SAC-P:011 | WD05 | 0 | 5.0 | RC-OP11:010 | WJ05 | 1 | 4.0 | DDAI-SEL-DA0-050 |
| RC00 | 0 | 7.0 | \$EXEC-SATS:120 | WD06 | 0 | 5.0 | RC-ENBINT:010 | | | | |
| RC02 | 0 | 25.0 | RDATOSATS:100 | WD08 | 1 | 22.0 | RC-TST-ACK:000 | | | | |
| RC03 | 0 | 25.0 | RDTRMOSATS:100 | WD09 | 0 | 5.0 | RC-PSTST:010 | | | | |
| RC05 | 1 | 6.0 | ERINTSATS:000 | WD10 | 0 | 5.0 | RC-OP10:010 | | | | |
| RC09 | 1 | 9.0 | ZSATS-W0:100 | WD12 | 0 | 7.0 | [AC0X0:000 | | | | |
| RC10 | 1 | 9.0 | ZSATS-W1:100 | WD13 | 0 | 8.0 | \$PCLR-AG:020 | | | | |
| RC12 | 1 | 9.0 | ZSATS-W2:100 | WD14 | 1 | 9.0 | ZPS-DTA0:100 | | | | |
| RC13 | 1 | 9.0 | ZSATS-W3:100 | WD15 | 1 | 9.0 | ZPS-DTA1:100 | | | | |
| RC15 | 1 | 9.0 | ZSATS-W4:100 | WD16 | 1 | 9.0 | ZPS-DTA2:100 | | | | |
| RC16 | 1 | 9.0 | ZSATS-W5:100 | WD17 | 1 | 9.0 | ZPS-DTA3:100 | | | | |
| RC18 | 1 | 9.0 | ZSATS-W6:100 | WD18 | 1 | 9.0 | ZPS-DTA4:100 | | | | |
| RC19 | 1 | 9.0 | ZSATS-W7:100 | WD19 | 1 | 9.0 | ZPS-DTA5:100 | | | | |

H
F
E
D
C
B
A

58033744

10 9 8 7 6 5 4 3 2 1

H
F
E
D
C
B
A

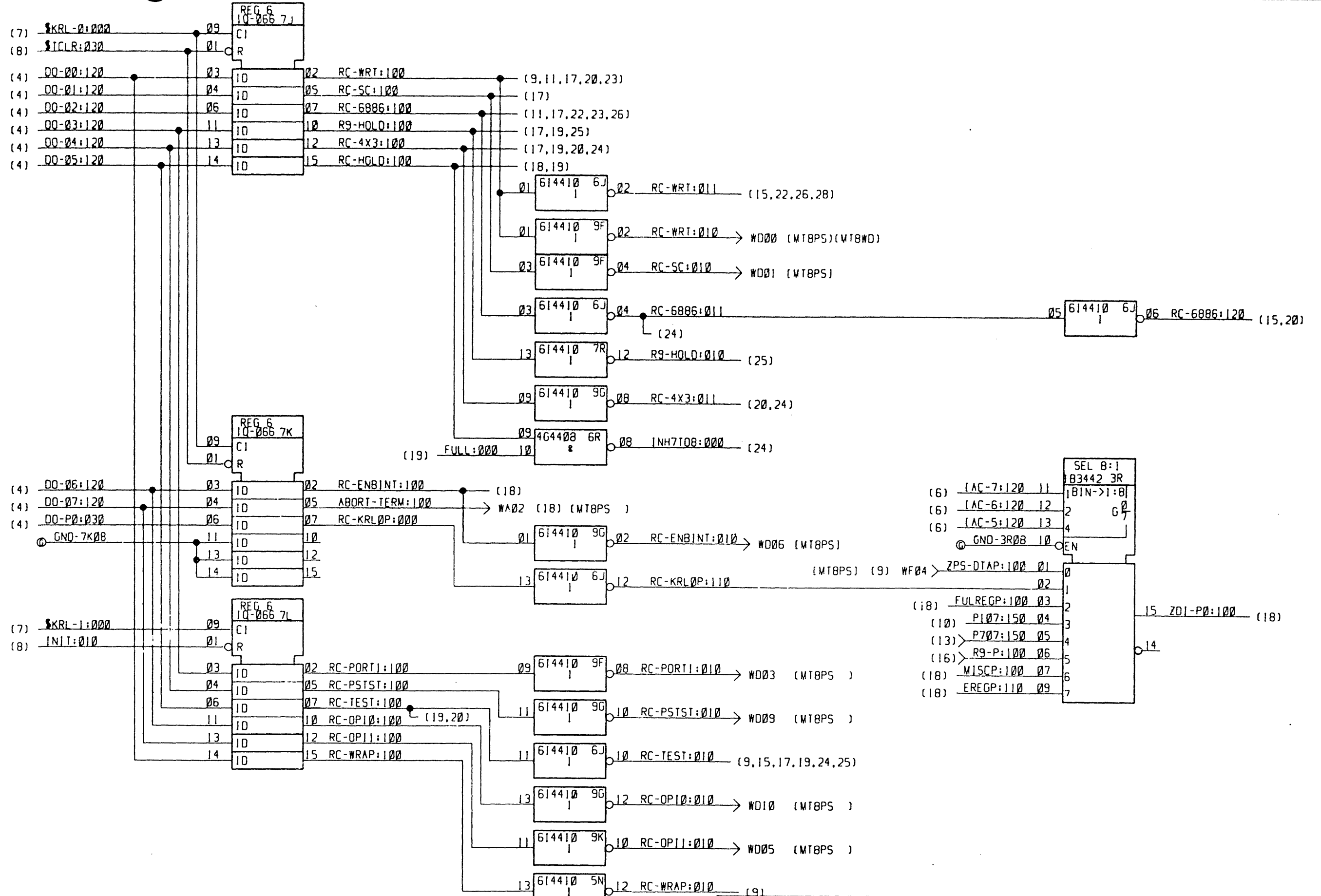


THE INFORMATION CONTAINED IN THIS DOCUMENT IS UNCLASSIFIED EXCEPT WHERE SHOWN OTHERWISE. IT IS UNCLASSIFIED EXCEPT WHERE SHOWN OTHERWISE.

58033744

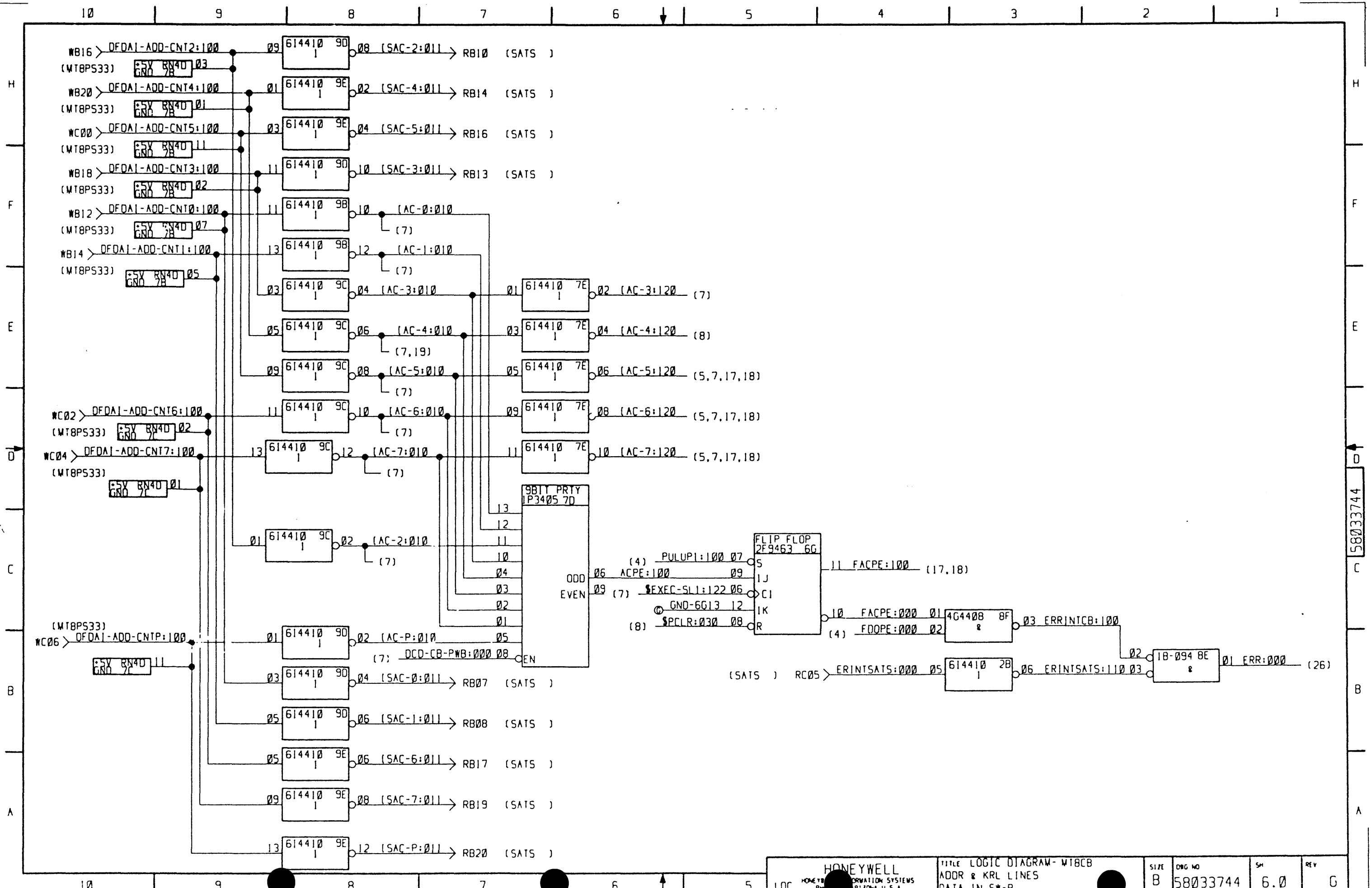
10 9 8 7 6 5 4 3 2 1

H
F
E
D
C
B
A



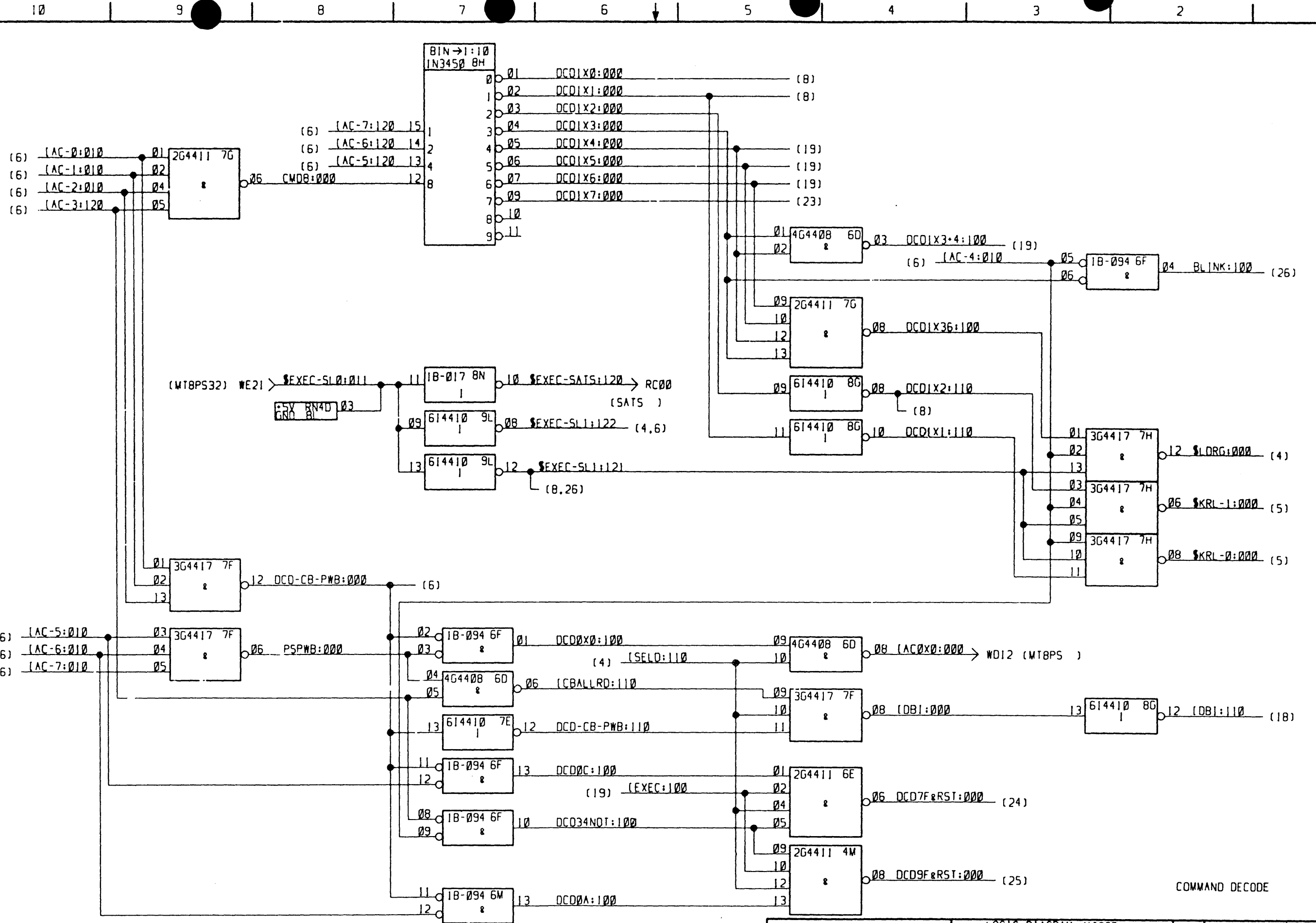
THIS INFORMATION CONTAINED HEREIN IS UNCLASSIFIED EXCEPT WHERE SHOWN OTHERWISE. DATE 08-14-2013 BY 60322 UCBAW/SJS

58033744



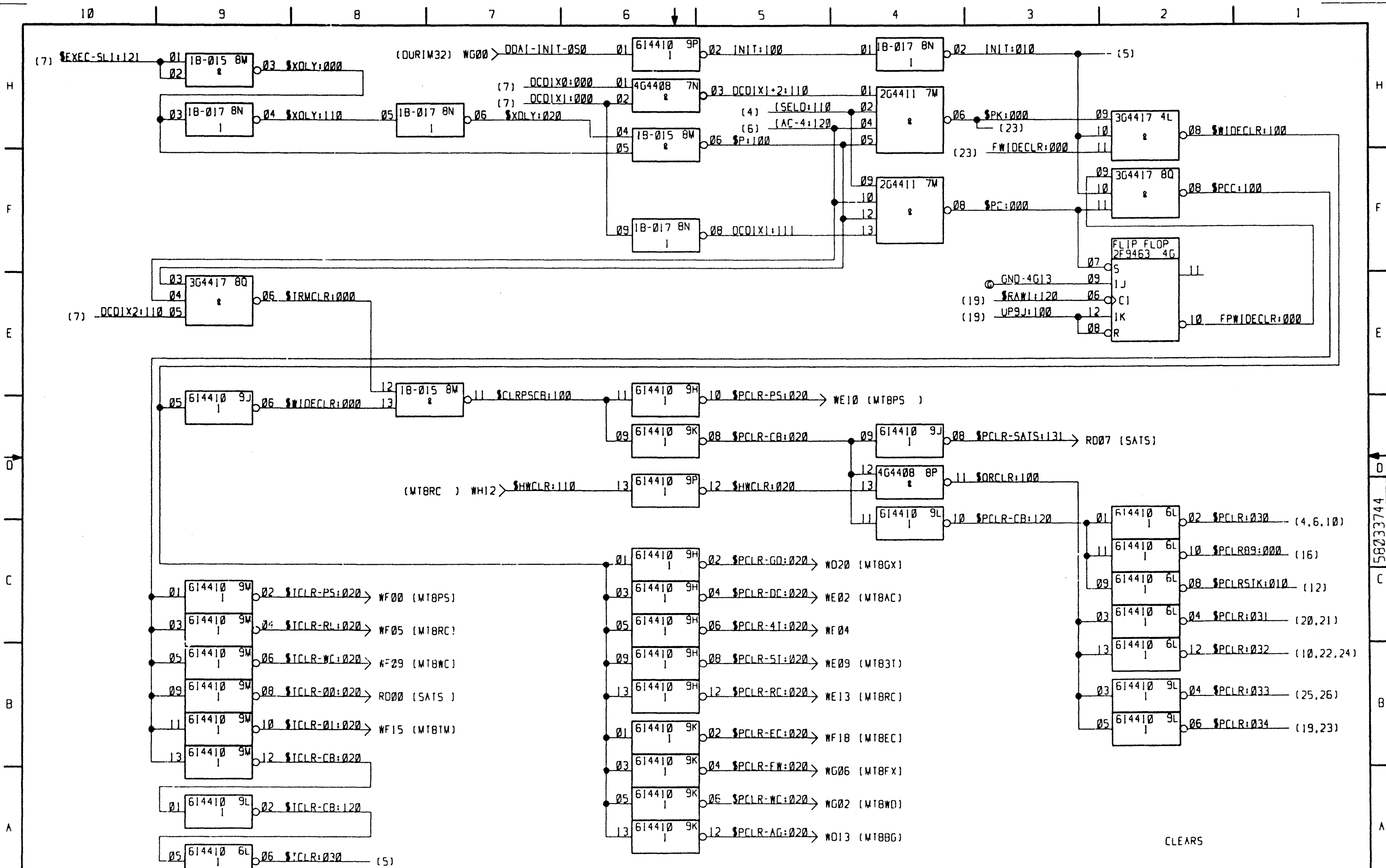
58033744

THE INFORMATION CONTAINED ON THIS DRAWING IS THE PROPERTY OF HONEYWELL INFORMATION SYSTEMS AND IS INTENDED FOR USE ONLY BY THE PERSONNEL OF THE ORGANIZATION TO WHICH IT IS LOANED. IT IS NOT TO BE REPRODUCED OR TRANSMITTED IN ANY FORM OR BY ANY MEANS, ELECTRONIC OR MECHANICAL, INCLUDING PHOTOCOPYING, RECORDING, OR BY ANY INFORMATION STORAGE AND RETRIEVAL SYSTEM.

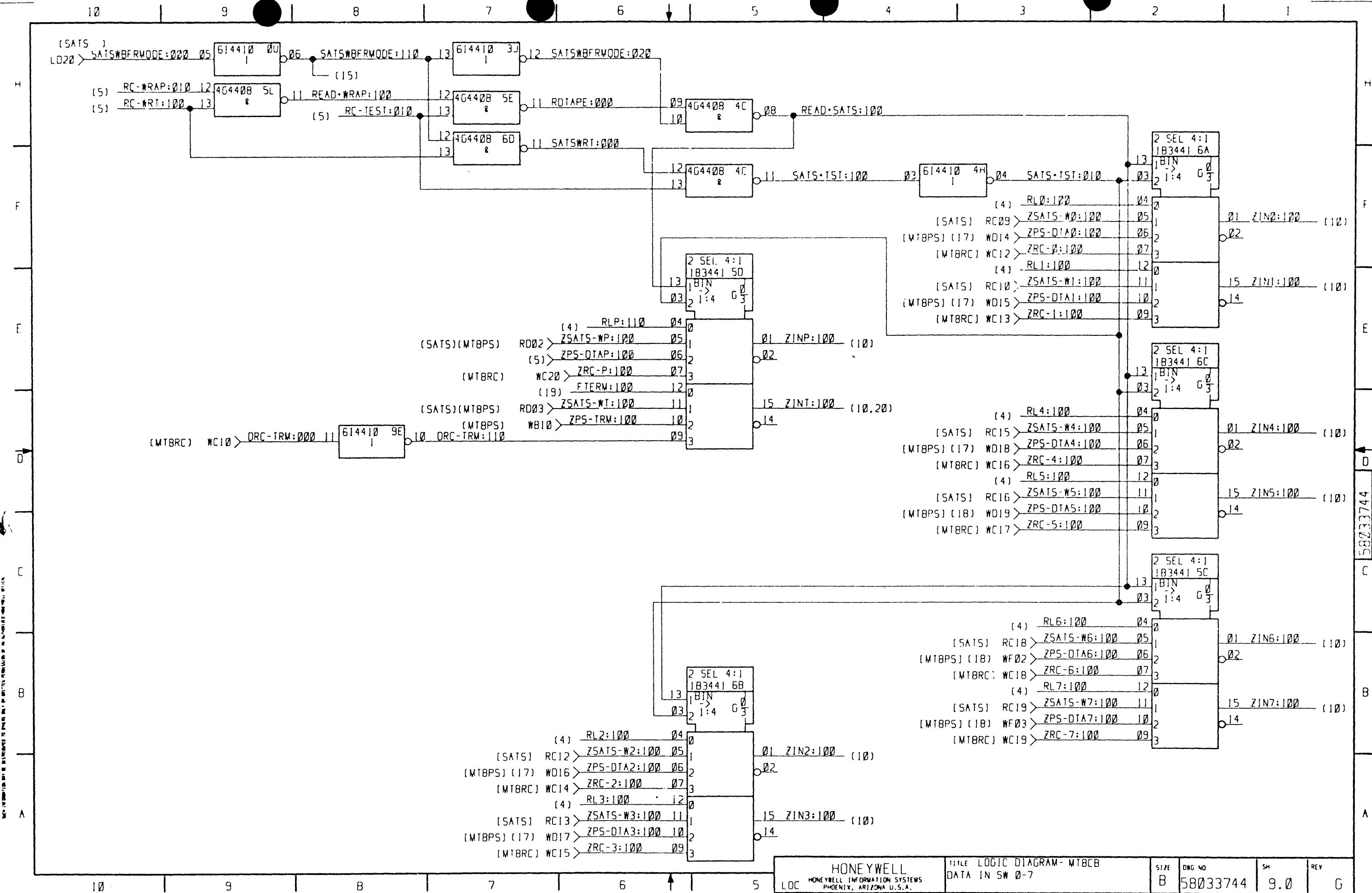


COMMAND DECODE

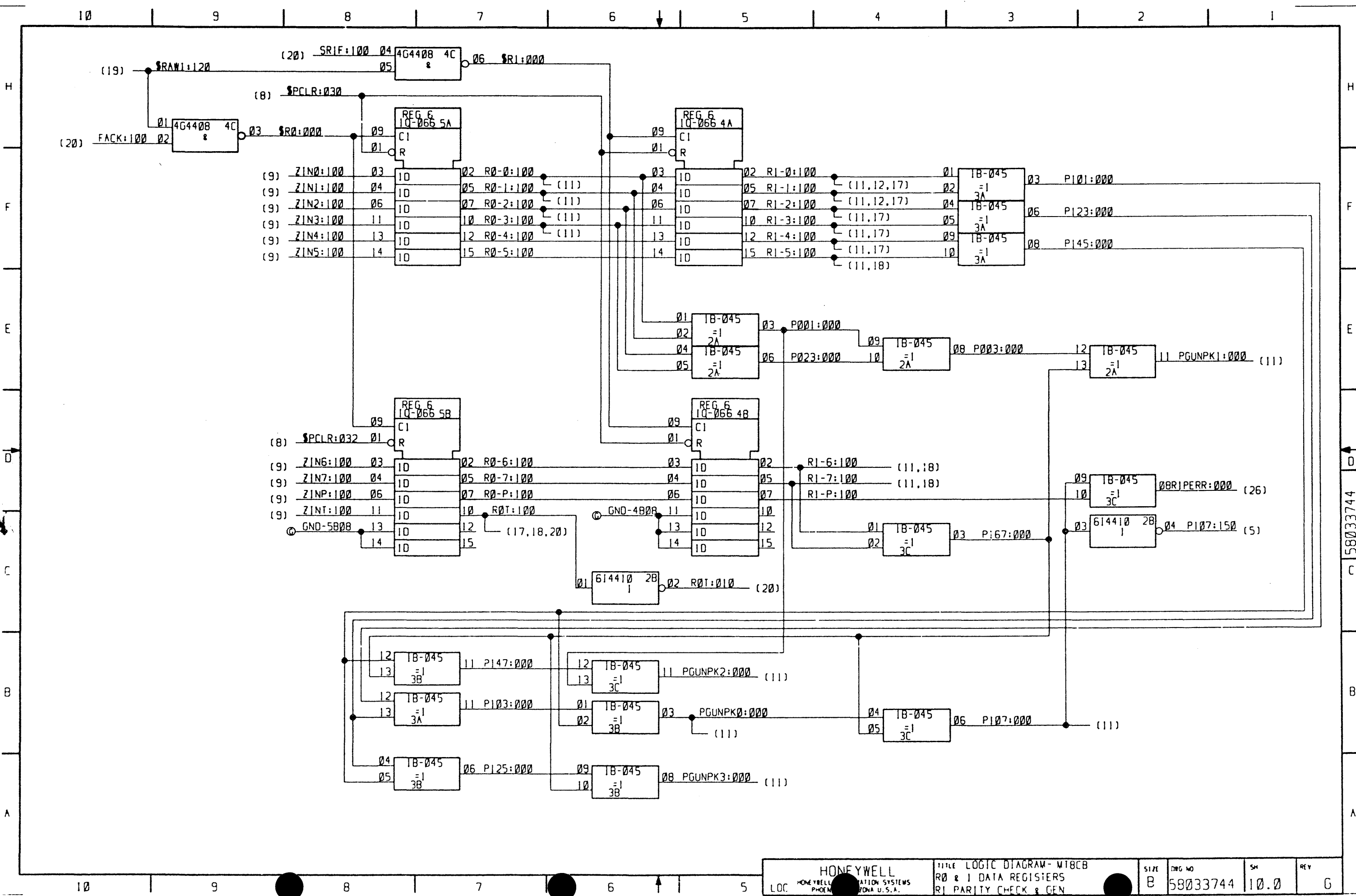
58033744



58033744

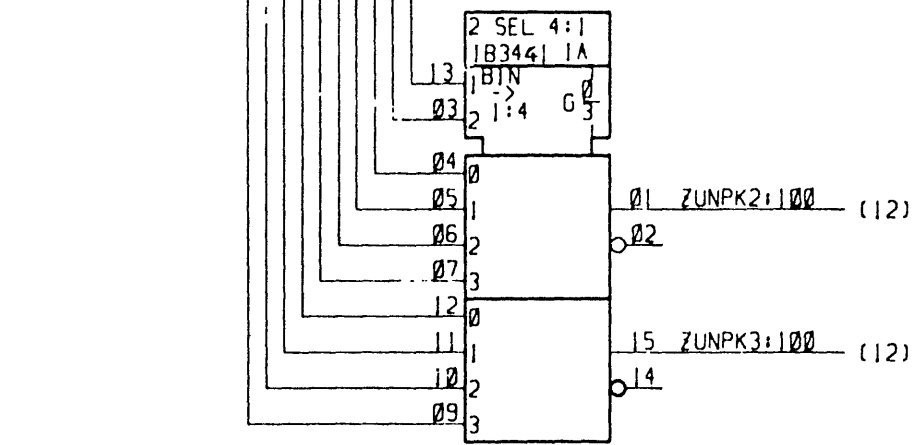
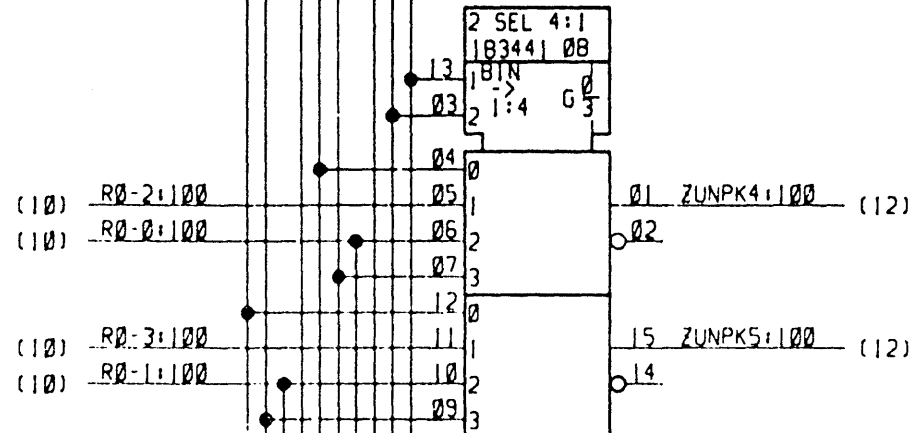
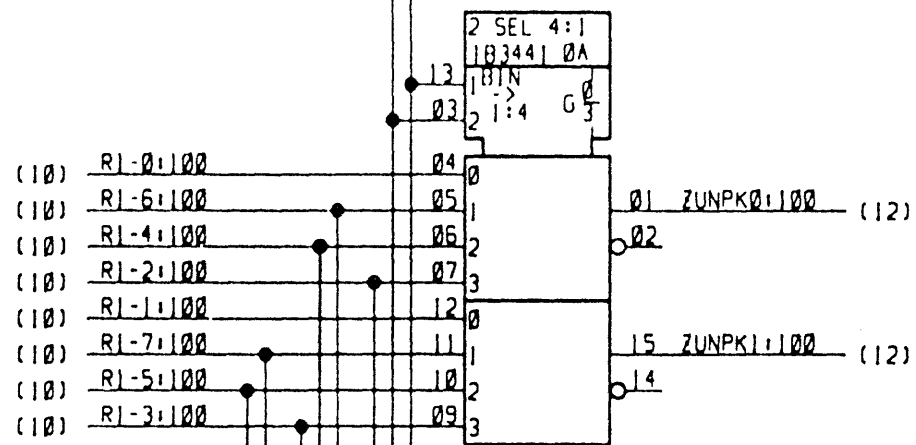
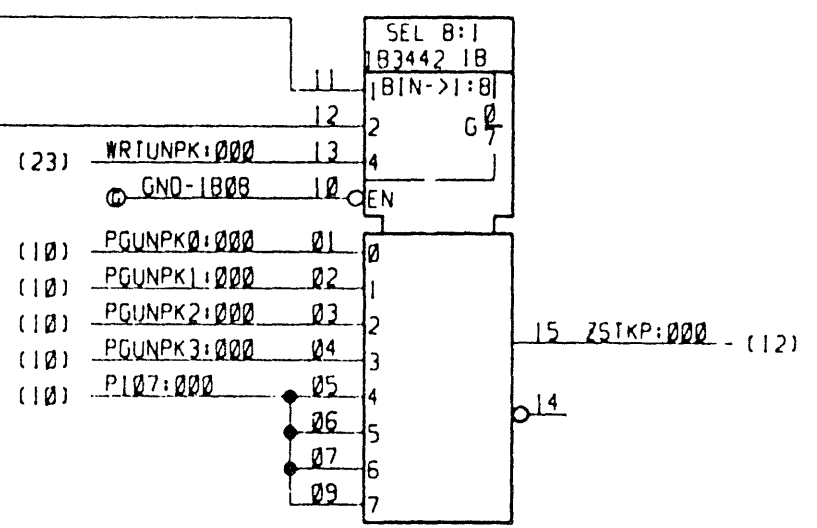
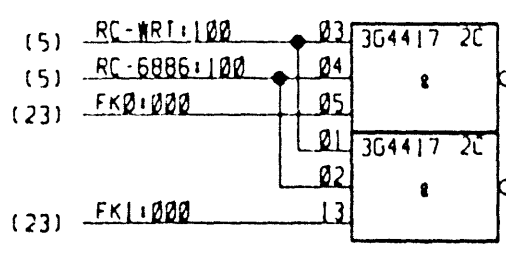


58033744



58033744

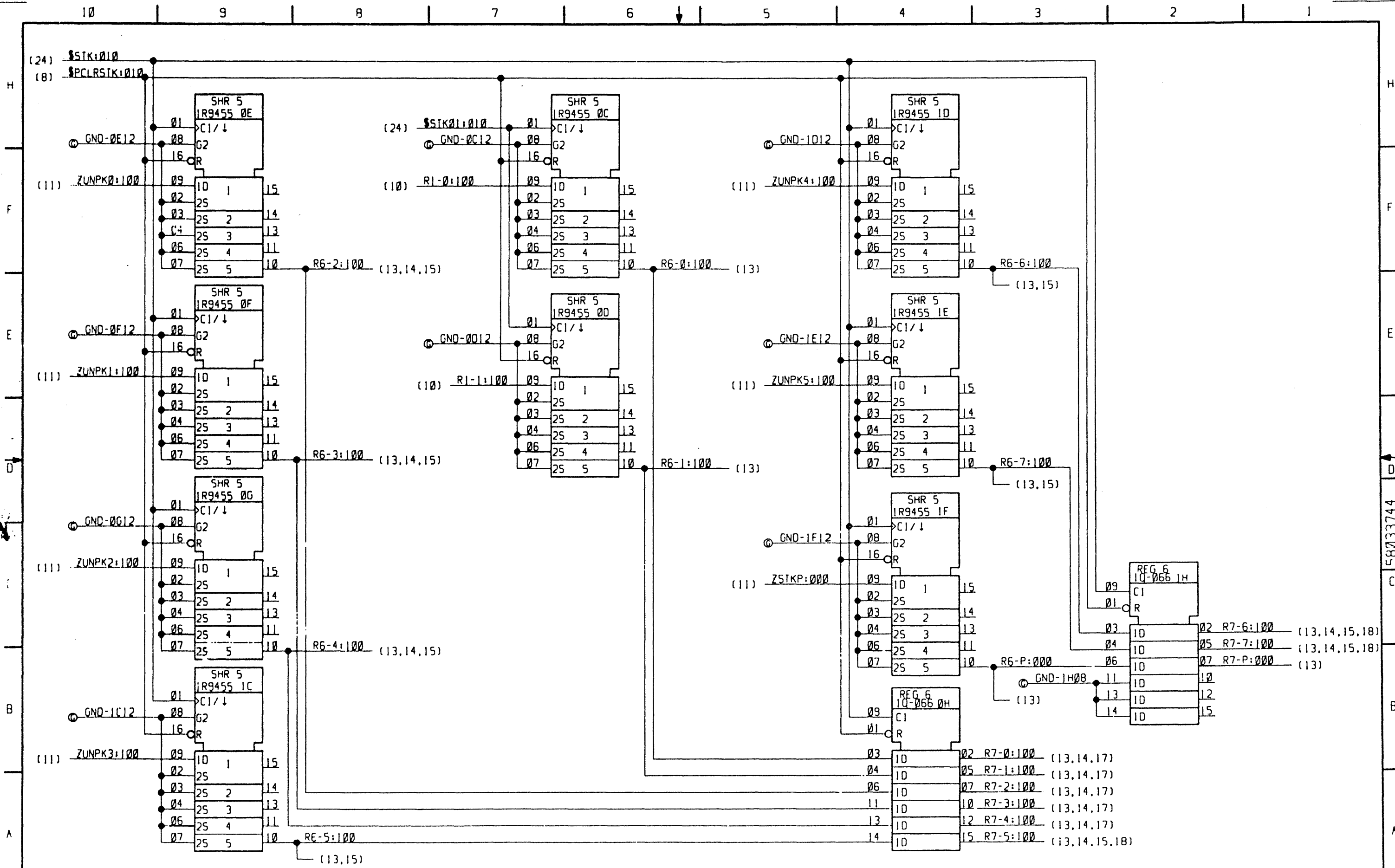
10 9 8 7 6 5 4 3 2 1



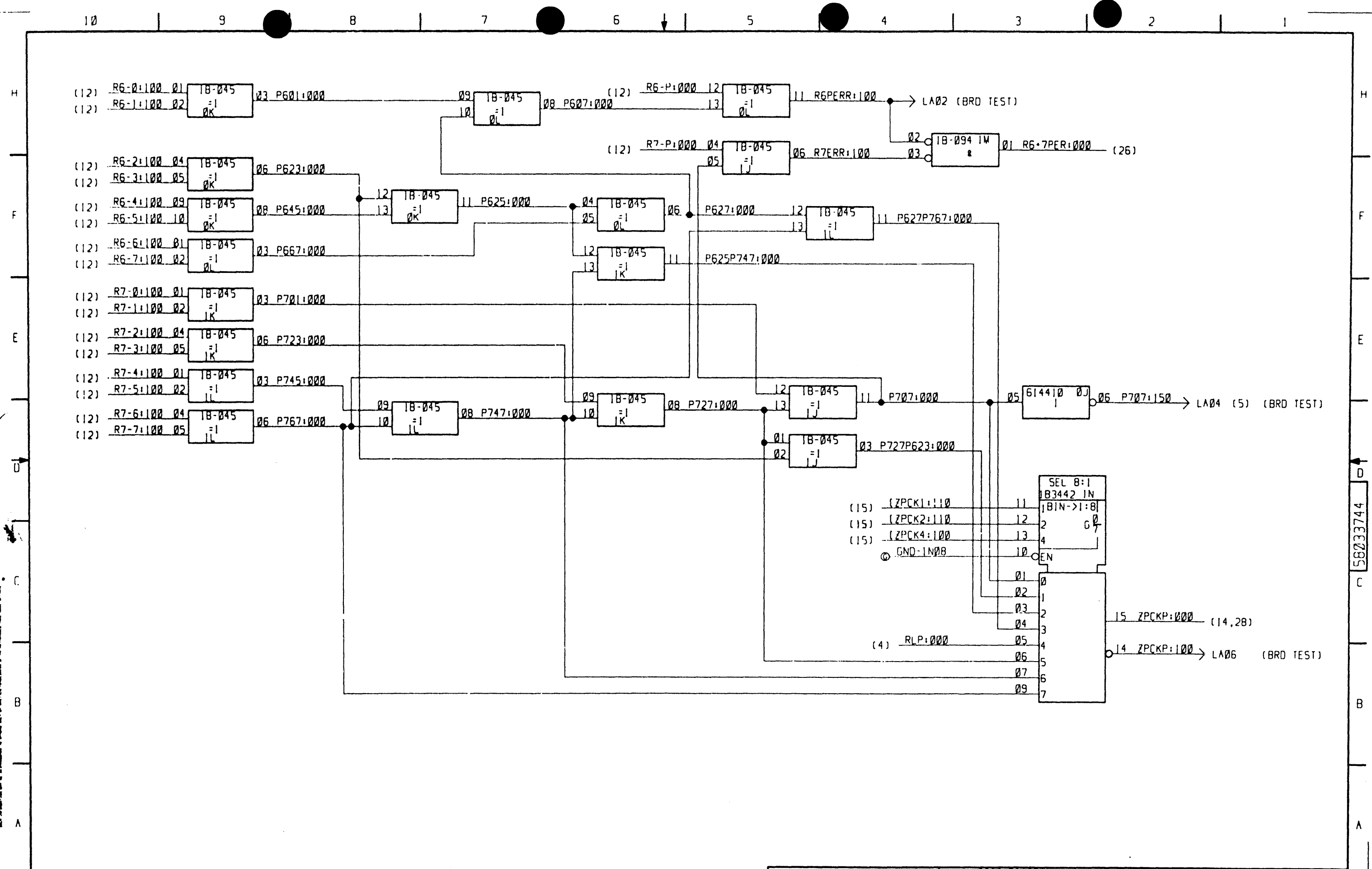
ALL INFORMATION CONTAINED HEREIN IS UNCLASSIFIED EXCEPT WHERE SHOWN OTHERWISE BY A CONTROLLED UNCLASSIFICATION GUIDE

58033744

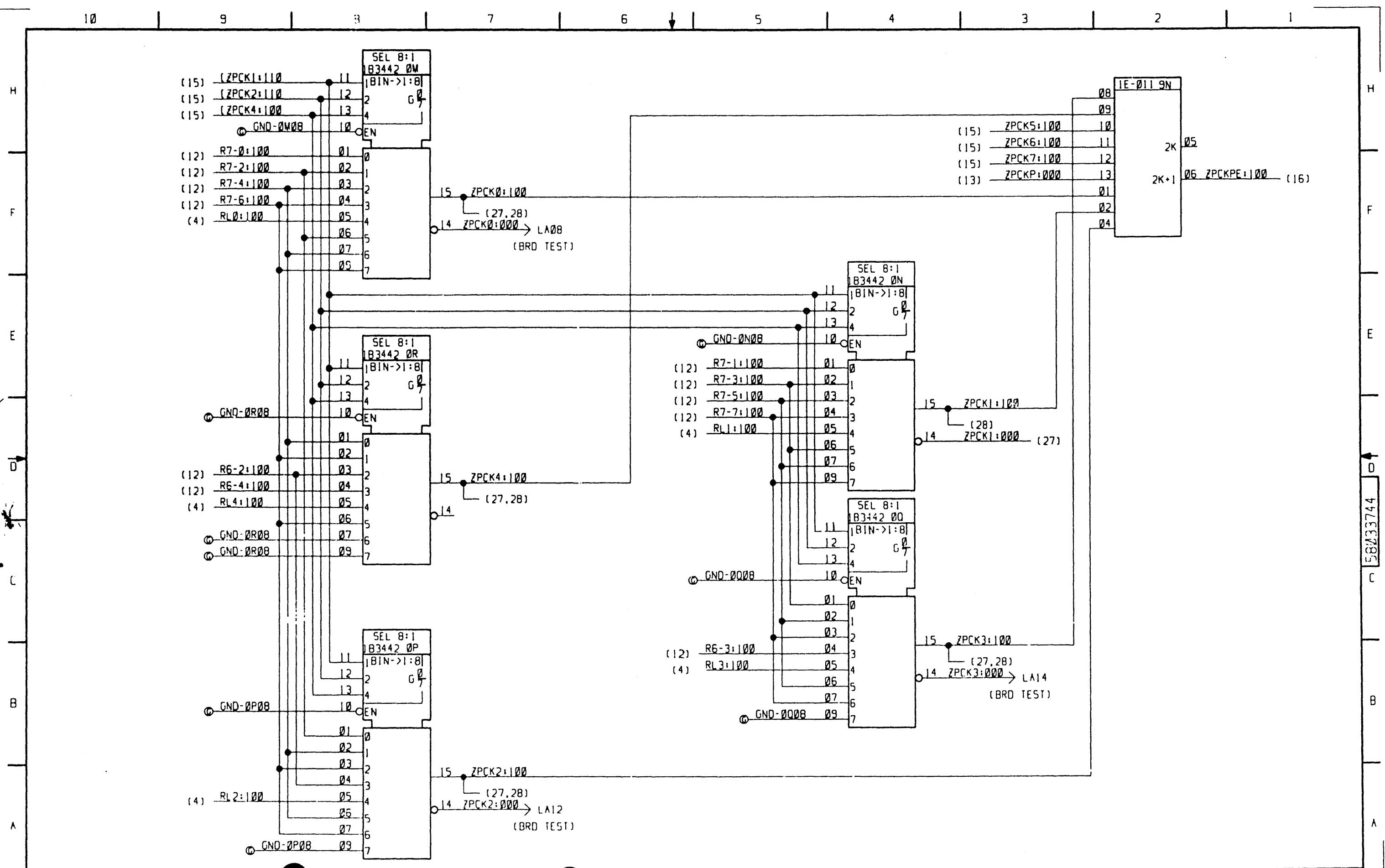
10 9 8 7 6 5



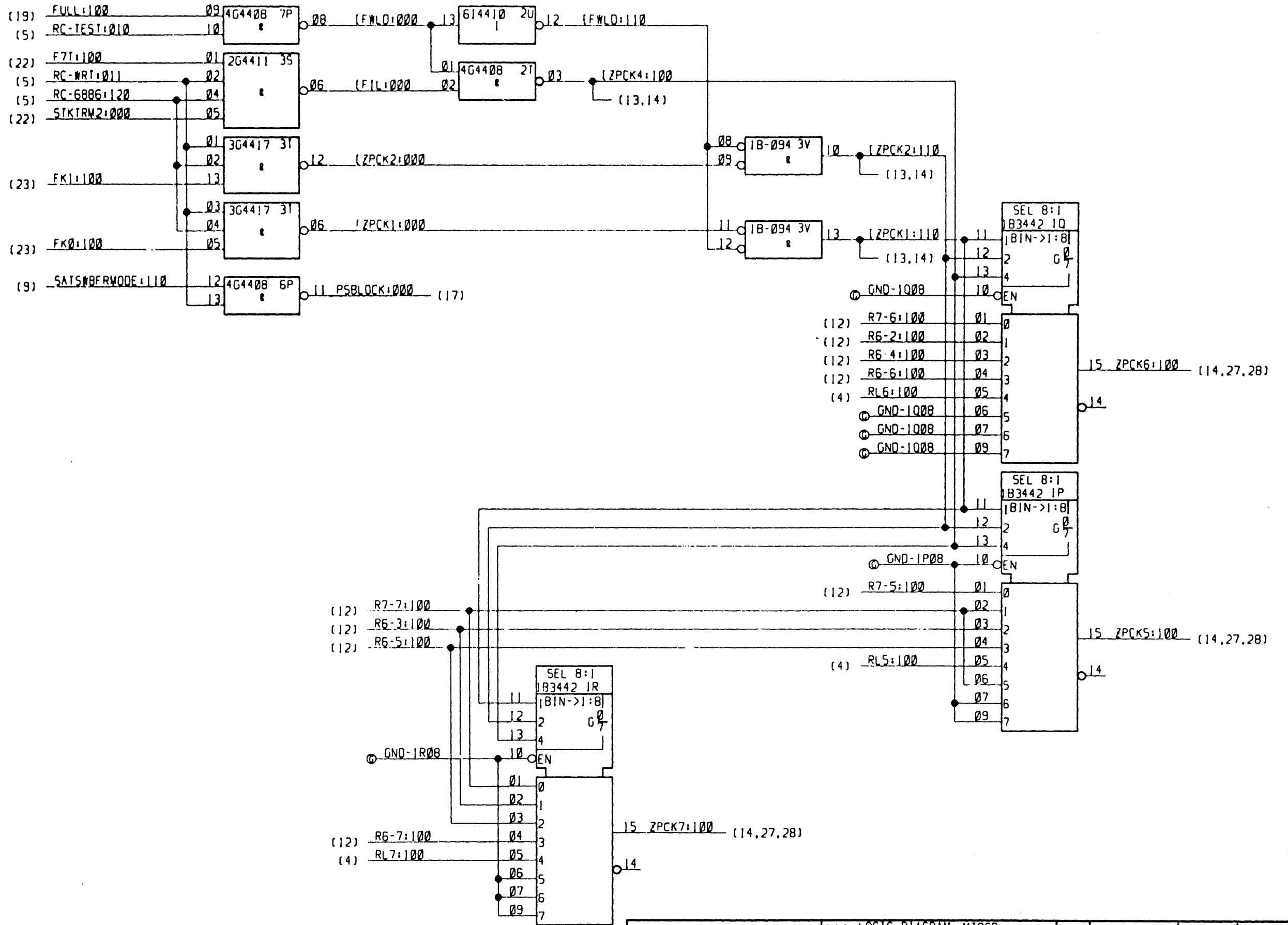
58033744



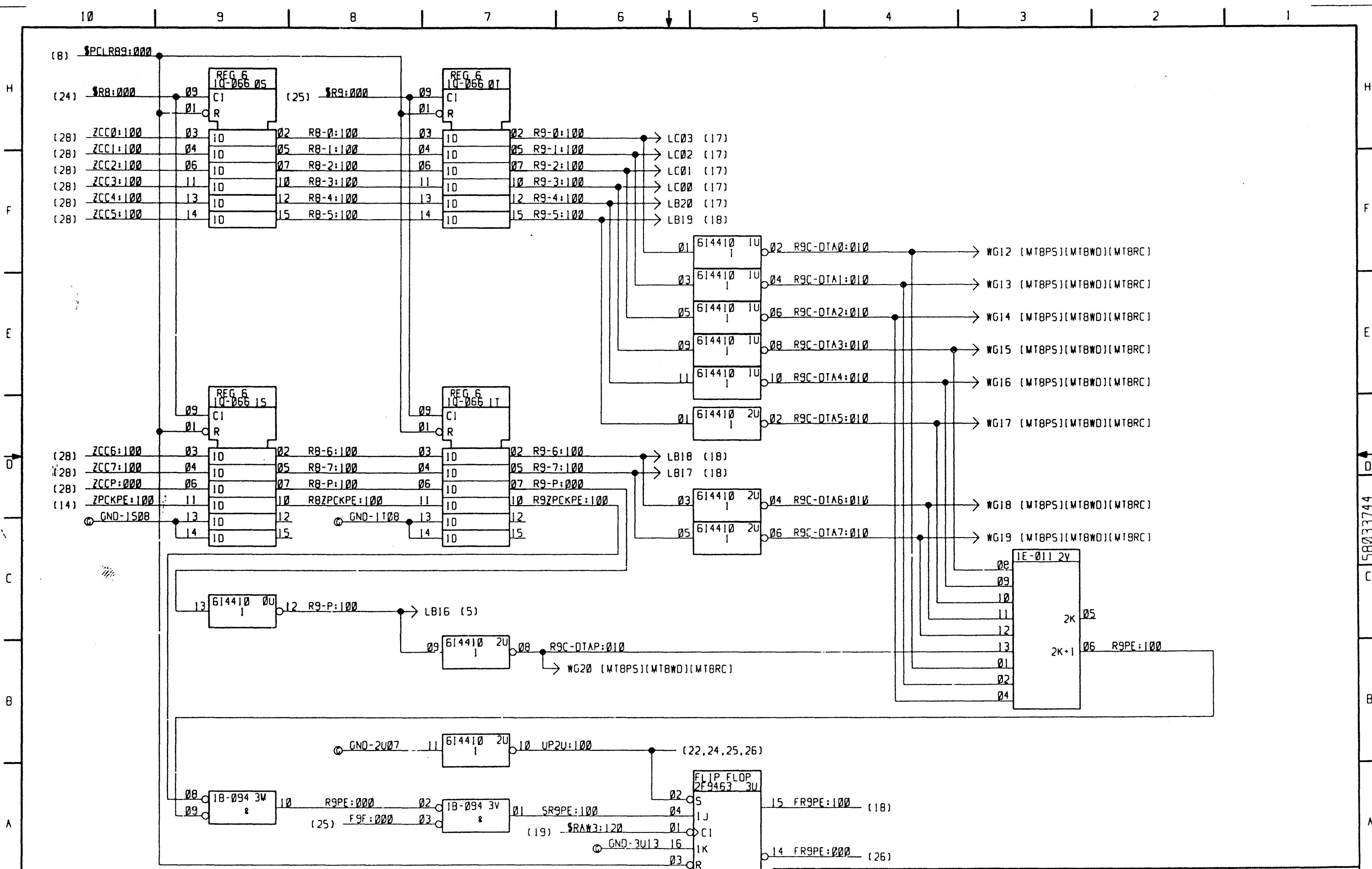
58033744



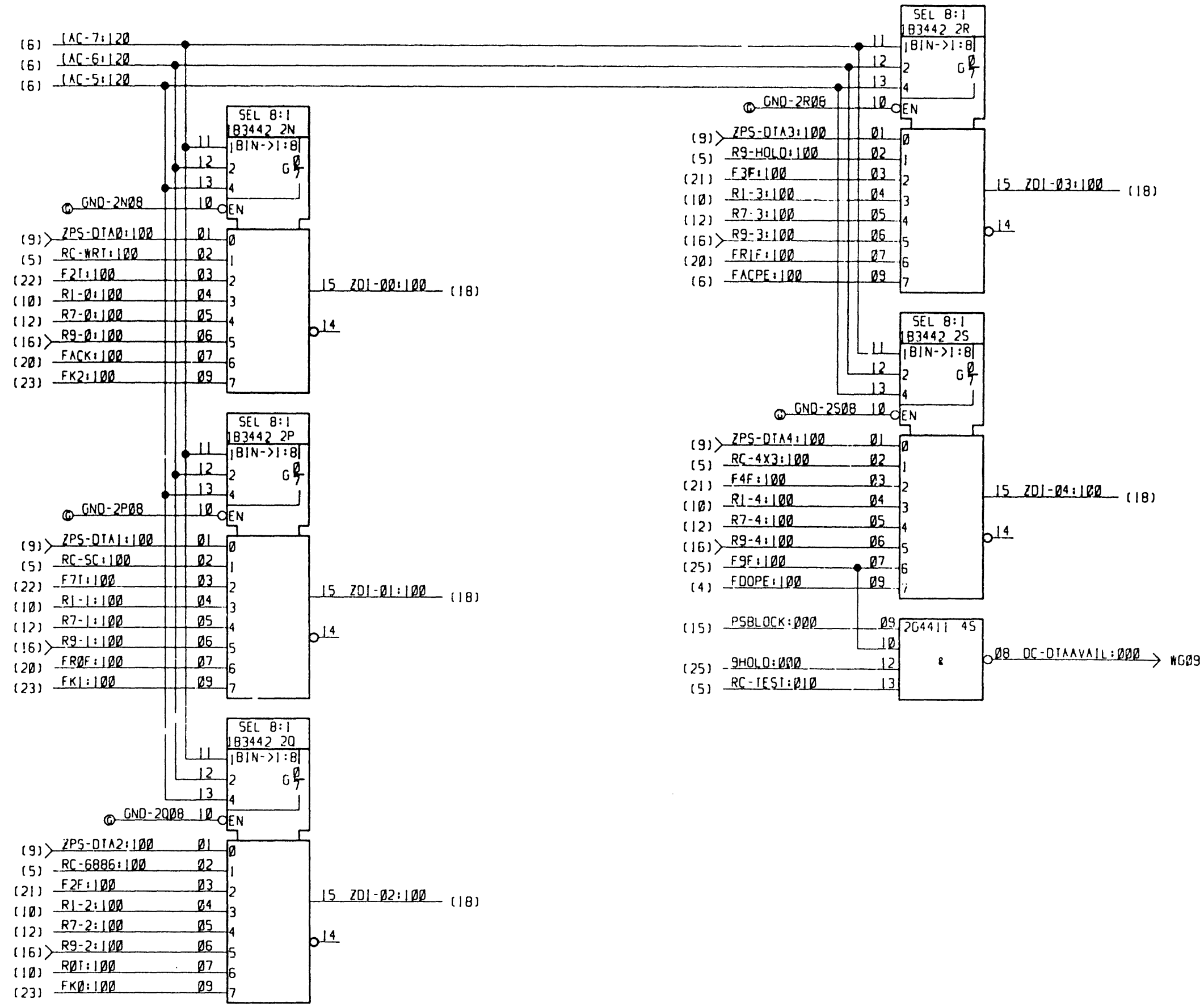
58033744



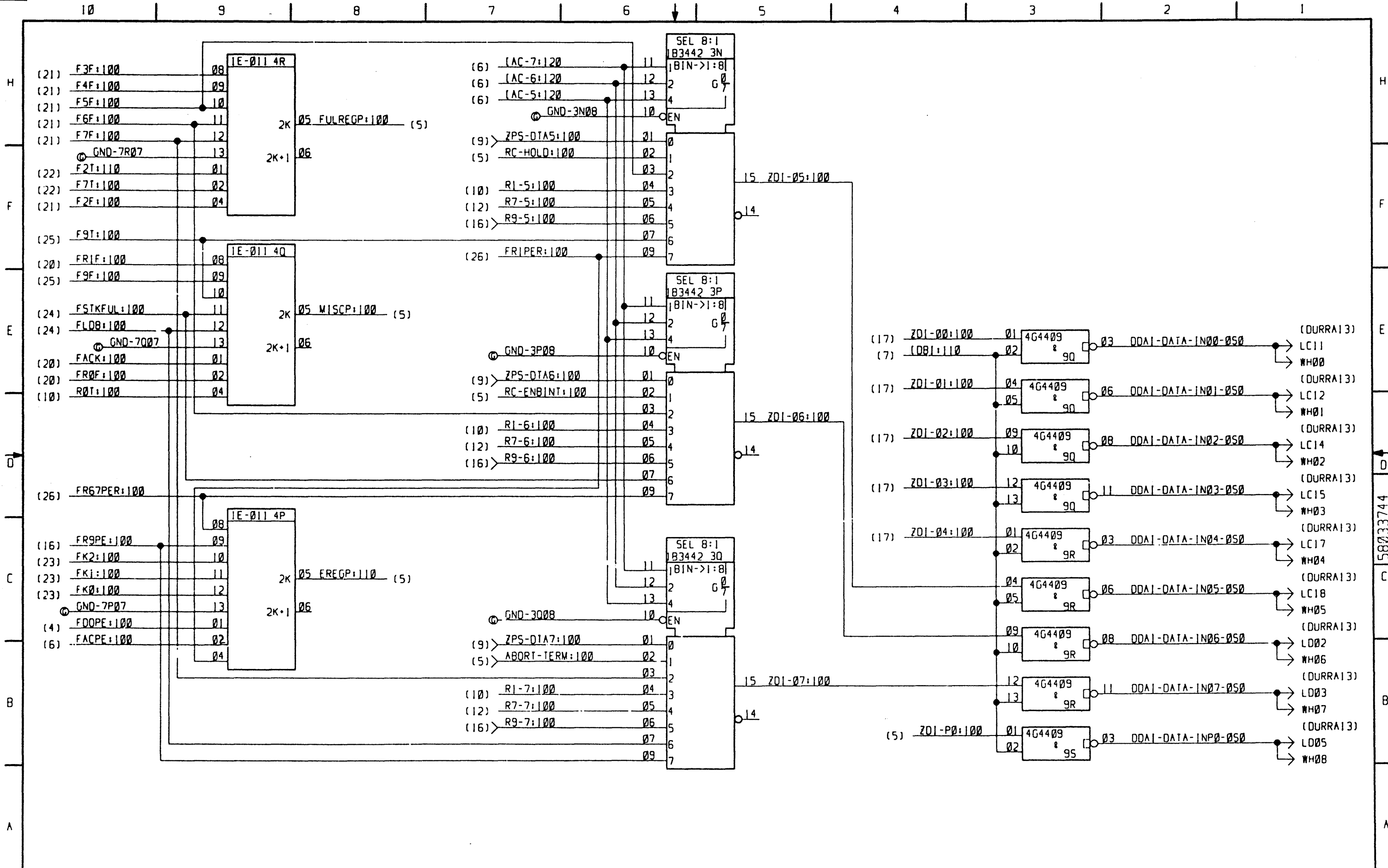
58233744



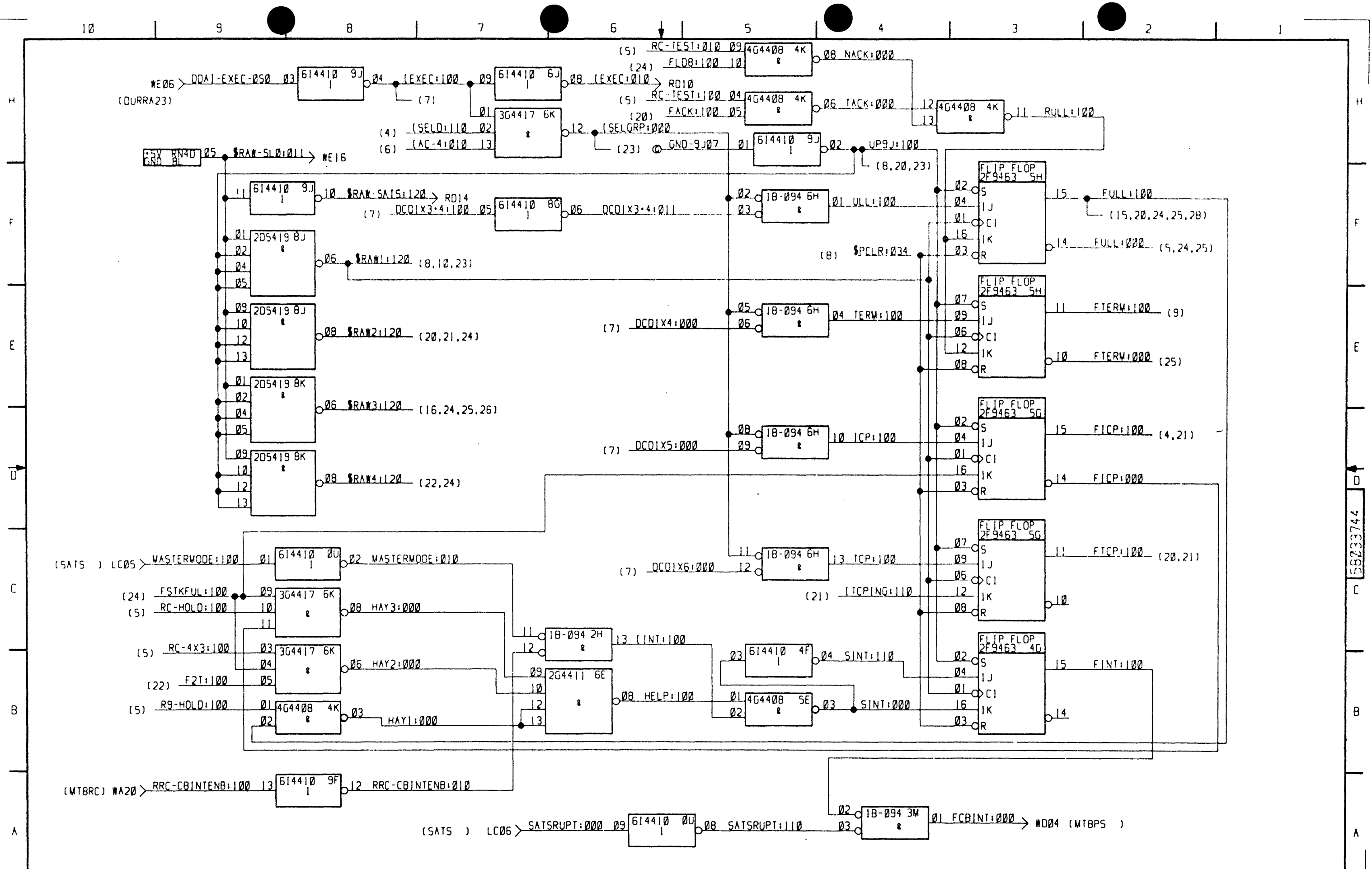
58033744



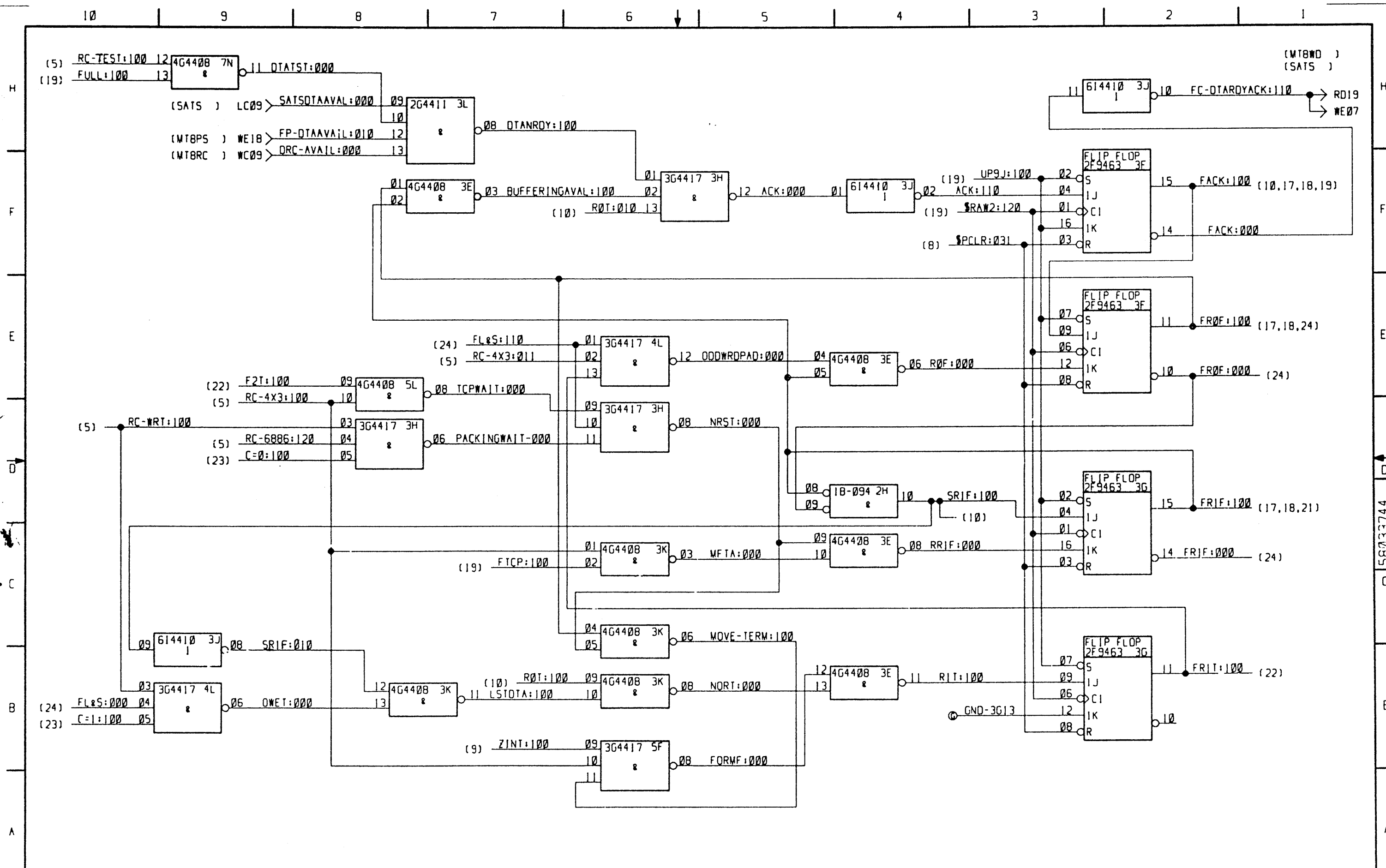
58033744



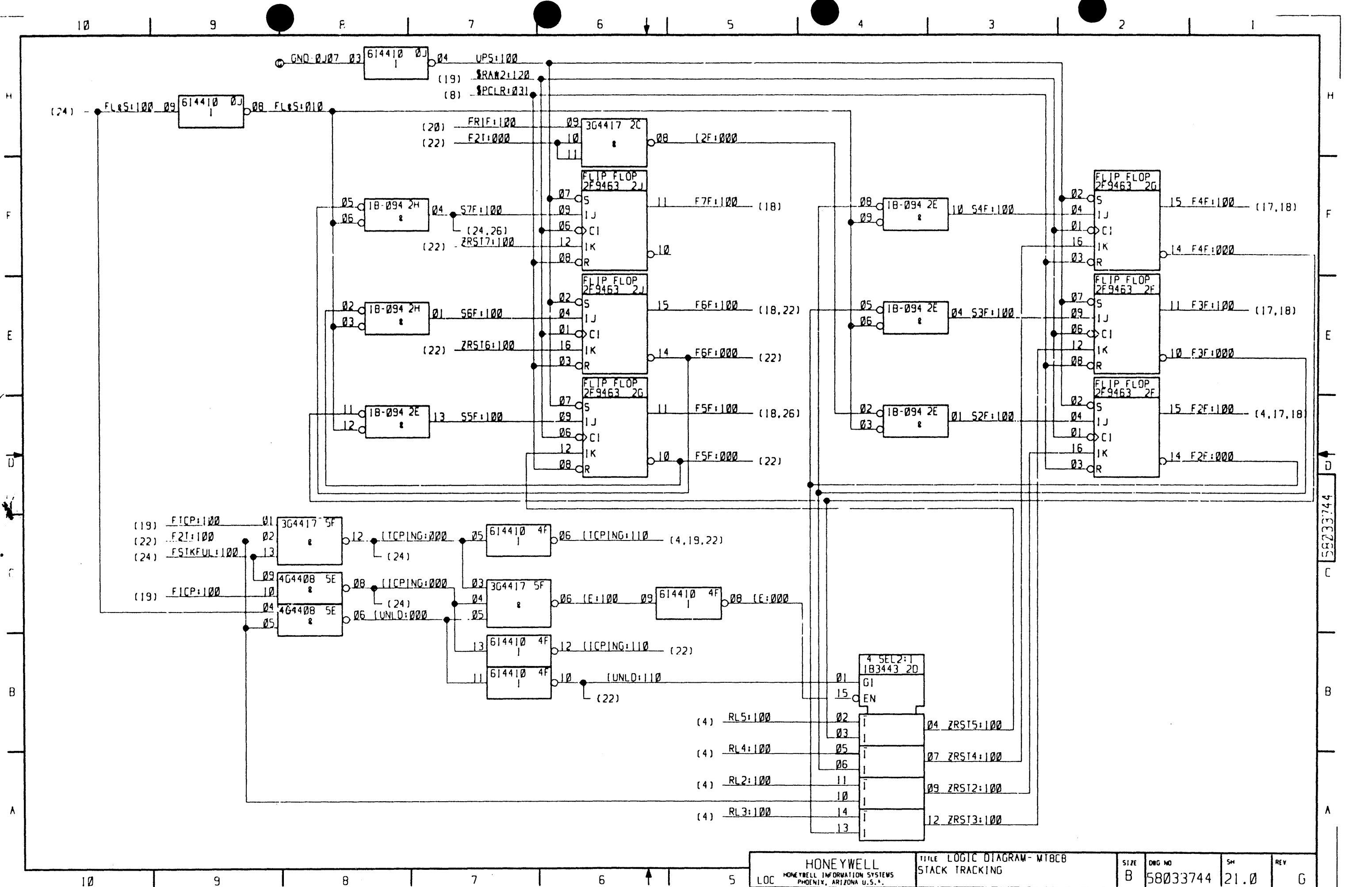
58033744

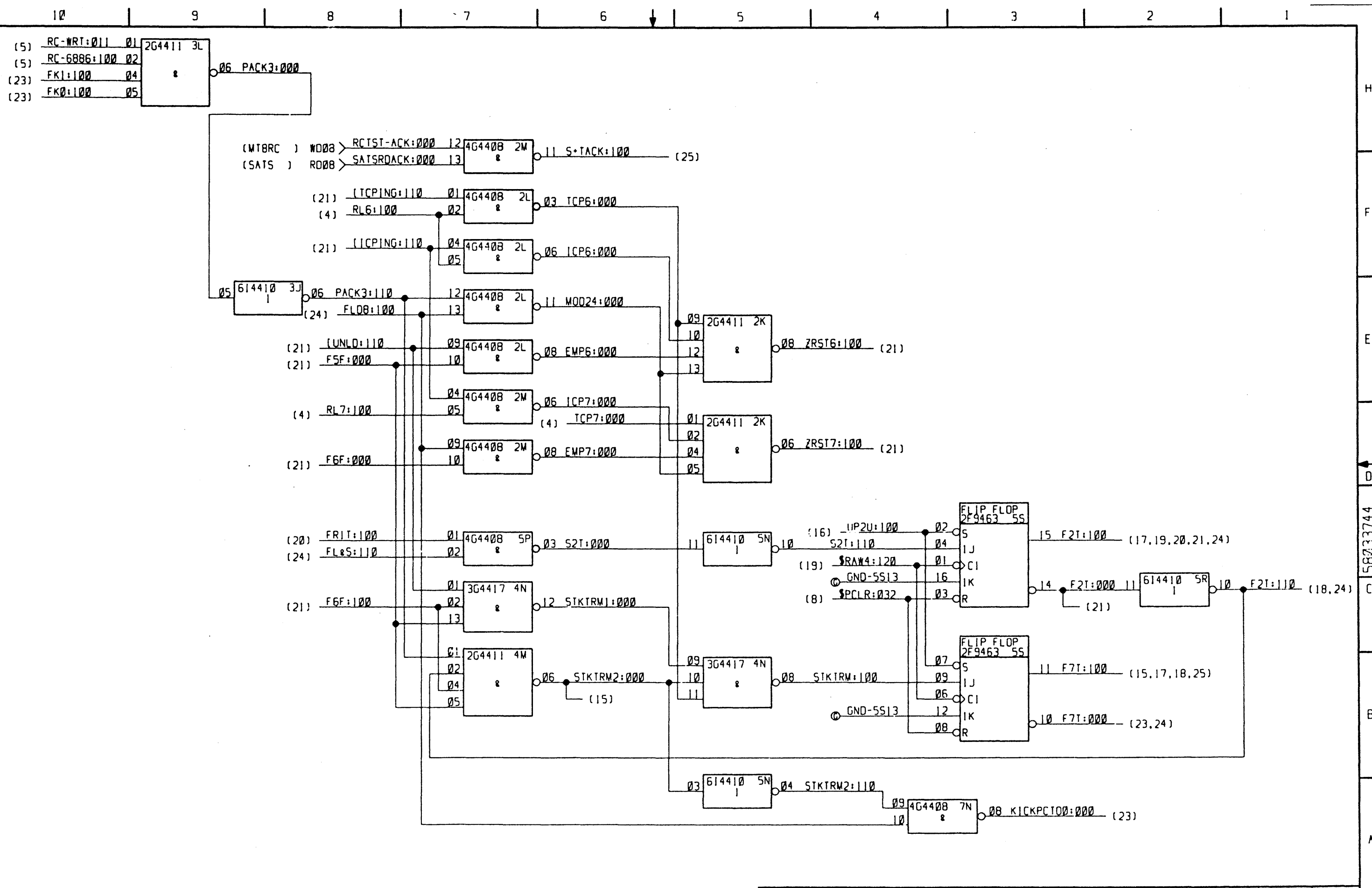


58233744

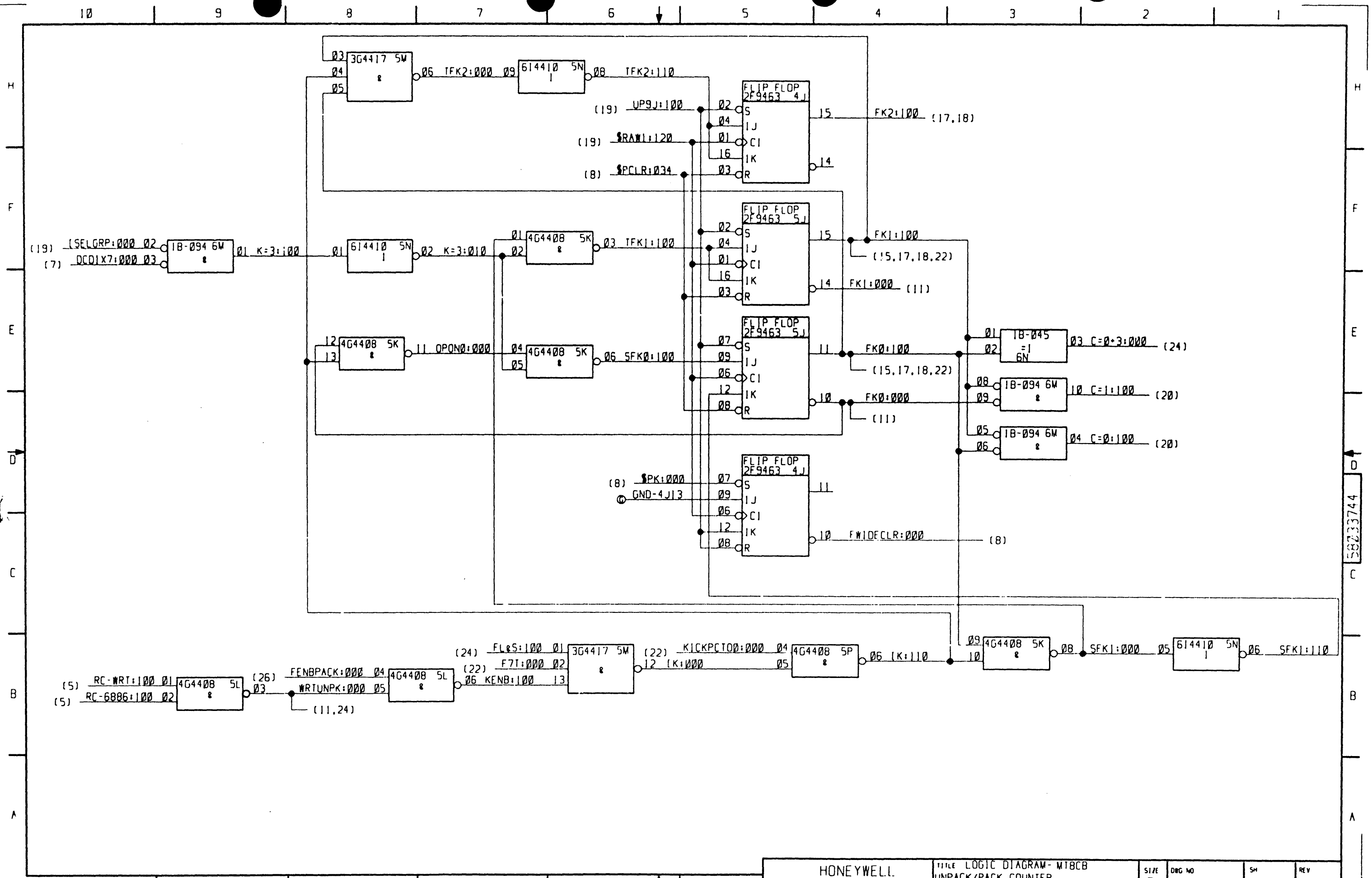


58033744

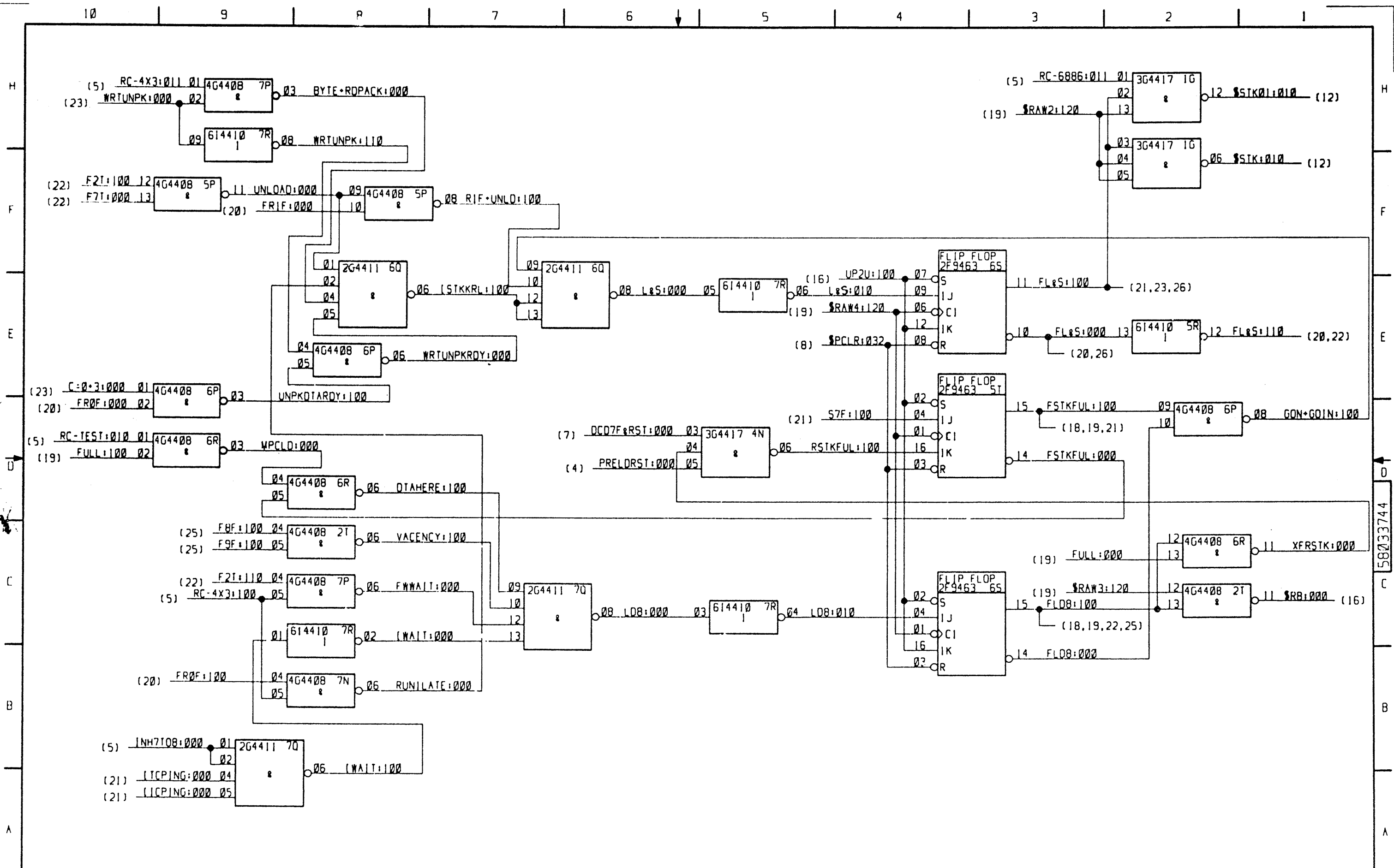




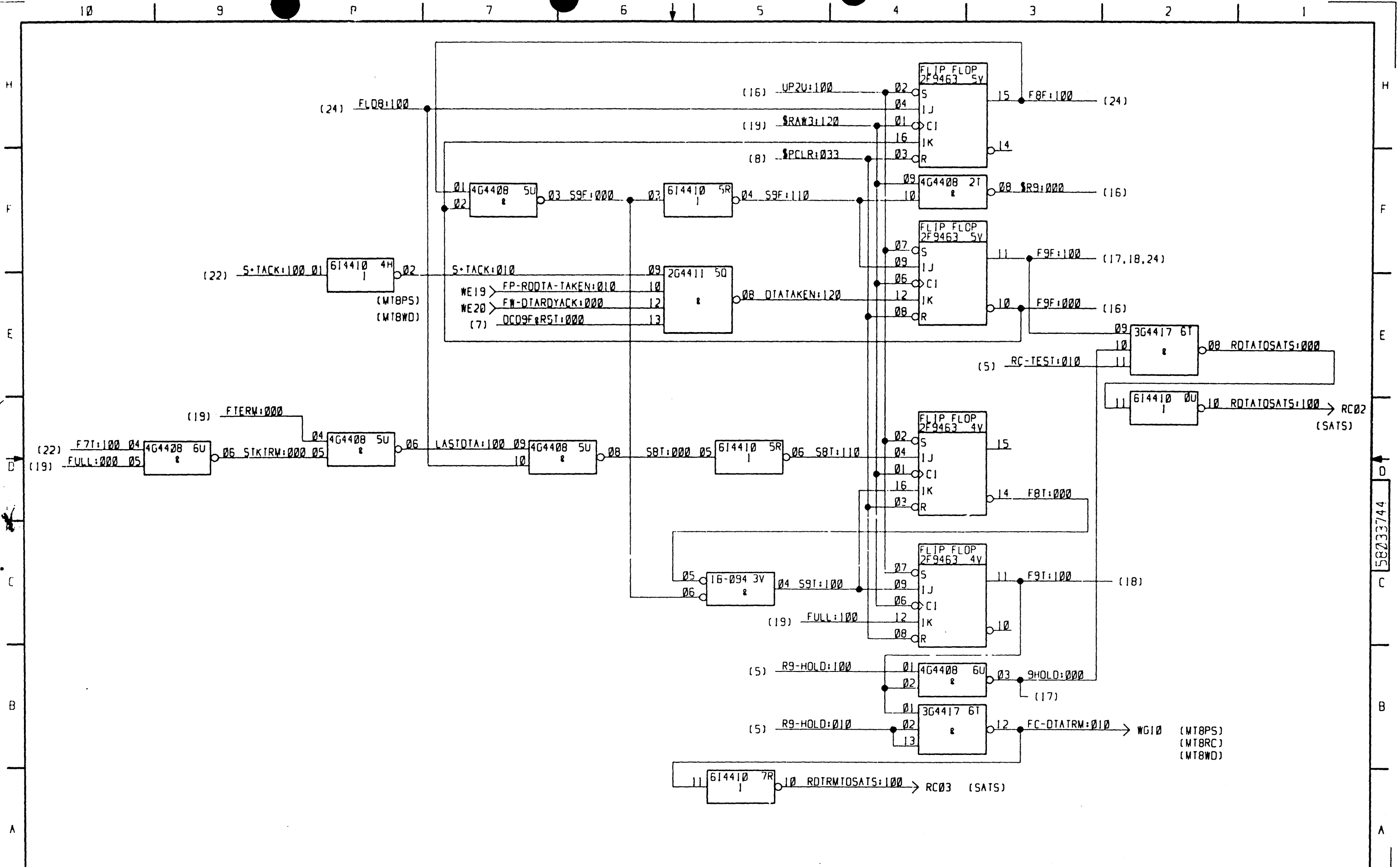
58033744



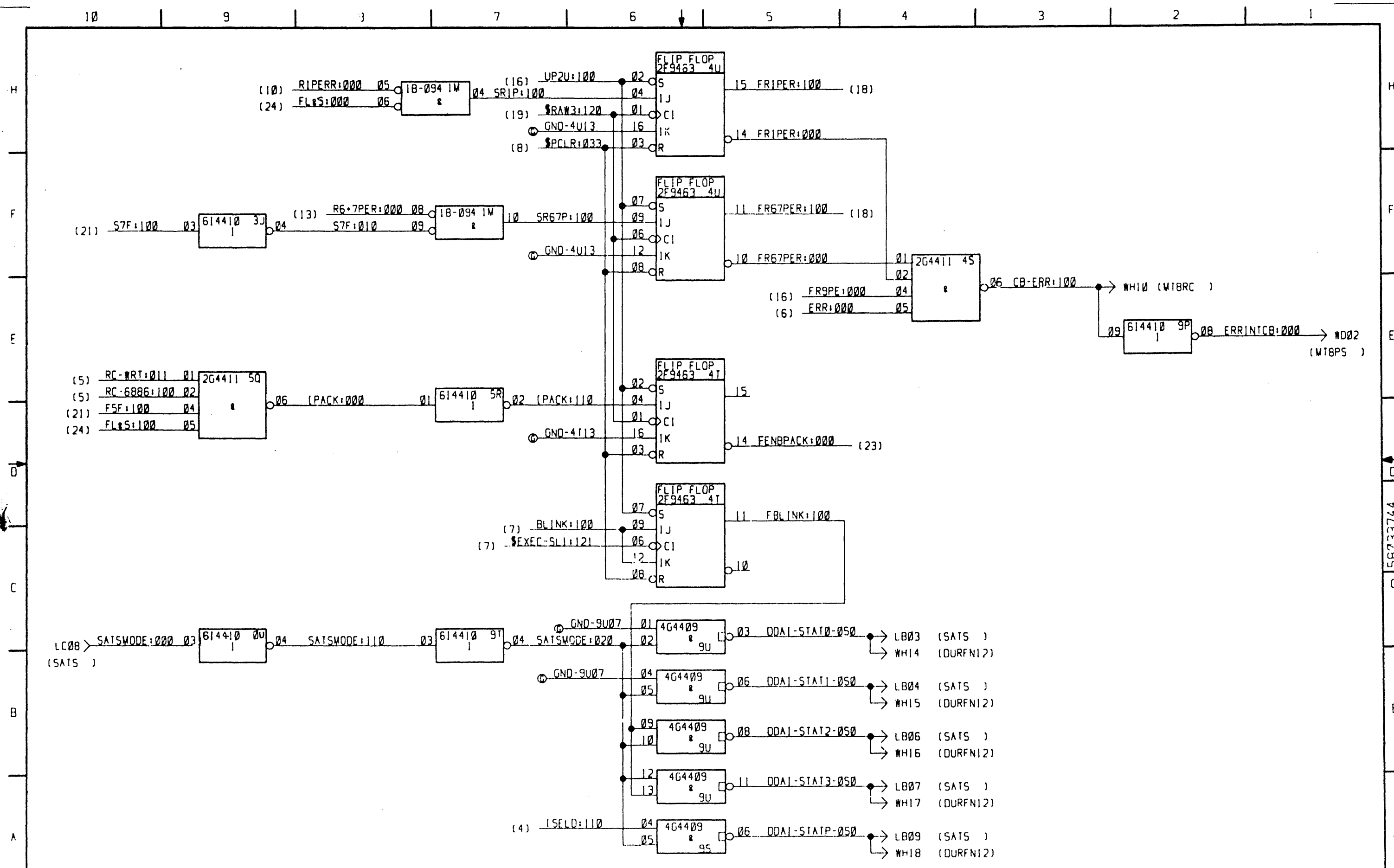
58033744



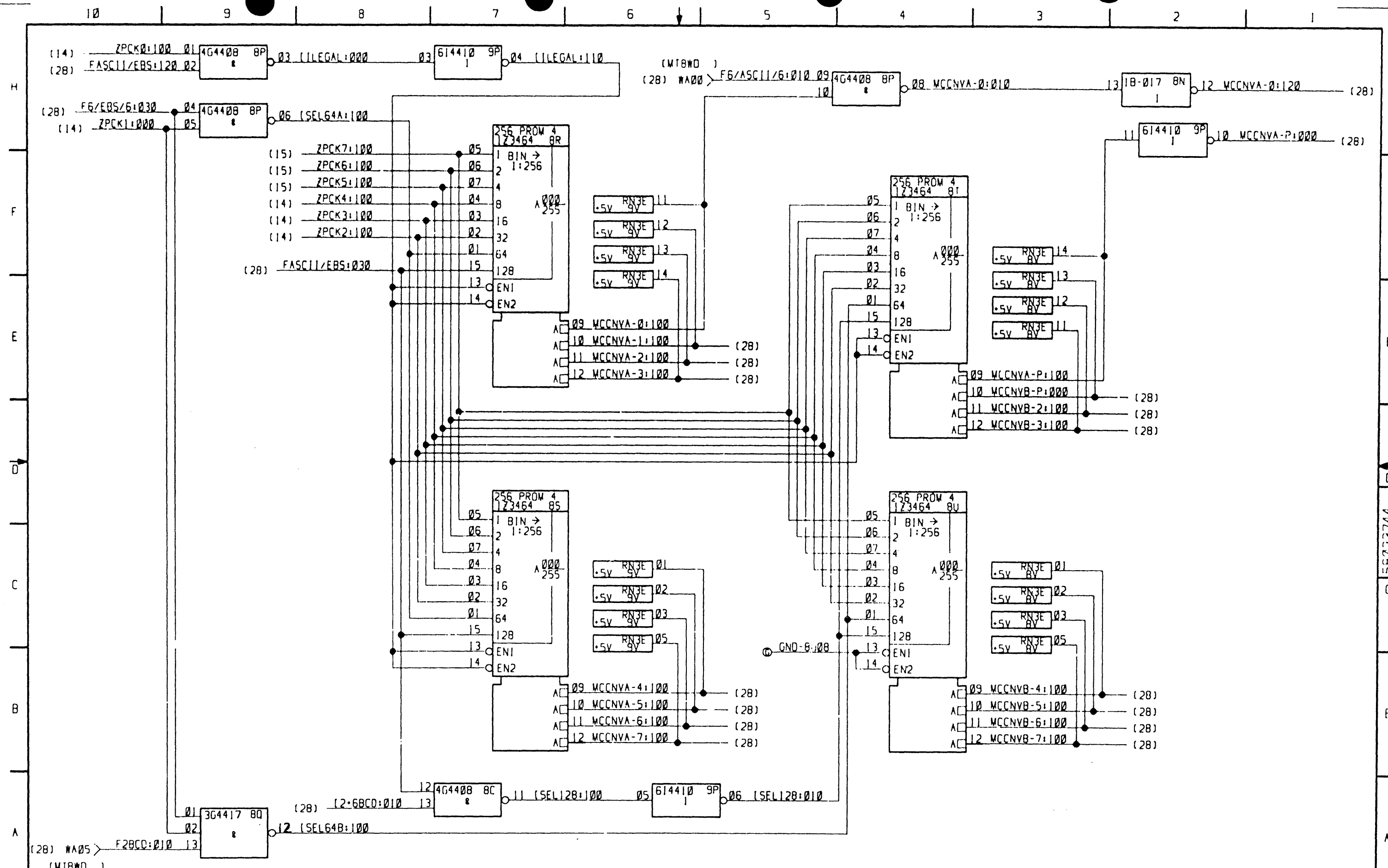
58033744



58233744



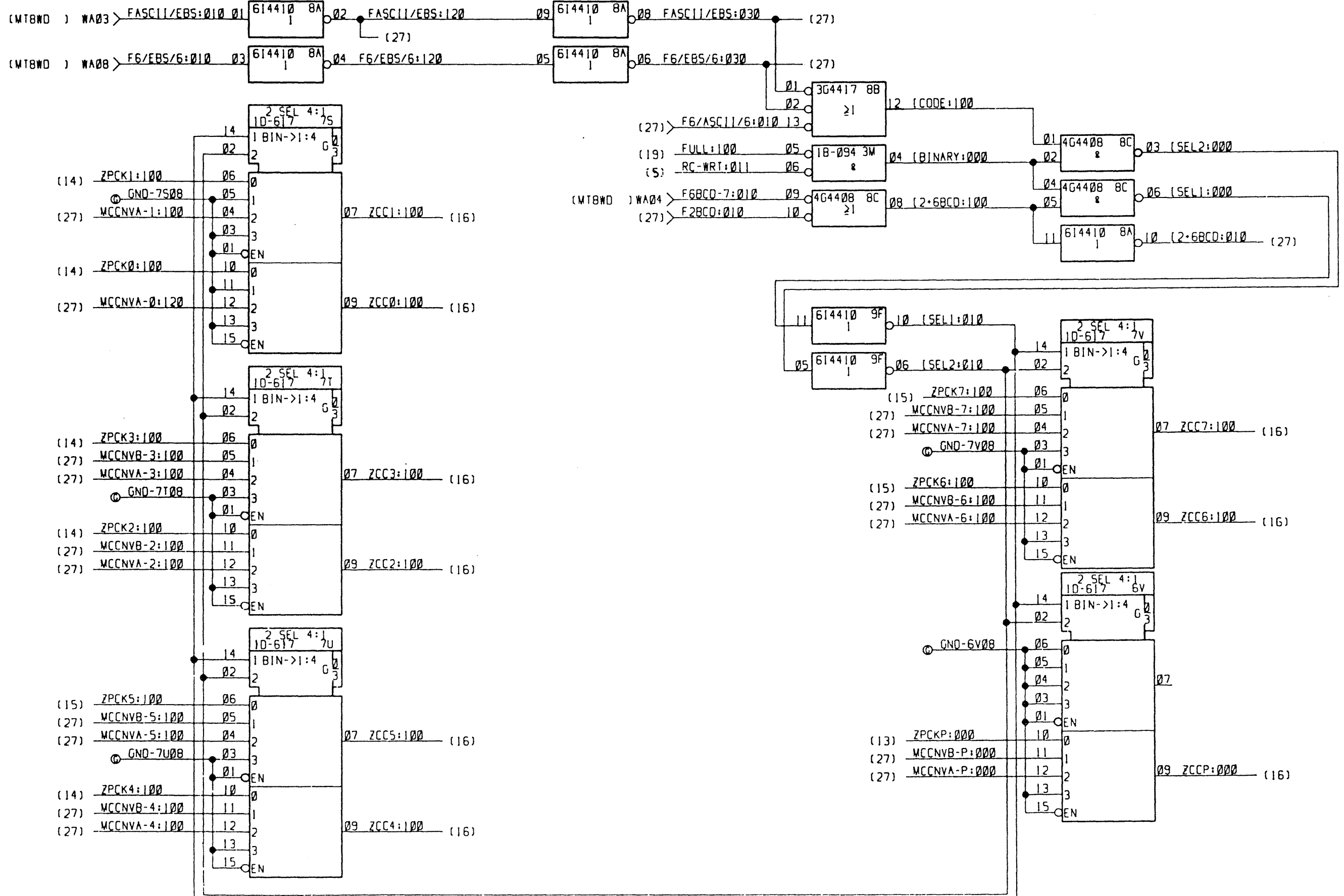
58233744



All dimensions are in inches unless otherwise specified. All dimensions are to be maintained unless otherwise specified.

58033744

H
F
E
D
C
B
A



ALL INFORMATION CONTAINED HEREIN IS UNCLASSIFIED EXCEPT WHERE SHOWN OTHERWISE. DATE 08-20-2010 BY 60322 UCBAW/DK/STP

58033744

58066960

| REV | AUTHORITY | DATE | | | SIGNATURE | TAB NO | PLSH | | | | | | | | | | | | |
|-----|---------------|------|-----|-----|---------------------------|--------|------|---|---|---|---|---|---|--|--|---|--|--|--|
| | | YR | MO | DAY | | | 0 | 1 | 2 | 3 | 4 | 5 | 6 | | | | | | |
| A | LEVEL I ISSUE | 81 | MAY | 13 | <i>Lucl Nomand</i> 5-4-81 | A | | | | | | | | | | A | | | |
| | | | | | | | | | | | | | | | | | | | |
| | | | | | | | | | | | | | | | | | | | |
| | | | | | | | | | | | | | | | | | | | |
| | | | | | | | | | | | | | | | | | | | |
| | | | | | | | | | | | | | | | | | | | |
| | | | | | | | | | | | | | | | | | | | |
| | | | | | | | | | | | | | | | | | | | |
| | | | | | | | | | | | | | | | | | | | |
| | | | | | | | | | | | | | | | | | | | |
| | | | | | | | | | | | | | | | | | | | |
| | 58033744 | | | | LOGIC DIAG | G | | | | | | | | | | | | | |
| | 58030234 | | | | TEST DATA | F | | | | | | | | | | | | | |

FOR CONTINUATION OF REVISION STATUS SEE SHEET

BRUNING 44-141 40366

Honeywell

HONEYWELL INFORMATION SYSTEMS INC.
10C PHOENIX ARIZONA

| | | | | |
|--|-----------------|---------------------|-------|-----|
| MADE BY <i>Shackelford</i> 81 APR 17 | TITLE | | | |
| APPROVED <i>R.A. Martin</i> 27 April 81 | HDUHC PWA MT8CB | | | |
| REVISION STATUS FOR EACH PAGE SHEET OR GROUP IS SHOWN BY LAST ENTRY IN THE CORRESPONDING NUMBERED COLUMN | SIZE | REVISION STATUS FOR | SHEET | REV |
| | X | 58066960 | 1/1 | A |

DIST.C68/C117-30, 31

58066962

| REV | AUTHORITY | DATE | | | SIGNATURE | TAB | | | | | | | | | | | | SH. | |
|-----|-------------|------|-----|-----|----------------|-----|--|--|--|--|--|--|--|--|--|--|--|-----|---|
| | | YR | MO | DAY | | DI | | | | | | | | | | | | ALL | |
| A | LVL 1 ISSUE | 81 | MAY | 08 | Chuck V 5-4-81 | A | | | | | | | | | | | | | A |
| | | | | | | | | | | | | | | | | | | | |
| | | | | | | | | | | | | | | | | | | | |
| | | | | | | | | | | | | | | | | | | | |
| | | | | | | | | | | | | | | | | | | | |
| | | | | | | | | | | | | | | | | | | | |
| | | | | | | | | | | | | | | | | | | | |
| | | | | | | | | | | | | | | | | | | | |
| | | | | | | | | | | | | | | | | | | | |
| | | | | | | | | | | | | | | | | | | | |
| | | | | | | | | | | | | | | | | | | | |

BRUNING 44-141 40366

FOR CONTINUATION OF REVISION STATUS SEE SHEET

Honeywell
HONEYWELL INFORMATION SYSTEMS INC.
LOC PHOENIX ARIZONA

MADE BY *D. Kauffman 81 Apr. 15*
APPROVED *R. A. Martin 27 Apr 81*
REVISION STATUS FOR EACH PAGE SHEET OR GROUP IS SHOWN BY LAST ENTRY IN THE CORRESPONDING NUMBERED COLUMN

| | | | |
|----------|---------------------|------------|----------|
| TITLE | <i>CIL MT8CB</i> | | |
| SIZE | REVISION STATUS FOR | SHEET | REV |
| <i>A</i> | <i>58066962</i> | <i>1/1</i> | <i>A</i> |

DIST. *C68/C117-37*

HONEYWELL INFORMATION SYSTEMS
LOC PHOENIX, ARIZONA, U.S.A.

58066962

COMP INSTL LIST - MT8CB

2

1/9

HONEYWELL INFORMATION SYSTEMS
LOC PHOENIX, ARIZONA, U.S.A.

58066962

COMP INSTL LIST - MT8CB

3

2

TAB-001

STANDARD LOCATION CODE PATTERN
X-POS & Y-POS PER 58046507-001
UNLESS OTHERWISE SHOWN, ROTATION IS NORTH

| LOC | TYPE | IDENT | X-POS | Y-POS | ROTATION |
|------|--------|----------------|-------|-------|----------|
| 00AE | P1043 | 43C212092P1043 | | | |
| 00BE | P9 | 43A114748P9 | | | |
| 00CE | P1043 | 43C212092P1043 | | | |
| 00EE | P9 | 43A114748P9 | | | |
| 00FE | P1043 | 43C212092P1043 | | | |
| 00JE | P1043 | 43C212092P1043 | | | |
| 00LE | P1043 | 43C212092P1043 | | | |
| 00ME | P9 | 43A114748P9 | | | |
| 00PE | P1043 | 43C212092P1043 | | | |
| 00RE | P9 | 43A114748P9 | | | |
| 00SE | P1043 | 43C212092P1043 | | | |
| 00TE | P9 | 43A114748P9 | | | |
| 00WE | P9 | 43A114748P9 | | | |
| 0A | 1B3441 | 43C216441P1 | | | |
| 0B | 1B3441 | 43C216441P1 | | | |
| 0C | 1R9455 | 43C216455P1 | | | |
| 0D | 1R9455 | 43C216455P1 | | | |
| 0E | 1R9455 | 43C216455P1 | | | |
| 0F | 1R9455 | 43C216455P1 | | | |
| 0G | 1R9455 | 43C216455P1 | | | |
| 0H | 1Q-066 | 58002066-001 | | | |
| 0J | 6I4410 | 43C216410P1 | | | |
| 0K | 1B-045 | 58002045-001 | | | |
| 0L | 1B-045 | 58002045-001 | | | |
| 0M | 1B3442 | 43C216442P1 | | | |
| 0N | 1B3442 | 43C216442P1 | | | |
| 0P | 1B3442 | 43C216442P1 | | | |
| 0Q | 1B3442 | 43C216442P1 | | | |
| 0R | 1B3442 | 43C216442P1 | | | |
| 0S | 1Q-066 | 58002066-001 | | | |
| 0T | 1Q-066 | 58002066-001 | | | |
| 0U | 6I4410 | 43C216410P1 | | | |

EDA

81-03-12 REV. A

58066962

2

1

TAB-001

| LOC | TYPE | IDENT | X-POS | Y-POS | ROTATION |
|------|--------|----------------|-------|-------|----------|
| 10AE | P1043 | 43C212092P1043 | | | |
| 10BE | P9 | 43A114748P9 | | | |
| 10CE | P1043 | 43C212092P1043 | | | |
| 10EE | P9 | 43A114748P9 | | | |
| 10FE | P1043 | 43C212092P1043 | | | |
| 10JE | P1043 | 43C212092P1043 | | | |
| 10LE | P1043 | 43C212092P1043 | | | |
| 10ME | P9 | 43A114748P9 | | | |
| 10PE | P1043 | 43C212092P1043 | | | |
| 10RE | P9 | 43A114748P9 | | | |
| 10SE | P1043 | 43C212092P1043 | | | |
| 10TE | P9 | 43A114748P9 | | | |
| 10UE | P1043 | 43C212092P1043 | | | |
| 10WE | P9 | 43A114748P9 | | | |
| 1A | 1B3441 | 43C216441P1 | | | |
| 1B | 1B3442 | 43C216442P1 | | | |
| 1C | 1R9455 | 43C216455P1 | | | |
| 1D | 1R9455 | 43C216455P1 | | | |
| 1E | 1R9455 | 43C216455P1 | | | |
| 1F | 1R9455 | 43C216455P1 | | | |
| 1G | 3G4417 | 43C216417P1 | | | |
| 1H | 1Q-066 | 58002066-001 | | | |
| 1J | 1B-045 | 58002045-001 | | | |
| 1K | 1B-045 | 58002045-001 | | | |
| 1L | 1B-045 | 58002045-001 | | | |
| 1M | 1B-094 | 58002094-001 | | | |
| 1N | 1B3442 | 43C216442P1 | | | |
| 1P | 1B3442 | 43C216442P1 | | | |
| 1Q | 1B3442 | 43C216442P1 | | | |
| 1R | 1B3442 | 43C216442P1 | | | |
| 1S | 1Q-066 | 58002066-001 | | | |
| 1T | 1Q-066 | 58002066-001 | | | |
| 1U | 6I4410 | 43C216410P1 | | | |
| 20AE | P1043 | 43C212092P1043 | | | |
| 20BE | P9 | 43A114748P9 | | | |
| 20CE | P1043 | 43C212092P1043 | | | |
| 20EE | P9 | 43A114748P9 | | | |
| 20FE | P1043 | 43C212092P1043 | | | |

EDA

81-03-12 REV. A

58066962

3

2

HONEYWELL INFORMATION SYSTEMS
LOC PHOENIX, ARIZONA, U.S.A.

58066962

3

COMP INSTL LIST - MT8CB

TAB-001

| LOC | TYPE | IDENT | X-POS | Y-POS | ROTATION |
|------|--------|----------------|-------|-------|----------|
| 20JE | P1043 | 43C212092P1043 | | | |
| 20LE | P1043 | 43C212092P1043 | | | |
| 20ME | P9 | 43A114748P9 | | | |
| 20PE | P1043 | 43C212092P1043 | | | |
| 20QE | P9 | 43A114748P9 | | | |
| 20SE | P1043 | 43C212092P1043 | | | |
| 20TE | P9 | 43A114748P9 | | | |
| 20UE | P1043 | 43C212092P1043 | | | |
| 20WE | P9 | 43A114748P9 | | | |
| 2A | 1B-045 | 58002045-001 | | | |
| 2B | 6I4410 | 43C216410P1 | | | |
| 2C | 3G4417 | 43C216417P1 | | | |
| 2D | 1B3443 | 43C216443P1 | | | |
| 2E | 1B-094 | 58002094-001 | | | |
| 2F | 2F9463 | 43C216463P1 | | | |
| 2G | 2F9463 | 43C216463P1 | | | |
| 2H | 1B-094 | 58002094-001 | | | |
| 2J | 2F9463 | 43C216463P1 | | | |
| 2K | 2G4411 | 43C216411P1 | | | |
| 2L | 4G4408 | 43C216408P1 | | | |
| 2M | 4G4408 | 43C216408P1 | | | |
| 2N | 1B3442 | 43C216442P1 | | | |
| 2P | 1B3442 | 43C216442P1 | | | |
| 2Q | 1B3442 | 43C216442P1 | | | |
| 2R | 1B3442 | 43C216442P1 | | | |
| 2S | 1B3442 | 43C216442P1 | | | |
| 2T | 4G4408 | 43C216408P1 | | | |
| 2U | 6I4410 | 43C216410P1 | | | |
| 2V | 1E-011 | 58002011-001 | | | |
| 30AE | P1043 | 43C212092P1043 | | | |
| 30CE | P1043 | 43C212092P1043 | | | |
| 30EE | P9 | 43A114748P9 | | | |
| 30FE | P1043 | 43C212092P1043 | | | |
| 30JE | P1043 | 43C212092P1043 | | | |
| 30LE | P1043 | 43C212092P1043 | | | |
| 30ME | P9 | 43A114748P9 | | | |
| 30PE | P1043 | 43C212092P1043 | | | |
| 30QE | P9 | 43A114748P9 | | | |

EDA

81-03-12 REV. A

58066962

3

HONEYWELL INFORMATION SYSTEMS
LOC PHOENIX, ARIZONA, U.S.A.

58066962

5

COMP INSTL LIST - MT8CB

TAB-001

| LOC | TYPE | IDENT | X-POS | Y-POS | ROTATION |
|------|--------|----------------|-------|-------|----------|
| 30SE | P1043 | 43C212092P1043 | | | |
| 30UE | P1043 | 43C212092P1043 | | | |
| 30WE | P9 | 43A114748P9 | | | |
| 3A | 1B-045 | 58002045-001 | | | |
| 3B | 1B-045 | 58002045-001 | | | |
| 3C | 1B-045 | 58002045-001 | | | |
| 3E | 4G4408 | 43C216408P1 | | | |
| 3F | 2F9463 | 43C216463P1 | | | |
| 3G | 2F9463 | 43C216463P1 | | | |
| 3H | 3G4417 | 43C216417P1 | | | |
| 3J | 6I4410 | 43C216410P1 | | | |
| 3K | 4G4408 | 43C216408P1 | | | |
| 3L | 2G4411 | 43C216411P1 | | | |
| 3M | 1B-094 | 58002094-001 | | | |
| 3N | 1B3442 | 43C216442P1 | | | |
| 3P | 1B3442 | 43C216442P1 | | | |
| 3Q | 1B3442 | 43C216442P1 | | | |
| 3R | 1B3442 | 43C216442P1 | | | |
| 3S | 2G4411 | 43C216411P1 | | | |
| 3T | 3G4417 | 43C216417P1 | | | |
| 3U | 2F9463 | 43C216463P1 | | | |
| 3V | 1B-094 | 58002094-001 | | | |
| 40AE | P1043 | 43C212092P1043 | | | |
| 40BE | P9 | 43A114748P9 | | | |
| 40CE | P1043 | 43C212092P1043 | | | |
| 40EE | P9 | 43A114748P9 | | | |
| 40FE | P1043 | 43C212092P1043 | | | |
| 40JE | P1043 | 43C212092P1043 | | | |
| 40LE | P1043 | 43C212092P1043 | | | |
| 40ME | P9 | 43A114748P9 | | | |
| 40PE | P1043 | 43C212092P1043 | | | |
| 40QE | P9 | 43A114748P9 | | | |
| 40SE | P1043 | 43C212092P1043 | | | |
| 40TE | P9 | 43A114748P9 | | | |
| 40UE | P1043 | 43C212092P1043 | | | |
| 40WE | P9 | 43A114748P9 | | | |
| 4A | 1R-066 | 58002066-001 | | | |
| 4B | 1R-066 | 58002066-001 | | | |

EDA

81-03-12 REV. A

58066962

5

4

HONEYWELL INFORMATION SYSTEMS
 LOC PHOENIX, ARIZONA, U.S.A.

58066962
 6

5

COMP INSTL LIST - MT8CB

TAB-001

| LOC | TYPE | IDENT | X-POS | Y-POS | ROTATION |
|------|--------|----------------|-------|-------|----------|
| 4C | 4G4408 | 43C216408P1 | | | |
| 4D | 1R-066 | 58002066-001 | | | |
| 4E | 1R-066 | 58002066-001 | | | |
| 4F | 6I4410 | 43C216410P1 | | | |
| 4G | 2F9463 | 43C216463P1 | | | |
| 4H | 6I4410 | 43C216410P1 | | | |
| 4J | 2F9463 | 43C216463P1 | | | |
| 4K | 4G4408 | 43C216408P1 | | | |
| 4L | 3G4417 | 43C216417P1 | | | |
| 4M | 2G4411 | 43C216411P1 | | | |
| 4N | 3G4417 | 43C216417P1 | | | |
| 4P | 1E-011 | 58002011-001 | | | |
| 4Q | 1E-011 | 58002011-001 | | | |
| 4R | 1E-011 | 58002011-001 | | | |
| 4S | 2G4411 | 43C216411P1 | | | |
| 4T | 2F9463 | 43C216463P1 | | | |
| 4U | 2F9463 | 43C216463P1 | | | |
| 4V | 2F9463 | 43C216463P1 | | | |
| 50AE | P1043 | 43C212092P1043 | | | |
| 50BE | P9 | 43A114748P9 | | | |
| 50CE | P1043 | 43C212092P1043 | | | |
| 50EE | P9 | 43A114748P9 | | | |
| 50FE | P1043 | 43C212092P1043 | | | |
| 50JE | P1043 | 43C212092P1043 | | | |
| 50LE | P1043 | 43C212092P1043 | | | |
| 50ME | P9 | 43A114748P9 | | | |
| 50PE | P1043 | 43C212092P1043 | | | |
| 50QE | P9 | 43A114748P9 | | | |
| 50SE | P1043 | 43C212092P1043 | | | |
| 50TE | P9 | 43A114748P9 | | | |
| 50UE | P1043 | 43C212092P1043 | | | |
| 50WE | P9 | 43A114748P9 | | | |
| 51A | 1R-066 | 58002066-001 | | | |
| 51B | 1R-066 | 58002066-001 | | | |
| 51C | 1B3441 | 43C216441P1 | | | |
| 51D | 1B3441 | 43C216441P1 | | | |
| 51E | 4G4408 | 43C216408P1 | | | |
| 51F | 3G4417 | 43C216417P1 | | | |

EDA

81-03-12 REV. A

58066962
 6

5

HONEYWELL INFORMATION SYSTEMS
 LOC PHOENIX, ARIZONA, U.S.A.

58066962
 7

6

COMP INSTL LIST - MT8CB

TAB-001

| LOC | TYPE | IDENT | X-POS | Y-POS | ROTATION |
|------|--------|----------------|-------|-------|----------|
| 5G | 2F9463 | 43C216463P1 | | | |
| 5H | 2F9463 | 43C216463P1 | | | |
| 5J | 2F9463 | 43C216463P1 | | | |
| 5K | 4G4408 | 43C216408P1 | | | |
| 5L | 4G4408 | 43C216408P1 | | | |
| 5M | 3G4417 | 43C216417P1 | | | |
| 5N | 6I4410 | 43C216410P1 | | | |
| 5P | 4G4408 | 43C216408P1 | | | |
| 5Q | 2G4411 | 43C216411P1 | | | |
| 5R | 6I4410 | 43C216410P1 | | | |
| 5S | 2F9463 | 43C216463P1 | | | |
| 5T | 2F9463 | 43C216463P1 | | | |
| 5U | 4G4408 | 43C216408P1 | | | |
| 5V | 2F9463 | 43C216463P1 | | | |
| 60AE | P1043 | 43C212092P1043 | | | |
| 60CE | P1043 | 43C212092P1043 | | | |
| 60EE | P9 | 43A114748P9 | | | |
| 60FE | P1043 | 43C212092P1043 | | | |
| 60JE | P1043 | 43C212092P1043 | | | |
| 60LE | P1043 | 43C212092P1043 | | | |
| 60ME | P9 | 43A114748P9 | | | |
| 60PE | P1043 | 43C212092P1043 | | | |
| 60QE | P9 | 43A114748P9 | | | |
| 60SE | P1043 | 43C212092P1043 | | | |
| 60UE | P1043 | 43C212092P1043 | | | |
| 60WE | P9 | 43A114748P9 | | | |
| 6A | 1B3441 | 43C216441P1 | | | |
| 6B | 1B3441 | 43C216441P1 | | | |
| 6C | 1B3441 | 43C216441P1 | | | |
| 6D | 4G4408 | 43C216408P1 | | | |
| 6E | 2G4411 | 43C216411P1 | | | |
| 6F | 1B-094 | 58002094-001 | | | |
| 6G | 2F9463 | 43C216463P1 | | | |
| 6H | 1B-094 | 58002094-001 | | | |
| 6J | 6I4410 | 43C216410P1 | | | |
| 6K | 3G4417 | 43C216417P1 | | | |
| 6L | 6I4410 | 43C216410P1 | | | |
| 6M | 1B-094 | 58002094-001 | | | |

EDA

81-03-12 REV. A

58066962
 7

6

COMP INSTL LIST - MT8CB

TAB-001

| LOC | TYPE | IDENT | X-POS | Y-POS | ROTATION |
|------|--------|----------------|-------|-------|----------|
| 6N | 1B-045 | 58002045-001 | | | |
| 6P | 4G4408 | 43C216408P1 | | | |
| 6Q | 2G4411 | 43C216411P1 | | | |
| 6R | 4G4408 | 43C216408P1 | | | |
| 6S | 2F9463 | 43C216463P1 | | | |
| 6T | 3G4417 | 43C216417P1 | | | |
| 6U | 4G4408 | 43C216408P1 | | | |
| 6V | 1D-617 | 58002617-001 | | | |
| 70AE | P1043 | 43C212092P1043 | | | |
| 70BE | P9 | 43A114748P9 | | | |
| 70CE | P1043 | 43C212092P1043 | | | |
| 70EE | P9 | 43A114748P9 | | | |
| 70FE | P1043 | 43C212092P1043 | | | |
| 70JE | P1043 | 43C212092P1043 | | | |
| 70LE | P1043 | 43C212092P1043 | | | |
| 70ME | P9 | 43A114748P9 | | | |
| 70PE | P1043 | 43C212092P1043 | | | |
| 70QE | P9 | 43A114748P9 | | | |
| 70SE | P1043 | 43C212092P1043 | | | |
| 70TE | P9 | 43A114748P9 | | | |
| 70UE | P1043 | 43C212092P1043 | | | |
| 70WE | P9 | 43A114748P9 | | | |
| 7A | 1P3405 | 43C216405P1 | | | |
| 7B | RN4D | 43B216592P17 | | | |
| 7C | RN4D | 43B216592P17 | | | |
| 7D | 1P3405 | 43C216405P1 | | | |
| 7E | 6I4410 | 43C216410P1 | | | |
| 7F | 3G4417 | 43C216417P1 | | | |
| 7G | 2G4411 | 43C216411P1 | | | |
| 7H | 3G4417 | 43C216417P1 | | | |
| 7J | 1Q-066 | 58002066-001 | | | |
| 7K | 1Q-066 | 58002066-001 | | | |
| 7L | 1Q-066 | 58002066-001 | | | |
| 7M | 2G4411 | 43C216411P1 | | | |
| 7N | 4G4408 | 43C216408P1 | | | |
| 7P | 4G4408 | 43C216408P1 | | | |
| 7Q | 2G4411 | 43C216411P1 | | | |
| 7R | 6I4410 | 43C216410P1 | | | |

COMP INSTL LIST - MT8CB

TAB-001

| LOC | TYPE | IDENT | X-POS | Y-POS | ROTATION |
|------|------------|----------------|-------|-------|----------|
| 7S | 1D-617 | 58002617-001 | | | |
| 7T | 1D-617 | 58002617-001 | | | |
| 7U | 1D-617 | 58002617-001 | | | |
| 7V | 1D-617 | 58002617-001 | | | |
| 80AE | P1043 | 43C212092P1043 | | | |
| 80BE | P9 | 43A114748P9 | | | |
| 80CE | P1043 | 43C212092P1043 | | | |
| 80EE | P9 | 43A114748P9 | | | |
| 80FE | P1043 | 43C212092P1043 | | | |
| 80JE | P1043 | 43C212092P1043 | | | |
| 80LE | P1043 | 43C212092P1043 | | | |
| 80ME | P9 | 43A114748P9 | | | |
| 80PE | P1043 | 43C212092P1043 | | | |
| 80QE | P9 | 43A114748P9 | | | |
| 80SE | P1043 | 43C212092P1043 | | | |
| 80TE | P9 | 43A114748P9 | | | |
| 80UE | P1043 | 43C212092P1043 | | | |
| 80WE | P9 | 43A114748P9 | | | |
| 8A | 6I4410 | 43C216410P1 | | | |
| 8B | 3G4417 | 43C216417P1 | | | |
| 8C | 4G4408 | 43C216408P1 | | | |
| 8E | 1B-094 | 58002094-001 | | | |
| 8F | 4G4408 | 43C216408P1 | | | |
| 8G | 6I4410 | 43C216410P1 | | | |
| 8H | 1N3450 | 43C216450P1 | | | |
| 8J | 2D5419 | 43C216419P1 | | | |
| 8K | 2D5419 | 43C216419P1 | | | |
| 8L | RN4D | 43B216592P17 | | | |
| 8M | 1B-015 | 58002015-001 | | | |
| 8N | 1B-017 | 58002017-001 | | | |
| 8P | 4G4408 | 43C216408P1 | | | |
| 8Q | 3G4417 | 43C216417P1 | | | |
| 8R | 1Z3464P003 | 43A216464P03 | | | |
| 8S | 1Z3464P004 | 43A216464P04 | | | |
| 8T | 1Z3464P058 | 43A216464P58 | | | |
| 8U | 1Z3464P059 | 43A216464P59 | | | |
| 8V | RN3E | 43B216592P19 | | | |
| 90AE | P1043 | 43C212092P1043 | | | |

HONEYWELL INFORMATION SYSTEMS
 LOC PHOENIX, ARIZONA, U.S.A.

58066962
 FINAL

COMP INSTL LIST - MT8CB

TAB-001

| LOC | TYPE | IDENT | X-POS | Y-POS | ROTATION |
|------|--------|----------------|-------|-------|----------|
| 90EE | P9 | 43A114748P9 | | | |
| 90FE | P1043 | 43C212092P1043 | | | |
| 90JE | P1043 | 43C212092P1043 | | | |
| 90LE | P1043 | 43C212092P1043 | | | |
| 90ME | P9 | 43A114748P9 | | | |
| 90PE | P1043 | 43C212092P1043 | | | |
| 90QE | P9 | 43A114748P9 | | | |
| 90UE | P1043 | 43C212092P1043 | | | |
| 90WE | P9 | 43A114748P9 | | | |
| 9A | 6I4410 | 43C216410P1 | | | |
| 9B | 6I4410 | 43C216410P1 | | | |
| 9C | 6I4410 | 43C216410P1 | | | |
| 9D | 6I4410 | 43C216410P1 | | | |
| 9E | 6I4410 | 43C216410P1 | | | |
| 9F | 6I4410 | 43C216410P1 | | | |
| 9G | 6I4410 | 43C216410P1 | | | |
| 9H | 6I4410 | 43C216410P1 | | | |
| 9J | 6I4410 | 43C216410P1 | | | |
| 9K | 6I4410 | 43C216410P1 | | | |
| 9L | 6I4410 | 43C216410P1 | | | |
| 9M | 6I4410 | 43C216410P1 | | | |
| 9N | 1E-011 | 580002011-001 | | | |
| 9P | 6I4410 | 43C216410P1 | | | |
| 9Q | 4G4409 | 43C216409P1 | | | |
| 9R | 4G4409 | 43C216409P1 | | | |
| 9S | 4G4409 | 43C216409P1 | | | |
| 9T | 6I4410 | 43C216410P1 | | | |
| 9U | 4G4409 | 43C216409P1 | | | |
| 9V | RN3E | 43B216592P19 | | | |

THE INFORMATION CONTAINED IN THIS DOCUMENT PROPRIETARY TO HONEYWELL INFORMATION SYSTEMS, INC. AND IS INTENDED FOR INTERNAL HONEYWELL USE ONLY. SUCH INFORMATION MAY BE DISTRIBUTED TO OTHERS BY WRITTEN PERMISSION OF AN AUTHORIZED HONEYWELL OFFICIAL. THIS RESTRICTION DOES NOT APPLY TO VENDOR PROPRIETARY THAT MAY BE DISCLOSED IN THIS DOCUMENT.

43D234054

| REV | AUTHORITY | DATE | | | SIGNATURE | DWG SH. | | | | | | | | | | | | | | | | | | | |
|------------------------|-------------|------|-----|-----|----------------|---------|---|---|-----|-----|---|---|---|---|---|----|----|----|----|----|----|----|----|----|----|
| | | YR | MO | DAY | | 1 | 2 | 3 | 3.1 | 4 | 5 | 6 | 7 | 8 | 9 | 10 | 11 | 12 | 13 | 14 | 15 | 16 | 17 | 18 | 19 |
| A | ISSUED | 71 | 12 | 10 | B. Vansack | A | A | A | A | A | A | A | A | A | A | A | A | A | A | A | A | A | A | A | |
| B | HXP-00-0133 | 72 | 03 | 29 | B. Vansack | | | | B | B | | | | | | B | | | | | | | | | |
| C | HXP-00-0147 | 72 | JUN | 08 | J. Schickel | | | | | | C | C | | | | | C | C | | | C | | | | |
| RENUMBERED SHEET COL'S | | | | | | 1 | 2 | 3 | 3.1 | 3.2 | 4 | 5 | 6 | 7 | 8 | 9 | 10 | 11 | 12 | 13 | 14 | 15 | 16 | 17 | 18 |
| C1 | PHAØBA011 | 74 | SEP | 30 | L. Mills | C1 | | | | C1 | | | | | | | | | | | | | | | |
| D | PHAØBB072 | 78 | JUL | 17 | C. J. Shawlund | | | | | | D | D | D | D | D | D | D | D | D | D | D | D | D | D | |
| E | PHAØBB089 | 79 | 11 | 23 | Bonnie Carr | | | | | | E | E | E | E | E | | E | E | E | E | E | E | E | | |
| F | PHAØBB112 | 80 | FEB | 18 | C. Ripley | | | | | | F | F | | | | F | F | F | | | F | F | F | | |

FOR CONTINUATION OF REVISION STATUS SEE SHEET 2F

| | | | |
|---|---|----------------------------------|--------------------------------------|
| Honeywell HONEYWELL INFORMATION SYSTEMS LOC PHOENIX, ARIZONA | MADE BY <i>V.P. Donat 7/NOV 13</i> | TITLE LOGIC DIAGRAM MPCFN | |
| | APPROVED <i>R. Lynn 12-08-71</i> | SIZE D | REVISION STATUS FOR 43D234054 |
| | REVISION STATUS FOR EACH PAGE, SHEET OR GROUP IS SHOWN BY LAST ENTRY IN THE CORRESPONDING NUMBERED COLUMN | SHEET 1/2 | REV F |

THE INFORMATION CONTAINED IN THIS DOCUMENT PROPRIETARY TO HONEYWELL INFORMATION SYSTEMS, INC. AND IS INTENDED FOR INTERNAL HONEYWELL USE ONLY. SUCH INFORMATION MAY BE DISTRIBUTED TO OTHERS BY WRITTEN PERMISSION OF AN AUTHORIZED HONEYWELL OFFICIAL. THIS RESTRICTION DOES NOT APPLY TO VENDOR PROPRIETARY THAT MAY BE DISCLOSED IN THIS DOCUMENT.

43D234054

| REV | AUTHORITY | DATE | | | SIGNATURE | DWG SH. | | | | | | | | | | | | | | | | | | | | | | | | | | | | | | | | | | | | | | | | |
|------------|-------------|--------------|-----|-----|---------------|---------|----|----|----|----|----|----|----|----|----|----|----|--|--|--|--|--|--|--|--|--|--|--|--|--|--|--|--|--|--|--|--|--|--|--|--|--|--|--|--|--|
| | | YR | MO | DAY | | 20 | 21 | 22 | 23 | 24 | 25 | 26 | 27 | 28 | 29 | 30 | | | | | | | | | | | | | | | | | | | | | | | | | | | | | | |
| B A | ISSUED | 71 | 12 | 10 | B. Vanasch | A | A | A | A | A | A | A | A | A | A | A | | | | | | | | | | | | | | | | | | | | | | | | | | | | | | |
| B B | HXP-00-0133 | 72 | 03 | 29 | B. Vanasch | B | B | | | | | | | | | | | | | | | | | | | | | | | | | | | | | | | | | | | | | | | |
| B C | HXP-00-0147 | 72 | JUN | 08 | Blackford | | | | | | | | | | | | | | | | | | | | | | | | | | | | | | | | | | | | | | | | | |
| RENUMBERED | | SHEET COL'S. | | | | 19 | 20 | 21 | 22 | 23 | 24 | 25 | 26 | 27 | 28 | 29 | 30 | | | | | | | | | | | | | | | | | | | | | | | | | | | | | |
| C PHI | PHAΦBAO11 | 74 | SEP | 30 | L. Mills | | | | | | | | | | | | | | | | | | | | | | | | | | | | | | | | | | | | | | | | | |
| D PHI | PHAΦBB072 | 78 | JUL | 17 | C.J. Showlund | D | D | D | D | | | | | | | | | | | | | | | | | | | | | | | | | | | | | | | | | | | | | |
| E PHI | PHAΦBB089 | 79 | 01 | 23 | Bonnie Carr | E | E | E | E | E | E | E | E | E | E | | | | | | | | | | | | | | | | | | | | | | | | | | | | | | | |
| F PHI | PHAΦBB112 | 80 | FEB | 18 | C. Ripley | F | F | F | | F | F | F | F | F | F | | | | | | | | | | | | | | | | | | | | | | | | | | | | | | | |

FOR CONTINUATION OF REVISION STATUS SEE SHEET

| | | | | | |
|---|-------------------------------------|---|---------------|--------------------------------------|-----------------|
| Honeywell HONEYWELL INFORMATION SYSTEMS LOC PHOENIX, ARIZONA | MADE BY <i>V.S. Donat 71 NOV 13</i> | TITLE LOGIC DIAGRAM MPEFN | | | |
| | APPROVED <i>R. Flynn 12-08-91</i> | REVISION STATUS FOR EACH PAGE, SHEET OR GROUP IS SHOWN BY LAST ENTRY IN THE CORRESPONDING NUMBERED COLUMN | SIZE D | REVISION STATUS FOR 43D234054 | SHEET 2F |

Honeywell

43D234054
SH. NO. 1/32

PRINTS TO
C68-26, T05

TITLE
LOGIC DIAGRAM MPCFN

CONT. ON 2

THIS SHEET LEFT BLANK INTENTIONALLY.

REV
C

FOR DOCUMENT STATUS SEE RSS

MADE BY
Conine 71-11-12

REV. DATE
DEC 10 1971

DWG. NO.
43D234054
CONT. ON 2 SH. NO. 1/32

Honeywell

43D234054
SH. NO. 2

PRINTS TO
C68-26, T05

TITLE
LOGIC DIAGRAM MPCFN

CONT. ON 3

THIS SHEET LEFT BLANK INTENTIONALLY.

REV.
A

MADE BY
Conine 71-11-12

REV. DATE
DEC 10 1971

DWG. NO.
43D234054
CONT. ON 3 SH. NO. 2

CE 33 (1-71)

CE 33 (1-71)

Honeywell

43D234054
SH. NO. 3

PRINTS TO C68-26, T05

TITLE LOGIC DIAGRAM MPCFN
CONT. ON 3.1

THIS SHEET LEFT BLANK INTENTIONALLY.

REV. A

CE 38 (11-71)

MADE BY *Conne* 11-12

REV. DATE DEC 10 1971

DWG. NO. 43D234054
CONT. ON 3.1 SH. NO. 3

| REVISIONS | | | |
|-----------|-----------|---------|--------------------|
| REV | AUTHORITY | DATE | SIGNATURE |
| YR | MO | DAY | |
| A | ISSUED | 7/12/71 | <i>[Signature]</i> |

DDB0-00-15, P0, P1 (SH11)

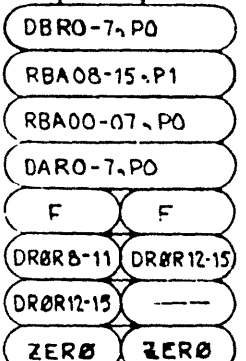
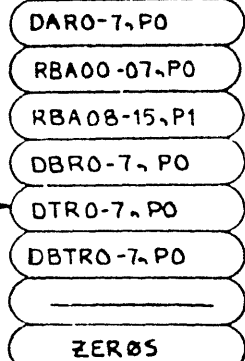
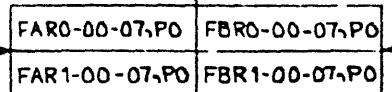
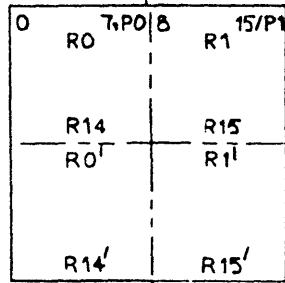
(A) MPCIM

(DAR00-07, P0, DBR00-07, P0)

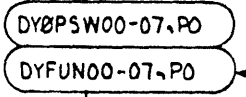
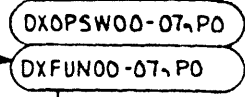
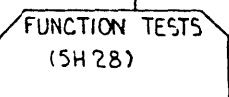
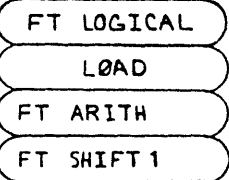
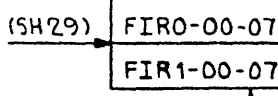
RBA00-15, P0, P1

RBA00-15, P0, P1 (SH4)

DAR00-07, P0 (SH10) DBR00-07, P0 (SH10)



DIR00-07 (SH30)



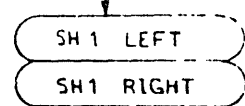
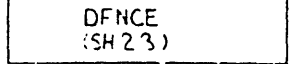
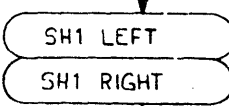
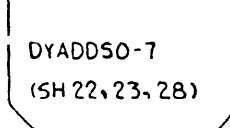
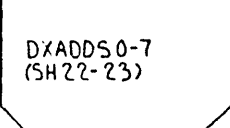
(SH17-18)

(SH20-21)

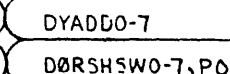
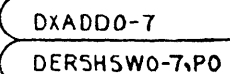
DIRSW00-07 (SH28)

DXFUN00-07, P0

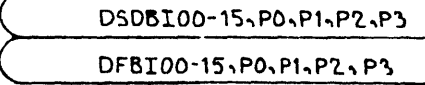
DYFUN00-07, P0



DERSHSW00-07 (SH25)



D0RSHSW00-07 (SH27)



FAST DATA BUS IN (C) MPCRA

DERS00-07, P0 (SH24)

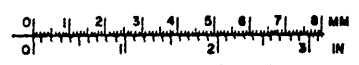
D0RS00-07, P0 (SH26) (D) MPCRB

EVEN/ODD RESULT SW.

FOR DOCUMENT STATUS SEE RSS

FOR INTERPRETATION OF SYMBOLOGY SEE 43A231781 SHEETS 1, 2, 3 ARE "A" SIZE

| | | | | | | | |
|--|-------|----------|--------|--|-----|---|-----|
| UNLESS OTHERWISE SPECIFIED | | MATERIAL | | Honeywell HONEYWELL INFORMATION SYSTEMS PHOENIX, ARIZONA U. S. A. | | | |
| DIMENSIONS - MILLIMETERS | | INCHES | | | | | |
| TOLERANCE OF SIZE AND FORM PER INITIAL DESIGN PROJECTION | SCALE | CODE | TREAT. | FRN. | LOC | TITLE | REV |
| | | | | | | LOGIC DIAGRAM MPCFN BLOCK DIAGRAM - BDI | |
| | | | | | | SIZE DWG NO | SH |
| | | | | | | D 43D234054 | 3.1 |
| | | | | | | | B |



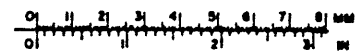
REF SPEC NO

| REVISIONS | | | | |
|-----------|-----------|------|--------|-----------|
| REV | AUTHORITY | DATE | | SIGNATURE |
| | | YR | MO DAY | |
| | | | | |

| PIN NO. | SHEET NO. | PIN NO. | SHEET NO. | PIN NO. | SHEET NO. | PIN NO. | SHEET NO. | PIN NO. | SHEET NO. | PIN NO. | SHEET NO. | PIN NO. | SHEET NO. | PIN NO. | SHEET NO. |
|---------|-----------|---------|-----------|---------|-----------|---------|-----------|---------|-----------|---------|-----------|---------|-----------|---------|-----------|
| WA00 | 22 | WD00 | 11 | WG00 | 29 | WK00 | 13 | LA00 | | LD00 | | RA00 | 6 | RD00 | 6 |
| WA01 | | WD01 | 5 | WG01 | | WK01 | 13 | LA01 | | LD01 | | RA01 | | RD01 | |
| WA02 | 22 | WD02 | 26 | WG02 | 29 | WK02 | 13 | LA02 | | LD02 | | RA02 | | RD02 | 24 |
| WA03 | 25 | WD03 | 26 | WG03 | | WK03 | 13 | LA03 | | LD03 | | RA03 | | RD03 | 24 |
| WA04 | 11 | WD04 | 26 | WG04 | 26 | WK04 | 16 | LA04 | | LD04 | | RA04 | | RD04 | 24 |
| WA05 | | WD05 | 26 | WG05 | 26 | WK05 | 16 | LA05 | | LD05 | | RA05 | | RD05 | 24 |
| WA06 | | WD06 | 26 | WG06 | 26 | WK06 | 15 | LA06 | | LD06 | | RA06 | | RD06 | 24 |
| WA07 | | WD07 | 26 | WG07 | 26 | WK07 | 17 | LA07 | | LD07 | | RA07 | | RD07 | 24 |
| WA08 | | WD08 | 26 | WG08 | 16 | WK08 | 17 | LA08 | | LD08 | | RA08 | | RD08 | 24 |
| WA09 | | WD09 | 26 | WG09 | 30 | WK09 | 17 | LA09 | | LD09 | | RA09 | | RD09 | 24 |
| WA10 | | WD10 | | WG10 | 3 | WK10 | | LA10 | | LD10 | 6 | RA10 | | RD10 | 24 |
| WA11 | | WD11 | | WG11 | | WK11 | | LA11 | | LD11 | | RA11 | | RD11 | |
| WA12 | | WD12 | | WG12 | | WK12 | | LA12 | | LD12 | | RA12 | | RD12 | 26 |
| WA13 | | WD13 | | WG13 | 4 | WK13 | 22 | LA13 | | LD13 | | RA13 | | RD13 | 26 |
| WA14 | | WD14 | | WG14 | 17 | WK14 | 23 | LA14 | | LD14 | | RA14 | | RD14 | 26 |
| WA15 | | WD15 | | WG15 | 12 | WK15 | | LA15 | | LD15 | | RA15 | | RD15 | 26 |
| WA16 | | WD16 | | WG16 | 12 | WK16 | | LA16 | | LD16 | | RA16 | | RD16 | 26 |
| WA17 | | WD17 | | WG17 | 12 | WK17 | 10 | LA17 | | LD17 | | RA17 | | RD17 | 26 |
| WA18 | | WD18 | 28 | WG18 | 12 | WK18 | 21 | LA18 | | LD18 | | RA18 | | RD18 | 26 |
| WA19 | | WD19 | 28 | WG19 | | WK19 | 21 | LA19 | | LD19 | | RA19 | | RD19 | 26 |
| WA20 | | WD20 | | WG20 | | WK20 | | LA20 | | LD20 | | RA20 | | RD20 | 26 |
| WA21 | | WD21 | | WG21 | | WK21 | | LA21 | | LD21 | | RA21 | | RD21 | |

| | | | | | | | | | | | |
|------|----|------|----|------|----|------|--|------|--|------|--|
| WB00 | 28 | WE00 | 21 | WH00 | 6 | WZ00 | | LB00 | | RB00 | |
| WB01 | 28 | WE01 | | WH01 | 24 | WZ01 | | LB01 | | RB01 | |
| WB02 | | WE02 | 12 | WH02 | 24 | WZ02 | | LB02 | | RB02 | |
| WB03 | | WE03 | 12 | WH03 | 24 | WZ03 | | LB03 | | RB03 | |
| WB04 | | WE04 | 12 | WH04 | 24 | WZ04 | | LB04 | | RB04 | |
| WB05 | | WE05 | 12 | WH05 | 24 | WZ05 | | LB05 | | RB05 | |
| WB06 | | WE06 | 12 | WH06 | 24 | | | LB06 | | RB06 | |
| WB07 | | WE07 | 12 | WH07 | 24 | | | LB07 | | RB07 | |
| WB08 | | WE08 | 12 | WH08 | 24 | | | LB08 | | RB08 | |
| WB09 | | WE09 | 12 | WH09 | 26 | | | LB09 | | RB09 | |
| WB10 | | WE10 | 7 | WH10 | 26 | | | LB10 | | RB10 | |
| WB11 | | WE11 | | WH11 | | | | LB11 | | RB11 | |
| WB12 | | WE12 | 19 | WH12 | 24 | | | LB12 | | RB12 | |
| WB13 | | WE13 | 23 | WH13 | 24 | | | LB13 | | RB13 | |
| WB14 | | WE14 | | WH14 | 24 | | | LB14 | | RB14 | |
| WB15 | | WE15 | 26 | WH15 | 24 | | | LB15 | | RB15 | |
| WB16 | | WE16 | | WH16 | 24 | | | LB16 | | RB16 | |
| WB17 | | WE17 | | WH17 | 24 | | | LB17 | | RB17 | |
| WB18 | | WE18 | 8 | WH18 | 24 | | | LB18 | | RB18 | |
| WB19 | | WE19 | | WH19 | 24 | | | LB19 | | RB19 | |
| WB20 | | WE20 | | WH20 | 24 | | | LB20 | | RB20 | |
| WB21 | | WE21 | 5 | WH21 | | | | LB21 | | RB21 | |

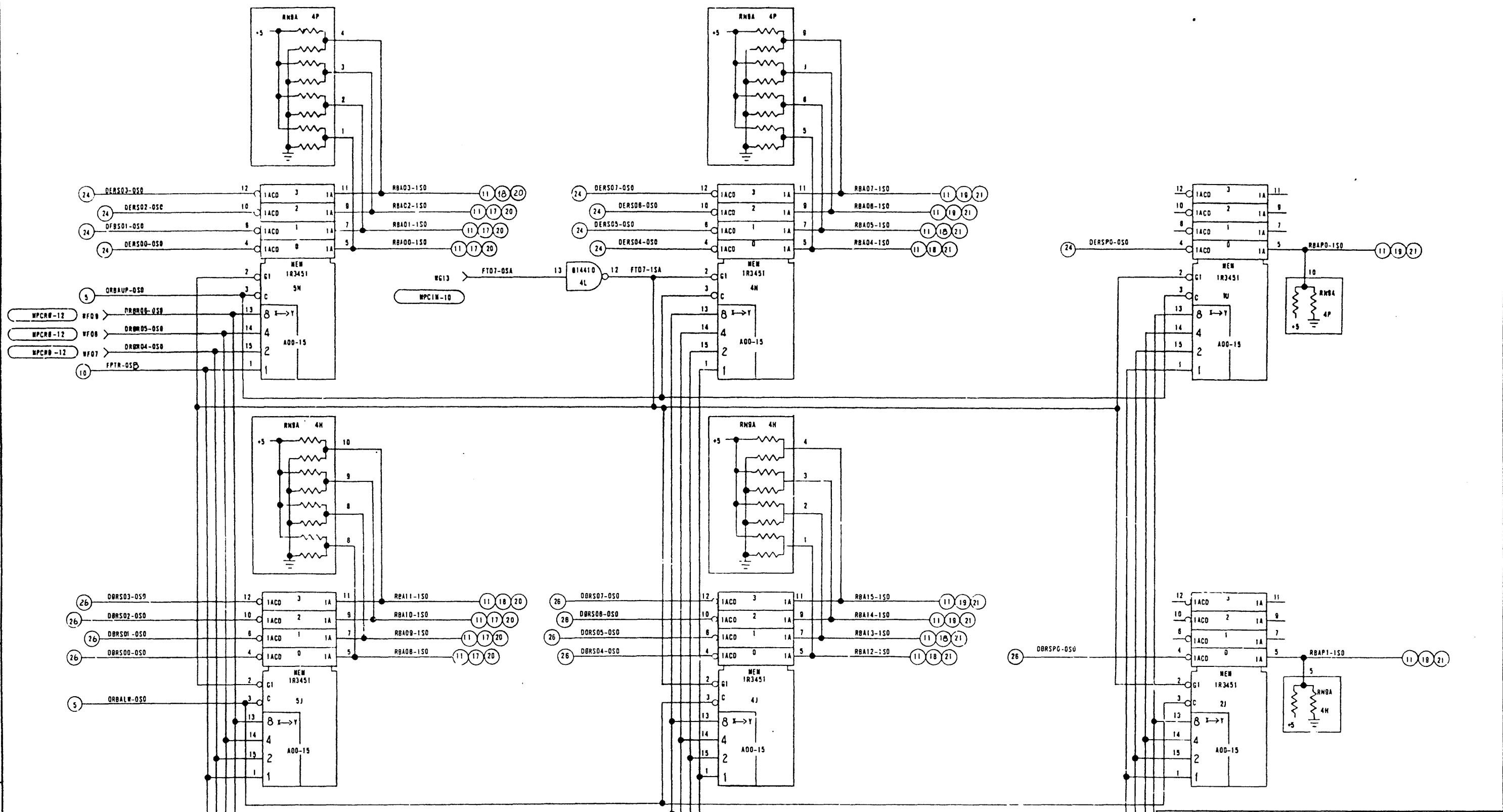
| | | | | | | | | | |
|------|----|------|----|------|----|------|---|------|--|
| WC00 | 22 | WF00 | 30 | WJ00 | | LC00 | 6 | RC00 | |
| WC01 | 11 | WF01 | 12 | WJ01 | | LC01 | | RC01 | |
| WC02 | 22 | WF02 | 12 | WJ02 | 24 | LC02 | | RC02 | |
| WC03 | 23 | WF03 | 12 | WJ03 | 24 | LC03 | | RC03 | |
| WC04 | 23 | WF04 | 12 | WJ04 | | LC04 | | RC04 | |
| WC05 | 23 | WF05 | 4 | WJ05 | 16 | LC05 | | RC05 | |
| WC06 | 23 | WF06 | 7 | WJ06 | 23 | LC06 | | RC06 | |
| WC07 | | WF07 | 4 | WJ07 | 12 | LC07 | | RC07 | |
| WC08 | | WF08 | 4 | WJ08 | 12 | LC08 | | RC08 | |
| WC09 | | WF09 | 4 | WJ09 | 12 | LC09 | | RC09 | |
| WC10 | | WF10 | 20 | WJ10 | 12 | LC10 | | RC10 | |
| WC11 | | WF11 | | WJ11 | | LC11 | | RC11 | |
| WC12 | | WF12 | | WJ12 | | LC12 | | RC12 | |
| WC13 | | WF13 | 20 | WJ13 | | LC13 | | RC13 | |
| WC14 | | WF14 | 25 | WJ14 | | LC14 | | RC14 | |
| WC15 | | WF15 | 25 | WJ15 | | LC15 | | RC15 | |
| WC16 | | WF16 | 25 | WJ16 | 20 | LC16 | | RC16 | |
| WC17 | | WF17 | 20 | WJ17 | 20 | LC17 | | RC17 | |
| WC18 | | WF18 | 20 | WJ18 | 20 | LC18 | | RC18 | |
| WC19 | | WF19 | 23 | WJ19 | | LC19 | | RC19 | |
| WC20 | | WF20 | 23 | WJ20 | | LC20 | | RC20 | |
| WC21 | | WF21 | 15 | WJ21 | | LC21 | | RC21 | |



| | | | | | | | |
|---|--|----------|--|--|--|-----------------------------------|--|
| UNLESS OTHERWISE SPECIFIED | | MATERIAL | | Honeywell HONEYWELL INFORMATION SYSTEMS PHOENIX, ARIZONA U. S. A. | | | |
| DIMENSIONS - MILLIMETERS / INCHES | | TREAT. | | | | | |
| TOLERANCE OF SIZE AND FORM PER INITIAL DESIGN | | FIN. | | LOC TITLE LOGIC DIAGRAM MPCFN | | | |
| PROJECTION | | SCALE | | DR 74 JUNE 28 <i>[Signature]</i> | | SIZE DWG NO D 43D234054 | |
| CODE | | DISTR | | APP'D 74 JUN 26 <i>[Signature]</i> | | SM REV 3.2 E | |
| | | | | TDS, NCO, SMT | | | |

43D234054

| REVISIONS | | | |
|-----------|-----------|------|-----------|
| REV | AUTHORITY | DATE | SIGNATURE |
| | | | |

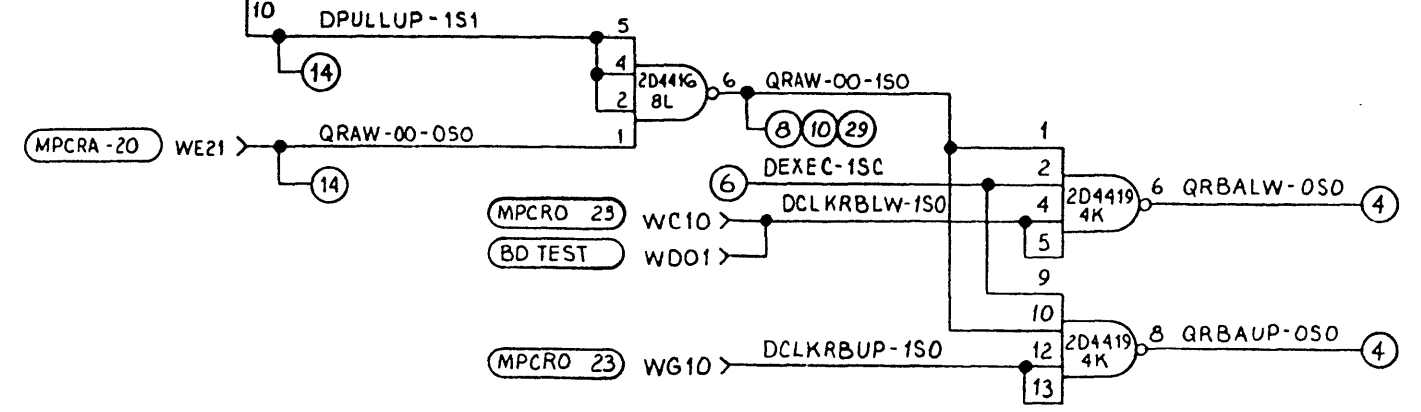
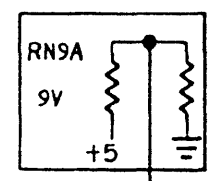
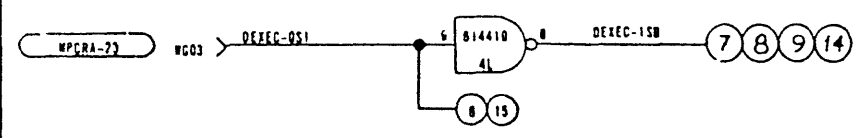


43D234054

| | | | |
|--------------------------------|---|------|-------|
| MATL | PCD DEPT LOC PHOENIX | | |
| TREAT. | TITLE LOGIC DIAGRAM MPCFN REGISTER BANK | | |
| FIN. | | | |
| DR 71 JULY 22 Eunice Foster | DWG 43D234054 | SH 4 | REV F |
| DISTR CG6-28, TOS /SO/FV | | | |

10 9 8 7 6 5 4 3 2 1

| REVISIONS | | | |
|-----------|-----------|------|-----------|
| REV | AUTHORITY | DATE | SIGNATURE |
| | | | |

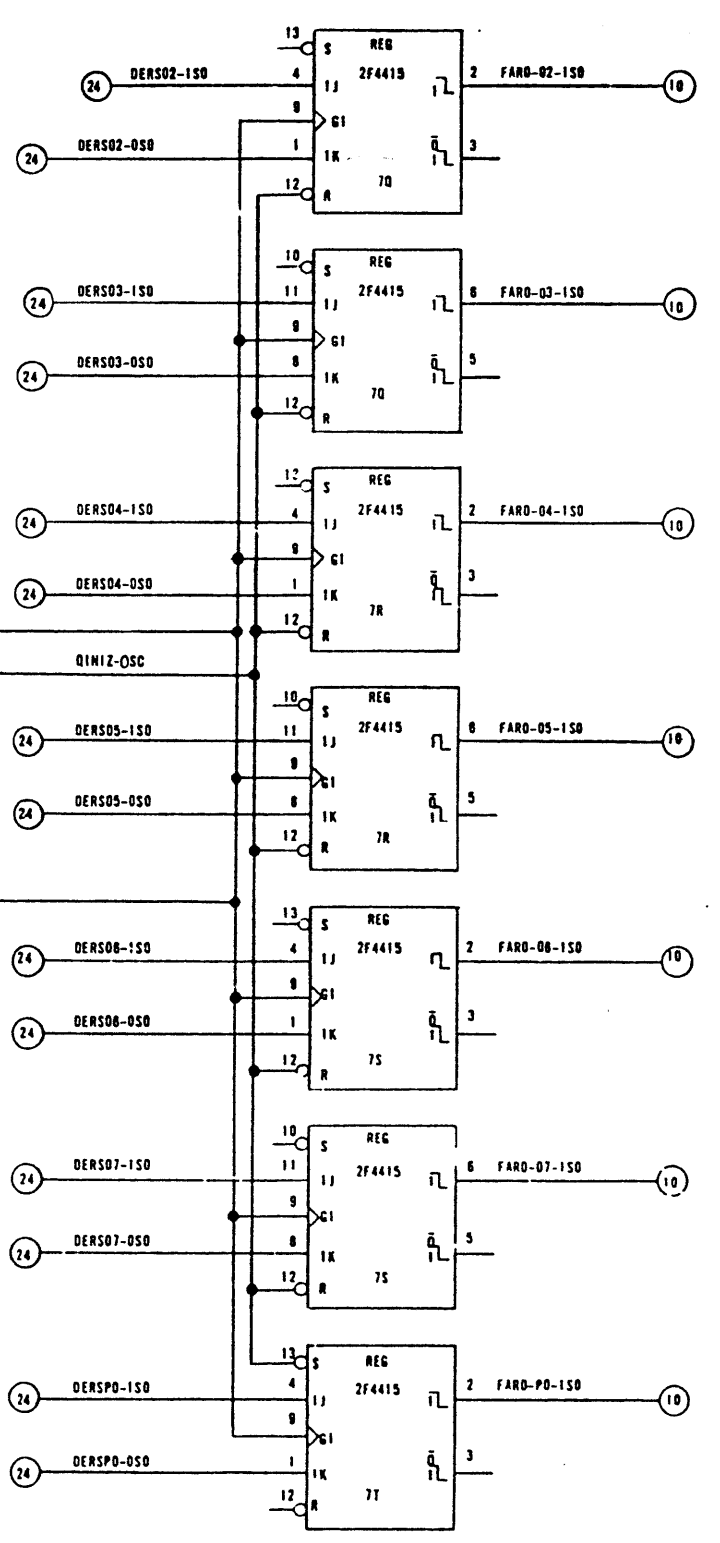
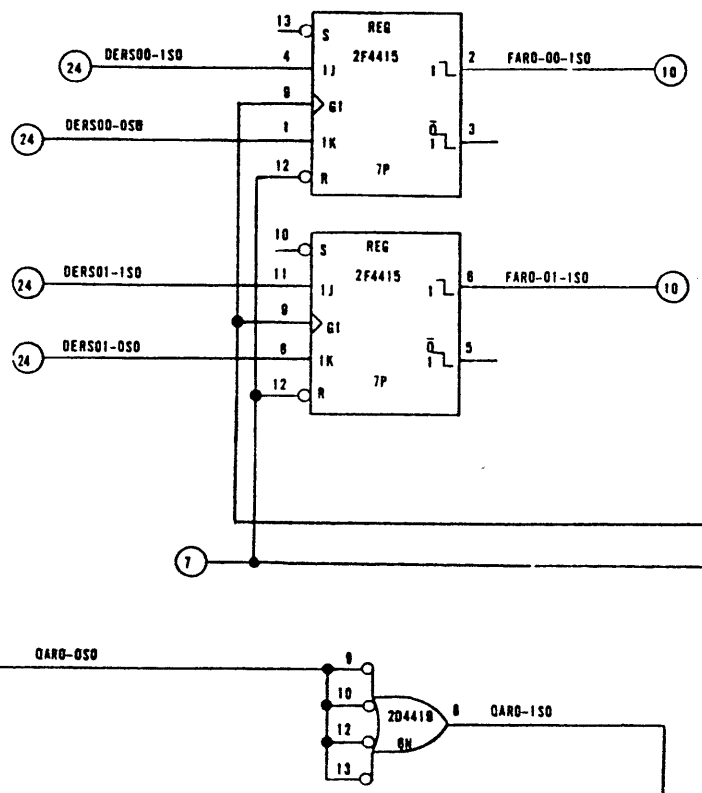
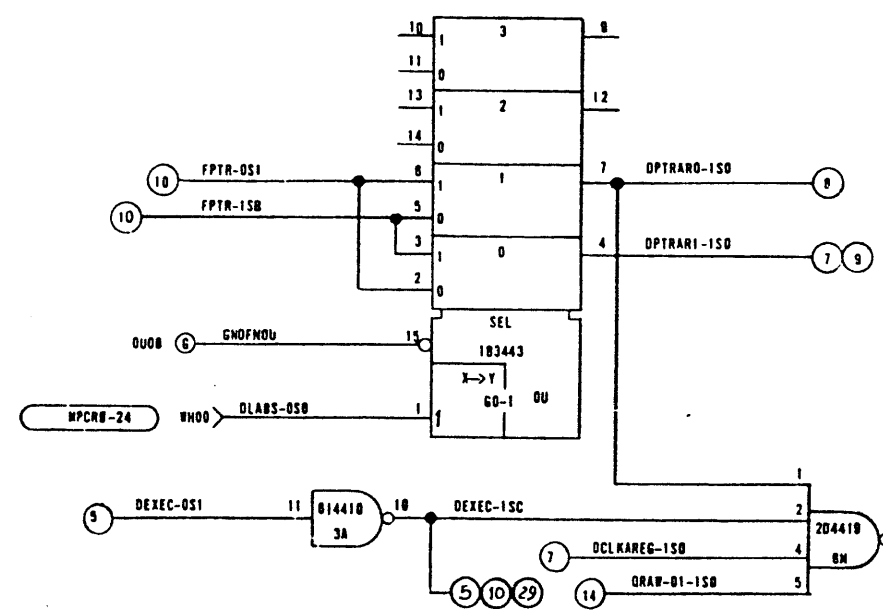


43D234054

| | | | | | |
|--------------------------------|--|------------------------|--|---|--|
| UNLESS OTHERWISE SPECIFIED | | AATL | | PCO DEPT LOC PHOENIX | |
| DIMENSIONS = MILLIMETERS | | TREAT. | | TITLE LOGIC DIAGRAM MPCFN RBA CLOCK GENERATOR | |
| TOLERANCE OF SIZE AND FORM PER | | FIN. | | DWG 43D234054 | |
| PROJECTION | | DR 71 JULY 22 | | SH 5 | |
| SCALE | | APPD R [Signature] | | REV E | |
| CODE | | DISTR C68-20, 105/SDFV | | | |

10 9 8 7 6 5 4 3 2 1

| REVISIONS | | | |
|-----------|-----------|-----------|-----------|
| REV | AUTHORITY | DATE | SIGNATURE |
| | | YR MO DAY | |
| | | | |

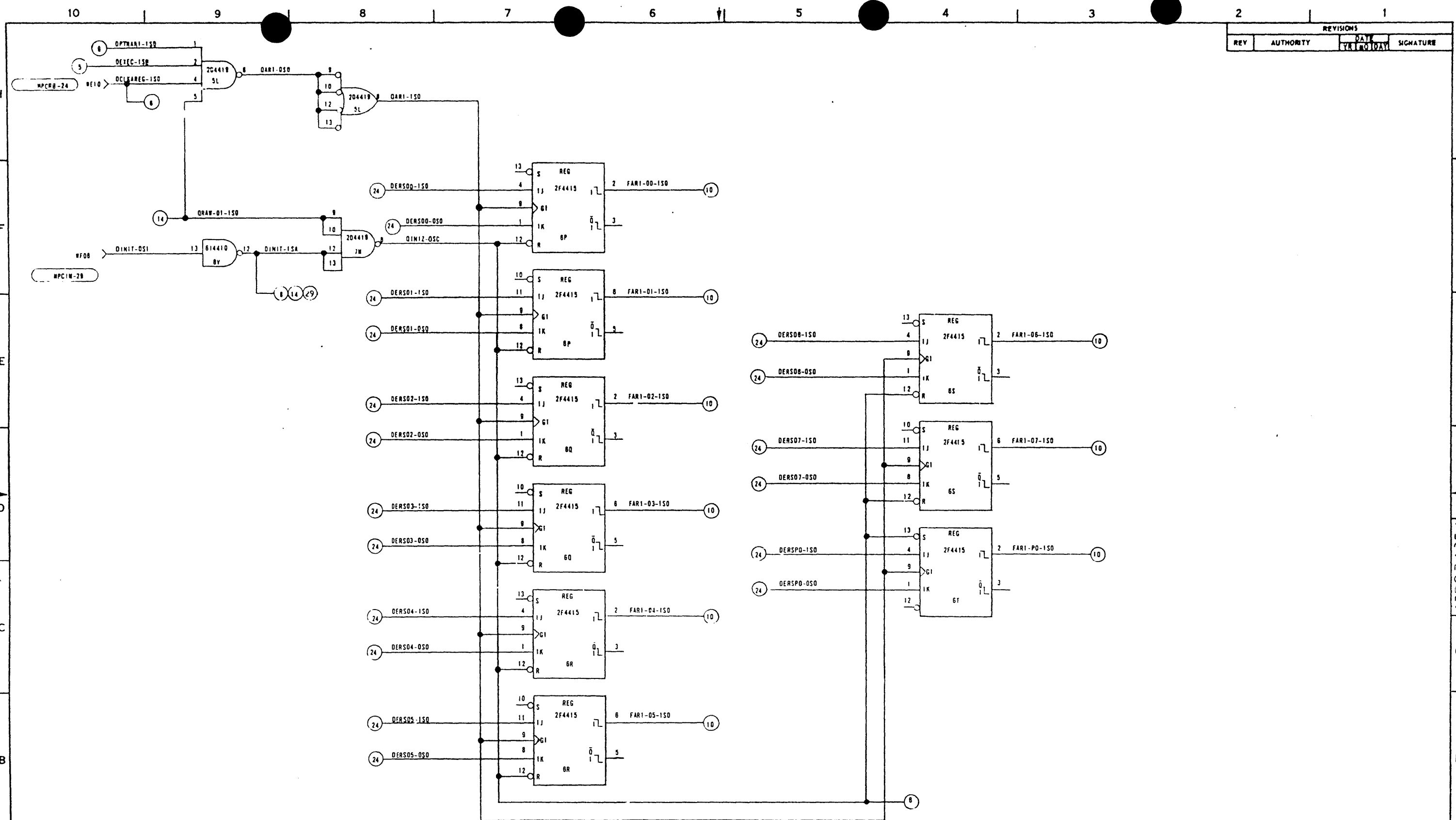


| | | | | | | | | | |
|----------|------|-------------------|------|----------|----------|------|---------------|------|----------|
| NPCRA 22 | RB01 | DSTARTUPFAULT-OS0 | LB01 | NPCIN 28 | NPCIN 33 | LC00 | SSTART-OS0 | RA08 | NPCRA-22 |
| NPCRA 17 | RB02 | SADR-00-OS0 | LB02 | NPCIN 24 | NPCIN 33 | LC00 | SSTART-1SO | RA09 | NPCRA-22 |
| NPCRA 12 | RB03 | SADR-01-OS0 | LB03 | NPCIN 24 | NPCIN 33 | LC10 | SSTEP0-OS0 | RA10 | NPCRA-23 |
| NPCRA 12 | RB04 | SADR-02-OS0 | LB04 | NPCIN 24 | NPCIN 33 | LC12 | SSTEP-OS0 | RA12 | NPCRA-22 |
| NPCRA 4 | RB05 | SADR-03-OS0 | LB05 | NPCIN 24 | NPCIN 33 | LC13 | SSTEP-1SO | RA13 | NPCRA-22 |
| NPCRA 4 | RB06 | SADR-04-OS0 | LB06 | NPCIN 24 | NPCIN 33 | LC20 | DSYNCJACK-1SO | RA20 | NPCRA-23 |
| NPCRA 4 | RB07 | SADR-05-OS0 | LB07 | NPCIN 24 | NPCIN 30 | LO10 | FILPTR-1SA | R000 | NPCRA 11 |
| NPCRA 4 | RB08 | SADR-06-OS0 | LB08 | NPCIN 25 | | | | | |
| NPCRA 4 | RB09 | SADR-07-OS0 | LB09 | NPCIN 25 | | | | | |
| NPCRA 5 | RB12 | SADR-08-OS0 | LB12 | NPCIN 25 | | | | | |
| NPCRA 5 | RB13 | SADR-09-OS0 | LB13 | NPCIN 25 | | | | | |
| NPCRA 6 | RB14 | SADR-10-OS0 | LB14 | NPCIN 25 | | | | | |
| NPCRA 6 | RB15 | SADR-11-OS0 | LB15 | NPCIN 28 | | | | | |
| NPCRA 6 | RB16 | SADR-12-OS0 | LB16 | NPCIN 28 | | | | | |
| NPCRA 6 | RB17 | SADR-13-OS0 | LB17 | NPCIN 28 | | | | | |
| NPCRA 6 | RB18 | SADR-14-OS0 | LB18 | NPCIN 28 | | | | | |
| NPCRA 12 | RB19 | SADR-15-OS0 | LB19 | NPCIN 28 | | | | | |
| NPCIN 33 | LC00 | SCMPSTP-OS0 | RA00 | NPCRA-23 | | | | | |
| NPCIN 33 | LC04 | SARSAD-OS0 | RA04 | NPCRA 12 | | | | | |
| NPCIN 33 | LC05 | SSAT-OS0 | RA05 | NPCRA 22 | | | | | |
| NPCIN 33 | LC08 | SSAT-1SO | RA08 | NPCRA 22 | | | | | |
| NPCIN 33 | LC07 | SSINDAT-OS0 | RA07 | NPCRA 13 | | | | | |

| | | | | | |
|----------------------------|-------------|------------------------|--|----------------------|--|
| UNLESS OTHERWISE SPECIFIED | | MATERIAL | | PCO DEPT LOC PHOENIX | |
| DIMENSIONS = | MILLIMETERS | TREAT. | TITLE LOGIC DIAGRAM MPCFN A REGISTER 0 | | |
| TOLERANCE OF SIZE AND | INCHES | FIN. | DWG 43D234054 SH 6 REV F | | |
| FORM PER | | OR 71 JULY 23 | DISTR CCF TOS / SDFV | | |
| PROJECTION | | APPD R. J. [Signature] | | | |

43D234054

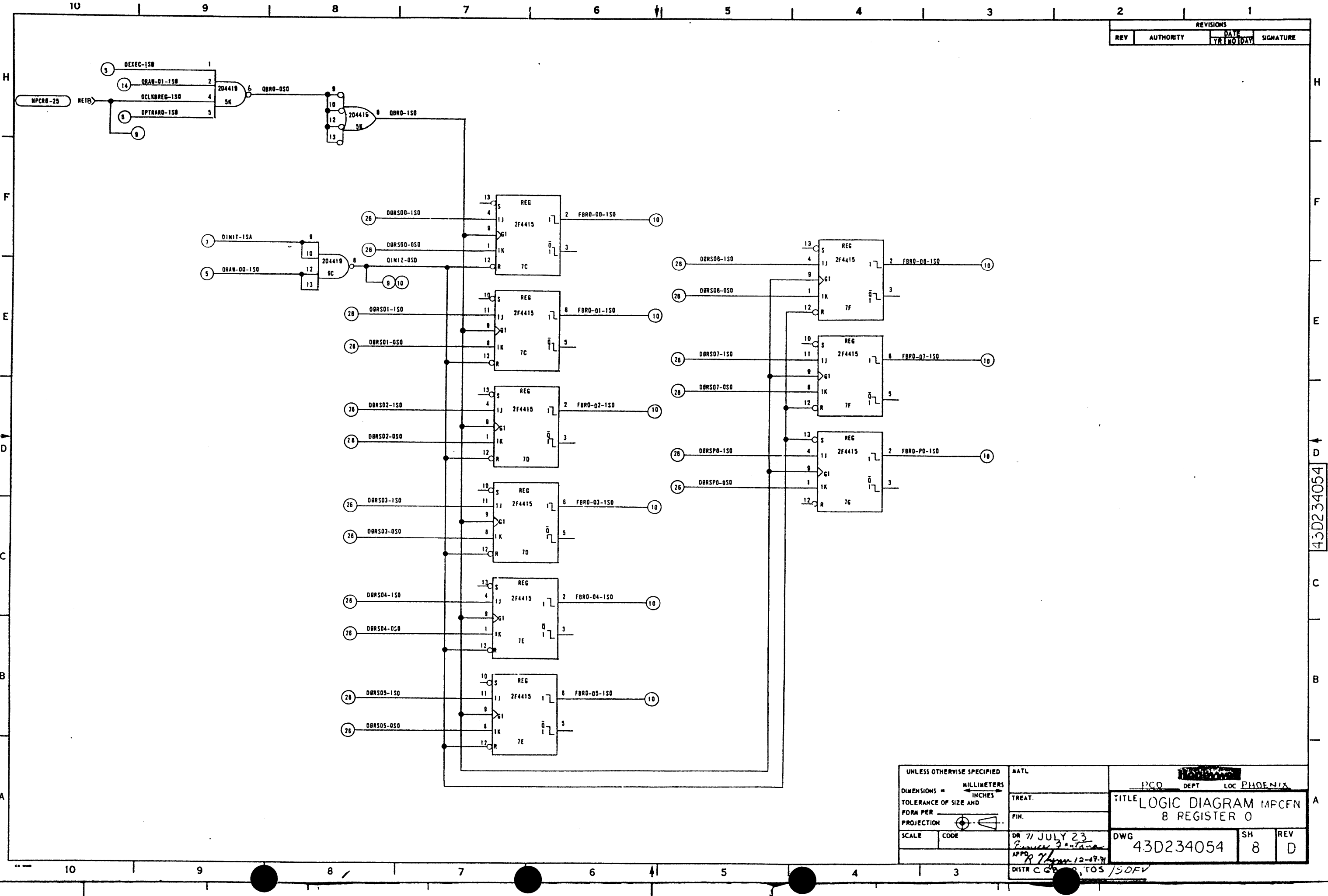
| REVISIONS | | | |
|-----------|-----------|------|-----------|
| REV | AUTHORITY | DATE | SIGNATURE |
| | | | |



43D234054

| | | | |
|----------------------------|-------------|-------------------------|--|
| UNLESS OTHERWISE SPECIFIED | | MATERIAL | |
| DIMENSIONS = | MILLIMETERS | RCC DEPT LOC PHOENIX | |
| TOLERANCE OF SIZE AND | INCHES | TREAT. | TITLE LOGIC DIAGRAM MCPFN A REGISTER 1 |
| FORM PER | PROJECTION | FIN. | DWG 43D234054 |
| SCALE | CODE | DR 11 JULY 23 | SH 7 |
| | | APPD <i>[Signature]</i> | REV E |
| | | DISTR C68-26, TOS | |

| REVISIONS | | | |
|-----------|-----------|------|-----------|
| REV | AUTHORITY | DATE | SIGNATURE |
| | | | |

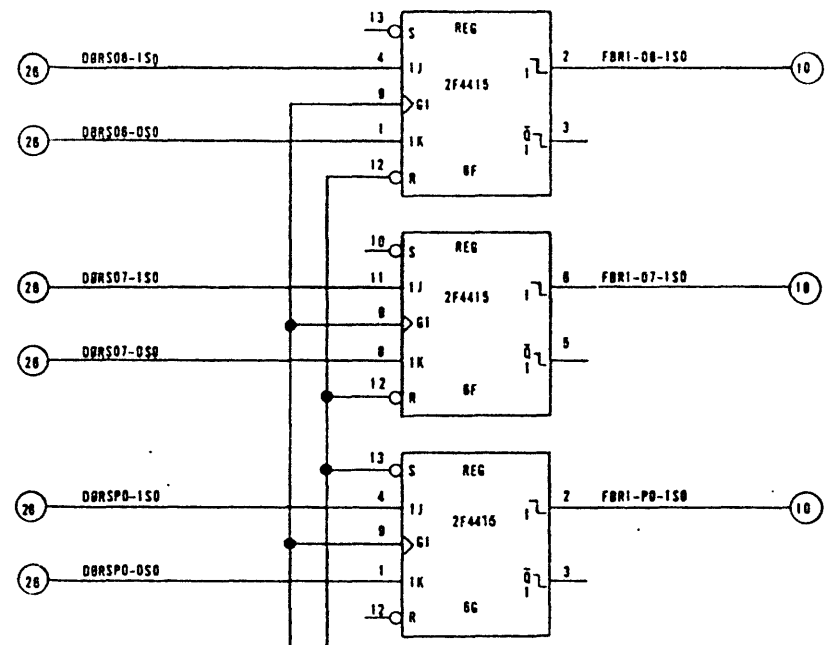
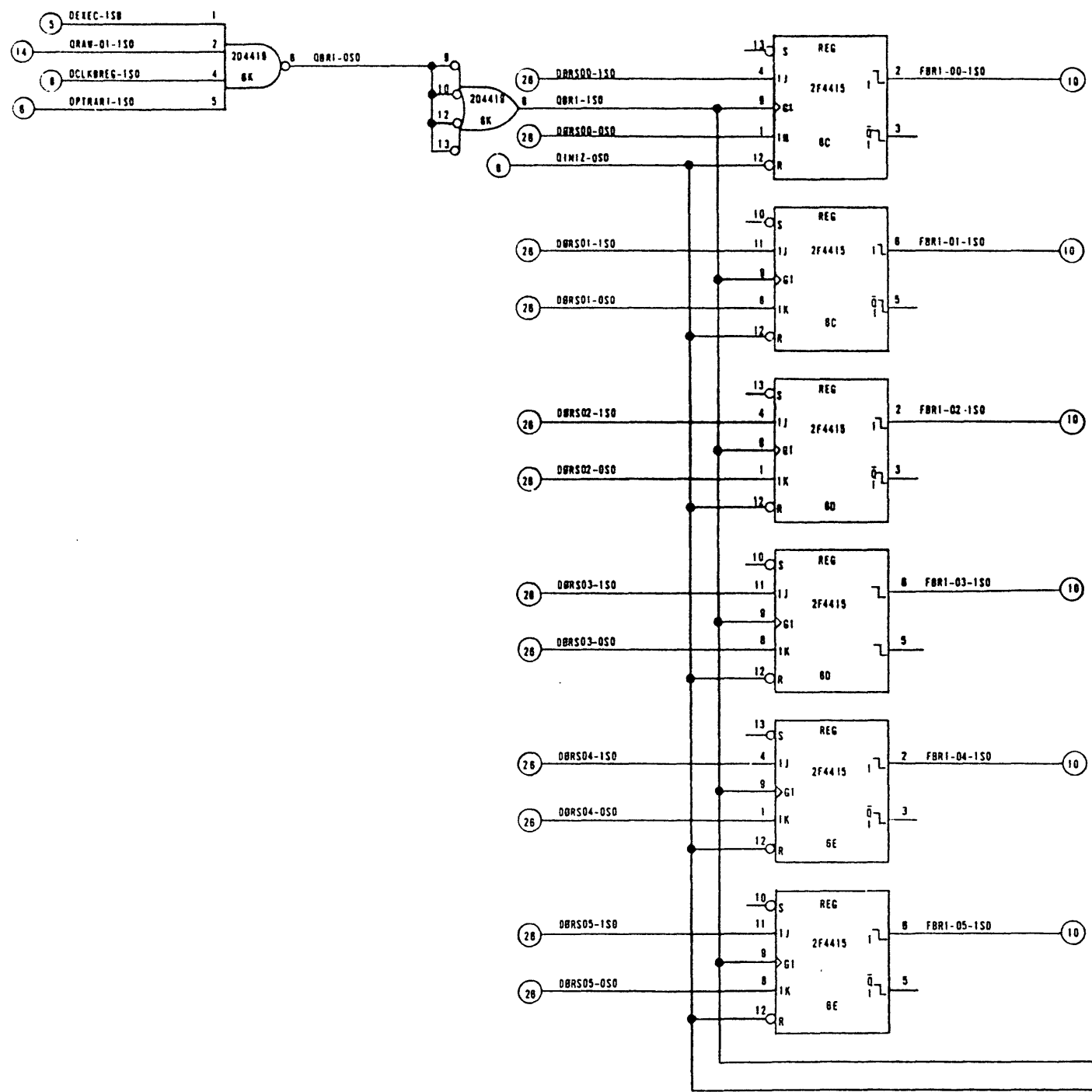


43D234054

| | | | |
|---|------|--|------|
| UNLESS OTHERWISE SPECIFIED | | MATERIAL | |
| DIMENSIONS = $\frac{\text{MILLIMETERS}}{\text{INCHES}}$ | | PCO DEPT LOC PHOENIX | |
| TOLERANCE OF SIZE AND FORM PER PROJECTION | | TITLE LOGIC DIAGRAM MPCFN B REGISTER 0 | |
| SCALE | CODE | DWG 43D234054 | SH 8 |
| DR 71 JULY 23 | | REV D | |
| APPR R Y... | | | |
| DISTR CCB... | | | |

10 9 8 7 6 5 4 3 2 1

| REVISIONS | | | |
|-----------|-----------|------|-----------|
| REV | AUTHORITY | DATE | SIGNATURE |
| | | | |

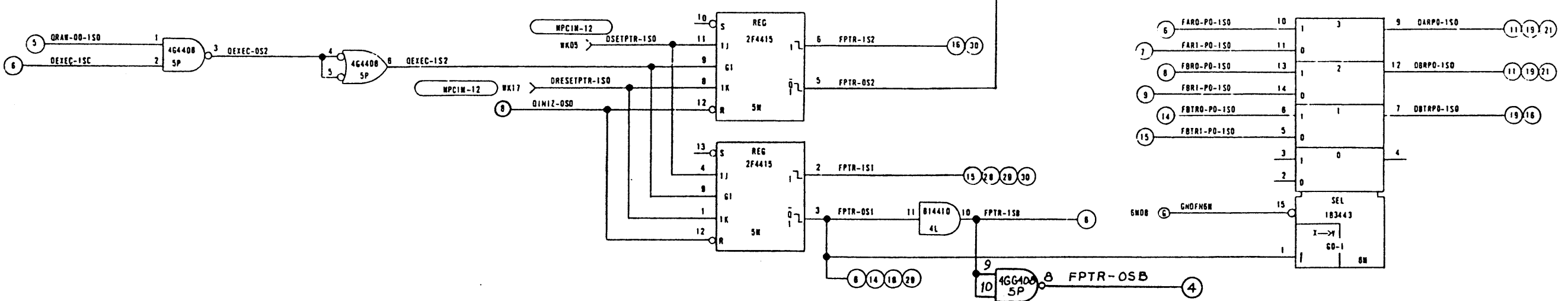
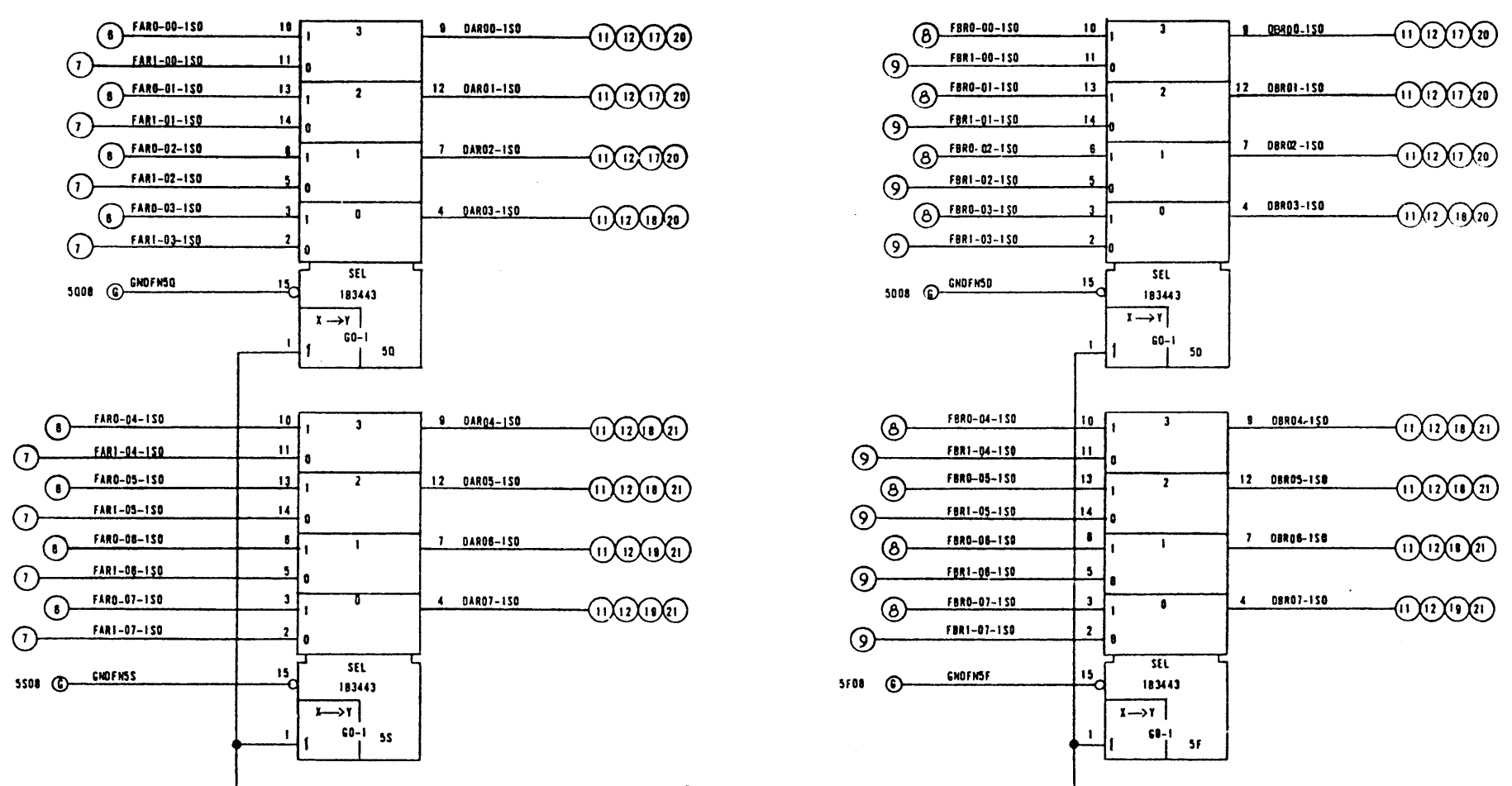


43D234054

| | | | | | |
|---|------|---|--|--|-------|
| UNLESS OTHERWISE SPECIFIED | | MATERIAL | | PCO DEPT LOC PHOENIX | |
| DIMENSIONS = MILLIMETERS | | TREAT. | | TITLE LOGIC DIAGRAM MPCFN B REGISTER 1 | |
| TOLERANCE OF SIZE AND FORM PER PROJECTION | | FIN. | | DWG 43D234054 | |
| SCALE | CODE | DR 71 JULY 26 E. J. ... APPD R 7/1/71 | | SH 9 | REV D |
| | | DISTR C 68-20, TOS | | | |

10 9 8 7 6 5 4 3

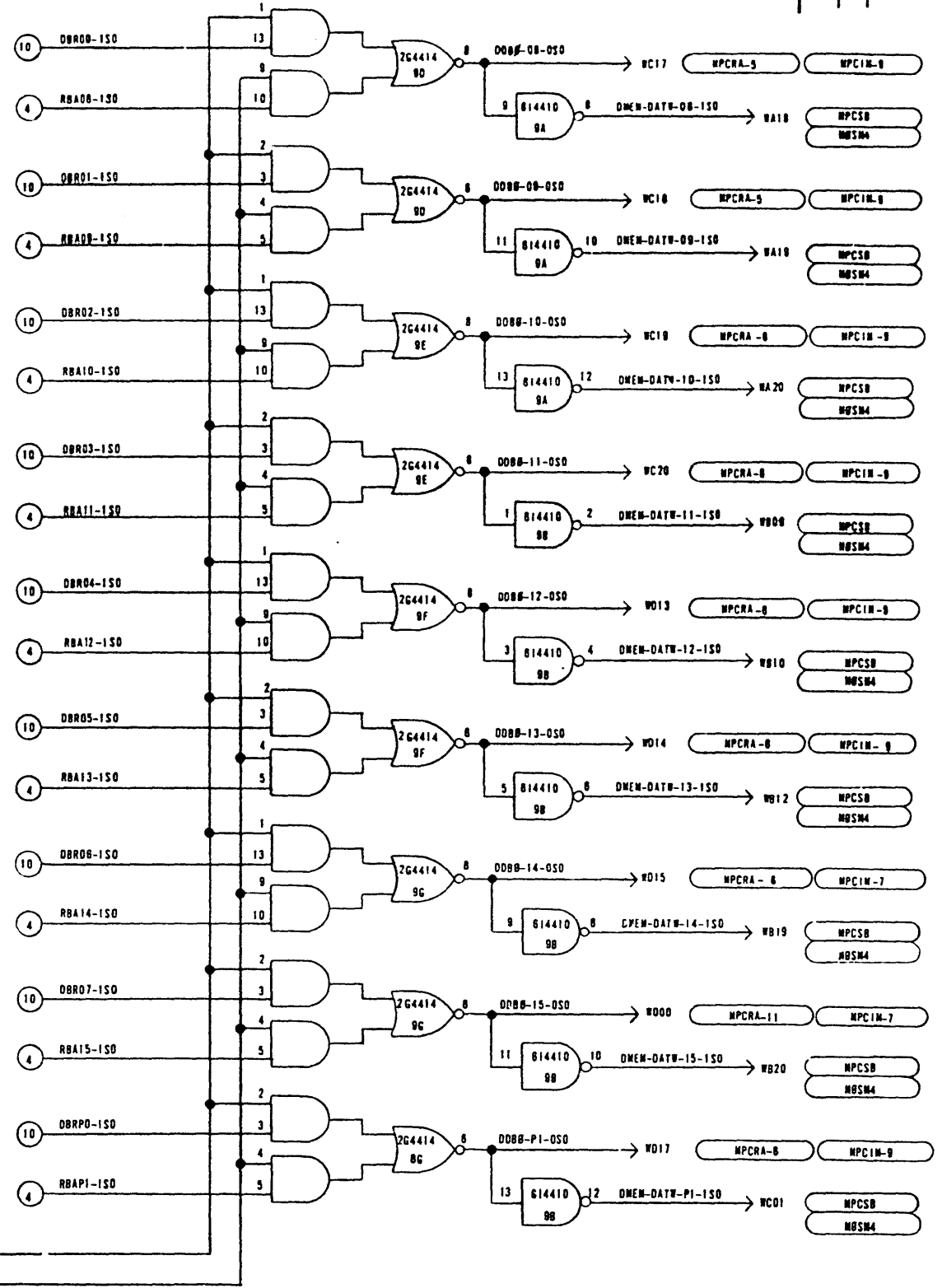
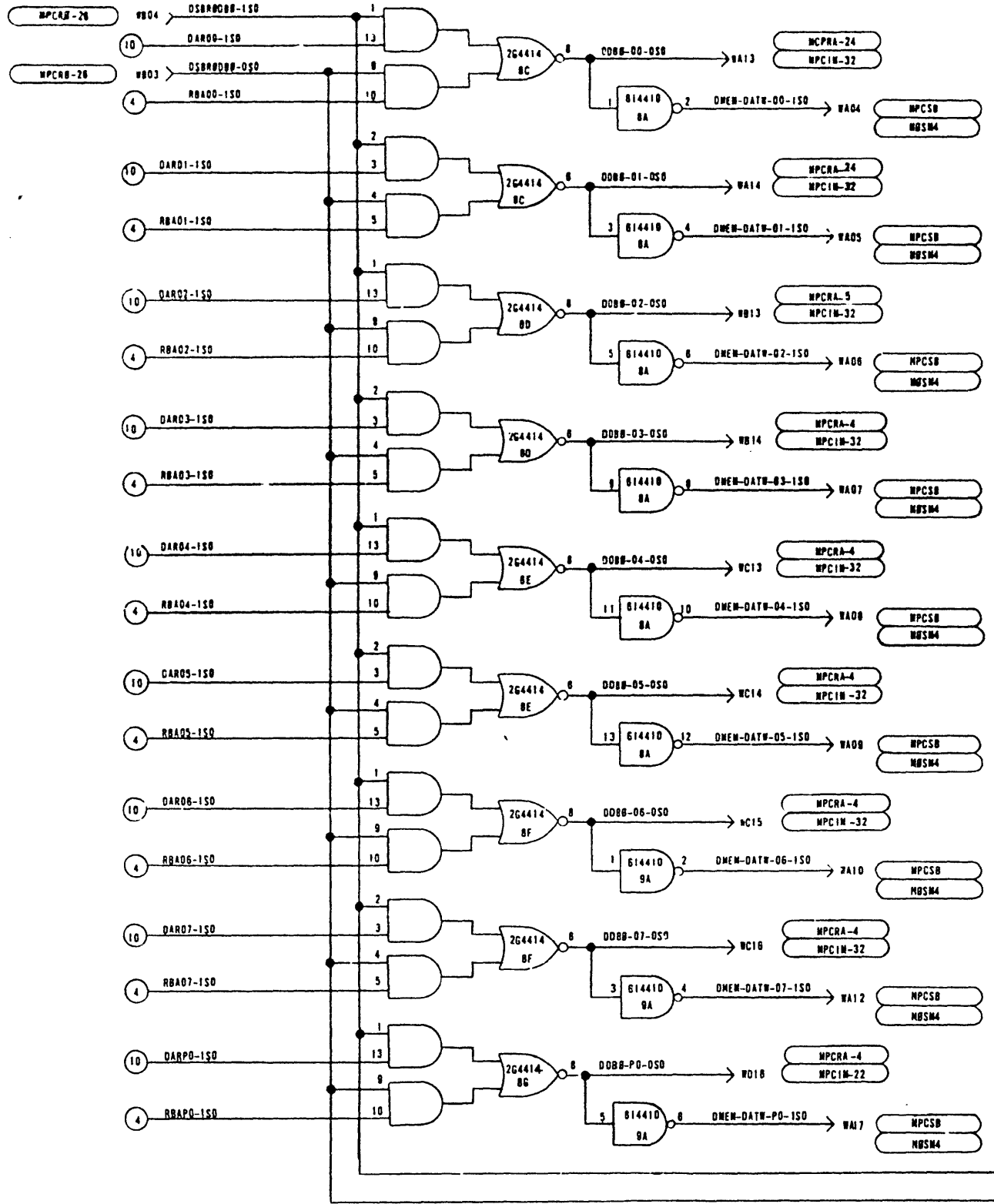
| REVISIONS | | | |
|-----------|-----------|-----------|-----------|
| REV | AUTHORITY | DATE | SIGNATURE |
| | | Y1 M1 DAY | |
| | | | |



| | | | | | |
|---|--|---------------|--|---------------------------|--|
| UNLESS OTHERWISE SPECIFIED | | MATERIAL | | PCO DEPT LOC PHOENIX | |
| DIMENSIONS = MILLIMETERS | | TREAT. | | TITLE LOGIC DIAGRAM MPCFN | |
| INCHES | | FIN. | | AB REGISTER OUTPUT SWITCH | |
| TOLERANCE OF SIZE AND FORM PER PROJECTION | | DR 71 JULY 26 | | DWG 43D234054 | |
| SCALE | | APPROVED | | SH 10 | |
| CODE | | DISTR CG | | REV F | |

43D234054

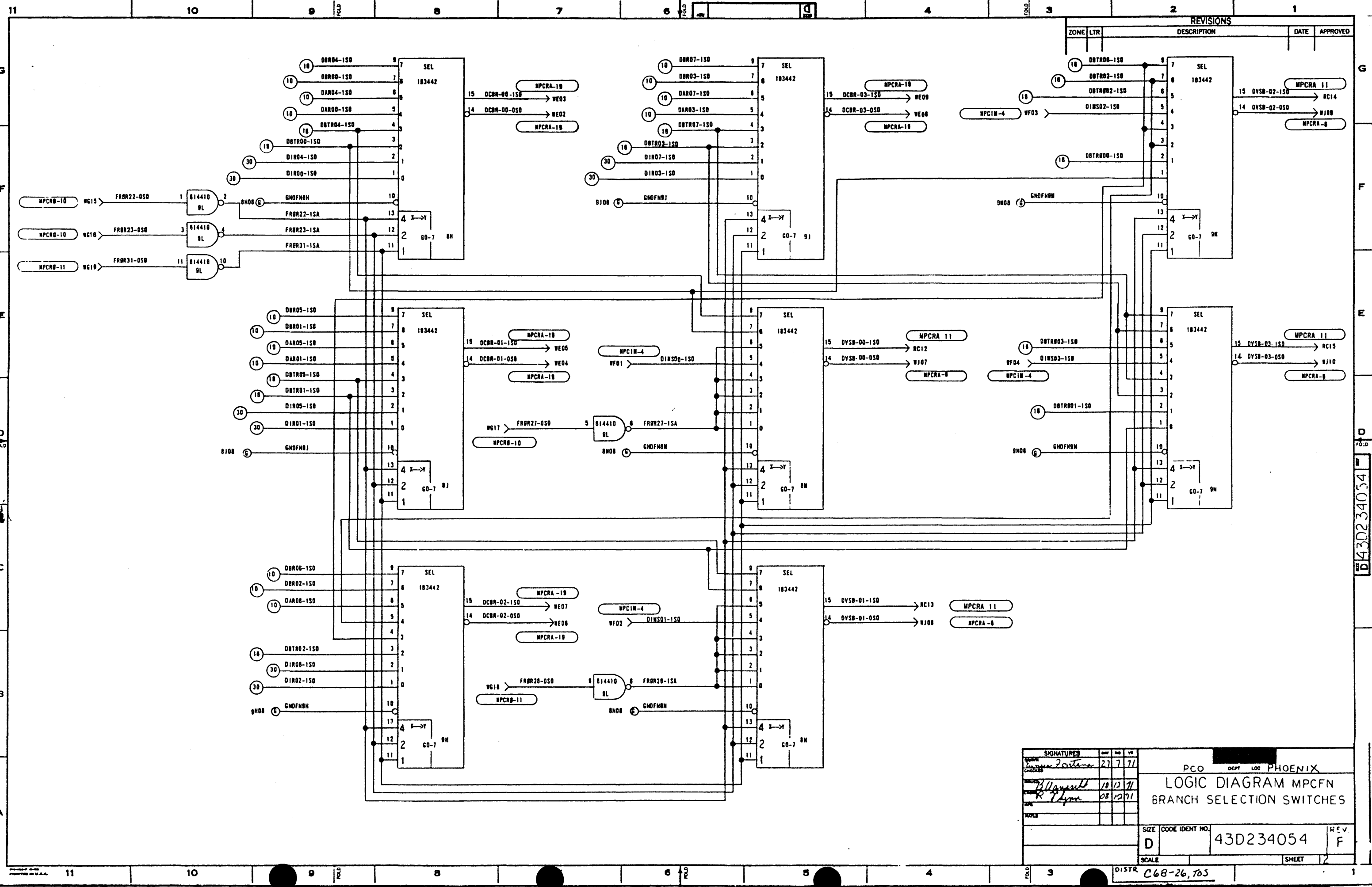
| ZONE | | LTR | | REVISIONS | | DATE | APPROVED |
|------|--|-----|--|-----------|--|------|----------|
| | | | | | | | |



| | | | | | |
|---|---|------|------|-----|------|
| UNLESS OTHERWISE SPECIFIED DIMENSIONS ARE IN INCHES— TOLERANCES ON: 2-PLACE DECIMALS ± 3-PLACE DECIMALS ± ANGLES ± FRACTIONS ± MATERIAL— | SIGNATURES | | DATE | NO. | VER. |
| | DESIGNED: <i>[Signature]</i> CHECKED: <i>[Signature]</i> DRAWN: <i>[Signature]</i> MADE: | | 26 | 7 | 71 |
| ALL SURF. ✓ | PCO DEPT. LOC. PHOENIX | | | | |
| LOGIC DIAGRAM MPCFN DATA BUS OUT SWITCH | | | | | |
| SIZE | CODE IDENT NO. | REV. | | | |
| D | 43D234054 | D | | | |
| SCALE | SHEET 11 | | | | |

D-H-302-4054

C68-26, J05



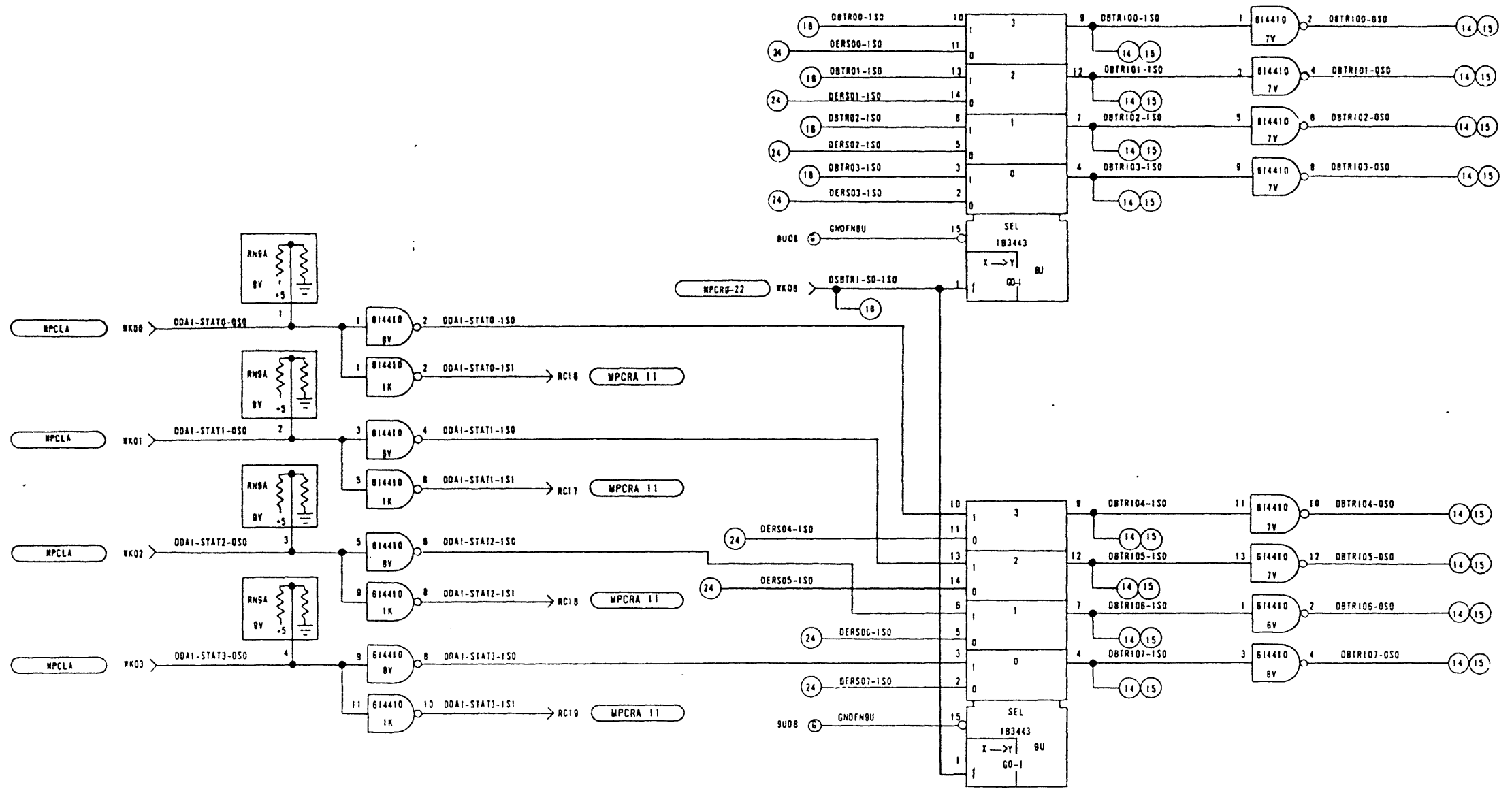
| REVISIONS | | | | |
|-----------|-----|-------------|------|----------|
| ZONE | LTR | DESCRIPTION | DATE | APPROVED |
| | | | | |

| | | | |
|---------------------------|----------------|----------|-----|
| SIGNATURES | | DATE | REV |
| <i>[Signature]</i> | | 27 7 71 | |
| <i>[Signature]</i> | | 10 12 71 | |
| <i>[Signature]</i> | | 08 12 71 | |
| PCO DEPT LOG PHOENIX | | | |
| LOGIC DIAGRAM MPCFN | | | |
| BRANCH SELECTION SWITCHES | | | |
| SIZE | CODE IDENT NO. | REV | |
| D | 43D234054 | F | |
| SCALE | SHEET | | 2 |

D 43D234054

DISTR C68-26, T05

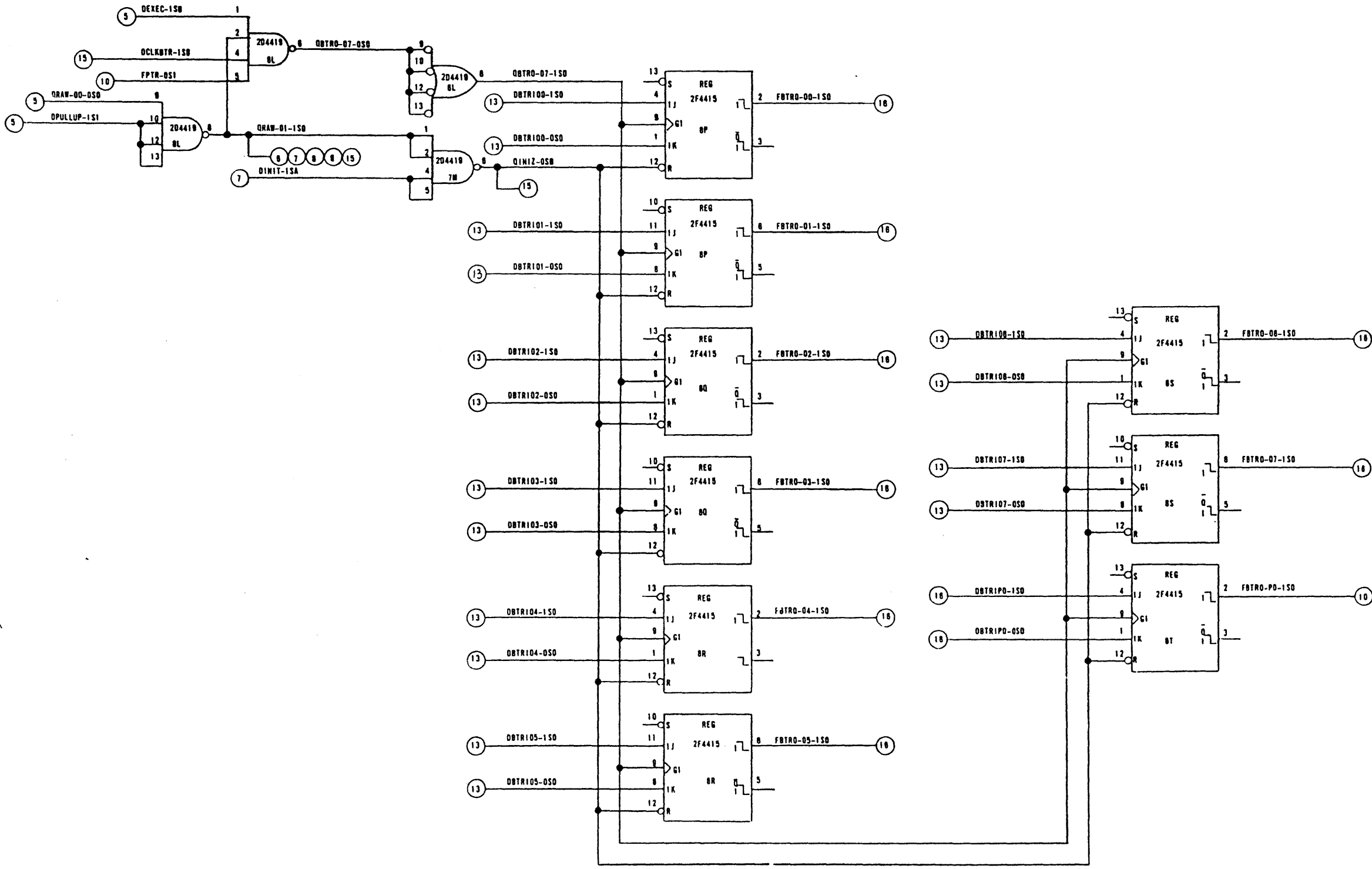
| REVISIONS | | | | |
|-----------|-----|-------------|------|----------|
| ZONE | LTR | DESCRIPTION | DATE | APPROVED |
| | | | | |



| | | | |
|---|---|--|--|
| UNLESS OTHERWISE SPECIFIED DIMENSIONS ARE IN INCHES— TOLERANCES ON: 2-PLACE DECIMALS ± 3-PLACE DECIMALS ± ANGLES ± FRACTIONS ± MATERIAL— | SIGNATURES CHECKED: <i>Jesus Fontana</i> 27 7 71 TESTED: <i>R. Thompson</i> 08 12 71 DATE: | DAY NO. YR. 27 7 71 08 12 71 | PCO DEPT LOC PHOENIX LOGIC DIAGRAM MPCFN BRANCH TEST REG INPUT SWITCH |
| | ALL SURF. ✓ | SIZE CODE IDENT NO. REV D 43D234054 F | |
| SCALE | | SHEET 13 | |

D 43D 234054

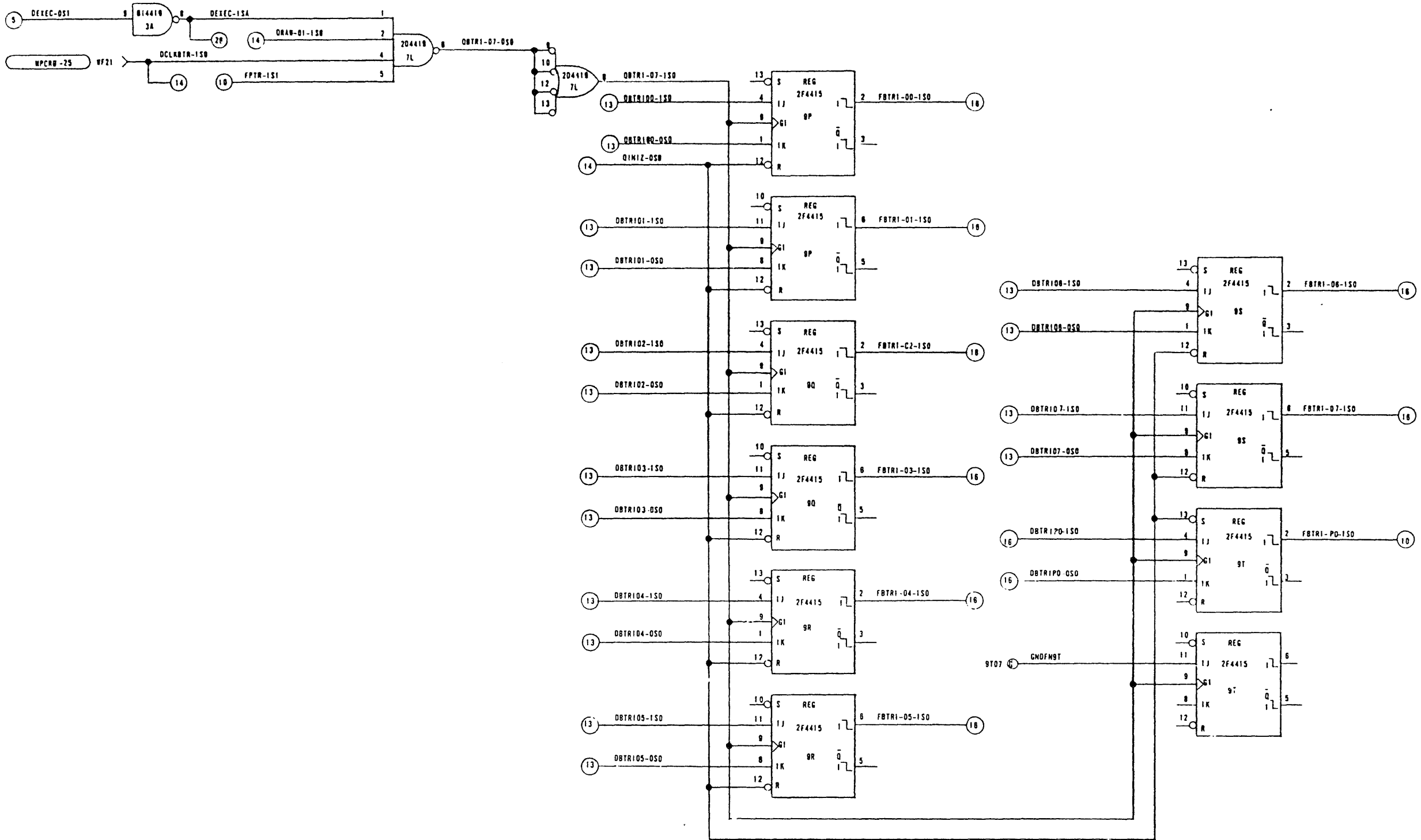
| REVISIONS | | | |
|-----------|-----|-------------|------|
| ZONE | LTR | DESCRIPTION | DATE |
| | | | |
| | | | |



43D234054

| | | | | |
|---|---------------------------------|-----------------------------|----------------|---|
| UNLESS OTHERWISE SPECIFIED DIMENSIONS ARE IN INCHES— TOLERANCES ON: 2-PLACE DECIMALS ± 3-PLACE DECIMALS ± ANGLES ± FRACTIONS ± MATERIAL— | SIGNATURES | | DATE | REV |
| | DESIGNED <i>James Linton</i> | CHECKED <i>B. V. ...</i> | 10/12/71 | 1 |
| DRAWN <i>R. J. ...</i> | | DATE | REV | |
| SCALE | | SIZE | CODE IDENT NO. | DEPT. LOC. |
| | | D | 43D234054 | LOGIC DIAGRAM MPCFN BRANCH TEST REGISTER |
| | | SCALE | SHEET | REV E |
| | | | 4 | |

| ZONE | | LTR | | DESCRIPTION | DATE | APPROVED |
|------|--|-----|--|-------------|------|----------|
| | | | | | | |



UNLESS OTHERWISE SPECIFIED DIMENSIONS ARE IN INCHES—
 TOLERANCES ON:
 2-PLACE DECIMALS ±
 3-PLACE DECIMALS ±
 ANGLES ±
 FRACTIONS ±
 MATERIAL—

| SIGNATURES | | DAY | MO | YR |
|-----------------------|--|-----|----|----|
| <i>Thomas Fontana</i> | | 21 | 7 | 71 |
| <i>R. J. Hyman</i> | | 10 | 12 | 71 |
| | | 08 | 12 | 71 |

PCO DEPT LOC PHOENIX

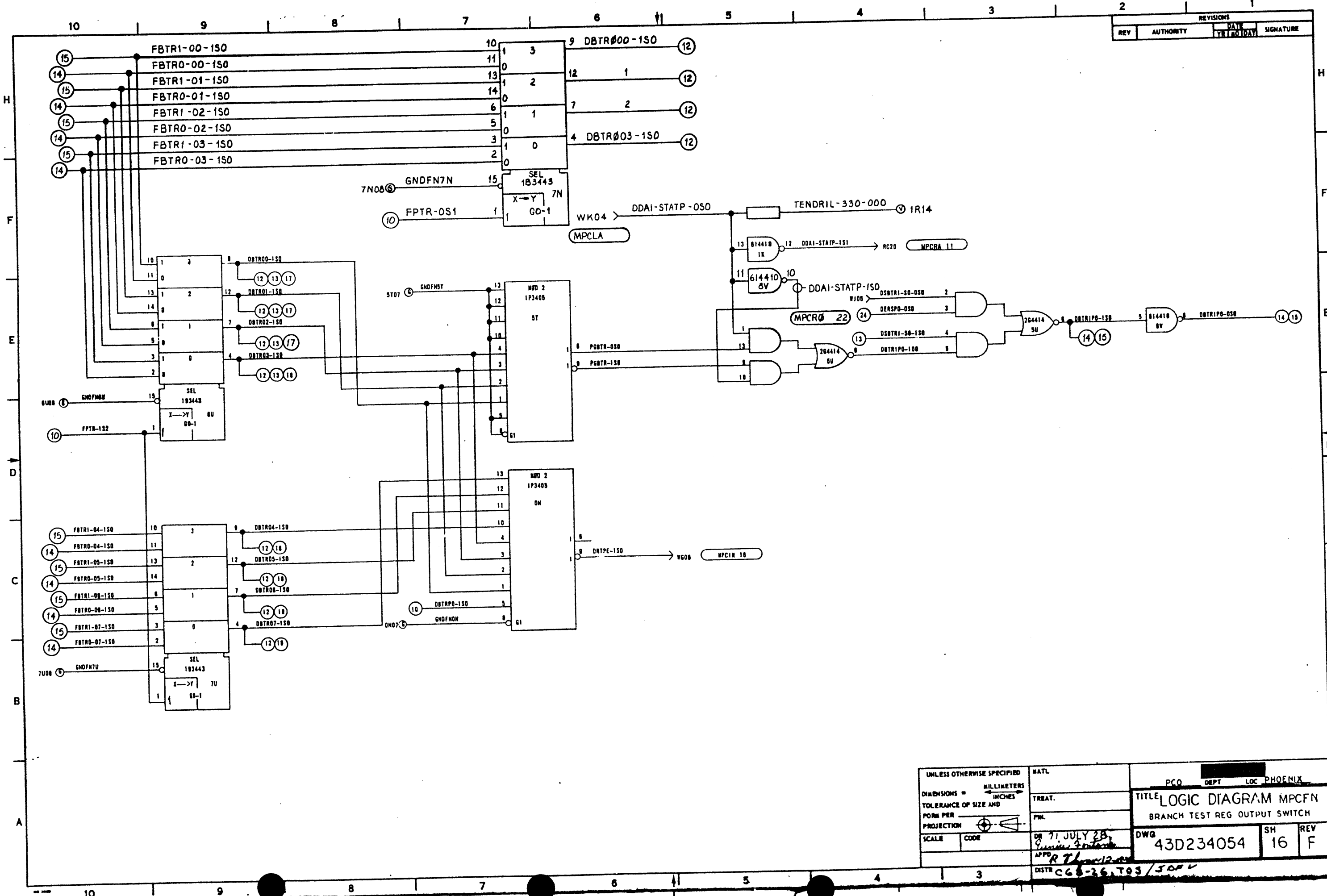
LOGIC DIAGRAM MPCFN
 BRANCH TEST REGISTER I

SIZE CODE IDENT NO. REV
 D 43D234054 D

SCALE SHEET 15
 C68-26, 705

D 43D234054

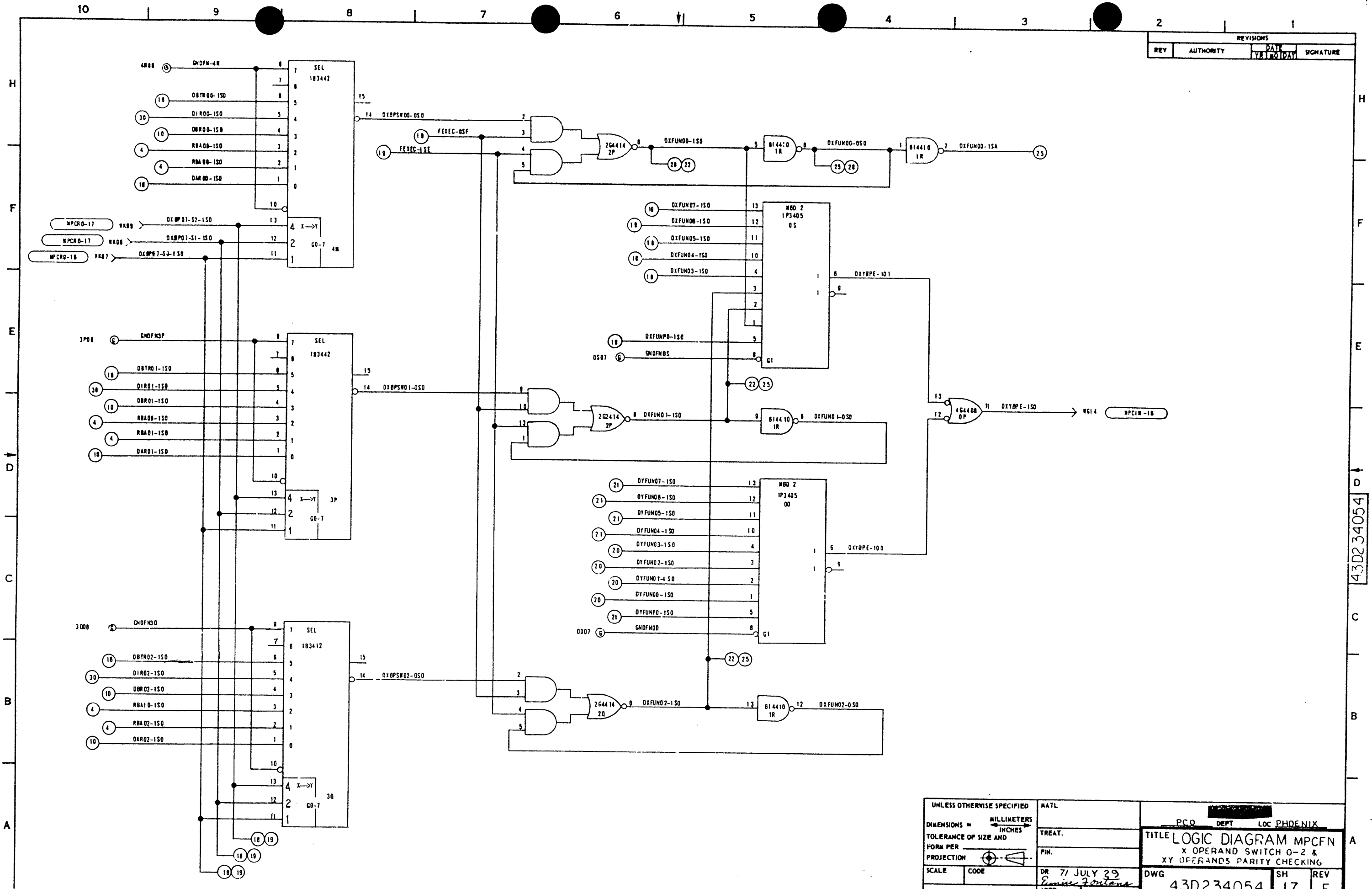
| REVISIONS | | | |
|-----------|-----------|------|-----------|
| REV | AUTHORITY | DATE | SIGNATURE |
| | | | |



43D234054

| | | | | | | |
|--------------------------------|------|------------------------|--|-------------------------------|-------|--|
| UNLESS OTHERWISE SPECIFIED | | MATERIAL | | PCO DEPT LOC PHOENIX | | |
| DIMENSIONS = MILLIMETERS | | TREAT. | | TITLE LOGIC DIAGRAM MPCFN | | |
| TOLERANCE OF SIZE AND FORM PER | | FIN. | | BRANCH TEST REG OUTPUT SWITCH | | |
| PROJECTION | | DR 71 JULY 28, 1968 | | DWG 43D234054 | | |
| SCALE | CODE | APPROVED | | SH 16 | REV F | |
| | | DISTR CG 6-26, T03/504 | | | | |

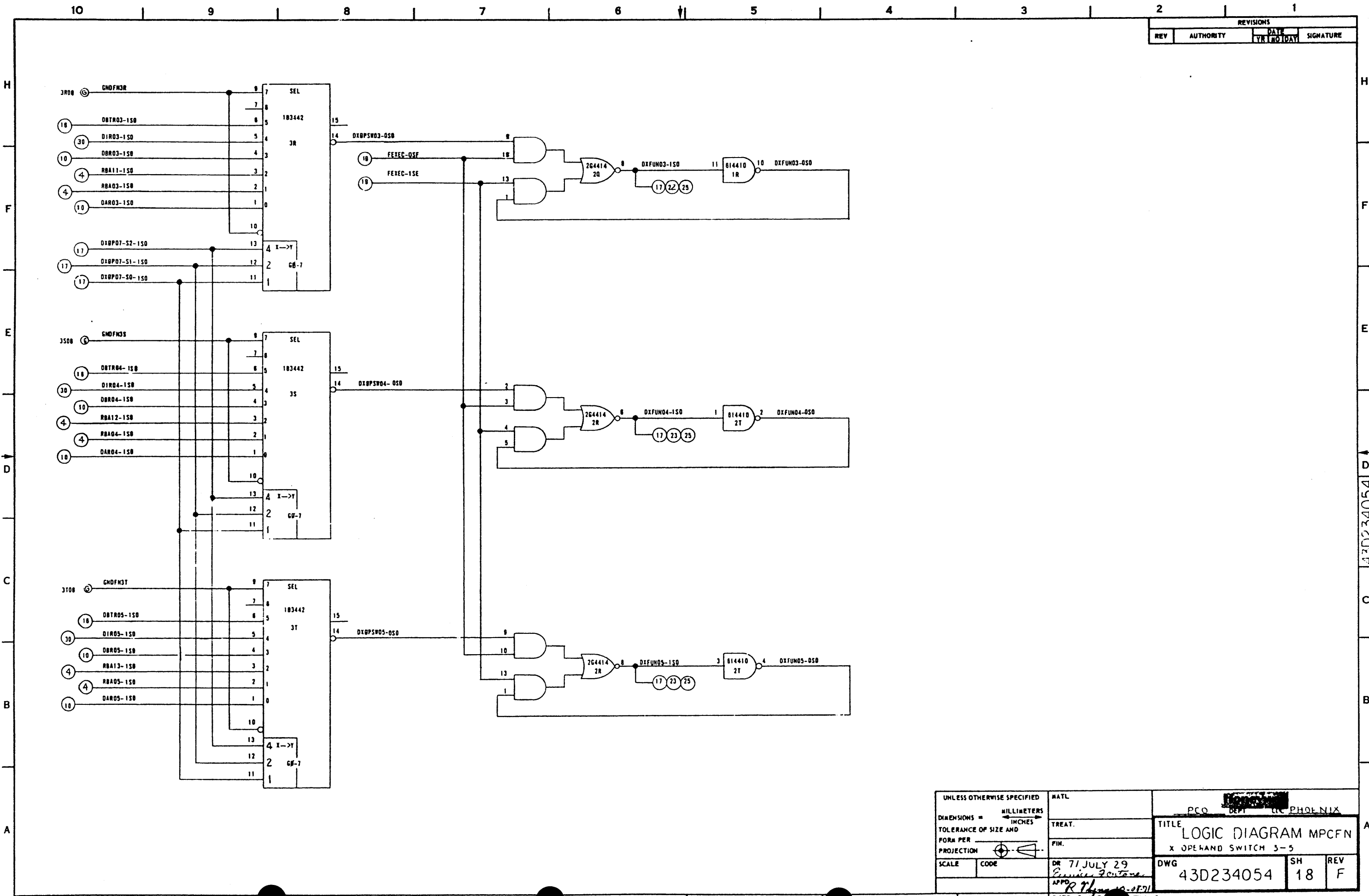
| REVISIONS | | | |
|-----------|-----------|------|-----------|
| REV | AUTHORITY | DATE | SIGNATURE |
| | | | |



43D234054

| | | | |
|--|------|----------------------|------|
| UNLESS OTHERWISE SPECIFIED | | MATERIAL | |
| DIMENSIONS = MILLIMETERS TOLERANCE OF SIZE AND FORM PER PROJECTION | | PCO DEPT LOC PHOENIX | |
| TITLE LOGIC DIAGRAM MPCFN X OPERAND SWITCH 0-2 & XY OPERANDS PARITY CHECKING | | DWG | REV |
| SCALE | CODE | 43D234054 | 17 F |
| DR 71 JULY 29 Emilio Fontana APPD DISTR C66-26, TDS/SDFV | | | |

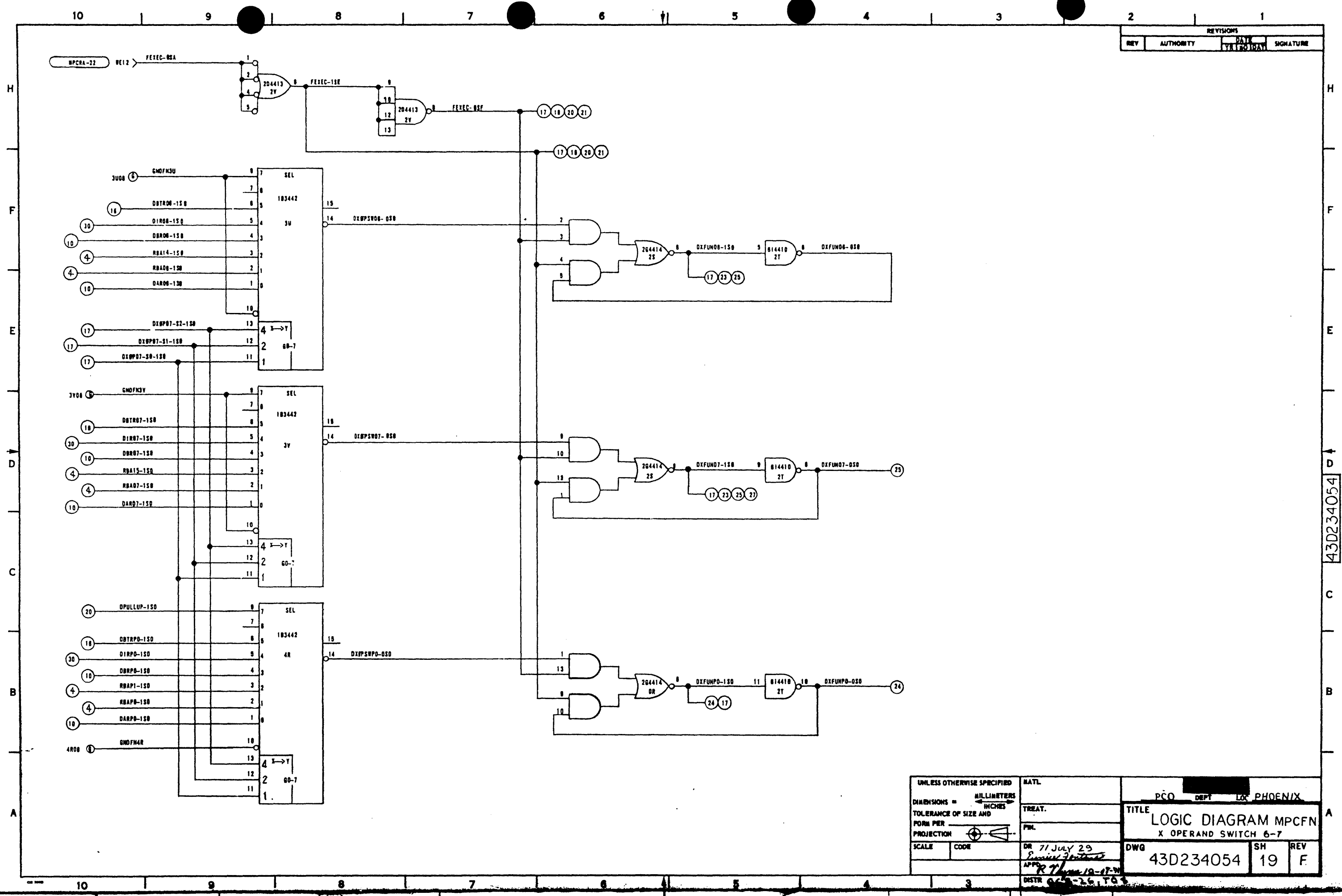
| REVISIONS | | | |
|-----------|-----------|------|-----------|
| REV | AUTHORITY | DATE | SIGNATURE |
| | | | |



43D234054

| | | | | | |
|----------------------------|-------------|------------------------|----------------------|---------------------|-----|
| UNLESS OTHERWISE SPECIFIED | | MATERIAL | | PCO DEPT CC PHOENIX | |
| DIMENSIONS = | MILLIMETERS | TREAT. | TITLE | | |
| TOLERANCE OF SIZE AND | INCHES | FIN. | LOGIC DIAGRAM MPCFN | | |
| PROJECTION | | DR 71 JULY 29 | X OPERAND SWITCH 3-5 | | |
| SCALE | CODE | APPR R. H. [Signature] | DWG | SH | REV |
| | | DISTR CCB TOS | 43D234054 | 18 | F |

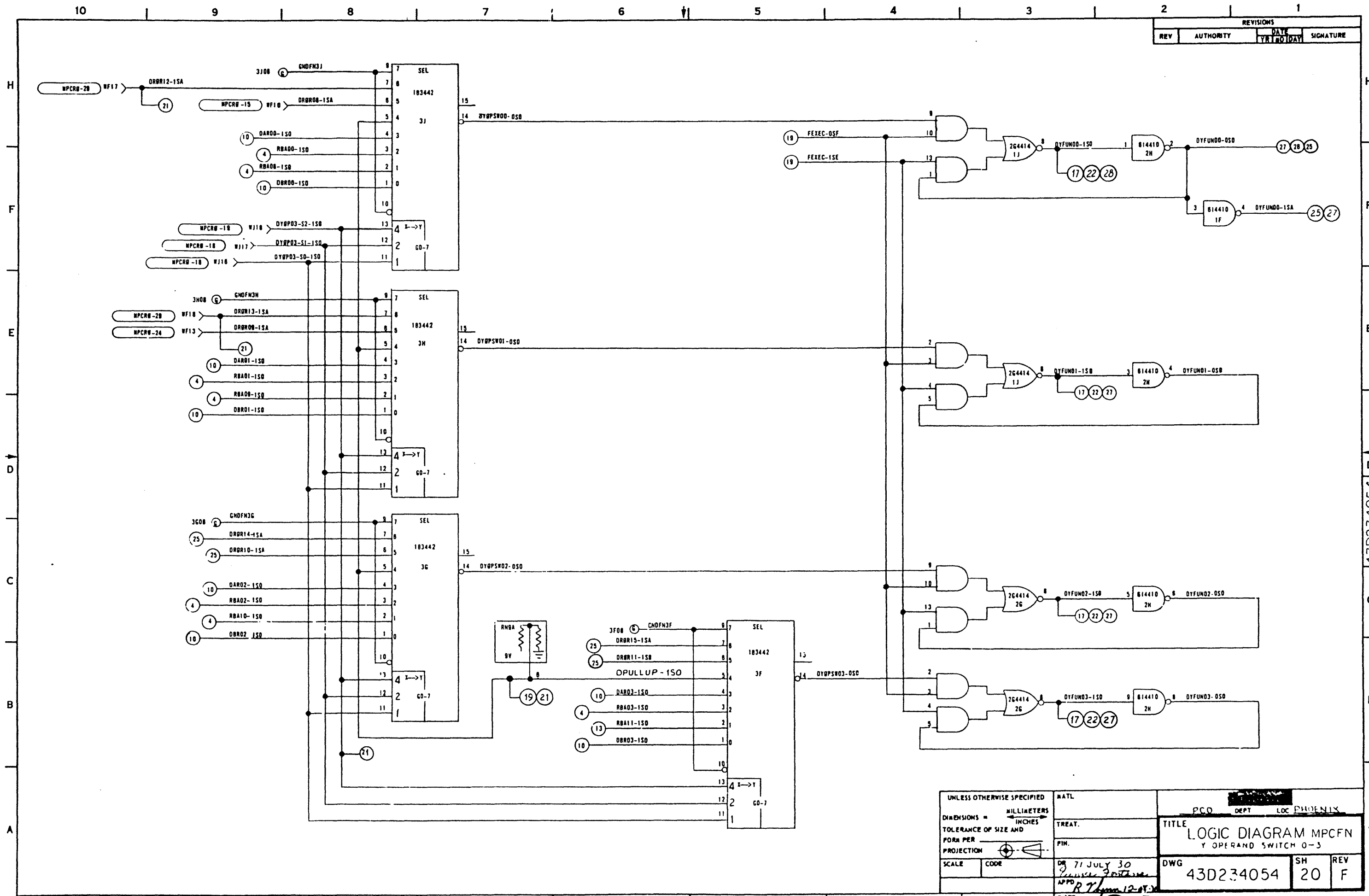
| REVISIONS | | | |
|-----------|-----------|------|-----------|
| REV | AUTHORITY | DATE | SIGNATURE |
| | | | |



43D234054

| | | | | | |
|---|------|------------|-----------|--|-----|
| UNLESS OTHERWISE SPECIFIED | | MATH. | | PCO DEPT. LG. PHOENIX | |
| DIMENSIONS = MILLIMETERS | | TREAT. | | TITLE | |
| TOLERANCE OF SIZE AND FORM PER PROJECTION | | PRL | | LOGIC DIAGRAM MPCFN X OPERAND SWITCH 6-7 | |
| SCALE | CODE | DR | DWG | SH | REV |
| | | 7/ July 29 | 43D234054 | 19 | F |
| | | APPROVED | | | |
| | | DISTR | | | |

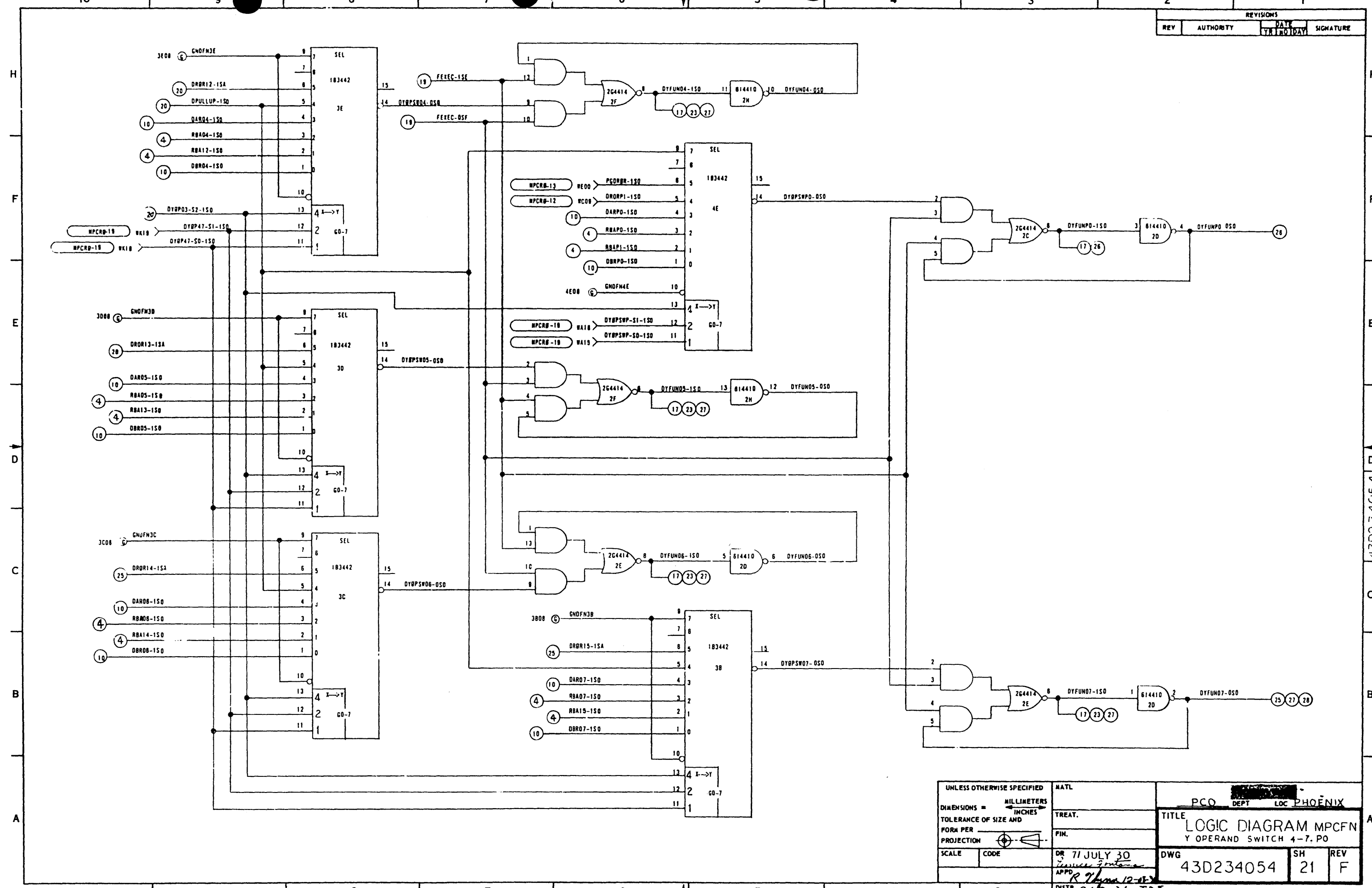
| REVISIONS | | | |
|-----------|-----------|-------------------|-----------|
| REV | AUTHORITY | DATE YR MO DAY | SIGNATURE |
| | | | |



43D234054

| | | | | |
|--------------------------------|------|----------------|----------------------|----|
| UNLESS OTHERWISE SPECIFIED | | NATL | PCO DEPT LOC PHOENIX | |
| DIMENSIONS = MILLIMETERS | | TREAT. | TITLE | |
| TOLERANCE OF SIZE AND FORM PER | | FIN. | LOGIC DIAGRAM MPCFN | |
| PROJECTION | | | Y OPERAND SWITCH 0-3 | |
| SCALE | CODE | DR 71 JULY 30 | DWG | SH |
| | | APPROVED | 43D234054 | 20 |
| | | DISTR C 6, TOS | | F |

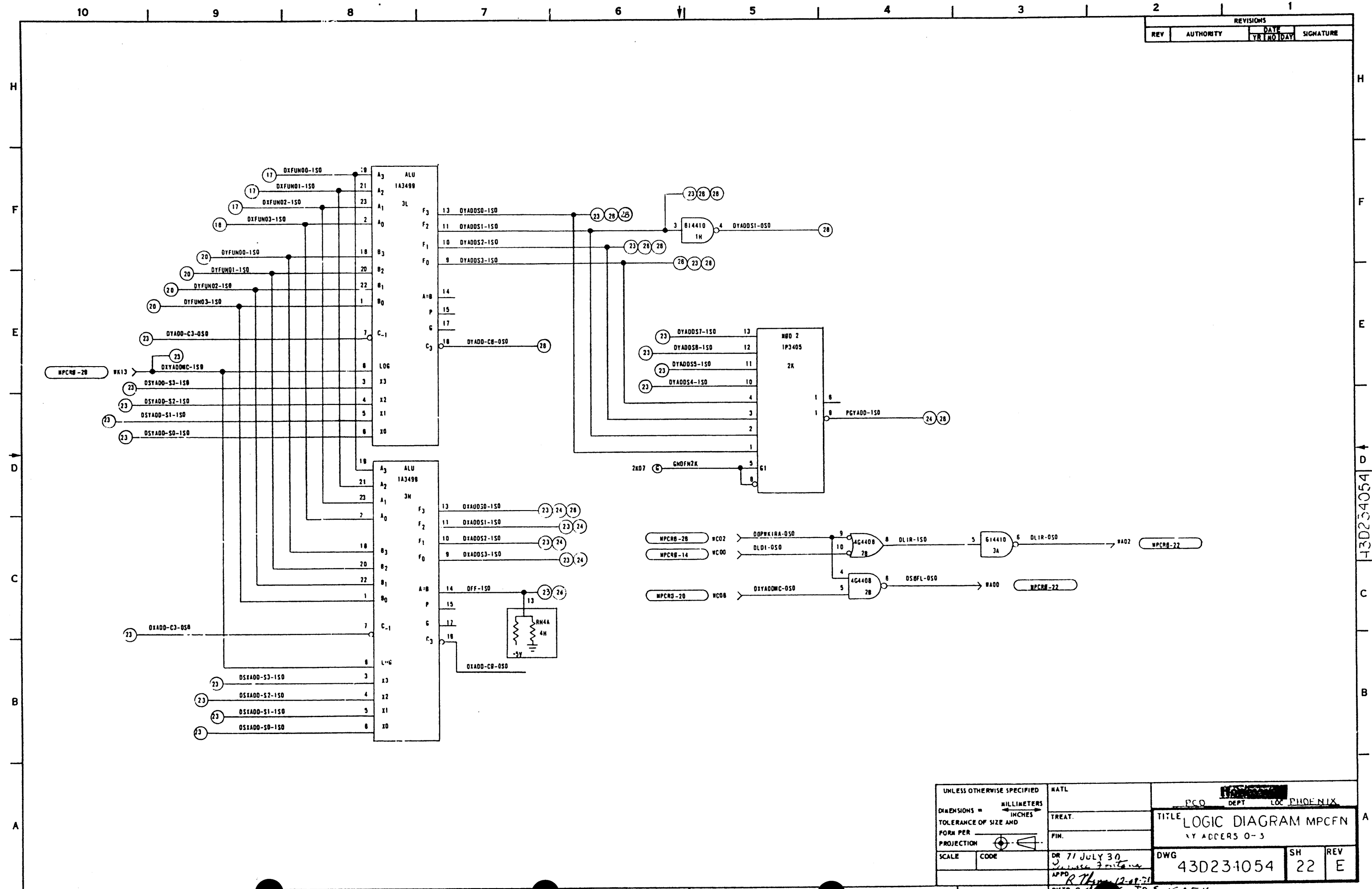
| REVISIONS | | | |
|-----------|-----------|--------------|-----------|
| REV | AUTHORITY | DATE | SIGNATURE |
| | | TR 190 1 DAY | |



43D234054

| | | | | | |
|----------------------------|------|-------------------|--|--------------------------|-----|
| UNLESS OTHERWISE SPECIFIED | | MATERIAL | | PCO DEPT LOC PHOENIX | |
| DIMENSIONS = MILLIMETERS | | TREAT. | | TITLE | |
| TOLERANCE OF SIZE AND FIN. | | DR 71 JULY 30 | | LOGIC DIAGRAM MPCFN | |
| FORM PER PROJECTION | | APPRO | | Y OPERAND SWITCH 4-7. PO | |
| SCALE | CODE | DISTR C68-26, TOS | | DWG | SH |
| | | | | 43D234054 | 21 |
| | | | | | REV |
| | | | | | F |

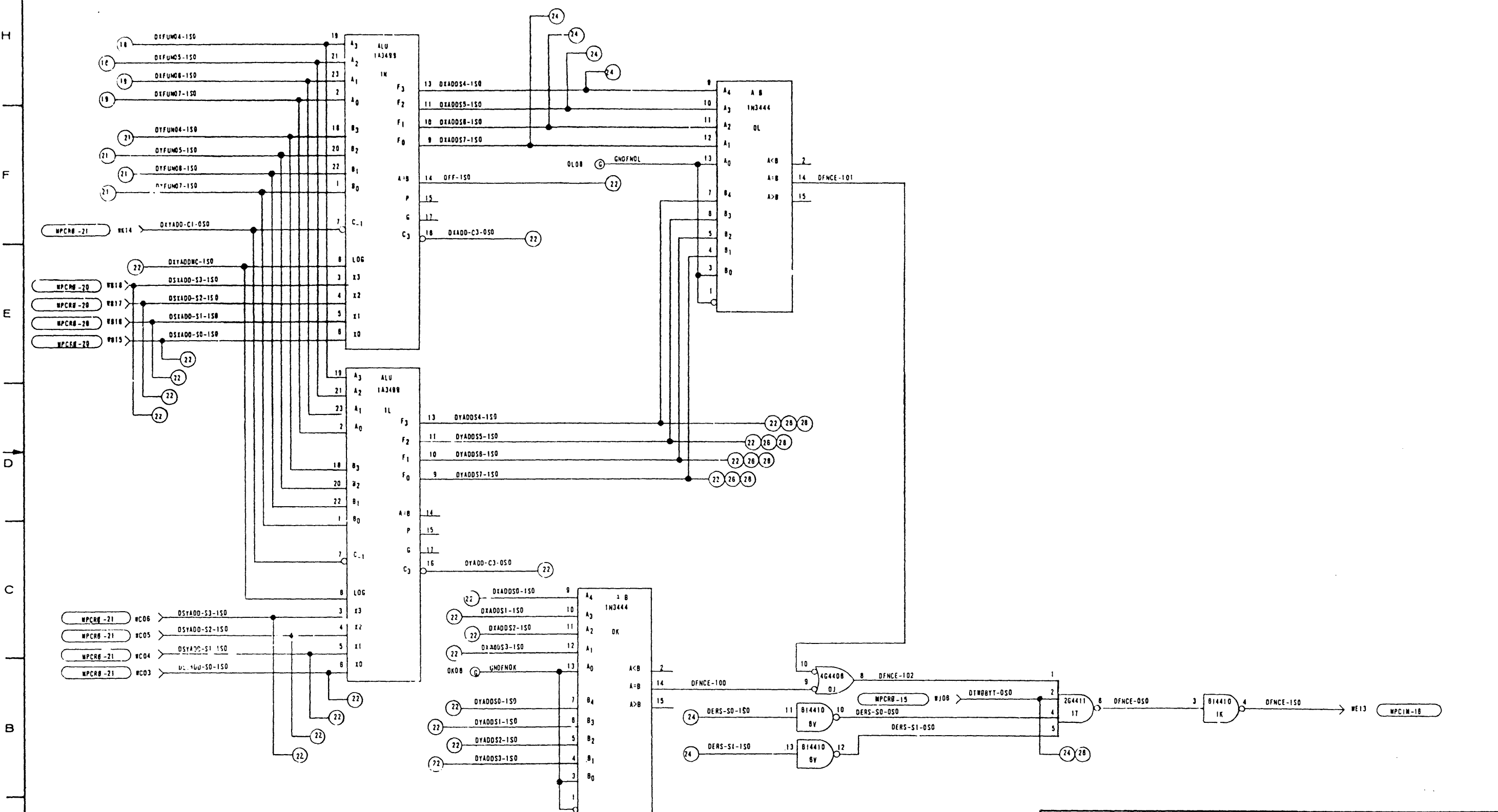
| REVISIONS | | | |
|-----------|-----------|------|-----------|
| REV | AUTHORITY | DATE | SIGNATURE |
| | | | |



| | | | | | |
|----------------------------|-------------|---------------|---------------------------|----------------------|--|
| UNLESS OTHERWISE SPECIFIED | | MATH | | PCD DEPT LOC PHOENIX | |
| DIMENSIONS = | MILLIMETERS | TREAT. | TITLE LOGIC DIAGRAM MPCFN | | |
| TOLERANCE OF SIZE AND | INCHES | FIN. | BY ADDERS 0-3 | | |
| FORM PER | | | DWG 43D231054 SH 22 REV E | | |
| PROJECTION | | DR 71 JULY 30 | DISTR CD TO S/SOFV | | |

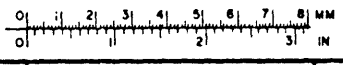
43D231054

| REVISIONS | | | | |
|-----------|-----------|---------------|-----------|--|
| REV | AUTHORITY | DATE | SIGNATURE | |
| | | TR MO DAY | | |
| | | | | |
| | | | | |



THE INFORMATION CONTAINED IN THIS DOCUMENT IS PROPRIETARY TO HONEYWELL INFORMATION SYSTEMS AND IS INTENDED FOR INTERNAL HONEYWELL USE ONLY. SUCH INFORMATION MAY BE DISCLOSED TO OTHERS ONLY BY WRITTEN PERMISSION OF AN AUTHORIZED HONEYWELL OFFICIAL. THIS RESTRICTION DOES NOT APPLY TO VENDOR PURCHASE PARTS THAT MAY BE SHOWN IN THIS DOCUMENT.

| REV | DESCRIPTION |
|-----|-------------|
| | |
| | |
| | |
| | |



43D234054

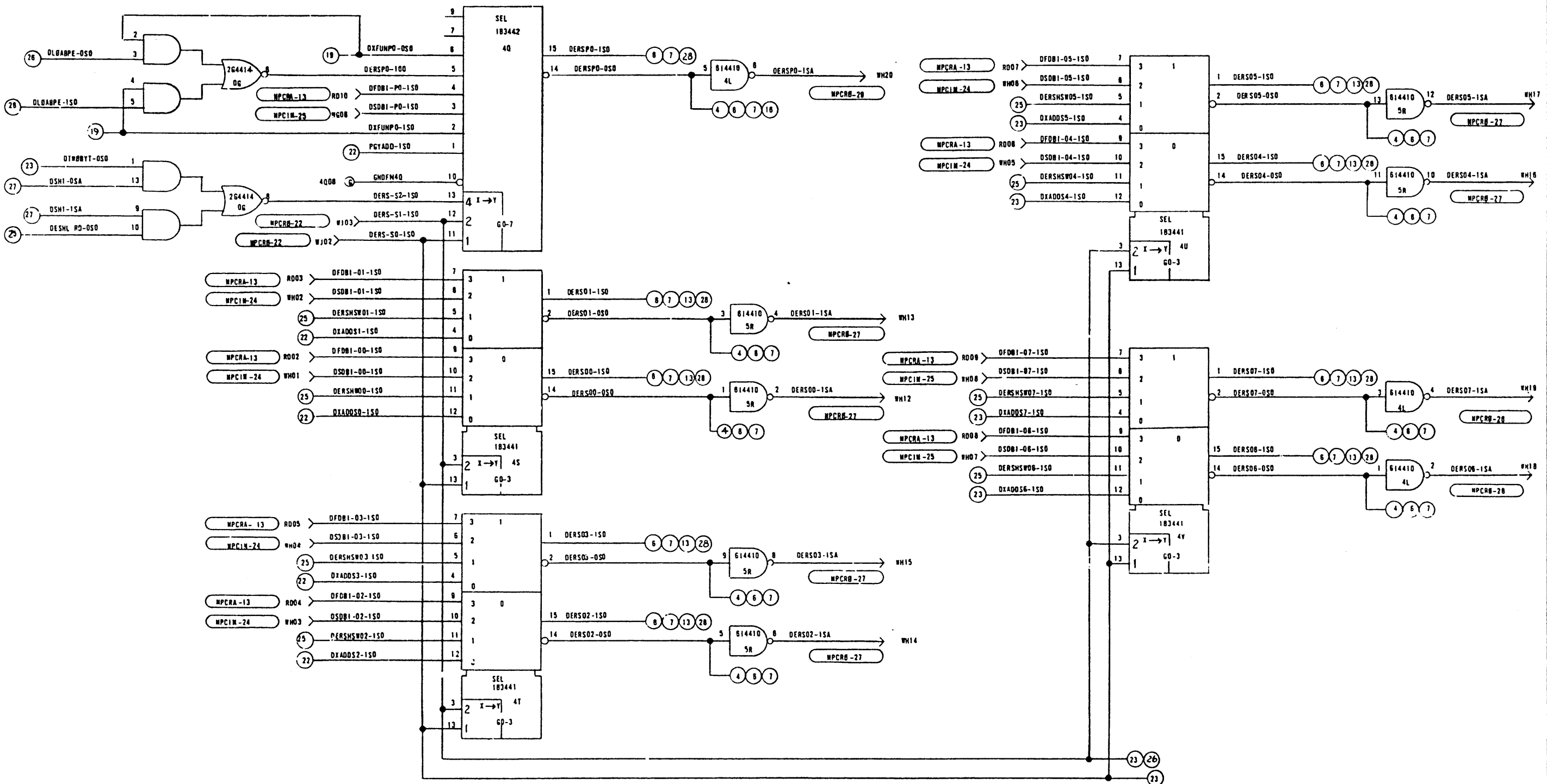
UNLESS OTHERWISE SPECIFIED
 DIMENSIONS - MILLIMETERS
 TOLERANCE OF SIZE AND FORM PER INITIAL DESIGN
 PROJECTION

| | | | |
|--|-------------------|----------------|---------------|
| MATERIAL | | | |
| TREATMENT | | | |
| FINISH | | | |
| DATE | DR | APPD | DISTR |
| 71 AUG. 15 | K. J. [Signature] | R. [Signature] | C. 65-26, 103 |
| HONEYWELL INFORMATION SYSTEMS PHOENIX, ARIZONA U. S. A. | | LOC. | |
| TITLE LOGIC DIAGRAM MPCFN | | REV 23 E | |
| XY ADDERS 4-7 | | SIZE | |
| D | DWO NO | 43D234054 | |

| REVISIONS | | | | |
|-----------|-----------|------|-----------|-----|
| REV | AUTHORITY | DATE | SIGNATURE | |
| | | YR | MO | DAY |

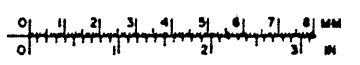
H
F
E
D
C
B
A

H
F
E
D
C
B
A



UNLESS OTHERWISE SPECIFIED DIMENSIONS IN MILLIMETERS TOLERANCE OF SIZE AND FORM PER INITIAL DESIGN PROJECTION SCALE CODE

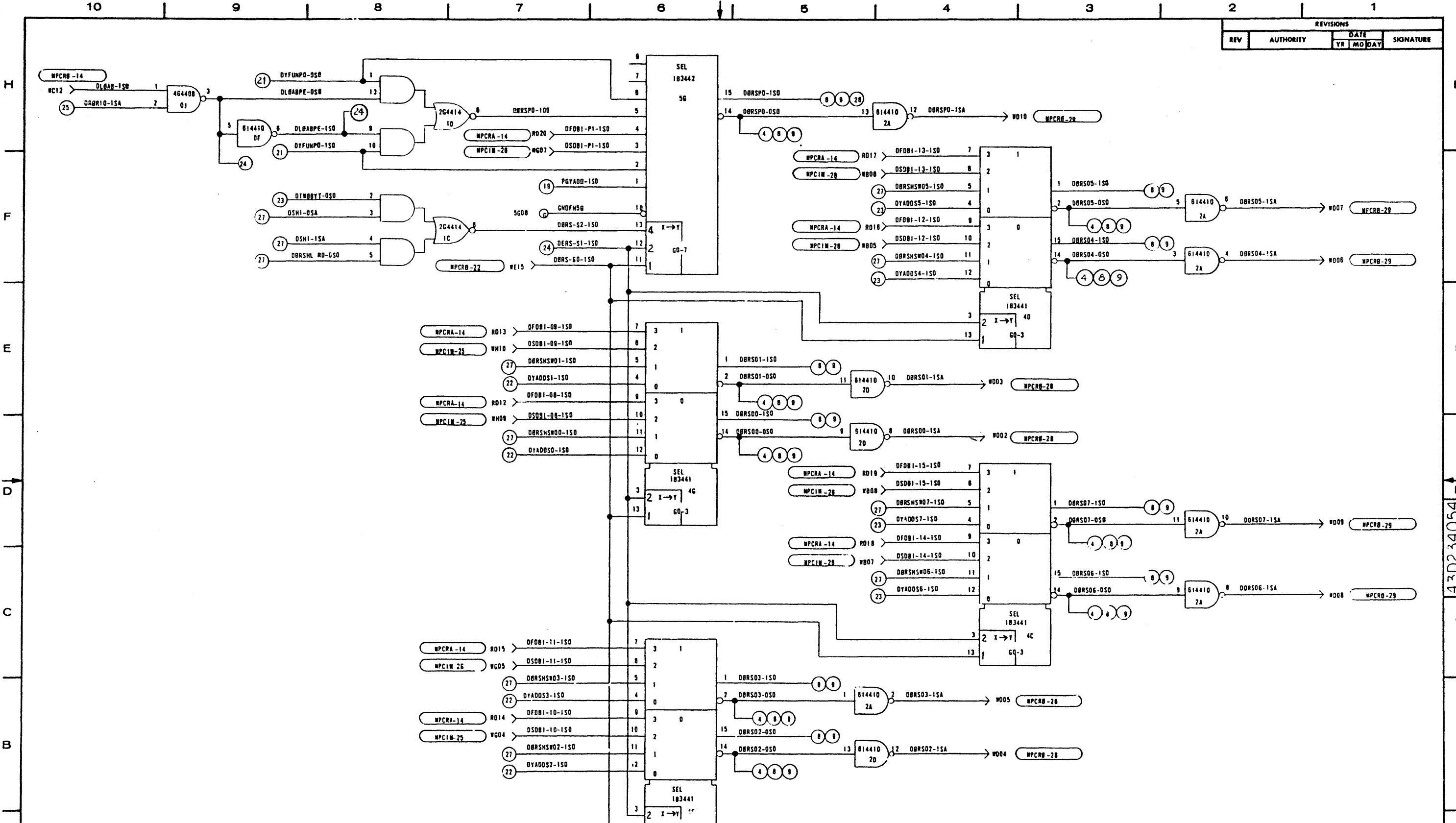
| |
|-------------|
| REF SPEC NO |
| |
| |
| |
| |
| |
| |
| |
| |
| |
| |
| |
| |
| |
| |



| | | | | | |
|---|--|---------------------------------|------|--|-----------|
| UNLESS OTHERWISE SPECIFIED DIMENSIONS IN MILLIMETERS TOLERANCE OF SIZE AND FORM PER INITIAL DESIGN PROJECTION SCALE CODE | | MATERIAL TREATMENT FINISH | | Honeywell HONEYWELL INFORMATION SYSTEMS PHOENIX, ARIZONA U. S. A. | |
| LOGIC DIAGRAM MPCRM EVEN RESULT SWITCH | | | LOC | SIZE | DWG NO |
| DR 11 AUG 73 R. J. ... APPD R. J. ... DISTR CGB-705 | | | FIN. | D | 43D234054 |
| | | | | 24 | REV F |

43D234054

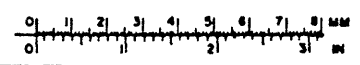
| REVISIONS | | | |
|-----------|-----------|-----------|-----------|
| REV | AUTHORITY | DATE | SIGNATURE |
| | | YR MO DAY | |



THE INFORMATION CONTAINED ON THIS DOCUMENT IS PROPRIETARY TO HONEYWELL INFORMATION SYSTEMS AND IS INTENDED TO BE KEPT CONFIDENTIAL. IT IS TO BE CONTAINED IN THE CONFIDENTIALITY OF THE ORIGINAL DOCUMENT AND IS NOT TO BE REPRODUCED OR TRANSMITTED IN ANY FORM OR BY ANY MEANS, ELECTRONIC OR MECHANICAL, INCLUDING PHOTOCOPYING, RECORDING, OR BY ANY INFORMATION STORAGE AND RETRIEVAL SYSTEM, WITHOUT PERMISSION IN WRITING FROM HONEYWELL INFORMATION SYSTEMS. THIS RESTRICTION DOES NOT APPLY TO VENDOR PREPARED PARTS THAT MAY BE SHOWN ON THIS DOCUMENT.

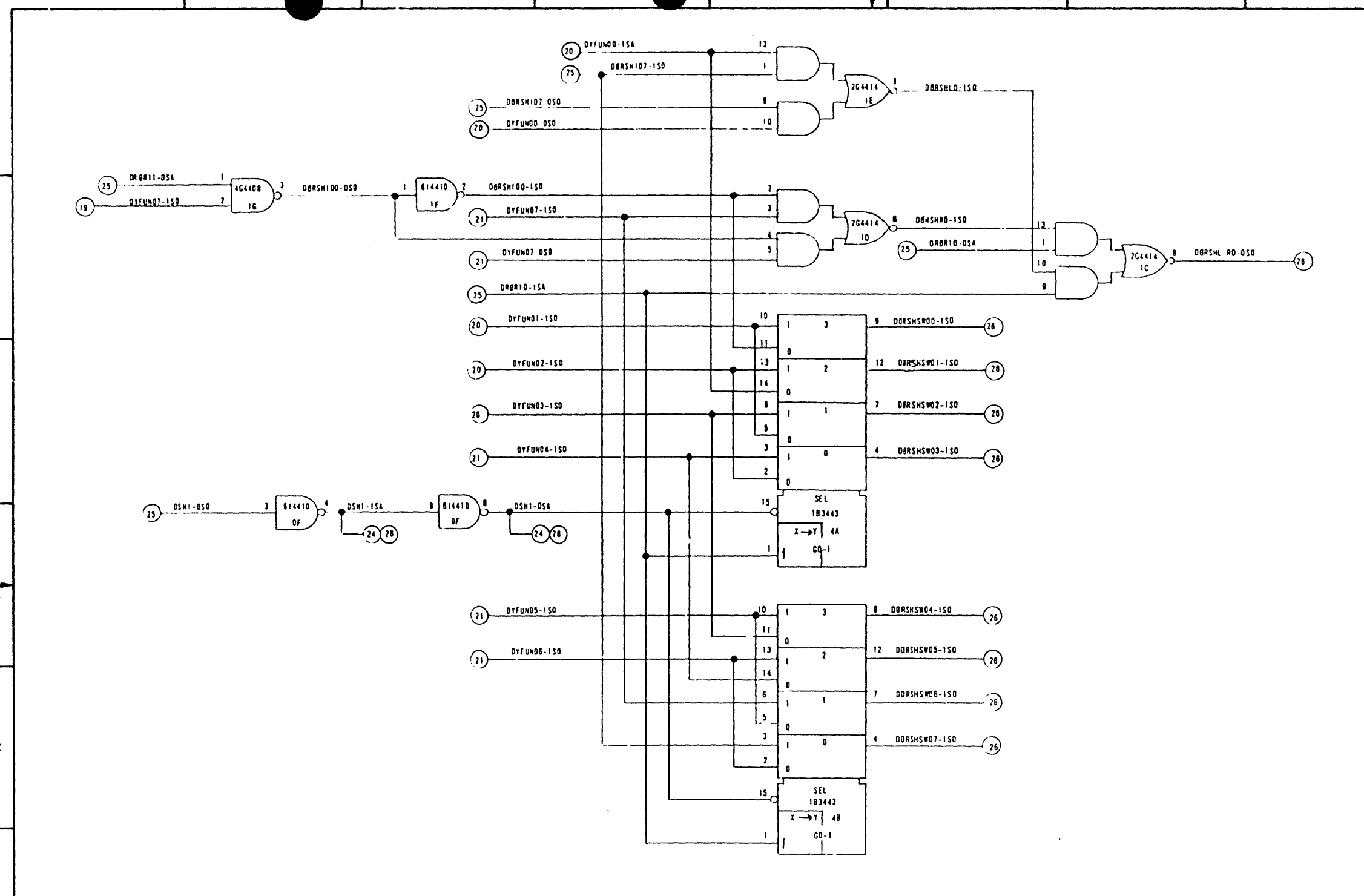
43D234054

| |
|-------------|
| REF SPEC NO |
| |
| |
| |
| |
| |
| |
| |
| |
| |
| |



| | | | | | |
|--------------------------------|--|-------------|--|--|--|
| UNLESS OTHERWISE SPECIFIED | | MATERIAL | | Honeywell HONEYWELL INFORMATION SYSTEMS PHOENIX, ARIZONA U.S.A. | |
| DIMENSIONS* | | MILLIMETERS | | | |
| TOLERANCE OF SIZE AND FORM PER | | INCHES | | LOC | |
| INITIAL DESIGN | | FIN. | | TITLE | |
| PROJECTION | | FIN. | | LOGIC DIAGRAM MPCFN | |
| SCALE | | CODE | | DWO NO | |
| | | | | 43D234054 | |
| | | | | SH | |
| | | | | 26 | |
| | | | | REV | |
| | | | | F | |
| | | | | DISTR | |
| | | | | CGB To S SDO | |

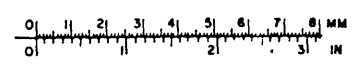
| REVISIONS | | | | |
|-----------|-----------|---------------|-----------|--|
| REV | AUTHORITY | DATE | SIGNATURE | |
| | | TR MO DAY | | |



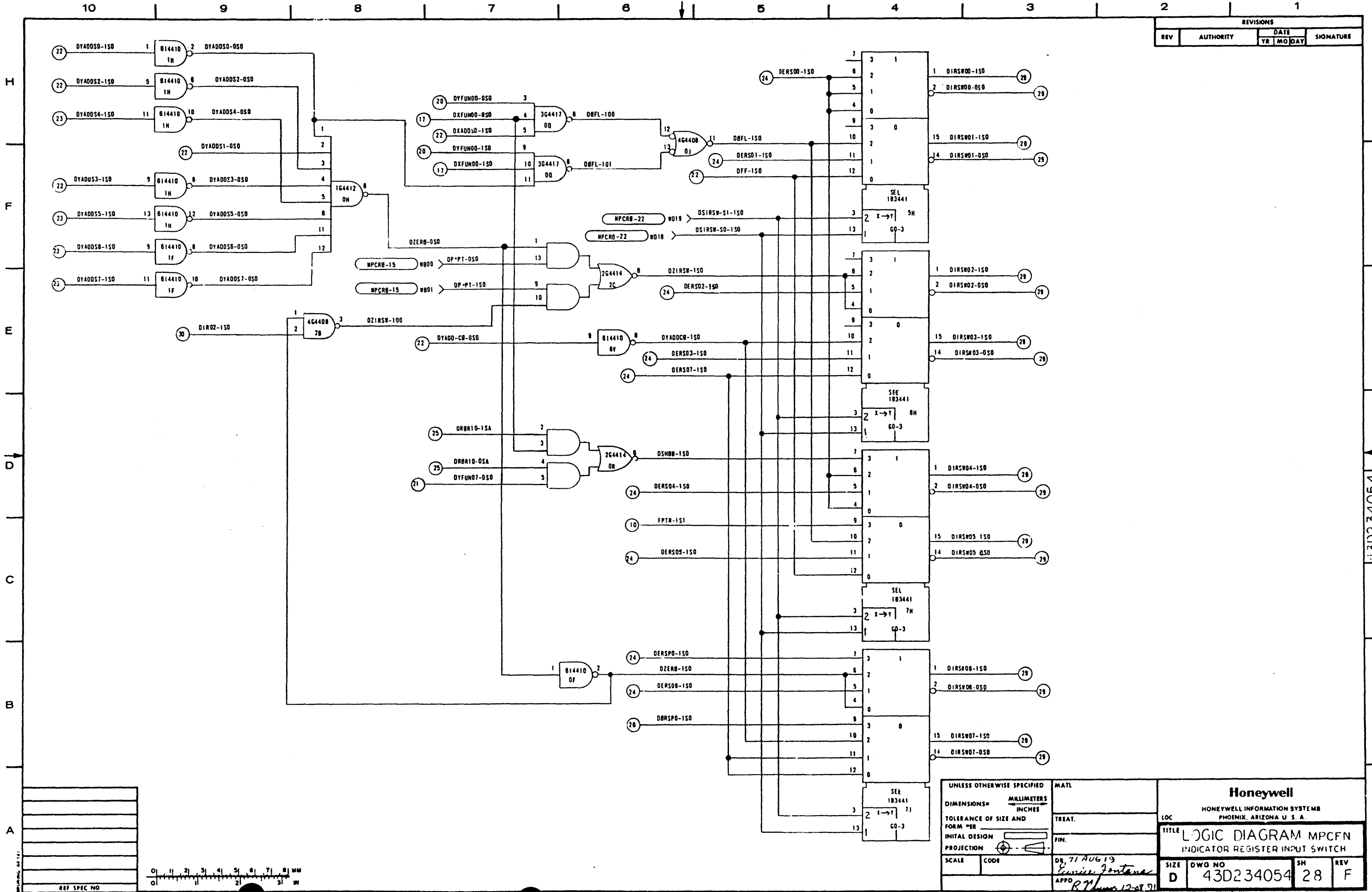
THE INFORMATION CONTAINED IN THIS DOCUMENT IS PROPRIETARY TO HONEYWELL INFORMATION SYSTEMS AND IS INTENDED FOR INTERNAL HONEYWELL USE ONLY. NO PART OF THIS DOCUMENT IS TO BE REPRODUCED OR TRANSMITTED IN ANY FORM OR BY ANY MEANS, ELECTRONIC OR MECHANICAL, INCLUDING PHOTOCOPYING, RECORDING, OR BY ANY INFORMATION STORAGE AND RETRIEVAL SYSTEM, WITHOUT PERMISSION IN WRITING FROM HONEYWELL INFORMATION SYSTEMS.

43D234054

| |
|--|
| |
| |
| |
| |
| |
| |
| |
| |
| |
| |
| |



| | | | | | | | | | | |
|--------------------------------|-------------|------------|-----------|--|--|--|--|------------------------|----|-----|
| UNLESS OTHERWISE SPECIFIED | | MATERIAL | | Honeywell HONEYWELL INFORMATION SYSTEMS PHOENIX, ARIZONA U. S. A. | | | | | | |
| DIMENSIONS | MILLIMETERS | TREAT. | LOC | TITLE LOGIC DIAGRAM MPCFN 000 RESULT SHIFT ONE SWITCH | | | | | | |
| TOLERANCE OF SIZE AND FORM PER | INCHES | FIN. | SIZE | | | | | DWG NO | SH | REV |
| INITIAL DESIGN | | PROJECTION | D | | | | | 43D234054 | 27 | F |
| SCALE | CODE | DR | 11 AUG 18 | | | | | DISTR CCB-26, TCS/SDFV | | |



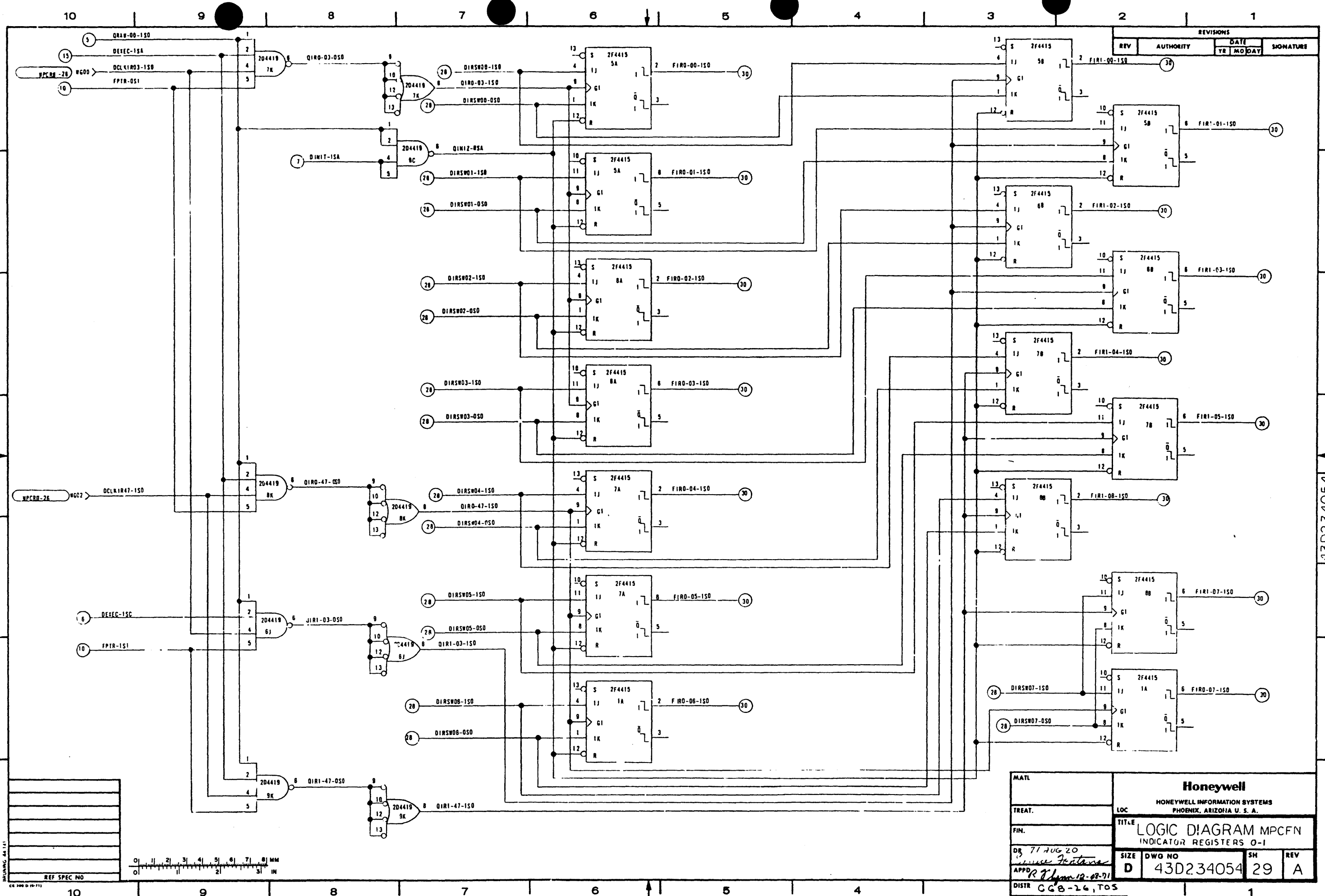
| REVISIONS | | | | |
|-----------|-----------|-----------|-----------|--|
| REV | AUTHORITY | DATE | SIGNATURE | |
| | | YR MO DAY | | |
| | | | | |

| | | | |
|--|------|-------------------------|-----|
| UNLESS OTHERWISE SPECIFIED | | MATERIAL | |
| DIMENSIONS - MILLIMETERS INCHES | | TREAT. | |
| TOLERANCE OF SIZE AND FORM PER | | FIN. | |
| INITIAL DESIGN | | DR 71 AUG 19 | |
| PROJECTION | | APPD R. Thomas 12-28-51 | |
| SCALE | CODE | DISTR C 26, TOS | |
| Honeywell | | | |
| HONEYWELL INFORMATION SYSTEMS PHOENIX, ARIZONA U. S. A. | | | |
| TITLE | | LOC | |
| LOGIC DIAGRAM MPCFN | | | |
| INDICATOR REGISTER INPUT SWITCH | | SIZE | REV |
| | | D | F |
| | | DWG NO | SH |
| | | 43D234054 | 28 |

THE INFORMATION CONTAINED HEREIN IS UNCLASSIFIED EXCEPT WHERE SHOWN OTHERWISE. IT IS THE POLICY OF THE NATIONAL ARCHIVES AND RECORDS SERVICE TO MAKE AVAILABLE AS MUCH INFORMATION AS POSSIBLE. THIS DOCUMENT IS UNCLASSIFIED EXCEPT WHERE SHOWN OTHERWISE.

43D234054

THE INFORMATION CONTAINED IN THIS DOCUMENT IS PROPRIETARY TO HONEYWELL INFORMATION SYSTEMS AND IS UNCLASSIFIED EXCEPT WHERE SHOWN OTHERWISE. ALL RIGHTS ARE RESERVED. NO PART OF THIS DOCUMENT IS TO BE REPRODUCED OR TRANSMITTED IN ANY FORM OR BY ANY MEANS, ELECTRONIC OR MECHANICAL, INCLUDING PHOTOCOPYING, RECORDING, OR BY ANY INFORMATION STORAGE AND RETRIEVAL SYSTEM, WITHOUT PERMISSION IN WRITING FROM HONEYWELL INFORMATION SYSTEMS. THIS RESTRICTION DOES NOT APPLY TO VENDOR PROPRIETARY PARTS THAT MAY BE INCLUDED IN THIS DOCUMENT.

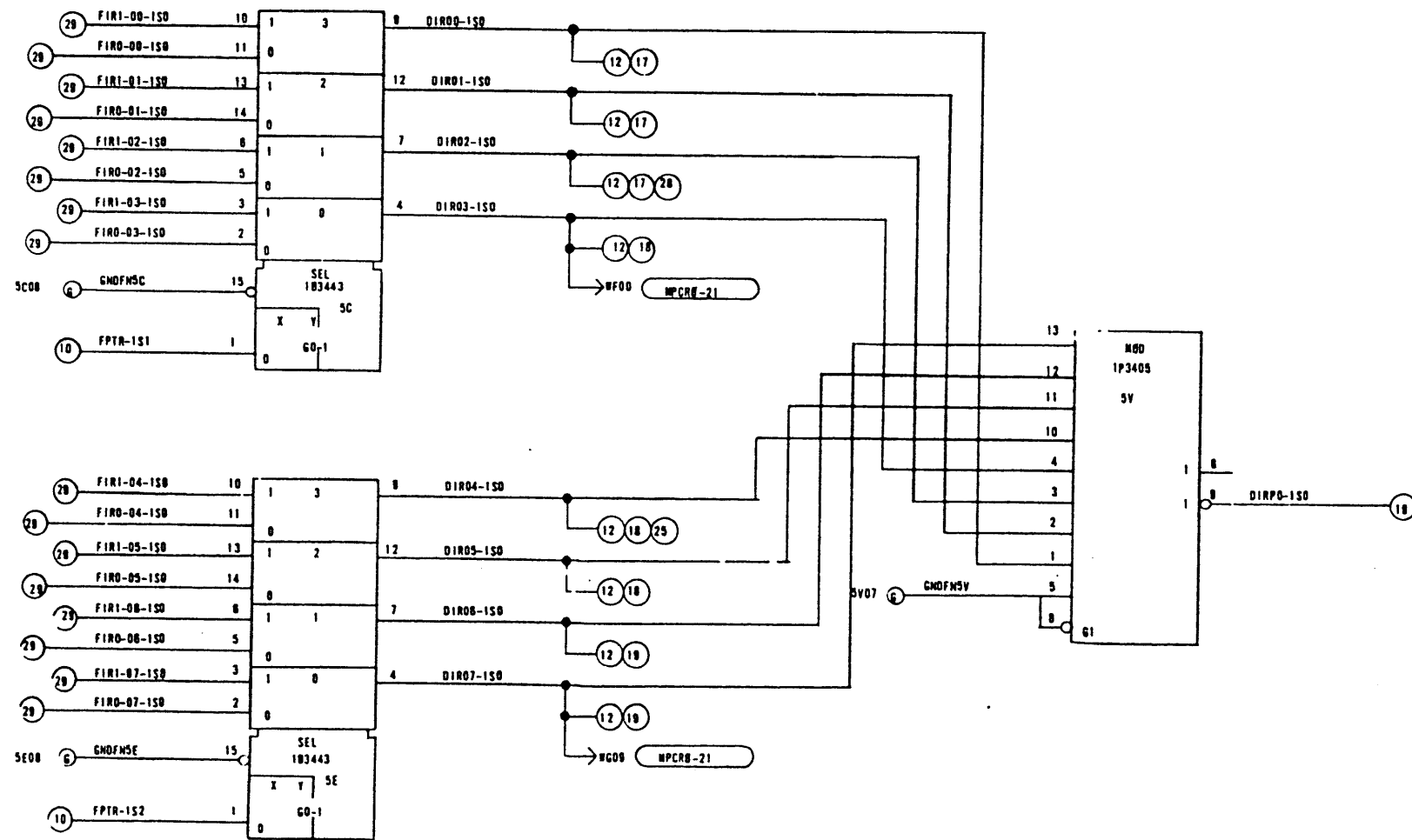


| REVISIONS | | | |
|-----------|-----------|------|-----------|
| REV | AUTHORITY | DATE | SIGNATURE |
| | | | |

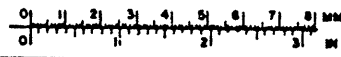
| | | | |
|--------------------------|--|--|-----------|
| MATERIAL | | Honeywell | |
| TREAT. | | HONEYWELL INFORMATION SYSTEMS PHOENIX, ARIZONA U. S. A. | |
| FIN. | | TITLE | |
| DB 71 AUG 20 | | LOGIC DIAGRAM MPCFN INDICATOR REGISTERS 0-1 | |
| APPD R Thompson 12-22-71 | | SIZE | DWG NO |
| DISTR CCB-26, TOS | | D | 43D234054 |
| | | SH | REV |
| | | 29 | A |

43D234054

| REVISIONS | | | |
|-----------|-----------|---------------|-----------|
| REV | AUTHORITY | DATE | SIGNATURE |
| | | YR MO DAY | |



| |
|--|
| |
| |
| |
| |
| |
| |
| |
| |



| | | | | | | |
|--|------------|---|----------------------------|------------------|--|--|
| UNLESS OTHERWISE SPECIFIED DIMENSIONS— TOLERANCE OF SIZE AND FORM PER INITIAL DESIGN PROJECTION | | <table border="0"> <tr> <td>← MILLIMETERS →</td> <td>← INCHES →</td> </tr> </table> | ← MILLIMETERS → | ← INCHES → | <p style="text-align: center;">Honeywell</p> HONEYWELL INFORMATION SYSTEMS PHOENIX, ARIZONA U. S. A. | |
| ← MILLIMETERS → | ← INCHES → | | | | | |
| SCALE | CODE | TREAT. | FIN. | | | |
| DR 77 AUG 20 SUNNY ZANTANA | | TITLE LOGIC DIAGRAM MPCFN INDICATOR REG OUTPUT SWITCH | | | | |
| APPR R. J. [Signature] | | SIZE D | DWG NO 43D234054 | SH 30F | | |
| DISTR CGB | | To S SDO | V NCO | REV A | | |

43D234054 01

THE INFORMATION CONTAINED IN THIS DOCUMENT PROPRIETARY TO HONEYWELL INFORMATION SYSTEMS, INC. AND IS INTENDED FOR INTERNAL HONEYWELL USE ONLY. SUCH INFORMATION MAY BE DISTRIBUTED TO OTHERS BY WRITTEN PERMISSION OF AN AUTHORIZED HONEYWELL OFFICIAL. THIS RESTRICTION DOES NOT APPLY TO VENDOR PROPRIETARY THAT MAY BE DISCLOSED IN THIS DOCUMENT.

58048920

| REV | AUTHORITY | DATE | | | SIGNATURE | TAB | | | | | | | | | | PL SH. | | | | | | | |
|-----|----------------------------|------|-----|-----|--------------------|-----|----------|----|----|----|----|----|----|----|----|--------|----|----|--|--|--|---|---|
| | | YR | MO | DAY | | 01 | 02 | 03 | 04 | 05 | 06 | 07 | 08 | 09 | 10 | | 11 | 12 | | | | | |
| A | LEVEL 1 ISSUE | 79 | APR | 30 | T. Charles 4/10/79 | A | | | | | | | | | | | | | | | | A | |
| B | PHAØBE032 | 79 | OCT | 02 | M.C. Gitting | B | B | B | | | | | | | | | | | | | | | B |
| C | PHAØBB112 | 80 | FEB | 20 | M.C. Gitting | | C | C | | | | | | | | | | | | | | | C |
| D | PHAØBB130 LEVEL 3 ISSUE | 81 | AUG | 11 | B. Williams | | D | D | D | D | | | | | | | | | | | | | D |
| | | | | | | | OBSOLETE | | | | | | | | | | | | | | | | |
| | | | | | | | OBSOLETE | | | | | | | | | | | | | | | | |
| | | | | | | | OBSOLETE | | | | | | | | | | | | | | | | |
| | 43D234054 | | | | LOGIC DIA. | E | F | F | F | F | | | | | | | | | | | | | |
| | 43A239250 | | | | TEST DATA. | G | G | G | G | G | | | | | | | | | | | | | |

FOR CONTINUATION OF REVISION STATUS SEE SHEET

| | | | | |
|--|---|--------------------------|---------------------------------|-------------|
| Honeywell HONEYWELL INFORMATION SYSTEMS PHOENIX, ARIZONA LOC | MADE BY <i>[Signature]</i> MARCH 6 1979 | TITLE HDUHC PWA MPCFN | | |
| | APPROVED <i>[Signature]</i> | SIZE X | REVISION STATUS FOR 58048920 | SHEET 11 |

THE INFORMATION CONTAINED IN THIS DOCUMENT PROPRIETARY TO HONEYWELL INFORMATION SYSTEMS, INC. AND IS INTENDED FOR INTERNAL HONEYWELL USE ONLY. SUCH INFORMATION MAY BE DISTRIBUTED TO OTHERS BY WRITTEN PERMISSION OF AN AUTHORIZED HONEYWELL OFFICIAL. THIS RESTRICTION DOES NOT APPLY TO VENDOR PROPRIETARY THAT MAY BE DISCLOSED IN THIS DOCUMENT.

58048922

| REV | AUTHORITY | DATE | | | SIGNATURE | TAB | | | | | | | | | | | | | | PLSH | | | | | | | |
|-----|---------------|------|-----|-----|------------|-----|--------|--|--|--|--|--|--|--|--|--|--|--|--|------|--|--|--|--|--|----|---|
| | | YR | MO | DAY | | | DI/002 | | | | | | | | | | | | | | | | | | | | |
| A | LEVEL 3 ISSUE | 79 | APR | 30 | Thaull | A | | | | | | | | | | | | | | | | | | | | AL | A |
| B | PHAB B 130 | 81 | AUG | 05 | S. Gregory | B B | | | | | | | | | | | | | | | | | | | | | B |
| | | | | | | | | | | | | | | | | | | | | | | | | | | | |
| | | | | | | | | | | | | | | | | | | | | | | | | | | | |
| | | | | | | | | | | | | | | | | | | | | | | | | | | | |
| | | | | | | | | | | | | | | | | | | | | | | | | | | | |
| | | | | | | | | | | | | | | | | | | | | | | | | | | | |
| | | | | | | | | | | | | | | | | | | | | | | | | | | | |
| | | | | | | | | | | | | | | | | | | | | | | | | | | | |
| | | | | | | | | | | | | | | | | | | | | | | | | | | | |
| | | | | | | | | | | | | | | | | | | | | | | | | | | | |
| | | | | | | | | | | | | | | | | | | | | | | | | | | | |
| | | | | | | | | | | | | | | | | | | | | | | | | | | | |
| | | | | | | | | | | | | | | | | | | | | | | | | | | | |
| | | | | | | | | | | | | | | | | | | | | | | | | | | | |
| | | | | | | | | | | | | | | | | | | | | | | | | | | | |
| | | | | | | | | | | | | | | | | | | | | | | | | | | | |
| | | | | | | | | | | | | | | | | | | | | | | | | | | | |

QV

OBSCLETE

FOR CONTINUATION OF REVISION STATUS SEE SHEET

| | | | |
|---|---|---------------------|---------------------------------|
| Honeywell HONEYWELL INFORMATION SYSTEMS LOC PHOENIX, ARIZONA | MADE BY <i>[Signature]</i> MARCH 6 | TITLE CIL MPLCFN | |
| | APPROVED <i>[Signature]</i> for LJ Collier | SIZE A | REVISION STATUS FOR 58048922 |
| | REVISION STATUS FOR EACH PAGE, SHEET OR GROUP IS SHOWN BY LAST ENTRY IN THE CORRESPONDING NUMBERED COLUMN | SHEET 11 | REV B |
| | | | |

Q68-37

COMP INSTL LIST - MPCFN

TAB-002

STANDARD LOCATION CODE PATTERN
 X-POS & Y-POS PER 58046507-002
 UNLESS OTHERWISE SHOWN, ROTATION IS NORTH

| LOC | TYPE | IDENT | X-POS | Y-POS | ROTATION |
|------|--------|--------------|-------|-------|----------|
| OD | 1P3405 | 43C216405P1 | | | |
| OE | 2G4414 | 43C216414P1 | | | |
| OF | 6I4410 | 43C216410P1 | | | |
| OG | 2G4414 | 43C216414P1 | | | |
| OH | 1G4412 | 43C216412P1 | | | |
| OJ | 4G4408 | 43C216408P1 | | | |
| OK | 1N3444 | 43C216444P1 | | | |
| OL | 1N3444 | 43C216444P1 | | | |
| OM | 6I4410 | 43C216410P1 | | | |
| ON | 1P3405 | 43C216405P1 | | | |
| OP | 4G4408 | 43C216408P1 | | | |
| OQ | 3G4417 | 43C216417P1 | | | |
| OR | 2G4414 | 43C216414P1 | | | |
| OS | 1P3405 | 43C216405P1 | | | |
| OU | 1B3443 | 43C216443P1 | | | |
| 18JA | P4331 | 70928100-037 | | | |
| 1A | 2F4415 | 43C216415P1 | | | |
| 1C | 2G4414 | 43C216414P1 | | | |
| 1D | 2G4414 | 43C216414P1 | | | |
| 1E | 2G4414 | 43C216414P1 | | | |
| 1F | 6I4410 | 43C216410P1 | | | |
| 1G | 4G4408 | 43C216408P1 | | | |
| 1H | 6I4410 | 43C216410P1 | | | |
| 1J | 2G4414 | 43C216414P1 | | | |
| 1K | 6I4410 | 43C216410P1 | | | |
| 1L | 1A3499 | 43C216499P1 | | | |
| 1N | 1A3499 | 43C216499P1 | | | |
| 1P | 2G4414 | 43C216414P1 | | | |
| 1Q | 1B3443 | 43C216443P1 | | | |
| 1R | 6I4410 | 43C216410P1 | | | |
| 1S | 1B3443 | 43C216443P1 | | | |
| 1T | 2G4411 | 43C216411P1 | | | |

COMP INSTL LIST - MPCFN

TAB-002

| LOC | TYPE | IDENT | X-POS | Y-POS | ROTATION |
|-----|--------|-------------|-------|-------|----------|
| 1U | 1R3451 | 43C216451P1 | | | |
| 2A | 6I4410 | 43C216410P1 | | | |
| 2B | 4G4408 | 43C216408P1 | | | |
| 2C | 2G4414 | 43C216414P1 | | | |
| 2D | 6I4410 | 43C216410P1 | | | |
| 2E | 2G4414 | 43C216414P1 | | | |
| 2F | 2G4414 | 43C216414P1 | | | |
| 2G | 2G4414 | 43C216414P1 | | | |
| 2H | 6I4410 | 43C216410P1 | | | |
| 2J | 1R3451 | 43C216451P1 | | | |
| 2K | 1P3405 | 43C216405P1 | | | |
| 2L | 2G4414 | 43C216414P1 | | | |
| 2M | 2G4414 | 43C216414P1 | | | |
| 2N | 2G4414 | 43C216414P1 | | | |
| 2O | 2G4414 | 43C216414P1 | | | |
| 2P | 2G4414 | 43C216414P1 | | | |
| 2Q | 2G4414 | 43C216414P1 | | | |
| 2R | 2G4414 | 43C216414P1 | | | |
| 2S | 2G4414 | 43C216414P1 | | | |
| 2T | 6I4410 | 43C216410P1 | | | |
| 2U | 1B3441 | 43C216441P1 | | | |
| 2V | 2D4413 | 43C216413P1 | | | |
| 3A | 6I4410 | 43C216410P1 | | | |
| 3B | 1B3442 | 43C216442P1 | | | |
| 3C | 1B3442 | 43C216442P1 | | | |
| 3D | 1B3442 | 43C216442P1 | | | |
| 3E | 1B3442 | 43C216442P1 | | | |
| 3F | 1B3442 | 43C216442P1 | | | |
| 3G | 1B3442 | 43C216442P1 | | | |
| 3H | 1B3442 | 43C216442P1 | | | |
| 3I | 1B3442 | 43C216442P1 | | | |
| 3J | 1B3442 | 43C216442P1 | | | |
| 3K | 2G4414 | 43C216414P1 | | | |
| 3L | 1A3499 | 43C216499P1 | | | |
| 3M | 1A3499 | 43C216499P1 | | | |
| 3N | 1B3442 | 43C216442P1 | | | |
| 3O | 1B3442 | 43C216442P1 | | | |
| 3P | 1B3442 | 43C216442P1 | | | |
| 3Q | 1B3442 | 43C216442P1 | | | |
| 3R | 1B3442 | 43C216442P1 | | | |
| 3S | 1B3442 | 43C216442P1 | | | |
| 3T | 1B3442 | 43C216442P1 | | | |
| 3U | 1B3442 | 43C216442P1 | | | |
| 3V | 1B3442 | 43C216442P1 | | | |
| 4A | 1B3443 | 43C216443P1 | | | |

COMP INSTL LIST - MPCFN

COMP INSTL LIST - MPCFN

TAB-002

| LOC | TYPE | IDENT | X-POS | Y-POS | ROTATION |
|-----|--------|-------------|-------|-------|----------|
| 4B | 1B3443 | 43C216443P1 | | | |
| 4C | 1B3441 | 43C216441P1 | | | |
| 4D | 1B3441 | 43C216441P1 | | | |
| 4E | 1B3442 | 43C216442P1 | | | |
| 4F | 1B3441 | 43C216441P1 | | | |
| 4G | 1B3441 | 43C216441P1 | | | |
| 4H | RN9A | 43B216592P2 | | | |
| 4J | 1R3451 | 43C216451P1 | | | |
| 4K | 2D5419 | 43C216419P1 | | | |
| 4L | 6I4410 | 43C216410P1 | | | |
| 4M | 1B3442 | 43C216442P1 | | | |
| 4N | 1R3451 | 43C216451P1 | | | |
| 4P | RN9A | 43B216592P2 | | | |
| 4Q | 1B3442 | 43C216442P1 | | | |
| 4R | 1B3442 | 43C216442P1 | | | |
| 4S | 1B3441 | 43C216441P1 | | | |
| 4T | 1B3441 | 43C216441P1 | | | |
| 4U | 1B3441 | 43C216441P1 | | | |
| 4V | 1B3441 | 43C216441P1 | | | |
| 5A | 2F4415 | 43C216415P1 | | | |
| 5B | 2F4415 | 43C216415P1 | | | |
| 5C | 1B3443 | 43C216443P1 | | | |
| 5D | 1B3443 | 43C216443P1 | | | |
| 5E | 1B3443 | 43C216443P1 | | | |
| 5F | 1B3443 | 43C216443P1 | | | |
| 5G | 1B3442 | 43C216442P1 | | | |
| 5H | 1B3441 | 43C216441P1 | | | |
| 5J | 1R3451 | 43C216451P1 | | | |
| 5K | 2D5419 | 43C216419P1 | | | |
| 5L | 2D5419 | 43C216419P1 | | | |
| 5M | 2F4415 | 43C216415P1 | | | |
| 5N | 1R3451 | 43C216451P1 | | | |
| 5P | 4G4408 | 43C216408P1 | | | |
| 5Q | 1B3443 | 43C216443P1 | | | |
| 5R | 6I4410 | 43C216410P1 | | | |
| 5S | 1B3443 | 43C216443P1 | | | |
| 5T | 1P3405 | 43C216405P1 | | | |
| 5U | 2G4414 | 43C216414P1 | | | |

TAB-002

| LOC | TYPE | IDENT | X-POS | Y-POS | ROTATION |
|-----|--------|-------------|-------|-------|----------|
| 5V | 1P3405 | 43C216405P1 | | | |
| 6A | 2F4415 | 43C216415P1 | | | |
| 6B | 2F4415 | 43C216415P1 | | | |
| 6C | 2F4415 | 43C216415P1 | | | |
| 6D | 2F4415 | 43C216415P1 | | | |
| 6E | 2F4415 | 43C216415P1 | | | |
| 6F | 2F4415 | 43C216415P1 | | | |
| 6G | 2F4415 | 43C216415P1 | | | |
| 6H | 1B3441 | 43C216441P1 | | | |
| 6J | 2D5419 | 43C216419P1 | | | |
| 6K | 2D5419 | 43C216419P1 | | | |
| 6L | 2D5419 | 43C216419P1 | | | |
| 6M | 1B3443 | 43C216443P1 | | | |
| 6N | 2D5419 | 43C216419P1 | | | |
| 6P | 2F4415 | 43C216415P1 | | | |
| 6Q | 2F4415 | 43C216415P1 | | | |
| 6R | 2F4415 | 43C216415P1 | | | |
| 6S | 2F4415 | 43C216415P1 | | | |
| 6T | 2F4415 | 43C216415P1 | | | |
| 6U | 1B3443 | 43C216443P1 | | | |
| 6V | 6I4410 | 43C216410P1 | | | |
| 7A | 2F4415 | 43C216415P1 | | | |
| 7B | 2F4415 | 43C216415P1 | | | |
| 7C | 2F4415 | 43C216415P1 | | | |
| 7D | 2F4415 | 43C216415P1 | | | |
| 7E | 2F4415 | 43C216415P1 | | | |
| 7F | 2F4415 | 43C216415P1 | | | |
| 7G | 2F4415 | 43C216415P1 | | | |
| 7H | 1B3441 | 43C216441P1 | | | |
| 7J | 1B3441 | 43C216441P1 | | | |
| 7K | 2D5419 | 43C216419P1 | | | |
| 7L | 2D5419 | 43C216419P1 | | | |
| 7M | 2D5419 | 43C216419P1 | | | |
| 7N | 1B3443 | 43C216443P1 | | | |
| 7P | 2F4415 | 43C216415P1 | | | |
| 7Q | 2F4415 | 43C216415P1 | | | |
| 7R | 2F4415 | 43C216415P1 | | | |
| 7S | 2F4415 | 43C216415P1 | | | |

COMP INSTL LIST - MPCFN

TAB-002

| LOC | TYPE | IDENT | X-POS | Y-POS | ROTATION |
|-----|--------|-------------|-------|-------|----------|
| 7T | 2F4415 | 43C216415P1 | | | |
| 7U | 1B3443 | 43C216443P1 | | | |
| 7V | 6I4410 | 43C216410P1 | | | |
| 8A | 6I4410 | 43C216410P1 | | | |
| 8B | 2F4415 | 43C216415P1 | | | |
| 8C | 2G4414 | 43C216414P1 | | | |
| 8D | 2G4414 | 43C216414P1 | | | |
| 8E | 2G4414 | 43C216414P1 | | | |
| 8F | 2G4414 | 43C216414P1 | | | |
| 8G | 2G4414 | 43C216414P1 | | | |
| 8H | 1B3442 | 43C216442P1 | | | |
| 8J | 1B3442 | 43C216442P1 | | | |
| 8K | 2D5419 | 43C216419P1 | | | |
| 8L | 2D5419 | 43C216419P1 | | | |
| 8M | 1B3442 | 43C216442P1 | | | |
| 8N | 1B3442 | 43C216442P1 | | | |
| 8P | 2F4415 | 43C216415P1 | | | |
| 8Q | 2F4415 | 43C216415P1 | | | |
| 8R | 2F4415 | 43C216415P1 | | | |
| 8S | 2F4415 | 43C216415P1 | | | |
| 8T | 2F4415 | 43C216415P1 | | | |
| 8U | 1B3443 | 43C216443P1 | | | |
| 8V | 6I4410 | 43C216410P1 | | | |
| 9A | 6I4410 | 43C216410P1 | | | |
| 9B | 6I4410 | 43C216410P1 | | | |
| 9C | 2D5419 | 43C216419P1 | | | |
| 9D | 2G4414 | 43C216414P1 | | | |
| 9E | 2G4414 | 43C216414P1 | | | |
| 9F | 2G4414 | 43C216414P1 | | | |
| 9G | 2G4414 | 43C216414P1 | | | |
| 9H | 1B3442 | 43C216442P1 | | | |
| 9J | 1B3442 | 43C216442P1 | | | |
| 9K | 2D5419 | 43C216419P1 | | | |
| 9L | 6I4410 | 43C216410P1 | | | |
| 9M | 1B3442 | 43C216442P1 | | | |
| 9N | 1B3442 | 43C216442P1 | | | |
| 9P | 2F4415 | 43C216415P1 | | | |
| 9Q | 2F4415 | 43C216415P1 | | | |

COMP INSTL LIST - MPCFN

TAB-002

| LOC | TYPE | IDENT | X-POS | Y-POS | ROTATION |
|------|--------|----------------|-------|-------|----------|
| 9R | 2F4415 | 43C216415P1 | | | |
| 9S | 2F4415 | 43C216415P1 | | | |
| 9T | 2F4415 | 43C216415P1 | | | |
| 9U | 1B3443 | 43C216443P1 | | | |
| 9V | RN9A | 43B216592P22 | | | |
| C001 | P1043 | 43C212092P1043 | | | |
| C002 | P1043 | 43C212092P1043 | | | |
| C003 | P1043 | 43C212092P1043 | | | |
| C004 | P1043 | 43C212092P1043 | | | |
| C005 | P1043 | 43C212092P1043 | | | |
| C006 | P1043 | 43C212092P1043 | | | |
| C007 | P1043 | 43C212092P1043 | | | |
| C008 | P1043 | 43C212092P1043 | | | |
| C009 | P1043 | 43C212092P1043 | | | |
| C020 | P1043 | 43C212092P1043 | | | |
| C021 | P1043 | 43C212092P1043 | | | |
| C022 | P1043 | 43C212092P1043 | | | |
| C023 | P1043 | 43C212092P1043 | | | |
| C024 | P1043 | 43C212092P1043 | | | |
| C025 | P1043 | 43C212092P1043 | | | |
| C026 | P1043 | 43C212092P1043 | | | |
| C027 | P1043 | 43C212092P1043 | | | |
| C028 | P1043 | 43C212092P1043 | | | |
| C029 | P9 | 43A114748P9 | | | |
| C030 | P9 | 43A114748P9 | | | |
| C031 | P9 | 43A114748P9 | | | |
| C032 | P9 | 43A114748P9 | | | |
| C033 | P9 | 43A114748P9 | | | |
| C034 | P9 | 43A114748P9 | | | |
| C036 | P9 | 43A114748P9 | | | |
| C037 | P9 | 43A114748P9 | | | |
| C038 | P9 | 43A114748P9 | | | |
| C049 | P1043 | 43C212092P1043 | | | |
| C050 | P1043 | 43C212092P1043 | | | |
| C051 | P1043 | 43C212092P1043 | | | |
| C052 | P1043 | 43C212092P1043 | | | |
| C053 | P1043 | 43C212092P1043 | | | |
| C054 | P1043 | 43C212092P1043 | | | |

COMP INSTL LIST - MPCFN

COMP INSTL LIST - MPCFN

TAB-002

| LOC | TYPE | IDENT | X-POS | Y-POS | ROTATION |
|------|-------|----------------|-------|-------|----------|
| C056 | P1043 | 43C212092P1043 | | | |
| C057 | P1043 | 43C212092P1043 | | | |
| C058 | P1043 | 43C212092P1043 | | | |
| C059 | P9 | 43A114748P9 | | | |
| C060 | P9 | 43A114748P9 | | | |
| C061 | P9 | 43A114748P9 | | | |
| C063 | P9 | 43A114748P9 | | | |
| C064 | P9 | 43A114748P9 | | | |
| C067 | P9 | 43A114748P9 | | | |
| C068 | P9 | 43A114748P9 | | | |
| C079 | P1043 | 43C212092P1043 | | | |
| C080 | P1043 | 43C212092P1043 | | | |
| C081 | P1043 | 43C212092P1043 | | | |
| C083 | P1043 | 43C212092P1043 | | | |
| C084 | P1043 | 43C212092P1043 | | | |
| C087 | P1043 | 43C212092P1043 | | | |
| C088 | P1043 | 43C212092P1043 | | | |
| C089 | P1043 | 43C212092P1043 | | | |
| C093 | P1043 | 43C212092P1043 | | | |
| C094 | P1043 | 43C212092P1043 | | | |
| C095 | P1043 | 43C212092P1043 | | | |
| C097 | P1043 | 43C212092P1043 | | | |
| C098 | P1043 | 43C212092P1043 | | | |
| C100 | P1043 | 43C212092P1043 | | | |
| C102 | P9 | 43A114748P9 | | | |
| C109 | P9 | 43A114748P9 | | | |
| C113 | P9 | 43A114748P9 | | | |
| C114 | P9 | 43A114748P9 | | | |
| C115 | P9 | 43A114748P9 | | | |
| C117 | P9 | 43A114748P9 | | | |
| C118 | P9 | 43A114748P9 | | | |
| C119 | P1043 | 43C212092P1043 | | | |
| C120 | P1043 | 43C212092P1043 | | | |
| C121 | P1043 | 43C212092P1043 | | | |
| C123 | P1043 | 43C212092P1043 | | | |
| C124 | P1043 | 43C212092P1043 | | | |
| C125 | P1043 | 43C212092P1043 | | | |
| C126 | P1043 | 43C212092P1043 | | | |

TAB-002

| LOC | TYPE | IDENT | X-POS | Y-POS | ROTATION |
|------|-------|----------------|-------|-------|----------|
| C127 | P1043 | 43C212092P1043 | | | |
| C128 | P1043 | 43C212092P1043 | | | |
| C139 | P9 | 43A114748P9 | | | |
| C140 | P9 | 43A114748P9 | | | |
| C141 | P9 | 43A114748P9 | | | |
| C143 | P9 | 43A114748P9 | | | |
| C144 | P9 | 43A114748P9 | | | |
| C145 | P9 | 43A114748P9 | | | |
| C146 | P9 | 43A114748P9 | | | |
| C147 | P9 | 43A114748P9 | | | |
| C148 | P9 | 43A114748P9 | | | |
| C150 | P1043 | 43C212092P1043 | | | |
| C151 | P1043 | 43C212092P1043 | | | |
| C153 | P1043 | 43C212092P1043 | | | |
| C154 | P1043 | 43C212092P1043 | | | |
| C155 | P1043 | 43C212092P1043 | | | |
| C156 | P1043 | 43C212092P1043 | | | |
| C157 | P1043 | 43C212092P1043 | | | |
| C167 | P1043 | 43C212092P1043 | | | |
| C168 | P1043 | 43C212092P1043 | | | |
| C170 | P1043 | 43C212092P1043 | | | |
| C171 | P1043 | 43C212092P1043 | | | |
| C172 | P1043 | 43C212092P1043 | | | |
| C173 | P1043 | 43C212092P1043 | | | |
| C174 | P1043 | 43C212092P1043 | | | |

| | | |
|-----|-----------|---------|
| REV | AUTHORITY | DATE |
| L | PHADTH059 | 85MAY06 |

| SIGNAL NAME | PAGE | SIGNAL NAME | PAGE | SIGNAL NAME | PAGE | SIGNAL NAME | PAGE |
|--------------------|------|-------------|------|---------------|------|--------------------|------|
| \$CA-RAW*125 | 28.0 | BFR02-6*100 | 12.0 | BFR14-P*100 | 13.0 | DCMD-43*100 | 30.0 |
| \$CA-RAW*126 | 28.0 | BFR02-7*100 | 12.0 | BFR14FL*010 | 15.0 | DCRC-0*1A0 | 16.0 |
| \$CA-RAW*127 | 28.0 | BFR02-P*100 | 12.0 | BFR14FL*100 | 13.0 | DCRC-1*1A0 | 16.0 |
| \$CLRBUFA*030 | 26.0 | BFR02FL*100 | 12.0 | CLR-BUF*100 | 26.0 | DCRC-2*1A0 | 16.0 |
| \$CLRBUFB*030 | 26.0 | BFR03-0*100 | 12.0 | CMO22*000 | 35.0 | DCRC-3*1A0 | 16.0 |
| \$CLRECC*030 | 11.0 | BFR03-1*100 | 12.0 | CMO26*000 | 35.0 | DCRC-4*1A0 | 16.0 |
| \$ERB*000 | 32.0 | BFR03-2*100 | 12.0 | CMO26/47*000 | 35.0 | DCRC-5*1A0 | 16.0 |
| \$EXEC*013 | 28.0 | BFR03-3*100 | 12.0 | CMO41*000 | 30.0 | DCRC-6*1A0 | 16.0 |
| \$EXEC*123 | 28.0 | BFR03-4*100 | 12.0 | CMO42*000 | 30.0 | DCRC-7*1A0 | 16.0 |
| \$EXEC1*100 | 33.0 | BFR03-5*100 | 12.0 | CMO43*000 | 30.0 | DCRC-P*1A0 | 16.0 |
| \$GCRADCNT-CLK*020 | 23.0 | BFR03-6*100 | 12.0 | CMO44*000 | 35.0 | DDAI-DATA-IN00-050 | 34.0 |
| \$GCRC-CLK*036 | 16.0 | BFR03-7*100 | 12.0 | CMO45*000 | 35.0 | DDAI-DATA-IN01-050 | 34.0 |
| \$GINBUF*010 | 4.0 | BFR03-P*100 | 12.0 | CMO47*000 | 35.0 | DDAI-DATA-IN02-050 | 34.0 |
| \$LOBUF-A*030 | 15.0 | BFR03FL*100 | 12.0 | DABORTWRT*110 | 33.0 | DDAI-DATA-IN03-050 | 34.0 |
| \$LDBUF-B*030 | 15.0 | BFR04-0*100 | 12.0 | DBF-A-RST*000 | 26.0 | DDAI-DATA-IN04-050 | 34.0 |
| \$LDECC*000 | 11.0 | BFR04-1*100 | 12.0 | DBF-B-RST*000 | 26.0 | DDAI-DATA-IN05-050 | 34.0 |
| \$MOD32*000 | 8.0 | BFR04-2*100 | 12.0 | DCCNV-00*100 | 17.0 | DDAI-DATA-IN06-050 | 34.0 |
| \$MOD32*110 | 8.0 | BFR04-3*100 | 12.0 | DCCNV-01*100 | 17.0 | DDAI-DATA-IN07-050 | 34.0 |
| \$P/T-CLR*040 | 30.0 | BFR04-4*100 | 12.0 | DCCNV-02*100 | 17.0 | DDAI-DATA-INP0-050 | 35.0 |
| \$P/T-CLR*130 | 30.0 | BFR04-5*100 | 12.0 | DCCNV-03*100 | 17.0 | DDAI-EXEC-050 | 27.0 |
| \$PCLR-FW*020 | 30.0 | BFR04-6*100 | 12.0 | DCCNV-04*100 | 18.0 | DDAI-RPI-DAB-050 | 29.0 |
| \$RAW*129 | 28.0 | BFR04-7*100 | 12.0 | DCCNV-10*100 | 17.0 | DDAI-RUN-CLK-050 | 27.0 |
| \$RAW-SL0*010 | 28.0 | BFR04-P*100 | 12.0 | DCCNV-11*100 | 17.0 | DDAI-SEL-DAB-050 | 29.0 |
| \$RAW-SL1*011 | 28.0 | BFR04FL*010 | 15.0 | DCCNV-12*100 | 17.0 | DDOSDRP*110 | 35.0 |
| \$RAW-SL2*012 | 28.0 | BFR04FL*100 | 12.0 | DCCNV-13*100 | 17.0 | DGCR-P*100 | 21.0 |
| \$RAW-SL3*013 | 28.0 | BFR11-0*100 | 13.0 | DCCNV-14*100 | 19.0 | DGCRACK*010 | 4.0 |
| \$RAW-SL4*014 | 28.0 | BFR11-1*100 | 13.0 | DCCNV-20*100 | 18.0 | DGCRADCNT*010 | 23.0 |
| \$RAW-SL5*015 | 28.0 | BFR11-2*100 | 13.0 | DCCNV-21*100 | 18.0 | DGCRADCNT*0AA | 23.0 |
| \$RAW-SL6*016 | 28.0 | BFR11-3*100 | 13.0 | DCCNV-22*100 | 18.0 | DGCRADCNT*0AB | 23.0 |
| \$RAW-SL7*017 | 28.0 | BFR11-4*100 | 13.0 | DCCNV-23*100 | 18.0 | DGCRADCNT*0AC | 23.0 |
| \$RAW-SL8*018 | 28.0 | BFR11-5*100 | 13.0 | DCCNV-24*100 | 19.0 | DGCRADCNT*100 | 23.0 |
| \$RAW-SL9*019 | 28.0 | BFR11-6*100 | 13.0 | DCCNV-30*100 | 17.0 | DGCRM*010 | 21.0 |
| \$RESCHRCLK*030 | 8.0 | BFR11-7*100 | 13.0 | DCCNV-31*100 | 17.0 | DGCRM*120 | 21.0 |
| \$RESCHRCLK*031 | 8.0 | BFR11-P*100 | 13.0 | DCCNV-32*100 | 17.0 | DGINTRM*010 | 4.0 |
| \$SPC-CLK*010 | 28.0 | BFR11FL*100 | 13.0 | DCCNV-33*100 | 17.0 | DGVRT*110 | 33.0 |
| \$TCHCNT-CLK*000 | 31.0 | BFR12-0*100 | 13.0 | DCCNV-34*100 | 18.0 | DI-CW0-0SA | 34.0 |
| \$TOT-CLR*013 | 27.0 | BFR12-1*100 | 13.0 | DCCNV-40*100 | 17.0 | DI-CW1-0SA | 34.0 |
| \$TOT-CLR*020 | 8.0 | BFR12-2*100 | 13.0 | DCCNV-41*100 | 17.0 | DI-CW2-0SA | 34.0 |
| \$TOT-CLR*021 | 30.0 | BFR12-3*100 | 13.0 | DCCNV-42*100 | 17.0 | DI-CW3-0SA | 34.0 |
| \$TOT-CLR*022 | 30.0 | BFR12-4*100 | 13.0 | DCCNV-43*100 | 17.0 | DI-CW4-0SA | 34.0 |
| \$TOT-CLR*023 | 30.0 | BFR12-5*100 | 13.0 | DCCNV-44*100 | 19.0 | DI-CW5-0SA | 34.0 |
| \$TOT-CLR*024 | 30.0 | BFR12-6*100 | 13.0 | DCCNV-50*100 | 18.0 | DI-CW6-0SA | 34.0 |
| \$TOT-CLR*025 | 30.0 | BFR12-7*100 | 13.0 | DCCNV-51*100 | 18.0 | DI-CW7-0SA | 34.0 |
| \$TOT-CLR*100 | 8.0 | BFR12-P*100 | 13.0 | DCCNV-52*100 | 18.0 | DJ-CWP-0SA | 34.0 |
| \$TOT-CLR*134 | 24.0 | BFR12FL*010 | 4.0 | DCCNV-53*100 | 18.0 | DI-CWS*110 | 34.0 |
| \$WTB-CLK*100 | 31.0 | BFR12FL*100 | 13.0 | DCCNV-54*100 | 19.0 | DI-DOS*110 | 35.0 |
| ATS*000 | 32.0 | BFR13-0*100 | 13.0 | DCCNV-60*100 | 17.0 | DI-USING-DOS*020 | 33.0 |
| ATS*100 | 32.0 | BFR13-1*100 | 13.0 | DCCNV-61*100 | 17.0 | DJMPINS*100 | 23.0 |
| BFR01-0*100 | 12.0 | BFR13-2*100 | 13.0 | DCCNV-62*100 | 17.0 | DLCC-0*100 | 22.0 |
| BFR01-1*100 | 12.0 | BFR13-3*100 | 13.0 | DCCNV-63*100 | 17.0 | DLCC-1*100 | 22.0 |
| BFR01-2*100 | 12.0 | BFR13-4*100 | 13.0 | DCCNV-64*100 | 18.0 | DLCC-2*100 | 22.0 |
| BFR01-3*100 | 12.0 | BFR13-5*100 | 13.0 | DCCNV-70*100 | 17.0 | DLCC-3*100 | 22.0 |
| BFR01-4*100 | 12.0 | BFR13-6*100 | 13.0 | DCCNV-71*100 | 17.0 | DLCC-4*100 | 22.0 |
| BFR01-5*100 | 12.0 | BFR13-7*100 | 13.0 | DCCNV-72*100 | 17.0 | DLCC-5*100 | 22.0 |
| BFR01-6*100 | 12.0 | BFR13-P*100 | 13.0 | DCCNV-73*100 | 17.0 | DLCC-6*100 | 22.0 |
| BFR01-7*100 | 12.0 | BFR13FL*010 | 15.0 | DCCNV-74*100 | 19.0 | DLCC-7*100 | 22.0 |
| BFR01-P*100 | 12.0 | BFR13FL*100 | 13.0 | DCCNV-P0*100 | 18.0 | DLCC-P*010 | 21.0 |
| BFR01FL*010 | 6.0 | BFR14-0*100 | 13.0 | DCCNV-P1*100 | 18.0 | | |
| BFR01FL*100 | 12.0 | BFR14-1*100 | 13.0 | DCCNV-P2*100 | 18.0 | | |
| BFR02-0*100 | 12.0 | BFR14-2*100 | 13.0 | DCCNV-P3*100 | 18.0 | | |
| BFR02-1*100 | 12.0 | BFR14-3*100 | 13.0 | DCCNV-P4*100 | 19.0 | | |
| BFR02-2*100 | 12.0 | BFR14-4*100 | 13.0 | DCLK-ENAB*100 | 30.0 | | |
| BFR02-3*100 | 12.0 | BFR14-5*100 | 13.0 | DCLRECC*010 | 15.0 | | |
| BFR02-4*100 | 12.0 | BFR14-6*100 | 13.0 | DCMD-41*100 | 30.0 | | |
| BFR02-5*100 | 12.0 | BFR14-7*100 | 13.0 | DCMD-42*100 | 30.0 | | |

DISTRIBUTION 26 CODE

| | | | |
|--|--|--|--|
| HONEYWELL | | | |
| <small>HONEYWELL INFORMATION SYSTEMS LOC CED PHOENIX, ARIZONA U.S.A.</small> | | | |
| TITLE LOGIC DIAGRAM- MTBFX | | | |
| LOGIC - | | | |
| PAGE CROSS REFERENCE | | | |

| | | | | |
|--------------|--------------|----------|-----|-----|
| DATA BASE | SIZE | DWG NO | SH | REV |
| L2/MTBFXC1 | B | 58039254 | 1.0 | L |
| ASR REF | | | | |
| 58039250-015 | | | | |
| | DFTG 78MAR14 | | | |

58039254

| | | |
|-----|-----------|---------|
| REV | AUTHORITY | DATE |
| L | PHADTH059 | 85MAY06 |

| SIGNAL NAME | PAGE | SIGNAL NAME | PAGE | SIGNAL NAME | PAGE | SIGNAL NAME | PAGE |
|------------------|------|-------------|------|---------------|------|--------------------|------|
| \$CA-RAW*125 | 28.0 | BFR02-6*100 | 12.0 | BFR14-P*100 | 13.0 | DCMD-43*100 | 30.0 |
| \$CA-RAW*126 | 28.0 | BFR02-7*100 | 12.0 | BFR14FL*010 | 15.0 | DCRC-0*1A0 | 16.0 |
| \$CA-RAW*127 | 28.0 | BFR02-P*100 | 12.0 | BFR14FL*100 | 13.0 | DCRC-1*1A0 | 16.0 |
| \$CLRBUF*030 | 26.0 | BFR02FL*100 | 12.0 | CLR-BUF*100 | 26.0 | DCRC-2*1A0 | 16.0 |
| \$CLRBUFB*030 | 26.0 | BFR03-0*100 | 12.0 | CMO22*000 | 35.0 | DCRC-3*1A0 | 16.0 |
| \$CLRECC*030 | 11.0 | BFR03-1*100 | 12.0 | CMO26*000 | 35.0 | DCRC-4*1A0 | 16.0 |
| \$ERB*000 | 32.0 | BFR03-2*100 | 12.0 | CMO26/47*000 | 35.0 | DCRC-5*1A0 | 16.0 |
| \$EXEC*013 | 28.0 | BFR03-3*100 | 12.0 | CMO41*000 | 30.0 | DCRC-6*1A0 | 16.0 |
| \$EXEC*123 | 28.0 | BFR03-4*100 | 12.0 | CMO42*000 | 30.0 | DCRC-7*1A0 | 16.0 |
| \$EXEC1*100 | 33.0 | BFR03-5*100 | 12.0 | CMO43*000 | 30.0 | DCRC-P*1A0 | 16.0 |
| \$GCRC-CLK*020 | 23.0 | BFR03-6*100 | 12.0 | CMO44*000 | 35.0 | DDAI-DATA-IN00-0S0 | 34.0 |
| \$GCRC-CLK*036 | 16.0 | BFR03-7*100 | 12.0 | CMO45*000 | 35.0 | DDAI-DATA-IN01-0S0 | 34.0 |
| \$GINBUF*010 | 4.0 | BFR03-P*100 | 12.0 | CMO47*000 | 35.0 | DDAI-DATA-IN02-0S0 | 34.0 |
| \$LOBUF-A*030 | 15.0 | BFR03FL*100 | 12.0 | DABORTWRT*110 | 33.0 | DDAI-DATA-IN03-0S0 | 34.0 |
| \$LOBUF-B*030 | 15.0 | BFR04-0*100 | 12.0 | DBF-A-RST*000 | 26.0 | DDAI-DATA-IN04-0S0 | 34.0 |
| \$LOECC*000 | 11.0 | BFR04-1*100 | 12.0 | DBF-B-RST*000 | 26.0 | DDAI-DATA-IN05-0S0 | 34.0 |
| \$MOD32*000 | 8.0 | BFR04-2*100 | 12.0 | DCCNV-00*100 | 17.0 | DDAI-DATA-IN06-0S0 | 34.0 |
| \$MOD32*110 | 8.0 | BFR04-3*100 | 12.0 | DCCNV-01*100 | 17.0 | DDAI-DATA-IN07-0S0 | 34.0 |
| \$P/T-CLR*040 | 30.0 | BFR04-4*100 | 12.0 | DCCNV-02*100 | 17.0 | DDAI-DATA-INP0-0S0 | 35.0 |
| \$P/T-CLR*130 | 30.0 | BFR04-5*100 | 12.0 | DCCNV-03*100 | 17.0 | DDAI-EXEC-0S0 | 27.0 |
| \$PCLR-FW*020 | 30.0 | BFR04-6*100 | 12.0 | DCCNV-04*100 | 18.0 | DDAI-RP I-DA0-0S0 | 29.0 |
| \$RAW*129 | 28.0 | BFR04-7*100 | 12.0 | DCCNV-10*100 | 17.0 | DDAI-RUN-CLK-0S0 | 27.0 |
| \$RAW-SL0*010 | 28.0 | BFR04-P*100 | 12.0 | DCCNV-11*100 | 17.0 | DDAI-SEL-DA0-0S0 | 29.0 |
| \$RAW-SL1*011 | 28.0 | BFR04FL*010 | 15.0 | DCCNV-12*100 | 17.0 | DDOSORP*110 | 35.0 |
| \$RAW-SL2*012 | 28.0 | BFR04FL*100 | 12.0 | DCCNV-13*100 | 17.0 | DGCR-P*100 | 21.0 |
| \$RAW-SL3*013 | 28.0 | BFR11-0*100 | 13.0 | DCCNV-14*100 | 19.0 | DGCRACK*010 | 4.0 |
| \$RAW-SL4*014 | 28.0 | BFR11-1*100 | 13.0 | DCCNV-20*100 | 18.0 | DGCRADCNT*010 | 23.0 |
| \$RAW-SL5*015 | 28.0 | BFR11-2*100 | 13.0 | DCCNV-21*100 | 18.0 | DGCRADCNT*0AA | 23.0 |
| \$RAW-SL6*016 | 28.0 | BFR11-3*100 | 13.0 | DCCNV-22*100 | 18.0 | DGCRADCNT*0AB | 23.0 |
| \$RAW-SL7*017 | 28.0 | BFR11-4*100 | 13.0 | DCCNV-23*100 | 18.0 | DGCRADCNT*0AC | 23.0 |
| \$RAW-SL8*018 | 28.0 | BFR11-5*100 | 13.0 | DCCNV-24*100 | 19.0 | DGCRADCNT*100 | 23.0 |
| \$RAW-SL9*019 | 28.0 | BFR11-6*100 | 13.0 | DCCNV-30*100 | 17.0 | DGCRM*010 | 21.0 |
| \$RESCHRCLK*030 | 8.0 | BFR11-7*100 | 13.0 | DCCNV-31*100 | 17.0 | DGCRM*120 | 21.0 |
| \$RESCHRCLK*031 | 8.0 | BFR11-P*100 | 13.0 | DCCNV-32*100 | 17.0 | DGINTRM*010 | 4.0 |
| \$SPC-CLK*010 | 28.0 | BFR11FL*100 | 13.0 | DCCNV-33*100 | 17.0 | DGWRT*110 | 33.0 |
| \$TCHCNT-CLK*000 | 31.0 | BFR12-0*100 | 13.0 | DCCNV-34*100 | 18.0 | DI-CW0-0SA | 34.0 |
| \$TOT-CLR*013 | 27.0 | BFR12-1*100 | 13.0 | DCCNV-40*100 | 17.0 | DI-CW1-0SA | 34.0 |
| \$TOT-CLR*020 | 8.0 | BFR12-2*100 | 13.0 | DCCNV-41*100 | 17.0 | DI-CW2-0SA | 34.0 |
| \$TOT-CLR*021 | 30.0 | BFR12-3*100 | 13.0 | DCCNV-42*100 | 17.0 | DI-CW3-0SA | 34.0 |
| \$TOT-CLR*022 | 30.0 | BFR12-4*100 | 13.0 | DCCNV-43*100 | 17.0 | DI-CW4-0SA | 34.0 |
| \$TOT-CLR*023 | 30.0 | BFR12-5*100 | 13.0 | DCCNV-44*100 | 19.0 | DI-CW5-0SA | 34.0 |
| \$TOT-CLR*024 | 30.0 | BFR12-6*100 | 13.0 | DCCNV-50*100 | 18.0 | DI-CW6-0SA | 34.0 |
| \$TOT-CLR*025 | 30.0 | BFR12-7*100 | 13.0 | DCCNV-51*100 | 18.0 | DI-CW7-0SA | 34.0 |
| \$TOT-CLR*100 | 8.0 | BFR12-P*100 | 13.0 | DCCNV-52*100 | 18.0 | DJ-CWP-0SA | 34.0 |
| \$TOT-CLR*134 | 24.0 | BFR12FL*010 | 4.0 | DCCNV-53*100 | 18.0 | DI-CWS*110 | 34.0 |
| \$WTB-CLK*100 | 31.0 | BFR12FL*100 | 13.0 | DCCNV-54*100 | 19.0 | DI-DOS*110 | 35.0 |
| ATS*000 | 32.0 | BFR13-0*100 | 13.0 | DCCNV-60*100 | 17.0 | DI-USING-DOS*020 | 33.0 |
| ATS*100 | 32.0 | BFR13-1*100 | 13.0 | DCCNV-61*100 | 17.0 | DJMPINS*100 | 23.0 |
| BFR01-0*100 | 12.0 | BFR13-2*100 | 13.0 | DCCNV-62*100 | 17.0 | DLCC-0*100 | 22.0 |
| BFR01-1*100 | 12.0 | BFR13-3*100 | 13.0 | DCCNV-63*100 | 17.0 | DLCC-1*100 | 22.0 |
| BFR01-2*100 | 12.0 | BFR13-4*100 | 13.0 | DCCNV-64*100 | 18.0 | DLCC-2*100 | 22.0 |
| BFR01-3*100 | 12.0 | BFR13-5*100 | 13.0 | DCCNV-70*100 | 17.0 | DLCC-3*100 | 22.0 |
| BFR01-4*100 | 12.0 | BFR13-6*100 | 13.0 | DCCNV-71*100 | 17.0 | DLCC-4*100 | 22.0 |
| BFR01-5*100 | 12.0 | BFR13-7*100 | 13.0 | DCCNV-72*100 | 17.0 | DLCC-5*100 | 22.0 |
| BFR01-6*100 | 12.0 | BFR13-P*100 | 13.0 | DCCNV-73*100 | 17.0 | DLCC-6*100 | 22.0 |
| BFR01-7*100 | 12.0 | BFR13FL*010 | 15.0 | DCCNV-74*100 | 19.0 | DLCC-7*100 | 22.0 |
| BFR01-P*100 | 12.0 | BFR13FL*100 | 13.0 | DCCNV-P0*100 | 18.0 | DLCC-P*010 | 21.0 |
| BFR01FL*010 | 6.0 | BFR14-0*100 | 13.0 | DCCNV-P1*100 | 18.0 | | |
| BFR01FL*100 | 12.0 | BFR14-1*100 | 13.0 | DCCNV-P2*100 | 18.0 | | |
| BFR02-0*100 | 12.0 | BFR14-2*100 | 13.0 | DCCNV-P3*100 | 18.0 | | |
| BFR02-1*100 | 12.0 | BFR14-3*100 | 13.0 | DCCNV-P4*100 | 19.0 | | |
| BFR02-2*100 | 12.0 | BFR14-4*100 | 13.0 | DCLK-ENAB*100 | 30.0 | | |
| BFR02-3*100 | 12.0 | BFR14-5*100 | 13.0 | DCLRECC*010 | 15.0 | | |
| BFR02-4*100 | 12.0 | BFR14-6*100 | 13.0 | DCMD-41*100 | 30.0 | | |
| BFR02-5*100 | 12.0 | BFR14-7*100 | 13.0 | DCMD-42*100 | 30.0 | | |

DISTRIBUTION 26 CODE

| | | | |
|--|--|--|--|
| HONEYWELL | | | |
| LOC HONEYWELL INFORMATION SYSTEMS CEO PHOENIX, ARIZONA U.S.A. | | | |
| TITLE LOGIC DIAGRAM- MTBFX | | | |
| LOGIC - | | | |
| PAGE CROSS REFERENCE | | | |

| | | | | |
|------------|--------------|----------|---------|-----|
| DATA BASE | SIZE | DWG NO | SH | REV |
| 12/MTBFXC1 | B | 58039254 | 1.0 | L |
| ASM REF | 58039250-015 | DFTG | 78MAR14 | |

58039254

| REV | AUTHORITY | DATE |
|-----|-----------|---------|
| L | PHAOTH059 | 85MAY06 |

H
F
E
D
C
B
A

| SIGNAL NAME | PAGE |
|-----------------|------|
| DLCC-P*100 | 22.0 |
| DLD-TCR*010 | 26.0 |
| DLD-TCR*120 | 26.0 |
| DM-TACH*050 | 31.0 |
| DMOPI*110 | 35.0 |
| DMOPI-CAX*050 | 35.0 |
| DNRZIM*100 | 35.0 |
| DOSOK*100 | 33.0 |
| DPEM*101 | 35.0 |
| DPULUP*103 | 28.0 |
| DPULUP*104 | 28.0 |
| DPULUP*105 | 28.0 |
| DPULUP*106 | 28.0 |
| JRSID/CRC*110 | 6.0 |
| DSEL-TWS3-1*0AA | 6.0 |
| DSEL-TWS3-1*100 | 6.0 |
| DSEL-TWS3-2*0AA | 6.0 |
| DSEL-TWS3-2*100 | 6.0 |
| DSEL-TWS3-2*18A | 16.0 |
| DSEL-TWS3-4*100 | 6.0 |
| DSETACK*000 | 4.0 |
| DSETACK*110 | 4.0 |
| DSLOW*1A0 | 31.0 |
| DSTATREQ*120 | 35.0 |
| DSTEPCLK*000 | 30.0 |
| DSTFEND*000 | 4.0 |
| DSTFEND*110 | 4.0 |
| DSTROPE*000 | 10.0 |
| DSTROPE*110 | 10.0 |
| DSTRACK2*000 | 31.0 |
| DTACH*000 | 31.0 |
| DTACH*110 | 31.0 |
| DTACHPRESET*000 | 32.0 |
| DTACHPRESET*100 | 32.0 |
| DTCRLDLY*1AA | 23.0 |
| DTEST*100 | 35.0 |
| DUSE-TACH*010 | 31.0 |
| DUSE-TACH*120 | 31.0 |
| DUSEBUF*1A0 | 15.0 |
| DUSEBUF*1A0 | 15.0 |
| DWECC-0*100 | 11.0 |
| DWECC-1*100 | 11.0 |
| DWECC-2*100 | 11.0 |
| DWECC-2/7*100 | 11.0 |
| DWECC-3*100 | 11.0 |
| DWECC-3/7*100 | 11.0 |
| DWECC-4*100 | 11.0 |
| DWECC-4/7*100 | 11.0 |
| DWECC-5*100 | 11.0 |
| DWECC-6*100 | 11.0 |
| DWECC-7*100 | 11.0 |
| DWECC-P*100 | 11.0 |
| ENAB-FDOS*100 | 21.0 |
| ENBTCHEN1*100 | 35.0 |
| F2BCD*100 | 34.0 |
| F6BCD-7*100 | 34.0 |
| FABORTWRT*000 | 33.0 |
| FABORTWRT*100 | 33.0 |
| FACK*100 | 4.0 |
| FBF-B/A-SEL*000 | 26.0 |
| FBF-B/A-SEL*100 | 26.0 |
| FBF-B/A-SEL*101 | 26.0 |
| FCLR-BUF*000 | 26.0 |
| FCLR-BUF*100 | 26.0 |
| FCRC*000 | 7.0 |

| SIGNAL NAME | PAGE |
|------------------|------|
| FCRC*100 | 7.0 |
| FCRC/PAD*010 | 16.0 |
| FCRC/PAD*100 | 16.0 |
| FDLYRPI*100 | 29.0 |
| FDOPE*110 | 35.0 |
| FDOOS-1*000 | 32.0 |
| FDOOS-1*100 | 32.0 |
| FENB-192*000 | 33.0 |
| FENB-192*100 | 33.0 |
| FEND*000 | 4.0 |
| FEND*100 | 4.0 |
| FGCR-0*100 | 21.0 |
| FGCR-1*100 | 21.0 |
| FGCR-2*100 | 21.0 |
| FGCR-3*100 | 21.0 |
| FGCR-4*100 | 21.0 |
| FGCR-5*100 | 21.0 |
| FGCR-6*100 | 21.0 |
| FGCR-7*100 | 21.0 |
| FGCR-P*100 | 21.0 |
| FGINBF-0*100 | 4.0 |
| FGINBF-1*100 | 4.0 |
| FGINBF-2*100 | 4.0 |
| FGINBF-3*100 | 4.0 |
| FGINBF-4*100 | 4.0 |
| FGINBF-5*100 | 4.0 |
| FGINBF-6*100 | 4.0 |
| FGINBF-7*100 | 4.0 |
| FGINBF-P*100 | 4.0 |
| FGINBFL*000 | 4.0 |
| FGINBFL*100 | 4.0 |
| FGINTRM*100 | 4.0 |
| FGWRT*000 | 33.0 |
| FI-CWS-0SA | 34.0 |
| FI-USING-DOS*110 | 31.0 |
| FLDECC*000 | 15.0 |
| FLDECC*100 | 15.0 |
| FLOTDCRNT*000 | 26.0 |
| FLOTDCRNT*100 | 26.0 |
| FOPI*100 | 35.0 |
| FPHW*100 | 35.0 |
| FR2PERR*110 | 34.0 |
| FRESID*000 | 7.0 |
| FRESID*100 | 7.0 |
| FRPI*100 | 29.0 |
| FSCLKM*000 | 30.0 |
| FSCLKM*100 | 30.0 |
| FSCLKM*110 | 30.0 |
| FSHRT-RCD*100 | 4.0 |
| FSPDOK*100 | 31.0 |
| FSRPERR*110 | 34.0 |
| FTACH-1*000 | 31.0 |
| FTACH-1*100 | 31.0 |
| FTACH-1*110 | 31.0 |
| FTACH-2*000 | 31.0 |
| FTCR-0*100 | 20.0 |
| FTCR-1*100 | 20.0 |
| FTCR-2*100 | 20.0 |
| FTCR-3*100 | 20.0 |
| FTCR-4*100 | 20.0 |
| FTCR-5*100 | 20.0 |
| FTCR-6*100 | 20.0 |
| FTCR-7*100 | 20.0 |
| FTCR-LD-DL1*000 | 23.0 |
| FTCR-LD-DL1*100 | 23.0 |

| SIGNAL NAME | PAGE |
|-----------------|------|
| FTCR-LD-DL2*100 | 23.0 |
| FTCR-P*010 | 21.0 |
| FTCR-P*100 | 20.0 |
| FUSEBUF*000 | 15.0 |
| FUSEBUF*000 | 15.0 |
| FWECC-0*100 | 11.0 |
| FWECC-1*100 | 11.0 |
| FWECC-2*100 | 11.0 |
| FWECC-3*100 | 11.0 |
| FWECC-4*100 | 11.0 |
| FWECC-5*100 | 11.0 |
| FWECC-6*100 | 11.0 |
| FWECC-7*100 | 11.0 |
| FWTC-0*020 | 32.0 |
| FWTC-0*110 | 31.0 |
| FX-ERR*010 | 34.0 |
| FX-ERR*100 | 34.0 |
| FXCRC-0*000 | 16.0 |
| FXCRC-0*100 | 16.0 |
| FXCRC-1*100 | 16.0 |
| FXCRC-1/7*100 | 16.0 |
| FXCRC-2*100 | 16.0 |
| FXCRC-2/7*010 | 16.0 |
| FXCRC-2/7*100 | 16.0 |
| FXCRC-3*100 | 16.0 |
| FXCRC-3/7*100 | 16.0 |
| FXCRC-4*100 | 16.0 |
| FXCRC-4/7*010 | 16.0 |
| FXCRC-4/7*100 | 16.0 |
| FXCRC-5*000 | 16.0 |
| FXCRC-5*100 | 16.0 |
| FXCRC-6*000 | 16.0 |
| FXCRC-6*100 | 16.0 |
| FXCRC-7*000 | 16.0 |
| FXCRC-7*100 | 16.0 |
| FXCRC-P*000 | 16.0 |
| FXCRC-P*100 | 16.0 |
| FXFTIMERR*000 | 35.0 |
| FXFTIMERR*100 | 35.0 |
| FXINPE*000 | 10.0 |
| FXINPE*100 | 10.0 |
| GCR-EOF*000 | 32.0 |
| GCRBUFCLK*000 | 21.0 |
| GCRBUFCLK*110 | 21.0 |
| GCRC-AC*010 | 16.0 |
| GCRC-BC*010 | 16.0 |
| GCRC-CLK*100 | 16.0 |
| GDOS*000 | 33.0 |
| GDTACMP*000 | 24.0 |
| GDTACMP*110 | 24.0 |
| GDTACMP1*110 | 24.0 |
| GND-0000 | 16.0 |
| GND-0N00 | 18.0 |
| GND-0P00 | 18.0 |
| GND-0Q00 | 18.0 |
| GND-1C00 | 12.0 |
| GND-1D00 | 12.0 |
| GND-1E00 | 12.0 |
| GND-1F00 | 12.0 |
| GND-1G00 | 13.0 |
| GND-1H00 | 13.0 |
| GND-1J00 | 13.0 |
| GND-1K00 | 13.0 |
| GND-1N00 | 19.0 |
| GND-1P00 | 19.0 |

| SIGNAL NAME | PAGE |
|-------------|------|
| GND-1Q00 | 19.0 |
| GND-1R07 | 9.0 |
| GND-1T12 | 26.0 |
| GND-2B00 | 11.0 |
| GND-2J00 | 14.0 |
| GND-2K00 | 14.0 |
| GND-2L00 | 14.0 |
| GND-2N00 | 19.0 |
| GND-2P00 | 19.0 |
| GND-2Q00 | 19.0 |
| GND-2T00 | 9.0 |
| GND-3C00 | 8.0 |
| GND-3D00 | 8.0 |
| GND-3J00 | 14.0 |
| GND-3K00 | 14.0 |
| GND-3L00 | 14.0 |
| GND-3M00 | 17.0 |
| GND-3N00 | 17.0 |
| GND-3P00 | 17.0 |
| GND-3R12 | 20.0 |
| GND-3S12 | 20.0 |
| GND-3T12 | 20.0 |
| GND-4J00 | 14.0 |
| GND-4K00 | 14.0 |
| GND-4L00 | 14.0 |
| GND-4M00 | 17.0 |
| GND-4N00 | 17.0 |
| GND-4P00 | 17.0 |
| GND-4R12 | 20.0 |
| GND-4S12 | 20.0 |
| GND-4T12 | 20.0 |
| GND-5A00 | 33.0 |
| GND-5C07 | 8.0 |
| GND-5E07 | 33.0 |
| GND-5F00 | 31.0 |
| GND-5G00 | 31.0 |
| GND-5J07 | 28.0 |
| GND-5K07 | 35.0 |
| GND-5M00 | 18.0 |
| GND-5N00 | 18.0 |
| GND-5P00 | 18.0 |
| GND-5R12 | 20.0 |
| GND-5S12 | 20.0 |
| GND-5T12 | 20.0 |
| GND-6G00 | 33.0 |
| GND-6H00 | 6.0 |
| GND-6J00 | 6.0 |
| GND-6K00 | 6.0 |
| GND-6L07 | 33.0 |
| GND-6N00 | 24.0 |
| GND-6P00 | 25.0 |
| GND-6Q00 | 24.0 |
| GND-7B-13 | 35.0 |
| GND-7C00 | 5.0 |
| GND-7D00 | 5.0 |
| GND-7E00 | 5.0 |
| GND-7F00 | 5.0 |

DISTRIBUTION 26 CODE

| | | | |
|--|--------------|----------|---------|
| HONEYWELL | | | |
| HONEYWELL INFORMATION SYSTEMS CEO PHOENIX, ARIZONA U.S.A. | | | |
| TITLE LOGIC DIAGRAM - MTBFX LOGIC - PAGE CROSS REFERENCE | | | |
| DATA BASE | SIZE | DWG NO | SH |
| 12/MTBFXC1 | B | 58039254 | 1.1 |
| ASH REF | 58039250-015 | DFTG | 78MAR14 |
| | | | REV L |

58039254

| REV | AUTHORITY | DATE |
|-----|-----------|---------|
| L | PHADTH059 | 05MAY06 |

| SIGNAL NAME | PAGE | SIGNAL NAME | PAGE | SIGNAL NAME | PAGE | SIGNAL NAME | PAGE |
|------------------|------|-----------------|------|------------------|------|------------------|------|
| GND-7G00 | 5.0 | QRAW-A-150 | 28.0 | STC-000 | 32.0 | X8/X5/D3-100 | 9.0 |
| GND-7H00 | 5.0 | QSPC-CLK-100 | 28.0 | STC-100 | 32.0 | X8/X5/X6/CB3-010 | 9.0 |
| GND-7S00 | 21.0 | R0-0-100 | 4.0 | STPMTU-W0-000 | 33.0 | XFT IMERR-120 | 35.0 |
| GND-7T00 | 21.0 | R0-1-100 | 4.0 | SWG-TTE-000 | 22.0 | ZGCR-0-100 | 21.0 |
| GND-7U00 | 22.0 | R0-2-100 | 4.0 | SWG-TTE-100 | 22.0 | ZGCR-1-100 | 21.0 |
| GND-8E13 | 10.0 | R0-3-100 | 4.0 | TACH-000 | 31.0 | ZGCR-2-100 | 21.0 |
| GND-8Q07 | 35.0 | R0-4-100 | 4.0 | TACH-110 | 31.0 | ZGCR-3-100 | 21.0 |
| GND-8T08 | 21.0 | R0-5-100 | 4.0 | TAK-14-000 | 33.0 | ZGCR-4-100 | 21.0 |
| GND-8U08 | 35.0 | R0-6-100 | 4.0 | TAK-14-100 | 33.0 | ZGCR-5-100 | 21.0 |
| GND-9E08 | 4.0 | R0-7-100 | 4.0 | TAK-16-100 | 33.0 | ZGCR-6-100 | 21.0 |
| GND-9N08 | 32.0 | R0-P-100 | 4.0 | TAK-FUL-000 | 33.0 | ZGCR-7-100 | 21.0 |
| GND-9Q08 | 32.0 | R0F-012 | 10.0 | TAK-TM-000 | 32.0 | ZGRAD-15-010 | 23.0 |
| GND-9V08 | 35.0 | R0F-110 | 4.0 | TAK-TM-100 | 32.0 | ZGRAD-15-0AA | 23.0 |
| GROM-CNT-1-100 | 24.0 | R0PE-100 | 10.0 | TAK-TM-110 | 32.0 | ZGRAD-15-100 | 23.0 |
| GROM-CNT-120-100 | 24.0 | R0T-010 | 4.0 | TCHCNT-120-100 | 31.0 | ZGRAD-192-010 | 4.0 |
| GROM-CNT-16-100 | 24.0 | R0T-120 | 4.0 | TCHCNT-16-100 | 31.0 | ZGRAD-192-0AA | 4.0 |
| GROM-CNT-2-100 | 24.0 | RC-WRT-010 | 21.0 | TCHCNT-32-100 | 31.0 | ZGRAD-192-0AB | 4.0 |
| GROM-CNT-32-100 | 24.0 | RC-WRT-121 | 21.0 | TCHCNT-64-100 | 31.0 | ZGRAD-192-0AC | 23.0 |
| GROM-CNT-4-100 | 24.0 | RD-26/47-0-100 | 35.0 | TCHCNT-BAR-000 | 31.0 | ZGRAD-192-100 | 4.0 |
| GROM-CNT-64-100 | 24.0 | RD-26/47-1-100 | 35.0 | TCHSPD-1-000 | 33.0 | ZRDOUT-00-100 | 34.0 |
| GROM-CNT-8-100 | 24.0 | RD-26/47-2-100 | 35.0 | TCHSPD-1-100 | 33.0 | ZRDOUT-01-100 | 34.0 |
| GROMADDCRY-000 | 24.0 | RD-26/47-3-100 | 35.0 | TCHSPD-2-100 | 33.0 | ZRDOUT-02-100 | 34.0 |
| HLD-R0T-000 | 4.0 | RD-26/47-4-100 | 35.0 | TCHSPD-4-100 | 33.0 | ZRDOUT-03-100 | 34.0 |
| INH-192-000 | 23.0 | RD-26/47-5-100 | 35.0 | TCHSPD-8-100 | 33.0 | ZRDOUT-04-100 | 34.0 |
| JAM-ACK-000 | 35.0 | RD-26/47-6-100 | 35.0 | TCR-LD-120 | 26.0 | ZRDOUT-05-100 | 34.0 |
| LABORTWRT-100 | 33.0 | RD-26/47-7-100 | 35.0 | TCR-LD-121 | 26.0 | ZRDOUT-06-100 | 34.0 |
| LD-43-000 | 32.0 | RESOEN-100 | 27.0 | TCRBFEMTY-5-000 | 26.0 | ZRDOUT-07-100 | 34.0 |
| LD-43-100 | 32.0 | ROMOCD-0-100 | 24.0 | TCRBFEMTY-5-110 | 26.0 | ZRDOUT-P0-100 | 35.0 |
| LDBF-A/B-100 | 15.0 | ROMOCD-1-100 | 24.0 | TCRLODTA-000 | 26.0 | ZTWS41-0-100 | 14.0 |
| LDBF-A/B-1A0 | 15.0 | ROMOCD-2-100 | 24.0 | TCRLODTA-001 | 26.0 | ZTWS41-1-100 | 14.0 |
| LDBFR-A-000 | 15.0 | ROMOCD-3-100 | 24.0 | TCRLOENB-010 | 26.0 | ZTWS41-2-100 | 14.0 |
| LDBFR-A-110 | 15.0 | RSTRESID-1A0 | 7.0 | TCRLOENB-100 | 26.0 | ZTWS41-3-100 | 14.0 |
| LDBFR-B-DTA-000 | 15.0 | RX0-100 | 9.0 | TIMERRSYNC-000 | 35.0 | ZTWS41-4-100 | 14.0 |
| LDBFR-B-DTA-110 | 15.0 | RX0-X1/CB2-010 | 9.0 | TIMERRSYNC-100 | 35.0 | ZTWS41-5-100 | 14.0 |
| LDBFRS-110 | 15.0 | RX1-100 | 9.0 | TIUP-100 | 28.0 | ZTWS41-6-100 | 14.0 |
| LDBUF-B-100 | 15.0 | RX2-X3/CBP-100 | 9.0 | TWS3-0-100 | 5.0 | ZTWS41-7-100 | 14.0 |
| LDRC-1A0 | 7.0 | RX3-X4/CB7-100 | 9.0 | TWS3-1-100 | 5.0 | ZTWS41-P-100 | 14.0 |
| LDECC-1A0 | 15.0 | RX4-X5/CB1-100 | 9.0 | TWS3-2-100 | 5.0 | ZTWS42-0-100 | 14.0 |
| LDGDTA-100 | 21.0 | RX5-100 | 9.0 | TWS3-3-100 | 5.0 | ZTWS42-1-100 | 14.0 |
| LDOSOK-100 | 33.0 | RX6-100 | 9.0 | TWS3-4-100 | 5.0 | ZTWS42-2-100 | 14.0 |
| LDRESID-0A0 | 7.0 | RX6-X7/CB0-010 | 9.0 | TWS3-5-100 | 5.0 | ZTWS42-3-100 | 14.0 |
| LDRESID-1A0 | 7.0 | RX7-100 | 9.0 | TWS3-6-100 | 6.0 | ZTWS42-4-100 | 14.0 |
| LDSHRT-RCD-000 | 4.0 | RX7-X8/CB4-010 | 9.0 | TWS3-7-100 | 6.0 | ZTWS42-5-100 | 14.0 |
| LDSHRT-RCD-110 | 4.0 | RX8-100 | 9.0 | TWS3-P-100 | 6.0 | ZTWS42-6-100 | 14.0 |
| LDTCHCNTON-000 | 31.0 | RX8-X0/CB5-010 | 9.0 | WACRCP-100 | 9.0 | ZTWS42-7-100 | 14.0 |
| LDTCHCNTON-110 | 31.0 | S-TAK-TM-100 | 32.0 | WCRC-0-100 | 34.0 | ZTWS42-P-100 | 14.0 |
| LXFT IMERR-100 | 33.0 | SBGT-4-000 | 26.0 | WCRC-1-100 | 34.0 | ZTWS43-0-100 | 14.0 |
| LXFT IMERR-101 | 33.0 | SBGT-4-110 | 26.0 | WCRC-2-100 | 34.0 | ZTWS43-1-100 | 14.0 |
| MO032-3-100 | 8.0 | SGROM-0-010 | 25.0 | WCRC-3-100 | 34.0 | ZTWS43-2-100 | 14.0 |
| MO032-4-100 | 8.0 | SGROM-0-100 | 25.0 | WCRC-4-100 | 34.0 | ZTWS43-3-100 | 14.0 |
| MO032-5-100 | 8.0 | SGROM-0-120 | 25.0 | WCRC-5-100 | 34.0 | ZTWS43-4-100 | 14.0 |
| MO032-6-100 | 8.0 | SGROM-0-121 | 25.0 | WCRC-6-100 | 34.0 | ZTWS43-5-100 | 14.0 |
| MO032-7-100 | 8.0 | SGROM-1-010 | 25.0 | WCRC-7-100 | 34.0 | ZTWS43-6-100 | 14.0 |
| MO07-0-100 | 8.0 | SGROM-1-100 | 25.0 | WCRC-F-100 | 34.0 | ZTWS43-7-100 | 14.0 |
| MO07-1-100 | 8.0 | SGROM-1-120 | 25.0 | WG-TTE-000 | 22.0 | ZTWS43-P-100 | 14.0 |
| MO07-2-100 | 8.0 | SGROM-1-121 | 25.0 | X0/D2-100 | 9.0 | ZTWS44-0-100 | 14.0 |
| MO07/32-P-100 | 8.0 | SGROM-2-010 | 25.0 | X2/DP-100 | 9.0 | ZTWS44-1-100 | 14.0 |
| MODCNT-7-020 | 8.0 | SGROM-2-100 | 25.0 | X3/D7-100 | 9.0 | | |
| MODCNT-7-130 | 8.0 | SGROM-2-120 | 25.0 | X4/D1-100 | 9.0 | | |
| MTU-CODE-0-000 | 32.0 | SGROM-2-121 | 25.0 | X6/D0-100 | 9.0 | | |
| MTU-CODE-0-100 | 32.0 | SGROM-3-010 | 25.0 | X7/D4-100 | 9.0 | | |
| MTU-CODE-1-000 | 32.0 | SGROM-3-100 | 25.0 | X8/D5-100 | 9.0 | | |
| MTU-CODE-1-100 | 32.0 | SGROM-3-120 | 25.0 | X8/X1/D6-100 | 9.0 | | |
| N/PXFT IMERR-010 | 35.0 | SGROM-3-121 | 25.0 | X8/X1/X2/CB6-100 | 9.0 | | |
| P30-000 | 32.0 | SHRT-RCDRST-100 | 4.0 | X8/X5-100 | 9.0 | | |

DISTRIBUTION 26 CODE

| | | | |
|--|--------------------|--------------------|-----------|
| HONEYWELL | | | |
| HONEYWELL INFORMATION SYSTEMS LOC CEO PHOENIX, ARIZONA U.S.A. | | | |
| TITLE LOGIC DIAGRAM- MTBFX LOGIC - PAGE CROSS REFERENCE | | | |
| DATA BASE L2/MTBFXC1 | SIZE B | DWG NO 58039254 | SH 1.2 |
| ASN REF 58039250-015 | OR DFIG 78MAR14 | REV L | |

58039254

This document is the property of Honeywell Information Systems. It is loaned to your organization for your use only. It is not to be distributed outside your organization. If you are not an authorized user, you must not use this document. If you have any questions, please contact your Honeywell representative.

10 9 8 7 6 5 4 3 2 1

| | | |
|-----|------------|---------|
| REV | AUTHORITY | DATE |
| L | PHAO TH059 | 85MAY06 |

| SIGNAL NAME | PAGE |
|------------------|------|
| ZTWS44-2•100 | 14.0 |
| ZTWS44-3•100 | 14.0 |
| ZTWS44-4•100 | 14.0 |
| ZTWS44-5•100 | 14.0 |
| ZTWS44-6•100 | 14.0 |
| ZTWS44-7•100 | 14.0 |
| ZTWS44-P•100 | 14.0 |
| [OTA-IN-SEL0•100 | 35.0 |
| [OTA-IN-SEL1•100 | 35.0 |
| [EXEC•100 | 27.0 |
| [GCRSW-SEL•000 | 21.0 |
| [GCRSW-SEL•110 | 21.0 |
| [JMPT015•000 | 24.0 |
| [JMPT015•0AA | 23.0 |
| [JMPT015•0AB | 23.0 |
| [JMPT015•110 | 23.0 |
| [LOGCRADCNT•000 | 23.0 |
| [PRMBL•000 | 24.0 |
| [PRMBL•020 | 23.0 |
| [PRMBL•110 | 23.0 |
| [PSTMBL/LCC•000 | 24.0 |
| [RUN-CLK•110 | 27.0 |
| [RUN/ENAB•010 | 28.0 |
| [RUN/ENAB•120 | 28.0 |
| [RUN/ENAB•121 | 28.0 |
| [SEL•020 | 29.0 |
| [SEL•110 | 29.0 |
| [STL•000 | 24.0 |
| [STL•110 | 23.0 |
| [WRTGDTA•001 | 24.0 |
| [WRTGDTA•110 | 23.0 |

H
F
E
D
C
B
A

H
F
E
D
C
B
A

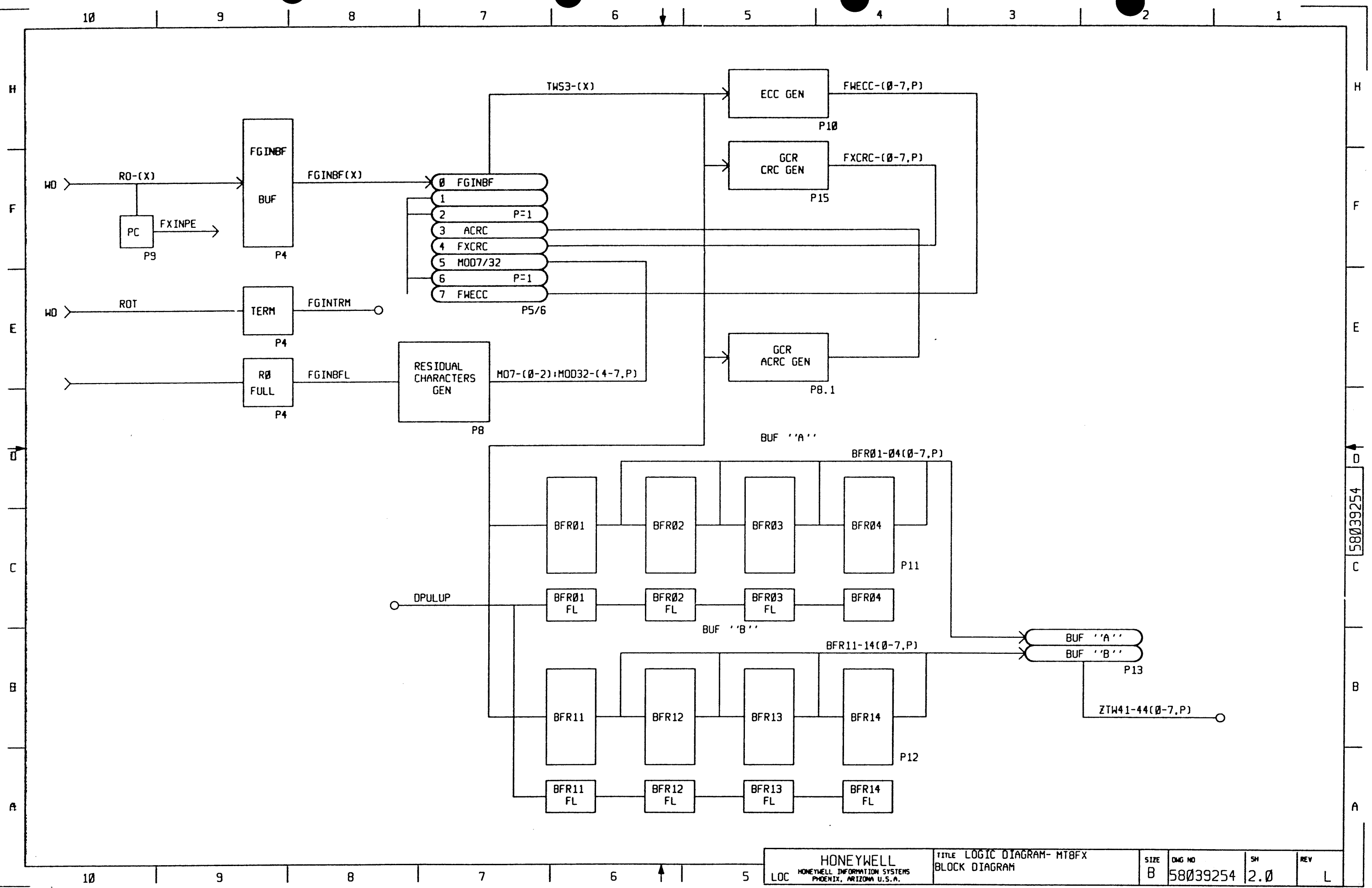
58039254

DISTRIBUTION 26 CODE

| | | | |
|---------------------------------|----------|-----|-----|
| HONEYWELL | | | |
| HONEYWELL INFORMATION SYSTEMS | | | |
| LOC CED PHOENIX, ARIZONA U.S.A. | | | |
| TITLE LOGIC DIAGRAM- MTBFX | | | |
| LOGIC - | | | |
| PAGE CROSS REFERENCE | | | |
| SIZE | DWG NO | SH | REV |
| B | 58039254 | 1.3 | L |

| | |
|-----------|--------------|
| DATA BASE | L2/MTBFXC1 |
| DATE | 0FTG 78MAR14 |
| ASM REF | 58039250-015 |

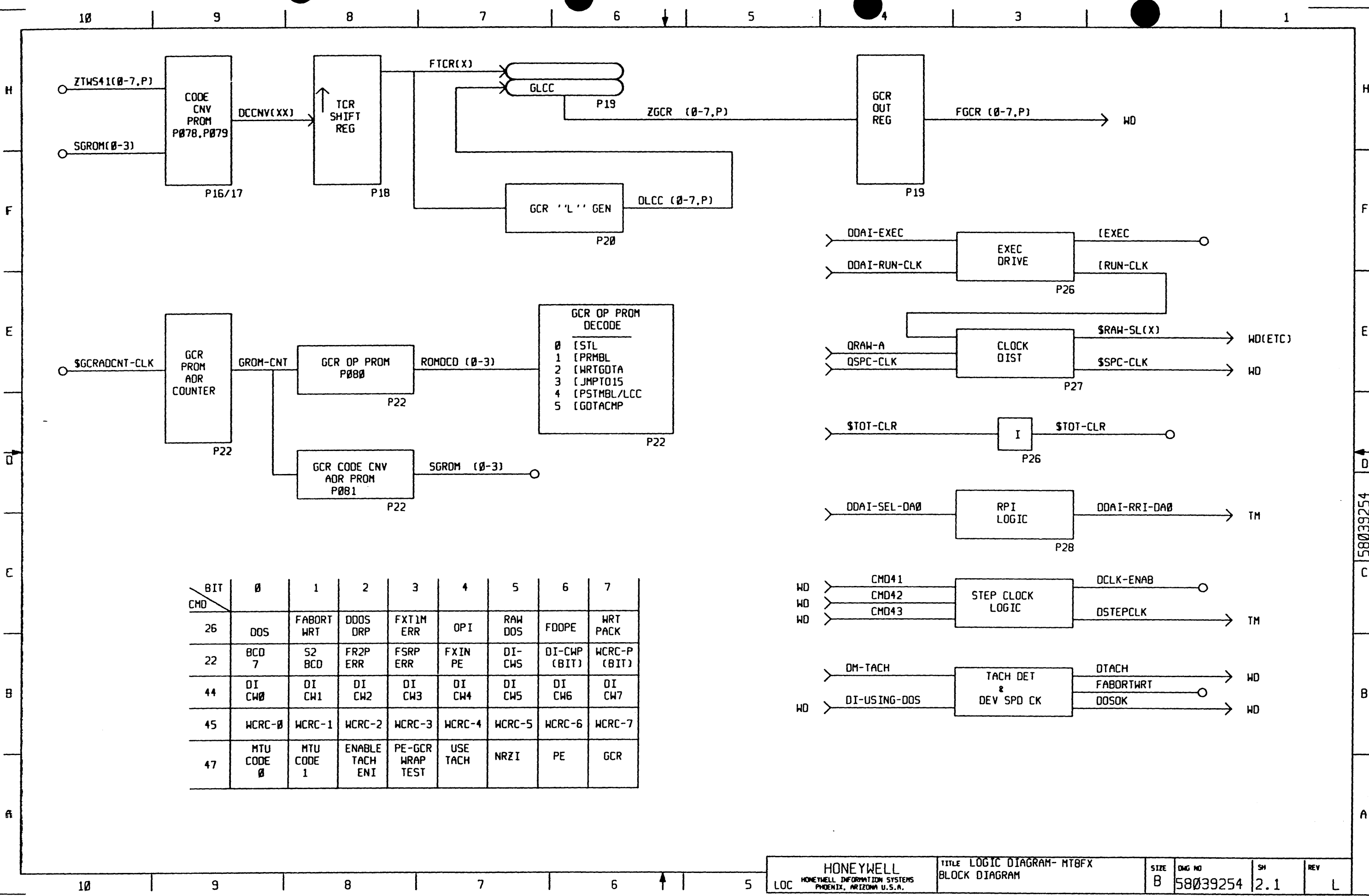
10 9 8 7 6 5 4 3 2 1



HONEYWELL INFORMATION SYSTEMS
 PHOENIX, ARIZONA U.S.A.

58039254

| | | | | | | | |
|--|--|---------------|----------------------|------|----------|-----|-----|
| HONEYWELL | | TITLE | LOGIC DIAGRAM- MTBFX | SIZE | DWG NO | SH | REV |
| LOC HONEYWELL INFORMATION SYSTEMS PHOENIX, ARIZONA U.S.A. | | BLOCK DIAGRAM | | B | 58039254 | 2.0 | L |



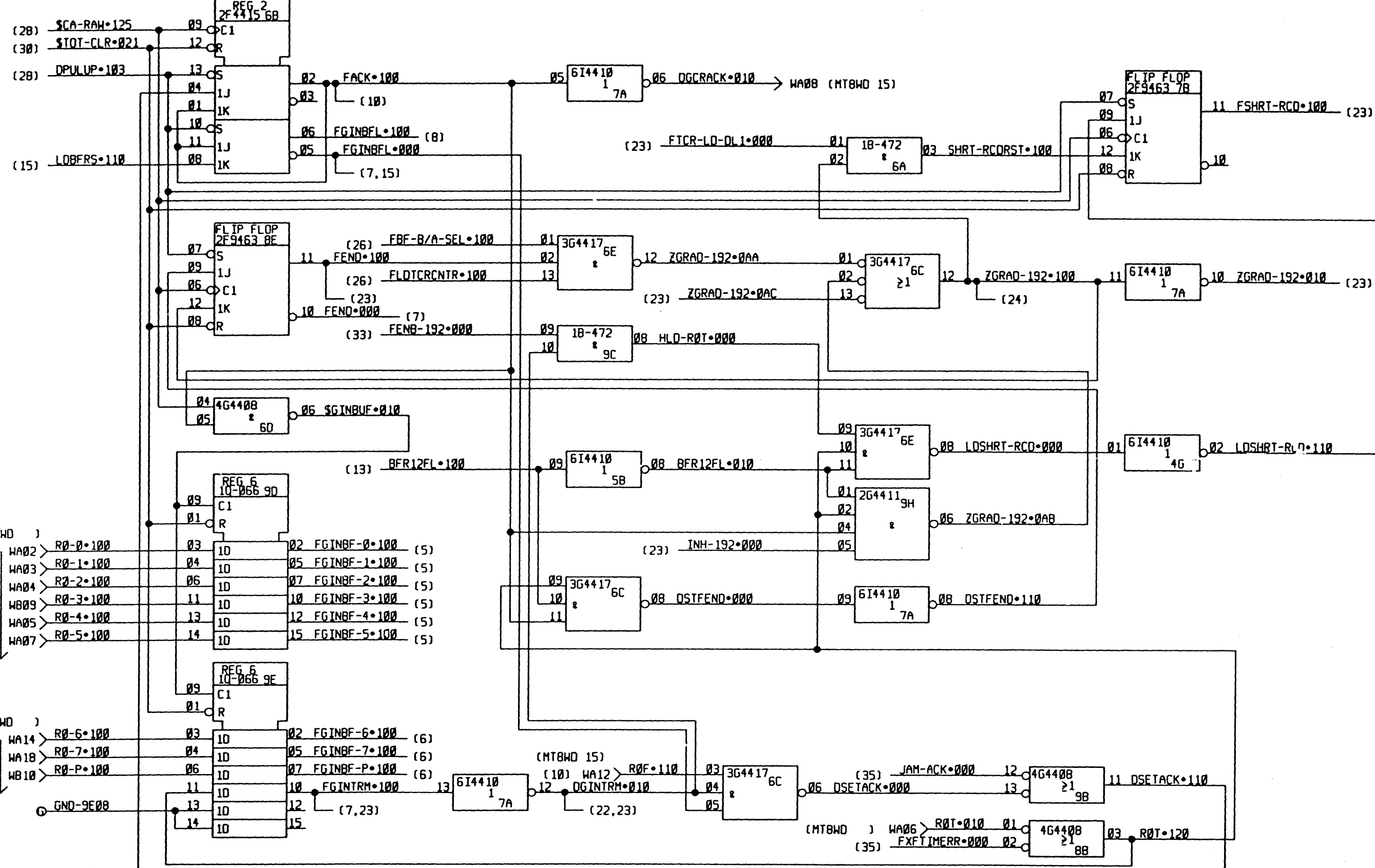
| BIT | 0 | 1 | 2 | 3 | 4 | 5 | 6 | 7 |
|-----|------------|------------|-----------------|------------------|----------|---------|--------------|--------------|
| CMD | | | | | | | | |
| 26 | DOS | FABORT WRT | DDOS DRP | FXT1M ERR | OPI | RAW DOS | FDOPE | WRT PACK |
| 22 | BCD 7 | S2 BCD | FR2P ERR | FSRP ERR | FXIN PE | DI-CWS | DI-CWP (BIT) | WCRC-P (BIT) |
| 44 | DI CW0 | DI CW1 | DI CW2 | DI CW3 | DI CW4 | DI CW5 | DI CW6 | DI CW7 |
| 45 | WCRC-0 | WCRC-1 | WCRC-2 | WCRC-3 | WCRC-4 | WCRC-5 | WCRC-6 | WCRC-7 |
| 47 | MTU CODE 0 | MTU CODE 1 | ENABLE TACH ENI | PE-GCR WRAP TEST | USE TACH | NRZI | PE | GCR |

| I/O PIN | | PAGE | SIGNAL NAME | I/O PIN | | PAGE | SIGNAL NAME |
|---------|---|------|------------------|---------|---|------|--------------------|
| LC13 | O | 21.0 | ZGCR-0-100 | WE14 | I | 34.0 | DI-CWP-0SA |
| LC14 | O | 21.0 | ZGCR-1-100 | WE16 | I | 28.0 | QRAW-A-1S0 |
| LC15 | O | 21.0 | ZGCR-2-100 | WE18 | I | 33.0 | STPMTU-WD-000 |
| LC16 | O | 21.0 | ZGCR-3-100 | WF00 | I | 27.0 | DDAI-EXEC-0S0 |
| LC17 | O | 21.0 | ZGCR-4-100 | WF05 | O | 28.0 | \$RAW-SL7-017 |
| LC18 | O | 21.0 | ZGCR-5-100 | WF06 | O | 28.0 | \$RAW-SL8-018 |
| LC19 | O | 21.0 | ZGCR-6-100 | WF07 | O | 28.0 | \$RAW-SL8-018 |
| LC20 | O | 21.0 | ZGCR-7-100 | WF09 | O | 28.0 | \$RAW-SL9-019 |
| LC21 | O | 21.0 | DGCR-P-100 | WG00 | I | 30.0 | \$PCLR-FW-020 |
| LD17 | O | 26.0 | TCRBFEMTY-5-000 | WG02 | I | 35.0 | CM022-000 |
| WA02 | I | 4.0 | R0-0-100 | WG03 | I | 35.0 | CM026-000 |
| WA03 | I | 4.0 | R0-1-100 | WG04 | I | 35.0 | CM044-000 |
| WA04 | I | 4.0 | R0-2-100 | WG05 | I | 35.0 | CM045-000 |
| WA05 | I | 4.0 | R0-4-100 | WG06 | O | 24.0 | GOTACMP1-110 |
| WA06 | I | 4.0 | R0T-010 | WG08 | I | 35.0 | DMOPI-CAX-0S0 |
| WA07 | I | 4.0 | R0-5-100 | WG09 | I | 35.0 | CM047-000 |
| WA08 | O | 4.0 | DGCRACK-010 | WH00 | O | 34.0 | DDAI-DATA-IN00-0S0 |
| WA09 | I | 31.0 | DUSE-TACH-010 | WH01 | O | 34.0 | DDAI-DATA-IN01-0S0 |
| WA12 | I | 4.0 | R0F-110 | WH02 | O | 34.0 | DDAI-DATA-IN02-0S0 |
| WA13 | O | 31.0 | DTACH-110 | WH03 | O | 34.0 | DDAI-DATA-IN03-0S0 |
| WA14 | I | 4.0 | R0-6-100 | WH04 | O | 34.0 | DDAI-DATA-IN04-0S0 |
| WA16 | O | 33.0 | DOSOK-100 | WH05 | O | 34.0 | DDAI-DATA-IN05-0S0 |
| WA18 | I | 4.0 | R0-7-100 | WH06 | O | 34.0 | DDAI-DATA-IN06-0S0 |
| WB00 | O | 32.0 | TAK-TM-110 | WH07 | O | 34.0 | DDAI-DATA-IN07-0S0 |
| WB03 | I | 21.0 | RC-WRT-010 | WH08 | O | 35.0 | DDAI-DATA-INP0-0S0 |
| WB09 | I | 4.0 | R0-3-100 | WH09 | I | 21.0 | LOGDTA-100 |
| WB10 | I | 4.0 | R0-P-100 | WH10 | I | 21.0 | DGCRM-010 |
| WB19 | I | 33.0 | \$EXEC1-100 | WJ01 | I | 31.0 | \$WTB-CLK-100 |
| WC00 | I | 34.0 | WCRC-0-100 | WJ02 | O | 30.0 | DSTEPCLK-000 |
| WC01 | I | 34.0 | WCRC-1-100 | WJ03 | O | 28.0 | \$RAW-SL6-016 |
| WC02 | I | 34.0 | WCRC-2-100 | WJ04 | I | 31.0 | \$WTB-CLK-100 |
| WC03 | I | 34.0 | WCRC-3-100 | WJ05 | I | 29.0 | DDAI-SEL-DA0-0S0 |
| WC04 | I | 34.0 | WCRC-4-100 | WJ06 | O | 29.0 | [SEL-110 |
| WC05 | I | 34.0 | WCRC-5-100 | WJ07 | I | 30.0 | CM041-000 |
| WC06 | I | 34.0 | WCRC-6-100 | WJ08 | I | 30.0 | CM042-000 |
| WC07 | I | 35.0 | FDOPE-110 | WJ09 | I | 30.0 | CM043-000 |
| WC09 | I | 34.0 | WCRC-7-100 | WJ10 | O | 29.0 | [SEL-020 |
| WC10 | I | 34.0 | WCRC-P-100 | WJ12 | O | 29.0 | DDAI-RPI-DA0-0S0 |
| WC13 | I | 35.0 | N/PXFIMERR-010 | WJ15 | O | 27.0 | [EXEC-100 |
| WD01 | I | 34.0 | FI-CWS-0SA | WJ16 | I | 32.0 | GCR-EOF-000 |
| WD06 | O | 34.0 | FX-ERR-100 | WJ18 | I | 32.0 | MTU-CODE-0-100 |
| WD07 | O | 34.0 | FX-ERR-010 | WJ19 | I | 32.0 | MTU-CODE-1-100 |
| WD08 | I | 34.0 | FSRPERR-110 | WJ20 | I | 34.0 | F2BCD-100 |
| WD09 | I | 28.0 | QSPC-CLK-100 | WK00 | I | 31.0 | FWTC-0-110 |
| WD10 | I | 31.0 | DM-TACH-0S0 | WK01 | I | 35.0 | ENBTCHEN1-100 |
| WD12 | I | 34.0 | FR2PERR-110 | WK02 | I | 35.0 | DTEST-100 |
| WD13 | O | 28.0 | \$RAW-SL1-011 | WK03 | I | 35.0 | DNRZIM-100 |
| WD14 | I | 35.0 | DDOSDRP-110 | WK04 | O | 28.0 | \$RAW-129 |
| WD15 | I | 31.0 | FI-USING-DOS-110 | WK05 | I | 35.0 | DPEM-101 |
| WD16 | O | 28.0 | \$RAW-SL0-010 | WK07 | I | 35.0 | FPKW-100 |
| WD17 | I | 35.0 | DI-DOS-110 | WK08 | O | 30.0 | FSCLKM-110 |
| WD18 | O | 28.0 | \$SPC-CLK-010 | WK09 | I | 8.0 | \$TOT-CLR-100 |
| WD19 | O | 28.0 | \$RAW-SL2-012 | WK10 | I | 34.0 | F6BCD-7-100 |
| WE00 | I | 34.0 | DI-CW0-0SA | WK12 | O | 21.0 | FGCR-0-100 |
| WE01 | I | 34.0 | DI-CW1-0SA | WK13 | O | 21.0 | FGCR-1-100 |
| WE02 | O | 28.0 | \$RAW-SL3-013 | WK14 | O | 21.0 | FGCR-2-100 |
| WE03 | I | 34.0 | DI-CW2-0SA | WK15 | O | 21.0 | FGCR-3-100 |
| WE04 | O | 28.0 | \$RAW-SL4-014 | WK16 | O | 21.0 | FGCR-4-100 |
| WE05 | I | 34.0 | DI-CW3-0SA | WK17 | O | 21.0 | FGCR-5-100 |
| WE06 | I | 34.0 | DI-CW4-0SA | WK18 | O | 21.0 | FGCR-6-100 |
| WE07 | I | 27.0 | DDAI-RUN-CLK-0S0 | WK19 | O | 21.0 | FGCR-7-100 |
| WE08 | I | 34.0 | DI-CW5-0SA | WK20 | O | 21.0 | FGCR-P-100 |
| WE09 | I | 34.0 | DI-CW6-0SA | | | | |
| WE10 | O | 28.0 | \$RAW-SL5-015 | | | | |
| WE12 | I | 34.0 | DI-CW7-0SA | | | | |

58039254

10 9 8 7 6 5 4 3 2 1

H
F
E
D
C
B
A



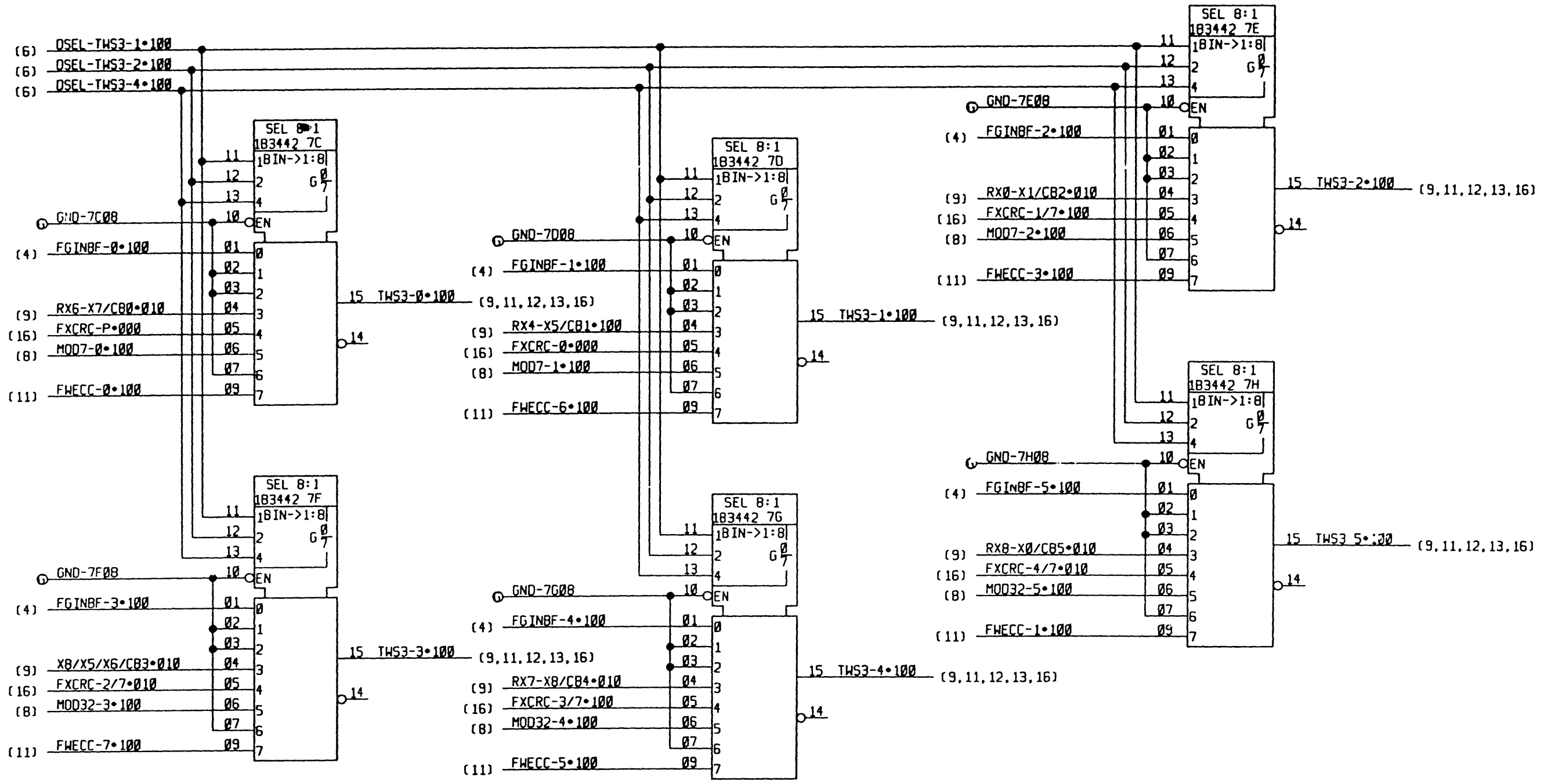
58039254

10 9 8 7 6 5

10 9 8 7 6 5 4 3 2 1

H
F
E
D
C
B
A

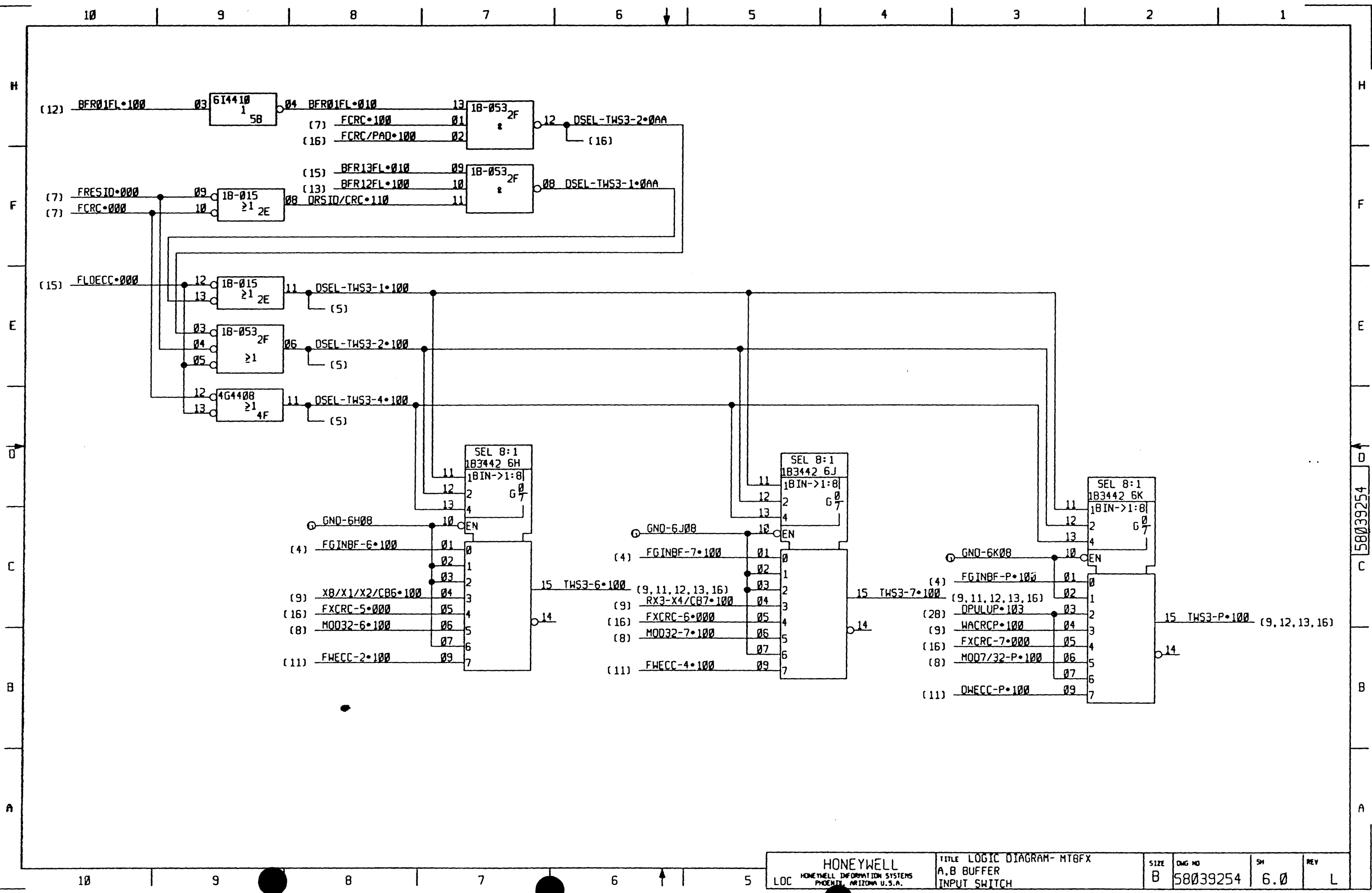
H
F
E
D
C
B
A



| | | | | | | | |
|---|--|--|--|-----------|--------------------|-----------|----------|
| HONEYWELL HONEYWELL INFORMATION SYSTEMS PHOENIX, ARIZONA U.S.A. | | TITLE LOGIC DIAGRAM- MT8FX A,B BUFFER INPUT SWITCH | | SIZE B | DMG NO 58039254 | SH 5.0 | REV L |
|---|--|--|--|-----------|--------------------|-----------|----------|

21. This document is classified as CONFIDENTIAL. It contains information which is exempt from release under E.O. 11652, paragraph 1(b). It is to be controlled as described in the instructions on the back cover of this document.

58039254

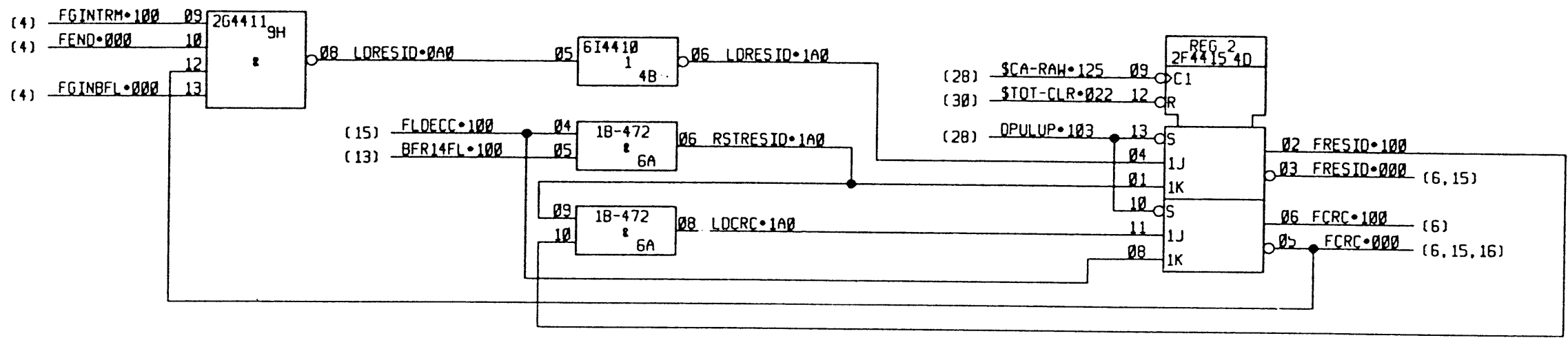


| | | | | | | | |
|---|--|--|--|-----------|--------------------|-----------|----------|
| HONEYWELL HONEYWELL INFORMATION SYSTEMS PHOENIX, ARIZONA U.S.A. | | TITLE LOGIC DIAGRAM- MTBFX A.B BUFFER INPUT SWITCH | | SIZE B | DWG NO 58039254 | SM 6.0 | REV L |
|---|--|--|--|-----------|--------------------|-----------|----------|

10 9 8 7 6 5 4 3 2 1

H
F
E
D
C
B
A

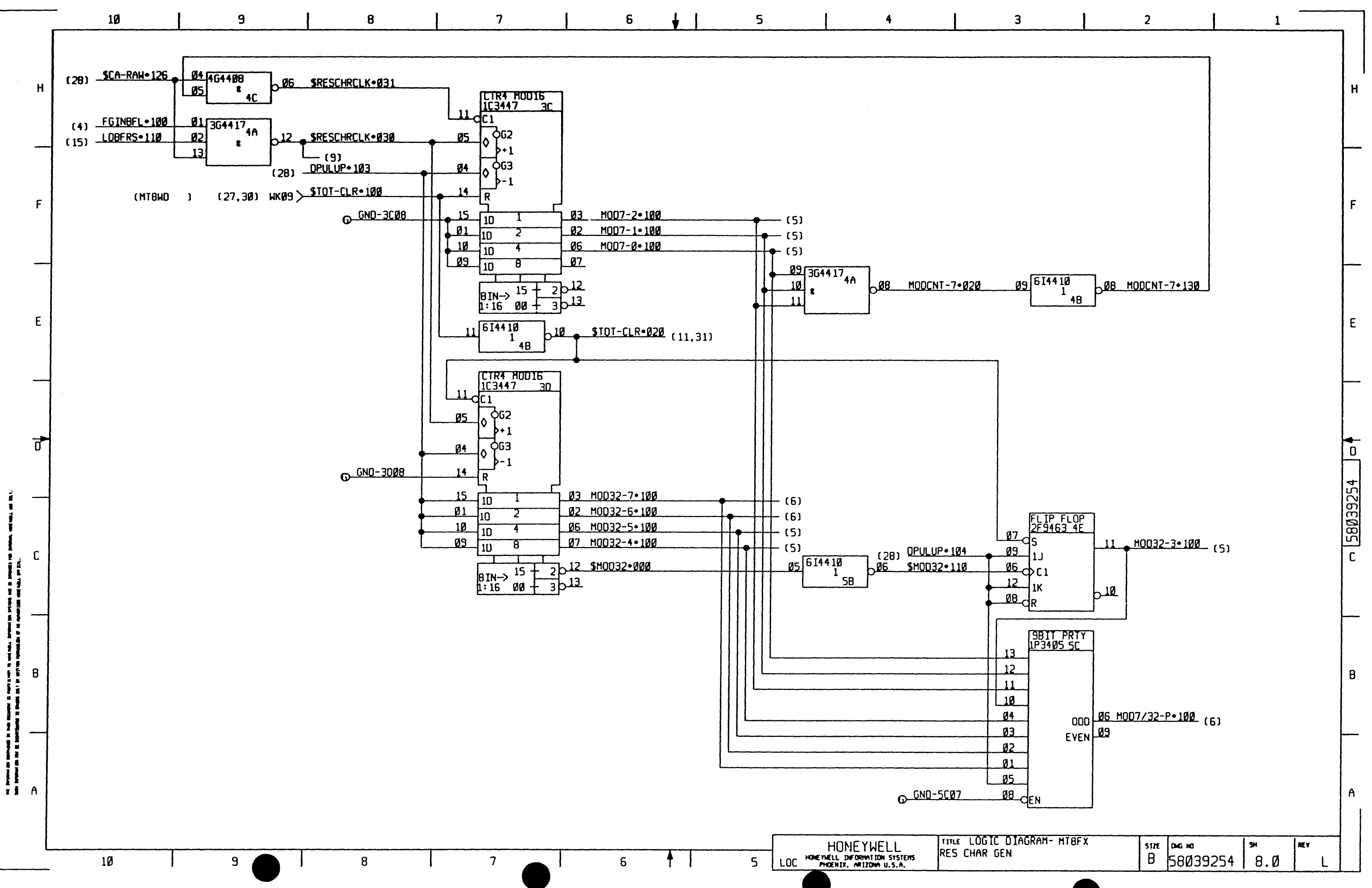
H
F
E
D
C
B
A



58039254

THIS DOCUMENT IS UNCLASSIFIED. IT IS THE PROPERTY OF HONEYWELL INFORMATION SYSTEMS. IT IS LOANED TO YOU BY THE NATIONAL ARCHIVES AND IS NOT TO BE REPRODUCED OR TRANSMITTED IN ANY FORM OR BY ANY MEANS, ELECTRONIC OR MECHANICAL, INCLUDING PHOTOCOPYING, RECORDING, OR BY ANY INFORMATION STORAGE AND RETRIEVAL SYSTEM.

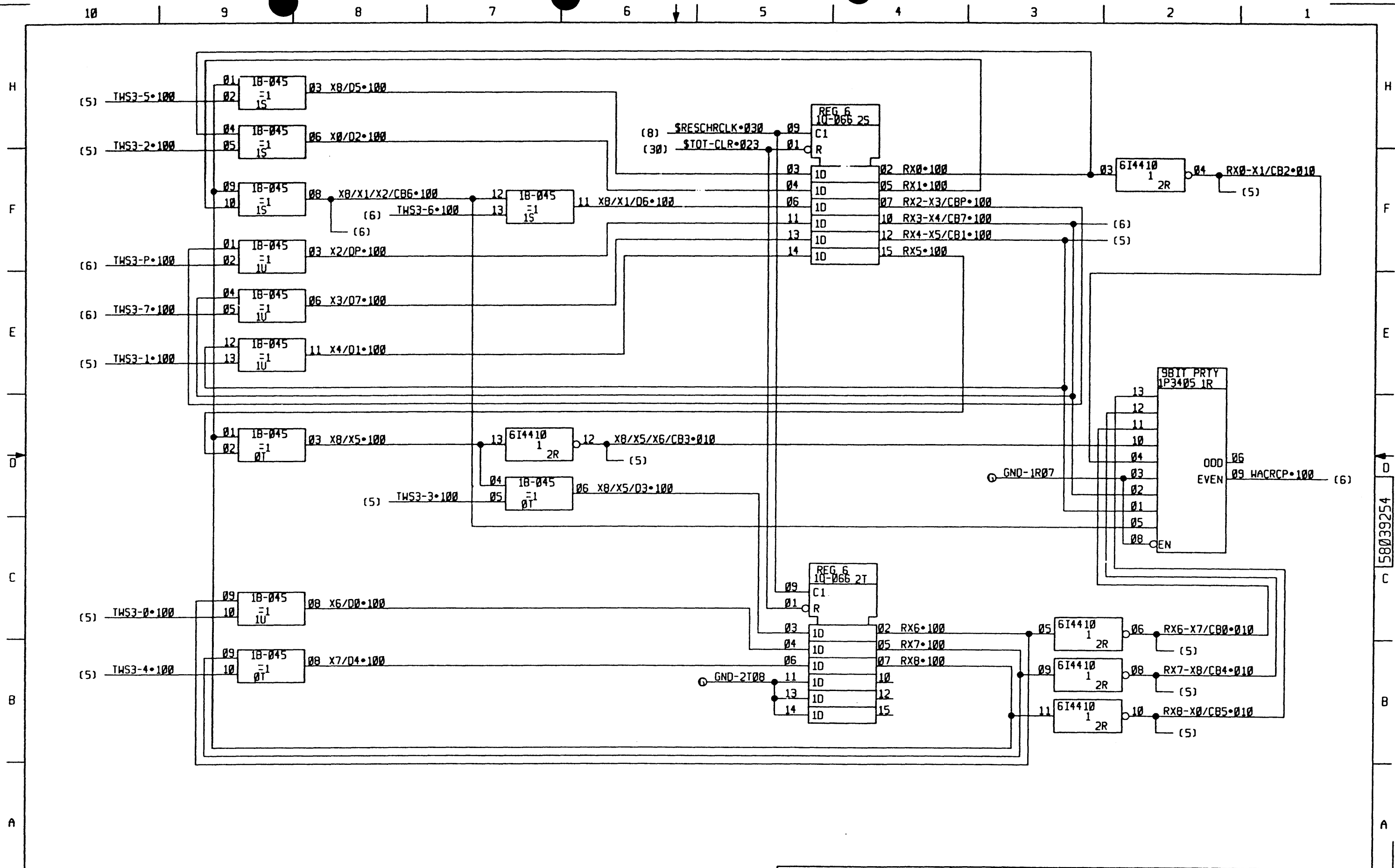
10 9 8 7 6 5



All dimensions are in inches unless otherwise specified. Dimensions are given in inches and millimeters. All dimensions are to be maintained unless otherwise specified.

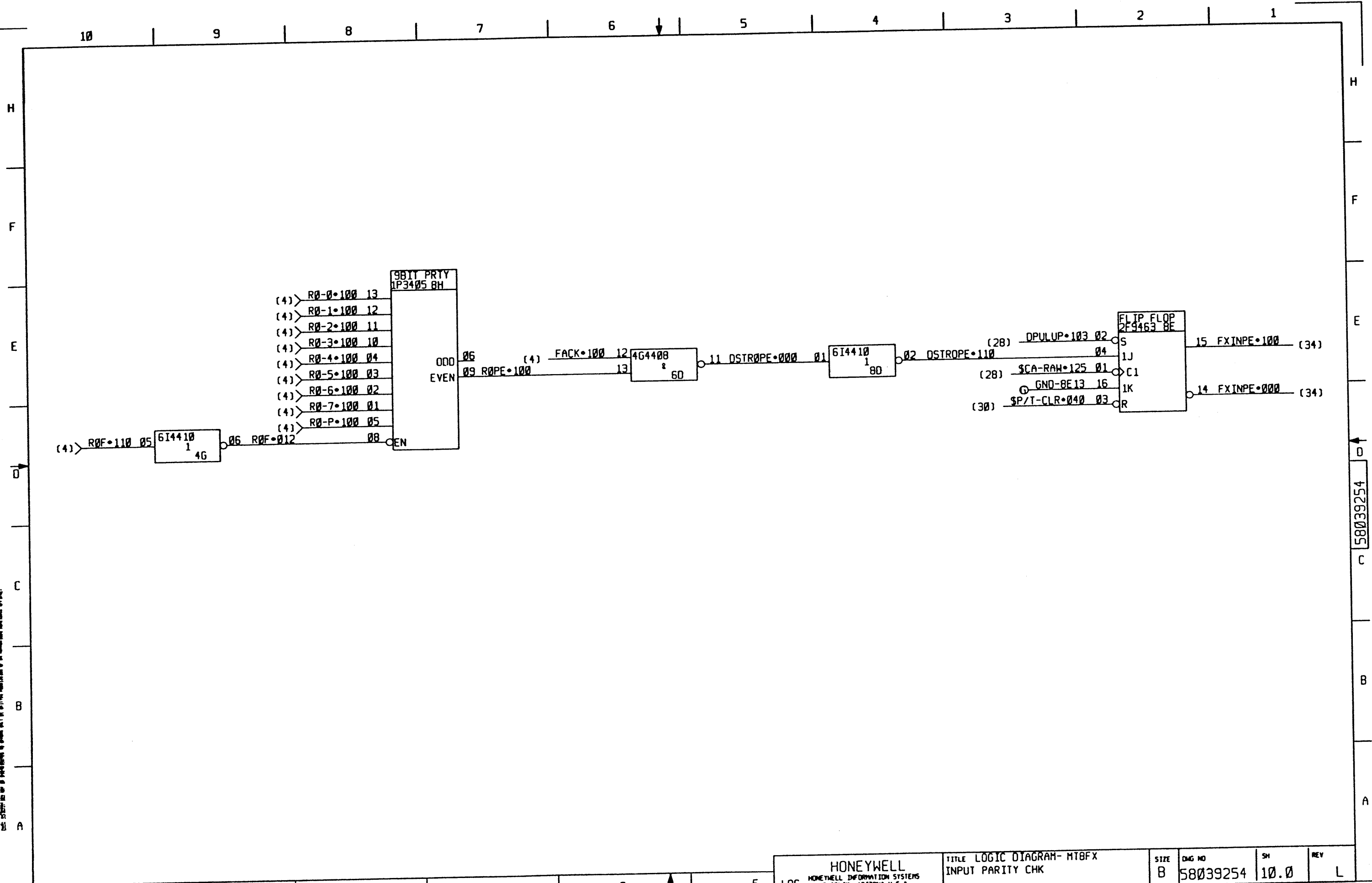
58039254

| | | | | | | |
|--|--|--|--------|-----------------|--------|-------|
| HONEYWELL HONEYWELL INFORMATION SYSTEMS PHOENIX, ARIZONA U.S.A. | | TITLE LOGIC DIAGRAM- MTBFX RES CHAR GEN | SIZE B | DWG NO 58039254 | SH 8.0 | REV L |
|--|--|--|--------|-----------------|--------|-------|



THIS DOCUMENT IS UNCLASSIFIED EXCEPT WHERE SHOWN OTHERWISE BY INDICATED FOOTNOTES AND IS SUBJECT TO THE PROVISIONS OF EXECUTIVE ORDER 12958, AS AMENDED BY EXECUTIVE ORDER 13526, WHICH MAY BE APPLIED TO THIS DOCUMENT AT ANY TIME.

58039254



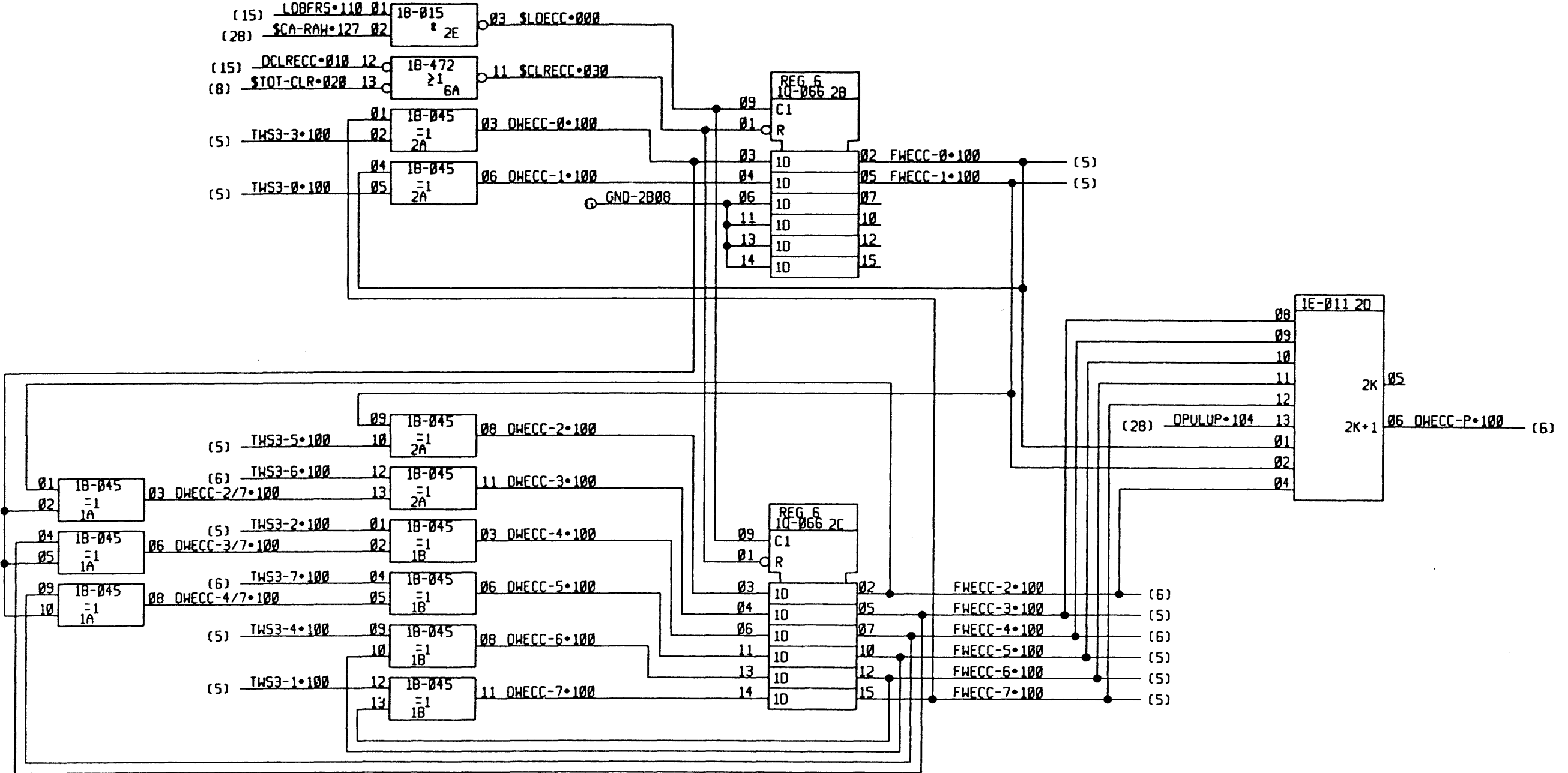
| | | | | | | |
|-----|---|---|--------|-----------------|---------|-------|
| LOC | HONEYWELL HONEYWELL INFORMATION SYSTEMS PHOENIX, ARIZONA U.S.A. | TITLE LOGIC DIAGRAM-MTBFX INPUT PARITY CHK | SIZE B | ENG NO 58039254 | SH 10.0 | REV L |
|-----|---|---|--------|-----------------|---------|-------|

58039254

10 9 8 7 6 5 4 3 2 1

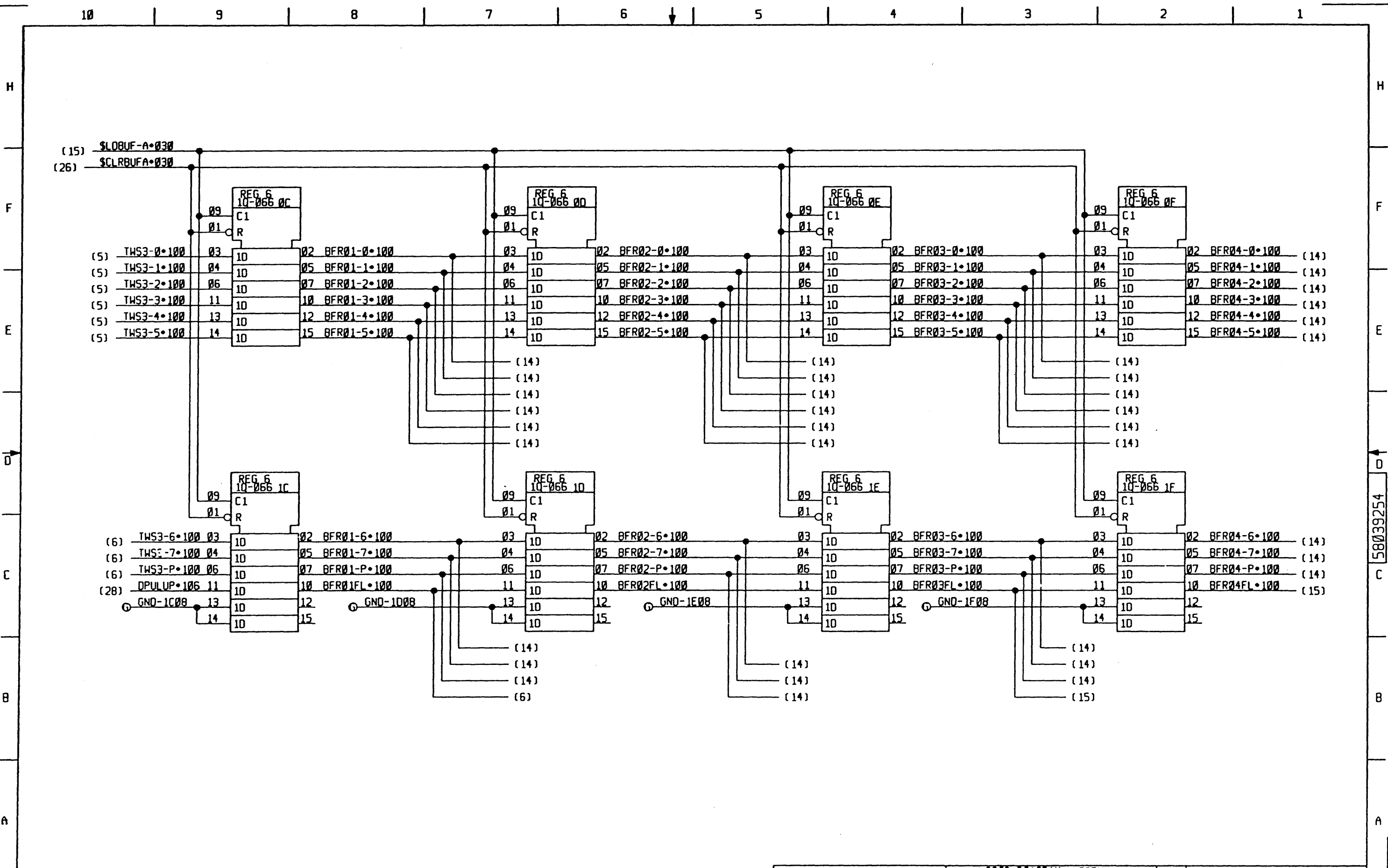
H
F
E
D
C
B
A

H
F
E
D
C
B
A



58039254

10 9 8 7 6 5



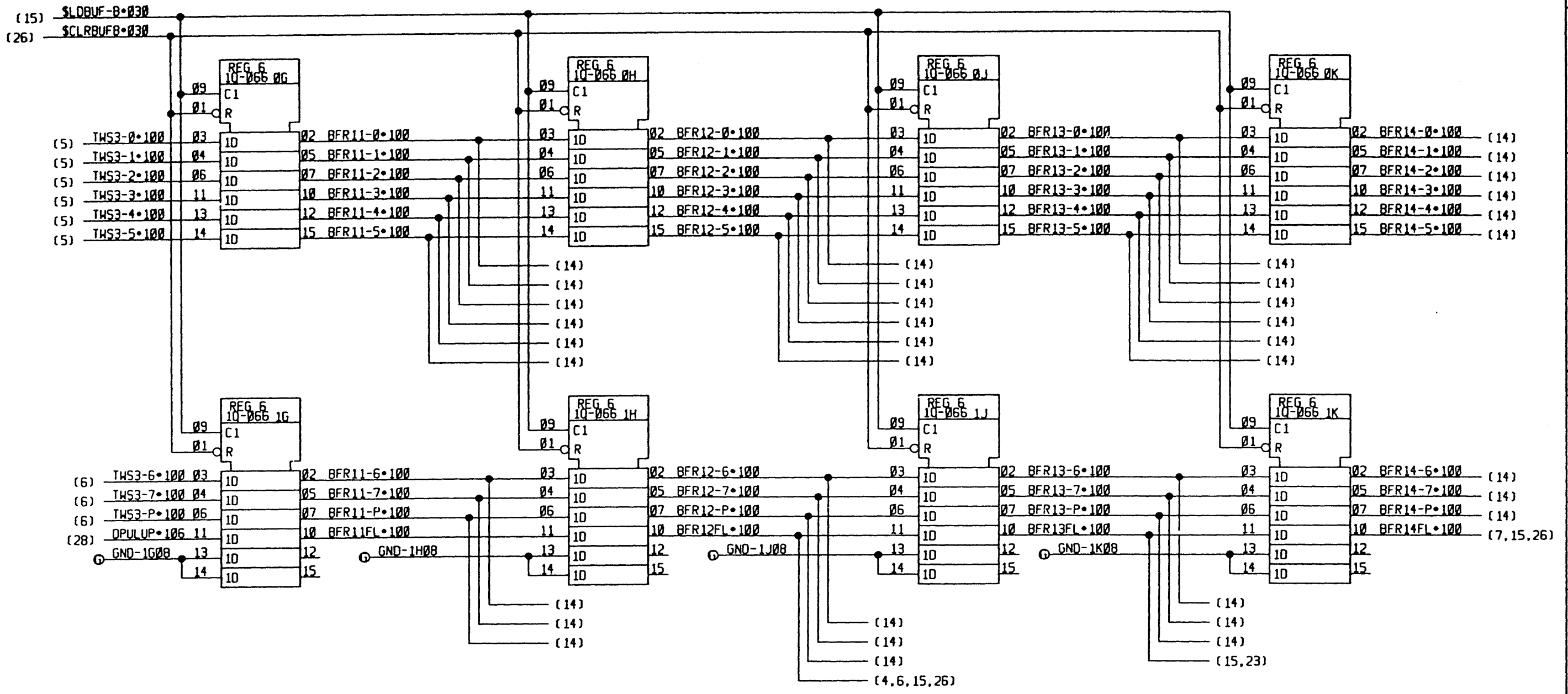
THIS DOCUMENT IS UNCLASSIFIED EXCEPT WHERE SHOWN OTHERWISE BY A CONTROLLED DATA SYMBOL OR BY A CONTROLLED DATA LABEL. IT IS THE PROPERTY OF HONEYWELL INFORMATION SYSTEMS. IT IS LOANED TO YOU BY THE INFORMATION SYSTEMS DIVISION OF HONEYWELL INFORMATION SYSTEMS. IT IS TO BE RETURNED TO THE INFORMATION SYSTEMS DIVISION OF HONEYWELL INFORMATION SYSTEMS.

58039254

10 9 8 7 6 5 4 3 2 1

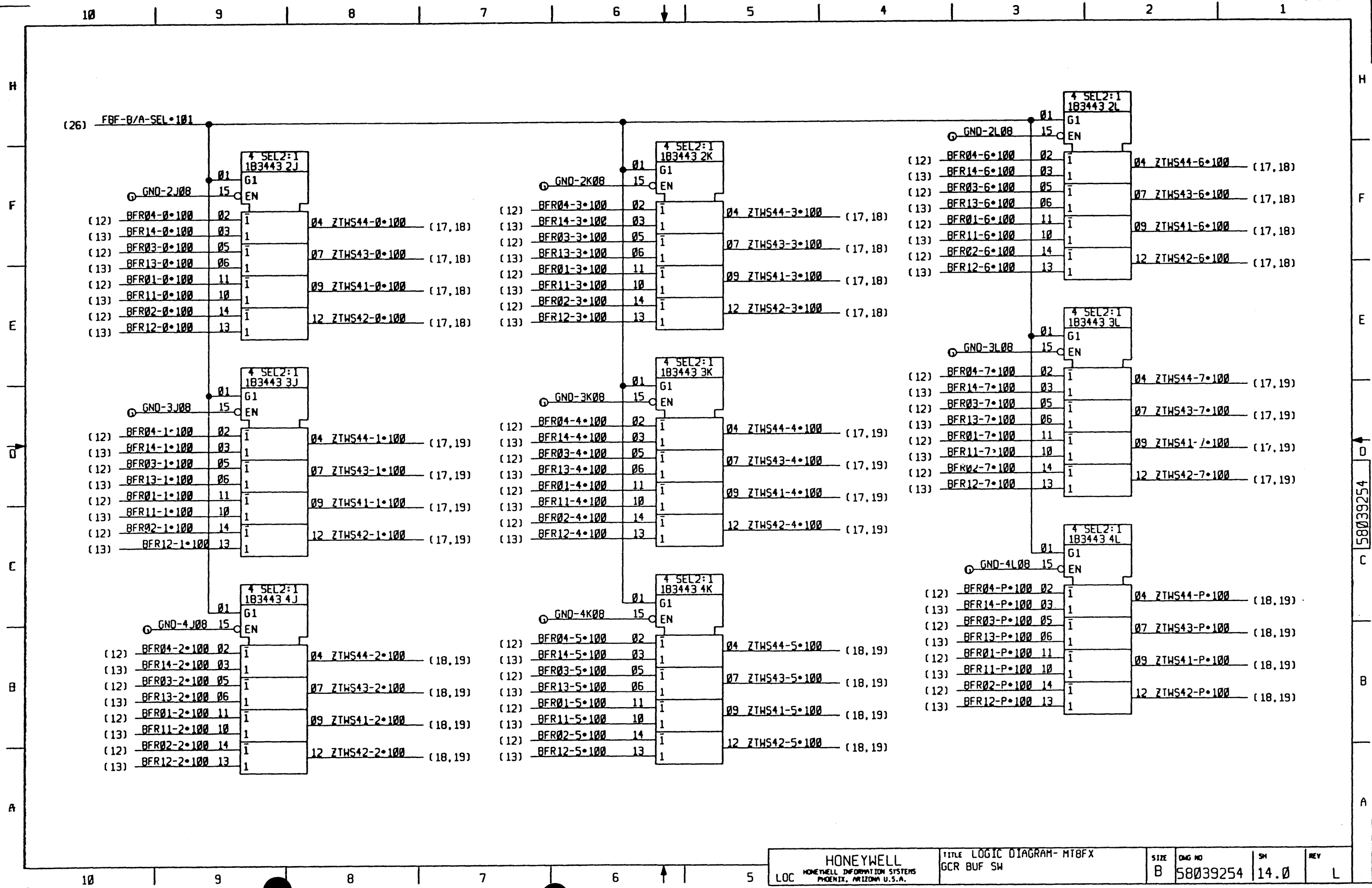
H
F
E
D
C
B
A

H
F
E
D
C
B
A



58039254

10 9 8 7 6 5

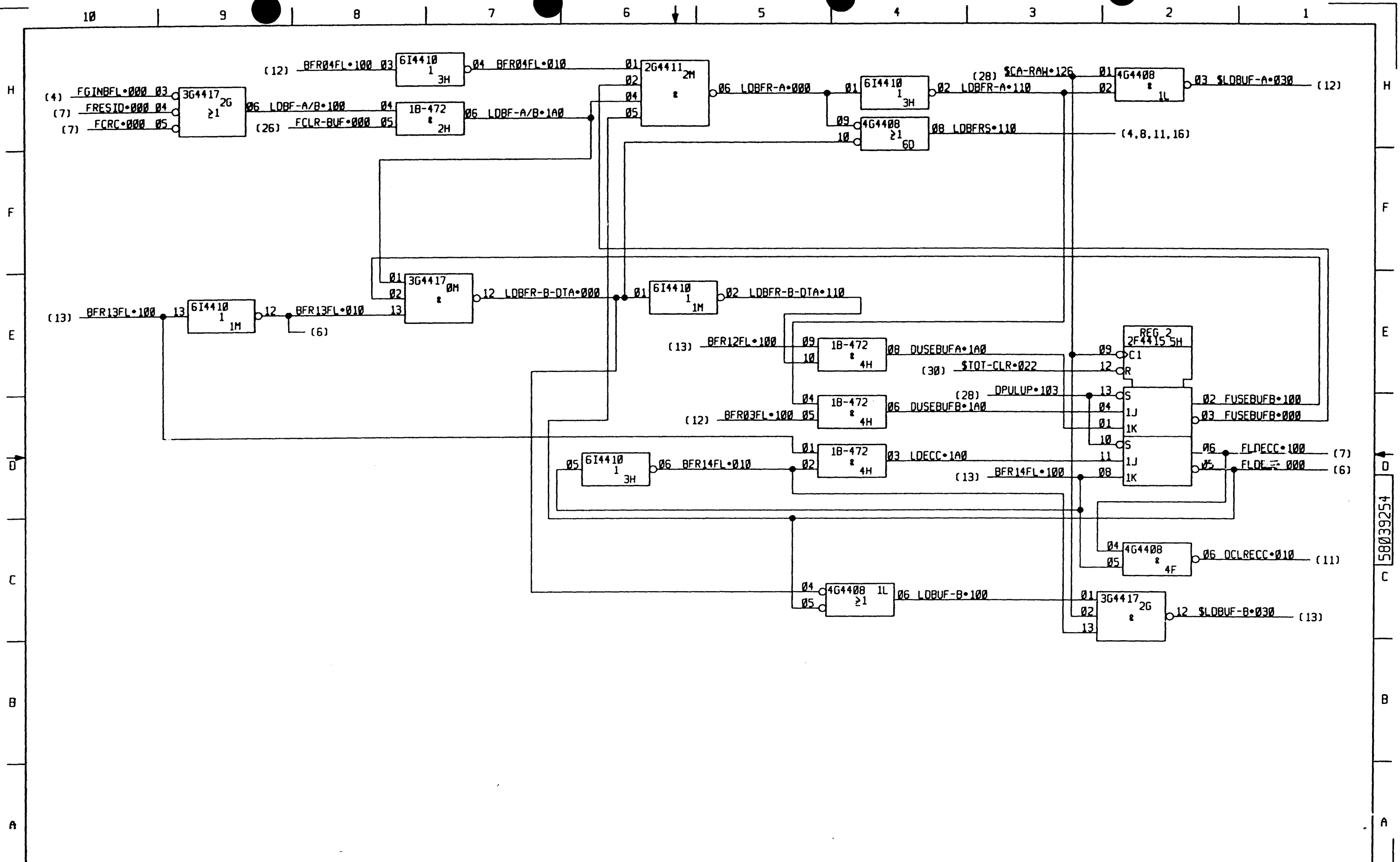


10 9 8 7 6 5 4 3 2 1
 H
F
E
D
C
B
A

10 9 8 7 6 5 4 3 2 1
 H
F
E
D
C
B
A

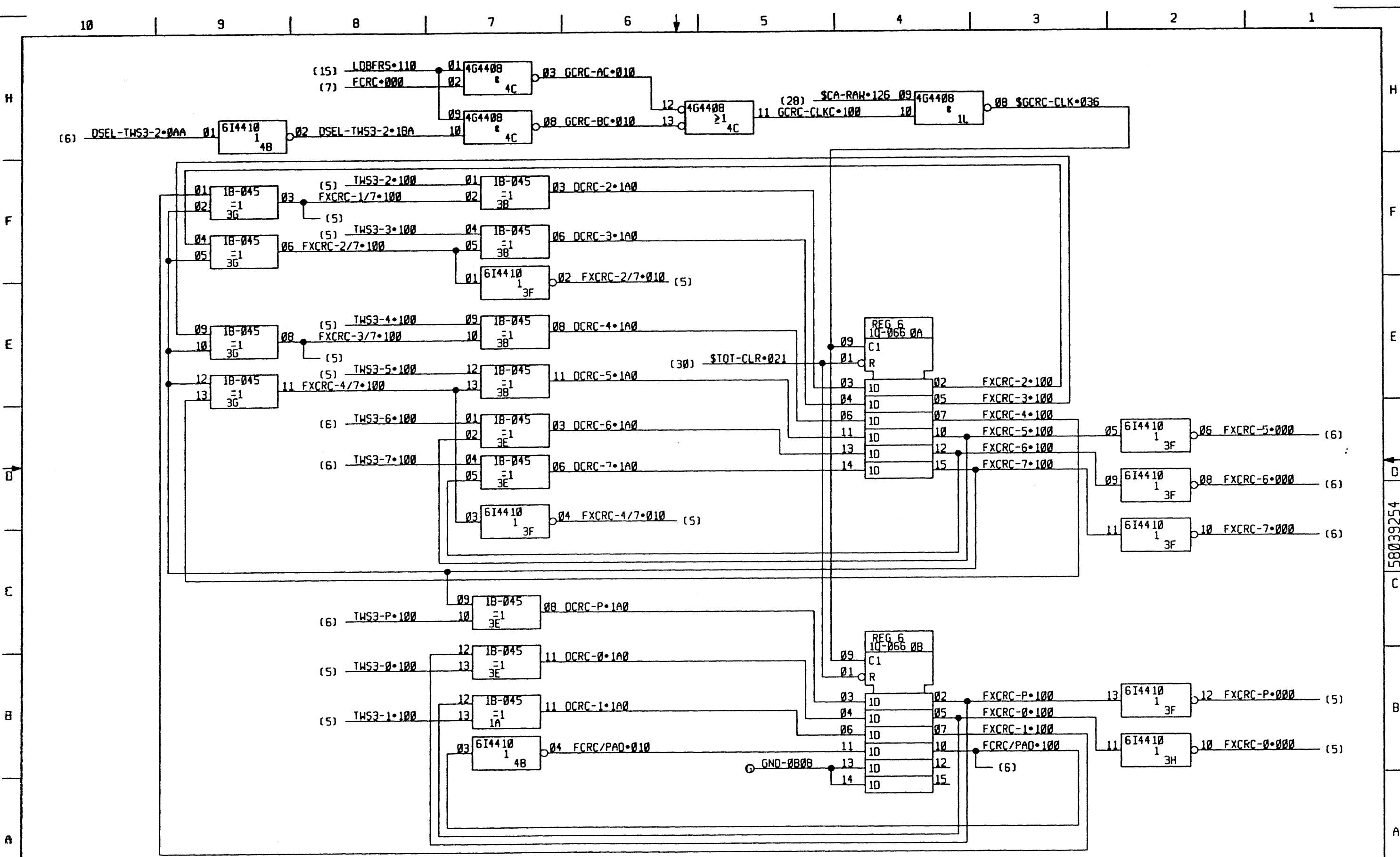
58039254

THE INFORMATION CONTAINED HEREIN IS UNCLASSIFIED EXCEPT WHERE SHOWN OTHERWISE AND IS SUBJECT TO THE EXTENT OF THE INFORMATION CONTAINED THEREIN.

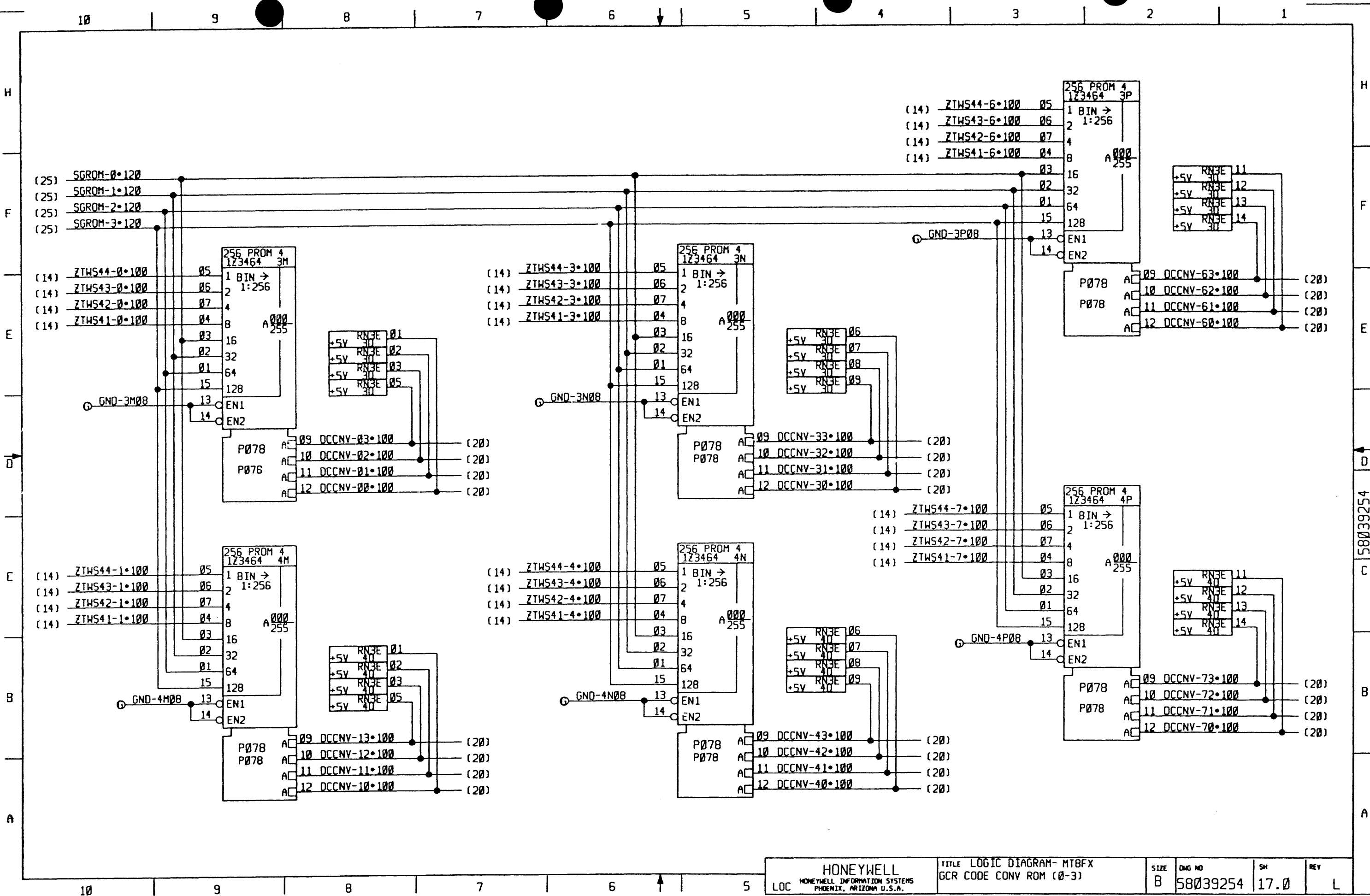


| | | | | | |
|--|--|--|---------------------------|---------|-------|
| HONEYWELL LOC HONEYWELL INFORMATION SYSTEMS PHOENIX, ARIZONA U.S.A. | | TITLE LOGIC DIAGRAM- MTBFX BUF A-BUF B REG CNTRL | SIZE B DWG NO 58039254 | SH 15.0 | REV L |
|--|--|--|---------------------------|---------|-------|

58039254

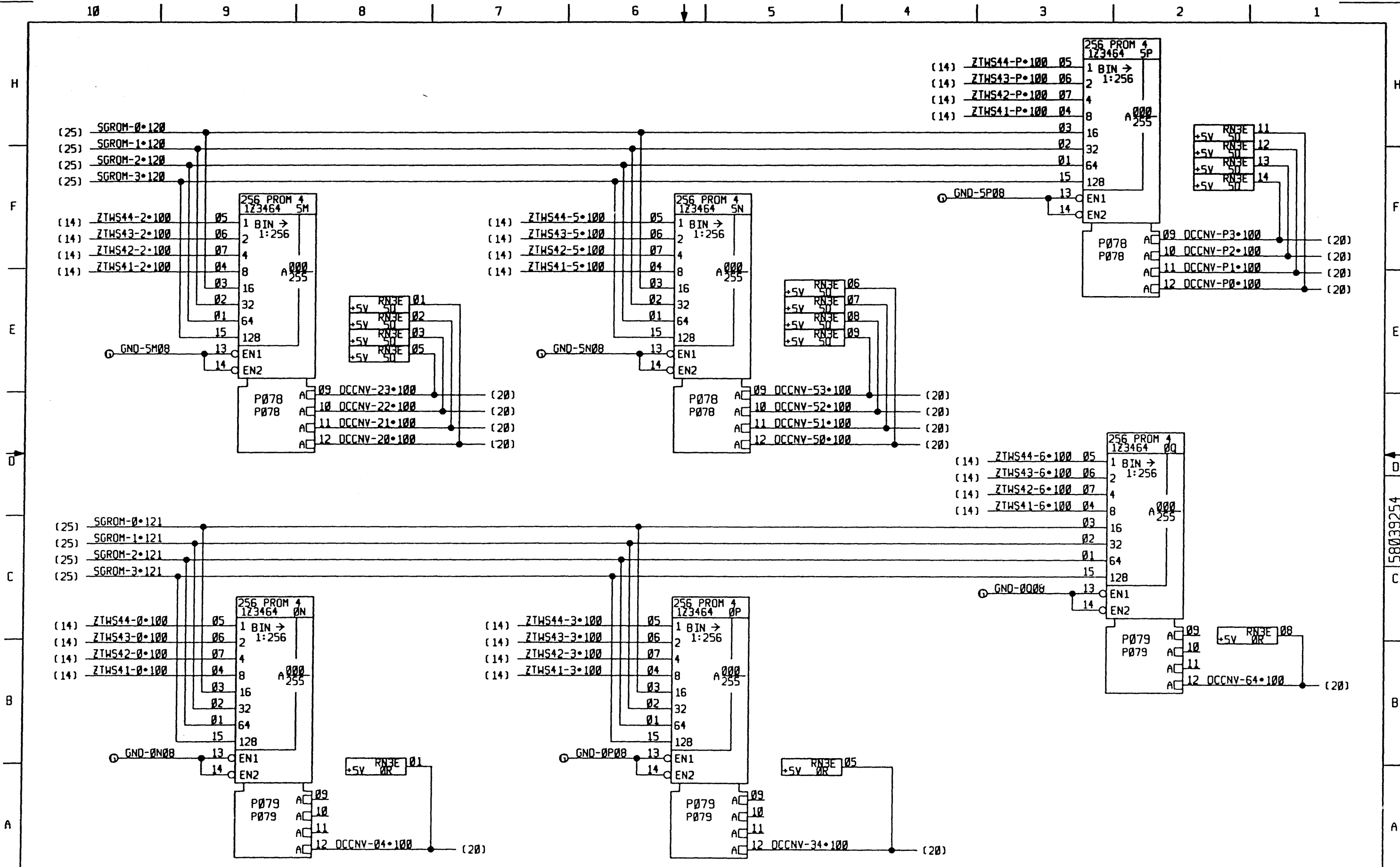


58039254

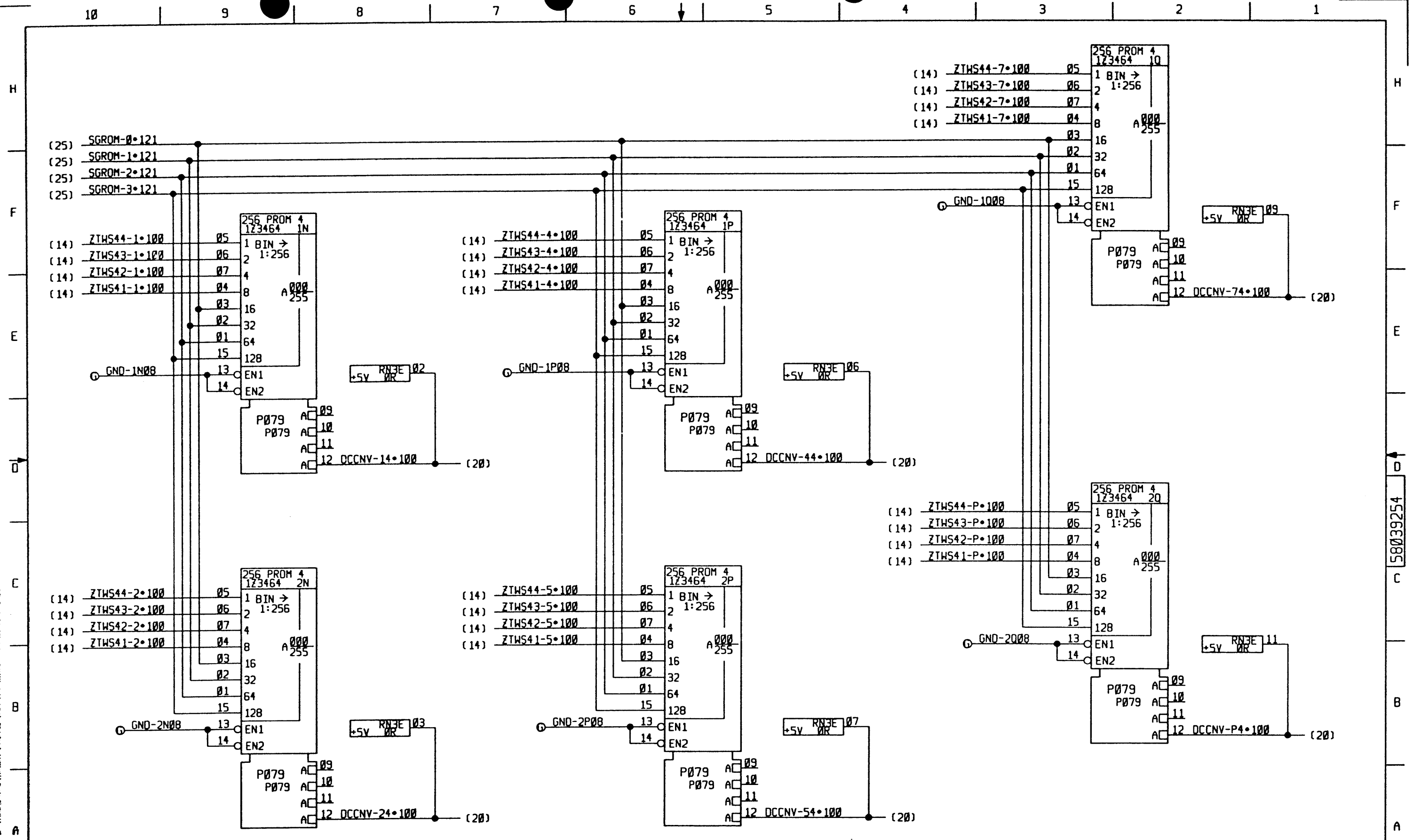


58039254

THE SYSTEM IS DESIGNED TO BE USED AS A LOGIC DIAGRAM. IT IS NOT TO BE USED AS A WIRING DIAGRAM. THE USER IS RESPONSIBLE FOR THE PROPER CONNECTION OF THE LOGIC DIAGRAM TO THE HARDWARE.



58039254



- (14) ZTWS44-7*100 05
- (14) ZTWS43-7*100 06
- (14) ZTWS42-7*100 07
- (14) ZTWS41-7*100 04

- (25) SGROM-0*121
- (25) SGROM-1*121
- (25) SGROM-2*121
- (25) SGROM-3*121

- (14) ZTWS44-1*100 05
- (14) ZTWS43-1*100 06
- (14) ZTWS42-1*100 07
- (14) ZTWS41-1*100 04

- (14) ZTWS44-4*100 05
- (14) ZTWS43-4*100 06
- (14) ZTWS42-4*100 07
- (14) ZTWS41-4*100 04

- (14) ZTWS44-2*100 05
- (14) ZTWS43-2*100 06
- (14) ZTWS42-2*100 07
- (14) ZTWS41-2*100 04

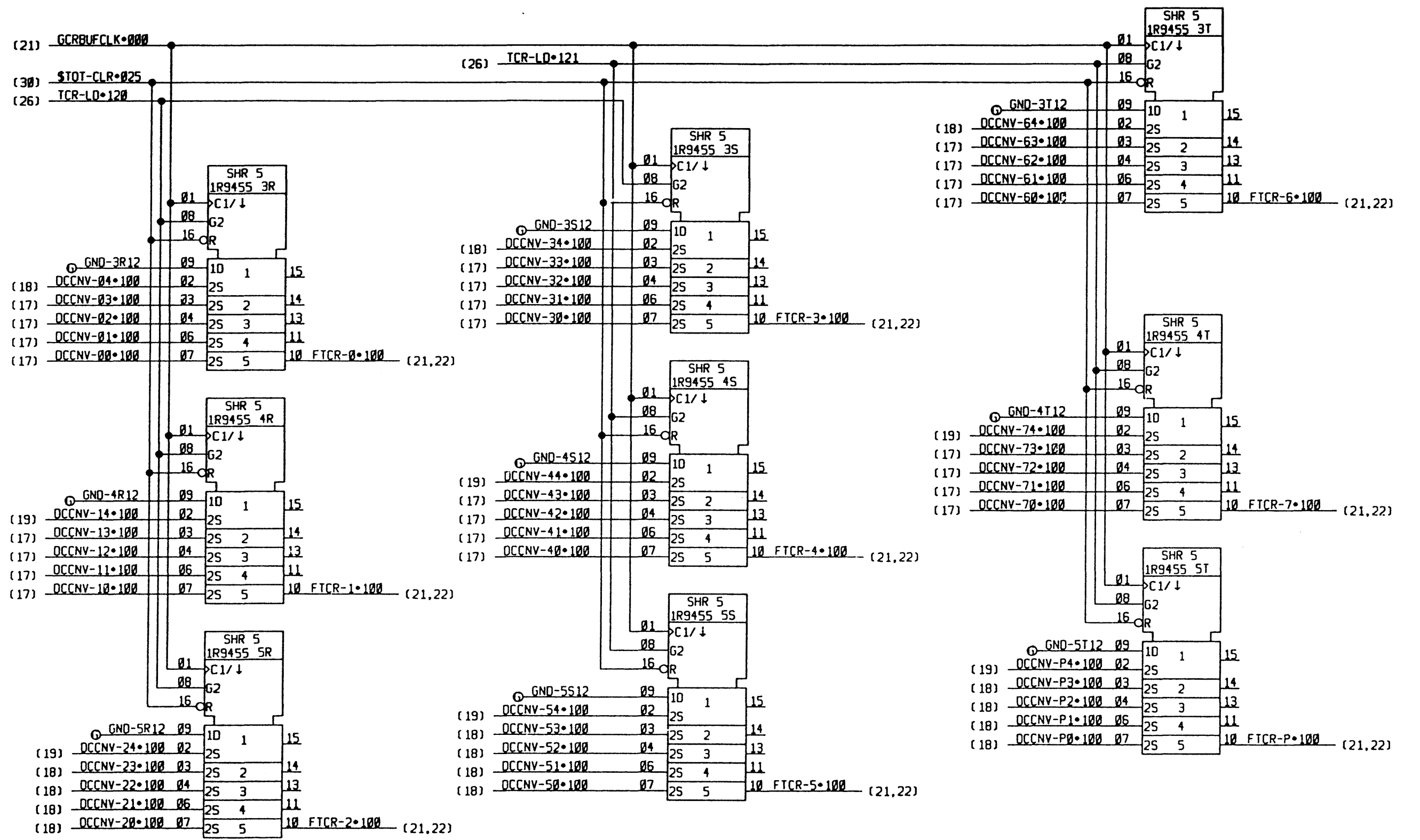
- (14) ZTWS44-5*100 05
- (14) ZTWS43-5*100 06
- (14) ZTWS42-5*100 07
- (14) ZTWS41-5*100 04

- (14) ZTWS44-P*100 05
- (14) ZTWS43-P*100 06
- (14) ZTWS42-P*100 07
- (14) ZTWS41-P*100 04

58039254

10 9 8 7 6 5 4 3 2 1

H
F
E
D
C
B
A

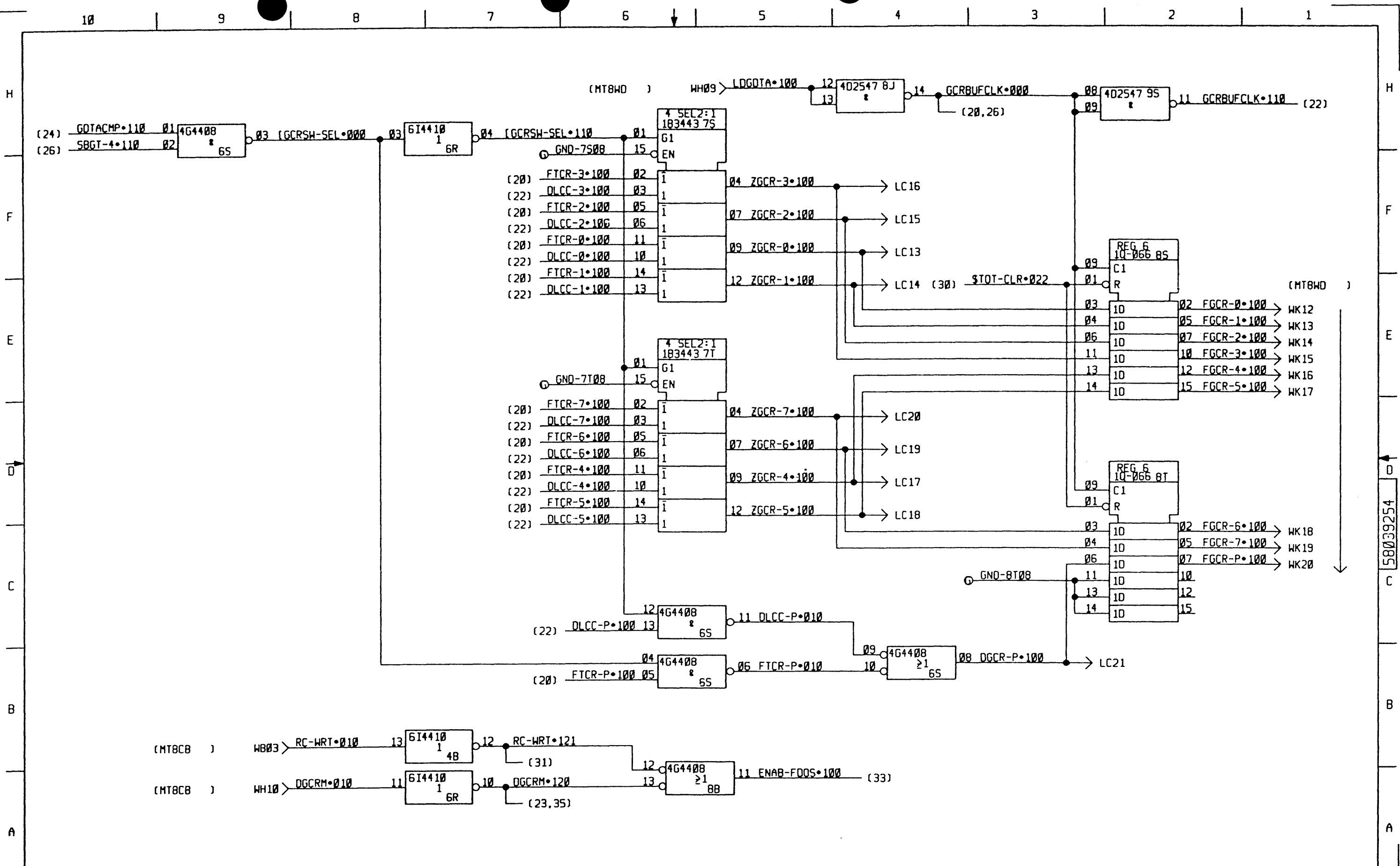


58039254

A
B
C
D
E
F
H

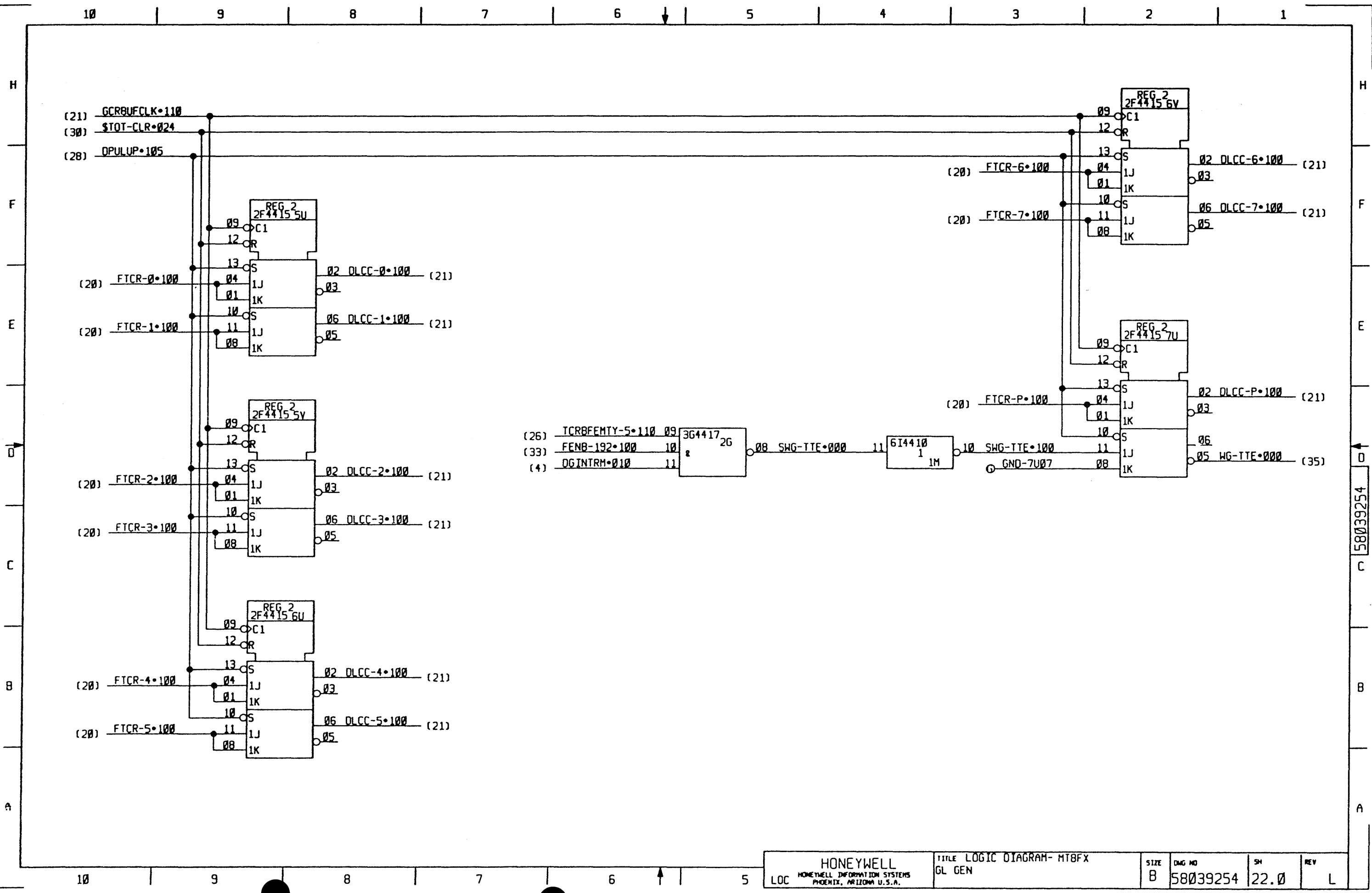
10 9 8 7 6 5

| | | | | | | | |
|---|--|---------------------------------------|--|-----------|--------------------|------------|----------|
| HONEYWELL HONEYWELL INFORMATION SYSTEMS PHOENIX, ARIZONA U.S.A. | | TITLE LOGIC DIAGRAM- MTBFX TCR REG | | SIZE B | DWG NO 58039254 | SH 20.0 | REV L |
|---|--|---------------------------------------|--|-----------|--------------------|------------|----------|



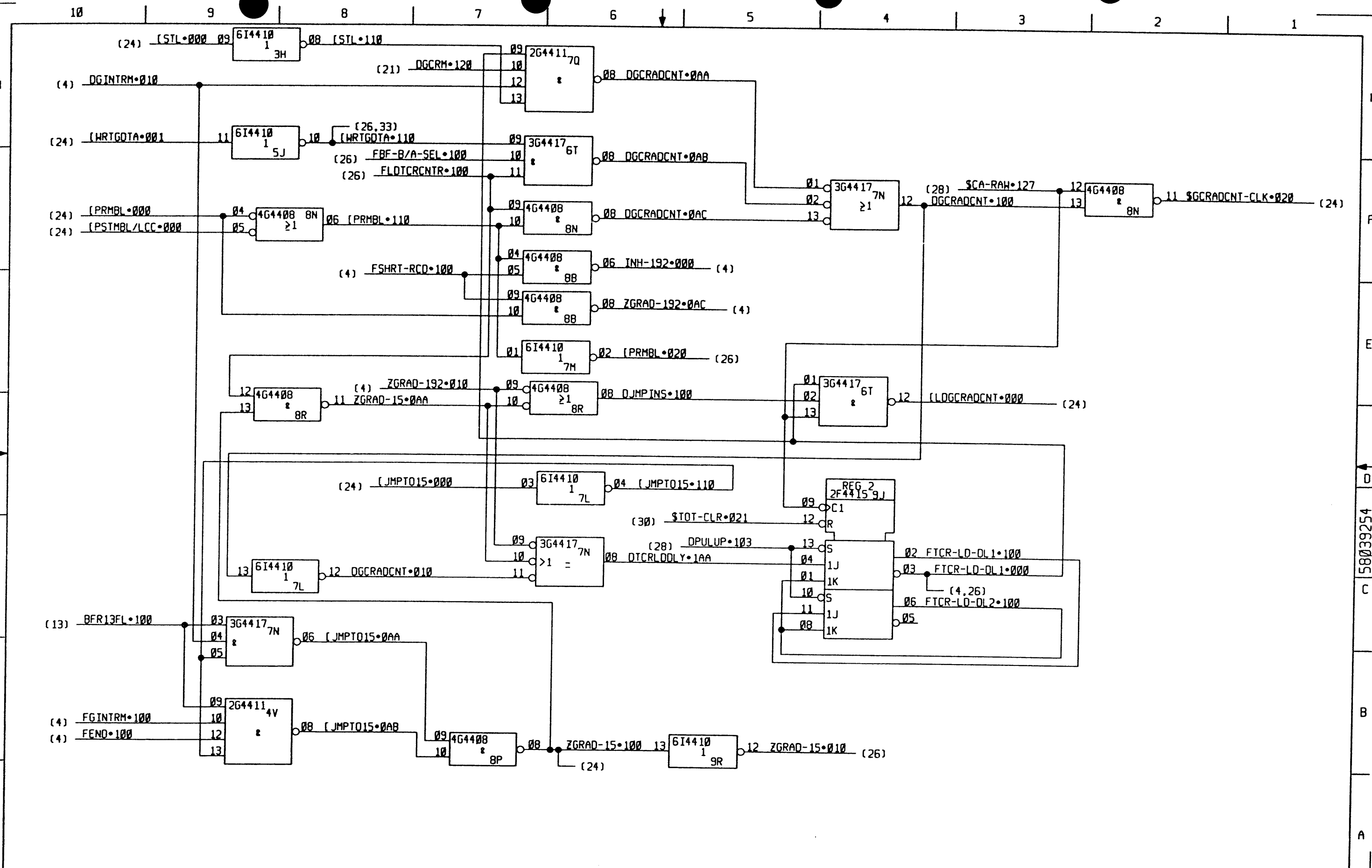
THIS DOCUMENT IS UNCLASSIFIED EXCEPT WHERE SHOWN OTHERWISE. IT IS THE PROPERTY OF HONEYWELL INFORMATION SYSTEMS. IT IS LOANED TO YOU AND IS NOT TO BE REPRODUCED OR DISTRIBUTED OUTSIDE YOUR ORGANIZATION.

58039254

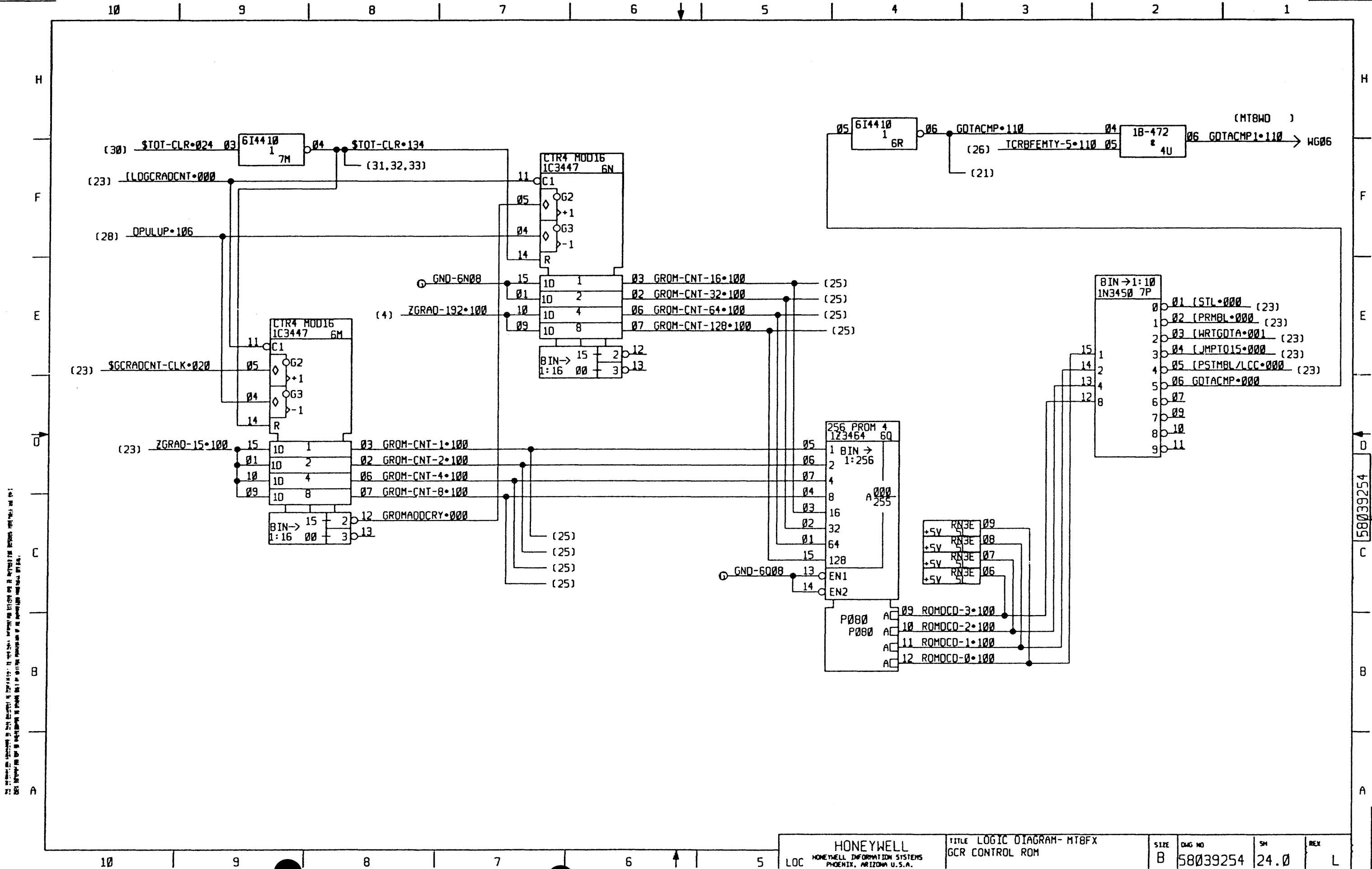


58039254

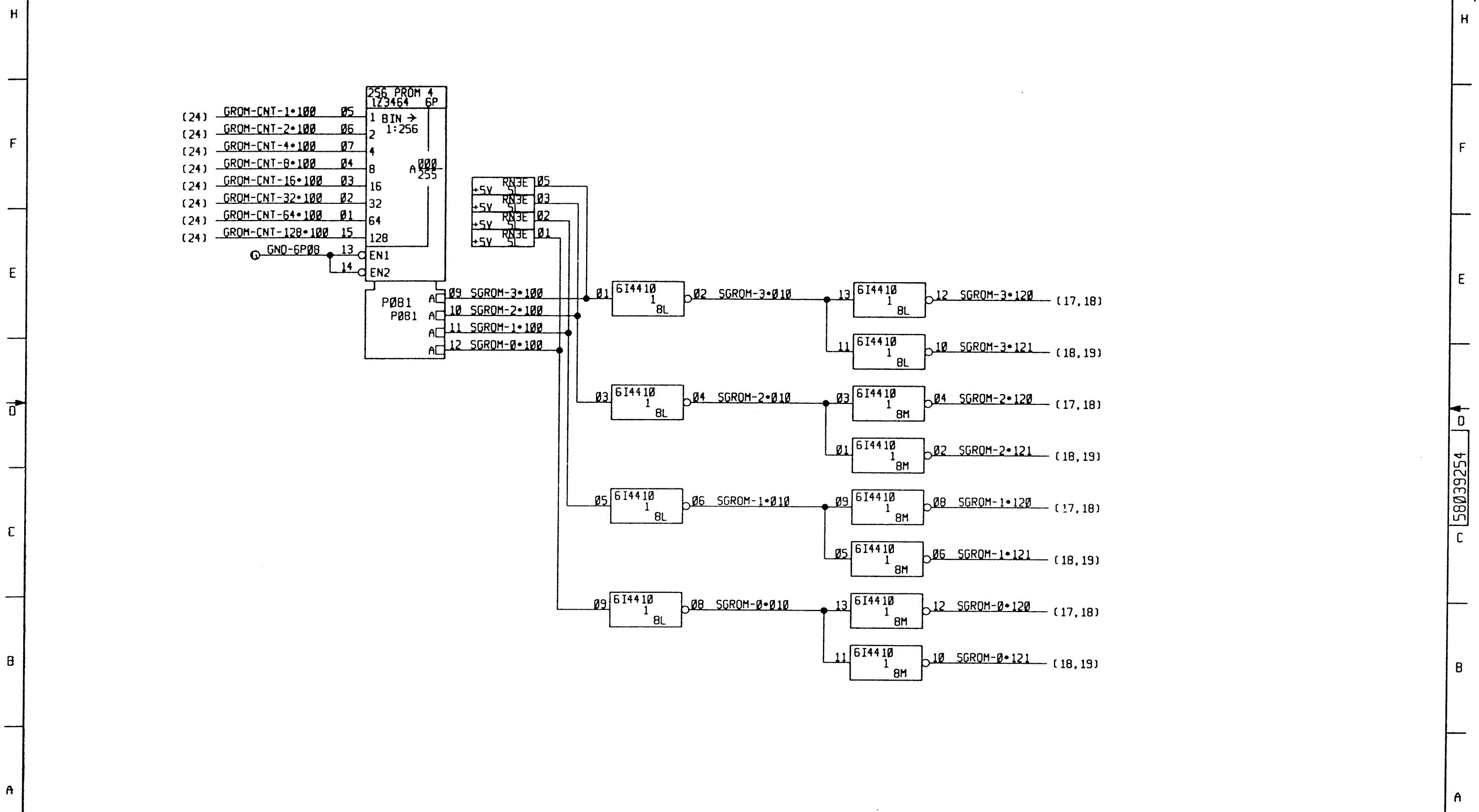
10 9 8 7 6 5 4 3 2 1
 H
 F
 E
 D
 C
 B
 A



10 9 8 7 6 5 4 3 2 1
 H
 F
 E
 D
 C
 B
 A



THIS DOCUMENT IS UNCLASSIFIED EXCEPT WHERE SHOWN OTHERWISE. IT IS THE PROPERTY OF HONEYWELL INFORMATION SYSTEMS. IT IS LOANED TO YOU AND IS NOT TO BE REPRODUCED OR TRANSMITTED IN ANY FORM OR BY ANY MEANS, ELECTRONIC OR MECHANICAL, INCLUDING PHOTOCOPYING, RECORDING, OR BY ANY INFORMATION STORAGE AND RETRIEVAL SYSTEM.

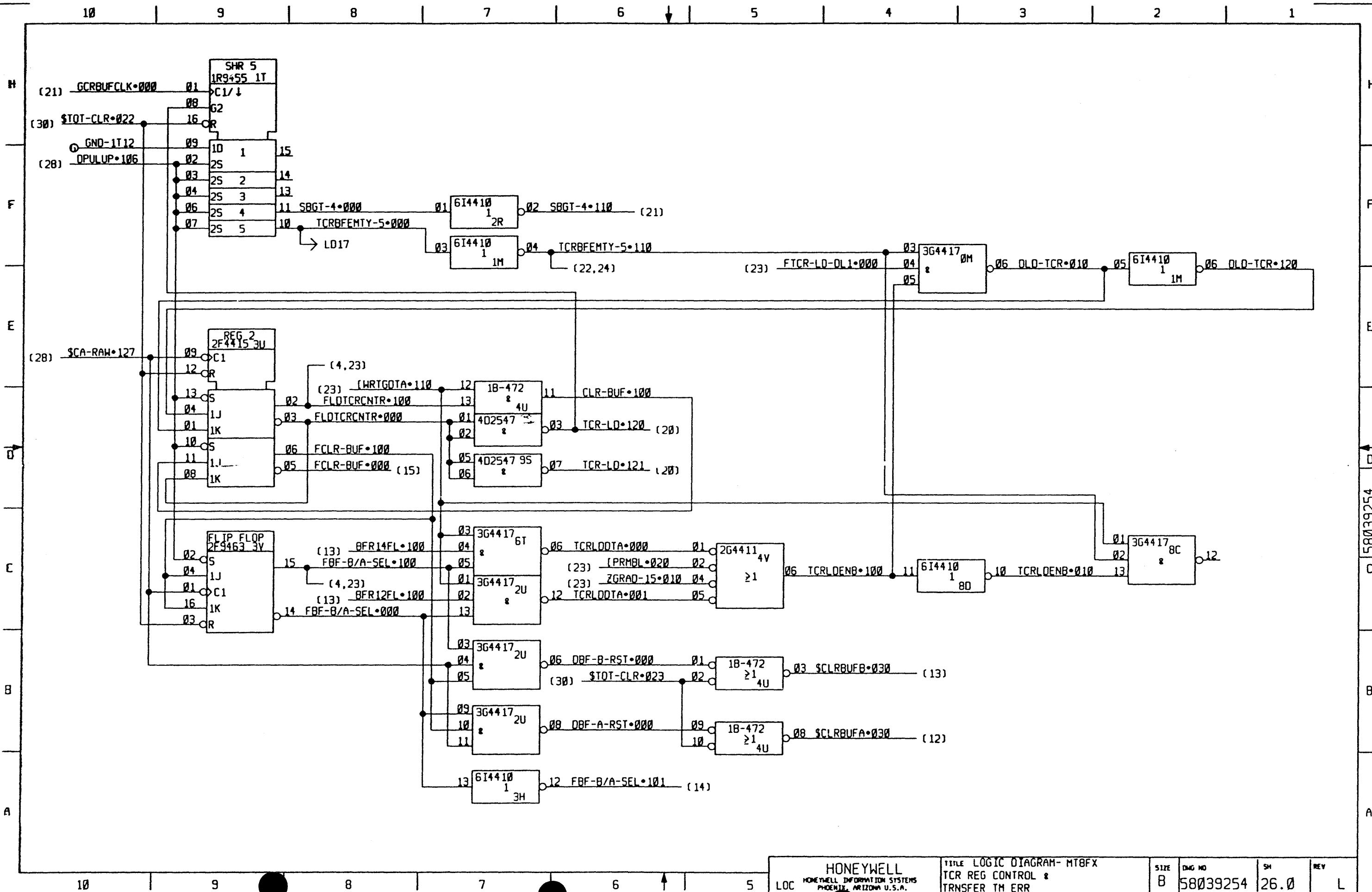


- (24) GROM-CNT-1*100 05
- (24) GROM-CNT-2*100 06
- (24) GROM-CNT-4*100 07
- (24) GROM-CNT-8*100 04
- (24) GROM-CNT-16*100 03
- (24) GROM-CNT-32*100 02
- (24) GROM-CNT-64*100 01
- (24) GROM-CNT-128*100 15
- GND-6P00 13
- EN1 14
- EN2
- P0B1 A
- P0B1 A
- A
- A

- +5V RN3E 05
- +5V RN3E 03
- +5V RN3E 02
- +5V RN3E 01

ALL INFORMATION CONTAINED HEREIN IS UNCLASSIFIED EXCEPT WHERE SHOWN OTHERWISE. DATE 08-14-2010 BY 60322 UCBAW/DK/STP/STP

58039254



58039254

10

9

8

7

6

5

4

3

2

1

H

F

E

C

C

B

A

H

F

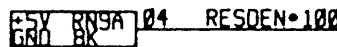
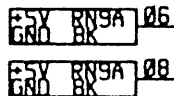
E

C

C

B

A

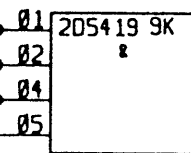


(MPC)

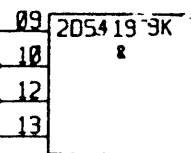
WE07 > DDAI-RUN-CLK-050

(MPC)

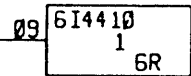
WF00 > DDAI-EXEC-050



06 (RUN-CLK-110) (28)



08 (EXEC-100) WJ15 (28,29,30) (MT8WD)

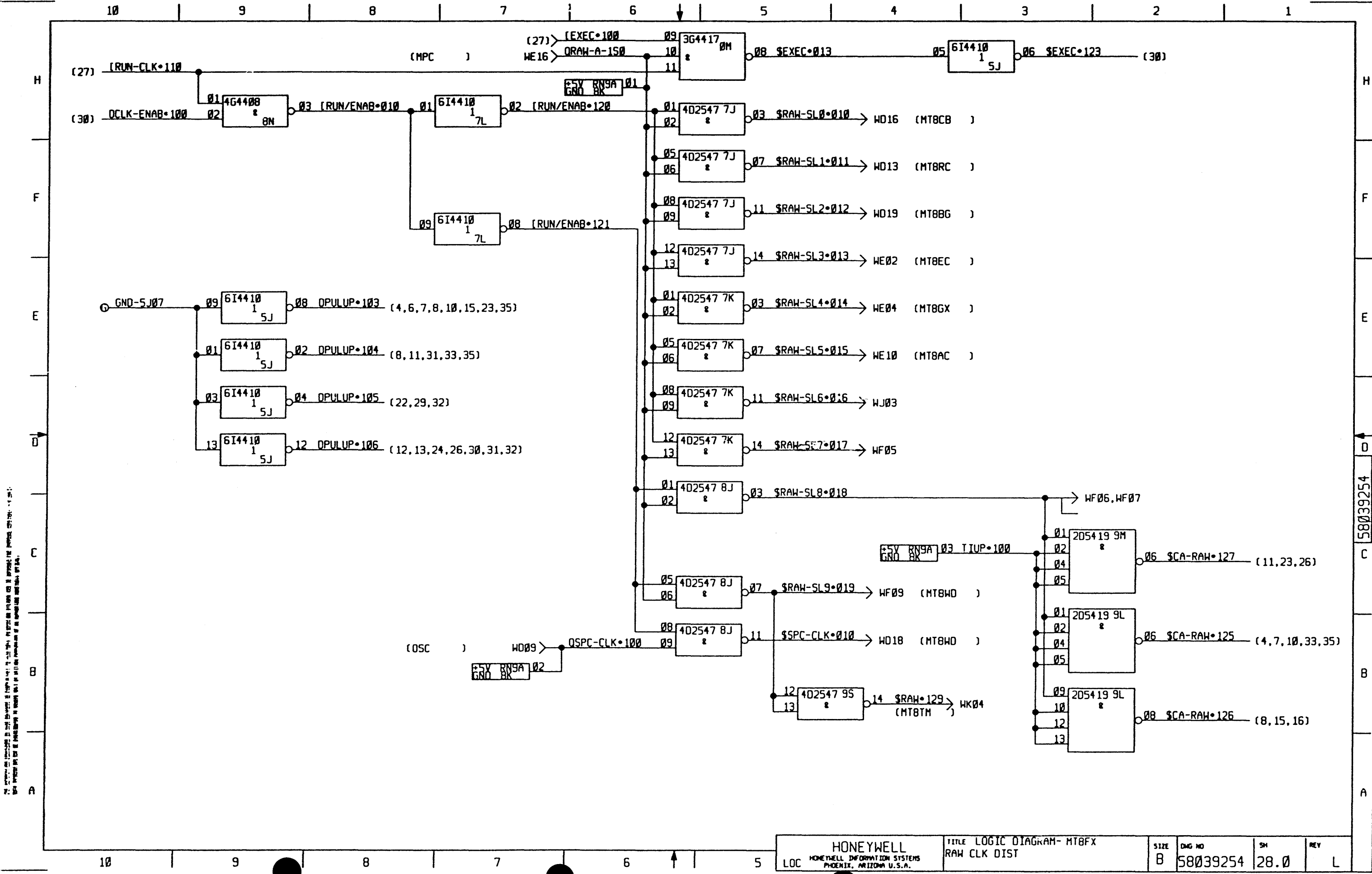


(8) > \$TOT-CLR-100 08 \$TOT-CLR-013 (30)

58039254

ALL DIMENSIONS ARE IN INCHES UNLESS OTHERWISE SPECIFIED. DIMENSIONS IN PARENTHESES ARE FOR INFORMATION ONLY. DIMENSIONS IN BRACKETS ARE FOR INFORMATION ONLY. DIMENSIONS IN SQUARE BRACKETS ARE FOR INFORMATION ONLY. DIMENSIONS IN CIRCLES ARE FOR INFORMATION ONLY. DIMENSIONS IN TRIANGLES ARE FOR INFORMATION ONLY. DIMENSIONS IN DIAMOND SHAPES ARE FOR INFORMATION ONLY. DIMENSIONS IN PARALLELOGRAMS ARE FOR INFORMATION ONLY. DIMENSIONS IN TRAPEZOIDAL SHAPES ARE FOR INFORMATION ONLY. DIMENSIONS IN STAR SHAPES ARE FOR INFORMATION ONLY. DIMENSIONS IN OTHER SHAPES ARE FOR INFORMATION ONLY.

| | | | | | | | |
|--|--|--|--|-----------|--------------------|------------|----------|
| HONEYWELL HONEYWELL INFORMATION SYSTEMS PHOENIX, ARIZONA U.S.A. | | TITLE LOGIC DIAGRAM- MT8FX EXEC-RUN CLK | | SIZE B | DWG NO 58039254 | SH 27.0 | REV L |
| LOC | | | | | | | |



THE INFORMATION CONTAINED HEREIN IS UNCLASSIFIED EXCEPT WHERE SHOWN OTHERWISE. IT IS THE PROPERTY OF HONEYWELL INFORMATION SYSTEMS AND IS LOANED TO YOUR AGENCY/ORGANIZATION. IT IS TO BE USED ONLY FOR THE PURPOSES AUTHORIZED BY THE LOANING AGENCY/ORGANIZATION. IT IS TO BE RETURNED TO HONEYWELL INFORMATION SYSTEMS UPON REQUEST.

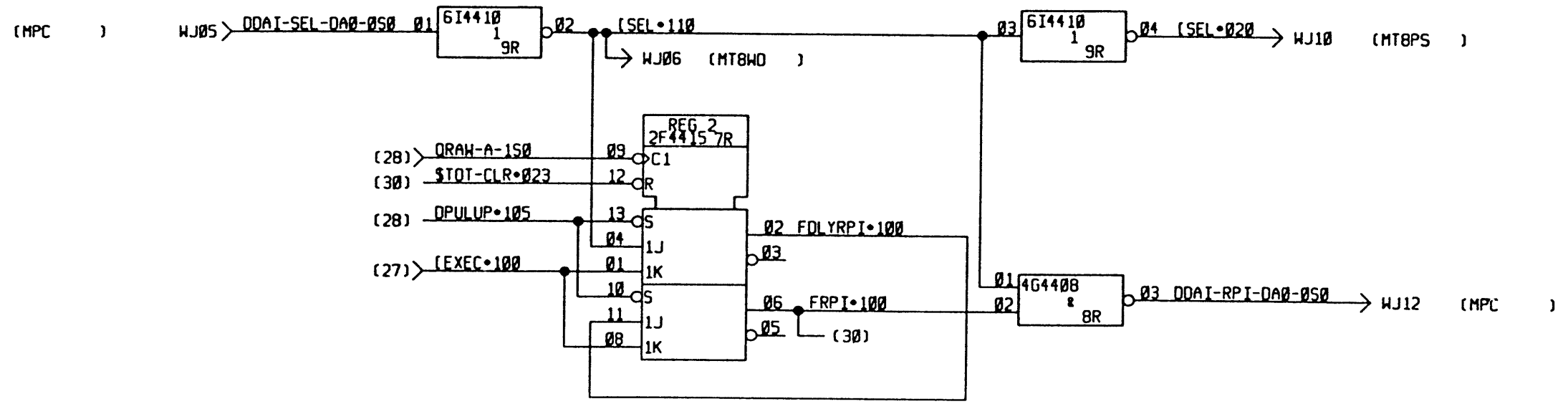
58039254

| | | | | | | |
|-----|---|---|-----------|--------------------|------------|----------|
| LOC | HONEYWELL HONEYWELL INFORMATION SYSTEMS PHOENIX, ARIZONA U.S.A. | TITLE LOGIC DIAGRAM- MTBFX RAW CLK DIST | SIZE B | DWG NO 58039254 | SH 28.0 | REV L |
|-----|---|---|-----------|--------------------|------------|----------|

10 9 8 7 6 5 4 3 2 1

H
F
E
D
C
B
A

H
F
E
D
C
B
A

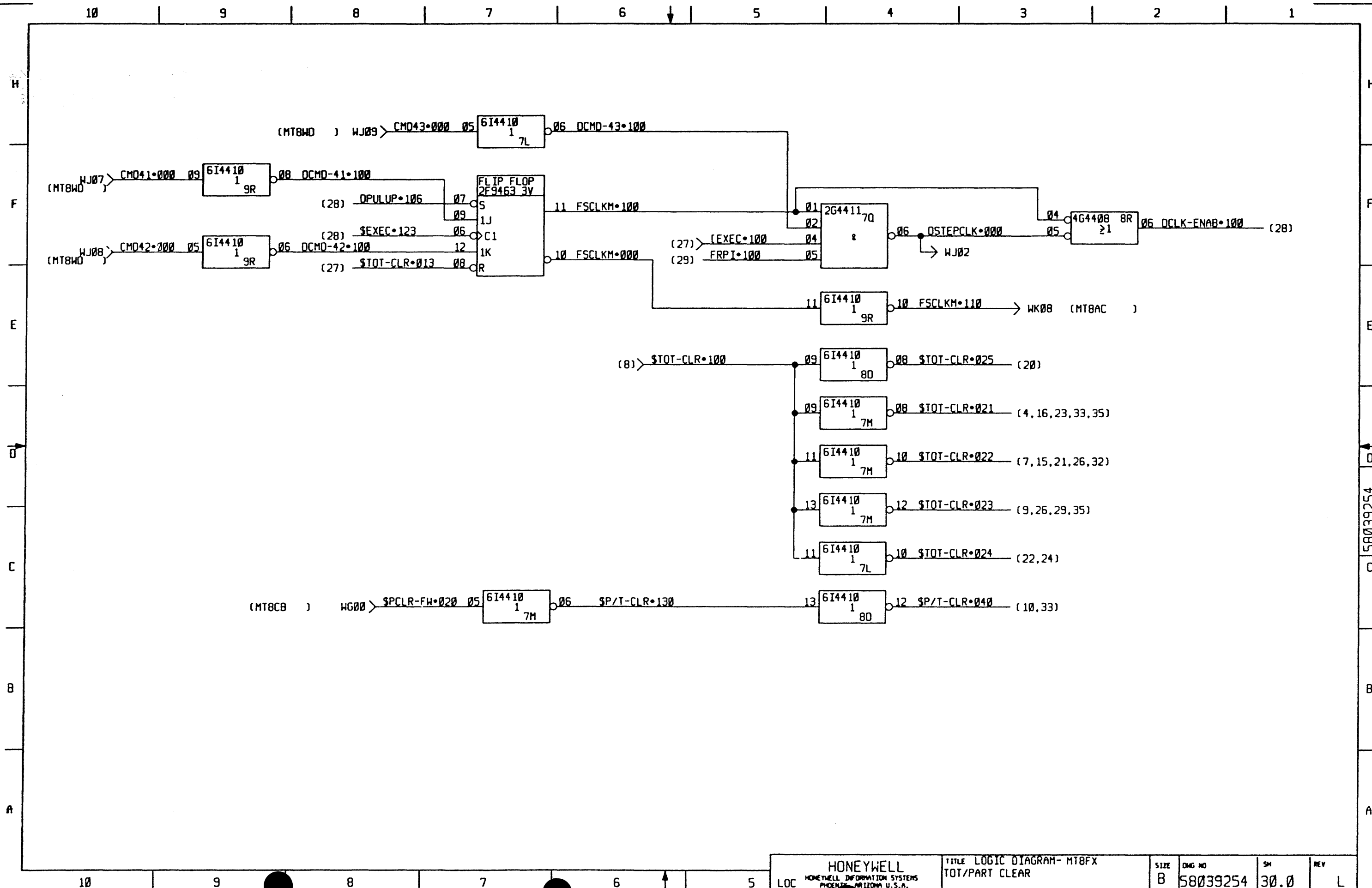


58039254

THIS DOCUMENT CONTAINS INFORMATION OF A CONFIDENTIAL NATURE AND IS INTENDED FOR OFFICIAL USE ONLY. IT IS TO BE CONTROLLED AND DISTRIBUTED IN ACCORDANCE WITH THE PROVISIONS OF THE AUTOMATIC DECLASSIFICATION GUIDE.

| | | | | | | | |
|---|--|---|--|-----------|--------------------|------------|----------|
| HONEYWELL LOC HONEYWELL INFORMATION SYSTEMS PHOENIX, ARIZONA U.S.A. | | TITLE LOGIC DIAGRAM-MT8FX SEL/INIT-OPI/RPI | | SIZE B | DWG NO 58039254 | SH 29.0 | REV L |
|---|--|---|--|-----------|--------------------|------------|----------|

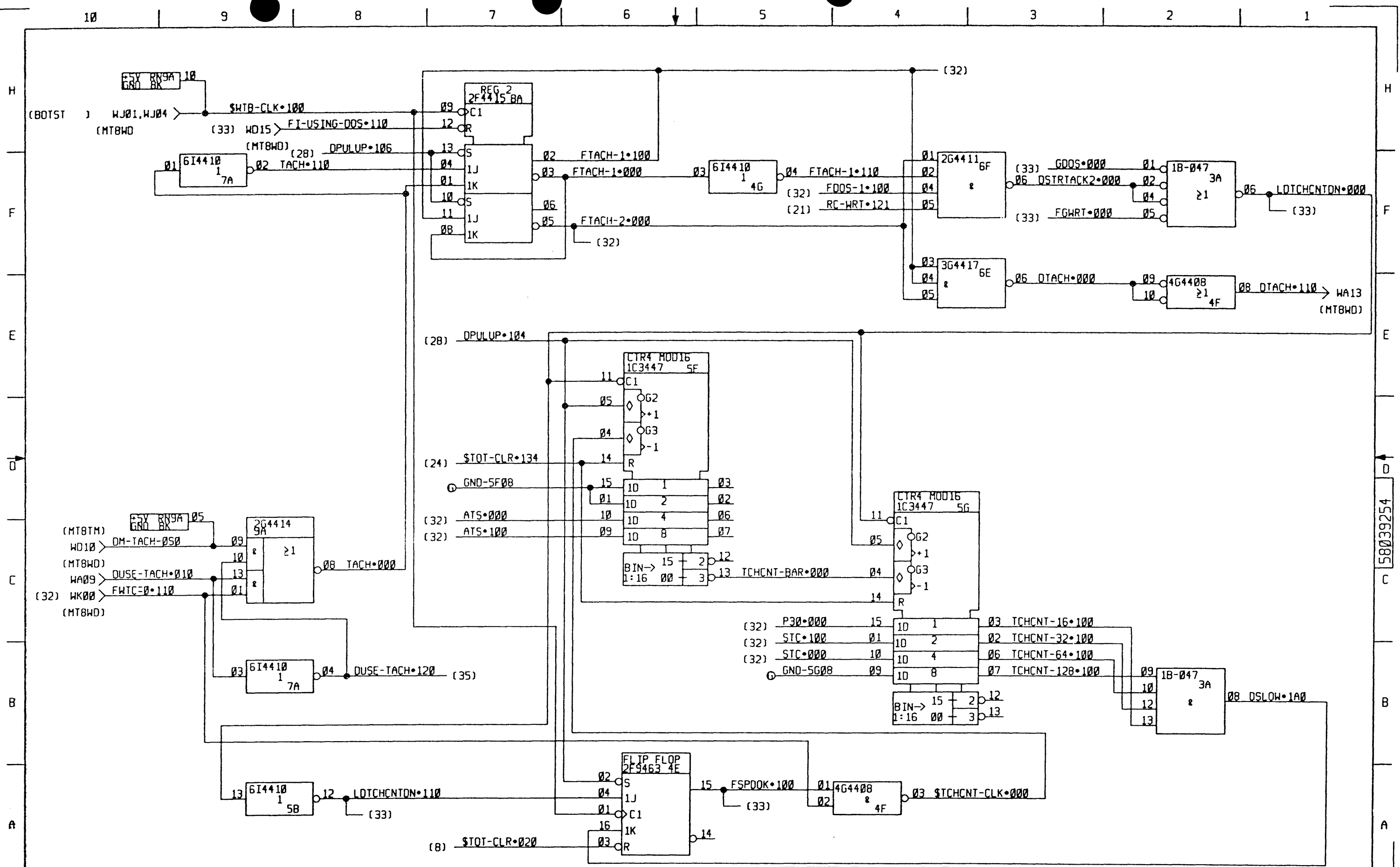
10 9 8 7 6 5



This diagram is not intended to be used as a substitute for the original design. It is provided for information only.

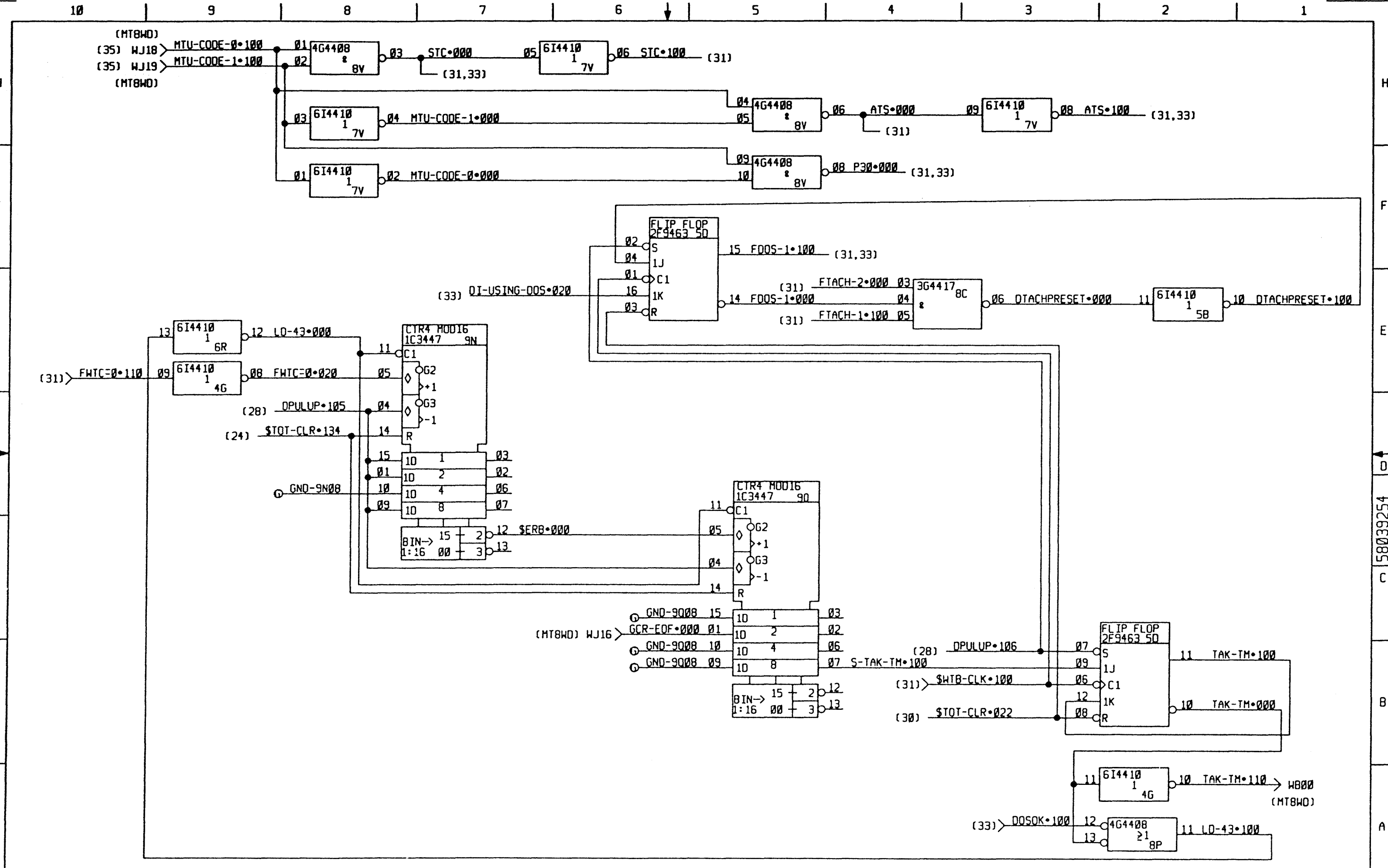
58039254

DO NOT WRITE IN THESE SPACES. ALL CHANGES TO THIS DIAGRAM SHOULD BE MADE ON A SEPARATE SHEET AND REFERENCED TO THIS SHEET BY A CORRECTED NUMBER. THE ORIGINAL NUMBER OF THIS SHEET IS 58039254.



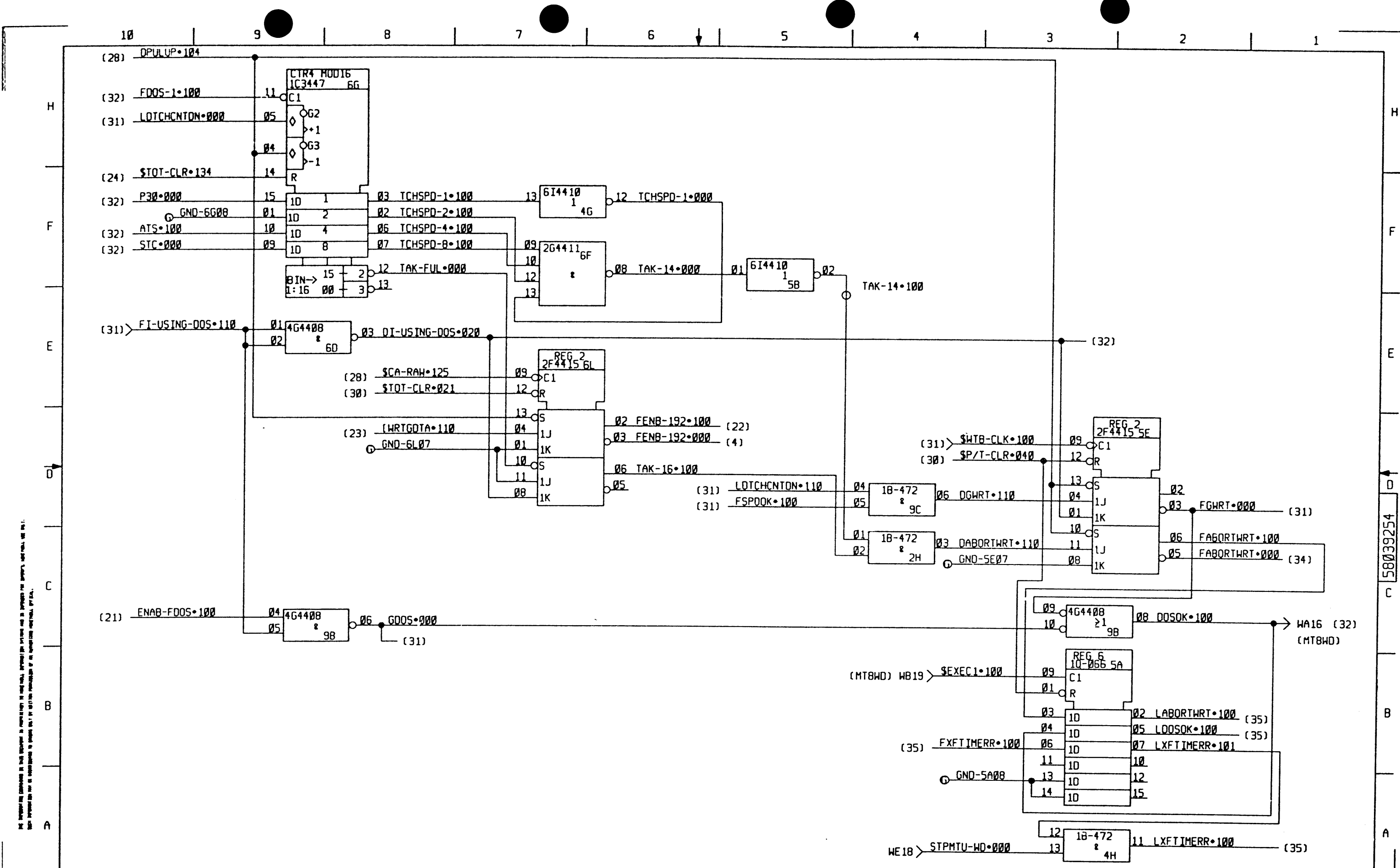
58039254

All references in this diagram to components are to the components shown in the component list on page 1 of this document. All references to components are to the components shown in the component list on page 1 of this document.



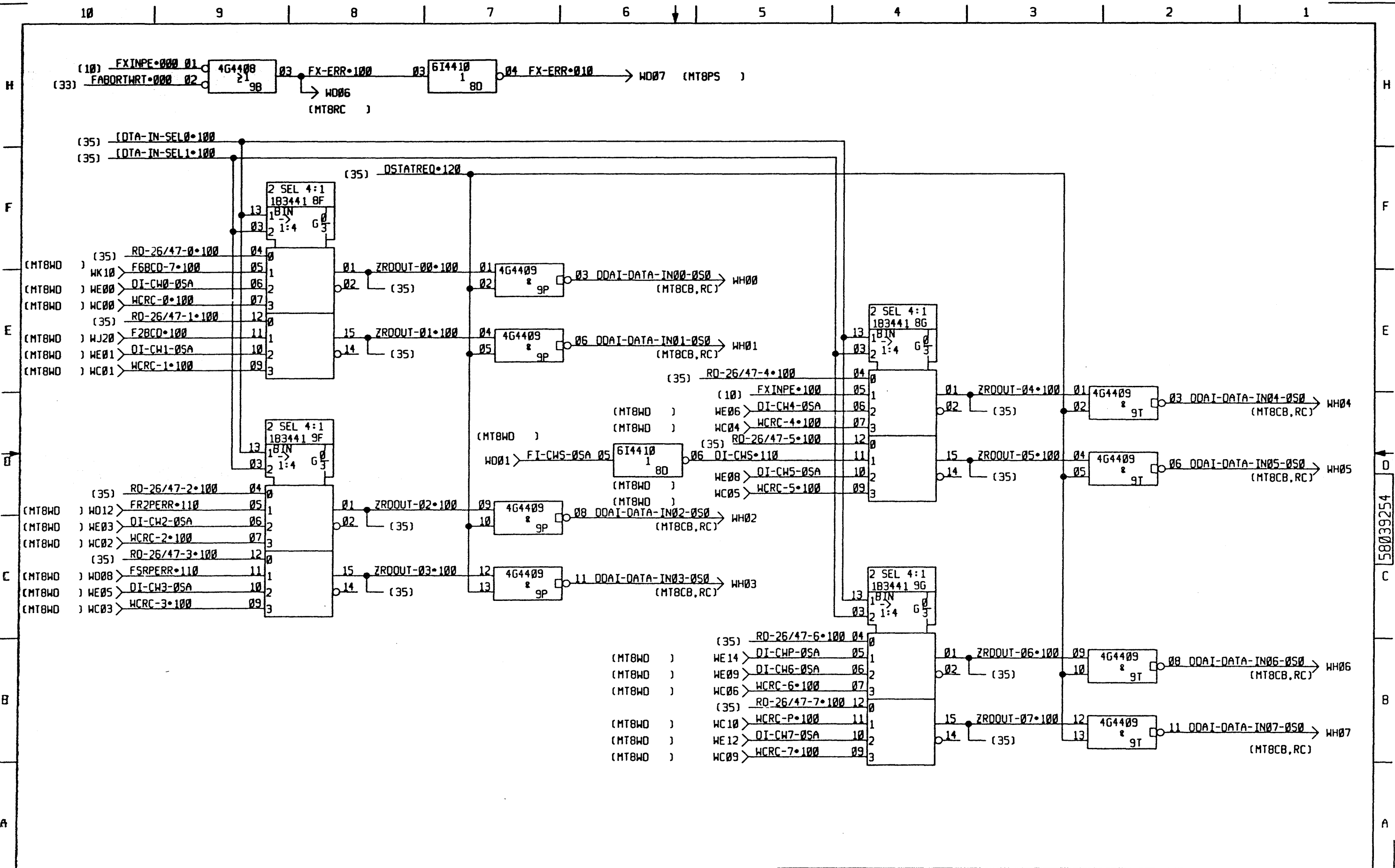
| | | | | | | |
|--|--|---|--------|-----------------|---------|-------|
| HONEYWELL HONEYWELL INFORMATION SYSTEMS PHOENIX, ARIZONA U.S.A. | | TITLE LOGIC DIAGRAM- MTBFX MTU DECODE & TACH GEN | SIZE B | DWG NO 58039254 | SH 32.0 | REV L |
|--|--|---|--------|-----------------|---------|-------|

58039254



THE INFORMATION CONTAINED IN THIS DOCUMENT IS UNCLASSIFIED EXCEPT WHERE SHOWN OTHERWISE. IT IS THE PROPERTY OF HONEYWELL INFORMATION SYSTEMS AND IS LOANED TO YOUR ORGANIZATION. IT AND ITS CONTENTS ARE NOT TO BE DISTRIBUTED OUTSIDE YOUR ORGANIZATION.

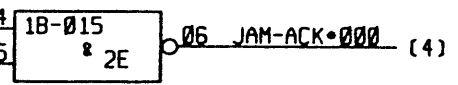
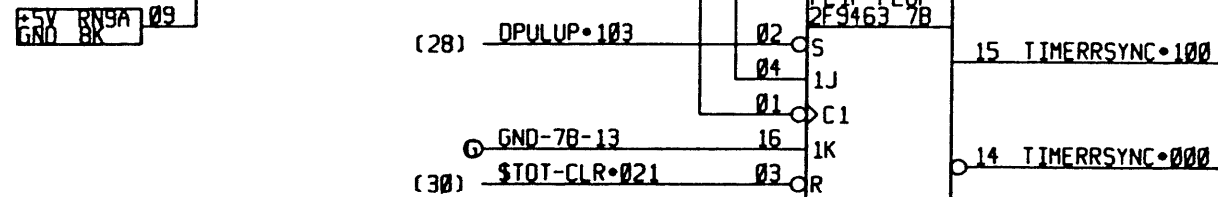
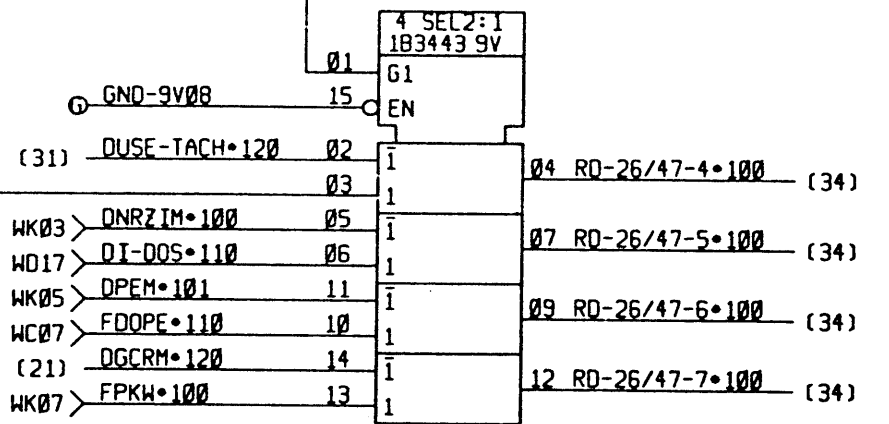
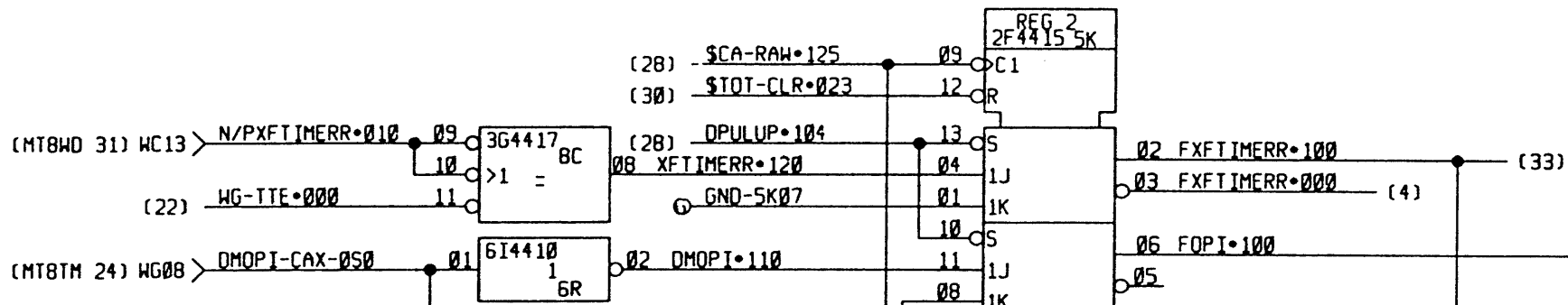
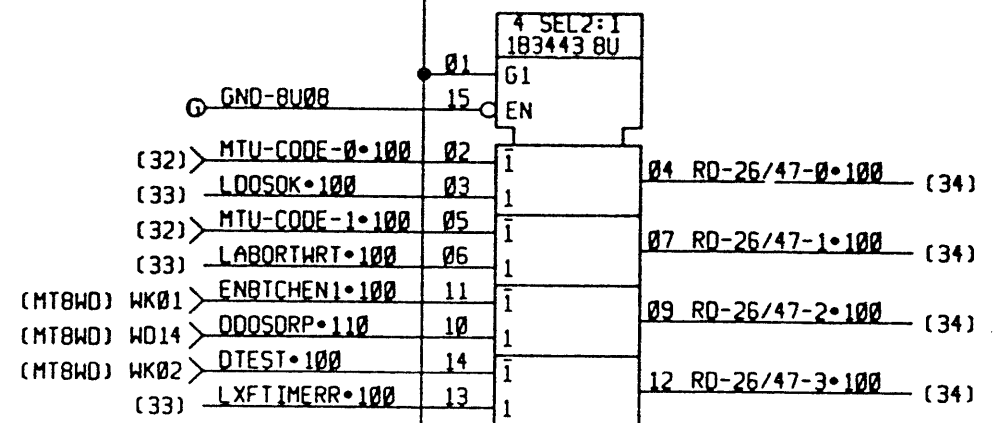
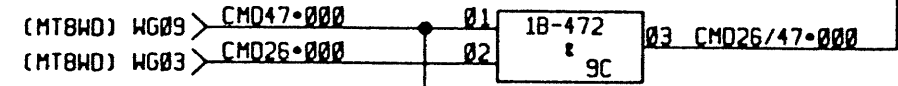
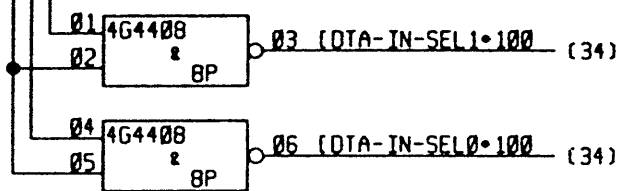
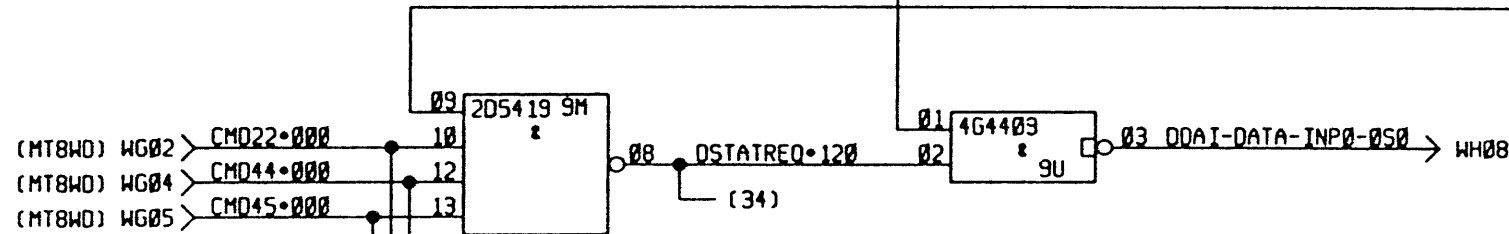
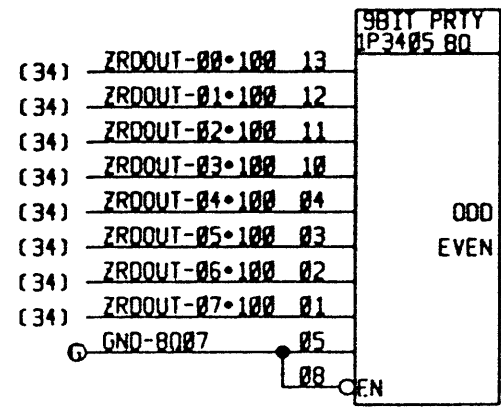
58039254



58039254

H
F
E
D
C
B
A

H
F
E
D
C
B
A



25. Information contained on this drawing is the property of Honeywell Information Systems and is furnished for reference only. All rights reserved. No part of this drawing may be reproduced or transmitted in any form or by any means electronic or mechanical, including photocopying, recording, or by any information storage and retrieval system, without permission in writing from Honeywell Information Systems.

58039254

1/9

COMP INSTL LIST - MT8FX

TAB-001

STANDARD LOCATION CODE PATTERN
 X-POS & Y-POS PER 58046507-001
 UNLESS OTHERWISE SHOWN, ROTATION IS NORTH

| LOC | TYPE | IDENT | X-POS | Y-POS | ROTATION |
|------|------------|----------------|-------|-------|----------|
| 00AE | P1043 | 43C212092P1043 | | | |
| 00BE | P9 | 43A114748P9 | | | |
| 00CE | P1043 | 43C212092P1043 | | | |
| 00EE | P9 | 43A114748P9 | | | |
| 00FE | P1043 | 43C212092P1043 | | | |
| 00JE | P1043 | 43C212092P1043 | | | |
| 00LE | P1043 | 43C212092P1043 | | | |
| 00ME | P9 | 43A114748P9 | | | |
| 00PE | P1043 | 43C212092P1043 | | | |
| 00QE | P9 | 43A114748P9 | | | |
| 00SE | P1043 | 43C212092P1043 | | | |
| 00TE | P9 | 43A114748P9 | | | |
| 00WE | P9 | 43A114748P9 | | | |
| 0A | 1Q-066 | 58002066-001 | | | |
| 0B | 1Q-066 | 58002066-001 | | | |
| 0C | 1Q-066 | 58002066-001 | | | |
| 0D | 1Q-066 | 58002066-001 | | | |
| 0E | 1Q-066 | 58002066-001 | | | |
| 0F | 1Q-066 | 58002066-001 | | | |
| 0G | 1Q-066 | 58002066-001 | | | |
| 0H | 1Q-066 | 58002066-001 | | | |
| 0J | 1Q-066 | 58002066-001 | | | |
| 0K | 1Q-066 | 58002066-001 | | | |
| 0M | 3G4417 | 43C216417P1 | | | |
| 0N | 1Z3464P079 | 43A216464P79 | | | |
| 0P | 1Z3464P079 | 43A216464P79 | | | |
| 0Q | 1Z3464P079 | 43A216464P79 | | | |
| 0R | RN3E | 43B216592P19 | | | |
| 0T | 1B-045 | 58002045-001 | | | |
| 10AE | P1043 | 43C212092P1043 | | | |
| 10BE | P9 | 43A114748P9 | | | |
| 10CE | P1043 | 43C212092P1043 | | | |

EDA

1/9

2

COMP INSTL LIST - MT8FX

TAB-001

| LOC | TYPE | IDENT | X-POS | Y-POS | ROTATION |
|------|------------|----------------|-------|-------|----------|
| 10EE | P9 | 43A114748P9 | | | |
| 10FE | P1043 | 43C212092P1043 | | | |
| 10JE | P1043 | 43C212092P1043 | | | |
| 10LE | P1043 | 43C212092P1043 | | | |
| 10ME | P9 | 43A114748P9 | | | |
| 10PE | P1043 | 43C212092P1043 | | | |
| 10QE | P9 | 43A114748P9 | | | |
| 10SE | P1043 | 43C212092P1043 | | | |
| 10TE | P9 | 43A114748P9 | | | |
| 10UE | P1043 | 43C212092P1043 | | | |
| 10WE | P9 | 43A114748P9 | | | |
| 1A | 1B-045 | 58002045-001 | | | |
| 1B | 1B-045 | 58002045-001 | | | |
| 1C | 1Q-066 | 58002066-001 | | | |
| 1D | 1Q-066 | 58002066-001 | | | |
| 1E | 1Q-066 | 58002066-001 | | | |
| 1F | 1Q-066 | 58002066-001 | | | |
| 1G | 1Q-066 | 58002066-001 | | | |
| 1H | 1Q-066 | 58002066-001 | | | |
| 1J | 1Q-066 | 58002066-001 | | | |
| 1K | 1Q-066 | 58002066-001 | | | |
| 1L | 4G4408 | 43C216408P1 | | | |
| 1M | 6J4410 | 43C216410P1 | | | |
| 1N | 1Z3464P079 | 43A216464P79 | | | |
| 1P | 1Z3464P079 | 43A216464P79 | | | |
| 1Q | 1Z3464P079 | 43A216464P79 | | | |
| 1R | 1P3405 | 43C216405P1 | | | |
| 1S | 1B-045 | 58002045-001 | | | |
| 1T | 1R9455 | 43C216455P1 | | | |
| 1U | 1B-045 | 58002045-001 | | | |
| 20AE | P1043 | 43C212092P1043 | | | |
| 20BE | P9 | 43A114748P9 | | | |
| 20CE | P1043 | 43C212092P1043 | | | |
| 20EE | P9 | 43A114748P9 | | | |
| 20FE | P1043 | 43C212092P1043 | | | |
| 20JE | P1043 | 43C212092P1043 | | | |
| 20LE | P1043 | 43C212092P1043 | | | |
| 20ME | P9 | 43A114748P9 | | | |

EDA

2

COMP INSTL LIST - MT8FX

COMP INSTL LIST - MT8FX

TAB-001

| LOC | TYPE | IDENT | X-POS | Y-POS | ROTATION |
|------|------------|----------------|-------|-------|----------|
| 20PE | P1043 | 43C212092P1043 | | | |
| 20QE | P9 | 43A114748P9 | | | |
| 20SE | P1043 | 43C212092P1043 | | | |
| 20TE | P9 | 43A114748P9 | | | |
| 20UE | P1043 | 43C212092P1043 | | | |
| 20WE | P9 | 43A114748P9 | | | |
| 2A | 1B-045 | 58002045-001 | | | |
| 2B | 1Q-066 | 58002066-001 | | | |
| 2C | 1Q-066 | 58002066-001 | | | |
| 2D | 1E-011 | 58002011-001 | | | |
| 2E | 1B-015 | 58002015-001 | | | |
| 2F | 1B-053 | 58002053-001 | | | |
| 2G | 3G4417 | 43C216417P1 | | | |
| 2H | 1B-472 | 58002472-001 | | | |
| 2J | 1B3443 | 43C216443P1 | | | |
| 2K | 1B3443 | 43C216443P1 | | | |
| 2L | 1B3443 | 43C216443P1 | | | |
| 2M | 2G4411 | 43C216411P1 | | | |
| 2N | 1Z3464P079 | 43A216464P79 | | | |
| 2P | 1Z3464P079 | 43A216464P79 | | | |
| 2Q | 1Z3464P079 | 43A216464P79 | | | |
| 2R | 6I4410 | 43C216410P1 | | | |
| 2S | 1Q-066 | 58002066-001 | | | |
| 2T | 1Q-066 | 58002066-001 | | | |
| 2U | 3G4417 | 43C216417P1 | | | |
| 30AE | P1043 | 43C212092P1043 | | | |
| 30CE | P1043 | 43C212092P1043 | | | |
| 30EE | P9 | 43A114748P9 | | | |
| 30FE | P1043 | 43C212092P1043 | | | |
| 30JE | P1043 | 43C212092P1043 | | | |
| 30LE | P1043 | 43C212092P1043 | | | |
| 30ME | P9 | 43A114748P9 | | | |
| 30PE | P1043 | 43C212092P1043 | | | |
| 30QE | P9 | 43A114748P9 | | | |
| 30SE | P1043 | 43C212092P1043 | | | |
| 30UE | P1043 | 43C212092P1043 | | | |
| 30WE | P9 | 43A114748P9 | | | |
| 3A | 1B-047 | 58002047-001 | | | |

TAB-001

| LOC | TYPE | IDENT | X-POS | Y-POS | ROTATION |
|------|------------|----------------|-------|-------|----------|
| 3B | 1B-045 | 58002045-001 | | | |
| 3C | 1C3447 | 43C216447P1 | | | |
| 3D | 1C3447 | 43C216447P1 | | | |
| 3E | 1B-045 | 58002045-001 | | | |
| 3F | 6I4410 | 43C216410P1 | | | |
| 3G | 1B-045 | 58002045-001 | | | |
| 3H | 6I4410 | 43C216410P1 | | | |
| 3J | 1B3443 | 43C216443P1 | | | |
| 3K | 1B3443 | 43C216443P1 | | | |
| 3L | 1B3443 | 43C216443P1 | | | |
| 3M | 1Z3464P078 | 43A216464P78 | | | |
| 3N | 1Z3464P078 | 43A216464P78 | | | |
| 3P | 1Z3464P078 | 43A216464P78 | | | |
| 3Q | RN3E | 43B216592P19 | | | |
| 3R | 1R9455 | 43C216455P1 | | | |
| 3S | 1R9455 | 43C216455P1 | | | |
| 3T | 1R9455 | 43C216455P1 | | | |
| 3U | 2F4415 | 43C216415P1 | | | |
| 3V | 2F9463 | 43C216463P1 | | | |
| 40AE | P1043 | 43C212092P1043 | | | |
| 40BE | P9 | 43A114748P9 | | | |
| 40CE | P1043 | 43C212092P1043 | | | |
| 40EE | P9 | 43A114748P9 | | | |
| 40FE | P1043 | 43C212092P1043 | | | |
| 40JE | P1043 | 43C212092P1043 | | | |
| 40LE | P1043 | 43C212092P1043 | | | |
| 40ME | P9 | 43A114748P9 | | | |
| 40PE | P1043 | 43C212092P1043 | | | |
| 40QE | P9 | 43A114748P9 | | | |
| 40SE | P1043 | 43C212092P1043 | | | |
| 40TE | P9 | 43A114748P9 | | | |
| 40UE | P1043 | 43C212092P1043 | | | |
| 40WE | P9 | 43A114748P9 | | | |
| 4A | 3G4417 | 43C216417P1 | | | |
| 4B | 6I4410 | 43C216410P1 | | | |
| 4C | 4G4408 | 43C216408P1 | | | |
| 4D | 2F4415 | 43C216415P1 | | | |
| 4E | 2F9463 | 43C216463P1 | | | |

COMP INSTL LIST - MTBFX

TAB-001

| LOC | TYPE | IDENT | X-POS | Y-POS | ROTATION |
|------|------------|----------------|-------|-------|----------|
| 4F | 4G4408 | 43C216408P1 | | | |
| 4G | 6I4410 | 43C216410P1 | | | |
| 4H | 1B-472 | 58002472-001 | | | |
| 4J | 1B3443 | 43C216443P1 | | | |
| 4K | 1B3443 | 43C216443P1 | | | |
| 4L | 1B3443 | 43C216443P1 | | | |
| 4M | 1Z3464P078 | 43A216464P78 | | | |
| 4N | 1Z3464P078 | 43A216464P78 | | | |
| 4P | 1Z3464P078 | 43A216464P78 | | | |
| 4Q | RN3E | 43B216592P19 | | | |
| 4R | 1R9455 | 43C216455P1 | | | |
| 4S | 1R9455 | 43C216455P1 | | | |
| 4T | 1R9455 | 43C216455P1 | | | |
| 4U | 1B-472 | 58002472-001 | | | |
| 4V | 2G4411 | 43C216411P1 | | | |
| 50AE | P1043 | 43C212092P1043 | | | |
| 50BE | P9 | 43A114748P9 | | | |
| 50CE | P1043 | 43C212092P1043 | | | |
| 50EE | P9 | 43A114748P9 | | | |
| 50FE | P1043 | 43C212092P1043 | | | |
| 50JE | P1043 | 43C212092P1043 | | | |
| 50LE | P1043 | 43C212092P1043 | | | |
| 50ME | P9 | 43A114748P9 | | | |
| 50PE | P1043 | 43C212092P1043 | | | |
| 50QE | P9 | 43A114748P9 | | | |
| 50SE | P1043 | 43C212092P1043 | | | |
| 50TE | P9 | 43A114748P9 | | | |
| 50UE | P1043 | 43C212092P1043 | | | |
| 50WE | P9 | 43A114748P9 | | | |
| 5A | 1Q-066 | 58002066-001 | | | |
| 5B | 6I4410 | 43C216410P1 | | | |
| 5C | 1P3405 | 43C216405P1 | | | |
| 5D | 2F9463 | 43C216463P1 | | | |
| 5E | 2F4415 | 43C216415P1 | | | |
| 5F | 1C3447 | 43C216447P1 | | | |
| 5G | 1C3447 | 43C216447P1 | | | |
| 5H | 2F4415 | 43C216415P1 | | | |
| 5J | 6I4410 | 43C216410P1 | | | |

COMP INSTL LIST - MTBFX

TAB-001

| LOC | TYPE | IDENT | X-POS | Y-POS | ROTATION |
|------|------------|----------------|-------|-------|----------|
| 5K | 2F4415 | 43C216415P1 | | | |
| 5L | RN3E | 43B216592P19 | | | |
| 5M | 1Z3464P078 | 43A216464P78 | | | |
| 5N | 1Z3464P078 | 43A216464P78 | | | |
| 5P | 1Z3464P078 | 43A216464P78 | | | |
| 5Q | RN3E | 43B216592P19 | | | |
| 5R | 1R9455 | 43C216455P1 | | | |
| 5S | 1R9455 | 43C216455P1 | | | |
| 5T | 1R9455 | 43C216455P1 | | | |
| 5U | 2F4415 | 43C216415P1 | | | |
| 5V | 2F4415 | 43C216415P1 | | | |
| 60AE | P1043 | 43C212092P1043 | | | |
| 60CE | P1043 | 43C212092P1043 | | | |
| 60EE | P9 | 43A114748P9 | | | |
| 60FE | P1043 | 43C212092P1043 | | | |
| 60JE | P1043 | 43C212092P1043 | | | |
| 60LE | P1043 | 43C212092P1043 | | | |
| 60ME | P9 | 43A114748P9 | | | |
| 60PE | P1043 | 43C212092P1043 | | | |
| 60QE | P9 | 43A114748P9 | | | |
| 60SE | P1043 | 43C212092P1043 | | | |
| 60UE | P1043 | 43C212092P1043 | | | |
| 60WE | P9 | 43A114748P9 | | | |
| 6A | 1B-472 | 58002472-001 | | | |
| 6B | 2F4415 | 43C216415P1 | | | |
| 6C | 3G4417 | 43C216417P1 | | | |
| 6D | 4G4408 | 43C216408P1 | | | |
| 6E | 3G4417 | 43C216417P1 | | | |
| 6F | 2G4411 | 43C216411P1 | | | |
| 6G | 1C3447 | 43C216447P1 | | | |
| 6H | 1B3442 | 43C216442P1 | | | |
| 6J | 1B3442 | 43C216442P1 | | | |
| 6K | 1B3442 | 43C216442P1 | | | |
| 6L | 2F4415 | 43C216415P1 | | | |
| 6M | 1C3447 | 43C216447P1 | | | |
| 6N | 1C3447 | 43C216447P1 | | | |
| 6P | 1Z3464P081 | 43A216464P81 | | | |
| 6Q | 1Z3464P080 | 43A216464P80 | | | |

COMP INSTL LIST - MT8FX

TAB-001

| LOC | TYPE | IDENT | X-POS | Y-POS | ROTATION |
|------|--------|----------------|-------|-------|----------|
| 6R | 6I4410 | 43C216410P1 | | | |
| 6S | 4G4408 | 43C216408P1 | | | |
| 6T | 3G4417 | 43C216417P1 | | | |
| 6U | 2F4415 | 43C216415P1 | | | |
| 6V | 2F4415 | 43C216415P1 | | | |
| 70AE | P1043 | 43C212092P1043 | | | |
| 70BE | P9 | 43A114748P9 | | | |
| 70CE | P1043 | 43C212092P1043 | | | |
| 70EE | P9 | 43A114748P9 | | | |
| 70FE | P1043 | 43C212092P1043 | | | |
| 70JE | P1043 | 43C212092P1043 | | | |
| 70LE | P1043 | 43C212092P1043 | | | |
| 70ME | P9 | 43A114748P9 | | | |
| 70PE | P1043 | 43C212092P1043 | | | |
| 70QE | P9 | 43A114748P9 | | | |
| 70SE | P1043 | 43C212092P1043 | | | |
| 70TE | P9 | 43A114748P9 | | | |
| 70UE | P1043 | 43C212092P1043 | | | |
| 70WE | P9 | 43A114748P9 | | | |
| 7A | 6I4410 | 43C216410P1 | | | |
| 7B | 2F9463 | 43C216463P1 | | | |
| 7C | 1B3442 | 43C216442P1 | | | |
| 7D | 1B3442 | 43C216442P1 | | | |
| 7E | 1B3442 | 43C216442P1 | | | |
| 7F | 1B3442 | 43C216442P1 | | | |
| 7G | 1B3442 | 43C216442P1 | | | |
| 7H | 1B3442 | 43C216442P1 | | | |
| 7J | 4D2547 | 43B216547P1 | | | |
| 7K | 4D2547 | 43B216547P1 | | | |
| 7L | 6I4410 | 43C216410P1 | | | |
| 7M | 6I4410 | 43C216410P1 | | | |
| 7N | 3G4417 | 43C216417P1 | | | |
| 7P | 1N3450 | 43C216450P1 | | | |
| 7Q | 2G4411 | 43C216411P1 | | | |
| 7R | 2F4415 | 43C216415P1 | | | |
| 7S | 1B3443 | 43C216443P1 | | | |
| 7T | 1B3443 | 43C216443P1 | | | |
| 7U | 2F4415 | 43C216415P1 | | | |

COMP INSTL LIST - MT8FX

TAB-001

| LOC | TYPE | IDENT | X-POS | Y-POS | ROTATION |
|------|--------|----------------|-------|-------|----------|
| 7V | 6I4410 | 43C216410P1 | | | |
| 80AE | P1043 | 43C212092P1043 | | | |
| 80BE | P9 | 43A114748P9 | | | |
| 80CE | P1043 | 43C212092P1043 | | | |
| 80EE | P9 | 43A114748P9 | | | |
| 80FE | P1043 | 43C212092P1043 | | | |
| 80JE | P1043 | 43C212092P1043 | | | |
| 80LE | P1043 | 43C212092P1043 | | | |
| 80ME | P9 | 43A114748P9 | | | |
| 80PE | P1043 | 43C212092P1043 | | | |
| 80QE | P9 | 43A114748P9 | | | |
| 80SE | P1043 | 43C212092P1043 | | | |
| 80TE | P9 | 43A114748P9 | | | |
| 80UE | P1043 | 43C212092P1043 | | | |
| 80WE | P9 | 43A114748P9 | | | |
| 8A | 2F4415 | 43C216415P1 | | | |
| 8B | 4G4408 | 43C216408P1 | | | |
| 8C | 3G4417 | 43C216417P1 | | | |
| 8D | 6I4410 | 43C216410P1 | | | |
| 8E | 2F9463 | 43C216463P1 | | | |
| 8F | 1B3441 | 43C216441P1 | | | |
| 8G | 1B3441 | 43C216441P1 | | | |
| 8H | 1P3405 | 43C216405P1 | | | |
| 8J | 4D2547 | 43B216547P1 | | | |
| 8K | RN9A | 43B216592P22 | | | |
| 8L | 6I4410 | 43C216410P1 | | | |
| 8M | 6I4410 | 43C216410P1 | | | |
| 8N | 4G4408 | 43C216408P1 | | | |
| 8P | 4G4408 | 43C216408P1 | | | |
| 8Q | 1P3405 | 43C216405P1 | | | |
| 8R | 4G4408 | 43C216408P1 | | | |
| 8S | 1Q-066 | 58002066-001 | | | |
| 8T | 1Q-066 | 58002066-001 | | | |
| 8U | 1B3443 | 43C216443P1 | | | |
| 8V | 4G4408 | 43C216408P1 | | | |
| 90AE | P1043 | 43C212092P1043 | | | |
| 90EE | P9 | 43A114748P9 | | | |
| 90FE | P1043 | 43C212092P1043 | | | |

HONEYWELL INFORMATION SYSTEMS
 LOC PHOENIX, ARIZONA, U.S.A.

58071472
 FINAL

9

COMP INSTL LIST - MT8FX

TAB-001

| LOC | TYPE | IDENT | X-POS | Y-POS | ROTATION |
|------|--------|----------------|-------|-------|----------|
| 90JE | P1043 | 43C212092P1043 | | | |
| 90LE | P1043 | 43C212092P1043 | | | |
| 90ME | P9 | 43A114748P9 | | | |
| 90PE | P1043 | 43C212092P1043 | | | |
| 90QE | P9 | 43A114748P9 | | | |
| 90UE | P1043 | 43C212092P1043 | | | |
| 90WE | P9 | 43A114748P9 | | | |
| 9A | 2G4414 | 43C216414P1 | | | |
| 9B | 4G4408 | 43C216408P1 | | | |
| 9C | 1B-472 | 58002472-001 | | | |
| 9D | 1Q-066 | 58002066-001 | | | |
| 9E | 1Q-066 | 58002066-001 | | | |
| 9F | 1B3441 | 43C216441P1 | | | |
| 9G | 1B3441 | 43C216441P1 | | | |
| 9H | 2G4411 | 43C216411P1 | | | |
| 9J | 2F4415 | 43C216415P1 | | | |
| 9K | 2D5419 | 43C216419P1 | | | |
| 9L | 2D5419 | 43C216419P1 | | | |
| 9M | 2D5419 | 43C216419P1 | | | |
| 9N | 1C3447 | 43C216447P1 | | | |
| 9P | 4G4409 | 43C216409P1 | | | |
| 9Q | 1C3447 | 43C216447P1 | | | |
| 9R | 6I4410 | 43C216410P1 | | | |
| 9S | 4D2547 | 43B216547P1 | | | |
| 9T | 4G4409 | 43C216409P1 | | | |
| 9U | 4G4409 | 43C216409P1 | | | |
| 9V | 1B3443 | 43C216443P1 | | | |

EDA

81-05-29

REV. A

58071472
 FINAL

9