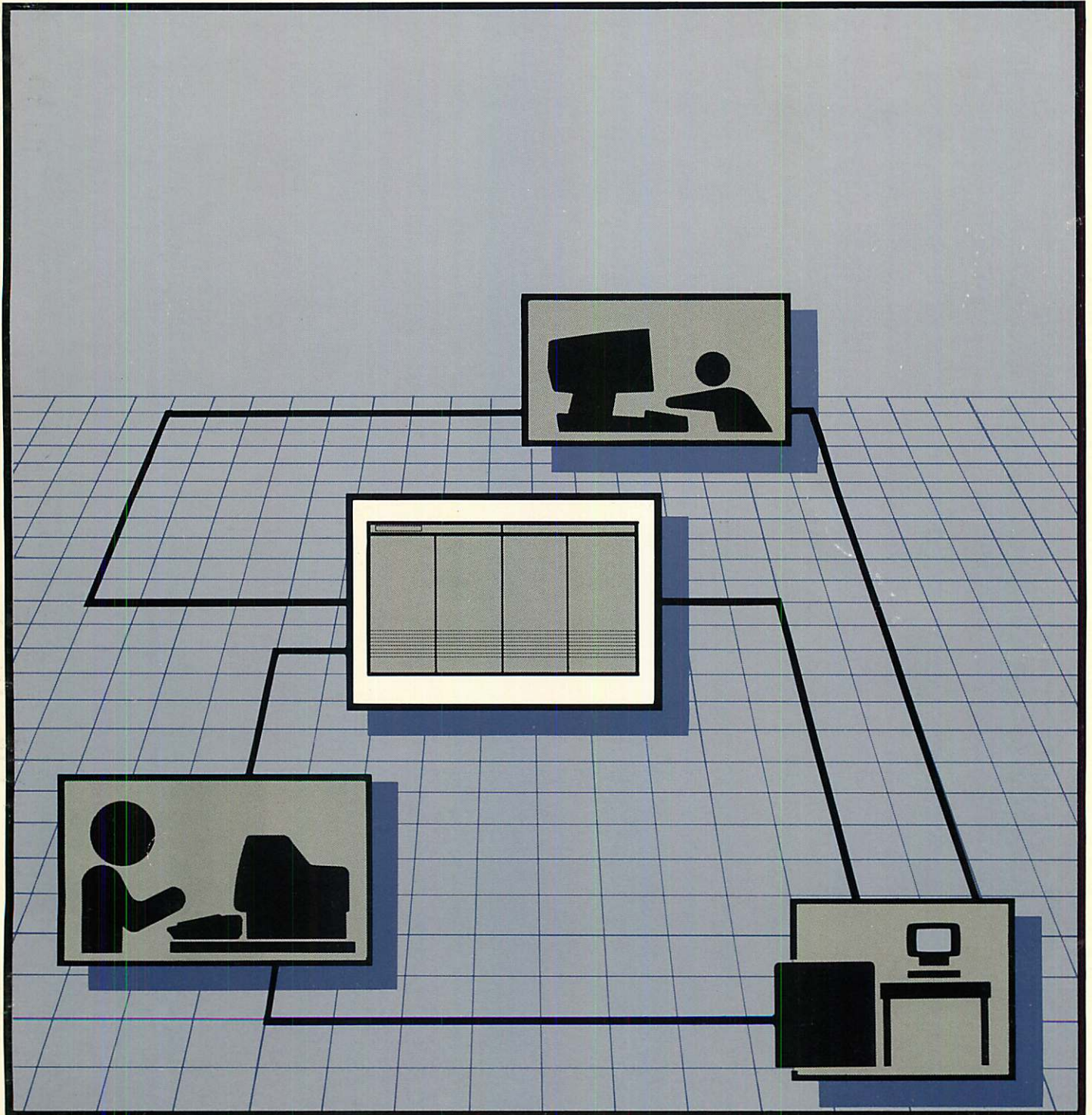


NS3000/V

Network Manager Reference Manual

Volume I



HP AdvanceNet

NS3000/V Network Manager Reference Manual

Volume I



19420 Homestead Road, Cupertino, CA 95014

Part No. 32344-90002
E1088

Printed in U.S.A. OCT 1988

NOTICE

The information contained in this document is subject to change without notice.

HEWLETT-PACKARD MAKES NO WARRANTY OF ANY KIND WITH REGARD TO THIS MATERIAL, INCLUDING, BUT NOT LIMITED TO, THE IMPLIED WARRANTIES OF MERCHANTABILITY AND FITNESS FOR A PARTICULAR PURPOSE. Hewlett-Packard shall not be liable for errors contained herein or for incidental or consequential damages in connection with the furnishing, performance or use of this material.

Hewlett-Packard assumes no responsibility for the use or reliability of its software on equipment that is not furnished by Hewlett-Packard.

This document contains proprietary information which is protected by copyright. All rights are reserved. No part of this document may be photocopied, reproduced or translated to another language without the prior written consent of Hewlett-Packard Company.

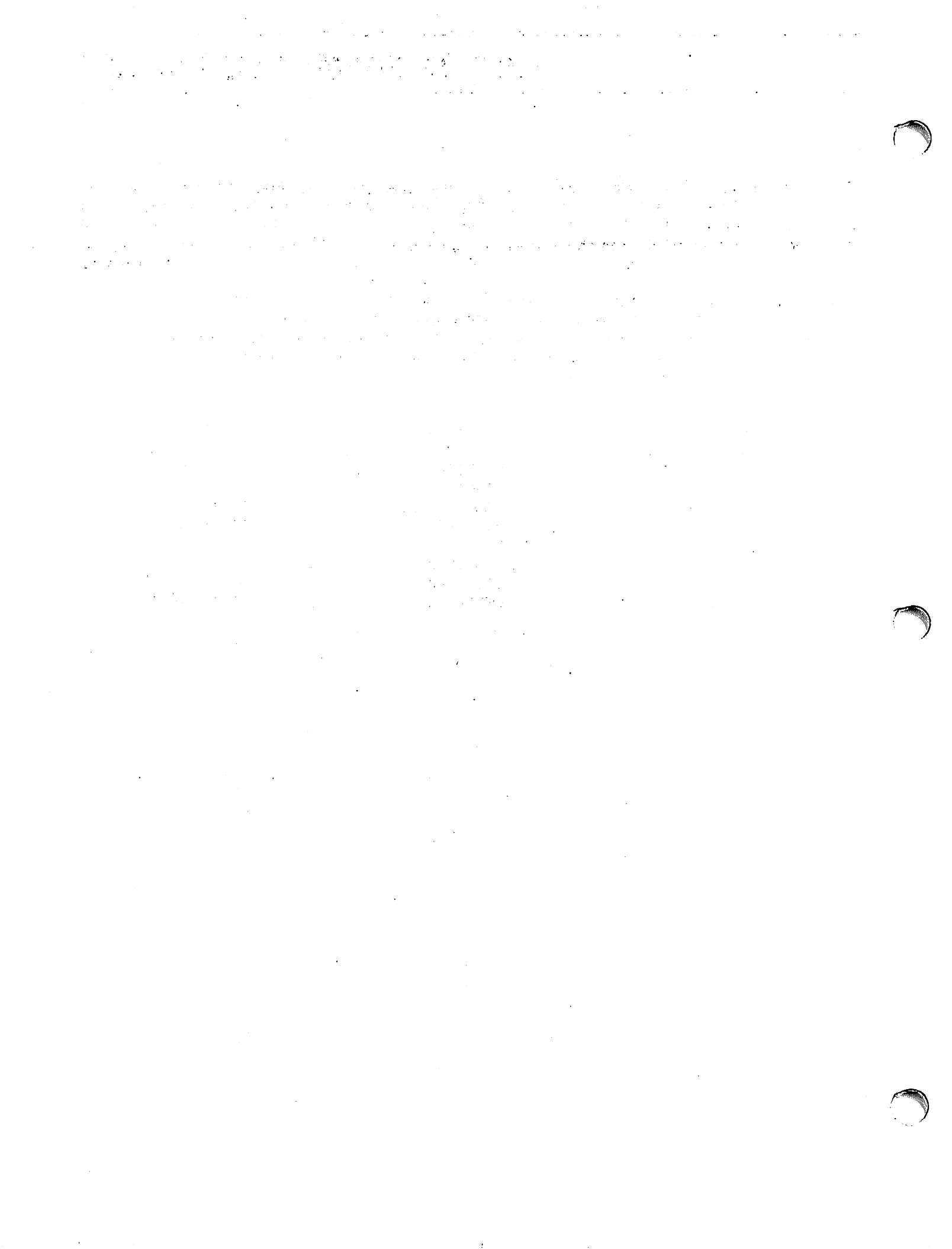
Copyright © 1987, 1988 by HEWLETT-PACKARD COMPANY

PRINTING HISTORY

New editions are complete revisions of the manual. Update packages, which are issued between editions, contain additional and replacement pages to be merged into the manual by the customer. The dates on the title page change only when a new edition or a new update is published. No information is incorporated into a reprinting unless it appears as a prior update; the edition does not change when an update is incorporated.

The software code printed alongside the date indicates the version level of the software product at the time the manual or update was issued. Many product updates and fixes do not require manual changes and, conversely, manual corrections may be done without accompanying product changes. Therefore, do not expect a one to one correspondence between product updates and manual updates.

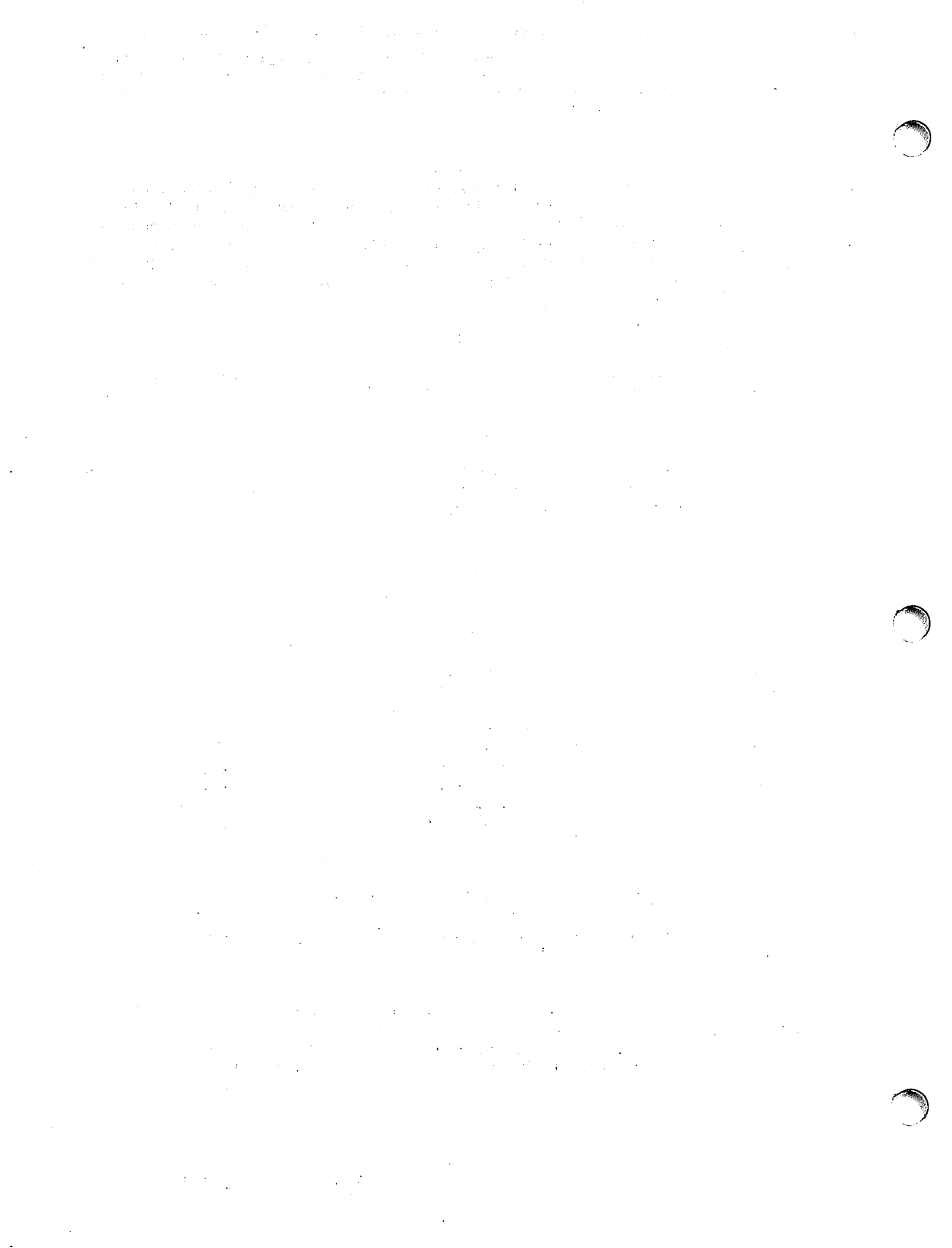
First Edition	JUN 1985.	32344A.00.00
Update 1.	NOV 1985.	32344A.00.00
Update 2.	JULY 1986.	32344A.00.00
Update 3.	NOV 1986.	32344A.00.02
Second Edition	MAY 1987.	32344A.00.04
Update 1.	JUL 1987.	32344A.00.05
Update 2.	DEC 1987.	32344A.00.06
Update 3.	APR 1988.	32344A.00.07
Update 4.	JUL 1988.	32344A.00.01
Third Edition.	OCT 1988.	32344A.00.09



LIST OF EFFECTIVE PAGES

The List of Effective Pages gives the date of the current edition and of any pages changed in updates to that edition. Within the manual, any page changed since the last edition is indicated by printing the date the changes were made on the bottom of the page. Changes are marked with a vertical bar in the margin. If an update is incorporated when an edition is reprinted, these bars are removed but the dates remain. No information is incorporated into a reprinting unless it appears as a prior update. To verify that your manual contains the most current information, check that the date printed at the bottom of the page matches the date listed below for that page.

Effective Pages	Date
All.	Oct 1988



PREFACE

Hewlett-Packard AdvanceNet is a combination of hardware and software products that make it possible for Hewlett-Packard computer systems to communicate with one another and with IBM mainframes. The system-to-system or system-to-network connections can be made over the coaxial cable of a local area network, over hardwired or leased lines, over the public telephone facility, or across X.21 or X.25 compatible Packet Switching Networks (PSNs), in any mixture. This capability, coupled with remote-entry capability to IBM computer systems, provides a total solution to large-company electronic data processing (EDP) needs.

HP AdvanceNet allows a large multidivisional corporation to have a truly coordinated world-wide network of computer systems. They are coordinated in the sense that the various commercial and industrial functions within each division and factory are tied together; they are also coordinated in the larger sense of tying together the various divisions and factories at the corporate level.

For example, imagine a large corporation which has factories in the United States, Canada, France, and West Germany. Within each factory there are HP 3000 computer systems performing such functions as inventory control, factory data collection, and operations management. With Hewlett-Packard AdvanceNet data communications products, these manufacturing information systems can be connected to an HP 3000 system which handles the factory's administrative functions (such as finance and accounting). The administrative systems of each factory can, in turn, be connected not only to one another (via a local area network) but also (via remote job entry) to a large computer facility at corporate headquarters. This overall networking capability makes it possible to perform financial analysis and control at a group and corporate level as well as at the individual factories.

PREFACE (continued)

HP Network Services for MPE-V/E Based Systems (NS3000/V) is the HP data communications product that enables your HP 3000 to communicate with other HP computer systems as part of a distributed network. These systems can be other HP 3000s, HP 9000s, HP 1000s and PCs. Networks that operate over NS3000/V links can be interconnected to form a catenet, or internetwork. There are several network link products for NS3000/V, as described below.

The following link products connect computers on a local area network using the IEEE 802.3 networking standard:

- ThinLAN/3000 Link (includes ThickLAN option for thick coaxial cable).
- StarLAN/3000 Link.
- StarLAN 10 3000/V Link

Two other link products enable you to establish remote connections to HP 3000s, as well as local connections, using point-to-point networking technology:

- Asynchronous SERIAL Network Link for MPE-V/E based systems (Asynchronous 3000/V Link).
- NS Point-to-Point Network Link for MPE-V/E based systems (NS Point-to-Point 3000/V Link).

Finally, the following link product allows HP 3000s to connect to public or private packet switching networks (PSNs) using X.25:

- NS X.25 Network Link for MPE-V/E based systems (NS X.25 3000/V Link).

Intended Audience of this Manual

This manual is intended for those with a good deal of knowledge in data communications. Also required is knowledge of the MPE-V operating system at the system supervisor level, and a familiarity with the SYSDUMP dialogue, resource management, and console commands.

Related Publications

The following HP publications contain additional information about Network Services (NS3000/V), the MPE-V operating system, and the link products used with NS3000/V.

General NS3000/V Link Manuals:

- *NS3000/V Error Message and Recovery Manual* (32344-90005)
- *NS3000/V Network Manager Reference Manual, Volume II* (32344-90012)
- *NetIPC3000/V Programmer's Reference Manual* (5958-8581)
- *NS Message Formats Reference Manual* (5958-8523)
- *NS X.25 3000/V LINK Guide* (24405-90002)

Network Services Manuals:

- *NS3000/V User/Programmer Reference Manual* (32344-90001)
- *NS Cross-System NFT Reference Manual* (5958-8563)
- *NS Cross-System Network Manager Reference Manual* (5958-8564)
- *SNA Link Services Manual* (30246-90003)

HP ThickLAN Manuals:

- *LAN Cable and Accessories Installation Manual* (5955-7680) (For use with coaxial cable LAN links)
- *LAN3000/V Diagnostic and Troubleshooting Guide* (30242-90003)
(This manual is referred to as *LAN/3000 Diagnostic and Troubleshooting Guide* throughout this manual set.)
- *LAN Link Hardware Troubleshooting Manual* (5955-7681)

For any HP OfficeShare Network (ThinLAN, StarLAN, SERIAL):

- *User's Guide -- HP OfficeShare Network* (50923-90000)
- *NFT User's Guide -- HP OfficeShare Network* (50923-90001)

PREFACE (continued)

For HP OfficeShare LANs (ThinLAN and StarLAN):

- *Welcome Guide for LANs -- HP OfficeShare Network (50929-90003)*
- *Planning Guide for LANs -- HP OfficeShare Network (50929-90000)*
- *PC Server Guide for LANs -- HP OfficeShare Network (50925-90000)*
- *PC Workstation Configuration Guide for LANs -- HP OfficeShare Network (50929-90001)*
- *Troubleshooting Guide for LANs -- HP OfficeShare Network (50929-90002)*

For HP SERIAL Networks:

- *SERIAL Network Guide -- HP OfficeShare Network (50930-90000)*

For HP StarLAN hardware:

- *HP 27211A StarLAN Interface Card Installation Guide (27211-90010)*
- *HP 27212A StarLAN Hub Installation Guide (27212-90010)*
- *HP 28647A Bridge Installation and Reference Manual (28647-90001)*
- *HP 30265A StarLAN/3000 Link Installation And Reference Manual (30265-90001)*

For HP StarLAN 10 hardware:

- *HP 28664A Twisted-pair MAU Installation Guide (28664-90001)*
- *HP 28663A StarLAN 10 Hub Installation Guide (28663-90001)*
- *HP 27236A StarLAN 10 Interface Card Installation Guide (27236-90001)*
- *HP StarLAN 10 Troubleshooting Guide (5959-2258)*

For HP ThinLAN hardware:

- *HP 27210A ThinLAN Interface Card Installation Guide (27210-90002)*
- *HP 28645A ThinLAN Hub Installation Manual (28645-90001)*
- *HP30240A OfficeShare LAN/3000 Link Local Area Network Interface Controller (LANIC) Installation and Service Manual (30240-90001) (For Series 37/MICRO3000 systems, part number 30240-90100.)*

PREFACE (continued)

Resource Sharing Manuals:

- *Resource Sharing: System Management* (32597-90001)
- *Resource Sharing: Utilities* (32597-90002)
- *Resource Sharing: Host Diagnostics* (32597-90003)
- *Resource Sharing: PC Backup PC User* (32597-90048)
- *Resource Sharing: PC Backup System Management*(32597-90049)

PREFACE (continued)

You may also wish to consult the following DS and DS-related reference manuals:

- *DS/3000 HP 3000 to HP 3000 User/Programmer Reference Manual (32185-90001)*
- *DS/3000 HP 3000 to HP 1000 Reference Manual for HP 3000 Users*

(32185-90005)

- *DS/3000 HP 3000 to HP 3000 Network Administrator Manual (32185-90002)*
- *X.25 Link for the HP 3000 Reference Manual (32187-90001)*
- *DS/1000-IV User's Manual (91750-90002)*

These additional reference manuals provide documentation for the MPE operating system and several subsystems available on the HP 3000:

- *Fundamental Data Communications Handbook (5957-4634)*
- *HP 3000 Computer Systems, MPE V Commands Reference Manual (32033-90006)*
- *HP 3000 Computer Systems, MPE V Intrinsic Reference Manual (32033-90007)*
- *HP 3000 Computer Systems, MPE V System Operation and Resource Management Reference Manual (32033-90005)*
- *IMAGE/3000 Reference Manual (32215-90003)*
- *QUERY/3000 Reference Manual (30000-90042)*
- *KSAM/3000 Reference Manual (30000-90079)*
- *TurboIMAGE Reference Manual (32215-90050)*
- *V/3000 Reference Manual (32209-90001)*
- *MPE File System Reference Manual (30000-90236)*
- *Workstation Configurator Reference Manual (30239-90001)*

INP Manuals:

- *HP 30020A INP Installation and Service Manual (30010-90001)*
- *HP 30020B INP Installation and Service Manual (30020-90005)*
- *HP 30244M INP Series 37 Installation and Service Manual (30244-90002)*

PREFACE (continued)

ATP Manuals:

- *Point-To-Point Workstation I/O Reference Manual* (30000-90250)
- *Terminal On-Line Diagnostic/Support Monitor (TERMDSM) Reference Manual* (For MPE V/E: 30144-90013)
- *HP 3000 Distributed Systems Network/Advanced Terminal Processor Off-line Diagnostic Procedures Manual* (30144-90003)
- *Asynchronous Data Communications Channel-Main and Asynchronous Data Communications Channel-Extended Diagnostic Manual* (30070-90037)
- *Advanced Terminal Processor (ATP) Installation Manual* (30144-90002)

HP2334A Statistical Multiplexer Manuals:

- *HP2334A MULTIMUX Reference and Service Manual* (02334-90001)
- *HP2334A Multimux Configuration Guide* (02334-90011)
- *HP2334A Plux X.25 MULTIPLEXER Reference Documentation* (02334-90013)
- *HP2334A Plux X.25 MULTIPLEXER Configuration Guide* (02334-90018)

Organization of the Manual

This manual is divided into two volumes. Volume I, which describes network design and configuration, contains the following sections:

Section 1, Introduction, of this manual introduces the network architecture and product structure of NS3000/V and associated links and describes each of the products in detail.

Section 2, Network Management, provides an overview of the tasks of network management. This section also provides references to other sections that cover certain areas of network management in greater detail.

Section 3, Network Planning and Configuration, explains concepts you will need to understand before planning, configuring, and installing an NS3000/V network or catenet.

Section 4, System Configuration, discusses changes and additions to your original system configuration which may become necessary due to changing circumstances at your installation. This section includes a detailed explanation of I/O configuration for the drivers and virtual terminals. System parameters and the SYSDUMP dialogue are also discussed.

Section 5, the Node Management Configurator (NMMGR), describes the operation of NMMGR, a utility program that provides a series of VPLUS/3000 block-mode screens to display and accept configuration information. The operation of NMMGR and the specifics of the utility screens are described.

PREFACE (continued)

Sections 6, 7, 8, 9, 10, 11, 12, 13 and 14 provide the field definitions of the configuration screens used to define the network configuration. These sections are organized as follows:

- Section 6, Guided Configuration
- Section 7, Link Configuration
- Section 8, Network Transport Configuration
- Section 9, LAN 802.3 Network Interface Configuration
- Section 10, Router Network Interface Configuration
- Section 11, Gateway Half Network Interface Configuration
- Section 12, X.25 Network Interface Configuration
- Section 13, Loopback Network Interface Configuration
- Section 14, Logging Configuration

Section 15, Network Directory, describes how to create and maintain a master network directory of your installation's network configuration.

Section 16, Maintenance Mode Interface, describes commands for modifying a network directory file or a regular configuration file.

Appendix A contains blank configuration worksheets to help you prepare for configuring your network as described in Volume I, Section 3, "Network Planning and Configuration".

Appendix B lists the supported modems for the NS3000/V product.

Appendix C describes how to convert configuration files.

Appendix D describes PC-to-HP 3000 communication.

Appendix E discusses NS versus DS INP configuration.

Volume II, which describes tasks performed after initial network configuration, contains the following sections:

Section 1, Commands, describes the MPE commands for NS3000/V link products.

Section 2, Software and Line Verification, describes both the utilities available for software verification and the line tests used to check that a node is communicating correctly with a network.

Section 3, Logging and Tracing, describes the NMS Trace/Log File Analyzer (NMDUMP).

Section 4, Changing the Network, describes how to change the network topology.

A glossary also is provided. For your convenience, the glossary is included with both volumes of this manual.

CONVENTIONS USED IN THIS MANUAL

NOTATION **DESCRIPTION**

nonitalics Words in syntax statements which are not in italics must be entered exactly as shown. Punctuation characters other than brackets, braces and ellipses must also be entered exactly as shown. For example:

EXIT;

italics Words in syntax statements which are in italics denote a parameter which must be replaced by a user-supplied variable. For example:

CLOSE *filename*

[] An element inside brackets in a syntax statement is optional. Several elements stacked inside brackets means the user may select any one or none of these elements. For example:

$\left[\begin{array}{l} A \\ B \end{array} \right]$ User *may* select A or B or neither.

{ } When several elements are stacked within braces in a syntax statement, the user must select one of those elements. For example:

$\left\{ \begin{array}{l} A \\ B \\ C \end{array} \right\}$ User *must* select A or B or C.

... A horizontal ellipsis in a syntax statement indicates that a previous element may be repeated. For example:

[,*itemname*]. . . ;

In addition, vertical and horizontal ellipses may be used in examples to indicate that portions of the example have been omitted.

A shaded delimiter preceding a parameter in a syntax statement indicates that the delimiter *must* be supplied whenever (a) that parameter is included or (b) that parameter is omitted and any *other* parameter which follows is included. For example:

itema [, *itemb*] [, *itemc*]

means that the following are allowed:

itema
itema, itemb
itema, itemb, itemc
itema, , itemc

CONVENTIONS (continued)

Δ When necessary for clarity, the symbol Δ may be used in a syntax statement to indicate a required blank or an exact number of blanks. For example:

```
SET[(modifier)] $\Delta$ (variable);
```

underlining When necessary for clarity in an example, user input may be underlined. For example:

```
NEW NAME? ALPHA
```

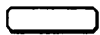
Brackets, braces or ellipses appearing in syntax or format statements which must be entered as shown will be underlined. For example:

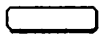
```
LET var[[subscript]] = value
```

Output and input/output parameters are underlined. A notation in the description of each parameter distinguishes input/output from output parameters. For example:

```
CREATE (parm1,parm2,flags,error)
```

shading Shading represents inverse video on the terminal's screen. In addition, it is used to emphasize key portions of an example.



The symbol  may be used to indicate a key on the terminal's keyboard. For example, **RETURN** indicates the carriage return key.

CONTROL*char*

Control characters are indicated by **CONTROL** followed by the character. For example, **CONTROL**Y means the user presses the control key and the character Y simultaneously.

Section 1 INTRODUCTION

System Requirements	1-2
Network Architecture	1-2
The OSI Model	1-3
Types of Networks	1-4
NS3000/V Network Types	1-5
Network Topology	1-6
Catenets	1-7
Gateways and Gateway Halves	1-8
NS3000/V Architecture	1-9
Protocols	1-10
OSI Layer 4 (Transport Layer) Protocols	1-11
OSI Layer 3 (Network Layer) Protocols	1-11
OSI Layer 2 (Data Link Layer) Protocols	1-12
OSI Layer 1 (Physical Layer) Protocols	1-12
Auxiliary Protocols	1-13
Network Links	1-14
Common Link Software	1-14
IEEE 802.3 Links	1-15
Medium Access Method for IEEE 802.3 Links	1-19
Hardware Components	1-19
Link Level Software	1-21
NS Point-to-Point 3000/V Link	1-21
Direct Connect Links	1-22
Dial Links	1-23
Leased Lines	1-23
Hardware and Cables for Dial Links and Leased Lines	1-23
Asynchronous SERIAL Network Link	1-23
Hardware and Cabling	1-24
Link Level Protocol	1-25
NS X.25 3000/V Link	1-25
Certified Public Networks	1-26
Private X.25 Networks	1-26
X.25 Direct Access	1-26
Optional DS-Compatible Links	1-27
Personal Computers as NS3000/V Nodes	1-28
NS3000/V Network Services	1-29
Services Available	1-29

CONTENTS (continued)

Section 2

NETWORK MANAGEMENT

Network Management Tasks	2-2
The Network and Catenet Management Lifecycle	2-3
Network Management Tools.	2-3
MPE Commands and Utilities	2-4
Node Management Services	2-5
CS/3000 Utilities.	2-6
Link Level Tools and Utilities.	2-6
Installing NS3000/V Links	2-7
Customer Installation Tasks for All NS3000/V Links	2-7
Additional Tasks for IEEE 802.3 Links.	2-9
HP Installation Tasks	2-9
Installing Network Services	2-10
Configuration and Initialization Overview.	2-10
Network and Configuration Planning	2-13
System Configuration	2-13
Network Configuration with NMMGR	2-14
Configuration Verification.	2-14
Network Directory	2-15
Network Control Management System	2-15

Section 3

NETWORK PLANNING AND CONFIGURATION

Software Components.	3-2
NS3000/V Software Subsystems	3-2
Configuration Files	3-2
Configuration Concepts	3-3
NS Routing	3-4
Intranet Routing	3-4
Internet Routing	3-5
Symbolic Names	3-6
Node Names	3-6
Other Names.	3-7
Network Addresses.	3-8
IP Address Format and Assignment	3-8
IEEE 802.3 Station Address Format and Assignment	3-10
Address Resolution.	3-10
Node Name to IP Address Resolution	3-10
IP to Subnet Address Resolution	3-12
Configuration Terminology	3-13
General Terms	3-13
Dial Link Terms	3-14
Router Network Terms	3-15
X.25 Network Terms	3-15
Gateway Terms	3-16
Non-Operational Links.	3-17

CONTENTS (continued)

Router Network Automatic Rerouting	3-17
Internet Redirection	3-20
Network Installation and Administration	3-24
Planning	3-25
Software and Hardware Installation	3-25
Configuration	3-26
SYSDUMP Configuration	3-27
NMMGR Configuration	3-27
Nodal Validation, Verification, and Synchronization	3-28
Network Startup	3-29
Line Verification	3-29
Network and Catenet Design Considerations	3-30
Line Speed	3-30
Geographical Location	3-30
Special Cases	3-31
Dial Links	3-31
Personal Computers	3-31
Other Non-HP 3000 Nodes	3-31
DS-Compatible Links	3-31
Network Interfaces and Design	3-32
Number of Network Interfaces	3-32
Gateways	3-32
Network Boundaries	3-33
Network Implementation and Support Plan	3-34
Network Maps and Configuration Worksheets	3-34
Configuration Worksheets: Terminology	3-37
Configuration Worksheets: Instructions	3-39
Catenet Worksheets	3-40
Catenet Map	3-40
Communication Between Networks	3-40
Network Boundaries	3-41
IP Network Addresses	3-41
Completing the Catenet Table	3-42
Network Worksheets	3-44
LAN Network Worksheets	3-45
Router Network Worksheets	3-48
X.25 Network Worksheets	3-51
Gateway-Half Pair Worksheets	3-62
Node Worksheets	3-67
LAN Node Internet Routing	3-69
Router Node Routing Information	3-72
Gateway Half Information for Node Worksheets	3-79

CONTENTS (continued)

Section 4 SYSTEM CONFIGURATION

System Configuration	4-3
I/O Configuration	4-4
Type 16, Subtype 0, 8 -- Virtual Terminals	4-11
Type 16, Subtype 0, 1 -- PAD Terminals	4-11
Type 32, Subtype 14 -- PAD Printers	4-12
Type 17, Subtype 9 -- LANIC Driver	4-13
Type 17, Subtype 0, 1, 3 -- INP Driver	4-13
Type 41, Subtype 0, 1 -- Communications Drivers	4-16
Type 42, Subtype 0, 1, 2 -- ATP Devices	4-17
Recommendations for System Parameters	4-19
Virtual Terminal Configuration Dialogue	4-23
PAD Device Configuration Dialogue	4-25
LANIC Configuration Dialogue	4-27
INP Configuration Dialogue	4-28
Device Driver (IOINP0 or IOINP1)	4-28
Communications Drivers (IODS0 and IODSX)	4-31
ATP Configuration Dialogue	4-33
Completing the SYSDUMP Dialogue	4-36
Configuration Examples	4-40

Section 5 THE NMS CONFIGURATOR (NMMGR)

Getting Started with NMMGR	5-2
The Open Configuration/Directory File Screen	5-3
Specifying the Configuration File Name	5-5
Opening or Creating the Configuration File	5-6
The Main Menu Screen	5-6
Getting Help	5-7
NMMGR Screen Structure	5-8
Configuration Files	5-9
Using NMMGR Configuration Screens	5-12
General Operation of Screens	5-12
The Header and Message Lines	5-13
Data Flag	5-13
Path Name	5-13
File Name	5-14
Command Window and the Enter Key	5-14
Screen Fields	5-17
Prior Screen Key	5-18
Refresh Screen Key	5-19
Menu Screens	5-19

CONTENTS (continued)

Select Screens	5-20
Data Screens.	5-23
Using NMMGR Utility Screens.	5-26
Output Configuration File.	5-27
Print Tree and Display Tree	5-28
Print Data	5-30
Print Summary	5-30
Print Subtree	5-33
Compress Configuration File	5-33
Validate Configuration File	5-35
Configuration Subtree Copy.	5-40
The Error Information Screen.	5-43
Making Configuration Changes	5-46

Section 6 GUIDED CONFIGURATION

Correcting Configuration Errors.	6-4
Netxport Configuration	6-5
Netxport Update.	6-15

Section 7 LINK CONFIGURATION

Link Configuration	7-3
Link Configuration: LAN802.3 Link Data.	7-6
Link Configuration: LAN802.3 Link Trace Data.	7-8
Link Configuration: BSC Link Data	7-11
Link Configuration: BSC Link Trace Data	7-14
Link Configuration: BSC Link Phone Data.	7-17
Link Configuration: LAP-B Link Data	7-19
Link Configuration: LAP-B Link Trace Data	7-22
Link Configuration: LAP-B Link Phone Data.	7-25
Link Configuration: ASNP Link Data	7-27
Link Configuration: ASNP Link Trace Data.	7-30
Link Configuration: ASNP Link Phone Data.	7-33

CONTENTS (continued)

Section 8

NETWORK TRANSPORT CONFIGURATION

Network Transport Configuration Selection	8-3
Node Configuration	8-4
Node Name Configuration	8-5
Global Transport Configuration	8-7
General Protocol Configuration	8-10
Internet Protocol Update Configuration	8-11
Packet Exchange Protocol (PXP) Configuration	8-14
Transmission Control Protocol (TCP) Configuration	8-17
X.25 PAD Device Configuration	8-21
Network Interface Configuration	8-24

Section 9

LAN802.3 NETWORK INTERFACE CONFIGURATION

LAN802.3 Network Interface Configuration	9-3
Protocol Configuration	9-6
Internet Protocol Configuration	9-7
Probe Protocol Configuration	9-10
LAN 802.3 Network Interface Link	9-13
Lan Link Configuration	9-15
Neighbor Gateways	9-17
Neighbor Gateway Reachable Networks	9-19
LAN 802.3 Mapping Configuration	9-22
Static Neighbor Node Configuration (LAN802.3)	9-24

Section 10

ROUTER NETWORK INTERFACE CONFIGURATION

Router Network Interface Configuration	10-3
Router Network Interface Protocol Configuration	10-7
Internet Protocol Configuration	10-8
Dial ID Protocol Configuration	10-11
Security String(s) Configuration	10-14
Router Network Interface Links	10-16
Direct Connect Link Configuration	10-19
Router Dial Link Configuration	10-21
Neighbor Gateways	10-23
Neighbor Gateway Reachable Networks	10-25
Router Mapping Configuration	10-28
Router Reachable Nodes	10-32

CONTENTS (continued)

Section 11

GATEWAY HALF NETWORK INTERFACE CONFIGURATION

Gateway Half Network Interface Configuration.	11-3
Protocol Configuration.	11-6
Internet Protocol Configuration	11-7
Dial ID Protocol Configuration.	11-10
Security String(s) Configuration	11-13
Gateway Half Network Interface Link.	11-15
Direct Connect Link Configuration.	11-17
Gateway Half Dial Link Configuration	11-19
Neighbor Gateways	11-22
Neighbor Gateway Reachable Networks.	11-24

Section 12

X.25 NETWORK INTERFACE CONFIGURATION

X.25 Network Interface	12-2
Network Interface Protocol Menu	12-5
Internet Protocol.	12-6
General X.25	12-9
X.25 Local Address & VC Assignment	12-11
X.25 Network & Flow Control Parameters	12-13
Facilities Set Selection	12-15
SVC Facility Set Data.	12-17
PVC Facility Set Data.	12-19
X.25 SVC Address Key Paths	12-21
X.25 PVC Address Key Paths	12-23
Local User Group Specification.	12-25
L.U.G. (Incoming Calls)	12-26
L.U.G. (Outgoing Calls)	12-28
Network Interface Links Selection.	12-29
X.25 Link Configuration.	12-31
Neighbor Gateways	12-33
Neighbor Gateway Reachable Networks.	12-35

Section 13

LOOPBACK NETWORK INTERFACE CONFIGURATION

Loopback Network Interface Configuration	13-2
Protocol Configuration.	13-4
IP Protocol Configuration	13-5

CONTENTS (continued)

Section 14

LOGGING CONFIGURATION

Logging Subsystems Selection	14-4
Logging Classes Selection	14-6
Logging Class Data	14-8

Section 15

NETWORK DIRECTORY

What a Network Directory Provides	15-2
Path Report Lists.	15-2
Global and Local Entries.	15-3
Roles and Interfaces.	15-4
Configuration Screens	15-6
Network Directory Main Screen	15-7
Select Node Name Screen	15-9
Network Directory Data Screen	15-12
Network Directory Domain Name Screen	15-15

Section 16

MAINTENANCE MODE INTERFACE

Commands for Network Directory File.	16-3
OPENDIR Command	16-3
DELETENODE Command.	16-3
MERGEDIR Command.	16-4
LISTDIR Command	16-6
EXPANDDIR Command	16-6
HELP Command	16-7
:MPE Command	16-7
EXIT Command	16-8
MAKESTREAM Command	16-8
LISTDIR Command Sample Output.	16-11
Commands For Regular Configuration File	16-12
COMPRESSCONF Command	16-12
COPYCONF Command.	16-12
DELETECONF Command.	16-13
OPENCONF Command.	16-14
PAGECONF Command.	16-14
PATHCONF Command.	16-14
READALLCONF Command	16-15
READCONF Command	16-16
SUMMARYCONF Command	16-16
UPDATECONF Command.	16-17

CONTENTS (continued)

VALIDATECONF Command	16-17
VERSIONCONF Command	16-17
WRITECONF Command	16-18
Maintenance Mode Example	16-19

Appendix A WORKSHEETS

Appendix B SUPPORTED MODEMS

Appendix C CONVERTING CONFIGURATION FILES

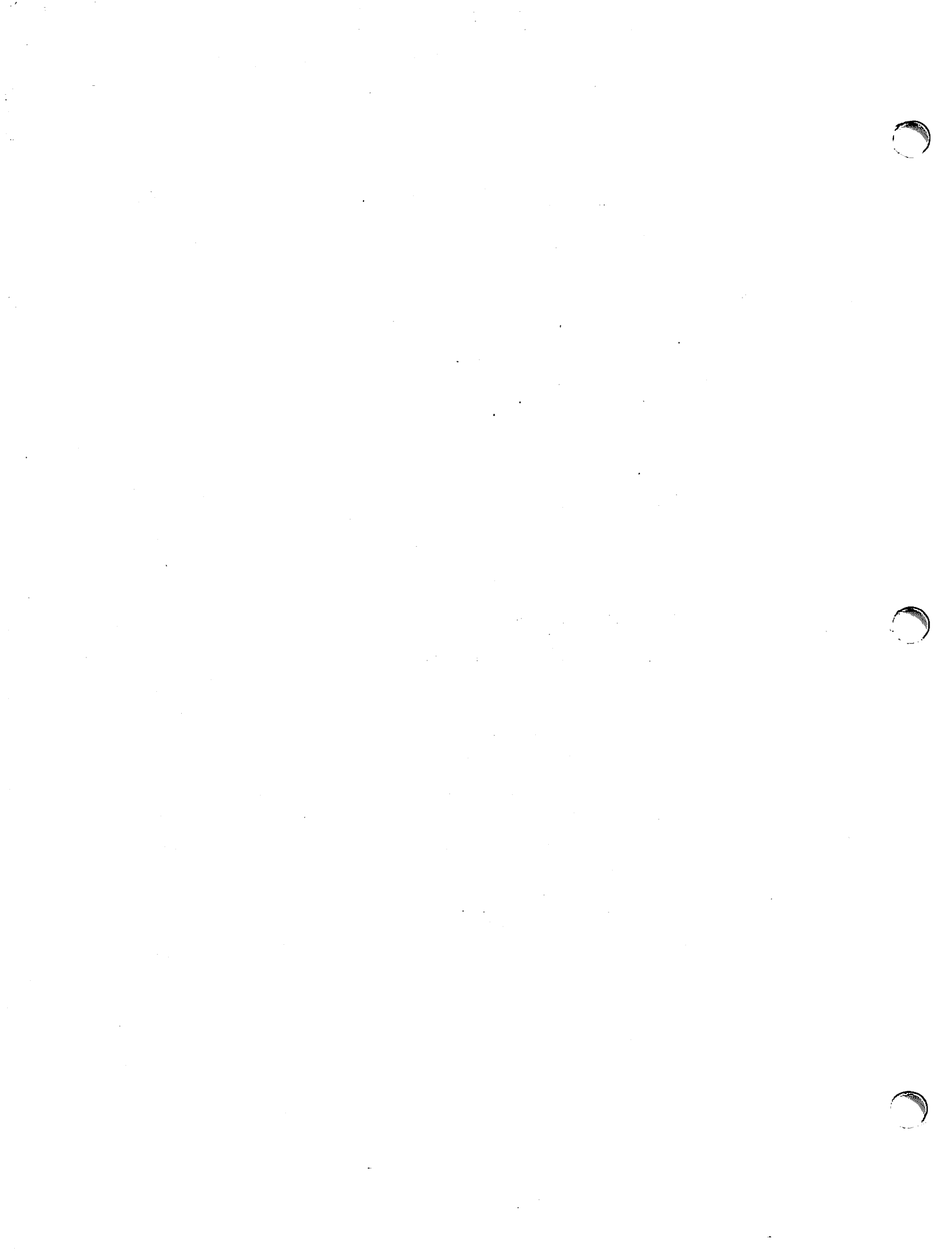
Using the Conversion Program	C-1
--	-----

Appendix D PC-TO-HP 3000 COMMUNICATION

Requirements for HP OfficeShare Network Links	D-2
Software Required	D-2
HP 3000 Server Software	D-2
HP 3000 Host Software	D-2
Software for a PC Workstation Using Server Resources	D-2
Software for a PC Workstation Used as a Terminal	D-3
Related Publications	D-5
Hardware and Software Installation	D-6
For HP 3000s	D-6
For PC Workstations	D-7
HP 3000 Logon and Shortname Correspondence	D-7
Configuration Procedures Summary	D-8
PC Workstation Configuration	D-8
Configuring the HP 3000	D-9
Configuring Additional Virtual Terminals	D-9
Configuring the HP 3000 Network Config. File (NSCONF.NET.SYS)	D-10
Assigning HP 3000 Logons	D-16

Appendix E DS vs NS INP Configuration

Glossary



HP Network Services for MPE-V Based Systems (NS3000/V) is an HP data communications product that provides networking capabilities to interactive users and application programs on HP 3000s running the MPE-V operating system. Through the use of NS3000/V, these HP 3000s can be connected to other HP computer systems in a distributed network.

NS3000/V consists of two parts: NS3000/V Services and NS3000/V links. NS3000/V Network Services consist of software that enables users to access data, initiate processes, and exchange information among all the systems on a network. NS3000/V links provide connections among systems (either HP 3000s or personal computers) in the same network. To use NS3000/V Services, the systems must be connected by an NS3000/V network link.

A variety of network link products are available with NS3000/V. The link product that connects individual systems in an NS3000/V network can be any of the following:

- NS Point-to-Point 3000/V Link
- Asynchronous SERIAL Network Link
- StarLAN/3000 Link
- StarLAN 10 3000/V Link
- ThinLAN/3000 Link (includes ThickLAN option for thick coaxial cable, described below)
- NS X.25 3000/V Link

The link products listed above can all be used to connect HP 3000s to one another.

The Asynchronous SERIAL Network Link, StarLAN/3000, StarLAN 10 3000/V, and ThinLAN/3000 can connect HP 3000s to personal computers as well as to other HP 3000s.

The ThinLAN/3000 Link, including the ThickLAN option, can also connect HP 3000s with HP 1000s and HP 9000s.

ThinLAN/3000 Link connections are usually made with thin (.18 inch) coaxial cable; however, you can also use thicker (.4 inch diameter) coaxial cable, available by ordering the ThickLAN option of ThinLAN/3000.

Table 1-1 shows available links and the kinds of connections they can make-- whether between HP 3000s or between HP 3000s and personal computers.

Table 1-1. Link Types and Connections

Link Type	3000 to 3000	PC to 3000
NS Point-to-Point 3000/V Link	X	
Asynchronous SERIAL Network Link	X	X
ThinLAN/3000 Link (including ThickLAN option)	X	X
StarLAN/3000 Link	X (MICRO 3000 and Series 37 family systems only)	X
StarLAN 10 3000/V Link	X	X
StarLAN/3000 Link	X	X
NS X.25 3000/V Link	X	

Although NS3000/V Services all require a network link to operate, network links can be purchased without the concurrent purchase of NS3000/V Services.

Network links differ in their supporting hardware, software and in some cases, function. Later subsections of this "Introduction" describe these links and discuss the differences among them.

SYSTEM REQUIREMENTS

NS3000/V is supported on the HP 3000 Series 37/37XE/39/40/42/44/48/52/58/64/68/70 and the MICRO 3000, MICRO 3000XE, MICRO 3000GX, and MICRO 3000LX executing the MPE-V/E operating system, V.U.F. G.02.03 (U-B-delta-3) MIT or later versions. The system must have a minimum of two megabytes of memory and the Expanded System Table Microcode. (Systems that are now memory-limited should add one megabyte to maintain current performance.)

NETWORK ARCHITECTURE

Before you understand the details of NS3000/V links and services, you should understand some general concepts about network architecture and NS3000/V. This section will familiarize you with concepts and terms you will encounter later in this manual.

A **network** is a group of computer systems connected in such a way that they can exchange information and share resources. In a **distributed network**, as opposed to a centralized one, the connected systems are independent and equal. One system does not control another system.

NS3000/V networks are distributed networks. Systems that are configured into an NS 3000 network are called **nodes**. Through participation in a distributed network, users on your system, or **local node**, can use the processing and storage facilities of another system, or **remote node**; users at remote nodes can take advantage of the resources of your local node.

A *group* of networks that are connected to each other is called a **catenet**. One network is connected to another network by means of at least one **gateway node**.

The plan that defines the characteristics and interactions of the hardware and software used to connect nodes into a network is called a **network architecture**. Typically, the software is organized as a series of layers. The user interface is integrated into the top layer and the hardware is integrated into the lowest layer. Hence, a message, composed of data and information necessary to transmit the data to its destination, is sent from the user down through the layers and out onto the network; when the message is received at the remote node, it is passed up through the layers to the remote user.

Layers are required to handle the many tasks involved in translating a message into a form appropriate for the hardware connection to the network, or back into a form understandable to the remote user, depending on whether the message is incoming or outgoing. Each of the layers between the user and the hardware is assigned certain well-defined tasks. Each layer must accomplish its task and pass the message on, in a particular format, to the layers above or below it.

The rules and conventions that define the functions to be performed and the format of messages that are exchanged by each architectural layer are called **protocols**. Individual layers can be designed, implemented, changed, or updated in any manner their creators choose, as long as they provide the data in the correct format. This also makes it easy to pinpoint and correct errors, because each task is done in a specific layer of the architecture.

Until recently, each computer products company developed its own network architecture as part of the design of its data communications products. For example, Hewlett-Packard developed the Distributed Systems Network (DSN) architecture, a five-layered design that uses HP proprietary protocols. The DSN architecture is used by all HP Distributed System Network products, such as DS Network Services for the HP 3000 (DS/3000) and DS/1000-IV. Similarly, IBM developed the System Network Architecture (SNA), a six-layered design that uses IBM proprietary protocols. Many HP data communications products can communicate in an SNA environment, such as SNA Link Services for the HP 3000 (SNA Link) and Network Remote Job Entry for the HP 3000 (SNA NRJE).

However, using proprietary protocols and designs can be limiting for data communications applications. Over time, standards have been developed for the tasks and protocols of data communications, starting with the physical connectors. An internationally accepted set of standards based on an architecture known as the "OSI model" is under development by participants from many countries.

The OSI Model

The International Standards Organization (ISO), an agency of the United Nations, developed the first step in the standardization of network architectures by defining the **Open Systems Interconnection (OSI) Reference Model**. The OSI model defines seven architectural layers and specifies the function of each. Figure 1-1 illustrates the OSI model.

Layer	Task
7	Application
6	Presentation
5	Session
4	Transport
3	Network
2	Data Link
1	Physical

Figure 1-1. The Seven Layers of the OSI Model

- **Layer 7 (Application)** is the user interface to remote services.
- **Layer 6 (Presentation)** manipulates user data, such as in text compression and encryption.
- **Layer 5 (Session)** negotiates connection establishment at remote nodes.
- **Layer 4 (Transport)** is responsible for end-to-end data integrity. This means that the Transport Layer is responsible for ensuring that the message arrives at the correct remote node, without errors, even if the message had to pass through any intermediate nodes.

Layers 5 - 7 also provide end-to-end services, while Layers 1 - 3 are only responsible for data integrity between each node.

Layer 4 protocols can provide the following services to upper layers: in-order message delivery, retransmission of lost messages, suppression of duplicate messages and flow control.

- **Layer 3 (Network)** determines the routes messages take to get from one node to another. This layer can be split into two sub-layers: 3i and 3s. Layer 3i handles routing *between* networks (internetwork), and 3s handles routing *within* a network (intranetwork).
- **Layer 2 (Data Link)** checks for and corrects transmission errors over the physical link.
- **Layer 1 (Physical)** transmits the electrical signals over the link.

The functions of each layer are performed by software that adheres to established protocols. The protocols used by NS3000/V are described later in this section.

Types of Networks

Computer networks can be broadly classed as one of three types: broadcast networks, point-to-point networks, and packet switched networks. Nodes on a broadcast network share the same communications channel, over which data is transmitted to all the nodes in the network. Networks using HP ThinLAN, including the ThickLAN option, or HP StarLAN links are broadcast networks; the protocol that they use *broadcasts* messages to all the systems on the LAN.

Point-to-point networks, on the other hand, are networks in which data is transmitted from node to node in a network over a defined route until it reaches a specific destination. Because data is passed from one node to another, one node at a time, the means of transmitting data over point-to-point networks is called the **store and forward technique**. When a message is received at an intermediate node, it is forwarded to either another intermediate node or to its final destination. Point-to-point networks are sometimes referred to as **router networks**. The term *router* is used within this manual to refer to point-to-point networks. The Point-to-Point 3000/V Link and the Asynchronous SERIAL Network Link can both be used to connect nodes in a router network. Another type of network is a **packet switched network (PSN)**. In a packet switched network, data is passed from node to node as in a point-to-point network. Nodes are logically connected to other nodes on the same network by multiple logical connection paths (called **Virtual Circuits**). Using an appropriate connection path, data is sent to a destination node - not as a contiguous block, but divided into units called **packets**. X.25 protocol defines the standard method of access to packet switched networks i.e. the mechanisms for call establishment, call clearing, resetting and flow control. The route actually taken by each packet through the network is transparent to the user making the request. Because of this, a common representation of a packet switched network is one in which only the connected nodes are specifically identified - the rest of the network is seen as a "cloud".

Packet switched networks, like other kinds of networks, can be privately owned and operated with access available only to private users. Additionally most countries have public packet switched networks that are called **Public Data Networks (PDNs)**. Subscribers to a PDN can access the network via telephone lines. This means that a subscriber's computer can send data to any other PDN subscriber.

The NS X.25 3000/V Link allows your computer to connect to remote computers over public or private packet switched networks.

NS3000/V Network Types

An NS3000/V network can be of three types:

- **A router network**
- **An IEEE 802.3 local area network**
- **An X.25 network**

These types correspond to the types of networks--broadcast, point-to-point, and packet switched --previously described. The NS3000/V IEEE 802.3 local area network is a broadcast network based on standards published by the Institute of Electrical and Electronics Engineers (IEEE). The standards are called "IEEE 802.3" (and a related standard is called IEEE 802.2); therefore, the kind of network it specifies is called an "IEEE 802.3 network."

The NS3000/V router network is a point-to-point network that uses the store-and-forward technique. The NS X.25 3000/V Link provides access to public or private packet switched networks which implement X.25 protocol as defined by the CCITT (International Consultative Committee on Telephone and Telegraph).

Certain NS3000/V link types can be used for each network type, as shown in Table 1-2:

Table 1-2. Network and Link Types

NS3000/V Network Type	NS3000/V Link Type
Router	NS Point-to-Point 3000/V Link Asynchronous SERIAL Network Link
IEEE802.3	ThinLAN/3000 Link (including ThickLAN option) StarLAN/3000 Link StarLAN 10 3000/V Link
X.25	NS X.25 3000/V

As Table 1-2 shows, NS3000/V router networks can use NS Point-to-Point 3000/V and Asynchronous SERIAL Network Links to connect nodes. IEEE 802.3 networks can use the ThickLAN option, ThinLAN/3000, StarLAN 10 3000/V, and StarLAN/3000 Links.

Network Topology

The topology of a network refers to the physical arrangement of its nodes. For example, one type of common topology is a **bus topology**, in which all nodes are directly linked. Another type is a star topology, in which all nodes are linked in a radiating fashion to a central node or switching device.

The possible topologies for a given network are determined by the type of link used to connect the network's nodes. For example, a bus topology can be used only for a broadcast network, such as an IEEE 802.3 network. Figure 1-2 shows a bus topology, in which network nodes (represented by numbered circles) are joined to a common bus.

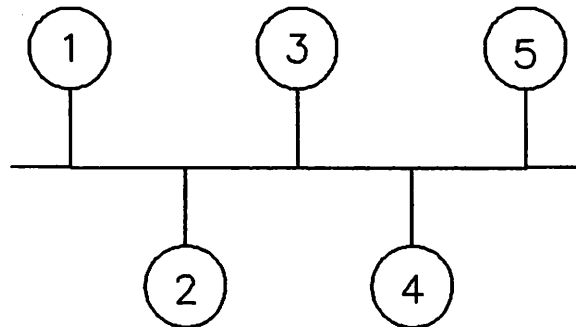


Figure 1-2. Bus topology

Point-to-point networks cannot use a bus topology. Instead, point-to-point networks must use a topology in which each network node is connected to at least one other node. Data is passed from one node to another, including through any intermediate nodes, until it reaches its destination. NS Point-to-Point 3000/V and Asynchronous SERIAL Network Links can be used to create point-to-point, or router networks.

The actual topologies that can be used for point-to-point networks are widely varying; possibilities include star, ring, hierarchical (sometimes referred to as a tree topology) and string. Any arrangement of nodes will work as long as each node is connected to at least one other node in the same network. Figure 1-3 illustrates several possible topologies for point-to-point networks.

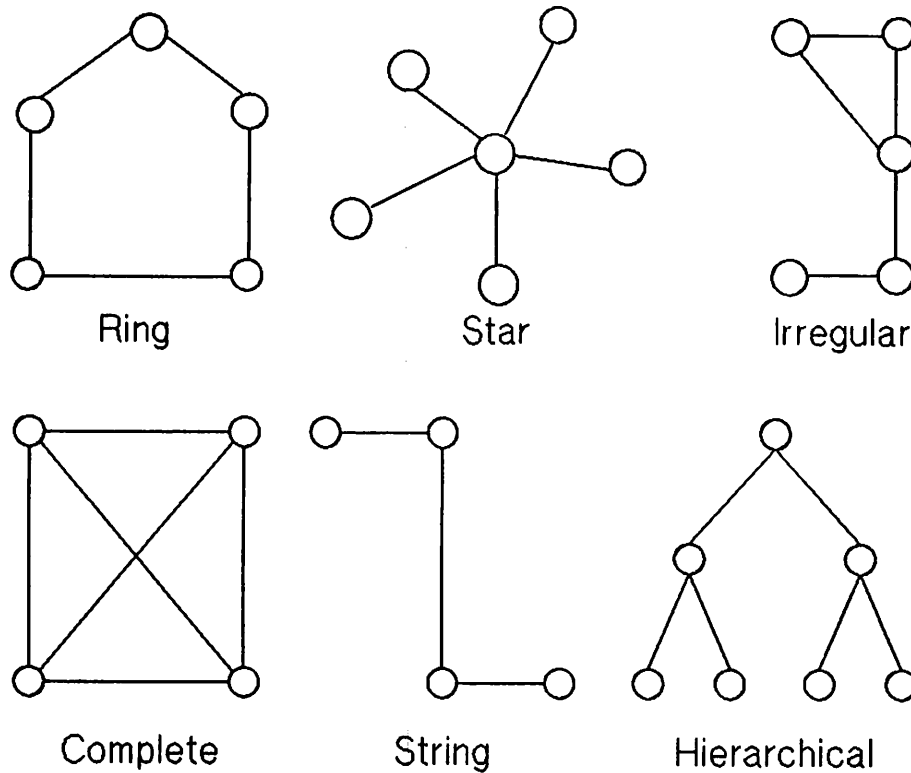


Figure 1-3. Point-to-point topologies

Nodes that are directly connected to only one other node in point-to-point networks are referred to as *leaf nodes*. In the illustration above, each of the endpoints of the star topology are leaf nodes, as are some of the nodes in the string, hierarchical, and irregular topologies. In NS3000/V networks, personal computers can be used only as leaf nodes.

Catenets

Two or more networks can be linked together to form an internetwork or *catenet* (derived from *concatenated networks*). For example, if you wanted to connect the nodes in a router network with the nodes in an IEEE 802.3 network, the combination of the two networks would be called a catenet. Creation of a catenet allows any node on one network to communicate with any node on another network that is part of the same catenet. Up to 256 individual networks can belong to the same NS3000/V catenet.

The divisions between the networks in a catenet are called *network boundaries*. Figure 1-4 shows a catenet, with a network boundary indicated by a dashed line.

Gateways and Gateway Halves

Networks in the same internetwork are joined together by gateway nodes. There are two types of gateway nodes--full gateways and gateway halves. The term gateway node in this manual refers to either a full gateway or a gateway half. A full gateway node is a node that is a member of two or more networks and allows communication between the networks to which it belongs. Communication between networks is called **internetwork communication**. For example, in Figure 1-4, Node 11 belongs to Network C and to Network D; it serves as a gateway between networks C and D. Internetwork protocols determine how data and associated messages are routed through multiple networks. In the example (Figure 1-4), the internet protocol used determines how data and associated messages are routed from one network to the other. NS3000's **Internet Protocol (IP)** is based on the DARPA (Defense Advanced Research Projects Agency) standard for an internetwork protocol. If Node 7 in Network C wants to send a message to Node 14 in Network D, Node 7's message would be sent to Node 11. Node 11 would then send the message to Node 14. All datacomm traffic from Network C to Network D must go through Node 11, the gateway to Network D.

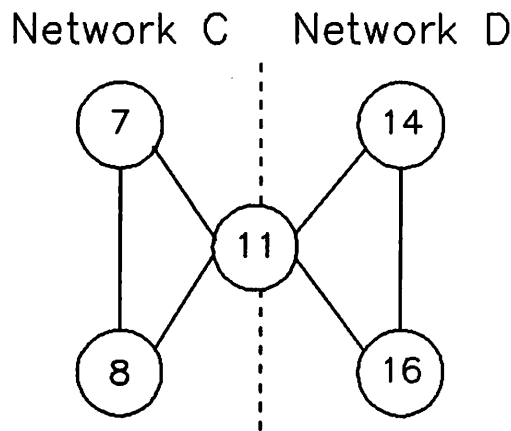


Figure 1-4. Gateway (Node 11)

A gateway half is a degenerate case of a full gateway; instead of one full gateway providing internetwork communication, two gateway halves are needed. Each gateway half belongs to only one of the networks that it links; each has a **Gateway Half Link** over which it is connected to the other gateway half.

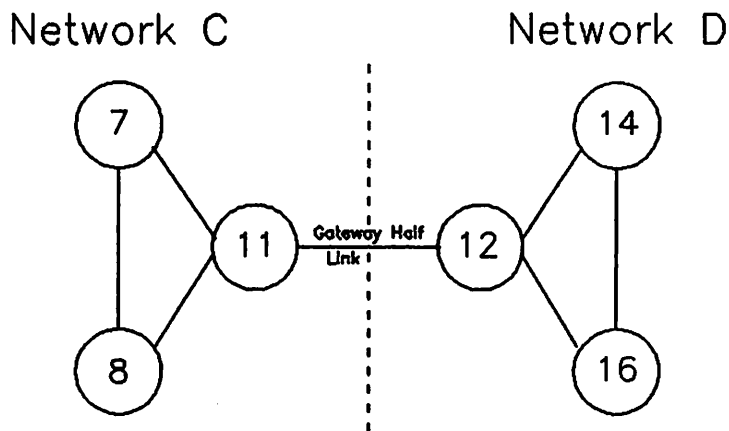


Figure 1-5. Gateway Halves (Nodes 11 and 12)

For example, in Figure 1-5, Node 11 is a gateway half that belongs to Network C, and Node 12 is a gateway half that belongs to Network D. The link between Nodes 11 and 12 is a Gateway Half link. Messages from Network C destined for Network D are first sent to Node 11, the gateway half for Network C. Node 11 sends the message to Node 12, which is Network D's gateway half. Node 12 then routes the message to the appropriate node in Network D.

A node can be a gateway and a gateway half. If a node has three links and belongs to two networks, it would be a gateway to the two networks that it belongs to, but a gateway half to the network to which it did not belong. For example, in Figure 1-6, Node 5 is a member of networks A and B and is a gateway between them. Although Node 5 has a link to Network C, it does not belong to Network C and so is a gateway *half* to that network.

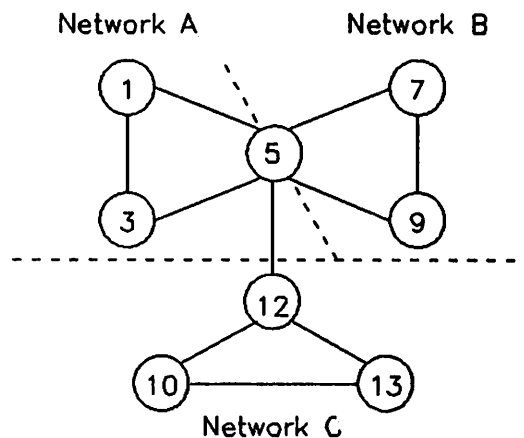


Figure 1-6. Catenet

NS3000/V Architecture

NS3000/V is composed of two parts: NS3000/V Services and NS3000/V Links. NS3000 Services perform functions of layer 5 (Session layer), layer 6 (Presentation layer), and layer 7 (application layer) of the OSI model. Each of the available NS3000/V links performs the functions of layers 1 through 4 of the OSI model. Figure 1-7 shows the relationship of NS3000/V Services and Links to the OSI model.

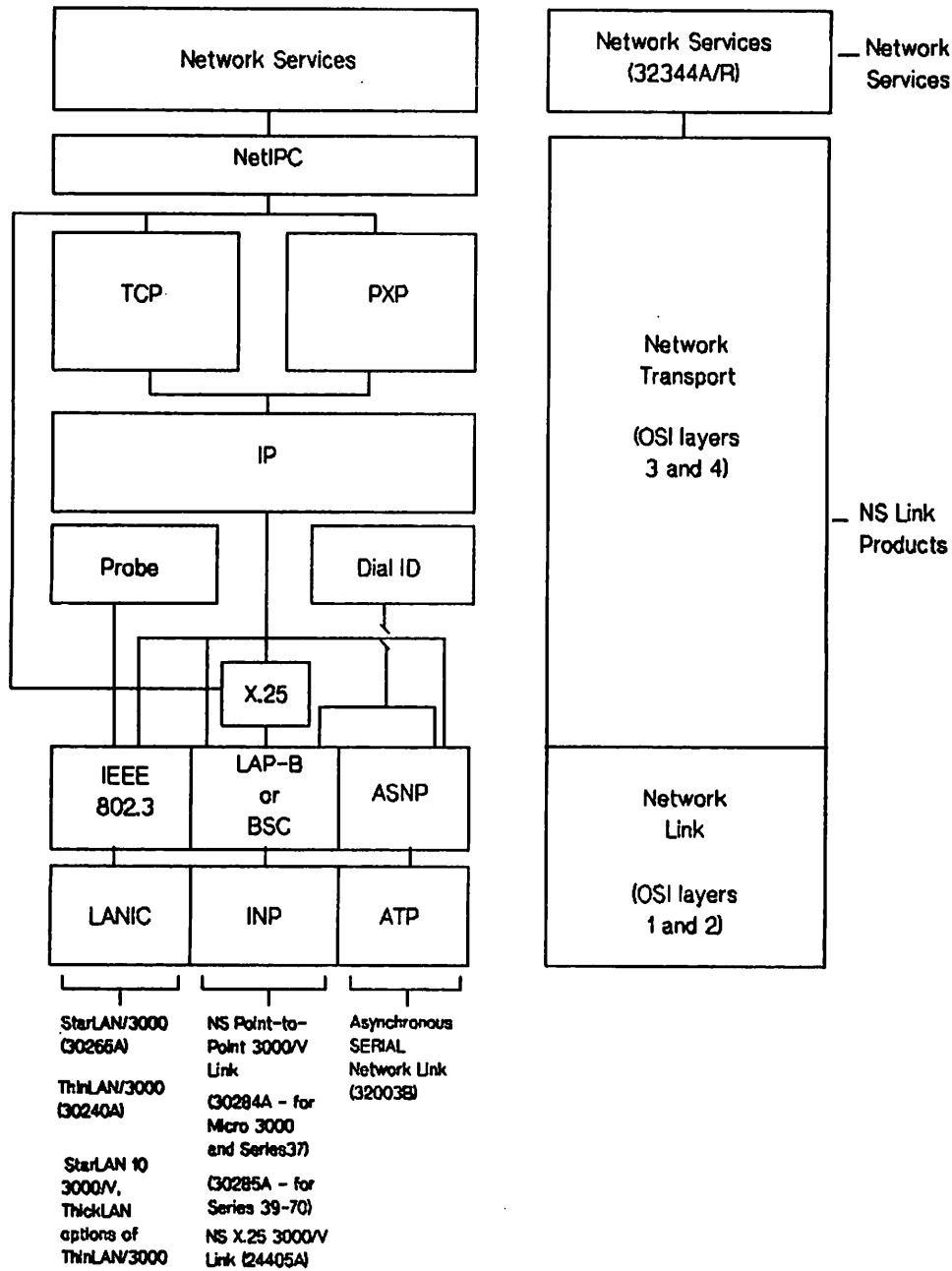


Figure 1-7. NS3000/V Architecture

Protocols

The protocols, or rules that specify the format of each NS3000/V architectural layer, ensure that NS3000/V communication occurs successfully. Some protocols, such as the protocols for layers 3 and 4 (the Network and Transport Layers, respectively), are used by all network nodes, regardless of the type of links that connect them. Other protocols, such as those for layers 1 and 2 (the Physical and Data Link Layers, respectively), differ depending on what kind of link and what kind of network is being used.

This section briefly describes the protocols used by NS3000/V for various network layers, and explains the variations associated with different network link types. Figure 1-7 shows the protocols used for each type of network link. Figure 1-7 also shows the composition of NS3000/V link products. Each link product consists of software and hardware that performs the functions of layers 1 through 4 of the OSI model. NS3000/V Network Services consists of software that performs the functions of layers 5 through 7 of the OSI model.

As Figure 1-7 also shows, the software and hardware composing each NS3000/V link product can be divided into two main portions: the Network Transport and the Network Link. The Network Transport software performs the functions of layers 3 and 4 of the OSI model. The Network Link hardware and software performs the functions of layers 1 and 2 of the OSI model.

The protocols that are implemented by the Network Transport and Network Link software and hardware are described in the following sections.

OSI Layer 4 (Transport Layer) Protocols

All NS3000/V communication makes use of one or both of two protocols for the Transport Layer; i.e., the network layer that is responsible for ensuring that a message arrives at the correct remote computer.

All NS3000/V communication uses TCP (Transmission Control Protocol). TCP is a reliable, end-to-end, connection-oriented protocol. This means that the protocol recovers from transmission errors, and delivers packets of data to their final destination in the correct sequence. It also means that when data is being sent from one node to another, the TCP modules residing on the source and destination nodes maintain status information about the transmission of that data. The combination of information maintained at each endpoint is called a connection. TCP is also flow-controlled, which means that it regulates the flow of data, breaking messages into fragments if necessary, and reassembling them correctly at their destination.

TCP, which is the Defense Advanced Research Projects Agency (DARPA) standard for a Transport Layer protocol, is used by NS3000/V services and can be accessed directly by programs that use NetIPC intrinsics. The use of these intrinsics is described in the *NetIPC3000/V Programmer's Reference Manual*.

The other Transport Layer protocol used by NS3000/V is called PXP, for Packet Exchange Protocol. PXP is a request/reply datagram protocol used indirectly by programs using the socket registry mechanism of NetIPC (IPCLOOKUP intrinsic). PXP is an HP proprietary protocol that cannot be directly accessed by user programs.

OSI Layer 3 (Network Layer) Protocols

The Network Layer of the OSI model is divided into two sublayers: 3i, which routes messages between networks (internetwork), and 3s, which provides routing within a network. The routing provided by level 3s is often called intranetwork or subnet routing.

Internet Protocol (IP). The NS3000/V protocol used for layer 3i (the internetwork layer) and for layer 3s (the intranetwork layer) in router networks is called the Internet Protocol (IP). Just as TCP is the DARPA (Defense Advanced Research Projects Agency) standard for a Transport Layer protocol, IP is the DARPA standard for an internetwork protocol.

The purpose of the IP protocol is to route data from source nodes to destination nodes throughout the catenet. IP determines the route that a packet of data should take through the catenet based on

Introduction

addresses. Each node in the catenet is assigned a unique address. Each data packet also includes a destination address, which is compared with the addresses of the nodes the data passes through. When the addresses match, it means that the data has reached its destination. NS3000/V uses IP for internet routing (routing between networks in the catenet) and for intranet routing in router networks.

Section 3 of this manual discusses IP routing and addressing in more detail.

Although NS3000/V uses IP to provide routing information for nodes within the same router network, additional protocols must be used to provide intranet routing for other network types. For example, IEEE 802.3 networks use the protocols defined in the IEEE 802.3 standard for which these networks are named. These protocols are described below.

IEEE 802.3 Local Area Network Protocols. The ThickLAN, ThinLAN/3000, StarLAN 10 3000/V, and StarLAN/3000 links all use protocols defined in the IEEE 802.3 standard for layer 3s, as well as for layers 1 and 2. (The IEEE 802.3 standard encompasses standards for layers 1, 2, and 3 of the OSI model.)

X.25 Protocol. The NS X.25 3000/V Link uses the X.25 protocol defined in the (1980) CCITT X.25 Recommendation for layer 3s, as well as for layers 1 and 2 of the OSI model. X.25 (layer 3) software is capable of both originating calls to, and receiving calls from, other hosts implementing X.25, over Switched or Permanent Virtual Circuits.

OSI Layer 2 (Data Link Layer) Protocols

The protocols used for the data link layer, which is responsible for getting data from one side of a physical link to another without error, vary according to the type of NS3000/V link product that is providing the connection. The three layer-2 (link-layer) protocols used for NS3000/V Links are called Link Access Procedure - Balanced (LAP-B), Bisynchronous (BSC), and Asynchronous SERIAL Network Protocol (ASNP).

LAP-B. NS Point-to-Point 3000/V and NS X.25 3000/V links use LAP-B protocol. LAP-B is a bit oriented, full-duplex protocol.

Direct-connect (hardwired) and leased line NS Point-to-Point 3000/V Links use the LAP-B protocol.

BSC. The BSC protocol (sometimes also called Bisync) is a character-oriented, half-duplex protocol. It can be used by NS Point-to-Point 3000/V Links that are using dial links. Dial links use public, switched telephone lines to carry data.

ASNP. Finally, Asynchronous SERIAL Network Links use a data link layer protocol called the Asynchronous Serial Network Protocol, or ASNP. ASNP ensures error detection and data integrity by using a 16-bit cyclic redundancy checksum polynomial.

OSI Layer 1 (Physical Layer) Protocols

As with data link layer protocols, protocols for the OSI physical layer vary, and depend on the type of NS3000/V link in use. Figure 1-7 shows the Hewlett-Packard hardware interface cards that implement physical layer protocols: the Advanced Terminal Processor (ATP) for the Asynchronous SERIAL Network Link, the Intelligent Network Processor (INP) for the NS X.25 3000/V and the NS Point-to-Point 3000/V Links, and the Local Area Network Interface Controller (LANIC) for ThinLAN/3000, the ThickLAN option, StarLAN 10 3000/V, and StarLAN/3000 links.

The layer 1 protocols supported by each interface card are standards for physical connectors. Table 1-3 lists the standards supported by each interface card that can be used for NS3000/V links:

Table 1-3. Interface Cards and Connection Standards

Card	Connection Standards
INP	EIA RS-232-C EIA RS-422 CCITT V.24/V.28 CCITT V.35
LANIC	IEEE 802.3
ATP	EIA RS-232-C EIA RS-422

Auxiliary Protocols

Two additional protocols are used by NS3000/V link products. These are the Probe protocol and the Dial ID protocol.

Probe Protocol. The Probe protocol is a proprietary Hewlett-Packard protocol used by IEEE 802.3 links. It is a connectionless protocol that provides name-to-address resolution and information about which networking protocols are used on a given remote node. The Probe protocol broadcasts a request to all the nodes on the network, and the correct node responds. Depending on the request, the response provides either the IP address that corresponds to a given node name or the IEEE 802.3 address that corresponds to a particular IP address.

Dial ID Protocol. Both the NS Point-to-Point 3000/V Link and the Asynchronous SERIAL Network Link can be used over direct-connect (hardwired) or telephone lines. When used over telephone lines (dial links), a Hewlett-Packard protocol called the Dial ID protocol provides security checking and IP address exchange.

NETWORK LINKS

As noted previously, NS3000/V operates over the following network links:

- ThinLAN/3000 Link, including the thicker cable ThickLAN option
- StarLAN/3000 Link
- StarLAN 10 3000/V Link
- NS Point-to-Point 3000/V Link
- Asynchronous SERIAL Network Link
- NS X.25 3000/V Link

Each link product consists of both hardware and software components. Later sections of this chapter describe the software and hardware that is specific to each link product. However, some of the software composing each link is common to all link products. This software is described below.

Common Link Software

The following software is common to all NS3000/V link products:

- **Network Interprocess Communication (NetIPC)** is a peer-to-peer communications interface. NetIPC allows programs, running concurrently, to exchange information and synchronize actions.
- **The Network Transport** provides the functionality of the network and transport layers (OSI Layers 3 and 4), respectively. The Network Transport moves the data from a user's application out to the communications link and receives data from the communications link, routing it to the appropriate user. It implements the specifications of the Transmission Control Protocol (TCP) and Internet Protocol (IP).
- **Node Management Services** provides configuration file version checking and logging. Logging enables network transactions to be "logged," or recorded, in a disc file. Such a record can be used to assist in network troubleshooting.
- **The Node Management Configurator** subsystem provides NMMGR, the Node Management Configurator program that allows you to configure each node on the network.
- **The Link Support Services** subsystem contains software that opens, closes, and otherwise controls physical links.
- **Communication Services (CS/3000)** provides some of the diagnostic and link management software required for NS3000/V links. CS/3000 is also used by DS-Compatible links.

IEEE 802.3 Links

NOTE

The information contained in this subsection is divided into three headings--ThickLAN, ThinLAN/3000 Link, and StarLAN/3000 and StarLAN 10 3000/V Links. Because these link products are all based on the IEEE 802.3 local area networking standard, they are similar in many respects. As a result, the information stated for ThickLAN applies to ThinLAN/3000 and StarLAN/3000 *except* where differences are noted.

Note, however, that this section discusses the use of ThinLAN/3000, StarLAN/3000, and StarLAN 10 3000/V to connect multiple HP 3000s; it *does not* describe the use of HP ThinLAN for PCs, HP StarLAN for PCs, or HP StarLAN 10 for PCs. These PC network products can be used to connect personal computers in a network. Refer to the HP ThinLAN and HP StarLAN publications listed in the Preface for complete information about HP ThinLAN for PCs, HP StarLAN for PCs, and HP StarLAN 10 for PCs.

ThickLAN. The ThickLAN option of ThinLAN/3000 includes all the components to connect an HP 3000 to a coaxial cable based on the Institute of Electrical and Electronics Engineers (IEEE) 802.3 standard. This standard specifies a 10 million bits per second baseband local area network (LAN) with a bus topology. The LAN uses a shielded 0.4 inch diameter coaxial cable as the data transmission medium and the Carrier Sense, Multiple Access with Collision Detect (CSMA/CD) medium access method.

Figure 1-8 shows the hardware components (described below) that the ThickLAN provides to connect an HP 3000 to an IEEE 802.3 coaxial cable.

ThinLAN/3000 Link. Same as ThickLAN except that ThinLAN/3000 Link uses a 0.18-inch diameter coaxial cable. Figure 1-9 shows the hardware components that ThinLAN/3000 provides to connect an HP 3000 to an IEEE 802.3 coaxial cable.

StarLAN/3000 and StarLAN 10 3000/V Links. The StarLAN/3000 and StarLAN 10 3000/V Links allow personal computers and HP 3000s to operate as an IEEE 802.3 local area network with connections among systems made via twisted-pair telephone wires. StarLAN/3000 can be used for systems in the MICRO 3000 and Series 37 families. StarLAN 10 3000/V can be used for all HP 3000s running MPE/V. Figure 1-9 shows a StarLAN network that is attached to a ThinLAN/3000 link. Figure 1-10 shows a StarLAN 10 3000/V network that is attached to a ThinLAN/3000 link. Hewlett-Packard has published manuals specifically addressing StarLAN and StarLAN 10 networks. Refer to the appropriate manuals as listed in the Preface for more information. The configuration of an HP 3000 as a node in a StarLAN network is described in sections 7 through 15 of this manual.

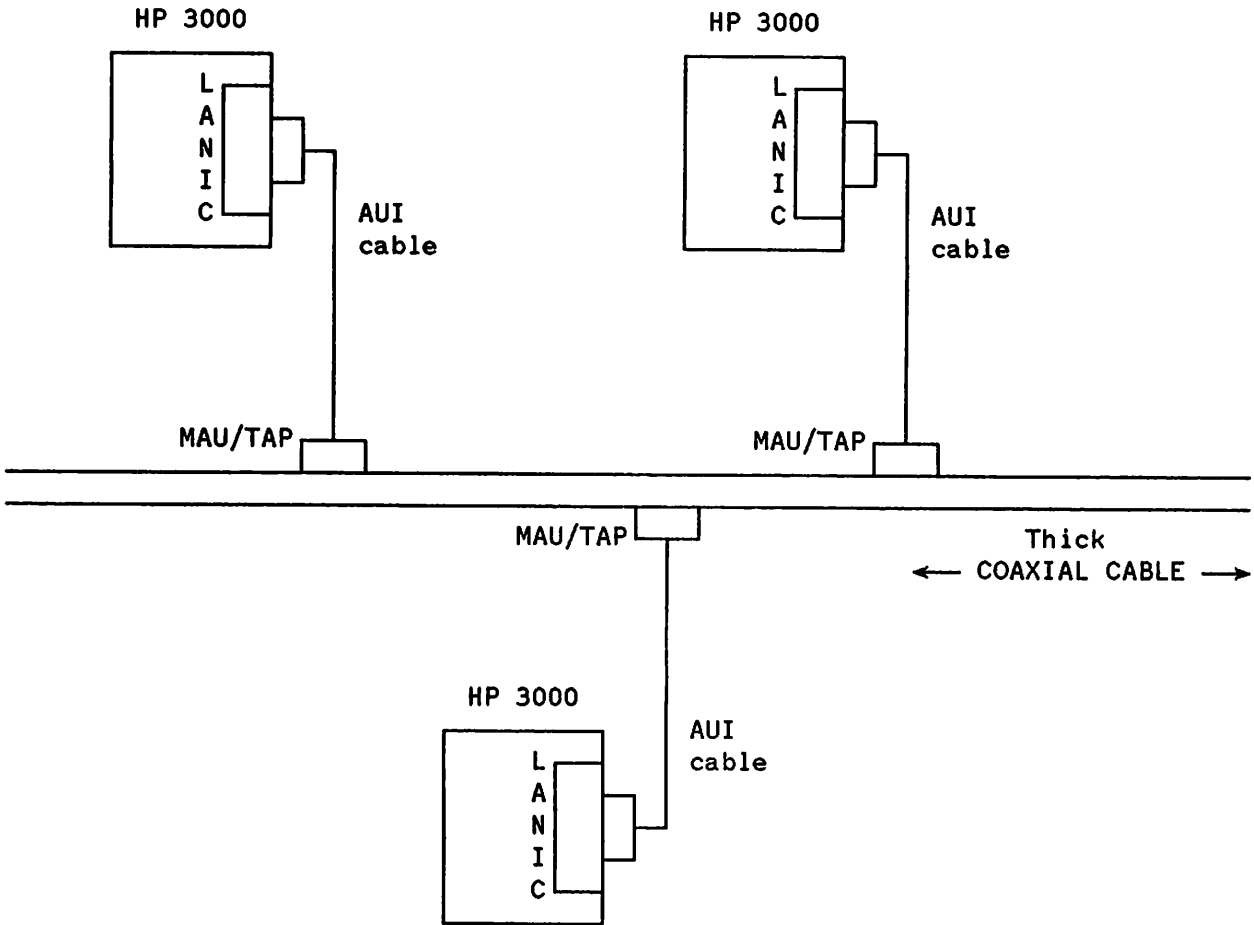


Figure 1-8. ThickLAN Hardware Components

ThinLAN/3000

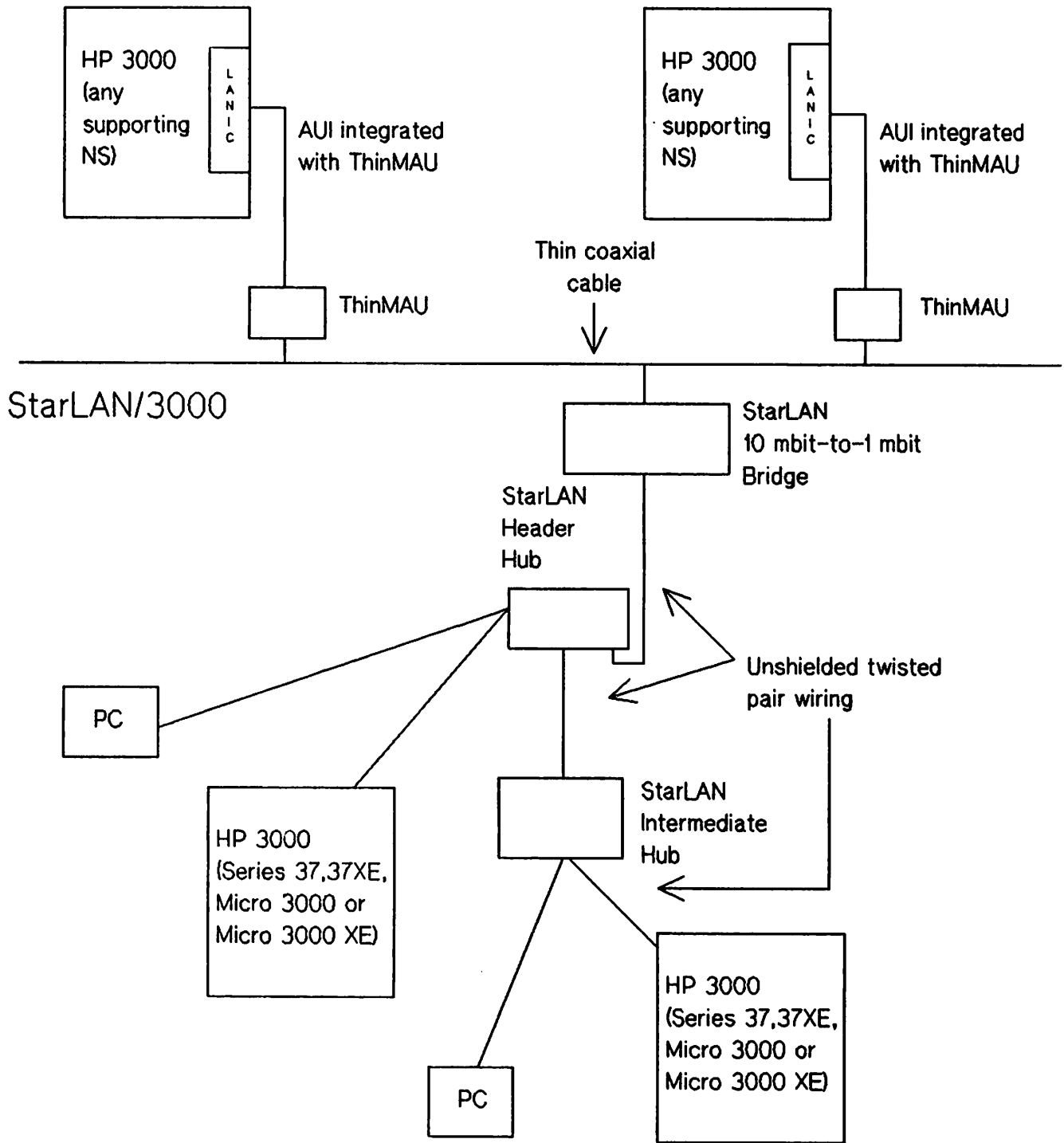


Figure 1-9. ThinLAN/3000 and StarLAN/3000 Hardware Components

ThinLAN/3000
coaxial cable

StarLAN 10 3000/V

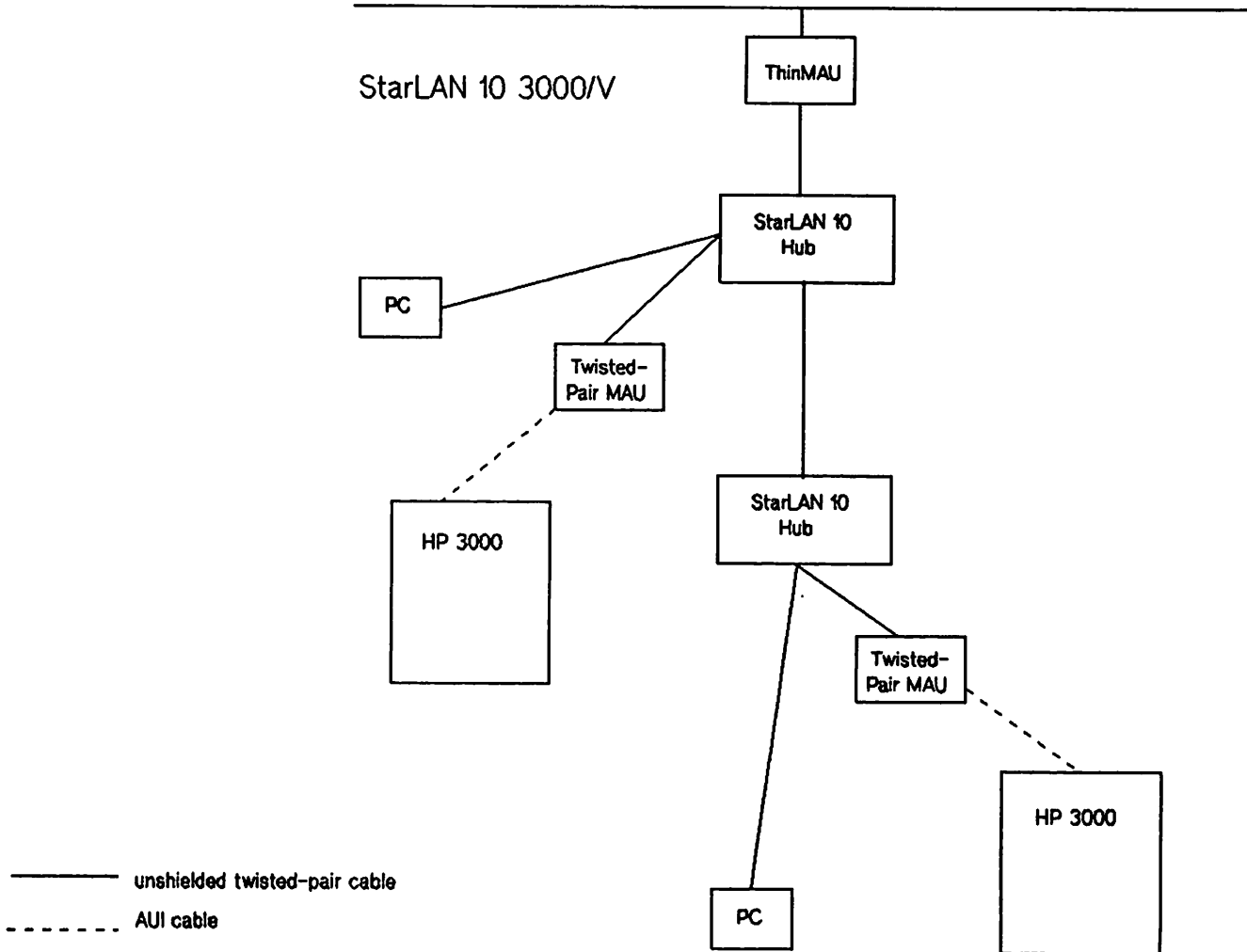


Figure 1-10. StarLAN 10 3000/V Hardware Components

Medium Access Method for IEEE 802.3 Links

The IEEE 802.3 standard specifies the Carrier Sense, Multiple Access with Collision Detect (CSMA/CD) medium access method. This method provides an ideal means of transmitting bursts of data at high speeds between nodes on a LAN. With CSMA/CD, all nodes have equal access to the network (Multiple Access); there is no central control node. Before transmitting data, a node monitors the network to verify that no other node is transmitting data (Carrier Sense). If a signal is sensed, the node desiring access defers its transmission. Although the carrier sense makes collisions unlikely, they can occur when two nodes sense that no other carriers are on the network and begin transmitting simultaneously. To deal with this possibility, nodes listen for collisions while transmitting (Collision Detect). If a collision is detected, the node will initiate a jam signal to warn the entire network. All nodes must then cease their transmission. Each node delays for a random period of time and then restarts its transmission. This means that each node eventually gets to transmit its data.

Although nodes in an Ethernet network also use CSMA/CD, a node based on IEEE 802.2/802.3 cannot communicate with an Ethernet node. Nonetheless, both nodes may coexist on the same network cable. This is because there is an incompatibility in the frame format at the data link level (OSI Layer 2) that interferes with communications but not with transmissions. The frame format specified by IEEE 802.2/802.3 provides for higher network reliability.

Hardware Components

ThickLAN. There are three major hardware components of ThickLAN. These are:

- **Local Area Network Interface Controller (LANIC).** The LANIC is a microprocessor-based communication controller that plugs into the HP 3000 backplane. It handles link-level buffering, error checking, the IEEE 802.2 and 802.3 protocols and includes a built-in self-test. When addressed by another node on the network, the LANIC receives the frames of information and checks them for accuracy before passing them to the HP 3000. When transmitting, an addressed frame is passed to the LANIC where error checking information is added. The LANIC then tests to see if the cable is busy, and, if not, transmits the frame.
- **Medium Attachment Unit (MAU).** The MAU provides the physical and electrical connection to the coaxial cable; it is powered by the LANIC through the AUI (Attachment Unit Interface) cable. The MAU receives signals from and sends signals to the coaxial cable. It also detects collisions resulting from two nodes starting to transmit simultaneously. A MAU is attached to the coaxial cable with a cable tap and can remain permanently attached to the cable. A MAU can be attached on an active network without interrupting network traffic.
- **Attachment Unit Interface (AUI) Cable.** The AUI cable and two-meter internal LANIC cable attach the LANIC to the MAU. It can be up to 48 meters in length. It is available with either FEP coating for installation in passages restricted for breathable air or with PVC coating for installation in less restricted spaces.

ThinLAN/3000 Link. There are two major hardware components of ThinLAN/3000 Link, as follows:

- Local Area Network Interface Controller (LANIC)--same as for ThickLAN.
- Thin Medium Attachment Unit (ThinMAU). The ThinMAU provides the connection from the LAN hardware to the thin coaxial cable. The ThinMAU connects to the LANIC with an AUI cable. The AUI cable is one meter in length and is integrated with the ThinMAU. Additional or alternate cables are not supported. The AUI cable attaches to a two-meter internal LANIC cable.

StarLAN/3000 Link. StarLAN/3000 Link includes the following hardware:

- Local Area Network Interface Controller (LANIC). An interface card similar to that provided with ThickLAN and ThinLAN/3000 Link except it provides connection to an HP StarLAN twisted-pair cable, and it applies to HP 3000 Series 37, 37XE, MICRO 3000, MICRO 3000XE, MICRO 3000LX, and MICRO 3000GX systems only. The LANIC comes with all StarLAN/3000 Links.

Other StarLAN 10-related hardware which must be ordered separately to correspond to the needs of the network design includes:

- Cabling. StarLAN cabling consists of unshielded twisted-pair wiring that conforms to the IEEE 802.3 Type 1BASE5 standard (draft).
- StarLAN Bridge. A bridge is a device that allows connection between different types of LANs, but is transparent to the nodes that communicate across it. For example, a Bridge permits the connection of a coaxial cable LAN to a StarLAN, allowing Series 4x/5x/6x/70 HP 3000s to communicate with StarLAN nodes. In this case, the Bridge connects to the coaxial cable LAN through a MAU/ThinMAU and AUI cables, as appropriate, and to the StarLAN via a StarLAN cable to a StarLAN Hub. In addition, it compensates for differences in transmission speeds between the LANs--such as the 10 Mbit/second coaxial cable LAN and the 1 Mbit/second StarLAN.
- StarLAN Hub. A Hub is a central device on a StarLAN. Using StarLAN cables, a single Hub can be connected with up to 11 nodes (personal computers or the supported HP3000s) or other Hubs. With multiple Hubs connected, up to 50 nodes on a StarLAN can be supported.

Figure 1-9 illustrates an HP StarLAN attached via a Bridge to a ThinLAN.

StarLAN 10 3000/V Link. StarLAN 10 3000/V Link includes the following hardware:

- Local Area Network Interface Controller (LANIC). An interface card similar to that provided with ThickLAN and ThinLAN/3000 Link except it provides connection to an HP StarLAN twisted-pair cable. The LANIC comes with all StarLAN 10 3000/V Links.
- Twisted-Pair Medium Attachment Unit (Twisted-Pair MAU). The ThinMAU provides the connection from the LANIC to the twisted-pair cable. Integrated with the Twisted-Pair MAU is a one-meter AUI cable that connects the MAU to the LANIC. Additional or alternate cables are not supported. The AUI cable attaches to a two-meter internal LANIC cable.

Other StarLAN 10-related hardware which must be ordered separately to correspond to the needs of the

network design includes:

- **Cabling.** StarLAN cabling consists of unshielded twisted-pair wiring. Refer to the HP StarLAN 10 wiring specification note (5958-9013) for complete wiring information.
- **StarLAN 10 Hub.** A Hub is a central device on a StarLAN 10 network. Using StarLAN 10 cables, a single Hub can be connected with up to 12 nodes (personal computers or HP3000s) or other Hubs. Multiple Hubs can be connected to support more nodes.

Link Level Software

ThickLAN. The link level software implements the specifications of IEEE 802.2 and 802.3, the protocols used for OSI layers 1 and 2, and the physical and data link layers, respectively.

ThinLAN/3000. Same as for ThickLAN, plus software that provides PC access to most HP 3000 applications.

StarLAN/3000. Same as for ThickLAN, plus software that provides PC access to most HP 3000 applications.

StarLAN 10 3000/V. Same as for ThickLAN, plus software that provides PC access to most HP 3000 applications.

NS Point-to-Point 3000/V Link

The Point-to-Point 3000/V Link is, as its name implies, a point-to-point link. Point-to-point links transfer data by sending it from one node in a network to another until it reaches its destination.

Three types of Point-to-Point 3000/V Links are available; they are distinguished by the kind of physical connections that exist between nodes on the network:

- **Direct connect links,** which use direct connect cable to connect nodes in the network. Such connections are often referred to as "hardwired" connections.
- **Dial links,** in which a modem attached to a node is used to transmit and receive data carried across telephone wires. Dial links are also referred to as switched lines.
- **Leased lines,** in which data is sent over data-grade lines leased from a private carrier.

Figure 1-11 shows a router network consisting of some NS Point-to-Point 3000/V Links, as well as Asynchronous SERIAL Network Links.

NS Point-to-Point 3000/V links use an HP 3000 Intelligent Network Processor (INP) to perform link-level communications protocol management. The INP is a hardware card that fits into the backplane of the HP 3000. Software that implements a particular link-level protocol is downloaded from the HP 3000 when the system is being installed as part of the network. Each HP 3000 with a Point-to-Point 3000/V link must have an INP installed.

The direct connect, dial, and leased Point-to-Point 3000/V links differ in the link-level protocols available and in the additional hardware to the INP that is used to interconnect systems. The following sections describe these differing features.

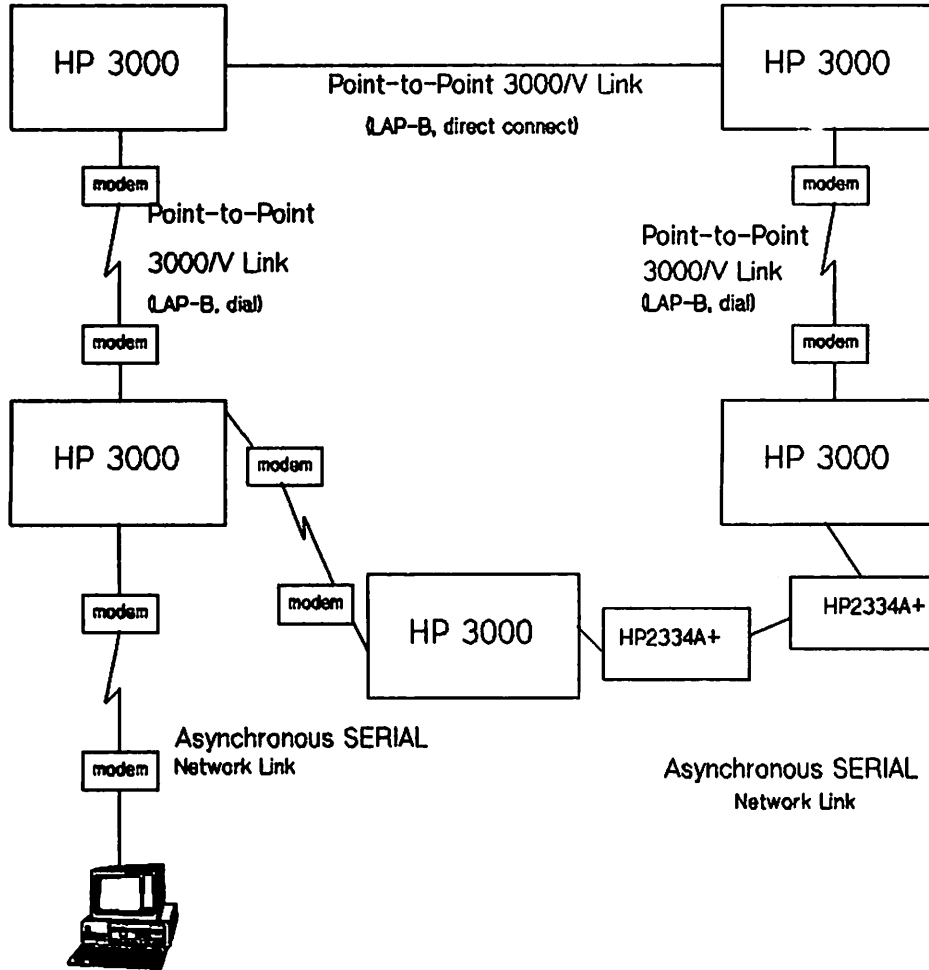


Figure 1-11. Router network with NS Point-to-Point and SERIAL Links

Direct Connect Links

Link Level Protocol. The direct connect NS Point-to-Point 3000/V Link uses the LAP-B link-level protocol. LAP-B is a bit-oriented, full duplex, peer-to-peer protocol.

Hardware and Cables. As noted previously, each HP 3000 with an NS Point-to-Point 3000/V link, including those using direct connect links, requires its own INP. Direct connect cable terminated by EIA RS-422 connectors connects the systems in the network. These cables must be ordered separately from the NS Point-to-Point 3000/V Link.

Dial Links

Dial links can be implemented using either direct dial modems, for which the telephone number of a connected node is manually dialed by the user, or autodial modems, in which the telephone number of a connected node is configured into NS3000/V network management configuration software. Whether direct dial or autodial connections are used depends upon the features of the modem connected to a particular node.

Link Level Protocols. Both the LAP-B and BSC protocols can be used as link-level protocols to support NS Point-to-Point 3000/V dial links.

LAP-B is a full-duplex protocol. Because data can be transmitted in two directions at once using a full-duplex protocol, and in only one direction at a time using a half-duplex protocol, better throughput is achieved using the LAP-B protocol. Full-duplex modems are required when using LAP-B.

BSC is a half-duplex protocol; it therefore can operate over half-duplex modems. However, better throughput (although poorer than with LAP-B) can be achieved by using BSC over full-duplex modems.

See Appendix B, "Supported Modems," for a list of the modems supported for each link-level protocol.

Leased Lines

The company that owns a leased line allocates use of the line specifically for a subscriber's data communications needs. A cable from the INP to a modem that is attached directly to the leased line connects the HP 3000 to the leased line.

Link Level Protocol. HP supports the use of the LAP-B protocol over leased lines for NS Point-to-Point 3000/V Links. Due to greater throughput efficiency, LAP-B is the preferred link level protocol for leased lines.

LAP-B requires the use of full-duplex modems. See Appendix B, "Supported Modems," for a list of the modems supported for LAP-B.

Hardware and Cables for Dial Links and Leased Lines

As previously noted, each HP 3000 with an NS Point-to-Point 3000/V link, including those using switched (dial links) or leased lines, requires its own INP (HP part number 30020B for Series 39-70, part number 30244M for MICRO 3000, MICRO 3000XE, Series 37, and Series 37XE). In addition, each HP 3000 connected via a modem link requires a modem and cable connecting the modem to the INP. These cables are direct connect and are terminated by connectors adhering to the EIA RS-232-C standard. Direct dial modem links require a telephone; autodial and leased line modem links require only a modem. Refer to Appendix B of this manual for a list of supported modems.

Asynchronous SERIAL Network Link

The Asynchronous SERIAL Network Link for the HP 3000 provides asynchronous data transfer between HP 3000s and between personal computers and HP 3000s.

Introduction

The Asynchronous SERIAL Network Link uses the Advanced Terminal Processor (ATP) hardware subsystem to make connections. The ATP is a terminal/printer controller used on MICRO 3000, MICRO 3000XE, Series 37, 37XE, 39, 4x, 5x, 6x, and 70 HP 3000s. It is the only controller available for MICRO 3000, MICRO 3000XE, Series 37, 37XE, 64, 68, and 70 systems. Note that the ADCC, which is another terminal/printer controller available on Series 39, 4x, and 5x HP 3000s, does not support the Asynchronous SERIAL Network Link. One port on the ATP is needed for each system-to-system or system-to-PC connection.

Like the NS Point-to-Point 3000/V Link, the Asynchronous SERIAL Network Link uses the store and forward technique to transfer data among nodes in a network. The Asynchronous SERIAL Network Link is therefore also considered a "point-to-point" link even though it is not part of the NS Point-to-Point 3000/V Link product. An NS3000/V router network can consist of a combination of NS Point-to-Point 3000/V links and Asynchronous SERIAL Network links. The Asynchronous SERIAL Network Link can be of two types:

- Dial link (switched line)
- Direct connect (from PCs to HP 3000s only)

Dial links can use either direct dial modems, for which the user dials a telephone number to initiate a connection to a remote node, or autodial modems, for which the remote node's telephone number is configured into network management software so that dialing is not necessary.

Direct connect links can be used to connect PCs to HP 3000s; however, HP recommends using ThinLAN/3000 or StarLAN/3000 Links for local-area PC-to-HP 3000 communication.

The Asynchronous SERIAL Network Link can be configured to use HP 2334A and/or HP2334A+ Statistical Multiplexers to communicate with a X.25 based Public Data Network (PDN). The HP 2334 enables up to 16 devices to share the cost of a single synchronous line. Personal computers or HP 3000s connected to an HP 2334 can then access an HP 3000 that is connected to the PDN by another HP 2334.

When configured for use with the HP 2334, the Asynchronous SERIAL Network Link uses a configuration of Asynchronous SERIAL network protocol that provides data compression and flow control. This configuration is enabled during configuration by selecting the Performance Mode option of the NMMGR screen. Data compression enhances throughput by not transmitting redundant bits of data. Flow control enables devices on either end of the link to temporarily halt the data flow when data is arriving faster than can be processed. Performance Mode is not compatible with HP 150 series Touchscreen computers.

Hardware and Cabling

To operate, the Asynchronous SERIAL Network Link requires the installation of an ATP. Because the ATP supports a number of asynchronous point-to-point data communications functions such as hardwired and dial connections between terminals connected to HP 3000s, your HP 3000 system may have had an ATP before you purchased an Asynchronous SERIAL Network Link.

The ATP consists of cards that fit into the backplane of the HP 3000. In the MICRO 3000 and MICRO 3000XE, the ATP is a single card that fits in the backplane of the computer and each card provides the system with 8 ports. The minimum ATP subsystem consists of one System Interface Board (SIB) and one Port Controller. Each Port Controller (Direct Connect or Modem) can provide connection to the HP 3000

for up to 12 personal computers or additional HP 3000s. Each HP 3000 can support more than one Port Controller to increase the number of nodes supported by the system up to a maximum of 40.

The maximum number of PC workstations supported for each HP 3000 acting as a SERIAL network server/host is as follows:

MICRO 3000, MICRO 3000XE, Series 37 and 37XE	10
Series 39, 42, 44, 48, 52, 58	20
Series 64, 68, 70	40

See your HP representative to discuss the recommended number of SERIAL connections to PCs given your network and application load.

Dial Line Modems and Cabling. Any node (which can be either a personal computer or an HP 3000) connected to the network over a dial link or leased line requires a modem and connecting cable. The cable connects the system's Port Controller to the modem using HP Direct-Connect 232 connectors at both ends. Refer to Appendix B of this manual for a list of supported modems.

PC-to-HP 3000 Links. The following personal computers can operate as nodes on an Asynchronous SERIAL Network: HP 150s, HP Vectra personal computers, and IBM PC, PC XT, and PC AT personal computers. Refer to the *HP SERIAL Network PC-to-HP 3000 Network Configuration Guide* for a summary of the steps required to attach a PC to an HP 3000 with the Asynchronous SERIAL Network Link. Refer to sections 6 through 15 of this manual for information about configuring an Asynchronous SERIAL Network Link for an HP 3000.

NOTE

HP 150 series PCs are not supported in performance mode with HP 2334 Statistical Multiplexers on the SERIAL link. Data compression and XON/XOFF flow control are supported only in performance mode.

Link Level Protocol

The Asynchronous SERIAL Network Link uses the ASNP protocol as a link-level protocol. (Refer to "Protocols" earlier in this chapter for a description of ASNP.)

NS X.25 3000/V Link

The NS X.25 3000/V Link includes the hardware and software components required to connect an HP3000 to a public or private X.25 packet switched network.

The NS X.25 3000/V Link can be used in conjunction with leased lines (leased data grade telephone lines) or over normal voice-grade telephone lines. A synchronous modem is required for every connection to a Public Data Network (PDN).

Introduction

The NS X.25 3000/V Link product includes the X.25 protocol module, implementing Levels 1 to 3 of the CCITT X.25 Recommendation for synchronous host-to-network connections. For an explanation of the X.25 Recommendation, users should refer to the HP publication, *X.25: The PSN Connection*.

NS X.25 3000/V links use an HP 3000 Intelligent Network Processor (INP) to perform link-level communications protocol management. Software that implements LAP-B (link-level) protocol is downloaded from the HP 3000 when the NS X.25 product is being started. Each HP3000 with an NS X.25 3000/V Link must have an INP installed.

Certified Public Networks

The NS X.25 3000/V Link is certified for use on a variety of Public Data Networks (PDNs). Consult your HP representative for a list of currently supported PDNs.

Private X.25 Networks

By installing a private X.25 network, your company can establish a wide-area network (WAN) that is operated and maintained by the company. Such a network can provide greater security than that provided by a public network, and it gives the company complete control over network operation and growth.

The NS X.25 3000/V Link can be used to connect computers in such a private network. A device called an X.25 switch is needed to route network traffic among the network's nodes. Hewlett-Packard, in conjunction with other vendors, offers a number of X.25 switches. Consult your Hewlett-Packard Sales representative for complete information about X.25 switch products.

X.25 Direct Access

As with other NS3000/V Links, you can purchase the NS X.25 3000/V Link without NS Services. Programs that are written using the NetIPC intrinsics, can directly access the X.25 (OSI layer 3s) software that is part of the NS X.25 3000/V Link. NetIPC intrinsics also allow access to the TCP/IP transport protocols (OSI layer 4) over X.25. Refer to the *NetIPC3000/V Programmer's Reference Manual* for information on using NetIPC. Hewlett-Packard's AdvanceNet Architecture includes HP data communications products based on the principles of the OSI model, as well as extensions for the AdvanceNet predecessor, DSN. Each HP data communications product uses one or more of the different network architectures encompassed in the HP AdvanceNet Architecture. Communication is possible only between data communications products using the same architecture. As a result, it is important to know which architecture is used by which data communications product.

Optional DS-Compatible Links

NS3000/V Network Services includes DS Services software as a subset. This enables applications that have been written for operation over DS links to operate over NS links with little or no modification. However, only NS links support the full capabilities of each network service. (Refer to the *NS3000/V User/Programmer Reference Manual* for information on the differences between using various services over NS or DS links.)

DS-Compatible Links can be used to connect a node on a network connected by an NS link to an HP system using DS. The systems and links that can connect them are as follows:

- HP 3000 or HP 1000 with the Point-to-Point Hardwired Link (HP 30270A)
- HP 3000, HP 1000, or HP 9845 with the DS Point-to-Point Modem Link (HP 30271A)
- HP 3000 or HP 1000 with the DS X.25 Network Link (HP 32187A)
- HP 3000 with the DS Satellite Network Link (HP 32188A)

Because these links use the DSN architecture and also work with DS/3000, they will be referred to as DS-Compatible Links in this manual.

Each DS-Compatible Link provides all the components needed for one side of a connection: link management software, the Intelligent Network Processor (INP) hardware interface card and cables.

A node can have both DS and NS links configured; this allows nodes connected to the node by DS links to communicate with other nodes connected to the same node by NS links.

However, nodes that are using an INP for NS3000/V communication cannot use the same INP for DS communication concurrently, unless the X.25 software switch is also used on the system. For information about the software switch, refer to the *DS X.25 to NS X.25 Migration Planning Guide* or consult your HP representative.

If a node without the software switch has multiple INPs, it can have DS and NS links operating concurrently; each INP must be used for a different NS or DS link. Figure 1-12 shows a network consisting of both DS and NS links. Node B is shown as supporting both NS and DS because it has two INPs; one INP is configured to support the DS link with node A, and the other INP is configured to support the NS link with Node C.

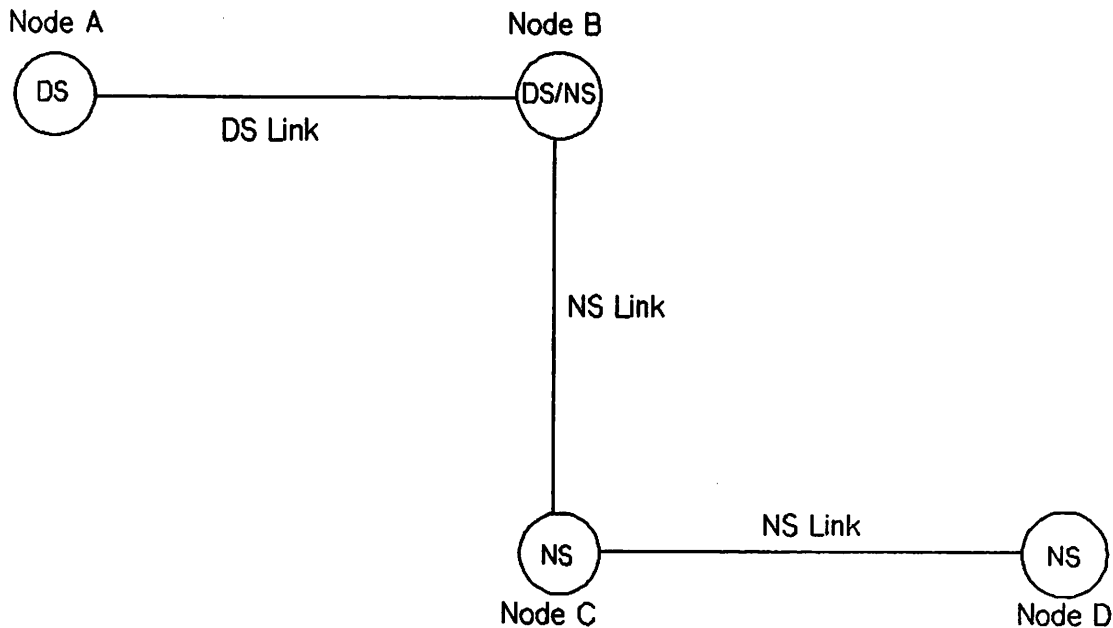


Figure 1-12. Network with NS and DS Links

Refer to the publications listed in the Preface of this manual for more information on DS-Compatible links.

PERSONAL COMPUTERS AS NS3000/V NODES

When used as nodes in NS3000/V networks, personal computers (PCs) provide a subset of the network communication functions provided by HP 3000 nodes.

Unlike HP 3000s, PCs cannot provide transparent internet or intranet point-to-point communication within a router network. Instead, a PC must establish communication with the HP 3000 to which it is adjacent (this means a link extends from a particular HP 3000 directly to the PC). In addition, PCs do not accept inbound communication; that is, communication with other nodes must always be initiated from the PC.

As a result, PC users must log on to the adjacent HP 3000 from the the PC; HP 3000 users cannot log on to the PC from an HP 3000 terminal. Once the PC user has logged on to the HP 3000, he or she can access other nodes in the network by using Network Services commands initiated at the HP 3000.

Note that PCs must therefore be leaf nodes in the network; they cannot be used as intermediate nodes on a point-to-point router network or as gateways between networks.

NS3000/V NETWORK SERVICES

NS3000/V Network Services extend the capabilities of the HP 3000 operating system (MPE) and permit users to share information, programs, processing capabilities, storage facilities, and other resources provided by the various nodes of the distributed network.

The logical environment in which a user or an application process gives instructions to the computer is called a *session*. In Hewlett-Packard networks, sessions which are established on remote nodes for the purpose of carrying out data communications tasks are called *environments*. The remote environments may or may not be interactive, depending on the task involved. To accomplish a desired task, users or processes issue instructions similar to those they would use on their own system. In fact, all MPE-V commands and most MPE-V intrinsics can be executed on a remote node once the remote environment is established. In addition, a variety of NS3000/V services include commands or intrinsics to be used for specific tasks on remote nodes. This variety allows the user or programmer to choose the right tool for the task.

Services Available

The following services are provided by NS3000/V over NS/3000 links:

- **Remote Process Management (RPM).** Allows a process to programmatically initiate and terminate other processes throughout a network from any node on the network. RPM is normally used in conjunction with NetIPC.
- **Virtual Terminal (VT and VTR).** Gives the user interactive capabilities on the remote node, even though the user's terminal is physically connected to the local node. Reverse VT (VTR) refers to programmatic access of remote terminals.
- **Remote File Access (RFA).** Allows a user to access files and devices on remote nodes.
- **Remote Data Base Access (RDBA).** Allows a user to access data bases on remote nodes. The same security protection used for data bases on the local node applies to remote access.
- **Network File Transfer (NFT).** A facility that efficiently transfers disc files between nodes on the network. NFT is supported for PC-to-HP 3000, HP 3000-to-HP 1000, HP 3000-to-HP 9000

Introduction

(Series 300 and 500) and HP 3000-to-DEC VAX* computers.*

- **Program-to-Program Communication (PTOP).** Permits programs residing on different nodes to exchange information with one another in a master/slave relationship.

These services enable users and programmers to perform essential functions in a network- and catenet-wide context. When used over DS-Compatible links, NS3000/V services observe the features and syntax used for the DSN architecture, whether the communication is between NS3000/V and NS3000/V or between NS3000/V and other products using the DSN architecture, such as DS/3000 and DS/1000. However, communication through intermediate nodes is not transparent to the user, as it is when NS3000/V links are used. For details on using these services, refer to the *NS3000/V User/Programmer Reference Manual*.

*DEC and VAX are U.S. registered trademarks of Digital Equipment Corporation.

The advantages of a distributed network are accompanied by the responsibilities of **network management**, the management of systems in a distributed network. These responsibilities are assigned to the user identified as the **network manager**, just as the system management of the HP 3000 is primarily the responsibility of those users identified as the **system manager** and the **system supervisor/operator**. The **network manager's** role can be further subdivided by delegating certain tasks to additional users:

- Users called **node managers** can be assigned to perform network management tasks required for each node on the network.
- If the network is part of a **catenet**, tasks related to coordinating individual network operation with the operation of the **catenet** can be assigned to a **catenet administrator**.
- If a personal computer network uses an HP 3000 as a server, the management of the PC network will be assigned to a **PC network manager**.

These collective network management responsibilities can be distributed among several individuals, as described above, with coordination among them provided by the **network manager**. Or, the **node manager** for a particular node can also manage the entire network. An alternative to any such division of responsibility is where the single **network manager** can perform all functions: that of **node manager** for all the nodes on the network, that of **network manager**, and that of **catenet administrator**. The **PC network manager** should coordinate the operation of the PC network with the **network manager**.

Remember that system management of a single HP 3000 is assigned to a user identified as the **system manager** and the **system supervisor/operator**. As a result, it may be appropriate to assign one of these users the role of **node manager** for an individual system.

All of these system management and network management role assignments are based on the MPE capabilities they require to perform their functions:

- **System manager (SM)** capability for system manager
- **Operator (OP)** capability for system supervisor/operator
- **Node manager (NM)** capability for node manager
- **Network administrator (NA)** capability for network manager

NOTE

Although this manual refers to the person responsible for managing the network as the **network manager**, this title and other titles defined in this section are used for convenience. The person responsible for maintaining the operation of the network, the PC network, or the **catenet** needs no particular title, as long as it is clearly defined who is responsible for various parts of the network's operation.

Node manager (NM) and network administrator (NA) capabilities currently provide almost identical access rights. The single difference is that NA capability is required to access and update the network directory, part of the NMMGR utility. The node manager should therefore be assigned NM capability; the network manager should be assigned NA capability. (You might want to call your network manager a "network administrator," to correspond to the NA capability provided by MPE.) By logging on as a user that is assigned the MPE capability of NM or NA, the network manager can execute the utilities and commands needed for the operation of NS3000/V services and link products. In this manual, it is assumed that one person, the network manager, will be completing the tasks required to establish a working NS3000/V network.

As previously noted, these responsibilities may be distributed among several individuals or may be assigned to one person at your installation.

Later portions of this chapter describe the tasks required of the network manager, covering the following topics:

- The Network Management Lifecycle
- Network Management Tools
- Configuration and Initialization Overview

In addition to explaining each major functional area and the corresponding commands or utilities that make up the network manager's job, this section explains background information as needed. Other complex subjects can only be introduced here. In such cases, you will be referred to appropriate additional sources.

NETWORK MANAGEMENT TASKS

As the network manager, you are directly responsible for executing the utilities and commands needed for the operation of NS3000/V services and link products for all the nodes directly connected to your network. In addition, your network may be linked (via gateway nodes) to other networks in the same catenet. DS-Compatible Links may also link your network to DS networks.

The catenet administrator is responsible for the coordination of tasks among all networks that ensure the complete operation of the entire catenet.

As the network manager, you are also responsible for coordination with any network, possibly through the catenet administrator, with which your local network can communicate.

Although the network manager does not have full responsibility for the other networks with which the local network can communicate, he or she needs to be aware of the requirements of establishing connections, such as the naming or addressing conventions used by each type of network.

The Network and Catenet Management Lifecycle

To understand the responsibilities of network and catenet management, it is helpful to examine the major stages of development in a typical network or catenet, generalized into the network/catenet life cycle shown in Figure 2-1.

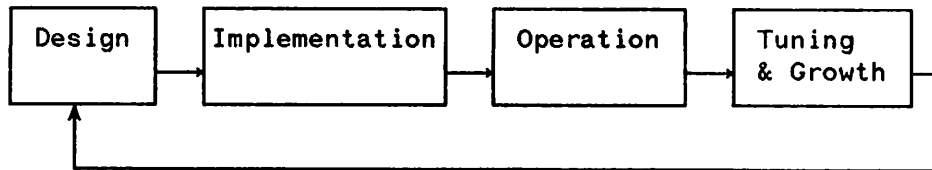


Figure 2-1. The Network/Catenet Life Cycle

Both networks and catenets evolve in much the same way as is illustrated in Figure 2-1. First is the design stage, a time of defining requirements and designing a network to meet those requirements. This stage is followed by the implementation stage. During the implementation stage, each network manager is responsible for managing the installation, configuration, and initialization of all the nodes in the network. The catenet administrator is responsible for managing the overall installation, configuration, and initialization of all networks in the catenet. This includes informing all network managers of configuration information that must be coordinated to achieve internetwork communication. Once the network or catenet is established, management consists of two main tasks:

- Ensuring network availability. Each network manager is responsible for changing configurations, controlling the operation of the data communications products on each node, and resolving any problems.
- Maintaining performance levels. The network manager monitors performance to ensure consistent response time. The catenet administrator can monitor the performance of internetwork traffic.

Eventually, in response to the requirements of these tasks, the network manager determines the need for growth or tuning of a particular network, returns to the design stage, and the cycle begins again. Similarly, the catenet administrator must determine the need for growth, tuning, or other alteration of the catenet, and must as a result return to the design stage and begin the cycle again.

Thus, network and catenet management requirements change over time, depending on where your network or catenet is in the network life cycle.

Network Management Tools

The responsibilities of managing a node in a network and coordinating a node with remote nodes and networks may require the network manager to use a combination of software utilities, data communications test equipment, and network support services. The network manager has a variety of tools and utilities available to supervise the operation of NS3000/V services and link products. Some are provided with the data communications products and some are provided with the HP 3000.

MPE Commands and Utilities

The responsibilities of the network manager, node manager and the system supervisor/operator tend to overlap because of the similarities of their roles. NA, NM, and OP capabilities allow users to issue MPE commands and interact with the system to fulfill designated responsibilities.

A variety of utilities and commands used by the system supervisor/operator are also available to the network manager (and/or node manager, network administrator, or catenet administrator) for use in managing NS3000/V networks. These include:

- **SYSDUMP**--the system I/O configuration utility used to add devices and change system tables. The SYSDUMP responses necessary for NS3000/V services and link products are documented in Section 4 of this manual.
- **MPE Networking Commands.** There are MPE commands specifically designed for starting and stopping NS3000/V link products, and for specifying the operation of certain components. Table 2-1 lists these networking commands. They are described in Volume II, Section 1 of this manual.

Additional MPE commands, such as SHOWDEV and ALLOW, may also be helpful in managing NS3000/V services and link products. Refer to the *MPE V Commands Reference Manual* for information about commands not explained in Volume II of this manual.

- **Software Dump Facility (SDF), DPAN5 and NSDPAN.** The SDF utility provides a memory dump of the HP 3000. It is used following a system failure, halt, or other abnormal condition. DPAN5 is the system utility used to format a memory dump. NSDPAN is an enhanced version of DPAN5. NSDPAN formats the data structures important for analyzing memory dumps from NS3000/V link products and services. If the problem is related to NS3000/V services or link products, a memory dump needs to be submitted with the Service Request. The memory dump should be formatted with NSDPAN rather than DPAN5. The *NS3000/V Error Message and Recovery Manual* describes these programs in more detail.
- **LISTLOG5.** This utility analyzes files in the MPE system log files. An MPE log file records events such as session or job initiation and termination, process termination, file closure, I/O errors, and system shutdown.

Refer to the *MPE V System Operation and Resource Management Reference Manual* (32033-90005) and *MPE V Commands Reference Manual* (32033-90006) for more information.

TABLE 2-1. NS3000/V NETWORKING COMMANDS

Command Name	Description
DSCONTROL	Initiates, terminates, and controls the operation of the DS Compatible Links.
LINKCONTROL	Activates or deactivates link level tracing on the specified communications line. The line must already be initialized.
NETCONTROL	Initiates, terminates, and controls the operation of the Network Transport subsystem of NS3000/V.
NSCONTROL	Initiates, terminates, and controls the operation of the Network Services subsystem of NS3000/V.
RESUMENMLOG	Resumes NMS logging after a recoverable error.
SHOWCOM	Displays the status of a communications device.
SHOWNLOG	Displays the identification number and available space for the NMS log file.
SWITCHNLOG	Closes the current NMS log file and creates and opens a new one.

Node Management Services

Node Management Services (NMS), used by the network manager to configure, initialize, and maintain NS3000/V services and link products, are used in much the same way that MPE operating system utilities are used by the system supervisor for similar tasks. For example, the SYSDUMP utility is used to configure system hardware into MPE; the network equivalent is the Node Management Configurator, abbreviated NMMGR, which is used for network configuration. The utilities and commands combined as Node Management Services include:

- The Node Management Configurator (NMMGR). NMMGR is a menu driven configuration utility that is used to create and enter information into a configuration file. The information in a configuration file is used by the data communications product, *when it is active*, to determine its operating characteristics.
- The NMS Conversion Utility (NMMGRVER). NMMGRVER converts a configuration file created with earlier versions of NMMGR to the format required by the current version. Refer to Appendix C for more information.
- The NMS Trace/Log Formatter (NMDUMP). The diagnostic functions of logging events and tracing messages are handled by NMS using a common set of internal intrinsics. NMS provides the NMDUMP formatting utility to format the files created by logging or tracing operations. Refer to Volume II, Section 3 of this manual for more information.

Network Management

- The NMS Maintenance Utility (NMMMAINT). This utility provides a list of software module version numbers and verifies that all modules are current and compatible. Refer to Volume II, Section 2 of this manual for more information.
- The NODESTAT Utility. You can use a utility called NODESTAT as a troubleshooting aid to display information about the network activities occurring on a node.

CS/3000 Utilities

There are also several utilities supplied with the Communications Systems (CS/3000) that supplement the diagnostic capabilities provided by NMS. These utilities are:

- CSLIST and DSLIST. These utilities supplement the information provided by NMMMAINT. CSLIST provides a list of software module version numbers for the INP download files used by the NS X.25 3000/V link. DSLIST provides a list of software module version numbers for the DS-compatible links. These utilities also verify that all modules are current and compatible. Refer to Volume II, Section 2 of this manual for more information.
- The CS/3000 Trace Facility (CSTRACE). This utility is used to provide a record of the line actions, states and events that occur during link operation. CS/3000 link tracing is enabled during configuration with NMMGR or with the MPE command LINKCONTROL (refer to Volume II, Section 1.)
- CSDUMP. The diagnostic function of tracing messages is handled by CS using a common set of internal intrinsics. CS provides the CSDUMP formatting utility to format the files created by CSTRACE link tracing operations. Refer to the *LAN/3000 Diagnostic and Troubleshooting Guide* for LAN/3000 Link tracing; refer to the *DS/3000 HP 3000 to HP 3000 Network Administrator Manual* for DS-Compatible Link tracing.

Link Level Tools and Utilities

This manual covers those aspects of network management used by the network manager on a day-to-day basis. There are also a variety of link-specific troubleshooting tools that are beyond the scope of this manual. However, because it may be helpful to know what is available, the link-level tools are listed here, with references to the appropriate manuals.

IEEE 802.3 Links. For IEEE 802.3 links, the following tools are available:

- LANIC Dump Analysis (LANDPAN). This utility is used to generate a formatted dump of a LANIC log file. These files are produced when an error occurs and contain the contents of the LANIC memory.
- LANIC Self-Test. This test exercises the major portion of the LANIC hardware and reports status.
- LAN Node Diagnostic (LANDIAG). This utility is an interactive on-line program designed to help identify any malfunctioning hardware units of the LAN3000/V Link.
- Time Domain Reflectometer (TDR). The TDR that HP recommends is the TEKTRONIX 1503 Cable Fault Locator.

Refer to the *LAN/3000 Diagnostic and Troubleshooting Guide* for more information on these tools. For information on troubleshooting HP StarLAN links connecting personal computers, refer to the *HP StarLAN Diagnostics and Troubleshooting Manual for PCs*.

Links Using an INP. The NS Point-to-Point 3000/V Link, DS-Compatible links, and the NS X.25 3000/V Link use the Intelligent Network Processor (INP) card to perform lower-level data communications functions. The following utilities are available for INP troubleshooting:

- **INP Dump Analysis (INPDPAN).** This utility is used to generate a formatted dump of an INP log file. These files are produced when an error occurs and contain the contents of the INP memory.
- **INP Diagnostic Support Monitor (DSM).** This utility is an interactive on-line program designed to help identify any malfunctioning hardware units of the INP.
- **DSDUMP.** When formatted with DSDUMP, instead of CSDUMP, the link trace file created by CSTRACE can provide additional information on the data link and network levels of the BSC and X.25 protocols for DSN\X.25.

Refer to the *DS/3000 HP 3000 to HP 3000 Network Administrator Manual* and the *INP Diagnostic Procedures Manual* for more information.

Asynchronous SERIAL Network Link. The following tool is available specifically for troubleshooting Asynchronous SERIAL Network Links:

TERMDSM. The TERMDSM utility is the diagnostic tool for the ATP card used by Asynchronous SERIAL Network Links. Refer to the *Terminal On-Line Diagnostic/Support Monitor Reference Manual* for instructions on using TERMDSM.

Installing NS3000/V Links

The installation procedure for each NS3000/V link product specifies responsibilities of the customer and of HP.

Customer Installation Tasks for All NS3000/V Links

You must complete the tasks listed in Table 2-2 before your HP representative begins to install any NS3000/V link product:

TABLE 2-2. Customer Installation Tasks

Required Steps	References
Install modems and phone lines for remote NS3000/V links, if any.	Refer to the appropriate cabling, modem, or auto-dial unit or reference guide.
Install HP 2334A or HP 2334A+ Statistical Multiplexers, if used with Asynchronous SERIAL Network Link.	<p><i>HP 2334A Plus X.25 Multiplexer Configuration Guide (32033-90023)</i> <i>HP 2334A Plus X.25 Multiplexer Reference Documentation (02334-90013)</i></p>
Install external interconnect cable between HP 3000 system for hardwired NS Point-to-Point 3000/V and NS X.25 3000/V connections, if any.	<p><i>HP 30020B Intelligent Network Processor (INP) Installation and Service Manual (30020-90005)</i> <i>HP 30244M Intelligent Network Processor (INP) Installation and Service Manual (30244-90002)</i></p>
If installing NS X.25 3000/V or any of the DS Compatible links, install the communications line and test that the line is functioning correctly.	<p>Refer to the appropriate cabling, modem, auto-dial unit reference manual or other guide for any components to be installed.</p> <p>For the DS X.25 Link, refer to <i>X.25: The PSN Connection (5958-3402)</i> and <i>X.25 Link for the HP 3000 Reference Manual (32187-90001)</i>.</p> <p>For the DS Point-to-Point Links, refer to <i>DS/3000 HP 3000 to HP 3000 Network Administrator Manual (32185-90002)</i>.</p> <p>For the NS X.25 3000/V Link, refer to <i>NS X.25 3000/V LINK Guide (24405-90002)</i>.</p> <p>If connecting to an HP 1000, refer to the <i>DS/3000 HP 3000 to HP 1000 User/Programmer Reference Manual (32185-90005)</i>.</p>
Perform a system backup (including MPE and @.PUB.SYS) and make the system available for installation of the data communications software, interface card(s), and cable.	<p><i>MPE V System Operation and Resource Management Reference Manual (32033-90005)</i> <i>LANIC Installation and Service Manual (30242-90001)</i> <i>Option 100 LANIC Installation and Service Manual (30242-90100)</i> <i>LANIC Installation and Service Manual (30240-90001)</i> <i>Option 100 LANIC Installation and Service Manual (30240-90100)</i> <i>StarLAN/3000 Link Installation and Service Manual (30265-90001)</i> <i>HP 30244M Intelligent Network Processor (INP) Installation and Service Manual (30244-90002)</i> <i>HP 30020B INP Installation and Service Manual (30020-90005)</i></p>

In addition, if any NS3000/V links will be used to connect personal computers to an HP 3000, the customer is responsible for installing the personal computers.

It is also the customer's responsibility to install some hardware and cables for IEEE 802.3 links, as described below.

Additional Tasks for IEEE 802.3 Links

Table 2-3 lists the steps you must complete before beginning to install the software for ThinLAN/3000 (or the ThickLAN, option), StarLAN/3000, and StarLAN 10 3000/V links:

TABLE 2-3. IEEE 802.3 Link Customer Installation Tasks

Required Steps	References
<p>ThickLAN: Install the coaxial cable, MAU/tap, and AUI cables. Test that the line is functioning correctly.</p>	<p><i>LAN/3000 Design Guide (5955-7689)</i> <i>LAN Cable and Accessories Installation Manual (5955-7680)</i> or <i>Local Area Network Cabling and Installation Guide (30242-90002)</i> <i>LAN/3000 Diagnostic and Troubleshooting Guide (30242-90003)</i> <i>LAN Link Hardware Troubleshooting Manual, IEEE 802.3 Coaxial Cable LAN (5955-7681)</i></p>
<p>ThinLAN/3000: Install the thin coaxial cable and ThinMAU. Test that the line is functioning correctly.</p>	<p><i>LAN/3000 Design Guide (5955-7689)</i> <i>LAN Cable and Accessories Installation Manual (5955-7680)</i> <i>LAN/3000 Diagnostic and Troubleshooting Guide (30242-90003)</i> <i>LAN Link Hardware Troubleshooting Manual, IEEE 802.3 Coaxial Cable LAN (5955-7681)</i></p>
<p>StarLAN/3000 and StarLAN 10 3000/V: Install the Hubs and unshielded twisted-pair cable. Test that the line is functioning correctly. For StarLAN 10 3000/V, install the twisted-pair MAU. If necessary, install the HP StarLAN Bridge.</p>	<p><i>HP 28647A Bridge Installation and Reference Manual (28647-90001)</i></p>

After the hardware described in Table 2-3 has been installed, you must perform a system backup, as described in Table 2-2.

HP Installation Tasks

During the installation of NS3000/V links, HP is responsible for:

- Taking the system down and performing a system update to add the product software modules to the system if the system is on the current release; otherwise a full system update will be performed.

Network Management

- Creating the DADCONF.NET.SYS configuration file to allow the initiation of all purchased network services.
- Verifying that the correct number and version of the software modules have been installed.
- Installing the link product hardware, with the exception of the IEEE 802.3 link hardware described in Table 2-3, modems and phone lines, and external interconnect cable between hardwired HP 3000s.
- Adding the link product hardware into the I/O software configuration and configuring it in accordance with the customer's intended use.
- Initially configuring the software in accordance with the network links used.
- Connecting the network link to the communication line (only if the line is available).
- Verifying that a link properly connects a personal computer to the HP 3000. HP can verify this only if the personal computer has been previously wired to the HP 3000 and if the personal computer is available for testing.
- Verifying that the product properly opens the line when started by command.

Installing Network Services

For UB-MIT and later installations of NS3000/V services and link products, an additional configuration file is required. This file is DADCONF.NET.SYS. Without this file, NS3000/V Network Services will not operate.

DADCONF.NET.SYS is required to initiate the services purchased, such as VT (virtual terminal)-only for ThinLAN/3000 Link. These services become available only when NS3000/V recognizes their existence by means of DADCONF.NET.SYS. This file must be created after product installation because the file defines the services purchased. A configuration file specifying an incorrect set of services may result in unusable purchased services or error messages.

The time to create DADCONF.NET.SYS is after the final SYSDUMP tape has been loaded and the system is fully up (and before NMMGR configuration). Enter the command `STREAM CONFJOB.NET.SYS`. Passwords for `MANAGER.SYS,NET` should be added to the `JOB` logon string when appropriate. The job should take two or three minutes to run and should return a message to the console telling you if your file has been successfully created. If a failure occurs, try streaming the job again. If another failure occurs, contact your SE.

You may encounter a situation where you have ThinLAN/3000 Link with incoming VT as your only service, and then you decide to purchase all services for system-to-system communications. To revert from having a VT-only service to having all services, restore `@.NET.SYS`, and then perform `STREAM CONFJOB.NET.SYS`.

Configuration and Initialization Overview

Configuration and initialization of an NS3000/V network is a complex process. The configuration portion of this process is made as easy as possible through the use of NMMGR, a utility that enables you to interactively enter configuration information. Once each node in the network has been correctly

configured, the network can be initialized. Initialization is accomplished through the use of MPE network commands.

Configuring and initializing an NS3000/V network involves the following major steps:

- Network and configuration planning.
- System Configuration.
- Configuring the network with NMMGR.
- Verifying network configuration with software utilities and tests.
- Maintaining an up-to-date network directory through the use of the NS3000/V network directory utility.

Table 2-4 summarizes the required configuration and initialization steps, which are also briefly described in the following subsections. Table 2-4 lists the appropriate sections of this manual where you will find the information required to complete each step. In addition, for each step there is a list of the additional references that you can consult for more or related information. The sections of this manual are arranged in an order that closely corresponds to the steps required to configure and operate NS3000/V.

TABLE 2-4. CONFIGURATION AND INITIALIZATION SUMMARY

Required Steps	References
Create the configuration file required for initiating purchased services.	"Installing Network Services," earlier in this section.
Prepare for network configuration using worksheets and network/catenet maps.	Volume I, Section 3, Network Planning and Configuration.
Configure the link hardware devices and pseudo-devices into the HP 3000 operating system.	Volume I, Section 4, System Configuration. For additional information: <i>MPE V System Operation and Resource Management Reference Manual (32033-90005).</i>
Study the use of the Node Management Configurator, NMMGR.	Volume I, Section 5, NMS Configurator (NMMGR).
Using NMMGR, prepare the configuration files required for NS3000/V service and link operation.	(All of the following are in Volume I of this manual.) Section 6, Guided Configuration or Section 7, Link Configuration Section 8, Network Transport Configuration and one or more of Section 9, IEEE 802.3 Network Interface Configuration Section 10, Router Network Interface Configuration Section 11, Gateway Half Network Interface Configuration Section 12, X.25 Network Interface Configuration Section 13, Loopback Network Interface Configuration
Create a network directory for nodes requiring one; synchronize network directories among all nodes in network and catenet.	Volume I, Section 15, Network Directory. Volume I, Section 3, Network Planning and Configuration.

TABLE 2-4. CONFIGURATION AND INITIALIZATION SUMMARY, continued

Required Steps	References
Configure any installed DS X.25 Link(s) using NETCONF.	<i>X.25 Link for the HP 3000 Reference Manual</i> (32187-90001).
Initialize the Network Transport with NETCONTROL, then the Network Services with NSCONTROL.	Volume II, Section 1, Commands.
Initialize any optional DS Compatible Links with DSCONTROL.	Volume II, Section 1, Commands.
Configure HP 2334s for ASNL.	HP2334A MULTIMUX Configuration Guide (02334-90001).

Network and Configuration Planning

Before beginning configuration with NMMGR, you should prepare for the configuration activity by completing the configuration worksheets. Appendix A contains blank worksheets, and Section 3 includes sample worksheets. The worksheets will enable you to collect and consolidate the information you will need to interactively enter using NMMGR.

System Configuration

Before starting a node's network configuration with NMMGR, you must define to the MPE operating system all of the peripheral devices and software "pseudo-devices" attached to the HP 3000 required for input or output of data (I/O). This definition process is referred to as **system configuration**. System configuration is accomplished via the interactive SYSDUMP utility. Using SYSDUMP you can configure software drivers for the INP (for NS Point-to-Point 3000/V, NS X.25 3000/V, and DS-Compatible links), the ASNP driver for the ATP (for ASNL 3000/V), the Lanic Local Area Network Interface Controller (LANIC), the StarLAN/3000 and ThinLAN/3000 links (including the ThickLAN option of ThinLAN/3000).

HP 3000 data communications connections require pseudo-devices called virtual terminals which consist of software that simulates the function of terminals. NS3000/V links and DS-Compatible links require virtual terminals, which can be configured with SYSDUMP. The Asynchronous SERIAL Network Link with HP 2334 Statistical Multiplexers must be configured using the profiles for Asynchronous SERIAL Network Link.

Finally, NS3000/V and its links may require changes to MPE system tables. This, too, can be accomplished with SYSDUMP. System configuration for NS3000/V is described in detail in Section 4 of this manual.

Network Configuration with NMMGR

The information required for an HP 3000 to function as a network node is stored in a file called a configuration file. This file can be created and subsequently modified using NMMGR. NM or NA capability is required to run NMMGR, which uses a series of VPLUS/3000 block-mode screens to display and accept configuration information. Use of NMMGR can be divided into three kinds of configuration:

- Link configuration, which defines link level parameters.
- Transport configuration, which defines network transport (OSI layer 3 and 4) information.
- Logging configuration, which enables you to define which information about network activity should be recorded. This information can be printed, displayed on a terminal, or routed to a file. This information is useful for network analysis and troubleshooting.

You can access NMMGR in two ways: using a function called Guided Configuration, or through what is referred to as *manual configuration*. Guided Configuration enables you to configure the network more quickly by automatically using default values for certain required configuration parameters, and by automatically bypassing certain optional configuration tasks. To accomplish any of the tasks bypassed by Guided Configuration, you will need to use manual configuration.

NOTE

HP strongly recommends that you use Guided Configuration to initially configure each node, and for most network maintenance and updating. Use manual configuration *only* if Guided Configuration does not provide access to the configuration data you need to change.

Guided Configuration is described in Section 6. Manual configuration for network links and the network transport is described in sections 7 through 13, and manual configuration for network logging is described in Section 14.

Section 5 of this manual provides a more detailed introduction to NMMGR.

Configuration Verification

After you have completed hardware installation, system configuration with SYSDUMP and network configuration with NMMGR, you will need to verify that each node is communicating correctly with other nodes on the network and that all the installed software modules are current and compatible. Utilities and tests for this software and line verification are described in Volume II, Section 2.

Network Directory

A network directory is a file containing information about other nodes in the network. All nodes with point-to-point router or NS X.25 links must have a network directory; if an IEEE 802.3 network is part of a catenet, at least one node on the network must have a network directory. (Section 3 explains the function of the network directory in more detail; Section 15 fully describes the network directory and the commands you can use to modify this file.)

One of the tasks of both network managers and catenet administrators is to make sure that the network directories residing on all nodes in the network and catenet, respectively, are up-to-date. This means that when node information changes, and when nodes are either added or deleted, all network directories must be updated to reflect the changes. Updating can be accomplished in several ways: by using the copy subtree utility of NMMGR, by sending tapes of updated directories to the people responsible for maintaining a node or network (such as the node manager or network manager), or by relating the information that must change to each responsible person. Refer to Section 15 for more information about the network directory.

Network Control Management System

The Network Control Management System (NCMS) is the architecture software underlying a group of HP network management applications. These applications, known collectively as the OpenView NS Monitor Applications, use NCMS to gather network data from monitored HP3000 nodes throughout a network. NCMS provides the kernel level services to the applications. Applications send requests for network status, link usage information, and diagnostic tests through NCMS to the managed nodes. The information or test results are then sent back through NCMS to the applications, which display the information on the HP network management workstation.

NCMS is divided into two main segments:

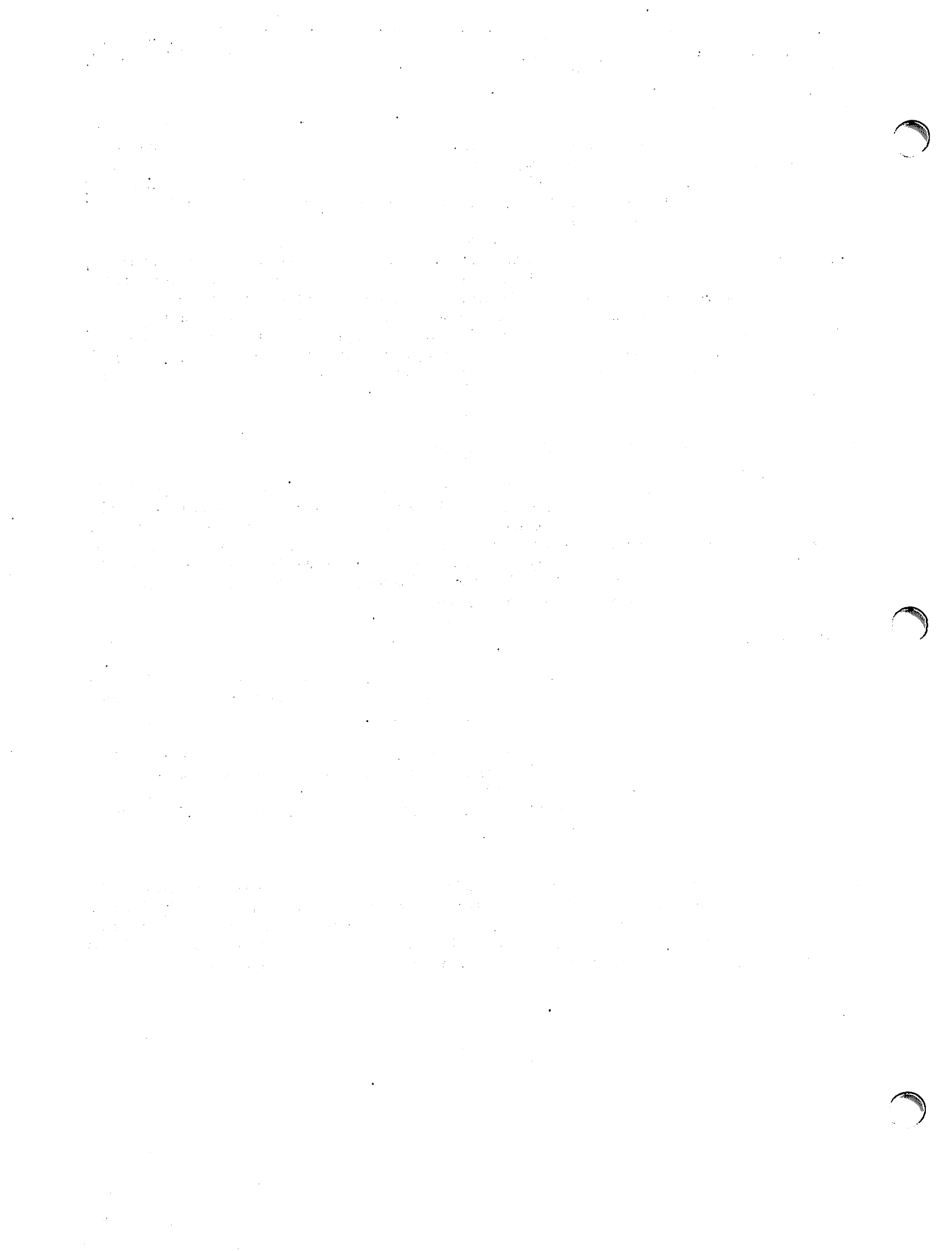
The Network Control Manager
(NCM)

NCM is the coordinator of all of the network management facilities. NCM resides on one of the HP3000 nodes, which is designated as the management node.

The Network Control Server
(NCS)

NCS resides on each managed HP3000 node in the network. NCS initiates network management functions on the node on which it resides. NCS interfaces with, and receives information from NS3000/V. NCS is installed with NS3000/V on each node in the network.

If your HP3000 has NS3000/V, then it also contains NCS. NCS messages can show up on your HP3000 console. Because of this, the *NS3000/V Error Message and Recovery Manual* contains a listing of those messages, together with the message number, the probable reason or cause of each message, and the action that you should take. These messages only appear during the installation of NCS or while your network manager or designated operator is running one of the OpenView NS Monitor applications.



This section of the *NS3000/V Network Manager Reference Manual* explains concepts you will need to understand before you plan and install an NS3000 network or catenet.

This section will introduce and describe the following topics:

- **Software Components**, including NS3000/V software subsystems and configuration files.
- **Configuration concepts**, including internet and intranet routing, and the relationship of symbolic names to network addresses.
- **Network and catenet configuration and administration tasks**. Configuration tasks include the procedures required to configure software on each network node, verify that the network is functioning correctly, and start the network. Administration tasks include making sure that changes to network nodes are recorded and that changes are coordinated among all network nodes, when necessary.
- **Network design**, including guidelines to follow when designing a network or catenet.
- **Configuration worksheets**. The last section in this chapter contains sample worksheets. Worksheets can assist you in designing a network or catenet and can help you prepare for configuration with NMMGR. The worksheet process includes the creation of a network or catenet map that shows the placement of nodes and connecting links.

SOFTWARE COMPONENTS

The following section describes the software components that make up NS3000/V services and link products.

NS3000/V Software Subsystems

The software and associated protocols that enable an NS3000 network to operate are divided into units referred to as subsystems. Separate copies of these subsystems reside on each node in the network. The following subsystems make up NS3000/V services and links:

- **Network Services.** The Network Services subsystem provides services that include Network File Transfer (NFT) and Remote File Access (RFA). The Network Services subsystem will be present on a node only if Network Services have been purchased (separately from the link) for that node.
- **Network Transport.** The Network Transport subsystem contains the protocol modules corresponding to layers 1 through 4 of the OSI model. Network Interprocess Communication (NetIPC) is part of the Network Transport subsystem.
- **Node Management Services.** The Node Management Services subsystem provides configuration file version checking, logging, and tracing. Logging enables network transactions to be "logged," or recorded, in a disc file. The recorded information can be used to assist in network troubleshooting.
- **Node Management Configurator.** The Node Management Configurator subsystem provides the software that enables you to configure an HP 3000 as a network node. This subsystem includes NMMGR, the Node Management Configurator program.
- **Link Support Services.** The Link Support Services subsystem contains two software modules: the Link Manager and the PC Link Manager. Both of these modules open, close, and otherwise control physical links. The PC Link Manager performs these functions for NS Asynchronous SERIAL Network Links; the Link Manager performs them for other NS3000/V links.
- **Communication Services (CS/3000).** CS/3000 provides some of the diagnostic and link management software required for NS3000/V links. CS/3000 is also used by DS-Compatible links.

Configuration Files

Part of the network installation process involves configuring the network using NMMGR interactive configuration software. Through the use of NMMGR, several files containing information about the node and the rest of the network to which it belongs will be created on each node. The information in these files is accessed by various network subsystems while the network is operating. It is the information provided by the configuration files that enables the network software to send and receive data in a suitable form for each node and network link, and to direct data to the correct destination nodes.

Three files can be created on each network node: NMCONFIG.PUB.SYS, NSDIR.NET.SYS, and NSCONF.NET.SYS.

NOTE

The filename NSCONF.NET.SYS is a default filename, and is the name that HP recommends that you use for this configuration file. However, a different filename can be used, as long as the file is located in the NET group of the SYS account. The NSDIR.NET.SYS file that is active, i.e., is in use when the network is running, *must* be named NSDIR.NET.SYS.

For purposes of discussion, the names NSCONF.NET.SYS and NSDIR.NET.SYS will be used to refer to these files throughout this manual.

Each of the files is described below:

NSCONF.NET.SYS. This file contains configuration information needed by the Network Transport subsystem. This information enables the system to operate as a network node. Information ranging from the amount of data buffers to allocate for certain network functions to the telephone number of a dial-up link are contained in this file. Most of the information configured via NMMGR is contained in this file.

NSDIR.NET.SYS. This file, also called a network directory, contains information that enables network software to translate node names (a node name is a symbolic ASCII-character name given to each system in the network that identifies it to the rest of the network and to network users) into protocol and address information. NSDIR.NET.SYS is actually the data file of a KSAM data file and key file pair. The key file that will be created at the same time as the data file will be named using the first 6 characters of the data file, appended with the character K. For example, if the default data file name is used, the key file will be named NSDIRK.

NMCONFIG.PUB.SYS. This file contains information needed for link level and NetIPC logging. Parameters such as what network activities to record and where to record them are provided by this file.

NOTE

Another file, called DADCONF.NET.SYS, is required to initialize NS3000/V Network Services. Refer to Section 2 for information about this file.

CONFIGURATION CONCEPTS

Before beginning network planning and configuration, you must understand certain terms and concepts that may influence your network's design and the values you enter for various configuration parameters. This section describes the most important of these terms and concepts --and those that you should understand in order to fully understand NS3000/V networks. (Additional terms not included

in this section are described in individual network configuration sections of this manual: Sections 7 through 14.)

NS Routing

Routing refers to the process used to determine the path that packets, or fragments of a message, take through a network or catenet to reach a destination node. Routing between multiple networks in the same catenet is referred to as internet routing; routing between nodes in the same network is referred to as intranet routing. The routing mechanism used by a particular network is based on its network type.

The NS Network Transport subsystem provides intranet and internet routing. However, a message's complete source-to-destination route is not determined before it is sent to its destination (unless the destination is a logically adjacent node), because each node possesses information about only the path that should be taken to the *next* node on the way to a destination.

The information about which node a packet should be directed to next is obtained by the Network Transport from the NSCONF.NET.SYS configuration file. The information in this file is derived from values configured using NMMGR. The values entered must therefore reflect the physical design of your network. (Network design is further discussed later in this chapter.)

Intranet Routing

Intranet routing involves all the processes required to route a packet from one node in a network to another node in the same network. Intranet routing can be very simple, as for an IEEE 802.3 network, or potentially very complex, as for a point-to-point router network.

For an IEEE 802.3 network, in which each node is attached to a common bus (the cable) that is shared by all the nodes, routing occurs as follows: Each node that has data to send acquires control of the bus, adds a subnet address identifying the node (called a station address) to the packet, and sends it on the bus. After the packet has been sent, the sending node relinquishes control of the bus. Each node will check every packet that is sent on the bus for a station address that matches its own, and will receive only those destined for it. Figure 3-1 illustrates an IEEE 802.3 network; note that the nodes on the network are all logically adjacent to one another.

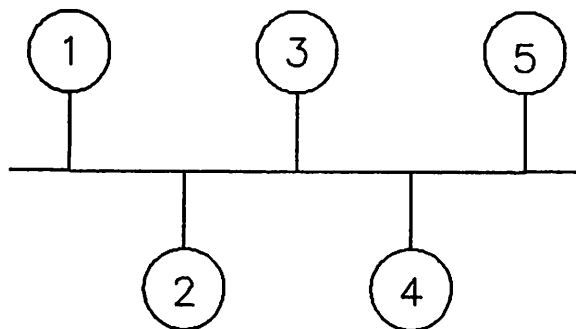


Figure 3-1. IEEE 802.3 Network

For point-to-point networks, nodes are connected to other nodes in the network via one or more point-to-point links. A route may therefore include one or more intermediate nodes through which a

packet must pass on its way to its destination. The routes to various remote nodes are configured into nodal routing tables at each node. At an intermediate node, a packet will be received and forwarded to the next node in the network based on the routing information configured at that intermediate node for the destination node. Information about more than one route to the same destination node can be configured into a node's routing table. If so, an internal algorithm selects the best possible route to the destination node. Figure 3-2 shows an example point-to-point network. Note that more than one possible route exists between nodes.

For X.25 networks, nodes are connected to other nodes on the same X.25 network via multiple logical connection paths (Virtual Circuits). X.25 protocol defines the method of access to packet switched networks i.e. originating calls to, and receiving calls from, other hosts implementing X.25, using either Switched or Permanent Virtual Circuits. X.25 parameters (VC assignment, X.25 addresses, user facilities etc.) are configured into nodal routing tables at each node. The route a packet actually takes between two nodes is transparent to the user.

Alternate Routes. At each node, you can configure the name of the link that a packet should take to get to a given remote node. By configuring multiple alternative links to reach the same destination, you can provide several routes for packets to take to reach a destination. NMMGR allows you to specify an "entry priority" for each alternate link to indicate the order of preference for configured outbound links to the same destination

Alternate routes can be useful if a link on the network becomes non-operational because of an intentional shut down or a link failure. Refer to "Non-Operational Links" later in this chapter for information about how alternate routes can be used to circumvent non-operational links.

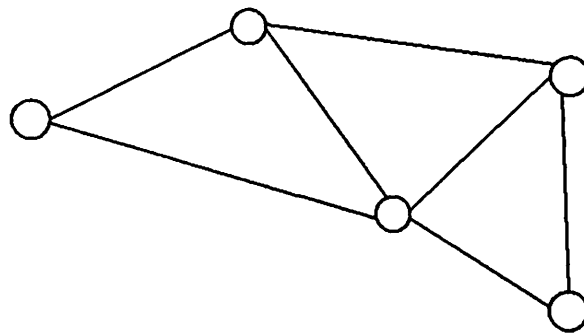


Figure 3-2. Point-to-Point Router Network

Internet Routing

Internet routing involves all the processes required to route a packet from a node on one network to a destination node on another network. Networks are connected to other networks via gateway nodes, which are nodes that are configured either as a member of multiple networks or as a gateway half in addition to another network. Internet routing is therefore concerned with which gateway nodes and which networks a packet will pass through to reach its final destination.

Internet routing decisions are made at both the node that originates the packet and at intermediate gateway nodes. The destination network address is checked against a table that contains an entry for each remote network in the catenet and specifies the gateway node(s) on the network that can reach each remote network. Because the purpose of internet routing is to get the packet to the correct destination network, the packet will be forwarded to the appropriate gateway node. This will be repeated, if

necessary, until the packet reaches the gateway node that is a member of the destination network. At this point, intranet routing takes over to get the packet to the correct (and final) destination node.

Symbolic Names

A name, when used in the context of NS3000/V networks, is a character string which identifies some portion or component of a network or catenet. Names, because they can be defined by the user (in this case, the Node or Network Manager), can be chosen to represent some meaningful and easily recognizable concept. For example, if you had three networks in a catenet, you could name them NET1, NET2, and NET3. Or, perhaps in your installation three nodes "belonged" to the marketing, finance, and manufacturing departments, respectively. You might choose to name them NODEMKTG, NODEFIN, and NODEMFG.

Configuration of NS3000/V networks requires that you use NMMGR to configure each node. Many of the items to be entered via NMMGR's interactive user interface (discussed in detail in Section 5) are names. The following sections describe the names that NMMGR will require you to configure.

Node Names

The node name is used to identify each system that is a node in the network or catenet. Each node name used to designate a computer in the network or catenet must be unique, although a single node can be identified by multiple names. Besides being used for configuration, node names are used in Network Services commands (for example, the :DSLIN command) and intrinsics to designate upon which node a particular networking activity is to occur. A complete node name consists of three parts, which together can be no more than 50 characters, as described in detail in the following section.

NOTE

Other HP networking documentation may use the term "computer name" instead of "node name." A computer name is the same as a node name.

Node Name Format and Assignment. Each node in the network must be assigned at least one unique node name. A fully qualified node name consists of three fields, each separated by a period:

nodename.domain.organization

When specifying node names, you must enter the delimiting periods. Each field can be up to 16 characters (alphanumeric, underscore or hyphens); the first character must be alphabetic.

Just as an MPE filename has a singular name, *filename*, and a fully qualified name, *filename.groupname.acctname*, a nodename also has a singular name, *nodename*, and a fully qualified name, *nodename.domain.organization*. The *nodename* must be unique for each node on the network. The *domain* and *organization* do not need to be unique. You might choose a unique *domain* name for each network in the catenet. Note that if the default *domain* and *organization* of all the nodes match they do not need to be specified in commands and intrinsic calls originating from nodes with the same *domain* and *organization* names. If a user does not supply domain and organization fields, the fields will default to the local node's assigned domain and organization. This allows users to issue commands or intrinsics with just the single portion of the nodename, *nodename*.

HP recommends that you use some convention when assigning names; for example, all nodes in the same network could have the same domain name and all nodes in the same catenet could have the same organization name.

Multiple Node Names. A single node can be assigned more than one node name by specifying two (or more) node names in the network directory. Although the node may have multiple node names, it can have only one IP address (described in "Network Addresses" later in this section) unless it is a full gateway, which will have one IP address configured for each network it belongs to. Using more than one node name may be useful if you need to isolate sets of network traffic received or generated by the same node. For example, if you previously had two HP 3000s but have consolidated their activities on a single, more powerful HP 3000, you might have application software that uses two node names that correspond to node names of your previous two computers. By using two node names for the single new system, you could avoid having to modify existing software to accommodate the change.

Other Names

During configuration with NMMGR, you will be asked for several other names in addition to a node name. The node name is the only name that is exchanged between nodes and used by software on remote systems; these additional names are required by only the software within the system being configured. The names described below must be composed of up to eight alphanumeric characters, and must begin with a letter.

Network Interface Name. The network interface name is used to identify the software on a node that provides an interface to a particular network. A useful convention is to name a network interface for the network to which it provides an interface. For example, if you are configuring a node as a member of a network named NET1, the name of the network interface to that network should be NET1. The network interface name is used during configuration and as part of some commands that control network operation. A node requires one network interface for each network to which it belongs, and one network interface corresponding to the software loopback function. Also, a gateway half network interface is required for a gateway half node. A node's multiple interfaces are distinguishable by the use of a different network interface name for each.

During configuration, you may also be required to enter a home network name, which is simply the name of one of the node's network interfaces. A home network name refers to the network interface name that corresponds to one of the networks to which a gateway half node belongs. One of the networks to which the gateway half belongs must be designated the home network to establish a source network address for packets originating from the gateway half.

Link Name. A link name is given to each of the links connecting a node to other nodes on the same network. Links should be named according to some convention you have defined. For example, for a relatively simple network, you might choose to use the same name on different connected nodes to refer to the link which connects them. In a more complex network, you might choose to name the link by a combination of its protocol and logical device (ldev) number. For example, BSC32 might refer to a link using the BSC protocol that is assigned ldev 32 during SYSDUMP configuration.

Router Node Name, Static Neighbor Node Name, Gateway Name. Configuration sometimes requires that you specify the name of a node that belongs to a particular category. For example, a router node name is the name of a node that can be reached via one or more router links from the node being configured. A static neighbor node name is the name of a node that is on the same IEEE 802.3 network as the node being configured. A gateway name is a name that refers to a node acting as a gateway for the node being configured. These names need not be identical with the node name configured for a node; these names identify subsets of configuration data related to a particular node.

Network Addresses

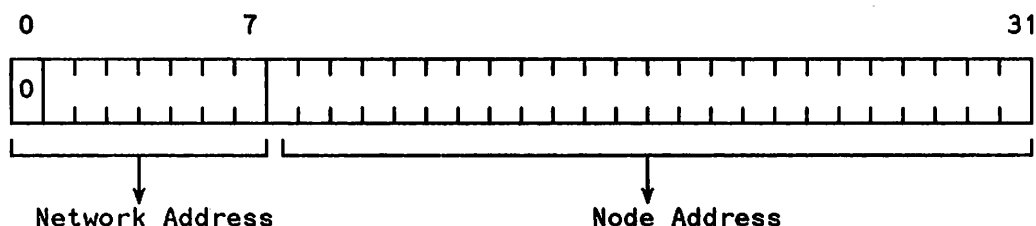
An address, in the networking sense, is a numerical identifier defined and used by a particular protocol and associated software to distinguish one node from another. Addresses of different kinds can vary in complexity depending on the need. For example, two of the protocols used by NS require addresses: the IP protocol and the IEEE 802.3 protocol. The address used by the IP protocol is hierarchical; it identifies both individual nodes and the network to which each belongs. The address used by the IEEE 802.3 protocol is not hierarchical; it provides information only about nodes in a particular IEEE 802.3 network.

IP Address Format and Assignment

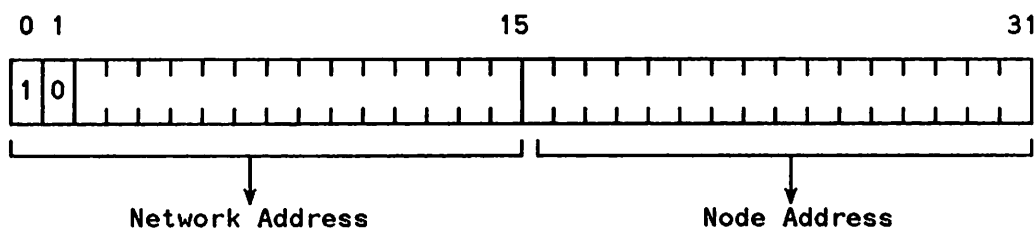
An IP address consists of two components: a network portion, which identifies the network, and a node portion, which identifies a node within a network. The terms **network address** and **node address** are commonly used to describe these two components of the IP address. Together, they uniquely identify a node within a network.

IP Address Classes. There are three IP address classes, each accommodating a different number of network and node addresses. The address classes are defined by the most significant bits of the address, as follows:

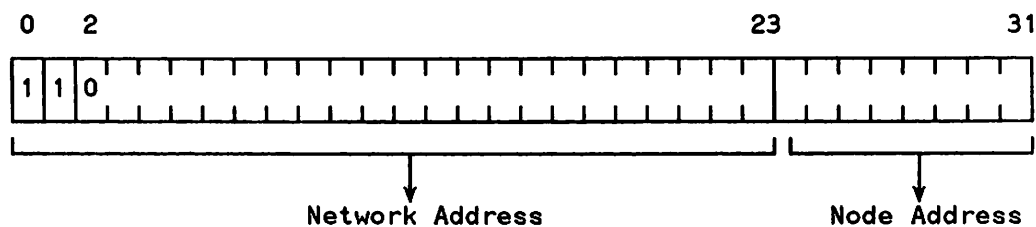
Class A--



Class B--



Class C--



The address classes can also be broken down by address ranges. IP addresses are represented in NS3000/V software by converting the bits to decimal values one octet at a time and separating each octet's decimal value by a period (.) except between the node and network portions, which are separated by a space.

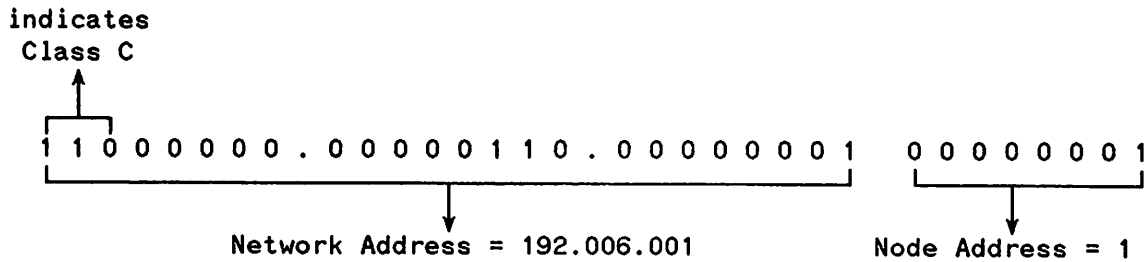
Table 3-1 lists the number of networks and nodes and the address ranges for each address class:

Table 3-1. IP Address Classes

Class	Number of Networks	Number of Nodes	Address Range
A	127	16777215	001 000.000.001 - 127 255.255.255
B	16383	65535	128.001 000.001 - 191.255 255.255
C	2097151	255	192.000.001 001 - 223.255.255 255
Reserved	--	--	224.000.000.000 - 255.255.255.255*

*Note: The address 255.255.255.255 is reserved for NS3000/V loopback. Loopback is described in Section 13.

To determine a network address and node address from an IP address, you must separate the network and node address fields. For example, the bit representation of IP address 192.006.001 001 is separated as follows:



Assigning IP Addresses. You must assign an IP address for each node on the catenet. To assign IP addresses, you must determine network and node addresses.

To determine network addresses for each network, you must first determine how many networks your catenet contains and where your network boundaries are. Each network must be assigned a unique network address. All nodes in the same network must be assigned the same network address.

HP has obtained a block of Class C addresses from the Defense Advanced Research Projects Agency (DARPA). Even if you do not anticipate connection to DARPA's ARPANET (Advanced Research Projects Agency Network), HP recommends that you obtain IP network addresses from the HP Network Administration Office (NAO) to guarantee unique network addresses. To do this, contact your HP representative or write to the NAO at the following address:

Network Administration Office, Department NET
 Information Networks Division
 Hewlett-Packard Company
 19420 Homestead Road
 Cupertino, California U.S.A. 95014
 (408) 725-8111

Do not assign any network or any node addresses consisting of all 1s or all 0s. In NS3000/V software, the node address 0 is reserved for messages that are broadcast to all nodes; the address of all 1s is reserved for loopback. (Note that the 3-digit decimal address of 255 represents a byte of all 1s.) ARPA standards also reserve these addresses: all 1s signifies messages for all nodes on the network, and all 0s signifies messages for the same node that originated the message or the same network as the originating node.

Node addresses must be unique only within each network. For example, you could have a node with node address 5 in network 1 and another node with node address 5 in network 2. You can assign node addresses according to your own needs, but they must be within the ranges for the IP address class that you are using.

IEEE 802.3 Station Address Format and Assignment

An IEEE 802.3 station address is assigned to every node on an IEEE 802.3 network. When a packet is sent on the network, only the node whose station address matches the destination address in the packet receives the packet. Hewlett Packard assigns a station address to each IEEE 802.3 interface card during manufacturing. The station address is used for network addressing on the IEEE 802.3 network bus, and has the following format:

hh-hh-hh-hh-hh-hh

where *h* is a hexadecimal digit (0 - 9, A - F).

For HP 3000s, this factory-configured station address is in ROM on the LANIC interface card. You have the option of specifying a different station address by using NMMGR (refer to Section 9). Each time the card is initialized, either the factory-supplied station address or the NMMGR-configured address is activated for use on the IEEE 802.3 network.

In addition to checking the interface card, you can find out what your system's station address is by using the LANDIAG diagnostic utility. After the HELP command and LANDIAG tests 1, 2, 3 and 13 are performed, the utility displays the station address at the bottom of the display screen. Refer to the *LAN/3000 Diagnostic and Troubleshooting Guide* for information on using the LANDIAG utility. Note: Network Services and the Network Transport must be shut down before using LANDIAG.

Assigning Station Addresses. HP recommends that you use the factory-configured station address assigned to the LAN interface card. If you decide to assign your own address, contact your HP representative for more information.

Address Resolution

Address resolution in NS networks refers to the mapping of node names to IP addresses and the mapping of IP addresses to subnet addresses. Two kinds of address resolution can occur on a node in an NS network; first, the destination node's nodename must be mapped to the node's IP address. Second, for some types of networks, the IP address must be mapped to a subnet address that identifies a node for the protocols used by the subnet.

Node Name to IP Address Resolution

NS3000/V routes packets throughout catenets and networks based on the internet and intranet addresses of each message's destination node. However, network users and application programs use node names to

designate the destination of a message. As a result, a method is required to map node names to their corresponding addresses.

The Network Transport uses one of three available methods to determine the addresses that correspond to a node name:

1. **From the network directory (NSDIR.NET.SYS file)** that resides on the node from which communication originates. Every node with a point-to-point link or X.25 link must have a network directory. This includes all nodes on router networks or connected to public or private X.25 networks and any node functioning as a gateway half.
2. **By the use of the Probe protocol.** The Probe protocol can be used only on IEEE 802.3 networks.
3. **By the use of a Probe proxy server.** This method combines methods 1 and 2 listed above. A Probe proxy server is a node on an IEEE 802.3 network that possesses a network directory and is designated a Probe proxy server during configuration. Other nodes on the IEEE 802.3 network can use Probe proxy requests to obtain information contained in the network directory that may not be available elsewhere.

For each node, a choice from the above methods and the preferred order they are used can be configured with NMMGR.

Name-to-address information for each node is contained in a data structure called a **path report**. In addition to a node's addressing information, each path report specifies the networking protocols used on the node. When a connection is established between two nodes, the destination node's path report is obtained by one of the three methods listed above. Once a node has received another node's path report, the node receiving the information retains it so that a path report does not have to be obtained every time a connection is established with the same destination node.

The network directory. The network directory file NSDIR.NET.SYS, which you can initially create with NMMGR, contains a node's network directory. The network directory contains entries for the remote nodes including the remote node's node name and its path report. The first time a connection is initiated from a node that has a network directory, the Network Transport software searches the NSDIR.NET.SYS file for the destination node's node name and associated path report. The path report contains the IP address(es) associated with the destination node name. Every node having a point-to-point link or X.25 link (every node on a router network, and every full or half gateway) must possess a network directory. However, nodes on IEEE 802.3 networks do not each require network directories. Instead, they can use the Probe protocol to obtain path reports.

The Probe Protocol. IEEE 802.3 nodes can use the Probe protocol to obtain path reports specifying the names and corresponding addresses of other nodes on the network. When a node configured to use the Probe protocol needs to establish a connection, it first multicasts a query to all the nodes on the network, requesting a response from the node whose name matches the name in the message to be sent. (Multicasting is similar to broadcasting, except that a message is sent to only a subset of nodes instead of all nodes on the network.) If the name of a node on the IEEE 802.3 network matches the destination node name, it responds to the query by sending back its path report. The node sending the message then uses this information to resolve the destination node's address, ensuring that messages arrive at the correct destination.

Probe Proxy Server Nodes. By itself, the Probe protocol can obtain information about only those nodes on the same IEEE 802.3 network; to obtain information about nodes on other networks in the same catenet requires additional help from a network directory. Therefore, if an IEEE 802.3 network is part of a catenet, a network directory must reside on at least one of the IEEE 802.3 network's nodes for messages to be sent to nodes in other networks. If another node on the IEEE 802.3 network needs to establish a

connection with a destination node that belongs to a different network on the catenet, the node with the network directory can provide the sending node with addressing information about the destination node. The node on the IEEE 802.3 network that performs this function is called a **Probe proxy server**. In addition to possessing a network directory, the Probe proxy server must be designated as such during configuration. HP recommends that the IEEE 802.3 network's gateway node be used as the Probe proxy server. HP also recommends that you create more than one Probe proxy server on each IEEE 802.3 network so that if one proxy server is shut down, network directory information still will be available.

Figure 3-3 shows an IEEE 802.3 network with two Probe proxy nodes. Probe requests (illustrated by a dashed line) are sent to nodes that are configured to use the Probe protocol. Probe proxy requests (illustrated by a dotted line) are sent to nodes that are configured as Probe proxy servers. Node A can obtain a path report about node E, on another network, from nodes B or D. To send a message to node C, information is obtained from node C itself; the use of a Probe proxy server is not needed.

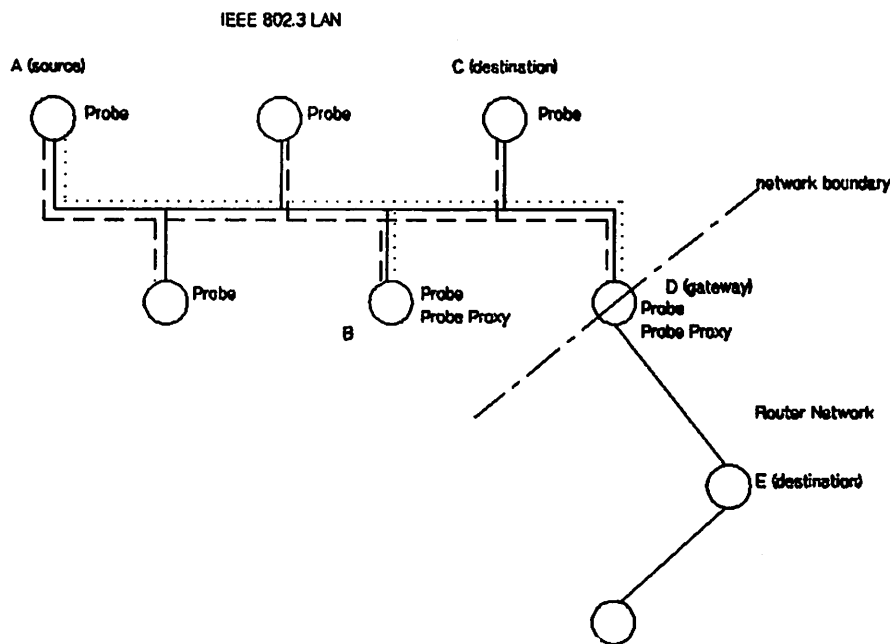


Figure 3-3. IEEE 802.3 Network Probe and Probe Proxy Requests

IP to Subnet Address Resolution

Once a packet is routed to the correct destination network, it needs to be directed to the correct destination node within that network. For router networks, the IP address is the only address needed to route the message within the router subnet. However, in IEEE 802.3 networks, the destination node's IP address must be mapped to its IEEE 802.3 address. For connections to X.25 networks, the destination node's IP address must be mapped to its local (subnet) X.25 address.

IEEE 802.3 Address Resolution with Probe Protocol. In addition to providing node name to IP address resolution, the Probe protocol provides IP to IEEE 802.3 address resolution. The mapping of a given IP address to an IEEE 802.3 address occurs as a result of a Probe request for address information.

IEEE 802.3 Address Resolution for Non-HP Systems. During configuration of IEEE 802.3 nodes with NMMGR, you will encounter an interactive configuration display screen that allows you to enter addressing information about other nodes on the IEEE 802.3 network. This information resides in the node's NSCONF.NET.SYS configuration file. It is necessary to configure this screen only if a remote node on the network does not support the Probe protocol and if the remote node's IEEE 802.3 address is not configured in the network directory of either the source or Probe proxy server nodes. HP computers support the Probe protocol; therefore, configuration of this information in NSCONF.NET.SYS may be required only if a non-HP node is part of the network.

X.25 Address Resolution. During configuration of X.25 nodes with NMMGR, you are asked to provide X.25 addressing information for all nodes on the same X.25 network with which the node you are configuring expects to communicate. This information consists of an X.25 Address Key (a label used for mapping to Network Directory entries) and an X.25 Address (for connections using SVCs) or PVC Number (for PVC connection). This information resides in the node's NSCONF.NET.SYS configuration file. For each remote node identified at subnet level in this way, you must create a corresponding entry (X.25 Address Key/IP Address) in the Network Directory (NSDIR) file.

Configuration Terminology

The following subsections describe concepts and terms you will encounter during configuration of a node with NMMGR. You will also need to be familiar with the concepts described when you plan your network or catenet. Use these subsections to gain general familiarity with the terms and ideas before beginning to plan or configure the network or catenet; you may also wish to use these descriptions for reference in later stages of the planning and configuration process.

General Terms

Remote Node and Local Node. The term **local node** usually means the node that you are configuring or to which you are logged on. A **remote node** is any *other* node in the catenet; that is, any node other than the local node.

Buffers. A **buffer** is a logical grouping of a system's memory resources used by NS3000/V. There are several kinds of NS3000/V buffers: **inbound transport buffers**, **outbound transport buffers**, and **store and forward buffers**. The amount of space allocated for these buffers can be specified using NMMGR.

Inbound and outbound buffers are allocated for each network interface on a node, regardless of the type of network(s) to which the node belongs. Inbound buffers hold data being received by a node until it is used by a particular protocol or a user process. Outbound buffers hold data that will be sent on a link (or through loopback) from the originating node. The number of both outbound and inbound buffers can be specified during configuration with NMMGR.

Store and forward buffers are allocated on gateway nodes (full and half) and on nodes belonging to router networks. The number of store and forward buffers can be changed (via NMMGR) to allow for tuning to achieve better network performance.

Loopback. Software **loopback** enables a node to communicate with itself; in other words, it allows a single node to be both the source and destination of a message. A network interface (see definition below) must be configured to provide the loopback function.

Network Interface. The term **network interface** refers to the software that interfaces a node to a network. On each node, one network interface is required for each network or gateway half connection, and for the software loopback function. Most nodes, therefore, require two network interfaces: one for the network the node belongs to and one for loopback. A full gateway requires a network interface for every network to which it belongs. A gateway half requires a network interface for the gateway of which it forms a part, and for the other networks to which it belongs. The term network interface is often abbreviated as "NI" throughout this manual.

Dial Link Terms

You should understand the following terms used to describe dial (also referred to as switched) links:

Direct Dial and Shared Dial. A **direct dial** link provides connection to a single remote system over a phone line. The telephone number dialed by the local node to reach the remote node never changes unless it is reconfigured with NMMGR. A **shared dial** link provides connection to more than one remote system, although to only one at a time. The link is thus *shared* by more than one remote node.

Autodial and Manual Dial. An **autodial** link refers to a link using automatic dialing hardware. This hardware enables a remote phone number to be dialed without requiring a user to manually dial a telephone number. Instead, the telephone number of the receiving modem is entered during a node's configuration, and when a connection must be made, the telephone number is read from the NSCONF.NET.SYS configuration file and "dialed" automatically. In contrast, a **manual dial** link requires human intervention; the receiving node's telephone number must be dialed at the sending node's location. NS software will display a message at the system console requesting the system operator to dial the number. Whether or not a link is autodial or manual dial depends on the capabilities of the hardware (such as the modem or any additional devices) that is used.

Note that whether a link is direct or shared dial is independent of whether the link is autodial or manual dial.

NOTE

In contrast to any dial links is a **direct connect** link, which does not rely on switched public telephone lines but instead depends on "hardwired" cable or leased lines to connect one node with another. Refer to Section 1 for more details about direct connect, leased lines, and dial links for each NS3000/V link type.

Dial ID Protocol. The Dial ID protocol is a proprietary Hewlett-Packard protocol used to provide security for dial links. The protocol verifies the identity of nodes dialing in to a receiving node, and ensures that both the local and remote node have the required security access. HP computers support the Dial ID protocol; however, other computer systems may not support it. The Dial ID protocol must be disabled (during configuration) if the node being configured will be connecting to a node that does not support this protocol.

Security String. A **security string** is an alphanumeric ASCII character string that acts as a password for dial links. The security string is used by the Dial ID protocol. When a node attempts to connect to another node via a dial link, security strings are exchanged between the nodes. Each node checks the security string it receives against a configured list of valid security strings. If a match is found by both

nodes, the link can be used. If one or both of the security strings fail this check, then the link is disconnected.

Security string checking can be disabled at any node (via configuration) if desired.

Router Network Terms

You will encounter most of the following terms during planning and configuration of a router network:

Hop Count. The term **hop count** is used in two ways: (1) an **intranet hop count** is the maximum number of intermediate nodes that lie between a source and destination node on the same router network; and (2) an **internet hop count** is the number of gateways that are used to route a message to its destination network. Because two partner gateway halves perform the function of a full gateway, they are counted together as a single internet hop. Note that if no intermediate nodes lie between a source and destination, the hop count is zero.

Non-Adjacent and Adjacent. The term **adjacent**, when used in the context of configuring routing for a router network, refers to a node that is separated from a given node by no intermediate nodes. In other words, the adjacent node lies at the other end of a link connected to a given node. A **non-adjacent** node, in contrast, is a node that is separated from a given node by intermediate nodes.

Directly Connected. The term **directly connected** describes nodes that are members of the same network. For example, if node A is directly connected to node B, A and B must be members of the same network. Do not confuse the term "directly connected" with the term "direct connect," which describes a non-switched point-to-point link (hardwired or leased line).

Entry Priority. During configuration of router networks, you must define the route used to transmit information from the node you are configuring to the other nodes in the network. If desired, you can configure more than one route to the same node. If you do so, you can specify which of the multiple routes should be chosen first. For example, if one route has a greater number of intranet hops, you might wish to give it a lower priority (specified as a lower numerical value) than another route with fewer hops. If for some reason the route given the highest priority is not available, the message will be routed to its destination with the alternate (but lower entry priority and greater number of hops) route.

If the same value is used for all entry priorities, the Network Transport software chooses the route to be used. The choice is based on an internal algorithm that selects the best route by taking into account some of the configured characteristics of the intervening links.

X.25 Network Terms

You will encounter most of the following terms when planning and configuring an X.25 network:

X.25 Address Key. An X.25 Address Key is a label that maps a node's IP address to its X.25 address and its associated X.25 parameters. These parameters include an X.25 address for SVCs or a PVC number for PVCs. In addition, for each X.25 address identified, the X.25 address key associates a default set of X.25 user facilities with the X.25 address whenever communication with that remote destination is requested or if an incoming call from that same address is received.

X.25 Address Keys for each of the remote destinations with which your node expects to communicate are included in each node's configuration file as well as in the node's Network Directory. This allows IP addresses to be mapped to the appropriate X.25 (subnet) addresses and connection information.

Network Planning and Configuration

X.25 Address. This is the X.25 (subnet) address provided by the network administration if you are connected to a Public Data Network (refer to your subscription form). (The X.25 address is needed when a Switched Virtual Circuit (SVC) will be used to reach a remote destination. If Permanent Virtual Circuits (PVCs) are used with level 3 direct access to the X.25 protocol, the X.25 address is not required.) This address will be inserted in CALL packets sent whenever communication with that remote destination is requested.

Facilities Set. A Facilities Set defines the various X.25 connection parameters (flow control etc.) and X.25 facilities (the setting of the D-Bit, for example), that can be negotiated for each Virtual Circuit on a per call basis. A default Facilities Set can be associated with a node when each node is configured. The associated parameters will be used whenever communicating with that particular address.

Gateway Terms

You will need to understand the following terms if the node you will be configuring will be part of a catenet:

Reachable Networks. A **reachable network** is a network that can be accessed (with additional internet hops possibly required) by a particular gateway.

Neighbor Gateway. A **neighbor gateway** is a gateway node (full or half) on the same network as the node being configured.

Gateway Half. A **gateway half** is a node on which a gateway half network interface has been configured with NMMGR. Together, two gateway half nodes joined by the same link perform the function of a gateway, which is to connect two networks.

Gateway Half Pair. Two gateway halves connected by a gateway half link are considered a **gateway half pair**.

Gateway Half Link. A **gateway half link** is a link that joins two gateway halves. A gateway half link must be either an NS Point-to-Point 3000/V Link or an Asynchronous SERIAL Network Link.

Non-Operational Links

Network links may be non-operational because of any of the following: (1) the link was intentionally shut down with the NETCONTROL command, (2) a link failure has occurred or (3) the link has not been started. A non-operational (or "downed") link can affect the routes that messages take to reach their destinations.

Router networks can automatically reroute packets around a non-operational link. Rerouting will occur if alternate links to a destination have been configured at the nodes that are the endpoints of the non-operational (or "downed") link. This rerouting over alternate links is called **automatic rerouting**.

NS3000/V can also provide rerouting for internet packets. Messages reaching a gateway that are intended for a downed link (at that gateway) will be redirected to another gateway on the same network that can reach the remote network.

Router Network Automatic Rerouting

Router network automatic rerouting will reroute packets in a router network around non-operational router links. This rerouting will occur whether or not the destination node is a member of the router network.

The two nodes at the ends of a downed link will detect the fact that the link is down. If alternate links to the destination are configured at nodes that detect a downed link, the nodes will reroute packets over these alternate links. For router network rerouting, *only the nodes that detect the downed link can select an alternate link*. For messages that originate at some other node, configuration adjustments may need to be made to bypass the link that is not operating.

No immediate indication that a link is not operational will occur at other nodes (besides those directly connected by the "downed" link) on the network or catenet. However, messages will not reach their destinations and a timeout error will occur for the connection.

Alternate Links. The link that a router node uses to reach another node in the network is configured via NMMGR. If the node can use more than one link to reach another node, the link used is the link that is up with the highest value in the Entry Priority field of the Router Reachable Nodes configuration screen. The other configured links are the alternate links.

If the destination node is a member of the same network as the node that detects the downed link, the selected link is an alternate link configured for the destination node. If the destination node is not a member of the same network, the selected link is an alternate link configured for the appropriate gateway to the destination node (the local destination).

Example 1: Automatic Rerouting. In Figure 3-4, LINK1 has been configured at NODEA ("Node A") as the first link to use to reach NODEC (because LINK2 is a slower link than LINK1). LINK2 has been configured as the second link to use. At NODEB, LINK3 has been configured as the first link to use to reach NODEC, with LINK4 as the second link to use. If there is a transaction between NODEA (the source) and NODEC (the destination), the packets would be transmitted over LINK1 and LINK3. If LINK3 is down, NODEB will automatically reroute the packets over LINK4 (Figure 3-5).

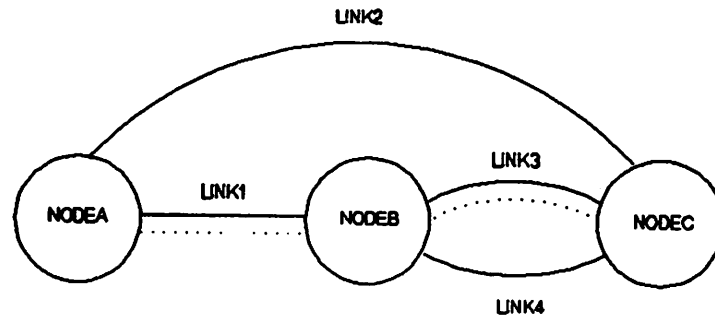


Figure 3-4. Router Network with Alternate Links

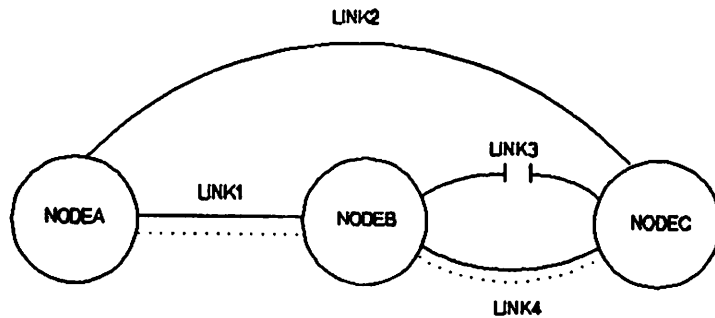


Figure 3-5. Router Network with Rerouting

Example 2: Non-Detecting Nodes. As previously noted, only the nodes that detect the downed link can select an alternate link.

If a packet is rerouted (by a node that detected a downed link) to a node that did *not* detect the failure, the node that did not detect the failure will not automatically reroute the packet over a different link than that used originally. This is because the node that did not detect the failure has no way of knowing of the downed link.

Figure 3-6 illustrates this situation. Figure 3-6 is similar to Figure 3-5, except that there is only one link between NODEB and NODEC (LINK3). Again, NODEA has LINK1 configured as the first link to use to reach NODEC, with LINK2 as the second link to use. NODEB has LINK3 configured as the primary link to use to reach NODEC, and LINK1 as a secondary link. (LINK3 has a higher number configured for its Entry Priority than LINK1.) In this network, if there is a transaction between NODEA (the source) and NODEC (the destination), and LINK3 is down, packets would not reach NODEC. Although packets will be rerouted from NODEB over LINK1 to NODEA, and NODEA could use LINK2 to reach NODEC, the packets will not be rerouted because NODEA has no knowledge of the failure of LINK3.

A variation would exist if NODEB did not have an alternate route to NODEC configured (i.e., LINK1). In this case, no automatic rerouting would occur. Packets would not be rerouted to NODEA from NODEB.

In both of the above situations, a timeout error would eventually occur for the connection. An error message indicating this would appear at NODEA, the source node.

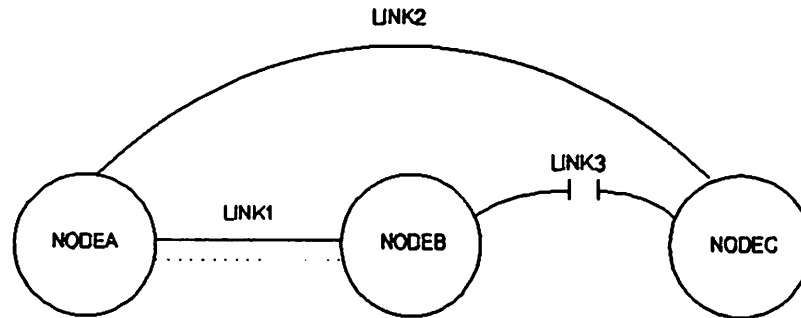


Figure 3-6. Packets from NODEA to NODEC are not rerouted.

Adjusting for Non-operational Links. If a link is either shut down via NETCONTROL or if it fails, the routing tables used by each affected intermediate node will reflect inaccurate information in that the tables will indicate that the non-operational link should be used.

To change these routing tables so that messages are not sent out over downed links, you can reconfigure the routing information entered via NMMGR. The reconfigured routes should include only those links that are operational. Use the online configuration branch of Guided Configuration to most easily make required changes.

In Example 2, just described, the node manager could use the online configuration branch of NMMGR Guided Configuration and the NETCONTROL UPDATE command to change a node's router network tables. For the situation in which an alternate route to NODEC is configured at NODEB but not at NODEA, the manager could change NODEA's configuration to indicate that LINK2 should be used to reach NODEC.

For the situation in which no alternate route to NODEC is configured at NODEB, the manager could change NODEB's configuration to indicate that LINK1 should be used to reach NODEC. NODEA would also need to have LINK2 configured as the link to reach NODEC for packets from NODEB to reach NODEC.

Effect on Internet Transactions. Packets will be rerouted in a router network even if the source and destination nodes are not members of that router network.

As noted previously, if the destination node is not a member of the same network, the alternate link will be another link configured for the appropriate gateway to reach the destination node.

For example, in Figure 3-7, packets from NETX arriving at NODEA to NETZ will be rerouted around LINK3 to get to NODEC, the gateway to NETZ.

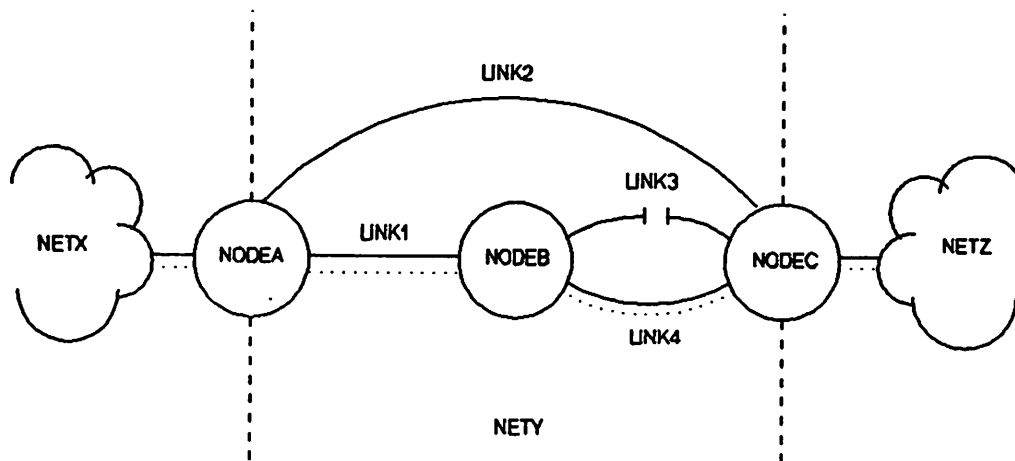


Figure 3-7. Packets forwarded through NETY are rerouted.

Router Network Automatic Rerouting Summary. In summary, router network automatic rerouting has the following characteristics:

- Only the nodes that detect the downed link can select an alternate link.
- Automatic rerouting occurs when the node or nodes that detect a downed link can use an alternate route to reach the destination node or appropriate gateway.
- If other nodes are affected by a downed link and have alternate links that they can use, the operator can intervene and manually change the routing table at that node.
- Packets will be rerouted in a router network even if the source and destination nodes are not members of that router network.

Internet Redirection

Internet redirection is the redirection of packets from one gateway to another gateway. If a gateway's link to a remote network is down, and if the gateway's configuration file indicates another gateway on the local network that can reach the remote network, the first gateway will rebuild its internet routing table to show the other gateway as the gateway to use to reach the remote network.

This facility can be used to compensate for a gateway's downed link by redirecting packets to another gateway. If a gateway receives a packet for a remote network and its internet routing table shows another gateway (on its network) to use to reach the remote network, IP will redirect packets to the remote network through the other gateway. The other gateway is called the **redirect gateway**. This redirection will occur even if the redirect gateway and the source node are not on the same network.

Example 3: Internet Redirection. For an example of what happens when an internet packet is redirected, refer to Figure 3-8.

As shown, NODEC and NODEB are gateways to NETZ. At NODEB, NODEC is configured as the gateway to use to reach NETZ. NODEC is configured as a member of NETY and NETZ, and has

LINKCE configured as the link to reach NODEE. NODEC also has NODED configured as a gateway to reach NETZ.

A packet from NODEB to NODEE would take the following path:

NODEB to NODEC
 NODEC to NODEE

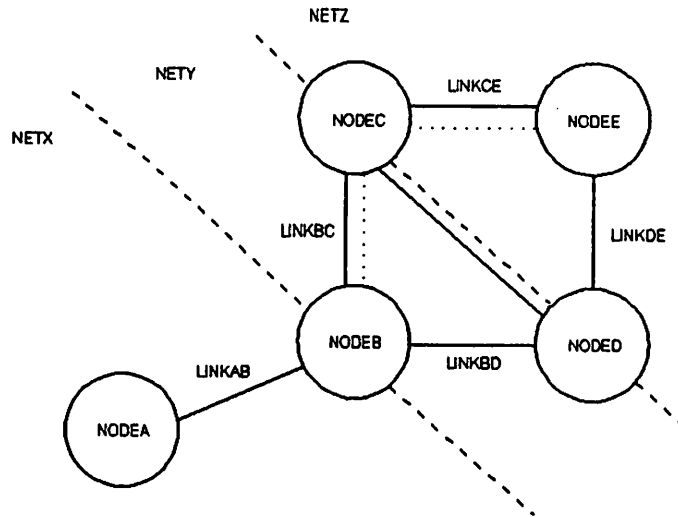


Figure 3-8. Packets from NODEB to NODEE go through NODEC.

If LINKCE goes down (Figure 3-9), NODEC will rebuild its internet routing table to show that packets to NETZ should be routed to NODED. If NODEC then receives a packet with NODEB as the source node and NODEE as the destination node, NODEC will redirect the packet to NODED. A packet from NODEB to NODEE would then take the following path:

NODEB to NODEC
 NODEC to NODED
 NODED to NODEE

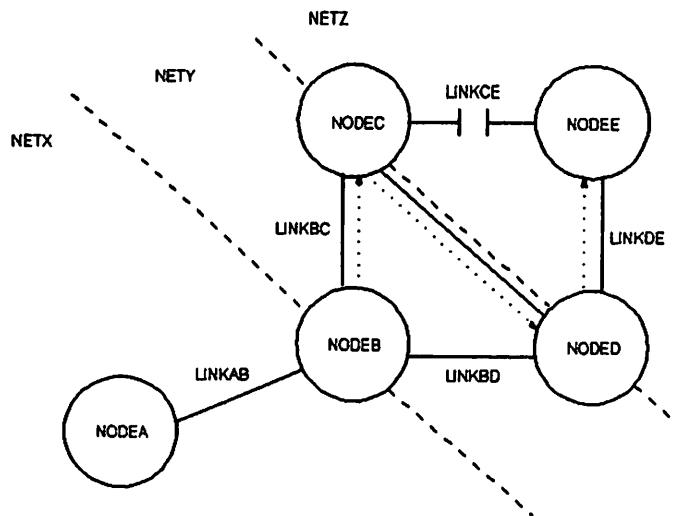


Figure 3-9. NODEC redirects packets for NODEE to NODED.

If redirected packets must go through a node that has no knowledge of the downed link, the packets cannot reach the alternate gateway. For example, if the link between NODEC and NODED did not exist, packets redirected by NODEC would have to be sent to NODEB. However, NODEB has no knowledge that LINKCE is down. NODEB will therefore not forward the packets to NODED. Because no packets will ever arrive at NODEE, a timeout will eventually occur for the connection. An error message indicating this would be displayed at the source node, NODEB.

In the above situation, the node manager at NODEB could use the online configuration branch of NMMGR Guided Configuration and the NETCONTROL UPDATE command to change NODEB's internet routing tables so that NODEB would route packets for NETZ to NODED.

Redirection of Subsequent Packets on IEEE 802.3 Networks. If a gateway on an IEEE 802.3 network receives a packet that it redirects to another gateway, it also sends a message to the source node telling it to route subsequent packets for the remote network through the alternate gateway. Such a message, informing a node that all future communication should occur through another gateway, is called an ICMP (Internet Control Message Protocol) redirect message. Redirect messages will be sent only if the source, original gateway and redirect gateway are all on the same IEEE 802.3 network.

When the source node receives the redirect message, it will alter its internet routing table to show the redirect gateway as the gateway to use to reach the remote network. Subsequent packets from the source node to the remote network will be sent directly to the redirect gateway.

Alterations to the internet routing table based on redirect messages are temporary. If any event occurs that causes that node to rebuild its internet routing table (link up, fails, link started or deleted, network interface started or shut down, NETCONTROL UPDATE command), the node will rebuild the table based on NMMGR configuration values that were read when its network interfaces were started (or when the last NETCONTROL UPDATE command was entered). If, because a link is still down, a gateway sends a redirect message to the node, the node will again alter its internet routing table.

Note that the redirect gateway will be entered in the internet table even if the source node did not have the redirect gateway originally configured as a gateway.

Example 4: Redirect Messages. Refer to Figure 3-10 for an example of a redirect message being sent on an IEEE 802.3 local area network. As shown in Figure 3-10, NODEB has been configured so that a packet from NODEB to NODEE would take the following path:

NODEB to NODEC
NODEC to NODEE

If LINKCE were down, NODEC would rebuild its internet routing table so that NODED is the gateway to NETZ. If NODEC then receives a packet with NODEB as the source node and NODEE as the destination node, NODEC will redirect the packet to NODED. NODEC will also send an ICMP redirect message to NODEB. NODEB will update its routing table so that NODED is the gateway to NETZ, and will send subsequent packets to NODEE through NODED.

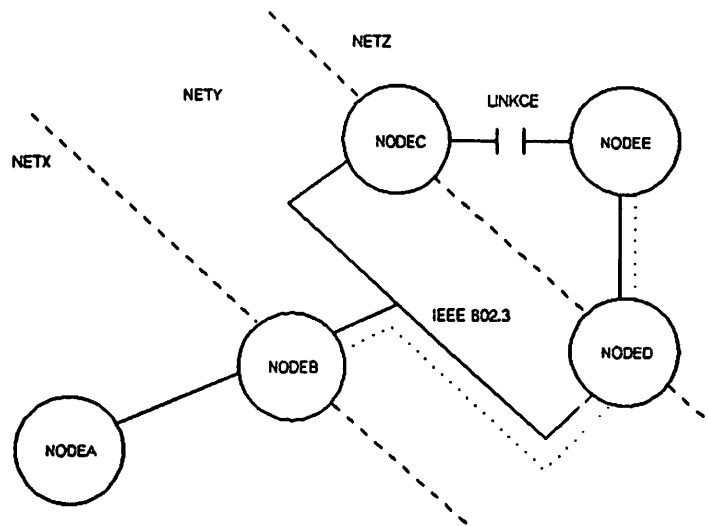


Figure 3-10. Packets from NODEB to NODEE go through NODED.

Note that ICMP redirect messages are sent only when the IP protocol determines that the source, gateway and redirect gateway node are members of the same IEEE 802.3 network. IP determines network memberships in this situation according to the IP addresses used for the transaction. If the source node has more than one IP address (it is a member of more than one network), and it must use a gateway to reach the destination node, the source node will select its IP address so that the network portion will match the network portion of the gateway's IP address.

In Figure 3-11, a packet is sent from NODEA to NODEE, and LINKCE is down. Since NODEA (the source) is not on the same network as NODEC, no redirect message would be sent. A packet from NODEA to NODEE would take the following path:

- NODEA to NODEB
- NODEB to NODEC
- NODEC to NODED
- NODED to NODEE

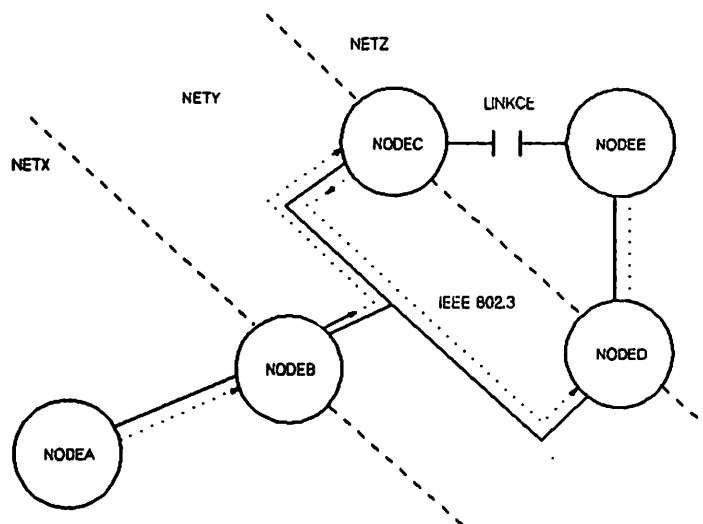


Figure 3-11. Packets from NODEA to NODEE go through NODEC and NODED.

However, once a message originating from NODEB was sent to NETZ, NODEB would receive a redirect message and NODEB would update its internet routing table so that it used NODED as the gateway to NETZ. Subsequent packets originating from either NODEA or NODEB would then be sent to NODED on their way to NETZ.

Internet Rerouting Summary. In summary, internet rerouting has the following characteristics:

- If a gateway's link to a remote network is down, and the gateway had another gateway on its network configured to the remote network, it will rebuild its internet routing table to show the other gateway as the new gateway to the remote network.
- If a gateway receives a packet for a remote network and its internet routing table shows another gateway (on its network) to use to reach the remote network, IP will redirect packets to the remote network through the other gateway (the redirect gateway). This redirection will occur even if the redirect gateway and the source node are not on the same network.
- If a gateway on an IEEE 802.3 network receives a packet that it redirects to another gateway, it also sends a redirect message to the source node if IP determines that the source, gateway and redirect gateway are all on the same IEEE 802.3 network.

NETWORK INSTALLATION AND ADMINISTRATION

Many tasks must be completed before a network or catenet is ready to operate. If there is more than one network (i.e., a catenet is being created), the catenet administrator is responsible for overseeing the completion of the tasks. If you are the catenet administrator or network manager, it is your responsibility to make sure that the configuration of network software at each node is consistent and correct and that software and hardware is correctly installed before catenet or network operation begins. If you are a node manager, it is your responsibility to make sure that the software and hardware installed and configured on your node (or nodes) is correct, and consistent with the plans for the network as determined by the network manager.

This section provides an overview of the tasks that must be completed to start network or catenet operation. Details of the steps summarized here can be found in other sections of this manual.

Initial installation can be divided into six main parts:

1. Planning
2. Software and hardware installation
3. Configuration
4. Nodal validation, verification, and synchronization
5. Network startup
6. Line verification

Planning

Planning a network or catenet is an important process that must be done with care to ensure that the network meets the needs of your organization. Many factors must be taken into consideration when planning the network or catenet: for example, volume of usage over particular links, volume of non-network usage of each node, physical layout needs and limitations (such as geographical distances), and desirability of connections to non-NS3000/V nodes. These and other factors are discussed in "Network and Catenet Design" later in this chapter.

This manual contains worksheets that you can use to assist in network and catenet planning and configuration. You already should have each network design (including physical topology and types of links) in mind before you use the worksheets. However, you will need to draw a plan of each network, called a network map, before you begin filling out the worksheets. An example of a network map and specific directions for creating your own maps are included in "Configuration Worksheets" later in this chapter.

Software and Hardware Installation

After you have determined the network or catenet's design, software and hardware must be installed on each node. Make sure that each node has the following hardware, as appropriate, for the particular kind of link:

- Hardware interface card(s). For NS Point-to-Point 3000/V links and for NS X.25 3000/V links, this is an INP; for StarLAN 10 3000/V and ThinLAN/3000 (including ThickLAN option) links this is a LANIC; for NS Asynchronous SERIAL Network links, this is an ATP.
- Cables. For NS Point-to-Point 3000/V links, NS Asynchronous Serial 3000/V links, and NS X.25 3000 (Direct Connect) links, this is hardwire cable for whatever length necessary to reach between every pair of nodes. For ThinLAN/3000 this is .18 cm. coaxial cable; for ThickLAN this is .4 cm. coaxial cable. For StarLAN/3000 and StarLAN 10 3000/V, this is unshielded twisted-pair wire. If any nodes are dial (modem) links, you will need cable to connect the modem with the HP 3000.

Network Planning and Configuration

- **Modems and other dial link devices.** You will need a modem for each telephone line that a node is connected to. You will need a synchronous modem for every connection to Public Data Network (PDN). If desired, and if it is not a function performed by your modem, you might also need a device that performs automatic dialing (usually called an autocal unit). See Appendix B for a list of supported modems and autocal units.
- **Other hardware.** You may need additional hardware, depending upon the types of links you plan to install. For example, ThickLAN links require devices called MAUs (Media Attachment Units). Networks using StarLAN/3000 might require a device called a bridge. Refer to the hardware installation manuals listed in the Preface of this manual for detailed hardware requirements of the type of network you are installing.

The node must have the following software installed before configuration and subsequent network startup can occur:

- The software products that are provided on MPE Fundamental Operating System (FOS) tapes.
- The software provided on a subsystem tape containing NS3000/V link product software and services, if applicable.

Configuration

Network configuration tasks must be completed on each node on the network or catenet. Network configuration consists of using two utilities: SYSDUMP, which should be installed on your HP 3000, and is used for configuration of non-network hardware devices as well as network devices, and NMMGR, which is used to configure NS3000/V software.

SYSDUMP Configuration

Specifically, SYSDUMP allows you to configure:

- Logical device (LDEV) numbers to refer to hardware peripherals, including communications cards;
- Virtual terminal (VTERM) numbers to correspond to **virtual terminals**, software that simulates the function of terminals;
- MPE system table resources.

NMMGR Configuration

NMMGR allows you to configure items such as:

- Node names and addresses.
- Link types (so that network software responds in accordance with the hardware providing the link to another node).
- Buffer sizes.
- Timeout values.
- Preferred point-to-point routes to get from one node to another.
- Intranet and internet routes.
- Network directory entries.
- Probe proxy server nodes.
- Logging parameters, such as which subsystems should be logged .
- X.25 protocol information.

Guided Configuration and Manual Configuration. NMMGR provides two methods of configuring a node: with Guided Configuration, or through *manual configuration*. Guided Configuration enables you to configure the network more quickly by automatically using default values for certain required configuration parameters, and by automatically bypassing certain optional configuration tasks. To accomplish any of the tasks bypassed by Guided Configuration, you will need to use manual configuration. Also, to configure the network directory, you will need to use manual configuration.

NOTE

HP strongly recommends that you use Guided Configuration to initially configure each node, and for most network maintenance and updating. Use manual configuration *only* if Guided Configuration does not provide access to the configuration data you need to change.

The defaults used by guided configuration are the defaults indicated in Sections 7 through 14 of this manual.

Manual configuration with NMMGR can be divided into five parts:

- Link configuration.
- Configuration of Network Transport parameters that must be completed for every node, regardless of link type. This is referred to as transport configuration.
- Network Interface (NI) configuration. This consists of configuring parameters used by each of the node's network interfaces. These parameters differ for different types of links, so NI configuration is separated from configuration of Network Transport items that must be configured for all link types. If a node is a gateway (either full or half), separate NI configuration is needed for each of its links (one for each network or gateway half link).
- Logging configuration. Logging configuration for each NS3000/V subsystem can be configured during this portion of network configuration tasks.
- Network directory configuration. Configuration of each node's network directory (for nodes on router networks, X.25 networks, proxy server nodes on IEEE 802.3 networks, and for full or half gateway nodes) consists of entering node names, their IP address(es), and the protocols used on each node.

Section 5 of this manual explains how to use NMMGR. Section 6 explains how to use guided configuration; sections 7 through 14 illustrate the interface displayed when manual configuration is used. Section 15 shows and describes the interface used for configuring the network directory. Sections 6 through 15 all explain the parameters you need to configure for each configuration task. Section 16 describes the maintenance mode command interface.

Nodal Validation, Verification, and Synchronization

After a node's network hardware and software has been installed and it has been configured using SYSDUMP and NMMGR, certain tests need to be performed to ensure that the software and hardware are operating correctly. These tests should be performed before the Network Transport is started.

Node managers should perform the following tests on their nodes:

- Validation of the configuration files using the NMMGR Validate Configuration File screen. This validation utility, which is part of NMMGR, is described in Section 5. It checks that certain configuration file items are correct and consistent.

- Synchronize network directories on each node. The network manager (or catenet administrator, for a multi-network catenet) should make sure that every network directory is the same. HP recommends that you accomplish this by physically giving tapes containing copies of a master network directory to the node managers of every node that will contain a network directory. This master network directory should be configured by the network manager (or catenet administrator) on a node that is designated the **Central Administrative Node**--which means that it will always contain the most up-to-date version of the network directory. This node's network directory should actually be a catenet directory--it should contain entries for each node in the catenet.

If protocol and addressing information for a particular node is missing from a network directory, messages will not be able to reach this node in cases where correct transmission depends on receiving information from this network directory.

NOTE

If configuration files created with a previously released version of NMMGR currently reside on your system, you must convert the files so that they are compatible with the current version of NMMGR and other Node Management Services software. A utility called NMMGRVER can convert your files; Appendix C of this Volume describes NMMGRVER.

Network Startup

After the node manager has determined that the network software on each node is functioning correctly, the network can be started. To start the network, you must issue the following commands on each node:

- NETCONTROL to start the Network Transport software
- NSCONTROL to start Network Services

The syntax and use of these commands is described in Volume II, Section 1.

Line Verification

After each node's Network Transport software has been started, the network manager (and, if applicable, the catenet administrator) should perform the line verification tests described in Volume II, Section 2. These include:

- Start software loopback.
- Test the operation of Network Transport by performing the IPC and XPT line tests.
- Use the QuickVal utility to check for correct operation of Network Services.

- Start other network interfaces (either on this node or other nodes); use the NSLOGON diagnostic to ensure that connectivity exists between network interfaces.
- If desired, perform the IPC, XPT, and QuickVal tests to test for connectivity to remote nodes.

NETWORK AND CATENET DESIGN CONSIDERATIONS

Many factors must be taken into consideration for network and catenet design. These include the desired physical location of the computers that will be the network or catenet nodes, the volume of projected communications traffic between nodes, communications traffic patterns, and the possibility of connections to other nodes (such as those in a public data network).

These factors will affect your choice of NS network type (IEEE 802.3, X.25, or router) as well as choice of specific links. You may also want to consider using DS-Compatible links for specific purposes, such as remote connections to HP 1000s.

Some design decisions depend upon the capabilities of NS links. These capabilities and corresponding restrictions are described in the following sections.

Line Speed

Line speed is a measure of the rate at which data is transmitted by a physical link (usually measured in bits or kilobits per second). The maximum line speed varies among different NS links. Line speed may therefore influence your choice of link. Although line speed does not indicate the exact throughput of a particular link, it can be used on a comparative basis to indicate relative throughput. ThickLAN links have the highest line speed, at 10 megabits/second. StarLAN/3000 links have a line speed of 1 megabit/second. In general, an IEEE 802.3 link will be faster than a point-to-point router link because the bus topology provides a faster routing mechanism than a series of point-to-point hops. Among gateway half and router links, Point-to-Point 3000/V links have higher line speeds than Asynchronous SERIAL Network links because of ASNP protocol limitations. Point-to-Point links using the LAP-B protocol, which allows full-duplex transmission, are faster than links using the BSC protocol, which allows only half-duplex transmission. Links using leased lines will have a higher line speed than links using normal telephone lines.

Consult your HP representative for line speeds and the most up-to-date performance data for various links.

Geographical Location

The geographical location of the computers that will be part of your network or catenet will be an important factor in deciding both the physical topology and the kinds of links that will compose the network or catenet.

If all of the nodes you want to connect are located relatively close to each other (in the same building, for example), you might choose to connect them via a ThickLAN or ThinLAN/3000 link. If you wish to connect PCs to the IEEE 802.3 network, you can use ThinLAN/3000 or StarLAN/3000 links to connect one or more PCs to an HP 3000.

Another option for nodes located in the same geographic location are hardwired (direct-connect) router links. You might wish to use a point-to-point router network if the distance between some nodes on the network will be greater than the maximum distance allowed between nodes on an IEEE 802.3 network.

If, on the other hand, you need to connect nodes that are geographically distant--for example, HP 3000s located in different cities--you might choose to connect them via a dial link. For NS dial links, you can choose either an NS Point-to-Point 3000/V link or an Asynchronous SERIAL Network link.

Finally, if you need to use satellite transmission because of the large geographical distance between nodes, or if you need to have access to other nodes on a public or private X.25 network, you might choose to use the NS X.25 3000/V Link.

Special Cases

The following sections describe certain design requirements for special situations, such as shared dial links, personal computers, and using non-HP 3000 minicomputers on an NS network.

Dial Links

Shared dial links have two limitations that must be considered when designing a network. First, a shared dial link cannot be used as an intermediate link in a router network. Any other kind of dial link can be used for intermediate links, but shared dial links should be used only to connect leaf nodes--that is, nodes that receive only those messages targeted for themselves. Second, shared dial links cannot be used as gateway halves.

Personal Computers

Personal computers (PCs) can be used as nodes by being connected to HP 3000s with ThinLAN/3000, StarLAN/3000, StarLAN 10 3000/V, and Asynchronous SERIAL Network links. PCs cannot be used as intermediate nodes in router (Asynchronous SERIAL Network link) networks. Like a shared dial link, a personal computer must be used as a node that receives only those messages targeted for itself.

Other Non-HP 3000 Nodes

Non-HP 3000 minicomputers, such as HP 1000s and HP 9000s, can operate as nodes on NS IEEE 802.3 networks. If you want to include one of these computers in your catenet, it must be part of an IEEE 802.3 network. Router and NS X.25 networks must be composed of only HP 3000s (and PCs, if applicable).

DS-Compatible Links

DS/3000 links cannot be used as store-and-forward links on a router network. An HP 3000 *can* be configured to have both a DS link and an NS link; however, HP recommends that nodes with DS links configured be used as leaf nodes.

Network Interfaces and Design

The network interface (NI), the software that provides an interface between a node and a network, specifies the type and maximum number of links that can be configured for a node. Because a node's network interface(s) determine what links can be configured for the node, links are said to be configured underneath network interfaces.

Remember, there are four kinds of network interfaces (in addition to loopback):

- **LAN802.3** for IEEE 802.3 networks
- **Router** for networks that use point-to-point routing
- **Gateway half** for nodes that function as gateway halves
- **X.25** for nodes that access Packet Switched Networks

Each HP 3000 must have at least one non-gateway half network interface configured. This network interface must be associated with the network to which the system belongs.

Number of Network Interfaces

A node can have up to eight (up to three for NS X.25 3000/V) network interfaces configured. For each network interface, the maximum number of links you can configure and the kinds of links possible are determined by the network interface type, as follows:

- A LAN802.3 network interface can have only one IEEE 802.3 link configured under it; however, each IEEE 802.3 link can support a large number of nodes. ThickLAN cable supports up to 100 nodes per segment; ThinLAN cable can be used for up to 30 nodes per segment; and each StarLAN should be used for up to 50 nodes.
- A router network interface can have up to 40 links configured under it. Router links can be NS Point-to-Point 3000/V or Asynchronous SERIAL Network links.
- A gateway half network interface can have only one link configured under it--the gateway half link. Links connecting two gateway halves can be only NS Point-to-Point 3000/V or Asynchronous SERIAL Network links.
- An X.25 network interface can have only one link configured under it. Only one link per network interface may be active at any one time.

Gateways

If more than one (non-loopback) network interface is configured on a node, the network portions of the IP addresses configured for the interfaces should differ to correspond to the multiple networks to which the node belongs.

A network can have up to 16 gateways (combined number of full gateways and gateway halves).

Full Gateways versus Gateway Halves. NS3000/V allows you to choose between connecting two networks with a full gateway, and connecting them with two gateway halves. A full gateway is a node configured as a full member of two (or more) networks. The node is considered a member of each of the networks for which it is configured.

A node that is a gateway half is configured as a member of a network and as a partner of another gateway half. A gateway half link that joins two networks connects two nodes (a gateway half pair) by a point-to-point link (NS Point-to-Point 3000/V or Asynchronous SERIAL Network link). The gateway half link and pair is not considered a network itself. Each of the paired gateway halves is configured as a member of a different network--the two networks to be connected--and as a gateway half on the same gateway half link. Together, the two gateway halves function as a full gateway.

The following subsections explain situations in which you might want to use a gateway half pair rather than a full gateway to connect networks:

Gateways Connecting Router or X.25 Networks. If you need to connect two router or X.25 networks, fewer catenet administrative tasks might be required if the networks are connected via two gateway halves rather than one full gateway. A full gateway must possess intranet routing information about nodes on all of the networks to which it belongs; a gateway half, in contrast, needs to possess only intranet routing information for the network to which it belongs. Making a node a gateway half therefore reduces the amount of configuration changes that must be made to it. If the change occurs to the network to which the node's partner gateway half belongs, the node's NSCONF.NET.SYS configuration file does not have to be updated. You might choose to use a gateway half link between two geographically or organizationally distanced networks for this reason, to reduce the amount of information that has to be passed between different network managers.

Gateways Connecting IEEE 802.3 Networks. IEEE 802.3 networks must use gateway halves to connect to adjacent IEEE 802.3 networks in the same catenet. This is because no more than one LAN802.3 network interface can be configured per node.

Network Boundaries

The term **network boundary** refers to the divisions between multiple networks. For example, you might think of two networks in the same catenet as being logically disjoint; hence divided from each other by a network boundary. Nodes in each network, of course, will have the same network address (network portion of the IP address), which will differ on the two networks. The networks will be connected by an appropriate link or links--by either a gateway half link or a node acting as a full gateway.

The locations of some network boundaries sometimes are dictated by the differences in link types used in two adjacent networks: for example, an IEEE 802.3 local area network must be logically disjoint from a router network. Two such networks, connected by a gateway half link or a full gateway, are separated by a network boundary.

You may wish to establish network boundaries even among links connected by the same link type so that one group of nodes is isolated from another for administrative purposes. For example, you might divide a group of nodes into two router networks instead of one network because you want two different individuals (network managers) to be responsible for each of two smaller groups of nodes. The following are other situations in which it might be useful to establish additional network boundaries:

- Situations in which you want to place nodes that will frequently communicate with each other into the same groups. Such groups might reflect your installation's organization. Separating nodes that need to communicate infrequently can result in less distance, in terms of intranet hops,

between nodes that do communicate frequently, resulting in improved performance within each network.

- Situations in which the arrangement and configuration of one group of nodes is not expected to change often, and the arrangement of another group is expected to change fairly often for some extended period of time. Separating the nodes into two networks can isolate the stable nodes from those whose configuration has to change to reflect the addition or deletion of nodes. Changes made to the frequently changing network need be reflected in additions to only the network directories on the more stable network, instead of to the NSCONF.NET.SYS configuration file for each node.
- Situations in which you want to restrict access to a group of nodes.

Network Implementation and Support Plan

Once you have designed your network or catenet, your HP representative will submit the design specifications and other information to HP as part of your Network Implementation and Support Plan (NISP). Networking consultants will review the plans for your network and inform your HP representative of any changes that need to be made to the design for the network or catenet to operate effectively.

Network Maps and Configuration Worksheets

The remainder of this chapter consists of worksheets intended to assist you with both designing your network and preparing to configure your node. Included in the worksheets are instructions on how to construct network and catenet maps that illustrate the network and catenet design. Creating these maps will enable you to visually check your design.

NOTE

You may wish to use copies of the network and catenet maps you submitted with your NISP for use with the worksheets, instead of redrawing them.

Once you have drawn the map, ask yourself the following questions to make sure your design adheres to the considerations mentioned above:

1. Are all the nodes in the network within roughly 200 meters of each other?

If so, connect them with StarLAN 10 3000/V links. The maximum cable length between a node and a StarLAN 10 hub is 100 meters.

2. Are all of the nodes in the network within roughly 550 meters of each other?

If so, consider connecting them with ThinLAN/3000 links. The maximum cable length for segments of ThinLAN/3000 cable is 185 meters, with a maximum of three segments connected by repeaters.

3. Are all of the nodes in the network within roughly 1500 meters of each other?

If so, consider connecting them with ThickLAN (thick coaxial cable). The maximum cable length for each segment of ThickLAN coaxial cable is 500 meters, with a maximum of three segments connected by repeaters.

4. Are nodes located at remote sites? (For example, in different buildings in the same city, or in different cities?)

If so, consider installing a router network using dial links or leased lines. Choose leased lines if you have a critical need for clear transmission or if the volume of data to be transmitted is relatively large.

5. Is the set of nodes you wish to connect composed of some nodes that are in close proximity to one another (for example, in the same building) and other nodes that are geographically distanced (for example, in different buildings or different cities)?

If so, you may wish to use a combination of HP StarLAN or HP ThinLAN networks (for nodes that are located near one another) and dial links (for nodes in different buildings or cities).

6. Do you need to connect personal computers to the network?

If so, proceed to the following questions:

- (a) Do you want some personal computers to communicate directly with each other without having to go through an HP 3000?

If so, consider either HP StarLAN or HP ThinLAN. Networks of personal computers can be created using HP StarLAN or HP ThinLAN links. One or more of the personal computers can also be connected to one or more HP 3000s using StarLAN/3000, an HP StarLAN Bridge, or ThinLAN/3000 links.

- (b) Will you need to connect personal computers to HP 3000s over dial links (if, for example, personal computers are located at remote sites)?

If so, choose the HP SERIAL Network.

7. Will HP 9000s, HP 1000s, or other minicomputers (such as Digital Equipment VAX (TM) minicomputers) need to be part of the network?

If so, you will need to use them as nodes on a coaxial cable local area network (HP ThinLAN or its ThickLAN option).

- 8.(a) Do you need access to nodes on public or private X.25 networks?

If so, consider using NS X.25 3000/V links.

9. (b) Will you need to connect personal computers and HP 2334s to a public or private X.25 Network for remote access of HP 3000s?

If so, choose the HP SERIAL Network.

10. Do you need to use satellite connections (because of distance and speed requirements)?

If so, you will need to use DS/3000 Satellite links.

11. Is a subset of nodes either geographically or organizationally distanced from another subset of nodes?

If so, you may wish to establish a network boundary between them in order to make them two separate networks joined by a full gateway or two gateway halves.

12. If you decide to connect two networks via a gateway, would it be administratively easier (and require less configuration if changes occur) to join the two networks by a gateway half link rather than by a full gateway?

13. If you have decided you need an IEEE 802.3 network, do you need to connect any nodes on it with nodes that are part of another IEEE 802.3 network?

If so, one of the nodes on the IEEE 802.3 network must be a gateway half which connects to another gateway half that is a node on the remote IEEE 802.3 network.

14. If you need to use a gateway half, is the partner gateway half in the same building or further away?

If the two gateway halves are in the same building, you can use a direct connect link between them. If the two gateway halves are further away, you will need to use a dial link or leased line between them.

CONFIGURATION WORKSHEETS: TERMINOLOGY

Here are brief descriptions of some key terms used in the "Configuration Worksheets: Instructions" subsection, which follows.

catenet--A set of interconnected networks.

central administrative node--A node on a non-LAN network designated for keeping an up-to-date network directory.

full gateway--A node that belongs to more than one network and can communicate with each network to which it belongs by using store and forward. A full gateway has one IP address for each network.

gateway--A term that refers to either a full gateway or a gateway-half pair.

gateway half--A node that belongs to at least one network and also has a gateway half network interface configured. The gateway half network interface includes a point-to-point link connecting the node to another gateway half node, called a partner gateway half. Together, the gateway half partners function as a full gateway by performing store and forward over their connecting link.

gateway-half link--A term that refers to a point-to-point link connecting two gateway-half nodes.

gateway-half pair--A term that refers to two gateway half nodes connected by a point-to-point link and together functioning as partners to act as a full gateway.

internet hop count--The number of full gateways plus the number of gateway-half links that a packet must pass through in moving from one network to another.

internet routing--The routing of a packet from one network to another network.

intranet hop count--The number of intervening nodes on a router network between a source node and destination node.

intranet routing--The routing of a packet from one node to another node on the same network.

IP address--A complete IP address comprises a network address and a node address. The network address identifies a network, and the node address identifies a node within a network. IP addresses are divided into three classes. Each class accommodates a different number of network and node addresses. IP network addresses can be obtained from the HP Network Administration Office to guarantee unique network addresses. IP node addresses can be assigned according to your own needs, but they must be within the ranges for the IP address class you are using.

link name--The name of a gateway-half link or a router link. The link name can contain as many as eight characters. All characters except the first can be alphanumeric; the first character must be alphabetic.

network--A group of computers connected so that they can exchange information and share resources.

network directory--A repository with connection information about all nodes in a catenet.

network name--The name of a network in your catenet. This name can contain as many as eight characters. All characters except the first can be alphanumeric; the first character must be alphabetic.

Network Planning and Configuration

node--A computer in a network.

node name--A node name consists of three fields, each separated by a period:

node.domain.organization

When specifying a node name, you must enter the delimiting periods. Each field can contain as many as 16 characters (alphanumeric, underscore or hyphens); the first character must be alphabetic.

point-to-point link--A link connecting either two nodes in a router network or two gateway halves.

proxy server--A node on a LAN which provides network directory information to a requesting node on the same LAN.

X.25 address key-- An X.25 address key is a label that maps a node's IP address to its X.25 address and its associated X.25 parameters. These parameters include an X.25 address for SVCs or a PVC number for PVCs. In addition, for each X.25 address identified, the X.25 address key associates a default set of X.25 user facilities with the X.25 address whenever communication with the remote destination is requested or if an incoming call from that same address is received.

X.25 address keys for each of the remote destinations with which your node expects to communicate are included in each node's configuration file as well as in the node's Network Directory. This allows IP addresses to be mapped to appropriate X.25 (subnet) addresses and connection information.

X.25 address--This is the X.25 (subnet) address provided by the network administration if you are connected to a Public Data Network (refer to your subscription form). This address will be inserted in CALL packets sent whenever communication with that remote destination is requested. (The X.25 address is needed when a Switched Virtual Circuit (SVC) will be used to reach a remote destination. If Private Virtual Circuits (PVCs) are used with level 3 direct access to the X.25 protocol, the X.25 address is not required.)

CONFIGURATION WORKSHEETS: INSTRUCTIONS

You should use configuration worksheets to help you carefully plan your catenet and to make the NMMGR configuration process as easy as possible. HP recommends that you use all worksheets, even if you are an experienced user. The term *worksheets* is used loosely here and pertains to maps, tables, and sheets where you will list values you plan to configure.

Figure 1 is an overview of the worksheet process and depicts a catenet with a four-node LAN, a three-node router network, and two gateway halves that form a gateway-half pair. You will need one set of worksheets for your catenet, one set of worksheets for each network in your catenet, one set of worksheets for each gateway-half pair in your catenet, and one set of worksheets for each network interface on each node. Appendix A contains worksheets you will need. Keep the sheets in Appendix A intact, but make copies of the sheets as needed.

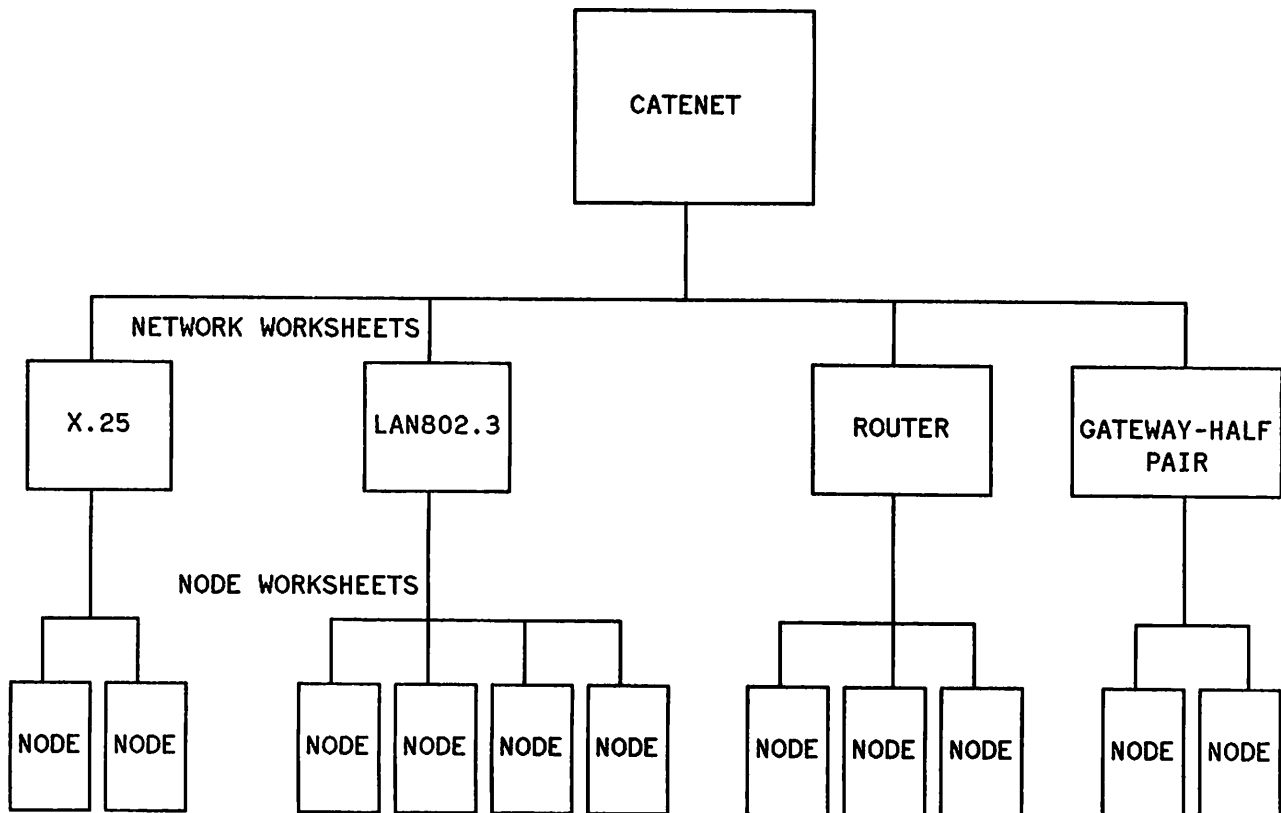


Figure 1. Overview of Worksheet Process

You should complete the catenet worksheets first because the network worksheets and gateway-half pair worksheets are derived from information on the catenet worksheets. Node worksheets are derived from information on the catenet, network and gateway-half pair worksheets.

We will illustrate the instructions that follow by completing some sample worksheets. The table numbers and figure numbers we reference will be based on an example.

Catenet Worksheets

The catenet worksheets consist of a catenet map, used to show an overview of your catenet, and a catenet table. You will take the following steps when filling out the catenet worksheets.

- Draw sketches of each network in the catenet (Catenet Map)
- Write network names, IP network addresses and network types (Catenet Map)
- Draw gateway nodes (Catenet Map)
- Indicate network boundaries (Catenet Map)
- Complete Catenet Table (Table 1)

Catenet Map

Figure 2 is an example of a catenet map. We will use this sample catenet throughout the instructions to help explain the other drawings and tables that make up the configuration worksheets.

Before you can draw your catenet map, you must know how many networks your catenet will contain, and you must know each network type (router or LAN). The catenet in our example (Figure 2) contains three networks. NET1 is a LAN, NET2 is a router network and NET3 is a LAN. Before you can draw your catenet map, you must know how many networks your catenet will contain, and you must know each network type (router or LAN). The catenet in our example (Figure 2) contains three networks. NET1 is a LAN, NET2 is a router network and NET3 is an X.25 network.

You must decide where you want your networks to be physically located and how they will be physically connected. Therefore, you must determine which nodes will be used as gateway nodes (full gateways or gateway halves) to communicate with remote networks.

Communication Between Networks

Because the main purpose of the Catenet Map is to show how the networks are connected, gateway nodes are the only nodes you should draw on the Catenet Map. All other nodes and their networks can be represented by drawing sketches of the networks, as shown in Figure 2.

In our example, Node C is a full gateway that belongs to NET1 and NET2. Nodes G and H are gateway halves that belong to NET2 and NET3, respectively. Nodes X and Y are gateway halves that belong to NET1 and NET3, respectively.

NOTE

For reasons of simplicity, we have used single letters to represent node names in our example. Actual node names must be of the form listed in the terminology subsection. As for addresses, the network portions of IP addresses used in our examples have been reserved for such use. You should

not use C 192.006.001, C 192.006.250, C 192.006.251, C 192.006.252, C 192.006.253 or C 192.006.254 for your actual network addresses.

Network Boundaries

Once you have drawn your gateway nodes, you have established network boundaries.

Let us again consider our example and look at Figure 2. Because Node C in our example is a full gateway and belongs to both NET1 and NET2, the boundary between these two networks is at Node C itself. For purposes of the map, we have drawn this boundary through the middle of Node C. The boundary between NET2 and NET3 is along the gateway-half link that connects gateway nodes G and H. The boundary between NET1 and NET3 is along the gateway-half link that connects gateway nodes X and Y. Network boundaries can be depicted with dotted lines, as we have done in Figure 2.

IP Network Addresses

Each network in your catenet must have a unique IP network address. Add these IP addresses to your catenet map.

In our example, we assume that we have been assigned the Class C IP network addresses shown in Figure 2. The specific IP node addresses do not need to be shown until completion of specific parts of the network worksheets, so we will represent node portions of IP addresses with XXX in some maps and tables.

CATENET MAP

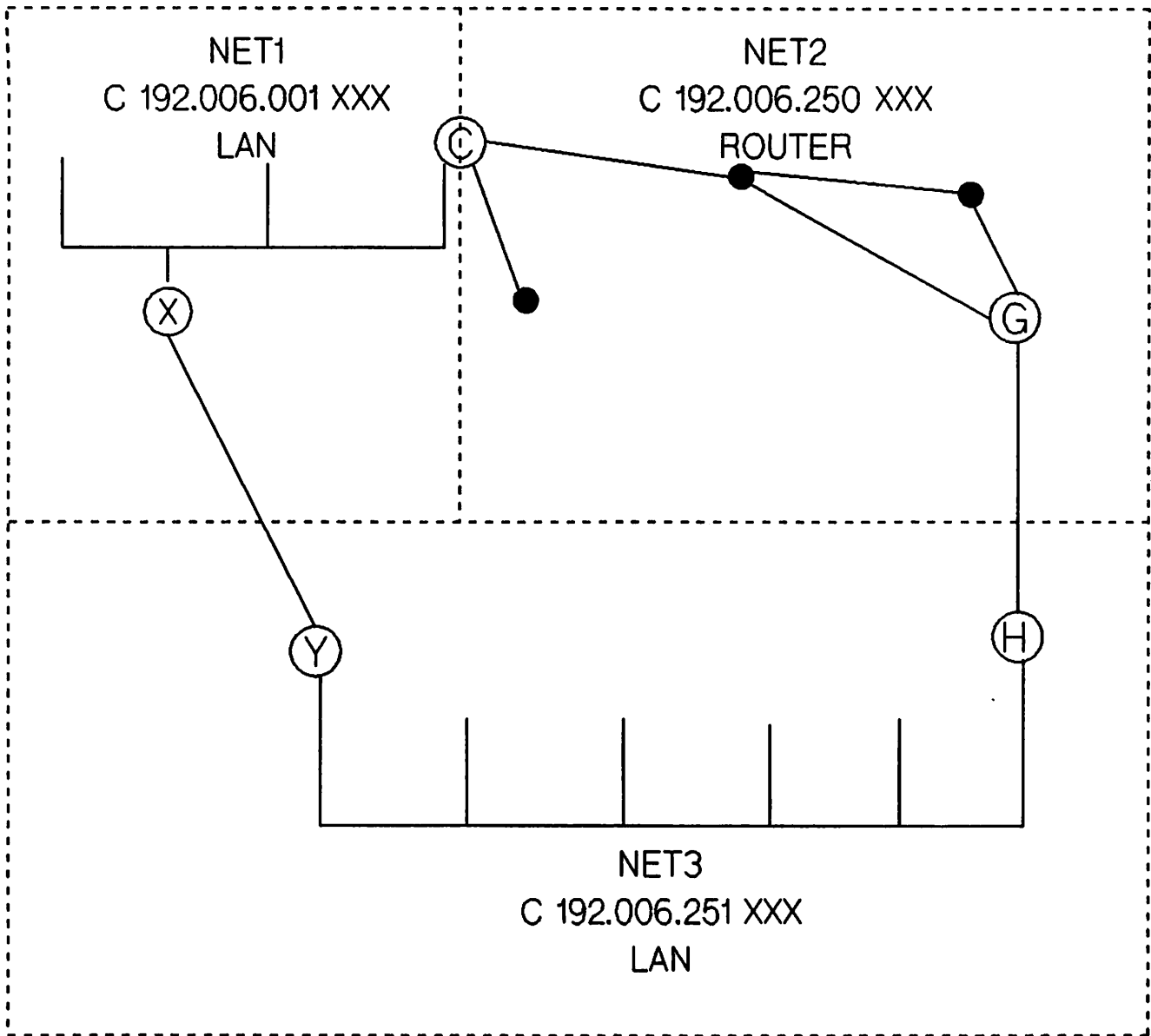


Figure 2. Catenet Map

Completing the Catenet Table

Once your catenet map contains the information just described, you are ready to complete the Catenet Table (Table 1).

The information requested for the first three columns of the Catenet Table can be taken directly from the Catenet Map, as we have done in our example. As for the Implementation Priority column, consider which networks must be operational in as little time as possible. You also may want to consider which networks will be the easiest to initiate. Analyzing these and other factors important to you, determine

the order in which you plan to initiate your networks, and then enter the information in the Implementation Priority column of the Catenet Table.

When you have completed both the Catenet Map and the Catenet Table, you have finished the catenet worksheets.

TABLE 1. CATENET TABLE

NETWORK	NETWORK TYPE (LAN, ROUTER)	IP NETWORK ADDRESS	IMPLEMENTATION PRIORITY
NET1	LAN	C 192.006.001 XXX	1
NET2	ROUTER	C 192.006.250 XXX	2
NET3	X.25	C 192.006.251 XXX	3

Network Worksheets

For each network in your catenet, you are asked to draw a map of the network and to complete two tables. One table lists node-specific information, and one table lists network routing information.

You also are asked to complete worksheets for each gateway-half pair in your catenet. The worksheets for a gateway-half pair consist of a map of the gateway-half nodes and their connecting link, and a table containing information about the gateway-half network interfaces.

For our sample catenet, five sets of network worksheets need to be completed--one set for each of the two LANs, one set for the router network, and one set for each of the two gateway-half pairs.

You will take the following steps when filling out a set of network worksheets.

- Draw your map, showing all nodes and node names. (For router networks, also show all router links and link names. For a gateway-half pair, include the link name.)
- Use dotted lines on your map to indicate connected networks.
- Complete the table(s)--two for each network, one for each gateway-half pair.

LAN Network Worksheets

One set of LAN Network Worksheets should be used for each LAN in your catenet. The LAN Network Worksheets consist of a map of the LAN and two tables. One table contains information about each node on the LAN, and one table contains network-specific internet routing information. We now refer to NET1, one of the LANs in our sample catenet, to describe the LAN Network Worksheets in detail. Use the discussion of our sample LAN Network Worksheets as a guide for filling out your own LAN Network Worksheets.

LAN Network Map. Figure 3 is a drawing of the network map for NET1. The network map is a more detailed drawing of the same network shown in the Catenet Map (Figure 2). The network name, the IP network address and the network type are listed at the top of the network map. This information is derived from the Catenet Map, which should be kept available at all times.

In our example, the Catenet Map shows that nodes C and X are gateway nodes. We mark them as such on the NET1 network map and draw dotted lines to show the networks that the gateway nodes can reach. We then add the remaining NET1 nodes and their names to the network map. We also indicate that nodes C and X are proxy servers.

LAN NETWORK MAP

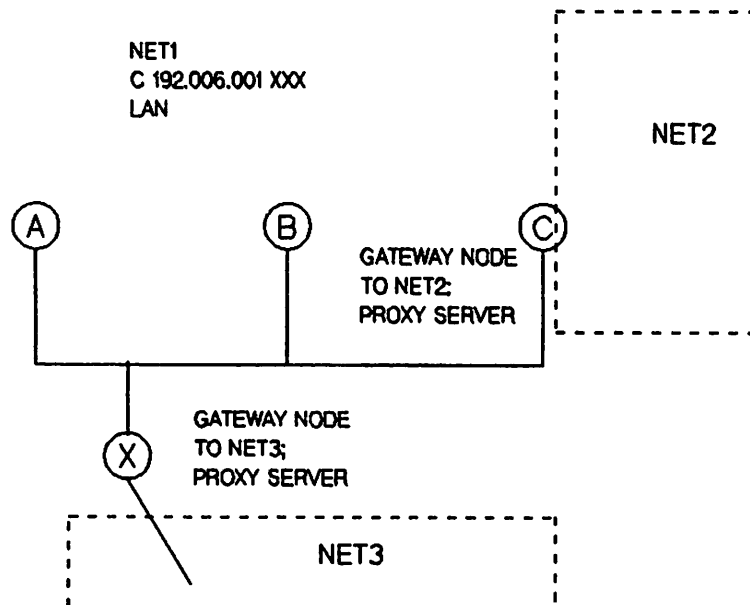


Figure 3. LAN Network Map

Network Planning and Configuration

LAN Network Table. We refer to the LAN Network Map to fill in the LAN Network Table (Table 2). We complete the first column by listing the names of all the nodes on NET1. We then assign to each node an IP address that is unique within the network. We list only the node portions of the IP addresses because we have listed the IP network address at the top of the table. In the third column of Table 2, we indicate that nodes C and X are proxy servers. In the fourth column, we indicate that nodes C and X also are gateway nodes. For the Implementation Priority column, we rank the nodes in the order we think they should be configured.

TABLE 2. LAN NETWORK TABLE

NETWORK NAME: NET1

IP NETWORK ADDRESS: C 192.006.001 XXX

NODE NAME	IP NODE ADDRESS	PROXY SERVER (Y/N)	GATEWAY NODE (Y/N)	IMPLEMENTATION PRIORITY
A	001			3
B	002			4
C	003	YES	YES	1
X	004	YES	YES	2

LAN Internet Routing Table. The purpose of the LAN Internet Routing Table (Table 3) is to list all possible networks that can be reached from each gateway node on a LAN, such as NET1 in our example.

As shown on the Catenet Map, NET1 includes two gateway nodes, C and X. We indicate in our LAN Internet Routing Table that NET1 nodes using Node C as a gateway can reach NET2 in one hop and NET3 in two hops. In the IP Node Address column of the LAN Internet Routing Table, we list the node portion of Node C's IP address.

For Node X, we list the same type of information in the LAN Internet Routing Table.

TABLE 3. LAN INTERNET ROUTING TABLE

NETWORK NAME: NET1
 IP NETWORK ADDRESS: C 192.006.001 XXX

THROUGH GATEWAY NODE	IP NODE ADDRESS	DESTINATION NETWORK/ADDRESS	HOPS NEEDED TO REACH DESTINATION NETWORK
C	003	NET2/ C 192.006.250 000	1
		NET3/ C 192.006.251 000	2
X	004	NET3/ C 192.006.251 000	1
		NET2/ C 192.006.250 000	2

NOTE

For NET3, the other LAN in our sample catenet, we follow the same procedures. Figure 5 shows the network map for NET3, and tables 6 and 7 are the network and internet routing tables for NET3.

Router Network Worksheets

One set of Router Network Worksheets should be used for each router network in your catenet. The router network worksheets consist of a map of the router network and two tables. One table contains information about each node on the router network, and one table contains network-specific internet routing information. We now will refer to the router network in our sample catenet to describe the Router Network Worksheets in detail. Use the discussion of our sample Router Network Worksheets as a guide for filling out your own Router Network Worksheets.

Router Network Map. NET2 is the router network in our sample catenet. Figure 4 is a drawing of the network map for NET2. The network map is a more detailed drawing of the same network shown in the Catenet Map (Figure 2). The network name, the IP network address and the network type are listed at the top of the network map. This information is derived from the Catenet Map, which should be kept available at all times.

In our example, the Catenet Map shows that nodes C and G are gateway nodes. We mark them as such on the NET2 network map and draw dotted lines to show the networks that the gateway nodes can reach. We then add the remaining NET2 nodes and their names to the network map. We also indicate that Node G is a central administrative node.

ROUTER NETWORK MAP

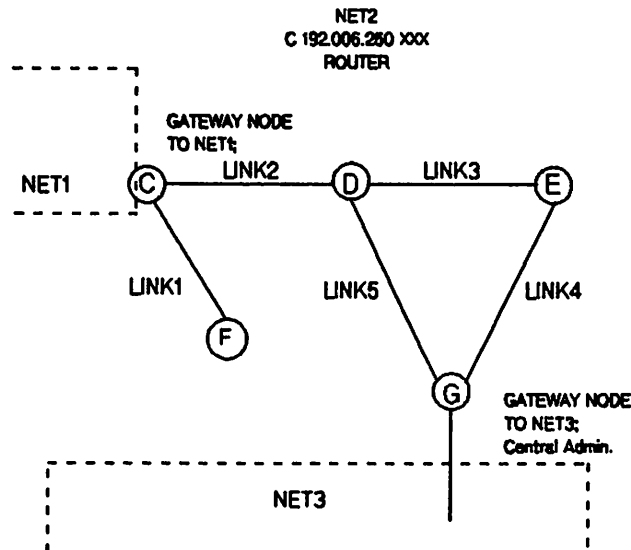


Figure 4. Router Network Map

Router Network Table. We refer to the Router Network Map to fill in the Router Network Table (Table 4). We complete the first column by listing the names of all the nodes on NET2. We then assign to each node an IP address that is unique within the network. We list only the node portions of the IP addresses because we have listed the IP network address at the top of the table. In the third column of Table 4, we indicate that Node G is a central administrative node. In the fourth column, we indicate that nodes C and G are gateway nodes. For the Implementation Priority column, we rank the nodes in the order we think they should be configured.

TABLE 4. ROUTER NETWORK TABLE

NETWORK NAME: NET2

IP NETWORK ADDRESS: C 192.006.250 XXX

NODE NAME	IP NODE ADDRESS	CENTRAL ADMIN. NODE? (Y/N)	GATEWAY NODE (Y/N)	IMPLEMENTATION PRIORITY
C	001		YES	2
D	002			3
E	003			4
F	004			5
G	005	YES	YES	1

Network Planning and Configuration

Router Internet Routing Table. The purpose of the Router Internet Routing Table (Table 5) is to list all possible networks that can be reached from each gateway node on a router network, which is NET2 in our example.

As shown on the Catenet Map, NET2 includes two gateway nodes, C and G. We indicate in our Router Internet Routing Table that NET2 nodes using Node C as a gateway can reach NET1 in one hop and NET3 in two hops. In the IP Node Address column of the Router Internet Routing Table, we list the node portion of Node C's IP address.

For Node G, we list the same type of information in the Router Internet Routing Table.

TABLE 5. ROUTER INTERNET ROUTING TABLE

NETWORK NAME: NET2
 IP NETWORK ADDRESS: C 192.006.250 XXX

THROUGH GATEWAY NODE	IP NODE ADDRESS	DESTINATION NETWORK/ADDRESS	HOPS NEEDED TO REACH DESTINATION NETWORK
C	001	NET1/ C 192.006.001 000	1
		NET3/ C 192.006.251 000	2
G	005	NET3/ C 192.006.251 000	1
		NET1/ C 192.006.001 000	2

X.25 Network Worksheets

One set of X.25 network worksheets should be used for each X.25 network in your catenet. The X.25 worksheets consist of a map of the X.25 network and two tables. One table contains information about each node on the X.25 network. The other table contains network-specific internet routing information.

X.25 Network Map. Figure 5 is a drawing of the network map for NET3. The network map is a more detailed drawing of the same network shown in the Catenet Map (Figure 2). The network name, the IP network address and the network type are listed at the top of the network map. This information is derived from the Catenet Map.

In our example, the Catenet Map shows that nodes H and Y are gateway nodes. We mark them as such on the NET3 network map and draw dotted lines to show the networks that the gateway nodes can reach. We then add the remaining NET3 nodes and their names and X.25 addresses to the network map. The X.25 address is a decimal number (up to fifteen digits) identifying a node's location on the X.25 subnet for connections using Switched Virtual Circuits (SVCs). Usually this address is inserted in CALL packets to set up connections using SVCs. If the network you will access is a public Packet Switching Network (PSN), these addresses (where appropriate) are recorded on the subscription form provided by the network's administration. The network map also indicates that nodes H and Y are central administrative nodes.

X.25 NETWORK MAP

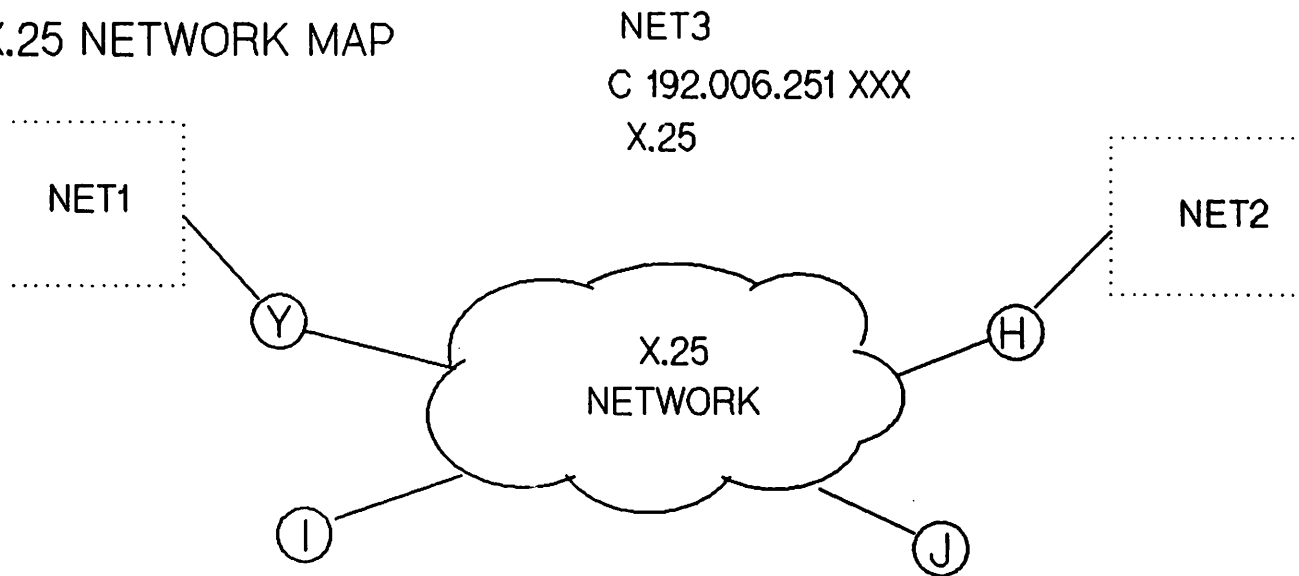


Figure 5. X.25 Network Map (NET3 in example)

Network Planning and Configuration

X.25 Network Table. We refer to the X.25 Network Map to fill in the X.25 Network Table (Table 6). We complete the first column by listing the names of all the nodes on NET3. We then assign to each node an IP address that is unique within the network. We list only the node portions of the IP addresses because we have listed the IP network address at the top of the table. In the third column of Table 6, we indicate that Node H and Node Y are central administrative nodes. In the fourth column, we indicate that nodes H and Y are also gateway nodes. Where appropriate (see above) we also copy the X.25 (subnet) address for a node into the fifth column of the Network Table.

TABLE 6. X.25 NETWORK TABLE

NETWORK NAME: NET3

IP NETWORK ADDRESS: C 192.006.251 XXX

NODE NAME	IP NODE ADDRESS	CENTRAL ADMIN. NODE? (Y/N)	GATEWAY NODE (Y/N)	X.25 ADDRESS
H	001	Y	Y	1234
I	002	N	N	5678
J	003	N	N	6879
Y	004	Y	Y	9876

X.25 Internet Routing Table. The purpose of the X.25 Internet Routing Table (Table 7) is to list all possible networks that can be reached from each gateway node on the X.25 network (NET3) in our example.

As shown on the Catenet Map, NET3 includes two gateway nodes, H and Y. We indicate in our X.25 Internet Routing Table that NET3 nodes using Node H can reach NET2 in one hop and NET1 in 2 and so on. In the IP Node Address column, we list the node portion of the Node H's IP address.

For Node Y we list the same information.

TABLE 7. X.25 INTERNET ROUTING TABLE

NETWORK NAME: NET3

IP NETWORK ADDRESS: C 192.006.251 XXX

GATEWAY NODE	IP NODE ADDRESS	DESTINATION NETWORK/ADDRESS	HOPS NEEDED TO REACH DESTINATION NETWORK
H	001	NET2/ C 192.006.250 000	1
		NET1/ C 192.006.001 000	2
Y	004	NET1/ C 192.006.001 000	1
		NET2/ C 192.006.250 000	2

X.25 Node Routing Information

Tables 8 and 9 show routing information for Node I on NET3 in our example.

Because NET3 is an X.25 network, intranet and internet routing information is needed. Intranet routing is shown in Table 8. Using information from the NET3 network map and the X.25 Network Table (Table 6), we obtain the destination node names, the X.25 addresses (where appropriate), and the IP addresses needed for completing Table 8.

In order to map X.25 (subnet) information to IP addresses, you must also *always* enter an X.25 Address Key label (the middle column of this table). This label associates an X.25 address (or PVC Number, if using Permanent Virtual Circuits) to a named set of X.25 user facilities by default (entered in the end column). For convenience, we have used each computer's node name (without domain and organization names) as its address key.

TABLE 8. X.25 NODE INTRANET ROUTING TABLE

NODE NAME: I

IP NODE ADDRESS: 002

X.25 ADDRESS KEY FOR THIS NODE: I

NETWORK NAME: NET3

DESTINATION NODE	DEST. NODE'S IP ADDRESS	X.25 ADDRESS KEY	X.25 ADDRESS	FAC.SET NAME
H	001	H	1234	STDSFSET
J	003	J	6879	STDSFSET
Y	004	Y	9876	STDSFSET

Network Planning and Configuration

Now we proceed to Node I's Internet Routing Table (Table 9). Remember that Node I belongs to NET3. We see from our X.25 Internet Routing Table (Table 7) that NET3 includes nodes H and Y as gateway nodes. This table also shows that NET3 nodes using Node H as a gateway can be used to reach NET2 in one hop and NET1 in two hops, and that Node Y can be used to reach NET1 in one hop and NET2 in two hops. Internet routing information for Node I in this example includes both NET1 and NET2 as destination networks and both Node H and Node Y as gateway nodes.

TABLE 9. X.25 NODE INTERNET ROUTING TABLE

NODE NAME: I

IP NODE ADDRESS: 002

NETWORK NAME: NET3

GATEWAY NODE/IP ADDRESS	DESTINATION NETWORKS/ IP ADDRESSES	HOP COUNT
H	NET2/C 192.006.250 000	1
	NET1/C 192.006.001 000	2
Y	NET1/C 192.006.001 000	1
	NET2/C 192.006.250 000	2

X.25 CONFIGURATION SCREENS

As an example of filling out configuration fields for an X.25 node we have chosen Node I on NET3. Only information derived from previous worksheets and any default values are filled out.

LINK CONFIGURATION (LINKCONF) Fig. 7-1, p. 7-4

Link Name LAPBLINK _____

Press **Add** to accept the default link name, LAPBLINK. Otherwise, assign a link name that is eight characters or fewer. The first character must be alphabetic.

This link name associates the node you are configuring with the set of LAPB Link Data specified below.

Type: LAP-B.

For X.25, Link type must be LAP-B.

LAPB LINK DATA (LINKCONF.*linkname*) Fig. 7-7, p. 7-19

Logical device _____

The ldev number for the appropriate INP as configured in SYSDUMP.

Local Mode (5=DTE, 6=DCE) 5 _____

If one side of a link is configured as a DTE, the other side must be configured as a DCE. For all connections to a public PSN, you must use DTE local mode.

Default values are supplied for the remaining LAP-B parameters. You should check these values against those recorded on your network subscription form and press **Update Data** to include them in the current node's configuration file.

X.25 CONFIGURATION SCREENS (cont'd)

GENERAL X.25 (NETXPORT.NI.niName.PROTOCOL.X25) Fig.12-4,p.12-9

X.25 Network Identification X.25-PDN

Enter the name of the local PSN (e.g. TRANSPAC, DDN etc.) or accept the default (X.25-PDN).

Local X.25 Address Key I

Enter the key representing the node you are configuring for mapping purposes. The key may have up to eight alphanumeric characters ; the first character must be alphabetic.

Inactivity Timer 5

Accept the default value of 6 or enter another value to clear any unused SVCs after the specified number of minutes (up to 32767). If you enter a value of 0 , the timer will be disabled.

X.25 LOCAL ADDRESS & VIRTUAL CIRCUIT ASSIGNMENT
(NETXPORT.NI.niName.PROTOCOL.X25.VCSPEC) Fig.12-5,p.12-11

Local X.25 Node Address 5678

Enter the local X.25 network address for your node as provided by the network administration (see X.25 Network Table).

Lowest Highest

___ ___ Permanent Virtual Circuits

1 5 Two-Way Switched Virtual Circuits

___ ___ One-Way Incoming SVCs

___ ___ One-Way Outgoing SVCs

Enter values for the first and last VCs subscribed for in these categories.

Example: For five two-way SVCs beginning with SVC number one, enter 1 under Lowest and 5 under Highest.

X.25 CONFIGURATION SCREENS (cont'd)

X.25 NETWORK & FLOW CONTROL PARAMETERS

(NETXPORT.NI.*niName*.PROTOCOL.X25.VCSPEC.FLOWCNTL) Fig. 12-6,p. 12-13

X.25 Packet Level (DTE=1,DCE=0)___

Enter either 1 (for all public PSN connections), or 0 if the local X.25 protocol will operate in DCE mode.

Packet Size 128_____

If desired, enter a value as a default packet size for all VCs.

Possible Values: 16,32,64,128,256,512, 1024.

Window Size 2_____

If desired, enter a value as a default window size for all VCs.

Possible Values: 1,2,3,4,5,6,7.

Throughput Class 11_____

If desired, enter a value as default throughput class for all VCs. The value entered must be equal or lower than the value calculated in function of the line speed as follows:

Speed: 1200 2400 4800 9600 19200 48000 57600

Class: 7 8 9 10 11 12 13

X.25 USER FACILITY SETS (NETXPORT.NI.*niName*.PROTOCOL.FACSET) Fig. 12-7,p. 12-16Set Name STDSFSET

Accept the default Facility Set Names including STDSFSET for SVCs . Press **Next Screen** to continue Guided Configuration.

X.25 SVC ADDRESS KEY PATH (NETXPORT.NI.*niName*.PROTOCOL.X25.PATH)

Fig. 12-10,p. 12-21

X.25 Address Key _____

Enter the X.25 Address Key for a destination node (included in the X.25 Node Intranet Routing Table). The key may have up to eight alphanumeric characters; the first character must be alphabetic. POOL is the Address Key reserved for calls from nodes whose addresses are not specified in the X.25 Address Key Path Table.

Network Planning and Configuration

X.25 Network Address _____

Enter the X.25 Address of the remote node represented by the current X.25 Address Key (alongside this entry in the X.25 Node Intranet Routing Table). This address may have up to 15 decimal digits (refer to network subscription form for public PSN connections). No address is required for POOL entries.

Default Facilities Set Name _____

Enter the name of the facilities set corresponding to the SVC identified by the current X.25 Address Key. The name can have up to eight alphanumeric characters; the first character must be alphabetic. HP recommends that you use STDSFSET, the default. You will be prompted to provide path data for each of the remote nodes you expect to communicate with. Press **Next Screen** to continue Guided Configuration.

IP PROTOCOL CONFIGURATION (NETXPORT.NI.*niName*.PROTOCOL.IP) Fig. 10-3, p. 10-8

IP Address C 192.006.251 002 _____

Full IP address of the node being configured. Refer to the X.25 Network Table.

X.25 CONFIGURATION SCREENS (cont'd)

Note: This page contains information for one gateway. Before you proceed, make copies of this page for additional gateways. During Guided Configuration, press the **Next Screen** function key when finished configuring information for a gateway. This returns you to the first screen shown on this page. If you are finished for all gateways, press the **Next Screen** key again.

NEIGHBOR GATEWAYS (NETXPORT.NI.*niName*.INTERNET) Fig. 12-17, p. 12-34

Gateway Name H_____

Assign a name (maximum eight characters) to a gateway that is on the network to which the node belongs. Refer to Catenet Map and X.25 Network Map.

NEIGHBOR GATEWAY REACHABLE NETWORKS (NETXPORT.NI.*niName*.INTERNET.*gatewayn*)
Fig. 12-18, p. 12-35

Neighbor Gateway IP Internet Address C 192.006.251 001_____

Full IP address of the gateway node. Refer to X.25 Network Table.

IP Network Number

C 192.006.001 000_____ (1)

C 192.006.250 000_____ (2)

_____ (3)

_____ (4)

The IP addresses of all reachable networks in the catenet, through the gateway node named above. Refer to X.25 Node Internet Routing Table. On the actual screen, you also will need to fill out a node portion for each IP Network Number, even though the node portion is ignored. You can simply enter zeros for these node portions.

Hops

2_____ (1)

1_____ (2)

_____ (3)

_____ (4)

Refer to X.25 Node Internet Routing Table for Hop Count. The numbers in parentheses correspond to the numbers regarding IP network numbers.

NETWORK DIRECTORY INFORMATION

After reading the Network Directory section (Section 15), you can complete the information below for all nodes you wish to manually configure into your network directory file. For your node and for each node you have configured as a destination node in your Node Configuration file you must make a full entry in the Network Directory.

*Type: 1=IP, 2=IP/LAN802. 3=X. 25

Node Name	Global or Local	IP Address	Type	Additional Address *
H	Global	C 192.006.251 001	3	H
I	Global	C 192.006.251 002	3	I
J	Global	C 192.006 251 003	3	J
Y	Global	C 192.006.251 006	3	Y
X		C 192.006.001 004	1	
G		C 192.006.250 005	1	
D		C 192.006.250 002	1	
F		C 192.006.250 004	1	
C (LAN NI)		C 192.006.001 003	1	
C (Router NI)		C 192.006.250 001	1	

* For Type 3 (X. 25 Access) this address will be the X. 25 Address Key you designate in your Node Intranet Routing Table. This additional address is not needed for type 1 addresses.

Gateway-Half Pair Worksheets

One set of Gateway-Half Pair Worksheets should be used for each gateway-half pair in your catenet. The Gateway-Half Pair Worksheets consist of a map of the two gateway half nodes and their connecting link, and one table that contains information about the gateway half network interfaces. We now refer to one of the gateway-half pairs in our sample catenet to describe the Gateway-Half Pair Worksheets in more detail. Use the discussion of our sample Gateway-Half Pair Worksheets as a guide for filling out your own Gateway-Half Pair Worksheets.

Gateway Half Map. Our sample catenet contains two gateway-half pairs, as shown in our Catenet Map. One gateway-half pair is made up of nodes G and H and their connecting link, and the other gateway-half pair is made up of nodes X and Y and their connecting link. Let us focus on the G and H gateway-half pair.

Figure 6 is a drawing of this gateway-half pair. We show the two nodes and the networks to which they belong. In addition, we select a name for the link. We have decided to name the link LINKRL1.

GATEWAY HALF MAP

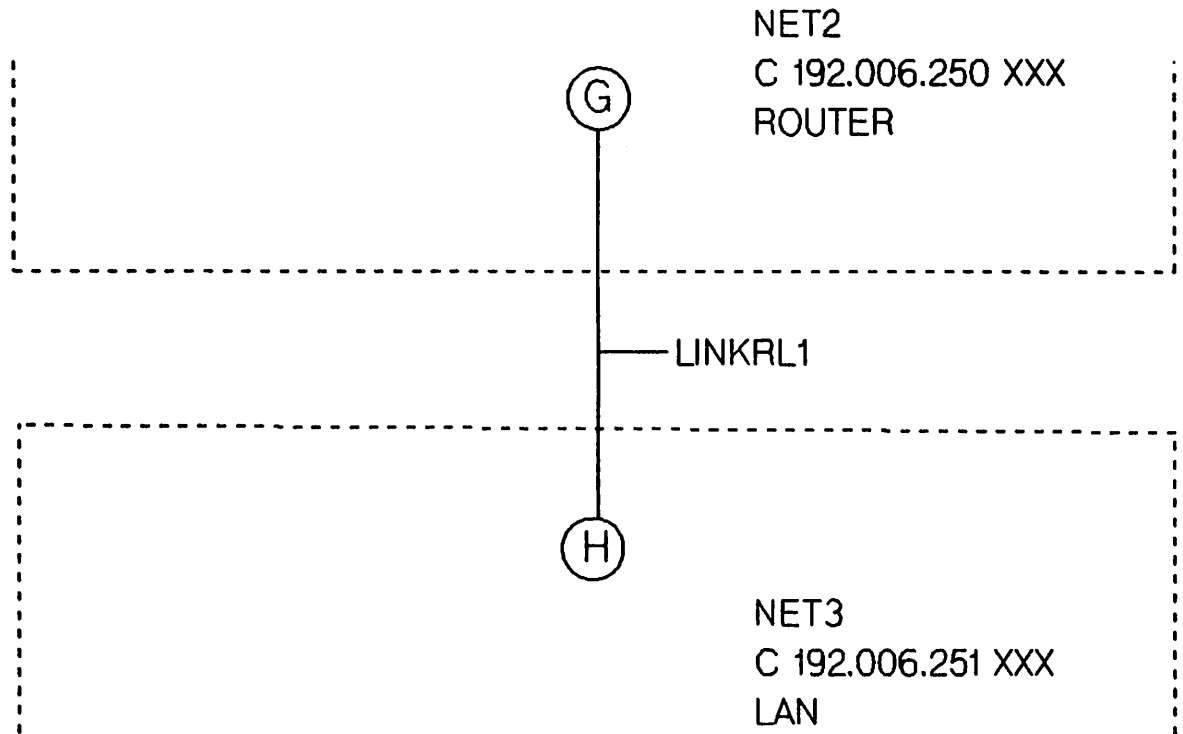


Figure 6. Gateway-Half Map

Gateway-Half Network Interface Table. This table (Table 8) is based on the map we have just discussed. We list both gateway-half nodes, the full IP addresses of the partner nodes, the connected networks, and the name of the link. Usually, the link name will be the same from the perspective of each gateway half. The reason we list the address of the partner gateway half is that the partner's address is entered during configuration of a gateway half network interface.

TABLE 8. GATEWAY-HALF NETWORK INTERFACE TABLE

NETWORK NAMES: NET2, NET3

GATEWAY NODE	FULL IP ADDRESS OF PARTNER	CONNECTED NETWORK	LINK NAME
G/NET 2	C 192.006.251 001	NET3	LINKRL1
H/NET 3	C 192.006.250 005	NET2	LINKRL1

NOTE

Figure 7 and Table 8A pertain to the other gateway-half pair in our sample catenet.

GATEWAY HALF MAP

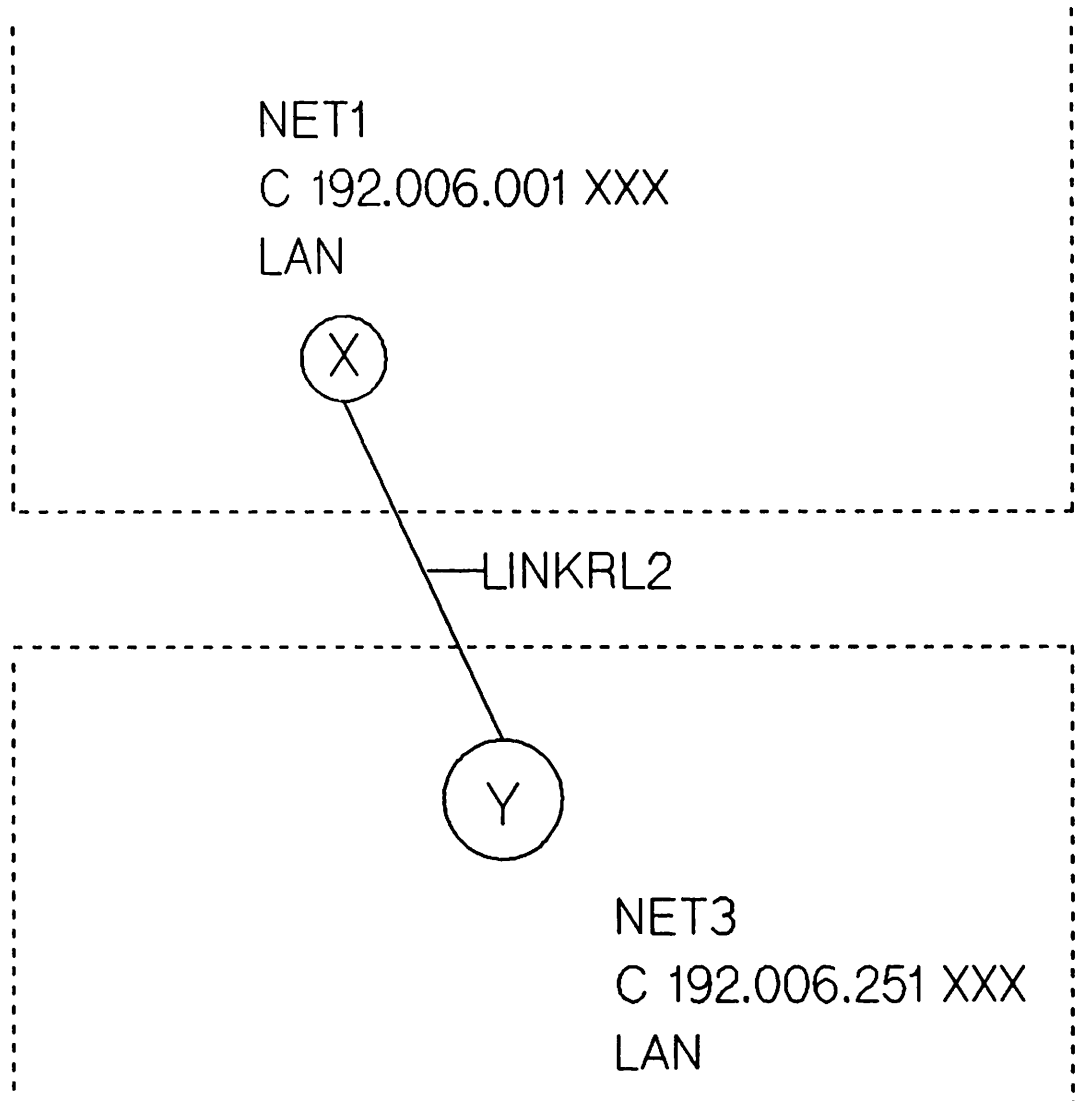


Figure 7. Gateway Half Map

TABLE 8A. GATEWAY-HALF NETWORK INTERFACE TABLE

NETWORK NAMES: NET1, NET3

GATEWAY NODE	FULL IP ADDRESS OF PARTNER	CONNECTED NETWORK	LINK NAME
X/NET 1 Y/NET 3	C 192.006.251 006 C 192.006.001 004	NET 3 NET 1	LINKRL2 LINKRL2

Node Worksheets

The main purpose of the node worksheets is to determine ahead of time the information you will need to configure during NMMGR's Guided Configuration. This information depends on the type of network to which a node belongs. Guided Configuration includes information for routing, links, and protocols.

You take the following steps when you start to complete the node worksheets.

- Fill in the necessary internet routing information (intranet routing information also for nodes on a router network).
- Determine the values for fields you will configure during Guided Configuration.
- Perform the actual Guided Configuration.

Node worksheets contain routing information, screen names, NMMGR paths, fields you will configure, and instructions on how to determine values for these required fields. The worksheets list only the fields you can configure during Guided Configuration, which allows you to configure your nodes as quickly as possible. Detailed descriptions of all fields are located in other sections. Screen names are given in uppercase letters, and the NMMGR path used to reach a screen is listed in parentheses following the screen name. Figure numbers and page numbers are also given.

We will continue to refer to our example as we discuss the node worksheets, and figure numbers and table numbers still will be based on the example. Descriptions of fields should be applicable to all situations.

NOTE

To demonstrate our example, we have filled out values on the following node-worksheet pages based on previous worksheet information. In cases where information could not be taken from previous worksheets, values have been left blank.

Network Planning and Configuration

After you choose to perform Guided Configuration, you select the **Go To NET CON** function key to perform first-time configuration of a node. You then select an NI name and press the appropriate topology function key. For NI names, use the network names on the network maps. This way, you will be able to keep track of the NI names you enter. You will then visit the Node Name Configuration Screen, shown below. (This screen is always visited during loopback guided configuration, but is visited for LAN, router, X.25, PC-router and gateway half guided configuration only if a node name has not already been configured.)

NODE NAME CONFIGURATION (NETXPORT.NODE.NAME) Fig. 8-3, p. 8-5

Node Name _____

Name of the node you are configuring. Must be in the form *node.domain.organization*.

LAN Node Internet Routing

As an example of a LAN node's routing worksheet, look at Table 9. This table shows the internet routing information that we plan to configure for Node B on NET1 in our example. We see from our LAN Internet Routing Table (Table 3) that NET1 includes nodes C and X as gateway nodes. This table also shows that NET1 nodes can use Node C as a gateway to reach NET2 in one hop and NET 3 in two hops, and that Node X can be used to reach NET3 in one hop and NET2 in two hops. We decide to configure each gateway to reach both networks, which means that more than one gateway is available for Node B to reach the same remote network. We are not required to configure multiple gateways to reach the same network. It is our choice. When multiple gateways are configured, the software determines which route to use--usually the one with the fewest hop counts.

Internet routing information is not necessarily the same for all nodes on a network. Suppose we do not want Node A in NET1 ever to communicate with any node on NET3. When completing the internet routing table for Node A, we would not list NET3 as a destination network and we would not use Node X as a gateway node because it would route packets to NET3.

TABLE 9. LAN NODE INTERNET ROUTING

NODE NAME: B
 IP ADDRESS: C 192.006.001 002
 NETWORK NAME: NET1

GATEWAY NODE/IP ADDRESS	DESTINATION NETWORKS/ IP ADDRESSES	HOP COUNT
C/ C 192.006.001 003	NET2/C 192.006.250 000	1
	NET3/C 192.006.251 000	2
X/ C 192.006.001 004	NET2/C 192.006.250 000	2
	NET3/C 192.006.251 000	1

LAN CONFIGURATION SCREENS

As an example of filling out configuration fields for a LAN node, we have chosen Node B on NET1. Only information derived from previous worksheets has been filled out.

LINK CONFIGURATION (LINKCONF) Fig. 7-1, p. 7-4

Link Name _____

Assign a link name that is eight alphanumeric characters or fewer; the first character must be alphabetic.

LAN802.3 LINK DATA (LINKCONF.*linkname*) Fig. 7-2, p. 7-6

Logical Device _____

The ldev number of the LANIC that will be configured in SYSDUMP.

PROBE PROTOCOL CONFIGURATION (NETXPORT.NI.*niName*.PROTOCOL.PROBE) Fig. 9-4, p. 9-10

Proxy Enabled _____ N _____

Answer Y if this node will be a proxy server (will have a network directory). Refer to the LAN1 Network Map (Figure 3).

IP PROTOCOL CONFIGURATION (NETXPORT.NI.*niName*.PROTOCOL.IP) Fig. 9-3, p. 9-7

IP Address _____ C 192.006.001 002 _____

Full IP address of the node being configured. Refer to LAN Network Table (Table 2).

Note: This page contains information for one gateway. Additional gateways need their own information, but we will focus on only one gateway for this example. During Guided Configuration, press the **Next Screen** function key when finished configuring information for a gateway. This returns you to the first screen shown on this page. If you are finished for all gateways, press the **Next Screen** key again.

LAN CONFIGURATION SCREENS (cont'd)

NEIGHBOR GATEWAYS (NETXPORT.NI.*niName*.INTERNET) Fig. 9-7, p. 9-18

Gateway Name GATEC

Assign a name (maximum eight characters) to reference a gateway that is on the network to which the node belongs. Refer to Catenet Map (Figure 2) and LAN Network Map (Figure 3).

NEIGHBOR GATEWAY REACHABLE NETWORKS (NETXPORT.NI.*niName*.INTERNET.*gatewayn*) Fig. 9-8, p. 9-19

Neighbor Gateway IP Internet Address C 192.006.001 003

Full IP address of the gateway node. Refer to LAN Network Table (Table 2).

IP Network Address

- C 192.006.250 000 (1)
- C 192.006.251 000 (2)
- (3)
- (4)

The IP addresses of all reachable networks in the catenet, through the gateway node named above. Refer to LAN Node Internet Routing Table (Table 9). We have filled in the node portion for each IP network address with zeroes because the node portion will be ignored in this field during configuration. A node portion still must be entered, however.

Hops

- 1 (1)
- 2 (2)
- (3)
- (4)

Refer to LAN Node Internet Routing Table (Table 9) for Hop Count. The numbers in parentheses correspond to the numbers regarding IP network addresses.

Router Node Routing Information

Tables 10 and 11 show routing information for Node E on NET2 in our example.

Because NET2 is a router network, intranet and internet routing information is needed. Intranet routing is shown in Table 10. Using information from the NET2 network map (Figure 4) and the Router Network Table (Table 4), we obtain the destination node names, the router link names and the IP addresses needed for completing Table 10. Let us look at some examples from Table 10. Node E can reach Node F (IP address C 192.006.250 004) by sending a packet over Link3. This is all the information needed in Node E's intranet routing table for sending packets to Node F. The reason for this is that, once the packet crosses over LINK3 and arrives at Node D, Node D will use its own intranet routing information to continue moving the packet toward its destination node.

Notice the Entry Priority column. This column becomes important when multiple link names are configured. When multiple link names are configured, the highest entry-priority number is the top-priority link. For example, we see from our Router Network Map (Figure 4) that Node E can reach Node D directly by using LINK3 and indirectly by using LINK4 and then LINK5. We decide to configure this indirect link and list it as entry priority 30 in Table 10. Unless LINK3 should go down, LINK4 will never be used because it has a lower priority number than LINK3. We are not required to configure this secondary link. It is our choice. The reason we have used priority numbers 30 and 50 in Table 10 is to allow for possible additions with higher or lower priority numbers; 50 is the default.

TABLE 10. ROUTER NODE INTRANET ROUTING TABLE

NODE NAME: E
 IP ADDRESS: C 192.006.250 003
 NETWORK NAME: NET2

DESTINATION NODE	LINK NAME	DESTINATION NODE'S IP ADDRESS	ENTRY PRIORITY
D	LINK3	002	50
D	LINK4	002	30
G	LINK4	005	50
G	LINK3	005	30
C	LINK3	001	50
F	LINK3	004	50

Now we proceed to Node E's Internet Routing Table (Table 11). Remember that Node E belongs to NET2. We see from our Router Internet Routing Table (Table 5) that NET2 includes nodes C and G as gateway nodes. This table also shows that NET2 nodes using Node C as a gateway can reach NET1 in one hop and NET3 in two hops, and that Node G can be used to reach NET3 in one hop and NET1 in two hops. We decide to configure each gateway to reach both networks, which means that more than one gateway is available for Node E to reach the same remote network. We are not required to configure multiple gateways to reach the same network. It is our choice. When multiple gateways are configured, the software determines which route to use--usually the one with the fewest hop counts.

Network Planning and Configuration

Internet routing information is not necessarily the same for all nodes on a network. Suppose we do not want Node D in NET2 ever to communicate with any node on NET3. When completing the internet routing table for Node D, we would not list NET3 as a destination network and we would not use Node G as a gateway node because it would route packets to NET3.

TABLE 11. ROUTER NODE INTERNET ROUTING

NODE NAME: E
 IP ADDRESS: C 192.006.250 003
 NETWORK NAME: NET2

GATEWAY NODE/IP ADDRESS	DESTINATION NETWORKS/ IP ADDRESSES	HOP COUNT
C/001	NET1/C 192.006.001 000	1
	NET3/C 192.006.251 000	2
G/005	NET1/C 192.006.001 000	2
	NET3/C 192.006.251 000	1

ROUTER CONFIGURATION SCREENS

As an example of filling out configuration fields for a router node, we have chosen Node E on NET2. Only information derived from previous worksheets has been filled out.

LINK CONFIGURATION (LINKCONF) Fig. 7-1, p. 7-4

Link Name LINK3

Assign a link name that is eight characters or fewer. The first character must be alphabetic. This link name corresponds to one link the node belongs to. After you have been taken to all the necessary screens for this link, Guided Configuration will bring you back to this screen to configure other links connected to this node. Refer to Router Network Map (Figure 4). When you are finished configuring the links for this node, press the **Next Screen** function key.

Type: ASNP, LAPB or BSC Circle one.

ASNP LINK DATA (LINKCONF.*linkname*) Fig. 7-10, p. 7-27

Logical Device _____

The ldev number that will be configured in SYSDUMP.

OR

LAPB LINK DATA (LINKCONF.*linkname*) Fig. 7-7, p. 7-19

Logical device _____

The ldev number that will be configured in SYSDUMP.

Local Mode (5=DTE, 6=DCE, 11=HP Point to Point) _____

HP recommends that you use the default, HP Point-to-Point. If so, both sides of the link must be configured as HP Point-to-Point.

OR

BISYNC LINK DATA (LINKCONF.*linkname*) Fig. 7-4, p. 7-11

Logical Device _____

The ldev number that will be configured in SYSDUMP.

ROUTER CONFIGURATION SCREENS (cont'd)

ROUTER NETWORK INTERFACE LINKS (NETXPORT.NI.*niName*.LINK) Fig. 10-6, p. 10-17

Type _____

DD--Direct Dial, DC--Direct Connect, or SD--Shared Dial.

**DIRECT CONNECT LINK CONFIGURATION (NETXPORT.NI.*niName*.LINK.*linkname*)
Fig. 10-7, p. 10-19**

No fields required to configure.

OR

**ROUTER DIAL LINK CONFIGURATION (NETXPORT.NI.*niName*.LINK.*linkname*)
Fig. 10-8, p. 10-21**

No fields required to configure.

ROUTER NETWORK INTERFACE CONFIGURATION (NETXPORT.NI.*niName*) Fig. 10-1, p. 10-3

Network Hop Count _____ 3 _____

The greatest possible number of intermediate nodes between the two nodes farthest apart on the network. See the Router Network Map (Figure 4).

Idle Device Timeout Value (Minutes) _____

For dial links, this is the number of minutes a device can remain inactive before shutting down. A value of zero will disable the idle device timer for all devices on this network interface. (Enter 0 for Direct Connect links.)

IP PROTOCOL CONFIGURATION (NETXPORT.NI.*niName*.PROTOCOL.IP) Fig. 10-3, p. 10-8

IP Address _____ C 192.006.250 003 _____

Full IP address of the node being configured. Refer to Router Network Table (Table 4).

ROUTER CONFIGURATION SCREENS (cont'd)

Note: This page contains information for one gateway. Before you proceed, make copies of this page for additional gateways. During Guided Configuration, press the **Next Screen** function key when finished configuring information for a gateway. This returns you to the first screen shown on this page. If you are finished for all gateways, press the **Next Screen** key again.

NEIGHBOR GATEWAYS (NETXPORT.NI.niName.INTERNET) Fig. 10-9, p. 10-24

Gateway Name GATEG

Assign a name (maximum eight characters) to a gateway that is on the network to which the node belongs. Refer to Catenet Map (Figure 2) and Router Network Map (Figure 4).

**NEIGHBOR GATEWAY REACHABLE NETWORKS (NETXPORT.NI.niName.INTERNET.gatewayn)
Fig. 10-10, p. 10-25**

Neighbor Gateway IP Internet Address C 192.006.250 005

Full IP address of the gateway node. Refer to Router Network Table (Table 4).

IP Network Address

 C 192.006.001 000 (1)

 C 192.006.251 000 (2)

 (3)

 (4)

The IP addresses of all reachable networks in the catenet, through the gateway node named above. Refer to Router Node Internet Routing Table (Table 11). We have filled in the node portion for each IP network address with zeroes because the node portion will be ignored in this field during configuration. A node portion still must be entered, however.

Hops

 2 (1)

 1 (2)

 (3)

 (4)

Refer to Router Node Internet Routing Table (Table 11) for Hop Count. The numbers in parentheses correspond to the numbers regarding IP network addresses.

Gateway Half Information for Node Worksheets

As an example of the information needed for every gateway half in the catenet, look at Table 12. This table shows internet routing information for Node G, which is a gateway half on NET2. Referring to our Gateway Half Map (Figure 6) and our Gateway-Half Network Interface Table (Table 8), we indicate in Table 12 that Node H is a gateway half that is connected to Node G. We also see that we have named the gateway-half link LINKRL1. We see from our Catenet Map that, from Node G, we can reach NET1 in one hop. The reason NET3 is not included in Table 12 is that Node G can reach NET3 in zero hops. This is because Node G is a partner gateway half with Node H, and Node H is a member of NET3. Therefore, Node G is considered to be directly connected to NET3 and does not require a hop to reach NET3.

TABLE 12. GATEWAY-HALF NODE INTERNET ROUTING TABLE

NAME OF GATEWAY-HALF NODE: G
 IP ADDRESS: 192.006.250 005
 NETWORK NAME: NET2

CONNECTED GATEWAY-HALF NODE/ IP ADDRESS	GATEWAY-HALF LINK NAME	DESTINATION NETWORKS/ IP ADDRESSES	HOP COUNT
H/192.006.251 001	LINKRL1	NET1/ C 192.006.001 000	1

GATEWAY-HALF CONFIGURATION SCREENS

As an example of filling out configuration fields for a gateway half, we have chosen Node G on NET2. Only information derived from previous worksheets has been completed.

GLOBAL TRANSPORT CONFIGURATION (NETXPORT.GLOBAL) Fig. 8-4, p. 8-7

Home Network Name NET2

Enter the name of a network the node belongs to, which is the same as the corresponding NI name. Refer to the appropriate maps. If the node belongs to more than one network, the home network should be the one that will allow the greatest number of destination networks a short return route to the node.

LINK CONFIGURATION (LINKCONF) Fig. 7-1, p. 7-4

Link Name LINKRL1

Assign a link name that is eight alphanumeric characters or fewer; the first character must be alphabetic. Refer to the Gateway-Half Link Map (Figure 6).

Type: ASNP, LAPB, BSC Circle one.

ASNP LINK DATA (LINKCONF.*linkname*) Fig. 7-10, p. 7-27

Logical Device _____

The ldev number that will be configured in SYSDUMP.

OR

LAPB LINK DATA (LINKCONF.*linkname*) Fig. 7-7, p. 7-19

Logical Device _____

The ldev number that will be configured in SYSDUMP.

Local Mode (5=DTE, 6=DCE, 11=HP Point-to-Point) _____

HP recommends that you use the default, HP Point-to-Point. If so, both sides of the link must be configured as HP Point-to-Point.

OR

GATEWAY-HALF CONFIGURATION SCREENS (cont'd)

BISYNC LINK DATA (LINKCONF.*linkname*) Fig. 7-4, p. 7-11

Logical Device _____

The ldev number that will be configured in SYSDUMP.

GATEWAY HALF NETWORK INTERFACE LINKS (NETXPORT.NI.*niName*.LINK)

Fig. 11-6, p. 11-16

Type _____

DD--Direct Dial, or DC--Direct Connect

GATEWAY HALF DIAL LINK CONFIGURATION (NETXPORT.NI.*niName*.LINK.*linkname*)

Fig. 11-8, p. 11-19

Gateway Phone _____

The phone number of the remote gateway-half node.

Security String _____

Security String of the remote gateway-half node.

OR

DIRECT CONNECT LINK CONFIGURATION (NETXPORT.NI.*niName*.LINK.*linkname*)

Fig. 11-7, p. 11-17

No fields required to configure.

GATEWAY HALF NETWORK INTERFACE CONFIGURATION (NETXPORT.NI.*niName*)

Fig. 11-1, p. 11-3

Idle Device Timeout Value (Minutes) _____

For dial links, this is the number of minutes a device can remain inactive before shutting down. A value of zero will disable the idle device timer for all devices on this network interface. (Enter 0 for Direct Connect links.)

IP PROTOCOL CONFIGURATION (NETXPORT.NI.*niName*.PROTOCOL.IP) Fig. 11-3, p. 11-7

IP Address C 192.006.251 001

Full IP address of the partner gateway-half node (the node connected to the gateway half being configured). Refer to Gateway-Half Network Interface Table (Table 8).

GATEWAY-HALF CONFIGURATION SCREENS (cont'd)

NEIGHBOR GATEWAYS (NETXPORT.NI.*niName*.INTERNET) Fig. 11-9, p. 11-23

Gateway Name GATEH

Assign a name (maximum eight characters) to represent the partner gateway half whose address was just listed in the previous field. Refer to the Catenet Map (Figure 2) and Gateway-Half Link Map (Figure 6).

NEIGHBOR GATEWAY REACHABLE NETWORKS (NETXPORT.NI.*niName*.INTERNET.*gatewayn*) Fig. 11-10, p. 11-24

Neighbor Gateway IP Internet Address C 192.006.251 001

Full IP address of the gateway node named above; same as the address in the IP Address field, listed previously.

IP Network Address

 C 192.006.001 (1)

 (2)

 (3)

 (4)

The IP addresses of all reachable networks in the catenet, through the gateway node named above. Refer to Gateway-Half Node Internet Routing Table (Table 12). We have filled in the node portion for each IP network address with zeroes because the node portion will be ignored in this field during configuration. A node portion still must be entered, however.

Hops

 1 (1)

 (2)

 (3)

 (4)

Refer to Gateway-Half Node Internet Routing Table (Table 12) for Hop Count. The numbers in parentheses correspond to the numbers regarding IP network addresses.

System configuration is the means of defining to MPE all of the peripheral devices attached to the HP 3000 for the input or output of data, or I/O, as well as defining the system parameters required for operation. Each device is defined in terms of its associated software, or driver, which controls the device operation and manages the interface with MPE.

A driver can be classified as either a link driver, device driver, or communications driver. Link drivers are associated with a physical card such as an INP, ATP or LANIC. Device drivers are associated with printers or terminals. Communications drivers are additional drivers required for DS-compatible links.

System configuration for NS3000/V and associated links consists of configuring all necessary drivers. The device driver category comprises a pseudo-terminal driver for a virtual terminal, and physical terminal and printer drivers for PAD (Packet Assembler/Disassembler) terminals and printers. During system configuration, make sure that you configure enough virtual terminals to handle incoming communications needs on your node. For X.25 links, terminals and printers attached to a PAD can communicate with an HP 3000. Again, during system configuration, configure enough PAD devices for your data communications needs.

System configuration is accomplished by using the System Configurator (or SYSDUMP) dialogue, which you initiate with the SYSDUMP command. The information provided here is for situations in which you need to change or add to the configuration because of changing circumstances at your installation. This section, therefore, begins with a detailed explanation of I/O configuration for drivers. Recommendations for the modification of system parameters are also provided. This information is followed by the SYSDUMP dialogue and the specific responses required to configure the drivers for NS3000/V and associated links. The subsections are:

- System Configuration
 - I/O Configuration
 - Recommendations for System Parameters
- Virtual Terminal Configuration Dialogue
- PAD Device Configuration Dialogue
- LANIC Configuration Dialogue
- INP Configuration Dialogue
 - Device Driver (IOINP0 or IOINP1)
 - Communications Drivers (IODS0 and IODSX)
- ATP (ASNP) Configuration Dialogue
- Completing the SYSDUMP Dialogue
- Configuration Examples

System Configuration

If you already are familiar with I/O configuration, turn to the specific dialogue for the driver that you need to configure. For more information, or if you are making any other changes to the system configuration, refer to the *MPE V System Operation and Resource Management Reference Manual* or the *Fundamental Data Communications Handbook*.

NOTE

The information about PAD contained in this section pertains to using a PAD over an NS X.25 3000/V link, unless otherwise stated. For information on using a PAD over a DS-compatible X.25 link, refer to the *X.25 Link for the HP 3000 Reference Manual*.

SYSTEM CONFIGURATION

The system configuration of NS3000/V and associated links involves configuring the following:

- **Local Area Network Interface Controller (LANIC).** The LANIC is the MPE-V communications device used for the IEEE 802.3 links. You must configure the device driver, IOLAN0.
- **Intelligent Network Processor (INP).** The INP is the communications device used for NS Point-to-Point 3000/V Links, NS X.25 3000/V Links, and DS-Compatible Links. You must configure the device driver--IOINP0 or IOINP1-- for each such link your node will have. For X.25 and RASP links, IOINP1 must be used. For DS-Compatible links, you must also configure the communications drivers: IODS0 for the Point-to-Point links or IODSX for the DS X.25 and Satellite links.
- **Advanced Terminal Processor (ATP).** The ATP is a communications device that provides data transfer between HP 3000s, or between personal computers and an HP 3000, over the Asynchronous SERIAL Network Link. It consists of a System Interface Board (SIB) and at least one Asynchronous Interface Board (AIB). You must configure the device driver (HIOASNP0).
- **Virtual Terminals.** These pseudo devices are configured in pools. For NS links, the pool of virtual terminals is shared by all NS communications devices. You must configure as many IOVTERMO virtual terminals as needed for concurrent access over all NS links combined.

For each DS-Compatible Point-to-Point Link, you must configure a separate pool of IODSTRMO virtual terminals, back-referenced to the INP for that link. For each DS-Compatible X.25 and Satellite Link, a pool of IODSTRMX virtual terminals must be configured, again with each virtual terminal back-referenced to the INP corresponding to the specific link.

Note that whereas the pool of virtual terminals for NS links is shared across *all* NS links, virtual terminals configured for DS links are dedicated to a specific link corresponding to the back-referenced INP.

- **PAD Devices.** Each device (terminal or printer) that will be communicating with a remote HP 3000 host through an X.25 public or private PAD must be assigned a logical device number (LDEV) on this host, in order to be recognized by the MPE I/O system.

Terminals connected to a public PAD can access the HP 3000 as session devices only--meaning that a user can log on to the system and run applications, but an application program that is running on the system cannot open and manipulate terminals as files. Also, printers cannot be accessed over a public PAD.

Terminals connected to an HP 2334A (private PAD) will operate the same as terminals accessing an HP 3000 through a public PAD. In addition, however, a user or application program on the HP 3000 can initiate communication with a device connected to the HP 2334A. Such communication is possible because each port on the HP 2334A has a unique address in the network. Each port connected to an 2334A is considered a node, and must be configured accordingly. Refer to the network directory section (Section 15) and the X.25 NI configuration section (Section 12). Application programs on the HP 3000 can issue FOPEN commands, with the device parameter being the logical device number or class name of the 2334A device. See the "X.25 PAD Support" section in the *NS X.25 3000/V Link Guide* for details.

Association between an LDEV and a PAD device can be temporary or permanent. For terminals accessing the HP 3000 in session mode, the association is temporary. When a user attempts to log

on, the first available LDEV from a pool of configured LDEVs is assigned to the terminal for the duration of the session. At log off, the LDEV is released and returned to the pool. Therefore, a different LDEV may be assigned to the terminal each time a user logs on. This pool of LDEVs is system wide and is not associated with a specific INP.

The association between an LDEV and a PAD device must be permanent, however, if a PAD device is to be accessed from an HP 3000 application program. A permanent association is required so that the same device will always be accessible when the application program attempts to begin communication. An LDEV-to-nodename mapping, which involves SYSDUMP, NMMGR and network directory configuration, accomplishes this association. For details on how this mapping is configured, see the description of the X.25 PAD Device Configuration Screen in Section 8.

When an HP 3000 application program accesses a PAD device on an HP 2334A, this form of communication is called an **outgoing call**, because the call is outgoing from the HP 3000 perspective. An **incoming call** is logging on from a PAD terminal to an HP 3000. During the SYSDUMP configuration dialogue, you can designate an LDEV to be used for outgoing calls only, or for both incoming and outgoing calls. A 0 in the device subtype field means that the LDEV can be used for either incoming or outgoing calls, and a 1 means it will be used for outgoing calls only. This allows you to ensure that a specific LDEV will not be part of the pool of LDEVs used for temporary assignments to PAD devices.

Printers always have a permanent association with an LDEV because a printer can be accessed only by an outgoing call from an HP 3000 application. Printers are always subtype 14.

- **System Table Changes.** Changes may be required for NS3000/V and associated links. Recommendations are provided that you can use to check your existing configuration.

You initiate the SYSDUMP dialogue by issuing the SYSDUMP command, which requires a user with OP capability. As the questions or prompts appear on your screen, enter the appropriate replies for the desired system configuration. In all responses, Y or N can be used for YES or NO. A **(RETURN)** indicates NO or keeps the existing value. Explanations for each of the I/O configuration prompts and recommendations on modifying the system tables are provided below. If you are familiar with this information, skip ahead to the specific dialogue you need.

For any data communications subsystem to function, a compatible version of Communications Systems software (CS/3000) must be present on the system; it is presumed in this configuration description that CS/3000 is installed. Refer to Volume II, Section 2 of this manual for instructions on how to verify that the installed version of CS/3000 is the correct version needed for the operation of NS3000/V and associated links.

I/O Configuration

When you enter SYSDUMP you are asked a series of questions. Your answers provide the information required by MPE for the I/O configuration of each device as well as general system configuration.

The SYSDUMP dialogue begins as listed below. Prompts are shown on the left and recommended responses are underlined and/or explained on the right.

:SYSDUMP

ANY CHANGES? YES

SYSTEM ID = HP32033v.uu.ff?

MEMORY SIZE= nnnn (MIN=nnn, (unless additional main memory has been added for the products you are configuring).
MAX=nnnn)?

I/O CONFIGURATION CHANGES? YES

LIST I/O DEVICES? Enter YES to print a listing of the current I/O configuration. Enter NO or to continue. Refer to the example listing at the end of the section.

LIST CS DEVICES? Enter YES to print a listing of all the CS devices currently configured. Enter NO or to continue. Refer to the example listing at the end of the section.

LIST DEVICE DEFAULTS?

HIGHEST DRT= nnn (MIN=mm, Check to see if the value listed here as nnn is large enough to include all the data communications devices you are going to configure. INPs, LANICs, and ATP devices all use DRT numbers. Refer to their respective dialogue listings (later in this section) for more information.
MAX=ppp)?

LOGICAL DEVICE #? To specify a device to be added or removed, enter the logical device number (LDEV) of that device.

Entering 0 or ends the I/O Configuration Changes procedure; the dialogue skips to the next set of prompts. Refer to "Completing the SYSDUMP Dialogue" (later in this section) for the continuation of questions after all devices have been configured.

The set of questions beginning with the LOGICAL DEVICE #? prompt is the key section of SYSDUMP dialogue for data communications devices. The dialogue for each type of device or driver is explained step-by-step later in this section.

Figure 4-1 shows an overview of the components of the Network Links that are used for I/O and therefore must be defined to MPE.

Each communications device (LANIC, INP, ATP) requires a link driver to manage the device operation. Link driver names are as follows: IOLAN0 for the LANIC; IOINP0 or IOINP1 for the INP; and HIOASNPO for the ATP.

For NS links, the link driver also handles the link-level protocol for the communications device associated with each link; no additional software driver is required. For the DS-Compatible links, however, the INP requires a separate communications driver, which must be individually configured and back-referenced to the LDEV of the INP. The communications driver IODS0 handles the Bisync (BSC) protocol used by the DS-Compatible Point-to-Point Modem and Hardwired Links, while IODSX handles the LAP-B protocol used by the DS X.25 and Satellite links. The proper communications driver is downloaded to the INP at the time the DS-Compatible link is activated (that is, when you issue the :DSCONTROL OPEN command).

NOTE

A single INP can be used by two link products, although not concurrently. The method used to configure the same INP to be used by two or more link products (or two references in the same product) is essentially the same. Any constraints are detailed under "INP Configuration Dialogue" in this section. An example of an INP used by two NS links is described under "Configuration Examples" later in this section.

Virtual terminals and PAD devices also are shown in Figure 4-1. The virtual terminal driver used for communication over every NS link is IOVTERM0. PAD device drivers are IOPADTRM for terminals and IOPADLP for printers. If you have any DS-Compatible Links installed, the appropriate virtual terminal driver is IODSTRM0 for Point-to-Point and IODSTRMX for X.25.

You should be aware of three important considerations for virtual terminals and PAD terminals. First, they are configured much the same as other terminals, although many of the parameters which apply to other terminals are not used for virtual terminals or PAD terminals. Second, when configuring virtual terminals or PAD terminals, consider the maximum number of terminals supported by your node. Each virtual terminal and PAD terminal is added to the total number of terminals already configured on the system. (Information is available from your HP representative as to the maximum number supported on your system.) Third, the number of virtual terminals or PAD terminals that you configure depends on the number of concurrent incoming data communications requests your node normally receives. This means that, for VT, you must configure a maximum number of IOVTERM0 virtual terminals for concurrent access over all NS links on your node, as well as a maximum number of IODSTRM0 and/or IODSTRMX virtual terminals for any respective DS-Compatible links installed. For PAD, you must configure a maximum number of PAD terminals for concurrent access over all X.25 links on your node.

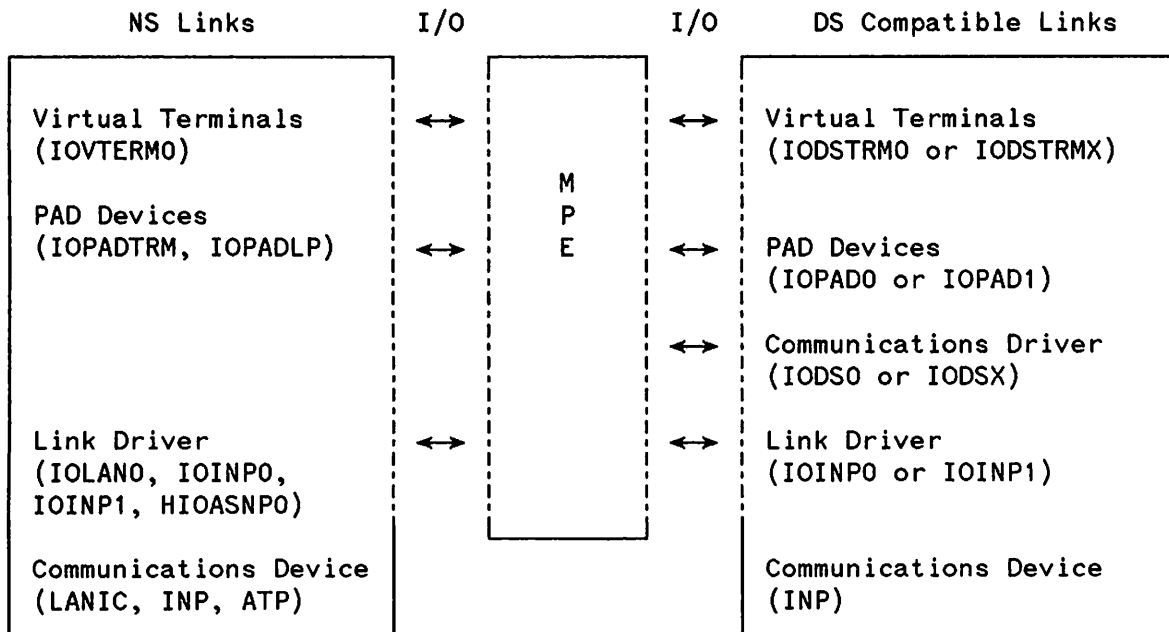


Figure 4-1. I/O Configuration for the Network Links

When configuring each of the drivers, you must provide the following information:

- **LOGICAL DEVICE NUMBER.** This is the value by which MPE recognizes a particular device. You need to assign a unique logical device number, or LDEV, for each device and pseudo-device you configure. The choice of LDEV is arbitrary; however, many installations follow the numbering convention that LDEVs 1-20 are reserved for system use, with all other numbers assigned in sequence as they are needed.

NOTE

If the same INP card will be used by two different link products, it is not necessary to configure a separate IOINPO (or IOINP1) driver for each link. When a NETCONTROL START or DSCONTROL OPEN command is attempted on a device already in use, a "DEVICE UNAVAILABLE" message will be sent to the console. Refer to Volume II, Section 1 for the proper command sequence in stopping and starting shared devices.

- **DEVICE REFERENCE TABLE (DRT) ENTRY NUMBER.** The DRT number is used *only* for the link driver. You do not enter the DRT number when configuring virtual terminals, PAD devices or communications drivers. Instead, you enter the LDEV of the console (for NS links) preceded by a pound sign (#). (For DS-compatible links, enter the LDEV of the link driver.) This is called "back-referencing" and indicates to MPE which device the virtual terminal, PAD terminal, PAD printer or communications driver will use.

NOTE

For NS links, back-reference the IOVTERM0 virtual terminals to the console; this allows the pool of IOVTERM0 virtual terminals to be shared across all NS links. Also, back-reference the IOPADTRM and IOPADLP PAD devices to the console.

For DS links, IODSTRM0 and IODSTRMX virtual terminals must be back-referenced to a specific INP driver. Also, IOPADO and IOPAD1 PAD devices must be back-referenced to a specific INP device driver.

The DRT number is supplied by your CE and is derived from the actual hardware address of the device. During installation, the CE sets switches and jumpers on the device to correspond to that hardware address. The formula used for calculating the DRT number is included in the configuration dialogues later in this section.

- **DEVICE NAME/DEFAULTS.** Device defaults are not defined for the INP or LANIC; these prompts are not used. They are presented in the I/O configuration because many of the devices configured with MPE can be automatically configured. This means that the device configuration is created for you, without your actually having to type in values to answer some SYSDUMP dialogue questions.
- **UNIT NUMBERS.** Enter zero when configuring any of the drivers except the ATP driver (HIOASNPO); unit numbers are not used for the LANIC or INP communications devices. This is because the unit number is a hardware-dependent characteristic determined by the physical

connection of a device to its controller. If there is only one device per controller, as is the case with communications devices, then a unit number of 0 is assigned.

For the ATP driver (HIOASNPO), enter a number between 0 and 95. The exact number to enter will depend on how many SIBs and AIBs are installed. Refer to the "ATP Configuration Dialogue" later in this section for details.

- **SOFTWARE CHANNEL NUMBER.** Enter zero when configuring any of the drivers. The channel number is used for other products or to deal with special configuration situations; it does not apply to NS3000/V and associated links.
- **TYPE/SUBTYPE.** Each device is assigned a device type and a subtype. In general, these numbers indicate the features the device supports and how MPE can access it. Table 4-1 describes the type and subtype for each device required by NS3000/V and associated links. The SYSDUMP dialogue may have additional prompts, depending on the type or subtype entered. The additional information requested for each type/subtype is described later in this section.
- **DRIVER NAME.** The driver is the software that serves as an interface between the device and MPE. Table 4-2 shows the names of the drivers used by each of the Network Links available with NS3000/V.

TABLE 4-1. TYPES AND SUBTYPES

Driver	Type	Subtype	Description
Virtual Terminals (IOVTERM0, IODSTRM0, IODSTRMX)	16	0	Virtual terminal. Also used for directly connected terminals with speed-sensing.
Virtual Terminal (IODSTRM0)	16	8	Allows use of block mode when connecting to a DS/1000-IV node. Checked by VPLUS/3000.
PAD Terminal (IOPADTRM)	16	0	PAD terminal with LDEV configured for incoming or outgoing calls.
		1	PAD terminal with LDEV configured for outgoing calls only.
PAD printer (IOPADLP)	32	14	PAD printer.
LANIC driver (IOLAN0)	17	9	Indicates a LAN connection -- no CS configuration required.
INP driver (IOINP0, IOINP1)	17	0	Indicates communication is with modems used over a switched (dial-up) line.
		1	Indicates a non-switched (leased or digital) line with a modem cable or a direct connection with a modem eliminator cable.
		3	Indicates a hardwired line, synchronous transmission.
ATP (ASNP) driver (HIOASNP0)	42	0	Indicates a hardwired line, asynchronous transmission.
		1	Indicates communication is with modems used over a switched (dial-up) or non-switched (leased or digital) line with a modem cable. It can also be a direct connection using a modem cable.
		2	Indicates communication is with a CCITT standard modem.
Communications drivers (IODS0 and IODSX)	41	0	Indicates no data compression.
		1	Indicates data compression is enabled.

TABLE 4-2. DRIVERS REQUIRED FOR EACH NETWORK LINK

NETWORK LINKS	DRIVERS			
	Link Driver	VT Driver	PAD Driver	Communications Driver
ThickLAN HP StarLAN HP StarLAN 10 HP ThinLAN	IOLANO	IOVTERM0	none	none
HP SERIAL Network	HIOASNPO	IOVTERM0	none	none
Point-to-Point (NS/3000)	IOINPO	IOVTERM0	none	none
Point-to-Point (DS/3000)	IOINPO	IODSTRM0	none	IODS0
NS X.25 3000/V	IOINP1	IOVTERM0	IOPADTRM IOPADLP	none
DS/3000 X.25	IOINPO	IODSTRMX	IOPAD0 IOPAD1	IODSX

- **DEVICE CLASSES.** The IOVTERM0 virtual terminal driver uses the device class designator VTERM to define a pool of virtual terminals available for use over NS3000/V links. Because of this, you *must* enter VTERM as the device class for each IOVTERM0 virtual terminal that you configure. Additional device class names are allowed.

The link drivers for the NS3000/V Links do not have any special considerations as to the device class. Any device class designator configured for the link drivers IOLANO, IOINPO, IOINP1 or HIOASNPO can be used in commands or intrinsics which allow device class designators.

There are no special device class considerations for PAD devices.

For the DS-Compatible Links, you can configure the device class for the link driver IOINPO, the IODSTRM0 and IODSTRMX virtual terminals, and the communications driver IODS0. These configured device class designators are used in certain commands and intrinsics, including DSCONTROL and DSLINE, when any member of a group of devices can be referenced.

The exception is the IODSX communications driver used by the DS-Compatible X.25 and Satellite Links. It is recommended that device class not be configured and that users or programmers use X.25 nodenames whenever a *dsdevice* parameter is required in a command or intrinsic. If you do configure device class designators for IODSX, *do not use X.25 nodenames as the device class designators*. The X.25 nodenames referred to are those defined in the Remote Node (RN) Table as part of the network configuration of the DS-Compatible X.25 and Satellite Links. The RN Table is configured with the NETCONF utility and stored in a TurboIMAGE

data base. To find out what X.25 nodenames are configured on your node, issue the following command:

```
:RUN NETCONF.PUB.SYS
```

```
>LIST
```

A listing of all configured X.25 nodenames is displayed. Refer to the *X.25 Link for the HP 3000 Reference Manual* for information on DS/3000 X.25 and Satellite network configuration.

Type 16, Subtype 0, 8 -- Virtual Terminals

Additional information required for each virtual terminal for either subtype:

- **TERMINAL TYPE OR DESCRIPTOR FILE NAME.** Enter zero; virtual terminals do not use terminal types. The terminal type, or *termtyp*e, refers to the HP assigned numbers used to classify actual terminals based on their characteristics. The descriptor filename is used to specify a user-created *termtyp*e, as described in the *Workstation Configurator Reference Manual*.
- **SPEED IN CHARACTERS PER SECOND.** Enter zero; virtual terminals do not use this item. The speed refers to the fact that for actual terminals you must enter the transmission speed.
- **RECORD WIDTH.** Enter 40 for virtual terminals. This is a decimal value which specifies words, not bytes. While virtual terminals are not bound by the physical constraints of CRTs, many applications do not distinguish between virtual and actual terminals and expect data in the standard terminal record width of 40 words (80 characters).
- **OUTPUT DEVICE.** Enter the value used for the logical device number. You must specify a corresponding output device if a device is used to initiate jobs or sessions.
- **MODE.** Each device may have five modes: job/session accepting, data accepting, interactive, duplicative, and spooled. Configure the virtual terminal in accordance with its intended use, normally: job/session - YES; data - NO; interactive - YES; duplicative - YES; spooled - NO.
- **AUTO REPLY.** Press RETURN. This is not used for virtual terminals. It enables automatic replies to any tape requests.

Type 16, Subtype 0, 1 -- PAD Terminals

Additional information required for each PAD terminal for either subtype:

- **TERMINAL TYPE OR DESCRIPTOR FILE NAME.** The only terminal type supported for PAD terminals is 24. This terminal type is similar to the terminal type 10, with the main difference being the VPLUS block mode handshake. Instead of the DC1/DC2/DC1 handshake, XON/OFF with type-ahead and automatic keyboard locking is used. The terminal type, or *termtyp*e, refers to the HP assigned numbers used to classify actual terminals based on their characteristics. The descriptor filename is used to specify a user-created *termtyp*e, as described in the *Workstation Configurator Reference Manual*.

WARNING

Block mode communication over a PAD requires that the terminal being used supports XON/XOFF flow control and automatic keyboard locking. Attempting to run a block mode application from a block mode terminal or terminal emulator which does not support these two features may result in data loss or data duplication. These are the same restrictions that apply to DS X.25 PAD support. If your terminal does not support XON/XOFF flow control and automatic keyboard locking, you still can run character mode applications.

It is the customer's responsibility to verify that any terminals being used over PAD connections which have access to block mode applications support these features. Information on specific terminals is provided in the "X.25 PAD Support" section of the *NS X.25 3000/V Link Guide*. If you have any questions regarding terminals and the use of block mode, contact your HP representative.

- **SPEED IN CHARACTERS PER SECOND.** Enter zero; PAD terminals do not use this item.
- **RECORD WIDTH.** Enter 40 for PAD terminals. This is a decimal value which specifies words, not bytes.
- **OUTPUT DEVICE.** Enter the value used for the logical device number. You must specify a corresponding output device if a device is used to initiate jobs or sessions.
- **MODE.** Each device may have five modes: job/session accepting, data accepting, interactive, duplicative, and spooled. Configure the PAD terminal in accordance with its intended use, normally: job/session - YES; data - NO; interactive - YES; duplicative - YES; spooled - NO.
- **AUTO REPLY.** Press RETURN. This is not used for PAD terminals. It enables automatic replies to any tape requests.

Type 32, Subtype 14 -- PAD Printers

Additional information required for each PAD printer:

- **TERMINAL TYPE OR DESCRIPTOR FILE NAME.** Two terminal types are supported for PAD printers--18 and 26. Three important considerations to keep in mind for terminal type 26 are: 1) A status request is performed only for FOPEN, FCLOSE and Device Close instead of for every I/O operation, 2) Retries on status requests are performed when no answer is received from the printer, 3) After each Device Close, a wait-time takes place before disconnecting in case an FOPEN follows immediately. An important consideration for terminal type 18 is that no status requests are performed.

The terminal type, or termtype, refers to the HP-assigned numbers used to classify actual terminals based on their characteristics. The descriptor filename is used to specify a user-created termtype, as described in the *Workstation Configurator Reference Manual*.

- **SPEED IN CHARACTERS PER SECOND.** Enter zero; PAD printers do not use this item.

- **RECORD WIDTH.** Enter the printer's record size, which usually is 66. This is a decimal value which specifies words, not bytes.
- **OUTPUT DEVICE.** Enter 0. Printers do not initiate jobs or sessions.
- **MODE.** Each device may have five modes: job/session accepting, data accepting, interactive, duplicative, and spooled. Configure the PAD printer in accordance with its intended use, normally: job/session - NO; data - NO; interactive - NO; duplicative - NO; spooled - NO.
- **AUTO REPLY.** Press RETURN. This is not used for PAD printers. It enables automatic replies to any tape requests.

Type 17, Subtype 9 -- LANIC Driver

No further information (in addition to LDEV, type, subtype, and driver name) is required in SYSDUMP. Refer to Network Configuration in Section 5.

Type 17, Subtype 0, 1, 3 -- INP Driver

Additional information required for the INP for all three subtypes:

- **RECEIVE TIME OUT.** For NS Point-to-Point and NS X.25 3000/V Links, enter RETURN; the default value will be overridden by NMMGR. For DS-Compatible Point-to-Point Links, use the default value of 20 by entering RETURN. This means that the INP waits 20 seconds for data to be received from the remote, following a transmission. *Do not enter 0.* This timeout is not used for the DS-Compatible X.25 and Satellite Links.
- **LOCAL TIME OUT.** For NS Point-to-Point and NS X.25 3000/V Links, enter RETURN; the default value will be overridden by NMMGR. For the DS-Compatible Links, use the default of 60 seconds. This timeout refers to the length of time the INP allows between completion of one I/O request and the initiation of the next one. This is used by the INP to determine if the HP 3000 is responding; if not, the INP will close the link gracefully. The range is 5-900; entering 0 disables the timer.
- **CONNECT TIME OUT.** For NS Point-to-Point and NS X.25 3000/V Links enter RETURN, and the default will be overridden by NMMGR. For the DS-Compatible Links you should enter 300 for Subtype 0; enter 120 for Subtype 1 and 3. This means that the local node waits the configured number of seconds after one attempt to make a physical connection to a remote node. It applies to the manipulation of the control lines across the DTE/DCE interface rather than a protocol exchange. Do not use the default of 900; the range is 60-900; entering 0 disables the timer. Under most conditions, you do not need to adjust these timeout values. However, if the timeout is not sufficient, CS/3000 displays an error.
- **TRANSMISSION MODE.** For NS Point-to-Point and NS X.25 3000/V Links, enter zero; any value entered here will be overridden by NMMGR. For DS-Compatible Links, interpret this question as asking you:

"Is the INP a full-duplex (0) or half-duplex device (1)?"

Since the INP is full-duplex, capable of transmitting and receiving simultaneously, the usual response is 0 for full-duplex. However, if you are connecting the INP to a half-duplex modem or

to a DS/3000 node using the Synchronous Single Line Controller (SSLC) communications device, you need to enter 1 for half-duplex.

Configure the INP to operate in full duplex if the communications link provides two simultaneous main channels, one for transmitting and one for receiving. This usually is the case in one of the following:

- A leased line with four-wire, point-to-point installation.
- A dial network with two lines (four-wire equivalent).
- A dial network with Wide Band Service.
- Any direct connect cable between two INPs.
- A dial network or a 2-wire leased line with a special 2-wire full duplex modem. Typically these operate at 1200 bps (bits per second).

Configure the communications interface to operate in half duplex if your communications link does not provide two simultaneous main channels, one for transmitting and one for receiving. This usually is the case in the following:

- A dial network with a half duplex type modem that uses a single line. Usually this is a 2400 or 4800 bps modem.
- A connection to a DS/3000 node that is an HP 3000 Series II or III using a SSLC communications device.

Your response must agree with the remote system's configuration and with the characteristics of the communications line.

- **SPEED CHANGEABLE/TRANSMISSION SPEED.** The speed of the INP is changeable. For NS links, you *must* enter YES to the SPEED CHANGEABLE? prompt. Any value you enter for TRANSMISSION SPEED will be overridden by NMMGR. (Refer to Section 7 for details.)

For DS-Compatible links, the value you enter is determined by whether the INP is used for a hardwired or modem connection, and the characteristics of the communications line. If you are configuring an INP connection to a modem (Subtype 0 or 1), first determine if the modem has internal clocking signals. If so, the transmission speed is ignored, although you need to enter some value. This allows modems of different speeds to be used without-reconfiguration. If the modem does not provide internal clocking signals you need to determine the correct speed for the modem. Enter that value.

If you are configuring an INP hardwired connection (Subtype 3) you need to specify a line speed appropriate for the connection. The speed you specify becomes the default. For Subtype 3 you can also specify that the speed is changeable, which is recommended. This allows the Operator to override the default by including the speed parameter in the DSCONTROL command. (Refer to Volume II, Section 1 of this manual for details on the DSCONTROL command.)

Note that the value you enter for transmission speed is in *bytes*, not *bits*, per second. For example, 4800 bits/second must be entered as 600 bytes/second. The possible values are 150, 300, 600, 900, 1200, 2400, 3600, 4800, 7000. Your response must agree with the configuration of the remote node and with the characteristics of the communications line.

- **BUFFER SIZE.** For NS links, enter 1024; any value entered here will be overridden by NMMGR.

For DS-Compatible Point-to-Point Links, the buffer size must be between 304 and 1024 words. For best performance, the maximum size of 1024 is recommended. The size of this buffer determines the maximum amount of data that can be sent or received in a single physical transmission over the line. Note that although large buffer sizes increase transmission efficiency, they also use up memory space. (In cases where noisy phone lines contribute to high transmission error rates, a smaller buffer size may increase efficiency by reducing the error rate.) Match buffer sizes for sender and receiver whenever possible, since the effective buffer size that can be utilized is the smaller of the two.

The configured buffer size can be overridden by the first user to issue a DSLINE command (with the `LINEBUF=buffer size` parameter) after the line is initialized. Once overridden, the buffer size cannot be changed again until the first user (and any subsequent users) has closed the connection. Refer to the *NS3000/V User/Programmer Reference Manual* for information on DSLINE.

For DS-Compatible X.25 and Satellite Links, any value entered here is ignored. The buffer size used for the line is calculated depending on the packet size defined in the network configuration (using the NETCONF utility). Refer to the *X.25 Link for the HP 3000 Reference Manual* for information on X.25 and satellite network configuration.

- **DRIVER CHANGES.** Press **RETURN**.
- **DRIVER OPTIONS.** Enter zero.

For Subtype 1, which means the connection is over a nonswitched line with modem cable or modem eliminator cable, the following additional information is needed:

- **DUAL/HALF SPEED.** This is to establish if the modem used for this connection operates at single or dual speed. Many European modems operate with dual speeds. If you are using a dual speed modem, you also are asked if the modem is to operate at half or full speed. Answer in accordance with the features available on the modem used for the connection.

For Subtype 0, which means the connection is over modems used with a switched line, the following additional information is needed:

- **DIAL FACILITY.** The INP20B has auto-dial capability. If you are using this feature, you enter the LDEV of the INP. Otherwise, answer whether the modem requires manual dial-up or not.
- **ANSWER FACILITY/AUTOMATIC ANSWER.** This refers to modems that can answer incoming calls, manually or automatically. Answer in accordance with the features available on the modem used for the connection.
- **PHONELIST/PHONE NUMBER.** If you answer that you want to list a phone number, you can supply one number, usually a frequently dialed number, to be used as the default when the line is opened. If you configured auto-dial, you must enter a phone number. The phone number is entered as a string of numbers and hyphens, up to a maximum of 30 characters. The following special characters may also be part of the phone number:

/ Separator used for automatic call units that have a second dial tone detect.

- E Optional end-of-number indicator.
- D One-second delay. Used for European modems and automatic call units that require built-in delays.
- # Defined by the local telephone system.
- * Defined by the local telephone system.
- LOCAL/REMOTE ID SEQUENCE. For NS Point-to-Point and NS X.25 3000/V Links, enter **(RETURN)** because this information is provided through NMMGR in the form of "security strings." Local/remote ID sequences configured for DS point-to-point links are ignored by NMMGR. ID sequences are not used for DS X.25 and Satellite Links. Local/remote ID sequences are used with DS point-to-point links as part of the DSLINE command. For more information, see the DS manuals listed in the Preface of this manual.

This additional information for Subtype 0 is necessary due to the complexity of establishing a connection using a dial-up modem. The typical sequence of steps is as follows:

1. The user issues a DSLINE command. Refer to the *NS3000/V User/Programmer Reference Manual* for information on this command.
2. The command contains a phone number (PHNUM). If not, the phone number supplied during system configuration is used.
3. Without auto-dial, the phone number is displayed at the console; the Operator dials the number at the modem and then enters YES at the console. The keyboard of the user terminal is disabled until the Operator responds. With auto-dial, meaning that the INP or the modem has auto-dial and that the line is configured for auto-dial, the number is dialed immediately.

Notice that the configured phone numbers are used as defaults; users may or may not supply the required numbers as parameters on the command used to request the connection. It is strongly recommended that you configure default phone numbers for any dial-up lines installed on your node. If neither defaults nor supplied values are available, the remote connection cannot be made successfully. This means that the INP and the terminal are tied up during the length of time configured for the connect timeout.

Type 41, Subtype 0, 1 -- Communications Drivers

Additional information required for the communications drivers for both subtypes:

- RECORD WIDTH. Enter 128 for communications drivers. This is a decimal value which must be specified in words, not bytes.
- OUTPUT DEVICE. Enter 0.
- MODE. Each device may have five modes: job/session accepting, data accepting, interactive, duplicative, and spooled. Configure the communications driver in accordance with its intended use, normally: job/session - YES; data - NO; interactive - YES; duplicative - YES; spooled - NO.
- AUTO REPLY. Press **(RETURN)**. This is not used for communications drivers. It enables automatic replies to any tape requests.

The configured subtype establishes the default data compression for the line, where subtype 0 is no compression and subtype 1 is compression enabled. Compression is allowed only if both nodes are capable of performing compression. The default established during configuration can be overridden with the DSCONTROL used to open the line by specifying COMP or NOCOMP, as described in Section 1, Commands, in Volume II.

On a non-exclusive line, a user can specify data compression without affecting any other users of that line. This is done by specifying COMP or NOCOMP on the DSLINE command, as described in the *NS3000/V User/Programmer Reference Manual*. Note that the default for DSLINE is NOCOMP. If you configure the line for data compression you need to notify users to specify COMP. Otherwise, the configured default is always overridden by the default on the DSLINE command.

Compression can increase throughput by reducing redundancy in the data, which results in a reduction in the number of characters being transmitted over the link. The compression technique compresses any occurrence of three or more consecutive characters. Obviously, the savings depends on the amount of redundancy in the files, which may vary significantly. Source or listing files may be compressed by as much as 75 percent, but a savings of 25 percent is more usual. The savings also depends on the system load. Using compression and decompression increases the system overhead at both ends of the link.

The decision on whether or not to use compression depends on the communications link data rate, system load, and the amount of redundancy in the data being transmitted. Often, a test of relative throughput with normal system load and typical data provides an indication of the benefits of using compression.

Type 42, Subtype 0, 1, 2 -- ATP Devices

Additional information is required for each device used by the ASNP driver:

NOTE

These values will be overwritten by information in the configuration file as specified through NMMGR.

- **RECORD WIDTH.** Enter 40 for ATP devices. This is a decimal value expressed in words, not bytes.
- **OUTPUT DEVICE.** Enter 0.
- **MODE.** Each device may have five modes: job/session accepting, data accepting, interactive, duplicative, and spooled. Press **(RETURN)** for each of the five modes.
- **AUTO REPLY.** Press **(RETURN)**. This is not used for ATP devices. It enables automatic replies to tape requests.

The configured subtype (0, 1, or 2) indicates the type of line and modem being used on the ports associated with this device driver.

NOTE

For the Asynchronous SERIAL Network Link, you must also configure as many virtual terminals (IOVTERMO) as will access the HP 3000 concurrently over this link. These are in addition to those virtual terminals configured for any other NS links. Remember to back-reference IOVTERMO virtual terminals to the console.

Recommendations for System Parameters

Before configuring and activating NS3000/V services and links, check the limits on your system tables.

Because DS/3000 is included with NS3000/V, the additional table resources for NS3000/V depend on whether you already have DS/3000 on the system. Similarly, since the node management services provided with NS3000/V link products also are provided with the SNA Link, the additional table resources depend on whether you already have the SNA Link on the system.

The following guidelines indicate the *additional* entries needed in the Code Segment Table (CST), Data Segment Table (DST), Process Control Block Table (PCB), and I/O Queue Table (IOQ). An explanation of the items shown in *italics* follows the list of guidelines. Refer to "Configuration Examples" later in this section for some practical examples.

One or more NS3000/V Link Products:

CST: 26
 DST: $10 + (1.2 * NumConn)$
 PCB: 3
 IOQ: 0

If you do not already have products using Node Management Services:

CST: 7
 DST: $14 + (12 * NumLinks)$
 PCB: $4 + NumLinks$
 IOQ: 0

For each Network Interface configured:

CST: 0
 DST: $NumBuff/40$
 PCB: 0
 IOQ: 0

For each concurrently active NS link device:

CST: 0
 DST: 0
 PCB: 0
 IOQ: $2 + NumReads + NumWrites$

NS3000/V Services or the OfficeShare family of products (Asynchronous SERIAL Network Link, ThinLAN/3000 Link, or StarLAN/3000 Link):

CST: 40
 DST: $7 + (3 * NumConn)$
 PCB: $1 + NumConn$
 IOQ: 0

System Configuration

If you do not already have DS/3000:

CST: 10
DST: 2 + (3 * *NumLinks*) + *NumPad&Terms* + *NumSess* + *NumDSLlines*
PCB: *NumLinks*
IOQ: 5 + *NumSess*

Note that in the case of DST and PCB entries, additional entries are used for active traces and for active users of node management services (NMMGR, NMDUMP, NMMAINT, NMMGRVER).

NOTE

The number of PCB entries should never be less than $(NumConn/2) + 4$.

An explanation of the items shown above in italics follows:

- *NumConn* is the number of TCP connections. The maximum number of TCP connections is configured through NMMGR on the Network Transport TCP screen (*Maximum Number of Connections*). You may want to use the maximum value for *NumConn* when calculating table entries in order to ensure that sufficient resources will always be available. The HP default value for the maximum number of connections is 128.
- *NumBuff* is the number of buffers used by each Network Interface.

For the LOOPBACK NI, *NumBuff* is simply the value configured in the Loopback Network Interface data screen (*Number of Buffers*). The NMMGR default value is 256.

For the LAN802.3, X.25, Router, and Gateway Half NIs, *NumBuff* is calculated by the addition of the two buffer values in the Network Interface data screens (*Number of Inbound Buffers* and *Number of Outbound Buffers*) added to the *Number of Buffers* in the LINKCONF data screen. The NMMGR default for inbound buffers and outbound buffers is 256 for the LAN802.3, X.25, Router, and Gateway Half NIs.

The default number of buffers for each link is as follows:

<u>Link</u>	<u>Number of Buffers</u>
802.3	42
LAP-B	12
BSC	12
ASNP	20

For an 802.3 link, only one link is configured. Using the defaults, the *Numbuff* would be:

Number of Inbound Buffers + *Number of Outbound Buffers* + *Number of Buffers* (for the 802.3 link)

$$256 + 256 + 42 = 554 \text{ buffers}$$

NumBuff for a Router NI with two associated LAP-B links would be:

Number of Inbound Buffers + *Number of Outbound Buffers* +
Number of Buffers (for first LAP-B link) +
Number of Buffers (for the second LAP-B link)

Using the default values, this would be:

256 + 256 + 50 + 50 = 612 buffers

- *NumReads* and *NumWrites* are the number of outstanding reads and the number of outstanding writes, respectively. Both are configured through NMMGR in the LINKCONF IEEE 802.3 and ASNP data screens (*Maximum Outstanding Reads* and *Maximum Outstanding Writes*).

The NMMGR default values for each link are:

<u>Link</u>	<u>Maximum outstanding Reads</u>	<u>Maximum outstanding Writes</u>
802.3	16	7
ASNP	5	5
BSC	3 (not configurable)	3 (not configurable)
LAP-B	3 (not configurable)	3 (not configurable)

For BSC and LAP-B use the value 3 for both the number of outstanding reads and writes in the SYSDUMP dialogue. For ASNP, setting the Maximum Outstanding Reads or Maximum Outstanding Writes parameter to a value of 3 or below will impair performance.

- *NumLinks* is the maximum number of links concurrently open.
- *NumPad&Terms* is the maximum number of virtual terminals and PAD devices.
- *NumSess* is the average number of jobs or sessions using DS/3000.
- *NumDSLlines* is the average number of open DS lines on the system.

In addition to the above, the following are recommended for NS3000/V services and links:

System Table Microcode: The Expanded System Table Microcode is required.

Memory: A minimum of two megabytes of memory is required.

System Configuration

Virtual Memory: If you use the default number of TCP connections, 128, configure 60K sectors of virtual memory. If the number of TCP connections is not 128, use the following table to estimate the total virtual memory required for the system. These figures take into account the requirements of MPE, the transport, and the network services.

In the following table, Sectors takes into account one NI plus one loopback NI. For each additional NI, add in the amount listed under Sectors for Each Additional NI.

<u>Number of Connections</u>	<u>Sectors</u>	<u>Sectors for Each Additional NI</u>
64	35K	1.2K
128	60K	2.5K
512	200K	10.0K
1024	400K	20.0K

Maximum Extra Data Segment Size: Increase to 32764 words.

Interrupt Control Stack: Configure the maximum value for your system.

VIRTUAL TERMINAL CONFIGURATION DIALOGUE

For more information on virtual terminal configuration, refer to "I/O Configuration" earlier in this section. In the dialogue below, prompts are shown on the left, and recommended responses are underlined and/or explained on the right.

LOGICAL DEVICE #?	To specify a device to be added or removed, enter the logical device number (LDEV) of that device.
	Entering <u>0</u> or <u>RETURN</u> ends the I/O Configuration Changes procedure; the dialogue skips to the next set of prompts, shown later under "Completing the SYSDUMP Dialogue."
DEVICE NAME?	<u>RETURN</u>
DRT #?	For any of the IEEE 802.3 links, the Asynchronous SERIAL Network Link, NS X.25 3000/V, or the NS3000/V Point-to-Point Link (all of which use the IOVTERM0 virtual terminal), enter the LDEV of the console preceded by a pound sign (#). For DS-Compatible links, which use IODSTRM0 or IODSTRMX virtual terminals, you must enter the LDEV of the corresponding INP preceded by a pound sign (#). To remove a device, enter <u>0</u> ; the dialogue returns to the LOGICAL DEVICE #? prompt.
UNIT #?	<u>0</u>
SOFTWARE CHANNEL #?	<u>0</u>
TYPE?	<u>16</u>
SUBTYPE?	Enter <u>0</u> in all cases <i>except</i> when connecting a DS-Compatible Link to a DS/1000-IV node, in which case enter <u>8</u> . Subtype 8 is checked by VPLUS/3000.
ENTER [TERM TYPE #], [DESCRIPTOR FILENAME] ?	<u>0</u>
SPEED IN CHARACTERS PER SECOND?	Enter <u>0</u> for virtual terminals. Default: 240.
RECORD WIDTH?	<u>40</u>
OUTPUT DEVICE?	Enter the same LDEV as the LOGICAL DEVICE # requested above.
ACCEPT JOBS/SESSIONS?	<u>YES</u>
ACCEPT DATA?	<u>NO</u>

System Configuration

INTERACTIVE? YES

DUPLICATIVE? YES

INITIALLY SPOOLED? NO

AUTO REPLY? NO

DRIVER NAME? Enter the appropriate name:

IOVTERM0 virtual terminal for: IEEE 802.3 Links,
NS Point-to-Point 3000/V Link,
NS X.25 3000/V Link,
Asynchronous SERIAL Network Link

IODSTRM0 virtual terminal for: Point-to-Point
Modem or Hardwired Link (DS-Compatible)

IODSTRMX virtual terminal for: X.25 or Satellite
Link (DS-Compatible)

DEVICE CLASSES? For all NS links, enter device class **VTERM** for each configured **IOVTERM0** virtual terminal. Additional device class names are allowed.

For the virtual terminals used with the DS-Compatible Links, enter a list containing a device class name (up to eight alphanumeric characters, beginning with a letter). Class names are separated from each other by commas. Note that **VTERM** and other class names that are reserved for system devices are not permitted.

LOGICAL DEVICE #? If all I/O configuration is complete, press **RETURN** and the I/O configuration portion of the **SYSDUMP** dialogue will end. Subsequent prompts in the dialogue are discussed under "Completing the **SYSDUMP** Dialogue" later in this section. If I/O configuration is not yet complete, enter a logical device number and repeat the above configuration procedure (or one of the other procedures listed on the following pages).

PAD DEVICE CONFIGURATION DIALOGUE

For more information on PAD device configuration, refer to "I/O Configuration" earlier in this section. In the dialogue below, prompts are shown on the left, and recommended responses are underlined and/or explained on the right. Most of the information given in the PAD dialogue below applies to both PAD terminals and PAD printers. Where differences exist between terminals and printers, they are stated.

NOTE

For NS3000/V, PAD devices are back-referenced to the LDEV of the console, not the LDEV of the INP.

LOGICAL DEVICE #?	To specify a device to be added or removed, enter the logical device number (LDEV) of that device. Entering <u>0</u> or <u>RETURN</u> ends the I/O Configuration Changes procedure; the dialogue skips to the next set of prompts, shown later under "Completing the SYSDUMP Dialogue."
DEVICE NAME?	<u>RETURN</u>
DRT #?	Enter the LDEV number of the console, preceded by a pound sign (#). To remove a device, enter <u>0</u> ; the dialogue returns to the LOGICAL DEVICE #? prompt.
UNIT #?	<u>0</u>
SOFTWARE CHANNEL #?	<u>0</u>
TYPE?	Enter <u>16</u> for terminals, <u>32</u> for printers.
SUBTYPE?	Enter <u>0</u> for LDEVs designated for both incoming and outgoing calls; enter <u>1</u> for LDEVs designated for outgoing calls only. For LDEVs assigned to printers, enter 14.
ENTER [TERM TYPE #], [DESCRIPTOR FILENAME] ?	Enter <u>24</u> for terminals; <u>18</u> or <u>26</u> for printers.
SPEED IN CHARACTERS PER SECOND?	Enter <u>0</u> . Default: 240.
RECORD WIDTH?	<u>40</u> for terminals; <u>66</u> for printers.
OUTPUT DEVICE?	For terminals, enter the same LDEV as the LOGICAL DEVICE # requested above. For printers, enter 0.
ACCEPT JOBS/SESSIONS?	<u>YES</u> for terminals; <u>NO</u> for printers.

System Configuration

ACCEPT DATA? NO for terminals; NO for printers.

INTERACTIVE? YES for terminals; NO for printers.

DUPLICATIVE? YES for terminals; NO for printers.

INITIALLY SPOOLED? NO

AUTO REPLY? NO

DRIVER NAME? Enter the appropriate name:
IOPADTRM for PAD terminal
IOPADLP for PAD printer

DEVICE CLASSES? The usage of device class names is optional for PAD. If you wish to use device class names, you may want to use PADTERM for terminals and PADLP for printers.

LOGICAL DEVICE #? If all I/O configuration is complete, press RETURN and the I/O configuration portion of the SYSDUMP dialogue will end. Subsequent prompts in the dialogue are discussed under "Completing the SYSDUMP Dialogue" later in this section. If I/O configuration is not yet complete, enter a logical device number and repeat the above configuration procedure (or one of the other procedures listed on the following pages).

LANIC CONFIGURATION DIALOGUE

For more information on LANIC configuration, refer to I/O "Configuration" earlier in this section, or to the *LANIC Installation and Service Manual*. In the dialogue below, prompts are shown on the left, and recommended responses are underlined and/or explained on the right.

LOGICAL DEVICE #?	<p>To specify a device to be added or removed, enter the logical device number (LDEV) of that device.</p> <p>Entering <u>0</u> or <u>RETURN</u> ends the I/O Configuration Changes procedure; the dialogue skips to the next set of prompts, shown later under "Completing the SYSDUMP Dialogue."</p>
DEVICE NAME?	<u>RETURN</u>
DRT #?	<p>To add a device, enter its DRT entry number. This number is supplied by your C.E. The formula used to calculate the DRT number from the hardware address is:</p> $(IMB# * 128) + (channel# * 8) + device \#$ <p>To remove a device, enter <u>0</u>; the dialogue returns to the LOGICAL DEVICE #? prompt.</p>
UNIT #?	<u>0</u>
SOFTWARE CHANNEL #?	<u>0</u>
TYPE?	<u>17</u>
SUBTYPE?	<u>9</u>
DRIVER NAME?	<u>IOLANO</u>
DEVICE CLASSES?	<p>Enter a list containing a device class name (up to eight alphanumeric characters, beginning with a letter). Class names are separated from each other by commas.</p>
LOGICAL DEVICE #?	<p>If all I/O configuration is complete, press <u>RETURN</u> and the I/O configuration portion of the SYSDUMP dialogue will end. Subsequent prompts in the dialogue are discussed under "Completing the SYSDUMP Dialogue" later in this section. If I/O configuration is not yet complete, enter a logical device number and repeat the above configuration procedure (or one of the other procedures in this section).</p>

INP CONFIGURATION DIALOGUE

For more information on INP configuration, refer to "I/O Configuration" earlier in this section, or to the *INP Installation and Service Manual*.

Device Driver (IOINP0 or IOINP1)

In the dialogue below, prompts are shown on the left, and recommended responses are underlined and/or explained on the right.

LOGICAL DEVICE #? To specify a device to be added or removed, enter the logical device number (LDEV) of that device.

Entering 0 or **RETURN** ends the I/O Configuration Changes procedure; the dialogue skips to the next set of prompts.

DEVICE NAME? **RETURN**

DRT #? To add a device, enter its DRT entry number. This number is supplied by your C.E. The formula used to calculate the DRT number from the hardware address is:

$$(IMB# * 128) + (channel# * 8) + device\#$$

To remove a device, enter 0; the dialogue returns to the LOGICAL DEVICE #? prompt.

UNIT #? 0

SOFTWARE CHANNEL #? 0

TYPE? 17

SUBTYPE? For NS links, any value is overridden by NMMGR. For DS-Compatible links, values are 0, 1, or 3 where:

- 0 = switched line with modem
- 1 = non-switched line with modem cable or direct connection using modem eliminator cable
- 3 = hardwired line, synchronous transmission

RECEIVE TIMEOUT? **RETURN**

Default: 20 (*Do not enter 0.*) For NS links, this default is overridden by NMMGR.

LOCAL TIMEOUT? **RETURN**

Default: 20. For NS links, this default is overridden by NMMGR.

Range: 5-900 seconds; 0 disables the timer.

CONNECT TIMEOUT? For NS links, enter RETURN (the default value is overridden by NMMGR). For DS-Compatible links, enter 300 for Subtype 0; 120 for Subtype 1 and 3.

Default: 900

Range: 60-900 seconds; 0 disables the timer.

DIAL FACILITY?
(Subtype 0 only) Enter the LDEV of the INP if the AUTO DIAL feature is used. Enter YES if manual dial-up is required. Enter NO if no dial facility is required.

ANSWER FACILITY?
(Subtype 0 only) Enter YES if the local modem can answer calls, either manually or automatically. Enter NO if it cannot. A NO response causes the next step to be skipped.

AUTOMATIC ANSWER?
(Subtype 0 only) Enter YES if the local modem can automatically answer calls. Enter NO if manual answering is required.

DUAL SPEED?
(Subtype 1 only) Enter YES if the local modem is dual speed (European models). Enter NO if it is single speed. A NO response causes the next step to be skipped.

HALF SPEED?
(Subtype 1 only) Enter YES if the local modem is to operate at half speed. Enter NO if it is to operate at full speed.

SPEED CHANGEABLE? For all NS Point-to-Point 3000/V Links and NS X.25 3000/V Links, you must enter YES. For DS-Compatible links, you must enter YES to allow the speed of the line to be changeable with the DSCONTROL command. Enter NO for fixed line speed.

TRANSMISSION SPEED? Enter the transmission speed of the line in characters per second (Bit Rate/8). (For NS links, this value is overridden by NMMGR.)

Default: The speed specified is ignored for connections with modems that provide internal clocking signals. For all other connections, the speed you specify becomes the default. (Note also that for NS links, this default is overridden by NMMGR.)

Speeds: 150, 300, 600, 900, 1200, 2400, 4800, 7000

TRANSMISSION MODE? Enter 0 for full-duplex or 1 for half-duplex. (For NS links, always enter 0.)

PREFERRED BUFFER SIZE? 1024 words. (For NS links, this value is overridden by NMMGR.)

DRIVER CHANGEABLE? NO

DRIVER OPTIONS? 0

DRIVER NAME? IOINP0 or IOINP1

System Configuration

- PHONELIST?**
(Subtype 0 only)
- Enter YES to enter a phone number -- required for auto-dial. A NO response causes the next step to be skipped.
- PHONE NUMBER?**
(Subtype 0 only)
- Enter the phone number.
- Up to 30 characters are allowed, consisting of a string of numbers, hyphens, and special characters (/, E, D, #, *).
- LOCAL ID SEQUENCE?**
(Subtype 0 only)
- For NS Point-to-Point and NS X.25 3000/V links, this information is configured through NMMGR as security strings. Press RETURN. For a DS point-to-point link, enter a valid local ID sequence or press RETURN for a null ID sequence.
- REMOTE ID SEQUENCE?**
(Subtype 0 only)
- For NS Point-to-Point and NS X.25 3000/V links, this information is configured through NMMGR as security strings. Press RETURN. For a DS point-to-point link, enter a valid remote ID sequence or press RETURN for a null ID sequence.
- DEVICE CLASSES?**
- Enter a list containing a device class name (up to eight alphanumeric characters, beginning with a letter). Class names are separated from each other by commas.
- LOGICAL DEVICE #?**
- If all I/O configuration is complete, press RETURN and the I/O configuration portion of the SYSDUMP dialogue will end. Subsequent prompts in the dialogue are discussed under "Completing the SYSDUMP Dialogue" later in this section. If I/O configuration is not yet complete, enter a logical device number and repeat the above configuration procedure (or one of the other procedures in this section).

Communications Drivers (IODSO and IODSX)

In the dialogue below, prompts are shown on the left, and recommended responses are underlined and/or explained on the right.

LOGICAL DEVICE #?	To specify a device to be added or removed, enter the logical device number (LDEV) of that device.
	Entering <u>0</u> or <u>RETURN</u> ends the I/O Configuration Changes procedure; the dialogue skips to the next set of prompts, shown later under "Completing the SYSDUMP Dialogue."
DEVICE NAME?	<u>RETURN</u>
DRT #?	You must assign the LDEV of the corresponding INP preceded by a pound sign (#).
UNIT #?	<u>0</u>
SOFTWARE CHANNEL #?	<u>0</u>
TYPE?	<u>41</u>
SUBTYPE?	Enter <u>0</u> for No data compression or <u>1</u> for data compression.
RECORD WIDTH?	<u>128</u>
OUTPUT DEVICE?	For a communications driver, enter <u>0</u> .
ACCEPT JOBS/SESSIONS?	<u>YES</u>
ACCEPT DATA?	<u>NO</u>
INTERACTIVE?	<u>YES</u>
DUPLICATIVE?	<u>YES</u>
INITIALLY SPOOLED?	<u>NO</u>
AUTO REPLY?	<u>NO</u>
DRIVER NAME?	Enter the appropriate name: <u>IODSO</u> : Point-to-Point communications driver <u>IODSX</u> : X.25 and Satellite communications driver
DEVICE CLASSES?	Enter a list containing a device class name (up to eight alphanumeric characters, beginning with a letter). Class names are separated from each other by commas.

System Configuration

LOGICAL DEVICE #?

If all I/O configuration is complete, press **RETURN** and the I/O configuration portion of the SYSDUMP dialogue will end. Subsequent prompts in the dialogue are discussed under "Completing the SYSDUMP Dialogue" later in this section. If I/O configuration is not yet complete, enter a logical device number and repeat the above configuration procedure (or one of the other procedures in this section).

ATP CONFIGURATION DIALOGUE

For more information on ATP (ASNP) configuration, refer to "I/O Configuration" earlier in this section.

In the dialogue below, prompts are shown on the left, and recommended responses are underlined and/or explained on the right. Do not configure your remote support ATP port as an Asynchronous SERIAL Network Link.

LOGICAL DEVICE #?

To specify a device to be added or removed, enter the logical device number (LDEV) of that device.

Entering 0 or RETURN ends the I/O Configuration Changes procedure; the dialogue skips to the next set of prompts.

DEVICE NAME?

Enter RETURN or if you are using HP 2334A or HP 2334A+ multiplexers, input HPASNP as the device name. If HPASNP is entered, default values for the subsequent prompts are printed in parentheses to the right of the prompt. To accept the default values, enter RETURN.

DRT #?

To add a device, enter its DRT entry number. For the ASNP driver, enter the DRT number that results from the following formula, making sure that the number you enter is less than or equal to the current highest allowable DRT number.

For Series 6x/70: (IMB# * 128) + (channel# * 8)

For Series 39/58: (channel# * 8)

The channel number is the number set on the SIB's thumbwheel switch. For Series 6x and 70, the first ATP is channel number 1, the second is 4, and additional ATPs are channel numbers greater than 4. The ATP's Device number is always 0 and is not included in the formula. (The SIB always returns Device number 0 to the IMB.) The first IMB number is 0, the second is 1, and so on.

For Series 37, Micro 3000, Micro 3000 XE: (channel# * 8)

For the ATP37, the channel number is the number of the slot in the cabinet where the ATP37 board is placed. The first ATP37 is channel number 1, and a maximum of four ATP37 boards are allowed. The ATP's Device number is always 0 but is not included in the formula.

NOTE

Another way to find out the DRT number of the ATP is by giving a "yes" response to the IOMAP prompt during system startup.

System Configuration

To remove a device, enter 0; the dialogue returns to the LOGICAL DEVICE #? prompt.

UNIT #? 0 - 95 for ATP. Unit numbers 0 through 11 correspond to ports 0 through 11 on AIB number zero, unit numbers 12 through 23 correspond to ports 0 through 11 on AIB number one, and so on.

0 - 7 for ATP37. Unit numbers 0 through 7 correspond to ports 0 through 7.

SOFTWARE CHANNEL #? 0

TYPE? 42

SUBTYPE? 0, 1, or 2, where

0 = hardwired direct connection

1 = switched or non-switched line with modem cable or direct connection with modem cable

2 = line with a CCITT standard modem

NOTE

These subtypes will be overwritten by information in the network configuration file as specified through NMMGR.

ENTER [TERM TYPE #],
[DESCRIPTOR FILENAME] ? 0

SPEED IN CHARACTERS
PER SECOND? 0

RECORD WIDTH? 40

OUTPUT DEVICE? 0

ACCEPT JOBS/SESSIONS? (RETURN)

ACCEPT DATA? (RETURN)

INTERACTIVE? (RETURN)

DUPLICATIVE? (RETURN)

INITIALLY SPOOLED? (RETURN)

AUTO REPLY?

RETURN

DRIVER NAME?

HIOASNPO

DEVICE CLASSES?

Any non-reserved device class names are allowed, up to eight alphanumeric characters each (beginning with a letter), separated by a comma.

LOGICAL DEVICE #?

If all I/O configuration is complete, press **RETURN** and the I/O configuration portion of the SYSDUMP dialogue will end. Subsequent prompts in the dialogue are discussed under "Completing the SYSDUMP Dialogue" on the following page. If I/O configuration is not yet complete, enter a logical device number and repeat the above configuration procedure (or one of the other procedures in this section).

NOTE

For the Asynchronous SERIAL Network Link, you must also configure as many virtual terminals (IOVTERMO) as will access the HP 3000 concurrently over this link. These are in addition to those virtual terminals configured for any other NS links. Remember that all IOVTERMO virtual terminals should be back-referenced to the console.

COMPLETING THE SYSDUMP DIALOGUE

After all I/O Configuration Changes are complete, the dialogue proceeds as shown below. Refer to the "Recommendations for System Parameters" earlier in this section to check if any other changes are required.

- LOGICAL DEVICE #?
- MAX # OF OPENED SPOOLFILES
= *nnn* (MIN=*nn*, MAX=*nnn*)?
- LIST OF I/O DEVICES? Enter YES to print a listing of the new I/O device configuration.
- LIST CS DEVICES? Enter YES to list the characteristics of the new CS device configuration.
- TERMINAL TYPE CHANGES?
- CLASS CHANGES?
- LIST I/O DEVICES?
- ADDITIONAL DRIVER CHANGES?
- I/O CONFIGURATION CHANGES?
- SYSTEM TABLE CHANGES? YES
- CST = *nnn* (MIN=*mm*,
MAX=*pppp*)? Increase the number listed here as *nnn* to match the number of additional CST entries needed (calculated earlier in this section under "System Parameters").
- EXTENDED CST = *nnnn* (MIN=
mm, MAX=*pppp*)?
- DST = *nnnn* (MIN=*mm*,
MAX= *pppp*)? Increase the number listed here as *nnnn* to match the number of additional DST entries needed (calculated earlier in this section under "System Parameters").
- PCB = *nnn* (MIN=*mm*,
MAX=*pppp*)? Increase the number listed here as *nnn* to match the number of additional PCB entries needed (calculated earlier in this section under "System Parameters").
- I/O QUEUE = *nnn* (MIN=*mm*,
MAX=*pppp*)? Increase the number listed here as *nnn* to match the number of additional I/O Queue entries needed (calculated earlier in this section under "System Parameters").
- DISC REQUEST QUEUE = *nnn*
(MIN=*mm*, MAX=*ppp*)?
- TERMINAL BUFFERS PER PORT =
n (MIN=*m*, MAX=*pp*)?

SYSTEM BUFFERS = *nn* (MIN=*m*, MAX=*ppp*)?

SWAP TABLE = *nnnn* (MIN=*mmm*, MAX=*pppp*)?

PRIMARY MESSAGE TABLE = *nnn* (MIN=*mm*, MAX=*pppp*)?

SECONDARY MESSAGE TABLE = *nn* (MIN=*mm*, MAX=*pppp*)?

SPECIAL REQUEST TABLE = *nnn* (MIN=*mm*, MAX=*pppp*)?

ICS = *nnnn* (MIN=*mmmm*, MAX=*pppp*)? Increase the current value, listed here as *nnnn*, to the maximum value, listed here as *pppp*.

LOADER SEGMENT TABLE = *nnnnn* (MIN=*mmmm*, MAX=*ppppp*)?

UCOP REQUEST QUEUE = *nnn* (MIN=*m*, MAX=*pppp*)?

TIMER REQUEST QUEUE = *nnn* (MIN=*m*, MAX=*pppp*)?

BREAKPOINT TABLE = *nn* (MIN=*m*, MAX=*pppp*)?

MAX NUMBER OF USER LOGGING PROCESSES = *nn* (MIN=*m*, MAX=*pp*)?

MAX NUMBER OF USERS PER LOGGING PROCESS = *nnn* (MIN=*m*, MAX=*ppp*)?

MISC CONFIGURATION CHANGES?

LOGGING CHANGES?

DISC ALLOCATION CHANGES? YES

MAX DIRECTORY SIZE (SECTORS) = *nnnn* (MIN=*mmmm*, MAX=*ppppp*, USED=*qqqq*)?

LIST VOLUME TABLE?

DELETE VOLUME?

ADD VOLUME?

System Configuration

LIST VOLUME CHANGES?

VIRTUAL MEMORY CHANGES? YES

LIST VIRTUAL DEVICE ALLOCATION? (If you respond YES, each volume is listed with its LDEV and current virtual memory allocation.)

ENTER VOLUME NAME , SIZE IN KILOSECTORS (MAX = *nnn*)? At least 30 additional sectors need to be allocated to virtual memory for NS products.

VIRTUAL MEMORY CHANGES?

MAX # OF SPOOLFILE KILOSECTORS = *nnnn* (MIN=0, MAX=*nnnnnn*)?

OF SECTORS PER SPOOLFILE EXTENT = *nnnn* (MIN=*nnnn*, MAX=*ppppp*)?

SCHEDULING CHANGES?

SEGMENT LIMIT CHANGES? YES

MAX # OF CONCURRENT RUNNING PROGRAMS = *nn* (MIN=1, MAX=*nnnn*)?

MAX CODE SEGMENT SIZE = *nnnnn* (MIN=*nnnnn*, MAX= *ppppp*)?

MAX # OF SEGMENTS/PROCESS = *nn* (MIN=1, MAX=*nnnn*)?

MAX STACK SIZE = *nnnnn* (MIN=*nnnn*, MAX=*ppppp*)?

MAX EXTRA DATA SEGMENT SIZE = 32764 (MIN=0, MAX=*nnnnnn*)?

MAX # OF EXTRA DATA SEGMENTS /PROCESS = *nnn* (MIN=0, MAX=*nnnn*)?

STD STACK SIZE = *nnnn* (MIN=*nnnn*, MAX=*pppp*)?

SYSTEM PROGRAM CHANGES?

SYSTEM SL CHANGES?

ENTER DUMP DATE? Enter the appropriate response from the four possible listed here:

1) Copies the modified MPE. When this copy is used to

COLDSTART the system, the account structure and all files remain intact.

2) mm/dd/yy where mm/dd/yy is some date in the future. Copies the modified MPE and the current accounting, but no files.

3) mm/dd/yy where mm/dd/yy is usually the date of the most recent system backup. Copies the modified MPE, the current accounting structure, and any files that were changed on or since the specified date.

4) 0 Copies the entire system (MPE, the current accounting structure, and all files).

ENTER DUMP FILE SUBSETS?

Press (RETURN), or enter a filename or series of filenames. (Example: @.PUB.SYS)

LIST FILES DUMPED?

YES or NO

The console operator must now use the =REPLY command to assign the magnetic tape drive on which you have arranged for a tape reel to be mounted.

After the SYSDUMP is complete, the tape produced should be used to COLDSTART the system. During COLDSTART, the existing I/O device configuration is replaced with the new one from your SYSDUMP tape. Refer to the *MPE V System Operation and Resource Management Reference Manual*.

CONFIGURATION EXAMPLES

The following examples illustrate possible configurations for nodes with multiple NIs and multiple link products installed. For each example, please refer to Figure 4-2, which shows a simplified catenet.

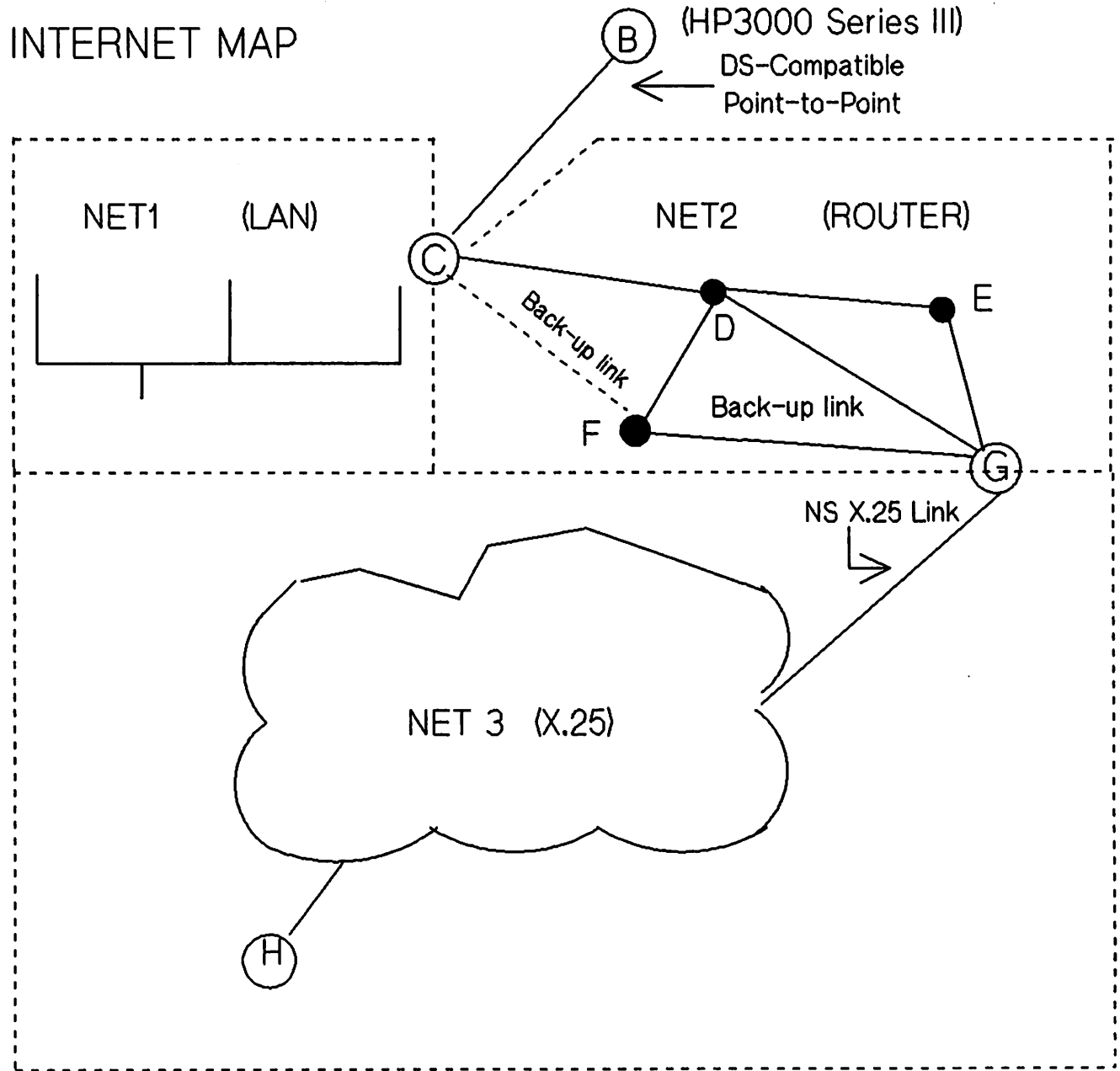


Figure 4-3. Example Catenet

Example 1

This example shows a SYSDUMP listing of the I/O devices on Node C in Figure 4-3. Node C is a full gateway between a LAN (Net 1) and a Router Network (Net 2). Node C has NS3000/V installed, with the following link products: ThinLAN/3000 Link, NS Point-to-Point 3000/V Link, and one DS-Compatible Point-to-Point Modem Link to an HP 3000 Series III (Node B).

Either of the INPs configured can be used as back-up NS links to Node F. Note that I/O configuration in SYSDUMP does not indicate which devices are shared. In this example, the DEVICE CLASS field has been used to indicate possible shared links. Alternatively, an INP configured for an existing DS-compatible link could be used as an NS point-to-point link, but not at the same time. The SYSDUMP items you must verify for consistency from DS to NS are described in Appendix E, DS vs NS INP Configuration.

```

LIST I/O DEVICES? Y
LOG DRT U C T SUB_
DEV # N H Y TYPE  TERMINAL  REC   OUTPUT  MODE   DRIVER  DEVICE
#      I A P      TYPE SPEED WIDTH  DEV
                                     NAME     CLASSES
1  25  0  0  0  9                128    0                *HIOMDSC1 SYSDISC
                                     SPOOL
2  26  0  0  3  8                128    0                HIOMDSC2 SPOOL
                                     DISC
3  155 0  0  3  8                128    0                HIOMDSC2 SPOOL
                                     DISC
6  90  0  0  32 13               66     0                S        HIOCIRRO LP
                                     SLOWLP
7  145 0  0  24 0                128    0                HIOTAPE0 TAPE
                                     DDUMP
8  145 1  0  24 0                128    0                HIOTAPE0 TAPE
10 73  2  0  24 0                128    PP             JA       HIOTAPE0 JOBTAPE
14 167 0  0  32 8                66     0                S        HIOPRTO  PP
                                     EPOC
20 8  0  0  16 0   10   960   40    20    JAID   HIOTERM1 ATPTERM
                                     CONSOLE
21 8  1  0  16 0   10   960   40    21    JAID   HIOTERM1 ATPTERM
.
.   (configured terminals, ldev 22-99, not shown)
.
100 8  80 0  16 0   10   960   40    22    JAID   HIOTERM1 ATPTERM
109 48 0  0  17 9                0     0                IOLANO  LANIC
110 41 0  0  17 0                0     0                IOINPO  INP
                                     TONODEB
                                     TONODEF
111#110 0  0  41 0                128    0                I        IODSO   NODEB
112#110 0  0  16 0   0    240   40    112   JAID   IODSTRM0 DSTERM
113#110 0  0  16 0   0    240   40    113   JAID   IODSTRM0 DSTERM
114#110 0  0  16 0   0    240   40    114   JAID   IODSTRM0 DSTERM
115#110 0  0  16 0   0    240   40    115   JAID   IODSTRM0 DSTERM

```

System Configuration

120 42 0 0 17 3	0	0	IOINPO	INP TONODED TONODEF							
121#20	0	0	16	0	0	240	40	121	J ID	IOVTERMO	VTERM
122#20	0	0	16	0	0	240	40	122	J ID	IOVTERMO	VTERM
123#20	0	0	16	0	0	240	40	123	J ID	IOVTERMO	VTERM
124#20	0	0	16	0	0	240	40	124	J ID	IOVTERMO	VTERM
125#20	0	0	16	0	0	240	40	125	J ID	IOVTERMO	VTERM
126#20	0	0	16	0	0	240	40	126	J ID	IOVTERMO	VTERM
127#20	0	0	16	0	0	240	40	127	J ID	IOVTERMO	VTERM
128#20	0	0	16	0	0	240	40	128	J ID	IOVTERMO	VTERM
129#20	0	0	16	0	0	240	40	129	J ID	IOVTERMO	VTERM
130#20	0	0	16	0	0	240	40	130	J ID	IOVTERMO	VTERM
131#20	0	0	16	0	0	240	40	131	J ID	IOVTERMO	VTERM
132#20	0	0	16	0	0	240	40	132	J ID	IOVTERMO	VTERM
133#20	0	0	16	0	0	240	40	133	J ID	IOVTERMO	VTERM
134#20	0	0	16	0	0	240	40	134	J ID	IOVTERMO	VTERM
135#20	0	0	16	0	0	240	40	135	J ID	IOVTERMO	VTERM
136#20	0	0	16	0	0	240	40	136	J ID	IOVTERMO	VTERM
137#20	0	0	16	0	0	240	40	137	J ID	IOVTERMO	VTERM
138#20	0	0	16	0	0	240	40	138	J ID	IOVTERMO	VTERM
139#20	0	0	16	0	0	240	40	139	J ID	IOVTERMO	VTERM

The preceding 13 columns display the following information:

- LOG DEV # -- Logical device number.
 - The LDEVs for the INP devices are 110 and 120. The first INP, LDEV 110, is used by a DS-Compatible link to a Series III (Node B in our sample catenet). Ldev 111 is the associated IODS0 communications driver for this INP. There also are four IODSTRM0 virtual terminals for this INP, configured as LDEVs 112-115 and back-referenced to LDEV 110.

The second INP, LDEV 120, is used by an NS Point-to-Point Link to Node D and requires no separate communications driver.
 - The LDEV for the LANIC in this example is 109.
 - The LDEVs for the pool of virtual terminals shared by the NS links are 121-139. Note that these virtual terminals are each back-referenced to the console.
- DRT # -- Device Reference Table (DRT) number. The DRT number for the LANIC is 48. The DRT numbers for the INP devices are 41 and 42. The communications driver (IODS0) and the virtual terminals (IODSTRM0 and IOVTERMO) display the LDEV of the appropriate device, preceded by a #, in place of the DRT number.
- UNIT and CHAN -- Device Unit Number and Hardware Channel Number. Channel number is unused and always set to 0; unit number is unused and set to 0 except in the case of ports configured for an ATP. (Refer to Example 2 for the way the unit number is used with the NS Asynchronous 3000/V Link.)

- TYPE and SUBTYPE -- Device Type and Subtype. The LANIC is configured as type 17, subtype 9. The INP device used for an NS link is configured as type 17, subtype 3; the INP used for a switched modem connection is configured as type 17, subtype 0. The communications driver (IODSO) is configured as type 41, subtype 0, which means a default of no data compression. All the terminals and virtual terminals are configured as type 16, subtype 0.
- TERMINAL TYPE and SPEED -- Terminal Type and Speed. These columns apply only to terminals.
- REC WIDTH -- Record Width. This value is expressed in words. The virtual terminals are configured at 40; the communications driver is configured at 128. For INPs and the LANIC, the record width is set to zero.
- OUTPUT DEV -- Corresponding Output Device. Notice that the virtual terminals have their LDEV entered as their corresponding output device.
- MODE -- Device Mode.
- DRIVER NAME -- Device Driver Name.
- DEVICE CLASSES -- Device Classes. As required, all the IOVTERM0 virtual terminals are configured with device class VTERM.

CS Device Listing

The SYSDUMP listing of CS devices on Node C would show the following:

```
LIST CS DEVICES? Y
LDN PM PRT LCL TC RV LCL CON MODE TRANSMIT TM BUFFER D DRIVER
MOD TMOU TMOU TMOU SPEED SIZE C OPTIONS
109 0 X X X 0 0 0 0 0 0 0 N 0
110 0 X X X 20 60 120 C 7000 0 1024 N 0
120 0 X X X 20 60 120 C 7000 0 1024 N 0
```

The CS listing provides information primarily on the INP configuration, which is described earlier in this section. Specifying subtype 9 for the LANIC skips the CS prompts in the SYSDUMP dialogue; the values for the LANIC (LDEV 109) are set to zero in the CS listing. The headings for the 14 columns of information are:

- LDN -- Logical Device Number.
- PM -- Port Mask.
- PRT -- Protocol.
- LCL MOD -- Local Mode.
- TC -- Transmission Code.
- RV TMOU -- Receive Timeout.
- LCL TMOU -- Local Timeout.
- CON TMOU -- Connect Timeout.
- MODE -- Mode.
- TRANSMIT SPEED -- Transmit Speed.
- TM -- Transmission Mode.
- BUFFER SIZE -- Buffer Size.
- DC -- Driver Changeable.
- DRIVER OPTIONS -- Driver Options.

Example 2

This example shows a SYSDUMP listing for the I/O devices on Node G in Figure 4-3. Node G is a member of the Router Network, Net 2, and a member of the X.25 Network, Net 3. Node G acts as a full gateway between Net 2 and Net3. Node G has NS3000/V installed, with the following links products: NS Point-to-Point 3000/V, NS Asynchronous 3000/V Link, and one NS X.25 3000/V Link. The INP configured as LDEV 110 can be used as a back-up NS link to Node F.

System Configuration

LIST I/O DEVICES? Y												
LOG	DRT	U	C	T	SUB		REC	OUTPUT	MODE	DRIVER	DEVICE	
DEV	#	N	H	Y	TYPE	TERMINAL	WIDTH	DEV		NAME	CLASSES	
#		I	A	P		TYPE	SPEED					
		T	N	E								
1	25	0	0	0	9		128	0		*HIOMDSC1	SYSDISC	
											SPOOL	
2	26	0	0	3	8		128	0		HIOMDSC2	SPOOL	
											DISC	
3	155	0	0	3	8		128	0		HIOMDSC2	SPOOL	
											DISC	
6	90	0	0	32	13		66	0	S	HIOCIRRO	LP	
											SLOWLP	
7	145	0	0	24	0		128	0		HIOTAPE0	TAPE	
											DDUMP	
8	145	1	0	24	0		128	0		HIOTAPE0	TAPE	
10	73	2	0	24	0		128	PP	JA	HIOTAPE0	JOBTAPE	
14	167	0	0	32	8		66	0	S	HIOPPRTO	PP	
											EPOC	
20	8	0	0	16	0	10	960	40		JAID	HIOTERM1	ATPTERM
												CONSOLE
21	8	1	0	16	0	10	960	40		JAID	HIOTERM1	ATPTERM
.												
.												
.												
		(configured terminals, ldev 22-99, not shown)										
100	8	80	0	16	0	10	960	40		JAID	HIOTERM1	ATPTERM
110	41	0	0	17	3			0			IOINP0	INP
												TONODED
												TONODEF
111#20		0	0	16	0	0	240	40		J ID	IOVTERMO	VTERM
112#20		0	0	16	0	0	240	40		J ID	IOVTERMO	VTERM
113#20		0	0	16	0	0	240	40		J ID	IOVTERMO	VTERM
114#20		0	0	16	0	0	240	40		J ID	IOVTERMO	VTERM
115#20		0	0	16	0	0	240	40		J ID	IOVTERMO	VTERM
116#20		0	0	16	0	0	240	40		J ID	IOVTERMO	VTERM
117#20		0	0	16	0	0	240	40		J ID	IOVTERMO	VTERM
118#20		0	0	16	0	0	240	40		J ID	IOVTERMO	VTERM
119#20		0	0	16	0	0	240	40		J ID	IOVTERMO	VTERM
130	43	0	0	17	1			0			IOINP1	INP
												TONODEH
132#20		0	0	16	0	24	240	40		J ID	IOPADTRM	PADTERM
133#20		0	0	16	1	24	240	40		J ID	IOPADTRM	PADTERM
134#20		0	0	16	0	24	240	40		J ID	IOPADTRM	PADTERM
135#20		0	0	32	14	18	240	66			IOPADLP	PADLP
136#20		0	0	32	14	26	240	66			IOPADLP	PADLP
150	8	84	0	42	0			40			HIOASNPO	RASP
												TONODEE

The preceding 13 columns display the following information:

- LOG DEV # -- Logical device number.

- The LDEVs for the INP devices are 110 and 130. The first INP, LDEV 110, is used by an NS Point-to-Point Link to Node D in Net 2.

The second INP, LDEV 130, is used by an NS X.25 Link for communication with Node H and with PAD devices in Net 3. Five PAD devices, LDEVs 132-136, are back-referenced to the console.

- The LDEV for the ATP in this example is 150. This ATP is used by an Asynchronous Link to Node E.
 - The LDEV for the pool of virtual terminals shared by the NS links are 111-119. Note that these virtual terminals are back-referenced to the console.
- DRT # -- Device Reference Table (DRT) number. The DRT number for the ATP device is 8. DRT numbers for the INP devices are 41 and 43. The communications driver (IODSX) and the virtual terminals and PAD devices (IOVTERMO, IOPADTRM and IOPADLP) display the LDEV of the appropriate device, preceded by a #, in place of the DRT number.
 - UNIT and CHAN -- Device Unit Number and Hardware Channel Number. Channel numbers are unused and are set to 0; unit numbers are unused and are set to 0, except in the case of ports configured for the ATP. Units 0 through 11 correspond to ports 0 through 11 on AIB 0, unit numbers 12 through 23 correspond to ports 0 through 11 on AIB 1, and so on. In our example, the ATP driver (HIOASNPO) is configured as unit 84 (port 0 of AIB 7).
 - TYPE and SUBTYPE -- Device Type and Subtype. The ATP is configured as type 42, Subtype 0. INP devices used for NS links are configured as type 17, subtype 3; the INP used for a switched modem connection is configured as type 17, subtype 0. The communications driver (IODSX) is configured as type 41, subtype 0, which means a default of no data compression. All virtual terminals and other terminals are configured as type 16, subtype 0, except one PAD terminal that is configured as subtype 1. PAD printers are configured as type 32, subtype 14.
 - TERMINAL TYPE and SPEED -- Terminal Type and Speed. These columns apply only to terminals.
 - REC WIDTH -- Record Width. This value is expressed in words. The virtual terminals and PAD terminals are configured at 40, the PAD printers are configured at 66, and the communications driver is configured at 128. For INPs, the record width is set to zero.

System Configuration

- OUTPUT DEV -- Corresponding Output Device. Notice that the virtual terminals have their LDEV entered as their corresponding output device.
- MODE -- Device Mode.
- DRIVER NAME -- Device Driver Name.
- DEVICE CLASSES -- Device Classes. As required, all the IOVTERM0 virtual terminals are configured with device class VTERM.

CS Device Listing

The SYSDUMP listing of CS devices on Node G would show the following:

```
LIST CS DEVICES? Y
LDN PM PRT LCL TC RV LCL CON MODE TRANSMIT TM BUFFER D DRIVER
MOD TMOUT TMOUT TMOUT SPEED SIZE C OPTIONS
110 0 X X X 20 60 120 C 7000 0 1024 N 0
130 0 X X X 20 60 120 C 7000 0 1024 N 0
```

The CS listing provides information primarily on the INP devices. Information on the ATP does not appear in this listing. However, status information about the ATP is displayed when the :SHOWCOM command is entered. The headings for the 14 columns of information are:

- LDN -- Logical Device Number.
- PM -- Port Mask.
- PRT -- Protocol.
- LCL MOD -- Local Mode.
- TC -- Transmission Code.
- RV TMOUT -- Receive Timeout.
- LCL TMOUT -- Local Timeout.
- CON TMOUT -- Connect Timeout.
- MODE -- Mode.
- TRANSMIT SPEED -- Transmit Speed.
- TM -- Transmission Mode.
- BUFFER SIZE -- Buffer Size.
- DC -- Driver Changeable.
- DRIVER OPTIONS -- Driver Options.

SHOWCOM Listing

The following is a sample listing of the MPE SHOWCOM command when used for the above ATP:

```
:SHOWCOM 150
LDN - 150
MESSAGES SENT 391680 MESSAGES RECVD 270189
LAST RECOVERABLE ERROR 0
LAST IRRECOVERABLE ERROR 0
LINE IS CONNECTED
```

This section describes the operation of the Node Management Services Configurator (NMMGR), a utility program that provides a series of VPLUS/3000 block-mode screens to display and accept configuration information. The data entered into these configuration screens are stored in a **configuration file**, which is a data file with a hierarchical structure and MPE file code NCONF. The configuration information is used for initializing the NS3000 network transport.

Configuration is divided into three parts:

- Defining the operating parameters required for the Link Services subsystem.
- Defining the operating parameters required for the Network Transport subsystem.
- Enabling/disabling logging classes for each of the NMS subsystems of NS3000/V and NS3000/V links.

NMMGR includes utility screens that enable you to perform such tasks as compressing and expanding a configuration file, printing a listing of the data entered, and displaying errors.

This section contains the following subsections:

- Getting Started with NMMGR
 - The Open Configuration/Directory File Screen
 - The Main Menu Screen
 - Getting Help
 - NMMGR Screen Structure
 - Configuration Files
- Using NMMGR Configuration Screens
 - General Operation of Screens
 - Menu Screens
 - Select Screens
 - Data Screens

The NMS Configurator (NMMGR)

- Using NMMGR Utility Screens
 - Output Configuration File
 - Compress Configuration File
 - Validate Configuration File
 - The Configuration Subtree Copy Screen
 - The Error Information Screen
- Making Configuration Changes

For field descriptions of configuration screens, refer to Sections 7 through 14. Section 7 describes the link configuration screens. Section 8 describes the network transport configuration screens that apply to all network interface types (LAN, X.25, router, gateway half and loopback). You should read Section 8 before proceeding to the next five sections (9 through 13). Each of these five sections is devoted to the network transport configuration screens of one network interface type. Section 14 describes the logging configuration screens.

Section 6 describes how guided configuration operates. Section 15 describes the Network Directory, and Section 16 is devoted to maintenance mode interface commands, which are used to perform tasks on network directory files and regular configuration files.

This section (5) describes how to create and modify regular configuration files.

GETTING STARTED WITH NMMGR

You must have MPE Node Manager (NM) or Network Administrator (NA) capability to run NMMGR. Enter the following command in response to an MPE prompt:

```
:RUN NMMGR.PUB.SYS
```

After MPE accepts the run command, NMMGR displays the following message:

```
NMS Configuration Manager 32098-20012 A.02.00 (C) Hewlett Packard Co. 1986
```

NMMGR then clears the terminal screen and displays the Open Configuration/Directory File screen (Figure 5-1). The Open Configuration/Directory File screen enables you to specify a configuration file or network directory file to open or create. Specifying a configuration file name and pressing the **F1** **Open Config** or the **F2** **Create Config** key takes you to the Main Menu screen. The Main Menu (Figure 5-2) allows you to proceed to either manual configuration, utility screens, or guided configuration.

The Open Configuration/Directory File Screen

After you open or create a configuration file using the Open Configuration/Directory File screen, the file is directly accessed, and any changes you make are immediately written to the file.

If you create a configuration file for a new network, your configuration takes effect when the network is brought up for the first time. You can modify routing information for an existing configuration without bringing down the network by using the Update branch of guided configuration, followed by the NETCONTROL UPDATE command. To activate or deactivate configured links without bringing down the network, you can use the NETCONTROL ADDLINK and NETCONTROL DELLINK commands. These three commands can be issued from the MPE prompt and are the only means of modifying a configuration while the transport is active. These commands are fully described in Volume II, Section 1.

NOTE

For recommendations on making configuration changes, refer to the "Making Configuration Changes" subsection later in this section.

```

NMMGR/3000 (X.XX.XX) OPEN CONFIGURATION/DIRECTORY FILE
Enter a file or directory name and press the corresponding function key.
Command:

[ ] Configuration file name

NMCONFIG.PUB.SYS - default for LOGGING, NRJE, SNANODE, APPC.
NSCONF.NET.SYS  - default for NETXPORT.

[NSDIR.NET.SYS] Network Directory file name

Open  Create  Open  Create
Config Config Directry Directry

Refresh  Exit
Screen  Program

```

Figure 5-1. Open Configuration/Directory File Screen

The NMS Configurator (NMMGR)

At the top of each screen is a header, which identifies the version number of the NMMGR program and the screen name. In Figure 5-1, the version number is A.02.00 and the screen name is OPEN CONFIGURATION/DIRECTORY FILE. The fields labeled Configuration file name and Network Directory file name are used to specify the configuration/network directory file to be created or modified. The bottom of each screen includes function key labels, which identify the functions that NMMGR assigns to keys **F1** through **F8** on your terminal. These functions vary from screen to screen. The function keys of the Open Configuration/Directory File screen are described in Table 5-1. If the labels are blank, the function keys are unused.

TABLE 5-1. FUNCTION KEYS FOR THE OPEN CONFIGURATION/DIRECTORY FILE SCREEN

Key	Function	Description
F1	Open Config	This key opens an existing configuration file, named in the Configuration file name field. The file must already exist.
F2	Create Config	This key creates a new configuration file, named in the Configuration file name field. The file must not already exist.
F3	Open Directory	This key opens an existing network directory file, named in the Network Directory file name field. The file must already exist.
F4	Create Directory	This key creates a new Network Directory file, named in the Network Directory file name field. The file must not already exist.
F7	Refresh Screen	This key refreshes the current screen to its default or original data. This key is described in more detail later in this section.
F8	Exit Program	This key exits NMMGR. If you have an open configuration file, NMMGR closes it. Any modifications made while the file was open are saved.

NOTE

An NMMGR screen is 24 lines long. If your terminal screen is longer than 24 lines, the NMMGR labels appear to be four lines tall with blank labels on the bottom two lines. These lines are blank because the functions assigned by NMMGR clear any existing functions. Any user-defined functions are saved and are restored after exiting NMMGR.

Specifying the Configuration File Name

Three configuration files are required for the operation of NS3000/V Network Services and NS3000/V link products. Two of these files are created with NMMGR, and are described below.

- One configuration file is used to define the link configuration and Network Transport configuration. This file must reside in the NET group of the SYS account. HP recommends that you name the file NSCONF, which is the file name that the Network Transport looks for at initiation if one is not specified. This file is also used to define the logging configuration for the Network Transport subsystem.
- The other required configuration file defines the logging configuration for the Network Services, NetIPC, and the NMS Link Services. This second file must be named NMCONFIG.PUB.SYS.

The third configuration file is named DADCONF.NET.SYS, and is necessary for the operation of Network Services. For more information on DADCONF.NET.SYS, refer to Section 2, "Network Management."

CAUTION

NMCONFIG.PUB.SYS is also required for the following HP-to-IBM data communications products: SNA Link, SNA IMF, SNA NRJE, and LU 6.2 Base. If you have one or more of these products installed, this file is in use and *must not be modified while the HP-to-IBM products are active*. If you use the logging configuration recommended by HP, it should not be necessary to modify this file. Only the logging information of NMCONFIG.PUB.SYS is used by NS3000/V services and link products. However, if you do need to modify logging, make sure that the file is not in use, and exercise great care not to modify any of the configuration specifications used for the HP-to-IBM products. Refer to the *SNA Link Services Reference Manual* for information on the configuration of HP-to-IBM products.

A sample configuration file, NMSAMP1.PUB.SYS, is supplied with NS3000/V links. This file shows you the recommended values for the NMCONFIG.PUB.SYS configuration file, used to configure NMS logging for the Network Services, Network Interprocess Communication, and Link Support Services subsystems. The values in this file are set to optimize performance of NS3000/V and NS3000/V links during normal operation. HP recommends that you do not change the values specified in this sample file, except on the advice of your HP representative.

Also supplied is the file SAMPCONF.NET.SYS, an example of the file NSCONF.NET.SYS (or *filename*.NET.SYS). The contents of SAMPCONF.NET.SYS correspond to Node G of the example catenet described in the "Configuration Worksheets" portion of Section 3. This example file is to be used only as a reference and not as a base for building your own file. To see the contents of SAMPCONF.NET.SYS, simply run NMMGR, enter the file name in the Configuration file name field of the Open Configuration/Directory File screen, and press the **Open Config** function key.

Opening or Creating the Configuration File

Enter the name of the configuration file that you want to work on and press (**F1**) **Open Config** if it is an existing file, or (**F2**) **Create Config** if it is a new file. NMMGR qualifies the file name with your logon group and account if you do not specify the group or account.

NMMGR performs the following checks before creating or opening the specified configuration file:

- NMMGR checks the appropriate MPE file security specifications.
- If you pressed (**F1**) **Open Config** NMMGR checks that the file specified exists and that it is a configuration file (file code NCONF).

If currently accessing a different configuration file, NMMGR closes the file before opening the specified configuration file. If the specified configuration file fails one of the checks listed above, an error message is displayed in the line immediately below the screen title. For more detailed information on an error encountered, use the Error Information screen, described later in this section.

The Main Menu Screen

Once the configuration file is successfully opened or created, NMMGR displays the second screen, the Main Menu screen (Figure 5-2). As indicated by the three choices on the main menu, the NMMGR screens have been divided into three distinct groups of screens. The configuration screens are arranged hierarchically, with a structure that corresponds to the configuration file structure. Use the screens to examine or modify a configuration file.

```

NMMGR/3000 (X.XX.XX) MAIN
Select the next screen and press the corresponding function key.
Command:

CONFIGURATION - Modify or examine a Configuration file.
UTILITY       - Configuration file Utility functions(output,compress,validate).
GUIDED CONFIG - Guided Configuration of subsystems.

File: filename.group.acct

Go To Go To Go To Refresh Prior
CONFIG UTILITY GUIDED Screen Screen

```

Figure 5-2. Main Menu Screen

The function key **F1** **Go To CONFIG** allows you to proceed to any configuration screen. An overview and descriptions of the features of each screen can be found in sections 7 through 14.

The **F2** **Go To UTILITY** key allows you to access the utility screens. Use the utility screens to compress, output and validate a configuration file, and to copy a portion of it to another configuration file.

The **F3** **Go To GUIDED** key takes you to Guided Configuration. This function guides you through the screens used to configure a node in a network subsystem. Guided Configuration is described in detail in Section 6. Because guided configuration is faster than manual configuration, you should use guided configuration whenever possible.

Getting Help

NMMGR provides an online help function. You can use this function to obtain information about screens, commands, and other topics pertaining to NMMGR. You can access the help function from the command line of any screen.

- Enter HELP from the command line to bring up help text for the current screen, including all field descriptions for the screen.

- Enter **HELP** and either a keyword or a keyword with a qualifier to bring up help text about a specific topic, not necessarily the current screen. The topics fall into four main categories, all of which are keywords. These are **OVERVIEW**, **ROADMAP**, **COMMANDS**, and **MAINT**.

If you enter **HELP OVERVIEW** you will see a brief explanation of the operation of NMMGR.

If you enter **HELP ROADMAP** you will receive a map of the screen structure of NMMGR. You will also receive a list of additional keywords, consisting of the subsystems supported by NMMGR. Each of these subsystem names, such as **LINKCONF**, can be used as a qualifier to obtain a map of the screens pertaining to the listed subsystem. A qualifier, which also is considered a keyword, must follow the main keyword with a comma separating the two keywords. For example, if you wanted to see a map of **LINKCONF** screens, you would enter **HELP ROADMAP, LINKCONF** in the command window. Every screen name shown in these screen maps is a keyword of its own, and can be used with the **HELP** command and the **FIELDS** qualifier. For example, if you wanted to see field descriptions for the screen called **LAN**, you would enter **HELP LAN, FIELDS** in the command window.

If you enter **HELP COMMANDS** you will obtain a list of commands available from within the **VPLUS** interface. For information about a specific command, enter the name of the command as a keyword following the word **HELP** in the command window.

If you enter **HELP MAINT** you will see a list of commands available within maintenance mode. For information about a specific command, enter the name of the command as a keyword following the word **HELP** in the command window. If you do obtain information about a specific command, the help text will list any qualifiers, such as **PARMS**, **OPERATION**, **EXAMPLE**, and **ALL**. You then could enter the command again, this time followed by a comma and a qualifier, to obtain even further information.

- Enter a question mark (?) from the command line to put you in help mode. In this mode, you can browse through various topics until you terminate help mode by typing "end", "exit", or ".". Terminating help mode returns you to the screen you entered from.

NMMGR Screen Structure

Figure 5-3 shows the screen structure of NMMGR used to define the network configuration of NS3000/V and NS3000/V links. *This is a subset of the complete NMMGR screen structure, which includes screens for other HP data communications products.* The Open Configuration/Directory File screen is shown at the top of the screen structure because it is the first screen displayed when you run NMMGR.

In Figure 5-3, the function key used to reach each screen below the Main Menu is listed in the top part of the screen's box. To keep Figure 5-3 easy to follow, not all lower-level screens are shown. Where screens exist at any level beneath a box but are not shown, the section number of this volume is listed as a reference to these other screens. How to proceed from screen to screen is described in more detail under "General Operation of Screens" later in this section.

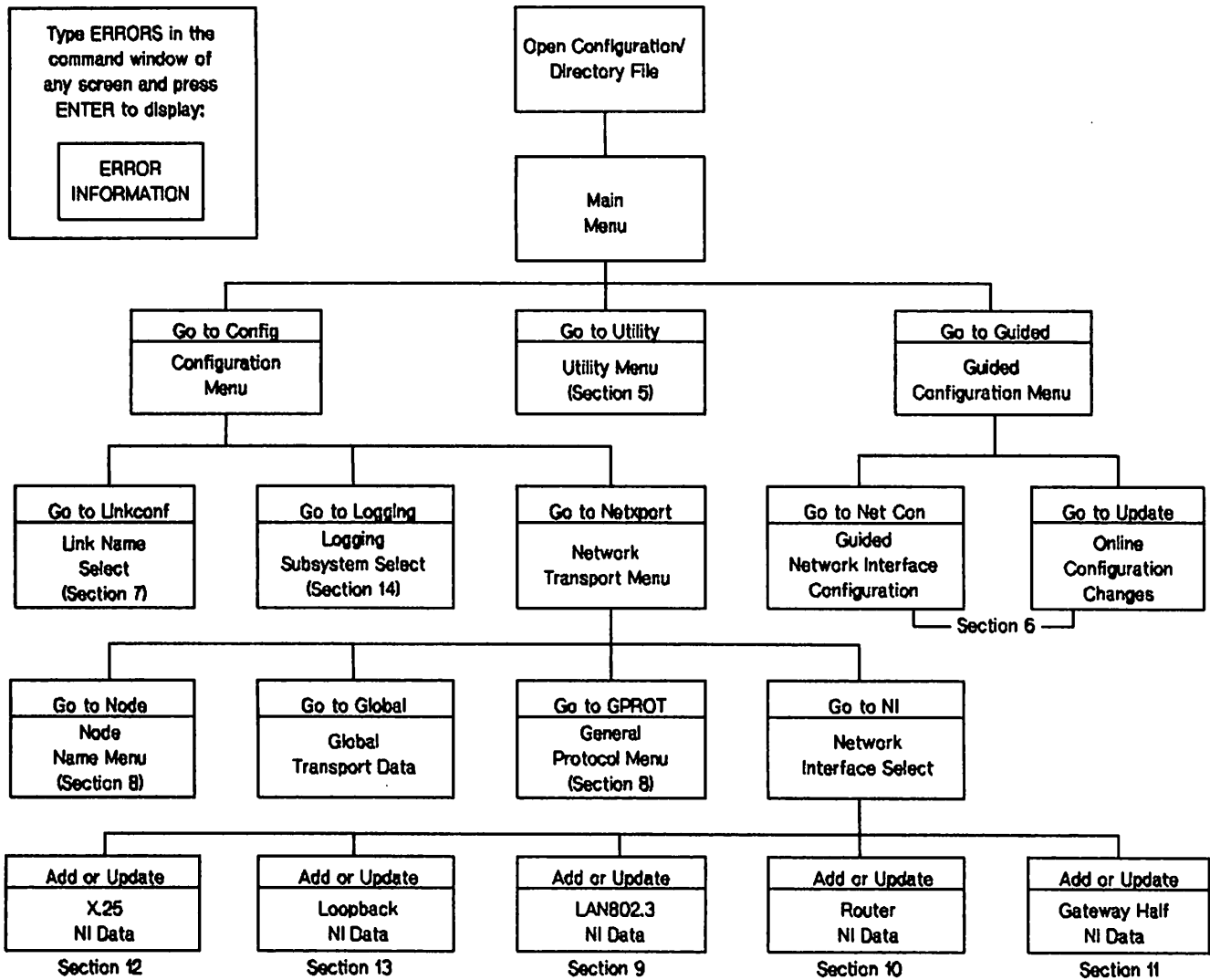


Figure 5-3. NMMGR Screen Structure

Configuration Files

NMMGR is used to create and modify configuration files. Configuration files are data files with a hierarchical structure which are file code NCONF. They are created with 2048 32-byte records. The hierarchical structure, called a **template**, is provided by NMMGR when the configuration file is created. Figure 5-4 shows the configuration file template used for NS3000/V network configuration. Note that this is only a subset of the complete configuration file template provided with NMMGR; templates are provided for other HP data communications products, and for the other NI types available with NS3000/V.

The template defines groups of information, called **cells**, with identifiers of up to eight characters. The cells are arranged in a hierarchical structure. When the configuration file is created, some of the cells, called **fixed cells**, are already identified. In Figure 5-4, uppercase letters denote fixed cells, such as LINKCONF.

The NMS Configurator (NMMGR)

Other cells, called **select cells**, need identifiers specified for one or more items that are associated with the cell. In Figure 5-4, select cells are shaded. The maximum number of items for each select cell is shown in square brackets. For example, the number 8 is shown next to the cell called SUBbbbb in Figure 5-4. This means you can configure as many as eight logging classes for CLASbbbb, which is the select cell below SUBbbbb. You use select screens, described later, to specify identifiers. Thus, the template can be thought of as a framework that determines the overall structure of the configuration file.

Each cell in the template corresponds to a configuration screen. The hierarchical structure of the configuration file is provided so that any screen can be accessed by defining its path in the template. A path is a sequential list of the identifiers used to reach a specific screen. Paths are described in more detail later in this section.

Data is stored in the configuration file in data records. These data records are associated with the appropriate identifiers for the cells marked with an asterisk in Figure 5-4. When the configuration file is created, its structure is established by the template, but its data records are empty. You use data screens, described later, to create or modify data records in the configuration file.

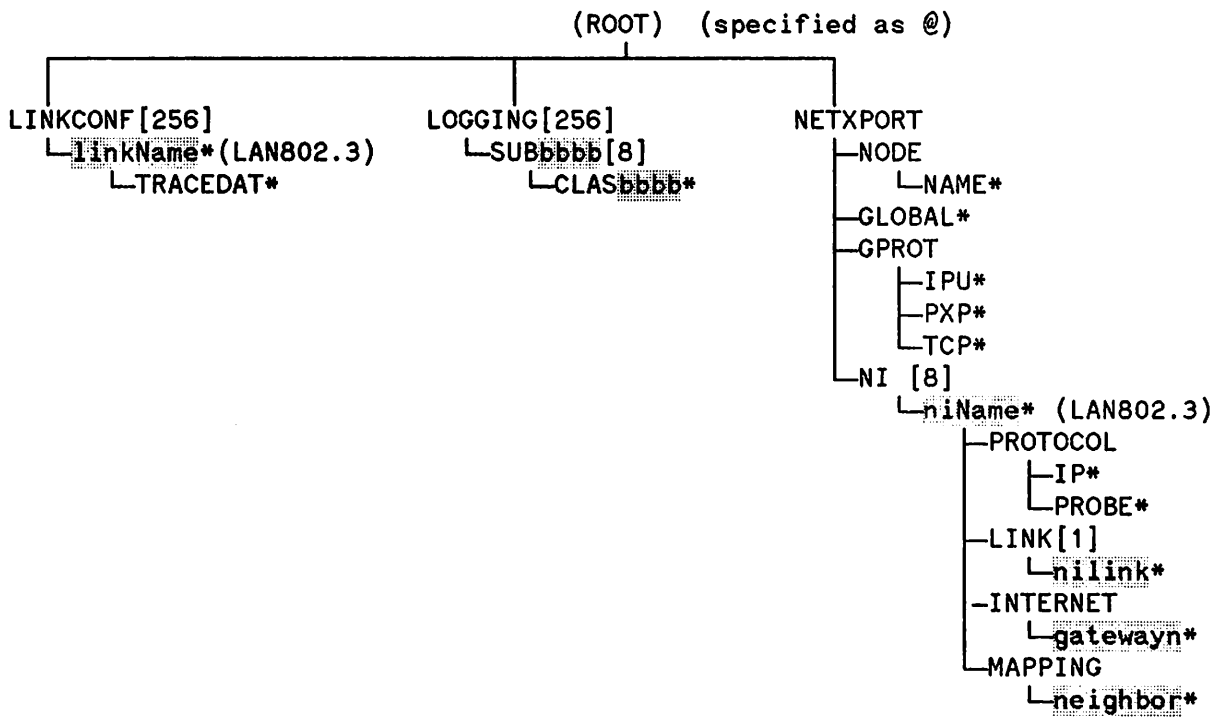


Figure 5-4. Example of a LAN Configuration File Template

* Cell with data record

USING NMMGR CONFIGURATION SCREENS

From the Main Menu screen you can proceed to the menu used to access the screens for manual configuration. Press **Go To CONFIG** at the Main Menu screen to display the Configuration screen (Figure 5-5).

```
NMMGR/3000 (X.XX.XX) CONFIGURATION
Select the next screen and press the corresponding function key.
Command:

Path:

LINKCONF - Configure LINK MANAGER Subsystem.
LOGGING  - Configure LOGGING for all Subsystems.
NRJE     - Configure NRJE Subsystem.
SNANODE  - Configure SNA Subsystem.
NETXPORT - Configure NETWORK TRANSPORT Subsystem.
APPC     - Configure APPC Subsystem.

File: filename.group.acct

Go To Go To Go To Go To Go To Go To Refresh Prior
LINKCONF LOGGING NRJE SNANODE NETXPORT APPC Screen Screen
```

Figure 5-5. The Configuration Screen

General Operation of Screens

Figure 5-6 shows a generalized NMMGR screen that illustrates the common features of all configuration screens. It also indicates the features that vary depending on the type of screen. An NMMGR configuration screen can be classified as one of three types:

- Menu screen
- Select screen
- Data screen

Menu screens show the fixed cells available on the path below your current level as you traverse the NMMGR screens. Select screens are used to specify identifiers for the select cells of the configuration file. Data screens are used to enter data into the data records associated with cells in the configuration file. The layout of the fields and the labels of the first six function keys (labeled *function* in Figure

5-6) are different for the three types of screens. The rest of the features (except the data flag), shown in Figure 5-6 and described below, are common to all three screen types.

NMMGR/3000 (X.XX.XX) SCREEN TITLE HERE				Data:Y			
Describe action required at this screen. Also used to display error messages.							
Command:							
Path: LEVEL1.userselect.LEVEL3							
Layout and function keys (1-6) depend on the type of screen:							
<ul style="list-style-type: none"> - Data Fields and definitions for DATA screens. - Menu choices for MENU screens - Name select fields for SELECT screens. 							
File: filename.group.acct.							
function	function	function	function	function	function	Refresh Screen	Prior Screen

Figure 5-6. A Typical NMMGR Configuration Screen

The Header and Message Lines

The top line of each NMMGR screen is the header, which identifies the NMMGR version number (A.02.00) and the screen title. Below the header is the message field, where NMMGR prints errors, warnings, prompts, and other messages.

Data Flag

On data screens only, the header line also contains the Data Flag, which is shown as **Data:** followed by **Y** in Figure 5-6. A **Y** indicates that the data record has been created for that cell of the configuration file; an **N** indicates that the data record has not been created. You *must* check the data flag to know if the data record has been created. *No data is entered into the configuration file until the data record is created.* Refer to "Data Screens" later in this section.

Path Name

The path name is shown on each configuration screen in the **Path:** field. The path name for each screen consists of all the cell identifiers (separated by periods) between the root and the specific cell in a configuration file. The NMMGR screen structure is similar to the configuration file structure. The root of the configuration file template (Figure 5-4) corresponds to the Configuration Menu in the NMMGR screen structure (Figure 5-3). Therefore, a path name corresponds to both a cell in a configuration file

and an NMMGR screen. In Figure 5-6, the path name is shown as LEVEL1.userselect.LEVEL3; where LEVEL1 and LEVEL3 indicate fixed cell identifiers and userselect indicates a select cell identifier.

File Name

NMMGR displays the name of the configuration file that you are working on in the area called **File:** at the bottom of each screen. This name is shown as filename.group.acct in Figure 5-6; in practice, the actual file name entered in the Open Configuration/Directory File screen is displayed. Note that the file name is not a field; to change your working file, you must use the Open Configuration/Directory File screen.

Command Window and the Enter Key

Each screen includes a field labeled **Command:** below the message line. This field, called the command window, is displayed in half-bright inverse video. NMMGR accepts three types of commands:

- NMMGR commands
- MPE commands
- NMMGR path commands (Direct Path Branching and Brother Branching)

You can type any of the accepted types of commands in the command window and press **ENTER** to execute the command.

NMMGR Commands. NMMGR provides commands that transfer you to other screens or perform specific functions. Refer to Table 5-3 for a list of the NMMGR commands. NMMGR recognizes the unambiguous prefix of any command in Table 5-3. For example, you can enter ER to transfer to the Error Information screen; you cannot enter E because you might mean EXIT, not ERRORS. The optional portions of the commands are indicated by brackets.

MPE Commands. You can enter any programmatically executable MPE command in the command window and preface it with a colon. For example, suppose you want to see if a configuration file is active before you access it. You are already running NMMGR. You could enter the MPE command:

```
Command: :LISTF NSCONF.NET.SYS,2
```

in the command window and press **ENTER**. Your terminal screen is cleared and the information is displayed. When MPE is finished processing your command, NMMGR prompts you to press **RETURN** to return to the screen interface. You can process only one MPE command at a time.

NMMGR Path Commands. NMMGR provides two path commands that allow you to transfer freely among configuration screens that have path names: direct path branching and brother branching.

Direct path branching allows you to enter *@pathname* in a command window to transfer to the screen addressed by the path name. Look at the template in Figure 5-4 and find the cell called NAME, near the upper-right corner of the template. This cell corresponds to a data screen called the Node Name Configuration screen. To transfer to this screen, you would type the *pathname*, preceded by an @, in the command window of any screen. The command window would look like:

```
Command: @NETXPORT.NODE.NAME
```

After pressing **ENTER**, the Node Name Configuration screen would be displayed.

Path names can include both fixed cells and user-specified cell identifiers. In order to use direct path branching, you must be familiar with the structure of the configuration file for your node. You use an output utility, described later, to provide a tree structure of your file. You must know all cell identifiers to specify a correct path name.

Brother Branching. Configuration screens that share a common parent screen are referred to as brothers. If you are working in a screen with one or more brothers, you can use the NEXT command to transfer to the next brother screen. This feature is called **brother branching**.

Look again at the template in Figure 5-4. Notice that the cell NETXPORT in the upper right-hand corner has four children (referred to by their path names): NETXPORT.NODE, NETXPORT.GLOBAL, NETXPORT.GPROT, and NETXPORT.NI. These four screens are brothers. To transfer to NETXPORT.GLOBAL from NETXPORT.NODE, you would simply type next on the command line and press **ENTER**. The command would look like this:

Command: NEXT

After pressing **ENTER**, the NETXPORT.GLOBAL screen would be displayed. Typing NEXT on the command line of the NETXPORT.GLOBAL screen and pressing **ENTER** would transfer you to NETXPORT.GPROT. You could use the same command to transfer from NETXPORT.GPROT to NETXPORT.NI.

The screens are visited in the order their names appear on the parent screen. Typing NEXT at the command line will transfer you to the next brother as long as one exists. If you try to transfer from the last brother screen to the first, you will receive an error message telling you that there are no more brother screens to transfer to.

TABLE 5-3. NMMGR COMMANDS

NMMGR Command	Action
:MPECommand	Execute <i>MPECommand</i> . <i>MPECommand</i> must be a programmatically executable MPE command.
COM[PRESS]	Transfer to Compress screen.
CON[FIGURATION] or @	Transfer to Configuration screen.
COP[YSUB]	Transfer to Configuration Subtree Copy screen.
ER[RORS]	Brings up Error Information screen.
EX[IT]	Exit from NMMGR.
H[ELP] or ?	Calls up help function. (Refer to "Getting Help" subsection earlier)
M[AIN]	Transfer to Main Menu screen.
NEX[T]	Transfer to brother screen. (Refer to the subsection "NMMGR Path Commands" earlier)
NET[DIR]	Transfer to Network Directory Main screen. Refer to Section 15 for more information.
NIG[UIDE]	Transfer to Guided Network Interface Configuration screen. Refer to Section 6 for more information.
NIU[PDATE]	Transfer to Guided Network Update Configuration Screen. Refer to Section 6 for more information.
NM[MGRCMD]	Transfer to maintenance mode interface. Refer to Section 15 for more information.
OP[EN]	Transfer to Open Configuration/Directory File screen.
OU[TPUT]	Transfer to Output Configuration File screen.

TABLE 5-3. NMMGR COMMANDS (cont.)

NMMGR Command	Action
P[RIOR]	Same as pressing Prior Screen . See explanation below.
Q[UIT]	Exit from NMMGR (Same as EXIT.)
R[EFRESH]	Same as pressing Refresh Screen . See explanation below.
ST[OP]	Stop Guided Configuration Process. Refer to Section 6 for more information.
SU[BGUIDE]	Transfer to Guided Configuration of Subsystem screen.
U[TILITY]	Transfer to Utility screen.
VA[LIDATE]	Transfer to Validate Configuration File screen.
VE[RSION]	Display version information.

Screen Fields

You enter data or item names into the appropriate fields in data screens or select screens. You can enter information only into "unprotected" fields; the rest of the screen is protected against modification. If your terminal has the required capability, the unprotected fields are easy to identify because they are shown in half-bright inverse video and appear grey. All half-bright inverse video fields are unprotected fields, with the exception of the header and function key labels. Full-bright inverse video fields, which appear white, are used for display-only information.

On terminals without half-bright inverse video capability, unprotected fields are displayed in full-bright inverse video and appear white. For screens with more than one unprotected field, the cursor automatically moves to the next unprotected field when you reach the end of the present field, or if you press **TAB**.

Generally, you use the **TAB** key to step through the fields from the top of the screen to the bottom. For the reverse, the keys to use depend on the type of terminal -- use the **SHIFT****TAB** keys for HP 262X terminals, use the **CONTROL****TAB** keys for HP 264X terminals. A convenient method of positioning the cursor at the **Command:** window is to home the cursor (press the key on your terminal with the diagonal arrow). For more information, consult your terminal reference manual.

Prior Screen Key

The **Prior Screen** key displays the screen most recently displayed before the current one. In order to show the correct screen, NMMGR maintains a **prior screen list**, which is a sequential list of the screens that have been displayed. Pressing the **Prior Screen** key displays the most recent screen in the prior screen list, and removes that screen from the list. The most recent screen in the list is the screen that was visited just prior to the current screen, with three exceptions:

- When you display the Error Information screen, NMMGR does not put this screen in your prior screen list. Thus, pressing **Prior Screen** never transfers you to the Error Information screen, even if it was the latest screen you displayed.
- After reaching the Validate screen in guided configuration, the prior screen becomes the screen with which you began the guided configuration.
- If you use the command window to return to a screen already visited, NMMGR drops from the prior-screen list any screens that you visited after this screen. For example, suppose you run NMMGR; NMMGR displays the Open Configuration/Directory File screen. The prior-screen list is empty. You open a file and NMMGR displays the Main Menu screen. The prior-screen list now contains:

Open Configuration/Directory File

You then display the Configuration screen, and the prior-screen list contains:

Main Menu
Open Configuration/Directory File

with the latest screen on top.

You then display the Link Configuration (select) screen, and the prior-screen list contains:

Configuration
Main Menu
Open Configuration/Directory File

You then display an associated Link Configuration data screen and the prior-screen list contains:

Link Configuration (select)
Configuration
Main Menu
Open Configuration/Directory File

If you then use the command window to transfer to the Main Menu screen, NMMGR truncates the prior-screen list so that it contains only:

Open Configuration/Directory File

Now, if you press **Prior Screen**, NMMGR transfers you to the Open Configuration/Directory File screen.

The Error Information screen, described later, does not include a **Prior Screen** key. Instead, it contains a key labeled **Leave Errors**, also described later.

NOTE

During Guided Configuration, this key is labeled **Next Screen** and performs a different function.

Refresh Screen Key

All screens include a **Refresh Screen** key (**F7**). You can use this key to redisplay a screen with current configuration file data. A common use of **Refresh Screen** is to "clean up" a screen after a TELL message or other interference has appeared on it. Because NMMGR uses VPLUS/3000 screens, you must press **Refresh Screen** after a terminal hard reset is performed and after a terminal power failure.

CAUTION

If you make changes to a *select* screen and press **Refresh Screen** before pressing **Update** or one of the other function keys, the identifier that you entered is cleared and is not entered into the configuration file. As for a *data* screen, any changes not saved with **Update Data** cause a warning to be displayed in the message line. If you ignore the warning and press **Refresh Screen** again or a function key other than **Update Data**, the data is not written to the configuration file.

Menu Screens

Menu screens, such as the Main Menu screen in Figure 5-2, allow you to select an NMMGR function. In the Main Menu screen, for example, three functions are available.

The text in the middle of menu screens describes the functions of the screens to which you can transfer. Select a screen by pressing the corresponding function key. The function keys available on menu screens are shown in Table 5-4.

TABLE 5-4. MENU SCREEN FUNCTION KEYS

Key	Function
Go To function	Transfers you to the next screen "below" the current screen. Labels are dependent on specific screen.
Refresh Screen	Redisplays screen with current configuration file data.
Prior Screen	Displays the most recent screen in the prior-screen list. Refer to the earlier description of this key for examples.

Select Screens

Select screens allow you to select identifiers to add, delete, update or rename. Some select screens also include a field where you must specify the type of identifier you are selecting. Figure 5-7 is an example of such a select screen. You must specify a network interface type in addition to a network interface name. Some of the screens that follow such a select screen depend on the type of network interface you select.

```

NMMGR/3000 (X.XX.XX) NETWORK INTERFACE CONFIGURATION
Type in name of item to Update, Delete, or Rename; or Add a new item.
Command:

Path: NETXPORT.NI
[ ] Network Interface Name [ ] Type : LOOP,LAN802.3,MAPA,
[ ] New Name                [ ]          ROUTER,GATEHALF,X.25
                                   (if new)

                Configured Network Interfaces

Name      Type      Name      Type      Name      Type
[ ]       [ ]       [ ]       [ ]       [ ]       [ ]
[ ]       [ ]       [ ]       [ ]       [ ]       [ ]
[ ]       [ ]       [ ]       [ ]       [ ]       [ ]
[ ]       [ ]       [ ]       [ ]       [ ]       [ ]

File: filename.NET.SYS

Next   Prev   Delete  Rename      Add   Update  Refresh  Prior
Page  Page                               Screen  Screen
    
```

Figure 5-7. Select Screen

In this screen, the select field is labeled:

Network Interface Name

Item names can contain as many as eight alphanumeric characters, and the first character must be alphabetic. NMMGR does not differentiate between uppercase and lowercase letters when you enter item names; it upshifts all letters in item names and stores them in uppercase letters.

The type field in this screen is labeled:

LOOP, LAN802.3, MAPA
Type : ROUTER, GATEHALF, X.25
(if new)

To delete or update an identifier, enter the name of the item in the select field and press the appropriate function key. To add, enter the name of the item and its type and press **Add**. Refer to Table 5-5 for a list of function keys for select screens. If you press **Add** or **Update**, NMMGR transfers you either to a data screen so that you can enter or update configuration data for that item, or to another select screen so that you can further specify what you want to configure. If you press **Delete**, NMMGR asks you to press **Delete** again to confirm. If you do, NMMGR deletes the item specified in the select field and any data associated with it from the configuration file. NMMGR then confirms that you have deleted the item by printing the following message in the message field:

Item deleted.

Below the select field is the rename field. In Figure 5-7, the rename field is:

New name

To rename an item, enter the name of the item in the select field and enter the new name in the rename field; then press the **Rename** key. NMMGR confirms that you have renamed the item by printing the following message in the message field:

Item renamed.

TABLE 5-5. SELECT SCREEN FUNCTION KEYS

Key	Function
Next Page	Displays the next set of items.
Prev Page	Displays the previous set of items.
Delete	When pressed twice in succession (to confirm deletion), deletes the item specified in the select field. NMMGR deletes the item and any data associated with it from the configuration file.
Rename	Renames the item specified in the select field with the name specified in the rename field.
Add	Adds an item to the configuration file, with the name specified in the select field. Transfers you either to a data-entry screen so you can enter configuration information for the item, or to a select screen "below" the current screen.
Update	Transfers you either to a data-entry screen so you can update configuration information about the item specified in the select field, or to a select screen "below" the current screen.
Refresh Screen	Redisplays the screen with current configuration file data.
Prior Screen	Displays the most recent screen in the prior-screen list. Refer to the earlier description of this key.

The lower half of a select screen displays, in alphabetical order, names of items that are currently configured in the file. If your configuration file contains more items than can be displayed in one screen, you can display the next set by pressing **Next Page**. To display the previous set, press **Prev Page**.

The maximum number of items possible for a select cell is 256, but some have lower limits--such as 8 for the Logging Configuration class select cells (CLASbbbb).

Data Screens

Data screens are used to configure data records for items that require data. The cells in Figure 5-4 that have data records associated with them are denoted with asterisks. Data-entry screens allow you to enter configuration data into unprotected fields. Figure 5-8 is an example of a data-entry screen.

You must press **Update Data** to create a data record. The data flag in the upper-right corner of each data screen is set to **Y** only when a data record has been created. Otherwise, the flag is set to **N**. Before a data record is created, any values displayed in the data fields are only recommendations -- they are not yet part of the configuration file.

```

NMMGR/3000 (X.XX.XX) ROUTER NETWORK INTERFACE CONFIGURATION      Data: N
When Data Flag is "N", press "Update Data" to create the data record.
Command:

Path: NETXPORT.NI.niName

[256] Number Of Inbound Buffers
[256] Number Of Outbound Buffers
[100] Number Of Routing Table Entries
[ ] Network Hop Count
[ ] Idle Device Timeout Value (Minutes)
    0 = Timer Disabled For All Devices

File: filename.NET.SYS

Go To  Go To  Go To  Go To  Update  Refresh  Prior
PROTOCOL LINK  INTERNET MAPPING  Data   Screen  Screen

```

Figure 5-8. Data-entry screen

The **Update Data** key is used to add or update information in a data record. The **ENTER** key can also be used to update the data record if the command line is blank. NMMGR confirms that you have updated the configuration file by printing the following message in the message field:

Configuration data updated.

The NMS Configurator (NMMGR)

If you enter data in a field and then try to transfer to another screen (by pressing a function key or by using the command window) before pressing **Update Data**, NMMGR prints:

Warning: Screen changed. Use UPDATE to save data. (NMGRWARN7)

This warning cautions you against unintentionally leaving a data screen before you have updated the configuration file. If you decide you do not want to update the configuration file with the data on the screen, you can ignore the warning and repeat the action to transfer to another screen.

If you enter the wrong type of data in any field and try to update the configuration file, NMMGR prints an error message corresponding to the first field with invalid data, highlights and underlines the fields with invalid data, and positions the cursor at the first field with invalid data. For example, suppose you enter an alphabetic character in a location that must contain an integer. When you try to update the file, NMMGR may print:

The field can contain only digits.

The **Refresh Screen** key redisplay a data screen, and shows its current configuration file data. Suppose you have changed some values on a data screen, but then decide to modify these values before actually entering them into the configuration file. Press **Refresh Screen**. NMMGR will warn you that the screen has changed since you last updated it. Press **Refresh Screen** again; NMMGR refreshes the screen and shows its current configuration file data.

Refer to Table 5-6 for a list of function keys for data-entry screens.

TABLE 5-6. DATA SCREEN FUNCTION KEYS

Key	Function
Go To function	Transfers you to the next screen "below" the current screen. Labels are screen specific.
Next Page	Displays the next set of items.
Prev Page	Displays the previous set of items.
First Page	Displays the first set of items. (Function available for Neighbor Gateway Reachable Networks Screen.)
Last Page	Displays the last set of items. (Function available for Neighbor Gateway Reachable Networks Screen.)
Condense Page	Condenses the current set of items. (Function available for Neighbor Gateway Reachable Networks Screen.)
Update Data	Writes screen data to configuration file. This key <i>must</i> be used to create or update the data record.
Refresh Screen	Redisplays screen with current configuration file data.
Prior Screen	Displays the most recent screen in the prior-screen list. Refer to the earlier description of this key.
Delete Data	Appears on some screens; removes data configured on the screen from the configuration file.

USING NMMGR UTILITY SCREENS

The Utility Screen (Figure 5-9) is a menu screen from which you can transfer to the Output, Compress, Validate, or Configuration Subtree Copy screens. To display the Utility Screen, you can select **Go To UTILITY** at the Main Menu screen, or you can type UTILITY in the command window of any screen and press **ENTER**.

```
NMMGR/3000 (X.XX.XX) UTILITY
Select the next screen and press the corresponding function key.
Command:

OUTPUT      - Output a configuration file listing to terminal or printer.
COMPRESS    - Compress or expand a configuration file.
VALIDATE    - Validate subsystem configuration data.
COPY SUBTREE - Copy Configuration data from file to file.

File: filename.group.acct

Go To      Go To      Go To      Go To
OUTPUT     COMPRESS  VALIDATE   COPY SUB

Refresh    Prior
Screen     Screen
```

Figure 5-9. Utility Screen

The Output screen allows you to display or print the configuration file tree structure or the data screens associated with a configuration file.

The Compress screen allows you to compress or expand the configuration file, which is helpful if you run out of record space.

The Validate screen allows you to see if the configuration of a specified subsystem is valid.

The Configuration Subtree Copy screen allows you to copy configuration data from one configuration file to another.

Determine the function you wish to perform and press the corresponding function key.

Output Configuration File

The Output Configuration File screen (Figure 5-10) allows you to list or print the configuration file tree structure, to print the NMMGR data screens associated with a configuration file, and to print a critical summary of the configuration file data. Refer to Table 5-7 for a list of function keys for this screen. You may want to issue a file equation for the output file FORMLIST on the command line. For example, you could type:

```
:FILE FORMLIST;DEV=PP
```

If you then pressed **Print Data**, the output would be sent to the device PP.

For another example, you could type:

```
:FILE FORMLIST;DEV=DISC;SAVE
```

If you then pressed **Print Data**, the output would be stored on disc under the file name FORMLIST.

```

NMMGR/3000 (X.XX.XX) OUTPUT CONFIGURATION FILE
Select output option and press the corresponding function key.
Command:

DISPLAY TREE - Display configuration file tree structure to terminal.
PRINT TREE   - Print config file tree structure to line printer or FORMLIST.

PRINT DATA  - Print data screens to line printer or FORMLIST.
                Subsystem [0] [ ] [ ] [ ]
                    0: All subsystems      3: NRJE          6: APPC
                    1: LINKCONF            4: SNANODE
                    2: LOGGING             5: NETXPORT

PRINT SUMMARY - Print critical summary of data for subsystem [5]
                to line printer or FORMLIST.

PRINT SUBTREE - Print data screens for a subtree to line printer or FORMLIST.
                Enter the path of the screen at the top of the subtree:
                [ ]

File: file.group.acct

Display Tree  Print Tree  Print Data  Print Summary  Print Subtree  Refresh Screen  Prior Screen

```

Figure 5-10. Output Configuration File Screen

The tree structure printed by the **Print Tree** key shows the identifiers that are configured for each cell, but does not show any data that is configured. This key is useful for finding out which identifiers are already configured in a file, and for guidance in direct path branching, described earlier. To generate a printed listing of all the data screens in the file, use the **Print Data** key.

TABLE 5-7. OUTPUT FUNCTION KEYS

Key	Function
Display Tree	Displays the configuration file tree structure to your terminal. Refer to Figure 5-11 for an example.
Print Tree	Prints the configuration file tree structure to the line printer (default system device LP, or FORMLIST--Formal File Designator). Refer to Figure 5-11 for an example.
Print Data	Prints the NMMGR data screens associated with the configuration file to LP or FORMLIST. By default, output goes to the device LP. Refer to Figure 5-12 for an example.
Print Summary	Prints critical summary of data for Network Transport to line printer or FORMLIST. By default, output goes to the device LP.
Print Subtree	Prints the NMMGR data screens for a specified subtree to LP or FORMLIST. Default output device is LP.

NMMGR presents the hierarchical structure and data screens of a file by doing a depth-first traversal of the tree. The cells on each level are presented in the order they were configured.

If you press **Print Tree**, **Print Data**, **Print Summary** or **Print Subtree**, NMMGR prints the following message in the message field when it has finished listing the output:

Output listing completed.

Print Tree and Display Tree

Figure 5-11 is an example of a tree structure produced by pressing **Print Tree** or **Display Tree**. In this example, the user has configured a node on an IEEE 802.3 LAN. Thus, the structure corresponds to that seen in the template in figure 5-4. The level of each cell is printed on the left, in square brackets. The tree structure shows the identifiers of all the configured cells and items and those of the fixed cells reachable from the configured cells and items. The entries are indented according to their level in the tree structure.

```
[1] LINKCONF
[2]  LANLINK
[3]   TRACEDAT
[1] LOGGING
[2]  SUB0003
[3]   CLAS0001
[3]   CLAS0002
[3]   CLAS0003
[3]   CLAS0004
[3]   CLAS0005
[3]   CLAS0006
[1] NRJE
[1] SNANODE
[1] NETXPORT
[2]  NODE
[3]   NAME
[2]  GLOBAL
[2]  GPROT
[3]   IPU
[3]   PXP
[3]   TCP
[2] NI
[3]  LAN1
[4]   PROTOCOL
[5]    IP
[5]    PROBE
[4]  LINK
[5]   LANLINK
[4]  INTERNET
[5]   LANINET
[4]  MAPPING
[5]   LANMAP
```

Figure 5-11. Example of Configuration File Tree Structure

Print Data

The **Print Data** key allows you to print the data screens of a configuration file. If data is present in the configuration file, the actual data is printed on the appropriate data screen, and the Data Flag is **Y**. However, where no data is present, the recommended values (screen default values) are printed on the appropriate data screens, and the Data Flag is **N**.

Figure 5-12 is an example of a data screen printed by **Print Data**:

```
NMMGR/3000 (A.01.00) GLOBAL TRANSPORT CONFIGURATION                               Data: Y
Fill in fields and press Update to configure the data for this item.
Command:

Path: NETXPORT.GLOBAL

[LAN1   ] Home Network Name

[2][3][1] Name Search Methods And Order

          1 - Network Directory    3 - Probe Proxy
          2 - Probe                0 - Choice Omitted

[100 ] Maximum Directly Connected Nodes
[100] Maximum Outbound Destinations
[100] Maximum Inbound Destinations

File: filename.NET.SYS

                                     Update  Refresh  Prior
                                     Data    Screen  Screen
```

Figure 5-12. Print Data Screen Example

Print Summary

The **Print Summary** key allows you to print what is known as a **critical summary**--a listing of screens and configured field values for your configuration file. The example that follows is a sample critical summary for a full-gateway node that has been configured with a router NI and a LAN NI. The IP addresses shown have been reserved for use in examples only.

```
CRITICAL SUMMARY - NETXPORT CONFIGURATION

CONFIGURATION FILE NAME: NSCONF.NET.SYS

NODE NAME: FLAGSTAFF.ROUTE66.USA
```

TRANSPORT GLOBAL CONFIGURATION:

Name Search Method: 1. Probe
 2. Probe Proxy
 3. Network Directory
 Maximum Directly Connected Nodes: 100
 Maximum Outbound Destinations: 100
 Maximum Inbound Destinations: 100

IP UPDATE (IPU) CONFIGURATION:

Maximum Number of Networks in Internet: 64
 Maximum Gateway Nodes Per Network: 16

PACKET EXCHANGE PROTOCOL (PXP) CONFIGURATION:

Retransmission Interval (Secs): 10
 Maximum Retransmissions Per Request: 4

TRANSMISSION CONTROL PROTOCOL (TCP) CONFIGURATION:

Maximum Number of Connections: 128
 Retransmission Interval Upper Bound (Secs): 120
 Retransmission Interval Lower Bound (Secs): 4
 Initial Retransmission Interval: 4
 Maximum Number of Retransmissions: 4
 Connection Assurance Interval: 600
 Maximum Connection Assurance Retransmissions: 3

CONFIGURED NETWORK INTERFACES:

Network Interface Type: LAN
 Network Interface Name: LANA
 Network Interface IP Address: C 192.006.001 000
 Network Segment Size: 1497
 Number of Inbound Buffers: 256
 Number of Outbound Buffers: 256
 Number of Store and Forward Buffers: 20
 Maximum Number of Nodes in Network: 100

PROBE PROTOCOL CONFIGURATION:

Proxy Enabled: Yes

NETWORK INTERFACE LINKS:

Link Name	LDEV	Link Type	Buffer Size	Line Speed	Dial Enabled
LANLINK	150	LAN LAN802.3			

IEEE 802.3 MAPPING:

IP Internet Address	IP SAP	IEEE802.3 Address
-----	-----	-----

(None configured)

The NMS Configurator (NMMGR)

CONFIGURATION:

```

Neighbor Gateway Name: NODE2      Gateway IP Address: C 192.006.001 001
Reachable Networks:
  IP Network Number  Hops      IP Network Number  Hops
  -----
  C 192.006.250 000  1      C 192.006.251 000  2
  
```

```

Network Interface Type:      Router
Network Interface Name:     ROUTE66
Network Interface IP Address: C 192.006.252 006
Number of Inbound Buffers:  256
Number of Outbound Buffers: 256
Number of Store and Forward Buffers: 20
Number of Route Table Entries: 100
Network Hop Count:          10
  
```

DIAL PROTOCOL INFORMATION:

```

Maximum Retransmissions Per Packet: 2
Retransmission Timeout (Secs):      5
Security On:                          Yes
Security Strings:                     HP
  
```

NETWORK INTERFACE LINKS:

Link Name	LDEV	Link Type	Buffer Size	Line Speed	Dial Enabled
NEWMEX	151 SD	LAPB	1024	56000	Yes
ARIZONA	152 DD	ATP/ASNP	242	1200	Yes

ROUTER REACHABLE NODES:

Node Name	IP Address	Link Name	Adjacent?	Phone Number	Security String
CHICAGO	C 192.006.252 001	NEWMEX	Nonadjacent		HP
STLOUIS	C 192.006.252 002	NEWMEX	Nonadjacent		HP
OKCITY	C 192.006.252 003	NEWMEX	Nonadjacent		HP
AMARILLO	C 192.006.252 004	NEWMEX	Nonadjacent		HP
GALLUPNM	C 192.006.252 005	NEWMEX	Adjacent	71-555-555-5555	HP
WINOMA	C 192.006.252 007	ARIZONA	Adjacent	71-888-888-8888	HP
KINGMAN	C 192.006.252 008	ARIZONA	Nonadjacent		HP
BARSTOW	C 192.006.252 009	ARIZONA	Nonadjacent		HP
SANBERNA	C 192.006.252 010	ARIZONA	Nonadjacent		HP
LA	C 192.006.252 011	ARIZONA	Nonadjacent		HP

INTERNET CONFIGURATION:

```

Neighbor Gateway Name: CHICAGO      Gateway IP Address: C 192.006.252 001
Reachable Networks:
  IP Network Number  Hops      IP Network Number  Hops
  -----
  C 192.006.253 000  1      C 192.006.254 000  2
  
```

Print Subtree

The **Print Subtree** key allows you to print the NMMGR data screens for a specified subtree. Refer to Figure 5-12 for an example of how a data screen is printed.

Compress Configuration File

The Compress screen (Figure 5-13) allows you to compress or expand configuration files. To perform these functions, you must be the creator of the file.

```

NMMGR/3000 (X.XX.XX) COMPRESS
Change file size if desired, and press Compress File.
Command:

                2048      Current File Size
                2028      Number of Free Records

                [ 0 ]     Number of Additional Records

                        Use a negative value
                        to contract file

File: filename.group.acct

Compress File      Refresh Screen      Prior Screen
  
```

Figure 5-13. Compress Screen

Fields

- Current File Size** (Display field.) Size of the file, in 32-byte records.
- Number of Free Records** (Display field.) Number of free records at the end of the configuration file.
- Number of Additional Records** Enter the number of records that you want to add to the file (positive integer) or the number of unused records that you want to delete from the file (negative integer). To simply compress the file, enter 0 (zero). If you are adding records, the file cannot end up containing more than 65,535 records.

The NMS Configurator (NMMGR)

Default: 0

Range: -32767 to 32767.

The Compress screen can compress, or expand configuration files. NMMGR compresses files before adding or deleting records, as explained below.

Configuration files initially contain 2048 32-byte records. As you configure items in a file, records are used sequentially from the beginning of the file. As the file size increases, the number of free records at the end of the file decreases.

If you delete items from a configuration file, the records are not immediately recovered, and the middle of your file may contain some unused records. Unused records are not reflected in the Number of Free Records count. If you then compress the file (by specifying 0 for Number of Additional Records and pressing **Compress File**), all data are stored in a contiguous block of records, and all unused records are now located at the end of the file. Thus, compressing a file enables you to determine the actual number of free records in a file before adding or deleting records.

When you press **Compress File**, NMMGR begins compressing the file immediately. The terminal is locked to indicate that NMMGR is not available until finished. When NMMGR has finished compressing a file, it prints the following message in the message field:

Configuration file compressed.

NOTE

Compress time is based on the number of entries in the file. For a file that contains a small amount of data, compression usually takes fewer than 30 seconds. However, compressing a file with a lot of data can take several minutes.

Validate Configuration File

The Validate Configuration File screen (Figure 5-14) allows you to test the validity of a specified subsystem configuration.

```

NMMGR/3000 (X.XX.XX) VALIDATE CONFIGURATION FILE
Validate the subsystem by pressing the corresponding function key.
Command:

[N] Output to line printer or FORMLIST in addition to terminal
      (Y for YES, N for NO)

VALIDATE NETXPORT - Validate NETXPORT configuration data.

File: filename.group.acct

Validate  Refresh  Prior
NETXPORT  Screen  Screen
  
```

Figure 5-14. Validate Configuration File Screen

At present, you can specify only the Network Transport subsystem for validation. The purpose of the validation process is to ensure that your configuration data is syntactically and logically correct before you activate the node. The Link configuration must be complete before you attempt to validate the Network Transport configuration. This is because the Network Transport validation process uses Link configuration data.

The validation process creates a listing of error messages to pinpoint invalid items. One possible message, for instance, states that a phone number has not been configured for a Dial-type link. When you press the **Validate NETXPORT** key you enter character mode, in which validation errors are listed at your terminal. If you want the listing to be sent to a device in addition to your terminal, change the value to **Y** in the box next to **Output to FORMLIST in addition to terminal** on the Validate Configuration File screen. You can have the listing sent to disc or a printer by setting a file equation, or you can have it routed to the default device, which is LP.

The NMS Configurator (NMMGR)

After viewing the messages, if any, press **(RETURN)** to go back to block mode. The message near the top of the Validate Configuration File screen now tells you if the validation process has completed and, if so, if the configuration is valid. It is possible you will see a message indicating that the validation routine never took place, possibly due to a load error or internal errors. You must see the following message to be sure that your configuration file is valid:

Validation completed; configuration of the selected subsystem is valid.

If you do not see the above message, you see one of these messages:

Validation completed; configuration of the selected subsystem is not valid.

Internal errors occurred during validation.

Cannot invoke subsystem validation routine.

Remember to refer, whenever necessary, to the *NS3000/V Error Message and Recovery Manual*. If you encounter errors that you cannot resolve, notify your HP representative.

The following items are checked during the validation procedure.

- These paths must exist:

LINKCONF

NETXPORT

NETXPORT.GLOBAL

NETXPORT.NODE

NETXPORT.NODE.NAME

NETXPORT.GPROT.TCP

NETXPORT.GRPOT.PXP

NETXPORT.GPROT.IPU

NETXPORT.NI

- Paths expected to have a defined data length are checked. These include:

A path which contains data that should not contain data.

A path which does not contain data that should contain data.

A path which has an incorrect data length.

- At least one NI must be configured for each node.(NETXPORT.NI.*niName*)

- The TCP retransmission lower bound must be less than the TCP retransmission upper bound. (NETXPORT.GPROT.TCP)
- The TCP initial retransmission timer must be in the range of the lower and upper bound retransmissions timers. (NETXPORT.GPROT.TCP)
- An unknown path will cause a validation error.
- If the number of internet reachable networks configured for an NI (NETXPORT.NI.*niName*.INTERNET.*gatewayn*) is greater than the configured maximum number of networks in the catenet (NETXPORT.GPROT.IPU), routing information will exceed the allocated space in the routing tables.
- If the number of internet gateways for an NI (NETXPORT.NI.*niName*.INTERNET) is greater than the configured maximum number of gateways in the network (NETXPORT.GPORT.IPU), routing information will exceed the allocated space in the routing tables.
- If the number of mapping entries for a router NI (NETXPORT.NI.*niName*.INTERNET) is greater than the number of routing table entries for that NI (NETXPORT.NI.*niName* for Router), there will be insufficient space in the routing tables.
- For Router mapping entries:

The link name must be configured for that NI (NETXPORT.NI.*niName*.LINK for Router, and LINKCONF).

The IP network address must match that NI's network number (NETXPORT.NI.*niName*.PROTOCOL.IP).

If Local and DIAL is enabled for the link, there must be a phone number (in the screen NETXPORT.NI.*niName*.MAPPING.*mapentry*).

If Local and DIAL is enabled for the link, and Security is enabled in dial protocol, there must be a security string (NETXPORT.NI.*niName*.MAPPING.*mapentry*).

The wildcard address, "@", is allowed only when a single link is configured for the network interface (NETXPORT.NI.*niName*.LINK).

When the wildcard address is configured, exactly two router mappings must be configured for the network interface (NETXPORT.NI.*niName*.MAPPING).

There can be at most one mapping entry with the wildcard address configured for each router NI.

- The network address of an internet gateway must be the same as that NI's IP network address.

- For each `NETXPORT.NI.niName.LINK` entry:

The corresponding LINKCONF link must be configured (`LINKCONF.linkname`).

If the network interface type is LAN802.3, the link type must be LAN and the link name must correspond to a LAN802.3 link from LINKCONF.

If the link entry corresponds to a Bisync link from LINKCONF, the link-entry type must be Direct Dial or Shared Dial.

If the type is Direct Dial or Shared Dial (`NETXPORT.NI.niName.LINK`), the corresponding LINKCONF entry must have phone data configured (`LINKCONF.linkname.PHONEDAT`).

If the type is Direct Connect, the corresponding LINKCONF entry must *not* have phone data configured.

If the type is Direct Dial or Shared Dial, and DIAL is enabled for the link, then the Dial Protocol must be configured.

If the type is Direct Dial or Shared Dial and the LINKCONF type is ATP/ASNP, the LINKCONF subtype must be either modem or European modem.

- If Dial Protocol is configured and security is enabled, there must be a security string configured (`NETXPORT.niName.PROTOCOL.DIAL.SECURITY`).
- A home network must be configured if there is a Gatehalf type NI, and the home network must *not* correspond to the Gatehalf NI or a Loopback NI.
- If Proxy is enabled, and the inbound Proxy multicast address is not present in the configuration file, then a validation warning message will be printed. See the *NS3000/V Error Message and Recovery Manual* for further details.
- If a LAN NI is configured and the Probe multicast address is not present in the configuration file, then a validation warning message will be printed. See the *NS3000/V Error Message and Recovery Manual* for further details.
- If a node has two or more NIs or a router NI with two or more links, and if no IP store-and-forward buffers are configured, then a validation warning message will be printed. See the *NS3000/V Error Message and Recovery manual* for further details.
- If there is a Router-type NI, then there must be one or more configured mapping entries.
- For LINKCONF LAP-B entries:
 - The T1 timer parameter should be greater than or equal to the recommended formula value: $400[(\text{Buffer Size} * 8) / \text{Baud Rate}]$ --in hundredths of a second.
 - The maximum number of reads and writes must always be 3 in the data record.
 - The line speed must not be zero.

- The IP Network number for the `NETXPORT.NI.niName.MAPPING` entry must be the same as the IP Network number for that NI.
- If Proxy is not enabled on the Probe Protocol Screen and the inbound Proxy multicast address is present in the configuration file, then a validation warning message will be printed. See the *NS3000/V Error Message and Recovery Manual* for further details.
- Subsystem 3 logging must be configured, and at least one logging class must be configured under subsystem 3.

Configuration Subtree Copy

The Configuration Subtree Copy Screen (Figure 5-15) allows you to copy specified parts of a configuration subtree into either the same configuration file or a different configuration file. The target file can be on a remote node in the network.

```
NMMGR/3000 (X.XX.XX)  CONFIGURATION SUBTREE COPY
Enter source, destination files, and paths to roots of trees to copy.
Command:

Source file:  [ ]

Source path:
[ ] . [ ] . [ ] . [ ] . [ ] . [ ] . [ ] . [ ]

Destination file [ ]

Destination path:
[ ] . [ ] . [ ] . [ ] . [ ] . [ ] . [ ] . [ ]

Overwrite existing subtree [N]

File:  filename.group.acct

Copy Subtree  Refresh Screen  Prior Screen
```

Figure 5-15. Configuration Subtree Copy Screen

Description

This screen is used to copy the subtree which begins at the end of the source path, to a subtree which begins at the end of the destination path. The user starts the copy by pressing **F1**.

Fields

Source file This field contains the name of the file where configuration data will be copied from. If this field is left blank, the current configuration file that is open in NMMGR is assumed.

If the file is on a remote node, you must use a file equation, and prefix the file name with an *. You may use an MPE command from the command line to set a file equation without having to leave NMMGR.

Source Path

The source path, a required field, is composed of eight NMMGR path identifier slots. Enter one path identifier in each slot, leaving blanks at the end of each identifier. Leave any unused identifier slots empty.

Destination file

This field contains the name of the file the configuration data will be copied to. If this field is left blank, the current configuration file that is open in NMMGR is assumed.

If the file is on a remote node, the user must use a file equation, and prefix the file name with an *.

Destination Path

The destination path is also composed of 8 path identifiers. You need to enter only those identifiers that are different from the source path. To copy data from the source file to the identical location in the destination file, leave this field blank. If you wish to change the fifth path identifier, then the fifth slot in the destination path should contain data. Only user-selected names can differ among corresponding identifiers in the source and destination paths. User-selected types must match. For example, if the source path includes a direct connect link, the corresponding identifier in the destination path must also be a direct connect link.

Overwrite existing subtree

This required field indicates whether or not existing data in the destination configuration file is to be overwritten when the copy is performed. A Y will overwrite the data, an N will not allow the copy to continue if data exists where the destination subtree starts. The default is N.

NOTE

To perform a copy within the configuration file (which was opened by NMMGR), leave both the source and destination fields blank.

Example

In this example, a subtree copy is being performed from node A to node B. Since the copy is being made to a remote node, the user must make a :DSLIN connection to node B, and set up a file equation to represent node B's configuration file. These steps are shown below. They are shaded because you would see them in inverse video on the screen.

```
Command: :REMOTE HELLO MGR.NET.SYS;DSLIN=B
Command: :FILE CONFIG=NSCONF.NET.SYS:B,OLD
```

The source file and path on node A are entered into the Source file and Source path fields. They appear below.

Source file: [NSCONF.NET.SYS]

Source path: NETXPORT.NI .LAN1 .INTERNET.

The diagram in Figure 5-16 shows the subtree specified by the path above.

SOURCE: before and after copy (node A)

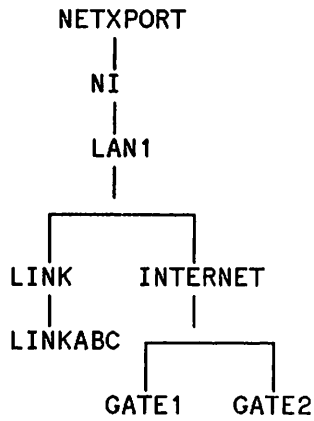


Figure 5-16. Source Subtree

For this copy, the destination file and path were specified as below:

Destination file `[*CONFIG`

Destination path:

`.LAN2`

The diagram in Figure 5-17 illustrates the results of the copy.

DESTINATION: before copy (node B)

DESTINATION: after copy (node B)

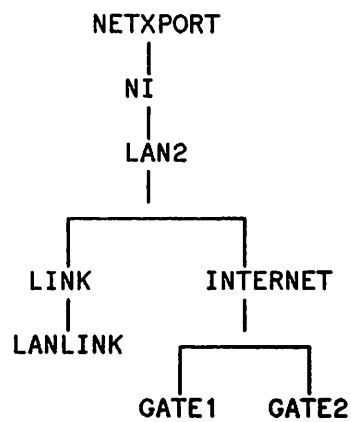
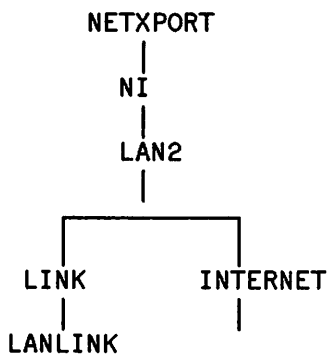


Figure 5-17. Destination Subtrees Before and After Copy

When subtrees contain several records, copies that occur over :DSLIME connections will take considerably longer than copies between two local configuration files. It is several times faster to DSCOPY the configuration file to the destination node, and then perform the subtree copy between two local configuration files.

NOTE

If you are performing a subtree copy with a remote file which is locked by the network transport on the remote system, you will not be able to access this file remotely. However, you can log on to the remote system to copy subtree data. It is not possible to directly copy between two configuration files on different systems which are both locked open. In this case, the steps you would take to copy remote configuration data to a local configuration file are: 1) Log on to the remote system. 2) Run NMMGR and create a new configuration file, which we will call CONFIG1 for purposes of this discussion. 3) While running NMMGR on the remote system, copy the desired subtree into CONFIG1. (If you are unable to copy data, the file may have been opened for exclusive access only, or the network transport may be performing a validation on the file. 4) Exit NMMGR. 5) Return to the local system. (At this point, you may wish to DSCOPY the new file back to the local system so that you can perform a fast subtree copy into the destination file.) 6) Run NMMGR on the local system, and open the file into which you want to copy data. 7) Still in NMMGR, copy subtree data from CONFIG1 into your destination file.

The Error Information Screen

The Error Information Screen displays the last error that NMMGR encountered and associated error messages, if any. It does not display the prompts that are a result of entering invalid data types in fields. This screen is displayed when you type ERRORS in the command window of any screen and press **ENTER**. Figure 5-18 shows an example of an Error Information Screen; Table 5-8 provides a description of the Error Information Screen function keys.

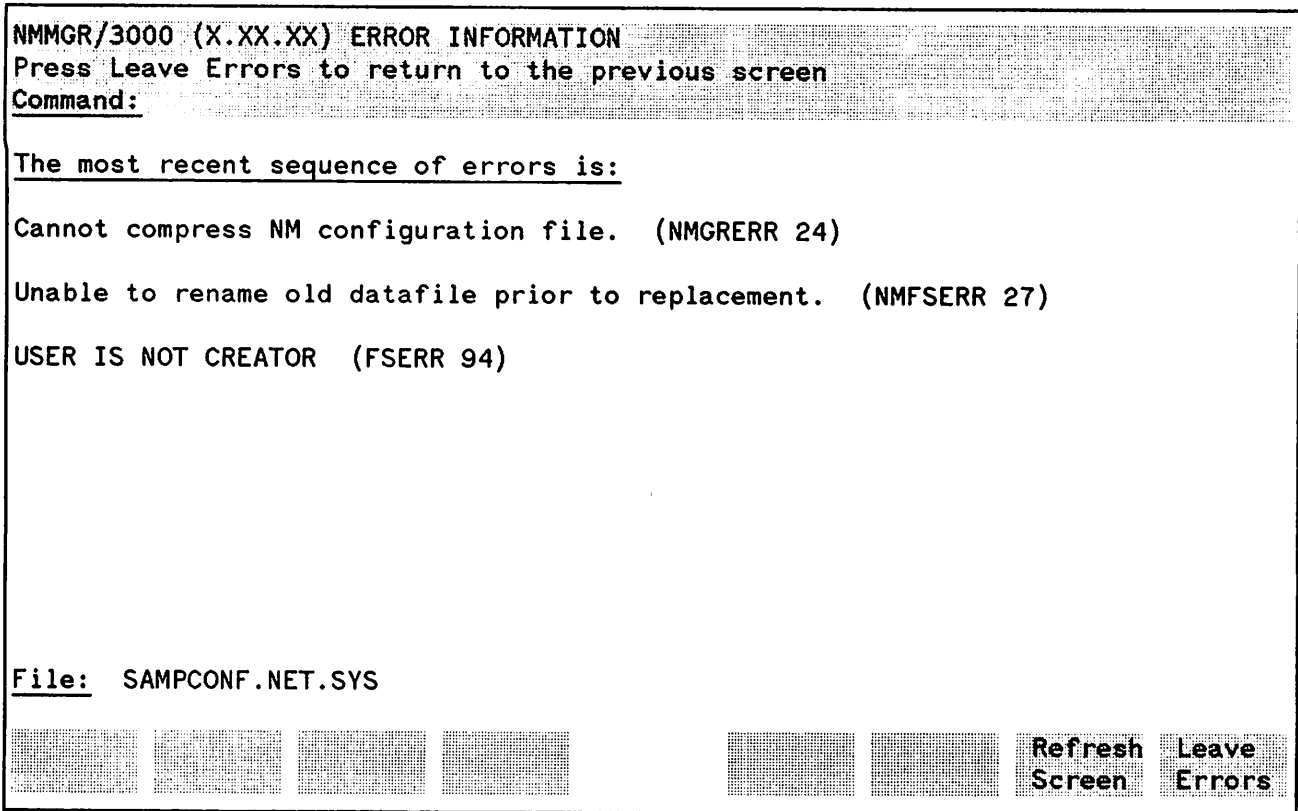


Figure 5-18. Error Information Screen

Figure 5-18 shows the error messages displayed on the Error Information screen if a user who was not the creator of SAMPCONF.NET.SYS tries to compress the file.

TABLE 5-8. ERROR INFORMATION FUNCTION KEYS

Key	Function
Refresh Screen	Redisplays screen with current configuration file data.
Leave Errors	Leaves the Error Information Screen and returns to the screen from which you called the Error Information Screen.

In most cases, you do not need to use the Error Information Screen because NMMGR error messages displayed on other screens usually contain enough information for you to correct the error and continue operation. However, if you do not know the cause of the error, or if a more serious error is encountered, use the Error Information Screen to see if any other error messages are associated with the NMMGR error. As many as five levels of error messages can be displayed in the Error Information Screen, depending on where the error occurred in the software. The hierarchy of errors returned by NMS is shown in Figure 5-18. The top level is the NMMGR error message, and the other levels come from software accessed by NMMGR.

MAKING CONFIGURATION CHANGES

The network transport permits on-line reconfiguration of mapping and internet information but does not permit configuration changes to non-reconfigurable items while the transport is active. Special guided configuration options have been provided in order to permit on-line changes on allowable items.

This subsection describes a method for handling both on-line and off-line configuration changes so that network operation is minimally interrupted.

The basic approach is to create a configuration file that is used for making all configuration changes. We will refer to such a file as NSCONF.MET.SYS. When the transport requires reconfiguration, changes can be made to NSCONF.M, then copied into the NSCONF.MET.SYS file. If you are making changes to mapping and internet information only, you can perform the file copy while the transport is active; if you are making more extensive changes, you first must deactivate the transport.

To create an NSCONF.M file, simply run NMMGR and use the **Create Config** key. Then, assuming you already have an NSCONF.M file, you can use the subtree copy facility from the Utility screen to copy network transport data (NETXPORT, LINKCONF and LOGGING branches) from NSCONF.MET.SYS to NSCONF.MET.SYS.

Once NSCONF.M contains the complete transport configuration, use the Netxport Update branch of Guided Configuration to modify mapping or internet data; use the Netxport Configuration branch of Guided Configuration to make more extensive changes. Be certain to validate your configuration.

If you make mapping and internet configuration changes only, run NMMGR with a command file to copy these subtrees into your active configuration file. For example, a UDC could be written as such:

```
ONLINECHANGES (udc name)
FILE NMMGRCMD=<command filename>
RUN NMMGR.PUB.SYS
RESET NMMGRCMD
NETCONTROL UPDATE=INTERNET;NET=niName
NETCONTROL UPDATE=MAPPING;NET=niName
NETCONTROL UPDATE=X25;NET=niName
```

The command file should contain statements for each network interface. An example of a command file is shown below. Also, *niName* above should be replaced with the name of the desired network. For simplicity, one command file could be written to copy the mapping and internet data for all networks, even if changes occur to only one network. While the transport is active, LAN and Gatchalf network interface types permit internet reconfiguration; router network interface types permit internet and mapping reconfiguration.

The following sample command file contains typical COPYCONF commands (described in detail in Section 15) showing how internet and mapping information could be copied from NSCONF.MET.SYS to NSCONF.MET.SYS. For readability, each command is broken into two lines, but NMMGR requires that the entire command be shown on a single line in your command file.

```
COPYCONF NETXPORT.NI.niname.INTERNET:NSCONF.MET.SYS,
          NETXPORT.NI.niname.INTERNET:NSCONF.MET.SYS
COPYCONF NETXPORT.NI.niname.MAPPING:NSCONF.MET.SYS,
```

NETXPORT.NI.niname.MAPPING:NSCONF.NET.SYS

EXIT

If more extensive changes must be made, it is easiest to replace the entire configuration file. For example, if you have finished making changes to the NSCONF file with NMMGR, the changes will take effect when the following commands are executed:

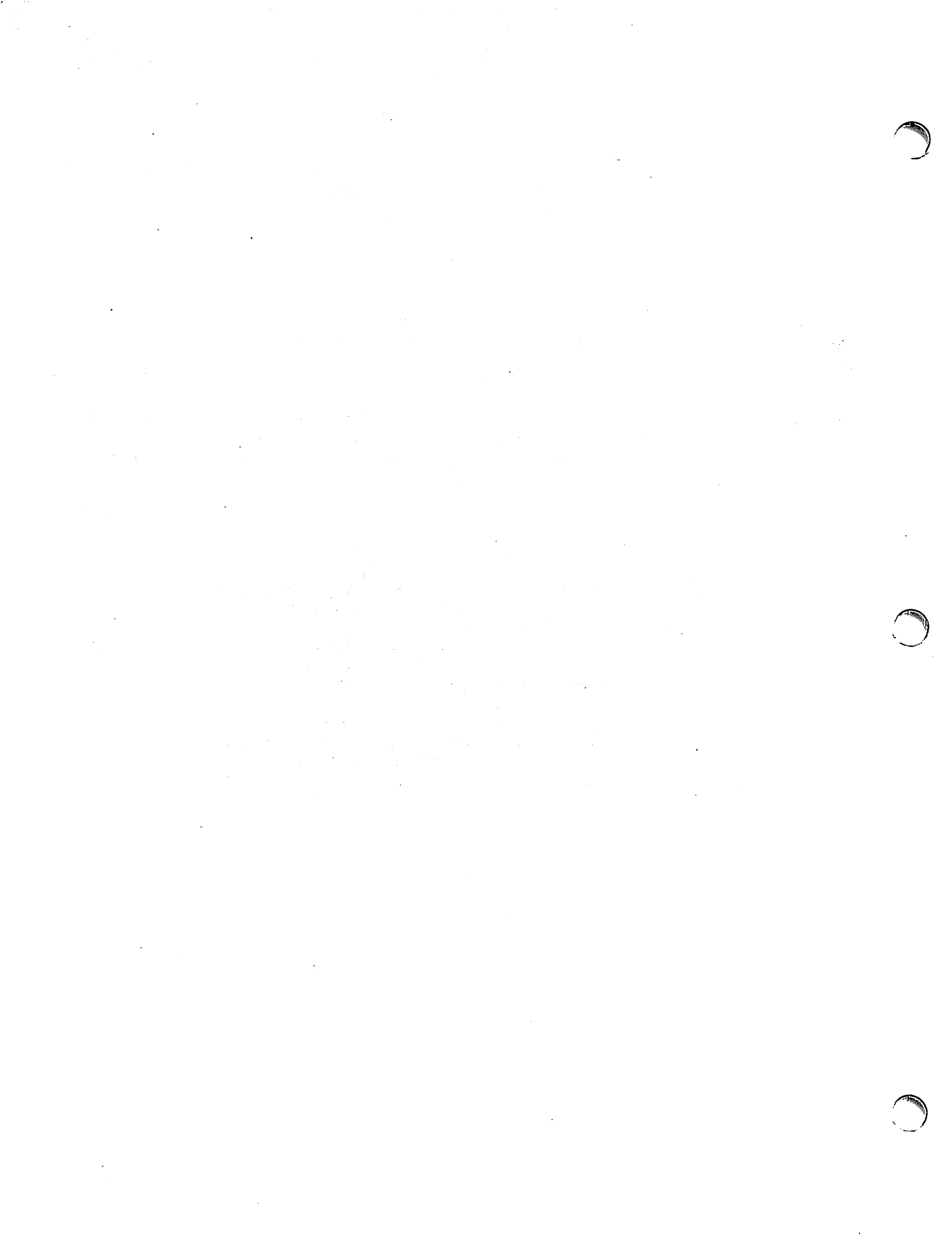
```
OFFLINECHANGES (udc name)
NETCONTROL STOP
PURGE OLDCONF.NET.SYS
FCOPY FROM=NSCONF.NET.SYS;TO=OLDCONF.NET.SYS;NEW (backup copy)
PURGE NSCONF.NET.SYS
FCOPY FROM=NSCONF.NET.SYS;TO=NSCONF.NET.SYS;NEW (move into place)
NETCONTROL START;NET=niName1
NETCONTROL START;NET=niName2 (etc.)
```

The reason for making a backup copy of the existing NSCONF file is that the backup copy can be used if you ever need to go back to your original configuration. Be aware that you cannot FCOPY a configuration file if you are still making changes with NMMGR. To quickly exit NMMGR, type "q" in the command window and press **ENTER**.

NOTE

Each time subtrees overwrite existing subtrees, the amount of available space within the configuration file becomes smaller. If you are frequently reconfiguring your mapping or internet data, you may want to expand the NSCONF and NSCONF files to avoid running out of available file space. The Compress function within the Utility screen of NMMGR can be used to change the size of a file; in addition, it removes inactive subtrees left by prior subtree copy operation. A file cannot be expanded while it is open.

If your operators are accustomed to making on-line changes on their own, they should follow set procedures like those listed above. This way, you can avoid situations where on-line changes might be made directly to NSCONF, then subsequently overwritten with a potentially out-of-date NSCONF file.



GUIDED CONFIGURATION

SECTION

6

Guided Configuration is an NMMGR procedure that automates significant portions of the configuration process. Guided Configuration assumes and supplies default values wherever possible to furnish most of the configuration file's data. You are then led through a predetermined sequence of configuration screens and asked to supply a minimal number of specific field values to complete the network interface being configured or the online configuration changes. Each configuration sequence finishes with the Validation screen, in which the configured data is checked for logical and internal consistency. NMMGR will indicate the presence, nature, and location of any errors found, and will indicate whether or not the configuration is valid accordingly.

The required values for the Guided Configuration screens can be supplied directly from the Configuration Worksheets (refer to Section 3 and Appendix A), which should be completed before attempting any new network configuration. Fields for which you are required to supply values are distinguished from defaulted fields by underlining, as follows:

[_____].

The Guided Subsystem Configuration Screen is reached by selecting **GO TO GUIDED** from the Main Menu screen (refer to Figure 5-2). Figure 6-1 shows the Guided Subsystem Configuration Screen.

```
NMMGR/3000 (X.XX.XX) GUIDED SUBSYSTEM CONFIGURATION
Select the next screen and press the corresponding function key.
Command:

NETXPORT CONFIGURATION - Network Interface Configuration.
NETXPORT UPDATE       - Online Configuration Changes.

File:  FILENAME.NET.SYS

Go To  Go To  Refresh  Prior
NET CONF  UPDATE  Screen  Screen
```

Figure 6-1. Guided Subsystem Configuration

NOTE

HP strongly recommends that you use Guided Configuration to initially configure each node, and for most network maintenance and updating. Use manual configuration *only* if Guided Configuration does not provide access to the configuration data you need to change.

Guided configuration comprises two branches: NETXPORT CONFIGURATION and NETXPORT UPDATE. The first of these two branches, NETXPORT CONFIGURATION, allows you to create or modify the configuration file for all network interface types:

- Loopback (labeled LOOP).
- IEEE 802.3 (labeled LAN802.3).
- Router--two kinds of guided configuration exist for router networks. One kind (labeled PC ROUTER) is for a router network consisting of an HP 3000 with Asynchronous SERIAL Network Links to personal computers. The other kind (labeled ROUTER) is for a router network with only HP 3000s.
- X.25 (labeled X.25).
- Gateway half (labeled GATEHALF).

The sequence of screens that you will encounter as you proceed through guided configuration for each of these network interfaces includes the screens necessary for link and network transport configuration, and validation of the completed configuration file.

The second branch of guided configuration, NETXPORT UPDATE, provides a guided configuration interface for the following types of online configuration changes (changes that you can make to an active file):

- Updating internet data for network interfaces (labeled UPDATE INTERNET).
- Updating mapping data for router network interfaces (labeled UPDATE ROUTER MAPPING).
- Updating X.25 Address Key paths for Switched Virtual Circuits configured for an NS X.25 node.
- Updating mapping data for the configured ingoing or outgoing local user group for an NS X.25 network interface.

The top three levels of the Guided Configuration tree are shown in Figure 6-2.

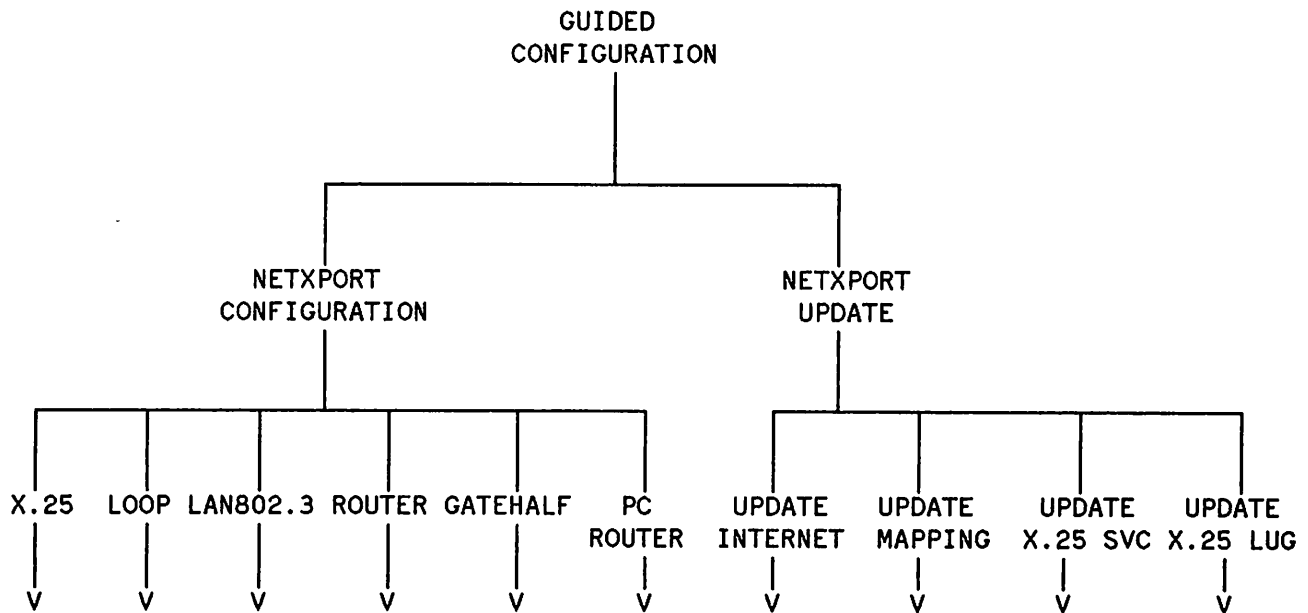


Figure 6-2. Guided Configuration Tree

NOTE

The ROUTER branch and the PC ROUTER branch of Guided Configuration are similar; however, the PC ROUTER branch is designed for configuration of a router network specifically composed of personal computers connected to the HP 3000 via Asynchronous SERIAL Network Links. The defaults imposed by using the PC ROUTER branch are those that HP recommends for such a network, and they differ from the defaults imposed by using the ROUTER branch. In addition, using the PC ROUTER branch allows you to bypass certain screens included in the ROUTER branch, such as those required to configure internet data, since no transparent internet communication can be initiated from or directed to personal computers.

CORRECTING CONFIGURATION ERRORS

Beyond the Configuration or Update level of the configuration tree, Guided Configuration is forced to proceed in a *forward* sequence. The **Prior Screen** key, which is common to most screens in the normal configuration process, is disabled. Furthermore, while in Guided Configuration, you will not be able to branch to other configuration screens by specifying their path in the command line. These restrictions are necessary to enable the configuration to be completed in an orderly and directed fashion.

If it is necessary to leave NMMGR altogether before the configuration is completed, issue the EXIT command in the command line and press **(ENTER)**. You will be warned that you are in the middle of Guided Configuration, and asked to repeat the command if you still want to exit. Exiting in the middle of Guided Configuration will result in an incomplete and unvalidated configuration file.

If you have started a configuration and find that you have made a mistake, type STOP on the command line and press **(ENTER)**. Guided Configuration will stop. Then, by typing @NIGUIDE and pressing **(ENTER)**, you can restart the Guided Configuration, fixing any errors on screens you revisit.

If errors occur during validation, a path name will be displayed as part of the error message, identifying the data screen where the error has apparently occurred. Note (or print out) the screen path name(s). Press the **Prior Screen** key to return to the Guided Configuration screen where you started. Re-enter your network interface name and press the corresponding function key. This will allow you to go back and fix any errors in the configuration you just created. You also have the option of using direct branching to visit the screens on which the validation routine reported errors.

If internal errors or errors that prevent Guided Configuration from continuing occur, you will be returned to your initial Guided Configuration screen and an error message will be printed. Type ERRORS in the command window and press **(ENTER)** to see other possible errors. The problem in most cases is either that the configuration file is locked or that a file is not properly installed. One situation that would cause a file-locking error is if you tried to update information other than internet data or router mapping data while the transport still was active. In this case, you should follow the procedures in Section 5 for making configuration changes. As for installation errors, you can check these by running NMMMAINT.PUB.SYS;PARM=24. For NMMMAINT information, refer to Volume II, Section 2.

NETXPORT CONFIGURATION

The Netxport Configuration branch directs the guided configuration of loopback, LAN, router, X.25, gateway half, and PC router networks. This branch can also be used to modify any of these networks in an existing configuration file. Netxport Configuration is reached by selecting **Go To NET CON** from the Guided Subsystem Configuration screen shown in Figure 6-1. The network interface selection is made from the Guided Network Interface Configuration screen shown in Figure 6-3.

```

NMMGR/3000 (X.XX.XX)  GUIDED NETWORK INTERFACE CONFIGURATION
Enter Net Interface name to configure, then press a Topology function key.
Command:

Network Interface Name [          ]

LOOP      - Guided Configuration of LOOPBACK.
LAN802.3  - Guided Configuration of Local Area Network.
ROUTER    - Guided Configuration of Router.
PC ROUTER - Guided Configuration of ASNP Router for PCs.
X.25      - Guided Configuration of X.25.
GATEHALF  - Guided Configuration of Gateway half.
MAPA      - Guided Configuration of MAP 2.1.

NOTE: Be certain to use "NETXPORT UPDATE" to reconfigure an active network

File: FILECONF.NET.SYS

Go To  Go To  Go To  Go To  Go To  Next Key  Refresh  Prior
LOOP  LAN802.3  ROUTER  PC    X.25  Labels  Screen  Screen

```

Figure 6-3. Guided Network Interface Configuration

You must supply a name for the network interface, and then select the type of network interface by pressing the corresponding function key **F1** to **F6**. If you want to modify an existing network interface, you can review the configured network interface names by typing **@NETXPORT.NI** in the command line and pressing **ENTER**. When you are finished, press the **Prior Screen** key to return to the Guided Configuration screen. If you are configuring a new network interface, Guided Configuration immediately begins supplying appropriate default values to the configuration subsystems. Guided Configuration then proceeds to the screen sequence relevant to the type selected.

Tables 6-1 through 6-6 show the sequence of steps for each of the six Guided Network Interface Configuration routines. For each step, the tables show the screen or screens accessed and the fields for which you must supply a value. The table also provides a reference figure for each step. You must refer to that figure to see the actual screen display and read the detailed descriptions of the required fields in that screen.

TABLE 6-1. NETXPORT CONFIGURATION - LOOPBACK NI

Step	Screen Name	Required Values	Reference
1	GUIDED NETWORK INTERFACE CONFIGURATION	NI Name (Choose LOOP)	Figure 6-3 (p. 6-5)
2	NODE NAME CONFIGURATION	Local Node Name	Figure 8-3 (p. 8-5)
3	VALIDATE CONFIGURATION FILE	None	Figure 5-14 (p. 5-35)

TABLE 6-2. NETXPORT CONFIGURATION - LAN802.3 NI

Step	Screen Name	Required Value	Reference
1	GUIDED NETWORK INTERFACE CONFIGURATION	NI Name (Choose LAN802.3)	Figure 6-3 (p. 6-5)
2	NODE NAME CONFIGURATION (Visited only if not previously configured)	Local Node Name	Figure 8-3 (p. 8-5)
3	LINK CONFIGURATION	Link Name	Figure 7-1 (p. 7-4)
4	LINK DATA	LDEV #	Figure 7-2 (p. 7-6)
5	PROBE PROTOCOL CONFIGURATION	Proxy Enabled	Figure 9-4 (p. 9-10)
6	IP PROTOCOL CONFIGURATION	IP Internet Address	Figure 9-3 (p. 9-7)
7	NEIGHBOR GATEWAYS (Repeat for each gateway; NEXT SCREEN to continue to Step 9)	Gateway Name	Figure 9-7 (p. 9-18)
8	NEIGHBOR GATEWAY REACHABLE NETWORKS (Repeat for each network; NEXT SCREEN to return to step 7)	Neighbor Gateway IP Internet Address IP Network Address Number of Hops	Figure 9-8 (p. 9-19)
9	VALIDATE CONFIGURATION FILE	None	Figure 5-14 (p. 5-35)

TABLE 6-3. NETXPORT CONFIGURATION - ROUTER NI

Step	Screen Name	Required Values	Reference
1	GUIDED NETWORK INTERFACE CONFIGURATION	NI Name (Choose ROUTER)	Figure 6-3 (p. 6-5)
2	NODE NAME CONFIGURATION (Visited only if not previously configured)	Node Name	Figure 8-3 (p. 8-5)
3	LINK CONFIGURATION (Repeat Steps 3-6 for each link; NEXT SCREEN to continue to step 7)	Link Name Protocol Type	Figure 7-1 (p. 7-4)
4	LINK CONFIGURATION: LINK DATA	LDEV #	Figure 7-4 (Bisync) (p. 7-11) Figure 7-7 (LAP-B) (p. 7-19) Figure 7-10 (ASNP) (p. 7-27)
5	ROUTER NETWORK INTERFACE LINKS	Link Name Connection Type	Figure 10-6 (p. 10-17)
6	DIRECT CONNECT LINK CONFIGURATION or ROUTER DIAL LINK CONFIGURATION	None	Figure 10-7 (Direct) (p. 10-19) Figure 10-8 (Dial) (p. 10-21)
7	ROUTER NETWORK INTERFACE CONFIGURATION	Network Hop Count Idle Device Timeout	Figure 10-1 (p. 10-3)
8	IP PROTOCOL CONFIGURATION	IP Internet Address	Figure 10-3 (p. 10-8)
9	ROUTER MAPPING CONFIGURATION (Repeat as applicable; NEXT SCREEN to continue to step 11)	Router Node Name	Figure 10-12 (p. 10-30)

TABLE 6-3. NETXPORT CONFIGURATION - ROUTER NI (cont.)

Step	Screen Name	Required Values	Reference
10	ROUTER REACHABLE NODES	IP Internet Address Link Name Adjacent/Non-adjacent Phone # (if applicable)	Figure 10-13 (p. 10-32)
11	NEIGHBOR GATEWAYS (Repeat for each gateway; NEXT SCREEN to continue to step 13)	Gateway Name	Figure 10-9 (p. 10-24)
12	NEIGHBOR GATEWAY REACHABLE NETWORKS (Repeat for each network; NEXT SCREEN to return to step 11)	Neighbor Gateway Internet Address IP Network Address Number of Hops	Figure 10-10 (p. 10-25)
13	VALIDATE CONFIGURATION FILE	None	Figure 5-14 (p. 5-35)

TABLE 6-4. NETXPORT CONFIGURATION - GATEHALF NI

Step	Screen Name	Required Values	Reference
1	GUIDED NETWORK INTERFACE CONFIGURATION	NI Name (Choose GATEHALF)	Figure 6-3 (p. 6-5)
2	GLOBAL TRANSPORT CONFIGURATION	Home Network Name	Figure 8-4 (p. 8-7)
3	NODE NAME CONFIGURATION (Visited only if not previously configured)	Local Node Name	Figure 8-3 (p. 8-5)
4	LINK CONFIGURATION (Repeat steps 4-7 for each link; NEXT SCREEN to continue with step 8)	Link Name Protocol Type	Figure 7-1 (p. 7-4)
5	LINK CONFIGURATION: LINK DATA	LDEV #	Figure 7-4 (Bisync) (p. 7-11) Figure 7-7 (LAP-B) (p. 7-19) Figure 7-10 (ASNP) (p. 7-27)
6	GATEWAY HALF NETWORK INTERFACE LINKS	Line Name Connection Type	Figure 11-6 (p. 11-16)
7	DIRECT CONNECT LINK CONFIGURATION or GATEWAY HALF DIAL LINK CONFIGURATION	None Phone Number	Figure 11-7 (Direct) (p. 11-17) Figure 11-8 (Dial) (p. 11-19)
8	GATEWAY HALF NETWORK INTERFACE CONFIGURATION	Idle Device Timeout Value	Figure 11-1 (p. 11-3)
9	IP PROTOCOL CONFIGURATION	IP Internet Address	Figure 11-3 (p. 11-7)

TABLE 6-4. NETXPORT CONFIGURATION - GATEH.

Step	Screen Name	Required Values	
10	NEIGHBOR GATEWAYS (Repeat for each gateway; NEXT SCREEN to continue to step 12)	Gateway Name	
11	NEIGHBOR GATEWAY REACHABLE NETWORKS (Repeat for each network; NEXT SCREEN goes to Validate)	Neighbor Gateway IP Internet Address IP Network Address Number of Hops	Fig (p. 1
12	VALIDATE CONFIGURATION FILE	None	Figure 5-1 (p. 5-35)

TABLE 6-5. NETXPORT CONFIGURATION - PC ROUTER

Step	Screen Name	Required Values	Reference
1	GUIDED NETWORK INTERFACE CONFIGURATION	NI Name (Choose PC ROUTER)	Figure 6-3 (p. 6-5)
2	NODE NAME CONFIGURATION (Visited only if not previously configured)	Node Name	Figure 8-3 (p. 8-5)
3	LINK CONFIGURATION (Repeat Steps 3-6 as applicable; NEXT SCREEN to continue to step 7)	Link Name	Figure 7-1 (P. 7-4)
4	LINK CONFIGURATION: LINK DATA	LDEV #	Figure 7-10 (p. 7-27)
5	ROUTER NETWORK INTERFACE LINKS	Link Type	Figure 10-6 (p. 10-17)
6	DIRECT CONNECT LINK CONFIGURATION or ROUTER DIAL LINK CONFIGURATION	None	Figure 10-7 (Direct) (p. 10-19) Figure 10-8 (Dial) (p. 10-21)
7	IP PROTOCOL CONFIGURATION	IP Internet Address	Figure 10-3 (p. 10-8)
8	ROUTER MAPPING CONFIGURATION (Repeat as applicable; NEXT SCREEN to continue with step 10)	Router node name	Figure 10-12 (p. 10-30)
9	ROUTER REACHABLE NODES (Repeat as applicable; NEXT SCREEN goes to Validate)	IP Internet Address Link Name	Figure 10-13 (p. 10-32)
10	VALIDATE CONFIGURATION FILE	None	Figure 5-14 (p. 5-35)

TABLE 6-6 NETXPORT CONFIGURATION - X.25 NI

Step	Screen Name	Required Values	Reference
1	GUIDED SUBSYSTEM CONFIGURATION	(Choose NETXPORT CONFIGURATION)	Figure 6-1 (p. 6-11)
2	GUIDED NETWORK INTERFACE CONFIGURATION	NI Name (Choose X.25)	Figure 6-2 (p. 6-5)
3	NODE NAME CONFIGURATION	Local Node Name	Figure 8-3 (p. 8-5)
4	LINK CONFIGURATION	Link Name Type	Figure 7-1 (p. 7-4)
5	LINK CONFIGURATION: LAPB DATA	LDEV # Local Mode	Figure 7-9 (p. 7-19)
6	GENERAL X.25	X.25 Network Type Local X.25 Address Key	Figure 12-4 (p. 12-9)
7	X.25 LOCAL ADDRESS & VC ASSIGNMENT	Local X.25 Node Address Lowest and Highest :- Permanent Virtual Circuits Switched Virtual Circuits	Figure 12-5 (p. 12-11)
8	X.25 NETWORK & FLOW CONTROL PARAMETERS	X.25 Packet Level Packet size Window size Throughput class	Figure 12-6 (p. 12-13)
9	X.25 USER FACILITY SET	Set Name Type	Figure 12-7 (p. 12-15)
10	X.25 PVC ADDRESS KEY PATHS	X.25 Address Key X.25 Network Address Default Facility Set Name	Figure 12-11 (p. 12-23)

TABLE 6-6 NETXPORT CONFIGURATION - X.25 NI (cont.)

Step	Screen Name	Required Values	Reference
11	X.25 SVC ADDRESS KEY PATHS	X.25 Address Key X.25 Network Address Default Facility Set Name	Figure 12-10 (p. 12-21)
12	IP PROTOCOL CONFIGURATION	IP Internet Address	Figure 11-3 (p. 11-7)
13	NEIGHBOR GATEWAYS (Repeat as desired; NEXT SCREEN to cont.)	Gateway Name	Figure 11-9 (p. 11-23)
14	NEIGHBOR GATEWAY REACHABLE NODES (Repeat as desired; NEXT SCREEN to return to Step 12)	Neighbor Gateway Internet Address IP Network # Number of Hops	Figure 11-10 (p. 11-24)
15	VALIDATE CONFIGURATION FILE	none	Figure 5-14

NETXPORT UPDATE

The Netxport Update branch directs the Guided Configuration process for two online configuration updates.

UPDATE INTERNET leads to the screen sequence for updating gateway internet data on configured LAN, X.25, and router networks or on gateway halves.

UPDATE MAPPING leads to the screen sequence for updating mapping data on configured router networks.

UPDATE X.25 SVC leads to the screen sequence for updating X.25 Address Key Paths for Switched Virtual Circuits configured for a node.

UPDATE X.25 LUG leads to the screen sequence for updating the INLUG and OUTLUG (Incoming and Outgoing Local User Group) configured for a node.

It is important to note the different purposes of the two Guided Configuration branches. The Netxport Configuration branch adds or updates entire network interface configurations, and may not be used to update an active configuration file. The Netxport Update branch, on the other hand, performs guided updates of a selected part of existing, validated networks, and is intended for use in updating the active configuration.

Select **Go To UPDATE** in the Guided Subsystem Configuration screen to reach the Guided Configuration Update screen. Select the desired update path by pressing the corresponding function key, **F1** or **F2**, as shown in Figure 6-4.

Tables 6-7 to 6-10 show the sequence of steps followed by each of the two Guided Configuration Updates. For each step, the tables show the screen or screens accessed and the fields for which you must supply a value. The table also provides a reference figure for each step. You must refer to that figure to see the actual screen display and read the detailed descriptions of the required fields in that screen.

NMMGR/3000 (X.XX.XX) GUIDED NETXPORT UPDATE

Enter Net Interface name to configure, then press a function key.

Command:

Network Interface Name []

- UPDATE INTERNET - Update Internet Data For Specified Network Interface.
- UPDATE MAPPING DATA - Update Mapping Data For Specified Router Network Interface.
- UPDATE X.25 SVC - Update SVC Data For Specified X.25 Network Interface.
- UPDATE X.25 LUG - Update INLUG and OUTLUG Data For Specified X.25 Network Interface.

File: FILECONF.NET.SYS

Go To Go To Go To Go To
INTERNET MAPPING X.25 SVC X.25 LUG

Refresh Prior
Screen Screen

Figure 6-4. Guided Configuration Update

TABLE 6-7. NETXPORT UPDATE - UPDATE INTERNET

Step	Screen Name	Required Values	Reference
1	GUIDED NETXPORT UPDATE	NI Name (Choose INTERNET)	Figure 6-4 (p. 6-14)
2	NEIGHBOR GATEWAYS (Repeat as desired; NEXT SCREEN to continue to step 4)	Gateway Name	Figure 11-9 (p. 11-23)
3	NEIGHBOR GATEWAY REACHABLE NETWORKS (Repeat as desired; NEXT SCREEN to return to Step 2)	Neighbor Gateway Internet Address IP Network Address Number of Hops	Figure 11-10 (p. 11-24)
4	VALIDATE CONFIGURATION FILE	None	Figure 5-14 (p. 5-35)

TABLE 6-8. NETXPORT UPDATE - UPDATE MAPPING

Step	Screen Name	Required Values	Reference
1	GUIDED NETXPORT UPDATE	NI Name (Choose RTR MAP)	Figure 6-4 (p. 6-14)
2	ROUTER MAPPING CONFIGURATION (Repeat as applicable; NEXT SCREEN to continue to step 4)	Router node name	Figure 10-12 (p. 10-30)
3	ROUTER REACHABLE NODES	IP Internet Address Link Name Entry Priority Phone # (if applicable)	Figure 10-13 (p. 10-32)
4	VALIDATE CONFIGURATION FILE	None	Figure 5-14 (p. 5-35)

TABLE 6-9. NETXPORT UPDATE - X.25 SVC

Step	Screen Name	Required Values	Reference
1	GUIDED NETXPORT UPDATE	(Choose X.25 SVC)	Figure 6-4 (p. 6-14)
2	X.25 SVC ADDRESS KEY PATHS (Repeat as applicable; NEXT SCREEN to continue).	X.25 Address Key X.25 Network Address Default Facilities Set Name	Figure 12-10 (p. 12-21)
3	VALIDATE CONFIGURATION FILE		Figure 5-14 (p. 5-35)

TABLE 6-10. NETXPORT UPDATE - X.25 LUG

Step	Screen Name	Required Values	Reference
1	GUIDED NETXPORT UPDATE	(Choose X.25 LUG)	Figure 6-4 (p. 6-14)
2	X.25 INCOMING LUG (Repeat as applicable; NEXT SCREEN to continue).	X.25 Address Key X.25 Remote Address	Figure 12-13 (p. 12-26)
3	X.25 OUTGOING LUG (Repeat as applicable; NEXT SCREEN to continue).	X.25 Address Key X.25 Remote Address	Figure 12-14 (p. 12-28)
4	VALIDATE CONFIGURATION FILE		Figure 5-14 (p. 5-35)

The screens described in this section are used for link configuration. NMMGR provides four kinds of screens for configuration of each link. Which screens you are led to depends on what you enter in the first screen, the LINK CONFIGURATION screen; however, you will always proceed to a screen in which you must configure link data. From there, you can proceed to a screen in which you configure data about tracing, and (except for IEEE 802.3 links) to a screen in which you configure information about the telephone connection for dial links.

The four kinds of screens are described below, with the level of indentation indicating each screen's place in the configuration tree:

LINK CONFIGURATION - allows you to specify the links configured for this node, including the link's identifying name and whether it uses IEEE 802.3, SNA/DLC, BSC, LAP-B, or ASNP as a link-level protocol.

LINK DATA (One of four screens corresponding to the link-level protocol chosen in the LINK CONFIGURATION screen.) Each LINK DATA screen allows you to configure data necessary for link level software, such as the logical device (Ldev) number of the hardware card, the number of buffers (which determines the amount of data accepted at the link level before packets are discarded), and parameters specific to the link-level protocol being used.

LINK TRACE DATA - From each LINK DATA screen, you can proceed to the LINK TRACE DATA screen for the link being configured. This screen allows you to enable link level tracing for this link, specify which link level activities will be recorded, and specify the name of the trace file.

LINK PHONE DATA - From each LINK DATA screen except that for IEEE 802.3 links, you can proceed to the LINK PHONE DATA screen for the link being configured. This screen allows you to specify whether the dial connection to a remote node is initiated by manual dial (in which a system operator must dial the telephone number) or auto dial (in which the number is automatically dialed by a device with auto dial capability).

NOTE

Configurable fields described in this manual are required unless otherwise stated.

All fields in the Link Configuration screens are noted as "HP modifiable" and should be changed only upon the recommendation of your HP representative.

On the screens shown in this section, fields that must be configured when performing guided configuration are underlined.

NOTE

Information that you specify in the NMMGR program always overrides any similar information entered within the SYSDUMP facility.

LINK CONFIGURATION

The select screen in Figure 7-1 is displayed when you press the function key for **Go To LINKCONF** at the Configuration Menu Screen. It is also displayed when you type the path name:

@LINKCONF

in the command window of any screen and press **ENTER**.

Use the fields and the function keys of the select screen to perform the desired action.

- To define a new link configuration, specify the link name and the type; then press **Add**. The path for the selected link name is added to the configuration file and the data screen for the type specified is displayed.
- To modify an existing link configuration, specify the link name; then press **Update**. The data screen on the path for the specified link name is displayed.
- To change the name of an existing link configuration, specify the link name and a new name; then press **Rename**. The previously configured link name is replaced and the screen displays the new name in the display fields labeled Configured Links.
- To delete an existing link configuration, specify the link name, then press **Delete**. The previously configured link name is deleted and is no longer displayed in the display fields labeled Configured Links.

Link Configuration

NMMGR/3000 (X.XX.XX) LINK CONFIGURATION
Type in name of item to Update, Delete, or Rename; or Add a new item.
Command:

Path: LINKCONF

Link name: [] Types: SNA/SDLC, LAN802.3
New name: [] BSC, LAPB, ATP/ASNP
(if new)

Configured Links

Name	Type	Name	Type	Name	Type
[]	[]	[]	[]	[]	[]
[]	[]	[]	[]	[]	[]
[]	[]	[]	[]	[]	[]

File: filename.NET.SYS

Next Page Prev Page Delete Rename Add Update Refresh Screen Prior Screen

Figure 7-1. Link Configuration Screen

Fields

Link name (HP modifiable) Select the link name for one of the following: 1) SNA/SDLC 2) LAN802.3 link, 3) BSC link, 4) LAP-B link, or 5) ATP/ASNP link.

The link name can contain as many as eight alphanumeric characters, and the first character must be alphabetic. The link name must match the link name configured in the corresponding network transport configuration screen.

Types (HP modifiable.) Required only when adding a link. Enter the type shown on the screen that corresponds to your link.

Choose LAN802.3 if you are using StarLAN 10 3000/V, StarLAN/3000, ThinLAN/3000, or the ThickLAN option.

Choose LAP-B if you are using an NS Point-to-Point 3000/V Link or X.25 3000/V Link with the LAP-B protocol.

Choose BSC if you are using an NS Point-to-Point 3000/V Link with the BSC protocol.

Choose ATP/ASNP if you are using an Asynchronous Serial Network Link.

For the SNA/SDLC choice, follow the instructions for choosing your link type according to the *SNA Link Services* manual (part number 30246-90003).

New name

(HP modifiable.) Required only when renaming a link. Enter a new link name. The new name can contain as many as eight alphanumeric characters, and the first character must be alphabetic.

LINK CONFIGURATION: LAN802.3 LINK DATA

The screen in Figure 7-2 is displayed when you select a link name and the link type LAN802.3 at the Link Configuration Screen (Figure 7-1) and press **Add** or **Update**. It is also displayed when you type the path name:

@LINKCONF.*linkname*

in the command window of any screen and press **ENTER**, where *linkname* is the configured LAN802.3 link name.

You must press **Update Data** to transfer the data displayed on the screen to the configuration file you are creating or updating. You verify that the data record has been created by checking that the **Data** flag is set to **Y**.

```
NMMGR/3000 (X.XX.XX) LINK CONFIGURATION: LAN802.3 LINK DATA      Data: N
When Data Flag is "N", press "Update Data" to create the data record.
Command:

Path: LINKCONF.linkname

[ ] Logical Device      (1-999)
[0000] Driver Options in Hex (0 - normal mode operation)
[16 ] Maximum Outstanding Reads (7-64)
[7  ] Maximum Outstanding Writes (7-64)
[42 ] Number of Buffers (16-138)
[Y] Use Factory-Configured Local Station Address? (Y/N)
[FF-FF-FF-FF-FF-FF] Local Station Address in Hex
                    (replace default if above = N)

File: filename.NET.SYS

Go To      Update  Refresh  Prior
TRACEDAT  Data    Screen  Screen
```

Figure 7-2. LAN802.3 Link Data Screen

Fields

Logical Device (HP modifiable.) Enter the logical device number of the LANIC as configured in SYSDUMP.

Range: 1-999

**Driver Options
in Hex**

(HP modifiable.) Enter 0 for normal mode of operation. All other options are reserved.

Default Value: 0

Range: 0-9, A-F hexadecimal

**Maximum Outstanding
Reads**

(HP modifiable.) Specifies the maximum number of reads that can be outstanding at any given time.

Default Value: 16

Range: 7-64

**Maximum Outstanding
Writes**

(HP modifiable.) Specifies the maximum number of writes that can be outstanding at any given time.

Default Value: 7

Range: 7-64

Number of Buffers

(HP modifiable.) The maximum amount of incoming data that the link level can accept before discarding packets. The number of buffers to configure can be calculated with the following formula:

$$numBuffers = 2 \times maximum\ outstanding\ reads + 10$$

where *numBuffers* is the number of buffers to be configured.

Default Value: 42

Range: 16-138

**Factory-Configured
Local Node Address?**

(HP modifiable.) The LANIC board is supplied with a 48-bit station address. These are guaranteed to be unique. **Do not change the factory configured local node address except on the specific instructions of your HP representative.**

Default Value: Y

Local Node Address

(HP modifiable.) This field is to be used only with specific instructions from your HP representative. It allows you to enter a station address to replace the factory configured address. The format *must* be compatible with HP software requirements. Your HP representative will supply instructions in the unlikely event that you need to enter an address to replace the default.

LINK CONFIGURATION: LAN802.3 LINK TRACE DATA

The screen in Figure 7-3 is displayed when you press the function key for **Go To TRACEDAT** at the LAN802.3 Link Data Screen (Figure 7-2). It is also displayed when you type the path name:

@LINKCONF.*linkname*.TRACEDAT

in the command window of any screen and press **ENTER**, where *linkname* is the configured LAN802.3 link name.

You must press **Update Data** to transfer the data displayed on the screen to the configuration file you are creating or updating. You verify that the data record has been created by checking that the **Data:** flag is set to **Y**.

```
NMMGR/3000 (X.XX.XX) LINK CONFIGURATION: LAN802.3 LINK TRACE DATA      Data: N
When Data Flag is "N", press "Update Data" to create the data record.
Command:

Path: LINKCONF.linkname.TRACEDAT

[N] Link trace enabled?          (Y/N)
[O] Trace ALL or ERRORS only? (0=ERRORS; 1=ALL)
[O] WRAP or DISCARD overflow? (0=DISCARD; 1=WRAP)
[Y] PRCT? (Y/N)  Receive Control Entries
[Y] PRTX? (Y/N)  Receive Text Entries
[Y] PSCT? (Y/N)  Send Control Entries
[Y] PSTX? (Y/N)  Send Text Entries
[N] ICD? (Y/N)   Interconnect Driver Entries

[ ] Trace File

File: filename.NET.SYS

Update Data Refresh Screen Prior Screen
```

Figure 7-3. LAN802.3 Link Trace Data Screen

After configuring link data, you can configure tracing for the link. The Link Trace Data Screen allows you to specify the events to trace and the name of the file for storing the tracing information. *For best performance, do not enable tracing.* You can override NMMGR activated link tracing by using the LINKCONTROL TRACE=OFF command. Using the LINKCONTROL command to enable and disable link tracing is described in the "Commands" section (Section 1) of Volume II of this manual set. For information on formatting the link trace file, refer to the *LAN/3000 Diagnostic and Troubleshooting Guide*.

Fields

- Link trace enabled?** (HP modifiable.) Enter Y (YES) to enable link tracing, N (NO) otherwise. Can be overridden with the LINKCONTROL command. If you do enable link tracing, you are required to enter a trace file name. For best performance, do not enable tracing.
- Default Value:** N
- Trace ALL or ERRORS only** (HP modifiable.) Enter 1 (ALL) to trace all events, 0 (ERRORS) to trace errors only.
- Default Value:** 0
- WRAP or DISCARD overflow?** (HP modifiable.) Enter 1 (WRAP) to overlay previous internal record entries with overflow trace entries, 0 (DISCARD) if you want it to discard the overflow.
- Default Value:** 0
- PRCT?** (HP modifiable.) Enter Y (YES) to record Receive Controls (PRCTs) received on the line, N (NO) otherwise.
- Default Value:** Y
- PRTX?** (HP modifiable.) Enter Y (YES) to record Receive Text (PRTXs) received on the line, N (NO) otherwise.
- Default Value:** Y
- PSCT?** (HP modifiable.) Enter Y (YES) to record Send Controls (PSCTs) sent on the line, N (NO) otherwise.
- Default Value:** Y
- PSTX?** (HP modifiable.) Enter Y (YES) to record Send Text (PSTXs) sent on the line, N (NO) otherwise.
- Default Value:** Y
- ICD?** (HP modifiable.) Enter Y (YES) to record Interconnect Driver Entries (ICDs), N (NO) otherwise.
- Default Value:** N

Link Configuration

Trace File

(HP modifiable.) Required if link trace is enabled. Name of the disc file in which you want to record tracing. Must be a valid MPE file name. Enter the filename in the format *filename.groupname.acctname*. The fully qualified file name can be as many as 26 characters. Lockwords are not allowed for trace files.

Do not specify the same file name with the NMMGR configuration as specified with the LINKCONTROL command.

Only one active trace is allowed per link. Refer to *LAN/3000 Diagnostic and Troubleshooting Guide* for information on how to format the trace file.

LINK CONFIGURATION: BSC LINK DATA

The screen in Figure 7-4 is displayed when you select a link name and the link type BSC at the Link Configuration Screen (Figure 7-1) and press **Add** or **Update**. It is also displayed when you type the path name:

@LINKCONF.*linkname*

in the command window of any screen and press **ENTER**, where *linkname* is the configured BSC link name.

You must press **Update Data** to transfer the data displayed on the screen to the configuration file you are creating or updating. You verify that the data record has been created by checking that the **Data** flag is set to **Y**.

NMMGR/3000 (X.XX.XX) LINK CONFIGURATION: BSC LINK DATA		Data: N
When Data Flag is "N", press "Update Data" to create the data record.		
Command:		
Path:	LINKCONF. <i>linkname</i>	
[]	Logical device	(1-999)
[900]	Connect timeout	(60-900 seconds or 0)
[15]	Number of error recovery retries	(1-255)
[0]	Clear to send delay	(0-20 tenths of a second)
[N]	Data set ready delay	(Y/N)
[1500]	Buffer size	(32-1500 bytes)
[12]	Number of buffers	(10-50)
[9600]	Line speed in bits/second	(1200,2400,4800,9600,19200,38400,56000)
[0]	Leading SYN characters	(0=4 SYN, 1=8 SYN, 2=12 SYN, 3=16 SYN)
File:	filename.NET.SYS	
Go To	Go To	
TRACEDAT	PHONEDAT	
	Update	Refresh
	Data	Screen
		Prior
		Screen

Figure 7-4. BSC Link Data Screen

Fields

Logical device (HP modifiable.) Enter the logical device number of the INP card as configured in SYSDUMP.

Range: 1-999

Link Configuration

- Connect timeout** (HP modifiable.) During link initialization, this value specifies the amount of time the INP will wait for a response from the remote station. If this time lapse is exceeded, it is assumed that the remote station is not responding.
- Default Value:** 900
- Range:** 60-900 seconds or 0
- Number of error recovery retries** (HP modifiable.) The total number of times a block will be retransmitted due to the lack of an acknowledgment. If this number is exceeded, it is assumed that the remote station is not responding.
- Default Value:** 15
- Range:** 1-255
- Clear to send delay** (HP modifiable.) User selectable. When initializing the link, this value specifies the amount of time the INP will wait for the DCE to raise Clear To Send (CTS) after raising Request To Send (RTS).
- Default Value:** 0 (Delay determined by modems)
- Range:** 0-20 tenths of a second
- Data set ready delay** (HP modifiable.) User selectable. This value specifies the time lapse allowed for DCE to raise Data Set Ready after the INP raises Data Terminal Ready (DTR).
- Default Value:** N
- Buffer size** (HP modifiable.) Size, in bytes, of the buffers used to hold user data, plus layer 3 and layer 4 protocol headers. The size of the packets transmitted over the link is the buffer size plus the layer 2 header.
- Default Value:** 1500
- Range:** 32-1500
- Number of Buffers** (HP modifiable.) This field specifies the number of buffers used to transfer blocks of data to and from the INP. The field specifies the number of buffers to be allocated on the HP 3000, not the INP.
- Default Value:** 12
- Range:** 10-50
- Line speed** (HP modifiable.) This is the line-transmission speed in bits per second. It may be overridden by whichever device is providing clocking. The INP simply transmits using the provided clock source.
- Default Value:** 9600

Leading SYN characters (HP modifiable.) This field specifies the number of leading synchronization characters (SYN) that will precede each block transmission. These SYN characters are used by the receiving station to establish character-phase synchronization. If the receiving station is having difficulty establishing character phase synchronization, increasing the value of this field may help.

Default Value: 0

LINK CONFIGURATION: BSC LINK TRACE DATA

The screen in Figure 7-5 is displayed when you press the function key for Go To TRACEDAT at the BSC Link Data Screen (Figure 7-4). It is also displayed when you type the path name:

@LINKCONF.*linkname*.TRACEDAT

in the command window of any screen and press ENTER, where *linkname* is the configured BSC link name.

You must press Update Data to transfer the data displayed on the screen to the configuration file you are creating or updating. You verify that the data record has been created by checking that the Data flag is set to Y.

```

NMMGR/3000 (X.XX.XX) LINK CONFIGURATION:      BSC LINK TRACE DATA      Data: N
When Data Flag is "N", press "Update Data" to create the data record.
Command:

Path:  LINKCONF.linkname.TRACEDAT

  [N] Link trace enabled?      (Y/N)
  [0] Trace ALL or ERRORS only? (0=ERRORS; 1=ALL)
 [24] Entries per record      (0, 8, 16 or 24)
  [0] WRAP or DISCARD overflow? (0=DISCARD; 1=WRAP)
  [N] STN? (Y/N) State Transition Entries
  [Y] OPR and EDT? (Y/N) Operand and Editor Entries
  [Y] RCT? (Y/N) Receive Control Entries
  [Y] RTX? (Y/N) Receive Text Entries
  [Y] SCT? (Y/N) Send Control Entries
  [Y] STX? (Y/N) Send Text Entries
  [N] ICD? (Y/N) Interconnect Driver Entries

  [ ] Trace File

File:  filename.NET.SYS

Update Data Refresh Screen Prior Screen

```

Figure 7-5. BSC Link Trace Data Screen

After configuring link data, you can configure tracing for the link. The Link Trace Data Screen allows you to specify the events to trace and the name of the file for storing the tracing information. *For best performance, do not enable tracing.*

The link tracing facility provides a method of monitoring the communications line. When collecting data to diagnose a problem, always set the "Trace ALL or ERRORS only" field to ALL (choice number 1); set the STN, RCT, RTX, SCT, and STX entries to Y (YES), and set ICD to N (NO) unless specifically instructed by Hewlett-Packard to do otherwise. You can override NMMGR activated link tracing by using the LINKCONTROL TRACE=OFF command. Using the LINKCONTROL command to enable and disable link

tracing is described in the "Commands" section (Section 1) of Volume II. For information on formatting the link trace file, refer to the *Fundamental Data Communications Handbook*.

Fields

- Link trace enabled?** (HP modifiable.) Enter Y (YES) to enable link tracing, N (NO) otherwise. Can be overridden with the LINKCONTROL command. If you do enable link tracing, you are required to enter a trace file name. For best performance, do not enable tracing.
- Default Value:** N
- Trace ALL or ERRORS only** (HP modifiable.) Enter 1 (ALL) to trace all events, 0 (ERRORS) to trace errors only.
- Default Value:** 0
- Entries per record** (HP modifiable.) Enter the number of entries you want formatted per record.
- Default Value:** 24
- WRAP or DISCARD overflow?** (HP modifiable.) Enter 1 (WRAP) to overlay previous internal record entries with overflow trace entries, 0 (DISCARD) if you want it to discard the overflow.
- Default Value:** 0
- STN?** (HP modifiable.) Enter Y (YES) to record State Transitions (STNs), N (NO) otherwise. Hewlett-Packard use only.
- Default Value:** N
- OPR and EDT?** (HP modifiable.) Enter Y (YES) to record operand and editor entries; N (NO) otherwise.
- Default Value:** N
- RCT?** (HP modifiable.) Enter Y (YES) to record Receive Controls (RCTs) received on the line, N (NO) otherwise.
- Default Value:** Y
- RTX?** (HP modifiable.) Enter Y (YES) to record Receive Text (RTXs) received on the line, N (NO) otherwise.
- Default Value:** Y
- SCT?** (HP modifiable.) Enter Y (YES) to record Send Controls (SCTs) sent on the line, N (NO) otherwise.
- Default Value:** Y

Link Configuration

STX? (HP modifiable.) Enter Y (YES) to record Send Text (STXs) sent on the line, N (NO) otherwise.

Default Value: Y

ICD? (HP modifiable.) Enter Y (YES) to record Interconnect Driver Entries (ICDs), N (NO) otherwise. The ICD entry is for Hewlett-Packard use only.

Default Value: N

Trace File (HP modifiable.) Required if link trace is enabled. Name of the disc file in which you want to record tracing. Must be a valid MPE file name. Enter the filename in the format *filename.groupname.acctname*. The fully qualified file name can be as many as 26 characters. Lockwords are not allowed for trace files.

Do not specify the same file name with the NMMGR configuration as specified with the LINKCONTROL command.

Only one active trace is allowed per link. Refer to the *Fundamental Data Communications Handbook* for information on how to format the trace file.

LINK CONFIGURATION: BSC LINK PHONE DATA

The screen in Figure 7-6 is displayed when you press the function key for **Go To PHONEDAT** at the BSC Link Data Screen (Figure 7-4). It is also displayed when you type the path name:

```
@LINKCONF.linkname.PHONEDAT
```

in the command window of any screen and press **ENTER**, where *linkname* is the configured BSC link name.

You must press **Update Data** to transfer the data displayed on the screen to the configuration file you are creating or updating. You verify that the data record has been created by checking that the **Data:** flag is set to **Y**.

```

NMMGR/3000 (X.XX.XX) LINK CONFIGURATION:      BSC LINK PHONE DATA      Data: N
When Data Flag is "N", press "Update Data" to create the data record.
Command:

Path:  LINKCONF.linkname.PHONEDAT

      [1] manual or autodial? (0=Manual, 1=Autodial)

File:  filename.NET.SYS

Delete  Update  Refresh  Prior
Data    Data    Screen  Screen

```

Figure 7-6. BSC Link Phone Data Screen

Fields

manual or autodial? (HP modifiable.) Enter 1 if you want the INP to automatically dial the phone number without intervention from the system operator. Enter 0 if you want the link manager to display the phone number on the console for the system operator to dial.

Default Value: 1

Link Configuration

Related Screens:

- NETXPORT.NI.*niName*.MAPPING.*mapentry*
The Router Reachable Nodes screen allows you to enter phone numbers of destination nodes.
- NETXPORT.NI.*niName*.LINK.*nilink*
The Gateway Half Dial Link Configuration screen allows you to enter phone numbers of destination nodes.

LINK CONFIGURATION: LAP-B LINK DATA

The screen in Figure 7-7 is displayed when you select a link name and the link type LAP-B at the Link Configuration Screen (Figure 7-1) and press **Add** or **Update**. It is also displayed when you type the path name:

```
@LINKCONF.linkname
```

in the command window of any screen and press **ENTER**, where *linkname* is the configured LAP-B link name.

You must press **Update Data** to transfer the data displayed on the screen to the configuration file you are creating or updating. You verify that the data record has been created by checking that the **Data:** flag is set to **Y**.

```

MMMGR/3000 (X.XX.XX) LINK CONFIGURATION: LAPB LINK DATA Data: N
When Data Flag is "N", press "Update Data" to create the data record.
Command:

Path: LINKCONF.linkname

[ ] Logical device (1-999)
[900] Connect timeout (60-900 seconds or 0)
[60] local timeout (5-900 seconds or 0)
[300] LAP-B parameter T1 (5-3000 hundredths of a second)
[7] LAP-B parameter K - Maximum outstanding frames (1-7)
[20] LAP-B parameter N2 - retry count (1-255)
[0] Clear to send delay (0-20 tenths of a second)
[1024] Buffer Size (32-1024)
[12] Number of buffers (10-50)
[11] Local mode (5=DTE, 6=DCE, 11=HP Point to Point)
[56000] Line speed in bits/second (1200,2400,4800,9600,19200,38400,56000)

File: filename.NET.SYS

Go To Go To Update Refresh Prior
TRACEDAT PHONEDAT Data Screen Screen

```

Figure 7-7. LAP-B Link Data Screen

Fields

Logical device (HP modifiable.) Enter the logical device number of the INP card as configured in SYSDUMP.

Default Value: N

Range: 1-999

Link Configuration

- Connect timeout** (HP modifiable.) During link initialization, this value specifies the amount of time the INP will wait for a response from the remote station. If this time lapse is exceeded, it is assumed that the remote station is not responding.
- Default Value:** 900
- Range:** 60-900 seconds or 0
- Local timeout** (HP modifiable.) Timer on the INP-to-HP 3000 communications path.
- If the INP and the HP 3000 do not communicate during this time, LED 1 on the INP will flash, and the INP will no longer attempt to communicate.
- Default Value:** 60
- Range:** 5-900 seconds or 0
- LAP-B parameter T1** (HP modifiable.) Response timeout in hundredths of a second. This is the maximum amount of time that the transmitter should wait for an acknowledgment before initiating a recovery procedure. This delay must account for three frame transmissions and two frame-processing delays. An approximation of this value is three seconds for line speeds greater than or equal to 9,600 bits per second and four seconds for line speeds less than 9,600 bits per second. The formula for the approximation in hundredths of a second is: $400 \times [(buffer\ size \times 8)/line\ speed]$. The configuration validation program will issue a warning if the set value does not comply to this specification.
- Default Value:** 300
- Range:** 5-3000
- LAP-B parameter K** (HP modifiable.) This parameter specifies the maximum number of sequentially numbered frames that the configured node may have unacknowledged at any given time. This parameter is also called the Level 2 window size.
- Default Value:** 7
- Range:** 1-7
- LAP-B parameter N2** (HP modifiable.) This field specifies the maximum number of times to retransmit a frame if the T1 timer expires. The recovery procedure mentioned in "LAP-B parameter T1" usually refers to the retransmission of the oldest unacknowledged frame. The value of N2 specifies the total number of times that the T1 timer expires and a frame is retransmitted in determining that the other side is not responding.
- Default Value:** 20
- Range:** 1-255
- Clear to send delay** (HP modifiable.) User selectable. When initializing the link, this value

specifies the amount of time the INP will wait for the DCE to raise Clear To Send (CTS) after raising Request To Send (RTS).

Default Value: 0 (Delay determined by modems)

Range: 0-20 tenths of a second

Buffer size

(HP modifiable.) Size, in bytes, of the buffers used to hold user data, plus layer 3 and layer 4 protocol headers. The size of the packets transmitted over the link is the buffer size plus the layer 2 header.

Default Value: 1024

Range: 32-1024

Number of Buffers

(HP modifiable.) This field specifies the number of buffers used to transfer blocks of data to and from the INP. The field specifies the number of buffers to be allocated on the HP 3000, not the INP.

Default Value: 12

Range: 10-50

Local mode

(HP modifiable.) For HP Point-to-Point (all NS links) enter 11. If you are HP Point-to-Point, the other side must also be HP point-to-point. Enter 5 if the local station is acting as DTE, and enter 6 if the local station is acting as DCE. If you are DCE, the other side must be DTE. If you are DTE, the other side must be DCE. HP recommends using HP Point-to-Point because the system handles the designation for which side is DTE and DCE.

If you are using an NS X.25 3000/V Link, the local mode must be DTE if your node will be connected to a public PSN; it may be DTE or DCE if your node is part of a private X.25 network, or if it will be used in a direct connect configuration.

Default Value: 11

Range: Point-to-Point, DTE, or DCE

Line speed

(HP modifiable.) This is the line-transmission speed in bits per second. It may be overridden by whichever device is providing clocking. The INP simply transmits using the provided clock source.

Default Value: 56000

Range: 1200-56000

LINK CONFIGURATION: LAP-B LINK TRACE DATA

The screen in Figure 7-8 is displayed when you press the function key for **Go To TRACEDAT** at the LAP-B Link Data Screen (Figure 7-7). It is also displayed when you type the path name:

@LINKCONF.*linkname*.TRACEDAT

in the command window of any screen and press **ENTER**, where *linkname* is the configured LAP-B link name.

You must press **Update Data** to transfer the data displayed on the screen to the configuration file you are creating or updating. You verify that the data record has been created by checking that the **Data** flag is set to **Y**.

```

MMGR/3000 (X.XX.XX) LINK CONFIGURATION: LAPB LINK TRACE DATA Data: N
When Data Flag is "N", press "Update Data" to create the data record.
Command:

Path: LINKCONF.linkname.TRACEDAT

[N] Link trace enabled? (Y/N)
[0] Trace ALL or ERRORS only? (0=ERRORS; 1=ALL)
[24] Entries per record (0, 8, 16, 24)
[0] WRAP or DISCARD overflow? (0=DISCARD; 1=WRAP)
[N] STN? (Y/N) State Transition Entries
[Y] RCT? (Y/N) Receive Control Entries
[Y] RTX? (Y/N) Receive Text Entries
[Y] SCT? (Y/N) Send Control Entries
[Y] STX? (Y/N) Send Text Entries
[N] ICD? (Y/N) Interconnect Driver Entries

[ ] Trace File

File: filename.NET.SYS

Update Refresh Prior
Data Screen Screen
    
```

Figure 7-8. LAP-B Link Trace Data Screen

After configuring link data, you can configure tracing for the link. The Link Trace Data Screen allows you to specify the events to trace and the name of the file for storing the tracing information. *For best performance, do not enable tracing.*

The link tracing facility provides a method of monitoring the communications line. When collecting data to diagnose a problem, always set the "Trace ALL or ERRORS only" field to ALL (choice number 1); set the STN, RCT, RTX, SCT, and STX entries to Y (YES); and set ICD to N (NO) unless specifically instructed by Hewlett-Packard to do otherwise. You can override NMMGR activated link tracing by using the LINKCONTROL TRACE=OFF command. Using the LINKCONTROL command to enable and disable link

tracing is described in Section 1 of Volume II. For information on formatting the link trace file, refer to the *Fundamental Data Communications Handbook*.

Fields

Link trace enabled? (HP modifiable.) Enter Y (YES) to enable link tracing, N (NO) otherwise. Can be overridden with the LINKCONTROL command. If you do enable link tracing, you are required to enter a trace file name. For best performance, do not enable tracing.

Default Value: N

Trace ALL or ERRORS only (HP modifiable.) Enter 1 (ALL) to trace all events, 0 (ERRORS) to trace errors only.

Default Value: 0

Entries per record (HP modifiable.) Enter the number of entries you want formatted per record.

Default Value: 24

WRAP or DISCARD overflow? (HP modifiable.) Enter 1 (WRAP) to overlay previous internal record entries with overflow trace entries, 0 (DISCARD) if you want it to discard the overflow.

Default Value: 0

STN? (HP modifiable.) Enter Y (YES) to record State Transitions (STNs), N (NO) otherwise. The STN entry is for Hewlett-Packard use only.

Default Value: N

RCT? (HP modifiable.) Enter Y (YES) to record Receive Controls (RCTs) received on the line, N (NO) otherwise.

Default Value: Y

RTX? (HP modifiable.) Enter Y (YES) to record Receive Text (RTXs) received on the line, N (NO) otherwise.

Default Value: Y

SCT? (HP modifiable.) Enter Y (YES) to record Send Controls (SCTs) sent on the line, N (NO) otherwise.

Default Value: Y

STX? (HP modifiable.) Enter Y (YES) to record Send Text (STXs) sent on the line, N (NO) otherwise.

Default Value: Y

Link Configuration

ICD?

(HP modifiable.) Enter Y (YES) to record Interconnect Driver Entries (ICDs), N (NO) otherwise. The ICD entry is for Hewlett-Packard use only.

Default Value: N

Trace File

(HP modifiable.) Required if link trace is enabled. Name of the disc file in which you want to record tracing. Must be a valid MPE file name. Enter the filename in the format *filename.groupname.acctname*. The fully qualified file name can be as many as 26 characters. Lockwords are not allowed for trace files.

Do not specify the same file name with the NMMGR configuration as specified with the LINKCONTROL command.

Only one active trace is allowed per link. Refer to the *Fundamental Data Communications Handbook* for information on how to format the trace file.

LINK CONFIGURATION: LAP-B LINK PHONE DATA

The screen in Figure 7-9 is displayed when you press the function key for **Go To PHONEDAT** at the LAP-B Link Data Screen (Figure 7-7). It is also displayed when you type the path name:

```
@LINKCONF.linkname.PHONEDAT
```

in the command window of any screen and press **ENTER**, where *linkname* is the configured LAP-B link name.

You must press **Update Data** to transfer the data displayed on the screen to the configuration file you are creating or updating. You verify that the data record has been created by checking that the **Data** flag is set to **Y**.

```

NMMGR/3000 (X.XX.XX) LINK CONFIGURATION:      LAPB LINK PHONE DATA      Data: N
When Data Flag is "N", press "Update Data" to create the data record.
Command:
Path:  LINKCONF.linkname.PHONEDAT

      [1] manual or autodial? (0=Manual, 1=Autodial)

File:  filename.NET.SYS

Delete  Update  Refresh  Prior
Data   Data   Screen  Screen

```

Figure 7-9. LAP-B Link Phone Data Screen

Fields

manual or autodial? (HP modifiable.) Enter 1 if you want the INP to automatically dial the phone number without intervention from the system operator. Enter 0 if you want the link manager to display the phone number on the console for the system operator to dial.

Link Configuration

Default Value: 1

Related Screens:

- NETXPORT.NI.*niName*.MAPPING.*mapentry*

The Router Reachable Nodes screen allows you to enter phone numbers of destination nodes.

- NETXPORT.NI.*niName*.LINK.*nilink*

The Gateway Half Dial Link Configuration screen allows you to enter phone numbers of destination nodes.

LINK CONFIGURATION: ASNP LINK DATA

The screen in Figure 7-10 is displayed when you select a link name and the link type ATP/ASNP at the Link Configuration Screen (Figure 7-1) and press **Add** or **Update**. It is also displayed when you type the path name:

```
@LINKCONF.linkname
```

in the command window of any screen and press **(ENTER)**, where *linkname* is the configured ATP/ASNP link name.

You must press **Update Data** to transfer the data displayed on the screen to the configuration file you are creating or updating. You verify that the data record has been created by checking that the **Data:** flag is set to **Y**.

```

NMMGR/3000 (X.XX.XX) LINK CONFIGUTATION: ASNP LINK DATA          Data: N
When Data Flag is "N", press "Update Data" to create the data record.
Command:

Path: LINKCONF.linkname.PHONEDATA

[ ] Logical Device (1-999)
[1] Subtype (0=Hardwired, 1=Modem, 2=European Modem)
[1200] Linespeed in bits/sec (1200, 2400, 9600)
[0] Connect timeout (0-900 seconds)
[5] Maximum Outstanding Reads (1-32)
[5] Maximum Outstanding Writes (1-32)
[242] Buffer size in bytes (1-1024)
[20] Number of Buffers (2-128)
[0] Packet Format (0=Compatibility Mode, 1=Performance Mode)
[N] Enable data compression? (Y/N)
[N] Enable Xon/Xoff Flow Control (required for HP2334)? (Y/N)

File:

Go To   Go To   Update   Refresh   Prior
TRACEDAT PHONEDAT   Data     Screen   Screen

```

Figure 7-10. ASNP Link Data Screen

Fields

Logical Device (HP modifiable.) Enter the logical device number of the link as configured in SYSDUMP.

Default Value: N

Range: 1-999

Link Configuration

- Subtype** (HP modifiable.) Enter the number shown on the screen that corresponds to your subtype.
- Default Value:** 1
- Linespeed** Must be a value supported by the modem.
- Default Value:** 1200
- Range:** 1200, 2400, 9600
- Connect timeout** (HP modifiable.) The number of seconds the operator has to dial the phone number of the remote node after the DTR signal goes on.
- Default Value:** 0
- Range:** 0-900
- Maximum Outstanding Reads** (HP modifiable.) Specifies the maximum number of reads that can be outstanding at any given time. Setting this parameter to a value of 3 or below will impair performance.
- Default Value:** 5
- Range:** 1-32
- Maximum Outstanding Writes** (HP modifiable.) Specifies the maximum number of writes that can be outstanding at any given time. Setting this parameter to a value of 3 or below will impair performance.
- Default Value:** 5
- Range:** 1-32
- Buffer size** (HP modifiable.) Size, in bytes, of the buffers used to hold user data, and layer 3 and layer 4 protocol headers. The size of the packets transmitted over the link is the buffer size plus the layer 2 header.
- For PC connections, use the default value of 242 bytes. For connections to other HP 3000s, the suggested value is 512 bytes. This configured buffer size should be the same as the buffer size configured for the remote HP 3000. You may choose to increase the buffer size for HP 3000 to HP 3000 connections if you are using high-quality lines.
- Default Value:** 242
- Range:** 1-1024
- Number of Buffers** (HP modifiable.) The maximum amount of incoming data that the link level can accept. Determines the total amount of space in virtual memory used for incoming data. The count is also dependent on the maximum outstanding reads. It should be equal to or greater than two times the amount of outstanding reads.

Default Value: 20

Range: 2-128

Packet Format

Enter 0 to select Compatibility Mode packet format. Compatibility Mode does not use flow control or data compression and cannot be used with HP 2334A or HP 2334A+ Statistical Multiplexers. If Compatibility Mode is selected, Data Compression cannot be enabled.

Enter 1 to select Performance Mode, which enables flow control and data compression for the link. Performance Mode must be selected if HP 2334s are used in the link.

Default Value: 0

**Enable Data
Compression**

Enter Y to enable data compression. When data compression is enabled, redundant bits of data are suppressed, counted, and the number of suppressed bits is indicated in the packet frame. The receiving ASNP device replaces the data bits during packet disassembly.

Default Value: N

**Enable XON/XOFF
Flow Control**

Enter Y to enable XON/XOFF flow control for use with HP 2334 Statistical Multiplexers. Flow control must be enabled if HP 2334s are used on the link. Flow control ensures that data is not lost when the actual transmission rates of devices (PCs, HP 3000s, and public data networks) connected to the HP 2334s differ.

Default Value: N

LINK CONFIGURATION: ASNP LINK TRACE DATA

The screen in Figure 7-11 is displayed when you press the function key for **Go To TRACEDAT** at the ASNP Link Data Screen (Figure 7-10). It is also displayed when you type the path name:

@LINKCONF.*linkname*.TRACEDAT

in the command window of any screen and press **ENTER**, where *linkname* is the configured ATP/ASNP link name.

You must press **Update Data** to transfer the data displayed on the screen to the configuration file you are creating or updating. You verify that the data record has been created by checking that the **Data:** flag is set to **Y**.

```

NMMGR/3000 (X.XX.XX) LINK CONFIGURATION: ASNP LINK TRACE DATA      Data: N
When Data Flag is "N", press "Update Data" to create the data record.
Command:

Path: LINKCONF.linkname.TRACEDAT

  [N] Link trace enabled?          (Y/N)
  [O] Trace ALL or ERRORS only? (ERRORS=0; ALL=1)
  [O] WRAP or DISCARD overflow? (DISCARD=0; WRAP=1)
  [Y] PRCT? (Y/N)  Receive Control Entries
  [Y] PRTX? (Y/N)  Receive Text Entries
  [Y] PSCT? (Y/N)  Send Control Entries
  [Y] PSTX? (Y/N)  Send Text Entries
  [N] ICD? (Y/N)   Internal Driver Entries

  [ ] Trace File

File: filename.NET.SYS

Delete  Update  Refresh  Prior
Data    Data    Screen  Screen
    
```

Figure 7-11. ASNP Link Trace Data Screen

After configuring link data, you can configure tracing for the link. The Link Trace Data Screen allows you to specify the events to trace and the name of the file for storing the tracing information. *For best performance, do not enable tracing.* You can override NMMGR activated link tracing by using the LINKCONTROL TRACE=OFF command. Using the LINKCONTROL command to enable and disable link tracing is described in Section 1 of Volume II. For information on formatting the link trace file, refer to the *Fundamental Data Communications Handbook*.

Fields

- Link trace enabled?** (HP modifiable.) Enter Y (YES) to enable link tracing, N (NO) otherwise. Can be overridden with the LINKCONTROL command. If you do enable link tracing, you are required to enter a trace file name. For best performance, do not enable tracing.
- Default Value:** N
- Trace ALL or ERRORS only** (HP modifiable.) Enter 1 (ALL) to trace all events, 0 (ERRORS) to trace errors only.
- Default Value:** 0
- WRAP or DISCARD overflow?** (HP modifiable.) Enter 1 (WRAP) to overlay previous internal record entries with overflow trace entries, 0 (DISCARD) if you want it to discard the overflow.
- Default Value:** 0
- PRCT?** (HP modifiable.) Enter Y (YES) to record Receive Controls (PRCTs) received on the line, N (NO) otherwise.
- Default Value:** Y
- PRTX?** (HP modifiable.) Enter Y (YES) to record Receive Text (PRTXs) received on the line, N (NO) otherwise.
- Default Value:** Y
- PSCT?** (HP modifiable.) Enter Y (YES) to record Send Controls (PSCTs) sent on the line, N (NO) otherwise.
- Default Value:** Y
- PSTX?** (HP modifiable.) Enter Y (YES) to record Send Text (PSTXs) sent on the line, N (NO) otherwise.
- Default Value:** Y
- ICD?** (HP modifiable.) Enter Y (YES) to record Interconnect Driver Entries (ICDs), N (NO) otherwise.
- Default Value:** N
- Trace File** (HP modifiable.) Required if link trace is enabled. Name of the disc file in which you want to record tracing. Must be a valid MPE file name. Enter the filename in the format *filename.groupname.acctname*. The fully qualified file name can be as many as 26 characters. Lockwords are not allowed for trace files.
- Do not specify the same file name with the NMMGR configuration as

Link Configuration

specified with the LINKCONTROL command.

Only one active trace is allowed per link. Refer to the *Fundamental Data Communications Handbook* for information on how to format the trace file.

LINK CONFIGURATION: ASNP LINK PHONE DATA

The screen in Figure 7-12 is displayed when you press the function key for **Go To PHONEDAT** at the ASNP Link Data Screen (Figure 7-10). It is also displayed when you type the path name:

```
@LINKCONF.linkname.PHONEDAT
```

in the command window of any screen and press **ENTER**, where *linkname* is the configured ATP/ASNP link name.

You must press **Update Data** to transfer the data displayed on the screen to the configuration file you are creating or updating. This is necessary if you are planning to use either the direct dial or shared dial link. Verify that the data record has been created by checking that the **Data:** flag is set to **Y**.

```

NMMGR/3000 (X.XX.XX) LINK CONFIGURATION: ASNP LINK PHONE DATA Data: N
When Data Flag is "N", press "Update Data" to create the data record.
Command:

Path: LINKCONF.linkname.PHONEDAT

[1] Manual or Autodial? (0=Manual, 1=Autodial)

File: filename.NET.SYS

Delete Update Refresh Prior
Data Data Screen Screen

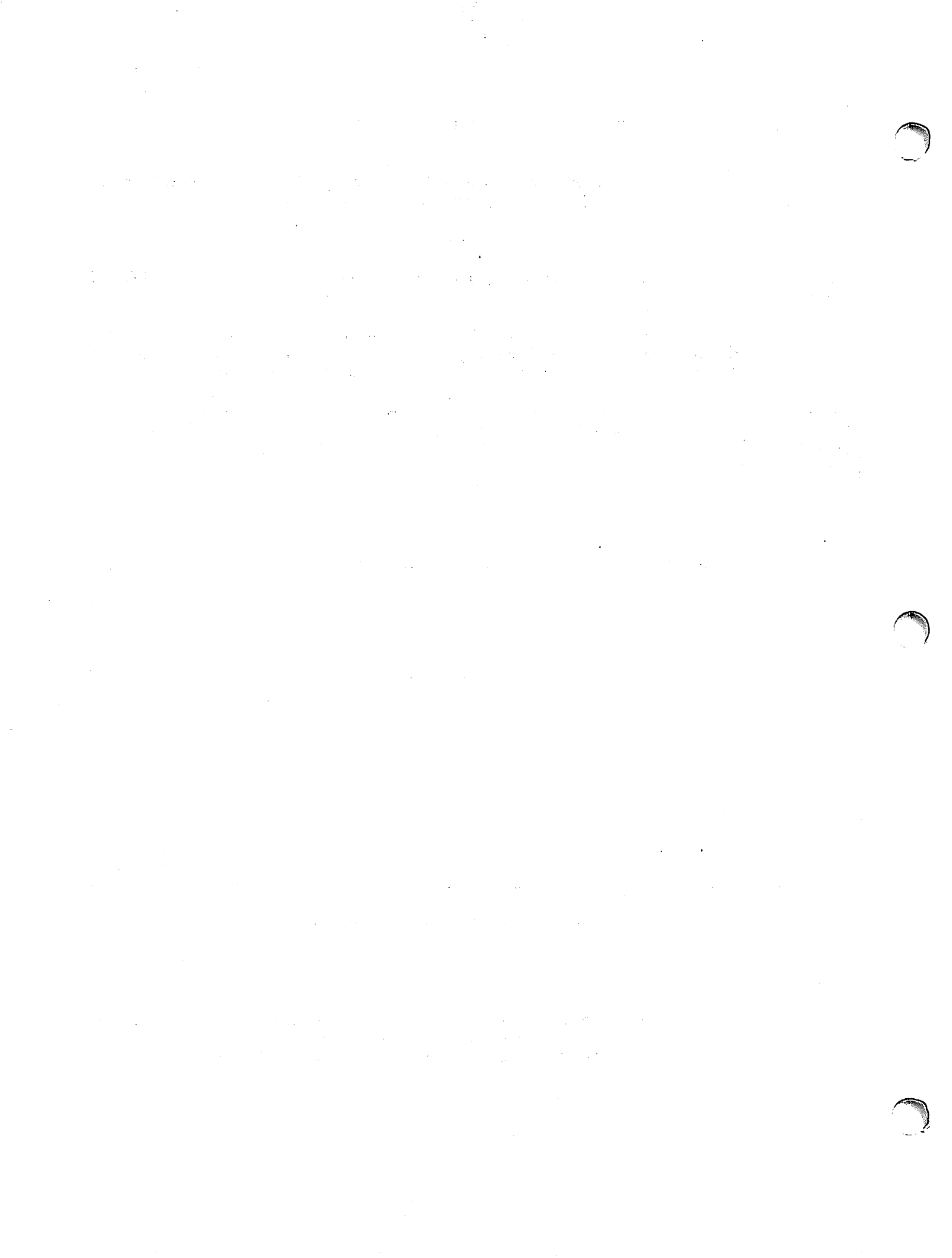
```

Figure 7-12. ASNP Link Phone Data Screen

Fields

manual or autodial? (HP modifiable.) Display only. This field is currently always set to 1; hence no messages for the system operator will appear on the console for manual dial. For RASP, dial manually *after* the network comes up.

Default Value: 1



This section contains information about the NMMGR configuration screens that are common to all network interface types. The network transport configuration branch of NMMGR begins with a screen called the NETWORK TRANSPORT CONFIGURATION SELECTION screen. This screen, and those to which it leads, are listed and described below. The level of indentation shown in the following list indicates the place held by each screen in the configuration tree.

NETWORK TRANSPORT CONFIGURATION SELECTION - This screen presents a selection of five configuration branches: for configuration of nodal identity information, global transport information, general protocols (TCP, PXP, and IP Update protocols), X.25 PAD devices, and configuration of network interfaces.

NODE CONFIGURATION - This screen, which you will reach by pressing **Go To Node** on the NETWORK TRANSPORT CONFIGURATION SELECTION screen, requires you to press a function key to proceed to the next screen.

NODE NAME CONFIGURATION - This screen allows you to enter the node name of the node being configured.

GLOBAL TRANSPORT CONFIGURATION - This screen, which you reach by pressing **Go To GLOBAL** on the NETWORK TRANSPORT CONFIGURATION SELECTION screen, allows you to enter information used for transferring data between nodes. For example, it enables you to specify and prioritize the methods used to resolve names and IP addresses, the name of a home network (needed only if this node is used as a gateway half), and the maximum number of nodes expected to be communicating concurrently with the node you are configuring.

GENERAL PROTOCOL CONFIGURATION - This screen allows you to specify which of three protocols to configure next: IPU (IP Update), PXP, or TCP.

IP UPDATE CONFIGURATION - Information entered on this screen specifies the upper limit of memory that will be reserved for the IPU module, which creates and maintains internet routing tables for this node.

PACKET EXCHANGE (PXP) CONFIGURATION - This screen allows you to configure information needed by the PXP protocol running on this node.

TRANSMISSION CONTROL PROTOCOL (TCP) CONFIGURATION - This screen allows you to configure information used by the TCP protocol running on this node.

X.25 PAD CONFIGURATION - This screen allows you to configure permanent mappings between logical device numbers and nodenames that represent PAD terminals or printers on the HP 2334A. An LDEV-to-nodename mapping is required in order to programmatically access a PAD device from an application on a host HP 3000.

NETWORK INTERFACE CONFIGURATION - This screen, which you will reach by pressing **Go To NI** on the NETWORK TRANSPORT CONFIGURATION SELECTION screen, allows you to specify a network interface name and its type for each of the node's network interfaces. Each time you specify an interface, NMMGR allows you to proceed through the series of configuration screens necessary for configuring the specified interface type. The configuration screens for each type are described in Sections 9, 10, 11, 12 and 13 of this manual.

Network Transport Configuration

The network transport must be configured in the configuration file that is also used for the link configuration. This configuration file must be located in the NET group of the SYS account. The recommended file name for the actual configuration file that contains the link and network transport configurations is NSCONF.NET.SYS. If you use a different filename, you need to specify the filename with the CONF keyword when you use the NETCONTROL START command to initiate a network connection. A description of the NETCONTROL command is contained in Section 1, Volume II.

To reach the network transport configuration screens, follow these steps:

- Issue the run command for NMMGR; the Open Configuration/Directory File Screen is displayed.
- Enter the name of the configuration file to be created or updated in the Configuration File Name field.
- Press the appropriate function key (Open Config or Create Config); the Main Menu Screen is displayed.
- Press the function key for Go To CONFIG; the Configuration Menu Screen is displayed.
- Press the function key for Go To NETXPORT; the Network Transport Configuration Selection Screen is displayed.

For more general information on NMMGR, refer to Section 5.

NOTE

Configurable fields described in this manual are required unless otherwise stated.

Fields described as "HP modifiable" should be changed only upon the recommendation of your HP representative.

On the screens shown in this section, fields that must be configured when performing guided configuration are underlined.

NETWORK TRANSPORT CONFIGURATION SELECTION

The menu screen shown in Figure 8-1 is displayed when you press the function key for **Go To NETXPORT** at the Configuration Menu Screen. It is also displayed when you type the path name:

@NETXPORT

in the command window of any screen and press **ENTER**.

From this screen you proceed to the screens used to configure the network transport.

```

NMMGR/3000 (X.05.06) NETWORK TRANSPORT CONFIGURATION SELECTION
Select the next screen and press the corresponding function key.
Command:

Path: NETXPORT

NODE      -  Configure Nodal Identity Information
GLOBAL    -  Configure Global Transport Information
GPROT     -  Configure General Protocols (TCP,PXP,IPU,MAPA,OSI45)
X25PAD    -  Configure X.25 PAD Information
NI        -  Configure Network Interfaces

NOTE: Be certain to use "NETXPORT UPDATE" to reconfigure an active network.
Type "NIUPDATE" in the command window and press enter to use this
Guided Configuration feature.

File: filename.NET.SYS

Go To  Go To  Go To  Go To  Go To  Refresh  Prior
NODE   GLOBAL GPROT X25PAD NI      Screen  Screen

```

Figure 8-1. Network Transport Configuration Selection Screen

Choose the item you wish to configure and press the corresponding function key.

NODE CONFIGURATION

The menu screen shown in Figure 8-2 is displayed when you press the function key for **Go To NODE** at the Network Transport Configuration Selection Screen (Figure 8-1). It is also displayed when you type the path name:

@NETXPORT.NODE

in the command window of any screen and press **ENTER**.

From this screen press **Go to Name** to proceed to the screen used to configure a unique name for this node.

```
NMMGR/3000 (X.XX.XX) NODE CONFIGURATION
Select the next screen and press the corresponding function key.
Command:

Path: NETXPORT.NODE

NAME      -  Configure The Local Node Name

File: filename.NET.SYS

Go To NAME      Refresh Screen  Prior Screen
```

Figure 8-2. Node Configuration Screen

NODE NAME CONFIGURATION

The screen in Figure 8-3 is displayed when you press the function key for **Go To NAME** at the Node Configuration Screen (Figure 8-2). It is also displayed when you type the path name:

@NETXPORT.NODE.NAME

in the command window of any screen and press **ENTER**.

You must press **Update Data** to transfer the data displayed on the screen to the configuration file you are creating or updating. You verify that the data record has been created by checking that the **Data:** flag is set to **Y**.

```

NMMGR/3000 (X.XX.XX)  NODE NAME CONFIGURATION                               Data: N
When Data Flag is "N", press "Update Data" to create the data record.
Command:

Path:  NETXPORT.NODE.NAME

[ ] Local NS Node Name

Local Domain Name
[ ]
[ ]
[ ]

File:  filename.NET.SYS

[ ] [ ] [ ] [ ] [ ] [ ] [ ] [ ] [ ] [ ] [ ] [ ] [ ] [ ] [ ] [ ] [ ] [ ] [ ] [ ]
[ ] [ ] [ ] [ ] [ ] [ ] [ ] [ ] [ ] [ ] [ ] [ ] [ ] [ ] [ ] [ ] [ ] [ ] [ ] [ ] [ ]
Update Refresh Prior
Data      Screen Screen
    
```

Figure 8-3. Node Name Configuration Screen

Fields

Local Node Name

The format of a node name is *name.domain.organization* where the total number of characters is 50 or fewer, and each field can contain as many as 16 characters (alphanumeric, underscore or hyphens). The first character of each field must be alphabetic.

The *name* portion of each node name must be unique within the node's network, and the *name.domain* portion of each node name must be unique within the catenet.

HP recommends that all nodes on the same network be assigned the same *domain* and *organization*. You should assign meaningful names. For example, MKTG.LAN1.HP and LAB.LAN1.HP would be reasonable names for two nodes on the same Local Area Network at Hewlett Packard. One node in this example would be used by a marketing department, and one node would be used by a lab. The *organization* fields in this example are the same because the nodes belong to the same catenet. Refer to Section 3 for more information about node names.

Local Domain Name

If you have a local domain name, enter it. The format requires a minimum of one label. Each label must begin with a letter and end with either a letter or digit. Each label must be separated from other labels with a period. Valid characters are A..Z, 0..9, and a hyphen (-).

GLOBAL TRANSPORT CONFIGURATION

The screen in Figure 8-4 is displayed when you press the function key for **Go To GLOBAL** at the Network Transport Configuration Selection Screen (Figure 8-1). It is also displayed when you type the path name:

@NETXPORT.GLOBAL

in the command window of any screen and press **ENTER**.

The purpose of this data-entry screen is to enter information that is used for transferring information between nodes.

You must press **Update Data** to transfer the data displayed on the screen to the configuration file you are creating or updating. You verify that the data record has been created by checking that the **Data** flag is set to **Y**.

```

MMMGR/3000 (X.XX.XX) GLOBAL TRANSPORT CONFIGURATION          Data: N
When Data Flag is "N", press "Update Data" to create the data record.
Command:

Path: NETXPORT.GLOBAL

[ ] Home Network Name

[2][3][1] Name Search Methods And Order
          1 - Network Directory      3 - Probe Proxy
          2 - Probe                  0 - Choice Omitted

[100] Maximum Directly Connected Nodes
[100] Maximum Outbound Destinations
[100] Maximum Inbound Destinations

File: filename.NET.SYS

[ ] [ ] [ ] [ ] [ ] [ ] [ ] [ ] [ ] [ ] [ ] [ ] [ ] [ ] [ ] [ ]
                                         [Update] [Refresh] [Prior]
                                         Data     Screen  Screen

```

Figure 8-4. Global Transport Configuration Screen

Fields

Home Network Name Leave this field blank if there are no gateway-half NIs configured for this node. Otherwise, enter the name of a configured LAN802.3 NI, router NI, or X.25 NI.

The Home Network Name is required when configuring a gateway half to determine the source IP address for packets originating from the node over the gateway half Link. The source IP address that will be used will be the one configured for the Home Network IP protocol.

The name you enter in this field should give the greatest number of destination networks a short return path to this node.

Related Screens:

- NETXPORT.NI
NI names configured here

**Name Search Methods
And Order**

The Name Search Methods and Order field is used to select the method and relative order by which node names (specified in the DSLINE command and the NetIPC IPCCconnect intrinsic) will be resolved into transport addressing information. This addressing information is contained in a structure called a path report.

The path report for a particular node name may be retrieved by one of three methods: the Network Directory, the Probe Protocol or the Probe Protocol Proxy. Refer to section 3 for information about these methods.

Configurable values are:

- 1 = Network Directory
- 2 = Probe
- 3 = Probe Proxy
- 0 = Choice Omitted

Default Value: 2,3,1 (Probe, Probe Proxy, Network Directory)

Range: 0-3

**Maximum Directly
Connected Nodes**

This field controls the allocation of data structures needed to communicate with nodes directly connected to this node. A node is directly connected when it is a member of the same network(s) as the local node. This field need reflect only the maximum number of directly connected nodes that will be communicated with simultaneously. If this node can communicate with all other nodes in the network simultaneously, the maximum number can be computed as follows:

Type Of NI	# Directly Connected Nodes
Loopback	1
Gateway Half	1
LAN	Maximum Number Of Nodes In Network (Taken From LAN802.3 NETWORK INTERFACE CONFIGURATION SCREEN)
ROUTER	Maximum Number Of Links Configured under the NI
X.25	IP to X.25 Mapping

To the above computation, an additional number should be added. This number is computed as follows:

$$10 + (10 * \text{each configured NI})$$

This field should be configured relatively large and reviewed whenever the network(s) of which this node is a member expands.

Related Screens:

- NETXPORT.NI.*niName* (LAN NI)
Maximum nodes in network
- NETXPORT.NI.*niName*.LINK (Router NI)
Number of links configured
- NETXPORT.NI.X25
IP to X.25 Mappings

Default Value: 100

Range: 1-1024

Maximum Outbound Destinations

This is the maximum number of nodes that this node expects to be communicating with concurrently, with this node initiating communication. It includes both directly connected and non-directly connected nodes.

This field should be configured relatively large to allow for future communication expansion. Note that changes to this field will not take effect until the operating system is restarted.

Default Value: 100

Range: 2-400

Maximum Inbound Destinations

This is the maximum number of nodes that this node expects to be communicating with concurrently, with the other nodes initiating communication. It includes both directly connected and non-directly connected nodes.

This field should be configured relatively large to allow for future communication expansion. Note that changes to this field will not take effect until the operating system is restarted.

Default Value: 100

Range: 2-600

GENERAL PROTOCOL CONFIGURATION

The menu screen in Figure 8-5 is displayed when you press the function key for **Go To GPROT** at the Network Transport Configuration Selection Screen (Figure 8-1). It is also displayed when you type the path name:

@NETXPORT.GPROT

in the command window of any screen and press **ENTER**.

From this screen you proceed to the screens used to configure the general protocols of the network transport. All three general protocols must be configured for each node.

```
NMMGR/3000 (X.XX.XX) GENERAL PROTOCOL CONFIGURATION
Select the next screen and press the corresponding function key.
Command:

Path: NETXPORT.GPROT

IPU      - Configure IP Update Protocol
PXP      - Configure Packet Exchange Protocol
TCP      - Configure Transmission Control Protocol
MAPA     - Configure MAPA Protocol
OSI45    - Configure OSI Transport and Session Protocols

File: filename.NET.SYS

Go To    Go To    Go To    Go To          Go To    Refresh  Prior
IPU      PXP      TCP      MAPA          OSI45    Screen  Screen
```

Figure 8-5. General Protocol Configuration Screen

Choose the protocol you wish to configure and press the corresponding function key. The MAPA protocol is reserved for the HP MAP 2.1 Link product for the HP3000 (Series 39-70).

INTERNET PROTOCOL (IP) UPDATE CONFIGURATION

The screen in Figure 8-6 is displayed when you press the function key for **Go To IPU** at the General Protocol Configuration Screen (Figure 8-5). It is also displayed when you type the path name:

@NETXPORT.GPROT.IPU

in the command window of any screen and press **ENTER**.

This screen is used to supply information to the IPU module. The IPU module is responsible for the creation and maintenance of the IP internet routing tables which are used to establish connectivity to remote networks through local network gateways. The information supplied by this screen is required to put a limit on the memory to be reserved for these tables.

Reserved routing table space is based on the product of the two values configured on this screen.

NOTE

Note that if both maximum values are configured, the space required would exceed internal memory limitations. The product of the two values should not exceed 2000.

You must press **Update Data** to transfer the data displayed on the screen to the configuration file you are creating or updating. You verify that the data record has been created by checking that the **Data** flag is set to **Y**.

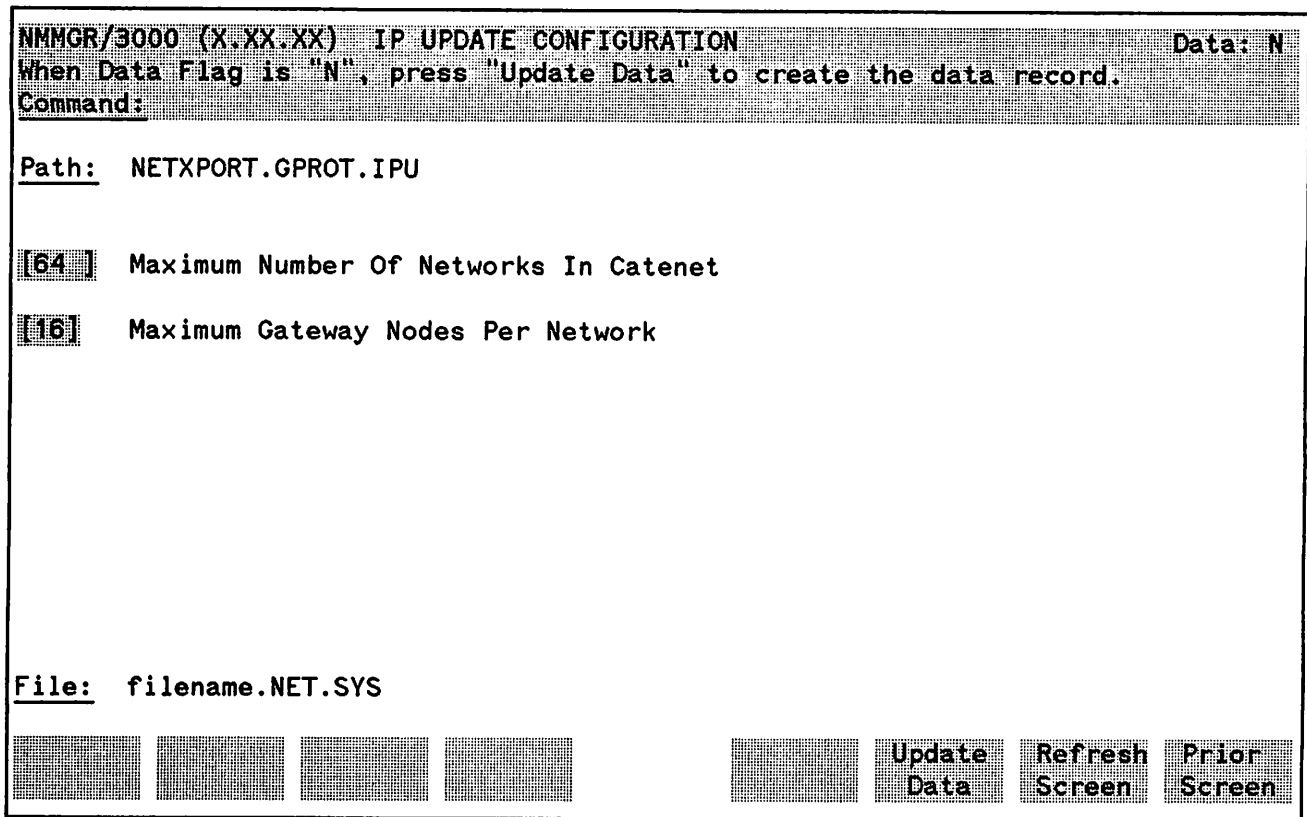


Figure 8-6. IP Update Configuration Screen

Fields

Maximum Number Of Networks in Catenet

This is the maximum number of networks that the catenet might be expected to contain. The number is used to allocate routing table space. Note that networks can be added dynamically (by using the NETCONTROL UPDATE command) but allocated table space cannot be altered without stopping the entire transport. It is wise, then, to anticipate growth when configuring this value to minimize the need to take down the transport to reconfigure the size of the internet tables.

If more networks are added (via NETCONTROL UPDATE) than there is space allocated for, a log message will indicate that adding the network would have exceeded the allocated space and that the IPU module ignored the update. Consult the *NS3000/V Error Message and Recovery Manual* for the specific IP log message in question.

Default Value: 64

Range: 1-256

Related Screens:

- NETXPORT.NI.*niName*.INTERNET.*gatewayn*

This field specifies networks reachable through a particular gateway. If more reachable networks are configured than Maximum Networks, configuration validation will fail.

**Maximum Gateway
Nodes Per Network**

This is the maximum number of gateways that there might be on any network that the node is directly connected to. The number is used, together with Maximum Networks above, to allocate routing table space. Note that gateways can be added dynamically (by using the NETCONTROL UPDATE command) but allocated table space cannot be altered without stopping the entire transport. As with Maximum Networks above, it is wise to anticipate growth when configuring this value to minimize the need to take down the transport to reconfigure the size of the internet tables.

Default Value: 16

Range: 0-64

If more gateways are added (by using the NETCONTROL UPDATE command) than there is space allocated for, a log message will indicate that adding the gateway would have exceeded the allocated space and that the IPU module ignored the UPDATE. Consult the *NS3000/V Error Message and Recovery Manual* for the specific IP log message in question.

PACKET EXCHANGE PROTOCOL (PXP) CONFIGURATION

The screen in Figure 8-7 is displayed when you press the function key for **Go To PXP** at the General Protocol Configuration Screen (Figure 8-5). It is also displayed when you type the path name:

@NETXPORT.GPROT.PXP

in the command window of any screen and press **ENTER**.

This screen contains the information necessary to configure Packet Exchange Protocol (PXP) for the node.

This screen provides the necessary information for the operation of the PXP protocol. The information configured falls into two categories:

- Reliability (checksum field)
- Performance parameters (retransmission fields)

NOTE

This protocol must be configured in order for the network transport to function.

You must press **Update Data** to transfer the data displayed on the screen to the configuration file you are creating or updating. You verify that the data record has been created by checking that the **Data** flag is set to **Y**.

```

NMMGR/3000 (X.XX.XX) PACKET EXCHANGE PROTOCOL (PXP) CONFIGURATION      Data: N
When Data Flag is "N", press "Update Data" to create the data record.
Command:

Path: NETXPORT.GPROT.PXP

[N]      Checksum Enabled      (Y for YES, N for NO)

[10]     Retransmission Interval (Secs)

[4]      Maximum Retransmissions Per Request

File: filename.NET.SYS

Update Data  Refresh Screen  Prior Screen
    
```

Figure 8-7. Packet Exchange Protocol Configuration Screen

Fields

Checksum Enabled

(HP modifiable). Checksumming is a method of error checking. PXP checksumming causes significant overhead, and is not normally needed for this protocol. Also, error checking is provided at the link level. For these reasons, HP recommends the default value (N) for this field so that checksumming will be disabled for this protocol.

Default Value: N

Retransmission Interval (Secs)

The time in seconds to wait for a reply from a remote node before retransmitting a request. In general, the value to configure should reflect the load on the local system, the remote system, and the networks through which the request and the reply must travel.

If the value is set too low, needless retransmissions may occur, or IPCLOOKUP calls may fail. If the value is set too high, an unnecessarily long delay will occur when a packet is lost and a retransmission is necessary.

The occurrence of frequent log messages stating that retransmissions are taking place or that requests are failing indicates that the value needs to be increased.

Default Value: 10

Range: 1-600

**Maximum
Retransmissions
Per Request**

This is the number of times that PXP will retransmit a request when a reply has not been received within the retransmission interval (explained above).

As in the discussion of Retransmission Interval above, this field is a tuning parameter. The two values work together to determine the maximum time that a PXP user will wait for a reply.

This maximum reply time is calculated as follows:

$$\text{RTXinterval} + (\text{RTXinterval} * \text{MAXRTX})$$

where:

RTXinterval is the configured retransmission interval and MAXRTX is the configured maximum retransmissions per packet.

Default Value: 4

Range: 1-100

TRANSMISSION CONTROL PROTOCOL (TCP) CONFIGURATION

The screen in Figure 8-8 is displayed when you press the function key for **Go To TCP** at the General Protocol Configuration Screen (Figure 8-5). It is also displayed when you type the path name:

@NETXPORT.GPROT.TCP

in the command window of any screen and press **ENTER**.

This screen contains the information necessary to configure Transmission Control Protocol (TCP) for the node.

NOTE

This protocol is required in order for the network transport to function.

You must press **Update Data** to transfer the data displayed on the screen to the configuration file you are creating or updating. You verify that the data record has been created by checking that the **Data:** flag is set to **Y**.

This screen provides the necessary information for the operation of the TCP protocol. The information configured falls into three categories:

- Reliability (Checksum field)
- Sizing parameters (Maximum connections fields)
- Performance parameters (Retransmission fields)

The TCP retransmission algorithm is as follows. Per connection, TCP calculates the average packet acknowledgment delay. It then doubles this time for use as the retransmission timer. For each time that a particular packet must be retransmitted, the timer set is increased again by the amount of the delay. For example, should the remote side of an active connection with a calculated delay of 1 second fail, the retransmission of an outstanding packet would be at intervals of 2, 4, 6, and 8 seconds. A final timer of 10 seconds will be set to wait for the fourth retransmission, bringing the total interval to 30 seconds.

The various configuration retransmission fields work together to establish the initial, minimum and maximum values for the retransmission timers, and the number of retransmissions that are to be performed before a connection is broken. If the values are set too low, needless retransmissions may occur, or connections may be prematurely aborted. If the values are set too high, an unnecessarily long delay will occur when a packet is lost, and a retransmission will be necessary. All of these retransmission fields are configurable to optimize connection performance. Values to be entered for the retransmission fields should, in general, reflect the average load on system resources at the local node, the remote node, and the intervening network(s), if any. The optimal values for these fields can be determined only by experience for each node.

```

NMMGR/3000 (X.XX.XX) TRANSMISSION CONTROL PROTOCOL (TCP) CONFIGURATION Data: N
When Data Flag is "N", press "Update Data" to create the data record.
Command:

Path: NETXPORT.GPROT.TCP

[N] Checksum Enabled (Y For YES, N For NO)
[128] Maximum Number Of Connections
[4] Retransmission Interval Lower Bound (Secs)
[120] Retransmission Interval Upper Bound (Secs)
[4] Initial Retransmission Interval (Secs)
[4] Maximum Retransmissions Per Packet

[600] Connection Assurance Interval (Secs)
[3] Maximum Connection Assurance Retransmissions

File: filename.NET.SYS

Update Data Refresh Screen Prior Screen
    
```

Figure 8-8. Transmission Control Protocol Configuration Screen

Fields

Checksum Enabled

Checksumming is a method of error checking. TCP checksumming causes significant overhead, and is not normally needed for this protocol. Also, error checking is provided for at the link level. For these reasons, HP recommends the default value (N) for this field so that checksumming will be disabled for this protocol.

The checksum decision for a given connection is determined from several sources: 1) The destination path report, 2) the local configuration (as specified in this screen) and 3) the values specified in the NetIPC intrinsics, IPCCONNECT and IPCRECVCN. Should any of these sources indicate checksumming enabled, the connection will be checksummed.

Note then, that the effect of disabling checksum in the configuration is not to prohibit checksumming, but to simply allow each connection to choose for itself. The NS Services specify checksumming disabled in their NetIPC calls thereby allowing control to be taken through the configuration and network directory. Therefore, TCP checksumming for NS Services must be specified in the TCP Configuration screen (via the checksum enabled field), or within the network directory.

Default Value: N

Range: Y or N

Maximum Number of Connections

All TCP communication occurs over connections. Each connection functions as a separate entity in regard to destination, flow control and retransmissions. There is a one-to-one correspondence between TCP connections and NetIPC calls to IPCCONNECT, and therefore between each NS Service invoked by each user. There is no multiplexing of user or NS Services data over shared connections.

The number of connections configured should reflect an estimation of the number of NS Services and NetIPC users that will be active simultaneously. This includes both outbound and inbound connections. The field should be configured relatively large to accommodate expansion.

Note that the allocation of buffers is related to the number of TCP connections. Should this field be modified, the NI screens controlling buffer allocation (NETXPORT.NI.*niName*.) must be updated.

Default Value: 128

Range: 1-1024

Retransmission Interval Lower Bound (Secs) The retransmission interval is the time in seconds that a TCP connection will wait for a reply from a remote node before retransmitting a packet. The retransmission interval is dynamically adjusted by TCP for each connection, depending on a number of factors. This field sets the lower bound for the readjustment.

A general discussion of retransmissions is provided in the overall description of this screen above.

Default Value: 4

Range: 2-600

Retransmission Interval Upper Bound (Secs) The retransmission interval is dynamically adjusted by TCP for each connection, depending on a number of factors. This field sets the upper bound for the readjustment.

A general discussion of retransmissions is provided in the overall description of this screen above.

Default Value: 120

Range: 2-600

Initial Retransmission Interval (Secs) This field sets the initial amount of time that TCP will wait for a reply from a remote node before attempting to retransmit a packet. This value is used for connection setup when the retransmission interval has not yet been calculated. It must be in the range of the lower and upper bound. The default of 4 with the default Maximum Retransmissions Per Packet of 4 will cause TCP to wait a total of 60 seconds when attempting a connection to a non-responding system.

A general discussion of retransmissions is provided in the overall description of this screen above.

Default Value: 4

Range: 2-600

**Maximum
Retransmissions
Per Packet**

This is the maximum number of times that TCP will retransmit a packet before aborting the connection. Together with the Lower and Upper Bound configuration, and the dynamically calculated delay, it controls the total time interval TCP will wait before aborting a non-responding connection.

Default Value: 4

Range: 1-100

**Connection Assurance
Interval (Secs)**

(HP modifiable.) The TCP protocol guarantees the integrity of connections so long as they are actively in use through the use of TCP's retransmission timer. However, guaranteeing the integrity of idle connections requires that TCP exchange protocol packets at some timed interval. This field allows the configuration of the interval at which these connection assurance packets will be exchanged.

Default Value: 600

Range: 1-600

**Maximum Connection
Assurance
Retransmissions**

(HP modifiable.) This is the maximum number of times that TCP will transmit a connection assurance packet to a non-responding remote system. Together with the Connection Assurance Interval, this field defines the time it will take for an idle connection to abort if the remote TCP fails to respond. Unlike the retransmission timer, a backoff algorithm is not used. Therefore, the timeout period is calculated as follows:

$$\text{CAinterval} + (\text{CAinterval} * \text{MAXCARTX})$$

Default Value: 3

Range: 1-100

X.25 PAD DEVICE CONFIGURATION

The screen in Figure 8-9 is displayed when you press the function key for **Go To X25PAD** at the Network Transport Configuration Selection Screen (Figure 8-1). It is also displayed when you type the path name:

@NETXPORT.X25PAD

in the command window of any screen and press **ENTER**.

This screen is used for mapping logical device numbers (LDEVs) to node names representing ports on an HP 2334A. This information allows for a connection from an HP 3000 to a remote PAD device attached to an HP 2334A port.

An LDEV-to-nodename mapping is required if a PAD device will be accessed from the system as a non-session device. It is possible for an application program on an HP 3000 to initiate communication with a device connected to an HP 2334A (and only an HP 2334A) because each terminal or printer on an HP 2334A has a port address.

Each LDEV on this screen corresponds to an LDEV configured for a PAD terminal or PAD printer on an HP 2334A during system I/O configuration. See the PAD information in Section 4 for more details on system configuration.

In NS3000/V, each device connected to an HP 2334A port and accessed from an application running on a remote HP 3000 is considered a separate node. Therefore, the device must be configured as a node name in the network directory file. A node name must be configured in the form *nodename.domain.organization*. (See Section 3 for details on node names.) In addition to configuring a node name to represent each device, an **Additional Address** must be configured to represent a unique X.25 address of an HP 2334A port. See the Network Directory Data Screen in Figure 15-6 for more information about this field. Each node name in Figure 8-9, therefore, must match a node name configured in the Network Directory Data Screen.

The relationship among MPE I/O configuration, network configuration and network directory configuration is illustrated with the example shown in Figure 8-10. In this example, a PAD terminal is included in the MPE I/O configuration and is assigned an LDEV of 32. This LDEV also is assigned a subtype of 1, which indicates that this device will be used for outgoing calls only. For a detailed description of LDEV subtypes 0 and 1, see Section 4. In the network configuration file in our example, LDEV 32 is mapped to the node name PADTRM32.C.D. In the network directory, this node name is mapped to the IP address C 192.001.000 003, which then maps to the X.25 symbolic name PADTRM32. In the network configuration file again, the symbolic name PADTRM32 is mapped to the X.25 address 311040800022. This completes the mapping scheme. Note that the **X.25 Address Key** field in the network configuration file must contain the same value as the **Additional Address** field in the network directory file. (The network portion of the IP address must match the network portion of the IP address configured for the NI on which the outgoing call should be placed. For each LDEV-to-nodename mapping, a unique node portion of the IP address must be configured. The actual X.25 address is the same as that configured for the port during HP 2334A configuration.)

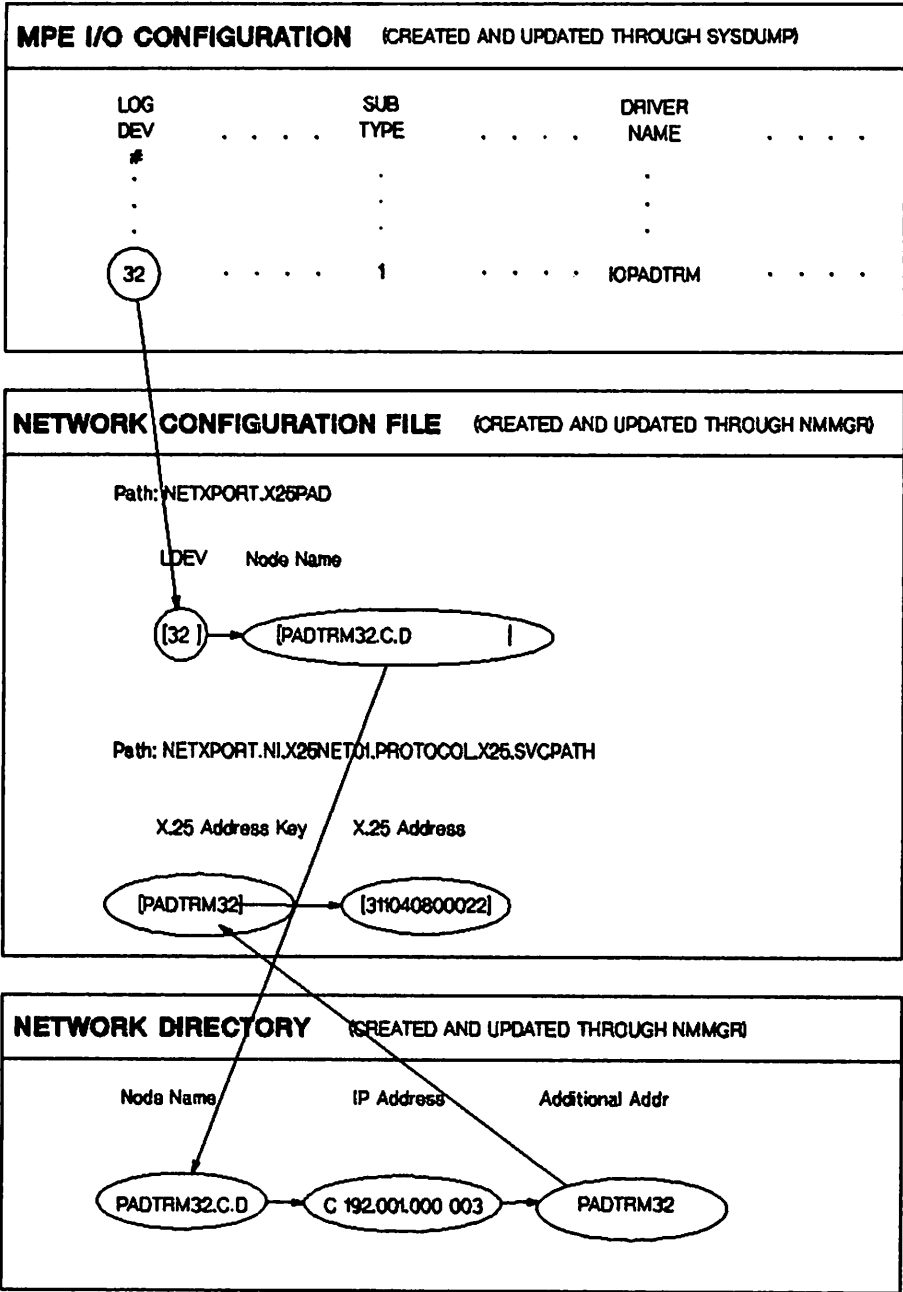


Figure 8-10. Relationship among MPE I/O configuration, network configuration and network directory.

NETWORK INTERFACE CONFIGURATION

The select screen in Figure 8-11 is displayed when you press the function key for **Go To NI** at the Network Transport Configuration Selection Screen (Figure 8-1). It is also displayed when you type the path name:

@NETXPORT.NI

in the command window of any screen and press **ENTER**.

Use the fields and the function keys of the select screen to perform the desired action.

- To define a new NI configuration, specify the NI name and the NI type; then press **Add**. The path for the selected NI name is added to the configuration file, and the data screen on that path is displayed.
- To modify an existing NI configuration, specify the NI name; then press **Update**. The data screen on the path for the specified NI name is displayed.
- To change the name of an existing NI configuration, specify the NI name and a new name; then press **Rename**. The previously configured NI name is replaced and the screen displays the new name in a display field under the label Configured Network Interfaces.
- To delete an existing NI configuration, specify the NI name; then press **Delete**. Press **Delete** again to confirm the deletion. If you do not press **Delete** a second time, the deletion will not occur. The previously configured NI name is deleted and is no longer displayed in a display field under the label Configured Network Interfaces.

The network interface is responsible for providing the interface between network transport protocols and link protocols. It also provides the software loopback capability.

The type MAPA in Figure 8-11 refers to the HP MAP 2.1 Link product for the HP 3000 (Series 39-70) network connection.

```

NMMGR/3000 (X.XX.XX) NETWORK INTERFACE CONFIGURATION
Type in name of item to Update, Delete, or Rename; or Add a new item
Command:

Path: NETXPORT.NI

[ ] Network Interface Name [ ] Type : LOOP,LAN802.3,MAPA,
[ ] New Name                [ ]          ROUTER,GATEHALF,X.25
                                   (if new)

                Configured Network Interfaces

Name      Type      Name      Type      Name      Type
[ ]       [ ]       [ ]       [ ]       [ ]       [ ]
[ ]       [ ]       [ ]       [ ]       [ ]       [ ]
[ ]       [ ]       [ ]       [ ]       [ ]       [ ]

File: filename.NET.SYS

[Next Page] [Prev Page] [Delete] [Rename] [Add] [Update] [Refresh Screen] [Prior Screen]
    
```

Figure 8-11. Network Interface Configuration Screen

Fields

Network Interface Name

Select the network interface name for one of the following: 1) software loopback capability, 2) LAN 802.3 network connection, 3) router network, 4) gateway half, or 5) X.25 connection.

The Network Interface Name can contain as many as eight alphanumeric characters; the first character must be alphabetic.

Type (LOOP, LAN802.3, MAPA,

(Required only when adding.) Enter the appropriate type:

LOOP to identify the software loopback capability.

ROUTER, GATEHALF, or X.25)

LAN802.3 to identify the LAN802.3 network connection.

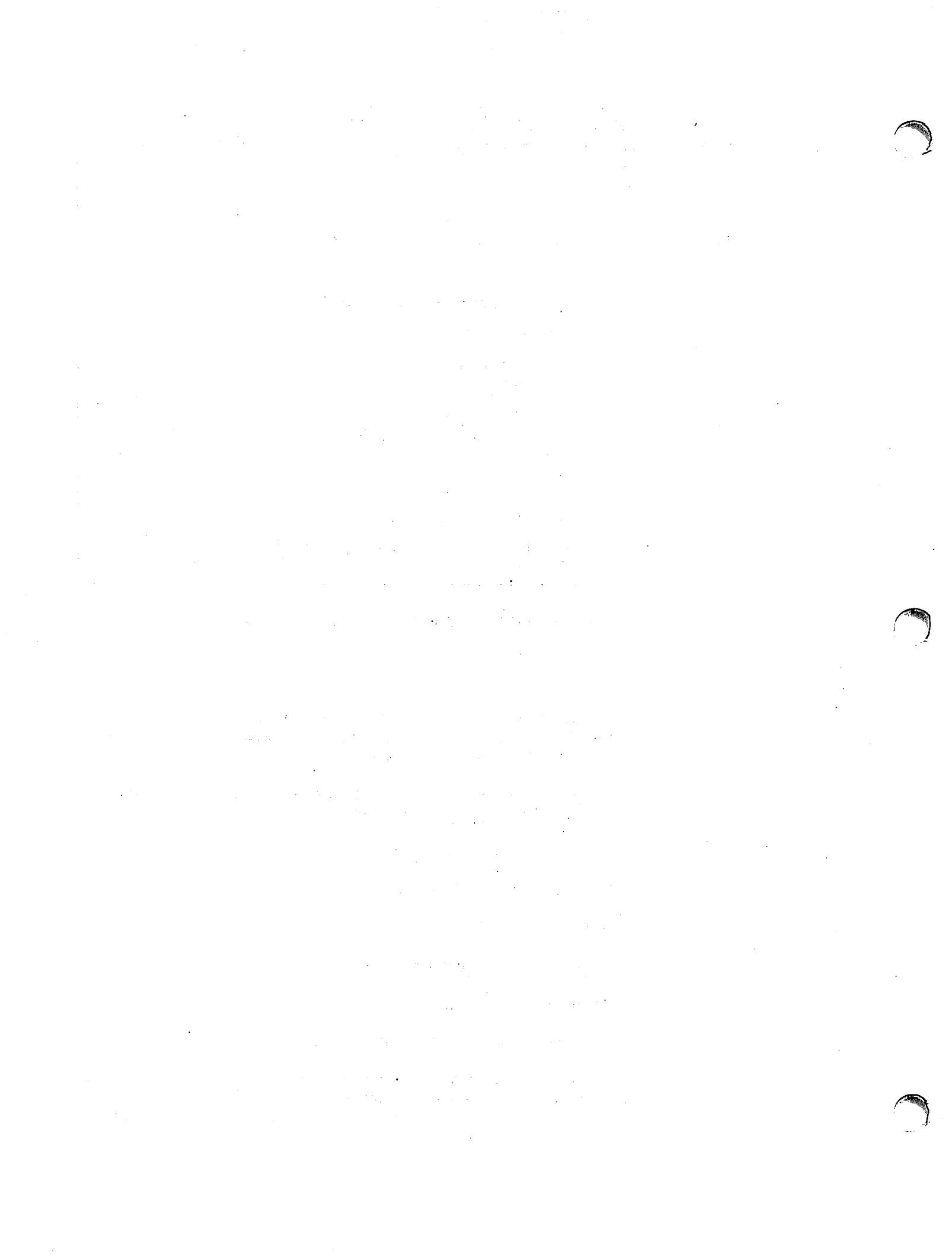
ROUTER to identify a router network.

GATEHALF to identify a gateway half.

X.25 to identify an X.25 network connection.

New Name

(Required only when renaming.) Enter a new NI name. The new name can contain as many as eight alphanumeric characters; the first character must be alphabetic. You need to specify a new name only when renaming an existing NI.



LAN802.3 NETWORK INTERFACE CONFIGURATION

SECTION

9

The screens described in this section are used for configuring a node with a LAN802.3 network interface. All IEEE 802.3 networks must have a LAN802.3 network interface configured for each node. This includes nodes using ThinLAN/3000 Links (including ThickLAN), StarLAN/3000, and StarLAN 10 3000/V Links. Configuration of the LAN802.3 network interface branch of NMMGR begins with the LAN802.3 NETWORK INTERFACE CONFIGURATION screen. From this screen, you can proceed to a number of other screens needed to complete network interface configuration. The screens are listed and briefly described below, with the level of indentation shown indicating each screen's place in the configuration hierarchy.

LAN802.3 NETWORK INTERFACE CONFIGURATION - This screen allows you to configure items needed for any IEEE 802.3 network interface: number of buffers, the maximum number of nodes in the network, an address used by the Probe protocol, and whether to load IP to IEEE 802.3 address information from the node's network directory. From this screen, you can choose to go to one of four screens that begin lower branches of configuration.

PROTOCOL CONFIGURATION - This screen, which you reach by pressing **Go To PROTOCOL** on the previous screen, allows you to proceed to configure the IP or Probe protocols.

IP PROTOCOL CONFIGURATION - This screen enables you to enter information needed for the operation of the IP protocol on this node.

PROBE PROTOCOL CONFIGURATION - This screen enables you to enter information needed for the operation of the Probe protocol on this node.

NETWORK INTERFACE LINKS - This screen, which is displayed after you press **Go To LINK** on the LAN802.3 NETWORK INTERFACE CONFIGURATION screen, allows you to specify a link name (as configured in the link configuration branch of NMMGR), and to specify that it is of type LAN (used for all IEEE 802.3 links).

LAN LINK CONFIGURATION - This screen contains default values for the LAN link defined in the previous screen that cannot be changed.

NEIGHBOR GATEWAYS - This screen appears after you press **Go To INTERNET** on the LAN802.3 NETWORK INTERFACE CONFIGURATION screen. It begins the branch of LAN802.3 network interface configuration that allows you to configure internet information. In this screen, you can identify the nodes in the network that will be functioning as gateways to other networks. **Note:** Internet configuration is not needed if this network is not connected to any other networks, or if its nodes are connected to other personal computers only, and not to other HP 3000s or other computers that perform internet routing.

NEIGHBOR GATEWAY REACHABLE NETWORKS - You must configure an instance of this screen for each of the gateways identified in the previous screen. In this screen, you will specify information about each of the networks that can be reached by a particular gateway.

LAN802.3 MAPPING CONFIGURATION - This screen, which you will reach by pressing **Go To MAPPING** on the LAN802.3 NETWORK INTERFACE CONFIGURATION screen, begins a branch of configuration that enables you to provide information about a non-HP computer's addresses. For HP computers, this information is provided by the Probe protocol, and

LAN802.3 Network Interface Configuration

configuration of this and the subsequent screen in this branch is unnecessary. In this screen, you will identify the non-HP node.

STATIC NEIGHBOR NODE CONFIGURATION (LAN802.3) - An instance of this screen must be configured for every non-HP node identified on the previous screen. You will configure a node's IP and IEEE 802.3 addresses here.

NOTE

Configurable fields described in this manual are required unless otherwise stated.

Fields described as "HP modifiable" should be changed only upon the recommendation of your HP representative.

On the screens shown in this section, fields that must be configured when performing guided configuration are underlined.

LAN802.3 NETWORK INTERFACE CONFIGURATION

The screen in Figure 9-1 is displayed when you select an NI name and the NI type LAN802.3 at the Network Interface Configuration Screen (Figure 8-9) and press **Add** or **Update**. It is also displayed when you type the path name:

@NETXPORT.NI.*niName*

in the command window of any screen and press **ENTER**, where the *niName* is the configured LAN802.3 NI name.

Use the screen in Figure 9-1 to configure a LAN network interface. The LAN802.3 Network Interface (NI) module serves to interface the upper layers of the transport product to the IEEE802.3 link layer. This screen supplies the information required for that interface. All of the fields, with the exception of the HP UPC Number, are used for internal resource allocation.

You must press **Update Data** to transfer the data displayed on the screen to the configuration file you are creating or updating. After pressing **Update Data**, verify that the data record has been created by checking that the **Data:** flag is set to **Y**.

From this screen you proceed to the screens used to configure the LAN link, internet routing, and the IEEE802.3 address mappings.

NMMGR/3000 (X.XX.XX) LAN802.3 NETWORK INTERFACE CONFIGURATION				Data: N
When Data Flag is "N", press "Update Data" to create the data record.				
Command:				
Path: NETXPORT.NI. <i>niName</i>				
[1497]	Network Segment Size (Bytes)			
[256]	Number Of Inbound Buffers			
[256]	Number Of Outbound Buffers			
[100]	Maximum Number Of Nodes In Network			
[08-00-09]	HP UPC Number (Hex XX-XX-XX)			
File: filename.NET.SYS				
Go To PROTOCOL	Go To LINK	Go To INTERNET	Go To MAPPING	Update Data
				Refresh Screen
				Prior Screen

Figure 9-1. LAN802.3 Network Interface Configuration Screen

Choose the item you wish to configure, and press the corresponding key.

LAN802.3 Network Interface Configuration

The only time you need to press **Go To Mapping** is when your LAN includes non-HP nodes. You do not need to configure mapping if any proxy node in the network already includes the mapping information in its network directory. Non-HP nodes do not support the Probe protocol. Therefore, you must configure mapping information about non-HP nodes so that other nodes on your LAN can communicate with them.

Fields

Network Segment Size

(HP modifiable). This field specifies the largest packet (data + protocol headers and not including the IEEE802.3 header) that will be sent by the LAN device (LANIC board).

The only reason for entering a value smaller than 1497 is to make better use of memory for those systems where it is known that upper layer services will always send shorter messages. Note that whenever packets larger than the network segment size are sent, they will be fragmented to the network segment size, thus incurring fragmentation overhead at the source and assembly overhead at the destination node.

Default Value: 1497 bytes

Range: 300-1497

Number Of Inbound Buffers

This field specifies the number of buffers to be allocated for inbound data. Buffer configuration is based on the number of TCP connections that will use a given network interface. An allocation of two buffers per connection will suffice for typical usage.

The default value is based on the assumption that the network manager desires to allow no more than the default number of TCP connections (see **Related Screens** below) to use the LAN NI. Hence the default is 128 (default TCP connections) * 2 = 256 buffers. When there is more than one NI, this value should probably be adjusted downward, since the connections might reasonably be expected to be using more than one NI at any one time. If the number of TCP connections is changed from the default value, the number of inbound buffers for all NI's should be reconsidered.

Whenever there are not enough buffers to support inbound traffic, an IP log message will indicate that the node is congested and the packet had to be discarded. See the *NS3000/V Error Message and Recovery Manual* for the exact IP log location and message. Repeated occurrence of this log message indicates that more inbound buffers need to be configured.

Related Screens:

- NETXPORT.GPROT.TCP
Maximum Number Of Connections is configured here.

Default Value: 256

Range: 32-2048

**Number Of
Outbound Buffers**

This field specifies the number of buffers to be allocated for outbound data. Outbound buffers are used for outbound data packets and are held by the transport until they are acknowledged by the destination node. Under allocation may adversely affect TCP throughput. Calculation of default values is as described above for inbound buffers.

Related Screens:

-NETXPORT.GPROT.TCP

The Maximum Number Of Connections is configured here. If it is increased, consider increasing the number of outbound buffers also.

Default Value: 256

Range: 32-2048

**Maximum Number Of
Nodes In Network**

This number should equal the anticipated maximum number of nodes on the LAN. The number is used to allocate space for IP to IEEE802.3 address mappings that are obtained by the Probe protocol. If the maximum number of nodes is set too low and there is not enough room in the mapping table when a mapping entry needs to be made, a Probe error message is logged. See the *NS3000/V Error Message and Recovery Manual* for the exact log location and message.

It is wise to anticipate growth when configuring this value to minimize the need to shut down the transport subsystem to reconfigure this field.

Related Screens:

- NETXPORT.GLOBAL

Maximum Number Of Nodes In Network is a component of the computation of **Maximum Directly Connected Nodes** on the NETXPORT.GLOBAL screen.

Default Value: 100

Range: 1-1024

HP UPC Number

(HP modifiable.) The HP universal product code is used to establish an HP-unique address used by the Probe protocol.

Default Value: 08-00-09

Only change the default in rare circumstances. If all nodes on the IEEE802.3 LAN are not configured with identical HP UPC numbers, Probe multicasts will not be universally recognized on the LAN.

PROTOCOL CONFIGURATION

The menu screen in Figure 9-2 is displayed when you press the function key for **Go To PROTOCOL** at the LAN802.3 Network Interface Configuration Screen (Figure 9-1). It is also displayed when you type the path name:

@NETXPORT.NI.*niName*.PROTOCOL

in the command window of any screen and press **ENTER**, where *niName* is the configured LAN802.3 NI name.

For the LAN802.3 NI, you must configure both the IP and Probe protocols. Therefore, both the **Go To PROBE** and the **Go To IP** function key labels are displayed.

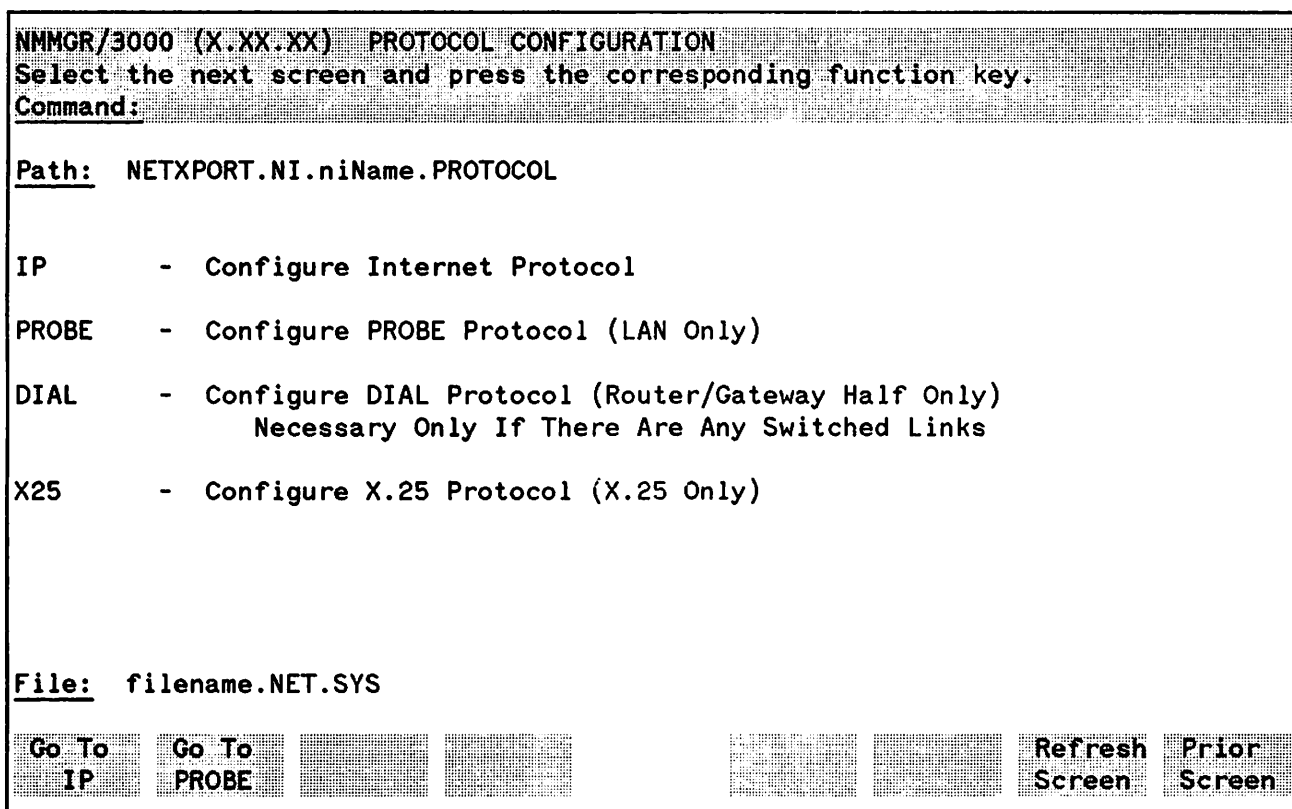


Figure 9-2. Protocol Configuration Screen

Choose the protocol to configure, and press the corresponding function key.

INTERNET PROTOCOL CONFIGURATION

The screen in Figure 9-3 is displayed when you press the function key for **Go To IP** at the Protocol Configuration Screen (Figure 9-2). It is also displayed when you type the path name:

```
@NETXPORT.NI.niName.PROTOCOL.IP
```

in the command window of any screen and press **ENTER**, where *niName* is the configured LAN802.3 NI name.

This data-entry screen is used to supply information to the IP protocol instance for the network being configured. Each NI has an IP protocol. The IP address field is a key element in IP routing and datagram delivery algorithms. The other fields are useful for internal resource allocation and performance tuning.

You must press **Update Data** to transfer the data displayed on the screen to the configuration file you are creating or updating. You verify that the data record has been created by checking that the **Data:** flag is set to **Y**.

NMMGR/3000 (X.XX.XX) IP PROTOCOL CONFIGURATION		Data: N
When Data Flag is "N", press "Update Data" to create the data record.		
Command:		
Path:	NETXPORT.NI.niName.PROTOCOL.IP	
[20]	Store & Forward Buffers (Enter 0 To Disable Store & Forward)	
[]	IP Internet Address	
[4]	Internal Message Queue Length	
[20]	Fragment Assembly Queue Elements	
File:	filename.NET.SYS	
	Update Data	Refresh Screen
		Prior Screen

Figure 9-3. IP Protocol Configuration Screen

Fields

Store & Forward Buffers

(HP modifiable.) This field allocates buffers to support store-and-forward over the network interface being configured. You do not need to allocate store-and-forward buffers if the node you are configuring is a non-gateway node on this IEEE 802.3 network. You will need to allocate store and forward buffers if the node being configured is an internet gateway and packets from another network will be forwarded over this network interface.

This number of store-and-forward buffers is configurable to allow performance tuning for different network types. However, HP recommends that you use the default number of store-and-forward buffers (20), and that you consult your HP representative before modifying this value.

Default Value: 20

NOTE

If this node is a non-gateway node on an IEEE 802.3 network and you are concerned about conserving MPE resources, you may wish to set this field to 0. No store-and-forward buffers will then be allocated.

Range: 0-50

IP Internet Address

Enter the internet protocol (IP) address for the network interface being configured.

Addresses are made up of a network portion and a node portion. The supported classes of network addresses have the following forms (Note: Δ =a space):

Class C	$C\Delta nnn.nnn.nnn\Delta xxx$
Class B	$B\Delta nnn.nnn\Delta xxx.xxx$
Class A	$A\Delta nnn\Delta xxx.xxx.xxx$

where nnn is a value ranging from 0 to 255, representing eight bits of the network portion of an address. The leftmost group of nnn has the following ranges for each address class:

Class C:	192-223
Class B:	128-191
Class A:	0-127

where xxx is a value ranging from 0 to 255, representing the node portion of the address.

Default Value: None

**Internal Message
Queue Length**

(HP modifiable.) This field puts a limit on the number of internal resources that the IP protocol may hold while awaiting some other protocol module action. It is a tuning parameter that should be modified only upon the recommendation of your HP representative.

The default is set to handle most cases; if it is too low for your network, packets will be discarded and you will receive a logging error message. Consult the *NS3000/V Error Message and Recovery Manual* for the specific log message.

Default value: 4

Range: 0-20

**Fragment Assembly
Queue Elements**

(HP modifiable.) This field specifies the maximum number of incomplete message fragments that this IP instance may hold.

HP recommends that you use the default of 20 for this field. For purposes of tuning your network's performance, and upon the recommendation of your HP representative, you may wish to alter the number of Fragment Assembly Queue Elements.

You may wish to configure a higher value if traffic conditions on your network are less than optimal; e.g., if internet routes are heavily loaded and intermediate nodes are congested. If conditions on your network are less busy, you may wish to configure a lower value. Only configure 0 if no fragmented messages will ever be received by the node you are configuring.

If message fragments are discarded, (indicating that the value configured in this field is too low) a log message will be recorded. Refer to the *NS3000/V Error Message and Recovery Manual* for a description of the message you receive.

Default value: 20

Range: 0-100

PROBE PROTOCOL CONFIGURATION

The screen in Figure 9-4 is displayed when you press the function key for **Go To PROBE** at the Protocol Configuration Screen (Figure 9-2). It is also displayed when you type the path name:

@NETXPORT.NI.*niName*.PROTOCOL.PROBE

in the command window of any screen and press **ENTER**, where *niName* is the configured LAN802.3 NI name.

This data-entry screen allows you to configure the information required for the Probe protocol. The Probe protocol exists on a LAN802.3 network to provide a means of exchanging addressing and naming information between nodes.

You must press **Update Data** to transfer the data displayed on the screen to the configuration file you are creating or updating. You verify that the data record has been created by checking that the **Data** flag is set to **Y**.

NMMGR/3000 (X.XX.XX) PROBE PROTOCOL CONFIGURATION		Data: N
When Data Flag is "N", Press "Update Data" to create the data record.		
Command:		
Path: NETXPORT.NI. <i>niName</i> .PROTOCOL.PROBE		
[N] Proxy Enabled (Y For YES, N For NO)		
Probe Requests	Proxy Requests	
[2]	[2]	Retransmission Maximum
[10]	[40]	Retransmission Timeout (X100ms)
File: filename.NET.SYS		
		Update Data
		Refresh Screen
		Prior Screen

Figure 9-4. Probe Protocol Configuration Screen

Fields

Proxy Enabled

Proxy nodes exist on LANs to provide node name and address mapping facilities for nodes that do not have local network directories. Proxy requests are multicast on the LAN to request information about a third party node from a proxy node.

YES enables this node to be a proxy server and to answer all proxy requests on this LAN. NO means that this node will ignore all proxy requests on this LAN network.

Other proxy related fields on this screen are:

- Proxy Requests Retransmission Maximum
- Proxy Requests Retransmission Timeout

Proxy related fields on other screens are:

- HP UPC Number on LAN802.3 Network Interface screen

Default Value: N

Range: Y or N

Probe Requests Retransmission Maximum

This is the maximum number of retransmissions of Probe requests (Name Requests and Address Requests) before a Probe failure is reported.

Because it is unlikely that Probe-request data is being lost, HP recommends that you keep the maximum number of retransmissions low.

Default Value: 2

Range: 1-10

Probe Requests Retransmission Timeout (x 100ms)

This field is for specifying the time limit between retransmissions of Probe requests. This is the time interval (in tenths of a second) that the Probe protocol will wait for a reply before attempting to retransmit a request. The value should be set sufficiently large to avoid retransmissions in a temporarily overloaded environment, yet small enough to get a timely failure report when failure is inevitable.

Default Value: 10

Range: 1-100

LAN802.3 Network Interface Configuration

Proxy Requests Retransmission Maximum

The maximum number of retransmissions of proxy requests before a Probe failure is reported.

Because it is unlikely that Probe-request data is being lost, HP recommends that you keep the maximum number of retransmissions low.

Default Value: 2

Range: 1-10

Proxy Requests Retransmission Timeout (x 100ms)

The time interval (in tenths of a second) that the Probe protocol will wait for a reply before attempting to retransmit a proxy request. The value should be set sufficiently large to avoid retransmissions in a temporarily overloaded environment, yet small enough to get a timely failure report when failure is inevitable.

The default value is set somewhat higher than for Probe requests timeout because proxy requests involve a network directory lookup and consequently more time than regular Probe requests.

Default Value: 40

Range: 1-100

LAN802.3 NETWORK INTERFACE LINK

The select screen in Figure 9-5 is displayed when you press the function key for **Go To LINK** at the LAN802.3 Network Interface Configuration Screen (Figure 9-1). It is also displayed when you type the path name:

`@NETXPORT.NI.niName.LINK`

in the command window of any screen and press **ENTER**, where *niName* is the configured LAN802.3 NI name.

Use the fields and the function keys of this select screen to perform the desired action.

- To define a new link configuration, specify the link name; then press **Add**. The path for the selected link name is added to the configuration file, and the data screen on the path is displayed.
- To modify an existing link configuration, specify the link name; then press **Update**. The data screen on the path for the specified link is displayed.
- To change the link name of an existing link configuration, specify the link name and a new name; then press **Rename**. The previously configured name is replaced, and the screen displays the new name in a display field under the label Configured Network Links.
- To delete an existing link configuration, specify the link name; then press **Delete**. Press **Delete** again to confirm the deletion. If you do not press **Delete** a second time, the deletion will not occur. The previously configured name is deleted and is no longer displayed in a display field under the label Configured Network Links.


```

NMMGR/3000 (X.XX.XX) LAN802.3 NETWORK INTERFACE LINK
Type in name of item to Update, Delete, or Rename; or Add a new item.
Command:

Path: NETXPORT.NI.niName.LINK

[ ] Link Name [ ] Type : LAN - LAN
[ ] New Name (if new)

Configured Network Links

Name Type Name Type Name Type
[ ] [ ] [ ] [ ] [ ] [ ]
[ ] [ ] [ ] [ ] [ ] [ ]
[ ] [ ] [ ] [ ] [ ] [ ]

File: filename.NET.SYS

Next Prev Delete Rename Add Update Refresh Prior
Page Page Screen Screen Screen Screen
    
```

Figure 9-5. LAN802.3 Network Interface Link Screen

Fields

Link Name

Enter the link name from the LAN802.3 Link configuration to allow the Network Transport to associate the correct link with the LAN802.3 NI. The link name can contain as many as eight alphanumeric characters, and the first character must be alphabetic.

The link name is used by the Network Transport when establishing connections.

Related Screens:

The Link name on this screen *must* match the link name in the Link name field of the LINK CONFIGURATION screen whose pathname is LINKCONF.

Type

(Required when adding.) Enter LAN as the link type.

New Name

(Required when renaming.) Enter a link name. This new link name is used in place of the current link name for an existing link configuration. The name can contain as many as eight alphanumeric characters, and the first character must be alphabetic.

LAN LINK CONFIGURATION

The screen in Figure 9-6 is displayed when you select an NI link name at the LAN802.3 Network Interface Link Screen (Figure 9-5) and press **Add** or **Update**. It is also displayed when you type the path name:

```
@NETXPORT.NI.niName.LINK.nilink
```

in the command window of any screen and press **ENTER**, where *niName* is the configured LAN802.3 NI name and *nilink* is the configured LAN802.3 NI link name.

This screen supplies the information required to interface the LAN NI to a LAN802.3 link.

You must press **Update Data** to transfer the data displayed on the screen to the configuration file you are creating or updating. You verify that the data record has been created by checking that the **Data** flag is set to **Y**.

NMMGR/3000 (X.XX.XX) LAN LINK CONFIGURATION		Data: N
When Data Flag is "N", press "Update Data" to create the data record.		
Command:		
Path:	NETXPORT.NI.niName.LINK.nilink	
<input type="checkbox"/> [Y]	Start Device On Network Initialization (Y/N)	
<input type="checkbox"/> [N]	Enable Idle Device Timer (Y/N)	
File:	filename.NET.SYS	
<input type="button" value="Update Data"/>	<input type="button" value="Refresh Screen"/>	<input type="button" value="Prior Screen"/>

Figure 9-6. LAN Link Configuration Screen

Fields

Start Device

(Display only.) A YES value means that the device is to be started when a NETCONTROL START command is issued for the network interface. For the LAN, this is always the case, and therefore this field cannot be changed.

Default Value: Y

Enable Idle Device Timer

(Display only.) Specifies whether the device is to be disconnected automatically if no packets are received or transmitted over the link during a specified time period. This does not apply to the LAN.

Default Value: N

NEIGHBOR GATEWAYS

The select screen in Figure 9-7 is displayed when you press the function key for **Go To INTERNET** at the LAN802.3 Network Interface Configuration Screen (Figure 9-1). It is also displayed when you type the path name:

@NETXPORT.NI.*niName*.INTERNET

in the command window of any screen and press **ENTER**, where *niName* is the configured LAN802.3 NI name.

Use the fields and the function keys of this select screen to perform the desired action.

- To define a new gateway configuration, specify the gateway name; then press **Add**. The path for the selected gateway name is added to the configuration file, and the data screen on the path is displayed.
- To modify an existing gateway configuration, specify the gateway name; then press **Update**. The data screen on the path for the specified gateway is displayed.
- To change the gateway name of an existing gateway configuration, specify the gateway name and a new name; then press **Rename**. The previously configured name is replaced, and the screen displays the new name in a display field under the label Configured Gateways.
- To delete an existing gateway configuration, specify the gateway name; then press **Delete**. Press **Delete** again to confirm the deletion. If you do not press **Delete** a second time, the deletion will not occur. The previously configured name is deleted and is no longer displayed in a display field under the label Configured Gateways.

From this screen you proceed to the screen used to configure names of all networks reachable from this gateway node.

NMMGR/3000 (X.XX.XX) NEIGHBOR GATEWAYS
Type in name of item to Update, Delete, or Rename; or Add a new item.
Command:

Path: NETXPORT.NI.niName.INTERNET

[] Gateway Name
[] New Name

Configured Gateways

[]	[]	[]	[]	[]	[]
[]	[]	[]	[]	[]	[]
[]	[]	[]	[]	[]	[]

File: filename.NET.SYS

Next Page	Prev Page	Delete	Rename	Add	Update	Refresh Screen	Prior Screen
-----------	-----------	--------	--------	-----	--------	----------------	--------------

Figure 9-7. .Neighbor Gateways Screen

Fields

Gateway Name

Enter a name to represent a gateway on this network, through which one or more remote networks can be reached. A gateway name can contain as many as eight alphanumeric characters; the first character must be alphabetic.

New Name

(Required only when renaming.) Enter a gateway name to represent a neighbor gateway. This new gateway name is used in place of the current gateway name for an existing gateway configuration. The name can contain as many as eight alphanumeric characters; the first character must be alphabetic.

NEIGHBOR GATEWAY REACHABLE NETWORKS

The screen in Figure 9-8 is displayed when you select a gateway name at the Neighbor Gateways Screen (Figure 9-7) and press **Add** or **Update**. It is also displayed when you type the path name:

@NETXPORT.NI.*niName*.INTERNET.*gatewayn*

in the command window of any screen and press **ENTER**, where *niName* is the configured LAN802.3 NI name, and *gatewayn* is the configured LAN802.3 NI gateway name.

After you have entered all the required data, you must press **Update Data** to transfer the data displayed on the screen to the configuration file you are creating or updating. You verify that the data record has been created by checking that the **Data:** flag is set to **Y**.

```

MMMGR/3000 (X.XX.XX) NEIGHBOR GATEWAY REACHABLE NETWORKS          Data: N
When Data Flag is "N", press "Update Data" to create the data record.
Command:

Path: NETXPORT.NI.niName.INTERNET.gatewayn

[ ] Neighbor Gateway IP Internet Address

                Configured Reachable Networks  PAGE 1

IP Network Address  Hops                IP Network Address  Hops
[ ]                [ ]                [ ]                [ ]
[ ]                [ ]                [ ]                [ ]
[ ]                [ ]                [ ]                [ ]
[ ]                [ ]                [ ]                [ ]

File: filename.NET.SYS

Next   Prev   First   Last   Condense  Update  Refresh  Prior
Page  Page  Page   Page  Page      Data   Screen   Screen
  
```

Figure 9-8. Neighbor Gateway Reachable Networks Screen

NOTE

The information configured in this screen can extend to more than one page, if necessary, to allow configuration of more than 10 reachable networks. Press **Next Page** to proceed to a new page. Press **Prev Page** to display a prior page. Use **First Page** to display the first page (for example, if you are viewing the third page, pressing **First Page** will immediately display the first page). Press **Last Page** to display the last page of reachable networks that has been configured. To consolidate reachable network entries (from several pages, for example) press **Condense Page**.

Fields

Neighbor Gateway IP Internet Address

Enter the full network address of a gateway node (on this network) that is to be used to reach other networks (any network in the same catenet other than the network of which this node is a member). The network portion of the address must be the same as that entered on the IP Protocol Configuration screen for the network interface you are configuring (see Related Screens, below).

Addresses are made up of a network portion and a node portion. The possible classes of network addresses have the following forms (Δ =a space):

```
Class C   C $\Delta$ nnn.nnn.nnn $\Delta$ xxx
Class B   B $\Delta$ nnn.nnn $\Delta$ xxx.xxx
Class A   A $\Delta$ nnn $\Delta$ xxx.xxx.xxx
```

where nnn is a value ranging from 0 to 255, representing eight bits of the network portion of an address, and xxx is a value ranging from 0 to 255, representing the node portion of the address. The leftmost group of nnn has the following ranges for each address class:

```
Class C:  192-223
Class B:  128-191
Class A:   0- 127
```

Default Value: None

Related Screens:

- NETXPORT.NI.*niName*.PROTOCOL.IP

The network address (network portion of the IP address) configured in this screen must match the Neighbor Gateway IP Internet Address configured in the current screen.

**Configured Reachable
Networks IP Network
Address**

Enter the internet addresses of the remote networks that can be reached through the gateway whose network address is configured in the previous field. Only the internet portion of the network address is significant for this field (see above for valid formats of internet addresses). The node portion must be entered; however, it may be set to all zeros.

Related Screens:

- NETXPORT.NI.*niName*.INTERNET

This pathname corresponds to the Neighbor Gateways screen. A Neighbor Gateway Reachable Networks screen must be configured for each gateway configured in the Neighbor Gateways screen.

**Configured Reachable
Networks Hops**

Enter the internet hop count to the reachable network whose IP address is configured to the left of the Hops field. (The internet hop count is the number of full internet gateways that will be used to route a message to the destination network. If two partner gateway halves are used as part of the internet route, they are counted as one hop.)

Hop count is used internally to determine which neighbor gateway (if more than one exists) is on the shortest path to the remote network. If more than one gateway can reach a given remote network, and the number of hops to the remote network is equal for each gateway, you can specify which gateway the Network Transport will use by configuring an artificially high hop count. The Network Transport will always use the gateway with the lowest hop count.

If the same hop count value is configured for multiple gateways, then the Network Transport will choose internally from among the routes with equal hop counts.

Default Value: None

Range: 1-32767

NOTE

To delete a reachable network entry, fill the field to be deleted with blanks and press **Update Data**.

LAN802.3 MAPPING CONFIGURATION

The select screen in Figure 9-11 is displayed when you press the function key for **Go To MAPPING** at the LAN802.3 Network Interface Configuration Screen (Figure 9-1). It is also displayed when you type the path name:

@NETXPORT.NI.*niName*.MAPPING

in the command window of any screen and press **ENTER**, where the *niName* is the configured LAN802.3 NI name.

Mapping information is required only when you have non-HP nodes on a LAN. This is because non-HP nodes do not support the Probe Protocol, and they do not have LAN802.3 addresses configured in the network directory. Mapping information pertaining to a non-HP node is used by other nodes to communicate with the non-HP node.

Use the fields and the function keys of this select screen to perform the desired action.

- To define a new mapping configuration, specify the mapping name; then press **Add**. The path for the selected mapping name is added to the configuration file, and the data screen on the path is displayed.
- To modify an existing mapping configuration, specify the mapping name; then press **Update**. The data screen on the path for the specified mapping name is displayed.
- To change the mapping name of an existing mapping configuration, specify the mapping name and a new name; then press **Rename**. The previously configured name is replaced, and the screen displays the new name in a display field under the label Configured Mappings.
- To delete an existing mapping configuration, specify the mapping name; then press **Delete**. Press **Delete** again to confirm the deletion. If you do not press **Delete** a second time, the deletion will not occur. The previously configured name is deleted and is no longer displayed in a display field under the label Configured Mappings.

```

NMMGR/3000 (X.XX.XX) LAN802.3 MAPPING CONFIGURATION
Type in name of item to Update, Delete, or Rename; or Add a new item.
Command:

Path: NETXPORT.NI.niName.MAPPING

[ ] Static Neighbor Node Name
[ ] New Name

                Configured Mappings

[ ] [ ] [ ] [ ] [ ] [ ]
[ ] [ ] [ ] [ ] [ ] [ ]
[ ] [ ] [ ] [ ] [ ] [ ]
[ ] [ ] [ ] [ ] [ ] [ ]

File: filename.NET.SYS

Next   Prev   Delete  Rename          Add   Update  Refresh  Prior
Page  Page                               Screen Screen
    
```

Figure 9-11. Mapping Configuration Screen

Fields

Static Neighbor Node Name

Enter a mapping name to represent the non-HP node for which you are configuring mapping information. A mapping name can contain as many as eight alphanumeric characters, and the first character must be alphabetic.

New Name

(Required only when renaming.) Enter a mapping name. This new mapping name is used in place of the current mapping name for an existing mapping configuration. The name can contain as many as eight alphanumeric characters, and the first character must be alphabetic.

STATIC NEIGHBOR NODE CONFIGURATION (LAN802.3)

The screen in Figure 9-12 is displayed when you select a mapping name at the Mapping Configuration Screen (Figure 9-11) and press **Add** or **Update**. It is also displayed when you type the path name:

`@NETXPORT.NI.niName.MAPPING.neighbor`

in the command window of any screen and press **ENTER**, where *niName* is the configured LAN802.3 network interface name, and *neighbor* is the configured mapping name.

This screen provides IP-to-IEEE802.3 address mapping for other nodes on the LAN. This mapping is normally provided by the Probe protocol. To reach non-HP nodes (that do not support the Probe protocol), the mapping can be configured in the local network directory. Should a node choose not to support a network directory, this screen is the last alternative to supply address mappings.

You must press **Update Data** to transfer the data displayed on the screen to the configuration file you are creating or updating. You verify that the data record has been created by checking that the **Data:** flag is set to **Y**.

```
NMMGR/3000 (X.XX.XX) STATIC NEIGHBOR NODE CONFIGURATION (LAN802.3) Data: N
When Data Flag is "N", press "Update Data" to create the data record.
Command:

Path: NETXPORT.NI.niName.MAPPING.neighbor

[ ] IP Internet Address
[06] IEEE802.3 IP SAP (Hex)
[ ] IEEE802.3 Address

File: filename.NET.SYS

[ ] [ ] [ ] [ ] [ ] Update Data Refresh Screen Prior Screen
```

Figure 9-12. Static Neighbor Node Configuration Screen

Fields

IP Internet Address

This is the full network address of a non-HP node. Note that the network portion of the address must be the same as that entered on the IP Protocol Configuration screen. (See related screens above.)

Addresses are made up of a network portion and a node portion. The supported classes of network addresses have the following forms:

```

Class C   CΔnnn.nnn.nnnΔxxx
Class B   BΔnnn.nnnΔxxx.xxx
Class A   AΔnnnΔxxx.xxx.xxx
Loopback  EΔ255.255.255.255

```

where Δ denotes a blank space, and nnn is a value ranging from 0 to 255, representing eight bits of the network portion of an address. The leftmost group of nnn has the following ranges for each address class:

```

Class C:  192-223
Class B:  128-191
Class A:   0-127

```

and xxx is a value ranging from 0 to 255, representing the node portion of the address. Note also that a space is used to delimit the boundary between the network portion and the node portion of the address.

Default Value: None

Related Screens:

- NETXPORT.NI.*niName*.PROTOCOL.IP. The network address (network portion of the IP address) in this screen must match the IP internet address configured in the current screen.

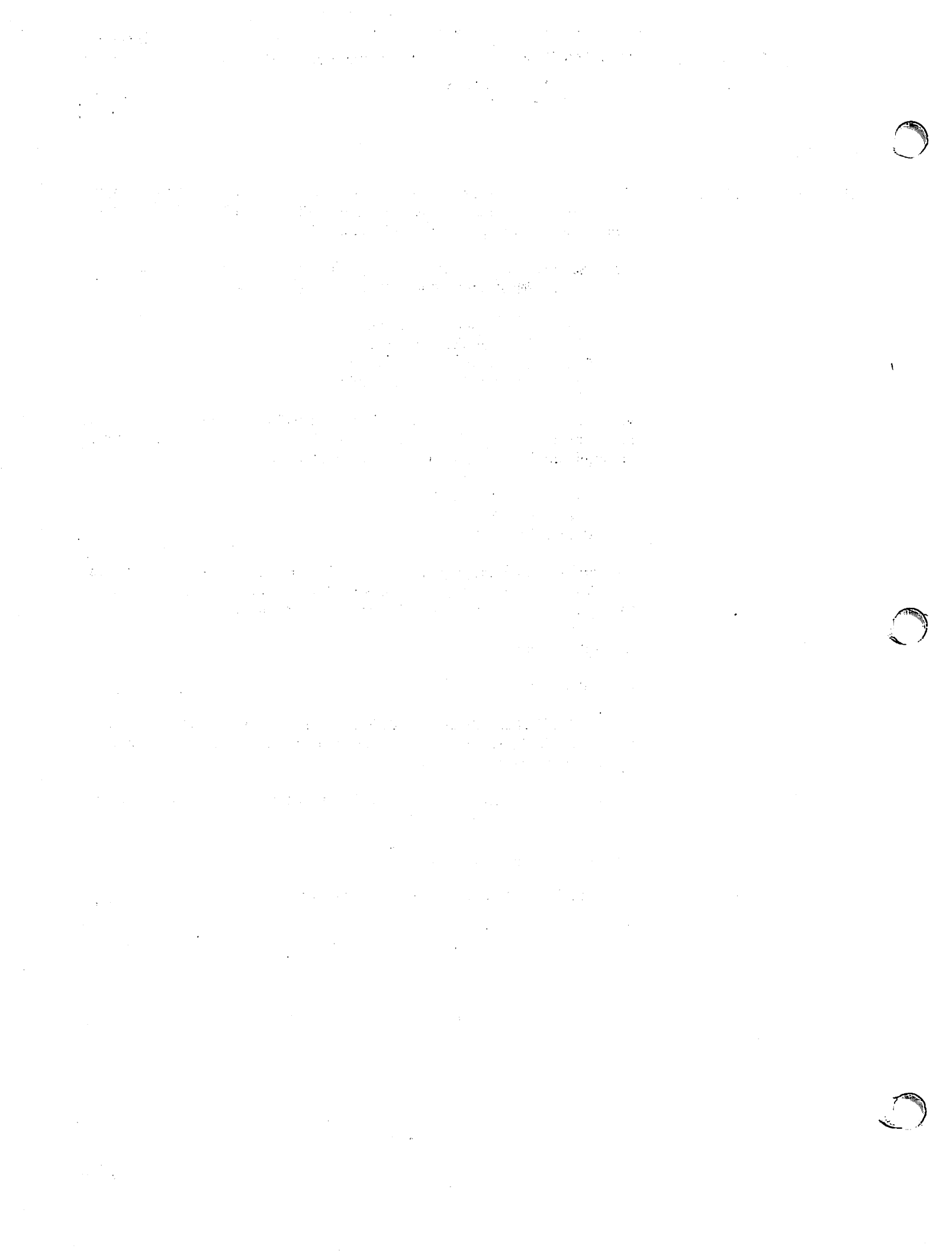
IEEE802.3 IP SAP

(HP modifiable). The protocol ID assigned to the Internet Protocol (IP) by ARPA.

Default Value: 06

IEEE802.3 Address

The IEEE802.3 station address of the destination node.



ROUTER NETWORK INTERFACE CONFIGURATION

SECTION

10

The screens described in this section are used for configuring a node with a router network interface.

There are four main branches of router network interface configuration. These are reached by choosing different function keys displayed on the first screen, called the ROUTER NETWORK INTERFACE screen. All of the router network interface configuration screens are listed below, with their places in the configuration tree indicated by indentation.

ROUTER NETWORK INTERFACE CONFIGURATION - This screen enables you to configure information about a router network interface, such as the number of inbound and outbound buffers, the size of an internal table that holds information about routes, and the network hop count. From this screen, you can proceed to one of four branches of router NI configuration: protocol configuration, link configuration, internet configuration, and mapping configuration.

PROTOCOL CONFIGURATION - You will reach this screen if you press **Go To PROTOCOL** on the ROUTER NETWORK INTERFACE CONFIGURATION screen. This screen allows you to choose to proceed to either IP or DIAL protocol configuration.

IP PROTOCOL CONFIGURATION - This screen, which you will reach by pressing **Go To IP** on the previous screen, enables you to configure the number of store and forward buffers on this node, the node's IP address, and tuning parameters for the IP protocol.

DIAL ID PROTOCOL CONFIGURATION - This screen enables you to configure information about a dial link that is used by the Dial ID protocol--retransmission information, and whether security is in effect.

SECURITY STRING(S) CONFIGURATION - This screen allows you to specify the security strings used by the Dial ID protocol.

ROUTER NETWORK INTERFACE LINKS - This screen, which you will reach by pressing **Go To Link** on the ROUTER NETWORK INTERFACE CONFIGURATION screen, allows you to specify the name of the link (as previously configured in the LINK CONFIGURATION screen), and whether the link is a direct dial, shared dial, or direct connect link.

DIRECT CONNECT LINK CONFIGURATION - This screen, which NMMGR displays when you specify a direct connect link in the previous screen, allows you to enter information pertaining to the direct connect link.

ROUTER DIAL LINK CONFIGURATION - This screen, which NMMGR displays when you specify a direct dial or shared dial link in the previous screen, allows you to enable or disable the Dial ID protocol.

NEIGHBOR GATEWAYS - This screen, which you will reach by pressing **Go To INTERNET** on the ROUTER NETWORK INTERFACE CONFIGURATION screen, permits you to specify the nodes that will be functioning as gateways to other networks.

NEIGHBOR GATEWAY REACHABLE NETWORKS - One instance of this screen will be configured for each gateway entered in the previous screen. This screen provides data

Router Network Interface Configuration

about the networks that can be reached from the gateway, and the gateway's IP address.

ROUTER MAPPING CONFIGURATION - This screen, which you will reach by pressing **Go To MAPPING**, begins the NMMGR branch that allows you to specify information about routes between the node you are configuring and other nodes on the same router network. This screen in particular allows you to specify a name that identifies each route.

ROUTER REACHABLE NODES - This screen, which is revisited for each route specified in the previous screen, allows you to enter data about each route.

NOTE

Configurable fields described in this manual are required unless otherwise stated.

Fields described as "HP modifiable" should be changed only upon the recommendation of your HP representative.

On the screens shown in this section, fields that must be configured when performing guided configuration are underlined.

ROUTER NETWORK INTERFACE CONFIGURATION

The router network interface (NI) serves to interface the upper layers of the transport protocol to the data link layer. The router NI screen (shown below) supplies the information required for that interface. The screen is displayed when you select an NI name and the NI type ROUTER at the Network Interface Configuration Screen (Figure 8-9) and press **Add** or **Update**. It is also displayed when you type the path name:

@NETXPORT.NI.*niName*

in the command window of any screen and press **ENTER**, where the *niName* is the configured router NI name.

You must press **Update Data** to transfer the data displayed on the screen to the configuration file you are creating or updating. You verify that the data record has been created by checking that the **Data:** flag is set to **Y**.

From this screen you proceed to the screens used to configure the router network interface.

NMMGR/3000 (X.XX.XX) ROUTER NETWORK INTERFACE CONFIGURATION				Data: N		
When Data Flag is "N", press "Update Data" to create the data record.						
Command:						
Path: NETXPORT.NI. <i>niName</i>						
[256]	Number Of Inbound Buffers					
[256]	Number Of Outbound Buffers					
[100]	Number Of Routing Table Entries					
[]	Network Hop Count					
[]	Idle Device Timeout Value (Minutes)					
	0 = Timer Disabled For All Devices					
File: filename.NET.SYS						
Go To	Go To	Go To	Go To	Update	Refresh	Prior
PROTOCOL	LINK	INTERNET	MAPPING	Data	Screen	Screen

Figure 10-1. Router Network Interface Configuration Screen

Choose the item you wish to configure and press the corresponding function key.

Fields

Number of Inbound Buffers

This field specifies the number of buffers to be allocated for inbound data. Buffer configuration is based on the number of TCP connections that will use a given network interface. An allocation of two buffers per connection will suffice for typical usage.

The default value is based on the assumption that the network manager desires to allow no more than the default number of TCP connections (128) to use the router NI (see related screens, below). Hence the default is $128 * 2 = 256$ inbound buffers. When there is more than one NI, this value should probably be adjusted downward, since the connections might reasonably be expected to be spread over all the NIs rather than be concentrated over only one NI. **If the number of TCP connections is changed from the default value, the number of inbound buffers for all NIs should be reconsidered.**

Whenever there are not enough buffers to support inbound traffic, an IP log message will indicate that the node is congested and the packet had to be discarded. (See the *NS3000/V Error Message and Recovery Manual* for the exact IP log location and message.) Repeated occurrence of this log message indicates that more inbound buffers should be configured.

Related Screens:

- NETXPORT.GPROT.TCP

The maximum number of TCP Connections is configured here.

Default Value: 256

Range: 32-2048

Number of Outbound Buffers

This field specifies the number of buffers to be allocated for outbound data. Outbound buffers are used for outbound data packets and are held by the transport until acknowledged by the destination. Not allocating enough outbound buffers may adversely affect TCP throughput. Calculation of the default value is the same as described above for inbound buffers.

Related Screens:

- NETXPORT.GPROT.TCP

The default value for maximum TCP connections is configured here. If it is increased, the number of outbound buffers must also be increased.

Default: 256

Range: 32-2048

**Number of Routing
Table Entries**

This is the number of routing table entries necessary to support the router network configuration. The router NI uses this value to allocate memory for the routing table.

This value should be at least as large as the total number of router reachable nodes that are configured. In addition, future growth should be anticipated. If insufficient space is allocated, the router NI logs a message indicating this. (See the *NS3000/V Error Message and Recovery Manual* for the specific NI log message details.)

Related Screens:

- NETXPORT.NI.NiName.MAPPING.mapentry
Reachable nodes are configured here.

- NETXPORT.GLOBAL
The number of path descriptors configured in this screen is related to the maximum number of nodes in the network.

Default Value: 100

Range: 1-1024

Network Hop Count

This is the maximum number of hops that a packet entering the network can make. It is the distance between the two most remotely separated nodes on the network. Distance is measured in terms of "hops," where each intermediate node between two end nodes is counted as a "hop."

The network hop count determines a packet's time to live, that is, the time (in numbers of hops) that a packet is allowed to remain in the network. A packet whose time to live has expired can be assumed to be undeliverable because of some undetected routing anomaly, and will be discarded.

If this value is set too low, the danger exists that packets will be discarded prematurely (that is, before they reach their destination). If the value is set too high, an undeliverable packet may remain in the network too long, and possibly contribute to network congestion.

Default Value: None

Range: 1-1024

**Idle Device
Timeout Value (Mins)**

This field is relevant only if the link is a dial link. For those devices that have the Idle Device Timer enabled, if there is no activity during this time interval, the device is considered to be inactive and will be shut down. A timeout value of zero disables the Idle Device Timer for the link on this network interface, thus overriding any enabled device timer (see Related Screens, below). The purpose of the Idle Device Timer is to shut down dial links that have become idle.

Related Screens:

- NETXPORT.NI.*niName*.LINK.*nilink*

An entry in this screen enables/disables Idle Device Timer for the device.

- NETXPORT.GPROT.TCP

The Connection Assurance Interval set in this screen must be less than the Idle Device Timeout value configured in the current screen. Note that one value (Connection Assurance) is configured in seconds, the other (Idle Device Timeout) is configured in minutes. You must convert to the same units to compare the values.

Default Value: None

Range: 0-720

ROUTER NETWORK INTERFACE PROTOCOL CONFIGURATION

The menu screen in Figure 10-2 is displayed when you press the function key for **Go To PROTOCOL** at the Router Network Interface Configuration screen (Figure 10-1). It is also displayed when you type the path name:

```
@NETXPORT.NI.niName.PROTOCOL
```

in the command window of any screen and press **ENTER**, where *niName* is the configured router NI name.

For the router NI, you must configure the IP protocol. The Dial protocol must be configured only if you have any switched lines. The **Go To DIAL** and **Go To IP** function key labels are displayed.

```

NMMGR/3000 (X.XX.XX) PROTOCOL CONFIGURATION
Select the next screen and press the corresponding function key.
Command:
Path: NETXPORT.NI.niName.PROTOCOL

IP      -  Configure Internet Protocol
PROBE   -  Configure PROBE Protocol (LAN Only)
DIAL    -  Configure DIAL Protocol (Router/Gateway Half Only)
          Necessary Only If There Are Any Switched Links
X25     -  Configure X.25 Protocol (X.25 Only)

File: filename.NET.SYS

Go To   Go To   Refresh   Prior
IP      PROBE   Screen   Screen

```

Figure 10-2. Protocol Configuration Screen

Choose the protocol to configure and press the corresponding function key.

INTERNET PROTOCOL CONFIGURATION

Internet Protocol information must be supplied for each configured NI. The key field in the screen shown below is the IP Internet Address, which is used in IP routing and datagram delivery algorithms. Data in the other fields are used for internal resource allocation and performance tuning.

The IP Protocol screen is displayed when you press the function key for **Go To IP** at the Protocol Configuration Screen (Figure 10-2). It is also displayed when you type the path name:

@NETXPORT.NI.*niName*.PROTOCOL.IP

in the command window of any screen and press **ENTER**, where *niName* is the configured router NI name.

You must press **Update Data** to transfer the data displayed on the screen to the configuration file you are creating or updating. You verify that the data record has been created by checking that the **Data** flag is set to **Y**.

```
NMMGR/3000 (X.XX.XX) IP PROTOCOL CONFIGURATION Data: N
When Data Flag is "N", press "Update Data" to create the data record.
Command:

Path: NETXPORT.NI.niName.PROTOCOL.IP

[20] Store & Forward Buffers
      (Enter 0 To Disable Store & Forward)

[ ] IP Internet Address

[4] Internal Message Queue Length

[20] Fragment Assembly Queue Elements

File: filename.NET.SYS

Update Refresh Prior
Data Screen Screen
```

Figure 10-3. IP Protocol Configuration Screen

Fields

Store & Forward Buffers

(HP modifiable.) This field allocates buffers to support store-and-forward over the network interface being configured.

You must allocate store-and-forward buffers if (a) this is a node with two or more router links or (b) the node being configured is an internet gateway and packets from another network will be forwarded over this network interface.

This number of store-and-forward buffers is configurable to allow performance tuning for different network types. However, HP recommends that you use the default number of store-and-forward buffers (20), and that you consult your HP representative before modifying this value.

Default Value: 20

Range: 0-50

IP Internet Address

Enter the internet protocol (IP) address for the network interface being configured.

Addresses are made up of a network portion and a node portion. The supported classes of network addresses have the following forms:

```

Class C   CΔnnn.nnn.nnnΔxxx
Class B   BΔnnn.nnnΔxxx.xxx
Class A   AΔnnnΔxxx.xxx.xxx

```

where Δ denotes a blank, and nnn is a value ranging from 0 to 255, representing eight bits of the network portion of an address. The leftmost group of nnn has the following ranges for each address class:

```

Class C:  192-223
Class B:  128-191
Class A:   0-127

```

where xxx is a value ranging from 0 to 255, representing the node portion of the address.

Default Value: None

Internal Message Queue Length

(HP modifiable.) This field puts a limit on the number of internal resources that the IP protocol may hold while awaiting some other protocol module action. It is a tuning parameter that should be modified only upon the recommendation of your HP representative.

The default is set to handle most cases; if it is too low for your network, packets will be discarded and you will receive a logging error message.

Consult the *NS3000/V Error Message and Recovery Manual* for the specific log message.

Default value: 4

Range: 0-20

**Fragment Assembly
Queue Elements**

(HP modifiable.) This field specifies the maximum number of incomplete message fragments that this IP instance may hold.

HP recommends that you use the default of 20 for this field. For purposes of tuning your network's performance, and upon the recommendation of your HP representative, you may wish to alter the number of Fragment Assembly Queue Elements.

You may wish to configure a higher value if traffic conditions on your network are less than optimal; e.g., if internet routes are heavily loaded and intermediate nodes are congested. If conditions on your network are less busy, you may wish to configure a lower value. Only configure 0 if no fragmented messages will ever be received by the node you are configuring.

If message fragments are discarded, (indicating that the value configured in this field is too low) a log message will be recorded. Refer to the *NS3000/V Error Message and Recovery Manual* for a description of the message you receive.

Default value: 20

Range: 0-100

DIAL ID PROTOCOL CONFIGURATION

Along with other information, the Dial ID Protocol Configuration screen provides a means of verifying that the remote node is indeed the intended remote node and that both local and remote nodes have proper security access. This screen, shown below, is displayed when you press the function key for **Go To DIAL** at the Protocol Configuration Screen (Figure 10-2). It is also displayed when you type the path name:

```
@NETXPORT.NI.niName.PROTOCOL.DIAL
```

in the command window of any screen and press **ENTER**, where *niName* is the configured router NI name.

You must press **Update Data** to transfer the data displayed on the screen to the configuration file you are creating or updating. You verify that the data record has been created by checking that the **Data** flag is set to **Y**.

After the data has been updated, press **Go to SECURITY** to proceed to the next screen.

NMMGR/3000 (X.XX.XX) DIAL ID PROTOCOL CONFIGURATION		Data: N
When Data Flag is "N", press "Update Data" to create the data record.		
Command:		
Path:	NETXPORT.NI.niName.PROTOCOL.DIAL	
[2]	Maximum Retransmissions Per Packet	
[5]	Retransmission Timeout (Secs)	
[Y]	Security On (Y/N)	
File:	filename.NET.SYS	
Go To SECURITY	Update Data	Refresh Screen
		Prior Screen

Figure 10-4. Dial ID Protocol Configuration Screen

Fields

Maximum Retransmissions Per Packet

(HP modifiable.) This is the maximum number of times that a Dial ID Protocol packet will be retransmitted. If the expected response to a packet is not received after this number of retransmissions, the link device it is using is closed. This value is related to the Retransmission Timeout value discussed below. Multiplying these values results in the total time that passes before a failure is reported (an error message will be recorded).

HP recommends that you alter this value only upon the recommendation of your HP representative. However, note that if the value is set too low, dial connections may fail unnecessarily when response times are temporarily slowed by transient conditions such as an abnormally high volume of traffic. The higher the value, the longer it will take to be notified of a link failure if one occurs.

Default Value: 2

Range: 1-10

Retransmission Timeout (Secs)

(HP modifiable.) The Retransmission Timeout is the time interval that passes between retransmissions of a Dial ID protocol packet.

Multiplying the values configured for Maximum Number of Retransmissions Per Packet (described above) and Retransmission Timeout results in the total time that passes before a failure is reported (an error message will be recorded).

HP recommends that you alter this value only upon the recommendation of your HP representative. However, note that if the value is set too low, dial connections may fail unnecessarily when response times are temporarily slowed by transient conditions such as an abnormally high volume of traffic. The higher the value, the longer it will take to be notified of a link failure if one occurs.

Default Value: 5

Range: 1- 10

Security On (Y/N)

A Y (Yes) value in this field indicates that security strings are to be exchanged and validated between the node being configured and a remote node.

When a dial connection is initiated by a remote node, the security string sent by the remote node is checked against the list of valid security strings configured for the Dial ID Protocol for this network interface. (See Related Screens, below).

When a dial connection is initiated by this node, the local Dial ID protocol sends the destination's security string (as configured on this node) to that node. (Related Screens, below, indicates the pathname of the screen in

which you can configure security strings.)

If security validation fails, an error message is logged, where PARM indicates whether the failure was local or remote. See the *NS3000/V Error Message and Recovery Manual* for a description of any error message received.

Related Screens:

- NETXPORT.NI.*niName*.PROTOCOL.DIAL.SECURITY
Security Strings valid for this network are configured in this screen.
- NETXPORT.NI.*niName*.MAPPING.*mapentry*
The remote node's security string is configured in this screen.

Default Value: Y

Range: Y or N

Fields

Configured Security Strings

Enter the security string that remote nodes must use to gain dial link access to the node you are configuring. The string can contain up to eight alphanumeric characters, left justified, with no embedded blanks.

Default Value: HP

Related Screen:

- NETXPORT.NI.*niName*.LINK.*niLink*

The Dial ID protocol is enabled/disabled on this screen.

NOTE

To delete a security string, blank out the field that contains the string you want deleted, and press **Update Data**.

ROUTER NETWORK INTERFACE LINKS

The select screen in Figure 10-6 is displayed when you press the function key for **Go To LINK** at the Router Network Interface Configuration Screen (Figure 10-1). It is also displayed when you type the path name:

@NETXPORT.NI.*niName*.LINK

in the command window of any screen and press **ENTER**, where *niName* is the configured router NI name.

Use the fields of this select screen in combination with the function keys to perform the desired action.

- To define a new link configuration, specify the link name; then press **Add**. The path for the selected link name is added to the configuration file, and the data screen on the path is displayed.
- To modify an existing link configuration, specify the link name; then press **Update**. The data screen on the path for the specified link is displayed.
- To change the link name of an existing link configuration, specify the link name and a new name; then press **Rename**. The previously configured name is replaced, and the screen displays the new name in a display field under the label Configured Network Links.
- To delete an existing link configuration, specify the link name; then press **Delete**. The previously configured name is deleted and is no longer displayed in a display field under the label Configured Network Links. Press **Delete** again to confirm; otherwise, the deletion will not take effect.

```

NMMGR/3000 (X.XX.XX)  ROUTER NETWORK INTERFACE LINKS
Type in name of item to Update, Delete, or Rename; or Add a new item.
Command:

Path:  NETXPORT.NI.niName.LINK

[ ] Link Name          [ ] Types:  DD - Direct Dial
[ ] New Name          [ ]          DC - Direct Connect
[ ]                   [ ]          SD - Shared Dial
[ ]                   [ ]          (if new)

                Configured Network Links

Name      Type      Name      Type      Name      Type
[ ]       [ ]       [ ]       [ ]       [ ]       [ ]
[ ]       [ ]       [ ]       [ ]       [ ]       [ ]
[ ]       [ ]       [ ]       [ ]       [ ]       [ ]
[ ]       [ ]       [ ]       [ ]       [ ]       [ ]

File:  filename.NET.SYS

Next   Prev   Delete  Rename      Add   Update  Refresh  Prior
Page  Page                               Screen  Screen
    
```

Figure 10-6. Router Network Interface Links Screen

Fields

Link Name

Enter the link name that pertains to this NI as specified in the link configuration screen. This enables the Network Transport to associate the correct link with this router NI. The name can contain as many as eight alphanumeric characters, and the first character must be alphabetic.

The link name is used by the Network Transport when establishing connections and *must* match the link name configured for the router link configuration.

Related Screens:

- LINKCONF
A link name specified in this screen (and specified as a BSC, LAP-B, or ATP/ASNP type) must match the link name here.
- NETXPORT.NI.niName.MAPPING.mapentry
This screen specifies which link to use to reach a specific node on the router network. The link specified must be one entered on the current screen.

Types

Enter DD if only one remote node can be reached over a dial link.

Router Network Interface Configuration

Enter SD if more than one remote node can be reached over a dial link.

Enter DC if the link is direct-connect (hardwired) or a leased line.

Related Screens:

- NETXPORT.NI.*niName*.MAPPING.*mapentry*

This screen maps router links to destination nodes. If multiple destinations are mapped to a single link, the link must be configured as a shared dial (SD) link in the current screen.

New Name

(Required only when renaming.) Enter a link name. This new link name is used in place of the current link name for an existing link configuration. The name can contain as many as eight alphanumeric characters, and the first character must be alphabetic.

DIRECT CONNECT LINK CONFIGURATION

The Direct Connect Link Configuration Screen supplies the information required to interface a router NI to a non-dial link (that is, a leased line or a hardwired connection). This screen, shown below, is displayed when you select an NI link name and the link type DC at the Network Interface Links Screen (Figure 10-6) and press **Add** or **Update**. It is also displayed when you type the path name:

@NETXPORT.NI.*niName*.LINK.*nilink*

in the command window of any screen and press **(ENTER)**, where *niName* is the configured router NI name, and *nilink* is the configured router NI link name.

You must press **Update Data** to transfer the data displayed on the screen to the configuration file you are creating or updating. You verify that the data record has been created by checking that the **Data:** flag is set to **Y**.

```

NMMGR/3000 (X.XX.XX) DIRECT CONNECT LINK CONFIGURATION           Data: N
When Data Flag is "N", press "Update Data" to create the data record.
Command:
Path:  NETXPORT.NI.niName.LINK.nilink

[Y]    Start Device On Network Initialization (Y/N)
[N]    Enable Idle Device Timer (Y/N)

File:  filename.NET.SYS

Update  Refresh  Prior
Data    Screen  Screen
  
```

Figure 10-7. Direct Connect Link Configuration Screen

Fields

**Start Device
On Network
Initialization (Y/N)**

A Y (Yes) value means that the device is to be started when a NETCONTROL START command is issued for the network interface being configured. An N (No) means that a NETCONTROL ADDLINK command must be used to start the device.

Default Value: Y

Range: Y or N

**Enable Idle
Device Timer**

This field specifies whether the device is to be disconnected automatically if no packets have been received or transmitted over the link during a specified time period. This field is relevant only if a timeout value has been entered in the network interface screen listed below.

Related screens:

- NETXPORT.NI.*niName*

The Idle Device Timeout value is configured on this screen.

Default Value: N

Range: Y or N

ROUTER DIAL LINK CONFIGURATION

Dial Link Configuration provides the information necessary to interface the router NI to a dial link. This screen, shown below, is displayed when you select an NI link name and link type DD or link type SD at the Network Interface Links Screen (Figure 10-6) and press **Add** or **Update**. It is also displayed when you type the path name:

```
@NETXPORT.NI.niName.LINK.nilink
```

in the command window of any screen and press **ENTER**, where *niName* is the configured router NI name, and *nilink* is the configured router NI link name.

You must press **Update Data** to transfer the data displayed on the screen to the configuration file you are creating or updating. You verify that the data record has been created by checking that the **Data:** flag is set to **Y**.

```

NMMGR/3000 (X.XX.XX)  ROUTER DIAL LINK CONFIGURATION                               Data: N
When Data Flag is "N", press "Update Data" to create the data record.
Command:

Path:  NETXPORT.NI.niName.LINK.nilink

[Y]    Enable DIAL ID Protocol (Y/N)
[Y]    Start Device On Network Initialization (Y/N)
[Y]    Enable Idle Device Timer (Y/N)

File:  filename.NET.SYS

Update  Refresh  Prior
Data    Screen  Screen

```

Figure 10-8. Router Dial Link Configuration Screen

Fields

Enable Dial ID Protocol

(HP modifiable.) A Y (Yes) value activates the Dial ID Protocol for a dial link. The Dial ID protocol verifies the identity of a remote node and ensures that both local and remote nodes have the required security access.

The Dial ID Protocol should be disabled (by entering a NO value) only to connect a dial link to a remote node that does not support the Dial ID Protocol (that is, a non-HP node).

Related Screens:

- NETXPORT.NI.*niName*.LINK
Configures a link name and link type. The link name specified leads to this screen.
- NETXPORT.NI.*niName*.PROTOCOL.DIAL.SECURITY
Configures security strings for this node.
- NETXPORT.NI.*niName*.MAPPING
Configures information about reachable router nodes. Remote nodes' security strings are configured on this screen.

Default Value: Y

Range: Y or N

Start Device On Network Initialization (Y/N)

A Y (Yes) value means that the device is to be started when a NETCONTROL START command is issued for this network interface. An N (No) means that a NETCONTROL ADDLINK command must be used to start the device.

Default Value: Y

Range: Y or N

Enable Idle Device Timer

This field specifies whether the device is to be disconnected automatically if no packets have been received or transmitted over the link during a specified time period. It is relevant only if a timeout value has been entered in the router NI screen (see Related Screens below).

Related Screens:

- NETXPORT.NI.*niName*
Configures router network interface information. The value configured for Idle Device Timeout is configured on this screen.

Default Value: Y

Range: Y or N

NEIGHBOR GATEWAYS

The select screen in Figure 10-9 is displayed when you press the function key for **Go To INTERNET** at the Router Network Interface Configuration screen (Figure 10-1). It is also displayed when you type the path name:

```
@NETXPORT.NI.niName.INTERNET
```

in the command window of any screen and press **ENTER**, where the *niName* is the configured router NI name.

Use the fields and the function keys of this select screen to perform the desired action.

- To define a new gateway configuration, specify the gateway name; then press **Add**. The path for the selected gateway name is added to the configuration file, and the data screen on the path is displayed.
- To modify an existing gateway configuration, specify the gateway name; then press **Update**. The data screen on the path for the specified gateway is displayed.
- To change the gateway name of an existing gateway configuration, specify the gateway name and a new name; then press **Rename**. The previously configured name is replaced, and the screen displays the new name in a display field under the label Configured Gateways.
- To delete an existing gateway configuration, specify the gateway name; then press **Delete**. The previously configured name is deleted and is no longer displayed in a display field under the label Configured Gateways. Press **Delete** again to confirm; otherwise, the deletion will not take effect.

NMMGR/3000 (X.XX.XX) NEIGHBOR GATEWAYS
 Type in name of item to Update, Delete, or Rename; or Add a new item.
 Command:

Path: NETXPORT.NI.niName.INTERNET

[] Gateway Name
 [] New Name

Configured Gateways

--	--	--	--	--	--

File: filename.NET.SYS

Next Page	Prev Page	Delete	Rename	Add	Update	Refresh Screen	Prior Screen
-----------	-----------	--------	--------	-----	--------	----------------	--------------

Figure 10-9. Neighbor Gateways Screen

Fields

Gateway Name

Enter a name to represent a gateway node on this router network, through which one or more remote networks can be reached. A gateway name can contain as many as eight alphanumeric characters; the first character must be alphabetic.

New Name

(Required only when renaming.) Enter a name to represent a gateway node on this router network. This new gateway name is used in place of the current gateway name for an existing gateway configuration. The name can contain as many as eight alphanumeric characters; the first character must be alphabetic.

NEIGHBOR GATEWAY REACHABLE NETWORKS

The Neighbor Gateway Reachable Networks screen is used to enter internet routing information. It supplies the internet address of a neighbor internet gateway, remote networks which are reachable through that gateway, and the distances to those remote networks. A neighbor gateway is a gateway node belonging to the same network as the node you are configuring. This means that the network portion of the gateway's internet address is the same as the network portion of the address you entered for the network interface now being configured.

The screen in Figure 10-10 is displayed when you select a gateway name at the Neighbor Gateways Screen (Figure 10-9) and press **Add** or **Update**. It is also displayed when you type the path name:

@NETXPORT.NI.*niName*.INTERNET.*gatewayn*

in the command window of any screen and press **ENTER**, where *niName* is the configured router NI name, and *gatewayn* is the configured router NI gateway name.

You must press **Update Data** to transfer the data displayed on the screen to the configuration file you are creating or updating. You verify that the data record has been created by checking that the **Data** flag is set to **Y**.

```

NMMGR/3000 (X.XX.XX) NEIGHBOR GATEWAY REACHABLE NETWORKS          Data: N
When Data Flag is "N", press "Update Data" to create the data record.
Command:

Path:  NETXPORT.NI.niName.INTERNET.gatewayn

[ ] Neighbor Gateway IP Internet Address

                Configured Reachable Networks  PAGE 1

IP Network Address      Hops                IP Network Address      Hops
[ ] [ ]                [ ] [ ]                [ ] [ ]
[ ] [ ]                [ ] [ ]                [ ] [ ]
[ ] [ ]                [ ] [ ]                [ ] [ ]
[ ] [ ]                [ ] [ ]                [ ] [ ]

File:  filename.NET.SYS

Next   Prev   First   Last   Condense  Update  Refresh  Prior
Page  Page  Page   Page  Page      Data   Screen   Screen
  
```

Figure 10-10. Neighbor Gateway Reachable Networks Screen

NOTE

The information configured in this screen can extend to more than one page, if necessary, to allow configuration of more than 10 reachable networks. Press **Next Page** to proceed to a new page. Press **Prev Page** to display a prior page. Use **First Page** to display the first page (for example, if you are viewing the third page, pressing **First Page** will immediately display the first page). Press **Last Page** to display the last page of reachable networks that has been configured. To consolidate reachable network entries (from several pages, for example) press **Condense Page**.

Fields

Neighbor Gateway IP Internet Address

Enter the full network address of a gateway node (on this network) that is to be used to reach other networks (any network in the same catenet other than the network of which this node is a member). The network portion of the address must be the same as that entered on the IP Protocol Configuration screen for the network interface you are configuring (see Related Screens, below).

Addresses are made up of a network portion and a node portion. The possible classes of network addresses have the following forms (Δ =a space):

Class C C Δ nnn.nnn.nnn Δ xxx
Class B B Δ nnn.nnn Δ xxx.xxx
Class A A Δ nnn Δ xxx.xxx.xxx

where nnn is a value ranging from 0 to 255, representing eight bits of the network portion of an address, and xxx is a value ranging from 0 to 255, representing the node portion of the address. The leftmost group of nnn has the following ranges for each address class:

Class C: 192-223
Class B: 128-191
Class A: 0- 127

Default Value: None

Related Screens:

- NETXPORT.NI.*niName*.PROTOCOL.IP

The network address (network portion of the IP address) configured in this screen must match the Neighbor Gateway IP Internet Address configured in the current screen.

Configured Reachable Networks IP Network Address

Enter the internet addresses of the remote networks that can be reached through the gateway whose network address is configured in the previous field. Only the internet portion of the network address is significant for this field (see above for valid formats of internet addresses). The node portion must be entered; however, it may be set to all zeros.

Related Screens:

- NETXPORT.NI.*niName*.INTERNET

This pathname corresponds to the Neighbor Gateways screen. A Neighbor Gateway Reachable Networks screen must be configured for each gateway configured in the Neighbor Gateways screen.

Configured Reachable Networks Hops

Enter the internet hop count to the reachable network whose IP address is configured to the left of the Hops field. (The internet hop count is the number of full internet gateways that will be used to route a message to the destination network. If two partner gateway halves are used as part of the internet route, they are counted as one hop.)

Hop count is used internally to determine which neighbor gateway (if more than one exists) is on the shortest path to the remote network. If more than one gateway can reach a given remote network, and the number of hops to the remote network is equal for each gateway, you can specify which gateway the Network Transport will use by configuring an artificially high hop count. The Network Transport will always use the gateway with the lowest hop count.

If the same hop count value is configured for multiple gateways, then the Network Transport will choose internally from among the routes with equal hop counts.

Default Value: None

Range: 1-32767

NOTE

To delete a reachable network entry, fill the field to be deleted with blanks and press **Update Data**.

ROUTER MAPPING CONFIGURATION

The screen in Figure 10-12 is displayed when you press the function key for **Go To MAPPING** at the Router Network Interface Configuration Screen (Figure 10-1). It is also displayed when you type the path name:

```
@NETXPORT.NI.niName.MAPPING
```

in the command window of any screen and press **ENTER**, where the *niName* is the configured router NI name. The screen following this one allows you to configure a set of characteristics for a route from the local node to a remote node. Each set of route characteristics is referred to as a "mapping." The router node name entered on this screen is used to identify a mapping that is configured in the next screen. You must configure one mapping for each non-adjacent node that you want to reach through a link to a given adjacent node, as well as mappings for each adjacent node. There may be multiple routes to a destination node; if the routes are through different adjacent nodes, a mapping must be configured for each of them. For example, Figure 10-11 shows a router network that could have eight mappings configured at node A.

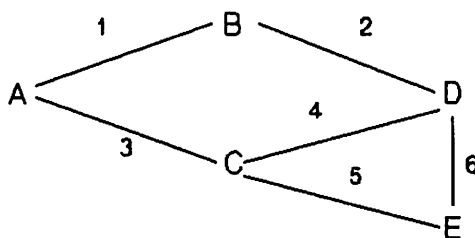


Figure 10-11. Configuring Mapping

If node A is the node being configured, mappings are needed for routes to both node B and node C, and for routes through nodes B and C to any other node. A mapping could be configured for each of the following routes (the rightmost node in these sets is the destination node):

Routes to adjacent nodes:

```
A-B      (uses Link 1)
A-C      (uses Link 3)
```

Routes to non-adjacent nodes through B:

```
A-B-D    (uses Link 1)
A-B-D-E  (uses Link 1)
```

Routes to non-adjacent nodes through C:

```
A-C-D    (uses Link 3)
A-C-E    (uses Link 3)
```

Alternate routes to adjacent nodes:

```
A-C-D-B  (uses Link 3)
A-B-D-C  (uses Link 1)
```

Note that it is not necessary to configure alternate routes to nodes B and C; however, you can configure the routes listed above (A-C-D-B and A-B-D-C) to allow for the possibility that the link used for the primary route becomes non-operational. Refer to the section "Non-Operational Links" in Section 3 of this manual for more information about alternate routes.

Router Network Interface Configuration

Use the fields and the function keys of this select screen to perform the desired action, as follows:

- To define a new mapping configuration, specify a name for the route (called a router node name on the screen); then press **Add**. The path for the selected route is added to the configuration file, and NMMGR displays a mapping data screen (called the Router Reachable Nodes screen). This screen must be configured to define the specified route.
- To modify an existing mapping configuration, specify the name of the route (router node name); then press **Update**. NMMGR displays the data screen corresponding to the specified name.
- To change the name of an existing mapping configuration, specify the existing router node name and a new name; then press **Rename**. The previously configured name is replaced, and the screen displays the new name in a display field under the label Configured Mappings.
- To delete an existing mapping configuration, specify the existing router node name; then press **Delete**. Press **Delete** again to confirm; otherwise, the deletion will not take effect. The previously configured name is deleted and is no longer displayed in a display field under the label Configured Mappings.

```
NMMGR/3000 (X.XX.XX) ROUTER MAPPING CONFIGURATION
Type in name of item to Update, Delete, or Rename; or Add a new item.
Command:

Path: NETXPORT.NI.niName.MAPPING

[ ] Router Node Name
[ ] New Name

          Configured Mappings

[ ] [ ] [ ] [ ] [ ] [ ]
[ ] [ ] [ ] [ ] [ ] [ ]
[ ] [ ] [ ] [ ] [ ] [ ]
[ ] [ ] [ ] [ ] [ ] [ ]

File: filename.NET.SYS

Next  Prev  Delete  Rename          Add  Update  Refresh  Prior
Page  Page                                     Screen  Screen
```

Figure 10-12. Router Mapping Configuration Screen

Fields

Router Node Name

Enter a name to represent a route between the node you are configuring and another node on the router network. This name can contain as many as eight alphanumeric characters; the first character must be alphabetic.

New Name

(Required only when renaming.) Enter a new router node name. This new name is used in place of the current name for an existing route. The name can contain as many as eight alphanumeric characters, and the first character must be alphabetic.

ROUTER REACHABLE NODES

The screen shown in Figure 10-13 is used to configure the route characteristics to a destination node on the router network. You must configure one mapping (i.e. one instance of this screen) for each node that you want to reach through a link to a given adjacent node, as well as mappings for each adjacent node. The name of the link connecting this node to the adjacent node is what you enter in the Link Name field of this screen.

Because at least one route should be defined to every other node on the network, this screen will be visited at least as many times as there are *other nodes* in the router network. There may be multiple routes to a non-adjacent destination node; if the routes are through different adjacent nodes, a mapping must be configured for each of them. The screen shown below is displayed when you select a router node name at the Router Mapping Configuration screen (Figure 10-12) and press **Add** or **Update**. It is also displayed when you type the path name:

@NETXPORT.NI.niName.MAPPING.mapentry

in the command window of any screen and press **(ENTER)**, where *niName* is the configured router NI name, and *mapentry* is the router node name configured in the Router Mapping Configuration screen (Figure 10-12). You must press **Update Data** to transfer the data displayed on the screen to the configuration file you are creating or updating. You verify that the data record has been created by checking that the **Data:** flag is set to **Y**.

Data: N
 NMMGR/3000 (X.XX.XX) ROUTER REACHABLE NODES
 When Data Flag is "N", press "Update Data" to create the data record.
 Command:

Path: NETXPORT.NI.niName.MAPPING.mapentry

IP Internet Address

Link Name

Adjacent (0) / Non-adjacent (1)

Entry Priority

If Adjacent And DIAL Then:

Phone Number
 Security String

Route Disabled (Y For Yes, N For No)

File: filename.NET.SYS

Figure 10-13. Router Reachable Nodes Screen

Fields

IP Internet Address

This is the internet address of the destination node to which a route is being defined.

Addresses are made up of a network portion and a node portion. The supported classes of network addresses have the following forms (Note: Δ = a space):

```

Class C   CΔ nnn.nnn.nnnΔxxx
Class B   BΔ nnn.nnnΔxxx.xxx
Class A   AΔ nnnΔxxx.xxx.xxx
  
```

where nnn is a value ranging from 0 to 255, representing eight bits of the network portion of an address, and xxx is a value ranging from 0 to 255, representing the node portion of the address. The leftmost group of nnn has the following ranges for each address class:

```

Class C:  192-223
Class B:  128-191
Class A:   0-127
  
```

If the link specified in the Link Name field is the only link configured for this network interface, you can enter a "wildcard" symbol by specifying an "at sign" (@) in place of the IP address. The @ in this field indicates that multiple non-adjacent router nodes on this network can be reached via this link (specified in the Link Name field). Using the @ wildcard enables you to configure this screen only once for all non-adjacent nodes reachable by the specified link. Use the @ only if the link specified is the only link for this network interface. The @ must be left-justified in the IP Internet Address field. Make sure you separately configure the mapping to the adjacent node from which the non-adjacent nodes can be reached.

For example, Figure 10-14 shows a router network. From node A, all other nodes on the network must be reached through node B. During configuration of node A, the @ could be entered to indicate that all communication to non-adjacent nodes originating from A must be routed through node B (over Link 1). In addition to this mapping, only one additional mapping would have to be configured at node A--the mapping from node A to the adjacent node B.

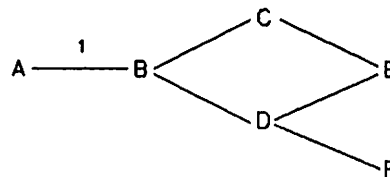


Figure 10-14. Using an @ for Mapping Configuration

Link Name The name of the link on this node over which packets to the destination node must be sent. The name of the link is configured separately (see related screens below).

Related Screens:

- NETXPORT.NI.*niName*.LINK
This screen configures the link name.
- LINKCONF.*nilink*
This screen configures link attributes

Default Value: None

Adjacent/Non-adjacent This field indicates whether the destination is an adjacent node to the node being configured (0) or if it is non-adjacent, i.e., the destination must be accessed through intermediate nodes (1).

Default Value: None

Range: 0 or 1

Entry Priority This field is useful when alternate routes are configured to a destination node. It is the primary means of influencing the choice of route over the router network. Priority is considered before any other route characteristic (direct connect link, dial connection, number of hops, etc.) in choosing a route. Links having higher priority values are chosen over lower priority links.

A default value of 50 allows for the addition of either lower or higher priority nodes or routes.

Default Value: 50

Range: 1-99

Phone Number This is the telephone number of the destination node. It is required if the destination is local and the link is a dial link. Enter the telephone number as a combination of decimal numbers (0 through 9), dashes, and the following special characters:

/ Separator used for automatic call units that have second dial-tone detect.

E Optional end-of-number indicator.

D Three-second delay (used for European modems and automatic call units that require built-in delays).

Defined by local phone system.

* Defined by local phone system.

Enter ! to disable outbound dialing. A ! is required if the destination node is a personal computer.

Default Value: None

Security String

This is the security string of the destination node. It is relevant only if all of the following are true: the destination is local, the link is a dial link, DIAL ID protocol is enabled, and security is enabled. It is ignored when security is not enabled at the local node.

The security string can contain as many as eight alphanumeric characters. It must be left justified and contain no embedded blanks.

Related Screens:

- NETXPORT.NI.*niName*.LINK.*ni link*
Dial ID protocol is enabled/disabled on this screen.
- NETXPORT.NI.*niName*.PROTOCOL.DIAL
Security validation is enabled/disabled on this screen.

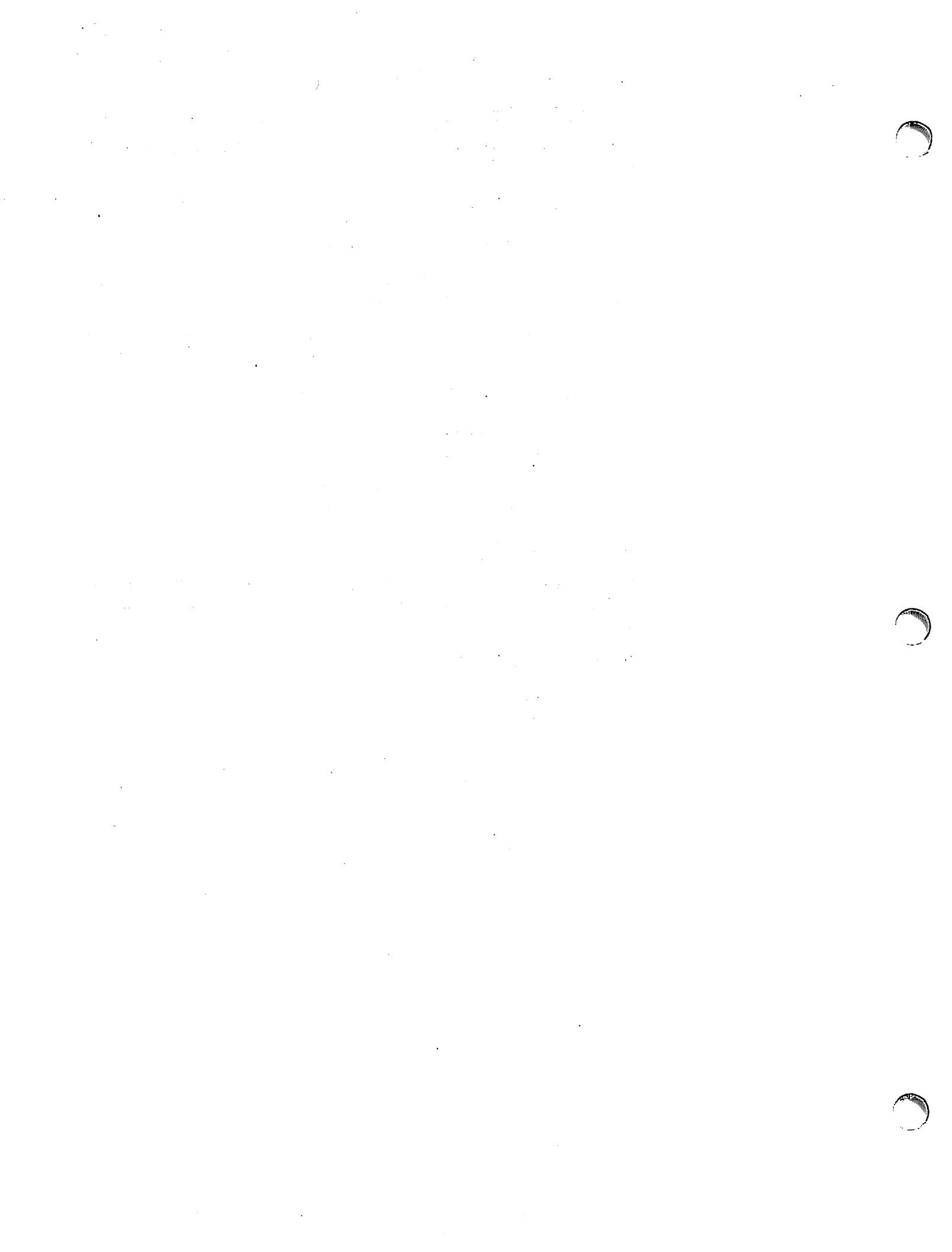
Default Value: HP

Route Disabled

This field may be used to disable routing to the remote node. This might be useful if you are testing another link, and want to temporarily disable this one.

Default Value: N

Range: Y or N



GATEWAY HALF NETWORK INTERFACE CONFIGURATION

SECTION

11

The screens described in this section are used for configuring a node with a gateway half network interface.

There are three main branches of gateway half network interface configuration. These are reached by choosing different function keys displayed on the first screen, called the GATEWAY HALF NETWORK INTERFACE CONFIGURATION screen. All of the gateway half network interface configuration screens are listed below, with their places in the configuration tree indicated by indentation.

GATEWAY HALF NETWORK INTERFACE CONFIGURATION - This screen enables you to configure information about a gateway half network interface, such as the number of inbound and outbound buffers. From this screen, you can proceed to one of three branches of gateway half NI configuration: protocol configuration, link configuration, and internet configuration.

PROTOCOL CONFIGURATION - You will reach this screen if you press **Go To PROTOCOL** on the GATEWAY HALF NETWORK INTERFACE CONFIGURATION screen. This screen allows you to choose to proceed to either IP or DIAL protocol configuration.

IP PROTOCOL CONFIGURATION - This screen, which you will reach by pressing **Go To IP** on the previous screen, enables you to configure the number of store and forward buffers for the network interface, the partner gateway half's IP address, and tuning parameters for the IP protocol.

DIAL ID PROTOCOL CONFIGURATION - This screen enables you to configure information about a dial link that is used by the Dial ID protocol--retransmission information, and whether security is in effect.

SECURITY STRING(S) CONFIGURATION - This screen allows you to specify the security strings used by the Dial ID protocol.

GATEWAY HALF NETWORK INTERFACE LINK - This screen, which you will reach by pressing **Go To Link** on the GATEWAY HALF NETWORK INTERFACE CONFIGURATION screen, allows you to specify the name of the link (as previously configured in the LINK CONFIGURATION screen), and whether the link is a direct dial link or a direct connect link.

DIRECT CONNECT LINK CONFIGURATION - This screen, which NMMGR displays when you specify a direct connect link in the previous screen, allows you to enter information pertaining to the direct connect link.

GATEWAY HALF DIAL LINK CONFIGURATION - This screen, which NMMGR displays when you specify a direct dial link in the previous screen, allows you to enable or disable the Dial ID protocol.

NEIGHBOR GATEWAYS - This screen, which you will reach by pressing **Go To INTERNET** on the GATEWAY HALF NETWORK INTERFACE CONFIGURATION screen, permits you to specify a gateway name to represent the node's partner gateway half.

NEIGHBOR GATEWAY REACHABLE NETWORKS - This screen provides data about the networks that can be reached through the partner gateway half specified on the previous screen.

NOTE

Configurable fields described in this manual are required unless otherwise stated.

Fields described as "HP modifiable" should be changed only upon the recommendation of your HP representative.

On the screens shown in this section, fields that must be configured when performing guided configuration are underlined.

GATEWAY HALF NETWORK INTERFACE CONFIGURATION

The gateway-half network interface (NI) interfaces the upper layers of the transport protocol to the data link layer. The screen shown in Figure 11-1 supplies the information required for that interface. The screen is displayed when you select an NI name and the NI type GATEHALF at the Network Interface Configuration screen (Figure 8-9) and press **F5** **Add** or **F6** **Update**. It is also displayed when you type the path name:

@.NETXPORT.NI.*niName*

in the command window of any screen and press **ENTER**, where the *niName* is the configured gateway-half NI name.

You must press **Update Data** to transfer the data displayed on the screen to the configuration file you are creating or updating. You verify that the data record has been created by checking that the **Data** flag is set to **Y**.

From this screen you proceed to the screens used to configure the gateway-half network interface.

NMMGR/3000 (X.XX.XX) GATEWAY HALF NETWORK INTERFACE CONFIGURATION			Data: N
When Data Flag is "N", press "Update Data" to create the data record.			
Command:			
Path:	NETXPORT.NI. <i>niName</i>		
[256]	Number Of Inbound Buffers		
[256]	Number Of Outbound Buffers		
[]	Idle Device Timeout Value (Minutes). 0 = Timer Disabled For All Devices		
File:	filename.NET.SYS		
Go To PROTOCOL	Go To LINK	Go To INTERNET	Update Data
			Refresh Screen
			Prior Screen

Figure 11-1. Gateway-Half Network Interface Configuration Screen

Fields

Number of Inbound Buffers

This field specifies the number of buffers to be allocated for inbound data. Buffer configuration is based on the number of TCP connections that will use a given network interface. An allocation of two buffers per connection will suffice for typical usage.

The default value is based on the assumption that the network manager desires to allow no more than the default number of TCP connections (128) to use the gateway-half NI (see Related Screens, below). Hence the default is $128 * 2 = 256$ inbound buffers. When there is more than one NI, this value should probably be adjusted downward, since the connections might reasonably be expected to be spread over all the NIs rather than be concentrated over only one NI. If the number of TCP connections is changed from the default value, the number of inbound buffers for all NIs should be reconsidered.

Whenever there are not enough buffers to support inbound traffic, an IP log message will indicate that the node is congested and the packet had to be discarded. (See the *NS3000/V Error Message and Recovery Manual* for the exact IP log location and message.) Repeated occurrence of this log message indicates that more inbound buffers should be configured.

Related Screens:

- NETXPORT.GPROT.TCP

The maximum number of TCP Connections is configured here.

Default Value: 256

Range: 32-2048

Number of Outbound Buffers

This field specifies the number of buffers to be allocated for outbound data. Outbound buffers are used for outbound data packets and are held by the transport until acknowledged by the destination. Not allocating enough outbound buffers may adversely affect TCP throughput. Calculation of the default value is the same as described above for inbound buffers.

Related Screens:

-NETXPORT.GPROT.TCP

The default value for maximum TCP connections is configured here. If it is increased, the number of outbound buffers must also be increased.

Default: 256

Range: 32-2048

**Idle Device
Timeout Value (Mins)**

If the Idle Device Timer has been enabled (see related screens below), and if there is no activity during this time interval, the device is considered to be inactive and will be shutdown. A timeout value of zero disables the Idle Device Timer for the link on this network interface. The Idle Device timer is useful for shutting down dial links that have become idle. This field is relevant if the link is a dial link.

Related Screens:

- NETXPORT.NI.niname.LINK.linkname
Enables/disables Idle Device Timer for the device.

- NETXPORT.GPROT.TCP
The Connection Assurance Interval set in this screen must be less than the Idle Device Timeout value configured in the current screen. Note that one value (Connection Assurance) is configured in seconds, the other (Idle Device Timeout) is configured in minutes. You must convert to the same units to compare the values.

Default Value: None

Range: 0-720

PROTOCOL CONFIGURATION

The menu screen in Figure 11-2 is displayed when you press the function key for **Go To PROTOCOL** at the gateway-half Network Interface Configuration screen (Figure 11-1). It is also displayed when you type the path name:

@NETXPORT.NI.*niName*.PROTOCOL

in the command window of any screen and press **ENTER**, where *niName* is the configured gateway-half NI name.

For the gateway-half NI, you must configure the IP protocol. The Dial protocol must be configured only if you have any switched lines. The **F1** **Go To IP** and **F2** **Go To DIAL** function key labels are displayed.

```

NNMGR/3000 (X.XX.XX) PROTOCOL CONFIGURATION
Select the next screen and press the corresponding function key.
Command:

Path:  NETXPORT.NI.niName.PROTOCOL

IP      -  Configure Internet Protocol
PROBE   -  Configure PROBE Protocol (LAN Only)
DIAL    -  Configure DIAL Protocol (Router/Gateway Half Only)
          Necessary Only If There Are Any Switched Links
X25     -  Configure X.25 Protocol (X.25 Only)

File:  filename.NET.SYS

Go To   Go To   Refresh   Prior
IP      DIAL                Screen   Screen
  
```

Figure 11-2. Protocol Configuration Screen

Choose the protocol to configure and press the corresponding function key.

INTERNET PROTOCOL CONFIGURATION

Internet Protocol information must be supplied for each configured NI. The key field in the screen in Figure 11-3 is the IP Internet Address, which is used in IP routing and datagram delivery algorithms. Data in the other fields are used for internal resource allocation and performance tuning.

The IP Protocol screen is displayed when you press the function key for **Go To IP** at the Protocol Configuration screen (Figure 11-2). It is also displayed when you type the path name:

```
@NETXPORT.NI.niName.PROTOCOL.IP
```

in the command window of any screen and press **ENTER**, where *niName* is the configured gateway-half NI name.

You must press **Update Data** to transfer the data displayed on the screen to the configuration file you are creating or updating. You verify that the data record has been created by checking that the **Data** flag is set to **Y**.

```

NMMGR/3000 (X.XX.XX) IP PROTOCOL CONFIGURATION                               Data: N
When Data Flag is 'N', press "Update Data" to create the data record.
Command:

Path: NETXPORT.NI.niName.PROTOCOL.IP

[20 ] Store & Forward Buffers
      (Enter 0 To Disable Store & Forward)

[      ] IP Internet Address

[4 ] Internal Message Queue Length

[20 ] Fragment Assembly Queue Elements

File: filename.NET.SYS

[      ] [      ] [      ] [      ] [      ] [Update Data] [Refresh Screen] [Prior Screen]

```

Figure 11-3. IP Protocol Configuration Screen

Fields

Store & Forward Buffers

(HP modifiable.) This field allocates buffers to support store-and-forward over the network interface being configured.

You must allocate store-and-forward buffers for all gateway half network interfaces.

This number of store-and-forward buffers is configurable to allow performance tuning for different network types. However, HP recommends that you use the default number of store-and-forward buffers (20), and that you consult your HP representative before modifying this value.

Default Value: 20

Range: 0-50

IP Internet Address

Enter the internet protocol (IP) address for the network interface being configured.

Because you are configuring a gateway half NI, enter the IP address of this gateway half's *partner* gateway half. This is the IP address of the network for which the partner serves as a gateway half. In other words, the address to enter is the network address of the partner's home network.

Addresses are made up of a network portion and a node portion. The supported classes of network addresses have the following forms:

Class C CΔnnn.nnn.nnnΔxxx
Class B BΔnnn.nnnΔxxx.xxx
Class A AΔnnnΔxxx.xxx.xxx

where Δ denotes a blank, and nnn is a value ranging from 0 to 255, representing eight bits of the network portion of an address. The leftmost group of nnn has the following ranges for each address class:

Class C: 192-223
Class B: 128-191
Class A: 0-127

where xxx is a value ranging from 0 to 255, representing the node portion of the address.

Default Value: None

**Internal Message
Queue Length**

(HP modifiable.) This field puts a limit on the number of internal resources that the IP protocol may hold while awaiting some other protocol module action. It is a tuning parameter that should be modified only upon the recommendation of your HP representative.

The default is set to handle most cases; if it is too low for your network, packets will be discarded and you will receive a logging error message. Consult the *NS3000/V Error Message and Recovery Manual* for the specific log message.

Default value: 4

Range: 0-20

**Fragment Assembly
Queue Elements**

(HP modifiable.) This field specifies the maximum number of incomplete message fragments that this IP protocol may hold.

HP recommends that you use the default of 20 for this field. For purposes of tuning your network's performance, and upon the recommendation of your HP representative, you may wish to alter the number of Fragment Assembly Queue Elements.

You may wish to configure a higher value if traffic conditions on your network are less than optimal; e.g., if internet routes are heavily loaded and intermediate nodes are congested. If conditions on your network are less busy, you may wish to configure a lower value. Only configure 0 if no fragmented messages will ever be received by the node you are configuring.

If message fragments are discarded, (indicating that the value configured in this field is too low) a log message will be recorded. Refer to the *NS3000/V Error Message and Recovery Manual* for a description of the message you receive.

Default value: 20

Range: 0-100

DIAL ID PROTOCOL CONFIGURATION

Along with other protocol information, the Dial ID Protocol Configuration screen provides a means of verifying that the remote node is indeed the intended remote node and that both local and remote nodes have proper security access. This screen, shown in Figure 11-4, is displayed when you press **F2** for **Go To DIAL** at the Protocol Configuration screen (Figure 11-2). It is also displayed when you type the path name:

@NETXPORT.NI.*niName*.PROTOCOL.DIAL

in the command window of any screen and press **ENTER**, where *niName* is the configured gateway-half NI name.

You must press **Update Data** to transfer the data displayed on the screen to the configuration file you are creating or updating. You verify that the data record has been created by checking that the **Data** flag is set to **Y**.

```

NMMGR/3000 (X.XX.XX) DIAL ID PROTOCOL CONFIGURATION Data: N
When Data Flag is "N", press "Update Data" to create the data record.
Command:

Path: NETXPORT.NI.niName.PROTOCOL.DIAL

[2] Maximum Retransmissions Per Packet
[5] Retransmission Timeout (Secs)
[Y] Security On (Y/N)

File: filename.NET.SYS

Go To SECURITY Update Data Refresh Screen Prior Screen
    
```

Figure 11-4. Dial ID Protocol Configuration Screen

Fields

<p>Maximum Retransmissions Per Packet</p>	<p>(HP modifiable.) This is the maximum number of times that a Dial ID Protocol packet will be retransmitted. If the expected response to a packet is not received after this number of retransmissions, the link device it is</p>
--	--

using is closed. This value is related to the Retransmission Timeout value discussed below. Multiplying these values results in the total time that passes before a failure is reported (an error message will be recorded).

HP recommends that you alter this value only upon the recommendation of your HP representative. However, note that if the value is set too low, dial connections may fail unnecessarily when response times are temporarily slowed by transient conditions such as an abnormally high volume of traffic. The higher the value, the longer it will take to be notified of a link failure if one occurs.

Default Value: 2

Range: 1-10

**Retransmission
Timeout (Secs)**

(HP modifiable.) The Retransmission Timeout is the time interval that passes between retransmissions of a Dial ID protocol packet.

Multiplying the values configured for Maximum Number of Retransmissions Per Packet (described above) and Retransmission Timeout results in the total time that passes before a failure is reported (an error message will be recorded).

HP recommends that you alter this value only upon the recommendation of your HP representative. However, note that if the value is set too low, dial connections may fail unnecessarily when response times are temporarily slowed by transient conditions such as an abnormally high volume of traffic. The higher the value, the longer it will take to be notified of a link failure if one occurs.

Default Value: 5

Range: 1- 10

Security On (Y/N)

A Y (Yes) value in this field indicates that security strings are to be exchanged and validated between the node being configured and a remote node.

When a dial connection is initiated by a remote node, the security string sent by the remote node is checked against the list of valid security strings configured for the Dial ID Protocol for this network interface. (See Related Screens, below).

When a dial connection is initiated by this node, the local Dial ID protocol sends the destination's security string (as configured on this node) to that node. (Related Screens, below, indicates the pathname of the screen in which you can configure security strings.)

If security validation fails, an error message is logged, where PARM indicates whether the failure was local or remote. See the *NS3000/V Error Message and Recovery Manual* for a description of any error message

Gateway Half Network Interface Configuration

received.

Related Screens:

- NETXPORT.NI.*niName*.PROTOCOL.DIAL.SECURITY
Security Strings valid for this network are configured in this screen.
- NETXPORT.NI.*niName*.MAPPING.*mapentry*
The remote node's security string is configured in this screen.

Default Value: Y

Range: Y or N

SECURITY STRING(S) CONFIGURATION

The Security String(s) Configuration screen supplies the security string required by the Dial ID protocol for the node you are configuring. (Note that the security string is not required if Dial ID protocol is not enabled.) This screen, shown in Figure 11-5, is displayed if you press **F1** **Go to SECURITY** on the preceding Dial ID Protocol Configuration screen (Figure 11-4). It is also displayed when you type

`@NETXPORT.NI.niName.PROTOCOL.DIAL.SECURITY.`

in the command window of any screen and press **ENTER**, where *niName* is the configured gateway-half NI name.

You must press **Update Data** to transfer the data displayed on the screen to the configuration file you are creating or updating. You verify that the data record has been created by checking that the **Data:** flag is set to **Y**.

MMGR/3000 (X.XX.XX) SECURITY STRING(S) CONFIGURATION Data: N
 When Data Flag is "N", press "Update Data" to create the data record.
 Command:

Path: NETXPORT.NI.niName.PROTOCOL.DIAL.SECURITY

Configured Security Strings

[HP]	[]
[]	[]
[]	[]
[]	[]

File: filename.NET.SYS

					Update Data	Refresh Screen	Prior Screen
--	--	--	--	--	----------------	-------------------	-----------------

Figure 11-5. Security String Configuration Screen

Fields

Configured Security Strings

Enter the security string that remote nodes must use to gain dial link access to the node you are configuring. The string can contain up to eight alphanumeric characters, left justified, with no embedded blanks.

Default Value: HP

Related Screen:

- NETXPORT.NI.*niName*.LINK.*niLink*

The Dial ID protocol is enabled/disabled on this screen.

NOTE

To delete a security string, blank out the field that contains the string you want deleted, and press **Update Data**.

GATEWAY HALF NETWORK INTERFACE LINK

The select screen in Figure 11-6 is displayed when you press **F2** **Go To LINK** at the Gateway Half Network Interface Configuration screen (Figure 11-1). It is also displayed when you type the path name:

@NETXPORT.NI.*niName*.LINK

in the command window of any screen and press **ENTER**, where *niName* is the configured gateway half link network interface name.

Use the fields of this select screen in combination with the function keys to perform the desired action.

- To define a new link configuration, specify the link name; then press **F5** **Add**. The path for the selected link name is added to the configuration file, and the data screen on the path is displayed.
- To modify an existing link configuration, specify the link name; then press **Update**. The data screen on the path for the specified link is displayed.
- To change the link name of an existing link configuration, specify the link name and a new name; then press **Rename**. The previously configured name is replaced, and the screen displays the new name in a display field under the label Configured Network Links.
- To delete an existing link configuration, use the delete key. Specify the link name, then press **Delete**; when NMMGR prompts you for confirmation, press **Delete** again. The previously configured name is deleted and is no longer displayed in a display field under the label Configured Network Links.


```

NMMGR/3000 (X.XX.XX) GATEWAY HALF NETWORK INTERFACE LINK
Type in name of item to Update, Delete, or Rename; or Add a new item.
Command:

Path: NETXPORT.NI.niName.LINK

[ ] Link Name
[ ] New Name

Types: DD - Direct Dial
       DC - Direct Connect
       (if new)

          Configured Network Links

Name      Type      Name      Type      Name      Type
[ ] [ ] [ ] [ ] [ ] [ ]
[ ] [ ] [ ] [ ] [ ] [ ]
[ ] [ ] [ ] [ ] [ ] [ ]
[ ] [ ] [ ] [ ] [ ] [ ]

File: filename.NET.SYS

Next  Prev  Delete  Rename  Add  Update  Refresh  Prior
Page  Page                                     Screen  Screen
    
```

Figure 11-6. Network Interface Links Screen

Fields

Link Name

Enter the link name from the link configuration of a gateway half; this enables the Network Transport to associate the correct link with the gateway half network interface. The name can contain as many as eight alphanumeric characters, and the first character must be alphabetic.

The link name is used by the Network Transport when establishing connections and *must* match the link name configured for the link configuration of a gateway half.

Note that only one gateway-half NI may be configured per network.

Types

Enter DD for a direct dial link, or DC for a direct connect link.

New Name

Enter a link name. This new link name is used in place of the current link name for an existing link configuration. The name can contain as many as eight alphanumeric characters, and the first character must be alphabetic.

DIRECT CONNECT LINK CONFIGURATION

The Direct Connect Link Configuration screen supplies the information required to interface a gateway-half NI to a non-dial link (that is, a leased line or a hardwired connection). This screen, shown in Figure 11-7, is displayed when you select an NI link name and the link type DC at the Gateway Half Network Interface Link screen (Figure 11-6) and press **F5** **Add** or **F6** **Update**. It is also displayed when you type the path name:

```
@NETXPORT.NI.niName.LINK.nilink
```

in the command window of any screen and press **ENTER**, where *niName* is the configured gateway-half NI name, and *nilink* is the configured gateway-half NI link name.

You must press **Update Data** to transfer the data displayed on the screen to the configuration file you are creating or updating. You verify that the data record has been created by checking that the **Data** flag is set to **Y**.

NMMGR/3000 (X.XX.XX) DIRECT CONNECT LINK CONFIGURATION				Data: N	
When Data Flag is "N", press "Update Data" to create the data record.					
Command:					
Path: NETXPORT.NI.niName.LINK.nilink					
<input type="checkbox"/>	Start Device On Network Initialization (Y/N)				
<input type="checkbox"/>	Enable Idle Device Timer (Y/N)				
File: filename.NET.SYS					
				Update Data	Refresh Screen
					Prior Screen

Figure 11-7. Direct Connect Link Configuration Screen

Fields

**Start Device
On Network
Initialization (Y/N)**

A Y (Yes) value means that the device is to be started when a NETCONTROL START command is issued for the network interface being configured. An N (No) means that a NETCONTROL ADDLINK command must be used to start the device.

Default Value: Y

Range: Y or N

**Enable Idle
Device Timer**

This field specifies whether the device is to be disconnected automatically if no packets have been received or transmitted over the link during a specified time period. This field is relevant only if a timeout value has been entered in the network interface screen listed below.

Related screens:

- NETXPORT.NI.*niName*

The Idle Device Timeout value is configured on this screen.

Default Value: N

Range: Y or N

GATEWAY HALF DIAL LINK CONFIGURATION

Dial link configuration provides the information necessary to interface the gateway-half NI to a dial link. This screen, shown in Figure 11-8, is displayed when you select an NI link name and link type DD at the Gateway Half Network Interface Link screen (Figure 11-6) and press **Add** or **Update**. It is also displayed when you type the path name:

`@NETXPORT.NI.niName.LINK.nilink`

in the command window of any screen and press , where *niName* is the configured gateway-half NI name, and *nilink* is the configured gateway-half NI link name.

You must press **Update Data** to transfer the data displayed on the screen to the configuration file you are creating or updating. You verify that the data record has been created by checking that the **Data:** flag is set to **Y**.

NMMGR/3000 (X.XX.XX) GATEWAY HALF DIAL LINK CONFIGURATION		Data: N
When Data Flag is "N", press "Update Data" to create the data record.		
Command:		
Path: NETXPORT.NI.niName.LINK.nilink		
<input type="checkbox"/>	Enable DIAL ID Protocol (Y/N)	
<input type="text"/>	Phone Number	
<input type="text"/>	Security String	
<input type="checkbox"/>	Start Device On Gateway Half Initialization (Y/N)	
<input type="checkbox"/>	Enable Idle Device Timer (Y/N)	
File: filename.NET.SYS		
<input type="button" value="Update Data"/>	<input type="button" value="Refresh Screen"/>	<input type="button" value="Prior Screen"/>

Figure 11-8. Gateway Half Dial Link Configuration Screen

Fields

Enable Dial ID Protocol

A Y (Yes) value activates the Dial ID Protocol for a dial link. The Dial ID protocol verifies the identity of a remote node and insures that both local and remote nodes have the required security access.

The Dial ID Protocol should be disabled (by entering N [NO]) only to connect a dial link to a remote node that does not support the Dial ID

Gateway Half Network Interface Configuration

Protocol (that is, a non-HP node).

Related Screens:

- NETXPORT.NI.*niName*.LINK
Configures a link name and type.
- NETXPORT.NI.*niName*.PROTOCOL.DIAL.SECURITY
Configures security strings for this node.

Default Value: Y

Range: Y or N

Phone Number

This is the telephone number of this node's partner gateway half. Enter the telephone number as a combination of decimal numbers (0 through 9), dashes, and the following special characters:

/ Separator used for automatic call units that have second dial-tone detect.

E Optional end-of-number indicator.

D One second delay (used for European modems and automatic call units that require built-in delays).

Defined by local phone system.

* Defined by local phone system.

Enter ! to disable outbound dialing. A ! is required if the destination node is a personal computer.

Default Value: None

Security String

This is the security string of this node's partner gateway half. It is relevant if the Dial ID protocol is enabled and security is enabled. The security screen can contain as many as eight alphanumeric characters. It must be left justified and contain no embedded blanks.

Related Screens:

- NETXPORT.NI.*gatename*.LINK.*linkname*
Dial ID protocol is enabled/disabled here.
- NETXPORT.NI.*gatename*.PROTOCOL.DIAL
Security validation is enabled/disabled here.

Default Value: HP

Start Device

A Y (Yes) value means that the device is to be started when a NETCONTROL START command is issued for this network interface. A N (No) means that a NETCONTROL ADDLINK command must be used to start the device.

Default Value: Y

**Enable Idle
Device Timer**

Range: Y or N

This field specifies whether the device is to be disconnected automatically if no packets have been received or transmitted over the link during a specified time period. It is relevant only if a nonzero timeout value has been entered in the Gateway Half NI screen (see related screens below).

Related Screens:

- NETXPORT.NI.*niName*

Configures router network interface information. The value configured for the Idle Device Timeout is configured on this screen.

Default Value: Y

Range: Y or N

NEIGHBOR GATEWAYS

The select screen in Figure 11-9 is displayed when you press the function key for **Go To INTERNET** at the Gateway-Half Network Interface Configuration screen (Figure 11-1). It is also displayed when you type the path name:

@NETXPORT.NI.niName.INTERNET

in the command window of any screen and press **ENTER**, where the *niName* is the configured gateway-half NI name.

Use the fields and the function keys of this select screen to perform the desired action.

- To define a new gateway configuration, specify the gateway name; then press **Add**. The path for the selected gateway name is added to the configuration file, and the data screen on the path is displayed.
- To modify an existing gateway configuration, specify the gateway name; then press **Update**. The data screen on the path for the specified gateway is displayed.
- To change the gateway name of an existing gateway configuration, specify the gateway name and a new name; then press **Rename**. The previously configured name is replaced, and the screen displays the new name in a display field under the label Configured Gateways.
- To delete an existing gateway configuration, use the delete key. Specify the gateway name, then press **Delete**; when NMMGR prompts you for confirmation, press **Delete** again. The previously configured name is deleted and is no longer displayed in a display field under the label Configured Gateways.

NMMGR/3000 (X.XX.XX) NEIGHBOR GATEWAYS Type in name of item to Update, Delete, or Rename; or Add a new item. Command:							
Path: NETXPORT.NI.niName.INTERNET							
<input type="text"/> Gateway Name							
<input type="text"/> New Name							
<u>Configured Gateways</u>							
<input type="text"/>	<input type="text"/>	<input type="text"/>	<input type="text"/>	<input type="text"/>	<input type="text"/>	<input type="text"/>	<input type="text"/>
File: filename.NET.SYS							
<input type="button" value="Next Page"/>	<input type="button" value="Prev Page"/>	<input type="button" value="Delete"/>	<input type="button" value="Rename"/>	<input type="button" value="Add"/>	<input type="button" value="Update"/>	<input type="button" value="Refresh Screen"/>	<input type="button" value="Prior Screen"/>

Figure 11-9. Neighbor Gateways Screen

Fields

- Gateway Name** Enter a name to represent this node's partner gateway half, through which one or more remote networks can be reached. A gateway name can contain as many as eight alphanumeric characters; the first character must be alphabetic.
- New Name** (Required only when renaming.) Enter a gateway name to represent this node's partner gateway half. This new gateway name is used in place of the current gateway name for an existing gateway configuration. The name can contain as many as eight alphanumeric characters; the first character must be alphabetic.

NEIGHBOR GATEWAY REACHABLE NETWORKS

The Neighbor Gateway Reachable Networks screen is used to enter internet routing information. It supplies the internet address of a neighbor internet gateway, remote networks which are reachable through that gateway, and the distances to those remote networks. For the gateway-half NI there is only one neighbor gateway, the partner gateway half.

The screen in Figure 11-10 is displayed when you select a gateway name at the Neighbor Gateways screen (Figure 11-9) and press **Add** or **Update**. It is also displayed when you type the path name:

`@NETXPORT.NI.niName.INTERNET.gatewayn`

in the command window of any screen and press **ENTER**, where *niName* is the configured gateway-half NI name, and *gatewayn* is the configured gateway-half NI gateway name.

You must press **Update Data** to transfer the data displayed on the screen to the configuration file you are creating or updating. You verify that the data record has been created by checking that the **Data** flag is set to **Y**.

```

MMGR/3000 (X.XX.XX) NEIGHBOR GATEWAY REACHABLE NETWORKS          Data: N
When Data Flag is "N", press "Update Data" to create the data record.
Command:

Path: NETXPORT.NI.niName.INTERNET.gatewayn

[ ] Neighbor Gateway IP Internet Address

                Configured Reachable Networks  PAGE 1

IP Network Address      Hops                IP Network Address      Hops

[ ] [ ]                [ ] [ ]                [ ] [ ]                [ ] [ ]

[ ] [ ]                [ ] [ ]                [ ] [ ]                [ ] [ ]

[ ] [ ]                [ ] [ ]                [ ] [ ]                [ ] [ ]

[ ] [ ]                [ ] [ ]                [ ] [ ]                [ ] [ ]

File: filename.NET.SYS

Next   Prev   First   Last   Condense  Update  Refresh  Prior
Page   Page   Page   Page   Page      Data    Screen   Screen

```

Figure 11-10. Neighbor Gateway Reachable Networks Screen

NOTE

The information configured in this screen can extend to more than 1 page, if necessary, to allow configuration of more than 10 reachable networks. Press **Next Page** to proceed to a new page. Press **Prev Page** to display a prior page. Use **First Page** to display the first page (for example, if you are viewing the third page, pressing **First Page** will immediately display the first page). Press **Last Page** to display the last page of reachable networks that has been configured. To consolidate reachable networks entries, press **Condense Data**.

Fields**Neighbor Gateway
IP Internet Address**

Enter the IP address of this node's partner gateway half. This is the IP address of the partner's home network, and is the same IP address that you have already configured in the Internet Protocol Configuration screen for the current NI.

Addresses are made up of a network portion and a node portion. The possible classes of network addresses have the following forms (Δ =a space):

```
Class C   C $\Delta$ nnn.nnn.nnn $\Delta$ xxx
Class B   B $\Delta$ nnn.nnn $\Delta$ xxx.xxx
Class A   A $\Delta$ nnn $\Delta$ xxx.xxx.xxx
```

where nnn is a value ranging from 0 to 255, representing eight bits of the network portion of an address, and xxx is a value ranging from 0 to 255, representing the node portion of the address. The leftmost group of nnn has the following ranges for each address class:

```
Class C:  192-223
Class B:  128-191
Class A:   0-127
```

Default Value: None

Related Screens:

- NETXPORT.NI.*niName*PROTOCOL.IP

The network address (network portion of the IP address) configured in this screen must match the Neighbor Gateway IP Internet Address configured in the current screen.

**Configured Reachable
Networks IP Network
Address**

Enter the internet addresses of the remote networks that can be reached through the gateway half whose network address is configured in the previous field. (Enter one address per line.) Only the internet portion of the network address is significant for this field (see the description of the Neighbor Gateway IP Internet Address field for valid formats of internet

Gateway Half Network Interface Configuration

addresses). The node portion must be entered; however, it may be set to all zeros.

Configured Reachable Networks Hops

Enter the internet hop count to the reachable network whose IP address is configured to the left of the Hops field. (The internet hop count is the number of full internet gateways that will be used to route a message to the destination network. If two partner gateway halves are used as part of the internet route, they are counted as one hop.)

Hop count is used internally to determine which neighbor gateway (if more than one exists) is on the shortest path to the remote network. If more than one gateway can reach a given remote network, and the number of hops to the remote network is equal for each gateway, you can determine which gateway the Network Transport will use by configuring an artificially high hop count. The transport always uses the gateway with the smallest hop count.

If the same hop count value is configured for multiple gateways, then the Network Transport will choose internally from among the routes with equal hop counts.

Default Value: None

Range: 1-32767

NOTE

To delete a reachable network entry, fill the field to be deleted with blanks and press **Update Data**.

The screens described in this section are used for configuring a node with an X.25 network interface. All networks using X.25 protocol must have an X.25 network interface for each node. This includes nodes connected to public or private Packet Switched Networks (PSNs), and nodes connected directly, using X.25 protocol to communicate. Configuration of the X.25 network interface branch of NMMGR begins with the X.25 NETWORK INTERFACE CONFIGURATION screen. From this screen, you can proceed to a number of other screens needed to complete network interface configuration. The screens are listed and briefly described below. The level of indentation indicates each screen's place in the configuration hierarchy.

X.25 NETWORK INTERFACE CONFIGURATION - This screen allows you to configure items needed for any X.25 network interface: numbers of buffers, the size of the Table which contains IP to X.25 address mapping information, and a general idle device timeout value. From this screen, you can choose to go to one of three screens that begin lower branches of configuration.

PROTOCOL CONFIGURATION - This screen, which you reach by pressing **Go To Protocol** on the previous screen, allows you to proceed to configure the IP and X.25 protocols.

IP PROTOCOL CONFIGURATION - This screen enables you to enter information needed for the operation of the IP protocol on this node.

GENERAL X.25 - This screen leads you to a set of ten screens which you use to configure the operation of the X.25 protocol on this node.

NETWORK INTERFACE LINKS - This screen, which is displayed after you press **Go To LINK** on the X.25 NETWORK INTERFACE CONFIGURATION screen, allows you to specify a link name (as configured in the link configuration branch of NMMGR), and to specify that it is of type direct connect.

X.25 LINK CONFIGURATION - This screen contains default values for the X.25 Link defined in the previous screen.

NEIGHBOR GATEWAYS - This screen appears after you press **Go To INTERNET** on the X.25 NETWORK INTERFACE CONFIGURATION screen. It begins the branch of X.25 network interface configuration that allows you to configure internet information. In this screen, you can identify the nodes in the network that will be functioning as gateways to other networks.

Note: Internet configuration is not needed if this network is not connected to any other networks.

NEIGHBOR GATEWAY REACHABLE NETWORKS - You must configure an instance of this screen for each of the gateways identified in the previous screen. In this screen, you will specify information about each of the networks that can be reached by a particular gateway.

X.25 Network Interface

This screen is displayed when you select an NI name and type X.25 at the Network Interface Configuration Selection screen (Figure 8-9), then press **Add** or **Update**. It is also displayed when you type the path name:

@NETXPORT.NI.*niName*

in the command window of any screen and press **ENTER**, where the *niName* is a configured X.25 NI name.

You must press **Update Data** to transfer the data displayed on the screen to the configuration file you are creating or updating. You verify that the data record has been created by checking that the **Data:** flag is set to **Y**.

From this screen you proceed to the screens used to configure the X.25 network interface. The X.25 NI module provides the interface between X.25 (layer 3) protocol and the data link layer (LAP-B) protocol (layer 2) implemented by the INP card.

NMMGR/3000 (X.XX.XX)		X.25 NETWORK INTERFACE CONFIGURATION		Data:Y	
When Data Flag is "N" , Press "Update Data" to create the data record.					
Command:					
Path: NETXPORT.NI. <i>niName</i>					
[1024]	:	Network Segment Size (Bytes)			
[160]	:	Number of Inbound Buffers			
[160]	:	Number of Outbound Buffers			
[20]	:	IP to X.25 Address Mappings			
[0]	:	Idle Device Timeout Value (Minutes), 0=Timer Disabled For All Devices			
X.25 Software Switch Only:					
[N]	:	Software Switch Enabled (Y/N)			
[0]	:	PAD Switch (1 - DS, 0 - NS)			
[1]	:	No X.25 CUD Call Routing (1 - DS, 0 - NS)			
[128]	:	SVC's allocated for NS			
[128]	:	SVC's allocated for DS			
File: filename.NET.SYS					
Go To	Go To	Go To	Update	Refresh	Prior
PROTOCOL	LINK	INTERNET	Data	Screen	Screen

Figure 12-1. X.25 Network Interface Configuration Screen

Choose the item you wish to configure and press the corresponding function key.

Fields

Network Segment Size

(Required). Enter the largest possible physical buffer size in bytes. This value should be equivalent to the maximum supported packet size if packet size negotiation is subscribed, or to the maximum default packet size otherwise.

Note that whenever packets larger than the specified network segment size are sent, they will be fragmented to the network segment size, thus incurring fragmentation overhead at the source and assembly overhead at the destination node.

Recommended Value: 1024

Number of Inbound Buffers

(Required.) This field specifies the number of buffers to be allocated for inbound data for the X.25 Network Interface. This value is based on the number of TCP connections that will use the X.25 NI. An allocation of two buffers per connection will suffice for typical usage.

The default value is based on the assumption that the network manager desires to allow no more than the default number of TCP connections (128) to use the X.25 NI (see below, Related Screens). Hence the default is $128 * 2 = 256$ inbound buffers. When there is more than one NI, this value should probably be adjusted downward. If the number of TCP connections is changed from the default value, the number of outbound buffers for all NIs should be reconsidered.

When there are not enough buffers to support inbound traffic, an IP log message will indicate that the node is congested and the packet had to be discarded.

Related Screens:

- NETXPORT.GPROT.TCP

The maximum number of TCP connections is configured here.

Default Value: 256

Range: 32 - 2048

Number of Outbound Buffers

(Required.) This field specifies the number of buffers to be allocated for outbound data for the X.25 Network Interface. Outbound buffers are used for outbound data packets and are held by the transport until acknowledged by the destination. Calculation of the default value is the same as described above for Inbound Buffers.

Default Value: 256

Range: 32-1024

IP to X25 Address Mappings

(Required). Enter the maximum number of mapping entries (= Network Directory entries) for the node you are configuring.

X.25 Network Interface Configuration

Recommended Value: 100 (Maximum).

Idle Device Timeout Value (Minutes)

This field is relevant only if the link is a dial link. A timeout value of zero disables the Idle Device Timer for the link on this Network Interface.

Software Switch Enabled

(Required). Enter N (NO). Do not enter Y unless you plan to use the shared INP configuration strategy. The remaining fields on this screen are reserved for use with the software switch. Refer to the *DS X.25 to NS X.25 Migration Guide* or consult your HP representative for more information about the software switch.

If the software switch is enabled, the value of the PAD switch will determine where PAD calls are routed--either to NS PAD support or DS PAD support.

Network Interface Protocol Menu

This screen is displayed when you press the function key for **Go To PROTOCOL** at the X.25 Network Interface Configuration screen. It is also displayed when you type the path name:

@NETXPORT.NI.*niName*.PROTOCOL

in the command window of any screen and press **ENTER**, where *niName* is a configured X.25 NI name.

For the X.25 NI, you must configure the IP and X.25 protocols. The **Go To X25** and **Go To IP** function key labels are displayed.

NMMGR/3000 (X.XX.XX) PROTOCOL CONFIGURATION Select the next screen and press the corresponding function key. Command:							
Path: NETXPORT.NI. <i>niName</i> .PROTOCOL							
IP	- Configure Internet Protocol.						
PROBE	- Configure PROBE Protocol (LAN Only).						
DIAL	- Configure DIAL Protocol (Router/Gateway Half Only). Necessary Only If There Are Any Switched Links.						
X25	- Configure X.25 Protocol (X.25 Only).						
File: filename.NET.SYS							
Go To X25	Go To IP					Refresh Screen	Prior Screen

Figure 12-2. Protocol Configuration Screen

Choose the protocol to configure first and press the corresponding function key.

Internet Protocol

IP Protocol information must be supplied for each configured NI. The key data is the IP Internet Address, which is used in IP routing and datagram delivery algorithms. Data in the other fields are used for internal resource allocation and performance tuning.

This screen is displayed when you press the function key for **Go To IP** at the Protocol Configuration screen (Figure 12-2). It is also displayed when you type the path name:

@NETXPORT.NI.*niName*.PROTOCOL.IP

in the command window of any screen and press **ENTER**, where *niName* is a configured X.25 NI name.

You must press **Update Data** to transfer the data displayed on the screen to the configuration file you are creating or updating. You verify that the data record has been created by checking that the **Data:** flag is set to **Y**.

NMMGR/3000 (X.XX.XX) IP PROTOCOL CONFIGURATION		Data: N
When Data Flag is "N", Press "Update Data" to create the data record.		
Command:		
Path: NETXPORT.NI. <i>niName</i> .PROTOCOL.IP		
[20]	Store & Forward Buffers	
	(Enter 0 To Disable Store & Forward)	
[]	IP Internet Address	
[4]	Internal Message Queue Length	
[20]	Fragment Assembly Queue Elements	
File: filename.NET.SYS		
	Update Data	Refresh Screen
		Prior Screen

Figure 12-3. IP Protocol Configuration Screen

Fields

Store & Forward Buffers

(HP modifiable). This field allocates buffers to support store-and-forward over the network interface being configured.

You must allocate store-and-forward if this node is an internet gateway and packets from another network will be forwarded over this network interface.

The number of store-and-forward buffers is configurable to allow performance tuning for different network types. However, HP recommends that you use the default number of store-and-forward buffers (20) and that you consult your HP representative before modifying this value.

Default Value: 20

Range: 0-50

IP Internet Address

This is the IP address which uniquely identifies the local node. A suggested format is *C xxxx.xxx x.nnn*, where *C* identifies the IP address format, the *xxxx.xxx x.nnn* portion identifies the network, and the *nnn* uniquely identifies the X.25 interface on the network.

Internal Message Queue Length

(HP modifiable.) This field puts a limit on the number of internal resources that the IP protocol may hold while awaiting some other protocol module action. It is a tuning parameter that should be modified only upon the recommendation of your HP representative.

The default is set to handle most cases; if it is too low for your network, packets will be discarded and you will receive a logging error message.

Default Value: 4

Range: 0-20

Fragment Assembly Queue Elements

(HP modifiable). This field specifies the maximum number of incomplete message fragments that this IP instance may hold.

HP recommends that you use the default of 20 for this field. For purposes of tuning your network's performance, and upon the recommendation of your HP representative, you may wish to alter the number of Fragment Assembly Queue Elements.

You may wish to configure a higher value if traffic conditions on your network are less than optimal e.g. if internet routes are heavily loaded and intermediate nodes are congested. If conditions on your network are less busy, you may wish to configure a lower value. Only configure 0 if no fragmented messages will ever be received by the node you are configuring.

If message fragments are discarded (indicating that the value configured in this field is too low), a log message will be recorded.

X.25 Network Interface Configuration

Default Value: 20

Range: 0-100

General X.25

This screen is displayed when you press the function key for **Go To X25** at the Protocol Configuration screen (Figure 12-2). It is also displayed when you type the path name:

```
@NETXPORT.NI.niName.PROTOCOL.X25
```

in the command window of any screen and press **(ENTER)**, where *niName* is a configured X.25 name.

You must press **Update Data** to transfer the data displayed on the screen into the configuration file you are creating or updating. You verify that a data record has been created by checking that the **Data:** flag is set to **Y**.

```

MMGR/3000 (X.XX.XX) GENERAL X.25                                     Data: N
When Data Flag is "N, Press "Update Data" to create the data record.
Command:
Path: NETXPORT.NI.niName.PROTOCOL.X25

[X.25-PDN] Network Type

[ ] Local X.25 Address Key

[5] Inactivity Timer for IP connection (in minutes).

File: filename.NET.SYS

Go To Go To Go To Go To Go To Update Refresh Prior
VCSPEC FACSET SVCPATH PVCSPATH LUGSPEC Data Screen Screen

```

Figure 12-4. General X.25 Screen

Enter general information for your local node and use the function keys to reach subsequent X.25 configuration data screens.

Fields

Network Type Enter the name of the X.25 network to which the host is locally connected (e.g. TELENET, TRANSPAC).

The default name is X.25-PDN (for Public Data Network).

NOTE

To indicate to X.25 that it is operating over a Defense Data Network (DDN), the network name X.25-DDN must be configured during the configuration dialogue.

Local X.25 Address Key (Required). Enter an X.25 Address Key identifying the node you are configuring. This key will be used by the Network Directory to map the X.25 address of this node to an IP address. The key may have up to eight alphanumeric characters; the first character must be alphabetic.

Inactivity timer (Required). Enter a value for the inactivity period.(in minutes) after which the inactive Switched Virtual Circuits (SVCs) will be automatically cleared.

Enter 0 to disable the inactivity timer. The recommended value is 6.

NOTE

Applications using NetIPC to access Level 3 protocol directly can modify this value using the NetIPC intrinsic IPCCONTROL.

X.25 Local Address & VC Assignment

This screen is displayed when you press the function key for **Go To VCSPEC** at the X.25 Protocol Configuration screen. It is also displayed when you type the path name:

```
@NETXPORT.NI.niName.PROTOCOL.X25.VCSPEC
```

You must press **Update Data** to transfer the data displayed on the screen to the configuration file you are creating or updating. You verify that the data record has been created by checking that the **Data** flag is set to **Y**.

```

MMGR/3000 (X.XX.XX) X.25 LOCAL ADDRESS & VIRTUAL CIRCUIT ASSIGNMENT Data: N
When Data Flag is "N", Press "Update Data" to create the data record.
Command:

Path: NETXPORT.NI.niName.PROTOCOL.X25.VCSPEC

[ ] Local X.25 Node Address

Lowest Highest
[ ] [ ] Permanent Virtual Circuits (PVC)
[ ] [ ] One-Way Incoming Switched Virtual Circuits (SVC)
[ ] [ ] Two-Way Switched Virtual Circuits (SVC)
[ ] [ ] One-Way Outgoing Switched Virtual Circuits (SVC)

File: filename.NET.SYS

Go To Update Refresh Prior
FLOWCNTL Data Screen Screen

```

Figure 12-5. VC Specification Screen

Enter values in these fields according to your network subscription. Press **Go To FLOWCNTL** to proceed to the Flow Control Parameters screen.

Fields

Local X.25 Node Address (Optional). Enter the node's X.25 address as provided by the local network's administration. This is the *calling* address that will be inserted into *CALL* packets sent out from this node. For certain networks (e.g. DDN, TRANSPAC), this field must be left blank.

Permanent Virtual Circuits Enter a value for the lowest and the highest Permanent Virtual Circuits (PVCs) subscribed. Note that PVCs are only available to users of direct Level 3 access.

Example: For five PVCs, beginning with the number one, enter 1 under **Lowest** and 5 under **Highest**.

Range: 0-4095

One-Way Incoming Switched Virtual Circuits Enter values for the lowest and highest Switched Virtual Circuits (SVCs) subscribed for in this category.

Range: 0-4095

Two-Way Switched Virtual Circuits Enter values for the lowest and highest Switched Virtual Circuits (SVCs) subscribed for in this category.

Range: 0-4095

One-Way Outgoing Switched Virtual Circuits Enter values for the lowest and highest Switched Virtual Circuits (SVCs) subscribed for in this category.

Range: 0-4095

NOTE

For public network connections, the virtual circuit allocation **MUST** match the Logical Channel Numbers specified in your network subscription form.

X.25 Network & Flow Control Parameters

This screen is displayed when you press the function key for **Go To FLOWCNTL** at the Virtual Circuits Specification screen. It is also displayed when you type the path name:

```
@NETXPORT.NI.niName.PROTOCOL.X25.VCSPEC.FLOWCNTL
```

This data-entry screen is used to indicate the local mode of operation and to specify Flow Control Parameters for use on all Virtual Circuits unless specified otherwise by a particular Facilities Set (see X.25 USER FACILITY SET PARAMETERS).

You must press **Update Data** to transfer the data displayed on the screen to the configuration file you are creating or updating. You verify that the data record has been created by checking that the **Data** flag is set to **Y**.

NMMGR/3000 (X.XX.XX)		X.25 NETWORK & FLOW CONTROL PARAMETERS		Data: N
When Data Flag is "N", Press "Update Data" to create the data record.				
<u>Command:</u>				
Path: NETXPORT.NI.niName.PROTOCOL.X25.VCSPEC.FLOWCNTL				
[1]	X.25 Packet Level (DTE=1, DCE=0)			
<u>Default Values for Flow Control Parameters</u>				
Incoming	Outgoing			
[128]	[128]	Packet Size		
[2]	[2]	Window Size		
[11]	[11]	Throughput class		
File: filename.NET.SYS				
				Update Data
				Refresh Screen
				Prior Screen

Figure 12-6. Flow Control Facilities Screen

Fields

X.25 Packet Level (Required). Enter 1 if acting as a DTE (i.e. for all public PSN connections). Enter 0 if acting as a DCE.

X.25 Network Interface Configuration

Default Values for Flow Control Parameters

Enter default values for the following Flow Control parameters (one for incoming and one for outgoing calls for each).

Packet Size If desired, enter a value as a default packet size (for all virtual circuits).

Possible values: 16, 32, 64, 128, 256, 512, 1024

Recommended Value: 128

Window Size If desired, enter a value as a default window size (for all virtual circuits).

Possible Values: 1, 2, 3, 4, 5, 6, 7

Recommended Value: 2

Throughput Class If required, enter a value as a default throughput class (for all virtual circuits).

The value entered must be equal or lower than the value calculated in function of the line speed as follows:

Speed: 1200 2400 4800 9600 19200 48000 57600

Class: 7 8 9 10 11 12 13

Recommended Value: 11

NOTE

For public network connections, the values entered in all the fields **MUST** match the subscription values.

Facilities Set Selection

This screen is displayed when you press the function key for **Go To FACSET** at the General X.25 screen (Figure 12-4). It is also displayed when you type the path name:

`@NETXPORT.NI.niName.PROTOCOL.X25.FACSET`

A Facilities Set is a set of values representing the User Facilities (X.25 connection parameters) that can be negotiated on a per call basis. This definition is then associated with a particular VC (or range of VCs) - see below, X.25 Address Key Paths. Use the fields of this typed-select screen in combination with the function keys to perform the desired action:

- To define a new facilities set, specify the facilities set name and the type; then press **Add**.
- To modify an existing facilities set, specify the facilities set name; then press **Update**.
- To change the name of an existing facilities set, specify the facilities set name and a new name; then press **Rename**. The previously configured name is replaced and the screen displays the new name in the display fields labeled Configured Sets.
- To delete an existing facilities set, specify the facilities set name, then press **Delete**. The previously configured facilities set name is deleted and is no longer displayed in the display fields labeled Configured Sets.

```

NMMGR/3000 (X.XX.XX) X.25 USER FACILITY SETS
Type in name of item to Update, Delete, or Rename; or Add a new item.
Command:

Path: NETXPORT.NI.niName.PROTOCOL.X25.FACSET

[ ] Set Name           [ ] Type: PVC or SVC (if new)
[ ] New name

                Configured Sets

Name      Type      Name      Type      Name      Type
[ ] [ ] [ ] [ ] [ ] [ ] [ ] [ ]
[ ] [ ] [ ] [ ] [ ] [ ] [ ] [ ]
[ ] [ ] [ ] [ ] [ ] [ ] [ ] [ ]
[ ] [ ] [ ] [ ] [ ] [ ] [ ] [ ]

File: filename.NET.SYS

Next  Prev  Delete  Rename  Add  Update  Refresh  Prior
Page  Page  Screen  Screen  Screen  Screen  Screen  Screen
    
```

Figure 12-7. Facilities Set Selection Screen

Fields

- Set Name** (Required). Enter the name of the facilities set to be added. The name can have up to eight alphanumeric characters; the first character must be alphabetic.
- New Set Name** (Required if Renaming). Enter a new facilities set name. The new name can have up to eight alphanumeric characters; the first character must be alphabetic.
- Type** (Required if New). Enter PVC if the facilities set applies to Permanent Virtual Circuits, SVC if the facilities set is defined for Switched Virtual Circuits.

NOTE

For public network connections, facilities may only be used if previously subscribed for with the Network Administration.

SVC Facility Set Data

This screen is displayed when you create or modify an SVC facilities set at the Facilities Set Selection screen. It is also displayed when you type the path name:

`@NETXPORT.NI.niName.PROTOCOL.X25.FACSET.SetName`

This data-entry screen is used to supply the parameters for a named Facility Set which will be associated with one or several of the SVCs configured (see X.25 SVC ADDRESS KEY PATHS).

You must press **Update Data** to transfer the data displayed on the screen to the configuration file you are creating or updating. You verify that a data record has been created by checking that the **Data:** flag is set to **Y**.

```

NMMGR/3000 (X.XX.XX) X.25 USER FACILITY SET PARAMETERS (SVC)           Data: N
When Data Flag is "N", Press "Update Data" to create the data record.
Command:
Path  NETXPORT.NI.niName.PROTOCOL.X25.FACSET.SetName

[ ] Selected Set Name
Y/N
[N] Packet Size Negotiation
[N] Window Size Negotiation
[N] Throughput Class Negotiation

Flow Control Parameters
Negotiation Values
Incoming      Outgoing
[128 ]        [128 ]
[2 ]          [2 ]
[11]          [11]

[N] Use of D-bit

[N] Accept Reverse Charge (Collect) Call
[N] Make Reverse Charge (Collect) Call
[N] Close User Group (CUG)           [0 ] CUG Number

File: filename.NET.SYS

[ ] [ ] [ ] [ ] [ ] [ ] [ ] [ ] [ ] [ ] [ ] [ ] [ ] [ ] [ ] [ ] [ ] [ ] [ ] [ ]
Update Refresh Prior
Data      Screen  Screen
  
```

Figure 12-8. X.25 User Facility Set Parameters (SVC)

Fields

Facilities

For the current facility set, you must enter either Y (YES) or N (NO) for each of the facilities listed:

Packet Size Negotiation
 Window Size Negotiation
 Throughput Class Negotiation

X.25 Network Interface Configuration

Use of D-Bit
Accept Reverse Charge Call
Make Reverse Charge Call
Closed User Group

Negotiation Values

Enter a value for incoming calls and/or for outgoing calls for each of the Flow Control facilities you have selected (see above, Flow Control Parameters screen).

Possible values: (see Flow Control Facilities screen)

Packet Size: 16, 32, 64, 128, 256, 512, 1024

Window Size: 1, 2, 3, 4, 5, 6, 7

Throughput Class: 7, 8, 9, 10, 11, 12, 13

C.U.G. Number

If Closed User Group facility has been selected, specify the C.U.G number (between 00 and 99).

NOTE

For public network connections, facilities may only be used if previously subscribed for with the Network Administration.

If 'Negotiation' is set to [N], then the previous negotiation values are automatically used.

PVC Facility Set Data

This screen is displayed when you create or modify a PVC facilities set at the Facilities Set Selection screen. This screen is also displayed when you type the path name:

`@NETXPORT.NI.niName.PROTOCOL.X25.FACSET.SetName`

This data-entry screen is used to supply the parameters for a named Facility Set which will be associated with one or several of the PVCs configured (see X.25 PVC ADDRESS KEY PATHS).

You must press **Update Data** to transfer data displayed on the screen to the configuration file you are creating or updating. You verify that a data record has been created by checking that the **Data:** flag is set to **Y**.

```

NMMGR/3000 (X.XX.XX) X.25 USER FACILITY SET PARAMETERS (PVC)           Data: N
When Data Flag is "N", Press "Update Data" to create the data record.
Command:

Path:  NETXPORT.NI.niName.PROTOCOL.X25.FACSET.SetName

[ ] Selected Set Name

Incoming      Outgoing
[128 ]       [128 ]      Packet Size Value
[ 2 ]        [ 2 ]       Window Size Value
[11 ]        [11 ]       Throughput Class Value
[N]          Use of D-bit (Y/N)

File:  filename.NET.SYS

[ ] [ ] [ ] [ ] [ ] [ ] [ ] [ ] [ ] [ ] [ ] [ ] [ ] [ ] [ ] [ ] [ ] [ ] [ ] [ ]
Update Data Refresh Screen Prior Screen
    
```

Figure 12-9. X.25 User Facility Set Parameters (PVC)

Fields

Packet Size Value Enter the packet size for incoming and outgoing calls.

Possible values: 16, 32, 64, 128, 256, 512, 1024

Window Size Value Enter the window size value for incoming and outgoing calls.

Possible values: 1, 2, 3, 4, 5, 6, 7

X.25 Network Interface Configuration

Throughput Class Value

Enter the throughput class value for incoming and outgoing calls.

Possible values: 7, 8, 9, 10, 11, 12, 13

Use of D-bit

Enter Y (YES) if use of D-bit is subscribed, N (NO) otherwise.

X.25 Network Interface Configuration

POOL is the Address Key reserved for calls from nodes whose addresses are not specified in the Path Table. See the Facilities Sets screen earlier in this section.

For PAD access on incoming calls, the keyword PAD can be used if you want a host HP 3000 to accept incoming calls from all PADs. The symbolic name PAD is used because this is more convenient than actually configuring all PADs. However, by not using PAD, you can limit PAD access. In this case, only PADs whose addresses are configured in the configuration file would be allowed to call in. Another option allows you to configure both the keyword PAD and other X.25 Address Key values in this screen. If you choose this option, or if you configure only the keyword PAD, you can still limit incoming-call access by configuring values in the X.25 Incoming Local User Group Screen (Figure 12-13). See the description of that screen for more information.

For PAD access on outgoing calls, this value will be the same as an additional address configured in the Network Directory Data Screen in Section 15. This value, which represents a PAD device to be accessed with an outgoing call from the local HP 3000, maps to the actual X.25 address of the HP 2334A port to which the device is connected.

X.25 Address

Enter the X.25 address (up to 15 digits) of the remote node represented by the adjacent X.25 Address Key. This field is required if your node is connected to an X.25 PDN or private network. For POOL or PAD entries (see above), this field is meaningless. It may be left blank for POOL entries. For PAD entries, however, enter all zeroes. If entries are configured for both POOL and PAD, these entries must be different from each other. For DDN nodes, an X.25 address is not allowed.

Default Facility Set

(Required). Enter the name of one of the Facility Sets you have defined at the User Facility Set screen (for example STDSFSET or PADSFSET). This set of facilities will then be associated with the connection you have identified above. The name can have up to eight alphanumeric characters; the first character must be alphabetic.

X.25 Network Interface Configuration

- PVC Number** (Required). Enter the PVC Number which identifies the remote host. This number *must* be in the range you defined in the Virtual Circuit Specification screen.
- Default Facility Set** (Required). Enter the name of one of the Facility Sets you have defined at the User Facility Set screen. This set of facilities will then be associated with the connection you have identified above. The name can have up to eight alphanumeric characters; the first character must be alphabetic.

Local User Group Specification

This screen is displayed when you press the function key for **Go To LUGSPEC** at the General X.25 screen (Figure 12-4). It is also displayed when you type the path name:

@NETXPORT.NI.*niName*.PROTOCOL.X25.LUGSPEC

NMMGR/3000 (X.XX.XX) X.25 LOCAL USER GROUP SPECIFICATION Select the next screen and press the corresponding function key. Command:							
Path: NETXPORT.NI. <i>niName</i> .PROTOCOL.X25.LUGSPEC							
INLUG - Configure Incoming Local User Group.							
OUTLUG - Configure Outgoing Local User Group.							
File: filename.NET.SYS							
Go To INLUG	Go To OUTLUG					Refresh Screen	Prior Screen

Figure 12-12. Local User Group Specification Screen

The Local User Group facility offers a method of restricting access to and from remote destinations. Two screens are provided to define Local User Groups - one for incoming calls and one for outgoing calls. Select the appropriate function key to proceed.

address may have up to fifteen digits in the range 0-9 and X (an X indicates that this digit may be any digit - for example, the address 92X matches addresses from 920 to 929).

NOTE

If your configuration of the X.25 SVC Address Key Paths Screen (Figure 12-10) contains the keywords PAD or POOL, you can still limit incoming-call access by configuring values on this screen (Figure 12-13).

X.25 Address Key label, or to define a set of addresses.

An X.25 address may have up to fifteen digits in the range 0-9 and X (an X indicates that this digit may be any digit).

Network Interface Links Selection

This screen is displayed when you press the function key for **Go To LINK** at the X.25 Network Interface Configuration screen (Figure 12-1). It is also displayed when you type the path name:

@NETXPORT.NI.*niName*.LINK

in the command window of any screen and press **ENTER**, where *niName* is the configured X.25 NI name.

Use the fields of this typed-select screen in combination with the function keys to perform the desired action:

- To define a new link configuration, specify the link name and the type; then press **Add**. The path for the selected link name is added to the configuration file, and the data screen on the path is displayed.
- To modify an existing configuration, specify the link name; then press **Update**. The data screen on the path for the specified link is displayed.
- To change the link name of an existing link configuration, specify the link name and a new name; then press **Rename**. The previously configured link name is replaced, and the screen displays the new name in the display field labeled Configured Links.
- To delete an existing link configuration, specify the link name; then press **Delete**. The previously configured name is deleted and is no longer displayed in the display field labeled Configured Links.


```

NMMGR/3000 (X.XX.XX) X.25 NETWORK INTERFACE LINKS
Type in name of item to Update, Delete, or Rename; or Add a new item.
Command:

Path: NETXPORT.NI.niName.LINK

[ ] Link Name
[ ] New name
[ ] Type: DC - Direct Connect
      (if new)

          Configured Network Links
Name      Type      Name      Type      Name      Type
[ ]       [ ]       [ ]       [ ]       [ ]       [ ]
[ ]       [ ]       [ ]       [ ]       [ ]       [ ]
[ ]       [ ]       [ ]       [ ]       [ ]       [ ]

File: filename.NET.SYS

Next      Prev      Delete  Rename      Add      Update  Refresh  Prior
Page     Page                               Screen     Screen     Screen     Screen
    
```

Figure 12-15. Network Interface Links Screen

Fields

Link name

(Required). Enter the Link name you configured in the Link Configuration (screen LINKCONF). This enables the Network Transport to associate the correct link with the X.25 NI. The name can have up to eight alphanumeric characters; the first character must be alphabetic.

The link name is used by the Network Transport when establishing connections; it *must* match the Link name configured for the X.25 Link.

New name

(Required When Renaming). Enter a link name. This new link name is used in place of the current link name for an existing link configuration. The name can have up to eight alphanumeric characters; the first character must be alphabetic.

Type

(Required if New). Enter DC (Direct Connect) for all X.25 Links.

X.25 Link Configuration

This screen is displayed when you create or modify a Link name at the Network Interface Links Selection screen. It is also displayed when you type the path name:

```
@NETXPORT.NI.niName.LINK.nilink
```

in the command window of any screen and press **ENTER**, where *niName* is the configured X.25 NI name and *nilink* is the configured X.25 NI link name.

This screen supplies the information required to interface the X.25 NI to an X.25 link. You must press **Update Data** to transfer the data displayed on this screen to the configuration file you are creating or updating. You verify that a data record has been created by checking that the **Data:** flag is set to **Y**.

NMMGR/3000 (X.XX.XX) X.25 LINK CONFIGURATION		Data: N
When Data Flag is "N", Press "Update Data" to create the data record.		
<u>Command:</u>		
<u>Path:</u>	NETXPORT.NI.niName.LINK.Linkname	
[Y]	Start Device On Network Initialization (Y/N)	
[N]	Enable Idle Device Timer (Y/N)	
<u>File:</u>	filename.NET.SYS	
	Update Data	Refresh Screen
		Prior Screen

Figure 12-16. X.25 Link Configuration Screen

X.25 Network Interface Configuration

Fields

Start Device On Network Initialization (Required). Enter Y (YES) if the logical device identified for this NI Link should be started when the network is first initialized. Enter N (NO) otherwise.

Enable Idle Device Timer (Required). Enter Y (YES) to enable the idle timer on the logical device identified for this NI Link. Enter N (NO) otherwise.

NEIGHBOR GATEWAYS

The select screen in Figure 12-17 is displayed when you press the function key for **Go To INTERNET** at the X.25 Network Interface Configuration screen (Figure 12-1). It is also displayed when you type the path name:

@NETXPORT.NI.*niName*.INTERNET

in the command window of any screen and press **ENTER**, where the *niName* is the configured router NI name.

Use the fields and the function keys of this select screen to perform the desired action.

- To define a new gateway configuration, specify the gateway name; then press **Add**. The path for the selected gateway name is added to the configuration file, and the data screen on the path is displayed.
- To modify an existing gateway configuration, specify the gateway name; then press **Update**. The data screen on the path for the specified gateway is displayed.
- To change the gateway name of an existing gateway configuration, specify the gateway name and a new name; then press **Rename**. The previously configured name is replaced, and the screen displays the new name in a display field under the label Configured Gateways.
- To delete an existing gateway configuration, specify the gateway name; then press **Delete**. The previously configured name is deleted and is no longer displayed in a display field under the label Configured Gateways. Press **Delete** again to confirm; otherwise, the deletion will not take effect.

NMMGR/3000 (X.XX.XX) NEIGHBOR GATEWAYS
Type in name of item to Update, Delete, or Rename; or Add a new item.
Command:

Path: NETXPORT.NI.niName.INTERNET

Gateway Name
 New Name

Configured Gateways

<input type="text"/>	<input type="text"/>	<input type="text"/>	<input type="text"/>	<input type="text"/>	<input type="text"/>
<input type="text"/>	<input type="text"/>	<input type="text"/>	<input type="text"/>	<input type="text"/>	<input type="text"/>
<input type="text"/>	<input type="text"/>	<input type="text"/>	<input type="text"/>	<input type="text"/>	<input type="text"/>

File: filename.NET.SYS

Next Page	Prev Page	Delete	Rename	Add	Update	Refresh Screen	Prior Screen
-----------	-----------	--------	--------	-----	--------	----------------	--------------

Figure 12-17. Neighbor Gateways Screen

Fields

Gateway Name

Enter a name to represent a gateway node on this X.25 network, through which one or more remote networks can be reached. A gateway name can contain as many as eight alphanumeric characters; the first character must be alphabetic.

New Name

(Required only when renaming.) Enter a name to represent a gateway node on this X.25 network. This new gateway name is used in place of the current gateway name for an existing gateway configuration. The name can contain as many as eight alphanumeric characters; the first character must be alphabetic.

NEIGHBOR GATEWAY REACHABLE NETWORKS

The Neighbor Gateway Reachable Networks screen is used to enter internet routing information. It supplies the internet address of a neighbor internet gateway, remote networks which are reachable through that gateway, and the distances to those remote networks. A neighbor gateway is a gateway node belonging to the same network as the node you are configuring. This means that the network portion of the gateway's internet address is the same as the network portion of the address you entered for the network interface now being configured.

The screen in Figure 12-18 is displayed when you select a gateway name at the Neighbor Gateways Screen (Figure 12-17) and press **Add** or **Update**. It is also displayed when you type the path name:

@NETXPORT.NI.*niName*.INTERNET.*gatewayn*

in the command window of any screen and press **ENTER**, where *niName* is the configured router NI name, and *gatewayn* is the configured router NI gateway name.

You must press **Update Data** to transfer the data displayed on the screen to the configuration file you are creating or updating. You verify that the data record has been created by checking that the **Data:** flag is set to **Y**.

```

MMMGR/3000 (X.XX.XX)  NEIGHBOR GATEWAY REACHABLE NETWORKS          Data: N
When Data Flag is "N", press "Update Data" to create the data record.
Command:

Path:  NETXPORT.NI.niName.INTERNET.gatewayn

[ ] Neighbor Gateway IP Internet Address

          Configured Reachable Networks  PAGE 1

IP Network Address  Hops          IP Network Address  Hops
[ ] [ ] [ ] [ ] [ ] [ ] [ ] [ ]
[ ] [ ] [ ] [ ] [ ] [ ] [ ] [ ]
[ ] [ ] [ ] [ ] [ ] [ ] [ ] [ ]
[ ] [ ] [ ] [ ] [ ] [ ] [ ] [ ]

File:  filename.NET.SYS

Next   Prev   First   Last   Condense  Update  Refresh  Prior
Page  Page  Page   Page  Page     Data   Screen   Screen

```

Figure 12-18. Neighbor Gateway Reachable Networks Screen

NOTE

The information configured in this screen can extend to more than one page, if necessary, to allow configuration of more than 10 reachable networks. Press **Next Page** to proceed to a new page. Press **Prev Page** to display a prior page. Use **First Page** to display the first page (for example, if you are viewing the third page, pressing **First Page** will immediately display the first page). Press **Last Page** to display the last page of reachable networks that has been configured. To consolidate reachable network entries (from several pages, for example) press **Condense Page**.

Fields

**Neighbor Gateway
IP Internet Address**

Enter the full network address of a gateway node (on this network) that is to be used to reach other networks (any network in the same catenet other than the network of which this node is a member). The network portion of the address must be the same as that entered on the IP Protocol Configuration screen for the network interface you are configuring (see Related Screens, below).

Addresses are made up of a network portion and a node portion. The possible classes of network addresses have the following forms (Δ =a space):

Class C C Δ nnn.nnn.nnn Δ xxx
Class B B Δ nnn.nnn Δ xxx.xxx
Class A A Δ nnn Δ xxx.xxx.xxx

where nnn is a value ranging from 0 to 255, representing eight bits of the network portion of an address, and xxx is a value ranging from 0 to 255, representing the node portion of the address. The leftmost group of nnn has the following ranges for each address class:

Class C: 192-223
Class B: 128-191
Class A: 0- 127

Default Value: None

Related Screens:

- NETXPORT.NI.*niName*.PROTOCOL.IP

The network address (network portion of the IP address) configured in this screen must match the Neighbor Gateway IP Internet Address configured in the current screen.

**Configured Reachable
Networks IP Network
Address**

Enter the internet addresses of the remote networks that can be reached through the gateway whose network address is configured in the previous field. Only the internet portion of the network address is significant for this field (see above for valid formats of internet addresses). The node portion must be entered; however, it may be set to all zeros.

Related Screens:

- NETXPORT.NI.*niName*.INTERNET

This pathname corresponds to the Neighbor Gateways screen. A Neighbor Gateway Reachable Networks screen must be configured for each gateway configured in the Neighbor Gateways screen.

**Configured Reachable
Networks Hops**

Enter the internet hop count to the reachable network whose IP address is configured to the left of the Hops field. (The internet hop count is the number of full internet gateways that will be used to route a message to the destination network. If two partner gateway halves are used as part of the internet route, they are counted as one hop.)

Hop count is used internally to determine which neighbor gateway (if more than one exists) is on the shortest path to the remote network. If more than one gateway can reach a given remote network, and the number of hops to the remote network is equal for each gateway, you can specify which gateway the Network Transport will use by configuring an artificially high hop count. The Network Transport will always use the gateway with the lowest hop count.

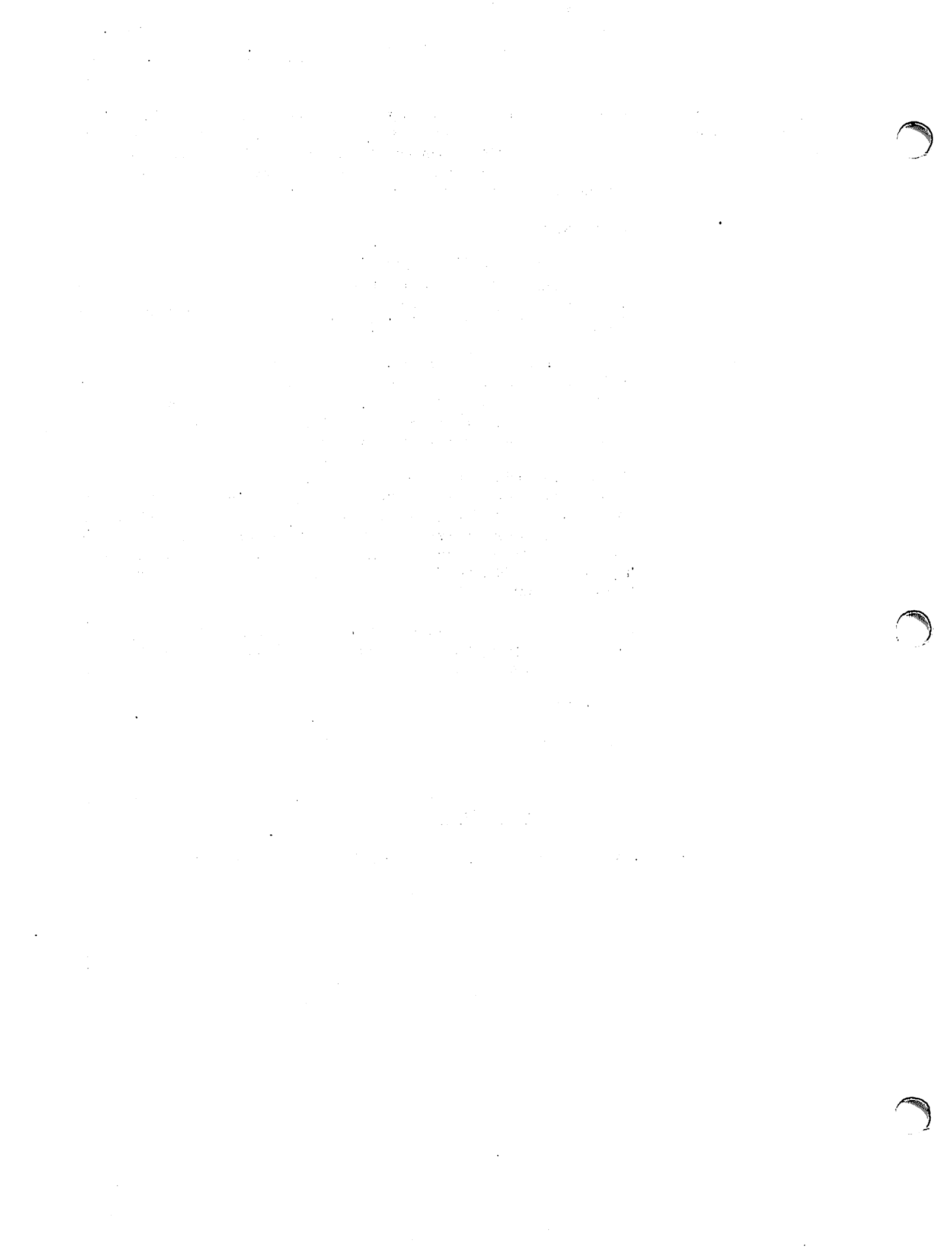
If the same hop count value is configured for multiple gateways, then the Network Transport will choose internally from among the routes with equal hop counts.

Default Value: None

Range: 1-32767

NOTE

To delete a reachable network entry, fill the field to be deleted with blanks and press Update Data.



LOOPBACK NETWORK INTERFACE CONFIGURATION

SECTION

13

The screens described in this section are used for configuring the loopback network interface. There is only one branch of loopback network interface configuration. This is the protocol configuration branch, which can be reached by pressing the **Go To PROTOCOL** key on the LOOPBACK NETWORK INTERFACE CONFIGURATION SCREEN. All of the loopback network interface configuration screens are listed below, with their places in the configuration tree indicated by indentation.

LOOPBACK NETWORK INTERFACE CONFIGURATION - This screen enables you to configure information about a loopback network interface, such as network segment size and the number of buffers to be allocated for loopback. From this screen, you can proceed to the protocol configuration branch.

PROTOCOL CONFIGURATION - You will reach this screen if you press **Go To PROTOCOL** on the LOOPBACK NETWORK INTERFACE CONFIGURATION screen. This screen allows you to choose to proceed to IP protocol configuration.

IP PROTOCOL CONFIGURATION - This screen, which you will reach by pressing **Go To IP** on the previous screen, contains loopback default values which should not be changed.

NOTE

Configurable fields described in this manual are required unless otherwise stated.

Fields described as "HP modifiable" should be changed only upon the recommendation of your HP representative.

On the screens shown in this section, fields that must be configured when performing guided configuration are underlined.

LOOPBACK NETWORK INTERFACE CONFIGURATION

The screen in Figure 13-1 is displayed when you select an NI name and the NI type LOOP at the Network Interface Configuration Screen (Figure 8-9) and press **Add** or **Update**. It is also displayed when you type the path name:

@.NETXPORT.NI.*niName*

in the command window of any screen and press **ENTER**, where the *niName* is the configured loopback NI name.

Whenever a transport user makes a connection to a user process on the same node, all outbound packets on this connection are turned around at the NI level and passed back up through the protocol stack to the destination user. This screen supplies information necessary for this operation, performed by the Loopback NI.

You must press **Update Data** to transfer the data displayed on the screen to the configuration file you are creating or updating. You verify that the data record has been created by checking that the **Data** flag is set to **Y**.

From this screen you proceed to other screens used to configure the loopback network interface.

```
NMMGR/3000 (X.XX.XX) LOOPBACK NETWORK INTERFACE CONFIGURATION Data: N
When Data Flag is "N", press "Update Data" to create the data record.
Command:

Path: NETXPORT.NI.niName

[1024] Network Segment Size (Bytes)
[256] Number Of Buffers

File: filename.NET.SYS

Go To PROTOCOL Update Data Refresh Screen Prior Screen
```

Figure 13-1. Loopback Network Interface Configuration Screen

Press the **Go To PROTOCOL** function key.

Fields

Network Segment Size

(HP modifiable) This is the size of the physical buffer for the loopback network interface. No fragmenting or fragment assembly is performed on the loopback NI. There is no limitation that only single physical buffers (not chained buffers, for example) can be passed across the I/O interface to the board, because outbound data is turned around at the NI layer. Therefore, if user data exceeds the physical buffer size, it is put into logical buffers (chained physical buffers) that are the size of the user data.

Default value: 1024

Range: 1024-4224

Number Of Buffers

This field specifies the number of buffers to be allocated for loopback. For the loopback NI, there is no differentiation between outbound and inbound buffers because an outbound buffer, when it is turned around at the NI level, becomes an inbound buffer. As with other network types, buffer configuration is based on the number of TCP connections that will use the network interface. An allocation of two buffers per connection will suffice for typical usage.

The default value is based on the assumption that the network manager desires to allow no more than the default number of TCP connections (see related screens below) to use the Loopback NI. Therefore, the default is 128 (default TCP connections) * 2 = 256 buffers. When there is more than one NI, this value should probably be adjusted downward because the connections might reasonably be expected to be spread over all the NIs rather than be concentrated over only one NI. If you change the number of TCP connections from the default value, you should reconsider the number of inbound buffers for all NIs.

Related Screens

NETXPORT.GPROT.TCP

Maximum Number of Connections (default value of 128) is configured on this related screen.

Default value: 256

Range: 32-2048

PROTOCOL CONFIGURATION

The menu screen in Figure 13-2 is displayed when you press the function key for **Go To PROTOCOL** at the Loopback Network Interface Configuration Screen (Figure 13-1). It is also displayed when you type the path name:

`@NETXPORT.NI.niName.PROTOCOL`

in the command window of any screen and press **ENTER**, where *niName* is the configured loopback NI name.

For the loopback NI, you must configure the IP protocol. The **Go To IP** function key label is displayed.

```
NMMGR/3000 (X.XX.XX) PROTOCOL CONFIGURATION
Select the next screen and press the corresponding function key.
Command:

Path: NETXPORT.NI.niName.PROTOCOL

IP      - Configure Internet Protocol
PROBE   - Configure PROBE Protocol (LAN Only)
DIAL    - Configure DIAL Protocol (Router/Gateway Half Only)
          Necessary Only If There Are Any Switched Links
X.25    - Configure X.25 Protocol (X.25 only)

File: filename.NET.SYS

Go To   Refresh   Prior
IP      Screen    Screen
```

Figure 13-2. Protocol Configuration Screen

Press the **Go To IP** function key.

Loopback Network Interface Configuration

Fields

Store & Forward Buffers	No store-and-forward buffers need to be configured for loopback. Default value: 0
IP Internet Address	The loopback address is always E 255.255.255.255. Default value: E 255.255.255.255
Internal Message Queue Length	This field should be 0 for loopback. Default value: 0
Fragment Assembly Queue Elements	This field should be 0 for loopback. Default value: 0

Logging is configured for the purpose of recording events such as errors and console commands. You configure logging for each of the subsystems of NS3000 and for NS3000 links. Each subsystem includes different classes of events (such as internal errors). You can record logging to a disc file, the system console and the logon device of a *user.account*. If you configure a logging class so that logging is recorded to a *user.account*, the user will receive logged messages any time there is an active session for that *user.account*. Table 14-1 provides a summary of the logging classes and guidelines for configuration.

The logging configuration for the network transport (subsystem ID 3) *must* be in the same configuration file as the network transport configuration, which *must* be in the group NET of the account SYS. The recommended filename for the actual configuration file that contains the link and network transport configuration is NSCONF.NET.SYS. If you use a different filename, you need to specify the configuration filename with the CONF keyword each time you use the NETCONTROL START command to initiate the network connection. Refer to the "Commands" section in Volume II.

The logging configuration for Network IPC (subsystem ID 5), Network Services (subsystem ID 6) and Link Manager (subsystem ID 8) *must* be in the same configuration file, which *must* be named NMCONFIG.PUB.SYS. This file is shared with other data communication subsystems that use NMS, such as SNA NRJE. If you do not want to manually configure logging, Guided Configuration, described in Section 6, will configure logging data for you. Logging data for subsystem IDs 5, 6 and 8 will be placed in NMCONFIG.PUB.SYS, while logging data for the network transport (subsystem ID 3) will be placed in your other configuration file (recommended name of NSCONF.NET.SYS).

Always work on a copy of your configuration file, not the actual file.

Follow these steps to reach the logging configuration screens for manual configuration.

- Issue the run command for NMMGR; the Open Configuration/Directory File Screen is displayed.
- Enter the name of the configuration file to be created or updated in the Configuration file name field.
- Press the appropriate function key (**Open Config** or **Create Config**); the Main Menu Screen is displayed.
- Press the function key for **Go To CONFIG**; the Configuration Screen is displayed.
- Press the function key for **Go To LOGGING**; the Logging Configuration Screen is displayed.

For more information on these steps, refer to "Getting Started with NMMGR" in Section 5.

Logging Configuration

Three screens are used for logging configuration. These screens are listed below.

LOGGING CONFIGURATION - This screen allows you to add, delete, rename or update a subsystem ID logging configuration.

LOGGING CONFIGURATION: LOGGING CLASSES - This screen allows you to select the classes of logging events you wish configure for each subsystem.

LOGGING CONFIGURATION: CLASS DATA - This screen allows you to configure where you want logging events listed for a particular logging class.

NOTE

NetIPC logging is activated at system startup, Network Services logging is activated when the Network Services are initiated (NSCONTROL START command), Link Manager logging is activated when you initiate the Network Transport (NETCONTROL START), and Network Transport logging is activated with NETCONTROL START. (Guided configuration, described in Section 6, automatically configures logging for you.) You may change logging configuration using NMMGR. For a new logging configuration to take effect for a specific subsystem, the subsystem must be deactivated and restarted. The steps that must be taken for each subsystem are:

Subsystem	Steps
Network Transport	NETCONTROL STOP (if already active) NETCONTROL START
NetIPC (sockets)	restart the system (warmstart, coolstart, update start or coldstart)
Network Services	NSCONTROL STOP (if already active) NSCONTROL START
Link Manager	NETCONTROL STOP (if active) SNACONTROL STOP; NODE= <i>nodename</i> repeat until all SNA nodes are stopped SNACONTROL START; NODE= <i>nodename</i> NETCONTROL START

TABLE 14-1. LOGGING CONFIGURATION GUIDELINES

Subsystem Name	Class Name	Events	Enable Console Logging?	Enable Disc Logging?
SUB0003 Network Transport	CLAS0001	Serious Internal Error -- Causes SYSFAIL #969.	YES	YES
	CLAS0002	Internal Error/Operator Attention	YES	YES
	CLAS0003	Non-Critical Errors.	NO	YES
	CLAS0004	Nodal Messages (Start/Stop).	YES	YES
	CLAS0005	Informative Messages.	NO	NO
	CLAS0006	Statistical Information.	NO	YES
SUB0005 Network IPC	CLAS0000	Internal Errors.	YES	YES
	CLAS0001	Resource Errors.	NO	YES
	CLAS0002	Informative Messages.	NO	NO
SUB0006 Network Services	CLAS0002	Resource Errors.	NO	YES
	CLAS0003	Internal Errors.	YES	YES
	CLAS0004	Detailed Events. (Enable with NSCONTROL LOG.)	NO	YES
	CLAS0005	NetIPC Internal Errors.	YES	YES
SUB0008 Link Manager PC Link Manager	CLAS0000	Internal Errors.	YES	YES
	CLAS0001			

The logging classes are described in detail in Section 3 of Volume II. How to use the log messages for troubleshooting is described in the *NS3000/V Error Message and Recovery Manual*, and how to format the log file for examination is described in Section 3 of Volume II.

LOGGING SUBSYSTEMS SELECTION

The screen in Figure 14-1 is displayed when you press the function key for **Go To LOGGING** at the Configuration Screen. It is also displayed when you type the path name:

@LOGGING

in the command window of any screen and press **ENTER**.

Use the fields and the function keys of the select screen to perform the desired action.

- To select a new subsystem ID for logging configuration, enter the subsystem ID number, then press **Add**. The path for the selected subsystem ID is added to the configuration file, and the Logging Classes Screen on that path is displayed. For NS3000 and NS3000 links, valid subsystem IDs are SUB0003 (Network Transport), SUB0005 (Network IPC), SUB0006 (Network Services), and SUB0008 (Link Manager). NMMGR prompts you for the correct format of a subsystem ID (SUBxxxx) but does not check that the subsystem ID you enter is a valid NS3000 or NS3000 link subsystem ID.
- To modify an existing subsystem ID logging configuration, specify the subsystem ID; then press **Update**. The Logging Classes Screen on the path for the specified subsystem ID is displayed.
- To change the name of an existing subsystem ID logging configuration, specify the subsystem ID and a new subsystem ID; then press **Rename**. The new subsystem ID replaces the previously configured subsystem ID.
- To delete an existing subsystem ID logging configuration, specify the subsystem ID, then press **Delete**. The previously configured subsystem ID is deleted.

NMMGR/3000 (X.XX.XX) LOGGING CONFIGURATION
Type in name of item to Update, Delete, or Rename; or Add a new item.
Command:

Path: LOGGING

Subsystem name
 New name

Subsystems Configured for Logging

<input type="text"/>	<input type="text"/>	<input type="text"/>	<input type="text"/>	<input type="text"/>	<input type="text"/>
----------------------	----------------------	----------------------	----------------------	----------------------	----------------------

File: filename.group.acct

<input type="button" value="Next Page"/>	<input type="button" value="Prev Page"/>	<input type="button" value="Delete"/>	<input type="button" value="Rename"/>	<input type="button" value="Add"/>	<input type="button" value="Update"/>	<input type="button" value="Refresh Screen"/>	<input type="button" value="Prior Screen"/>
--	--	---------------------------------------	---------------------------------------	------------------------------------	---------------------------------------	---	---

Figure 14-1. Logging Configuration Screen

LOGGING CLASSES SELECTION

The screen in Figure 14-2 is displayed after you specify a subsystem ID on the Logging Configuration Screen (Figure 14-1) and press **Add** or **Update**. It is also displayed when you type:

```
@LOGGING.SUBbbbb
```

in the command window of any screen and press enter, where SUBbbbb is the subsystem ID number of the configured subsystem.

The Logging Classes Screen allows you to select the classes of logging events you wish to configure for each subsystem.

Use the fields and the function keys of the select screen to perform the desired action.

- To define a new logging class to configure, specify the class name, then press **Add**. The path for the selected class name is added to the configuration file and the data screen on the path for the specified class is displayed. Refer to Table 14-1 for valid classes of each NS3000 subsystem and an NS3000 link. NMMGR prompts you for the correct format of a class name (CLASbbbb) but does not check that the class name you enter is valid for the subsystem you are configuring. Use Table 14-1 to check that a class name is valid for the subsystem you are configuring.
- To modify an existing class configuration, specify the class name; then press **Update**. The data screen on the path for the specified class name is displayed.
- To change the name of an existing class configuration, specify the class name and a new name; then press **Rename**. The new class name replaces the previously configured class name.
- To delete an existing class configuration, specify the class name, then press **Delete**. The previously configured class name is deleted.

NMMGR/3000 (X.XX.XX) LOGGING CONFIGURATION: LOGGING CLASSES
 Type in name of item to Update, Delete, or Rename; or Add a new item.
 Command:

Path: LOGGING.SUBbbbb

[] Class name
 [] New name

Configured Logging Classes (Under Subsystem)

[]	[]	[]	[]	[]	[]
-----	-----	-----	-----	-----	-----

File: filename.group.acct

Next Page	Prev Page	Delete	Rename	Add	Update	Refresh Screen	Prior Screen
--------------	--------------	--------	--------	-----	--------	-------------------	-----------------

Figure 14-2. Logging Classes Screen

LOGGING CLASS DATA

The screen in Figure 14-3 is displayed after you specify a class name on the Logging Classes Screen (Figure 14-2) and press **Add** or **Update**. It is also displayed when you type:

```
@LOGGING.SUBbbbb.CLASbbbb
```

in the command window of any screen and press enter, where *SUBbbbb* is the subsystem ID number of the configured subsystem, and *CLASbbbb* is the configured class name.

You must press **Update Data** to transfer the data displayed on the screen to the configuration file you are creating or updating. You verify that the data record has been created by checking that the **Data** flag is set to **Y**.

NMMGR/3000 (X.XX.XX)		LOGGING CONFIGURATION: CLASS DATA		Data: N					
When Data Flag is "N", Press "Update Data" to create the data record.									
Command:									
Path: LOGGING.SUBbbbb.CLASbbbb									
<input type="checkbox"/>	Enable Console Logging? (Y/N)								
<input checked="" type="checkbox"/>	Enable Disc Logging? (Y/N)								
<input type="checkbox"/>	Current number of users enabled for logging								
Users enabled for logging (User.Account):									
<table border="1"> <tr> <td> </td> <td> </td> <td> </td> <td> </td> <td> </td> </tr> </table>									
File: filename.group.acct									
				<input type="button" value="Update Data"/> <input type="button" value="Refresh Screen"/> <input type="button" value="Prior Screen"/>					

Figure 14-3. Logging Configuration: Class Data screen

This screen allows you to configure where you want logging events listed for the class. You can list these events to a disc file for later analysis and to the system console so that the system operator receives the logging messages. In addition, you can display logging events at users' list devices. This may be valuable to allow the network manager to monitor NS console activity from an alternate terminal. This screen displays the users enabled for logging.

Fields

Enable Console Logging?

(Required.) Enter Y (YES) if you want logging events for this class to be displayed at the system console, N (NO) otherwise.

Refer to Table 14-1 for guidelines.

Default: N.

Enable Disc Logging?

(Required.) Enter Y (YES) if you want logging events for this class to be recorded in a disc file, N (NO) otherwise. The filename that NMS uses is NMLG $nnnn$.PUB.SYS, where $nnnn$ is a number from 0000 to 9999. This file is used for logging by all logging classes in all subsystems. At each MPE system startup, or when a file is full, NMS creates a new NMLG $nnnn$.PUB.SYS file, naming each successive logging file by incrementing $nnnn$. When NMLG9999.PUB.SYS is full, NMS names the next logging file NMLG0000.PUB.SYS

Refer to Table 14-1 for guidelines.

Default: Y.

Current number of users enabled for logging

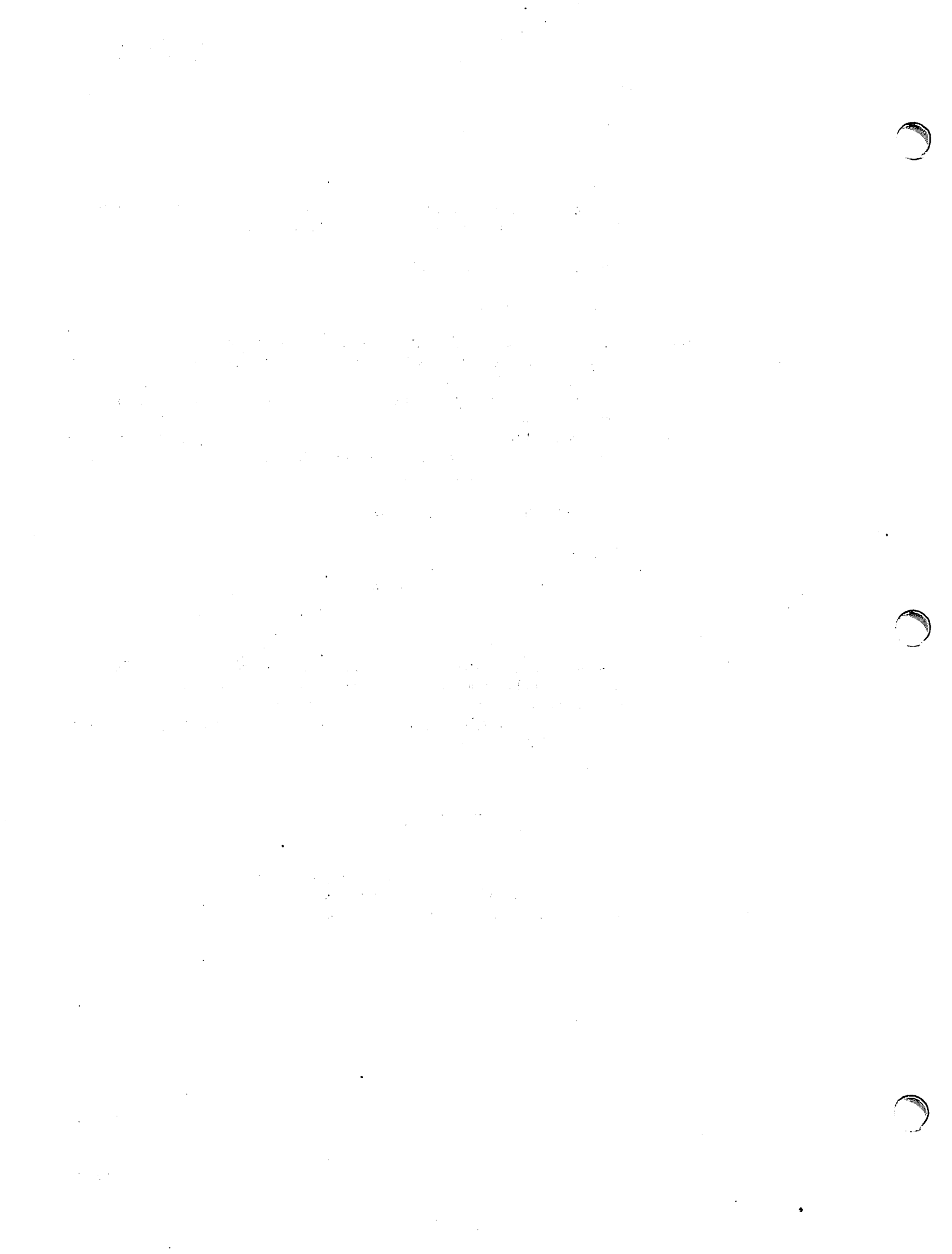
(Display only.) This field is provided for your information.

Users enabled for logging

You can display logging events for this class at users' list devices. Enter as many as three user names in the form *user.account*. Use only alphanumeric characters; you cannot use MPE wildcard characters. NMMGR sorts this list alphabetically and deletes duplicate entries after you press **Update Data**.

NOTE

The logging configuration guidelines in Table 14-1 should be followed unless your HP representative tells you otherwise. Not following these guidelines may result in the degradation of system performance.



A network directory contains information required for one node to communicate with another node in the same catenet. This catenet-wide data is managed through two interfaces--VPLUS screens for interactively configuring the network directory, and a command-driven interface to collect and merge directory information from remote nodes into the directory on the local node.

NMMGR provides the following functions regarding the network directory.

- The ability to add, update and delete entries in the directory by node name. This can be used by a Network Manager to maintain a master network directory.
- A means of presenting directory information for review and inspection.
- The ability to merge a remote directory with a directory on the local node.
- A mechanism to automatically update directories on a group of remote nodes by using a background stream job, controlled from a central administrative node. Central administrative nodes are described in more detail later in this section.

The file structure that accompanies the network directory functionality is quite different from that used throughout the rest of NMMGR. The directory resides in its own file. With the directory, there is no screen-to-record correspondence and no concept of a hierarchical file organized as a tree structure with associated paths.

NOTE

The network directory uses a KSAM file pair. Therefore, if copying the directory, be sure to copy both the data file and the key file.

NOTE

See Section 16 for information on the maintenance mode interface, which includes commands for performing tasks with network directory files.

WHAT A NETWORK DIRECTORY PROVIDES

A Network Directory is a repository for information about nodes in a catenet. Each entry in a directory consists of a node name and one or more path reports, called a path report list. A path report list contains the basic information about a node. Path reports are used by the transport to establish internetwork connections.

Not all nodes require a network directory. A node on a LAN can determine connection information about a node on the same LAN by multicasting a Probe request to the target node. The target node, in response to a Probe request, will supply the connection information by multicasting a Probe reply back to the requesting node. The Probe request/reply mechanism is sufficient to obtain connection requirements in a LAN environment.

The non-LAN network interface types supported by NS3000 do not use demand requests such as Probe. Therefore, a directory of information about all nodes in the catenet is required to provide the same type of information that LAN Probe requests provide.

Probe requests can be used only when the source and destination nodes are on the same LAN. Also, they must both be HP nodes because non-HP nodes do not support Probe. Not all LAN nodes that support the Probe protocol need to contain a network directory because they can request the use of a directory from another node, called a proxy server, on the same LAN. A proxy server is a node on a LAN that contains a network directory and has been configured as a proxy server. By using the Probe protocol, a LAN node without a directory can multicast a request for a proxy server. For good measure, you should designate at least two nodes on a LAN to be proxy servers.

For details on the configuration of path resolution methods (Probe, Proxy Server, Network Directory) for a given node, refer to the Global Transport Configuration Screen in Section 8.

Path Report Lists

A path report list describes the addressing information and protocol stacks for a given node. Protocol stacks define the layers in a machine's architecture, and the protocols in those layers, that information can pass through. An example of a protocol stack is TCP with checksum error checking (level 4) over IP (level 3i) over IEEE802.3 (level 3s), commonly indicated in the format: TCP.IP.IEEE802.3.

In the network directory, node names must be unique so that a single path report list can be identified. Many of the protocols on different hosts will be the same, but the addresses of the machines will not be the same.

A path report list is broken down into path reports. One path report list comprises all path reports for a given node. A node has one IP address and normally one path report for each network it belongs to. A node may be a member of as many as eight networks. The following figure shows the organization of path reports in the network directory.

```

NODE 1
  IPAddr 1
    Path(s)
  IPAddr 2
    Path(s)
  ...
  IPAddr 8
    Path(s)
NODE 2
  IPAddr 1
    Path(s)
  ...
NODE n

```

Figure 15-1. Organization of Path Reports

Global and Local Entries

Path report lists can be configured as either *Global* or *Local* entries in the network directory. Global entries (the default) can be merged into other directories.

Local entries are introduced for configuring localized network directory entries, thus providing a mechanism to restrict directory data from being propagated throughout the network. Let us consider some situations where this type of restriction could be useful. Suppose a network manager wants to change the configuration for users on a single host, but not for everyone else. He can configure two network directory entries--one Local, used by host users, and one Global, used by everyone else when establishing connections to the host. For example, suppose Node A sets up a new link to Node C, but Node A doesn't want other nodes (already connected to A) to know about Node C until the new link is tested. Users on Node A can configure a Local entry, which will contain information about the new link not included in the Global entry configured for users on other nodes. Other uses of local entries could include adding node names for local-node use only, or being able to direct which way to access remote nodes depending on your configuration of local entries.

When both local and global entries exist in the directory, the Network Transport will use the LOCAL entry.

Whenever a user activates the Network Transport subsystem on a node, a path report list describing the current node is automatically generated and entered into the local configuration file. The path report can be copied from the configuration file into the Network Directory using the MERGEDIR command, described in detail later in this section. The MERGEDIR command allows a user to configure the directory easily in most cases. Exceptions are configuring non-HP nodes and first-time links, where information cannot be taken from a remote directory file and merged, but must be entered manually.

The MERGEDIR command is part of a maintenance interface provided primarily to support the updating of directories from within a batch job. Using this method, a job or series of jobs can be scheduled at regular intervals to copy and then merge remote directories into the local-system directory. In this way, the collecting and merging of network-wide data is somewhat automated.

Roles and Interfaces

The network directory interface you use--screens or commands--will depend on your job function and whether you are creating or updating a directory. In general, the network directory configuration screens will be used by node managers when creating directories, and the maintenance mode interface (commands) will be used by a catenet administrator and network managers when updating directories.

The reason that screens, not commands, are used to *create* a directory is that a new node is at first unknown to existing nodes. This means that an existing node cannot use only commands to merge its directory to a new node. The node manager of a new node must use configuration screens to manually enter path report information about at least one existing node. Then, the new node would be able to merge its directory with the directory of the existing node, provided that someone also enters path report information about the new node into the directory of the existing node.

When a new node is added to a network, or when an existing node changes its configuration, the network manager must be notified of the new path report information. This exchange of information should take place within each network in the catenet so that, periodically, each network manager can pass this information to the catenet administrator. The catenet administrator can then stream a job, using commands from the maintenance mode interface, to update the central administrative node on each network. Each network should have one node designated as a central administrative node, as shown in Figure 15-2. This is the node that will be updated first, in terms of any global information that can be shared among all nodes on its network. This can include internet routing information in addition to network directory information.

Figure 15-2 shows the central administrative nodes of two router networks that are connected by a gateway-half link.

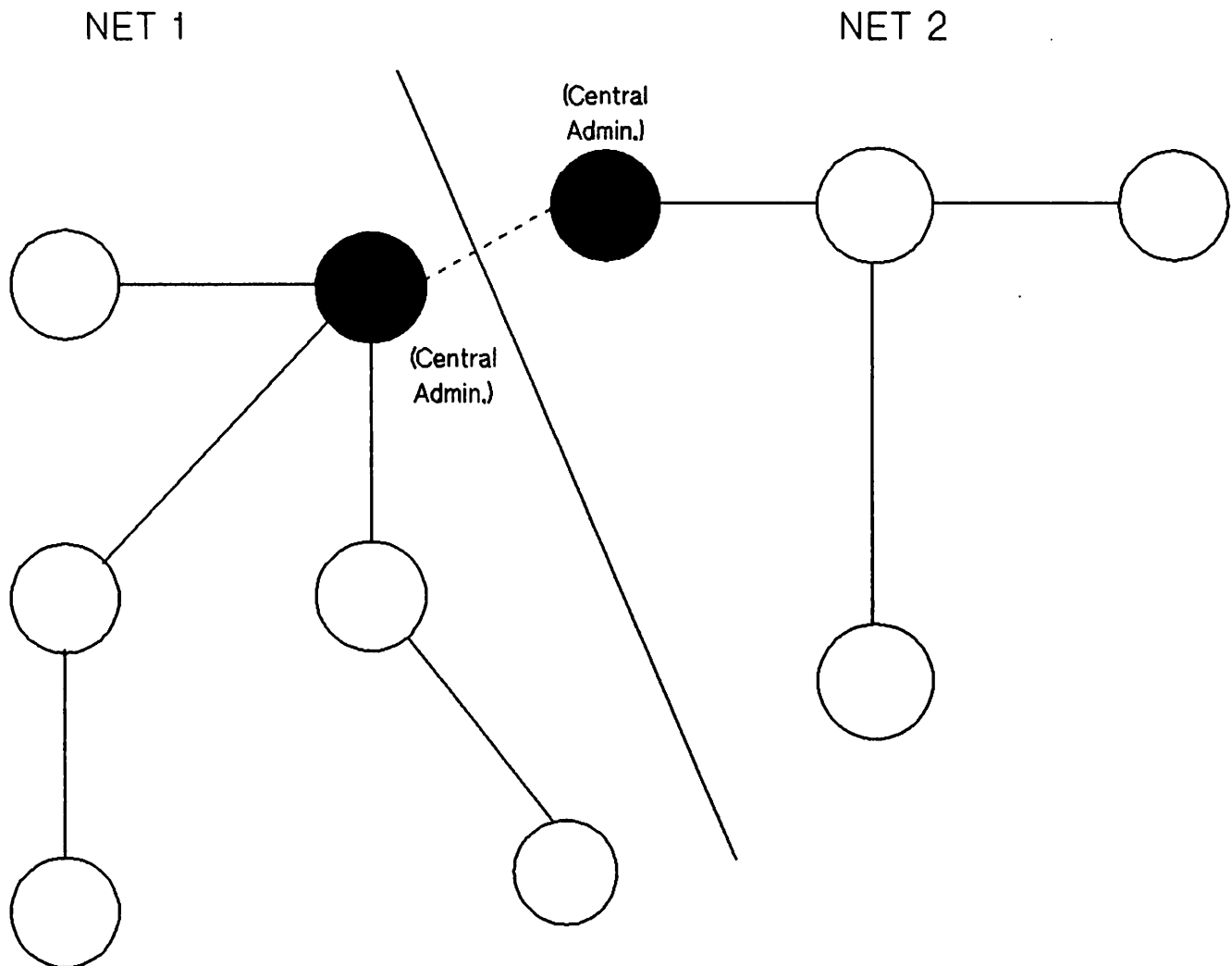


Figure 15-2. Central Administrative Nodes

Once the central administrative node on each network has been updated with new catenet-wide information, these nodes can be used to update all other nodes. Each network manager can stream a job to merge the newly updated directory from the central administrative node into the other directories on the network.

This is just a general discussion of how directories can be updated on a periodic basis. Of course, a specific directory may need to be updated sooner. For example, suppose you add a new node and manually configure its directory. Now, you have path report lists about other nodes, but they do not have your path report list. If you need to set up immediate communication with a node or group of nodes and cannot wait until the periodic update, you can send your connection information to the desired nodes so that they can enter your path report list. Or, you can send your connection information to one directly connected node. In this case, the directory of the directly connected node (first-time link situation) can be updated manually, then merged into other directories to include information about the new node.

CONFIGURATION SCREENS

The figure below shows the relationship of the various VPLUS screens used in configuring the directory through the NMMGR block mode interface:

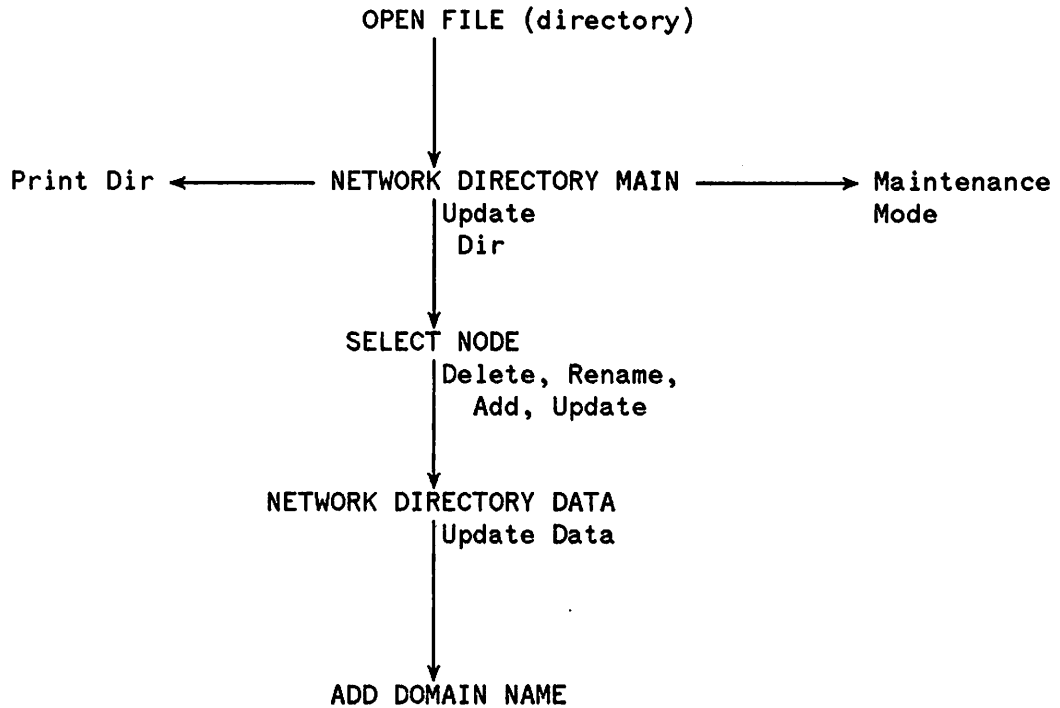


Figure 15-3. Network Directory Screens

Following are the configuration screens and descriptions of the fields on each screen. There are two ways to access the Network Directory functions: 1) open or create a directory file on the initial NMMGR screen, the Open Configuration/Directory File Screen, 2) issue the NETDIR command from any screen, at any time *after* having opened a network directory file. Either action will bring you to the first screen in sequence, the Network Directory Main Screen.

NETWORK DIRECTORY MAIN SCREEN

This screen is displayed when you press the function key for **Open Directory** or **Create Directory** at the Open Configuration/Directory File Screen. This screen is the main select screen from which all directory functions are accessed. The currently opened directory is displayed at the bottom of this screen and all subsequent Network Directory screens. The percentage of the Network Directory that is full is shown in the lower right corner of the screen.

```

MMMGR/3000 (X.XX.XX) NETWORK DIRECTORY MAIN
Select a function and press the corresponding function key.
Command:

UPDATE      -  Modify the directory (Add, Delete, Update).

PRINT       -  Print the directory to FORMLIST.

MAINTENANCE -  Enter maintenance mode interface (Merge, Expand, etc.)

                                                    Directory is 3 % full

Directory: NSDIR.PUB.SYS
UPDATE      PRINT      MAINT
Dir         Dir         Mode
Refresh    Prior
Screen     Screen

```

Figure 15-4. Network Directory Main Screen

Press **F1**, **Update Dir** to modify the contents of the directory by adding, deleting and updating node names and path reports. If you press this function key, you will be taken to another screen, the Select Node Name Screen, from which you can visit the Network Directory Data Screen. The Network Directory Data Screen allows you to manually configure path reports about other nodes in the catenet.

Although you often will use job streams or simple commands for adding information to your network directory, there are times when manual configuration is required or desirable. It is required when a new node has been added to the catenet, and you wish to update another node's directory with information about this new node. You cannot use the MERGEDIR command until this new information has been added to the existing directory. Therefore, you need to physically receive the path report lists from the node manager of the new node or from that node's network manager. After obtaining this information, you can use the screens to configure the path reports about the new node. Once you have done this, you can use MERGEDIR in the future for updating purposes because you now have this new node's connection information in your network directory.

Network Directory

Whenever you do not have access to the necessary configuration file or directory file, you are required to use the screens for configuring directory information.

There may also be situations when you choose to use the screens to update your file even when other methods are available. For example, if you are updating one path report list, it might be easier to use the screens than to use commands.

Press **F2**, **Print Dir** to print out a copy of the directory to formal designator FORMLIST, device class LP. The output is the same as for the LISTDIR command. See the "LISTDIR Command Sample Output" subsection in Section 16 for an example of LISTDIR output. You can use a file equation for FORMLIST to redirect the output to another device class or disc file. To set a file equation without leaving NMMGR, use the appropriate MPE command in the command window.

Press **F3**, **Maint Mode** to enter the command interface to modify a configuration file, to perform directory merging or to expand the size of your directory. Once entered, you can return to this point only by issuing the maintenance mode EXIT command. Within the maintenance mode interface, command input is read from the formal designator NMMGRCMD, which defaults to \$STDINX. See Section 16 for information about the maintenance mode commands.

SELECT NODE NAME SCREEN

This screen is displayed when you press **Update Dir** at the Network Directory Main Screen for the purpose of modifying your directory using manual configuration. The function of this screen is to display node names that are currently configured in the directory, and to allow you to delete, rename, add, or update information about a node. Each PAD device attached to an HP 2334A that will be accessed by means of outgoing calls is considered a separate node, and must have a node name configured here.

```

NMMGR/3000 (X.XX.XX) NETWORK DIRECTORY SELECT NODE NAME
Select entry via entry number or name field and press function key.
Command:

[ ] Node Name entry number

New Node Name:      Name Type (N=NS Name, D=Domain Name) [N]  [Y]  [Y]
                    Global?  Enable?
[                  ]
[                  ]
[                  ]
[                  ]

Node Names (first 50 characters)  Configured Entries  Type  Global  Enable
                                   Flag      Flag
1 [                               ] [ ] [ ] [ ]
2 [                               ] [ ] [ ] [ ]
3 [                               ] [ ] [ ] [ ]
4 [                               ] [ ] [ ] [ ]
5 [                               ] [ ] [ ] [ ]
6 [                               ] [ ] [ ] [ ]
7 [                               ] [ ] [ ] [ ]
8 [                               ] [ ] [ ] [ ]

Directory: NSDIR.NET.SYS

Next   Prev   Delete  Rename      Add   Update  Refresh  Prior
Page  Page                               Screen  Screen

```

Figure 15-5. Network Directory Select Node Name Screen

Press **F1**, **Next Page** and **F2**, **Prev Page** to see additional nodes that have already been configured. The Node Name field and its attributes (type, global, enable settings) can be used in conjunction with these keys to browse through the directory efficiently. See the discussion below under the Node Names field.

Press **F3**, **Delete** to delete the named node from the directory. Deletions are confirmed by a second press of the key. There are two ways to specify an entry to be deleted. You can enter the node's entry number, which appears along the left side of the entry, into the Node Name entry number field, or you can enter the entire node name and its attributes into the corresponding fields. When performing the delete, you cannot have data in both the Node Name entry number field and the Node Names field.

Press **F4**, **Rename** to change the name, global/local flag, type, or enable setting for the entry. To select the entry to be modified, you must enter the node's entry number into the entry number field. To change the entry's name, you can enter a new name into the Node Names field. If you want to change an

entry's attributes but not its name, leave the node name blank and set the attributes as desired. Then press **Rename**.

When changing the type of an entry (NS to Domain, for example), the name must conform to the target type's specifications. For example, a domain name of XYZ is valid for a domain name but invalid for an NS name.

Press **F5**, **Add** to add the named node to the directory. You are taken to the Network Directory Data screen. When adding entries, you cannot add two entries with the same name, type and global/local setting.

Press **F6**, **Update** to update path reports for the named node. You are taken to the Network Directory Data Screen. To select an entry to update, you can use either the node's entry number with the entry number field, or you can enter the node name and its attributes in the appropriate fields. You cannot have data in both the entry number field and the node name field when attempting to select an entry.

Fields

Node Name entry number When renaming, this field is used to select the entry that is to be renamed. When deleting or updating, this field can be used to specify the entry that is to be acted upon. To determine the entry number of a node, look at the left side of the window of configured entries. If the entry that you wish to modify is not displayed, use the **Next Page** and **Prev Page** keys to display other entries.

Default value: None

Node Name When renaming or adding, this field is used to specify the new name that is to be given to the entry. When updating or deleting, this field can be used to specify the entry that is to be operated on.

When this field is used and the type of the entry is NS, the format required is a fully qualified NS node name.

When this field is used and the type of the entry is Domain, the format requires a minimum of one label. Each label must begin with a letter and end with either a letter or a digit. Each label must be separated with a period. The valid characters within a label are A..Z, 0..9, and a hyphen (-).

For the **Prev Page** and **Next Page** keys, a partial node name may be entered to select the first node name to display in the list. For example, if the value of the field is MAY and you press **Next Page**, the list of nodes will begin with the first matching node name--such as MAYTAG.DCL.IND.

Default value: None

Name Type This field is used to specify the type of the name that is entered in the node name field. N specifies an NS entry, and D specifies a Domain entry.

Default value: None

Global?

The Global/Local setting for Node Name. The acceptable values are Y or N. When the **Prev Page** and **Next Page** function keys are used, only node names whose Global/Local setting matches the value in this field will be displayed. Therefore, set this field accordingly when displaying node names.

Default Value: Y

Enable Flag

The enable flag is used to specify whether the entry is to be enabled or disabled. A value of Y specifies that the entry is enabled; N means it is disabled. Only an enabled entry is accessible by NS.

Default value: None

**Configured Node Names,
Type,
Global Flag,
Enable Flag**

Display-only fields that show the node names and their type, local/global flag and enable settings that are already configured in the network directory.

Fields

Transport Services

These three fields describe the Transport Services that should be configured in each path. All customers should have TCP and PXP configured. The Checksum setting indicates whether checksumming is optional (N) or required (Y) for TCP.

Note that the selection of Transport Services here must match the settings in the remote node's configuration file. The path of the data screen that contains TCP configuration is NETXPORT.GPROT.TCP, and the path of the data screen that contains PXP configuration is NETXPORT.GPROT.PXP. Because the same data must appear on more than one screen, it would be safest to use the default values to help avoid mismatched values.

Mark the selected services with a Y or an N. The Transport Services and their default settings are:

TCP: Transmission Control Protocol (default Y)

TCP Checksumming optional or required (default N)

PXP: Packet Exchange Protocol (default Y)

IP Address

One IP address should be entered for each LAN, Router and X.25 network interface configured on the node. Each address must match an IP address configured in the node's configuration file. The path of the screen in the configuration file that contains IP addresses is NETXPORT.NI.niname.PROTOCOL.IP. *This field is also used to configure a unique IP address for each PAD device to be accessed by the local HP 3000 node with an outgoing call. The network portion of this IP address must match the network portion of the IP address configured for the NI on which the outgoing call should be placed. For the node portion of the address, you must assign a unique value for each PAD device.*

Default Value: None

Type

A number indicating the type of path to configure:

1: IP. This path type should be selected when the network interface type is ROUTER, or LAN with the Probe protocol configured.

2: IP/IEEE802.3. This path type should be selected when the network interface type is a LAN and the node is a non-HP node, which does not support the Probe protocol.

3: X.25 ACCESS. This path type should be selected when the network interface type is X.25. When you select this path type, two protocol stacks are automatically configured. The first is for access to X.25 via TCP (level 4) - when you are using Network Services over X.25, this is the protocol stack which will be used. The other possible path is used for direct access to X.25 (level 3) for applications using the NetIPC interface.

Additional Address

A lower-level address, which depends on the Type.

Type 1 paths do not contain lower-level addressing information. You can leave the field blank, or the keyword "NONE" can be entered.

Path type 2 requires a station address, which is a string of six hexadecimal bytes, separated by dashes (XX-XX-XX-XX-XX-XX). This path type is used only for a LAN non-HP node, which does not support the Probe protocol. The station address must be the same as the station address entered in the node's configuration file (screen path LINKCONF. *linkname* for IEEE802.3; field Local Node Address in Hex).

Path type 3 requires an X.25 Address Key, which is an ASCII string of up to eight characters. The mapping of IP addresses to X.25 (subnet) addresses and associated parameters (included in the node's file) is performed by the X.25 Address Key. The X.25 Address Key must correspond to an X.25 Address Key entered in the node's configuration file for the local node and each of the remote nodes with which the node expects to communicate (screen paths NETXPORT.NI.*niName*.PROTOCOL.X25 and NETXPORT.NI.*niNAME*.PROTOCOL.X25.SVCPATH or PVCPTH). *The X.25 Address Key is also used to perform IP-to-X.25 (subnet) address mapping for PAD devices. For each PAD device that will be accessed by the local HP 3000 node with an outgoing call, the value configured here maps to a real X.25 address configured for the HP 2334A port to which the PAD device is connected. This mapping is shown in Figure 12-10.*

NETWORK DIRECTORY DOMAIN NAME SCREEN

This screen is displayed when you press **Domain Screen** at the Network Directory Data Screen. This screen allows you to copy path report lists from the newly added NS node entry, which is displayed in the first field, into a domain entry. The first field on the screen displays the NS entry whose contents will be copied into the domain entry.

```

NMGR/3000 (X.XX.XX) NETWORK DIRECTORY DOMAIN NAME Data:N
If this node also has a domain name, enter it and press "Update Data"
Command:

Node Name: _____

Domain Name:
|_____|

Update Data Refresh Prior
Data Screen Screen
  
```

Figure 15-7. Network Directory Domain Name Screen

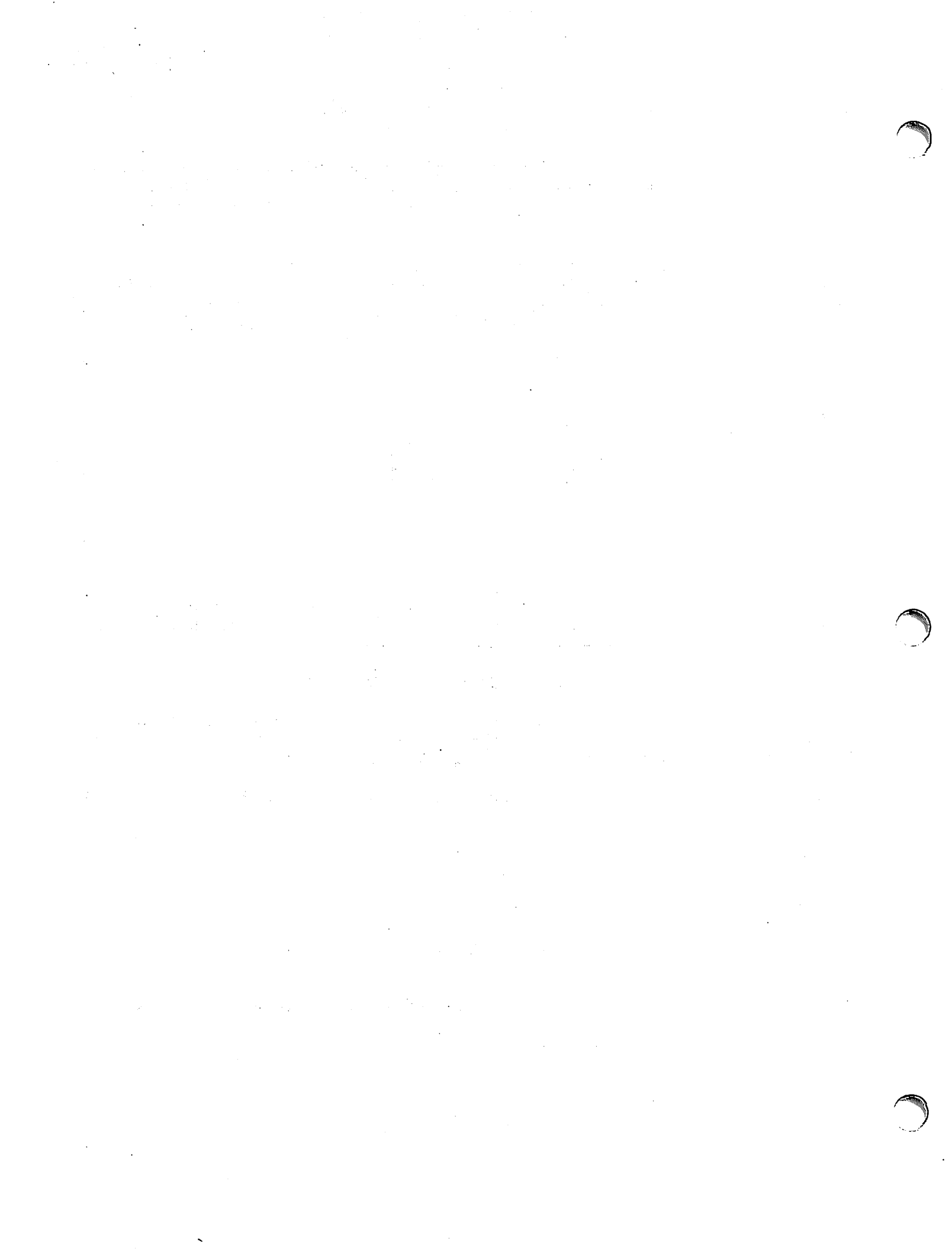
Enter the domain name which is to be given to the domain entry. Press **Update Data** to create the domain entry. The update process cannot be performed unless a path report list exists for the NS node. The **Update** key already should have been pressed on the Network Directory Data Screen.

All the path reports which exist for the NS entry are now copied and placed into the domain entry's path report list.

This screen can be accessed only following an NS entry creation.

Fields

Node Name	Display-only field. The node name from which the path report lists will be copied is shown.
Domain Name	This is the domain name which will obtain the copied path report list. Default value: None



The **Maintenance Mode** is a character (command driven) interface to NMMGR. It can be used interactively from within the screen interface, and also as a set of commands entered by means of a batch job.

Several commands are available for updating information in a network directory file or a regular configuration file. These commands primarily will be used within batch jobs for updating directory information on remote nodes.

The main features of this utility are:

- It generates a job stream to sequentially update a list of nodes.
- The list of nodes to update is user-defined.
- The process provides logging information.
- The process is "recoverable."
- Commands executed on the remote system are user-defined.

You provide a list of node names that are to be updated (which can be easily generated) in addition to the name of a command file to be executed from the NMMGR Maintenance Mode interface. From these two files, a job stream file is generated which, when executed, attempts to log on to each node named in the list and apply the commands read from the command file. The success or failure status of each nodal update is recorded in the node list file, along with the date and time of the event. This node list "control" file may be used again to retry updates on failed nodes, after the source of the failure has been determined and corrected.

In order to use these commands on a remote node, your local node's network directory file must contain an entry for the node whose directory file, for example, you wish to update. Without an entry, you would not be able to log on to the remote node because you would not have its connection information. For this reason, the commands are generally used for updating directories on existing nodes. However, it is possible that these commands can be used to create a directory on a remote node. To accomplish this, the node manager of this new node would have to verbally notify you of this new node's existence. You then would have to enter the new node's connection information into your network directory. Once this information is entered into your directory, you have the capability to log on to the new node and merge your entire directory to create a version of this directory on the new node.

The Maintenance Mode command interface is directly accessible by running NMMGR.PUB.SYS from a stream job, by pressing the **Maint Mode** key at the Network Directory Main Screen, or by running NMMGR.PUB.SYS with a file equation for the formal designator NMMGRCMD set to a command file. An example of such an equation is :FILE NMMGRCMD=CMDFILE.

Command input is echoed to \$STDLIST if run from within a stream job or when the input is read from a command file. Blank command lines may be entered freely.

Two ways of accessing the Maintenance Mode from the screen interface are:

1. Entering the command NM[MGRCMD] in the command window of any screen and pressing **ENTER**.

Maintenance Mode Interface

2. Selecting the **MAINT MODE** function key of the Network Directory Main screen.

NMMGR will clear the terminal screen and allow you to enter commands to directly access configuration fields, or to update a network directory file.

Type EXIT to leave the Maintenance Mode interface.

This section contains the following main subsections:

- Commands for Network Directory File
- LISTDIR Command Sample Output
- Commands for Regular Configuration File

COMMANDS FOR NETWORK DIRECTORY FILE

This subsection describes those Maintenance Mode commands that are for use with a network directory file.

OPENDIR Command

The OPENDIR command is used to gain access to a network directory file. For example, suppose your node's configuration has changed, and you want to update a remote node's directory to reflect this change. You can log on to the remote node and open its directory file using the OPENDIR command. Syntax:

```
OPENDIR dirname
```

The format for *dirname* is a standard MPE file system name: FILENAME[.GROUP[.ACCOUNT]]. A file lockword cannot be specified. A file equation may be used.

Any currently opened directory is closed and *dirname* is opened for read/write and share access. If the directory does not exist, then an attempt to create it is made; the file is then opened for read/write and share access.

The capacity of the network directory is 500 entries.

DELETENODE Command

The DELETENODE command removes an entry or set of entries from the directory. For example, suppose you have logged on to a remote node and opened its directory using the OPENDIR command. Using DELETENODE, you can now delete a node from this remote directory. Syntax:

```
DELETENODE [nodename] [ ; { LOCAL GLOBAL LOCAL_DOMAIN GLOBAL_DOMAIN DOMAIN } ]
```

If you omit the *nodename* option, all path reports for all nodes will be deleted.

If you omit the *nodename* option while running the DELETENODE command from a session, the confirmation message Are you sure? will be displayed, requiring a response. However, if you are running a batch job, no opportunity for confirmation is available. Therefore, be especially careful not to omit the *nodename* option unless you really intend to delete all entries in the opened directory.

When the *nodename* option is supplied, only the path reports for the specified node will be deleted.

Maintenance Mode Interface

The specified parameters perform the following functions:

LOCAL -- deletes all local entries in the directory

GLOBAL -- deletes all global entries in the directory

LOCAL_DOMAIN -- deletes all local domain entries

GLOBAL_DOMAIN -- deletes all global domain entries in the directory

DOMAIN -- deletes all domain entries in the directory

If any of these options is specified, the Are you sure? confirmation prompt is displayed, requiring a response.

MERGEDIR Command

The MERGEDIR command is used to merge one or more entries from one directory file into the currently opened directory file, or to merge a single entry from a configuration file into the opened directory file.

Syntax:

```
MERGEDIR { otherdir [,nodename] } [ ; { LOCAL  
GLOBAL  
GLOBAL_DOMAIN  
LOCAL_DOMAIN  
DOMAIN } ] [ ; { KEEP  
NOKEEP  
TIMESTAMP } ]
```

The parameter *otherdir* is the name of the directory from which entries are to be merged into the opened directory. The option *nodename* is the name of a single node entry to be merged. If a *nodename* is not specified, a class of entries in *otherdir* is merged.

NOTE

You cannot merge a single Domain entry using the MERGEDIR command.

The parameter *configfile* is the name of a node's configuration file from which to merge a single entry. If you are merging from a configuration file, you cannot use the *nodename* option, nor can you use the merge options *KEEP*, *NOKEEP*, or *TIMESTAMP*.

As a rule, you should perform this type of merge on the network directory of the same node immediately after you have activated the network transport. When the network transport is activated, a path report list is automatically entered into the configuration file. By performing this type of merge, you are bringing the path report of the node into the network directory of the same node. A node having connection information about itself is not really needed except for loopback, but having it in the directory

is necessary so that this information will be included if this directory is merged into the directory of another node.

If the *configfile* option is specified, both of the file names must be standard MPE file system names. Lockwords are not permitted. A file equation may be used for *otherdir*, but not for *configfile*.

Either *otherdir* or *configfile*, but not both, may be specified.

The following parameters define which class of entries will be merged if the source is a directory file:

- LOCAL -- All local NS entries and local Domain entries are merged
- GLOBAL -- All global NS entries and global Domain entries are merged
- DOMAIN -- All domain entries are merged
- DOMAIN_GLOBAL -- All global domain entries are merged
- DOMAIN_LOCAL -- All local domain entries are merged

LOCAL and GLOBAL can also be used to define the flag setting in the target directory if the source is a configuration file. If no option is specified, the default is GLOBAL.

The last three options, which can be specified only when merging from another network directory file, define the manner in which duplicate entries are to be handled.

KEEP	Duplicate entries found in <i>otherdir</i> are ignored; the corresponding entries in <i>dirname</i> are not changed.
NOKEEP	Unconditionally replaces duplicate entries in <i>dirname</i> with the corresponding entries from <i>otherdir</i> .
TIMESTAMP	Replaces duplicate entries in <i>dirname</i> only when timestamp information indicates that a corresponding entry in <i>otherdir</i> was created more recently.

If no option is specified, TIMESTAMP is assumed.

The node name of each duplicate entry is displayed, along with the action taken, either REPLACED or UNCHANGED.

Maintenance Mode Interface

Entries that exist in *otherdir* (or *configfile*), but not in *dirname*, are entered into *dirname* and are displayed along with the word ADDED.

After all entries have been examined, a summary is displayed, indicating the total number of entries added and replaced.

LISTDIR Command

The LISTDIR command displays information about entries configured in the directory.

Syntax:

```
LISTDIR [nodename]
```

If the *nodename* option is omitted, all entries in the directory are listed.

If the *nodename* option is supplied, the information about this node will be displayed.

The output is directed to formal designator FORMLIST, which defaults to \$STDLIST, but may be redirected with a file equation. See the "LISTDIR Command Sample Output" subsection for an example of LISTDIR output.

EXPANDDIR Command

The EXPANDDIR command increases the capacity of the currently opened directory file.

Syntax:

```
EXPANDDIR numrecs
```

The parameter *numrecs* is the number of records to be added to the network directory file. The number of records used by one node's network directory entry is one greater than the number of network addresses belonging to the node.

NOTE

To run this command, you must be logged on to the account that contains the directory file, and you must have exclusive access to the file. Given this second constraint, the standard network directory file NSDIR.NET.SYS may not be expanded while the network transport is activated because the transport needs access to this directory. Therefore, the transport must be stopped to increase the capacity of this directory file.

HELP Command

The HELP command displays help text about MPE commands and network directory commands.

Syntax:

```
HELP [commandname [,qualifier]]
```

Typing the HELP command by itself allows you to enter the MPE help facility. At this point, an overview of available commands is displayed, and command names may be entered at the prompt. Type EXIT to return to the NMMGR prompt.

The *commandname* option may be included to obtain an overview and the syntax for a specific command. In addition, one of the optional qualifiers-- PARS, OPERATION, EXAMPLE, or ALL-- may be included to receive more detailed information about a command. You are returned to NMMGR's prompt after help text is displayed.

:MPE Command

Syntax:

```
:mpecommand
```

The parameter *mpecommand* is any command that can be executed by means of the MPE COMMAND intrinsic. Examples of how this can be useful include embedding comments in a sequence of commands using :comment..., or executing :listf or :tell, or executing :file for redirecting output of the LISTDIR command.

EXIT Command

The EXIT command terminates the command interface.

Syntax:

```
EXIT
```

If you have invoked the interface from an NMMGR screen, you are returned to the Network Directory Main Screen if a directory file was left open upon exit; if no file is currently open, you are returned to the Open Configuration File/Directory Screen.

If you have invoked the interface directly from the MPE command interpreter, the EXIT command closes any opened directory file, and the program terminates.

MAKESTREAM Command

The MAKESTREAM command generates a stream job to update remote directories or configuration files.

Syntax:

```
MAKESTREAM streamfile, nodefile, cmdfile
```

All three file names must be in standard MPE file name format.

The parameter *streamfile* is the name of a file to receive the job stream text. The file must not already exist.

The parameter *nodefile* is the name of an ASCII editor-type file that contains a list of nodes to be updated. It also serves as a log file. Note that the file name must be qualified with group and account names to the extent that the job (default logon: NETADMIN.SYS) requires it.

The simplest way to generate this file is to redirect the output of a LISTDIR command into an ASCII file:

```
NMMGR> :file formlist=odelist;dev=disc  
NMMGR> listdir  
NMMGR> :reset formlist
```

The file is processed by the MAKESTREAM command as follows:

1. Only lines that begin with an alphabetic character in the first column are considered node name entries; all other lines are deleted.
2. For those lines that qualify in the step above, the node name is delimited by the first blank encountered. All information after the node name is ignored and stripped away.

3. Locally designated node names -- those names followed by a single space, then (L) -- are discarded.
4. Duplicate node names are deleted.
5. The logging information string "NOT UPDATED" is added to the list for each node name.

A sample processed file is shown below:

```

ANIMAL.FINANCE.IND          NOT UPDATED
ASTRO.MARKETING.IND        NOT UPDATED
CECIL.FINANCE.IND          NOT UPDATED
RODAN.MARKETING.IND        NOT UPDATED
SAKURA.MARKETING.IND      NOT UPDATED
STANDALONE.MARKETING.IND   NOT UPDATED
TIGGER.FINANCE.IND         NOT UPDATED
VENUS.FINANCE.IND          NOT UPDATED

```

These are the nodes shown in Figure 16-1, a two-network catenet. Let us assume that these nodes are entries in the directory on ANIMAL.FINANCE.IND, which we have designated as the central administrative node of NET1. Suppose we want to use the directory on ANIMAL to update only those nodes on the same network, NET1. We would need to edit *nodefile* manually to remove the NET2 node names. We also would remove the name ANIMAL because we are assuming its directory has been updated and we are using it to update other directories. Meanwhile, the network manager of NET2 could perform a parallel function to update only the NET2 nodes, using SAKURA as the central administrative node on NET2. (In many cases, however, one central administrative node could be used to update all nodes in the catenet, meaning that *nodefile* would not need to be edited.)

The parameter *cmdfile* is the name of an NMMGR Maintenance Mode command file. This name also must be qualified with group and account names to the extent that the job will require them. Below is an example of a command file that could be used to merge the local directory file NSDIR.NET.SYS with directory files of the same name on other nodes (listed in *nodefile*).

```

OPENDIR NSDIR.NET.SYS
:FILE SOURCE=NSDIR.NET.SYS:$BACK
MERGEDIR *SOURCE
EXIT

```

When using \$BACK, the network directory on the remote node must have the local node name configured.

Typical commands included in a command file are MERGEDIR, COPYCONF and DELETENODE. Any command, however, may be used.

Once the job stream has been created using MAKESTREAM, it may be optionally customized, then executed. You may change certain parameters in the job stream that are defaulted, like the remote logon string. Another default is that progress messages are sent to OPERATOR.SYS. MAKESTREAM supplies a default logon of NETADMIN.SYS,NET with no user, group or account passwords. If you have very demanding security needs, you can substitute a different logon for each node that will be updated. If defaults are changed, the appropriate user/account capabilities are assumed to be in place. (For example, updating a network directory requires NA capability; copying configuration file information requires NM capability; both actions require BA and IA capability.)

Each node listed in *nodefile* is logged onto with a REMOTE HELLO. Files local to the node on which the stream job is run may be accessed remotely using RFA and file equations. The NMMGR Maintenance Mode process is run on the *remote* side of the connection.

Maintenance Mode Interface

Each line entry in *nodefile* is updated with the logging string "UPDATED" if all commands are executed successfully. After the completion of the job stream, *nodefile* may be inspected for the results of all updates. A sample, based on using ANIMAL in Figure 16-1 to update the other NET1 nodes, is shown below:

CECIL.FINANCE.IND	UPDATED	10/21/86	4:55 PM
TIGGER.FINANCE.IND	UPDATED	10/21/86	5:11 PM
VENUS.FINANCE.IND	NOT UPDATED	10/21/86	4:49 PM

Any nodes that could not be updated are noted; the job stream should be consulted to determine the cause of a failure. Once the problem has been corrected, the same job can be re-streamed. Only for those nodes with the logging string "NOT UPDATED" will a logon and update be attempted. This process can be repeated until all nodes have been satisfactorily updated.

The stream job can be re-created each time an update is desired, or the same job can be used after editing the nodefile to reset the UPDATED strings to NOT UPDATED. For highly customized environments, the latter will be easiest.

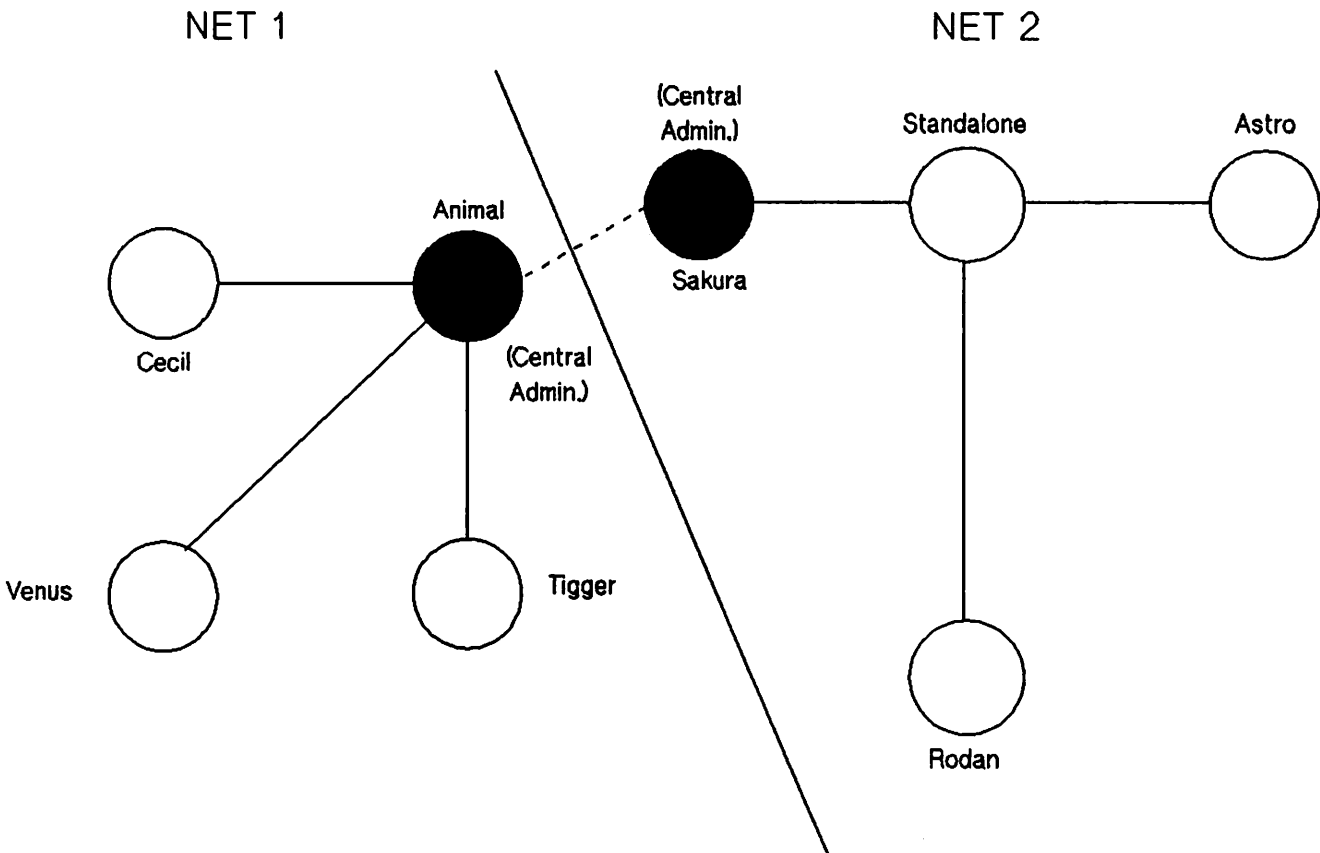


Figure 16-1. Two-network Catenet

LISTDIR COMMAND SAMPLE OUTPUT

The following is a sample listing produced by the NMMGR Maintenance Mode Interface LISTDIR command and the PRINT Dir key of the Network Directory Main Screen.

The top of the listing contains information that pertains to the directory as a whole, including its name, when and where it was most recently updated, and the amount of space available.

Each entry in the directory is listed alphabetically with its local/global classification. For each entry, the name, an indication if it is a local entry (L), and one to eight path reports are shown. For each path report, the IP Address, network type, additional address and Transport Services (if applicable) are shown.

GLOBAL NETWORK DIRECTORY INFORMATION

```

Directory File:      NSDIR.NET.SYS
Modification Date:  FRI, AUG 22, 1986, 12:32 PM
Modification Node:  ERNIE.DCL.IND
Records Used:       20
Records Available:  980
Capacity:           2% full
  
```

Node Name	IP Address	Net Type	Additional Addr	T	C	P
				C	H	X
				P	K	P
ERNIE.DCL.IND	C 192.001.000 004	IP	NONE	X		X
TIGGER.DCL.IND	C 203.154.017 006	IP/IEEE802.3	14-28-20-4E-C9-53	X	X	
	C 198.001.000 007	IP	NONE	X		X

COMMANDS FOR REGULAR CONFIGURATION FILE

This subsection describes those commands for use with a regular configuration file.

COMPRESSCONF Command

The COMPRESSCONF command increases or decreases the capacity of the opened configuration file.

Syntax:

```
COMPRESSCONF numrecs
```

The parameter *numrecs* is the number of additional records to be added or subtracted from the configuration file. A positive value causes records to be added, and a negative value causes records to be subtracted. The value must be between -32768 and 32767.

COPYCONF Command

The COPYCONF command allows you to perform the same kinds of copies you would execute from the Configuration Subtree Copy screen, shown in Section 5. Because this command can be invoked from a stream file, you can use it to transfer configuration data to multiple nodes automatically. This command is not restricted to an open configuration file.

Syntax:

```
COPYCONF spath:sfilename, dpath:dfilename [;KEEP]
```

The parameter *spath:sfilename* is the path to the beginning of the subtree to be copied from, and the name of the file in which it resides. The path is composed of up to eight NMMGR path identifiers. Enter the NMMGR path identifiers that will lead to the beginning of the subtree to be copied. The file name must be separated from the path by a colon and must be specified in `filename.group.account` form, or, in place of the file name, an asterisk can precede a formal designator to specify a file equation.

The parameter *dpath:dfilename* is the path to the beginning of the subtree to be copied to, and the name of the file in which it resides. The destination path is also composed of up to eight NMMGR path identifiers. Enter the NMMGR path identifiers that lead to the beginning of the destination path. The file name must be separated from the path by a colon and must be specified in `filename.group.account` form, or, in place of the file name, an asterisk can precede a formal designator to specify a file equation.

NOTE

All type select parameters in the path that specifies the root of the subtree to be copied must be of the same type for the source and destination configuration files. If they are not, an error will be flagged, and no copy will take place.

The parameter KEEP is an optional parameter that prevents the copy from taking place if it would have overwritten existing data. If you do not specify this parameter, and data exists in the subtree specified, it will be overwritten.

When subtrees contain several records, copies that occur over DSLINE connections will take considerably longer than copies between two local configuration files. It is several times faster to DSCOPY the configuration file to the destination node, and then perform the subtree copy between two local configuration files.

The example in the "Configuration Subtree Copy" subsection of Section 5 is now used again to illustrate how the same subtree copy would be performed using the COPYCONF command. Again, the :DSLIME connection and file equation would be prepared as seen below.

```
:REMOTE HELLO MGR.NET,SYS;DSLIME=B
:FILE CONFIG=NSCONF.NET.SYS:B,OLD
```

The COPYCONF command would be entered as follows, at the prompt NMMGR>:

```
COPYCONF NETXPORT.NI.LAN1.INTERNET:NSCONF, NETXPORT.NI.LAN2.INTERNET:*CONFIG
```

To see an illustration of the source subtree, see Figure 5-16. To see the destination subtree before and after the copy has taken place, see Figure 5-17.

DELETECONF Command

The DELETECONF command deletes the subtree of the specified path from a configuration file.

Syntax:

```
DELETECONF path
```

The parameter *path* is the name of a configuration path in the configuration file that describes the location of the subtree to delete. It is composed of one to eight path identifiers separated by periods, as follows:

```
PATHID.PATHID.PATHID ...
```

The last identifier in the path must be a select or type-select identifier. These are the names that a user supplies on a select screen.

All configuration records in the subtrees below the specified path are deleted. The configuration record identified by the specified path also is deleted.

OPENCONF Command

The OPENCONF command closes any previously opened configuration file, and opens the named file for shared, read/write access and makes it the current configuration file. If the configuration file does not exist, a new file is created and opened.

Syntax:

```
OPENCONF fileref
```

The parameter *fileref* is a standard MPE filename, and must be specified in the filename.group.account form. No file designators are allowed, and a file lockword may not be specified.

When the Maintenance Mode interface is entered from the NMMGR VPLUS interface, the currently opened configuration file (if any) is automatically opened and made the current configuration file. Likewise, upon return to the VPLUS interface, any new file opened by means of OPENCONF is retained.

PAGECONF Command

The PAGECONF command sets the page number for multipage data screens, such as the Neighbor Gateway Reachable Networks Screen (which can be seen in Figure 10-10).

Syntax:

```
PAGECONF pageno
```

The parameter *pageno* is a positive integer identifying the page number of the screen to be accessed. A multipaged data path is used to store multipaged lists of data. If the current path identifies a multipaged data screen, the commands READCONF, READALLCONF, WRITECONF and UPDATECONF operate on data in the current page. Otherwise, the page number is ignored.

The current page number is set to 1 when Maintenance Mode is entered.

The PAGECONF command may be specified before or after a PATHCONF command for a multipaged data screen.

PATHCONF Command

The PATHCONF command sets the current path in the current configuration file.

Syntax:

```
PATHCONF [=] path
```

The parameter *path* is the name of a path in the configuration file that describes the location of the desired record. It is composed of one to eight path identifiers separated by periods:

```
PATHID.PATHID.PATHID ...
```

The last identifier in the path must be a data identifier or a paged-data identifier. An example is the Gateway Half Network Interface Configuration Screen in Figure 11-1, with a path name of NETXPORT.NI.*niName*, where *niName* is the user-defined gateway-half NI name. This screen is a data screen. The current data in the current path is operated on by the READCONF, READALLCONF, WRITECONF and UPDATECONF commands. Before this command can be used, VERSIONCONF must be called.

READALLCONF Command

The READALLCONF command reads all data from the current configuration record or screen. Data written in previous WRITECONF commands will not be displayed by READALLCONF until an UPDATECONF command is entered.

Syntax:

```
READALLCONF [;FORMAT]
```

The parameter *FORMAT* designates output formatting. Output is formatted in WRITECONF syntax so that it can be re-entered into NMMGR's Maintenance Mode.

If the current path is associated with a paged data screen, all the pages of data associated with the screen are displayed.

Output is directed to the file defined in the file equation FORMLIST. If FORMLIST is not defined, output is sent to \$STDLIST.

The following is an example of displaying all the fields in the NETXPORT.NI.GLOBAL screen:

```
NMMGR>PATHCONF NETXPORT.NODE.NAME (Sets the path to the screen.)
NMMGR>READALLCONF (Displays all the fields in the screen.)
```


READCONF Command

The READCONF command reads selected data from the current configuration record. Data written in previous WRITECONF commands will not be displayed until an UPDATECONF command is entered.

Syntax:

```
READCONF fieldno [;FORMAT]
```

The parameter *fieldno* is the field number as defined by the order of fields on the screen associated with the current path. Field number 1 is the first field in the upper left-hand side of the screen below the command line. Subsequent fields are consecutively numbered from left to right and top to bottom, the way a tab key works.

The parameter *FORMAT* designates output formatting. Output is formatted in WRITECONF syntax so that it can be re-entered into NMMGR's Maintenance Mode. If the format option is omitted, data will be formatted with one field per line when writing to a file.

If the current path is associated with a paged data screen, the displayed value is taken from the current page set by PAGECONF. Data written in previous WRITECONF commands will not be displayed by READCONF until an UPDATECONF command is entered.

Output is directed to the file defined in the file equation FORMLIST. If FORMLIST is not defined, output is sent to \$STDLIST.

The following is an example of using the READCONF command and the PATHCONF command.

```
NMMGR>PATHCONF NETXPORT.NODE.NAME (Sets the path to the screen.)  
NMMGR>READCONF 1 (Reads and displays the first field.)
```

SUMMARYCONF Command

The SUMMARYCONF command prints a summary report for a communications subsystem. This command is identical to the Print Summary key in the NMMGR Output screen, described in Section 5.

Syntax:

```
SUMMARYCONF subsystem
```

The parameter *subsystem* is the name of the subsystem for which the report will be generated. Currently, only the NETXPORT subsystem is allowed. See Section 5 for an example of a summary report.

Output is directed to the file defined in the file equation FORMLIST. If FORMLIST is not defined, output is sent to \$STDLIST.

UPDATECONF Command

The UPDATECONF command updates the current path in the configuration file.

Syntax:

```
UPDATECONF
```

Data entered by means of previous WRITECONF commands are checked for VPLUS field-edit errors. If all fields are correct, the data is stored.

A PATHCONF command must be issued before UPDATECONF to define the current path.

VALIDATECONF Command

The VALIDATECONF command validates the NETXPORT subsystem configuration.

Syntax:

```
VALIDATECONF subsystem
```

The parameter *subsystem* is the name of a configuration subsystem for which the summary is to be generated. Currently, only the NETXPORT subsystem is allowed.

Output is directed to the formal designator FORMLIST, which defaults to \$STDLIST.

VERSIONCONF Command

The VERSIONCONF command checks whether the specified version number matches NMMGR's current version number.

Syntax:

```
VERSIONCONF version
```

The parameter *version* is the current version number of NMMGR. The version string may be enclosed in double quotes ("). The value "OVERRIDE" matches any version of NMMGR. Be sure to see the "Maintenance Mode Example" later in this section, and read the note about VERSIONCONF. Be careful if you use "OVERRIDE" in a batch file so that you are not unwittingly using the wrong version of NMMGR.

Maintenance Mode Interface

NMMGR's version number is displayed on the first line of a screen and when NMMGR is started. This command is required only if the user also is planning to issue a PATHCONF command. However, VERSIONCONF can be issued at any time.

WRITECONF Command

The WRITECONF command writes data to individual fields of the current path in the configuration file.

Syntax:

```
WRITECONF fieldno, data
```

The parameter *fieldno* is the field number as defined by the order of fields on the screen associated with the current path. Field number 1 is the first field on the upper left-hand side of the screen below the command line. Subsequent fields are consecutively numbered from left to right and top to bottom, the way a tab key works.

The parameter *data* is the data to be written to the field. The data may be enclosed in double quotes (").

WRITECONF writes data to an internal buffer that initially contains the data associated with the current page of the current path in the configuration file. The file is updated when the UPDATECONF command is performed.

The following is an example of updating the value of field 1 for the current path:

```
NMMGR>WRITECONF 1, "my new data" (Enters the data into the field.)  
NMMGR>UPDATECONF (Updates the configuration file.)
```

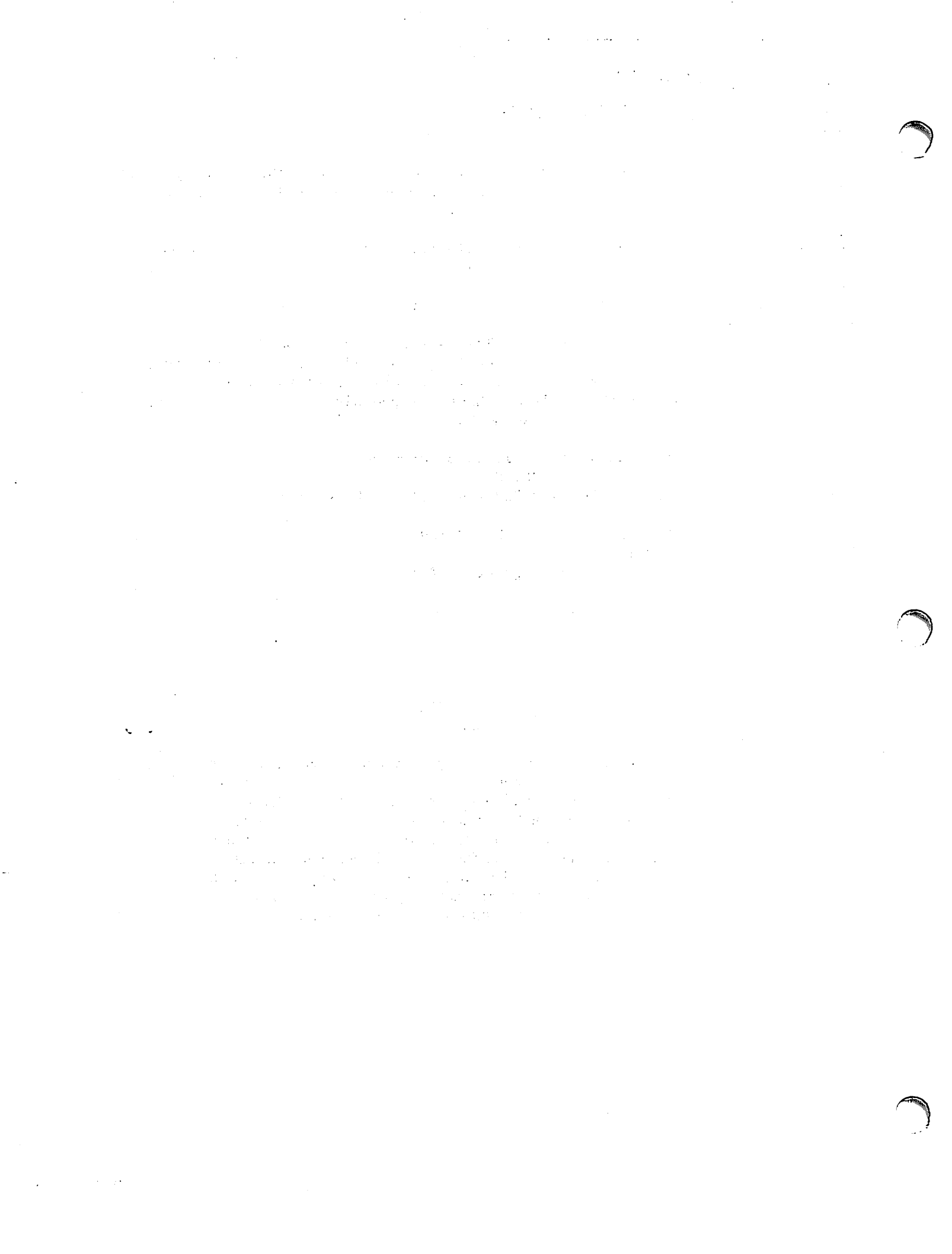
MAINTENANCE MODE EXAMPLE

The following example shows the sequence of maintenance mode commands, within a batch file, to use for updating data in a configuration file. The comment lines explain the purpose of each command.

```
:comment This is an example of how to modify two fields on a screen and post
:comment the data to the configuration file.
:comment
:comment Open the configuration file to be updated.
OPENCONF nsconf.net.sys
:comment Verify the version of NMMGR. The version number should be the same
:comment as the version number written on the banner line of each NMMGR screen.
:comment If the numbers are not the same, the references to the path and
:comment field numbers in this file may have changed since the time when the
:comment file was first written. (Read the note below.)
VERSIONCONF "A.02.03"
:comment Determine which data record is to be updated.
PATHCONF = NETXPORT.NI.LAN1.PROTOCOL.IP
:comment Update the Store & Forward Buffers field to 25 buffers.
WRITECONF 1,25
:comment Change the IP address to C 192.100.100 001
WRITECONF 2, "C 192.100.100 001"
:comment Write the data to the configuration file.
UPDATECONF
:comment Verify correct file information.
VALIDATE NETXPORT
EXIT
```

NOTE

The version of NMMGR specified in a batch file, like the one above, is the version of NMMGR that is current when the batch file is created. However, when a new version of NMMGR is installed, it no longer will match the version number in the original batch file. When this occurs, references to paths and field numbers in the original file may have changed. Therefore, check all PATHCONF, READCONF and WRITECONF commands in the batch file to make sure these commands reference the paths and fields you want. Make any necessary changes, then update the VERSIONCONF command in the file with the new version number.



WORKSHEETS

APPENDIX

A

This appendix contains worksheets necessary for configuration of nodes in your catenet. Do not fill out these sheets, but make copies as needed. All necessary tables and required fields are included, as well as blank sheets for all necessary maps.

References to tables and maps are generic in this appendix. For example, references are made to the Router Network Map. If your catenet contains two router networks, you will have two router network maps, but each map will include a unique network name.

CATENET MAP

The following information is provided for your reference. It is intended to assist you in understanding the data presented in the map. The information is based on the most current data available at the time of publication. It is subject to change without notice. The information is provided for your reference only and should not be used for any other purpose.

CATENET TABLE

NETWORK	NETWORK TYPE (LAN, ROUTER)	IP NETWORK ADDRESS	IMPLEMENTATION PRIORITY

Worksheets

LAN NETWORK MAP

LAN NETWORK TABLE

NETWORK NAME:

IP NETWORK ADDRESS:

NODE NAME	IP NODE ADDRESS	PROXY SERVER (Y/N)	GATEWAY NODE (Y/N)	IMPLEMENTATION PRIORITY

LAN INTERNET ROUTING TABLE

NETWORK NAME:

IP NETWORK ADDRESS:

THROUGH GATEWAY NODE	IP NODE ADDRESS	DESTINATION NETWORK/ADDRESS	HOPS NEEDED TO REACH DESTINATION NETWORK

ROUTER NETWORK MAP

Worksheets

ROUTER NETWORK TABLE

NETWORK NAME:

IP NETWORK ADDRESS:

NODE NAME	IP NODE ADDRESS	CENTRAL ADMIN. NODE? (Y/N)	GATEWAY NODE (Y/N)	IMPLEMENTATION PRIORITY

ROUTER INTERNET ROUTING TABLE

NETWORK NAME:

IP NETWORK ADDRESS:

THROUGH GATEWAY NODE	IP NODE ADDRESS	DESTINATION NETWORK/ADDRESS	HOPS NEEDED TO REACH DESTINATION NETWORK

X.25 NETWORK MAP

1. The X.25 network is a packet-switched network that uses a hierarchical structure. The network is divided into three levels: the user level, the intermediate level, and the core level. The user level consists of user terminals and hosts that are connected to the network. The intermediate level consists of intermediate nodes that route packets between user terminals and the core level. The core level consists of core nodes that route packets between intermediate nodes and the user level.

X.25 NETWORK TABLE

NETWORK NAME:

IP NETWORK ADDRESS:

NODE NAME	IP NODE ADDRESS	CENTRAL ADMIN. NODE? (Y/N)	GATEWAY NODE (Y/N)	X.25 ADDRESS

X.25 INTERNET ROUTING TABLE

NETWORK NAME:

IP NETWORK ADDRESS:

GATEWAY NODE	IP NODE ADDRESS	DESTINATION NETWORK/ADDRESS	HOPS NEEDED TO REACH DESTINATION NETWORK

GATEWAY-HALF LINK MAP

GATEWAY-HALF NETWORK INTERFACE TABLE

NETWORK NAMES:

GATEWAY NODE	FULL IP ADDRESS OF PARTNER	CONNECTED NETWORK	LINK NAME

After you choose to perform Guided Configuration, you select the **Go To NET CON** function key to perform first-time configuration of a node.

The Guided Network Interface Configuration screen will then prompt you to provide a name for the Network Interface you are going to configure. The **Network Interface Name** should be the same as the name you used to identify the network on your local network map.

You must first type the NI name and then select the appropriate topology function key to indicate the type of this Network Interface (LAN802.3, ROUTER, X.25 etc.). If you are configuring a new network interface, Guided Configuration immediately begins supplying the default values for that NI type.

For all NI types, you will first visit the Node Name Configuration Screen, shown below. (This screen is always visited during loopback guided configuration, but is visited for LAN, router, PC-router, X.25 and gateway half guided configurations only if a node name has not already been configured.)

NOTE

References to figure numbers and page numbers pertain to Volume I.

NODE NAME CONFIGURATION (NETXPORT.NODE.NAME) Fig. 8-3, p. 8-4

Local NS Node Name _____

Name of the node you are configuring. Must be in the form *node.domain.organization*.

LAN NODE INTERNET ROUTING

NODE NAME:

IP ADDRESS:

NETWORK NAME:

GATEWAY NODE/IP ADDRESS	DESTINATION NETWORKS/ IP ADDRESSES	HOP COUNT

LAN CONFIGURATION SCREENS

LINK CONFIGURATION (LINKCONF) Fig. 7-1, p. 7-4

Link Name _____

Assign a link name that is eight alphanumeric characters or fewer; the first character must be alphabetic.

LAN802.3 LINK DATA (LINKCONF.*linkname*) Fig. 7-2, p. 7-5

Logical Device _____

The ldev number of the LANIC that will be configured in SYSDUMP.

PROBE PROTOCOL CONFIGURATION (NETXPORT.NI.*niName*.PROTOCOL.PROBE) Fig. 9-4, p. 9-10

Proxy Enabled _____

Answer Y if this node will be a proxy server (will have a network directory). Refer to LAN Network Map.

IP PROTOCOL CONFIGURATION (NETXPORT.NI.*niName*.PROTOCOL.IP) Fig. 9-3, p. 9-7

IP Address _____

Full IP address of the node being configured. Refer to LAN Network Table.

LAN CONFIGURATION SCREENS (cont'd)

Note: This page contains information for one gateway. Before you proceed, make copies of this page for additional gateways. During Guided Configuration, press the **Next Screen** function key when finished configuring information for a gateway. This returns you to the first screen shown on this page. If you are finished for all gateways, press the **Next Screen** key again.

NEIGHBOR GATEWAYS (NETXPORT.NI.*niName*.INTERNET) Fig. 10-9,p.10-24

Gateway Name _____

Assign a name (maximum eight characters) to a gateway that is on the network to which the node belongs. Refer to Catenet Map and LAN Network Map.

NEIGHBOR GATEWAY REACHABLE NETWORKS (NETXPORT.NI.*niName*.INTERNET.*gatewayn*) Fig. 10-10,p. 10-25

Neighbor Gateway IP Internet Address _____

Full IP address of the gateway node. Refer to LAN Network Table.

IP Network Number

- _____ (1)
- _____ (2)
- _____ (3)
- _____ (4)

The IP addresses of all reachable networks in the catenet, through the gateway node named above. Refer to LAN Node Internet Routing Table. On the actual screen, you also will need to fill out a node portion for each IP Network Number, even though the node portion is ignored. You can simply enter zeros for these node portions.

Hops

- _____ (1)
- _____ (2)
- _____ (3)
- _____ (4)

Refer to LAN Node Internet Routing Table for Hop Count. The numbers in parentheses correspond to the numbers regarding IP network numbers.

SUBSEQUENT LAN NODES

If you are adding a LAN node, be sure to complete this information and update the corresponding maps and tables.

Link Name _____

Logical Device _____

Proxy Enabled? _____

IP Address of the node being configured

Gateway Names 1) _____ 2) _____ 3) _____

Neighbor Gateway IP Internet Addresses

1) _____ 2) _____ 3) _____

For first gateway:

IP Network Address _____ Hops _____

IP Network Address _____ Hops _____

IP Network Address _____ Hops _____

IP Network Address _____ Hops _____

Be sure to add IP network addresses and hops for other specified gateways.

Worksheets

ROUTER NODE INTRANET ROUTING TABLE

NODE NAME:

IP ADDRESS:

NETWORK NAME:

DESTINATION NODE	LINK NAME	DESTINATION NODE'S IP ADDRESS	ENTRY PRIORITY

ROUTER NODE INTERNET ROUTING

NODE NAME:

IP ADDRESS:

NETWORK NAME:

GATEWAY NODE/IP ADDRESS	DESTINATION NETWORKS/ IP ADDRESSES	HOP COUNT

ROUTER CONFIGURATION SCREENS

LINK CONFIGURATION (LINKCONF) Fig. 7-1,p. 7-4

Link Name _____

Assign a link name that is eight characters or fewer. The first character must be alphabetic. This link name corresponds to one link the node has configured. After you have been taken to all the necessary screens for this link, Guided Configuration will bring you back to this screen to configure any other links for this node. The fields on this page and the first field on the next page may need to be copied so that you can fill out the appropriate information for other links. Refer to Router Network Map. When you are finished configuring the links for this node, press the **Next Screen** function key.

Type: ASNP, LAP-B or BSC Circle one.

ASNP LINK DATA (LINKCONF.*linkname*) Fig. 7-10,p. 7-27

Logical Device _____

The ldev number that will be configured in SYSDUMP.

OR

LAP-B LINK DATA (LINKCONF.*linkname*) Fig. 7-7,p. 7-19

Logical device _____

The ldev number that will be configured in SYSDUMP.

Local Mode (5=DTE, 6=DCE, 11=HP Point to Point) _____

If one side of a link is configured with DTE, the other side must be configured with DCE. If HP Point to Point is used, both sides must be configured as HP Point to Point. You need to write down this information on a separate sheet of paper to make sure you correctly configure LAP-B links.

OR

BISYNC LINK DATA (LINKCONF.*linkname*) Fig. 7-4,p. 7-11

Logical Device _____

The ldev number that will be configured in SYSDUMP

ROUTER CONFIGURATION SCREENS (cont'd)**ROUTER NETWORK INTERFACE LINKS (NETXPORT.NI.*niName*.LINK) Fig. 10-6,p. 10-17**

Type _____

DD--Direct Dial, DC--Direct Connect, or SD--Shared Dial.

DIRECT CONNECT LINK CONFIGURATION (NETXPORT.NI.*niName*.LINK.*linkname*) Fig. 10-7,p. 10-19

No fields required to configure.

OR

ROUTER DIAL LINK CONFIGURATION (NETXPORT.NI.*niName*.LINK.*linkname*) Fig. 10-8,p. 10-21

No fields required to configure.

ROUTER NETWORK INTERFACE CONFIGURATION (NETXPORT.NI.*niName*) Fig. 10-1,p. 10-3

Network Hop Count _____

The greatest possible number of intermediate nodes between the two nodes farthest apart on the network. See Router Network Map.

Idle Device Timeout Value (Minutes) _____

For dial links, this is the number of minutes a device can remain idle (no traffic) before shutting down. A value of zero will disable the the idle device timer for all devices on this network interface. (Enter 0 for Direct Connect links.)

IP PROTOCOL CONFIGURATION (NETXPORT.NI.*niName*.PROTOCOL.IP) Fig. 10-3, p. 10-8

IP Address _____

Full IP address of the node being configured. Refer to Router Network Table.

ROUTER CONFIGURATION SCREENS (cont'd)

Note: Mapping configuration is required for each path the node can take to reach each node on the router network. Therefore, make enough copies of this sheet before you fill in any information. After configuring mapping information for one node, Guided Configuration will bring you back to the first screen on this page. Repeat the process until you have completed all mapping configuration, then press the **Next Screen** function key.

ROUTER MAPPING CONFIGURATION (NETXPORT.NI.*niName*.MAPPING) Fig. 10-12,p. 10-30

Router Node Name _____

Assign a name (maximum eight characters) to represent a node you wish to be able to reach from your node. Refer to Router Node Intranet Routing Table.

ROUTER REACHABLE NODES (NETXPORT.NI.*niName*.MAPPING.*mapentry*) Fig. 10-13,p. 10-32

IP Internet Address _____

Full IP address of the destination node named above. Refer to Router Node Intranet Routing Table.

Link Name _____

Name of the link used to reach the destination node. Must match a link name that you configured on the link configuration screen. If more than one link is required to reach the destination node, list only the first link to be used.

Adjacent (0)/ Non-adjacent (1) _____

If the destination node is not directly connected to the link just named, enter 1. Otherwise, enter 0. Refer to Router Network Map.

Entry Priority _____

Used when alternate paths are configured to reach a remote node. Refer to the Router Node Intranet Routing Table. If no alternate paths will be configured, be sure to enter a number such as 10 to allow for possible additions with higher or lower priority numbers.

Phone Number _____

The phone number of the destination node is required if the destination node is directly connected to the other end of the link and if the link is a direct dial or a shared dial link.

ROUTER CONFIGURATION SCREENS (cont'd)

Note: This page contains information for one gateway. Before you proceed, make copies of this page for additional gateways. During Guided Configuration, press the **Next Screen** function key when finished configuring information for a gateway. This returns you to the first screen shown on this page. If you are finished for all gateways, press the **Next Screen** key again.

NEIGHBOR GATEWAYS (NETXPORT.NI.*niName*.INTERNET) Fig. 10-9,p. 10-24

Gateway Name _____

Assign a name (maximum eight characters) to a gateway that is on the network to which the node belongs. Refer to Catenet Map and Router Network Map.

NEIGHBOR GATEWAY REACHABLE NETWORKS (NETXPORT.NI.*niName*.INTERNET.*gatewayn*)
Fig. 10-10,p. 10-25

Neighbor Gateway IP Internet Address _____

Full IP address of the gateway node. Refer to Router Network Table.

IP Network Number

_____ (1)

_____ (2)

_____ (3)

_____ (4)

The IP addresses of all reachable networks in the catenet, through the gateway node named above. Refer to Router Node Internet Routing Table. On the actual screen, you also will need to fill out a node portion for each IP Network Number, even though the node portion is ignored. You can simply enter zeros for these node portions.

Hops

_____ (1)

_____ (2)

_____ (3)

_____ (4)

Refer to Router Node Internet Routing Table for Hop Count. The numbers in parentheses correspond to the numbers regarding IP network numbers.

SUBSEQUENT ROUTER NODES

If you are adding a router node, be sure to complete this information and update the corresponding maps and tables.

Link Name _____

Type = ASNP, LAP-B or BSC Circle one.

Logical Device _____

DTE/DCE for LAP-B _____

Is link Direct Dial, Direct Connect, or Shared Dial? _____
(Must repeat all of above information for all links belonging to the node.)

Network Hop Count _____

Idle Device Timeout Value _____

IP Address of the node being configured

Router Node Name _____
(This name is for mapping information to follow; the name represents a destination node on the network.)

IP Internet Address of the destination node _____

Link name used to reach the destination node _____

Adjacent (0)/ Non-adjacent (1) _____

Entry Priority _____

Phone Number _____

From Router Node Name, above, to this point, information must be repeated for all mappings to be configured.

See next page for additional router fields.

SUBSEQUENT ROUTER NODES (cont'd)

Gateway Names 1) _____ 2) _____ 3) _____

Neighbor Gateway IP Internet Addresses

1) _____ 2) _____ 3) _____

For first gateway:

IP Network Address _____ Hops _____

IP Network Address _____ Hops _____

IP Network Address _____ Hops _____

IP Network Address _____ Hops _____

Be sure to add IP network addresses and hops for other specified gateways.

X.25 NODE INTRANET ROUTING TABLE

NODE NAME:

IP NODE ADDRESS:

NETWORK NAME:

DESTINATION NODE	DEST. NODE'S IP ADDRESS	X.25 ADDRESS KEY	X.25 ADDRESS	FAC.SET NAME

X.25 NODE INTERNET ROUTING TABLE

NODE NAME:

IP NODE ADDRESS:

NETWORK NAME:

GATEWAY NODE/IP ADDRESS	DESTINATION NETWORKS/ IP ADDRESSES	HOP COUNT

X.25 CONFIGURATION SCREENS

LINK CONFIGURATION (LINKCONF) Fig. 7-1,p. 7-4

Link Name _____

Press **Add** to accept the default link name, LAPBLINK. Otherwise, assign a link name that is eight characters or fewer. The first character must be alphabetic.

This link name associates the node you are configuring with the set of LAPB Link Data specified below.

Type: LAP-B.

For X.25, Link type must be LAP-B.

LAP-B LINK DATA (LINKCONF.*linkname*) Fig. 7-7,p. 7-19

Logical device _____

The ldev number for the appropriate INP as configured in SYSDUMP.

Local Mode (5=DTE, 6=DCE) _____

If one side of a link is configured as a DTE, the other side must be configured as a DCE. For all connections to a public PSN, you must use DTE local mode.

Default values are supplied for the remaining LAP-B parameters. You should check these values against those recorded on your network subscription form and press **Update Data** to include them in the current node's configuration file.

X.25 CONFIGURATION SCREENS (cont'd)

GENERAL X.25 (NETXPORT.NI.*niName*.PROTOCOL.X25) Fig. 12-4,p. 12-9

X.25 Network Identification _____

Enter the name of the local PSN (e. g. TRANSPAC, DDN etc.) or accept the default (X.25-PDN).

Local X.25 Address Key _____

Enter the key representing the node you are configuring for mapping purposes. The key may have up to eight alphanumeric characters ; the first character must be alphabetic.

Inactivity Timer ____

Accept the default value of 5 or enter another value to clear any unused SVCs after the specified number of minutes (up to 32767). If you enter a value of 0 , the timer will be disabled.

LOCAL X.25 ADDRESS & VC ASSIGNMENT (NETXPORT.NI.*niName*.PROTOCOL.X25.VCSPEC) Fig. 12-5,p.12-11

Local X.25 Node Address _____

Enter the local X.25 network address for your node as provided by the network administration (see X.25 Network Table).

Lowest Highest

___ ___ Permanent Virtual Circuits

___ ___ Two-Way Switched Virtual Circuits

___ ___ One-Way Incoming SVCs

___ ___ One-Way Outgoing SVCs

Enter values for the first and last VCs subscribed for in these categories.

Example: For ten SVCs beginning with SVC number one, enter 1 under Lowest and 10 under Highest.

X.25 CONFIGURATION SCREENS (cont'd)

X.25 NETWORK & FLOW CONTROL PARAMETERS

(NETXPORT.NI.niName.PROTOCOL.X25.VCSPEC.FLOWCNTL) Fig. 12-6,p. 12-13

X.25 Packet Level (DTE=1,DCE=0)___

Enter either 1 (for all public PSN connections), or 0 if the local X.25 protocol will operate in DCE mode.

Packet Size 128_____

If desired, enter a value as a default packet size for all VCs.

Possible Values: 16,32,64,128,256,512, 1024.

Window Size 2_____

If desired, enter a value as a default window size for all VCs.

Possible Values: 1,2,3,4,5,6,7.

Throughput Class 11_____

If desired, enter a value as default throughput class for all VCs. The value entered must be equal or lower than the value calculated in function of the line speed as follows:

Speed: 1200 2400 4800 9600 19200 48000 57600

Class: 7 8 9 10 11 12 13

X.25 CONFIGURATION SCREENS (cont'd)**X.25 USER FACILITY SETS (NETXPORT.NI.*niName*.PROTOCOL.X.25.FACSET) Fig. 12-7, p. 12-16**

Set Name _____

Assign a name to the facilities set to be added. The name can have up to 8 alphanumeric characters; the first character must be alphabetic.

Type (PVC or SVC) _____

Use PVC if the facilities set applies to Permanent Virtual Circuits; use SVC if the facilities set is defined for Switched Virtual Circuits.

SVC X.25 ADDRESS KEY PATH TABLE (NETXPORT.NI.*niName*.PROTOCOL.X25.PATH) Fig. 12-10,p. 12-21

X.25 Address Key _____

Enter the X.25 Address Key for a destination node (included in the X.25 Node Intranet Routing Table). The key may have up to eight alphanumeric characters; the first character must be alphabetic. POOL is the Address Key reserved for calls from nodes whose addresses are not specified in the X.25 Address Key Path Table.

X.25 Network Address _____

Enter the X.25 Address of the remote node represented by the current X.25 Address Key (alongside this entry in the X.25 Node Intranet Routing Table). This address may have up to 15 decimal digits (refer to network subscription form for public PSN connections). No address is required for POOL entries.

Default Facilities Set Name _____

Enter the name of the facilities set corresponding to the SVC identified by the current X.25 Address Key. The name can have up to eight alphanumeric characters; the first character must be alphabetic. You will be prompted to provide path data for each of the remote nodes you expect to communicate with. Press **Next Screen** to continue Guided Configuration.

IP PROTOCOL CONFIGURATION (NETXPORT.NI.*niName*.PROTOCOL.IP) Fig. 10-3,p. 10-8

IP Address _____

Full IP address of the node being configured. Refer to the X.25 Network Table.

X.25 CONFIGURATION SCREENS (cont'd)

Note: This page contains information for one gateway. Before you proceed, make copies of this page for additional gateways. During Guided Configuration, press the **Next Screen** function key when finished configuring information for a gateway. This returns you to the first screen shown on this page. If you are finished for all gateways, press the **Next Screen** key again.

NEIGHBOR GATEWAYS (NETXPORT.NI.*niName*.INTERNET) Fig. 12-17,p. 12-34

Gateway Name _____

Assign a name (maximum eight characters) to a gateway that is on the network to which the node belongs. Refer to Catenet Map and X.25 Network Map.

**NEIGHBOR GATEWAY REACHABLE NETWORKS (NETXPORT.NI.*niName*.INTERNET.*gatewayn*)
Fig. 12-18,p. 12-35**

Neighbor Gateway IP Internet Address _____

Full IP address of the gateway node. Refer to X.25 Network Table.

IP Network Number

- _____ (1)
- _____ (2)
- _____ (3)
- _____ (4)

The IP addresses of all reachable networks in the catenet, through the gateway node named above. Refer to X.25 Node Internet Routing Table. On the actual screen, you also will need to fill out a node portion for each IP Network Number, even though the node portion is ignored. You can simply enter zeros for these node portions.

Hops

- _____ (1)
- _____ (2)
- _____ (3)
- _____ (4)

Refer to X.25 Node Internet Routing Table for Hop Count. The numbers in parentheses correspond to the numbers regarding IP network numbers.

NETWORK DIRECTORY INFORMATION

After reading the Network Directory section (Section 15), you can complete the information below for all nodes you wish to manually configure into your network directory file. For each node you have configured as a destination node in your Node Configuration file you must make a full entry in the Network Directory.

*Type: 1=IP, 2=IP/LAN802.3, 3=X.25

Node Name	Global or Local	IP Address	Type*	Additional Address *
_____	_____	_____	_____	_____

* For Type 3 (X.25 ACCESS) this address will be the X.25 Address Key you designate in your Node Intranet Routing Table.

SUBSEQUENT X.25 NODES

If you are adding an X.25 node, be sure to complete this information and update the corresponding maps and tables.

Link Name _____

Type = LAP-B.

Logical Device _____

DTE/DCE for LAP-B _____

IP Address of the node being configured

X.25 Node Name _____
(This name is for path table information to follow; the name represents a destination node on the network.)

IP Internet Address of the destination node _____

X.25 Address of destination node _____

X.25 Address Key _____

SVC or PVC _____

Fac Set Name _____

From X.25 Node Name, above, to this point, information must be repeated for all paths to be configured.

See next page for additional X.25 fields for internet configuration.

SUBSEQUENT X.25 NODES (cont'd)

Gateway Names 1) _____ 2) _____ 3) _____

Neighbor Gateway IP Internet Addresses

1) _____ 2) _____ 3) _____

For first gateway:

IP Network Address _____ Hops _____

IP Network Address _____ Hops _____

IP Network Address _____ Hops _____

IP Network Address _____ Hops _____

Be sure to add IP network addresses and hops for other specified gateways.

NODE WORKSHEET

GATEWAY-HALF NODE INTERNET ROUTING TABLE

NAME OF GATEWAY-HALF NODE:

IP ADDRESS:

NETWORK NAME:

CONNECTED GATEWAY-HALF NODE/ IP ADDRESS	GATEWAY-HALF LINK NAME	DESTINATION NETWORKS/ IP ADDRESSES	HOP COUNT

GATEWAY-HALF LINK CONFIGURATION SCREENS

GLOBAL TRANSPORT CONFIGURATION (NETXPORT.GLOBAL) Fig. 8-4, p. 8-7

Home Network Name _____

Enter the name of a network the node belongs to; the node must have a corresponding LAN or Router NI name configured. Refer to the appropriate maps. If the node belongs to more than one network, the home network should be the one that will allow the greatest number of destination networks a short return path to the node.

LINK CONFIGURATION (LINKCONF) Fig. 7-1,p. 7-4

Link Name _____

Assign a link name that is eight alphanumeric characters or fewer; the first character must be alphabetic. Refer to Gateway-Half Link Map.

Type: ASNP, LAP-B, BSC Circle one.

ASNP LINK DATA (LINKCONF.*linkname*) Fig. 7-10,p. 7-27

Logical Device _____

The ldev number that will be configured in SYSDUMP.

OR

LAP-B LINK DATA (LINKCONF.*linkname*) Fig. 7-7,p. 7-19

Logical Device _____

The ldev number that will be configured in SYSDUMP.

Local Mode (5=DTE, 6=DCE, 11=HP Point to Point) _____

If one side of a link is configured with DTE, the other side must be configured with DCE. If HP Point to Point is used, both sides must be configured as HP Point to Point. You need to write down this information on a separate sheet of paper to make sure you correctly configure LAP-B links.

OR

BISYNC LINK DATA (LINKCONF.*linkname*) Fig. 7-4,p. 7-11

Logical Device _____

The ldev number that will be configured in SYSDUMP.

GATEWAY-HALF LINK CONFIGURATION SCREENS (cont'd)

GATEWAY-HALF NETWORK INTERFACE LINKS (NETXPORT.NI.*niName*.LINK) Fig. 11-6,p. 11-16

Type _____

DD--Direct Dial, or DC--Direct Connect

GATEWAY-HALF DIAL LINK CONFIGURATION (NETXPORT.NI.*niName*.LINK.*linkname*) Fig. 11-8,p. 11-19

Gateway Phone _____

The phone number of the remote gateway-half node.

Security String _____

Security String of the remote gateway-half node.

OR

DIRECT CONNECT CONFIGURATION (NETXPORT.NI.*niName*.LINK.*linkname*) Fig. 11-7,p. 11-17

No fields required to configure.

GATEWAY-HALF NETWORK INTERFACE CONFIGURATION (NETXPORT.NI.*niName*) Fig. 11-1,p. 11-3

Idle Device Timeout Value (Minutes) _____

For dial links, this is the number of minutes a device can remain idle (no traffic) before shutting down. A value of zero will disable the the idle device timer for all devices on this network interface. (Enter 0 for Direct Connect links.)

IP PROTOCOL CONFIGURATION (NETXPORT.NI.*niName*.PROTOCOL.IP) Fig. 11-3,p. 11-7

IP Address _____

Full IP address of the partner gateway-half node (the node connected to the gateway half being configured). Refer to Gateway-Half Link Internet Routing Table.

GATEWAY-HALF LINK CONFIGURATION SCREENS (cont'd)NEIGHBOR GATEWAYS (NETXPORT.NI.*niName*.INTERNET) Fig. 11-9,p. 11-23

Gateway Name _____

Assign a name (maximum eight characters) to a gateway half that is connected to the node by the gateway-half link previously named. Refer to Catenet Map and Gateway-Half Link Map.

NEIGHBOR GATEWAY REACHABLE NETWORKS (NETXPORT.NI.*niName*.INTERNET.*gatewayn*)
Fig. 11-10,p. 11-24

Neighbor Gateway IP Internet Address _____

Full IP address of the gateway node named above. Refer to Gateway-Half Link Internet Routing Table. This address will match the address configured in the IP Address field listed above.

IP Network Number

_____ (1)

_____ (2)

_____ (3)

_____ (4)

The IP addresses of all reachable networks in the catenet, through the gateway node named above. Refer to Gateway-Half Node Internet Routing Table. On the actual screen, you also will need to fill out a node portion for each IP Network Number, even though the node portion is ignored. You can simply enter zeros for these node portions.

Hops

_____ (1)

_____ (2)

_____ (3)

_____ (4)

Refer to Gateway Half Node Internet Routing Table for Hop Count. The numbers in parentheses correspond to the numbers regarding IP network numbers.

SUBSEQUENT GATEWAY-HALF NODES

Home Network Name _____

Link Name _____

Type = ASNP, LAP-B or BSC Circle one.

Logical Device _____

DTE/DCE for LAP-B _____

Is link Direct Dial or Direct Connect _____

If Dial, phone number of remote gateway-half node _____

If Dial, security string of remote gateway-half node _____

Idle Device Timeout Value _____

IP Address of partner gateway half

Gateway name _____

Neighbor Gateway IP Internet Address

IP Network Address _____ Hops _____

IP Network Address _____ Hops _____

IP Network Address _____ Hops _____

IP Network Address _____ Hops _____

SUPPORTED MODEMS

APPENDIX

B

The following modems are supported for NS Point-to-Point 3000/V links:

Line speed (bits/sec)	Modem	Link Protocol
4800	AT&T 2248A	LAP-B
4800	AT&T Dataphone 4800 or AT&T 208B-compatible modems	BSC
9600	CODEX 2640	LAP-B
56000	GTE L500A DSU	LAP-B

AT&T 2248A is the only modem supported for use with LAP-B over full-duplex dial links. Autodial capability is supported by the Bell 801C Auto Call Unit.

The following modems are supported for Asynchronous SERIAL Network links, which use the ASNIP protocol:

Line speed	Modem
1200	Hayes 1200 (HP 92005A) or any other 1200 baud modem that is ATP-compatible
2400	Hayes 2400 (HP 92005B)
2400	U.S. Robotics Courier 2400
1200	HP Remote Support Link modem (HP 37212A or HP 37212B)
9600	Hayes 9600 (HP 92005C)

Autodial capability is supported by the Hayes and U.S. Robotics modems. To use autodial, Hayes 1200 baud modems and U.S. Robotics Courier 2400 modems must use the switch settings shown in Figure B-1; the Hayes 2400 and Hayes 9600 baud modems must receive the commands shown in Figure B-2.

For modem settings for manual dial links, refer to the documentation provided with your modem.

**HAYES SMARTMODEM 1200/U.S. ROBOTICS COURIER
2400 for Asynchronous SERIAL Network Link**

Switch	Setting	Meaning
Switch 1	UP	Supports RS-232C DTR lead
Switch 2	DOWN	Digit result codes
Switch 3	DOWN	Result codes displayed
Switch 4	DOWN	No echo unless half-duplex is selected and modem is on-line
Switch 5	DOWN	Modem will not auto answer a call
Switch 6	UP	Reads status of the RS-232C Carrier Detect lead (Carrier Detection enabled)
Switch 7	UP	Setting for single line telephone installations connected to an RJ 11 jack
Switch 8	DOWN	Enables modem command recognition
Switch 9	UP or DOWN	
Switch 10	UP or DOWN	

Figure B-1. Autodial Switch Settings, Hayes 1200/U.S. Robotics 2400

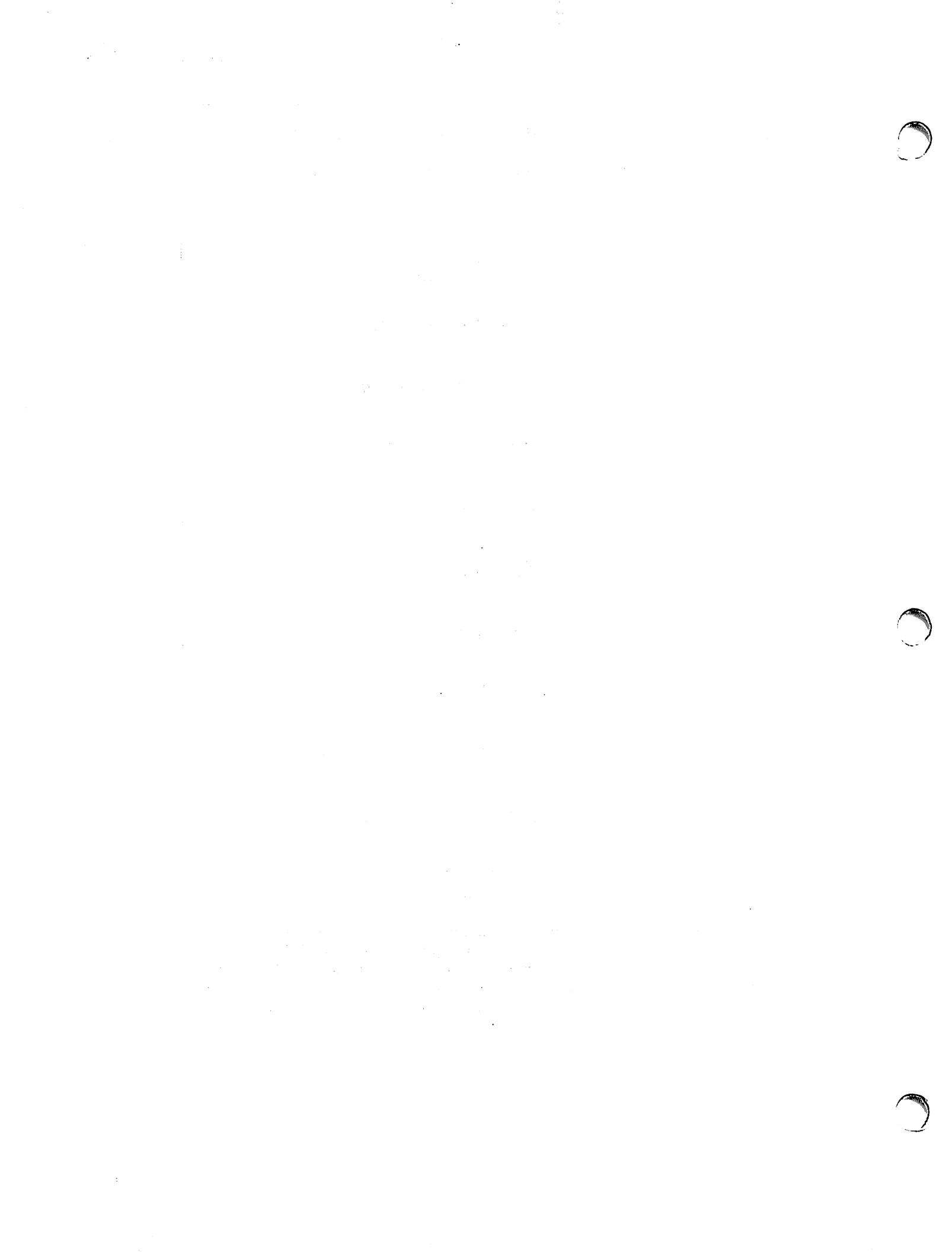
HAYES SMARTMODEM 2400 and 9600 for Asynchronous SERIAL Network Link

<u>Command</u>	<u>Meaning</u>
ATS0=1	Enable auto answer
AT&F	Set to factory setting
AT&C1	Reads status of carrier
AT&D3	Support DTR lead
ATV0	Digit result codes
ATE0	Disable echo
AT&K4	Enable XON/XOFF for 9600 baud
AT&W0	Write active to nonvolatile memory

Figure B-2. Autodial Commands, Hayes 2400 and 9600

NOTE

If a Hayes 9600 Baud modem is used, the Asynchronous SERIAL Network Link must be configured to operate in performance mode with XON/XOFF enabled. Also, the Hayes 9600 baud modem must be set to the factory settings by AT&F command for use with the Asynchronous SERIAL Network Link. Only those parameters specified in Figure B-2 should be modified for this modem.



CONVERTING CONFIGURATION FILES

APPENDIX

C

NMMGRVER.PUB.SYS is a conversion program that enables earlier versions of subsystems to be used with the current version of NMS.

You need to convert files if you open an existing configuration file while using NMMGR and receive this message:

```
Version mismatch found on specified subsystem. Please run NMMGRVER.  
                                                (NMGRERR 53)
```

Also, you need to convert files if you are performing NETCONTROL and receive the following class 2 logging message at the console:

```
Bad CONFIG File Version
```

USING THE CONVERSION PROGRAM

To use this, do the following:

1. Make a backup copy of the existing configuration files before proceeding.

2. Execute NMMGRVER.PUB.SYS by entering:

```
:RUN NMMGRVER.PUB.SYS
```

```
NMS Configuration File Conversion Utility 32099-11018 A.02.00  
(C) Hewlett-Packard Co. 1985
```

3. Respond to the dialogue:

```
Fileset to be scanned?
```

by either pressing the **RETURN** key, which ends the conversion program, or by entering one of the following filesets:

```
filename [.groupname [.acctname]]  
file prefix @ [.groupname [.acctname]]  
@ [.groupname [.acctname]]  
@.@ [.acctname]  
@.@.@
```

Converting Configuration Files

NMMGRVER searches for files of type NCONF in the specified fileset. For each file found, it asks:
OK to convert filename.groupname.acctname?

Enter either Y for yes or N for no.

Pressing the **(RETURN)** key is the same as entering N for no.

4. Continue to enter either Y, N, or **(RETURN)** until you have converted all files.
5. Use NMMGR (A.02.00) for configuration, if needed.

PC-TO-HP 3000 COMMUNICATION

APPENDIX

D

This appendix summarizes the tasks required to connect personal computers (PCs) to HP 3000s over ThinLAN/3000, StarLAN/3000, StarLAN 10 3000/V, and Asynchronous SERIAL networking links. Connecting PCs and HP 3000s over these links enables PC users to take advantage of Hewlett-Packard software products that make resources and programs operating on the HP 3000 available to PCs. For full details about the HP 3000 tasks that this appendix summarizes, read and follow the instructions given earlier in this manual.

NOTE

This appendix discusses the tasks required for the configuration of an HP 3000 connected to a PC workstation over a ThinLAN/3000, StarLAN/3000, StarLAN 10 3000/V or Asynchronous SERIAL Network Link. For workstation configuration tasks, refer to either the *PC Workstation Configuration Guide for LANs -- HP OfficeShare Network* (part no. 50929-90001) or the *SERIAL Network Guide -- HP OfficeShare Network* (part no. 50930-90000). For PC server configuration tasks, refer to the *PC Server Guide for LANs -- HP OfficeShare Network* (part no. 50925-90000).

The procedures summarized in this appendix will normally be completed by the individual responsible for managing the networking capabilities of the HP 3000--usually the HP 3000 network manager or HP 3000 system manager. The actual titles and responsibilities of people at your installation may differ from those used here.

Your HP systems engineer may already have completed some or all of these procedures for your network installation. Consult your systems engineer to determine which tasks, if any, already have been completed.

REQUIREMENTS FOR HP OFFICESHARE NETWORK LINKS

This section describes the hardware, software, and additional publications you will need to install and configure a personal computer connected to an HP 3000 with ThinLAN/3000, StarLAN/3000, StarLAN 10 3000/V, or Asynchronous SERIAL Network Links.

Software Required

Resource Sharing and virtual terminal access require several Hewlett-Packard software packages. The following lists indicate the software required for different uses of PCs and HP 3000s.

HP 3000 Server Software

An HP 3000 is used as a server with Resource Sharing to provide shared discs, shared printers, and an HP 3000 backup facility. The following software is required for the HP 3000:

- Expanded System Table Microcode (except for the Series 37)
- MPE V/E (UB-Delta-1 MIT) Operating System or later version for ThinLAN; UB-Delta-1 MIT or later for StarLAN or StarLAN 10.
- NS3000/V Network Services or the services software included with either ThinLAN/3000 Link, StarLAN 10 3000/V Link, or StarLAN/3000 Link.
- Productivity Services/3000 Resource Sharing

HP 3000 Host Software

An HP 3000 is used as a host over ThinLAN/3000 Link, StarLAN/3000 Link, StarLAN 10 3000/V Link, or Asynchronous SERIAL Network Link for products such as Information Access and AdvanceMail. The following software is required on the HP 3000 when operating as a host over these links:

- Expanded System Table Microcode (except for the Series 37)
- MPE V/E (UB-Delta-1 MIT) Operating System or later version for ThinLAN, StarLAN, and StarLAN 10 (Note: If AdvanceLink is the only host-to-PC product in use, the U-MIT version of MPE V/E is acceptable.) For SERIAL, UB-Delta-3 MIT or later is needed.
- NS3000/V Network Services or the services software included with either ThinLAN/3000 Link, StarLAN/3000 Link, StarLAN 10 3000/V Link, or Asynchronous SERIAL Network Link.

Software for a PC Workstation Using Server Resources

A PC used as a workstation on the network can use the network to perform certain tasks. The following software is required for the PC if it is using a PC server's or HP 3000 server's shared resources:

For ThinLAN

- Version 3.1, 3.2 or 3.3 (the latest version available for your computer is recommended) of the DOS operating system and utilities, and
- Version A.03.00 or later of the HP ThinLAN User Link Software for Vectra/IBM PCs or Version A.03.00 or later of the HP ThinLAN User Link Software for Touchscreen PCs

For StarLAN

- Version 3.1, 3.2 or 3.3 (the latest version available for your computer is recommended) of the DOS operating system and utilities, and
- Version A.01.00 or later of the HP StarLAN User Link Software for Vectra/IBM PCs

For StarLAN 10 3000/V

- Version 3.1, 3.2 or 3.3 (the latest version available for your computer is recommended) of the DOS operating system and utilities, and
- Version A.03.00 or later of the HP StarLAN User Link Software for Vectra/IBM PCs

For SERIAL

- Version 3.1, 3.2 or 3.3 of the DOS operating system and utilities.
- Version A.01.00 or later of the HP SERIAL Network User Link Software for Vectra/IBM PCs or Version A.03.00 or later of the HP SERIAL Network User Link Software for Touchscreen PCs (Note: HP 150 Touchscreen PCs are not supported for use with HP 2334s on the SERIAL Link.)

Software for a PC Workstation Used as a Terminal

A PC workstation can use AdvanceLink to communicate with an HP 3000 host computer as though the workstation were a terminal connected to the HP 3000 by RS-232 cable. When used as a terminal, the following software is required for the PC:

For ThinLAN

- Version 3.1, 3.2 or 3.3 (the latest version available for your computer is recommended) of the DOS operating system and utilities
- Version A.03.00 or later of the HP ThinLAN User Link Software for Vectra/IBM PCs or Version A.03.00 or later of the HP ThinLAN User Link Software for Touchscreen PCs

PC-To-HP 3000 Communication

- Version A.03.02 or later of the HP AdvanceLink (for HP Touchscreen PCs) or HP AdvanceLink 2392 (for HP Vectra PCs and IBM PC/XT/ATs).

For StarLAN

- Version 3.1, 3.2 or 3.3 (the latest version available for your computer is recommended) of the DOS operating system and utilities
- Version A.01.00 or later of the HP StarLAN User Link Software for Vectra/IBM PCs
- HP AdvanceLink 2392 (for HP Vectra PCs and IBM PC/XT/ATs).

For StarLAN 10 3000/V

- Version 3.1, 3.2 or 3.3 (the latest version available for your computer is recommended) of the DOS operating system and utilities
- Version A.03.00 or later of the HP StarLAN User Link Software for Vectra/IBM PCs
- HP AdvanceLink 2392 (for HP Vectra PCs and IBM PC/XT/ATs).

For SERIAL

- Version 3.1, 3.2 or 3.3 of the DOS operating system and utilities.
- Version A.01.00 or later of the HP SERIAL Network User Link Software for Vectra/IBM PCs or Version A.03.00 or later of the HP SERIAL Network User Link Software for Touchscreen PCs.
- Version A.03.02 or later of the HP AdvanceLink (for HP Touchscreen PCs) or HP AdvanceLink 2392 (for HP Vectra PCs and IBM PC/XT/ATs).

NOTE

A PC being used as both a terminal and as a workstation sharing a server's resources requires the software listed under "For a PC Workstation Used as a Terminal." One copy of DOS and utilities and either HP ThinLAN User Link Software, HP StarLAN User Link Software, or HP SERIAL Network User Link Software is needed for each workstation.

Related Publications

You should refer to the following Hewlett-Packard documentation when configuring a PC workstation or HP 3000:

HP ThinLAN for PCs

- *PC Workstation Configuration Guide for LANs -- HP OfficeShare Network* (part no. 50929-90001)
- *Planning Guide for LANs -- HP OfficeShare Network* (part no. 50929-90000)

HP StarLAN for PCs

- *PC Workstation Configuration Guide for LANs -- HP OfficeShare Network* (part no. 50929-90001)
- *Planning Guide for LANs --HP OfficeShare Network* (part no. 50929-90000)
- *HP 27211A StarLAN Interface Card Installation Guide* (part no. 27211-90010).

HP StarLAN 10 for PCs

- *PC Workstation Configuration Guide for LANs -- HP OfficeShare Network* (part no. 50929-90001)
- *Planning Guide for LANs --HP OfficeShare Network* (part no. 50929-90000)
- *HP 27211A StarLAN Interface Card Installation Guide* (part no. 27211-90010).
- *HP 27236A StarLAN 10 Interface Card Installation Guide* (part no. 27236-90001)

HP SERIAL Network

- *SERIAL Network Guide -- HP OfficeShare Network* (part no. 50930-90000)

Resource Sharing

- *Resource Sharing: System Management* (part no. 32597-90001)
- *Resource Sharing: Utilities* (part no. 32597-90002)

NS3000/V Links

- *NS3000/V Network Manager Reference Manual, Volume II* (part no. 32344-90012)

Other HP manuals describe additional products that use the HP 3000 as a host. Consult your HP representative for information on additional products and the publications that describe them.

NOTE

Although this appendix outlines required PC configuration tasks, the tasks are described in detail in only the manuals listed above for HP ThinLAN for PCs, HP StarLAN and StarLAN 10 for PCs and HP SERIAL networks. The specific manual or sections of this manual to which you should refer for more information about a particular task are noted throughout this appendix.

Hardware and Software Installation

Before you can attempt the procedures summarized in this appendix, the installation of certain hardware and software already must be completed on either each PC workstation being configured or on the HP 3000. Before you begin the procedures summarized on the following pages, make sure that:

For HP 3000s

- A hardware card (LANIC for IEEE802.3 networks, ATP for SERIAL networks) is properly installed in the backplane of the HP 3000
- Resource Sharing is installed on the HP 3000, if Resource Sharing will be used.
- (For Resource Sharing only) Public shared discs and shared printers, if applicable, have been set up on the HP 3000 with the RESMGR utility
- Modems for remote HP SERIAL Network Links have been set up.

For PC Workstations

- The network is planned as described in the *Planning Guide for LANs -- HP OfficeShare Network* or the *SERIAL Network Guide -- HP OfficeShare Network*, and a "User Reference Worksheet" has been filled out for each PC workstation.
- The required network hardware is set up, as described in the *Planning Guide for LANs -- HP OfficeShare Network* or the *SERIAL Network Guide -- HP OfficeShare Network*.
- Each PC workstation's software is installed, either on work discs or on a fixed disc, as described in the *Planning Guide for LANs -- HP OfficeShare Network* or the *SERIAL Network Guide -- HP OfficeShare Network*.

If PC servers are also being used as part of the network, they should also be configured before the tasks described in this appendix are begun. For more information on configuring PC servers, refer to the *PC Server Guide for LANs -- HP OfficeShare Network*.

HP 3000 Logon and Shortname Correspondence

The PC network manager and HP 3000 system manager should agree upon HP 3000 account pathnames (user logons, groups, accounts, and access permissions) and corresponding shortnames before the tasks summarized in the following pages are begun.

CONFIGURATION PROCEDURES SUMMARY

The following sections summarize the tasks that must be completed to configure PC workstations and HP 3000s in order to use the HP 3000 as a server to PC workstations (via Resource Sharing), to use HP AdvanceLink, and for other software products that use the HP 3000 as a host.

The configuration tasks can be divided as shown in the table below and as described in the following sections.

Task	Done By	Reference
Configuring the PC workstation with the USRCONFIG utility and loading PC workstation network software	PC network manager	<p><u>For ThinLAN</u>-- PC Workstation Configuration Guide for LANs -- HP OfficeShare Network</p> <p><u>For StarLAN</u>-- PC Workstation Configuration Guide for LANs -- HP OfficeShare Network</p> <p><u>For StarLAN 10</u>-- PC Workstation Configuration Guide for LANs -- HP OfficeShare Network</p> <p><u>For SERIAL</u>-- SERIAL Network Guide -- HP OfficeShare Network</p>
Configuring the HP 3000	HP 3000 network manager	<p>Sections 5-14 of this manual</p> <p><i>Resource Sharing: System Management</i> (for Resource Sharing only)</p>
Assigning HP 3000 Logons	HP 3000 system manager	<p><i>System Operation and Resource Management Reference Manual</i></p>

PC Workstation Configuration

After the HP 3000 has been configured, configure the PC workstation and load PC workstation network software. Refer to the manuals listed above.

Configuring the HP 3000

(HP 3000 network manager)

Two utilities are used to configure the HP 3000: SYSDUMP and NMMGR. SYSDUMP is used to configure the hardware card that has been installed in the backplane of the HP 3000.

NOTE

A hardware card must be installed on the HP 3000 before any further configuration tasks can be performed. Consult your HP 3000 network manager or HP Systems Engineer for more information.

Refer to Section 4 of this volume for instructions on configuring the hardware card with SYSDUMP.

Once the hardware card has been installed, configuring the HP 3000 to support Resource Sharing, AdvanceLink, or other products that use the HP 3000 as a host consists of two main tasks:

- Configuring additional virtual terminals (VTERMs) with the SYSDUMP utility
- Configuring the HP 3000 as part of an NS3000/V network with the NMMGR utility. (Note: this appendix assumes that the HP 3000 has not been previously configured as a node on an NS3000/V network. If the HP 3000 *has* been configured already, some configuration changes may be required. These are noted later in this appendix.)

Configuring Additional Virtual Terminals

To configure additional virtual terminal (VTERM) devices, you must run the HP 3000 SYSDUMP utility. The following paragraphs explain how to determine the number of additional VTERMs needed:

At least one additional VTERM is required for each PC workstation. This includes PCs that are using the HP 3000 as a server, as a host for various application software, and for PCs using AdvanceLink for terminal access to the HP 3000.

You may choose to configure more VTERMs than will be currently required by your network installation so that if PC workstations are later added to the network, you will not always have to reconfigure the number of VTERMs. HP suggests that to allow for your network's future growth, you use a formula such as the following to determine the number of additional VTERMs to configure:

1. Calculate a value based on the number of PCs using the HP 3000 as a server: For the first PC using the HP 3000 as a server, the number of virtual terminals required is 6. Each additional PC using the HP 3000 as a server (via Resource Sharing) requires 1.5 additional VTERMs.

2. Calculate a value based on the number of PCs using AdvanceLink or other software using the HP 3000 as a host: For each PC using AdvanceLink or other software using the HP 3000 as a host, the number of virtual terminals required is 1.
3. Add the values determined in steps 1 and 2, and round up to the next highest whole number if necessary.

For example, if four PC workstations will be using Resource Sharing and two of those will be using AdvanceLink, and a fifth PC will be using only AdvanceLink, you would configure:

4 PCs using Resource Sharing: $6 + 1.5 + 1.5 + 1.5 = 10.5$

3 PCs (total) using AdvanceLink: $1 + 1 + 1 = 3.0$

Total: 13.5

Rounded up = 14 VTERMs

Refer to Section 4 for information on running SYSDUMP for network configuration.

Configuring the HP 3000 Network Configuration File (NSCONF.NET.SYS)

This subsection describes the minimum tasks that must be performed to configure an HP 3000 as a node on an NS3000/V IEEE802.3 network or an NS3000/V Asynchronous SERIAL network. For details, refer to sections 5-10, 14 and 15.

Consult your HP 3000 network manager or your HP systems engineer before attempting the tasks described here.

NMMGR is a screen-based utility. This means that as you press function keys or type in commands, a series of display screens appear at your terminal. Various fields displayed within each screen correspond to configurable items; configuration occurs when values are typed into the fields and recorded.

The following tables contain two types of fields in the Item column. One type is a field that must be user-configured as part of a minimum network configuration as no default value is supplied by NMMGR. However, Guided Configuration enables you to input data for each screen that requires values input by the HP 3000 System Manager. Guided Configuration completely and correctly configures a network for you. The other type of field is a field for which a default value is provided, but which can be modified by the HP 3000 System Manager to meet the needs of the network. The Requirement Status field indicates whether the parameter in the Item field has a default value or requires that a be input by the HP 3000 System Manager. The screen on which an item appears is listed in the Screen column.

To reach screens not visited by guided configuration, you need to use manual configuration. See Section 5 for details.

NOTE

If your HP 3000 is already part of an NS3000/V network, you may have to alter some fields in the following tables, but you will not need to configure the HP 3000 node name, IP address, or LDEV number, as they will have been configured already.

Internet screens and LAN mapping screens are not shown in the table because they are not necessary for this discussion of PC-to-HP 3000 communication. However, when configuring the HP 3000 as part of a LAN, mapping must be configured about any nodes on the LAN that do not support the Probe Protocol (e.g. non-HP 3000 nodes). Internet routing screens, no matter what network type, must be visited if you want the HP 3000 to be able to communicate with other networks that are part of the same catenet. See sections 9 and 10 for more information.

Also, the Probe Protocol screen is not included in the LAN table. This screen, described in detail in Section 9, is used when you want to configure an HP 3000 as a proxy server containing directory information about all nodes in the catenet.

The term "node name" in this appendix has the same meaning as "computer name" in HP networking PC manuals.

For ThinLAN, StarLAN, and StarLAN 10 Networks

Screen	Item	Requirement Status
GUIDED NETWORK INTERFACE CONFIGURATION	Network interface name.	Required.
NODE NAME CONFIGURATION	HP 3000 node name.	Required. Keep track of this node name, including its <i>domain</i> and <i>organization</i> fields, because you will need it during configuration of a PC workstation with the USRCONFIG utility.
LINK CONFIGURATION	Link Name.	Required.
LINK CONFIGURATION: IEEE 802.3 LINK DATA	LANIC card's LDEV number.	Required.
IP PROTOCOL CONFIGURATION	HP 3000 IP address.	Required.

For ThinLAN, StarLAN, and StarLAN 10 Networks (continued)

Screen	Item	Requirement Status
GLOBAL TRANSPORT CONFIGURATION	Maximum directly connected nodes and maximum inbound destinations. (Values for these fields should be greater than or equal to the number of nodes, including PC workstations and PC servers, in the network.)	Use the default unless number of network nodes (including PC workstations and servers) exceeds 100.
TRANSMISSION CONTROL PROTOCOL (TCP) CONFIGURATION	Maximum number of connections.	Use the default unless maximum number of connections in use at one time will exceed 128 (the default). This value should allow for two connections for each concurrent usage of Resource Sharing and one connection for each concurrent usage of other network applications and services.
LAN802.3 NETWORK INTERFACE CONFIGURATION	Maximum number of nodes in network (to include all PC workstations and servers). Number of outbound buffers.	Use the default unless number of nodes in network exceeds 100 (the default). Use the default unless maximum number of connections configured in TRANSMISSION CONTROL PROTOCOL (TCP) CONFIGURATION screen is greater than 128.

For SERIAL Networks

Screen	Item	Requirement Status
GUIDED NETWORK INTERFACE CONFIGURATION	Network Interface Name.	Required.
NODE NAME CONFIGURATION	HP 3000 node name.	Required. Keep track of this node name, including its <i>domain</i> and <i>organization</i> fields, because you will need it when you configure the PC workstation with the USRCONFIG utility.
LINK CONFIGURATION SCREEN	Link Name.	Required.
LINK CONFIGURATION: ASNP LINK DATA	<p>Logical Device (LDEV) number.</p> <p>Subtype (hardwired, modem, European modem).</p> <p>If HP 2234s are used, XON/XOFF Flow Control must be set to Y.</p>	<p>Required.</p> <p>Check that the default is correct for your implementation.</p>
ROUTER NETWORK INTERFACE LINKS	<p>Link name and link type to be established between the HP 3000 and the PC workstation. NMMGR offers three options to indicate the type of link to be established: Direct Connect, Shared Dial, and Direct Dial.</p>	<p>Required. This value must also be entered in the USRCONFIG utility.</p>
IP PROTOCOL CONFIGURATION	HP 3000 IP address.	Required.

For SERIAL Networks (continued)

Screen	Item	Requirement Status
GLOBAL TRANSPORT CONFIGURATION	Maximum directly connected nodes and maximum inbound destinations. (Values for these fields should be greater than or equal to the number of nodes, including PC workstations and PC servers, in the network.)	Use the default unless number of network nodes (including PC workstations and servers) exceeds 100.
TRANSMISSION CONTROL PROTOCOL (TCP) CONFIGURATION	Maximum number of connections.	Use the default unless maximum number of connections in use at one time will exceed 128 (the default). This value should allow for two connections for each concurrent usage of Resource Sharing and one connection for each concurrent usage of other network applications and services.
DIAL ID PROTOCOL CONFIGURATION	YES/NO decision for an HP 3000 security string.	If you want a security string, enter yes. If you do not want a security string, enter no. The YES or NO entry must also be entered in the SERIAL USRCONFIG utility.
SECURITY STRING(S) CONFIGURATION	HP 3000 security string.	Required if the Security On Field has been set to YES.

For SERIAL Networks (continued)

Screen	Item	Requirement Status
ROUTER MAPPING CONFIGURATION	Node name of the PC workstation (or a name to represent a route to the PC workstation.)	Required for NMMGR. The actual nodename of the workstation is required in the USRCONFG utility.
ROUTER REACHABLE NODES	The IP address of the PC workstation. Link Name. Entry priority.	Required. This value must also be entered in the USRCONFG utility. Required. Use default unless more than one phone number has been allocated to a single IP address.

NOTE

An HP 3000 on a SERIAL network also must have a network directory configured. On an IEEE802.3 network, a directory needs to be configured only if the HP 3000 will be a proxy server. Section 15 describes the network directory. The network directory must contain the node name of each PC connected to an HP 3000, as well as the proper IP address associated with the PC.

For information on configuring additional items, as well as complete information on configuring with NMMGR, refer to sections 5-15.

For information on configuring the HP 3000 as a node on the network in order to operate Resource Sharing, refer to *Resource Sharing: System Management*.

Assigning HP 3000 Logons

(HP 3000 system manager)

For each PC user using AdvanceLink or AdvanceLink 2392 for HP 3000 access, the HP 3000 System Manager should assign a user logon. Refer to the *System Operation and Resource Management Reference Manual* for information about assigning user logons.

For each PC user using Resource Sharing, assign Resource Sharing automatic logons with the RESMGR utility. Refer to *Resource Sharing: Utilities* for more information.

The configuration of PC user logons may vary for different application software products. Refer to the documentation provided for a particular product for information about logon configuration.



DS vs NS INP Configuration

APPENDIX

E

The SYSDUMP items described in the following table used to configure an INP for a DS point-to-point link must be examined for consistency with NS if you choose to use the same INP for an NS point-to-point link. Note that some values entered in SYSDUMP are overridden in NMMGR for an NS link.

Table E-1. DS vs NS INP Configuration

Item in SYSDUMP	DS Default	NMMGR (NS) Default	NMMGR Screens, Fields, and Comments
Subtype	none	-	Not configurable. NMMGR overrides any value entered in SYSDUMP
Receive Timeout	20 sec.	-	Not configurable (usually overridden by subsystem)
Local Timeout	60 sec.	60 sec. (for LAP-B) BSC not configurable	Local timeout field on LAP-B Link Data screen
Connect Timeout	300 sec. for dial links, 120 for non-dial links	900 sec. (for LAP-B and BSC)	Connect Timeout field in LAP-B Link Data screen, or BSC Link Data screen
Speed Changeable	none	none	For NS links must enter <u>YES</u> in SYSDUMP.
Dial Facility	none	autodial (LAP-B & BSC)	Manual or Autodial field in LAP-B Link Phone Data screen, or BSC Link Phone Data screen.
Transmission Mode	none	-	Not configurable. Hard-coded: LAP-B: full duplex BSC: half duplex
Transmission Speed	none; value is specified in bytes/second	9600 bits/second	Line speed in bits/second field LAP-B Link Data screen, or BSC Link Data screen

Table E-1. DS vs NS INP Configuration

Item in SYSDUMP	DS Default	NMMGR (NS) Default	NMMGR Screens, Fields and Comments
Phonelist/ Phone Number	none	none	Phone Number field in Router Reachable Nodes screen or Gateway Dial Link Configuration screen.
Local/Remote ID Sequence	none	none	Security String field in Router Reachable Nodes screen, or Gateway Dial Link Configuration screen. For an INP used both as a DS and a NS link, local/remote ID sequences are ignored by NS but are still valid for DS.
Virtual terminal configured for INP DRT#	none	none	For NS links, back reference to the console. Do not back reference to a DS link INP.

GLOSSARY

A

address - in networking, a numerical identifier defined and used by a particular protocol and associated software to distinguish one node from another.

address resolution - in NS networks, the mapping of node names to IP addresses and the mapping of IP addresses to subnet addresses.

adjacent - describes a node on a router network that is connected to another node by a single link, with no intervening nodes.

Advanced Terminal Processor (ATP) - a hardware card that fits into the backplane of the HP 3000 and that provides a physical layer interface for Asynchronous SERIAL Network Links.

Asynchronous Serial Network Protocol (ASNP) - a Data Link Layer protocol used for Asynchronous SERIAL Network Links.

ASNP - see **Asynchronous Serial Network Protocol**

ATP - see **Advanced Terminal Processor**

autodial - describes a dial link in which the remote node's telephone number is automatically dialed by modem or other device with this capability.

AUI cable - Attachment Unit Interface cable, a cable joining the LANIC to the MAU (Media Attachment Unit) for coaxial cable IEEE 802.3 local area network links.

B

Bisynchronous Communication protocol - see **BSC protocol**.

boundary - see **network boundary**.

broadcast - a method of communication in which all nodes on the network share the same communications channel (referred to as the communications bus). Messages are transmitted to all nodes on the same bus at the same time. IEEE 802.3 networks are broadcast networks.

brother branching - the process of proceeding to another screen in NMMGR by using the NEXT command. The screen displayed after entering NEXT will be one on the same hierarchical level as the current screen in the configuration tree structure.

BSC protocol - a data link layer protocol that can be used over NS Point-to-Point 3000/V Links that use dial links (switched lines). BSC is an acronym for the Bisynchronous Communication protocol.

buffer - a logical grouping of a system's memory resources used by NS3000/V.

C

catenet - a group of computer networks that are connected to one another.

Catenet Administrator - the person having responsibility for coordinating network management tasks among all networks in the catenet.

catenet lifecycle - see **lifecycle, network/catenet**

central administrative node - a node designated as the node in the catenet to be the first one updated with new or changed internet routing and network directory information about any other nodes in the network.

Communications Services (CS/3000) - software included with NS3000/V links that provides some diagnostic and link management software.

computer name - term used in some HP networking documentation to refer to node name. (See **node name**.)

computer network - a group of computer systems connected in such a way that they can exchange information and share resources.

configuration - the process of defining the characteristics of the network in software. Two kinds of configuration must be performed for each node in an NS3000/V network: system configuration, accomplished with the SYSDUMP utility, and network configuration, accomplished with the NMMGR utility.

CSLIST - a utility that lists version numbers for the software modules of the CS/3000 subsystem, and provides information on the INP and LANIC download files.

CSDUMP - A utility that formats files created by the CSTRACE utility, which traces link activities.

D

DADCONF.PUB.SYS configuration file - a file that must be installed to allow initialization of purchased network services. This file must be created after system configuration has occurred, and the SYSDUMP tapes are loaded, and before network configuration with NMMGR.

data screen - a type of screen displayed by NMMGR that allows you to configure data.

Dial ID protocol - a proprietary Hewlett-Packard protocol that provides security checking and address exchange for dial links.

dial link - a connection between network nodes made through public telephone lines.

direct path branching - the process of proceeding from screen to screen in NMMGR by entering path names in the Path: field.

directly connected - describes nodes that are members of the same network.

distributed network - a computer network in which connected systems are independent and equally in control of the network's operation.

DSLIS - a utility that lists the version numbers of software modules that are part of the DS subsystem of NS3000/V.

DSDUMP - a utility that can format link trace files created with CSTRACE. Formatting with DSDUMP rather than CSDUMP provides more information on the data link and network level activities when the BSC or DS X.25 protocols are in use.

DSM - the INP Diagnostic Support Monitor, a utility used to test INP cards.

driver - software that controls I/O devices, including NS3000/V links.

E

entry, network directory - the data in a network directory that consists of a node's name and its path report list.

entry priority - the ranking used to identify the most desirable to the least desirable routes used to reach a given remote node from a given local node in a router network.

environment - a session established on a remote node.

F

full gateway - a node that is a member of more than one network. Because it is a member of more than one network, the node can pass messages from one network to another.

G

gateway - a node that can provide communication between networks. A gateway can be either a full gateway or a gateway half.

gateway half - a node that, in conjunction with another node on another network, performs the function of a gateway. Together, two gateway halves can link two networks in the same catenet.

gateway half link - A link that joins two nodes that form a gateway half pair. The link must be configured as the link used for the gateway half network interface at each of the two nodes. The NS Point-to-Point 3000/V Link and the Asynchronous SERIAL Network Link can be used as gateway half links.

gateway half pair - a set of two nodes that are joined by a gateway half link. Each node in the pair must have a gateway half network interface configured, using that link.

gateway node - a node used to connect networks in the same catenet. To be a gateway node on an NS3000/V network, a node must be configured as part of more than one network, or must be configured as a gateway half in conjunction with another gateway half node on another network.

general protocols - protocols used by an NS3000/V node regardless of link type: these are the IPU (IP Update), TCP, and PXP protocols.

global entry - a network directory entry that can be merged into other directories, and that can therefore be used by other nodes in the network.

Guided Configuration - a method of configuring a node in which a subset of the complete NMMGR interface is presented, and in which defaults of configurable values are used automatically.

H

hop count - see **internet hop count** and **intranet hop count**.

I

IEEE 802.3 - a standard for a broadcast local area network published by the Institute for Electrical and Electronics Engineers (IEEE).

IEEE 802.3 networks - networks whose operation is based on the IEEE 802.3 standard for local area networks. ThinLAN/3000, LAN3000/V, and StarLAN/3000 are NS3000/V links that can be used to create IEEE 802.3 networks.

inbound - pertaining to data being received at a given node.

INPDPAN - INP Dump Analysis, a utility that generates a formatted dump of an INP log file. An INP log file is generated when an error occurs; it contains the contents of the INP memory.

Intelligent Network Processor (INP) - a hardware card that fits into the backplane of the HP 3000 and provides a physical layer interface for NS Point-to-Point and NS X.25 3000/V Links. The INP is also used for DS links; however, a single INP cannot provide an interface for an NS link and a DS link concurrently, unless the Software Switch is used.

internet communication - communication that occurs between networks.

Internet Protocol (IP) - a protocol used to provide routing among different networks in the same catenet, as well as among nodes in the same router network. The Internet Protocol corresponds to layer 3, the Network Layer, of the OSI model.

internet hop count - the number of gateways that are used to route a message to its destination network.

intranet communication - communication that occurs between nodes in a single network.

intranet hop count - the number of intermediate nodes that lie between a source and destination node on the same router network.

IP address - an address used by the Internet Protocol to perform internet routing, and used to provide intranet addresses in NS3000/V router networks.

IP - see **Internet Protocol**.

IPC line test - a software program that tests whether the Network Transport is operating correctly.

L

LANDPAN - LANIC Dump Analysis, a utility that generates a formatted dump of a LANIC log file. The LANIC log file is produced when an error occurs; it contains the contents of the LANIC memory.

LANIC - see **Local Area Network Interface Controller**

LANIC Self-Test - a ROM-based program on the LANIC card that tests and reports the status of LANIC hardware.

LANDIAG - LAN Node Diagnostic, an interactive utility designed to help identify malfunctioning hardware components of the LAN3000/V Link.

LAP-B (Link Access Procedure, Balanced) protocol - a data link layer protocol that can be used by NS Point-to-Point and NS X.25 3000/V Links. LAP-B must be used over direct-connect NS Point-to-Point or NS X.25 3000/V Links.

leased line - data-grade telephone lines leased directly to a subscriber and allocated specifically for the subscriber's needs.

lifecycle, network/catenet management - the stages of development of a network or catenet. The four stages consist of design, implementation, operation, and tuning and growth.

line speed - a measure of the rate at which data passes through a physical link (usually measured in bits or kilobits per second).

link product - one of the NS3000/V Links: the NS Point-to-Point 3000/V Link, the NS X.25 3000/V Link, the ThinLAN/3000 Link (including the LAN3000/V thick cable option), and the Asynchronous SERIAL Network Link. Each link product consists of software and hardware that together perform the functions of layers 1 through 4 of the OSI 7-layer networking model.

Link Support Services - an NS3000/V software subsystem that opens, closes, and otherwise controls physical links.

Local Area Network Interface Controller (LANIC) - a hardware card that fits into the backplane of the HP 3000 and provides a physical layer interface for IEEE 802.3 local area networks.

local entry - a network directory entry that cannot be distributed to other nodes in the network.

local node - the node (computer that is part of a network) that you are currently using or referring to.

logging - the process of recording the usage of network resources. NS3000/V logging is performed at three levels: network, event, and link levels.

log class - a designation indicating the subset of information that will be logged.

loopback - the routing of messages originating from a node to that node itself.

M

manual dial - describes a dial connection in which the remote node's telephone number must be physically entered by someone such as the system operator.

map, catenet or network - a drawing of a network or catenet that shows its topology, node and network names, addresses, network boundaries (for a catenet map), and link types.

mapping - A set of characteristics that describe a route taken by messages to reach a destination node. This set of characteristics is configured with NMMGR at every node on a router network. One mapping is configured at each node for every other node on the network to which messages will be sent.

MAU - Media Attachment Unit, a device attached to a coaxial cable for a LAN3000/V Link. The MAU provides physical and electrical connection from the AUI cable to the coaxial cable.

menu screen - a type of screen displayed by NMMGR that allows you to select an NMMGR function, such as proceeding to a certain configuration branch, refreshing the screen display, or returning to the previously displayed screen.

MPE-V - Multiprogramming Executive V, the operating system of Series 37 through 70 HP 3000s and MICRO 3000s. NS3000/V operates in conjunction with the MPE-V operating system.

N

name - In the context of NS3000/V networks, a name is a character string used to identify some portion or component of a network or catenet.

neighbor gateway - a gateway that is in the same network as a given node.

neighbor node - a node that is in the same network as a given node.

NetIPC - Network Interprocess Communication, software that enables programs to access network transport protocols.

network - see computer network.

network address - the network portion of the IP address. The IP address consists of a network portion and a node portion.

network architecture - the plan that defines the characteristics and interactions of the hardware and software used to create a network.

network boundary - the logical division between networks in a catenet.

network directory - a file containing information required for one node to communicate with another node in the catenet. The active network directory on a node must be named NSDIR.NET.SYS.

network interface - the collective software that provides an interface between a system and a network. A node will possess a network interface for each of the networks to which it belongs, and for each of the gateway half links of which it is a part.

network management - the collective tasks required to design, install, configure, maintain, and if necessary, change a network.

network management lifecycle - see *lifecycle*, *network/catenet*

network manager - the person responsible for performing and coordinating network management tasks for an entire network.

Network Transport - software that corresponds to layers 3 and 4 of the OSI network architecture model. The function of this software is to send data out over the appropriate communications link, and to receive incoming data, and to route the incoming or outgoing data to the appropriate destination node.

NFT - Network File Transfer, the Network Service that transfers disc files between nodes on the network.

NMCONFIG.PUB.SYS configuration file - The configuration file containing information needed for link level and NetIPC logging.

NMDUMP - a utility used to format log and trace files.

NMMAINT - a utility that lists the software module version numbers for all HP AdvanceNet products, including NS3000/V.

NMMGR - see *Node Management Configurator*

node - a computer that is part of a network.

node address - the node portion of the IP address, which consists of a node portion and a network portion.

Node Management Configurator (NMMGR) - an NS3000/V software subsystem that enables you to configure each node on a network.

Node Management Services - an NS3000/V software subsystem that provides configuration file version checking and logging.

Node Manager - the person responsible for performing network management tasks for a node on a network.

node name - a character string used to identify each system that is a node in a network or catenet. Each node name in a network or catenet must be unique; however, a single node can be identified by more than one node name.

non-adjacent - describes a node on a router network that is separated from a given node by intervening, or intermediate nodes.

NSCONF.NET.SYS - Default name, and name recommended by HP for the network transport configuration file residing on each node. This name is used throughout the *NS3000/V Network Manager Reference Manual* to refer to this configuration file.

NSDIR.NET.SYS - Name of the active network directory file. For convenience, this name is used throughout the *NS3000/V Network Manager Reference Manual* to refer to the network directory file.

NS3000/V - a Hewlett-Packard data communications product that provides networking capabilities for HP 3000 minicomputers. NS3000/V also provides communication between HP 3000s and other types of computers.

NS3000/V Network Services - software applications that can be used to access data, initiate processes, and exchange information among nodes in the network. The services are: RPM, VT, RFA, RDBA, NFT, and PTOP.

NS3000/V Link - software and hardware that provides the connection between nodes on a network. Four NS3000/V links are available: the NS Point-to-Point 3000/V Link, the NS X.25 3000/V Link, the ThinLAN/3000 Link (including the ThickLAN thick cable option), StarLAN/3000 Link, and the Asynchronous SERIAL Network Link.

O

outbound - pertaining to data being sent from a given node.

OSI (Open Systems Interconnection) model - a model of network architecture devised by the International Standards Organization (ISO). The OSI model defines seven layers of a network architecture, each layer performing specified functions.

P

Packet Exchange Protocol (PXP) - a Transport Layer protocol used in NS3000/V links to initially establish communication between nodes when the NetIPC socket registry is used.

partner gateway half - two gateway halves connected by a link and configured to provide communication between two networks are partner gateway halves.

path name - in configuration with NMMGR, a string that can be typed in the "Path:" field of NMMGR display screens that causes another screen to appear. Each screen has a unique path name that corresponds to its location in the hierarchy of configuration screens presented by NMMGR.

path report - a data structure containing name-to-address mapping information for a node, as well as the networking protocols used by the node for its interface to a given network.

path report list - the set of all path reports for a node, which includes path reports for all the networks the node belongs to.

point-to-point network - networks in which messages are transmitted from node to node in the network over a defined route until reaching their destination.

pools - virtual terminals are configured in groups called pools. A pool of virtual terminals is shared by all NS communications devices on a system.

Probe protocol - an HP protocol used by nodes on NS3000/V IEEE 802.3 networks to obtain information about other nodes on the network.

Probe proxy server - a node on an IEEE 802.3 network that possesses a network directory and is therefore used to provide information about nodes on other networks in the catenet to nodes on the IEEE 802.3 network.

protocols - the rules and conventions that define the functions to be performed and the format of messages exchanged by each layer of network architecture.

PTOP - Program-to-Program Communication, the Network Service that allows programs residing on different nodes to exchange information with one another in a master/slave relationship.

PXP - see **Packet Exchange Protocol**.

Q

QuickVal - a software program that tests whether Network Services are operating correctly between nodes.

R

RDBA - Remote Data Base Access, the Network Service that allows users to access data bases on remote nodes.

reachable network - a network that can be accessed (with additional internet hops possibly required) by a particular gateway.

remote node - a node on the network other than the node you are currently using or referring to.

resolution, of names and addresses - see **address resolution**.

RFA - Remote File Access, the Network Service that allows users to access files and devices on remote nodes.

RPM - Remote Process Management, the Network Service that allows a process to programmatically initiate and terminate other processes throughout a network from any node on the network.

router network - one of the types of networks that can be created with NS3000/V link products. Router networks are point-to-point networks. The NS Point-to-Point 3000/V Link and the Asynchronous SERIAL Network Link can be used to create router networks.

routing - the process used to determine the path that packets, or pieces of a message, take through a network or catenet to reach a destination node.

S

security string - an alphanumeric character string that functions as a password for dial links. The security string is used by the Dial ID protocol.

select screen - a type of screen displayed by NMMGR that allows you to select identifiers (such as names) to add, delete, rename, or update.

shared dial - describes a dial link that provides connection to more than one remote system, although to only one at a time.

station address - a link-level address used by the IEEE 802.3 protocol that is assigned to every node on an IEEE 802.3 network.

store-and-forward - a technique in which messages are passed from one node to another in a network to reach their destination. Point-to-point networks use the store-and-forward technique to transmit messages.

subnet - another name for a network, especially if the network is part of a catenet. The word **subnet** is also a synonym for **intranet**.

synchronization - the process of creating and modifying network directories so that all directories in the network or catenet are identical or at least contain the information required for the network to operate as planned.

SYSDUMP - the software program that allows you to perform system configuration on HP 3000s.

system configuration - the means of defining to MPE-V the peripheral devices attached to the HP 3000 for the input and output of data, and the parameters required for system operation.

T

TCP - see **Transmission Control Protocol**.

TERMDSM - a utility used to diagnose problems with the ATP. The ATP is a card installed in the HP 3000 for Asynchronous SERIAL Network links.

topology - the physical arrangement of nodes in a network. Some common topologies are bus, star, and ring.

Transmission Control Protocol (TCP) - a network protocol that establishes and maintains connections between nodes. TCP regulates the flow of data, breaks messages into smaller fragments if necessary (and reassembles the fragments at the destination), detects errors, and retransmits messages if errors have been detected.

U

utility, NMMGR - NMMGR utilities, which are accessed from the UTILITY menu screen, consist of Output Configuration File, Compress, Validate, and Configuration Subtree Copy utilities.

V

validation - the process of ascertaining whether the transport configuration file has been correctly configured. This is accomplished by using the NMMGR Validate Configuration File screen.

virtual terminal - software that simulates the function of a terminal to MPE. Devices that provide incoming data to a system require the configuration of virtual terminals.

VPLUS - software used to generate screens such as those displayed by NMMGR.

X

XPT line test - a software program that tests whether the Network Transport is operating correctly.

X.25 Address - is the X.25 (subnet) address provided by the network administration if you are connected to a Public Data Network.

X.25 Address Key - a label identifying a node and its associated X.25 parameters.



A

- address, IP, format of, 3-8
- administration, network, overview of, 3-25
- alternate gateways, 3-20
- alternate links, 3-17
- alternate routes, intranet, 3-5
- alternate routes, router network, 3-5
- assignment, of node names, 3-6
- autodial, 3-14
- automatic rerouting, 3-17
- Add (key), 5-22
- Adding a device, 4-27, 4-28
- Adding a virtual terminal, 4-27, 4-28
- Adding devices
 - and maximum number of devices, 4-23, 4-25, 4-31, 4-33
- Addresses
 - IEEE 802.3, 3-10
 - network, 3-9
 - node, 3-10
- Architecture
 - network, 1-2
 - OSI model, 1-3
- ARPA, 1-8, 1-11
- Asynchronous Serial Network Protocol, 1-12
- ASNP link trace data, fields, 7-31
- ASNP Link data, 7-27
- ASNP, 1-12
- ATP, protocols, 1-12
- ATP, configuration dialogue, 4-33
- AUI, LAN 3000/V Link, 1-19

B

- buffers, 3-13
- Binary Synchronous Communication protocol, 1-12
- Bisync, 1-12
- Brother branching, 5-15
- BSC link trace data, fields, 7-15
- BSC Link data, 7-11
- BSC, 1-12
- Buffer size, 4-15

C

- central administrative node, 15-4
- certified public networks, 1-26
- classes

- internet address, 3-8
- IP address, 3-8
- command window, 5-14
- command, COPYCONF, 16-12
- commands, HELP, 5-7
- configuration files, 3-2
- configuration file, use for address resolution, 3-13
- configuration terminology, 3-13
- configuration updates/gateway half, 6-15, 6-17
- configuration updates/router mapping, 6-15
- configuration updates/router, 6-20
- configuration
 - data, copying, 5-40, 16-12
 - dial ID protocol, 11-10
 - direct connect link, 11-17
 - files, 5-9, 5-27
 - gateway half dial link, 11-19
 - gateway half, 11-3
 - general protocol, 8-10
 - global transport, 8-7
 - internet protocol, 11-7
 - internte protocol, 8-11
 - neighbor gateway reachable networks, 11-24
 - neighbor gateways, 11-22
 - network interface links, 11-15
 - network interface, 8-24
 - packet exchange protocol, 8-14
 - protocol, 11-6
 - PXP, 8-14
 - security strings, 11-13
 - transmission control protocol, 8-17
 - with NMMGR, overview of, 3-27
- configuration, overview of, 3-27
- copying configuration data, 5-40, 16-12
 - dsline connections, 5-43, 16-13
 - type select parameters, 16-13
- current file size (field), 5-33
- Checksum Enabled (screen), 8-15
- Checksum Enabled (field), 8-18
- Commands, NMMGR, 5-16
- Commands, MPE, 2-5
- Communications drivers, 4-31
- Communications Systems, utilities, 2-6
- Compress (screen), 5-33
- Condense Page (key), 5-22
- Configuration Menu screen, 5-12
- Configuration Subtree Copy (screen), 5-40
- Configuration, 3-82
 - examples, 4-40
 - I/O, 4-4
 - logging, 14-1
- Configuration, NS3000/V, 2-10
- Configured Reachable Networks Hops (field), 11-26
- Configured Reachable Networks IP Network Number (field), 11-25

Connection Assurance Interval (field), 8-20
 Correcting Guided Configuration Errors, 6-4
 COLDSTART, 4-39
 COMPRESSCONF command, 16-12
 COPYCONF, 16-12

D

data flag, 5-23
 data

- dial ID protocol, 11-10
- internet protocol, 11-7
- network interface link, 11-17
- NI link, 11-17
- transmission control protocol, 8-17
- TCP, 8-17

 definitions, of configuration terms, 3-13
 design considerations

- geographical location, 3-30
- line speed, 3-30

 design, network and catenet, 3-30
 destination file (field), 5-41
 destination path (field), 5-41
 dial ID protocol configuration, 11-10
 dial links, and network design, 3-31
 dial links, terminology for, 3-14
 dial

- autodial, 3-14
- direct, 3-14
- manual, 3-14
- shared, 3-14

 direct connect link configuration, 11-17
 direct connect, 3-14
 direct dial, 3-14
 direct path branching, 5-14
 direct X.25 access, 1-26
 directly connected, definition of, 3-15
 domain, in node name, 3-6
 downed links, 3-17
 dpath:dfilename (parameter), 16-12
 Data

- internet protocol, 9-7, 10-8, 13-5
- NI link, 9-15, 10-19
- packet exchange protocol, 8-14
- Probe protocol, 9-10

 DARPA, 1-8, 1-11
 Default speed, overriding, 4-29
 Defense Advanced Research Projects Agency, 1-8, 1-11
 Delete (key), 5-22
 Device classes, 4-10
 Device

- adding, 4-27, 4-28
- removing, 4-27, 4-28

Devices, switched, 4-29
DELETECONF command, 16-13
DELETENODE command, 16-3
Dial ID protocol, 1-13, 3-14
Dial Protocol Configuration (screen), 11-10
Direct Connect Link Configuration (screen), 11-17
DPAN5, 2-4
Drivers
 communications, 4-16, 4-31
Drivers, I/O configuration, 4-10
DRT entry number, 4-7
DRT number, 4-5
DS-compatible links, 1-27
 modem, 1-27
 point-to-point, 1-27
 satellite link, 1-27
 X.25, 1-27
DS-Compatible links, and network design, 3-31
Dump date, 4-38

E

entry priority, 3-17
entry priority, definition of, 3-15
Enable console logging, 14-9
Enable disc logging, 14-9
ENTER (key), 5-14
Error Information (screen), 5-43
Examples, configuration, 4-40
EXIT command, 16-8
EXPANDDIR command, 16-6

F

failures, link, 3-17
fields
 ASNP link trace data, 7-31
 BSC link trace data, 7-15
 General X.25, 12-9
 IEEE 802.3 link trace data, 7-9
 IP Protocol configuration, 12-6
 link name, 7-4
 L. U. G. (Incoming Call) Specification, 12-26
 L. U. G. (Outgoing Call) Specification, 12-28
 new name, 7-5
 NI links, 9-14, 9-18, 9-23, 10-17, 10-24, 10-31, 11-23
 NI Links, 12-30
 protocol menu for X.25, 12-5
 X.25 Facilities Set Selection, 12-16
 X.25 Flow Control Facilities, 12-13
 X.25 Link Configuration, 12-31
 X.25 Local User Group Specification, 12-25

- X.25 NI configuration, 12-2
- X.25 PVC Address Key Paths, 12-23
- X.25 SVC Address Key Paths, 12-21
- X.25 User Facility Set Parameters (PVC), 12-19
- X.25 User Facility Set Parameters (SVC), 12-17
- X.25 VC Specification, 12-11
- format, node name, 3-6
- File (field), 5-14
- First Page (key), 5-22
- Flow Control, 7-29
- Formats, IP addresses, 3-8
- Fragment Assembly Queue Elements (field), 11-9
- Full Duplex, 4-29

G

- gateway half configuration, 11-3
- gateway half dial link configuration, 11-19
- gateway half partner, 3-16
- gateway half partners, 3-33
- gateway halves, and network design, 3-32
- gateway name, 3-7
- gateway, neighbor, definition of, 3-16
- gateways
 - and network design, 3-32
 - connecting router or X.25 networks, 3-33
 - maximum number per network, 3-32
- gateways, alternate, 3-20
- gateways, redirect, 3-22
- gateways, terminology for, 3-16
- guided configuration, overview of, 3-27
- Gateway Half Dial Link Configuration Screen (screen), 11-19
- Gateway-Half Network Interface Configuration (screen), 11-4
- General Protocol Configuration (screen), 8-10
- General X.25
 - fields, 12-9
 - screen, 12-9
- Global transport configuration, 8-7
- Guided Configuration Tree, 6-3
- Guided Configuration, 6-1
 - gateway half, 6-11
 - loopback, 6-6
 - LAN802.3, 6-7
 - Netxport Configuration, 6-5
 - Netxport Update, 6-15
 - PC router, 6-15
 - router, 6-9

H

- home network name, 3-7
- hop count

- internet, 3-15
- intranet, 3-15
- Hardware components, LAN 3000/V Link, 1-19
- Hardware components, ThinLAN, 1-20
- HELP, 5-7
- Home Network Name (field), 8-7
- HP 2334, 7-29
- HP ThinLAN , medium access method, 1-19

I

- inbound buffers, definition of, 3-13
- installation, network, overview of, 3-24
- installation, software and hardware, overview of, 3-25
- internet addresses, classes, 3-8
- internet address, format of, 3-8
- internet protocol configuration, 11-7
- internet Protocol (IP) Update Configuration (screen), 8-12
- internet rerouting, 3-20
- internetwork, 1-11
- I/O configuration, 4-4
 - device classes, 4-10
 - drivers, 4-10
 - DRT entry number, 4-7
 - logical device number, 4-7
 - types and subtypes, 4-8
- ICMP redirect message, 3-22
- ICMP, 3-22
- Idle Device Timeout Value (field), 11-5
- IEEE 802.3 addresses, 3-10
- IEEE 802.3 link trace data, fields, 7-9
- IEEE 802.3 local area network, protocols, 1-12
- IEEE 802.3 Link data, 7-6
- IEEE 802.3
 - link data fields, 7-6
 - link data screen, 7-6
- Initial Retransmission Interval (field), 8-19
- Initialization, NS3000/V, 2-10
- Installation, NS3000, 2-7
- Intelligent Network Processor, 4-28, 4-29
 - adding, 4-27, 4-28
- Internal Message Queue Length (field), 11-9
- Internet protocol data, 9-7, 10-8, 13-5
- Internet protocol update, data, 8-11
- Internet Protocol, 1-8, 1-11
- INP driver, 4-13
- INP, 4-28, 4-29
 - adding, 4-27, 4-28
 - configuration dialogue, 4-28
 - protocols, 1-12
- IP addresses
 - assigning, 3-9
 - classes, 3-8

IP address, format of, 3-8
IP Internet Address (field), 11-8
IP Protocol Configuration (screen), 11-8
IP Protocol Configuration
 fields, 12-6
 screen, 12-6
IP, 1-8, 1-111

K

keep (parameter), 16-13

L

link failures, 3-17
link name, 3-7
link selection, network interface, 11-15
link software, 1-14
links, alternate, 3-17
local node, 3-13
local, in router link configuration, 3-15
logging configuration
 classes, 14-5
 subsystems, 14-3
Last Page (key), 5-22
Layers, 1-3, 1-4
 Protocols, 1-3
LAN 3000/V Link, 1-15
 AUI, 1-19
 hardware components, 1-19
 LANIC, 1-19
 medium access method, 1-19
 MAU, 1-19
LAN 3000/V, software components, 1-21
LAN802.3 data, NI, 9-3
LANIC, configuration dialogue, 4-27
LANIC, LAN 3000/V Link, 1-19
LANIC, ThinLAN, 1-20
LAP-B Link data, 7-19
LAP-B, 1-12
Leaving system I/O configuration, 4-27, 4-28
Leaving SYSDUMP, 4-27, 4-28
Link configuration screen, 7-3
Link data
 ASNP, 7-27
 BSC, 7-11
 IEEE 802.3, 7-6
 LAP-B, 7-19
Link name, 7-4
Link Name (field), 11-16
Link selection
 network interface, 9-13, 10-16

- Link Support Services subsystem, 3-2
- LISTDIR command, 16-6, 16-11
- LISTLOG 5, 2-5
- Local Domain Name (field), 8-6
- Local Node Name (field), 8-6
- Logging classes, screen, 14-7
- Logging config, .class data screen, 14-9
- Logging configuration
 - classes, 14-7
 - guidelines, 14-1
 - overview, 14-1
 - screen, 14-5
- Logical device number, 4-7
- L. U. G. (Incoming Call) Specification
 - fields, 12-26
 - screen, 12-26
- L. U. G. (Outgoing Call) Specification
 - fields, 12-28
 - screen, 12-28

M

- manual configuration, overview of, 3-27
- manual dial, 3-14
- map, of network or catenet, 3-25
- multicast, for Probe requests, 3-11
- Main Menu screen, 5-6
- Maintenance Mode interface, 16-1
- Maximum Connection Assurance Retransmissions (field), 8-20
- Maximum Directly Connected Nodes (field), 8-8
- Maximum Gateway Nodes Per Network (field), 8-13
- Maximum Inbound Destinations (field), 8-9
- Maximum number of devices, 4-23, 4-25, 4-31, 4-33
- Maximum Number of Connections (field), 8-18
- Maximum Number of Networks in Catenet (field), 8-12
- Maximum Outbound Destinations (field), 8-9
- Maximum Retransmissions Per Packet (field), 8-20
- Maximum Retransmissions Per Request (field), 8-16
- MAKESTREAM command, 16-8
- MAU, LAN 3000/V Link, 1-19
- Medium access method, HP ThinLAN , 1-19
- Medium access method, LAN 3000/V Link, 1-19
- Menu screens, 5-19
- Menu
 - general protocol, 8-10
 - NI protocol, 9-6, 10-7, 11-6, 13-1
- MERGEDIR command, 16-4
- Modems, with internal clocking signals, 4-29
- MPE commands, 2-4, 2-5
- MPE-V, version required, 1-2

N

name
 home network, 3-7
 link, 3-7
 network interface, 3-7
 NI, 3-7
 names and addresses, 3-6
 names, other, 3-7
 names, definitions of, 3-6
 neighbor gateway reachable networks configuration, 11-24
 neighbor gateways configuration, 11-22
 neighbor gateway, definition of, 3-16
 network administration, overview of, 3-25
 network and catenet design, 3-30
 network boundary, and design, 3-33
 network boundary, definition of, 3-33
 network configuration worksheets, 3-34
 network design
 and gateways, 3-32
 and network interfaces, 3-32
 dial links, 3-31
 DS-Compatible links, 3-31
 gateway halves, 3-32
 non-HP 3000 nodes, 3-31
 personal computers, 3-31
 network directories, synchronization of, 3-28
 network directory
 central administrative node, 15-4
 data screen, 15-12
 domain name screen, 15-15
 DELETENODE command, 16-3
 EXIT command, 16-8
 EXPANDDIR command, 16-6
 file structure, 15-1
 for name-to-address resolution, 3-11
 functions of, 15-1
 global entries, 15-3
 HELP command, 16-7
 interfaces, 15-4
 local entries, 15-3
 LISTDIR command, 16-6, 16-11
 Main screen, 15-7
 Maintenance Mode interface, 16-1
 MAKESTREAM command, 16-8
 MERGEDIR command, 16-4
 OPENDIR command, 16-3
 path report lists, 15-2
 path reports, 15-2
 roles, 15-4
 Select Node Name Screen, 15-9
 network installation, overview of, 3-24
 network interface link configuration, 11-15
 network interface name, 3-7

- network interface
 - configuration, 8-24
 - link data, 11-17
 - link selection, 11-15
 - protocol menu, 11-6
- network interfaces, and network design, 3-32
- network interface, definition of, 3-14
- network links, 1-14
- network manager
 - link level tools, 2-6
 - link level utilities, 2-6
 - network life cycle, 2-3
 - tools, 2-3
- network map, 3-25
- network maps, overview of, 3-34
- network planning and configuration, 3-1
- network startup, overview of, 3-29
- non-HP 3000 nodes, and network design, 3-31
- number of additional records (field), 5-33
- number of free records (field), 5-33
- NCONF files, 5-9
- Neighbor Gateway Reachable Networks (screen), 11-24
- Neighbor Gateways (screen), 11-23
- Network addresses, 3-9
- Network architecture, 1-2
- Network Administration Office, address of, 3-9
- Network Administration Office, of Hewlett Packard, 3-9
- Network Architecture
 - Layers, 1-3
 - OSI model, 1-3
- Network File Transfer, 1-29
- Network interface
 - link data, 9-15, 10-19
 - link selection, 9-13, 10-16
 - links fields, 9-14, 9-18, 9-23, 10-17, 10-24, 10-31, 11-23
 - links screen, 9-14, 9-18, 9-23, 10-17, 10-24, 10-31, 11-23
 - LAN802.3 data, 9-3
 - protocol config. screen, 9-6, 10-7, 13-4
- Network Implementation and Support Plan, 3-34
- Network Interface Links (screen), 11-16
- Network Interface Name (field), 8-25
- Network Interface
 - links fields, 12-30
 - links screen, 12-30
 - protocol menu, 9-6, 10-7, 13-1
- Network life cycle, 2-3
- Network Layer, 1-11
- Network management, responsibilities of, 2-3
- Network Management, 2-1
- Network Services subsystem, 3-2
- Network Services, 1-1
- Network Transport Configuration Selection (screen), 8-3
- Network Transport subsystem, 3-2
- Network, 1-2

Netxport Configuration, 6-2
Netxport Update, 6-2, 6-15
New Name (field), 11-16
Next Page (key), 5-22
NEXT, 5-15
NFT, 1-29
NMCONFIG.PUB.SYS configuration file, 3-3
NMMGR commands, 5-16
NMMGR Path Commands, 5-14
NMMGR screens
 Compress, 5-33
 Configuration Subtree Copy, 5-40
 data entry, 5-23
 Output Configuration File, 5-27
 simple-select screens, 5-20
 typed-select, 5-21
 Utility, 5-26
NMMGR, 5-1
 Add (key), 5-22
 command window, 5-14
 configuration files, 5-9
 configuration screens, 5-12
 Condense Page (key), 5-22
 data entry screens, 5-23
 data flag, 5-23
 Delete (key), 5-22
 ENTER (key), 5-14
 file (field), 5-14
 First Page (key), 5-22
 Last Page (key), 5-22
 Next Page (key), 5-22
 Prev Page (key), 5-22
 run string, 5-2
 Refresh Screen (key), 5-19
 Rename (key), 5-22
 screen structure, 5-8
 screens, 5-12
 simple-select screens, 5-20
 typed-select, 5-21
 utilities, 5-26
 Update Config (key), 5-24
 Update (key), 5-22
Node addresses, 3-10
Node Configuration (screen), 8-4
Node management services, 2-5
Node management services, commands, 2-5
Node management services, utilities, 2-5
Node Management Configurator subsystem, 3-2
Node Name Configuration (screen), 8-5
Non-operational links, 3-17
NS3000/V, 1-29
 configuration, 3-82
 environment, 1-29
 initialization, 2-10

- I/O configuration, 4-4
- services, 1-29
- session, 1-29
- system configuration, 4-3
- system requirements, 1-2
- NS3000
 - configuration, 2-10
 - installation, 2-7
- NSCONF.PUB.SYS configuration file, 3-3
- NSDIR.PUB.SYS file, 3-3
- NSDPAN/ETOD, 2-4
- Number of Inbound Buffers (field), 11-4
- Number of Outbound Buffers (field), 11-4

O

- organization, in node name, 3-6
- outbound buffers, definition of, 3-13
- overwrite existing subtree (field), 5-41
- Open Configuration/Directory File screen, 5-3
- OPENCONF command, 16-14
- OPENDIR command, 16-3
- OSI model, layers, 1-4
- OSI Model, 1-3
- Output Configuration File (screen), 5-27
- Overriding default speed, 4-29

P

- packet exchange protocol
 - configuration, 8-14
 - data, 8-14
- partner, of a gateway half, 3-16
- path report lists, 15-2
- path reports, 15-2
- path report, definition of, 3-11
- personal computers, and network design, 3-31
- personal computers, as nodes, 1-28
- physical layer protocols, 1-12
- planning, of network, catenet, 3-25
- priority, of router network route entries, 3-15
- private X.25 networks, 1-26
- protocol configuration, 11-6
- protocol menu for X.25
 - fields, 12-5
 - screen, 12-5
- protocol, Dial ID, 3-14
- protocols, bisync, 1-27
- protocol, Probe, 3-11
- proxy server, for Probe protocol, 3-11
- public networks, 1-26
- Packet Exchange Protocol (PXP) Configuration (screen), 8-15

Packet Exchange Protocol, 1-11
 Path commands, NMMGR, 5-14
 PAD device configuration dialogue, 4-25
 PAD Printers, 4-12
 PAD terminals, 4-11
 PAGECONF command, 16-14
 PATHCONF command, 16-14
 Phone number, 4-15
 Phonenumber, 4-15
 Prev Page (key), 5-22
 Probe protocol, 1-13, 3-11
 data, 9-10
 Probe proxy server, 3-11
 Program-to-Program Communications, 1-30
 Protocol Configuration (screen), 11-6
 Protocols, 1-3
 PTOP, 1-30
 PXP configuration screen, 8-15
 PXP configuration, 8-14
 PXP, 1-11

R

reachable networks, definition of, 3-16
 redirect gateways, 3-22
 redirect message, 3-22
 redirection, of internet packets, 3-20
 remote node, 3-13
 remote, in router link configuration, 3-15
 requirements
 software, 1-2
 system, 1-2
 rerouting, 3-17
 rerouting, for IEEE 802.3 gateways, 3-22
 rerouting, for router networks, 3-17
 rerouting, internet, 3-20
 router links, terminology, 3-15
 router node name, 3-7
 routes, alternate, 3-5
 routing
 broadcast, 3-6
 intranet, 3-4
 routing, of messages, 3-4
 RDBA, 1-29
 Refresh Screen (key), 5-19
 Remote Data Base Access, 1-29
 Removing a device, 4-27, 4-28
 Rename (key), 5-22
 Retransmission Interval Lower Bound (field), 8-19
 Retransmission Interval Upper Bound (field), 8-19
 Retransmission Interval (field), 8-15
 READALLCONF comamnd, 16-15
 READCONF command, 16-16

S

screens

- configuration menu, 5-12
- Error Information, 5-43
- global transport configuration, 8-7
- General Protocol Configuration, 8-10
- General X.25, 12-9
- IEEE 802.3, 7-6
- Internet Protocol (IP) Update Configuration, 8-12
- IP Protocol configuration, 12-6
- link configuration, 7-3
- logging configuration, 14-5
- logging config.,class data, 14-9
- logging config.,logging classes, 14-7
- L. U. G. (Incoming Call) Specification, 12-26
- L. U. G. (Outgoing Call) Specification, 12-28
- main menu, 5-6
- network interface links, 11-16
- Network Transport Configuration Selection, 8-3
- NI links, 9-14, 9-18, 9-23, 10-17, 10-24, 10-31, 11-16, 11-23
- NI Links, 12-30
- NI protocol config., 9-6, 10-7, 13-4
- Node Configuration, 8-4
- Node Name Configuration, 8-5
- Open Configuration/Directory file, 5-3
- protocol menu for X.25, 12-5
- Packet Exchange Protocol (PXP) Configuration, 8-15
- Protocol Configuration, 11-6
- PXP configuration, 8-15
- TCP configuration, 8-18
- Transmission Control Protocol Configuration, 8-18
- validate configuration file, 5-35
- X.25 Facilities Set Selection, 12-16
- X.25 Flow Control Facilities, 12-13
- X.25 Link Configuration, 12-31
- X.25 Local User Group Specification, 12-25
- X.25 NI configuration, 12-2
- X.25 PVC Address Key Paths, 12-23
- X.25 SVC Address Key Paths, 12-21
- X.25 User Facility Set Parameters (PVC), 12-19
- X.25 User Facility Set Parameters (SVC), 12-17
- X.25 VC Specification, 12-11
- security strings configuration, 11-13
- security string, definition of, 3-14
- shared dial, 3-14
 - and network design, 3-31
- software requirements, 1-2
- software, link, 1-14
- software, of NS3000/V, 3-2
- software, required, 3-26
- source file (field), 5-40
- source path (field), 5-41
- starting the network, overview of, 3-29

static neighbor node name, 3-7
 store-and-forward buffers, definition of, 3-13
 subsystems, software, 3-2
 synchronization, of network directories, 3-28
 syntax, node name, 3-6
 Security String Configuration Screen (screen), 11-13
 Services
 Network File Transfer, 1-30
 PTOP Communication, 1-30
 Remote Data Base Access, 1-30
 Remote File Access, 1-30
 Remote Process Management, 1-29
 Virtual Terminal, 1-29
 Services, node management, 2-5
 Software components, HP ThinLAN, 1-21
 Software components, LAN 3000/V Link, 1-21
 Software Dump facility, 2-4
 Speed, overriding default, 4-29
 StarLAN 10, protocols, 1-12
 StarLAN/3000 Link, 1-15
 StarLAN/3000, protocols, 1-12
 StarLAN, 1-15
 Store & Forward Buffers (field), 11-8
 Subtype, 4-28
 SUMMARYCONF command, 16-16
 Switched devices, 4-29
 System configuration, 4-3
 System I/O configuration
 leaving, 4-27, 4-28
 SYSDUMP, 2-4, 4-1, 4-4
 leaving, 4-27, 4-28
 SYSDUMP, configuration with, overview of, 3-27
 SYSDUMP, dialogue, 4-36

T

terminology, for configuration, 3-13
 transmission control protocol configuration, 8-17
 transmission control protocol data, 8-17
 type select in configuration copy, 16-13
 TCP configuration screen, 8-18
 TCP, 1-11
 data, 8-17
 ThickLAN, 1-15
 ThinLAN link, software components, 1-21
 ThinLAN/3000 Link, 1-15
 ThinLAN/3000
 hardware components, 1-20
 protocols, 1-12
 ThinLAN, 1-15
 LANIC, 1-20
 ThinMAU, 1-20
 ThinMAU, ThinLAN, 1-20

Transmission Control Protocol Configuration (screen), 8-18
Transmission Control Protocol, 1-11
Transmission mode, 4-13
Transmission speed, 4-14
Transport Layer protocols, 1-11
Twisted-Pair MAU, 1-20
Type 16, 4-23, 4-25
Type 32, 4-25
Type (LOOP, LAN802.3, ROUTER, or GATEHALF) (field), 8-25
Type, 4-27, 4-28
Types and subtypes, 4-8
Types (field), 11-16

U

Update (key), 5-22
UPDATECONF command, 16-17
Users enabled for logging, 14-9
Utility (screen), 5-26

V

validation, of a node, 3-28
verification, of a node, 3-28
Validate Configuration File screen, 5-35
VALIDATECONF command, 16-17
VERSIONCONF command, 16-17
Virtual terminal
 adding, 4-27, 4-28
Virtual terminals, 4-11
Virtual terminal, configuration dialogue, 4-23
Virtual Terminal, 1-29

W

worksheets
 instructions, 3-39
 terminology, 3-37
worksheets, network configuration, overview, 3-34
WRITECONF command, 16-18

X

XON/XOFF, 7-29
X.25 Address, 3-15
X.25 Address Key, 3-15
X.25 Facilities Set Selection
 fields, 12-16
 screen, 12-16
X.25 Flow Control Facilities

- fields, 12-13
- screen, 12-13
- X.25 Link Configuration
 - fields, 12-31
 - screen, 12-31
- X.25 Local User Group Specification
 - fields, 12-25
 - screen, 12-25
- X.25 network interface
 - configuration fields, 12-2
 - configuration screen, 12-2
- X.25 PVC Address Key Paths
 - fields, 12-23
 - screen, 12-23
- X.25 SVC Address Key Paths
 - fields, 12-21
 - screen, 12-21
- X.25 User Facility Set Parameters (PVC)
 - fields, 12-19
 - screen, 12-19
- X.25 User Facility Set Parameters (SVC)
 - fields, 12-17
 - screen, 12-17
- X.25 VC Specification
 - fields, 12-11
 - screen, 12-11
- X.25
 - certified public networks, 1-26
 - direct access, 1-26
 - private networks, 1-26
 - protocol, 1-12



Part No. 32344-90002
Printed in U.S.A. 10/88
E1088

