

HP 3000 Computer Systems

**SERIES 64/68 A/B SYSTEM BLOCK
DIAGRAMS AND ASSEMBLY
DRAWINGS MANUAL
For HP Repair Use Only**



19447 PRUNERIDGE AVENUE, CUPERTINO, CA 95014

Part No. 30140-90004
E1284

Printed in U.S.A. 12/84

FEDERAL COMMUNICATION COMMISSION RADIO
FREQUENCY INTERFERENCE STATEMENT

The United States Federal Communications Commission (in Subpart J, of Part 15, Docket 20780) has specified that the following notice be brought to the attention of the users of this product:

"Warning: This equipment generates, uses, and can radiate radio frequency energy and if not installed and used in accordance with the instructions manual, may cause interference to radio communications. It has been tested for compliance with the limits for Class A computing devices pursuant to Subpart J of Part 15 of FCC Rules, which are designed to provide reasonable protection against such interference. Operation of this equipment in a residential area is likely to cause interference in which case the user at his own expense will be required to take whatever measures may be required to correct the interference."

NOTICE

The information contained in this document is subject to change without notice.

HEWLETT-PACKARD MAKES NO WARRANTY OF ANY KIND WITH REGARD TO THIS MATERIAL, INCLUDING, BUT NOT LIMITED TO, THE IMPLIED WARRANTIES OF MERCHANTABILITY AND FITNESS FOR A PARTICULAR PURPOSE. Hewlett-Packard shall not be liable for errors contained herein or for incidental or consequential damages in connection with the furnishing, performance or use of this material.

Hewlett-Packard assumes no responsibility for the use or reliability of its software on equipment that is not furnished by Hewlett-Packard.

This document contains proprietary information which is protected by copyright. All rights are reserved. No part of this document may be photocopied, reproduced or translated to another language without the prior written consent of Hewlett-Packard Company.

LIST OF EFFECTIVE PAGES

The List of Effective Pages gives the date of the current edition, and lists the dates of all changed pages. Unchanged pages are listed as "ORIGINAL". Within the manual, any page changed since the last edition is indicated by printing the date the changes were made on the bottom of the page. Changes are marked with a vertical bar in the margin. If an update is incorporated when an edition is reprinted, these bars and dates remain. No information is incorporated into a reprinting unless it appears as a prior update.

Third Edition December 1984

Effective Pages **Date**

ALL DEC 1984

PRINTING HISTORY

New editions are complete revisions of the manual. Update packages, which are issued between editions, contain additional and replacement pages to be merged into the manual by the customer. The date on the title page and back cover of the manual changes only when a new edition is published. When an edition is reprinted, all the prior updates to the edition are incorporated. No information is incorporated into a reprinting unless it appears as a prior update.

First Edition	AUG 1982
Second Edition	FEB 1983
Third Edition	DEC 1984

PREFACE

This document contains block diagrams and assembly drawings for the HP 3000 Series 64/68 A/B Computer Systems.

Diagrams and drawings that apply only to the Series 64/68 A are labeled "A" on the first page of each section in the column labeled "SYSTEM". Those that apply only to the 64/68 B are labeled "B" in the "SYSTEM" column. All other diagrams and drawings are labeled "A/B" and apply to both systems.

The computer block diagrams appear in the first tabular section, followed by the assembly drawings in the second section. Each section begins with its own table of contents.

SYSTEM BLOCK DIAGRAMS

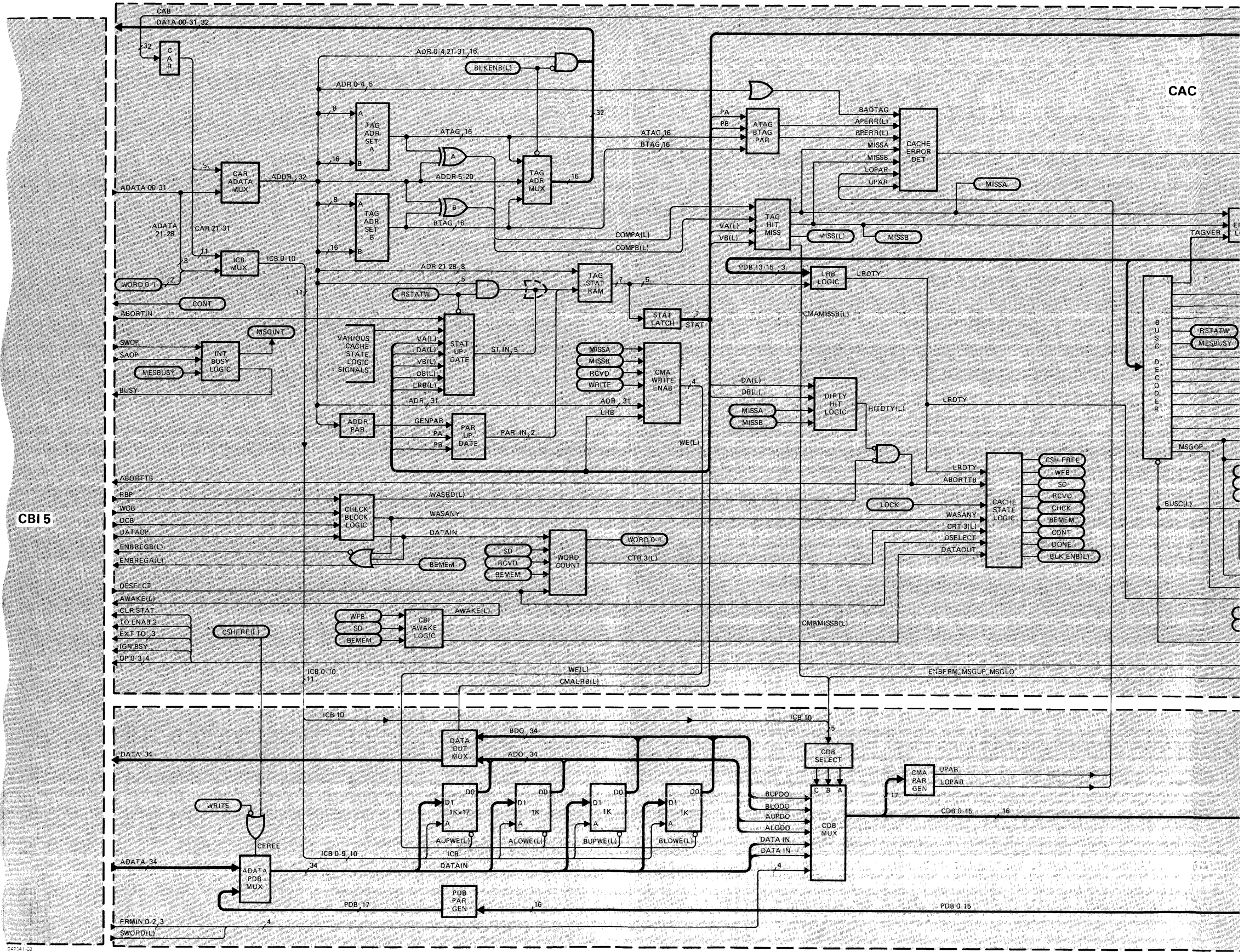
SECTION

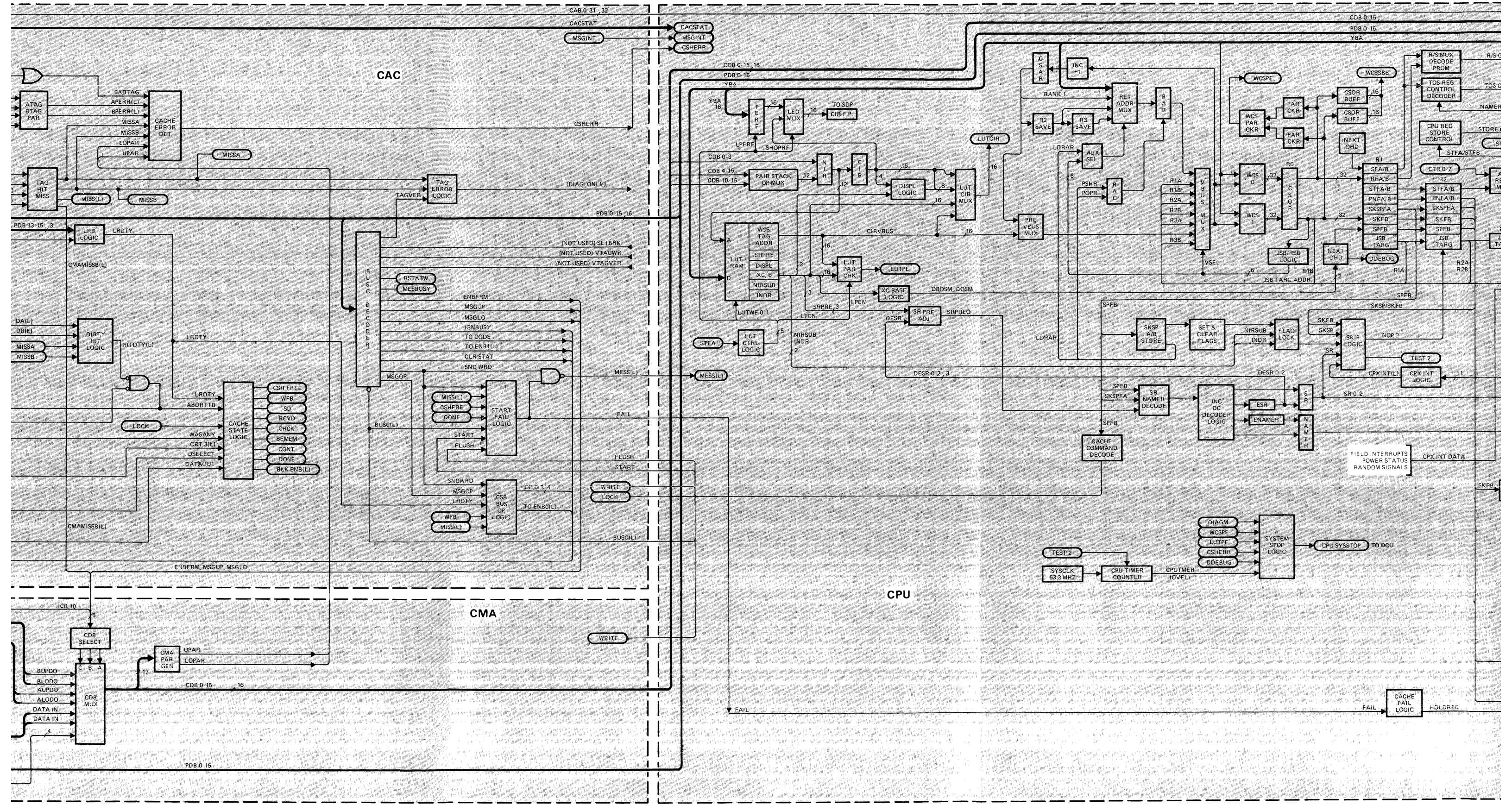
I

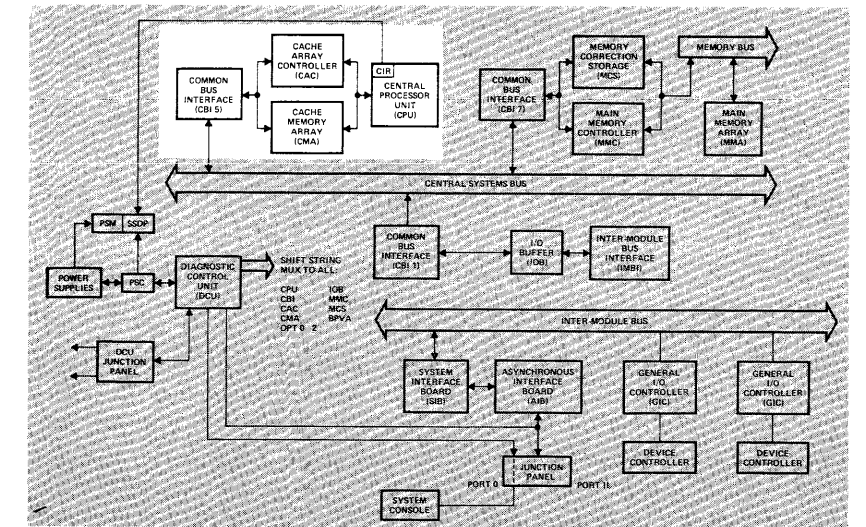
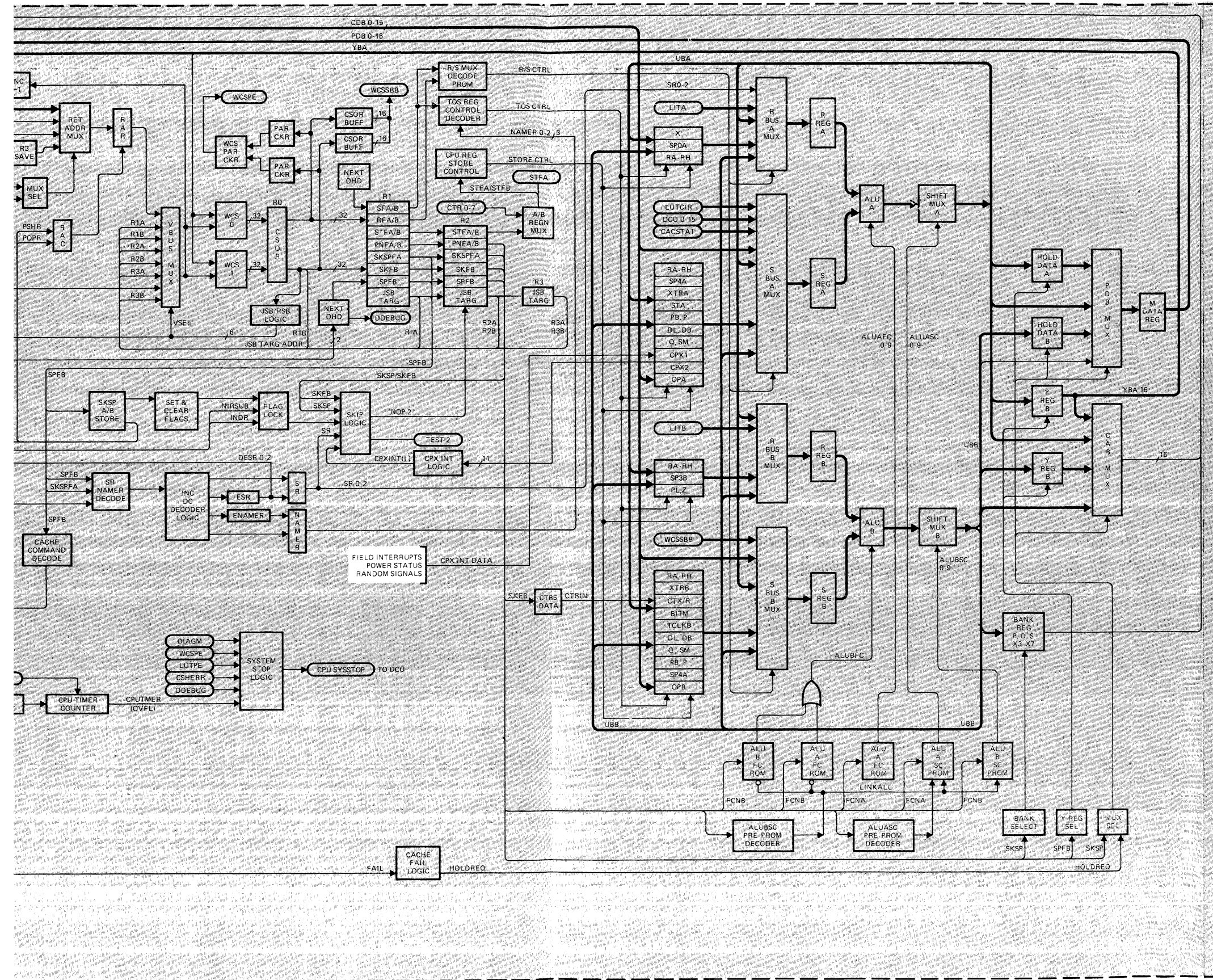
This section provides system block diagrams for the HP 3000 Series 64/68 A/B computer system. The diagrams appear in order as listed below.

CONTENTS

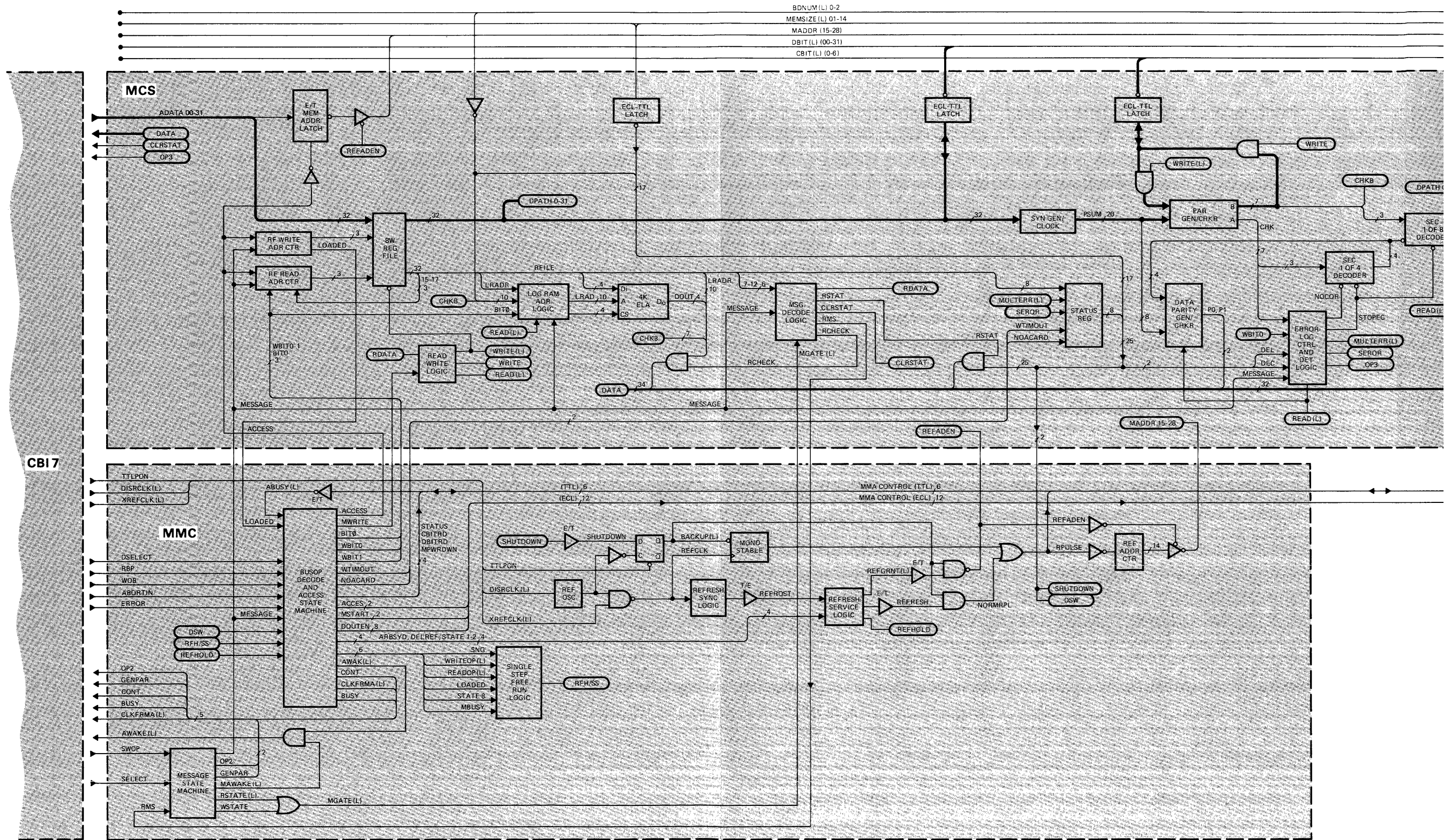
DIAGRAM	SYSTEM	PAGE
CPU and Cache Memory Module	A/B	1-2
Main Memory Module	A/B	1-3
Intermodule Bus	A/B	1-4
Intermodule Bus I/O Adapter	A/B	1-5
I/O System Module	A/B	1-6
Diagnostic Control Unit/Power System Control	A	1-7
Diagnostic Control Unit/Power Distribution Monitor	B	1-8
CPU Block Diagram	A/B	1-9
RALU Block Diagram	A/B	1-10
CTLA Block Diagram	A/B	1-11
CTLB Block Diagram	A/B	1-12
SKSP Block Diagram	A/B	1-13
VBUS Block Diagram	A/B	1-14
CIR Block Diagram	A/B	1-15
WCS Block Diagram	A/B	1-16

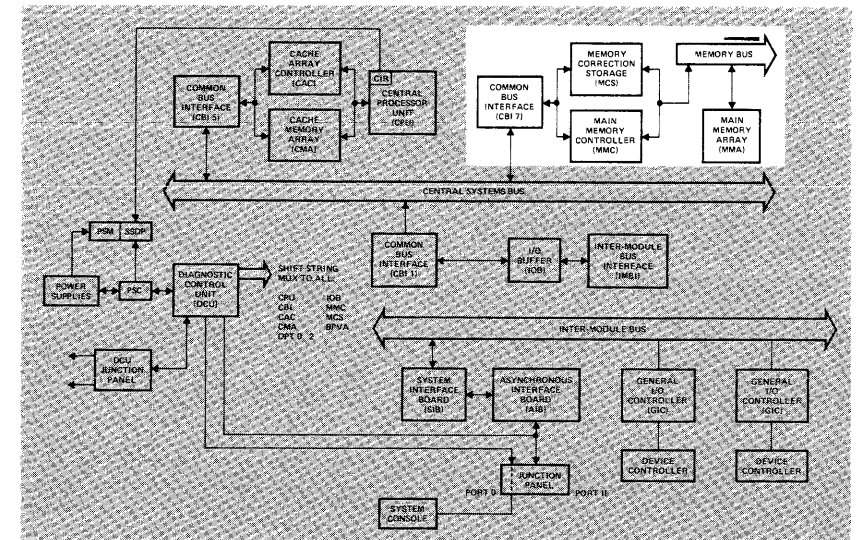
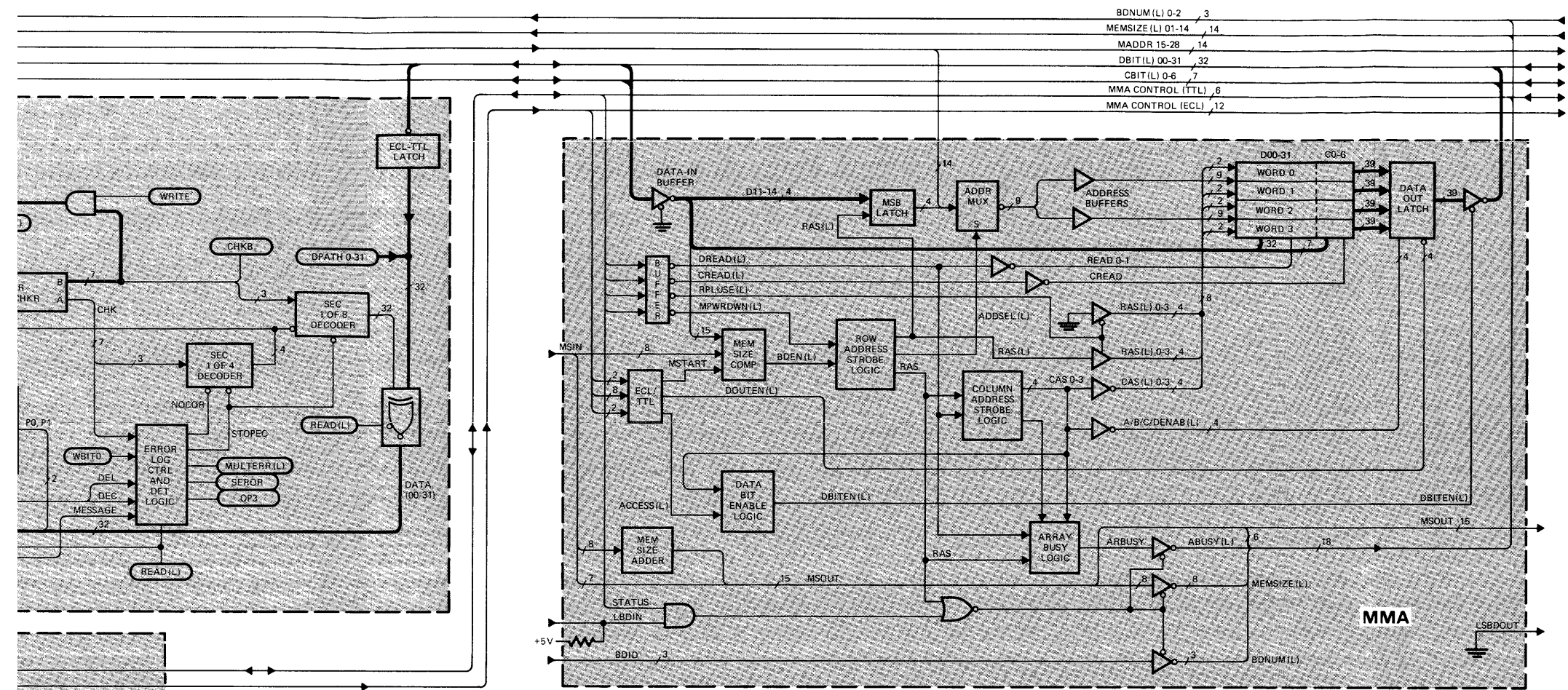




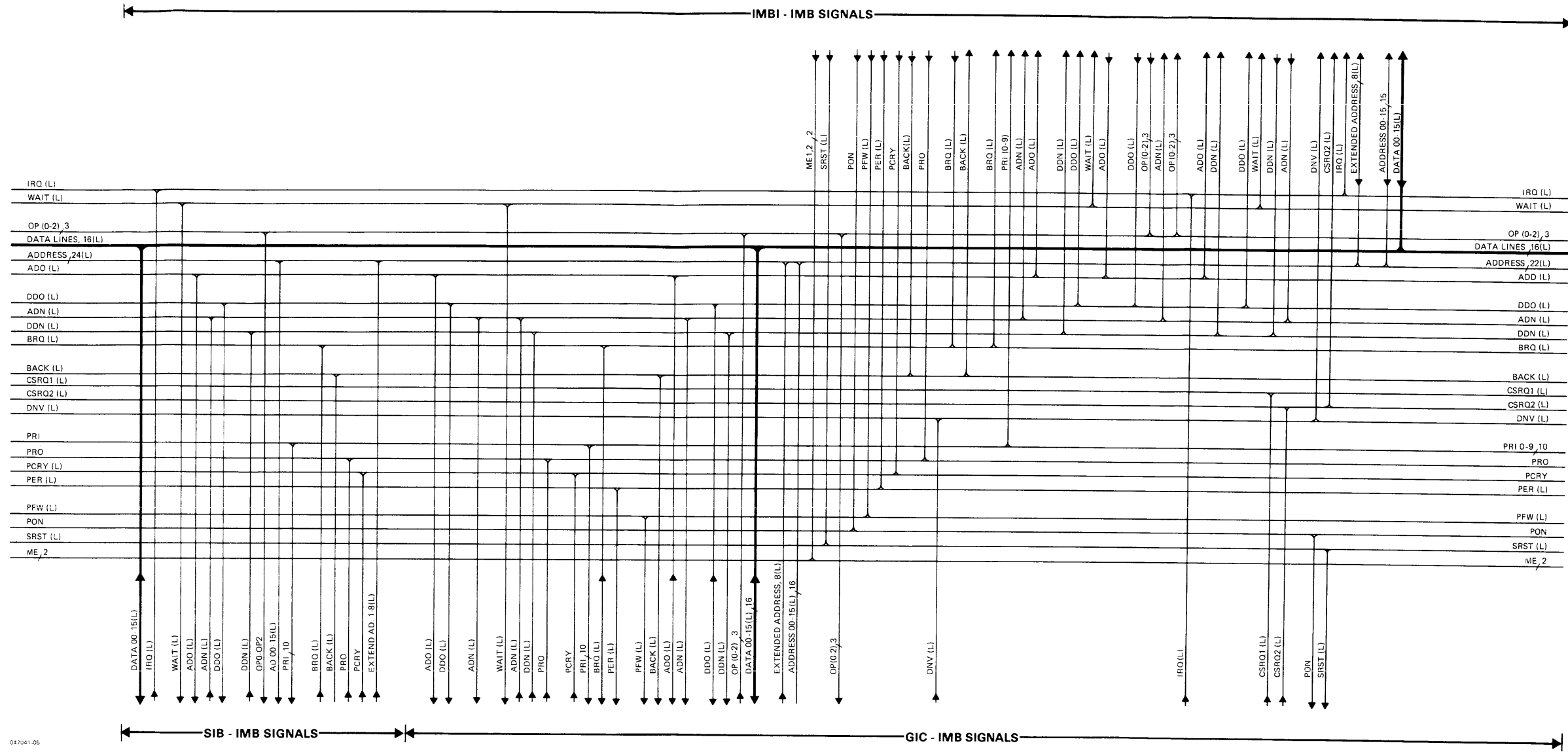


CPU and Cache Memory Module



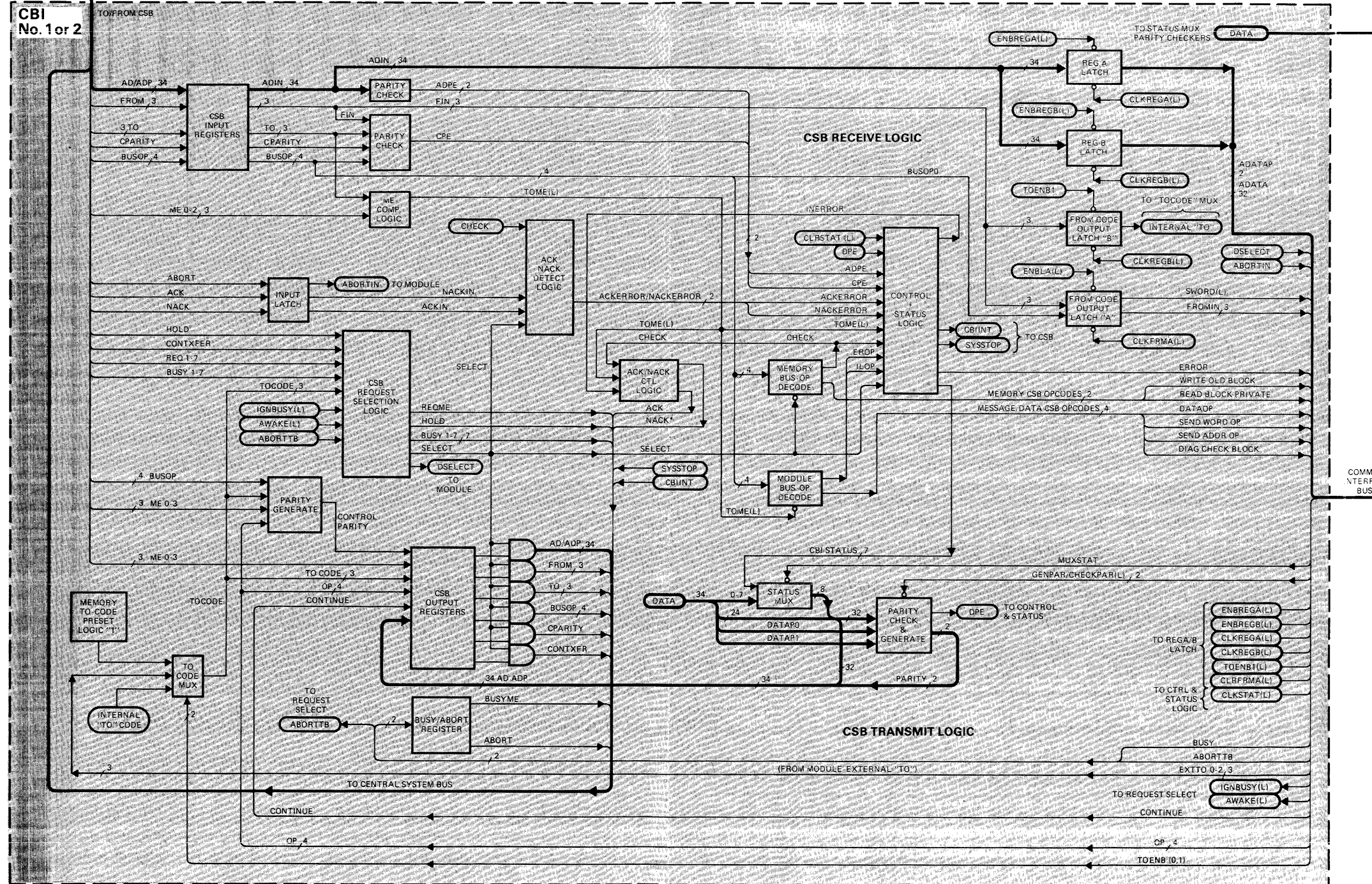


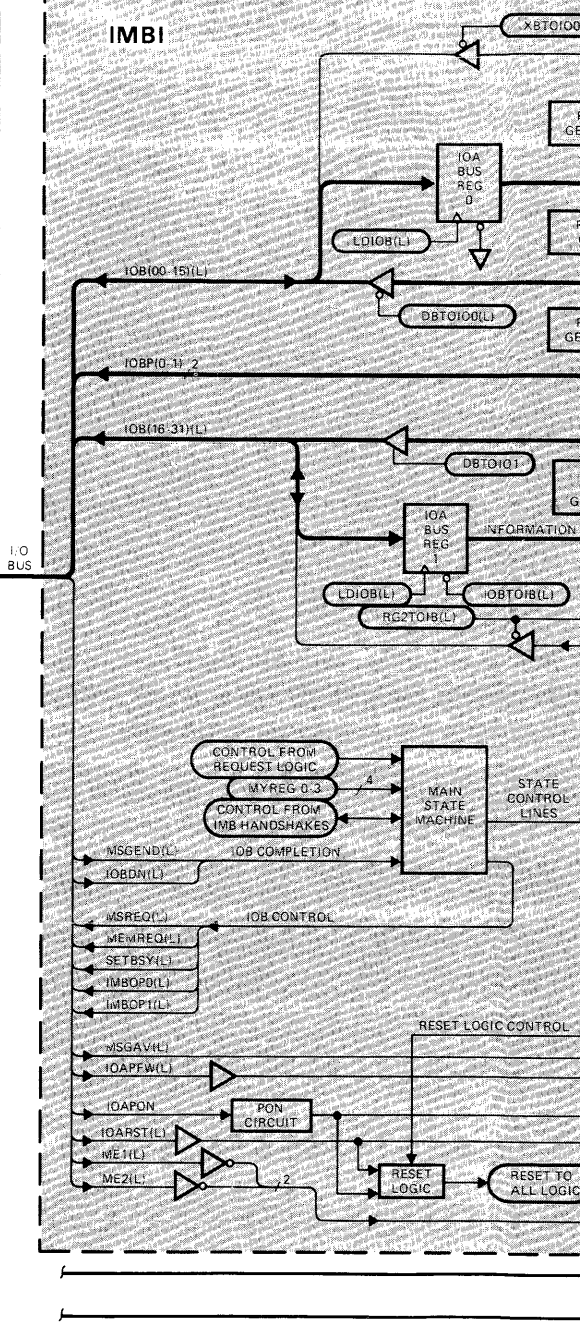
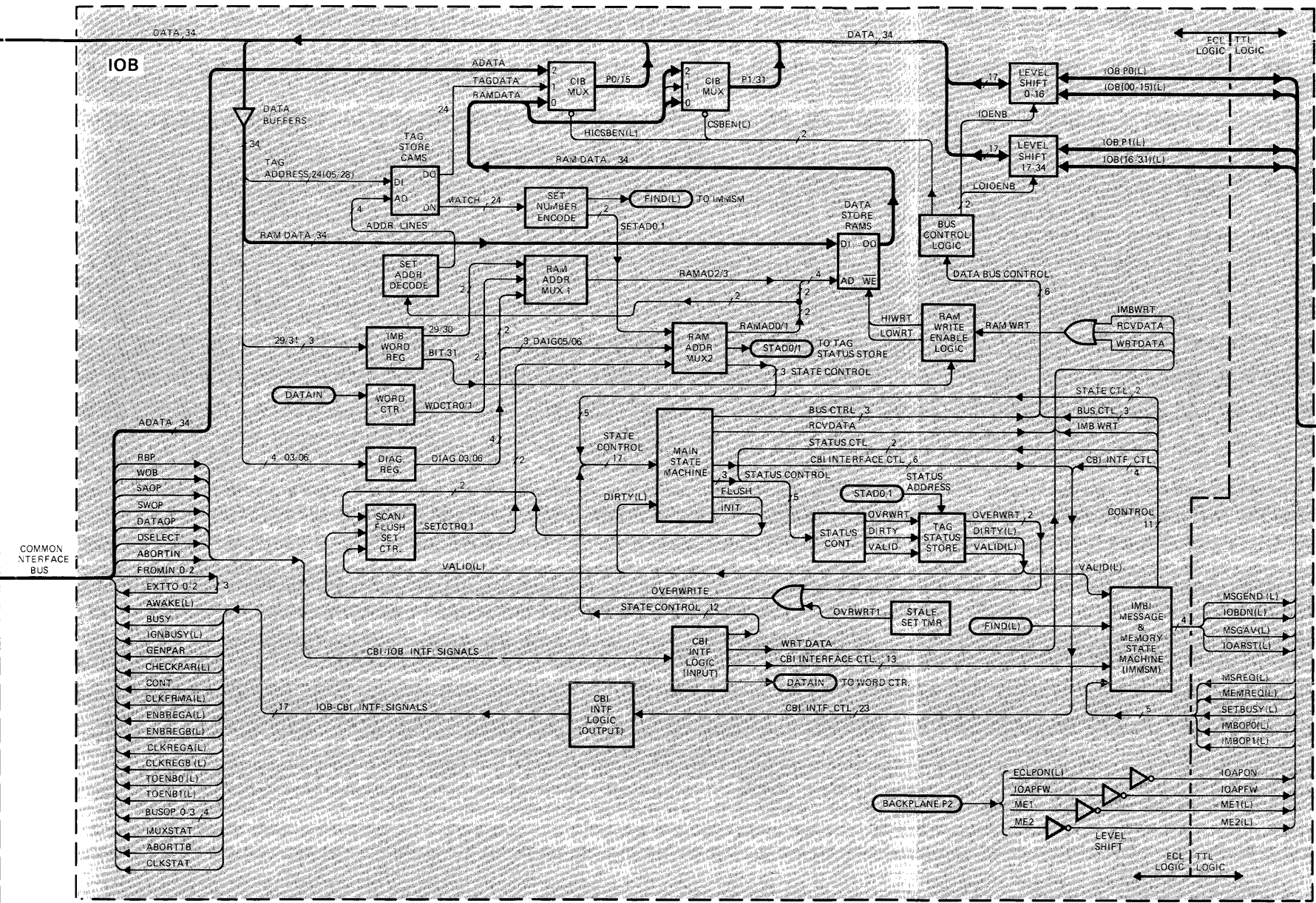
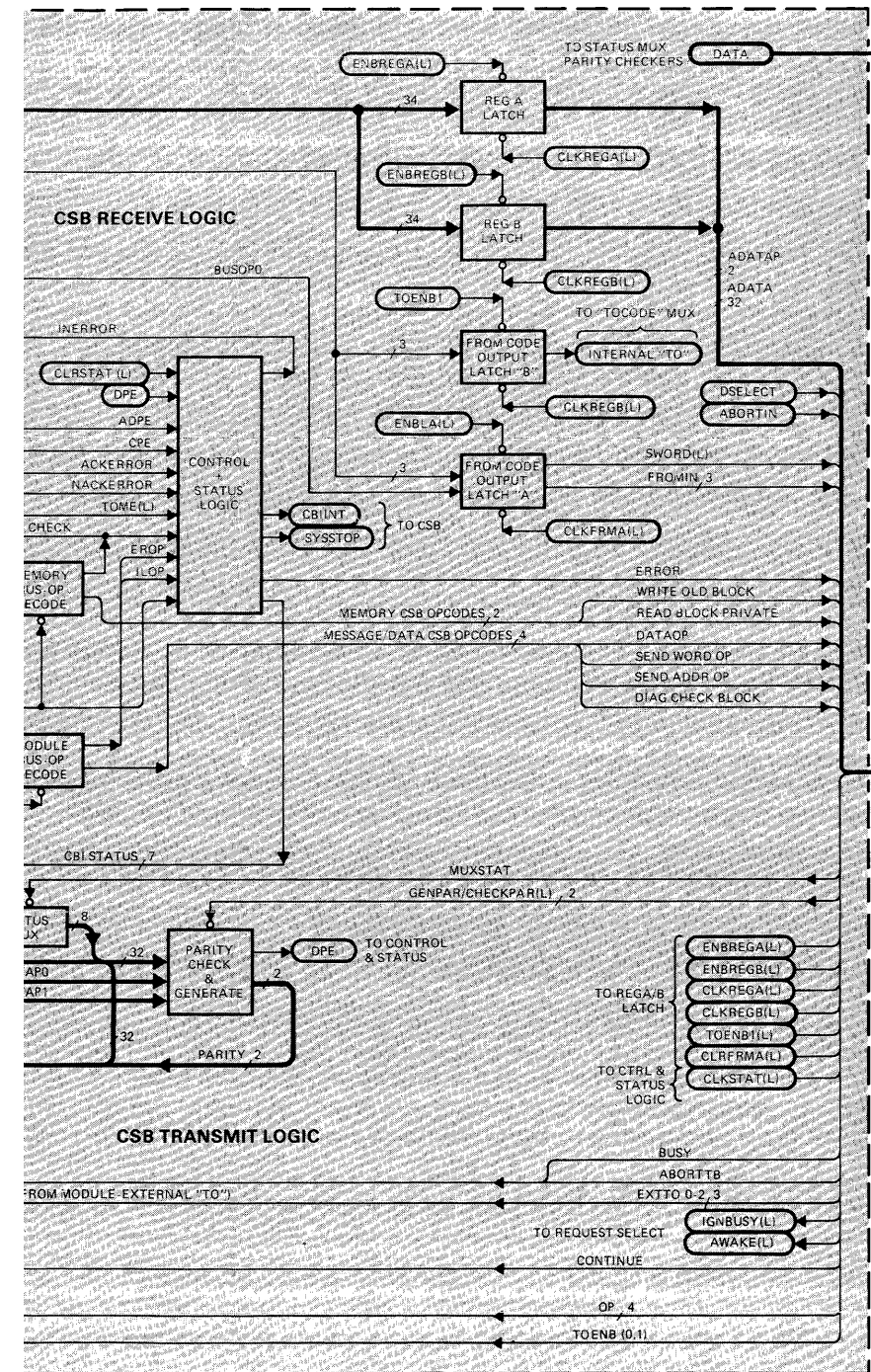
Main Memory Module

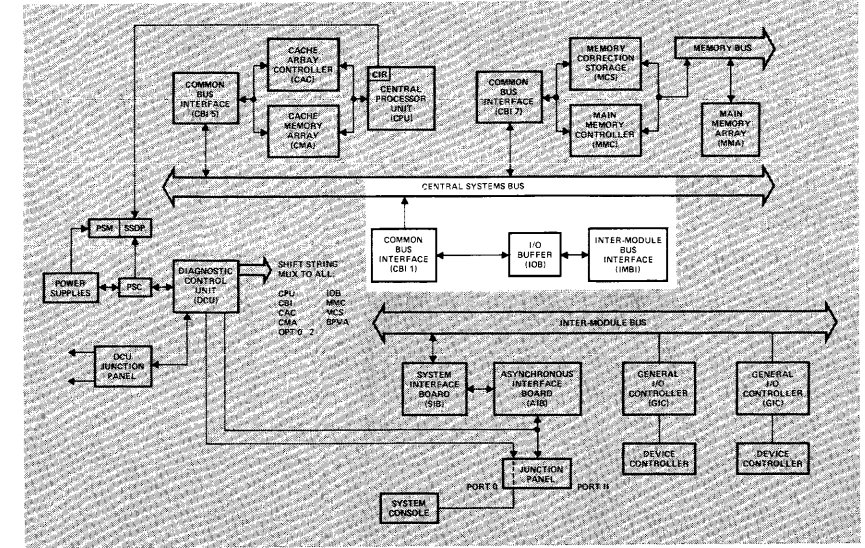
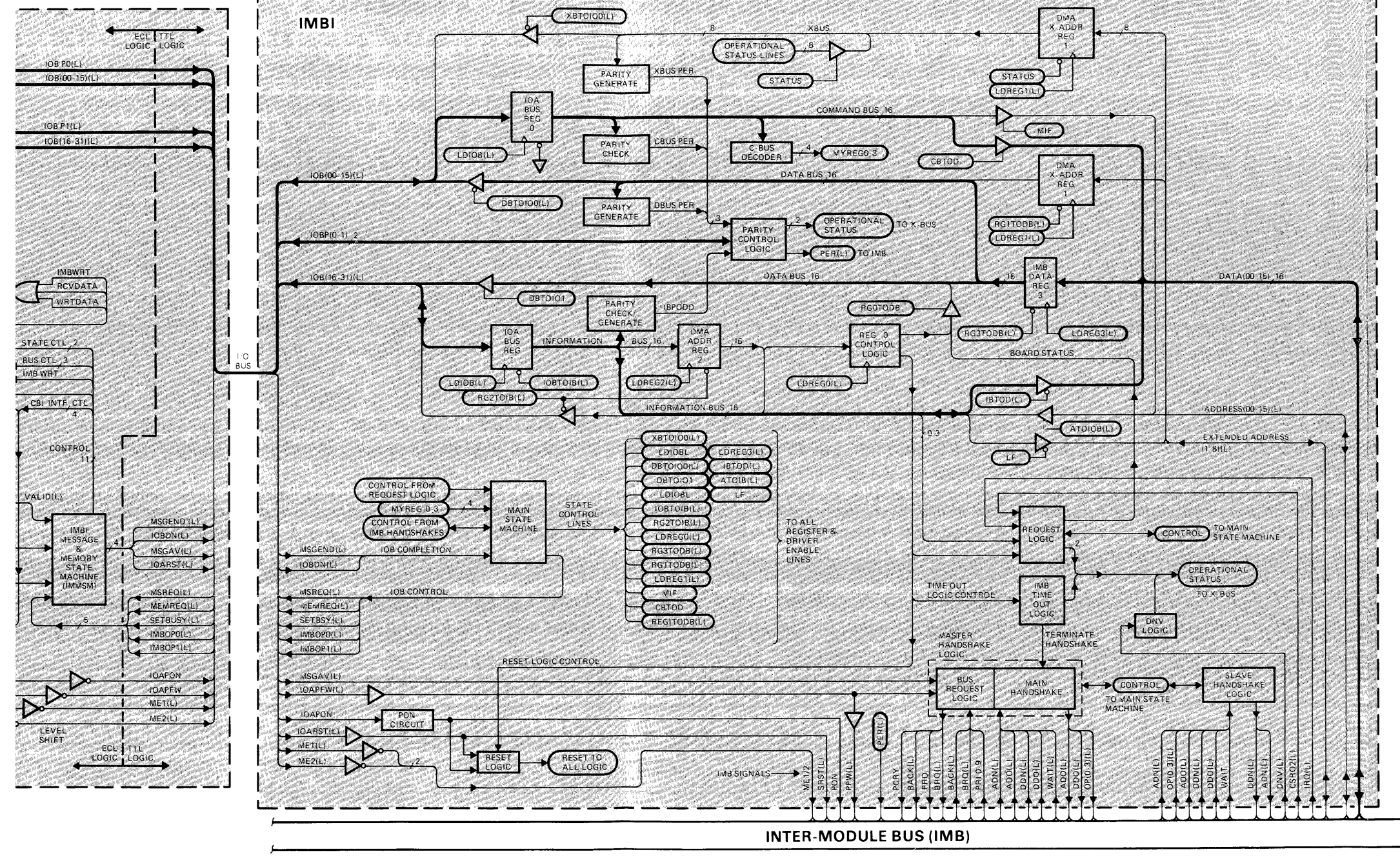


047041-05

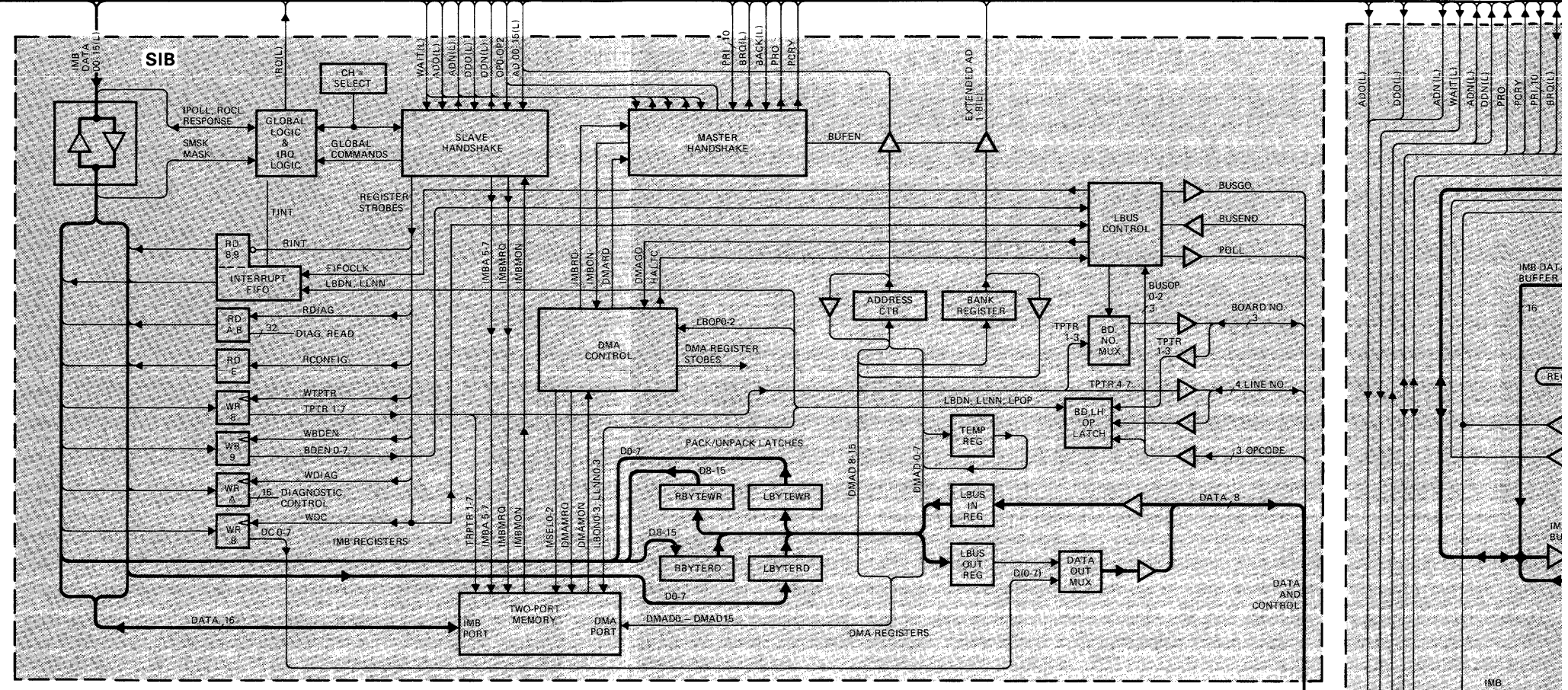
CENTRAL SYSTEM BUS (CSB)



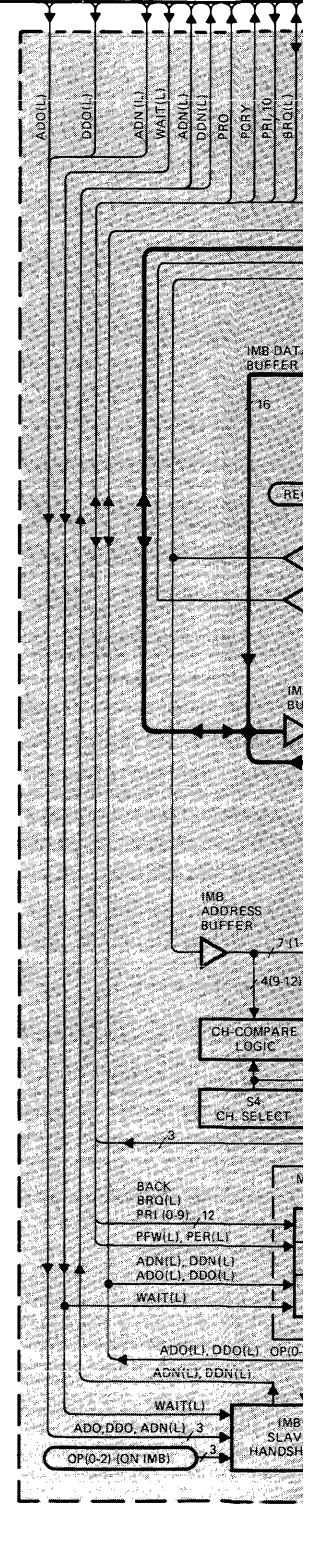
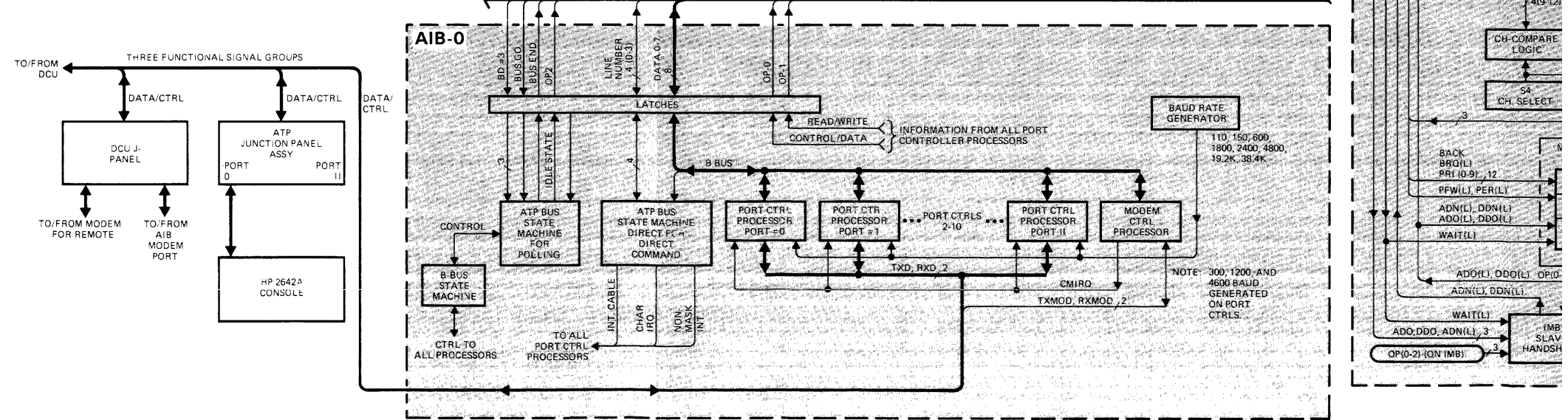




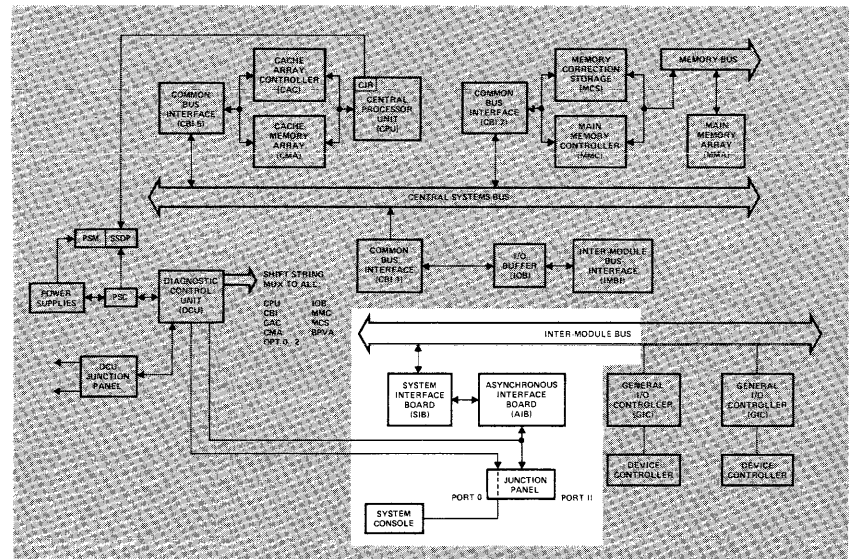
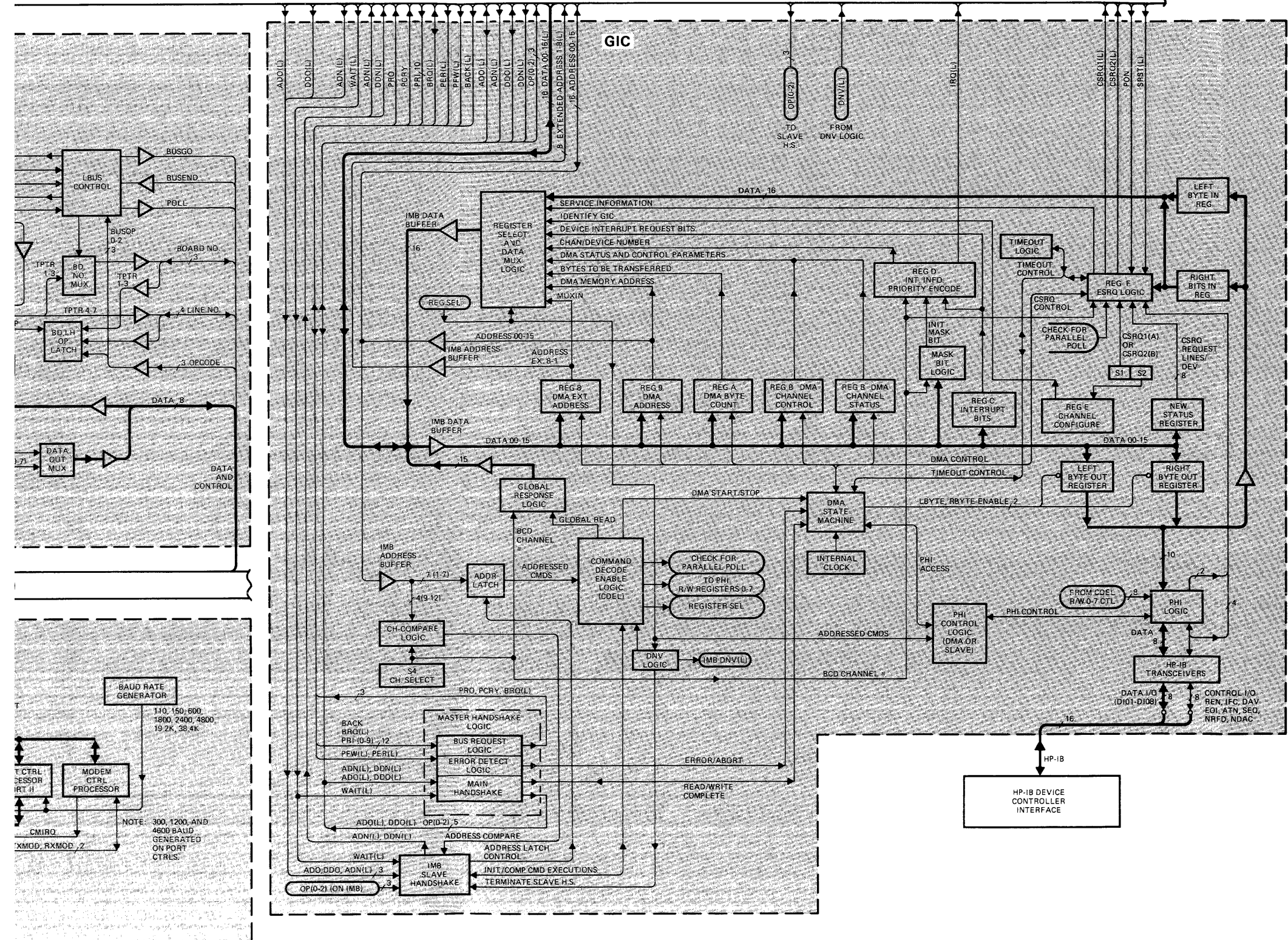
INTER-MODULE BUS (IMB)

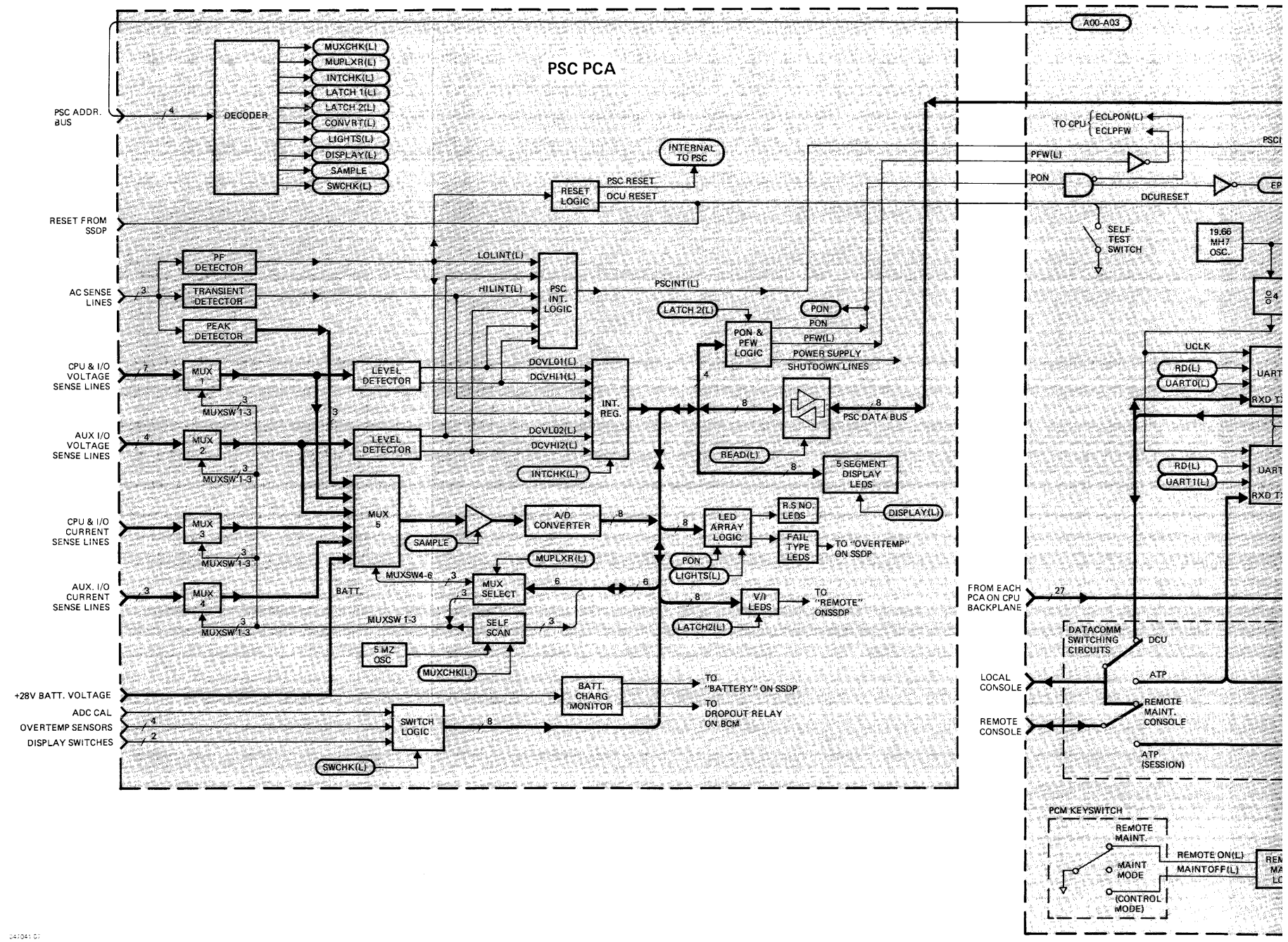


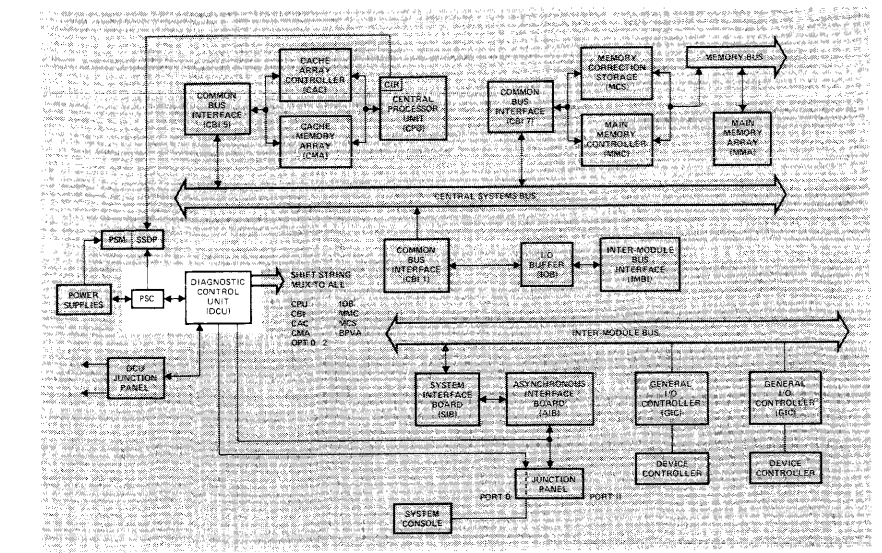
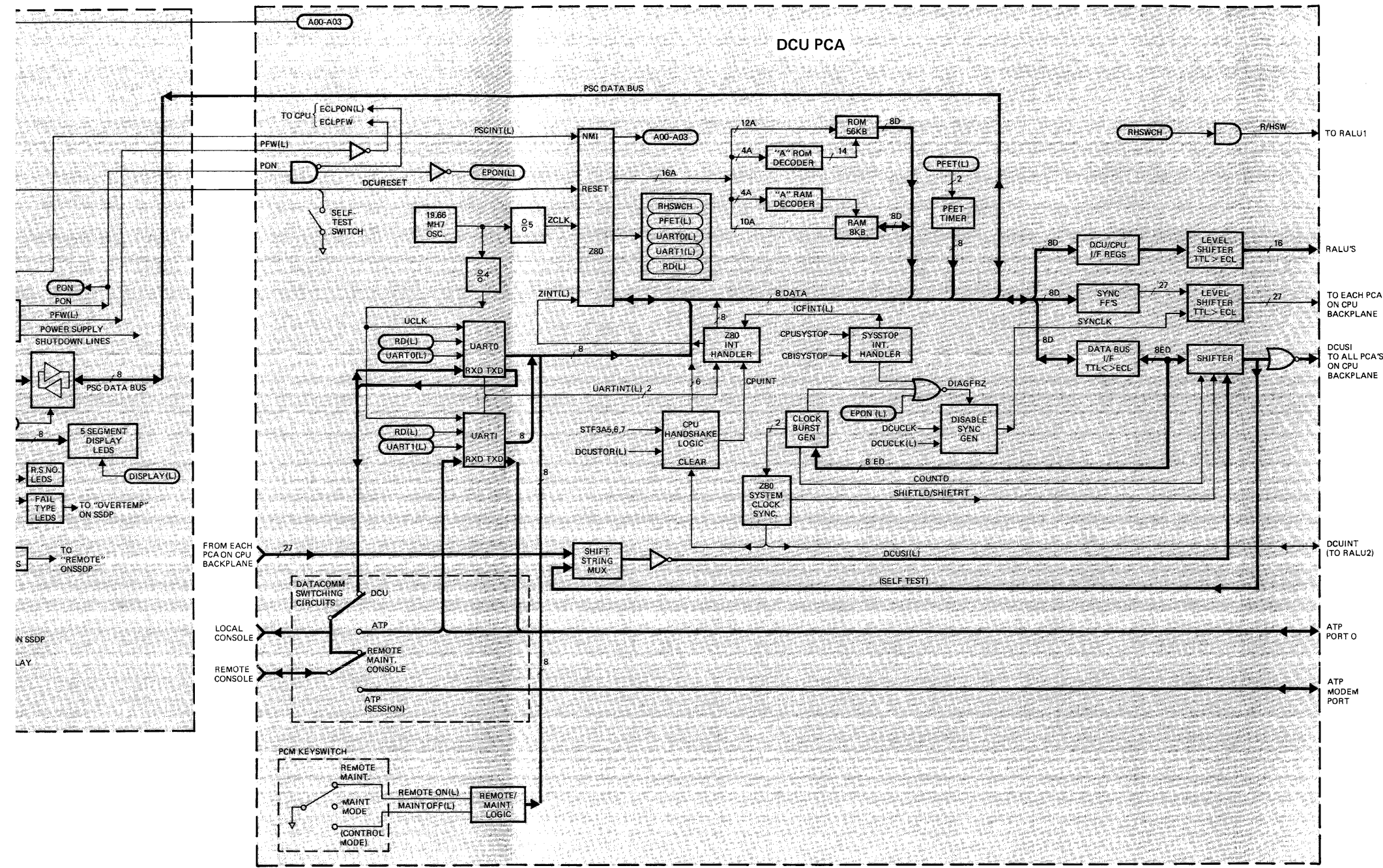
ATP BUS (FRONT FLAT CABLE)



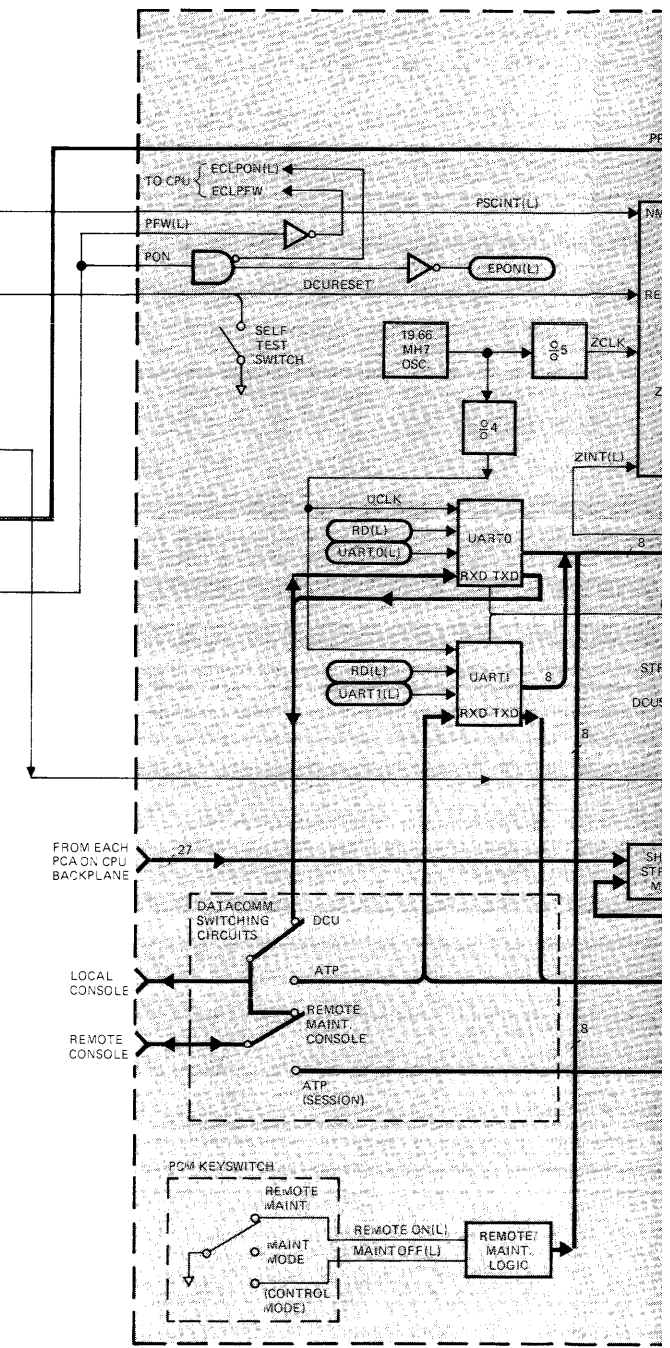
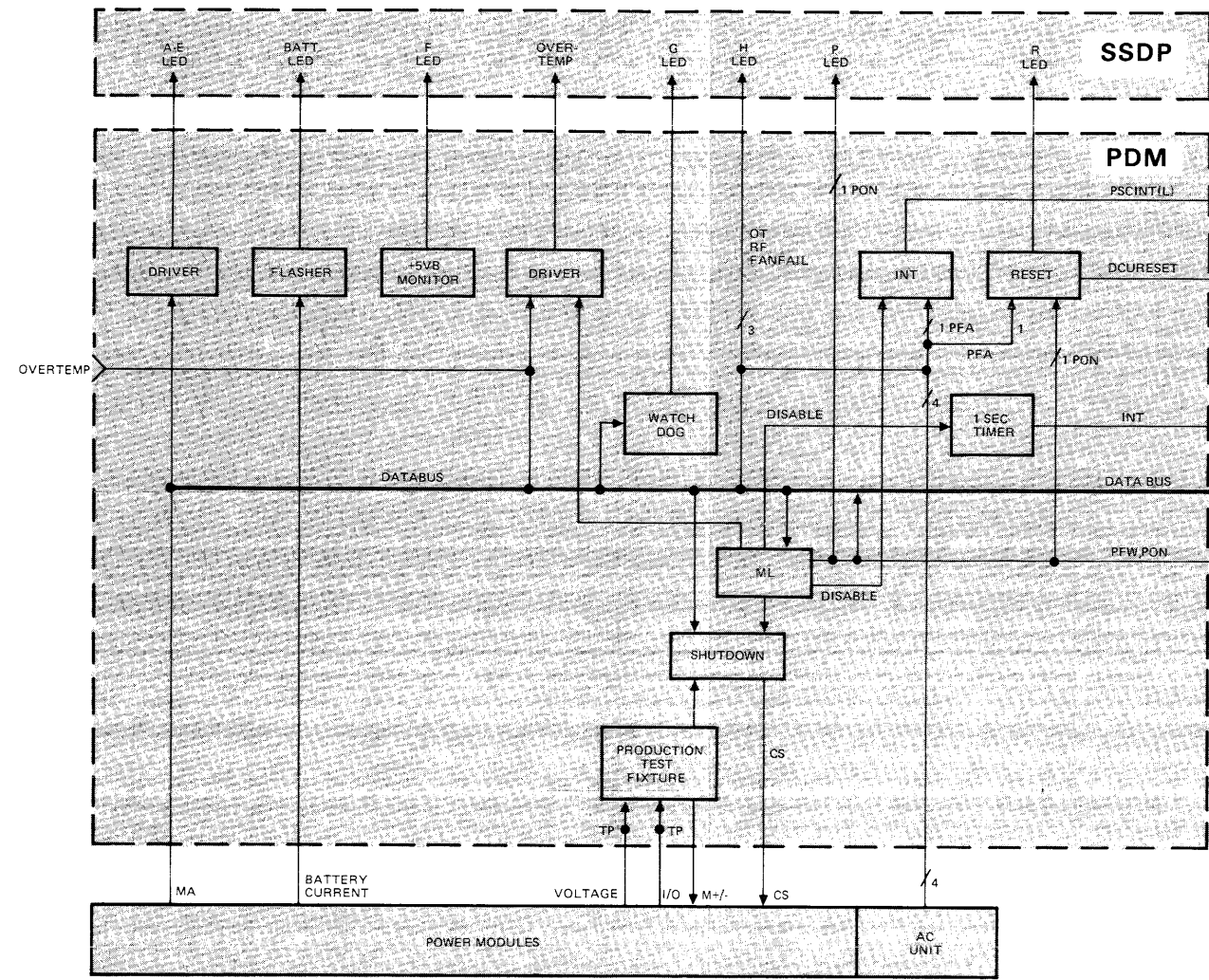
INTER-MODULE BUS (IMB)



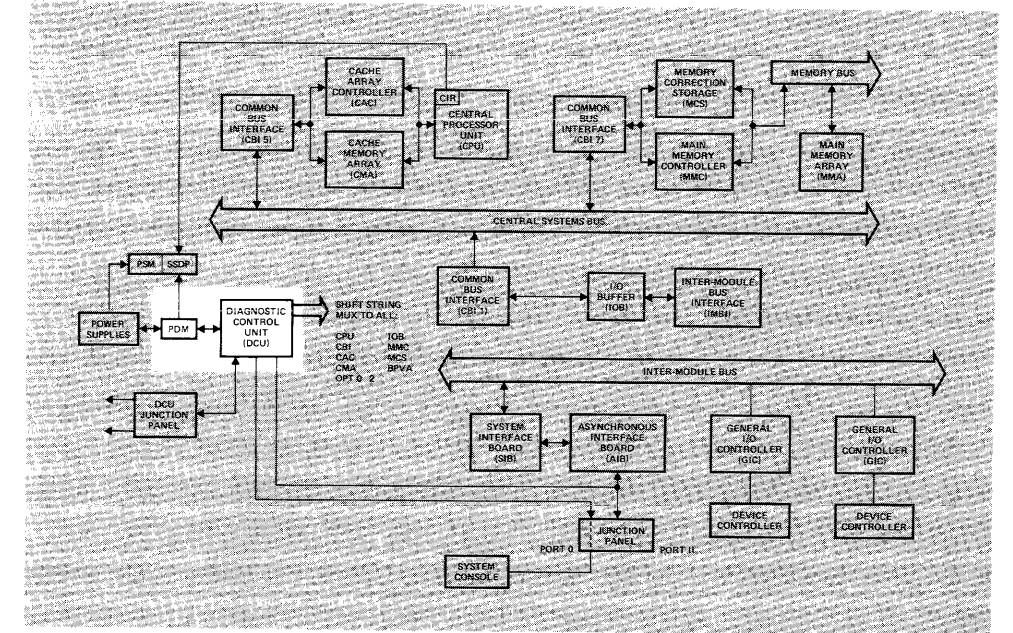
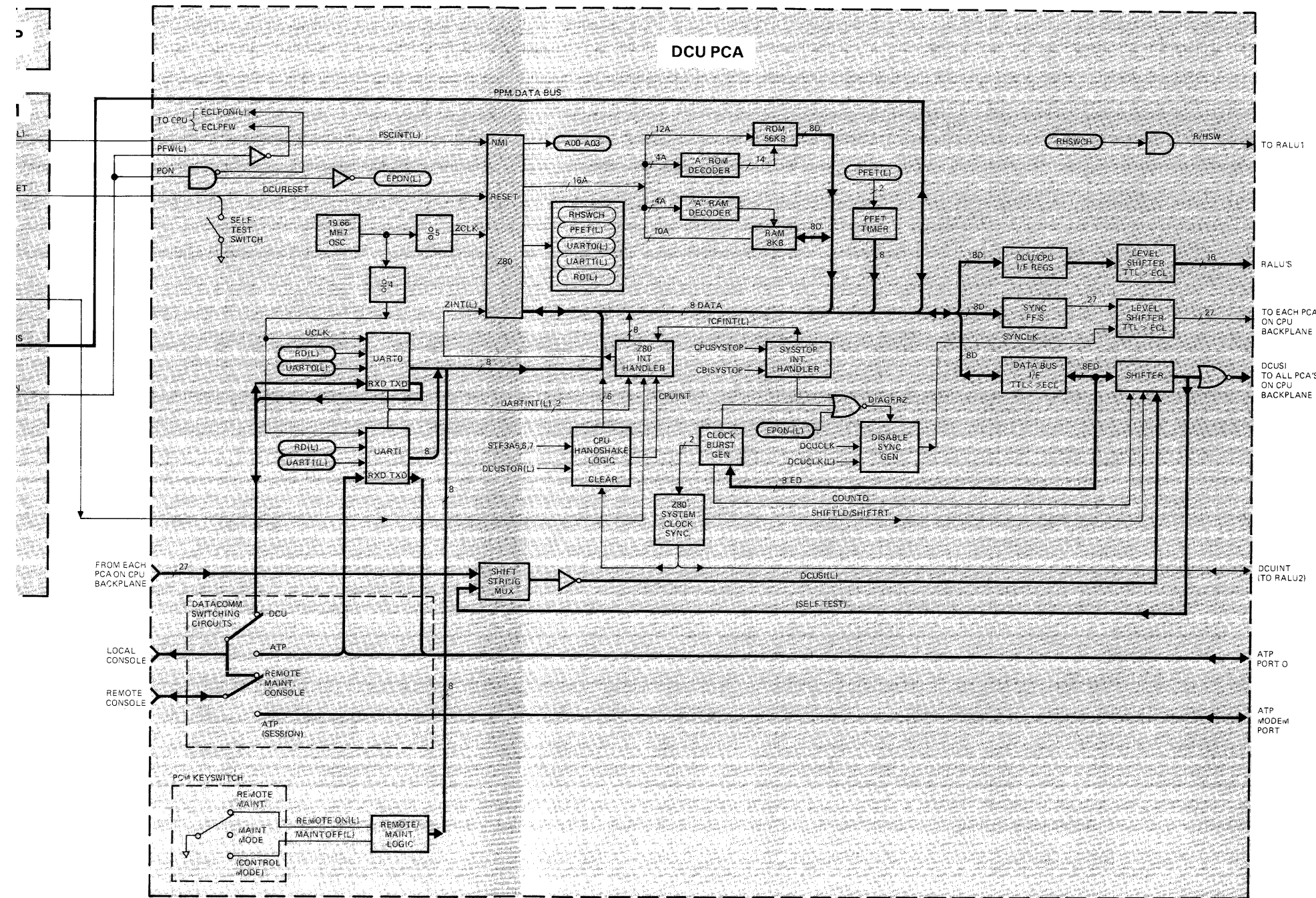




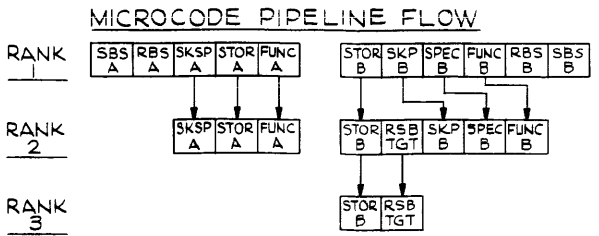
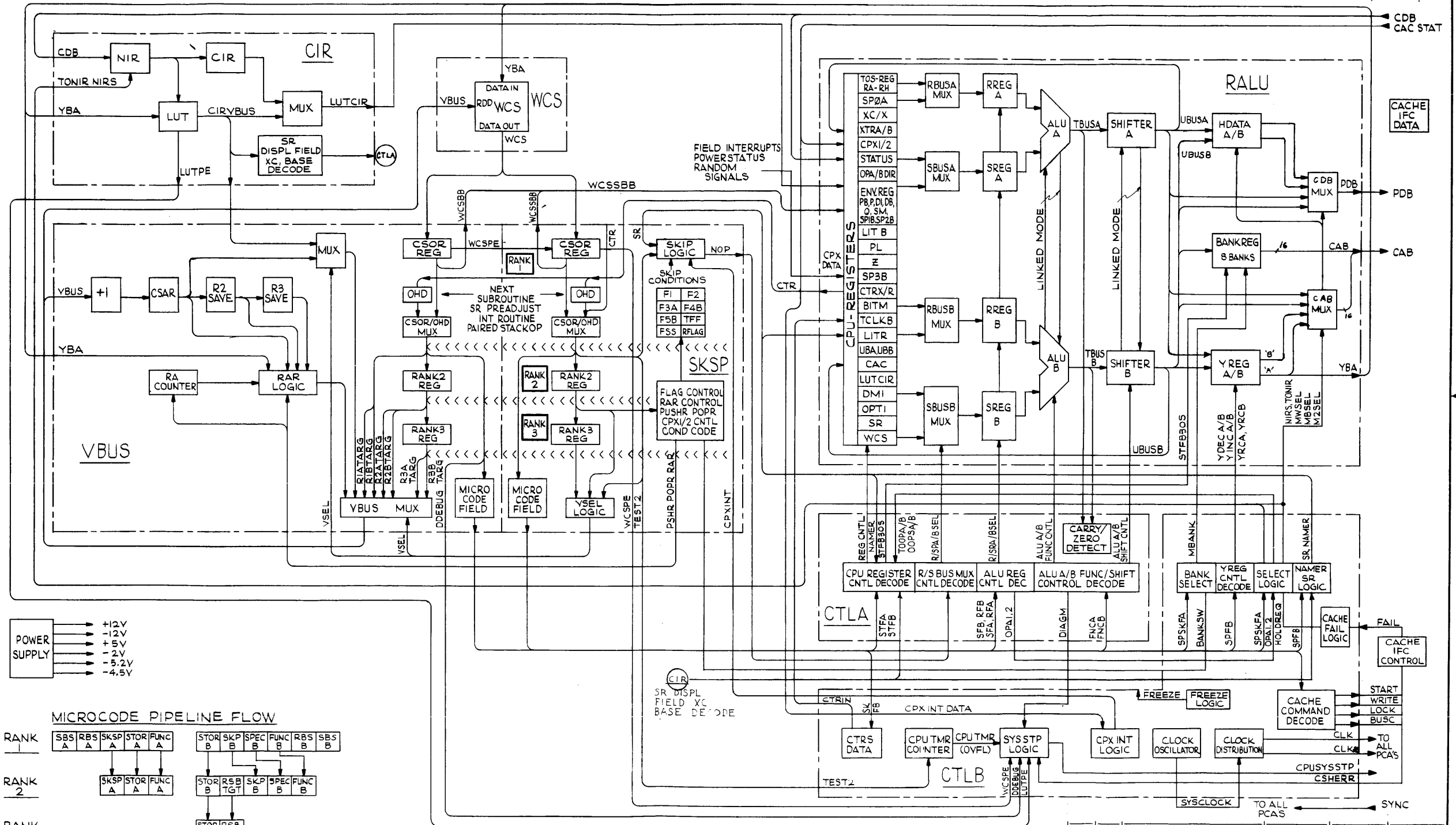
Diagnostic Control Unit/Power System Control



047041-10

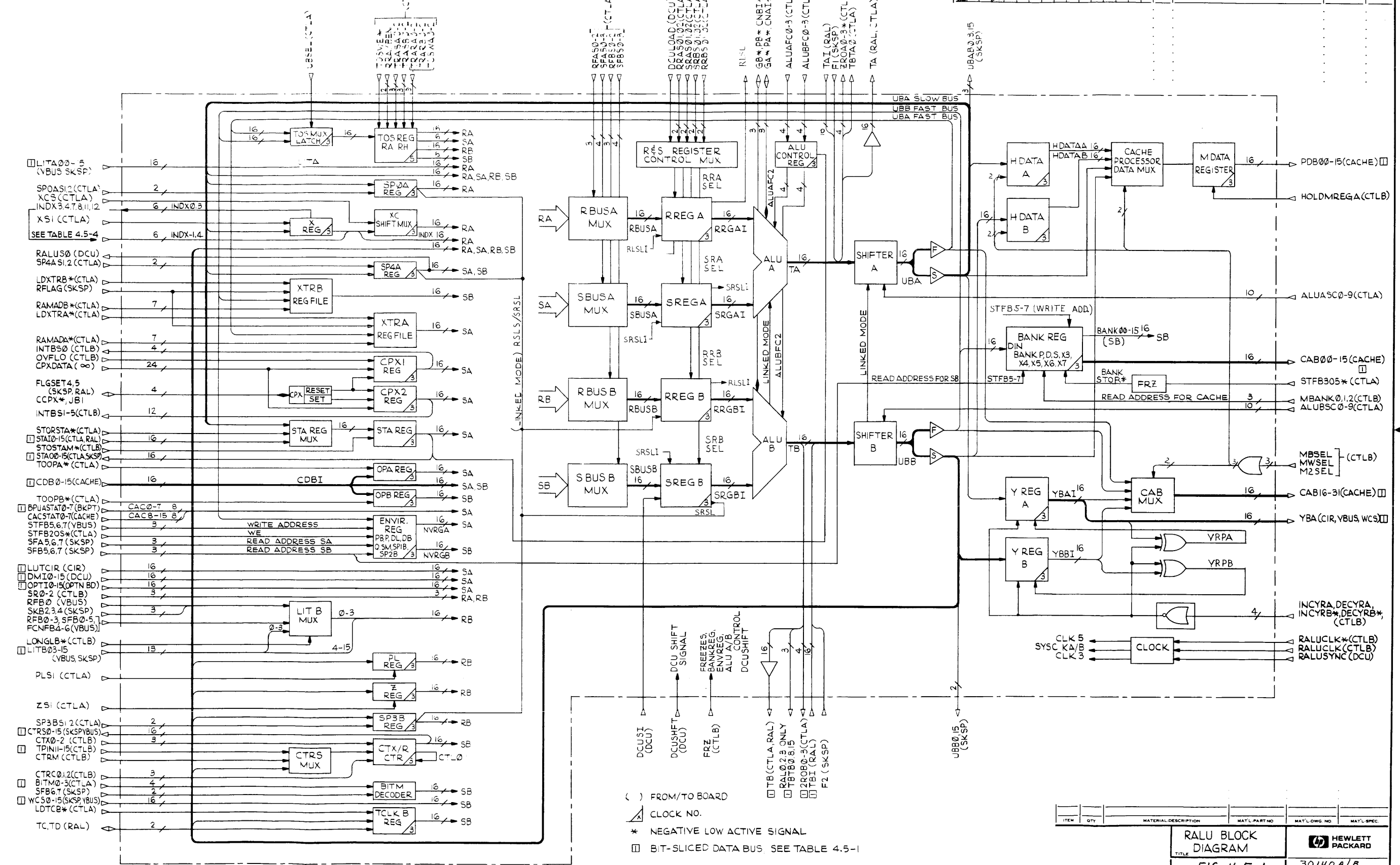


ENGINEERING RESPONSIBILITY															REVISE		DATE		
0	1	2	3	4	5	6	7	8	9	10	11	12	13	14	15	BY	DATE	APPROVED	DATE
																A	AS ISSUED	EG	7-25-82



ITEM	QTY	MATERIAL DESCRIPTION	MAT'L PART NO	MAT'L DWG NO	MAT'L SPEC
CPU BLOCK DIAGRAM					
TITLE			HEWLETT PACKARD		
FIG. 3-1			30140 A/B		
FINISH			PART NUMBER		
SCALE			D-30140-90017-35		

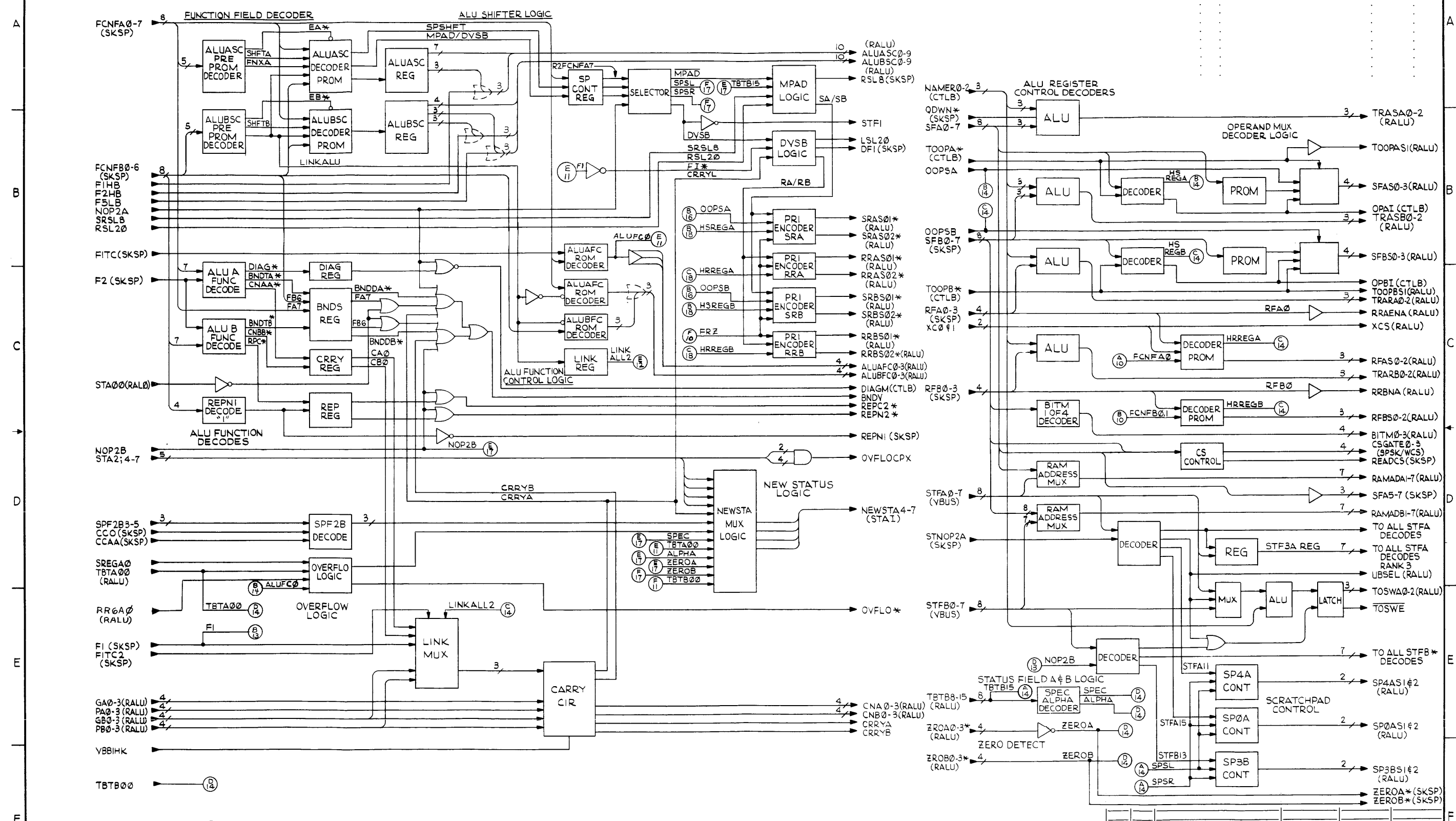
ENGINEERING RESPONSIBILITY															REVISONS					APPROVED		DATE	
1	2	3	4	5	6	7	8	9	10	11	12	13	14	15	A					AE ISSUED		1-20-82	



- () FROM/TO BOARD
- CLOCK NO.
- * NEGATIVE LOW ACTIVE SIGNAL
- BIT-SLICED DATA BUS. SEE TABLE 4.5-1

ITEM	QTY	MATERIAL DESCRIPTION	MAT'L PART NO	MAT'L DWG NO	MAT'L SPEC
RALU BLOCK DIAGRAM					
FIG. 4.5-1					
FINISH			SCALE		
HEWLETT PACKARD			30140A/B		
PART NUMBER			D-30140-90017-35		

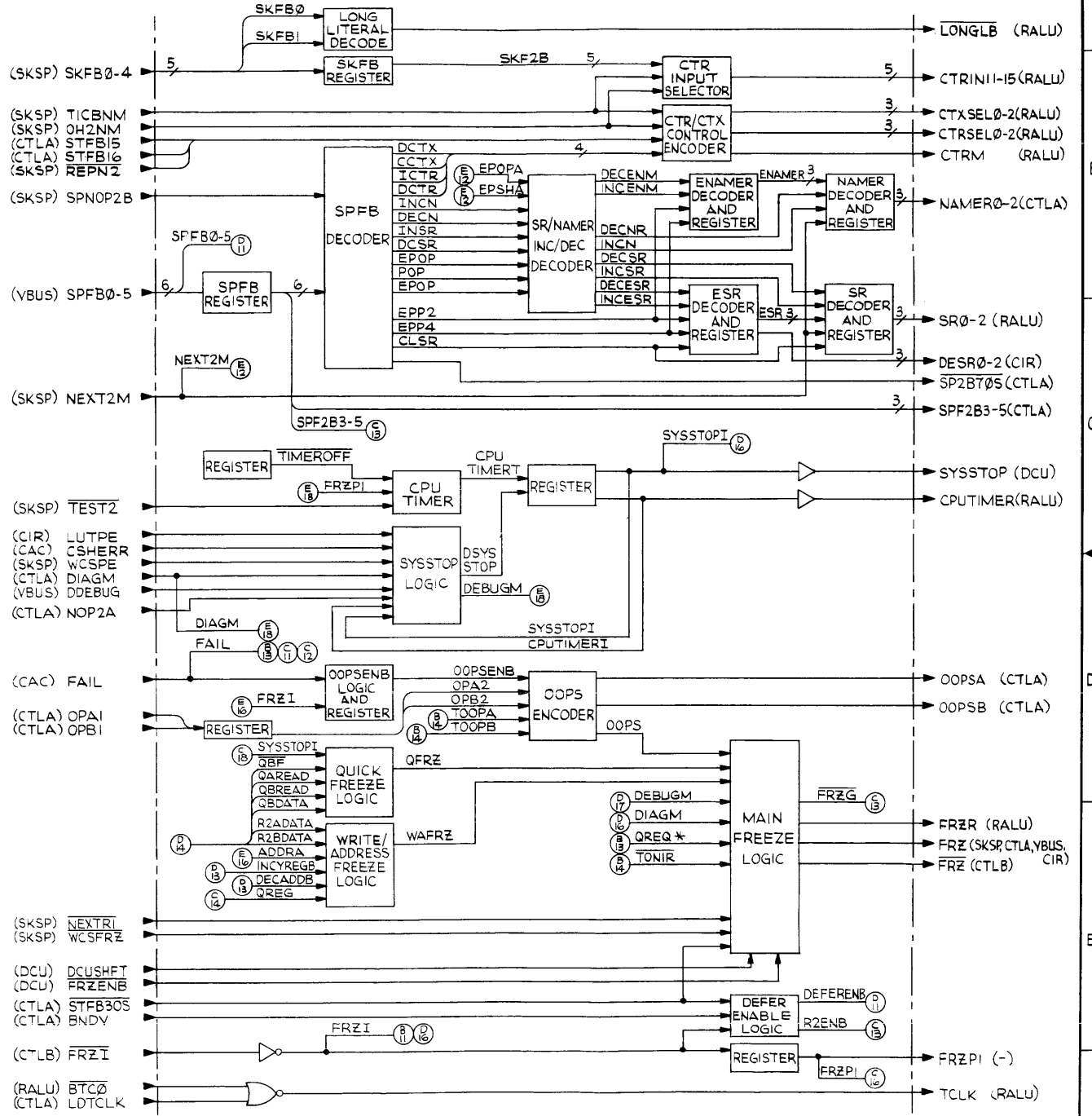
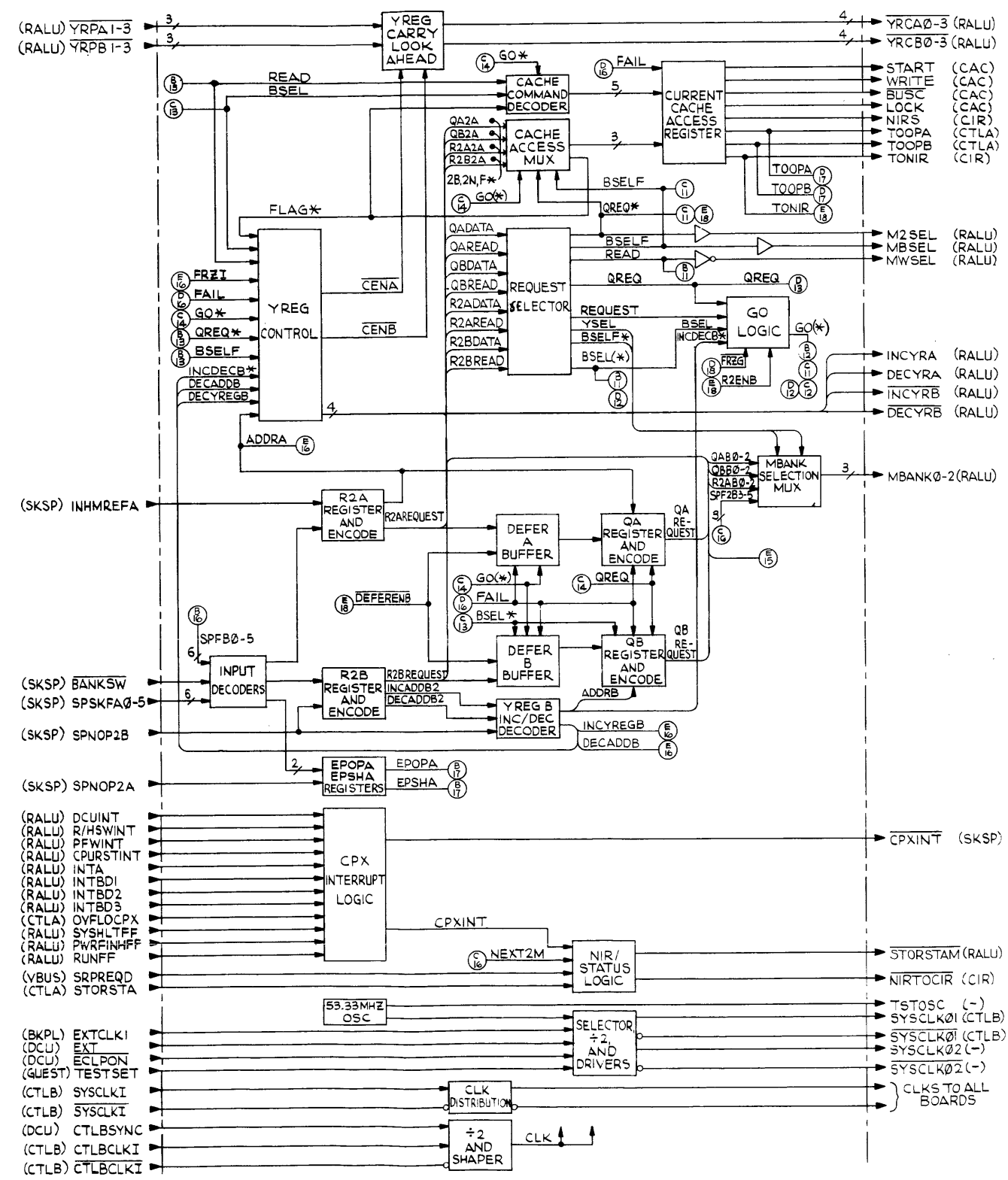
ENGINEERING RESPONSIBILITY										REVIEWS									
SEPIA										A5 ISSUED									
DATE										DATE									
APPROVED										APPROVED									



ITEM	QTY	MATERIAL DESCRIPTION	MAT'L PART NO	MAT'L DWG NO	MAT'L SPEC
CTLA BLOCK DIAGRAM					
FIG. 4.6-1					
PART NUMBER 30140A/B					
FINISH SCALE D-30140-90017-35					

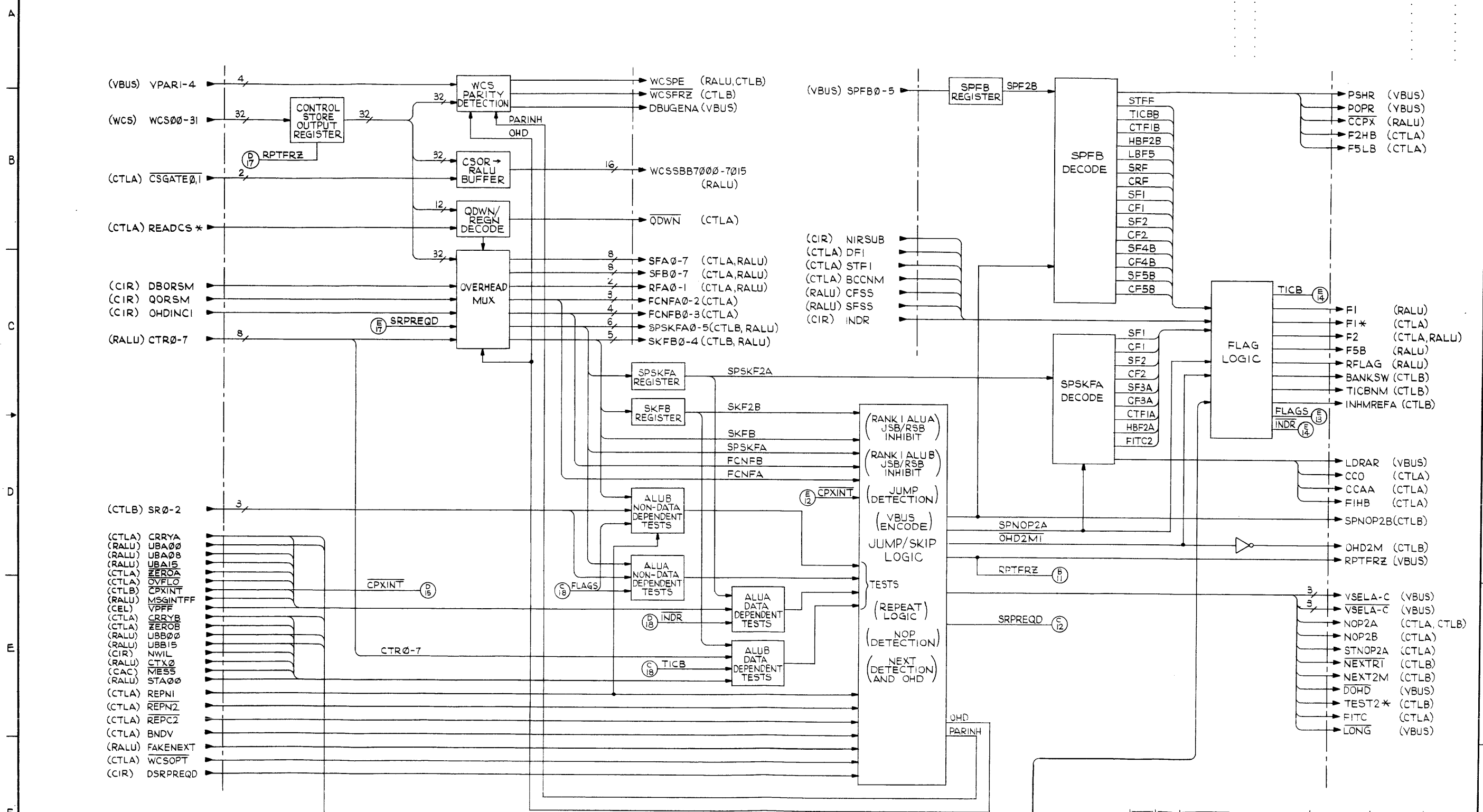
STOCK NO 9280-0004 PRINTED ON DEPO NO 1022-10 CLEAR COPY PAPER

ENGINEERING RESPONSIBILITY										SEPIA										0-30140-90017-35									
APPROVED										DATE										REVISED									
AS ISSUED																													

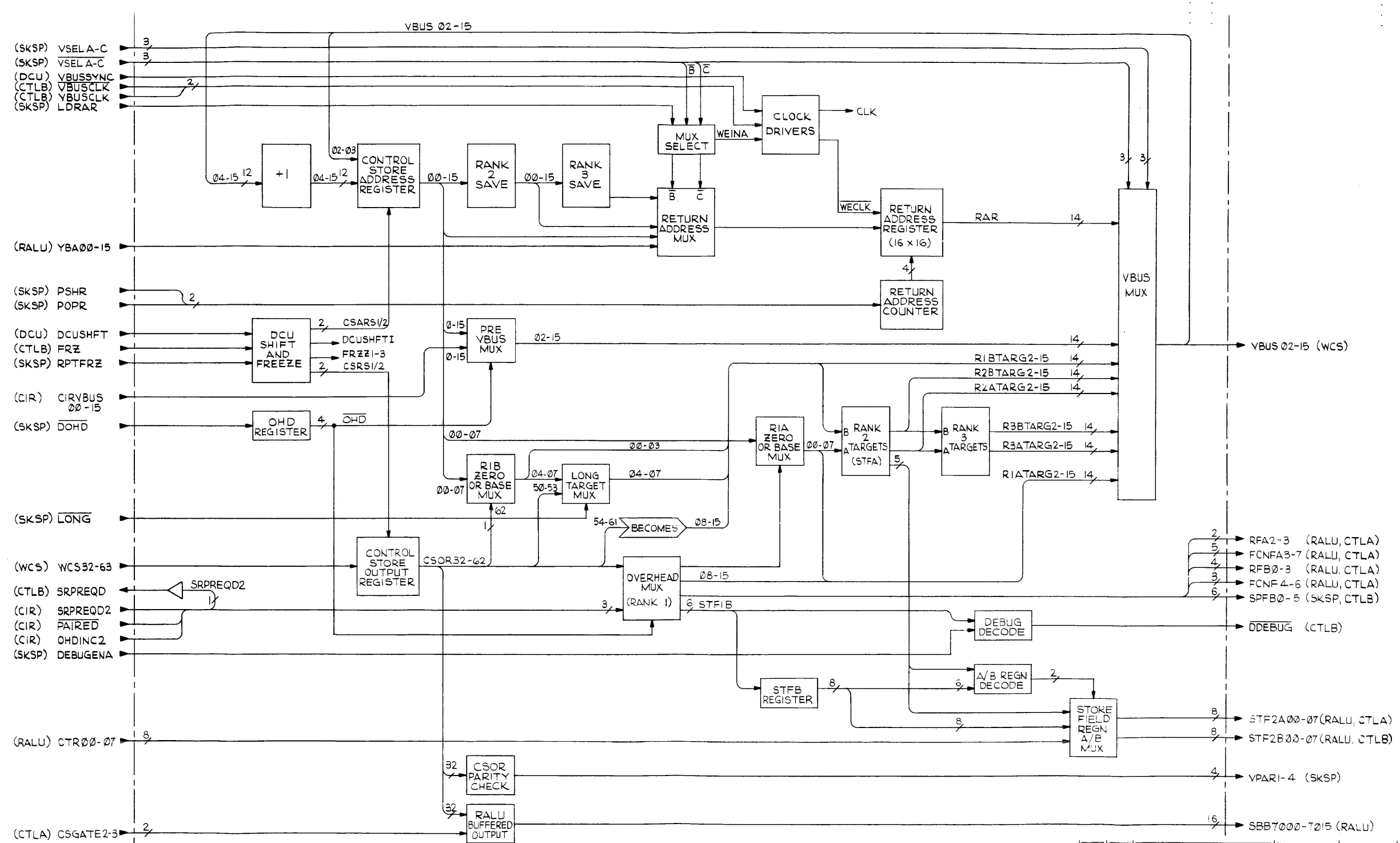


ITEM	QTY	MATERIAL DESCRIPTION	MAT. PART NO.	MAT. DWG. NO.	MAT. SPEC.
CTLB BLOCK DIAGRAM					
FIG. 4.7-1					
SCALE					
HEWLETT PACKARD					
PART NUMBER 30140A/B					
0-30140-90017-35					

ENGINEERING RESPONSIBILITY															REVIEWS															APPROVED		DATE	
16	17	18	19	20	21	22	23	24	25	26	27	28	29	30	31	32	33	34	35	36	37	38	39	40	41	42	43	AS	ISSUED	08	1-2-82		

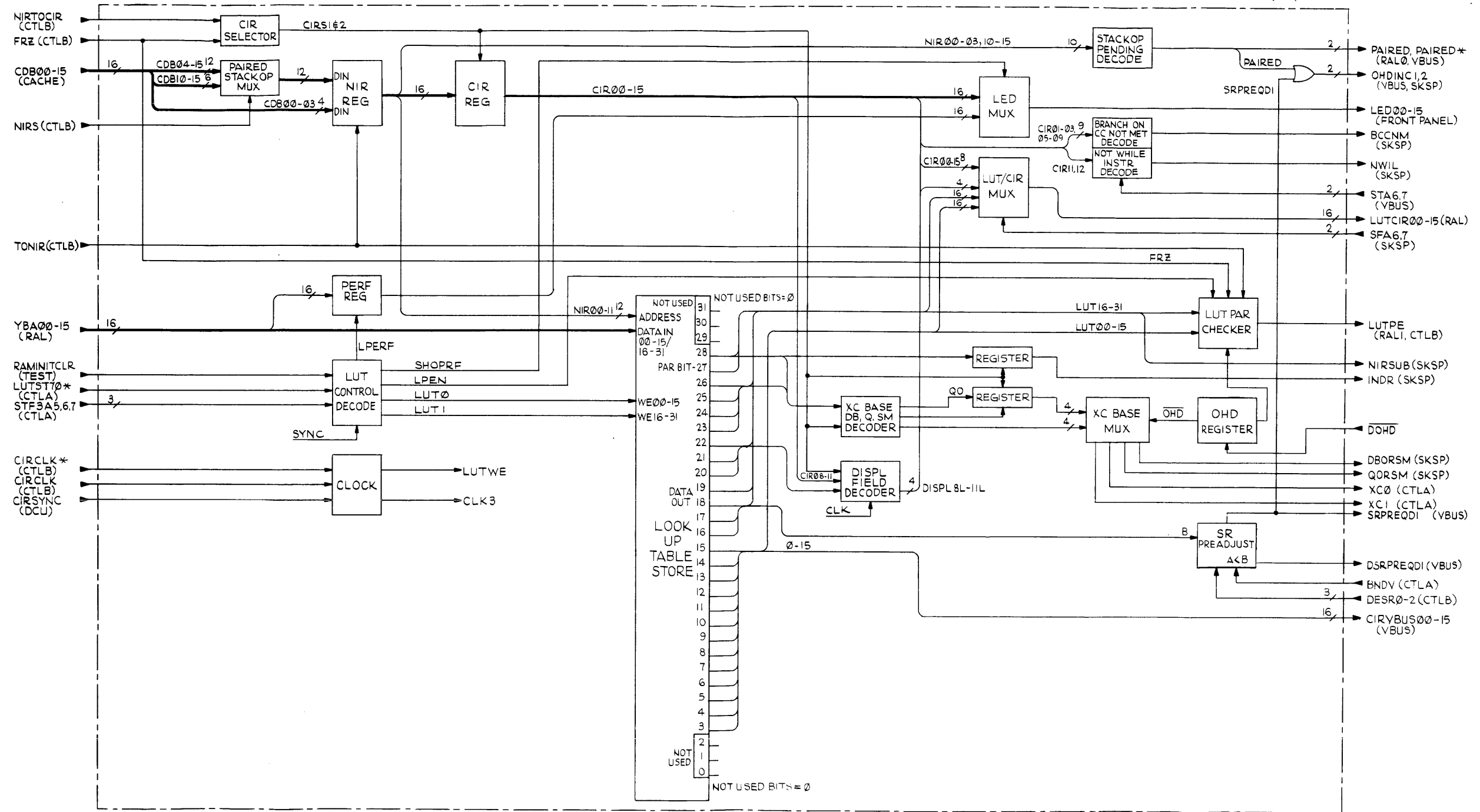


ITEM	QTY	MATERIAL DESCRIPTION	MATL PART NO	MATL DWG NO	MATL SPEC
SKSP BLOCK DIAGRAM					
FIG. 4.8-1					
SCALE					
HEWLETT PACKARD					
30140A/E					
PART NUMBER					
D-30140-90017-35					



ITEM	QTY	MATERIAL DESCRIPTION	MATL PART NO	MATL DWG NO	MATL SPEC
VBus BLOCK DIAGRAM					
FIG. 4.9-1					
				PART NUMBER 30140 A/B	
				D-30140-90017-35	

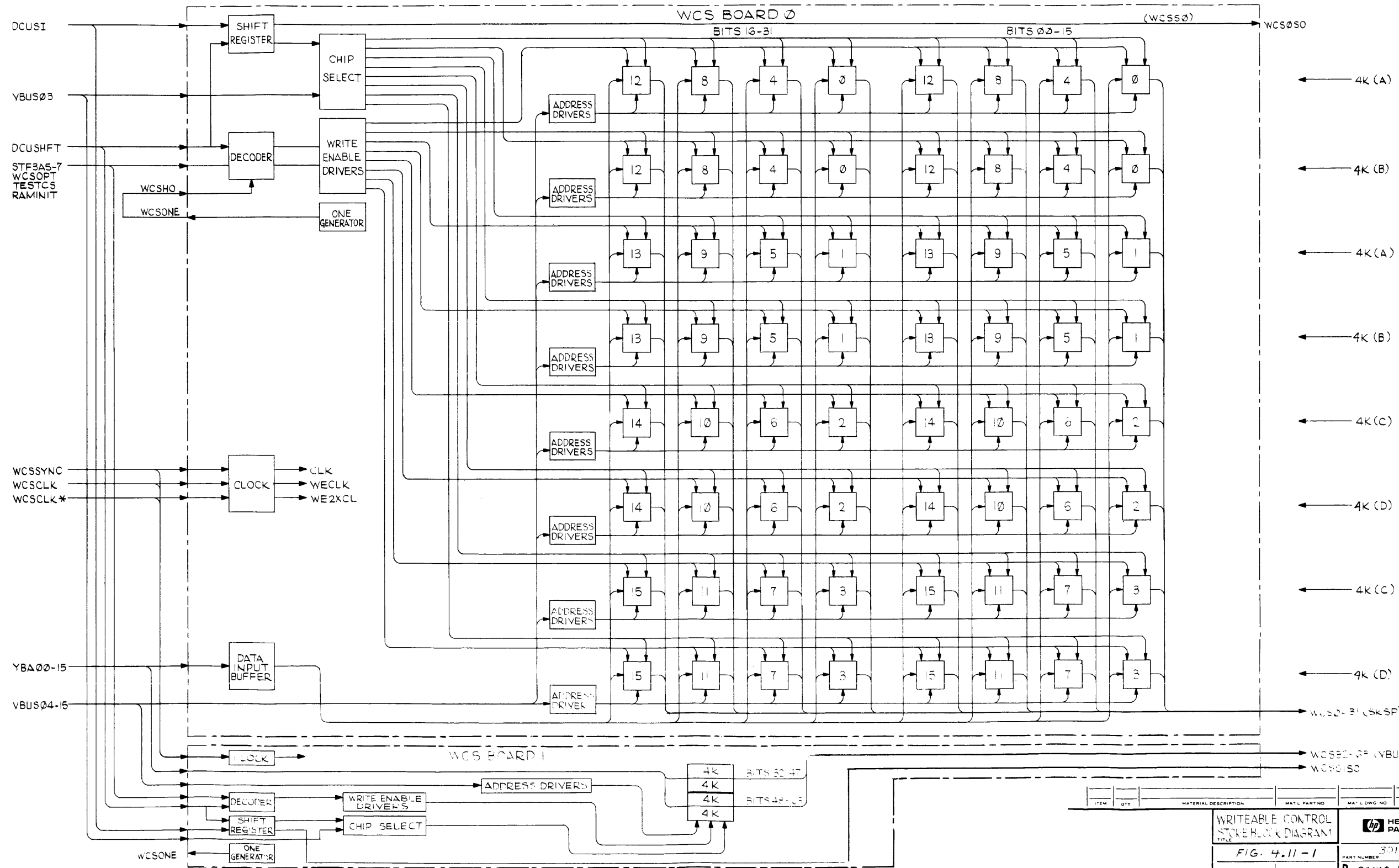
ENGINEERING RESPONSIBILITY															SEPIA															REV. NO.															DATE														



ITEM	QTY	MATERIAL DESCRIPTION	MAT'L PART NO	MAT'L ORG NO	MAT'L SPEC
CIR BLOCK DIAGRAM					
FIG. 4.10-1					
FINISH			SCALE		

HEWLETT PACKARD
 PART NUMBER: 30140A/B
 D-30140-90017-35

ENGINEERING RESPONSIBILITY															SERIAL															REV. NO.		DATE															
0	1	2	3	4	5	6	7	8	9	10	11	12	13	14	15	16	17	18	19	20	21	22	23	24	25	26	27	28	29	30	31	32	33	34	35	36	37	38	39	40	41	42	43	SYM	REV	APPROVED	DATE
																																											A	AS ISSUED	ES	1-6-82	



ITEM	QTY	MATERIAL DESCRIPTION	MAT'L PART NO	MAT'L DWG NO	MAT'L SPEC
WRITEABLE CONTROL					
STONE BLOCK DIAGRAM					
FIG. 4.11-1					
PART NUMBER 3014 0A/B					
FINISH SCALE D-30140-90017-35					

SYSTEM ASSEMBLY DRAWINGS

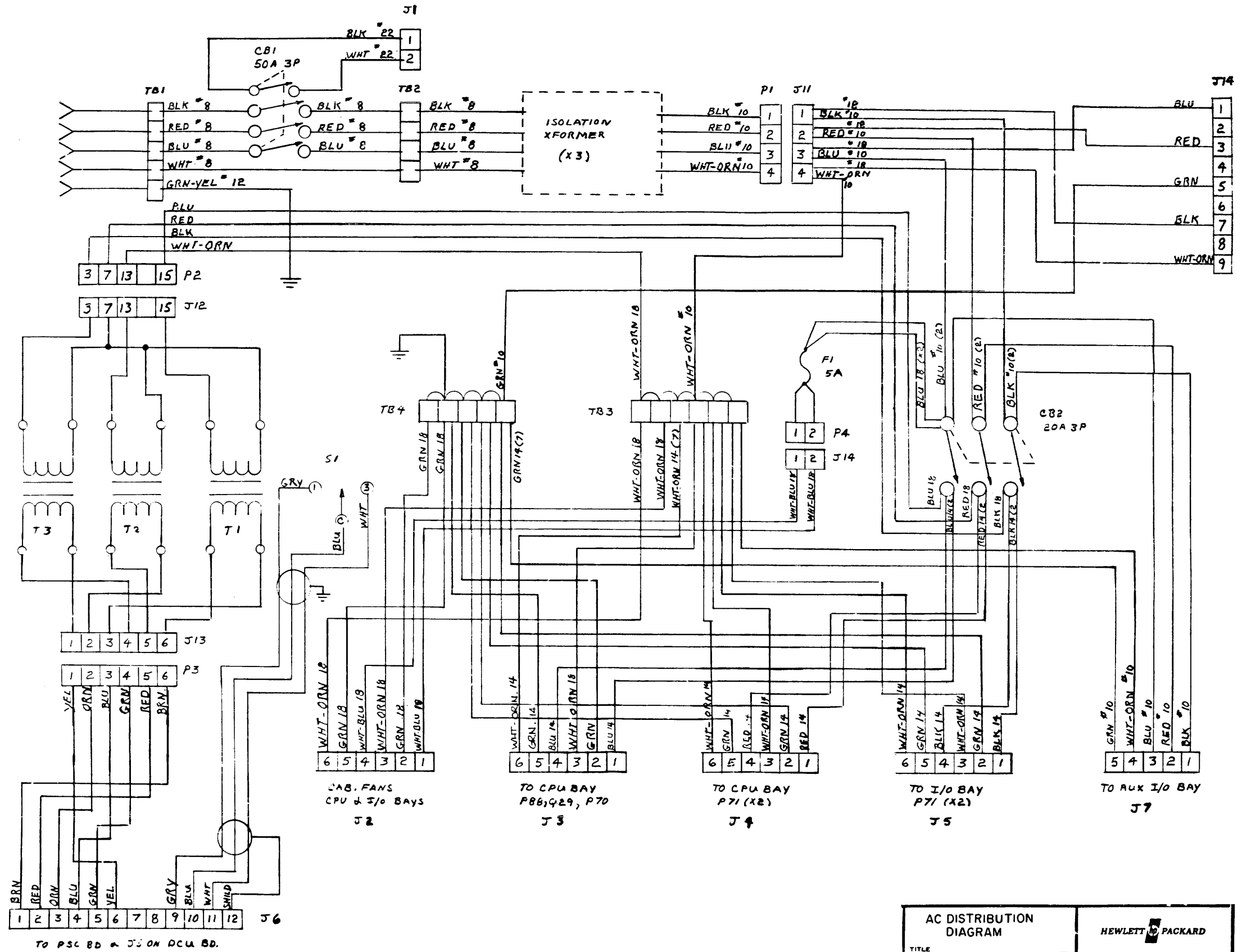
SECTION

II

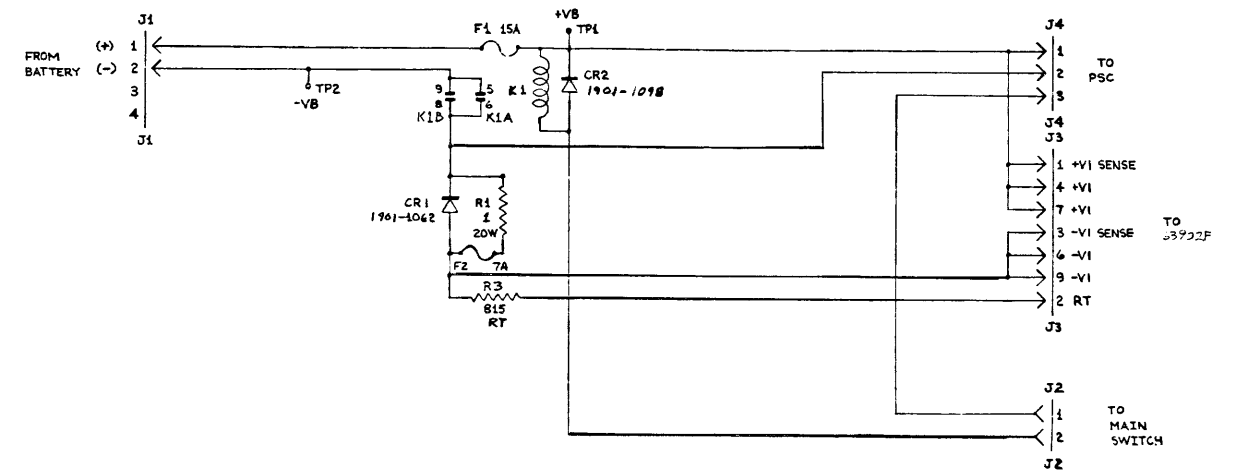
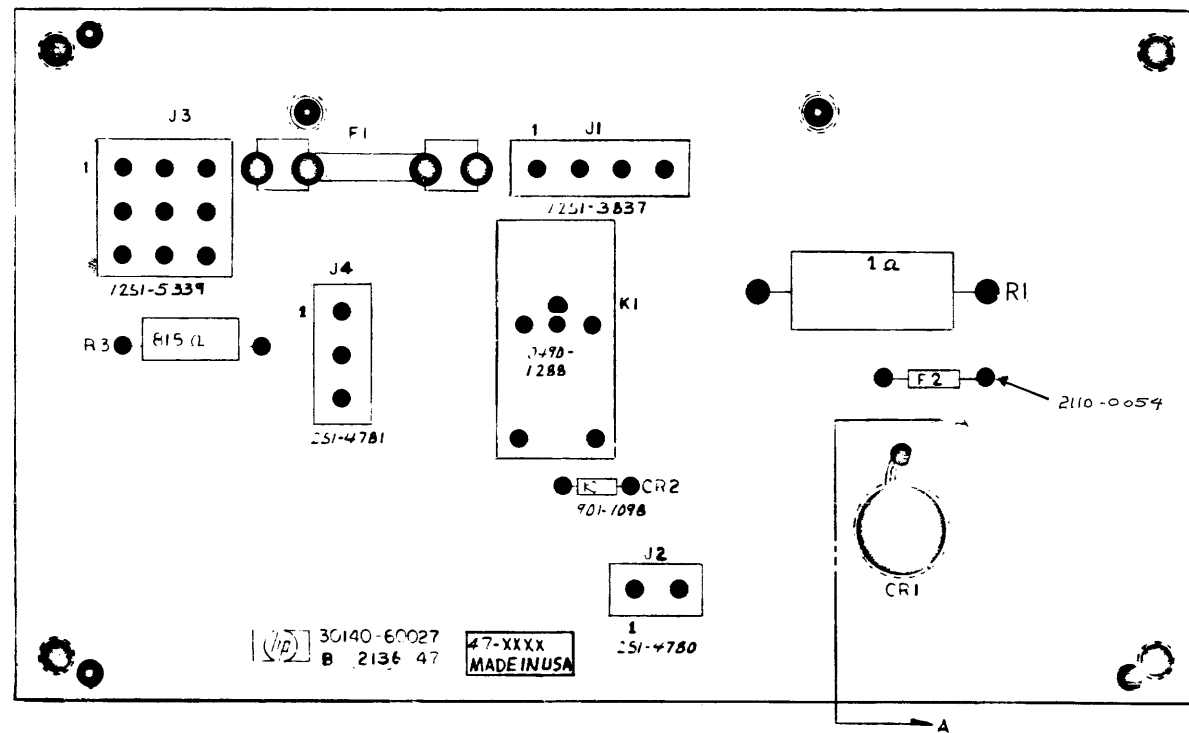
This section provides assembly drawings for the HP 3000 Series 64/68 A/B computer system. The drawings appear in order as listed below.

CONTENTS

P/N	DRAWING	SYSTEM	PAGE
30140-60023-51	AC Distribution	A	2-2
" 60027-3	Battery Control Module Assembly	A	2-3
" 60027-51	Battery Control Module Schematic	A	2-3
" 60036-1	Fuse Wiring and Assembly	A	2-4
" 60048-2	DCU/Datacomm Assembly	A	2-5
" 60049-2	AC Sense Transformer Assembly	A	2-6
" 60049-51	AC Sense Transformer Schematic	A	2-6
" 60063-1	I/O Plenum Fan Tray Assembly	A/B	2-7
" 60066-1	CPU Plenum Assembly	A/B	2-8
" 60066-2	CPU Plenum Fan Tray Assembly	A/B	2-9
" 60070-1	System Display Panel Assembly	A	2-10
" 60071-1	Battery Module Assembly	A	2-11
" 60081-1	Cable Assembly-Modem Jumper	A/B	2-12
" 60082-1	Flat Cable Assembly-IOB/IMBI	A/B	2-13
" 60100-2	Datacomm Cable Assembly	B	2-14
" 90001-1	Mainframe Final Assembly	A	2-15
" 90001-2	Interbay Cabling	A	2-16
" 90001-3	I/O Bay Final Wiring	A	2-17
" 90001-6	Mechanical Assembly-CPU Bay	A	2-18
" 90001-7	Mechanical Assembly-I/O Bay	A	2-19
" 90001-15	Assembly-Power Supply Units	A	2-20
" 90001-18	PCM & ISO Transformer MTG. IO	A	2-21
" 90001-23	CPU Bay Wiring, Step #4	A	2-22
" 90001-24	PCM Mounting & Final Wiring	A	2-23
" 90002-1	AC Wiring Diagram	A	2-24
" 90002-2	Power System Control Wiring	A	2-25
" 90002-3	CPU I/O Backplane Wiring	A	2-26
" 90032-1	Assembly-AC Unit, Cable Mount, & Transformers	B	2-27
" 90032-2	Assembly-CPU Bay	B	2-28
" 90032-3	Assembly-I/O Bay	B	2-29
" 90032-4	Assembly-Bus Bars	B	2-30
" 90032-5	CPU Bus Bar	B	2-31
" 90032-6	CPU Cabling-Step #1	B	2-32
" 90032-7	Interbay Cabling/CPU Cabling-Step #2	B	2-33
" 90032-8	CPU Cabling-Step #3	B	2-34
" 90032-9	Interbay Cabling/High Voltage Distribution	B	2-35
" 90032-10	Assembly-System Cables and Labels	B	2-36
" 90032-11	Final Assembly	B	2-37
" 90034-1	Control & Monitor Signal Distribution	B	2-38
" 90034-2	Low Voltage D.C. Distribution	B	2-39
" 90034-3	AC/DC High Voltage Distribution	B	2-40

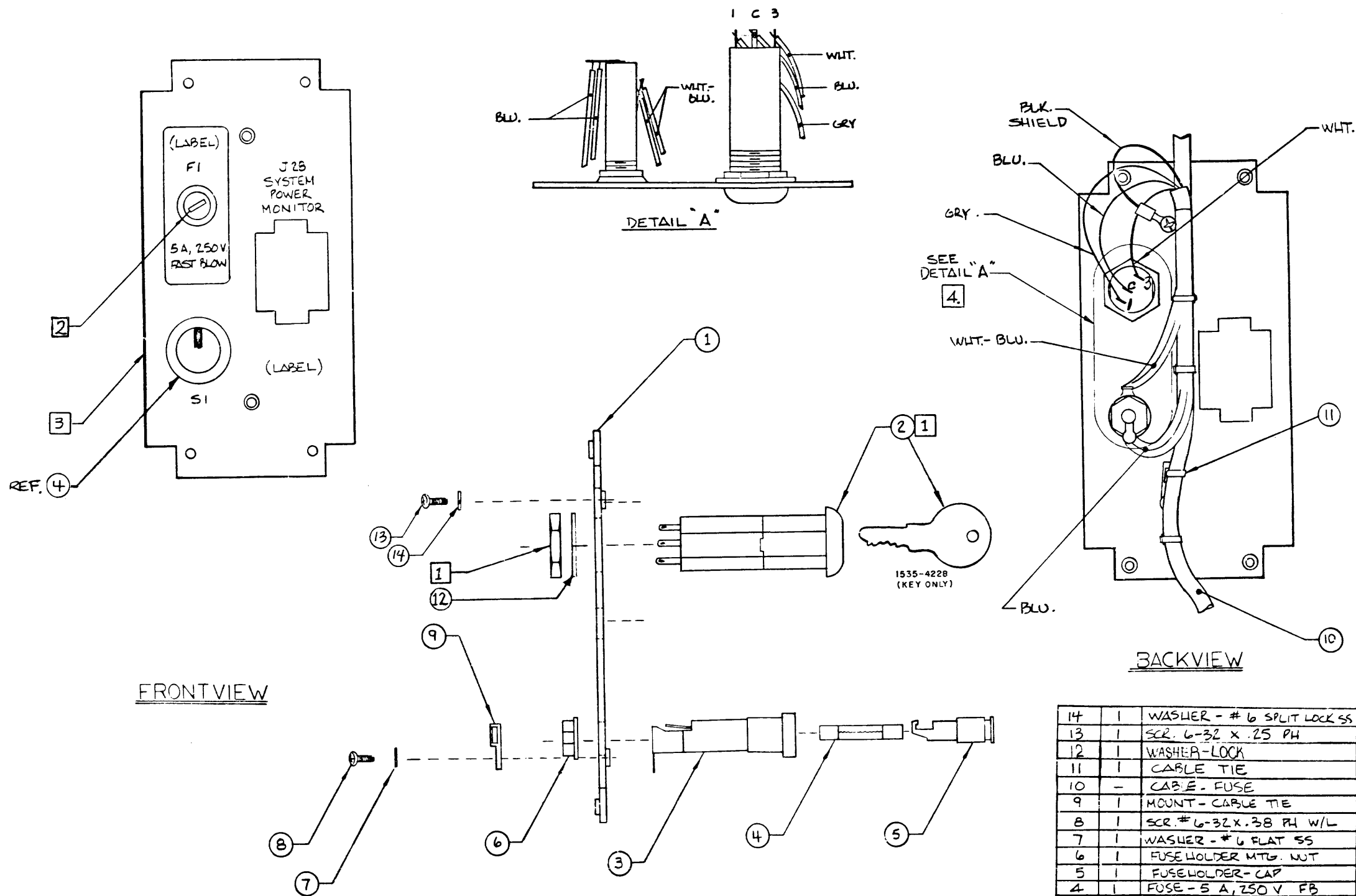


AC DISTRIBUTION DIAGRAM		HEWLETT PACKARD	
TITLE		30140A	
NEXT ASSEMBLY		PART NUMBER	
FINISH		SCALE	
		30140-6023	
		C-30140 -6023 -51	



PCA - BCM		HEWLETT PACKARD	
ASSY. DWG.			
30140 A		30140-60027	
	SCALE 2:1	D-30140-60027-3	

PCA - BATTERY CONTROL MODULE SCHEMATIC		HEWLETT PACKARD	
30140A		30140-60027	
		D-30140-60027-51	

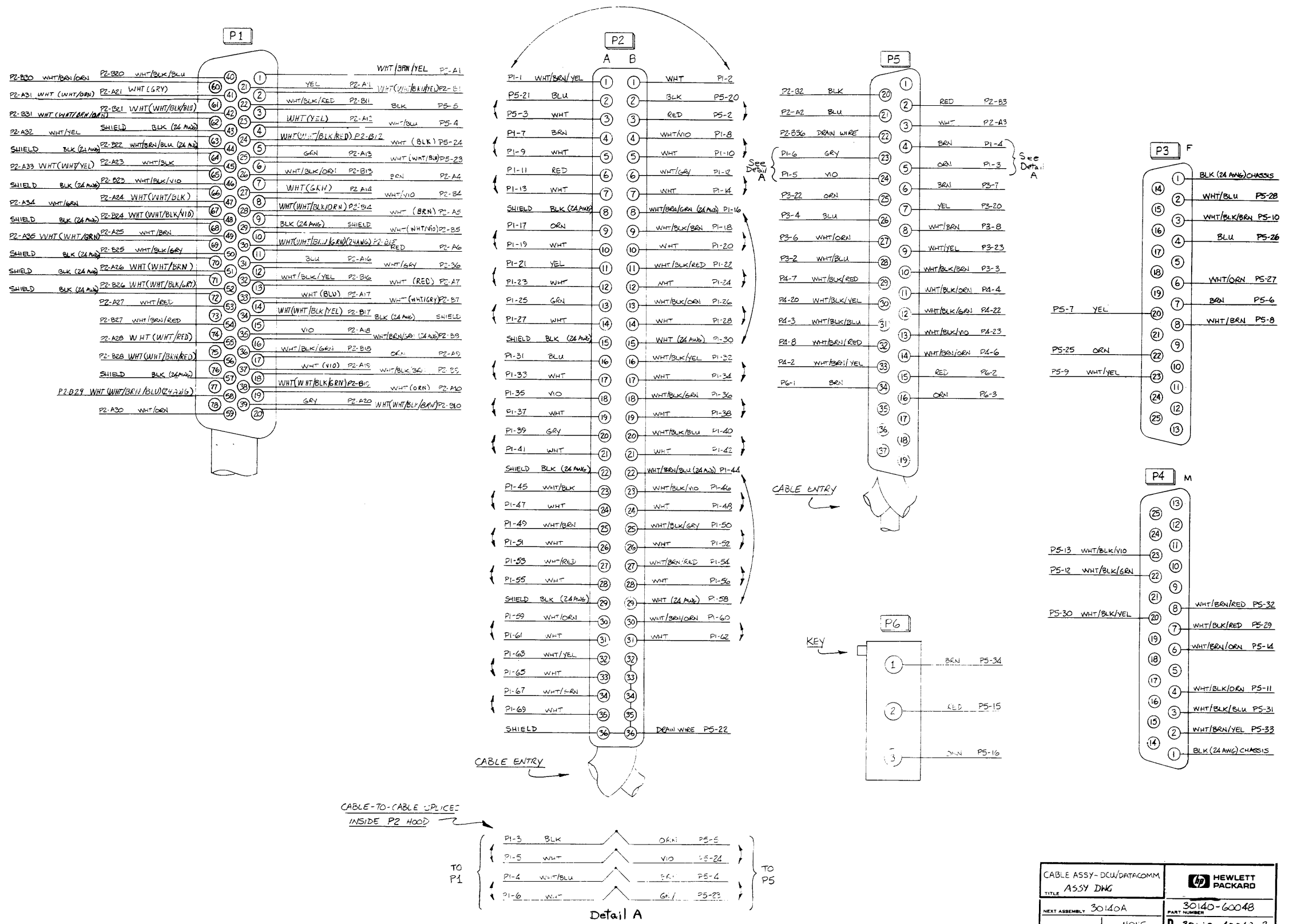


- NOTES:**
- 1 KEYS AND HARDWARE TO BE FURNISHED WITH ITEM 2.
 - 2 INSTALL ITEM 2 AS SHOWN.
 - 3 MAKE SURE SHEETMETAL PART IS SILKSCREENED AS SHOWN.
 - 4 INSTALL WIRES DOWNWARD AS SHOWN IN DETAIL "A" BEFORE SOLDERING.

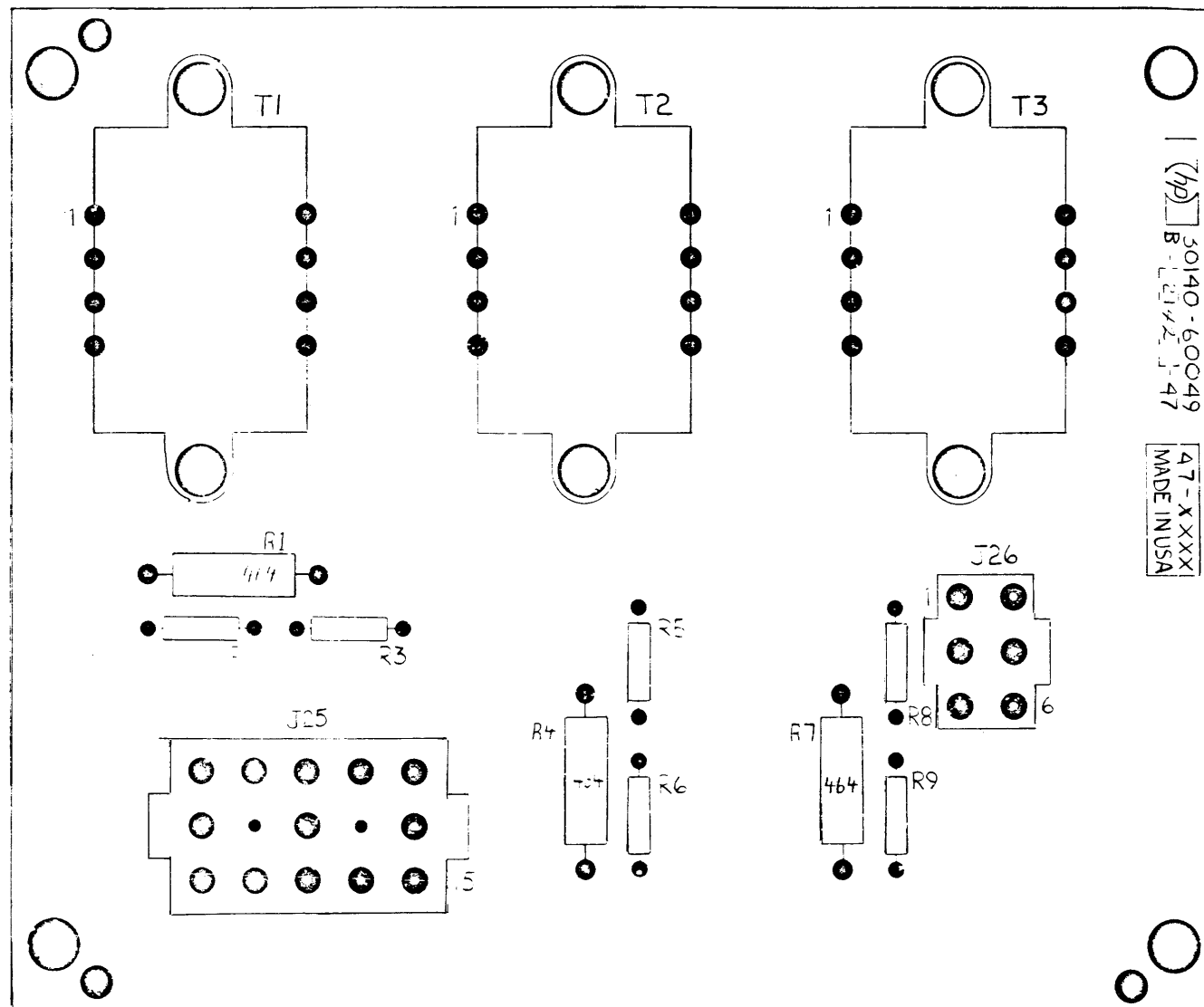
14	1	WASHER - # 6 SPLIT LOCK SS	2190-0851		
13	1	SCR. 6-32 X .25 PH	2360-0193		
12	1	WASHER-LOCK	2190-0051		
11	1	CABLE TIE	1400-0249		
10	-	CABLE - FUSE	REF.	30140-60036	C-2
9	1	MOUNT - CABLE TIE	1400-0786		
8	1	SCR. #6-32 X .38 PH W/L	2360-0429		
7	1	WASHER - #6 FLAT SS	3050-0228		
6	1	FUSE HOLDER MTG. NUT	2110-0569		
5	1	FUSE HOLDER - CAP	2110-0565		
4	1	FUSE - 5 A, 250 V FB	2110-0010		
3	1	FUSE HOLDER - BODY	2110-0566		
2	1	SWITCH - LOCK	1390-0482		
1	1	PLATE - MTG. PCB FUSES	30140-00055		
ITEM	QTY.	MATERIAL DESCRIPTION	MAT'L. PART NO	MAT'L. DWG NO	MAT'L. SPEC.

CA. - FUSE
WIRING & ASSEMBLY
TITLE

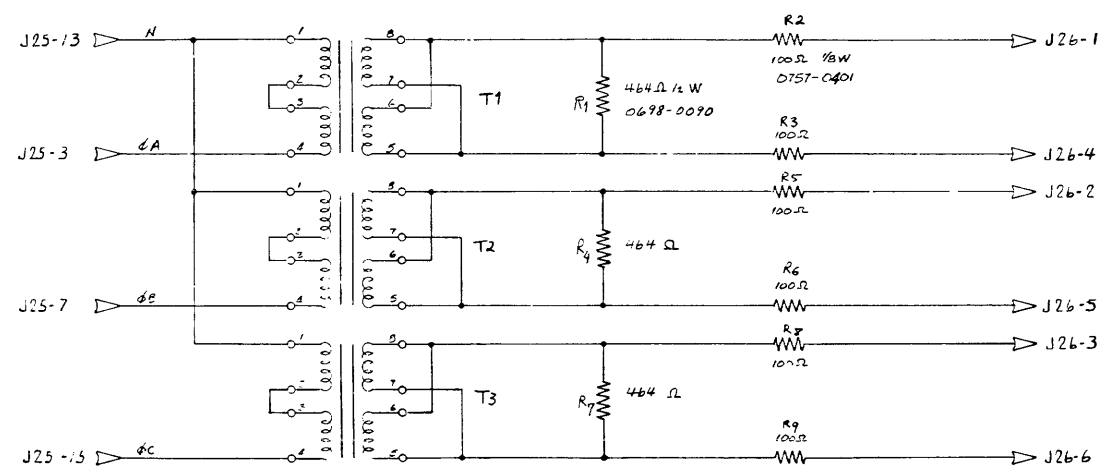
HEWLETT PACKARD
PART NUMBER 30140-60036
C-30140-60036-1



CABLE ASSY-DCU/DATACOMM		HEWLETT PACKARD	
ASSY DWG		30140-60048	
NEXT ASSEMBLY	30140A	PART NUMBER	30140-60048
FINISH	SCALE NONE	REV	1-30140-60048-2



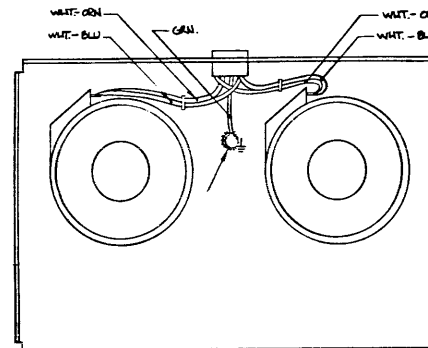
(hp) 30140-60049
 B-2142 J47
 47-XXXX
 MADE IN USA



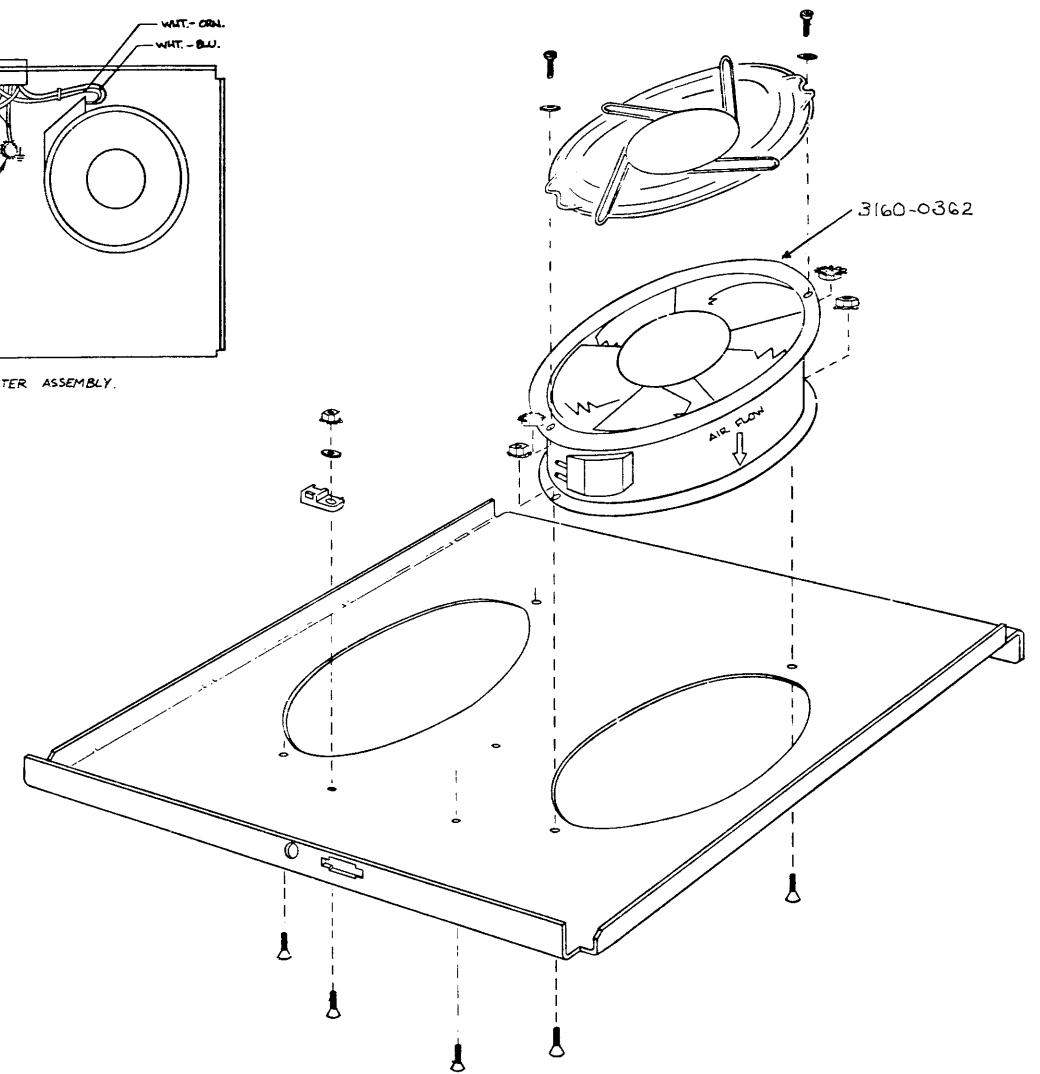
PCA-AC SENSE
 TRANSFORMER
 ASSY DWG.

30140-60049
 C-30140-60049-2

PCA-AC SENSE TRANSFORMER SCHEMATIC DWG.	HEWLETT PACKARD
30140-60023	30140-60049
REV. A	REV. A
FINISH	SCALE
	C-30140-60049-S1

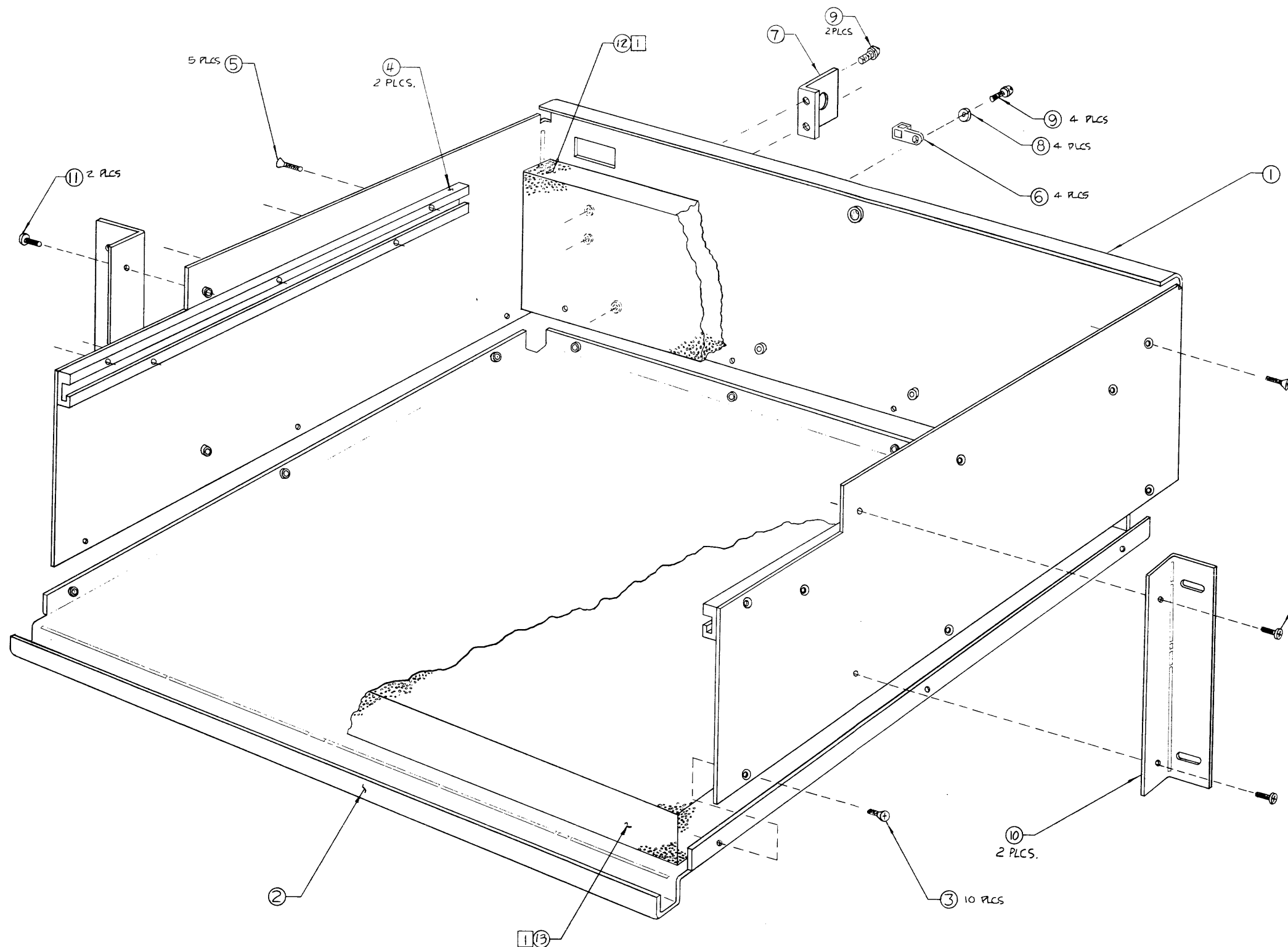


INSTALL CABLE AFTER ASSEMBLY.



MAINFRAME - SERIES 64 V6 PLENUM FAN TRAY ASSEMBLY		HEWLETT PACKARD	
TYPE	30140 A	PART NUMBER	30140-60063
FORM	NONE	SCALE	30140-60063-1

ENGINEERING RESPONSIBILITY															SEPIA		D-30140	
1	2	3	4	5	6	7	8	9	10	11	12	13	14	15	REVISIONS		APPV	
16	17	18	19	20	21	22	23	24	25	26	27	28	29	30	A	AS ISSUED PER PGO 47-3397		
31	32	33	34	35	36	37	38	39	40	41	42	43	44	45	B	REVISED PER PGO 47-3337	RT	



NOTES:
 1 LAST STEP, APPLY ITEM
 13, THEN ITEM 12.

ITEM	QTY	MATERIAL DESCRIPTION	MAT'L PART NO.	MAT'L OWNG. NO.	MAT'L SPEC.
13	1	FOAM - ACOUSTIC	4208-0593		
12	1	FOAM - ACOUSTIC	4208-0592		
11	4	SCR. 10-32 X .50 PH W/L	2680-0274		
10	2	BRACKET - MTC. PLENUMS	30140-00018		
9	6	SCR. 6-32 X .38 PH W/L	2340-0359		
8	4	WASHER #6 FLAT	3082-0228		
7	1	BRACKET - MTC. DIODE	30140-00010		
6	4	MOUNT - CABLE TIE	1405-0786		
5	10	SCR. TAP 6-32 X .5 L	0424-0213		
4	2	SLIDE - FAN TRAY	4040-2018		
3	10	SCR. - 6-32 X .31 FH	2340-0188		
2	1	BOTTOM - CPU PLENUM	30140-00011		
1	1	SIDE - CPU PLENUM	30140-00012		

MAINFRAME - SERIES 64
 CPU PLENUM ASSEMBLY

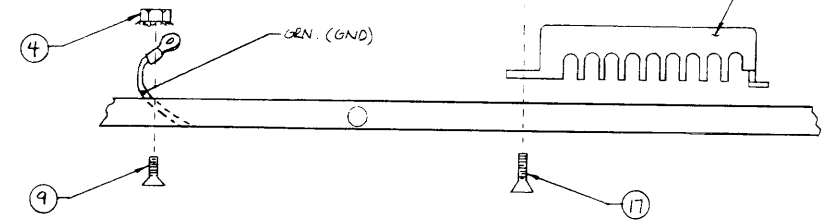
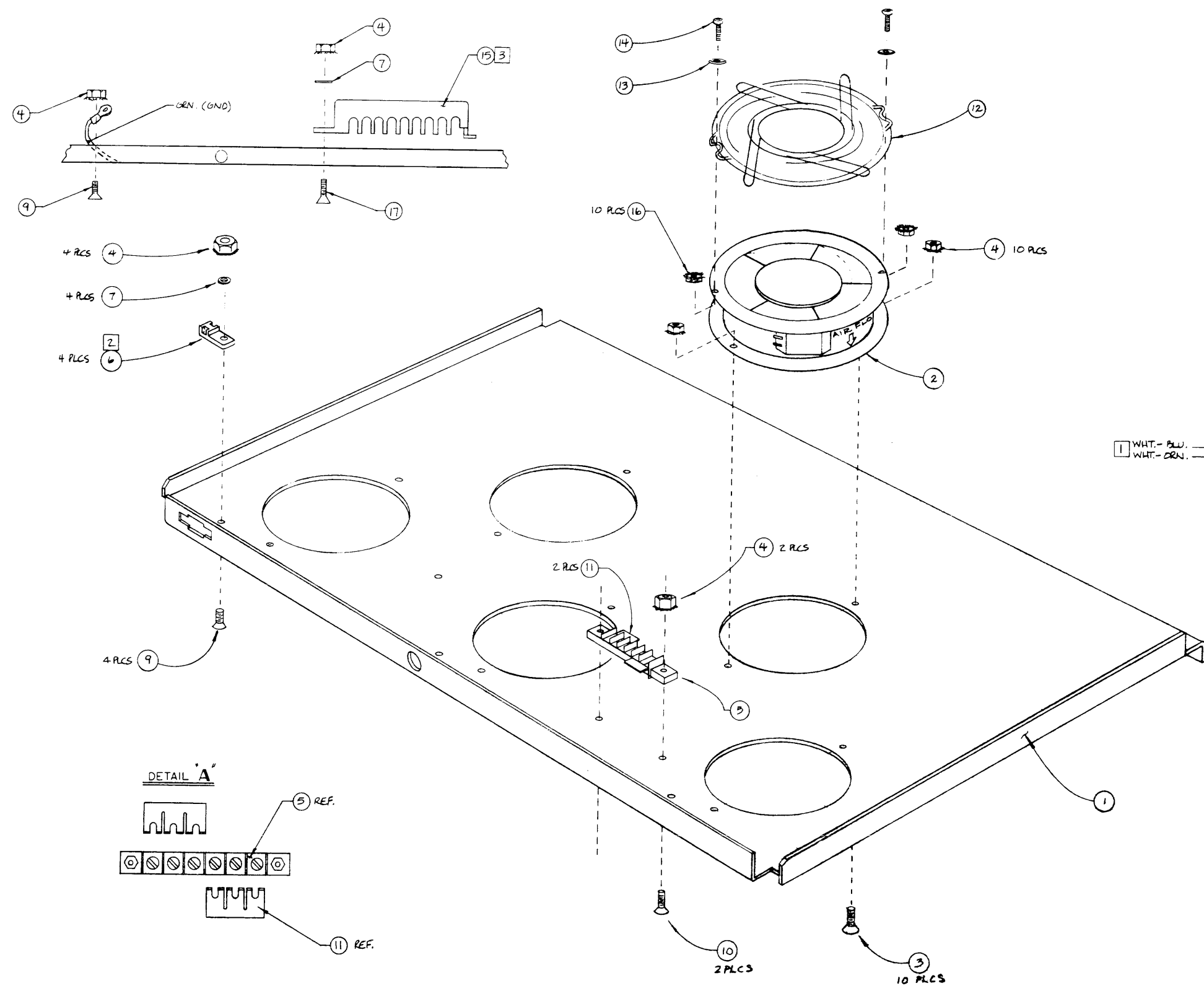
TITLE

HEWLETT
 PACKARD

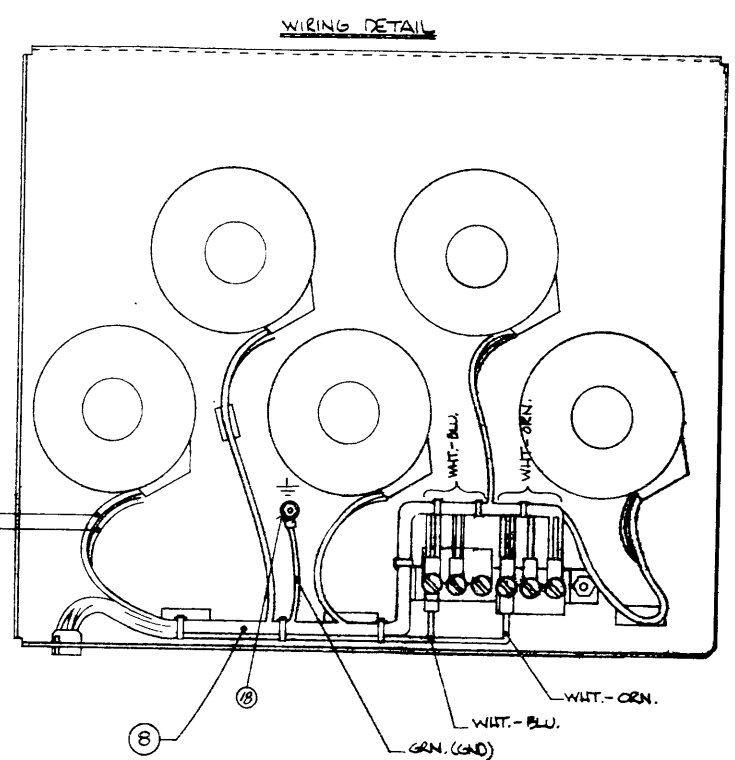
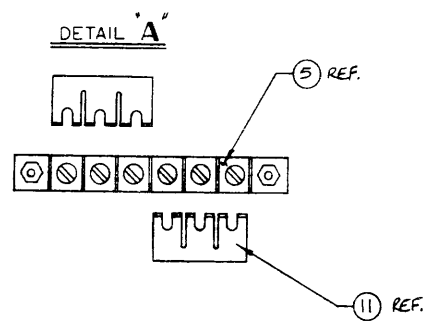
PERM. PRINT

PART NUMBER
 D-30140-60066-1

SCALE

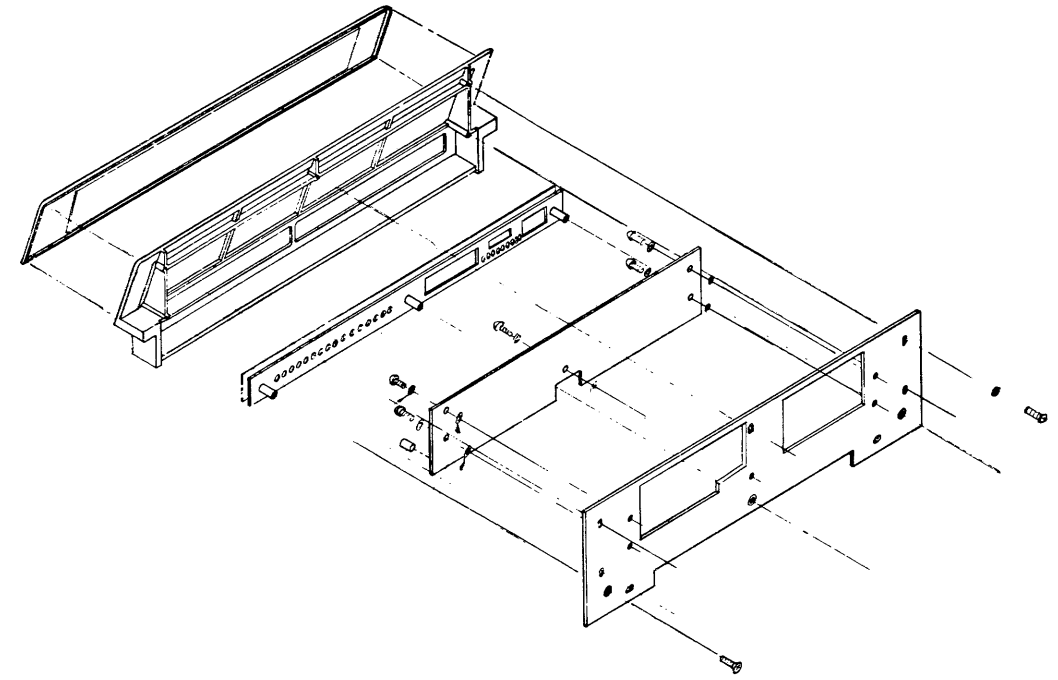


- 4 PLS 4
- 4 PLS 7
- 4 PLS 9

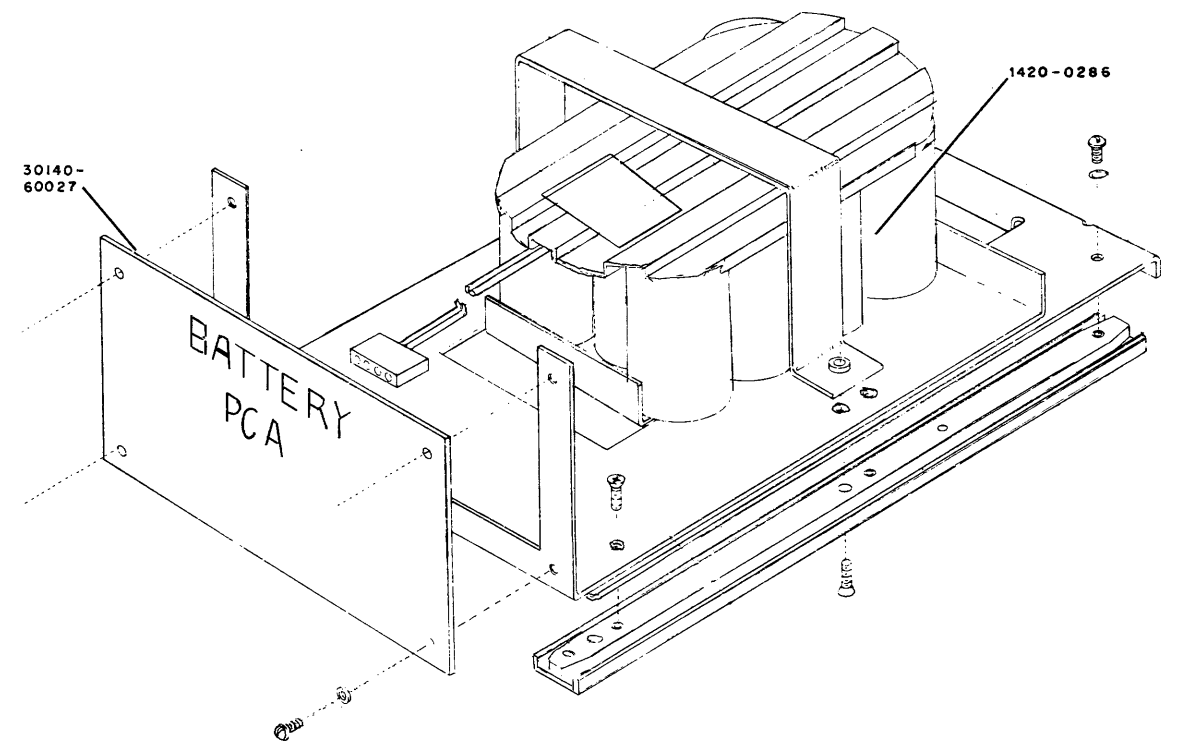


- NOTES:**
- 1 WHT.-BLU. WIRE ON TOP, WHT.-ORN. WIRE ON BOTTOM - ALL FANS.
 - 2 REFER TO WIRING DETAIL FOR LOCATION OF CABLE TIE MOUNTS.
 - 3 INSERT TAB INTO SLOT AND SECURE WITH HARDWARE. MOUNT ITEM 5 LAST.

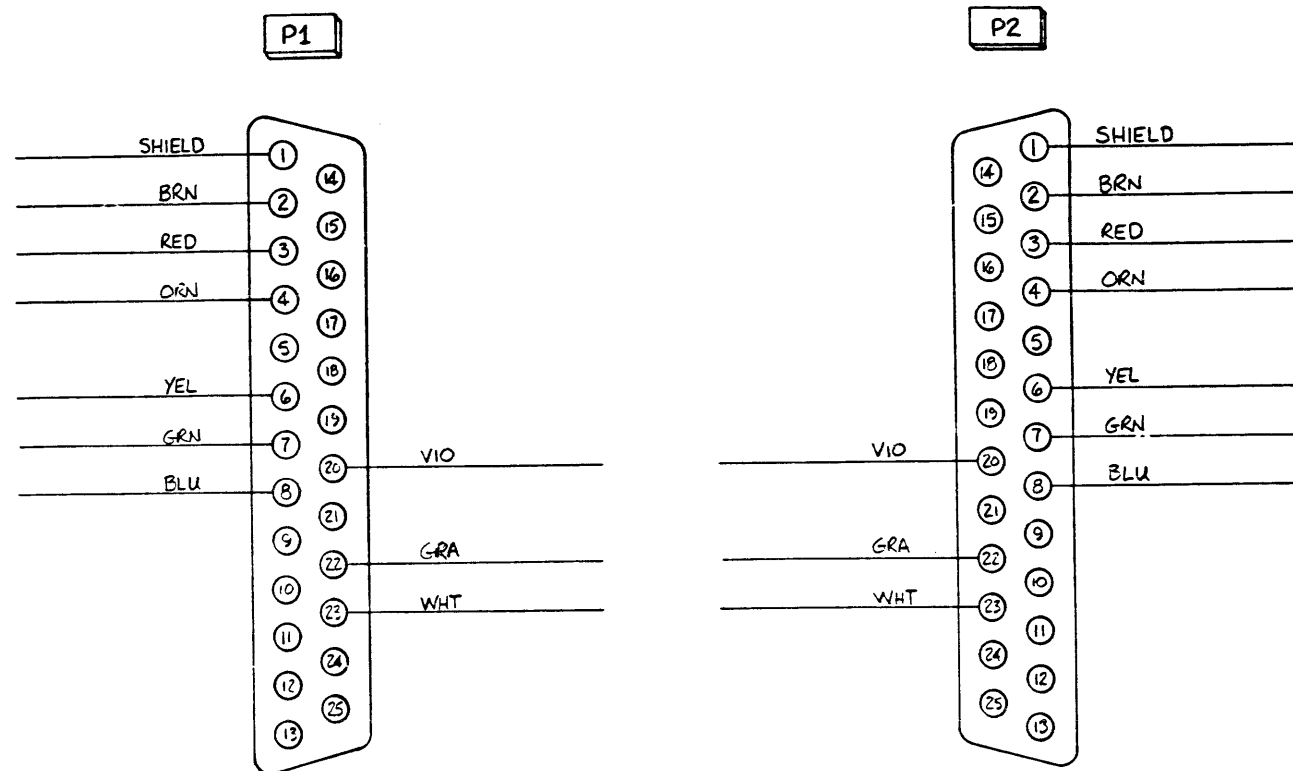
MAINFRAME-SERIES 64		HEWLETT PACKARD PERM. PRINT
CPU PLENUM ASSEMBLY		
TITLE FAN TRAY		
NEXT ASSEMBLY	PART NUMBER	
FINISH	SCALE	D-30140-60066-2



MAIN FRAME - SERIES 64		HEWLETT PACKARD
SYSTEM DISPLAY PANEL ASSEMBLY		
30140 A		
SCALE 3/1		30140-60070-1

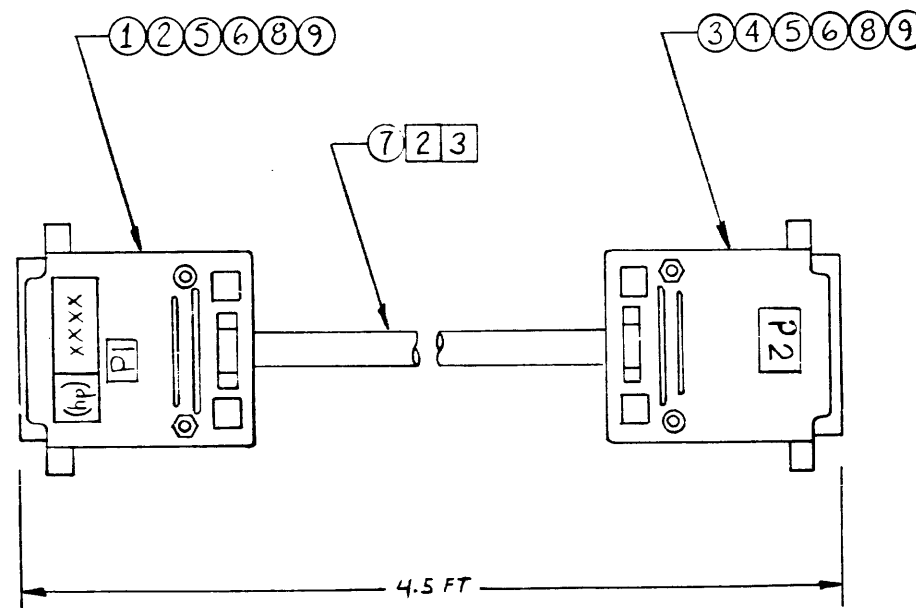


MAINFRAME - SERIES 64		HEWLETT PACKARD	
BATTERY MODULE ASSEMBLY			
30140A		30140-60071	
		30140-60071-1	



NOTES:

1. MARK 'P1 AND P2' ON HOODS AS SHOWN, PIN 1 SIDE, + HP logo PER DWG. A-5955-1724-2.
2. STRIP OUTER INSULATION 1" BOTH ENDS.
3. STRIP WIRES 3/16" BOTH ENDS.
4. USE JUMPER WIRE ITEM (8), AND SHRINK TUBING ITEM (9) IN CONNECTING SHIELD.
5. COVER ENDS OF UNUSED WIRE (WHT/BRN) WITH SHRINK TUBING ITEM (9).
6. ASSEMBLE CONNECTOR HOODS PER DWG A-5955-1724-1.



9	0.2 FT	TUBING - HEAT SHRINK 0.093D	0690-0706		
8	0.3 FT	WIRE - BLK 24 AWG	3150-0447		
7	4.5 FT	CABLE - SHLD. 10 COND 26 AWG	8120-2722		
6	2	CABLE TIE	1400-0249		
5	2	HOOD - CONN SM-D25	1251-4891		
4	10	CONTACT - CONN FEM CRIMP	1251-5781		
3	1	CONN - SM-D 25F	1751-2416		
2	10	CONTACT - CONN MALE CRIMP	1251-5780		
1	1	CONN - SM-D 25M	1251-2417		
ITEM	QTY.	MATERIAL DESCRIPTION	MAT'L PART NO	MAT'L DWG. NO.	MAT'L SPEC.

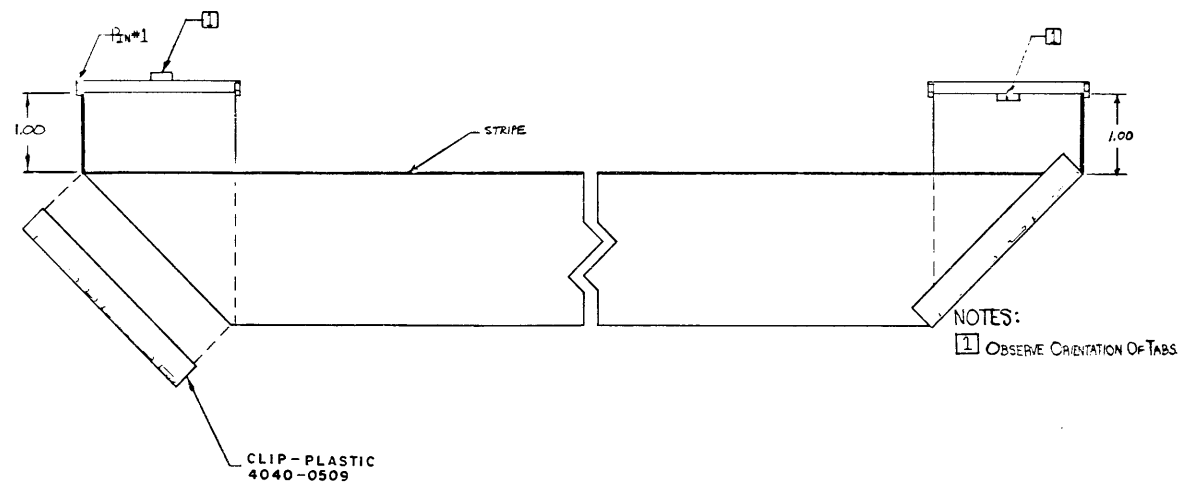
**CABLE ASSY -
MODEM JUMPER**

TITLE

**HEWLETT
PACKARD**

30140-60031
PART NUMBER

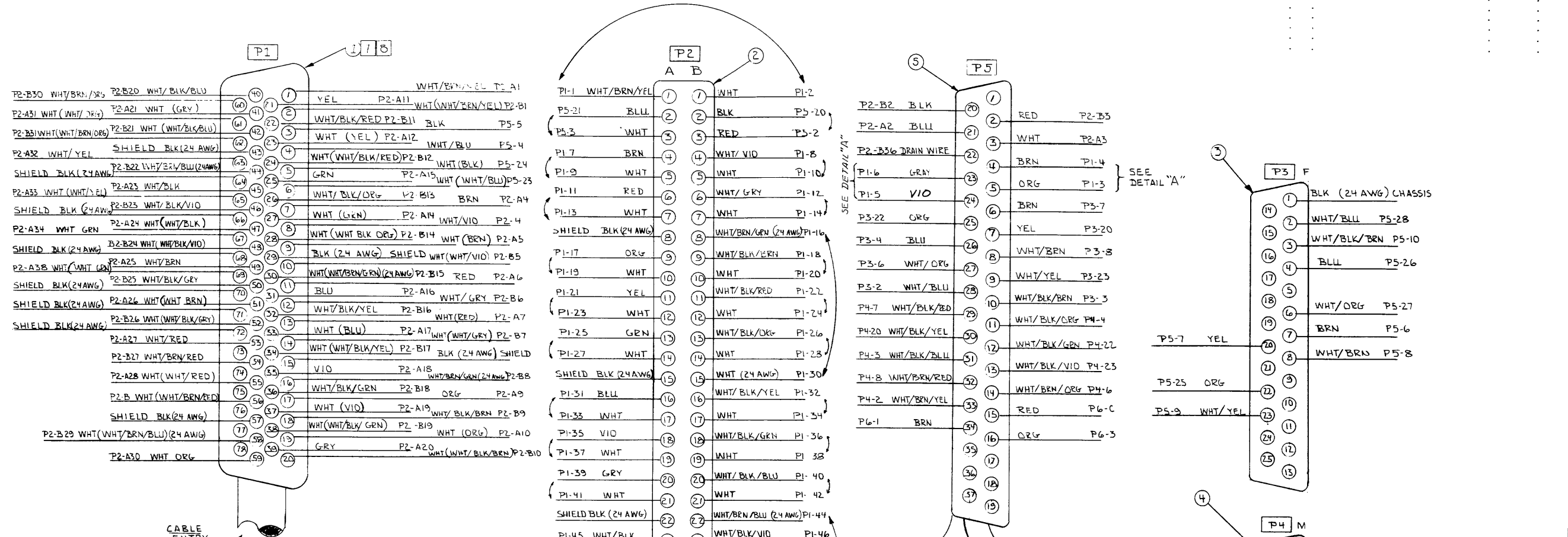
C-30140-60031-1



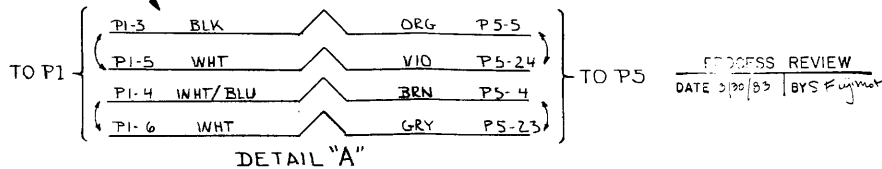
FCA-10B/IMB1		HEWLETT PACKARD	
30140 A		30140-60082	
-30140-60082-1			

REF DWGS D-1
D-3
C-4
L-5

ENGINEERING RESPONSIBILITY		REVISIONS		APPROVED		DATE	
0	1	2	3	4	5	6	7
8	9	10	11	12	13	14	15
16	17	18	19	20	21	22	23
24	25	26	27	28	29	30	31
32	33	34	35	36	37	38	39
40	41	42	43	44	45	46	47
48	49	50	51	52	53	54	55
56	57	58	59	60	61	62	63
64	65	66	67	68	69	70	71
72	73	74	75	76	77	78	79
80	81	82	83	84	85	86	87
88	89	90	91	92	93	94	95
96	97	98	99	100			
						BY: <i>[Signature]</i>	DATE: 11-20-63
						REVISION 1	AS ISSUED
						REVISION 2	REV'D PER PCO 47-372-26/177



- NOTES:**
- ALL CONNECTORS VIEWED FROM WIRING SIDE.
 - UNLESS OTHERWISE SPECIFIED, ALL WIRES ARE 26 AWG.
 - INSTALL SHRINK TUBING OVER CABLE TO CABLE SPLICES INSIDE P2 HOOD.
 - CONNECT SHIELD DIRECTLY TO PINS P2-A36, B32, B33, B34, B35, B36.
 - USE FEMALE (SOCKET) CONNECTORS (1251-5781) FOR WIRES TO P3
USE MALE (PIN) CONNECTORS (1251-5780) FOR WIRES TO P4
 - TWISTED PAIRS INDICATED BY "P" ARE SHOWN ONLY AT P2 CONNECTOR FOR CLARITY. MAINTAIN PAIRS AT ALL P1 & P2.
 - DO NOT INSTALL WIRES IN P1 RECEPTACLE UNTILL AFTER CABLE HAS BEEN INSERTED THROUGH P1 HOOD.
 - WIRE COLORS SHOWN IN PARENTHESES INDICATE THE CORRESPONDING MEMBER OF THE TWISTED PAIR. EXAMPLE - (SEE P1, PIN 6): WIRE IS LISTED AS WHT (WHT/ORG) AND MEANS THAT THE WHITE WIRE OF THE WHT/ORG TWISTED PAIR SHOULD BE CONNECTED TO PIN #61 AS ALSO SHOWN FOR P2 PINS 30 & 31.



ITEM	QTY	MATERIAL DESCRIPTION	MATL PART NO.	MATL DWG. NO.	MATL SPEC.
6	1	SWITCH KEYLOCK	1390-0482		
5	1	CONNECTOR 37 PIN FEM D	1251-7151		
4	1	CONNECTOR 25 PIN MALE D	1251-2416		
3	1	CONNECTOR 25 PIN FEM D	1251-2417		
2	1	CONNECTOR PC EDGE 2X36	1251-1543		
1	1	RECEPTACLE 78 PIN	1251-7236		

CABLE ASSY - DCU DATA COMM
TITLE ASSY DWG. STEP 2

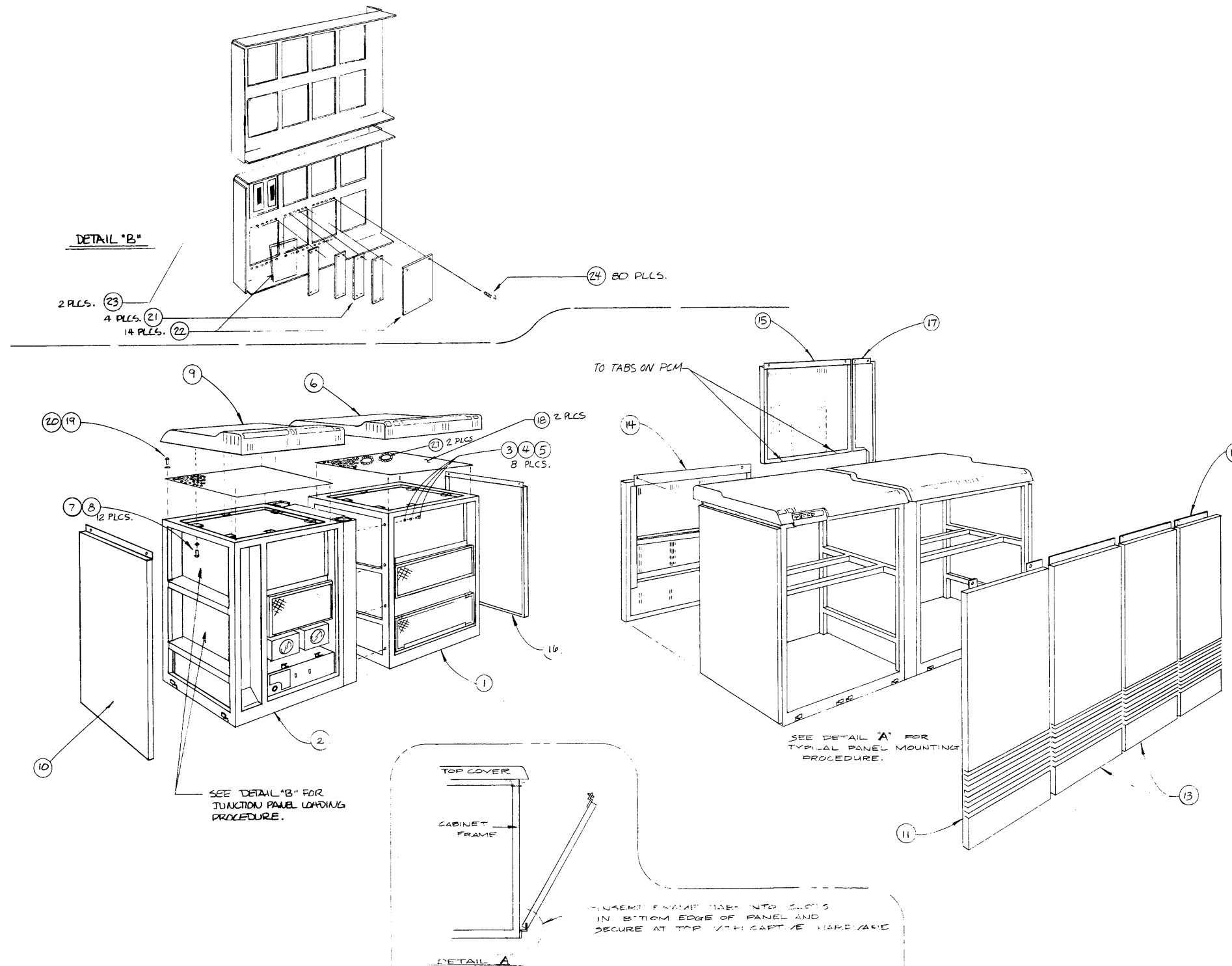
30140 B

30140-60100

HEWLETT PACKARD

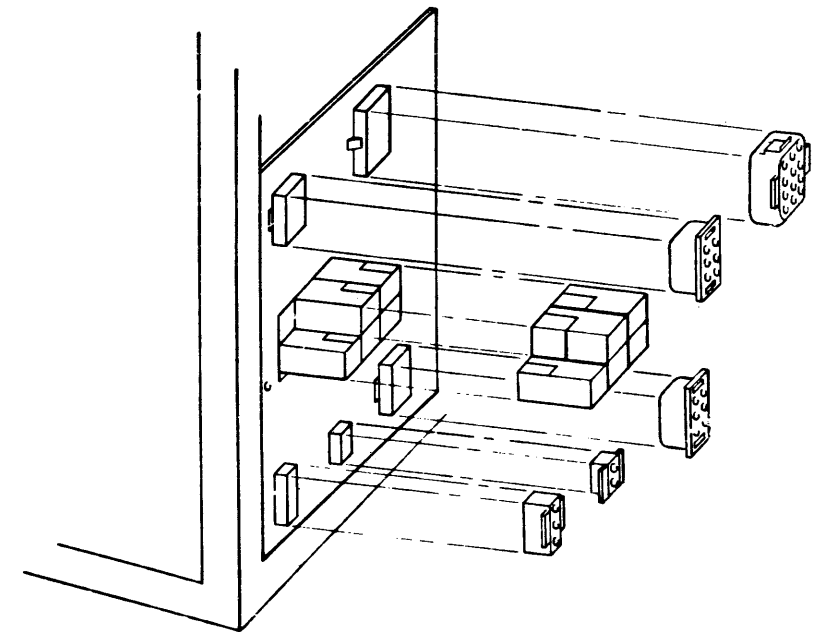
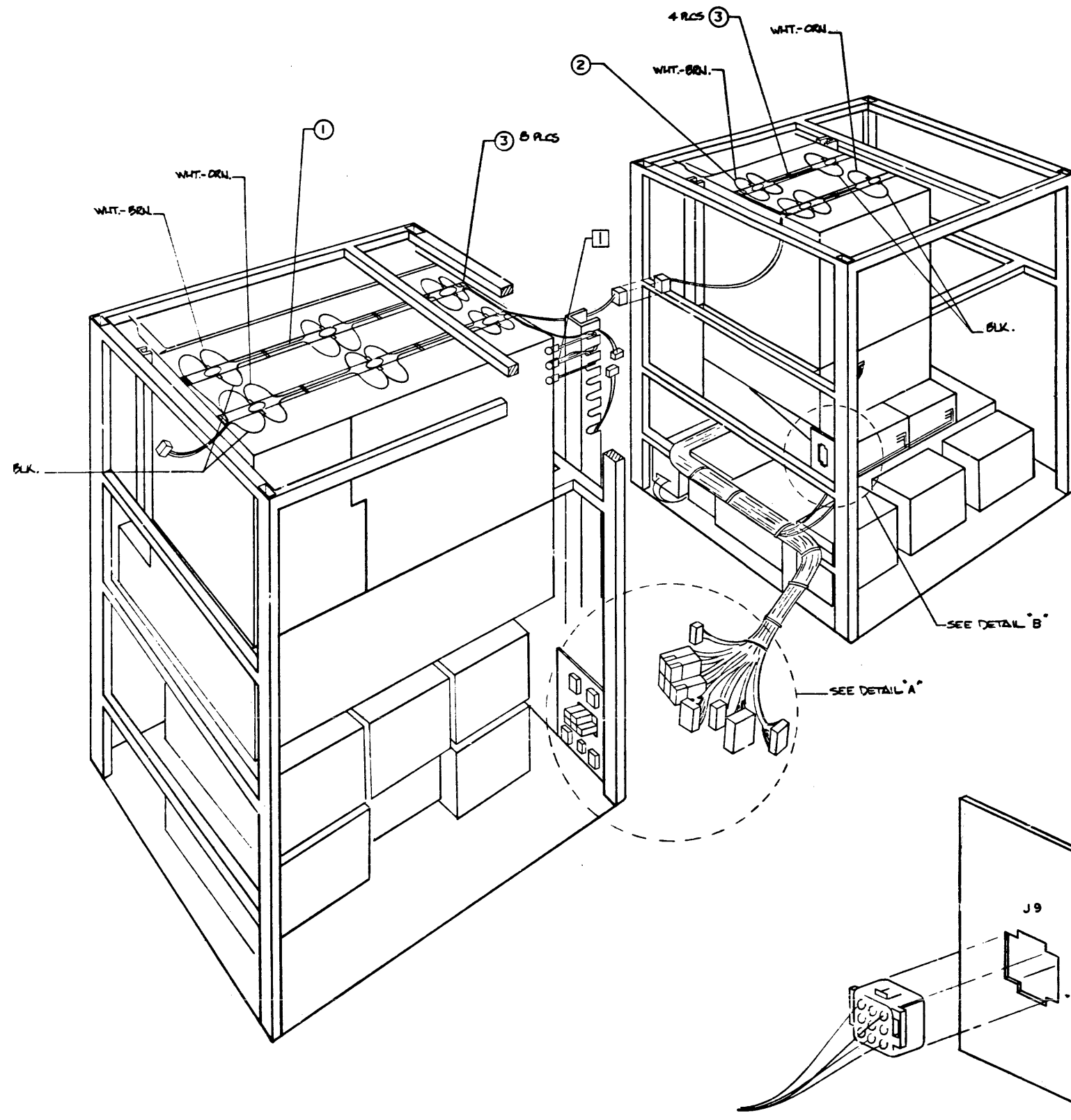
SCALE NONE

30140-60100-2



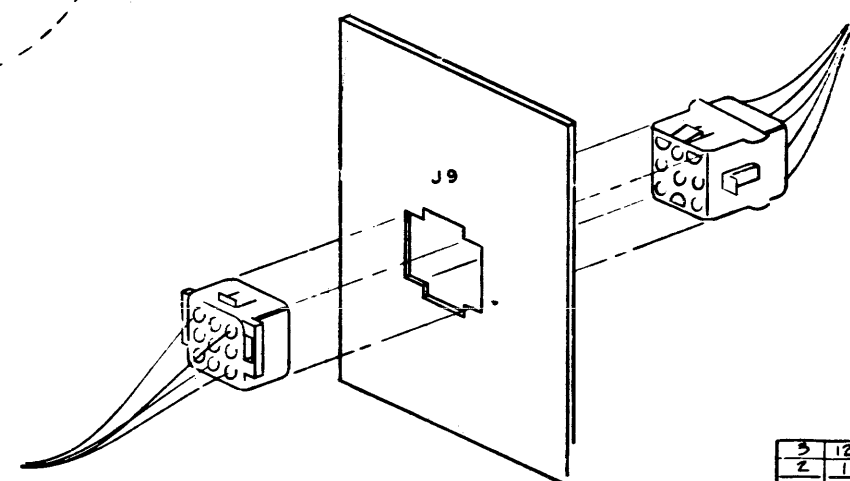
27	2	GROMMET	0400-0082		
26		DELETED			
25		DELETED			
24	80	SCR. 6-32 X .38	2960-0359		
23	2	GIC ASSY' PLATE	30090-00017		
22	14	PLATE - FULL BLANK	30090-00012		
21	4	PLATE - 1/3 BLANK	30090-00016		
20	36	WASHER - # 10 FLAT	3050-0226		
19	36	SCR. # 10-32 X .50 PH W/L	2680-0274		
18	2	SCREEN - ESP	1600-1201		
17	1	PANEL - EXT. REAR CABLE EXT	30140-00032		
16	1	PANEL - EXT. - SIDE (R)	30140-00045		
15	1	PANEL - EXT. LT. REAR	30140-00050		
14	1	PANEL - EXT. RT. REAR	30140-00047		
13	2	PANEL - EXT. CENTER FT	30140-00042		
12	1	PANEL - EXT. RT. FRONT	30140-00036		
11	1	PANEL - EXT. LT. FRONT	30140-00039		
10	1	PANEL - EXT. SIDE (L)	30140-00048		
9	1	COVER - TOP I/O BAY	4040-1792		
8	12	WASHER .172 I.D. FLAT	3050-0139		
7	12	SCR. 8-32 X .44 PH W/L	2510-0301		
6	1	COVER - TOP CPU BAY	4040-1791		
5	8	WASHER - FLAT 1/4	3050-0225		
4	8	LK. WASHER - 1/4 HBL	2190-0032		
3	8	BOLTS 1/4-20 X 1.50 HEX	2940-0137		
2	1	ASSY' - I/O BAY	REF.	D-7	
1	1	ASSY' - CPU BAY	REF.	D-6	
ITEM	QTY	MATERIAL DESCRIPTION	MAT'L PART NO	MAT'L DWG NO	MAT'L SPEC

MAINFRAME - SERIES 64		HEWLETT PACKARD
FINAL ASSEMBLY		
TITLE	30140 A	PERM. FRONT
NEXT ASSEMBLY		PART NUMBER
FINISH	SCALE	D-30140 .90001-1



DETAIL A

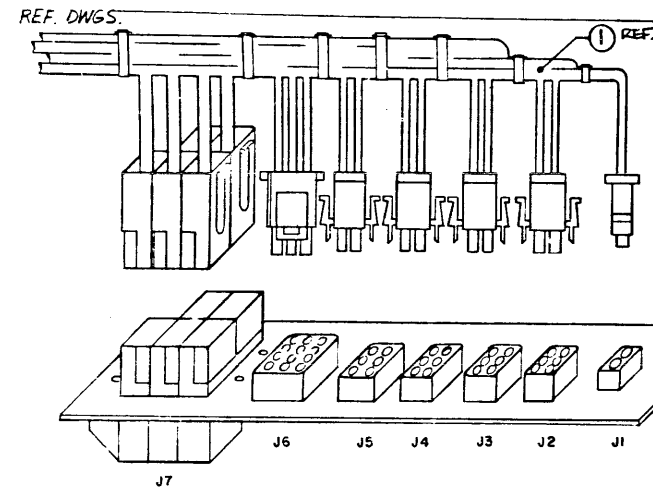
NOTES:
 1 TWO BLACK WIRES COME DOWN FROM THE CPU HEAT SENSE CABLE, THRU THE WIRING DUCT AND OUT ONTO THE CPU BACKPLANE AS SHOWN.



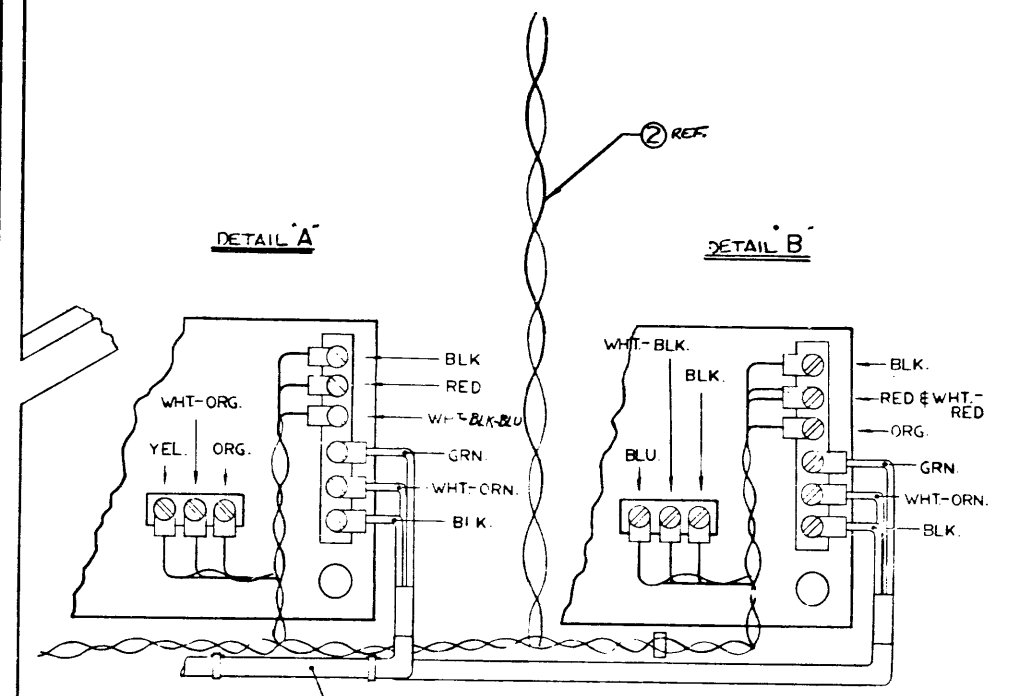
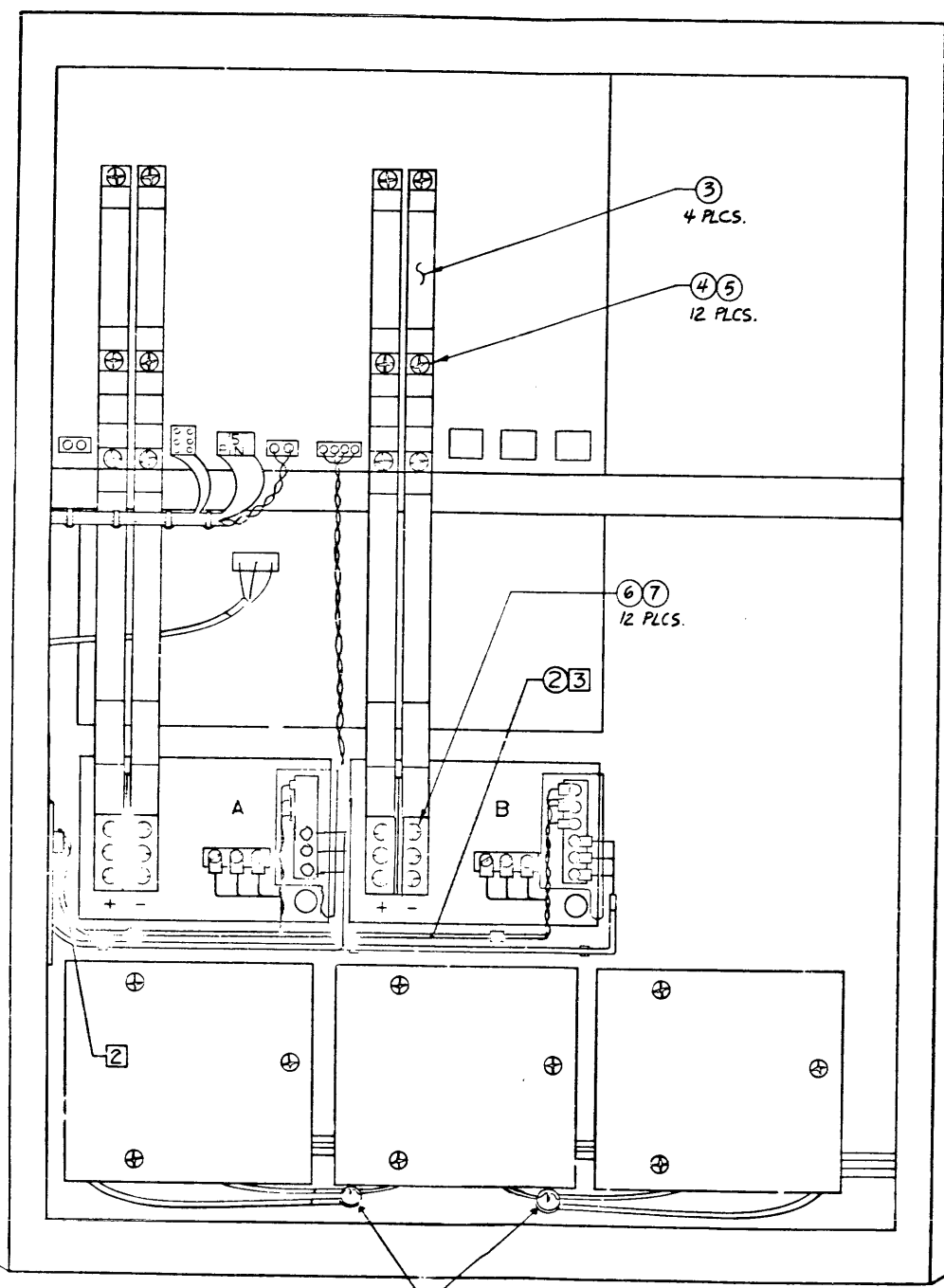
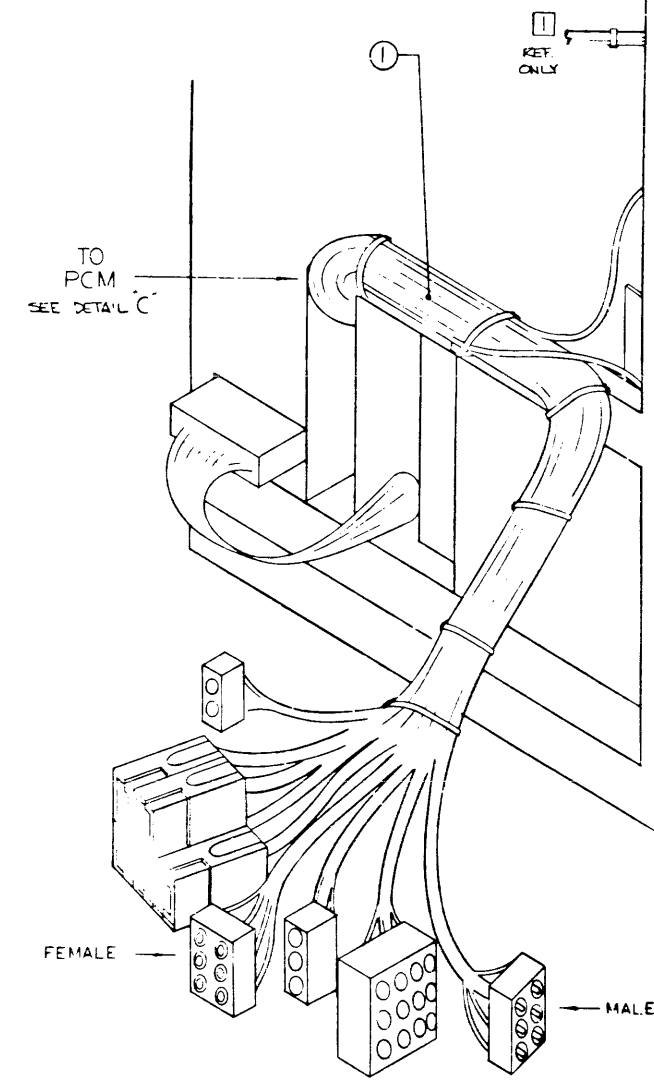
DETAIL B

ITEM	QTY	MATERIAL DESCRIPTION	MATL PART NO	MATL QTY NO	MATL SPEC
3	12	CABLE TIE WRAPS	1400-074A		
2	1	CA. I/O HEAT SENSE	30140-40056		
1	1	CA. CPU HEAT SENSE	30140-40055		

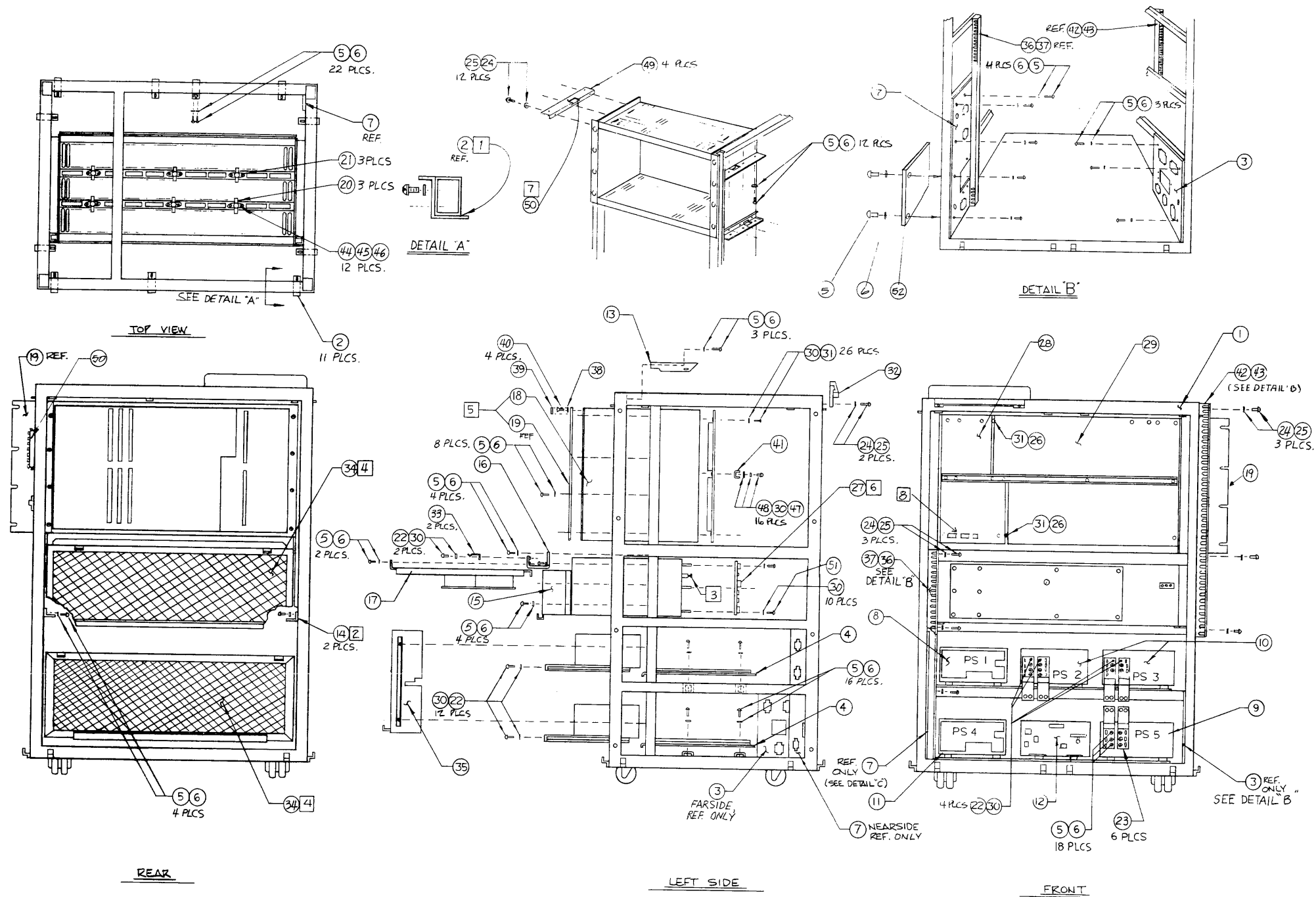
MAINFRAME - SERIES 64		HEWLETT PACKARD
TITLE INTERBOX CABLING		
NEXT ASSEMBLY	30140 A	PART NUMBER
FRONT SCALE	NTS	0 - 30140 - 90001 - 2



DETAIL C



7	12	WASHER-#10 FLAT	3050-0226		
6	12	SCR #10-32 A .50 PH W/L	2680-0274		
5	12	WASHER-#6 FLAT	3650-0228		
4	12	SCR #6-32 X .44 PH W/L	2360-0300		
3	4	BUS - +5V	30140-60377		
2	1	CA-PS 6/7-PS	50140-60338		
1	1	CA-AC-POWER	50140-60342		
ITEM	QTY	MATERIAL DESCRIPTION	MAT'L P/N NO.	MAT'L DWG NO.	MAT'L SPEC.
DRAWN BY		DATE	WAINFRAME-SERIES 64		
CHECKED BY		DATE	110 BAY FINAL WIRING		
APPROVED BY		DATE	30140 A		
SUPERSEDES DWG		FIGURE	SCALE	PART NUMBER	
			NONE	D-30140-40001-3	



REAR

LEFT SIDE

FRONT

NOTES:

- 1 HOLD ITEM 2 UP AGAINST UNDERSIDE OF FRAME MEMBER WHILE TIGHTENING HARDWARE.
- 2 INSTALL ITEM 14 BEFORE MOUNTING ITEM 15
- 3 TIGHTEN CAPTIVE SCREW TO SECURE ITEM 7 AFTER INSERTION.
- 4 INSERT BOTTOM OF ITEM 34 IN TROUGH AND SECURE AT TOP WITH CLIPS. (ITEM 33) AIR FLOW ARROW ON ITEM 34 SHOULD POINT INTO THE CABINET.
- 5 SECURE RIGHT SIDE OF ITEM 8 FIRST, THEN INSTALL ITEM 19 LEFT SIDE USING COMMON HARDWARE.
- 6 INSTALL PSC-PCB - ITEM 17 ON ESD GROUND MAT.
- 7 INSTALL ITEM 20 ONLY ON THE TWO TOP BRACKET CUTOUTS AND EDGE OF CARD CAGE, AND ON SWITCH MOUNTING PLATE ITEM 19.
- 8 AFTER ATTACHING THE MEMORY BACKPLANE 28, VERIFY THAT A GAP (APPROX. .05" THICKNESS OF DIM.) EXISTS BETWEEN THE CONN. PINS AND THE BACKPLANE.

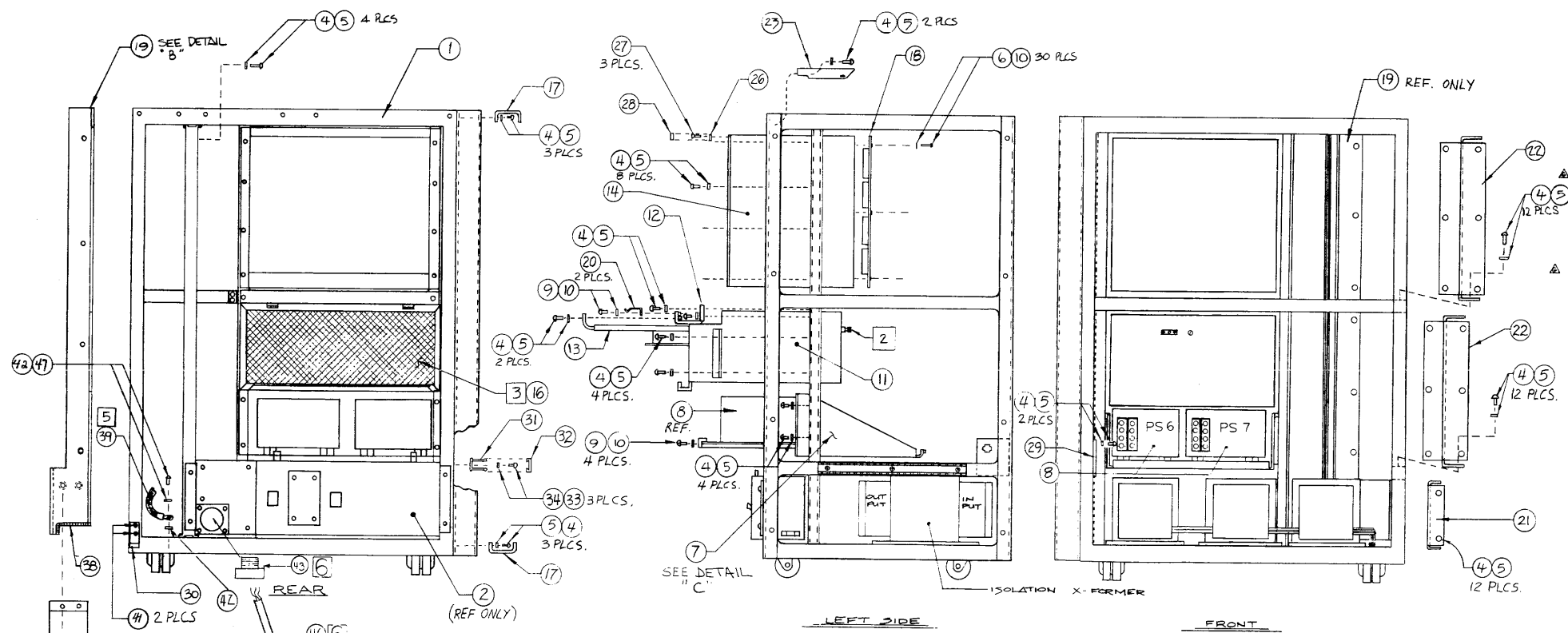
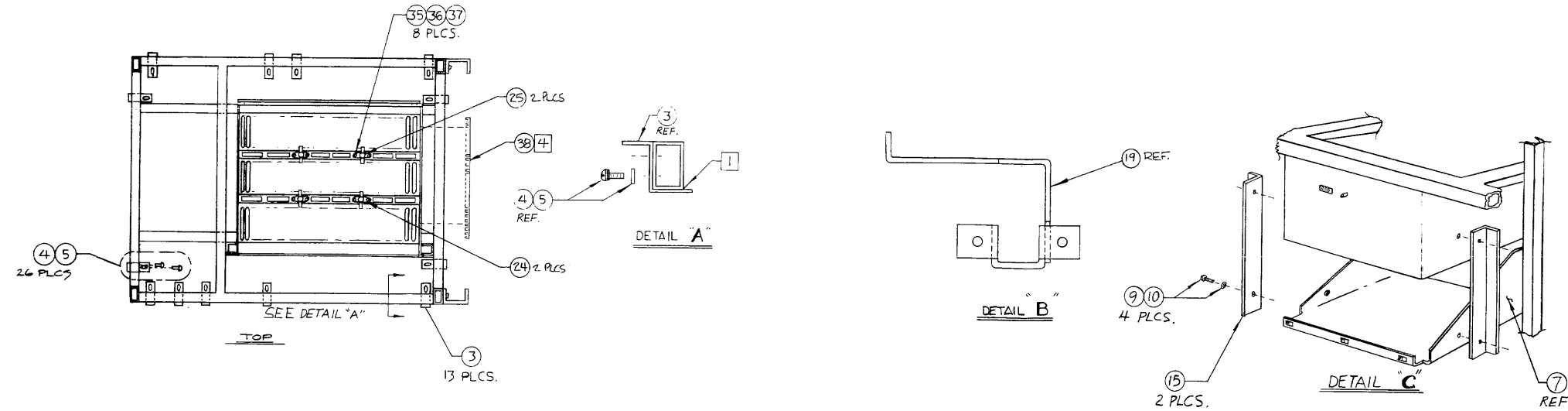
53	1	CABLE TIE MOUNT	1430-0706		
52	1	COVER PLATE	30140-00103		
51	10	SCR 6-32 X .75 PH	2360-0205		
50	A/R	BROMMET-CHANNEL	0400-0082		
49	4	BRKT - C.C. GND	30140-00092		
48	26	WASHER - LK. #6	2190-0851		
47	16	SCR 6-32 X .62 PH	2360-0203		
46	12	WASHER FLAT #4	3050-0229		
45	12	LK WASHER - #4 HEL.	2190-0108		
44	12	SCR 4-40 X .312 L PH POZI.	2200-0141		
43	1	COVER - WIRING DUCT, CPU BP	30140-00087		
42	1	WIRING DUCT, CPU BACKPLN	30140-00086		
41	1	STIFFENER - CENTER C.C.	30140-00078		
40	4	SCR 4-40 X .312 L FH	2200-0166		
39	1	LABEL - IDENT, CPU CC	7121-1939		
38	1	PLATE - CPU CC LABEL MFG.	30140-00080		
37	1	COVER - WIRING DUCT, MEM BP	30140-00085		
36	1	WIRING DUCT - MEM. BACKPLN.	30140-00084		
35	1	REF.'Y - PLENUM P. SUPPLIES	REF.		D-9
34	2	FILTER - AIR, 9x29	3150-0389		
33	2	CLIP - SPRING	1600-1087		
32	1	ASS'Y - SYSTEM DISPLAY PANEL	REF.		D-8
31	28	SCR - 6-32 X .438 L PH W/L	2360-0300		
30	70	WASHER #6 FLAT	3050-0228		
29	1	PCA - CPU BACKPLANE	30140-60018		
28	1	PCA - MEMORY BACKPLANE	30140-60020		
27	1	PCA - POWER SYSTEM CONTROL	30140-60017		
26	2	WASHER - #6 BRSS	3050-0066		
25	20	SCR 8-32 X .44 PH W/L	2510-0301		
24	20	WASHER - FLAT #8	3050-0139		
23	6	POWER STRAP - P.S.	30140-00076		
22	18	SCR 6-32 X .375 LG PH W/L	2360-0389		
21	3	SWITCH - THERM. 122°F CL	3103-0088		
20	3	SWITCH - THERM. 104°F CL	3103-0089		
19	1	PLATE - SWITCH MFG.	30140-00089		
18	1	CARD CAGE - 36 SLOT	7101-0582		
17	1	ASS'Y - FAN TRAY, CPU	REF.		D-10
16	1	DUCT - CABLE, CPU BAY	30140-00014		
15	1	ASS'Y - PLENUM, CPU	REF.		D-11
14	2	SUPPORT RAIL - CPU PLENUM	30140-00020		
13	1	PAN - DRIP, CPU	4040-1875		
12	1	ASS'Y - BATTERY MODULE	REF.		D-14
11	1	ASS'Y - POWER SUPPLY UNITS	REF.		D-15
10	1	ASS'Y - POWER SUPPLY UNITS	REF.		D-15
9	1	ASS'Y - POWER SUPPLY UNIT	REF.		D-15
8	1	ASS'Y - POWER SUPPLY UNITS	REF.		D-15
7	1	PLATE - CONNECTOR - CPU LH	30140-00072		
6	120	WASHER - FLAT #10 SS	3050-0226		
5	120	SCR 10-32 X .50 PH W/L	2680-0274		
4	2	ASS'Y - CPU POWER SUPPLY TRAY	REF.		D-16
3	1	PLATE - CONNECTOR CPU RH	30140-00008		
2	11	BRKT - MFG TOP COVERS	30140-00001		
1	1	FRAME - CPU	7101-0580		

MAINFRAME - SERIES 64
MECHANICAL ASS'Y.
TITLE CPU BAY

30140A

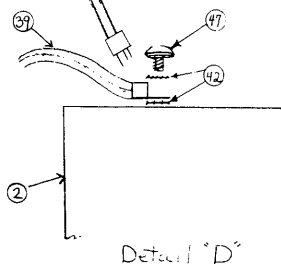
30140-90001-6

HEWLETT
PACKARD



NOTES

- 1 HOLD ITEM (3) UP AGAINST UNDERSIDE OF FRAME MEMBER WHILE TIGHTENING HARDWARE.
- 2 TIGHTEN CAPTIVE SCREW TO SECURE ITEM (3) AFTER INSERTION.
- 3 INSERT BOTTOM OF ITEM (16) IN TROUGH AND SECURE AT THE TOP WITH CLIPS. AIR FLOW ARROW ON ITEM (16) SHOULD POINT INTO THE CABINET.
- 4 MOUNT ITEM (38) ON SHARP EDGE OF CARD CAGE AS SHOWN.
- 5 MOUNT OTHER END OF ITEM (39) WITH ITEMS (42) AND (47) TO REAR OF PCM.
- 6 MOUNT STRAIN RELIEF ITEM (43), POWER CORD ITEM (46).



ITEM	QTY	MATERIAL DESCRIPTION	MAT'L PART NO	MAT'L QWS NO	MAT'L SPEC
47	2	SCREW	2680-0099		
46	1	POWER CORD	30140-60090		
45		DELETED			
44		DELETED			
43	1	STRAIN RELIEF	0100-1140		
42	4	WASHER #10 STAR	2140-0070		
41	2	SCR 10-32 X .60 PH	2680-0106		
40	1	PLATE - ANGLE	30140-00101		
39	1	GND STRAP	30070-60062		
38	A/R	GROMMET - CHANNEL	0400-0082		
37	8	WASHER - FLAT #4	3050-0229		
36	8	LK WASHER - #4 HELICAL	2190-0108		
35	8	SCR 4-40 X .312 PH POZI	2200-0141		
34	3	WASHER - FLAT #8	3050-0139		
33	3	SCR 8-32 X .44 PH W/L	2510-0301		
32	1	COVER - WIRING DUCT, 1/0 BAY	30140-00083		
31	1	WIRING DUCT - 1/0 BAY	30140-00082		
30	1	BRKT - MTG. CABLE PANEL	30140-00073		
29	1	PLATE - CONN. I/O BAY	30140-00071		
28	1	LABEL - IDENT, 1/0 CC	7121-1940		
27	3	SCR 4-40 X .312 FH	2200-0166		
26	1	PLATE - MTG. LABEL 1/0	30140-00081		
25	2	SWITCH - THERM. 122 F CL	3103-0088		
24	2	SWITCH - THERM. 104 F CL	3103-0089		
23	1	FAN - DRIP 1/0 BAY	4040-1874		
22	2	JUNCTION PANEL	30140-00022		
21	1	JUNCTION PANEL BLANK CLIP - SPRING	30140-00023		
20	2	SUPPORT JUNCTION PANEL	1800-1087		
19	1	PCA - DUAL 1/0 BACKPLANE	30140-00024		
18	1	CHANNEL - RFI, TOP/BOTTOM	30140-00021		
17	2	AIR FILTER - PLENUM	30140-00005		
16	1	SUPPORT - P.S. TRAY	30140-00021		
15	2	CARD CAGE - 24 SLOT	7101-0583		
14	1	ASSY - FAN TRAY 1/0 PLN	REF.	D-12	
13	1	DUST CAPLE - 1/0 CC	30140-00019		
12	1	ASSY - PLENUM 1/0 CC	REF.	D-13	
11	42	WASHER #6 FLAT	3050-0226		
10	10	SCR 6-32 X .375 W/L	2360-0559		
9	8	ASSY - POWER SUP. UNIT	REF.	D-15	6277/M
8	2	ASSY - POWER SUP. SHELF	REF.	D-17	
7	1	SCR 6-32 X .44 PH W/L	2360-0300		
6	30	WASHER #10 FLAT	3050-0226		
5	95	SCR 10-32 X .50 PH W/L	2680-0274		
4	4	BRACKET - MTG. TOP	30140-00001		
3	1	POWER CONTROL VPD	REF.		30140-60023
2	1	ASSY - VERBALE X FORMER	REF.	D-18	
1	1				

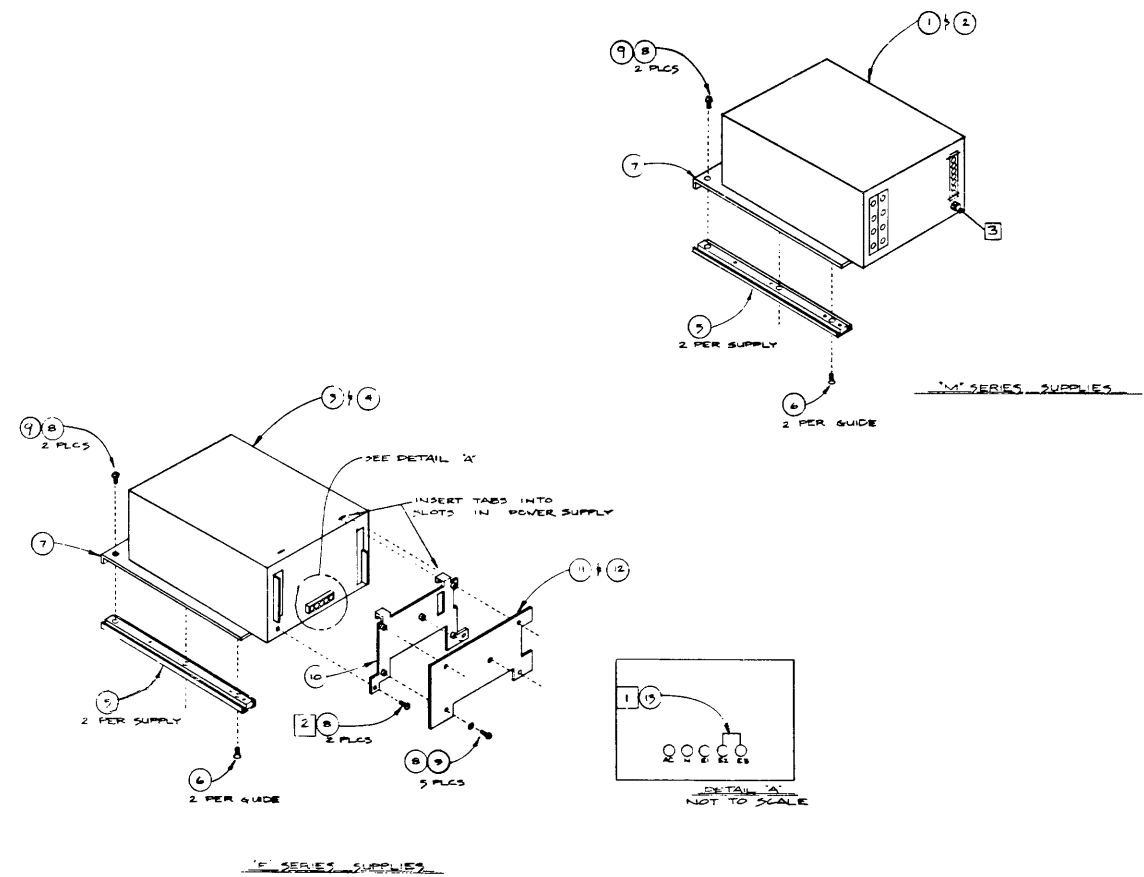
MAINFRAME - SERIES 64
MECHANICAL ASSY -
1/0 BAY

30140 A

NONE

30140-90001-7

HEWLETT
PACKARD
PERM. PRINT



- NOTES:
- 1 ITEM 10 MUST GO BETWEEN E2 & E3.
 - 2 REMOVE THE FLATHEAD SCREWS WHICH COME WITH THE POWER SUPPLY AND REPLACE WITH ITEM 8 AS SHOWN.
 - 3 REMOVE SCREW 1167 ON P70 - P71

ITEM	MATERIAL DESCRIPTION	MAT'L PART NO	MAT'L QTY	MAT'L UOM
10	TERMINAL	2240-0223		
11	PCA - POWER DIST. Q23	2040-40015		
11	PCA - POWER DIST. P23	2040-40024		
10	BRACKET - PCB MTR	2040-00040		
9	WASHER #6 FLAT	2050-0228		
8	SCREW #2 X .38 FH	2140-0222		
7	HANDLE - POWER SUPPLY	2040-00033		
6	SCREW 10-32 X .60 FH	2480-0106		
5	GUIDE - P3	2045-40001		
4	DC POWER SUPPLY - N3	63902F		
3	DC POWER SUPPLY - N3	63901F		
2	DC POWER SUPPLY - N3	62971M		
1	DC POWER SUPPLY - N3	62970M		

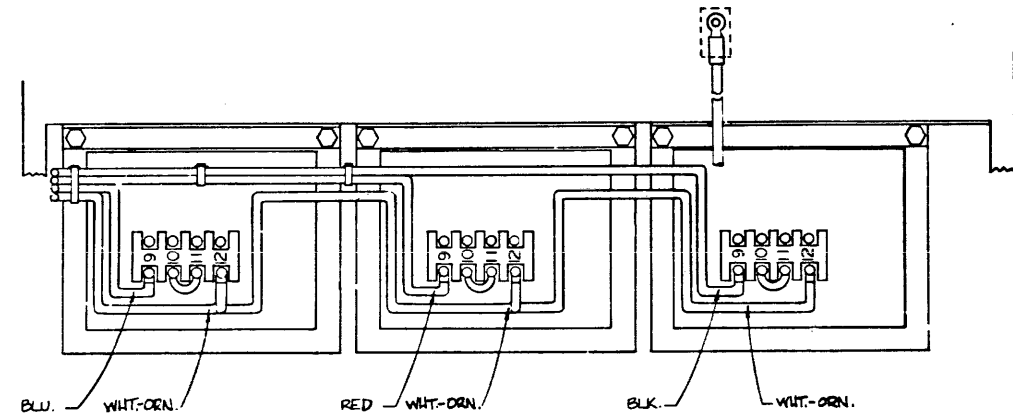
MAINFRAME - SERIES 64
 ASSY - POWER SUPPLY
 UNITS

30140 A

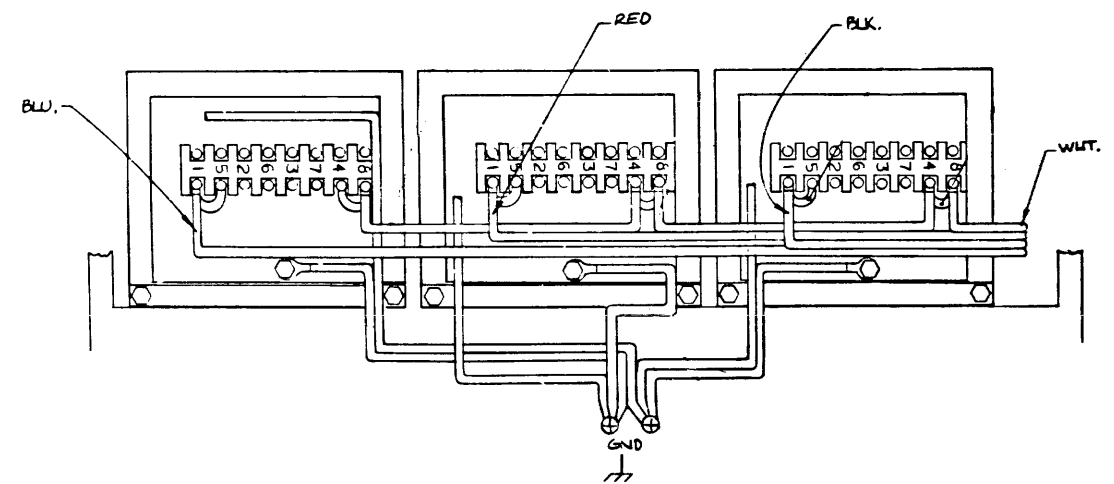
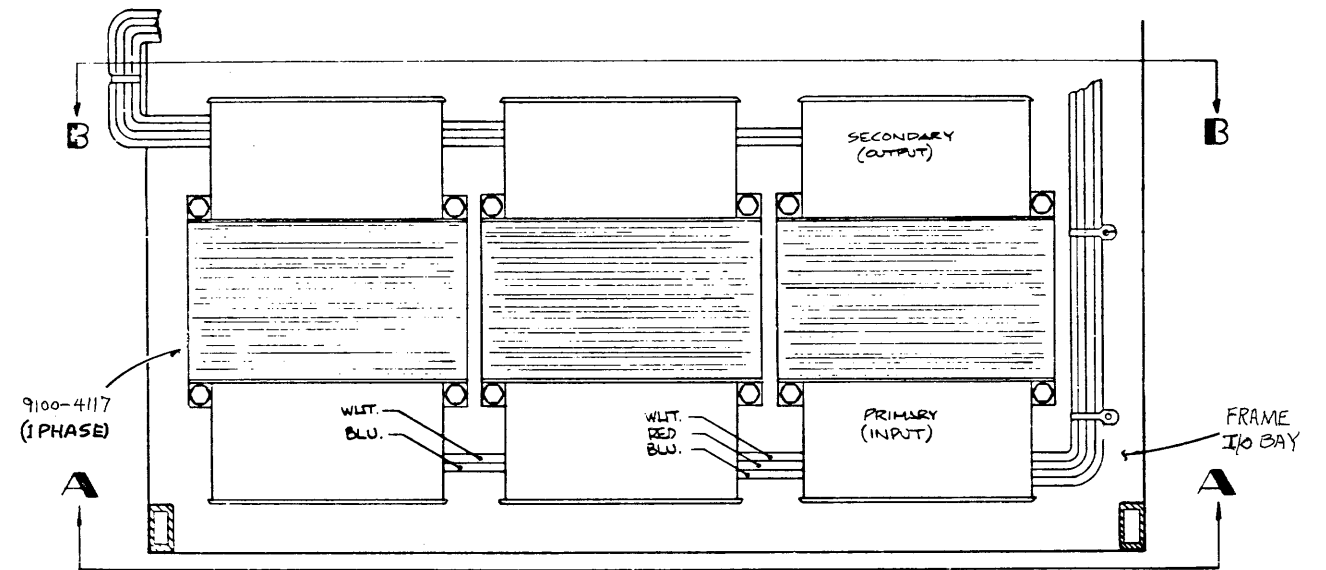
1 / 1

30140-90001-15

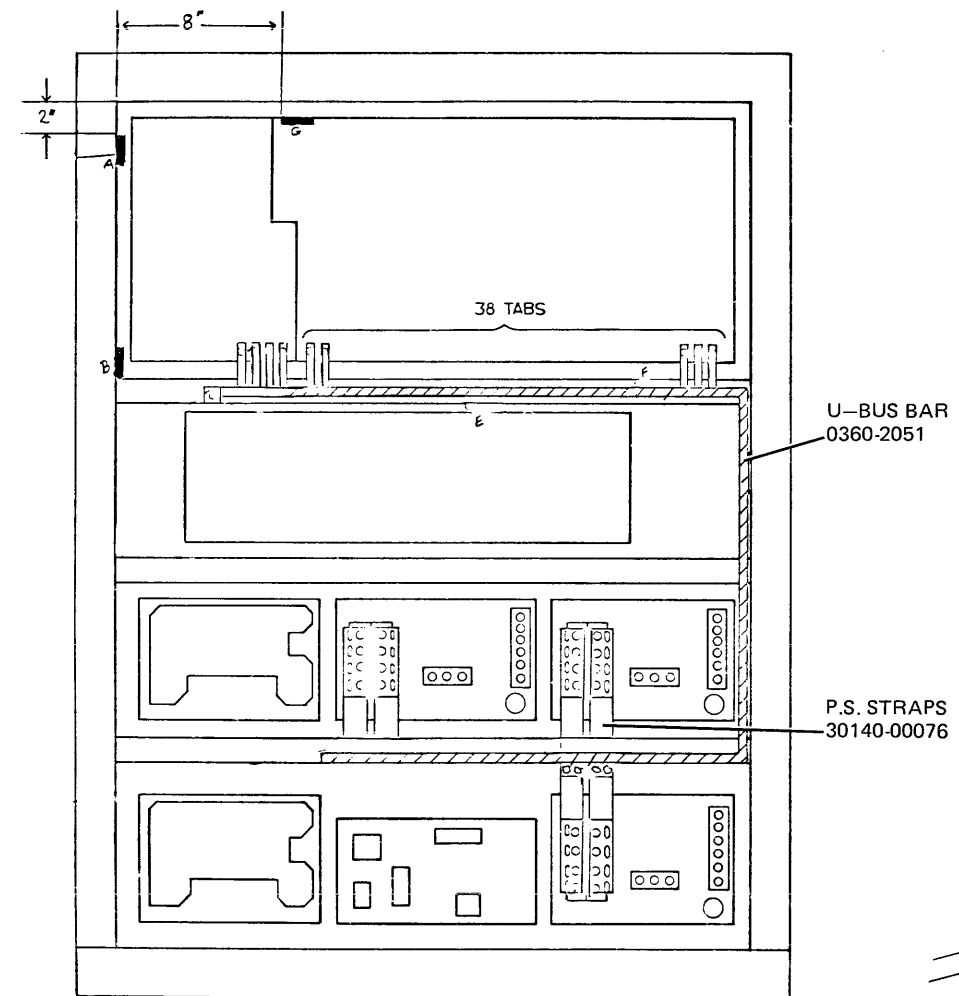
HEWLETT PACKARD



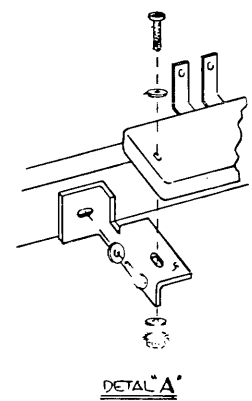
NOTE: STRAPPING DEPENDS ON INPUT VOLTAGE.



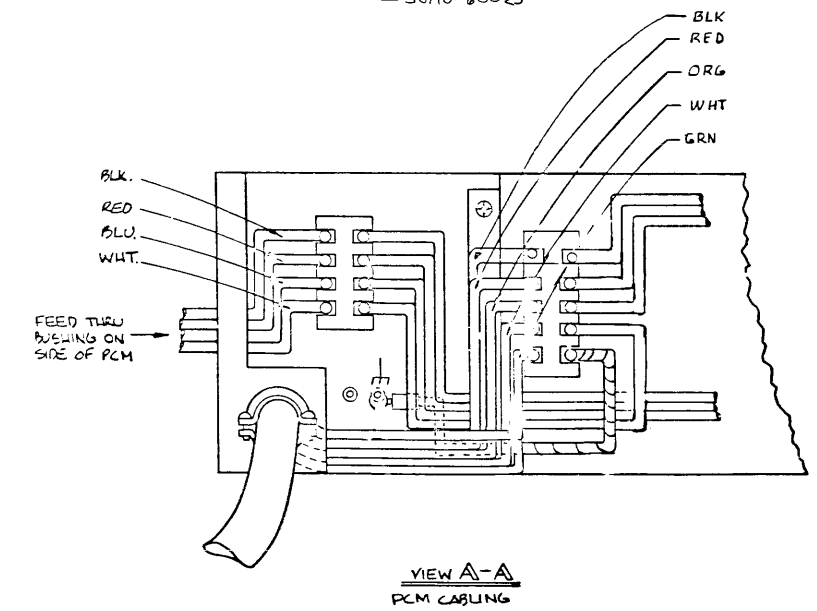
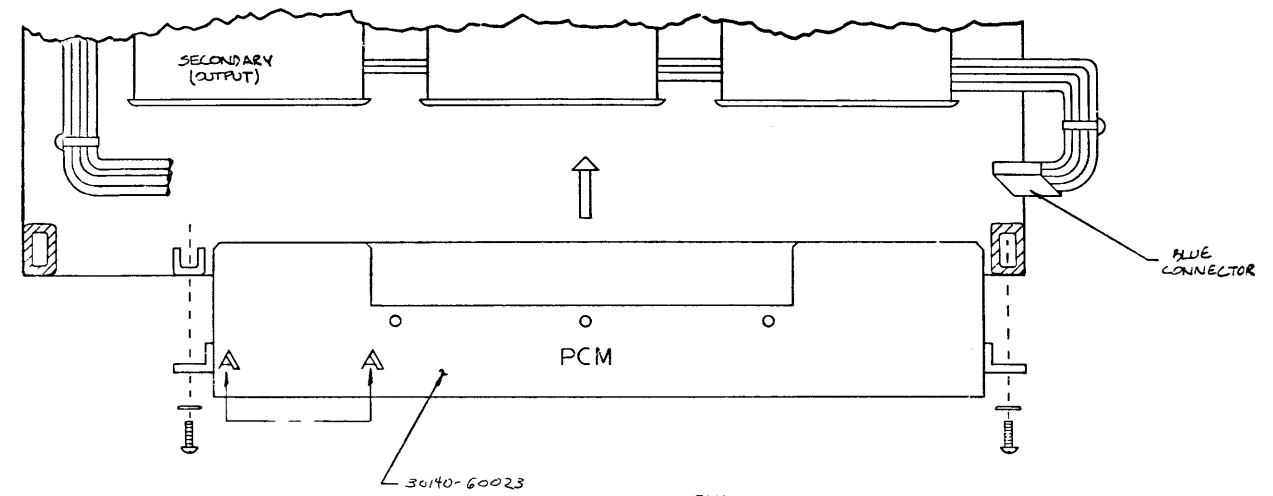
MAINFRAME - SERIES G4		HEWLETT PACKARD
PCM & ISO. X-FORMER		
TITLE MTG. I/O		PART NUMBER
30140 A		
NEST ASSEMBLY	SCALE	D-30140-90001-18



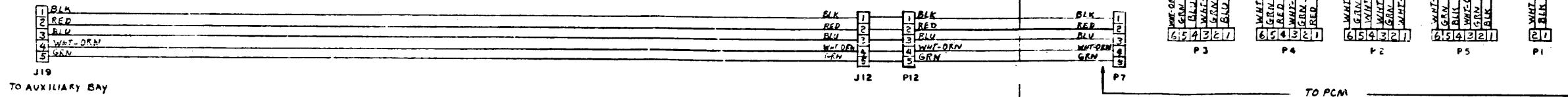
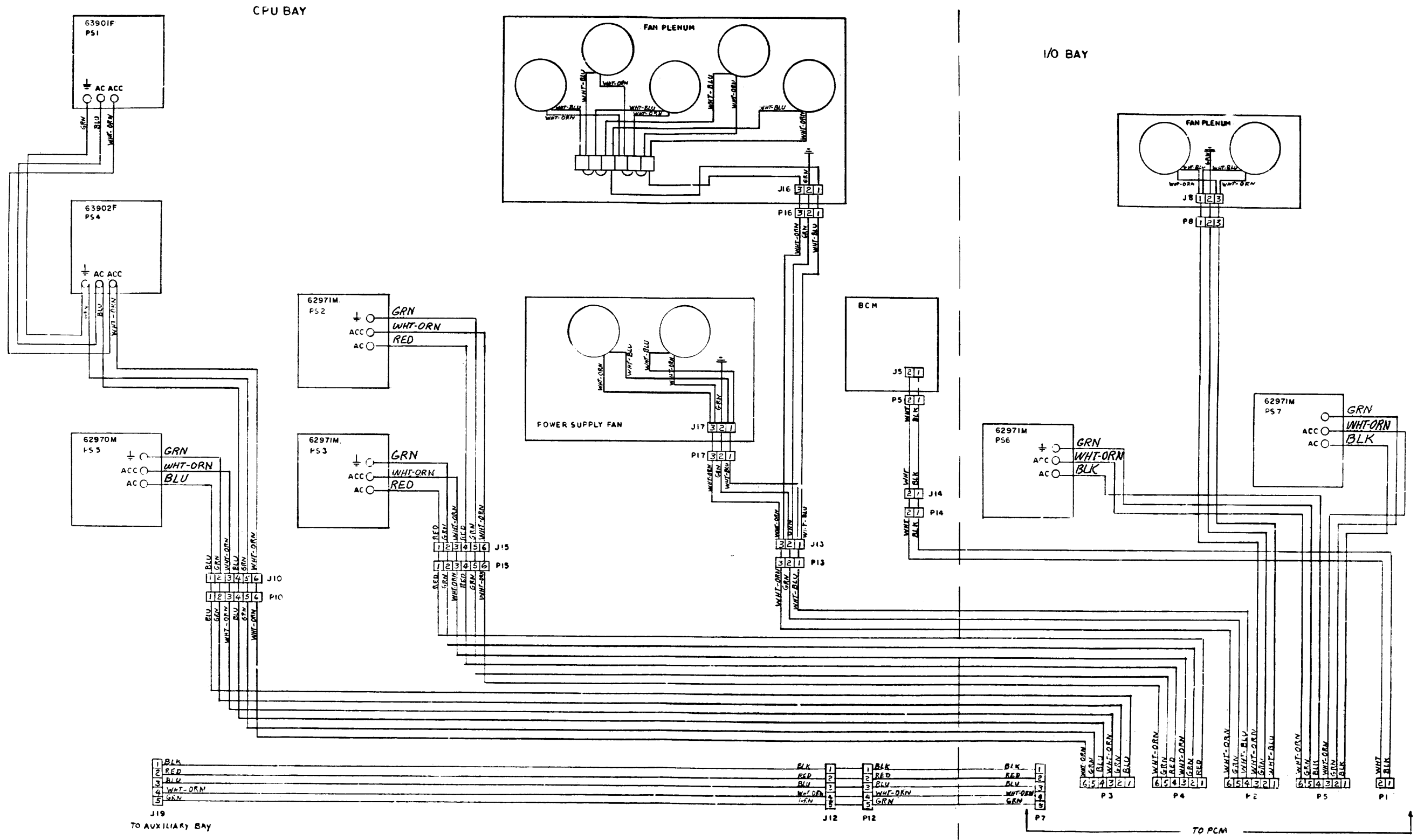
NOTE: SEE 30140-90002-3 FOR
WIRING DETAILS



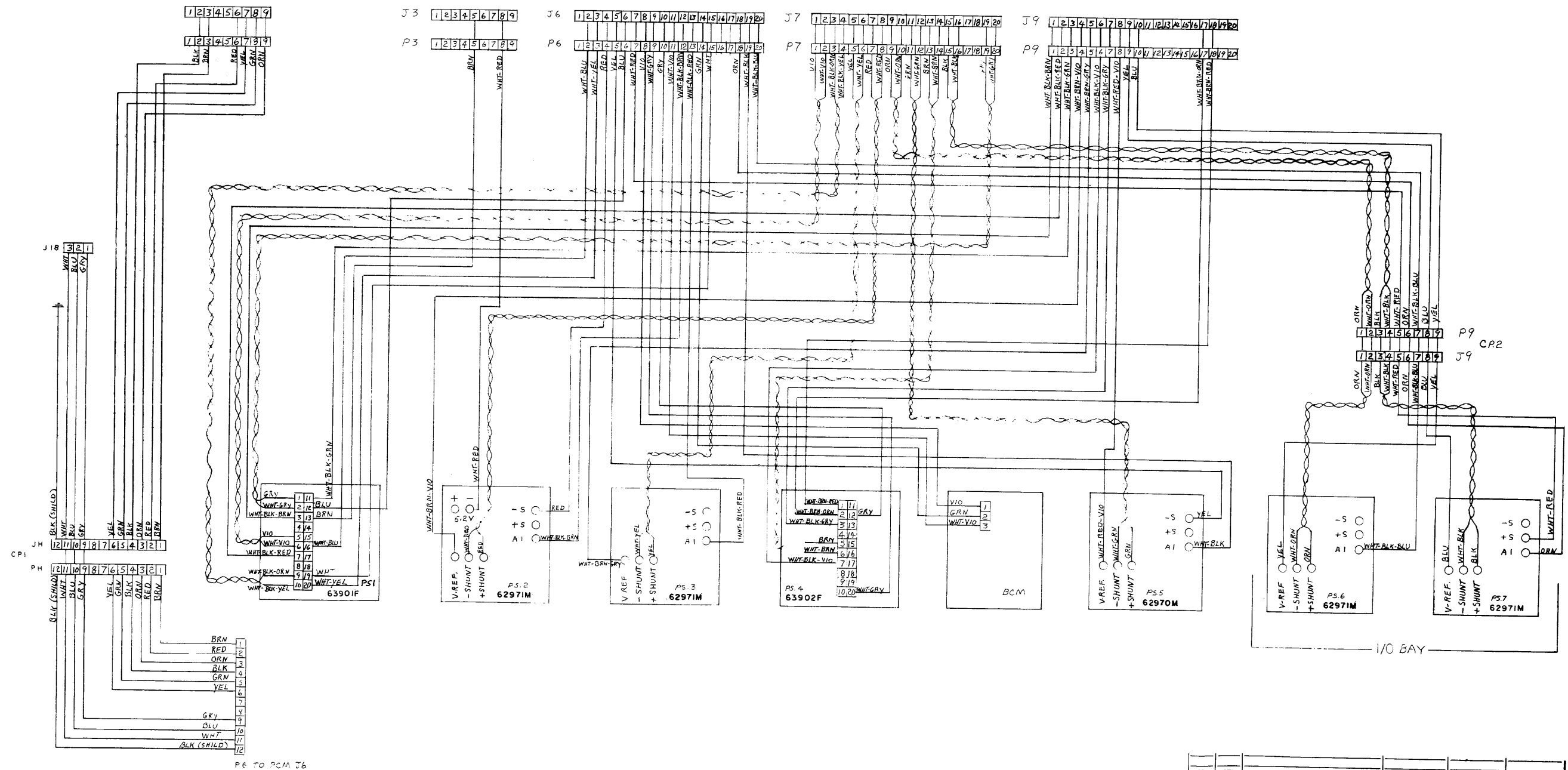
CPU BAY WIRING		HEWLETT PACKARD	
TITLE STEP # 4			
NEXT ASSEMBLY 30140A		PART NUMBER	
FINISH	SCALE NONE	P-30140-90001-23	



PCM MOUNTING #		HEWLETT PACKARD	
TITLE: FINAL WIRING		UNIT	
HEWlett ASSEMBLY 30140A	PART NUMBER	30140-90001-24	
FINISH	SCALE: NONE		

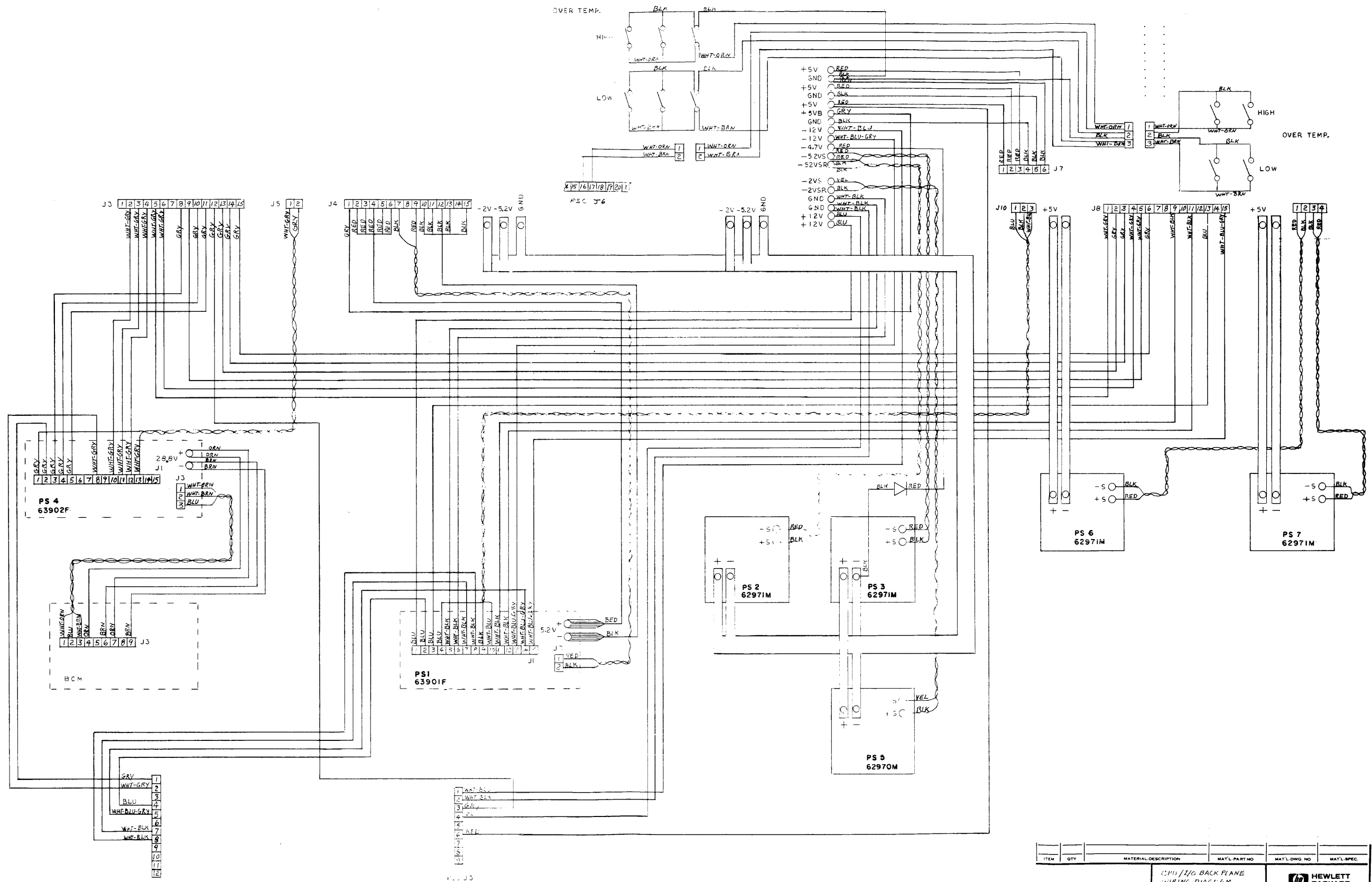


ITEM	QTY	MATERIAL DESCRIPTION	MAT'L PART NO	MAT'L DWG NO	MAT'L SPEC.
AC WIRING DIAGRAM					
TITLE			HEWLETT PACKARD		
NEXT ASSEMBLY			PART NUMBER		
FORM			SCALE		
			0-30140-90002-1		



PE TO PCM J6

ITEM	QTY	MATERIAL DESCRIPTION	MAT'L PART NO.	MAT'L DWG. NO.	MAT'L SPEC.
POWER SYSTEM CONTROL WIRING DIAGRAM					
TITLE			HEWLETT PACKARD PERM. PRINT		
NEXT ASSEMBLY			PART NUMBER		
30140A			-		
FINISH		SCALE		0 - 30140 - 90002 - 2	



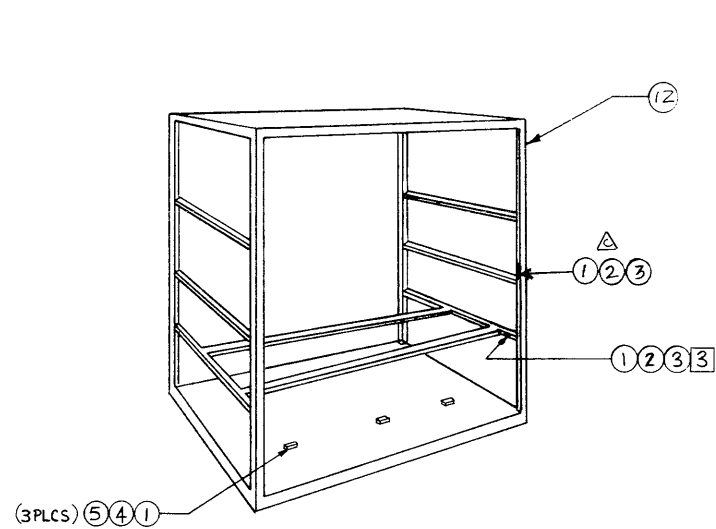
CP3 J21 TO AUXILIARY BAY

CP3 J21

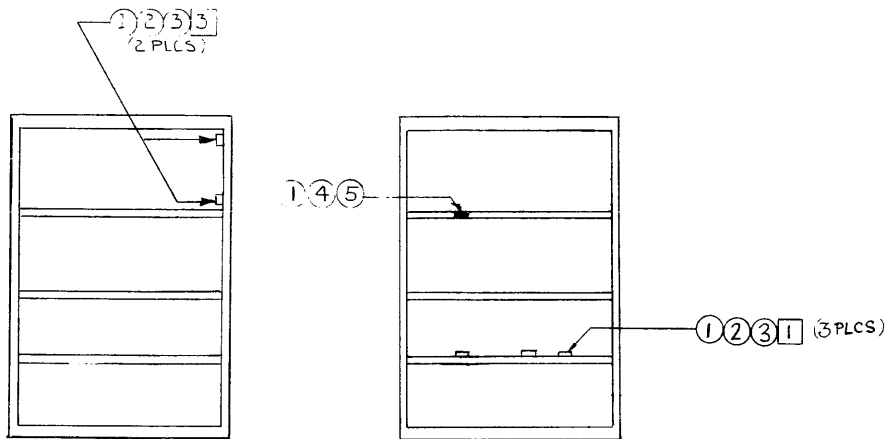
ITEM	QTY	MATERIAL DESCRIPTION	MAT'L PART NO	MAT'L DWG NO	MAT'L SPEC.
CP3 J21 BACK PLANE WIRING DIAGRAM					
TITLE					
NEXT ASSEMBLY 30140A					
FINISH					
SCALE					
				HEWLETT PACKARD PERM. PRINT	
				PART NUMBER	
				D-30140-90002-3	

REF DWGS:
D-2, D-3, D-4,
C-5, C-6, D-7,
C-8, D-9 THROUGH

ENGINEERING RESPONSIBILITY										SERIAL										REVISED		APPROVED		DATE																																																																																																																																																																																																																																																																																																																																																																																																																																																																																																																																																																																																																																																																																																																																																																																																																																																																																																																																																																																																																
0	1	2	3	4	5	6	7	8	9	10	11	12	13	14	15	16	17	18	19	20	21	22	23	24	25	26	27	28	29	30	31	32	33	34	35	36	37	38	39	40	41	42	43	44	45	46	47	48	49	50	51	52	53	54	55	56	57	58	59	60	61	62	63	64	65	66	67	68	69	70	71	72	73	74	75	76	77	78	79	80	81	82	83	84	85	86	87	88	89	90	91	92	93	94	95	96	97	98	99	100	101	102	103	104	105	106	107	108	109	110	111	112	113	114	115	116	117	118	119	120	121	122	123	124	125	126	127	128	129	130	131	132	133	134	135	136	137	138	139	140	141	142	143	144	145	146	147	148	149	150	151	152	153	154	155	156	157	158	159	160	161	162	163	164	165	166	167	168	169	170	171	172	173	174	175	176	177	178	179	180	181	182	183	184	185	186	187	188	189	190	191	192	193	194	195	196	197	198	199	200	201	202	203	204	205	206	207	208	209	210	211	212	213	214	215	216	217	218	219	220	221	222	223	224	225	226	227	228	229	230	231	232	233	234	235	236	237	238	239	240	241	242	243	244	245	246	247	248	249	250	251	252	253	254	255	256	257	258	259	260	261	262	263	264	265	266	267	268	269	270	271	272	273	274	275	276	277	278	279	280	281	282	283	284	285	286	287	288	289	290	291	292	293	294	295	296	297	298	299	300	301	302	303	304	305	306	307	308	309	310	311	312	313	314	315	316	317	318	319	320	321	322	323	324	325	326	327	328	329	330	331	332	333	334	335	336	337	338	339	340	341	342	343	344	345	346	347	348	349	350	351	352	353	354	355	356	357	358	359	360	361	362	363	364	365	366	367	368	369	370	371	372	373	374	375	376	377	378	379	380	381	382	383	384	385	386	387	388	389	390	391	392	393	394	395	396	397	398	399	400	401	402	403	404	405	406	407	408	409	410	411	412	413	414	415	416	417	418	419	420	421	422	423	424	425	426	427	428	429	430	431	432	433	434	435	436	437	438	439	440	441	442	443	444	445	446	447	448	449	450	451	452	453	454	455	456	457	458	459	460	461	462	463	464	465	466	467	468	469	470	471	472	473	474	475	476	477	478	479	480	481	482	483	484	485	486	487	488	489	490	491	492	493	494	495	496	497	498	499	500	501	502	503	504	505	506	507	508	509	510	511	512	513	514	515	516	517	518	519	520	521	522	523	524	525	526	527	528	529	530	531	532	533	534	535	536	537	538	539	540	541	542	543	544	545	546	547	548	549	550	551	552	553	554	555	556	557	558	559	560	561	562	563	564	565	566	567	568	569	570	571	572	573	574	575	576	577	578	579	580	581	582	583	584	585	586	587	588	589	590	591	592	593	594	595	596	597	598	599	600	601	602	603	604	605	606	607	608	609	610	611	612	613	614	615	616	617	618	619	620	621	622	623	624	625	626	627	628	629	630	631	632	633	634	635	636	637	638	639	640	641	642	643	644	645	646	647	648	649	650	651	652	653	654	655	656	657	658	659	660	661	662	663	664	665	666	667	668	669	670	671	672	673	674	675	676	677	678	679	680	681	682	683	684	685	686	687	688	689	690	691	692	693	694	695	696	697	698	699	700	701	702	703	704	705	706	707	708	709	710	711	712	713	714	715	716	717	718	719	720	721	722	723	724	725	726	727	728	729	730	731	732	733	734	735	736	737	738	739	740	741	742	743	744	745	746	747	748	749	750	751	752	753	754	755	756	757	758	759	760	761	762	763	764	765	766	767	768	769	770	771	772	773	774	775	776	777	778	779	780	781	782	783	784	785	786	787	788	789	790	791	792	793	794	795	796	797	798	799	800	801	802	803	804	805	806	807	808	809	810	811	812	813	814	815	816	817	818	819	820	821	822	823	824	825	826	827	828	829	830	831	832	833	834	835	836	837	838	839	840	841	842	843	844	845	846	847	848	849	850	851	852	853	854	855	856	857	858	859	860	861	862	863	864	865	866	867	868	869	870	871	872	873	874	875	876	877	878	879	880	881	882	883	884	885	886	887	888	889	890	891	892	893	894	895	896	897	898	899	900	901	902	903	904	905	906	907	908	909	910	911	912	913	914	915	916	917	918	919	920	921	922	923	924	925	926	927	928	929	930	931	932	933	934	935	936	937	938	939	940	941	942	943	944	945	946	947	948	949	950	951	952	953	954	955	956	957	958	959	960	961	962	963	964	965	966	967	968	969	970	971	972	973	974	975	976	977	978	979	980	981	982	983	984	985	986	987	988	989	990	991	992	993	994	995	996	997	998	999	1000



CPU FRONT VIEW

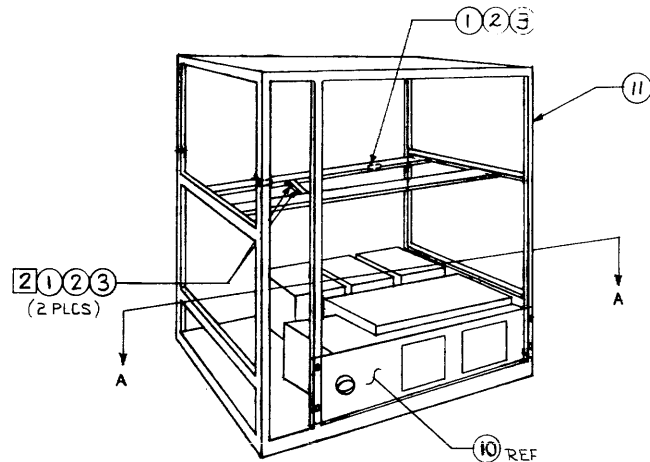


CPU LEFT SIDE

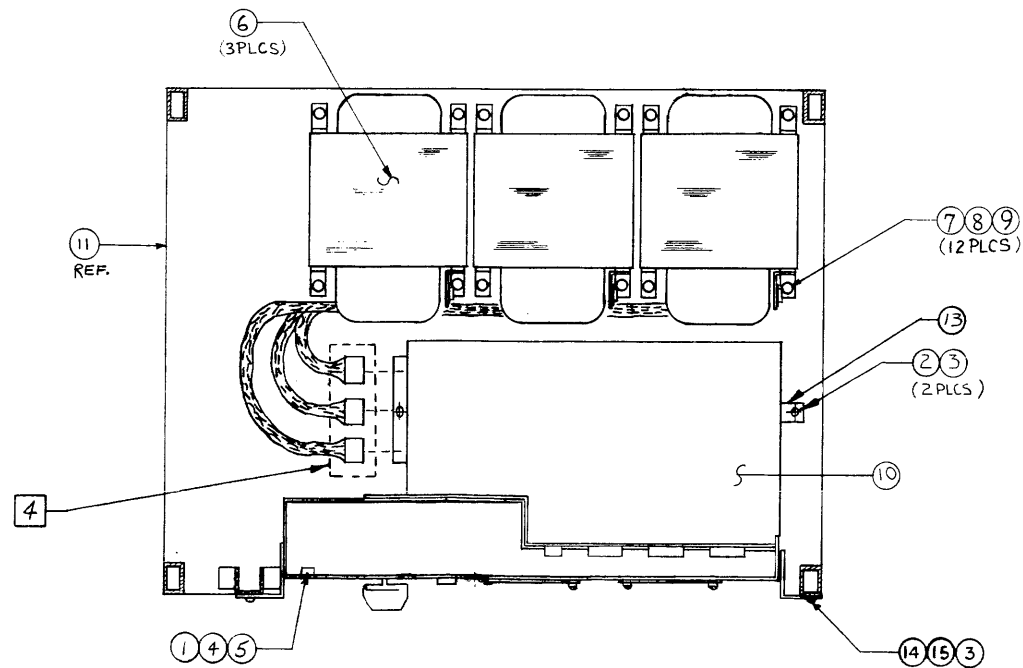
CPU RIGHT SIDE

NOTES:

- 1 INSTALL ITEM 1 ON TOP OF FRAME MEMBER
- 2 INSTALL ITEM 1 AT BOTTOM OF FRAME MEMBER
- 3 INSTALL ITEM 1 ON THE INSIDE FACE
- 4 CONNECTORS CAN BE PLUGGED IN ANY ORDER



I/O BAY REAR VIEW



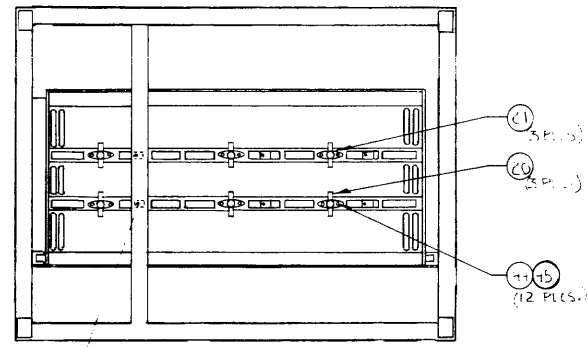
VIEW A-A

ITEM	QTY	MATERIAL DESCRIPTION	MAT'L PART NO	MAT'L OWG NO	MAT'L SPEC
15	4	WASHER SPLITLOCK # 10	2190-0034		
14	4	SCR 10-32 X 38 PH	2680-0099		
13	7	BRACKET - AC UNIT	30140-0020		
12	1	FRAME - CPU	30140-60138		
11	1	FRAME - I/O	30140-60132		
10	1	AC UNIT-208VAC 60HZ	3050-1693		
9	12	WASHER-5/16, FLAT	3050-0641		
8	12	WASHER-LOCK 5/16 HEX	2190-0432		
7	12	BOLT 5/16-18 X 63L HEX	2940-0214		
6	3	FERRD TRANSFORMER	9100-4308		
5	5	WASHER FLAT # 8	3050-0139		
4	5	SCR # 8-32	2510-0301		
3	16	WASHER FLAT # 10	3050-0226		
2	12	SCR # 10-32	2680-0274		
1	15	CABLE TIE-MOUNT	1400-0786		

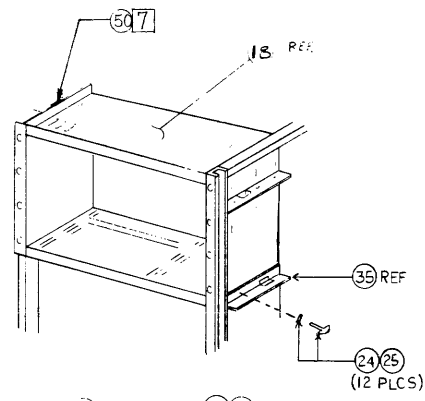
ASS'Y-AC UNIT, CABLE MOUNT, TRANSFORMERS		HEWLETT PACKARD	
NEXT ASSEMBLY	30140 B	PART NUMBER	
FINISH		SCALE	NONE
		D-30140-90032-1	

REF. D-1, D-3, D-4
C-5, C-6, D-7
C-8, D-9 THRU D-11

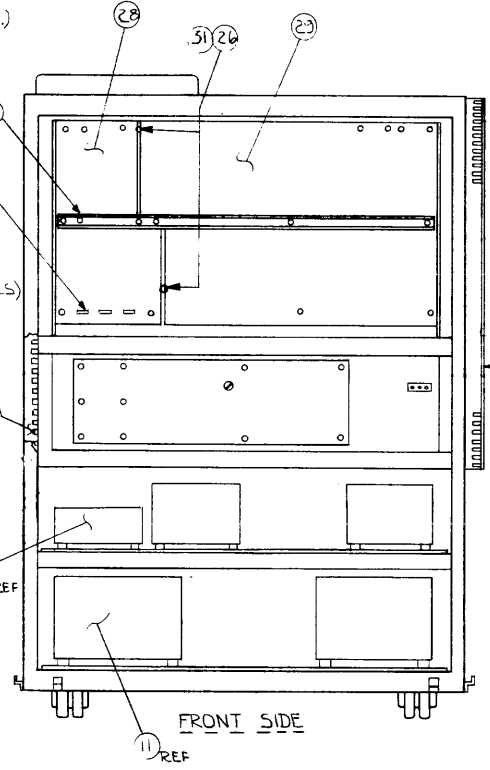
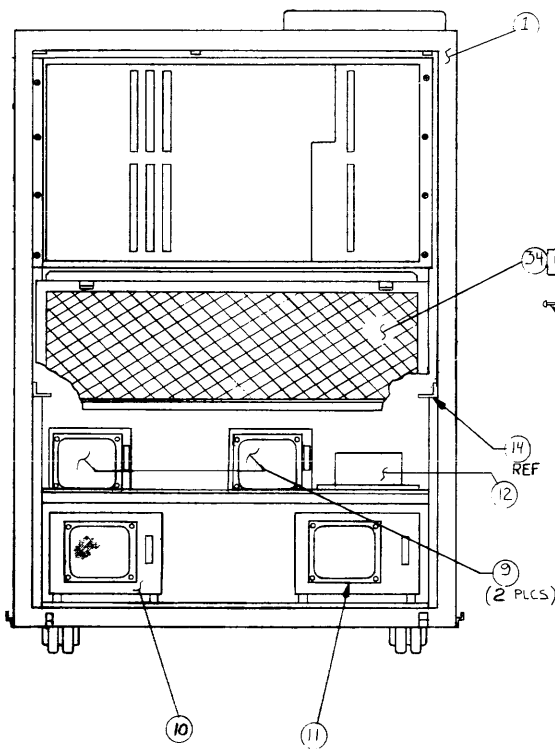
ENGINEERING RESPONSIBILITY		REVISED		APPROVED		DATE	
SEP 1964		AS ISSUED		JRP		7/1/64	
16 17 18 19 20 21 22 23 24 25 26 27 28 29 30 31 32 33 34 35 36 37 38 39 40 41 42 43 44 45		ADDED ITEM 50; REV'D NOTE 7; DEL'D NOTE # 9; PCD 47-3858		JRP		7/1/64	
		DELETED ITEM 2; NOTE 1: PCD 47-3888		Dw JRP		11-9-63	
		ITEM 31 WAS 2360-0220; 47-398		BC JRP		11/30/63	
		ADDED NOTE 9, ITEMS 16, 38 & 41 WERE QTY PER PCD 47-3924		LI JRP		SPS 104	
		ITEMS 5 & 6 QTY WAS 61; DELETED ITEM 23; ITEMS 24 & 25 QTY WAS 20; REVISED ITEMS 14, 35, 36, 37, 42, 43 & 49 TO REF. QTY'S; DELETED NOTE (2); REVISED NOTE (1); PCD 47-3944		CN JRP		7/30/64	



TOP VIEW
(6 PLCS)

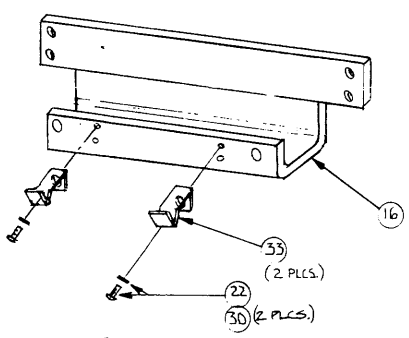


DETAIL "B"



LEFT SIDE

FRONT SIDE



DETAIL "D"

NOTES:

- 1 DELETED
- 2 DELETED
- 3 TIGHTEN CAPTIVE SCREW TO SECURE ITEM (17) AFTER INSERTION.
- 4 INSERT BOTTOM OF ITEM (34) AND SECURE AT THE TOP WITH CLIPS. (ITEM (33))
- 5 INSTALL ITEM (49) FROM PALLET WITH SILKSCREEN 'J1, AUX I/O' FACING OUT (NEAR SIDE)
- 6 INSTALL PSC-PCB-ITEM (27) ON ESD GROUND MAT.
- 7 ITEM (50) SHOULD BE INSTALLED ON THE CARD CAGE WHERE THE BRACKET CUTOUT MEETS THE CARD CAGE
- 8 AFTER ATTACHING THE MEMORY BACKPLANE (28) VERIFY THAT A GAP (APPROX. .05" THICKNESS OF DIM.) EXISTS BETWEEN THE CONNECTOR PINS & THE BACKPLANE.
- 9 ITEMS (16), (38) & (41) ARE PART OF 30140-60144 CPU BAY KIT.

NR	DESCRIPTION	QTY	PART NO.
50	GROMMET CHANNEL .06 ID		2420-0133
49	REF PLATE-AUX I/O CABLE		30140-00119
48	SCREEN-ESD		1600-1291
47	100 WASHER-LOCK #10		2150-0255
46	16 SCREW 6-32 X 1/2 PH		2360-0203
45	12 WASHER-FLAT #10		3050-0228
44	12 NUT 4-40 W LOCK		2260-0009
43	REF COVER-WIRING DUCT CPU BP		30140-00087
42	REF WIRING DUCT-CPU BACKPLANE		30140-00084
41	REF STIFFENER-CENTER C.C.		30140-00078
40	REF SCREW#4-40, 3/16 L FH		2300-0166
38	7 LABEL-IDENT CPU CC		7121-1939
38	REF PLATE-CPU, CC LABEL M/TG		30140-00080
37	REF COVER-WIRING DUCT MEM. BP		30140-00085
36	REF WIRING DUCT-MEM. BAY PLN		30140-00089
35	REF BRKT - C.C. GROUND		30140-00096
34	1 FILTER-AIR 9 X 29		3150-0306
33	1 CLIP-SPRING		1600-1087
32	1 ASSY-SYSTEM DISPLAY PANEL		30140-60093
31	28 SCREW 6-32 X .438 L PU W/L		2360-0431
30	64 WASHER #6 FLAT		3050-0228
29	1 PCA-BACKPLANE		30140-60018
28	1 PCA-MEMORY BACKPLANE		30140-60020
27	1 PCA-POWER DIST / MONITOR		30140-60091
26	2 WASHER #6 BR		3050-0066
25	14 SCREW 8-32 X .44 PH W/L		2510-0301
24	14 WASHER-FLAT # 8		3050-0139
22	12 SCREW 6-32 X .375 LG PH W/L		2360-0559
21	3 SWITCH-THERM. 110° F CL		3105-0103
20	3 SWITCH-THERM. 104° F CL		3105-0706
18	6 CABLE TIE-MOUNT		1400-0786
18	1 CARD CAGE-36 SLOT		7101-0582
17	1 ASSY-PAN TRAY CPU		30140-60105
16	REF DUCT-CABLE CPU BAY		30140-00105
15	1 ASSY-PLENUM CPU		30140-60101
14	REF SUPPORT RAIL CPU PLENUM		30140-00020
13	1 PAN-DRIP CPU		4040-1875
12	1 ASSY-BATTERY MODULE		30140-60103
11	1 ASSY-BATTERY CHARGE		0950-1457
10	1 ASSY-PS-2V, 12V		0950-1458
9	2 ASSY-PS-5.2V		0950-1459
8	10 SCREW # 6-32 X .75 PH		2360-0205
7	8 SCREW # 6-32 X .50 FH		2360-0188
6	43 WASHER-FLAT #10 SS		3050-0226
5	43 SCREW # 10-32 X .50 PH W/L		2680-0274
4	1 ASSY PS SHELF TOP CPU		30140-60096
3	1 ASSY PS SHELF BOTTOM CPU		30140-60097

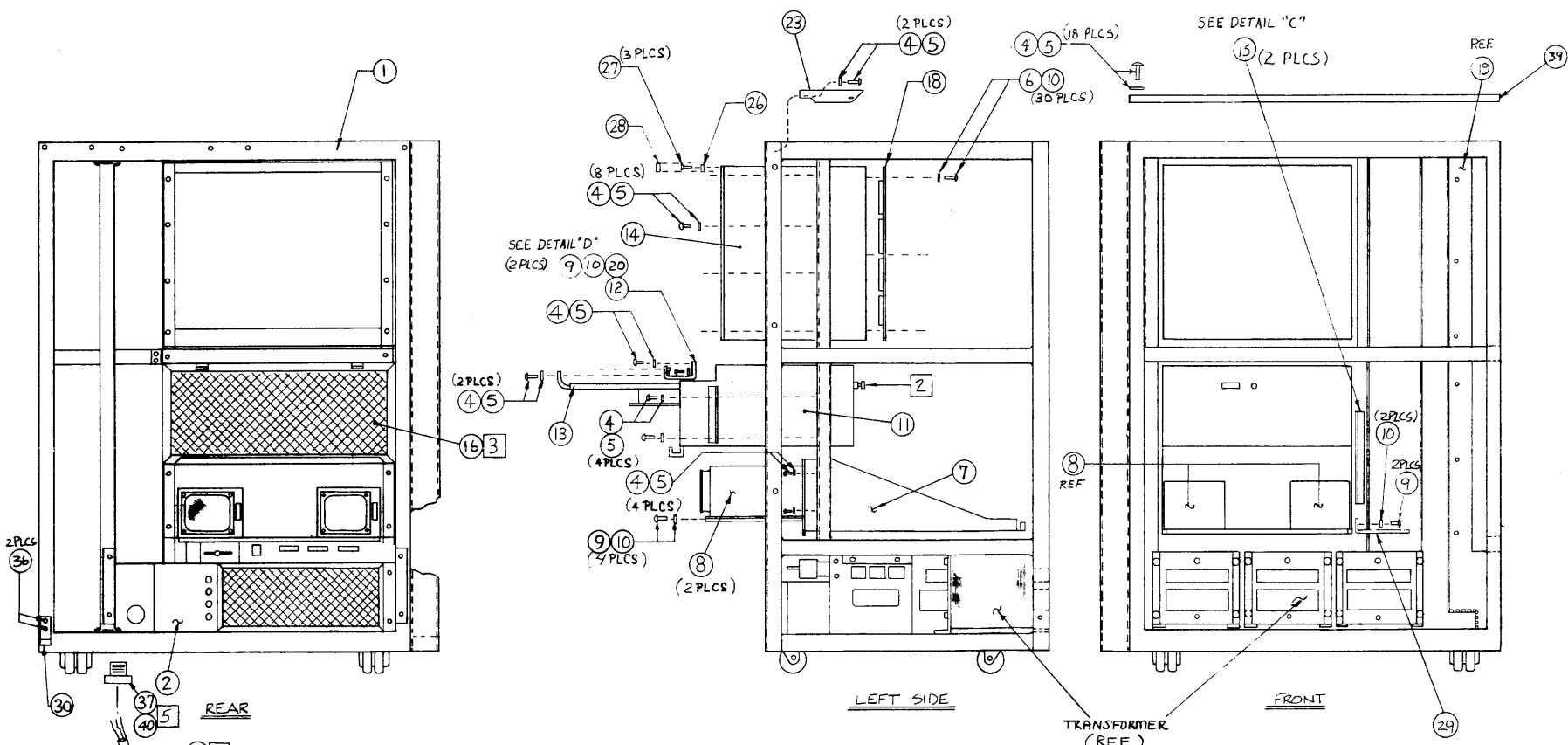
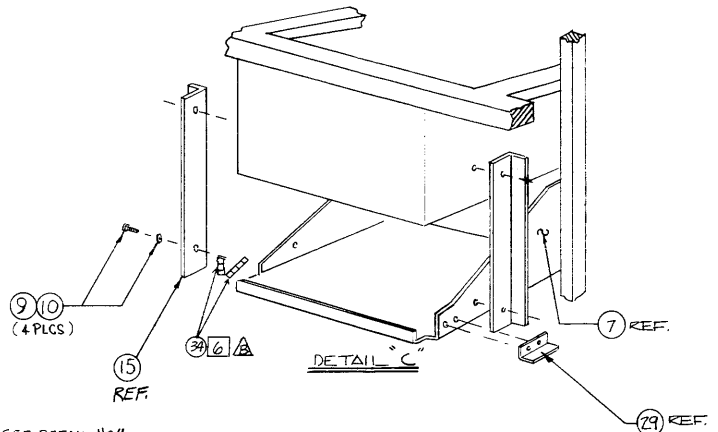
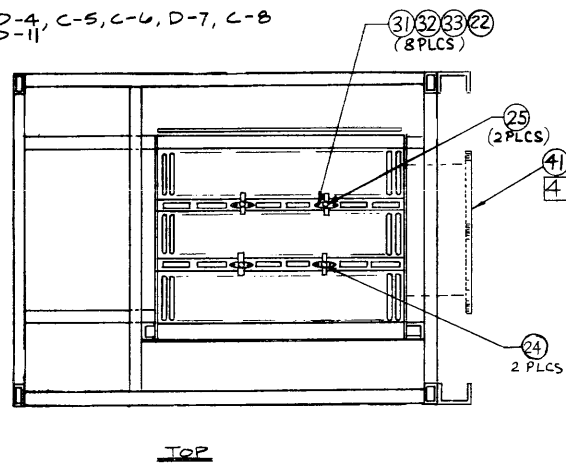
ITEM	QTY	MATERIAL DESCRIPTION	MATL. PART NO.	D-1	MATL. DWG. NO.	MATL. SPEC.
ASSY - CPU BAY						
TITLE						
NEXT ASSEMBLY: 30140B						
PART NUMBER: ---						
FINISH: --- SCALE: NONE						
D-30140-90052-2						

STOCK NO. 9280-0004 PRINTED ON BLEEDER NO. 1025-10 CLEARPRINT FOLDOUT

REF: D-1, D-2, D-4, C-5, C-6, D-7, C-8
D-9 THRU D-11

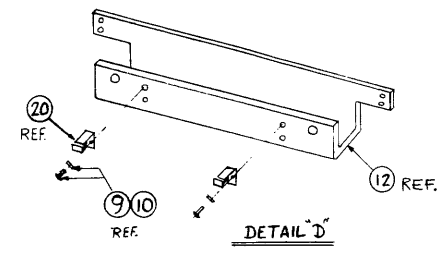
ENGINEERING RESPONSIBILITY														REVISA		
1	2	3	4	5	6	7	8	9	10	11	12	13	14	15	16	17
16	17	18	19	20	21	22	23	24	25	26	27	28	29	30	31	32
33	34	35	36	37	38	39	40	41	42	43	44	45	46	47	48	49

SYM	REVISIONS	APPROVED	DATE
A	AS ISSUED	JEP	1-26-83
B	REVISED PER PCO 47-3781	WJZ/JEP	3-2-83
C	Added ITEM 41; PCO 47-3858	DW/JEP	7-6-83
D	Deleted ITEM 3 & Note 1; PCO 47-3882	DW/JEP	11-9-83
E	ITEM 4 WAS 2340-0300; 47-7105	BC/JEP	1/30/84
F	ADDED NOTE 7; ITEMS 12, 15, 26, 39 & 30 WERE QTY. PER PCO 47-3924.	LI/JEP	5/15/84
G	ITEMS 4 & 5 QTY. WAS 6; ITEM 9 QTY. WAS 14; ITEM 10 QTY. WAS 44; DELETED ITEMS 17, 19, 21, 34 & 35; PCO 47-3944	CN/JEP	7/3/84



ITEM	QTY	MATERIAL DESCRIPTION	MATL. PART NO.	MATL. DWG NO.	MATL. SPEC.
41	AIR	CHANNEL GROMMET .06 ID	0420-0133		
40	1	LOCKNUT	0100-0696		
39	1	SCREEN - RFI	1600-1291		
38	1	CA - AC POWER ASSY.	30140-60090		
37	1	STRAIN RELIEF	0100-1140		
36	2	SCR 10-32 X .375 FL, FH	2680-0100		
33	8	WASHER - FLAT #4	3050-0229		
32	8	LK WASH - #4 HELICAL	2190-0108		
31	8	SCR 4-40 X .312 P.H.	2700-0141		
30	REF	BRKT - MTG. CABLE PANEL	30140-00073		
29	REF	COVER - FERRO XFORMER	30140-00113		
28	1	LABEL - IDENT. V ₀ CC	7121-1940		
27	3	SCR 4-40 X .312 FH	2200-0165		
26	REF	PLATE - MTG. LABEL V ₀	30140-00081		
25	2	SWITCH - THERM 112 FCL	3103-0103		
24	2	SWITCH - THERM 104 FCL	3103-0104		
23	1	PAN - DRIP I/O BAY	4040-1874		
22	B	NUT 7-70 W/LOCK	2260-0009		
20	2	CLIP - SPRING	1600-1087		
18	1	PCA - DUAL V ₀ BACKPLANE	30140-60021		
16	1	AIR FILTER - V ₀ PLENUM	3150-0390		
15	REF	SUPPORT - P.S. TRAY	30140-00021		
14	1	CARD CAGE - 24 SLOTS	7101-0583		
13	1	ASSY - FAN TRAY, I/O C.C.	30140-60106		
12	REF	DUCT CABLE - V ₀	30140-00116		
11	1	ASSY - PLENUM, I/O	30140-60102		
10	42	WASHER #6 FLAT	3050-0228		
9	12	SCR #6-32 X .375 W/L	2360-0359		
8	2	ASSY - POWER SUP. + SV	0950-1654		
7	1	ASSY - POWER SUP. SHELF	30140-60098		
6	40	SCR #6-32 X .44 PH W/L	2360-0431		
5	32	WASHER #10 FLAT	3050-0226		
4	39	SC #10-22 X .50 PH W/L	2680-0274		
2	1	AC UNIT	REF.	D-1	
1	1	ASSY V ₀ FRAME, XFORMER	REF.	D-1	

- NOTES**
- DELETED
 - TIGHTEN CAPTIVE SCREW TO SECURE ITEM 13 AFTER INSERTION
 - INSERT BOTTOM OF ITEM 16 AND SECURE AT THE TOP WITH CLIPS. AIR FLOW ARROW ON ITEM 16 SHOULD POINT INTO THE CABINET
 - MOUNT ITEM 34 ON SHARP EDGE OF CARD CAGE AS SHOWN
 - MOUNT STRAIN RELIEF, ITEM 37, AND POWER CORD, ITEM 38, LAST. ATTACH BLACK WIRE TO L1, RED WIRE TO L2, BLUE WIRE TO L3 AND WHITE WIRE TO N INSIDE THE AC UNIT. ATTACH THE GREEN WIRE TO GND.
 - ATTACH GROMMET TO HORIZONTAL AND VERTICAL EDGES
 - ITEMS 2, 15, 26, 29 & 30 ARE PART OF SUB-ASSEMBLY I/O BAY KIT.

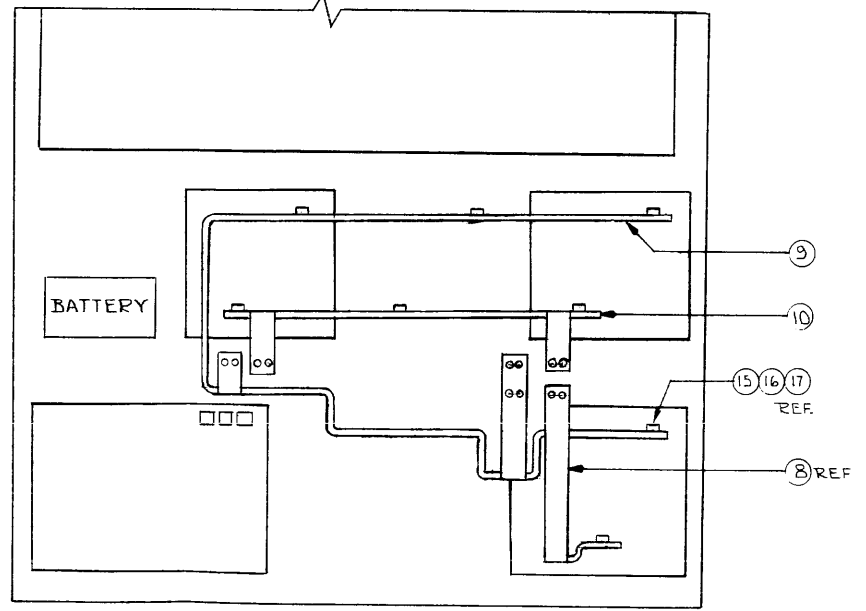
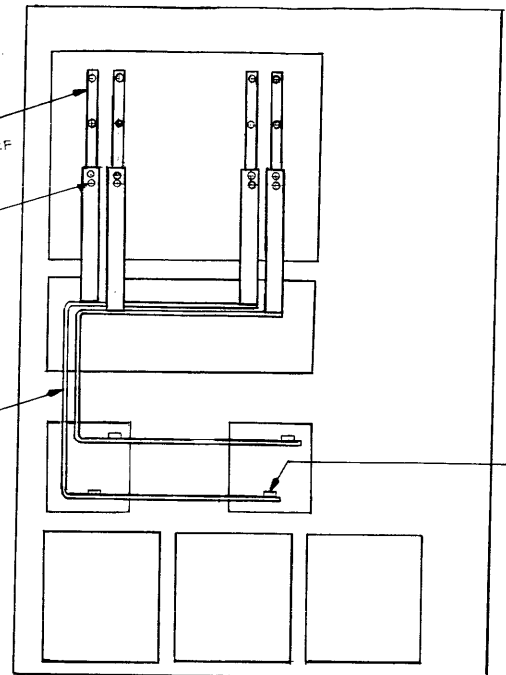
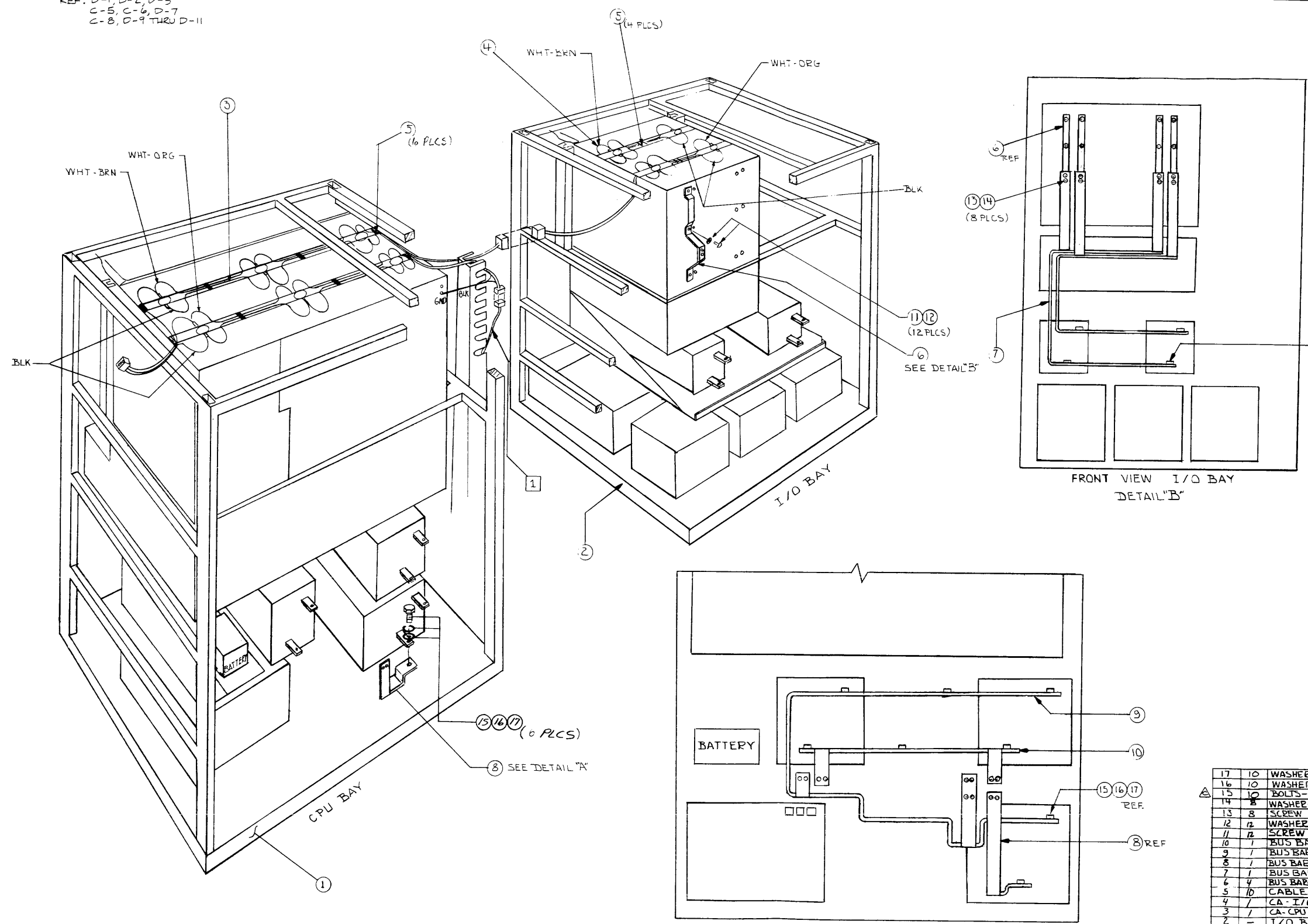


ASSY - I/O BAY		HEWLETT PACKARD	
TITLE	30140 B	PART NUMBER	D-30140-00032-3
NEXT ASSEMBLY	NONE	SCALE	

REF. D-1, D-2, D-3
 C-5, C-6, D-7
 C-8, D-9 THRU D-11

ENGINEERING RESPONSIBILITY		SEPIA		REV. NO.		DATE	
0	1	2	3	4	5	6	7
16	17	18	19	20	21	22	23
24	25	26	27	28	29	30	31
32	33	34	35	36	37	38	39
40	41	42	43	44	45	46	47
48	49	50	51	52	53	54	55

BY	REVISIONS	APPROVED	DATE
A	AS ISSUED	JEP	1-24-83
B	ADD BOND CABLE FROM ITEM 3	JEP	3-3-83
C	ITEM 15 WAS PN 3020-0001-47-20	WJTP	9/1/83
D	ITEM 5 WAS 1400-0249-47-3852	WJTP	11/6/83
E	ITEM 11 WAS 2360-0300-47-3702	WJTP	1/30/84



NOTE:
 1 FROM REF. DWG C-8

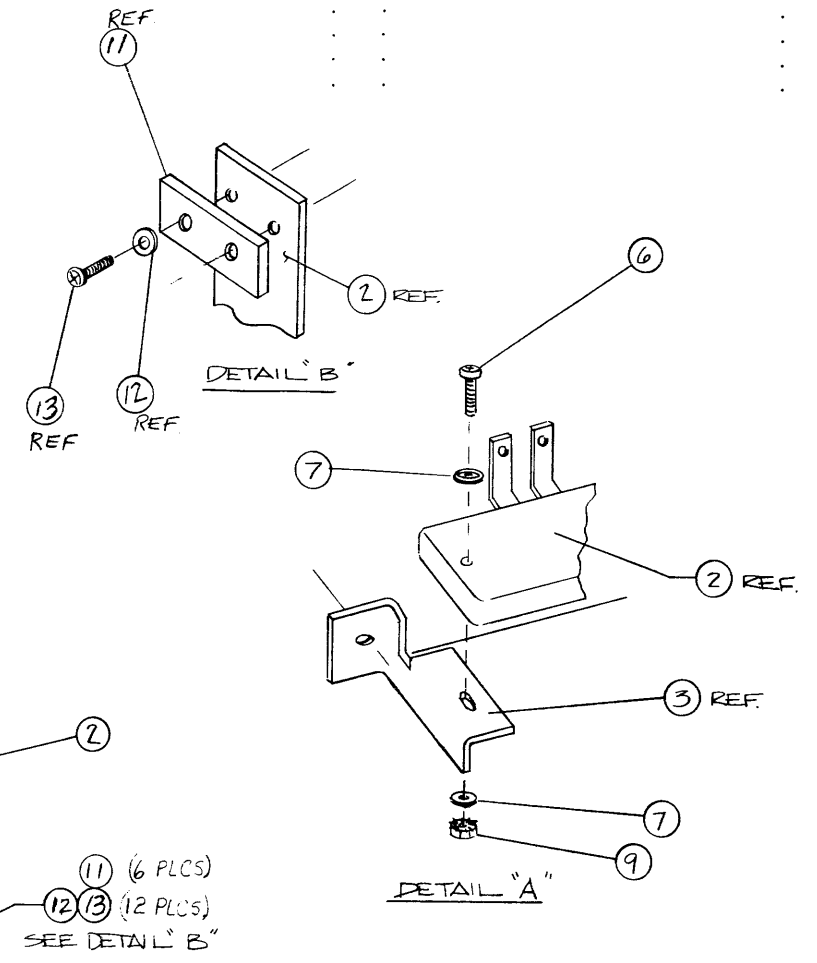
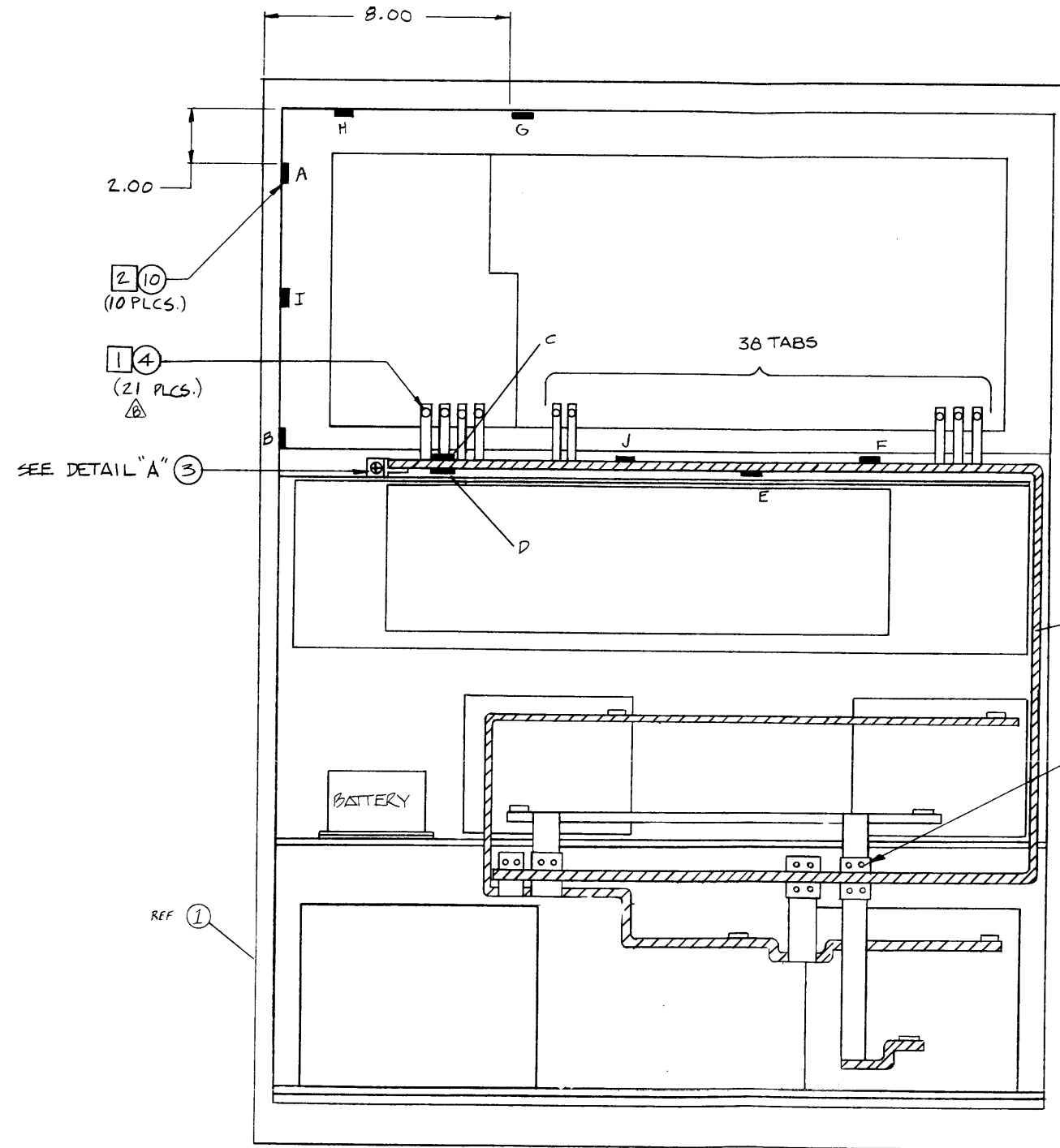
ITEM	QTY	MATERIAL DESCRIPTION	MAT'L PART NO.	MAT'L SPEC.
17	10	WASHER-FLAT 1/4"	3050-0225	
16	10	WASHER-LOCK 1/4"	2190-0032	
15	10	BOLTS-1/4-20X.5L, HEX.	2940-0102	
14	8	WASHER-FLAT #10	3050-0210	
13	8	SCREW #10-32 X .50L W/L	2480-0210	
12	12	WASHER #6 FLAT	3050-0210	
11	12	SCREW #6-32 X .44PH W/L	2360-0210	
10	1	BUS BAR-CPU, -5.2V	1330-0312	
9	1	BUS BAR-CPU, GND	1330-0312	
8	1	BUS BAR-CPU, 2V ± 12V	1330-0312	
7	1	BUS BAR-I/O, INTERCON.	1330-0312	
6	4	BUS BAR-I/O BACK PLANE	1330-0312	
5	10	CABLE TIE WRAP	1400-0482	
4	1	CA-I/O HEAT SENSE	2010-1022	
3	1	CA-CPU HEAT SENSE	2010-1022	
2	-	I/O BAY	REF.	B-3
1	-	CPU BAY	REF.	D-2

ASS'Y - BUS BARS		HEWLETT PACKARD	
TITLE		PART NUMBER	
30140B		-	
NEXT ASSEMBLY		FINISH	
NONE		SCALE	
D-30140-90032-4		D-30140-90032-4	

STOCK NO 3280-0004 PRINTED ON DIE-CUT 100% CLEARPRINT PAPER

REF.: D-1 THRU D-4
C-6, C-7
D-8 THRU D-11

ENGINEERING RESPONSIBILITY															SERIAL		REVISED		APPROVED		DATE	
0	1	2	3	4	5	6	7	8	9	10	11	12	13	14	15			C-30140-90032-5				
16	17	18	19	20	21	22	23	24	25	26	27	28	29	30	31			JXP		1-26-83		
32	33	34	35	36	37	38	39	40	41	42	43	44	45	46	47			MNL/JXP		4-16-83		
48	49	50	51	52	53	54	55	56	57	58	59	60	61	62	63			CN/JXP		7/30/84		



NOTES:

1 INSTALL ITEMS 4 AT EVERY OTHER TAP OF ITEM 3 STARTING FROM LEFT (AT LOCATIONS OTHER THAN "GND" ON CPU BACK PLANE.)

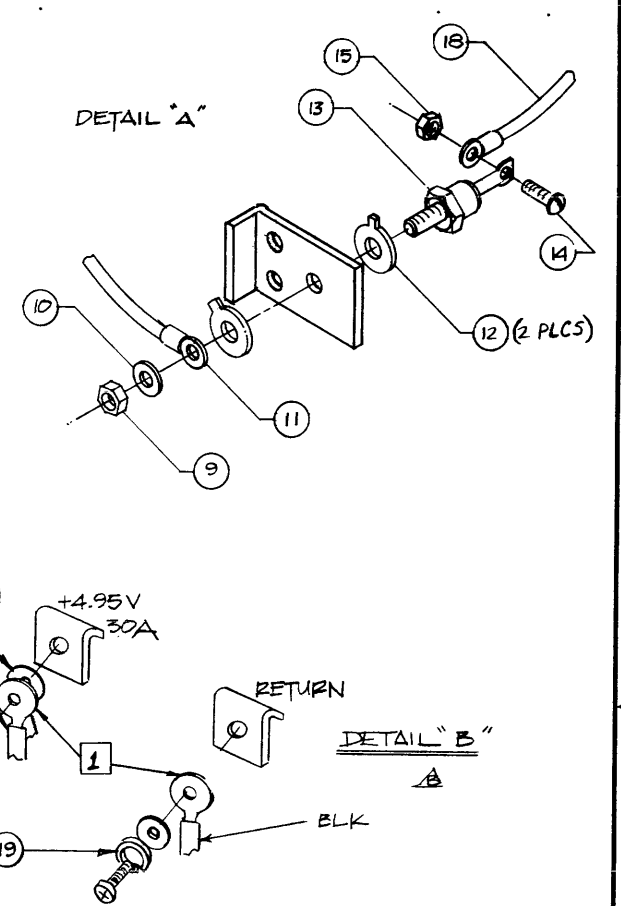
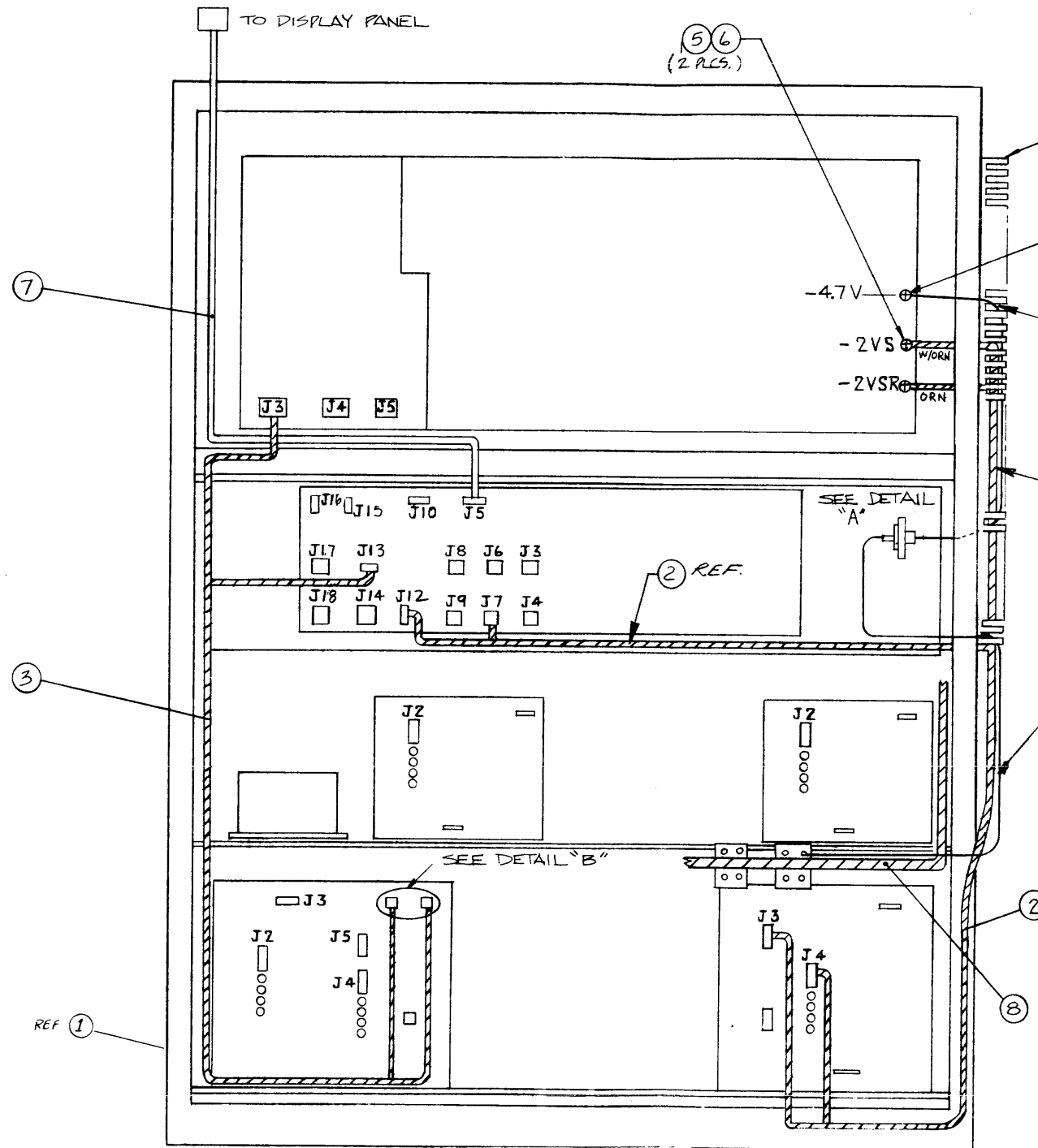
2 POSITION CABLE CLAMP OPENING AS FOLLOWS: A, F, & G FACING OUT, ALL OTHERS, FACING IN. POSITION CLAMPS C-F, H IN RELATIVE LOCATIONS AS SHOWN. ALL CLAMPS SHOULD BE CENTERED ON FRAME.

ITEM	QTY	MATERIAL DESCRIPTION	MAT'L PART NO.	MAT'L DWG NO.	MAT'L SPEC.
13	12	SCREW - #8-32 PH W/L	2510-0301		
12	12	WASHER - FLAT, #8	3050-0139		
11	6	FLANGE-MTG. LAM. BUS	1530-0389		
10	10	CLAMP-CABLE	1400-0611		
9	1	NUT-HEX, W/L #10-32	2740-0003		
7	2	WASHER - FLAT #10	3050-0126		
6	1	SCR. #10-32 X .625 PH	2680-0105		
4	21	SCR #6-32 X .38 PH W/L	2360-0359		
3	REF	BRACKET MTG - BUS BAR	30140-00002		
2	1	BUS BAR - LAMINATED	0360-2051		
1	-	CPU BAY	REF.	D-4	

CPU BUS BAR		HEWLETT PACKARD	
TITLE		PART NUMBER	
NEXT ASSEMBLY 30140 B		C-30140-90032-5	
FINISH		SCALE	

REF. D-1 THRU D-4
C-5, C-7
D-8 THRU D-11

ENGINEERING RESPONSIBILITY													SEPIA		C-30140 -90032-6																																																																																					
0	1	2	3	4	5	6	7	8	9	10	11	12	13	14	15	16	17	18	19	20	21	22	23	24	25	26	27	28	29	30	31	32	33	34	35	36	37	38	39	40	41	42	43	44	45	46	47	48	49	50	51	52	53	54	55	56	57	58	59	60	61	62	63	64	65	66	67	68	69	70	71	72	73	74	75	76	77	78	79	80	81	82	83	84	85	86	87	88	89	90	91	92	93	94	95	96	97	98	99	100
													REVISED PER PLC47-3781		APPROVED		DATE																																																																																			
													ITEM 19 WAS 2190-0073; REVISED		JXP		1-26-88																																																																																			
													ITEM 16 MAT'L DESC. PER PC047-3944		JXP		3-3-83																																																																																			
															C/N/JXP		7/30/84																																																																																			



ITEM	QTY.	MATERIAL-DESCRIPTION	MAT'L-PART NO.	MAT'L-DWG NO.	MAT'L-SPEC.
19	2	SPLITLOCK #10	2190-0034		
18	1	CA.- DIODE, -4.7V	30140-6019		
17	2	WASHER #10, FLAT	3050-0226		
16	2	SCR #10-32 X .375L PH	2680-0099		
15	1	NUT #6-32 W/L	2420-0001		
14	1	SCR. - #6-32 X .312 L	2360-0429		
13	1	DIODE - 35V. 60 A	1901-0727		
12	2	WASHER - INSULATING	1700-0088		
11	1	CA.- DIODE, -5.2V	30140-60120		
10	1	LOCK WASHER - HEL	2190-0032		
9	1	NUT - 1/4-28 HEX	2950-0036		
8	-	BUS BAR - LAMINATED	REF.	C-5	
7	1	CA.- CPU/SSDP	30140-60121		
6	3	WASHER #6 FLAT	3050-0228		
5	3	SCR #6-32 X .38L PH W/L	2360-0359		
4	-	CABLE DUCT	REF.	D-2	
3	1	CA.- MOD. B, +5B	30140-60122		
2	1	CA.- MOD. SET C CONTROL/MDN	30140-60123		
1	-	CPU BAY	REF.	C-5	

NOTES:
1 MATCH THE VOLTAGE ON CABLES TO THOSE ON TABS.

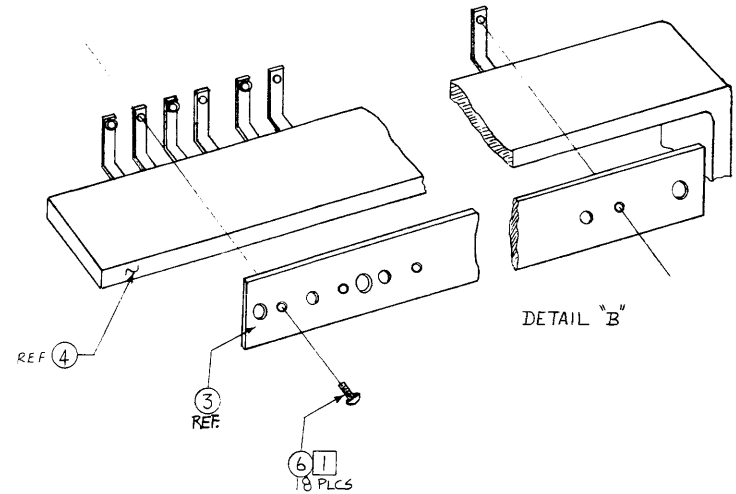
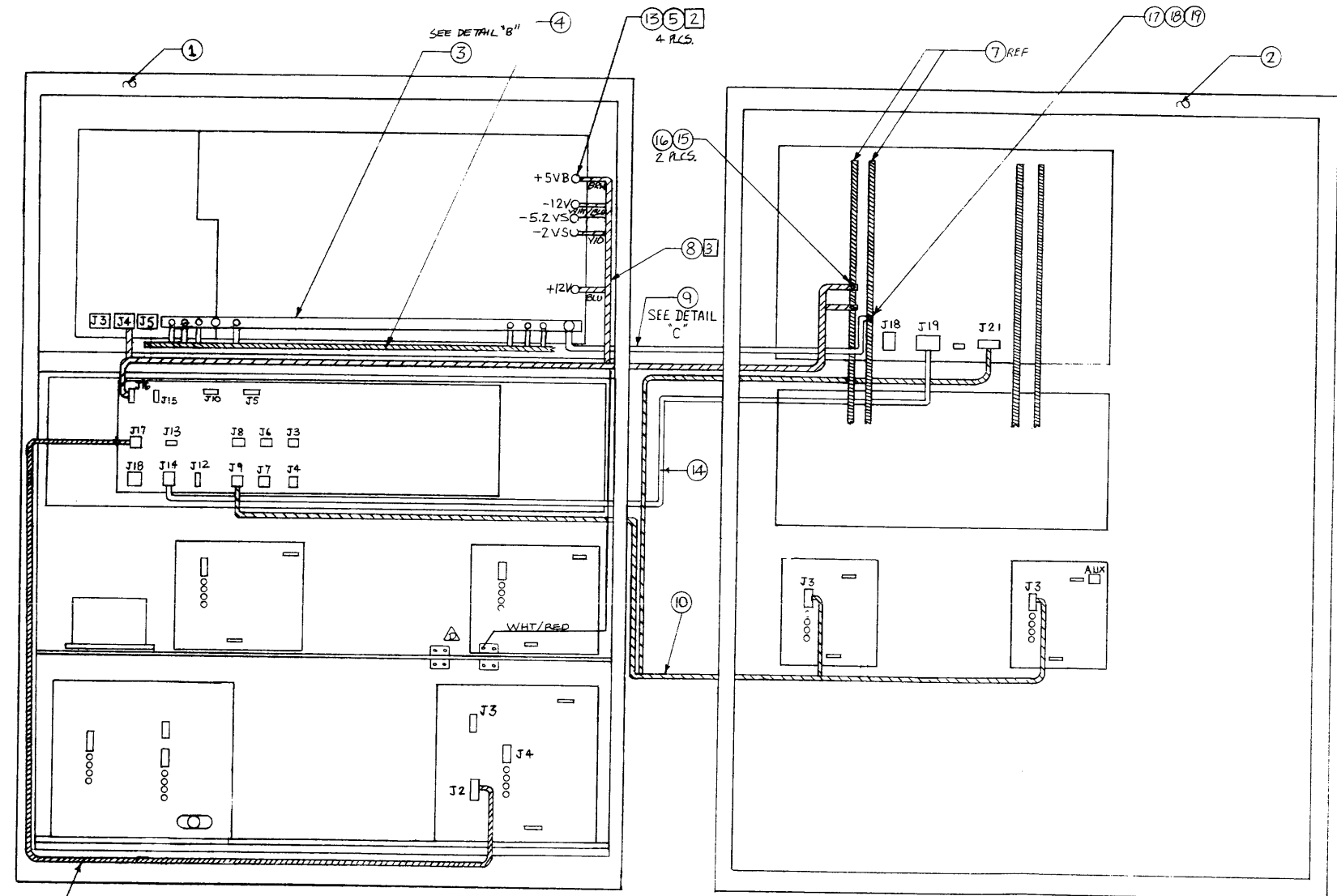
CPU CABLE - STEP # 1		HP HEWLETT PACKARD	
TITLE		PART NUMBER	
NEXT ASSEMBLY 30140 B		SCALE	
FINISH		C-30140 -90032-6	

STOCK NO 9280-0003 PRINTED ON DIEPO NO 1020-10 CLEARPRINT FADEOUT

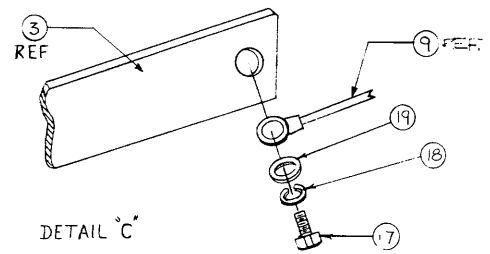
REF: D-1 THRU D-4
 C-5, C-6
 C-8, D-9 THRU D-11

ENGINEERING RESPONSIBILITY															SERIAL																																
0	1	2	3	4	5	6	7	8	9	10	11	12	13	14	15	16	17	18	19	20	21	22	23	24	25	26	27	28	29	30	31	32	33	34	35	36	37	38	39	40	41	42	43	44	45	46	47

REV	BY	REVISIONS	APPROVED	DATE
A		AS ISSUED	JRP	1-26-83
B		ADDED NOTE 3 PER PGO 47-378	MJL/JRP	3-3-83
C		ITEM 17 WAS PIN 3010-001; 47-3805	MJL/JRP	4/18/83
D		REMOVED WHT/RED WIRE PGO 47-3805	MJL/JRP	4/22/83
E		Deleted Item 15, changed Qty Item 15 to 47-3805	MJL/JRP	5/19/83
F		ITEM 6 WAS QTY 25; 47-3853	DW/JRP	7/18/83
G		ITEM 6 WAS QTY 21; ADDED ITEMS 21 & 22; REV'D NOTE 1; PGO 47-3869	DW/JRP	8/15/83



- NOTE:
- 1 INSTALL ITEM (5) TO ALL LOCATIONS WITH SPACERS ON ITEM (3) (GENL ON CPU BACK PLANE). AT HOLES 6, 13 AND 20 FROM THE LEFT OF ITEM (3) INSTALL ITEM (20) USING ITEMS (2) AND (22) IN PLACE OF ITEM (5).
 - 2 THE CABLE TERMINALS BRANCH OUT FROM CABLE DUCT. MATCH VOLTAGES ON TAGS OF CABLES TO THOSE ON CPU BACK PLANE.
 - 3 CABLE 8 REST ON TOP OF THE LAMINATED BUS BAR AND ATTACHES TO THE CABLES TIE MOUNTS ON THE ZERO VOLT BUS BAR



22	3	LOCKWASHER #6 HFL	2190-0851	
21	3	SCREW #10-32 PH	2360-0205	
20	3	CABLE TIE MOUNT	1400-0786	
19	2	WASHER - FLAT, 1/4	3050-0225	
18	2	WASHER - LOCK, 1/4	2190-0032	
17	2	BOLT 1/4 - 20 X 50L, HEX.	2940-0103	
16	2	WASHER #10 FLAT	3050-0226	
15	2	SCR #10-32 X .50 PH W/L	2680-0274	
14	1	CA - I/O TSB, 3 1/2V DIST.	30190-60113	
13	4	SCR #6-32 X .38L PH W/L	2360-0359	
12	1	CA - MOD SET C, ±12V	30190-60114	
11	1	CA - MOD SET D, CONTR/MON.	30190-60116	
9	1	CA - ZERO VOLT, INTERBAY	30190-60117	
8	1	CA - PDM, CPU, I/O MEM.	30190-60118	
7	1	BUS BAR - I/O BACK PLANE	REF.	D-4
6	18	SCREW #6-32 X 7.5L PH W/L	2360-0125	
5	4	WASHER #6, FLAT	3050-0228	
4	1	LAMINATED BUS BAR	REF.	C-5
3	1	ZERO VOLT BUS BAR	1530-0388	
2	1	I/O BAY	REF.	D-5
1	1	CPU BAY	REF.	D-6

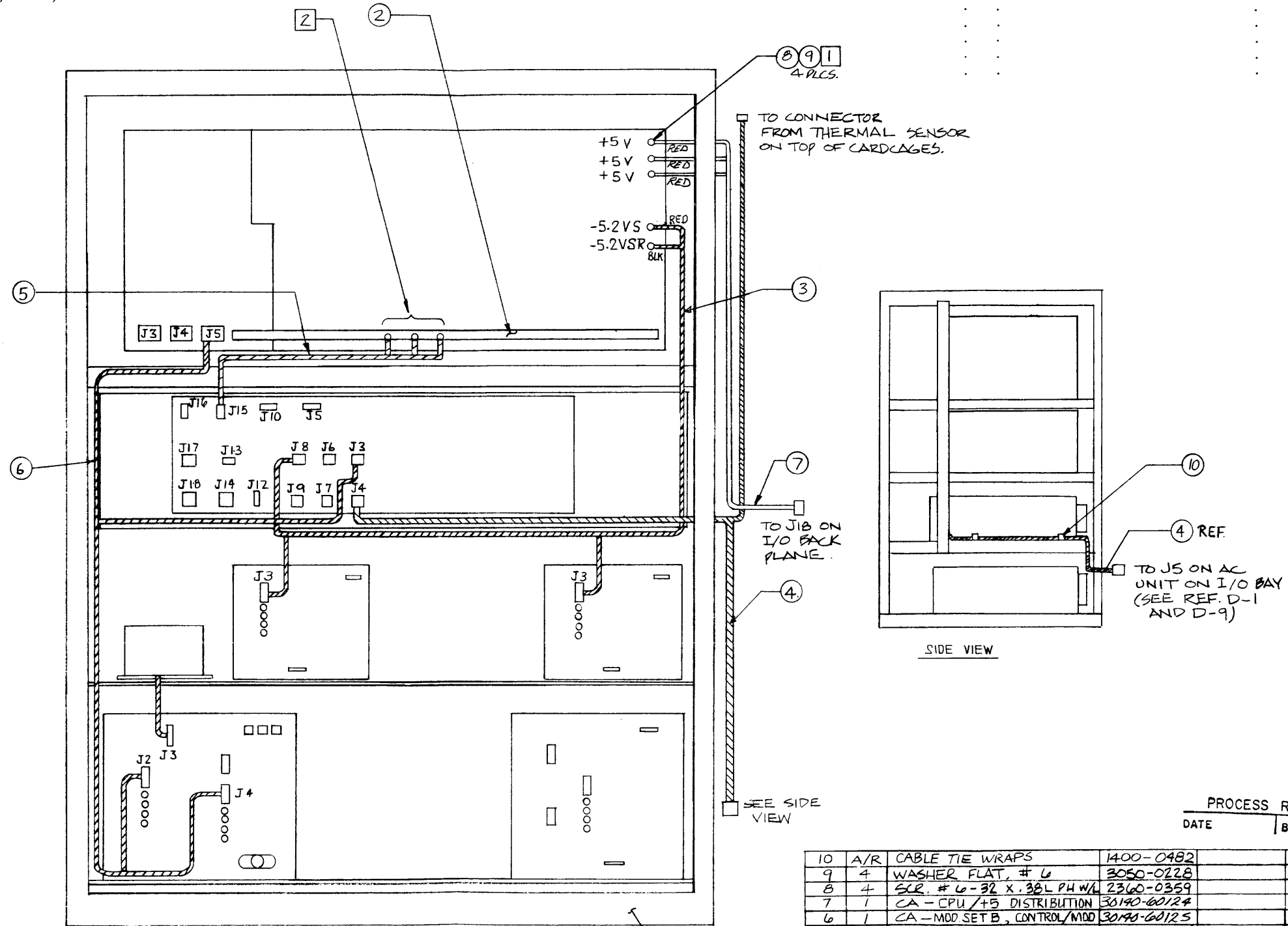
INTERBAY CABLE
 CPU CABLE - STEP # 2

NEXT ASSEMBLY: 50140 B
 PART NUMBER: -
 FINISH: SCALE: D-50140-90032-7

HEWLETT PACKARD

REF. D-1 THRU D-4,
C-5, C-6, D-7
D-9, D-10, D-11

ENGINEERING RESPONSIBILITY															REVISIONS					APPROVED		DATE		
0	1	2	3	4	5	6	7	8	9	10	11	12	13	14	15	A AS ISSUED					JMP		1-26-83	
16	17	18	19	20	21	22	23	24	25	26	27	28	29	30	31	B ITEM 10 WAS 1400-0249: 47-3858					DWL		7-1-83	
32	33	34	35	36	37	38	39	40	41	42	43	44	45	46	47									



- NOTE
- 1 MATCH THE VOLTAGE TAGS ON CABLES TO THOSE ON CPU BACK PLANE. THE CABLE TERMINALS BRANCH OUT FROM CABLE DUCT.
 - 2 ATTACH TO LOCATIONS OF STAPLERS (GND ON BACK PLANE) AT CENTER OF ITEM 2.
 - 3 BUNDLE ALL CABLES ALONG THE SAME ROUTES WITH TIE WRAPS, ITEM 10

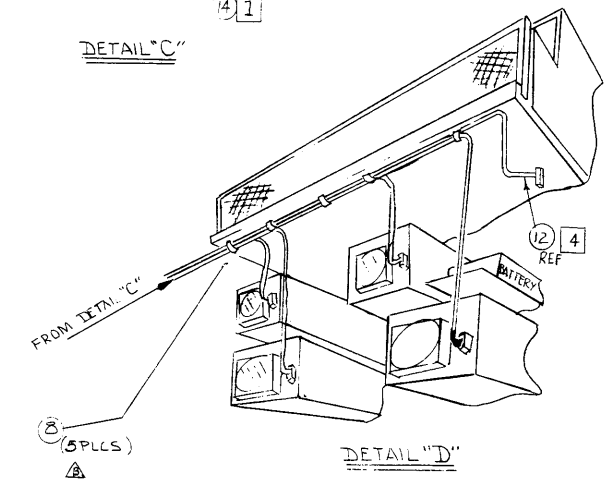
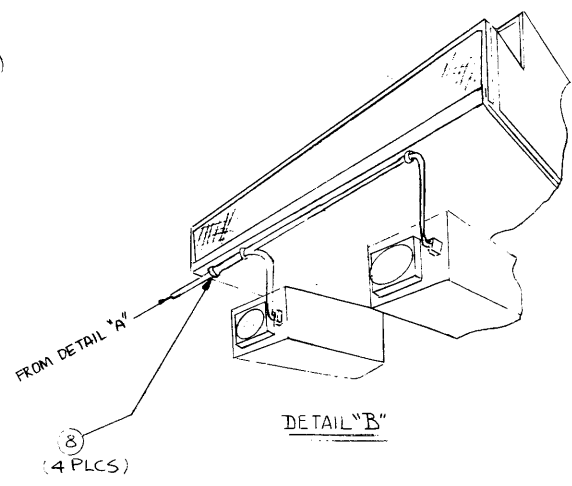
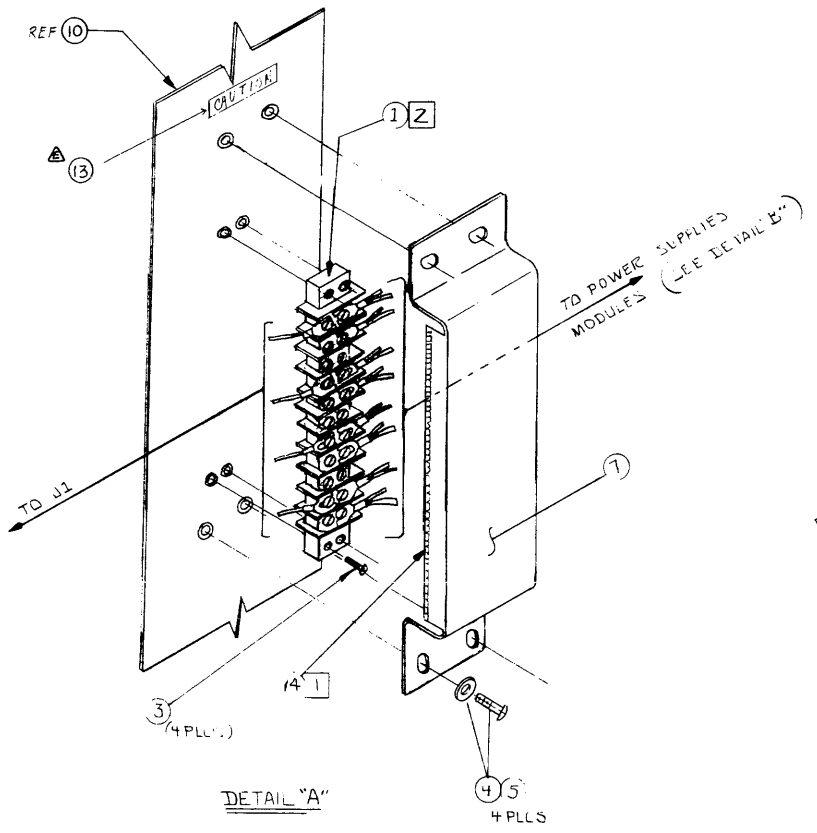
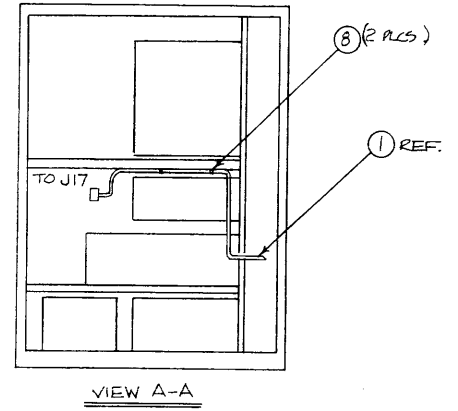
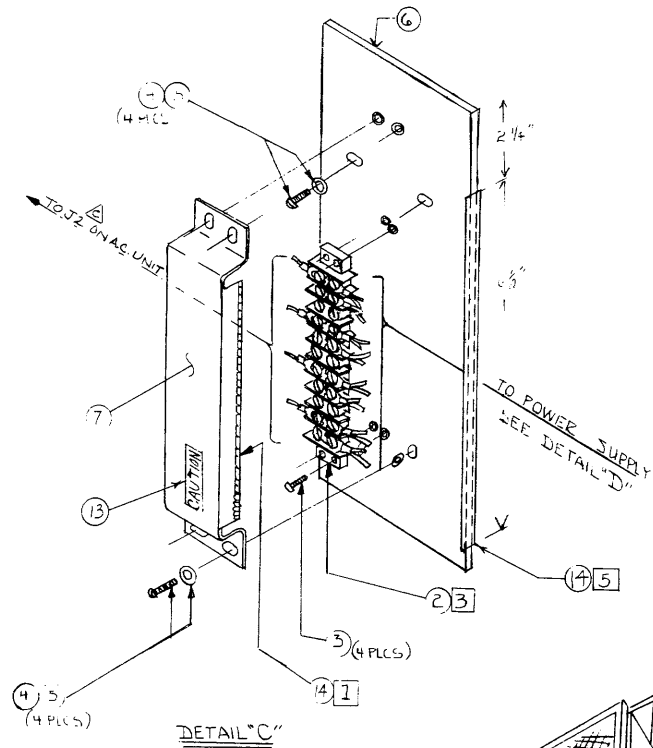
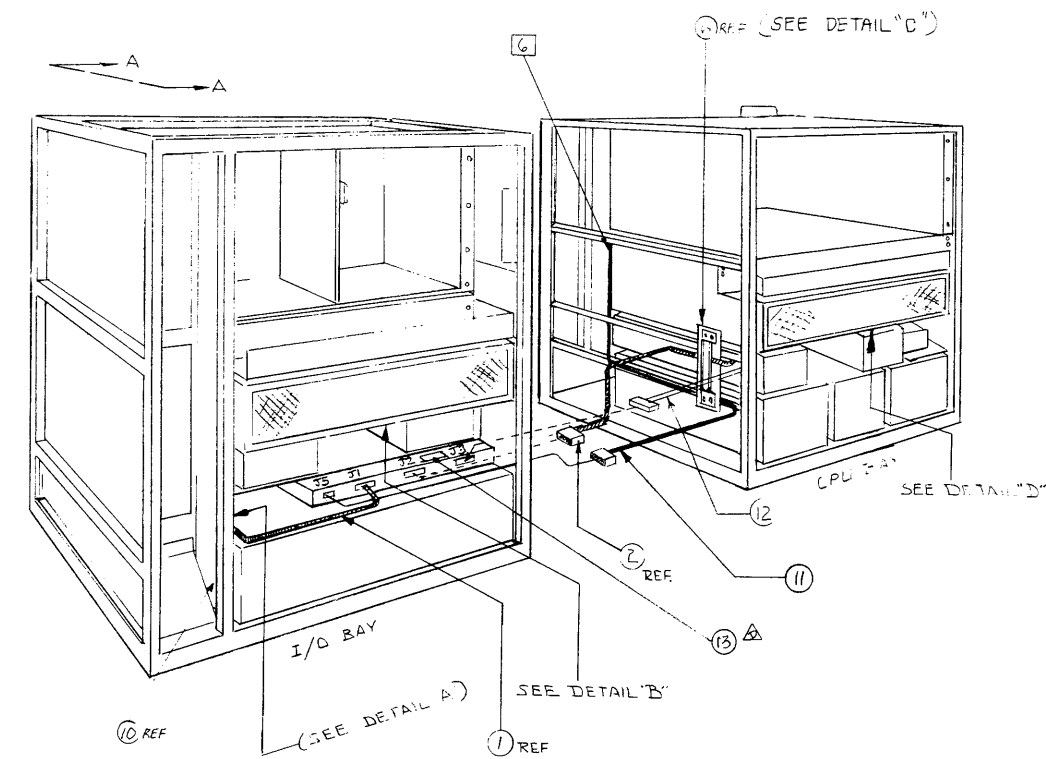
ITEM	QTY.	MATERIAL DESCRIPTION	MAT'L. PART NO.	MAT'L. DWG. NO.	MAT'L. SPEC.
10	A/R	CABLE TIE WRAPS	1400-0482		
9	4	WASHER FLAT, # 6	3050-0228		
8	4	SCR. # 6-32 X .38L PH W/L	2360-0359		
7	1	CA - CPU / +5 DISTRIBUTION	30190-60124		
6	1	CA - MOD SET B, CONTROL/MON.	30190-60125		
5	1	CA - ZERO VOLT / PDM	30190-60126		
4	1	CA - AC UNIT CONTROL / MON.	30190-60127		
3	1	CA - MOD SET A, CONTROL / MON.	30190-60128		
2	-	ZERO VOLT BUS BAR	REF.		D-7
1	-	CPU BAY	REF.		D-7

PROCESS REVIEW
DATE _____ BY _____

CPU CABLE - STEP # 3		HEWLETT PACKARD
TITLE		
NEXT ASSEMBLY	30140B	PART NUMBER
FINISH	SCALE	C-30140-90032-8

REF DWG: D-1 TUB D-4
C-5, C-6 D-7
C-8, D-10, D-11

ENGINEERING RESPONSIBILITY														SERIAL		APPROVED		DATE																															
1	2	3	4	5	6	7	8	9	10	11	12	13	14	15	16	17	18	19	20	21	22	23	24	25	26	27	28	29	30	31	32	33	34	35	36	37	38	39	40	41	42	43	44	45	46	47	48	49	50
														33		DWI/JCP		1/26/83																															
														33		VHL/JCP		3/4/83																															
														33		DWI/JCP		4/16/83																															
														33		DWI/JCP		4/20/83																															
														33		DWI/JCP		6/4/83																															
														33		DWI/JCP		7/1/83																															
														33		DWI/JCP		8/15/83																															
														33		LI/JCP		5/15/84																															



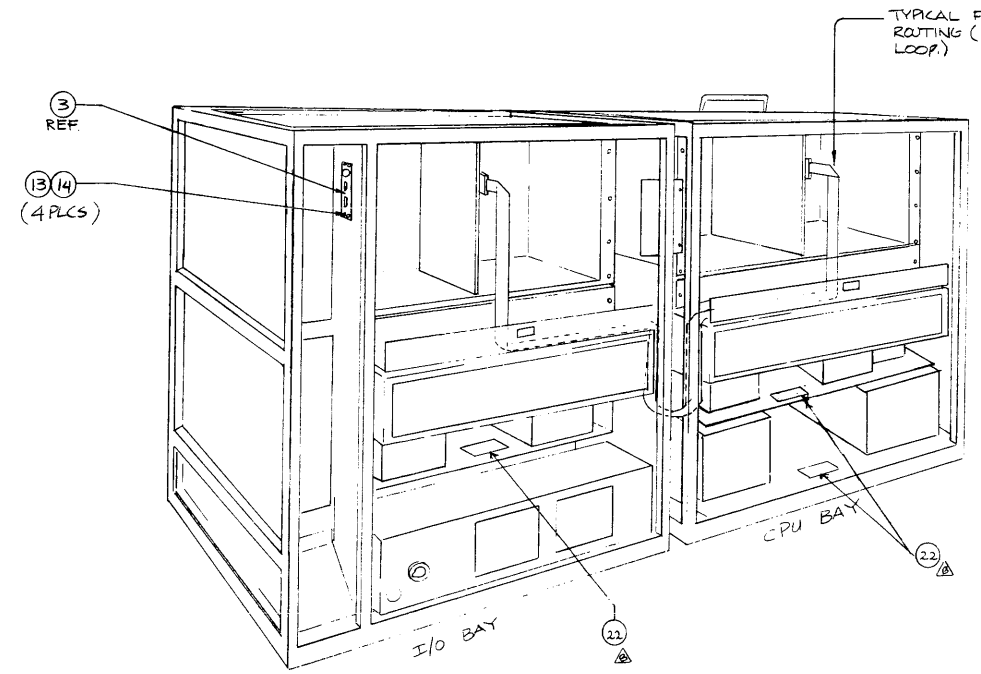
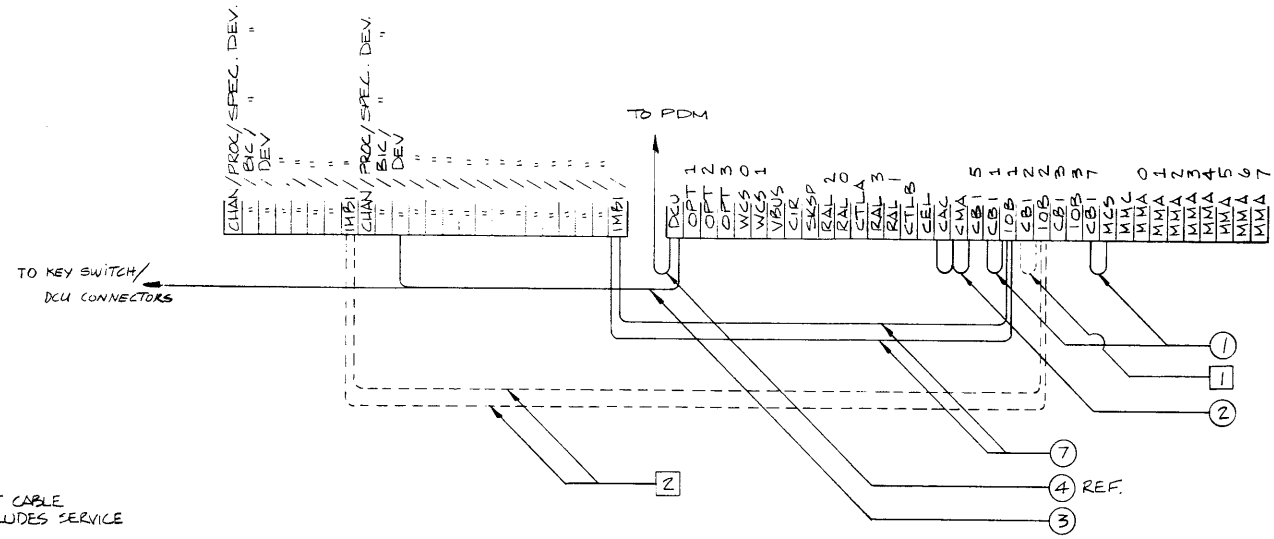
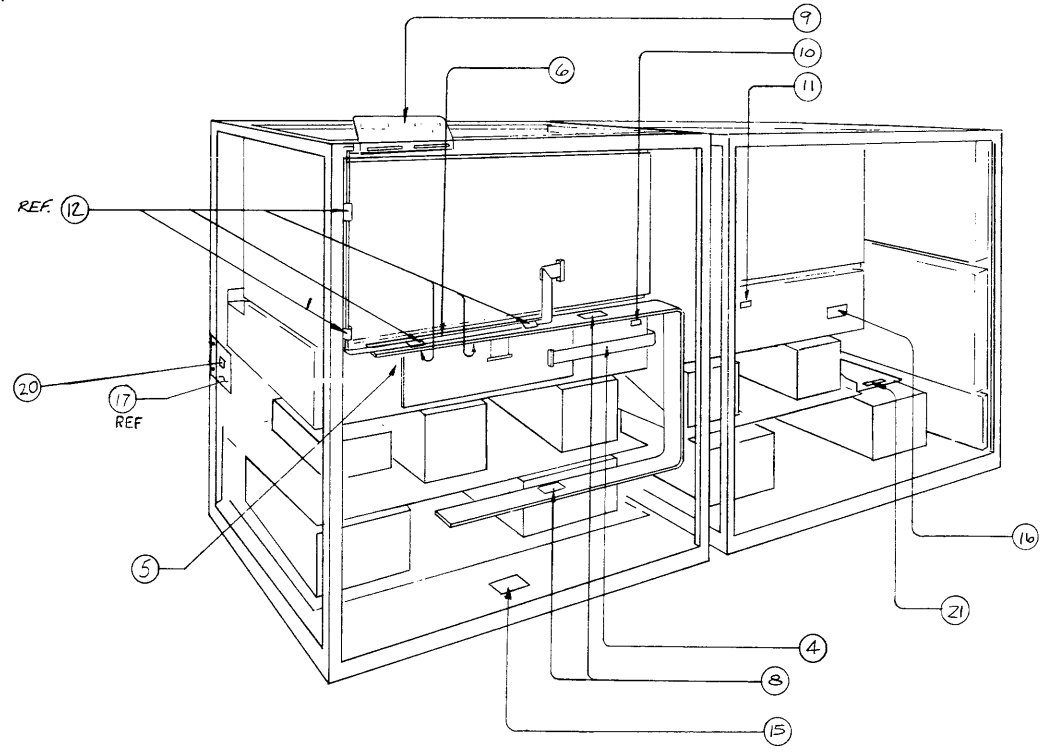
- NOTES:
- INSTALL ITEM ③ TO BOTH EDGES OF ITEM ⑦.
 - THE LONGEST CABLE (3 WIRES) GOES TO J17, FRONT SIDE OF PLENUM. SEE VIEW A-A.
 - THE LONGEST CABLE (3 WIRES) RUNS ALONG ITEM ⑪. USE ITEM ⑧ TO TIE THE CABLE TO VERTICAL FACE OF THE FRAME MEMBER. ATTACH TO CONNECTOR PLATE - 30140-0019.
 - ATTACH TO CONNECTOR PLATE - 30140-0019.
 - INSTALL ITEM ⑨ TO THE EDGE OF ITEM ⑥ AS SHOWN.
 - TIEWRAP ITEM ② AT THIS POINT AND THEN CONNECT TO J16.
 - ITEM ⑥ IS PART OF 30140-60144, CPU BAY KIT & ITEM ⑦ IS PART OF 30140-60145, I/O BAY KIT.

ITEM	QTY	MATERIAL DESCRIPTION	MAT'L PART NO	MAT'L DWG NO	MAT'L SPEC.
14	1/4	GROMMET CHANNEL, O/D	0400-0133		
13	2	CABLE-CAPACITOR DISCHARGE	30140-60201		
12	1	CA-HIGH VOLTAGE AUX FID	30140-60129		
11	-	CA-AC UNIT, CONTROL/MON	REF	D-8	30140-60187
10	-	SUPPORT-JUNCTION PANEL	REF	D-2	30140-60188
9	ATE	GROMMET CHANNEL	0400-0082		
8	1/4	CABLE-TIE WRAP	1400-0492		
7	REF	COVER-TERMINAL BLOCK	30140-0012		
6	REF	PLATE-TERMINAL BLOCK	30140-0011		
5	12	WASHER #8, FLAT	3050-0133		
4	12	SCREW #8-32X.375 PH V/L	2510-0307		
3	8	SCREW #6-32X.50 PH	2360-0171		
2	1	CABLE-HIGH VOLTAGE, CPU	30140-60111		
1	1	CABLE-HIGH VOLTAGE, I/O	30140-60112		

INTER-BAY CABLING / HIGH VOLTAGE DISTRIBUTION		HEWLETT PACKARD	
NEXT ASSEMBLY	30140B	PART NUMBER	
FINISH	---	SCALE	NONE
		D-30140-90032-9	

REF. DWGS: D-1 THRU D-4
C-5, C-6, D-7, C-8
D-9, D-11

ENGINEERING RESPONSIBILITY		SERIAL		REVISONS		APPROVED		DATE	
0	1	2	3	4	5	6	7	8	9
10	11	12	13	14	15	16	17	18	19
20	21	22	23	24	25	26	27	28	29
30	31	32	33	34	35	36	37	38	39
40	41	42	43	44	45	46	47	48	49
50	51	52	53	54	55	56	57	58	59
60	61	62	63	64	65	66	67	68	69
70	71	72	73	74	75	76	77	78	79
80	81	82	83	84	85	86	87	88	89
90	91	92	93	94	95	96	97	98	99
100	101	102	103	104	105	106	107	108	109
110	111	112	113	114	115	116	117	118	119
120	121	122	123	124	125	126	127	128	129
130	131	132	133	134	135	136	137	138	139
140	141	142	143	144	145	146	147	148	149
150	151	152	153	154	155	156	157	158	159
160	161	162	163	164	165	166	167	168	169
170	171	172	173	174	175	176	177	178	179
180	181	182	183	184	185	186	187	188	189
190	191	192	193	194	195	196	197	198	199
200	201	202	203	204	205	206	207	208	209
210	211	212	213	214	215	216	217	218	219
220	221	222	223	224	225	226	227	228	229
230	231	232	233	234	235	236	237	238	239
240	241	242	243	244	245	246	247	248	249
250	251	252	253	254	255	256	257	258	259
260	261	262	263	264	265	266	267	268	269
270	271	272	273	274	275	276	277	278	279
280	281	282	283	284	285	286	287	288	289
290	291	292	293	294	295	296	297	298	299
300	301	302	303	304	305	306	307	308	309
310	311	312	313	314	315	316	317	318	319
320	321	322	323	324	325	326	327	328	329
330	331	332	333	334	335	336	337	338	339
340	341	342	343	344	345	346	347	348	349
350	351	352	353	354	355	356	357	358	359
360	361	362	363	364	365	366	367	368	369
370	371	372	373	374	375	376	377	378	379
380	381	382	383	384	385	386	387	388	389
390	391	392	393	394	395	396	397	398	399
400	401	402	403	404	405	406	407	408	409
410	411	412	413	414	415	416	417	418	419
420	421	422	423	424	425	426	427	428	429
430	431	432	433	434	435	436	437	438	439
440	441	442	443	444	445	446	447	448	449
450	451	452	453	454	455	456	457	458	459
460	461	462	463	464	465	466	467	468	469
470	471	472	473	474	475	476	477	478	479
480	481	482	483	484	485	486	487	488	489
490	491	492	493	494	495	496	497	498	499
500	501	502	503	504	505	506	507	508	509
510	511	512	513	514	515	516	517	518	519
520	521	522	523	524	525	526	527	528	529
530	531	532	533	534	535	536	537	538	539
540	541	542	543	544	545	546	547	548	549
550	551	552	553	554	555	556	557	558	559
560	561	562	563	564	565	566	567	568	569
570	571	572	573	574	575	576	577	578	579
580	581	582	583	584	585	586	587	588	589
590	591	592	593	594	595	596	597	598	599
600	601	602	603	604	605	606	607	608	609
610	611	612	613	614	615	616	617	618	619
620	621	622	623	624	625	626	627	628	629
630	631	632	633	634	635	636	637	638	639
640	641	642	643	644	645	646	647	648	649
650	651	652	653	654	655	656	657	658	659
660	661	662	663	664	665	666	667	668	669
670	671	672	673	674	675	676	677	678	679
680	681	682	683	684	685	686	687	688	689
690	691	692	693	694	695	696	697	698	699
700	701	702	703	704	705	706	707	708	709
710	711	712	713	714	715	716	717	718	719
720	721	722	723	724	725	726	727	728	729
730	731	732	733	734	735	736	737	738	739
740	741	742	743	744	745	746	747	748	749
750	751	752	753	754	755	756	757	758	759
760	761	762	763	764	765	766	767	768	769
770	771	772	773	774	775	776	777	778	779
780	781	782	783	784	785	786	787	788	789
790	791	792	793	794	795	796	797	798	799
800	801	802	803	804	805	806	807	808	809
810	811	812	813	814	815	816	817	818	819
820	821	822	823	824	825	826	827	828	829
830	831	832	833	834	835	836	837	838	839
840	841	842	843	844	845	846	847	848	849
850	851	852	853	854	855	856	857	858	859
860	861	862	863	864	865	866	867	868	869
870	871	872	873	874	875	876	877	878	879
880	881	882	883	884	885	886	887	888	889
890	891	892	893	894	895	896	897	898	899
900	901	902	903	904	905	906	907	908	909
910	911	912	913	914	915	916	917	918	919
920	921	922	923	924	925	926	927	928	929
930	931	932	933	934	935	936	937	938	939
940	941	942	943	944	945	946	947	948	949
950	951	952	953	954	955	956	957	958	959
960	961	962	963	964	965	966	967	968	969
970	971	972	973	974	975	976	977	978	979
980	981	982	983	984	985	986	987	988	989
990	991	992	993	994	995	996	997	998	999



- NOTES:**
- 1 THIS CABLE (30140-60028) IS PART OF THE 30143A.
 - 2 THESE CABLES (30140-60082) ARE PART OF THE 30143 A.

ITEM	QTY	MATERIAL DESCRIPTION	MATL PART NO	MATL DWG NO	MATL SPEC
22	3	CAPACITOR DISC/DISCALIB	30140-80201		
21	1	LABEL-CAUTION HOT	7120-7113		
20	1	WARNING LABEL	7120-7038		
17	REF	COVER-CONNECTOR	30140-00103		
16	1	LABEL-PS, I/O	7121-4194		
15	1	LABEL-PS, CPU	7121-4193		
14	4	WASHER-FLAT #6	3080-0228		
13	4	SCR #6-32 X.375L PH W/L	2360-0117		
12		CLAMP-CABLE	REF	C-5	1400-0611
11	1	LABEL-I/O	7121-2573		
10	1	LABEL-I/O	7121-2572		
9	1	PLATE-SYSTEM IDENT	30140-40001		
8	2	LABEL-CAUTION	7121-2945		
7	2	FCA-IOB/MBI	30140-60082		
6	1	FCA-CIR/SSDP	30140-60052		
5	1	FCA-PSL/SSDP	30140-60051		
4	1	FCA-DCU/PSL	30140-60050		
3	1	CA-DCU/KEY SWITCH	30140-60100		
2	1	FCA-CBI/CMA/CAC	30140-60029		
1	2	FCA-CBI/IOB-VCS	30140-60028		

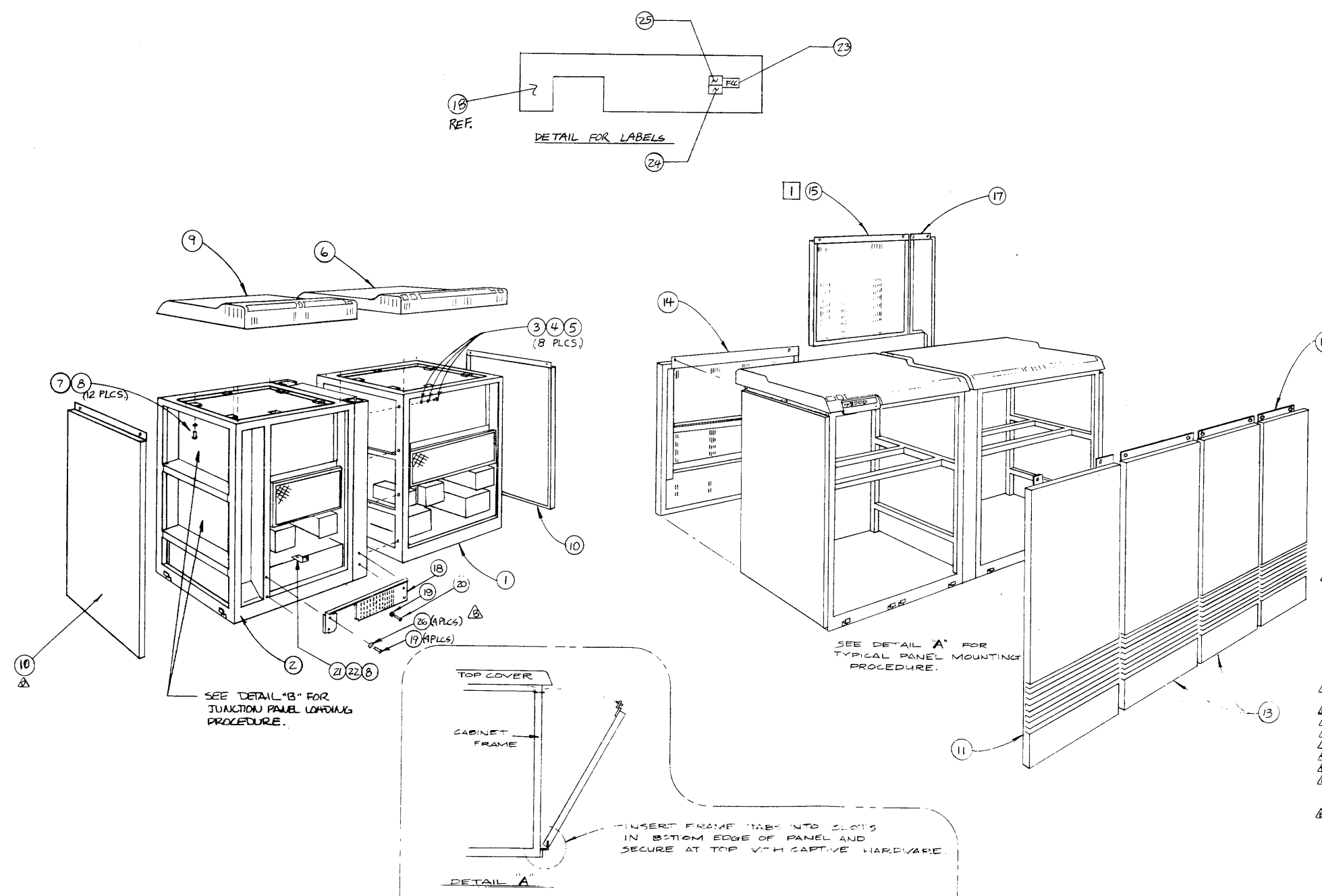
ASSY. SYSTEM CABLES & LABELS	HP HEWLETT PACKARD
TITLE 3014-B	PART NUMBER
FINISH NONE	SCALE N.T.S.
D-30140-90032-10	

STOCK NO 3280 0064 PRINTED ON D150 NO 1020 10 CLEARPRINT FACED

REF. DWGS: D-1 THRU. D-4
C-5, C-6, D-7
C-8, D-9, D-10

ENGINEERING RESPONSIBILITY										SEPA									
0	1	2	3	4	5	6	7	8	9	0	1	2	3	4	5	6	7	8	9

REV.	BY	DATE	DESCRIPTION	APPROVED	DATE
A	AS	12/6/83	ISSUED	JRP	12/6/83
B		12/17/83	ADDED ITEM 26 PER PCO 47-3803	MN/JXP	12/17/83
C		12/17/83	ITEM 18 WAS 30140-00123; 47-3901	BC/JXP	12/17/83
D		2-9-84	DELETE 30140-00045 ITEM 10; ITEMS 10 THROUGH 19 ARE REF ONLY; PCO 47-3902	MAN/JXP	2-9-84
E		8/22/84	ITEM 6 WAS 4040-1791; ITEM 9 WAS 4040-1792; ADDED NOTE 2; PCO 47-3943	CA/JXP	8/22/84



NOTE:

- ATTACH BOTTOM OF ITEM (15) TO TABS ON ITEM (18)
- FABRICATION TOLERANCES PER A-5951-156-1 (608).

ITEM	QTY	MATERIAL DESCRIPTION	MAT'L PART NO	MAT'L DWG NO	MAT'L SPEC
26	4	SCR #10-32 X .75 PH BLK	2680-0291		
25	1	LABEL - SERIAL TAG	7120-5524		
24	1	LABEL - WARRANTY	7121-1075		
23	1	LABEL - INFO, FCC	7121-1306		
22	1	SCR #8-32 X .312 PH W/L	2510-0093		
21	1	BRACKET AC COVER	30140-00122		
20	5	WASHER - WEAR, NYLON	1390-0071		
19	5	SCR #10-32 X .5 PH BLK	2680-0290		
18	1	COVER - AC UNIT	30140-00123		
17	REF	PANEL - EXT. REAR COBLE ENT	30140-00052		
15	REF	PANEL - EXT. LT. REAR	30140-00050		
14	REF	PANEL - EXT. RT. REAR	30140-00047		
13	REF	PANEL - EXT. CENTER FT	30140-00042		
12	REF	PANEL - EXT. RT. FRONT	30140-00036		
11	REF	PANEL - EXT. LT. FRONT	30140-00039		
10	REF	PANEL - EXT. SIDE (L)	30140-00068		
9	1	COVER - TOP 1/0 BAY	30140-40011		
8	13	WASHER .172 I.D. FLAT	3050-0139		
7	12	SCR. 8-32 X .44 PH W/L	2510-0301		
6	1	COVER - TOP CPU BAY	30140-40010		
5	8	WASHER - FLAT 1/4	3050-0275		
4	8	LK. W/CHER. - 1/4 HELL	2190-0032		
3	8	BOLTS 1/4" X 20 X 1.50 HEX	2740-0137		
2	1	ASSY - 1/0 BAY	REF.	D-10	
1	1	ASSY - CPU BAY	REF.	D-10	

FINAL ASSEMBLY

TITLE

NEXT ASSEMBLY: 30140B

FINISH

SCALE

PART NUMBER: 30140-90032-11

HEWLETT PACKARD

STOCK NO. 8480-0004 PRINTED ON DIEZO NO. 1320 10 CLAMPING TABS

REF DWGS:
 D-2 LOW VOLT DC DIST.
 D-3 AC/HIGH VOLT DC DIST.

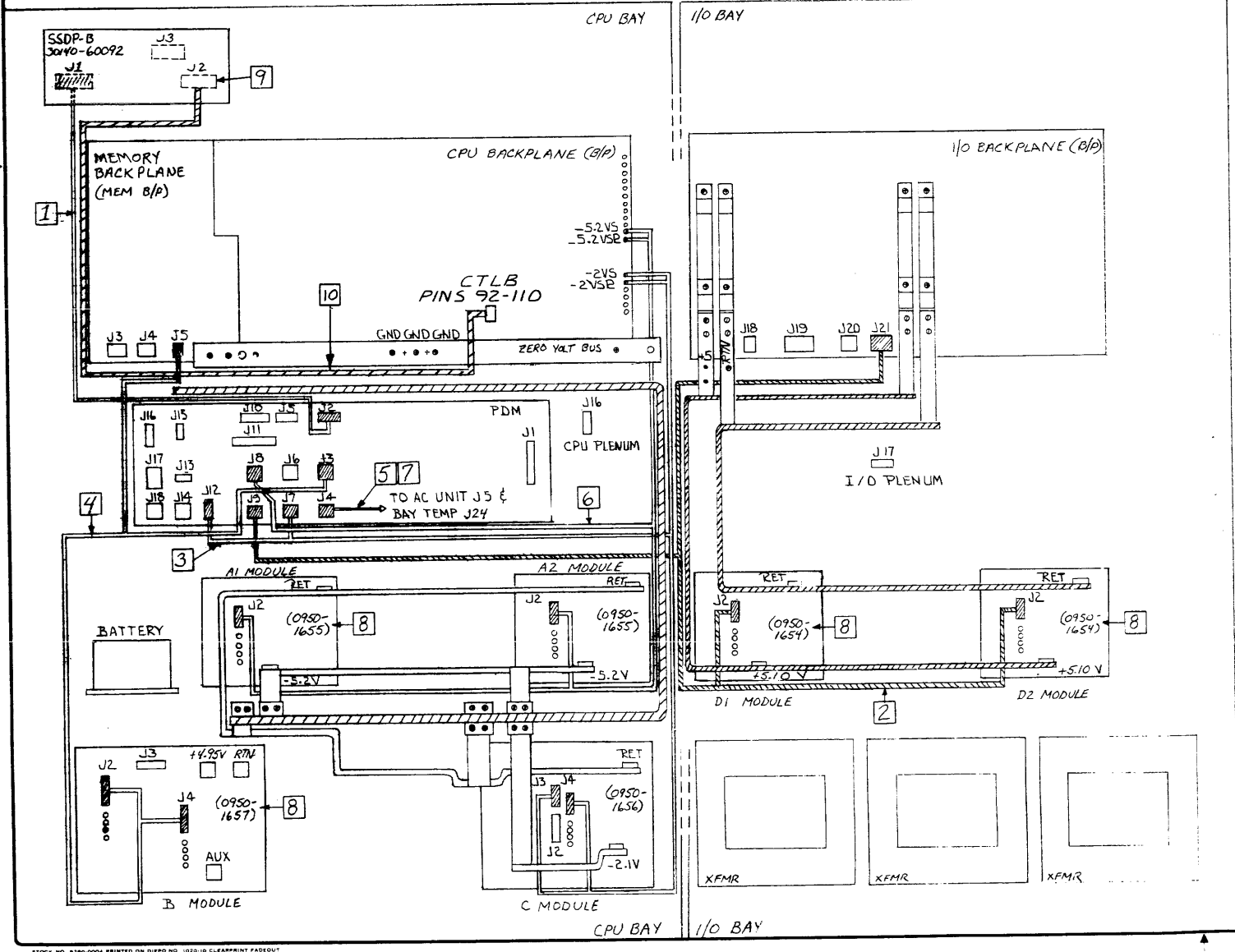
MODULE SET A INTERFACE			
A1	A2	PDM CPU B/P	SIGNAL
P2-11	P2-1		-5.2 SENSE
P2-18	P2-11		-5.2VS
	P2-28		-5.2V SENSE RTN
	P2-18		-5.2VSE
P2-16	P2-6		-5.2 LO MARGIN
	P2-16	P8-14	"
P2-17	P2-7		-5.2 HI MARGIN
	P2-17	P8-13	"
P2-20	P2-10		-5.2 CURR. SHARE
P2-12	P8-2		A1 MOD ALARM
P2-2	P8-6		A1 ALARM COM
P2-13	P8-1		A1 ALARM SHUTDOWN
P2-3	P8-19		A1 ALARM SHUTDOWN COM
P2-14	P8-11		A1 OUTPUT CURR.
	P2-12	P8-5	A2 MOD ALARM
	P2-2	P8-15	A2 ALARM COM
	P2-13	P8-4	A2 MOD SHUTDOWN
	P2-3	P8-16	A2 ALARM SHUTDOWN COM
	P2-14	P8-10	A2 OUTPUT CURR.
P2-15-19	P2-15-19		INTER LOCK
	P2-15-19		INTER LOCK

MODULE B INTERFACE			
B	PDM	MEM B/P	SIGNAL
P2-4	P3-8		BATT. SOURCE
P2-5	P3-9		BATT. SOURCE
P2-7	P3-10		BATT. RETURN
P2-8	P3-11		BATT. RETURN
P2-20	P3-2		BATT. CONNECT
P2-10	P3-13		BATT. CONNECT RETURN
P2-12	P3-5		CHARGER MOD ALARM
P2-2	P3-4		CHARGER ALARM RTN
P2-13	P3-1		CHARGER SHUTDOWN
P2-3	P3-15		CHARGER SHUTDOWN RTAL
P2-14	P3-6		CHARGER OUT CURRENT
P2-16	P3-19		BATT VOLT MONITOR
P2-17	P3-7		BATT CURRENT
P2-15-19			CHARGER INTERLOCK
P4-1	P3-18		5B OUTPUT CURRENT
P4-12	P3-17		5B MODULE ALARM
P4-2	P3-12		5B MODULE ALARM RTN
P4-13	P3-16		5B MOD. SHUTDOWN
P4-3	P3-5		5B MOD SHUTDOWN RTN.
P4-15	P3-1		5B SENSE
P4-16	P3-2		5B SENSE RETURN
P4-9			5B INTERLOCK

MODULE C INTERFACE			
C	PDM	CPU B/P	SIGNAL
P3-13	P2-1		+12V SENSE
P3-14	P2-2		+12V SENSE COM
P3-23	P2-3		-12V SENSE COM
P3-15	P2-4		-12V SENSE
P3-19	P7-15		+12V HI MARGIN
P3-18	P7-17		+12V LO MARGIN
P3-21	P7-18		-12V HI MARGIN
P3-20	P7-19		-12V LO MARGIN
P3-10	P7-12		+12 OUTPUT CURR
P3-22	P7-11		-12 OUTPUT CURR
P3			INTER LOCK
P4-11			-2VS -2V SENSE
P4-18			-2VSR -2V SENSE RETN
P4-16	P7-14		-2V LO MARGIN
P4-17	P7-13		-2V HI MARGIN
P4-15			INTER LOCK
P4-12	P7-2		MODULE ALARM
P4-13	P7-1		MODULE SHUTDOWN
P4-2	P7-3		SHUTDOWN COM
P4-14	P7-8		-2V OUTPUT CURR.

MODULE SET D INTERFACE				
D1	D2	PDM	I/O B/P	SIGNAL
P2-11	P2-1			5V SENSE RTN
P2-1		P2-2		5V SENSE RTN
P2-18	P2-8			5V SENSE
P2-8		P2-1		5V SENSE
P2-6	P2-16			5V LO MARGIN
P2-16		P3-14		5V LO MARGIN
P2-7	P2-17			5V HI MARGIN
P2-17		P3-13		5V HI MARGIN
P2-20	P2-10			CURR SHARE
P2-12		P3-2		D1 MOD ALARM
P2-2		P3-3		D1 MOD ALARM COM
P2-13		P3-1		D1 MOD SHUTDOWN
P2-3		P3-6		D1 MOD SHUTDOWN COM
P2-14		P3-11		D1 OUTPUT CURR
P2				D1 INTERLOCK
15-19				D2 INTERLOCK
P2				D2 INTERLOCK
15-19				D2 INTERLOCK
P2-12		P3-5		D2 MOD ALARM
P2-2		P3-15		D2 MOD ALARM COM
P2-13		P3-4		D2 MOD SHUTDOWN
P2-3		P3-16		D2 MOD SHUTDOWN COM
P2-14		P3-10		D2 OUTPUT CURR.

FRONT OF BAYS (BACKPLANE SIDE)



AC UNIT INTERFACE			
AC UNIT	PDM	BAY TEMP	SIGNAL
P5-1	P4-12		RECTIFIER FAIL ALARM (RFA)
P5-3	P4-11		OVERTEMP ALARM (OT)
P5-4	P4-10		FAN POWER ALARM
P5-2	P4-7		FAN ALARM RETURN
P5-5	P4-19		POWER FAIL ALARM (PFA)
P5-6	P4-15		PFA RETURN
P5-8	P4-9		BATTERY CONNECT
P5-9	P4-5		BATT. CONN. RETURN
P5-7	P4-17		CHASSIS GROUND
P4-1	P24-2		LOW TEMP. SENSE
P4-2	P24-1		HIGH TEMP. SENSE

- NOTES:
- 30140-60051 CABLE.
 - 30140-60116 CABLE.
 - 30140-60123 CABLE.
 - 30140-60125 CABLE.
 - 30140-60127 CABLE.
 - 30140-60128 CABLE.
 - 'BAY TEMP' REFER TO J24 OF 30140-60055 CABLE.
 - MODULE PART NUMBERS ARE STAMPED ON THE SIDE OF THE MODULE, NOT THE BACK AS SHOWN.
 - THE SSDP-B CONNECTORS ARE LOCATED ON THE BACK OF THE SSDP-B ASSEMBLY.
 - 30140-60052 FLAT CABLE.
 - THIS DRAWING IS INTENDED FOR POINT TO POINT SIGNAL IDENTIFICATION ONLY. REFER TO THE 30140-90032 DRAWINGS FOR CABLE ROUTING AND OTHER ASS'Y DWGS.

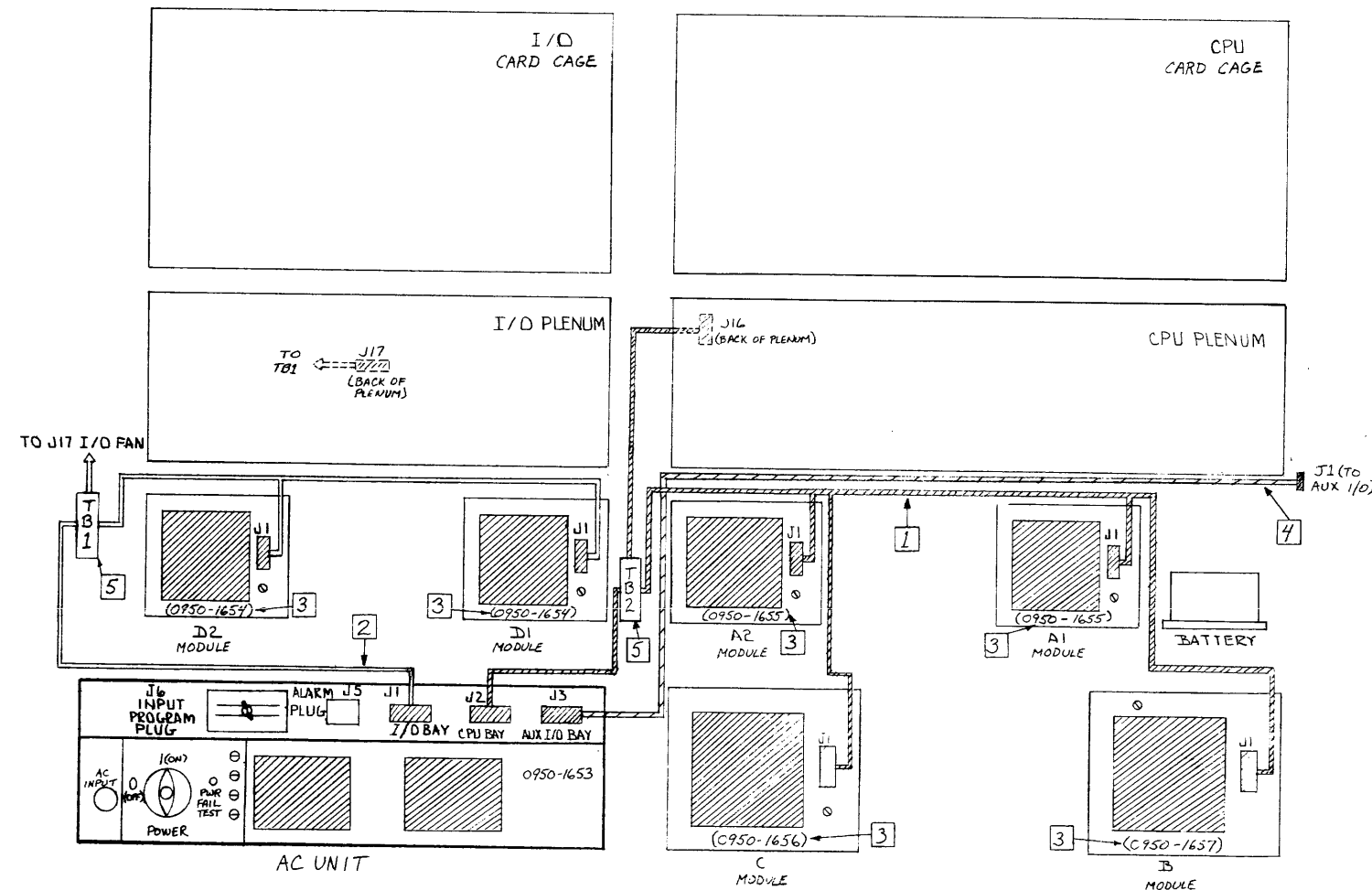
ITEM	QTY	MATERIAL DESCRIPTION	MAT'L PART NO	MAT'L DWG NO	MAT'L SPEC
		CONTROL & MONITOR SIGNAL DISTRIBUTION			
		TITLE	30140B		
		NEXT ASSEMBLY		PART NUMBER	
		FINISH	SCALE NONE	D-30140-90034-1	

REF DWGS: D-1 CONTROL & MONITOR SIGNAL DIST.
D-2 LOW VOLTAGE DC DIST.

ENGINEERING RESPONSIBILITY										SERIAL										REV. NO.										DATE									
																				A										AS ISSUED									

1. 30140-60111 CABLE.
2. 30140-60112 CABLE.
3. THIS MODULE PART NUMBER IS STAMPED ON THE SIDE OF THE MODULE, NOT THE FRONT AS SHOWN.
4. 30140-60129 CABLE. NOTE THAT THIS CABLE IS A POINT TO POINT EXTENSION TO A BULKHEAD ON THE CPU BAY AND IS NOT REFERENCED IN THE TABLES. PIN-OUT OF J3/P3 ON THE AC UNIT IS IDENTICAL TO P1 AND P2, WHICH ARE SHOWN IN THE TABLES.
5. TB1 AND TB2 ARE THE TERMINAL BLOCKS THAT ARE USED TO PROVIDE FAN-OUT ON THE 30140-60112 AND 30140-60111 CABLES, RESPECTIVELY.
6. THIS DRAWING INTENDED FOR POINT TO POINT SIGNAL IDENTIFICATION ONLY. REFER TO THE 30140-90032 SERIES OF DRAWINGS FOR CABLE ROUTING AND OTHER ASSEMBLY DETAILS.

BACK OF BAYS
(SIDE WITH CARD CAGE OPENINGS)



TB1 (I/O)	D1 MODULE	D2 MODULE	AC UNIT	I/O PLENUM	SIGNAL
TB 1,2	P1-1	P1-1	P1-1		+300 VDC
TB 4,5	P1-2	P1-2	P1-2		300VDC RETURN
TB 10,11	P1-4	P1-4	P1-5	J17-3	230VAC
TB 7,8	P1-5	P1-5	P1-5	J17-1	230VAC RETURN
			P1-4	J17-2	CHASSIS GND

TB2 (CPU)	A1 MODULE	A2 MODULE	C MODULE	B MODULE	AC UNIT	CPU PLENUM	SIGNAL
TB 1,2	P1-1	P1-1	P1-1	P1-1	P2-1		+300 VDC
TB 4,5	P1-2	P1-2	P1-2	P1-2	P2-2		300VDC RETURN
TB 10,11	P1-4	P1-4	P1-4		P2-5	J16-1	230VAC RETURN
TB 7,8	P1-5	P1-5	P1-5		P2-3	J16-3	230VAC
					P2-4	J16-2	CHASSIS GND

ITEM	QTY.	MATERIAL DESCRIPTION	MAT'L PART NO.	MAT'L DWG NO.	MAT'L SPEC.
AC/DC HIGH VOLTAGE DISTRIBUTION					
TITLE					
NEXT ASSEMBLY 30140B					
FINISH					
SCALE NINE					
PART NUMBER					
-30140-90034-3					

READER COMMENT SHEET

Series 64/68 A/B System Block Diagrams and Assembly Drawings Manual

30140-90004 December 1984

We welcome your evaluation of this manual. It is one of several that serve as a reference source for HP 3000 Computer Systems. Your comments and suggestions help us to improve our publications and will be reviewed by appropriate technical personnel. HP may make any use of the submitted suggestions and comments without obligation.

Is this manual technically accurate? Yes No (If no, explain under Comments, below.)

Are the concepts and wording easy to understand? Yes No (If no, explain under Comments, below.)

Is the format of this manual convenient in size, arrangement and readability? Yes No (If no, explain or suggest improvements under Comments, below.)

Comments:

We appreciate your comments and suggestions. This form requires no postage stamp if mailed in the U.S. For locations outside the U.S., your local HP representative will ensure that your comments are forwarded.

Date: _____

FROM:

Name _____

Company _____

Address _____
