

64000

**HP64000
Logic Development
System**

**Model 64155A
Wide Address
Memory Controller**



**HEWLETT
PACKARD**

CERTIFICATION

Hewlett-Packard Company certifies that this product met its published specifications at the time of shipment from the factory. Hewlett-Packard further certifies that its calibration measurements are traceable to the United States National Bureau of Standards, to the extent allowed by the Bureau's calibration facility, and to the calibration facilities of other International Standards Organization members.

WARRANTY

This Hewlett-Packard system product is warranted against defects in materials and workmanship for a period of 90 days from date of installation. During the warranty period, HP will, at its options, either repair or replace products which prove to be defective.

Warranty service of this product will be performed at Buyer's facility at no charge within HP service travel areas. Outside HP service travel areas, warranty service will be performed at Buyer's facility only upon HP's prior agreement and Buyer shall pay HP's round trip travel expenses. In all other cases, products must be returned to a service facility designated by HP.

For products returned to HP for warranty service. Buyer shall prepay shipping charges to HP and HP shall pay shipping charges to return the product to Buyer. However, Buyer shall pay all shipping charges, duties, and taxes for products returned to HP from another country.

HP warrants that its software and firmware designated by HP for use with an instrument will execute its programming instructions when properly installed on that instrument. HP does not warrant that the operation of the instrument, or software, or firmware will be uninterrupted or error free.

LIMITATION OF WARRANTY

The foregoing warranty shall not apply to defects resulting from improper or inadequate maintenance by Buyer, Buyer-supplied software or interfacing, unauthorized modification or misuse, operation outside of the environmental specifications for the product, or improper site preparation or maintenance.

NO OTHER WARRANTY IS EXPRESSED OR IMPLIED. HP SPECIFICALLY DISCLAIMS THE IMPLIED WARRANTIES OF MERCHANTABILITY AND FITNESS FOR A PARTICULAR PURPOSE.

EXCLUSIVE REMEDIES

THE REMEDIES PROVIDED HEREIN ARE BUYER'S SOLE AND EXCLUSIVE REMEDIES. HP SHALL NOT BE LIABLE FOR ANY DIRECT, INDIRECT, SPECIAL, INCIDENTAL, OR CONSEQUENTIAL DAMAGES, WHETHER BASED ON CONTRACT, TORT, OR ANY OTHER LEGAL THEORY.

ASSISTANCE

Product maintenance agreements and other customer assistance agreements are available for Hewlett-Packard products.

For any assistance, contact your nearest Hewlett-Packard Sales and Service Office. Addresses are provided at the back of this manual.

SERVICE MANUAL
FOR
MODEL 64155A
WIDE ADDRESS MEMORY CONTROLLER

REPAIR NUMBERS

This manual applies directly to options with a repair number prefix of 2124A. For additional information about repair numbers, refer to options covered by this manual in Section I.

© **COPYRIGHT HEWLETT-PACKARD COMPANY 1981**
LOGIC SYSTEMS DIVISION
COLORADO SPRINGS, COLORADO, U.S.A.

ALL RIGHTS RESERVED

SAFETY SUMMARY

The following general safety precautions must be observed during all phases of operation, service, and repair of this instrument. Failure to comply with these precautions or with specific warnings elsewhere in this manual violates safety standards of design, manufacture, and intended use of the instrument. Hewlett-Packard Company assumes no liability for the customer's failure to comply with these requirements.

GROUND THE INSTRUMENT.

To minimize shock hazard, the instrument chassis and cabinet must be connected to an electrical ground. The instrument is equipped with a three-conductor ac power cable. The power cable must either be plugged into an approved three-contact electrical outlet or used with a three-contact to two-contact adapter with the grounding wire (green) firmly connected to an electrical ground (safety ground) at the power outlet. The power jack and mating plug of the power cable meet International Electrotechnical Commission (IEC) safety standards.

DO NOT OPERATE IN AN EXPLOSIVE ATMOSPHERE.

Do not operate the instrument in the presence of flammable gases or fumes. Operation of any electrical instrument in such an environment constitutes a definite safety hazard.

KEEP AWAY FROM LIVE CIRCUITS.

Operating personnel must not remove instrument covers. Component replacement and internal adjustments must be made by qualified maintenance personnel. Do not replace components with power cable connected. Under certain conditions, dangerous voltages may exist even with the power cable removed. To avoid injuries, always disconnect power and discharge circuits before touching them.

DO NOT SERVICE OR ADJUST ALONE.

Do not attempt internal service or adjustment unless another person, capable of rendering first aid and resuscitation, is present.

DO NOT SUBSTITUTE PARTS OR MODIFY INSTRUMENT.

Because of the danger of introducing additional hazards, do not install substitute parts or perform any unauthorized modification of the instrument. Return the instrument to a Hewlett-Packard Sales and Service Office for service and repair to ensure that safety features are maintained.

DANGEROUS PROCEDURE WARNINGS.

Warnings, such as the example below, precede potentially dangerous procedures throughout this manual. Instructions contained in the warnings must be followed.

WARNING

**Dangerous voltages, capable of causing death, are present in this instrument.
Use extreme caution when handling, testing, and adjusting.**

Table of Contents

Section		Page
I	GENERAL INFORMATION.....	1-1
	1-1. Introduction.....	1-1
	1-3. Options Covered by this Manual.....	1-1
	1-8. Description.....	1-1
II	INSTALLATION AND REMOVAL.....	2-1
	2-1. Introduction.....	2-1
	2-3. Unpacking and Inspection.....	2-1
	2-5. Installation Considerations.....	2-1
	2-7. Safety Considerations.....	2-3
	2-9. Installation Procedure.....	2-3
	2-11. Removal Procedure.....	2-3
III	OPERATION.....	3-1
IV	PERFORMANCE VERIFICATION.....	4-1
	4-1. Introduction.....	4-1
	4-4. Performance Verification Theory.....	4-1
	4-12. Individual Test Selection Descriptions.....	4-5
	4-15. System -> Board Access Test Description.....	4-7
	4-17. Memory Mapper Test Description.....	4-10
	4-21. Memory Control Test Description.....	4-13
	4-26. Memory Test Description.....	4-15
	4-32. Emulation Access Test Description.....	4-18
V	ADJUSTMENTS.....	5-1
	5-1. Introduction.....	5-1
	5-3. Safety Considerations.....	5-1
	5-5. Equipment Required.....	5-1
	5-7. RDY STB Adjustment.....	5-1
VI	REPLACEABLE PARTS.....	6-1
	6-1. Introduction.....	6-1
	6-3. Exchange Assemblies.....	6-1
	6-5. Reference Designators and Abbreviations.....	6-1
	6-7. Replaceable Parts.....	6-1

Table of Contents (Cont'd)

Section	Page
VII	MANUAL CHANGES.....7-1
VIII	SERVICE.....8-1
8-1.	Introduction.....8-1
8-3.	Emulation System Block Diagram Description.....8-1
8-7.	64155A Wide Address Memory Controller Block Diagram.....8-3
8-9.	Signal Mnemonics.....8-3
8-11.	Theory of Operation.....8-11
8-12.	Mapper RAMs.....8-11
8-14.	Data Buses.....8-11
8-22.	Address Buses.....8-12
8-28.	Performance Verification Circuitry.....8-13
8-30.	Read/Write Strobe Circuitry.....8-13
8-32.	CPU Emulation Memory Access Circuitry.....8-13
8-34.	Emulation Memory Access Circuitry.....8-14

List of Illustrations

Figure	Title	Page
1-1.	64155A Wide Address Memory Controller Option.....	1-3
2-1.	Recommended Motherboard Slot Configuration.....	2-2
4-1.	Selecting option_test.....	4-2
4-2.	Slot Selection.....	4-3
4-3.	Overview Display.....	4-4
4-4.	System -> Board Access Test Display.....	4-8
4-5.	Memory Mapper Test Display.....	4-11
4-6.	Memory Control Test Display.....	4-14
4-7.	Memory Test Display.....	4-16
4-8.	Emulation Access Test Display.....	4-19
5-1.	Emulation Access Timing Adjustment Test Points.....	5-3
5-2.	RDY STB Pulse Width.....	5-3
8-1.	Emulation System Block Diagram.....	8-2
8-2.	64155A Wide Address Memory Controller Component Locator.....	8-16
8-3.	CPU Access Timing.....	8-17
8-4.	CPU Access Timing and Read/Write Strobe Generation.....	8-19
8-5.	Emulation Access Timing.....	8-21
8-6.	CPU Control Select and CPU Address and Data Buffers.....	8-23
8-7.	Mapper RAM Address Generator and Memory Address Specifier.....	8-25
8-8.	Mapper RAMs.....	8-27
8-9.	Address Mapper.....	8-29

List of Tables

Table	Title	Page
4-1.	System -> Board Access Test Results.....	4-9
4-2.	Memory Mapper Test Results.....	4-12
4-3.	Emulation Access Test Results.....	4-20
6-1.	Reference Designators and Abbreviations.....	6-3
6-2.	Replaceable Parts.....	6-4
6-3.	Manufacturers' Codes.....	6-8
8-1.	Signal Mnemonics.....	8-3
8-2.	Logic Symbols.....	8-15

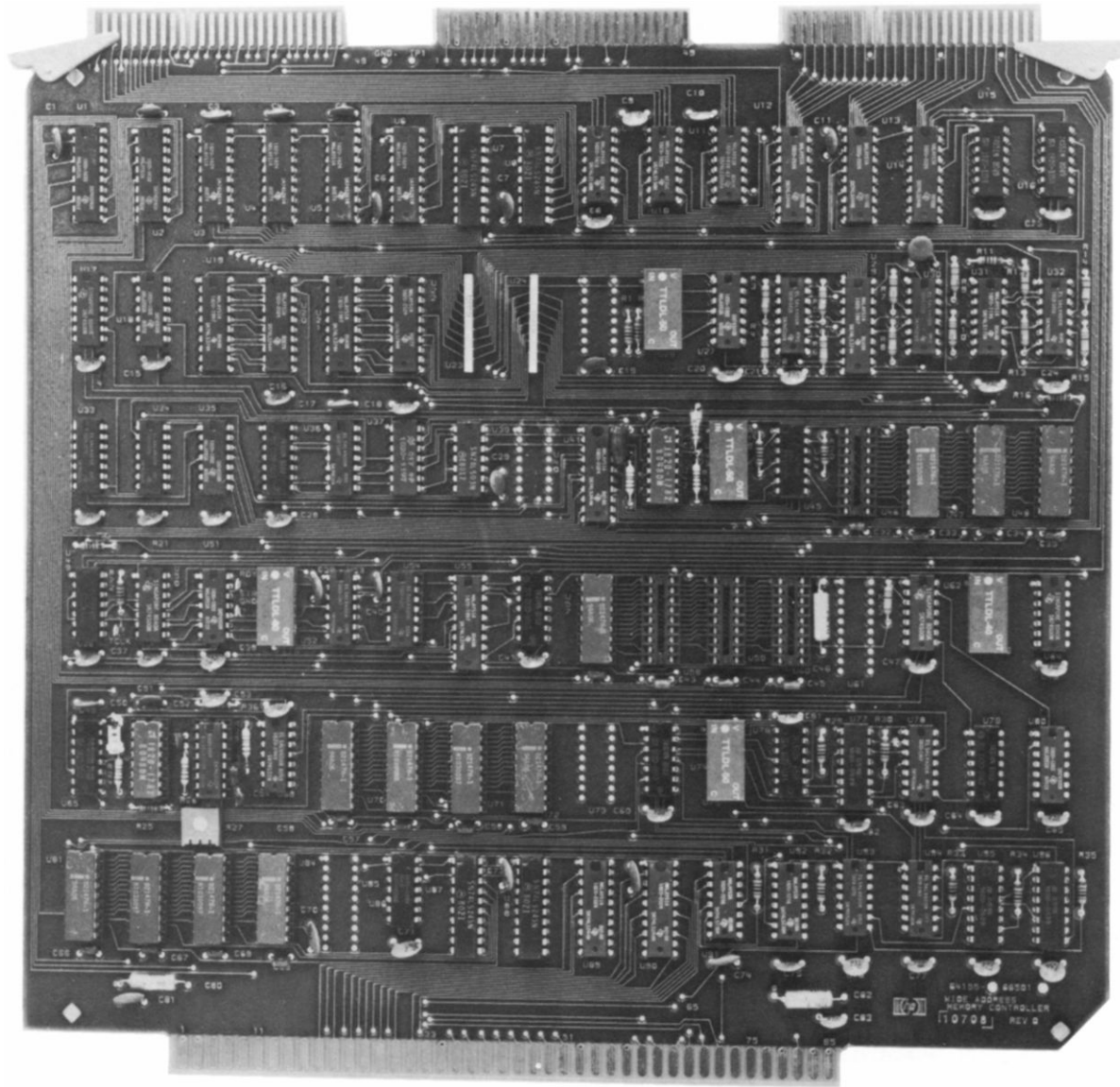


Figure 1-1. 64155A Wide Address Memory Controller Option

SECTION I
GENERAL INFORMATION

1-1. INTRODUCTION.

1-2. This manual contains installation, replaceable parts, performance verification and service information for the Model 64155A Wide Address Memory Controller Option used in the HP 64000 Logic Development System.

1-3. OPTIONS COVERED BY THIS MANUAL.

1-4. The Wide Address Memory Controller Option is assigned a repair number which can be found on the printed circuit board in the following form: 0000A0000. It is in two parts: the first four digits and the letter are the repair number prefix; the last four are the suffix. The prefix is the same for all identical units and will change only if the option is modified. The suffix, however, is assigned sequentially and is different for each unit manufactured. This manual applies to options with the repair number prefix(es) listed under REPAIR NUMBERS on the title page.

1-5. An Option manufactured after the printing of this manual may have a repair number prefix that is not listed on the title page. An unlisted repair number prefix indicates that the option is different from those described in this manual. If this is the case, this manual should be accompanied by a Manual Changes supplement which explains how to adapt this manual for the newer option.

1-6. In addition to change information, the Manual Changes supplement contains information for correcting errors in this manual. To keep this manual as current as possible, Hewlett-Packard recommends that you periodically request the latest Manual Changes supplement. The supplement for this manual is identified by the manual print date and part number. Both may be found on the manual title page. Complimentary copies of the supplement are available from Hewlett-Packard.

1-7. For information concerning a repair number prefix that is not listed on the title page or in the Manual Changes supplement, contact your nearest Hewlett-Packard Sales/Service Office.

1-8. DESCRIPTION.

1-9. The 64155A Wide Address Memory Controller Option consists of a single printed circuit board which plugs into the Motherboard of the 64100 Mainframe. The 64155A is shown in figure 1-1.

1-10. The Wide Address Memory Controller Option is the interface between Emulation Memory, the installed Emulator and the 64000 operating system. It will also signal the analysis equipment and halt emulation when a GUARDED memory access is attempted and, if optionally configured, when a write to ROM is attempted.

1-11. This option maps the users address into available Emulation Memory. In a 16 Bit emulation system, up to four Low Power Emulation Memory Boards (HP Model 64152B, 64153B or 64154B) can be installed.

1-12. The Emulation Memory Address is specified via the data outputs of Mapper RAMs which reside on the Memory Controller Option. The Mapper RAMs also specify what type of memory the given block of Emulation Memory is supposed to act like (RAM, ROM or GUARDED Memory), or whether a given address is to be regarded as user address space and not acted upon within the Emulation Memory system.

SECTION II

INSTALLATION AND REMOVAL

2-1. INTRODUCTION.

2-2. This section contains information for unpacking, initial inspection, installation and removal of the Model 64155A.

2-3. UNPACKING AND INSPECTION.

2-4. Unpack the option and keep the shipping carton and cushioning material until the contents have been checked for completeness and the option has been checked mechanically and electrically. The electrical performance verification is given in Section IV. If the contents are not complete, if there is mechanical damage or defect, or if the option does not pass the performance verification, notify the nearest Hewlett-Packard Sales/Service Office. If the shipping carton is damaged, or if the cushioning material shows signs of stress, notify the carrier as well as the Hewlett-Packard Office and keep the shipping materials for the carrier's inspection. The sales and service office will arrange for repair or replacement at HP option without waiting for the claim against the carrier to be settled.

2-5. INSTALLATION CONSIDERATIONS.

2-6. In a 16 Bit emulation system, up to four Low Power Emulation Memory Boards (HP Model 64152B, 64153B or 64154B) can be installed. Typically the Memory Boards are installed in Motherboard slots 2 thru 5 with slot 6 reserved for the Memory Controller. This recommended configuration is shown in figure 2-1. Notice that slot 9 is empty. This is to prevent accidental damage to Rear Panel Bus Cable which may occur if the board occupying slot 9 rubs against the cable as it is installed in or removed from the mainframe. If slot 9 is used, care should be taken when installing or removing the board to prevent damage to this cable.

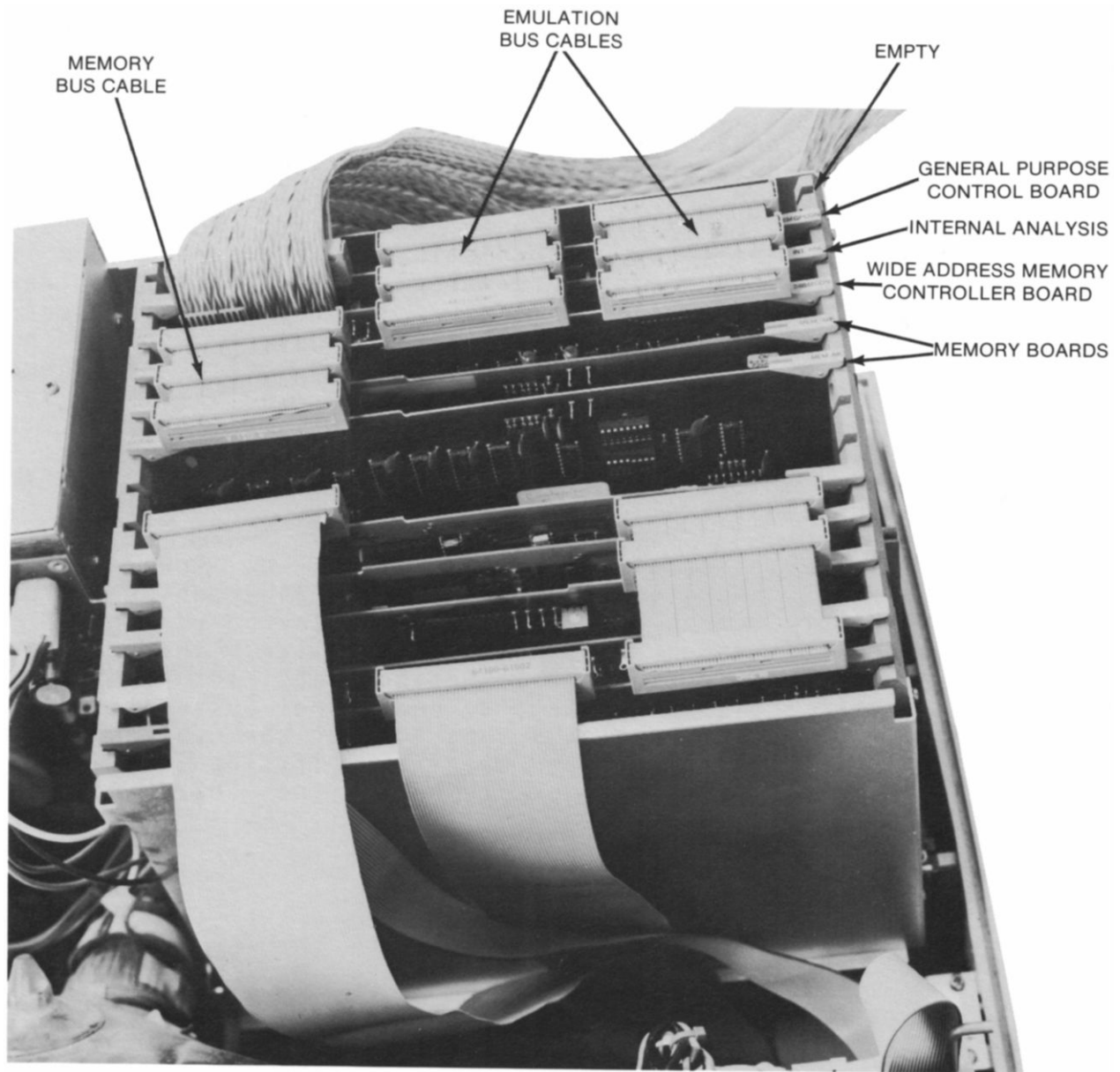


Figure 2-1. Recommended Motherboard Slot Configuration

2-7. SAFETY CONSIDERATIONS.

2-8. There are no high voltages on the 64155A Wide Address Memory Controller Board. There are, however, high voltages associated with the 64100 Mainframe and warnings are give where these voltages exist.

2-9. INSTALLATION PROCEDURE.

2-10. Use the following procedure to install Model 64155A.

- a. Turn the mainframe power switch to the OFF position.

CAUTION

To avoid equipment damage in the following step make sure the component side of the Memory Controller is facing toward the front of the mainframe before the board is installed.

- b. Orient the component side of the Memory Controller toward the front of the mainframe, align the edge connector of the board with the Motherboard connector and then press down.
- c. Refer to figure 2-1 and connect the Memory and Emulation Bus Cables. These cables are keyed so that they can be installed in one direction only. Proper orientation can be verified by noting the orange dot on the left side of the cable connector when viewed from the front of the 64100 station.
- d. Refer to Section IV and run the performance verification.

2-11. REMOVAL PROCEDURE.

- a. Turn the mainframe power switch to the OFF position.
- b. Remove the Memory and Emulation Bus Cables.
- c. Pull up on the two extractor levers and remove the Memory Controller from the cardcage.

SECTION III

OPERATION

3-1. The functions of the 64155A Wide Address Memory Controller are transparent and require no interaction with the operator. Refer to the "16 Bit Emulator/Analysis Reference Manual" for an explanation of emulation and memory space partitioning.

SECTION IV

PERFORMANCE VERIFICATION

4-1. INTRODUCTION.

4-2. This section contains the performance verification procedures for isolating failures on the 64155A Wide Address Memory Controller and Memory Boards. The 64155A Wide Address Memory Controller is a blue stripe (exchange) item and not supported to component level repair.

4-3. Before attempting to isolate a suspected failure on the Wide Address Memory Controller Board, some preliminary steps should be performed to systematically isolate the problem. These are detailed in Section IV of the 64100 Mainframe Service Manual and summarized below:

- a. Verify that the mainframe performance verification passes to insure that the problem is not in the mainframe.
- b. Disconnect the target system to eliminate it as a possible source of the problem.
- c. Reseat the Wide Address Memory Controller, Memory Boards and bus cables to insure good electrical connections.

4-4. PERFORMANCE VERIFICATION THEORY.

4-5. There are five individual performance verification tests that can be run. These include:

System -> Board Access Test

Memory Mapper Test

Memory Control Test

Memory Test

Emulation Access Test

4-6. The above tests can be run individually, or the tests can be cycled and repeated automatically. These tests and the procedures to run them are described in the following paragraphs.

4-7. To run the performance verification tests, it is first necessary to execute the option_test instruction. This instruction directs the 64100 to identify the option boards occupying its cardcage and then load the appropriate performance verification software. To do this, type in the following lower case instruction (figure 4-1):

option_test

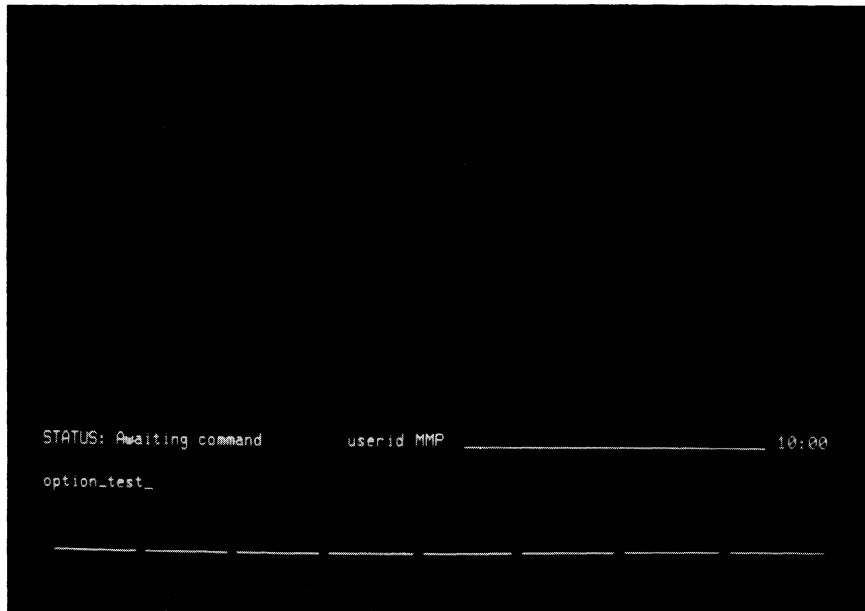


Figure 4-1. Selecting option_test

4-8. The CRT will now display a directory of the installed option boards with their corresponding slot locations. A typical example is shown in figure 4-2. Enter the slot number indicated for the Wide Address Memory Controller. For example, if the Wide Address Memory Controller is in slot 6, enter:

6 RETURN

```

HP 64000 Option Performance Verification

Card # ID # Module
-----
1 1000H Prom Programmer
6 0201H Wide Address Memory Controller
7 0100H Analysis
8 00F1H General Purpose Controller - Z8002 Pod

STATUS: Awaiting test selection _____ 10:02

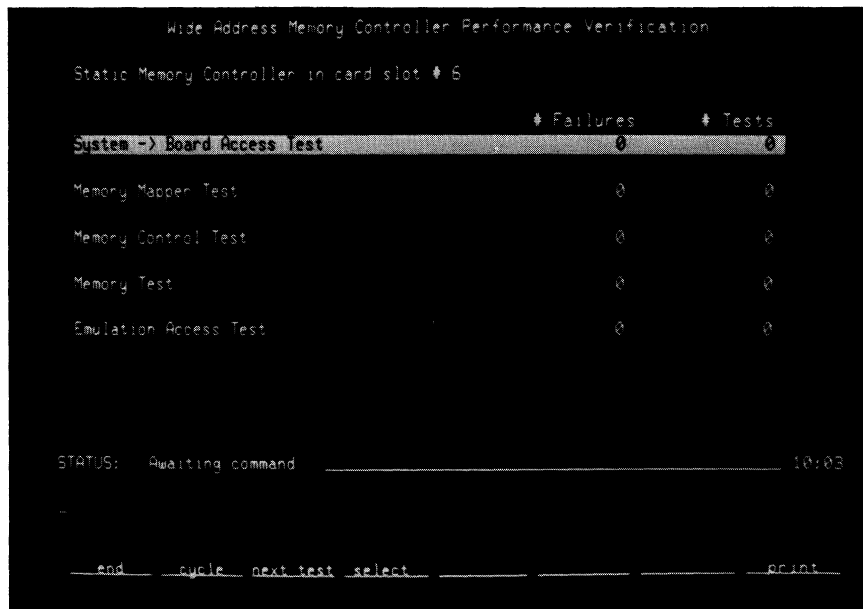
6_

end (SLOT #) _____ pc:rat

```

Figure 4-2. Slot Selection

4-9. The CRT will now show the overview display as shown in figure 4-3.



```
Wide Address Memory Controller Performance Verification
Static Memory Controller in card slot # 6

# Failures # Tests
System -> Board Access Test 0 0
Memory Mapper Test 0 0
Memory Control Test 0 0
Memory Test 0 0
Emulation Access Test 0 0

STATUS: Awaiting command _____ 10:03
_____
and cycle next test select _____ print _____
```

Figure 4-3. Overview Display

4-10. The Softkeys present in the overview display have the following functions:

- end** Halts execution of the Wide Address Memory Controller Tests.
- cycle** Continuously cycles through all of the tests noted in the overview display except for the Emulation Access Test which is skipped when cycling. Normally this would be the first key depressed to cycle through the tests and indicate any failures which can then be investigated more closely. However, a specific test can be specified without cycling at this level.
- next_test** Moves the inverse video bar to the next test to be run.
- select** Selects the test indicated by the inverse video bar for further investigation of failures. This key does not start the test but rather displays the failure information gathered from cycling at the overview level.
- print** Provides a hard copy of the current display above the STATUS line provided a printer is connected to the 64100. This key will work only if there are no tests in progress. If the printer is busy, the STATUS line will indicate "Waiting for Printer."

4-11. It is advisable at this time to press the cycle Softkey, run through several test cycles, and note if there are any failures. The inverse video bar will move from test to test as they are performed. After several test cycles have been run, press the end Softkey to stop cycling. If any test fails, the individual test can be run for a closer examination of the failure. This is explained in the following paragraphs.

4-12. Individual Test Selection Descriptions.

4-13. An individual test may be selected by pressing the next test softkey until the inverse video bar indicates the test to be investigated. The following Softkeys are present in the individual test displays.

SYSTEM -> BOARD ACCESS TEST SOFTKEYS

end cycle next_test start [] [] [] print

MEMORY MAPPER TEST SOFTKEYS

end cycle next_test start [] [] [] print

MEMORY CONTROL TEST SOFTKEYS

end cycle next_test start [] [] [] print

MEMORY TEST SOFTKEYS

end cycle next_test start [] img test retn test print

EMULATION ACCESS TEST SOFTKEYS

end cycle next_test start [] [] calib. print

4-14. The Softkeys present in the individual displays have the following functions:

end	Returns to the overview level.
cycle	Cycles through all tests shown in the given test display.
next_test	Moves the inverse video bar to a specific test to be run.
start	Causes the test indicated by the inverse video bar to be run continuously at a high repetition rate. The high repetition rate is useful as it will provide a stable display on an oscilloscope. Also, when cycling the Memory Mapper and Emulation Access Test, the results will alternate if they are different for the two modes. Running only one test will provide a stable cumulative result.
print	Provides a hard copy of the current display above the STATUS line provided a printer is connected. This key will work only if no tests are in progress. If the printer is busy, the STATUS line will show "Waiting for Printer."
img test	See Memory Test Description.
retn test	See Memory Test Description.
calib.	See Emulation Access Test Description.

4-15. System -> Board Access Test Description.

4-16. The System -> Board Access Test can be run without working memory. When run, Interrupt and Access Status tests are performed at a very basic level. Interrupt Status checks to see if HROM and HGRD (U65-7,9) can be set and cleared individually. The Access Status Test checks to see if the Access Status Bit will set and clear properly when the CPU is attempting to make a successful access. Figure 4-4 shows a System -> Board Access Test Display and table 4-1 explains how to interpret test failures.

```
System -> Board Access Test
```

	Present Result	Cumulative Result	# Failures	# Tests
Interrupt Status Test	0000	0000	0	70
Access Status Test	0000	0000	0	69

STATUS: Awaiting command _____ 10:04

_____end_____cycle_____next test_____start__________PC:01_____

Figure 4-4. System -> Board Access Test Display

Table 4-1. System -> Board Access Test Results

Test	Result	Interpretation
Intr Status	0001	Can't set HROM
Intr Status	0010	Can't set HGRD
Intr Status	0011	Can't clear Status bits after setting them
Intr Status	1100	Can't clear the Interrupt Status Bits Initially
Acc Status	0001	Unable to set status bit to normally high
Acc Status	0010	Status bit did not go low to indicate lack of access
Acc Status	0011	Status bit did not go high to indicate successful access

4-17. Memory Mapper Test Description.

4-18. The Memory Mapper Test performs five tests on the address and data buses in two configurations and requires at least one row of good memory at address 0000H to provide valid results for the 64155A. The first test checks the data bus in the word mode. If any opens or supply shorts are detected, it prevents execution of the other tests. Next, it indicates which lines are failing and sets a flag to note that the remainder of the tests were not performed. If there are no supply shorts or opens, the data bus is next tested in the word mode for data lines shorted to each other. If this test fails, the remaining tests are aborted and a flag is set to note they were not performed. Any shorted lines are reported in both the word and byte mode results. If the data bus passes in the word mode, it is then tested in the byte mode to check for data lines shorted together and byte write strobes shorted together. In all cases, if the first three tests do not all pass, the STATUS line will display, for a short time, an error message noting that the software was unable to access memory location zero. If these three tests do pass, all remaining tests will be performed without aborts, regardless of their results.

4-19. The System Address Bus Test walks 1's and 0's across LA0 - LA10. This creates unique bit patterns which are read back to check the lines for being open or shorted together, or shorted to a power supply line.

4-20. The Mapper Image Test checks the Mapper RAM output for problems that would create images in memory. Since the amount of memory can be variable, this test checks to see how much memory is available and masks off failures which could not possibly exist due to the lack of memory present. This masking process is not impervious to failure. The fast access rates used by this board does not allow the charge stored on the data bus to bleed off and may allow erroneous results to appear in some instances. However, this is rare. Without a full complement of memory, there will rarely be any failures reported with walking 0's. The address lines checked by this test are A11 - A15. The System Address Register Test walks 1's and 0's across the upper address register to test for shorts and opens on the outputs of the register. If the Image Test indicates that A11 is failing, the register test will show "OFFF" on the results for both walking 1's and 0's. The Memory Mapper Test Display is shown in figure 4-5 and table 4-2 explains how to interpret test failures.

<u>Memory Mapper Test</u>		<u>Failures</u>	<u>Tests</u>
2 K word Block Size		0	80
128 Word Block Size		0	75
	<u>Present Bit Failures</u>	<u>Cumulative Bit Failures</u>	
System Data Bus	0000	0000 (supply shorts or opens)	
	0000	0000 (word mode)	
	0000	0000 (byte mode)	
System Address Bus	0000	0000 (walking ones)	
	0000	0000 (walking zeroes)	
Mapper Image Test	0000	0000 (walking ones)	
	0000	0000 (walking zeroes)	
System Address Register	0000	0000 (walking ones)	
	0000	0000 (walking zeroes)	
STATUS: Awaiting command		10:05	
end		cycle	next test
		start	print

Figure 4-5. Memory Mapper Test Display

Table 4-2. Memory Mapper Test Results

Test	Result	Interpretation
Data Bus Test	xxxx	D15 - D0 in hex
Addr Bus Test 2k mode	_xxx	MA10 - MA0 in hex (right justified)
Addr Bus Test 128 mode	__xx	MA6 - MA0 in hex (right justified)
Mppr Img Test 2k mode	_xx_	MA15 - MA11 in hex (right justified in the x's)
Mppr Img Test 128 mode	_xxx	MA15 - MA7 in hex (right justified)
Addr Reg Test	_xxx	Address Register outputs MSB to LSB, left to right
All Tests Except Data Bus Tests	F000	Test was not performed due to data bus failure
Data Bus Test Byte Mode	FF00	If word mode showed no failures, this usually indicates that the memory write strobes are shorted together.
Addr Bus Test walking 1's	1xxx	This means that address 0000H failed also
Addr Bus Test walking 0's	1xxx	This means that address 0FFFH failed also

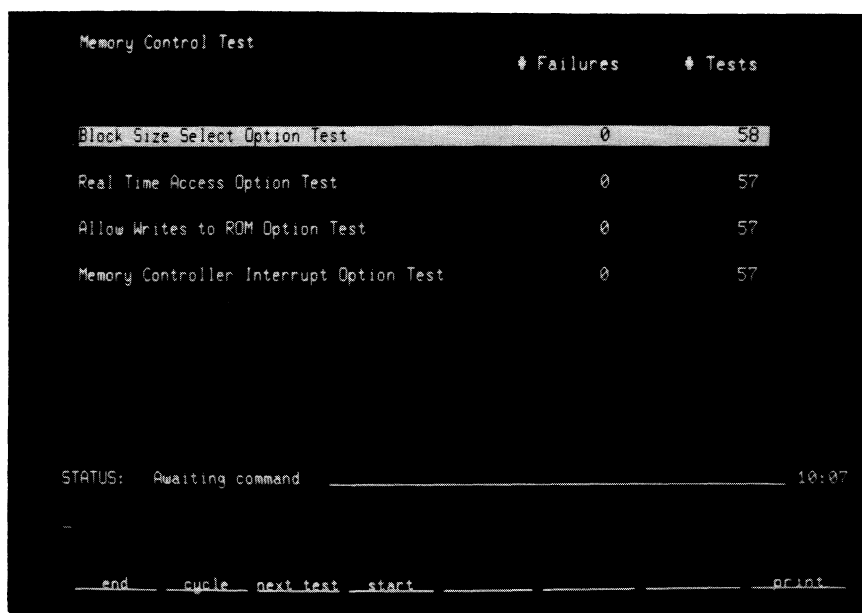
4-21. Memory Control Test Description.

4-22. There are four tests associated with the Memory Control Test. The Block Size Select Option test checks the ability to select between a 2k word block size and a 128 word block size.

4-23. The Real-time Access Test checks to see, when real time is NOT selected and the emulator is halted, that the CPU can access Emulation Memory. Also, it checks to see, when real time is selected and the emulator is halted, that the CPU can NOT access Emulation Memory. In the latter, transitions are not occurring on HMAV when the emulator is not running. These transitions are necessary to initiate an access to memory in the real time mode. Effectively therefore, this test checks the ability to program CNTLA (U96-11) to a 1 or 0.

4-24. The Allow Writes to ROM Option Test checks to see that interrupts will not occur (even though enabled by the CPU) when HROM (U65-9) is set and writes to ROM are allowed. This indirectly checks to see if a Break will occur since both LIR1 (U86-8) and LBRK (U54-12) are controlled by the same signal. The successful completion of the Memory Controller Interrupt Option Test will validate this indirect test. If this indirect test fails, the results of the Allow Writes to ROM Test may not be valid. That is, if the output of U86-8 (LIR1) is bad, the Allow Writes to ROM Test will never fail.

4-25. The Memory Controller Interrupt Option Test checks to see that an interrupt is generated (when enabled) if either HROM or HGRD (U65-7,9) is set. It also checks to see that those interrupts are cleared. The Memory Control Test Display is shown in figure 4-6.



The screenshot shows a terminal window titled "Memory Control Test". It contains a table with three columns: the test name, the number of failures (indicated by a downward arrow), and the number of tests (indicated by an upward arrow). The first row, "Block Size Select Option Test", is highlighted. Below the table, the status is "Awaiting command" and the time is "10:07". At the bottom, there are control characters: "end", "cycle", "next test", "start", and "print".

Memory Control Test	↓ Failures	↑ Tests
Block Size Select Option Test	0	58
Real Time Access Option Test	0	57
Allow Writes to ROM Option Test	0	57
Memory Controller Interrupt Option Test	0	57

STATUS: Awaiting command _____ 10:07

_____end_____cycle_____next test_____start__________print_____

Figure 4-6. Memory Control Test Display

4-26. Memory Test Description.

4-27. The Memory Test checks the static RAM boards that the Memory Controller is connected to via the Memory Bus. Primarily, this test assumes a perfectly working Memory Controller Board and does not abort if there is a failure. However, if a known good Memory Board(s) is used, clues to problems on the Memory Controller Board can be obtained.

4-28. The Memory Test includes three types of tests. The first, and the only one activated by cycling, is the memory cell read/write test. This test writes and immediately reads back a random pattern in all cells in a selected row of memory. This is followed by reading back all of the block of memory to see if any cell was overwritten by an image. The data failure results are displayed in a cumulative form.

4-29. The next test is the Image Test and is activated by pressing the "img test" Softkey. This test was developed for use primarily in a production environment and checks for pins on the 6147 RAMs that do not make proper socket contact. However, it may be used for finding address line problems in blocks of memory above the first block, which is the only one tested in the Memory Mapper Test. The Memory Mapper Test does not test above the first block of addresses because only one row of RAM (corresponding to one memory block in this test) is required to be installed in the system. If a block of memory is chosen where no memory resides, the Image Test is rarely valid because of the data line charge problem discussed in paragraph 4-20.

4-30. The third test is the Retention Test and is activated by pressing the retn test Softkey. This test can only be aborted by a pressing the RESET key twice. This test takes about two minutes to run. When it is running, a countdown is displayed for both passes through memory. On the first pass, 0's are written to memory and read back approximately fifty seconds later. On the second pass, 1's are written to memory and read back approximately fifty seconds later. The test aborts upon finding a failure. Thus, depending on where the test stops, a 1 or 0 failure can be detected. The results of the Image and Retention Tests are displayed in the same area of the CRT, and they overwrite each other. If no failures are found, this will be noted on the STATUS line and the result area will be cleared. If there is a failure in any of the tests, the address it occurred at in a chosen block of memory is displayed in hex as well as the data bits that failed.

4-31. Neither the Image nor Retention Test will increment the test or fail counters because they are not a part of the normal test procedure. They are meant to be used for Image testing on a production checkout basis and as a last resort test for extremely rare occurrences of soft failures in static RAMs. The Memory Test Display is shown in figure 4-7.

```
Memory Test
      † Tests = [ 10 ] ( on indicated memory block )

      Cumulative Bit          Cumulative Bit
Mem. Block  Failure † Fail  Mem. Block  Failure † Fail
-----
  0 -  4K   0000      0    : 32 - 36K   0000      0
   4 -  8K   0000      0    : 36 - 40K   0000      0
   8 - 12K   0000      0    : 40 - 44K   0000      0
  12 - 16K   0000      0    : 44 - 48K   0000      0
-----
  16 - 20K   0000      0    : 48 - 52K   0000      0
  20 - 24K   FFFF      0    : 52 - 56K   FFFF      0
  24 - 28K   FFFF      0    : 56 - 60K   FFFF      0
  28 - 32K   FFFF      0    : 60 - 64K   FFFF      0

Image/Retention Test Results:  First Location To Fail - <____>
                               Data Bits To Fail - <____>

STATUS:  Awaiting command _____ 10:09

_____
  end  cycle  next test  start  _____  img test  retn test  print
```

Figure 4-7. Memory Test Display

4-32. Emulation Access Test Description.

NOTE

Before running the Emulation Access Tests, disconnect the Emulation Bus Cables and leave only the Memory Bus Cable connected. In the Overview Display this test is skipped over when cycling. However, at this level, a continuous error message will be displayed if the start, cycle or calib Softkeys are pressed unless the Emulation Bus Cables are removed.

4-33. The Emulation Access Test performs six tests on the emulation access circuitry in two configurations and requires at least one row of good memory at address 0000H to provide valid results for the 64155A. The first test is on the data bus in the word mode. If any opens or supply shorts are found, the test aborts, preventing execution of any other tests. If the test aborts, the failures are displayed and a flag is set to note that the remainder of the tests were not performed. If there are no opens or supply shorts the data bus is next tested in the word mode for data lines shorted to each other. If this test does not pass, the lines that are shorted together are reported in both the word and byte mode results and a flag is set to note that the remaining tests were not performed. If the data bus passes in the word mode, it is then tested in the byte mode for data lines shorted together and byte write strobes shorted together. Unless all three tests pass, the STATUS line will display, for a short time, an error message indicating that the software was not able to access location zero. If they do pass, the address tests will be performed regardless of their results.

4-34. The Emulation Address Bus Test first checks the unmapped bits by walking 1's and 0's across LEA1 - LEA11. This creates a set of unique bit patterns which are read back to check for address line problems. The mapped bits are then tested by walking 1's and 0's across LEA23-LEA12 to test for problems on the inputs of the Mapper RAMs.

NOTE

If there is a problem with MA11 (A16), it will cause erroneous results for the Emulation Address Bus Test.

In the 128 word mode the 1's and 0's are walked across LEA1 - LEA7 and LEA19 - LEA8 respectively. If there are any failures in the mapped bits, the Timing and Status Tests are not run.

4-35. The Timing Test checks to see that writes to ROM and Guarded Memory cause the appropriate status bits to be set. It also checks to see that writes to User Memory do not cause a memory modification to occur or status bits to be set.

4-36. The calib Softkey is used to provide a stable scope display when setting the U66 one shot via the R27 potentiometer. This adjustment is critical (125 ns \pm 5 ns) and is explained in Section V. If the cables are attached, an error message will be displayed.

4-37. The Emulation Access Test Display is shown in figure 4-8. Table 4-3 explains how to interpret failures.

<u>Emulation Access Test</u>		† Failures	† Tests
2 K word block size		0	0
128 word block size		0	0
	<u>Present Bit Failures</u>	<u>Cumulative Bit Failures</u>	
Timing Test Results	0000	0000	
Status Test Results	0000	0000	
Emulation Data Bus	0000	0000 (supply shorts or opens)	
	0000	0000 (word mode)	
	0000	0000 (byte mode)	
Emulation Address Bus	0000	0000	0000 (walking ones)
	0000	0000	0000 (walking zeroes)
	(mapped)	(unmapped)	(mapped) (unmapped)
	(bits)	(bits)	(bits) (bits)
STATUS: Awaiting command _____ 10:10			
_____ end _____ cycle _____ next test _____ start _____ _____ calib. _____ print _____			

Figure 4-8. Emulation Access Test Display

Table 4-3. Emulation Access Test Results

Test	Result	Interpretation
Data Bus Test	xxxx	LED15 - LED0 in hex
Unmapped Bits 2k mode	_xxx	LEA7 - LEA1 in hex (right justified)
Unmapped Bits 128 mode	__xx	LEA7 - LEA1 in hex (right justified)
Mapped Bits 2k mode	_xxx	LEA23 - LEA12 in hex (right justified)
Mapped Bits 128 mode	_xxx	LEA19 - LEA8 in hex (right justified)
All Tests Except Data Bus Tests	F000	Test was not performed due to previous failure
Data Bus Test Byte Mode	FF00	If word mode showed no failures, this usually indicates that the memory write strobes are shorted together
Unmapped Bits walking 1's	1xxx	This means that address 000H failed also
Addr Bus Test walking 0's	1xxx	This means that address OFFFH failed also
Timing Test	1100	Means that the configuration using the leading edge of WDAV and a 0 ns setup time of address input to HMAV going low, didn't work.
Timing Test	0001	Means that the configuration using the leading edge of WDAV and a 64 ns setup time of address input to HMAV going low, didn't work.

Table 4-3. Emulation Access Test Results (Cont'd)

Test	Result	Interpretation
Timing Test	0010	Means that the configuration using the trailing edge of WDAV and a 0 ns setup time of address input to HMAV going low, didn't work.
Status Test	0001	Write to ROM status bit did not set.
Status Test	0010	Write to GUARDED Memory status bit did not set.
Status Test	0011	Both status bits went high when only one should have.
Status Test	xFxx	Write to Emulation Memory was not prevented when a write to either USER, ROM or GUARDED Memory was performed.
Status Test	xExx	Read from Emulation Memory was not prevented when a read from USER Memory was performed.
Status Test	Fx01 Fx10 Fx11	ROM Write to USER Memory GRD set the indicated BOTH status bits.

SECTION V

ADJUSTMENTS

5-1. INTRODUCTION.

5-2. There is one adjustment on the 64155A Wide Address Memory Controller. This is the RDY STB adjustment which is used for the Emulation Access Test. RDY STB is adjusted at the factory and normally will not have to be changed. If it is changed, an oscilloscope should be used that is capable of measuring a pulse width of 125 ns (+ or -5 ns).

5-3. SAFETY CONSIDERATIONS.

5-4. There are no safety hazards associated with the 64155A Wide Address Memory Controller. There are, however, high voltages associated with the 64100 Mainframe. Appropriate warnings are given where a hazard may exist.

5-5. EQUIPMENT REQUIRED.

5-6. An oscilloscope capable of measuring a negative going pulse width of 125 ns (+-5 ns).

5-7. RDY STB ADJUSTMENT.

5-8. Use the following procedure to adjust RDY STB.

- a. Turn the 64100 Mainframe power switch to the OFF position and remove all Bus Cables.
- b. Place the 64155A Wide Address Memory Controller on an extender board.
- c. Reconnect the Memory Bus Cable. Do NOT reconnect the Emulation Bus Cables.
- d. Turn the 64100 Mainframe power switch to the ON position.
- e. Refer back to the performance verification in Section IV and select the Emulation Access Test.
- f. With the Emulation Access Test Display on the CRT, press the calib Softkey.
- g. Refer to figure 5-1 and connect the oscilloscope probe to the RDY STB test point. A Convenient GND is located just below the RDY STB test point. This GND should be used for grounding the oscilloscope probe (the use of a spanner tip probe is recommended).

- h. Adjust R27 (see figure 5-1) for a 125 ns negative going pulse width as shown in figure 5-2. This adjustment must be within + or -5 ns.
- i. Turn the 64100 Mainframe power switch to the OFF position and reinstall the 64155 Wide Address Memory Controller in the cardcage.
- j. Reconnect the Memory and Emulation Bus Cables.

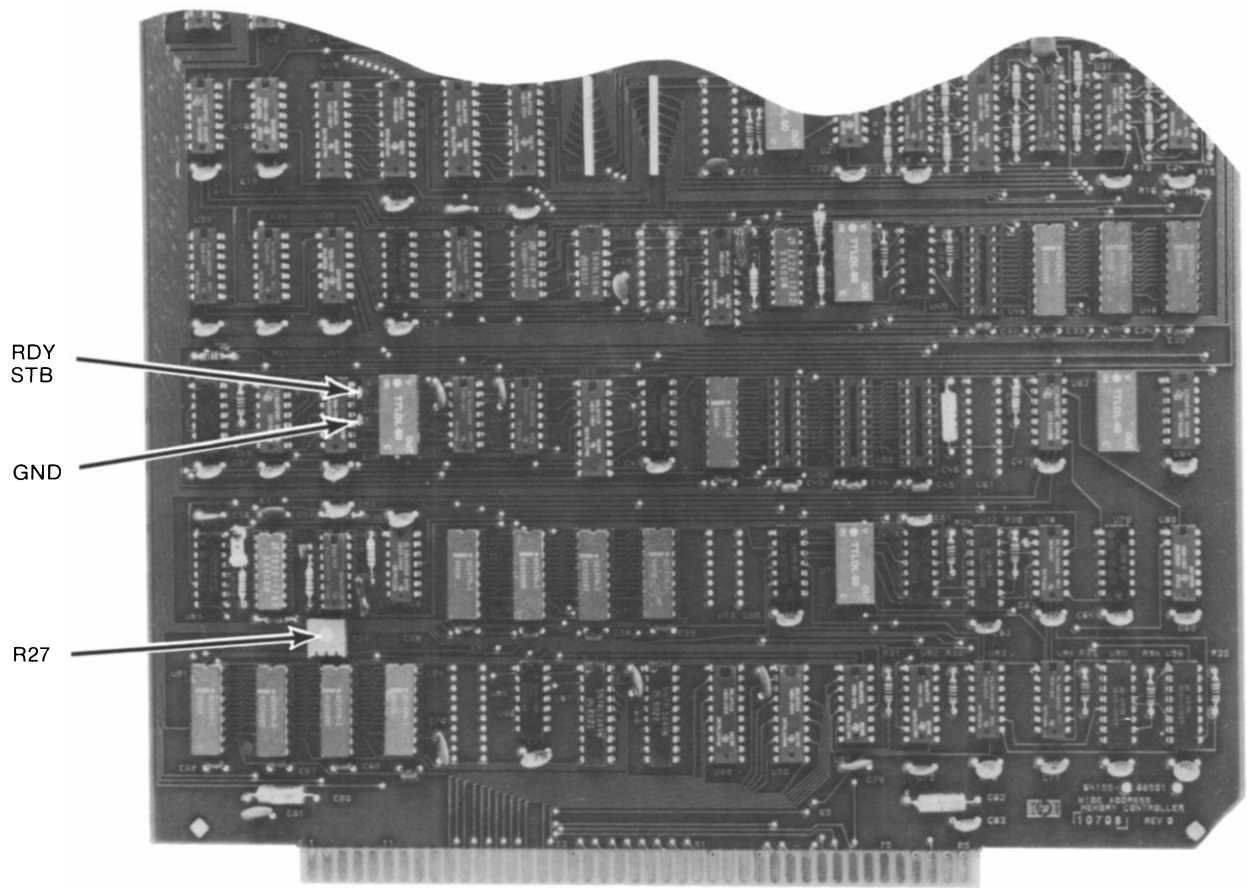


Figure 5-1. Emulation Access Timing Adjustment Test Points

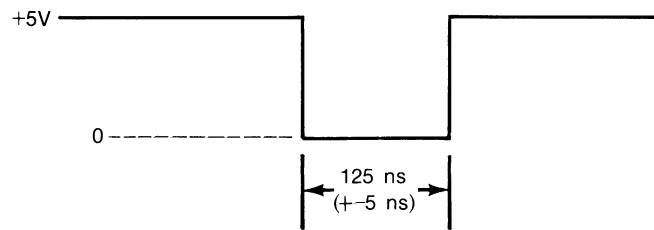


Figure 5-2. RDY STB Pulse Width

SECTION VI
REPLACEABLE PARTS

6-1. INTRODUCTION.

6-2. This section contains information concerning replaceable parts. Table 6-1 lists abbreviations used in the parts list and throughout this manual. Table 6-2 lists all replaceable parts in reference designator order. Table 6-3 contains the names and addresses that correspond to the manufacturers' five digit numbers.

6-3. EXCHANGE ASSEMBLIES.

6-4. The Model 64155A is a part of the Hewlett-Packard Corporation's Blue Stripe Exchange program. New assemblies required for spare parts stock must be ordered by the new assembly part number listed in table 6-2. Factory repaired and tested assemblies are available on a trade in basis only by ordering the following rebuilt part number:

64155-69501

6-5. ABBREVIATIONS.

6-6. Table 6-1 lists abbreviations used in the parts list, on the schematics and throughout this manual. In some cases, two forms of the abbreviations are used: one all in capital letters and one partial or no capitals. This occurs because the abbreviations in the parts list are always capitals. However, on the schematics and other parts of the manual, other abbreviation forms are used with both lowercase and uppercase letters.

6-7. REPLACEABLE PARTS.

6-8. Table 6-2 is the list of replaceable parts and is organized by components in alphanumerical order by reference designator.

6-9. The information for each part consists of the following:

- a. The Hewlett-Packard part number and the check digit.
- b. The total quantity (Qty) used on the PC board.
- c. The description of the part.
- d. A five digit code that indicates the manufacturer.
- e. The manufacturer's part number.

6-10. The total quantity for each part is given at the first appearance of the part number on the list.

6-11. For ordering information, see Section VI of the 64100 Mainframe Tab.

Table 6-1. Reference Designators and Abbreviations

REFERENCE DESIGNATORS			
A	= assembly	F	= fuse
B	= motor	FL	= filter
BT	= battery	IC	= integrated circuit
C	= capacitor	J	= jack
CP	= coupler	K	= relay
CR	= diode	L	= inductor
DL	= delay line	LS	= loud speaker
DS	= device signaling (lamp)	M	= meter
E	= misc electronic part	MK	= microphone
		MP	= mechanical part
		P	= plug
		Q	= transistor
		R	= resistor
		RT	= thermistor
		S	= switch
		T	= transformer
		TB	= terminal board
		TP	= test point
		U	= integrated circuit
		V	= vacuum, tube, neon bulb, photocell, etc
		VR	= voltage regulator
		W	= cable
		X	= socket
		Y	= crystal
		Z	= tuned cavity network
ABBREVIATIONS			
A	= amperes	H	= henries
AFC	= automatic frequency control	HDW	= hardware
AMPL	= amplifier	HEX	= hexagonal
BFO	= beat frequency oscillator	HG	= mercury
BE CU	= beryllium copper	HR	= hours
BH	= binder head	HZ	= hertz
BP	= bandpass		
BRS	= brass	IF	= intermediate freq
BWO	= backward wave oscillator	IMPG	= impregnated
		INCD	= incandescent
CCW	= counter-clockwise	INCL	= includets
CER	= ceramic	INS	= insulation(ed)
CMO	= cabinet mount only	INT	= internal
COEF	= coefficient		
COM	= common	K	= kilo=1000
COMP	= composition		
COMPL	= complete	LH	= left hand
CONN	= connector	LIN	= linear taper
CP	= cadmium plate	LK WASH	= lock washer
CRT	= cathode-ray tube	LOG	= logarithmic taper
CW	= clockwise	LPF	= low pass filter
		M	= milli=10 ⁻³
DEPC	= deposited carbon	MEG	= meg=10 ⁶
DR	= drive	MET FLM	= metal film
		MET OX	= metallic oxide
ELECT	= electrolytic	MFR	= manufacturer
ENCAP	= encapsulated	MHZ	= mega hertz
EXT	= external	MINAT	= miniature
		MOM	= momentary
F	= farads	MOS	= metal oxide substrate
FH	= flat head	MTG	= mounting
FIL H	= fillister head	MY	= "mylar"
FXD	= fixed		
		N	= nano (10 ⁻⁹)
G	= giga (10 ⁹)	N/C	= normally closed
GE	= germanium	NE	= neon
GL	= glass	NI PL	= nickel plate
GRD	= ground(ed)		
		N/O	= normally open
		NOM	= nominal
		NPO	= negative positive zero (zero temperature coefficient)
		NPN	= negative-positive-negative
		NRFR	= not recommended for field replacement
		NSR	= not separately replaceable
		OBD	= order by description
		OH	= oval head
		OX	= oxide
		P	= peak
		PC	= printed circuit
		PF	= picofarads= 10 ⁻¹² farads
		PH BRZ	= phosphor bronze
		PHL	= phillips
		PIV	= peak inverse voltage
		PNP	= positive-negative-positive
		P/O	= part of
		POLY	= polystyrene
		PORC	= porcelain
		POS	= position(s)
		POT	= potentiometer
		PP	= peak-to-peak
		PT	= point
		PWV	= peak working voltage
		RECT	= rectifier
		RF	= radio frequency
		RH	= round head or right hand
		RMO	= rack mount only
		RMS	= root-mean square
		RWV	= reverse working voltage
		S-B	= slow-blow
		SCR	= screw
		SE	= selenium
		SECT	= section(s)
		SEMICON	= semiconductor
		SI	= silicon
		SIL	= silver
		SL	= slide
		SPG	= spring
		SPL	= special
		SST	= stainless steel
		SR	= split ring
		STL	= steel
		TA	= tantalum
		TD	= time delay
		TGL	= toggle
		THD	= thread
		TI	= titanium
		TOL	= tolerance
		TRIM	= trimmer
		TWT	= traveling wave tube
		U	= micro=10 ⁻⁶
		VAR	= variable
		VDCW	= dc working volts
		W/	= with
		W	= watts
		WIV	= working inverse voltage
		WW	= wirewound
		W/O	= without

Table 6-2. Replaceable Parts

Reference Designation	HP Part Number	C D	Qty	Description	Mfr Code	Mfr Part Number
	64155-66501	0	1	WIDE ADDRESS MEMORY CONTROLLER BOARD	28480	64155-66501
C1	0160-3622	8	22	CAPACITOR-FXD .1UF +80-20% 100VDC CER	26654	2130Y5V100R104Z
C2	0160-3622	8		CAPACITOR-FXD .1UF +80-20% 100VDC CER	26654	2130Y5V100R104Z
C3	0160-3622	8		CAPACITOR-FXD .1UF +80-20% 100VDC CER	26654	2130Y5V100R104Z
C4	0160-3622	8		CAPACITOR-FXD .1UF +80-20% 100VDC CER	26654	2130Y5V100R104Z
C5	0160-3622	8		CAPACITOR-FXD .1UF +80-20% 100VDC CER	26654	2130Y5V100R104Z
C6	0160-3622	8		CAPACITOR-FXD .1UF +80-20% 100VDC CER	26654	2130Y5V100R104Z
C7	0160-2055	9	53	CAPACITOR-FXD .01UF +80-20% 100VDC CER	28480	0160-2055
C8	0160-2055	9		CAPACITOR-FXD .01UF +80-20% 100VDC CER	28480	0160-2055
C9	0160-2055	9		CAPACITOR-FXD .01UF +80-20% 100VDC CER	28480	0160-2055
C10	0160-2055	9		CAPACITOR-FXD .01UF +80-20% 100VDC CER	28480	0160-2055
C11	0160-2055	9		CAPACITOR-FXD .01UF +80-20% 100VDC CER	28480	0160-2055
C12	0160-2055	9		CAPACITOR-FXD .01UF +80-20% 100VDC CER	28480	0160-2055
C13	0160-2055	9		CAPACITOR-FXD .01UF +80-20% 100VDC CER	28480	0160-2055
C14	0160-2055	9		CAPACITOR-FXD .01UF +80-20% 100VDC CER	28480	0160-2055
C15	0160-2055	9		CAPACITOR-FXD .01UF +80-20% 100VDC CER	28480	0160-2055
C16	0160-2055	9		CAPACITOR-FXD .01UF +80-20% 100VDC CER	28480	0160-2055
C17	0160-2055	9		CAPACITOR-FXD .01UF +80-20% 100VDC CER	28480	0160-2055
C18	0160-2055	9		CAPACITOR-FXD .01UF +80-20% 100VDC CER	28480	0160-2055
C19	0160-2055	9		CAPACITOR-FXD .01UF +80-20% 100VDC CER	28480	0160-2055
C20	0160-2055	9		CAPACITOR-FXD .01UF +80-20% 100VDC CER	28480	0160-2055
C21	0160-2055	9		CAPACITOR-FXD .01UF +80-20% 100VDC CER	28480	0160-2055
C22	0160-2055	9		CAPACITOR-FXD .01UF +80-20% 100VDC CER	28480	0160-2055
C23	0160-2055	9		CAPACITOR-FXD .01UF +80-20% 100VDC CER	28480	0160-2055
C24	0160-2055	9		CAPACITOR-FXD .01UF +80-20% 100VDC CER	28480	0160-2055
C25	0160-2055	9		CAPACITOR-FXD .01UF +80-20% 100VDC CER	28480	0160-2055
C26	0160-2055	9		CAPACITOR-FXD .01UF +80-20% 100VDC CER	28480	0160-2055
C27	0160-2055	9		CAPACITOR-FXD .01UF +80-20% 100VDC CER	28480	0160-2055
C28	0160-2055	9		CAPACITOR-FXD .01UF +80-20% 100VDC CER	28480	0160-2055
C29	0160-2055	9		CAPACITOR-FXD .01UF +80-20% 100VDC CER	28480	0160-2055
C30	0140-0190	7	1	CAPACITOR-FXD 39PF +-5% 300VDC MICA	72136	DM15E390J0300WV1CR
C31	0180-0373	2	1	CAPACITOR-FXD .68UF+-10% 35VDC TA	56289	150D684X9035A2
C32	0160-3622	8		CAPACITOR-FXD .1UF +80-20% 100VDC CER	26654	2130Y5V100R104Z
C33	0160-3622	8		CAPACITOR-FXD .1UF +80-20% 100VDC CER	26654	2130Y5V100R104Z
C34	0160-3622	8		CAPACITOR-FXD .1UF +80-20% 100VDC CER	26654	2130Y5V100R104Z
C35	0160-3622	8		CAPACITOR-FXD .1UF +80-20% 100VDC CER	26654	2130Y5V100R104Z
C36	0160-2055	9		CAPACITOR-FXD .01UF +80-20% 100VDC CER	28480	0160-2055
C37	0160-2055	9		CAPACITOR-FXD .01UF +80-20% 100VDC CER	28480	0160-2055
C38	0160-2055	9		CAPACITOR-FXD .01UF +80-20% 100VDC CER	28480	0160-2055
C39	0160-2055	9		CAPACITOR-FXD .01UF +80-20% 100VDC CER	28480	0160-2055
C40	0160-2055	9		CAPACITOR-FXD .01UF +80-20% 100VDC CER	28480	0160-2055
C41	0160-2055	9		CAPACITOR-FXD .01UF +80-20% 100VDC CER	28480	0160-2055
C42	0160-3622	8		CAPACITOR-FXD .1UF +80-20% 100VDC CER	26654	2130Y5V100R104Z
C43	0160-3622	8		CAPACITOR-FXD .1UF +80-20% 100VDC CER	26654	2130Y5V100R104Z
C44	0160-3622	8		CAPACITOR-FXD .1UF +80-20% 100VDC CER	26654	2130Y5V100R104Z
C45	0160-3622	8		CAPACITOR-FXD .1UF +80-20% 100VDC CER	26654	2130Y5V100R104Z
C46	0180-0229	7	3	CAPACITOR-FXD 33UF+-10% 10VDC TA	56289	150D336X9010B2
C47	0160-2055	9		CAPACITOR-FXD .01UF +80-20% 100VDC CER	28480	0160-2055
C48	0160-2055	9		CAPACITOR-FXD .01UF +80-20% 100VDC CER	28480	0160-2055
C49	0160-2055	9		CAPACITOR-FXD .01UF +80-20% 100VDC CER	28480	0160-2055
C50	0160-2235	7	1	CAPACITOR-FXD .75PF +- .25PF 500VDC CER	28480	0160-2235
C51	0160-2055	9		CAPACITOR-FXD .01UF +80-20% 100VDC CER	28480	0160-2055
C52	0160-4492	2	1	CAPACITOR-FXD 18PF +-5% 200VDC CER 0+-30	51642	200-200-NP0-180J
C53	0160-2055	9		CAPACITOR-FXD .01UF +80-20% 100VDC CER	28480	0160-2055
C54	0140-0194	1	1	CAPACITOR-FXD 110PF +-5% 300VDC MICA	72136	DM15F111J0300WV1CR
C55	0160-2055	9		CAPACITOR-FXD .01UF +80-20% 100VDC CER	28480	0160-2055
C56	0160-3622	8		CAPACITOR-FXD .1UF +80-20% 100VDC CER	26654	2130Y5V100R104Z
C57	0160-3622	8		CAPACITOR-FXD .1UF +80-20% 100VDC CER	26654	2130Y5V100R104Z
C58	0160-3622	8		CAPACITOR-FXD .1UF +80-20% 100VDC CER	26654	2130Y5V100R104Z
C59	0160-3622	8		CAPACITOR-FXD .1UF +80-20% 100VDC CER	26654	2130Y5V100R104Z
C60	0160-2055	9		CAPACITOR-FXD .01UF +80-20% 100VDC CER	28480	0160-2055
C61	0160-2055	9		CAPACITOR-FXD .01UF +80-20% 100VDC CER	28480	0160-2055
C62	0160-2055	9		CAPACITOR-FXD .01UF +80-20% 100VDC CER	28480	0160-2055
C63	0160-2055	9		CAPACITOR-FXD .01UF +80-20% 100VDC CER	28480	0160-2055
C64	0160-2055	9		CAPACITOR-FXD .01UF +80-20% 100VDC CER	28480	0160-2055
C65	0160-2055	9		CAPACITOR-FXD .01UF +80-20% 100VDC CER	28480	0160-2055
C66	0160-3622	8		CAPACITOR-FXD .1UF +80-20% 100VDC CER	26654	2130Y5V100R104Z
C67	0160-3622	8		CAPACITOR-FXD .1UF +80-20% 100VDC CER	26654	2130Y5V100R104Z
C68	0160-3622	8		CAPACITOR-FXD .1UF +80-20% 100VDC CER	26654	2130Y5V100R104Z
C69	0160-3622	8		CAPACITOR-FXD .1UF +80-20% 100VDC CER	26654	2130Y5V100R104Z

See introduction to this section for ordering information
 *Indicates factory selected value

Table 6-2. Replaceable Parts (Cont'd)

Reference Designation	HP Part Number	C D	Qty	Description	Mfr Code	Mfr Part Number
C70	0160-2055	9		CAPACITOR-FXD .01UF +80-20% 100VDC CER	28480	0160-2055
C71	0160-2055	9		CAPACITOR-FXD .01UF +80-20% 100VDC CER	28480	0160-2055
C72	0160-2055	9		CAPACITOR-FXD .01UF +80-20% 100VDC CER	28480	0160-2055
C73	0160-2055	9		CAPACITOR-FXD .01UF +80-20% 100VDC CER	28480	0160-2055
C74	0160-2055	9		CAPACITOR-FXD .01UF +80-20% 100VDC CER	28480	0160-2055
C75	0160-2055	9		CAPACITOR-FXD .01UF +80-20% 100VDC CER	28480	0160-2055
C76	0160-2055	9		CAPACITOR-FXD .01UF +80-20% 100VDC CER	28480	0160-2055
C77	0160-2055	9		CAPACITOR-FXD .01UF +80-20% 100VDC CER	28480	0160-2055
C78	0160-2055	9		CAPACITOR-FXD .01UF +80-20% 100VDC CER	28480	0160-2055
C79	0160-2055	9		CAPACITOR-FXD .01UF +80-20% 100VDC CER	28480	0160-2055
C80	0180-0229	7		CAPACITOR-FXD 33UF+10% 10VDC TA	56289	150D336X9010R2
C81	0160-2055	9		CAPACITOR-FXD .01UF +80-20% 100VDC CER	28480	0160-2055
C82	0180-0229	7		CAPACITOR-FXD 33UF+10% 10VDC TA	56289	150D336X9010R2
C83	0160-2055	9		CAPACITOR-FXD .01UF +80-20% 100VDC CER	28480	0160-2055
R1	0757-0442	9	19	RESISTOR 10K 1% .125W F TC=0+-100	24546	C4-1/8-T0-1002-F
R2	0757-0442	9		RESISTOR 10K 1% .125W F TC=0+-100	24546	C4-1/8-T0-1002-F
R3	0698-3383	7	13	RESISTOR 56 1% .125W F TC=0+-50	24546	NC4-1/8-T2-56R0-F
R4	0698-3383	7		RESISTOR 56 1% .125W F TC=0+-50	24546	NC4-1/8-T2-56R0-F
R5	0698-3383	7		RESISTOR 56 1% .125W F TC=0+-50	24546	NC4-1/8-T2-56R0-F
R6	0698-3383	7		RESISTOR 56 1% .125W F TC=0+-50	24546	NC4-1/8-T2-56R0-F
R7	0698-3383	7		RESISTOR 56 1% .125W F TC=0+-50	24546	NC4-1/8-T2-56R0-F
R8	0698-3383	7		RESISTOR 56 1% .125W F TC=0+-50	24546	NC4-1/8-T2-56R0-F
R9	0698-3383	7		RESISTOR 56 1% .125W F TC=0+-50	24546	NC4-1/8-T2-56R0-F
R10	0698-3383	7		RESISTOR 56 1% .125W F TC=0+-50	24546	NC4-1/8-T2-56R0-F
R11	0757-0442	9		RESISTOR 10K 1% .125W F TC=0+-100	24546	C4-1/8-T0-1002-F
R12	0698-3383	7		RESISTOR 56 1% .125W F TC=0+-50	24546	NC4-1/8-T2-56R0-F
R13	0698-3383	7		RESISTOR 56 1% .125W F TC=0+-50	24546	NC4-1/8-T2-56R0-F
R14	0698-3383	7		RESISTOR 56 1% .125W F TC=0+-50	24546	NC4-1/8-T2-56R0-F
R15	0698-3383	7		RESISTOR 56 1% .125W F TC=0+-50	24546	NC4-1/8-T2-56R0-F
R16	0757-0442	9		RESISTOR 10K 1% .125W F TC=0+-100	24546	C4-1/8-T0-1002-F
R17	0757-0438	3	5	RESISTOR 5.11K 1% .125W F TC=0+-100	24546	C4-1/8-T0-5111-F
R18	0757-0438	3		RESISTOR 5.11K 1% .125W F TC=0+-100	24546	C4-1/8-T0-5111-F
R19	0757-0442	9		RESISTOR 10K 1% .125W F TC=0+-100	24546	C4-1/8-T0-1002-F
R20	0757-0442	9		RESISTOR 10K 1% .125W F TC=0+-100	24546	C4-1/8-T0-1002-F
R21	0757-0442	9		RESISTOR 10K 1% .125W F TC=0+-100	24546	C4-1/8-T0-1002-F
R22	0757-0442	9		RESISTOR 10K 1% .125W F TC=0+-100	24546	C4-1/8-T0-1002-F
R23	0698-3383	7		RESISTOR 56 1% .125W F TC=0+-50	24546	NC4-1/8-T2-56R0-F
R24	0757-0438	3		RESISTOR 5.11K 1% .125W F TC=0+-100	24546	C4-1/8-T0-5111-F
R25	0757-0442	9		RESISTOR 10K 1% .125W F TC=0+-100	24546	C4-1/8-T0-1002-F
R26	0757-0438	3		RESISTOR 5.11K 1% .125W F TC=0+-100	24546	C4-1/8-T0-5111-F
R27	2100-3252	6	1	RESISTOR-TRMR 5K 10% C TOP-ADJ 1-TRN	28480	2100-3252
R28	0757-0438	3		RESISTOR 5.11K 1% .125W F TC=0+-100	24546	C4-1/8-T0-5111-F
R29	0757-0442	9		RESISTOR 10K 1% .125W F TC=0+-100	24546	C4-1/8-T0-1002-F
R30	0757-0442	9		RESISTOR 10K 1% .125W F TC=0+-100	24546	C4-1/8-T0-1002-F
R31	0757-0442	9		RESISTOR 10K 1% .125W F TC=0+-100	24546	C4-1/8-T0-1002-F
R32	0757-0442	9		RESISTOR 10K 1% .125W F TC=0+-100	24546	C4-1/8-T0-1002-F
R33	0757-0442	9		RESISTOR 10K 1% .125W F TC=0+-100	24546	C4-1/8-T0-1002-F
R34	0757-0442	9		RESISTOR 10K 1% .125W F TC=0+-100	24546	C4-1/8-T0-1002-F
R35	0757-0442	9		RESISTOR 10K 1% .125W F TC=0+-100	24546	C4-1/8-T0-1002-F
R36	0757-0442	9		RESISTOR 10K 1% .125W F TC=0+-100	24546	C4-1/8-T0-1002-F
R37	0757-0442	9		RESISTOR 10K 1% .125W F TC=0+-100	24546	C4-1/8-T0-1002-F
R38	0757-0442	9		RESISTOR 10K 1% .125W F TC=0+-100	24546	C4-1/8-T0-1002-F
U1	1820-1633	8	2	IC BFR TTL S LINE DRVR OCTL	01295	SN74S240N
U2	1820-1633	8		IC BFR TTL S LINE DRVR OCTL	01295	SN74S240N
U3	1820-2699	8	4	IC-74F241	28480	1820-2699
U4	1820-2699	8		IC-74F241	28480	1820-2699
U5	1820-2699	8		IC-74F241	28480	1820-2699
U6	1820-2699	8		IC-74F241	28480	1820-2699
U7	1820-2075	4	4	IC MISC TTL LS	01295	SN74LS245N
U8	1820-2075	4		IC MISC TTL LS	01295	SN74LS245N
U9	1820-1428	9	2	IC MUXR/DATA-SEL TTL LS 2-T0-1-LINE QUAD	01295	SN74LS158N
U10	1820-1428	9		IC MUXR/DATA-SEL TTL LS 2-T0-1-LINE QUAD	01295	SN74LS158N
U11	1820-1439	2	1	IC MUXR/DATA-SEL TTL LS 2-T0-1-LINE	01295	SN74LS258AN
U12	1820-2024	3	8	IC DRVR TTL LS LINE DRVR OCTL	01295	SN74LS244N
U13	1820-2024	3		IC DRVR TTL LS LINE DRVR OCTL	01295	SN74LS244N
U14	1820-2024	3		IC DRVR TTL LS LINE DRVR OCTL	01295	SN74LS244N
U15	1820-1158	2	2	IC GATE TTL S AND-OR-INV DUAL 2-INP	01295	SN74S51N
U16	1820-1158	2		IC GATE TTL S AND-OR-INV DUAL 2-INP	01295	SN74S51N
U17	1820-2684	1	4	IC-74F00	28480	1820-2684
U18	1820-2685	2	5	IC-74F02	28480	1820-2685
U19	1820-1997	7	4	IC FF TTL LS D-TYPE POS-EDGE-TRIG PRL-IN	01295	SN74LS374N
U20	1820-2024	3		IC DRVR TTL LS LINE DRVR OCTL	01295	SN74LS244N

See introduction to this section for ordering information
 *Indicates factory selected value

Table 6-2. Replaceable Parts (Cont'd)

Reference Designation	HP Part Number	C D	Qty	Description	Mfr Code	Mfr Part Number
U21	1820-1997	7		IC FF TTL LS D-TYPE POS-EDGE-TRIG PRL-IN	01295	SN74LS374N
U22	1820-2024	3		IC DRVR TTL LS LINE DRVR OCTL	01295	SN74LS244N
U23	1810-0280	8	2	NETWORK-RES 10-SIP10.0K OHM X 9	01121	210A103
U24	1810-0280	8		NETWORK-RES 10-SIP10.0K OHM X 9	01121	210A103
U25				NOT ASSIGNED		
U26	1810-0555	0	3	DELAY LINE-50NS	28480	1810-0555
U27	1820-2685	2		IC-74F02	28480	1820-2685
U28	1820-2695	4	3	IC-74F158	28480	1820-2695
U29	1820-1997	7		IC FF TTL LS D-TYPE POS-EDGE-TRIG PRL-IN	01295	SN74LS374N
U30	1820-2695	4		IC-74F158	28480	1820-2695
U31	1820-1195	7	1	IC FF TTL LS D-TYPE POS-EDGE-TRIG COM	01295	SN74LS175N
U32	1820-2695	4		IC-74F158	28480	1820-2695
U33	1820-1275	4	3	IC GATE TTL S NOR DUAL 5-INP	01295	SN74S260N
U34	1820-1275	4		IC GATE TTL S NOR DUAL 5-INP	01295	SN74S260N
U35	1820-2685	2		IC-74F02	28480	1820-2685
U36	1820-2506	6	4	IC INV TTL F HEX	07263	74F04PC
U37	1820-2687	4	1	IC-74F10	28480	1820-2687
U38	1820-1197	9	1	IC GATE TTL LS NAND QUAD 2-INP	01295	SN74LS00N
U39	1820-1198	0	1	IC GATE TTL LS NAND QUAD 2-INP	01295	SN74LS03N
U40				NOT ASSIGNED		
U41	1820-2024	3		IC DRVR TTL LS LINE DRVR OCTL	01295	SN74LS244N
U42	1820-1782	8	2	IC MV TTL S MONOSTBL RETRIG/RESET DUAL	34335	AM26S02PC
U43	1810-0555	0		DELAY LINE 50NS	28480	1810-0555
U44	1820-2691	0	2	IC-74F74	28480	1820-2691
U45				NOT LOADED		
U46	1818-1586	5	12	IC NMOS 4096 (4K) RAM STAT 35-NS 3-S	34649	D2147H-1
U47	1818-1586	5		IC NMOS 4096 (4K) RAM STAT 35-NS 3-S	34649	D2147H-1
U48	1818-1586	5		IC NMOS 4096 (4K) RAM STAT 35-NS 3-S	34649	D2147H-1
U49	1820-2691	0		IC-74F74	28480	1820-2691
U50	1820-2684	1		IC-74F00	28480	1820-2684
U51	1820-2685	2		IC-74F02	28480	1820-2685
U52	1810-0556	1	1	DELAY LINE-60NS	28480	1810-0556
U53	1820-2686	3	3	IC-74F08	28480	1820-2686
U54	1820-0684	7	1	IC INV TTL S HEX 1-INP	01295	SN74S05N
U55	1820-1997	7		IC FF TTL LS D-TYPE POS-EDGE-TRIG PRL-IN	01295	SN74LS374N
U56	1820-2506	6		IC INV TTL F HEX	07263	74F04PC
U57	1818-1586	5		IC NMOS 4096 (4K) RAM STAT 35-NS 3-S	34649	D2147H-1
U58 - U60	NOT LOADED			NOT ASSIGNED		
U61						
U62	1820-2684	1		IC-74F00	28480	1820-2684
U63	1810-0554	9	1	DELAY LINE-40NS	28480	1810-0554
U64	1820-2684	1		IC-74F00	28480	1820-2684
U65	1820-2693	2	1	IC-74F109	28480	1820-2693
U66	1820-1782	8		IC MV TTL S MONOSTBL RETRIG/RESET DUAL	34335	AM26S02PC
U67	1820-1423	4	1	IC MV TTL LS MONOSTBL RETRIG DUAL	01295	SN74LS123N
U68	1820-2690	9	1	IC-74F32	28480	1820-2690
U69	1818-1586	5		IC NMOS 4096 (4K) RAM STAT 35-NS 3-S	34649	D2147H-1
U70	1818-1586	5		IC NMOS 4096 (4K) RAM STAT 35-NS 3-S	34649	D2147H-1
U71	1818-1586	5		IC NMOS 4096 (4K) RAM STAT 35-NS 3-S	34649	D2147H-1
U72	1818-1586	5		IC NMOS 4096 (4K) RAM STAT 35-NS 3-S	34649	D2147H-1
U73				NOT ASSIGNED		
U74	1820-2506	6		IC INV TTL F HEX	07263	74F04PC
U75	1810-0555	0		DELAY LINE-50NS	28480	1810-0555
U76	1820-1144	6	1	IC GATE TTL LS NOR QUAD 2-INP	01295	SN74LS02N
U77	1820-0629	3	3	IC FF TTL S J-K NEG-EDGE-TRIG	01295	SN74S112
U78	1820-2686	3		IC-74F08	28480	1820-2686
U79	1820-2506	6		IC INV TTL F HEX	07263	74F04PC
U80	1820-2685	2		IC-74F02	28480	1820-2685
U81	1818-1586	5		IC NMOS 4096 (4K) RAM STAT 35-NS 3-S	34649	D2147H-1
U82	1818-1586	5		IC NMOS 4096 (4K) RAM STAT 35-NS 3-S	34649	D2147H-1
U83	1818-1586	5		IC NMOS 4096 (4K) RAM STAT 35-NS 3-S	34649	D2147H-1
U84	1818-1586	5		IC NMOS 4096 (4K) RAM STAT 35-NS 3-S	34649	D2147H-1
U85				NOT ASSIGNED		
U86	1820-0682	5	1	IC GATE TTL S NAND QUAD 2-INP	01295	SN74S03N
U87	1820-2075	4		IC MISC TTL LS	01295	SN74LS245N
U88	1820-2075	4		IC MISC TTL LS	01295	SN74LS245N
U89	1820-2024	3		IC DRVR TTL LS LINE DRVR OCTL	01295	SN74LS244N
U90	1820-2024	3		IC DRVR TTL LS LINE DRVR OCTL	01295	SN74LS244N
U91	1820-1216	3	2	IC DCDR TTL LS 3-TO-8-LINE 3-INP	01295	SN74LS138N
U92	1820-1216	3		IC DCDR TTL LS 3-TO-8-LINE 3-INP	01295	SN74LS138N
U93	1820-1275	4		IC GATE TTL S NOR DUAL 5-INP	01295	SN74S260N
U94	1820-2686	3		IC-74F08	28480	1820-2686
U95	1820-0629	0		IC FF TTL S J-K NEG-EDGE-TRIG	01295	SN74S112
U96	1820-0629	0		IC FF TTL S J-K NEG-EDGE-TRIG	01295	SN74S112
W1	65151-61602	8	1	MEMORY BUS CABLE FOR J1 (2 CONN)	28480	64151-61602
W2	64151-61603	9	1	MEMORY BUS CABLE FOR J1 (3 CONN)	28480	64151-61603
W3	64151-61604	0	1	MEMORY BUS CABLE FOR J1 (4 CONN)	28480	64151-61604
	64151-61605	1	1	MEMORY BUS CABLE FOR J1 (5 CONN)	28480	64151-61605

See introduction to this section for ordering information
 *Indicates factory selected value

Table 6-2. Replaceable Parts (Cont'd)

Reference Designation	HP Part Number	C D	Qty	Description	Mfr Code	Mfr Part Number
XU42	1200-0607	0	3	SOCKET-IC 16-CONT DIP DIP-SLDR	28480	1200-0607
XU46	1200-0539	7	12	SOCKET-IC 18-CONT DIP DIP-SLDR	28480	1200-0539
XU47	1200-0539	7		SOCKET-IC 18-CONT DIP DIP-SLDR	28480	1200-0539
XU48	1200-0539	7		SOCKET-IC 18-CONT DIP DIP-SLDR	28480	1200-0539
XU54	1200-0638	7	1	SOCKET-IC 14-CONT DIP DIP-SLDR	28480	1200-0638
XU57	1200-0539	7		SOCKET-IC 18-CONT DIP DIP-SLDR	28480	1200-0539
XU66	1200-0607	0		SOCKET-IC 16-CONT DIP DIP-SLDR	28480	1200-0607
XU67	1200-0607	0		SOCKET-IC 16-CONT DIP DIP-SLDR	28480	1200-0607
XU69	1200-0539	7		SOCKET-IC 18-CONT DIP DIP-SLDR	28480	1200-0539
XU70	1200-0539	7		SOCKET-IC 18-CONT DIP DIP-SLDR	28480	1200-0539
XU71	1200-0539	7		SOCKET-IC 18-CONT DIP DIP-SLDR	28480	1200-0539
XU72	1200-0539	7		SOCKET-IC 18-CONT DIP DIP-SLDR	28480	1200-0539
XU81	1200-0539	7		SOCKET-IC 18-CONT DIP DIP-SLDR	28480	1200-0539
XU82	1200-0539	7		SOCKET-IC 18-CONT DIP DIP-SLDR	28480	1200-0539
XU83	1200-0539	7		SOCKET-IC 18-CONT DIP DIP-SLDR	28480	1200-0539
XU84	1200-0539	7		SOCKET-IC 18-CONT DIP DIP-SLDR	28480	1200-0539
	64155-90901	5	1	SERVICE MANUAL	28480	64155-90901

See introduction to this section for ordering information
 *Indicates factory selected value

Table 6-3. Manufacturers' Codes

Mfr No.	Manufacturer Name	Address	Zip Code
01121 01295 07263 24546 26654 28480 34335 34649 51642 56289 72136	ALLEN-BRADLEY CO TEXAS INSTR INC SEMICOND CMPNT DIV FAIRCHILD SEMICONDUCTOR DIV CORNING GLASS WORKS (BRADFORD) VARADYNE INC HEWLETT-PACKARD CO CORPORATE HQ ADVANCED MICRO DEVICES INC INTEL CORP CENTRE ENGINEERING INC SPRAGUE ELECTRIC CO ELECTRO MOTIVE CORP SUB IEC	MILWAUKEE WI DALLAS TX MOUNTAIN VIEW CA BRADFORD PA SANTA MONICA CA PALO ALTO CA SUNNYVALE CA MOUNTAIN VIEW CA STATE COLLEGE PA NORTH ADAMS MA WILLIMANTIC CT	53204 75222 94042 16701 90404 94304 94086 95051 16801 01247 06226

See introduction to this section for ordering information

SECTION VII

MANUAL CHANGES

7-1. This section normally contains information for backdating this manual for models with a repair number prefix prior to the one shown on the title page. Because this edition includes the information for the first repair number prefix assigned, no backdating is required.

SECTION VIII

SERVICE

8-1. INTRODUCTION.

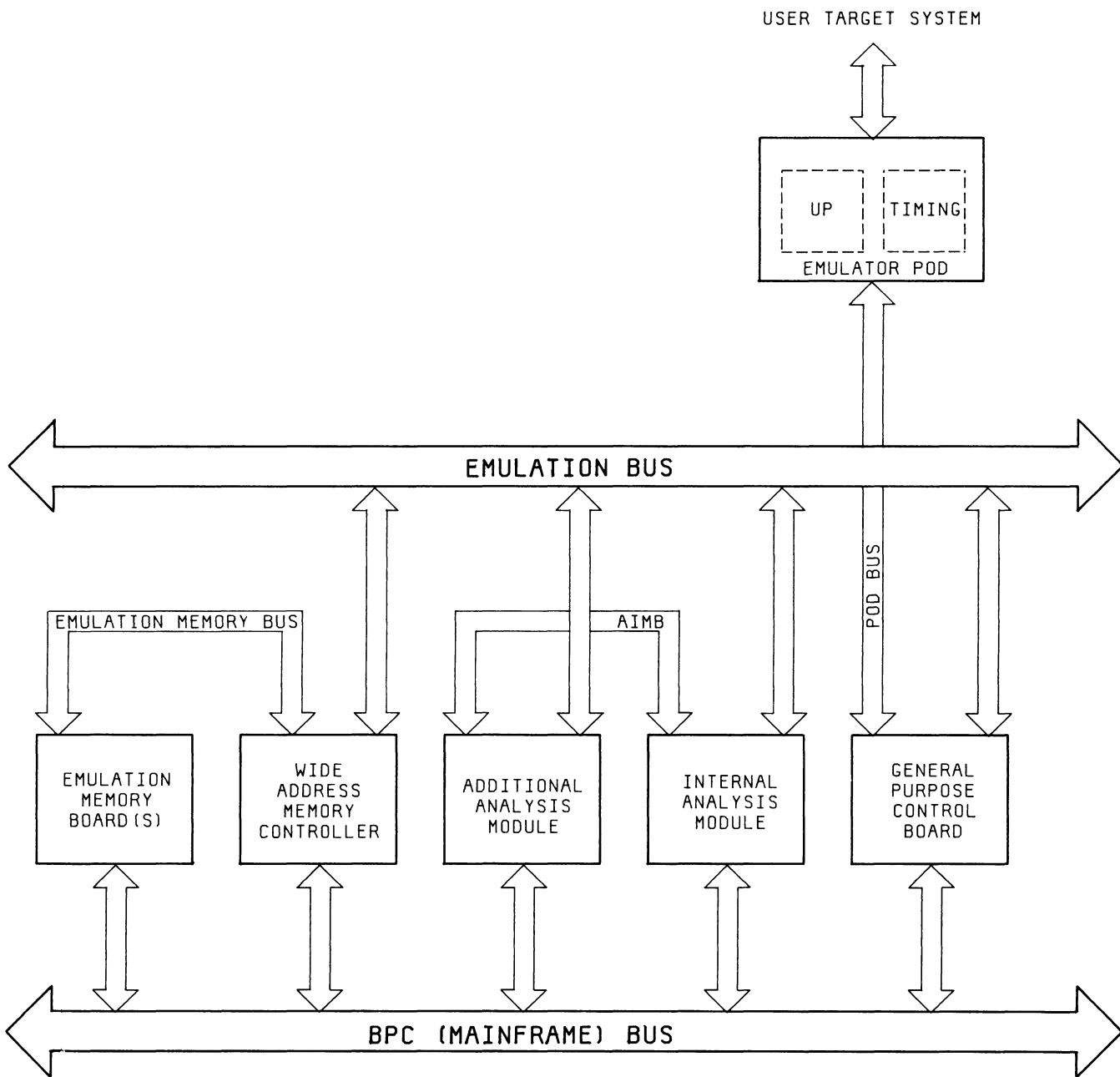
8-2. This section contains block diagrams, schematics and theory of operation for the 64155A Wide Address Memory Controller.

8-3. Emulation System Block Diagram Description.

8-4. Figure 8-1 is a basic block diagram of an emulation system and shows the placement of the 64155A Wide Address Memory Controller in the system.

8-5. The 64155A Wide Address Memory Controller is the interface between Emulation Memory, the installed Emulator, and the 64000 operating system. This option also maps the users address received via the Emulation Bus into available Emulation Memory. The mapping process is performed by Mapper RAMs which reside on the Memory Controller. In a 16 bit emulation system, up to four Low Power Emulation Memory Boards (HP Model 64152B, 64153B or 64154B) can be installed. A read/write operation to Emulation Memory is performed via the Memory Bus.

8-6. The Mapper RAMs also output signals which specify what type of memory the given block of Emulation Memory is supposed to act like (RAM, ROM or GUARDED Memory), or whether a given address is to be regarded as user address space and not acted upon. The Memory Controller will also signal the analysis equipment and halt emulation when a GUARDED memory access is attempted and, if optionally configured, when a write to ROM is attempted.



5/20/81

Figure 8-1. Emulation System Block Diagram

8-7. 64155A Wide Address Memory Controller Block Diagram.

8-8. A detailed block diagram of the 64155A Wide Address Memory Controller is shown six times in this section. Each time it is repeated, the shaded area will represent the circuitry for an associated schematic. A circuit description, which includes this block diagram level, is given after the mnemonic table.

8-9. Signal Mnemonics.

8-10. Table 8-1 lists the signal mnemonics used on the schematics and in the theory of operation in this section:

Table 8-1. Signal Mnemonics

Mnemonic	Meaning	Origin
25 MHz	25 MHz system clock.	CPU Bus, Schematic 1.
B25 MHz	Buffered 25 MHz. Buffered version of the 25 MHz system clock.	U79-12, Schematic 1.
CNTLA	Control "A". Control signal that determines whether or not the CPU waits for the emulator to finish a memory access before it begins its own access.	U55-19, Schematic 5.
CNTLB	Control "B". Control signal that determines whether or not emulation address must be set up for 64 ns before the falling edge of HMAV.	U55-16, Schematic 5.
CNTLC	Control "C". Control signal that determines which edge of LWDV is used to strobe write data into Emulation Memory.	U55-15, Schematic 5.
CNTLW	Control Write. Signal that clocks the control bits into the control register.	U91-13, Schematic 4.
CPUWSTB	CPU Write Strobe. Initiates a write for the CPU.	U62-11, Schematic 2.
DRVEM	Drive Emulator Bus. When low this signal enables the data bus buffers to drive the emulation bus for a read operation from Emulation Memory.	U50-11, Schematic 3.

Table 8-1. Signal Mnemonics (Cont'd)

Mnemonic	Meaning	Origin
EMWSTB	Emulation Write Strobe. Write strobe for the write strobe generation circuitry. Generated by the emulation access circuitry.	U18-4, Schematic 2.
HBSTM	High Buffered Start Memory. Inverted, buffered version of LSTM. Gated via U62B to enable the U42B one shot to start a CPU memory access timeout.	U74-4, Schematic 4.
HCOMPL	High Complete Access. Status bit which is high if the CPU access to Emulation Memory just performed was completed successfully.	U44-9, Schematic 1.
HDISCONB	High Disconnected Cable B. High if cable "B" is disconnected. This is the center Emulation Bus Cable.	Emulation Bus, Schematic 5.
HDISCONC	High Disconnected Cable "C". High if cable "C" is disconnected. This is the Emulation Bus cable located on the upper right side of the board, as viewed from the front of the mainframe.	Emulation Bus, Schematic 5.
HGRD	High Guarded. Status bit which is high if an access to guarded memory was made.	U65-7, Schematic 3.
HMAV	High Memory Available. When high, the emulator is not presently making an access to Emulation Memory.	Emulation Bus, Schematic 3.
HREAD	High Read. High when a read from Emulation Memory is being performed. This signal enables the Data Bus Drivers on the Memory Board.	U17-11, Schematic 2.
HREADY	High Ready. When this signal goes high an Emulator Memory access has been completed.	U68-11, Schematic 3.
HROM	High ROM. Status bit which is high to note an access to ROM was made.	U65-9, Schematic 3.
HWDV	High Write Data Valid. The inverted version of LWDV which is gated to generate the Emulation Write Strobe (EMWSTB).	U56-12, Schematic 3.

Table 8-1. Signal Mnemonics (Cont'd)

Mnemonic	Meaning	Origin
LA0-LA10	Low Address 0-10. 64000 System address lines, active low.	CPU Bus, Schematic 4.
LA12, LA13	Low Address 12, 13. 64000 System address lines, active low.	CPU Bus, Schematic 4.
LBA0-LBA10	Low Buffered Address 0-10. Buffered system address lines.	U89, U90, Schematic 4.
LBBPOP	Low Buffered Buffered Power On Preset. LPOP which has been buffered twice for fan out reasons.	U94-8, Schematic 2.
LBBYTE	Low Buffered Byte. Buffered version of LBYTE.	U89-12, Schematic 2.
LBPOP	Low Buffered Power On Preset. LPOP which has been buffered once.	U94-6, Schematic 2.
LBRK	Low Break. Pulls emulation break line which sends the Emulator into the Monitor Mode.	U54-12, Schematic 3.
LBSEL	Low Buffered Select. Buffered version of LSEL.	U89-9, Schematic 4.
LBSTB	Low Buffered Strobe. Buffered version of LSTB.	U89-7, Schematic 4.
LBSTM	Low Buffered Start Memory. Buffered version of LSTM.	U89-5, Schematic 4.
LBUPB	Low Buffered Upper Byte. Buffered version of LUPB.	U37-6, Schematic 2.
LBWRT	Low Buffered Write. Buffered version of LWRT.	U94-3, Schematic 4.
LBYTE	Low Byte. When low, indicates that a memory cycle is to involve an eight bit byte, rather than the full sixteen bits of the word.	CPU Bus, Schematic 2.
LCLSTA	Low Clear Status. Clears the HROM and HGRD status bits.	U78-6, Schematic 5.

Table 8-1. Signal Mnemonics (Cont'd)

Mnemonic	Meaning	Origin
LDO-LD15	Low Data 0 - 15. A 16 bit bi-directional bus used to transfer data to and from the CPU. When LSTB is low, data is present on the bus.	CPU Bus, Schematic 4.
LDISCON	Low Disconnected Cables. Signal which is low if both Emulation cables are disconnected.	U38-11, Schematic 5.
LEA1-LEA23	Low Emulation Address 1 - 23. Emulation address bus signals.	U12 - U14, Schematic 5.
LEBUP	Low Emulation Byte Upper. Same as LUPB except it comes from the Emulator instead of the CPU.	U41-12, Schematic 3.
LEBYT	Low Emulation Byte. Same as LBYTE except comes from Emulator instead of the CPU.	U41-9, Schematic 3.
LEDO-LED15	Low Emulation Data 0 - 15. Emulation Data Bus lines.	U3 - U6, Schematic 7.
LGRD	Low Guard. Signal which goes low if the current Emulation Memory Access is mapped as Guarded Memory.	U2-14, Schematic 7.
LIDEN	Low Identification Enable. When low, enables all PC Boards in slots 0 thru 9 (option slots) to generate card-type ID codes after interrogation by the slot select command.	CPU Bus, Schematic 5.
LIDENG	Low Identify Enable Gated. This signal is used with LIDEN to enable the board ID code. This signal is generated by U92 via LBSTB and LBSEL.	U92-7, Schematic 4.
LIR1	Low Interrupt Request 1. Requests a system interrupt.	U86-8, Schematic 3.
LLA11 - LLA22	Low Latched Address 11 - 22. Outputs of the upper address register.	U29, U31, Schematic 5.
LLA19I - LLA22I	Low Latched Address 19 - 22 Inverted. The inverted version of the upper four bits of the upper address register.	U31, Schematic 5.

Table 8-1. Signal Mnemonics (Cont'd)

Mnemonic	Meaning	Origin
LMAP1 - LMAP3	Low Address Map 1 - 3. Extends address selection capability to 64k locations on each option card. Active low.	CPU Bus, Schematics 1, 2 and 4.
LMAP1G	Low Map 1 Gated. A version of LMAP1 which is used to enable the U19 and U21 readback latches.	U92-9, Schematic 4.
LMAP2G	Low Map 2 Gated. A version of LMAP2 which is used to enable U91.	U92-10, Schematic 4.
LMAP3G	Low Map 3 Gated. A version of LMAP3 which is gated with LBWRT to initiate the Mapper RAM write signal (LMPRWE).	U92-12, Schematic 4.
LMAV	Low Memory Available. Inverted version of HMAV which clocks U96.	U56-10, Schematic 3.
LMBRKS	Low Memory Break Status. This signal, when low, means that the memory controller pulled LBRK low and not the Analysis unit.	U56-2, Schematic 3.
LMD0-LMD15	Low Memory Data 0 - 15. Emulation Memory Data Bus.	Memory Bus/ U20, U22, Schematic 7.
LMPRWE	Low Mapper Write Enable. This is the write Strobe for the Mapper RAMs.	U62-3, Schematic 4.
LMSKINT	Low Mask Interrupts. When low this signal prevents the CPU from being interrupted when the memory controller pulls LBRK.	U55-9, Schematic 5.
LMSYN	Low Memory Sync. A signal from addressed devices. When low, forces the CPU to wait until the addressed devices can complete the read or write operation.	U54-4, Schematic 1.
LPOP	Low Power on Pulse. When low, initializes and prevents the CPU from running. When LPOP is released, the CPU begins operation at address 20 Hex.	CPU Bus, Schematic 2.

Table 8-1. Signal Mnemonics (Cont'd)

Mnemonic	Meaning	Origin
LPVEN	Low Performance Verification Enable. When this control bit is low the PV buffers and transceivers are enabled if the Emulation Bus cables have been removed.	U55-5, Schematic 5.
LPVENG	Low Performance Verification Enable Gated. This signal is generated by gating LPVEN and LDISCON. If PV is enabled and the Emulation Bus cables are disconnected, the PV buffers will be enabled.	U32-8, Schematic 5.
LPVRD	Low PV Read. This signal goes low when a PV read is being performed.	U91-10, Schematic 4.
LPVWRT	Low PV Write. This signal goes low when a PV write is being performed.	U91-11, Schematic 4.
LRDINT	Low Read Interrupt. This signal enables the interrupt status bits for a BPC read operation.	U91-12, Schematic 4.
LRDSTA	Low Read Status. This signal enables the HCOMPL and LDISCON status bits for a BPC read operation.	U91-14, Schematic 4.
LROM	Low ROM. This signal goes low when the current emulation access is from memory which is mapped as ROM.	U2-18, Schematic 7.
LROMEN	Low ROM Enable. When this control bit is low it allows a write to ROM to cause LBRK to be pulled.	U55-6, Schematic 5.
LSEL	Low Select. Slot select signal for the card cage.	CPU Bus, Schematic 4.
LSTB	Low Strobe. When low, and in the write mode, indicates the data bus has valid information on it. When low, and in the read mode, indicates the CPU is not driving the bus, and the device addressed can now drive it.	CPU Bus, Schematic 4.

Table 8-1. Signal Mnemonics (Cont'd)

Mnemonic	Meaning	Origin
LSTM	Low Start Memory. Used to initiate a memory cycle. When low, indicates the the information on the Address Bus is valid.	CPU Bus, Schematic 4.
LUPB	Low Upper Byte. When low, indicates the upper byte is being written or read and is used only when LBYTE is low.	CPU Bus, Schematic 4.
LUSER	Low User. When low this signal means that the current access being made by the emulator is from user memory.	U2-16, Schematic 7.
LUSERL	Low User Latched. Latched version of LUSER.	U49-5, Schematic 3.
LWADRUP	Low Write Address Upper. Write strobe for the upper address register.	U91-15, Schematic 4.
LWDV	Low Write Data Valid. A signal which is inverted and gated to generate the Emulator Write Strobe (EMWSTB).	U41-14, Schematic 3.
LWRL	Low Write Lower. Write strobe for the lower 8 bits of Emulation Memory.	U18-13, Schematic 3.
LWRT	Low Write. Read/Write status line for the CPU.	CPU Bus, Schematic 4.
LWRU	Low Write Upper. Write strobe for the upper 8 bits of Emulation Memory.	U18-1, Schematic 2.
MA0-MA19	Memory Address 0 - 19. Emulation Memory Address Bus.	U9 - U11 on Schematic 5 and U1, U2 on Schematic 7.
MD00-MD07	Mapper Data Out 0 - 7.	U81 - U84 and U69 - U72, Schematic 6.
MD08-MD015	Mapper Data Out 8 - 15.	U57 - U60 and U45 - U48, Schematic 6.
MPX	Multiplex. When high this signal turns the address multiplexer to point toward the CPU instead of the Emulator.	U74-10, Schematic 2.

Table 8-1. Signal Mnemonics (Cont'd)

Mnemonic	Meaning	Origin
$\overline{\text{MPX}}$	MPX Inverted. Inverted version of MPX used on the multiplexer which requires a low to turn toward the CPU.	U93-6, Schematic 2.
MRA0-MRA11	Mapper RAM Address 0 - 11. Address inputs to the Mapper RAMs.	U28, U30, U32, Schematic 5.
RCVEM	Receive Emulation Bus. When high this signal enables the Emulation Data Bus Transceivers so that data can be input from the Emulator during an emulation write operation.	U18-10, Schematic 3.
S	Select. This control bit selects the block size. When low the block size is 128 words, when high the block size is 2k words.	U55-12, Schematic 3.
$\overline{\text{S}}$	Select Inverted. Inverted version of select.	U56-6, Schematic 5.
SSMA	Sync Start Memory Access.	U64-11, Schematic 1.
STHGRD	Set HGRD. This signal goes low to set the HGRD status bit for Performance Verification.	U91-9, Schematic 4.
STHROM	Set HROM. This signal goes low to set the HROM status bit for Performance Verification.	U91-7, Schematic 4.

8-11. THEORY OF OPERATION.

8-12. Mapper RAMs.

8-13. The Mapper RAMs map the users address into available Emulation Memory. That is, a given address input is received from the Emulation Bus and is loaded into the RAMs. The data outputs of the RAMs then serve as the address for Emulation Memory. Three of the RAMs (U46, U47 and U48) are not used for generating a memory address. These three RAMs identify what type of memory the given block of Emulation Memory is supposed to act like. It can act like RAM, ROM or GUARDED memory, or a given address can be regarded as user address space and not acted upon. The resistors in series on the Mapper RAM address lines reduce ringing which might occur because of the high input impedance of the RAMs.

8-14. Data Buses.

8-15. There are essentially three data buses on this board:

- CPU Data Bus (LD0-LD15)
- Emulation Data Bus (LED0-LED15)
- Memory Data Bus (LMD0-LMD15)

8-16. The CPU Data Bus is buffered immediately when it comes on board by the U87 and U88 transceivers. These transceivers are always enabled and normally point toward the Memory Controller. They point toward the CPU Bus when U37 pin 8 goes low. This only occurs when the board is selected (U36 pin 8 goes high), a read operation is being performed (LBWRT is high), and LSTB is active (U74 pin 6 is high).

8-17. After the incoming CPU Data Bus is buffered, it is routed to the Upper Address Register (U29 and U31), the Control Register (U55), the Memory Bus Write Buffers (U20 and U23), the Emulation Bus Transceivers (U7 and U8) and the Mapper RAM data inputs. Most read and write signals for the various registers and Mapper RAMs are generated by address decoders U92 and U93. The write strobe for the Mapper RAMs, however, is generated by U62 pin 3. This occurs each time U76 pin 10 goes positive. The duration of the write strobe is determined by the U75 delay line.

8-18. The Memory Bus Write Buffers are used to transfer write data from the CPU Bus to the Memory Bus during a CPU write to Emulation Memory. The CPU Readback Latches (U19 and U21) are used to latch data during a high speed memory read. This permits the CPU to read the latched data when it is ready thereby not tying it up for a microsecond or more at a time.

8-19. The Emulation Bus PV Transceivers connect between the Emulation Data Bus and the CPU Data Transceivers. They permit the CPU to look like an emulator during Emulation Bus Performance Verification cycles.

8-20. The Emulation Data Bus also connects to the PV Data Bus Transceivers. These permit the emulator to access Emulation Memory when necessary and are otherwise tri-stated.

8-21. The Emulation Memory Bus permits Emulation Memory to be accessed by both the CPU and read/write devices on the Emulation Bus.

8-22. Address Buses.

8-23. There are four address buses on this board:

- The CPU Address Bus (LA0 - LA10)
- Mapper RAM Address Bus (MRA0 - MRA11)
- Memory Mapper Address Bus (MA0 - MA19)
- Emulation Address Bus (LEA1 - LEA23)

8-24. The CPU Address Bus is buffered immediately upon entering the board by U89 and U90. After it is buffered, it connects to the Emulation Address Bus PV Buffers (U12 - U14) and the Memory/Mapper Address Bus Multiplexers (U9 - U11, U28, U30, U32). Also, the outputs of the Upper Address Register (U29 and U31) are a part of the CPU Address Bus. These latched outputs (LLA11 - LLA18) constitute the upper half of the CPU Address. The Emulation Address Bus PV Buffers, as previously noted, make the CPU look like an emulator during Emulation Bus PV cycles. The multiplexers select the proper address bus to drive the memory/mapper address lines. The inverted outputs of U31 duplicate the inversion caused by the discrete multiplexer on the Emulation Address Bus's upper 4 bits.

8-25. The Emulation Address Bus is connected to the Emulation Address PV Buffers and the Multiplexers. U15 and U16 form a discrete multiplexer which selects between LEA20 - LEA23 and LEA8 - LEA11 to go to the uppermost Mapper Address Bus Multiplexer. This in turn selects the block size the emulator will use.

8-26. The Memory Address Bus is normally formed by the outputs of U9 - U11. However, when the 128 word block size is selected, the outputs of U11 are tri-stated and the outputs of U1 pins 3, 5, 7 and 9 are enabled instead. The Mapper Address Bus is then formed by the data outputs of the Mapper RAMs as well as U9 and U10. The Mapper RAM outputs are buffered by U1 and U2 to provide the necessary drive for the Memory Board Address Buffers.

8-27. The Mapper RAM Address Bus is formed by the outputs of the U28, U30 and U32 Multiplexers. This bus provides the address for the Mapper RAMs.

8-28. Performance Verification Circuitry.

8-29. In addition to the circuitry already mentioned, U41, U53 pin 8, U38 pin 11, and U32 pin 8 test the Emulation Bus. U38 pins 12 and 13 determine if the Emulation Bus Cables have been removed. If not, grounds on the Emulation Bus will pull down these inputs which are pulled high by R1 and R16 when the cables are removed. If the cables are not removed, a status bit will flag the CPU of this. The PV buffers cannot be enabled unless the Emulation Bus Cables are removed. When LPVEN is set in the Control Register (U55), accesses through address 5XXX Hex with LMAP2 low will be directed through the Emulation Bus. U51 pin 1, U67 and U54 pin 6 add wait states which slow down the CPU long enough to compensate for the delays added by all the buffers.

8-30. Read/Write Strobe Circuitry.

8-31. Three Sections of U17 form the read strobe generator. If the multiplexers are pointed toward the emulator (MPX low) and the emulator is reading (LEWRT high), or if the multiplexers are pointed toward the CPU (MPX high) and the CPU is reading (LBWRT high), HREAD will be high and a read is indicated. U33, U34, U35 and parts of U18, U36 and U37 form the write strobe generation circuitry. Depending upon the states of LEBYT and LEBUP, or LEBUP and LUPB, the outputs of U35 will allow generation of either LWRU or LWRL, or both. Depending upon the output of U37 pin 12, writes from the emulator may be prevented. The signals that initiate the write strobes are: CPUWSTB for the CPU, and EMWSTB for the Emulator.

8-32. CPU Emulation Memory Access Circuitry.

8-33. A CPU access is initiated when LMAP1 and LBSEL are low and LBSTM makes a high to low transition (HBSTM also goes high). At this time, two actions are initiated: LMSYN is pulled low and U42 pin 11 makes a high to low transition which starts a circuit timeout action of about 1 ms (U42 - U44). Then, when LBSTB goes low, the CPU access request is initiated (U77 pin 5 goes high). If CNTLA is high, the CPU request will be granted within 40 ns after LMAV goes low. If LMAV never goes low, the access will never be granted, in which case the timeout circuitry will timeout and release the CPU. It will also clear a status bit signifying that the access was never granted. The status bit will remain clear until read, at which time U42 pin 7 and U78 pin 11 will set it again. If the access is granted by LMAV going low or if CNTLA is low, it is allowed to continue by U78 pin 8 going high. Since accesses are granted asynchronously with respect to the synchronous state machine (U80, U95 and U96), the accesses must be synchronized. This is done by the CPU access synchronizer (U64). A discrete negative edge latch is used to reduce the time that the output might be meta-stable. When U64 pin 11 goes low signifying a granted access, U80 pin 10 goes high and starts the state machine in action.

The state machine first turns the multiplexers toward the CPU (U96 pin 5 goes low which causes U93 pin 6 to go high. Two states later, U95 pin 5 goes high which causes the CPUWSTB (U62 pin 11) to go low. At the same time this occurs U96 pin 6 goes low causing U94 pin 11 to go low. This clears the access request (U77 pin 5), clears the CPU holdoff (U77 pin 9), and also clears the timeout oneshot. When the oneshot is cleared, U42 pin 9 makes a low to high transition and clocks a low into U44 pin 2, which does not change it from its stable state. If U42 pin 9 timed out without being cleared, a high would be clocked into U44 pin 2. This would cause U44 pin 5 to go high for 50 ns which would clock a low into the access status register (U44 pin 9). With U95 pin 5 high, MPX stays high and, when two U96 pin 5 goes low two states later, the CPUWSTB will go high. Then, the next state would clock a low into U95 pin 5 causing MPX to go low and stop the state machine. The state machine and all access circuitry is cleared at power on by LBPOP and LBBPOP. U93 pin 5 is used to turn the multiplexers around for loading the Mapper RAMs.

8-34. Emulation Memory Access Circuitry.

8-35. An Emulation Memory access is initiated any time HMAV goes low. The state of CNTLB (U53 pin 2) determines the delay from HMAV (from the Emulation Bus) TCLK (U51 pin 10) going high. If CNTLB is high, HMAV propagates through U53, U52 and U51. If CNTLB is low, HMAV propagates through U56 pin 11, U51 pin 12 and U51 pin 9. U52 provides a 60 ns delay for TCLK to permit the address to propagate through the Mapper RAMs and be valid at the outputs of the buffers. TCLK initiates several actions. First, it clocks the LUSER status bit into U49. If LUSER is low, reads are disabled by U50 pin 13 and writes are disabled by U62 pin 10. If LUSER is high, the access proceeds normally. TCLK also clocks the LGRD status bit into U65. If LGRD is low, LBRK (U54 pin 12) and LMBRKS (U56 pin 2) are pulled low. When LBRK is asserted, it can only be released by performing an ID read. This causes LCLSTA to toggle which clears all of U65. TCLK also initiates the triggering of HREADY (U68 pin 11). The inputs to U66 pins 11 and 12 are gated to allow LEWRT (U50 pin 10) and HWDV (U53 pin 5) to transition either before or after TCLK and still provide the necessary time for a write cycle. When U66 pin 9 is triggered, the output goes low for 125 ns (+ or -5ns) and then goes high again. This causes a low to be clocked into U49 pin 9. HREADY, which went low when U50 pin 1 went high, is then allowed to go high again, signifying that the cycle is completed.

8-36. For certain emulators, HWDV will not go high within 125 ns of TCLK. This would cause this circuitry to react as though a read was performed before the write cycle was one half completed. To prevent this, when HWDV propagates through U53 pins 5 and 6, U66 pin 6 is triggered. This causes U51 pin 4 to go low which in turn presets U49 pin 9. If HREADY has already gone low and back high again, the preceding circuit action will cause it to again go low. Therefore, when HWDV occurs later than than 125 ns after TCLK, the emulator must be able to tolerate HREADY going high for a period during the cycle. If HWDV goes high before the timeout is complete, HREADY will stay low and U66 pin 9 will be retriggered to start the cycle from that point in time. The gated HWDV is also used to clock LROM into U65 pin 10. If LROM is low and LROMEN is low, LBRK and LMBRK will be pulled low. They must be cleared as described above. LMAV going low again clears both one shots and the LUSERL flip flop. It also presets U49 pin 9 for the next cycle. HWDV also initiates the Emulation Memory Write Strobe, EMWSTB. If LUSERL is high and HWDV goes high, U62 pin 8 will go low. If CNTLC (U27 pin 2) is low, U27 pin 1 will go high and cause EMWSTB (U18 pin 4) to go low and stay low until HWDV goes high and propagates through the circuitry. Then, EMWSTB will go high again. If CNTLC (U53 pin 12) is high, the output of U62 pin 8 will cause U27 pin 4 to go high. This drives U53 pin 11 high causing EMTSTB to go low. At the same time the output of U62 pin 8 propagates through U79 pins 1 and 2 and the U26 50 ns delay line. After this occurs, U27 pin 4 will go low which will return EMWSTB high.

Table 8-1. Logic Symbols

GENERAL

All signals flow from left to right, relative to the symbol's orientation with inputs on the left side of the symbol, and outputs on the right side of the symbol (the symbol may be reversed if the dependency notation is a single term).

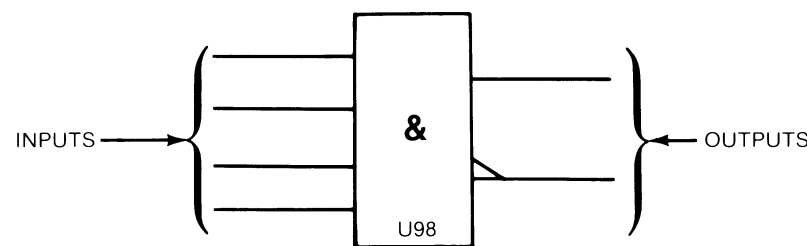
All dependency notation is read from left to right (relative to the symbol's orientation).

An external state is the state of an input or output outside the logic symbol.

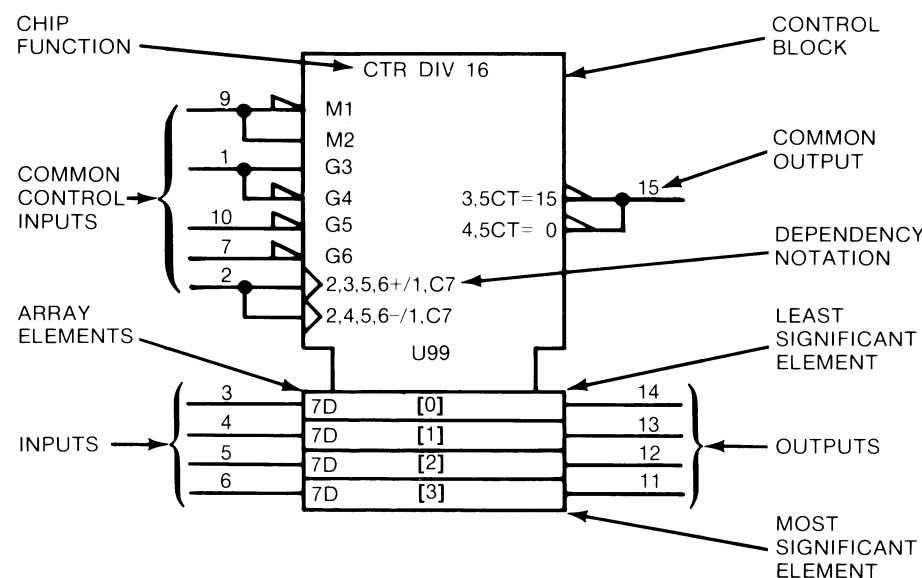
An internal state is the state of an input or output inside the logic symbol. All internal states are True = High.

SYMBOL CONSTRUCTION

Some symbols consist of an outline or combination of outlines together with one or more qualifying symbols, and the representation of input and output lines.



Some have a common Control Block with an array of elements:



CONTROL BLOCK - All inputs and dependency notation affect the array elements directly. Common outputs are located in the control block. (Control blocks may be above or below the array elements.)

ARRAY ELEMENTS - All array elements are controlled by the control block as a function of the dependency notation. Any array element is independent of all other array elements. The least significant element is always closest to the control block. The array elements are arranged by binary weight. The weights are indicated by powers of 2 (shown in []).

INPUTS - Inputs are located on the left side of the symbol and are affected by their dependency notation.

Common control inputs are located in the control block and control the inputs/outputs to the array elements according to the dependency notation.

Inputs to the array elements are located with the corresponding array element with the least significant element closest to the control block.

OUTPUTS - Outputs are located on the right side of the symbol and are effected by their dependency notation.

Common control outputs are located in the control block.

Outputs of array elements are located in the corresponding array element with the least significant bit closest to the control block.

CHIP FUNCTION - The labels for chip functions are defined, i.e., CTR - counter, MUX - multiplexer.

DEPENDENCY NOTATION

Dependency notation is always read from left to right relative to the symbol's orientation.

Dependency notation indicates the relationship between inputs, outputs, or inputs and outputs. Signals having a common relationship will have a common number, i.e., C7 and 7D...C7 controls D. Dependency notation 2,3,5,6+/1,C7 is read as when 2 and 3 and 5 and 6 are true, the input will cause the counter to increment by one count...or (/) the input (C7) will control the loading of the input value (7D) into the D flip-flops.

The following types of dependencies are defined:

- a. AND (G), OR (V), and Negate (N) denote Boolean relationship between inputs and outputs in any combination.
- b. Interconnection (Z) indicates connections inside the symbol.
- c. Control (C) identifies a timing input or a clock input of a sequential element and indicates which inputs are controlled by it.
- d. Set (S) and Reset (R) specify the internal logic states (outputs) of an RS bistable element when the R or S input stands at its internal 1 state.
- e. Enable (EN) identifies an enable input and indicates which inputs and outputs are controlled by it (which outputs can be in their high impedance state).
- f. Mode (M) identifies an input that selects the mode of operation of an element and indicates the inputs and outputs depending on that mode.
- g. Address (A) identifies the address inputs.

DEPENDENCY NOTATION SYMBOLS

A	Address (selects inputs/outputs) (indicates binary range)	N	Negate (compliments state)
C	Control (permits action)	R	Reset Input
EN	Enable (permits action)	S	Set Input
G	AND (permits action)	V	OR (permits action)
M	Mode (selects action)	Z	Interconnection

OTHER SYMBOLS

	Analog Signal		Inversion		Shift Right (or up)
	AND		Negation		Solidus (allows an input or output to have more than one function)
	Bit Grouping		Nonlogic Input/Output		Tri-State
	Buffer		Open Circuit (NPN) (external resistor)		Causes notation and symbols to effect inputs/outputs in an AND relationship, and to occur in the order read from left to right.
	Compare		Open Circuit (PNP) (external resistor)		Used for factoring terms using algebraic techniques.
	Dynamic		OR		Information not defined.
	Exclusive OR		Passive Pull Down (internal resistor)		Logic symbol not defined due to complexity.
	Hysteresis		Passive Pull Up (internal resistor)		
	Interrogation		Postponed		
	Internal Connection		Shift Left (or down)		

LABELS

BG	Borrow Generate	CO	Carry Output	J	J Input
BI	Borrow Input	CP	Carry Propagate	K	K Input
BO	Borrow Output	CT	Content	P	Operand
BP	Borrow Propagate	D	Data Input	T	Transition
CG	Carry Generate	E	Extension (input or output)	+	Count Up
CI	Carry Input	F	Function	-	Count Down

MATH FUNCTIONS

Σ	Adder	>	Greater Than
ALU	Arithmetic Logic Unit	<	Less Than
COMP	Comparator	CPG	Look Ahead Carry Generator
DIV	Divide By	π	Multiplier
=	Equal To	P-Q	Subtractor

CHIP FUNCTIONS

BCD	Binary Coded Decimal	DIR	Directional	RAM	Random Access Memory
BIN	Binary	DMUX	Demultiplexer	RCVR	Line Receiver
BUF	Buffer	FF	Flip-Flop	ROM	Read Only Memory
CTR	Counter	MUX	Multiplexer	SEG	Segment
DEC	Decimal	OCT	Octal	SRG	Shift Register

DELAY and MULTIVIBRATORS

	Astable
	Delay
	Nonretriggerable Monostable
	Nonvolatile
	Retriggerable Monostable

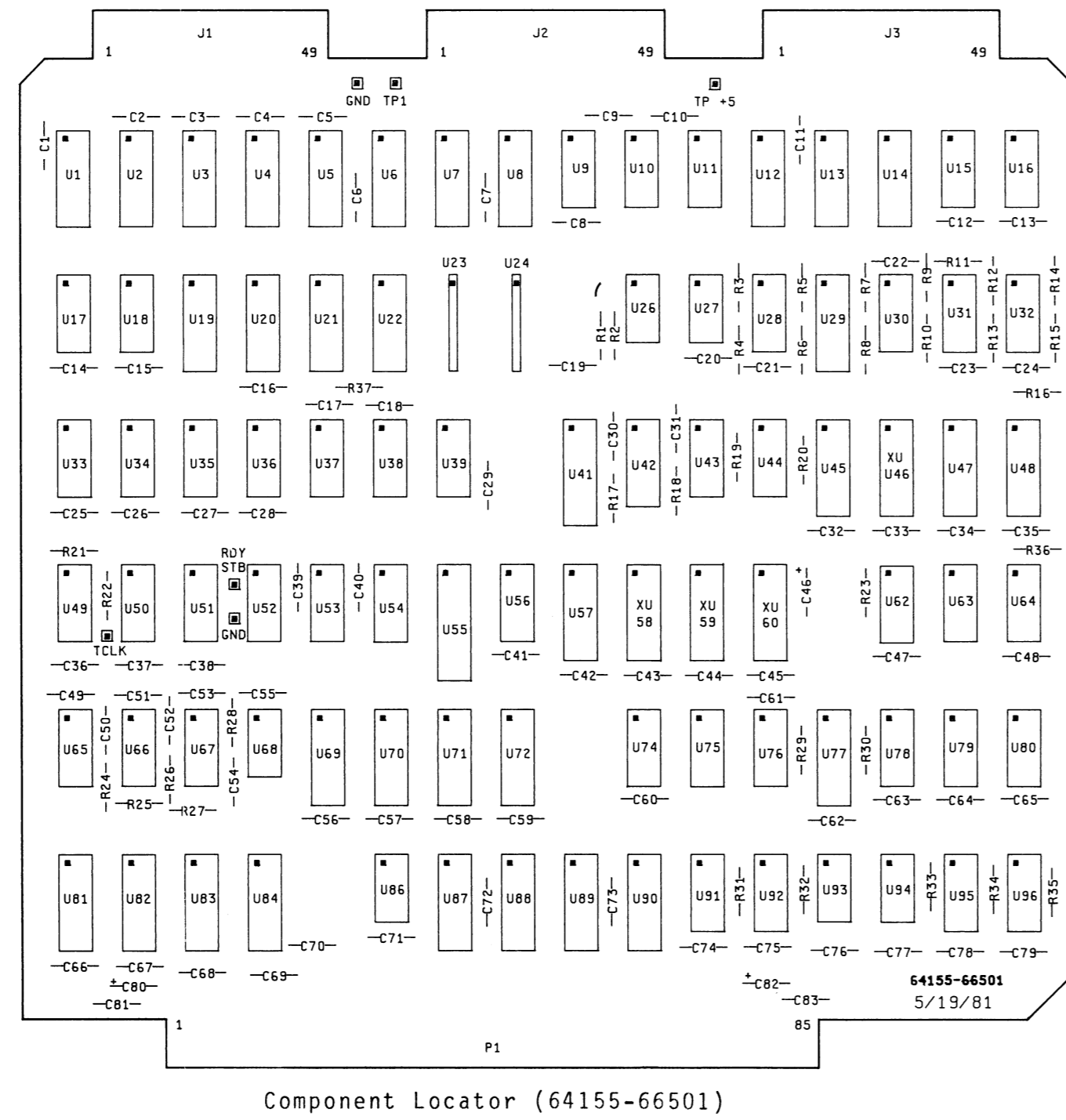


Figure 8-2. 64155A Wide Address Memory Controller

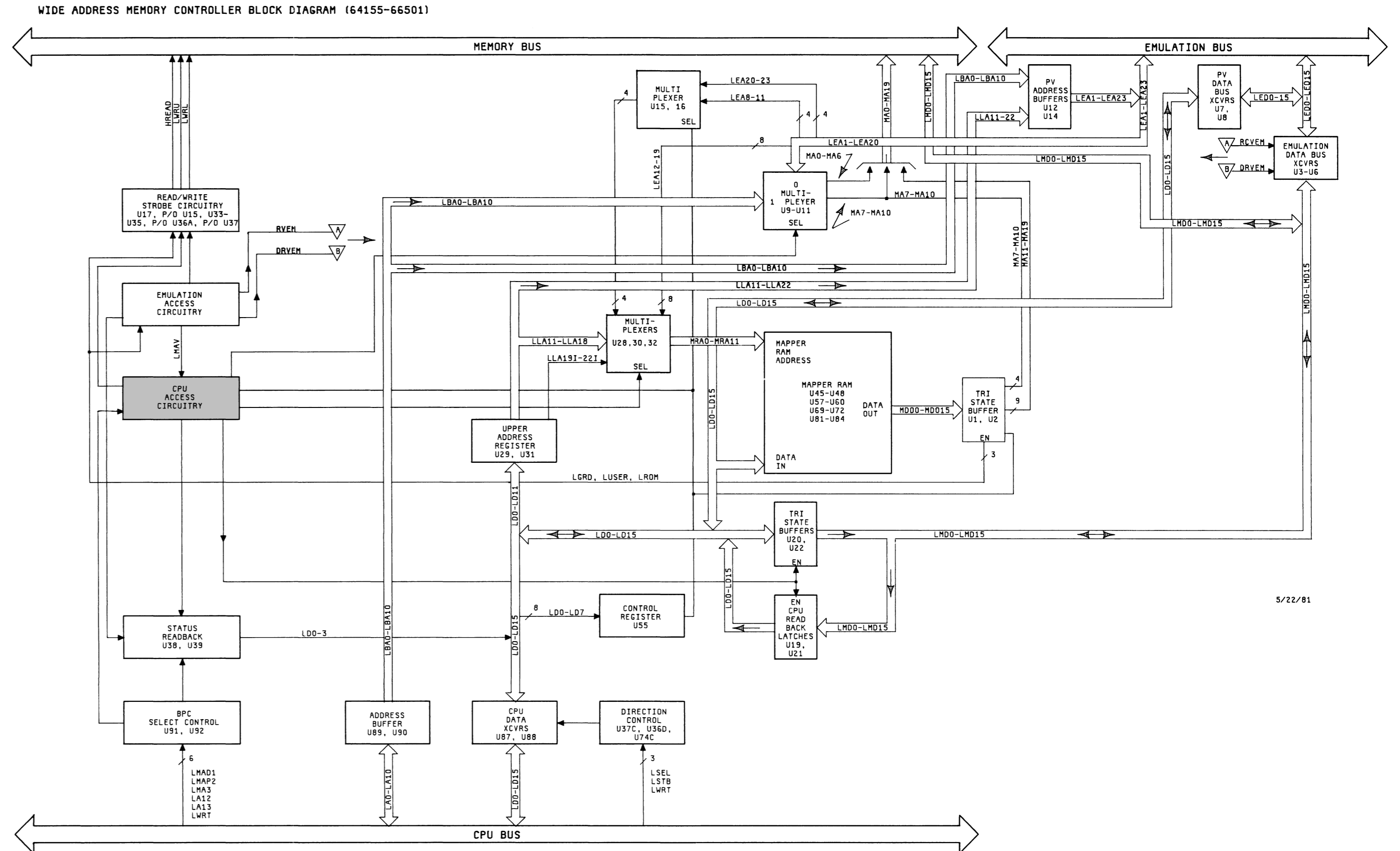
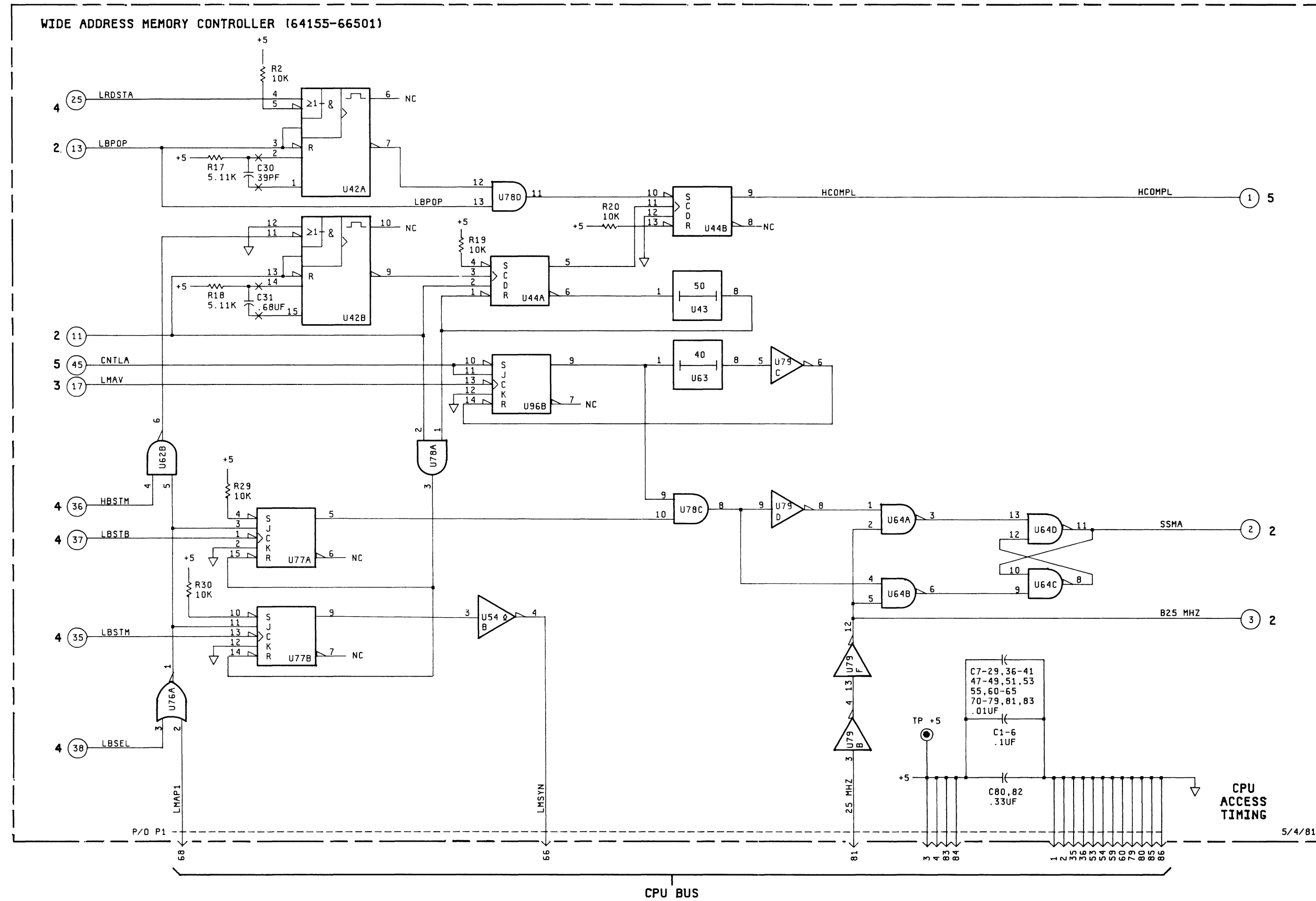


Figure 8-3. CPU Access Timing (Sheet 1 of 2)

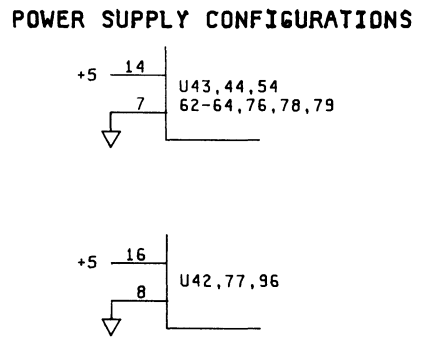


ICS ON THIS SCHEMATIC

REF DES.	HP PART NO.	MFR. PART NO.
U42	1820-1782	26S02
U43	1820-0555	TTLDL-50
U44	1820-2691	74F74
U54	1820-0684	74S05
U62,64	1820-2684	74F00
U63	1820-0554	TTLDL-40
U76	1820-1144	74LS02N
U77,96	1820-0629	74S112
U78	1820-2686	74F08
U79	1820-2506	74F04

PARTS ON THIS SCHEMATIC

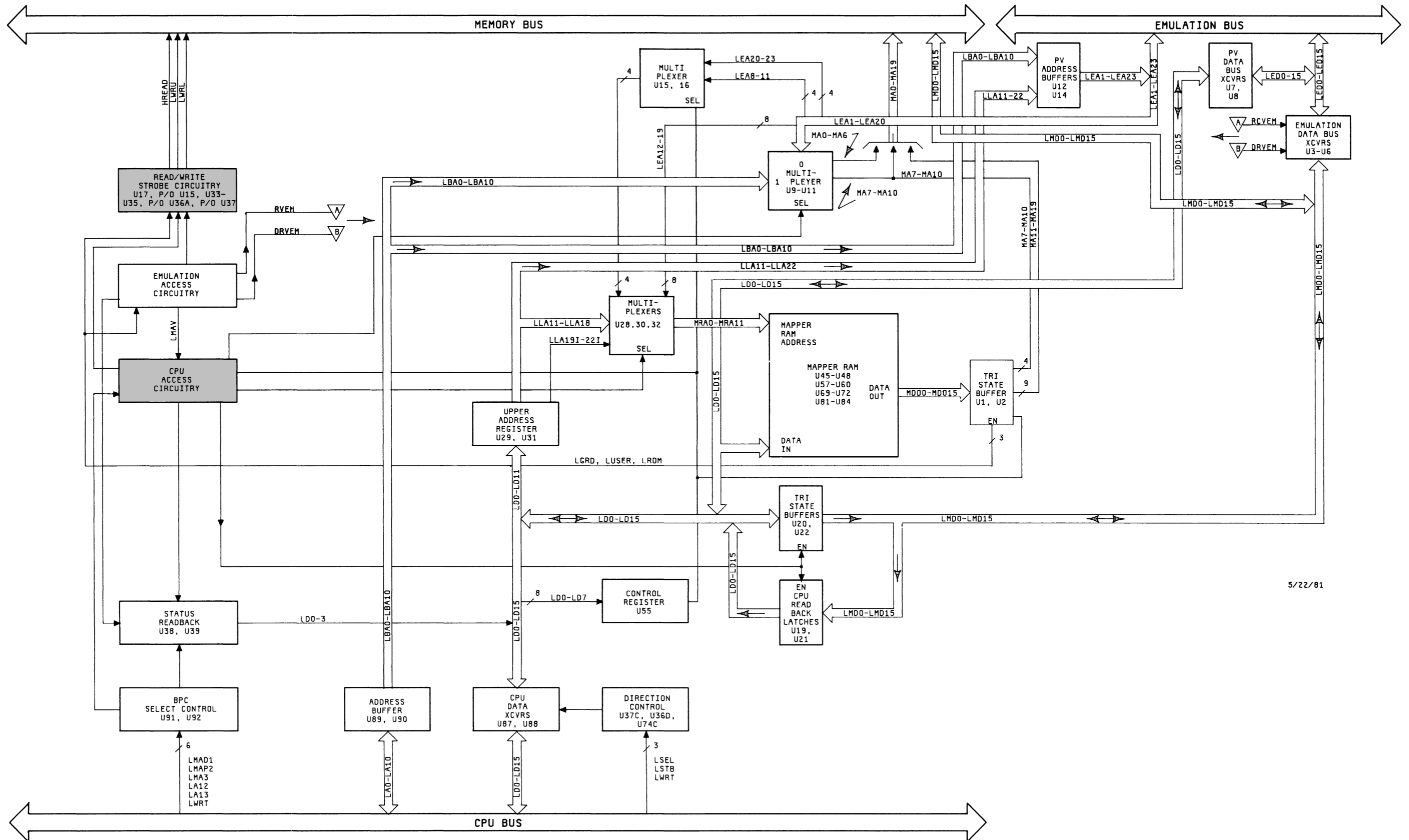
C1-31, 36-41, 47-49, 51, 53, 55
 60-65, 70-83
 R2, 17-20, 29, 30
 TP+5, GND
 U42-44, 54, 62-64
 76-79, 96



5/4/81

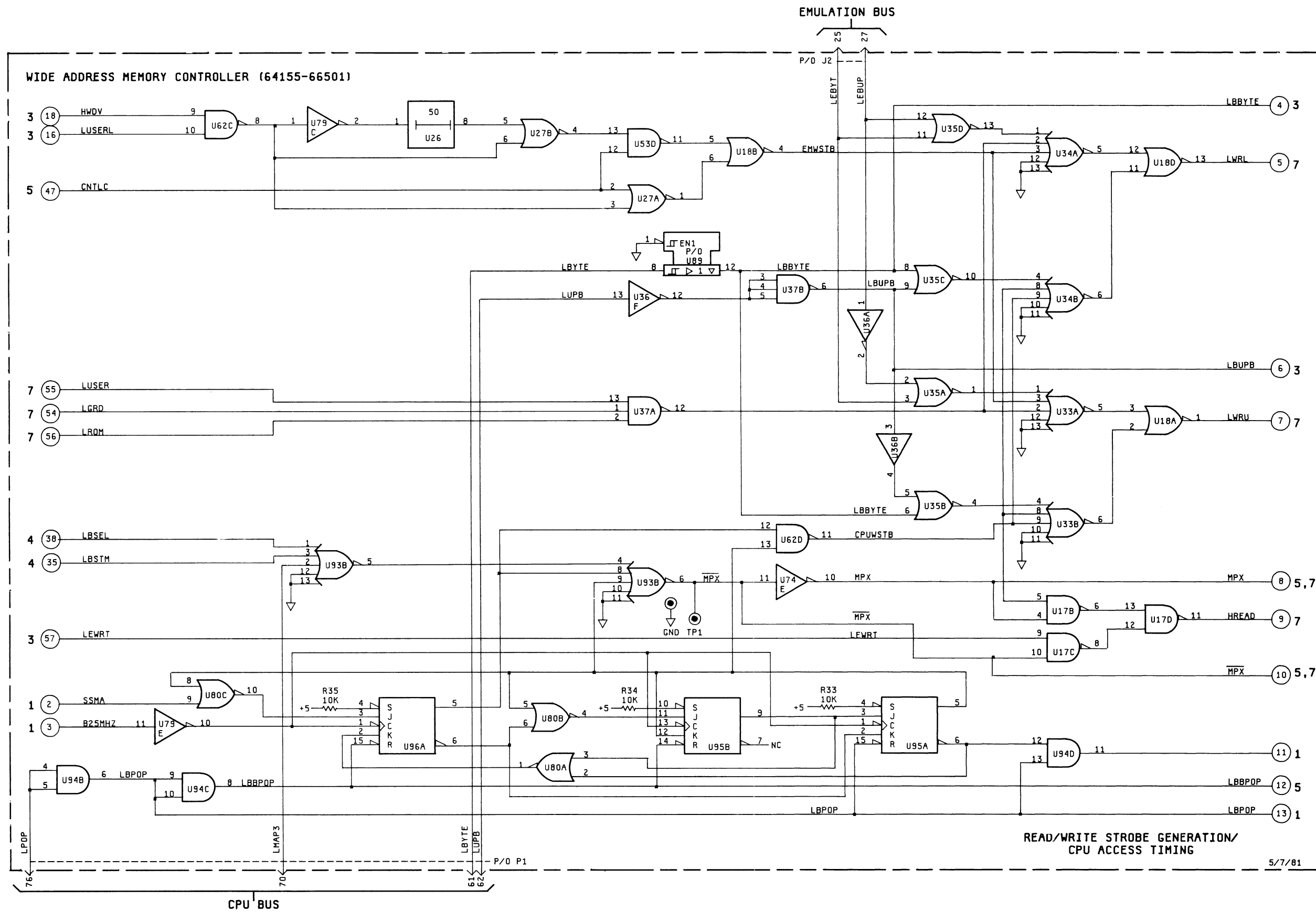
Figure 8-3.
 CPU Access Timing (Sheet 2 of 2)
 MEMCON 8-17

WIDE ADDRESS MEMORY CONTROLLER BLOCK DIAGRAM (64155-66501)



5/22/81

Figure 8-4. CPU Access Timing and Read/Write Strobe Generation (Sheet 1 of 2)



ICS ON THIS SCHEMATIC

REF. DES.	HP PART NO.	MFR PART NO.
U17, 62	1820-2684	74F00
U18, 27, 35, 80	1820-2685	74F02
U26	1820-0555	TTLDL-50
U29	1820-1997	74LS374
U33, 34, 93	1820-1275	74S260
U36, 74, 79	1820-2506	74F04
U37	1820-2687	74F10
U53, 94	1820-2686	74F08
U89	1820-2024	74LS244
U95, 96	1820-0629	74S112

PARTS ON THIS SCHEMATIC

R33-35
TP1, GND
U17, 18, 26, 27, 29, 33-37, 53, 62, 74, 79, 80, 93-96

IC POWER SUPPLY CONFIGURATIONS

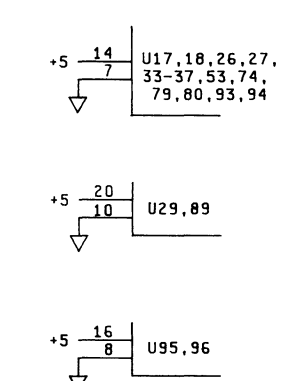
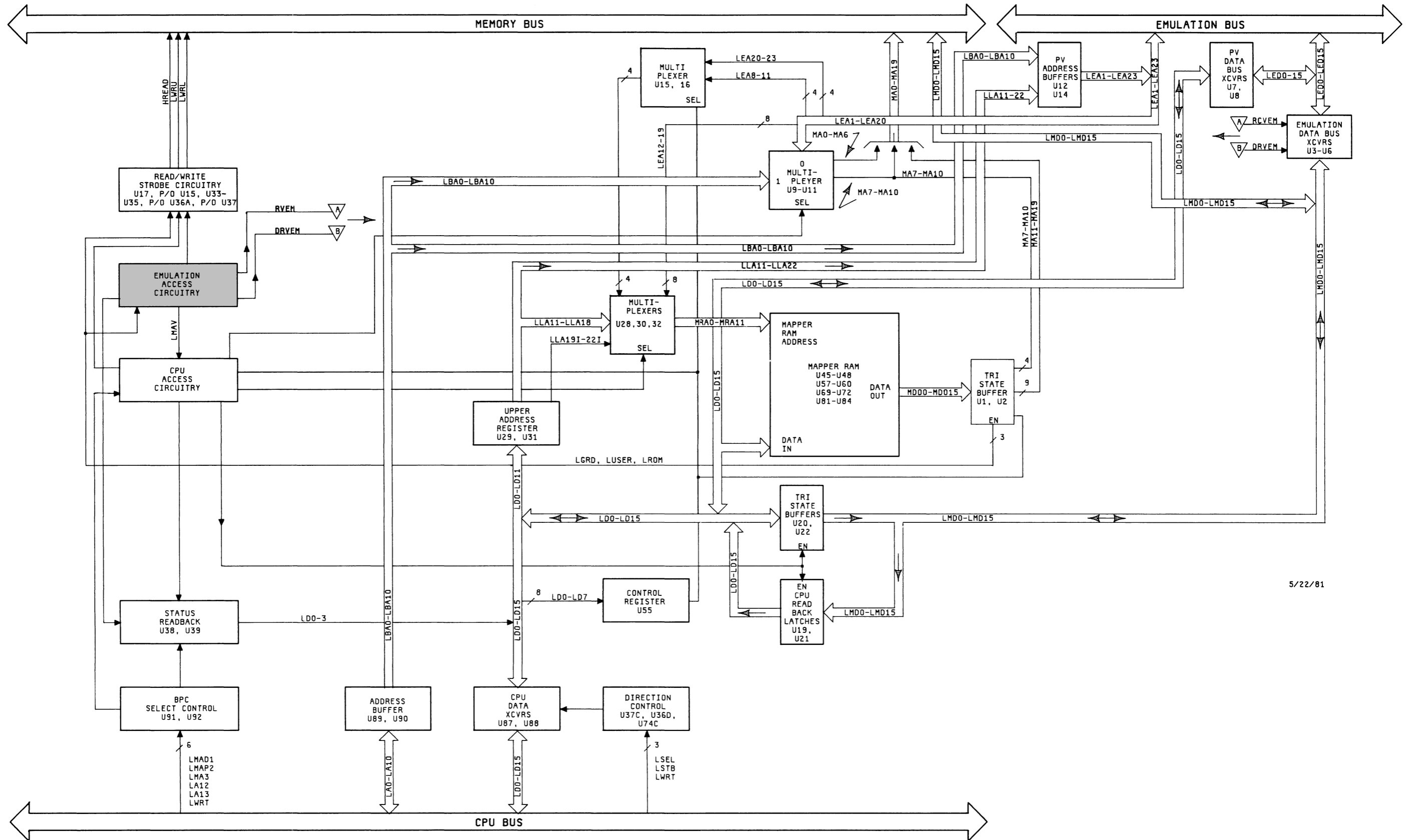


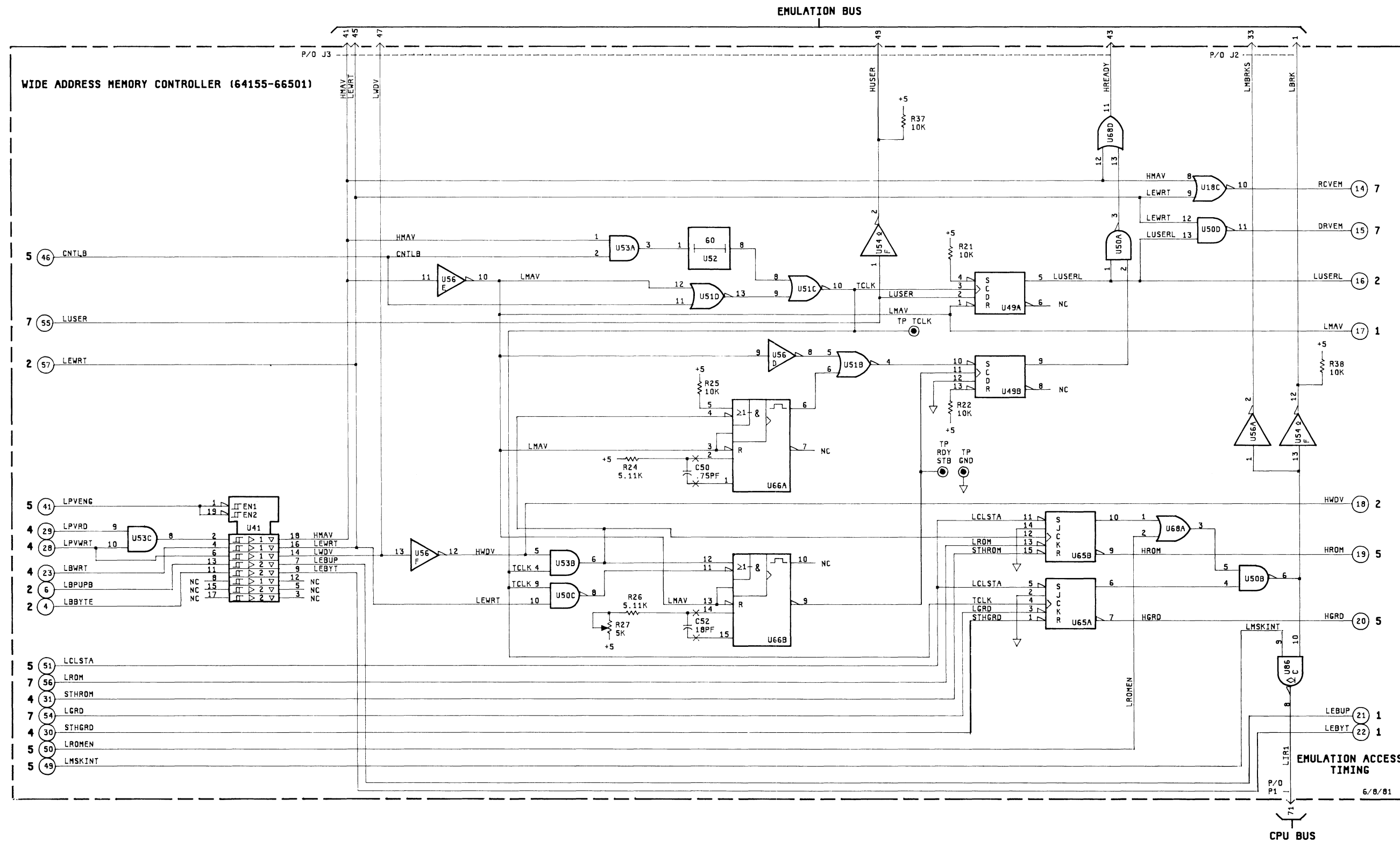
Figure 8-4.
CPU Access Timing and Read/Write Strobe Generation
(Sheet 2 of 2)
MEMCON 8-19

WIDE ADDRESS MEMORY CONTROLLER BLOCK DIAGRAM (64155-66501)



5/22/81

Figure 8-5. Emulation Access Timing (Sheet 1 of 2)
8-20 MEMCON



ICS ON THIS SCHEMATIC

REF. DES.	HP PART NO.	MFG. PART NO.
U18, 51	1820-2685	74F02
U41	1820-2024	74LS244
U49	1820-2691	74F74
U50	1820-2684	74F00
U52	1820-0556	TTDL-60
U53	1820-2686	74F08
U54	1820-0684	74S05
U56	1820-2506	74S04
U65	1820-2693	74F109
U66	1820-1782	26S02
U68	1820-2690	74F32
U86	1820-0682	74S03

PARTS ON THIS SCHEMATIC

C50, 52	R21, 22, 24-27, 37, 38
U18, 41, 49-54, 56, 65, 66, 68, 86	

IC POWER SUPPLY CONFIGURATIONS

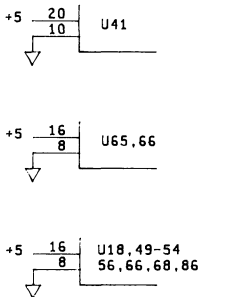
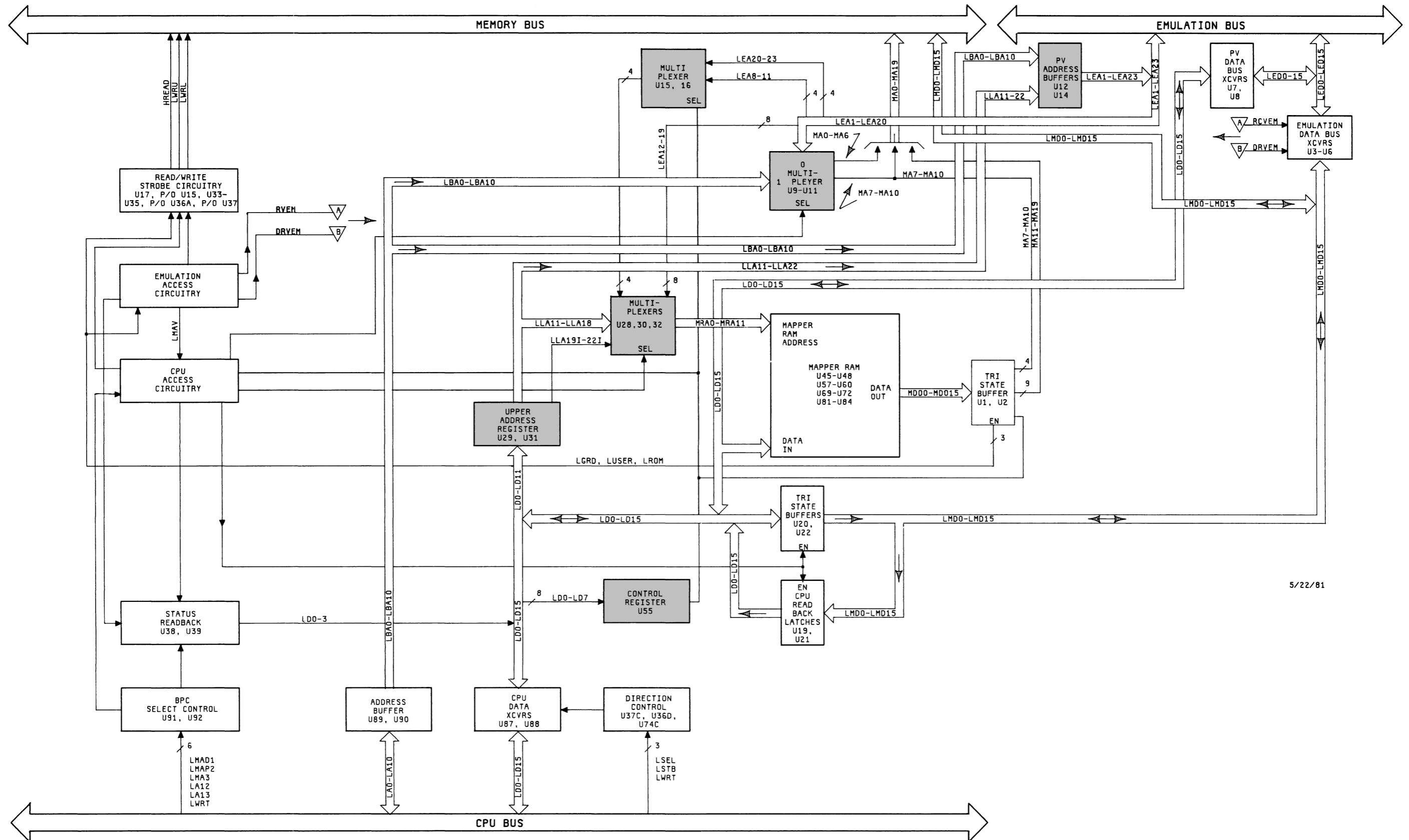


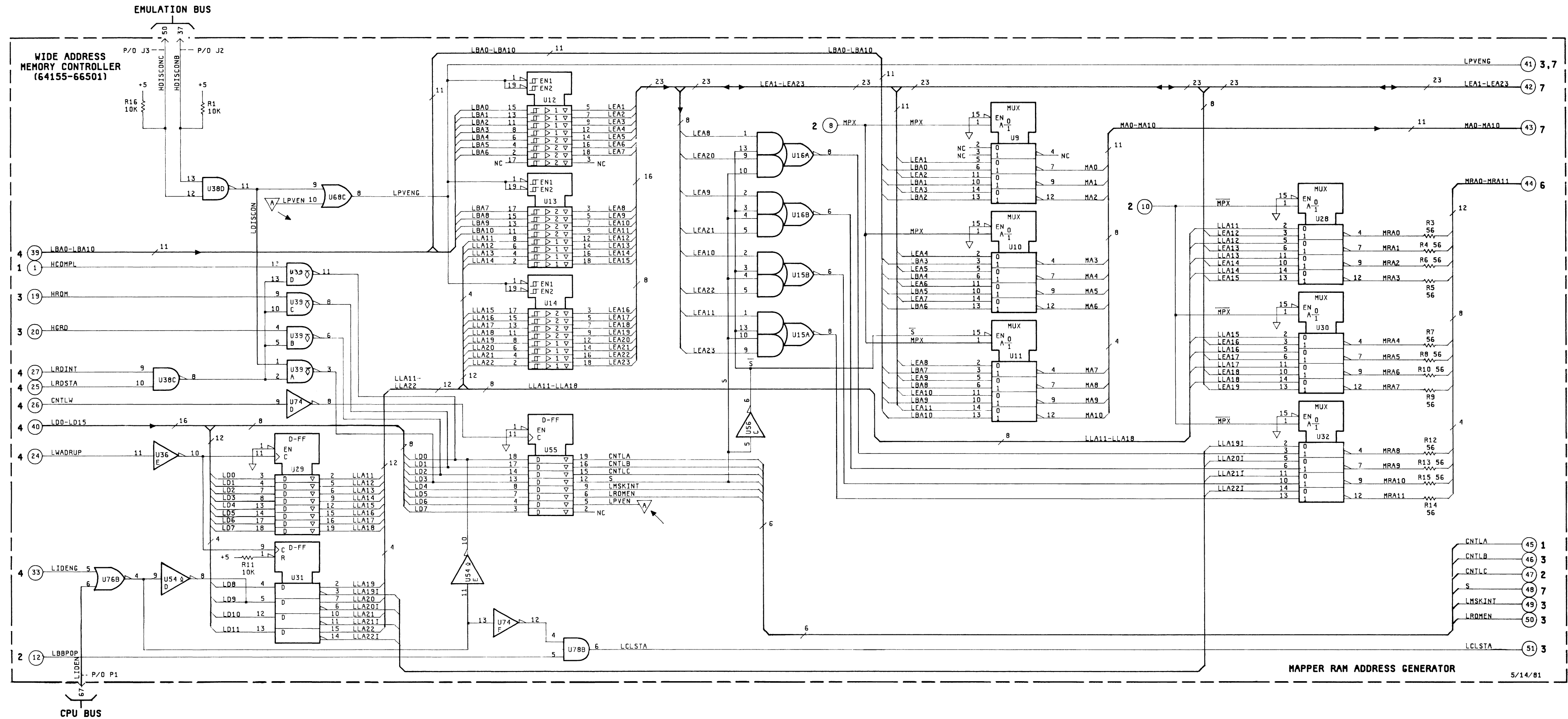
Figure 8-5.
Emulation Access Timing (Sheet 2 of 2)
MEMCON 8-21

WIDE ADDRESS MEMORY CONTROLLER BLOCK DIAGRAM (64155-66501)



5/22/81

Figure 8-7. Mapper RAM Address Generator and Memory Address Specifier (Sheet 1 of 2)



ICS ON THIS SCHEMATIC

REF. DES.	HP PART NO.	MFR. PART NO.
U9,10	1820-1428	74LS158
U11	1820-1439	74LS258
U12-14	1820-2024	74LS244
U15,16	1820-1158	74S51
U28,30,32	1820-2695	74F158
U29,55	1820-1997	74LS374
U31	1820-1195	74LS175
U36,74	1820-2506	74F04
U38	1820-1197	74LS00
U39	1820-1198	74LS03
U54	1820-0684	74S05
U68	1820-1449	74S32
U76	1820-1144	74LS02
U78	1820-2686	74F08

PARTS ON THIS SCHEMATIC

R1,3-16	
U9-16,28-32,36,38,39,53,54,68,74,76,78	

IC POWER SUPPLY CONFIGURATIONS

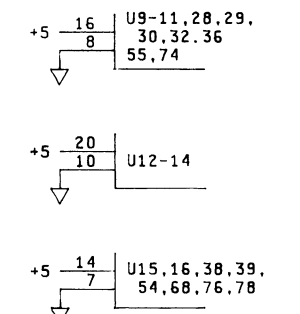
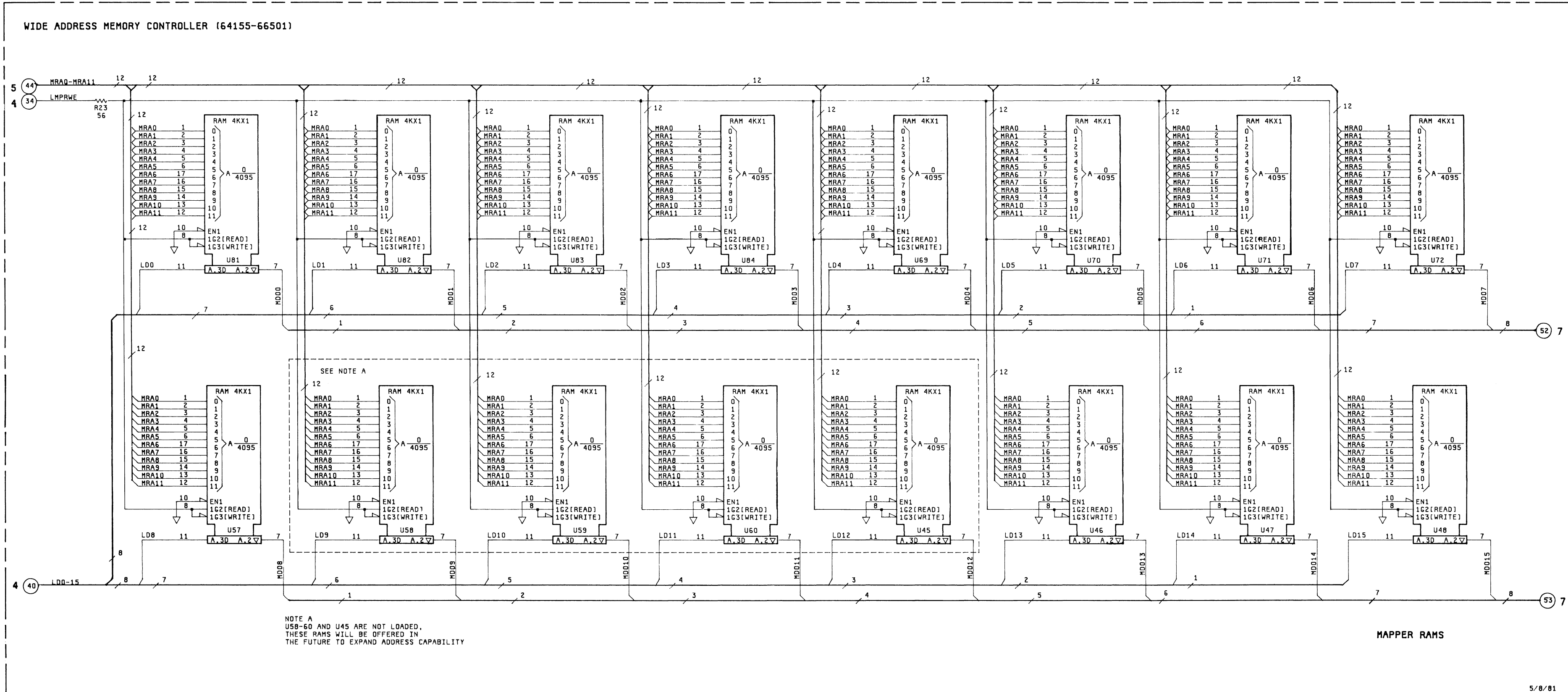


Figure 8-7.
Mapper RAM Address Generator and Memory Address Specifier
(Sheet 2 of 2)
MEMCON 8-25



ICS ON THIS SCHEMATIC

REF. DES.	MFR. PART NO.	HP PART NO.
U45		SEE NOTE A
U58-60	1818-1586	2147H-1
U46-48, 57, 69-72, 81-84		

PARTS ON THIS SCHEMATIC

C32-34, 46
R23
U45-48, 57-60, 69-72, 81-84

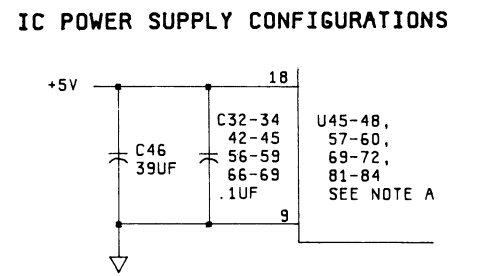
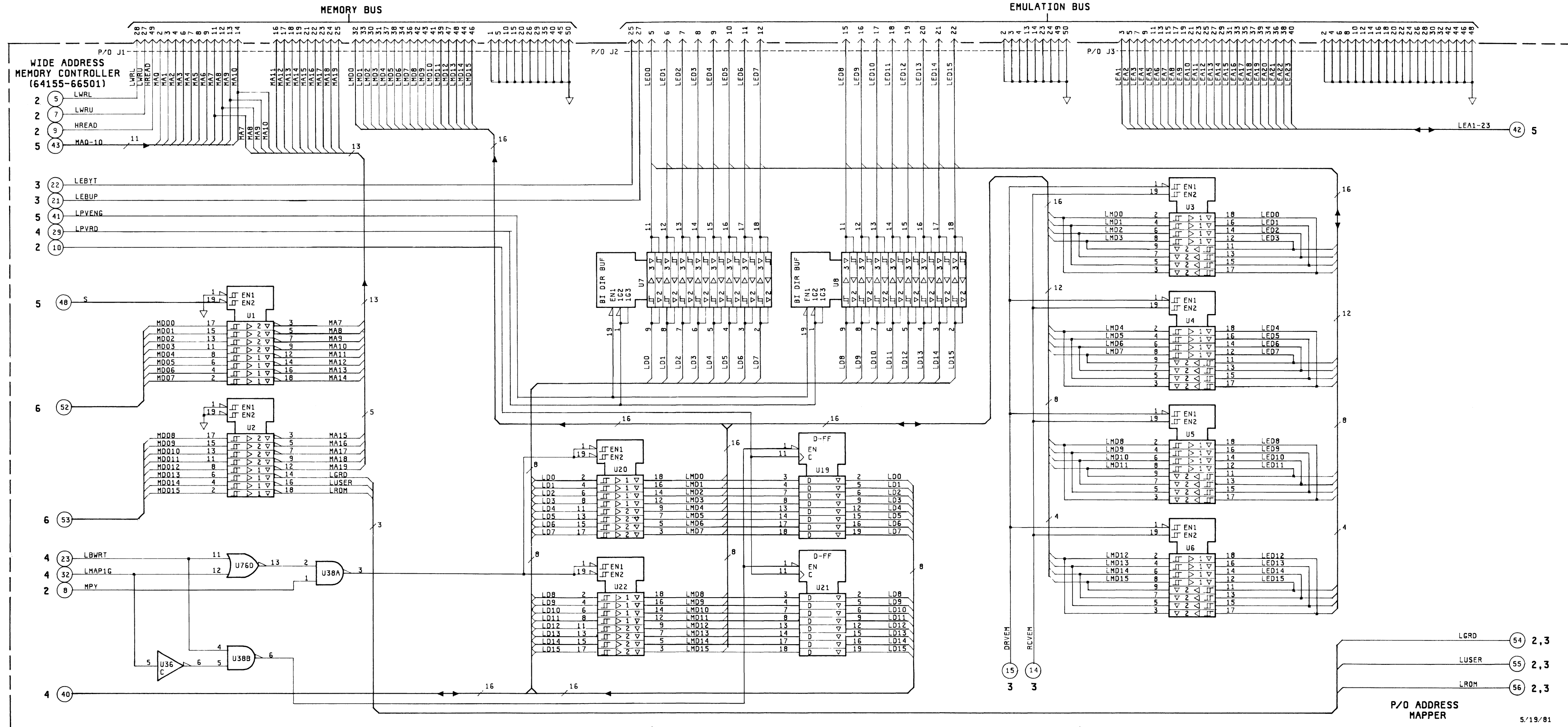


Figure 8-8.
 Mapper RAMs (Sheet 2 of 2)
 MEMCON 8-27

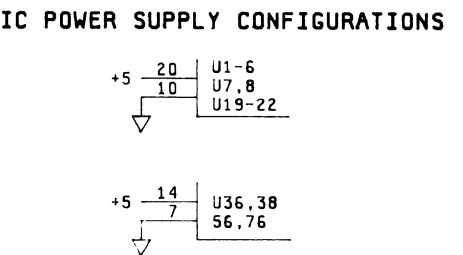


ICS ON THIS SCHEMATIC

REF.	DES.	HP PART NO.	MFR. PART NO.
U1, 2		1820-1633	74S240
U3-6		1820-2699	74F241
U7, 8		1820-2075	74LS245
U19, 21		1820-1997	74LS374
U20, 22		1820-2024	74LS244
U36		1820-2506	74F04
U38		1820-1197	74LS00
U76		1820-1144	74LS02

PARTS ON THIS SCHEMATIC

U1-8, 19-22, 36, 38, 76



LGRD (54) 2, 3
 LUSER (55) 2, 3
 LROM (56) 2, 3

5/19/81

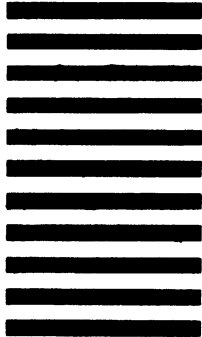
Figure 8-9.
 Address Mapper (Sheet 2 of 2)
 MEMCON 8-29

FOLD HERE



NO POSTAGE
NECESSARY
IF MAILED
IN THE
UNITED STATES

BUSINESS REPLY CARD
FIRST CLASS PERMIT NO. 1303 COLORADO SPRINGS, COLORADO



POSTAGE WILL BE PAID BY ADDRESSEE

HEWLETT-PACKARD
Logic Product Support Dept.
Attn: Technical Publications Manager
Centennial Annex - D2
P.O. Box 617
Colorado Springs, Colorado 80901-0617

FOLD HERE

Your cooperation in completing and returning this form
will be greatly appreciated. Thank you.

READER COMMENT SHEET

Service Manual, Model 64155A
Wide Address Memory Controller
64155-90901, June 1981

Your comments are important to us. Please answer this questionnaire and return it to us. Circle the number that best describes your answer in questions 1 through 7. Thank you.

1. The information in this book is complete:

Doesn't cover enough
(what more do you need?)

1 2 3 4 5

Covers everything

2. The information in this book is accurate:

Too many errors

1 2 3 4 5

Exactly right

3. The information in this book is easy to find:

I can't find things I need

1 2 3 4 5

I can find info quickly

4. The Index and Table of Contents are useful:

Helpful

1 2 3 4 5

Missing or inadequate

5. What about the "how-to" procedures and examples:

No help

1 2 3 4 5

Very helpful

Too many now

1 2 3 4 5

I'd like more

6. What about the writing style:

Confusing

1 2 3 4 5

Clear

7. What about organization of the book:

Poor order

1 2 3 4 5

Good order

8. What about the size of the book:

too big/small

1 2 3 4 5

Right size

Comments: _____

Particular pages with errors?

Name (optional): _____

Job title: _____

Company: _____

Address: _____

Note: If mailed outside U.S.A., place card in envelope. Use address shown on other side of this card.

FOLD HERE

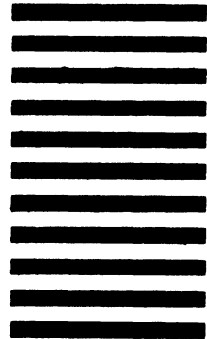


NO POSTAGE
NECESSARY
IF MAILED
IN THE
UNITED STATES

BUSINESS REPLY CARD
FIRST CLASS PERMIT NO. 1303 COLORADO SPRINGS, COLORADO

POSTAGE WILL BE PAID BY ADDRESSEE

HEWLETT-PACKARD
Logic Product Support Dept.
Attn: Technical Publications Manager
Centennial Annex - D2
P.O. Box 617
Colorado Springs, Colorado 80901-0617



FOLD HERE

Your cooperation in completing and returning this form
will be greatly appreciated. Thank you.

READER COMMENT SHEET

Service Manual, Model 64155A
Wide Address Memory Controller
64155-90901, June 1981

Your comments are important to us. Please answer this questionnaire and return it to us. Circle the number that best describes your answer in questions 1 through 7. Thank you.

1. The information in this book is complete:

Doesn't cover enough
(what more do you need?)

1 2 3 4 5

Covers everything

2. The information in this book is accurate:

Too many errors

1 2 3 4 5

Exactly right

3. The information in this book is easy to find:

I can't find things I need

1 2 3 4 5

I can find info quickly

4. The Index and Table of Contents are useful:

Helpful

1 2 3 4 5

Missing or inadequate

5. What about the "how-to" procedures and examples:

No help

1 2 3 4 5

Very helpful

Too many now

1 2 3 4 5

I'd like more

6. What about the writing style:

Confusing

1 2 3 4 5

Clear

7. What about organization of the book:

Poor order

1 2 3 4 5

Good order

8. What about the size of the book:

too big/small

1 2 3 4 5

Right size

Comments: _____

Particular pages with errors?

Name (optional): _____

Job title: _____

Company: _____

Address: _____

Note: If mailed outside U.S.A., place card in envelope. Use address shown on other side of this card.

SALES & SUPPORT OFFICES

Arranged alphabetically by country



Product Line Sales/Support Key

Key Product Line

A Analytical

CM Components

C Computer Systems Sales only

CH Computer Systems Hardware Sales and Services

CS Computer Systems Software Sales and Services

E Electronic Instruments & Measurement Systems

M Medical Products

P Personal Computation Products

* Sales only for specific product line

** Support only for specific product line

IMPORTANT: These symbols designate general product line capability. They do not insure sales or support availability for all products within a line, at all locations. Contact your local sales office for information regarding locations where HP support is available for specific products.

HP distributors are printed in italics.

HEADQUARTERS OFFICES

If there is no sales office listed for your area, contact one of these headquarters offices.

AFRICA AND

MIDDLE EAST

Hewlett-Packard S.A.
Mediterranean and Middle East
Operations
Atrina Centre
32 Kifissias Ave.
Paradissos-Amarousion, **ATHENS**
Greece
Tel: 682 88 11
Telex: 21-6588 HPAT GR
Cable: HEWPACKSA Athens

NORTH/CENTRAL AFRICA

Hewlett-Packard S.A.
7, Rue du Bois-du-Lan
CH-1217 **MEYRIN** 2, Switzerland
Tel: (022) 83 12 12
Telex: 27835 hpse
Cable: HEWPACKSA Geneve

ASIA

Hewlett-Packard Asia Ltd.
47/F, 26 Harbour Rd.,
Wanchai, **HONG KONG**
G.P.O. Box 863, Hong Kong
Tel: 5-8330833
Telex: 76793 HPA HX
Cable: HPASIAL TD

CANADA

Hewlett-Packard (Canada) Ltd.
6877 Goreway Drive
MISSISSAUGA, Ontario L4V 1M8
Tel: (416) 678-9430
Telex: 610-492-4246

EASTERN EUROPE

Hewlett-Packard Ges.m.b.h.
Lieblgasse 1
P.O.Box 72
A-1222 **VIENNA**, Austria
Tel: (222) 2365110
Telex: 1 3 4425 HEPA A

NORTHERN EUROPE

Hewlett-Packard S.A.
Uilenstede 475
P.O.Box 999
NL-1180 **AZ AMSTELVEEN**
The Netherlands
Tel: 20 437771

SOUTH EAST EUROPE

Hewlett-Packard S.A.
World Trade Center
110 Avenue Louis Carol
1215 Cointrin, **GENEVA**, Switzerland
Tel: (022) 98 96 51
Telex: 27225 hpse.

EASTERN USA

Hewlett-Packard Co.
4 Choke Cherry Road
ROCKVILLE, MD 20850
Tel: (301) 258-2000

MIDWESTERN USA

Hewlett-Packard Co.
5201 Tollview Drive
ROLLING MEADOWS, IL 60008
Tel: (312) 255-9800

SOUTHERN USA

Hewlett-Packard Co.
2000 South Park Place
P.O. Box 105005
ATLANTA, GA 30348
Tel: (404) 955-1500

WESTERN USA

Hewlett-Packard Co.
3939 Lankershim Blvd.
P.O. Box 3919
LOS ANGELES, CA 91604
Tel: (213) 506-3700

OTHER INTERNATIONAL AREAS

Hewlett-Packard Co.
Intercontinental Headquarters
3495 Deer Creek Road
PALO ALTO, CA 94304
Tel: (415) 857-1501
Telex: 034-8300
Cable: HEWPACK

ANGOLA

Telectra
Empresa TAEcnica de Equipamentos
R. Barbosa Rodrigues, 41-I DT.
Caixa Postal 6487
LUANDA
Tel: 35515,35516
E,P

ARGENTINA

Hewlett-Packard Argentina S.A.
Avenida Santa Fe 2035
Martinez 1640 **BUENOS AIRES**
Tel: 798-5735, 792-1293
Cable: HEWPACKARG
A,E,CH,CS,P

AUSTRALIA

Adelaide, South Australia Office

Hewlett-Packard Australia Ltd.
153 Greenhill Road
PARKSIDE, S.A. 5063
Tel: 272-5911
Telex: 82536
Cable: HEWPARD Adelaide
A*,CH,CM,CS,E,M,P

Brisbane, Queensland Office

Hewlett-Packard Australia Ltd.
10 Payne Road
THE GAP, Queensland 4061
Tel: 30-4133
Telex: 42133
Cable: HEWPARD Brisbane
A,CH,CS,CM,E,M,P

Canberra, Australia Capital Territory Office

Hewlett-Packard Australia Ltd.
121 Wollongong Street
FYSHWICK, A.C.T. 2609
Tel: 80 4244
Telex: 62650
Cable: HEWPARD Canberra
C,CH,CM,CS,E,P

Melbourne, Victoria Office

Hewlett-Packard Australia Ltd.
31-41 Joseph Street
BLACKBURN, Victoria 3130
Tel: 895-2895
Telex: 31-024
Cable: HEWPARD Melbourne
A,CH,CM,CS,E,M,P

Perth, Western Australia Office

Hewlett-Packard Australia Ltd.
261 Stirling Highway
CLAREMONT, W.A. 6010
Tel: 383-2188
Telex: 93859
Cable: HEWPARD Perth
A,CH,CM,CS,E,M,P

Sydney, New South Wales Office

Hewlett-Packard Australia Ltd.
17-23 Talavera Road
P.O. Box 308
NORTH RYDE, N.S.W. 2113
Tel: 888-4444
Telex: 21561
Cable: HEWPARD Sydney
A,CH,CM,CS,E,M,P

AUSTRIA

Hewlett-Packard Ges.m.b.h.
Grottenhofstrasse 94
A-8052 **GRAZ**
Tel: (0316) 291 5 66
Telex: 32375
CH,E

Hewlett-Packard Ges.m.b.h.
Lieblgasse 1
P.O. Box 72
A-1222 **VIENNA**

Tel: (0222) 23 65 11-0
Telex: 134425 HEPA A
A,CH,CM,CS,E,M,P

BAHRAIN

Green Salon
P.O. Box 557
Manama
BAHRAIN
Tel: 255503-255950
Telex: 84419
P

Wael Pharmacy

P.O. Box 648

BAHRAIN

Tel: 256123
Telex: 8550 W AEL BN
E,M

BELGIUM

Hewlett-Packard Belgium S.A./N.V.
Blvd de la Woluwe, 100
Woluwedal
B-1200 **BRUSSELS**
Tel: (02) 762-32-00
Telex: 23-494 paloben bru
A,CH,CM,CS,E,M,P

BERMUDA

Applied Computer Technologies
Atlantic House Building
Par-La-Ville Road
Hamilton 5
Tel: 295-1616
P

BRAZIL

Hewlett-Packard do Brasil
I.e.C. Ltda.
Alameda Rio Negro, 750
Alphaville
06400 **BARUERI SP**
Tel: (011) 421.1311
Telex: (011) 33872 HPBR-BR
Cable: HEWPACK Sao Paulo
A,CH,CM,CS,E,M,P



SALES & SUPPORT OFFICES

Arranged alphabetically by country

BRAZIL (Cont'd)

Hewlett-Packard do Brasil
I.e.C. Ltda.
Avenida Epitacio Pessoa, 4664
22471 RIO DE JANEIRO-RJ
Tel: (021) 286.0237
Telex: 021-21905 HPBR-BR
Cable: HEWPACK Rio de Janeiro
A,CH,CM,E,M,P*
Convex/Van Den
Rua Jose Bonifacio
458 Todos Os Santos
CEP 20771
RIO DE JANEIRO, RJ
Tel: 249-7121, 591-4946
Telex: 33487

ANAMED I.C.E.I. Ltda.
Rua Bage, 103
04012 SAO PAULO
Tel: (011) 570-5726
Telex: 021-21905 HPBR-BR
M

CANADA

Alberta

Hewlett-Packard (Canada) Ltd.
3030 3rd Avenue N.E.
CALGARY, Alberta T2A 6T7
Tel: (403) 235-3100
A,CH,CM,E*,M,P*
Hewlett-Packard (Canada) Ltd.
11120-178th Street
EDMONTON, Alberta T5S 1P2
Tel: (403) 486-6666
A,CH,CM,CS,E,M,P

British Columbia

Hewlett-Packard (Canada) Ltd.
10691 Shellbridge Way
RICHMOND,
British Columbia V6X 2W7
Tel: (604) 270-2277
Telex: 610-922-5059
A,CH,CM,CS,E*,M,P*
Hewlett-Packard (Canada) Ltd.
121 - 3350 Douglas Street
VICTORIA, British Columbia V8Z 3L1
Tel: (604) 381-6616
CH,CS

Manitoba

Hewlett-Packard (Canada) Ltd.
1825 Inkster Blvd.
WINNIPEG, Manitoba R3H 0Y1
Tel: (204) 786-6701
A,CH,CM,E,M,P*

New Brunswick

Hewlett-Packard (Canada) Ltd.
37 Shediac Road
MONCTON, New Brunswick E1A 2R6
Tel: (506) 855-2841
CH,CS

Nova Scotia

Hewlett-Packard (Canada) Ltd.
Suite 111
900 Windmill Road
DARTMOUTH, Nova Scotia B2Y 3Z6
Tel: (902) 469-7820
CH,CM,CS,E*,M,P*

Ontario

Hewlett-Packard (Canada) Ltd.
3325 N. Service Rd., Unit 6
BURLINGTON, Ontario P3A 2A3
Tel: (416) 335-8644
CS,M*

Hewlett-Packard (Canada) Ltd.
496 Days Road
KINGSTON, Ontario K7M 5R4
Tel: (613) 384-2088
CH,CS

Hewlett-Packard (Canada) Ltd.
552 Newbold Street
LONDON, Ontario N6E 2S5
Tel: (519) 686-9181
A,CH,CM,E*,M,P*

Hewlett-Packard (Canada) Ltd.
6877 Goreway Drive
MISSISSAUGA, Ontario L4V 1M8
Tel: (416) 678-9430
A,CH,CM,CS,E,M,P

Hewlett-Packard (Canada) Ltd.
2670 Queensview Dr.
OTTAWA, Ontario K2B 8K1
Tel: (613) 820-6483
A,CH,CM,CS,E*,MS,P*

Hewlett-Packard (Canada) Ltd.
1855 Lasalle Boulevard
SUDBURY, Ontario, P3A 2A3
Tel: (705) 560-5450
CH

Hewlett-Packard (Canada) Ltd.
220 Yorkland Blvd. Unit #11
WILLOWDALE, Ontario M2J 1R5
Tel: (416) 499-9333
CH

Quebec

Hewlett-Packard (Canada) Ltd.
17500 South Service Road
Trans-Canada Highway
KIRKLAND, Quebec H9J 2M5
Tel: (514) 697-4232
A,CH,CM,CS,E,M,P*

Hewlett-Packard (Canada) Ltd.
1150 Rue Claire Fontaine
QUEBEC CITY, Quebec G1R 5G4
Tel: (418) 648-0726
CH,CS

Hewlett-Packard (Canada) Ltd.
#7-130 Robin Crescent
SASKATOON, Saskatchewan S7L 6M7
Tel: (306) 242-3702
CH,CS

CHILE

ASC Ltda.
Austria 2041
SANTIAGO
Tel: 223-5946, 223-6148
Telex: 340192 ASC CK
P,C

Jorge Calcagni y Cia. Ltda.
Av. Italia 634 Santiago
Casilla 16475
SANTIAGO 9
Tel: 222-0222
Telex: 440283 JCYCL CZ
CM,E,M

Metrolab S.A.
Monjitas 454 of. 206
SANTIAGO
Tel: 395752, 398296
Telex: 340866 METLAB CK
A

Olympia (Chile) Ltda.
Av. Rodrigo de Araya 1045
Casilla 256-V
SANTIAGO 21
Tel: 225-5044
Telex: 340892 OLYMP
Cable: Olympiachile Santiagochile
CH,CS,P

CHINA, People's Republic of

China Hewlett-Packard Co., Ltd.
6th Floor, Sun Hung Kai Centre
30 Harbour Road
HONG KONG
Tel: 5-8323211
Telex: 36678 HEWPA HX
A,C,CH,CS,E,M,P

China Hewlett-Packard Rep. Office
P.O. Box 418
1A Lane 2, Luchang St.
Beiwei Rd., Xuanwu District
BEIJING
Tel: 33-1947, 33-7426
Telex: 22601 CTSHP CN
Cable: 1920
A,CH,CM,CS,E,P

COLOMBIA

Instrumentación
H. A. Langebaek & Kier S.A.
Carrera 4A No. 52A-26
Apartado Aereo 6287
BOGOTA 1, D.E.
Tel: 212-1466
Telex: 44400 INST CO
Cable: AARIS Bogota
CM,E,M

Nefromedicas Ltda.
Calle 123 No. 9B-31
Apartado Aereo 100-958
BOGOTA D.E., 10
Tel: 213-5267, 213-1615
Telex: 43415 HEGAS CO
A

Procesa, S.A.
CRA 7 No. 24-89 Piso 25
Torre Colpatría
Apartado Aereo No. 49667
BOGOTA D.E.
Tel: 2344925, 2344958, 2344742
Telex: 43127 COVER CO
C,P

Compumundo
Avenida 15 # 107-80
BOGOTA D.E.
Tel: 214-4458
Telex: 45466 MARICO
P

COSTA RICA

Cientifica Costarricense S.A.
Avenida 2, Calle 5
San Pedro de Montes de Oca
Apartado 10159
SAN JOSÉ
Tel: 24-38-20, 24-08-19
Telex: 2367 GALGUR CR
CM,E,M

CYPRUS

Telerexa Ltd.
P.O. Box 4809
14C Stassinou Avenue
NICOSIA
Tel: 62698
Telex: 2894 LEVIDO CY
E,M,P

DENMARK

Hewlett-Packard A/S
Datavej 52
DK-3460 BIRKEROD
Tel: (02) 81-66-40
Telex: 37409 hpas dk
A,CH,CM,CS,E,M,P
Hewlett-Packard A/S
Rølhedsvej 32
DK-8240 RISSKOV, Aarhus
Tel: (06) 17-60-00
Telex: 37409 hpas dk
CH,E

DOMINICAN REPUBLIC

Microprog S.A.
Juan Tomás Mejía y Cotes No. 60
Arroyo Hondo
SANTO DOMINGO
Tel: 565-6268
Telex: 4510 ARENTA DR (RCA)
P

ECUADOR

CYEDE Cia. Ltda.
Avenida Eloy Alfaro 1749
y Belgica
Casilla 6423 CCI
QUITO
Tel: 450-975, 243-052
Telex: 2548 CYEDE ED
CM,E,P

Hospitalar S.A.
Robles 625
Casilla 3590
QUITO
Tel: 545-250, 545-122
Telex: 2485 HOSPTEL ED
Cable: HOSPITALAR-Quito
M
QUITO
Tel: 2-238-951
Telex: 2298 ECUAME ED

EGYPT

Egyptian International
Office for Foreign Trade
P.O. Box 2558
42 El-Zahraa Street
Dokki, CAIRO,
Tel: 712230
Telex: 93337 EGPOR UN
Cable: EGYPOR
P,A



EGYPT (Cont'd)

INFORMATIC FOR SYSTEMS
22 Talaat Harb Street

CAIRO,
Tel: 759006
Telex: 93697 SAFLM UN
CS

International Engineering Associates
24 Hussein Hegazi Street
Kasr-el-Aini

CAIRO,
Tel: 23829, 21641
Telex: 93830 IEA UN
Cable: INTEGASSO
E

S.S.C. Medical
40 Gezerat El Arab Street
Mohandessin
CAIRO,
Tel: 803844, 805998, 810263
Telex: 20503 SSC UN
M*

EL SALVADOR

IPESA de El Salvador S.A.
29 Avenida Norte 1216

SAN SALVADOR
Tel: 26-6858, 26-6868
Telex: 20539 IPESASAL
A,CH,CM,CS,E,P

FINLAND

Hewlett-Packard Oy
Piispankalliontie 17
02200 **ESPOO**
Tel: 00358-0-88721
Telex: 121563 HEWPA SF
CH,CM,SS,P

Hewlett-Packard Oy
(Olarinluoma 7)
PL 24
02101 **ESPOO** 10
Tel: (90) 4521022
A,E,M

Hewlett-Packard Oy
Aatoksenkatv 10-C
SF-40720-72 **JYVASKYLA**
Tel: (941) 216318
CH

Hewlett-Packard Oy
Kainvuntie 1-C
SF-90140-14 **OULU**
Tel: (981) 338785
CH

FRANCE

Hewlett-Packard France
Z.I. Mercure B
Rue Berthelot
F-13763 Les Milles Cedex
AIX-EN-PROVENCE
Tel: (42) 59-41-02
Telex: 410770F
A,CH,E,M,P*

Hewlett-Packard France
64, rue Marchand Saillant
F-61000 **ALENCON**
Tel: (33) 29 04 42

Hewlett-Packard France
Boite Postale 503
F-25026 **BESANCON**
28 rue de la Republique
F-25000 **BESANCON**
Tel: (81) 83-16-22
Telex: 361157
CH,M

Hewlett-Packard France
13, Place Napoleon III
F-29000 **BREST**
Tel: (98) 03-38-35

Hewlett-Packard France
Chemin des Mouilles
Boite Postale 162
F-69130 **ECULLY** Cedex (Lyon)
Tel: (78) 833-81-25
Telex: 310617F
A,CH,CS,E,M

Hewlett-Packard France
Parc d'Activite du Bois Briard
Ave. du Lac
F-91040 **EVRY** Cedex
Tel: 6 077-8383
Telex: 692315F
E

Hewlett-Packard France
5, Avenue Raymond Chanas
F-38320 **EYBENS** (Grenoble)
Tel: (76) 62-67-98
Telex: 980124 HP GRENOB EYBE
CH

Hewlett-Packard France
Centre d'Affaire Paris-Nord
Bâtiment Ampère 5 étage
Rue de la Commune de Paris
Boite Postale 300
F-93153 **LE BLANC MESNIL**
Tel: (1) 865-44-52
Telex: 211032F
CH,CS,E,M

Hewlett-Packard France
Parc d'Activités Caderea
Quartier Jean Mermoz
Avenue du Président JF Kennedy
F-33700 **MERIGNAC** (Bordeaux)
Tel: (56) 34-00-84
Telex: 550105F
CH,E,M

Hewlett-Packard France
Immueble "Les 3 B"
Nouveau Chemin de la Garde
ZAC de Bois Briard
F-44085 **NANTES** Cedex
Tel: (40) 50-32-22
Telex: 711085F
CH**

Hewlett-Packard France
125, rue du Faubourg Bannier
F-45000 **ORLEANS**
Tel: (38) 68 01 63

Hewlett-Packard France
Zone Industrielle de Courtaboeuf
Avenue des Tropiques
F-91947 Les Ulis Cedex **ORSAY**
Tel: (6) 907-78-25
Telex: 600048F
A,CH,CM,CS,E,M,P

Hewlett-Packard France
Paris Porte-Maillot
15, Avenue de L'Amiral Bruix
F-75782 **PARIS** CEDEX 16
Tel: (1) 502-12-20
Telex: 613663F
CH,M,P

Hewlett-Packard France
124, Boulevard Tourasse
F-64000 **PAU**
Tel: (59) 80 38 02

Hewlett-Packard France
2 AllAEE de la Bourgonnette
F-35100 **RENNES**
Tel: (99) 51-42-44
Telex: 740912F
CH,CM,E,M,P*

Hewlett-Packard France
98 Avenue de Bretagne
F-76100 **ROUEN**
Tel: (35) 63-57-66
Telex: 770035F
CH***,CS

Hewlett-Packard France
4 Rue Thomas Mann
Boite Postale 56
F-67033 **STRASBOURG** Cedex
Tel: (88) 28-56-46
Telex: 890141F
CH,E,M,P*

Hewlett-Packard France
Le PAEripole
20, Chemin du Pigeonnier de la
CAEpiGEere
F-31083 **TOULOUSE** Cedex
Tel: (61) 40-11-12
Telex: 531639F
A,CH,CS,E,P*

Hewlett-Packard France
9, rue Baudin
F-26000 **VALENCE**
Tel: (75) 42 76 16

Hewlett-Packard France
Carolor
ZAC de Bois Briard
F-57640 **VIGY** (Metz)
Tel: (8) 771 20 22
CH

Hewlett-Packard France
Immeuble PERicentre
F-59658 **VILLENEUVE D'ASCQ** Cedex
Tel: (20) 91-41-25
Telex: 160124F
CH,E,M,P*

GERMAN FEDERAL REPUBLIC

Hewlett-Packard GmbH
Geschäftsstelle
Keithstrasse 2-4
D-1000 **BERLIN** 30
Tel: (030) 24-90-86
Telex: 018 3405 hpbln d
A,CH,E,M,P

Hewlett-Packard GmbH
Geschäftsstelle
Herrenberger Strasse 130
D-7030 **BÖBLINGEN**
Tel: (7031) 14-0
Telex: 07265739
A,CH,CM,CS,E,M,P

Hewlett-Packard GmbH
Geschäftsstelle
Emanuel-Leutze-Strasse 1
D-4000 **DUSSELDORF**
Tel: (0211) 5971-1
Telex: 085/86 533 hpdd d
A,CH,CS,E,M,P

Hewlett-Packard GmbH
Geschäftsstelle
Schleefstr. 28a
D-4600 **DORTMUND**-Aplerbeck
Tel: (0231) 45001

Hewlett-Packard GmbH
Vertriebszentrale Frankfurt
Bernner Strasse 117
Postfach 560 140
D-6000 **FRANKFURT** 56
Tel: (0611) 50-04-1
Telex: 04 13249 hpffm d
A,CH,CM,CS,E,M,P

Hewlett-Packard GmbH
Geschäftsstelle
Aussenstelle Bad Homburg
Louisenstrasse 115
D-6380 **BAD HOMBURG**
Tel: (06172) 109-0

Hewlett-Packard GmbH
Geschäftsstelle
Kapstadtring 5
D-2000 **HAMBURG** 60
Tel: (040) 63804-1
Telex: 021 63 032 hphh d
A,CH,CS,E,M,P

Hewlett-Packard GmbH
Geschäftsstelle
Heidering 37-39
D-3000 **HANNOVER** 61
Tel: (0511) 5706-0
Telex: 092 3259
A,CH,CM,E,M,P

Hewlett-Packard GmbH
Geschäftsstelle
Rosslauer Weg 2-4
D-6800 **MANNHEIM**
Tel: (0621) 70050
Telex: 0462105
A,C,E

Hewlett-Packard GmbH
Geschäftsstelle
Messerschmittstrasse 7
D-7910 **NEU ULM**
Tel: 0731-70241
Telex: 0712816 HP ULM-D
A,C,E*

Hewlett-Packard GmbH
Geschäftsstelle
Ethericherstr. 13
D-8500 **NÜRNBERG** 10
Tel: (0911) 5205-0
Telex: 0623 860
CH,CM,E,M,P

Hewlett-Packard GmbH
Geschäftsstelle
Eschenstrasse 5
D-8028 **TAUFKIRCHEN**
Tel: (089) 6117-1
Telex: 0524985
A,CH,CM,E,M,P

GREAT BRITAIN
See United Kingdom



SALES & SUPPORT OFFICES

Arranged alphabetically by country

GREECE

Hewlett-Packard A.E.
178, Kifissias Avenue
6th Floor
Halandri-ATHENS
Greece
Tel: 6471673, 6471543, 6472971
A,CH,CM**,CS**,E,M,P

Kostas Karaynnis S.A.
8 Omirou Street

ATHENS 133
Tel: 32 30 303, 32 37 371
Telex: 215962 RKAR GR
A,CH,CM,CS,E,M,P

PLAISIO S.A.
Eliopoulos Brohers Ltd.
11854

ATHENS
Tel: 34-51-911
Telex: 216286
P

GUATEMALA

IPESA
Avenida Reforma 3-48, Zona 9
GUATEMALA CITY
Tel: 316627, 314786
Telex: 4192 TELTRO GU
A,CH,CM,CS,E,M,P

HONG KONG
Hewlett-Packard Hong Kong, Ltd.
G.P.O. Box 795

5th Floor, Sun Hung Kai Centre
30 Harbour Road

HONG KONG
Tel: 5-8323211
Telex: 66678 HEWPA HX
Cable: HEWPACK HONG KONG
E,CH,CS,P

CET Ltd.
10th Floor, Hua Asia
Bldg. Gloucester
64-66 Gloucester Road

HONG KONG
Tel: (5) 200922
Telex: 85148 CET HX
CM

Schmidt & Co. (Hong Kong) Ltd.
18th Floor, Great Eagle Centre
23 Harbour Road, Wanchai

HONG KONG
Tel: 5-8330222
Telex: 74766 SCHMC HX
A,M

ICELAND

Elding Trading Company Inc.
Hafnarnvoli-Tryggvagotu
P.O. Box 895
IS-REYKJAVIK
Tel: 1-58-20, 1-63-03
M

INDIA

Computer products are sold through
Blue Star Ltd. All computer repairs and
maintenance service is done through
Computer Maintenance Corp.

Blue Star Ltd.
Sabri Complex II Floor
24 Residency Rd.
BANGALORE 560 025

Tel: 55660
Telex: 0845-430
Cable: BLUESTAR
A,CH*,CM,CS*,E

Blue Star Ltd.
Band Box House
Prabhadevi

BOMBAY 400 025
Tel: 422-3101
Telex: 011-3751
Cable: BLUESTAR
A,M

Blue Star Ltd.
Sahas
414/2 Vir Savarkar Marg

Prabhadevi
BOMBAY 400 025
Tel: 422-6155
Telex: 011-71193
Cable: FROSTBLUE
A,CH*,CM,CS*,E,M
Blue Star Ltd.
Kalyan, 19 Vishwas Colony
Alkapuri, BORODA, 390 005
Tel: 65235
Cable: BLUE STAR
A

Blue Star Ltd.
7 Hare Street
CALCUTTA 700 001
Tel: 12-01-31
Telex: 021-7655
Cable: BLUESTAR
A,M

Blue Star Ltd.
133 Kodambakkam High Road
MADRAS 600 034
Tel: 82057
Telex: 041-379
Cable: BLUESTAR
A,M

Blue Star Ltd.
Bhandari House, 7th/8th Floors
91 Nehru Place
NEW DELHI 110 024
Tel: 682547
Telex: 031-2463
Cable: BLUESTAR
A,CH*,CM,CS*,E,M

Blue Star Ltd.
15/16:C Wellesley Rd.
PUNE 411 011
Tel: 22775
Cable: BLUE STAR
A

Blue Star Ltd.
2-2-47/1108 Bolarum Rd.
SECUNDERABAD 500 003
Tel: 72057
Telex: 0155-459
Cable: BLUEFROST
A,E

Blue Star Ltd.
T.C. 7/603 Poornima
Maruthankuzhi
TRIVANDRUM 695 013
Tel: 65799
Telex: 0884-259
Cable: BLUESTAR
E

Computer Maintenance Corporation Ltd.
115, Sarojini Devi Road
SECUNDERABAD 500 003
Tel: 310-184, 345-774
Telex: 031-2960
CH**

INDONESIA

BERCA Indonesia P.T.
P.O. Box 496/Jkt.
Jl. Abdul Muis 62
JAKARTA
Tel: 21-373009
Telex: 46748 BERSAL IA
Cable: BERSAL JAKARTA
P

BERCA Indonesia P.T.
P.O. Box 2497/Jkt
Antara Bldg., 17th Floor
Jl. Medan Merdeka Selatan 17
JAKARTA-PUSAT
Tel: 21-344-181
Telex: BERSAL IA
A,CS,E,M

BERCA Indonesia P.T.
P.O. Box 174/SBY.
Jl. Kutei No. 11
SURABAYA
Tel: 68172
Telex: 31146 BERSAL SB
Cable: BERSAL-SURABAYA
A*,E,M,P

IRAQ

Hewlett-Packard Trading S.A.
Service Operation
Al Mansoor City 9B/3/7
BAGHDAD
Tel: 551-49-73
Telex: 212-455 HEPAIRAQ IK
CH,CS

IRELAND

Hewlett-Packard Ireland Ltd.
82/83 Lower Leeson Street
DUBLIN 2
Tel: 0001 608800
Telex: 30439
A,CH,CM,CS,E,M,P
Cardiac Services Ltd.
Kilmore Road
Artane
DUBLIN 5
Tel: (01) 351820
Telex: 30439
M

ISRAEL

Eldan Electronic Instrument Ltd.
P.O. Box 1270
JERUSALEM 91000
16, Ohaliav St.
JERUSALEM 94467
Tel: 533 221, 553 242
Telex: 25231 AB/PAKRD IL
A,M

Computation and Measurement
Systems (CMS) Ltd.
11 Masad Street
67060

TEL-AVIV
Tel: 388 388
Telex: 33569 Motil IL
CH,CM,CS,E,P

ITALY

Hewlett-Packard Italiana S.p.A.
Traversa 99C
Via Giulio Petroni, 19
I-70124 BARI
Tel: (080) 41-07-44
M,CH

Hewlett-Packard Italiana S.p.A.
Via Martin Luther King, 38/III
I-40132 BOLOGNA
Tel: (051) 402394
Telex: 511630
CH,CS,E,M

Hewlett-Packard Italiana S.p.A.
Via Principe Nicola 43G/C
I-95126 CATANIA
Tel: (095) 37-10-87
Telex: 970291
CH

Hewlett-Packard Italiana S.p.A.
Via G. Di Vittorio 9
I-20063 CERNUSCO SUL
NAVIGLIO
(Milano)
Tel: (02) 923691
Telex: 334632
A,CH,CM,CS,E,M,P

Hewlett-Packard Italiana S.p.A.
Via C. Colombo 49
I-20090 TREZZANO SUL
NAVIGLIO
(Milano)
Tel: (02) 4459041
Telex: 322116
CH,CS

Hewlett-Packard Italiana S.p.A.
Via Nuova San Rocco a
Capodimonte, 62/A
I-80131 NAPOLI
Tel: (081) 7413544
Telex: 710698
A*,CH,CS,E,M

Hewlett-Packard Italiana S.p.A.
Viale G. Modugno 33
I-16156 GENOVA PEGLI
Tel: (010) 68-37-07
Telex: 215238
E,C

Hewlett-Packard Italiana S.p.A.
Via Pelizzo 15
I-35128 PADOVA
Tel: (049) 664888
Telex: 430315
A,CH,CS,E,M

Hewlett-Packard Italiana S.p.A.
Viale C. Pavese 340
I-00144 ROMA EUR
Tel: (06) 54831
Telex: 610514
A,CH,CS,E,M,P*



ITALY (Cont'd)

Hewlett-Packard Italiana S.p.A.
Via di Casellina 57/C
I-50018 **SCANDICCI-FIRENZE**
Tel: (055) 753863
CH,E,M

Hewlett-Packard Italiana S.p.A.
Corso Svizzera, 185
I-10144 **TORINO**
Tel: (011) 74 4044
Telex: 221079
A*,CS,CH,E

JAPAN

Yokogawa-Hewlett-Packard Ltd.
152-1, Onna
ATSUGI, Kanagawa, 243
Tel: (0462) 28-0451
CM,C*,E

Yokogawa-Hewlett-Packard Ltd.
Meiji-Seimei Bldg. 6F
3-1 Hon Chiba-Cho
CHIBA, 280
Tel: 472 25 7701
E,CH,CS

Yokogawa-Hewlett-Packard Ltd.
Yasuda-Seimei Hiroshima Bldg.
6-11, Hon-dori, Naka-ku
HIROSHIMA, 730
Tel: 82-241-0611

Yokogawa-Hewlett-Packard Ltd.
Towa Building
2-3, Kaigan-dori, 2 Chome Chuo-ku
KOBE, 650
Tel: (078) 392-4791
C,E

Yokogawa-Hewlett-Packard Ltd.
Kumagaya Asahi 82 Bldg
3-4 Tsukuba
KUMAGAYA, Saitama 360
Tel: (0485) 24-6563
CH,CM,E

Yokogawa-Hewlett-Packard Ltd.
Asahi Shinbun Daiichi Seimei Bldg.
4-7, Hanabata-cho
KUMAMOTO, 860
Tel: (0963) 54-7311
CH,E

Yokogawa-Hewlett-Packard Ltd.
Shin-Kyoto Center Bldg.
614, Higashi-Shiokoji-cho
Karasuma-Nishiiru
Shiokoji-dori, Shimogyo-ku
KYOTO, 600
Tel: 075-343-0921
CH,E

Yokogawa-Hewlett-Packard Ltd.
Mito Mitsui Bldg
4-73, Sanno-maru, 1 Chome
MITO, Ibaraki 310
Tel: (0292) 25-7470
CH,CM,E

Yokogawa-Hewlett-Packard Ltd.
Meiji-Seimei Kokubun Bldg. 7-8
Kokubun, 1 Chome, Sendai
MIYAGI, 980
Tel: (0222) 25-1011
Telex:
C,E

Yokogawa-Hewlett-Packard Ltd.
Sumitomo Seimei 14-9 Bldg.
Meieki-Minami, 2 Chome
Nakamura-ku
NAGOYA, 450
Tel: (052) 571-5171
CH,CM,CS,E,M
Yokogawa-Hewlett-Packard Ltd.
Chuo Bldg.,
4-20 Nishinakajima, 5 Chome
Yodogawa-ku
OSAKA, 532
Tel: (06) 304-6021
Telex: YHPOSA 523-3624
A,CH,CM,CS,E,M,P*

Yokogawa-Hewlett-Packard Ltd.
27-15, Yabe, 1 Chome
SAGAMIHARA Kanagawa, 229
Tel: 0427 59-1311

Yokogawa-Hewlett-Packard Ltd.
Daiichi Seimei Bldg.
7-1, Nishi Shinjuku, 2 Chome
Shinjuku-ku, **TOKYO** 160
Tel: 03-348-4611
CH,E

Yokogawa-Hewlett-Packard Ltd.
29-21 Takaido-Higashi, 3 Chome
Suginami-ku **TOKYO** 168
Tel: (03) 331-6111
Telex: 232-2024 YHPTOK
A,CH,CM,CS,E,M,P*

Yokogawa-Hewlett-Packard Ltd.
Daiichi Asano Building
2-8, Odori, 5 Chome
UTSUNOMIYA, Tochigi 320
Tel: (0286) 25-7155
CH,CS,E

Yokogawa-Hewlett-Packard Ltd.
Yasuda Seimei Nishiguchi Bldg.
30-4 Tsuruya-cho, 3 Chome
YOKOHAMA 221
Tel: (045) 312-1252
CH,CM,E

JORDAN

Scientific and Medical Supplies Co.
P.O. Box 1387

AMMAN

Tel: 24907, 39907
Telex: 21456 SABCO JO
CH,E,M,P

KENYA

ADCOM Ltd., Inc., Kenya
P.O. Box 30070

NAIROBI

Tel: 331955
Telex: 22639
E,M

KOREA

Samsung Hewlett-Packard Co. Ltd.
12 Fl. Kinam Bldg.
San 75-31, Yeoksam-Dong
Kangnam-Ku
Yeongdong P.O. Box 72
SEOUL
Tel: 555-7555, 555-5447
Telex: K27364 SAMSAN
A,CH,CM,CS,E,M,P

KUWAIT

Al-Khaldiya Trading & Contracting
P.O. Box 830

SAFAT

Tel: 424910, 411726
Telex: 22481 AREEG KT
Cable: VISCOUNT
E,M,A

Photo & Cine Equipment
P.O. Box 270

SAFAT

Tel: 2445111
Telex: 22247 MATIN KT
Cable: MATIN KUWAIT
P

W.J. Towell Computer Services
P.O. Box 75

SAFAT

Tel: 2462640/1
Telex: 30336 TOWELL KT
C

LEBANON

Computer Information Systems
P.O. Box 11-6274

BEIRUT

Tel: 89 40 73
Telex: 42309
C,E,M,P

LUXEMBOURG

Hewlett-Packard Belgium S.A./N.V.
Blvd de la Woluwe, 100
Woluwedal
B-1200 **BRUSSELS**
Tel: (02) 762-32-00
Telex: 23-494 paloben bru
A,CH,CM,CS,E,M,P

MALAYSIA

Hewlett-Packard Sales (Malaysia)
Sdn. Bhd.
1st Floor, Bangunan British
American
Jalan Semantan, Damansara Heights
KUALA LUMPUR 23-03
Tel: 943022

Telex: MA31011
A,CH,E,M,P*

Protel Engineering

P.O. Box 1917
Lot 6624, Section 64
23/4 Pending Road
Kuching, **SARAWAK**

Tel: 36299
Telex: MA 70904 PROMAL
Cable: PROTELENG
A,E,M

MALTA

Philip Toledo Ltd.
Notabile Rd.

MRIHEL

Tel: 447 47, 455 66
Telex: Media MW 649
E,P,M

MEXICO

Hewlett-Packard Mexicana, S.A.
de C.V.
Av. Periferico Sur No. 6501
Tepepan, Xochimilco
16020 **MEXICO D.F.**
Tel: 6-76-46-00
Telex: 17-74-507 HEWPACK MEX
A,CH,CS,E,M,P

Hewlett-Packard Mexicana, S.A.
de C.V.
Czda. del Valle
409 Ote. 1 °Piso
Colonia del Valle
Municipio de Garza Garcíá
66220 **MONTERREY**, Nuevo LeAOn
Tel: 78 42 41
Telex: 038 410
CH

Equipos Cientificos de Occidente, S.A.
Av. Lazaro Cardenas 3540

GUADALAJARA

Tel: 21-66-91
Telex: 0684186 ECOME
A

Infograficas y Sistemas del Noreste, S.A.

Rio Orinoco #171 Oriente

Despacho 2001

Colonia Del Valle

MONTERREY

Tel: 782499, 781259A

A

MOROCCO

Dolbeau

81 rue Karatchi

CASABLANCA

Tel: 3041-82, 3068-38
Telex: 23051, 22822
E

Gerep

2 rue d'Agadir

Boite Postale 156

CASABLANCA

Tel: 272093, 272095
Telex: 23 739
P

Sema-Maroc

Rue Lapebie

CASABLANCA

Tel: 26.09.80
CH,CS,P

NETHERLANDS

Hewlett-Packard Nederland B.V.

Van Heuven Goedhartlaan 121

NL 1181KK **AMSTELVEEN**

P.O. Box 667

NL 1180 AR **AMSTELVEEN**

Tel: (020) 47-20-21

Telex: 13 216 HEPA NL

A,CH,CM,CS,E,M,P

Hewlett-Packard Nederland B.V.

Bongerd 2

NL 2906VK **CAPELLE A/D IJSSEL**

P.O. Box 41

NL 2900AA **CAPELLE A/D IJSSEL**

Tel: (10) 51-64-44

Telex: 21261 HEPAC NL

A,CH,CS,E

Hewlett-Packard Nederland B.V.

Pastoor Petersstraat 134-136

NL 5612 LV **EINDHOVEN**

P.O. Box 2342

NL 5600 CH **EINDHOVEN**

Tel: (040) 326911

Telex: 51484 hepae nl

A,CH**,E,M

SALES & SUPPORT OFFICES

Arranged alphabetically by country

NEW ZEALAND

Hewlett-Packard (N.Z.) Ltd.
5 Owens Road
P.O. Box 26-189
Epsom, **AUCKLAND**
Tel: 687-159
Cable: HEWPAK Auckland
CH,CS,CM,E,P*
Hewlett-Packard (N.Z.) Ltd.
4-12 Cruickshank Street
Kilbirnie, **WELLINGTON 3**
P.O. Box 9443
Courtenay Place, **WELLINGTON 3**
Tel: 877-199
Cable: HEWPACK Wellington
CH,CS,CM,E,P
Northrop Instruments & Systems Ltd.
369 Khyber Pass Road
P.O. Box 8602
AUCKLAND
Tel: 794-091
Telex: 60605
A,M

Northrop Instruments & Systems Ltd.
110 Mandeville St.
P.O. Box 8388
CHRISTCHURCH
Tel: 488-873
Telex: 4203
A,M

Northrop Instruments & Systems Ltd.
Sturdee House
85-87 Ghuznee Street
P.O. Box 2406
WELLINGTON
Tel: 850-091
Telex: NZ 3380
A,M

NORTHERN IRELAND

See United Kingdom

NORWAY

Hewlett-Packard Norge A/S
Folke Bernadottes vei 50
P.O. Box 3558
N-5033 **FYLLINGSDALEN** (Bergen)
Tel: 0047/5/16 55 40
Telex: 16621 hpnas n
CH,CS,E,M
Hewlett-Packard Norge A/S
UCOsterndalen 16-18
P.O. Box 34
N-1345 **OCUSTERÅS**
Tel: 0047/2/17 11 80
Telex: 16621 hpnas n
A,CH,CM,CS,E,M,P

OMAN

Khimjil Ramdas
P.O. Box 19
MUSCAT
Tel: 722225, 745601
Telex: 3289 BROKER MB MUSCAT
P

Suhail & Saud Bahwan
P.O. Box 169
MUSCAT
Tel: 734 201-3
Telex: 3274 BAHWAN MB
E

Imtac LLC
P.O. Box 8676
MUTRAH
Tel: 601695
Telex: 5741 Tawoos On
A,C,M

PAKISTAN

Mushko & Company Ltd.
House No. 16, Street No. 16
Sector F-6/3
ISLAMABAD
Tel: 824545
Cable: FEMUS Islamabad
A,E,M,P*

Mushko & Company Ltd.
Oosman Chambers
Abdullah Haroon Road
KARACHI 0302
Tel: 524131, 524132
Telex: 2894 MUSKO PK
Cable: COOPERATOR Karachi
A,E,M,P*

PANAMA

ElectrOnico Balboa, S.A.
Calle Samuel Lewis, Ed. Alfa
Apartado 4929
PANAMA 5
Tel: 63-6613, 63-6748
Telex: 3483 ELECTRON PG
A,CM,E,M,P

PERU

Cia Electro Médica S.A.
Los Flamencos 145, San Isidro
Casilla 1030
LIMA 1
Tel: 41-4325, 41-3703
Telex: Pub. Booth 25306
CM,E,M,P

SAMS

Rio De La Plata 305
SAN ISIDRO
Tel: 419928
Telex: 394 20450 PELIBERTAD
P

PHILIPPINES

The Online Advanced Systems Corporation
Rico House, Amorsolo Cor. Herrera Street
Legaspi Village, Makati
P.O. Box 1510
Metro **MANILA**
Tel: 815-38-11 (up to 16)
Telex: 63274 Online PN
A,CH,CS,E,M

Electronic Specialists and Proponents Inc.
690-B Epifanio de los Santos Avenue
Cubao, **QUEZON CITY**
P.O. Box 2649 Manila
Tel: 98-96-81, 98-96-82, 98-96-83
Telex: 40018, 42000 ITT GLOBE MAC-KAY BOOTH
P

PORTUGAL

Mundinter
Intercambio Mundial de ComAercio
S.A.R.L.
P.O. Box 2761
Av. Antonio Augusto de Aguiar 138
P-LISBON
Tel: (19) 53-21-31, 53-21-37
Telex: 16691 munter p
M

Soquimica
Av. da Liberdade, 220-2
1298 **LISBOA** Codex
Tel: 56 21 81/2/3
Telex: 13316 SABASA
P

Telectra-Empresa Técnica de Equipmentos Eléctricos S.A.R.L.
Rua Rodrigo da Fonseca 103
P.O. Box 2531
P-LISBON 1
Tel: (19) 68-60-72
Telex: 12598
CM,E

Rarcentro Ltda
R. Costa Cabral 575
4200 **PORTO**
Tel: 499174/495173
Telex: 26054
CH,CS

PUERTO RICO

Hewlett-Packard Puerto Rico
101 MuANoz Rivera Av
Esu. Calle Ochoa
HATO REY, Puerto Rico 00918
Tel: (809) 754-7800
A,CH,CS,CM,M,E,P

QATAR

Computer Arabia
P.O. Box 2750
DOHA
Tel: 883555
Telex: 4806 CHPARB
P

Nasser Trading & Contracting
P.O. Box 1563
DOHA
Tel: 422170
Telex: 4439 NASSER DH
M

SAUDI ARABIA

Modern Electronic Establishment
Hewlett-Packard Division
P.O. Box 281
Thuobah
AL-KHOBAR
Tel: 895-1760, 895-1764
Telex: 671 106 HPMEEK SJ
Cable: ELECTA AL-KHOBAR
CH,CS,E,M

Modern Electronic Establishment
Hewlett-Packard Division
P.O. Box 1228
Redec Plaza, 6th Floor
JEDDAH
Tel: 644 38 48
Telex: 4027 12 FARNAS SJ
Cable: ELECTA JEDDAH
A,CH,CS,CM,E,M,P

Modern Electronic Establishment
Hewlett-Packard Division
P.O. Box 22015
RIYADH
Tel: 491-97 15, 491-63 87
Telex: 202049 MEERYD SJ
CH,CS,E,M

Abdul Ghani El Ajou
P.O. Box 78
RIYADH
Tel: 40 41 717
Telex: 200 932 EL AJOU
P

SCOTLAND

See United Kingdom

SINGAPORE

Hewlett-Packard Singapore (Sales)
Pte. Ltd.
#08-00 Inchcape House
450-2 Alexandra Road
P.O. Box 58 Alexandra Rd. Post
Office
SINGAPORE, 9115
Tel: 631788
Tel: HPSGSO RS 34209
Cable: HEWPACK, Singapore
A,CH,CS,E,MS,P

Dynamar International Ltd.
Unit 05-11Block 6
Kolam Ayer Industrial Estate
SINGAPORE 1334
Tel: 747-6188
Telex: RS 26283
CM

SOUTH AFRICA

Hewlett-Packard So Africa (Pty.) Ltd.
P.O. Box 120
Howard Place **CAPE PROVINCE 7450**
Pine Park Center, Forest Drive, Pine-lands
CAPE PROVINCE 7405
Tel: 53-7954
Telex: 57-20006
A,CH,CM,E,M,P

Hewlett-Packard So Africa (Pty.) Ltd.
P.O. Box 37099
Overport Drive 92
DURBAN 4067
Tel: 28-4178
Telex: 6-22954
CH,CM

Hewlett-Packard So Africa (Pty.) Ltd.
6 Linton Arcade
511 Cape Road
Linton Grange
PORT ELIZABETH 6001
Tel: 041-301201
CH

Hewlett-Packard So Africa (Pty.) Ltd.
Fountain Center
Kalkden Str.
Monument Park
Ext 2
PRETORIA 0105
Tel: 45-5723
Telex: 32163
CH,E



SOUTH AFRICA (Cont'd)

Hewlett-Packard So Africa (Pty.) Ltd.
Private Bag Wendywood
SANDTON 2144
Tel: 802-5111, 802-5125
Telex: 4-20877
Cable: HEWPACK Johannesburg
A,CH,CM,CS,E,M,P

SPAIN

Hewlett-Packard Española S.A.
Calle Entenza, 321
E-BARCELONA 29
Tel: 322.24.51, 321.73.54
Telex: 52603 hpbee
A,CH,CS,E,M,P

Hewlett-Packard Española S.A.
Calle San Vicente S/No
Edificio Albia II 7B
E-BILBAO 1
Tel: 423.83.06
A,CH,E,M

Hewlett-Packard Española S.A.
Crta. de la Coruña, Km. 16, 400
Las Rozas
E-MADRID
Tel: (1) 637.00.11
Telex: 23515 HPE
CH,CS,M

Hewlett-Packard Española S.A.
Avda. S. Francisco Javier, S/no
Planta 10. Edificio Sevilla 2,
E-SEVILLA 5
Tel: 64.44.54
Telex: 72933
A,CS,M,P

Hewlett-Packard Española S.A.
C/Isabel La Católica, 8
E-46004 VALENCIA
Tel: 0034/6/351 59 44
CH,P

SWEDEN

Hewlett-Packard Sverige AB
Sunnanvagen 14K
S-22226 **LUND**
Tel: (046) 13-69-79
Telex: (854) 17886 (via Spånga
office)
CH

Hewlett-Packard Sverige AB
Östra Tullgatan 3
S-21128 **MALMÖ**
Tel: (040) 70270
Telex: (854) 17886 (via Spånga
office)

Hewlett-Packard Sverige AB
Västra Vintergatan 9
S-70344 **ÖREBRO**
Tel: (19) 10-48-80
Telex: (854) 17886 (via Spånga
office)
CH

Hewlett-Packard Sverige AB
Skalholtsgratan 9, Kista
Box 19
S-16393 **SPÅNGA**
Tel: (08) 750-2000
Telex: (854) 17886
Telefax: (08) 7527781
A,CH,CM,CS,E,M,P

Hewlett-Packard Sverige AB
Frötallsgatan 30
S-42132 **VÄSTRA-FRÖLUNDA**
Tel: (031) 49-09-50
Telex: (854) 17886 (via Spånga
office)
CH,E,P

SWITZERLAND

Hewlett-Packard (Schweiz) AG
Clarastrasse 12
CH-4058 **BASEL**
Tel: (61) 33-59-20
A

Hewlett-Packard (Schweiz) AG
7, rue du Bois-du-Lan
Case Postale 365
CH-1217 **MEYRIN** 2
Tel: (0041) 22-83-11-11
Telex: 27333 HPAG CH
CH,CM,CS

Hewlett-Packard (Schweiz) AG
Allmend 2
CH-8967 **WIDEN**
Tel: (0041) 57 31 21 11
Telex: 53933 hpag ch
Cable: HPAG CH
A,CH,CM,CS,E,M,P

SYRIA

General Electronic Inc.
Nuri Basha Ahnaf Ebn Kays Street
P.O. Box 5781
DAMASCUS
Tel: 33-24-87
Telex: 411 215
Cable: ELECTROBOR DAMASCUS
E

Middle East Electronics
P.O. Box 2308
Abu Rumnaneh
DAMASCUS
Tel: 33 45 92
Telex: 411 304
M

TAIWAN

Hewlett-Packard Taiwan
Kaohsiung Office
11/F 456, Chung Hsiao 1st Road
KAOHSIUNG
Tel: (07) 2412318
CH,CS,E

Hewlett-Packard Taiwan
8th Floor Hewlett-Packard Building
337 Fu Hsing North Road

TAIPEI

Tel: (02) 712-0404
Telex: 24439 HEWPACK
Cable: HEWPACK Taipei
A,CH,CM,CS,E,M,P
Ing Lih Trading Co.
3rd Floor, 7 Jen-Ai Road, Sec. 2
TAIPEI 100
Tel: (02) 3948191
Cable: INGLIH TAIPEI
A

THAILAND

Unimesa
30 Patpong Ave., Suriwong
BANGKOK 5
Tel: 235-5727
Telex: 84439 Simonco TH
Cable: UNIMESA Bangkok
A,CH,CS,E,M

Bangkok Business Equipment Ltd.
5/5-6 Dejo Road
BANGKOK
Tel: 234-8670, 234-8671
Telex: 87669-BEQUIPT TH
Cable: BUSIQUIPT Bangkok
P

TOGO

Societe Africaine De
Promotion
B.P. 12271
LOME
Tel: 21-62-88
Telex: 5304
P

TRINIDAD & TOBAGO

Caribbean Telecoms Ltd.
Corner McAllister Street &
Eastern Main Road, Laventille
P.O. Box 732
PORT-OF-SPAIN
Tel: 624-4213
Telex: 22561 CARTEL WG
Cable: CARTEL, PORT OF SPAIN
CM,E,M,P

Computer and Controls Ltd.
P.O. Box 51
66 Independence Square
PORT-OF-SPAIN
Tel: 623-4472
Telex: 3000 POSTLX WG
P

TUNISIA

Tunisie Electronique
31 Avenue de la Liberté
TUNIS
Tel: 280-144
CH,CS,E,P

Corema
1 ter. Av. de Carthage

TUNIS
Tel: 253-821
Telex: 12319 CABAM TN
M

TURKEY

E.M.A
Mediha Eldem Sokak No. 41/6
Yenisehir
ANKARA
Tel: 319175

Telex: 42321 KTX TR
Cable: EMATRADE ANKARA
M

Kurt & Kurt A.S.
Mithatpasa Caddesi No. 75
Kat 4 Kizilay
ANKARA
Tel: 318875/6/7/8
Telex: 42490 MESR TR
A

Saniva Bilgisayar Sistemleri A.S.
Buyukdere Caddesi 103/6
Gayrettepe
ISTANBUL
Tel: 1673180
Telex: 26345 SANI TR
C,P

Teknim Company Ltd.
Iran Caddesi No. 7
Kavaklidere
ANKARA
Tel: 275800
Telex: 42155 TKNM TR
E,CM

UNITED ARAB EMIRATES

Emitac Ltd.
P.O. Box 1641
SHARJAH,
Tel: 591181
Telex: 68136 EMITAC EM
Cable: EMITAC SHARJAH
E,C,M,P,A
Emitac Ltd.
P.O. Box 2711
ABU DHABI,
Tel: 820419-20
Cable: EMITACH ABUDHABI

Emitac Ltd.
P.O. Box 8391

DUBAI,
Tel: 377951

Emitac Ltd.
P.O. Box 473

RAS AL KHAIMAH,
Tel: 28133, 21270

UNITED KINGDOM

GREAT BRITAIN
Hewlett-Packard Ltd.
Trafalgar House
Navigation Road
ALTRINCHAM
Cheshire WA14 1NU
Tel: 061 928 6422
Telex: 668068
A,CH,CS,E,M,M,P

Hewlett-Packard Ltd.
Miller House
The Ring, **BRACKNELL**
Berks RG12 1XN
Tel: 44344 424898
Telex: 848733
E

Hewlett-Packard Ltd.
Elstree House, Elstree Way
BOREHAMWOOD, Herts WD6 1SG
Tel: 01 207 5000
Telex: 8952716
E,CH,CS,P

Hewlett-Packard Ltd.
Oakfield House, Oakfield Grove
Clifton **BRISTOL**, Avon BS8 2BN
Tel: 0272 736806
Telex: 444302
CH,CS,E,P



SALES & SUPPORT OFFICES

Arranged alphabetically by country

GREAT BRITAIN (Cont'd)

Hewlett-Packard Ltd.
Bridewell House
Bridewell Place
LONDON EC4V 6BS
Tel: 01 583 6565
Telex: 298 163
CH,CS,P

Hewlett-Packard Ltd.
Fourier House
257-263 High Street
LONDON COLNEY
Herts. AL2 1HA, St. Albans
Tel: 0727 24400
Telex: 1-8952716
CH,CS

Hewlett-Packard Ltd.
Pontefract Road
NORMANTON, West Yorkshire WF6 1RN
Tel: 0924 895566
Telex: 557355
CH,CS,P

Hewlett-Packard Ltd.
The Quadrangle
106-118 Station Road
REDHILL, Surrey RH1 1PS
Tel: 0737 68655
Telex: 947234
CH,CS,E,P

Hewlett-Packard Ltd.
Avon House
435 Stratford Road
Shirley, SOLIHULL, West Midlands
B90 4BL
Tel: 021 745 8800
Telex: 339105
CH,CS,E,P

Hewlett-Packard Ltd.
West End House
41 High Street, West End
SOUTHAMPTON
Hampshire SO3 3DQ
Tel: 04218 6767
Telex: 477138
CH,CS,P

Hewlett-Packard Ltd.
King Street Lane
Winnersh, WOKINGHAM
Berkshire RG11 5AR
Tel: 0734 784774
Telex: 847178
A,CH,CS,E,M,P

Hewlett-Packard Ltd.
Nine Mile Ride
Easthampstead, WOKINGHAM
Berkshire, RG11 3LL
Tel: 0344 773100
Telex: 848805
CH,CS,E,P

IRELAND

NORTHERN IRELAND

Hewlett-Packard Ltd.
Cardiac Services Building
95A Finaghy Road South
BELFAST BT10 OBY
Tel: 0232 625-566
Telex: 747626
CH,CS

SCOTLAND

Hewlett-Packard Ltd.
SOUTH QUEENSFERRY
West Lothian, EH30 9TG
Tel: 031 331 1188
Telex: 72682
CH,CM,CS,E,M,P

UNITED STATES

Alabama

Hewlett-Packard Co.
700 Century Park South, Suite 128
BIRMINGHAM, AL 35226
Tel: (205) 822-6802
C,CH,CS,P*

Hewlett-Packard Co.
420 Wynn Drive
P.O. Box 7700
HUNTSVILLE, AL 35807
Tel: (205) 830-2000
C,CH,CM,CS,E,M*

Alaska

Hewlett-Packard Co.
3601 C St., Suite 1234
ANCHORAGE, AK 99504
Tel: (907) 563-8855
CH,CS,E

Arizona

Hewlett-Packard Co.
8080 Pointe Parkway West
PHOENIX, AZ 85044
Tel: (602) 273-8000
A,CH,CM,CS,E,M

Hewlett-Packard Co.
2424 East Aragon Road
TUCSON, AZ 85706
Tel: (602) 573-7400
CH,E,M**

California

Hewlett-Packard Co.
99 South Hill Dr.
BRISBANE, CA 94005
Tel: (415) 330-2500
CH,CS

Hewlett-Packard Co.
P.O. Box 7830 (93747)
5060 E. Clinton Avenue, Suite 102
FRESNO, CA 93727
Tel: (209) 252-9652
CH,CS,M

Hewlett-Packard Co.
1421 S. Manhattan Av.
FULLERTON, CA 92631
Tel: (714) 999-6700
CH,CM,CS,E,M

Hewlett-Packard Co.
320 S. Kellogg, Suite B
GOLETA, CA 93117
Tel: (805) 967-3405
CH

Hewlett-Packard Co.
5400 W. Rosecrans Blvd.
LAWDALE, CA 90260
P.O. Box 92105
LOS ANGELES, CA 90009
Tel: (213) 643-7500
Telex: 910-325-6608
CH,CM,CS,M

Hewlett-Packard Co.
3155 Porter Drive
PALO ALTO, CA 94304
Tel: (415) 857-8000
CH,CS,E

Hewlett-Packard Co.
4244 So. Market Court, Suite A
P.O. Box 15976
SACRAMENTO, CA 95813
Tel: (916) 929-7222
A*,CH,CS,E,M

Hewlett-Packard Co.
9606 Aero Drive
P.O. Box 23333
SAN DIEGO, CA 92123
Tel: (619) 279-3200
CH,CM,CS,E,M

Hewlett-Packard Co.
2305 Camino Ramon 'C'
SAN RAMON, CA 94583
Tel: (415) 838-5900
CH,CS

Hewlett-Packard Co.
3005 Scott Boulevard
SANTA CLARA, CA 95050
Tel: (408) 988-7000
Telex: 910-338-0586
A,CH,CM,CS,E,M

Hewlett-Packard Co.
5703 Corsa Avenue
WESTLAKE VILLAGE, CA 91362
Tel: (213) 706-6800
E*,CH*,CS*

Colorado

Hewlett-Packard Co.
24 Inverness Place, East
ENGLEWOOD, CO 80112
Tel: (303) 649-5000
A,CH,CM,CS,E,M

Connecticut

Est. Dec. 1, 1984
Hewlett-Packard Co.
500 Sylvan Av.
BRIDGEPORT, CT 06606
Tel: (203) 371-6454
CH,CS,E

Hewlett-Packard Co.
47 Barnes Industrial Road South
P.O. Box 5007
WALLINGFORD, CT 06492
Tel: (203) 265-7801
A,CH,CM,CS,E,M

Florida

Hewlett-Packard Co.
2901 N.W. 62nd Street
P.O. Box 24210
FORT LAUDERDALE, FL 33307
Tel: (305) 973-2600
CH,CS,E,M,P*

Hewlett-Packard Co.
4080 Woodcock Drive, Suite 132
JACKSONVILLE, FL 32207
Tel: (904) 398-0663
C*,CH*,M**

Hewlett-Packard Co.
6177 Lake Ellenor Drive
P.O. Box 13910
ORLANDO, FL 32859
Tel: (305) 859-2900
A,C,CH,CM,CS,E,P*

Hewlett-Packard Co.
4700 Bayoue Blvd.
Building 5
PENSACOLA, FL 32505
Tel: (904) 476-8422
A,C,CH,CM,CS,M

Hewlett-Packard Co.
5550 Idlewild, #150
P.O. Box 15200
TAMPA, FL 33684
Tel: (813) 884-3282
A*,C,CH,CS,E*,M*,P*

Georgia

Hewlett-Packard Co.
2000 South Park Place
P.O. Box 105005
ATLANTA, GA 30348
Tel: (404) 955-1500
Telex: 810-766-4890
A,C,CH,CM,CS,E,M,P*

Hawaii

Hewlett-Packard Co.
Kawaihau Plaza, Suite 190
567 South King Street
HONOLULU, HI 96813
Tel: (808) 526-1555
A,CH,E,M

Illinois

Hewlett-Packard Co.
304 Eldorado Road
P.O. Box 1607
BLOOMINGTON, IL 61701
Tel: (309) 662-9411
CH,M* *

Hewlett-Packard Co.
525 W. Monroe, #1300
CHICAGO, IL 60606
Tel: (312) 930-0010
CH,CS

Hewlett-Packard Co.
1200 Diehl
NAPERVILLE, IL 60566
Tel: (312) 357-8800
CH*,CS

Hewlett-Packard Co.
5201 Tollview Drive
ROLLING MEADOWS, IL 60008
Tel: (312) 255-9800
Telex: 910-687-1066
A,CH,CM,CS,E,M

Indiana

Hewlett-Packard Co.
11911 N. Meridian St.
CARMEL, IN 46032
Tel: (317) 844-4100
A,CH,CM,CS,E,M

Iowa

Hewlett-Packard Co.
4070 22nd Av. SW
CEDAR RAPIDS, IA 52404
Tel: (319) 390-4250
CH,CS,E,M



UNITED STATES (Cont'd)

Hewlett-Packard Co.
4201 Corporate Dr.
WEST DES MOINES, IA 50265
Tel: (515) 224-1435
A**,CH,M**

Kentucky

Hewlett-Packard Co.
10300 Linn Station Road, #100
LOUISVILLE, KY 40223
Tel: (502) 426-0100
A,CH,CS,M

Louisiana

Hewlett-Packard Co.
160 James Drive East
ST. ROSE, LA 70087
P.O. Box 1449
KENNER, LA 70063
Tel: (504) 467-4100
A,C,CH,E,M,P*

Maryland

Hewlett-Packard Co.
3701 Koppers Street
BALTIMORE, MD 21227
Tel: (301) 644-5800
Telex: 710-862-1943
A,CH,CM,CS,E,M
Hewlett-Packard Co.
2 Choke Cherry Road
ROCKVILLE, MD 20850
Tel: (301) 948-6370
A,CH,CM,CS,E,M

Massachusetts

Hewlett-Packard Co.
1775 Minuteman Road
ANDOVER, MA 01810
Tel: (617) 682-1500
A,C,CH,CS,CM,E,M,P*
Hewlett-Packard Co.
32 Hartwell Avenue
LEXINGTON, MA 02173
Tel: (617) 861-8960
CH,CS,E

Michigan

Hewlett-Packard Co.
4326 Cascade Road S.E.
GRAND RAPIDS, MI 49506
Tel: (616) 957-1970
CH,CS,M

Hewlett-Packard Co.
39550 Orchard Hill Place Drive
NOVI, MI 48050
Tel: (313) 349-9200
A,CH,CS,E,M

Hewlett-Packard Co.
1771 W. Big Beaver Road
TROY, MI 48084
Tel: (313) 643-6474
CH,CS

Minnesota

Hewlett-Packard Co.
2025 W. Larpentour Ave.
ST. PAUL, MN 55113
Tel: (612) 644-1100
A,CH,CM,CS,E,M

Missouri

Hewlett-Packard Co.
1001 E. 101st Terrace
KANSAS CITY, MO 64131
Tel: (816) 941-0411
A,CH,CM,CS,E,M
Hewlett-Packard Co.
13001 Hollenberg Drive
BRIDGETON, MO 63044
Tel: (314) 344-5100
A,CH,CS,E,M

Nebraska

Hewlett-Packard
10824 Old Mill Rd., Suite 3
OMAHA, NE 68154
Tel: (402) 334-1813
CM,M

New Jersey

Hewlett-Packard Co.
120 W. Century Road
PARAMUS, NJ 07652
Tel: (201) 265-5000
A,CH,CM,CS,E,M
Hewlett-Packard Co.
20 New England Av. West
PISCATAWAY, NJ 08854
Tel: (201) 981-1199
A,CH,CM,CS,E

New Mexico

Hewlett-Packard Co.
11300 Lomas Blvd., N.E.
P.O. Box 11634
ALBUQUERQUE, NM 87112
Tel: (505) 292-1330
CH,CS,E,M

New York

Hewlett-Packard Co.
5 Computer Drive South
ALBANY, NY 12205
Tel: (518) 458-1550
A,CH,E,M
Hewlett-Packard Co.
9600 Main Street
P.O. Box AC
CLARENCE, NY 14031
Tel: (716) 759-8621
CH,CS,E

Hewlett-Packard Co.
200 Cross Keys Office Park
FAIRPORT, NY 14450
Tel: (716) 223-9950
A,CH,CM,CS,E,M

Hewlett-Packard Co.
7641 Henry Clay Blvd.
LIVERPOOL, NY 13088
Tel: (315) 451-1820
A,CH,CM,CS,E,M

Hewlett-Packard Co.
No. 1 Pennsylvania Plaza
55th Floor
34th Street & 8th Avenue
MANHATTAN NY 10119
Tel: (212) 971-0800
CH,CS,M*
Hewlett-Packard Co.
15 Myers Corner Rd.
WAPPINGER FALLS, NY 12590
CM,E

Hewlett-Packard Co.
250 Westchester Avenue
WHITE PLAINS, NY 10604
Tel: (914) 684-6100
CM,CH,CS,E

Hewlett-Packard Co.
3 Crossways Park West
WOODBURY, NY 11797
Tel: (516) 921-0300
A,CH,CM,CS,E,M

North Carolina

Hewlett-Packard Co.
305 Gregson Dr.
CARY, NC 27511
Tel: (919) 467-6600
C,CH,CM,CS,E,M,P*
Hewlett-Packard Co.
9600-H Southern Pine Blvd.
CHARLOTTE, NC 28210
Tel: (704) 527-8780
CH*,CS*

Hewlett-Packard Co.
5605 Roanne Way
P.O. Box 26500
GREENSBORO, NC 27420
Tel: (919) 852-1800
A,C,CH,CM,CS,E,M,P*

Ohio

Hewlett-Packard Co.
9920 Carver Road
CINCINNATI, OH 45242
Tel: (513) 891-9870
CH,CS,M

Hewlett-Packard Co.
16500 Sprague Road
CLEVELAND, OH 44130
Tel: (216) 243-7300
A,CH,CM,CS,E,M

Hewlett-Packard Co.
980 Springboro Pike
MIAMISBURG, OH 45343
Tel: (513) 859-8202
A,CH,CM,E*,M

Hewlett-Packard Co.
675 Brookside Blvd.
WESTERVILLE, OH 43081
Tel: (614) 436-1041
CH,CM,CS,E*

Oklahoma

Hewlett-Packard Co.
304 N. Meridian, Suite A
P.O. Box 75609
OKLAHOMA CITY, OK 73147
Tel: (405) 946-9499
C,CH,CS,E*,M

Hewlett-Packard Co.
3840 S. 103rd E. Ave., #100
P.O. Box 35747
TULSA, OK 74153
Tel: (918) 665-3300
A**,C,CH,CS,M*,E,P*

Oregon

Hewlett-Packard Co.
9255 S. W. Pioneer Court
P.O. Box 328
WILSONVILLE, OR 97070
Tel: (503) 682-8000
A,CH,CS,E*,M

Pennsylvania

Hewlett-Packard Co.
50 Dorchester Rd.
P.O. Box 6080
HARRISBURG, PA 17111
Tel: (717) 657-5900
C

Hewlett-Packard Co.
111 Zeta Drive
PITTSBURGH, PA 15238
Tel: (412) 782-0400
A,CH,CS,E,M

Hewlett-Packard Co.
2750 Monroe Boulevard
P.O. Box 713
VALLEY FORGE, PA 19482
Tel: (215) 666-9000
A,CH,CM,CS,E,M

South Carolina

Hewlett-Packard Co.
Brookside Park, Suite 122
1 Harbison Way
P.O. Box 21708
COLUMBIA, SC 29221
Tel: (803) 732-0400
A,C,CH,CS,M

Hewlett-Packard Co.
100 Executive Cntr. Dr.
Koger Executive Center
Chesterfield Bldg., Suite 124
GREENVILLE, SC 29615
Tel: (803) 297-4120
C

Tennessee

Hewlett-Packard Co.
One Energy Centr. #200
Pellissippi Pkwy.
P.O. Box 22490
KNOXVILLE, TN 37933
Tel: (615) 966-4747
A,C,CH,CS,M

Hewlett-Packard Co.
3070 Directors Row
MEMPHIS, TN 38131
Tel: (901) 346-8370
A,C,M

Hewlett-Packard Co.
220 Great Circle Road, Suite 116
NASHVILLE, TN 37228
Tel: (615) 255-1271
C,M,P*

Texas

Hewlett-Packard Co.
11002-B Metric Boulevard
AUSTIN, TX 78758
Tel: (512) 835-6771
C,CM,E,P*

Hewlett-Packard Co.
5700 Cromo Dr
P.O. Box 12903
EL PASO, TX 79913
Tel: (915) 833-4400
CH,E*,M**



SALES & SUPPORT OFFICES

Arranged alphabetically by country

UNITED STATES (Cont'd)

Hewlett-Packard Co.
3952 Sand Shell St
FORT WORTH, TX 76137
Tel: (817) 232-9500
A,C,CH,E,M

Hewlett-Packard Co.
10535 Harwin Drive
P.O. Box 42816
HOUSTON, TX 77042
Tel: (713) 776-6400
A,C,CH,CS,E,M,P*

Hewlett-Packard Co.
511 W. John W. Carpenter Fwy.
Royal Tech. Center #100
IRVINE, TX 75062
Tel: (214) 556-1950
C,CH,CS,E

Hewlett-Packard Co.
930 E. Campbell Rd.
P.O. Box 83/1270
RICHARDSON, TX 75083-1270
Tel: (214) 231-6101
A,CH,CM,CS,E,M,P*

Hewlett-Packard Co.
1020 Central Parkway South
P.O. Box 32993
SAN ANTONIO, TX 78232
Tel: (512) 494-9336
A,C,CH,CS,E,M,P*

Utah

Hewlett-Packard Co.
3530 W. 2100 South
P.O. Box 26626
SALT LAKE CITY, UT 84126
Tel: (801) 974-1700
A,CH,CS,E,M

Virginia

Hewlett-Packard Co.
4305 Cox Road
GLEN ALLEN, VA 23060
P.O. Box 9669
RICHMOND, VA 23228
Tel: (804) 747-7750
A,C,CH,CS,E,M,P*

Washington

Hewlett-Packard Co.
15815 S.E. 37th Street
BELLEVUE, WA 98006
Tel: (206) 643-4000
A,CH,CM,CS,E,M

Hewlett-Packard Co.
708 North Argonne Road
P.O. Box 3808
SPOKANE, WA 99220-3808
Tel: (509) 922-7000
CH,CS

West Virginia

Hewlett-Packard Co.
4604 MacCorkle Ave.
CHARLESTON, WV 25304
Tel: (304) 925-0492
A,M

Wisconsin

Hewlett-Packard Co.
275 N. Corporate Dr.
BROOKFIELD, WI 53005
Tel: (414) 784-8800
A,CH,CS,E*,M

URUGUAY

Pablo Ferrando S.A.C. e. l.
Avenida Italia 2877
Casilla de Correo 370
MONTEVIDEO
Tel: 80-2586
Telex: Public Booth 901
A,CM,E,M

Mini Computadores, Ltda.
Avda. del Libertador Brig
Gral Lavalleja 2071
Local 007

MONTEVIDEO

Tel: 29-55-22
Telex: 901 P BOOTH UY
P

Olympia de Uruguay S.A.
Maquinas de Oficina
Avda. del Libertador 1997
Casilla de Correos 6644

MONTEVIDEO

Tel: 91-1809, 98.-3807
Telex: 6342 OROU UY
P

VENEZUELA

Hewlett-Packard de Venezuela C.A.
3RA Transversal Los Ruices Norte
Edificio Segre 1, 2 & 3
Apartado 50933
CARACAS 1071

Tel: 239-4133
Telex: 251046 HEWPACK
A,CH,CS,E,M,P

Hewlett-Packard de Venezuela C.A.
Residencias Tia Betty Local 1
Avenida 3 y con calle 75

MARACAIBO, Estado Zulia
Apartado 2646
Tel: (061) 75801-75805-75806-80304
Telex: 62464 HPMAR
C,E*

Hewlett-Packard de Venezuela C.A.
Urb. Lomas de Este
Torre Trebol — Piso 11

VALENCIA, Estado Carabobo
Apartado 3347
Tel: (041) 222992/223024
CH,CS,P

Albis Venezolana S.R.L.
Av. Las Marias, Ota. Alix,
El Pedregal

Apartado 81025
CARACAS 1080A

Tel: 747984, 742146
Telex: 24009 ALBIS VC
A

Tecnologica Medica del Caribe, C.A.
Multicentro Empresarial del Este
Ave. Libertador
Edif. Libertador
Nucleo "C" - Oficina 51-52

CARACAS

Tel: 339867/333780
M

CIZUCA

Cientifica Zulia C.A.
Calle 70, Los Olivos
No. 66-86
Apartado 1843

MARACAIBO

Tel: 54-64-37, 54-63-85, 54-64-94
Telex: 62144
A

YUGOSLAVIA

Do Hermes
General Zdanova 4
YU-61000 BEOGRAD
A,CH,E,P

Hermes

Titova 50
Telex: YU-61000 LJUBLJANA
CH,CS,E,M,P

Elektrotehna

Titova 51
Telex: YU-61000 LJUBLJANA
CM

ZAMBIA

R.J. Tilbury (Zambia) Ltd.
P.O. Box 32792

LUSAKA

Tel: 215590
Telex: 40128
E

ZIMBABWE

Field Technical Sales
45 Kelvin Road, North
P.B. 3458

SALISBURY

Tel: 705 231
Telex: 4-122 RH
E,P

August 1984

HP distributors are printed in italics.

