

**Maintenance Library**

**3275**  
**3277**

**Display Station Models 1,2 and 3**

**Display Station Models 1 and 2**  
**Parts Catalog**

## Preface

This Parts Catalog (PC) contains listings and illustrations of all replaceable assemblies, subassemblies and detail parts released to Production Control on or before May 17, 1974 for the 3275-1, 2, 3/3277-1, 2 Display Units.

## Contents

How To Use A Parts Catalog	iii
Visual Index	iv
Catalog Section	1
Fig No.	Page
1 Keyboard Assembly – Type B (13 Sheets)	2
1A Keyboard Assembly – Type A (8 Sheets)	16
2 3277-1 Cover Assembly	25
3 3277-1 Final Assembly (2 Sheets)	26
4 Gate Assembly	28
5 3275-1, 2, 3 and 3277-2 Cover Assembly	29
6 3275-1, 2, 3 and 3277-2 Final Assembly	30
7 Upper Assembly	32
8 Gate Assembly	33
9 Base Assembly	34
10 Cable Assemblies – List Only	35
11 Cable Component Parts (3 Sheets)	36
Numeric Index	X-1

### *Third Edition (June 1974)*

This is a major revision of, and obsoletes the previous edition, Form S126-0005-1.

Information in this catalog is subject to change from time to time. Any such change will be reported in subsequent revisions or FE Supplements.

Requests for copies of IBM publications should be made to your IBM representative or to the IBM branch office serving your locality.

A form is provided at the back of this publication for reader's comments. If the form has been removed, comments may be addressed to: IBM Systems Development Division, Product Publications, Dept. 520, Neighborhood Road, Kingston, N.Y., 12401

©Copyright International Business Machines Corporation, 1973, 1974

# IBM / Technical Newsletter

<b>This Newsletter No.</b>	SN31-0150
<b>Date</b>	March 1, 1975
<b>Base Publication No.</b>	S126-0005-2
<b>System</b>	
<b>Previous Newsletters</b>	None

**IBM Maintenance Library**  
**3275 Display Station Models 1, 2 and 3;**  
**3277 Display Station Models 1 and 2 Parts Catalog**  
© IBM Corp. 1973, 1974

This Technical Newsletter provides replacement pages for the subject publication. Pages to be replaced are:

27-32

A change to the text or to an illustration is indicated by a vertical line to the left of the change.

#### **Summary of Amendments**

This TNL incorporates newly released fuses and related parts.

**Note:** *Please file this cover letter at the back of the manual for reference.*

## How To Use This Parts Catalog

### CATALOG STRUCTURE

A general understanding of the structure of this catalog is necessary in order for the user to find parts easily and quickly. The catalog contains three major sections:

**Visual Index** - Contains overview illustrations of the machine with references into the Catalog Section.

**Catalog Section** - Contains exploded view drawings of assemblies and subassemblies of the machine with their associated Parts Lists.

**Numerical Index** - Lists all parts used in the machine with reference to the illustration (figure) on which the part is shown.

### FINDING A PART

The Visual Index is the starting point to locate a part. The Visual Index illustrations are overall views of the machine. These illustrations will refer you to one of two places:

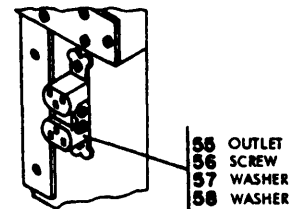
- (1) Another illustration in the Visual Index for finer detail of the portion of the machine in which you are interested and from there into a major assembly drawing in the Catalog Section, or
- (2) Directly into a major assembly drawing in the Catalog Section.

The major assembly drawing will either contain the desired part or it will reference a subordinate drawing; e.g., "See Figure 2 for detailed breakdown." Referencing may be carried to several levels before the desired part is found on an illustration. Once the part is found on an illustration, the index number serves as the key between the illustration and its associated Parts List.

### ILLUSTRATION METHODS

#### Stacked Index Numbers

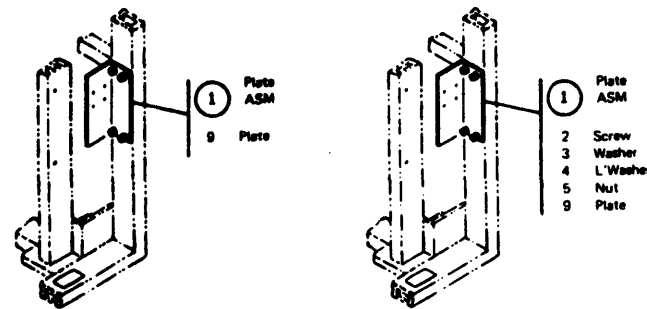
Stacked index numbers are used when showing a part and its attaching hardware as a group. The sequence of a typical stack is shown at the right. Use of the vertical line to the left of the stacked numbers is optional.



#### Circled Index Numbers

Circled index numbers indicate that the circled item is an assembly which is broken down within the figure. Two configurations are possible:

- (1) A circled index number with the index number of the end item of the assembly shown below the circled number.
- (2) A circled index number with attaching hardware stacked and with the end item of the assembly shown as the last index number in the stack.

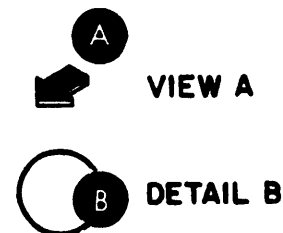


#### Reference Notes

Illustration notes that reference the next higher assembly are generally located in the upper left corner of the figure; e.g., "For Parts Not Shown, See Figure X." Illustration notes that reference a subassembly are located next to the index number; e.g., "See Figure Y."

#### Detail Boxes

A single-lined detail box is used to show either another view of an illustrated assembly or a finer breakdown of a portion of the illustrated assembly. The examples at the right are the symbols used to relate the content of the detail box to the assembly.



A double-lined detail box is used to show a different manufacturing level of a portion of the illustrated assembly. An explanation of the difference between these levels is contained within the box.

### PARTS LIST NOMENCLATURE AND METHODS

The following terms are used throughout the Parts Lists; therefore, complete familiarity with them is essential. The terms are keyed to the sample parts list shown below.

- 1 **AR (As Required)** - denotes an undefined or an unknown quantity.
- 2 **ATT PT (Attaching Parts)** - denotes parts used to attach a part or subassembly to an assembly. The "attaching parts" are listed immediately following the part or subassembly to be attached and have the same indent level as the part or subassembly.
- 3 **COMM (Commercial)** - denotes hardware procurable from normal commercial sources and not identified by an IBM part number.
- 4 **Indent pattern** - indicates relationship of a part to its next higher assembly. For example:  
1 2 3 4  
Unit  
• Assemblies and Detail Parts of Unit  
• Attaching Parts for Assemblies & Detail Parts  
• Subassemblies  
• Attaching Parts for Subassemblies  
• Detail Parts for Subassemblies, etc.
- 5 **NR (Not Recommended)** - denotes the part is not recommended for field replacement, and that the next higher assembly should be ordered.
- 6 **NP (Non-Procurable)** - denotes the assembly is non-procurable and that detail parts must be ordered separately.

7 **NO NO. (No Number)** - denotes a group of parts for which no assembly part number has been assigned and that detail parts must be ordered separately.

8 **REF (Reference)** - denotes that quantities for such items are identified in the next higher assembly.

9 **Similar Assemblies** - If two assemblies contain a majority of identical parts, they are broken down on the same figure/list. Parts unique to either of the similar assemblies are identified by either a Usable On Code or a note in the description column.

10 **Usable on Code** - This column can be used to identify unique parts of similar assemblies (see 9 above). Two types of codes (an alphabetic and numeric) are used. For any given Parts List, the codes are defined at the top of that list and are only meaningful for that list.

Alphabetic codes are used to identify unique parts of selective assemblies:

Ex. 1 Code A - Used on 50-Hz machines.  
Code B - Used on 60-Hz machines.

Ex. 2 Code A - Used on Red Cover Group.  
Code B - Used on Blue Cover Group.  
Code C - Used on Yellow Cover Group.

Numeric codes are used to identify unique parts of different manufacturing levels of assemblies:

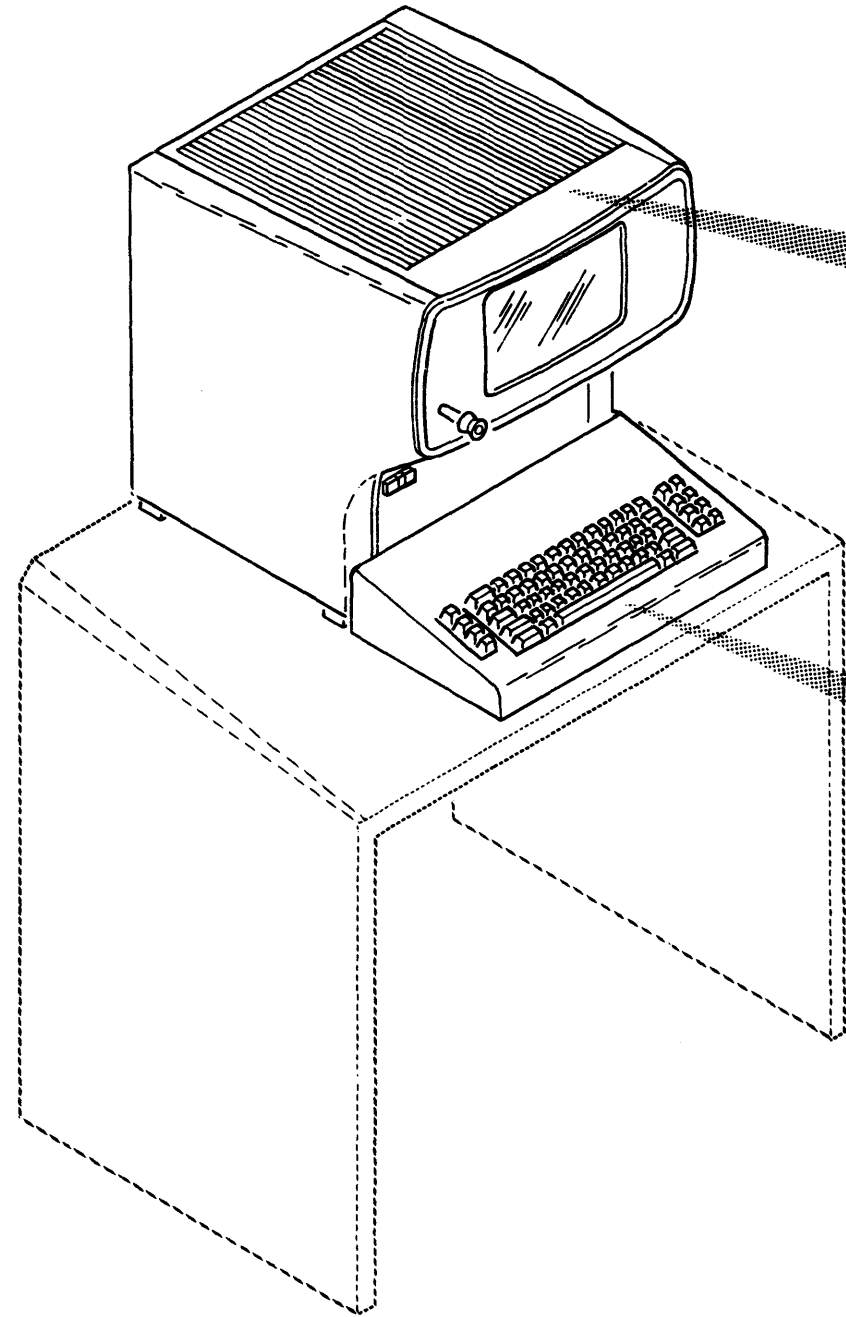
Ex. 1 Code 1 - Used prior to suffix L7. (See 11 below.)  
Code 2 - Used after suffix L7.

Ex. 2 Code 1 - Used prior to serial # 10137.  
Code 2 - Used after serial #10137.

11 **Suffix Code** - indicates the month (alphabetic) and the year (numeric) of the engineering change; e.g., B 6 stamped after the serial number equals Feb 1966.

LIST 2. DRIVE MOTOR ASSEMBLY - 220 VOLTS

FIGURE- INDEX NUMBER	PART NUMBER	DESCRIPTION				UNITS PER ASM.	USABLE ON CODE
		1	2	3	4		
2 -						8	10
	2199376	NP			DRIVE MOTOR ASM - 220 VOLTS 60 HZ	RLF	1A
	2199386	NP			DRIVE MOTOR ASM - 220 VOLTS 50 HZ	RLF	1B
					FOR NEXT HIGHER ASM SEE FIGURE 1-92		
- 1	2204176				PULLEY, 60 HZ	1	A
- 1	2199255				PULLEY, 50 HZ	1	B
- 2	79842				SETSCREW, SPLINE DR CUP PT 8-32 X 3/8 LG	1	
- 3	2204116				MOTOR ASM, 220V AC 60 HZ	1	A
- 4	NO NO.				MOTOR ASM, 220V AC 50 HZ	1	B
- 5	5526				SCREW, MACH BIND HD 8-32 X 0.625 LG	4	
- 6	2204082				FERRULE, OUTER	1	
- 7	2204033				FERRULE, INNER	1	
- 8	COMM				MOTOR, 1/12 HP - 220V 60 HZ	1	A
- 8	2199258				MOTOR, 1/12 HP - 220V 50 HZ	1	B
- 9	2199401	NR			PLATE, MOTOR MT - 220 VOLTS 60 HZ	1	A
- 9	2199402	NR			PLATE, MOTOR MT - 220 VOLTS 50 HZ	1	B



DISPLAY STATION  
3277 MODEL 1

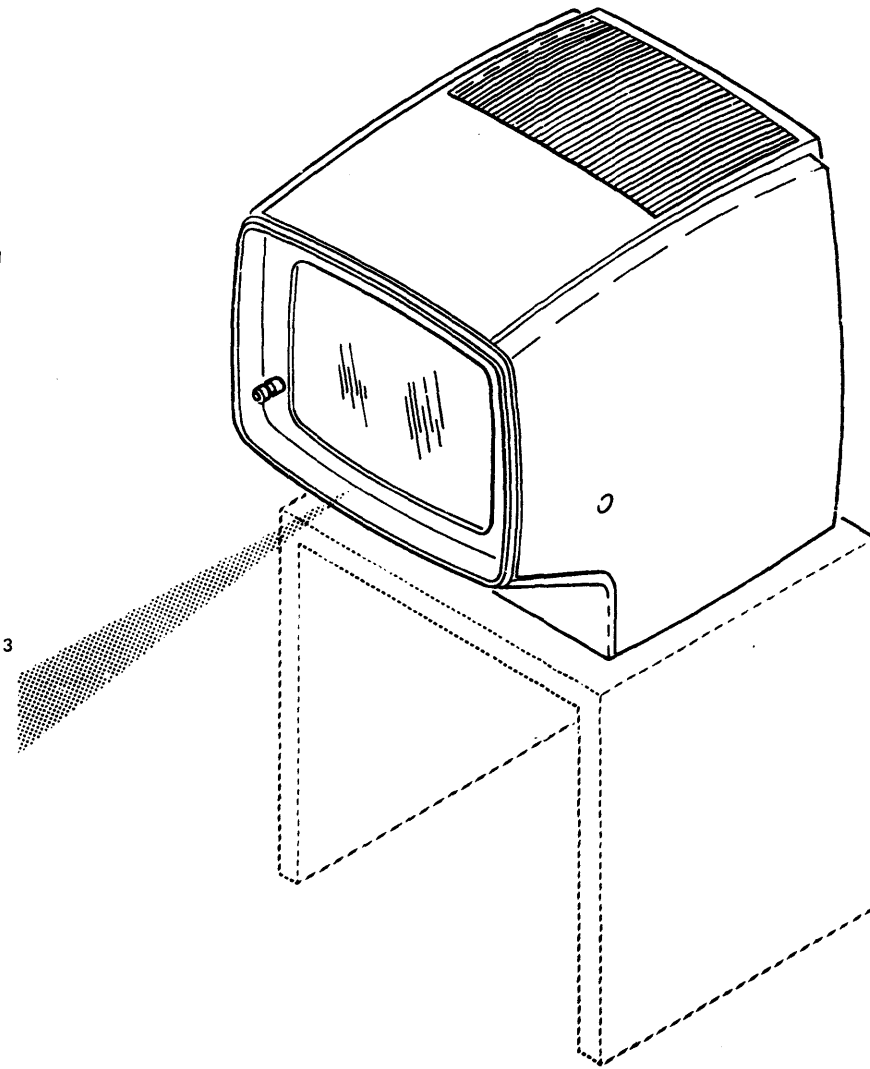
COVER ASSEMBLY  
FIGURE 2  
PAGE 25

FINAL ASSEMBLY  
FIGURE 3  
PAGE 26

KEYBUTTON LANGUAGE GROUPS  
TYPE B - CHARTS I, III, V, VII AND IX  
PAGES 2, 4, 6, 8 AND 10  
TYPE A - CHARTS XII, XIV, XVI AND XVII  
PAGES 16, 18, 20 AND 21

KEYBUTTON NOMENCLATURE  
TYPE B - CHARTS II, IV, VI, VIII AND X  
PAGES 3, 5, 7, 9 AND 11  
TYPE A - CHARTS XIII, XV, XVI AND XVII  
PAGES 17, 19, 20 AND 21

KEYBOARD ASSEMBLY  
TYPE B - FIGURE 1, PAGE 12  
TYPE A - FIGURE 1A, PAGE 22



DISPLAY STATION  
3275 MODELS 1, 2 AND 3  
3277 MODEL 2

COVER ASSEMBLY  
FIGURE 5  
PAGE 29

FINAL ASSEMBLY  
FIGURE 6  
PAGE 30

## CATALOG SECTION

### KEYBUTTON INFORMATION

Keybuttons Language Groups-Type B  
Charts I thru X  
Pages 2 thru 11  
Keybuttons Language Groups-Type A  
Charts XII thru XVII  
Pages 16 thru 21



### CHART II. KEYBUTTON NOMENCLATURE

NOTE: FOR KEYBUTTON USAGE, SEE CHART I.

NOTES

PART NUMBER	NOMENCLATURE	PART NUMBER	NOMENCLATURE	PART NUMBER	NOMENCLATURE	PART NUMBER	NOMENCLATURE	PART NUMBER	NOMENCLATURE
1133265	:	1772978	←	1853553	SHIFT	1853627	↵	5172375	\$
1133268	>	1772979	CNCL	1853554	RESET	1853628	⌘	5172376	%
1133278	T	1786753	I	1853555	ENTER	1853629	4	5172378	&
1133285	A	1786812	<	1853556	DUP PA1	1853630	5	5172379	*
1133296	Z	1786821	⌘	1853557	FIELD MARK PA2	1853631	6	5172380	(
1133335	D	1786823	I	1853558	INS MODE	1853632	SKIP	5172381	)
1133905	<	1786826	:	1853559	DEL	1853633	"	5172382	-
1133911	+	1786827	:	1853560	↑	1853634	NUMERIC	5172384	Q
1158232		1786829	"	1853561	↓	1853635	%	5172385	W
1158436	'	1786830	!	1853562	→	1853636	?	5172386	E
1158439	!	1786831	(	1853571	PF1	1853637	'	5172387	R
1158588	#	1786894	RESET	1853572	PF2	1853638	"	5172388	T
1158589	%	1853499	@	1853573	PF3	1853639	(	5172389	Y
1158590	\$	1853500	#	1853574	PF4	1853640	)	5172401	U
1158756	⌘	1853501	\$	1853575	PF5	1853641	7	5172402	I
1158757	"	1853502	%	1853576	PF6	1853642	8	5172403	O
1158758		1853503	⌘	1853577	PF7	1853643	9	5172404	P
1158759	↵	1853504	&	1853578	PF8	1853644	.	5172406	A
1179871	'	1853505	*	1853579	PF9	1853645	ALPHA	5172407	S
1197130	'	1853506	(	1853580	PF10	1853655		5172408	D
1213806	] [	1853507	)	1853581	PF11	1854067	#	5172410	G
1772901	CLEAR	1853508	-	1853582	PF12	1854068	.	5172411	H
1772902	ERASE INPUT	1853509	+	1853583		1854069	\$	5172413	K
1772903	ERASE EOF	1853510	=	1853584	↵	1854070	.	5172414	L
1772904	TEST REQ	1853511	W	1853585	] [	1854071	RESET	5172415	:
1772905	DUP PA1	1853512	E	1853586	←	1854072		5172416	"
1772906	FIELD MARK PA2	1853513	R	1853587	=	1854073	⌘	5172419	Z
1772907	INS MODE	1853514	T	1853588	>	1854074	T	5172420	X
1772908	DEL	1853515	Y	1853589	:	1854075		5172421	C
1772909	↑	1853516	U	1853590	:	1854076	ENTER	5172422	V
1772910	↓	1853517	I	1853591	:	1854077	A	5172423	B
1772911	→	1853518	O	1853592	>	1854078	:	5172424	N
1772912	↵	1853519	P	1853593	+	1854079	:	5172425	M
1772913		1853520	!	1853594	PA1	1854135	'	5172427	.
1772914	F	1853521	A	1853595	CNCL	1854136	PF4	5172428	?
1772915	J	1853522	S	1853596	⌘	1854137	PF5	5172435	⌘
1772916	RESET	1853523	D	1853597	!	1854138	"	5173447	>
1772917	ENTER	1853524	F	1853598	"	1854139	"	5173452	>
1772919	FIELD MARK	1853525	G	1853599	<	1854140	=	5180975	DUP
1772921	PA1	1853526	H	1853600	>	1854141	!	5180976	0
1772922	PA2	1853527	J	1853601	PA3	1854142	(	5180977	1
1772926	PF4	1853528	K	1853602	@	1854143	⌘	5180978	2
1772927	PF5	1853529	L	1853603	#	1854144	⌘	5180979	3
1772928	PA3	1853530	:	1853604	.	1854160	ENTER	5180980	&
1772929	NUM LOCK	1853531	"	1853605	.	1854162	PF4	5180981	SKIP
1772931	PF1	1853532	Z	1853606	FIELD MARK	1854548	PF5	5180982	7
1772932	PF2	1853533	X	1853607	DUP	1854549	↵	5180983	8
1772933	PF3	1853534	C	1853608	-	1854550	⌘	5180984	9
1772934	PF4	1853535	V	1853609	0	1854442	SPACE BAR	5180985	-
1772935	PF5	1853536	B	1853610	PA2	5152022	.	5180986	>
1772936	PF6	1853537	N	1853611	+	5152023	.	5180987	↵
1772937	PF7	1853538	M	1853612	-	5152029	!	5180988	+
1772938	PF8	1853539	<	1853613	!	5152030	:	5180989	-
1772939	PF9	1853540	>	1853614	:	5152031	:	5180990	?
1772940	PF10	1853541	?	1853615	:	5152032	*	5180994	4
1772941	PF11	1853542	CLEAR	1853616	=	5152036	<	5180995	5
1772942	PF12	1853543	ERASE INPUT	1853617	1	5152038		5180996	6
1772944	NUMERIC	1853544	ERASE EOF	1853618	2	5152039	⌘	5181035	@
1772946	ALPHA	1853545	TEST REQ	1853619	3	5152041	%	5181036	#
1772957	LOCK	1853546		1853620	&	5152042	'	5183388	↵
1772961	SPACE BAR	1853547	↵	1853621	!	5152043	"	5183391	↵
1772963	↵	1853548	↵	1853622	NUM LOCK	5152044	(	5183392	.
1772968	SHIFT	1853549	↵	1853623	<	5152045	)	5183394	↵
1772971	SHIFT	1853550	LOCK	1853624	>	5172369	+	5993029	:
1772976		1853551	↵	1853625	:	5172373	@		
1772977	↵	1853552	SHIFT	1853626		5172374	#		

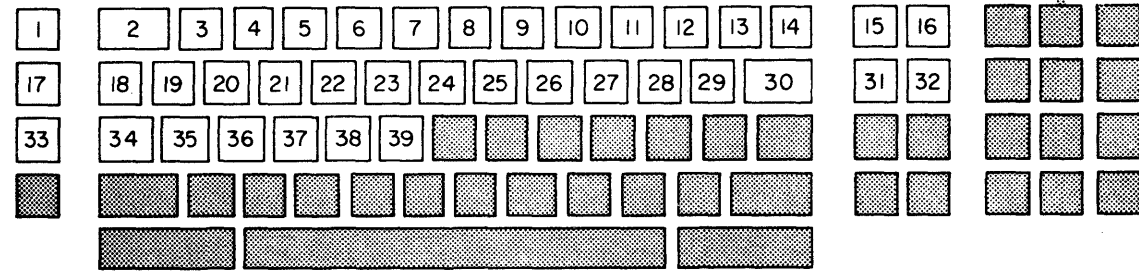
CHART II. KEYBUTTON NOMENCLATURE FOR CHART I.



FOR LANGUAGES NOT SHOWN  
SEE CHARTS I, V, VII, AND IX

**KEYBUTTON POSITION**

NOTE: FOR KEYBUTTON NOMENCLATURE, SEE CHART IV



FOR COMPONENTS IN  
SHADED AREA SEE  
CHART III, PART 2

**CHART III. KEYBUTTON LANGUAGE GROUPS (PART 1 OF 2)**

COLUMN NUMBER	UNITED KINGDOM				GERMANY					COLUMN NUMBER
	1	2	3	4	5	6	7	8	9	
BUTTON POS.	EBCDIC	DATA ENTRY	DATA ENTRY II	1052-7	EBCDIC & DUAL CASE	DATA ENTRY	DATA ENTRY II	1052-7 QWERTY	1052-7 QWERTZ	BUTTON POS.
1	1772901	1772901	1772901	1772901	1786715	1786715	1786715	1786715	1786715	1
2	1772913	1772928	1772928	5183392	1786722	1772928	1772928	5183392	5183392	2
3	5172373	5181035	1158588	1133905	1197541	1772931	1772931	1133905	1133905	3
4	5172374	5181036	1158589	5993029	1133195	1772932	5183388	5993029	5993029	4
5	5153653	5152022	1209786	1133265	1133265	1133471	1226247	1133265	1133265	5
6	5172376	5153530	1786812	5172376	5172376	1218779	1772932	5172376	5172376	6
7	5153652	1772919	1772919	1158436	1158436	1786730	1786730	1158436	1158436	7
8	5172378	5180975	5180975	1133268	5172378	5180975	5180975	1133268	1133268	8
9	5172379	5180985	5180985	5172379	1133071	5180985	5180985	5172379	5172379	9
10	5172380	5180976	5180976	5172380	1133072	5180976	5180976	5172380	5172380	10
11	5172381	1772931	1786894	5172381	1218390	1772933	1854555	5172381	5172381	11
12	5172382	1772932	1772931	5172382	▲1786723	1772934	1772933	5172382	1197355	12
13	5172369	1772933	1772932	1133911	1786724	1772935	1772934	1133911	1133169	13
14	5183388	5183388	1772933	5183388	5183388	5183388	1772935	5183388	5183388	14
15	1772905	1772921	1772921	1772921	1772905	1772921	1772921	1772921	1772921	15
16	1772906	1772922	1772922	1772922	1786719	1772922	1772922	1854150	1854150	16
17	1772902	1772902	1772902	1772902	1786716	1786716	1786716	1786716	1786716	17
18	5183391	5183391	5183391	5183391	5183391	5183391	5183391	5183391	5183391	18
19	5172384	5180988	5180988	5172384	5172384	5180988	5180988	5172384	5172384	19
20	5172385	5180989	5180989	5172385	5172385	5180989	5180989	5172385	5172385	20
21	5172386	5152029	1158232	5172386	5172386	1133329	1158232	5172386	5172386	21
22	5172387	5152030	1853364	5172387	5172387	5152030	1786821	5172387	5172387	22
23	5172388	5152031	1133278	5172388	5172388	5152031	1133278	5172388	5172388	23
24	5172389	5152032	1786823	5172389	5153675	5153555	1854556	5172389	5153675	24
25	5172401	5180977	5180977	5172401	5172401	5180977	5180977	5172401	5172401	25
26	5172402	5180978	5180978	5172402	5172402	5180978	5180978	5172402	5172402	26
27	5172403	5180979	5180979	5172403	5172403	5180979	5180979	5172403	5172403	27
28	5172404	5180980	5180980	5172404	5172404	5180980	5180980	5172404	5172404	28
29	1772912	1772926	1854160	1770932	5153686	1786731	5153556	1158756	5153686	29
30	5183394	5183394	5183394	5183394	1786725	5183394	5183394	5183394	1770931	30
31	1772907	1772907	1772907	1772907	1786720	1786720	1786720	1786720	1786720	31
32	1772908	1772908	1772908	1772908	1786721	1786721	1786721	1786721	1786721	32
33	1772903	1772903	1772903	1772903	1786717	1786717	1786717	1786717	1786717	33
34	1772957	1772929	1772929	1785083	1785083	1785097	1785097	1785083	1785083	34
35	5172406	5152036	1133285	5172406	5172406	5152036	1854557	5172406	5172406	35
36	5172407	5180986	5180986	5172407	5172407	5180986	5180986	5172407	5172407	36
37	5172408	1133335	1786826	5172408	5172408	1133335	1786826	5172408	5172408	37
38	1772914	5152038	1786827	1772914	1772914	5152038	1786827	1772914	1772914	38
39	5172410	5180987	5180987	5172410	5172410	5180987	5180987	5172410	5172410	39

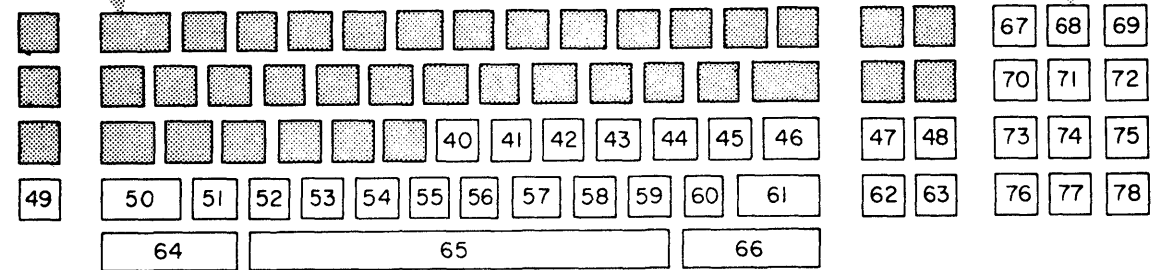
▲USED ON EBCDIC ONLY  
DUAL CASE PART NUMBER: 1197355

**CHART III. KEYBUTTON LANGUAGE GROUPS-TYPE B (PART 1 OF 2).**

FOR COMPONENTS IN  
SHADED AREA SEE  
CHART III, PART 1

**KEYBUTTON POSITION**

NOTE: FOR KEYBUTTON NOMENCLATURE, SEE CHART IV



USED ON 78 KEY  
TYPEWRITERS ONLY

**CHART III. KEYBUTTON LANGUAGE GROUPS (PART 2 OF 2)**

COLUMN NUMBER	UNITED KINGDOM				GERMANY					COLUMN NUMBER
	1	2	3	4	5	6	7	8	9	
BUTTON POS.	EBCDIC	DATA ENTRY	DATA ENTRY II	1052-7	EBCDIC & DUAL CASE	DATA ENTRY	DATA ENTRY II	1052-7 QWERTY	1052-7 QWERTZ	BUTTON POS.
40	5172411	5153533	1179871	5172411	5172411	5153628	1179871	5172411	5172411	40
41	1772915	5180994	5180994	1772915	1772915	5180994	5180994	1772915	1772915	41
42	5172413	5180995	5180995	5172413	5172413	5180995	5180995	5172413	5172413	42
43	5172414	5180996	5180996	5172414	5172414	5180996	5180996	5172414	5172414	43
44	5172415	5180981	5180981	1215378	5153687	1786732	1854558	1158439	5153687	44
45	5172416	1772927	1854162	1158757	5153688	1786733	1854559	1158757	5153688	45
46	1772963	1772963	1854548	1772963	1772963	1772963	1854560	1772963	1772963	46
47	1772909	1772909	1772909	1772909	1772909	1772909	1772909	1772909	1772909	47
48	1772910	1772910	1772910	1772910	1772910	1772910	1772910	1772910	1772910	48
49	1772904	1772904	1772904	1772904	1786718	1786718	1786718	1786718	1786718	49
50	1772968	1772944	1772944	1785086	1786726	1785099	1785086	1785086	1785086	50
51	5172419	5152041	1133296	5172419	5153690	5153561	1854155	5172419	5153690	51
52	5172420	5180990	5180990	5172420	5172420	5180990	5180990	5172420	5172420	52
53	5172421	5152042	1786829	5172421	5152042	1786829	5172421	5172421	5172421	53
54	5172422	5152043	1197130	5172422	5172422	1133343	1197130	5172422	5172422	54
55	5172423	5152044	1786830	5172423	5172423	1786830	5172423	5172423	5172423	55
56	5172424	5152045	1786831	5172424	5152045	1786831	5172424	5172424	5172424	56
57	5172425	5180982	5180982	5172425	5172425	5180982	5180982	5172425	5172425	57
58	5173447	5180983	5180983	1158758	5173447	5180983	5180983	1158758	1158758	58
59	5173452	5180984	5180984	1158759	5173452	5180984	5180984	1158759	1158759	59
60	5172428	5172427	1854549	5172428	1133249	1786734	1786734	5172428	1133249	60
61	1772971	1772946	1772946	1785087	1786727	1772946	1785087	1785087	1785087	61
62	5183388	5183388	5183388	5183388	5183388	5183388	5183388	5183388	5183388	62
63	1772911	1772911	1772911	1772911	1772911	1772911	1772911	1772911	1772911	63
64	1772916	1772916	1786753	1772916	1786728	1786728	1786753	1786728	1786728	64
65	1772961	1854442	1858516	1863817	1772961	1772961	1858516	1863817	1863817	65
66	1772917	1772917	1854550	1772917	1786729	1786729	1854550	1854151	1854151	66
67	1772931	NONE	NONE	1772931	1772931	NONE	NONE	1772931	1772931	67
68	1772932	NONE	NONE	1772932	1772932	NONE	NONE	1772932	1772932	68
69	1772933	NONE	NONE	1772933	1772933	NONE	NONE	1772933	1772933	69
70	1772934	NONE	NONE	1772934	1772934	NONE	NONE	1772934	1772934	70
71	1772935	NONE	NONE	1772935	1772935	NONE	NONE	1772935	1772935	71
72	1772936	NONE	NONE	1772936	1772936	NONE	NONE	1772936	1772936	72
73	1772937	NONE	NONE	1772937	1772937	NONE	NONE	1772937	1772937	73
74	1772938	NONE	NONE	1772938	1772938	NONE	NONE	1772938	1772938	74
75	1772939	NONE	NONE	1772939	1772939	NONE	NONE	1772939	1772939	75
76	1772940	NONE	NONE	1772940	1772940	NONE	NONE	1772940	1772940	76
77	1772941	NONE	NONE	1772941	1772941	NONE	NONE	1772941	1772941	77
78	1772942	NONE	NONE	1772942	1772942	NONE	NONE	1772942	1772942	78

**CHART III. KEYBUTTON LANGUAGE GROUPS-TYPE B (PART 2 OF 2).**

## CHART IV. KEYBUTTON NOMENCLATURE

NOTE: FOR KEYBUTTON USAGE, SEE CHART III.

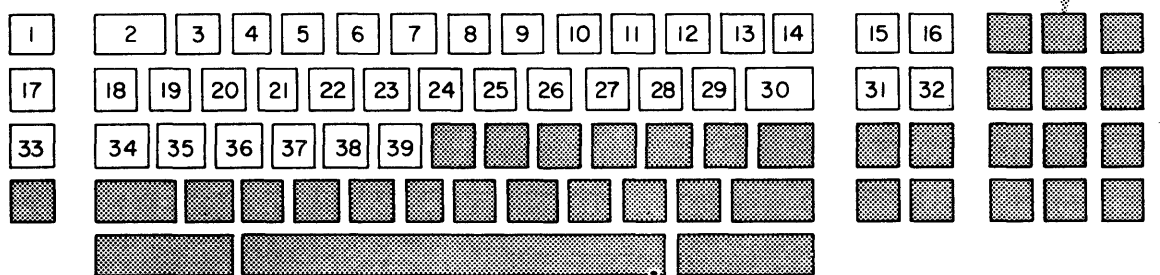
PART NUMBER	NOMENCLATURE	PART NUMBER	NOMENCLATURE	PART NUMBER	NOMENCLATURE	PART NUMBER	NOMENCLATURE	PART NUMBER	NOMENCLATURE
1133071	( 8	1772910	↓	1786719	FELD MARKE PA2	5152030	: R	5172408	D
1133072	) 9	1772911	→	1786720	ZEICH EINFG	5152031	: T	5172410	G
1133169	+ /	1772912	! ↖	1786721	LÖSCH ZEICH	5152032	= Y	5172411	H
1133195	* 3	1772913	1	1786722	↖ 1	5152036	< A	5172413	K
1133249	—	1772914	F	1786723	? X6A	5152038	F	5172414	L
1133265	: 4	1772915	J	1786724	+ :	5152041	% Z	5172415	: ;
1133268	> 7	1772916	RESET	1786725	' ←	5152042	" C	5172416	" ;
1133278	T	1772917	ENTER	1786726	UMSCH	5152043	" V	5172419	Z
1133285	A	1772919	FIELD MARK	1786727	UMSCH	5152044	( B	5172420	X
1133296	Z	1772921	PA1	1786728	GRD STG	5152045	) N	5172421	C
1133329	E	1772922	PA2	1786729	DAT FREIG	5153530	- £	5172422	V
1133335	D	1772926	PF4	1786730	FELD MARKE	5153533	\$ H	5172423	B
1133343	V	1772927	PF5	1786731	X5A U	5153555	= Z	5172424	N
1133471	.	1772928	PA3	1786732	X4A O	5153556	U	5172425	M
1133905	< 2	1772929	NUM LOCK	1786733	X7F A	5153561	% Y	5172427	. .
1133911	+ &	1772931	PF1	1786734	SPRG	5153628	H	5172428	? /
1158232	) E	1772932	PF2	1786753	BLANK	5153652	\$ 6	5173447	< .
1158436	' 6	1772933	PF3	1786812	* <	5153653	£ 4	5173452	> .
1158439	! \$	1772934	PF4	1786821	* R	5153675	Z	5180975	DUP
1158588	# @	1772935	PF5	1786823	Y	5153686	U	5180976	0 /
1158589	, %	1772936	PF6	1786826	: D	5153687	O	5180977	1 U
1158756	@	1772937	PF7	1786827	: F	5153688	A	5180978	2 I
1158757	" #	1772938	PF8	1786829	" C	5153690	Y	5180979	3 O
1158758	.	1772939	PF9	1786830	! B	5172369	+ =	5180980	& P
1158759	↖ .	1772940	PF10	1786831	( N	5172373	@ 2	5180981	SKIP
1179871	' H	1772941	PF11	1786894	RESET	5172374	# 3	5180982	7 M
1197130	- V	1772942	PF12	1853364	\$ R	5172376	% 5	5180983	8 .
1197355	? β	1772944	NUMERIC	1854150	STORN	5172378	& 7	5180984	9 .
1197541	/ 2	1772946	ALPHA	1854151	EINGABE	5172379	* 8	5180985	- -
1209786	£ *	1772957	LOCK	1854155	Y	5172380	( 9	5180986	> S
1215378	! £	1772961	SPACE BAR	1854160	ENTER	5172381	) 0	5180987	↖ G
1218390	· 0	1772963		1854162	PF4	5172382	- -	5180988	+ Q
1218779	.	1772968	SHIFT	1854548	PF5	5172384	- O	5180989	- W
1226247	< *	1772971	SHIFT	1854549	←	5172385	W	5180990	? X
1770931	& ←	1772979	CNCL	1854550	←	5172386	E	5180994	4 J
1772901	CLEAR	1785083	↓	1854555	GRDST	5172387	R	5180995	5 K
1772902	ERASE INPUT	1785086	↑	1854556	Z	5172388	T	5180996	6 L
1772903	ERASE EOF	1785087	↑	1854557	% A	5172389	Y	5181035	@
1772904	TEST REQ	1785097	NUM	1854558	. O	5172401	U	5181036	#
1772905	DUP PA1	1785099	NUM	1854559	. A	5172402	I	5183388	←
1772906	FIELD MARK PA2	1786715	LÖSCH	1854560	DAT FREIG	5172403	O	5183391	→
1772907	INS MODE	1786716	EING LÖSCH	1854442	SPACE BAR	5172404	P	5183392	= I
1772908	DEL	1786717	LÖSCH FELD	5152022	.	5172406	A	5183394	←
1772909	↑	1786718	TEST ABFR	5152029	! E	5172407	S	5993029	: 3

FOR LANGUAGES NOT SHOWN SEE CHARTS I, III, VII, AND IX

FOR COMPONENTS IN SHADED AREA SEE CHART V, PART 2

KEYBUTTON POSITION

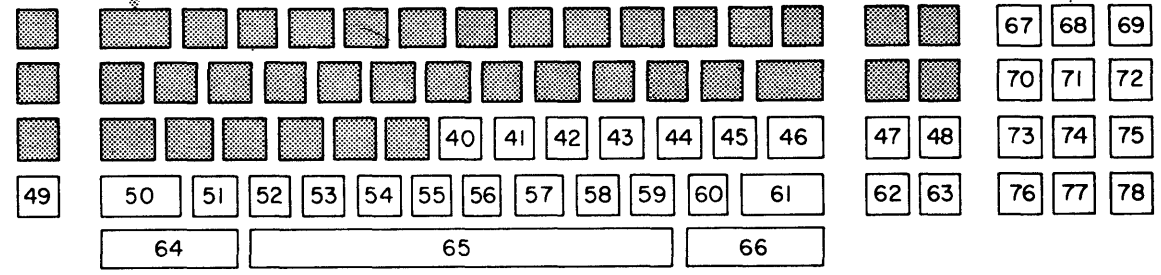
NOTE: FOR KEYBUTTON NOMENCLATURE, SEE CHART VI



FOR COMPONENTS IN SHADED AREA SEE CHART V, PART 1

KEYBUTTON POSITION

NOTE: FOR KEYBUTTON NOMENCLATURE, SEE CHART VI



USED ON 78 KEY TYPEWRITERS ONLY

CHART V. KEYBUTTON LANGUAGE GROUPS (PART 1 OF 2)

CHART V. KEYBUTTON LANGUAGE GROUPS (PART 2 OF 2)

Table with columns for FRANCE, ITALY, SWEDEN/FINLAND and rows for COLUMN NUMBER, BUTTON POS., and alphanumeric values.

Table with columns for FRANCE, ITALY, SWEDEN/FINLAND and rows for COLUMN NUMBER, BUTTON POS., and alphanumeric values.

Legend for Chart V Part 1: DUAL CASE KEYBUTTON PART NO. (3, 4, 7, 29) and USED ON SWEDEN 1052-7 ONLY.

Legend for Chart V Part 2: DUAL CASE KEYBUTTON PART NO. (44, 45) and USED ON SWEDEN 1052-7 ONLY.

Legend for Chart V Part 2: PART NO. (44, 45, 58, 59, 60).

CHART V. KEYBUTTON LANGUAGE GROUPS—TYPE B (PART 1 OF 2).

CHART V. KEYBUTTON LANGUAGE GROUPS—TYPE B (PART 2 OF 2).

3275/3277 PC (06/74)

## CHART VI. KEYBUTTON NOMENCLATURE

NOTE: FOR KEYBUTTON USAGE, SEE CHART V.

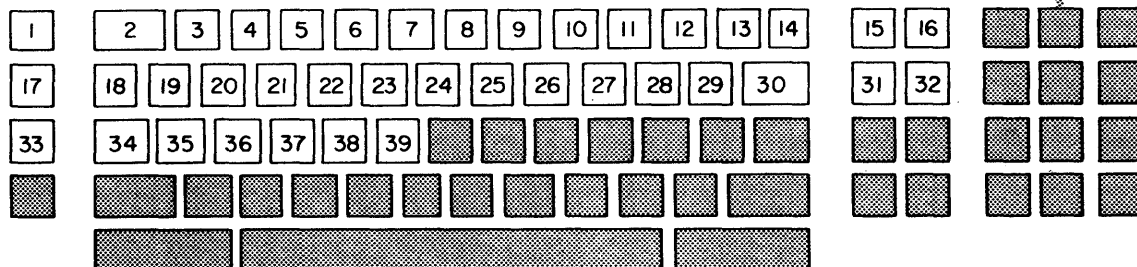
PART NUMBER	NOMENCLATURE	PART NUMBER	NOMENCLATURE	PART NUMBER	NOMENCLATURE	PART NUMBER	NOMENCLATURE	PART NUMBER	NOMENCLATURE
1127847	+ 3	1772908	DEL	1785093	REPR	1854162	PF4	5172388	T
1133001	> 2	1772909	↑	1785094	AP1	1854548	PF5	5172389	Y
1133071	( 8	1772910	↓	1785095	AP2	1854549	←	5172401	U
1133072	) 9	1772911	→	1785096	FP4	1854550	↖	5172402	I
1133076	-	1772912	! ↖	1785097	NUM	1854552	TRANS	5172403	O
1133077	:	1772913	1	1785098	FP5	1854554	FP5	5172404	P
1133079	A	1772914	F	1785099	NUM	1854553	FP4	5172406	A
1133080	A	1772915	J	1786701	FP1	1854561	RIPR	5172407	S
1133081	O	1772916	RESET	1786702	FP2	1854562	INVIO	5172408	D
1133225	A	1772917	ENTER	1786703	FP3	5152022	.	5172410	G
1133229	ù e	1772919	FIELD MARK	1786704	FP4	5152023	.	5172411	H
1133249	- -	1772921	PA1	1786705	FP5	5152029	!	5172413	K
1133265	: 4	1772922	PA2	1786706	FP6	5152030	:	5172414	L
1133268	> 7	1772926	PF4	1786707	FP7	5152031	:	5172415	:
1133278	T	1772927	PF5	1786708	FP8	5152032	=	5172416	"
1133285	A	1772928	PA3	1786709	FP9	5152036	<	5172419	Z
1133296	Z	1772929	NUM LOCK	1786710	FP10	5152038		5172420	X
1133318	& 6	1772931	PF1	1786711	FP11	5152039	e	5172421	C
1133335	D	1772932	PF2	1786712	FP12	5152041	%	5172422	V
1133471	.	1772933	PF3	1786713	c e	5152042	'	5172423	B
1133905	< 2	1772934	PF4	1786714	\$ à	5152043	"	5172424	N
1133906	> 3	1772935	PF5	1786735	ANNUL	5152044	(	5172425	M
1133911	+ &	1772936	PF6	1786736	CANC IMM	5152045	)	5172426	.
1158232	) E	1772937	PF7	1786737	CANC FC	5153540	+	5172427	.
1158436	' 6	1772938	PF8	1786738	RICH PROVA	5153541	-	5172428	?
1158439	! \$	1772939	PF9	1786739	DUP AP1	5153543	<	5172435	e 6
1158588	# @	1772940	PF10	1786740	MC AP2	5153546	SAUT	5173447	<
1158589	%	1772941	PF11	1786741	OPER INSER	5153547	%	5173452	>
1158590	\$ *	1772942	PF12	1786742	ELIM CAR	5153566	SALTO	5180975	DUP
1158756	e @	1772944	NUMERIC	1786743	BLOCC	5153602	.	5180976	0
1158757	" #	1772946	ALPHA	1786744	SCAMB	5153614	8	5180977	1
1158758	.	1772957	LOCK	1786745	SCAMB	5153615	9	5180978	2
1158759	↖ .	1772961	SPACE BAR	1786746	RIPR	5153616	0	5180979	3
1172946	ALPHA	1772963		1786747	INVIO	5153674	A	5180980	&
1178337	? /	1772968	SHIFT	1786748	MC	5153675	Z	5180981	SKIP
1178362	↖ .	1772971	SHIFT	1786749	BLOCC	5153676	Q	5180982	7
1179871	' H	1772979	CNCL	1786750	ALFA	5153678	W	5180983	8
1197013	' 4	1785072	RAB MEMIN	1786751	0 2	5153687	0	5180984	9
1197130	'	1785073	EFFAC ENTR	1786752	1 3	5153688	A	5180985	-
1197602	/ 7	1785074	EFFAC FIN ZONE	1786753	BLANK	5172355	:	5180986	>
1211050	? ' .	1785076	DEMD TEST	1786754	e ↖	5172369	+	5180987	↖
1213935	: .	1785077	REPR AP1	1786756	↖ 6	5172372	:	5180988	+
1216265	. .	1785078	FIN ZONE AP2	1786757	X5A E	5172373	@	5180989	-
1218390	= 0	1785079	MODE INSER	1786758	X4A H	5172374	#	5180990	?
1221504	Q	1785080	SUPP	1786759	X7F V	5172375	\$	5180994	4
1221505	W	1785081	1	1786812	. <	5172376	%	5180995	5
1224190	* 4	1785082	↖	1786821	e R	5172378	&	5180996	6
1225376	à 6	1785083	↓	1786823	1 Y	5172379	*	5181035	@
1227874	: ;	1785084	e #	1786826	: D	5172380	(	5181036	#
1241554	" !	1785085	\$ @	1786827	: F	5172381	)	5183388	←
1772901	CLEAR	1785086	↑	1786829	" C	5172382	-	5183391	→
1772902	ERASE INPUT	1785087	↑	1786830	! B	5172383	BLANK	5183392	=
1772903	ERASE EOF	1785088	RESTAU	1786831	( N	5172384	Q	5183394	←
1772904	TEST REQ	1785089	TRANSM	1786894	RESET	5172385	W	5993029	: 3
1772905	DUP PA1	1785090	AP3	1854132	ENTREE	5172386	E	5994888	? /
1772906	FIELD MARK PA2	1785091	\$	1854152	CANC	5172387	R	5994890	
1772907	INS MODE	1785092	FIN ZONE	1854160	ENTER				

CHART VI. KEYBUTTON NOMENCLATURE FOR CHART V.

FOR LANGUAGES NOT SHOWN  
SEE CHARTS I, III, V, AND IX

### KEYBUTTON POSITION

NOTE: FOR KEYBUTTON NOMENCLATURE, SEE CHART VIII

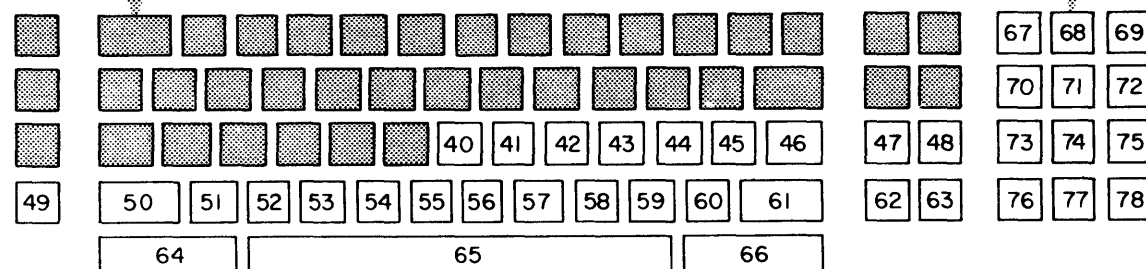


FOR COMPONENTS IN  
SHADED AREA SEE  
CHART VII, PART 2

FOR COMPONENTS IN  
SHADED AREA, SEE  
CHART VII, PART 1

### KEYBUTTON POSITION

NOTE: FOR KEYBUTTON NOMENCLATURE, SEE CHART VIII



USED ON 78 KEY  
TYPEWRITERS ONLY

### CHART VII. KEYBUTTON LANGUAGE GROUPS (PART 1 OF 2)

COLUMN NUMBER	DENMARK				NORWAY				SPAIN				SPAIN AND ARGENTINA	COLUMN NUMBER
	1	2	3	4	5	6	7	8	9	10	11	12		
BUTTON POS.	EBCDIC	DATA ENTRY	DATA ENTRY II	1052-7	EBCDIC	DATA ENTRY	DATA ENTRY II	1052-7	EBCDIC	DATA ENTRY	DATA ENTRY II	1052-7	BUTTON POS.	
1	1772901	1772901	1772901	1772901	1772901	1772901	1772901	1772901	1786763	1786763	1786763	1786763	1	
2	5183392	1772928	1772928	5183392	5183392	1772928	1772928	5183392	1772913	1772928	1772928	5183392	2	
3	1133905	5172383	5183388	1133905	1133905	5172383	5183388	1133905	5172373	5181035	1786776	1133905	3	
4	1133906	1216265	1158589	9993029	1786761	1216265	1158589	9993029	1786776	1158589	9993029	1786776	4	
5	1178669	5153602	5153602	1133265	1178669	5153602	5153602	1133265	5180953	1133471	1854565	1133265	5	
6	5172376	1227874	1786812	5172376	5172376	1227874	1786812	5172376	5172376	1786777	1786812	5172376	6	
7	1158436	1772919	1772919	1158436	1158436	1772919	1772919	1158436	5172435	1786778	1786778	1158436	7	
8	1786760	5180975	5180975	1133268	1133268	5180975	5180975	1133268	5172378	5180975	5180975	1133268	8	
9	5172379	5180985	5180985	5172379	5172379	5180985	5180985	5172379	5172379	5180985	5180985	5172379	9	
10	5172380	5180976	5180976	5172380	5172380	5180976	5180976	5172380	5180976	5180976	5180976	5172380	10	
11	5172381	1772931	1786894	5172381	5172381	1772931	1786894	5172381	1772931	1854551	5172381	5172381	11	
12	1178337	1772932	1772932	5172382	5172382	1772932	1772932	5172382	1772932	1772932	1772932	5172382	12	
13	1133911	1772933	1772933	1133911	1133911	1772933	1772933	1133911	5172369	1772933	1772933	1133911	13	
14	5183388	5183388	1772933	5183388	5183388	5183388	1772933	5183388	5183388	5183388	5183388	5183388	14	
15	1772905	1772921	1772921	1772921	1772905	1772921	1772921	1772921	1772905	1772921	1772921	1772921	15	
16	1772906	1772922	1772922	1772922	1772906	1772922	1772922	1772906	1786772	1772922	1772922	1854134	16	
17	1772902	1772902	1772902	1772902	1772902	1772902	1772902	1772902	1786764	1786764	1786764	1786764	17	
18	5183391	5183391	5183391	5183391	5183391	5183391	5183391	5183391	5183391	5183391	5183391	5183391	18	
19	5172384	5180988	5180988	5172384	5172384	5180988	5180988	5172384	5172384	5180988	5180988	5172384	19	
20	5172385	5180989	5180989	5172385	5172385	5180989	5180989	5172385	5172385	5180989	5180989	5172385	20	
21	5172386	1786757	1158232	5172386	5172386	1786757	1158232	5172386	5172386	5152029	1158232	5172386	21	
22	5172387	5152030	1786821	5172387	5172387	5152030	1786821	5172387	5172387	5152030	1786821	5172387	22	
23	5172388	5152031	1133278	5172388	5172388	5152031	1133278	5172388	5172388	5152031	1133278	5172388	23	
24	5172389	5152032	1786823	5172389	5172389	5152032	1786823	5172389	5172389	5152032	1786823	5172389	24	
25	5172401	5180977	5180977	5172401	5172401	5180977	5180977	5172401	5172401	5180977	5180977	5172401	25	
26	5172402	5180978	5180978	5172402	5172402	5180978	5180978	5172402	5172402	5180978	5180978	5172402	26	
27	5172403	5180979	5180979	5172403	5172403	5180979	5180979	5172403	5172403	5180979	5180979	5172403	27	
28	5172404	5180980	5180980	5172404	5172404	5180980	5180980	5172404	5172404	5180980	5180980	5172404	28	
29	1133225	1772926	1854160	1133225	9994888	1772926	1854160	9994888	1772912	1772926	1854566	1158756	29	
30	5183394	5183394	5183394	5183394	5183394	5183394	5183394	5183394	5183394	5183394	5183394	5183394	30	
31	1772907	1772907	1772907	1772907	1772907	1772907	1772907	1772907	1786773	1786773	1786773	1786773	31	
32	1772908	1772908	1772908	1772908	1772908	1772908	1772908	1772908	1786774	1786774	1786774	1786774	32	
33	1772903	1772903	1772903	1772903	1772903	1772903	1772903	1772903	1786765	1786765	1786765	1786765	33	
34	1772957	1772929	1772929	1772957	1772929	1772929	1772929	1772957	1786767	1786779	1786779	1785083	34	
35	5172406	5152036	1133285	5172406	5172406	5152036	1133285	5172406	5152036	1133285	5172406	5152036	35	
36	5172407	5180986	5180986	5172407	5172407	5180986	5180986	5172407	5172407	5180986	5180986	5172407	36	
37	5172408	1133335	1786826	5172408	5172408	1133335	1786826	5172408	5172408	1133335	1786826	5172408	37	
38	1772914	5152038	1786827	1772914	1772914	5152038	1786827	1772914	1772914	5152038	1786827	1772914	38	
39	5172410	5180987	5180987	5172410	5172410	5180987	5180987	5172410	5172410	5180987	5180987	5172410	39	

### CHART VII. KEYBUTTON LANGUAGE GROUPS-TYPE B (PART 1 OF 2).

### CHART VII. KEYBUTTON LANGUAGE GROUPS (PART 2 OF 2)

COLUMN NUMBER	DENMARK				NORWAY				SPAIN				SPAIN AND ARGENTINA	COLUMN NUMBER
	1	2	3	4	5	6	7	8	9	10	11	12		
BUTTON POS.	EBCDIC	DATA ENTRY	DATA ENTRY II	1052-7	EBCDIC	DATA ENTRY	DATA ENTRY II	1052-7	EBCDIC	DATA ENTRY	DATA ENTRY II	1052-7	BUTTON POS.	
40	5172411	1786758	1179871	5172411	5172411	1786758	1179871	5172411	5172411	5152039	1179871	5172411	40	
41	1772915	5180994	5180994	1772915	1772915	5180994	5180994	1772915	1772915	5180994	5180994	1772915	41	
42	5172413	5180995	5180995	5172413	5172413	5180995	5180995	5172413	5172413	5180995	5180995	5172413	42	
43	5172414	5180996	5172414	5172414	5180996	5172414	5172414	5180996	5172414	5180996	5180996	5172414	43	
44	1133233	5180981	5180981	1133233	1133173	5180981	5180981	1133173	1133459	5153566	5153566	1133459	44	
45	1133235	1772927	1854162	1133235	1213935	1772927	1854162	9994890	1786784	1772927	1854162	1226268	45	
46	1772963	1772963	1854548	1772963	1772963	1772963	1854548	1772963	1772963	1772963	1854548	1772963	46	
47	1772909	1772909	1772909	1772909	1772909	1772909	1772909	1772909	1772909	1772909	1772909	1772909	47	
48	1772910	1772910	1772910	1772910	1772910	1772910	1772910	1772910	1772910	1772910	1772910	1772910	48	
49	1772904	1772904	1772904	1772904	1772904	1772904	1772904	1772904	1786766	1786766	1786766	1786766	49	
50	1772968	1772944	1772944	1772968	1772968	1772944	1772944	1772968	5183461	1772944	1772944	5183461	50	
51	5172419	5152041	1133296	5172419	5172419	5152041	1133296	5172419	5172419	5152041	1133296	5172419	51	
52	5172420	5180990	5180990	5172420	5172420	5180990	5180990	5172420	5172420	5180990	5180990	5172420	52	
53	5172421	5152042	1786829	5172421	5172421	5152042	1786829	5172421	5172421	5152042	1786829	5172421	53	
54	5172422	1786759	1197130	5172422	5172422	1786759	1197130	5172422	5172422	1786759	1197130	5172422	54	
55	5172423	5152044	1786830	5172423	5172423	5152044	1786830	5172423	5172423	5152044	1786830	5172423	55	
56	5172424	5152045	1786831	5172424	5172424	5152045	1786831	5172424	5172424	5152045	1786831	5172424	56	
57	5172425	5180982	5180982	5172425	5172425	5180982	5180982	5172425	5172425	5180982	5180982	5172425	57	
58	5172355	5153614	1158758	5173306	5153618	1133306	5153618	1133306	5173447	5180983	5180983	1158758	58	
59	5172372	5153619	5153619	1158759	1133308	5153619	5153619	1133308	5173452	5180984	5180984	1158759	59	
60	1133249	1238004	1238004	5172428	5172372	1786762	1786762	5172428	5172428	1854549	5172428	5172428	60	
61	1772971	1772946	1772946	1772971	1772946	1772946	1772971	1772946	1772946	1772971	1772946	1772971	61	
62	5183388	5183388	5183388	5183388	5183388	5183388	5183388	5183388	5183388	5183388	5183388	5183388	62	
63	1772911	1772911	1772911	1772911	1772911	1772911	1772911	1772911	1772911	1772911	1772911	1772911	63	
64	1772916	1772916	1786753	1772916	1772916	1786753	1772916	1772916	1786769	1786769	1786769	1786753	64	
65	1772961	1772961	1858516	1863817	1772961	1772961	1858516	1863817	1772961	1772961	1858516	1863817	65	
66	1772917	1772917	1854550	1772917	1772917	1772917	1854550	1772917	1786770	1786770	1854550	1854127	66	
67	1772931	NONE	NONE	1772931	1772931	NONE	NONE	1772931	177					

### CHART VIII. KEYBUTTON NOMENCLATURE

NOTE: FOR KEYBUTTON USAGE, SEE CHART VII.

PART NUMBER	NOMENCLATURE
1133173	Å
1133225	Ä
1133233	Å
1133235	ß
1133249	-
1133265	: 4
1133268	> 7
1133278	T
1133285	A
1133296	Z
1133306	ß
1133308	Å
1133335	D
1133459	Ñ
1133471	.
1133905	< 2
1133906	> 3
1133911	+ &
1158232	E
1158436	' 6
1158589	, %
1158756	e @
1158757	! \$
1158758	,
1158759	— .
1178337	? /
1178669	— 4
1179871	' H
1197130	= V
1213935	; ,
1216265	. .
1226268	! Pts
1227874	.
1238004	ß
1770934	CAMBIO (R. H.)
1772901	CLEAR
1772902	ERASE INPUT
1772903	ERASE EOF
1772904	TEST REQ
1772905	DUP PA1
1772906	FIELD MARK PA2
1772907	INS MODE
1772908	DEL
1772909	↑
1772910	↓
1772911	→
1772912	! —
1772913	1
1772914	F
1772915	J
1772916	RESET
1772917	ENTER
1772919	FIELD MARK

PART NUMBER	NOMENCLATURE
1772921	PA1
1772922	PA2
1772926	PF4
1772927	PF5
1772928	PA3
1772929	NUM LOCK
1772931	PF1
1772932	PF2
1772933	PF3
1772934	PF4
1772935	PF5
1772936	PF6
1772937	PF7
1772938	PF8
1772939	PF9
1772940	PF10
1772941	PF11
1772942	PF12
1772944	NUMERIC
1772946	ALPHA
1772957	LOCK
1772961	SPACE BAR
1772963	←
1772968	SHIFT
1772971	SHIFT
1772979	CNCL
1785083	↓
1786750	ALFA
1786753	BLANK
1786757	X5A E
1786758	X4A H
1786759	X7F V
1786760	7
1786761	3
1786762	Å
1786763	DES
1786764	BORR ENTR
1786765	BORR EOF
1786766	PRBA PEDIR
1786767	BLOQ
1786769	REST
1786770	INTRO
1786772	MRCA CMPO PA2
1786773	INSER CION
1786774	ELIM
1786776	N
1786777	Pts
1786778	MRCA CMPO
1786779	NUM BLOQ
1786784	:
1786812	. <
1786821	e R
1786823	Y

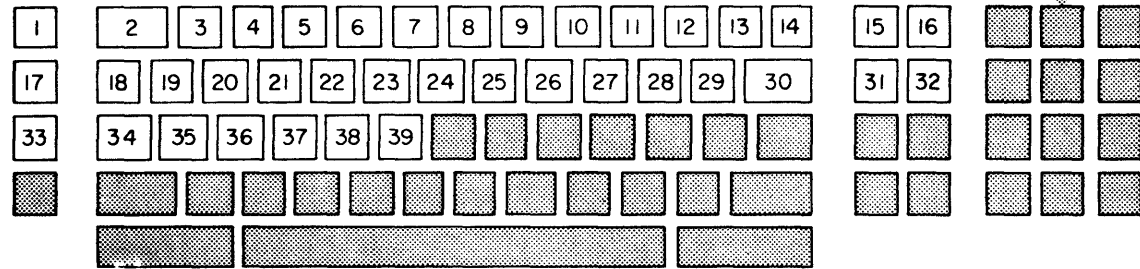
PART NUMBER	NOMENCLATURE
1786826	: D
1786827	: F
1786829	" C
1786830	: B
1786831	( N
1786871	
1786894	RESET
1854127	ENTRADA
1854134	CANCE LAR
1854160	ENTER
1854162	PF4
1854548	PF5
1854549	←
1854550	←
1854551	REST
1854565	Pts
1854566	INTRO
1854568	
5152029	! E
5152030	: R
5152031	: T
5152032	= Y
5152036	< A
5152038	F
5152039	e H
5152041	% Z
5152042	' C
5152044	( B
5152045	) N
5153566	SALTO
5153602	.
5153614	8 Å
5153618	8 ß
5153619	9 Å
5153676	Q
5172355	: .
5172369	+ =
5172372	: .
5172373	@ 2
5172376	% 5
5172378	& 7
5172379	° 8
5172380	( 9
5172381	) 0
5172382	- -
5172383	(BLANK)
5172384	Q
5172385	W
5172386	E
5172387	R
5172388	T
5172389	Y

PART NUMBER	NOMENCLATURE
5172401	U
5172402	I
5172403	O
5172404	P
5172406	A
5172407	S
5172408	D
5172410	G
5172411	H
5172413	K
5172414	L
5172419	Z
5172420	X
5172421	C
5172422	V
5172423	B
5172424	N
5172425	M
5172426	.
5172425	? .
5172435	e 6
5173447	< .
5173452	> .
5180953	Pts 4
5180975	DUP
5180976	0 /
5180977	1 U
5180978	2 I
5180979	3 O
5180980	& P
5180981	SKIP
5180982	7 M
5180983	8 .
5180984	9 .
5180985	- .
5180986	> S
5180987	— G
5180988	+ Q
5180989	- W
5180990	? X
5180994	4 J
5180995	5 K
5180996	6 L
5181035	@
5183388	←
5183391	→
5183392	= 1
5183394	←
5183461	CAMBIO
5993029	: 3
5994888	? /
5994890	.

FOR LANGUAGES NOT SHOWN  
SEE CHARTS I, III, V, AND VII

KEYBUTTON POSITION

NOTE: FOR KEYBUTTON NOMENCLATURE, SEE CHART X

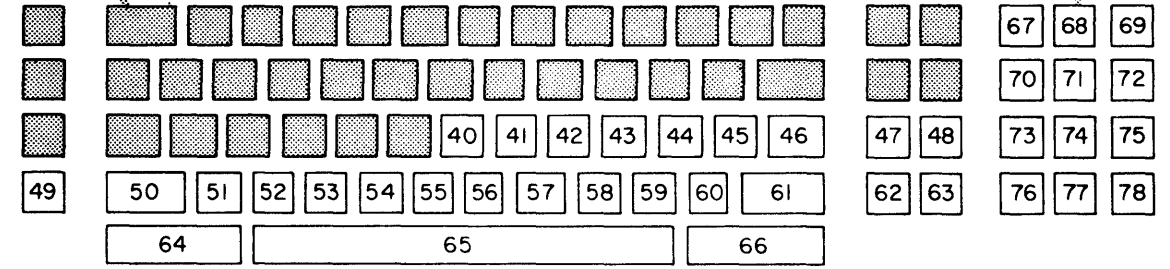


FOR COMPONENTS IN  
SHADED AREA SEE  
CHART IX, PART 2

FOR COMPONENTS IN  
SHADED AREA SEE  
CHART IX, PART 1

KEYBUTTON POSITION

NOTE: FOR KEYBUTTON NOMENCLATURE, SEE CHART X



USED ON 78 KEY  
TYPEWRITERS ONLY

CHART IX. KEYBUTTON LANGUAGE GROUPS (PART 1 OF 2)

COLUMN NUMBER	BELGIUM				PORTUGAL/BRAZIL				COLUMN NUMBER
	1	2	3	4	5	6	7	8	
BUTTON POS.	EBCDIC & DUAL CASE	DATA ENTRY	DATA ENTRY II	1052-7	EBCDIC	DATA ENTRY	DATA ENTRY II	1052-7	BUTTON POS.
1	1772901	1772901	1772901	1772901	1772901	1772901	1772901	1772901	1
2	1785081	1772928	1772928	5183392	1772913	1772928	1772928	5183392	2
3	1133001	5181035	1158588	1133905	1786780	5153601	1854563	1133905	3
4	1127847	5181036	1158589	5993029	5172354	5153602	1854564	5993029	4
5	1224190	1133471	1158590	1133265	1786781	1786782	1216093	1133265	5
6	5172376	1785091	1786812	5172376	5172376	1786783	1786783	5172376	6
7	1133318	1772919	1772919	1158436	1178325	1772919	1772919	1158436	7
8	1197602	5180975	5180975	1133268	5172378	5180975	5180975	1133268	8
9	1133071	5180985	5180985	5172379	5172379	5180985	5180985	5172379	9
10	1133072	5180976	5180976	5172380	5172380	5180976	5180976	5172380	10
11	1218390	1772931	1786894	5172381	5172381	1772931	1786894	5172381	11
12	1211050	1772932	1772931	5172382	5172382	1772931	5172382	5172382	12
13	1785082	1772933	1772932	1133911	5172369	1772933	1772932	1133911	13
14	5183388	5183388	1772933	5183388	5183388	5183388	1772933	5183388	14
15	1772905	1772921	1772921	1772921	1772905	1772921	1772921	1772921	15
16	1772906	1772922	1772922	1772922	1772906	1772922	1772922	1772922	16
17	1772902	1772902	1772902	1772902	1772902	1772902	1772902	1772902	17
18	5183391	5183391	5183391	5183391	5183391	5183391	5183391	5183391	18
19	5153674	5153540	5153540	5153674	5172384	5180988	5180988	5172384	19
20	5153675	5153541	5153541	5153675	5172385	5180989	5180989	5172385	20
21	5172386	5152029	1158232	5172386	5172386	1786757	1158232	5172386	21
22	5172387	5152030	1786821	5172387	5172387	5152030	1786821	5172387	22
23	5172388	5152031	1133278	5172388	5172388	5152031	1133278	5172388	23
24	5172389	5152032	1786823	5172389	5172389	5152032	1786823	5172389	24
25	5172401	5180977	5180977	5172401	5172401	5180977	5180977	5172401	25
26	5172402	5180978	5180978	5172402	5172402	5180978	5180978	5172402	26
27	5172403	5180979	5180979	5172403	5172403	5180979	5180979	5172403	27
28	5172404	5180980	5180980	5172404	5172404	5180980	5180980	5172404	28
29	▲1241554	1772926	1854160	1158756	5994904	1772926	1854160	5994904	29
30	5183394	5183394	5183394	5183394	5183394	5183394	5183394	5183394	30
31	1772907	1772907	1772907	1772907	1772907	1772907	1772907	1772907	31
32	1772908	1772908	1772908	1772908	1772908	1772908	1772908	1772908	32
33	1772903	1772903	1772903	1772903	1772903	1772903	1772903	1772903	33
34	1782957	1772929	1772929	1772957	1772929	1772929	1772957	1772929	34
35	5153676	5153543	1221504	5153676	5172406	5152036	1133285	5172406	35
36	5172407	5180986	5180986	5172407	5172407	5180986	5180986	5172407	36
37	5172408	1133335	1786826	5172408	5172408	1133335	1786826	5172408	37
38	1772914	5152038	1786827	1772914	1772914	5152038	1786827	1772914	38
39	5172410	5180987	5180987	5172410	5172410	5180987	5180987	5172410	39

▲USED ON EBCDIC ONLY  
DUAL CASE PART NO.:  
POS. 29 - 1133229

CHART IX. KEYBUTTON LANGUAGE GROUPS-TYPE B (PART 1 OF 2)

CHART IX. KEYBUTTON LANGUAGE GROUPS (PART 2 OF 2)

COLUMN NUMBER	BELGIUM				PORTUGAL/BRAZIL				COLUMN NUMBER
	1	2	3	4	5	6	7	8	
BUTTON POS.	EBCDIC & DUAL CASE	DATA ENTRY	DATA ENTRY II	1052-7	EBCDIC	DATA ENTRY	DATA ENTRY II	1052-7	BUTTON POS.
40	5172411	5152039	1179871	5172411	5172411	1786758	1179871	5172411	40
41	1772915	5180994	5180994	1772915	1772915	5180994	5180994	1772915	41
42	5172413	5180995	5180995	5172413	5172413	5180995	5180995	5172413	42
43	5172414	5180996	5180996	5172414	5172414	5180996	5180996	5172414	43
44	▲1785084	5180981	5180981	1158439	5994905	5180981	5180981	5994905	44
45	▲1785085	1772927	1854162	1158757	5994906	1772927	1854162	5994906	45
46	1772963	1772963	1854548	1772963	1772963	1772963	1854548	1772963	46
47	1772909	1772909	1772909	1772909	1772909	1772909	1772909	1772909	47
48	1772910	1772910	1772910	1772910	1772910	1772910	1772910	1772910	48
49	1772904	1772904	1772904	1772904	1772904	1772904	1772904	1772904	49
50	1772968	1772944	1772944	1772968	1772968	1772944	1772944	1772968	50
51	5153678	5153547	1221505	5153678	5172419	5152041	1133296	5172419	51
52	5172420	5180990	5180990	5172420	5172420	5180990	5180990	5172420	52
53	5172421	5152042	1786829	5172421	5172421	5152042	1133298	5172421	53
54	5172422	5152043	1197130	5172422	5172422	1786759	1197130	5172422	54
55	5172423	5152044	1786830	5172423	5172423	5152044	1786830	5172423	55
56	5172424	5152045	1786831	5172424	5172424	5152045	1786831	5172424	56
57	5172425	5180982	5180982	5172425	5172425	5180982	5180982	5172425	57
58	5172355	5180983	5180983	1158758	5173447	5180983	5180983	1158758	58
59	5172372	5180984	5180984	1158759	5173452	5180984	5180984	1158759	59
60	1133249	5172426	1854549	5172428	5172428	5172426	1854549	5172428	60
61	1772971	1772946	1772946	1772971	1772971	1772946	1772946	1772971	61
62	5183388	5183388	5183388	5183388	5183388	5183388	5183388	5183388	62
63	1772911	1772911	1772911	1772911	1772911	1772911	1772911	1772911	63
64	1772916	1772916	1786753	1772916	1772916	1772916	1786753	1772916	64
65	1772961	1772961	1858516	1863817	1772961	1772961	1858516	1863817	65
66	1772917	1772917	1854550	1772917	1772917	1772917	1854550	1772917	66
67	1772931	NONE	NONE	1772931	1772931	NONE	NONE	1772931	67
68	1772932	NONE	NONE	1772932	1772932	NONE	NONE	1772932	68
69	1772933	NONE	NONE	1772933	1772933	NONE	NONE	1772933	69
70	1772934	NONE	NONE	1772934	1772934	NONE	NONE	1772934	70
71	1772935	NONE	NONE	1772935	1772935	NONE	NONE	1772935	71
72	1772936	NONE	NONE	1772936	1772936	NONE	NONE	1772936	72
73	1772937	NONE	NONE	1772937	1772937	NONE	NONE	1772937	73
74	1772938	NONE	NONE	1772938	1772938	NONE	NONE	1772938	74
75	1772939	NONE	NONE	1772939	1772939	NONE	NONE	1772939	75
76	1772940	NONE	NONE	1772940	1772940	NONE	NONE	1772940	76
77	1772941	NONE	NONE	1772941	1772941	NONE	NONE	1772941	77
78	1772942	NONE	NONE	1772942	1772942	NONE	NONE	1774942	78

▲USED ON EBCDIC ONLY POS. 44 - 1786713 ç é  
DUAL CASE PART NO.: POS. 45 - 1786714 \$ à

CHART IX. KEYBUTTON LANGUAGE GROUPS-TYPE B (PART 2 OF 2)

### CHART X. KEYBUTTON NOMENCLATURE

NOTE: FOR KEYBUTTON USAGE, SEE CHART IX.

PART NUMBER	NOMENCLATURE
1127847	+ 3
1133001	> 2
1133071	( 8
1133072	) 9
1133229	ü è
1133249	—
1133265	: 4
1133268	> 7
1133278	T
1133285	A
1133296	Z
1133298	C
1133318	& 6
1133335	D
1133471	. *
1133905	< 2
1133911	+ &
1158232	) E
1158436	) 6
1158439	! \$
1158588	# @
1158589	. %
1158590	\$ *
1158756	# @
1158757	" #
1158758	,
1158759	— .
1178325	: 6
1179871	' H
1197130	= V
1197602	/ 7
1211050	? ' .
1216093	\$ ç
1218390	= O
1221504	Q
1221505	W
1224190	* 4
1241554	" !
1772901	CLEAR
1772902	ERASE INPUT
1772903	ERASE EOF
1772904	TEST REQ
1772905	DUP PA1
1772906	FIELD MARK PA2
1772907	INS MODE
1772908	DEL
1772909	' ↑
1772910	' ↓
1772911	' →
1772913	l
1772914	F

PART NUMBER	NOMENCLATURE
1772915	J
1772916	RESET
1772917	ENTER
1772919	FIELD MARK
1772921	PA1
1772922	PA2
1772926	PF4
1772927	PF5
1772928	PA3
1772929	NUM LOCK
1772931	PF1
1772932	PF2
1772933	PF3
1772934	PF4
1772935	PF5
1772936	PF6
1772937	PF7
1772938	PF8
1772939	PF9
1772940	PF10
1772941	PF11
1772942	PF12
1772944	NUMERIC
1772946	ALPHA
1772957	LOCK
1772961	SPACE BAR
1772963	←
1772968	SHIFT
1772971	SHIFT
1772979	CNCL
1785081	< l
1785082	—
1785084	#
1785085	\$ @
1785091	\$
1786713	ç é
1786714	\$ à
1786753	BLANK
1786757	X5A E
1786758	X4A H
1786759	X7F V
1786780	— 2
1786781	; 4
1786782	. ç
1786783	. Ö
1786812	. <
1786821	€ R
1786823	Y
1786826	: D
1786827	; F
1786829	" C
1786830	! B

PART NUMBER	NOMENCLATURE
1786831	( N
1786894	RESET
1854160	ENTER
1854162	PF4
1854548	PF5
1854549	←
1854550	←
1854563	% Å
1854564	* <
5152029	! E
5152030	: R
5152031	: T
5152032	= Y
5152036	< A
5152038	F
5152039	€ H
5152041	% Z
5152042	' C
5152043	" V
5152044	( B
5152045	) N
5153540	+ A
5153541	— Z
5153543	< Q
5153547	% W
5153601	Å
5153602	*
5153674	A
5153675	Z
5153676	Q
5153678	W
5172354	. ,
5172355	; ;
5172369	+ =
5172372	: .
5172376	% 5
5172378	& 7
5172379	* 8
5172380	( 9
5172381	) 0
5172382	— -
5172384	Q
5172385	W
5172386	E
5172387	R
5172388	T
5172389	Y
5172401	U
5172402	I
5172403	O

PART NUMBER	NOMENCLATURE
5172404	P
5172406	A
5172407	S
5172408	D
5172410	G
5172411	H
5172413	K
5172414	L
5172419	Z
5172420	X
5172421	C
5172422	V
5172423	B
5172424	N
5172425	M
5172426	, ,
5172428	? /
5173447	< ,
5173452	> .
5180975	DUP
5180976	0 /
5180977	1 U
5180978	2 I
5180979	3 O
5180980	& P
5180981	SKIP
5180982	7 M
5180983	8 ,
5180984	9 .
5180985	— -
5180986	> S
5180987	— G
5180988	+ Q
5180989	- W
5180990	? X
5180994	4 J
5180995	5 K
5180996	6 L
5181035	@
5181036	#
5183388	←
5183391	→
5183392	= l
5183394	←
5993029	; 3
5994904	Å
5994905	ç
5994906	Ö

### CHART XI. LOGIC BOARD ASSEMBLIES

LOGIC BOARD ASSEMBLY			
KEYBOARD TYPE		66 KEY	78 KEY
UNITED STATES	EBCDIC	1860840	1860843
	ASCII	1860841	1860844
	DATA ENTRY	1860842	NONE
UNITED KINGDOM	DATA ENTRY II	1863842	NONE
	1052-7	NONE	1860845
	EBCDIC	1860840	1860843
GERMANY	DATA ENTRY	1860842	NONE
	DATA ENTRY II	1863842	NONE
	1052-7	NONE	1860845
FRANCE	EBCDIC	1852196	1852213
	DUAL CASE	1852196	1852213
	DATA ENTRY	1852197	NONE
ITALY	DATA ENTRY II	1864501	NONE
	1052-7 (QWERTY)	NONE	1860845
	1052-7 (QWERTZ)	NONE	1864918
SWEDEN/ FINLAND	EBCDIC	1852194	1852212
	DUAL CASE	1852194	1852212
	DATA ENTRY	1852195	NONE
SWEDEN/ FINLAND	DATA ENTRY II	1864502	NONE
	1052-7	NONE	1860845
	1052-7	NONE	1860845
DENMARK	EBCDIC	1852200	1852215
	DATA ENTRY	1852201	NONE
	DATA ENTRY II	1864504	NONE
NORWAY	1052-7	NONE	1864921
	EBCDIC	1852202	1852216
	DATA ENTRY	1852203	NONE
SPAIN	DATA ENTRY II	1864505	NONE
	1052-7	NONE	1864922
	EBCDIC	1852204	1852217
ARGENTINA	DATA ENTRY	1852205	NONE
	DATA ENTRY II	1864506	NONE
	1052-7	NONE	1864923
BELGIUM	EBCDIC	1852194	1852212
	DUAL CASE	1852194	1852212
	DATA ENTRY	1852195	NONE
PORTUGAL/ BRAZIL	DATA ENTRY II	1864502	NONE
	1052-7	NONE	1864919
	EBCDIC	1852206	1852218
PORTUGAL/ BRAZIL	DATA ENTRY	1852207	NONE
	DATA ENTRY II	1864503	NONE
	1052-7	NONE	1864920



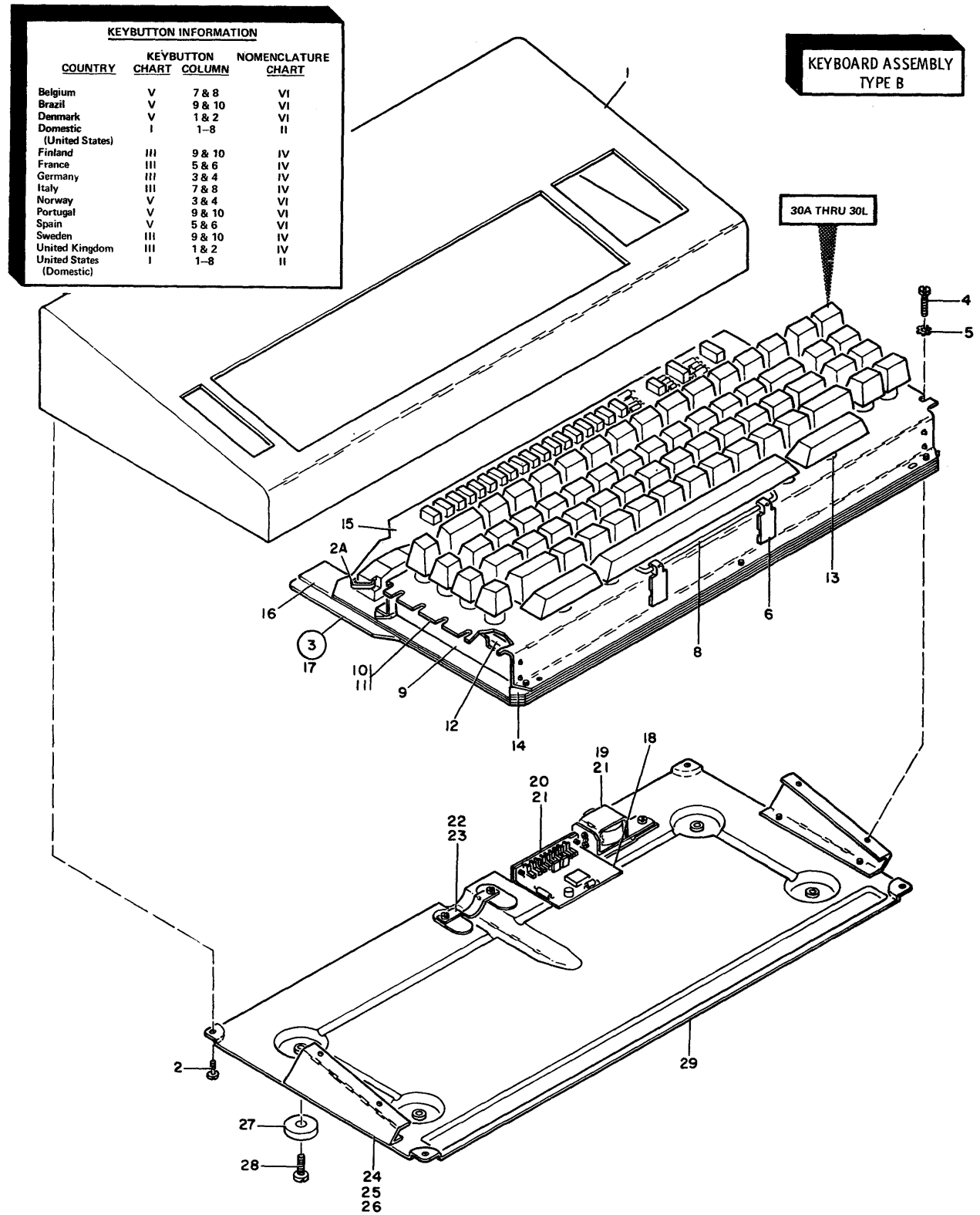


FIGURE 1. KEYBOARD ASSEMBLY-TYPE B.

LIST 1. KEYBOARD ASSEMBLY-TYPE B.

FIGURE-INDEX NUMBER	PART NUMBER	DESCRIPTION	UNITS PER ASM.				USABLE ON CODE
			1	2	3	4	
1		<b>KEYBOARD FINAL ASSEMBLIES-ENGLISH</b>					
- A	1833052	EBCDIC - 66 KEY SMOOTH FINISH KEYS-WTC				1	
- A	1825028	EBCDIC - 66 KEY TEXTURED FINISH KEYS-DOM/CANADA				1	
- A	1833053	EBCDIC - 78 KEY SMOOTH FINISH KEYS-WTC				1	
- A	1825029	EBCDIC - 78 KEY TEXTURED FINISH KEYS-DOM/CANADA				1	
- A	1833055	ASCII - 66 KEY SMOOTH FINISH KEYS-WTC				1	
- A	1825031	ASCII - 66 KEY TEXTURED FINISH KEYS-DOM/CANADA				1	
- A	1833056	ASCII - 78 KEY SMOOTH FINISH KEYS-WTC				1	
- A	1825032	ASCII - 78 KEY TEXTURED FINISH KEYS-DOM/CANADA				1	
- A	1833054	DATA ENTRY - 66 KEY SMOOTH FINISH KEYS-WTC				1	
- A	1825030	DATA ENTRY - 66 KEY TEXTURED FINISH KEYS-DOM/CANADA				1	
- A	1655164	DATA ENTRY II - 66 KEY SMOOTH FINISH-WTC				1	
- A	1836441	DATA ENTRY II - 66 KEY TEXTURED FINISH-DOM/CANADA				1	
- A	1833057	1052-7 - 78 KEY SMOOTH FINISH KEYS-WTC				1	
- A	1825033	1052-7 - 78 KEY TEXTURED FINISH KEYS-DOM/CANADA				1	
		<b>KEYBOARD FINAL ASSEMBLIES-UNITED KINGDOM</b>					
- B	1833058	EBCDIC - 66 KEY				1	
- B	1833059	EBCDIC - 78 KEY				1	
- B	1833060	DATA ENTRY - 66 KEY				1	
- B	1655154	DATA ENTRY II - 66 KEY				1	
- B	1832723	1052-7 - 78 KEY				1	
		<b>KEYBOARD FINAL ASSEMBLIES-GERMANY</b>					
- C	1833066	EBCDIC - 66 KEY				1	
- C	1833067	EBCDIC - 78 KEY				1	
- C	1833068	DATA ENTRY - 66 KEY				1	
- C	1833069	EBCDIC DUAL CASE - 66 KEY				1	
- C	1833070	EBCDIC DUAL CASE - 78 KEY				1	
- C	1832725	1052-7 QWERTZ - 78 KEY				1	
- C	1832726	1052-7 QWERTY - 78 KEY				1	
- C	1655156	DATA ENTRY II - 66 KEY				1	
		<b>KEYBOARD FINAL ASSEMBLIES-FRANCE</b>					
- D	1833061	EBCDIC - 66 KEY				1	
- D	1833062	EBCDIC - 78 KEY				1	
- D	1833063	DATA ENTRY - 66 KEY				1	
- D	1833064	EBCDIC DUAL CASE - 66 KEY				1	
- D	1833065	EBCDIC DUAL CASE - 78 KEY				1	
- D	1832724	1052-7 - 78 KEY				1	
- D	1655155	DATA ENTRY II - 66 KEY				1	
		<b>KEYBOARD FINAL ASSEMBLIES-ITALY</b>					
- E	1833071	EBCDIC - 66 KEY				1	
- E	1833072	EBCDIC - 78 KEY				1	
- E	1833073	DATA ENTRY - 66 KEY				1	
- E	1833074	EBCDIC DUAL CASE - 66 KEY				1	
- E	1833075	EBCDIC DUAL CASE - 78 KEY				1	
- E	1832727	1052-7 - 78 KEY				1	
- E	1655157	DATA ENTRY II - 66 KEY				1	
		<b>KEYBOARD FINAL ASSEMBLIES-SWEDEN/FINLAND</b>					
- F	1833076	EBCDIC - 66 KEY				1	
- F	1833077	EBCDIC - 78 KEY				1	
- F	1833078	DATA ENTRY - 66 KEY				1	
- F	1655161	DATA ENTRY II - 66 KEY				1	
- F	1832728	1052-7 - 78 KEY (SWEDEN)				1	
- F	1832729	1052-7 - 78 KEY (FINLAND)				1	
		<b>KEYBOARD FINAL ASSEMBLIES-DENMARK</b>					
- G	1833079	EBCDIC - 66 KEY				1	
- G	1833080	EBCDIC - 78 KEY				1	
- G	1833081	DATA ENTRY - 66 KEY				1	
- G	1655160	DATA ENTRY II - 66 KEY				1	
- G	1832730	1052-7 - 78 KEY				1	

LIST 1. KEYBOARD ASSEMBLY-TYPE B.

FIGURE- INDEX NUMBER	PART NUMBER	DESCRIPTION	UNITS PER ASM.	USABLE ON CODE
KEYBOARD FINAL ASSEMBLIES-NORWAY				
1 -	H 1833082	EBCDIC - 66 KEY	1	
-	H 1833083	EBCDIC - 78 KEY	1	
-	H 1833084	DATA ENTRY - 66 KEY	1	
-	H 1655159	DATA ENTRY II - 66 KEY	1	
-	H 1832731	1052-7 - 78 KEY	1	
KEYBOARD FINAL ASSEMBLIES-SPAIN				
-	J 1833085	EBCDIC - 66 KEY	1	
-	J 1833086	EBCDIC - 78 KEY	1	
-	J 1833087	DATA ENTRY - 66 KEY	1	
-	J 1655162	DATA ENTRY II - 66 KEY	1	
-	J 1832732	1052-7 - 78 KEY	1	
KEYBOARD FINAL ASSEMBLIES-BELGIUM				
-	K 1833088	EBCDIC - 66 KEY	1	
-	K 1833089	EBCDIC - 78 KEY	1	
-	K 1833090	DATA ENTRY - 66 KEY	1	
-	K 1833091	EBCDIC DUAL CASE - 66 KEY	1	
-	K 1833092	EBCDIC DUAL CASE - 78 KEY	1	
-	K 1832733	1052-7 - 78 KEY	1	
-	K 1655163	DATA ENTRY II - 66 KEY	1	
KEYBOARD FINAL ASSEMBLIES-PORTUGAL/BRAZIL				
-	L 1833093	EBCDIC - 66 KEY	1	
-	L 1833094	EBCDIC - 78 KEY	1	
-	L 1833095	DATA ENTRY - 66 KEY	1	
-	L 1832734	1052-7 - 78 KEY	1	
-	L 1655158	DATA ENTRY II - 66 KEY	1	
KEYBOARD FINAL ASSEMBLY-ARGENTINA				
-	M 1832735	1052-7 - 78 KEY	1	
-	1 2568850	. COVER, TOP- 66 KEY	1	
-	1 2568855	. COVER, TOP- 78 KEY	1	
-	2 2621348	. SCREW- 8-32 X .25 LG	4	ATT PT
-	2A 1655140	. CLIP, RETAINER	1	
-	3 5183380 NP	. KEYBOARD ASM	1	
-	4 10170	. SCREW, MACH-BIND HD 6-32 X 1/4 LG	4	ATT PT
-	5 56722	. WASHER, LOCK-EXT TEETH NO. 6	4	ATT PT
-	6 5183362	. . PIVOT	2	
-	8 5183361	. . STABILIZER	1	
-	9 5183421	. . PLATE	2	
-	10 5183368	. . PLATE- 66 KEY	1	
-	10 5183484	. . PLATE- 78 KEY	1	
-	11 2181005	. . SCREW, SELF TAPPING, 6-32 X .375 LG.	6	ATT PT
-	12 5183366	. . PAD- 66 KEY	1	
-	12 5183483	. . PAD- 78 KEY	1	
-	13 1772948	. . MODULE, KEY-DATA USED IN ALL KEYBUTTON POSITIONS EXCEPT SPACEBAR.	AR	
-	13 1852240	. . MODULE, KEY-NON ACTIVE USED IN SPACEBAR POSITION ONLY	1	
-	14 5183363	. . INSULATOR- 66 KEY	2	
-	14 5183481	. . INSULATOR- 78 KEY	2	
-	15 NO NO.	. . LOGIC BOARD ASSEMBLY SEE CHART XI	1	
-	16 5183364	. . INSULATOR- 66 KEY	1	
-	16 5183482	. . INSULATOR- 78 KEY	1	
-	17 5183420	. . BASE- 66 KEY	1	
-	17 5183485	. . BASE- 78 KEY	1	
-	18 2621391	. CARD ASM	1	
-	19 2621399	. AUDIBLE FEEDBACK ASM	1	
-	20 2621346	. CONNECTOR, PC BOARD- 9 POS	1	
-	21 10170	. SCREW, MACH-BIND HD 6-32 X 1/4 LG	4	ATT PT
-	22 2364265	. STRAIN RELIEF	1	
-	23 81693	. SCREW, MACH-BIND HD 6-32 X 3/8 LG	2	ATT PT
-	24 1825034	. BRACKET	2	
-	25 10170	. SCREW, MACH-BIND HD 6-32 X 1/4 LG	4	ATT PT
-	26 2176120	. WASHER	4	ATT PT

LIST 1. KEYBOARD ASSEMBLY-TYPE B.

FIGURE- INDEX NUMBER	PART NUMBER	DESCRIPTION	UNITS PER ASM.	USABLE ON CODE
1 -	27 1154429	. PAD	4	
-	28 1164976	. SCREW	4	
-	29 2570203	. PAN, BOTTOM- 66 KEY	1	ATT PT
-	29 2570204	. PAN, BOTTOM- 78 KEY	1	
KEYBOARDS-ENGLISH				
-	30A 1772951	. EBCDIC - 66 KEY SMOOTH FINISH KEYS-WTC	1	
-	30A 1772952	. EBCDIC - 78 KEY SMOOTH FINISH KEYS-WTC SEE CHART I, COLUMN 1	1	
-	30A 1858506	. EBCDIC - 66 KEY TEXTURED FINISH KEYS-DOM/CANADA	1	
-	30A 1858507	. EBCDIC - 78 KEY TEXTURED FINISH KEYS-DOM/CANADA SEE CHART I, COLUMN 2	1	
-	30A 1772974	. ASCII - 66 KEY SMOOTH FINISH KEYS-WTC	1	
-	30A 1772975	. ASCII - 78 KEY SMOOTH FINISH KEYS-WTC SEE CHART I, COLUMN 3	1	
-	30A 1858508	. ASCII - 66 KEY TEXTURED FINISH KEYS-DOM/CANADA	1	
-	30A 1858509	. ASCII - 78 KEY TEXTURED FINISH KEYS-DOM/CANADA SEE CHART I, COLUMN 4	1	
-	30A 1772953	. DATA ENTRY - 66 KEY SMOOTH FINISH KEYS-WTC SEE CHART I, COLUMN 5	1	
-	30A 1858511	. DATA ENTRY - 66 KEY TEXTURED FINISH KEYS-DOM/CANADA SEE CHART I, COLUMN 6	1	
-	30A 1864489	. DATA ENTRY II - 66 KEY SMOOTH FINISH-WTC SEE CHART I, COLUMN 7	1	
-	30A 1863828	. DATA ENTRY II - 66 KEY TEXTURED FINISH-DOM/CANADA SEE CHART I, COLUMN 8	1	
-	30A 1772973	. 1052-7 - 78 KEY SMOOTH FINISH KEYS-WTC SEE CHART I, COLUMN 9	1	
-	30A 1858510	. 1052-7 - 78 KEY TEXTURED FINISH KEYS-DOM/CANADA SEE CHART I, COLUMN 10	1	
KEYBOARDS-UNITED KINGDOM				
-	30B 1785031	. EBCDIC - 66 KEY	1	
-	30B 1785032	. EBCDIC - 78 KEY SEE CHART III, COLUMN 1	1	
-	30B 1785033	. DATA ENTRY - 66 KEY SEE CHART III, COLUMN 2	1	
-	30B 1863829	. DATA ENTRY II - 66 KEY SEE CHART III, COLUMN 3	1	
-	30B 1863851	. 1052-7 - 78 KEY SEE CHART III, COLUMN 4	1	
KEYBOARDS-GERMANY				
-	30C 1785039	. EBCDIC - 66 KEY	1	
-	30C 1785040	. EBCDIC - 78 KEY	1	
-	30C 1785042	. EBCDIC DUAL CASE - 66 KEY	1	
-	30C 1785043	. EBCDIC DUAL CASE - 78 KEY SEE CHART III, COLUMN 5	1	
-	30C 1785041	. DATA ENTRY - 66 KEY SEE CHART III, COLUMN 6	1	
-	30C 1863831	. DATA ENTRY II - 66 KEY SEE CHART III, COLUMN 7	1	
-	30C 1863861	. 1052-7 - 78 KEY (QWERTY) SEE CHART III, COLUMN 8	1	
-	30C 1863852	. 1052-7 - 78 KEY (QWERTZ) SEE CHART III, COLUMN 9	1	
KEYBOARDS-FRANCE				
-	30D 1785034	. EBCDIC - 66 KEY	1	
-	30D 1785035	. EBCDIC - 78 KEY	1	
-	30D 1785037	. EBCDIC DUAL CASE - 66 KEY	1	
-	30D 1785038	. EBCDIC DUAL CASE - 78 KEY SEE CHART V, COLUMN 1	1	
-	30D 1785036	. DATA ENTRY - 66 KEY SEE CHART V, COLUMN 2	1	
-	30D 1863830	. DATA ENTRY II - 66 KEY SEE CHART V, COLUMN 3	1	
-	30D 1863856	. 1052-7 - 78 KEY SEE CHART V, COLUMN 4	1	

LIST 1. KEYBOARD ASSEMBLY-TYPE B.

FIGURE- INDEX NUMBER	PART NUMBER	DESCRIPTION	UNITS PER ASM.	USABLE ON CODE
1		KEYBOARDS-ITALY		
- 30E	1785044	. EBCDIC - 66 KEY	1	
- 30E	1785045	. EBCDIC - 78 KEY	1	
- 30E	1785047	. EBCDIC DUAL CASE - 66 KEY		
- 30E	1785048	. EBCDIC DUAL CASE - 78 KEY		
- 30E	1785046	SEE CHART V,COLUMN 5 . DATA ENTRY - 66 KEY	1	
- 30E	1863832	SEE CHART V,COLUMN 6 . DATA ENTRY II - 66 KEY SEE CHART V,COLUMN 7 SEE CHART V,COLUMN 8	1	
		KEYBOARDS-SWEDEN/FINLAND		
- 30F	1785049	. EBCDIC - 66 KEY	1	
- 30F	1785050	. EBCDIC - 78 KEY	1	
- 30F	1785051	SEE CHART V,COLUMN 9 . DATA ENTRY - 66 KEY SEE CHART V,COLUMN 10	1	
- 30F	1863836	. DATA ENTRY II - 66 KEY SEE CHART V,COLUMN 11	1	
- 30F	1863863	. 1052-7 - 78 KEY (SWEDEN)	1	
- 30F	1863862	. 1052-7 - 78 KEY (FINLAND) SEE CHART V,COLUMN 12	1	
		KEYBOARDS-DENMARK		
- 30G	1785052	. EBCDIC - 66 KEY	1	
- 30G	1785053	. EBCDIC - 78 KEY	1	
- 30G	1785054	SEE CHART VII,COLUMN 1 . DATA ENTRY - 66 KEY	1	
- 30G	1863835	SEE CHART VII,COLUMN 2 . DATA ENTRY II - 66 KEY SEE CHART VII,COLUMN 3	1	
- 30G	1863855	. 1052-7 - 78 KEY SEE CHART VII,COLUMN 4	1	
		KEYBOARDS-NORWAY		
- 30H	1785055	. EBCDIC - 66 KEY	1	
- 30H	1785056	. EBCDIC - 78 KEY	1	
- 30H	1785057	SEE CHART VII,COLUMN 5 . DATA ENTRY - 66 KEY	1	
- 30H	1863834	SEE CHART VII,COLUMN 6 . DATA ENTRY II - 66 KEY SEE CHART VII,COLUMN 7	1	
- 30H	1863858	. 1052-7 - 78 KEY SEE CHART VII,COLUMN 8	1	
		KEYBOARDS-SPAIN		
- 30J	1785058	. EBCDIC - 66 KEY	1	
- 30J	1785059	. EBCDIC - 78 KEY	1	
- 30J	1785060	SEE CHART VII,COLUMN 9 . DATA ENTRY - 66 KEY	1	
- 30J	1863837	SEE CHART VII,COLUMN 10 . DATA ENTRY II - 66 KEY SEE CHART VII,COLUMN 11	1	
- 30J	1863859	. 1052-7 - 78 KEY SEE CHART VII,COLUMN 12	1	
		KEYBOARDS-BELGIUM		
- 30K	1785064	. EBCDIC - 66 KEY	1	
- 30K	1785065	. EBCDIC - 78 KEY	1	
- 30K	1785067	. EBCDIC DUAL CASE - 66 KEY		
- 30K	1785068	. EBCDIC DUAL CASE - 78 KEY		
- 30K	1785066	SEE CHART IX,COLUMN 1 . DATA ENTRY - 66 KEY SEE CHART IX,COLUMN 2	1	
- 30K	1863838	. DATA ENTRY II - 66 KEY SEE CHART IX,COLUMN 3	1	
- 30K	1863853	. 1052-7 - 78 KEY SEE CHART IX,COLUMN 4	1	

LIST 1. KEYBOARD ASSEMBLY-TYPE B.

FIGURE- INDEX NUMBER	PART NUMBER	DESCRIPTION	UNITS PER ASM.	USABLE ON CODE
1		KEYBOARDS-PORTUGAL/BRAZIL		
- 30L	1785069	. EBCDIC - 66 KEY	1	
- 30L	1785070	. EBCDIC - 78 KEY	1	
- 30L	1785071	SEE CHART IX,COLUMN 5 . DATA ENTRY - 66 KEY SEE CHART IX,COLUMN 6	1	
- 30L	1863833	. DATA ENTRY II - 66 KEY SEE CHART IX,COLUMN 7	1	
- 30L	1863854	. 1052-7 - 78 KEY SEE CHART IX,COLUMN 8	1	
- 30M	1863860	KEYBOARDS-ARGENTINA . 1052-7 -78 KEY SEE CHART VII,COLUMN 12	1	

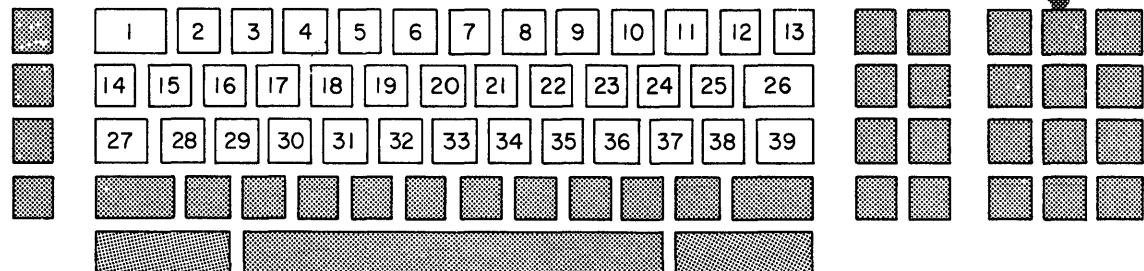
NOTES

NOTES

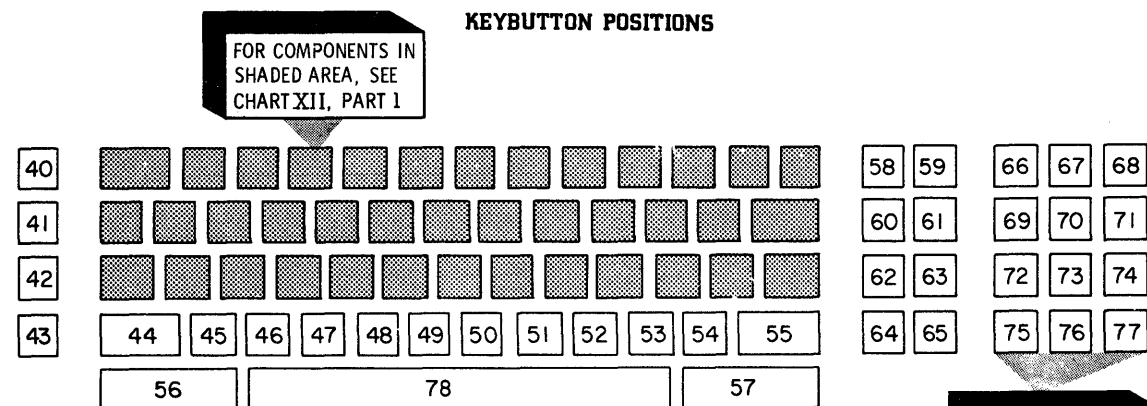
FOR LANGUAGES NOT SHOWN SEE CHARTS XIV, XVI, AND XVII.

KEYBUTTON POSITIONS

NOTE: FOR KEYBUTTON NOMENCLATURE, SEE CHART XIII.



FOR COMPONENTS IN SHADED AREA SEE CHART XII, PART 2



USED ON 78 KEY TYPEWRITERS ONLY

CHART XII. KEYBUTTON LANGUAGE GROUPS (PART 1 OF 2)

BUTTON POS.	UNITED STATES				UNITED KINGDOM		GERMANY		FRANCE		ITALY		BUTTON POS.
	1	2	3	4	5	6	7	8	9	10	11	12	
	ASCII	EBCDIC	EBCDIC D.E.	EBCDIC 1052-7 TYPE	DATA ENTRY	EBCDIC	DATA ENTRY	EBCDIC	DATA ENTRY	DUAL CASE EBCDIC	DATA ENTRY	EBCDIC	
1	5995498	5995509	5995504	5995500	5995504	5995509	5995504	5151616	5151535	5995530	5151535	5995509	1
2	5995556	5995556	5995568	5995580	5995568	5995556	5995552	5151627	5995568	5995531	5995568	5995556	2
3	5995557	5995557	5995569	5995581	5995569	5995557	5995553	5151628	5995569	5995532	5995569	5995557	3
4	5995558	5995558	5995570	5995582	5995570	5995609	5151536	5995582	5151536	5995533	5995570	5995558	4
5	5995559	5995559	5995571	5995559	5151534	5995559	5151577	5995559	5151537	5995559	5995571	5995559	5
6	5995567	5995560	5995572	5995583	5995572	5995612	5151579	5995583	5151539	5995534	5151817	5995560	6
7	5995561	5995561	5995573	5995584	5995573	5995561	5995573	5995561	5151541	5995535	5995573	5995561	7
8	5995562	5995562	5995574	5995585	5995574	5995562	5995574	5995562	5995574	5995536	5995574	5995562	8
9	5995563	5995563	5995575	5995586	5995575	5995563	5995575	5995563	5995575	5995537	5995575	5995563	9
10	5995564	5995564	5995576	5995587	5995576	5995564	5995576	5995564	5151498	5995538	5151498	5995564	10
11	5995565	5995565	5995577	5995588	5995577	5995565	5995577	5995565	5151715	5995539	5151499	5995565	11
12	5995566	5995566	5995578	5995589	5995578	5995566	5995578	5995566	5151716	5995540	5151500	5995566	12
13	5995491	5995491	5995491	5995491	5995491	5995491	5995491	5995491	5995491	5995491	5995491	5995491	13
14	5995512	5995512	5995512	5995512	5995512	5995512	5995512	5995512	5995512	5995512	5995512	5995512	14
15	5995586	5995586	5995597	5995586	5995597	5995586	5995597	5995586	5151557	5995438	5995597	5995586	15
16	5995587	5995587	5995598	5995587	5995598	5995587	5995598	5995587	5151558	5995468	5995598	5995587	16
17	5995588	5995588	5995599	5995588	5995599	5995588	5995599	5995588	5995588	5995599	5995588	5995588	17
18	5995589	5995589	5995600	5995589	5995600	5995589	5995600	5995589	5995589	5995600	5995589	5995589	18
19	5995590	5995590	5995601	5995590	5995601	5995590	5995601	5995590	5995601	5995590	5995601	5995590	19
20	5995591	5995591	5995602	5995591	5995602	5995591	5995602	5995591	5995602	5995591	5995602	5995591	20
21	5995592	5995592	5995603	5995592	5995603	5995592	5995603	5995592	5995592	5995603	5995592	5995592	21
22	5995593	5995593	5995604	5995593	5995604	5995593	5995604	5995593	5995604	5995593	5995604	5995593	22
23	5995594	5995594	5995605	5995594	5995605	5995594	5995605	5995594	5995605	5995594	5995605	5995594	23
24	5995595	5995595	5995606	5995595	5995606	5995595	5995606	5995595	5995606	5995595	5995606	5995595	24
25	5995596	5995596	5995607	5995596	5995607	5995596	5995607	5995596	5151587	5995596	5151501	5995596	25
26	5995497	5995513	5995513	5995513	5995513	5995513	5995513	5995513	5151722	5995513	5995513	5995513	26
27	5151463	5151463	5995499	5995463	5995499	5151463	5151559	5151464	5151559	5151464	5151559	5151739	27
28	5995438	5995438	5995449	5995438	5995449	5995438	5995449	5995438	5151560	5995586	5995449	5995438	28
29	5995439	5995439	5995450	5995439	5995450	5995439	5995450	5995439	5995450	5995439	5995450	5995439	29
30	5995440	5995440	5995451	5995440	5995451	5995440	5995451	5995440	5995451	5995440	5995451	5995440	30
31	5995441	5995441	5995452	5995441	5995452	5995441	5995452	5995441	5995452	5995441	5995452	5995441	31
32	5995442	5995442	5995453	5995442	5995453	5995442	5995453	5995442	5995453	5995442	5995453	5995442	32
33	5995443	5995443	5995454	5995443	5151727	5995443	5151591	5995443	5995454	5995443	5995454	5995443	33
34	5995444	5995444	5995455	5995444	5995455	5995444	5995455	5995444	5995455	5995444	5995455	5995444	34
35	5995445	5995445	5995456	5995445	5995456	5995445	5995456	5995445	5995456	5995445	5995456	5995445	35
36	5995446	5995446	5995457	5995446	5995457	5995446	5995457	5995446	5995457	5995446	5995457	5995446	36
37	5995447	5995447	5995458	5995447	5995458	5995447	5151592	5151723	5151561	*5151465	5151818	5995447	37
38	5995448	5995448	5995459	5995448	5995459	5995448	5151596	5151724	5151506	*5151466	5151506	5995448	38
39	5995503	5995503	5995503	5995503	5995503	5995503	5995503	5995503	5995503	5995503	5995503	5995503	39

\* USED ON EBCDIC ONLY  
DUALCASE KEYBUTTON PART NO: {  
11 2728736  
25 — 2728737  
37 — 2728738  
38 — 2728739

CHART XII. KEYBUTTON LANGUAGE GROUPS-TYPE A (PART 1 OF 2).

KEYBUTTON POSITIONS

FOR COMPONENTS IN SHADED AREA, SEE CHART XII, PART 1

SPACEBAR GROUP INCLUDES SPACEBAR KEYBUTTON AND SWITCH ASM. COMPLETE UNIT MUST BE ORDERED

NOTE: FOR KEYBUTTON NOMENCLATURE SEE CHART XIII.

CHART XII. KEYBUTTON LANGUAGE GROUPS (PART 2 OF 2)

BUTTON POS.	UNITED STATES				UNITED KINGDOM		GERMANY		FRANCE		ITALY		BUTTON POS.
	1	2	3	4	5	6	7	8	9	10	11	12	
	ASCII	EBCDIC	EBCDIC D.E.	EBCDIC 1052-7 TYPE	DATA ENTRY	EBCDIC	DATA ENTRY	DUAL CASE EBCDIC	DATA ENTRY	DUAL CASE EBCDIC	DATA ENTRY	EBCDIC	
40	5995545	5995545	5995545	5995545	5995545	5995545	5151576	5151576	5995507	5995507	5151730	5151730	40
41	5995613	5995613	5995613	5995613	5995613	5995613	5151580	5151580	5995576	5995576	5151733	5151733	41
42	5995462	5995462	5995462	5995462	5995462	5995462	5151590	5151590	5995614	5995614	5151737	5151737	42
43	5995490	5995490	5995490	5995490	5995490	5995490	5151597	5151597	5151469	5151469	5151740	5151740	43
44	5995505	5995505	5995502	5995505	5995502	5995505	5151725	5151725	5151566	5151473	5151566	5151743	44
45	5995468	5995468	5995478	5995468	5995478	5995468	5151603	5995591	5151568	5995587	5995478	5995468	45
46	5995469	5995469	5995479	5995469	5995479	5995469	5995479	5995469	5995479	5995469	5995479	5995469	46
47	5995470	5995470	5995480	5995470	5995480	5995470	5995480	5995470	5995480	5995470	5995480	5995470	47
48	5995471	5995471	5995481	5995471	5995481	5995471	5151608	5995471	5995481	5995471	5995481	5995471	48
49	5995472	5995472	5995482	5995472	5995482	5995472	5995482	5995472	5995482	5995472	5995482	5995472	49
50	5995473	5995473	5995483	5995473	5995483	5995473	5995483	5995473	5995483	5995473	5995483	5995473	50
51	5995474	5995474	5995484	5995474	5995484	5995474	5995484	5995474	5995484	5995474	5995484	5995474	51
52	5995475	5995475	5995485	5995475	5995485	5995475	5995485	5995475	5995485	5995475	5995485	5995475	52
53	5995476	5995476	5995486	5995476	5995486	5995476	5995486	5995476	5995486	5995476	5995486	5995476	53
54	5995477	5995477	5995487	5995477	5995487	5995477	5151609	5995565	5151567	5995565	5995487	5995477	54
55	5995506	5995506	5995501	5995506	5995501	5995506	5995501	5995506	5151726	5995501	5151481	5995476	55
56	5995496	5995496	5995496	5995496	5995496	5995496	5151610	5151610	5151482	5151482	5151749	5151749	56
57	5995508	5995508	5995508	5995508	5995508	5995508	5151613	5151613	5151484	5151484	5151813	5151813	57
58	5995546	5995546	5995548	5995546	5995548	5995546	5995548	5995546	5995548	5995546	5995548	5995546	58
59	5995551	5995551	5995549	5995551	5995549	5995551	5151720	5151556	5151486	5151556	5151732	5151732	59
60	5995610	5995610	5995610	5995610	5995610	5995610	5151588	5151588	5995578	5995578	5151735	5151735	60
61	5995611	5995611	5995611	5995611	5995611	5995611	5151589	5151589	5995579	5995579	5151736	5151736	61
62	5995463	5995463	5995463	5995463	5995463	5995463	5995463	5995463	5995463	5995463	5995463	5995463	62
63	5995464	5995464	5995464	5995464	5995464	5995464	5995464	5995464	5995464	5995464	5995464	5995464	63
64	5995491	5995491	5995491	5995491	5995491	5995491	5995491	5995491	5995491	5995491	5995491	5995491	64
65	5995492	5995492	5995492	5995492	5995492	5995492	5995492	5995492	5995492	5995492	5995492	5995492	65
66	5995552	5995552	NOT USED	5995552	NOT USED	5995552	NOT USED	5995552	NOT USED	5995552	NOT USED	5151498	66
67	5995553	5995553	NOT USED	5995553	NOT USED	5995553	NOT USED	59955					

## CHART XIII. KEYBUTTON NOMENCLATURE

NOTE: FOR KEYBUTTON USAGE, SEE CHART XII.

NOTES

PART NUMBER	NOMENCLATURE
2728706	BLOCC NUM
2728707	ALPHA
5151463	LOCK
5151464	∅
5151465	€ #
5151466	\$ @
5151469	DEMD TEST
5151473	∅
5151478	; ,
5151479	: .
5151481	∅
5151482	RESTAU
5151484	TRANSM
5151486	F IN ZONE AP2
5151498	FP1
5151499	FP2
5151500	FP3
5151501	FP4
5151506	FP5
5151507	FP6
5151511	FP7
5151512	FP8
5151513	FP9
5151517	FP10
5151519	FP11
5151531	FP12
5151534	. €
5151535	AP3
5151536	. *
5151537	, \$
5151539	F IN ZONE
5151541	REPR
5151553	AP1
5151556	AP2
5151557	+ A
5151558	— Z
5151559	NUM ∅
5151560	< Q
5151561	SAUT
5151566	NUM
5151567	, ,
5151568	% W
5151576	LÖSCH
5151577	,
5151579	FELD MARKE
5151580	EING LÖSCH
5151583	E
5151586	= Z
5151587	X5A Ü
5151588	ZEICH EING
5151589	LÖSCH ZEICH
5151590	LÖSCH FELD
5151591	H
5151592	X4A O
5151596	X7F A
5151597	TEST ABFR
5151603	% Y
5151608	V
5151609	SPRG
5151610	GRD STG
5151613	DAT FREIG
5151616	— 1

PART NUMBER	NOMENCLATURE
5151627	/ 2
5151628	* 3
5151715	? X6A
5151716	+ ;
5151720	FELD MARKE PA2
5151721	Ü
5151722	! ←
5151723	O
5151724	A
5151725	UMSCH
5151726	UMSCH
5151727	\$ H
5151730	ANNUL
5151731	DUP AP1
5151732	MC AP2
5151733	CANC IMM
5151735	OPER INSE
5151736	ELIM CAR
5151737	CANC FC
5151739	BLOCC
5151740	RICH PROVA
5151743	SCAMB
5151746	SCAMB
5151749	RIPR
5151813	INVIO
5151817	MC
5151818	SALTO
5995437	PF6
5995438	A
5995439	S
5995440	D
5995441	F
5995442	G
5995443	H
5995444	J
5995445	K
5995446	L
5995447	: ;
5995448	" ' ;
5995449	< A
5995450	> S
5995451	D
5995452	I F
5995453	— G
5995454	€ H
5995455	4 J
5995456	5 K
5995457	6 L
5995458	SKIP
5995459	PF5
5995460	! \$
5995461	" #
5995462	ERASE EOF
5995463	↑
5995464	↓
5995465	PF7
5995466	PF8
5995467	PF9
5995468	Z
5995469	X
5995470	C
5995471	V

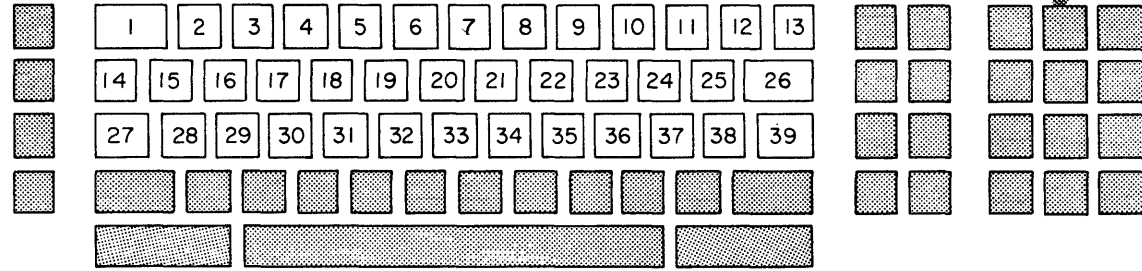
PART NUMBER	NOMENCLATURE
5995472	B
5995473	N
5995474	M
5995475	< ,
5995476	> .
5995477	? /
5995478	% Z
5995479	? X
5995480	' C
5995481	" V
5995482	( B
5995483	) N
5995484	7 M
5995485	8 ,
5995486	9 .
5995487	. .
5995488	.
5995489	— .
5995490	TEST REQ
5995491	←
5995492	→
5995493	PF10
5995494	PF11
5995495	PF12
5995496	RESET
5995497	←
5995498	1 !
5995499	NUM LOCK
5995500	= 1
5995501	ALPHA
5995502	NUMERIC
5995503	←
5995504	PA3
5995505	SHIFT
5995506	SHIFT
5995507	RAB MEMIN
5995508	ENTER
5995509	1
5995512	→
5995513	←
5995530	< 1
5995531	> 2
5995532	+ 3
5995533	* 4
5995534	& 6
5995535	/ 7
5995536	( 8
5995537	) 9
5995538	= 0
5995539	? ' ;
5995540	—
5995541	REPR AP1
5995544	SPACE BAR GROUP
5995545	CLEAR
5995546	DUP PA1
5995548	PA1
5995549	PA2
5995550	CNCL
5995551	FIELD MARK PA2
5995552	PF1
5995553	PF2
5995554	PF3

PART NUMBER	NOMENCLATURE
5995555	+ &
5995556	@ 2
5995557	# 3
5995558	\$ 4
5995559	% 5
5995560	€ 6
5995561	& 7
5995562	* 8
5995563	( 9
5995564	) 0
5995565	— -
5995566	+ =
5995567	— ^ 6
5995568	@
5995569	#
5995570	. .
5995571	. \$
5995572	FIELD MARK
5995573	DUP
5995574	- -
5995575	0 /
5995576	EFFAC ENTR
5995577	" !
5995578	MODE INSE
5995579	SUPP
5995580	< 2
5995581	; 3
5995582	: 4
5995583	' 6
5995584	> 7
5995585	] [
5995586	Q
5995587	W
5995588	E
5995589	R
5995590	T
5995591	Y
5995592	U
5995593	I
5995594	O
5995595	P
5995596	! —
5995597	+ Q
5995598	- W
5995599	! E
5995600	: R
5995601	; T
5995602	= Y
5995603	1 U
5995604	2 I
5995605	3 O
5995606	& P
5995607	PF4
5995608	€ @
5995609	€ 4
5995610	INS MODE
5995611	DEL
5995612	\$ 6
5995613	ERASE INPUT
5995614	EFFAC F IN ZONE

CHART XIII. KEYBUTTON NOMENCLATURE FOR CHART XII.

FOR LANGUAGES NOT SHOWN SEE CHARTS XII, XVI, AND XVII.

KEYBUTTON POSITIONS



FOR COMPONENTS IN SHADED AREA, SEE CHART XIV, PART 2.

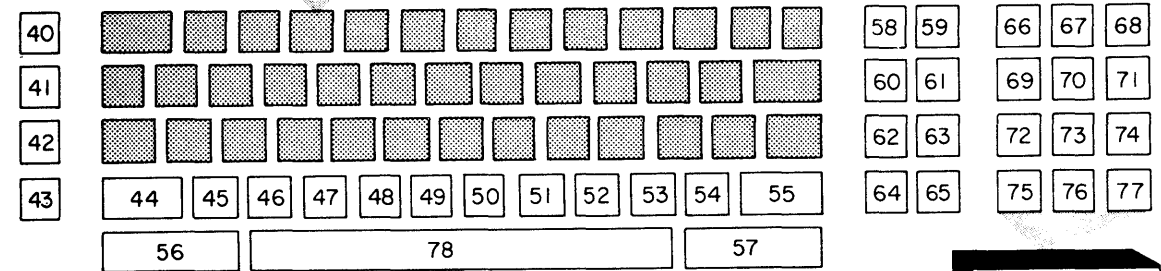
NOTE: FOR KEYBUTTON NOMENCLATURE, SEE CHART XV.

CHART XIV. KEYBUTTON LANGUAGE GROUPS (PART 1 OF 2)

Table with columns for SWEDEN/FINLAND, DENMARK, NORWAY, SPAIN, BELGIUM, PORTUGAL/BRAZIL and rows for BUTTON POS. 1-39. Each cell contains data entry and EBCDIC codes.

CHART XIV. KEYBUTTON LANGUAGE GROUPS-TYPE A (PART 1 OF 2).

KEYBUTTON POSITIONS



FOR COMPONENTS IN SHADED AREA, SEE CHART XIV, PART 1.

USED ON 78 KEY TYPEWRITERS ONLY

SPACEBAR GROUP INCLUDES SPACEBAR KEYBUTTON AND SWITCH ASM. COMPLETE UNIT MUST BE ORDERED

NOTE: FOR KEYBUTTON NOMENCLATURE, SEE CHART XV.

CHART XIV. KEYBUTTON LANGUAGE GROUPS (PART 2 OF 2)

Table with columns for SWEDEN/FINLAND, DENMARK, NORWAY, SPAIN, BELGIUM, PORTUGAL/BRAZIL and rows for BUTTON POS. 40-78. Each cell contains data entry and EBCDIC codes.

CHART XIV. KEYBUTTON LANGUAGE GROUPS-TYPE A (PART 2 OF 2).

## CHART XV. KEYBUTTON NOMENCLATURE

NOTE: FOR KEYBUTTON USAGE, SEE CHART XIV.

NOTES

PART NUMBER	NOMENCLATURE
2728707	ALPHA
2728736	? B
2728737	" b ! e
2728738	e c # e
2728739	\$ \$ @ a
2728740	— 6
2730267	> 3
2730271	' 4
2730272	A
2730273	— 4
2730274	' 6
2730275	l 7
2730276	Æ
2730277	Ø
2730278	l 3
2730279	DES
2730281	BORR ENTR
2730282	BORR EOF
2730283	PRBA PEDIR
2730284	Pts 4
2730285	N
2730286	:
2730287	INSER CION
2730288	MRCA CMPO PA2
2730289	ELIM
2730290	BLOQ
2730291	CAMBIO (L. H)
2730292	CAMBIO (R. H)
2730293	MRCA CMPO
2730294	INTRO
2730295	(BLANK)
2730296	,
2730297	,
2730298	X5A E
2730299	X4A H
2730300	X7F V
2730301	8 A
2730302	9 A
2730303	Ø
2730304	9 Æ
2730305	Ø
2730306	.
2730307	8 Ø
2730308	A
2730309	N
2730310	, Pts
2730311	NUM BLOQ
2730315	A
2730316	— 2
2730317	. c
2730318	. o
2730319	' 3
2730320	; 4
2730321	: 6
2730322	A
2730323	C
2730324	Ø
5151463	LOCK
5151464	Ø
5151465	e #
5151466	\$ @
5151469	DEMD TEST

PART NUMBER	NOMENCLATURE
5151473	
5151478	: Ø
5151479	: .
5151481	Ø
5151482	RESTAU
5151484	TRANSM
5151486	FIN ZONE AP2
5151498	FP1
5151499	FP2
5151500	FP3
5151501	FP4
5151506	FP5
5151507	FP6
5151511	FP7
5151512	FP8
5151513	FP9
5151517	FP10
5151519	FP11
5151531	FP12
5151536	. °
5151537	. \$
5151557	+ A
5151558	Z
5151559	NUM Ø
5151560	< Q
5151567	,
5151576	LÖSCH
5151580	EING LÖSCH
5151588	ZEICH EINFG
5151589	LÖSCH ZEICH
5151590	LÖSCH FELD
5151597	TEST ABFR
5151610	GRD STG
5151613	DAT FREIG
5151616	— 1
5151627	/ 2
5151628	° 3
5151716	+ :
5151720	FELD MARKE PA2
5151721	U
5151722	l ←
5151723	Ø
5151724	'A
5151725	UMSCH
5151726	UMSCH
5151818	SALTO
5995437	PF6
5995438	A
5995439	S
5995440	D
5995441	F
5995442	G
5995443	H
5995444	J
5995445	K
5995446	L
5995449	< A
5995450	> S
5995451	D
5995452	I F
5995453	— G
5995454	e H

PART NUMBER	NOMENCLATURE
5995455	4 J
5995456	5 K
5995457	6 L
5995458	SKIP
5995459	PF5
5995462	ERASE EOF
5995463	↑
5995464	↓
5995465	PF7
5995466	PF8
5995467	PF9
5995468	Z
5995469	X
5995470	C
5995471	V
5995472	B
5995473	N
5995474	M
5995475	<
5995476	>
5995477	? /
5995478	% Z
5995479	? X
5995480	' C
5995481	" V
5995482	( B
5995483	) N
5995484	7 M
5995485	8 .
5995486	9 .
5995487	.
5995490	TEST REQ
5995491	←
5995492	→
5995493	PF10
5995494	PF11
5995495	PF12
5995496	RESET
5995499	NUM LOCK
5995500	= 1
5995501	ALPHA
5995502	NUMERIC
5995503	←
5995504	PA3
5995505	SHIFT
5995506	SHIFT
5995507	RAB MEMIN
5995508	ENTER
5995509	1
5995512	→
5995513	←
5995530	< 1
5995531	> 2
5995532	+ 3
5995533	° 4
5995534	& 6
5995535	/ 7
5995536	( 8
5995537	) 9
5995538	0
5995539	? '
5995540	—

PART NUMBER	NOMENCLATURE
5995541	REPR AP1
5995544	SPACE BAR GROUP
5995545	CLEAR
5995546	DUP PA1
5995548	PA1
5995549	PA2
5995551	FIELD MARK PA2
5995552	PF1
5995553	PF2
5995554	PF3
5995555	+ &
5995556	@ 2
5995559	% 5
5995560	e 6
5995561	& 7
5995562	* 8
5995563	( 9
5995564	) 0
5995565	-
5995566	+ =
5995568	@
5995569	#
5995572	FIELD MARK
5995573	DUP
5995574	- -
5995575	0 /
5995576	EFFAC ENTR
5995577	" !
5995578	MODE INSER
5995579	SUPP
5995580	< 2
5995581	: 3
5995582	: 4
5995583	' 6
5995584	> 7
5995586	Q
5995587	W
5995588	E
5995589	R
5995590	T
5995591	Y
5995592	U
5995593	I
5995594	O
5995595	P
5995596	! —
5995597	+ Q
5995598	- W
5995599	! E
5995600	: R
5995601	: T
5995602	* Y
5995603	1 U
5995604	2 I
5995605	3 O
5995606	& P
5995607	PF4
5995610	INS MODE
5995611	DEL
5995613	ERASE INPUT
5995614	EFFAC FIN ZONE

CHART XV. KEYBUTTON NOMENCLATURE FOR CHART XIV.



KEYBUTTON POSITIONS

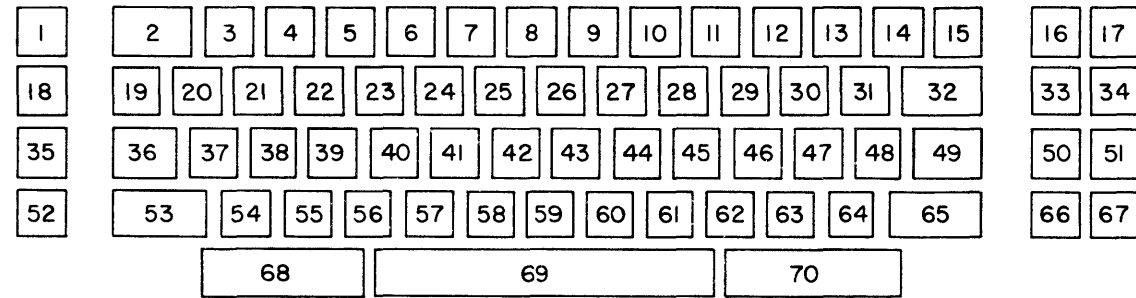


CHART XVI. KEYBUTTONS AND NOMENCLATURE - KATAKANA 70 KEY

BUTTON POS.	BUTTON PART NUMBER	BUTTON NOMENCLATURE	BUTTON POS.	BUTTON PART NUMBER	BUTTON NOMENCLATURE	BUTTON POS.	BUTTON PART NUMBER	BUTTON NOMENCLATURE
1	5995545	CLEAR	25	2728618	; T カ	48	2728637	PF5 ヲ
2	5995505	PA3	26	2728619	= Y ン	49	5995503	←
3	2728600	@ ア	27	2728621	U ナ	50	5995463	↑
4	2728601	# フ	28	2728622	2 I ニ	51	5995464	↓
5	2728602	P * P	29	2728623	3 O ラ	52	5995490	TEST REQ
6	2728603	ウ \$ ウ	30	2728624	& P セ	53	2728638	LATIN SHIFT
7	2728604	. E * I	31	2728625	PF4 `	54	2728639	- □
8	2728605	FM オ オ	32	5995513	←	55	2728640	% ツ Z ツ
9	2728606	DUP ア ア	33	5995610	INS MODE	56	2728641	? X サ
10	2728607	- L - L	34	5995611	DEL	57	2728642	' C ソ
11	2728608	O ヨ / ヨ	35	5995462	ERASE EOF	58	2728643	V ム
12	2728609	PF1 コ フ	36	5151463	LOCK	59	2728644	( B コ
13	2728611	PF2 ホ	37	2728626	↓ ム	60	2728645	) N ニ
14	2728612	PF3 ヘ	38	2728627	< A テ	61	2728646	7 M テ
15	5995491	←	39	2728628	> S ト	62	2728647	8 ` , *
16	5995548	PA1	40	2728629	D シ	63	2728648	9 ° . ル
17	5995549	PA2	41	2728630	F ハ	64	2728649	. . . *
18	5995613	ERASE INPUT	42	2728631	┌ G ナ	65	2728650	KANA SHIFT
19	5995512	→	43	2728632	H ク	66	5595491	←
20	2728613	┌ °	44	2728633	4 J マ	67	5595492	→
21	2728614	+ Q シ	45	2728634	5 K ノ	68	5595496	RESET
22	2728615	- _ W テ	46	2728635	6 L リ	69	2728651	SPACE BAR
23	2728616	イ E イ	47	2728636	SKIP レ	70	5995508	ENTER
24	2728617	: R ス						

CHART XVI. KEYBUTTONS AND NOMENCLATURE-TYPE A (KATAKANA 70 KEY).

FOR LANGUAGES NOT SHOWN  
SEE CHARTS XII, XIV, AND XVI.

NOTES

## KEYBUTTON POSITIONS

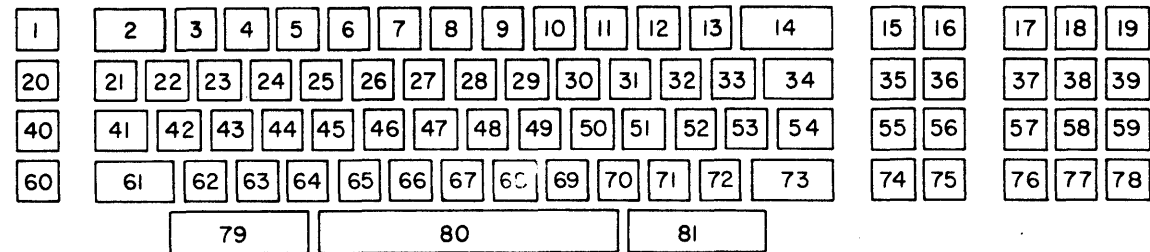


CHART XVII. KEYBUTTONS AND NOMENCLATURE - KATAKANA 81 KEY

BUTTON POS.	BUTTON PART NUMBER	BUTTON NOMENCLATURE	BUTTON POS.	BUTTON PART NUMBER	BUTTON NOMENCLATURE	BUTTON POS.	BUTTON PART NUMBER	BUTTON NOMENCLATURE
1	5995545	CLEAR	28	2728672	U ヲ	55	5995463	↑
2	2728652	1 1 又	29	2728673	I ニ	56	5995464	↓
3	2728653	2 フ	30	2728674	O ヲ	57	5995465	PF7
4	2728654	# P 3 P	31	2728675	P テ	58	5995466	PF8
5	2728655	\$ U 4 U	32	2728676	@ ヨ	59	5995467	PF9
6	2728656	% I 5 I	33	2728613	┌ °	60	5995490	TEST REQ
7	2728657	& T 6 T	34	5995513	←	61	2728638	LATIN SHIFT
8	2728658	' Y 7 Y	35	5995610	INS MODE	62	2728686	ツ Z ツ
9	2728659	( J 8 J	36	5995611	DEL	63	2728687	X ヨ
10	2728660	) E 9 E	37	5995607	PF4	64	2728688	C ヨ
11	2728661	ヲ 0 ヲ	38	5995459	PF5	65	2728643	V ヒ
12	2728662	- - ホ	39	5995437	PF6	66	2728689	B コ
13	2728663	フ * ハ	40	5995462	ERASE EOF	67	2728690	N ニ
14	2728665	←	41	5151463	LOCK	68	2728691	M テ
15	5995546	DUP PA1	42	2728677	A テ	69	2728692	< \ , *
16	2728666	FM PA2	43	2728678	S ト	70	2728693	> ° . ル
17	5995552	PF1	44	2728629	D - ヨ	71	2728694	? / *
18	5995553	PF2	45	2728679	F ハ	72	2728695	- - □
19	5995554	PF3	46	2728680	G +	73	2728650	KANA SHIFT
20	5995613	ERASE INPUT	47	2729632	H ク	74	5995491	←
21	5995512	→	48	2728681	J マ	75	5995492	→
22	2728667	Q ヲ	49	2728682	K ヲ	76	5995493	PF10
23	2728668	W テ	50	2728683	L リ	77	5995494	PF11
24	2728616	イ E イ	51	2728684	+ ; レ	78	5995495	PF12
25	2728669	R ス	52	2728685	* : テ	79	5995496	RESET
26	2728670	T カ	53	2728626	J ム	80	2728651	SPACE BAR
27	2728671	Y ヨ	54	5995503	←	81	5995508	ENTER

CHART XVII. KEYBUTTONS AND NOMENCLATURE-TYPE A (KATAKANA 81 KEY).

LIST 1A. KEYBOARD ASSEMBLY-TYPE A.

KEYBUTTON INFORMATION			
COUNTRY	KEYBUTTON CHART	COLUMN	NOMENCLATURE CHAR*
Belgium	IX	9 & 10	X
Brazil	IX	11 & 12	X
Denmark	IX	3 & 4	X
Domestic (United States)	VII	1 thru 4	VIII
Finland	IX	1 & 2	X
France	VII	9 & 10	VIII
Germany	VII	7 & 8	VIII
Italy	VII	11 & 12	VIII
Katakana-70 Key	XI		XI
Katakana-81 Key	XII		XII
Norway	IX	5 & 6	X
Portugal	IX	11 & 12	X
Spain	IX	7 & 8	X
Sweden	IX	1 & 2	X
United Kingdom	VI	5 & 6	VIII
United States (Domestic)	VI	1 thru 4	VIII

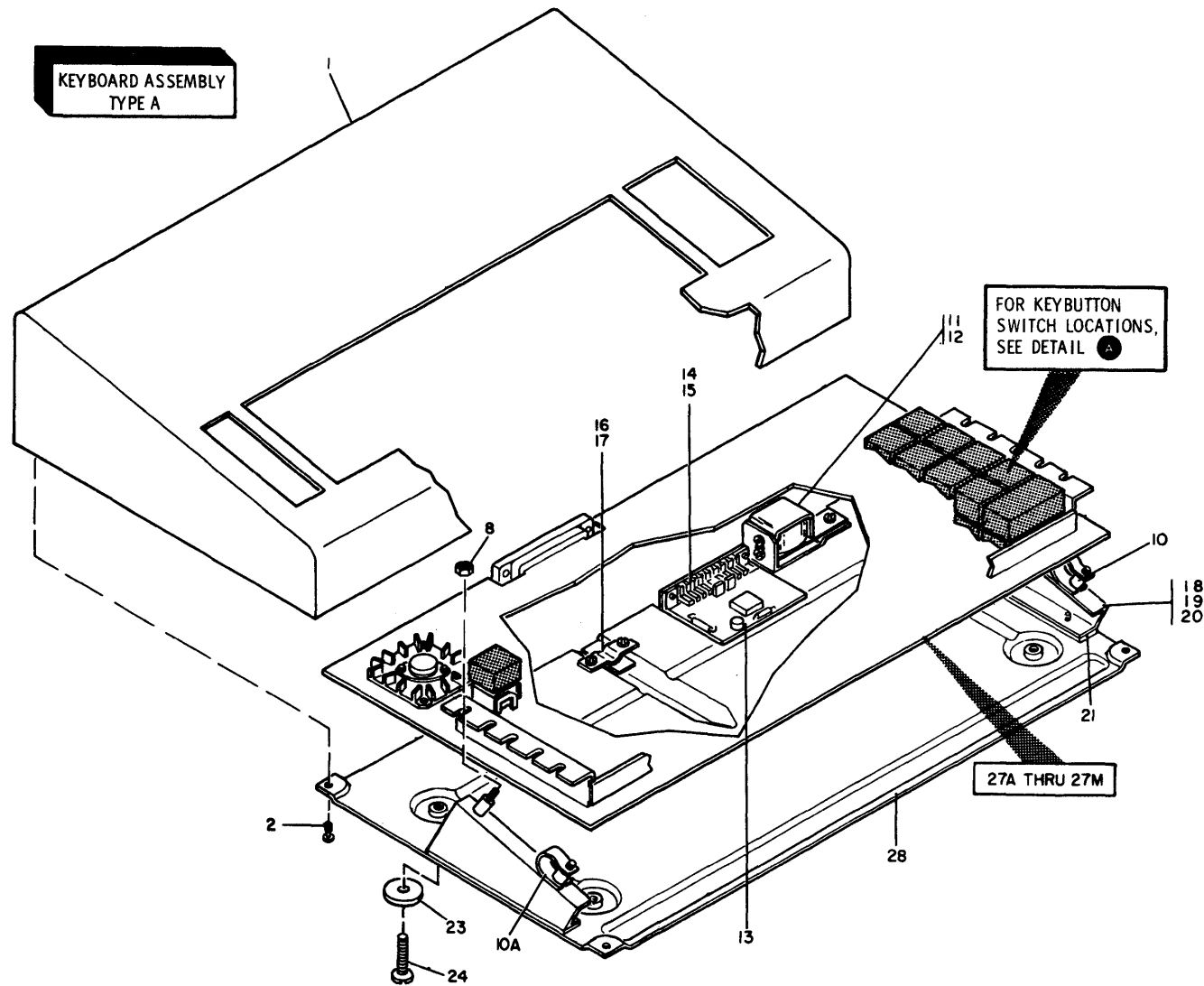
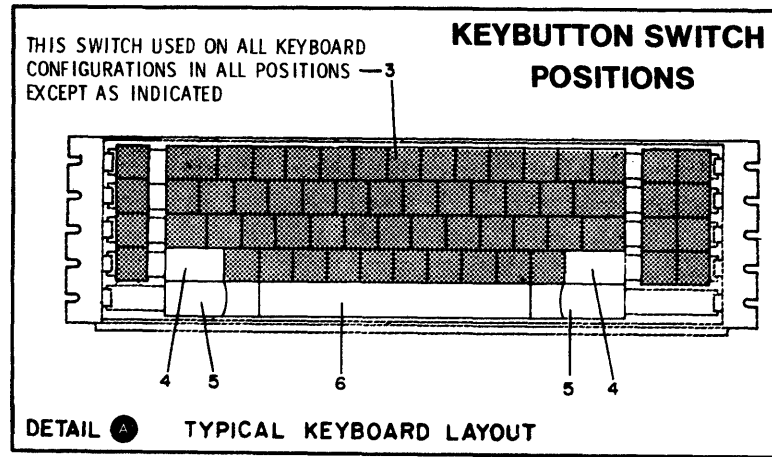


FIGURE 1A. KEYBOARD ASSEMBLY-TYPE A.

FIGURE-INDEX NUMBER	PART NUMBER	DESCRIPTION	UNITS PER ASM.	USABLE ON CODE
IA		KEYBOARD FINAL ASSEMBLIES-DOMESTIC (USA)		
- A	2621367	ASCII - 66 KEY	1	
- A	2621368	ASCII - 78 KEY	1	
- A	2621364	EBCDIC - 66 KEY	1	
- A	2621365	EBCDIC - 78 KEY	1	
- A	2621366	EBCDIC DATA ENTRY - 66 KEY	1	
- A	2621369	EBCDIC 1052-7 - 78 KEY	1	
		KEYBOARD FINAL ASSEMBLIES-UNITED KINGDOM		
- B	2621373	DATA ENTRY - 66 KEY	1	
- B	2621371	EBCDIC - 66 KEY	1	
- B	2621372	EBCDIC - 78 KEY	1	
		KEYBOARD FINAL ASSEMBLIES-GERMANY		
- C	2621385	DATA ENTRY - 66 KEY	1	
- C	2621383	EBCDIC - 66 KEY	1	
- C	2621384	EBCDIC - 78 KEY	1	
- C	1825001	EBCDIC DUAL CASE - 66 KEY	1	
- C	1825005	EBCDIC DUAL CASE - 78 KEY	1	
		KEYBOARD FINAL ASSEMBLIES-FRANCE		
- D	2621379	DATA ENTRY - 66 KEY	1	
- D	2621377	EBCDIC - 66 KEY	1	
- D	2621378	EBCDIC - 78 KEY	1	
- D	1825000	EBCDIC DUAL CASE - 66 KEY	1	
- D	1825004	EBCDIC DUAL CASE - 78 KEY	1	
		KEYBOARD FINAL ASSEMBLIES-ITALY		
- E	5922890	DATA ENTRY - 66 KEY	1	
- E	5922888	EBCDIC - 66 KEY	1	
- E	5922889	EBCDIC - 78 KEY	1	
		KEYBOARD FINAL ASSEMBLIES-SWEDEN/FINLAND		
- F	1566040	DATA ENTRY - 66 KEY	1	
- F	1566041	EBCDIC - 66 KEY	1	
- F	1566042	EBCDIC - 78 KEY	1	
		KEYBOARD FINAL ASSEMBLIES-DENMARK		
- G	1566043	DATA ENTRY - 66 KEY	1	
- G	1566044	EBCDIC - 66 KEY	1	
- G	1566045	EBCDIC - 78 KEY	1	
		KEYBOARD FINAL ASSEMBLIES-NORWAY		
- H	1566046	DATA ENTRY - 66 KEY	1	
- H	1566047	EBCDIC - 66 KEY	1	
- H	1566048	EBCDIC - 78 KEY	1	
		KEYBOARD FINAL ASSEMBLIES-SPAIN		
- J	1566049	DATA ENTRY - 66 KEY	1	
- J	1566050	EBCDIC - 66 KEY	1	
- J	1566051	EBCDIC - 78 KEY	1	
		KEYBOARD FINAL ASSEMBLIES-BELGIUM		
- K	1566055	DATA ENTRY - 66 KEY	1	
- K	1566056	EBCDIC - 66 KEY	1	
- K	1566057	EBCDIC - 78 KEY	1	
		KEYBOARD FINAL ASSEMBLIES-PORTUGAL/BRAZIL		
- L	1566058	DATA ENTRY - 66 KEY	1	
- L	1566059	EBCDIC - 66 KEY	1	
- L	1566060	EBCDIC - 78 KEY	1	
		KEYBOARD FINAL ASSEMBLIES-KATAKANA		
- M	5992870	KATAKANA - 70 KEY	1	
- M	5992871	KATAKANA - 81 KEY	1	

LIST 1A. KEYBOARD ASSEMBLY-TYPE A.

FIGURE- INDEX NUMBER	PART NUMBER	DESCRIPTION	UNITS PER ASM.	USABLE ON CODE
1A - 1	2568850	• COVER, TOP- 66 KEY	1	
- 1	2364226	• COVER, TOP- 70 KEY	1	
- 1	2568855	• COVER, TOP- 78 KEY	1	
- 1	2364228	• COVER, TOP- 81 KEY	1	
- 2	2621348	• SCREW- 8-32 X .25 LG ATT PT	4	
- 3	5995542	• SWITCH, MODULE-SOLID STATE	AR	
- 4	5995543	• MODULE SUPPORT- 1 3/4 UNIT	2	
- 5	5995547	• MODULE SUPPORT- 2 3/4 UNIT	2	
- 6	5995544	• SPACEBAR GROUP-STANDARD	1	
- 6	2728651	• SPACE BAR GROUP-KATAKANA SPACE BAR GROUPS INCLUDE SPACE BAR AND SWITCHES; AND MUST BE ORDERED AS A COMPLETE UNIT	1	
- 8	257187	• NUT, PLAIN, HEX- 6-32 X 3/8 FL W	4	
- 10	2621352	• ISOLATOR, VIBRATION	4	
- 10A	5922905	• STRAP	2	
- 11	2621399	• AUDIBLE FEEDBACK ASM	1	
- 12	10170	• SCREW, MACH-BIND HD 6-32 X 1/4 LG ATT PT	2	
- 13	2621391	• CARD ASM	1	
- 14	2621346	• CONNECTOR, PC BOARD- 9 POS	1	
- 15	10170	• SCREW, MACH-BIND HD 6-32 X 1/4 LG ATT PT	2	
- 16	2364265	• STRAIN RELIEF	1	
- 17	81693	• SCREW, MACH-BIND HD 6-32 X 3/8 LG ATT PT	2	
- 18	5922903	• BRACKET	2	
- 19	81693	• SCREW, MACH-BIND HD 6-32 X 3/8 LG ATT PT	4	
- 20	2176120	• WASHER ATT PT	4	
- 21	5922898	• SPACER	2	
- 23	1154429	• PAD	4	
- 24	1164976	• SCREW ATT PT	4	
		KEYBOARDS-DOMESTIC (USA)		
- 27A	5995528	• ASCII - 66 KEY	1	
- 27A	5995529	• ASCII - 78 KEY SEE CHART XII, COLUMN 1	1	
- 27A	5995515	• EBCDIC - 66 KEY	1	
- 27A	5995519	• EBCDIC - 78 KEY SEE CHART XII, COLUMN 2	1	
- 27A	5995523	• EBCDIC DATA ENTRY - 66 KEY SEE CHART XII, COLUMN 3	1	
- 27A	5995527	• EBCDIC 1052-7 - 78 KEY SEE CHART XII, COLUMN 4	1	
		KEYBOARDS-UNITED KINGDOM		
- 27B	5995524	• DATA ENTRY - 66 KEY SEE CHART XII, COLUMN 5	1	
- 27B	5995516	• EBCDIC - 66 KEY	1	
- 27B	5995520	• EBCDIC - 78 KEY SEE CHART XII, COLUMN 6	1	
		KEYBOARDS-GERMANY		
- 27C	5995526	• DATA ENTRY - 66 KEY SEE CHART XII, COLUMN 7	1	
- 27C	5995518	• EBCDIC - 66 KEY	1	
- 27C	5995522	• EBCDIC - 78 KEY	1	
- 27C	2728700	• EBCDIC DUAL CASE - 66 KEY	1	
- 27C	2728701	• EBCDIC DUAL CASE - 78 KEY SEE CHART XII, COLUMN 8	1	
		KEYBOARDS-FRANCE		
- 27D	5995525	• DATA ENTRY - 66 KEY SEE CHART XII, COLUMN 9	1	
- 27D	5995517	• EBCDIC - 66 KEY	1	
- 27D	5995521	• EBCDIC - 78 KEY	1	
- 27D	2728698	• EBCDIC DUAL CASE - 66 KEY	1	
- 27D	2728699	• EBCDIC DUAL CASE - 78 KEY SEE CHART XII, COLUMN 10	1	
		KEYBOARDS-ITALY		
- 27E	2728705	• DATA ENTRY - 66 KEY SEE CHART XII, COLUMN 11	1	
- 27E	2728703	• EBCDIC - 66 KEY	1	
- 27E	2728704	• EBCDIC - 78 KEY SEE CHART XII, COLUMN 12	1	

LIST 1A. KEYBOARD ASSEMBLY-TYPE A.

FIGURE- INDEX NUMBER	PART NUMBER	DESCRIPTION	UNITS PER ASM.	USABLE ON CODE
1A- 27F	2728710	• DATA ENTRY - 66 KEY SEE CHART XIV, COLUMN 1	1	
- 27F	2728711	• EBCDIC - 66 KEY	1	
- 27F	2728712	• EBCDIC - 78 KEY SEE CHART XIV, COLUMN 2	1	
		KEYBOARDS-DENMARK		
- 27G	2728713	• DATA ENTRY - 66 KEY SEE CHART XIV, COLUMN 3	1	
- 27G	2728714	• EBCDIC - 66 KEY	1	
- 27G	2728715	• EBCDIC - 78 KEY SEE CHART XIV, COLUMN 4	1	
		KEYBOARDS-NORWAY		
- 27H	2728716	• DATA ENTRY - 66 KEY SEE CHART VII, COLUMN 5	1	
- 27H	2728717	• EBCDIC - 66 KEY	1	
- 27H	2728718	• EBCDIC - 78 KEY SEE CHART XIV, COLUMN 6	1	
		KEYBOARDS-SPAIN		
- 27J	2728719	• DATA ENTRY - 66 KEY SEE CHART XIV, COLUMN 7	1	
- 27J	2728720	• EBCDIC - 66 KEY	1	
- 27J	2728721	• EBCDIC - 78 KEY SEE CHART XIV, COLUMN 8	1	
		KEYBOARDS-BELGIUM		
- 27K	2728725	• DATA ENTRY - 66 KEY SEE CHART XIV, COLUMN 9	1	
- 27K	2728726	• EBCDIC - 66 KEY	1	
- 27K	2728727	• EBCDIC - 78 KEY SEE CHART XIV, COLUMN 10	1	
		KEYBOARDS-PORTUGAL/BRAZIL		
- 27L	2728728	• DATA ENTRY - 66 KEY SEE CHART XIV, COLUMN 11	1	
- 27L	2728729	• EBCDIC - 66 KEY	1	
- 27L	2728730	• EBCDIC - 78 KEY SEE CHART XIV, COLUMN 12	1	
		KEYBOARDS-KATAKANA		
- 27M	2728610	• KATAKANA - 70 KEY SEE CHART XVI	1	
- 27M	2728620	• KATAKANA - 81 KEY SEE CHART XVII	1	
- 28	2570203	• PAN, KEYBOARD- 66 KEY	1	
- 28	2570205	• PAN, KEYBOARD- 70 KEY	1	
- 28	2570204	• PAN, KEYBOARD- 78 KEY	1	
- 28	2570206	• PAN, KEYBOARD- 81 KEY	1	



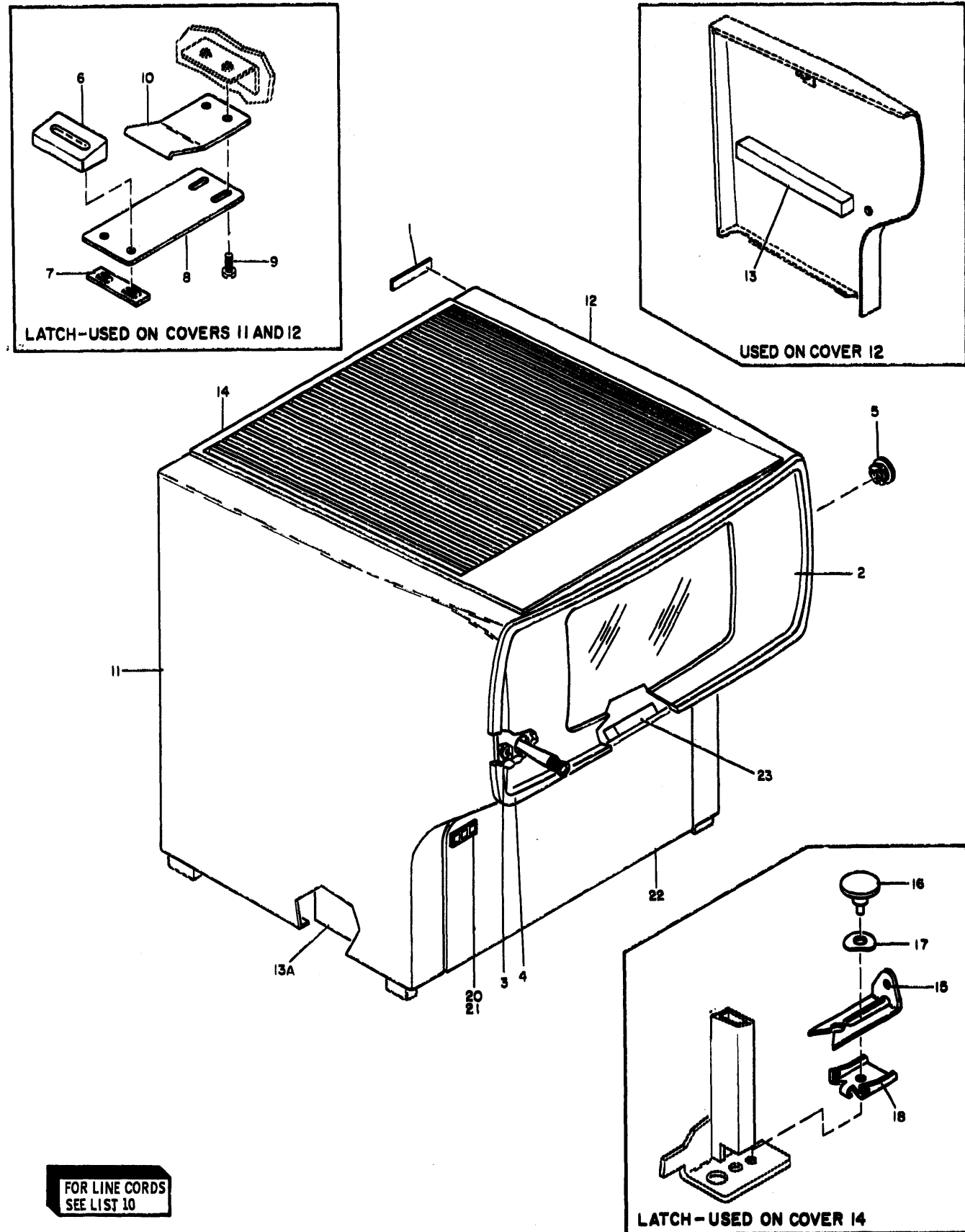


FIGURE 2. 3277 M1 COVER ASSEMBLY.

LIST 2. 3277 M1 COVER ASSEMBLY

FIGURE- INDEX NUMBER	PART NUMBER	DESCRIPTION	1 2 3 4				UNITS PER ASM.	USABLE ON CODE
2	2577731 NP	COVER ASSEMBLY- 3277 M1						
- 1	2577624	. NAMEPLATE-UNITED STATES/UNITED KINGDOM					1	
- 1	2577620	. NAMEPLATE-FRENCH					1	
- 1	2577621	. NAMEPLATE-GERMAN					1	
- 1	2577622	. NAMEPLATE-ITALIAN					1	
- 1	2577623	. NAMEPLATE-SPANISH					1	
- 1	2577625	. NAMEPLATE-JAPANESE					1	
- 2	2577692	. MASK-UNITED STATES/UNITED KINGDOM					1	
- 2	2577693	. MASK-FRENCH					1	
- 2	2577694	. MASK-GERMAN					1	
- 2	2577695	. MASK-ITALIAN					1	
- 2	2577691	. MASK-SPANISH					1	
- 2	2577689	. MASK-JAPANESE					1	
- 3	2577688	. GROMMET					4	
- 4	2577885	. BEZEL					1	
- 5	2568714	. GROMMET					1	
- 6	2577866	. CATCH					1	
- 7	2577714	. NUT, SPEED ATT P1					1	
- 8	2577865	. SPRING					1	
- 9	5350006	. SCREW, SELF TAPPING, 6-32 X .250 LONG ATT PT					2	
- 10	2577708	. SPRING, GROUND					1	
- 11	2577883	. COVER ASM-LEFT					1	
- 12	2577882	. COVER ASM-RIGHT					1	
- 13	2577886	. SEAL-RH COVER					1	
- 13A	2577836	. PAD ACCOUSTICAL					1	
- 14	2577881	. COVER ASM-CENTER					1	
- 15	300683	. SLIDE-LARGE SNAP					2	
- 16	300685	. BUTTON					2	
- 17	2577887	. WASHER, LOCK-SPLIT					2	
- 18	2795065	. GUIDE					2	
- 20	5756324	. LABEL, HEXADECIMAL					1	
- 21	5756348	. HOLDER ASM-HEXADECIMAL LABEL					1	
- 22	2577884	. COVER ASM-FRONT					1	
- 23	2577687	. PAD ACCOUSTICAL					1	

LIST 3. 3277 M1 FINAL ASSEMBLY

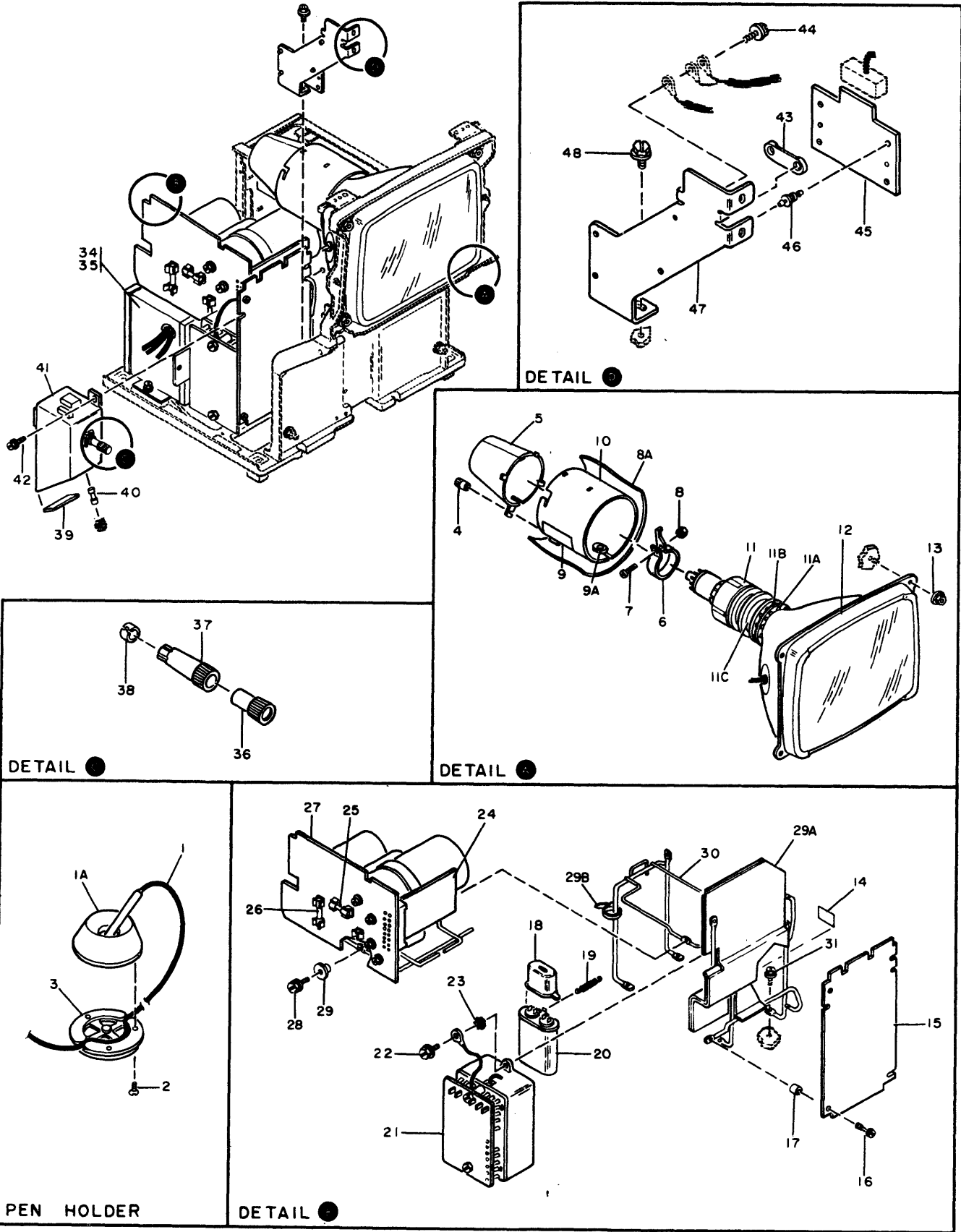
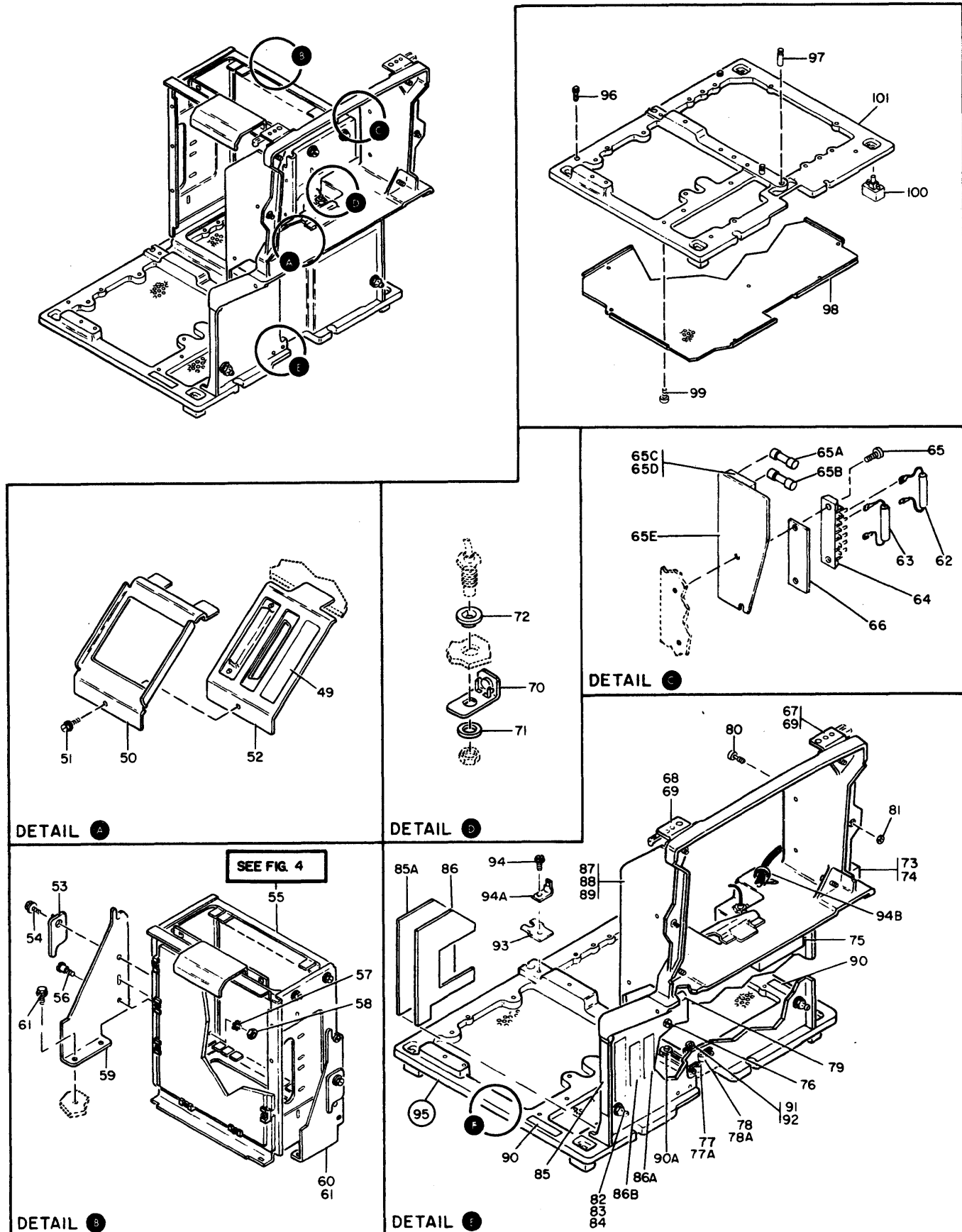


FIGURE 3. 3277 M1 FINAL ASSEMBLY. SHEET 1 OF 2. INDEX NOS. 1-48.

FIGURE- INDEX NUMBER	PART NUMBER	DESCRIPTION				UNITS PER ASM.	USABLE ON CODE
		1	2	3	4		
3 -	2577701 NP	FINAL ASSEMBLY- 3277 M1					
- 1	2570100	. CABLE ASM-SELECTOR LIGHT PEN				1	
- 1A	2568723	. CAP,LIGHT PEN HOLDER				3	
- 2	109918	. SCREW,THD CUTTING-FLAT HD 4-40 X 1/2 LG				3	ATT PT
- 3	2568722	. BASE,LIGHT PEN HOLDER				1	
- 4	2565115	. NUT				1	
- 5	2577834	. SHIELD				1	
- 6	2565139	. CLAMP				1	
- 7	5474780	. SCREW				1	ATT PT
- 8	257188	. NUT,PLAIN,HEX- 8-32 X 11/32 FL				1	ATT PT
- 8A	2577839	. PAD,ACCOUSTICAL				1	
- 9	2565199	. LABEL,WARNING				1	
- 9A	442068	. GROMMET				1	
- 10	2565068	. SHIELD ASM,YOKE				1	
- 11	2568776	. MAGNET,CENTERING				1	
- 11A	2565083	. SPRING,GROUNDING				1	
- 11B	2565084	. INSULATOR				1	
- 11C	5252613	. YOKE ASSEMBLY				1	
- 12	5252598	. CRT,EM DEFLECTION				1	
- 13	2577706	. NUT AND WASHER,PRE ASSEMBLED				4	ATT PT
- 14	2582954	. LABEL,SAFETY				1	
- 15	2565080	. CARD ASM,ANALOG				1	
- 16	2577658	. SCREW,CAPTIVE- 10-32 X 0.25 LG				2	ATT PT
- 17	2577699	. STAND OFF				2	
- 18	363001	. COVER-CAPACITOR				1	
- 19	2577659	. SPRING,EXTENSION				1	
- 20	2582939	. CAPACITOR- 660V,P/M 6%				1	
- 21	2611025	. POWER SUPPLY- 300-400V				1	
- 22	5349929	. SCREW-THREAD FORMING HEX WASHER HD				2	ATT PT
- 23	55901	. WASHER,LOCK-EXT TEETH NO. 8 X 0.381 OD				1	ATT PT
- 24	2481207	. CARD ASM				1	
- 25	332009	. FUSE,CTG- 2A,SLO BLO,125V				2	
- 26	512137	. FUSE,LONG TIME LAG,5 AMP , 125 VOLTS				1	
- 27	2565120	. POWER ASM,SECONDARY				1	
- 28	2181002	. SCREW,THREAD FORMING-8-32 X 3/4 LG				1	ATT PT
- 29	2577863	. BUSHING				1	
- 29A	2577837	. PAD,ACCOUSTICAL				1	
- 29B	524519	. CLAMP				1	
- 30	2577872	. BASE,SECONDARY MTG				1	
- 31	2181004	. SCREW,THREAD FORMING-HEX WASHER HD				5	ATT PT
- 34	4119272	. FERRO ASM- 50 HZ				1	
- 34	2582999	. FERRO ASM- 60 HZ				1	
- 34	4119307	. FERRO ASM- 60 HZ KATAKANA				1	
- 35	2181004	. SCREW,HEX HD- 10-32 X 0.375 LG				2	ATT PT
- 36	2565239	. KNOB ASM-POWER/BRIGHTNESS				1	
- 37	2565205	. KNOB,INNER				1	
- 38	2565272	. CLIP,KNOB TO SHAFT				1	
- 39	2565141	. LABEL,FUSE RATING				AR	
- 40	332009	. FUSE,CTG- 2A,SLO BLO,125V				AR	
- 40	303549	. FUSE,CARTRIDGE-SLOW BLOW 1.0 AMP 250V				AR	
- 41	2577890	. POWER ASM,PRIME				1	
- 42	5319854	. SCREW,THD CUTTING-HEX HD 8-32 X 0.375 LG				2	ATT PT
- 43	811427	. STRAP,CABLE				1	
- 44	2181004	. SCREW,THREAD FORMING-HEX WASHER HD				1	
- 45	2577742	. CARD ASM,ARC SUPPRESSION				1	
- 46	2568709	. STAND OFF				3	
- 47	2577664	. BRACKET				1	
- 48	2181004	. SCREW,THREAD FORMING-HEX WASHER HD				4	ATT PT



LIST 3. 3277 M1 FINAL ASSEMBLY

FIGURE- INDEX NUMBER	PART NUMBER	DESCRIPTION	1 2 3 4				UNITS PER ASM.	USABLE ON CODE
3 - 49	2577716	• PLATE					AR	
- 50	2577671	• RETAINER					1	
- 51	5319854	• SCREW, THD CUTTING-HEX HD 8-32 X 0.375 LG				ATT PT	1	
- 52	2577669	• HOLDER, CONNECTOR					1	
- 53	2577732	• PLATE, LATCH-GATE					2	
- 54	5350006	• SCREW, SELF TAPPING, 6-32 X .250 LONG				ATT PT	2	
- 55	2577698	• GATE ASSEMBLY					1	
- 56	2577721	• SCREW, SHOULDER- 6-32 X .22 LG				ATT PT	2	
- 57	56722	• WASHER, LOCK-EXT TEETH NO. 6				ATT PT	2	
- 58	257187	• NUT, PLAIN, HEX- 6-32 X 3/8 FL W				ATT PT	2	
- 59	2577696	• BRACKET-RIGHT					1	
- 60	2577746	• BRACKET, LEFT					1	
- 61	2181004	• SCREW, THREAD FORMING-HEX WASHER HD				ATT PT	4	
- 62	2577679	• RESISTOR ASM- 7.5 OHM, 10 W					AR	
- 63	2577676	• RESISTOR ASM- 25 OHM, 10 W					AR	
- 64	2577725	• TERMINAL BLOCK- 6 POS					1	
- 65	2191846	• SCREW				ATT PT	2	
- 65A	433557	• FUSE - 8A					1	
- 65B	1176668	• FUSE - 1.5A SLO BLOW					1	
- 65C	5252919	• FUSEHOLDER					1	
- 65D	1177628	• SCREW				ATT PT	2	
- 65E	1830688	• BRACKET					1	
- 66	2577727	• STRIP, MARKER					1	
- 67	2577880	• LATCH ASM					1	
- 68	2577879	• LATCH ASM					1	
- 69	5350006	• SCREW, SELF TAPPING, 6-32 X .250 LONG				ATT PT	4	
- 70	2577868	• ADAPTER ASM					1	
- 71	52905	• WASHER, FLAT					1	
- 72	2577718	• BUSHING					1	
- 73	2577619	• SECURITY KEY LOCK ASM					1	
- 74	5319854	• SCREW, THD CUTTING-HEX HD 8-32 X 0.375 LG				ATT PT	2	
- 75	2568718	• AUDIBLE ALARM ASM					1	
- 76	2181004	• SCREW, HEX HD- 10-32 X 0.375 LG					1	
- 77	534768	• CLAMP, CABLE					1	
- 77A	2181004	• SCREW, THREAD FORMING-HEX WASHER HD				ATT PT	1	
- 78	303538	• CLAMP, CABLE					1	
- 78A	5319888	• SCREW, SELF TAPPING, 10-32 X .625 LONG				ATT PT	1	
- 79	2577722	• PIN					2	
- 80	2577658	• SCREW, CAPTIVE- 10-32 X 0.25 LG					2	
- 81	2577726	• O-RING					2	
- 82	223071	• STUD, BALL					2	
- 83	38235	• SCREW, MACH-BIND HD 6-32 X 0.312 LG				ATT PT	2	
- 84	6364	• WASHER, LOCK-SPLIT NO. 6 X 1/4 OD				ATT PT	2	
- 85	2577733	• LABEL					1	
- 85A	2577842	• PAD, INSULATING					1	
- 86	2577841	• PAD, INSULATING					1	
- 86A	845762	• DECAL-VOLTAGE					1	
- 86B	2577649	• PLATE, POWER RATING- 50 HZ					1	
- 86B	2577647	• PLATE, POWER RATING- 60 HZ					1	
- 86B	2577648	• PLATE, POWER RATING- 60 HZ KATAKANA					1	
- 87	2577745	• APRON					1	
- 88	309829	• SCREW				ATT PT	2	
- 89	125930	• NUT-STOP, ELASTIC HEX 10-32				ATT PT	2	
- 90	124943	• LABEL-HAZARDOUS AREA					2	
- 90A	811427	• STRAP, CABLE					1	
- 91	327921	• CLAMP, CABLE					1	
- 92	2181004	• SCREW, THREAD FORMING-HEX WASHER HD				ATT PT	1	
- 93	2577728	• RETAINER, CABLE					1	
- 94	2181005	• SCREW, SELF TAPPING, 6-32 X .375 LG.				ATT PT	1	
- 94A	2568733	• TERMINAL, SLIP-ON					1	
- 94B	5420242	• TY-MINIATURE					AR	
- 95	2577749	• BASE, CHASSIS					1	
- 96	5795038	• STUD, SLIDE FASTENER					2	
- 97	733978	• PIN					2	
- 98	2577748	• SCREEN, CHASSIS					1	
- 99	1177628	• SCREW				ATT PT	9	
- 100	2565107	• FOOT					4	
- 101	2577747	• CHASSIS, BASE					1	

FIGURE 3. 3277 M1 FINAL ASSEMBLY. SHEET 2 OF 2. INDEX NOS. 49-101.



FOR PARTS  
NOT SHOWN  
SEE FIG. 3  
SHEET 2

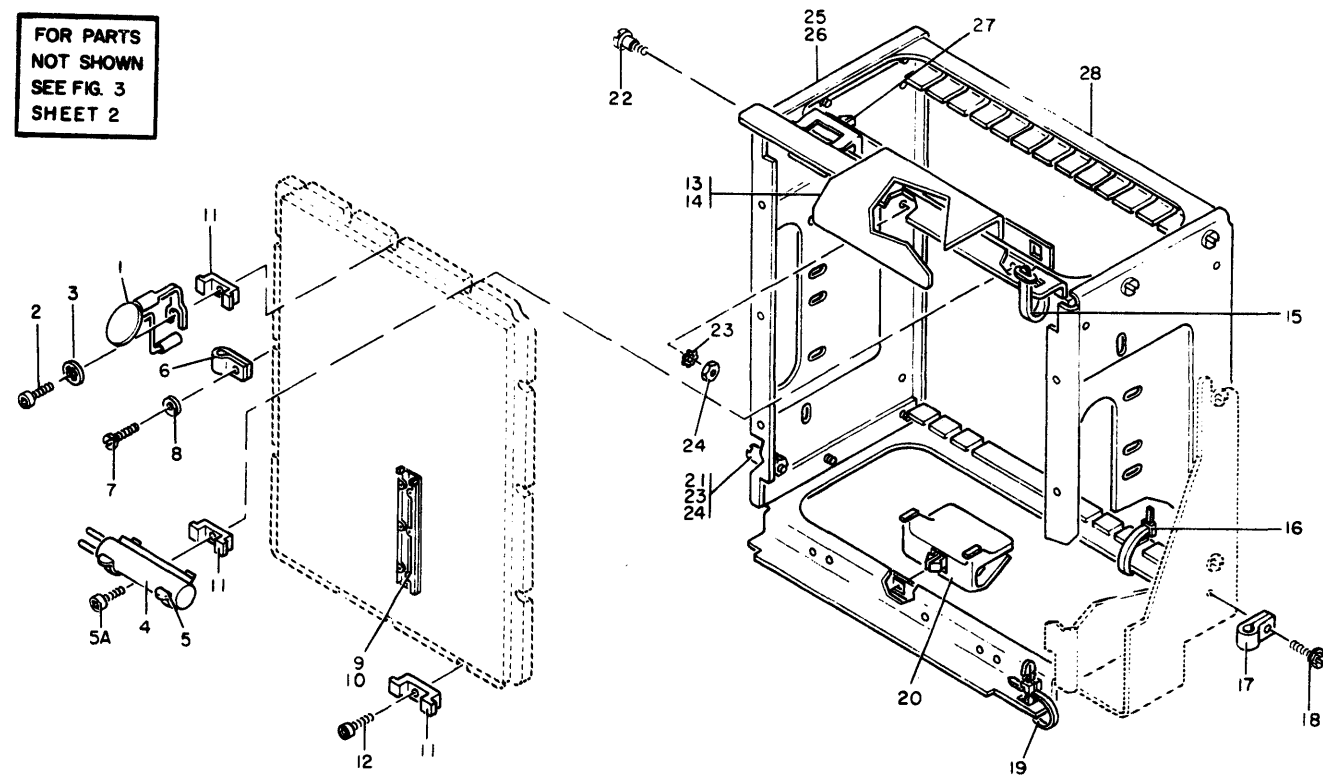


FIGURE 4. 3277 MOD 1 GATE ASSEMBLY.

FIGURE- INDEX NUMBER	PART NUMBER	DESCRIPTION	1 2 3 4				UNITS PER ASM.	USABLE ON CODE
4 -	2577698 NP	GATE ASSEMBLY- 3277 MOD 1 FOR NEXT HIGHER ASM, SEE FIGURE 3-55					REF	
- 1	2577862	• CAPACITOR ASM- 500V					1	
- 2	811417	• SCREW, HEX SOCKET H- 6-32 X 1/2 LG				ATT PT	1	
- 3	62031	• WASHER, LOCK-INT TEETH NO. 6 X 0.295 OD				ATT PT	1	
- 4	2565223	• CAPACITOR					1	
- 5	2565273	• CLAMP, CAPACITOR					1	
- 5A	811417	• SCREW, HEX SOCKET H- 6-32 X 1/2 LG				ATT PT	1	
- 6	169698	• CLAMP, CABLE					AR	
- 7	2181088	• SCREW, HEX SOC 6-32 X 7/8 LG				ATT PT	AR	
- 8	257986	• WASHER, FLAT NO. 6				ATT PT	AR	
- 9	2565099	• BUS STRIP					2	
- 10	5922878	• INSULATOR					2	
- 11	813179	• CLAMP-BCARD					AR	
- 12	811417	• SCREW, HEX SOCKET H- 6-32 X 1/2 LG				ATT PT	• AR	
- 13	2577864	• SUPPORT					1	
- 14	2181004	• SCREW, THREAD FORMING-HEX WASHER HD				ATT PT	2	
- 15	5420242	• TY-MINIATURE					1	
- 16	524519	• CABLE TIE, SELF CLINCHING					1	
- 17	5213276	• CLAMP-CABLE					1	
- 18	5350012	• SCREW, THD FORMING HEX WSR HD 8-32 X .25				ATT PT	1	
- 19	825303	• CLAMP, CABLE					1	
- 20	2565215	• RETAINER, CONNECTOR					1	
- 21	2577722	• PIN					1	
- 22	2577721	• SCREW, SHOULDER- 6-32 X .22 LG					2	
- 23	56722	• WASHER, LOCK-EXT TEETH NO. 6					3	
- 24	257187	• NUT, PLAIN, HEX- 6-32 X 3/8 FL W					3	
- 25	2565213	• SUPPORT, VERTICAL					2	
- 26	5711266	• SCREW				ATT PT	8	
- 27	2565222	• RETAINER, CONNECTOR					1	
- 28	2565211	• SUPPORT, HORIZONTAL					2	

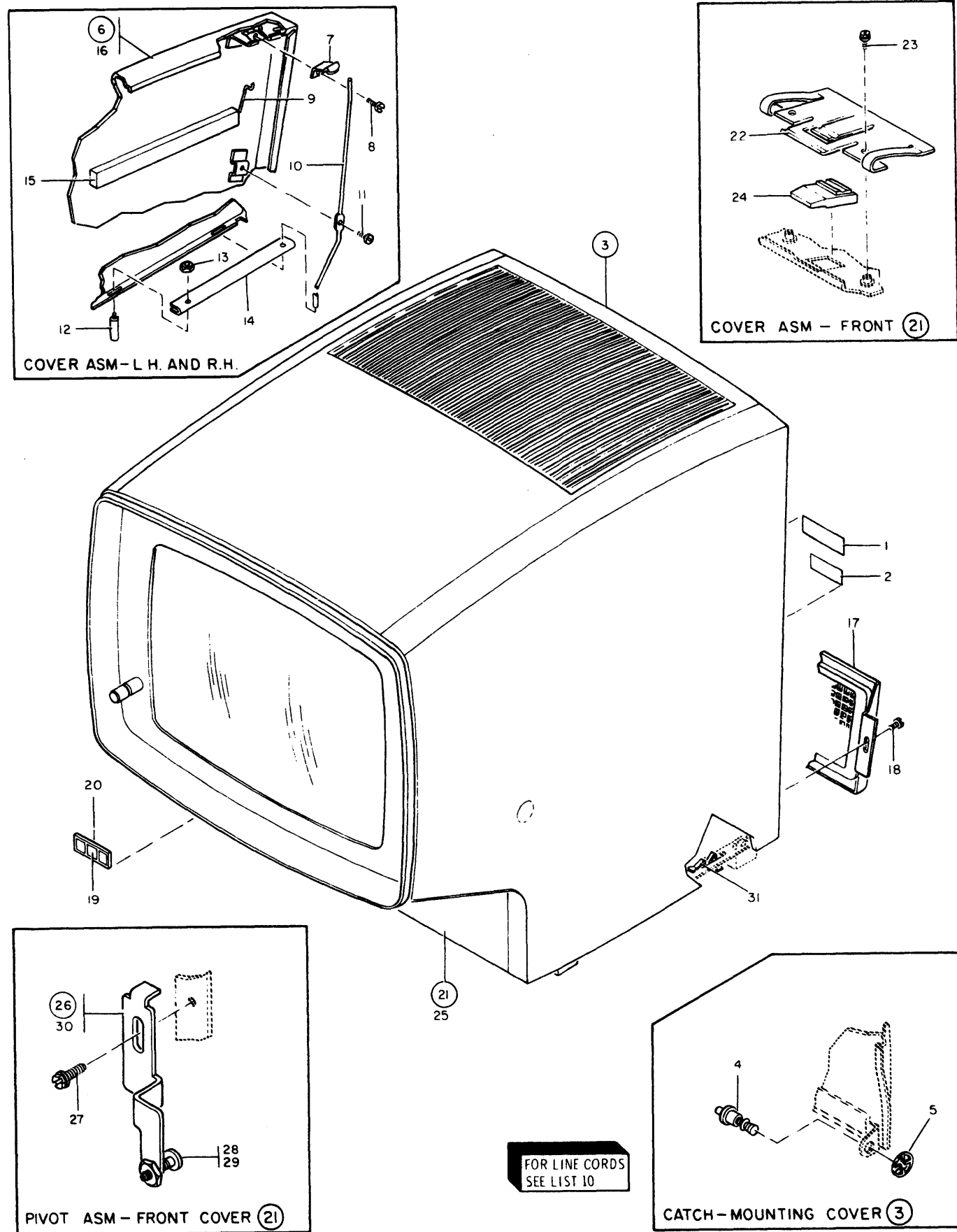
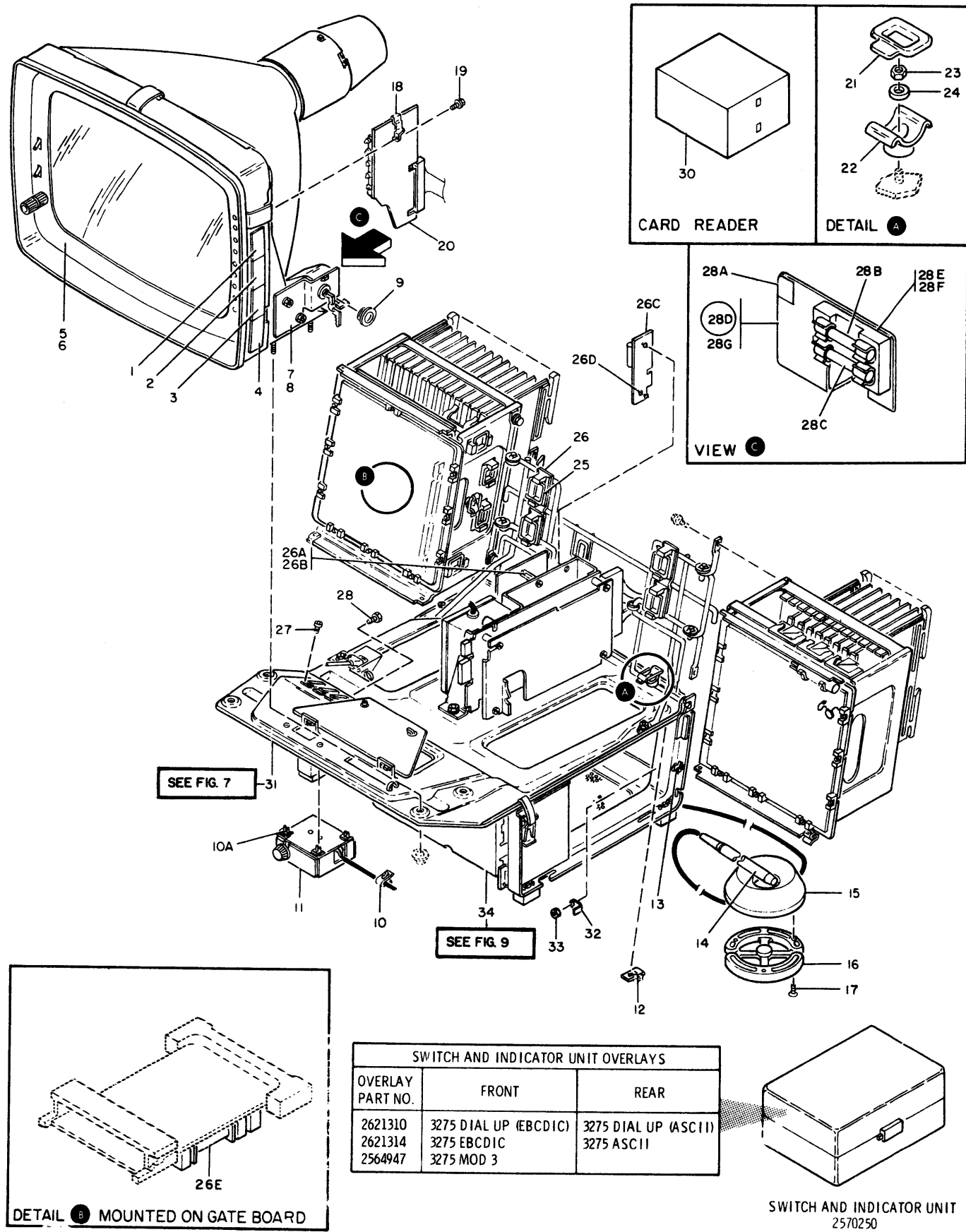


FIGURE 5. 3275 M1/M2/M3 AND 3277 M2 COVER ASSEMBLY.

LIST 5. 3275 M1/M2/M3 AND 3277 M2 COVER ASSEMBLY.

FIGURE - INDEX NUMBER	PART NUMBER	DESCRIPTION	1 2 3 4				UNITS PER ASM.	USABLE ON CODE
5 -	2565160	COVER ASSEMBLY- 3275 M1/M2/M3, 3277 M2					REF	
- 1	2564801	. NAMEPLATE, US/UK- 3275 M1					1	
- 1	2564802	. NAMEPLATE, FRENCH- 3275 M1					1	
- 1	2564803	. NAMEPLATE, GERMAN- 3275 M1					1	
- 1	2564804	. NAMEPLATE, ITALIAN- 3275 M1					1	
- 1	2564805	. NAMEPLATE, SPANISH- 3275 M1					1	
- 1	2564806	. NAMEPLATE, JAPANESE- 3275 M1					1	
- 1	2564901	. NAMEPLATE, US/US- 3275 M2					1	
- 1	2564902	. NAMEPLATE, FRENCH- 3275 M2					1	
- 1	2564903	. NAMEPLATE, GERMAN- 3275 M2					1	
- 1	2564904	. NAMEPLATE, ITALIAN- 3275 M2					1	
- 1	2564905	. NAMEPLATE, SPANISH- 3275 M2					1	
- 1	2564906	. NAMEPLATE, JAPANESE- 3275 M2					1	
- 1	2565001	. NAMEPLATE, US/UK- 3277 M2					1	
- 1	2565002	. NAMEPLATE, FRENCH- 3277 M2					1	
- 1	2565003	. NAMEPLATE, GERMAN- 3277 M2					1	
- 1	2565004	. NAMEPLATE, ITALIAN- 3277 M2					1	
- 1	2565005	. NAMEPLATE, SPANISH- 3277 M2					1	
- 1	2565006	. NAMEPLATE, JAPANESE- 3277 M2					1	
- 1	2564907	. NAMEPLATE, US/UK- 3275 M3					1	
- 1	2564908	. NAMEPLATE, FRENCH- 3275 M3					1	
- 1	2564909	. NAMEPLATE, GERMAN- 3275 M3					1	
- 1	2564917	. NAMEPLATE, ITALIAN- 3275 M3					1	
- 1	2564918	. NAMEPLATE, SPANISH- 3275 M3					1	
- 1	2564919	. NAMEPLATE, JAPANESE- 3275 M3					1	
- 2	855285	. LABEL-USED ON UNITED KINGDOM ONLY					1	
- 3	2565173	. COVER ASM-TOP					1	
- 3	2565073	. . COVER-TOP					1	
- 4	760303	. . STUD					2	
- 5	1117607	. . RING, RETAINING			ATT PT		2	
- 6	2565171	. COVER ASM- RH					1	
- 6	2565172	. COVER ASM- LH					1	
- 7	2565186	. . SPRING					1	
- 8	5711266	. . SCREW			ATT PT		1	
- 9	2565161	. . SPRING-USED ON RH COVER					1	
- 9	2565162	. . SPRING-USED ON LH COVER					1	
- 10	2565163	. . LATCH-USED ON RH COVER					1	
- 10	2565164	. . LATCH-USED ON LH COVER					1	
- 11	2565175	. . SCREW, SHLDR- 8-32 X 0.281 LG			ATT PT		1	
- 12	2565165	. . KNOB					1	
- 13	1091621	. . NUT			ATT PT		1	
- 14	2565181	. . SLIDER-USED ON RH COVER					1	
- 14	2565182	. . SLIDER-USED ON LH COVER					1	
- 15	2577886	. . SEAL					1	
- 16	2565071	. . COVER-RH					1	
- 16	2565072	. . COVER-LH					1	
- 17	2565075	. COVER-REAR					1	
- 18	5711266	. SCREW			ATT PT		2	
- 19	5756324	. LABEL-HEXADECIMAL					1	
- 20	5756348	. HOLDER					1	
- 21	2565174	. COVER ASM-FRONT					1	
- 22	2565146	. . PLATE, RETAINING					1	
- 23	5711266	. . SCREW			ATT PT		2	
- 24	2565166	. . LATCH					1	
- 25	2565074	. . COVER, FRONT					1	
- 26	2565191	. PIVOT ASM-RH					1	
- 26	2565192	. PIVOT ASM-LH					1	
- 27	5711266	. SCREW			ATT PT		2	
- 28	2565185	. . SCREW					1	
- 29	257189	. . NUT, HEX- 8-32					1	
- 30	2565183	. . BRACKET-USED ON RH PIVOT					1	
- 30	2565184	. . BRACKET-USED ON LH PIVOT					1	
- 31	2565051	. LATCH-WTC					1	



SWITCH AND INDICATOR UNIT OVERLAYS		
OVERLAY PART NO.	FRONT	REAR
2621310	3275 DIAL UP (EBCDIC)	3275 DIAL UP (ASC II)
2621314	3275 EBCDIC	3275 ASC II
2564947	3275 MOD 3	

FIGURE-INDEX NUMBER	PART NUMBER	DESCRIPTION				UNITS PER ASM.	USABLE ON CODE
		1	2	3	4		
6 -	2565000	FINAL ASSEMBLY- 3277 MOD 2				1	
-	2564800	FINAL ASSEMBLY- 3275 MOD 1				1	
-	2564900	FINAL ASSEMBLY- 3275 MOD 2				1	
-	2564950	FINAL ASSEMBLY- 3275 MOD 3				1	
- 1	855262	. PLATE- PROPERTY OF IBM				AR	
- 1	855263	. PLATE- PROPERTY OF IBM WT				AR	
- 1	960740	. PLATE,PROPERTY				AR	
- 1	855264	. PLATE- MANUFACTURED BY USA				AR	
- 1	855265	. PLATE,MFG BY IBM				AR	
- 1	855266	. PLATE- MANUFACTURED BY WT				AR	
- 1	855267	. PLATE- MANUFACTURED FOR USA				AR	
- 1	855268	. PLATE- MANUFACTURED FOR				AR	
- 1	855269	. PLATE- MANUFACTURED FOR WT				AR	
- 1	855270	. PLATE- RECONDITIONED BY USA				AR	
- 1	855271	. PLATE- RECONDITIONED BY USA				AR	
- 1	855272	. PLATE- RECONDITIONED BY WT				AR	
- 1	855273	. PLATE- RENOVATED BY USA				AR	
- 1	855274	. PLATE- RENOVATED BY				AR	
- 1	855275	. PLATE- RENOVATED BY WT				AR	
- 1	855276	. PLATE- RECONDITIONED FOR USA				AR	
- 1	855277	. PLATE- RECONDITIONED FOR				AR	
- 1	855278	. PLATE- RECONDITIONED FOR WT				AR	
- 1	855279	. PLATE- RENOVATED FOR USA				AR	
- 1	855280	. PLATE- RENOVATED FOR				AR	
- 1	855281	. PLATE- RENOVATED FOR WT				AR	
- 2	855283	. PLATE,SERIAL NUMBER RT				1	
- 3	855282	. PLATE,SERIAL NUMBER LT				1	
- 4	855284	. PLATE- MANUFACTURING EXPORT				1	
- 5	2565011	. INSERT,USA/UK 3277				1	
- 5	2565013	. INSERT,GERMAN 3277				1	
- 5	2565012	. INSERT,FRENCH 3277				1	
- 5	2565014	. INSERT, ITALIAN 3277				1	
- 5	2565015	. INSERT,SPANISH 3277				1	
- 5	2565016	. INSERT,JAPANESE 3277				1	
- 5	2564911	. INSERT,USA/UK 3275 STD				1	
- 5	2564913	. INSERT,AUSTRIAN/GERMAN 3275 STD				1	
- 5	2564915	. INSERT,SPANISH 3275 STD				1	
- 5	2564912	. INSERT,BELGIUM/FRENCH 3275 STD				1	
- 5	2564914	. INSERT, ITALIAN 3275 STD				1	
- 5	2564916	. INSERT,JAPANESE 3275 STD				1	
- 5	2564951	. INSERT,USA/UK DIAL FEAT				1	
- 5	2564952	. INSERT,AUSTRIAN/GERMAN DIAL FEAT				1	
- 5	2564953	. INSERT,BELGIUM/FRENCH DIAL FEAT				1	
- 5	2564954	. INSERT, ITALIAN DIAL FEAT				1	
- 5	2564955	. INSERT,SPANISH DIAL FEAT				1	
- 5	2564956	. INSERT,JAPANESE DIAL FEAT				1	
- 6	2565170	. MASK,ALIGNMENT-DIAL FEAT				1	
- 7	2568704	. SECURITY LOCK ASM				1	
- 8	5711266	. SCREW				ATT PT	2
- 9	2568714	. GROMMET				1	
- 10	2568729	. CLIP,SPEED				1	
- 10A	2568709	. STANDOFF				4	
- 11	2568718	. AUDIBLE ALARM ASM				1	
- 12	2568729	. CLIP,SPEED				1	
- 13	2568724	. STRAIN RELIEF				1	
- 14	2570100	. LIGHT PEN ASM				1	
- 15	2568723	. CAP,LIGHT PEN HOLDER				1	
- 16	2568722	. BASE,LIGHT PEN HOLDER				1	
- 17	109918	. SCREW,THD CUTTING-FLAT HD 4-40 X 1/2 LG				ATT PT	3
- 18	2565263	. BRACKET,CARD MTG				2	
- 19	5711266	. SCREW				ATT PT	2
- 20	2565260	. CARD ASM-LED				1	
- 21	2114044	. CLIP,CABLE				AR	
- 22	2114043	. CRADLE,CABLE				AR	
- 23	6503	. NUT,PLAIN,HEX- 8-32 X 1/4 FL W				ATT PT	AR
- 24	24511	. WASHER,FL-NO. 8 X 5/16 OD X 1/32 THK				ATT PT	AR
- 25	2565254	. RETAINER				AR	
- 26	2565252	. GUIDE				AR	
- 26A	5711739	. STANDOFF				2	
- 26B	5350006	. SCREW, SELF TAPPING, 6-32 X .250 LONG				ATT PT	4
- 26C	2564896	. CARD ASM- 12V REGULATOR				1	
- 26D	2568709	. STAND OFF				2	
- 26E	766051	. RELAY				AR	
- 27	2565092	. SCREW				2	
		USED ON 3275 ONLY					
- 27	1177628	. SCREW				1	
		USED ON 3277 MOD 2 ONLY					

FIGURE 6. 3275 M1/M2/M3/ AND 3277 M2 FINAL ASSEMBLY.

3275/3277 PC (06/74)



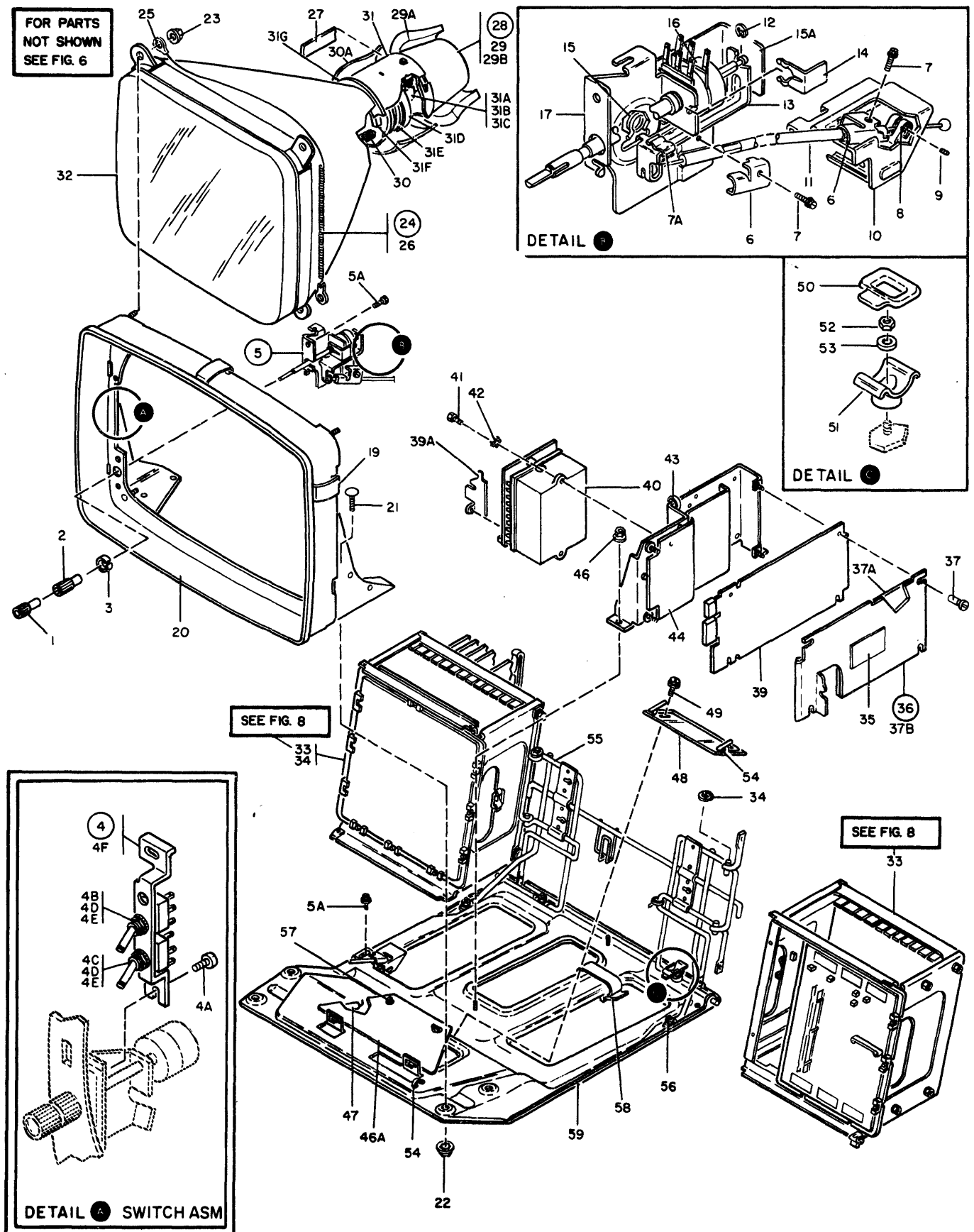


FIGURE 7. UPPER ASSEMBLY.

LIST 7. UPPER ASSEMBLY.

FIGURE-INDEX NUMBER	PART NUMBER	DESCRIPTION	UNITS PER ASM.	USABLE ON CODE
7 -	2565200	UPPER ASSEMBLY FOR NEXT HIGHER ASM, SEE FIGURE 6-31	REF	
- 1	2565239	• KNOB ASM-POWER/BRIGHTNESS	1	
- 2	2565205	• KNOB, INNER	1	
- 3	2565272	• CLIP, KNOB TO SHAFT	1	
- 4	2564881	• SWITCH ASM	1	
- 4A	5711266	• SCREW, THD FORMING- 8-32 X 0.312 LG	ATT PT	
- 4B	738828	• SWITCH, TOGGLE-SPDT MOMENTARY	1	
- 4C	738826	• SWITCH, TOGGLE	1	
- 4D	179743	• NUT, PLAIN, HEX- 15/32-32 X 9/16 FL W	ATT PT	
- 4E	334635	• WASHER, LOCK-INT TEETH 0.476 ID 0.600 OD	ATT PT	
- 4F	2564883	• BRACKET	1	
- 5	2565270	• ACTUATOR ASM	1	
- 5A	5711266	• SCREW	ATT PT	
- 6	2565225	• CLIP, CABLE	2	
- 7	5349929	• SCREW-THREAD FORMING HEX WASHER HEAD	ATT PT	
- 7A	2564884	• CLIP	1	
- 8	2565176	• ACTUATOR, POWER SWITCH	1	
- 9	121521	• SETSCREW-SPLINE DR FP 8-32 X 3/16 LG	ATT PT	
- 10	2565177	• BRACKET, ACTUATOR MTG	1	
- 11	2565178	• CONTROL ASM	1	
- 12	1073418	• RING-RETAINING	1	
- 13	2565158 NR	• SWITCH, SLIDER-ACTUATOR	1	
- 14	2572536 NR	• CLIP, SPEED SHAFT FASTENER	1	
- 15	2565157	• SPRING, ACTUATOR	1	
- 15A	2565145	• GUARD	1	
- 16	5252596 NR	• POTENTIOMETER	1	
- 17	2565159 NR	• BRACKET, POT MTG	1	
- 19	2565274	• SPRING, COVER	3	
- 20	2565180	• BEZEL	1	
- 21	736992	• BOLT, CARRIAGE- 0.250-20 X 0.50 LG	ATT PT	
- 22	2565265	• NUT	ATT PT	
- 23	2565266	• NUT	ATT PT	
- 24	2565188	• GROUND ASM, CRT	1	
- 25	2565189	• TERMINAL	2	
- 26	2565187	• SPRING	1	
- 27	2565199	• LABEL, WARNING	1	
- 28	2565066	• SHIELD ASM, GUN	1	
- 29	2565115	• NUT	ATT PT	
- 29A	2565062	• PAD, ACCOUSTICAL	1	
- 29B	2565137	• SHIELD, GUN	1	
- 30	442068	• GROMMET	1	
- 30A	2577839	• PAD, ACCOUSTICAL	1	
- 31	2565068	• SHIELD ASM, YOKE	1	
- 31A	2565139	• CLAMP	1	
- 31B	5474780	• SCREW	ATT PT	
- 31C	257188	• NUT, PLAIN, HEX- 8-32 X 11/32 FL	ATT PT	
- 31D	2568776	• MAGNET ASM	1	
- 31E	5252540	• YOKE ASM-3275/3277 MOD 2 USED AS SUBSTITUTE FOR 3275 MOD 1 ALSO	1	
- 31E	5252760	• YOKE ASM-3275 MOD 1	1	
- 31F	2565084	• INSULATOR	1	
- 31G	2565083	• SPRING, GROUND	1	
- 32	5252559	• CRT, EM DEFLECTION	1	
- 33	2565210	• GATE ASSEMBLY FOR DETAIL BREAKDOWN, SEE FIGURE 8	AR	
- 34	2565267	• CLIP, RETAINER	ATT PT	
- 35	369207	• LABEL, VOLTAGE	1	
- 36	2565065	• SHIELD ASM, ANALOG BOARD	1	
- 37	2565233	• FASTENER	ATT PT	
- 37A	2565064	• PAD, ACCOUSTICAL	1	
- 37B	2565232	• SHIELD, GUN	1	
- 39	2565080	• CARD ASM-ANALOG	1	
- 39A	2565086	• BRACKET	1	
- 40	2611025	• POWER SUPPLY- 300-400V	1	
- 41	2181011	• SCREW, SELF-TAPPING- 6-32 X 0.500 LG	ATT PT	
- 42	56722	• WASHER, LOCK-EXT TEETH NO. 6	ATT PT	
- 43	5420242	• TY-MINIATURE	1	

3275/3277 FC (06/74)

LIST 7. UPPER ASSEMBLY.

FIGURE- INDEX NUMBER	PART NUMBER	DESCRIPTION	UNITS PER ASM.	USABLE ON CODE
7 - 44	2565063	• INSULATOR	2	
- 45	2565237	• CHASSIS	1	
- 46	2565264	• NUT, WASHER-PREASSEMBLED	2	ATT PT
- 46A	2565255	• CARD ASM, VOLT DIST	1	
- 47	2565195	• RESISTOR- 25 OHM, 5W	1	
- 48	2565217	• LATCH, GATE	1	
- 49	5711266	• SCREW	2	ATT PT
- 50	2114044	• CLIP, CABLE	1	
- 51	2114043	• CRADLE, CABLE	1	
- 52	6503	• NUT, PLAIN, HEX- 8-32 X 1/4 FL W	1	ATT PT
- 53	24511	• WASHER, FL-NO. 8 X 5/16 OD X 1/32 THK	1	ATT PT
- 54	5420242	• TY-MINIATURE	5	
- 55	2565251	• SUPPORT, GATE	1	
- 56	2565264	• NUT, WASHER-PREASSEMBLED	4	ATT PT
- 57	5711266	• SCREW	1	
- 58	524519	• CLAMP	1	
- 59	2565201	• CHASSIS, UPPER	1	

FOR PARTS  
NOT SHOWN  
SEE FIG. 7

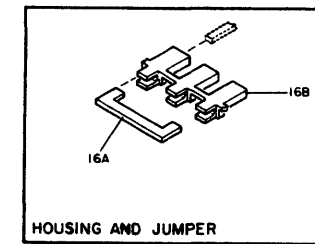
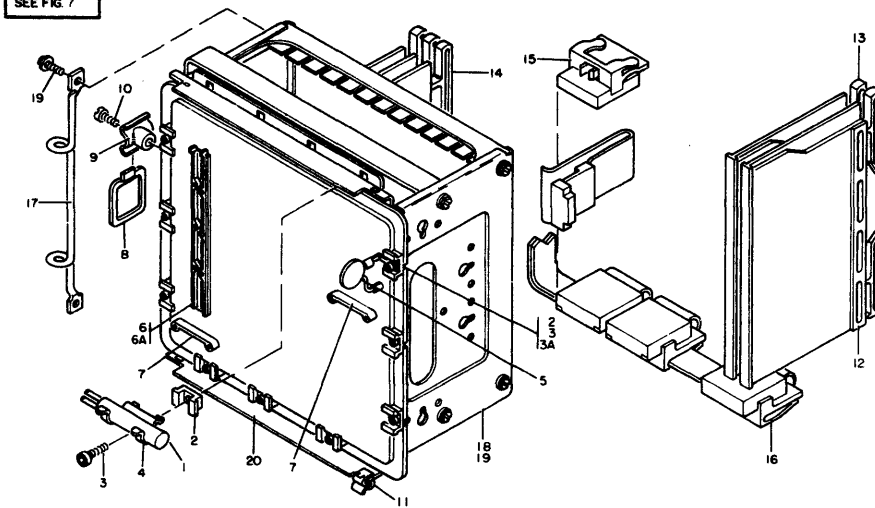


FIGURE 8. GATE ASSEMBLY.

LIST 8. GATE ASSEMBLY.

FIGURE- INDEX NUMBER	PART NUMBER	DESCRIPTION	UNITS PER ASM.	USABLE ON CODE
8 -	2565210	GATE ASSEMBLY FOR NEXT HIGHER ASM, SEE FIGURE 7-33		REF
- 1	2565223	• CAPACITOR		AR
- 2	813179	• CLAMP, BOARD		AR
- 3	811417	• SCREW, HEX SOCKET H- 6-32 X 1/2 LG		AR
- 3A	62031	• WASHER, LOCK-INT TEETH NO. 6 X 0.295 OD		ATT PT
- 4	2565273	• CLAMP, CAPACITOR		AR
- 5	2577862	• CAPACITOR ASM- 500V		1
- 6	2565099	• BUS STRIP		AR
- 6A	5922878	• INSULATOR		2
- 7	815080	• STRAP, HOLD DOWN		AR
- 8	2114044	• CLIP, CABLE		AR
- 9	2114043	• CRADLE, CABLE		AR
- 10	5711266	• SCREW		AR
- 11	2565216	• CATCH, GATE		ATT PT
- 12	819580	• HOLDER, CARD- 2HI 2 WIDE		AR
- 13	819408	• HOLDER, CARD- 3HI 4 WIDE		AR
- 14	818002	• HOLDER, CARD- 3HI 2 WIDE		AR
- 15	2565222	• RETAINER, CONNECTOR		AR
- 16	2565215	• RETAINER, CONNECTOR		AR
- 16A	814342	• JUMPER		1
- 16B	815923	• HOUSING, CONNECTOR		1
- 17	2565214	• HINGE		1
- 18	2565213	• SUPPORT, VERTICAL		2
- 19	5711266	• SCREW		ATT PT
- 20	2565211	• SUPPORT, HORIZONTAL		3

LIST 9. BASE ASSEMBLY.

FOR PARTS  
NOT SHOWN  
SEE FIG. 6

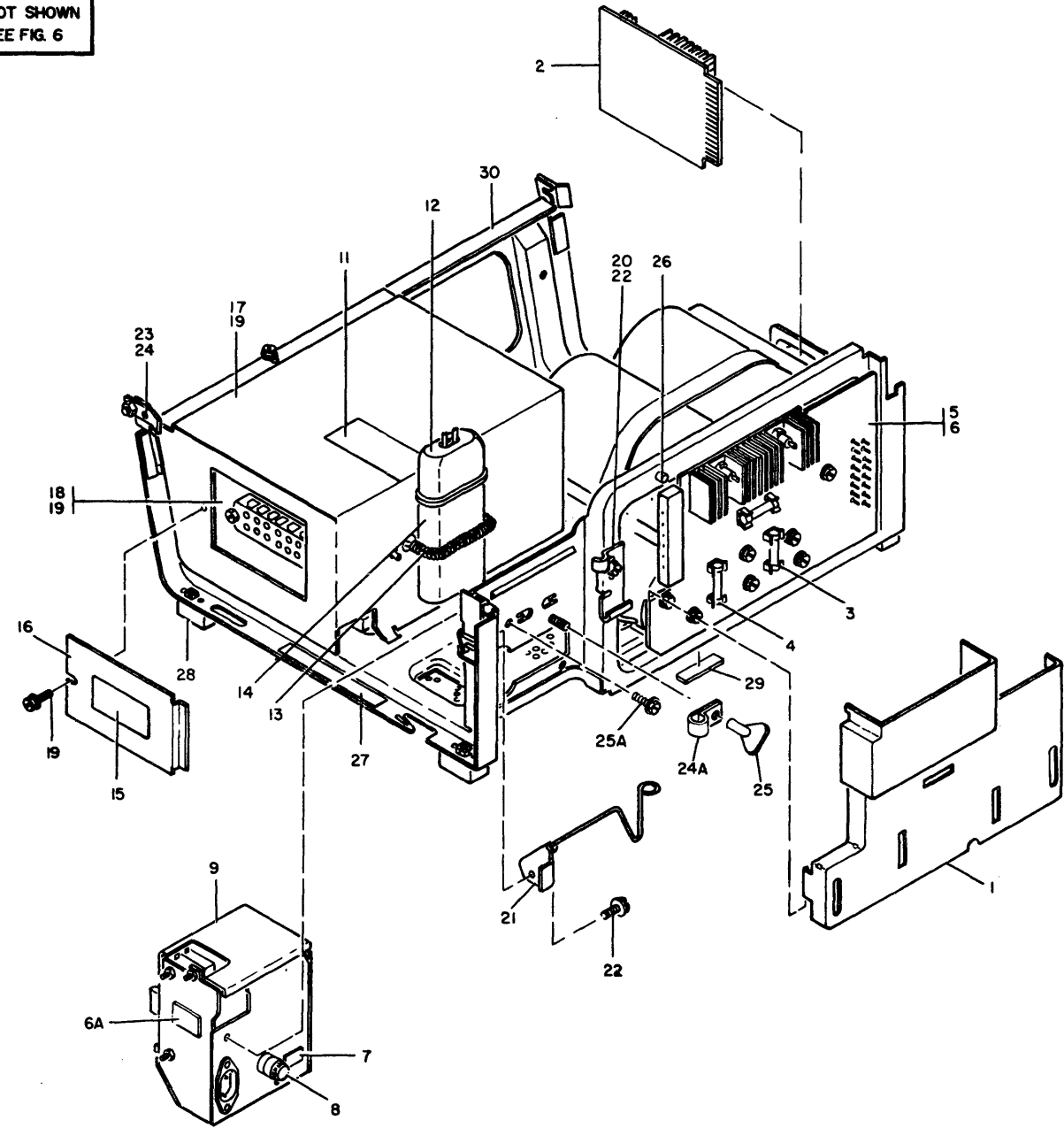


FIGURE 9. BASE ASSEMBLY.

FIGURE- INDEX NUMBER	PART NUMBER	DESCRIPTION				UNITS PER ASM.	USABLE ON CODE
		1	2	3	4		
9 -	2565100 NP	BASE ASSEMBLY- 15 INCH DISPLAY FOR NEXT HIGHER ASM,SEE FIGURE 6-34					
- 1	2565123	. SHIELD				1	
- 2	2481207	. CARD ASM				1	
- 3	332009	. FUSE,CTG- 2A,SLO BLO,125V				2	
- 4	512137	. FUSE				1	
- 5	2565120	USED ON 3275 BASE ONLY				1	
- 5	2565130	. SECONDARY POWER ASM- 3277				1	
- 6	5711266	. SCREW				1	
- 6A	138754	. DECAL,VOLTAGE-ENGLISH,JAPANESE				1	ATT PT
- 7	2565141	. LABEL,FUSE- 3277				1	
- 7	2565147	. LABEL,FUSE- 3275 115V 60 HZ				1	
- 7	2565148	. LABEL,FUSE- 3275 100V 60 HZ AND 100/110/235V 50 HZ				1	
- 7	2565142	. LABEL,FUSE- 3275 220/235V 50 HZ				1	
- 8	332009	. FUSE- 3277 60 HZ & 100/110/235V 50 HZ				1	
- 8	303549	. FUSE- 3277 220/235V 50 HZ				1	
- 8	361755	. FUSE- 3275 115V 60 HZ				1	
- 8	5213152	. FUSE- 3275 USED ON 100V 60 HZ,100/110/123.5V 50 HZ				1	
- 8	1176668	. FUSE- 3275 220/235V 50 HZ				1	
- 9	2565110	. PRIME POWER ASM- 50 HZ				1	
- 9	2568770	. PRIME POWER ASM- 60 HZ CARD READER FEAT				1	
- 11	2582954	. LABEL,SAFETY				1	
- 12	363001	. COVER-CAPACITOR				1	
- 13	2577659	. SPRING,EXTENSION				1	
- 13	2565091	. SPRING- NON PCB				1	
- 14	2582939	. CAPACITOR- 660V,P/M 6X				1	
- 14	5252814	. CAPACITOR- NON PCB				1	
- 15	845762	. LABEL,VOLTAGE- 50 HZ				1	
- 16	2565109	. COVER,ACCESS- 50 HZ				1	
- 17	2565102	. COVER- 60 HZ				1	
- 17	2565108	. COVER- 50 HZ				1	
- 18	2582999	. FERRO ASM- 3277 115V 60 HZ				1	
- 18	4119307	. FERRO ASM- 3277 100V 60 HZ				1	
- 18	4119272	. FERRO ASM- 3277 50 HZ				1	
- 18	2582997	. FERRO ASM- 3275 115V 60 HZ				1	
- 18	4119306	. FERRO ASM- 3275 100V 60 HZ				1	
- 18	4119271	. FERRO ASM- 3275 50 HZ				1	
- 19	5711266	. SCREW				4	ATT PT
- 20	2565077	. RETAINER				1	
- 21	2565076	. RETAINER,I/O CONN				1	
- 22	5711266	. SCREW				2	ATT PT
- 23	2565126	. CLIP				2	
- 24	2565264	. NUT,WASHER-PREASSEMBLED				2	ATT PT
- 24A	104294	. CLAMP-CABLE				1	
- 25	2565117	. WING NUT				1	ATT PT
- 25A	5711266	. SCREW,THD FORMING- 8-32 X 0.312 LG				1	
- 26	2565179	. BUMPER				1	
- 27	124943	. LABEL-HAZARDOUS AREA				1	
- 28	2565107	. FOOT				4	
- 29	2568625	. NAMEPLATE,VOLTAGE- 3277 115V 60 HZ				1	
- 29	2568628	. NAMEPLATE,VOLTAGE- 3277 100V 60 HZ				1	
- 29	2568626	. NAMEPLATE,VOLTAGE- 3277 50 HZ				1	
- 29	2568645	. NAMEPLATE,VOLTAGE- 3275-1 115V 60 HZ				1	
- 29	2568648	. NAMEPLATE,VOLTAGE- 3275-1 100V 60 HZ				1	
- 29	2568646	. NAMEPLATE,VOLTAGE- 3275-1 50 HZ				1	
- 29	2568635	. NAMEPLATE,VOLTAGE- 3275-2 115V 60 HZ				1	
- 29	2568638	. NAMEPLATE,VOLTAGE- 3275-2 100V 60 HZ				1	
- 29	2568636	. NAMEPLATE,VOLTAGE- 3275-2 50 HZ				1	
- 29	2568624	. NAMEPLATE,VOLTAGE- 3275-3 115V 60 HZ				1	
- 29	2568629	. NAMEPLATE,VOLTAGE- 3275-3 100V 60 HZ				1	
- 29	2568627	. NAMEPLATE,VOLTAGE- 3275-3 50 HZ				1	
- 30	2565104	. CHASSIS				1	

## NOTE

LINE CORDS AND CABLE ASSEMBLIES DO NOT REQUIRE ILLUSTRATION. THE COMPONENT PARTS OF THESE ITEMS ARE LISTED AND ILLUSTRATED IN FIGURE/LIST 11. THE FOLLOWING IS A LISTING OF LINE CORDS AND CABLE ASSEMBLIES IN PART NUMBER ORDER, WITH REFERENCES TO FIGURE 11 FOR COMPONENT PART ILLUSTRATION.

LIST 10. LINE CORDS AND CABLE ASSEMBLIES.

FIGURE- INDEX NUMBER	PART NUMBER	DESCRIPTION	1 2 3 4				UNITS PER ASM.	USABLE ON CODE
			1	2	3	4		
10		LINE CORDS						
- 1	2565196	POWER CABLE, TWIST LOCK- 5FT 8IN				1		
- 1	2565198	POWER CABLE, TWIST LOCK- 7FT 6IN FOR COMPONENT PARTS, SEE FIG. 11-14				1		
- 1	5252618	POWER CABLE, 8FT				1		
- 1	5252620	POWER CABLE, 6FT				1		
- 1	5252619	POWER CABLE, 8FT FOR COMPONENT PARTS, SEE FIG. 11-51				1		
- 1A	2564879	CABLE ASM, EXTERNAL DATA SET CONNECTS EITHER 3872 OR 3875 TO 3275 FOR COMPONENT PARTS, SEE FIG. 11-5B, 17, 30, 34, 34A				1		
		CABLE ASSEMBLIES						
- 1B	2564877	CABLE ASM, LINE ADAPTER-DAA TYPE CDT LEASED OR SWITCHED LINE W/O AUTO ANSWER FOR COMPONENT PARTS, SEE FIG. 11-5B, 30, 34A, 49A, 52, 52A, 52B, 60				1		
- 1C	2564878	CABLE ASM, LINE ADAPTER-DAA TYPE CBS LEASED OR SWITCHED LINE W/ AUTO ANSWER FOR COMPONENT PARTS, SEE FIG. 11-5, 5B, 30, 34A, 48, 52, 61				1		
- 2	2564882	CABLE ASM, GATE B TO I/O FOR COMPONENT PARTS, SEE FIG. 11-3, 3A 5C, 13, 32, 33, 34, 39, 41, 54				1		
- 3	2564941	CABLE ASM, EXT DATA SET LEASED OR SWITCHED LINES FOR COMPONENT PARTS, SEE FIG. 11-5B, 17, 30, 34, 34A, 48				1		
- 3A	2564942	CABLE ASM- 3275 M3 EXTERNAL (USA/CANADA) FOR COMPONENT PARTS, SEE FIG. 11-30 34A, 49A, 52, 52A, 52B, 60				1		
- 3B	2564943	CABLE ASM- 3275 M3 EXTERNAL 50 HZ FOR COMPONENT PARTS, SEE FIG. 11-30 34A, 49A, 52, 52A				1		
- 3C	2564945	CABLE ASM- 3275 M3 GATE B-I/O & LED CARD FOR COMPONENT PARTS, SEE FIG. 11-5 11A, 13, 32, 33, 34, 54, 62, 63				1		
- 3D	2565241	CABLE ASM- LO VOLT CARD TO VOLT DIST CARD FOR COMPONENT PARTS, SEE FIG. 11-5 32, 33, 54				1		
- 4	2565242	CABLE ASM, VOLT. DISTRIBUTION AND ANALOG FOR COMPONENT PARTS, SEE FIG. 11-5, 5C, 7, 13, 18, 19, 20, 32B, 33, 54				1		

LIST 10. LINE CORDS AND CABLE ASSEMBLIES.

FIGURE- INDEX NUMBER	PART NUMBER	DESCRIPTION	1 2 3 4				UNITS PER ASM.	USABLE ON CODE
			1	2	3	4		
10 - 5	2565243	CABLE ASM, FRAME 01 GATE A TO ANALCG CARD FOR COMPONENT PARTS, SEE FIG. 11-5C, 32C, 33, 39, 41, 42, 43, 54					1	
- 6	2565244	CABLE ASM, FRAME 01 GATE A TO I/O KBD FOR COMPONENT PARTS, SEE FIG. 11-5, 7, 10, 13, 34A, 39, 41, 42, 43					1	
- 6A	2565245	CABLE ASM, VIDEO LOGIC BD TO I/O-3277 M2 FOR COMPONENT PARTS, SEE FIG. 11-37, 55 THRU 58, 64, 65, 66					1	
- 7	2565246	CABLE ASM, VOLT-DISTRIBUTION TO B GATE FOR COMPONENT PARTS, SEE FIG. 11-5, 5C, 7, 13, 18, 19, 20, 32A, 33, 54					1	
- 8	2565247	CABLE ASM, GATE B TO I/O DATA SET & LEADS FOR COMPONENT PARTS, SEE FIG. 11-13, 32, 33, 34, 39, 41, 42, 43, 54					1	
- 9	2565249	CABLE ASM, FERRO TO PRIME BOX-W.T. FOR COMPONENT PARTS, SEE FIG. 11-5, 9, 45					1	
- 10	2568702	CABLE ASM-KEYLOCK FEAT FOR COMPONENT PARTS, SEE FIG. 11-39					1	
- 11	2568707	CABLE ASM-AUDIBLE ALARM FOR COMPONENT PARTS, SEE FIG. 11-33, 47					1	
- 12	2568710	CABLE ASM, GATE A TO I/O-CD READER 60 HZ FOR COMPONENT PARTS, SEE FIG. 11-1, 5, 5C, 9, 12, 13, 21, 34B, 45					1	
- 13	2568717	CABLE ASM, GATE A TO I/O- PRINTER FOR COMPONENT PARTS, SEE FIG. 11-11, 13, 34, 38					1	
- 13A	2568744	CABLE ASM, GATE A TO I/O-CD READER 50 HZ FOR COMPONENT PARTS, SEE FIG. 11-5, 5C, 9, 12, 13, 21, 34C, 45, 53					1	
- 14	2568774	CABLE ASM, FERRO TO C.R. C/A 50HZ FOR COMPONENT PARTS, SEE FIG. 11-5, 24, 25					1	
- 15	2568852	CABLE ASM, KEYBOARD-TYPE A FOR COMPONENT PARTS, SEE FIG. 11-26, 30, 31, 34, 36, 49, 50					1	
- 16	2570207	CABLE ASM, KEYBOARD-TYPE B FOR COMPONENT PARTS, SEE FIG. 11-11, 30, 38, 49					1	
- 17	2577673	CABLE ASM, ANALOG SIGNAL FOR COMPONENT PARTS, SEE FIG. 11-8, 32C, 33, 39, 39A, 41, 42, 43, 54					1	
- 18	2577674	CABLE ASM, FERRO TO PRIME BOX W.T. 50HZ FOR COMPONENT PARTS, SEE FIG. 11-5, 9, 45					1	
- 19	2577677	CABLE ASM, SECURITY KEY LOCK SWITCH FOR COMPONENT PARTS, SEE FIG. 11-39, 47					1	
- 20	2577678	CABLE ASM, GATE TO KYBD I/O CONN. FOR COMPONENT PARTS, SEE FIG. 11-5, 8, 10, 34A, 39, 41, 42, 43					1	
- 21	2577680	CABLE ASM, BADGE READER FEATURE FOR COMPONENT PARTS, SEE FIG. 11-5, 5C, 8, 12, 15, 16, 27, 34B					1	
- 22	2577735	CABLE ASM, DC POWER DISTRIBUTION-3277M1 FOR COMPONENT PARTS, SEE FIG. 11-3, 5, 5A, 5C, 7, 7A, 8, 13, 15, 20, 32, 32B, 33, 35, 44, 52, 54					1	
- 23	2577752	CABLE ASM, 50 HZ WTC CARD READER FEATURE FOR COMPONENT PARTS, SEE FIG. 11-5, 5C, 8, 12, 21, 34C, 52, 59					1	
- 24	2577756	CABLE ASM, VIDEO LOGIC BD TO I/O-3277 M1 FOR COMPONENT PARTS, SEE FIG. 11-37, 56-58					1	
- 25	2617936	CABLE ASM, MAG EMITTER OUTPUT FOR COMPONENT PARTS, SEE FIG. 11-2, 2A, 4, 28, 29, 40					1	
- 26	2565258	CABLE ASM, CATHODE RAY TUBE SOCKET FOR COMPONENT PARTS, SEE FIG. 11-5, 13, 33, 35					1	



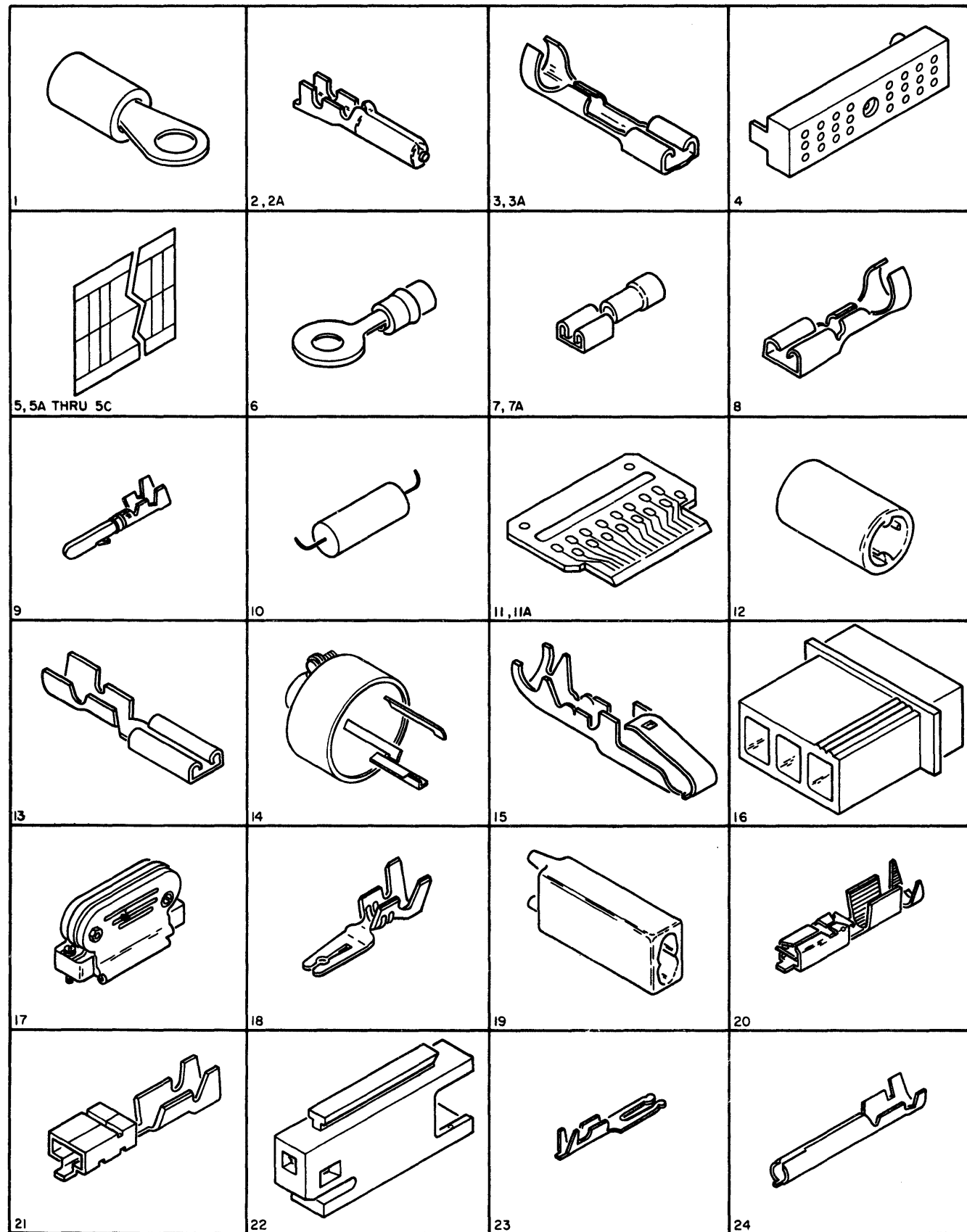


FIGURE 11. CABLE COMPONENT PARTS. SHEET 1 OF 3. INDEX NOS. 1-24.

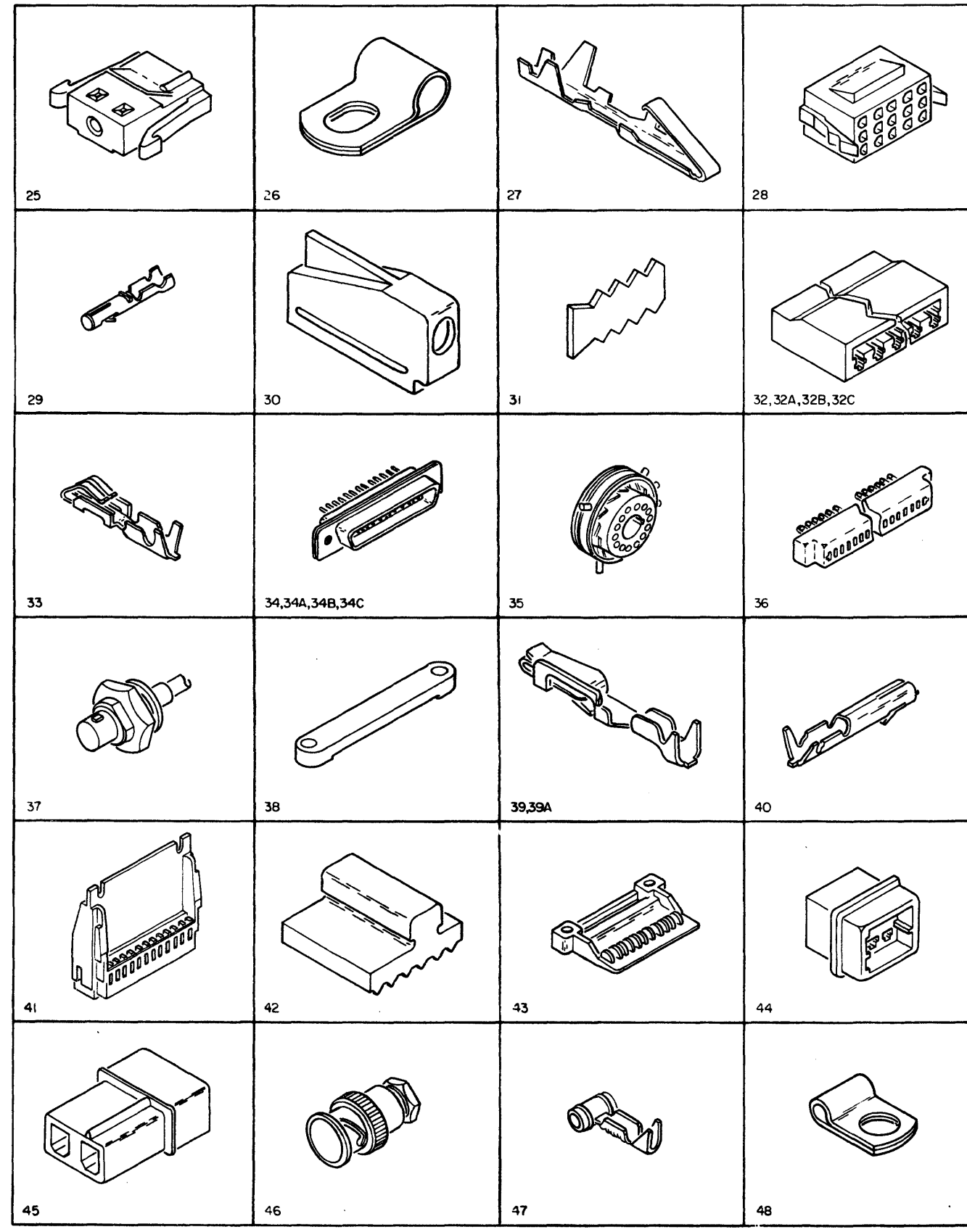


FIGURE 11. CABLE COMPONENT PARTS. SHEET 2 OF 3. INDEX NOS. 25-48.

3275/3277 FC (08/74)

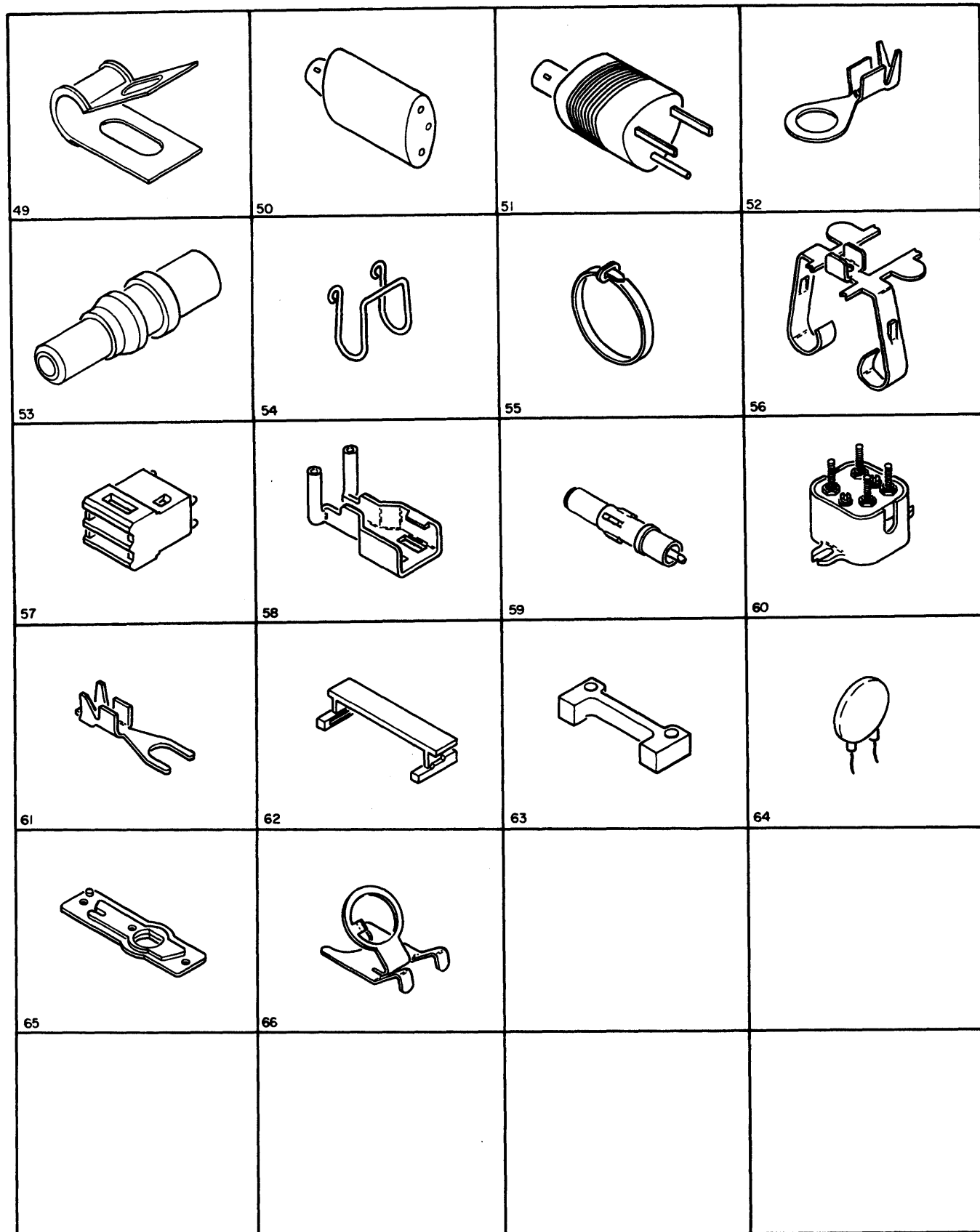


FIGURE 11. CABLE COMPONENT PARTS. SHEET 3 OF 3. INDEX NOS. 49-66.

LIST 11. CABLE COMPONENT PARTS.

FIGURE- INDEX NUMBER	PART NUMBER	DESCRIPTION	UNITS	USABLE
			PER ASM.	ON CODE
11 -	NO NO. NP	CABLE COMPONENT PARTS		
- 1	92784	• TERMINAL-RING, 18-20 AWG #8 HOLE, INS	AR	
- 2	187243	• TERMINAL, SMALL TAPER	AR	
- 2A	360433	• CONNECTOR, TAPER PIN-BARE WIRE CRIMP	AR	
- 3	236915	• TERMINAL, SLIP ON-20-18 AWG	AR	
- 3A	236916	• TERMINAL-CONTACT FEMALE 24-22 AWG	AR	
- 4	302090	• CONNECTOR, RECP, ELEC- 24 FEMALE CONTACTS	AR	
- 5	317296	• LABEL-NUMBERING L TO R 1 THRU 33	AR	
- 5A	317297	• LABEL-NUMBERING L TO R 34 THRU 66	AR	
- 5B	483770	• LABEL, CABLE IDENTIFICATION	AR	
- 5C	811825	• LABEL-CABLE	AR	
- 6	334932	• TERMINAL-RING, 18-22 AWG, #10 HOLE, INS	AR	
- 7	342087	• RECEPTACLE, TAB	AR	
- 7A	5247187	• RECEPTACLE, TAB- 18-22 AWG	AR	
- 8	430798	• TERMINAL-RECEPTACLE	AR	
- 9	1166114	• TERMINAL	AR	
- 10	491227	• CAPACITOR- 0.001 MMF, 10%, 100V	AR	
- 11	5800634	• CARD ASSEMBLY	AR	
- 11A	5863768	• CARD ASM	AR	
- 12	523171	• FERRULE, CABLE, SHIELEDED-INSULATED-18 AWG	AR	
- 13	523181	• TERMINAL, QUICK DISCONNECT- 18/22 AWG	AR	
- 14	624034	• PLUG, TWIST LOCK-15A 125V	AR	
- 15	609687	• CONTACT	AR	
- 16	725558	• CONNECTOR, CAP-3 CIRCUIT	AR	
- 17	765295	• STRAIN RELIEF AND HOOD	AR	
- 18	813194	• CONNECTOR, DISCRETE 20-18 AWG	AR	
- 19	813197	• HOUSING, DISCRETE WIRE CONNECTOR	AR	
- 20	815933	• CONNECTOR, DISCRETE WIRE	AR	
- 21	815934	• CONNECTOR-WIRE, 22-26 AWG	AR	
- 22	816862	• HOUSING, CONNECTOR-SINGLE	AR	
- 23	816884	• CONNECTOR	AR	
- 24	1166115	• SOCKET, TERMINAL	AR	
- 25	1166116	• HOUSING, SOCKET	AR	
- 26	1833098	• CLAMP, CABLE	AR	
- 27	2145170	• CONNECTOR, TERMINAL	AR	
- 28	2495446	• HOUSING, SOCKET- 15 POSITION	AR	
- 29	2513254	• TERMINAL, SOCKET- 30-32 AWG	AR	
- 30	2565259	• HOOD, CONNECTOR	AR	
- 31	2621350	• KEY, POLARIZING	AR	
- 32	5252581	• HOUSING, CONNECTOR- 15 POS	AR	
- 32A	5252584	• HOUSING, CONNECTOR- 6 POSITION	AR	
- 32B	5252587	• HOUSING, CONNECTOR- 9 POSITION	AR	
- 32C	5252591	• HOUSING, CONNECTOR- 21 POSITION	AR	
- 33	5252582	• TERMINAL, NO. 18	AR	
- 34	5252592	• CONNECTOR, MALE- 25 POSITION	AR	
- 34A	5252593	• CONNECTOR-FEMALE 25 POSITION	AR	
- 34B	5302663	• CONNECTOR, 25 POSITION	AR	
- 34C	5252796	• CONNECTOR, FEMALE- 15 POS	AR	
- 35	5252621	• SOCKET, CRT	AR	
- 36	5252637	• CONNECTOR- 22 POS	AR	
- 37	5252661	• CONNECTOR	AR	
- 38	5275481	• STRAIN RELIEF	AR	
- 39	5486851	• CONTACT, SERPENT, SINGLE HI	AR	
- 39A	5486853	• CONTACT	AR	
- 40	5412643	• SOCKET, TERMINAL	AR	
- 41	5447741	• HOUSING, SINGLE HI	AR	
- 42	5466393	• CLAMP, STRAIN RELIEF	AR	
- 43	5466397	• STRAIN RELIEF	AR	
- 44	609691	• CONNECTOR	AR	
- 45	1166117	• HOUSING	AR	
- 46	5214874	• CONNECTOR, COAXIAL PLUG	AR	
- 47	5462535	• TERMINAL, QUICK DISCONNECT-RIGHT ANGLE	AR	
- 48	2565144	• CLAMP	AR	
- 49	183720	• CLAMP	AR	
- 49A	2565097	• CLAMP	AR	
- 50	NO NO. NP	• PLUG-SUPPLIED WITH LINE CORD	AR	
- 51	NO NO. NP	• PLUG-SUPPLIED WITH LINE CORD	AR	
- 52	483685	• TERMINAL	AR	
- 52A	483674	• TERMINAL, RING-BRASS #4 STUD 22-26 AWG	AR	
- 52B	483678	• TERMINAL, RING- NO. 6	AR	
- 53	5252797	• CONNECTOR ASM- SNAP-IN	AR	
- 54	2565041	• CLIP, SPRING	AR	
- 55	5420242	• TY-MINIATURE	AR	
- 56	813681	• CONTACT	AR	
- 57	813550	• HOUSING	AR	
- 58	2565094	• RETAINER, COAX	AR	
- 59	5252797	• CONNECTOR ASM- SNAP-IN	AR	
- 60	341200	• PLUG-TELEPHONE	AR	
- 61	483695	• TERMINAL-SPADE	AR	
- 62	811802	• GUIDE, CARD	AR	
- 63	5352958	• STRAIN RELIEF	AR	
- 64	2396761	• CAPACITOR	AR	
- 65	2565224	• PLATE, INSULATOR-COAX	AR	
- 66	2565079	• SPRING, GROUND	AR	

# NUMERIC INDEX

3278/3277 PC (08/74)

PART NO.	LIST AND INDEX NO.	PART NO.	LIST AND INDEX NO.	PART NO.	LIST AND INDEX NO.	PART NO.	LIST AND INDEX NO.	PART NO.	LIST AND INDEX NO.	PART NO.	LIST AND INDEX NO.	PART NO.	LIST AND INDEX NO.
6364	3 - 84	523181	11 - 13	1177628	3 - 99	1825005	1A - C	1863834	1 - 30H	2564911	6 - 5	2565137	7 - 298
6503	6 - 23	524519	3 - 298		6 - 27	1825028	1 - A	1863835	1 - 30G	2564912	6 - 5	2565139	3 - 6
	7 - 52		4 - 16	1566040	1A - F	1825029	1 - A	1863836	1 - 30F	2564913	6 - 5		7 - 31A
10170	1 - 4		7 - 58	1566041	1A - F	1825030	1 - A	1863837	1 - 30J	2564914	6 - 5	2565141	3 - 39
	1 - 21	534768	3 - 77	1566042	1A - F	1825031	1 - A	1863838	1 - 30K	2564915	6 - 5		9 - 7
	1 - 25	609687	11 - 15	1566043	1A - G	1825032	1 - A	1863851	1 - 30B	2564916	6 - 5	2565142	9 - 7
	1A - 12	609691	11 - 44	1566044	1A - G	1825033	1 - A	1863852	1 - 30C	2564917	5 - 1	2565144	11 - 48
	1A - 15	624034	11 - 14	1566045	1A - G	1825034	1 - 24	1863853	1 - 30K	2564918	5 - 1	2565145	7 - 15A
24511	6 - 24	725558	11 - 16	1566046	1A - H	1832723	1 - B	1863854	1 - 30L	2564919	5 - 1	2565146	5 - 22
	7 - 53	733978	3 - 97	1566047	1A - H	1832724	1 - D	1863855	1 - 30G	2564941	10 - 3	2565147	9 - 7
38235	3 - 83	736992	7 - 21	1566048	1A - H	1832725	1 - C	1863856	1 - 30D	2564942	10 - 3A	2565148	9 - 7
52905	3 - 71	738826	7 - 4C	1566049	1A - J	1832726	1 - C	1863857	1 - 30E	2564943	10 - 3B	2565157	7 - 15
55901	3 - 23	738828	7 - 4B	1566050	1A - J	1832727	1 - E	1863858	1 - 30H	2564945	10 - 3C	2565158	7 - 13
56722	1 - 5	760303	5 - 4	1566051	1A - J	1832728	1 - F	1863859	1 - 30J	2564950	6 - REF	2565159	7 - 17
	3 - 57	765295	11 - 17	1566055	1A - K	1832729	1 - F	1863860	1 - 30M	2564951	6 - 5	2565160	5 - REF
	4 - 23	766051	6 - 26E	1566056	1A - K	1832730	1 - G	1863861	1 - 30C	2564952	6 - 5	2565161	5 - 9
	7 - 42	811417	4 - 2	1566057	1A - K	1832731	1 - H	1863862	1 - 30F	2564953	6 - 5	2565162	5 - 9
62031	4 - 3		4 - 5A	1566058	1A - L	1832732	1 - J	1863863	1 - 30F	2564954	6 - 5	2565163	5 - 10
	8 - 3A		4 - 12	1566059	1A - L	1832733	1 - K	1864489	1 - 30A	2564955	6 - 5	2565164	5 - 10
81693	1 - 23		8 - 3	1566060	1A - L	1832734	1 - L	2114043	6 - 22	2564956	6 - 5	2565165	5 - 12
	1A - 17	811427	3 - 43	1655140	1 - 2A	1832735	1 - M		7 - 51	2565000	6 - REF	2565166	5 - 24
	1A - 19		3 - 90A	1655154	1 - B	1833052	1 - A		8 - 9	2565001	5 - 1	2565170	6 - 6
92784	11 - 1	811802	11 - 62	1655155	1 - D	1833053	1 - A	2114044	6 - 21	2565002	5 - 1	2565171	5 - 6
104294	9 - 24A	811825	11 - 5C	1655156	1 - C	1833054	1 - A		7 - 50	2565003	5 - 1	2565172	5 - 6
109918	3 - 2	813179	4 - 11	1655157	1 - E	1833055	1 - A		8 - 8	2565004	5 - 1	2565173	5 - 3
	6 - 17		8 - 2	1655158	1 - L	1833056	1 - A	2144045	6 - 30	2565005	5 - 1	2565174	5 - 21
121521	7 - 9	813194	11 - 18	1655159	1 - H	1833057	1 - A	2144046	6 - 30	2565006	5 - 1	2565175	5 - 11
124943	3 - 90	813197	11 - 19	1655160	1 - G	1833058	1 - B	2144047	6 - 30	2565011	6 - 5	2565176	7 - 8
	9 - 27	813550	11 - 57	1655161	1 - F	1833059	1 - B	2145170	11 - 27	2565012	6 - 5	2565177	7 - 10
125930	3 - 89	813681	11 - 56	1655162	1 - J	1833060	1 - B	2176120	1 - 26	2565013	6 - 5	2565178	7 - 11
138754	9 - 6A	814342	8 - 16A	1655163	1 - K	1833061	1 - D		1A - 20	2565014	6 - 5	2565179	9 - 26
169698	4 - 6	815080	8 - 7	1655164	1 - A	1833062	1 - D	2181002	3 - 28	2565015	6 - 5	2565180	7 - 20
179743	7 - 4D	815923	8 - 16B	1772948	1 - 13	1833063	1 - D	2181004	3 - 31	2565016	6 - 5	2565181	5 - 14
183720	11 - 49	815933	11 - 20	1772951	1 - 30A	1833064	1 - D		3 - 35	2565041	11 - 54	2565182	5 - 14
187243	11 - 2	815934	11 - 21	1772952	1 - 30A	1833065	1 - D		3 - 44	2565051	5 - 31	2565183	5 - 30
223071	3 - 82	816862	11 - 22	1772953	1 - 30A	1833066	1 - C		3 - 48	2565062	7 - 29A	2565184	5 - 30
236915	11 - 3	816884	11 - 23	1772973	1 - 30A	1833067	1 - C		3 - 61	2565063	7 - 44	2565185	5 - 28
236916	11 - 3A	818002	8 - 14	1772974	1 - 30A	1833068	1 - C		3 - 76	2565064	7 - 37A	2565186	5 - 7
257187	1A - 8	819408	8 - 13	1772975	1 - 30A	1833069	1 - C		3 - 77A	2565065	7 - 36	2565187	7 - 26
	3 - 58	819580	8 - 12	1785031	1 - 30B	1833070	1 - C		3 - 92	2565066	7 - 28	2565188	7 - 24
	4 - 24	825303	4 - 19	1785032	1 - 30B	1833071	1 - E		4 - 14	2565068	3 - 10	2565189	7 - 25
257188	3 - 8	845762	3 - 86A	1785033	1 - 30B	1833072	1 - E	2181005	1 - 11		7 - 31	2565191	5 - 26
	7 - 31C		9 - 15	1785034	1 - 30D	1833073	1 - E		3 - 94	2565071	5 - 16	2565192	5 - 26
257189	5 - 29	855262	6 - 1	1785035	1 - 30D	1833074	1 - E		7 - 41	2565072	5 - 16	2565195	7 - 47
257986	4 - 8	855263	6 - 1	1785036	1 - 30D	1833075	1 - E		4 - 7	2565073	5 - 3	2565196	10 - 1
300683	2 - 15	855264	6 - 1	1785037	1 - 30D	1833076	1 - F		3 - 65	2565074	5 - 25	2565198	10 - 1
300685	2 - 16	855265	6 - 1	1785038	1 - 30D	1833077	1 - F		1A - 1	2565075	5 - 17	2565199	3 - 9
302090	11 - 4	855266	6 - 1	1785039	1 - 30C	1833078	1 - F		1A - 1	2565076	9 - 21		7 - 27
303538	3 - 78	855267	6 - 1	1785040	1 - 30C	1833079	1 - G		1 - 22	2565077	9 - 20	2565200	6 - 31
303549	3 - 40	855268	6 - 1	1785041	1 - 30C	1833080	1 - G		1A - 16	2565079	11 - 66		7 - REF
	9 - 8	855269	6 - 1	1785042	1 - 30C	1833081	1 - G		11 - 64	2565080	3 - 15	2565201	7 - 59
309829	3 - 88	855270	6 - 1	1785043	1 - 30C	1833082	1 - G	2481207	3 - 24		7 - 39	2565205	3 - 37
317296	11 - 5	855271	6 - 1	1785044	1 - 30E	1833083	1 - H		9 - 2	2565083	3 - 11A		7 - 2
317297	11 - 5A	855272	6 - 1	1785045	1 - 30E	1833084	1 - H		11 - 28	2565084	7 - 31G	2565210	7 - 33
327921	3 - 91	855273	6 - 1	1785046	1 - 30E	1833085	1 - J		11 - 29	2565084	3 - 11B		8 - REF
332009	3 - 25	855274	6 - 1	1785047	1 - 30E	1833086	1 - J		6 - REF		7 - 31F	2565211	4 - 28
	3 - 40	855275	6 - 1	1785048	1 - 30E	1833087	1 - J		5 - 1	2565086	7 - 39A		8 - 20
	9 - 3	855276	6 - 1	1785049	1 - 30F	1833088	1 - K		5 - 1	2565091	9 - 13	2565213	4 - 25
	9 - 8	855277	6 - 1	1785050	1 - 30F	1833089	1 - K		5 - 1	2565092	6 - 27		8 - 18
334635	7 - 4E	855278	6 - 1	1785051	1 - 30F	1833090	1 - K		5 - 1	2565094	11 - 58	2565214	8 - 17
334932	11 - 6	855279	6 - 1	1785052	1 - 30G	1833091	1 - K		5 - 1	2565097	11 - 49A	2565215	4 - 20
341200	11 - 60	855280	6 - 1	1785053	1 - 30G	1833092	1 - K		5 - 1	2565099	4 - 9		8 - 16
342087	11 - 7	855281	6 - 1	1785054	1 - 30G	1833093	1 - L		10 - 18		8 - 6	2565216	8 - 11
360433	11 - 2A	855282	6 - 3	1785055	1 - 30H	1833094	1 - L		10 - 1C	2565100	6 - 34	2565217	7 - 48
361755	9 - 8	855283	6 - 2	1785056	1 - 30H	1833095	1 - L		10 - 1A		9 - REF	2565222	4 - 27
363001	3 - 18	855284	6 - 4	1785057	1 - 30H	1833098	11 - 26		7 - 4	2565102	9 - 17		8 - 15
	9 - 12	855285	5 - 2	1785058	1 - 30J	1836441	1 - A		10 - 2	2565104	9 - 30	2565222	4 - 4
369207	7 - 35	960740	6 - 1	1785059	1 - 30J	1852240	1 - 13		7 - 4F	2565107	3 - 100		8 - 1
430798	11 - 8	1073418	7 - 12	1785060	1 - 30J	1858506	1 - 30A		7 - 7A		9 - 28	2565224	11 - 65
442068	3 - 9A	1091621	5 - 13	1785064	1 - 30K	1858507	1 - 30A		6 - 26C	2565108	9 - 17	2565225	7 - 6
	7 - 30	1117607	5 - 5	1785065	1 - 30K	1858508	1 - 30A		6 - REF	2565109	9 - 16	2565232	7 - 378
483674	11 - 52A	1154429	1 - 27	1785066	1 - 30K	1858509	1 - 30A		5 - 1	2565110	9 - 9	2565233	7 - 37
483678	11 - 52B		1A - 23	1785067	1 - 30K	1858510	1 - 30A		5 - 1	2565115	3 - 4	2565237	7 - 45
483685	11 - 52	1164976	1 - 28	1785068	1 - 30K	1858511	1 - 30A		5 - 1		7 - 29	2565239	3 - 36
483695	11 - 61		1A - 24	1785069	1 - 30L	1863828	1 - 30A		5 - 1	2565117	9 - 25		7 - 1
483770	11 - 58	1166114	11 - 9	1785070	1 - 30L	1863829	1 - 30B		5 - 1	2565120	3 - 27	2565241	10 - 30
491227	11 - 10	1166115	11 - 24	1785071	1 - 30L	1863830	1 - 30D		5 - 1		9 - 5	2565242	10 - 4
512137	3 - 26	1166116	11 - 25	1825000	1A - D	1863831	1 - 30C		5 - 1	2565123	9 - 1	2565243	10 - 5
	9 - 4	1166117	11 - 45	1825001	1A - C	1863832	1 - 30E		5 - 1	2565126	9 - 23	2565244	10 - 6
523171	11 - 12	1176668	9 - 8	1825004	1A - D	1863833	1 - 30L		5 - 1	2565130	9 - 5	2565245	10 - 6A

# NUMERIC INDEX

PART NO.	LIST AND INDEX NO.	PART NO.	LIST AND INDEX NO.	PART NO.	LIST AND INDEX NO.	PART NO.	LIST AND INDEX NO.
2577623	2 - 1	2577886	2 - 13	5183380	1 - 3	5711266-CONT	9 - 25A
2577624	2 - 1		5 - 15	5183420	1 - 17	5711739	6 - 26A
2577625	2 - 1	2577887	2 - 17	5183421	1 - 9	5756324	2 - 20
2577647	3 - 86B	2577890	3 - 41	5183481	1 - 14		5 - 19
2577648	3 - 86B	2582939	3 - 20	5183482	1 - 16	5756348	2 - 21
2577649	3 - 86B		9 - 14	5183483	1 - 12		5 - 20
2577658	3 - 16	2582954	3 - 14	5183484	1 - 10	5795038	3 - 96
	3 - 80		9 - 11	5183485	1 - 17	5800634	11 - 11
2577659	3 - 19	2582997	9 - 18	5213152	9 - 8	5863768	11 - 11A
	9 - 13	2582999	3 - 34	5213276	4 - 17	5922878	4 - 10
2577664	3 - 47		9 - 18	5214874	11 - 46		8 - 6A
2577669	3 - 52	2611025	3 - 21	5247187	11 - 7A	5922888	1A- E
2577671	3 - 50		7 - 40	5252540	7 - 31E	5922889	1A- E
2577673	10 - 17	2617936	10 - 25	5252559	7 - 32	5922890	1A- E
2577674	10 - 18	2621346	1 - 20	5252581	11 - 32	5922898	1A- 21
2577676	3 - 63		1A- 14	5252582	11 - 33	5922903	1A- 18
2577677	10 - 19	2621348	1 - 2	5252584	11 - 32A	5922905	1A- 10A
2577678	10 - 20		1A- 2	5252587	11 - 32B	5922907	1A- M
2577679	3 - 62	2621350	11 - 31	5252591	11 - 32C	5992871	1A- M
2577680	10 - 21	2621352	1A- 10	5252592	11 - 34	5995515	1A- 27A
2577687	2 - 23	2621364	1A- A	5252593	11 - 34A	5995516	1A- 27B
2577688	2 - 3	2621365	1A- A	5252596	7 - 16	5995517	1A- 27D
2577689	2 - 2	2621366	1A- A	5252598	3 - 12	5995518	1A- 27C
2577691	2 - 2	2621367	1A- A	5252613	3 - 11C	5995519	1A- 27A
2577692	2 - 2	2621368	1A- A	5252618	10 - 1	5995520	1A- 27B
2577693	2 - 2	2621369	1A- A	5252619	10 - 1	5995521	1A- 27D
2577694	2 - 2	2621371	1A- B	5252620	10 - 1	5995522	1A- 27C
2577695	2 - 2	2621372	1A- B	5252621	11 - 35	5995523	1A- 27A
2577696	3 - 59	2621373	1A- B	5252637	11 - 36	5995524	1A- 27B
2577698	3 - 55	2621377	1A- D	5252661	11 - 37	5995525	1A- 27D
	4 - REF	2621378	1A- D	5252760	7 - 31E	5995526	1A- 27C
2577699	3 - 17	2621379	1A- D	5252796	11 - 34C	5995527	1A- 27A
2577701	3 - REF	2621383	1A- C	5252797	11 - 53	5995528	1A- 27A
2577706	3 - 13	2621384	1A- C		11 - 59	5995529	1A- 27A
2577708	2 - 10	2621385	1A- C	5252814	9 - 14	5995542	1A- 3
2577714	2 - 7	2621391	1 - 18	5275481	11 - 38	5995543	1A- 4
2577716	3 - 49		1A- 13	5302663	11 - 34B	5995544	1A- 6
2577718	3 - 72	2621399	1 - 19	5319854	3 - 42	5995547	1A- 5
2577721	3 - 56		1A- 11		3 - 51		
	4 - 22	2728610	1A- 27M		3 - 74		
2577722	3 - 79	2728620	1A- 27M	5319888	3 - 78A		
	4 - 21	2728651	1A- 6	5349929	3 - 22		
2577725	3 - 64	2728698	1A- 27D		7 - 7		
2577726	3 - 81	2728699	1A- 27D	5350006	2 - 9		
2577727	3 - 66	2728700	1A- 27C		3 - 54		
2577728	3 - 93	2728701	1A- 27C		3 - 69		
2577731	2 - REF	2728703	1A- 27E		6 - 26B		
2577732	3 - 53	2728704	1A- 27E	5350012	4 - 18		
2577733	3 - 85	2728705	1A- 27E	5352958	11 - 63		
2577735	10 - 22	2728710	1A- 27F	5412643	11 - 40		
2577742	3 - 45	2728711	1A- 27F	5420242	3 - 94B		
2577745	3 - 87	2728712	1A- 27F		4 - 15		
2577746	3 - 60	2728713	1A- 27G		7 - 43		
2577747	3 - 101	2728714	1A- 27G		7 - 54		
2577748	3 - 98	2728715	1A- 27G		11 - 55		
2577749	3 - 95	2728716	1A- 27H	5447741	11 - 41		
2577752	10 - 23	2728717	1A- 27H	5462535	11 - 47		
2577756	10 - 24	2728718	1A- 27H	5466393	11 - 42		
2577834	3 - 5	2728719	1A- 27J	5466397	11 - 43		
2577836	2 - 13A	2728720	1A- 27J	5474780	3 - 7		
2577837	3 - 29A	2728721	1A- 27J		7 - 31B		
2577839	3 - 8A	2728725	1A- 27K	5486851	11 - 39		
	7 - 30A	2728726	1A- 27K	5486853	11 - 39A		
2577841	3 - 86	2728727	1A- 27K	5711266	4 - 26		
2577842	3 - 85A	2728728	1A- 27L		5 - 8		
2577862	4 - 1	2728729	1A- 27L		5 - 18		
	8 - 5	2728730	1A- 27L		5 - 23		
2577863	3 - 29	2795065	2 - 18		5 - 27		
2577864	4 - 13	4119271	9 - 18		6 - 8		
2577865	2 - 8	4119272	3 - 34		6 - 19		
2577866	2 - 6		9 - 18		6 - 28		
2577868	3 - 70	4119306	9 - 18		7 - 4A		
2577872	3 - 30	4119307	3 - 34		7 - 5A		
2577879	3 - 68		9 - 18		7 - 49		
2577880	3 - 67	5183361	1 - 8		7 - 57		
2577881	2 - 14	5183362	1 - 6		8 - 10		
2577882	2 - 12	5183363	1 - 14		8 - 19		
2577883	2 - 11	5183364	1 - 16		9 - 6		
2577884	2 - 22	5183366	1 - 12		9 - 19		
2577885	2 - 4	5183368	1 - 10		9 - 22		

**READER'S COMMENT FORM**

3275-1, 2, 3/3277-1, 2 Display Station  
Parts Catalog

Order No. S126-0005-2

- Did you find the part you needed in the catalog?
- If you *did not* find the part in the catalog, how did you obtain the correct part number?
- What parts were you unable to find? (Include numbers if you were able to determine them by alternate means.)
- If you *did* find the part you needed in the catalog, but had unusual difficulty locating it, please send us the part number and page number. Include a description of your difficulty if you wish.

We would appreciate your comments. If you wish a reply, be sure to include your name and address.

NAME . . . . .

STREET . . . . .

CITY . . . . .

STATE . . . . . ZIP CODE . . . . .

Reply Requested?

Yes  
No

**READER'S COMMENT FORM**

3275-1, 2, 3/3277-1, 2 Display Station  
Parts Catalog

Order No. S126-0005-2

- Did you find the part you needed in the catalog?
- If you *did not* find the part in the catalog, how did you obtain the correct part number?
- What parts were you unable to find? (Include numbers if you were able to determine them by alternate means.)
- If you *did* find the part you needed in the catalog, but had unusual difficulty locating it, please send us the part number and page number. Include a description of your difficulty if you wish.

We would appreciate your comments. If you wish a reply, be sure to include your name and address.

NAME . . . . .

STREET . . . . .

CITY . . . . .

STATE . . . . . ZIP CODE . . . . .

Reply Requested?

Yes  
No

**Your comments, please . . .**

Your comments, together with your answer to the questions on the back of this form will help us produce better publications for your use. Your comments will be carefully reviewed by the persons responsible for writing and publishing this material. All comments and suggestions become the property of IBM.

Fold

Fold

First Class  
Permit 40  
Armonk  
New York

**Business Reply Mail**  
No postage stamp necessary if mailed in the U.S.A.

Postage will be paid by:

International Business Machines Corporation  
Department 520  
Neighborhood Road  
Kingston, New York 12401



Fold

Fold



International Business Machines Corporation  
Data Processing Division  
1133 Westchester Avenue, White Plains, New York 10604  
(U.S.A. only)

IBM World Trade Corporation  
821 United Nations Plaza, New York, New York 10017  
(International)

Cut or Fold Along Line

3275-1, 2, 3/3277-1, 2 Display Station (PC) Printed in ITALY S126-0005-2

**Your comments, please . . .**

Your comments, together with your answer to the questions on the back of this form will help us produce better publications for your use. Your comments will be carefully reviewed by the persons responsible for writing and publishing this material. All comments and suggestions become the property of IBM.

Fold

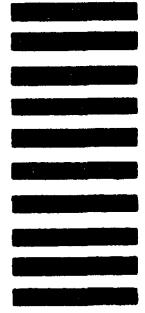
Fold

First Class  
Permit 40  
Armonk  
New York

**Business Reply Mail**  
No postage stamp necessary if mailed in the U.S.A.

Postage will be paid by:

International Business Machines Corporation  
Department 520  
Neighborhood Road  
Kingston, New York 12401



Fold

Fold



International Business Machines Corporation  
Data Processing Division  
1133 Westchester Avenue, White Plains, New York 10604  
(U.S.A. only)

IBM World Trade Corporation  
821 United Nations Plaza, New York, New York 10017  
(International)

Cut or Fold Along Line

3275-1, 2, 3/3277-1, 2 Display Station (PC) Printed in ITALY S126-0005-2

3275/3277

3275/3277

Cut

Fold



International Business Machines Corporation  
Data Processing Division  
1133 Westchester Avenue, White Plains, New York 10604  
(U.S.A. only)

IBM World Trade Corporation  
821 United Nations Plaza, New York, New York 10017  
(International)