

KL100

LOC. TYPE
A-A1L2 BC41

B FILE		K	
LINE RECEIVERS		L	
E.C. HISTORY	B. MACH. 3350	1	
435460		0	
446701	FRAME 01	0	
	IBM CORP. SDD	0	
DATE LAST EC	P.No. 4291683	000	
03-05-76 446704			

** IBM

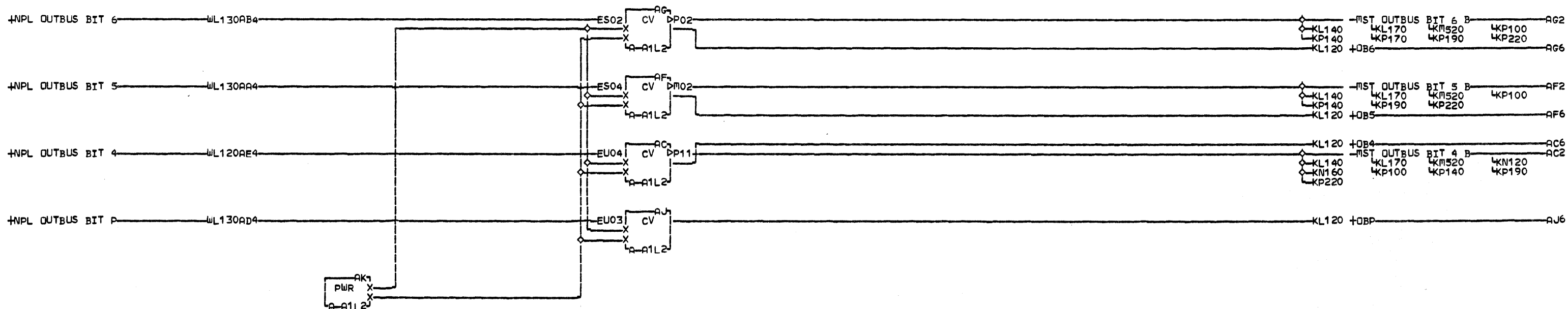
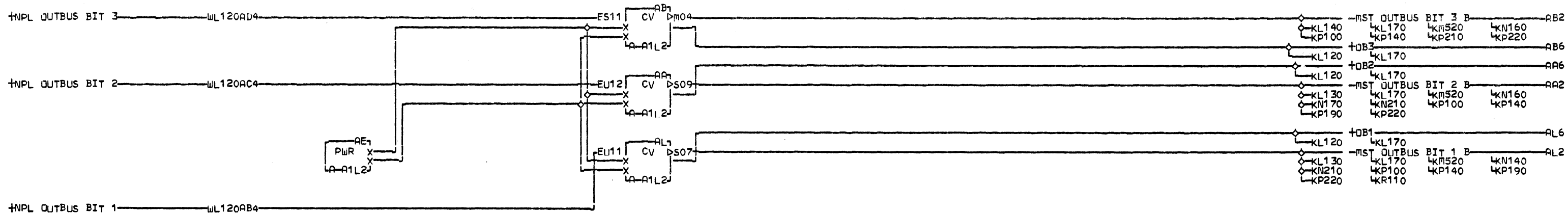
CONFIDENTIAL

UNTIL 04-01-76

- UNCLASSIFIED

THEREAFTER **

000 KL110

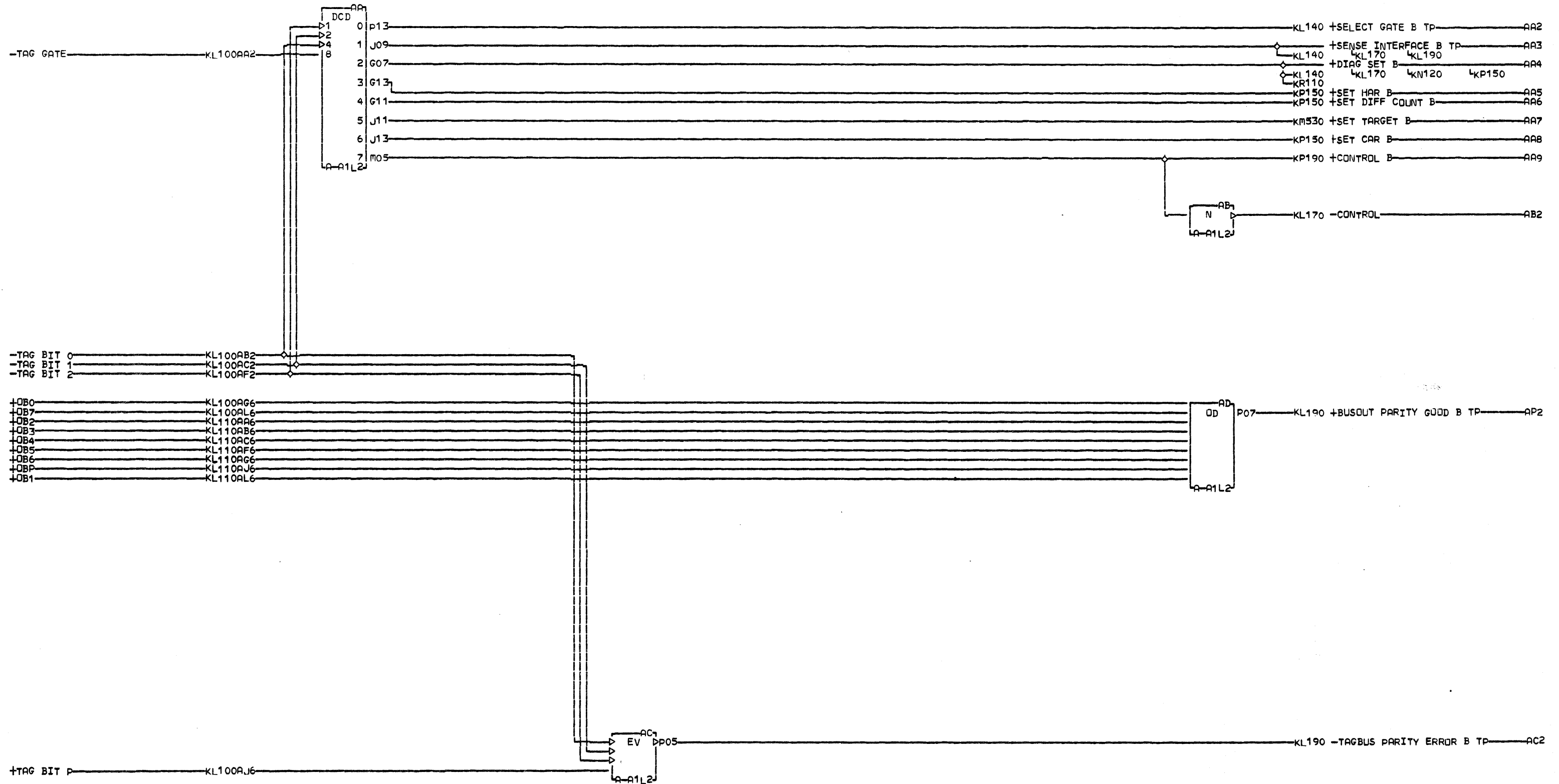


K
L
1
1
0

LOC. TYPE
A-A1L2 BC41

B FILE	
LINE RECEIVERS	
E.C. HISTORY	B. MACH. 3350
435460	
446701	FRAME 01
	IBM CORP. SDD
DATE LAST EC	P.No. 4291684
03-05-76 446704	

K
L
1
1
0
000

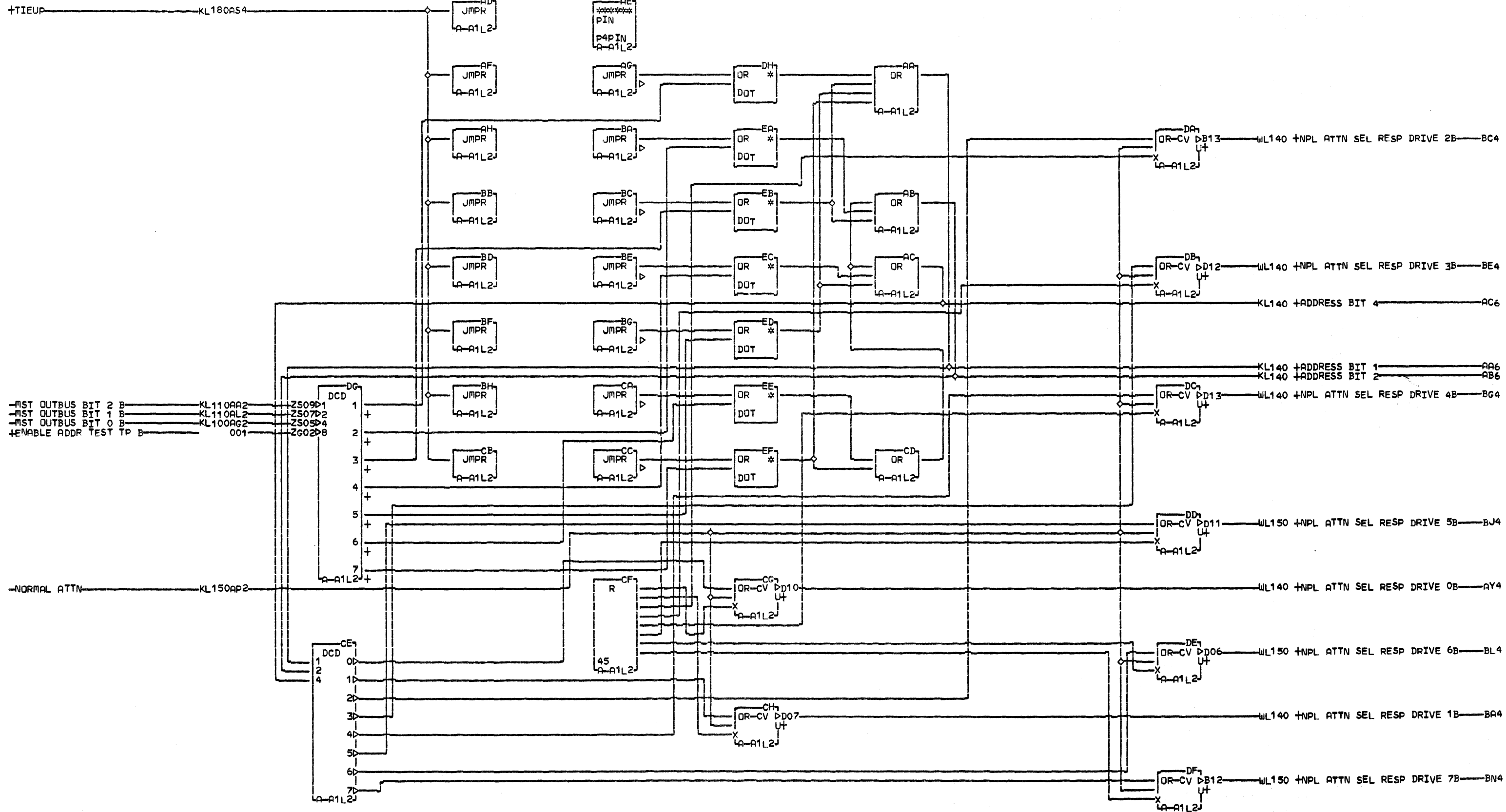


KL120

LOC. TYPE
A-A1L2 BC41

B FILE	
PARITY DETECTORS	
E.C. HISTORY	B MACH. 3350
435460	
446701	FRAME 01
DATE	LAST EC
03-05-76	446704
P.N.	4291685

KL120



-MST OUTBUS BIT 2 B KL110AA2 Z509D1
 -MST OUTBUS BIT 1 B KL110AL2 Z507D2
 -MST OUTBUS BIT 0 B KL100AG2 Z505D4
 +ENABLE ADDR TEST TP B 001 Z602D8

-NORMAL ATTN KL150AP2

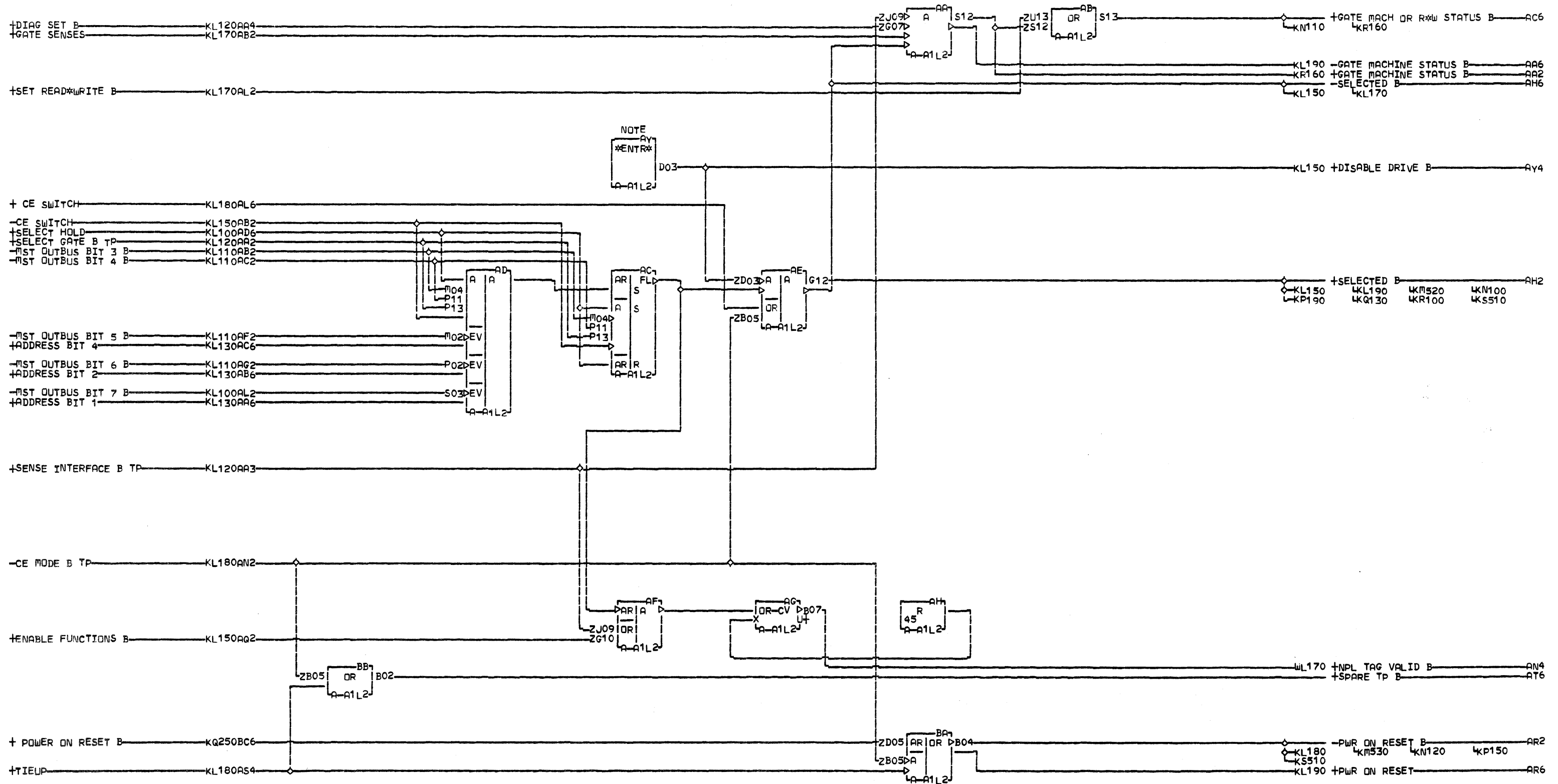
NOTE ADDRESS 0 PINS
 ARE AT CARD COORD
 812-912.

K
 L
 1
 3
 0

000COPYRIGHT IBM CORP 1976

LOC. TYPE
A-A1L2 BC41

LOGICAL AND PHYSICAL ADDRESSING		K
E.C. HISTORY	MACH. 3350	L
435460	FRAME 01	1
446701	IBM CORP. GPD	3
DATE LAST EC	PoN. 4291686	0
03-05-76 446704		000



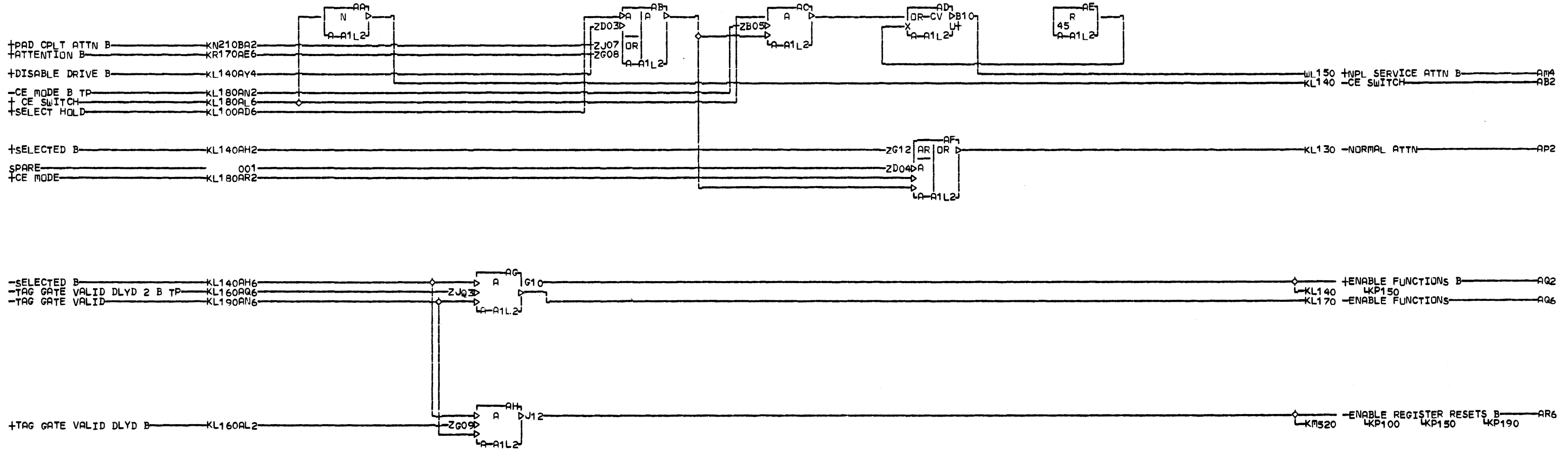
NOTE TO DISABLE DRIVE
JUMPER D03 TO GND.

K
L
1
4
0

LOC. TYPE
A-A1L2 BC41

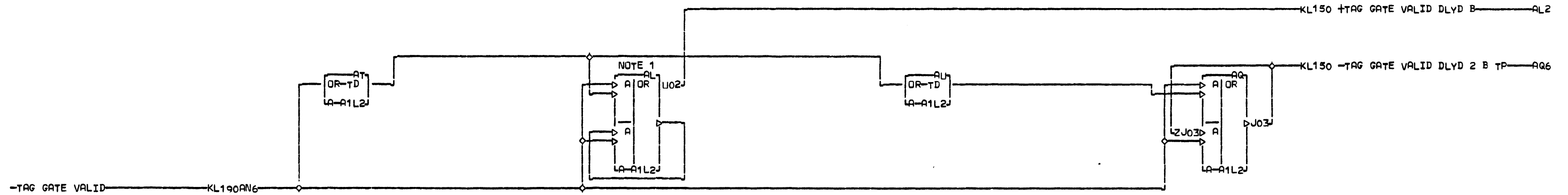
B FILE CONTROLS	
-E.C.-HISTORY	MACH.3350
435460	
446701	FRAME 01
446702	
DATE	LAST EC
03-05-76	446704
	P.No. 4291687

K
L
1
4
0
000



LOC. TYPE
A-A1L2 BC41

B FILE CONTROLS		K L 1 5 0 000
E.C. HISTORY	B MACH. 3350	
435460	FRAME 01	P.N. 4291688
446701	IBM CORP. SDD	
DATE LAST EC		
03-05-76 446704		

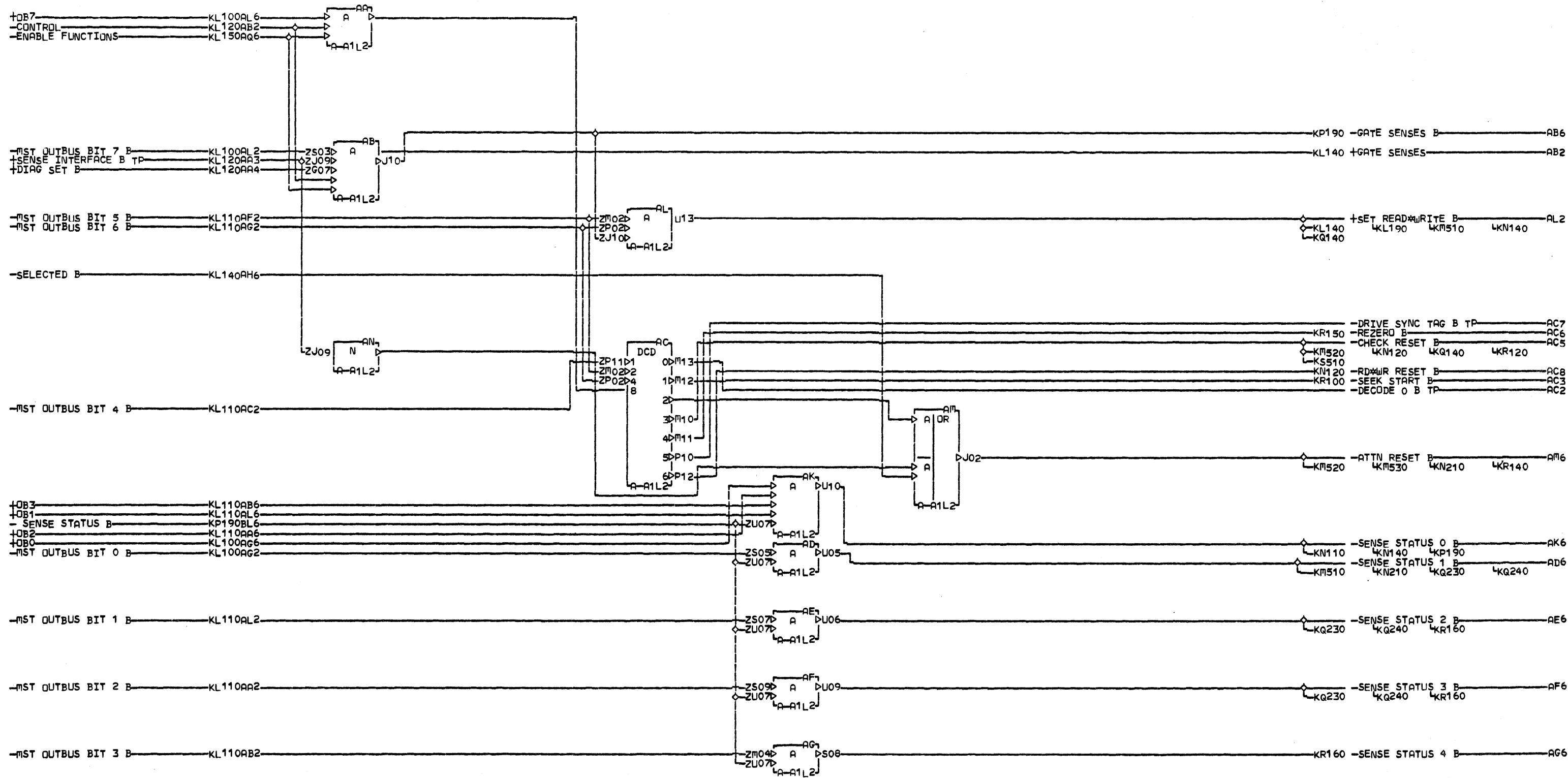


KL160

LOC. TYPE
A-A1L2 BC41

B FILE	
TAG GATE DELAY	
E.C. HISTORY	B MACH. 3350
435460	
FRAME	01
IBM CORP. SDD	
DATE LAST EC	P.No. 4291689
03-05-76 446704	

KL160

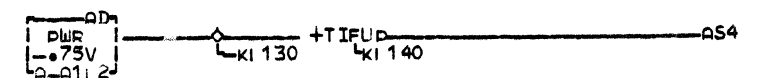
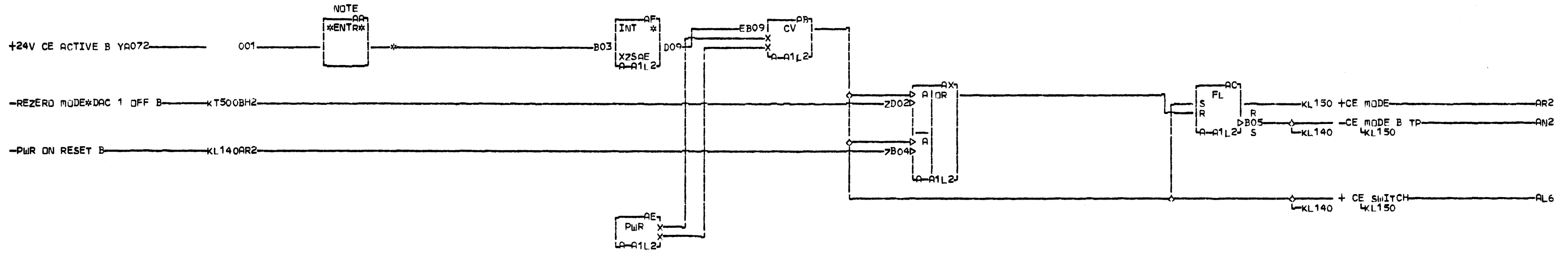


K
L
1
7
0

LOC. TYPE
A-A1L2 BC41

B FILE DECODERS	
E.C. HISTORY	MACH. 3350
435460	FRAME 01
446701	IBM CORP. SDD
DATE LAST EC	P.No. 4291690
103-05-76 446704	

K
L
1
7
0



NOTE B BOX HAS YB PAGES.

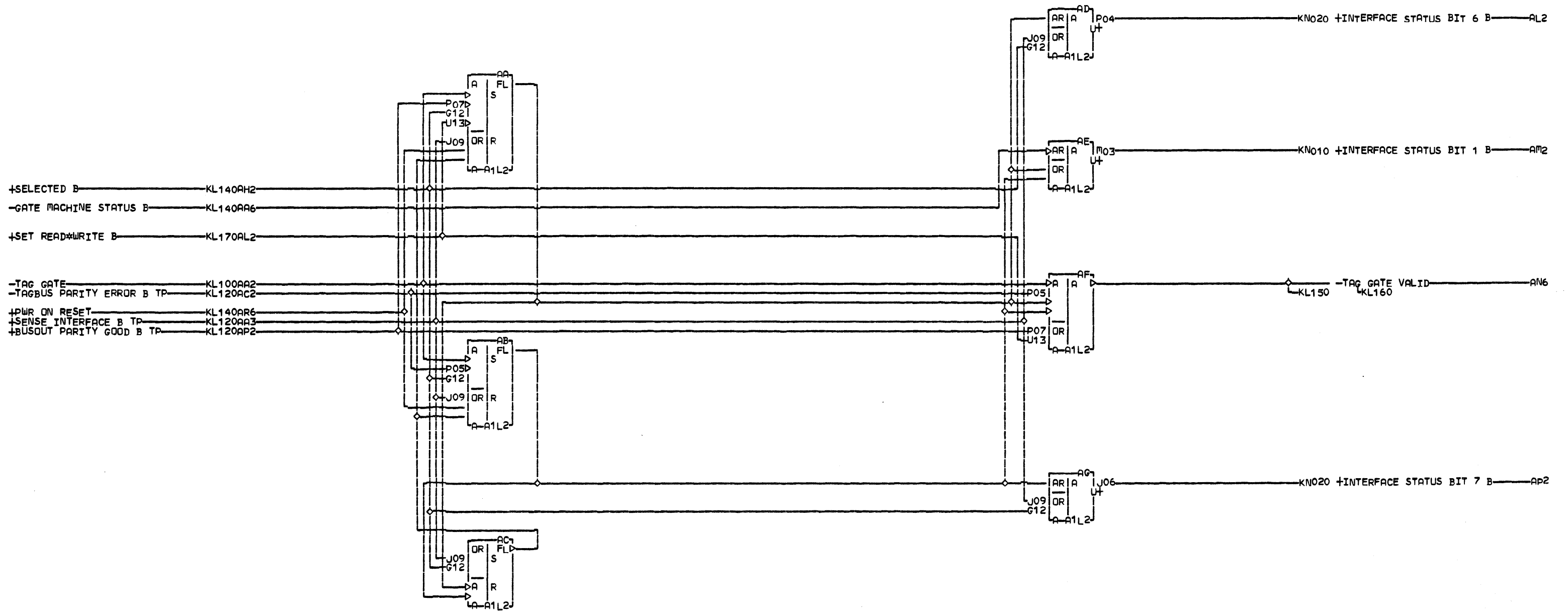
AA4 A-A1V5B03

LOC. TYPE
A-A1L2 BC41

K
1
8
0

B FILE		CONTR. S	
-F.C.-HISTORY-		MACH. 3350	
435460		FRAME	01
446701		IBM CORP.	SDD
446702			
446704			
DATE	LAST EC	P.N.	4291691
06-04-76	446705		

K
L
1
8
0
000

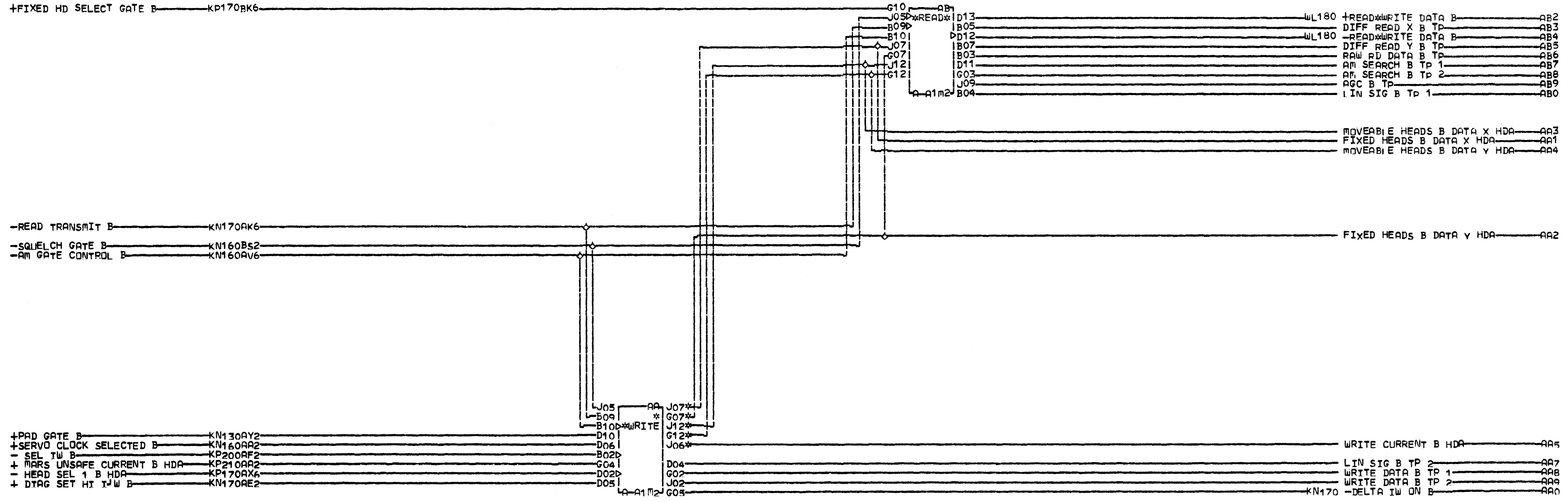


KL190

LOC. TYPE
A-A1L2 BC41

B FILE	
ERROR LATCHES	
-E.C.-HISTORY	-MACH.3350
435460	FRAME 01
446701	IBM CORP. SDD
DATE	LAST EC
03-05-76	446704
P.No.	4291692

KL190



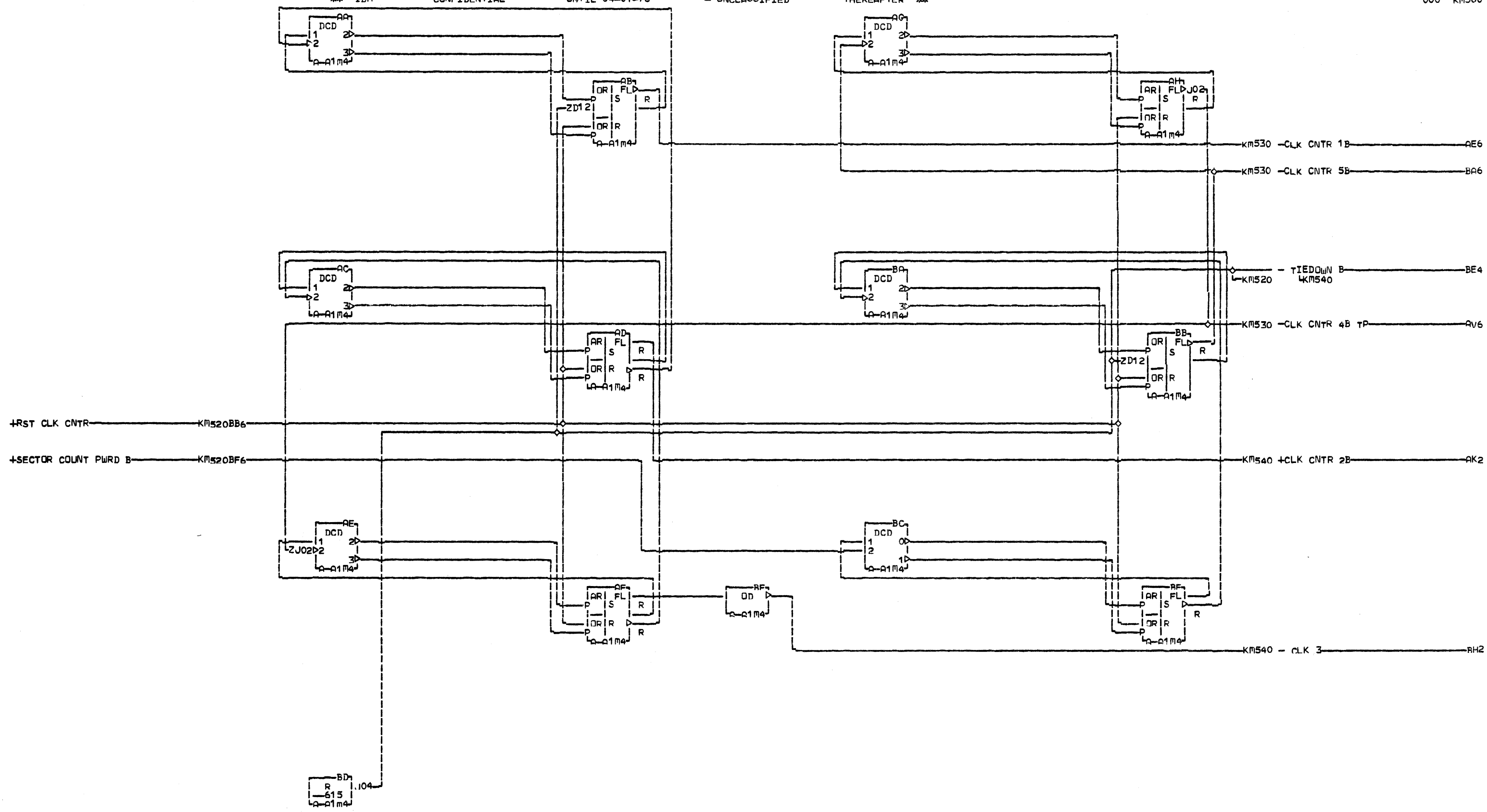
K
E
L
L
O

AA1 A-D11 1E11
AA2 A-D11M1A13
AA3 A-D11 1D11
AA4 A-D11 1D13
AA5 A-D11 12B03
01A A-D11 2D03

INC. TYPE
A-A1M2 BC40

READ DETECTOR B	
FILE HISTORY	B MACH 3350
435460	
446701	FRAME 01
446702	
446704	IBM CORP. GPD
DATE	LAST EC
06-04-76 446705	P.N. 4291693

K
M
1
0
0
000



INC. TYPE
A-A1M4 BC43

B CLOCK CTR BIT 1-6	
E.C. HISTORY	B MACH. 3350
435460	
446702	FRAME 01
446704	IBM CORP. SDD
DATE LAST EC	P. No. 4291694
06-04-76 446705	

K
M
5
0
0

K
M
5
0
0

** IBM

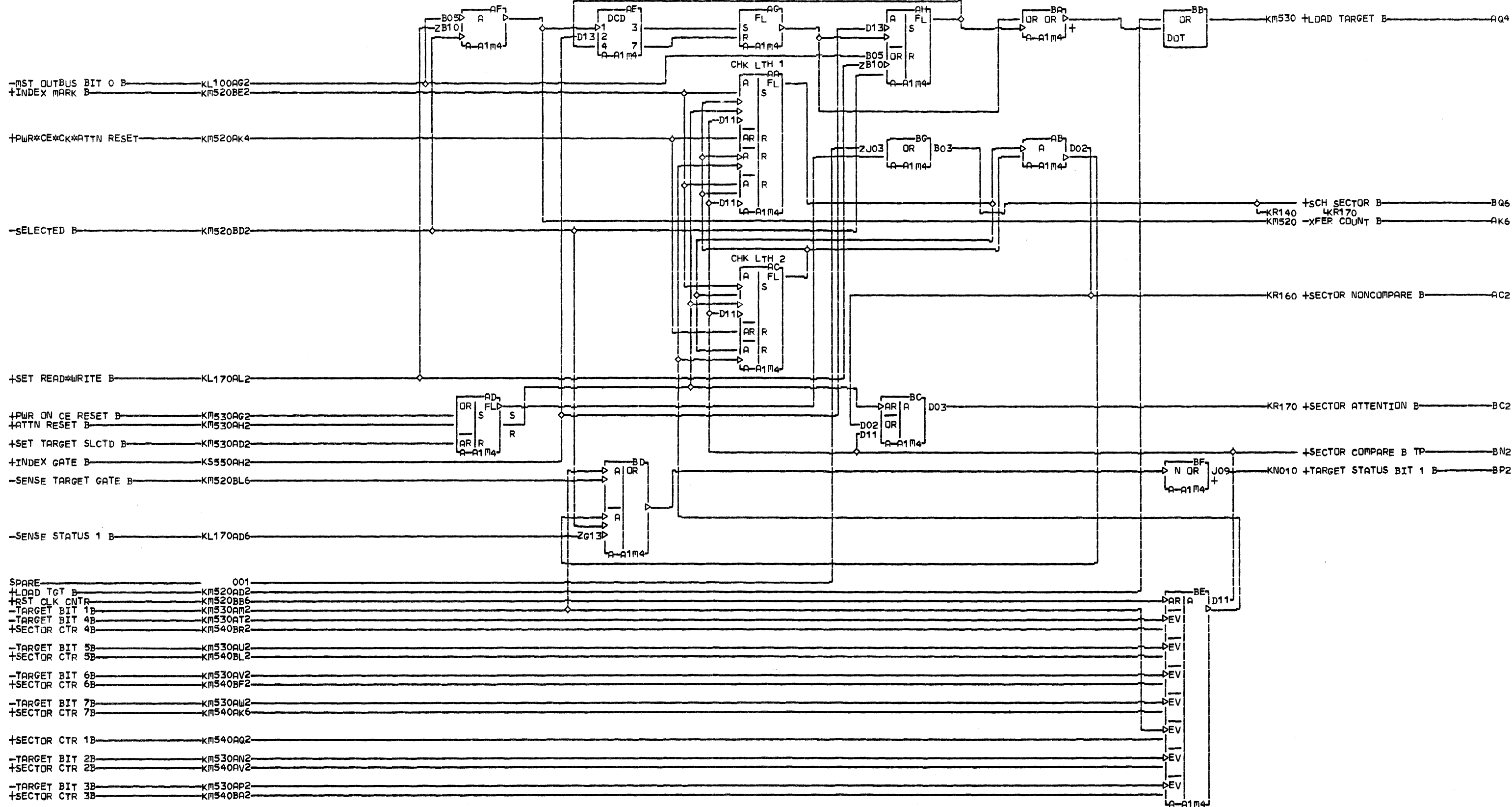
CONFIDENTIAL

UNTIL 04-01-76

- UNCLASSIFIED

THEREAFTER **

000 KM510

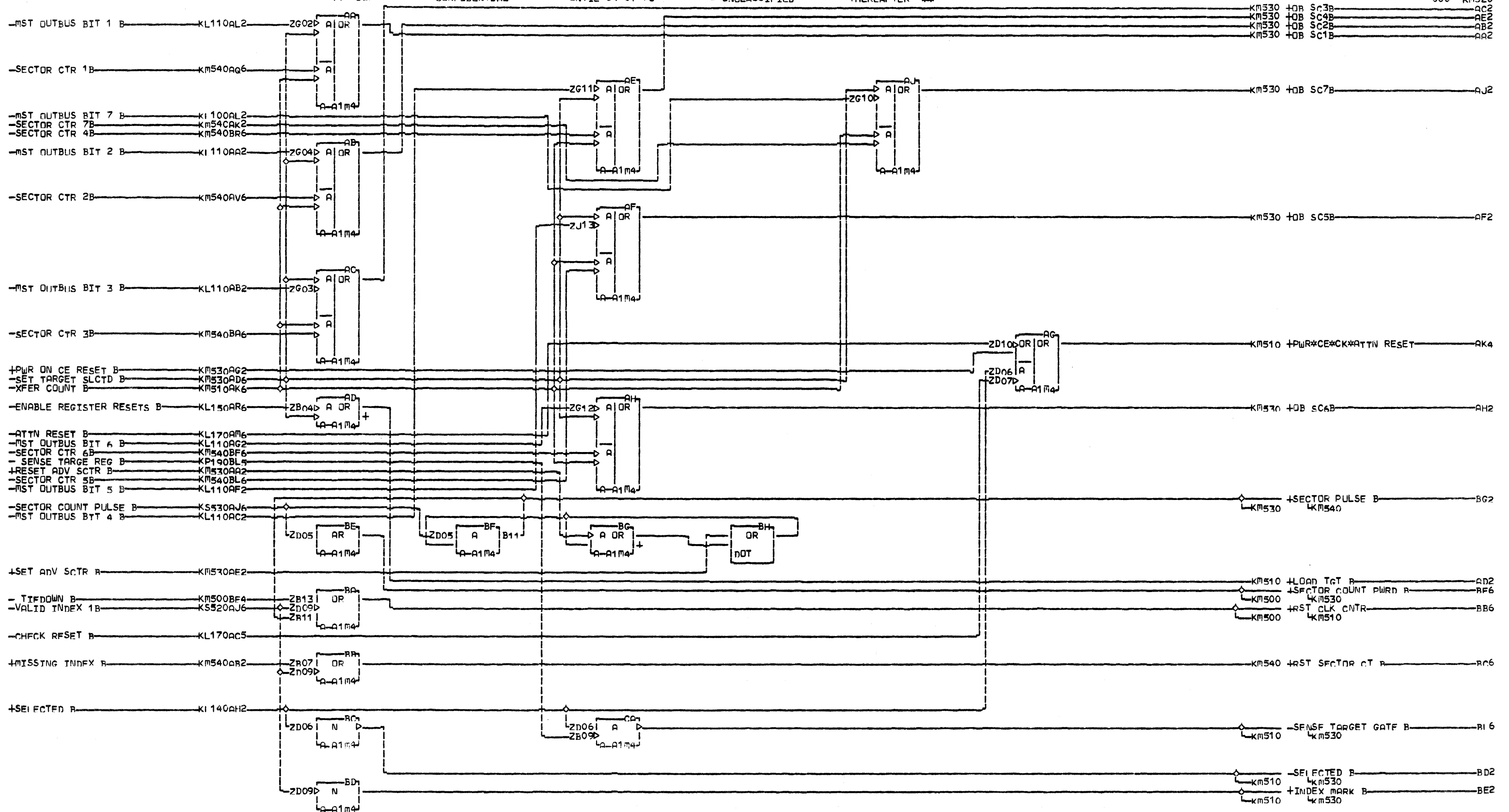


K
M
5
1
0

LOC. TYPE
A-A1M4 BC43

B XFER COUNT AND LOAD TGT	
-E.C.-HISTORY-	B MACH.3350
435460	FRAME 01
446701	IBM CORP. SDD
446702	P.N. 4291695
DATE LAST EC	
07-05-76 446704	

K
M
5
1
0
000



IOC TYPE
A-A1M4 BC43

TARGET REG B INPUTS	
-E.C.-HISTORY	B-MACH-3350
435460	
446701	FRAME 01
446702	
446704	IBM CORP. SDD
DATE	LAST EC
06-04-76 446705	PaN. 4291696

K
M
5
2
0

K
M
5
2
0

IBM

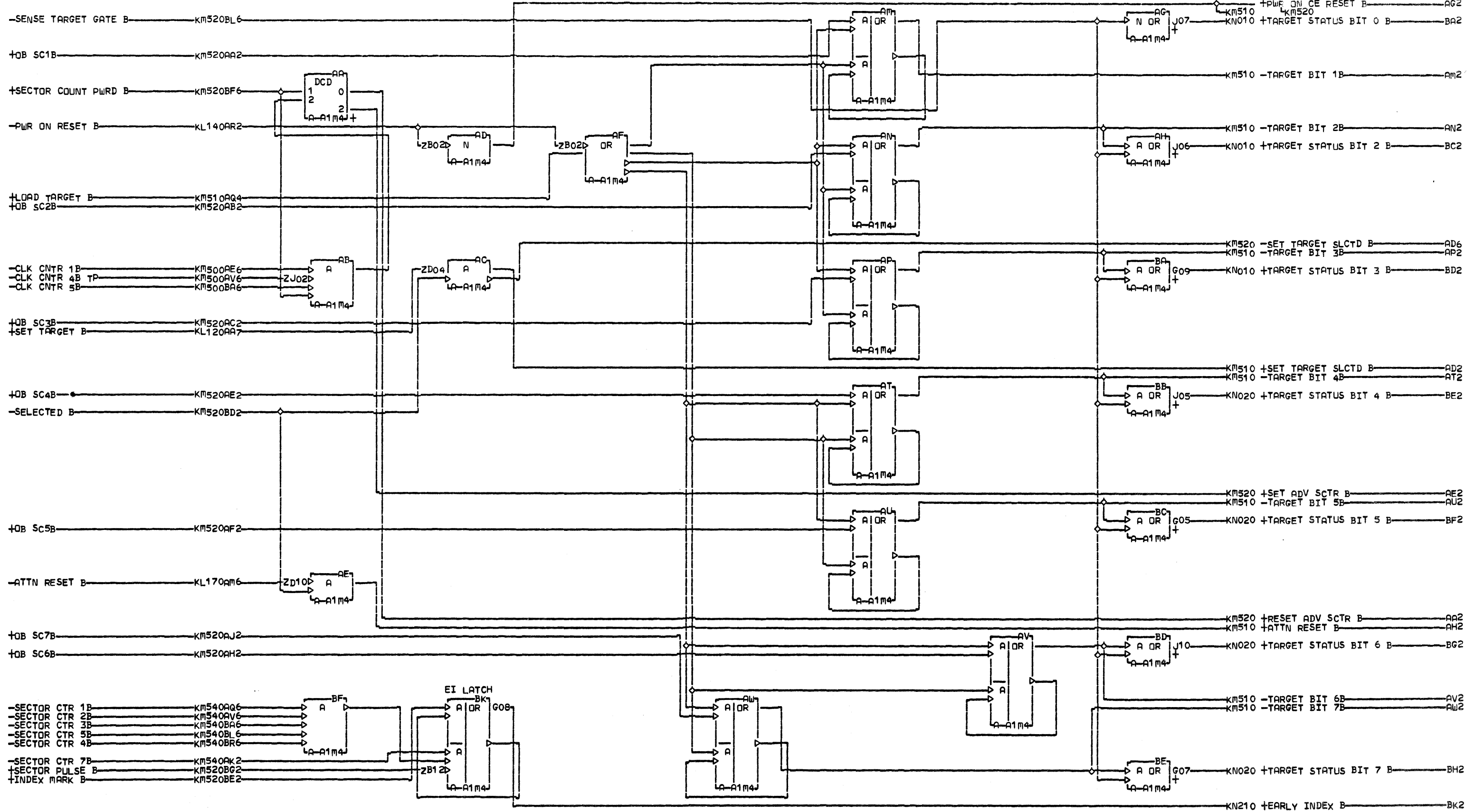
CONFIDENTIAL

UNTIL 04-01-76

- UNCLASSIFIED

THEREAFTER

000 KM530

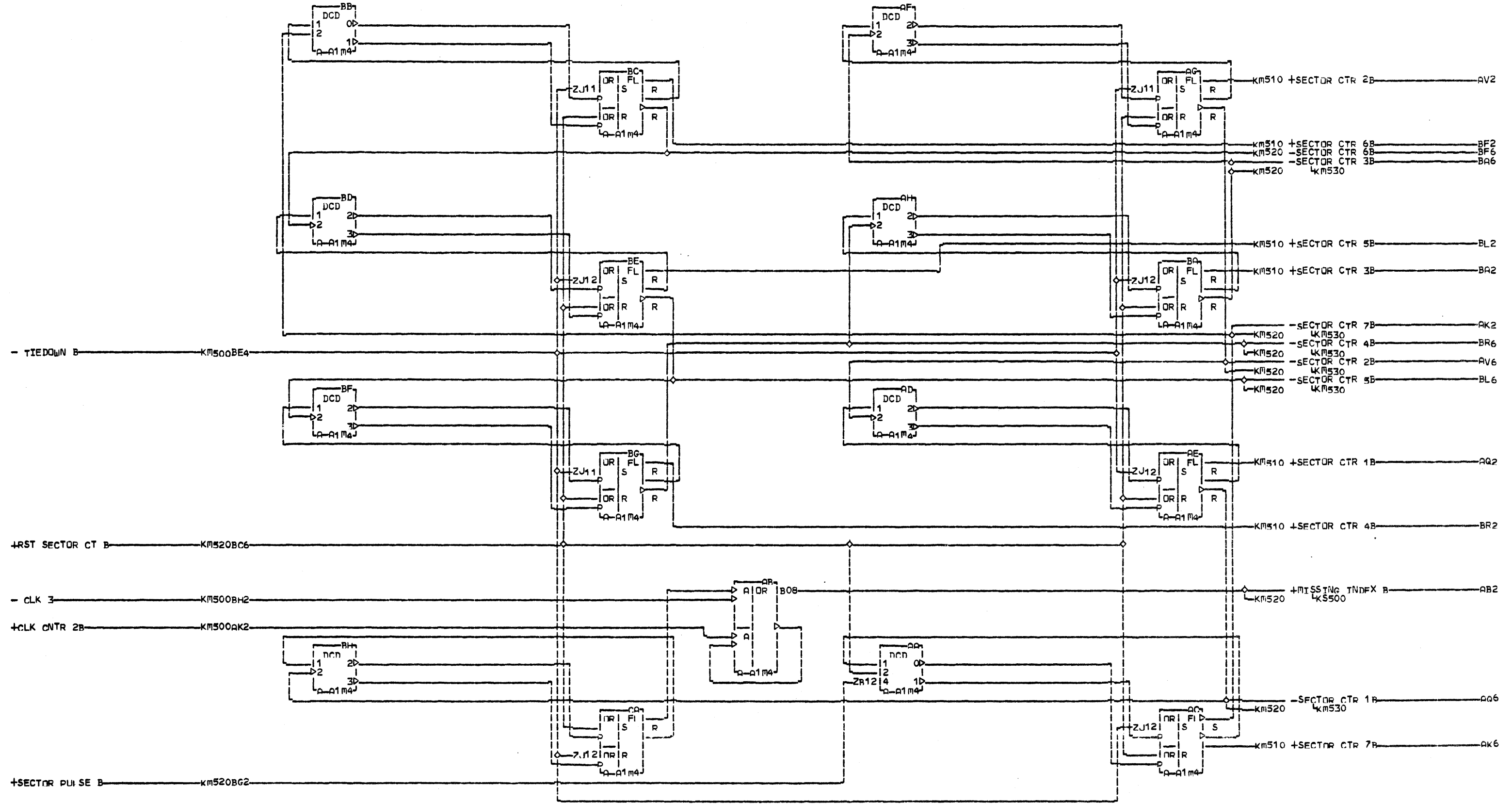


LOC. TYPE
A-A1M4 BC43

TARGET REG B	
-E.C.-HISTORY	B MACH.3350
435460	FRAME 01
446701	IBM CORP. SDD
446702	
DATE LAST EC	PoN. 4291697
03-05-76 446704	

K
M
5
3
0

K
M
5
3
0

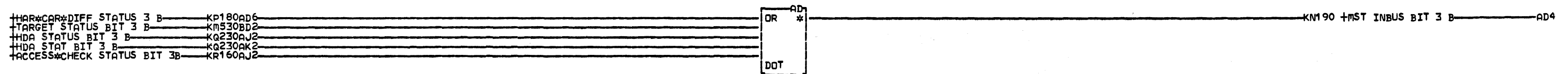
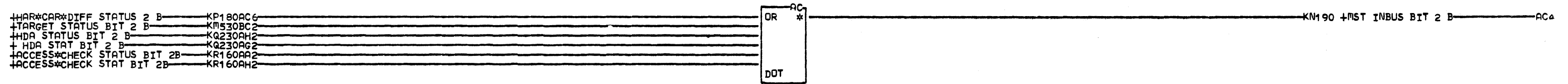
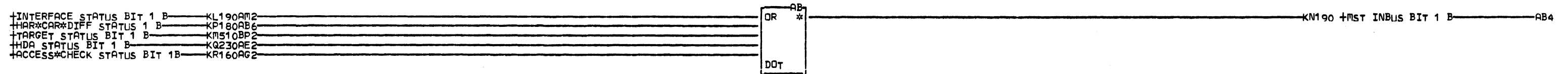
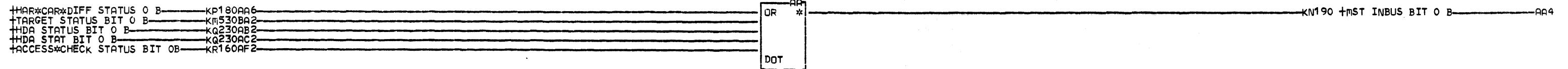


INC. TYPE
A-A1M4 BC43

B SECTOR COUNTER 1 2 3 7	
E.C. HISTORY	B. MACH. 3350
435460	
446701	FRAME 01
446704	
DATE LAST EC	IBM CORP. SDD
06-04-76 446705	PN. 4291698

K
M
5
4
0

K
M
5
4
0



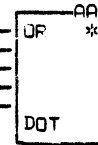
LOC. TYPE

KN010

B INBUS DOT BITS 0 TO 3	
E.C. HISTORY	B MACH. 3350
435460	
446701	FRAME 01
	IBM CORP. GPD
DATE LAST EC	P.No. 4291699
03-05-76 446704	

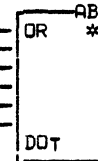
KN010

+HAR*CAR*DIFF STATUS 4 B—KP180AE6
 +TARGET STATUS BIT 4 B—KM530BE2
 +HDA STATUS BIT 4 B—KQ240AA2
 +HDA STAT BIT 4 B—KQ240AB2
 +ACCESS*CHECK STATUS BIT 4B—KR160AL2



KN190 +MST INBUS BIT 4 B—AA4

+HAR*CAR*DIFF STATUS 5 B—KP180AF6
 +TARGET STATUS BIT 5 B—KM530BF2
 +HDA STATUS BIT 5 B—KQ240AC2
 +HDA STAT BIT 5 B—KQ240AD2
 +HDA STATUS 5 B—KQ240AE2
 +ACCESS*CHECK STATUS BIT 5B—KR160AM2



KN190 +MST INBUS BIT 5 B—AB4

+INTERFACE STATUS BIT 6 B—KL190AL2
 +HAR*CAR*DIFF STATUS 6 B—KP180AG6
 +TARGET STATUS BIT 6 B—KM530BG2
 +HDA STATUS BIT 6 B—KQ240AF2
 +HDA STAT BIT 6 B—KQ240AQ2
 +ACCESS*CHECK STATUS BIT 6B—KR160AN2



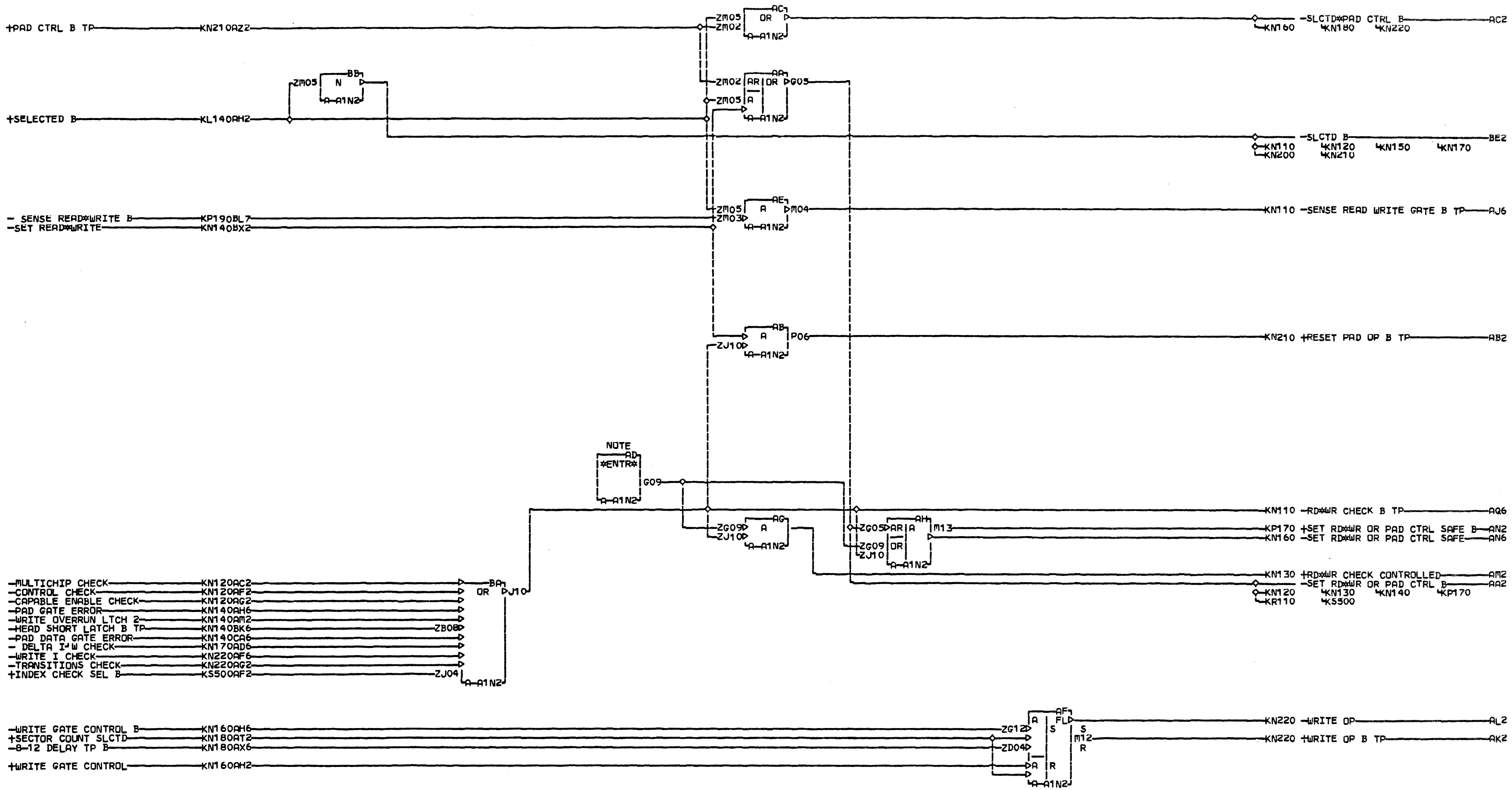
KN190 +MST INBUS BIT 6 B—AC4

+INTERFACE STATUS BIT 7 B—KL190AP2
 +HAR*CAR*DIFF STATUS 7 B—KP180AH6
 +TARGET STATUS BIT 7 B—KM530BH2
 +HDA STAT BIT 7 B—KQ240AG2
 +HDA STAT 7 B—KQ240AH2
 +HDA STATUS BIT 7 B—KQ240AR2
 +HDA STATUS 7 B—KQ240AS2
 +ACCESS*CHECK STATUS BIT 7B—KR160AB2
 +ACCESS*CHECK STAT BIT 7B—KR160AP2



KN190 +MST INBUS BIT 7 B—AD4

B INBUS DOT BITS 4 TO 7	
—E.C.—HISTORY—	B MACH.3350
435460	
446701	FRAME 01
	IBM CORP. GPD
DATE LAST EC	P.No. 4291700
03-05-76 446704	

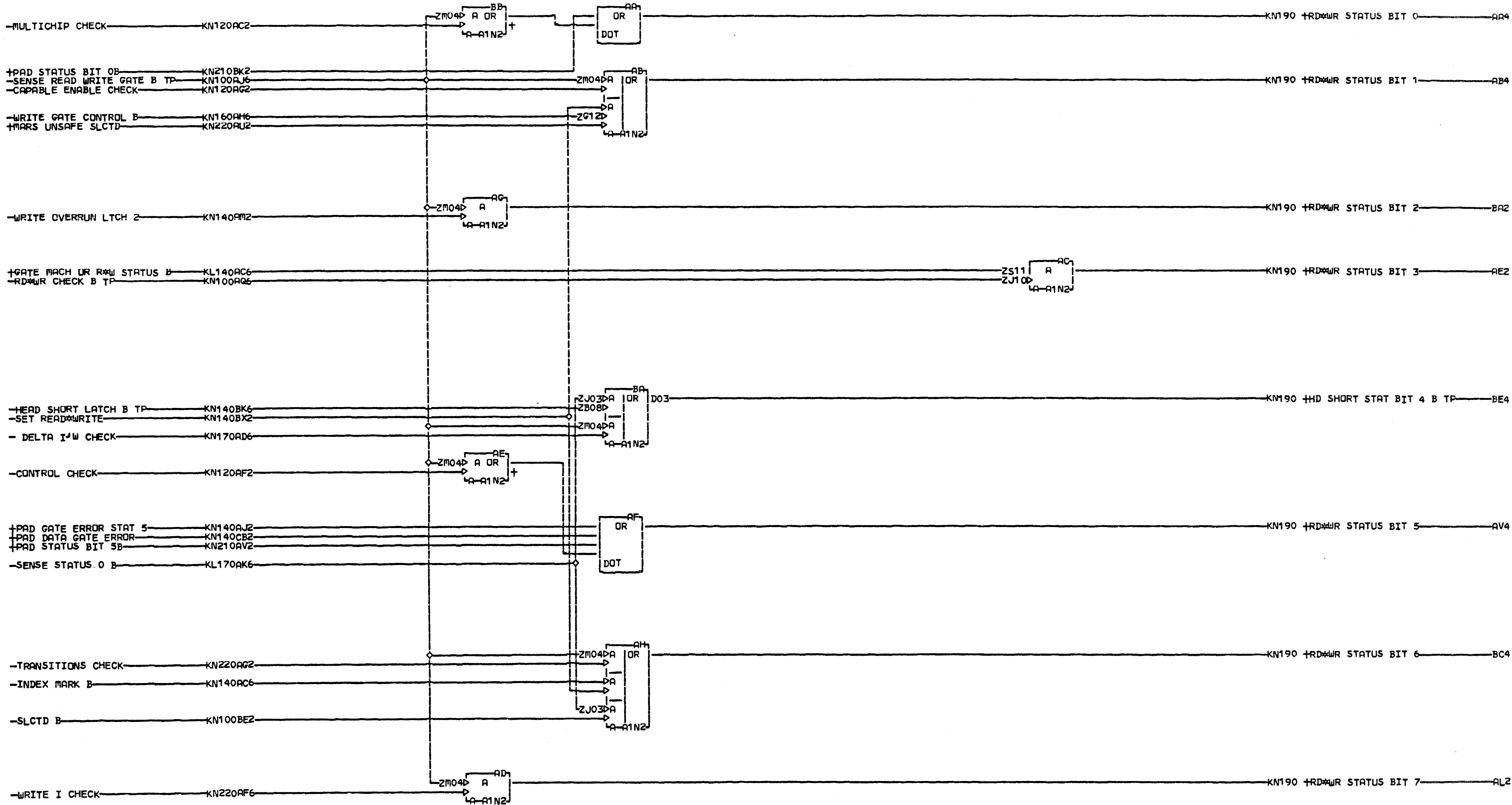


NOTE
ENTR
G09

NOTE TO DISABLE RD*WR SAFETY JUMPER G09 TO GND.
KN100
000COPYRIGHT IBM CORP 1976

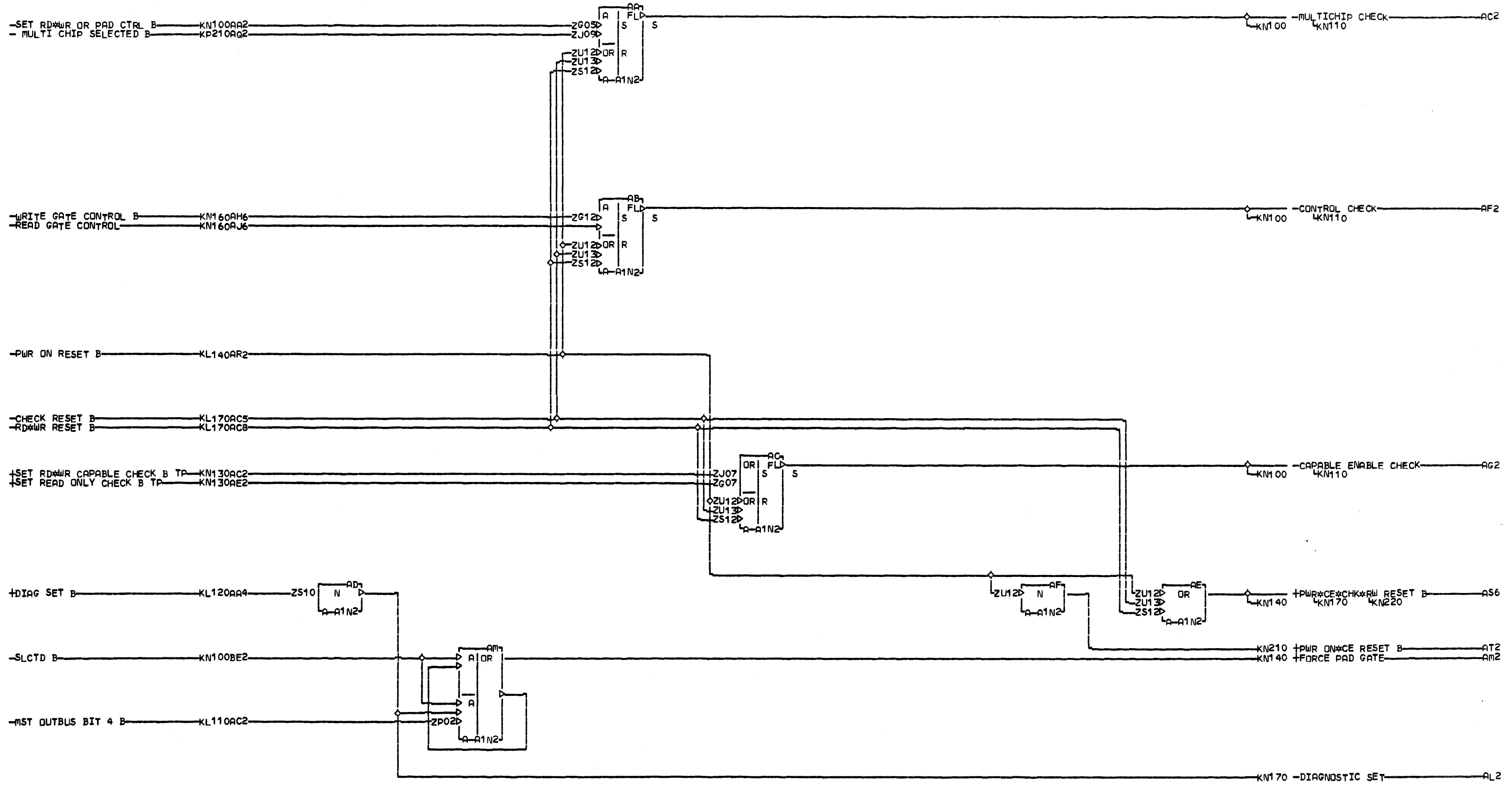
LOC. TYPE
A-A1N2 BC48

B FILE			
READ WRITE CONTROLS AND SAFETY			
E.C.	HISTORY	E	MACH. 3350
446701	446706		
446702		FRAME	01
446704			0
446705		IBM CORP. SDD	
DATE	LAST EC		000
12-16-77	446710	P.N. 4291701	



LOC. TYPE
A-A1N2 BC48

B FILE		K	
READ WRITE CONTROLS AND SAFET			
E.C. HISTORY	E. MACH. 3350		
446701			1
446704	FRAME	01	1
	IBM CORP. SDD		0
DATE	LAST EC		000
12-16-77	446710	P.N. 4291702	

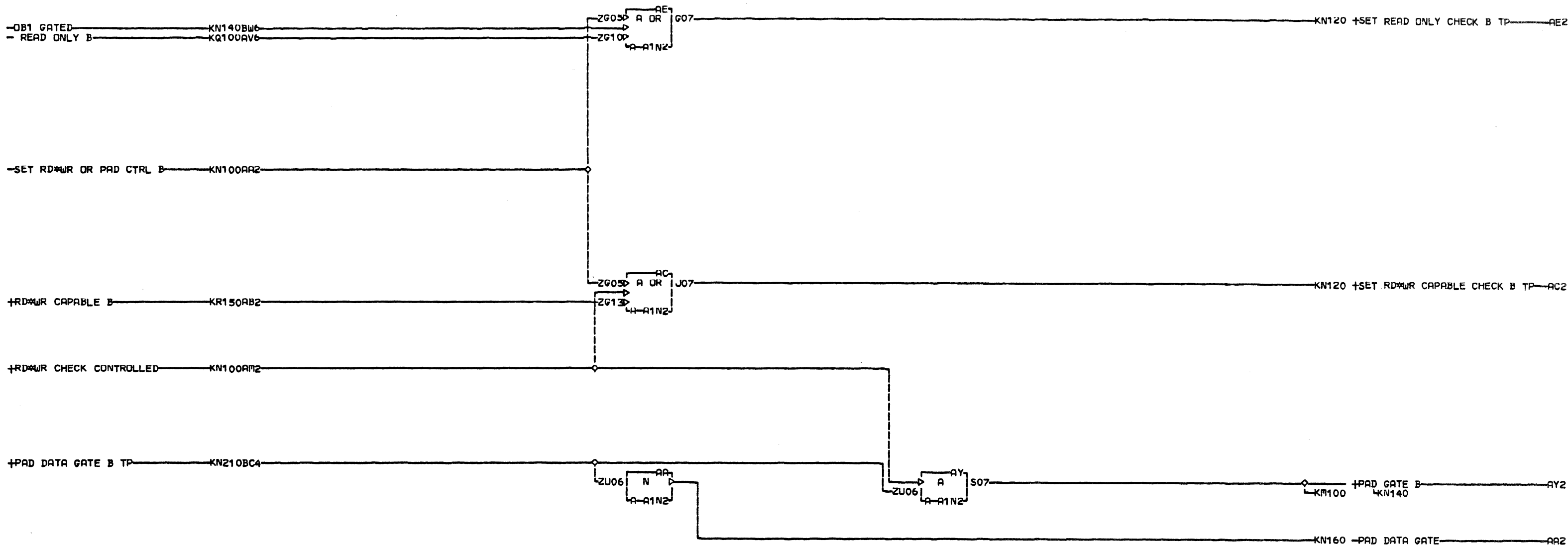


KN120

LOC. TYPE
A-A1N2 BC48

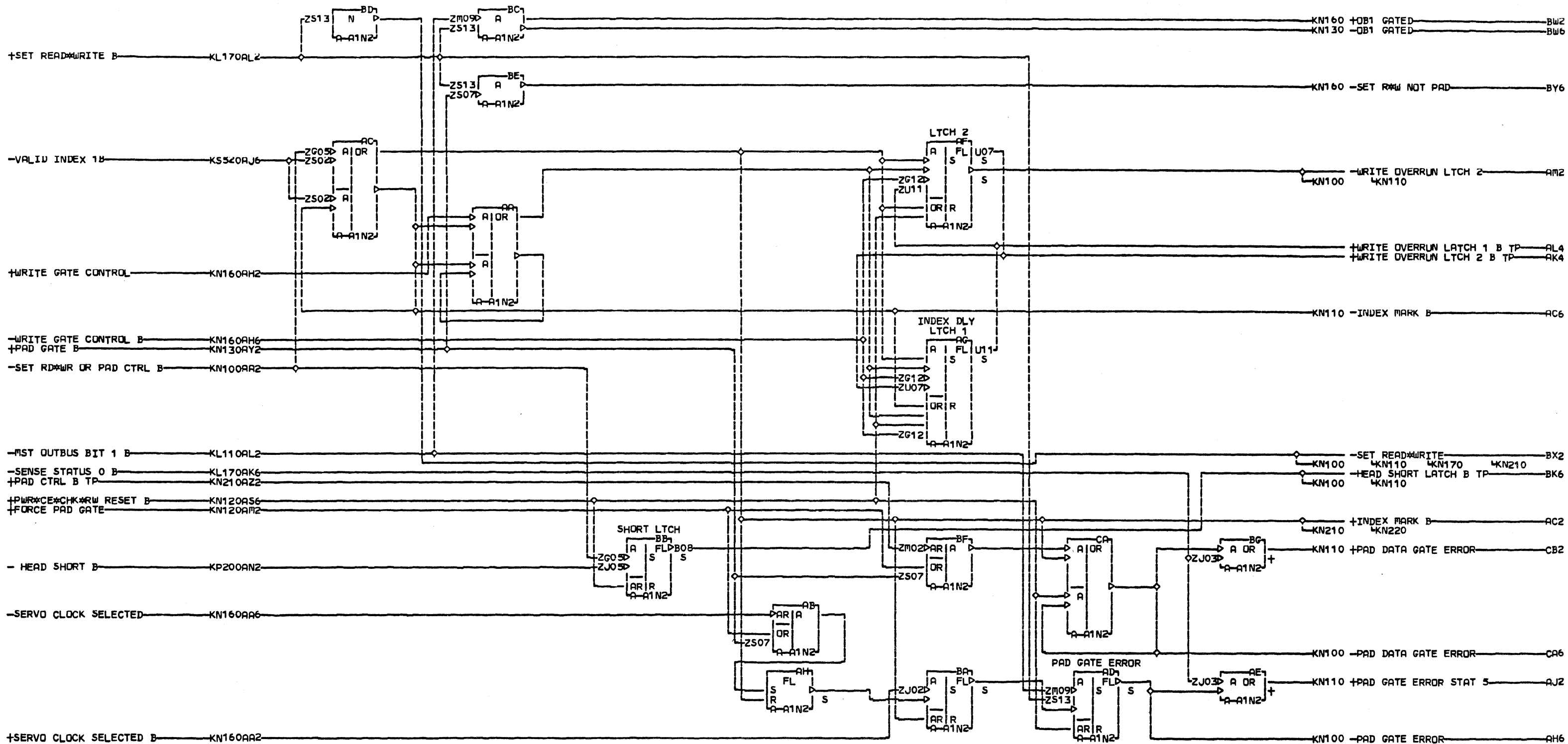
B FILE	
READ WRITE CONTROLS AND SAFETY	
E.C. HISTORY	B-MACH.3350
446701	
FRAME	01
DATE	LAST EC
03-05-76	446704
P.N.	4291703

KN120



LOC. TYPE
A-A1N2 BC48

B FILE	
READ WRITE CONTROLS AND SAFET	
E.C. HISTORY MACH. 3350	
446701	
446702	FRAME 01
446704	
DATE	LAST EC
12-16-77	446710
P.N. 4291704	

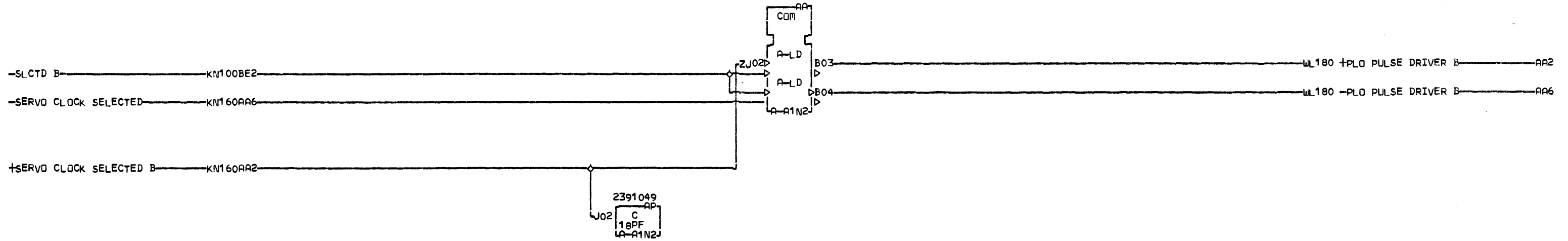


LOC. TYPE
A-A1N2 BC48

WRITE OVERRUN DETECTOR		
-E.C.-HISTORY	-E1	MACH.3350
446701		
446702		FRAME 01
446704		IBM CORP. GPD
DATE	LAST EC	
12-16-77	446710	P.No. 4291705

KN140

KN140

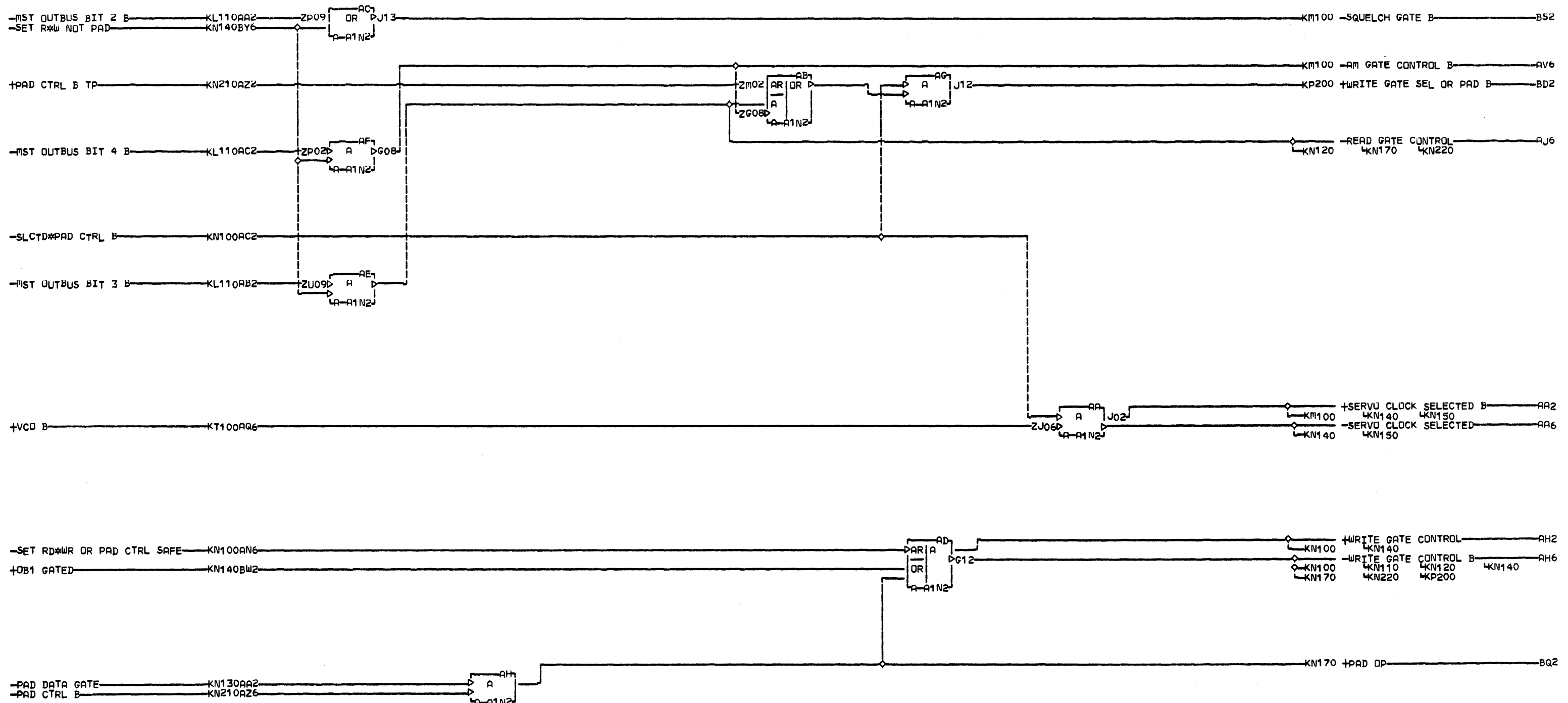


K
N
1
5
0

LOC. TYPE
A-A1N2 BC48

B FILE	
READ WRITE CONTROLS AND SAFET	
E.C. HISTORY	MACH. 3350
446701	
FRAME	01
IBM CORP. SDD	
DATE LAST EC	
03-05-76 446704	P.N. 4291706

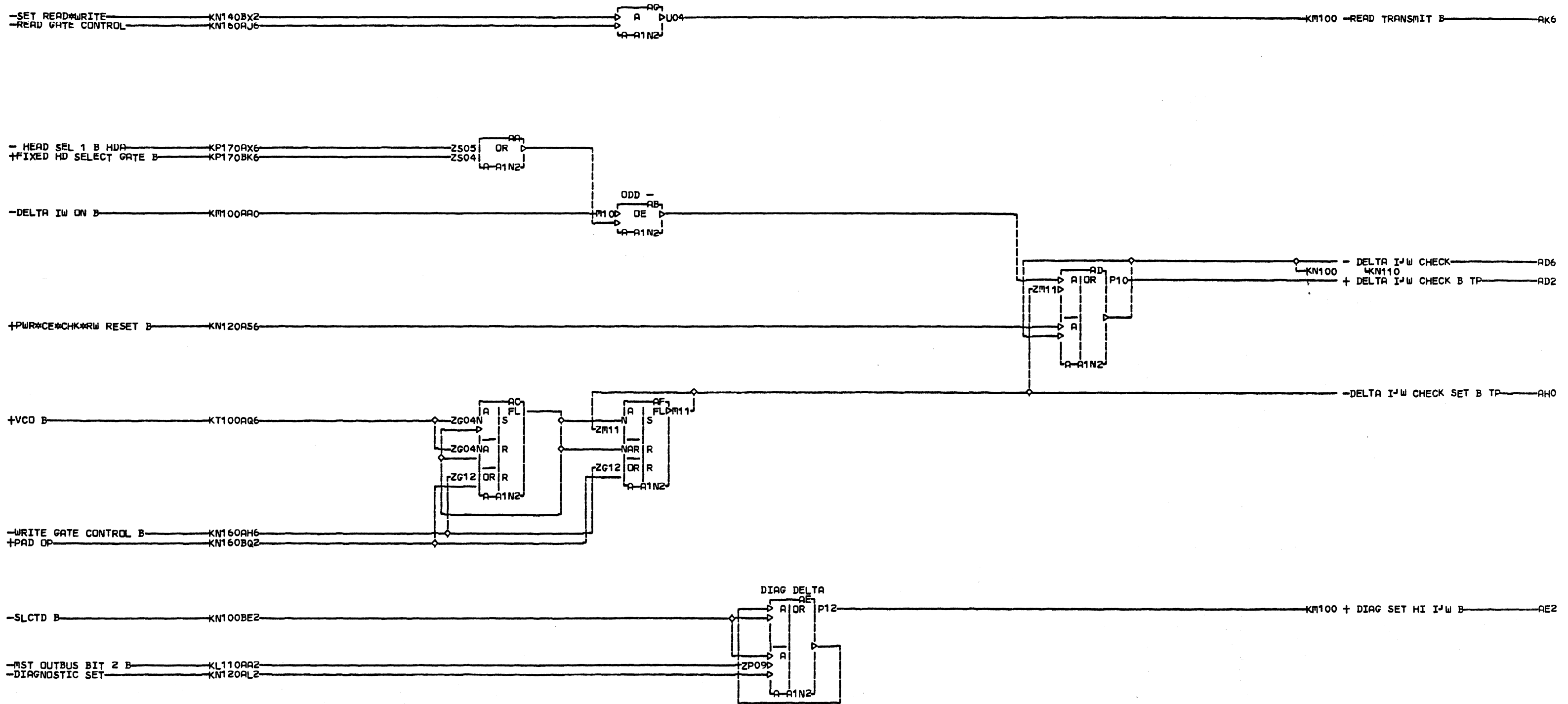
K
N
1
5
0
000



KN160

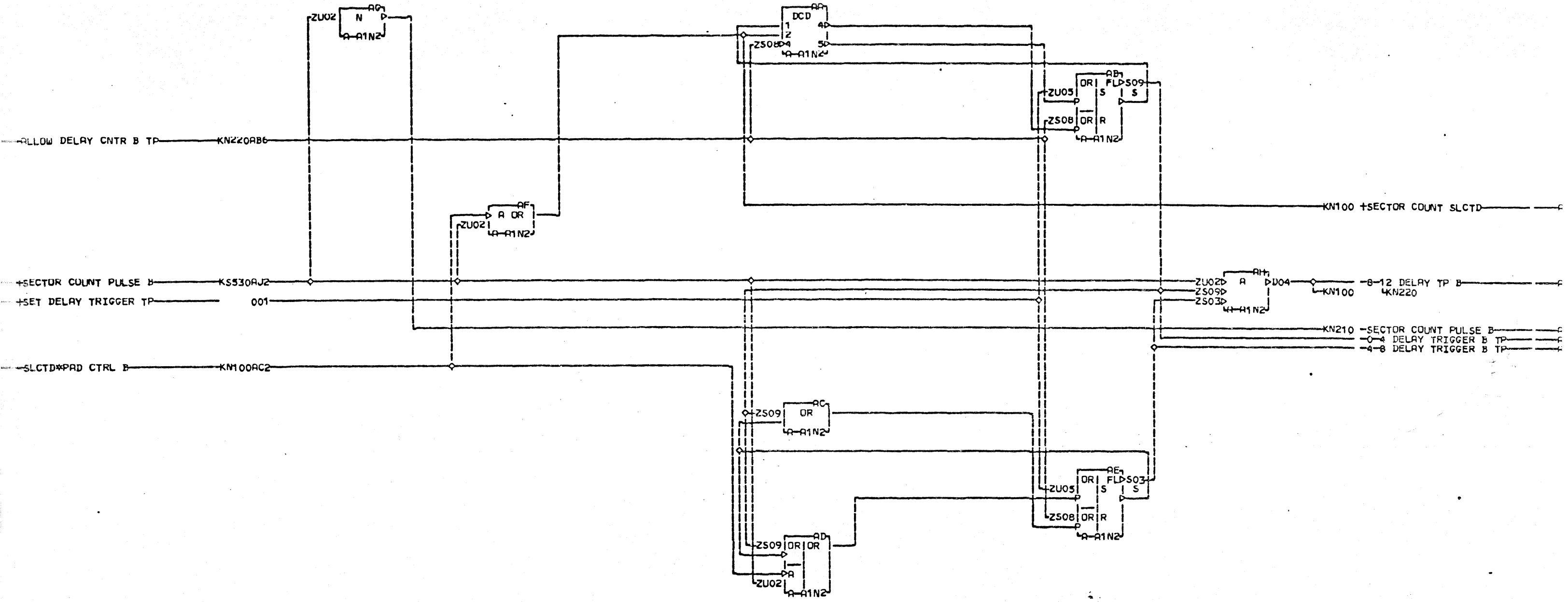
LOC. TYPE
A-A1N2 BC48

B FILE		K
READ WRITE CONTROLS AND SAFET		N
E.C.-HISTORY	B MACH.3350	1
446701		6
446702	FRAME	01
446704		0
	IBM CORP. SDD	
DATE	LAST EC	000
10-01-76	446706	
	IP.N. 4291707	



LOC. TYPE
A-A1N2 BC48

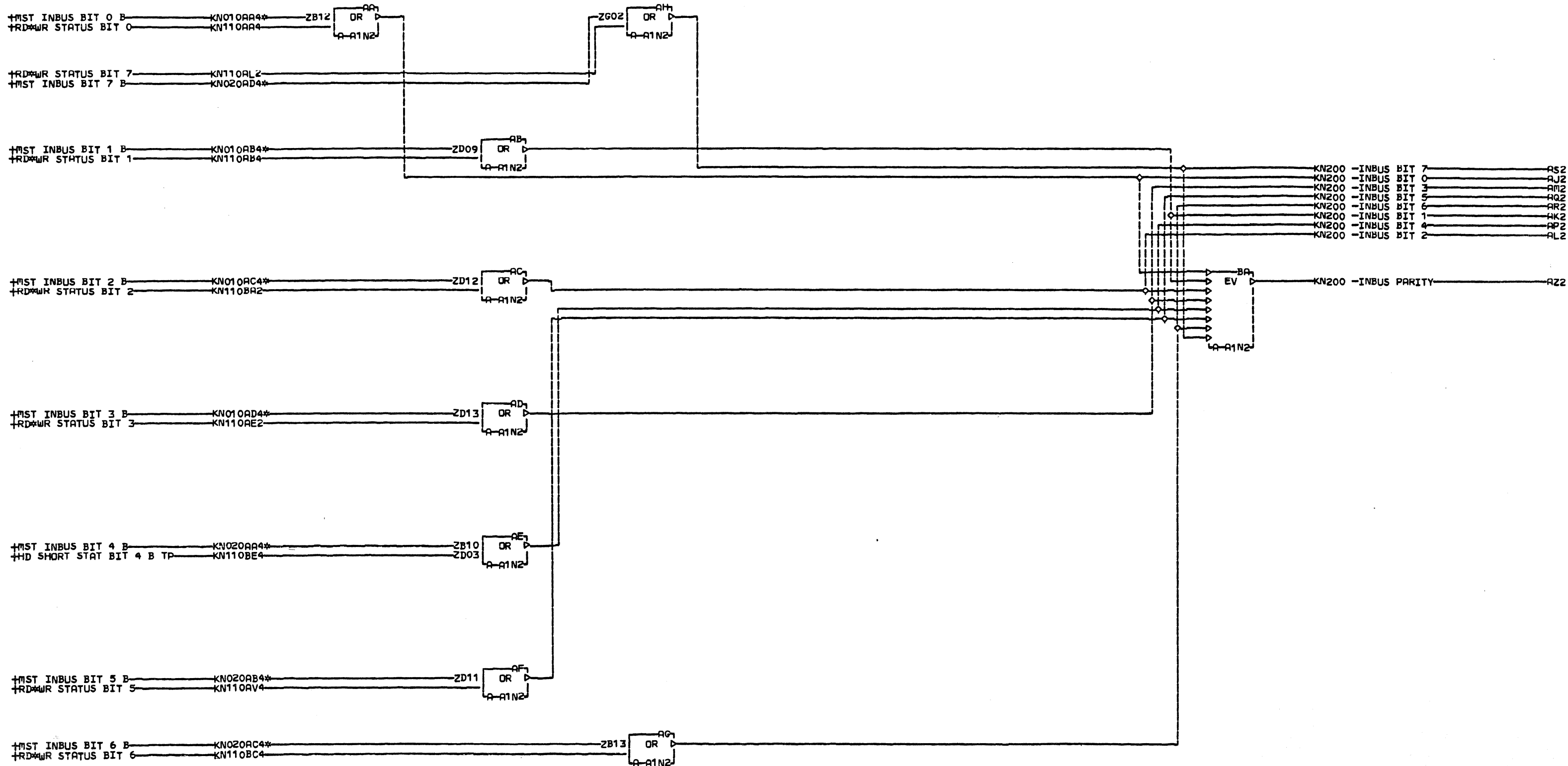
B FILE		K N	
READ WRITE CONTROLS AND SAFETY			
E.C. HISTORY		MACH. 3350	
446701			1
446702	FRAME	01	7
446704			0
446706	IBM CORP. SDD		
DATE	LAST EC		000
12-16-77	446710	P.No. 4291708	



KN100

LOC. TYPE
A-A1N2 BC48

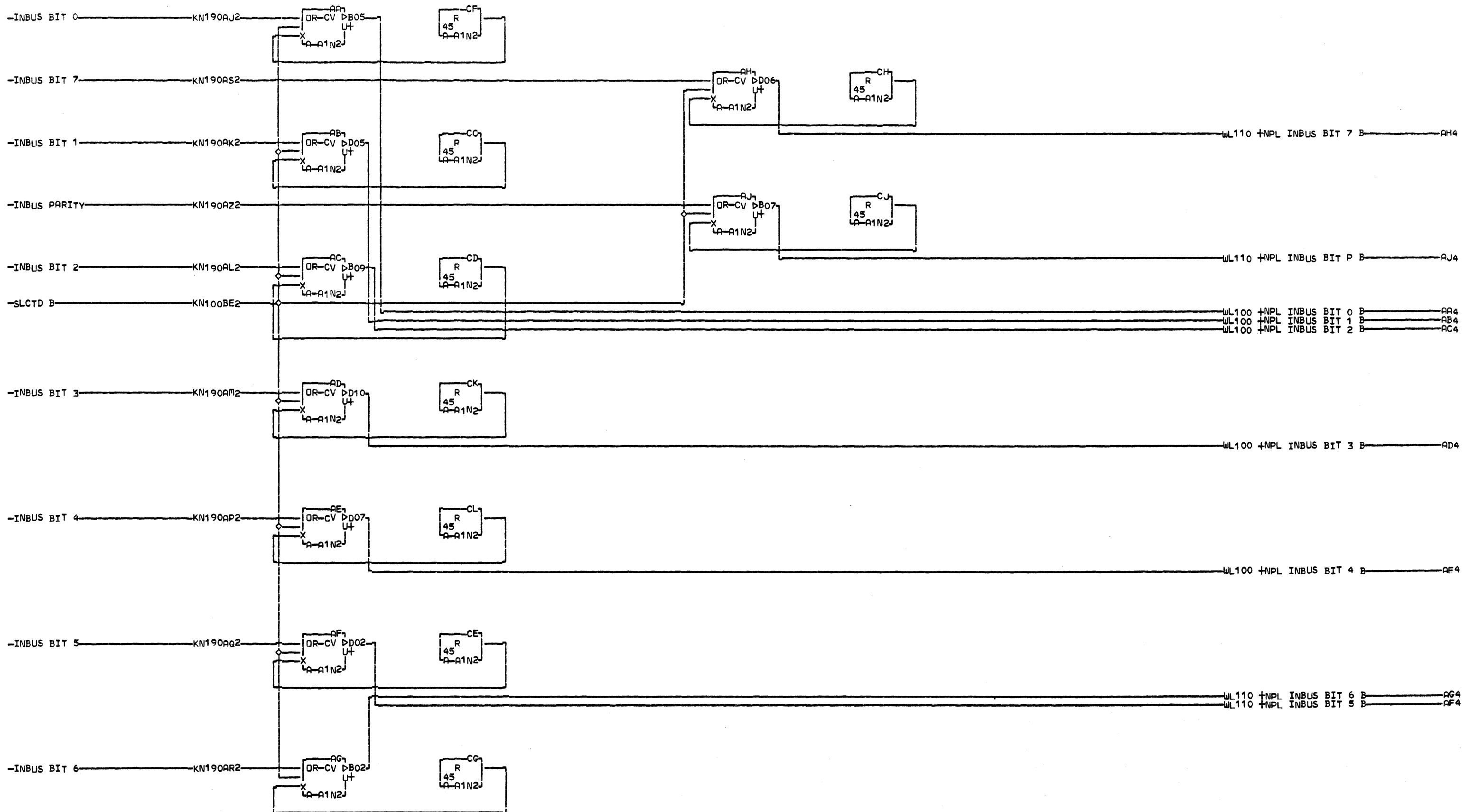
B FILE	
READ WRITE CONTROLS AND SAFET	
E.C. HISTORY	E MACH. 3350
446701	
446704	FRAME 01
446705	IBM CORP. SDD
DATE	LAST EC
12-16-77	446710
	PaN. 4291709

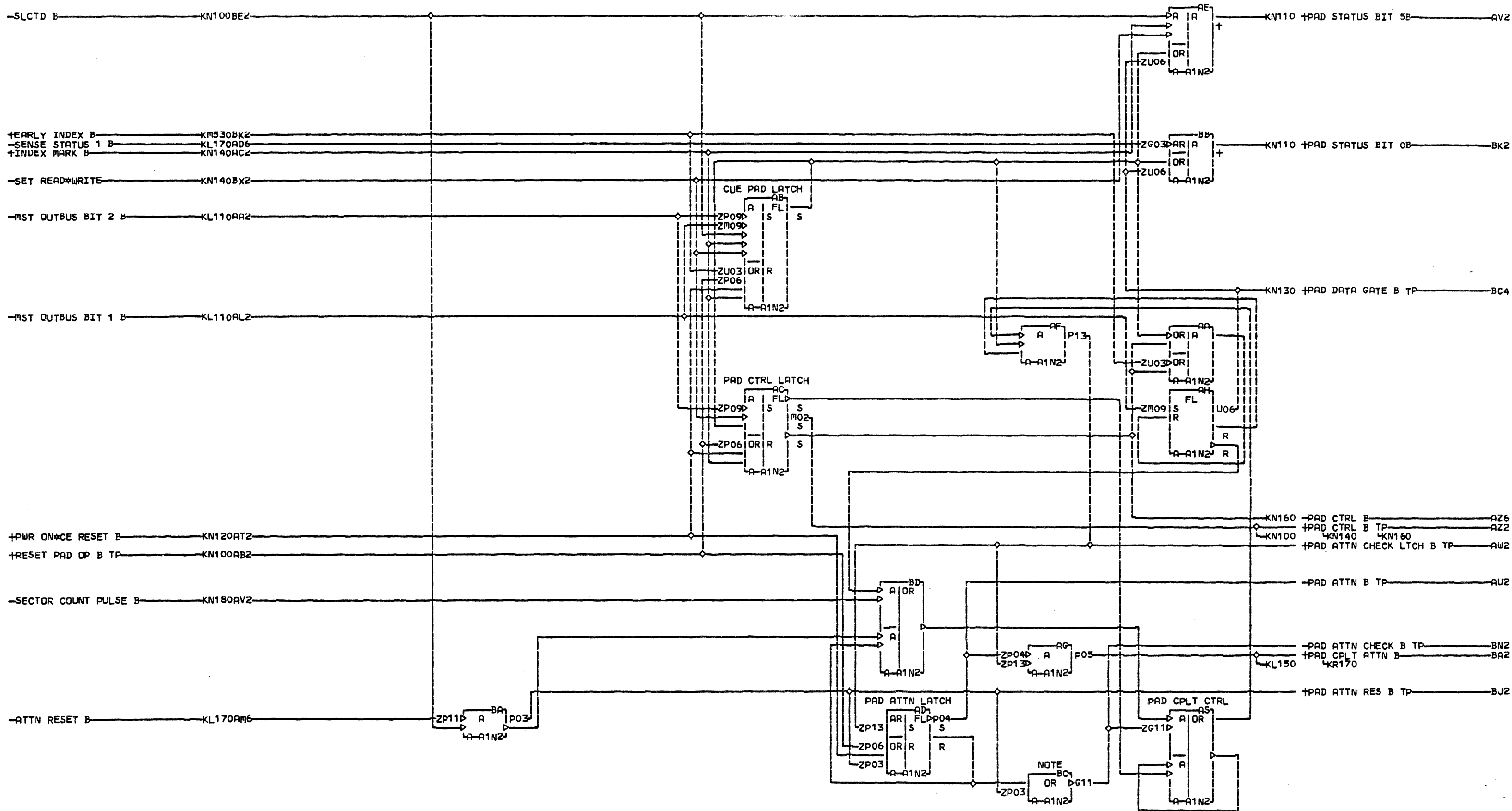


KN010AA4	KN010AD4	KN020AC4
RESISTOR	RESISTOR	RESISTOR
A-A1N2B12	A-A1N2D13	A-A1N2B13
KN010AB4	KN020AA4	KN020AD4
RESISTOR	RESISTOR	RESISTOR
A-A1N2D09	A-A1N2B10	A-A1N2G02
KN010AC4	KN020AB4	
RESISTOR	RESISTOR	
A-A1N2D12	A-A1N2D11	

LOC. TYPE
A-A1N2 BC48

B FILE		
INBUS AND SELECT		
E.C. HISTORY	MACH. 3350	
446701		01
446704	FRAME	9
	IBM CORP. SDD	00
DATE	LAST EC	
12-16-77	446710	
	P.No. 4291710	





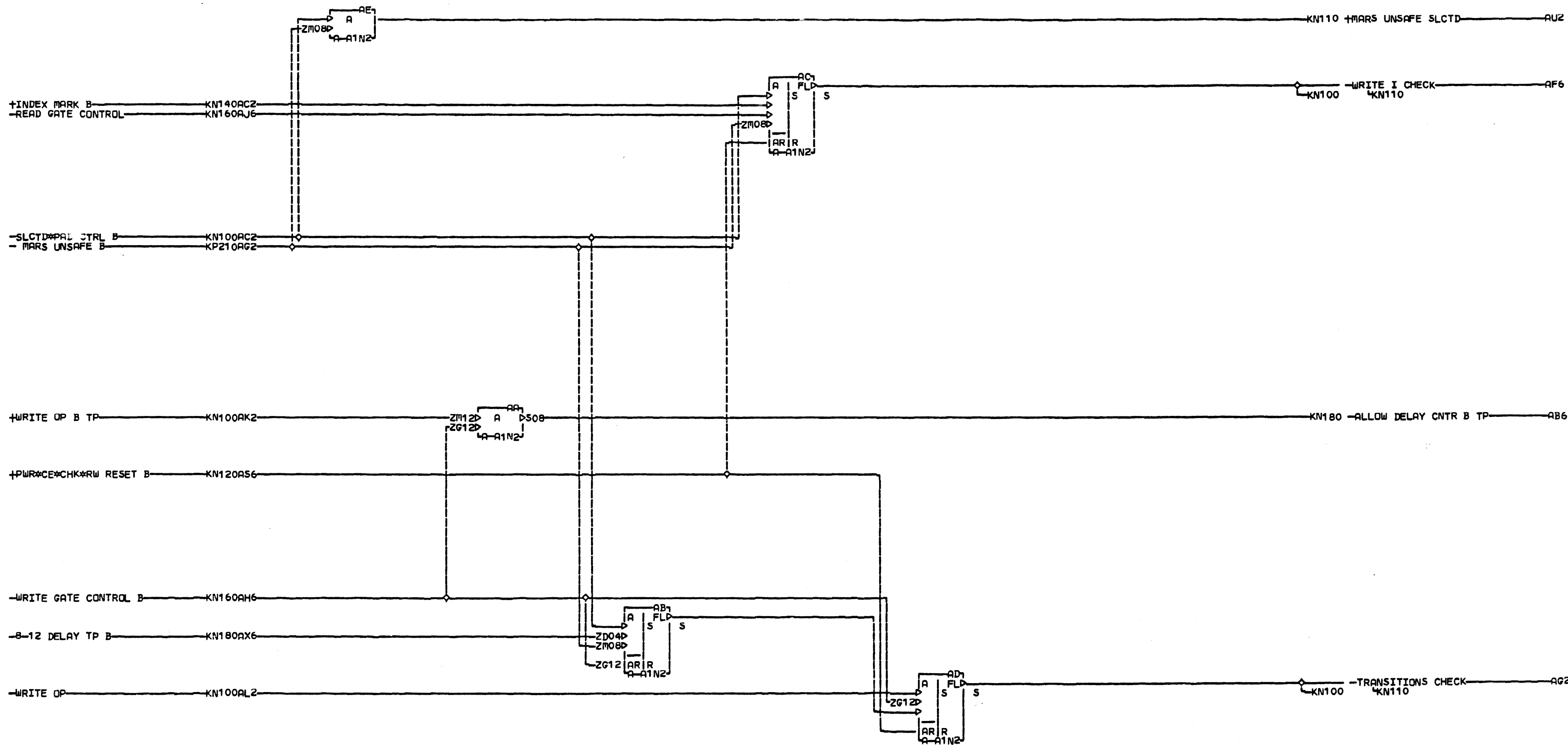
NOTE THIS FUNCTION ONLY
ON CARD PN 8250739
OR LATER.

KN
2
1
0

LOC. TYPE
A-A1N2 BC48

B FILE		WRITE PADDING	
-E.C.-HISTORY	-E-MACH.	3350	
446701	FRAME	01	
446704			
446706			
DATE	LAST EC	IBM CORP. SDD	
12-16-77	446710	P.No. 4291712	

KN
2
1
0
000

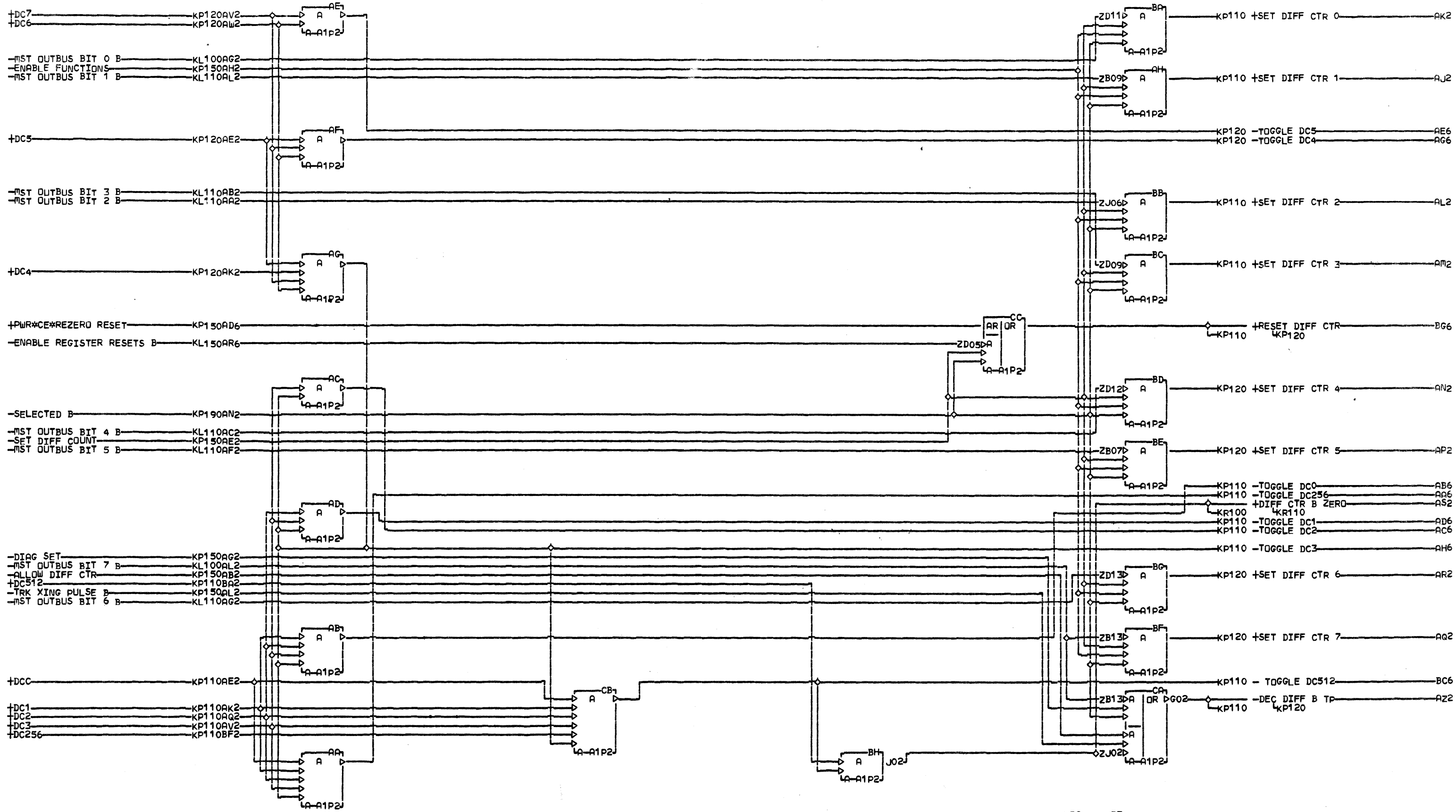


LOC. TYPE
A-A1N2 BC48

TRANSITIONS AND IWRITE CHECK	
E.C. HISTORY	MACH. 3350
446701	FRAME 01
446704	IBM CORP. GPD
446705	
DATE	LAST EC
12-16-77	446710
	IP.N. 4291713

000000

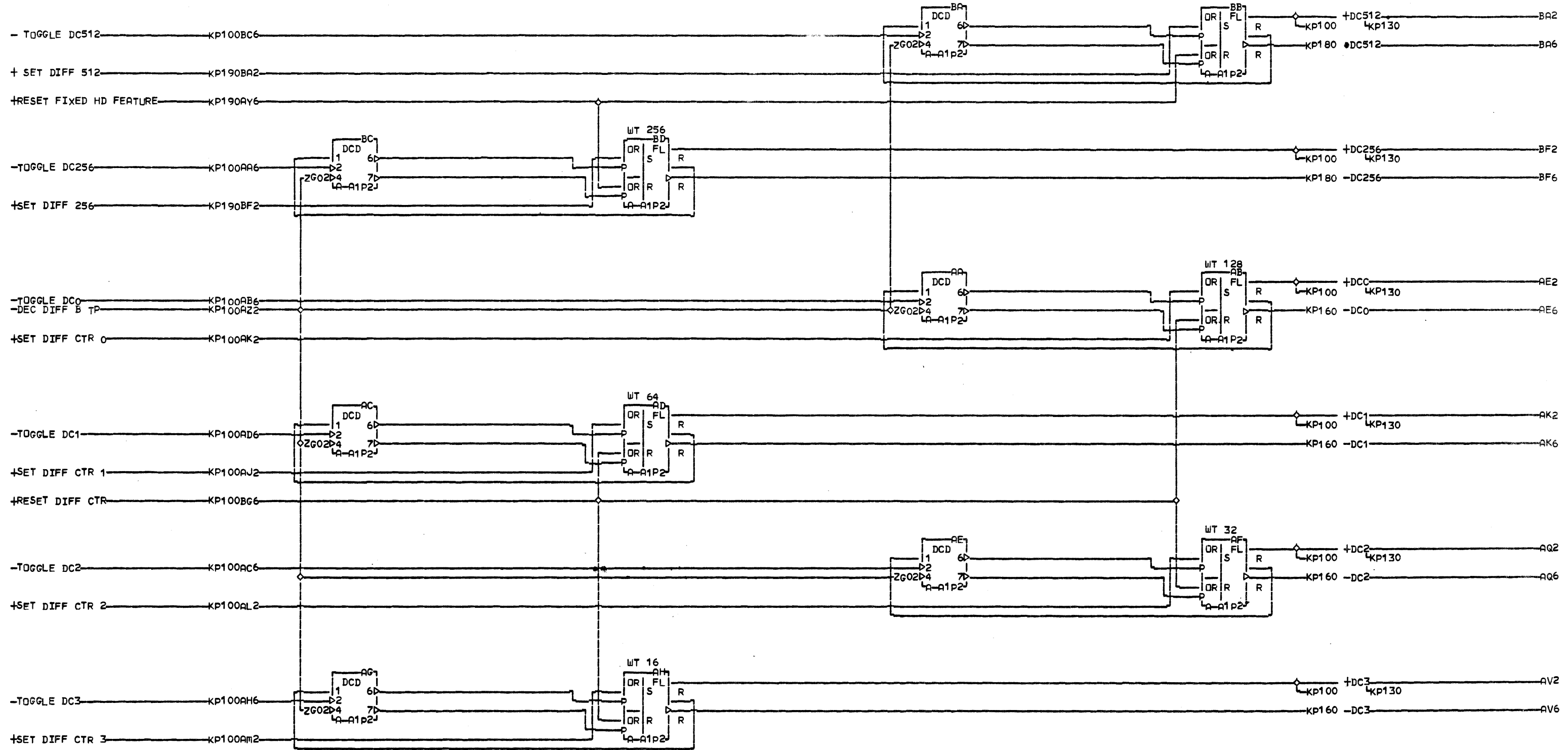
000000



K
P
1
0
0

LOC. TYPE
A-A1P2 BC42

B FILE CONTROLS		K P 1 0 0
-E.C.-HISTORY	-B-MACH.3350	
446701	FRAME 01	0
DATE	LAST EC	IBM CORP. SDD
03-05-76	446704	PeN# 4291714

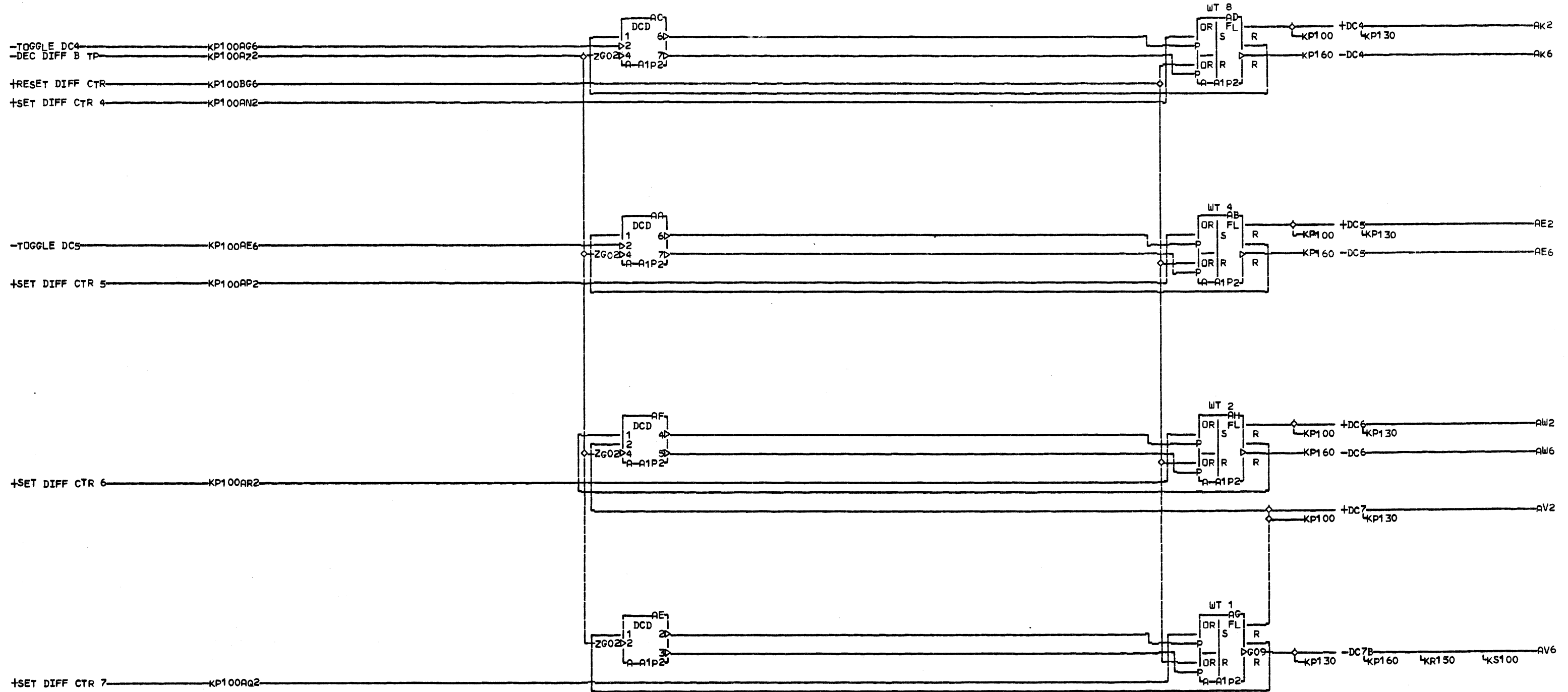


K
1
1
0

LDC TYPE
A-A1P2 BC42

B FILE	
DIFF CTR 512 THRU 16	
E.C. HISTORY	B MACH.3350
446701	FRAME 01
DATE	LAST EC
03-05-76	446704
P.N.	4291715
IBM CORP. SDD	

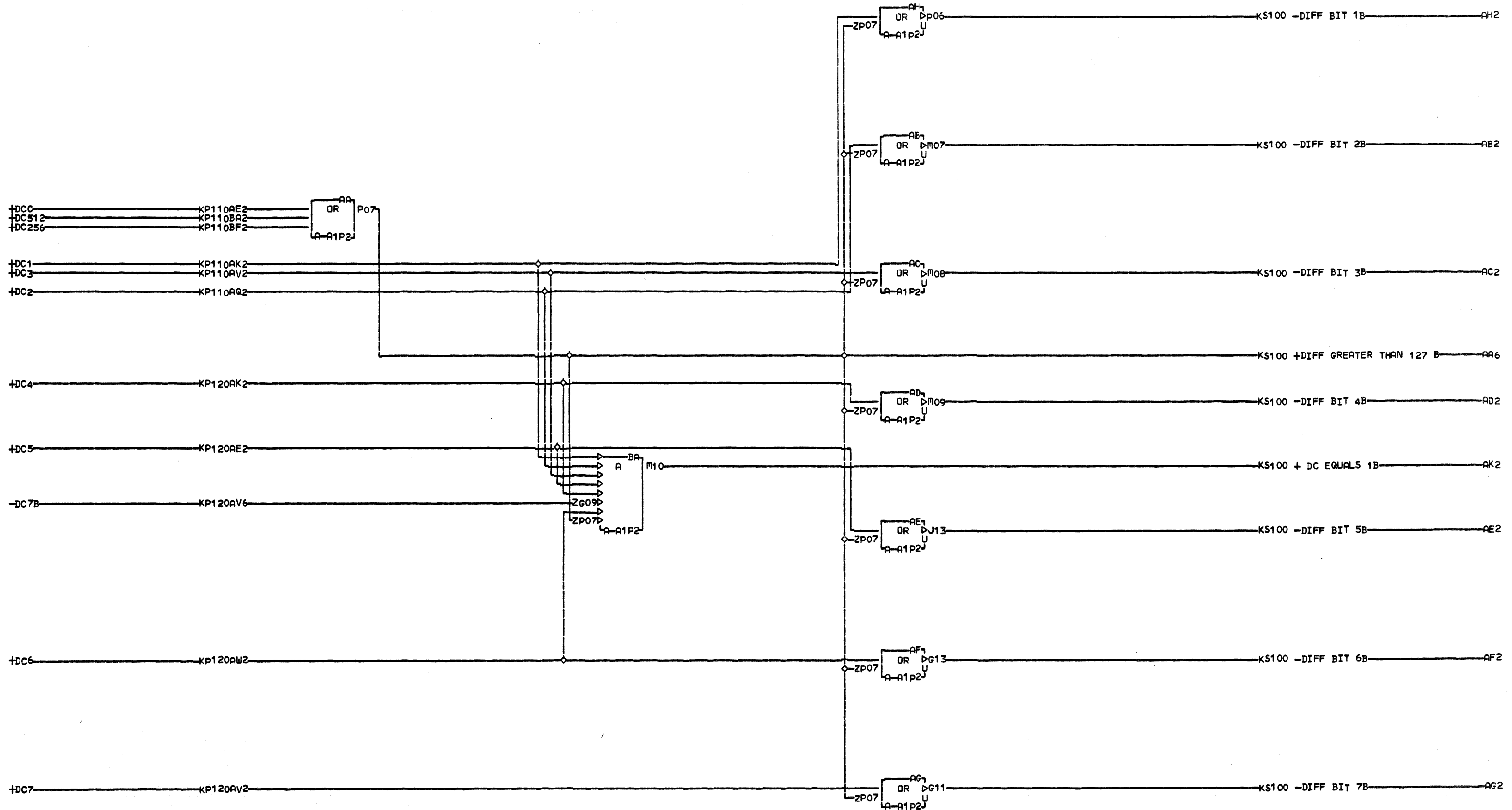
K
P
1
1
0



02-DK

LOC. TYPE
A-A1P2 BC42

B FILE		K P 1 2 0 000
DIFF CTR 8 THRU 1		
E.C. HISTORY	MACH. 3350	FRAME 01 IBM CORP. SDD
446701		
DATE	LAST EC	P. No. 4291716
03-05-76	446704	

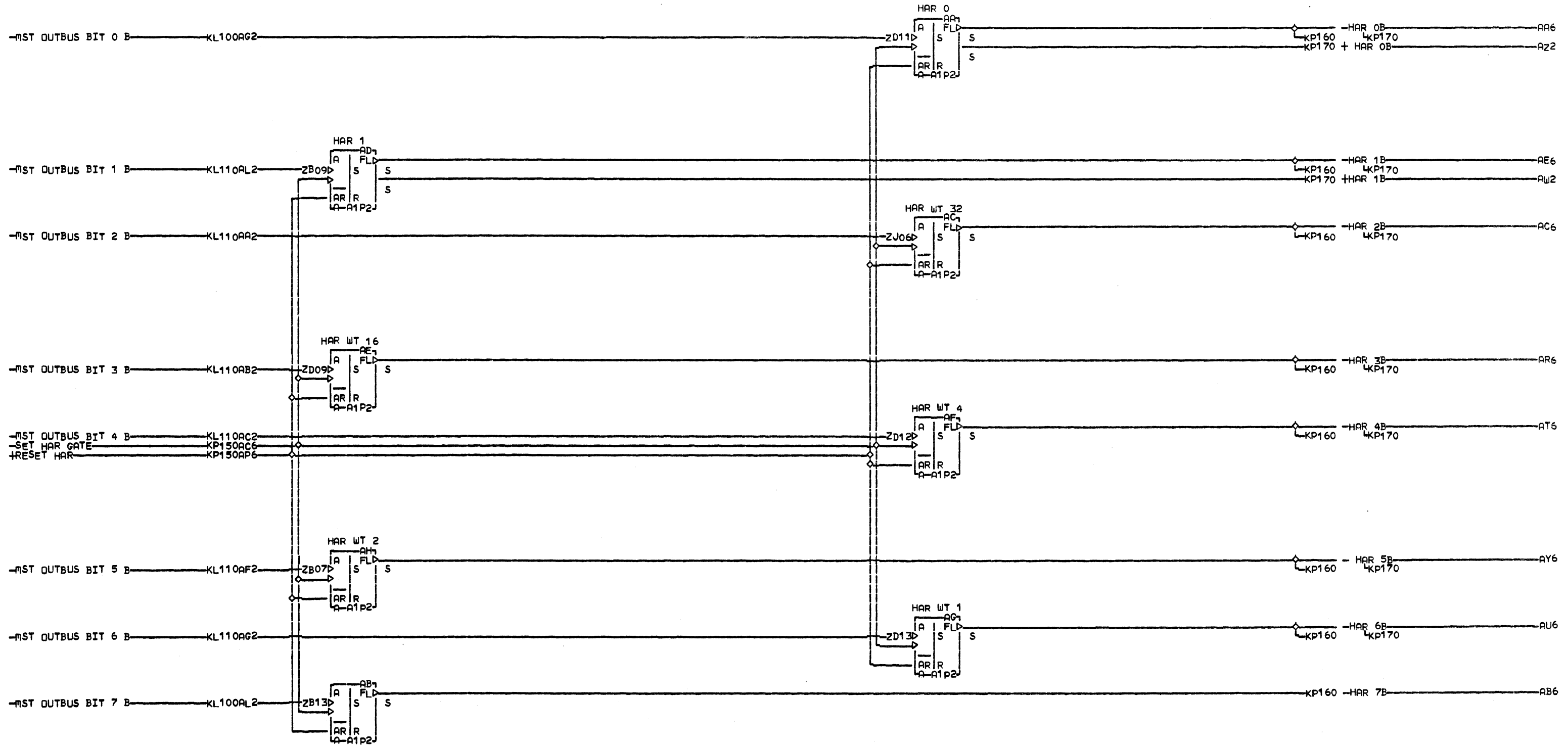


K
P
1
3
0

LOC. TYPE
A-A1P2 BC42

B FILE	
DIFF BITS 1 THRU 7	
E.C. HISTORY	B MACH. 3350
446701	FRAME 01
446702	IBM CORP. SDD
DATE LAST EC	P.N. 4291717
03-05-76 446704	

K
P
1
3
0
000

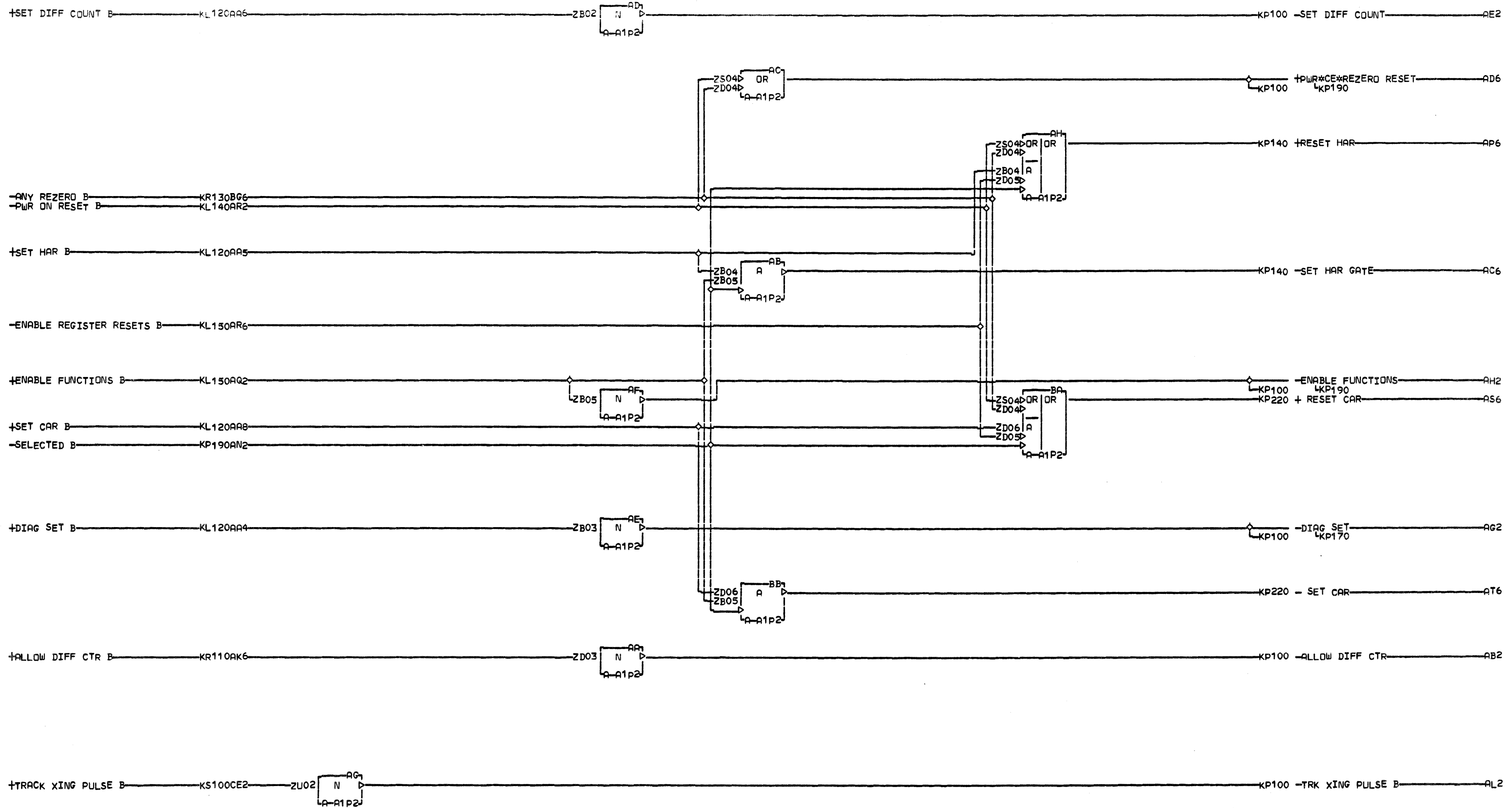


K
P
1
4
0

LOC. TYPE
A-A1P2 BC42

B FILE		MACH. 3350	01
HAR			
-E.C.-HISTORY		446701	01
DATE LAST EC		03-05-76 446704	P.No. 4291718

K
P
1
4
0

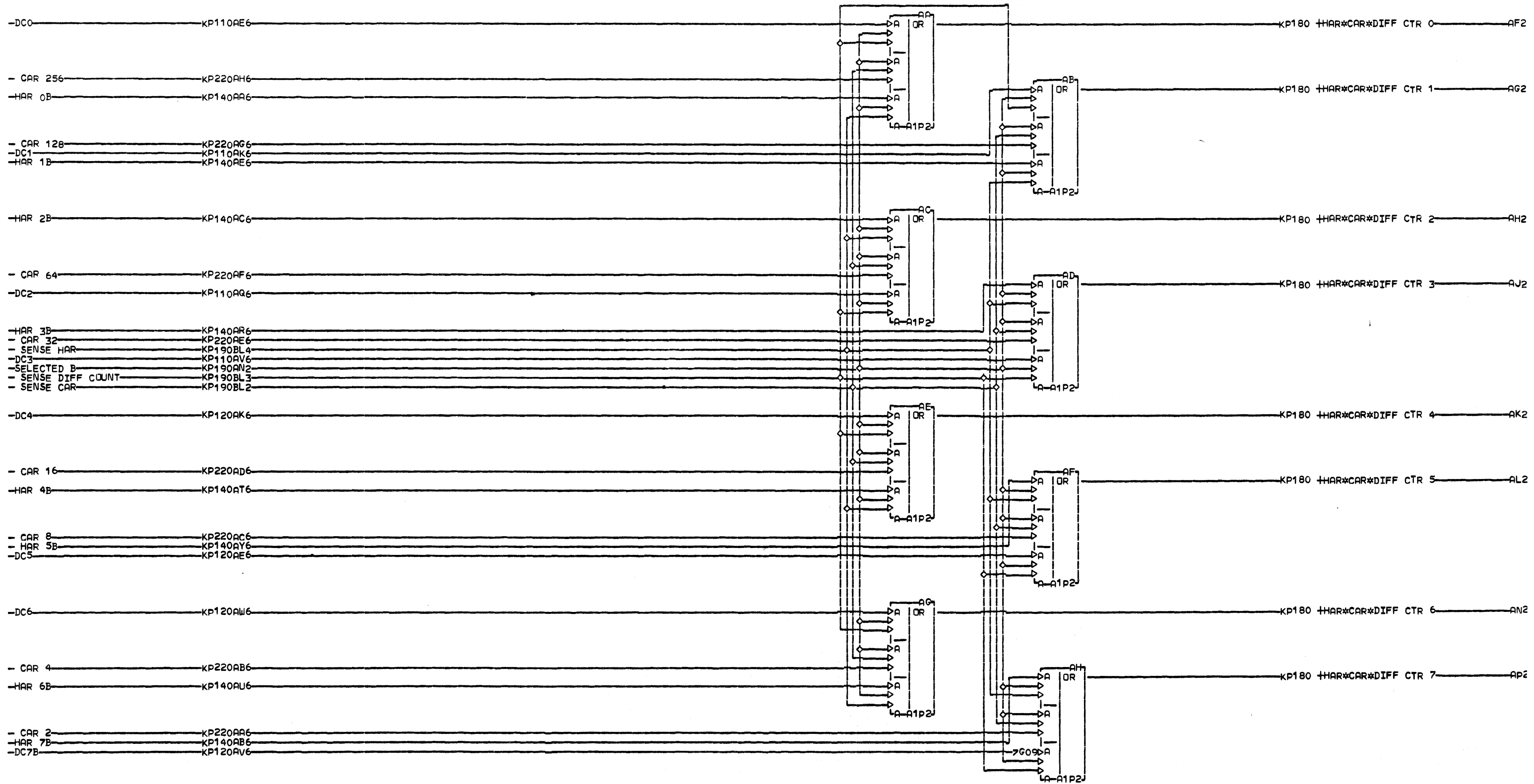


K
P
1
5
0

LOC. TYPE
A-A1P2 BC42

B FILE	
CONTROLS	
E.C.-HISTORY	MACH# 3350
446701	
FRAME	01
IBM CORP. SDD	
DATE LAST EC	P.N. 4291719
03-05-76 446704	

K
P
1
5
0

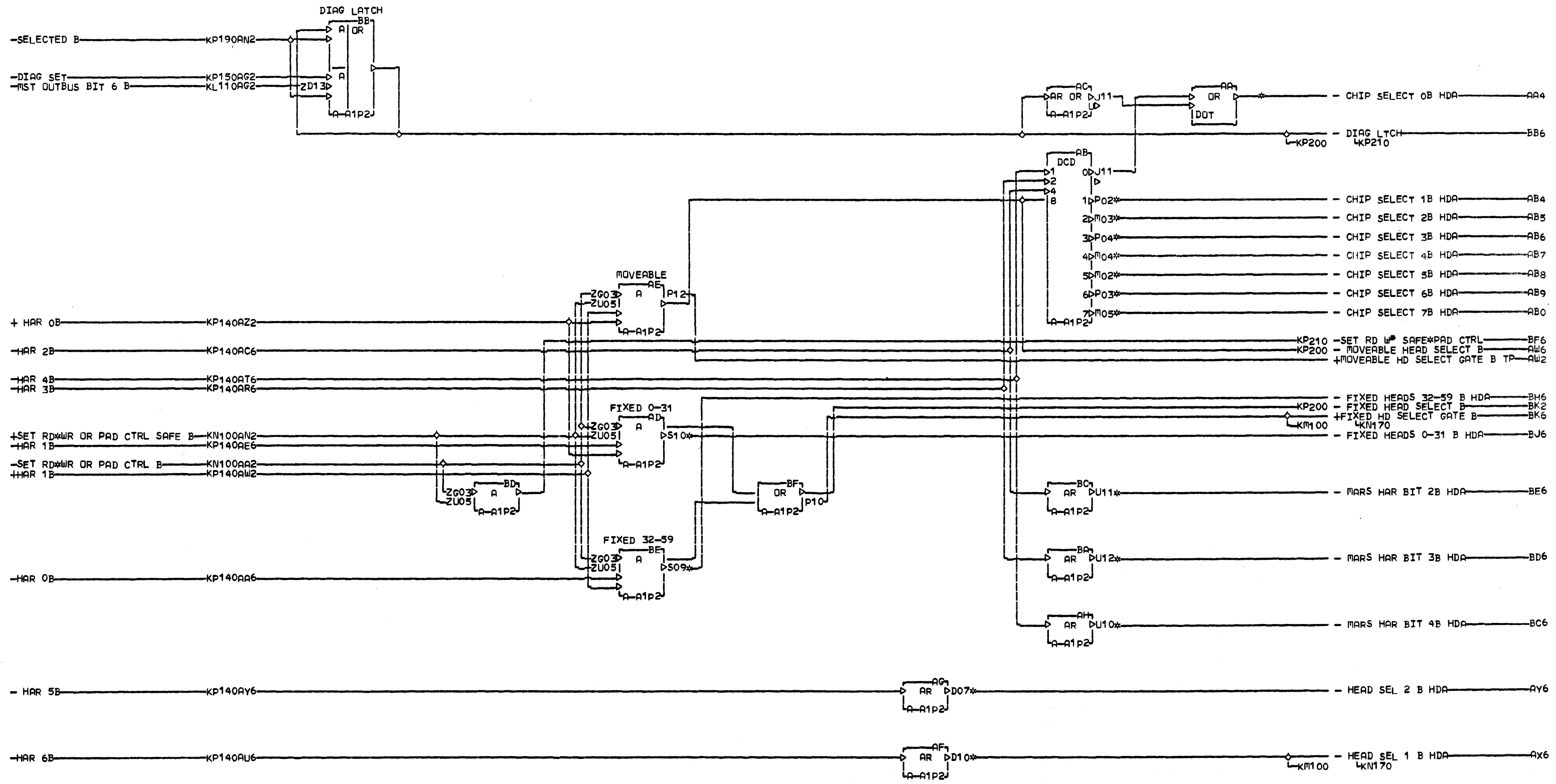


LOC. TYPE
A-A1P2 BC42

B FILE	
HAR*DIFF CTR 0 THRU 7	
E.C. HISTORY B MACH. 3350	
446701	FRAME 01
IBM CORP. SDD	
DATE LAST EC	P.N. 4291720
103-05-76 446704	

K
1
6
0

K
P
1
6
0
001

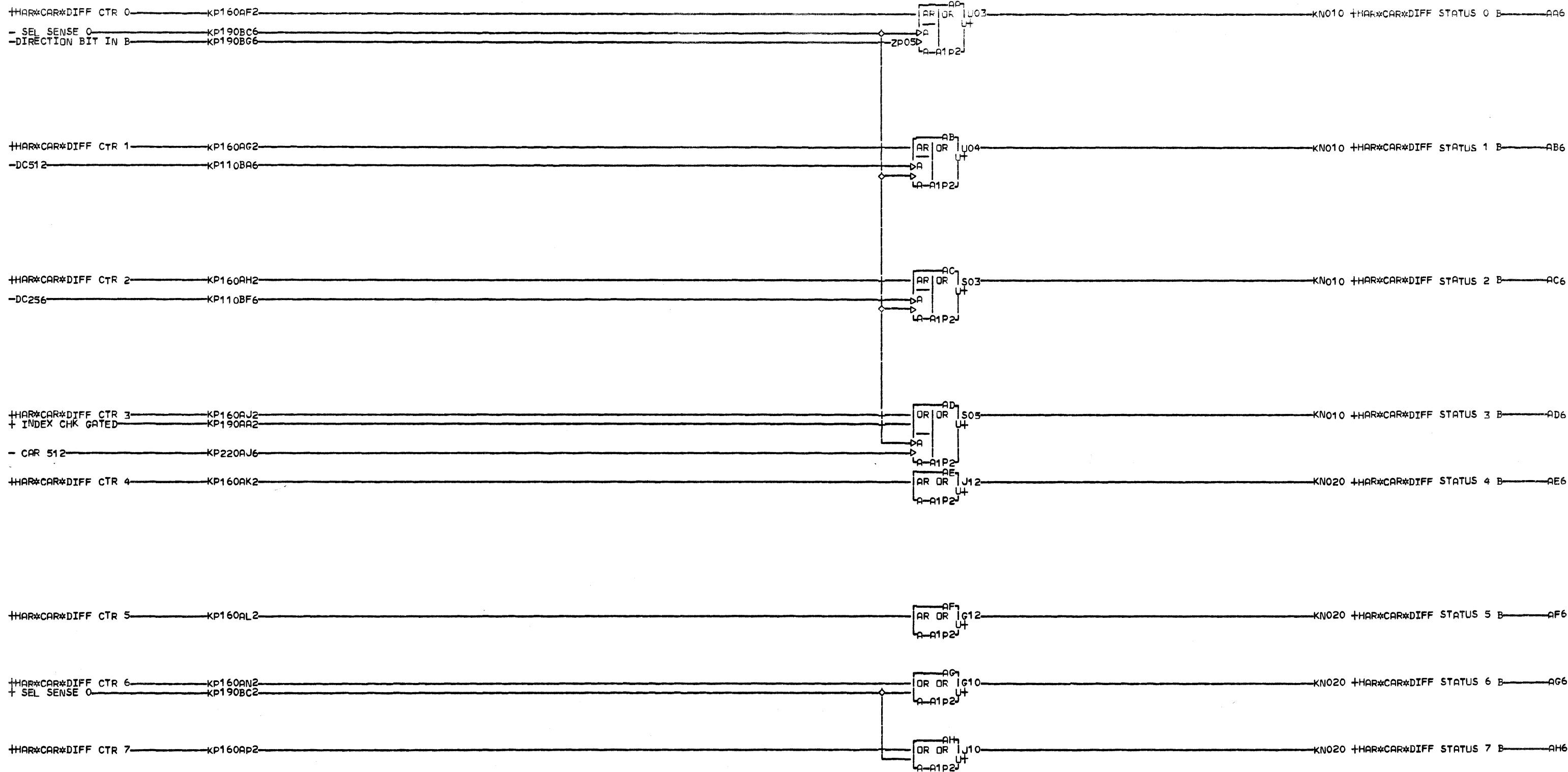


K
P
1
7
0
000COPYRIGHT IBM CORP 1976

AA2 A-A1U2D02 AF2 A-A1U2D09
 AB6 A-A1U2B02 AG2 A-A1U2B08
 AB8 A-A1N1E13 AH2 A-A1M1E13
 AB10A A-A1N1E11 BA2 A-A1M1D11
 AB12A A-A1N1D13 BC2 A-A1M1C13
 AB14A A-A1N1C11 BE3 A-A1M1C11
 AB16A A-A1N1B13
 AB18A A-A1N1B11
 AD3 A-A1M1B13

LOC. TYPE
A-A1P2 BC42

B FILE		K
HEAD SELECT		P
E.C. HISTORY	MACH. 3350	1
446701	FRAME 01	7
DATE LAST EC		0
03-05-76	446704	000
P.N. 4291721		

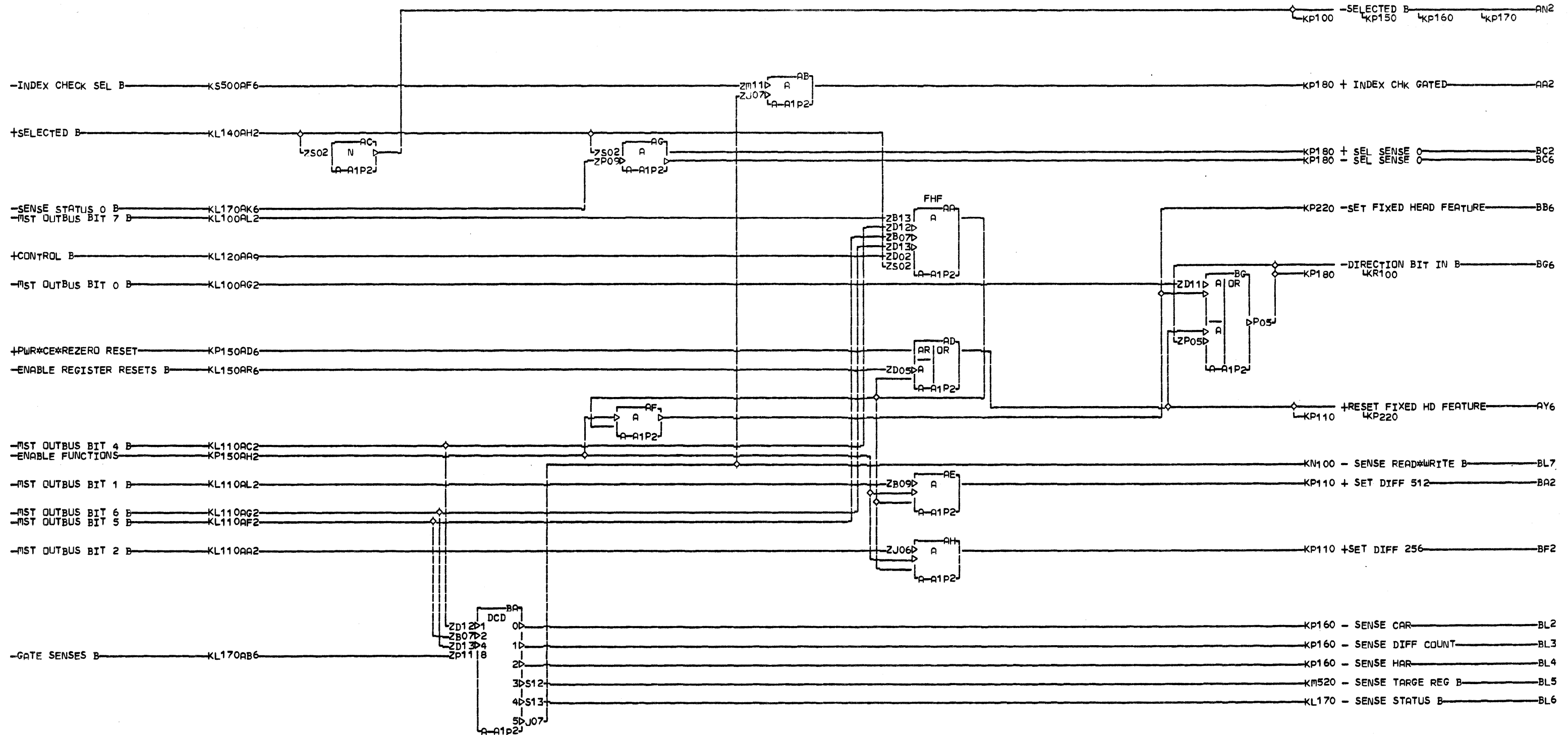


K
P
1
8
0

LOC. TYPE
A-A1P2 BC42

B FILE	
STATUS BITS	
E.C.-HISTORY	B MACH.3350
446701	FRAME 01
IBM CORP. SDD	
DATE	LAST EC
03-05-76	446704
P.N. 4291722	

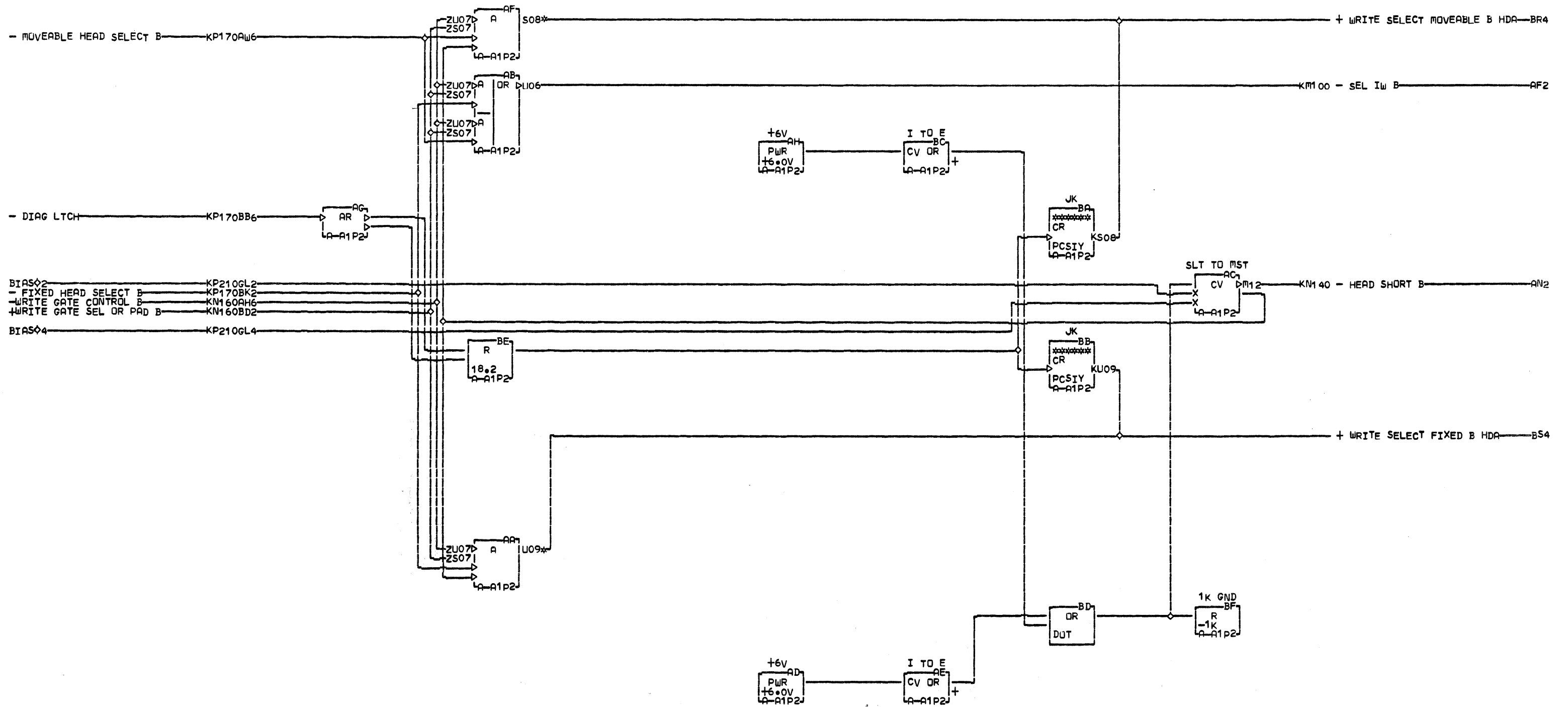
K
P
1
8
0



LOC. TYPE
A-A1P2 BC42

B FILE		MACH. 3350	01
DIR BIT			
E.C. HISTORY	446701	IBM CORP. SDD	P.N. 4291723
DATE	03-05-76	LAST EC	446704

K
P
1
9
0
000



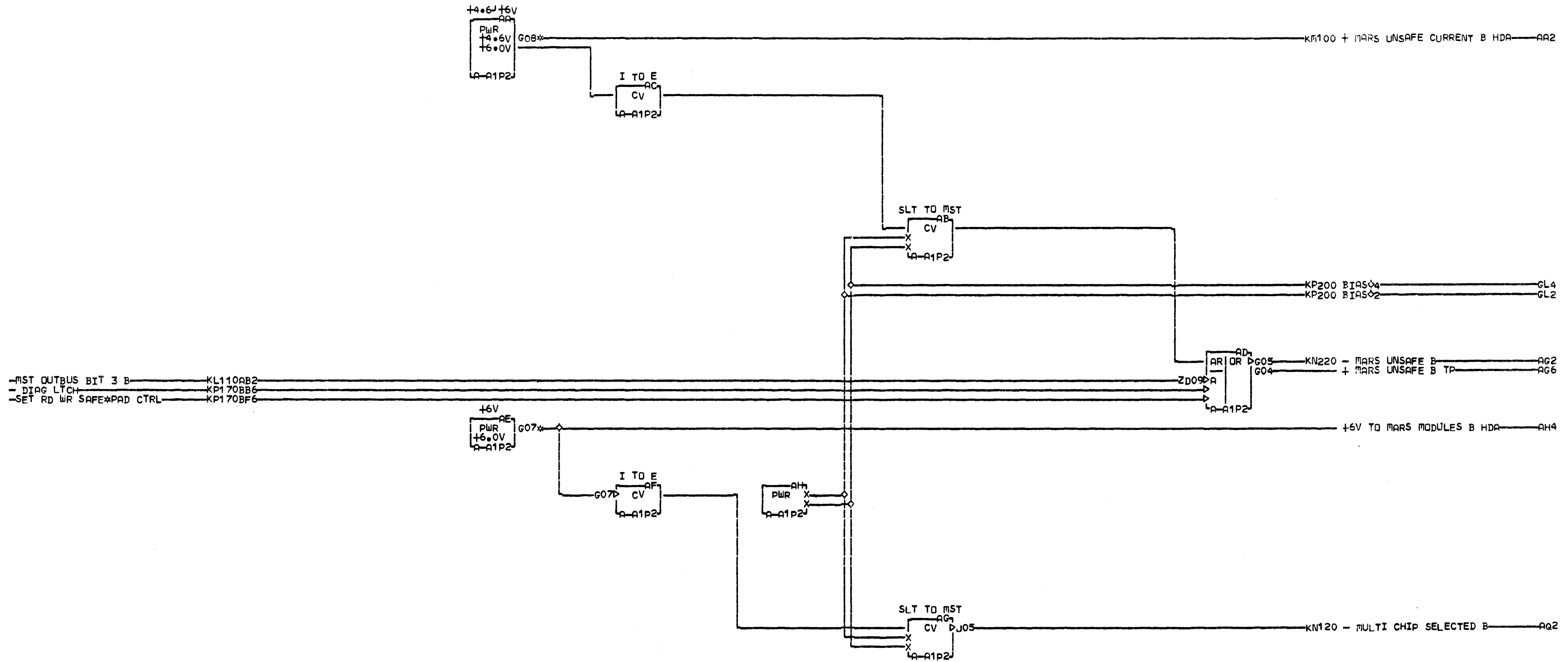
AA2 A-A1U2D04
 AF2 A-A1U2B09

LOC. TYPE
 A-A1P2 BC42

B FILE	
MARS INTERFACE	
E.C.-HISTORY	MACH.3350
446701	FRAME 01
446702	IBM CORP. SDD
DATE	LAST EC
03-05-76	446704
P.N.	4291724

K
P
2
0
0

K
P
2
0
0



-MST OUTBUS BIT 3 B — KL110AB2
 -DIAG LTCH — KP170BB6
 -SET RD WR SAFE*PAD CTRL — KP170BF6

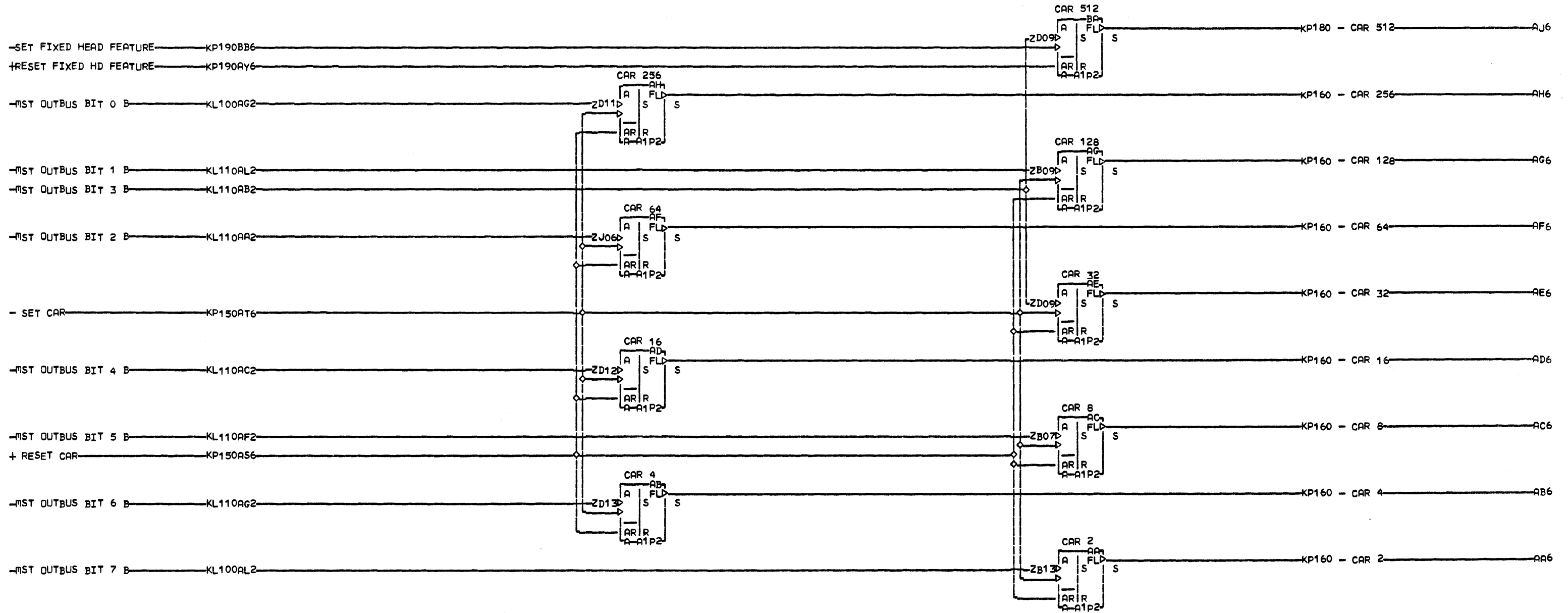
AA3 A-A1U2B04
 01A-A1N1A11
 AE2 A-A1U2D07
 01A-A1U2D10

LOC. TYPE
 A-A1P2 BC42

B FILE		
LCMI		
E.C. HISTORY	MACH.3350	
446701		
446702	FRAME	01
	IBM CORP. SDD	
DATE	LAST EC	
03-05-76	446704	
	P.N.	4291725

K
 2
 1
 0

K
 P
 2
 1
 0
 000

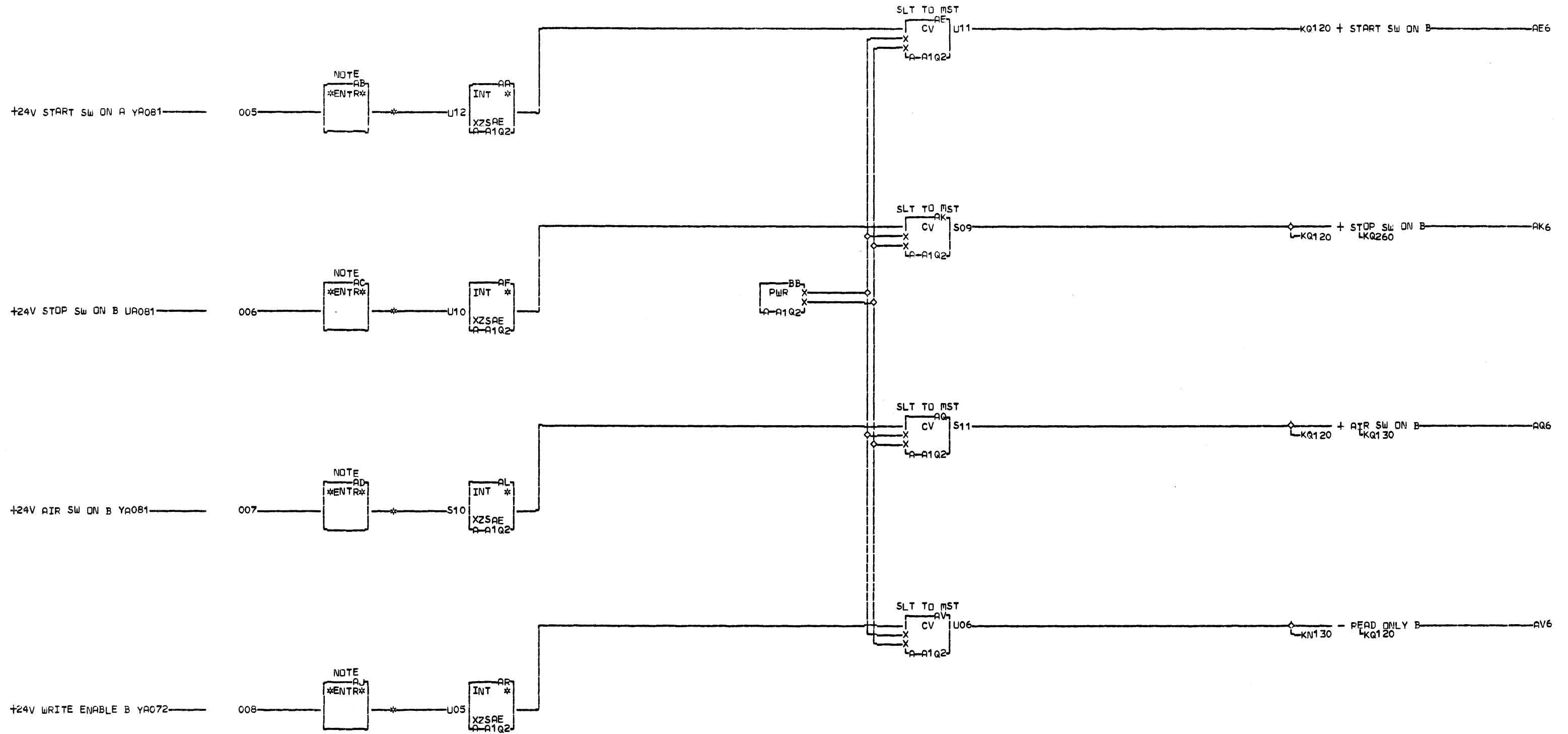


02207X

LOC. TYPE
A-A1P2 BC42

B FILE	
CYLINDER ADDRESS REGISTER	
E.C.-HISTORY	B-MACH.3350
446701	
FRAME	01
IBM CORP. SDD	
DATE	LAST EC
03-05-76	446704
P.N. 4291726	

K
P
2
2
0

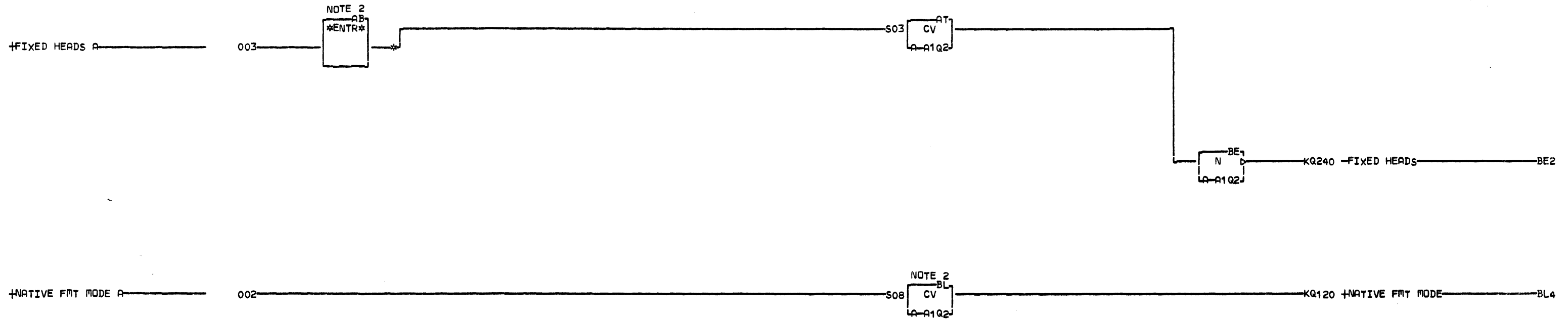


NOTE B BOX HAS YB PAGES.

AB4 A-A1 VSD10
 AC4 A-A1 VSD11
 AD4 A-A1 VSB07
 AJ4 A-A1 VSB02

LDC. TYPE
 A-A1 Q2 BC44

HDA SEQUENCING B		K
SWITCH INTEGRATORS		Q
E.C. HISTORY	MACH. 3350	1
DATE	LAST EC	0
03-05-76	446704	0
P.N.	4291727	000



NOTE 1 FOR NATIVE FORMAT
 JUMPER S08 TO U08.
 NOTE 2 B BOX HAS YB PAGES.
 AB4 A-A1N1A13
 K
 Q
 1
 1
 0
 000COPYRIGHT IBM CORP 1976

LQC. TYPE
 A-A1Q2 BC44

HDA SEQUENCING B		K Q 1 1 0 000
E.C.-HISTORY	B MACH.3350	
	FRAME 01	
	IBM CORP. SDD	
DATE	LAST EC	
03-05-76	446704	P.No. 4291728

IBM

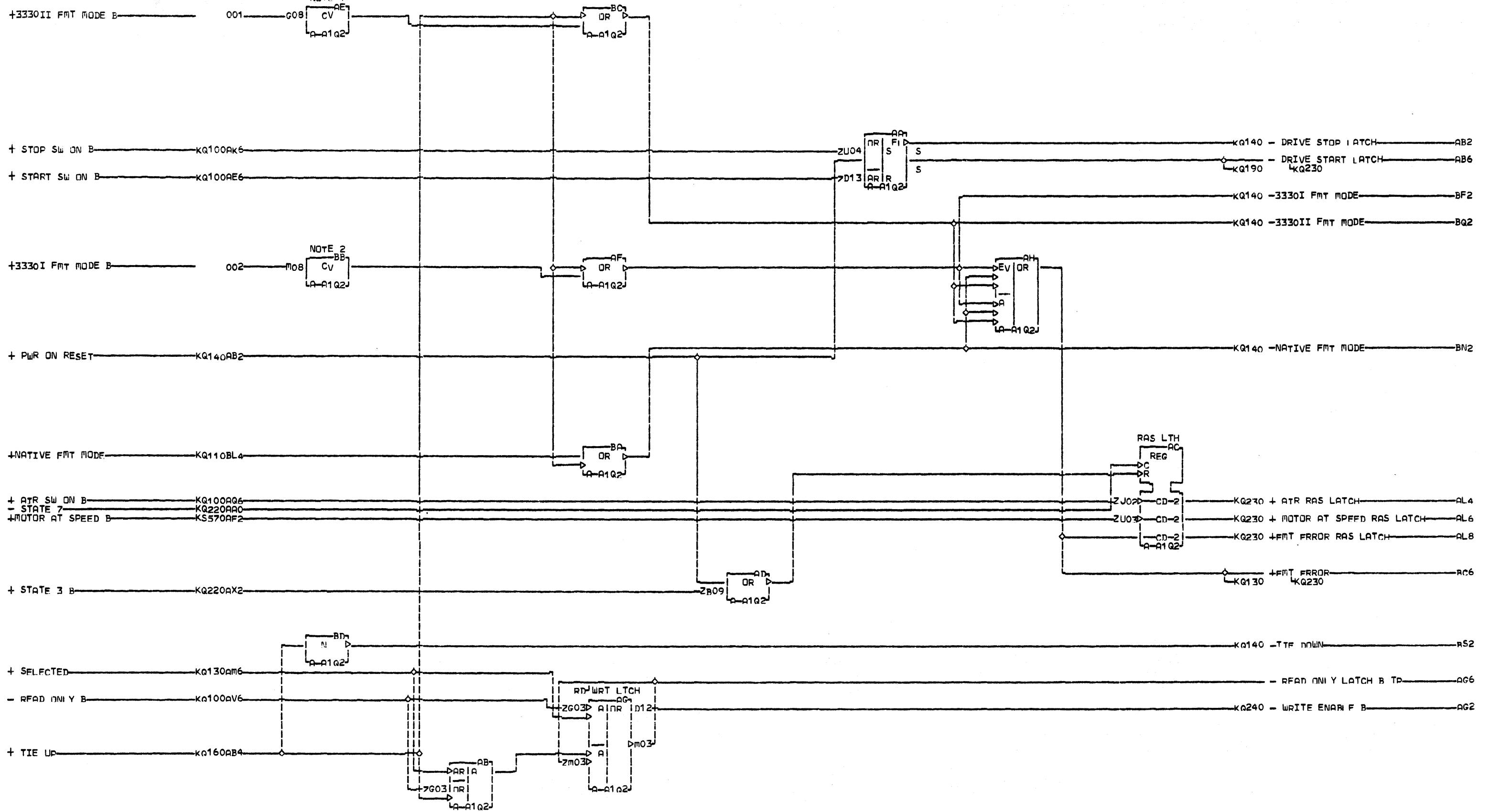
CONFIDENTIAL

UNTIL 04-01-76

- UNCLASSIFIED

THEREAFTER **

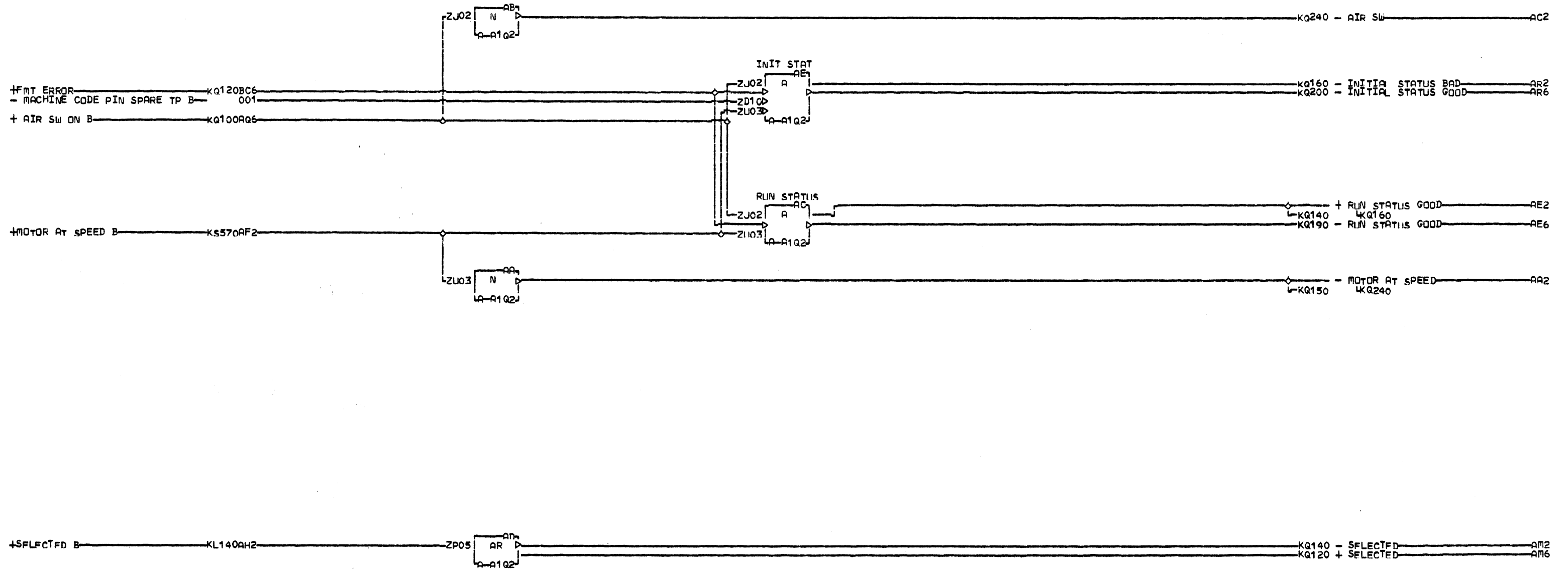
000 KQ120



NOTE 1 FOR 3330II FORMAT
 JUMPER G08 TO J08.
 NOTE 2 FOR 3330I FORMAT
 JUMPER M08 TO P08.

INC. TYPE
 A-A1Q2 BC44

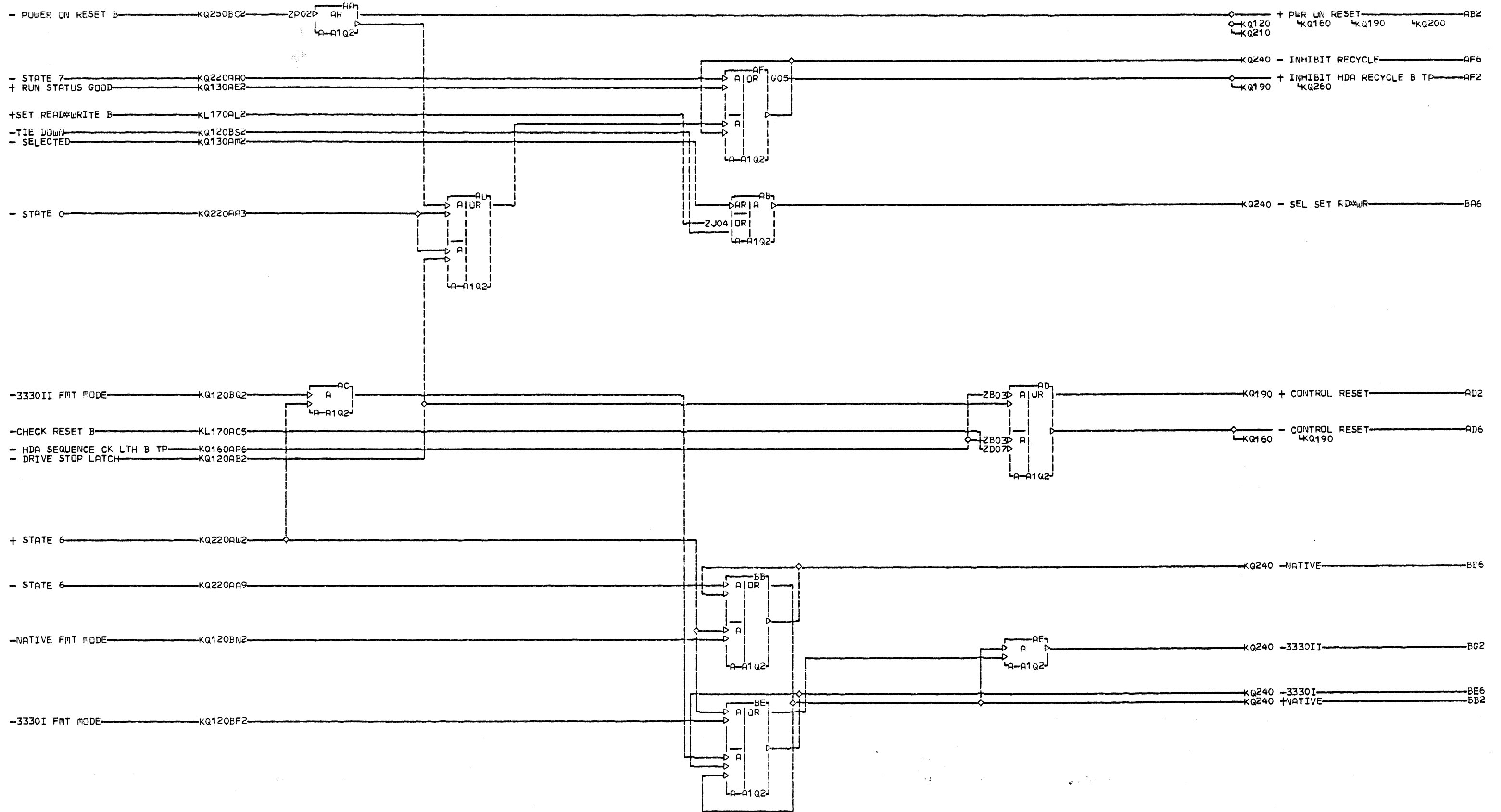
HDA SEQUENCING B		K
E.C. HISTORY	B1 MACH. 3350	Q
446704	FRAME 01	1
	IBM CORP. SDD	2
DATE LAST EC	P.No. 4291729	0
06-04-76 446705		000



001-00

LOC. TYPE
A-A1Q2 BC44

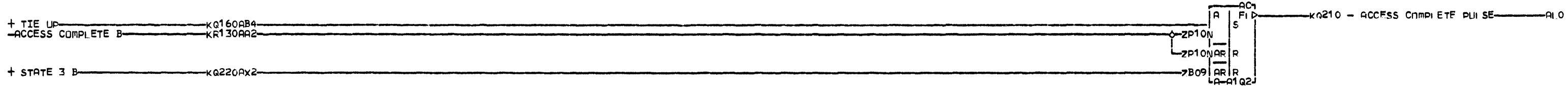
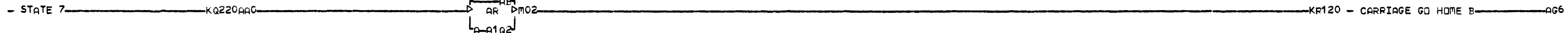
HDA SEQUENCING B		K Q 1 3 0
INTERLOCKS AND CONTROL		
E-C-HISTORY	B-MACH 3350	000
446704	FRAME 01	
IBM CORP. SDD		
DATE LAST EC	P.N. 4291730	
06-04-76 446705		

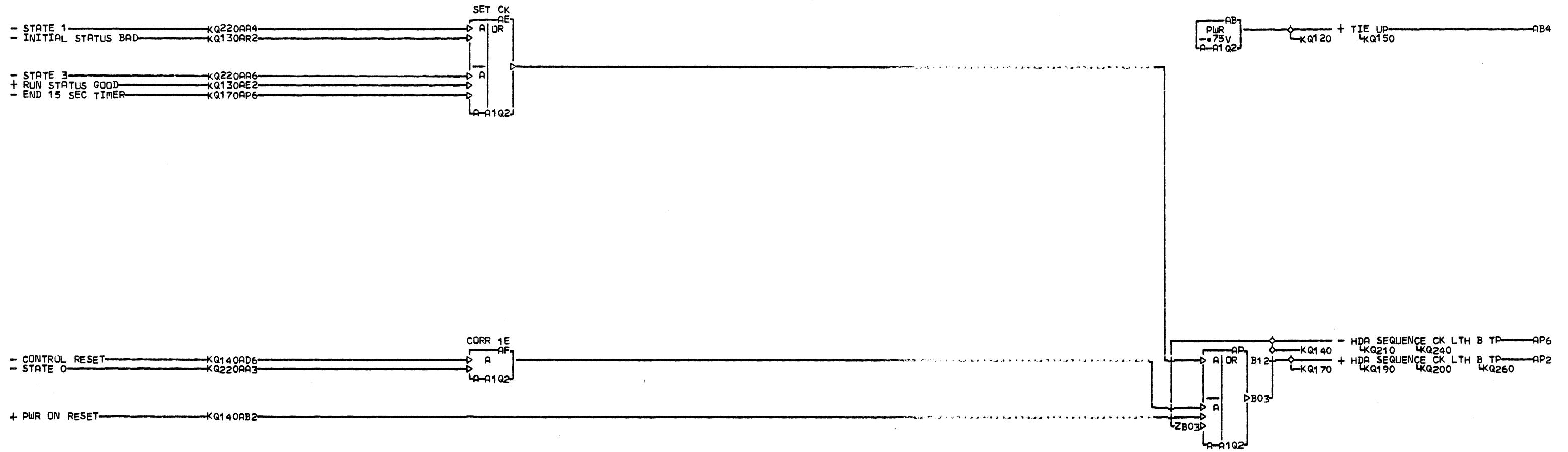


K
1
4
0

LOC. TYPE
A-A1Q2 BC44

HDA SEQUENCING B		K
STOP RECYCLE AND RESET		Q
E.C. HISTORY	E-MACH. 3350	1
446704		4
	FRAME	01
		0
	IBM CORP. SDD	0
DATE	LAST EC	000
04-01-77	446708	
	P.N. 4291731	



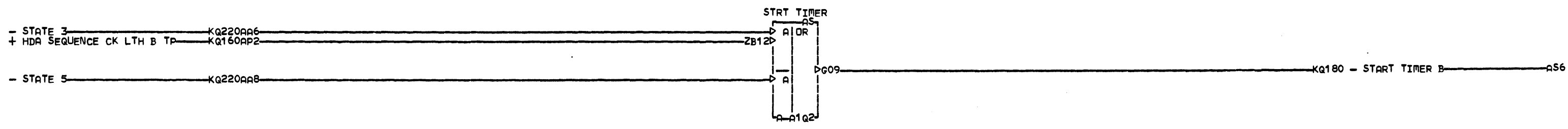
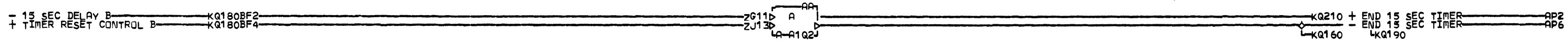


K
Q
1
6
0

LDC. TYPE
A-A1Q2 BC44

HDA SEQUENCING B CHECK LATCH	
E.C.-HISTORY	B-MACH-3350
FRAME	01
DATE	LAST EC
03-05-76	446704
P.No.	4291733
IBM CORP. SDD	

K
Q
1
6
0



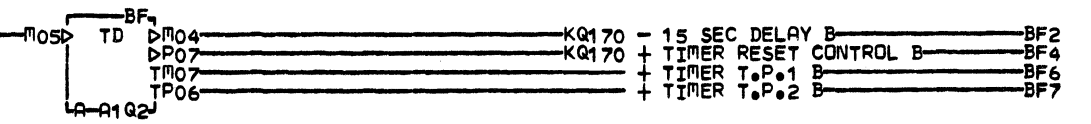
K
Q
1
7
0

LOC. TYPE
A-A1Q2 BC44

HDA SEQUENCING B	
TIMER CONTROL	
E.C. HISTORY	MACH. 3350
DATE	LAST EC
03-05-76	446704
FRAME	01
IBM CORP. SDD	
P.No.	4291734

K
Q
1
7
0

- START TIMER B - KQ170AS6

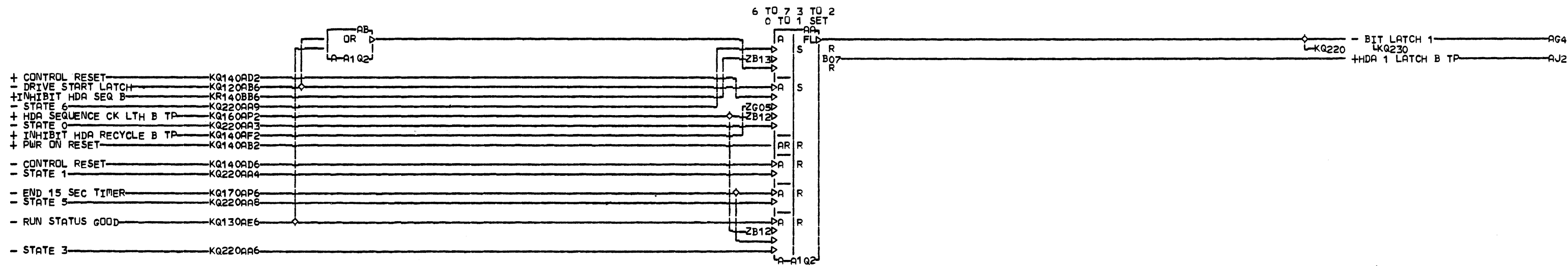


K
Q
1
8
0

LOC. TYPE
A-1Q2 BC44

HDA SEQUENCING B	
15 SEC TIMER	
E.C.-HISTORY	B MACH.3350
FRAME	01
IBM CORP. SDD	
DATE	LAST EC
03-05-76	446704
P.N.	4291735

K
Q
1
8
0

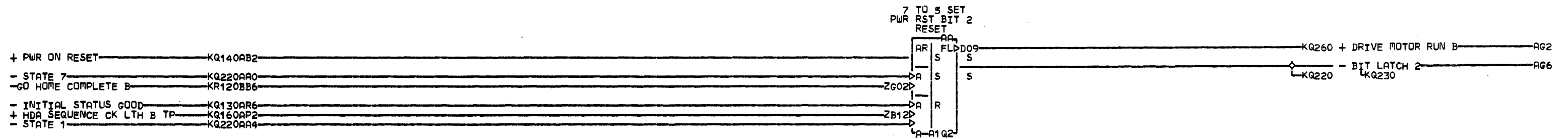


K
1
9
0

LOC. TYPE
A-A1Q2 BC44

HDA SEQUENCING B	
BIT 1 LATCH	
E.C. HISTORY	MACH. 3350
FRAME	01
IBM CORP. SDD	
DATE LAST EC	P.N. 4291736
03-09-76 446704	

K
Q
1
9
0
000

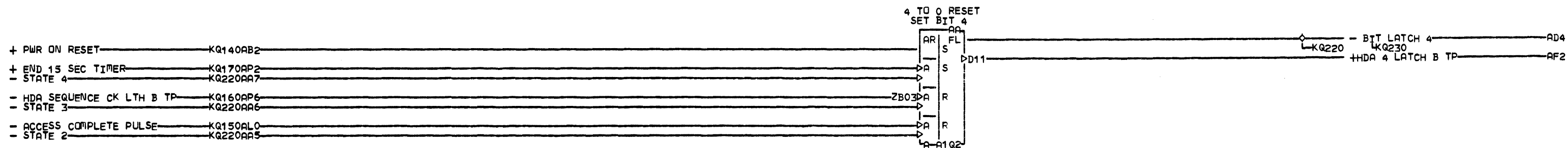


LDC. TYPE
A-A1Q2 BC44

HDA SEQUENCING B	
BIT 2 LATCH	
E.C. HISTORY	MACH. 3350
FRAME	01
IBM CORP. SDD	
DATE LAST EC	P.N. 4291737
03-05-76 446704	

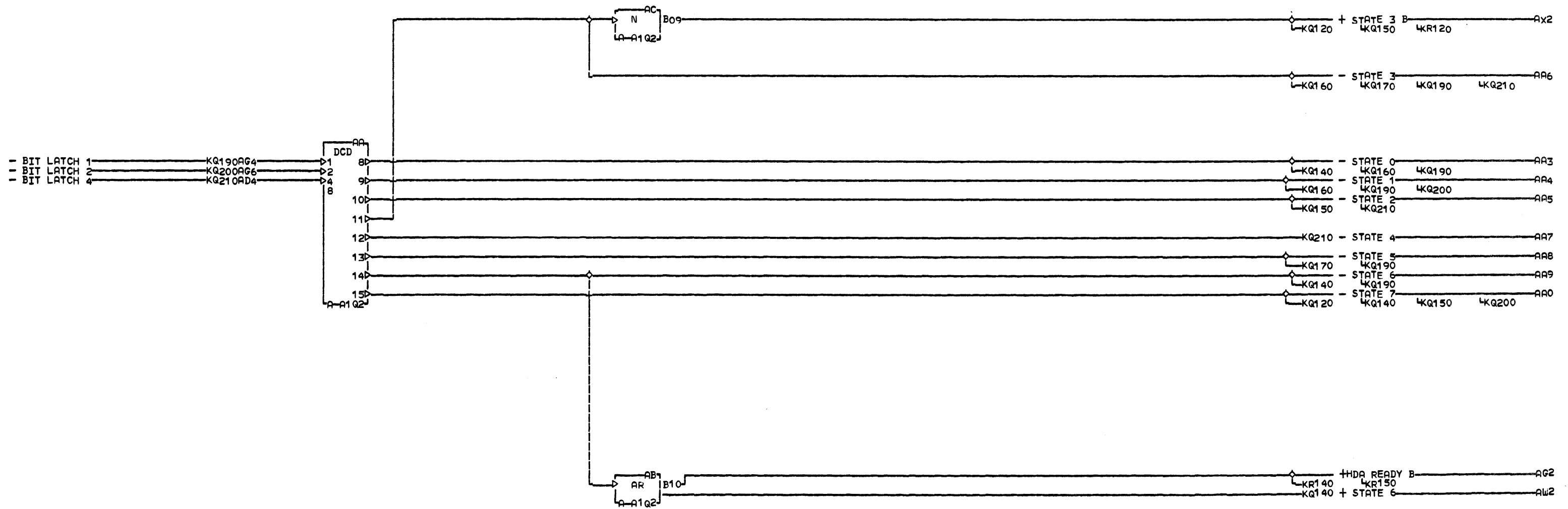
0000K

0000K



LOC. TYPE
A-A1 Q2 BC44

HDA SEQUENCING B	
BIT 4 LATCH	
E.C.-HISTORY	B MACH.3350
FRAME	01
IBM CORP. SD	
DATE LAST EC	P.N. 4291738
03-05-76 446704	

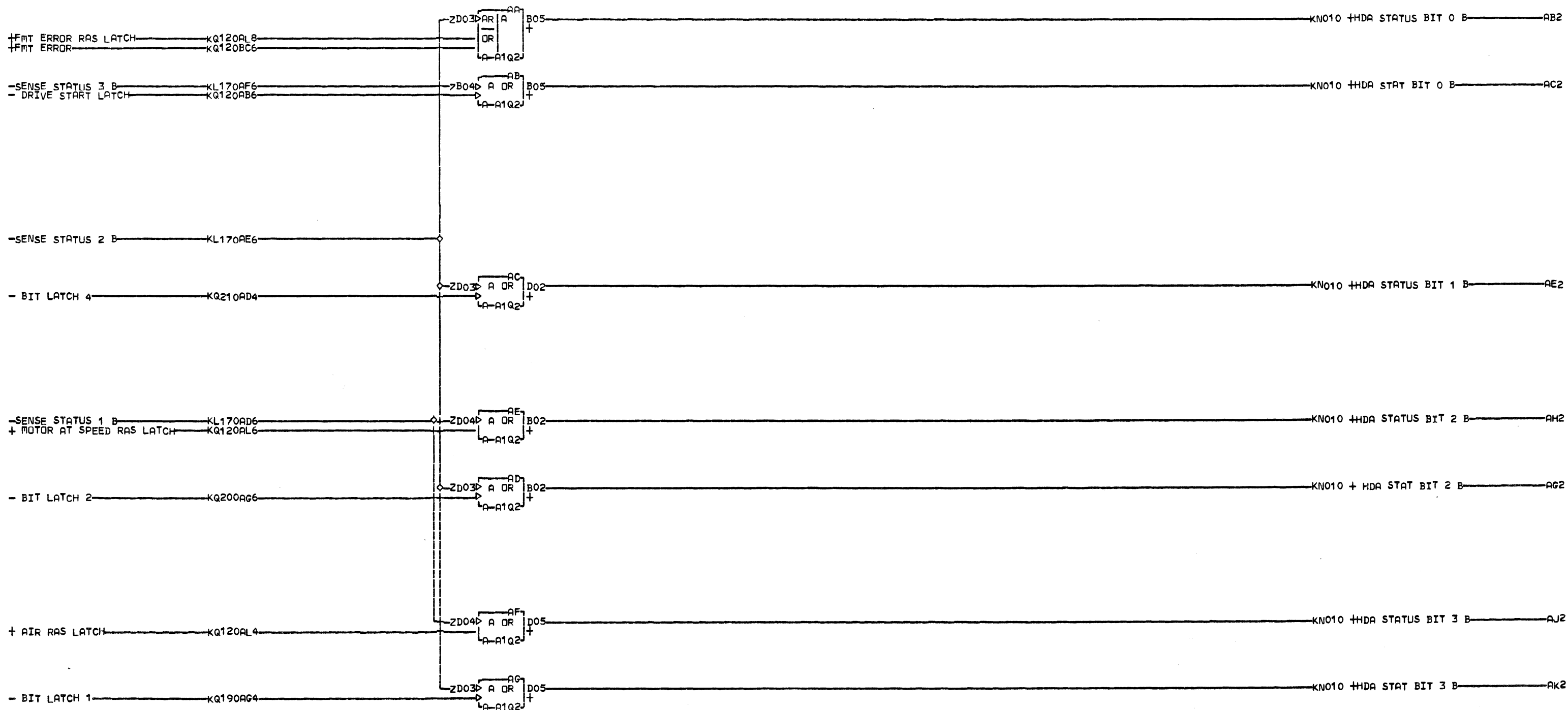


ONNDK

LQC. TYPE
A-1Q2 BC44

HDA SEQUENCING B	
E.C.-HISTORY	B-MACH.3350
DATE	LAST EC
03-05-76	446704
FRAME	01
IBM CORP. SDD	
P.N.	4291739

ONNDK

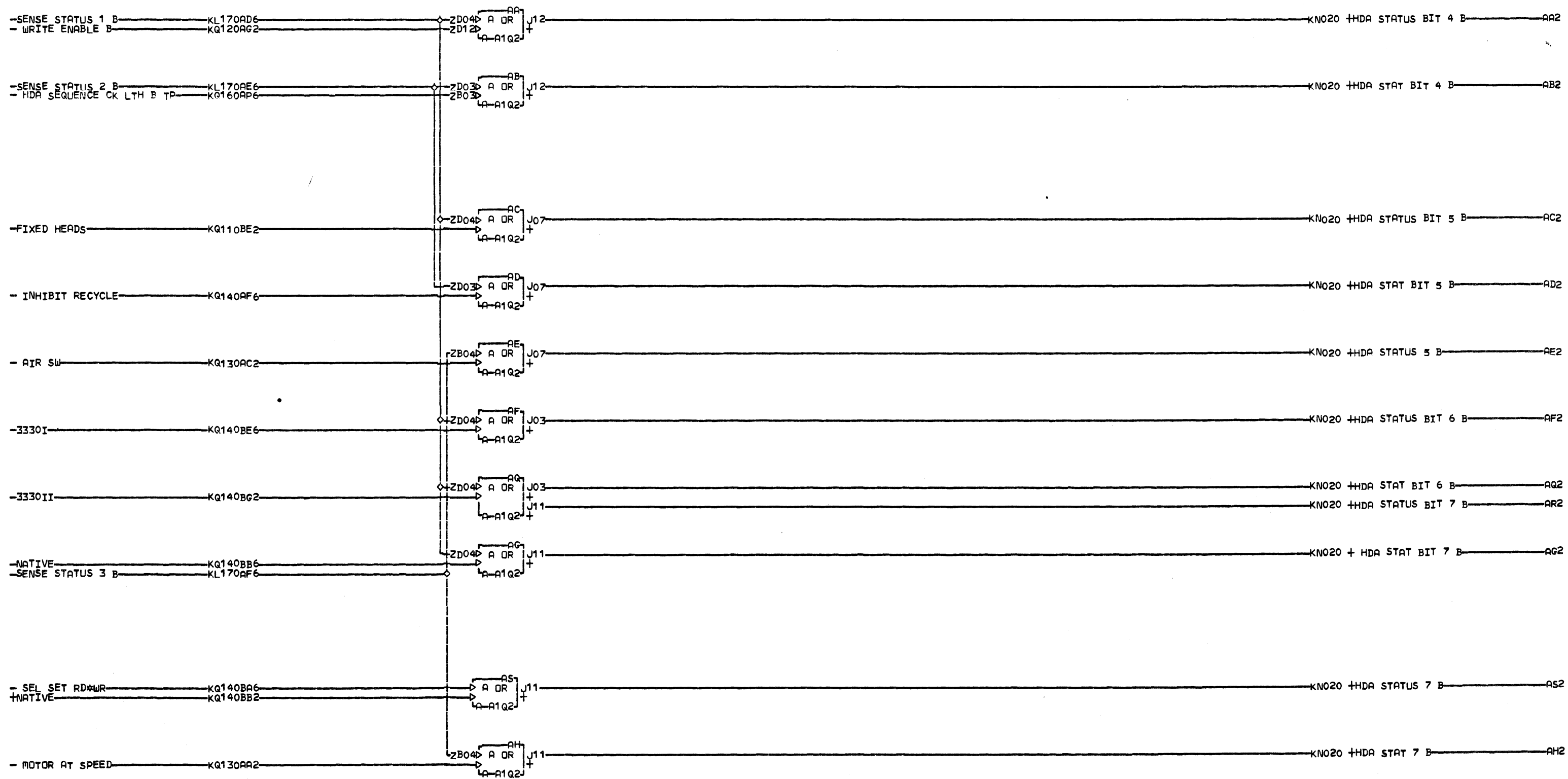


00000

LDC. TYPE
A-A1Q2 BC44

HDA SEQUENCING B	
E.C. HISTORY	B MACH. 3350
FRAME	01
IBM CORP. SDD	
DATE 03-05-76	LAST EC 446704
P.N. 4291740	

00000

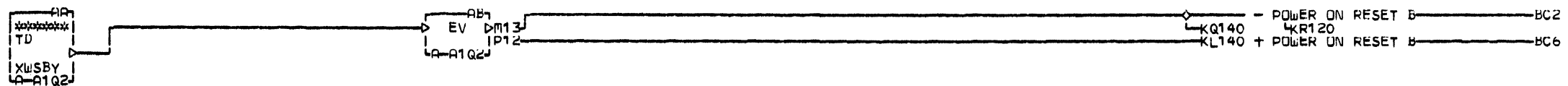


K
Q
2
4
0

LOC. TYPE
A-A1Q2 BC44

HDA SEQUENCING B	
-E.C.-HISTORY-	B1 MACH.3350
	FRAME 01
	IBM CORP. SDD
DATE LAST EC	P.No. 4291741
03-05-76 446704	

K
Q
2
4
0

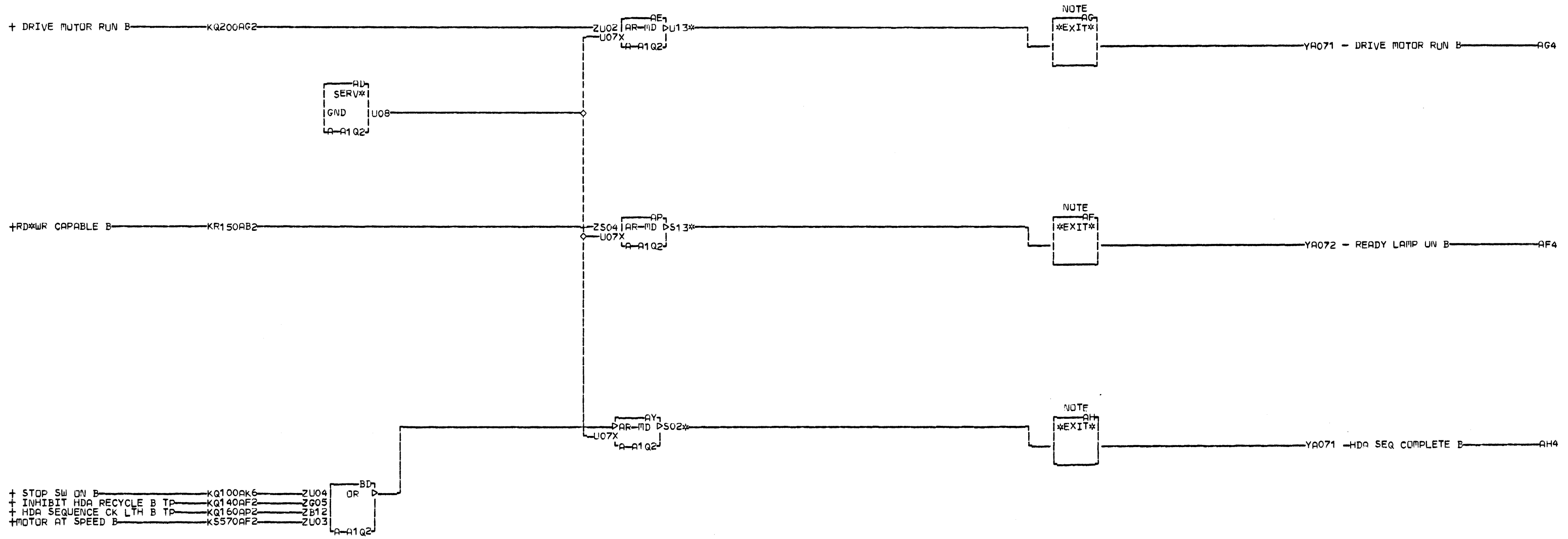


LQC. TYPE
A-A1Q2 BC44

HDA SEQUENCING B		
POWER ON RESET		
E.C. HISTORY	E. MACH. 3350	
446704	FRAME	01
446705	IBM CORP. SDD	
DATE	LAST EC	
04-01-77	446708	P.N. 4291742

K
Q
2
5
0
000

522K
0



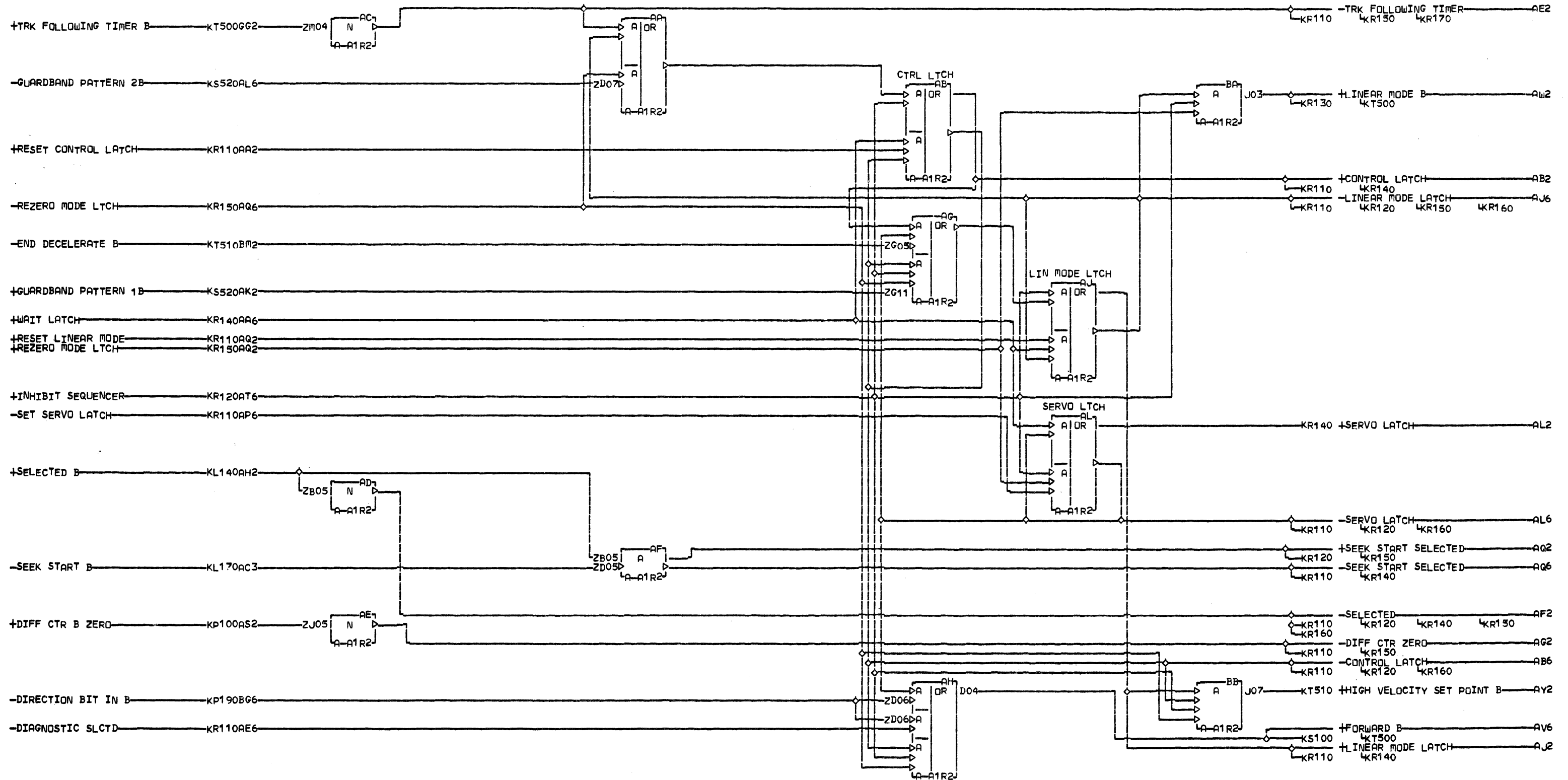
NOTE B BOX HAS YB PAGES.

AE2 A-A1V5B12
AP2 A-A1V5D12
AY2 A-A1V5B13

LUC. TYPE
A-A1Q2 BC44

K
Q
2
6
0

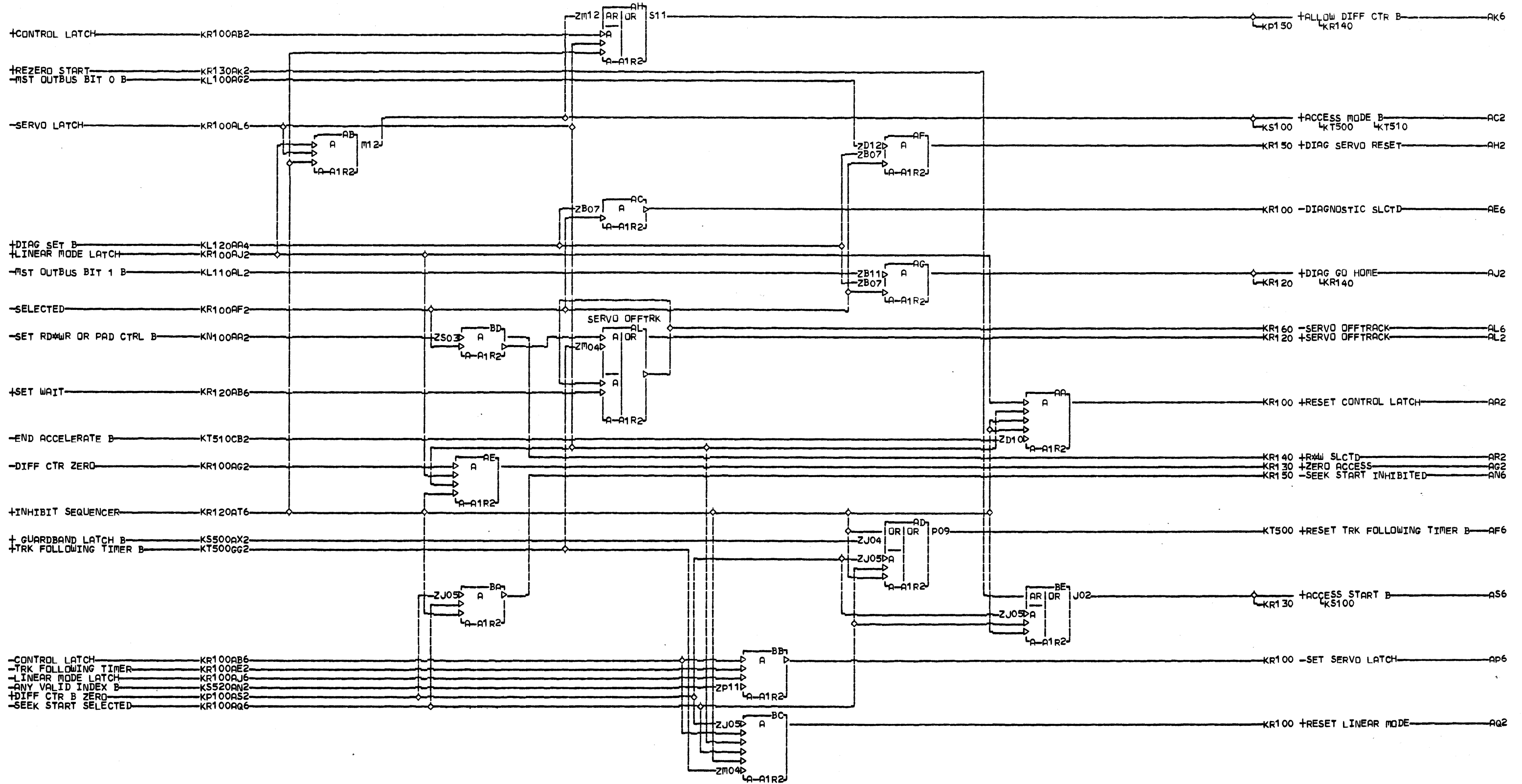
HDA SEQUENCING B		K
MAGNET DRIVERS		Q
E.C. HISTORY	MACH. 3350	2
446704	FRAME 01	6
	IBM CORP. GPD	0
DATE LAST EC	IP.N. 4291743	000
04-01-77 446708		



LDC. TYPE
A-A1R2 BC45

B FILE		KR1
SERVO CONTROL		1
-E.C.-HISTORY-B MACH. 3350		0
435460	FRAME 01	0
446701	IBM CORP. SDD	000
DATE LAST EC	P.No. 4291744	
03-05-76 446704		

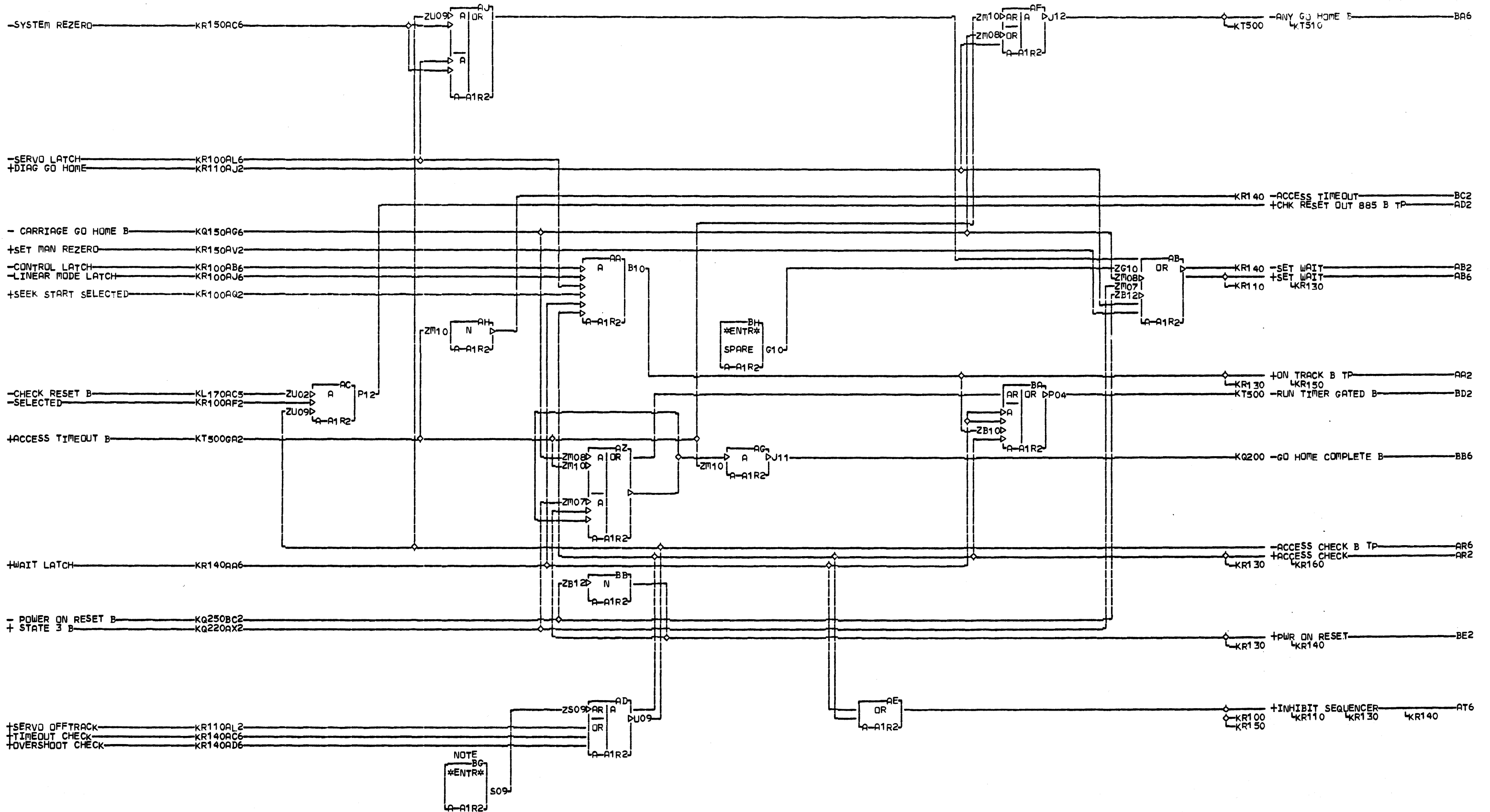
KR100



K
R
1
1
0

LDC. TYPE
A-A1R2 BC45

B FILE		K
SERVO CONTROL		R
E.C.-HISTORY	MACH. 3350	1
435460	FRAME 01	1
446701	IBM CORP. SDD	0
DATE LAST EC	P.No. 4291745	000
03-05-76 446704		



NOTE
BC
ENTR
S09
A-A1R2

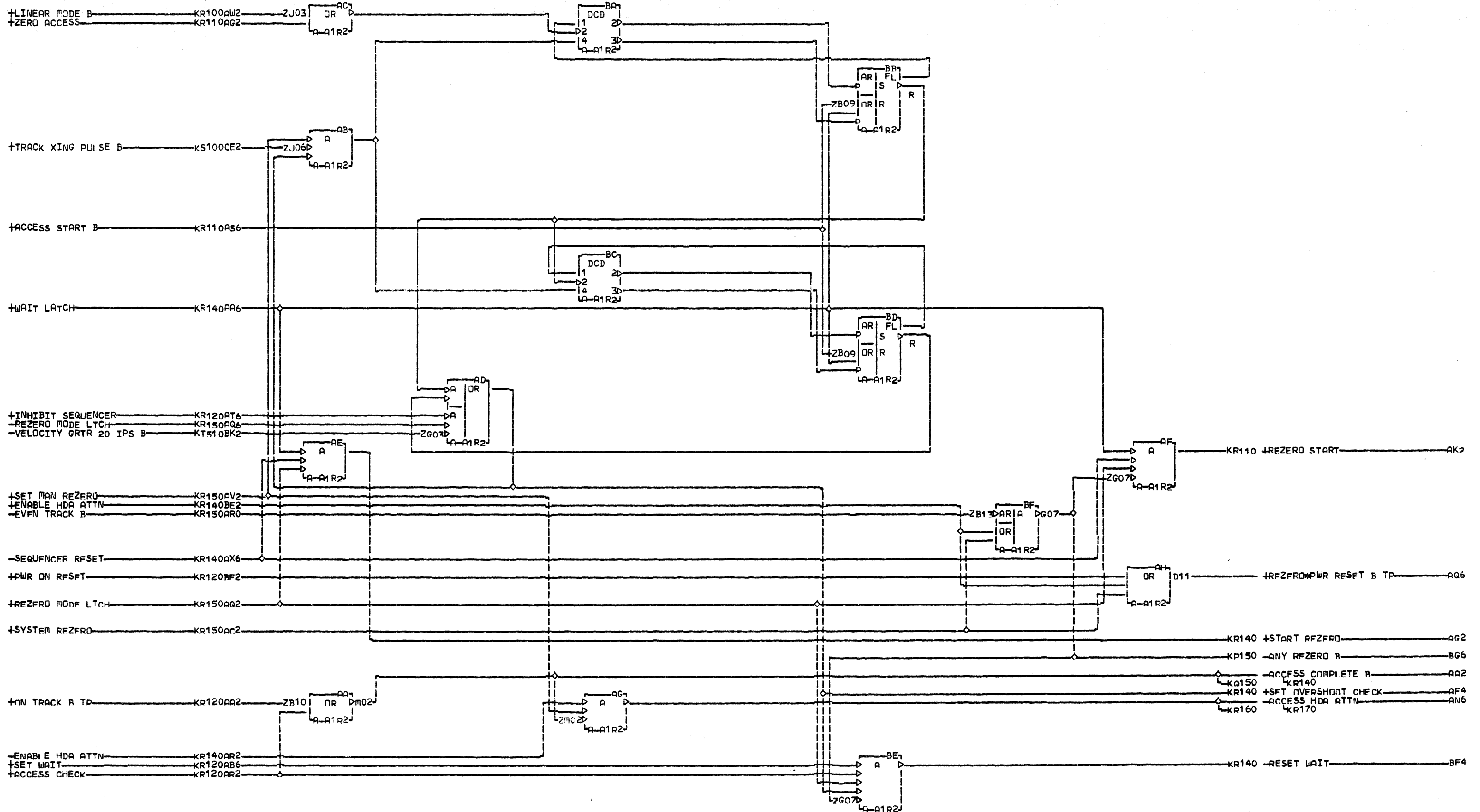
NOTE TO DISABLE ACCESS CHECK
JUMPER S09 TO GND.

K
R
1
2
0

LOC. TYPE
A-A1R2 BC45

B FILE	
SERVO CONTROL	
E.C.-HISTORY	B-MACH.3350
435460	FRAME 01
446701	IBM CORP. SDD
DATE LAST EC	P.No. 4291746
03-05-76 446704	

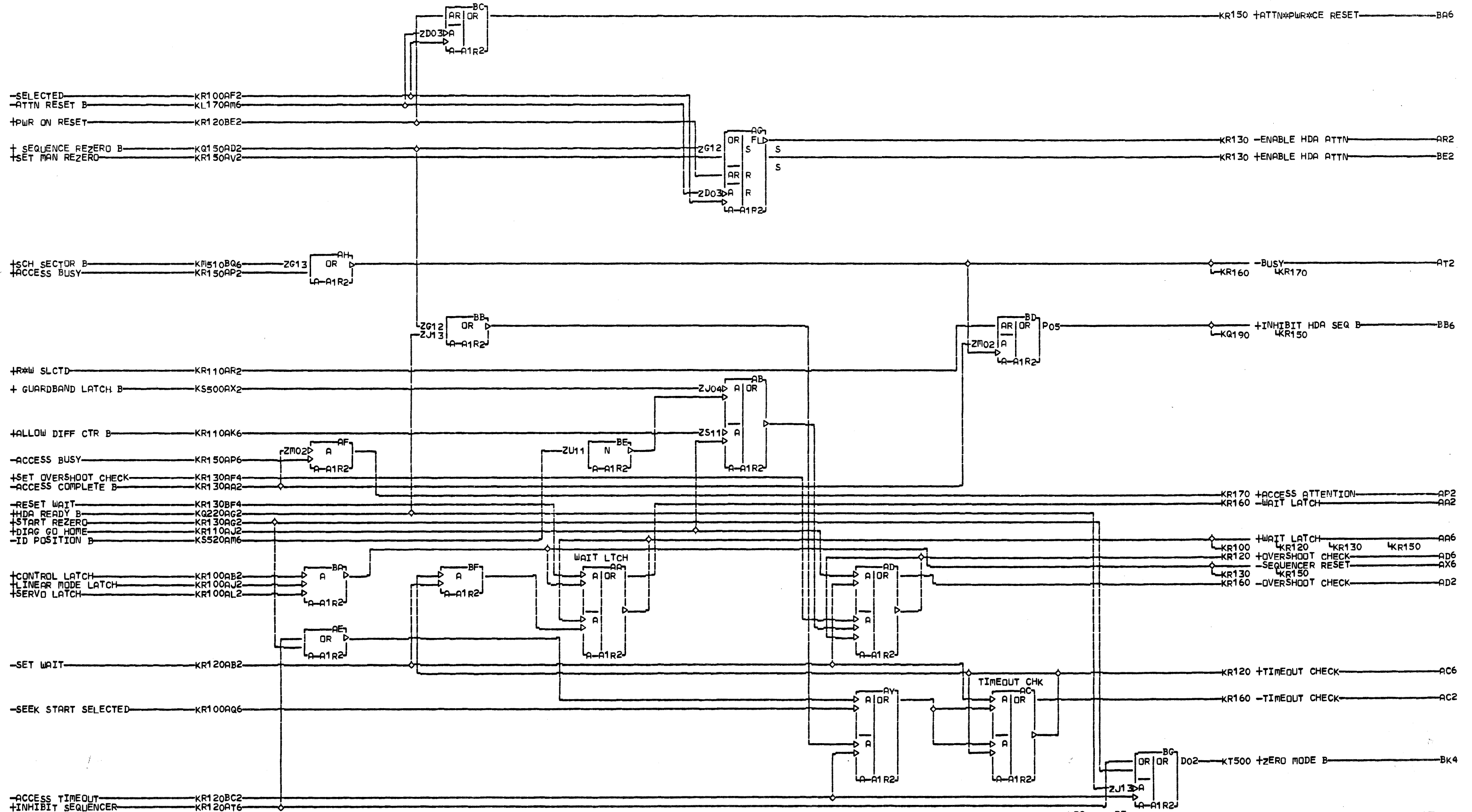
K
R
1
2
0



1 DC. TYPE
A-A1R2 BC45

B FILE		K
SERVO CONTROL		R
-E.C.-HISTORY	B-MACH.3350	1
435460		3
446701	FRAME	0
446704	IBM CORP. SDD	0
DATE	LAST EC	000
06-04-76	446705	
P.No.	4291747	

K
1
3
0

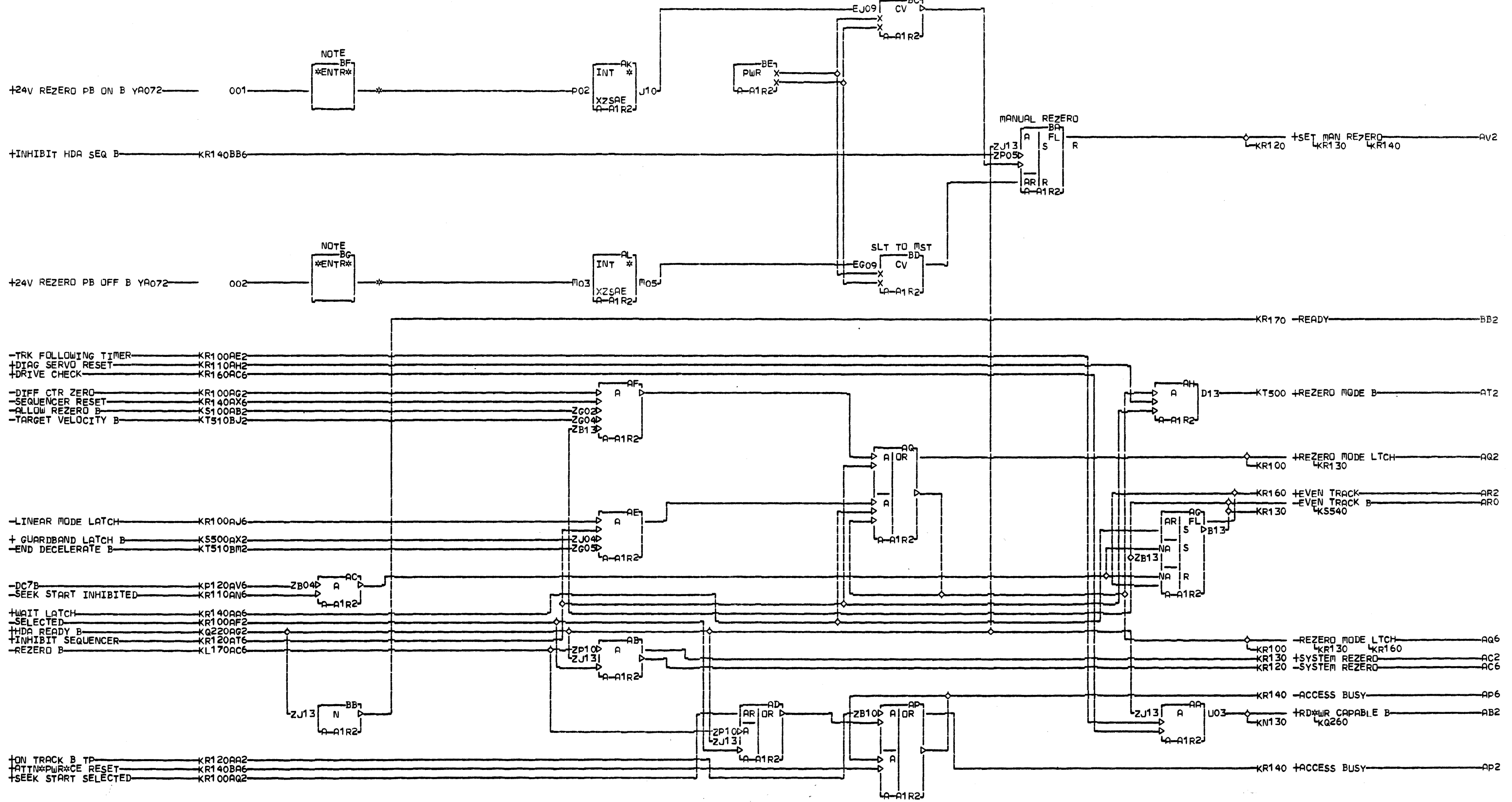


LOC. TYPE
A-A1R2 BC45

B FILE	
SERVO CONTROL	
-E.C.-HISTORY	B-MACH-3350
435460	FRAME 01
446701	IBM CORP. SDD
DATE	LAST EC
03-05-76	446704
PeN.	4291748

K
1
4
0

K
1
4
0



NOTE B BOX HAS YB PAGES.

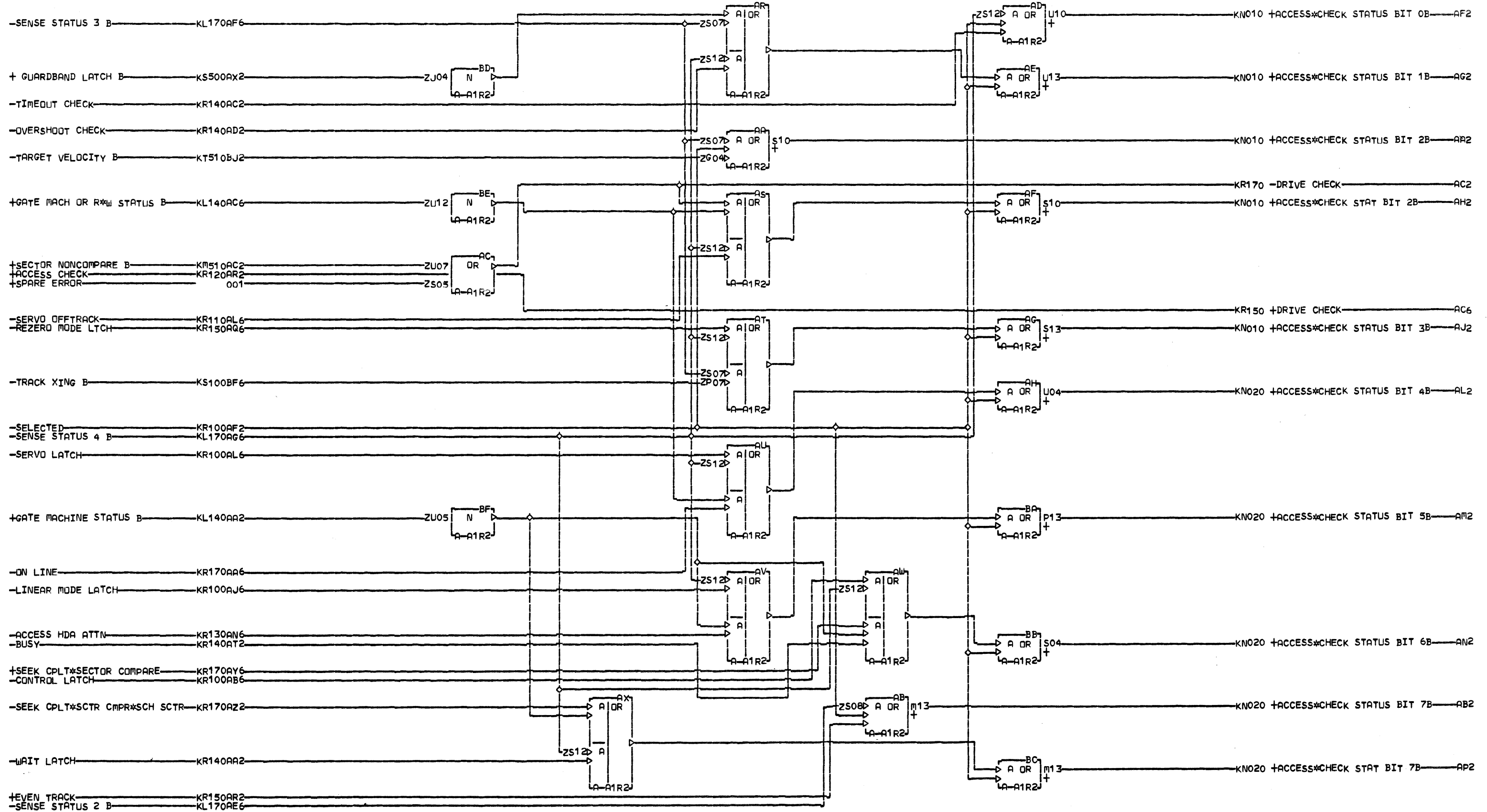
BF4 A-A1V5D02
BG4 A-A1V5D07

LOC. TYPE
A-A1R2 BC45

K
R
1
5
0

B FILE	
SERVO CONTROL	
E.C. HISTORY - MACH. 3350	
435460	
446701	
FRAME	01
IBM CORP. SDD	
DATE LAST EC	
03-05-76 446704	
P.No. 4291749	

K
R
1
5
0

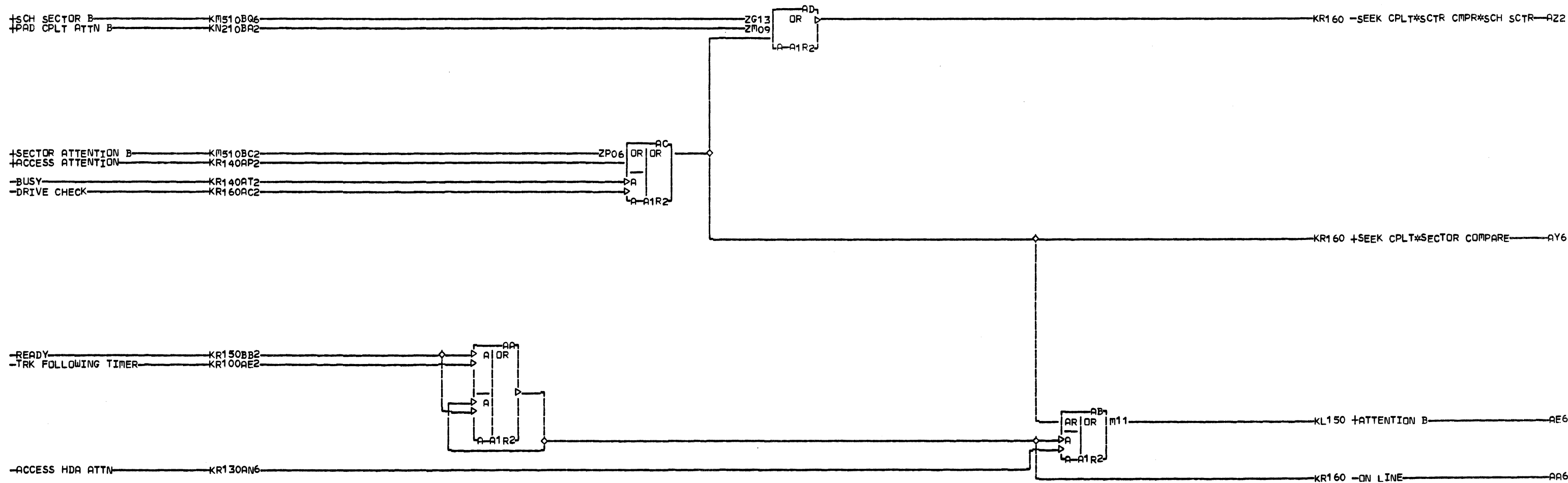


K
R
1
6
0

LOC. TYPE
A-A1R2 BC45

B FILE		SERVO CONTROL	
-E.C.-HISTORY		MACH.3350	
435460		FRAME	01
446701		IBM CORP. SDD	
DATE	LAST EC	P.No.	4291750
03-05-76	446704		

K
R
1
6
0

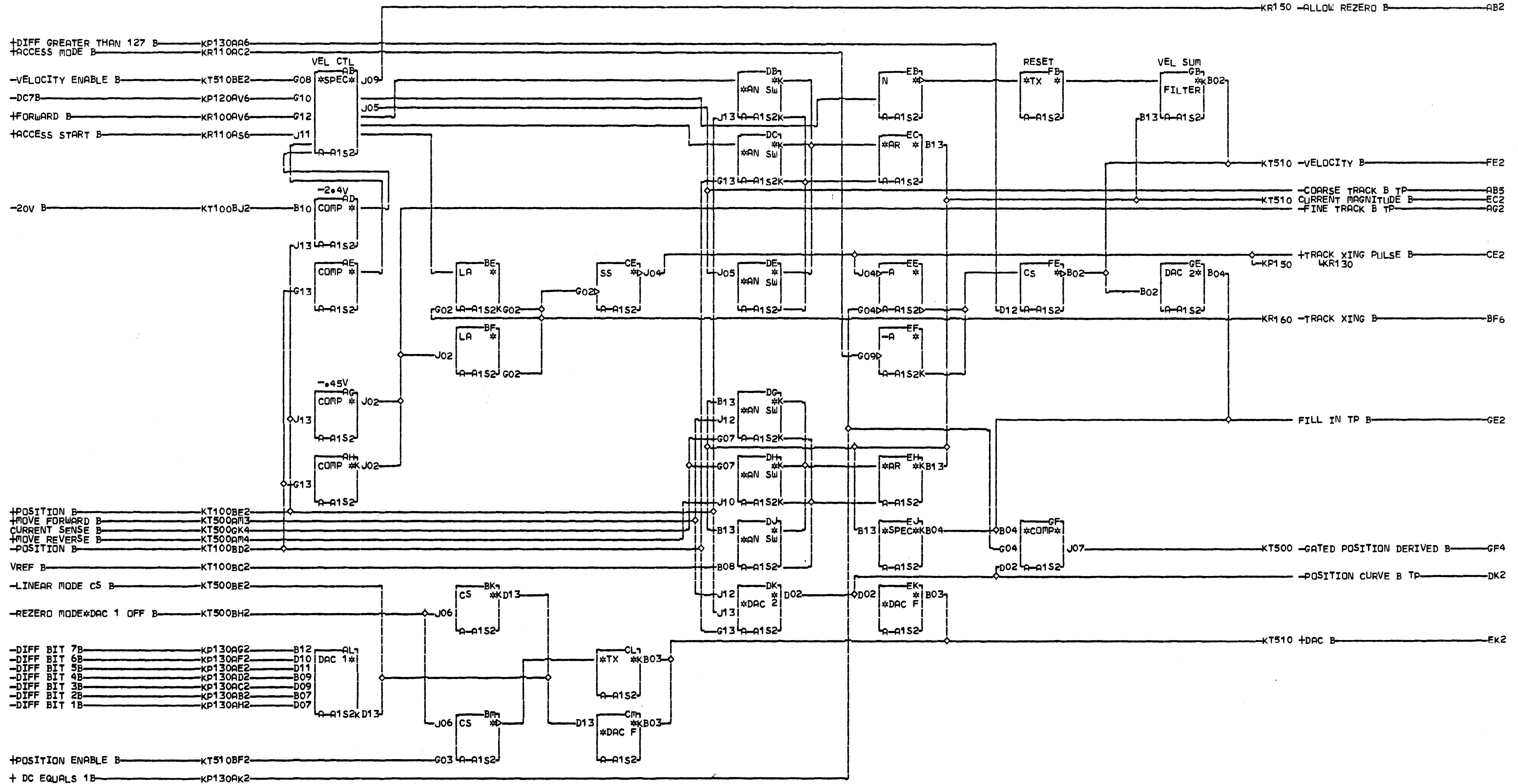


K
R
1
7
0

LOC. TYPE
A-A1R2 BC45

B FILE	
SERVO CONTROL	
E.C. HISTORY	MACH. 3350
435460	FRAME 01
446701	IBM CORP. SDD
DATE LAST EC	P.N. 4291751
03-05-76 446704	

K
R
1
7
0

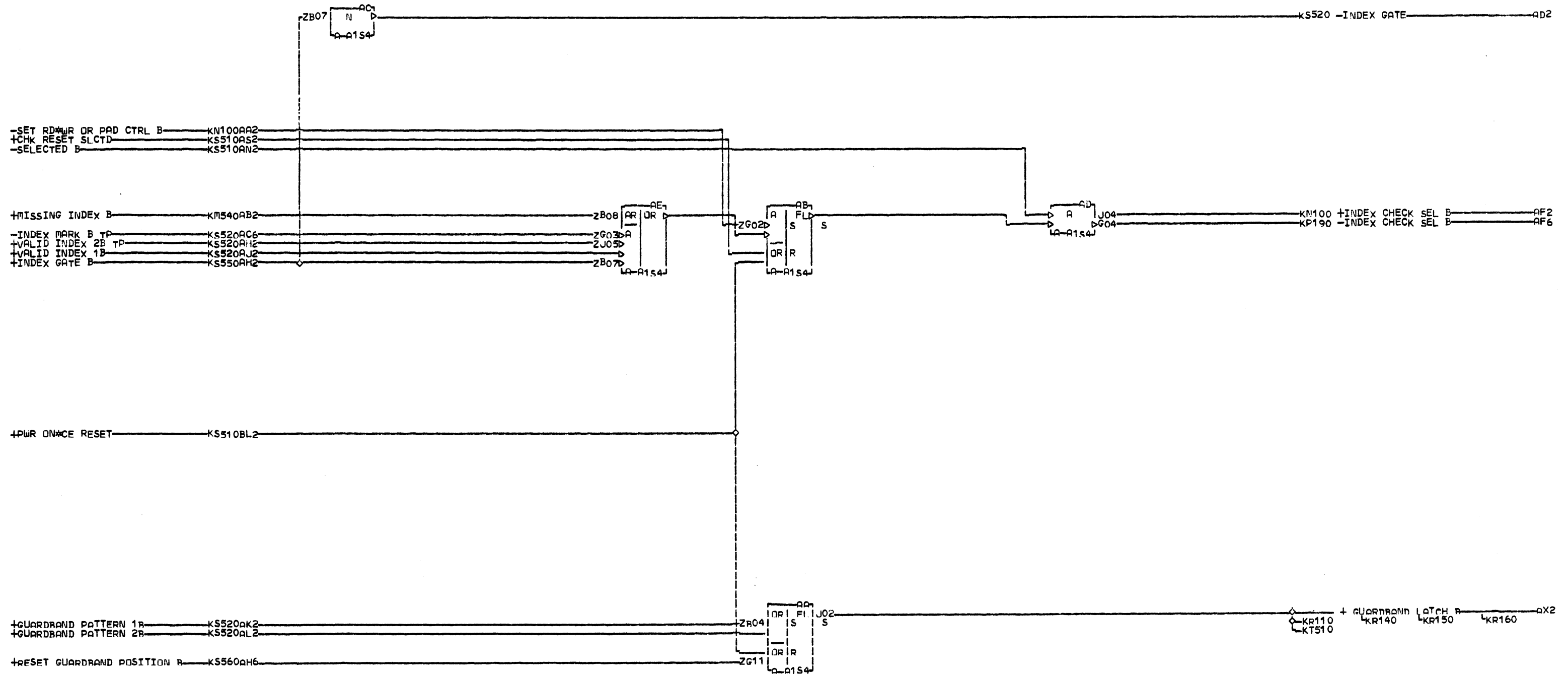


LOC. TYPE
A-1S2 BC51

SERVO ANALOG B	
—E.C.—	HISTORY—B1 MACH. 3350
435460	FRAME 01
446701	IBM CORP. GPD
446702	P.N. 4291752
DATE	LAST EC
03-05-76	446704

K
S
1
0
0

K
S
1
0
0

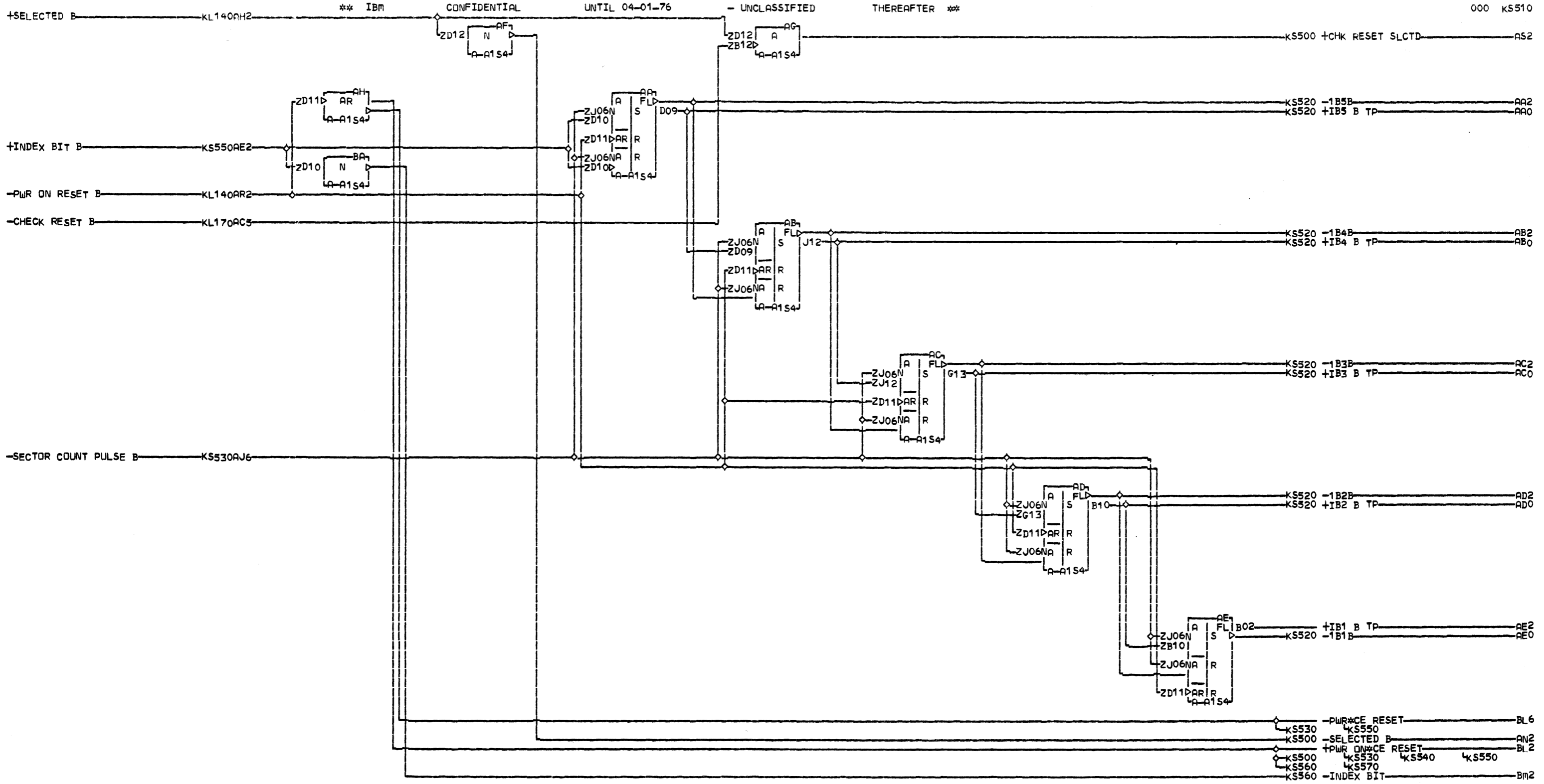


00000

INC. TYPE
A-154 BC46

ACTIVE TRACK B	
-E.C.-HISTORY-	B MACH. 3350
435460	FRAME 01
446701	IBM CORP. SDD
446704	
DATE	LAST EC
06-04-76	446705
Part No.	4291753

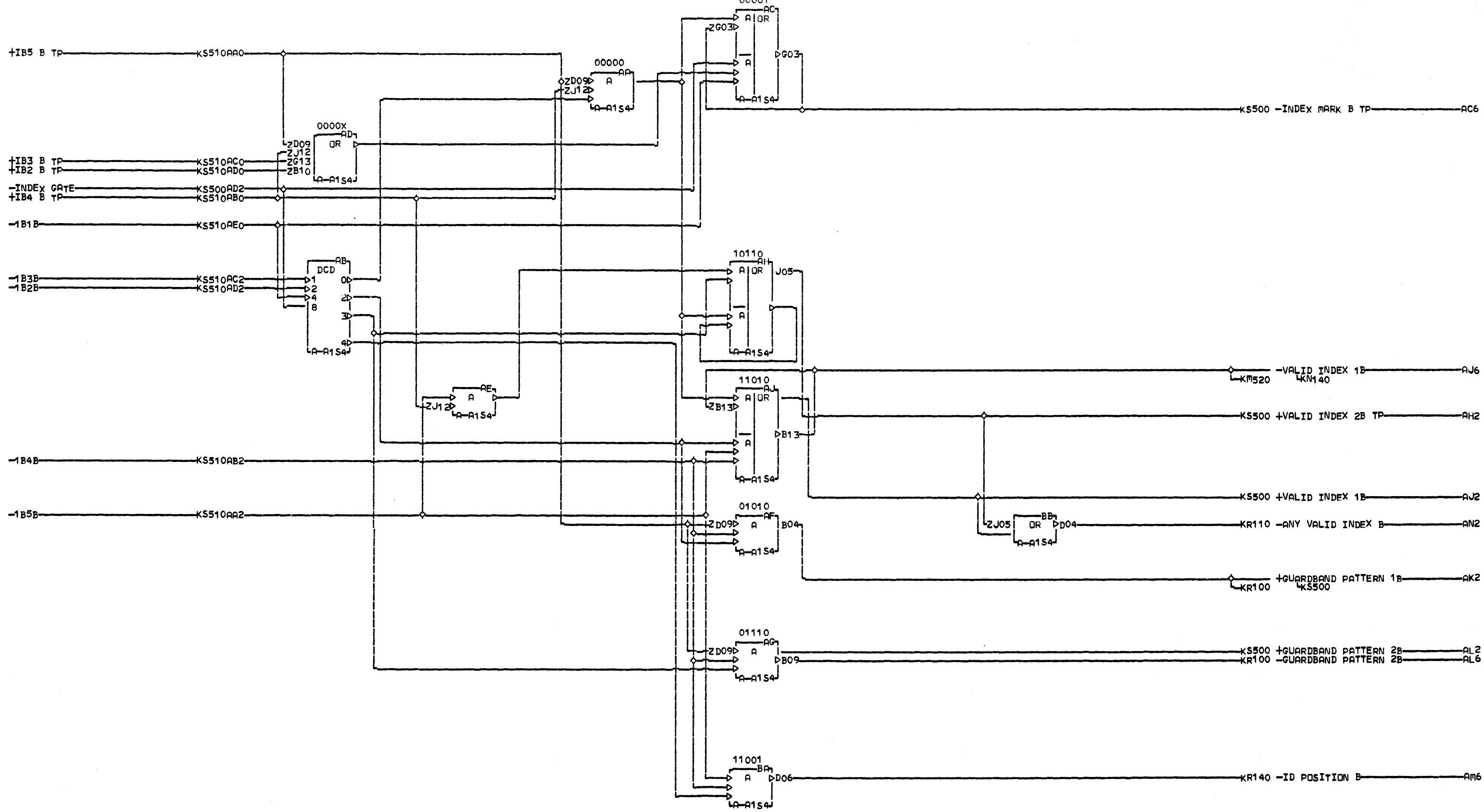
K
S
5
0
0
000



LDC TYPE
A-A1S4 BC46

INDEX SHIFT REG B	
E.C. HISTORY 435460 446701	MACH. 3350 FRAME 01 IBM CORP. SDD P.N. 4291754
DATE 03-05-76	LAST EC 446704

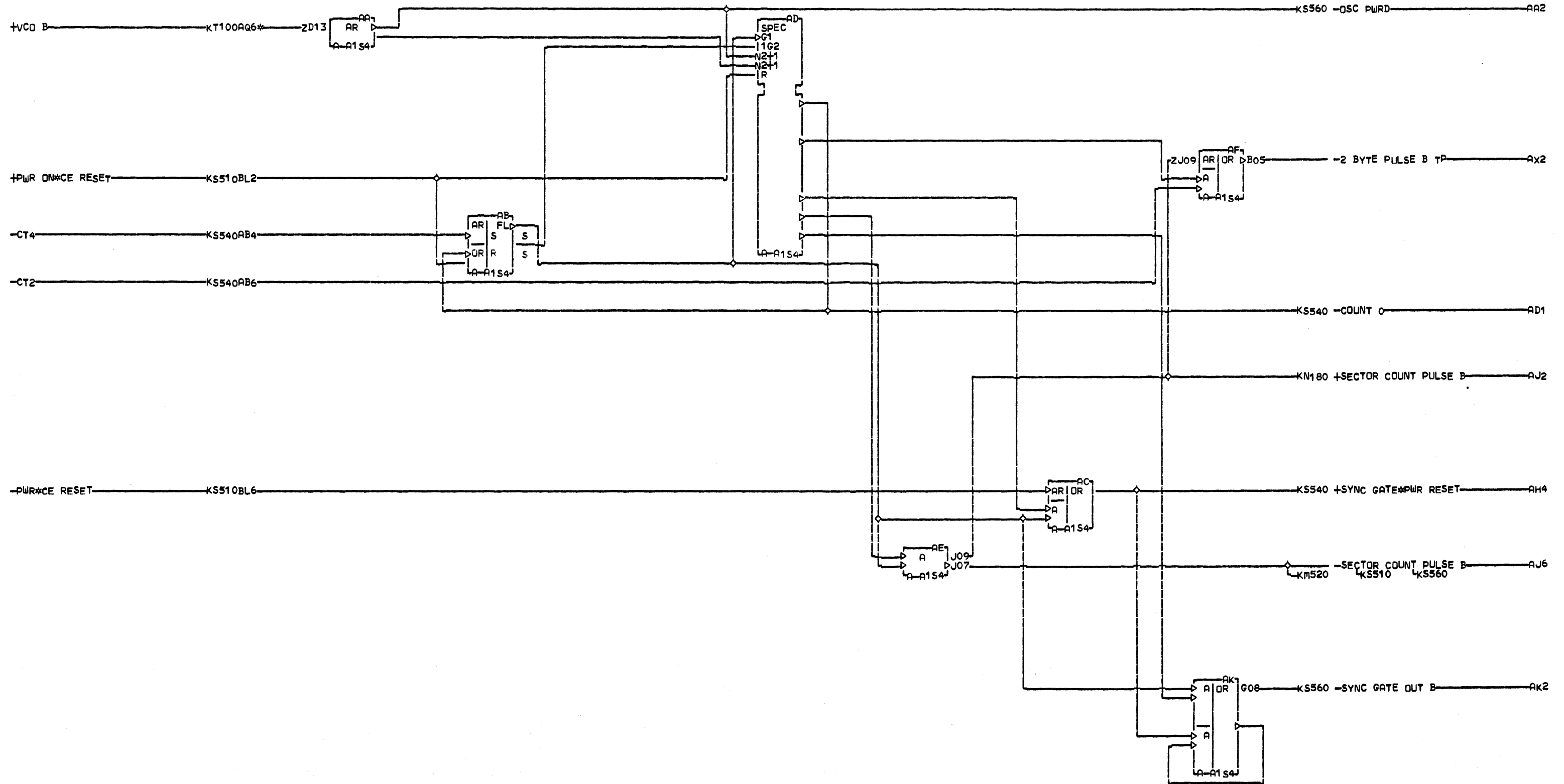
K
S
1
0
000



NOTE BLOCK LABELS REFLECT
SHIFT REGISTER BITS
504030201.

LDC. TYPE
A-A1S4 BC46

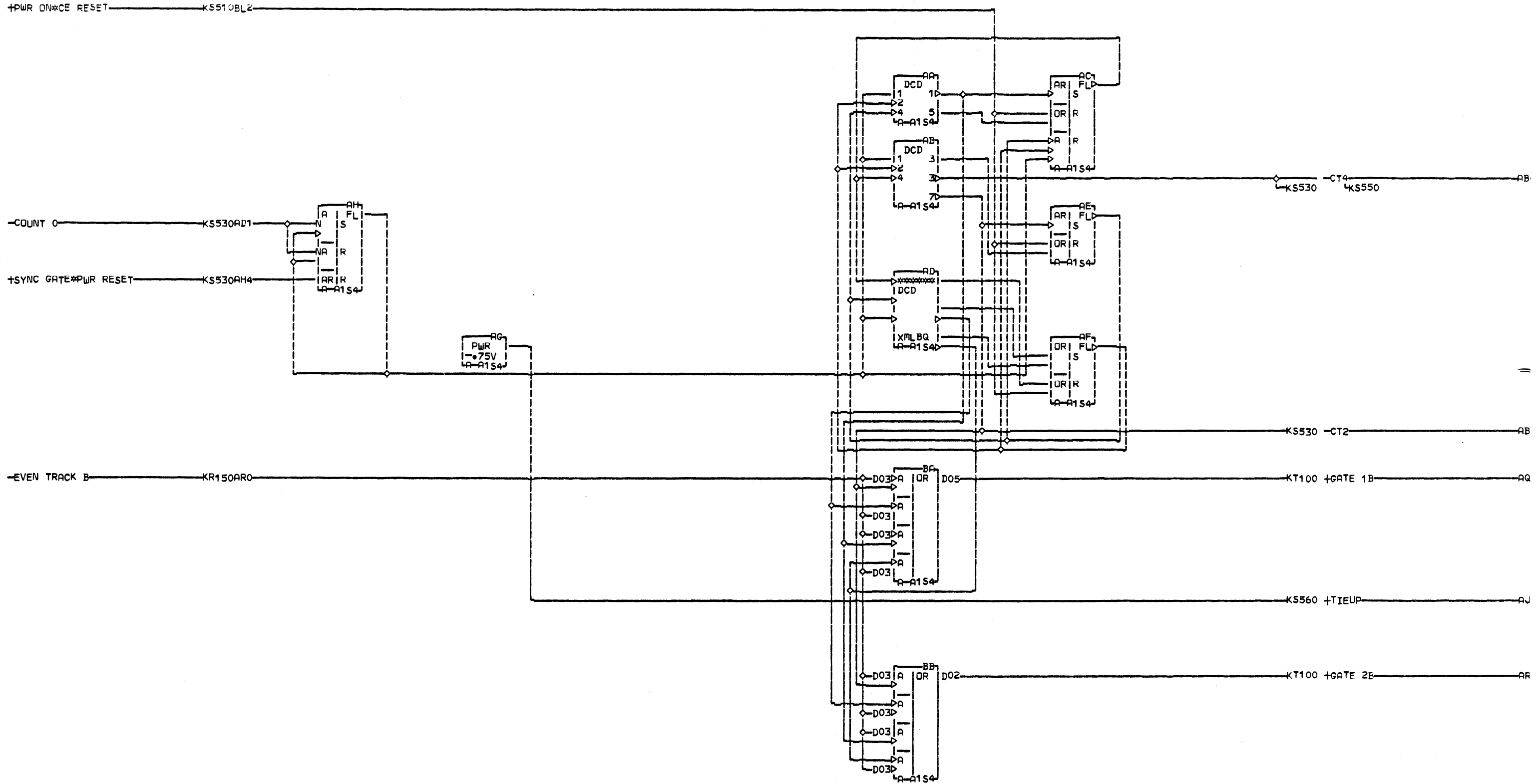
INDEX DECODES B	
-E.C.-HISTORY- 435460 446701	B-MACH.3350 FRAME 01 IBM CORP. GPD
DATE 03-05-76	LAST EC 446704
P.No. 4291755	



KT100AQ6
RESISTOR
A-A1S4D13

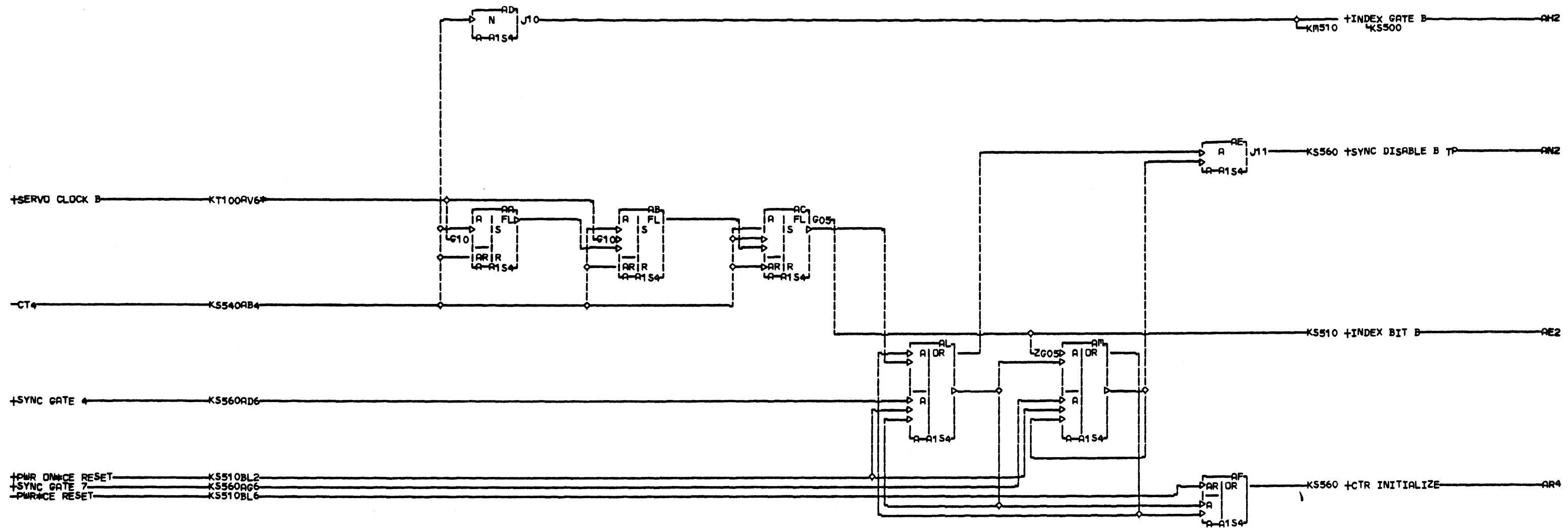
LOC. TYPE
A-A1S4 BC46

PRIMARY OSC DECODE B	
E.C. HISTORY	B MACH. 3350
435460	FRAME 01
446701	IBM CORP. GPD
DATE LAST EC	P.No. 4291756
03-05-76 446704	



LDC TYPE
A-A1S4 BC46

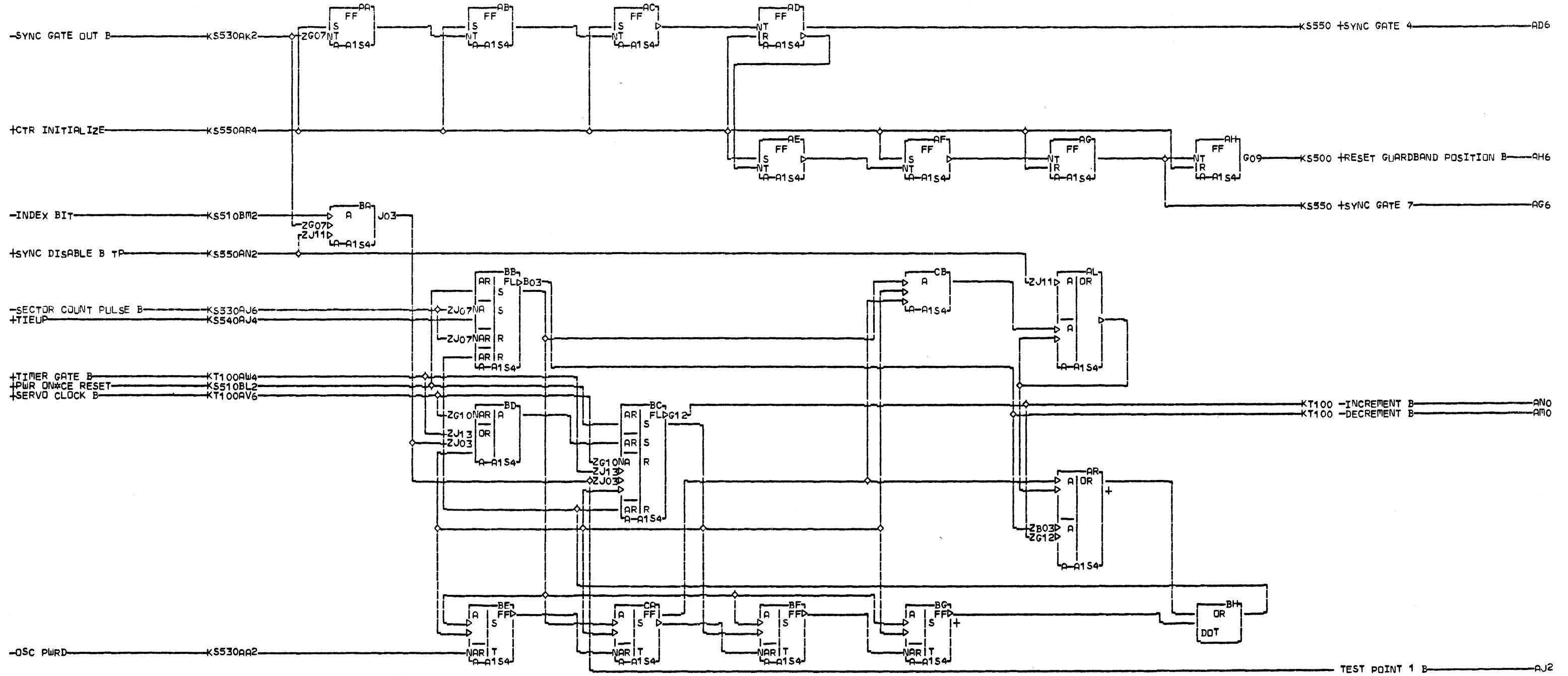
SECONDARY OSC DECODE B	
E.C. HISTORY	B1 MACH. 3350
435460	FRAME 01
446704	IBM CORP. GPD
DATE 10-01-76	LAST EC 446706
	P.N. 4291757



KT100AV6
RESISTOR
A-A154G10

LOC. TYPE
A-A154 BC46

INDEX BIT AND INDEX GATE B	
E.C. HISTORY	B1 MACH. 3350
435460	
446701	FRAME 01
446702	
446704	IBM CORP. GPD
DATE	LAST EC
10-01-76	446706
	P.N. 4291758

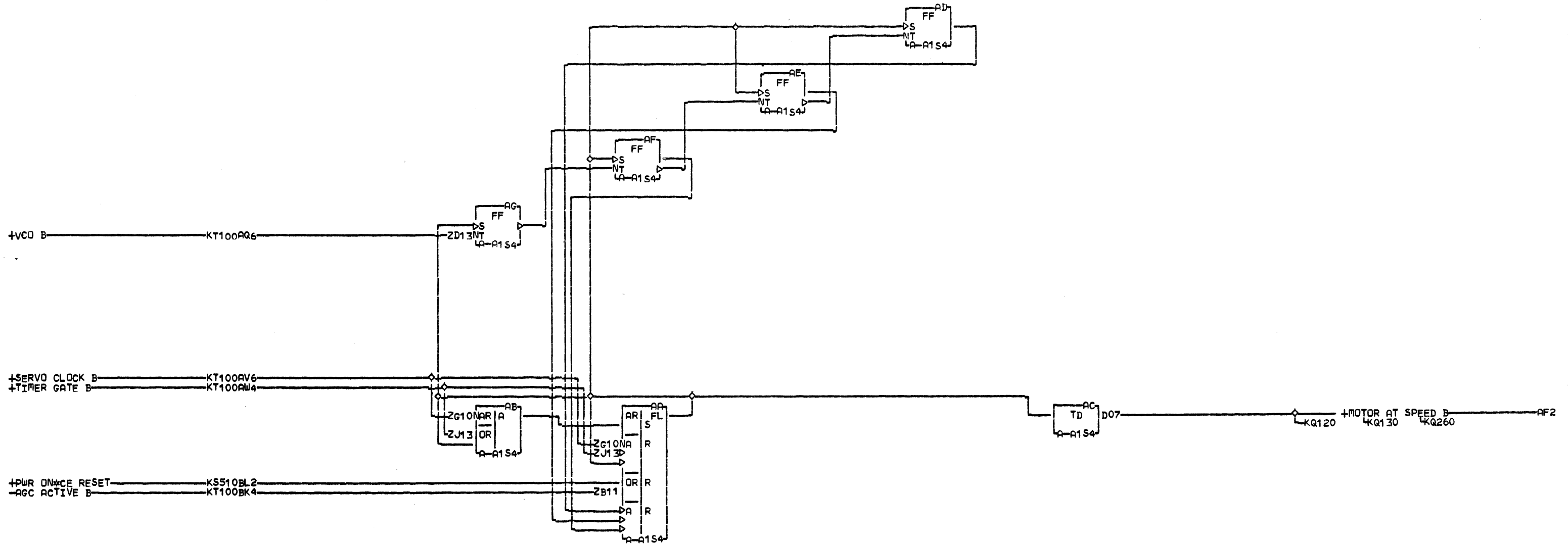


K
S
5
6
0

LOC. TYPE
A-A1S4 BC46

GB POSITION RESET COUNTER B	
E.C. HISTORY	MACH. 3350
435460	FRAME 01
446701	IBM CORP. GPD
DATE LAST EC	P.N. 4291759
03-05-76 446704	

K
S
5
6
0

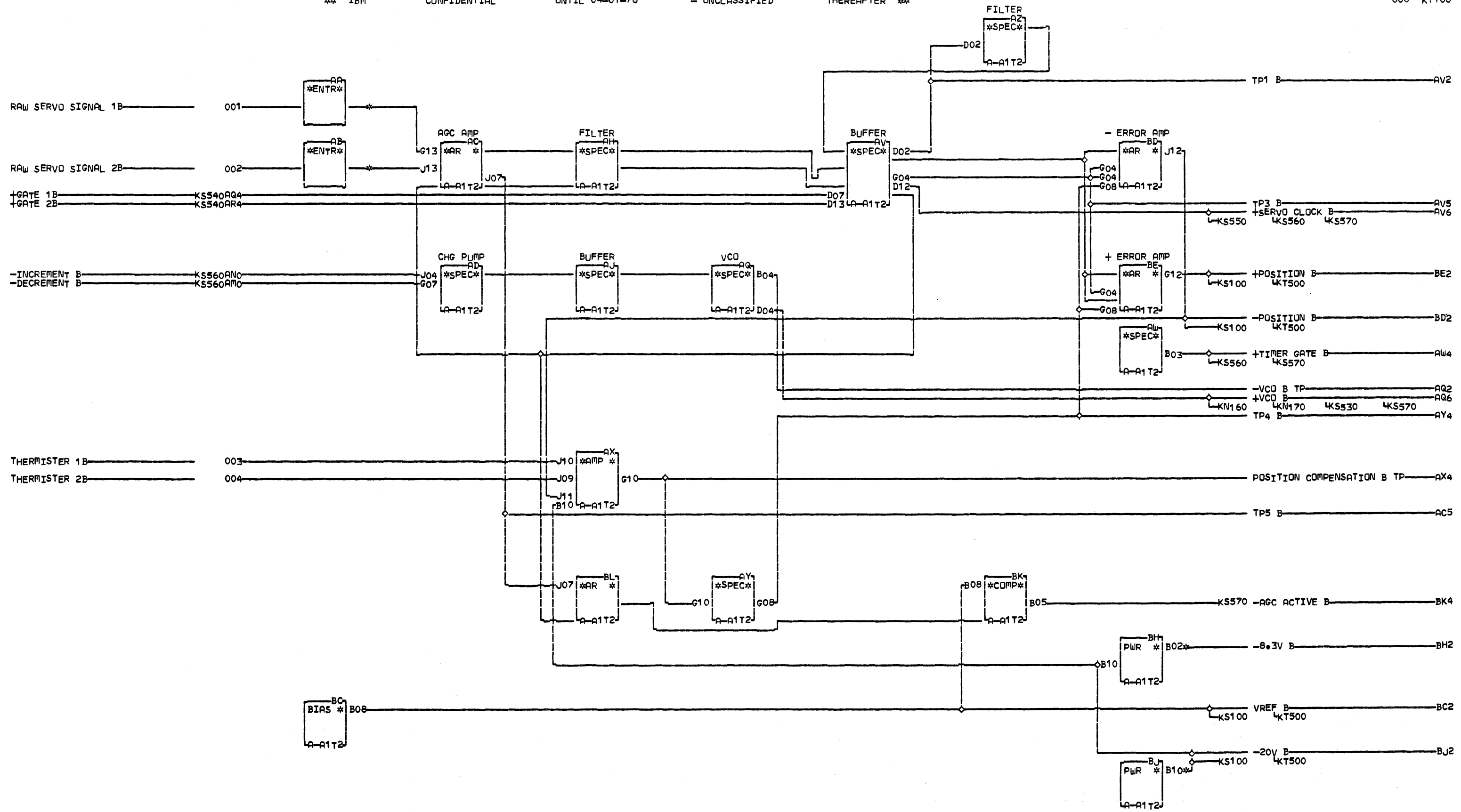


0000

LOC. TYPE
A-A1S4 BC46

MOTOR AT SPEED	
E.C. HISTORY	B MACH. 3350
435460	
446701	FRAME 01
	IBM CORP. GPD
DATE	LAST EC
03-05-76	446704
	P.N. 4291760

KS570



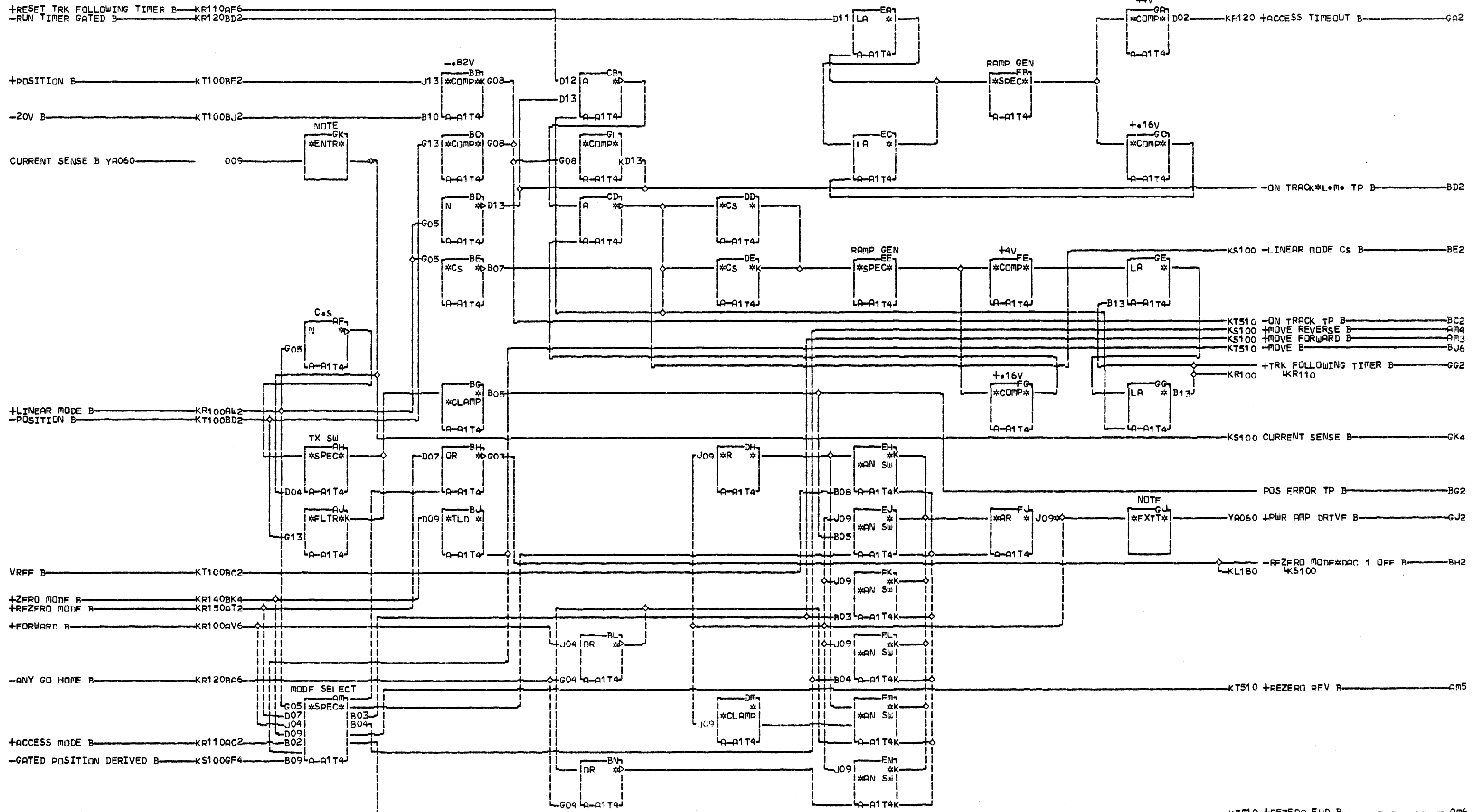
K
T
1
0
0

AA4 A-A1U2B12
 AB4 A-A1U2D12
 BH2 A-A1U2D13
 O1A A-A1U2B13
 BJ2 A-A1V4B10

LOC. TYPE
 A-A1T2 BC49

SERVO AMP B	
E.C. HISTORY	B-MACH.3350
435460	446701
DATE	LAST EC
03-05-76	446704
FRAME	01
IBN CORP. GFD	
P.No.	4291761

K
T
1
0
0
000

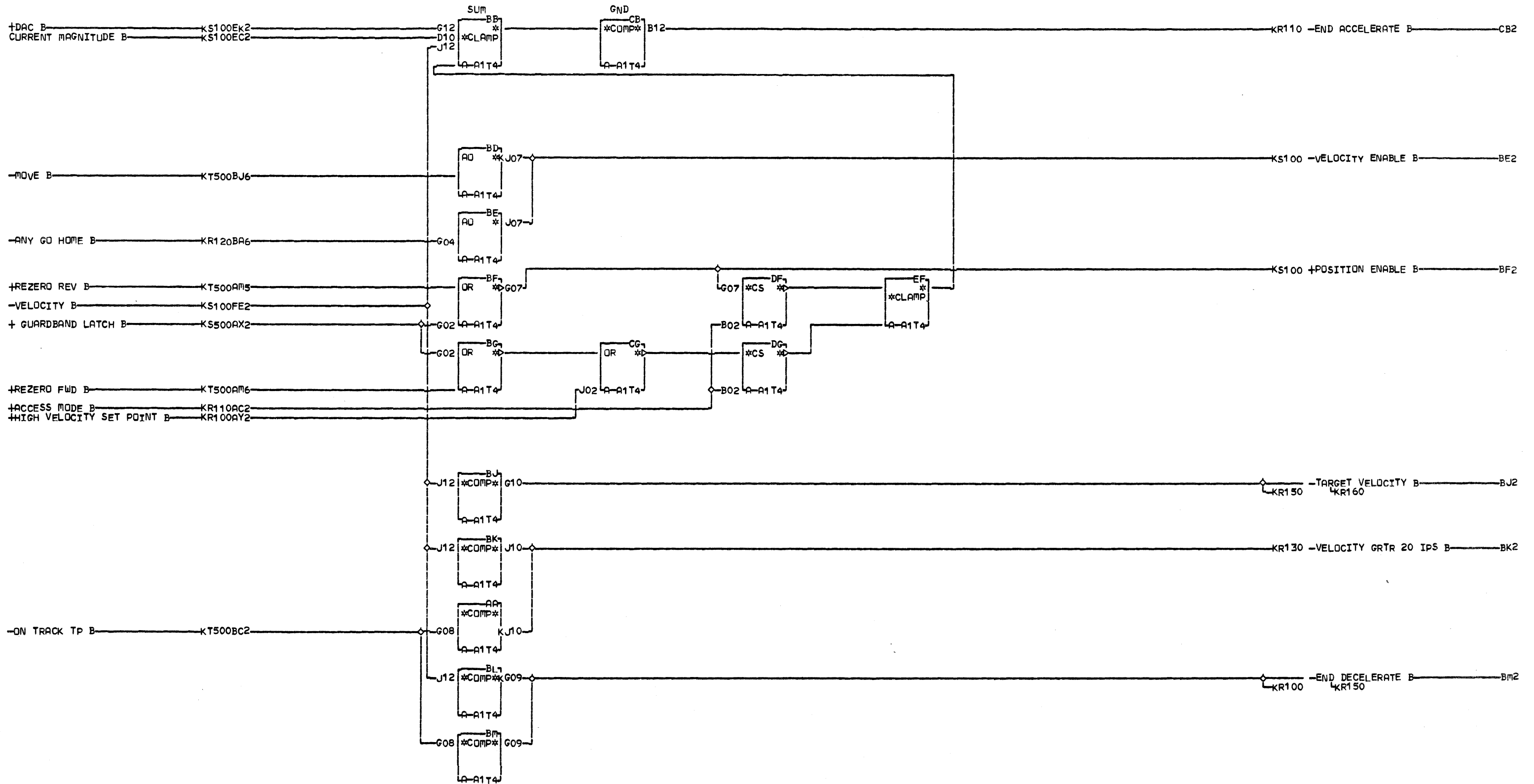


NOTE B BOX HAS VB PAGES.

F.12 A-A1V4D10
Gk4 A-A1V4D02

INC. TYPE
A-A1T4 BC50

SERVO LOGIC B	
—E.C.—	HISTORY B MACH. 3350
435460	
446701	FRAME 01
446702	
446704	IBM CORP. GPD
DATE 06-04-76	1st EC 446705
	P.N. 4291762



LOC. TYPE
A-1T4 BC50

SERVO LOGIC B	
E.C. HISTORY	MACH. 3350
435460	FRAME 01
446701	IBM CORP. GPD
DATE	LAST EC
03-05-76	446704
P.N.	4291763

K
T
5
1
0

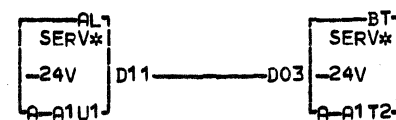
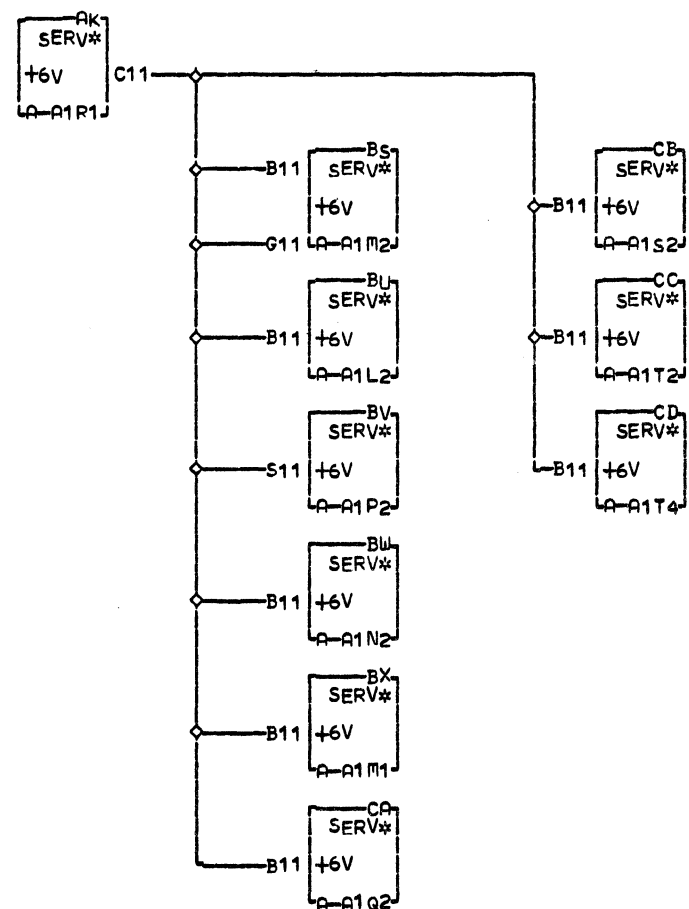
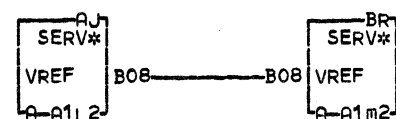
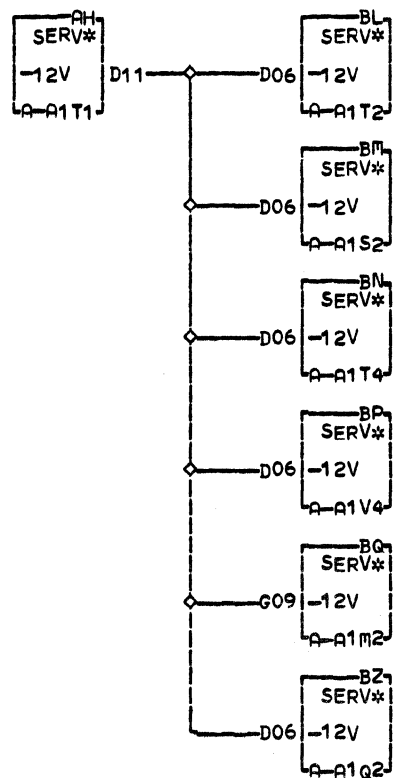
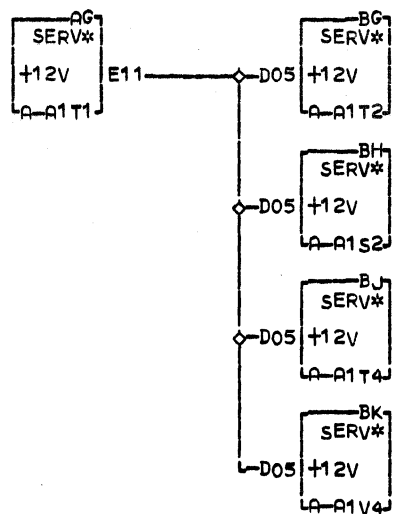
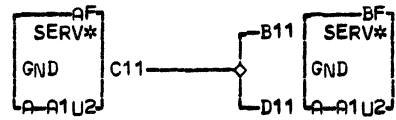
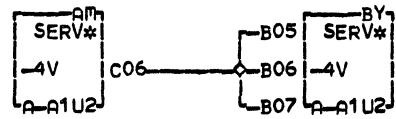
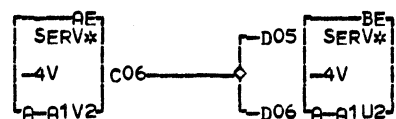
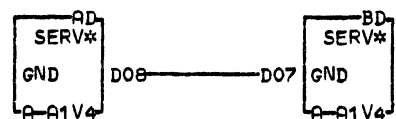
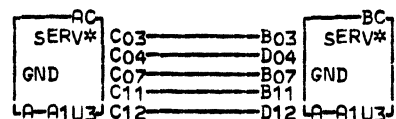
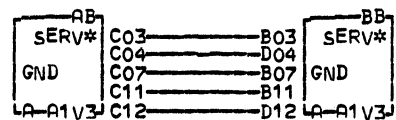
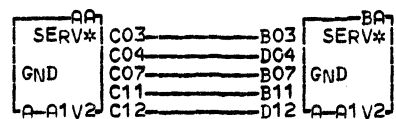
K
T
5
1
0

** IBM CONFIDENTIAL

UNTIL 04-01-76 - UNCLASSIFIED

THEREAFTER **

000 KV100



KV100

LOC. TYPE

VOLTAGE DISTRIBUTION B	
E.C. HISTORY	B-MACH-3350
435460	
446701	FRAME 01
DATE LAST EC	IBM CORP. GPD
03-05-76 446704	P.No. 4291764

KV100