



Maintenance Library

S132-0014-06

3480
Magnetic Tape Subsystem
Parts Catalog

This Parts Catalog (PC) contains listings and illustrations of all replaceable assemblies, subassemblies and detail parts released on or before May 1, 1989 for IBM Maintenance Library 3480 Magnetic Tape Subsystem Parts Catalog.

Seventh Edition (May 1989)

This catalog S132-0014-06 is a major revision and makes obsolete all previous editions. Changes that affect this catalog are made periodically; any such changes will be reported in subsequent revisions.

This catalog may contain reference to, or information about, IBM products (machines and programs), programming, or services that are not announced in your country. Such references or information must not be construed to mean that IBM intends to announce such IBM products, programming, or services in your country.

Publications are not stocked at the address given below; request for IBM publications should be made to your IBM representative or to the IBM branch office serving your locality.

This catalog was prepared by:

IBM Corporation GPD Information Development Department 61C Tucson, Arizona 85744.

A form is provided at the back of this manual for reader's comments. If this form has been removed, comments maybe sent to the above address. IBM may use or distribute any of the information you supply in any way it believes appropriate without incurring any obligation whatever. You may, of course, continue to use the information you supply.

IBM has prepared this maintenance manual for the use of IBM customer service representatives in the installation, maintenance, and repair of the specific machines indicated. IBM makes no representations that it is suitable for any other purpose.

The drawings and specifications contained herein shall not be reproduced in whole or in part without written permission.

How To Use This Parts Catalog

- **Similar Assemblies:** If two assemblies contain a majority of identical parts, they are broken down on the same list. Common parts are shown by one index number. Parts peculiar to one or the other of the assemblies are listed separately and identified by description.

- **AR: (As Required)** in the Units column indicates that the units per assembly are not the same for all machines.

- **NP: (Non-Procurable)** in the Units column indicates that the part is non-procurable and the individual parts or that the next higher assembly should be ordered.

- **NR: (Not Recommended)** in the Units column indicates that the part is procurable but not recommended for field replacement, and that the next higher assembly should be ordered.

- **R: (Restricted)** in the Units column indicates that the part has a restricted availability.

- **Indenture:** The indenture is marked by a series of dots located before the parts description. The indenture indicates the relationship of a part to the next higher assembly. For example:

Indenture	Relationship of Parts
(No dot)	Main assembly
(One dot)	• Detail part of a main assembly
(One dot)	• Assembly within main assembly
(Two dots)	• • Detail part of a one dot assembly
(Two dots)	• • Assembly within one dot assembly
(Three dots)	• • • Detail part of a two dots assembly

Assembly *n*: Cover Assembly

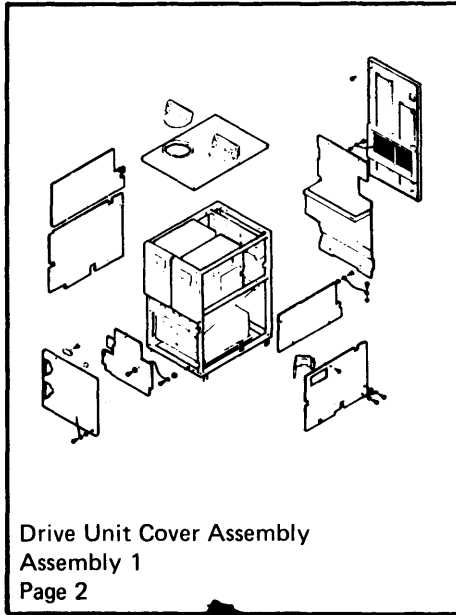
Asm – Index	Part Number	Units	Description
<i>n</i> –	2512667	1	Cover Asm, Rear, Red
–	2512668	1	Cover Asm, Rear, Yellow
–	2512669	1	Cover Asm, Rear, Blue
–	2512670	1	Cover Asm, Rear, Gray
–	2513714	1	Cover Asm, Rear, White
			For Next Higher Assembly, See Assembly 1 – 2
– 1	5373637	1	• Seal, Top
– 2	5356429	2	• Clip, Retaining
– 3	2513013	3	• Liner, Cover
– 4	5373727	1	• Seal, Left Side
– 5	5356429	3	• Clip, Retaining
– 6	513668	2	• Catch, Cover
– 7	81693	4	• Screw, Mach, Bind Hd 6 – 32, 0.375 Long
– 8	1847630	R	• Finger Stock Asm
– 9	1847602	NR	• • Channel, Finger Stock
– 10	1847604	NR	• • Finger Stock, 2.00 Long
– 11	5373639	AR	• Seal, Bottom
– 12	5356429	2	• Clip, Retaining
– 13		NP	• Cover, Rear, Without Paint

Assemblies

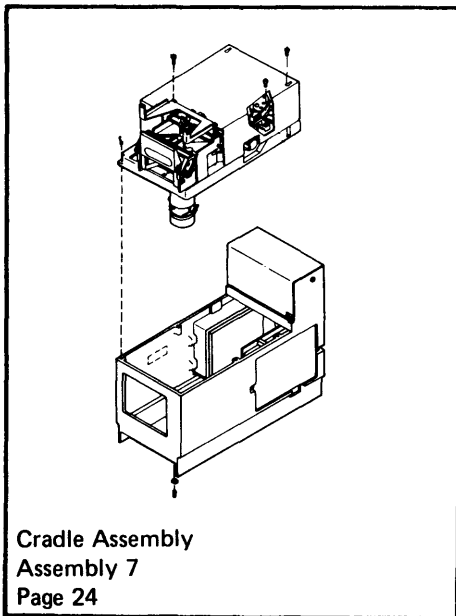
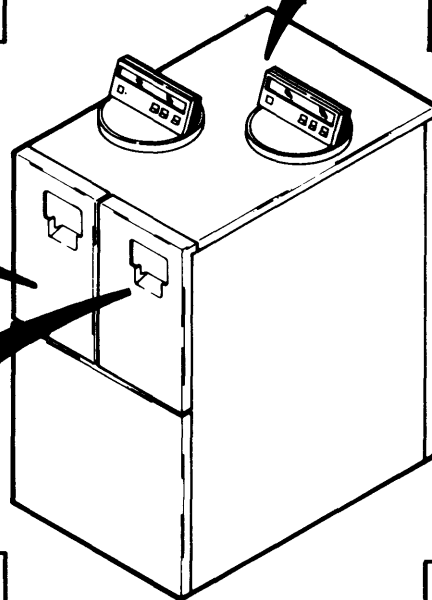
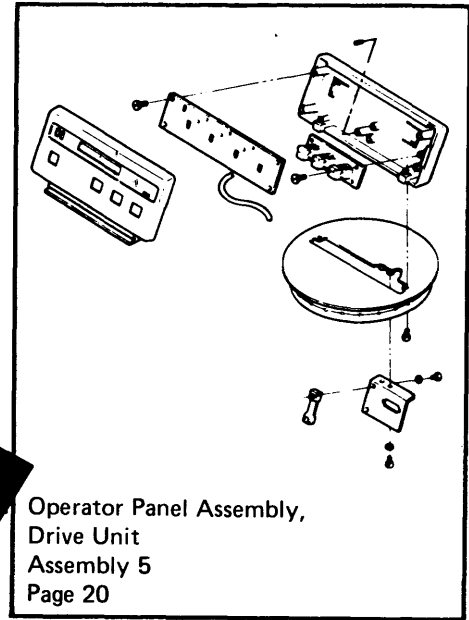
AC Box Assembly	60
Blower Assembly	56
Cable Assemblies	192
Cable Assemblies With Component Parts	182
Cable Routing, Automatic Cartridge Loader	174
Cable Routing, Control Unit	126
Cable Routing, Control Unit	146
Cable Routing, CU	132
Cable Routing, CU	160
Cable Routing, Drive Unit	112
Cable Routing, Drive Unit	116
Cartridge Latch Assembly	44
Compressor Assembly	52
Compressor Final Assembly	54
Control Box Assembly	58
Control Unit Cover Assembly	62
Control Unit Cover Assembly	64
Control Unit Cover Assembly	66
Control Unit Final Assembly	68
Control Unit Final Assembly	74
Control Unit Final Assembly	78
Cradle Assembly	24
Cradle Assembly	26
Deck Assembly	36
Deck Loader Asm	98
Deck Support Assembly	28
Deck Support Assembly	32
Drive Unit Cover Assembly	2
Drive Unit Cover Assembly	4
Feed Asm	108
Final Asm, Drive Unit	6
Final Asm, Drive Unit	14
Final Asm, Loader Mechanical Asm	94
Front Cable Panel Assembly	124
Head and Guide Assembly	50
I/O Connector Block Assembly	92
Input Asm	102
Logic Gate Assembly	82
Logic Gate Assembly	86
Logic Gate Assembly	90
Machine Reel Assembly	42
Operator Panel Assembly, Drive Unit	20
Output Asm	110
Rail Asm, Input, Left	106
Rail Asm, Input, Right	104
Top Cover Assembly, Drive Unit	22
Tray Asm	100

Visual Index

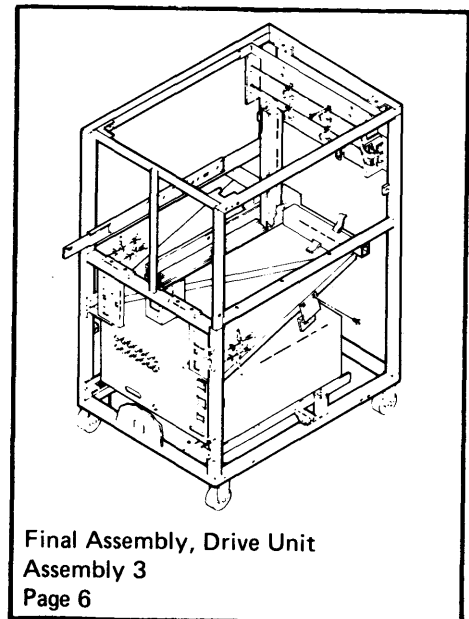
Visual Index I



Without
B/M 6460006

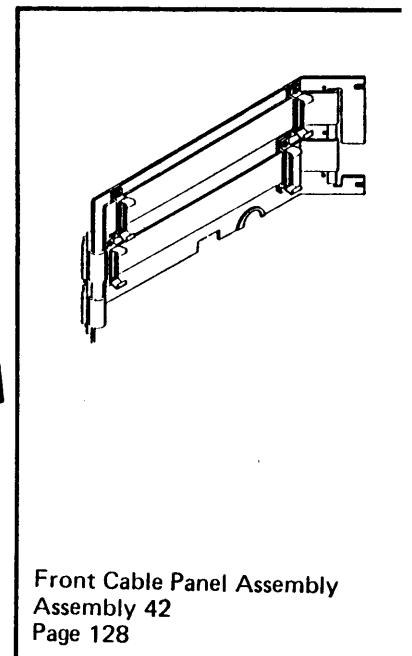
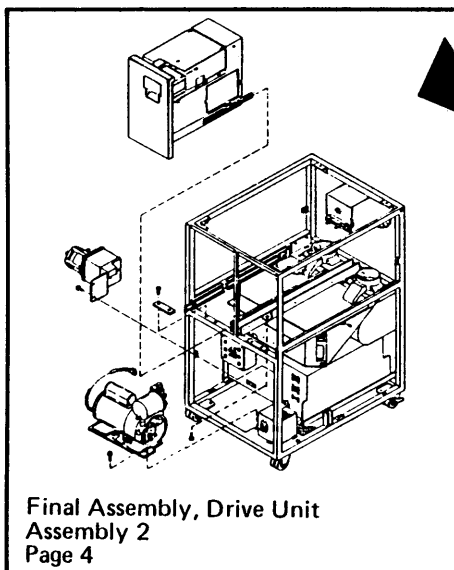
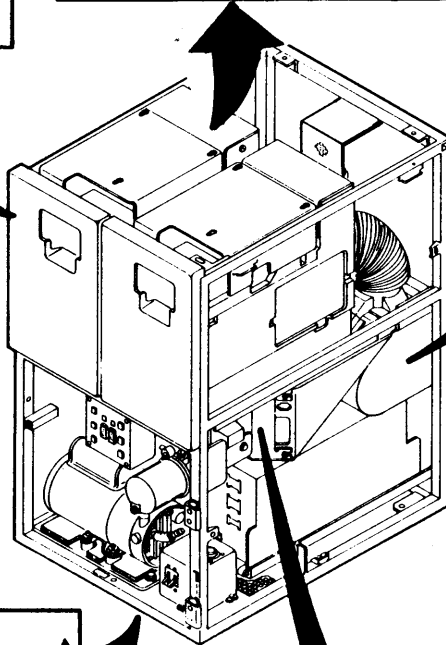
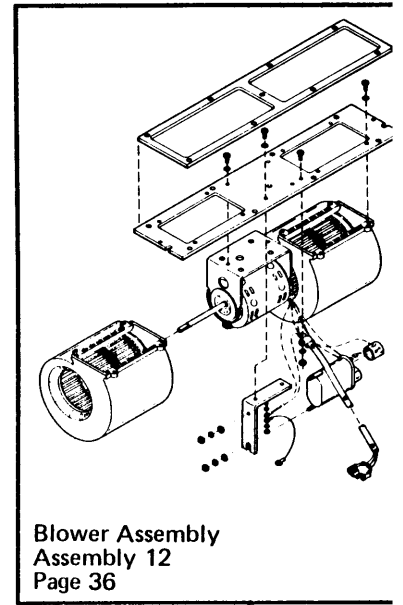
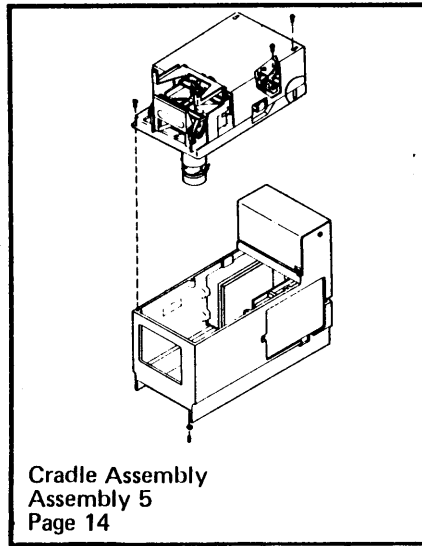
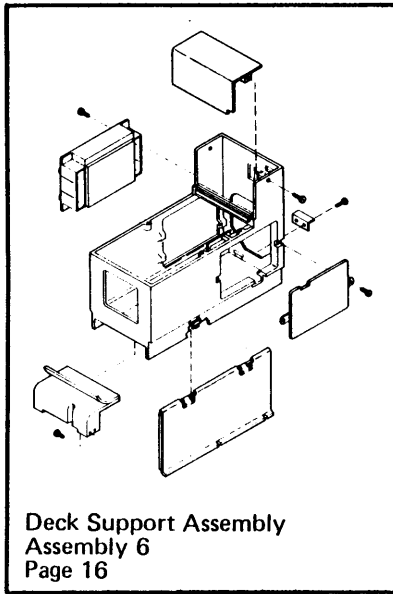


Without B/M 6460006

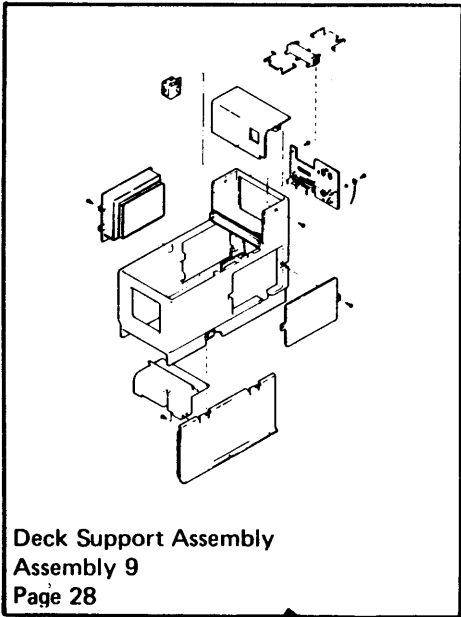


Without B/M 6460006

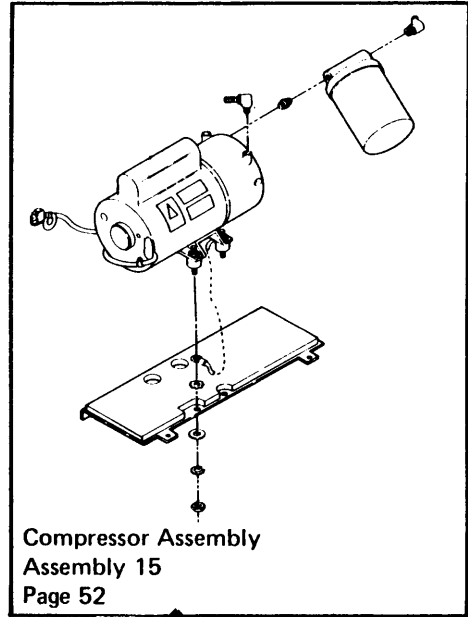
Visual Index II



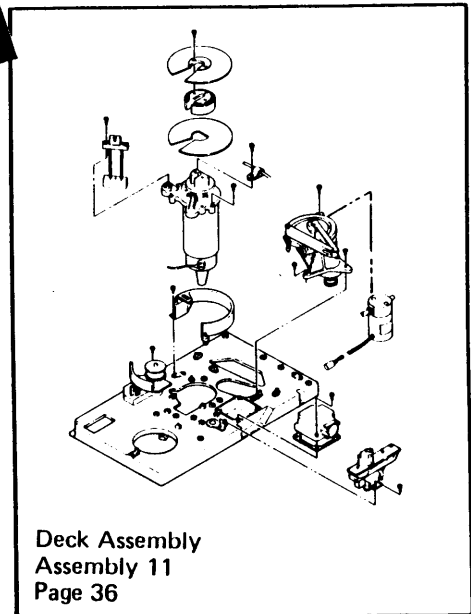
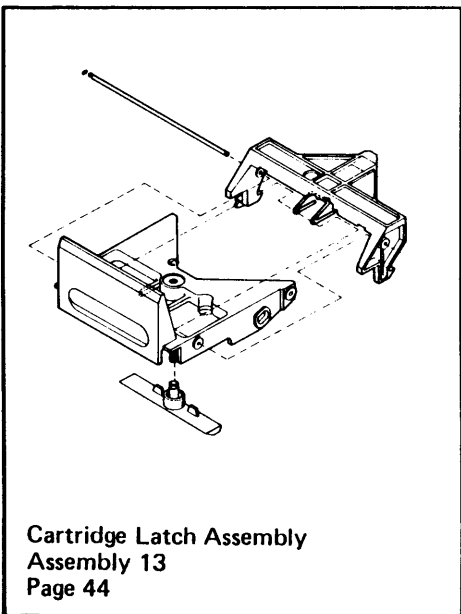
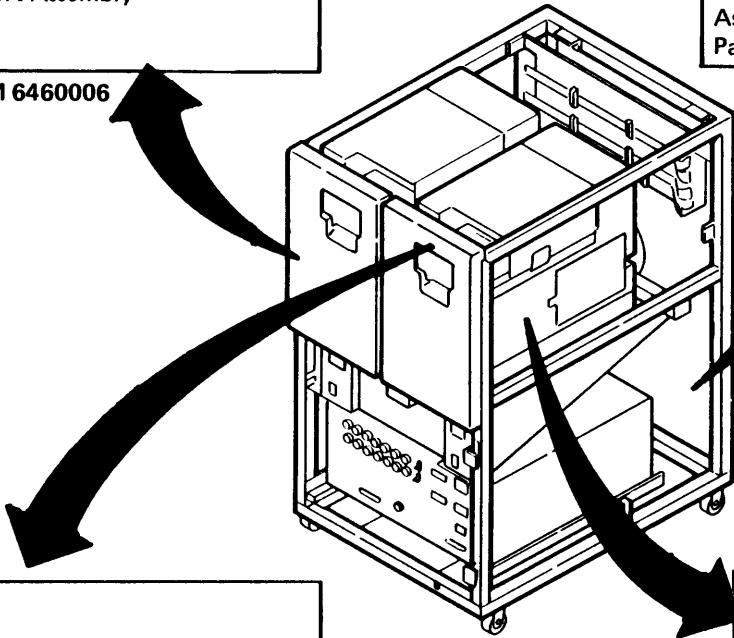
Visual Index III



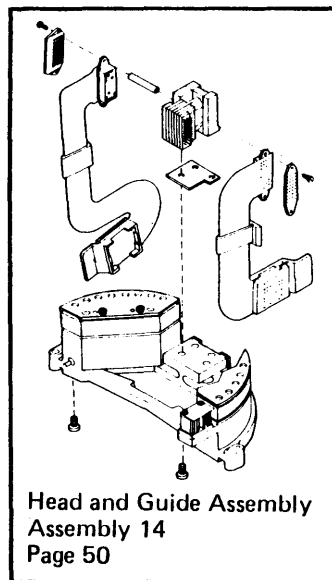
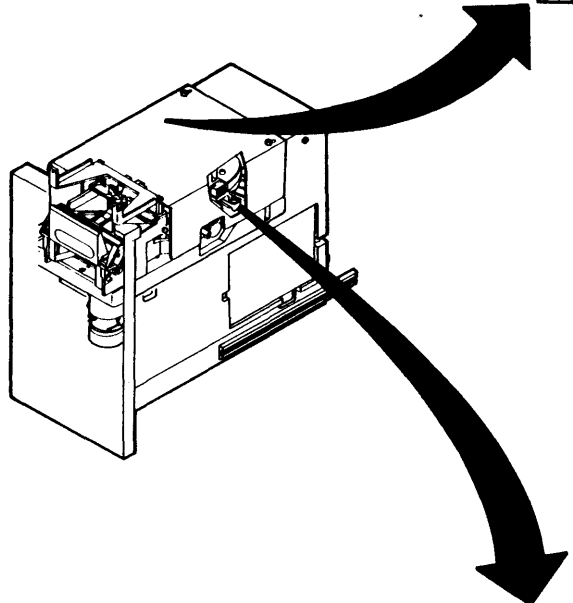
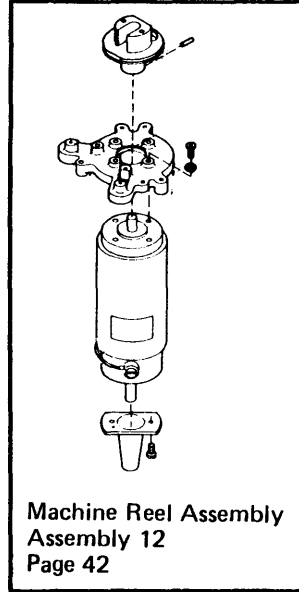
Without B/M 6460006



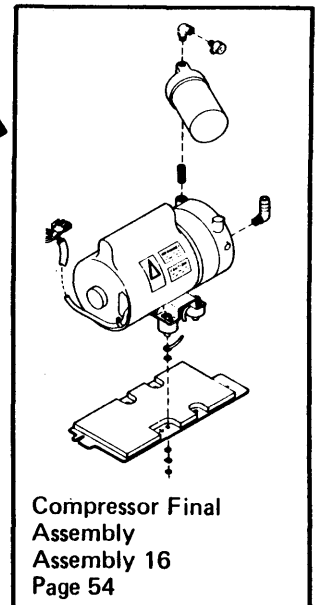
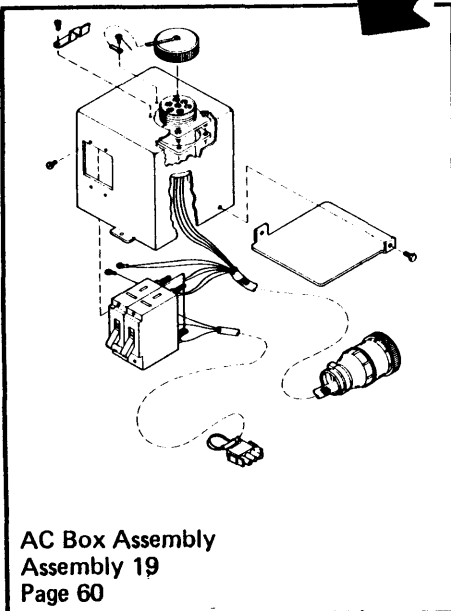
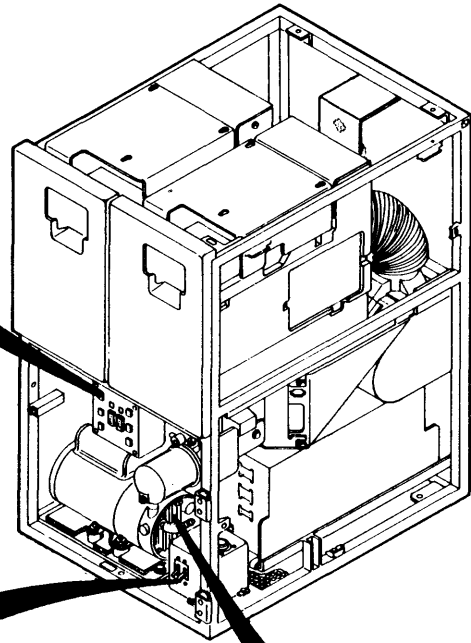
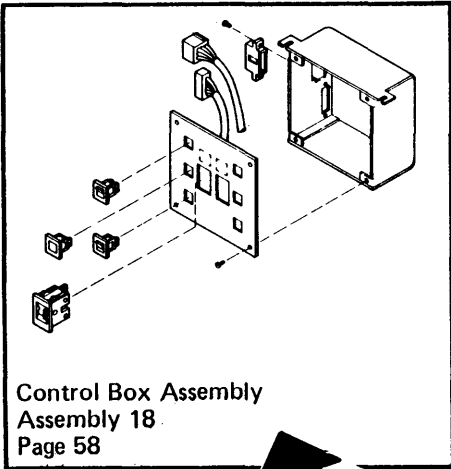
Without B/M 6460006



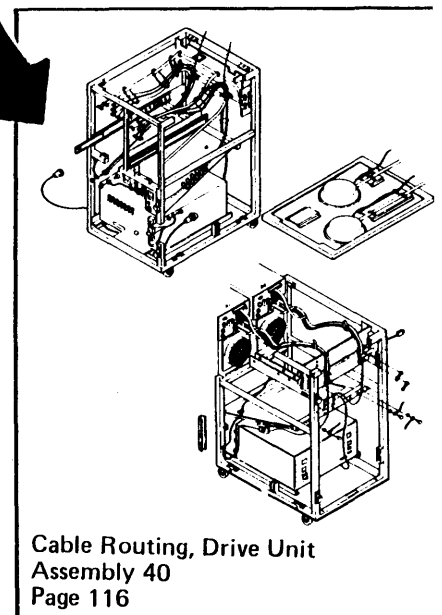
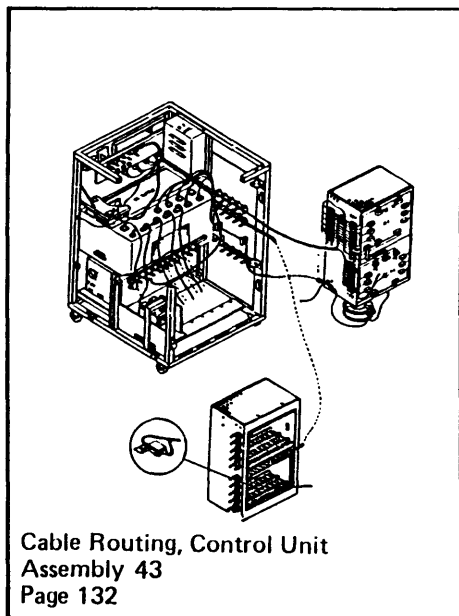
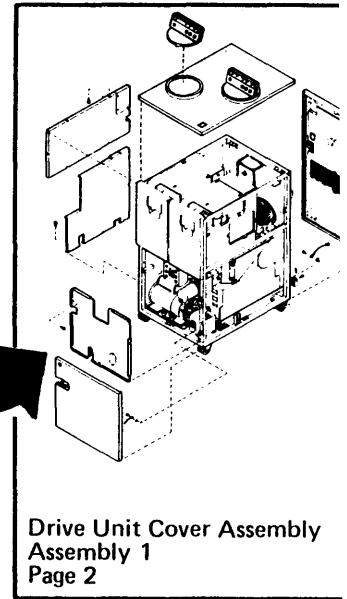
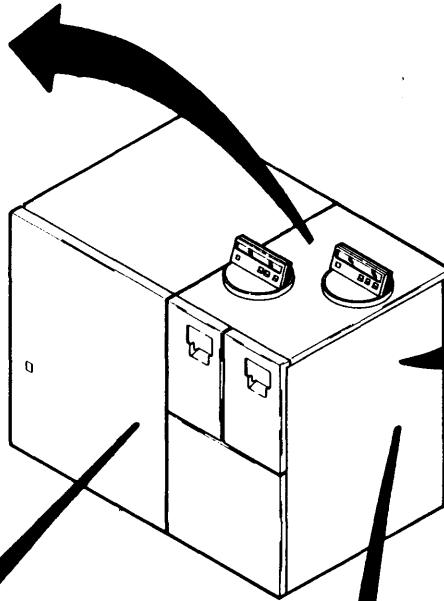
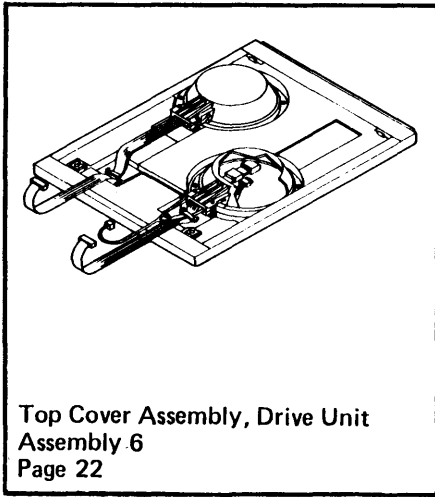
Visual Index IV



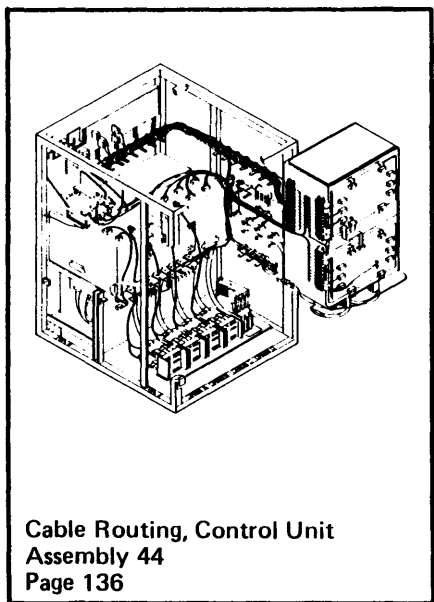
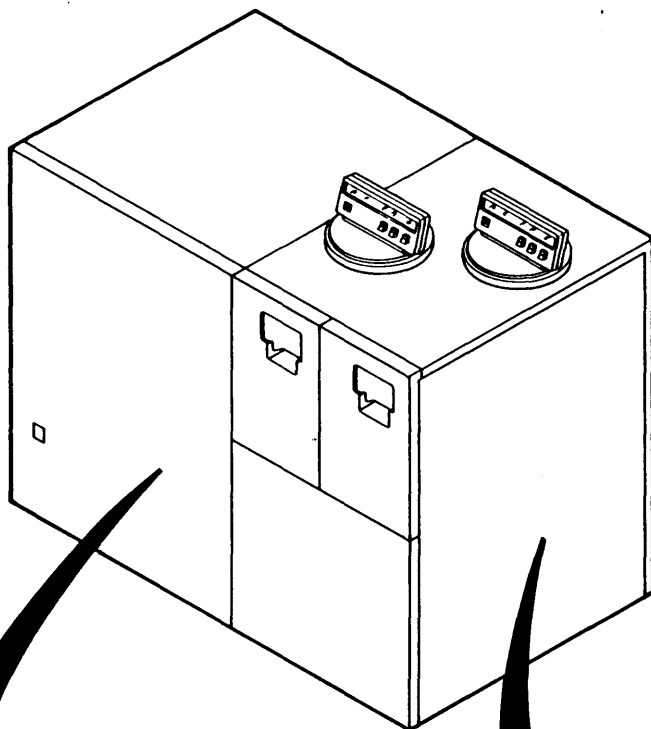
Visual Index V



Visual Index VI

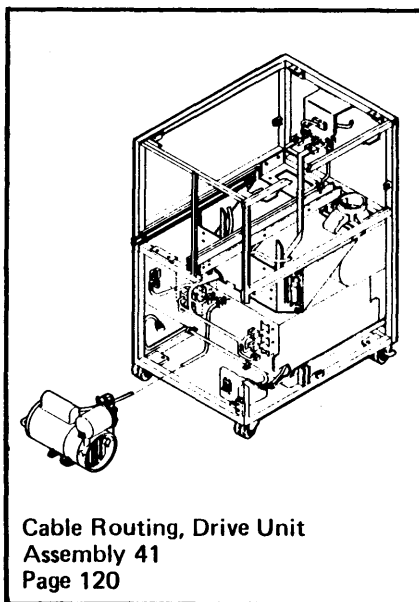


Visual Index VII



Cable Routing, Control Unit
Assembly 44
Page 136

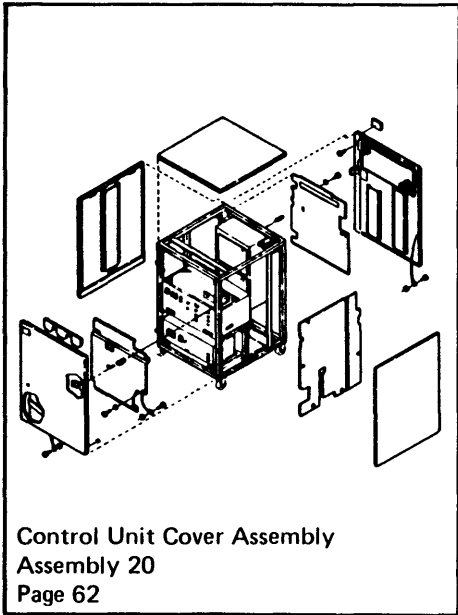
With B/M 6460006



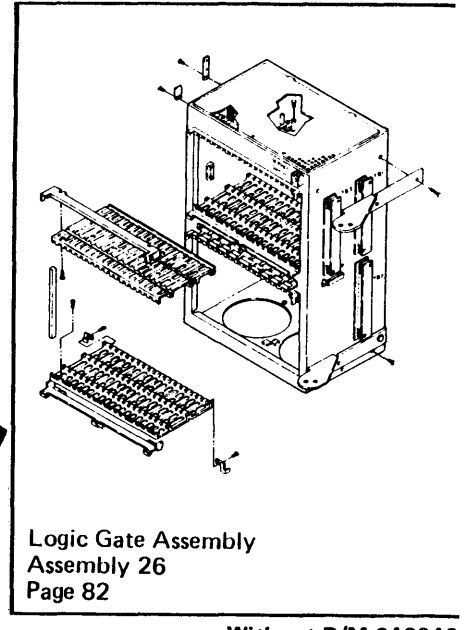
Cable Routing, Drive Unit
Assembly 41
Page 120

With B/M 6460006

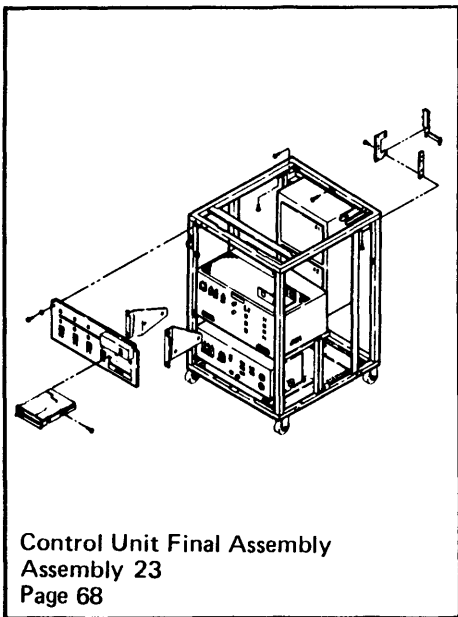
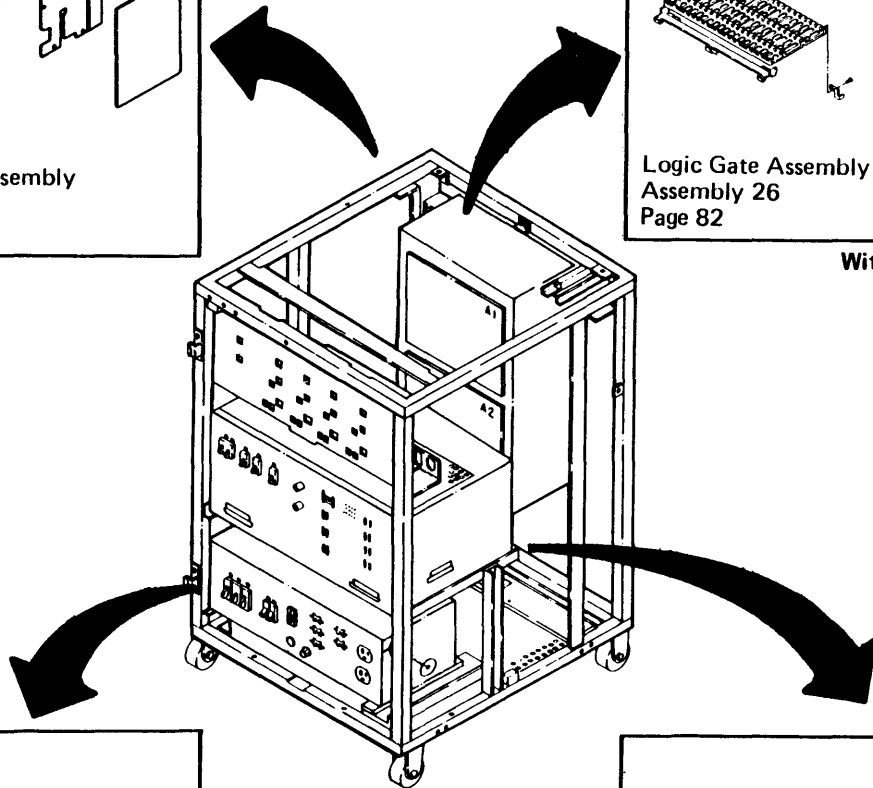
Visual Index VIII



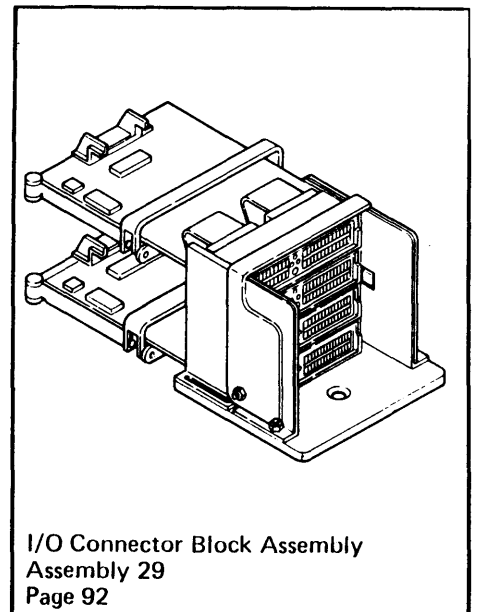
Without B/M 6460460



Without B/M 646046

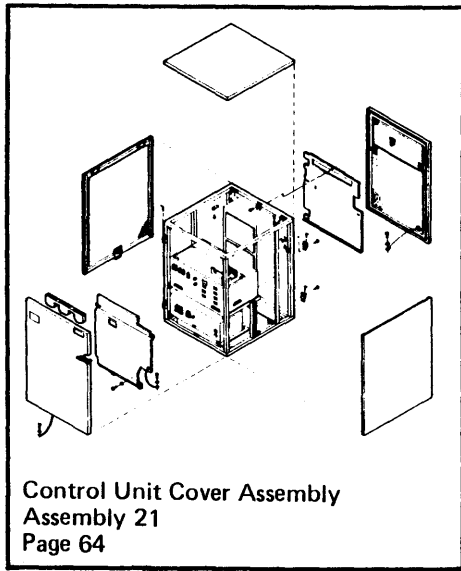


Without B/M 6460460



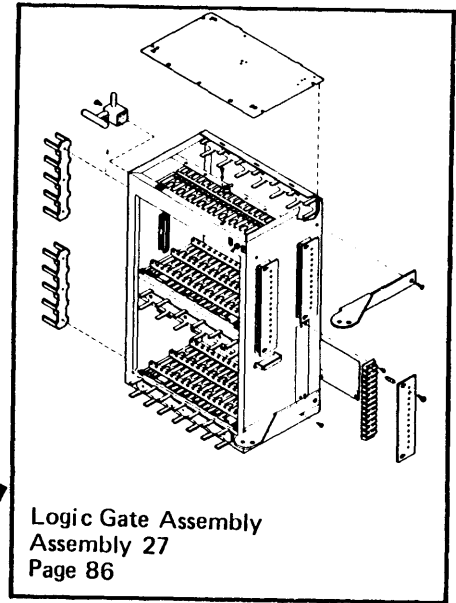
Without B/M 6460460

Visual Index IX



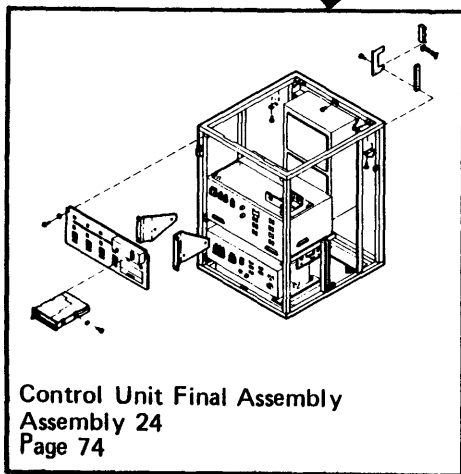
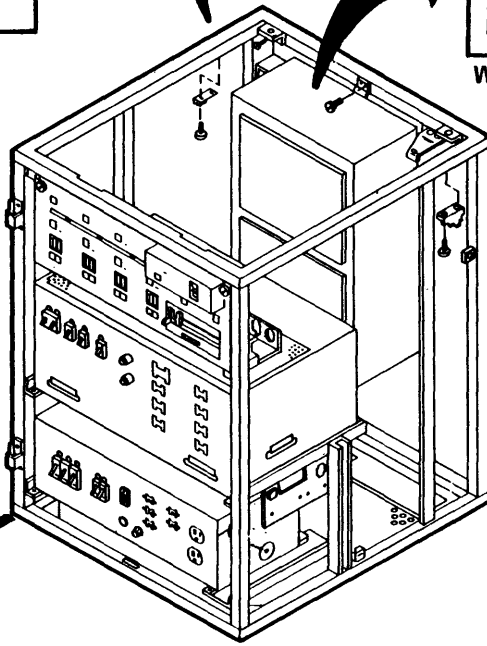
Control Unit Cover Assembly
Assembly 21
Page 64

Without B/M 6460460



Logic Gate Assembly
Assembly 27
Page 86

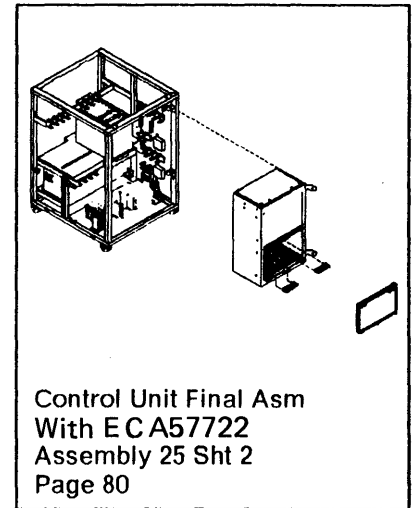
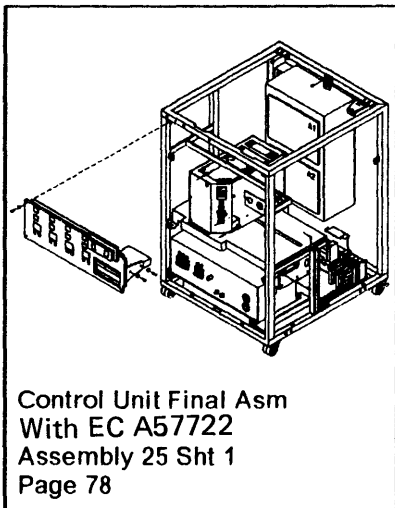
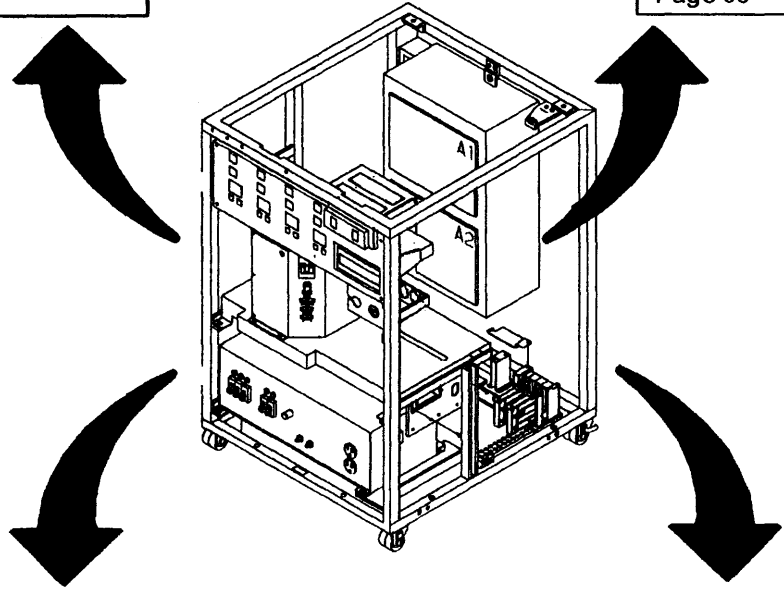
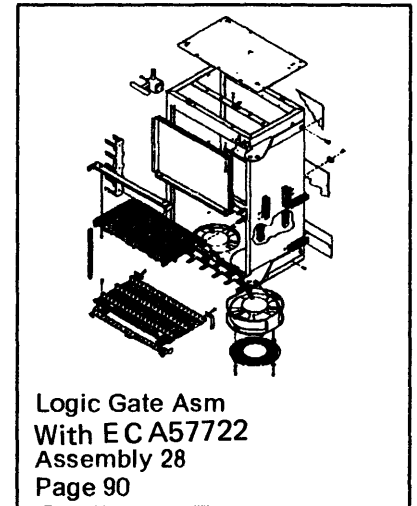
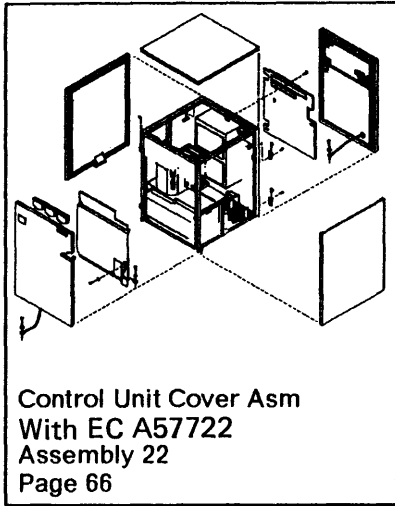
With B/M 6460460



Control Unit Final Assembly
Assembly 24
Page 74

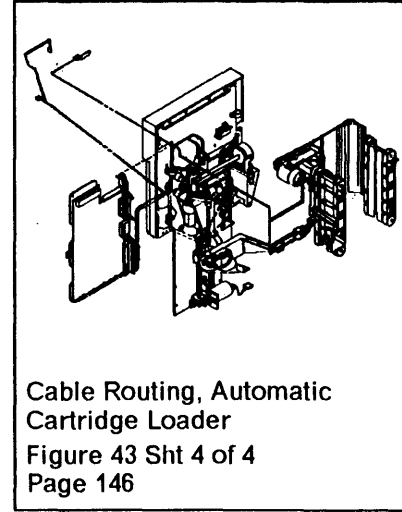
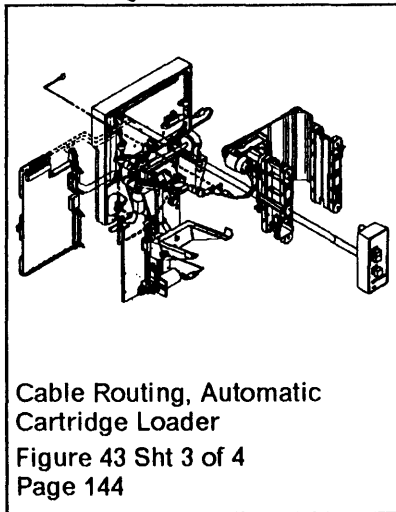
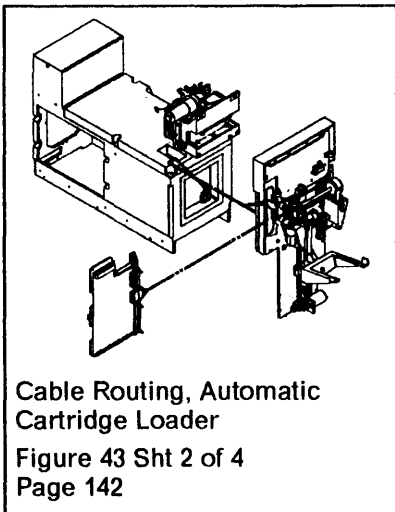
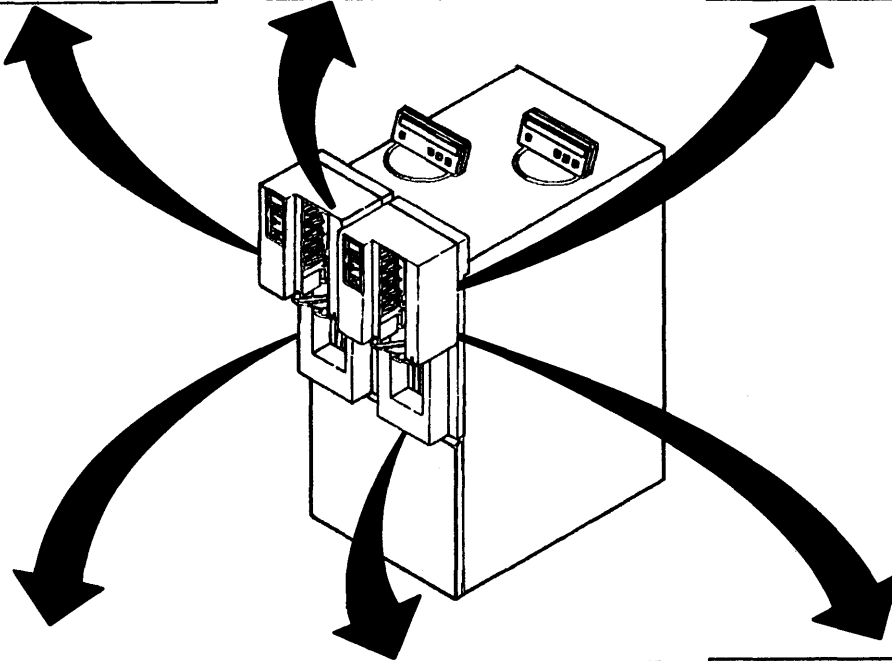
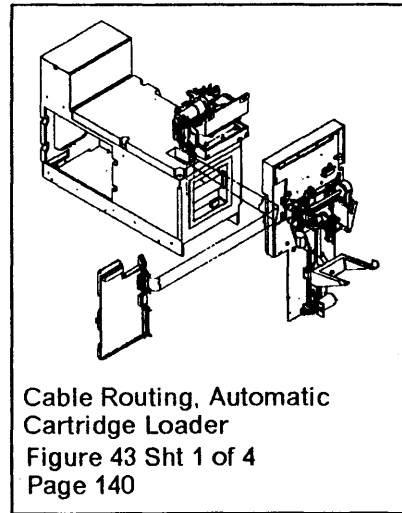
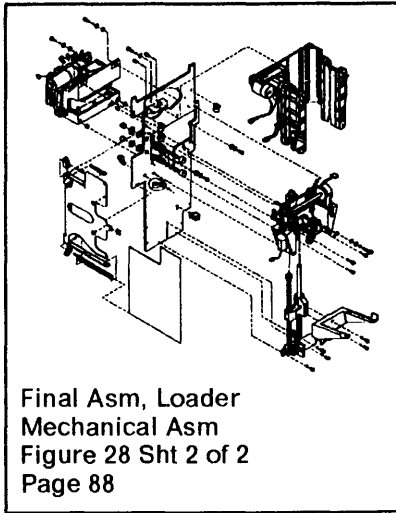
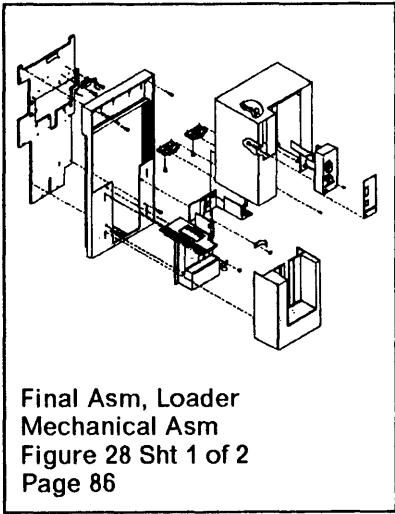
With B/M 6460460

Visual Index X

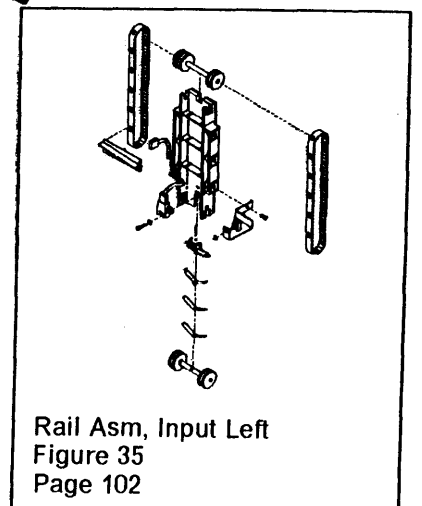
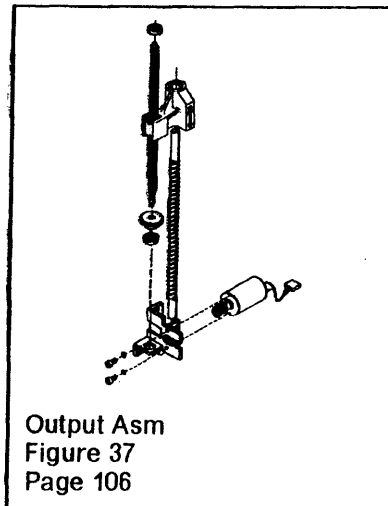
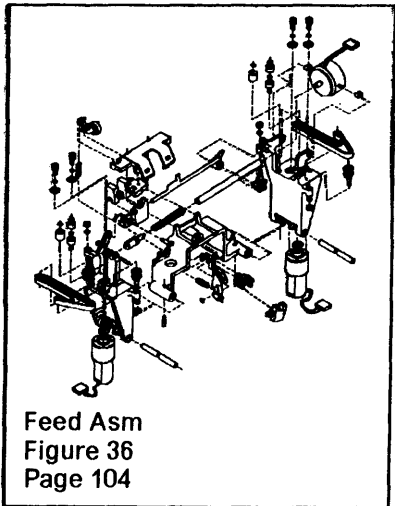
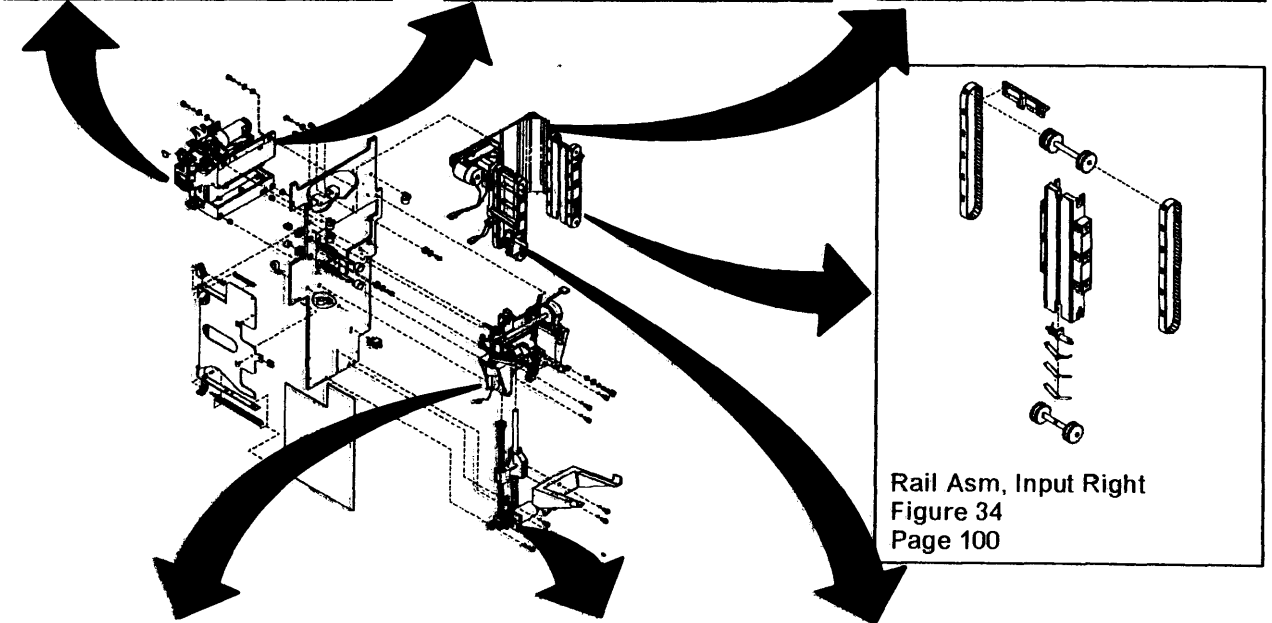
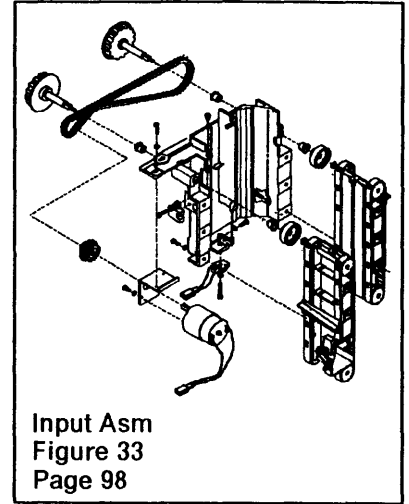
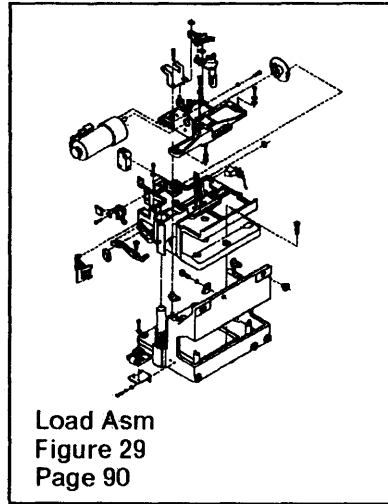
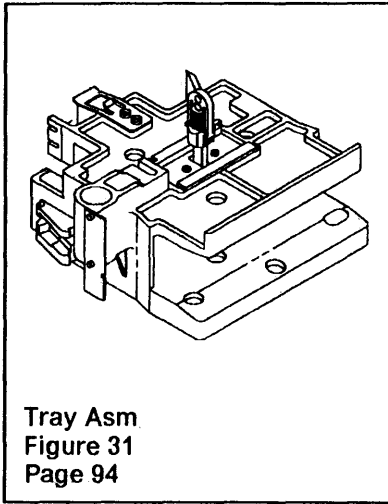


With EC A57722

Visual Index XI

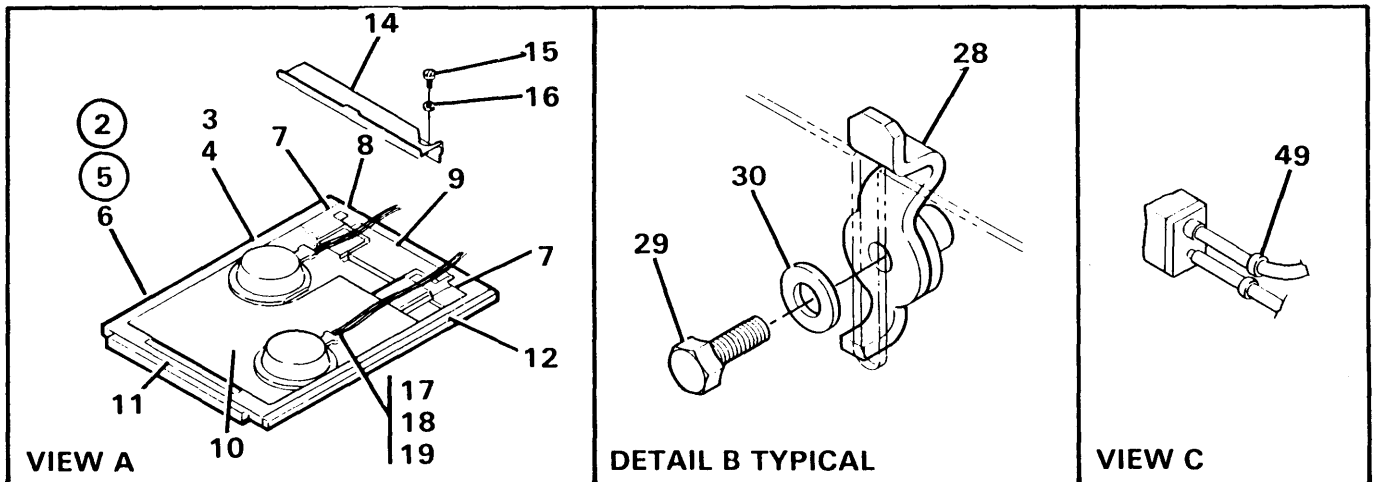
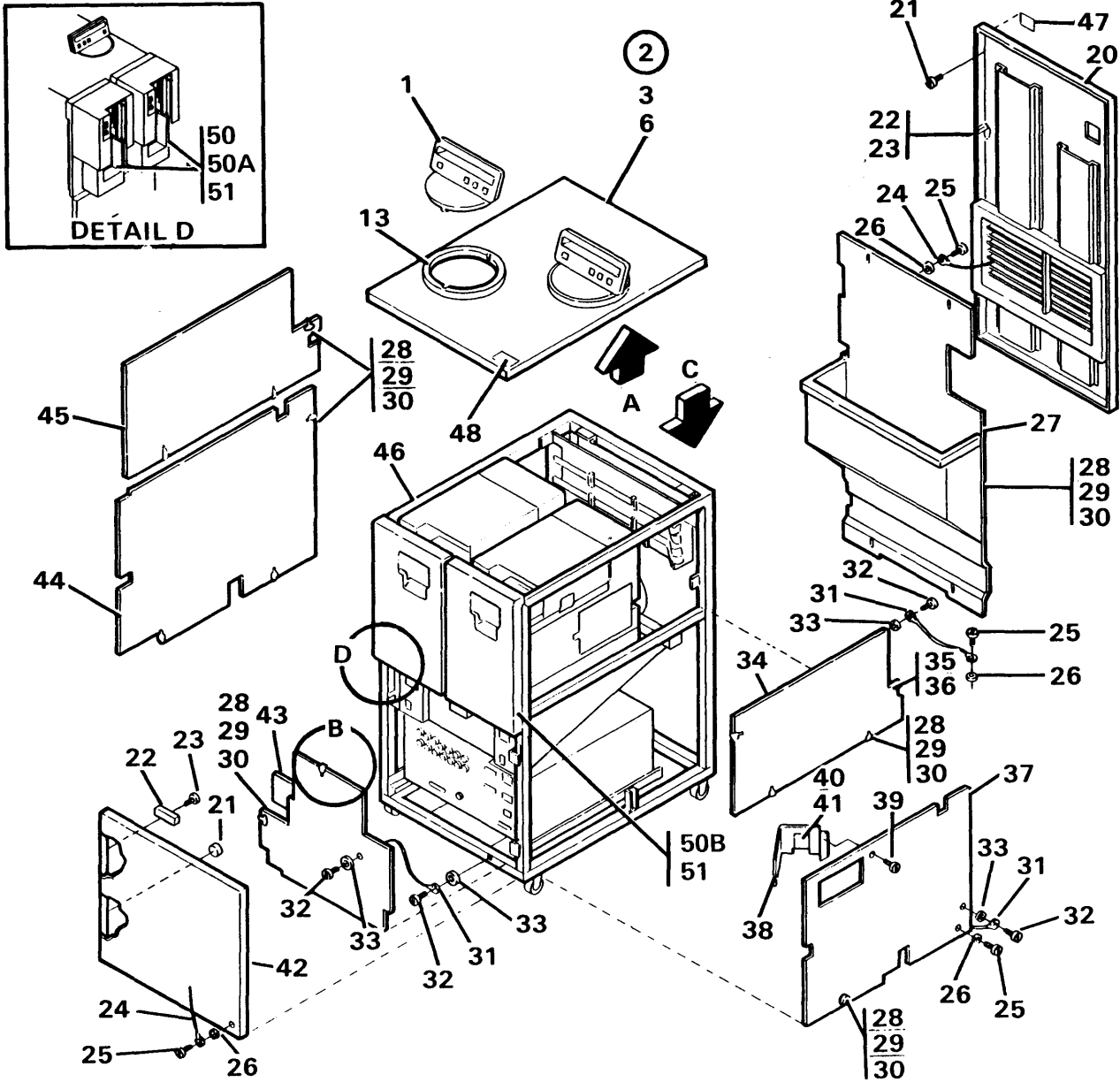


Visual Index XII



Catalog Section

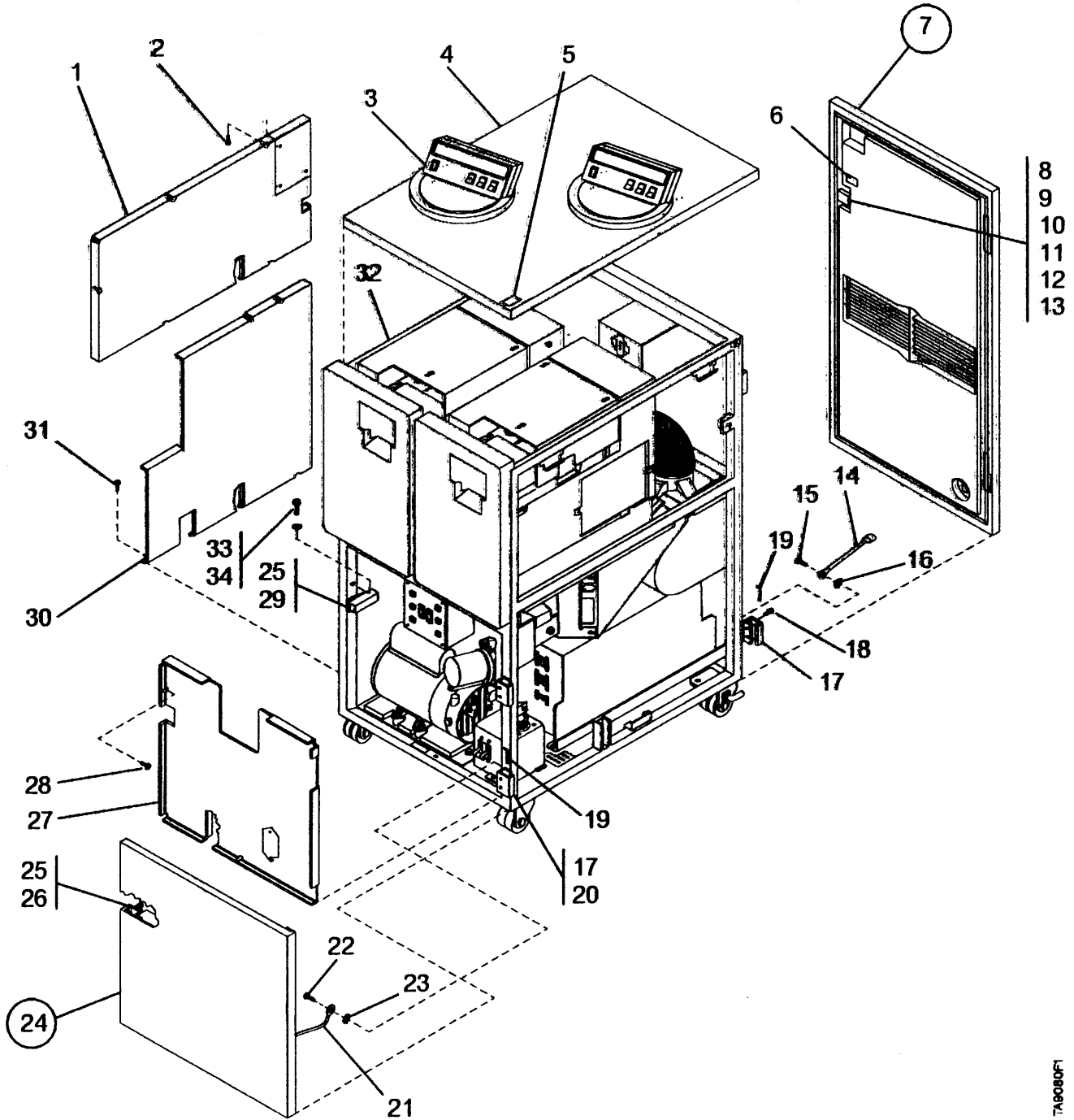
Assembly 1: Drive Unit Cover Assembly



Without B/M 6460006

Asm - Index	Part Number	Units	Description
1 -		NP	Drive Unit Cover Assembly
-1	4529429	2	• Operator Panel Assembly, Drive Unit-English
-1	4529430	2	• Operator Panel Assembly, Drive Unit-French
-1	4529431	2	• Operator Panel Assembly, Drive Unit-German
-1	4529432	2	• Operator Panel Assembly, Drive Unit-Spanish
-1	4529433	2	• Operator Panel Assembly, Drive Unit-Italian
-1	4529434	2	• Operator Panel Assembly, Drive Unit-Brazilian For Detail Breakdown, See "Assembly 5: Operator Panel Assembly, Drive Unit" on page 20
-2	6857800	1	• Cover Asm, Top
-3	6850711	2	• • Housing Asm
-4	1622417	8	• • Nut, Metric Hex Lock M4
-5	4451610	1	• • Cover Asm
-6	6390572	1	• • • Cover
-7	8673983	2	• • • Foam
-8	4128914	2	• • • Receptacle
-9	8673888	1	• • • Foam
-10	8673887	1	• • • Foam
-11	4451776	1	• • • Seal
-12	6850655	1	• • • Seal
-13	4529257	2	• Panel, Base
-14	8673969	1	• Air Partition Asm, Top
-15	2549561	3	• Screw, Metric Thd Form-Hex Hd M3 10MM Long
-16	1622304	2	• Washer, Metric Flat 4.3 ID X 9 OD X .8 Thick
-17	6460084	4	• Core, Ferrite
-17	8532884	4	• Ferrite
-18	6850799	2	• Retainer
-19	1621066	4	• Screw, Metric-Slot Cheese Hd M4 X 30 mm Long
-20	6315645	1	• Cover Asm, Rear
-21	198982	3	• Bumper, Stop
-22	6857798	2	• Latch, Door
-23	1621844	4	• Screw, Metric-Thd Form Slot Pan Hd M3 X 6 mm Long
-24	4451705	2	• Strap
-25	1621811	5	• Screw, Metric-Thd Form Hex Wshr Hd M4 X 10 mm Long
-26	1622346	5	• Lockwasher, Metric-Ext Tooth 4.3 ID X 8 OD
-27	6850787	1	• Sub Cover, Rear-60 Hz
-27	4780634	1	• Sub Cover, Rear-50 Hz
-28	4529277	23	• Bracket, Cover
-29	1673724	23	• Screw, Metric-Cap Hex Hd M4 X 10MM Long
-30	1622304	23	• Washer, Metric Flat 4.3 ID X 9 OD X .8 Thick
-31	5759582	3	• Jumper, Gnd
-32	1621811	4	• Screw, Metric-Thd Form Hex Wshr Hd M4 X 10 mm Long
-33	1622346	4	• Lockwasher, Metric-Ext Tooth 4.3 ID X 8 OD
-34	8673945	1	• Sub Cover, Upper Right
-35	1673722	1	• Screw, Metric-Cap Hex Hd M4 X 6MM Long
-36	1622304	1	• Washer, Metric Flat 4.3 ID X 9 OD X .8 Thick
-37	8673943	1	• Sub Cover, Lower Right
-38	4529279	1	• Bracket, Connector
-39	1621170	4	• Screw, Metric-Slot Pan Hd M3 X 6 mm Long
-40	4451670	1	• Cable, 60 Hz & 50 Hz-Japan
-40	4799073	1	• Cable, 50 Hz-WTC
-41	2549561	4	• Screw, Metric Thd Form-Hex Hd M3 10MM Long
-42	4529417	1	• Cover, Front
-43	4451762	1	• Sub Cover, Front
-44	8673944	1	• Sub Cover, Lower Left
-45	8673941	1	• Sub Cover, Upper Left
-46		NP	• Final Assembly, Drive Unit For Detail Breakdown, See "Assembly 3: Final Asm, Drive Unit" on page 6
-47	8674060	1	• Logo, Model B22
-47	8674059	1	• Logo, Model B11
-48	8674062	1	• Logo, Model B22
-48	8674061	1	• Logo, Model B11
-49	6846576	2	• Tie, Wrap
-50	13F4797	1	• Final Asm, Loader Mechanical Asm For Detail Breakdown, See "Assembly 30: Final Asm, Loader Mechanical Asm" on page 94
-50A	13F4824	1	• Deck Loader Asm For Detail Breakdown, See "Assembly 31: Deck Loader Asm" on page 98
-50B	6315647	1	• Cover Asm, Kit Used Without Automatic Cartridge Loader Feature
-51	1621171	4	• Screw, Metric-Slot Pan Hd M3 X 8 mm Long

Assembly 2: Drive Unit Cover Assembly



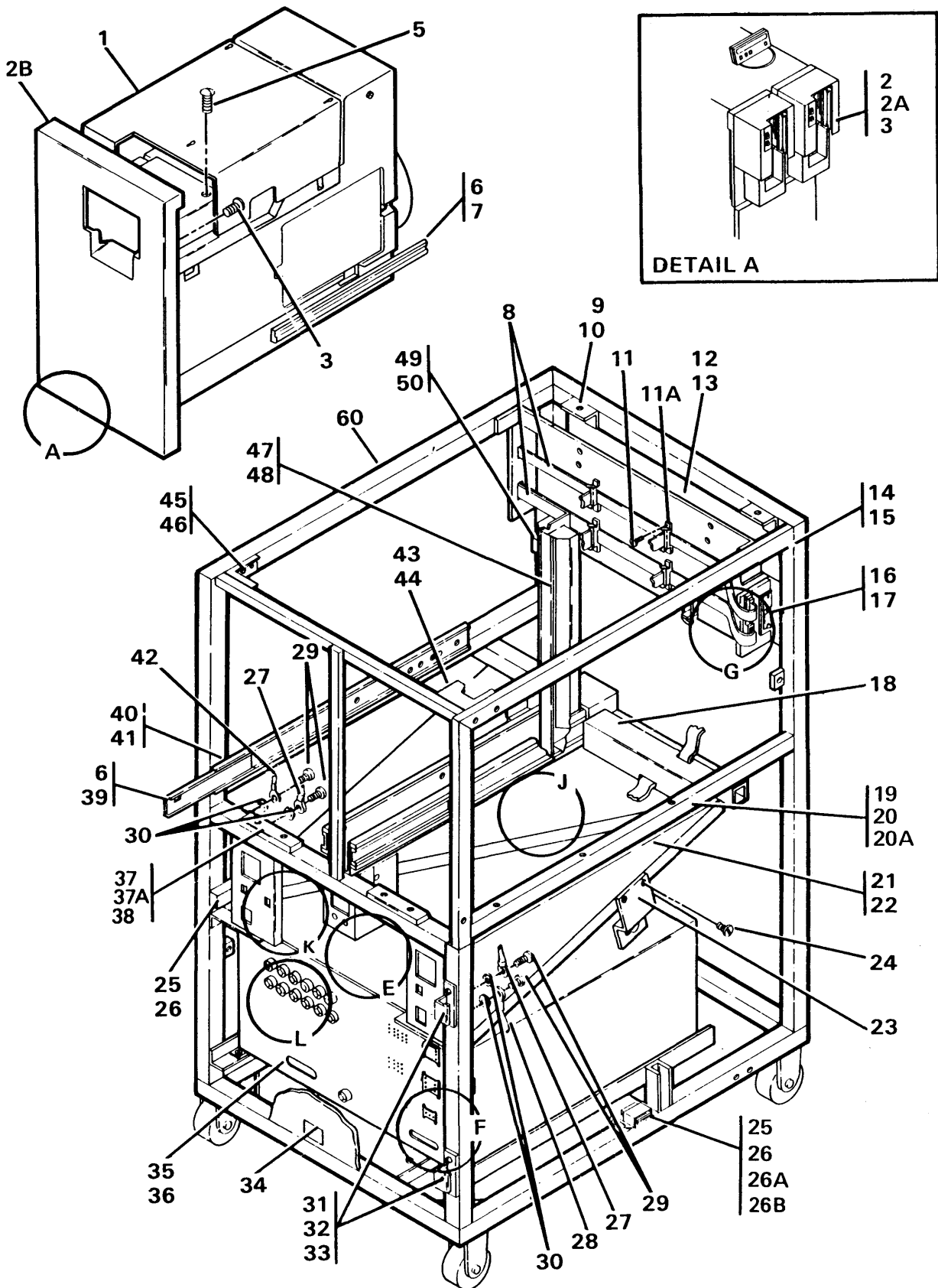
TAS080FT

With B/M 6460006

4 Magnetic Tape Subsystem

Asm— Index	Part Number	Units	Description
2—		NP	Drive Unit Cover Assembly
—1	8576674	1	• Cover, Upper Left
—2	1621811	6	• Screw, Metric-Thd Form Hex Wshr Hd M4 X 10 mm Long
—3	4529429	2	• Operator Panel Assembly, Drive Unit-English
—3	4529430	2	• Operator Panel Assembly, Drive Unit-French
—3	4529431	2	• Operator Panel Assembly, Drive Unit-German
—3	4529432	2	• Operator Panel Assembly, Drive Unit-Spanish
—3	4529433	2	• Operator Panel Assembly, Drive Unit-Italian
—3	4529434	2	• Operator Panel Assembly, Drive Unit-Brazilian For Detail Breakdown, See "Assembly 5: Operator Panel Assembly, Drive Unit" on page 20
—4	8577039	1	• Cover, Top For Detail Breakdown, See "Assembly 6: Top Cover Assembly, Drive Unit" on page 22
—5	8674062	1	• Label, Model B22
—5	8674061	1	• Label, Model B11
—6	8674060	1	• Label, Model B22
—6	8674059	1	• Label, Model B11
—7	8577030	1	• Cover Assembly, Rear
—8	2744617	1	• • Latch
—9	1621190	2	• • Screw, Metric-Slot Pan Hd M4 X 8 mm Long
—10	1622318	2	• • Lockwasher, Metric-Spring 4.1 ID X 7.5 OD
—11	1622304	2	• • Washer, Metric Flat 4.3 ID X 9 OD X .8 Thick
—12	6272566	1	• • Insert
—13	6460461	1	• • Ring, Retaining
—14	4451705	1	• Jumper, Gnd
—15	1621811	1	• Screw, Metric-Thd Form Hex Wshr Hd M4 X 10 mm Long
—16	1622346	1	• Lockwasher, Metric-Ext Tooth 4.3 ID X 8 OD
—17	8576713	4	• Hinge, Cover
—18	1621818	4	• Screw, Metric-Thd Form Hex Wshr Hd M5 X 10 mm Long
—19	4479725	4	• Pin, Hinge
—20	1621382	4	• Screw, Metric-Slot Pan Hd M4 X 10 mm Long
—21	4451705	1	• Jumper, Gnd
—22	1621811	1	• Screw, Metric-Thd Form Hex Wshr Hd M4 X 10 mm Long
—23	1622346	1	• Lockwasher, Metric-Ext Tooth 4.3 ID X 8 OD
—24	8577031	1	• Cover, Front
—25	6857798	1	• • Latch Kit, Front
—26	2549561	2	• • Screw, Metric Thd Form-Hex Hd M3 10MM Long
—27	8576696	1	• Cover, Inner Front
—28	1621811	3	• Screw, Metric-Thd Form Hex Wshr Hd M4 X 10 mm Long
—29	2549561	2	• Screw, Metric Thd Form-Hex Hd M3 10MM Long
—30	8576676	1	• Cover, Lower Left
—31	1621811	4	• Screw, Metric-Thd Form Hex Wshr Hd M4 X 10 mm Long
—32		NP	• Final Assembly, Drive Unit For Detail Breakdown, See "Assembly 4: Final Asm, Drive Unit" on page 14
—33	1621551	1	• Screw, Metric-Cap Hex Hd M8 X 50 mm Long
—34	4457473	1	• Lockwasher

Assembly 3: Final Asm, Drive Unit

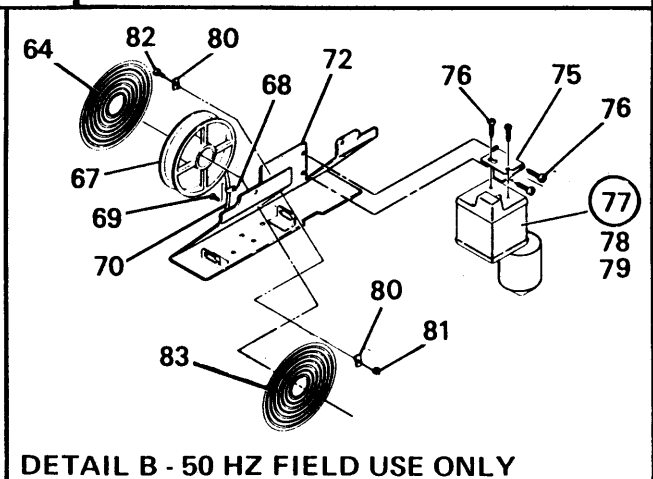
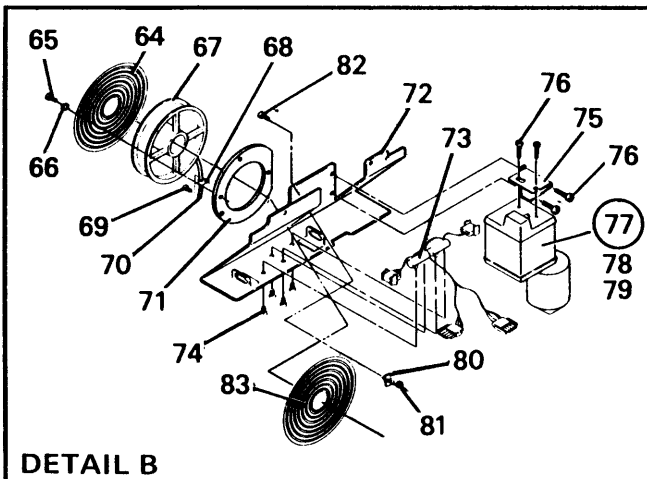
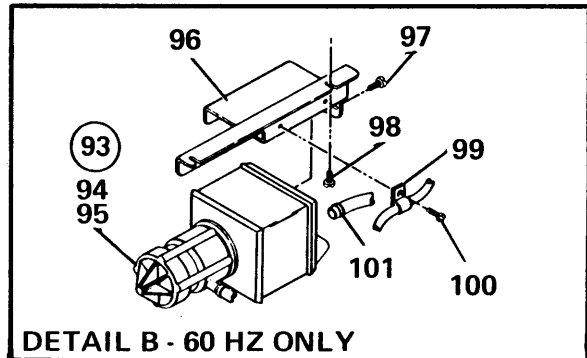
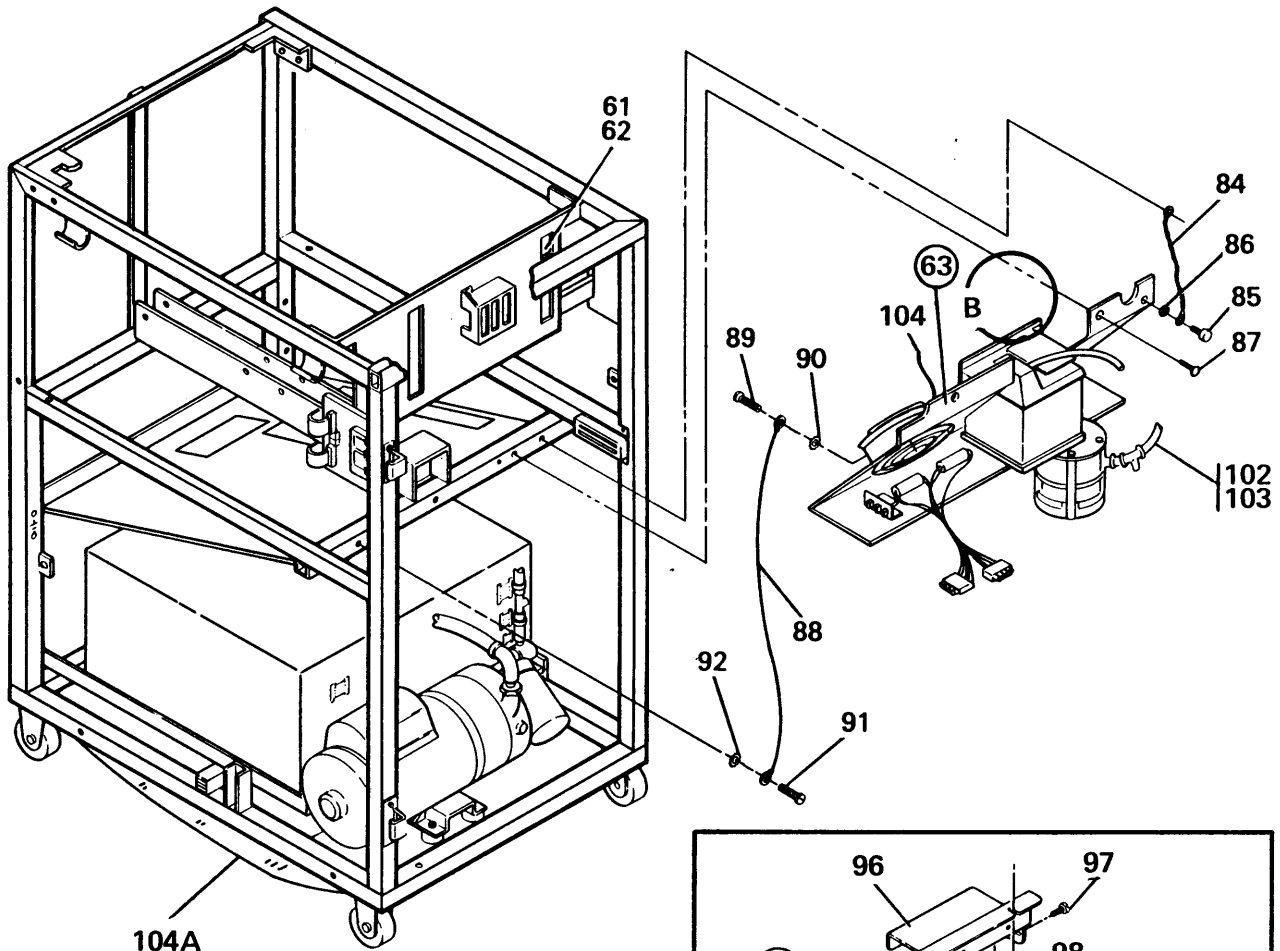


Without B/M 6460006

6 Magnetic Tape Subsystem

Asm - Index	Part Number	Units	Description
3 -		NP	Final Asm, Drive Unit (Sheet 1 of 3) For Next Higher Assembly See 1 - 46 on page 3
- 1	4128934	2	• Cradle Assembly For Detail Breakdown, See "Assembly 7: Cradle Assembly" on page 24
- 2	13F4797	1	• Final Asm, Loader Mechanical Asm For Detail Breakdown, See "Assembly 30: Final Asm, Loader Mechanical Asm" on page 94
- 2A	13F4824	1	• Deck Loader Asm For Detail Breakdown, See "Assembly 31: Deck Loader Asm" on page 98
- 2B	6315647	1	• Cover Asm Kit Used Without Automatic Cartridge Loader Feature
- 3	1621171	4	• Screw, Metric-Slot Pan Hd M3 X 8 mm Long
- 5	1621190	4	• Screw, Metric-Slot Pan Hd M4 X 8 mm Long
- 6	4479864	2	• Slide, Left and Right Side
- 7	1621297	20	• Screw, Metric-Slot Flat Hd M3.5 X 10 mm Long
- 8	6850738	2	• Cable Asm
- 9	4479887	2	• Bracket, Top Cover Latch
- 10	1621818	4	• Screw, Metric-Thd Form Hex Wshr Hd M5 X 10 mm Long
- 11	1621172	8	• Screw, Metric-Slot Pan Hd M3 X 10 mm Long
- 11A	6177117	8	• Clip, Retainer
- 12	4479870	1	• Cable Plate
- 13	1621811	4	• Screw, Metric-Thd Form Hex Wshr Hd M4 X 10 mm Long
- 14	4451774	2	• Support
- 15	1621818	4	• Screw, Metric-Thd Form Hex Wshr Hd M5 X 10 mm Long
- 16	4529256	1	• Spacer
- 17	1621813	2	• Screw, Metric-Thd Form Hex Wshr Hd M4 X 16 mm Long
- 18	8673880	1	• Foam Block
- 19	4479872	1	• Rail, Drive Mounting-Right
- 20	1621534	3	• Screw, Metric-Cap Soc Hd M6 X 12 mm Long
- 20A	6315641	AR	• Shim
- 20A	6315642	AR	• Shim
- 21	6850637	1	• Deflector Heat Asm-60 Hz
- 21	6315652	1	• Deflector Heat Asm-50 Hz
- 22	1621818	4	• Screw, Metric-Thd Form Hex Wshr Hd M5 X 10 mm Long
- 23	6857830	1	• Switch, Thermal-60 Hz
- 23	6390539	1	• Switch, Thermal-50 Hz
- 24	1621844	2	• Screw, Metric-Thd Form Slot Pan Hd M3 X 6 mm Long
- 25	6857798	2	• Latch, Door
- 26	2549561	4	• Screw, Metric Thd Form-Hex Hd M3 10MM Long
- 26A	1622303	4	• Washer, Metric Flat 3.7 ID X 8 OD X .5 Thick
- 26B	1622344	4	• Lockwasher, Metric-Ext Tooth 3.2 ID X 6 OD
- 27	4451673	1	• Cable
- 28	4451672	1	• Cable
- 29	1621811	4	• Screw, Metric-Thd Form Hex Wshr Hd M4 X 10 mm Long
- 30	1622346	4	• Lockwasher, Metric-Ext Tooth 4.3 ID X 8 OD
- 31	4451713	2	• Hinge, Cover- Front
- 32	1621818	4	• Screw, Metric-Thd Form Hex Wshr Hd M5 X 10 mm Long
- 33	4479725	2	• Pin, Hinge
- 34	1743549	1	• Label, Warning
- 35	4798945	1	• Power Supply, T.U.- 60Hz Old Style
- 35	13F4244	1	• Power Supply, T.U.- 60Hz New Style
- 35	82X5453	1	• Power Supply, T.U.- 50Hz
- 36	1621821	2	• Screw, Metric-Thd Form Hex Wshr Hd M6 X 10 mm Long
- 37	4479876	2	• Block, Drive Latch
- 37A	6272620	AR	• Shim
- 38	1621310	4	• Screw, Metric-Slot Flat Hd M4 X 12 mm Long
- 39	1621295	16	• Screw, Metric-Slot Flat Hd M3.5 X 6 mm Long
- 40	6390531	1	• Rail, Drive Mounting-Left
- 41	1621823	3	• Screw, Metric-Thd Form Hex Wshr Hd M6 X 16 mm Long
- 42	4451670	1	• Cable
- 43	4451722	1	• Receiver, Top Cover-Right
- 44	1621818	2	• Screw, Metric-Thd Form Hex Wshr Hd M5 X 10 mm Long
- 45	4451724	1	• Receiver, Top Cover-Left
- 46	1621818	2	• Screw, Metric-Thd Form Hex Wshr Hd M5 X 10 mm Long
- 47	8673970	1	• Partition Asm, Vertical
- 48	1621811	2	• Screw, Metric-Thd Form Hex Wshr Hd M4 X 10 mm Long
- 49	523951	2	• Clamp, Cable
- 50	1621297	2	• Screw, Metric-Slot Flat Hd M3.5 X 10 mm Long
- 60	4451517	1	• Frame - 60Hz
- 60	6315658	1	• Frame - 50Hz

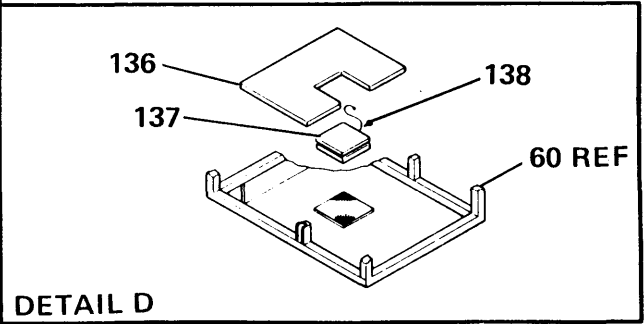
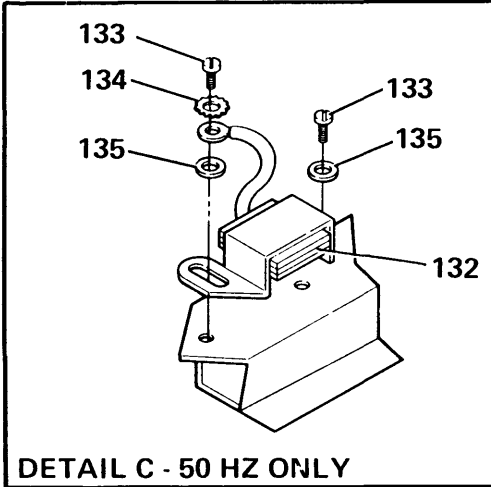
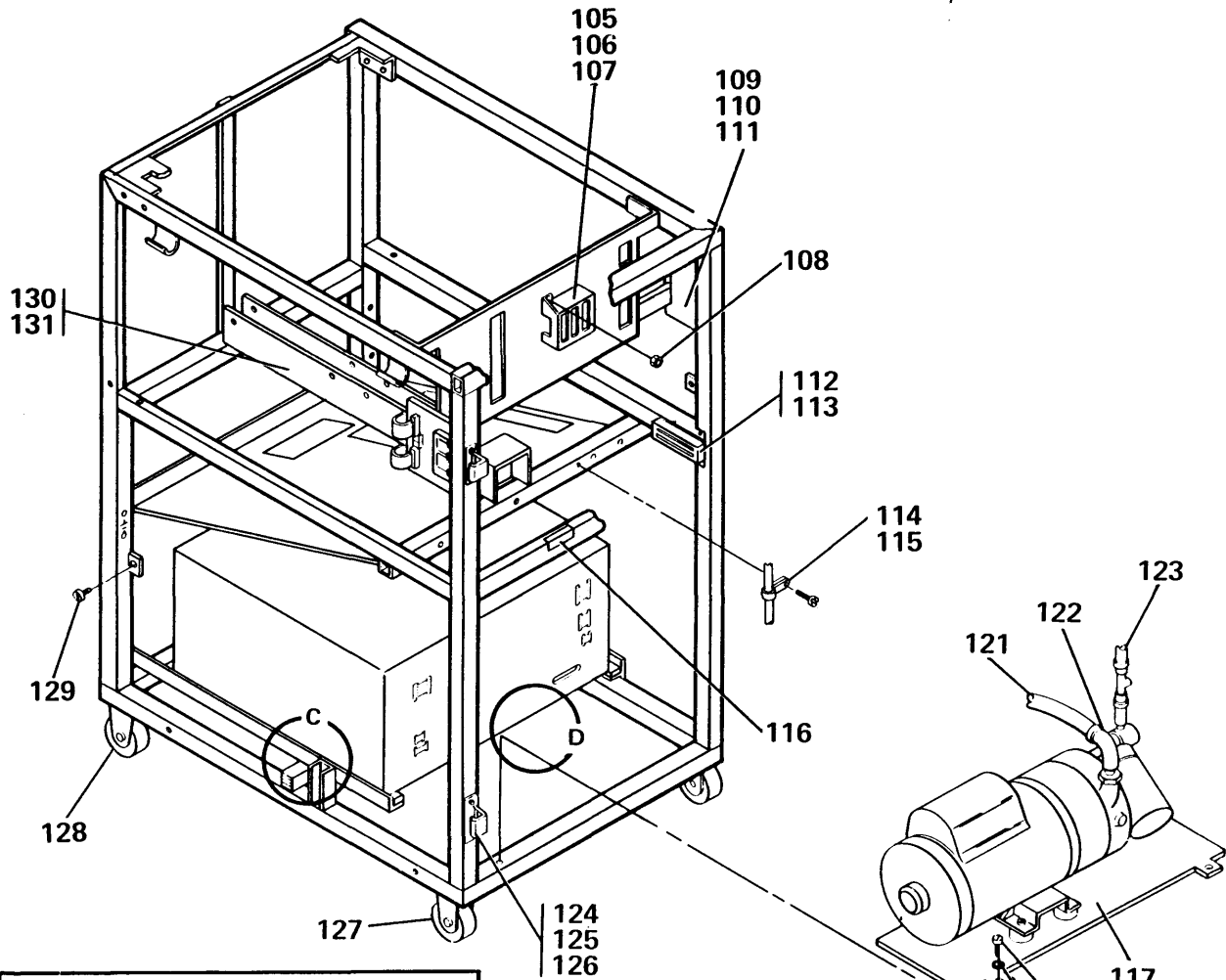
Assembly 3: (continued)



Without B/M 6460006

Asm-Index	Part Number	Units	Description
3-		NP	Final Asm, Drive Unit (Sheet 2 of 4) For Next Higher Assembly See 1-46 on page 3
-61	2549896	2	• Raceway
-62	813519	12	• Cable Restraints
-63	82X4212	1	• Fan, Panel, Filter Asm-50 Hz
-63	6272579	1	• Fan, Panel, Filter Asm-50 Hz-Field use only
-64	2335696	1	• • Guard - Field use only
-64	4479239	1	• • Guard
-65	1621145	3	• • Screw, Metric-Slot Pan Hd M3.5 X 60 mm Lg
-66	1622303	3	• • Washer, Metric Flat 3.7 ID X 8 OD X .5 Thick
-67	5252794	1	• • Fan - Field use only
-67	2546929	1	• • Fan
-68	532393	1	• • Clamp, Adjustable Cable
-69	1621811	1	• • Screw, Metric-Thd Form Hex Wshr Hd M4 X 10 mm Long
-70	6390546	1	• • Cable Asm
-71	82X4211	1	• • Ring, Fan
-72	8673989	1	• • Panel
-73	4451686	1	• • Cable Asm - Field use only
-74	1621831	4	• • Screw, Metric-Thd Form Slot Pan Hd M3.5 X 8 mm Long
-75	6315650	1	• • Inner Bracket
-76	1621230	4	• • Screw, Metric-Slot Pan Hd M6 X 12 mm Long
-77	6315651	1	• • Filter/Regulator Asm, 50 Hz
-78	4479809	1	• • • Regulator
-79	4780581	1	• • • Filter
-80	6315661	3	• • • Clip
-81	1622401	4	• • • Nut, Metric Hex M3 Double Chamfer
-82	1621173	3	• • • Screw, Metric-Slot Pan Hd M3 X 12 mm Long
-83	8674042	1	• • • Guard
-84	5172793	1	• Jumper
-85	1621811	1	• Screw, Metric-Thd Form Hex Wshr Hd M4 X 10 mm Long
-86	1622346	1	• Lockwasher, Metric-Ext Tooth 4.3 ID X 8 OD
-87	1621230	2	• Screw, Metric-Slot Pan Hd M6 X 12 mm Long
-88	82X5458	1	• Jumper, Ground
-89	236849	1	• Screw, Mach-Bind Hd 10-32 X .250 Long
-90	1622335	1	• Lockwasher, Metric-Int Tooth 5.3 ID X 10 OD
-91	1621811	1	• Screw, Metric-Thd Form Hex Wshr Hd M4 X 10 mm Long
-92	1622346	1	• Lockwasher, Metric-Ext Tooth 4.3 ID X 8 OD
-93	4529406	1	• Filter/Regulator Asm, 60 Hz
-94	4479809	1	• • Regulator
-95	4780581	1	• • Filter
-96	6850748	1	• Bracket, Filter/Regulator-60 Hz
-97	1621230	2	• Screw, Metric-Slot Pan Hd M6 X 12 mm Long
-98	1621823	2	• Screw, Metric-Thd Form Hex Wshr Hd M6 X 16 mm Long
-99	327921	1	• Clamp-60 Hz
-100	1621811	1	• Screw, Metric-Thd Form Hex Wshr Hd M4 X 10 mm Long
-101	1687628	4	• Clamp, Hose-60 Hz
-102	1687628	2	• Clamp, Hose
-103	6390527	AR	• Plug
-104	6857785	1	• Cable Asm-50 Hz
-104A	6315614	1	• Shield, RFI

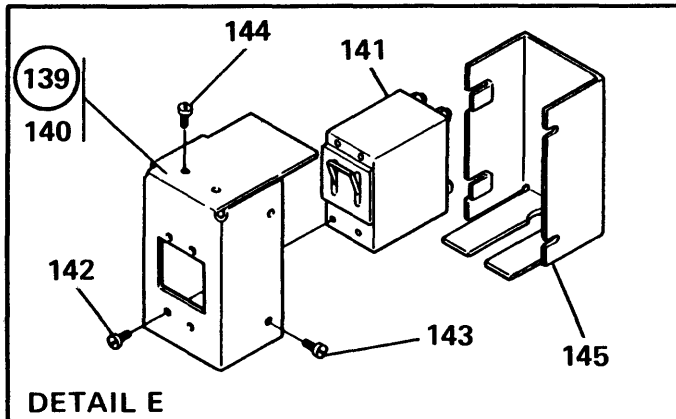
Assembly 3: (continued)



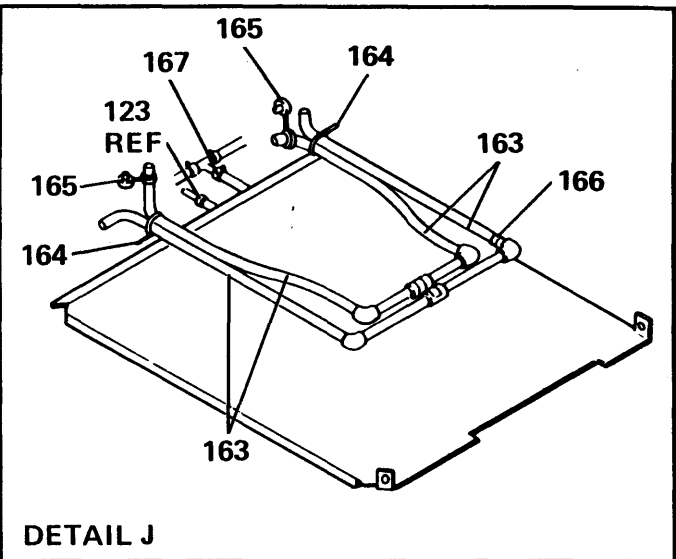
Without B/M 6460006

Asm - Index	Part Number	Units	Description
3 -		NP	Final Asm, Drive Unit (Sheet 3 of 4) For Next Higher Assembly See 1 - 46 on page 3
- 105	6850784	1	• Bracket
- 106	853288	2	• Ferrite
- 107	5715054	AR	• Tape
- 108	1622403	2	• Nut, Metric Hex M4 Double Chamfer
- 109	4479878	1	• Guide, Cable
- 110	1621171	2	• Screw, Metric-Slot Pan Hd M3 X 8 mm Long
- 111	2130285	2	• Washer, Flat .156 ID X .880 OD X .047 Thick
- 112	6857798	1	• Latch, Door
- 113	2549561	4	• Screw, Metric Thd Form-Hex Hd M3 10MM Long
- 114	532393	1	• Clamp, Adjustable Cable
- 115	1621811	1	• Screw, Metric-Thd Form Hex Wshr Hd M4 X 10 mm Long
- 116	1743549	1	• Label, Warning
- 117	6178954	1	• Compressor Assembly, 50 Hz
- 117	82X4198	1	• Compressor Assembly, 60 Hz For Detail Breakdown, See "Assembly 15: Compressor Assembly" on page 52
- 118	1621230	2	• Screw, Metric-Slot Pan Hd M6 X 12 mm Long
- 119	1622320	1	• Lockwasher, Metric-Spring 6.1 ID X 11.8 OD
- 120	1622348	1	• Lockwasher, Metric-Ext Tooth 6.4 ID X 11 OD
- 121	6390579	1	• Hose, Compressor/Filter-60 Hz
- 121	4780633	1	• Hose, Pump to Filter-50 Hz
- 123	13F3082	1	• Hose Asm, Vacuum-60 Hz
- 123	6315656	1	• Hose Asm, Vacuum-50 Hz
- 124	4451713	2	• Hinge, Rear Cover
- 125	1621818	4	• Screw, Metric-Thd Form Hex Wshr Hd M5 X 10 mm Long
- 126	4479725	2	• Pin, Hinge
- 127	6850682	2	• Caster
- 128	6850683	2	• Caster
- 129	1621551	1	• Screw, Metric-Cap Hex Hd M8 X 50 mm Long
- 130	2590010	3	• Trough, Flat Cable 8.0 Long
- 131	813519	6	• Cable Restraints
- 132	7389544	1	• Magnetic Catch
- 133	1621846	2	• Screw, Metric-Thd Form Slot Pan Hd M3 X 10 mm Long
- 134	1622344	1	• Lockwasher, Metric-Ext Tooth 3.2 ID X 6 OD
- 135	1622303	2	• Washer, Metric Flat 3.7 ID X 8 OD X .5 Thick
- 136	8674110	1	• Foam Pad, DU Bottom-60Hz
- 136	4780631	1	• Foam Pad, DU Bottom-50Hz
- 137	1580875	1	• Fan
- 138	1621175	4	• Screw, Metric-Slot Pan Hd M3 X 20 mm Long

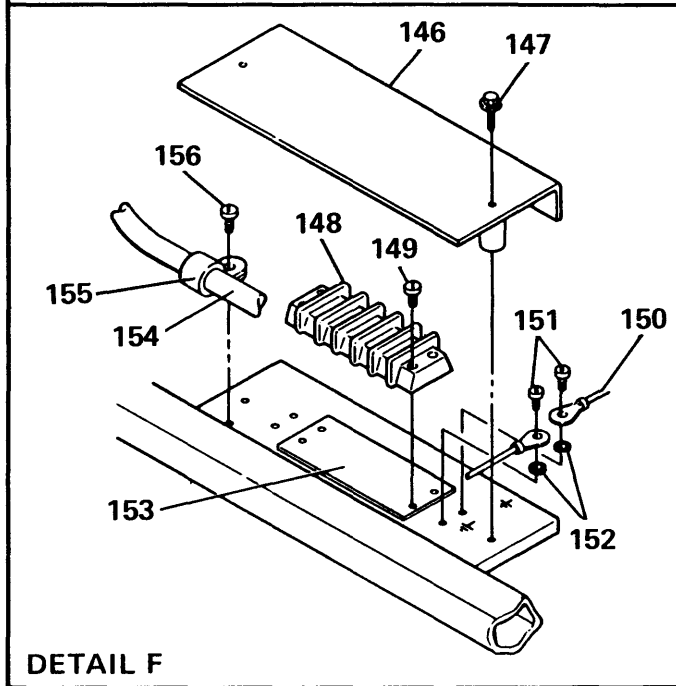
Assembly 3: (continued)



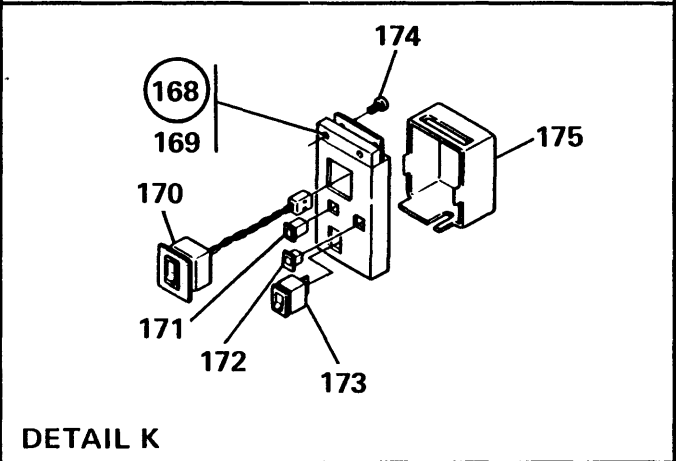
DETAIL E



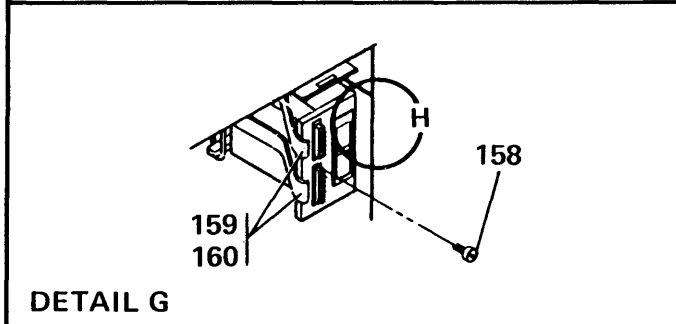
DETAIL J



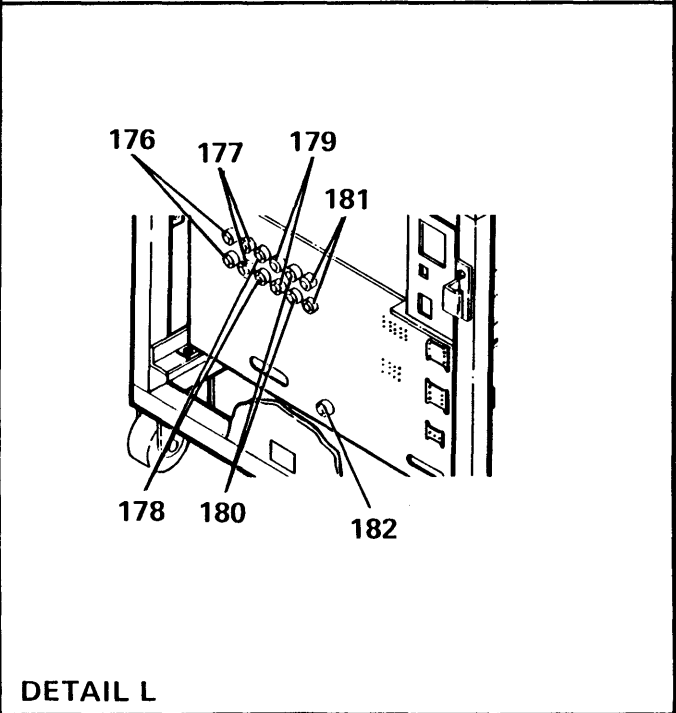
DETAIL F



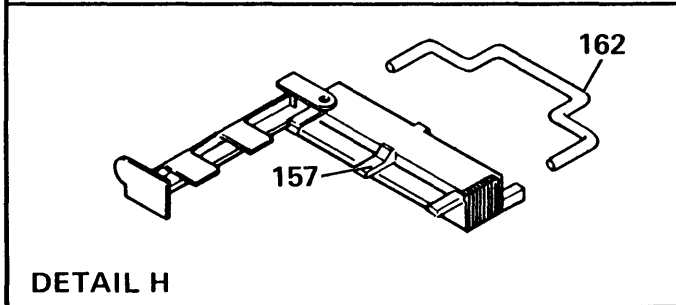
DETAIL K



DETAIL G



DETAIL L

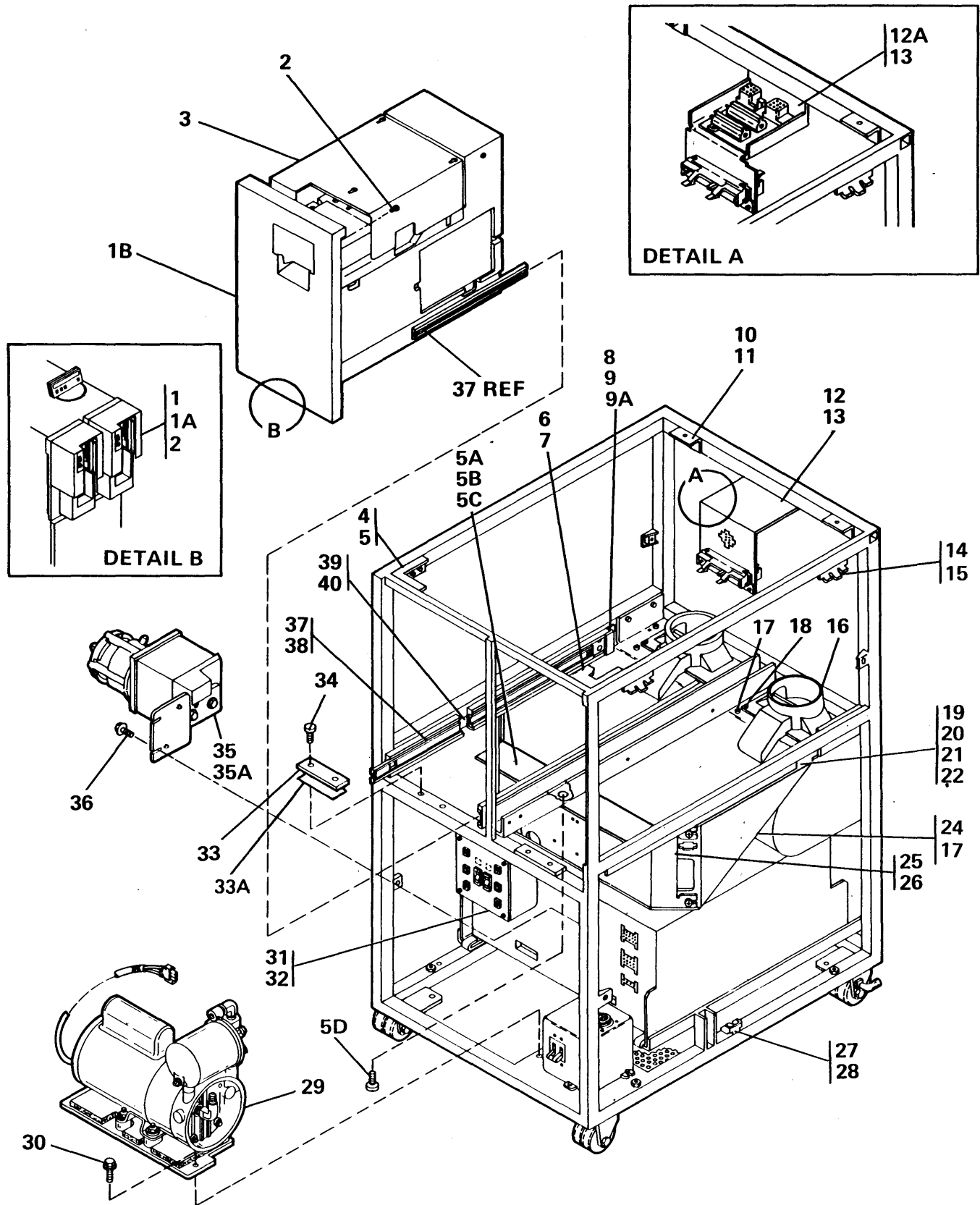


DETAIL H

Without B/M 6460006

Asm - Index	Part Number	Units	Description
3 -		NP	Final Asm, Drive Unit (Sheet 4 of 4) For Next Higher Assembly See 1 - 46 on page 3
- 139	4529475	1	• Panel Asm, Switch-60 Hz
- 139	4451665	1	• Panel Asm, Switch-50 Hz
- 140	4529474	1	• • Panel
- 141	8492798	1	• • Circuit Breaker-60Hz
- 141	6460099	1	• • Circuit Breaker-50Hz
- 142	10170	4	• • Screw, Mach-Bind Hd 6-32 X .250 Long
- 143	1621190	2	• Screw, Metric-Slot Pan Hd M4 X 8 mm Long
- 144	1621811	2	• Screw, Metric-Thd Form Hex Wshr Hd M4 X 10 mm Long
- 145	4451902	1	• Cover, Switch
- 146	4449844	1	• Cover, Terminal Board
- 147	1621817	2	• Screw, Metric-Thd Form Hex Wshr Hd M4 X 30 mm Long
- 148	2101337	1	• Terminal Board, 5 Dbl Screw Terminals
- 148	315956	1	• Terminal Board, (8 Pos)-50 Hz WTC
- 149	1621813	4	• Screw, Metric-Thd Form Hex Wshr Hd M4 X 16 mm Long
- 159	4451670	1	• Cable Asm
- 151	1621811	2	• Screw, Metric-Thd Form Hex Wshr Hd M4 X 10 mm Long
- 152	1622346	2	• Lockwasher, Metric-Ext Tooth 4.3 ID X 8 OD
- 153	2101357	1	• Markerstrip, 5 Pos Nos. 1 Thru 5
- 153	315957	1	• Markerstrip, 8 Pos Nos. 1 Thru 8-50 Hz WTC
- 154	4451669	1	• Cable Asm-60 Hz & 50 Hz Japan
- 154	4451672	1	• Cable Asm-50 Hz WTC
- 155	2102367	1	• Clamp, Dia .700-.780 ID .200 Dia Mtg Hole
- 155	804109	1	• Clamp, Cable - 60 Hz & 50 Hz Japan
- 156	1621811	1	• Screw, Metric-Thd Form Hex Wshr Hd M4 X 10 mm Long
- 157	4780547	1	• Connector, Maple Block
- 158	1621172	4	• Screw, Metric-Slot Pan Hd M3 X 10 mm Long
- 159	6390616	2	• Panel, Connector - CU/DU
- 160	1621190	2	• Screw, Metric-Slot Pan Hd M4 X 8 mm Long
- 161	4780582	1	• Retainer, Cable-Maple Block/60 Hz
- 162	8498864	1	• Cable, Retainer
- 163	6390579	4	• Hose Asm, Vacuum and Pressure
- 164	1159519	2	• Tie, Cable
- 165	4528297	2	• Plug, Hose
- 166	1687628	8	• Clamp
- 167	13F3081	1	• Hose Asm, Pressure-60 Hz
- 167	6315657	1	• Hose Asm, Pressure-50 Hz
- 168	4451851	2	• Panel Asm, Drive Address
- 169	4128893	1	• • Panel, Address- English
- 169	4451510	1	• • Panel, Address- French
- 169	4451511	1	• • Panel, Address- German
- 169	4451512	1	• • Panel, Address- Spanish
- 169	4451513	1	• • Panel, Address- Italian
- 169	4451514	1	• • Panel, Address- Brazilian
- 170	4780611	1	• • Switch Assembly
- 171	4529282	1	• • Switch
- 172	4529281	1	• • Switch
- 173	4451583	1	• • Switch
- 174	1621813	4	• Screw, Metric-Thd Form Hex Wshr Hd M4 X 16 mm Long
- 175	4529449	2	• Cover, Rear
- 176	1767881	2	• Fuse, F1/F2
- 177	512137	2	• Fuse, 5.0 Amp, Long Time Lag
- 178	303549	2	• Fuse, Cartridge Slow Blow 1.0 Amp 250V
- 179	338165	2	• Fuse, Ctg 3 AG 3 Amp
- 180	433557	2	• Fuse, F9/F10
- 181	111255	2	• Fuse, F11/F12
- 182	615683	1	• Fuse, F13

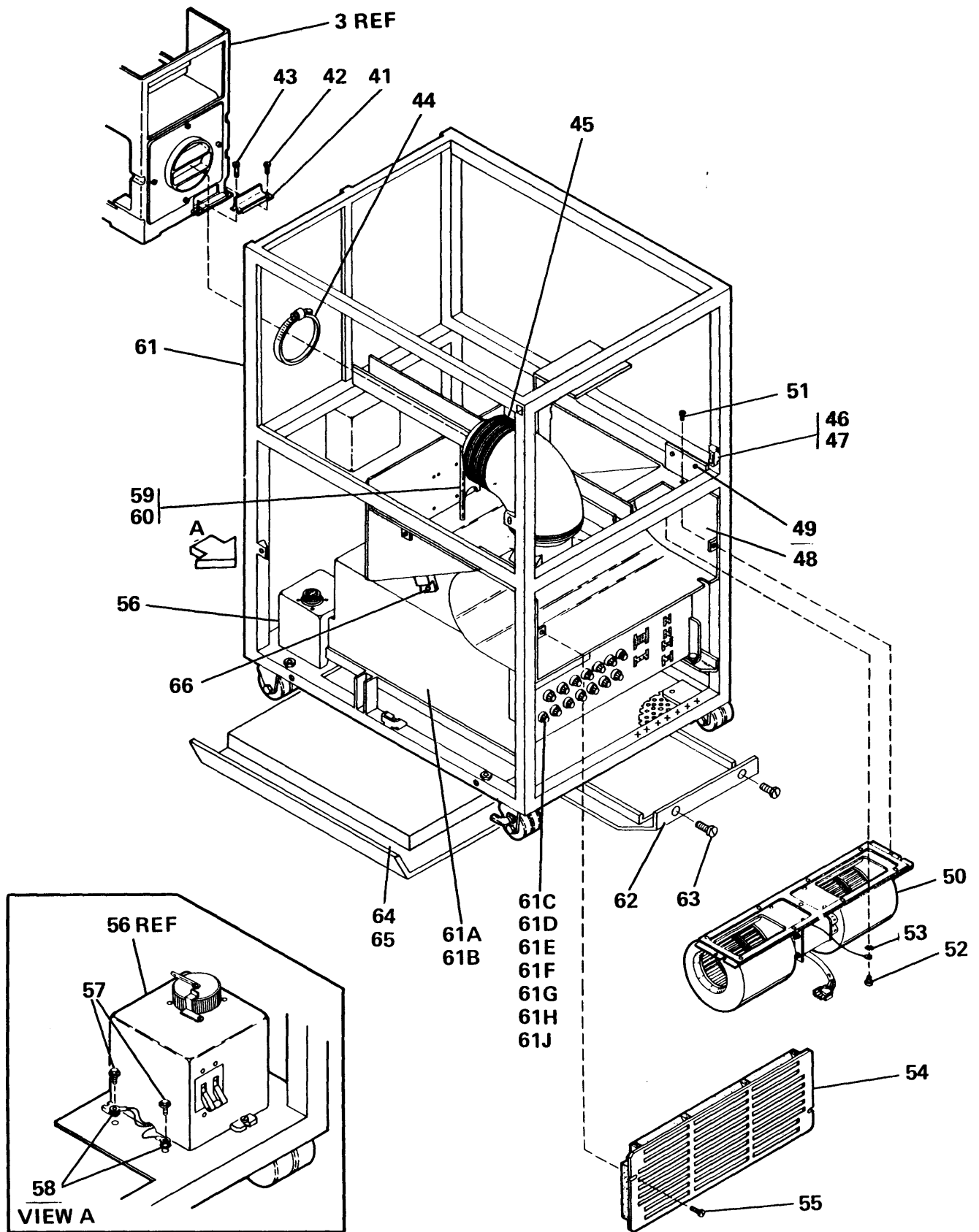
Assembly 4: Final Asm, Drive Unit



With B/M 6460006

Asm - Index	Part Number	Units	Description
4-		NP	Final Assembly, Drive Unit (Sheet 1 of 3) For Next Higher Assembly, See 2-32 on page 5
-1	13F4797	1	• Final Asm, Loader Mechanical Asm For Detail Breakdown, See "Assembly 30: Final Asm, Loader Mechanical Asm" on page 94
-1A	13F4824	1	• Deck Loader Asm For Detail Breakdown, See "Assembly 31: Deck Loader Asm" on page 98
-1B	6315647	1	• Cover Kit Asm Used Without Automatic Cartridge Loader Feature
-2	1621171	4	• Screw, Metric-Slot Pan Hd M3 X 8 mm Long
-3	8576700	2	• Cradle Asm For Detail Breakdown, See "Assembly 8: Cradle Assembly" on page 26
-4	4451724	1	• Receiver, Top Cover (Left)
-5	1621818	2	• Screw, Metric-Thd Form Hex Wshr Hd M5 X 10 mm Long
-5A	6178672	1	• Bracket Asm, Acoustic Plate
-5B	1621171	2	• Screw, Metric-Slot Pan Hd M3 X 8 mm Long
-5C	1622303	2	• Washer, Metric Flat 3.7 ID X 8 OD X .5 Thick
-5D	1621811	1	• Screw, Metric-Thd Form Hex Wshr Hd M4 X 10 mm Long
-6	4451722	1	• Receiver, Top Cover (Right)
-7	1621818	2	• Screw, Metric-Thd Form Hex Wshr Hd M5 X 10 mm Long
-8	6460010	4	• Shield, Drive Unit
-9	2549561	4	• Screw, Metric Thd Form-Hex Hd M3 10MM Long
-9A	1622303	4	• Washer, Metric Flat 3.7 ID X 8 OD X .5 Thick
-10	4479887	2	• Bracket, Top Cover Latch
-11	1621818	4	• Screw, Metric-Thd Form Hex Wshr Hd M5 X 10 mm Long
-12	6272576	1	• Bracket Asm, Cable Support, 60 Hz
-12A	8576715	1	• Resistor, Box Asm
-13	1621818	2	• Screw, Metric-Thd Form Hex Wshr Hd M5 X 10 mm Long
-14	6178997	2	• Support, Side Cover
-15	1621818	4	• Screw, Metric-Thd Form Hex Wshr Hd M5 X 10 mm Long
-16	8576668	2	• Blower Manifold
-17	1673723	4	• Screw, Metric-Cap Hex Hd M4 X 8MM Long
-18	1621812	8	• Screw, Metric-Thd Form Hex Wshr Hd M4 X 8 mm Long
-19	6460011	1	• Rail, Drive Mounting (Right)
-20	1621534	3	• Screw, Metric-Cap Soc Hd M6 X 12 mm Long
-21	6315641	AR	• Shim
-22	6315642	AR	• Shim
-24	6390362	1	• Plenum Asm, Cable
-25	8576675	1	• Panel Asm, Front Cable For Detail Breakdown, See "Assembly 40: Front Cable Panel Assembly" on page 124
-26	1621811	4	• Screw, Metric-Thd Form Hex Wshr Hd M4 X 10 mm Long
-27	6460004	1	• Striker, Side Cover
-28	1621811	2	• Screw, Metric-Thd Form Hex Wshr Hd M4 X 10 mm Long
-29	6178689	1	• Compressor Asm, 50/60 Hz
-29	82X4197	1	• Compressor Asm, 60 Hz For Detail Breakdown, See "Assembly 16: Compressor Final Assembly" on page 54
-30	1621823	2	• Screw, Metric-Thd Form Hex Wshr Hd M6 X 16 mm Long
-31	8576659	1	• Control Box Asm-English
-31	6460021	1	• Control Box Asm-French/French Canadian
-31	6460025	1	• Control Box Asm-German
-31	6460022	1	• Control Box Asm-Spanish
-31	6460016	1	• Control Box Asm-Italian
-31	6177940	1	• Control Box Asm-Brazilian For Detail Breakdown, See "Assembly 18: Control Box Assembly" on page 58
-32	1621811	2	• Screw, Metric-Thd Form Hex Wshr Hd M4 X 10 mm Long
-33	4479876	2	• Latch Block
-33A	6272620	AR	• Shim
-34	1621310	4	• Screw, Metric-Slot Flat Hd M4 X 12 mm Long
-35	4780581	1	• Filter
-35A	4479809	1	• Regulator
-36	1621811	2	• Screw, Metric-Thd Form Hex Wshr Hd M4 X 10 mm Long
-37	4449820	2	• Slide, Left and Right
-37A	1621297	2	• Screw, Metric-Slot Flat Hd M3.5 X 10 mm Long
-38	1621297	16	• Screw, Metric-Slot Flat Hd M3.5 X 10 mm Long
-39	6390531	1	• Rail, Drive Mounting (Left)
-40	1621823	3	• Screw, Metric-Thd Form Hex Wshr Hd M6 X 16 mm Long

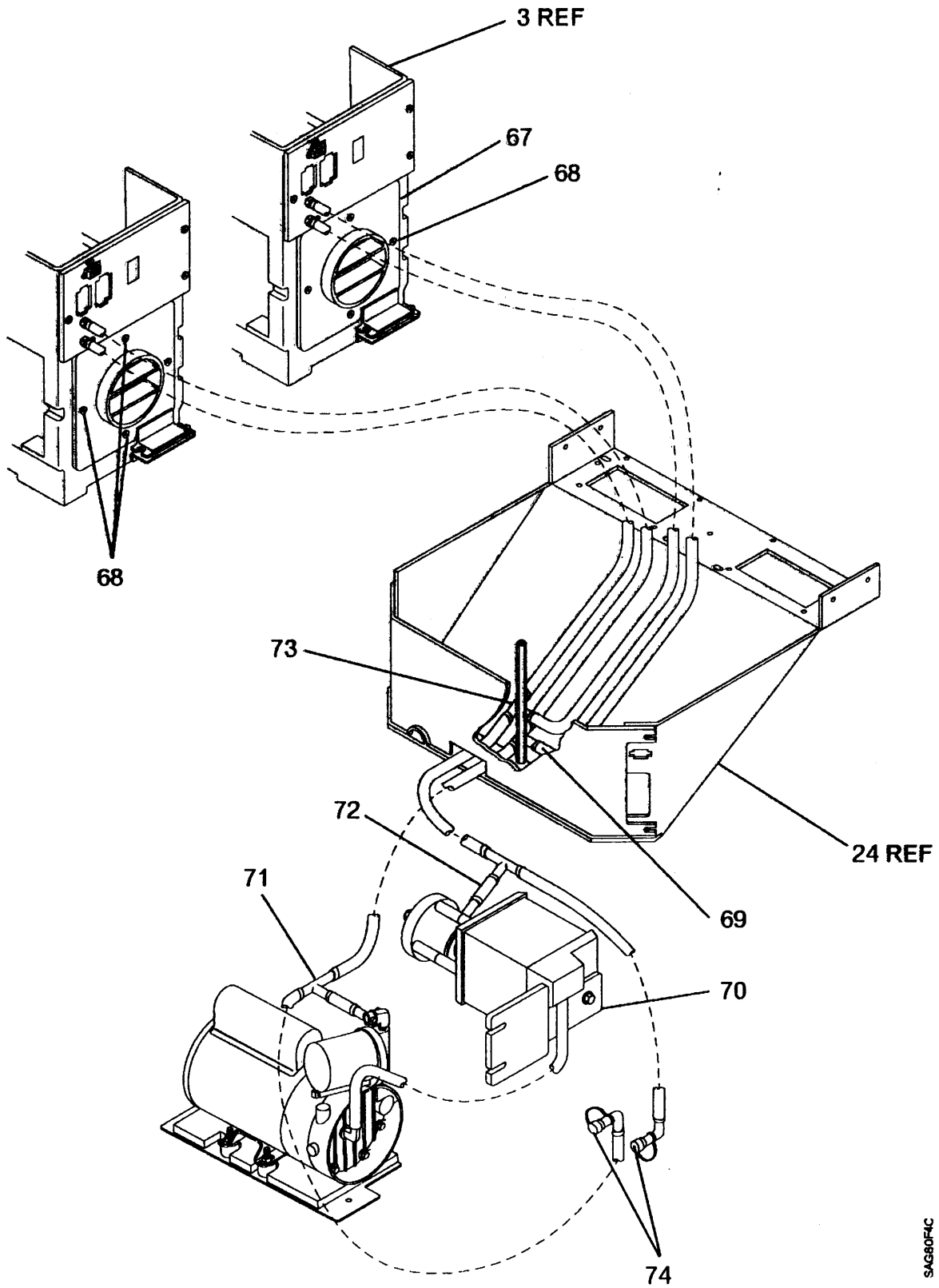
Assembly 4: (continued)



With B/M 646006

Asm - Index	Part Number	Units	Description
4 -		NP	Final Assembly, Drive Unit (Sheet 2 of 3) For Next Higher Assembly, See 2 - 32 on page 5
-41	6460071	2	• Retainer Asm, Upper Cable
-42	1621191	2	• Screw, Metric-Slot Pan Hd M4 X 10 mm Long
-43	6177971	2	• Screw
-44	6177972	4	• Clamp, Bellows
-45	8577034	2	• Bellows, Blower
-46	8576714	1	• Catch
-47	1621811	2	• Screw, Metric-Thd Form Hex Wshr Hd M4 X 10 mm Long
-48	6460069	1	• Shroud Asm, Blower
-49	1621811	4	• Screw, Metric-Thd Form Hex Wshr Hd M4 X 10 mm Long
-50	6390354	1	• Blower Asm- 60 Hz
-50	6390355	1	• Blower Asm- 50 Hz For Detail Breakdown, See "Assembly 17: Blower Assembly" on page 56
-51	1621820	3	• Screw, Metric-Thd Form Hex Wshr Hd M5 X 16 mm Long
-52	1621812	1	• Screw, Metric-Thd Form Hex Wshr Hd M4 X 8 mm Long
-53	1622346	1	• Lockwasher, Metric-Ext Tooth 4.3 ID X 8 OD
-54	6460068	1	• Guard Asm, Blower
-55	2549561	2	• Screw, Metric Thd Form-Hex Hd M3 10MM Long
-56	8576678	1	• AC Box Asm- 60 Hz and 50 Hz Japan
-56	8577037	1	• AC Box Asm- 50 Hz WTC For Detail-Breakdown, See "Assembly 19: AC Box Assembly" on page 60
-57	1611811	4	• Screw
-58	1622346	2	• Lockwasher, Metric-Ext Tooth 4.3 ID X 8 OD
-59	8576689	1	• Support Rod, Plenum
-60	1621190	1	• Screw, Metric-Slot Pan Hd M4 X 8 mm Long
-61		NP	• Frame/Power Asm
-61A	4798945	1	• Power Supply, T. U., 60 Hz Old Style
-61A	13F4244	1	• Power Supply, T. U., 60 Hz New Style
-61A	82X5453	1	• Power Supply, T. U., 50 Hz and 50 Hz Japan Old Style
-61A	13F4245	1	• Power Supply, T. U., 50 Hz and 50 Hz Japan New Style
-61B	1621821	2	• Screw, Metric-Thd Form Hex Wshr Hd M6 X 10 mm Long
-61C	1767881	2	• Fuse, +24V F1/F2
-61D	512137	2	• Fuse, 5.0 Amp, Long Time Lag, +15V F3/F4
-61E	303549	2	• Fuse, Cartridge Slow Blow 1.0 Amp 250V, -15V F5/F6
-61F	338165	2	• Fuse, Ctg 3 AG 3 Amp, +8.5V
-61G	433557	2	• Fuse, -5V F9/F10
-61H	111255	2	• Fuse, +5V F11/F12
-61J	615683	1	• Fuse, F13
-62	6272588	1	• Pan, Frame RFI
-63	1621812	2	• Screw, Metric-Thd Form Hex Wshr Hd M4 X 8 mm Long
-64	6272590	1	• Plate, End RFI
-65	1621812	3	• Screw, Metric-Thd Form Hex Wshr Hd M4 X 8 mm Long
-66	6850795	1	• Switch, Thermal

Assembly 4: (continued)

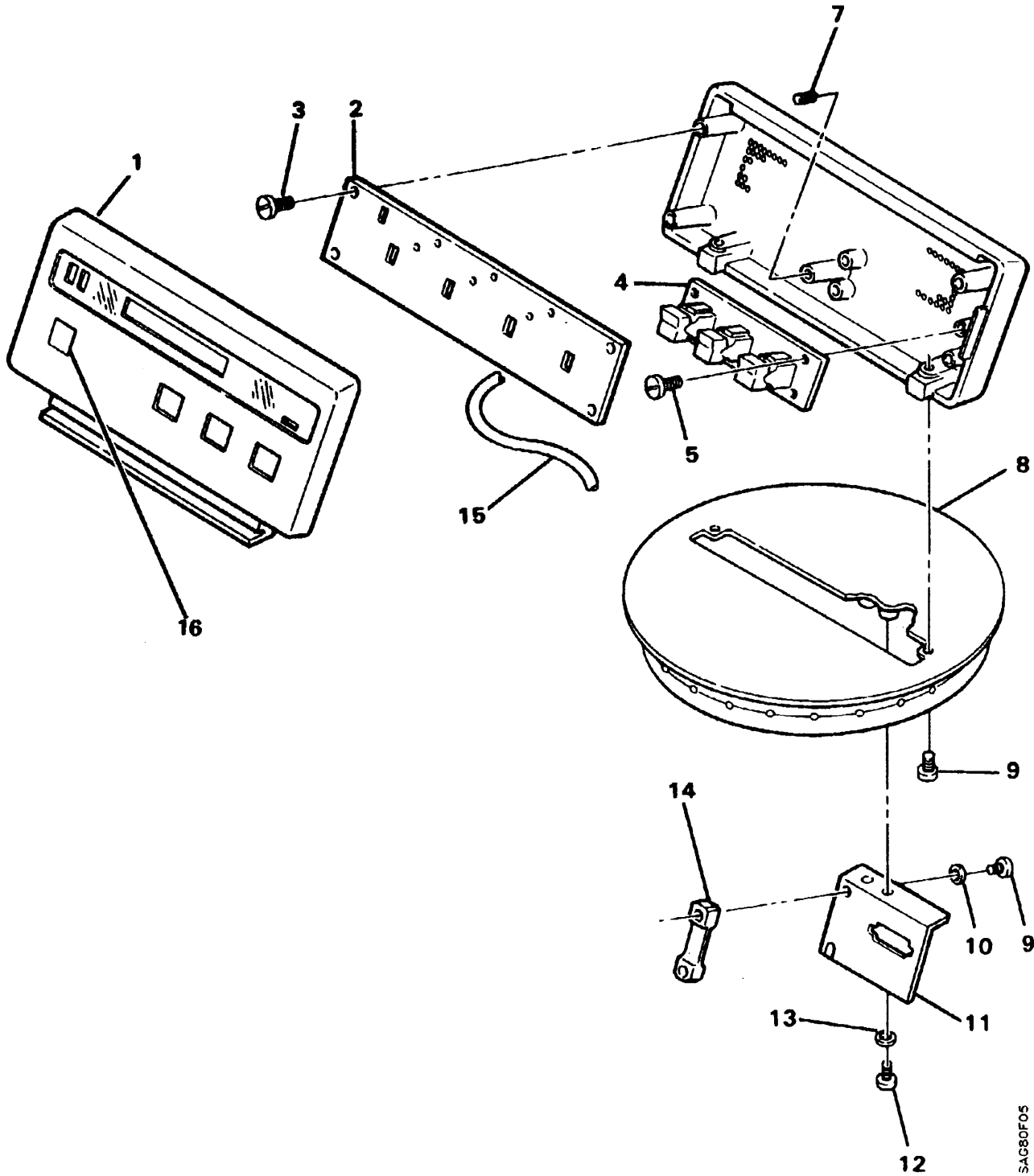


SAG80F4C

With B/M 6460006

Asm - Index	Part Number	Units	Description
4 -		NP	Final Assembly, Drive Unit (Sheet 3 of 3) For Next Higher Assembly, See 2 - 32 on page 5
-67	8576669	2	• Manifold Drive
-68	1621182	7	• Screw, Metric-Slot Pan Hd M3.5 X 8 mm Long
-69	6460002	1	• Hose Asm, Vacuum
-70	6460037	1	• Hose Asm, Compressor
-71	6460003	1	• Hose Asm, Test Vacuum
-72	6460067	1	• Hose Asm, Test Pressure
-73	6460001	1	• Hose Asm, Pressure
-74	6390527	2	• Plug

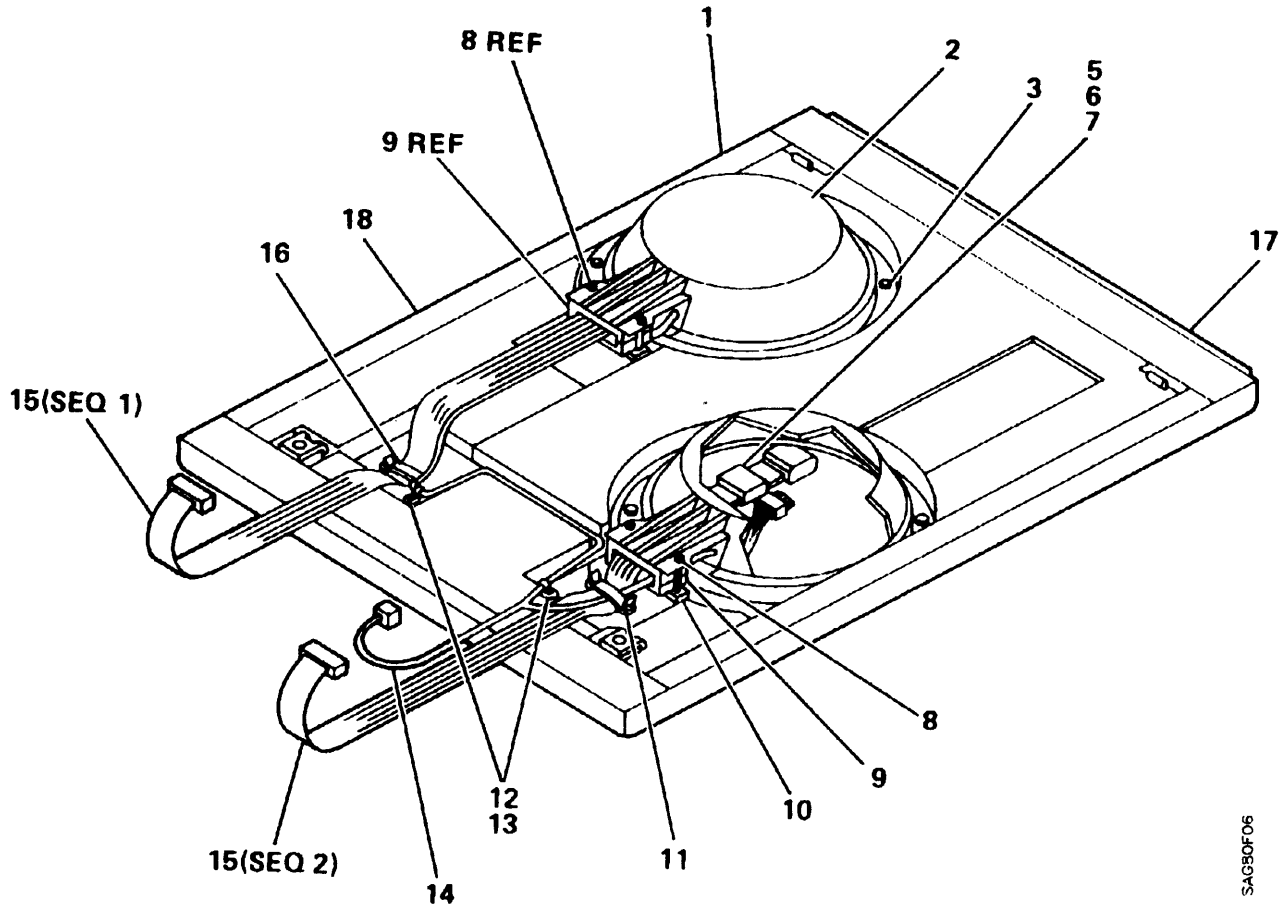
Assembly 5: Operator Panel Assembly, Drive Unit



SACB0F05

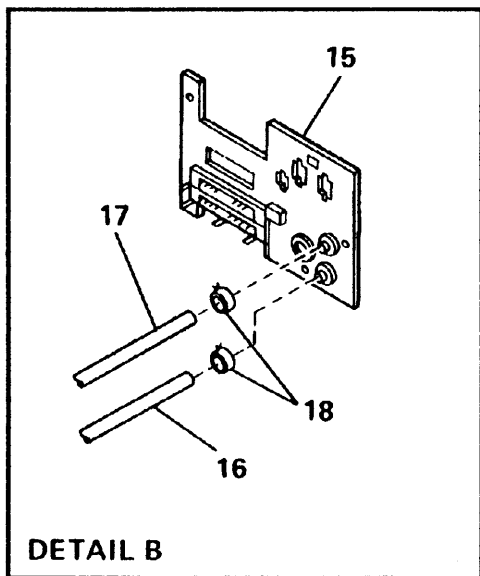
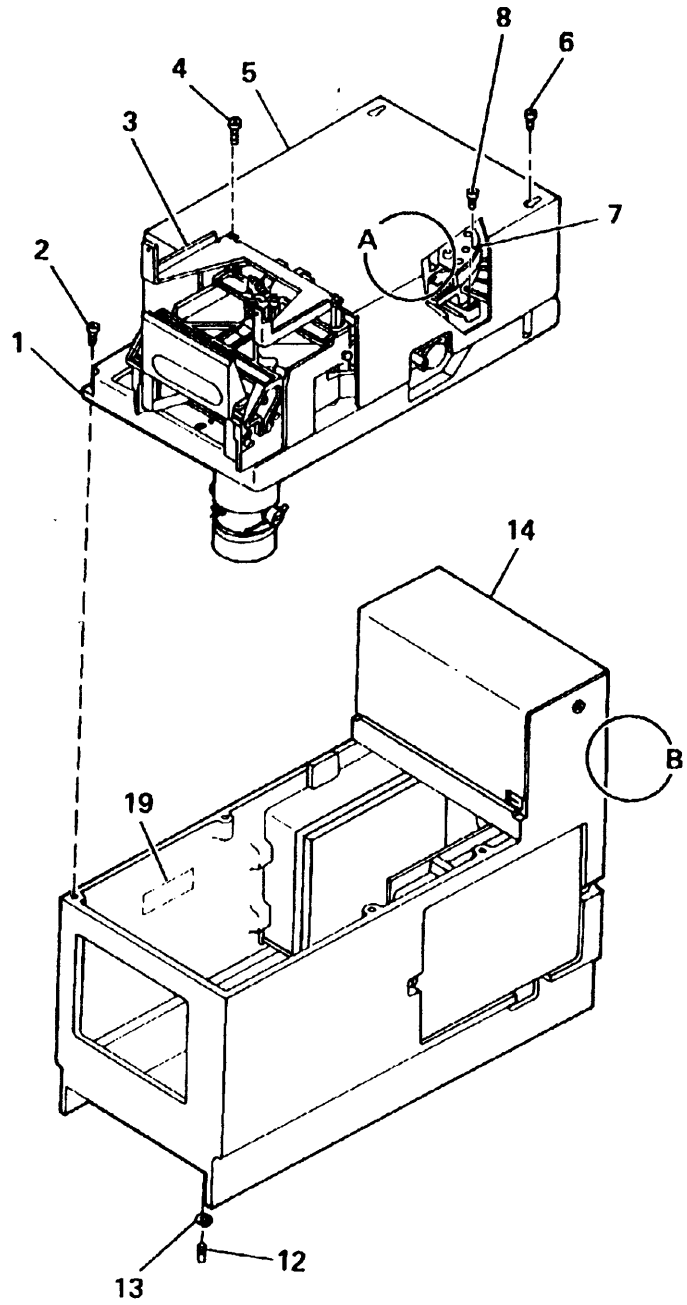
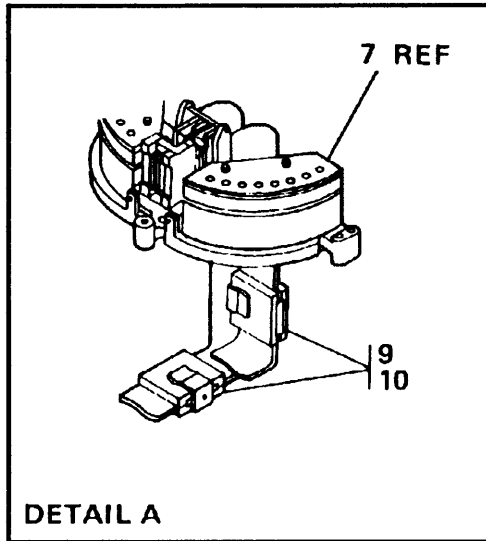
Asm - Index	Part Number	Units	Description
5 -	4529429	1	Operator Panel Asm, Drive Unit, English
-	4529430	1	Operator Panel Asm, Drive Unit, French
-	4529431	1	Operator Panel Asm, Drive Unit, German
-	4529432	1	Operator Panel Asm, Drive Unit, Spanish
-	4529433	1	Operator Panel Asm, Drive Unit, Italian
-	4529434	1	Operator Panel Asm, Drive Unit, Brazilian For Next Higher Assembly See 1 - 1 on page 3 and 2 - 3 on page 5
- 1	4128886	1	• Panel Assembly, English
- 1	6850731	1	• Panel Assembly, French
- 1	6850732	1	• Panel Assembly, German
- 1	6850733	1	• Panel Assembly, Spanish
- 1	6850734	1	• Panel Assembly, Italian
- 1	6850735	1	• Panel Assembly, Brazilian
- 2		1	• Message Display Card For Part Number See Card
- 3	1622530	2	• Screw, Metric Thd Rolling Pan Hd M3 X 6 mm Long
- 4		1	• Card Assembly, Switch For Part Number See Card
- 5	1622530	4	• Screw, Metric Thd Rolling Pan Hd M3 X 6 mm Long
- 7	6315571	1	• Stud
- 8	4529257	1	• Base
- 9	1621190	4	• Screw, Metric-Slot Pan Hd M4 X 8 mm Long
- 10	4529334	2	• Washer, Lock
- 11	4529443	1	• Bracket
- 12	1621190	2	• Screw, Metric-Slot Pan Hd M4 X 8 mm Long
- 13	4529334	2	• Washer, Lock
- 14	4529271	1	• Strain Relief
- 15	4780584	1	• Cable Asm
- 16	4479881	1	• Label, Drive Address

Assembly 6: Top Cover Assembly, Drive Unit



Asm - Index	Part Number	Units	Description
6 -	8577039	1	Top Cover Assembly, Drive Unit For Next Higher Assembly, See 2-4 on page 5
-1	6857800	1	• Cover Assembly, Top With Foam
-2	6177914	2	• RFI Pan Assembly
-3	1622417	8	• Nut, Metric Hex Lock M4
-5	6857789	4	• Core, Ferrite
-6	4770112	2	• Tubing
-7	5715054	120	• MM Tape, Double-Sided
-8	1621200	4	• Screw, Metric-Slot Pan Hd M4 X 35 mm Lg
-9	6460084	4	• Core, Ferrite
-10	6850799	2	• Retainer, Ferrite
-11	811427	2	• Strap
-12	356742	2	• Clamp, Dia .250 Mtg Hole .177
-13	1621811	2	• Screw, Metric-Thd Form Hex Wshr Hd M4 X 10 mm Lg
-14	8576646	1	• Cable, Message Display DC
-15	8577040	1	• Cable List (SLT)
-16	811427	1	• Strap
-17	4451776	1	• Seal
-18	6850655	1	• Seal

Assembly 7: Cradle Assembly

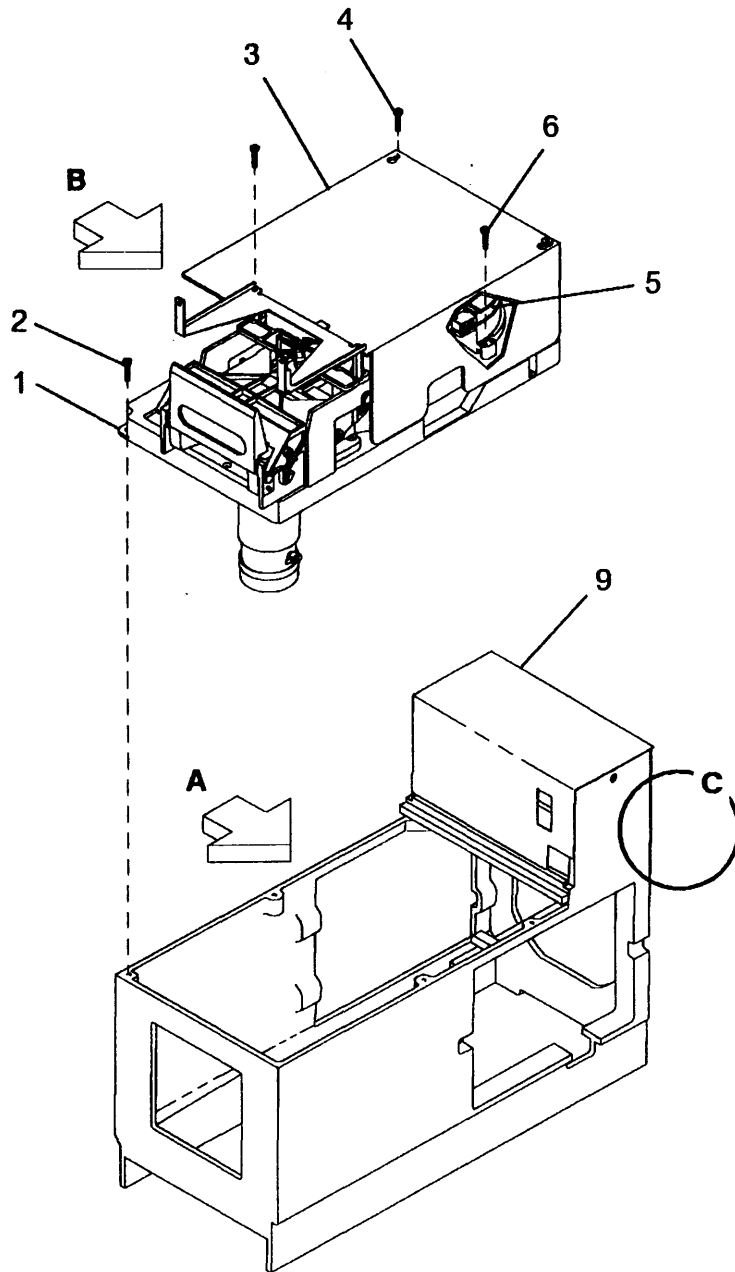
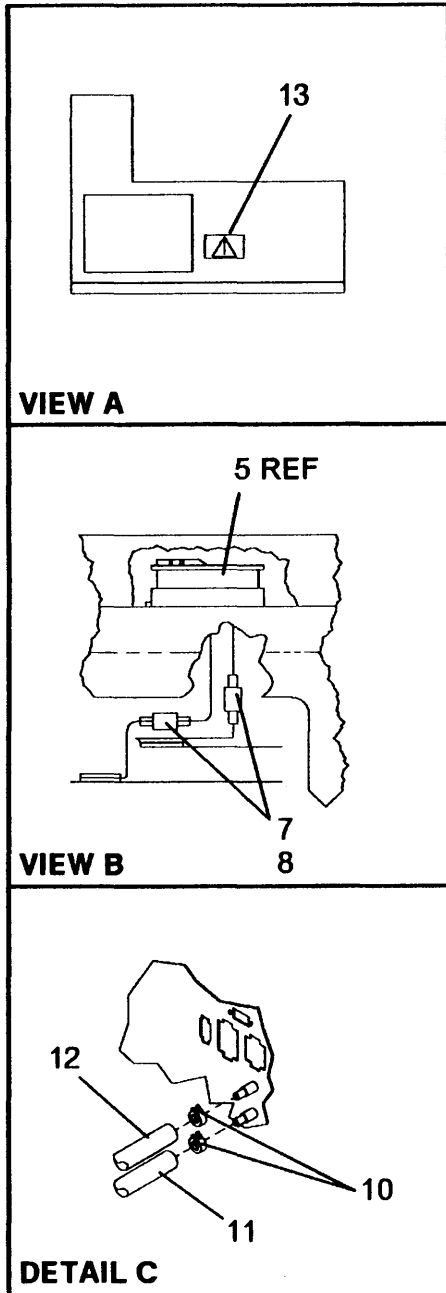


LC080F07

Without B/M 6460006

Asm - Index	Part Number	Units	Description
7 -	4128934	2	Cradle Assembly For Next Higher Assembly See 3 - 1 on page 7 See "Assembly 38: Cable Routing, Drive Unit" on page 112
-1	4479800	1	• Deck Asm For Detail Breakdown, See "Assembly 11: Deck Assembly" on page 36
-2	1621183	4	• Screw, Metric-Slot Pan Hd M3.5 X 10 mm Long
-3	4770131	2	• Bracket
-4	1621190	2	• Screw, Metric-Slot Pan Hd M4 X 8 mm Long
-5	56X4440	1	• Cover, Dust
-6	1621191	2	• Screw, Metric-Slot Pan Hd M4 X 10 mm Long
-7	6178970	1	• Head and Guide Asm, Model B22
-7	6384609	1	• Head and Guide Asm, Model B11 For Detail Breakdown, See "Assembly 14: Head and Guide Assembly" on page 50
-8	1621490	3	• Screw
-9	6857789	4	• Ferrite
-10	6857790	4	• Clip
-12	4770169	2	• Stud, Drive Cover
-13	1622333	2	• Lockwasher, Metric-Int Tooth 3.7 ID X 7 OD
-14	4479816	1	• Deck Support Asm For Detail Breakdown, See "Assembly 9: Deck Support Assembly" on page 28
-15	4479863	1	• Panel
-16	6850773	1	• Hose, Air
-17	6850774	1	• Hose, Vacuum
-18	6850707	2	• Clamp, Hose
-19	6179013	1	• Label

Assembly 8: Cradle Assembly

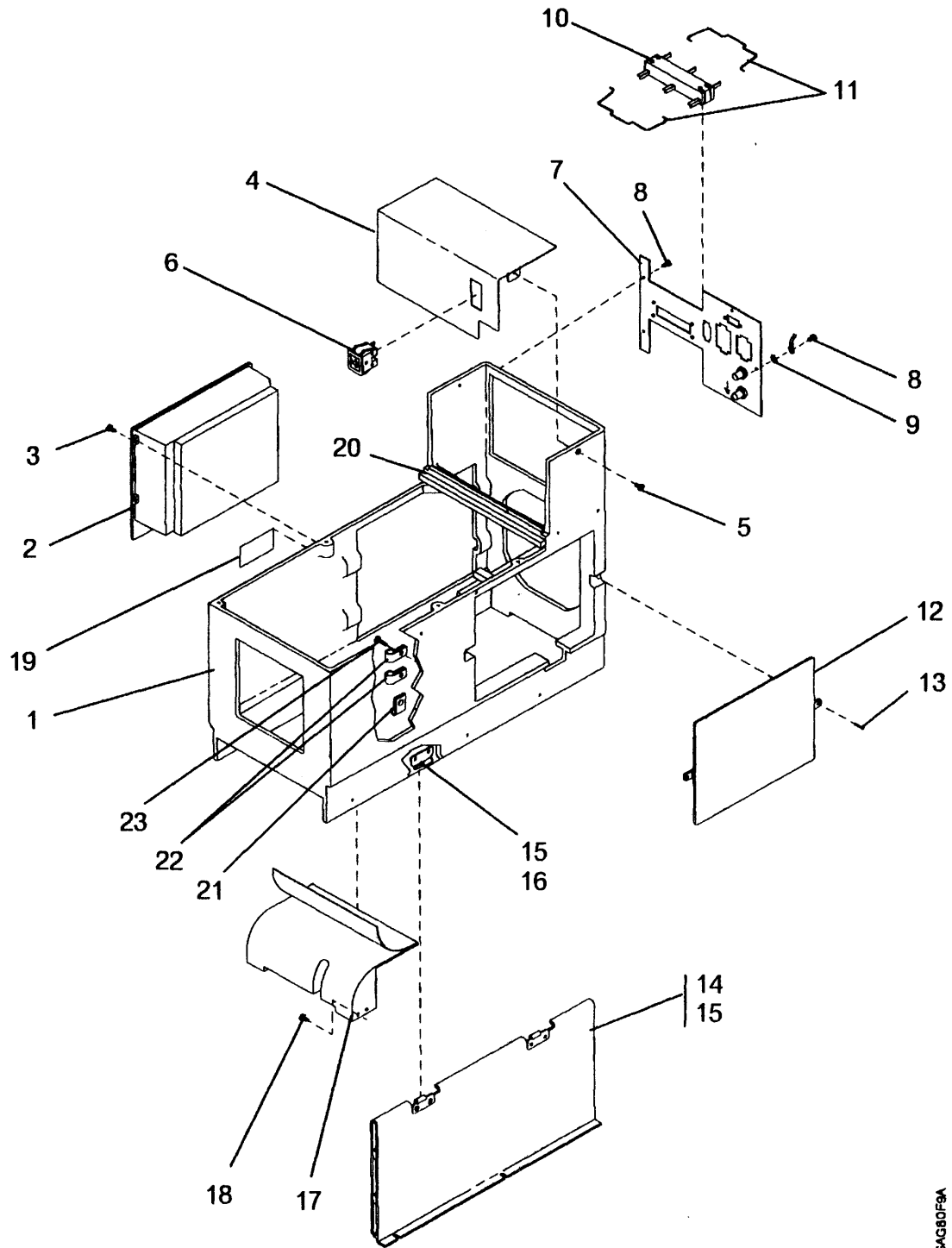


SAG00F08

With B/M 6460006

Asm - Index	Part Number	Units	Description
8 -	8576700	2	Cradle Assembly For Next Higher Assembly See 4 - 3 on page 15 See "Assembly 39: Cable Routing, Drive Unit" on page 116
- 1	4479800	1	• Deck Asm For Detail Breakdown, See "Assembly 11: Deck Assembly" on page 36
- 2	1621183	4	• Screw, Metric-Slot Pan Hd M3.5 X 10 mm Long
- 3	56X4440	1	• Cover, Dust
- 4	1621191	3	• Screw, Metric-Slot Pan Hd M4 X 10 mm Long
- 5	6178970	1	• Head and Guide Asm, Model B22
- 5	6384609	1	• Head and Guide Asm, Model B11 For Detail Breakdown, See "Assembly 14: Head and Guide Assembly" on page 50
- 6	1621490	2	• Screw
- 7	6857789	4	• Ferrite
- 8	6857790	4	• Clip
- 9	8577036	1	• Deck Support Asm For Detail Breakdown, See "Assembly 10: Deck Support Assembly" on page 32
- 10	6850707	2	• Clamp, Hose
- 11	6850773	1	• Hose, Air
- 12	6850774	1	• Hose, Vacuum
- 13	984118	1	• Label

Assembly 9: Deck Support Assembly

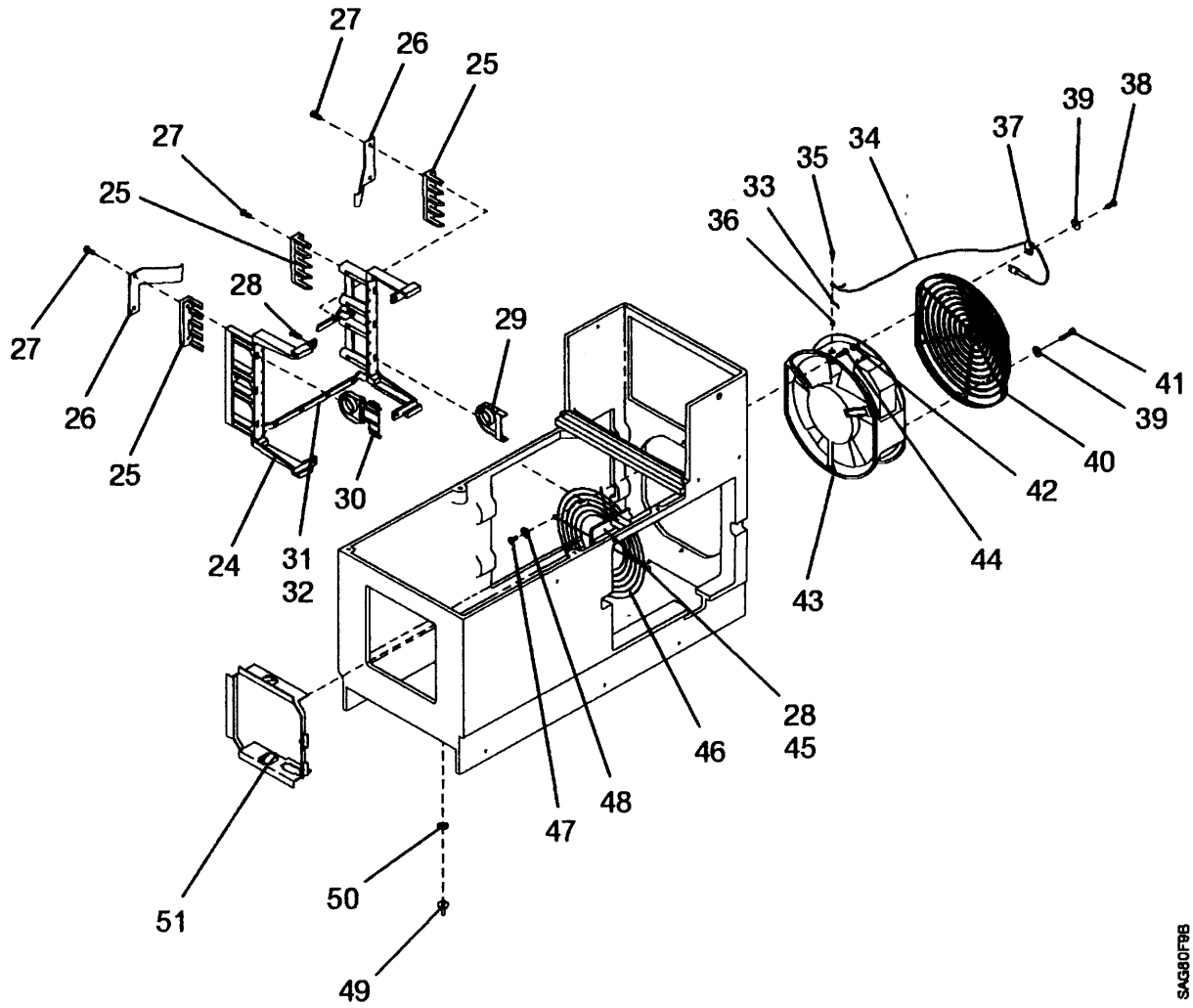


SACB0F9A

Without B/M 6460006

Asm - Index	Part Number	Units	Description
9 -	4479816	1	Deck Support Assembly (Sheet 1 of 2) For Next Higher Assembly See 7 - 14 on page 25
- 1	4479861	1	• Deck Support
- 2	6390586	1	• Cover Assembly, Card
- 3	1621183	2	• Screw, Metric-Slot Pan Hd M3.5 X 10 mm Lg
- 4	6177123	1	• Cover
- 5	1621297	2	• Screw, Metric-Slot Flat Hd M3.5 X 10 mm Lg
- 6	4451583	1	• Switch, Address
- 7	4479863	1	• Panel
- 8	1621182	5	• Screw, Metric-Slot Pan Hd M3.5 X 8 mm Lg
- 9	1622345	1	• Lockwasher, Metric-Ext Tooth 3.7 ID X 7 OD
- 10	4780547	3	• Connector, Maple Block
- 11	8498864	6	• Cable Retainer, Maple Block
- 12	6272614	1	• Cover, Pin Side
- 13	1621183	2	• Screw, Metric-Slot Pan Hd M3.5 X 10 mm Lg
- 14	4479865	1	• Cover Assembly, Servo Board
- 15	1621181	6	• Screw, Metric-Slot Pan Hd M3.5 X 6 mm Lg
- 16	4479879	2	• Hinge, Deck Mounting
- 17	6315595	1	• Baffle, Air
- 18	1621181	4	• Screw, Metric-Slot Pan Hd M3.5 X 6 mm Lg
- 19	984118	1	• Label
- 20	817905	1	• Seal, Foam
- 21	327921	1	• Clamp, Cable
- 22	303538	2	• Clamp, Cable
- 23	1621181	3	• Screw, Metric-Slot Pan Hd M3.5 X 6 mm Lg

Assembly 9: (continued)

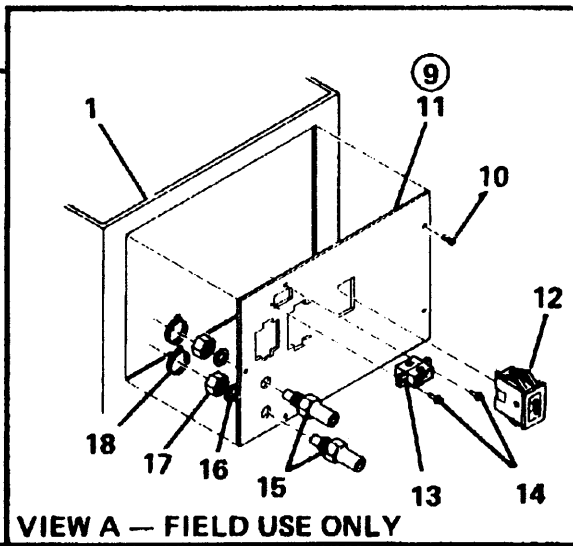
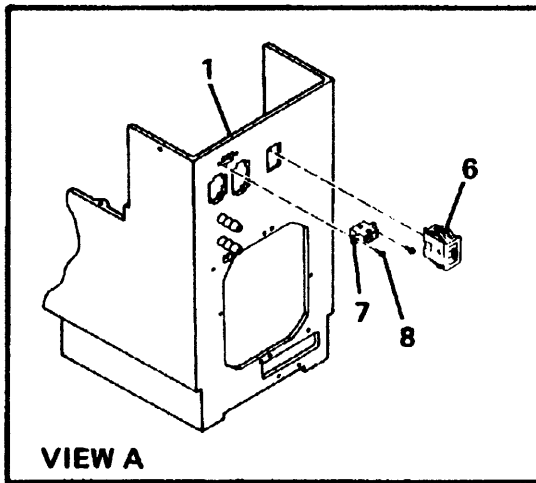
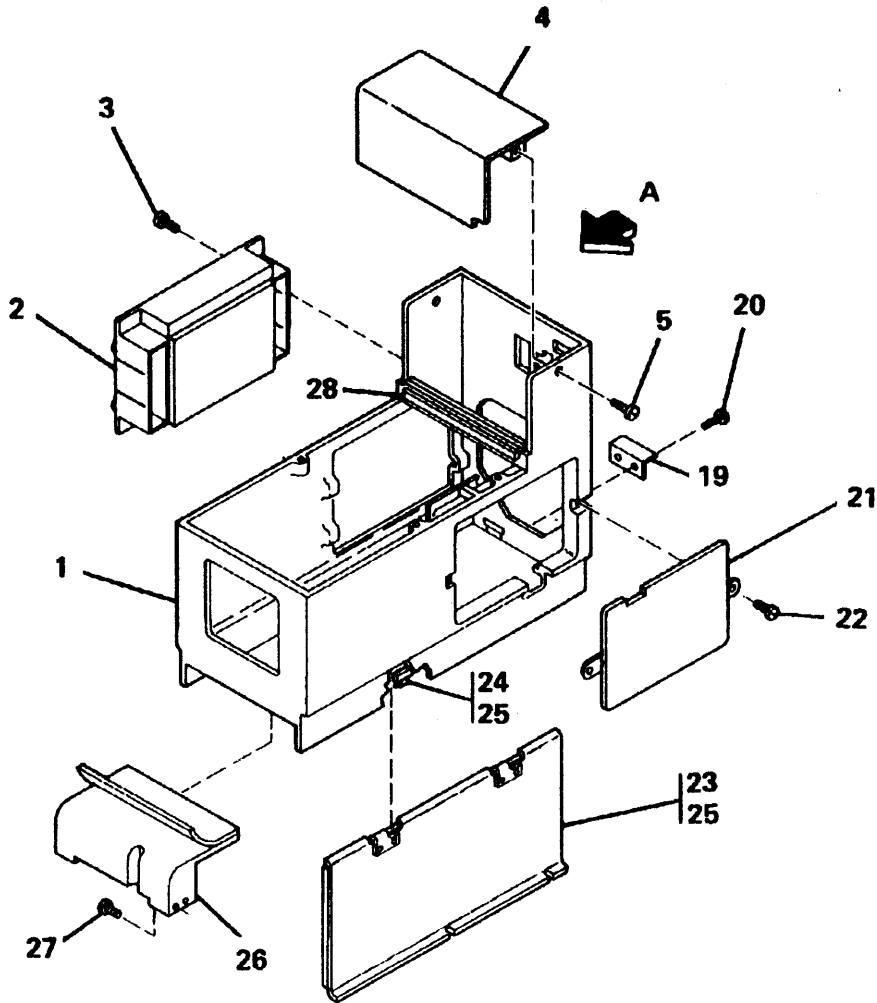


SAGB0FB8

Without B/M 6460006

Asm - Index	Part Number	Units	Description
9 -	4479816	1	Deck Support Assembly (Sheet 2 of 2) For Next Higher Assembly See 7 - 14 on page 25
-24	4449825	2	• Card Guide, Half Board
-25	4529273	4	• Retainer, Card
-26	6850657	2	• Retainer, Spring
-27	1621297	8	• Screw, Metric-Slot Flat Hd M3.5 X 10 mm Lg
-28	1621184	4	• Screw, Metric-Slot Pan Hd M3.5 X 12 mm Lg
-29	4780519	7	• Retainer, Cable
-30	4780514	3	• Retainer, Cable
-31	4529452	2	• Retainer, Card Guide
-32	1621183	4	• Screw, Metric-Slot Pan Hd M3.5 X 10 mm Lg
-33	4451674	1	• Fan Cable
-34	4799064	1	• Jumper Assembly, Fan-TU Ground
-35	236849	1	• Screw, Mach-Bind Hd 10-32 X .250 Lg
-36	1622335	1	• Lockwasher, Metric-Int Tooth 5.3 ID X 10 OD
-37	5213276	1	• Clamp, Cable
-38	1621185	1	• Screw, Metric-Slot Pan Hd M3.5 X 16 mm Lg
-39	1622303	2	• Washer, Metric Flat 3.7 ID X 8 OD X .5 Thick
-40	6315624	1	• Guard, Fan
-41	1621145	1	• Screw
-42	1622402	1	• Nut, Metric Hex M3.5 Double Chamfer
-43	2546929	1	• Fan
-44	1621184	1	• Screw, Metric-Slot Pan Hd M3.5 X 12 mm Lg
-45		NP	• Half Board
-46	4479239	2	• Guard, Finger
-47	1621182	2	• Screw, Metric-Slot Pan Hd M3.5 X 8 mm Lg
-48	1622303	2	• Washer, Metric Flat 3.7 ID X 8 OD X .5 Thick
-49	4770169	2	• Pin
-50	1622333	2	• Lockwasher, Metric-Int Tooth 3.7 ID X 7 OD
-51	8674035	1	• Bracket C.S.L.

Assembly 10: Deck Support Assembly

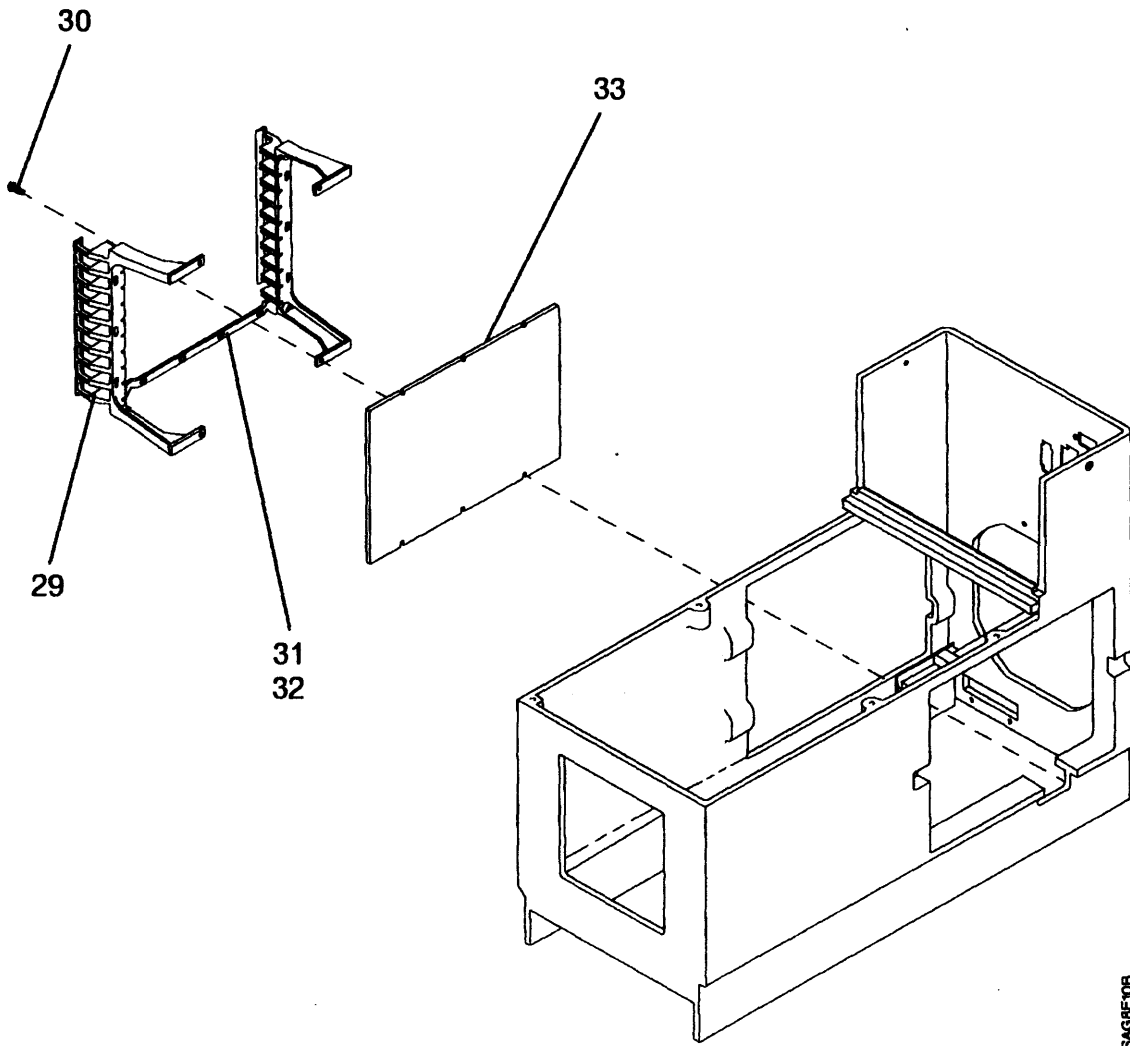


SAG80F10

With B/M 6460006

Asm - Index	Part Number	Units	Description
10 -	8577036	1	Deck Support Assembly (Sheet 1 of 2) For Next Higher Assembly, See 8 - 9 on page 27
- 1	6179041	1	• Deck Support
- 1	6390357	1	• Deck Support - Field use only
- 2	6390557	1	• Cover Asm, Card
- 3	1621183	1	• Screw, Metric-Slot Pan Hd M3.5 X 10 mm Lg
- 4	4479866	1	• Cover
- 5	1621297	2	• Screw, Metric-Slot Flat Hd M3.5 X 10 mm Lg
- 6	4451583	1	• Switch, Address
- 7	6178663	1	• Connector, Feedthru (10 pins)
- 8	1622533	2	• Screw
- 9	8576697	1	• Panel Asm, P1
- 10	1621182	4	• Screw, Metric-Slot Pan Hd M3.5 X 8 mm Lg
- 11	6460079	1	• • Panel
- 12	4451583	1	• • Switch, Address
- 13	6178663	1	• • Connector, Feedthru (10 pins)
- 14	1621172	2	• • Screw, Metric-Slot Pan Hd M3 X 10 mm Lg
- 15	4479767	2	• • Fitting, Hose
- 16	1622263	2	• • Lockwasher
- 17	1622407	2	• • Nut, Metric Hex M10 Double Chamfer
- 18	4770166	2	• • Clamp, Hose
- 19	6460072	1	• Strain Relief
- 20	1621182	2	• Screw, Metric-Slot Pan Hd M3.5 X 8 mm Lg
- 21	6272614	1	• Cover, Pin Side
- 22	1621183	2	• Screw, Metric-Slot Pan Hd M3.5 X 10 mm Lg
- 23	4479865	1	• Cover Asm, Servo Board
- 24	4479879	2	• Hinge, Deck Mounting
- 25	1621181	6	• Screw, Metric-Slot Pan Hd M3.5 X 6 mm Lg
- 26	6315595	1	• Baffle, Air
- 27	1621181	4	• Screw, Metric-Slot Pan Hd M3.5 X 6 mm Lg
- 28	817905	1	• Seal, Foam

Assembly 10: (continued)



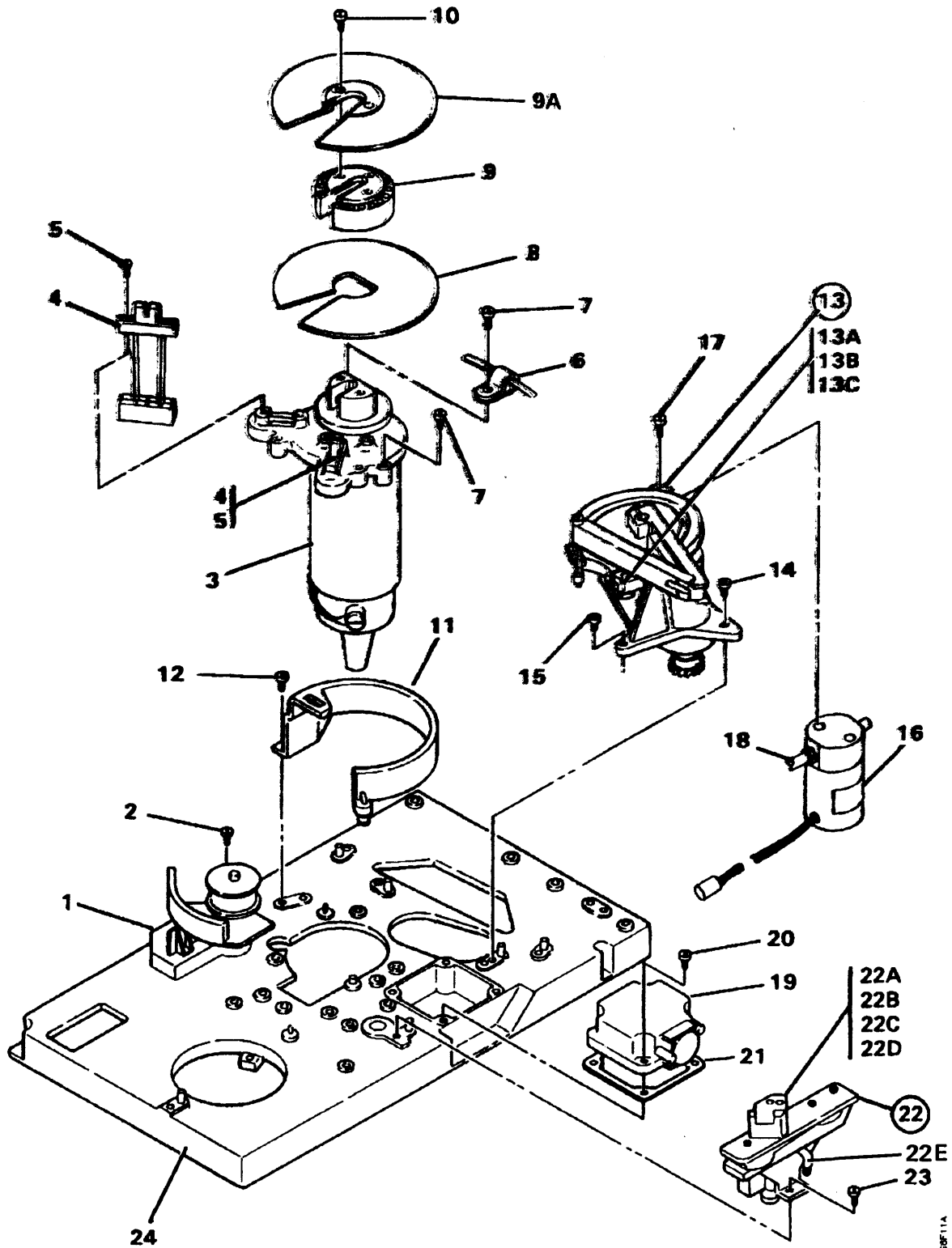
SAGBF10B

With B/M 6460006

34 Magnetic Tape Subsystem

Asm - Index	Part Number	Units	Description
10 -	8577036	1	Deck Support Assembly (Sheet 2 of 2) For Next Higher Assembly See 8 - 9 on page 27
-29	6390555	2	• Card Guide, Half Board
-30	1621184	4	• Screw, Metric-Slot Pan Hd M3.5 X 12 mm Lg
-31	4529452	1	• Retainer, Cable
-32	1621183	2	• Screw, Metric-Slot Pan Hd M3.5 X 10 mm Lg
-33		1	• Half Board

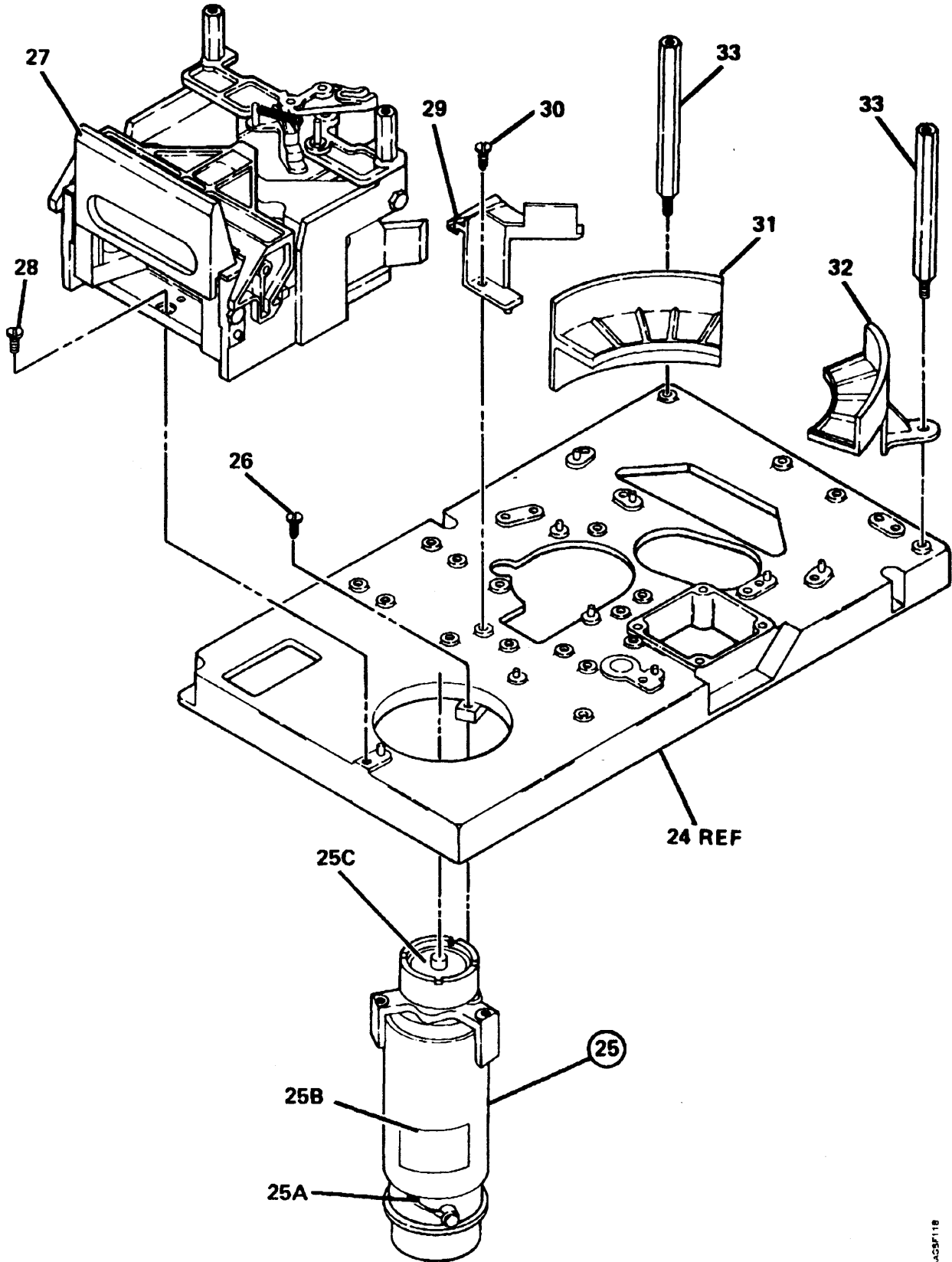
Assembly 11: Deck Assembly



36087114

Asm - Index	Part Number	Units	Description
11 -	4479800	1	Deck Assembly (Sheet 1 of 3) For Next Higher Assembly See 7 - 1 on page 25 and 8 - 1 on page 27
-1	68X8075	1	• Transducer Final Assembly
-2	1621194	3	• Screw, Metric-Slot Pan Hd M4 X 20 mm Lg
-3	13F4795	1	• Machine Reel Assembly For Detail Breakdown, See "Assembly 12: Machine Reel Assembly" on page 42
-4	6177111	2	• Sensor Assembly
-5	1621172	4	• Screw, Metric-Slot Pan Hd M3 X 10 mm Lg
-6	327921	1	• Clamp, Cable
-7	1621194	3	• Screw, Metric-Slot Pan Hd M4 X 20 mm Lg
-8	4798959	1	• Flange
-9	4798958	1	• Hub
-9A	6390537	1	• Flange, Upper
-10	1621191	2	• Screw, Metric-Slot Pan Hd M4 X 10 mm Lg
-11	4780536	1	• Guide, Mach Reel
-12	1621191	2	• Screw, Metric-Slot Pan Hd M4 X 10 mm Lg
-13	13F3092	1	• Threader Assembly
-13A	1621013	1	• • Screw, Metric-Slot Cheese Hd M2.5 X 10 mm Lg
-13B	6177180	1	• • Clamp, Sensor
-13C	4780523	1	• • Sensor
-14	1621191	1	• Screw, Metric-Slot Pan Hd M4 X 10 mm Lg
-15	1621194	2	• Screw, Metric-Slot Pan Hd M4 X 20 mm Lg
-16	13F4792	1	• Solenoid Asm
-17	512508	1	• Screw, Mach-Flat Hd 6-32 X .500 Lg
-18	6177128	1	• Hose, Solenoid Input
-19	4479777	1	• Plenum Assembly
-20	1621194	4	• Screw, Metric-Slot Pan Hd M4 X 20 mm Lg
-21	4479766	1	• Gasket
-22	80X1224	1	• Decoupler Assembly
-22A	4780546	1	• • Clamp
-22B	1621162	2	• • Screw, Metric-Slot Pan Hd M2.5 X 8 mm Lg
-22C	1622315	2	• • Lockwasher
-22D	4780523	1	• • Sensor
-22E	4780495	1	• • Elbow, Decoupler
-23	1621194	3	• Screw, Metric-Slot Pan Hd M4 X 20 mm Lg
-24	4479808	1	• Deck Press Assembly

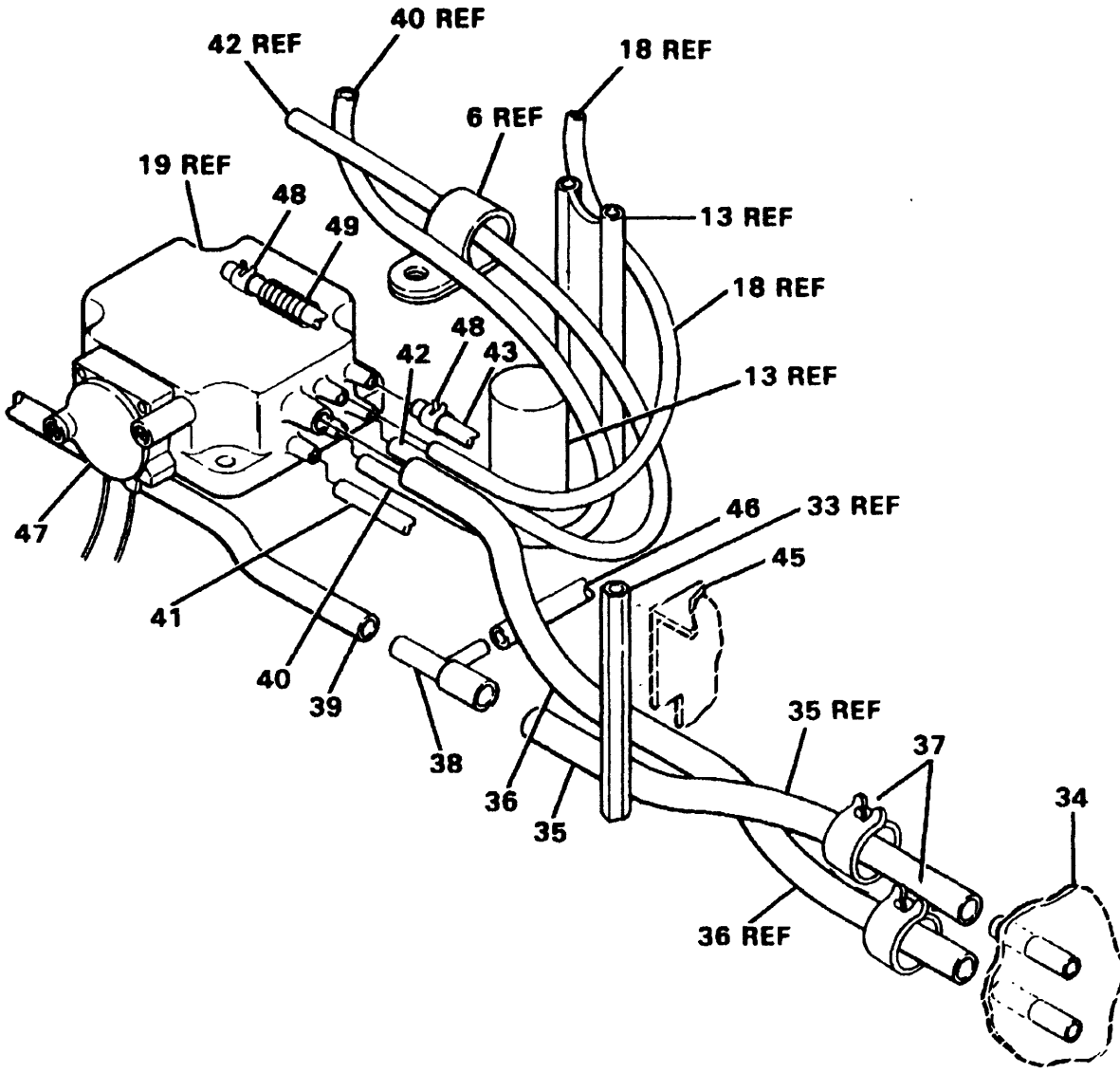
Assembly 11: (continued)



SACSPI18

Asm – Index	Part Number	Units	Description
11 –	4479800	1	Deck Assembly (Sheet 2 of 3) For Next Higher Assembly See 7 – 1 on page 25 and 8 – 1 on page 27
– 25	82X4205	1	• Motor and Tachometer Assembly, Model B11
– 25	82X4204	1	• Motor and Tachometer Assembly, Model B22
– 25A	68X8125	1	• • Cable Asm, Snubber Suppression
– 25B	4529420	1	• • Label, Caution
– 25C	4128892	1	• • Washer, Magnet
– 26	1621200	3	• Screw, Metric-Slot Pan Hd M4 X 35 mm Lg
– 27	6178962	1	• Latch Assembly, Cartridge For Detail Breakdown, See “Assembly 13: Cartridge Latch Assembly” on page 44
– 28	1621194	3	• Screw, Metric-Slot Pan Hd M4 X 20 mm Lg
– 29	4780540	1	• Guide, Center
– 30	1621191	2	• Screw, Metric-Slot Pan Hd M4 X 10 mm Lg
– 31	6178948	1	• Guide, Left
– 32	4780538	1	• Guide, Right
– 33	4479852	2	• Standoff

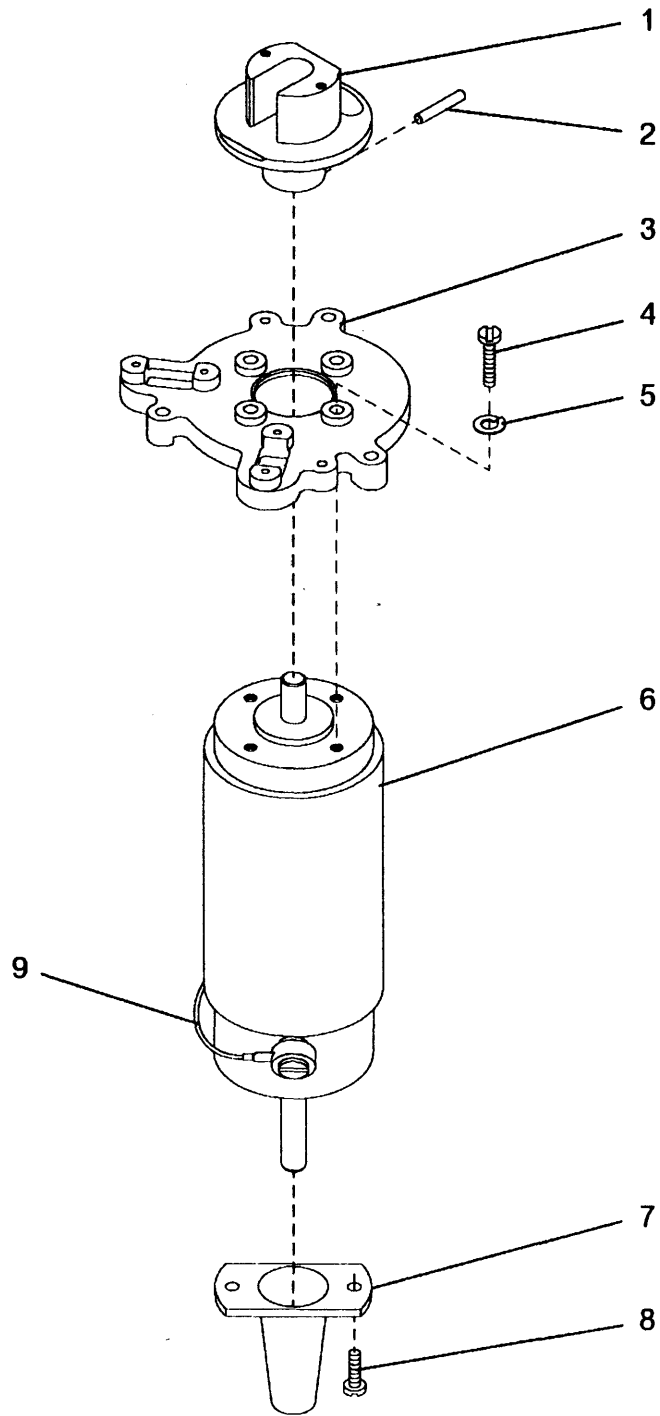
Assembly 11: (continued)



SA85F1C

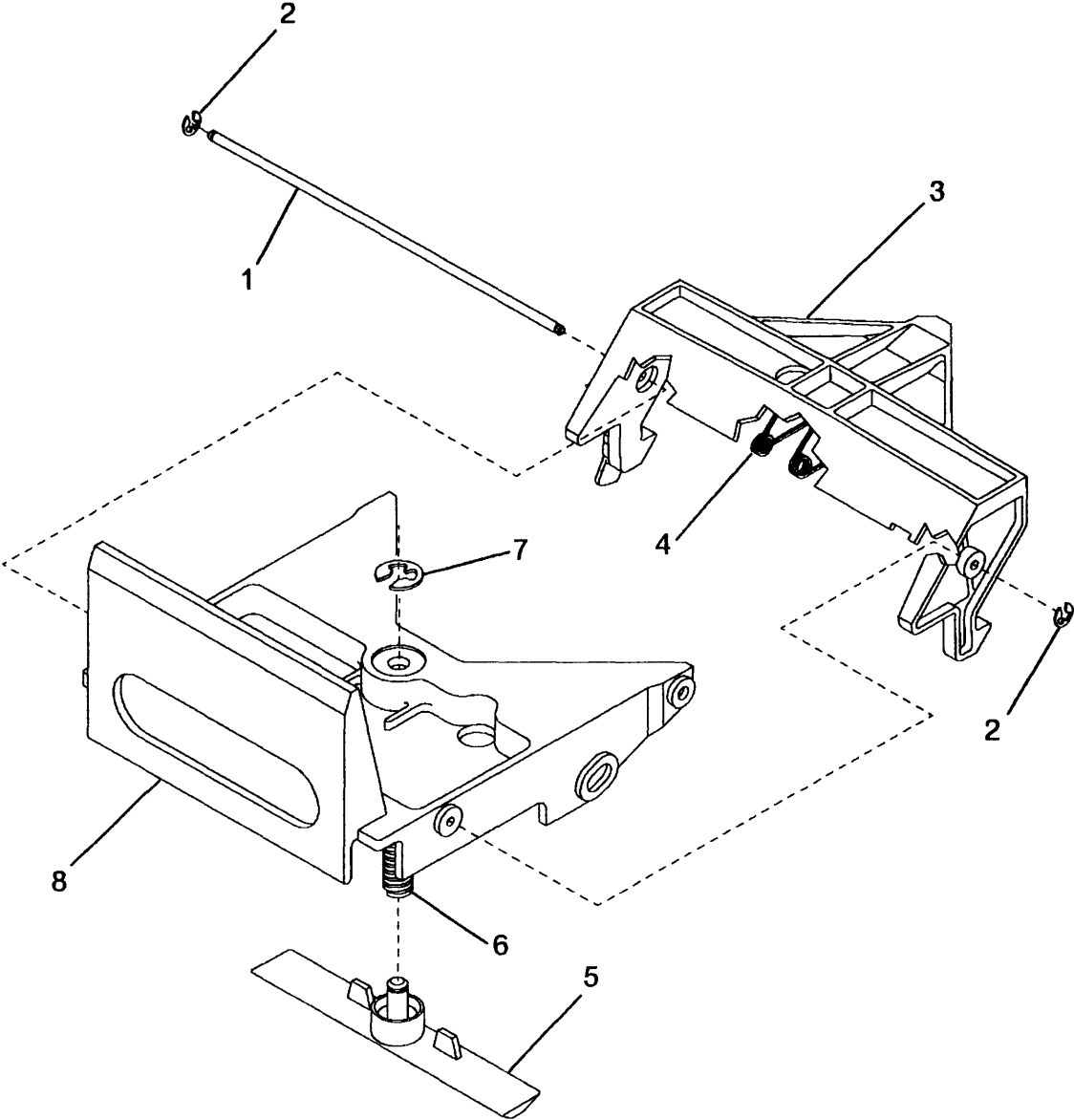
Asm – Index	Part Number	Units	Description
11 –	4479800	1	Deck Assembly (Sheet 3 of 3) For Next Higher Assembly See 7 – 1 on page 25 and 8 – 1 on page 27
–34		NP	• Panel
–35	6850774	1	• Hose, Vacuum Supply
–36	6850773	1	• Hose, Plenum Supply
–37	6850707	2	• Clamp
–38	4479762	1	• Tee, Vacuum Distribution
–39	6850769	1	• Hose, Decoupler Vacuum
–40	6850771	1	• Hose, Left Guide Bearing
–41	6390559	1	• Hose, Right Guide Bearing
–42	6850772	1	• Hose, Transducer
–43	6850769	1	• Hose, Decoupler Pressure
–45		1	• Cover
–46	6850768	1	• Hose, Cleaner Block
–47	4479804	1	• Sensor, Switch
–48	6857796	2	• Clamp, Hose
–49	8674000	1	• Guard, Hose

Assembly 12: Machine Reel Assembly



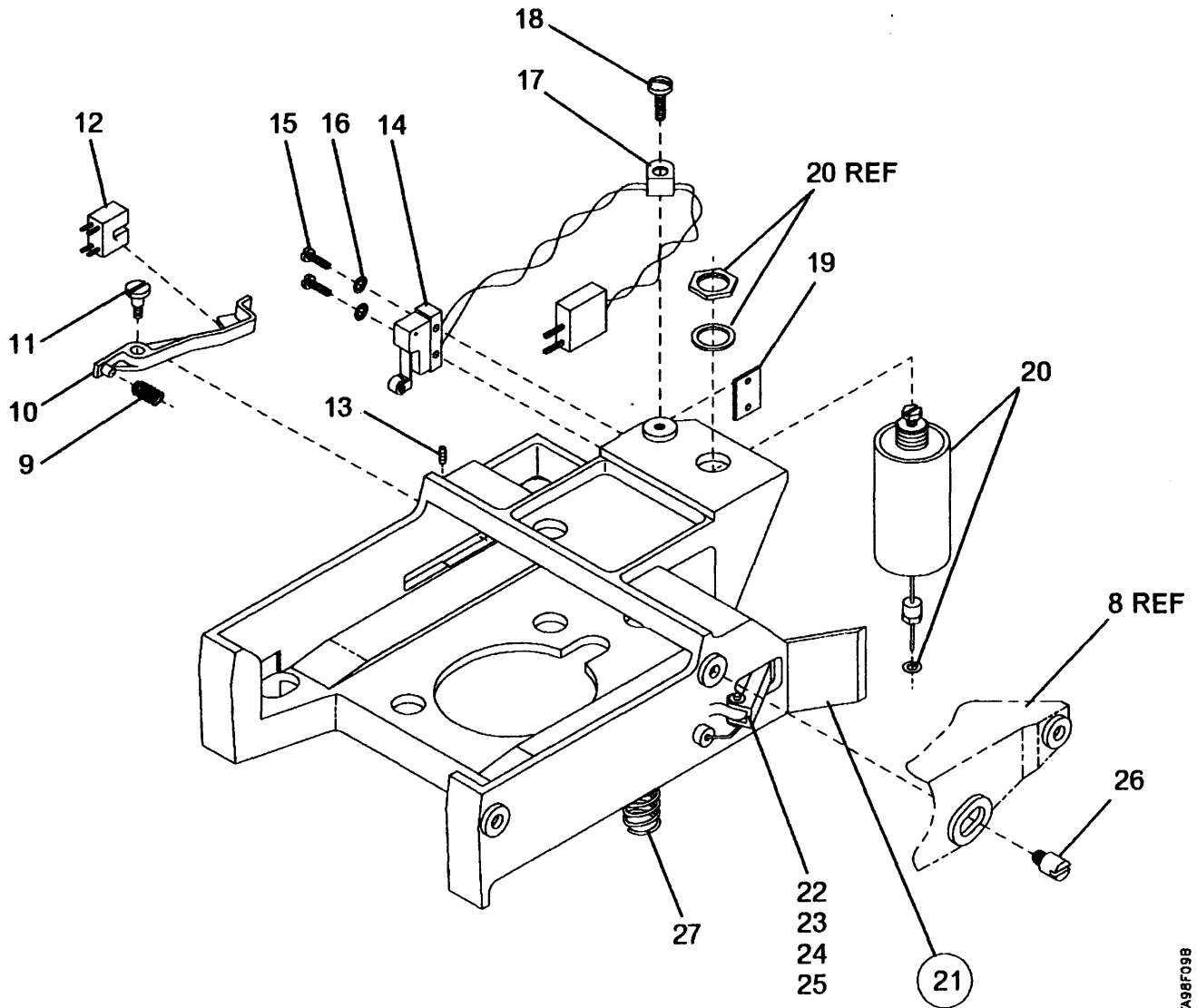
Asm - Index	Part Number	Units	Description
12 -	13F4795	1	Machine Reel Assembly For Next Higher Assembly See 11 - 3 on page 37
-1	4798957	NR	• Hub, Mount
-2	6390541	NR	• Pin, Taper
-3	4479782	NR	• Adapter, Motor
-4	1621192	NR	• Screw, Metric-Slot Pan Hd M4 X 12 mm Lg
-5	1622318	NR	• Lockwasher, Metric-Spring 4.1 ID X 7.5 OD
-6	4798739	NR	• Motor
-7	8674064	1	• Shield, Motor
-8	1621190	2	• Screw, Metric-Slot Pan Hd M4 X 8 mm Lg
-9	68X8125	1	• Cable Asm, Motor Snubber Suppression

Assembly 13: Cartridge Latch Assembly



Asm - Index	Part Number	Units	Description
13 -	6178962	1	Cartridge Latch Assembly (Sheet 1 of 3) For Next Higher Assembly See 11 - 27 on page 39
-1	4780565	1	• Shaft, Latch
-2	1126828	2	• Retainer
-3	6177179	1	• Latch
-4	4780564	1	• Spring, Latch
-5	6178947	1	• Plunger, Hold Down
-6	6178958	1	• Spring, Compression Plunger
-7	1126831	1	• Retainer
-8	6177178	1	• Cover, Loader

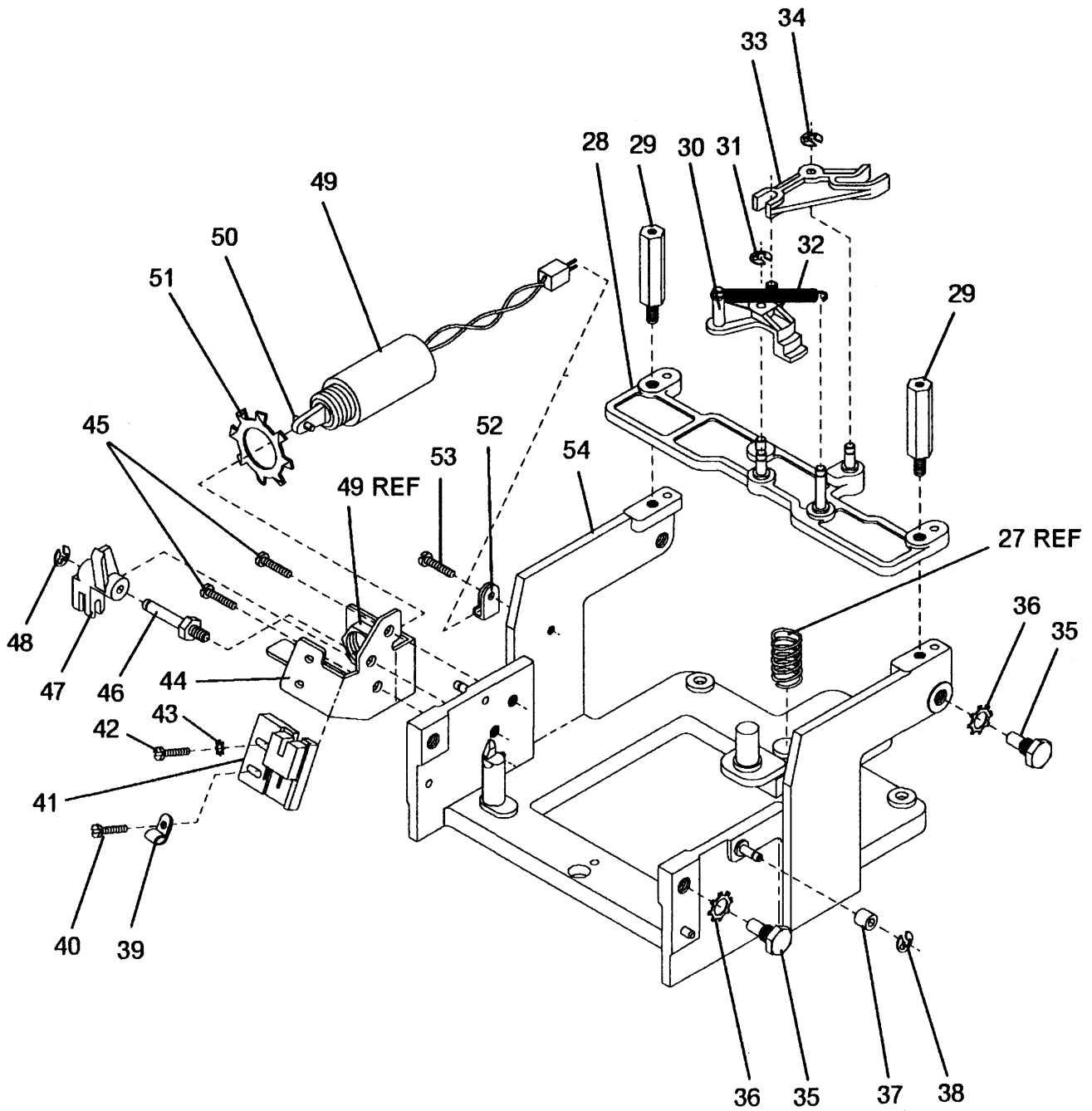
Assembly 13: (continued)



T98F09B

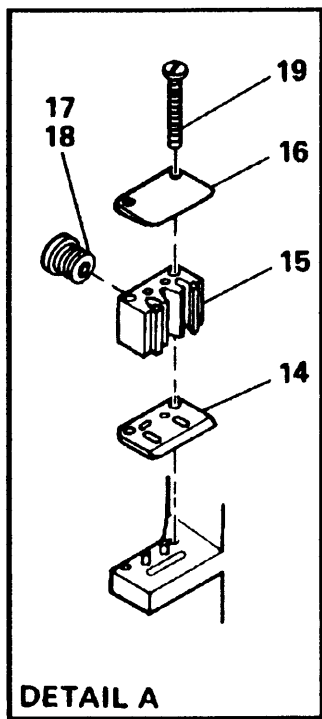
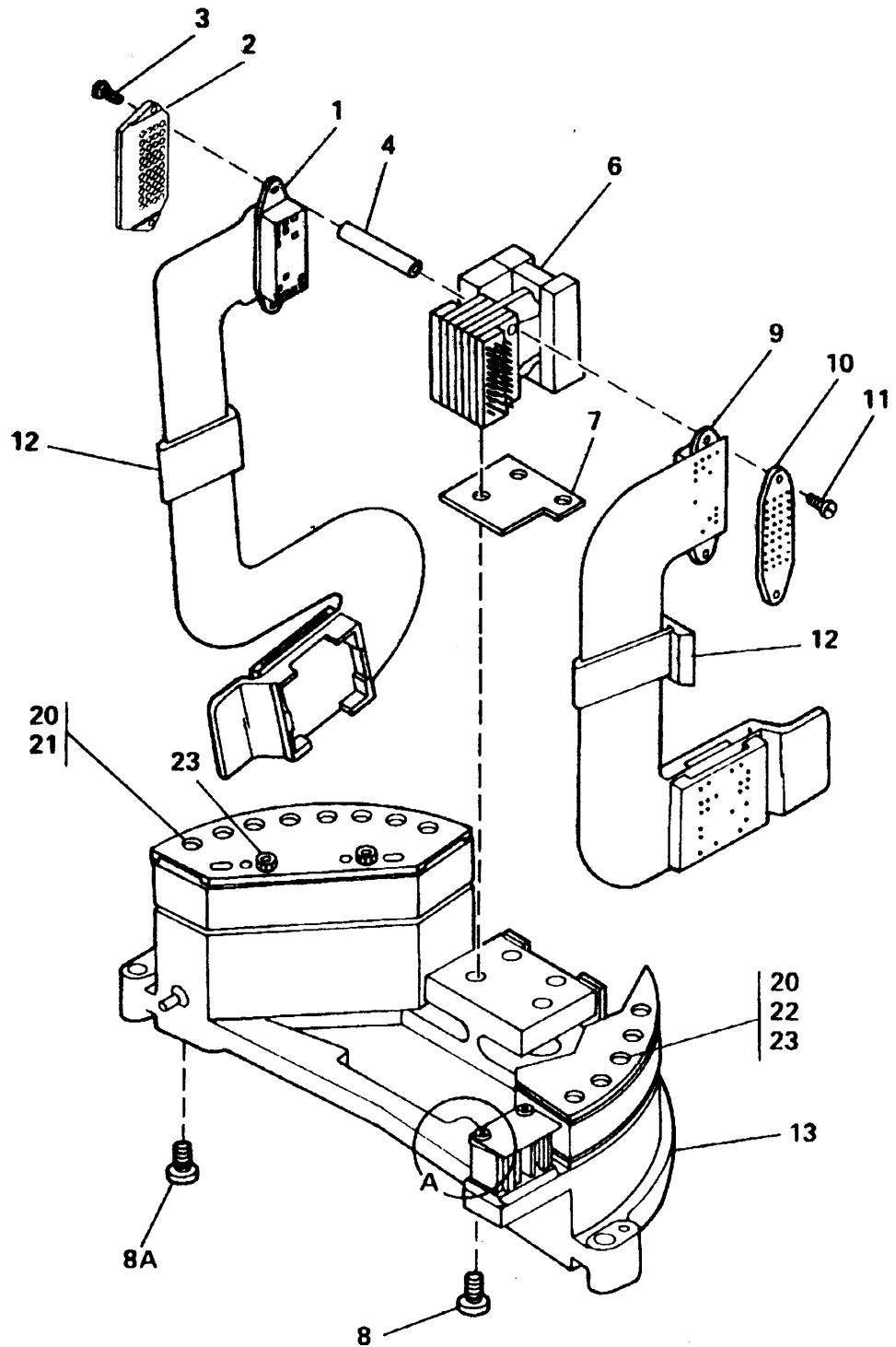
Asm - Index	Part Number	Units	Description
13 -	6178962	1	Cartridge Latch Assembly (Sheet 2 of 3) For Next Higher Assembly See 11 - 27 on page 39
-9	4770136	1	• Spring, Sensor Flag
-10	4780560	1	• Flag, Sensor
-11	4780561	1	• Pivot, Sensor
-12	4780523	1	• Sensor
-13	1621704	2	• Setscrew
-14	4770135	1	• Switch Asm
-15	1621004	2	• Screw, Metric-Slot Cheese Hd M2 X 12 mm Lg
-16	1622330	2	• Lockwasher, Metric-Int Tooth 2.2 ID X 4.5 OD
-17	4517143	1	• Clamp
-18	1621172	1	• Screw, Metric-Slot Pan Hd M3 X 10 mm Lg
-19	4780578	1	• Plate, Nut
-20	4780620	1	• Dash Pot
-21	6177170	1	• Tray Asm
-22	6177171	1	• • Hinge, Pivot
-23	6177173	1	• • Pin
-24	6460348	1	• • Spring
-25	6177174	1	• • Ring, Retaining
-26	4780559	2	• Pivot, Coupling
-27	4780556	1	• Spring

Assembly 13: (continued)



Asm— Index	Part Number	Units	Description
13—	6178962	1	Cartridge Latch Assembly (Sheet 3 of 3) For Next Higher Assembly See 11 – 27 on page 39
—28	6390567	1	• Bridge Asm
—29	4479854	2	• Standoff
—30	4780567	1	• Interlock
—31	1126828	1	• Retainer
—32	4780615	1	• Spring, Extension Interlock
—33	4780602	1	• Receiver, Carry Pin
—34	1126828	1	• Retainer
—35	4770138	4	• Pivot, Screw
—36	1622348	4	• Lockwasher, Metric-Ext Tooth 6.4 ID X 11 OD
—37	4780563	2	• Roller, Latch
—38	1126828	2	• Retainer
—39	4517143	1	• Clamp
—40	1621172	1	• Screw, Metric-Slot Pan Hd M3 X 10 mm Lg
—41	4780609	1	• Sensor Asm
—42	1621172	1	• Screw, Metric-Slot Pan Hd M3 X 10 mm Lg
—43	1622344	1	• Lockwasher, Metric-Ext Tooth 3.2 ID X 6 OD
—44	4780575	1	• Bracket, Solenoid Mounting
—45	1621190	2	• Screw, Metric-Slot Pan Hd M4 X 8 mm Lg
—46	4780603	1	• Pivot Pin, Release
—47	6177921	1	• Link, Release
—48	1126828	1	• Retainer
—49	6177923	1	• Solenoid and Connector Asm
—50	6390587	1	• Spring Pin
—51	317372	1	• Washer, Lock-Ext Tooth .576 ID X .985 OD
—52	5213276	1	• Clamp, Cable
—53	1621190	1	• Screw, Metric-Slot Pan Hd M4 X 8 mm Lg
—54	6390566	1	• Press Asm Frame

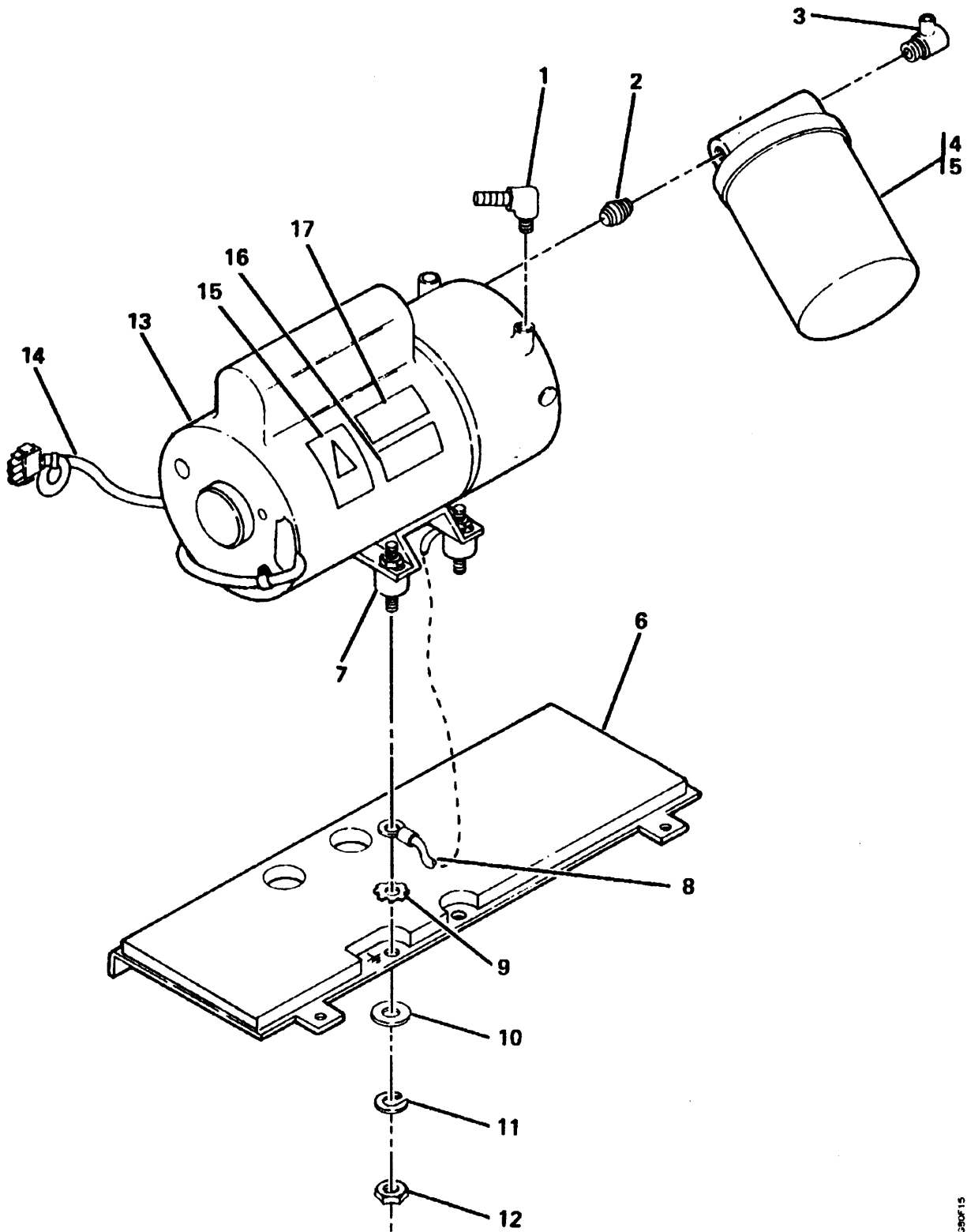
Assembly 14: Head and Guide Assembly



SACBDF1-4

Asm- Index	Part Number	Units	Description
14-	6178970	1	Head and Guide Assembly, Model B22
-	6384609	1	Head and Guide Assembly, Model B11 For Next Higher Assembly See 7-7 on page 25 and 8-5 on page 27
-1	4128782	NR	• Cable, Read
-2	6272621	NR	• Cover, Cable
-3	1621002	NR	• Screw, Metric-Slot Cheese Hd M2 X 8 mm Lg
-4	4128784	NR	• Spacer
-6		NP	• Head Assembly, R/W
-7		NP	• Shim
-8	1621496	NR	• Screw, Metric-Cap Soc Hd M3 X 16 mm Long
-8A	1621309	NR	• Screw, Metric-Slot Flat Hd M4 X 10 mm Lg
-9	4128783	NR	• Cable, Write
-10	4128768	NR	• Cover, Cable
-11	1621002	NR	• Screw, Metric-Slot Cheese Hd M2 X 8 mm Lg
-12	6390585	2	• Boot
-13		NP	• Guide and Mount Assembly
-14	4479847	1	• Spacer
-15	4054243	1	• Cleaner Block Assembly
-16	4479848	1	• Cover
-17	4479849	1	• Plug Assembly
-18	4479851	1	• Holder
-19	1621167	2	• Screw
-20	6178969	2	• Ceramic Compliant Flange Asm, Model B22
-21	6384606	1	• Ceramic Compliant Flange Asm, Model B11, Left
-22	6384608	1	• Ceramic Compliant Flange Asm, Model B11, Right
-23	1621513	4	• Screw, Metric-Cap Soc Hd M4 X 20 mm Lg Used on Model B22
-23	1621066	4	• Screw, Metric-Slot Cheese Hd M4 X 30 mm Lg Used on Model B11

Assembly 15: Compressor Assembly

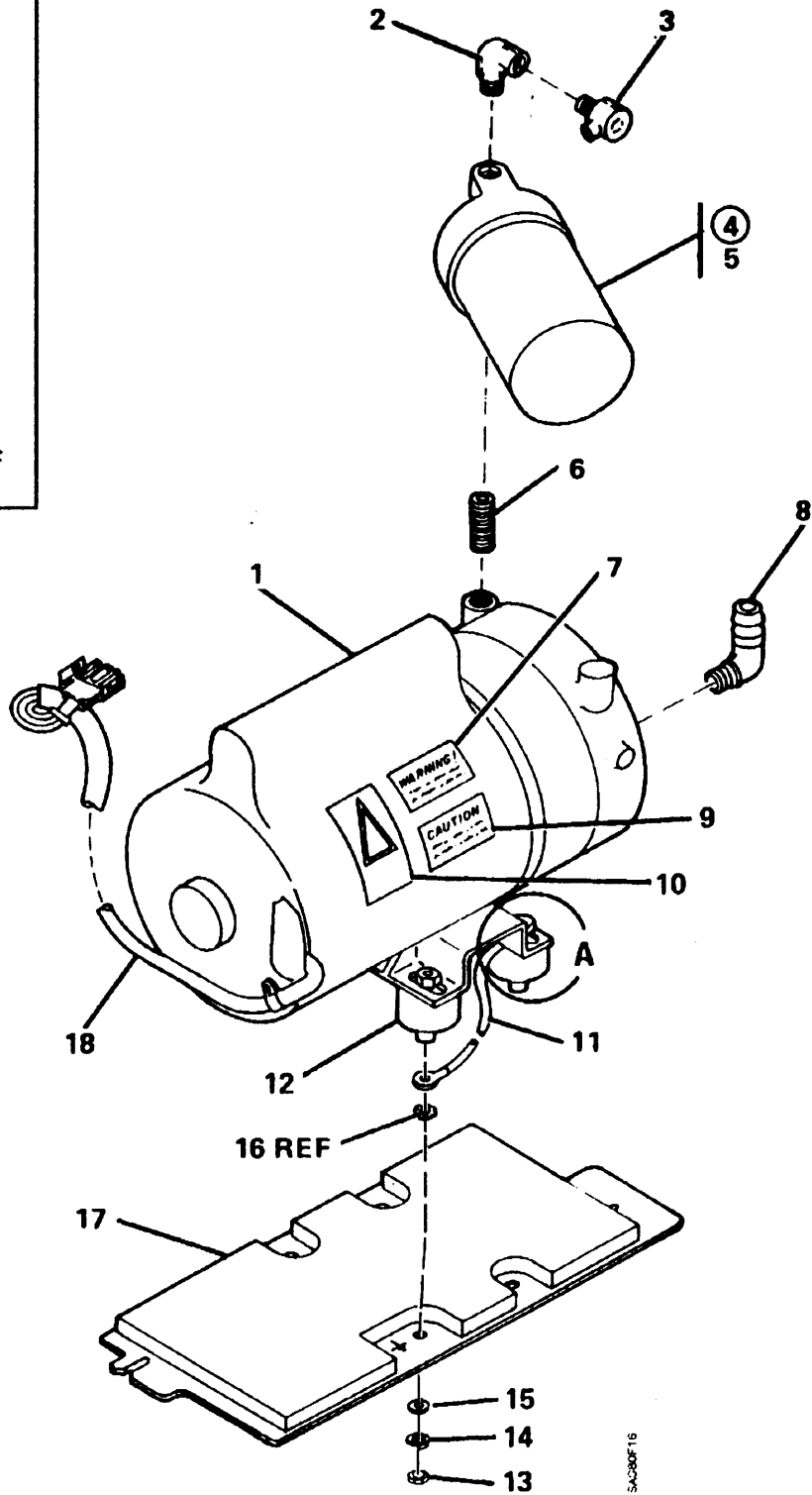
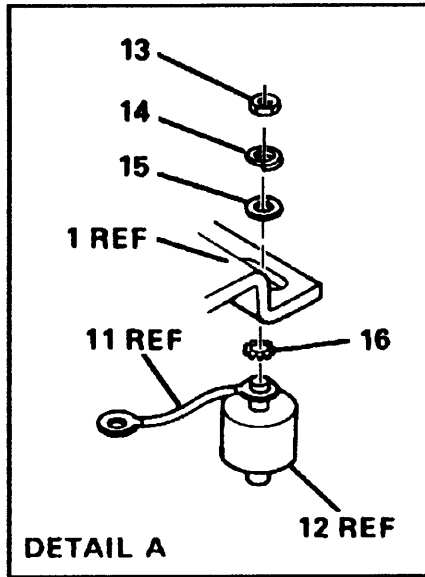


SACSOP15

Without B/M 6460006

Asm – Index	Part Number	Units	Description
15 –	6178954	1	Compressor Final Assembly, 50 Hz
–	82X4198	1	Compressor Final Assembly, 60 Hz For Field Use Unit With Label Kit and Installation Instructions For Next Higher Assembly See 3 – 117 on page 11
–1	13F4828	1	• Fitting, .250 NPT X 9.5 Tube
–2	8674018	1	• Nipple
–3	4770076	1	• Venturi Assembly
–4	1765057	1	• Filter Assembly, Input-Purolater
–4	1765653	1	• Filter Assembly, Input-Cumo
–5	1765654	1	• • Filter, Purolator
–5	1765058	1	• • Filter, Cumo
–6	8673968	1	• Mounting Plate Asm, Compressor
–7	4412051	4	• Shock Mount
–8	4479778	1	• Jumper, Ground
–9	1622349	2	• Lockwasher, Metric-Ext Tooth (M8 Screw)
–10	1622307	8	• Washer, Metric Flat 9 ID X 17 OD X 1.6 Thick
–11	1622321	8	• Lockwasher, Metric-Spring 8.1 ID X 14.8 OD
–12	1622406	8	• Nut, Metric Hex M8 Double Chamfer
–13	6272600	NR	• Compressor Sub-Asm, 50/60 Hz
–13	6272639	NR	• Compressor Sub-Asm, 60 Hz
–14	4451691	1	• Cable Asm, Compressor, 50 Hz
–14	6272639	1	• Cable Asm, Compressor, 60 Hz
–15	4529420	1	• Warning Label, French, Spanish, German, Italian, French/Dutch, Portuguese, Finnish, Swedish, Japanese
–16	6177148	1	• Warning Label, English
–17	1203359	1	• Warning Label, English
–17	6177954	1	• Warning Label, Spanish
–17	6177955	1	• Warning Label, German
–17	6177956	1	• Warning Label, Italian
–17	6081045	1	• Warning Label, French/Dutch
–17	6177959	1	• Warning Label, Finnish
–17	6177960	1	• Warning Label, Swedish
–17	6841177	1	• Warning Label, Japanese
–17	6177958	1	• Warning Label, Portuguese

Assembly 16: Compressor Final Assembly

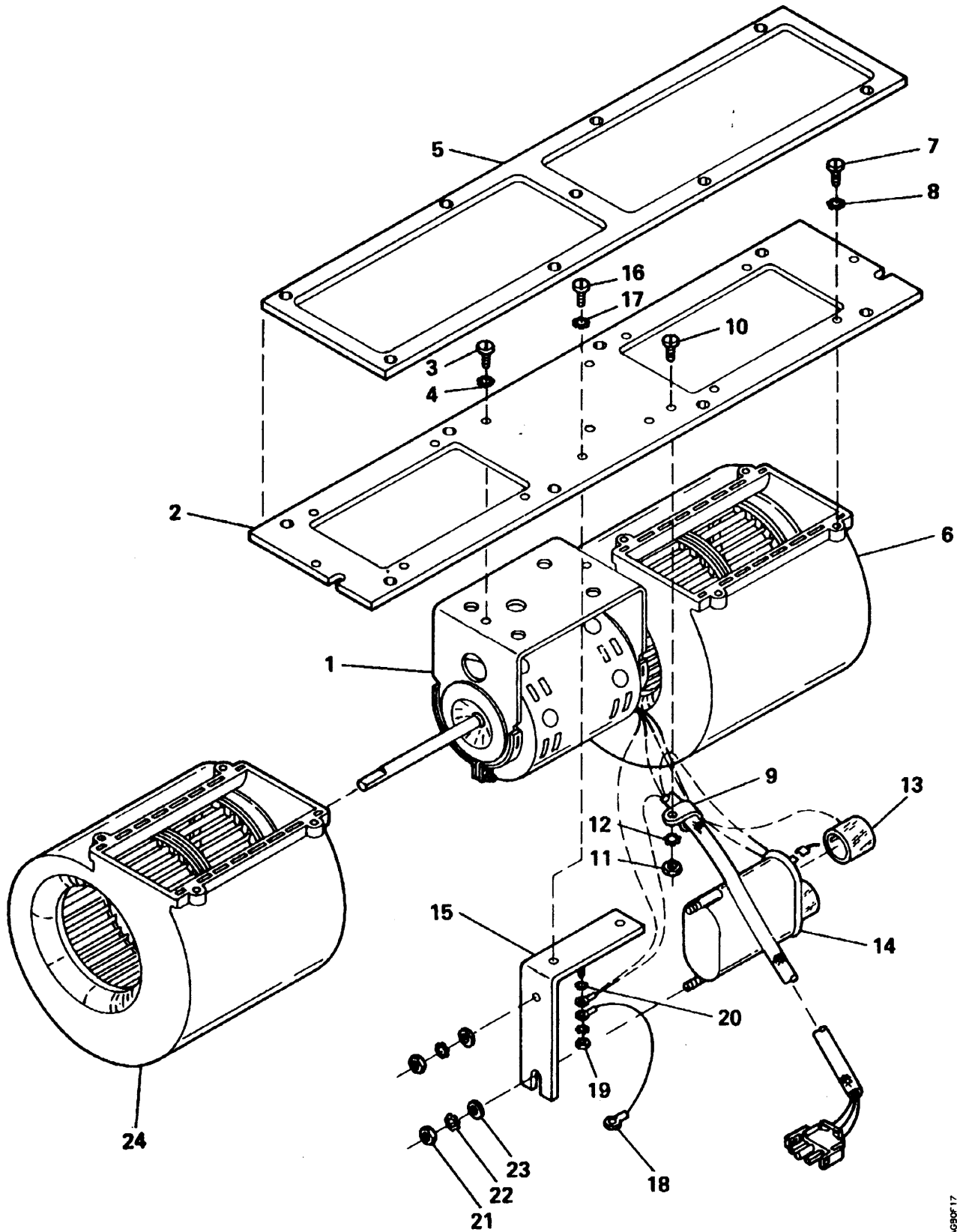


SAC80F16

With B/M 6460006

Asm— Index	Part Number	Units	Description
16—	6178689	1	Compressor Final Assembly, 50 Hz
—	82X4197	1	Compressor Final Assembly, 60 Hz For Field Use Unit With Label Kit and Installation Instructions For Next Higher Assembly See 4—29 on page 15
—1	8576673	NR	• Compressor Assembly, 50 Hz
—1	82X4196	NR	• Compressor Assembly, 60 Hz
—2	1765065	1	• Fitting, Street L
—3	4770076	1	• Venturi Assembly
—4	1765057	1	• Filter, Input (Purolator)
—5	1765654	1	• • Element, Filter (Purolator)
—6	8674018	1	• Nipple
—7	1203359	1	• Label, Warning, English
—7	6177954	1	• Label, Warning, Spanish
—7	6177955	1	• Label, Warning, German
—7	6177956	1	• Label, Warning, Italian
—7	6081045	1	• Label, Warning, French/Dutch
—7	6177959	1	• Label, Warning, Finnish
—7	6177960	1	• Label, Warning, Swedish
—7	6841177	1	• Label, Warning, Japanese
—7	6177958	1	• Label, Warning, Portuguese
—8	13F4828	1	• Fitting (.250 NPT X 9.5 Tube)
—9	6177148	1	• Label, Warning, English
—10	4529420	1	• Label, Warning, French, Spanish, German, Italian, French/Dutch, Portuguese, Finnish, Swedish, Japanese
—11	4479778	1	• Jumper, Ground
—12	4412051	4	• Shock Mount
—13	1622406	8	• Nut, Metric Hex M8 Double Chamfer
—14	1622321	8	• Lockwasher, Metric-Spring 8.1 ID X 14.8 OD
—15	1622307	8	• Washer, Metric Flat 9 ID X 17 OD X 1.6 Thick
—16	1622349	2	• Lockwasher, Metric-Ext Tooth (M8 Screw)
—17	8577021	1	• Mounting Plate Asm, Compressor
—18	4451691	1	• Cable Asm, Compressor

Assembly 17: Blower Assembly

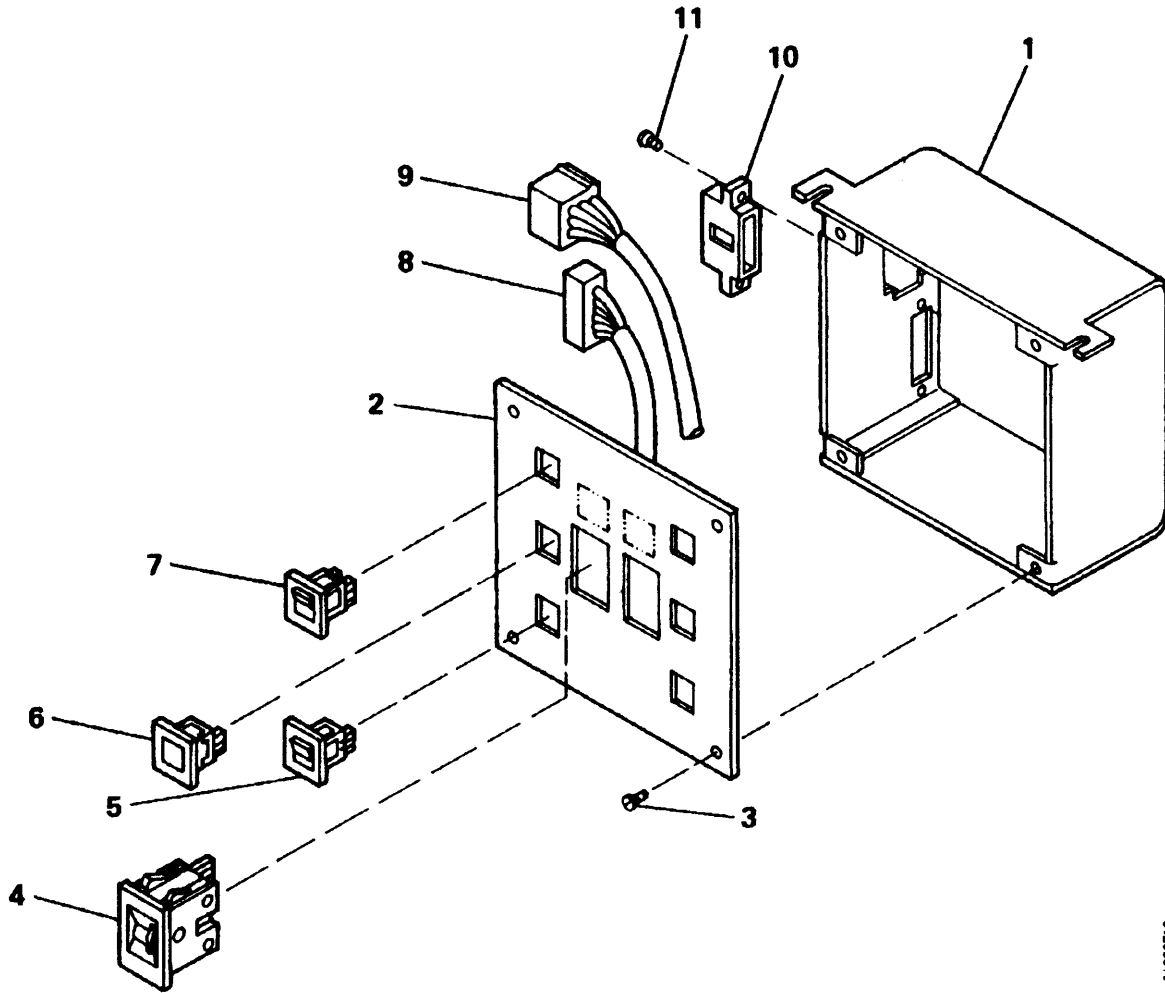


With B/M 6460006

SAG50F17

Asm - Index	Part Number	Units	Description
17 -	6390354	1	Blower Assembly, 60 Hz
-	6390355	1	Blower Assembly, 50 Hz
			For Next Higher Assembly See 4 - 50 on page 17
-1	6460039	1	• Motor, 60 Hz
-1	6390356	1	• Motor, 50 Hz
-2	8577035	1	• Baseplate, Blower
-3	28413	2	• Screw, Mach-Bind Hd 10-32 X .312 Long
-4	56079	2	• Washer, Lock-Ext Tooth .195 ID X .410 OD
-5	8576666	1	• Seal, Blower
-6	5468388	1	• Scroll Asm, Right, 60 Hz
-6	2561584	1	• Scroll Asm, Right, 50 Hz
-7	38235	8	• Screw, Mach-Bind Hd 6-32 X .312 Long
-8	56722	9	• Washer, Lock-Ext Tooth .141 ID X .320 OD
-9	804109	1	• Clamp, Cable
-10	322550	1	• Screw, Mach-Bind Hd 6-32 X .500 Long
-11	257187	1	• Nut, Hex 6-32 X .313 Flat W
-12	56722	1	• Washer, Lock-Ext Tooth .141 ID X .320 OD
-13	526378	2	• Insulator
-14	5252824	1	• Capacitor
-15	1573510	1	• Bracket, Capacitor
-16	38235	2	• Screw, Mach-Bind Hd 6-32 X .312 Long
-17	56722	2	• Washer, Lock-Ext Tooth .141 ID X .320 OD
-18	6390360	1	• Jumper, Ground
-19	257187	1	• Nut, Hex 6-32 X .313 Flat W
-20	56722	1	• Washer, Lock-Ext Tooth .141 ID X .320 OD
-21	11598	2	• Nut, Hex 10-32 X .375 Fl W
-22	56079	2	• Washer, Lock-Ext Tooth .195 ID X .410 OD
-23	45690	2	• Washer, Flat .203 ID X .438 OD X .032 Thick
-24	5468387	1	• Scroll Asm, Left- 60 Hz
-24	2561585	1	• Scroll Asm, Left- 50 Hz

Assembly 18: Control Box Assembly

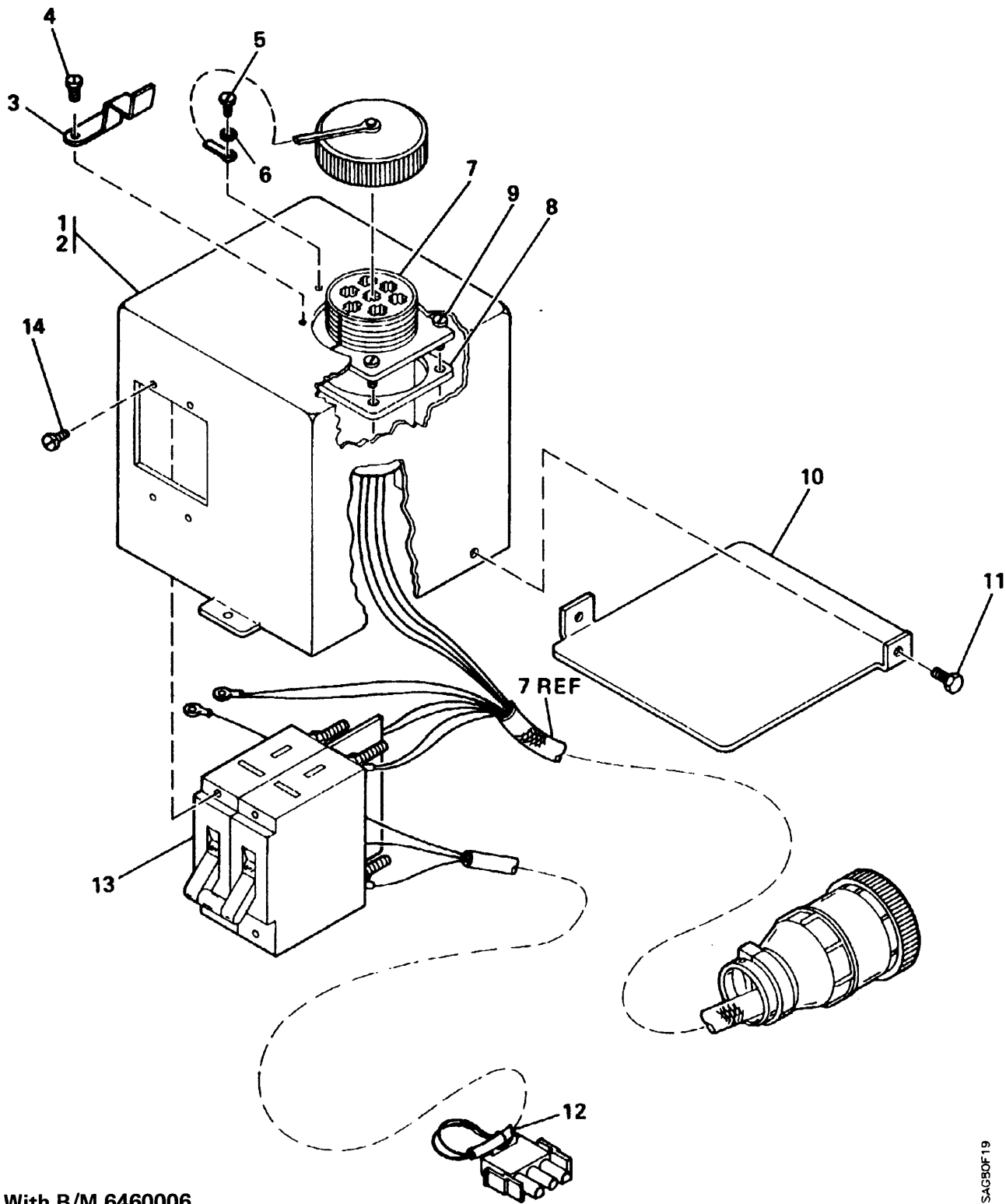


SACSDF18

With B/M 6460006

Asm – Index	Part Number	Units	Description
18 –	8576659	1	Control Box Assembly-English
–	6460021	1	Control Box Assembly-French/French Canadi
–	6460025	1	Control Box Assembly-German
–	6460022	1	Control Box Assembly-Spanish
–	6460016	1	Control Box Assembly-Italian
–	6177940	1	Control Box Assembly-Brazilian For Next Higher Assembly See 4–31 on page 15
– 1	8576636	1	• Box, Control
– 2	6460007	1	• Panel Assembly, Control-English
– 2	6460020	1	• Panel Assembly, Control-Fr/Fr Canadian
– 2	6460026	1	• Panel Assembly, Control-German
– 2	6460023	1	• Panel Assembly, Control-Spanish
– 2	6460017	1	• Panel Assembly, Control-Italian
– 2	6177941	1	• Panel Assembly, Control-Brazilian
– 3	1621852	2	• Screw, Metric-Thd Form Slot Pan Hd M4 X 10 mm Lg
– 4	4451583	2	• Switch, Address
– 5	4529282	2	• Switch, Rocker
– 6	4529281	2	• Switch, Moment
– 7	8576672	2	• Switch, DC Control
– 8	8576649	1	• Cable Asm, T.U. Control Box Address
– 9	8476656	1	• Cable Asm, Control Box Power Switch
– 10	6178662	1	• Connector, Feed-Thru
– 11	1621846	2	• Screw, Metric-Thd Form Slot Pan Hd M3 X 10 mm Lg

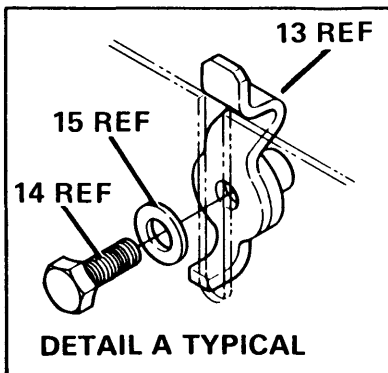
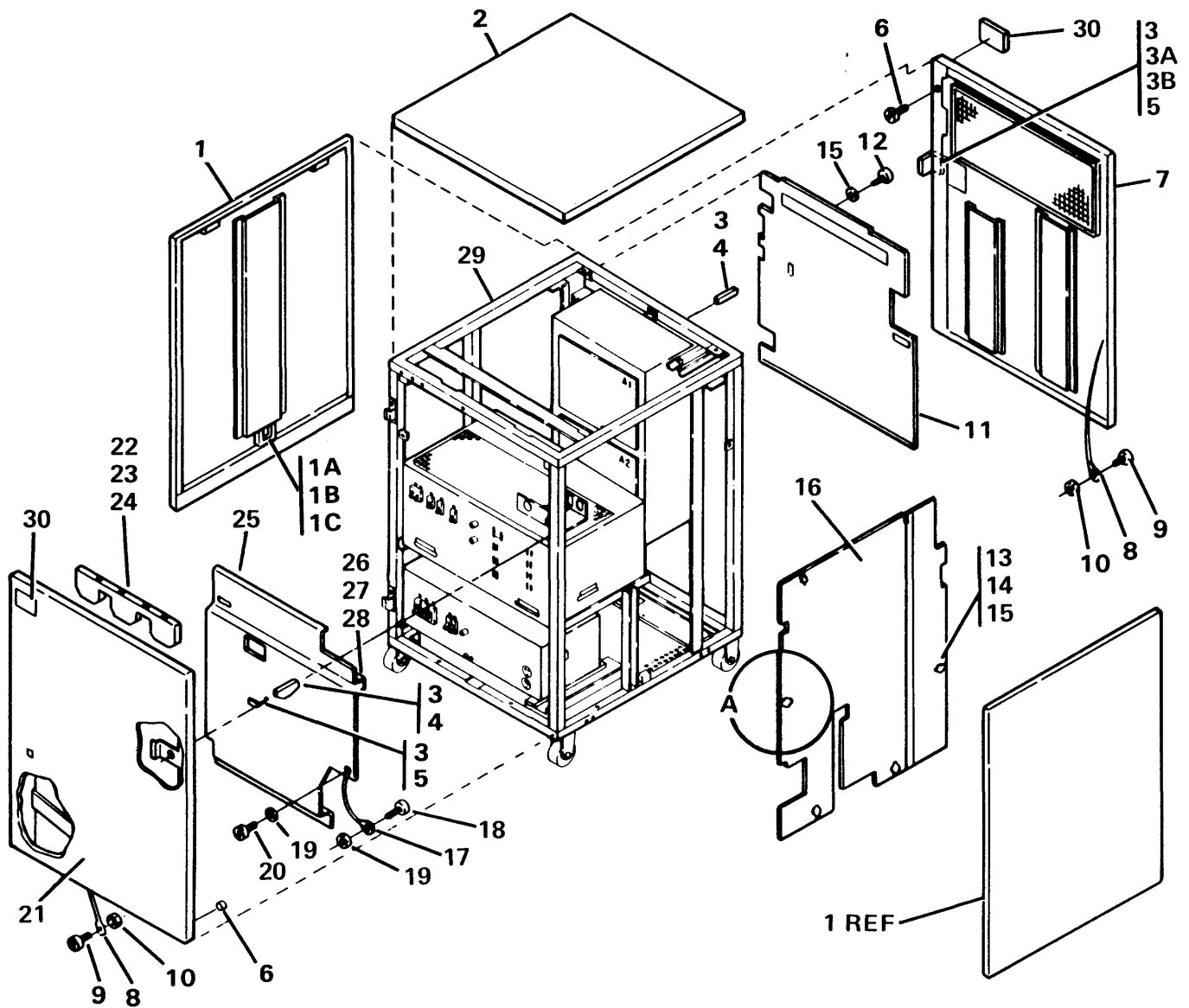
Assembly 19: AC Box Assembly



With B/M 6460006

Asm - Index	Part Number	Units	Description
19-	8576678	1	AC Box Assembly- 60 Hz and 50 Hz Japan
-	8577037	1	AC Box Assembly- 50 Hz WTC
			For Next Higher Assembly See 4-56 on page 17
-1	8576638	1	• Bracket, AC Box
-2	473442	AR	• Grommet, Caterpillar
-3	6178691	1	• Clamp
-4	2549562	1	• Screw, Metric Thd Form-Hex Hd M3 X 20 mm Lg
-5	2549562	1	• Screw, Metric Thd Form-Hex Hd M3 X 20 mm Lg
-6	1622303	1	• Washer, Metric-Flat 3.7 ID X 8 OD X .5 Thick
-7	8576642	1	• Cable Assembly, Tape Unit AC Input- 60 Hz and 50 Hz Japan
-7	8576643	1	• Cable Assembly, Tape Unit AC Input- 50 Hz WTC
-8	6460080	1	• Collar, Receptacle
-9	2549561	4	• Screw, Metric Thd Form-Hex Hd M3 X 10 mm Lg
-10	6460073	1	• Plate, AC Box
-11	1621811	2	• Screw, Metric-Thd Form Hex Wshr Hd M4 X 10 mm Lg
-12	8576645	1	• Cable Assembly, Tape Unit Power Supply AC Input
-13	6460099	1	• Breaker, Circuit
-14	10170	4	• Screw, Mach-Bind Hd 6-32 X .250 Long

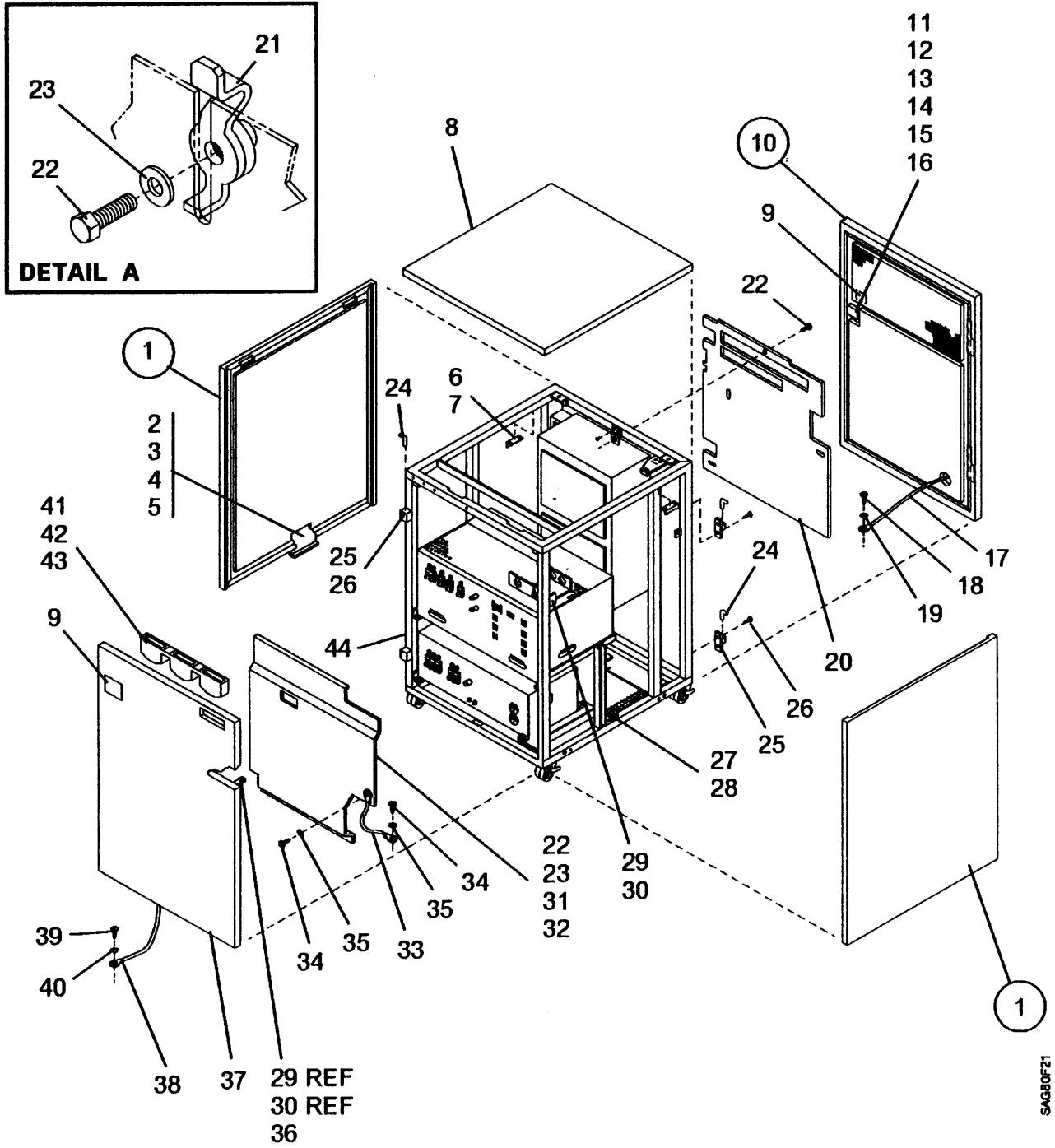
Assembly 20: Control Unit Cover Assembly



Without B/M 6460460

Asm - Index	Part Number	Units	Description
20 -		NP	Control Unit Cover Assembly
-1	4529263	2	• Cover, Side-White
-1	4780480	2	• Cover, Side-Brown
-1	4780481	2	• Cover, Side-Yellow
-1	4780482	2	• Cover, Side-Blue
-1	4780483	2	• Cover, Side-Green
-1	4780484	2	• Cover, Side-Red
-1	4780489	2	• Cover, Side-Gray
-1A	2549561	4	• Screw, Metric Thd Form-Hex Hd M3 X 10 mm Lg
-1B	1622344	4	• Lockwasher, Metric-Ext Tooth 3.2 ID X 6 OD
-1C	1621171	2	• Screw, Metric-Slot Pan Hd M3 X 8 mm Lg
-2	4529278	1	• Cover Assembly, Top
-3	6857798	2	• Latch
-3A	6857795	1	• Plate, Rear Door Latch
-3B	1621190	1	• Screw, Metric-Slot Pan Hd M4 X 8 mm Lg
-4	2549561	4	• Screw, Metric Thd Form-Hex Hd M3 X 10 mm Lg
-5	1621170	4	• Screw, Metric-Slot Pan Hd M3 X 6 mm Lg
-6	198982	4	• Stop
-7	6850791	1	• Cover Assembly, Rear
-8	4451705	2	• Jumper, Grounding
-9	1621811	3	• Screw, Metric-Thd Form Hex Wshr Hd M4 X 10 mm Lg
-10	1622346	2	• Lockwasher, Metric-Ext Tooth 4.3 ID X 8 OD
-11	4780521	1	• Sub Cover, Rear
-12	1673724	1	• Screw, Metric-Cap Hex Hd M4 X 10 mm Lg
-13	4529277	9	• Bracket, Cover
-14	1673724	9	• Screw, Metric-Cap Hex Hd M4 X 10 mm Lg
-15	1622304	14	• Washer, Metric Flat 4.3 ID X 9 OD X .8 Thick
-16	6850788	1	• Sub Cover Assembly, Side
-17	5759582	1	• Jumper, Grounding
-18	1621811	1	• Screw, Metric-Thd Form Hex Wshr Hd M4 X 10 mm Lg
-19	1622346	2	• Lockwasher, Metric-Ext Tooth 4.3 ID X 8 OD
-20	1621190	1	• Screw, Metric-Slot Pan Hd M4 X 8 mm Lg
-21	6850670	1	• Cover, Front
-22	4529416	1	• Storage, Pocket
-23		NP	• Cleaning Cartridge
-24		NP	• Md Diskette
-25	4451765	1	• Sub Cover, Front
-26	4529467	4	• Bracket, Cover
-27	1673724	4	• Screw, Metric-Cap Hex Hd M4 X 10 mm Lg
-28	1622304	4	• Washer, Metric Flat 4.3 ID X 9 OD X .8 Thick
-29		NP	• Control Unit Final Assembly For Detail Breakdown, See "Assembly 23: Control Unit Final Assembly" on page 68
-30	8674058	2	• Logo, Model A22
-30	8674057	2	• Logo, Model A11

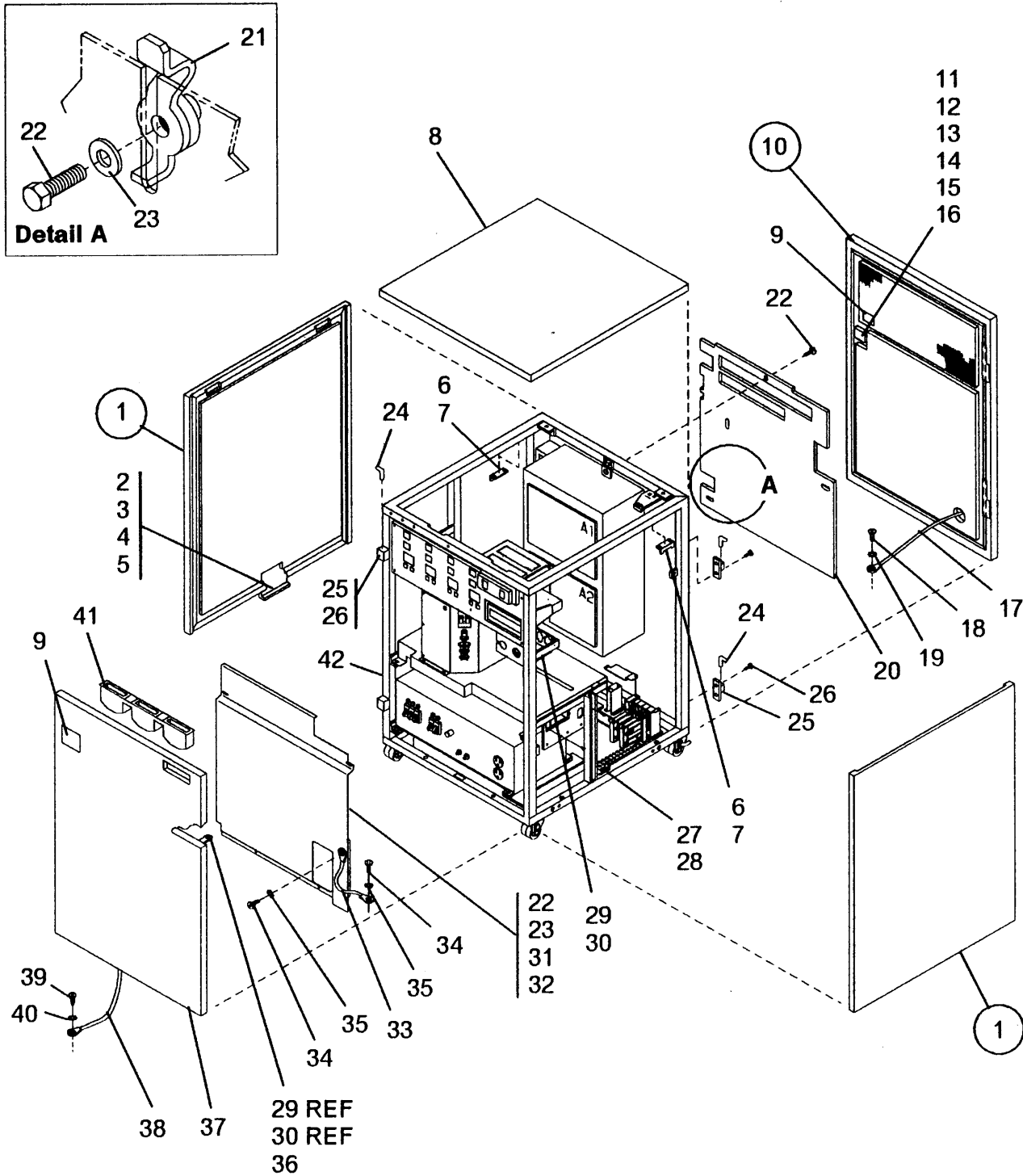
Assembly 21: Control Unit Cover Assembly



With B/M 6460460

Asm - Index	Part Number	Units	Description
21 -		NP	Control Unit Cover Assembly
-1	6460054	2	• Cover Assembly, Side-Red
-1	6460055	2	• Cover Assembly, Side-Yellow
-1	6460056	2	• Cover Assembly, Side-Blue
-1	6460057	2	• Cover Assembly, Side-Brown
-1	6460058	2	• Cover Assembly, Side-Green
-1	6460059	2	• Cover Assembly, Side-Gray
-1	6460060	2	• Cover Assembly, Side-White
-2	2744617	1	• • Latch
-3	1621190	2	• • Screw, Metric-Slot Pan Hd M4 X 8 mm Long
-4	1622318	2	• • Lockwasher, Metric-Spring 4.1 ID X 7.5 OD
-5	1622304	2	• • Washer, Metric Flat 4.3 ID X 9 OD X .8 Thick
-6	6178997	4	• Support, Side Cover
-7	1621818	8	• Screw, Metric-Thd Form Hex Wshr Hd M5 X 10 mm Lg
-8	4529278	1	• Cover, Top
-9	8674058	2	• Label, Model A22
-9	8674057	2	• Label, Model A11
-10	8577032	1	• Cover Assembly, Rear
-11	6272566	1	• • Insert
-12	6460461	1	• • Ring, Retaining
-13	2744617	2	• • Latch
-14	1621190	2	• • Screw, Metric-Slot Pan Hd M4 X 8 mm Long
-15	1622318	2	• • Lockwasher, Metric-Spring 4.1 ID X 7.5 OD
-16	1622304	2	• • Washer, Metric Flat 4.3 ID X 9 OD X .8 Thick
-17	4451705	1	• Strap
-18	1621811	1	• Screw, Metric-Thd Form Hex Wshr Hd M4 X 10 mm Lg
-19	1622346	1	• Lockwasher, Metric-Ext Tooth 4.3 ID X 8 OD
-20	4780521	1	• Sub Cover, Rear
-21	4529277	3	• Bracket, Rear Cover
-22	1673724	8	• Screw, Metric-Cap Hex Hd M4 X 10 mm Lg
-23	1622304	7	• Washer, Metric Flat 4.3 ID X 9 OD X .8 Thick
-24	4479725	4	• Pin, Hinge
-25	8576713	4	• Hinge, Cover
-26	1621382	8	• Screw, Metric-Slot Pan Hd M4 X 10 mm Lg
-27	6460004	3	• Striker
-28	1621811	6	• Screw, Metric-Thd Form Hex Wshr Hd M4 X 10 mm Lg
-29	6857798	1	• Kit, Latch
-30	2549561	4	• Screw, Metric Thd Form-Hex Hd M3 X 10 mm Lg
-31	4451765	1	• Sub Cover, Front
-32	4529467	4	• Bracket, Front Cover
-33	5759582	1	• Jumper, Grounding
-34	1621811	2	• Screw, Metric-Thd Form Hex Wshr Hd M4 X 10 mm Lg
-35	1622346	2	• Lockwasher, Metric-Ext Tooth 4.3 ID X 8 OD
-36	80X1164	1	• Bumper, Latch
-37	8577033	1	• Cover Asm, Front
-38	4451705	1	• Strap
-39	1621811	1	• Screw, Metric-Thd Form Hex Wshr Hd M4 X 10 mm Lg
-40	1622346	1	• Lockwasher, Metric-Ext Tooth 4.3 ID X 8 OD
-41	4529416	1	• Storage, Pocket
-42		NP	• Cleaning Cartridge
-43		NP	• MD Diskette
-44		NP	• Control Unit Final Assembly
			For Detail Breakdown, See "Assembly 24: Control Unit Final Assembly" on page 74

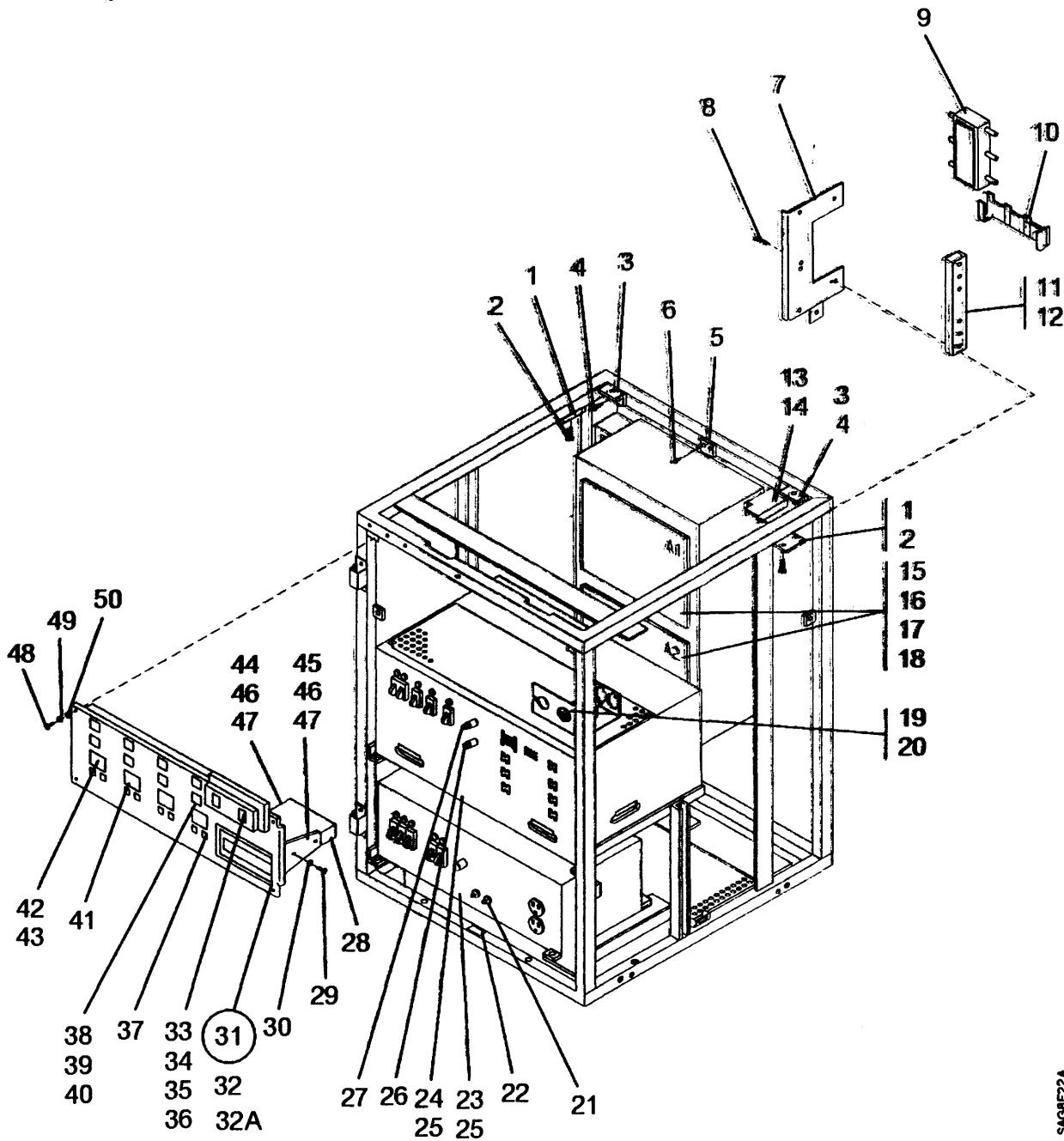
Assembly 22: Control Unit Cover Assembly



With EC A57722

Asm – Index	Part Number	Units	Description
22 –		NP	Control Unit Cover Assembly Used on Machines with EC 57722
–1	6460054	2	• Cover Assembly, Side-Red
–1	6460055	2	• Cover Assembly, Side-Yellow
–1	6460056	2	• Cover Assembly, Side-Blue
–1	6460057	2	• Cover Assembly, Side-Brown
–1	6460058	2	• Cover Assembly, Side-Green
–1	6460059	2	• Cover Assembly, Side-Gray
–1	6460060	2	• Cover Assembly, Side-White
–2	2744617	2	• • Latch
–3	1621190	2	• • Screw, Metric-Slot Pan Hd M4 X 8 mm Long
–4	1622318	2	• • Lockwasher, Metric-Spring 4.1 ID X 7.5 OD
–5	1622304	2	• • Washer, Metric Flat 4.3 ID X 9 OD X .8 Thick
–6	6178997	4	• Support, Side Cover
–7	1621818	8	• Screw, Metric-Thd Form Hex Wshr Hd M5 X 10 mm Long
–8	4529278	1	• Cover, Top
–9	8674058	2	• Label
–10	8577032	1	• Cover Assembly, Rear
–11	6272566	2	• • Insert
–12	6460461	2	• • Ring
–13	2744617	2	• • Latch
–14	1621190	2	• • Screw, Metric-Slot Pan Hd M4 X 8 mm Long
–15	1622318	2	• • Lockwasher, Metric-Spring 4.1 ID X 7.5 OD
–16	1622304	2	• • Washer, Metric Flat 4.3 ID X 9 OD X .8 Thick
–17	4451705	1	• Strap
–18	1621811	1	• Screw, Metric-Thd Form Hex Wshr Hd M4 X 10 mm Long
–19	1622346	1	• Lockwasher, Metric-Ext Tooth 4.3 ID X 8 OD
–20	4780521	1	• Sub Cover, Rear
–21	4529277	3	• Bracket, Rear Cover
–22	1673724	8	• Screw, Metric-Cap Hex Hd M4 X 10MM Long
–23	1622304	7	• Washer, Metric Flat 4.3 ID X 9 OD X .8 Thick
–24	4479725	4	• Pin, Hinge
–25	8576713	4	• Hinge, Cover
–26	1621382	8	• Screw, Metric-Slot Pan Hd M4 X 10 mm Lg
–27	6460004	3	• Striker
–28	1621811	6	• Screw, Metric-Thd Form Hex Wshr Hd M4 X 10 mm Long
–29	6857798	1	• Kit, Latch
–30	2549561	4	• Screw, Metric Thd Form-Hex Hd M3 10MM Long
–31	13F1965	1	• Sub Cover, Front
–32	4529467	4	• Bracket, Front Cover
–33	5759582	1	• Jumper, Grounding
–34	1621811	2	• Screw, Metric-Thd Form Hex Wshr Hd M4 X 10 mm Long
–35	1622346	2	• Lockwasher, Metric-Ext Tooth 4.3 ID X 8 OD
–36	80X1164	1	• Bumper, Latch
–37	8577033	1	• Cover Asm, Front
–38	4451705	1	• Strap
–39	1621811	1	• Screw, Metric-Thd Form Hex Wshr Hd M4 X 10 mm Long
–40	1622346	1	• Lockwasher, Metric-Ext Tooth 4.3 ID X 8 OD
–41	4529416	1	• Storage, Pocket
–42		NP	• Control Unit Final Assembly For Detail Breakdown, See "Assembly 25: Control Unit Final Assembly" on page 78

Assembly 23: Control Unit Final Assembly

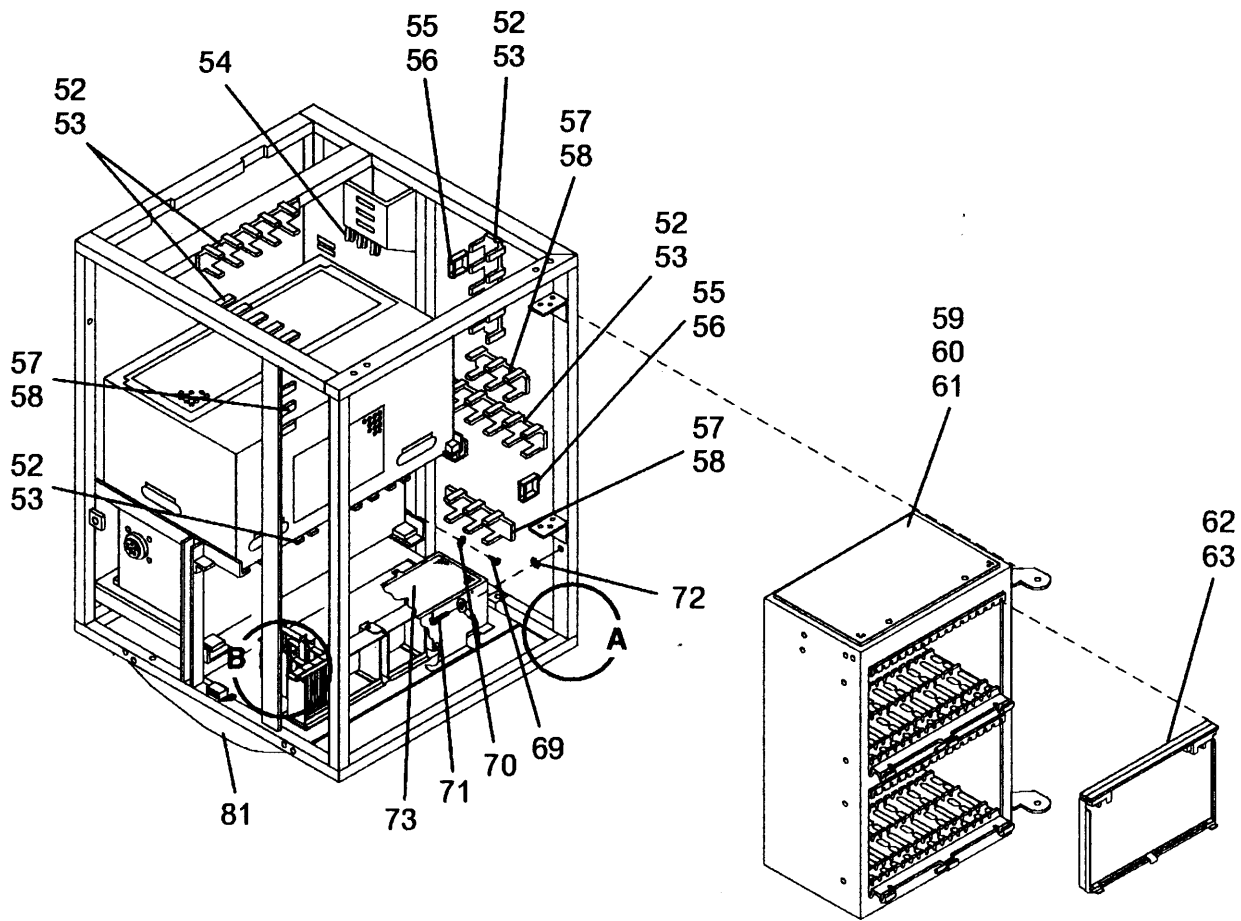


SAG8F22A

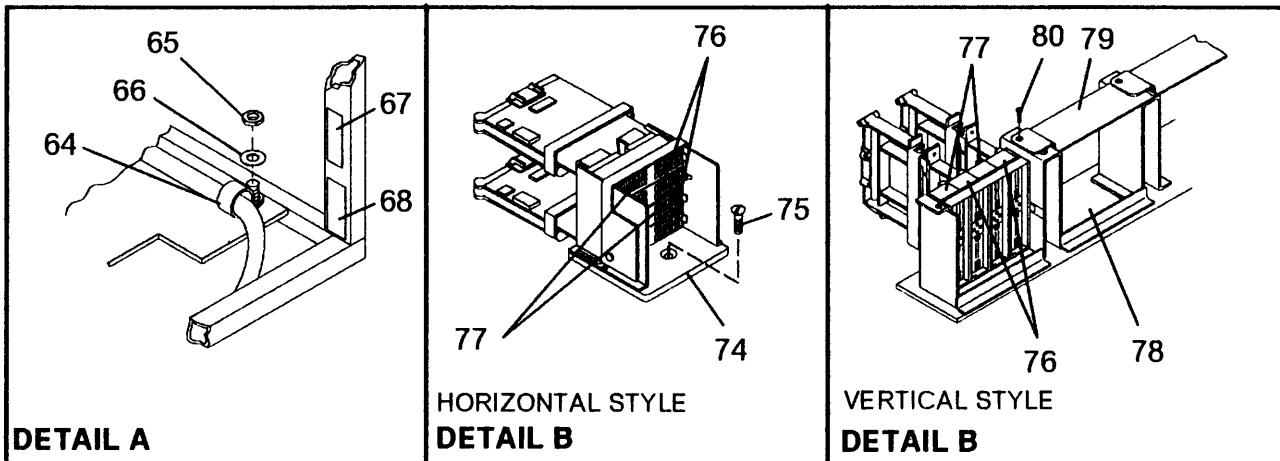
Without B/M 6460460

Asm - Index	Part Number	Units	Description
23 -		NP	Control Unit Final Asm (Sheet 1 of 3) For Next Higher Assembly See 20-29 on page 63.
-1	4451775	4	• Support, Side Cover
-2	1621818	8	• Screw, Metric-Thd Form Hex Wshr Hd M5 X 10 mm Long
-3	4479887	2	• Bracket, Top Cover Latch
-4	1621818	4	• Screw, Metric-Thd Form Hex Wshr Hd M5 X 10 mm Long
-5	4780522	1	• Bracket
-6	1621818	2	• Screw, Metric-Thd Form Hex Wshr Hd M5 X 10 mm Long
-7	6390616	1	• Panel, Connector CU-DU
-8	1621190	2	• Screw, Metric-Slot Pan Hd M4 X 8 mm Long
-9	4780547	1	• Connector, Maple Block
-10	4780592	2	• Cable Retainer, Maple Block
-11	4529256	1	• Spacer
-12	1621813	2	• Screw, Metric-Thd Form Hex Wshr Hd M4 X 16 mm Long
-13	4529466	1	• Latch Asm, Gate
-14	1621818	3	• Screw, Metric-Thd Form Hex Wshr Hd M5 X 10 mm Long
-15	813197	4	• Housing
-16	5700248	3	• Jumper Assembly
-17	4770143	32	• Clamp, Board
-18	1621834	32	• Screw, Metric-Thd Form Slot Pan Hd M3.5 X 16 mm Long
-19	6857786	1	• Switch and Bracket Asm
-20	1621818	2	• Screw, Metric-Thd Form Hex Wshr Hd M5 X 10 mm Long
-21	512137	1	• Fuse, 5.0 Amp, Long Time Lag
-22	1743549	2	• Label, Warning
-23	4798865	1	• Power Supply, AC- 60 Hz and 50 Hz Japan
-23	4798931	1	• Power Supply, AC- 50 Hz Except Japan
-24	4529250	1	• Power Supply, DC- 60 Hz
-24	4529249	1	• Power Supply, DC- 50 Hz
-25	1621821	4	• Screw, Metric-Thd Form Hex Wshr Hd M6 X 10 mm Long
-26	615683	1	• Fuse, F2
-27	5214419	1	• Fuse, F1
-28	13F6228	1	• Disk Drive Asm, 5-1/4 Used on Machines without EC A58284
-28	13F6232	1	• Disk Drive Asm, 3-1/2 Used on Machines with EC A58284
-29	81693	4	• Screw, Mach-Bind Hd 6-32 X .375 Long Used on Machines without EC A58284
-29	13F3053	4	• Screw, Metric M3 Used on Machines with EC A58284
-30	1622304	4	• Washer, Metric Flat 4.3 ID X 9 OD X .8 Thick Used on Machines with EC A58284
-31		NP	• Switch Panel Asm
-32	6315591	1	• • Panel, English
-32	4770061	1	• • Panel, French
-32	4770062	1	• • Panel, German
-32	4770063	1	• • Panel, Spanish
-32	4770064	1	• • Panel, Italian
-32	4770065	1	• • Panel, Brazilian
-32	6177176	1	• • Panel, Japanese
-32A	6390122	1	• • Operator Panel
-33	4451772	1	• • Switch
-34	4451782	1	• • Housing, Switch
-35	1622580	2	• • Screw, Metric Thd Rolling Pan Hd M3 X 16 mm Long
-36	1622536	2	• • Screw
-37	4479881	4	• • Label, Control Unit Address
-38	8519255	AR	• • LED, Red
-39	8519256	AR	• • LED, Green
-40	8519257	AR	• • LED, Yellow
-41	4470081	3	• • Blank
-42	4451584	1	• • Switch
-43	1622533	13	• • Screw, Metric Thd Rolling Pan Hd M3 X 12 mm Long
-44	6315586	1	• • Bracket, Right
-45	6315587	1	• • Bracket, Left
-46	1621190	4	• • Screw, Metric-Slot Pan Hd M4 X 8 mm Long
-47	1622318	4	• • Lockwasher, Metric-Spring 4.1 ID X 7.5 OD
-48	6857824	4	• • Screw, Metric-Hex Soc Hd M4 X 10 mm Lg
-49	1622303	4	• • Washer, Metric Flat 3.7 ID X 8 OD X .5 Thick
-50	6857825	4	• • Washer, Painted
-51		NP	• Frame Assembly

Assembly 23: (continued)



SAG8F22B

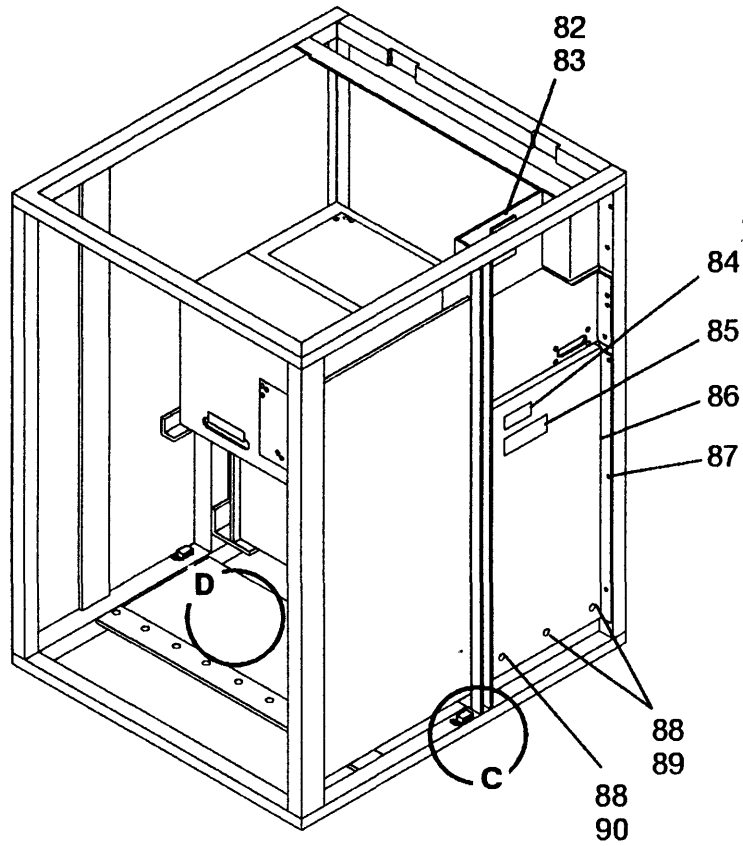


Without B/M 6460460

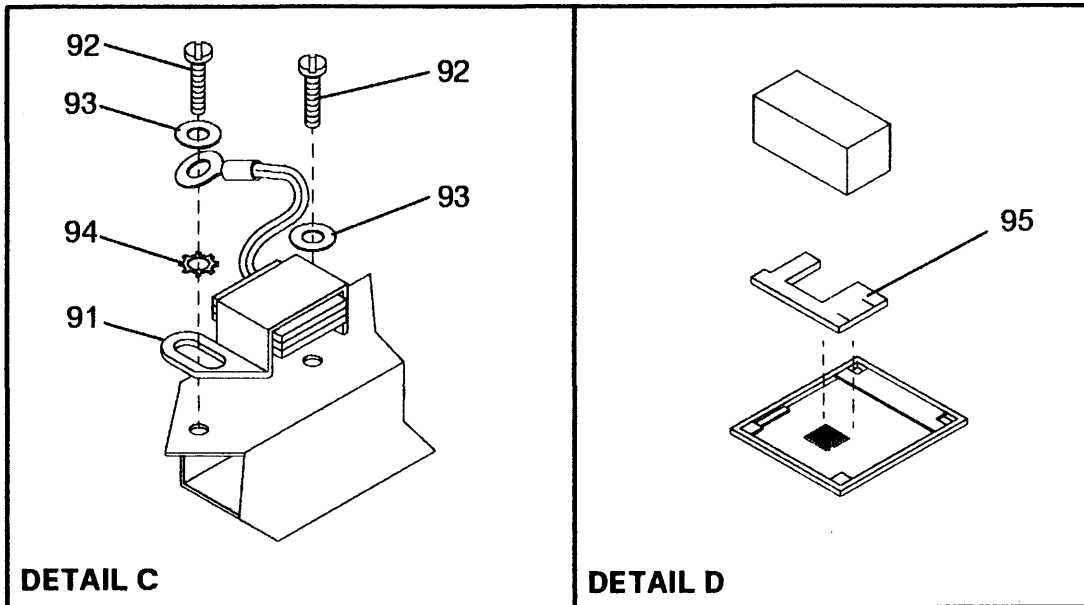
70 Magnetic Tape Subsystem

Asm – Index	Part Number	Units	Description
23 –		NP	Control Unit Final Asm (Sheet 2 of 3) For Next Higher Assembly See 20 – 29 on page 63
– 52	2281858	6	• Trough, Cable 8.00 X .125 X 1.219 Wd
– 53	1625110	18	• Rivet
– 54	2242323	1	• Raceway Bracket
– 55	523250	3	• Clamp, Cable
– 56	1625162	3	• Rivet
– 57	2549896	3	• Raceway, Cable
– 58	1625110	3	• Rivet
– 59		NP	• Gate Assembly, Logic For Detail Breakdown, See "Assembly 26: Logic Gate Assembly" on page 82
– 60	4451655	2	• Screw
– 61	1622420	2	• Nut, Metric Hex Lock M8
– 62	8673929	2	• Cover, Board
– 63	4529272	8	• Rubber Card Retainer
– 64	191918	1	• Clamp, Cable
– 65	1622403	1	• Nut, Metric Hex M4 Double Chamfer
– 66	1621403	1	• Washer
– 67	80X3015	1	• Label
– 68	80X2990	1	• Pad, EDS
– 69	236849	1	• Screw, Mach-Bind Hd 10-32 X .250 Long
– 70	1622335	1	• Lockwasher, Metric-Int Tooth 5.3 ID X 10 OD
– 71	1621811	1	• Screw, Metric-Thd Form Hex Wshr Hd M4 X 10 mm Long
– 72	1622346	1	• Lockwasher, Metric-Ext Tooth 4.3 ID X 8 OD
– 73	56X4616	1	• Guard, Drip Screen
– 74	8673975	1	• I/O Connector Block Assembly For Detail Breakdown, See "Assembly 29: I/O Connector Block Assembly" on page 92
– 75	1621333	3	• Screw, Metric-Slot Flat Hd M6 X 12 mm Long
– 76	5529193	2	• Serpent Conn-B Style
– 77	4451636	2	• Serpent Conn-A Style
– 78	56X4588	1	• Bracket, I/O
– 79	56X4587	2	• Clamp, I/O
– 80	1621191	4	• Screw, Metric-Slot Pan Hd M4 X 10 mm Long
– 81	6315620	1	• Shield, RFI

Assembly 23: (continued)



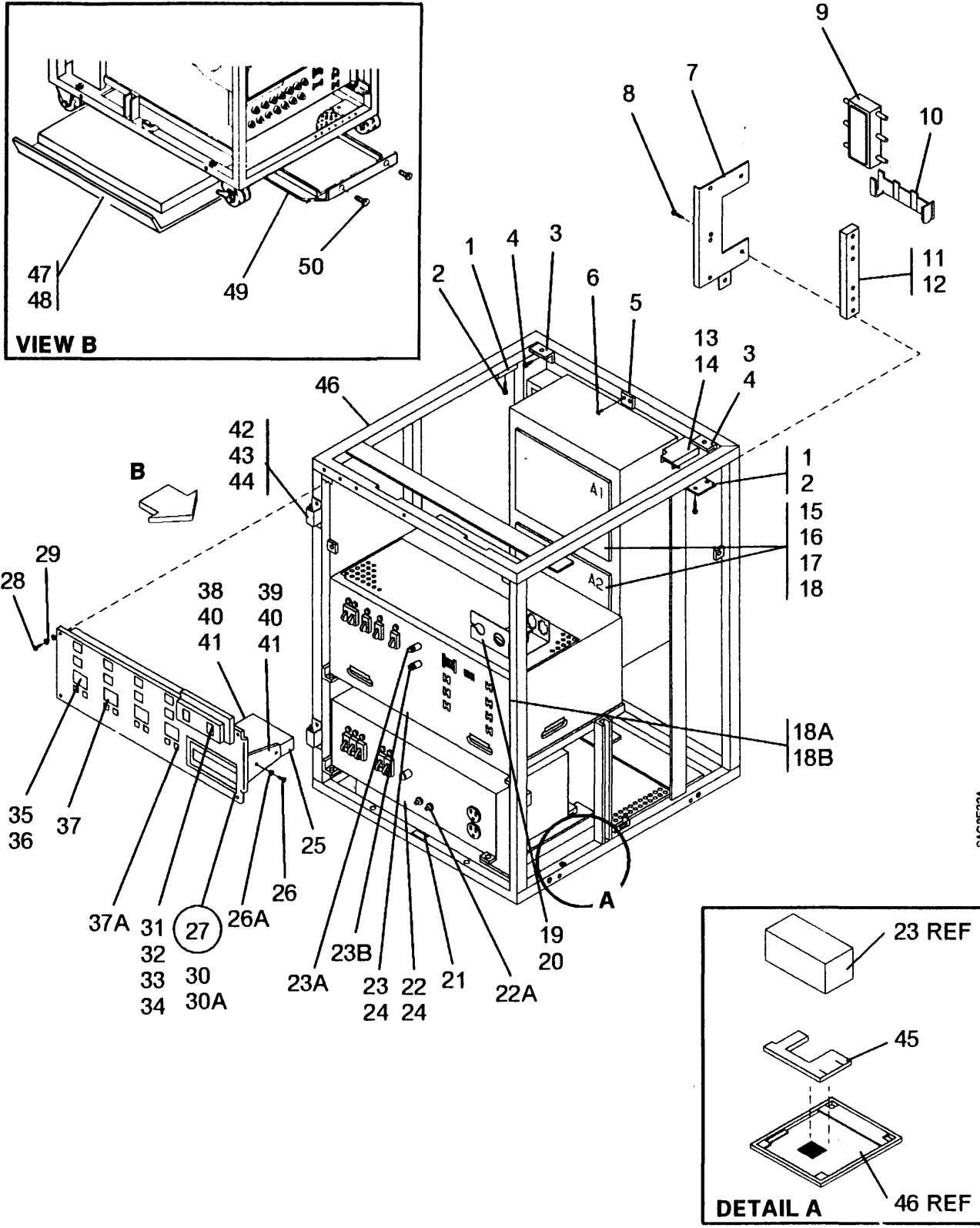
SAGBF22C



Without B/M 6460460

Asm – Index	Part Number	Units	Description
23 –		NP	Control Unit Final Assembly (Sheet 3 of 3) For Next Higher Assembly See 20 – 29 on page 63
–82	4770213	1	• Panel
–83	1621818	10	• Screw, Metric-Thd Form Hex Wshr Hd M5 X 10 mm Long
–84	80X3015	1	• Label
–85	80X2990	1	• Pad, EDS
–86	4770212	1	• Plate
–87	1621818	3	• Screw, Metric-Thd Form Hex Wshr Hd M5 X 10 mm Long
–88	1621628	3	• Screw, Metric-Cap Hex Hd M5 X 25 mm Long
–89	4451707	2	• Standoff
–90	4451708	1	• Standoff
–91	7389544	2	• Latch, Door
–92	2549561	4	• Screw, Metric Thd Form-Hex Hd M3 10MM Long
–93	1622303	4	• Washer, Metric Flat 3.7 ID X 8 OD X .5 Thick
–94	1622344	2	• Lockwasher, Metric-Ext Tooth 3.2 ID X 6 OD
–95	6850636	1	• Pad, Foam

Assembly 24: Control Unit Final Assembly

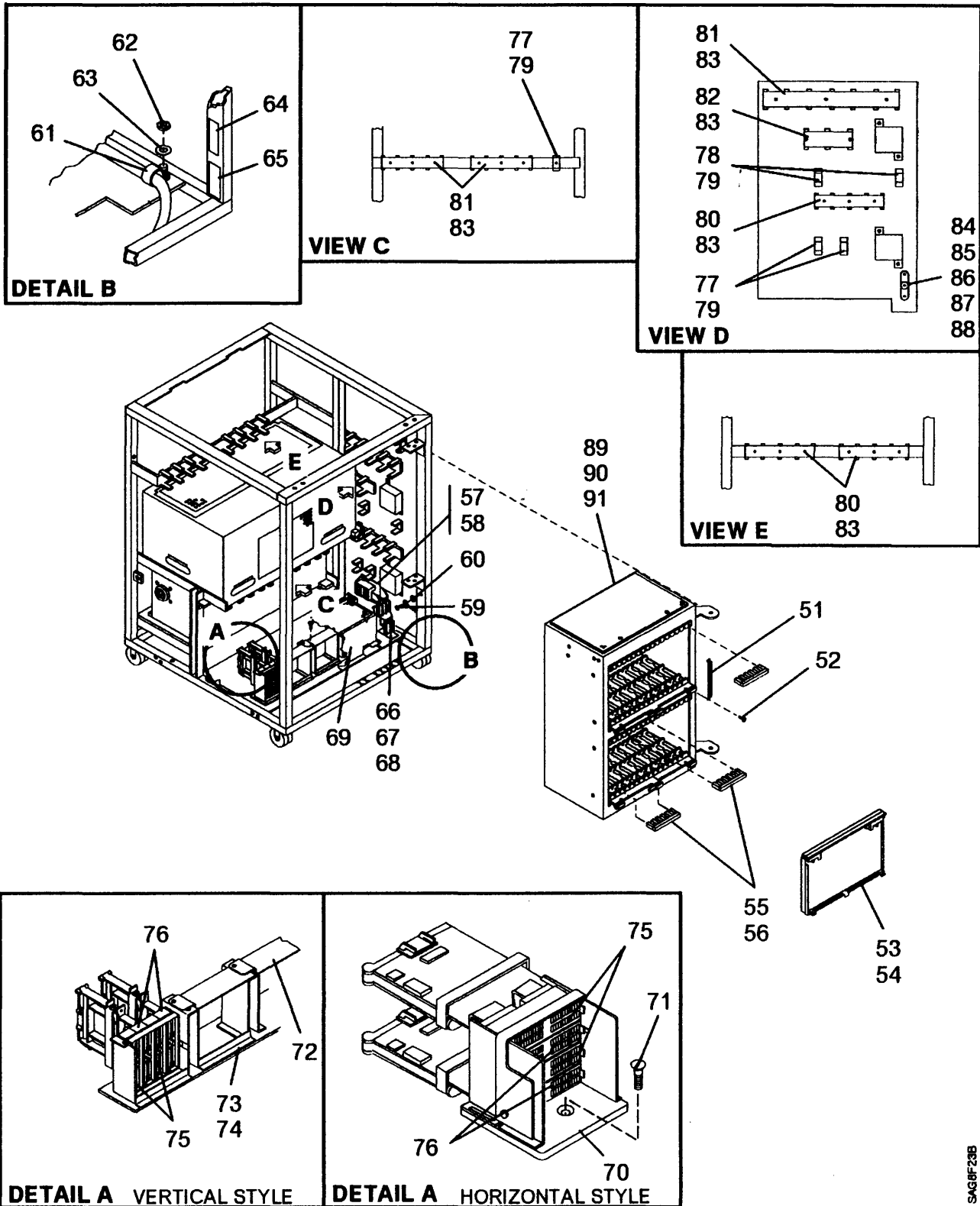


SAG8F23A

With B/M 6460460

Asm- Index	Part Number	Units	Description
24-		NP	Control Unit Final Assembly (Sheet 1 of 2) For Next Higher Assembly See 21 - 44 on page 65
- 1	4451775	4	• Support, Side Cover
- 2	1621818	8	• Screw, Metric-Thd Form Hex Wshr Hd M5 X 10 mm Long
- 3	4479887	2	• Bracket, Top Cover Latch
- 4	1621818	4	• Screw, Metric-Thd Form Hex Wshr Hd M5 X 10 mm Long
- 5	4780522	1	• Bracket
- 6	1621818	2	• Screw, Metric-Thd Form Hex Wshr Hd M5 X 10 mm Long
- 7	6390616	1	• Panel, Connector CU-DU
- 8	1621190	2	• Screw, Metric-Slot Pan Hd M4 X 8 mm Long
- 9	4780547	1	• Connector, Maple Block
- 10	4780592	2	• Cable Retainer, Maple Block
- 11	4529256	1	• Spacer
- 12	1621830	2	• Screw, Metric-Thd Form Hex Wshr Hd M3 X 8 mm Long
- 13	6460485	1	• Latch Assembly, Gate
- 14	1621818	3	• Screw, Metric-Thd Form Hex Wshr Hd M5 X 10 mm Long
- 15	813197	4	• Housing
- 16	5700248	3	• Jumper Assembly
- 17	4770143	32	• Clamp, Board
- 18	1621834	32	• Screw, Metric-Thd Form Slot Pan Hd M3.5 X 16 mm Long
- 18A	6857798	1	• Latch
- 18B	2549561	2	• Screw, Metric Thd Form-Hex Hd M3 10MM Long
- 19	6460493	1	• Switch And Bracket Assembly
- 20	1621818	2	• Screw, Metric-Thd Form Hex Wshr Hd M5 X 10 mm Long
- 21	1743549	1	• Label, Warning
- 22	4798865	1	• Power Supply, AC-60 Hz and 50 Hz Japan
- 22	4798931	1	• Power Supply, AC-50 Hz Except Japan
- 22A	512137	1	• Fuse, 5.0 Amp, Long Time Lag
- 23	4529250	1	• Power Supply, DC-60 Hz and 50 Hz Japan
- 23	4529249	1	• Power Supply, DC-50 Hz Except Japan
- 23A	5214419	1	• Fuse, F1
- 23B	615683	1	• Fuse, F2
- 24	1621821	4	• Screw, Metric-Thd Form Hex Wshr Hd M6 X 10 mm Long
- 25	13F3053	1	• Disk Drive Assembly, 5-1/4 Used on Machines without EC A58284
- 25	68X8110	1	• Disk Drive Assembly, 3-1/2 Used on Machines with EC A58284
- 26	13F3053	4	• Screw, Metric M3
- 26A	1622304	4	• Washer, Metric Flat 4.3 ID X 9 OD X .8 Thick
- 27		NP	• Switch Panel Assembly
- 28	6857824	4	• Screw, Metric-Hex Soc Hd M4 X 10 mm Lg
- 29	1622303	4	• Washer, Metric Flat 3.7 ID X 8 OD X .5 Thick
- 29	6857825	4	• Washer, Painted
- 30	6315591	1	• Panel, English
- 30	4770061	1	• Panel, French
- 30	4770062	1	• Panel, German
- 30	4770063	1	• Panel, Spanish
- 30	4770064	1	• Panel, Italian
- 30	4770065	1	• Panel, Brazilian
- 30	6177175	1	• Panel, Japanese
- 30A	6390122	1	• Operator Panel
- 31	4451772	1	• Switch
- 32	4451782	1	• Housing, Switch
- 33	1622580	2	• Screw, Metric Thd Rolling Pan Hd M3 X 16 mm Long
- 34	1622534	2	• Screw
- 34A	8576311	1	• Operator Panel, CD
- 35	4451584	1	• Switch
- 36	1622533	13	• Screw, Metric Thd Rolling Pan Hd M3 X 12 mm Long
- 37	4470081	3	• Blank
- 37A	4479881	4	• Label, Control Unit Address
- 37B	8519255	AR	• LED, Red
- 37C	8519256	AR	• LED, Green
- 37D	8519257	AR	• LED, Yellow
- 38	6315586	1	• Bracket, Right
- 39	6315587	1	• Bracket, Left
- 40	1621190	4	• Screw, Metric-Slot Pan Hd M4 X 8 mm Long
- 41	1622318	4	• Lockwasher, Metric-Spring 4.1 ID X 7.5 OD
- 42	4451713	2	• Hinge
- 43	1621818	4	• Screw, Metric-Thd Form Hex Wshr Hd M5 X 10 mm Long
- 44	4479725	2	• Pin, Hinge
- 45	6850636	1	• Pad, Foam
- 46	6390309	1	• Frame Assembly
- 47	6272590	1	• Plate, End RFI
- 48	1621812	3	• Screw, Metric-Thd Form Hex Wshr Hd M4 X 8 mm Long
- 49	6272589	1	• Pan, Frame RFI
- 50	1621812	2	• Screw, Metric-Thd Form Hex Wshr Hd M4 X 8 mm Long

Assembly 24: (continued)

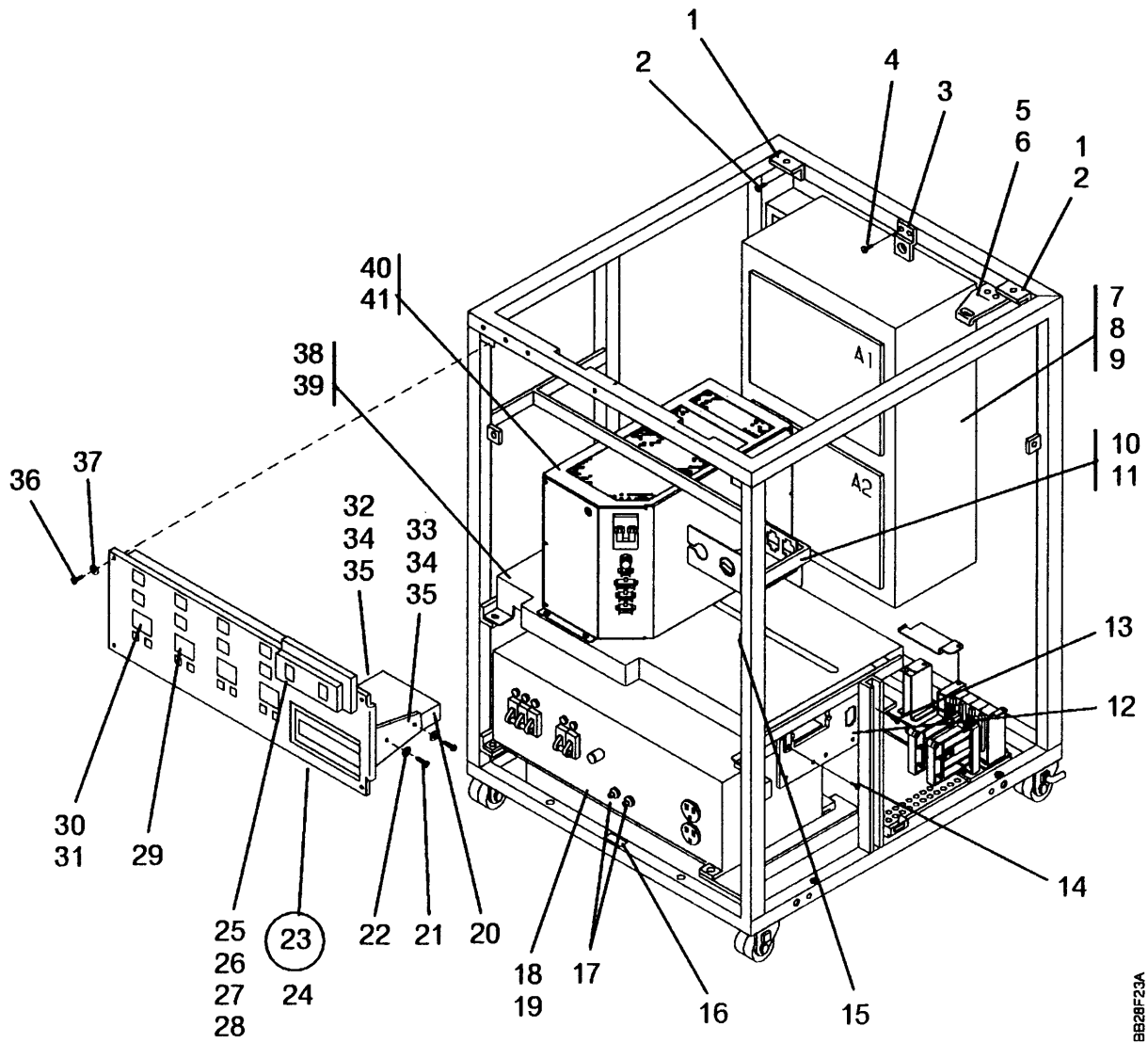


SAGBF238

With B/M 6460460

Asm - Index	Part Number	Units	Description
24 -		NP	Control Unit Final Assembly (Sheet 2 of 2) For Next Higher Assembly See 21 - 44 on page 65
- 51	4780551	4	• Retainer, Asm, Cable
- 52	1621170	8	• Screw, Metric-Slot Pan Hd M3 X 6 mm Long
- 53	8673929	2	• Cover, Board
- 54	4529272	8	• Retainer, Rubber Card
- 55	4529274	10	• Retainer, Card
- 56	1621309	20	• Screw, Metric-Slot Flat Hd M4 X 10 mm Long
- 57	6460089	1	• Bracket, 3 Connector
- 58	1621191	2	• Screw, Metric-Slot Pan Hd M4 X 10 mm Long
- 59	1621210	2	• Screw, Metric-Slot Pan Hd M5 X 10 mm Long
- 60	1622335	2	• Lockwasher, Metric-Int Tooth 5.3 ID X 10 OD
- 61	191918	1	• Clamp, Cable
- 62	1622403	1	• Nut, Metric Hex M4 Double Chamfer
- 63	1622304	1	• Washer, Metric Flat 4.3 ID X 9 OD X .8 Thick
- 64	80X3015	1	• Label
- 65	80X2990	1	• Pad, EDS
- 66	6460088	1	• Bracket, 2 Connector
- 67	1622403	1	• Nut, Metric Hex M4 Double Chamfer
- 68	1622304	1	• Washer, Metric Flat 4.3 ID X 9 OD X .8 Thick
- 69	56X4616	1	• Guard, Drip Screen
- 70	4128935	1	• I/O Connector Block Assembly
- 71	1621333	3	• Screw, Metric-Slot Flat Hd M6 X 12 mm Long
- 72	56X4587	4	• Clamp, I/O
- 73	56X4588	1	• Bracket, I/O
- 74	1621818	3	• Screw, Metric-Thd Form Hex Wshr Hd M5 X 10 mm Long
- 75	4451636	2	• Serpent Conn-A Style
- 76	5529193	2	• Serpent Conn-B Style
- 77	523250	2	• Clamp, Cable
- 78	524515	3	• Clamp, Adjustable Cable
- 79	1625162	5	• Rivet
- 80	2281858	5	• Trough, Cable 8.00 X .125 X 1.219 Wd
- 81	5888886	1	• Raceway, Cable
- 82	2549896	1	• Raceway, Cable
- 83	1625110	14	• Rivet
- 84	6480095	2	• Crossbar
- 85	1622453	3	• Wingnut
- 86	1621628	3	• Screw, Metric-Cap Hex Hd M5 X 25 mm Long
- 87	4451707	2	• Standoff, 6mm High
- 88	4451708	1	• Standoff, 9mm High
- 89		NP	• Gate Assembly For Detail Breakdown, See "Assembly 27: Logic Gate Assembly" on page 86
- 90	4451655	2	• Screw
- 91	1622420	2	• Nut, Metric Hex Lock M8

Assembly 25: Control Unit Final Assembly

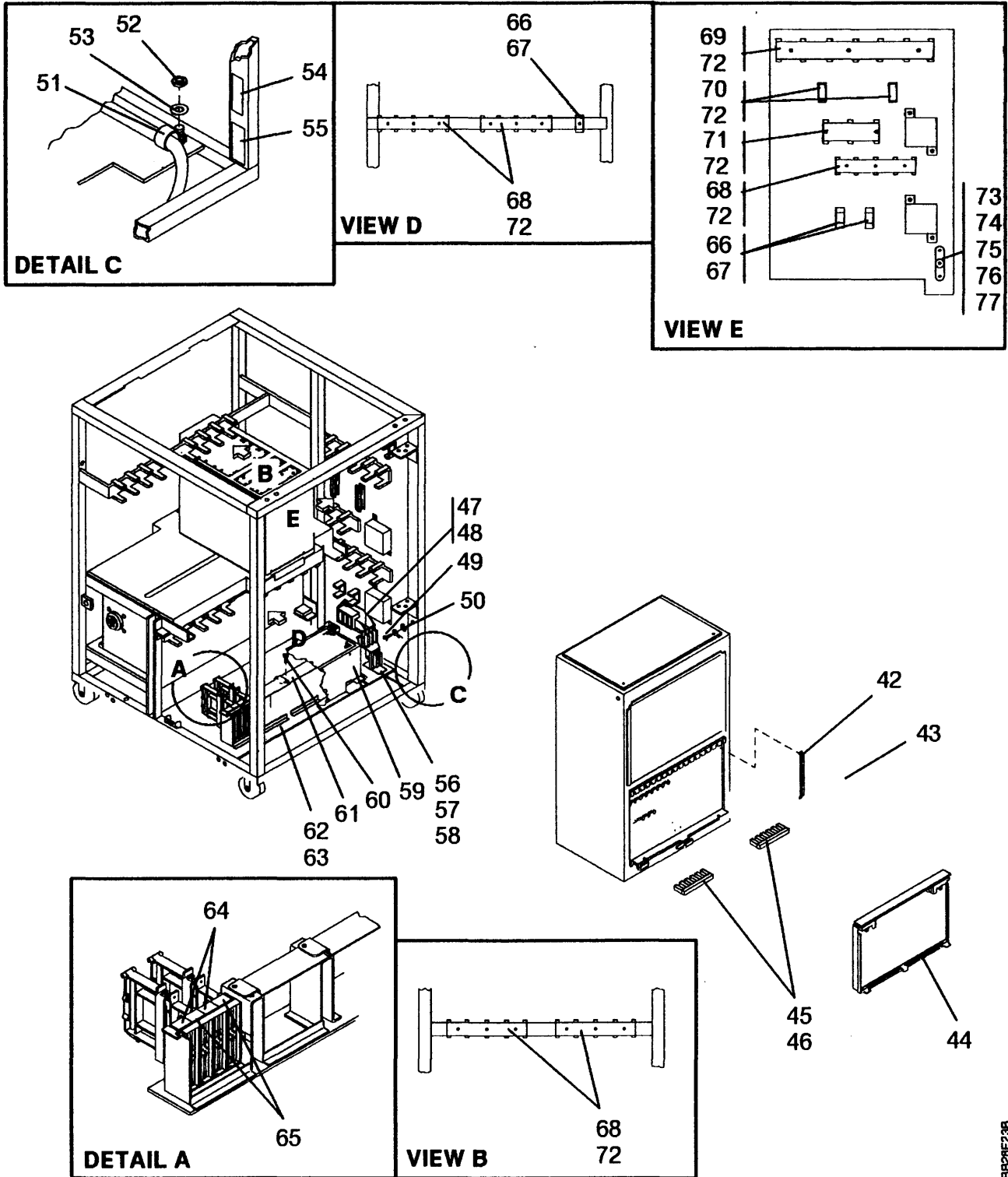


BB28F23A

With EC A57722

Asm— Index	Part Number	Units	Description
25—		NP	Control Unit Final Assembly (Sheet 1 of 2) For Next Higher Assembly See 22—42 on page 67
—1	4479887	2	• Bracket, Top Cover Latch
—2	1621818	4	• Screw, Metric-Thd Form Hex Wshr Hd M5 X 10 mm Long
—3	4780522	1	• Bracket
—4	1621818	2	• Screw, Metric-Thd Form Hex Wshr Hd M5 X 10 mm Long
—5	6460485	1	• Bracket, Latch
—6	1621818	2	• Screw, Metric-Thd Form Hex Wshr Hd M5 X 10 mm Long
—7	13F1703	1	• Gate Asm For Detail Breakdown, See "Assembly 28: Logic Gate Assembly" on page 90
—8	4451655	2	• Screw
—9	1622420	2	• Nut, Metric Hex Lock M8
—10	6460493	2	• Switch Bracket Asm
—11	1621818	2	• Screw, Metric-Thd Form Hex Wshr Hd M5 X 10 mm Long
—12	8576694	1	• P1 Panel Asm
—13	1621811	2	• Screw, Metric-Thd Form Hex Wshr Hd M4 X 10 mm Long
—14	1621813	1	• Screw, Metric-Thd Form Hex Wshr Hd M4 X 16 mm Long
—15	6857798	1	• Latch
—16	1743549	1	• Label, Warning
—17	512137	1	• Fuse, 5.0 Amp, Long Time Lag
—18	4798865	1	• Power Supply, AC-60 Hz and 50 Hz Japan
—18	4798931	1	• Power Supply, AC-50 Hz Except Japan
—19	1621821	4	• Screw, Metric-Thd Form Hex Wshr Hd M6 X 10 mm Long
—20	13F6232	1	• Drive Asm, 3.5 in Diskette
—21	13F3053	4	• Screw
—22	1622304	4	• Washer, Metric Flat 4.3 ID X 9 OD X .8 Thick
—23	4529407	1	• Switch Panel Asm
—24	6315591	1	• • Panel, English
—24	4770061	1	• • Panel, French
—24	4770062	1	• • Panel, German
—24	4770063	1	• • Panel, Spanish
—24	4770064	1	• • Panel, Italian
—24	4770065	1	• • Panel, Brazilian
—24	6177175	1	• • Panel, Japanese
—25	4451772	1	• • Switch
—26	4451782	1	• • Housing, Switch
—27	1622580	2	• • Screw, Metric Thd Rolling Pan Hd M3 X 16 mm Long
—28	1622534	2	• • Screw
—29	4770081	3	• • Blank
—30	4451584	1	• • Switch
—31	1622533	13	• • Screw, Metric Thd Rolling Pan Hd M3 X 12 mm Long
—32	6315586	1	• • Bracket, Right
—33	6315587	1	• • Bracket, Left
—34	1621190	4	• • Screw, Metric-Slot Pan Hd M4 X 8 mm Long
—35	1622318	4	• • Lockwasher, Metric-Spring 4.1 ID X 7.5 OD
—36	6857824	4	• Screw, Metric-Hex Soc Hd M4 X 10 mm Lg
—37	6857825	4	• Washer, Painted
—38	31F6916	1	• Mounting Plate
—39	1621821	2	• Screw, Metric-Thd Form Hex Wshr Hd M6 X 10 mm Long
—40	1037500	1	• Power Supply, DC 50 and 60 Hz
—41	1621210	2	• Screw, Metric-Slot Pan Hd M5 X 10 mm Long

Assembly 25: (continued)

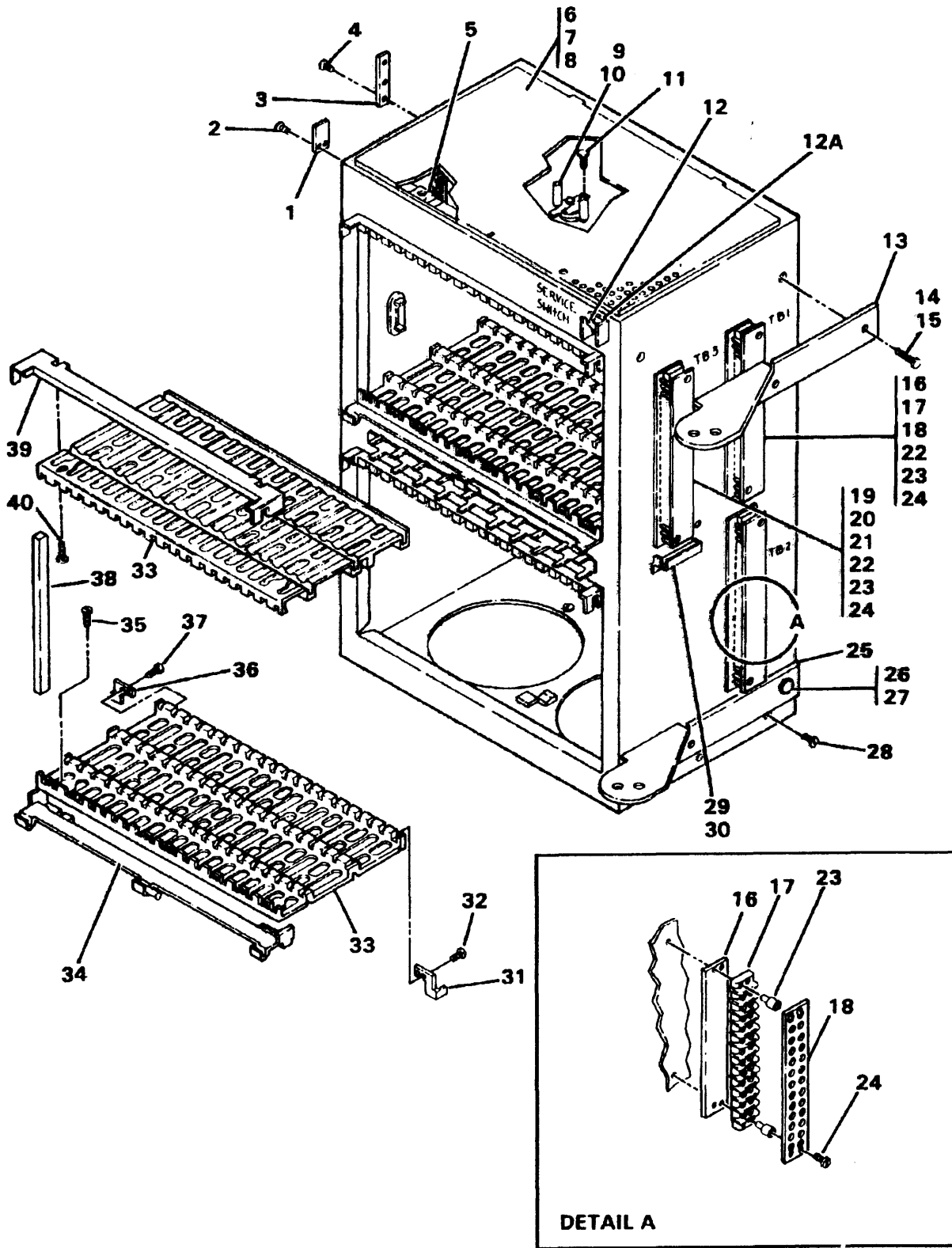


8828F23B

With ECA57722

Asm - Index	Part Number	Units	Description
25 -		NP	Control Unit Final Assembly (Sheet 2 of 2) For Next Higher Assembly See 22 - 42 on page 67
-42	4780551	2	• Retainer Asm, Cable
-43	1621170	4	• Screw, Metric-Slot Pan Hd M3 X 6 mm Long
-44	8673929	1	• Cover, Card
-45	4529274	4	• Retainer, Card
-46	1621309	8	• Screw, Metric-Slot Flat Hd M4 X 10 mm Long
-47	6460089	1	• Bracket, 3 Connector
-48	1621191	2	• Screw, Metric-Slot Pan Hd M4 X 10 mm Long
-49	1621210	2	• Screw, Metric-Slot Pan Hd M5 X 10 mm Long
-50	1622335	2	• Lockwasher, Metric-Int Tooth 5.3 ID X 10 OD
-51	191918	1	• Clamp, Cable
-52	1622403	1	• Nut, Metric Hex M4 Double Chamfer
-53	1622304	1	• Washer, Metric Flat 4.3 ID X 9 OD X .8 Thick
-54	80X3015	1	• Label
-55	80X2990	1	• Pad, ESD
-56	6460088	1	• Bracket, 2 Connector
-57	1622403	2	• Nut, Metric Hex M4 Double Chamfer
-58	1622304	2	• Washer, Metric Flat 4.3 ID X 9 OD X .8 Thick
-59	56X4616	1	• Guard, Drip Screen
-60	1621191	4	• Screw, Metric-Slot Pan Hd M4 X 10 mm Long
-61	56X4587	4	• Clamp, I/O
-62	56X4588	1	• Bracket, I/O
-63	1621818	3	• Screw, Metric-Thd Form Hex Wshr Hd M5 X 10 mm Long
-64	4451636	2	• Serpent Conn-A Style
-65	5529193	2	• Serpent Conn-B Style
-66	524515	2	• Clamp, Adjustable Cable
-67	1625162	2	• Rivet
-68	2281858	4	• Trough, Cable 8.00 X .125 X 1.219 Wd
-69	5888868	1	• Trough
-70	13F1699	2	• Retainer Asm, Cable
-71	2549896	1	• Raceway
-72	1625110	14	• Rivet
-73	6460095	2	• Crossbar
-74	1622453	3	• Wingnut
-75	1621628	3	• Screw, Metric-Cap Hex Hd M5 X 25 mm Long
-76	4451707	2	• Standoff, 6mm High
-77	4451708	1	• Standoff, 9mm High

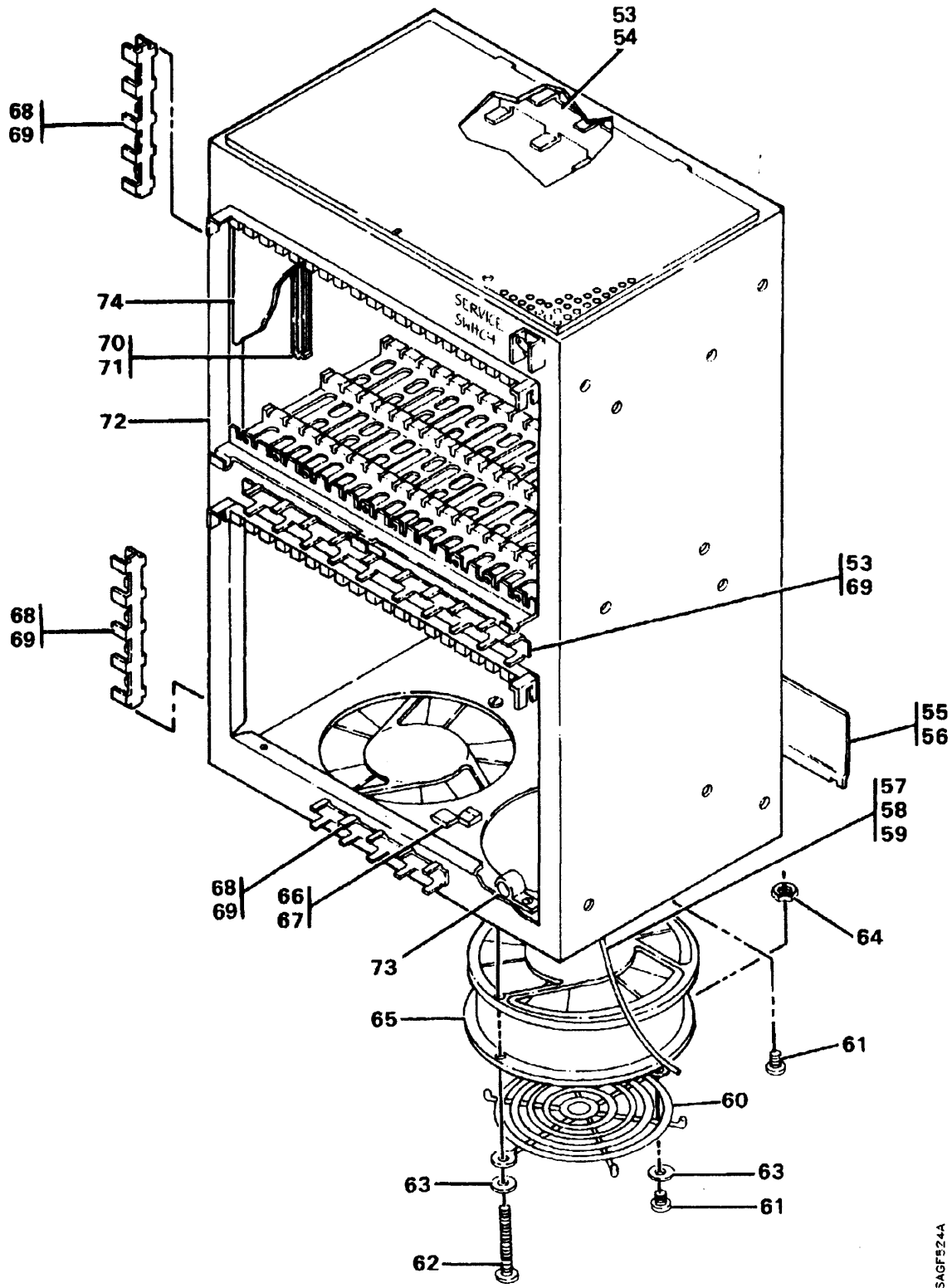
Assembly 26: Logic Gate Assembly



Without B/M 6460460

Asm – Index	Part Number	Units	Description
26 –		NP	Logic Gate Assembly (Sheet 1 of 2) For Next Higher Assembly See 23 – 59 on page 71 See "Assembly 41: Cable Routing, Control Unit" on page 126
– 1	6850639	1	• Stop
– 2	1621191	2	• Screw, Metric-Slot Pan Hd M4 X 10 mm Lg
– 3	6850640	1	• Latch Assembly
– 4	1621191	2	• Screw, Metric-Slot Pan Hd M4 X 10 mm Lg
– 5	8708473	2	• Receptacle, 1/4 Turn
– 6	4780534	1	• Cover, Top
– 7	4163953	2	• Screw, 1/4 Turn
– 8	4780579	2	• Ring, Retaining
– 9	8674063	1	• Thermal Switch Asm
– 10	1622300	2	• Washer, Metric Flat 2.2 ID X 5 OD X .3 Thick
– 11	1621001	2	• Screw, Metric-Slot Cheese Hd M2 X 6 mm Lg
– 12	6178230	1	• Service Switch Asm
– 12A	6390612	1	• Bracket, Switch Protector
– 13	4451733	1	• Hinge Assembly
– 14	1621334	2	• Screw, Metric-Slot Flat Hd M6 X 16 mm Lg
– 15	1622419	4	• Nut, Metric Hex Lock M6
– 16	5240422	2	• Markerstrip, 12 Pos Marker
– 17	81898	2	• Terminal Board, 12 Dbl Screw Terminals
– 18	5762428	2	• Shield, 12 Pos
– 19	5761552	1	• Insulator, 14 Pos
– 20	2102457	1	• Terminal Board, 14 Dbl Screw Terminals
– 21	4120488	1	• Shield, 14 Pos
– 22	322550	6	• Screw, Mach-Bind Hd 6-32 X .500 Long
– 23	210883	6	• Stud, Ext 6-32 X 1/2 Int 6-32 X 0.19 Dp
– 24	35739	6	• Screw, Mach-Bind Hd 6-32 X .438 Long
– 25	4451534	1	• Hinge
– 26	1621334	2	• Screw, Metric-Slot Flat Hd M6 X 16 mm Lg
– 27	1622419	4	• Nut, Metric Hex Lock M6
– 28	1621170	8	• Screw, Metric-Slot Pan Hd M3 X 6 mm Lg
– 29	6850648	1	• Drip Plate
– 30	10170	2	• Screw, Mach-Bind Hd 6-32 X .250 Lg
– 31	4529461	4	• Strap, Left
– 32	1621170	8	• Screw, Metric-Slot Pan Hd M3 X 6 mm Lg
– 33	4529463	4	• Guide, Board
– 34	2731304	2	• Hinge, Lower
– 35	1621510	4	• Screw, Metric-Cap Soc Hd M4 X 10 mm Lg
– 36	4529462	4	• Strap, Right
– 37	1621170	8	• Screw, Metric-Slot Pan Hd M3 X 6 mm Lg
– 38	817905	4	• Seal, Board
– 39	2731306	2	• Guide, Upper
– 40	1621510	4	• Screw, Metric-Cap Soc Hd M4 X 10 mm Lg

Assembly 26: (continued)

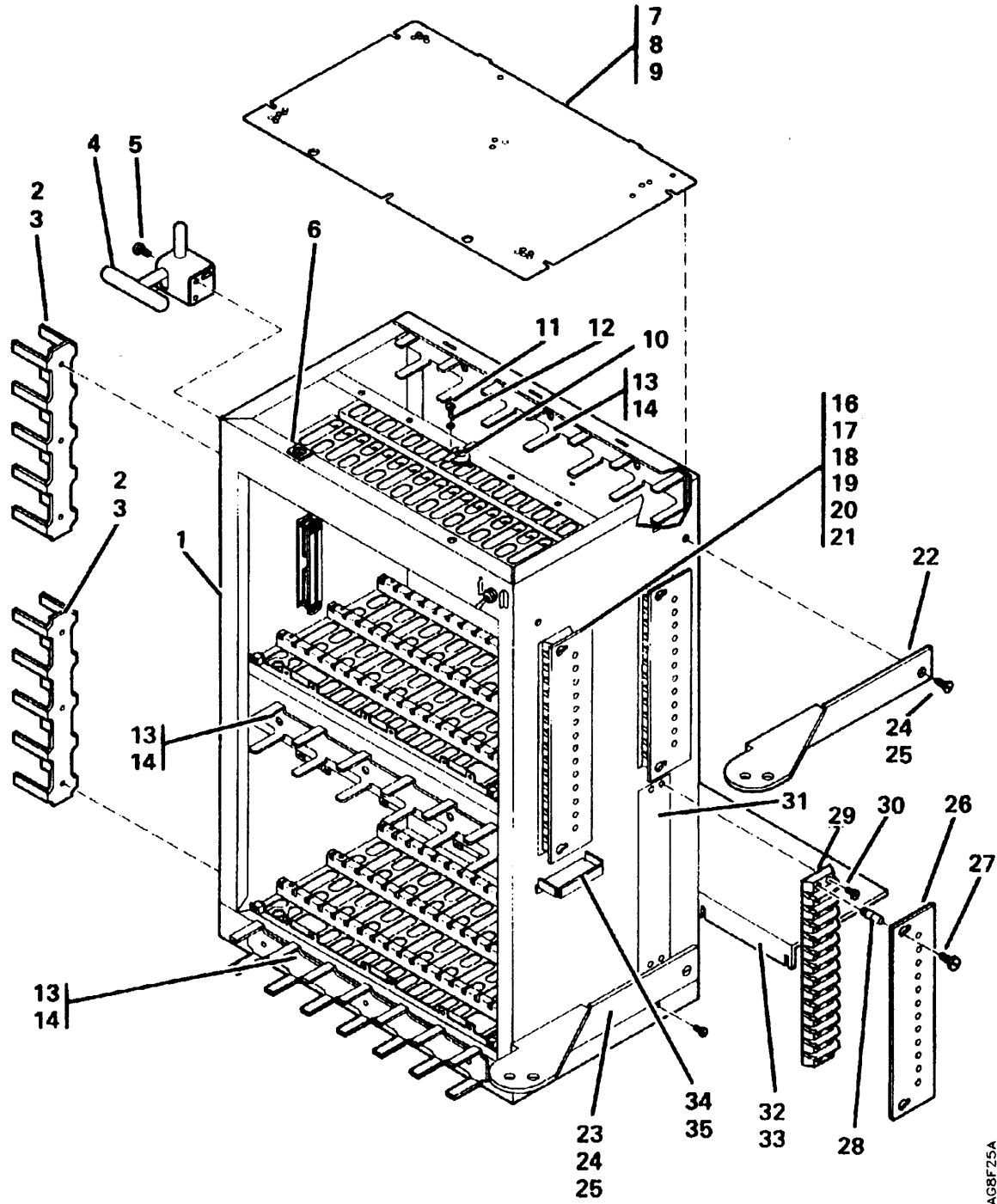


SAGF524A

Without B/M 6460460

Asm – Index	Part Number	Units	Description
26 –		NP	Logic Gate Assembly (Sheet 2 of 2) For Next Higher Assembly See 23 – 59 on page 71
– 53	5888868	2	• Raceway
– 54	1625106	2	• Rivet
– 55	6315570	1	• Rail
– 56	1621812	4	• Screw, Metric-Thd Form Hex Wshr Hd M4 X 8 mm Lg
– 57	5759582	1	• Ground Jumper
– 58	1621811	1	• Screw, Metric-Thd Form Hex Wshr Hd M4 X 10 mm Lg
– 59	1622346	1	• Lockwasher, Metric-Ext Tooth 4.3 ID X 8 OD
– 60	4479239	2	• Finger Guard
– 61	1621193	4	• Screw, Metric-Slot Pan Hd M4 X 16 mm Lg
– 62	1621208	4	• Screw, Metric-Slot Pan Hd M4 X 60 mm Lg
– 63	1622304	4	• Washer, Metric Flat 4.3 ID X 9 OD X .8 Thick
– 64	1622403	2	• Nut, Metric Hex M4 Double Chamfer
– 65	2546929	2	• Fan
– 66	4529300	1	• Thermal Switch Assembly
– 67	1621170	2	• Screw, Metric-Slot Pan Hd M3 X 6 mm Lg
– 68	2281858	3	• Trough, Cable 8.00 X .125 X 1.219 Wd
– 69	1625106	12	• Rivet
– 70	4770220	2	• Cable Retainer
– 71	1625106	4	• Rivet
– 72	4798770	1	• Gate, Logic
– 73	2596275	1	• Clamp
– 74	4451695	1	• SLT Cable Set

Assembly 27: Logic Gate Assembly

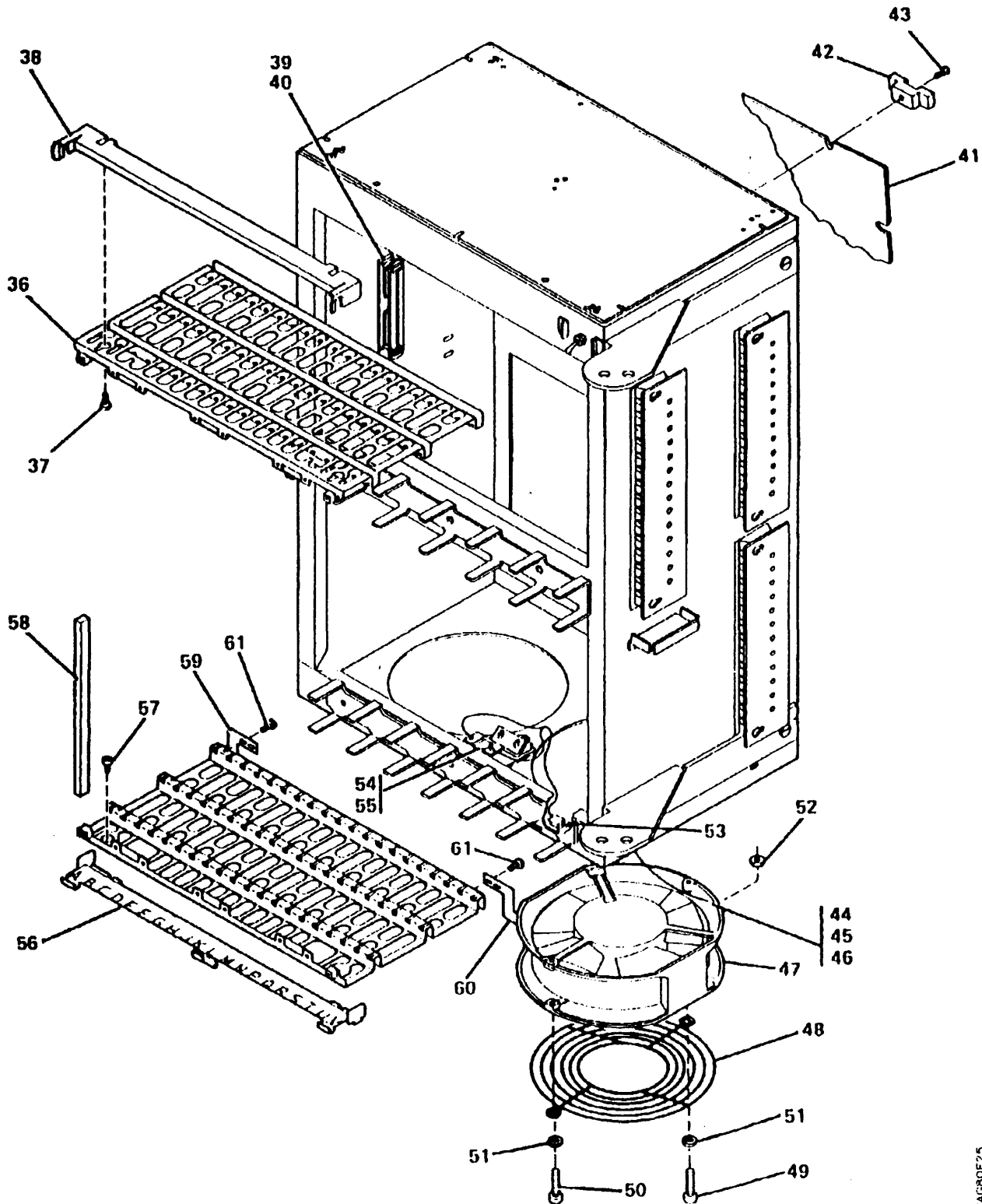


SAC8F25A

With B/M 6460460

Asm – Index	Part Number	Units	Description
27 –		NP	Logic Gate Assembly (Sheet 1 of 2) For Next Higher Assembly See 24 – 89 on page 77 See "Assembly 43: Cable Routing, Control Unit" on page 146
– 1	6177937	1	• Gate, Logic
– 2	2281858	2	• Trough, Cable 8.00 X .125 X 1.219 Wd
– 3	1625110	4	• Rivet
– 4	6460491	1	• Latch Assembly
– 5	1621191	3	• Screw, Metric-Slot Pan Hd M4 X 10 mm Lg
– 6	8708473	2	• Receptacle
– 7	4780534	1	• Cover, Top
– 8	4163953	2	• Screw, 1/4 Turn
– 9	4780579	2	• Ring, Retaining
– 10	2277060	1	• Switch Asm, Thermal
– 11	1621001	2	• Screw, Metric-Slot Cheese Hd M2 X 6 mm Lg
– 12	1622300	2	• Washer, Metric Flat 2.2 ID X 5 OD X .3 Thick
– 13	5888868	3	• Raceway
– 14	1625110	9	• Rivet
– 16	5761552	1	• Insulator
– 17	2102457	1	• Terminal Board, 14 Dbl Screw Terminals
– 18	4120488	1	• Shield, T.B.
– 19	10170	2	• Screw, Mach-Bind Hd 6-32 X .250 Lg
– 20	210883	2	• Stud, Ext 6-32 X 1/2 Int 6-32 X 0.19 Dp
– 21	322550	2	• Screw, Mach-Bind Hd 6-32 X .500 Lg
– 22	4451733	1	• Hinge Assembly
– 23	4451534	1	• Hinge
– 24	1621334	4	• Screw, Metric-Slot Flat Hd M6 X 16 mm Lg
– 25	1622419	4	• Nut, Metric Hex Lock M6
– 26	5762428	2	• Shield
– 27	10170	4	• Screw, Mach-Bind Hd 6-32 X .250 Lg
– 28	210883	2	• Stud, Ext 6-32 X 1/2 Int 6-32 X 0.19 Dp
– 29	81898	2	• Terminal Board, 12 Dbl Screw Terminals
– 30	322550	4	• Screw, Mach-Bind Hd 6-32 X .500 Lg
– 31	5240422	2	• Markerstrip, 12 Pos
– 32	6315570	1	• Rail
– 33	1621190	4	• Screw, Metric-Slot Pan Hd M4 X 8 mm Lg
– 34	6850648	1	• Plate, Drip
– 35	10170	2	• Screw, Mach-Bind Hd 6-32 X .250 Lg

Assembly 27: (continued)

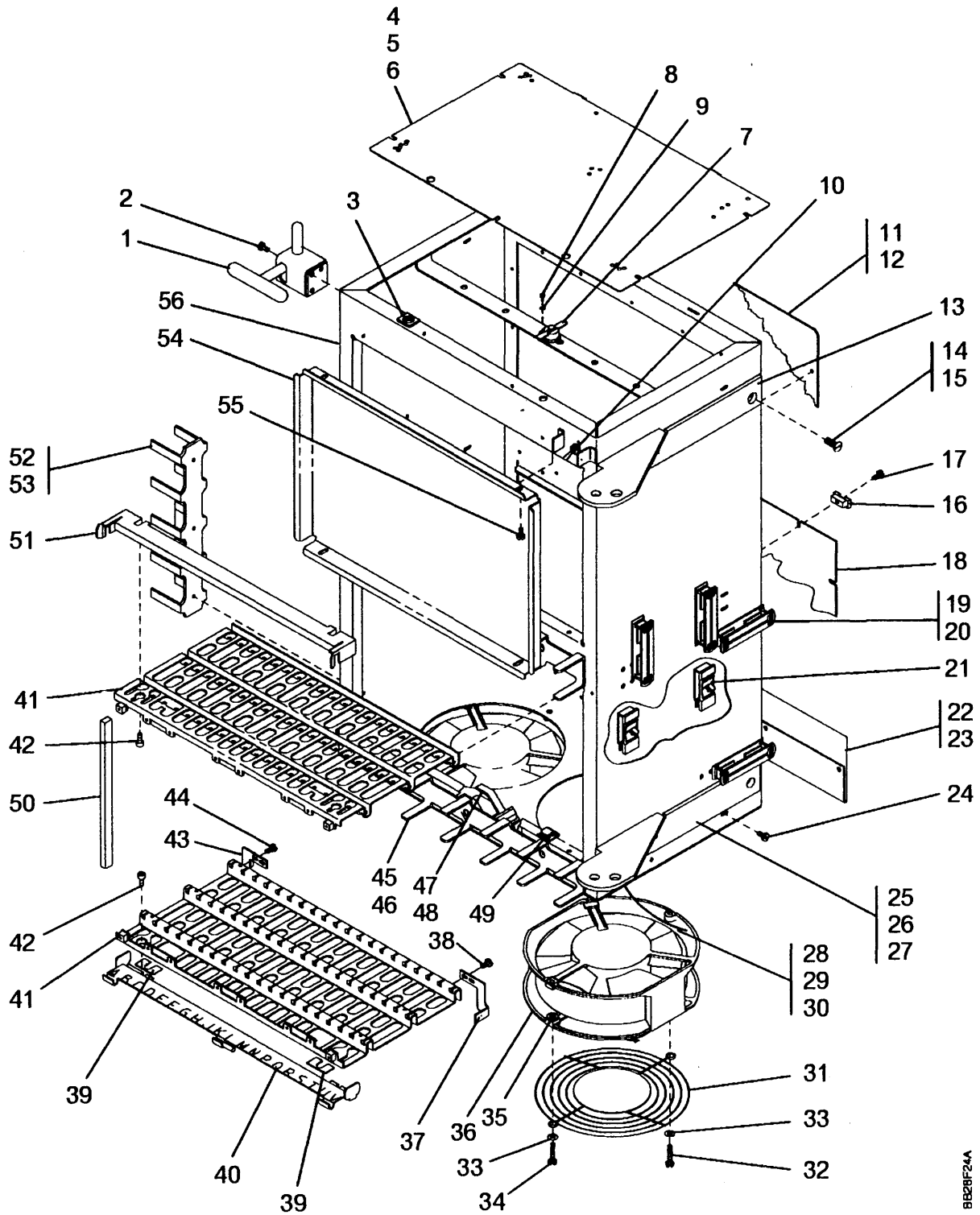


SAG80F25

With B/M 6460460

Asm – Index	Part Number	Units	Description
27 –		NP	Logic Gate Assembly (Sheet 2 of 2) For Next Higher Assembly See 24 – 89 on page 77
– 36	4529463	4	• Guide, Board
– 37	1621510	4	• Screw, Metric-Cap Soc Hd M4 X 10 mm Lg
– 38	2731306	2	• Guide, Upper
– 39	4770220	2	• Retainer, Cable
– 40	1625110	2	• Rivet
– 40A	357926	2	• Washer, Flat .156 ID X .375 OD X .031 Thick
– 41		1	• Board, Logic For Part Number See Board
– 42	4770143	32	• Clamp, Board
– 43	1621156	22	• Screw, Metric-Slot Pan Hd M3 X 14 mm Long
– 44	5759582	1	• Jumper, Ground
– 45	1622346	1	• Lockwasher, Metric-Ext Tooth 4.3 ID X 8 OD
– 46	1621811	1	• Screw, Metric-Thd Form Hex Wshr Hd M4 X 10 mm Lg
– 47	2546929	2	• Fan
– 48	4479239	2	• Guard, Finger
– 49	1621193	2	• Screw, Metric-Slot Pan Hd M4 X 16 mm Lg
– 50	1621208	2	• Screw, Metric
– 51	1622304	4	• Washer, Metric Flat 4.3 ID X 9 OD X .8 Thick
– 52	1622403	2	• Nut, Metric Hex M4 Double Chamfer
– 53	2596275	1	• Clamp
– 54	4529300	1	• Switch Assembly, Thermal
– 55	1621170	2	• Screw, Metric-Slot Pan Hd M3 X 6 mm Lg
– 56	2731304	2	• Guide, Lower
– 56A	6315642	2	• Shim
– 57	1621510	4	• Screw, Metric-Cap Soc Hd M4 X 10 mm Lg
– 58	817905	4	• Seal, Board
– 59	4529462	4	• Strap, Right
– 60	4529461	4	• Strap, Left
– 61	1621170	2	• Screw, Metric-Slot Pan Hd M3 X 6 mm Lg

Assembly 28: Logic Gate Assembly

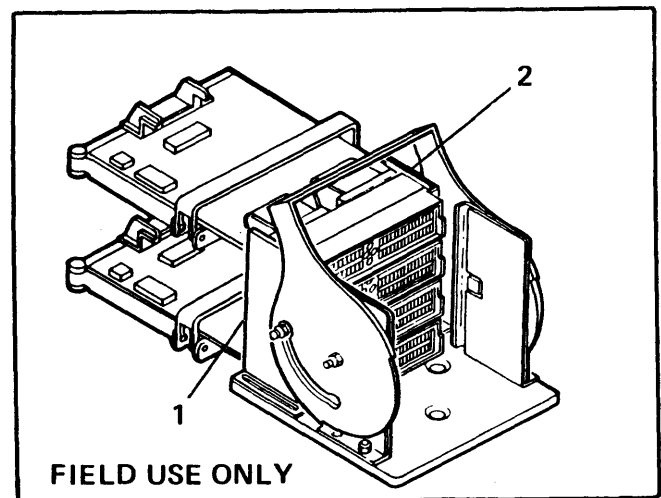
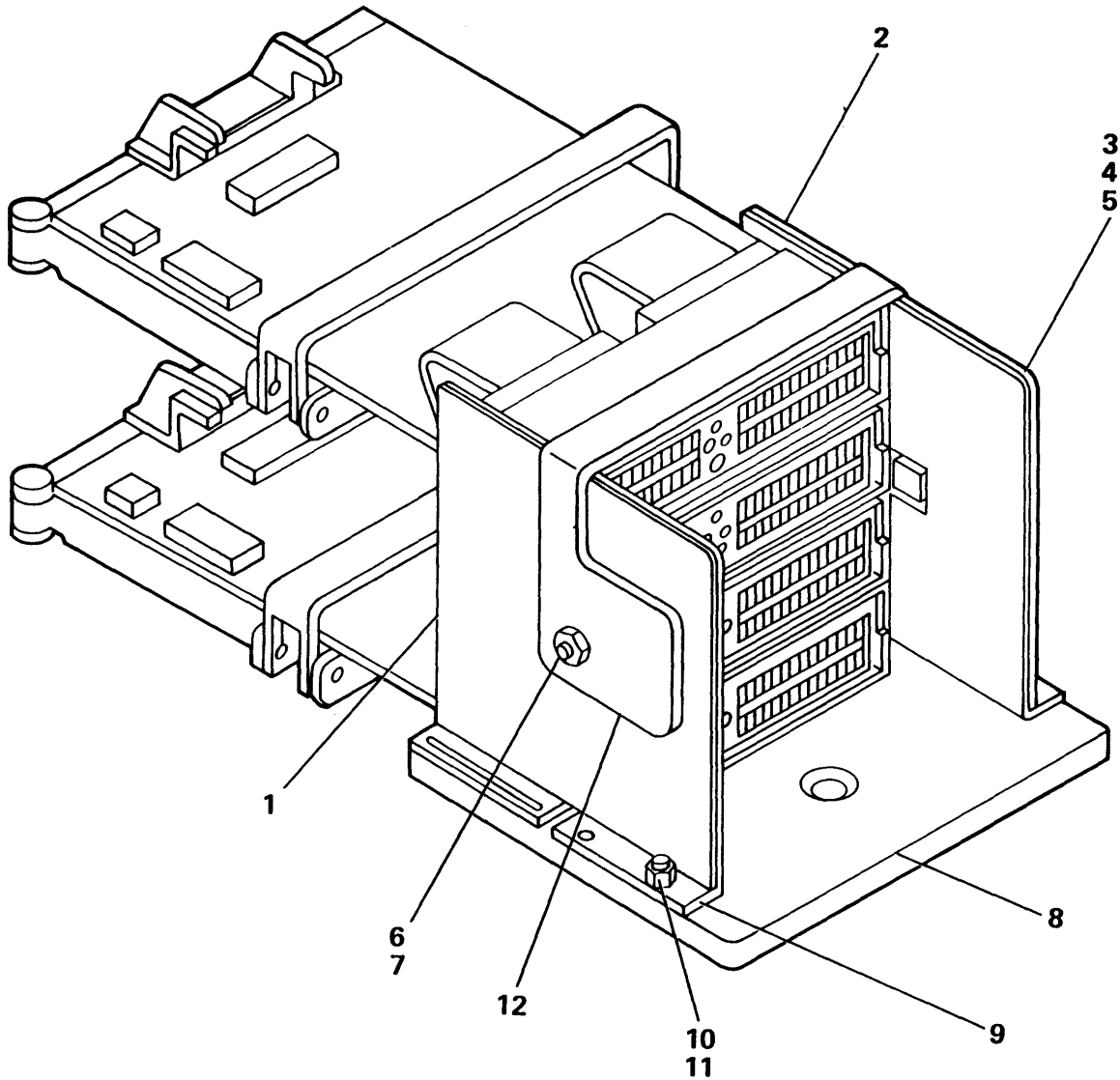


8B28F24A

With EC A57722

Asm - Index	Part Number	Units	Description
28 -		NP	Logic Gate Assembly Used on Machines with EC 57722 For Next Higher Assembly See 25 - 7 on page 79
- 1	6460491	1	• Latch Assembly
- 2	1621191	3	• Screw, Metric-Slot Pan Hd M4 X 10 mm Long
- 3	8708473	2	• Receptacle, 1/4 Turn
- 4	4780534	1	• Cover, Top
- 5	4163953	2	• Screw, 1/4 Turn
- 6	4780579	2	• Ring, Retaining
- 7	2277060	1	• Thermal Switch Asm Thermo Switch, NC 135 Degrees F-Manual Reset
- 8	1621001	2	• Screw, Metric-Slot Cheese Hd M2 X 6 mm Long
- 9	1622300	2	• Washer, Metric Flat 2.2 ID X 5 OD X .3 Thick
- 10	13F1692	1	• Switch, Service
- 11	13F1705	1	• Cover, A1 Rear
- 12	1621171	6	• Screw, Metric-Slot Pan Hd M3 X 8 mm Long
- 13	4451733	1	• Hinge Assembly
- 14	1621334	2	• Screw, Metric-Slot Flat Hd M6 X 16 mm Long
- 15	1622419	4	• Nut, Metric Hex Lock M6
- 16	4730143	16	• Clamp, Board
- 17	1621156	16	• Screw, Metric-Slot Pan Hd M3 X 14 mm Long
- 18		REF	• Logic Board
- 19	13F1699	4	• Retainer, Cable
- 20	1625110	4	• Rivet
- 21	13F1698	2	• Retainer, Cable
- 22	31F6945	1	• Rail
- 23	1621190	4	• Screw, Metric-Slot Pan Hd M4 X 8 mm Long
- 24	1621170	8	• Screw, Metric-Slot Pan Hd M3 X 6 mm Long
- 25	4451534	1	• Hinge
- 26	1621334	2	• Screw, Metric-Slot Flat Hd M6 X 16 mm Long
- 27	1622419	4	• Nut, Metric Hex Lock M6
- 28	5759582	1	• Jumper, Ground
- 29	1621811	1	• Screw, Metric-Thd Form Hex Wshr Hd M4 X 10 mm Long
- 30	1622346	1	• Lockwasher, Metric-Ext Tooth 4.3 ID X 8 OD
- 31	4529461	2	• Guard, Finger
- 32	1621193	4	• Screw, Metric-Slot Pan Hd M4 X 16 mm Long
- 33	1622304	4	• Washer, Metric Flat 4.3 ID X 9 OD X .8 Thick
- 34	1621208	2	• Screw, Metric-Slot Pan Hd M4 X 60 mm Long
- 35	1622403	2	• Nut, Metric Hex M4 Double Chamfer
- 36	2546929	2	• Fan
- 37	4529461	1	• Strap, Left
- 38	1621170	2	• Screw, Metric-Slot Pan Hd M3 X 6 mm Long
- 39	6315642	2	• Shim
- 40	2731304	1	• Bracket, Card Cover Guide Hinge
- 41	4529463	2	• Guide, Board
- 42	1621510	4	• Screw, Metric-Cap Soc Hd M4 X 10 mm Long
- 43	4529462	1	• Strap, Right
- 44	1621170	1	• Screw, Metric-Slot Pan Hd M3 X 6 mm Long
- 45	5888868	2	• Raceway
- 46	1625106	6	• Rivet
- 47	4529300	1	• Switch, Thermal
- 48	1621170	2	• Screw, Metric-Slot Pan Hd M3 X 6 mm Long
- 49	2596275	1	• Clamp, Cable
- 50	817905	2	• Seal
- 51	2731306	1	• Bracket, Card Cover Latch
- 52	2281858	1	• Raceway Trough, Cable 8.00 X .125 X 1.219 Wd
- 53	1625110	2	• Rivet
- 54	13F1704	1	• Cover, A1 Front
- 55	1621191	4	• Screw, Metric-Slot Pan Hd M4 X 10 mm Long
- 56	6177937	1	• Housing, Logic Gate

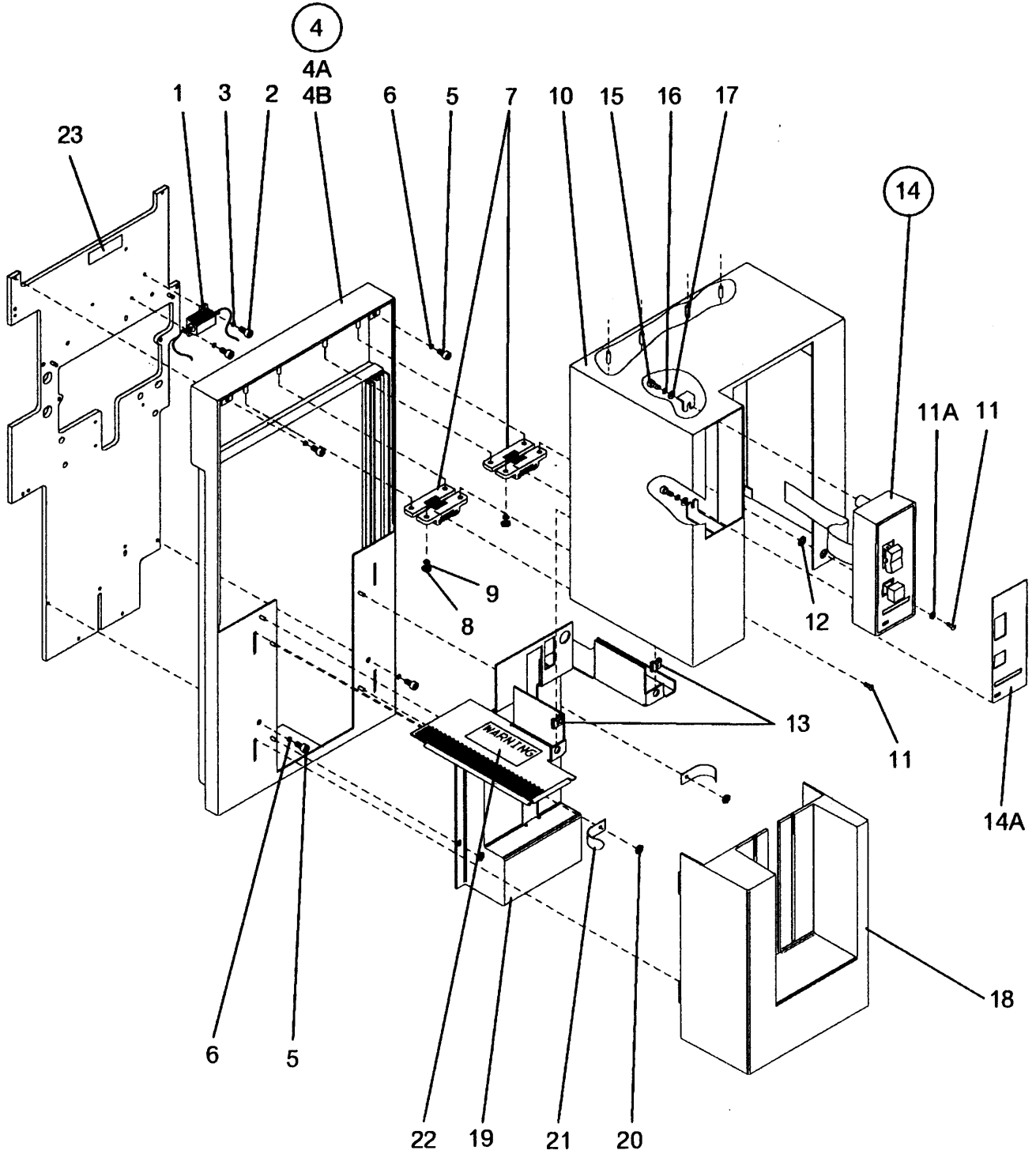
Assembly 29: I/O Connector Block Assembly



Without B/M 6460460

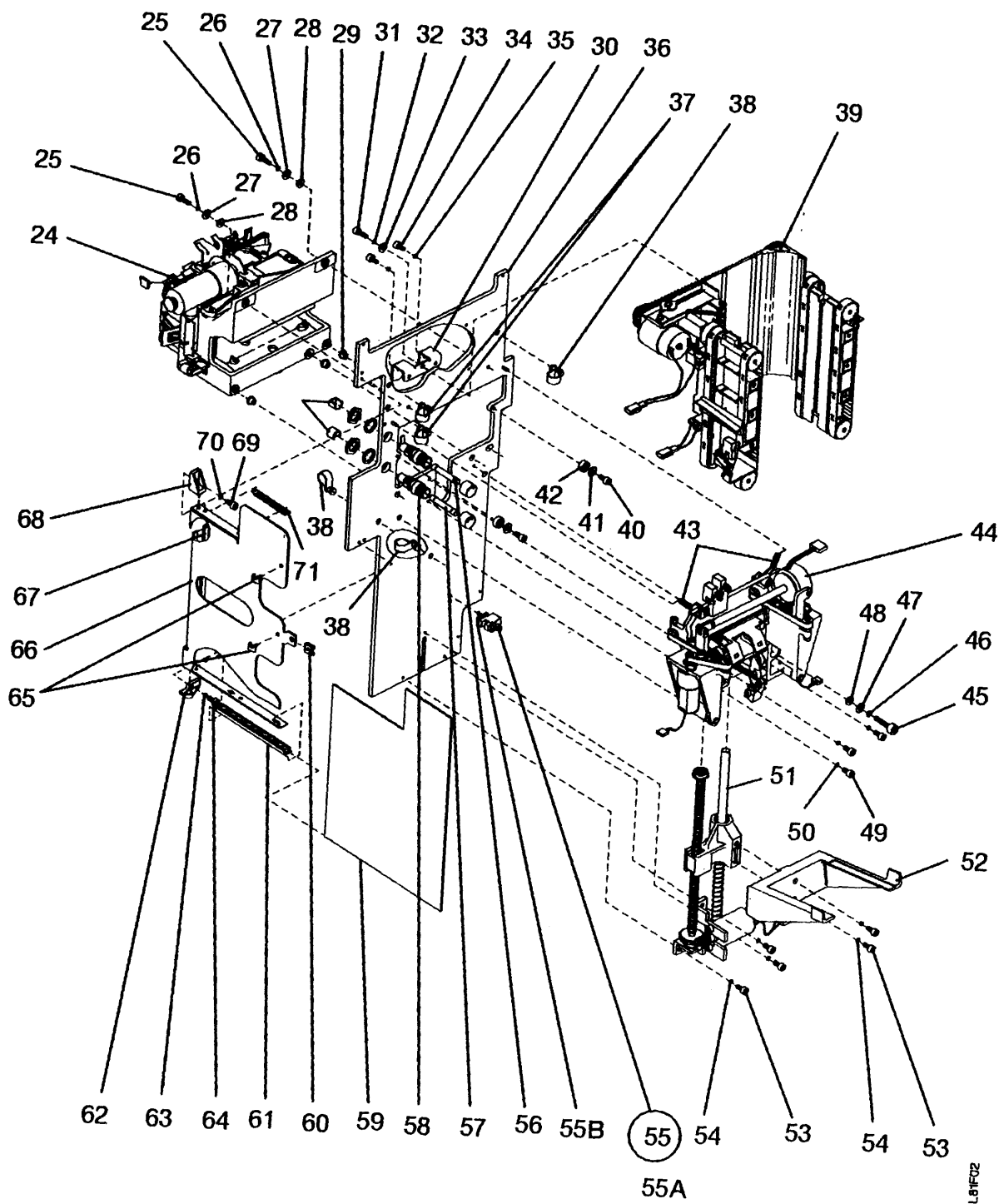
Asm -- Index	Part Number	Units	Description
29 --	8673975	1	I/O Connector Block Assembly For Next Higher Assembly See 23 -- 74 on page 71
--1	4451654	1	• Movable Rail, Left Side
--2	4451598	1	• Movable Rail, Right Side
--3	4451602	1	• Fixed Rail, Right Side
--4	1621310	2	• Screw, Metric-Slot Flat Hd M4 X 12 mm Lg
--5	1622417	2	• Nut, Metric Hex Lock M4
--6	4451656	2	• Shoulder Screw
--7	1622417	2	• Nut, Metric Hex Lock M4
--8	4451596	1	• Baseplate
--9	4451597	1	• Fixed Rail, Left Side
--10	1621310	2	• Screw, Metric-Slot Flat Hd M4 X 12 mm Lg
--11	1622417	2	• Nut, Metric Hex Lock M4
--12	6390577	1	• Hold Down, Bracket

Assembly 30: Final Asm, Loader Mechanical Asm



Asm – Index	Part Number	Units	Description
30 –	13F4797	1	Final Asm, Loader Mechanical Asm, Sht 1 of 2 For Next Higher Assembly See 1 – 50 on page 3, 3 – 2 on page 7 and 4 – 1 on page 15
– 1	6273023	1	• Resistor Asm
– 2	1621493	2	• Screw, Metric-Cap Soc Hd M3 X 8 mm Lojg
– 3	1622258	2	• Lockwasher, Metric Helical Spring 3.1 ID X 5.6 OD
– 4	6273163	1	• Cover Asm, Main Rear
– 4A		NP	• • Gasket, EMI
– 4B		NP	• • Gasket, EMI
– 5	1621493	4	• Screw, Metric-Cap Soc Hd M3 X 8 mm Long
– 6	1622258	4	• Lockwasher, Metric Helical Spring 3.1 ID X 5.6 OD
– 7	6273167	2	• Hinge
– 8	1622403	8	• Nut, Metric Hex M4 Double Chamfer
– 9	1622318	8	• Lockwasher, Metric-Spring 4.1 ID X 7.5 OD
– 10	6273164	1	• Cover, Hood CBM
– 11	6273166	2	• Screw, 1/4 Turn
– 11A	56X4415	2	• Wear Washer
– 12	6273175	2	• Retainer, 1/4 Turn
– 13	6273168	2	• Nut, 1/4 Turn
– 14	6272906	1	• Operator Panel Asm
– 14A	6273039	1	• • Overlay
– 15	1621493	2	• Screw, Metric-Cap Soc Hd M3 X 8 mm Long
– 16	1622258	2	• Lockwasher, Metric Helical Spring 3.1 ID X 5.6 OD
– 17	946254	2	• Washer
– 18	6273165	1	• Cover, Lower Decorative
– 19	6273051	1	• Cover, Safety
– 20	1622401	5	• Nut, Metric Hex M3 Double Chamfer
– 21	6273050	2	• Spring, Cover
– 22	2337704	1	• Label, Warning
– 23	6273042	1	• Plate, Information UL/CSA

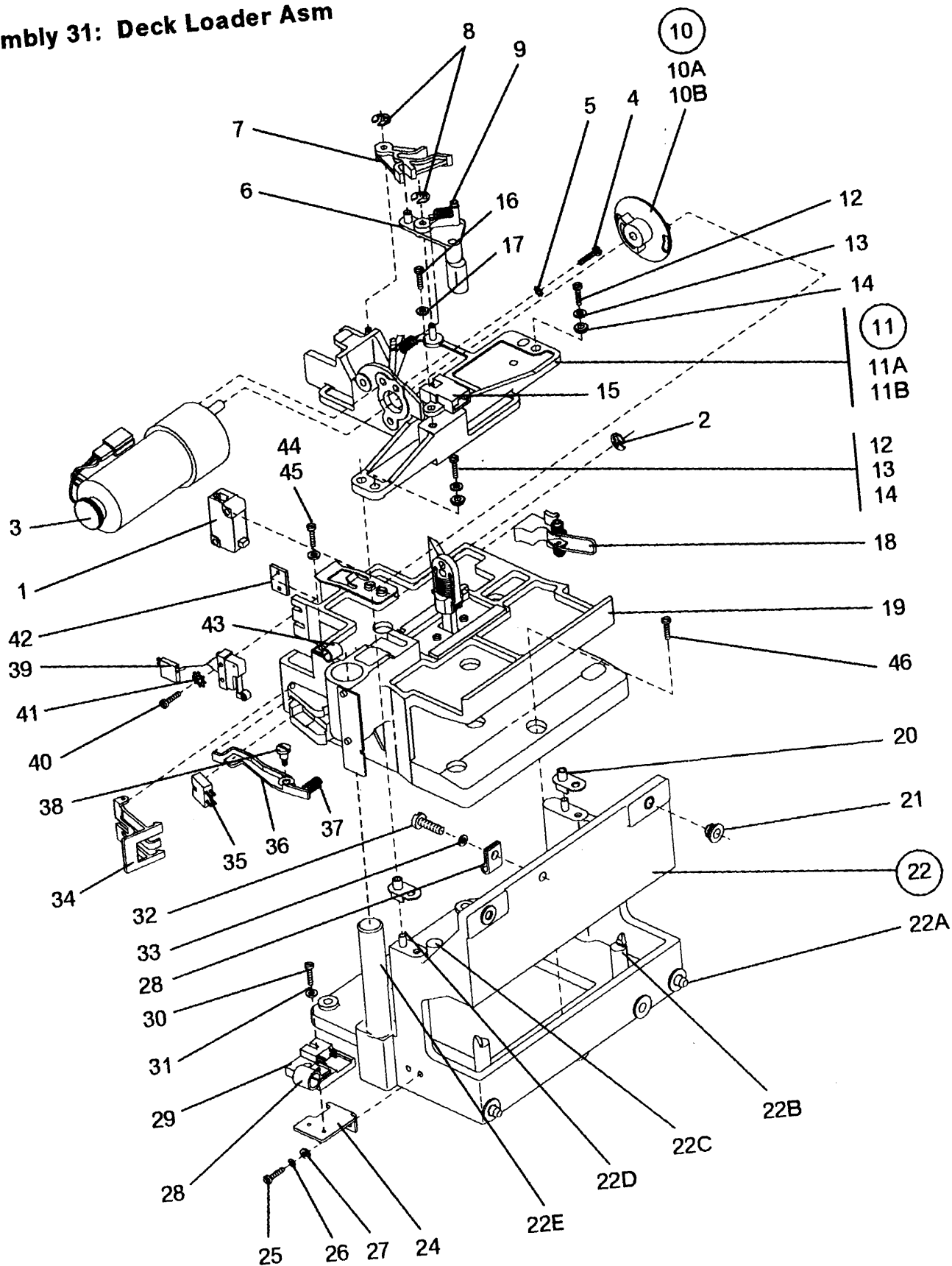
Assembly 30: (continued)



RL65FDZ

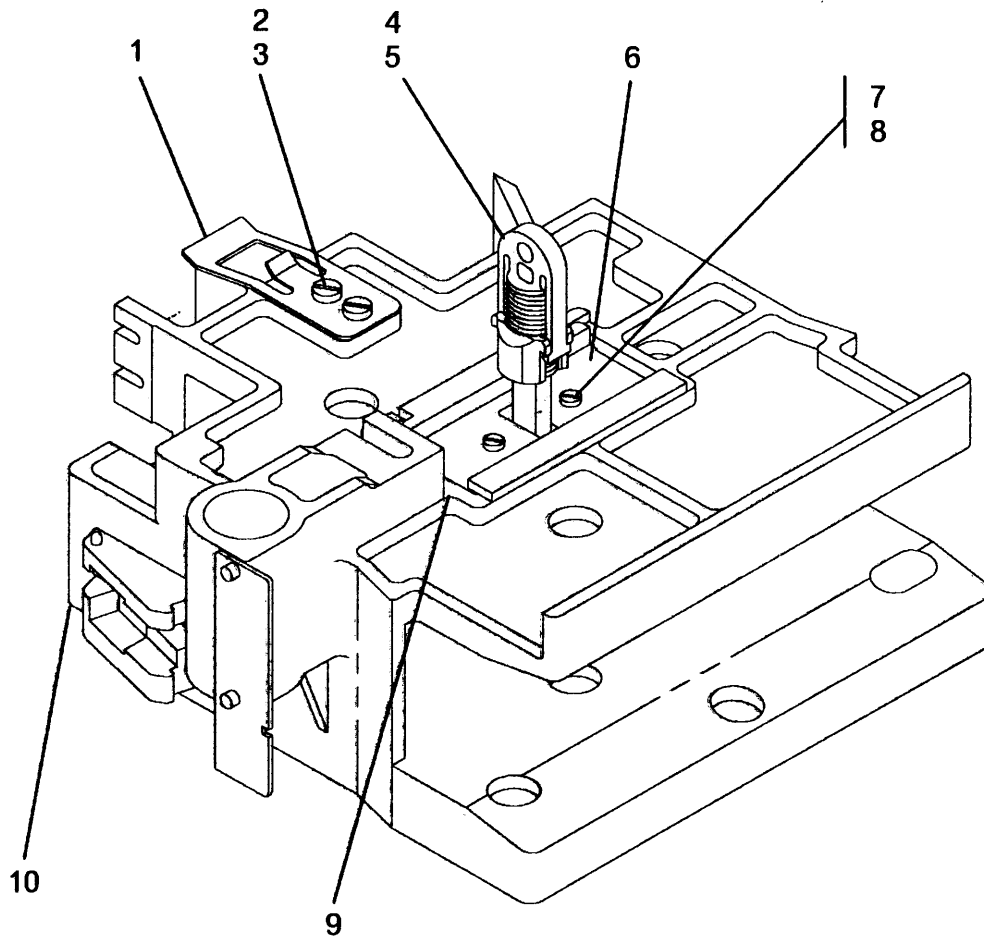
Asm - Index	Part Number	Units	Description
30 -	13F4797	1	Final Asm, Loader Mechanical Asm (Sheet 2 of 2) For Next Higher Assembly See 1 - 50 on page 3, 3 - 2 on page 7 and 4 - 1 on page 15
- 24	13F4824	1	• Load Asm Not Part of This Asm - Order Separately For Detail Breakdown, See "Assembly 31: Deck Loader Asm" on page 98
- 25	1621512	2	• Screw, Metric-Cap Soc Hd M4 X 16 mm Long
- 26	1622318	2	• Lockwasher, Metric-Spring 4.1 ID X 7.5 OD
- 27	1622304	2	• Washer, Metric Flat 4.3 ID X 9 OD X .8 Thick
- 28	6272875	2	• Washer, Insulator
- 29	6272874	3	• Bushing, Insulator
- 30	56X4381	1	• Bracket, Safety
- 31	1621512	1	• Screw, Metric-Cap Soc Hd M4 X 16 mm Long
- 32	1622318	1	• Lockwasher, Metric-Spring 4.1 ID X 7.5 OD
- 33	1622304	1	• Washer, Metric Flat 4.3 ID X 9 OD X .8 Thick
- 34	1621493	2	• Screw, Metric-Cap Soc Hd M3 X 8 mm Long
- 35	1622258	2	• Lockwasher, Metric Helical Spring 3.1 ID X 5.6 OD
- 36	6272913	NR	• Plate, 5 mm
- 37	2162922	2	• Clamp, Dia .500 Grip .110-.199 Mtg Hole .
- 38	2162919	3	• Clamp, Dia .312 Grip .110-.199 Mtg Hole .
- 39	56X4462	1	• Input Asm For Detail Breakdown, See "Assembly 33: Input Asm" on page 102
- 40	6272836	2	• Stop
- 41	1621493	2	• Screw, Metric-Cap Soc Hd M3 X 8 mm Long
- 42	1622302	2	• Washer, Metric Flat 3.2 ID X 7 OD X .5 Thick
- 43	6272829	2	• Spring, Sensor
- 44	13F4796	1	• Feed Asm For Detail Breakdown, See "Assembly 36: Feed Asm" on page 108
- 45	1621512	1	• Screw, Metric-Cap Soc Hd M4 X 16 mm Long
- 46	1622318	1	• Lockwasher, Metric-Spring 4.1 ID X 7.5 OD
- 47	1622304	1	• Washer, Metric Flat 4.3 ID X 9 OD X .8 Thick
- 48	6272875	1	• Washer, Insulator
- 49	1621494	3	• Screw, Metric-Cap Soc Hd M3 X 10 mm Lg
- 50	1622258	3	• Lockwasher, Metric Helical Spring 3.1 ID X 5.6 OD
- 51	6272903	1	• Output Asm For Detail Breakdown, See "Assembly 37: Output Asm" on page 110
- 52	6272885	1	• Tray, Front
- 53	1621494	5	• Screw, Metric-Cap Soc Hd M3 X 10 mm Lg
- 54	1622258	5	• Lockwasher, Metric Helical Spring 3.1 ID X 5.6 OD
- 55	6273036	1	• Optical Sensor Asm, Stack Low
- 55A	6272886	1	• • Sensor, Optical
- 55B	6272902	1	• • Retainer, Sensor
- 56	78951	1	• Fuse, 1.6 Amp SB, 24 V Line
- 57	855251	1	• Fuse, 5 Amp Instantaneous, 5 V Line
- 58	6273048	2	• Holder, Fuse
- 59		1	• Card, Loader Control, Field Use Only Order the Same Part Number as on the Card Removed This Card is not Part of this Asm - Order Separately
- 60	6272914	1	• Clip, 1/4 Turn
- 61	6272864	1	• Guide, Card Bottom
- 61	6272862	1	• Guide, Card Bottom Qty 2 Used on WTC Machines Only
- 62	6272868	1	• Holder, CD Hinge, Bottom
- 63	1621494	1	• Screw, Metric-Cap Soc Hd M3 X 10 mm Lg
- 64	1622258	1	• Lockwasher, Metric Helical Spring 3.1 ID X 5.6 OD
- 65	6272856	1	• Stack Spacer
- 66	6272846	1	• Holder, Card
- 67	6272915	1	• Channel
- 68	6272866	1	• Holder, CD Hinge, Top
- 69	1621494	1	• Screw, Metric-Cap Soc Hd M3 X 10 mm Lg
- 70	1622258	1	• Lockwasher, Metric Helical Spring 3.1 ID X 5.6 OD
- 71	6272862	1	• Guide, Card Top
- 72	6273169	2	• Insulator Cap, Fuse Terminal

Assembly 31: Deck Loader Asm



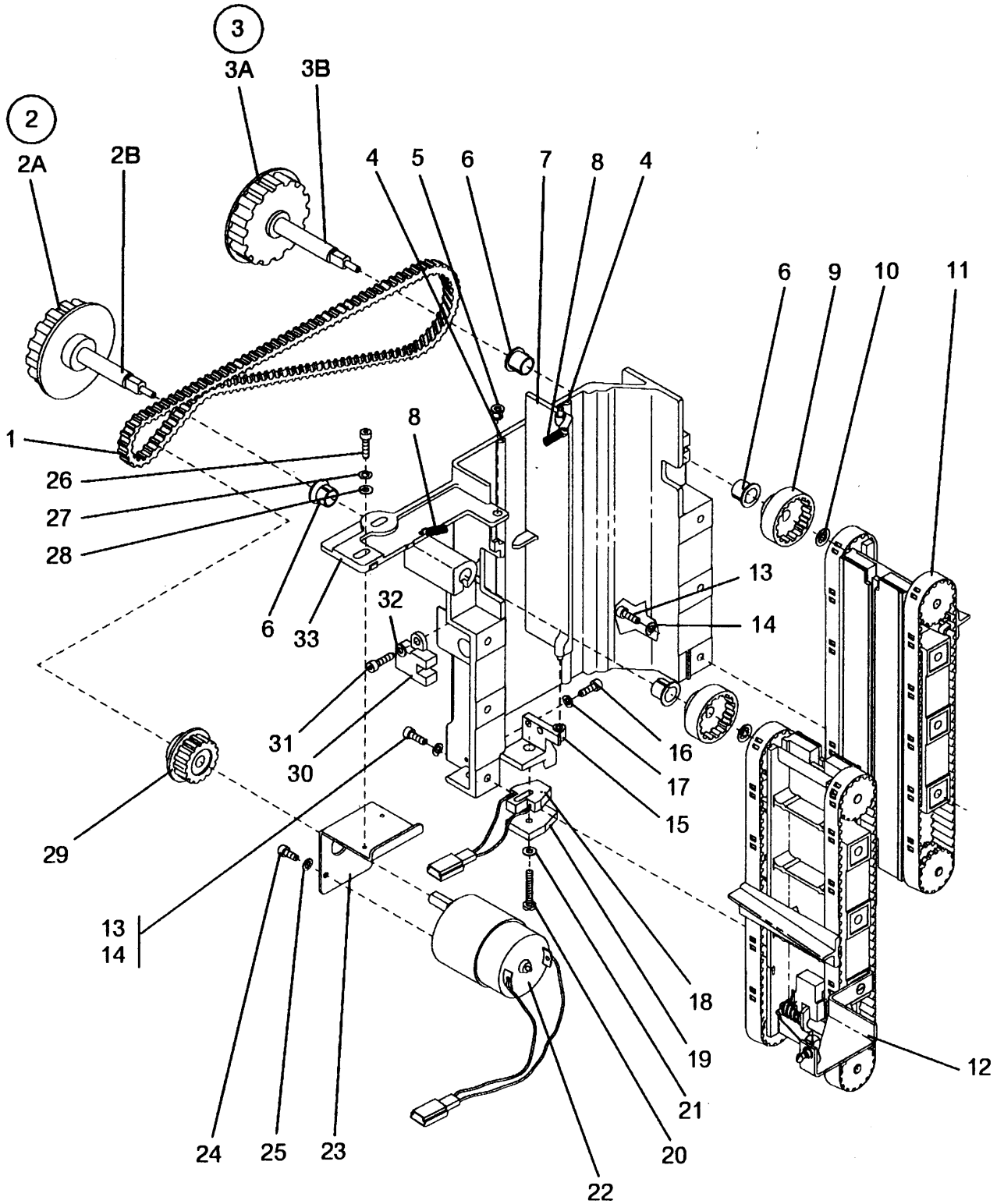
Asm - Index	Part Number	Units	Description
31 -	13F4824	1	Deck Loader Asm For Next Higher Assembly See 1 - 50A on page 3, 3 - 2A on page 7, 4 - 1A on page 15 and 30 - 24 on page 97
-1	6272861	1	• Switch, Feed Complete
-2	1693551	1	• Ring, Retaining
-3	56X4441	1	• Load Motor Asm
-4	1621172	3	• Screw, Metric-Slot Pan Hd M3 X 10 mm Long
-5	1622344	3	• Lockwasher, Metric-Ext Tooth 3.2 ID X 6 OD
-6	6315304	1	• Interlock
-7	82X4373	1	• Receiver
-8	1126828	2	• Ring, Retaining
-9	4780615	1	• Spring
-10	56X4424	1	• Crank
-10A	1621770	1	• • Setscrew, Metric-Fld Soc Hd FP M4 X 6 mm Long
-10B		NP	• • Pin
-11	82X4380	1	• Bridge Asm
-11A		NP	• • Pivot
-11B		NP	• • Stop, Crank
-12	1621173	2	• Screw, Metric-Slot Pan Hd M3 X 12 mm Long
-13	1622302	2	• Washer, Metric Flat 3.2 ID X 7 OD X .5 Thick
-14	6273045	2	• Washer, Insulating
-15	6272886	1	• Optical Sensor, Load Motor Complete
-16	1621172	1	• Screw, Metric-Slot Pan Hd M3 X 10 mm Long
-17	1622302	1	• Washer, Metric Flat 3.2 ID X 7 OD X .5 Thick
-18	56X4463	1	• Block, Arm-Leader
-19	13F4246	1	• Tray Asm For Detail Breakdown, See "Assembly 32: Tray Asm" on page 100
-20	6273044	2	• Spacer
-21	6272874	2	• Bushing
-22	56X4433	1	• Base Asm
-22A		NP	• • Pin, Deck Locating
-22B		NP	• • Pin, Cartridge Locating
-22C		NP	• • Pin, Cartridge Support
-22D		NP	• • Pin, Metric Dowel 3 mm Dia 12 mm Long
-22E		NP	• • Shaft, Guide
-24	6272881	1	• Bracket, Sensor
-25	1621172	2	• Screw, Metric-Slot Pan Hd M3 X 10 mm Long
-26	1622258	2	• Lockwasher, Metric Helical Spring 3.1 ID X 5.6 OD
-27	946254	2	• Washer
-28	2102365	2	• Clamp, Loop .330 ID .170 Dia Mtg Hole
-29	4780609	1	• Optical Sensor, Cartridge Latch
-30	1621172	2	• Screw, Metric-Slot Pan Hd M3 X 10 mm Long
-31	1622302	2	• Washer, Metric Flat 3.2 ID X 7 OD X .5 Thick
-32	1621170	1	• Screw, Metric-Slot Pan Hd M3 X 6 mm Long
-33	1622302	1	• Washer, Metric Flat 3.2 ID X 7 OD X .5 Thick
-34	6272878	1	• Bracket, Sensor
-35	4780523	1	• Optical Sensor, Cartridge Present
-36	4780560	1	• Flag, Cartridge Present
-37	4770136	1	• Spring, Cartridge Present Flag
-38	4780561	1	• Screw, Flag Pivot
-39	4770135	1	• Switch, File Protect
-40	1621267	2	• Screw
-41	1622342	2	• Lockwasher, Metric-Ext Tooth 2.2 ID X 4.5 OD
-42	4780578	1	• Nut, Plate
-43	356742	1	• Clamp, Cable
-44	1621170	1	• Screw, Metric-Slot Pan Hd M3 X 6 mm Long
-45	1622302	1	• Washer, Metric Flat 3.2 ID X 7 OD X .5 Thick The Following Part Is Not Part of This Asm
-46	1621194	3	• Screw, Metric-Slot Pan Hd M4 X 20 mm Long

Assembly 32: Tray Asm



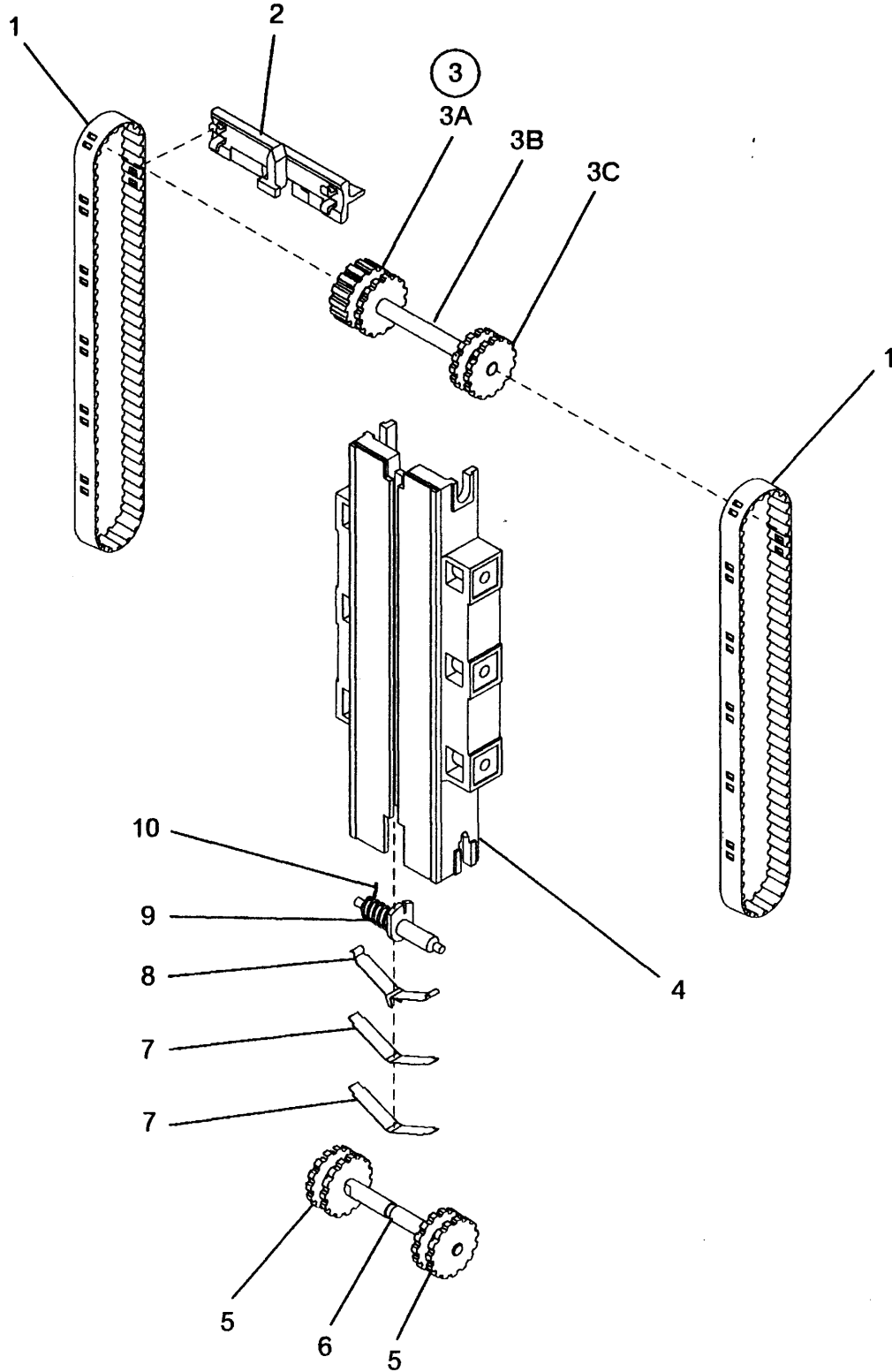
Asm -- Index	Part Number	Units	Description
32 --	13F4246	1	Tray Asm For Next Higher Assembly See 31 -- 19 on page 99
--1	56X4418	1	• Clip
--2	1621492	2	• Screw, Metric-Cap Soc Hd M3 X 6 mm Long
--3	1622316	2	• Lockwasher, Metric-Spring 3.1 ID X 6.2 OD
--4	56X4438	NR	• Rod, Connecting
--5	6315313	NR	• Pin
--6	56X4423	NR	• Guide, Plunger
--7	1621494	NR	• Screw
--8	1622302	NR	• Washer, Metric Flat 3.2 ID X 7 OD X .5 Thick
--9	56X4428	NR	• Plunger
--10		NP	• Tray, Deck Loader

Assembly 33: Input Asm



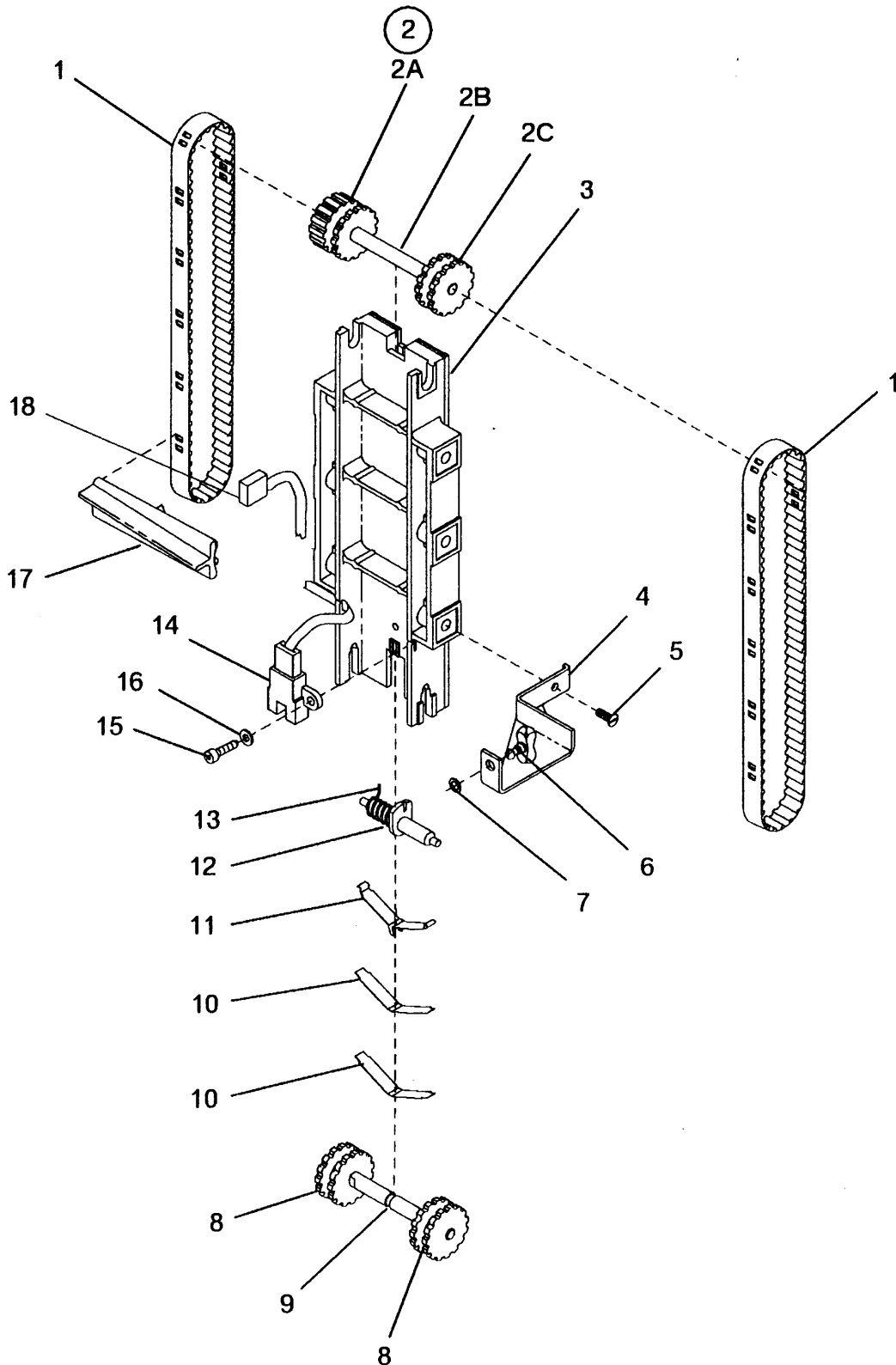
Asm – Index	Part Number	Units	Description
33 –	56X4462	1	Input Asm For Next Higher Assembly See 30 – 39 on page 97
– 1	6272873	1	• Belt, Two Sided
– 2	6272911	1	• Shaft Asm, 1
– 2A		NP	• • Pulley
– 2B		NP	• • Shaft, 1
– 3	6272912	1	• Shaft Asm, 2
– 3A		NP	• • Pulley
– 3B		NP	• • Shaft, 2
– 4	6272848	2	• Rail, Wear
– 5	6272918	1	• Bushing
– 6	6272869	2	• Bearing, Drive Shaft
– 7	6272919	1	• Switch, Actuator
– 8	6272849	2	• Spring, Actuator
– 9	6272837	2	• Coupler, Female
– 10	6272859	2	• Ring, Grip
– 11	6273034	1	• Rail Asm, Input, Right For Detail Breakdown, See “Assembly 34: Rail Asm, Input, Right” on page 104
– 12	6273033	1	• Rail Asm, Input, Left For Detail Breakdown, See “Assembly 35: Rail Asm, Input, Left” on page 106
– 13	1621493	6	• Screw, Metric-Cap Soc Hd M3 X 8 mm Lg
– 14	1622258	6	• Lockwasher, Metric Helical Spring 3.1 ID X 5.6 OD
– 15	56X4467	1	• Bearing, Block CBM
– 16	1621493	2	• Screw, Metric-Cap Soc Hd M3 X 8 mm Lg
– 17	1622258	2	• Lockwasher, Metric Helical Spring 3.1 ID X 5.6 OD
– 18	6315281	1	• Reflective Sensor, Cartridge Stage
– 19	56X4468	1	• Plate, Cover
– 20	1621172	1	• Screw, Metric-Slot Pan Hd M3 X 10 mm Lg
– 21	946254	1	• Washer
– 22	6273030	1	• Motor, Gear Box
– 23	6272870	1	• Bracket, Motor Mount
– 24	1621492	3	• Screw, Metric-Cap Soc Hd M3 X 6 mm Lg
– 25	1622258	3	• Lockwasher, Metric Helical Spring 3.1 ID X 5.6 OD
– 26	1621493	2	• Screw, Metric-Cap Soc Hd M3 X 8 mm Lg
– 27	1622258	2	• Lockwasher, Metric Helical Spring 3.1 ID X 5.6 OD
– 28	1622302	2	• Washer, Metric Flat 3.2 ID X 7 OD X .5 Thick
– 29	6272844	1	• Pulley, Motor
– 30	6272886	1	• Optical Sensor, Cartridge in Stack
– 31	1621493	1	• Screw, Metric-Cap Soc Hd M3 X 8 mm Lg
– 32	1622258	1	• Lockwasher, Metric Helical Spring 3.1 ID X 5.6 OD
– 33		NP	• Casting, Indexer CBM

Assembly 34: Rail Asm, Input, Right



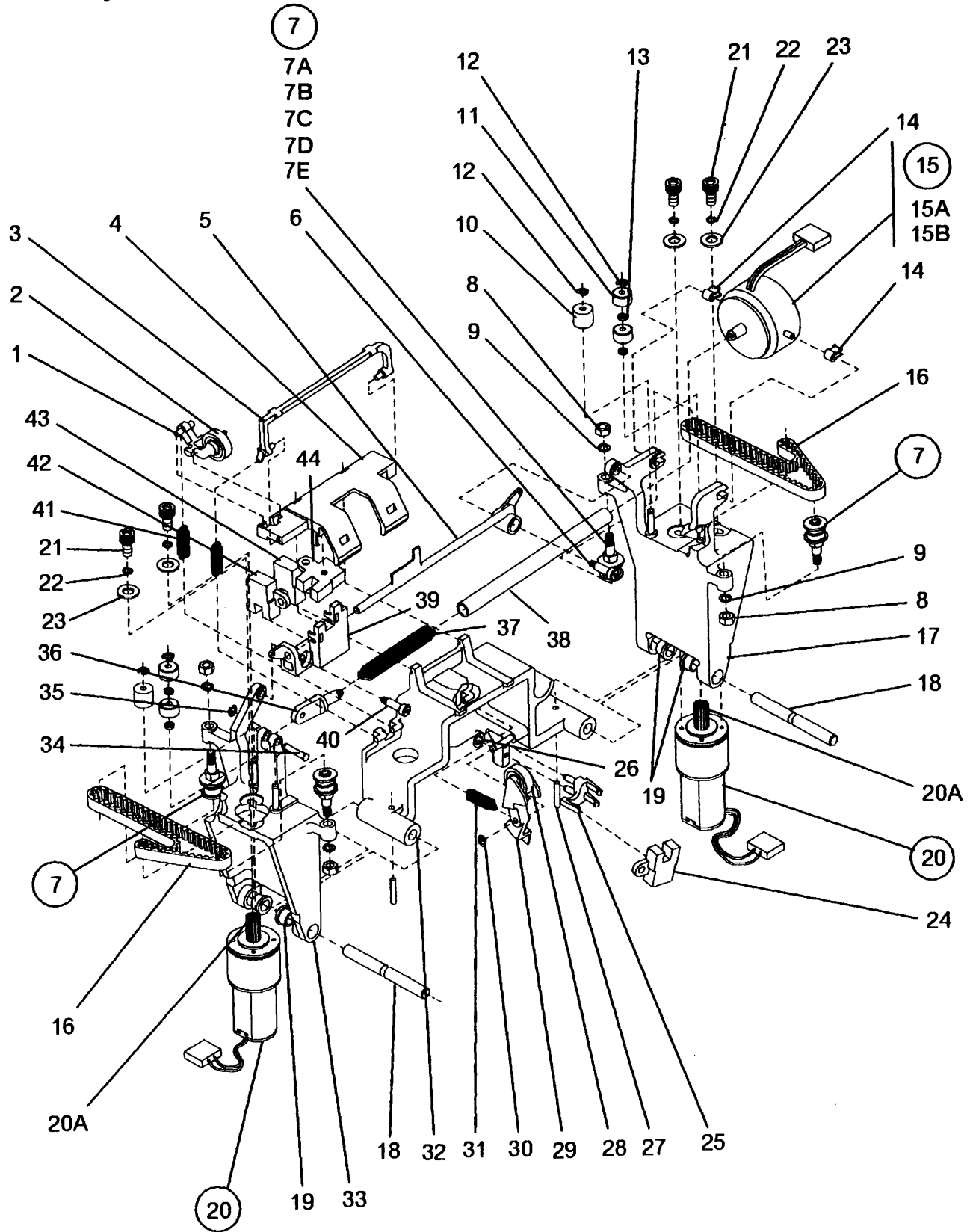
Asm – Index	Part Number	Units	Description
34 –	6273034	1	Rail Asm, Input, Right For Next Higher Assembly See 33 – 11 on page 103
– 1	6272880	2	• Belt
– 2	6272910	13	• Support, Input, Right
– 3	6272865	1	• Drive Shaft Asm
– 3A		NP	• • M.Coupling
– 3B		NP	• • Shaft, Female
– 3C		NP	• • Pulley, Drive
– 4	6272841	1	• Guide
– 5	6272860	2	• Pulley, Drive
– 6	6272853	1	• Shaft, Spring
– 7	6272863	2	• Spring, 2 Belt Tension
– 8	6272852	1	• Spring, Belt Tension
– 9	6272858	1	• Flag, Sensor
– 10	6272871	1	• Spring, Sensor

Assembly 35: Rail Asm, Input, Left



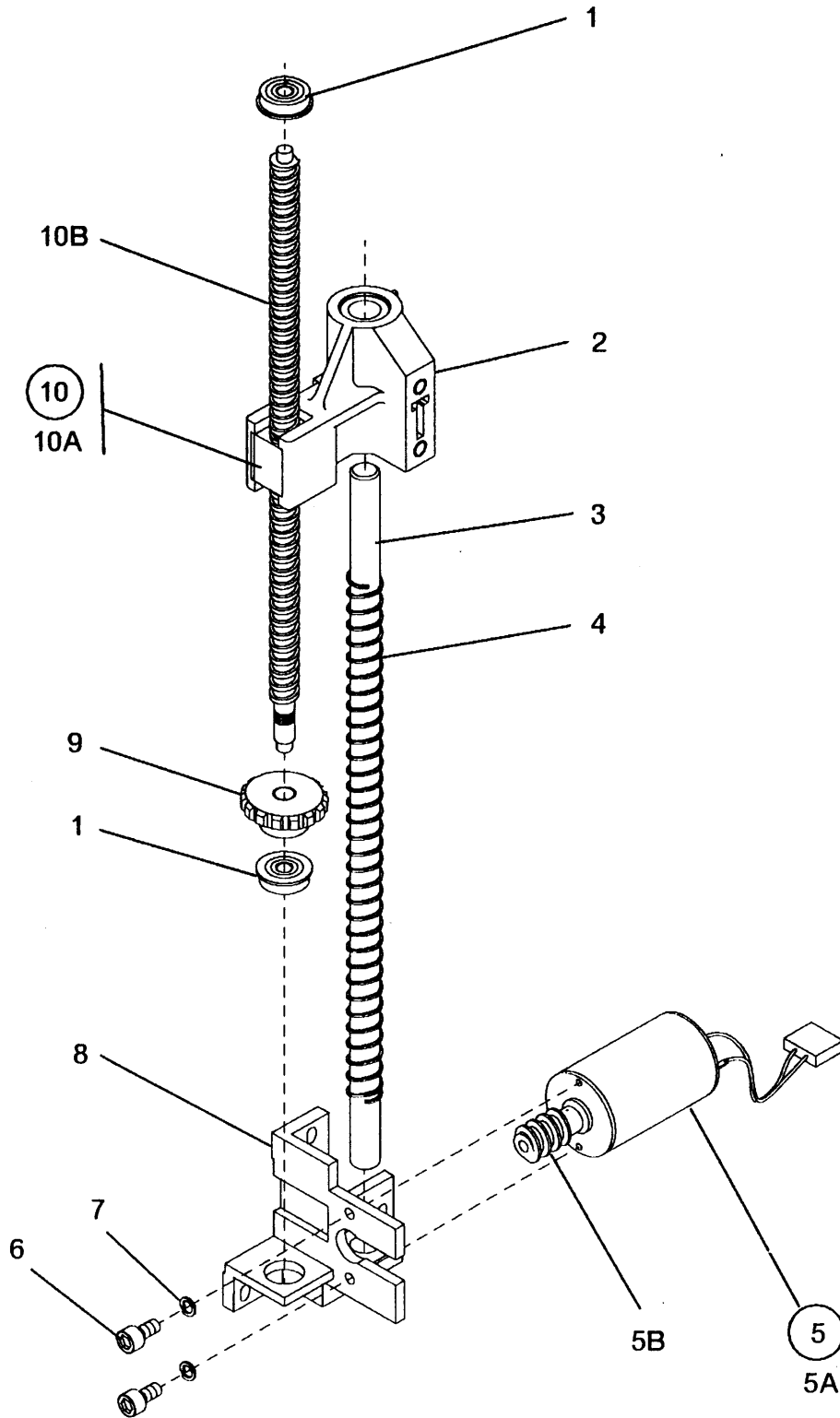
Asm – Index	Part Number	Units	Description
35 –	6273033	1	Rail Asm, Input, Left For Next Higher Assembly See 33 – 12 on page 103
– 1	6272880	2	• Belt
– 2	6272865	1	• Drive Shaft Asm
– 2A		NP	• • M.Coupling
– 2B		NP	• • Shaft, Female
– 2C		NP	• • Pulley, Drive
– 3	6272841	1	• Guide
– 4	6272851	1	• Bracket, Gate Latch
– 5	1621286	1	• Screw, Metric-Slot Flat Hd M3 X 8 mm Lg
– 6	6273021	1	• Fastener, 1/4 Turn
– 7	6273022	1	• Washer, Retainer
– 8	6272860	2	• Pulley, Drive
– 9	6272853	1	• Shaft, Spring
– 10	6272863	2	• Spring, 2 Belt Tension
– 11	6272852	1	• Spring, Belt Tension
– 12	6272858	1	• Flag, Sensor
– 13	6272871	1	• Spring, Sensor
– 14	6272886	1	• Optical Sensor, Input Complete
– 15	1621493	1	• Screw, Metric-Cap Soc Hd M3 X 8 mm Lg
– 16	1622258	1	• Lockwasher, Metric Helical Spring 3.1 ID X 5.6 OD
– 17	6272833	13	• Support, Input Left
– 18	6273154	1	• Jumper Asm, Input Complete Sensor

Assembly 36: Feed Asm



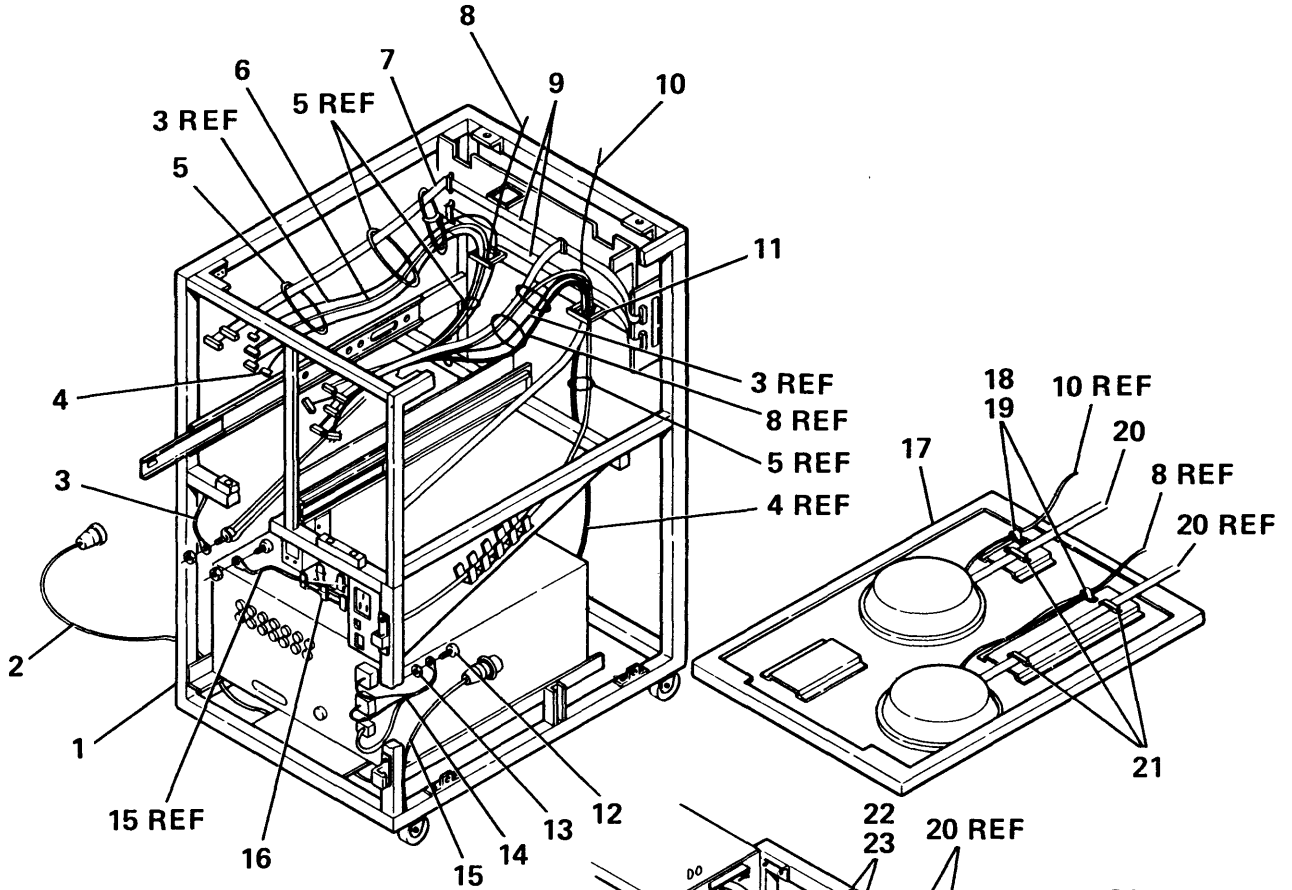
Asm- Index	Part Number	Units	Description
36-	13F4796	1	Feed Asm For Next Higher Assembly See 30-44 on page 97
-1	6272872	1	• Arm, Extract Sensor
-2	6272917	1	• Bearing
-3	6273174	1	• Door, Safety Interlock
-4	6272835	1	• Guide
-5	6272827	1	• Rod, Sensor
-6	6272877	2	• Screw, Shoulder
-7	6272823	4	• Pulley Asm
-7A	1693551	1	• • Retainer
-7B	6273027	1	• • Stud, Pulley
-7C	6273028	1	• • Spacer, Pulley
-7D	6273029	1	• • Bearing, Pulley
-7E	56X4409	1	• • Retainer, Belt
-8	1622403	4	• Nut, Metric Hex M4 Double Chamfer
-9	1622318	4	• Lockwasher, Metric-Spring 4.1 ID X 7.5 OD
-10	6272824	2	• Pulley, Idler
-11	6272826	4	• Bearing
-12	1126828	4	• Retainer
-13	6272832	4	• Spacer, Bearing
-14	6272825	2	• Bushing, Solenoid Pivot
-15	6273189	1	• Solenoid Asm
-15A	6272822	1	• • Solenoid Asm
-15B	1126830	1	• • Retainer
-16	56X4408	2	• Belt, Drive
-17	6272820	1	• Arm, Tractor Right CBM
-18	6272831	1	• Shaft, Arm Pivot
-19	6272847	2	• Bushing, Arm Pivot
-20	6272821	2	• Motor, Gear CBM
-20A		NP	• • Pulley, Drive
-21	1621493	2	• Screw, Metric-Cap Soc Hd M3 X 8 mm Lg
-22	1622258	2	• Lockwasher, Metric Helical Spring 3.1 ID X 5.6 OD
-23	946254	2	• Washer, Metric Flat 3.2 ID X 7 OD X .5 Thick
-24	6272886	1	• Optical Sensor, Stack Up Position
-25	6272916	1	• Sensor, Clip
-26	6273031	1	• Retainer
-27	1693642	2	• Pin, Roll M3
-28	6272917	1	• Bearing
-29	6272901	1	• Arm, Sensor
-30	1126828	1	• Retainer
-31	6273047	1	• Spring
-32	6272834	1	• Mount, Tractor
-33	6272819	1	• Arm, Tractor Left CBM
-34	82X4230	1	• Pin, Pivot
-35	1126828	1	• Retainer
-36	6272843	1	• Clamp, End Spring
-37	6272842	1	• Spring, Clamp
-38	6273026	1	• Tube, Distance
-39	6272828	1	• Block, Sensor
-40	6272877	2	• Screw, Shoulder
-41	6272829	2	• Spring, Sensor
-42	6272886	1	• Optical Sensor, Tracks Feed
-43	6272886	1	• Optical Sensor, Tracks Closed
-44	6272886	1	• Optical Sensor, Extract

Assembly 37: Output Asm

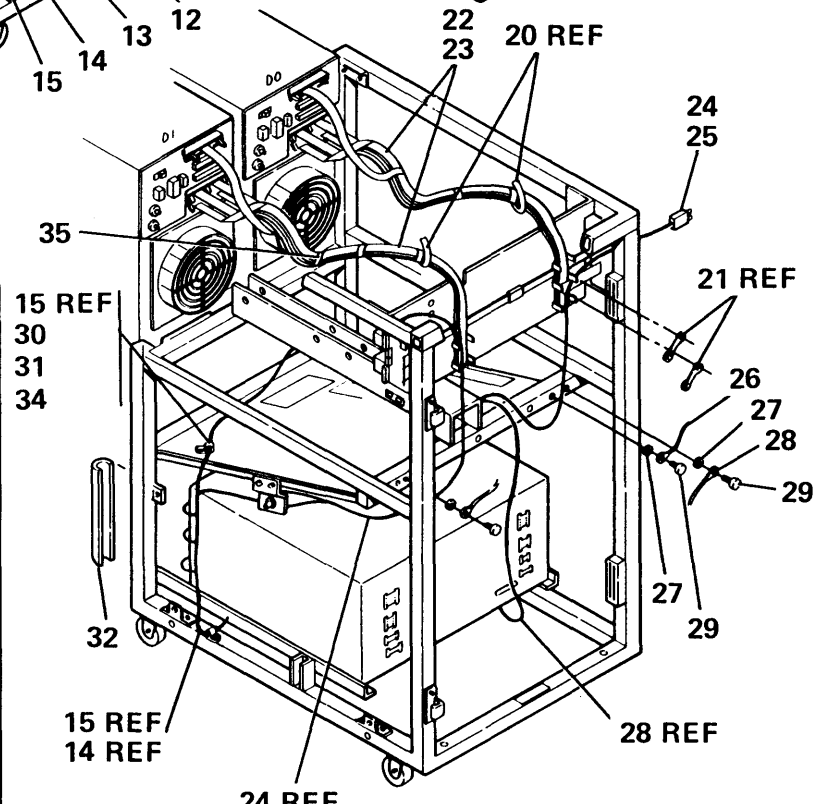


Asm - Index	Part Number	Units	Description
37 -	6272903	1	Output Asm For Next Higher Assembly See 30 - 51 on page 97
-1	6272897	2	• Bearing, Ball
-2	6272889	1	• Tray, Back
-3	6272890	1	• Shaft
-4	6272899	1	• Spring, Compression
-5	6272892	1	• Motor Asm, Worm
-5A		NP	• • Motor, DC
-5B		NP	• • Worm
-6	1621493	2	• Screw, Metric-Cap Soc Hd M3 X 8 mm Lg
-7	1622316	2	• Lockwasher, Metric Spring 3.1 ID X 6.2 OD
-8	6272898	1	• Casting, Output Asm
-9	6272895	1	• Gear, Worm
-10	6272891	1	• Lead Screw Asm
-10A	6273197	1	• • Nut
-10B	6273196	1	• • Screw

Assembly 38: Cable Routing, Drive Unit



Item #	Seq. #	P/N	From	To	B/M
3		4451673	Drive 0 P1 Panel P3	Fan Switch	4451668, 4799048
3		4451673	Drive 1 P1 Panel P3	Fan Switch	4451668, 4799048
4		4128780	Drive 0 P1 Panel P1, P2	Power Supply P3, P4, J5, J6	4451668, 4799048
4		4128780	Drive 1 P1 Panel P1, P2	Power Supply J1, J2	4451668, 4799048
6		6850649	Drive 0 P1 Panel P4	OP, SW, Dev.0 SW, DK, SW	4451668, 4799048
6		6850649	Drive 1 P1 Panel P4	OP, SW, Dev.1 SW, DK, SW	4451668, 4799048
7		4128779	Drive 0 P1 Panel Read A, B	Read Bus T	4451668, 4799048
7		4128779	Drive 1 P1 Panel Read A, B	Read Bus T	4451668, 4799048
8	1	4451687	Power Supply J7	Msg DSP. 0.P1	4451668, 4799048
9		6850738	P2 Panel	Bus In	4451668, 4799048
10	1	4128795	Power Supply J3	Msg DSP. 1.P1	4451668, 4799048
20	1	6850754	DU D0 P1 MD2	DU D0 MD J1	4451668, 4799048
20	2	6850754	DU D1 P1 MD2	DU D1 MD J1	4451668, 4799048
22	1	4451699	DU D0 P1 WB1	DU WB IN	4451680
22	2	4451699	DU D0 P1 WB2	DU D1 P1 WB1	4451680
22	3	4451699	DU D1 P1 WB2	DU P2 B2	4451680
23	1	4451697	DU D0 P1 WA1	DU WA IN	4451668, 4799048
23	2	4451697	DU D0 P1 WA2	DU D1 P1 WA1	4451668, 4799048
23	3	4451697	DU D1 P1 WA2	DU P2 A2	4451668, 4799048

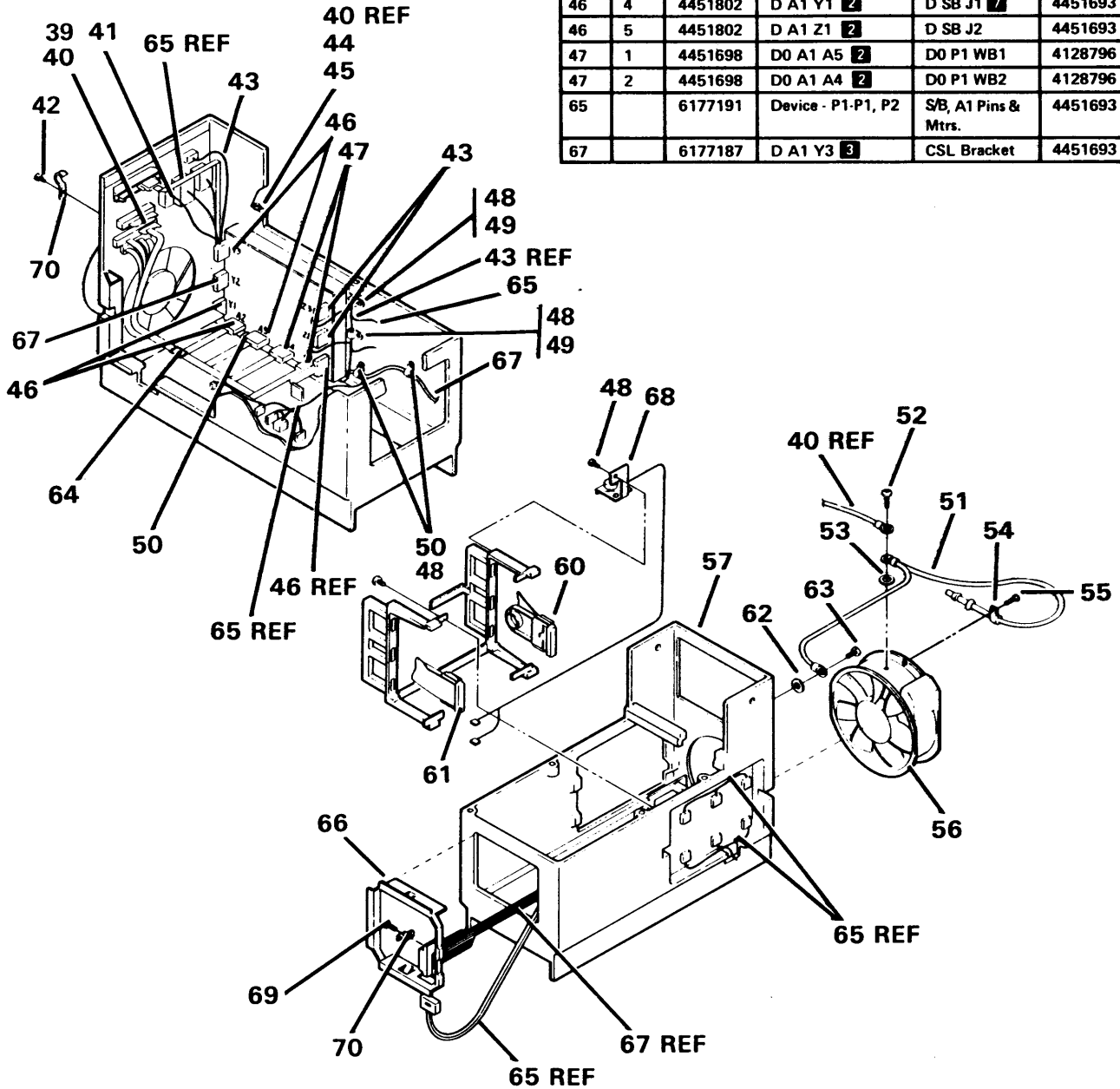


Without B/M 6460006

Asm - Index	Part Number	Units	Description
38 -		NP	Cable Routing, Drive Unit (Sheet 1 of 2)
- 1		NP	• Frame Asm
- 2	4451669	1	• Cable Asm-60 Hz and 50 Hz Japan
- 2	4451672	1	• Cable Asm-50 Hz WTC
- 3	4451673	2	• Cable Asm
- 4	4128780	2	• Cable Asm
- 5	556450	8	• Strap, Cable Tie Lock 11.750 Long
- 6	6850649	2	• Cable Asm
- 7	4128779	4	• Cable Asm Read-T
- 8	4451687	1	• Cable Asm
- 9	6850738	2	• Cable Asm
- 10	4128795	1	• Cable Asm
- 11	811427	2	• Strap
- 12	1621811	13	• Screw, Metric-Thd Form Hex Wshr Hd M4 X 10 mm Lg
- 13	1622346	4	• Lockwasher, Metric-Ext Tooth 4.3 ID X 8 OD
- 14	4451671	1	• Cable Asm
- 15	4451670	1	• Cable Asm-60 Hz & 50 Hz Japan
- 15	4799073	1	• Cable Asm-50 Hz WTC
- 16	813519	8	• Strap
- 17	6850652	1	• Cover Asm, Top
- 18	356742	2	• Clamp, Dia .250 Mtg Hole .177
- 19	1621811	2	• Screw, Metric-Thd Form Hex Wshr Hd M4 X 10 mm Lg
- 20	6850754	1	• Cable List
- 21	811427	7	• Strap
- 22	4451699	1	• Cable List
- 23	4451697	1	• Cable List
- 24	6850765	1	• Cable Asm, TU Thermal
- 25	327922	1	• Clamp, .625 Dia .204 Mtg Hole
- 26	4799065	2	• Cable Asm
- 27	1622346	3	• Lockwasher, Metric-Ext Tooth 4.3 ID X 8 OD
- 28	6857785	1	• Cable Asm, 50 Hz
- 29	1621811	3	• Screw, Metric-Thd Form Hex Wshr Hd M4 X 10 mm Lg
- 30	327921	2	• Clamp, Cable, 60 Hz - WTC and 50 Hz Japan
- 30	2102367	2	• Clamp, Cable, 50 Hz - WTC
- 31	1621811	2	• Screw, Metric-Thd Form Hex Wshr Hd M4 X 10 mm Lg
- 32	2277586	AR	• Grommet, 75 mm
- 34	327921	1	• Clamp
- 35	6850704	6	• Clamp

Assembly 38: (continued)

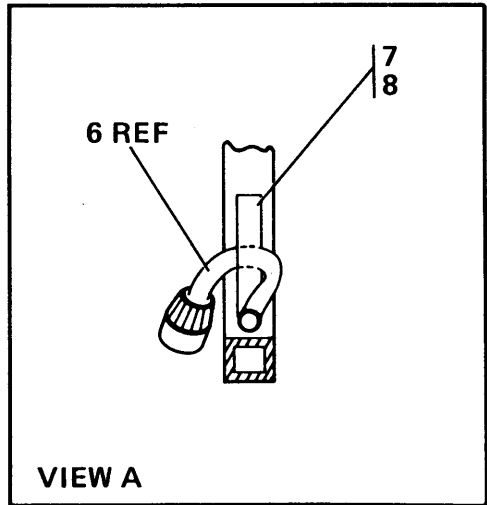
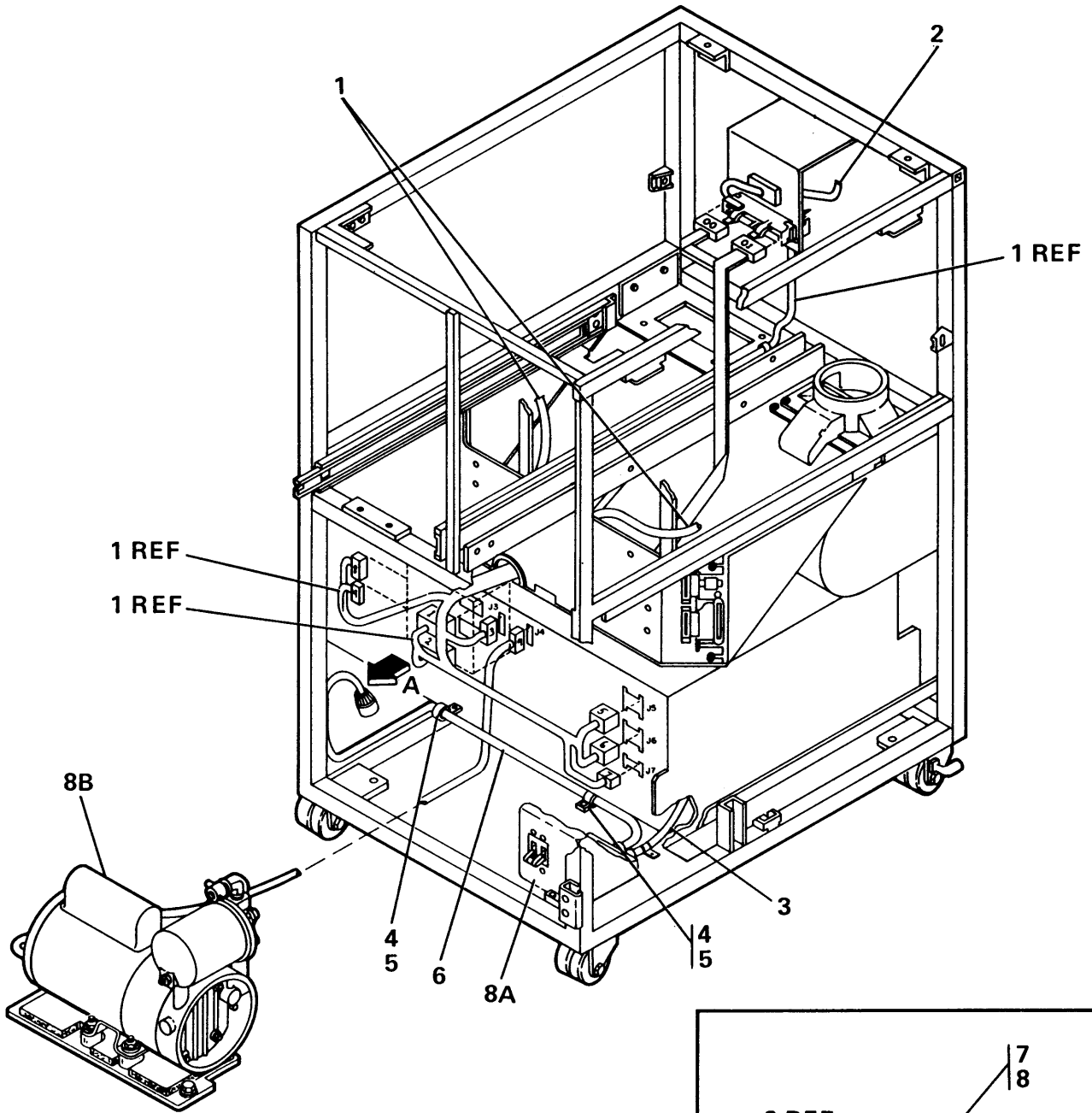
Item	Seq. #	P/N	From	To	B/M
43		6850750	D A1 Z2, Z3 3	Tach & Sensor	4451693
46	1	4451802	D A1 Y2 2	D P1 MD2	4451693
46	2	4451802	D A1 A3 2	D P1 WA2	4451693
46	3	4451802	D A1 A2 2	D P1 WA1	4451693
46	4	4451802	D A1 Y1 2	D SB J1 7	4451693
46	5	4451802	D A1 Z1 2	D SB J2	4451693
47	1	4451698	D0 A1 A5 2	D0 P1 WB1	4128796
47	2	4451698	D0 A1 A4 2	D0 P1 WB2	4128796
65		6177191	Device - P1-P1, P2	S/B, A1 Pins & Mtrs.	4451693
67		6177187	D A1 Y3 3	CSL Bracket	4451693



Without B/M 6460006

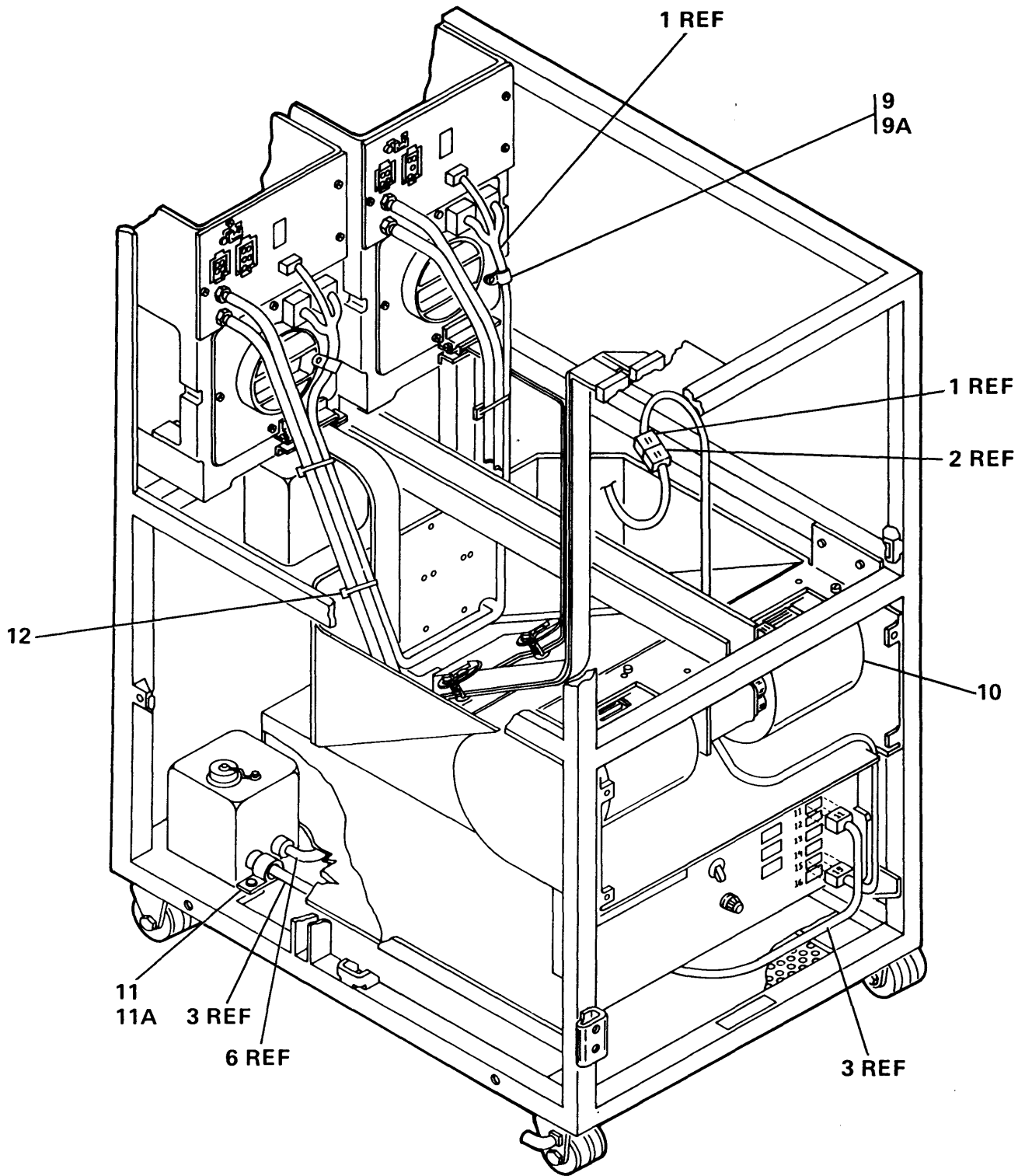
Asm – Index	Part Number	Units	Description
38 –		NP	Cable Routing, Drive Unit (Sheet 2 of 2)
– 39	4451676	1	• Cable Asm
– 40	4799075	1	• Cable Asm
– 41	4451674	1	• Cable Asm
– 42	1621846	4	• Screw, Metric-Thd Form Slot Pan Hd M3 X 10 mm Lg
– 43	6850750	1	• Cable Asm
– 44	1622346	1	• Lockwasher, Metric-Ext Tooth 4.3 ID X 8 OD
– 45	1621190	1	• Screw, Metric-Slot Pan Hd M4 X 8 mm Lg
– 46	4451802	1	• Cable, List
– 47	4451698	1	• Cable, List
– 48	1621181	5	• Screw, Metric-Slot Pan Hd M3.5 X 6 mm Lg
– 49	303538	2	• Clamp, Device
– 50	327921	3	• Clamp, Cable
– 51	4799064	1	• Jumper Asm
– 52	28413	1	• Screw, Mach-Bind Hd 10-32 X .312 Long
– 53	1622335	1	• Lockwasher, Metric-Int Tooth 5.3 ID X 10 OD
– 54	5213276	1	• Clamp, Cable
– 55	1621184	1	• Screw, Metric-Slot Pan Hd M3.5 X 12 mm Lg
– 56	2546929	1	• Fan
– 57	4479816	1	• Deck Support Asm
– 60	4780519	7	• Retainer
– 61	4780514	3	• Retainer
– 62	1622345	1	• Lockwasher, Metric-Ext Tooth 3.7 ID X 7 OD
– 63	1621185	1	• Screw, Metric-Slot Pan Hd M3.5 X 16 mm Lg
– 64	4451710	2	• Retainer
– 65	6177191	1	• Cable Asm
– 66	8674035	1	• Bracket, Cable
– 67	6177187	1	• Cable, Signal
– 68	6850793	1	• Air Flow Sensor
– 69	1621171	2	• Screw, Metric-Slot Pan Hd M3 X 8 mm Lg
– 70	6177117	12	• Latch Clip

Assembly 39: Cable Routing, Drive Unit



With B/M 6460006

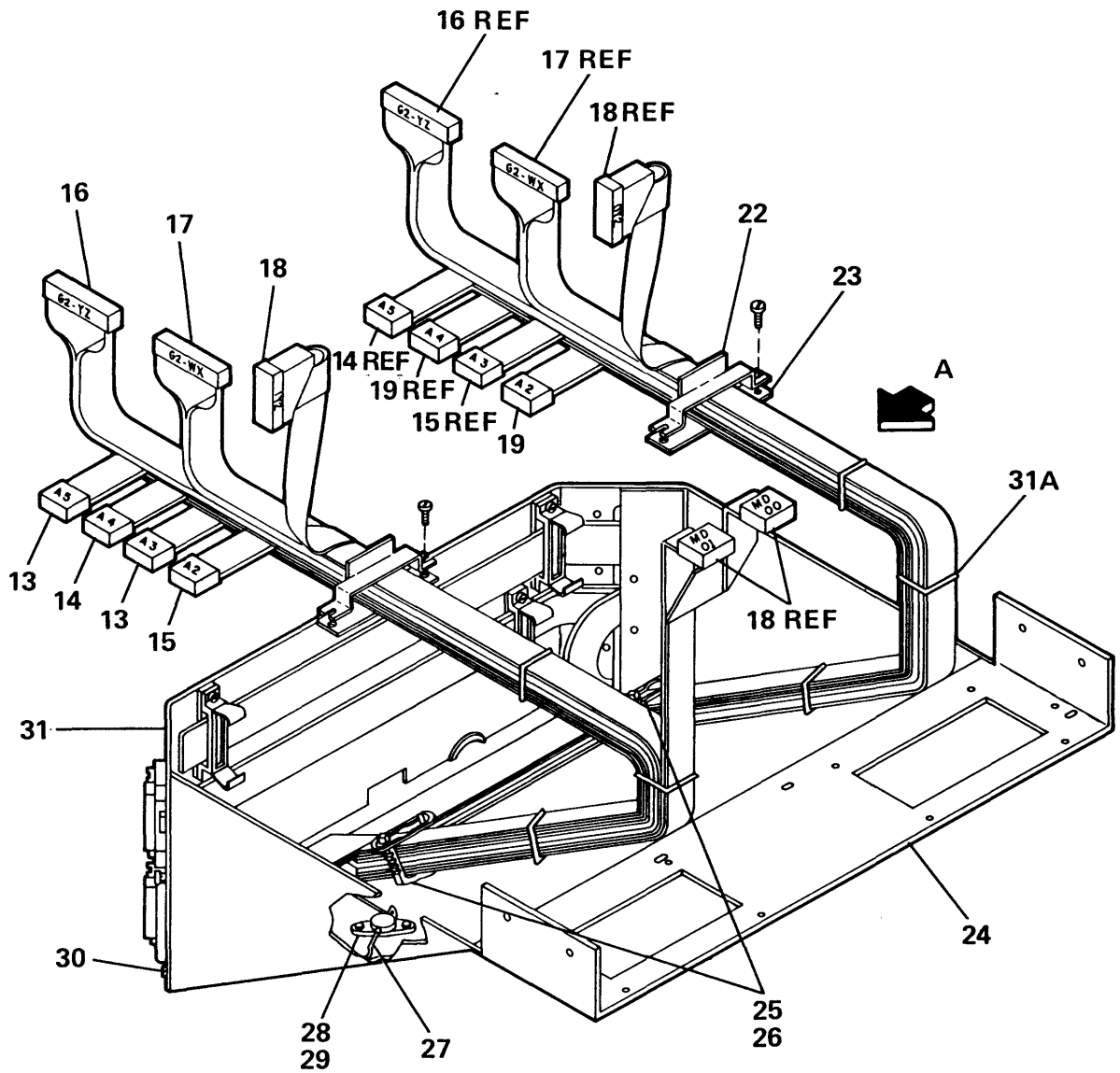
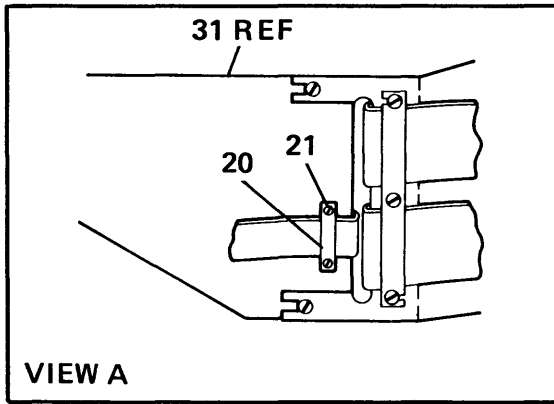
Asm - Index	Part Number	Units	Description
39 -		NP	Cable Routing, Drive Unit (Sheet 1 of 4)
-1	8576641	1	• Cable Assembly
-2	8576646	1	• Cable Assembly
-3	8576645	1	• Cable Assembly
-4	804109	2	• Clamp, Cable- 60 Hz and 50 Hz Japan
-4	327921	2	• Clamp, Cable- 50 Hz WTC
-5	1621811	2	• Screw, Metric-Thd Form Hex Wshr Hd M4 X 10 mm Lg
-6	8576642	1	• Cable Assembly- 60 Hz and 50 Hz Japan
-6	8576643	1	• Cable Assembly- 50 Hz WTC
-7	6272567	1	• Tape, Velcro Hook
-8	6272568	1	• Tape, Velcro Loop
-8A	8576678	1	• AC Box Assembly- 60 Hz and 50 Hz Japan
-8A	8577037	1	• AC Box Assembly- 50 Hz WTC
-8B	6178689	1	• Compressor Assembly, 50 Hz
-8B	82X4197	1	• Compressor Assembly, 60 Hz



With B/M 6460006

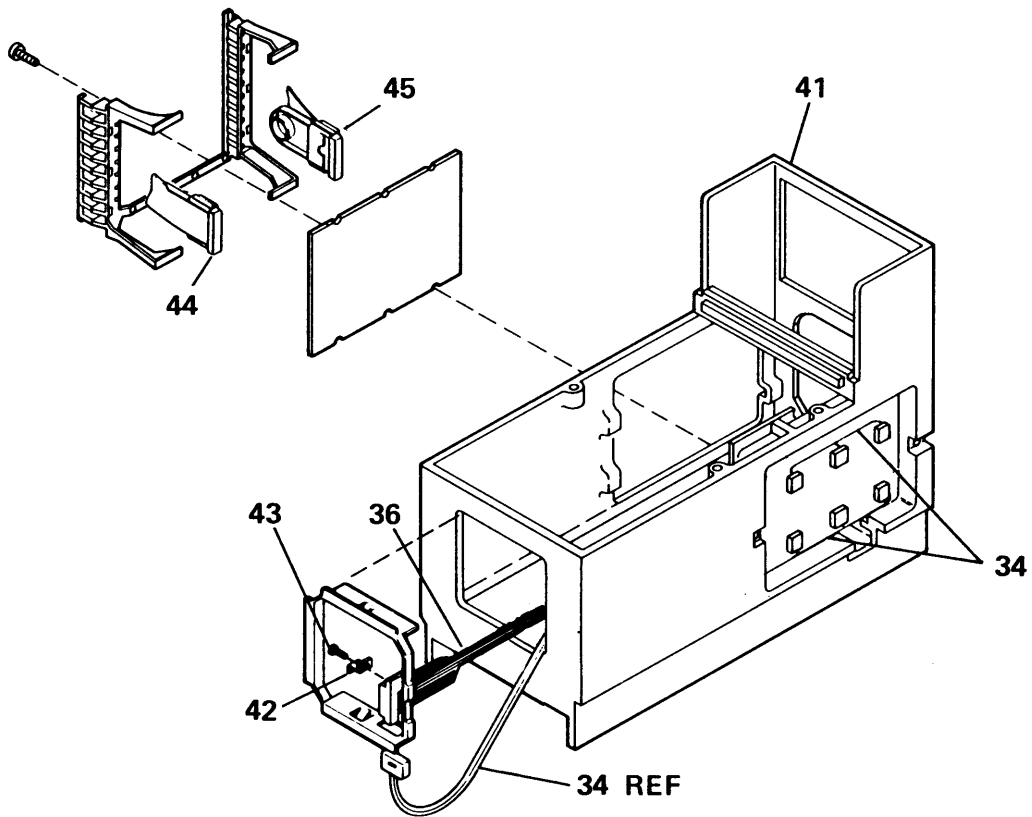
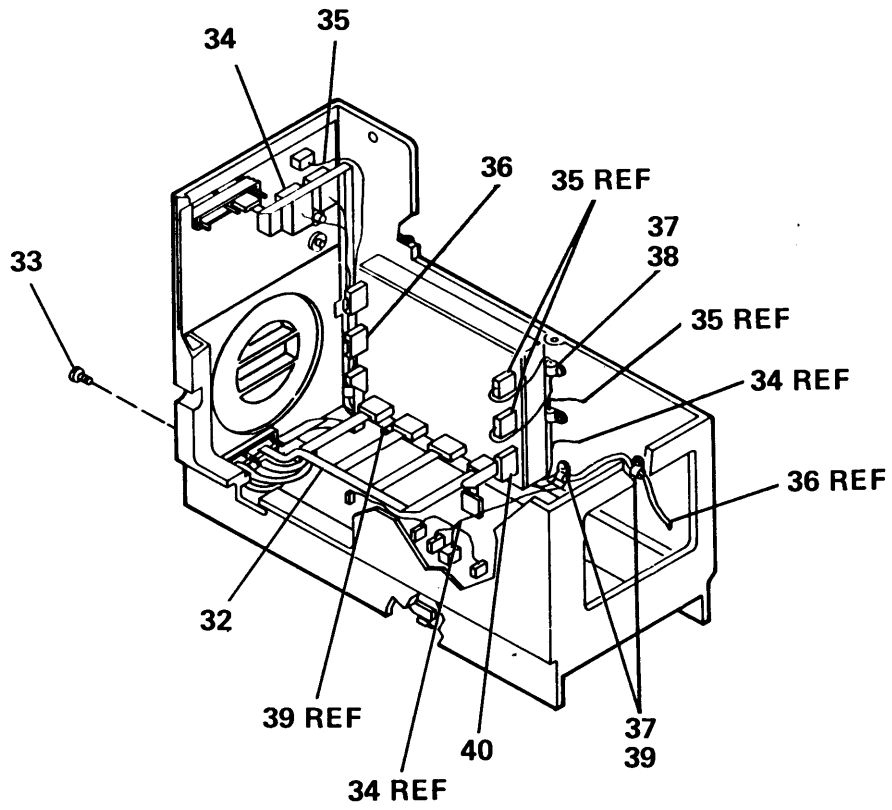
Asm - Index	Part Number	Units	Description
39 -		NP	Cable Routing, Drive Unit (Sheet 2 of 4)
-9	101922	2	• Clamp, Cable
-9A	1621184	2	• Screw, Metric-Slot Pan Hd M3.5 X 12 mm Lg
-10	6390354	1	• Blower Assembly, 60 Hz
-10	6390355	1	• Blower Assembly, 50 Hz And 50 Hz Japan
-11	101922	1	• Clamp
-11A	1621811	1	• Screw, Metric-Thd Form Hex Wshr Hd M4 X 10 mm Lg
-12	1159519	4	• Tie, Cable

Assembly 39: (continued)



With B/M 6460006

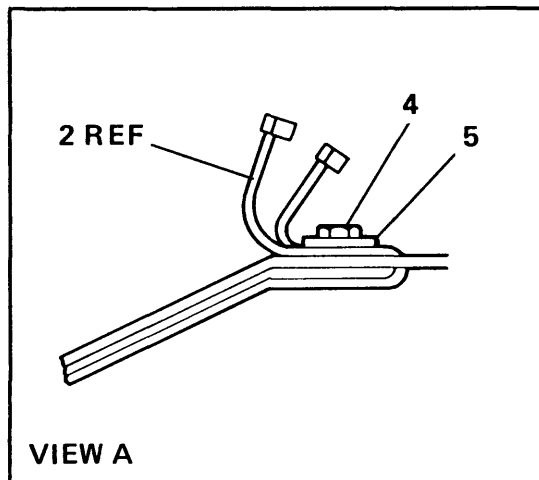
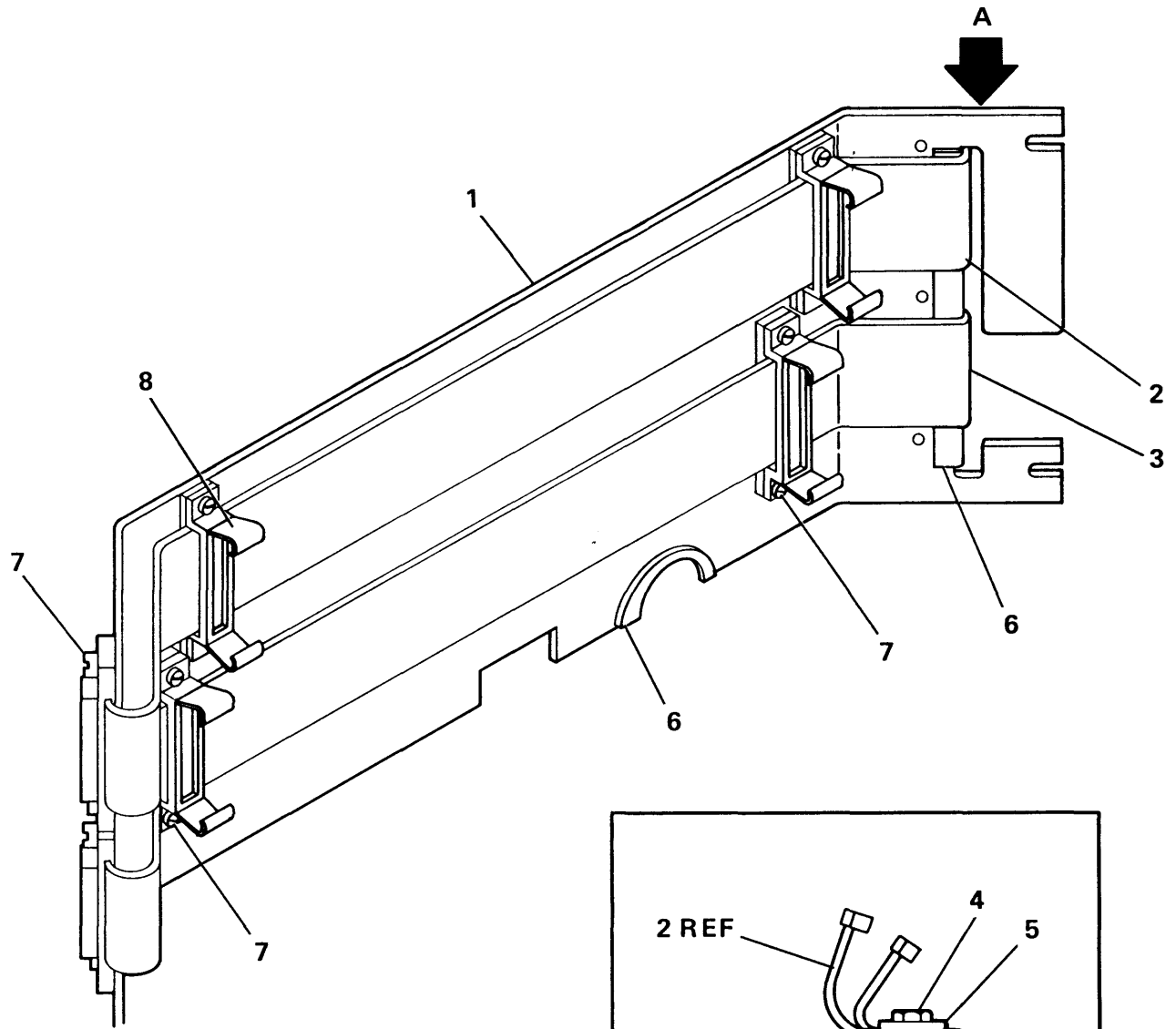
Asm - Index	Part Number	Units	Description
39 -		NP	Cable Routing, Drive Unit (Sheet 3 of 4)
- 13	6850763	1	• Cable Assembly, T/U Logic
- 14	6460292	1	• Cable Assembly, T/U Logic
- 15	6460291	1	• Cable Assembly, T/U Logic
- 16	8576626	2	• Cable Assembly
- 17	8576627	2	• Cable Assembly
- 18	8576628	1	• Cable
- 19	6460290	1	• Cable Assembly, T/U Logic
- 20	8576686	1	• Retainer CBM (W) DU
- 21	1621811	4	• Screw, Metric-Thd Form Hex Wshr Hd M4 X 10 mm Lg
- 22	6460071	2	• Retainer, Cable
- 23	6460072	2	• Retainer, Cable
- 24	6390362	1	• Plenum Assembly
- 25	524515	2	• Clamp, Adjustable Cable
- 26	367	2	• Screw, Mach-Flat Hd 10-32 X .625 Long
- 27	8576644	1	• Cable Assembly
- 28	4487509	1	• Switch, Thermal
- 29	1621844	2	• Screw, Metric-Thd Form Slot Pan Hd M3 X 6 mm Lg
- 30	6177206	1	• Stud Kit
- 31	8576675	1	• Panel Assembly, Front
- 31A	1159519	6	• Tie, Cable



With B/M 6460006

Asm - Index	Part Number	Units	Description
39 -		NP	Cable Routing, Drive Unit (Sheet 4 of 4)
-32	6179015	1	• Cable Asm
-33	1621846	4	• Screw, Metric-Thd Form Slot Pan Hd M3 X 10 mm Lg
-34	6179015	1	• Cable Asm
-35	6850792	1	• Cable Asm, Tach Sensor
-36	6177187	1	• Cable Asm
-37	1621181	4	• Screw, Metric-Slot Pan Hd M3.5 X 6 mm Lg
-38	303538	2	• Clamp, Device
-39	327921	3	• Clamp, Cable
-40	8576695	1	• Cable, List
-41	4479816	1	• Deck Support Assembly
-42	6177117	2	• Latch-Clip
-43	1621171	1	• Screw, Metric-Slot Pan Hd M3 X 8 mm Lg
-44	4780514	3	• Retainer
-45	4780519	7	• Retainer

Assembly 40: Front Cable Panel Assembly



With B/M 6460006

Asm - Index	Part Number	Units	Description
40 -	8576675	1	Front Cable Panel Assembly
-1	8576660	1	• Panel, Front
-2	8576625	1	• Cable Assembly
-3	6178949	1	• Cable Assembly
-4	1621811	3	• Screw, Metric-Thd Form Hex Wshr Hd M4 X 10 mm Lg
-5	8576687	1	• Retainer, Cable
-6	2544086	AR	• Grommet, 352 mm
-7	1621171	12	• Screw, Metric-Slot Pan Hd M3 X 8 mm Lg
-8	6177117	8	• Clip, Retainer

Assembly 41: Cable Routing, Control Unit

- 1** Use cable retainer P/N 2497236
- 2** Use cable retainer P/N 4780514
- 3** Use cable retainer P/N 2497210
- 4** Use cable retainer P/N 6850641
- 5** Use cable retainer P/N 6857818
- 6** Insert cable paddle card in card holder P/N 6857817 with card extender P/N 6857816. If cable P/N 4799056 is not installed, insert dummy card P/N 816983 in unused side of card holder.
- 7** Install latch P/N 6177117 on connectors as shown in View B if the connector does not contain latches.
- 8** This B/M is contained in B/M 4798766

* Feature

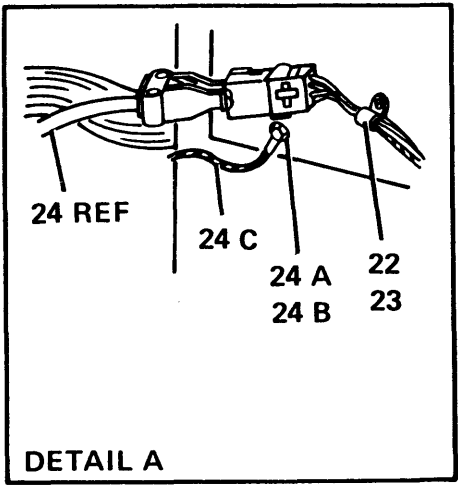
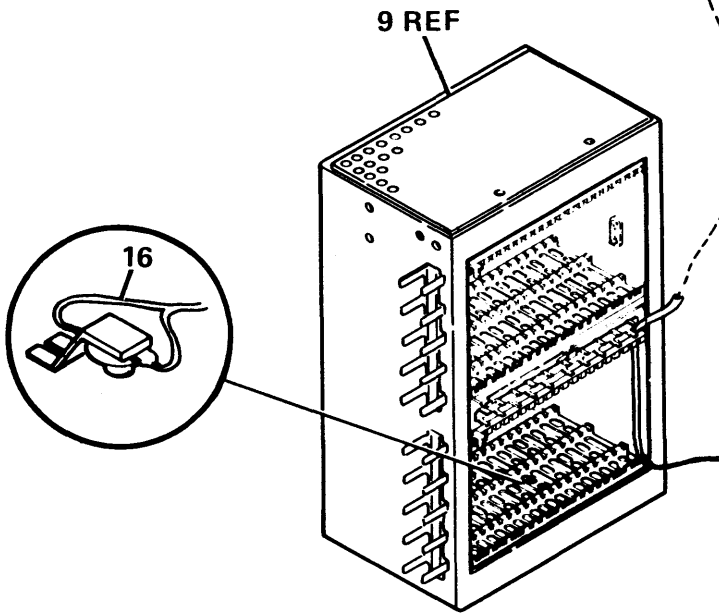
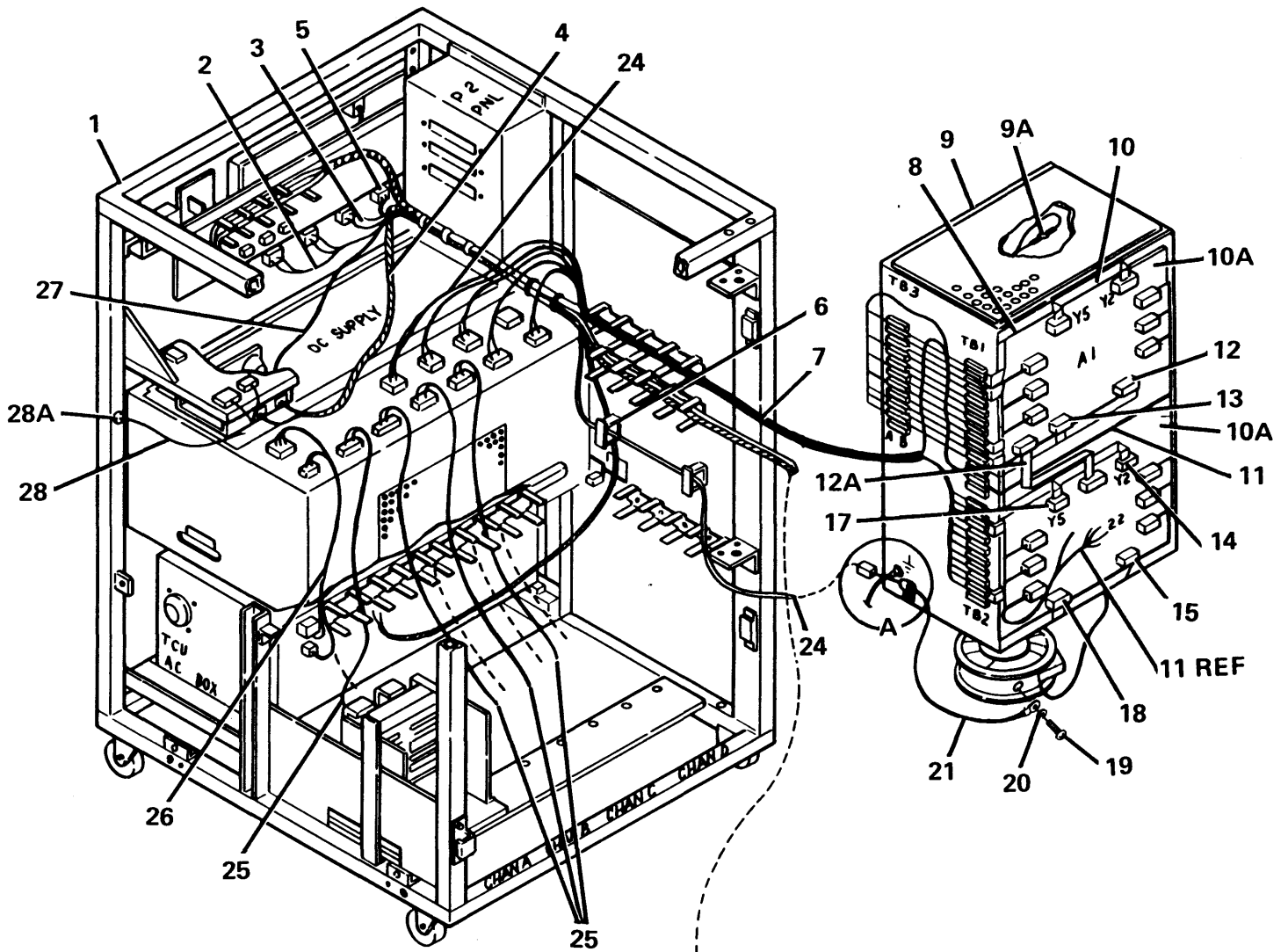
REF	P/N	FROM	TO	B/M
2*	4451678	A1 Gate, A2 Board -A3 1 (See View J) Sheet 3	OSU Panel Address Switches Channels C & D (If Channel A, B, & C Machine Only, Tie Channel D Connectors Back Along Body of Cable with 5420242 Tie Strap)	4799002
3	4451804	A1 Gate, A2 Board -A2 1 (See View J) Sheet 3	OSU Panel Address Switches Channels A & B (If Channel A Only Machine, Tie Channel B Connectors Back Along Body of Cable with 5420242 Tie Strap)	4451667
4	6390529	A/C Power Supply J4A & J4B	Operator Panel J1, UEPO Switch - 1 & 2 Terms. OSU Panel J4 & Local/Remote Bracket J1 & J2.	4451667
5	6390530	A1 Gate, A2 Board A4 1 (See View J) Sheet 3	OSU Panel J1 & J2	4451667
7	6390544	DC Power Supply J4 & J9-12	A1 Gate TBs 1-3 A-Rows	4798766
8	4451817	A1 Gate TB1-B3 & B4	A1 Gate A1 Board Pin Side Y5	4451815 8
9A	6178230	A1 Gate TB3-5A, 12A, 13A & 14A	Mechanically Mounted at Top Right Hand Corner of A1 Gate. Route Thermal Leads to Thermal Mounted to Top Cover Screen.	4798766
10	4451816	A1 Gate TB1-B1 & B2	A1 Gate A1 Board Pin Side Y2	4451815 8

Without B/M 6460460

REF	P/N	FROM	TO	B/M
11	6178243	A1 Gate TB2-B1-11, 13 & 14	A1 Gate A1 Board Pin Side A2.5, A3.5, A4.5, U2.5, U3.5 U4.5 & T5 B06 A1 Gate A2 Board Pin Side A2.5, A3.5, A4.5, U2.5, U3.5, U4.5, H4D13, H5D06 & H5D11	4798766
12	4451821	A1 Gate TB1-B11 & B12	A1 Gate A2 Board Pin Side Z2	4451815
12A	4451704	A1 Gate A1 Board Pin Side Z6	A1 Gate A2 Board Pin Side Y4	4451815 [3]
13	4451820	A1 Gate TB1-B9 & B10	A1 Gate A1 Board Pin Side Z5	4451815 [3]
14	4451818	A1 Gate TB2-B1 & B2	A1 Gate A2 Board Pin Side Y2	4451815 [3]
15	4451823	A1 Gate TB2-B11 & B12	A1 Gate A2 Board Pin Side Z2	4451815 [3]
16	6390310	Terminal Switch Bottom of Gate	OSU Panel J3 & P1a Panel Cutout Below SLT Block, Pos C1.	4451667
17	4451819	A1 Gate TB2-B3 & B4	A1 Gate A2 Board Pin Side Y5	4451815 [3]
18	4451822	A1 Gate TB2-B9 & B10	A1 Gate A2 Board Pin Side Z5	4451815 [3]
21	4799041	A1 Gate Fans (Bottom of A1 Gate)	Clamp Bottom Hinge A1 Gate	4798766
24	4799040	DC Power Supply J3	A1 Gate Lower Hinge Mate with 4799041 P1 Connector	4451667
24C	5759582	Gate, Below Lower Hinge at Ground Symbol.	CU Frame Next to Lower Gate Hinge Ground Symbol.	4798766
25	4770192	TCU DC Power Supply J5	Channel A Tag & Bus Cards J4 Connectors	4451667
25*	4770192	TCU DC Power Supply J6	Channel B Tag & Bus Cards J4 Connectors	4799001
25*	4770192	TCU DC Power Supply J7	Channel C Tag & Bus Cards J4 Connectors	4799002
25*	4770192	TCU DC Power Supply J8	Channel D Tag & Bus Cards J4 Connectors	4799003
25*	4770192	TCU DC Power Supply J8	Channel D Tag & Bus Cards J4 Connectors	4799003
26	4451675	TCU DC Power Supply J1 & J2	TCU A/C Supply J2 & J3	4451667
27	4451811	A1 Gate A1 Board Y1 [2] (See View J) Sheet 3	Local Remote Switch Bracket Left Side Below OSU Panel Left Side	4451667
28	6315588	A1 Gate, A1 Board A3 [1] (See View J) Sheet 3	Disk Drive J1, J2 Ground Terminal & Ground Point on Adjacent Frame Member	4451667
54A	4799032	A1 Gate A2 Board V2 [1] (See Detail J & N) Sheet 3	A1 Gate A1 Board, S2 Card - Top Card - W	4451667

REF	CABLE LIST SEQ NO.	P/N	FROM	TO	B/M
10A	1 2 3 4 5 6 7 8 9	4451695	A1 Gate A1 Board Z1 [4] Z2 [4] Z3 [4] Z4 [4] Z5 [4] Z6 [4] V5 [3] V3 [3] A5 [3] (See View J) Sheet 3	A1 Gate A2 Board Y1 [4] Y2 [4] Y3 [4] Y4 [4] Y5 [4] Y6 [4] V3 [3] V5 [3] A5 [3] (See View J) Sheet 3	4451667
29*		6460289	A1 Gate A2 Board Y6 [6] & A2 Board Z2 [6] (See View J) Sheet 3	P2 Panel A5 (See View F) Sheet 7	4780529
36*		6460288	A1 Gate A1 Board Y2 [5] & Y3 [5] (See View J) Sheet 3	P2 Panel A4 (See View F) Sheet 7	4780529
37*		4799056	A1 Gate A2 Board U4 & 5 [6] (See Detail N) Sheet 3	P2 Panel A2 [7] (See View F) Sheet 7	4780529
46*	1 2 3 4 5 6	4799015	I/O Channel B Bus Card - B1 J1 Bus Card - B1 J2 Tag Card - B3 J1 Tag Card - B3 J2 Tag Card - B3 J3 Bus Card - B1 J3	I/O Block B2 - W I/O Block B2 - X I/O Block B4 - W I/O Block B4 - X A1 Gate, A2 Board D2 Card, Top Card W A1 Gate, A2 Board D2 Card, Top Card Z	4799001
47*	1 2 3 4 5 6	4799016	I/O Channel C Bus Card - C1 J1 Bus Card - C1 J2 Tag Card - C3 J1 Tag Card - C3 J2 Tag Card - C3 J3 Bus Card - C1 J3	I/O Block C2 - W I/O Block C2 - X I/O Block C4 - W I/O Block C4 - X A1 Gate, A2 Board E2 Card, Top Card W A1 Gate, A2 Board E2 Card, Top Card Z	4799002
48*	1 2 3 4 5 6	4799017	I/O Channel D Bus Card - D1 J1 Bus Card - D1 J2 Tag Card - D3 J1 Tag Card - D3 J2 Tag Card - D3 J3 Bus Card - D1 J3	I/O Block D2 - W I/O Block D2 - X I/O Block D4 - W I/O Block D4 - X A1 Gate, A2 Board F2 Card, Top Card W A1 Gate, A2 Board F2 Card, Top Card Z	4799003
55		4799055	A1 Gate A2 Board U2 & 3 [6] (See Detail N) Sheet 3	P1 Panel A1 (See View G) Sheet 7	4451667
57*		6460287	A1 Gate A1 Board Y4 [5] (See View J) Sheet 3 & P1 Panel B2 (See View F & G) Sheet 7	P2 Panel A3 (See View F) Sheet 7	4780529
58		6460286	A1 Gate A1 Board Y5 (See View J) Sheet 3	P1 Panel A2 (See View G) Sheet 7	4551667
60	1 2 3 4 5 6	4799013	I/O Channel A Bus Card - A1 J1 Bus Card - A1 J2 Tag Card - A3 J1 Tag Card - A3 J2 Tag Card - A3 J3 Bus Card - A1 J3	I/O Block A2 - W I/O Block A2 - X I/O Block A4 - W I/O Block A4 - X A1 Gate, A2 Board C2 Card, Top Card W A1 Gate, A2 Board C2 Card, Top Card Z	4451667
61*		4799069	P1 Panel B1 (See View G) Sheet 7	P2 Panel A1 [7] (See View F) Sheet 7	4780529

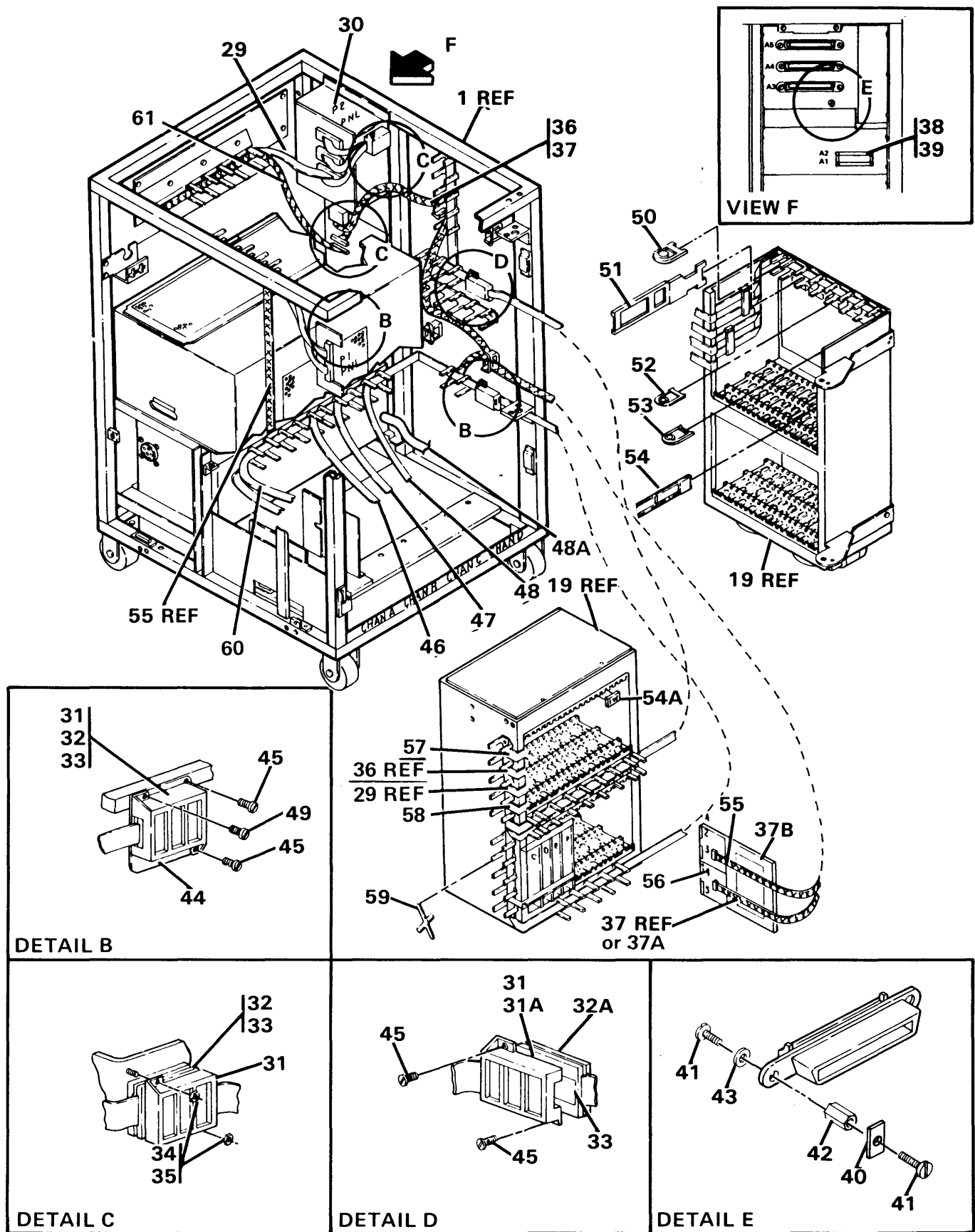
Assembly 41: (continued)



Without B/M 6460460

Asm-- Index	Part Number	Units	Description
41 -		NP	Cable Routing, Control Unit (Sheet 2 of 3)
- 1	4451533	1	• Frame Asm
- 2	4451678	1	• Cable Asm, Address - C & D
- 3	4451804	1	• Cable Asm, Address - A & B
- 4	6390529	1	• Cable Asm, Power Control
- 5	6390530	1	• Cable Asm, OSU Panel to Gate
- 6	811427	3	• Strap
- 7	6390544	1	• Cable Asm
- 8	4451817	1	• Cable Asm, FDS
- 9	4798766	1	• Gate Asm, FDS
- 9A	6178230	1	• Cable Asm
- 10	4451816	1	• Cable Asm
- 10A	4451695	1	• Cable Set, SLT
- 11	6178243	1	• Cable Asm, Gate DC Dist
- 12	4451821	1	• Cable Asm, FDS
- 12A	4451704	1	• Cable Asm, FDS
- 13	4451820	1	• Cable Asm, FDS
- 14	4451818	1	• Cable Asm, FDS
- 15	4451823	1	• Cable Asm, FDS
- 16	6390310	1	• Cable Asm, Thermal
- 17	4451819	1	• Cable Asm, FDS
- 18	4451822	1	• Cable Asm, FDS
- 19	236849	2	• Screw, Mach-Bind Hd 10-32 X .250 Long
- 20	1622347	2	• Lockwasher, Metric-Ext Tooth 5.3 ID X 10 OD
- 21	4799041	1	• Cable Asm, Gate Fan
- 22	356742	1	• Clamp, Dia .250 Mtg Hole .177
- 23	1621197	1	• Screw, Metric-Slot Pan Hd M4 X 6 mm Lg
- 24	4799040	1	• Cable Asm, TCU A/C Fan
- 24A	1621811	2	• Screw, Metric-Thd Form Hex Wshr Hd M4 X 10 mm Lg
- 24B	1622346	2	• Lockwasher, Metric-Ext Tooth 4.3 ID X 8 OD
- 24C	5759582	1	• Ground Jumper
- 25	4770192	1	• Cable Asm, I/O DC
- 26	4451675	1	• Cable Asm, AC/DC
- 27	4451811	1	• Cable Asm, Maint Device
- 28	6315588	1	• Cable Asm, Disk Device
- 28A	1621818	1	• Screw, Metric-Thd Form Hex Wshr Hd M5 X 10 mm Lg

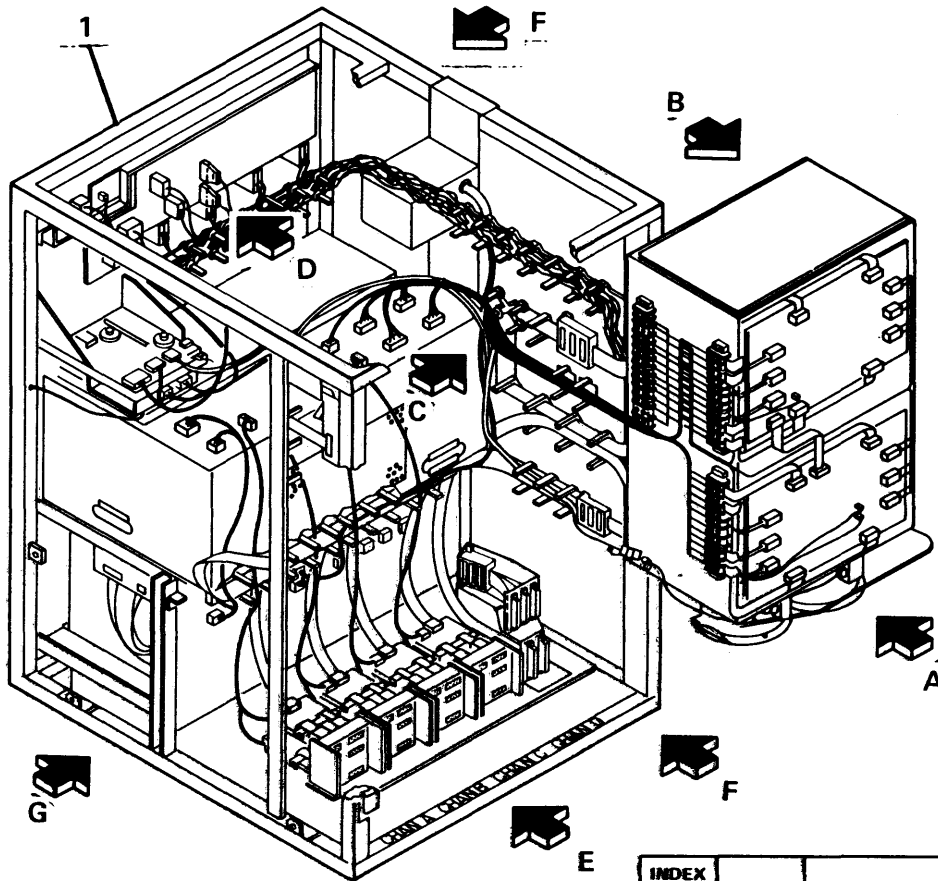
Assembly 41: (continued)



Without B/M 6460460

Asm - Index	Part Number	Units	Description
41 -		NP	Cable Routing, Control Unit (Sheet 3 of 3)
-29	6460289	1	• Cable Asm, Logic Gate to P2 Panel
-30	6177908	1	• P2 Panel
-31	6850784	5	• Bracket
-31A	6390545	3	• Bracket, Ferrite
-32	853288	10	• Core, Ferrite
-32A	6460085	6	• Core, Ferrite
-33	5715054	AR	• Tape
-34	1622403	4	• Nut, Metric Hex M4 Double Chamfer
-35	1621170	4	• Screw, Metric-Slot Pan Hd M3 X 6 mm Lg
-36	6460288	1	• Cable Asm, Logic Gate to P2 Panel
-37	4799056	1	• Cable Asm
-37A	8169836	1	• Dummy Card
-37B	3984826	1	• Card Extender, 2 X 3
-38	6177117	4	• Latch
-39	1621171	12	• Screw, Metric-Slot Pan Hd M3 X 8 mm Lg
-40	6178245	6	• Spacer, Retention
-41	1621162	12	• Screw, Metric-Slot Pan Hd M2.5 X 8 mm Lg
-42	6177911	6	• Standoff
-43	1622343	6	• Lockwasher, Metric-Ext Tooth 2.8 ID X 5.5 OD
-44	6857822	1	• Plate
-45	1621190	6	• Screw, Metric-Slot Pan Hd M4 X 8 mm Lg
-46	4799015	1	• Cable Asm
-47	4799016	1	• Cable Asm
-48	4799017	1	• Cable Asm
-48A	4798872	1	• Line Cord, 15 Ft 60 Hz USA, Canada and 50/60 Hz Japan
-48A	4798871	1	• Line Cord, 6 Ft 60 Hz Chicago
-48A	4449821	1	• Line Cord, 15 Ft 60 Hz AFE Only
-48A	4449823	1	• Line Cord, 15 Ft 50 Hz Except Japan
-49	1621192	1	• Screw, Metric-Slot Pan Hd M4 X 12 mm Lg
-50	4780514	1	• Retainer, Cable
-51	2497236	5	• Retainer, Cable
-52	6857818	12	• Retainer
-53	6850641	12	• Retainer, Cable
-54	2497210	1	• Retainer
-54A	4799032	1	• Cable Asm, A1 to A2 Board
-55	4799055	1	• Cable Asm
-56	6857816	1	• Card Holder
-57	6460287	1	• Cable Asm, Logic Gate to Panels P1 and P2
-58	6460286	1	• Cable Asm, Logic Gate to P1 Panel
-59	813519	AR	• Strap
-60	4799013	1	• Cable Asm
-61	4799069	1	• Cable Asm

Assembly 42: Cable Routing, Control Unit



- 1** Use cable retainer P/N 2497236
(See View J)
- 2** Use cable retainer P/N 4780514
(See View J)
- 3** Use cable retainer P/N 2497210
(See View J)
- 4** Use cable retainer P/N 6850641
(See View J)
- 5** Insert cable paddle card in card holder P/N 6857817 with card extender P/N 398482. If cable P/N 4799056 is not installed, insert dummy card P/N 816983 in unused side of card holder. (See detail H)
- 6** Install latch P/N 6177117 on connectors as shown in View F unless the latches are self-contained on the connectors.
- 7** This B/M is contained in B/M6177936

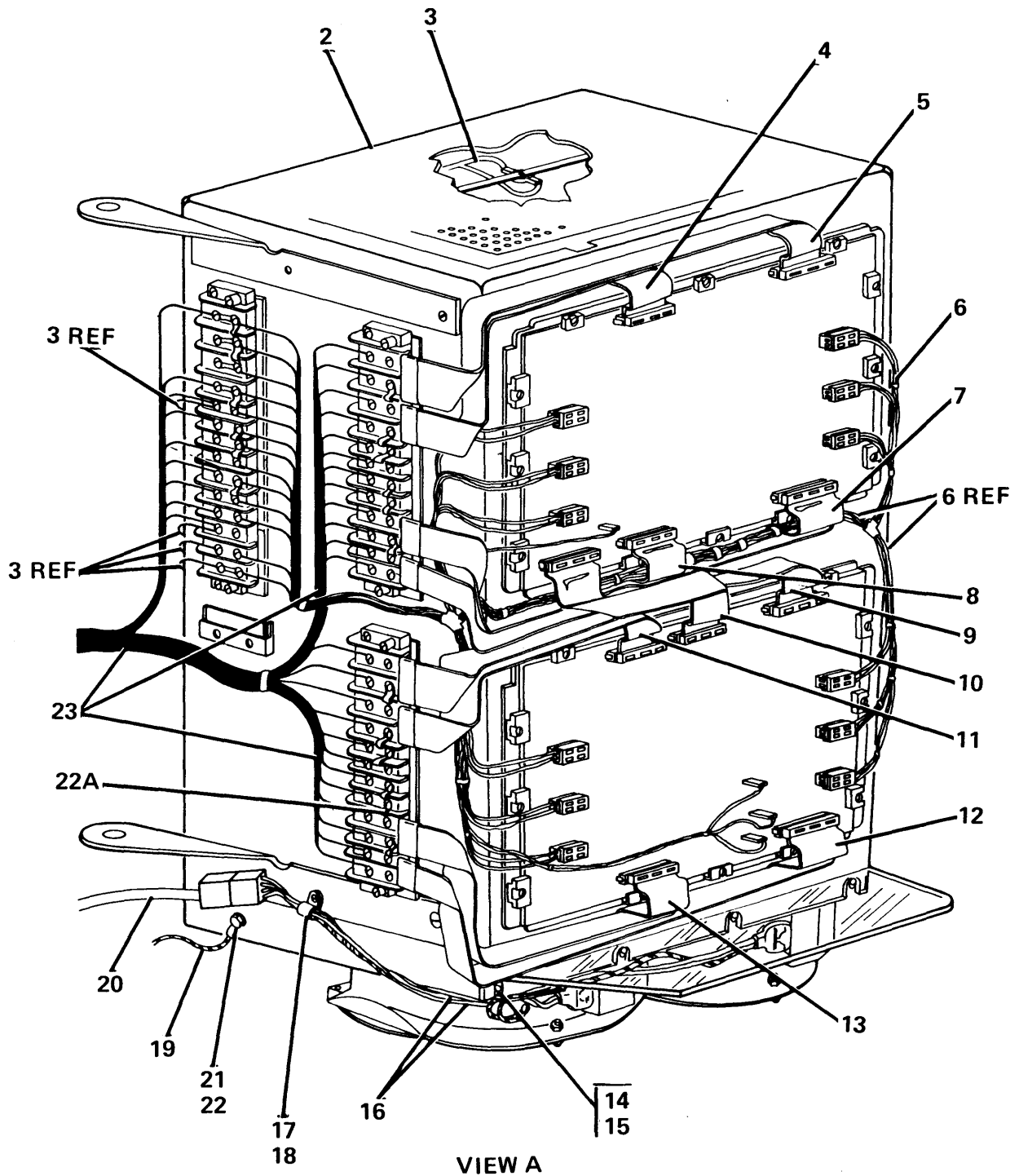
*Feature With B/M 6460460

INDEX #	P/N	FROM	TO	B/M
3	6178230	A1 Gate TB3-5A, 12A, 13A & 14A	Mechanically Mounted at Top Right Hand Corner of A1 Gate. Route Thermal Leads to Thermal Mounted to Top Cover Screen.	6177936
4	4451817	A1 Gate TB1-B3 & B4	A1 Gate A1 Board Pin Side Y5	4451815 7
5	4451816	A1 Gate TB1-B1 & B2	A1 Gate A1 Board Pin Side Y2	4451815 7
6	6178243	A1 Gate TB3-B1-11, 13 & 14	A1 Gate A1 Board Pin Side A2.5, A3.5, A4.5, U2.5, U3.5, U4.5 & T5-B06 A1 Gate A2 Board Pin Side A2.5, A3.5, A4.5, U2.5, U3.5, U4.5, H4D13, H5D06 & H5D11	6177936
7	4451821	A1 Gate TB1-B11 & B12	A1 Gate A2 Board Pin Side Z2	4451815 7
8	4451820	A1 Gate TB1-B9 & B10	A1 Gate A1 Board Pin Side Z5	4451815 7
9	4451818	A1 Gate TB2-B1 & B2	A1 Gate A2 Board Pin Side Y2	4451815 7
10	4451704	A1 Gate A1 Board Pin Side Z6	A1 Gate A2 Board Pin Side Y4	4451815 7
11	4451819	A1 Gate TB2-B3 & B4	A1 Gate A2 Board Pin Side Y5	4451815 7
12	4451823	A1 Gate TB2-B11 & B12	A1 Gate A2 Board Pin Side Z2	4451815 7
13	4451822	A1 Gate TB2-B9 & B10	A1 Gate A2 Board Pin Side Z5	4451815 7
16	4799041	A1 Gate Fans (Bottom of A1 Gate)	Clamp Bottom Hinge A1 Gate	6177936

Asm - Index	Part Number	Units	Description
42 - - 1		NP NP	Cable Routing, Control Unit (Sheet 1 of 7) • Frame Asm

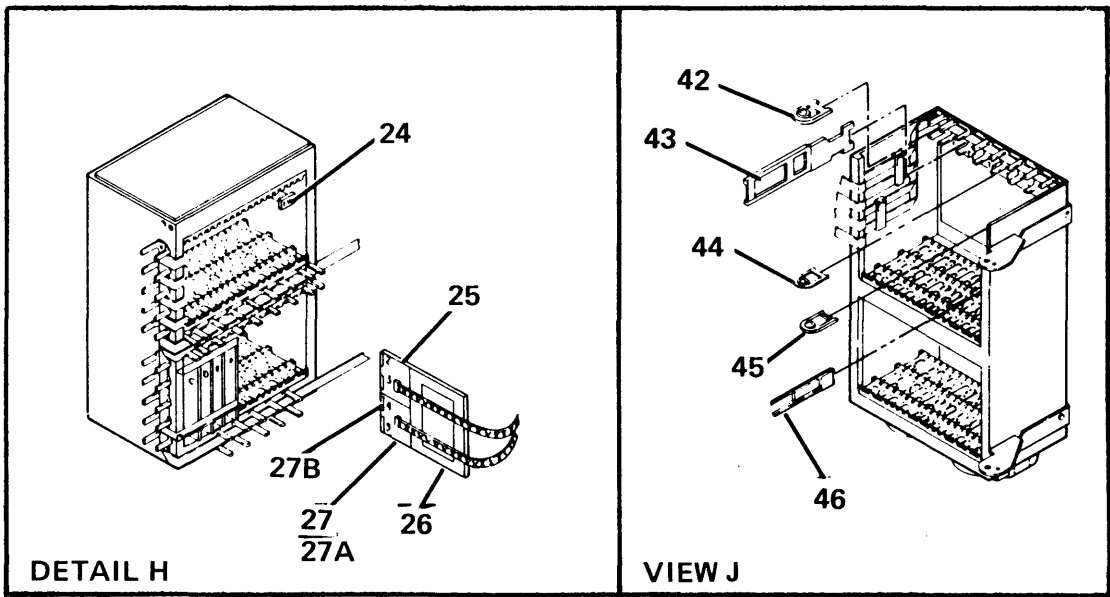
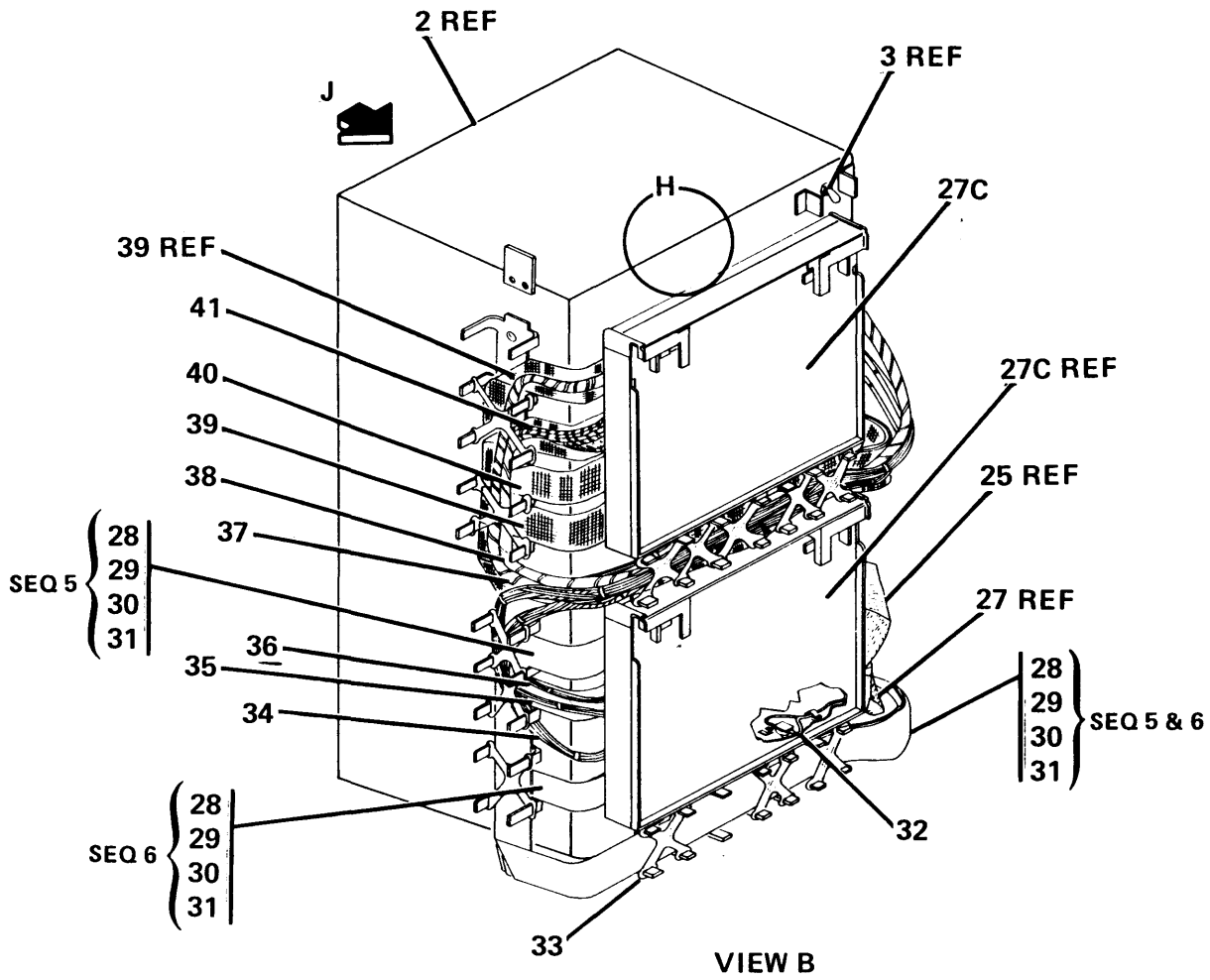
INDEX #	P/N	FROM	TO	B/M
19	5759582	Gate, Below Lower Hinge at Ground Symbol.	CU Frame Next to Lower Gate Hinge Ground Symbol.	6177936
20	4799040	DC Power Supply J3	A1 Gate Lower Hinge Mate with 4799041 P1 Connector.	8576710
23	6390544	DC Power Supply J4 & J9-12	A1 Gate TB s 1-3 A.Rows	6177936
24	4799032	A1 Gate A2 Board V2 1	A1 Gate A1 Board, S2 Card - Top Card - W	8576710
32	6390310	Thermal Switch Bottom of Gate	OSU Panel J3 & P1 Panel Cutout Below SLT Block, Pos C1.	6177936
34	6390530	A1 Gate, A2 Board A4 1	OSU Panel J1 & J2	6178655
35*	4451678	A1 Gate, A2 Board A3 1	OSU Panel Address Switches Channels C & D (If Channel A, B, & C Machine Only, Tie Channel D Connectors Back Along Body of Cable with 5420242 Tie Strap)	6178652
36	4451804	A1 Gate, A2 Board A2 1	OSU Panel Address Switches Channels A & B (If Channel A Only Machine, Tie Channel B Connectors Back Along Body of Cable with 5420242 Tie Strap)	6178655
37	4451811	A1 Gate A1 Board Y1 2	Local Remote Switch Bracket Left Side Below OSU Panel Left Side	8576710
38	6315588	A1 Gate, A1 Board A3 1	Disk Drive J1, J2 Ground Terminal & Ground Point on Adjacent Frame Member	8576710
53	4770192	TCU DC Power Supply J5	Channel A Tag & Bus Cards J4 Connectors	6178655
53*	4770192	TCU DC Power Supply J6	Channel B Tag & Bus Cards J4 Connectors	6178651
53*	4770192	TCU DC Power Supply J7	Channel C Tag & Bus Cards J4 Connectors	6178652
53*	4770192	TCU DC Power Supply J8	Channel D Tag & Bus Cards J4 Connectors	6178653
54	6390529	A/C Power Supply J4A & J4B	Operator Panel J1, UEPO Switch - 1 & 2 Terms. OSU Panel J4 & Local/Remote Bracket J1 & J2.	6178655
55	4451675	TCU DC Power Supply J1 & J2	TCU A/C Supply J2 & J3	8576710
56	6850710	Channel A Tag Card	J5 Low, Up	6178655
56*	6850710	Channel B Tag Card	J5 Low, Up	6178651
56*	6850710	Channel C Tag Card	J5 Low, Up	6178652
56*	6850710	Channel B Tag Card	J5 Low, Up	6178653
57	6390543	OSU Panel J5	Jumper Plug (Must be in Place for Machine to Power Up)	6178655

INDEX #	CABLE LIST SEQ NO.	P/N	FROM	TO	B/M
25		4799055	A1 Gate A2 Board U2 & 3 5 (See Detail H)	P1 Panel A1 (See View G)	13F3766
25		13F3069	A1 Gate A2 Board U2 & 3 (See View B)	P1 Panel A1	8576710
27*		4799056	A1 Gate A2 Board U4 & 5 6 (See Detail H)	P2 Panel A2 6 (See View F)	13F3766
27*		13F3070	A1 Gate A2 Board U3 & 4 (See View B)	P2 Panel A2	8576710
28		4799013	I/O Channel A Bus Card - A1-J1 Bus Card - A1-J2 Tag Card - A3-J1 Tag Card - A3-J2 Tag Card - A3-J3 Bus Card - A1-J3	I/O Block A2 - W I/O Block A2 - X I/O Block A4 - W I/O Block A4 - X A1 Gate, A2 Board C2 Card, Top Card W A1 Gate, A2 Board C2 Card, Top Card Z	6178655
29*		4799015	I/O Channel B Bus Card - B1-J1 Bus Card - B1-J2 Tag Card - B3-J1 Tag Card - B3-J2 Tag Card - B3-J3 Bus Card - B1-J3	I/O Block B2 - W I/O Block B2 - X I/O Block B4 - W I/O Block B4 - X A1 Gate, A2 Board D2 Card, Top Card W A1 Gate, A2 Board D2 Card, Top Card Z	6178651
27C		4451695	A1 Gate A1 Board Z1 4 Z2 4 Z3 4 Z4 4 Z5 4 Z6 4 V5 3 V3 3 V5 3 A5 3	A1 Gate A2 Board Y1 4 Y2 4 Y3 4 Y4 4 Y5 4 Y6 4 V3 3 V5 3 A5 3	8576710
30*		4799016	I/O Channel C Bus Card - C1-J1 Bus Card - C1-J2 Tag Card - C3-J1 Tag Card - C3-J2 Tag Card - C3-J3 Bus Card - C1-J3	I/O Block C2 - W I/O Block C2 - X I/O Block C4 - W I/O Block C4 - X A1 Gate, A2 Board E2 Card, Top Card W A1 Gate, A2 Board E2 Card, Top Card Z	6178652
31*		4799017	I/O Channel D Bus Card - D1-J1 Bus Card - D1-J2 Tag Card - D3-J1 Tag Card - D3-J2 Tag Card - D3-J3 Bus Card - D1-J3	I/O Block D2 - W I/O Block D2 - X I/O Block D4 - W I/O Block D4 - X A1 Gate, A2 Board F2 Card, Top Card W A1 Gate, A2 Board F2 Card, Top Card Z	6178653
39		6460296	A1 Gate A1 Board Y4 & Y5 4	P1 Panel & P2 Panel A3 (See View F & G)	8576710
40*		6460298	A1 Gate A2 Board Y6 3 & A2 Board Z2 4	P2 Panel A5 (See View F)	8576710
41*		6460299	A1 Gate A1 Board Y2 3 & Y3 4	P2 Panel A4 (See View F) P2 Panel A4 & Local/Remote	8576710
62*		4799069	P1 Panel B1 (See View G)	P2 Panel A1 5 (See View F)	8576710
63		13F3062	Asm 13F3735 Load Box	TB1-A5 TB1-A7 TB3-B2 TB3-B4 TB3-B7 TB3-B10	8576710



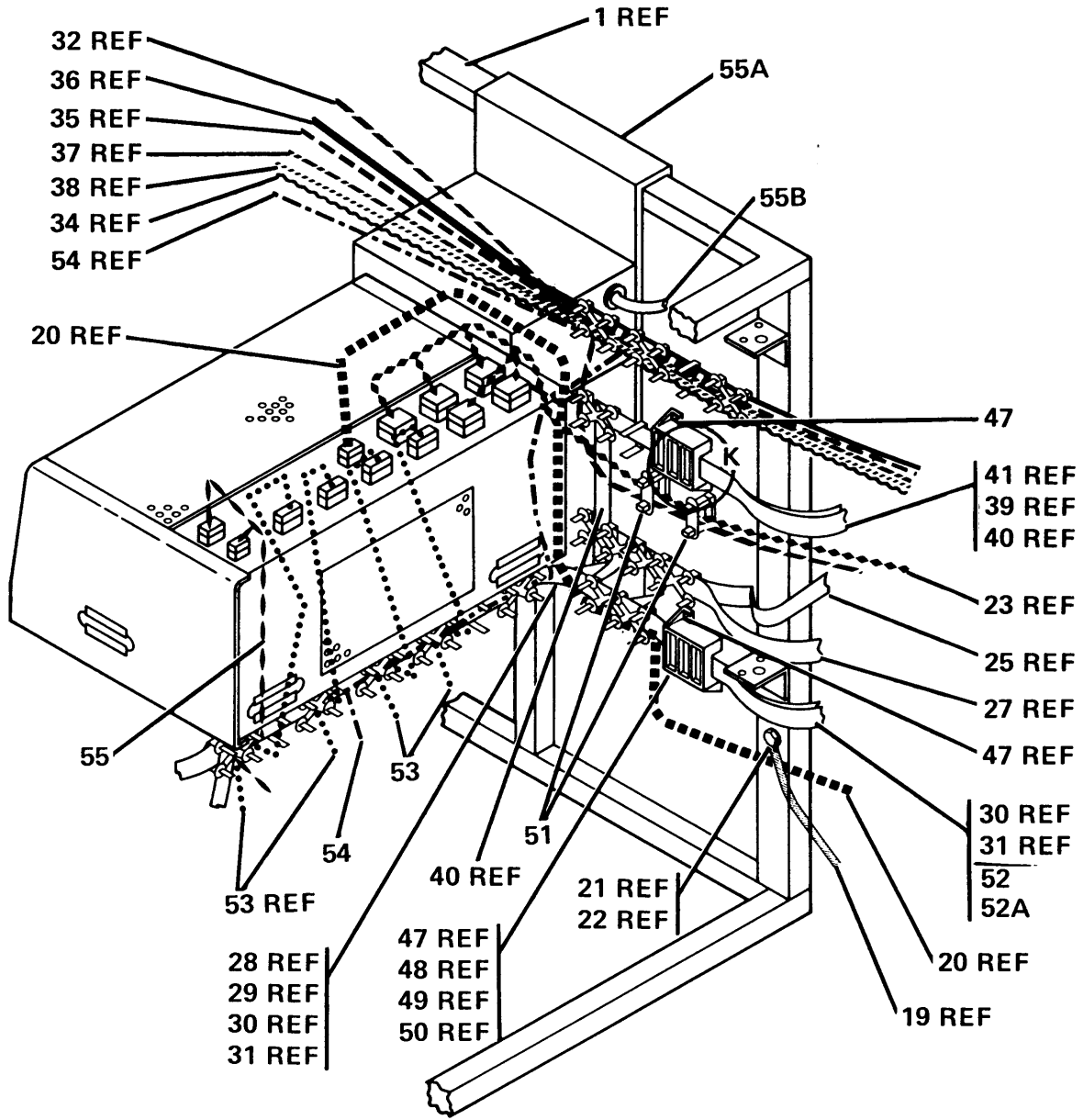
With B/M 6460460

Asm - Index	Part Number	Units	Description
42 -		NP	Cable Routing, Control Unit (Sheet 2 of 7)
-2		NP	• Gate Asm
-3	6178230	1	• FDS Cable Asm See Chart, Sheet 1
-4	4451817	1	• FDS Cable Asm See Chart, Sheet 1
-5	4451816	1	• FDS Cable Asm See Chart, Sheet 1
-6	6178243	1	• Cable Asm, Gate DC Dist See Chart, Sheet 1
-7	4451821	1	• FDS Cable Asm See Chart, Sheet 1
-8	4451820	1	• FDS Cable Asm See Chart, Sheet 1
-9	4451818	1	• FDS Cable Asm See Chart, Sheet 1
-10	4451704	1	• FDS Cable Asm See Chart, Sheet 1
-11	4451819	1	• FDS Cable Asm See Chart, Sheet 1
-12	4451823	1	• FDS Cable Asm See Chart, Sheet 1
-13	4451822	1	• FDS Cable Asm See Chart, Sheet 1
-14	236849	2	• Screw, Mach-Bind Hd 10-32 X .250 Long
-15	1622347	2	• Lockwasher, Metric-Ext Tooth 5.3 ID X 10 OD
-16	4799041	1	• Cable Asm, Gate Fan See Chart, Sheet 1
-17	356742	1	• Clamp, Dia .250 Mtg Hole .177
-18	1621197	1	• Screw, Metric-Slot Pan Hd M4 X 6 mm Lg
-19	5759582	1	• Jumper, Ground
-20	4799040	1	• Cable Asm, TCU A/C Fan See Chart, Sheet 1
-21	1621811	3	• Screw, Metric-Thd Form Hex Wshr Hd M4 X 10 mm Lg
-22	1622346	1	• Lockwasher, Metric-Ext Tooth 4.3 ID X 8 OD
-22A	596458	18	• Jumper, TB
-23	6390544	1	• Cable Asm, TCU DC to Gate See Chart, Sheet 1

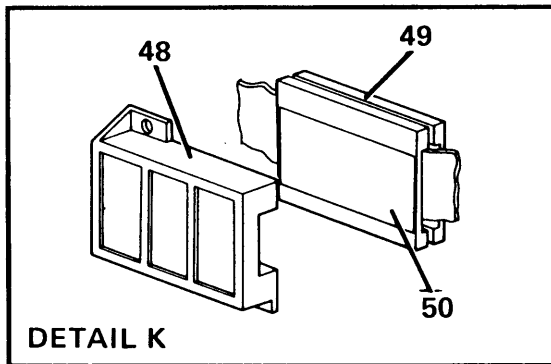


With B/M 6460460

Asm - Index	Part Number	Units	Description
42-		NP	Cable Routing, Control Unit (Sheet 3 of 7)
-24	4799032	1	• Cable Asm, A1 to A2 Board See Chart, Sheet 1
-25	4799055	1	• Cable Asm, Read A Interface See Chart, Sheet 1 - For Use in Models A11/A22 Without EC A57689
-25	13F3069	1	• Cable Asm, Read A Interface See Chart, Sheet 1 - For Use in Model A22 With EC A57689
-26	398482	1	• Extender, Card
-27	4799056	1	• Cable Asm, Read B Interface See Chart, Sheet 1 - For Use in Models A11/A22 Without EC A57689
-27	13F3070	1	• Cable Asm, Read B Interface See Chart, Sheet 1 - For Use in Model A22 With EC A57689
-27A	816983	1	• Dummy Card, 2 X 3
-27B	6857816	1	• Card Holder
-27C	4451695	1	• Slit Cable Set (Inside Gate) See Chart, Sheet 1
-28	4799013	1	• Slit Cable Set See Chart, Sheet 1
-29	4799015	1	• Slit Cable Set See Chart, Sheet 1
-30	4799016	1	• Slit Cable Set See Chart, Sheet 1
-31	4799017	1	• Slit Cable Set See Chart, Sheet 1
-32	6390310	1	• Cable Asm, Thermal See Chart, Sheet 1
-33	813519	AR	• Strap
-34	6390530	1	• Cable Asm, OSU Panel to Gate See Chart, Sheet 1
-35	4451678	1	• Cable Asm, Address - C & D See Chart, Sheet 1
-36	4451804	1	• Cable Asm, Address - A & B See Chart, Sheet 1
-37	4451811	1	• Cable Asm, Maintenance Device See Chart, Sheet 1
-38	6315588	1	• Cable Asm, Disk Device See Chart, Sheet 1
-39	6460296	1	• Cable Asm, P2A3 See Chart, Sheet 1
-40	6460298	1	• Cable Asm, P2A5 See Chart, Sheet 1
-41	6460299	1	• Cable Asm, P2A4 See Chart, Sheet 1
-42	4780514	1	• Retainer, Cable See Chart, Sheet 1
-43	2497236	5	• Retainer, Cable See Chart, Sheet 1
-44	6850641	6	• Retainer, Cable
-45	6850641	12	• Retainer, Cable See Chart, Sheet 1
-46	2497210	6	• Retainer, Cable See Chart, Sheet 1

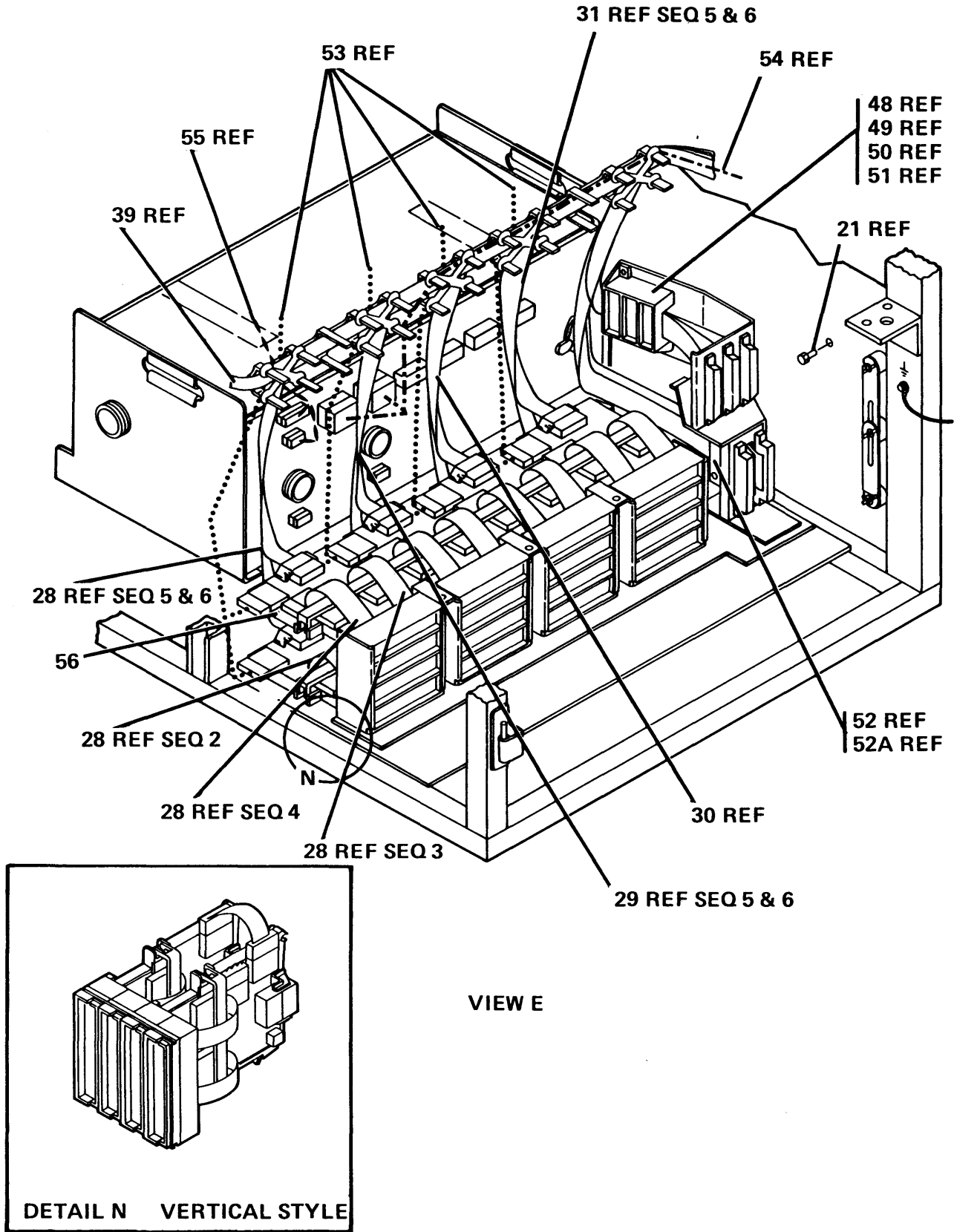


VIEW C



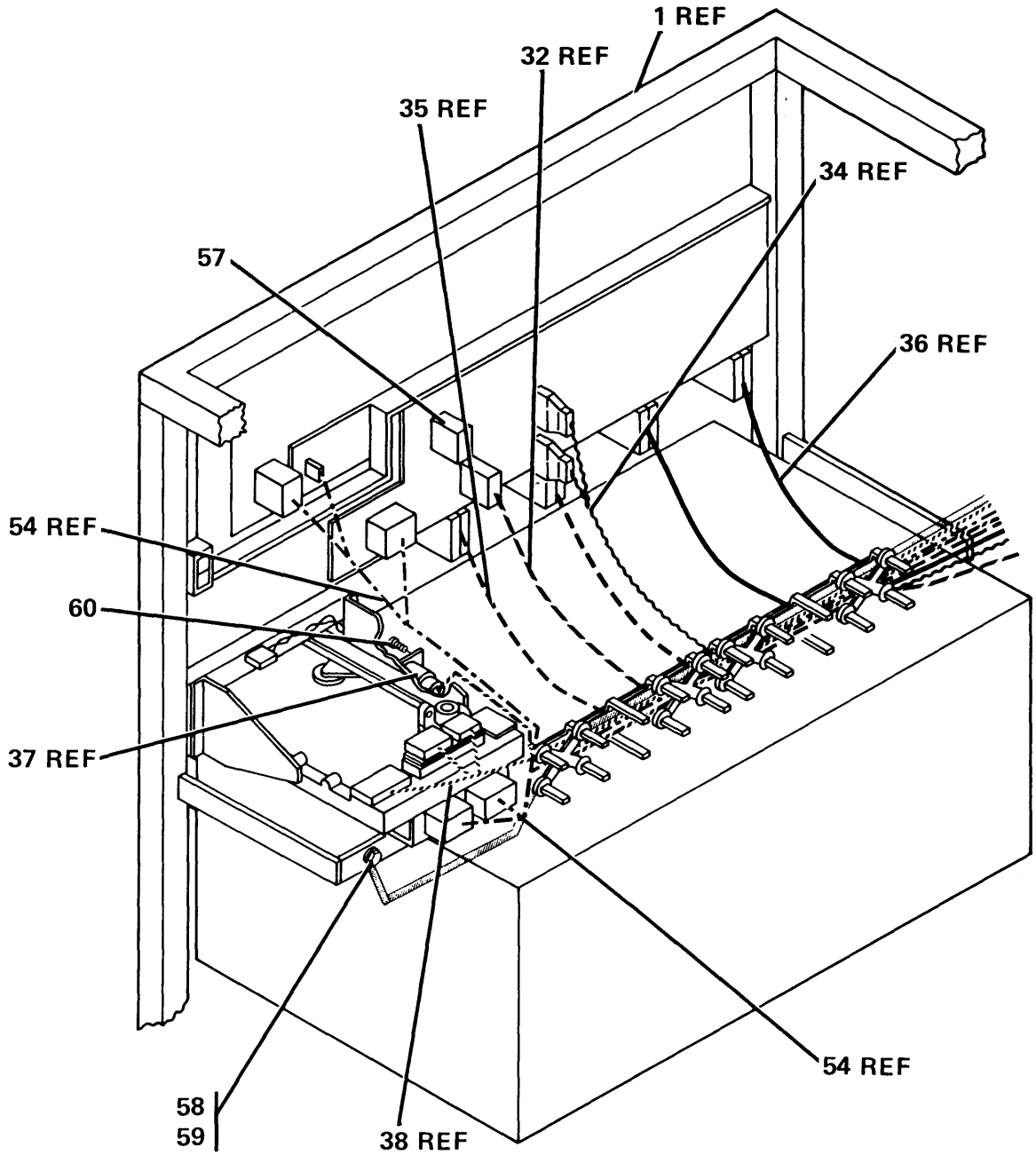
With B/M 6460460

Asm – Index	Part Number	Units	Description
42 –			Cable Routing, Control Unit (Sheet 4 of 7)
– 47	1621191	4	• Screw, Metric-Slot Pan Hd M4 X 10 mm Lg
– 48	6390545	3	• Bracket, Ferrite
– 49	6460084	6	• Core, Ferrite
– 50	5715054	AR	• Tape
– 51	811427	3	• Strap
– 52	6460092	1	• Clamp
– 52A	1621811	4	• Screw, Metric-Thd Form Hex Wshr Hd M4 X 10 mm Lg
– 53	4770192	1	• Cable Asm, I/O DC See Chart, Sheet 1
– 54	6390529	1	• Cable Asm, Power Control See Chart, Sheet 1
– 55	4451675	1	• Cable Asm, AC/DC See Chart, Sheet 1
– 55A	13F3735	1	• Resistor Asm For Use on Model A22 Only With EC A57689
– 55B	13F3062	1	• • Cable Asm For Use on Model A22 Only With EC A57689



With B/M 6460460

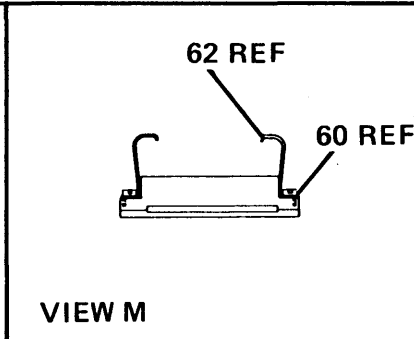
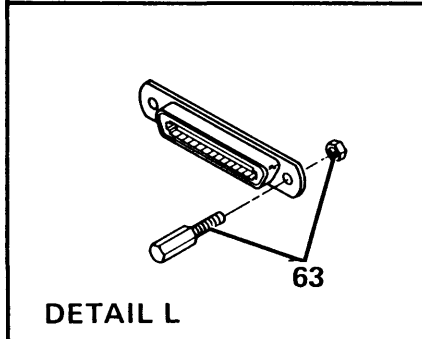
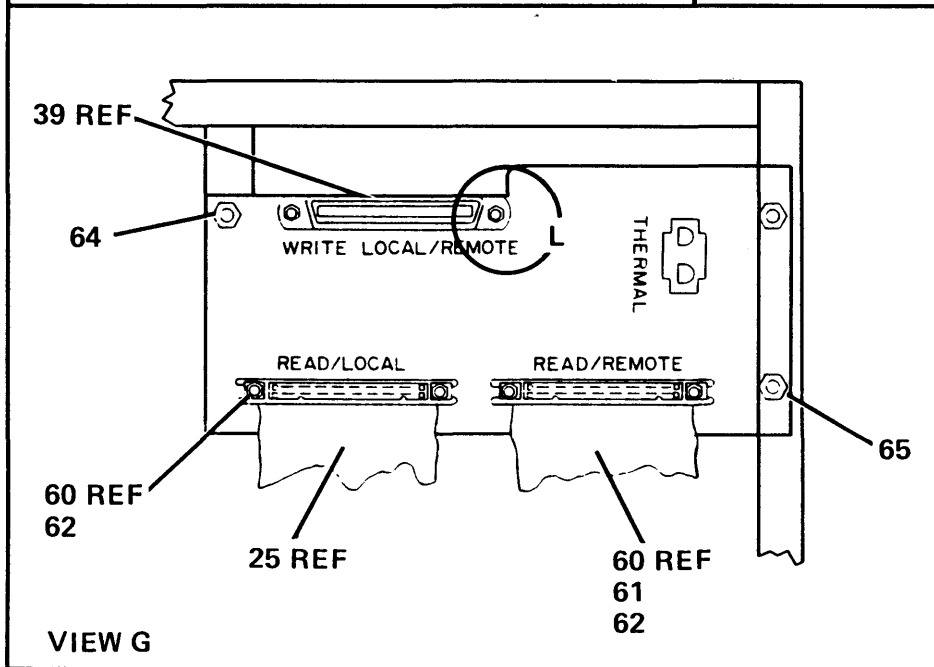
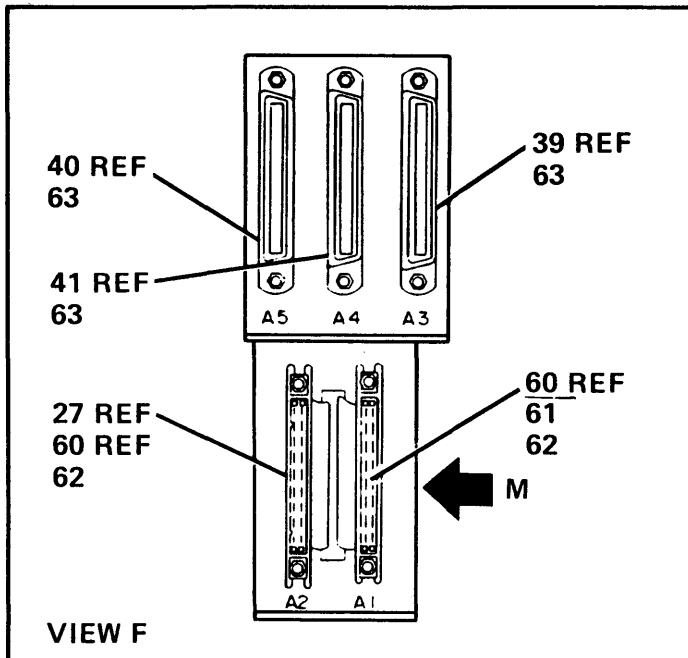
Asm— Index	Part Number	Units	Description
42— —56	6850710	NP 4	Cable Routing, Control Unit (Sheet 5 of 7) • Jumper Asm See Page 133 Index 56



VIEW D

With B/M 6460460

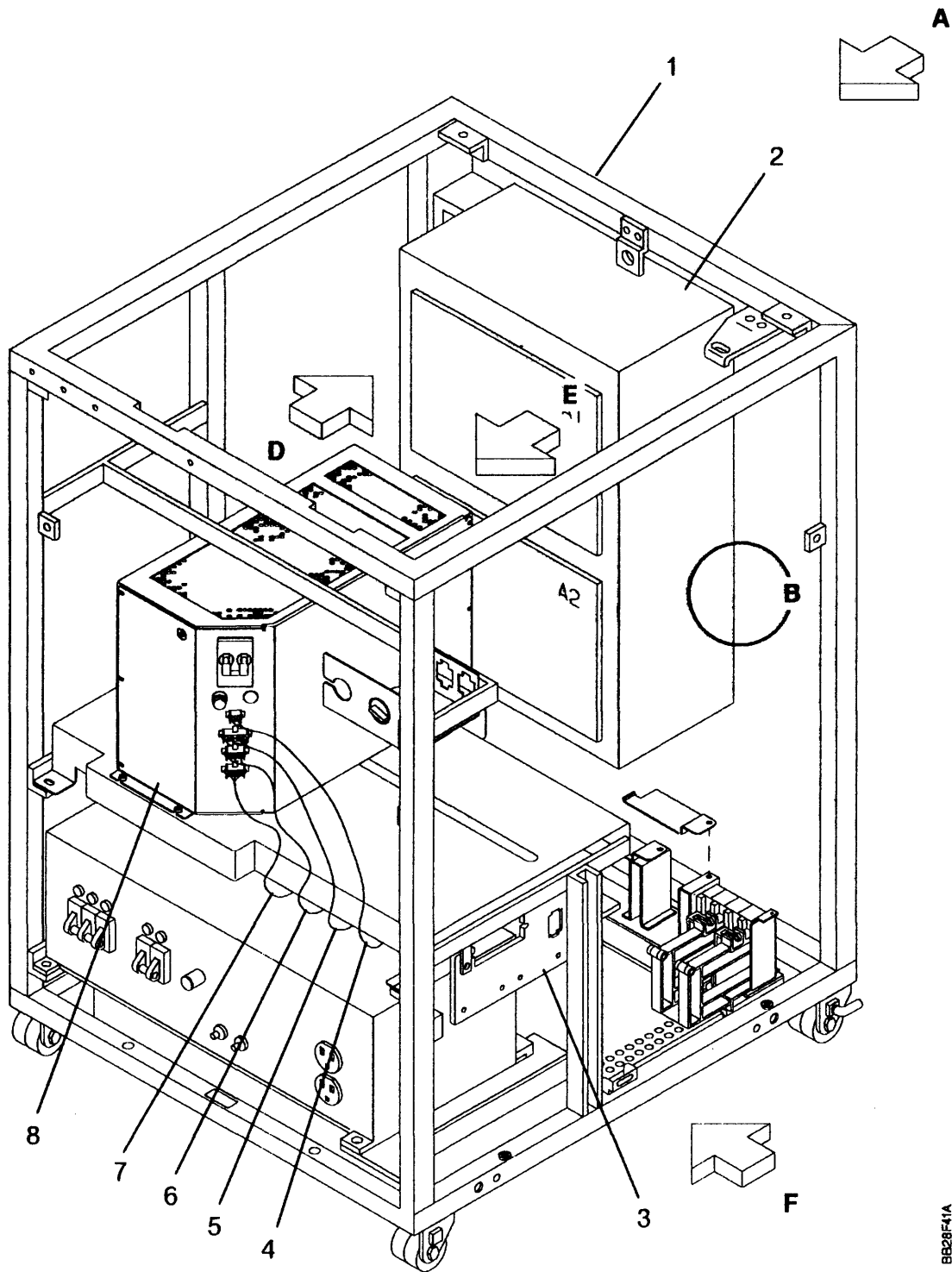
Asm - Index	Part Number	Units	Description
42 -		NP	Cable Routing, Control Unit (Sheet 6 of 7)
- 57	6390543	1	<ul style="list-style-type: none"> • Plug, Jumper
- 58	1621811	1	<ul style="list-style-type: none"> • Screw, Metric-Thd Form Hex Wshr Hd M4 X 10 mm Lg
- 59	1622346	1	<ul style="list-style-type: none"> • Lockwasher, Metric-Ext Tooth 4.3 ID X 8 OD
- 60	1621171	12	<ul style="list-style-type: none"> • Screw, Metric-Slot Pan Hd M3 X 8 mm Lg



With B/M 6460460

Asm - Index	Part Number	Units	Description
42 -			Cable Routing, Control Unit (Sheet 7 of 7)
-61	4799069	1	<ul style="list-style-type: none"> • Cable Asm, Read B Interface See Chart, Sheet 1
-62	6177117	8	<ul style="list-style-type: none"> • Latch
-63	6177206	4	<ul style="list-style-type: none"> • Standoff Kit
-64	1621813	1	<ul style="list-style-type: none"> • Screw, Metric-Thd Form Hex Wshr Hd M4 X 16 mm Lg
-65	1621811	2	<ul style="list-style-type: none"> • Screw, Metric-Thd Form Hex Wshr Hd M4 X 10 mm Lg

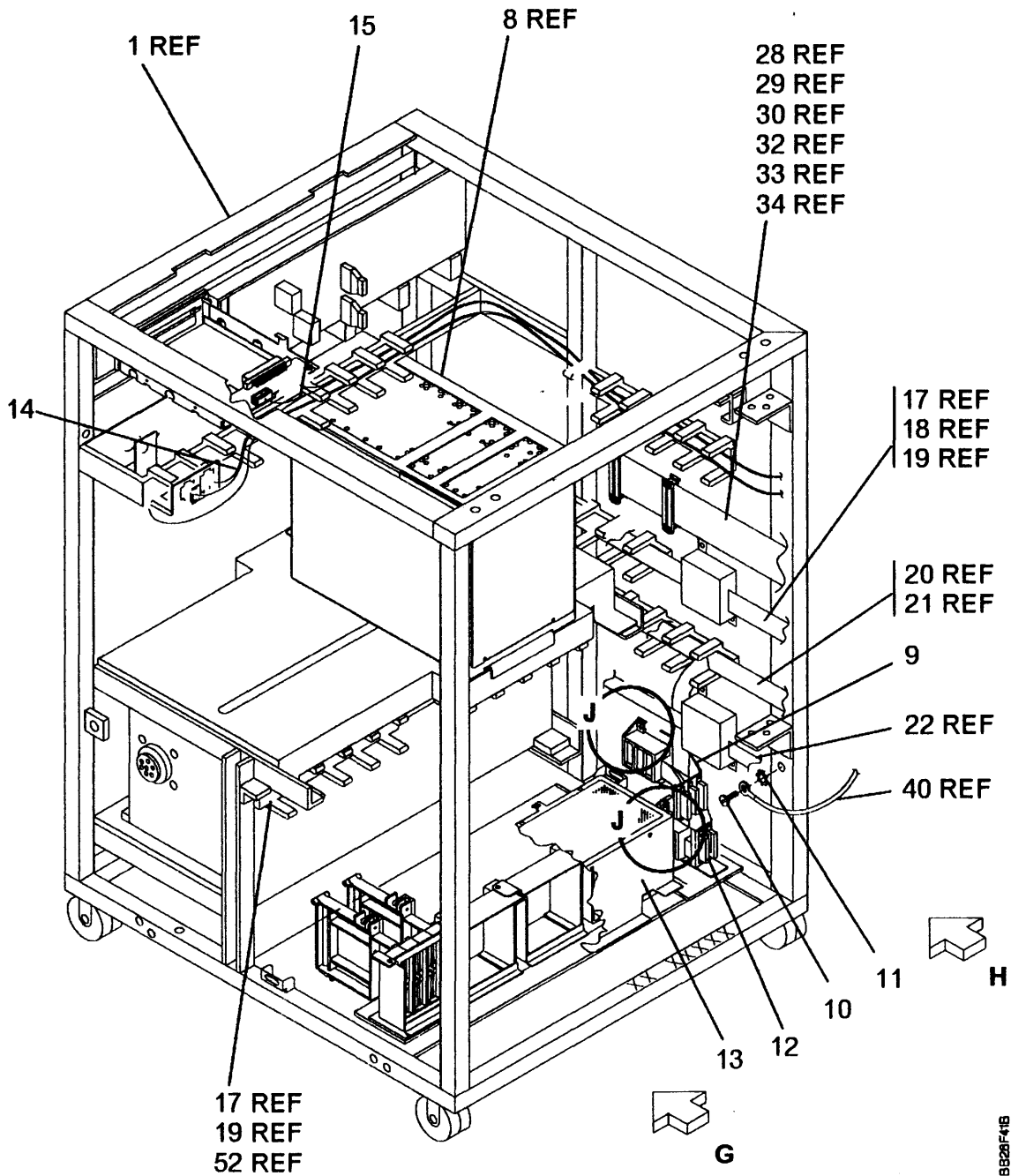
Assembly 43: Cable Routing, CU



With ECA57722

Asm— Index	Part Number	Units	Description
43 —		NP	Cable Routing, Control Unit
— 1	31F6957	Ref	• Frame/Power Asm, 60 Hz and 50 Hz Japan
— 1	31F6956	Ref	• Frame/Power Asm, 50 Hz
— 2	13F1703	Ref	• Gate Asm
— 3	8576694	Ref	• P1 Panel Asm
— 4	13F1584	1	• Cable Asm, AC Power Supply J04 to DC Power Supply J03
— 5	13F1590	1	• Cable Asm, AC Power Supply J03 to DC Power Supply J16 and Logic Board A2Y2
— 6	13F1585	1	• Cable Asm, AC Power Supply J02 to gate Fans J01
— 7	13F1583	1	• Cable Asm, AC Power Supply J02 to DC Power Supply J01
— 8	1037500	Ref	• DC Power Supply

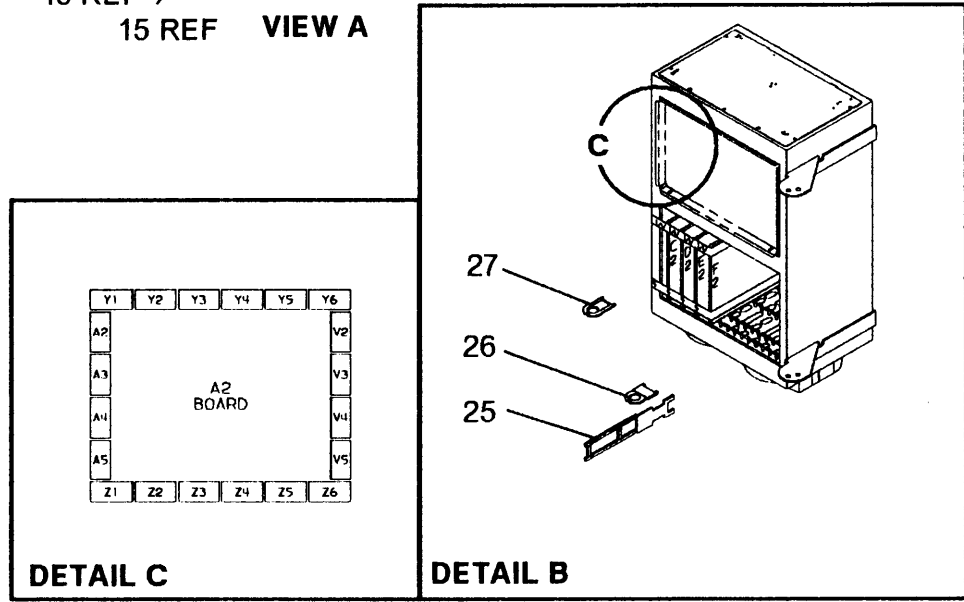
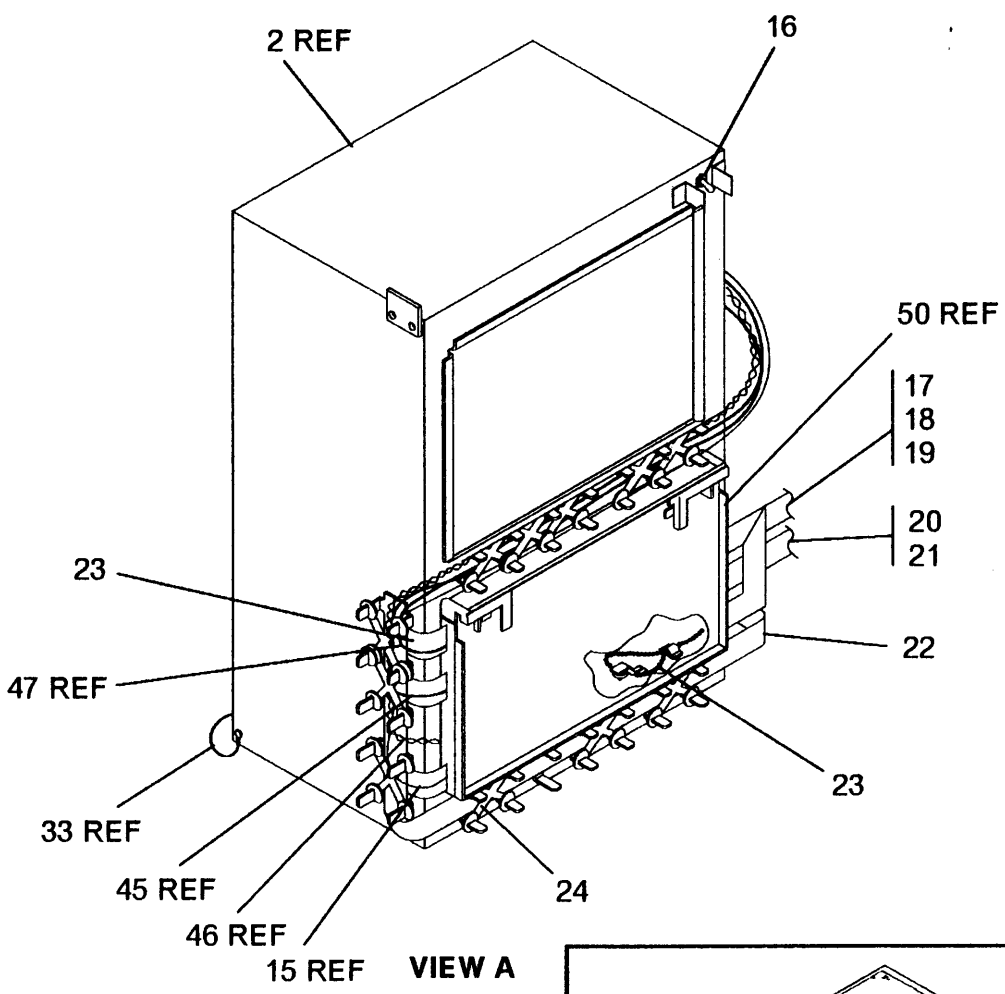
Assembly 43: (continued)



With EC A57722

Asm - Index	Part Number	Units	Description
43 -		NP	Cable Routing, Control Unit
- 9	6460089	Ref	• Bracket, 3 Connector
- 10	1621210	Ref	• Screw, Metric-Slot Pan Hd M5 X 10 mm Long
- 11	1622335	Ref	• Lockwasher, Metric-Int Tooth 5.3 ID X 10 OD
- 12	6460088	Ref	• Bracket, 2 Connector
- 13	56X4616	Ref	• Guard, Drip Screenor
- 14	6390529	1	• Cable Asm, Operator Panel J1, UEPO Sw 1 & 2, Operator Setup Panel J4, Local/Remote Sw Asm J1, J2
- 15	13F1695	1	• Cable Asm, Disk Drive P01, P02 to DC PoweccSupply P09 and Logic Board A2A5

Assembly 43: (continued)

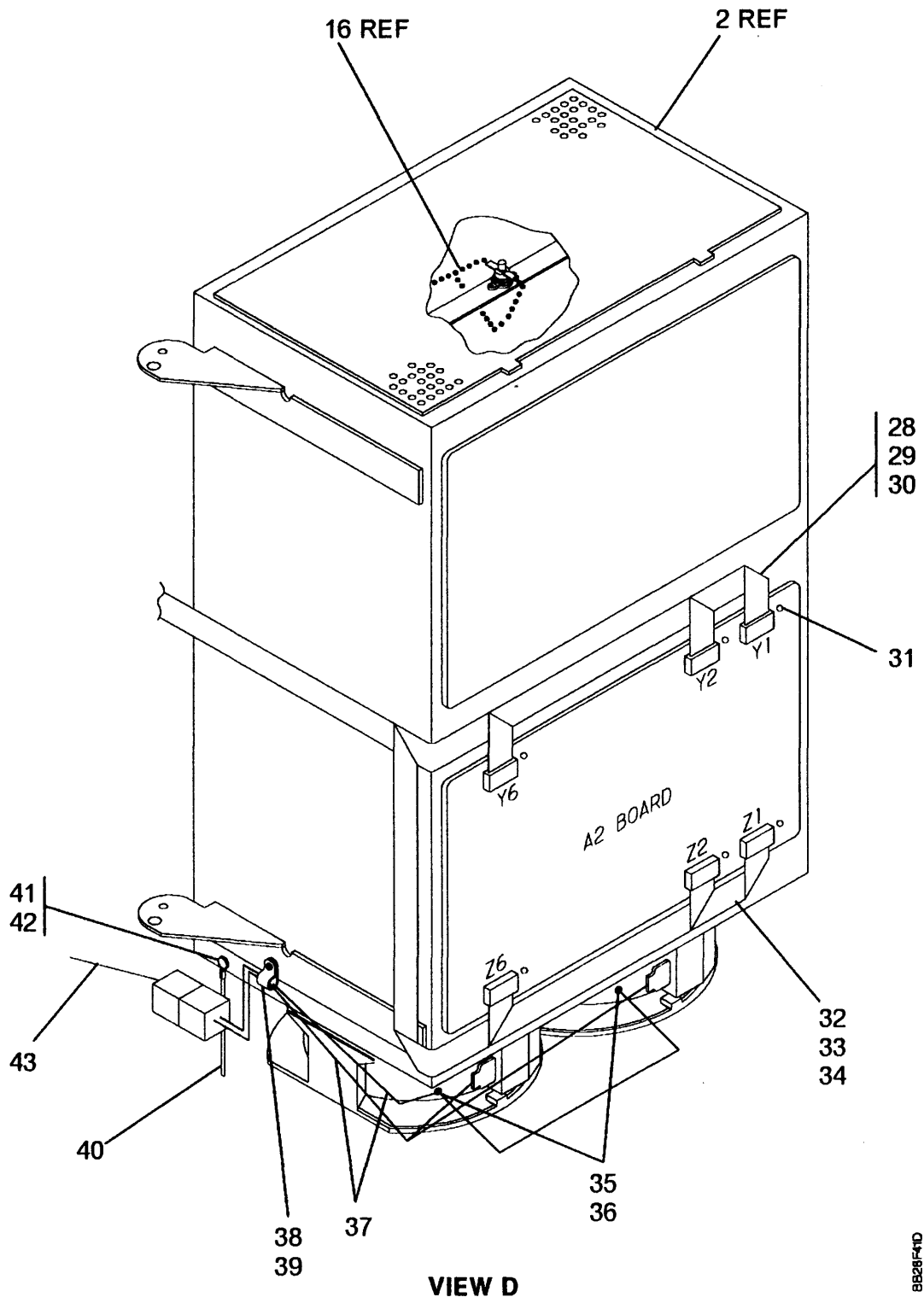


With EC A57722

B928F41C

Asm- Index	Part Number	Units	Description
43-		NP	Cable Routing, Control Unit
-16	13F1692	1	• Cable Asm, Service Sw Asm, Upper Thermal, Logic Board A2Y2
-17	13F1691	1	• Cable Asm, Logic Board A2T4 to Panel P2A1
-18	13F1599	1	• Cable Asm, Logic Board A2Y4, A2Y5 to Panel P2A4
-19	13F1581	1	• Cable Asm, Logic Card A2V2 to Panel P1A2 and P2A3, Logic Board A2Z5
-20	13F1600	1	• Cable Asm, Logic Board A2T2 to Panel P2A2
-21	13F1582	1	• Cable Asm, Logic Card A2V4 to Panel P1A5, Logic Board A2Z3
-22	13F1582	1	• Cable Asm, Logic Card C, D, E, F for Channels A, B, C, D to Tailgate of Channels A, B, C, D. Channels B, C, D are Features
-23	6390310	1	• Cable Asm, Logic Board Lower Thermal to OSU Panel J3, & Panel P1C1
-24	813519	AR	• Strap, Cable
-25	2497236	4	• Retainer, Cable
-26	4780514	2	• Retainer, Cable
-27	6850641	4	• Retainer, Cable SLT

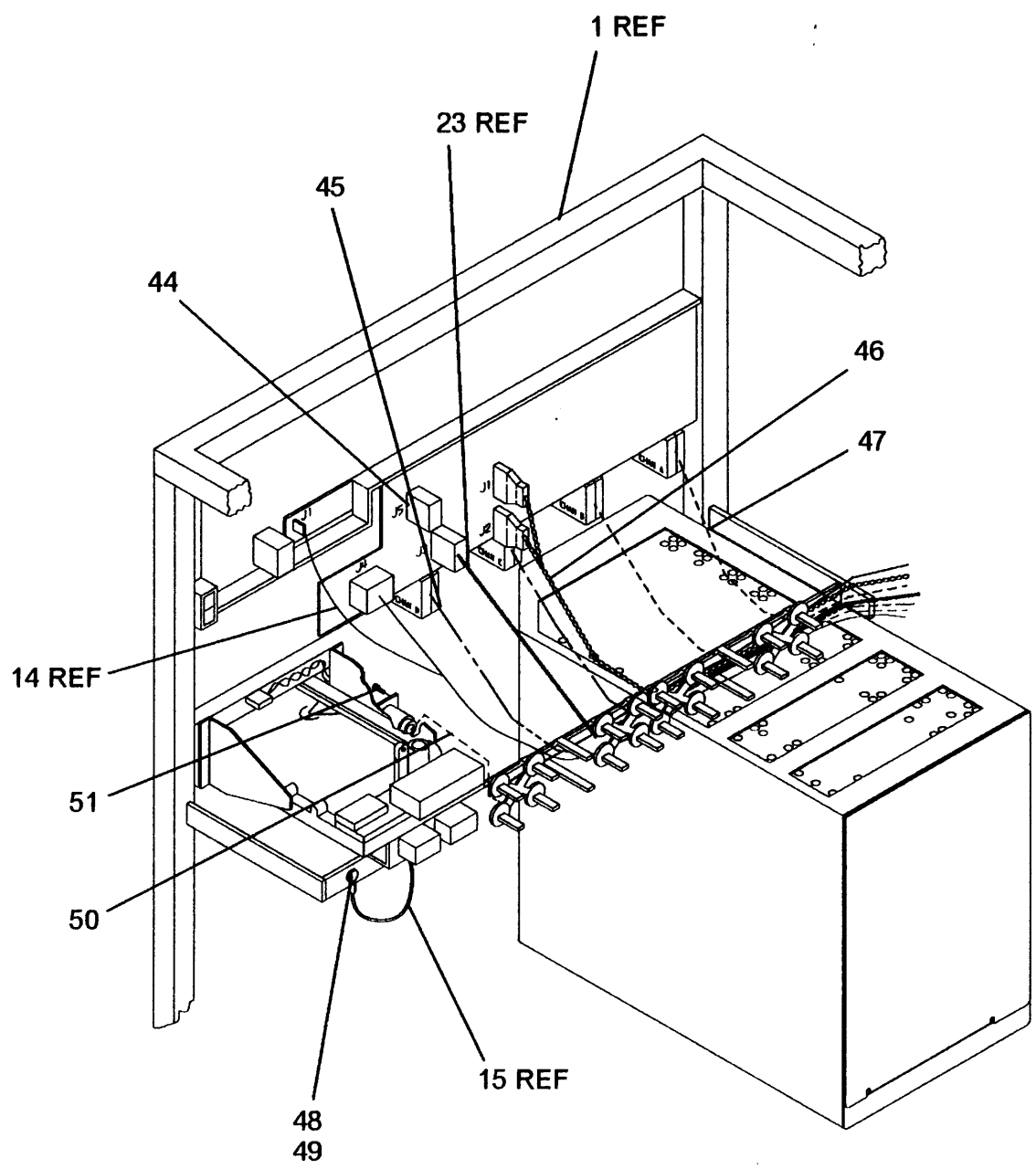
Assembly 43: (continued)



8826F1D

With EC A57722

Asm— Index	Part Number	Units	Description
43—		NP	Cable Routing, Control Unit
—28	13F1586	1	• Cable Asm, Logic Board A2Y1 to DC Power Supply J14
—29	13F1590	1	• Cable Asm, Logic Board A2Y2 to DC Power Supply J16, J03
—30	13F1588	1	• Cable Asm, Logic Board A2Y6 to DC Power Supply J12
—31	1621177	6	• Screw, Metric-Slot Pan Hd M3 X 25 mm Long
—32	13F1589	1	• Cable Asm, Logic Board A2Z1 to DC Power Supply J11
—33	13F1591	1	• Cable Asm, Logic Board A2Z2 to DC Power Supply J13, Logic Gate Gnd
—34	13F1587	1	• Cable Asm, Logic Board A2Z6 to DC Power Supply J15
—35	236849	Ref	• Screw, Mach-Bind Hd 10-32 X .250 Long
—36	1622347	Ref	• Lockwasher, Metric-Ext Tooth 5.3 ID X 10 OD
—37	4799041	Ref	• Cable Asm, Logic Gate Fans
—38	356742	Ref	• Clamp, Dia .250 Mtg Hole .177
—39	1621197	Ref	• Screw, Metric-Slot Pan Hd M4 X 6 mm Long
—40	5759582	1	• Jumper, Gnd
—41	1621811	Ref	• Screw, Metric-Thd Form Hex Wshr Hd M4 X 10 mm Long
—42	1622346	Ref	• Lockwasher, Metric-Ext Tooth 4.3 ID X 8 OD
—43	13F1585	1	• Cable Asm, DC Power Supply J02 to Logic Gate J01



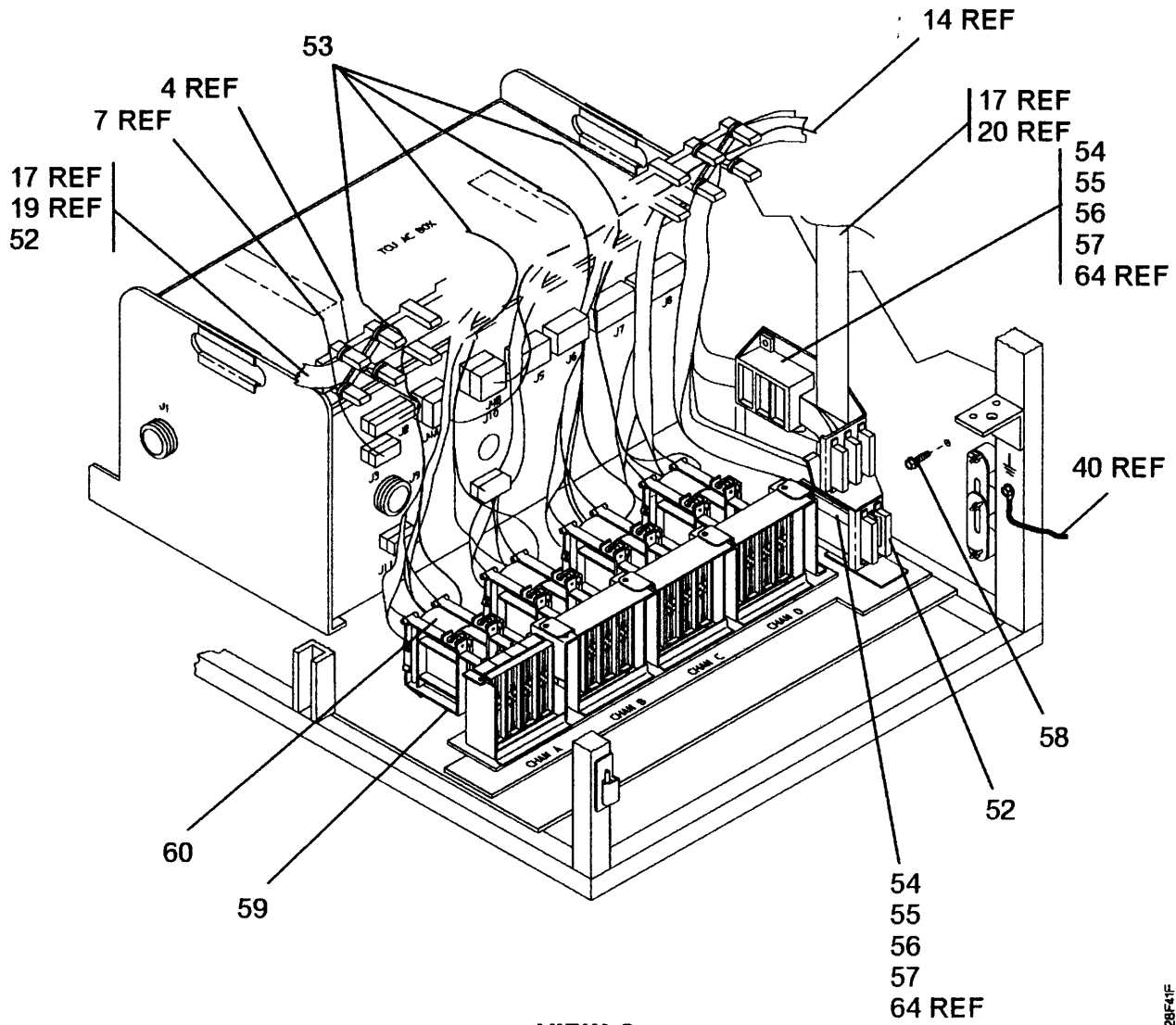
VIEW F

BB28F41E

With EC A67722

Asm – Index	Part Number	Units	Description
43 –		NP	Cable Routing, Control Unit
– 44	6390543	1	• Jumper Plug, OSU Panel
– 45	4451678	1	• Cable Asm, C & D Address Switches to Logic Board A2A3
– 46	6390530	1	• Cable Asm, OSU Panel J1, J2 to Logic Board A2A4
– 47	13F1593	1	• Cable Asm, A & B Address Switches to Logic Board A2A2
– 48	1621811	Ref	• Screw, Metric-Thd Form Hex Wshr Hd M4 X 10 mm Long
– 49	1622346	Ref	• Lockwasher, Metric-Ext Tooth 4.3 ID X 8 OD
– 46	6390530	1	• Cable Asm, OSU Panel MD Port to Logic Board A2Z4
– 51	1621171	Ref	• Screw, Metric-Slot Pan Hd M3 X 8 mm Long

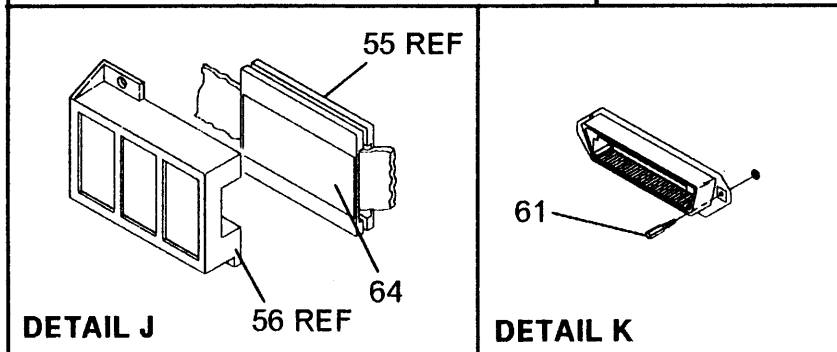
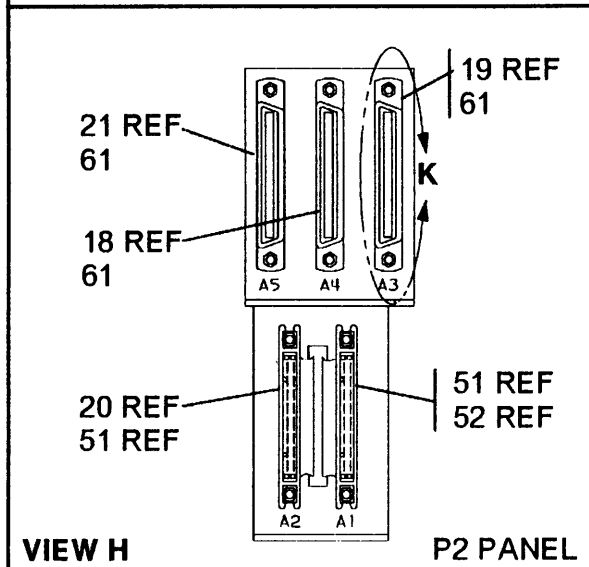
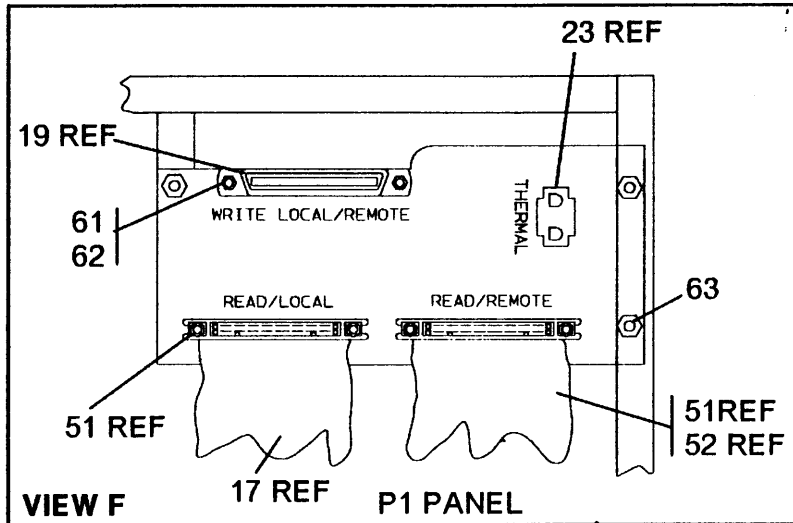
Assembly 43: (continued)



8628F41F

With EC A57722

Asm – Index	Part Number	Units	Description
43 –		NP	Cable Routing, Control Unit
– 52	4799069	1	• Cable Asm, Panels P2A1 and P1B1
– 53	56X4592	1	• TCU DC Power Supply J5, J6, J7, J8 Channel Feature Sensitive
– 54	1621811	Ref	• Screw, Metric-Thd Form Hex Wshr Hd M4 X 10 mm Long
– 55	2497236	Ref	• Retainer, Cable
– 56	6850641	Ref	• Retainer, Cable
– 57	6460092	Ref	• Clamp
– 58	1621811	Ref	• Screw, Metric-Thd Form Hex Wshr Hd M4 X 10 mm Long
– 59	6850710	1	• Jumper Asm, Channel Feature Sensitive
– 60	56X4593	1	• Interposer Cable, Channel Feature Sensitive

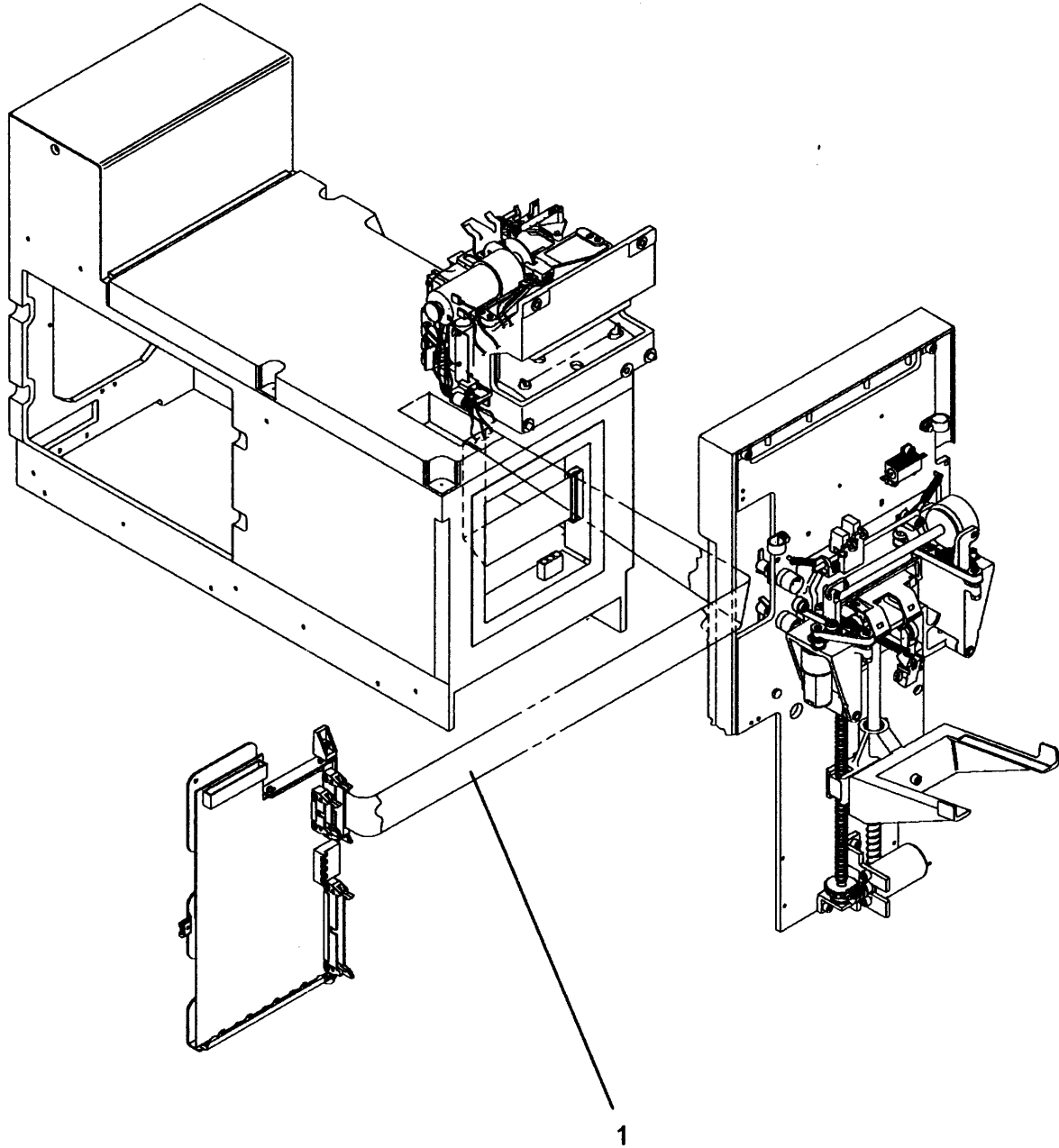


9528F4/G

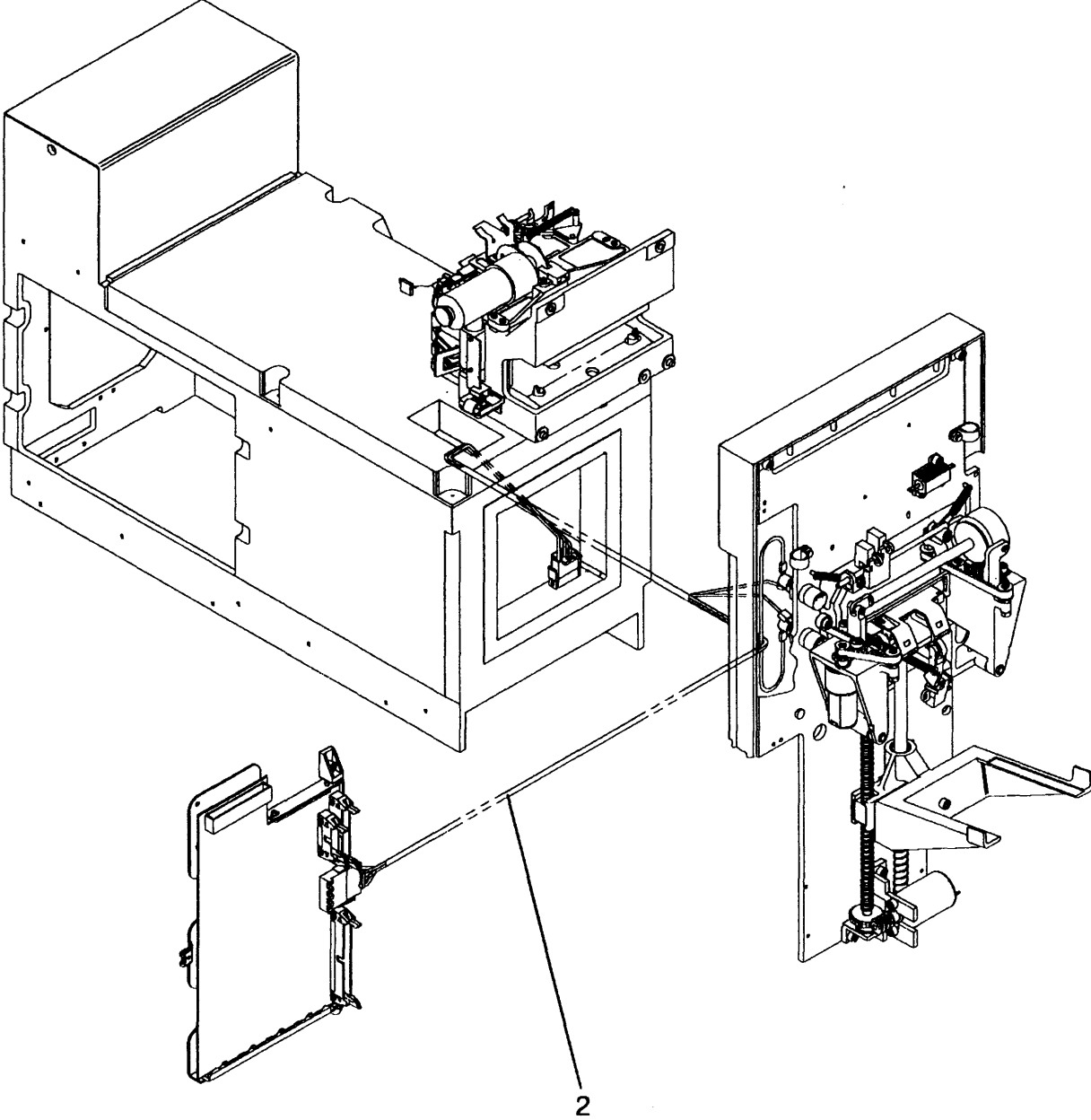
With EC A57722

Asm – Index	Part Number	Units	Description
43 – –61 –62 –63 –64	6177206 1621813 1621811 5715054	NP Ref Ref Ref Ref	Cable Routing, Control Unit • Standoff Kit • Screw, Metric-Thd Form Hex Wshr Hd M4 X 16 mm Long • Screw, Metric-Thd Form Hex Wshr Hd M4 X 10 mm Long • Tape

Assembly 44: Cable Routing, Automatic Cartridge Loader

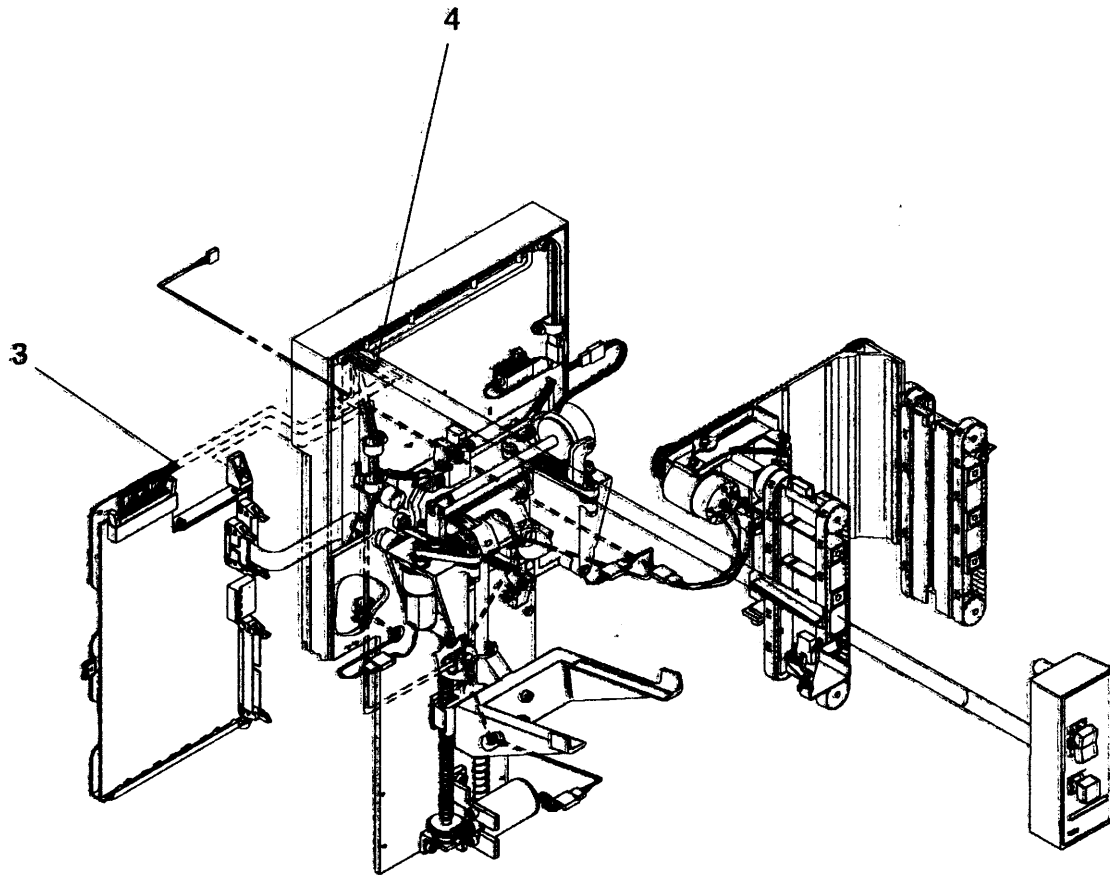


Asm - Index	Part Number	Units	Description
44 - - 1	6273159	NP 1	Cable Routing, Automatic Cartridge Loader (Sheet 1 of 4) • Cable Asm, Sense



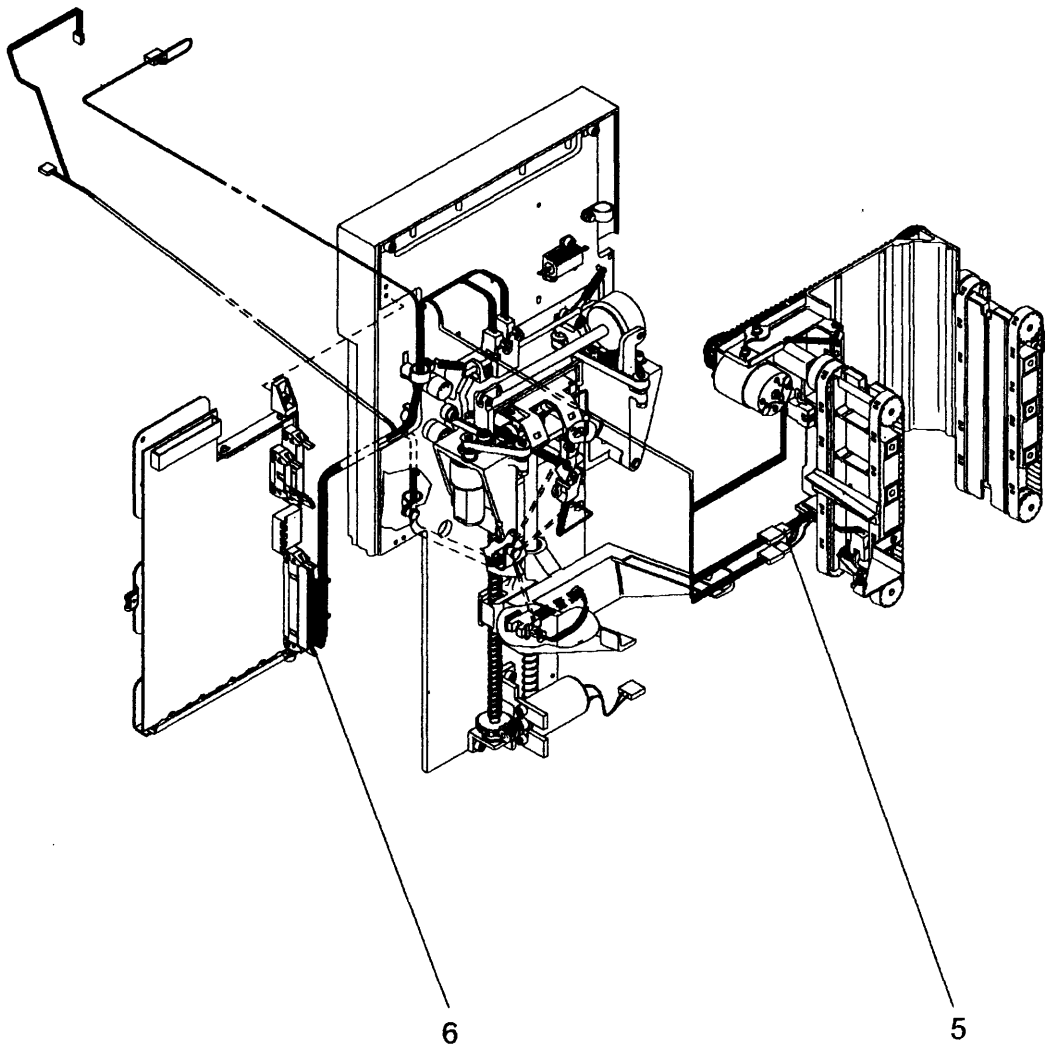
Asm - Index	Part Number	Units	Description
44 - -2	6273157	NP 1	Cable Routing, Automatic Cartridge Loader (Sheet 2 of 4) • Cable Asm, Drive Power

Assembly 44: (continued)



Asm – Index	Part Number	Units	Description
44 – –3 –4	6273162 5420242	NP 1 1	Cable Routing, Automatic Cartridge Loader (Sheet 3 of 4) • Cable Asm, Motor • Tie, Cable

Assembly 44: (continued)



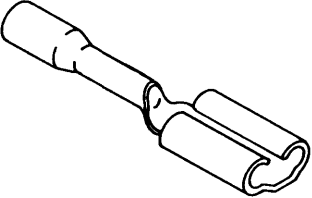
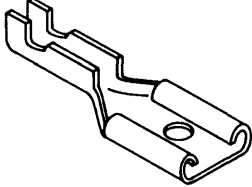
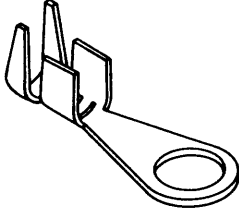
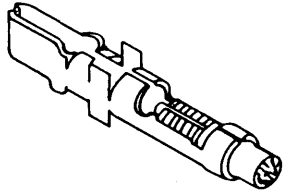
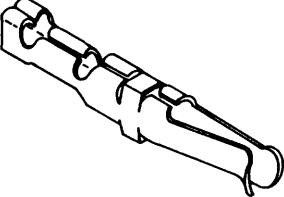

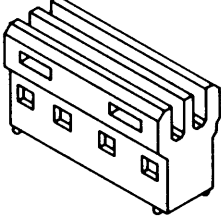
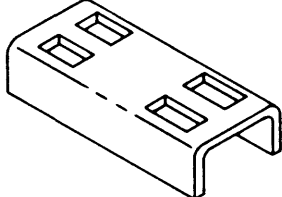
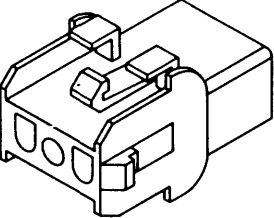
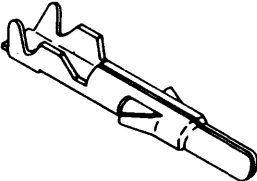
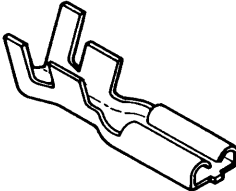
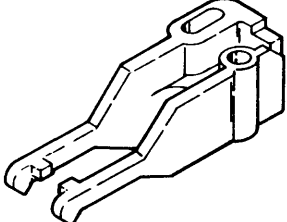
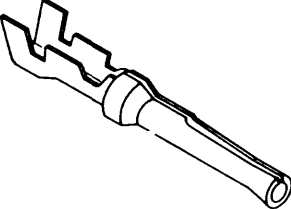
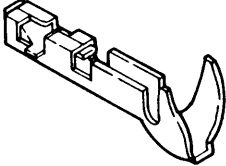
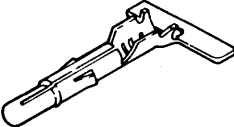
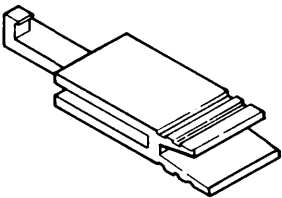
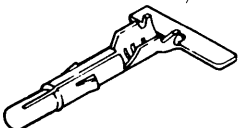
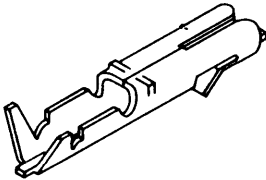
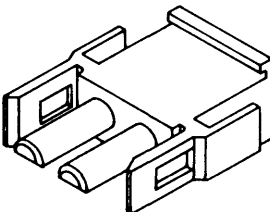
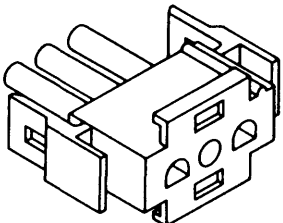
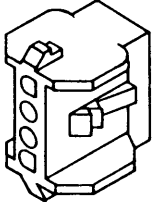
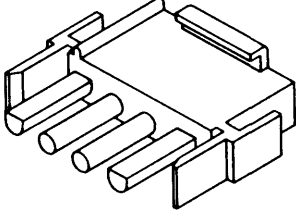
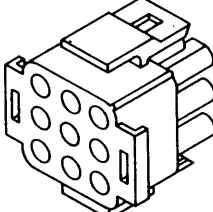
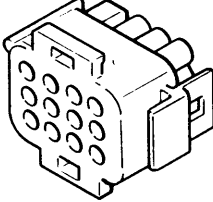
Asm – Index	Part Number	Units	Description
44 – –5 –6	6273154 6273161	NP 1 1	Cable Routing, Automatic Cartridge Loader (Sheet 4 of 4) • Jumper, Indexer Switch • Cable Asm, Sensor

Assembly 45: Cable Assemblies With Component Parts

Asm - Index	Part Number	Units	Description
45 -		NP	Cable Assemblies (Sheet 1 of 2)
-	3155888	AR	• Cable Asm, Disc Drive to Logic Gate
-	4128779	AR	• Cable Asm, TU Read Buss T For Component Parts See Index No. 44
-	4128780	AR	• Cable Asm, P.S. Dist Cable D.C. For Component Parts See Index Nos. 12A, 18B, 24, 26
-	4128782	AR	• Cable Asm, Read
-	4128783	AR	• Cable Asm, Write
-	4128795	AR	• Cable Asm
-	4451669	AR	• Cable Asm For Component Parts See Index Nos. 3B, 4, 4A, 35, 36
-	4451670	AR	• Cable Asm For Component Parts See Index Nos. 2A, 3A, 3B, 3D, 5, 10C, 15, 18B, 20, 34
-	4451671	AR	• Cable Asm For Component Parts See Index Nos. 10C, 12, 14A, 15A, 20, 28
-	4451672	AR	• Cable Asm For Component Parts See Index Nos. 3B, 4, 4A, 35, 36
-	4451673	AR	• Cable Asm For Component Parts See Index Nos. 2A, 3, 10C, 12, 15A, 20
-	4451674	AR	• Cable Asm For Component Parts See Index Nos. 3, 3C, 18, 18B, 21
-	4451675	AR	• Cable Asm For Component Parts See Index Nos. 10C, 15, 18B, 19, 20
-	4451676	AR	• Cable Asm For Component Parts See Index Nos. 39, 43, 45
-	4451677	AR	• Cable Asm For Component Parts See Index Nos. 43, 44, 45
-	4451678	AR	• Cable Asm For Component Parts See Index Nos. 41, 49, 51, 56
-	4451686	AR	• Cable Asm, Panel/Fan, Filter Asm
-	4451687	AR	• Cable Asm For Component Parts See Index Nos. 18B, 22
-	4451695	AR	• SLT Cable Asm
-	4451697	AR	• Cable List
-	4451698	AR	• Cable List
-	4451699	AR	• Cable List
-	4451700	AR	• Cable Asm For Component Parts See Index Nos. 10B, 12, 14, 22, 29, 32
-	4451704	AR	• FDS Cable Asm
-	4451711	AR	• Cable Asm For Component Parts See Index Nos. 14, 14A, 30, 32, 38, 42, 49, 50, 51
-	4451802	AR	• Cable List
-	4451804	AR	• Cable Asm For Component Parts See Index Nos. 41, 49, 51, 56
-	4451805	AR	• Cable Asm For Component Parts See Index Nos. 4, 11, 41, 46
-	4451811	AR	• Cable Asm For Component Parts See Index Nos. 13, 13A, 49, 51, 52, 56, 70
-	4451814	AR	• Cable Asm For Component Parts See Index Nos. 4, 11, 41, 46
-	4451816	AR	• Cable Asm
-	4451817	AR	• Cable Asm
-	4451818	AR	• Cable Asm
-	4451819	AR	• Cable Asm
-	4451820	AR	• Cable Asm
-	4451821	AR	• Cable Asm
-	4451822	AR	• Cable Asm

Asm - Index	Part Number	Units	Description
45 -		NP	Cable Assemblies (Sheet 2 of 2)
-	4451823	AR	• Cable Asm
-	4451883	AR	• Cable Asm
-	4770190	AR	• Cable Asm, TCU DC to Gate For Component Parts See Index Nos. 10C, 18B, 24, 26, 33A
-	4780584	AR	• Cable Asm, Operator Panel
-	4798935	AR	• Cable Asm For Component Parts See Index Nos. 3E, 63
-	4799013	AR	• Cable Asm
-	4799015	AR	• Cable Asm
-	4799016	AR	• Cable Asm
-	4799017	AR	• Cable Asm
-	4799032	AR	• Cable Asm, A1 to A2 Board
-	4799040	AR	• Cable Asm, Controller AC Fan For Component Parts See Index Nos. 12, 18, 20
-	4799041	AR	• Cable Asm, Controller Gate Fan For Component Parts See Index Nos. 3C, 3E, 9, 10C, 15
-	4799055	AR	• Cable Asm, Read A Channel For Component Parts See Index Nos. 40, 43, 45, 47
-	4799056	AR	• Cable Asm, Gate to Back Panel B Interface For Component Parts See Index Nos. 40, 45, 47, 48
-	4799065	AR	• Cable Asm, T/U Fan Ground Jumper For Component Parts See Index Nos. 3A, 18D
-	4799069	AR	• Cable Asm, Read B Interface Bk Panel to Side Pan For Component Parts See Index Nos. 43, 45
-	4799073	AR	• Cable Asm
-	4799075	AR	• Cable Asm, Device Read Stub Interface For Component Parts See Index Nos. 39, 45
-	6177187	AR	• Cable Asm, Signal For Component Parts See Index Nos. 45, 45A, 51
-	6178243	AR	• Cable Asm, Controller Gate DC Dist For Component Parts See Index Nos. 6, 7, 8, 14, 17, 33
-	6179015	AR	• Cable Asm, Device DC Distribution For Component Parts See Index Nos. 2, 2B, 6, 7, 8, 9, 10B, 10C, 10E, 14, 16, 18A, 18B, 19, 23, 25, 27, 28, 29, 30, 32, 37, 64, 65, 66, 67, 68, 69
-	6390310	AR	• Cable Asm, C/U Gate Thermal Switch For Component Parts See Index Nos. 10D, 18, 19, 57, 58, 59
-	6390546	AR	• Cable Asm, Panel/Fan, Filter Asm
-	6460286	AR	• Cable Asm, Logic Gate to P1 Panel For Component Parts See Index Nos. 71, 71A
-	6460287	AR	• Cable Asm, Logic Gate to Panels P1 & P2 For Component Parts See Index Nos. 71, 71A, 72
-	6460288	AR	• Cable Asm, Logic Gate to P2 Panel For Component Parts See Index Nos. 51A, 51C
-	6460294	AR	• Cable Asm, DU Logic L/R Write Interface For Component Parts See Index Nos. 71, 72
-	6460295	AR	• Cable Asm, CU Logic L/R Interface For Component Parts See Index Nos. 71A, 72A
-	6460298	AR	• Cable Asm, Logic Gate to P2 Panel For Component Parts See Index Nos. 73, 74, 75, 76
-	6460299	AR	• Cable Asm, Logic Gate to P2 Panel For Component Parts See Index Nos. 73, 74, 75, 76
-	68X8125	AR	• Cable Asm
-	6850685	AR	• Cable Asm For Component Parts See Index Nos. 14, 60A, 45, 51, 60, 63, 85
-	6850746	AR	• Cable Asm For Component Parts See Index Nos. 10B, 10C, 10E, 14, 18, 18B, 23, 24, 26, 29, 32, 50A
-	6850754	AR	• Cable Asm

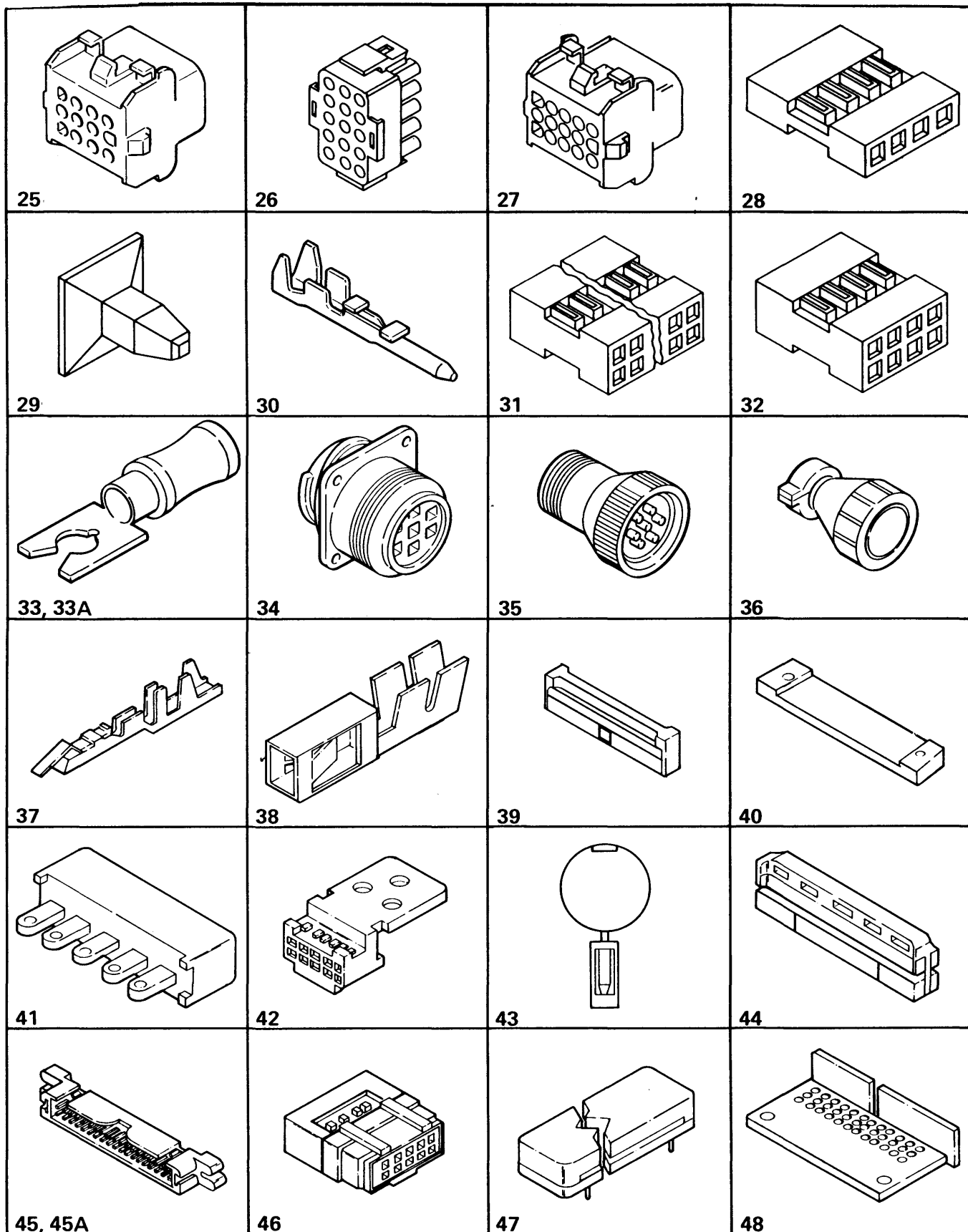
Assembly 45: (continued)

 <p>1</p>	 <p>2, 2A, 2B</p>	 <p>3, 3A, 3B, 3C, 3D, 3E</p>	 <p>4, 4A</p>
 <p>5</p>	 <p>6</p>	 <p>7</p>	 <p>8</p>
 <p>9</p>	 <p>10, 10A, 10B, 10C, 10D, 10E</p>	 <p>11</p>	 <p>12, 12A</p>
 <p>13, 13A</p>	 <p>14, 14A</p>	 <p>15, 15A</p>	 <p>16</p>
 <p>17</p>	 <p>18, 18A, 18B, 18C, 18D, 18E</p>	 <p>19</p>	 <p>20</p>
 <p>21</p>	 <p>22</p>	 <p>23</p>	 <p>24</p>

Without B/M 6460006, 6460460

Asm – Index	Part Number	Units	Description
45 –		NP	Cable Assemblies, Component Parts (Sheet 1 of 4)
– 1	236915	AR	• Terminal, Contact Female 18-20 AWG
– 2	430798	AR	• Terminal, Quick Disconnect 20-18 AWG Brass
– 2A	1127037	AR	• Terminal, Slip On 14-18 AWG
– 2B	1177057	AR	• Terminal, Quick Disconnect 18-22 AWG .100
– 3	483681	AR	• Terminal, Ring 18-20 AWG No. 8 Mtg Hole
– 3A	483682	AR	• Terminal, Ring 14-16 AWG No. 8 Mtg Hole
– 3B	483683	AR	• Terminal, Ring 10-12 AWG No. 8 Mtg Hole
– 3C	483685	AR	• Terminal, Ring 18-20 AWG No. 10 Mtg Hole
– 3D	483686	AR	• Terminal, Ring 14-16 AWG No. 10 Mtg Hole
– 3E	483687	AR	• Terminal, Ring 10-12 AWG No. 10 Mtg Hole
– 4	738254	AR	• Terminal, Male 12-14 AWG 5-250V 20 Amps
– 4A	2192507	AR	• Terminal, Male 12-14 AWG 0-250V 20 Amp
– 5	738255	AR	• Terminal, Female 12-14 AWG 5-250V 20 Amps
– 6	813681	AR	• Contact, Mini Bus
– 7	813801	AR	• Housing
– 8	813802	AR	• Cover, Voltage Crossover
– 9	1847527	AR	• Housing, Universal 3 Pos
– 10	1471018	AR	• Pin-Dual Lance
– 10A	1475670	AR	• Pin-Dual Lance
– 10B	1661131	AR	• Terminal, Pin
– 10C	1847522	AR	• Terminal, Pin 20-14 AWG .810 Long
– 10D	1661129	AR	• Pin-Dual Lance
– 10E	1847520	AR	• Terminal, Pin 20-14 AWG .790 Long
– 11	1608893	AR	• Terminal, Slip ON
– 12	1635819	AR	• Clamp, 2, 3 & 4 Circuit
– 12A	2501881	AR	• Clamp, 6,9,12 and 15 Circuit
– 13	1655358	AR	• Connector, Socket
– 13A	1655337	AR	• Contact, Socket
– 14	1661528	AR	• Mini-Pv Socket
– 14A	2337692	AR	• Receptacle, Mini Latch
– 15	1662777	AR	• Pin, Universal Grounding
– 15A	2451131	AR	• Pin, Split Universal 16-18 AWG
– 16	1743055	AR	• Connector Clip
– 17	1671217	AR	• Housing
– 18	1847521	AR	• Terminal, Pin 20-14 AWG .760 Long
– 18A	1661132	AR	• Terminal, Dual Lance Soc 18-24 AWG
– 18B	1847523	AR	• Terminal, Pin 20-14 AWG .780 Long
– 18C	1166115	AR	• Terminal, Socket 18-22 AWG
– 18D	5412643	AR	• Terminal, Socket 16-14 AWG
– 18E	1661128	AR	• Socket
– 19	1847524	AR	• Plug, Universal 2 Pos
– 20	1847526	AR	• Plug, Universal 3 Pos
– 21	1847529	AR	• Housing, Universal 4 Pos
– 22	1847528	AR	• Plug, Universal 4 Pos
– 23	1847532	AR	• Plug, Universal 9 Pos
– 24	1847534	AR	• Plug, Universal 12 Pos

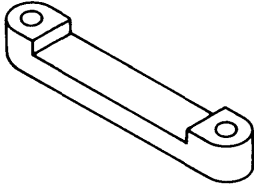
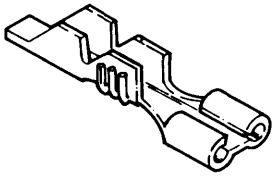
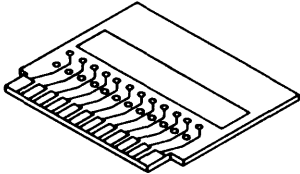
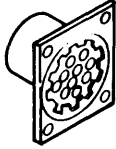
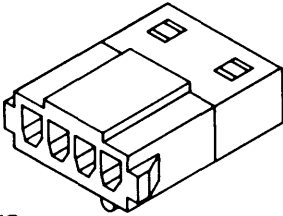
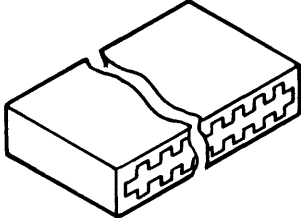
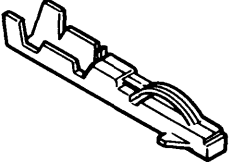
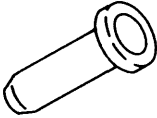
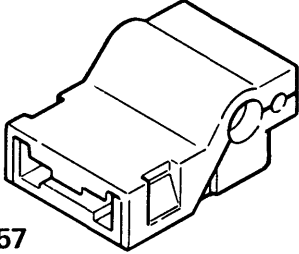
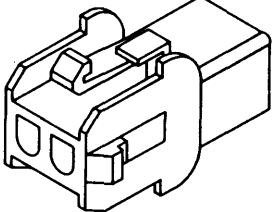
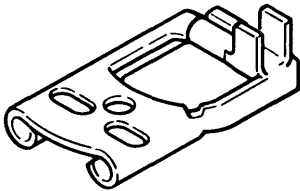
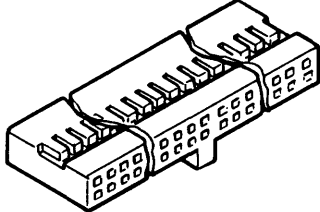
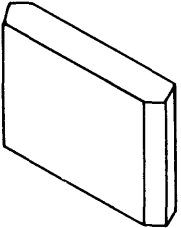
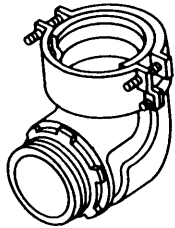
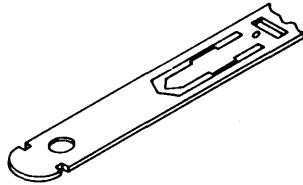
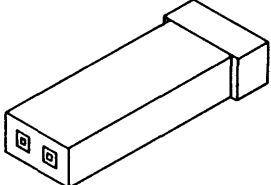

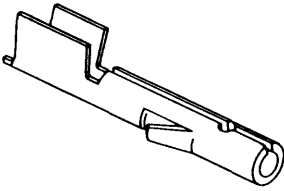

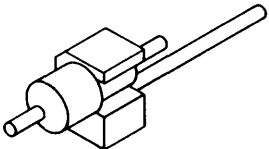


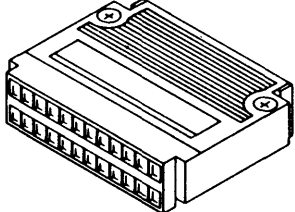
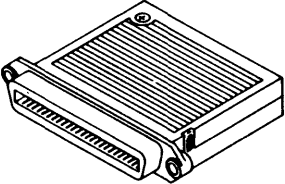
Assembly 45: (continued)



Without B/M 6460006, 6460460

Asm - Index	Part Number	Units	Description
45-		NP	Cable Assemblies, Component Parts (Sheet 2 of 4)
-25	1847535	AR	• Housing, Universal 12 Pos
-26	1847536	AR	• Plug, Universal 15 Pos
-27	1847537	AR	• Housing, Universal 15 Pos
-28	2637680	AR	• Housing, 4 Pos-With Locking Latch
-29	2637689	AR	• Polarizing Plug
-30	2731384	AR	• Terminal, Male Pin 22-26 AWG
-31	1663292	AR	• Housing, 2 X 8 With Locking Latch
-32	2731393	AR	• Housing, 2 X 4 With Locking Latch
-33	2744882	AR	• Terminal, Spade 22-18 AWG No. 8 Mtg Slot
-33A	2744885	AR	• Terminal, Spade 16-14 AWG No. 8 Mtg Slot
-34	2745023	AR	• Receptacle, Female 7 Pos 1.688 Long
-35	2745024	AR	• Plug, Straight 7 Pos 1.688 Long
-36	2745029	AR	• Clamp, Cable
-37	4426963	AR	• Receptacle, Locking Clip Female
-38	4426991	AR	• Contact Crimp, Female
-39	4451664	AR	• Connector, 40 Pin IDC
-40	4451666	AR	• Strain Relief, 40 Conductor Cable
-41	4451696	AR	• Connector, Address Switch
-42	4799018	AR	• Housing Connector, 10 Pos
-43	4799021	AR	• Key, Polarizing
-44	4799022	AR	• Connector, 40 Pin Socket
-45	4799023	AR	• Connector, 40 Pin Plug
-45A	6177189	AR	• Connector, 20 Pin Plug
-46	4799051	AR	• Connector, 10 Pin IDC Polarized
-47	4799067	AR	• P.C.B. Connector, 40 Connector
-48	4799071	AR	• Raw Card

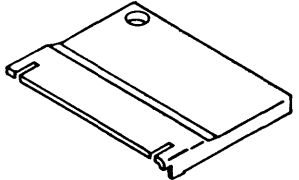
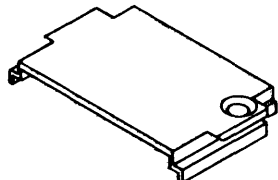
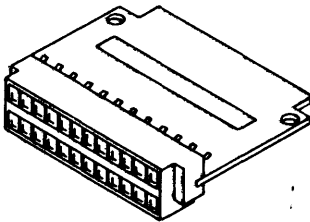
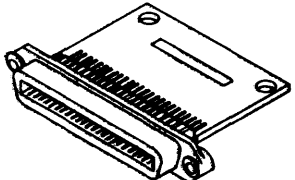
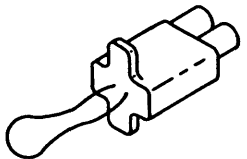
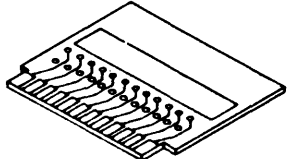
Assembly 45: (continued)

 <p>49</p>	 <p>50, 50A</p>	 <p>51,51A,51B,51C</p>	 <p>52</p>
 <p>53</p>	 <p>54</p>	 <p>55</p>	 <p>56</p>
 <p>57</p>	 <p>58</p>	 <p>59</p>	 <p>60, 60A, 60B</p>
 <p>61</p>	 <p>62</p>	 <p>63</p>	 <p>64</p>
 <p>65</p>	 <p>66</p>	 <p>67</p>	 <p>68</p>
 <p>69</p>	 <p>70</p>	 <p>71,71A</p>	 <p>72,72A</p>

Without B/M 6460006, 6460460

Asm - Index	Part Number	Units	Description
45 -		NP	Cable Assemblies, Component Parts (Sheet 3 of 4)
-49	5353922	AR	• Strain Relief
-50	5412817	AR	• Terminal, Quick Disconnect 20-24 AWG
-50A	5213274	AR	• Terminal, Quick Disconnect 18-22 AWG .100
-51	5800634	AR	• Card, Slit Cable
-51A	6177161	AR	• Pin
-51B	6177162	AR	• Pin
-51C	6177202	AR	• Pin
-52	8890970	AR	• CPC 17-28 Receptacle for Sockets
-53	1812491	AR	• Connector Housing, Female Contacts
-54	4451806	AR	• Edge Connector, 17 Pos
-55	1483544	AR	• Contact, Twin Leaf 24-28 AWG
-56	595720	AR	• Rivet
-57	1150750	AR	• Flag, Terminal Shield
-58	1847525	AR	• Housing, Universal 2 Pos
-59	1244784	AR	• Flag, Terminal .250-18-22 AWG
-60	6021004	AR	• Housing
-60A	4780610	AR	• Housing, Polarized Mini Latch 2 x 9
-60B	8544566	AR	• Polarized Mini Latch Hsg, 2 x 7
-61	4451810	AR	• Key
-62	4798874	AR	• Connector, Squeeze
-63	4512642	AR	• Housing
-64	4451692	AR	• Housing, 1 X 2 Locking Clip
-65	4487756	AR	• Socket
-66	4488202	AR	• Socket, Select Gold Mate-N-Loc 10-12 AWG
-67	5391901	AR	• Pin
-68	8674012	AR	• Filter Asm, EMI
-69	6272635	AR	• Filter Asm
-70	8890975	AR	• Restraint
-71	6272657	AR	• Connector Sub-Asm, 50 Pin Type I
-71A	6177162	AR	• Connector Sub-Asm, 24 Pin Type II
-72	6272655	AR	• Connector Sub-Asm, 50 Pin Type II
-72A	6272653	AR	• Connector Sub-Asm, 50 Pin

Assembly 45: (continued)

 <p>73</p>	 <p>74</p>	 <p>75</p>	 <p>76</p>
 <p>77</p>	 <p>78</p>		

Without B/M 6460006, 6460460

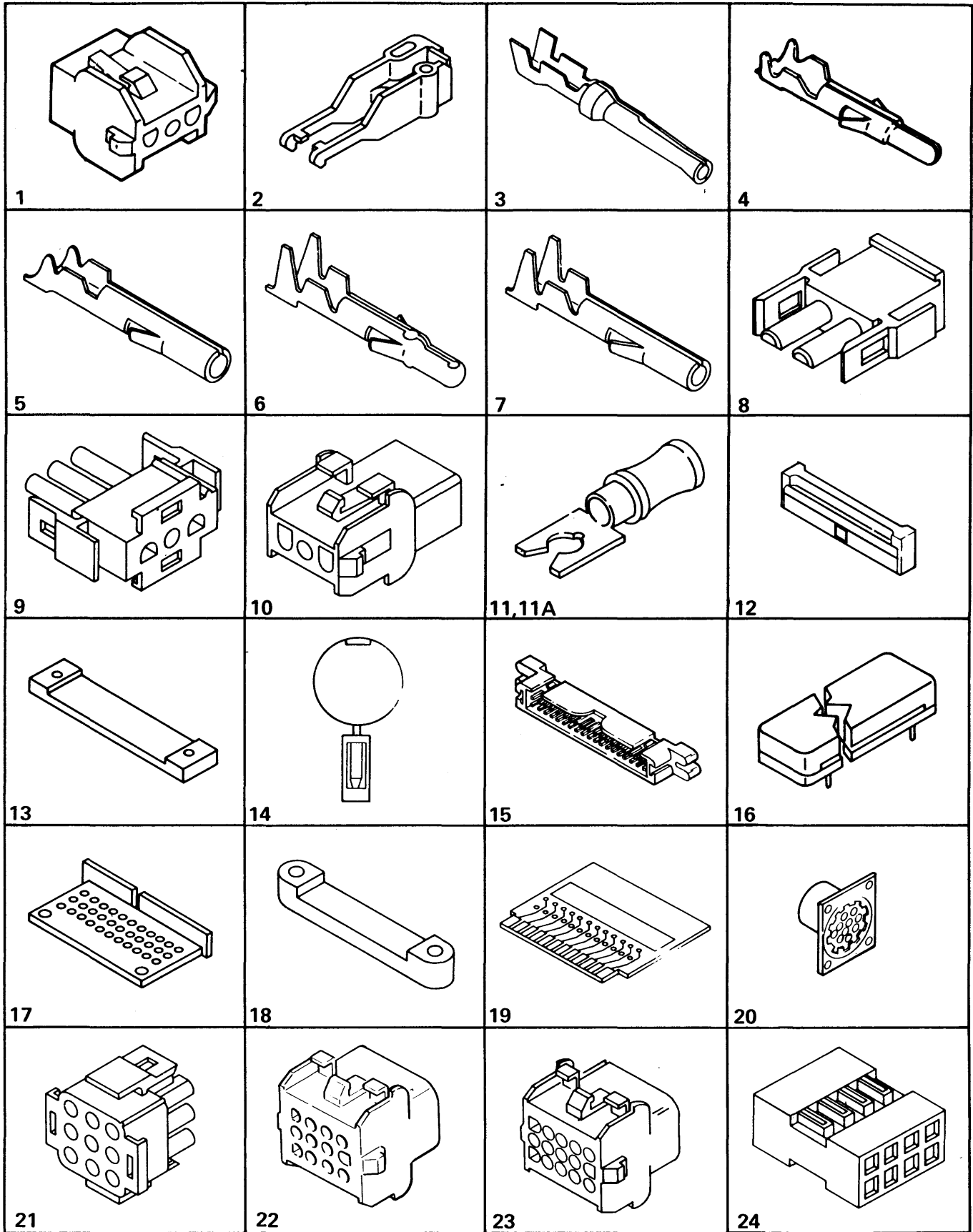
Asm - Index	Part Number	Units	Description
45 -		NP	Cable Assemblies, Component Parts (Sheet 4 of 4)
-73	68X8666	AR	• Strain Relief
-74	68X8670	AR	• Strain Relief
-75	6177161	AR	• Connector Sub-Asm, 24 Contacts
-76	6177202	AR	• Connector Sub-Asm, 50 Contacts
-77	6315622	AR	• Terminator, Thermal
-78	8492916	AR	• Terminator Card

Assembly 46: Cable Assemblies

Asm - Index	Part Number	Units	Description
46 -		NP	Cable Assemblies (Sheet 1 of 2)
-	13F1581	AR	• Cable Asm, Logic CU Local/Remote to TU Used on Machines with EC A57722
-	13F1582	AR	• Cable Asm, Logic CU Write P2A5-A2Z3 & A2U4 Used on Machines with EC A57722
-	13F1583	AR	• Cable Asm, AC Power Supply P2 to TCU DC Power Supply P1 Used on Machines with EC A57722
-	13F1584	AR	• Cable Asm, AC Power Supply P3 to DC Power Supply P4 Used on Machines with EC A57722
-	13F1585	AR	• Cable Asm, AC Power Supply P02 to Fan Cable P01 Used on Machines with EC A57722
-	13F1586	AR	• Cable Asm, AC Power Supply P14 to Logic Board Gate A2-Y1 Used on Machines with EC A57722
-	13F1587	AR	• Cable Asm, AC Power Supply P15 to Logic Board Gate A2-Z6 Used on Machines with EC A57722
-	13F1588	AR	• Cable Asm, AC Power Supply P11 to Logic Board Gate A2-Y6 Used on Machines with EC A57722
-	13F1589	AR	• Cable Asm, AC Power Supply P12 to Logic Board Gate A2-Z1 Used on Machines with EC A57722
-	13F1590	AR	• Cable Asm, AC Power Supply P16 & P03 to Logic Board Gate A2-Y2 Used on Machines with EC A57722
-	13F1591	AR	• Cable Asm, AC Power Supply P13 to Logic Board Gate A2-Z2 & Gnd Used on Machines with EC A57722
-	13F1592	AR	• Cable Asm, +24V & POR to Service Switch Used on Machines with EC A57722
-	13F1593	AR	• Cable Asm, Channels A & B Address Used on Machines with EC A57722
-	13F1598	AR	• Cable Asm, MD Used on Machines with EC A57722
-	13F1599	AR	• Cable Asm, Logic CU Write P2A4-A2Y4 & A2Y5 Used on Machines with EC A57722
-	13F1600	AR	• Cable Asm, Gate to Dual Panel Read B Interface Used on Machines with EC A57722
-	13F1601	AR	• Cable Asm, Gate to Dual Panel Read A Interface Used on Machines with EC A57722
-	13F1695	AR	• Cable Asm, Disk Device- Signal & Power Used on Machines with EC A57722
-	4451612	AR	• Cable Asm
-	4451674	AR	• Cable Asm
-	4451675	AR	• Cable Asm For Component Parts See Index Nos. 5, 7, 10
-	4451676	AR	• Cable Asm For Component Parts See Index Nos. 4, 6, 7, 8, 9
-	4451678	AR	• Cable Asm For Component Parts See Index Nos. 12, 14, 15
-	4451698	AR	• Cable List
-	4451710	AR	• Cable Asm
-	4451801	AR	• Cable Asm For Component Parts See Index Nos. 11
-	4451802	AR	• Cable List
-	4451804	AR	• Cable Asm For Component Parts See Index Nos. 18, 19, 51, 63
-	4451811	AR	• Cable Asm For Component Parts See Index Nos. 3, 18, 19, 20, 51, 52, 53
-	4451816	AR	• Cable Asm
-	4451817	AR	• Cable Asm
-	4451818	AR	• Cable Asm
-	4451819	AR	• Cable Asm
-	4451820	AR	• Cable Asm

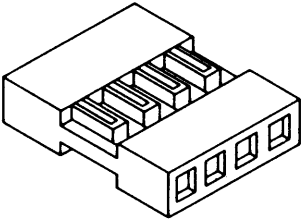
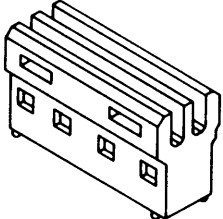
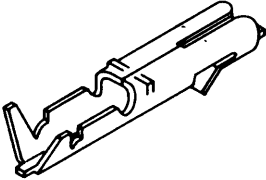
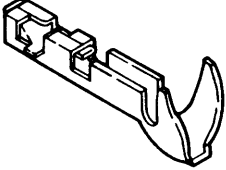
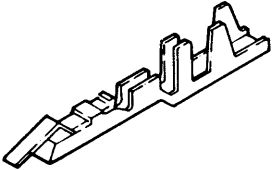
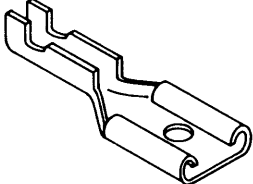
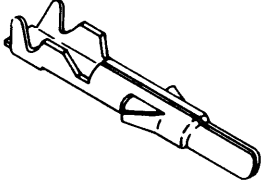
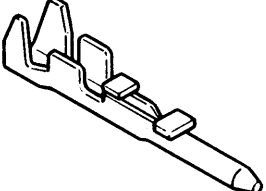
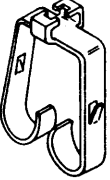
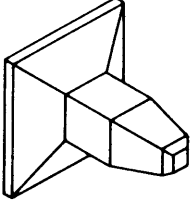
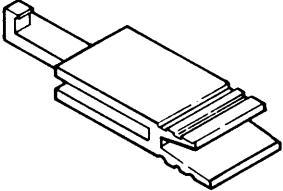
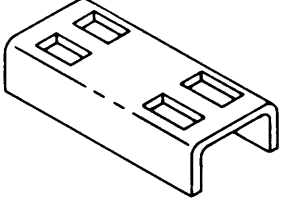
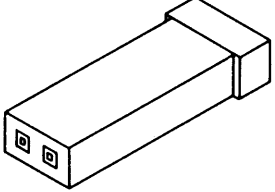
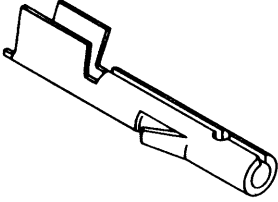
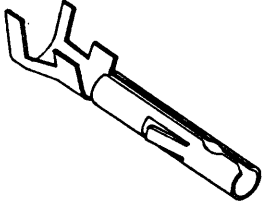
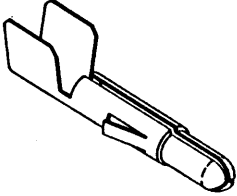
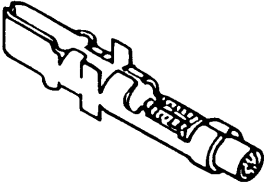
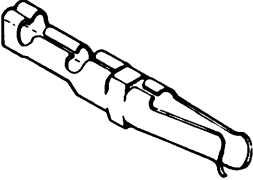
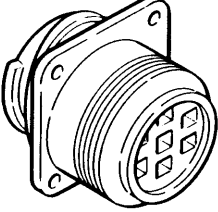
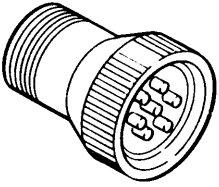
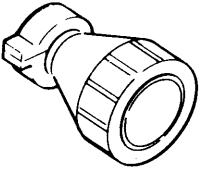
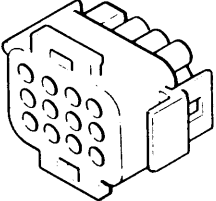
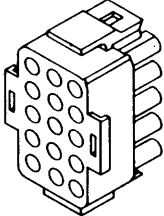
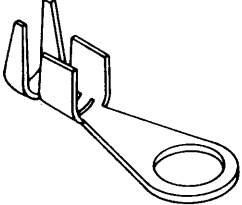
Asm - Index	Part Number	Units	Description
46 -		NP	Cable Assemblies (Sheet 2 of 2)
-	4451821	AR	• Cable Asm
-	4451822	AR	• Cable Asm
-	4451823	AR	• Cable Asm
-	4770192	AR	• Cable Asm
-	4799013	AR	• Cable List
-	4799015	AR	• Cable List
-	4799016	AR	• Cable List
-	4799017	AR	• Cable List
-	4799040	AR	• Cable Asm, Controller AC Fan For Component Parts See Index Nos. 2, 5, 9
-	4799041	AR	• Cable Asm, Controller Gate Fan For Component Parts See Index Nos. 1, 4, 6
-	4799055	AR	• Cable Asm, Read A Channel For Component Parts See Index Nos. 13, 14, 15, 16
-	4799056	AR	• Cable Asm, Gate to Back Panel B Interface For Component Parts See Index Nos. 13, 15, 16, 17
-	4799069	AR	• Cable Asm, Read B Interface Back Panel to Side Panel For Component Parts See Index Nos. 14, 15
-	4799075	AR	• Cable Asm, Device Read Stub Interface For Component Parts See Index Nos. 12, 15
-	6179015	AR	• Cable Asm, Device DC Distribution For Component Parts See Index Nos. 6, 7, 8, 10, 21, 22, 23, 24, 25, 26, 27, 28, 29, 30, 30A, 31, 31A, 32, 33, 34, 35, 36, 37, 38, 39, 40, 49, 50
-	6315588	AR	• Cable Asm, Disk Device For Component Parts See Index Nos. 18, 19, 27B, 30A, 48A, 51, 56, 57, 58, 59
-	6390529	AR	• Cable Asm For Component Parts See Index Nos. 6, 7, 21, 24, 27A, 31, 31A, 34, 46, 47, 54, 55
-	6390530	AR	• Cable Asm For Component Parts See Index Nos. 18, 19, 28, 51, 62, 62A
-	6390544	AR	• Cable Asm For Component Parts See Index Nos. 6, 7, 11A, 46, 47, 48
-	6460286	AR	• Cable Asm, Logic Gate to P1 Panel/A2 For Component Parts See Index Nos. 70, 70A
-	6460287	AR	• Cable Asm, Logic Gate to Panels P1 & P2/A3 For Component Parts See Index Nos. 70, 70A, 71
-	6460288	AR	• Cable Asm, Logic Gate to P2 Panel/A4 For Component Parts See Index Nos. 64, 65A
-	6460289	AR	• Cable Asm, Logic Gate to P2 Panel/A5
-	6460290	AR	• Cable Asm, T/U Logic, Local/Remote Bus In For Component Parts See Index Nos. 64, 65, 66, 67
-	6460291	AR	• Cable Asm, T/U Logic, Write Bus For Component Parts See Index Nos. 64, 67
-	6460292	AR	• Cable Asm, T/U Logic, Write Bus For Component Parts See Index Nos. 64, 67
-	6460296	AR	• Cable Asm, C/U Logic, Local/Remote to T/U For Component Parts See Index Nos. 64, 65A, 66, 67
-	6460299	AR	• Cable Asm, C/U Logic, Gate to P2 Panel For Component Parts See Index Nos. 64, 65A, 66, 67
-	68X8125	AR	• Cable Asm, Motor Snubber Suppression
-	6850763	AR	• Cable Asm, T/U Logic Local/Remote Write Bus Out For Component Parts See Index Nos. 64, 65A, 66, 67
-	8576615	AR	• Cable Asm
-	8576616	AR	• Cable Asm
-	8576617	AR	• Cable Asm
-	8576618	AR	• Cable Asm
-	8576625	AR	• Cable Asm
-	8576626	AR	• Cable Asm
-	8576627	AR	• Cable Asm

Assembly 46: (continued)



With B/M 6460460

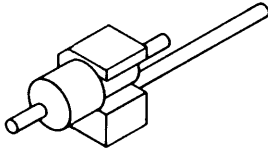
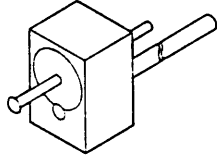
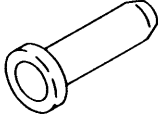
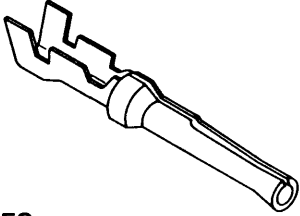
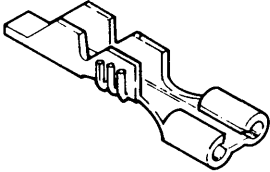
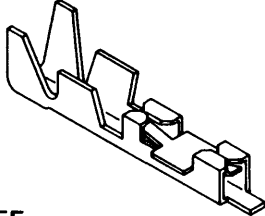
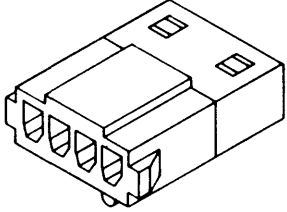
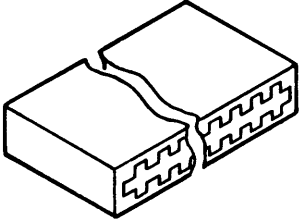
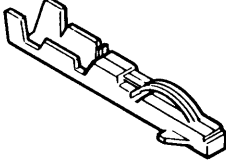
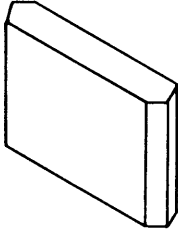
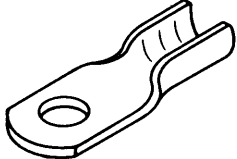
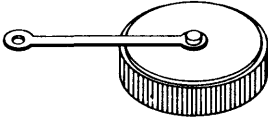
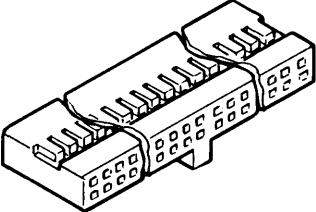
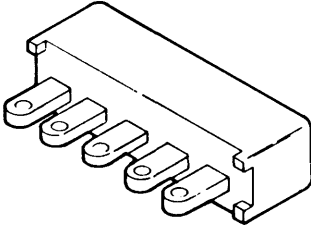
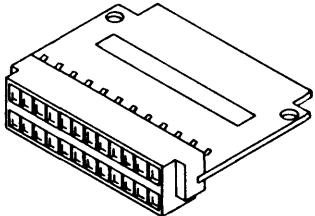
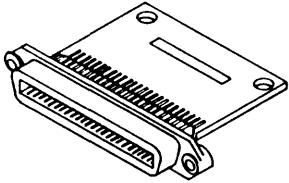
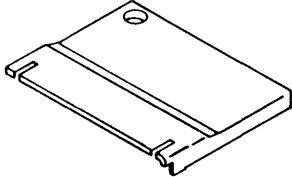
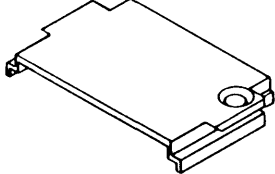
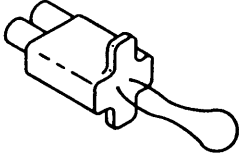
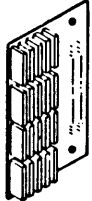
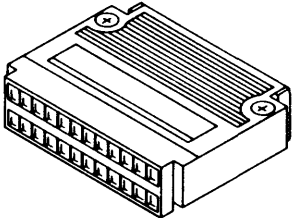
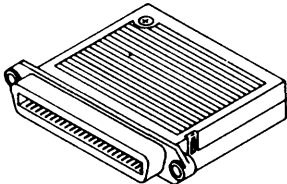
Asm - Index	Part Number	Units	Description
46 -	8576628	AR	Cable Asm
-	8576641	AR	Cable Asm
-	8576642	AR	Cable Asm, Tape Unit AC Input For Component Parts See Index Nos. 41, 41A, 42, 43, 44, 45, 60, 61
-	8576643	AR	Cable Asm, Tape Unit AC Input For Component Parts See Index Nos. 41, 41A, 42, 43, 44, 45, 60, 61
-	8576644	AR	Cable Asm
-	8576645	AR	Cable Asm, Tape Unit Power Supply AC Input
-	8576646	AR	Cable Asm
-		NP	Cable Assemblies, Component Parts (Sheet 1 of 3)
-1	847527	AR	• Housing, Universal 3 Circuit
-2	1635819	AR	• Clamp
-3	1655358	AR	• Socket Connector
-4	1662777	AR	• Pin, Universal Grounding
-5	1847521	AR	• Terminal, Pin 20-14 AWG .760 Long
-6	1847522	AR	• Terminal, Pin 20-14 AWG .810 Long
-7	1847523	AR	• Terminal, Pin 20-14 AWG .780 Long
-8	1847524	AR	• Plug, Universal 2 Pos
-9	1847526	AR	• Plug, Universal 3 Pos
-10	1847527	AR	• Housing, Universal 3 Pos
-11	2744882	AR	• Terminal, Spade 22-18 AWG No. 8 Mtg Slot
-11A	2744885	AR	• Terminal, Spade 14-16 AWG No. 8 Mtg Slot
-12	4451664	AR	• Connector, 40 Pin IDC
-13	4451666	AR	• Strain Relief, 40 Conductor Cable
-14	4799021	AR	• Key, Polarizing
-15	4799023	AR	• Connector, 40 Pin Plug
-16	4799067	AR	• P.C.B. Connector, 40 Connector
-17	4799071	AR	• Raw Card
-18	5353922	AR	• Strain Relief
-19	5800634	AR	• Card, Cable
-20	8890970	AR	• Connector Backm.
-21	1847532	AR	• Plug, Universal 9 Pos
-22	1847535	AR	• Housing, Universal 12 Pos
-23	1847537	AR	• Housing, Universal 15 Pos
-24	2731393	AR	• Housing, 2 X 4 With Locking Latch

 <p>25</p>	 <p>26</p>	 <p>27,27A,27B</p>	 <p>28</p>
 <p>29</p>	 <p>30, 30A</p>	 <p>31, 31A</p>	 <p>32</p>
 <p>33</p>	 <p>34</p>	 <p>35</p>	 <p>36</p>
 <p>37</p>	 <p>38</p>	 <p>39</p>	 <p>40</p>
 <p>41,41A</p>	 <p>42</p>	 <p>43</p>	 <p>44</p>
 <p>45</p>	 <p>46</p>	 <p>47</p>	 <p>48,48A</p>

With B/M 6460460

Asm - Index	Part Number	Units	Description
46 -		NP	Cable Assemblies, Component Parts (Sheet 2 of 3)
-25	2637680	AR	• Housing, 4 Pos-With Locking Latch
-26	813801	AR	• Housing
-27	1661132	AR	• Terminal, Dual Lance Soc 18-24 AWG
-27A	1661128	AR	• Terminal, Dual Lance Socket
-27B	1166115	AR	• Terminal, Socket 18-22 AWG
-28	2637682	AR	• Connector, Discrete Wire
-29	4426963	AR	• Receptacle, Locking Clip Female
-30	1177057	AR	• Terminal, Quick Disconnect 18-22 AWG .100
-30A	430798	AR	• Terminal, Quick Disconnect 20-18 AWG Brass
-31	1661131	AR	• Terminal, Pin
-31A	1847520	AR	• Terminal, Pin 20-14 AWG .790 Long
-32	2731384	AR	• Terminal, Male Pin 22-26 AWG
-33	813681	AR	• Contact, Mini Bus
-34	2637689	AR	• Polarizing Plug
-35	1743055	AR	• Connector Clip
-36	813802	AR	• Cover, Voltage Crossover
-37	4451692	AR	• Housing, 1 X 2 Locking Clip
-38	4488202	AR	• Socket, Select Gold Mate-N-Lok 10-12 AWG
-39	4487756	AR	• No Description
-40	5391901	AR	• No Description
-41	738254	AR	• Terminal, Male 12-14 AWG 5-250V 20 Amps
-41A	2192507	AR	• Terminal, Male 12-14 AWG 0-250V 20 Amps
-42	738255	AR	• Terminal, Female 12-14 AWG 5-250V 20 Amps
-43	2745023	AR	• Receptacle, Female 7 Pos 1.688 Long
-44	2745024	AR	• Plug, Straight 7 Pos 1.688 Long
-45	2745029	AR	• Clamp, Cable
-46	1847534	AR	• Plug, Universal 12 Pos
-47	1847536	AR	• Plug, Universal 15 Pos
-48	483682	AR	• Terminal, Ring 14-16 AWG No. 8 Mtg Hole
-48A	483688	AR	• Terminal, Ring 18-20 AWG, .250 or M6 Stud

Assembly 46: (continued)

 <p>49</p>	 <p>50</p>	 <p>51</p>	<p>52</p>
 <p>53</p>	 <p>54</p>	 <p>55</p>	 <p>56</p>
 <p>57</p>	 <p>58</p>	 <p>59</p>	 <p>60</p>
 <p>61</p>	 <p>62, 62A</p>	 <p>63</p>	 <p>64</p>
 <p>65, 65A</p>	 <p>66</p>	 <p>67</p>	 <p>68</p>
 <p>69</p>	 <p>70, 70A</p>	 <p>71</p>	<p></p>

With B/M 6460460

Asm - Index	Part Number	Units	Description
46 -		NP	Cable Assemblies, Component Parts (Sheet 3 of 3)
-49	8674012	AR	• Filter Asm
-50	6272635	AR	• Filter Asm
-51	595720	AR	• Rivet
-52	8890975	AR	• Restraint
-53	1655337	AR	• Contact, Socket
-54	5213274	AR	• Receptacle
-55	5252940	AR	• Receptacle
-56	1812491	AR	• Connector Housing, Female Contacts
-57	4451806	AR	• Connector, Edge, 17 Pos
-58	1483544	AR	• Contact, Twin Leaf 24-28 AWG
-59	4451810	AR	• Key
-60	335327	AR	• Lug, Terminal Screw, No. 10
-61	4780627	AR	• Cap, Dust
-62	4780610	AR	• Housing, Polarized Mini Latch, 2 X 9
-62A	6021004	AR	• Housing
-63	4451696	AR	• Connector, Address Switch
-64	6177161	AR	• Connector Sub-Asm, 24 Contact
-65	6177201	AR	• Connector Sub-Asm, 50 Contact
-65A	6177202	AR	• Connector Sub-Asm, 50 Contact
-66	68X8666	AR	• Strain Relief
-67	68X8670	AR	• Strain Relief
-68	6315622	AR	• Terminator, ThermalSwitch
-69	8576373	AR	• Terminator Card
-70	6272657	AR	• Connector Sub-Asm, 50 Pin Type I
-70A	6177162	AR	• Connector Sub-Asm, 24 Pin Type II
-71	6272655	AR	• Connector Sub-Asm, 50 Pin Type II

Part Number Index

Part Number	Asm-Index	Page	Part Number	Asm-Index	Page	Part Number	Asm-Index	Page	Part Number	Asm-Index	Page
367	39-26	121	322550	continued		615683	3-182	13	1126828	continued	
10170	3-142	13		27-21	87		4-61J	17		36-12	109
	19-14	61		27-30	87		23-26	69		36-30	109
	26-30	83	327921	3-99	9		24-23B	75		36-35	109
	27-19	87		9-21	29	738254	45-4	171	1126830	36-15B	109
	27-27	87		11-6	37		46-41	183	1126831	13-7	45
	27-35	87		38-30	113	738255	45-5	171	1127037	45-2A	171
11598	17-21	57		38-34	113		46-42	183	1150750	45-57	175
28413	17-3	57		38-50	115	804109	3-155	13	1159519	3-164	13
	38-52	115		39-4	117		17-9	57		39-12	119
35739	26-24	83		39-39	123		39-4	117		39-31A	121
38235	17-7	57	327922	38-25	113	811427	6-11	23	1166115	45-18C	171
	17-16	57	335327	46-60	185		6-16	23		46-27B	183
45690	17-23	57	338165	3-179	13		38-11	113	1177057	45-2B	171
56079	17-4	57		4-61F	17		38-21	113		46-30	183
	17-22	57	356742	6-12	23		41-6	129	1203359	15-17	53
56722	17-8	57		31-43	99		42-51	139		16-7	55
	17-12	57		38-18	113	813197	23-15	69	1244784	45-59	175
	17-17	57		41-22	129		24-15	75	13F1581	43-19	151
	17-20	57		42-17	135	813519	3-62	9		46-	178
78951	30-56	97		43-38	153		3-131	11	13F1582	43-21	151
81693	23-29	69	357926	27-40A	89		38-16	113		43-22	151
81898	26-17	83	398482	42-26	137		41-59	131		46-	178
	27-29	87	430798	45-2	171		42-33	137	13F1583	43-7	147
101922	39-9	119		46-30A	183		43-24	151		46-	178
	39-11	119	433557	3-180	13	813681	45-6	171	13F1584	43-4	147
111255	3-181	13		4-61G	17		46-33	183		46-	178
	4-61H	17	473442	19-2	61	813801	45-7	171	13F1585	43-6	147
191918	23-64	71	483681	45-3	171		46-26	183		43-43	153
	24-61	77	483682	45-3A	171	813802	45-8	171		46-	178
	25-51	81		46-48	183		46-36	183	13F1586	43-28	153
198982	1-21	3	483683	45-3B	171	816983	42-27A	137		46-	178
	20-6	63	483685	45-3C	171	817905	9-20	29	13F1587	43-34	153
210883	26-23	83	483686	45-3D	171		10-28	33		46-	178
	27-20	87	483687	45-3E	171		26-38	83	13F1588	43-30	153
	27-28	87	483688	46-48A	183		27-58	89		46-	178
236849	3-89	9	512137	3-177	13		28-50	91	13F1589	43-32	153
	9-35	31		4-61D	17	847527	46-1	181		46-	178
	23-69	71		23-21	69	853288	3-106	11	13F1590	43-5	147
	41-19	129		24-22A	75		41-32	131		43-29	153
	42-14	135		25-17	79	855251	30-57	97		46-	178
	43-35	153	512508	11-17	37	946254	30-17	95	13F1591	43-33	153
236915	45-1	171	523250	23-55	71		31-27	99		46-	178
257187	17-11	57		24-77	77		33-21	103	13F1592	46-	178
	17-19	57	523951	3-49	7		36-23	109	13F1593	43-47	155
303538	9-22	29	524515	24-78	77	984118	8-13	27		46-	178
	38-49	115		25-66	81		9-19	29	13F1598	46-	178
	39-38	123		39-25	121	1037500	25-40	79	13F1599	43-18	151
303549	3-178	13	526378	17-13	57		43-8	147		46-	178
	4-61E	17	532393	3-68	9	1126828	13-2	45	13F1600	43-20	151
315956	3-148	13		3-114	11		13-31	49		46-	178
315957	3-153	13	556450	38-5	113		13-34	49	13F1601	46-	178
317372	13-51	49	595720	45-56	175		13-38	49	13F1691	43-17	151
322550	17-10	57		46-51	185		13-48	49	13F1692	28-10	91
	26-22	83	596458	42-22A	135		31-8	99		43-16	151

Part Number	Asm- Index	Page	Part Number	Asm- Index	Page	Part Number	Asm- Index	Page	Part Number	Asm- Index	Page
13F1695	43-15	149	1621004	13-15	47	1621181	continued		1621191	continued	
	46-	178	1621013	11-13A	37		9-23	29		23-80	71
13F1698	28-21	91	1621066	1-19	3		10-25	33		24-58	77
13F1699	25-70	81		14-23	51		10-27	33		25-48	81
	28-19	91	1621145	3-65	9		38-48	115		25-60	81
13F1703	25-7	79		9-41	31		39-37	123		26-2	83
	43-2	147	1621156	27-43	89	1621182	4-68	19		26-4	83
13F1704	28-54	91		28-17	91		9-8	29		27-5	87
13F1705	28-11	91	1621162	11-22B	37		9-47	31		28-2	91
13F1965	22-31	67		41-41	131		10-10	33		28-55	91
13F3053	23-29	69	1621167	14-19	51		10-20	33		42-47	139
	24-25	75	1621170	1-39	3	1621183	7-2	25	1621192	12-4	43
	24-26	75		20-5	63		8-2	27		41-49	131
	25-21	79		24-52	77		9-3	29	1621193	26-61	85
13F3062	42-55B	139		25-43	81		9-13	29		27-49	89
13F3069	42-25	137		26-28	83		9-32	31		28-32	91
13F3070	42-27	137		26-32	83		10-3	33	1621194	11-2	37
13F3081	3-167	13		26-37	83		10-22	33		11-7	37
13F3082	3-123	11		26-67	85		10-32	35		11-15	37
13F3092	11-13	37		27-55	89	1621184	9-28	31		11-20	37
13F3735	42-55A	139		27-61	89		9-44	31		11-23	37
13F4244	3-35	7		28-24	91		10-30	35		11-28	39
	4-61A	17		28-38	91		38-55	115		31-46	99
13F4245	4-61A	17		28-44	91		39-9A	119	1621197	41-23	129
13F4246	31-19	99		28-48	91	1621185	9-38	31		42-18	135
	32-	101		31-32	99		38-63	115		43-39	153
13F4792	11-16	37		31-44	99	1621190	2-9	5	1621200	6-8	23
13F4795	11-3	37		41-35	131		3-5	7		11-26	39
	12-	43	1621171	1-51	3		3-143	13	1621208	26-62	85
13F4796	30-44	97		3-3	7		3-160	13		27-50	89
	36-	109		3-110	11		4-60	17		28-34	91
13F4797	1-50	3		4-2	15		5-9	21	1621210	24-59	77
	3-2	7		4-5B	15		5-12	21		25-41	79
	4-1	15		20-1C	63		7-4	25		25-49	81
	30-	95		28-12	91		12-8	43		43-10	149
	30-	97		38-69	115		13-45	49	1621230	3-76	9
13F4824	1-50A	3		39-43	123		13-53	49		3-87	9
	3-2A	7		40-7	125		20-3B	63		3-97	9
	4-1A	15		41-39	131		20-20	63		3-118	11
	30-24	97		42-60	143		21-3	65	1621267	31-40	99
	31-	99		43-51	155		21-14	65	1621286	35-5	107
13F4828	15-1	53	1621172	3-11	7		22-3	67	1621295	3-39	7
	16-8	55		3-158	13		22-14	67	1621297	3-7	7
13F6228	23-28	69		10-14	33		23-8	69		3-50	7
13F6232	23-28	69		11-5	37		23-46	69		4-37A	15
	25-20	79		13-18	47		24-8	75		4-38	15
1471018	45-10	171		13-40	49		24-40	75		9-5	29
1475670	45-10A	171		13-42	49		25-34	79		9-27	31
1483544	45-55	175		31-4	99		27-33	87		10-5	33
	46-58	185		31-16	99		28-23	91	1621309	14-8A	51
1573510	17-15	57		31-25	99		38-45	115		24-56	77
1580875	3-137	11		31-30	99		41-45	131		25-46	81
1608893	45-11	171		33-20	103	1621191	4-42	17	1621310	3-38	7
1611811	4-57	17	1621173	3-82	9		7-6	25		4-34	15
1621001	26-11	83		31-12	99		8-4	27		29-4	93
	27-11	87	1621175	3-138	11		11-10	37		29-10	93
	28-8	91	1621177	43-31	153		11-12	37	1621333	23-75	71
1621002	14-3	51	1621181	9-15	29		11-14	37		24-71	77
	14-11	51		9-18	29		11-30	39	1621334	26-14	83

Part Number	Asm-Index	Page	Part Number	Asm-Index	Page	Part Number	Asm-Index	Page	Part Number	Asm-Index	Page
1621334	continued		1621811	continued		1621813	continued		1621844	continued	
	26-26	83		3-69	9		3-149	13		3-24	7
	27-24	87		3-85	9		3-174	13		39-29	121
	28-14	91		3-91	9		23-12	69	1621846	3-133	11
	28-26	91		3-100	9		25-14	79		18-11	59
1621382	2-20	5		3-115	11		42-64	145		38-42	115
	21-26	65		3-144	13		43-62	159		39-33	123
	22-26	67		3-151	13	1621817	3-147	13	1621852	18-3	59
1621403	23-66	71		3-156	13	1621818	2-18	5	1622258	30-3	95
1621490	7-8	25		4-5D	15		3-10	7		30-6	95
	8-6	27		4-26	15		3-15	7		30-16	95
1621492	32-2	101		4-28	15		3-22	7		30-35	97
	33-24	103		4-32	15		3-32	7		30-50	97
1621493	30-2	95		4-36	15		3-44	7		30-54	97
	30-5	95		4-47	17		3-46	7		30-64	97
	30-15	95		4-49	17		3-125	11		30-70	97
	30-34	97		6-13	23		4-5	15		31-26	99
	30-41	97		19-11	61		4-7	15		33-14	103
	33-13	103		20-9	63		4-11	15		33-17	103
	33-16	103		20-18	63		4-13	15		33-25	103
	33-26	103		21-18	65		4-15	15		33-27	103
	33-31	103		21-28	65		21-7	65		33-32	103
	35-15	107		21-34	65		22-7	67		35-16	107
	36-21	109		21-39	65		23-2	69		36-22	109
	37-6	111		22-18	67		23-4	69	1622263	10-16	33
1621494	30-49	97		22-28	67		23-6	69	1622300	26-10	83
	30-53	97		22-34	67		23-14	69		27-12	87
	30-63	97		22-39	67		23-20	69		28-9	91
	30-69	97		23-71	71		23-83	73	1622302	30-42	97
	32-7	101		25-13	79		23-87	73		31-13	99
1621496	14-8	51		26-58	85		24-2	75		31-17	99
1621510	26-35	83		27-46	89		24-4	75		31-31	99
	26-40	83		28-29	91		24-6	75		31-33	99
	27-37	89		38-12	113		24-14	75		31-45	99
	27-57	89		38-19	113		24-20	75		32-8	101
	28-42	91		38-29	113		24-43	75		33-28	103
1621512	30-25	97		38-31	113		24-74	77	1622303	3-26A	7
	30-31	97		39-5	117		25-2	79		3-66	9
	30-45	97		39-11A	119		25-4	79		3-135	11
1621513	14-23	51		39-21	121		25-6	79		4-5C	15
1621534	3-20	7		40-4	125		25-11	79		4-9A	15
	4-20	15		41-24A	129		25-63	81		9-39	31
1621551	2-33	5		42-21	135		41-28A	129		9-48	31
	3-129	11		42-52A	139	1621820	4-51	17		19-6	61
1621628	23-88	73		42-58	143	1621821	3-36	7		23-49	69
	24-86	77		42-65	145		4-61B	17		23-93	73
	25-75	81		43-41	153		23-25	69		24-29	75
1621704	13-13	47		43-48	155		24-24	75	1622304	1-16	3
1621770	31-10A	99		43-54	157		25-19	79		1-30	3
1621811	1-25	3		43-58	157		25-39	79		1-36	3
	1-32	3		43-63	159	1621823	3-41	7		2-11	5
	2-2	5	1621812	4-18	15		3-98	9		20-15	63
	2-15	5		4-52	17		4-30	15		20-28	63
	2-22	5		4-63	17		4-40	15		21-5	65
	2-28	5		4-65	17	1621830	24-12	75		21-16	65
	2-31	5		24-48	75	1621831	3-74	9		21-23	65
	3-13	7		24-50	75	1621834	23-18	69		22-5	67
	3-29	7		26-56	85		24-18	75		22-16	67
	3-48	7	1621813	3-17	7	1621844	1-23	3		22-23	67

Part Number	Asm-Index	Page	Part Number	Asm-Index	Page	Part Number	Asm-Index	Page	Part Number	Asm-Index	Page
1622304	continued		1622346	continued		1622419	continued		1673724	continued	
	23-30	69		2-23	5		26-27	83		20-12	63
	24-26A	75		3-30	7		27-25	87		20-14	63
	24-63	77		3-86	9		28-15	91		20-27	63
	24-68	77		3-92	9		28-27	91		21-22	65
	25-22	79		3-152	13	1622420	23-61	71		22-22	67
	25-53	81		4-53	17		24-91	77	1687628	3-101	9
	25-58	81		4-58	17		25-9	79		3-102	9
	26-63	85		20-10	63	1622453	24-85	77		3-166	13
	27-51	89		20-19	63		25-74	81	1693551	31-2	99
	28-33	91		21-19	65	1622530	5-3	21		36-7A	109
	30-27	97		21-35	65		5-5	21	1693642	36-27	109
	30-33	97		21-40	65	1622533	10-8	33	1743055	45-16	171
	30-47	97		22-19	67		23-43	69		46-35	183
1622307	15-10	53		22-35	67		24-36	75	1743549	3-34	7
	16-15	55		22-40	67		25-31	79		3-116	11
1622315	11-22C	37		23-72	71	1622534	24-34	75		23-22	69
1622316	32-3	101		26-59	85		25-28	79		24-21	75
	37-7	111		27-45	89	1622536	23-36	69		25-16	79
1622318	2-10	5		28-30	91	1622580	23-35	69	1765057	15-4	53
	12-5	43		38-13	113		24-33	75		16-4	55
	21-4	65		38-27	113		25-27	79	1765058	15-5	53
	21-15	65		38-44	115	1625106	26-54	85	1765065	16-2	55
	22-4	67		41-24B	129		26-69	85	1765653	15-4	53
	22-15	67		42-22	135		26-71	85	1765654	15-5	53
	23-47	69		42-59	143		28-46	91		16-5	55
	24-41	75		43-42	153	1625110	23-53	71	1767881	3-176	13
	25-35	79		43-49	155		23-58	71		4-61C	17
	30-9	95	1622347	41-20	129		24-83	77	1812491	45-53	175
	30-26	97		42-15	135		25-72	81		46-56	185
	30-32	97		43-36	153		27-3	87	1847520	45-10E	171
	30-46	97	1622348	3-120	11		27-14	87		46-31A	183
	36-9	109		13-36	49		27-40	89	1847521	45-18	171
1622320	3-119	11	1622349	15-9	53		28-20	91		46-5	181
1622321	15-11	53		16-16	55		28-53	91	1847522	45-10C	171
	16-14	55	1622401	3-81	9	1625162	23-56	71		46-6	181
1622330	13-16	47		30-20	95		24-79	77	1847523	45-18B	171
1622333	7-13	25	1622402	9-42	31		25-67	81		46-7	181
	9-50	31	1622403	3-108	11	1635819	45-12	171	1847524	45-19	171
1622335	3-90	9		23-65	71		46-2	181		46-8	181
	9-36	31		24-62	77	1655337	45-13A	171	1847525	45-58	175
	23-70	71		24-67	77		46-53	185	1847526	45-20	171
	24-60	77		25-52	81	1655358	45-13	171		46-9	181
	25-50	81		25-57	81		46-3	181	1847527	45-9	171
	38-53	115		26-64	85	1661128	45-18E	171		46-10	181
	43-11	149		27-52	89		46-27A	183	1847528	45-22	171
1622342	31-41	99		28-35	91	1661129	45-10D	171	1847529	45-21	171
1622343	41-43	131		30-8	95	1661131	45-10B	171	1847532	45-23	171
1622344	3-26B	7		36-8	109		46-31	183		46-21	181
	3-134	11		41-34	131	1661132	45-18A	171	1847534	45-24	171
	13-43	49	1622406	15-12	53		46-27	183		46-46	183
	20-1B	63		16-13	55	1661528	45-14	171	1847535	45-25	173
	23-94	73	1622407	10-17	33	1662777	45-15	171		46-22	181
	31-5	99	1622417	1-4	3		46-4	181	1847536	45-26	173
1622345	9-9	29		6-3	23	1663292	45-31	173		46-47	183
	38-62	115		29-5	93	1671217	45-17	171	1847537	45-27	173
1622346	1-26	3		29-7	93	1673722	1-35	3		46-23	181
	1-33	3		29-11	93	1673723	4-17	15	2101337	3-148	13
	2-16	5	1622419	26-15	83	1673724	1-29	3	2101357	3-153	13

Part Number	Asm - Index	Page	Part Number	Asm - Index	Page	Part Number	Asm - Index	Page	Part Number	Asm - Index	Page
2102365	31-28	99	2561584	17-6	57	4128893	3-169	13	4451670	continued	
2102367	3-155	13	2561585	17-24	57	4128914	1-8	3		3-42	7
	38-30	113	2590010	3-130	11	4128934	3-1	7		3-159	13
2102457	26-20	83	2596275	26-73	85		7-	25		38-15	113
	27-17	87		27-53	89	4128935	24-70	77		45-	168
2130285	3-111	11		28-49	91	4163953	26-7	83	4451671	38-14	113
2162919	30-38	97	2637680	45-28	173		27-8	87		45-	168
2162922	30-37	97		46-25	183		28-5	91	4451672	3-28	7
2192507	45-4A	171	2637682	46-28	183	4412051	15-7	53		3-154	13
	46-41A	183	2637689	45-29	173		16-12	55		38-2	113
2242323	23-54	71		46-34	183	4426963	45-37	173		45-	168
2277060	27-10	87	2731304	26-34	83		46-29	183	4451673	3-27	7
	28-7	91		27-56	89	4426991	45-38	173		38-3	113
2277586	38-32	113		28-40	91	4449820	4-37	15		45-	168
2281858	23-52	71	2731306	26-39	83	4449821	41-48A	131	4451674	9-33	31
	24-80	77		27-38	89	4449823	41-48A	131		38-41	115
	25-68	81		28-51	91	4449825	9-24	31		45-	168
	26-68	85	2731384	45-30	173	4449844	3-146	13		46-	178
	27-2	87		46-32	183	4451510	3-169	13	4451675	41-26	129
	28-52	91	2731393	45-32	173	4451511	3-169	13		42-55	139
2335896	3-64	9		46-24	181	4451512	3-169	13		45-	168
2337692	45-14A	171	2744617	2-8	5	4451513	3-169	13		46-	178
2337704	30-22	95		21-2	65	4451514	3-169	13	4451676	38-39	115
2451131	45-15A	171		21-13	65	4451517	3-60	7		45-	168
2497210	41-54	131		22-2	67	4451533	41-1	129		46-	178
	42-46	137		22-13	67	4451534	26-25	83	4451677	45-	168
2497236	41-51	131	2744882	45-33	173		27-23	87	4451678	41-2	129
	42-43	137		46-11	181		28-25	91		42-35	137
	43-25	151	2744885	45-33A	173	4451583	3-173	13		43-45	155
	43-55	157		46-11A	181		9-6	29		45-	168
2501881	45-12A	171	2745023	45-34	173		10-6	33		46-	178
2544086	40-6	125		46-43	183		10-12	33	4451686	3-73	9
2546929	3-67	9	2745024	45-35	173		18-4	59		45-	168
	9-43	31		46-44	183	4451584	23-42	69	4451687	38-8	113
	26-65	85	2745029	45-36	173		24-35	75		45-	168
	27-47	89		46-45	183		25-30	79	4451691	15-14	53
	28-36	91	31F6916	25-38	79	4451596	29-8	93		16-18	55
	38-56	115	31F6945	28-22	91	4451597	29-9	93	4451692	45-64	175
2549561	1-15	3	31F6956	43-1	147	4451598	29-2	93		46-37	183
	1-41	3	31F6957	43-1	147	4451602	29-3	93	4451695	26-74	85
	2-26	5	3155888	45-	168	4451610	1-5	3		41-10A	129
	2-29	5	3984826	41-37B	131	4451612	46-	178		42-27C	137
	3-26	7	4054243	14-15	51	4451636	23-77	71		45-	168
	3-113	11	4120488	26-21	83		24-75	77	4451696	45-41	173
	4-9	15		27-18	87		25-64	81		46-63	185
	4-55	17	4128768	14-10	51	4451654	29-1	93	4451697	38-23	113
	19-9	61	4128779	38-7	113	4451655	23-60	71		45-	168
	20-1A	63		45-	168		24-90	77	4451698	38-47	115
	20-4	63	4128780	38-4	113		25-8	79		45-	168
	21-30	65		45-	168	4451656	29-6	93		46-	178
	22-30	67	4128782	14-1	51	4451664	45-39	173	4451699	38-22	113
	23-92	73		45-	168		46-12	181		45-	168
	24-18B	75	4128783	14-9	51	4451665	3-139	13	4451700	45-	168
2549562	19-4	61		45-	168	4451666	45-40	173	4451704	41-12A	129
	19-5	61	4128784	14-4	51		46-13	181		42-10	135
2549896	3-61	9	4128795	38-10	113	4451669	3-154	13		45-	168
	23-57	71		45-	168		38-2	113	4451705	1-24	3
	24-82	77	4128886	5-1	21		45-	168		2-14	5
	25-71	81	4128892	11-25C	39	4451670	1-40	3		2-21	5

Part Number	Asm Index	Page	Part Number	Asm Index	Page	Part Number	Asm Index	Page	Part Number	Asm Index	Page
4451705	continued		4451816	continued		4479804	11-47	41	4529273	9-25	31
	20-8	63		45-	168	4479808	11-24	37	4529274	24-55	77
	21-17	65		46-	178	4479809	3-78	9		25-45	81
	21-38	65	4451817	41-8	129		3-94	9	4529277	1-28	3
	22-17	67		42-4	135		4-35A	15		20-13	63
	22-38	67		45-	168	4479816	7-14	25		21-21	65
4451707	23-89	73		46-	178		9-	29		22-21	67
	24-87	77	4451818	41-14	129		9-	31	4529278	20-2	63
	25-76	81		42-9	135		38-57	115		21-8	65
4451708	23-90	73		45-	168		39-41	123		22-8	67
	24-88	77		46-	178	4479847	14-14	51	4529279	1-38	3
	25-77	81	4451819	41-17	129	4479848	14-16	51	4529281	3-172	13
4451710	38-64	115		42-11	135	4479849	14-17	51		18-6	59
	46-	178		45-	168	4479851	14-18	51	4529282	3-171	13
4451711	45-	168		46-	178	4479852	11-33	39		18-5	59
4451713	3-31	7	4451820	41-13	129	4479854	13-29	49	4529297	3-165	13
	3-124	11		42-8	135	4479861	9-1	29	4529300	26-66	85
	24-42	75		45-	168	4479863	7-15	25		27-54	89
4451722	3-43	7		46-	178		9-7	29		28-47	91
	4-6	15	4451821	41-12	129	4479864	3-6	7	4529334	5-10	21
4451724	3-45	7		42-7	135	4479865	9-14	29		5-13	21
	4-4	15		45-	168		10-23	33	4529406	3-93	9
4451733	26-13	83		46-	179	4479866	10-4	33	4529407	25-23	79
	27-22	87	4451822	41-18	129	4479870	3-12	7	4529416	20-22	63
	28-13	91		42-13	135	4479872	3-19	7		21-41	65
4451762	1-43	3		45-	168	4479876	3-37	7		22-41	67
4451765	20-25	63		46-	179		4-33	15	4529417	1-42	3
	21-31	65	4451823	41-15	129	4479878	3-109	11	4529420	11-25B	39
4451772	23-33	69		42-12	135	4479879	9-16	29		15-15	53
	24-31	75		45-	169		10-24	33		16-10	55
	25-25	79		46-	179	4479881	5-16	21	4529429	1-1	3
4451774	3-14	7	4451851	3-168	13		23-37	69		2-3	5
4451775	23-1	69	4451883	45-	169		24-37A	75		5-	21
	24-1	75	4451902	3-145	13	4479887	3-9	7	4529430	1-1	3
4451776	1-11	3	4457473	2-34	5		4-10	15		2-3	5
	6-17	23	4470081	23-41	69		23-3	69		5-	21
4451782	23-34	69		24-37	75		24-3	75	4529431	1-1	3
	24-32	75	4479239	3-64	9		25-1	79		2-3	5
	25-26	79		9-46	31	4487509	39-28	121		5-	21
4451801	46-	178		26-60	85	4487756	45-65	175	4529432	1-1	3
4451802	38-46	115		27-48	89		46-39	183		2-3	5
	45-	168	4479725	2-19	5	4488202	45-66	175		5-	21
	46-	178		3-33	7		46-38	183	4529433	1-1	3
4451804	41-3	129		3-126	11	4512642	45-63	175		2-3	5
	42-36	137		21-24	65	4517143	13-17	47		5-	21
	45-	168		22-24	67		13-39	49	4529434	1-1	3
	46-	178		24-44	75	4529249	23-24	69		2-3	5
4451805	45-	168	4479762	11-38	41		24-23	75		5-	21
4451806	45-54	175	4479766	11-21	37	4529250	23-24	69	4529443	5-11	21
	46-57	185	4479767	10-15	33		24-23	75	4529449	3-175	13
4451810	45-61	175	4479777	11-19	37	4529256	3-16	7		9-31	31
	46-59	185	4479778	15-8	53		23-11	69	4529452	9-31	31
4451811	41-27	129		16-11	55		24-11	75	4529461	26-31	83
	42-37	137	4479782	12-3	43	4529257	1-13	3		27-60	89
	45-	168	4479800	7-1	25		5-8	21		28-31	91
	46-	178		8-1	27	4529263	20-1	63		28-37	91
4451814	45-	168		11-	37	4529271	5-14	21	4529462	26-36	83
4451816	41-10	129		11-	39	4529272	23-63	71		27-59	89
	42-5	135		11-	41		24-54	77		28-43	91

Part Number	Asm - Index	Page	Part Number	Asm - Index	Page	Part Number	Asm - Index	Page	Part Number	Asm - Index	Page
4529463	26 - 33	83	4780514	continued		4780610	continued		4799041	continued	
	27 - 36	89		41 - 50	131		46 - 62	185		43 - 37	155
	28 - 41	91		42 - 42	137	4780611	3 - 170	13		45 -	169
4529466	23 - 13	69		43 - 26	151	4780615	13 - 32	49		46 -	179
4529467	20 - 26	63	4780519	9 - 29	31		31 - 9	99	4799051	45 - 46	173
	21 - 32	65		38 - 60	115	4780620	13 - 20	47	4799055	41 - 55	131
	22 - 32	67		39 - 45	123	4780627	46 - 61	185		42 - 25	137
4529474	3 - 140	13	4780521	20 - 11	63	4780631	3 - 136	11		45 -	169
4529475	3 - 139	13		21 - 20	65	4780633	3 - 121	11		46 -	179
4730143	28 - 16	91		22 - 20	67	4780634	1 - 27	3	4799056	41 - 37	131
4770061	23 - 32	69	4780522	23 - 5	69	4798739	12 - 6	43		42 - 27	137
	24 - 30	75		24 - 5	75	4798766	41 - 9	129		45 -	169
	25 - 24	79		25 - 3	79	4798770	26 - 72	85		46 -	179
4770062	23 - 32	69	4780523	11 - 13C	37	4798865	23 - 23	69	4799064	9 - 34	31
	24 - 30	75		11 - 22D	37		24 - 22	75		38 - 51	115
	25 - 24	79		13 - 12	47		25 - 18	79	4799065	38 - 26	113
4770063	23 - 32	69		31 - 35	99	4798871	41 - 48A	131		45 -	169
	24 - 30	75	4780534	26 - 6	83	4798872	41 - 48A	131	4799067	45 - 47	173
	25 - 24	79		27 - 7	87	4798874	45 - 62	175		46 - 16	181
4770064	23 - 32	69		28 - 4	91	4798931	23 - 23	69	4799069	41 - 61	131
	24 - 30	75	4780536	11 - 11	37		24 - 22	75		42 - 61	145
	25 - 24	79	4780538	11 - 32	39		25 - 18	79		43 - 52	157
4770065	23 - 32	69	4780540	11 - 29	39	4798935	45 -	169		45 -	169
	24 - 30	75	4780546	11 - 22A	37	4798945	3 - 35	7		46 -	179
	25 - 24	79	4780547	3 - 157	13		4 - 61A	17	4799071	45 - 48	173
4770076	15 - 3	53		9 - 10	29	4798957	12 - 1	43		46 - 17	181
	16 - 3	55		23 - 9	69	4798958	11 - 9	37	4799073	1 - 40	3
4770081	25 - 29	79		24 - 9	75	4798959	11 - 8	37		38 - 15	113
4770112	6 - 6	23	4780551	24 - 51	77	4799013	41 - 60	131		45 -	169
4770131	7 - 3	25		25 - 42	81		42 - 28	137	4799075	38 - 40	115
4770135	13 - 14	47	4780556	13 - 27	47		45 -	169		45 -	169
	31 - 39	99	4780559	13 - 26	47		46 -	179		46 -	179
4770136	13 - 9	47	4780560	13 - 10	47	4799015	41 - 46	131	5172793	3 - 84	9
	31 - 37	99		31 - 36	99		42 - 29	137	5213274	45 - 50A	175
4770138	13 - 35	49	4780561	13 - 11	47		45 -	169		46 - 54	185
4770143	23 - 17	69		31 - 38	99		46 -	179	5213276	9 - 37	31
	24 - 17	75	4780563	13 - 37	49	4799016	41 - 47	131		13 - 52	49
	27 - 42	89	4780564	13 - 4	45		42 - 30	137		38 - 54	115
4770166	10 - 18	33	4780565	13 - 1	45		45 -	169	5214419	23 - 27	69
4770169	7 - 12	25	4780567	13 - 30	49		46 -	179		24 - 23A	75
	9 - 49	31	4780575	13 - 44	49	4799017	41 - 48	131	5240422	26 - 16	83
4770190	45 -	169	4780578	13 - 19	47		42 - 31	137		27 - 31	87
4770192	41 - 25	129		31 - 42	99		45 -	169	5252794	3 - 67	9
	42 - 53	139	4780579	26 - 8	83		46 -	179	5252824	17 - 14	57
	46 -	179		27 - 9	87	4799018	45 - 42	173	5252940	46 - 55	185
4770212	23 - 86	73		28 - 6	91	4799021	45 - 43	173	5353922	45 - 49	175
4770213	23 - 82	73	4780581	3 - 79	9		46 - 14	181		46 - 18	181
4770220	26 - 70	85		3 - 95	9	4799022	45 - 44	173	5391901	45 - 67	175
	27 - 39	89		4 - 35	15	4799023	45 - 45	173		46 - 40	183
4780480	20 - 1	63	4780584	5 - 15	21		46 - 15	181	5412643	45 - 18D	171
4780481	20 - 1	63		45 -	169	4799032	41 - 54A	131	5412817	45 - 50	175
4780482	20 - 1	63	4780592	3 - 161	13		42 - 24	137	5420242	44 - 4	165
4780483	20 - 1	63		23 - 10	69		45 -	169	5468387	17 - 24	57
4780484	20 - 1	63		24 - 10	75	4799040	41 - 24	129	5468388	17 - 6	57
4780489	20 - 1	63	4780602	13 - 33	49		42 - 20	135	5529193	23 - 76	71
4780495	11 - 22E	37	4780603	13 - 46	49		45 -	169		24 - 76	77
4780514	9 - 30	31	4780609	13 - 41	49		46 -	179		25 - 65	81
	38 - 61	115		31 - 29	99	4799041	41 - 21	129	56X4381	30 - 30	97
	39 - 44	123	4780610	45 - 60A	175		42 - 16	135	56X4408	36 - 16	109

Part Number	Asm – Index	Page	Part Number	Asm – Index	Page	Part Number	Asm – Index	Page	Part Number	Asm – Index	Page
56X4409	36 – 7E	109	6081045	continued		6177959	15 – 17	53	6272620	continued	
56X4415	30 – 11A	95		16 – 7	55		16 – 7	55		4 – 33A	15
56X4418	32 – 1	101	6177111	11 – 4	37	6177960	15 – 17	53	6272621	14 – 2	51
56X4423	32 – 6	101	6177117	3 – 11A	7		16 – 7	55	6272635	45 – 69	175
56X4424	31 – 10	99		38 – 70	115	6177971	4 – 43	17		46 – 50	185
56X4428	32 – 9	101		39 – 42	123	6177972	4 – 44	17	6272639	15 – 13	53
56X4433	31 – 22	99		40 – 8	125	6178230	26 – 12	83		15 – 14	53
56X4438	32 – 4	101		41 – 38	131		41 – 9A	129	6272653	45 – 72A	175
56X4440	7 – 5	25		42 – 62	145		42 – 3	135	6272655	45 – 72	175
	8 – 3	27	6177123	9 – 4	29	6178243	41 – 11	129		46 – 71	185
56X4441	31 – 3	99	6177128	11 – 18	37		42 – 6	135	6272657	45 – 71	175
56X4462	30 – 39	97	6177148	15 – 16	53		45 –	169		46 – 70	185
	33 –	103		16 – 9	55	6178245	41 – 40	131	6272819	36 – 33	109
56X4463	31 – 18	99	6177161	45 – 51A	175	6178662	18 – 10	59	6272820	36 – 17	109
56X4467	33 – 15	103		45 – 75	177	6178663	10 – 7	33	6272821	36 – 20	109
56X4468	33 – 19	103		46 – 64	185		10 – 13	33	6272822	36 – 15A	109
56X4587	23 – 79	71	6177162	45 – 51B	175	6178672	4 – 5A	15	6272823	36 – 7	109
	24 – 72	77		45 – 71A	175	6178689	4 – 29	15	6272824	36 – 10	109
	25 – 61	81		46 – 70A	185		16 –	55	6272825	36 – 14	109
56X4588	23 – 78	71	6177170	13 – 21	47		39 – 8B	117	6272826	36 – 11	109
	24 – 73	77	6177171	13 – 22	47	6178691	19 – 3	61	6272827	36 – 5	109
	25 – 62	81	6177173	13 – 23	47	6178947	13 – 5	45	6272828	36 – 39	109
56X4592	43 – 53	157	6177174	13 – 25	47	6178948	11 – 31	39	6272829	30 – 43	97
56X4593	43 – 60	157	6177175	24 – 30	75	6178949	40 – 3	125		36 – 41	109
56X4616	23 – 73	71		25 – 24	79	6178954	3 – 117	11	6272831	36 – 18	109
	24 – 69	77	6177176	23 – 32	69		15 –	53	6272832	36 – 13	109
	25 – 59	81	6177178	13 – 8	45	6178958	13 – 6	45	6272833	35 – 17	107
	43 – 13	149	6177179	13 – 3	45	6178962	11 – 27	39	6272834	36 – 32	109
5700248	23 – 16	69	6177180	11 – 13B	37		13 –	45	6272835	36 – 4	109
	24 – 16	75	6177187	38 – 67	115		13 –	47	6272836	30 – 40	97
5715054	3 – 107	11		39 – 36	123		13 –	49	6272837	33 – 9	103
	6 – 7	23		45 –	169	6178969	14 – 20	51	6272841	34 – 4	105
	41 – 33	131	6177189	45 – 45A	173	6178970	7 – 7	25		35 – 3	107
	42 – 50	139	6177191	38 – 65	115		8 – 5	27	6272842	36 – 37	109
	43 – 64	159	6177201	46 – 65	185		14 –	51	6272843	36 – 36	109
5759582	1 – 31	3	6177202	45 – 51C	175	6178997	4 – 14	15	6272844	33 – 29	103
	20 – 17	63		45 – 76	177		21 – 6	65	6272846	30 – 66	97
	21 – 33	65		46 – 65A	185		22 – 6	67	6272847	36 – 19	109
	22 – 33	67	6177206	39 – 30	121	6179013	7 – 19	25	6272848	33 – 4	103
	26 – 57	85		42 – 63	145	6179015	39 – 32	123	6272849	33 – 8	103
	27 – 44	89		43 – 61	159		39 – 34	123	6272851	35 – 4	107
	28 – 28	91	6177908	41 – 30	131		45 –	169	6272852	34 – 8	105
	41 – 24C	129	6177911	41 – 42	131		46 –	179		35 – 11	107
	42 – 19	135	6177914	6 – 2	23	6179041	10 – 1	33	6272853	34 – 6	105
	43 – 40	153	6177921	13 – 47	49	6272566	2 – 12	5		35 – 9	107
5761552	26 – 19	83	6177923	13 – 49	49		21 – 11	65	6272856	30 – 65	97
	27 – 16	87	6177937	27 – 1	87		22 – 11	67	6272858	34 – 9	105
5762428	26 – 18	83		28 – 56	91	6272567	39 – 7	117		35 – 12	107
	27 – 26	87	6177940	4 – 31	15	6272568	39 – 8	117	6272859	33 – 10	103
5800634	45 – 51	175		18 –	59	6272576	4 – 12	15	6272860	34 – 5	105
	46 – 19	181	6177941	18 – 2	59	6272579	3 – 63	9		35 – 8	107
5888868	25 – 69	81	6177954	15 – 17	53	6272588	4 – 62	17	6272861	31 – 1	99
	26 – 53	85		16 – 7	55	6272589	24 – 49	75	6272862	30 – 61	97
	27 – 13	87	6177955	15 – 17	53	6272590	4 – 64	17		30 – 71	97
	28 – 45	91		16 – 7	55		24 – 47	75	6272863	34 – 7	105
5888886	24 – 81	77	6177956	15 – 17	53	6272600	15 – 13	53		35 – 10	107
6021004	45 – 60	175		16 – 7	55	6272614	9 – 12	29	6272864	30 – 61	97
	46 – 62A	185	6177958	15 – 17	53		10 – 21	33	6272865	34 – 3	105
6081045	15 – 17	53		16 – 7	55	6272620	3 – 37A	7		35 – 2	107

Part Number	Asm- Index	Page	Part Number	Asm- Index	Page	Part Number	Asm- Index	Page	Part Number	Asm- Index	Page
6272866	30-68	97	6273031	36-26	109	6315642	3-20A	7	6390545	41-31A	131
6272868	30-62	97	6273033	33-12	103		4-22	15		42-48	139
6272869	33-6	103		35-	107		27-56A	89	6390546	3-70	9
6272870	33-23	103	6273034	33-11	103		28-39	91		45-	169
6272871	34-10	105		34-	105	6315645	1-20	3	6390555	10-29	35
	35-13	107	6273036	30-55	97	6315647	1-50B	3	6390557	10-2	33
6272872	36-1	109	6273039	30-14A	95		3-2B	7	6390559	11-41	41
6272873	33-1	103	6273042	30-23	95		4-1B	15	6390566	13-54	49
6272874	30-29	97	6273044	31-20	99	6315650	3-75	9	6390567	13-28	49
	31-21	99	6273045	31-14	99	6315651	3-77	9	6390572	1-6	3
6272875	30-28	97	6273047	36-31	109	6315652	3-21	7	6390577	29-12	93
	30-48	97	6273048	30-58	97	6315656	3-123	11	6390579	3-121	11
6272877	36-6	109	6273050	30-21	95	6315657	3-167	13		3-163	13
	36-40	109	6273051	30-19	95	6315658	3-60	7	6390585	14-12	51
6272878	31-34	99	6273154	35-18	107	6315661	3-80	9	6390586	9-2	25
6272880	34-1	105		44-5	167	6384606	14-21	51	6390587	13-50	49
	35-1	107	6273157	44-2	163	6384608	14-22	51	6390612	26-12A	83
6272881	31-24	99	6273159	44-1	161	6384609	7-7	25	6390616	3-159	13
6272885	30-52	97	6273161	44-6	167		8-5	27		23-7	69
6272886	30-55A	97	6273162	44-3	165		14-	51		24-7	75
	31-15	99	6273163	30-4	95	6390122	23-32A	69	6460001	4-73	15
	33-30	103	6273164	30-10	95		24-30A	75	6460002	4-69	15
	35-14	107	6273165	30-18	95	6390309	24-46	75	6460003	4-71	15
	36-24	109	6273166	30-11	95	6390310	41-16	129	6460004	4-27	15
	36-42	109	6273167	30-7	95		42-32	137		21-27	65
	36-43	109	6273168	30-13	95		43-23	151		22-27	67
	36-44	109	6273169	30-72	97		45-	169	6460007	18-2	50
6272889	37-2	111	6273174	36-3	109	6390354	4-50	17	6460010	4-8	15
6272890	37-3	111	6273175	30-12	95		17-	57	6460011	4-19	15
6272891	37-10	111	6273189	36-15	109		39-10	119	6460016	4-31	15
6272892	37-5	111	6273196	37-10B	111	6390355	4-50	17		18-	50
6272895	37-9	111	6273197	37-10A	111		17-	57	6460017	18-2	50
6272897	37-1	111	6315281	33-18	103		39-10	119	6460020	18-2	50
6272898	37-8	111	6315304	31-6	99	6390356	17-1	57	6460021	4-31	15
6272899	37-4	111	6315313	32-5	101	6390357	10-1	33		18-	50
6272901	36-29	109	6315570	26-55	85	6390360	17-18	57	6460022	4-31	15
6272902	30-55B	97		27-32	87	6390362	4-24	15		18-	50
6272903	30-51	97	6315571	5-7	21		39-24	121	6460023	18-2	50
	37-	111	6315586	23-44	69	6390527	3-103	9	6460025	4-31	15
6272906	30-14	95		24-38	75		4-74	19		18-	50
6272910	34-2	105		25-32	79	6390529	41-4	129	6460026	18-2	50
6272911	33-2	103	6315587	23-45	69		42-54	139	6460037	4-70	15
6272912	33-3	103		24-39	75		43-14	149	6460039	17-1	5
6272913	30-36	97		25-33	79		46-	179	6460054	21-1	6
6272914	30-60	97	6315588	41-28	129	6390530	41-5	129		22-1	6
6272915	30-67	97		42-38	137		42-34	137	6460055	21-1	6
6272916	36-25	109		46-	179		43-46	155		22-1	6
6272917	36-2	109	6315591	23-32	69		43-46	155	6460056	21-1	6
	36-28	109		24-30	75		46-	179		22-1	6
6272918	33-5	103		25-24	79	6390531	3-40	7	6460057	21-1	6
6272919	33-7	103	6315595	9-17	29		4-39	15		22-1	6
6273021	35-6	107		10-26	33	6390537	11-9A	37	6460058	21-1	6
6273022	35-7	107	6315614	3-104A	9	6390539	3-23	7		22-1	6
6273023	30-1	95	6315620	23-81	71	6390541	12-2	43	6460059	21-1	6
6273026	36-38	109	6315622	45-77	177	6390543	42-57	143		22-1	6
6273027	36-7B	109		46-68	185		43-44	155	6460060	21-1	6
6273028	36-7C	109	6315624	9-40	31	6390544	41-7	129		22-1	6
6273029	36-7D	109	6315641	3-20A	7		42-23	135	6460067	4-72	1
6273030	33-22	103		4-21	15		46-	179	6460068	4-54	1

Part Number	Asm - Index	Page	Part Number	Asm - Index	Page	Part Number	Asm - Index	Page	Part Number	Asm - Index	Page
6460069	4-48	17	6460493	continued		6850769	11-39	41	80X2990	continued	
6460071	4-41	17		25-10	79		11-43	41		24-65	77
	39-22	121	68X8075	11-1	37	6850771	11-40	41		25-55	81
6460072	10-19	33	68X8110	24-25	75	6850772	11-42	41	80X3015	23-67	71
	39-23	121	68X8125	11-25A	39	6850773	7-16	25		23-84	73
6460073	19-10	61		12-9	43		8-11	27		24-64	77
6460079	10-11	33		45-	169		11-36	41		25-54	81
6460080	19-8	61		46-	179	6850774	7-17	25	8169836	41-37A	131
6460084	1-17	3	68X8666	45-73	177		8-12	27	82X4196	16-1	55
	6-9	23		46-66	185		11-35	41	82X4197	4-29	15
	42-49	139	68X8670	45-74	177	6850784	3-105	11		16-	55
6460085	41-32A	131		46-67	185		41-31	131		39-8B	117
6460088	24-66	77	6841177	15-17	53	6850787	1-27	3	82X4198	3-117	11
	25-56	81		16-7	55	6850788	20-16	63		15-	53
	43-12	149	6846576	1-49	3	6850791	20-7	63	82X4204	11-25	39
6460089	24-57	77	6850636	23-95	73	6850792	39-35	123	82X4205	11-25	39
	25-47	81		24-45	75	6850793	38-68	115	82X4211	3-71	9
	43-9	149	6850637	3-21	7	6850795	4-66	17	82X4212	3-63	9
6460092	42-52	139	6850639	26-1	83	6850799	1-18	3	82X4230	36-34	109
	43-57	157	6850640	26-3	83		6-10	23	82X4373	31-7	99
6460095	24-84	77	6850641	41-53	131	6857785	3-104	9	82X4380	31-11	99
	25-73	81		42-44	137		38-28	113	82X5453	3-35	7
6460099	3-141	13		42-45	137	6857786	23-19	69		4-61A	17
	19-13	61		43-27	151	6857789	6-5	23	82X5458	3-88	9
6460286	41-58	131		43-56	157		7-9	25	8476656	18-9	59
	45-	169	6850648	26-29	83		8-7	27	8492798	3-141	13
	46-	179		27-34	87	6857790	7-10	25	8492916	45-78	177
6460287	41-57	131	6850649	38-6	113		8-8	27	8498864	3-162	13
	45-	169	6850652	38-17	113	6857795	20-3A	63		9-11	29
	46-	179	6850655	1-12	3	6857796	11-48	41	8519255	23-38	69
6460288	41-36	131		6-18	23	6857798	1-22	3		24-37B	75
	45-	169	6850657	9-26	31		2-25	5	8519256	23-39	69
	46-	179	6850670	20-21	63		3-25	7		24-37C	75
6460289	41-29	131	6850682	3-127	11		3-112	11	8519257	23-40	69
	46-	179	6850683	3-128	11		20-3	63		24-37D	75
6460290	39-19	121	6850685	45-	169		21-29	65	8532884	1-17	3
	46-	179	6850704	38-35	113		22-29	67	8544566	45-60B	175
6460291	39-15	121	6850707	7-18	25		24-18A	75	8576311	24-34A	75
	46-	179		8-10	27		25-15	79	8576373	46-69	185
6460292	39-14	121		11-37	41	6857800	1-2	3	8576615	46-	179
	46-	179	6850710	42-56	141		6-1	23	8576616	46-	179
6460294	45-	169		43-59	157	6857816	41-56	131	8576617	46-	179
6460295	45-	169	6850711	1-3	3		42-27B	137	8576618	46-	179
6460296	42-39	137	6850731	5-1	21	6857818	41-52	131	8576625	40-2	125
	46-	179	6850732	5-1	21	6857822	41-44	131		46-	179
6460298	42-40	137	6850733	5-1	21	6857824	23-48	69	8576626	39-16	121
	45-	169	6850734	5-1	21		24-28	75		46-	179
6460299	42-41	137	6850735	5-1	21		25-36	79	8576627	39-17	121
	45-	169	6850738	3-8	7	6857825	23-50	69		46-	179
	46-	179		38-9	113		24-29	75	8576628	39-18	121
6460348	13-24	47	6850746	45-	169		25-37	79		46-	181
6460461	2-13	5	6850748	3-96	9	6857830	3-23	7	8576636	18-1	59
	21-12	65	6850750	38-43	115	7389544	3-132	11	8576638	19-1	61
	22-12	67	6850754	38-20	113		23-91	73	8576641	39-1	117
6460485	24-13	75		45-	169	80X1164	21-36	65		46-	181
	25-5	79	6850763	39-13	121		22-36	67	8576642	19-7	61
6460491	27-4	87		46-	179	80X1224	11-22	37		39-6	117
	28-1	91	6850765	38-24	113	80X2990	23-68	71		46-	181
6460493	24-19	75	6850768	11-46	41		23-85	73	8576643	19-7	61

Part Number	Asm - Index	Page	Part Number	Asm - Index	Page
8576643	continued		8577039	continued	
	39-6	117		6-	23
	46-	181	8577040	6-15	23
8576644	39-27	121	8673880	3-18	7
	46-	181	8673887	1-10	3
8576645	19-12	61	8673888	1-9	3
	39-3	117	8673929	23-62	71
	46-	181		24-53	77
8576646	6-14	23		25-44	81
	39-2	117	8673941	1-45	3
	46-	181	8673943	1-37	3
8576649	18-8	59	8673944	1-44	3
8576659	4-31	15	8673945	1-34	3
	18-	59	8673968	15-6	53
8576660	40-1	125	8673969	1-14	3
8576666	17-5	57	8673970	3-47	7
8576668	4-16	15	8673975	23-74	71
8576669	4-67	19		29-	93
8576672	18-7	59	8673983	1-7	3
8576673	16-1	55	8673989	3-72	9
8576674	2-1	5	8674000	11-49	41
8576675	4-25	15	8674012	45-68	175
	39-31	121		46-49	185
	40-	125	8674018	15-2	53
8576676	2-30	5		16-6	55
8576678	4-56	17	8674035	9-51	31
	19-	61		38-66	115
	39-8A	117	8674042	3-83	9
8576686	39-20	121	8674057	20-30	63
8576687	40-5	125		21-9	65
8576689	4-59	17	8674058	20-30	63
8576694	25-12	79		21-9	65
	43-3	147		22-9	67
8576695	39-40	123	8674059	1-47	3
8576696	2-27	5		2-6	5
8576697	10-9	33	8674060	1-47	3
8576700	4-3	15		2-6	5
	8-	27	8674061	1-48	3
8576713	2-17	5		2-5	5
	21-25	65	8674062	1-48	3
	22-25	67		2-5	5
8576714	4-46	17	8674063	26-9	83
8576715	4-12A	15	8674064	12-7	43
8577021	16-17	55	8674110	3-136	11
8577030	2-7	5	8708473	26-5	83
8577031	2-24	5		27-6	87
8577032	21-10	65		28-3	91
	22-10	67	8890970	45-52	175
8577033	21-37	65		46-20	181
	22-37	67	8890975	45-70	175
8577034	4-45	17		46-52	185
8577035	17-2	57			
8577036	8-9	27			
	10-	33			
	10-	35			
8577037	4-56	17			
	19-	61			
	39-8A	117			
8577039	2-4	5			

Order No. S132-0014-06

This manual is part of a library that serves as a reference source for systems analysts, programmers, and operators of IBM systems. You may use this form to communicate your comments about this publication, its organization, or subject matter with the understanding that IBM may use or distribute whatever information you supply in any way it believes appropriate without incurring any obligation to you. Your comments will be sent to the author's department for whatever review and action, if any, are deemed appropriate.

Note: Copies of IBM publications are not stocked at the location to which this form is addressed. Please direct any requests for copies of publications, or for assistance in using your IBM system, to your IBM representative or to the IBM branch office serving your locality.

Possible topics for comment are:

Clarity Accuracy Completeness Organization Coding Retrieval Legibility

If you wish a reply, give your name, company, mailing address, and date:

If we require further information, may we contact you by phone? ___ Tel. No. _____

What is your occupation? _____

Number of latest Newsletter associated with this publication: _____

Thank you for your cooperation. No postage stamp necessary if mailed in the U.S.A. (Elsewhere, an IBM office or representative will be happy to forward your comments or you may mail them directly to the address in the Edition Notice on the back of the front cover or title page.)

Reader's Comment Form

Fold and Tape

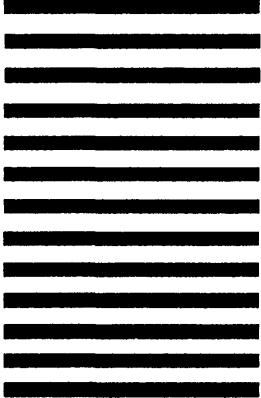
Please Do Not Staple

Fold and Tape



NO POSTAGE
NECESSARY
IF MAILED
IN THE
UNITED STATES

BUSINESS REPLY MAIL
FIRST CLASS PERMIT NO. 40 ARMONK, NEW YORK



POSTAGE WILL BE PAID BY ADDRESSEE

International Business Machines Corporation
Department 61C
P.O. Box 27155
Tucson, AZ, USA 85775-4401

Fold and Tape

Please Do Not Staple

Fold and Tape





S132-0014-06

