

5280



GA21-9365-0
S5280-00

IBM 5280 Distributed Data System

User's Setup Procedures

First Edition (February 1980)

Use this publication only for the purpose of setting up the IBM 5280 System. Changes are periodically made to the information herein; changes will be reported in technical newsletters or in new editions of this publication.

Use this publication only for the purpose stated in the *Preface*. It is possible that this material might contain reference to, or information about, IBM products (machines and programs), programming, or services that are not announced in your country. Such references or information must not be construed to mean that IBM intends to announce such IBM products, programming, or services in your country.

Publications are not stocked at the address below. Requests for copies of IBM publications and for technical information about the system should be made to your IBM representative or to the branch office serving your locality.

This publication could contain inaccuracies or typographical errors. Use the Reader's Comment Form at the back of this publication to make comments about this publication. If the form has been removed, address your comments to IBM Corporation, General Systems Division, Product Information Development, Dept. 997, 11400 Burnet Road, Austin, Texas 78758. IBM may use and distribute any of the information you supply in any way it believes appropriate without incurring any obligation whatever. You may, of course, continue to use the information you supply.

Preface

This manual is divided into ten sections. Section 1 provides information about what should have been done prior to setup. Sections 2 through 6 provide procedures for setting up the 5281, 5282, 5286, 5285, and 5288 respectively.

Section 7 provides the procedures for labeling the system. Section 8 provides a procedure for running the verification program. The program checks the devices after you have set them up. Section 9 presents the procedures for connecting the communications lines to the 5280 system. Section 10 provides general instructions for disconnecting and relocating your system.

The tabs on the side of the manual indicate the name of the procedure in each section.

This manual should be used after your devices are unpacked and placed where you intend to use them. When you have finished setting up and verifying the 5280 system, save one of the *User's Setup Procedures* manuals by placing it in the *Machine Verification* binder.

SECTION 1. WHAT MUST BE DONE PRIOR TO SETUP.	1
SOME IMPORTANT POINTS TO REMEMBER ABOUT SETUP	2
SECTION 2. 5281 SETUP PROCEDURE.	5
SECTION 3. 5282 SETUP PROCEDURE.	17
SECTION 4. 5286 SETUP PROCEDURE.	31
SECTION 5. 5285 SETUP PROCEDURE.	45
SECTION 6. 5288 SETUP PROCEDURE.	61
SECTION 7. LABELING YOUR SYSTEM.	79
LABELING THE DISKETTE DRIVES	80
LABELING THE PRINTER	84
SECTION 8. VERIFICATION PROCEDURE	87
BASIC OPERATIONAL INFORMATION	88
Keyboards	88
Displays	89
Diskettes	91
Diskette Drives	92
SYSTEM CHECKOUT PROCEDURE	94
Diskette 1 Drive System Checkout Procedure	106
Diskette 2D Drive System Checkout Procedure	109
Printer Test Pattern	118
SECTION 9. COMMUNICATIONS LINE CONNECTION	135
DDSA Communications Line	136
Local DDSA Communications Line	136
1200 BPS Integrated Nonswitched (38LS) Communications Line	137
1200 BPS Integrated Switched Communications Line	137
1200 BPS Integrated Nonswitched/Switched Communications Line	138
SECTION 10. DISCONNECTING AND RELOCATING YOUR SYSTEM	145

Section 1. What Must Be Done Prior to Setup

Before you start to set up your system, the following must have been completed (as defined in the *Planning and Site Preparation Guide*):

- Installed grounded outlets
- Completed system setup form and floor plan
- Labeled system cables and placed them where they will be connected to the devices
- Assigned physical addresses to the printers and diskette drives (on the setup form)
- Assigned a number to each keyboard (on the setup form)
- Placed each device where it will be set up
- If you have communications, the following must also have been completed:
 - Installed communications equipment
 - Completed a procedure for establishing communications with your host system

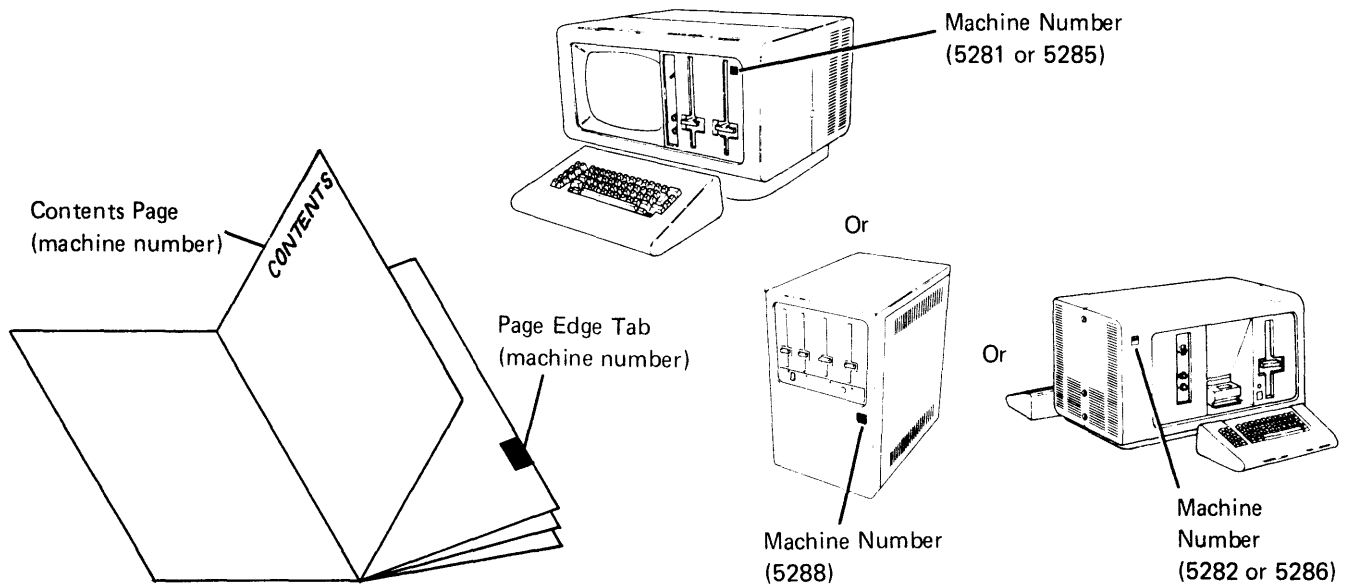
If these activities have not been completed, ask your supervisor to see the *IBM 5280 System Planning and Site Preparation Guide, GA21-9351*.

During the setup procedure you will be:

- Connecting cables
- Setting switches
- Labeling your system devices
- Inserting diskettes
- Loading programs
- Operating the keyboard
- Responding to system prompts

SOME IMPORTANT POINTS TO REMEMBER ABOUT SETUP

- Do not skip from page to page or from section to section looking for information. All the information you need to set up a device is in a section designated for that device.
- Do not attempt to set up more than one device at a time, even though they look alike. Return to the beginning of each section for like devices.
- When you start a section, read each step slowly and carefully. Be sure that you understand each step before completing it. It is unlikely that you will encounter any problems; but if you do, contact your supervisor.
- The cables and cable connectors are durable, but can be damaged if thrown or stepped on.
- Before you begin a setup procedure, look at the machine number on the device. The machine number is always your starting point. Find the machine number in this manual by looking at the Contents page or by looking at the page edge tab.



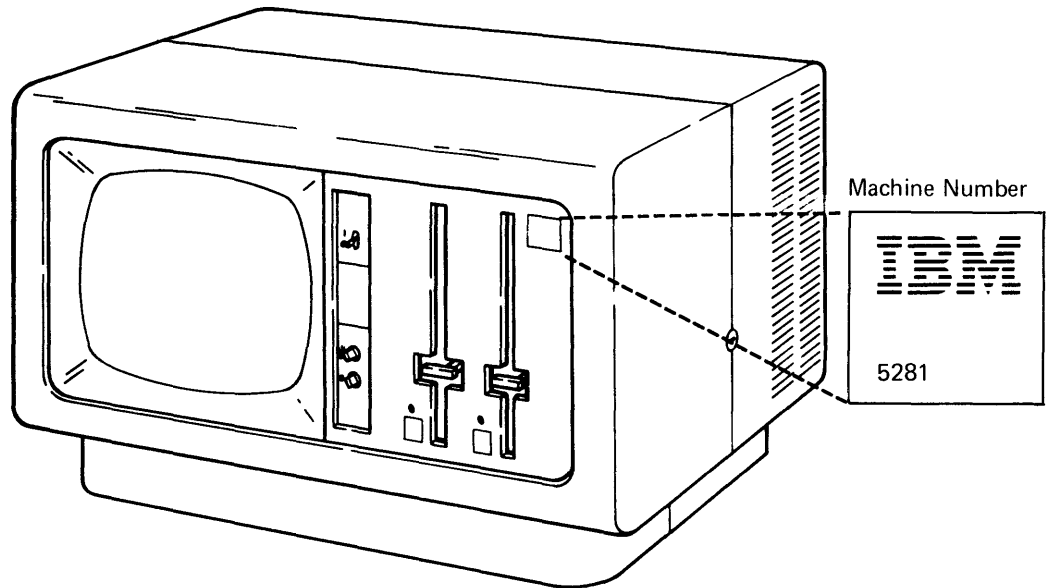
When you begin the setup procedure for your system, it is very important that you set up the devices in the following order:

1. Auxiliary devices (set up 5281s first and 5282s second).
2. Printer: If you have a printer(s), see the printer customer setup manual. Do not connect the printer cable(s). The printer cable(s) will be connected using this manual.
3. Controller (5286, 5285, or 5288).

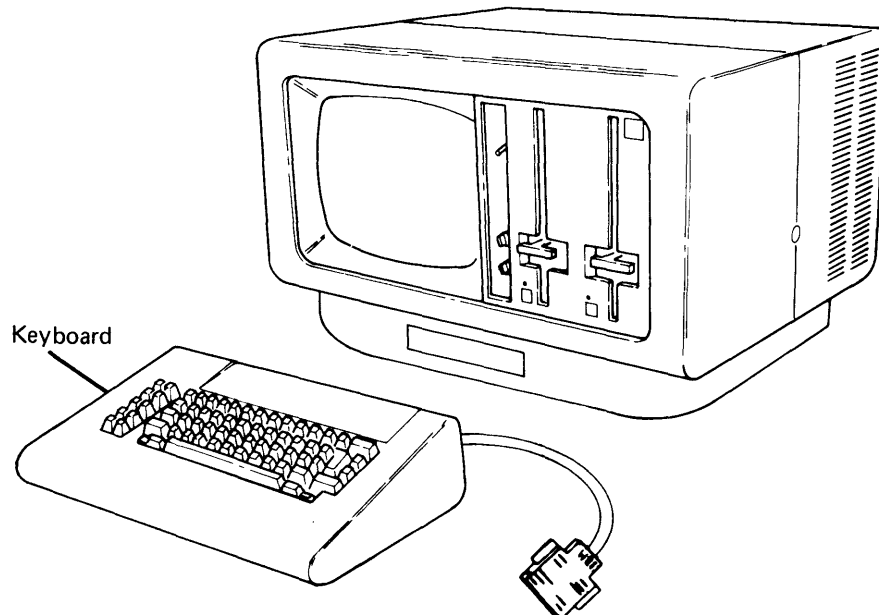
Safety Precaution: A 5280 device can weigh up to 90 kilograms (200 pounds). NEVER LIFT A DEVICE BY YOURSELF.

Section 2. 5281 Setup Procedure

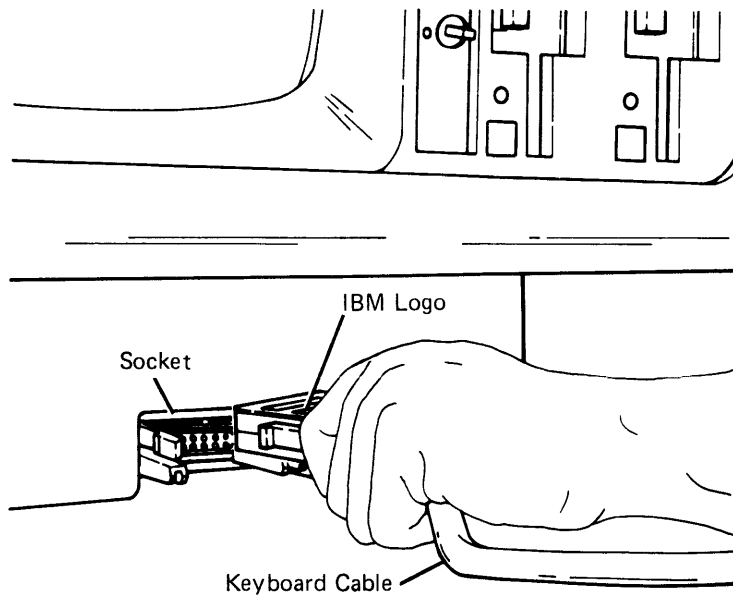
Safety Precaution: This device weighs approximately 68 kilograms (150 pounds). NEVER LIFT IT BY YOURSELF.



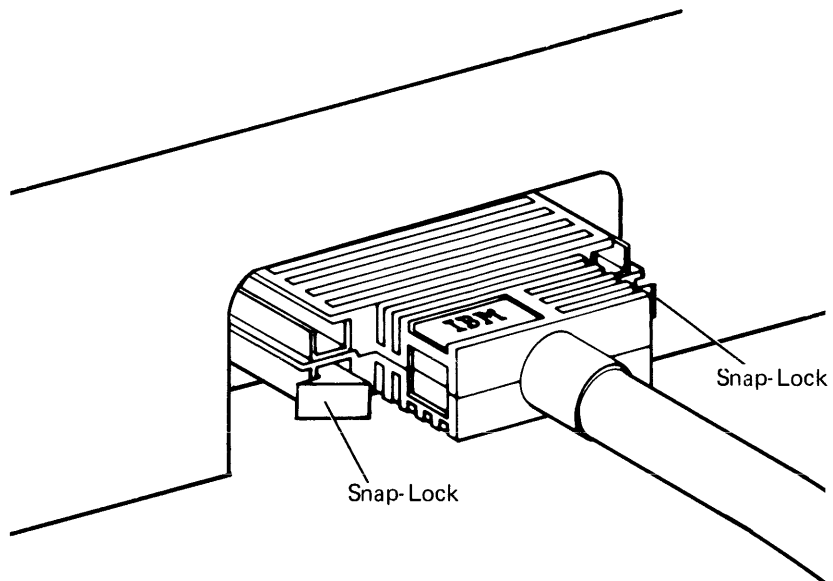
1. Place the keyboard to the left of the display screen.



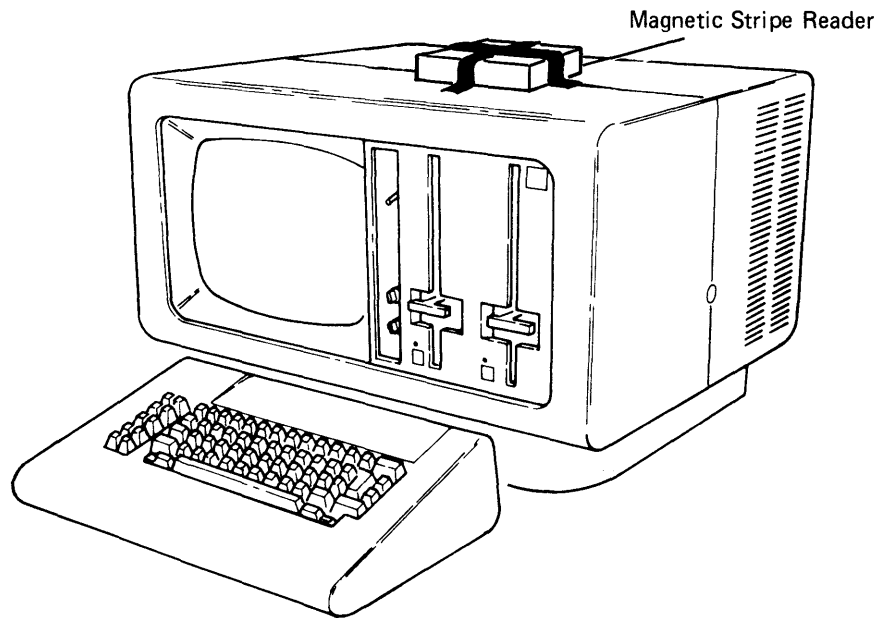
2. **Connect the keyboard cable by positioning the connector so that the IBM logo is up; and then push the connector into the socket.**



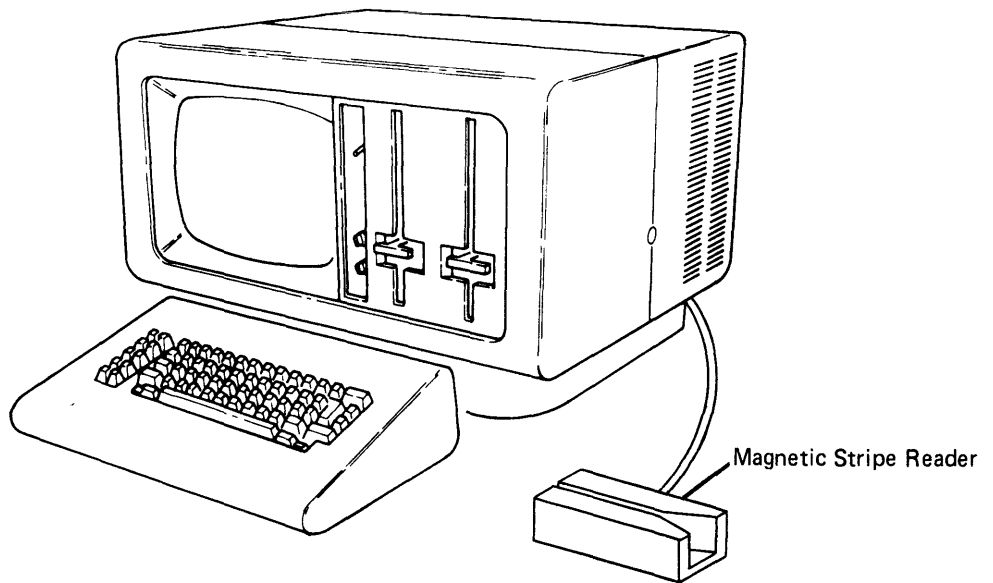
3. **Make sure that the snap-locks lock into position.**



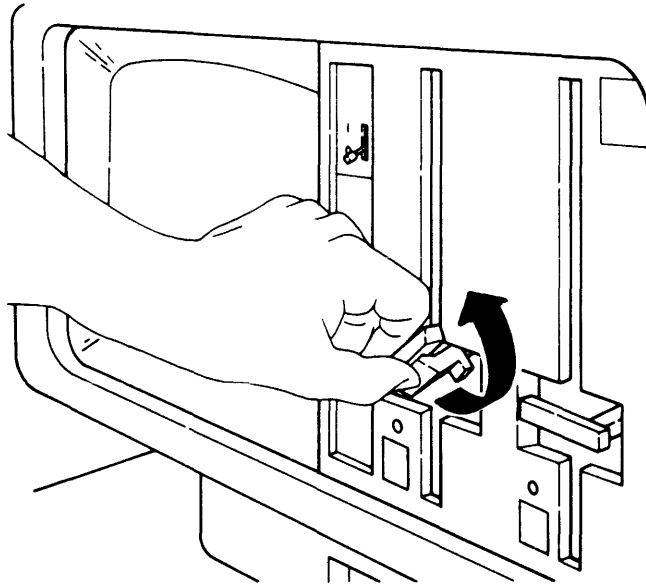
4. Check to see if you have a magnetic stripe reader taped to the top of your data station.



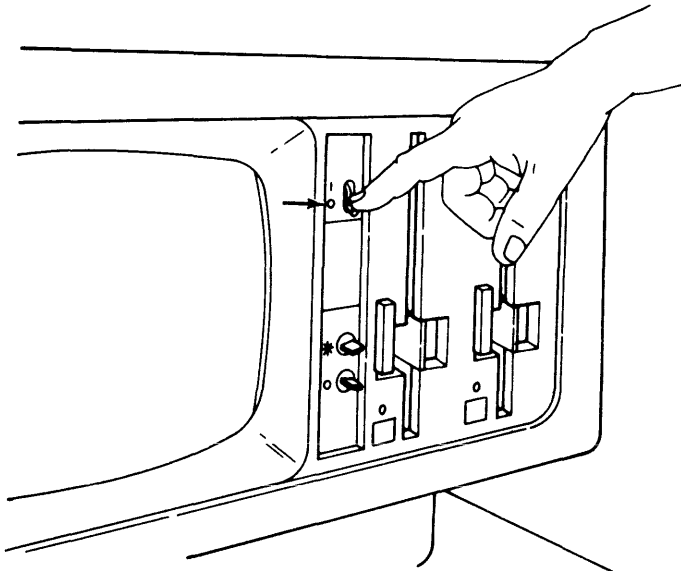
5. If you have a magnetic stripe reader, remove, unwrap, and place the reader beside the keyboard.



6. If you have a diskette drive(s), open the diskette locking lever(s).



7. Make sure that the Power switch is set to the O (Off) position.

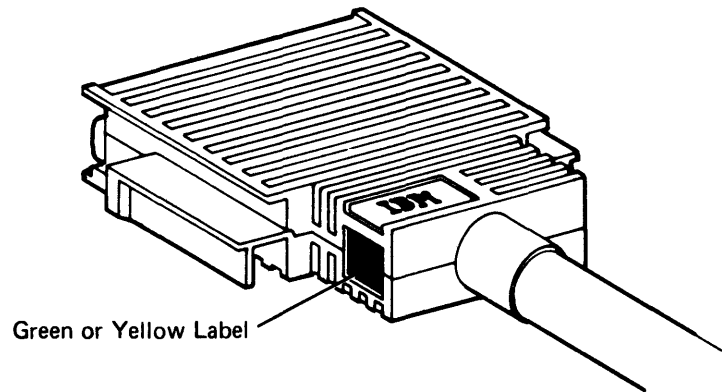


You will be connecting one or two more cables to the 5281. The cables are:

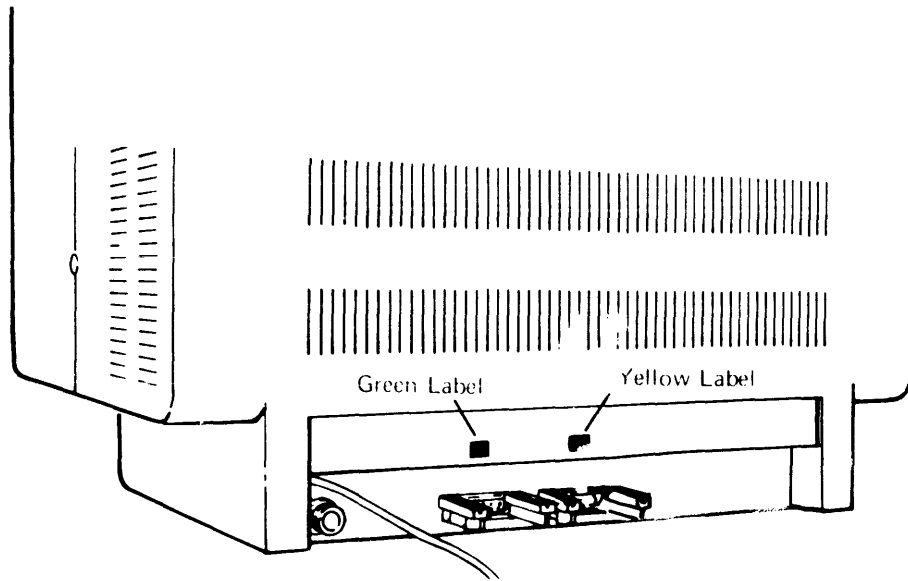
- One data station cable
- One diskette drive cable (optional)

Note: The cables do not carry high voltage. There is no danger of electrical shock.

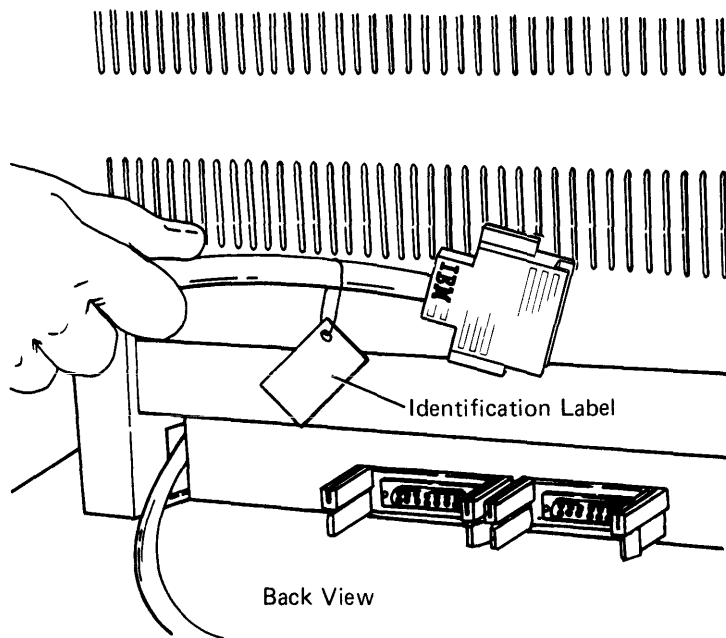
Each cable connector is color coded. The data station cable connector is color coded green. The diskette drive cable is color coded yellow.



Each socket is also color coded. The data station socket is color coded green. The diskette drive socket is color coded yellow.

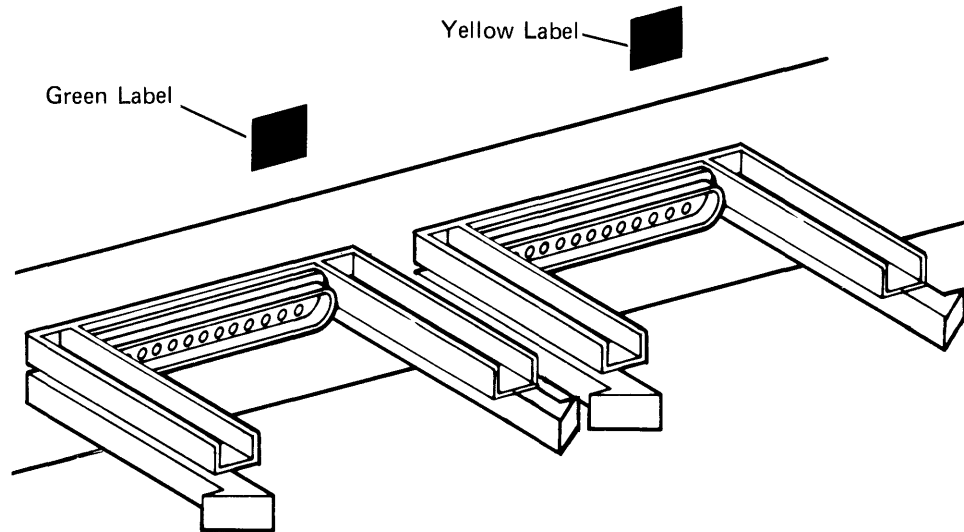


In addition to the color-coded connectors and sockets, there should be identification labels. If not, see the *IBM Planning and Site Preparation Guide*. The label identifies which device the cable connects to.



8. Read the following four steps (a, b, c, and d) before connecting the data station cable.

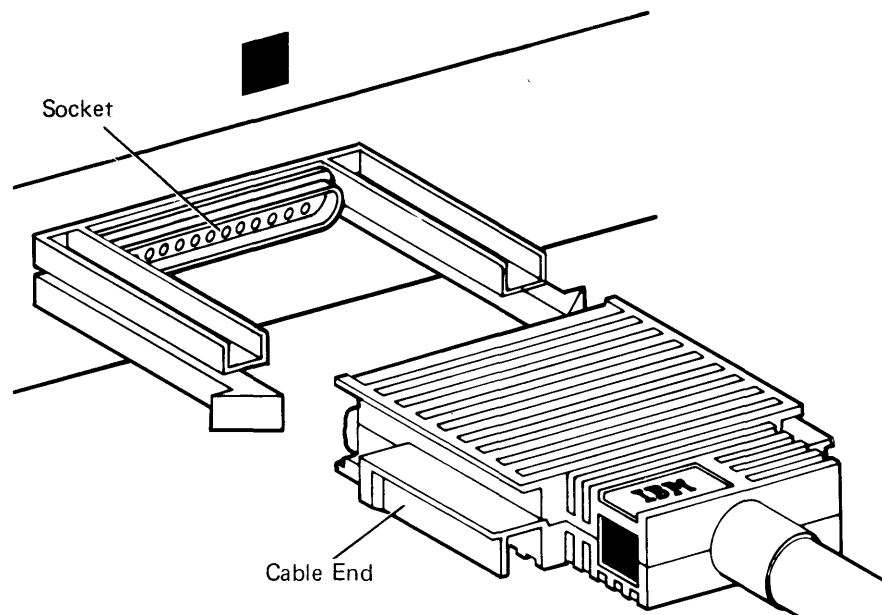
a. Look at the data station socket with the green label. This is where you will connect the data station cable.



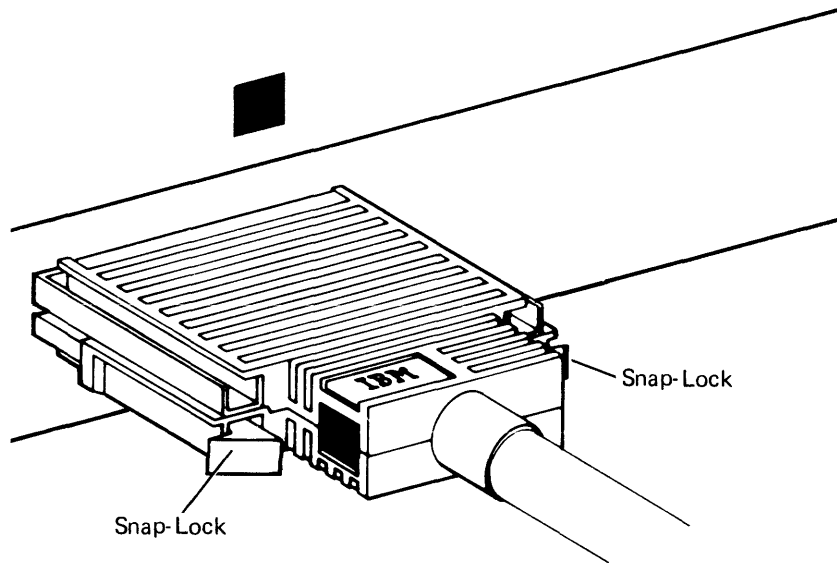
Back View of the 5281

b. Find a cable connector with a green label. Read the identification label to be sure that it connects to 5281.

c. Position the cable so that the IBM logo is on top; then push the cable end into the socket (make sure that the colors match).



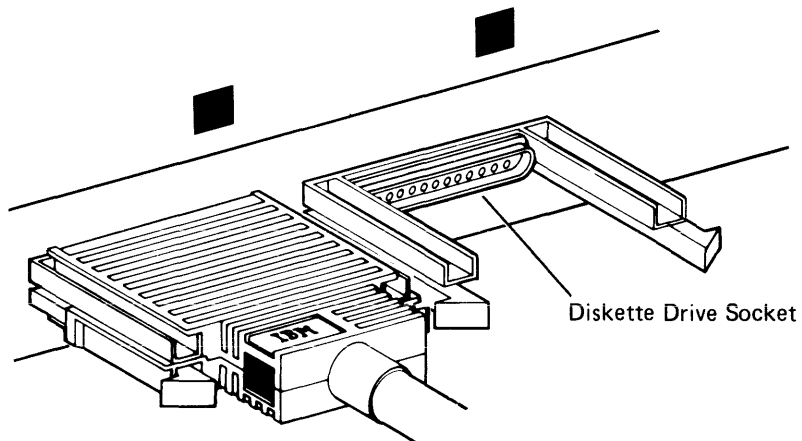
d. Make sure that the snap-locks lock into position.



9. If the 5281 has a diskette drive(s), go to step 10. If not, go to step 11.

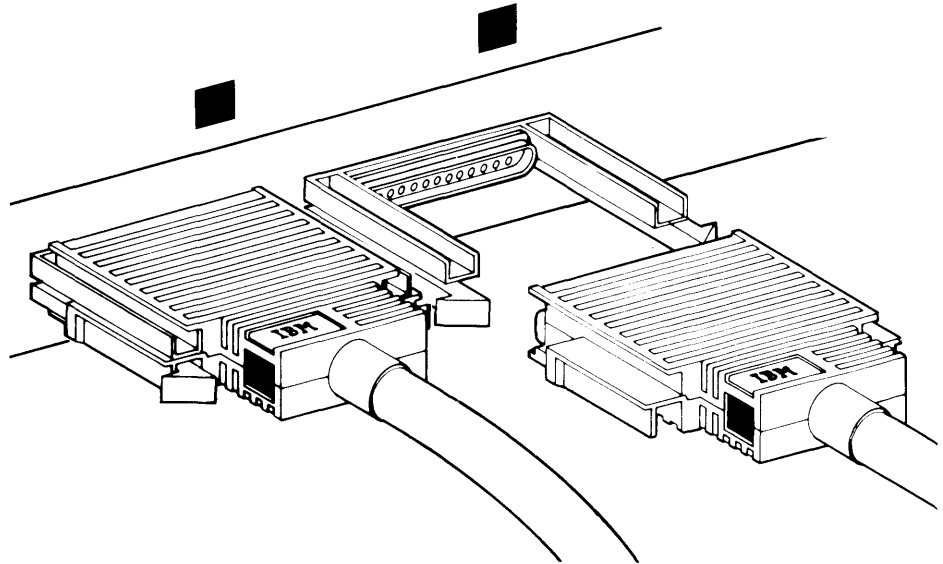
10. Read the following four steps (a, b, c, and d) before connecting the diskette drive cable.

a. Look at the diskette drive socket (with the yellow label). This is where you will connect the diskette drive cable.



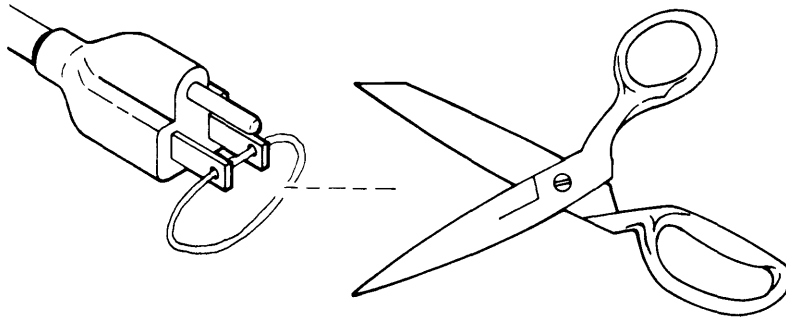
b. Find a cable connector with a yellow label. Read the identification label to be sure that it connects to the 5281.

- c. Position the cable so that the IBM logo is on top; then push the cable end into the socket (make sure that the colors match).



- d. Make sure that the snap-locks lock into position.

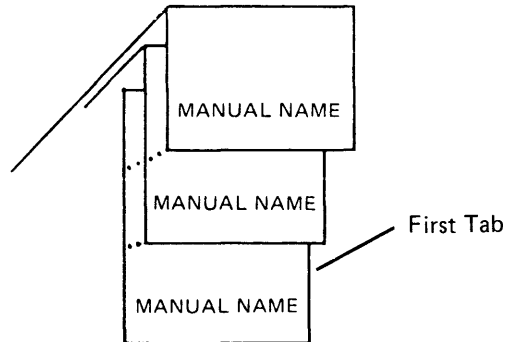
11. Cut and remove the string from the power cord plug.



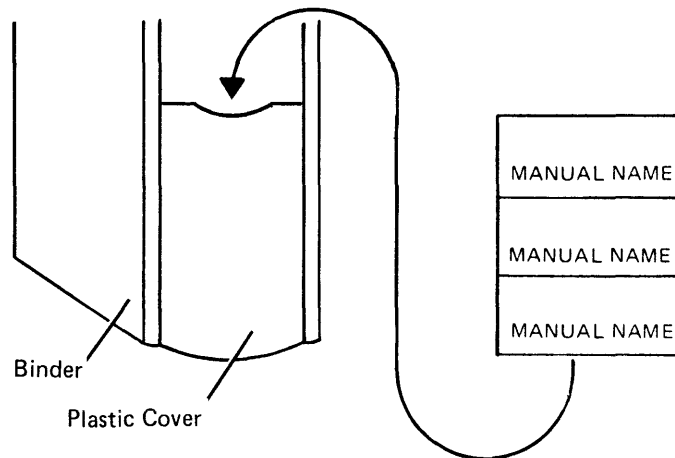
12. Insert the power cord plug into a grounded receptacle.

13. Label the IBM binder(s) that came with your device (if they have not been labeled) by doing the following:
- Open an IBM binder and cut out the identification tab printed on the back cover of each manual.
 - Fold the identification tabs (except for the first tab) in the following manner:

Note: Depending on the binder, you may only have two tabs to insert.



- Insert the tabs into the plastic cover found on the binder, as shown below:



You have completed the setup procedure for the 5281. The unconnected cable ends will be connected in another section.

Do you have another 5281 to set up?

Yes No

Do you have a 5282 to set up?

Yes No

Do you have a printer to set up?

Yes No

- Set up your controller (5286, 5285, or 5288).

- Go set up the printer(s), using the customer setup manual that came with the printer. Do not connect the printer cable(s). The printer cable(s) will be connected using this manual. When you have completed the setup procedure for the printer(s), set up your controller (5285 or 5288) using this manual.

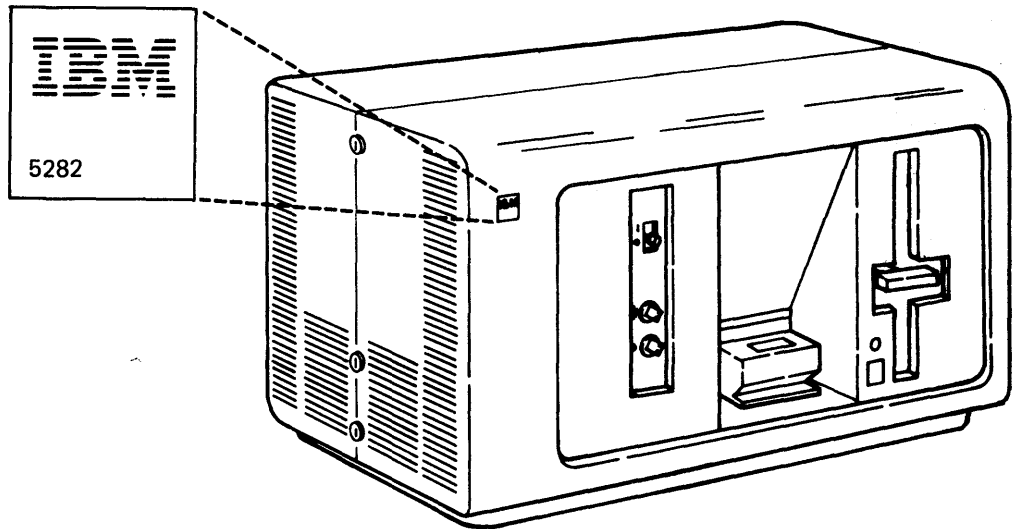
- Go to Section 3, *5282 Setup Procedure*.

- Return to step 1 in this section.

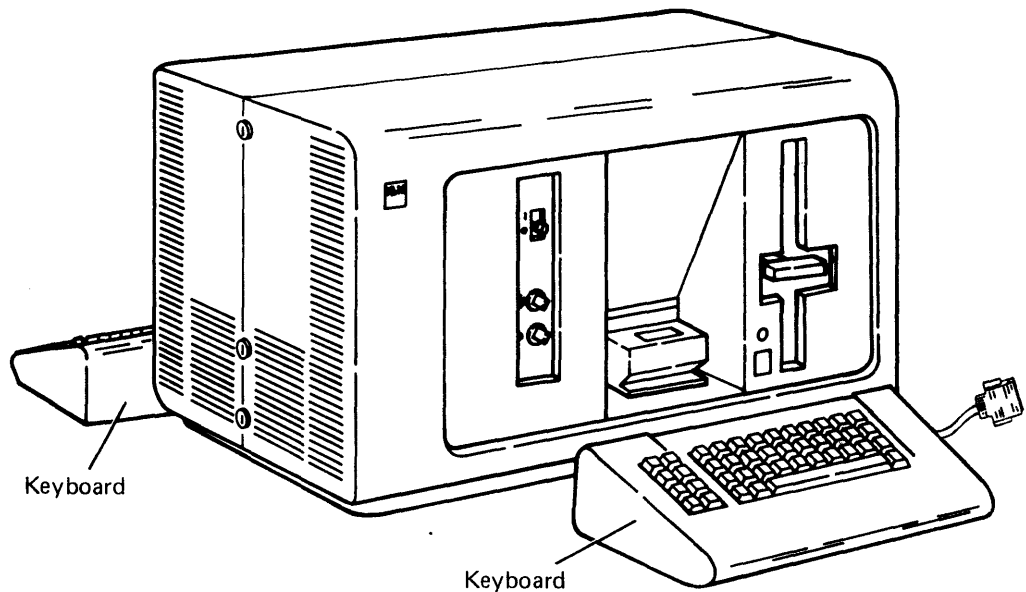
Section 3. 5282 Setup Procedure

Safety Precaution: This device weighs approximately 68 kilograms (150 pounds). NEVER LIFT IT BY YOURSELF.

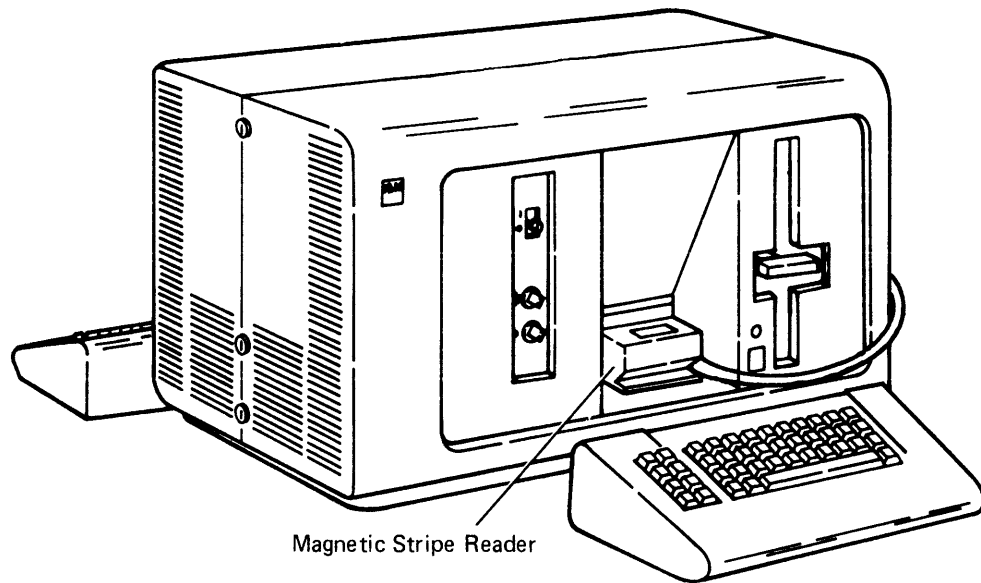
Machine Number



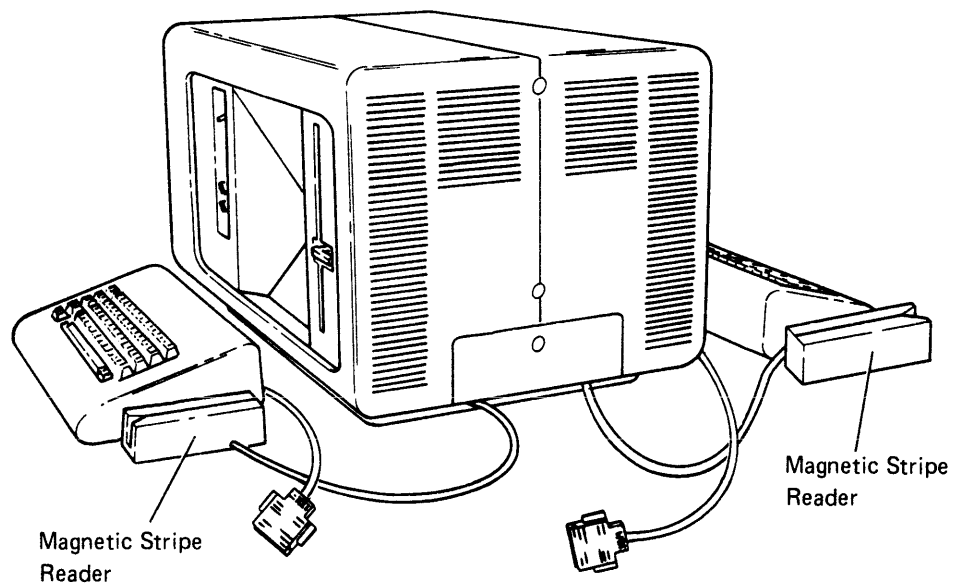
1. Find the keyboards and place them in front of the display screens.



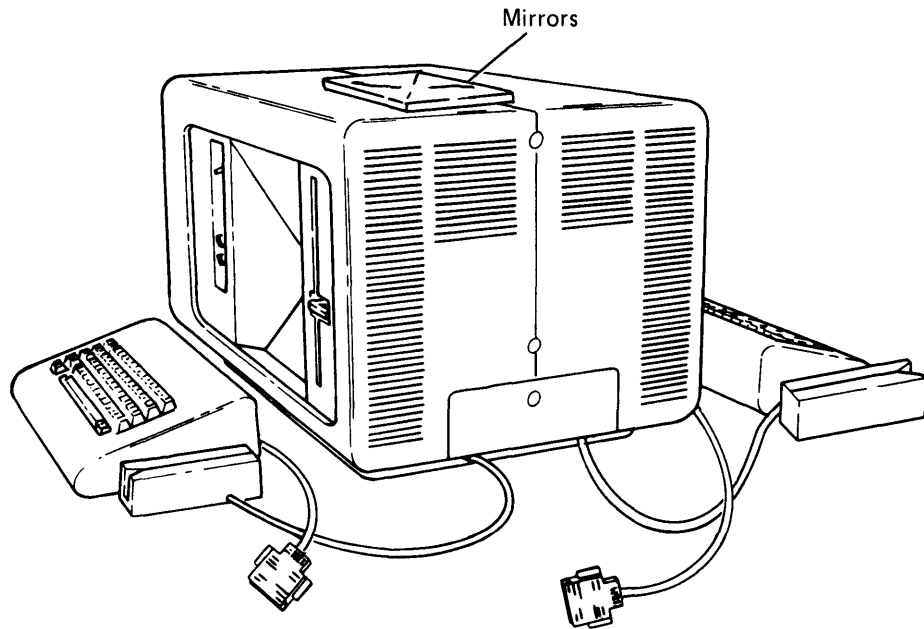
2. Check to see if you have a magnetic stripe reader in each of the mirror housings on the 5282.



3. If you have magnetic stripe readers, remove, unwrap, and place the readers beside the keyboards.

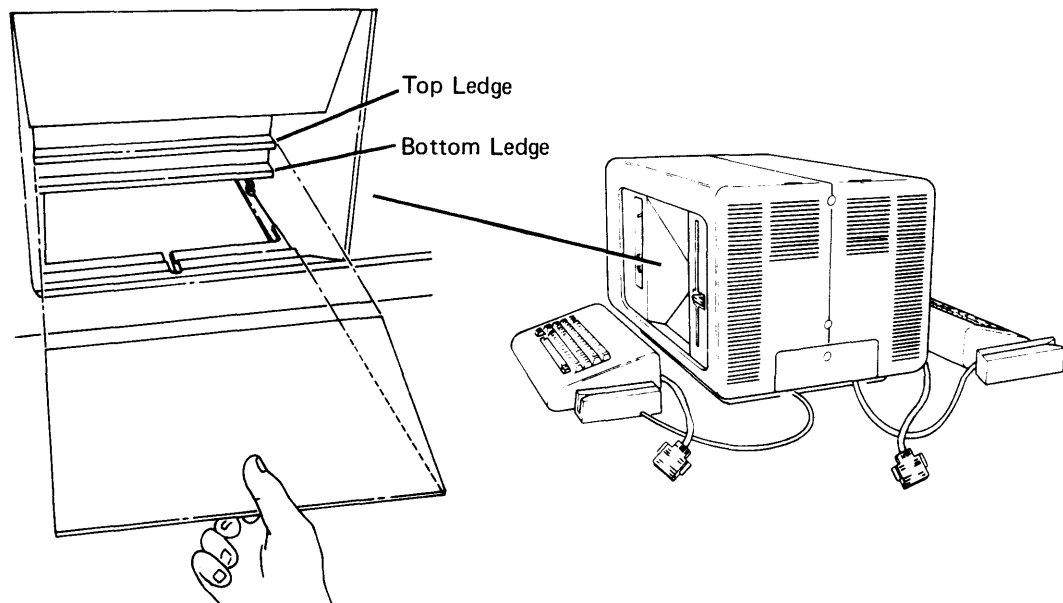


4. Remove and unwrap the two mirrors from the top of your data station. If the mirrors are smudged, clean the mirrors with glass cleaner.



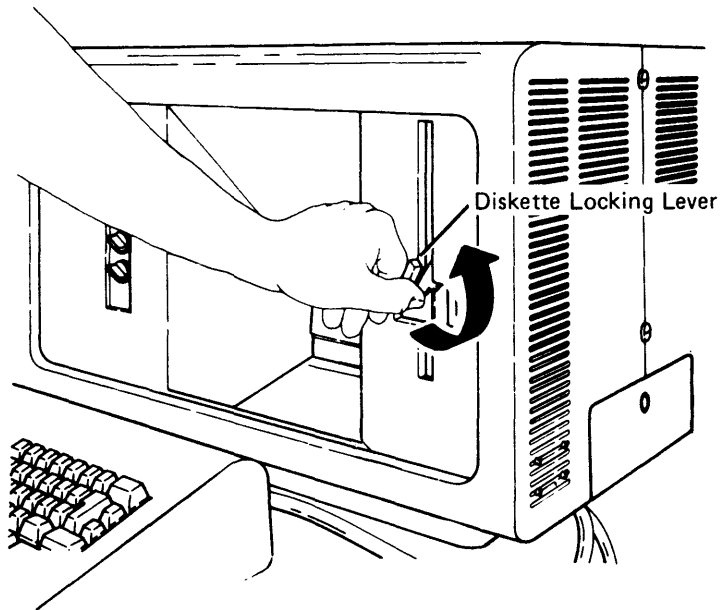
5. Insert a mirror on each side of the display screen as follows:

Lay the mirror on the top or bottom ledge of the mirror housing; then lower the bottom of the mirror into its position.

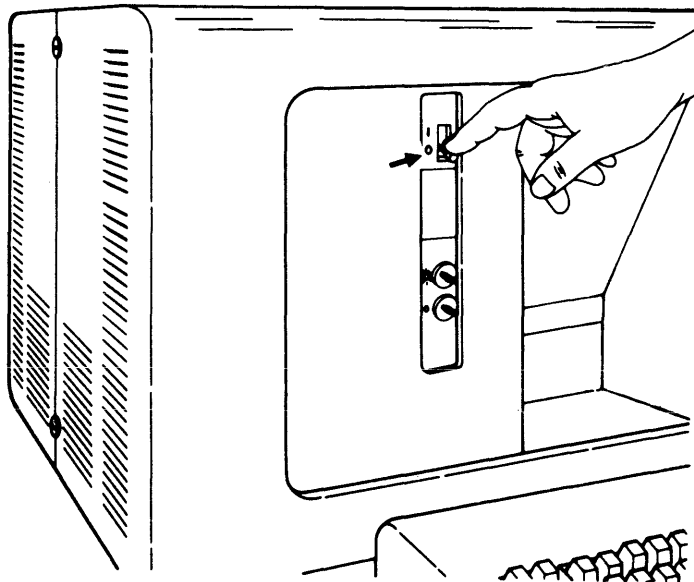


6. Do the following:

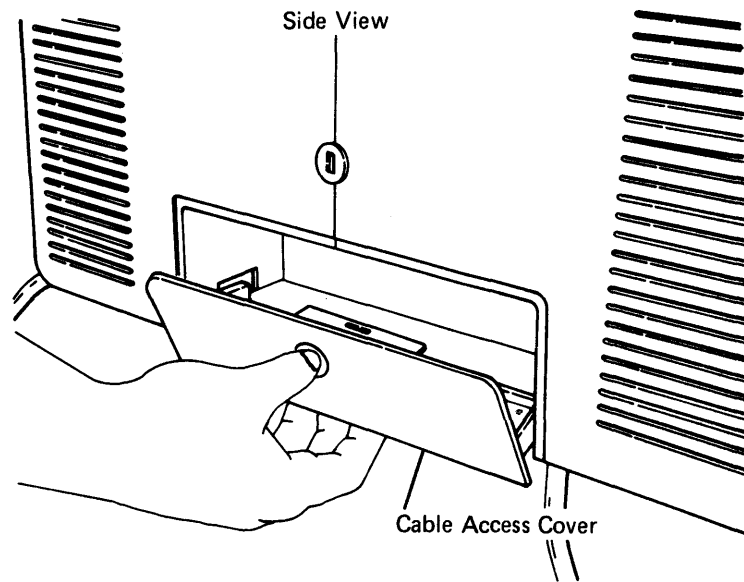
- a. Open the diskette locking lever(s).**



- b. Make sure that the Power switch is set to the O (Off) position.**

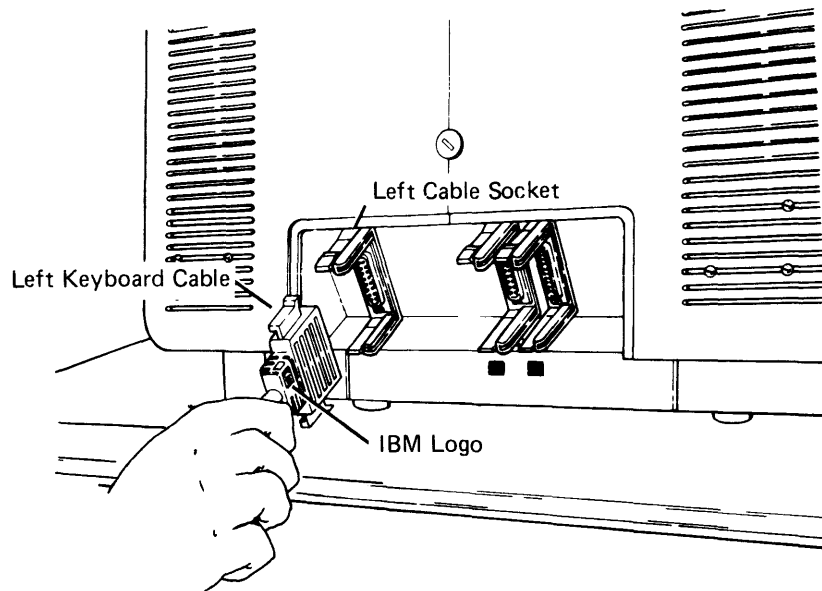


7. Remove the access cover by pressing down (with your thumb) and pulling out.

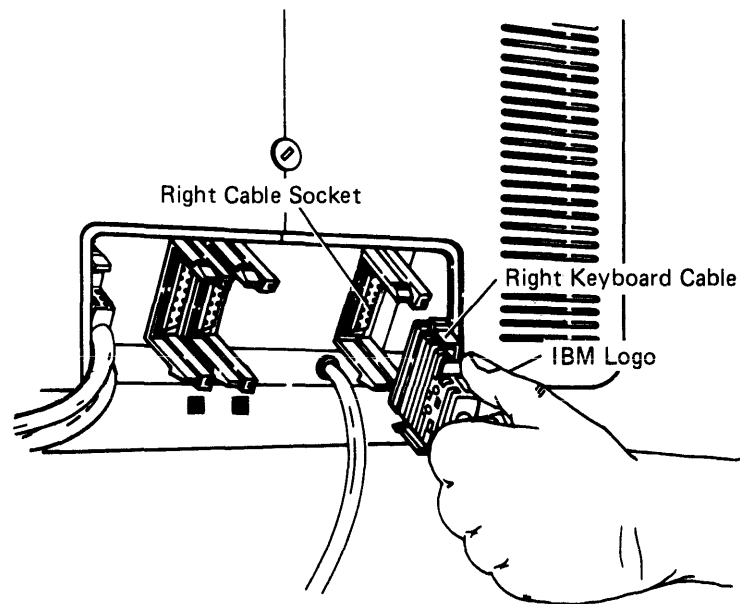


8. Connect the keyboard cables to the cable sockets.

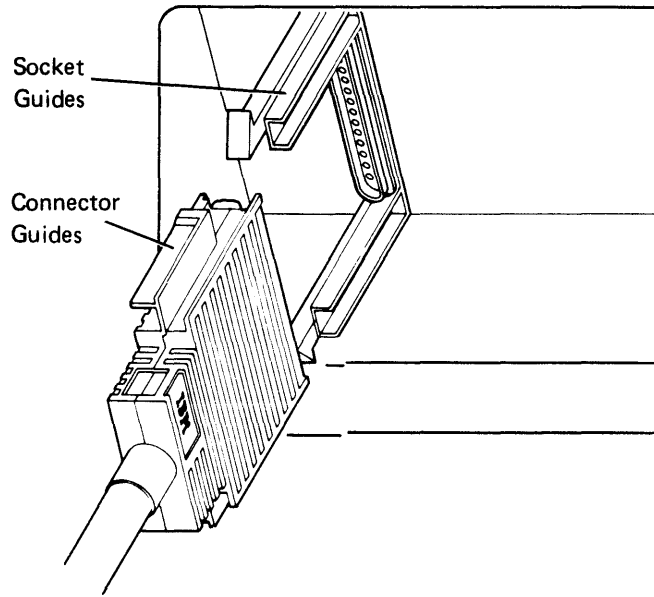
- a. Push in the left keyboard cable, with the IBM logo facing to the right.**



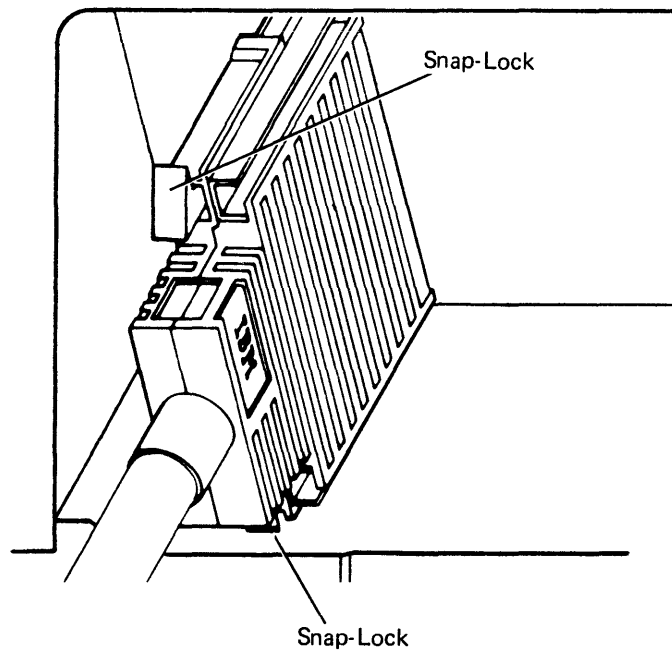
- b. Push in the right keyboard cable, with the IBM logo facing to the right.**



Note: If the cable does not fit easily into the socket, be sure that the connector guides line up with the socket guides.



9. Make sure that the snap-locks lock into position.

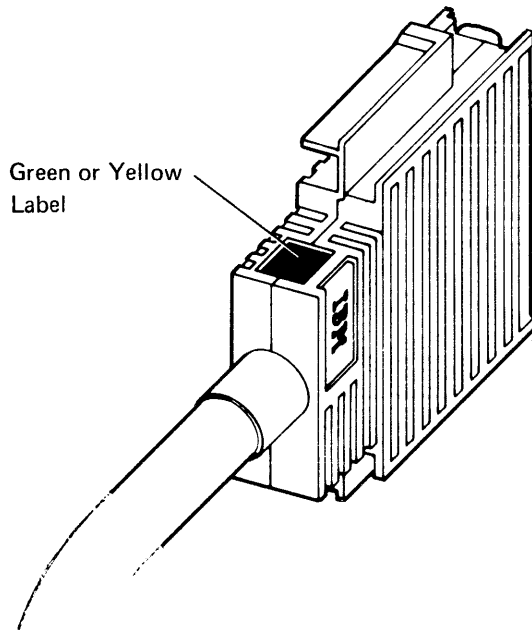


You will be connecting one or two cables to the 5282. The cables are:

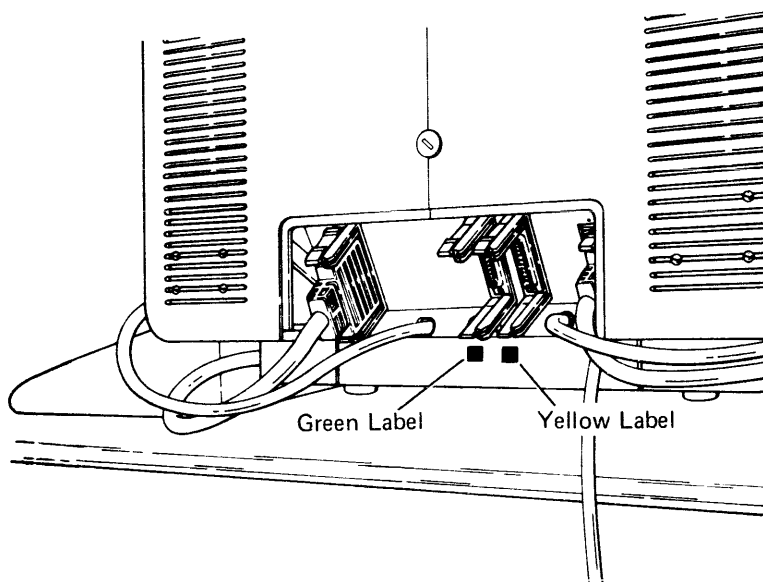
- One data station cable
- One diskette drive cable (optional)

Note: The cables do not carry high voltage. There is no danger of electrical shock.

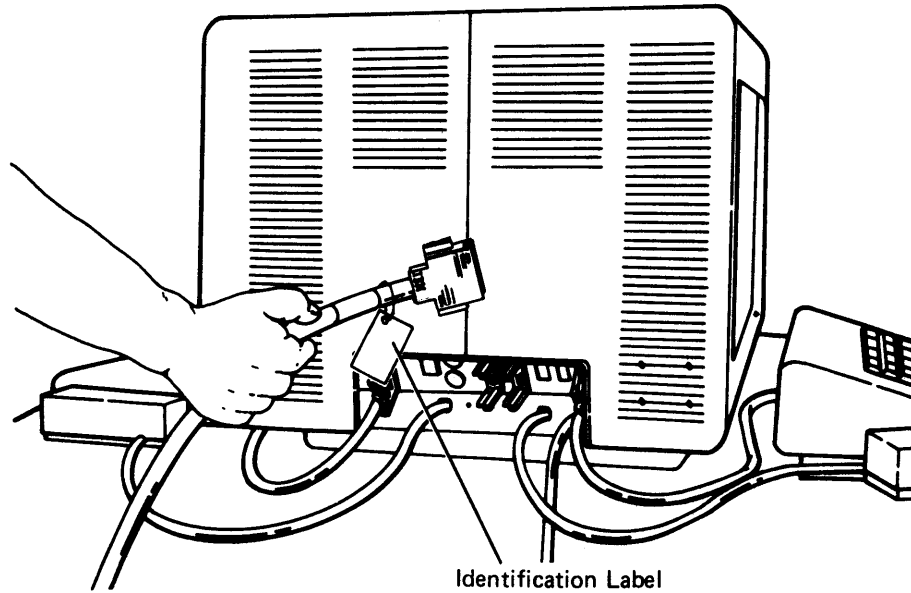
Each cable connector is color coded. The data station cable connector is color coded green. The diskette drive cable is color coded yellow.



Each socket is also color coded. The data station socket is color coded green. The diskette drive socket is color coded yellow.

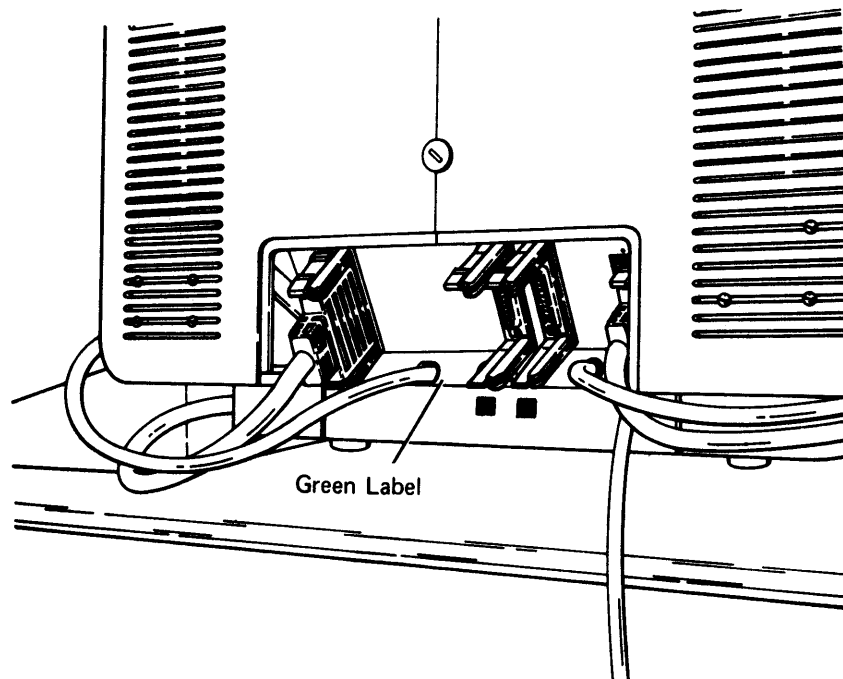


In addition to the color-coded connectors and sockets, there should be cable labels. If not, see the *IBM Planning and Site Preparation Guide*. The label identifies which device the cable connects to.

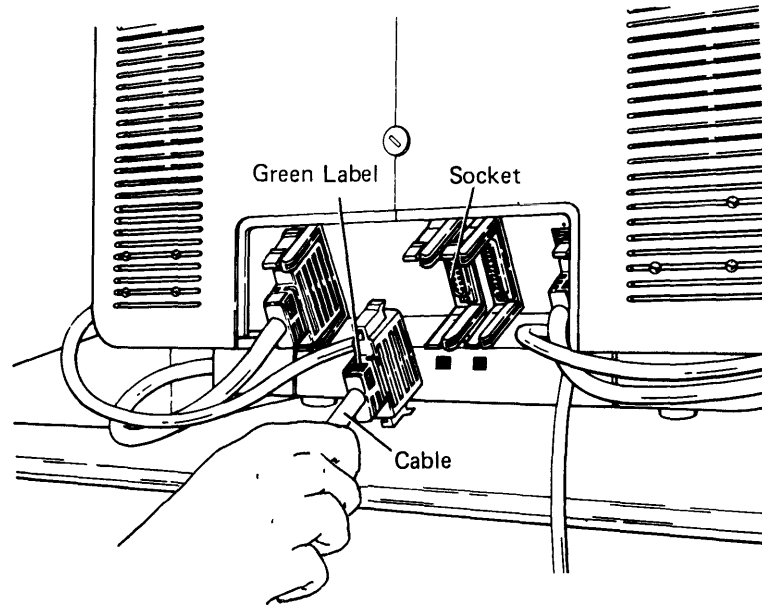


10. Read the following four steps (a, b, c, and d) before connecting the data station cable.

- a. Look at the data station socket with the green label. This is where you will connect the data station cable.**

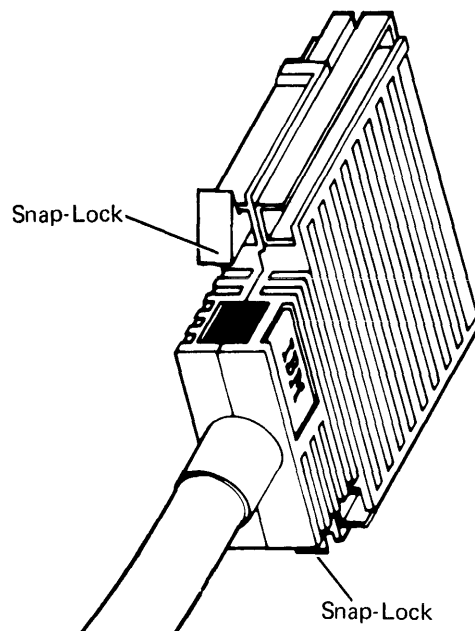


- b. Find a cable connector with a green label. Read the identification label to be sure that it connects to the 5282.
- c. Position the cable so that the green label is on top; then push the cable end into the socket (make sure that the colors match).

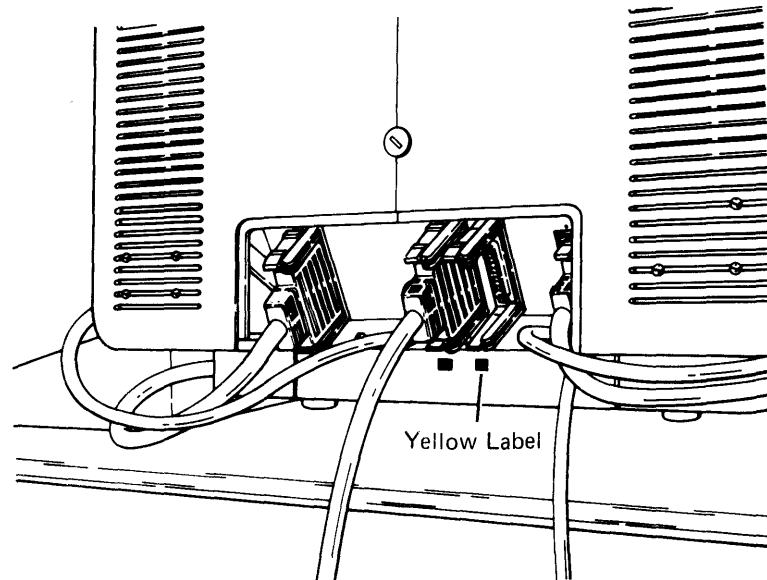


Note: If the cable does not fit easily into the socket, be sure that the connector guides line up with the socket guides.

- d. Make sure that the snap-locks lock into position.

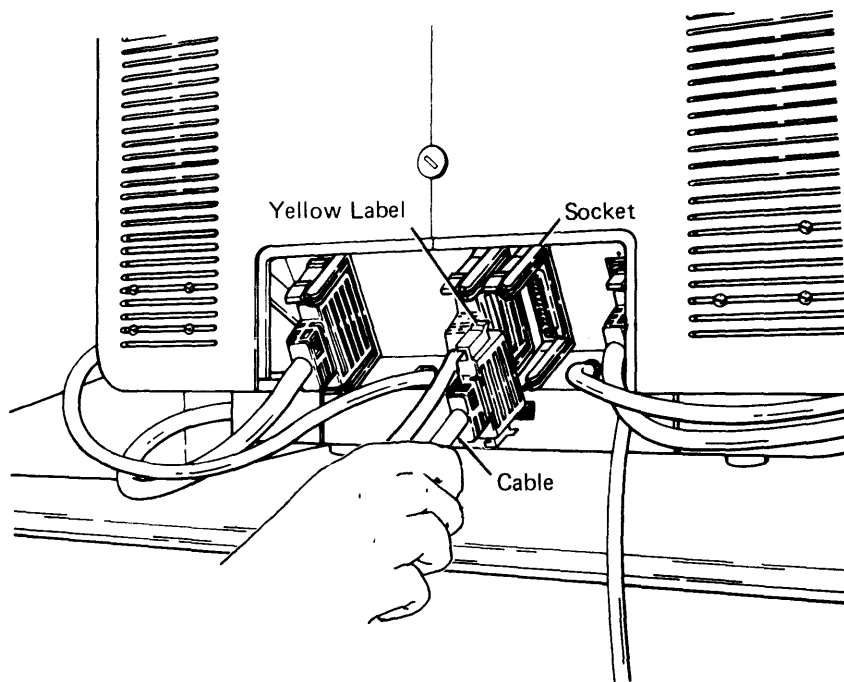


11. If the 5282 has a diskette drive(s), go to step 12. If not, go to step 14.
12. Read the following four steps (a, b, c, and d) before connecting the diskette drive cable.
 - a. Look at the diskette drive socket with the yellow label. This is where you will connect the diskette drive cable.



- b. Find a cable connector with a yellow label. Read the identification label to be sure that it connects to the 5282.

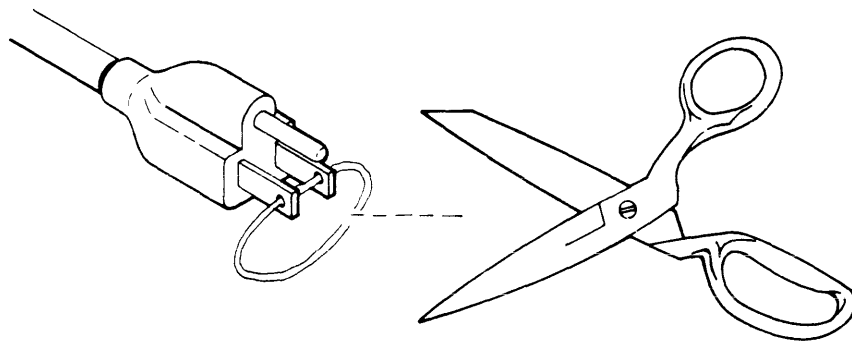
- c. Position the cable so that the yellow label is on top; then push the cable end into the socket.



Note: If the cable end does not fit easily into the socket, be sure that the connector guides line up with the socket guides.

- d. Make sure that the snap-locks lock into position.

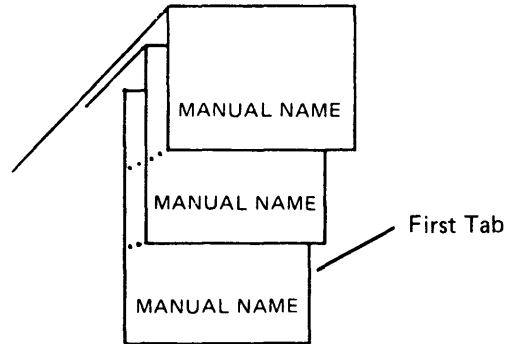
13. Replace the cable access cover.
14. Cut and remove the string from the power cord plug.



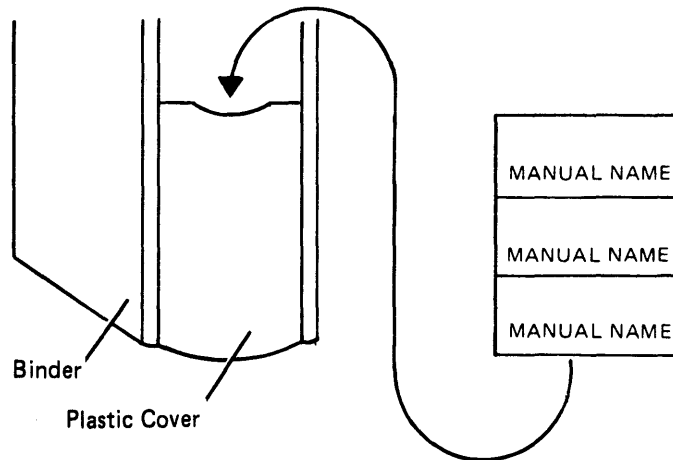
15. Insert the power cord plug into a grounded receptacle.

16. Label the IBM binder(s) that came with your device (if they have not been labeled) by doing the following:
- Open an IBM binder and cut out the identification tab printed on the back cover of each manual.
 - Fold the identification tabs (except for the first tab) in the following manner:

Note: Depending on the binder, you may only have two tabs to insert.



- Insert the tabs into the plastic cover found on the binder, as shown below:



You have completed the setup procedure for the 5282. The unconnected cable ends will be connected in another procedure.

Do you have another 5282 to set up?

Yes No

Do you have a printer to set up?

Yes No

- Set up your controller (5286, 5285, or 5288).

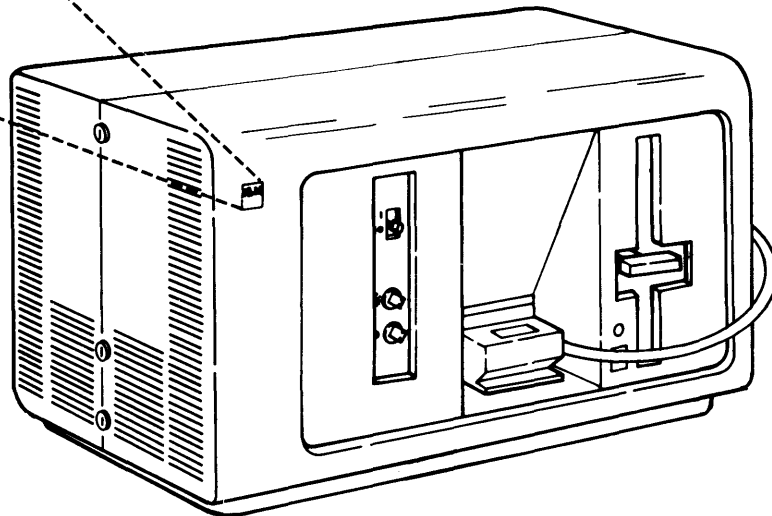
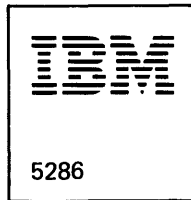
- Go set up the printer(s), using the customer setup manual that came with the printer. Do not connect the printer cable(s). The printer cable(s) will be connected using this manual. When you have completed the setup procedure for the printer(s), set up your controller (5285 or 5288) using this manual.

- Return to step 1 in this section.

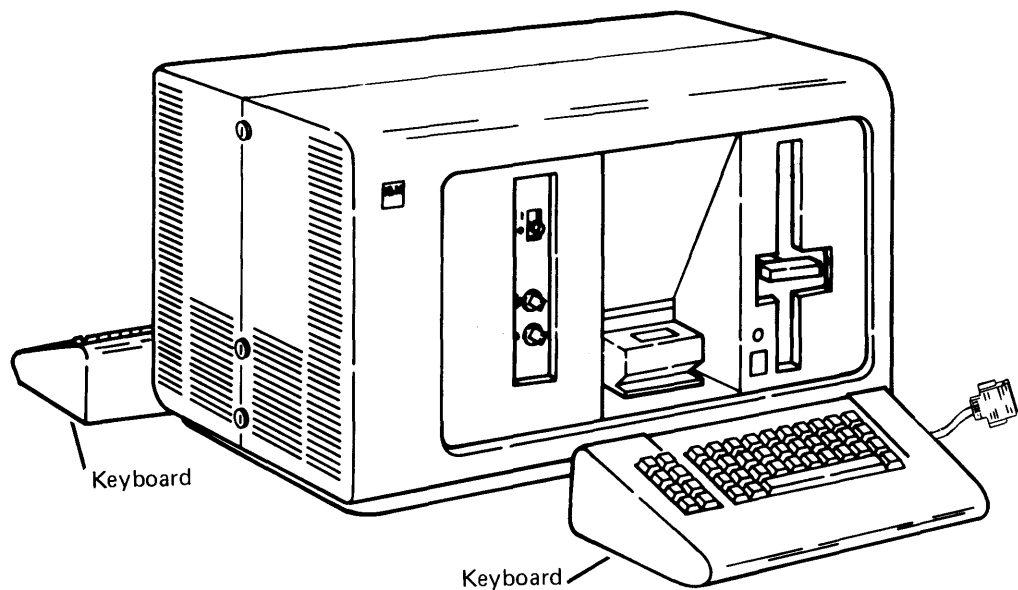
Section 4. 5286 Setup Procedure

Safety Precaution: This device weighs approximately 68 kilograms (150 pounds). NEVER LIFT IT BY YOURSELF.

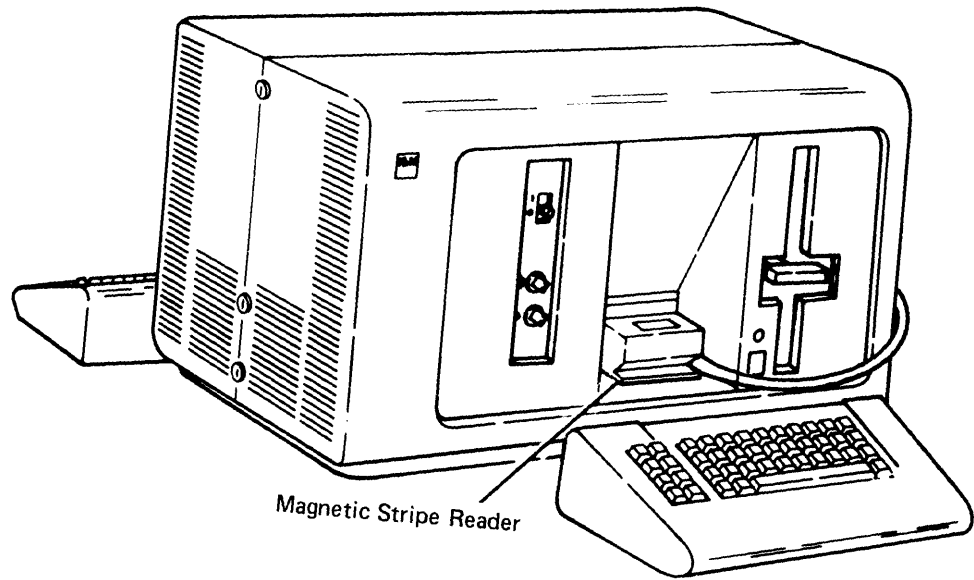
Machine Number



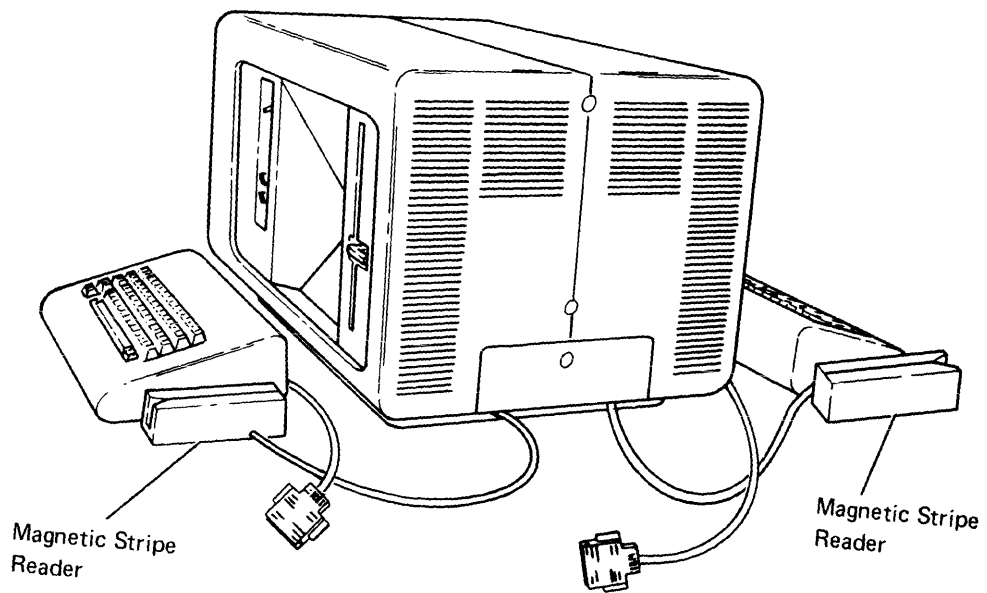
1. Find the keyboards and place them in front of the display screens.



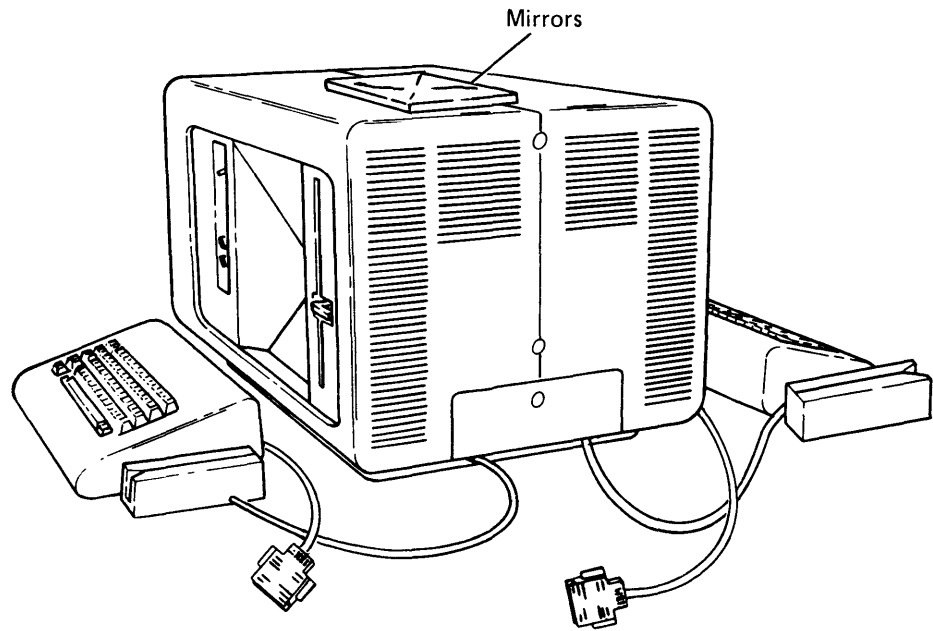
2. Check to see if you have a magnetic stripe reader in each of the mirror housings on the 5286.



3. If you have magnetic stripe readers, remove, unwrap, and place the readers beside the keyboards.

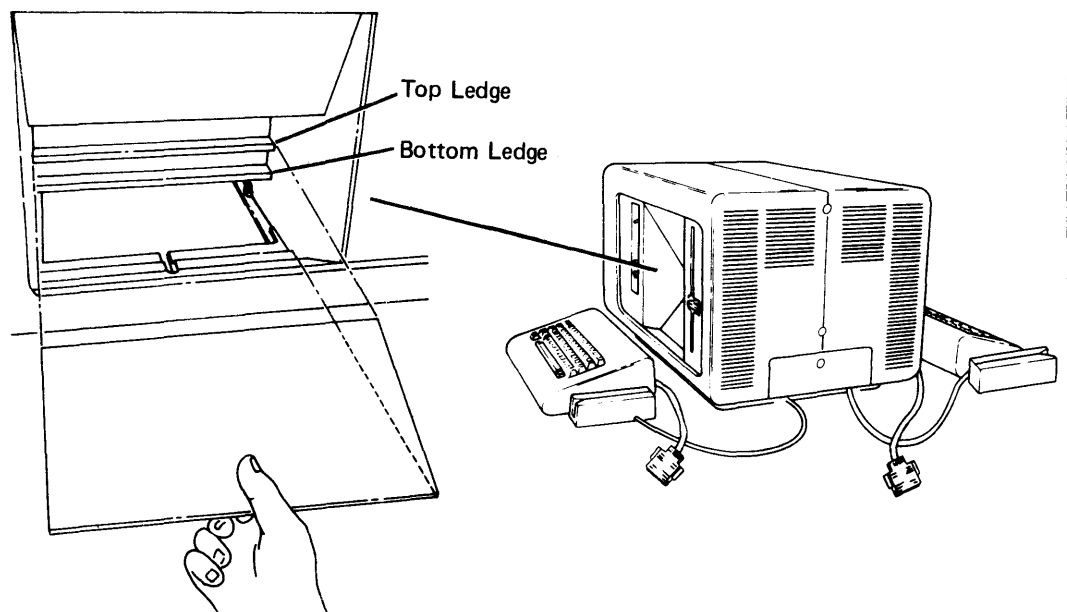


4. Remove and unwrap the two mirrors from the top of your display station. If the mirrors are smudged, clean the mirrors with glass cleaner.



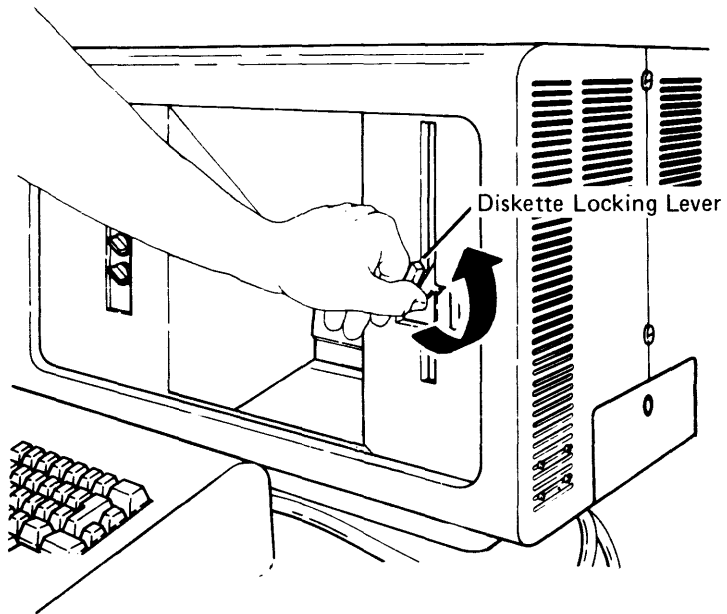
5. Insert a mirror on each side of the display screen as follows:

Lay the mirror on the top or bottom ledge of the mirror housing; then lower the bottom of the mirror into its position.

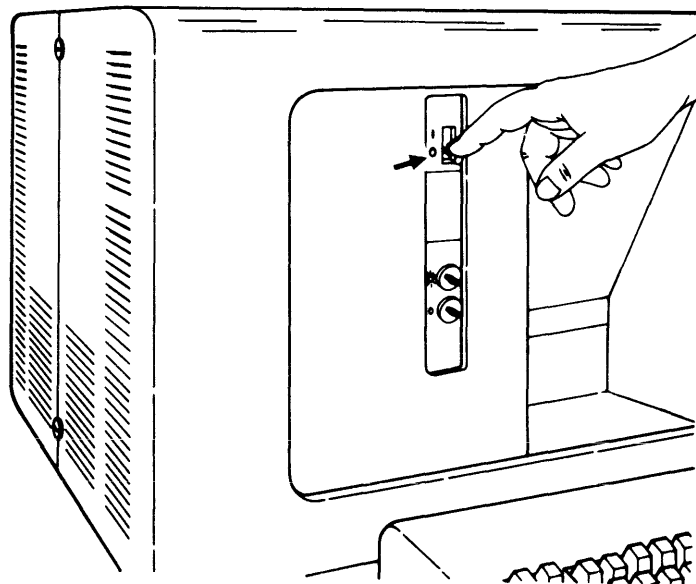


6. Do the following:

a. Open the diskette locking lever(s).

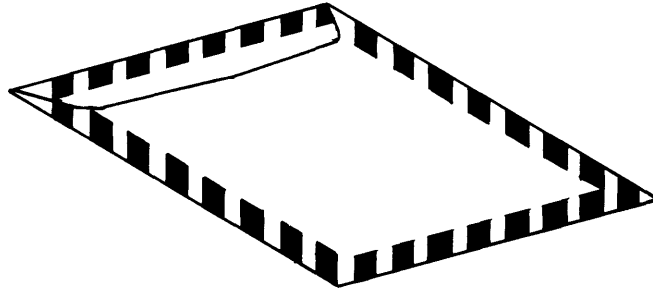


b. Make sure that the Power switch is set to the O (Off) position.



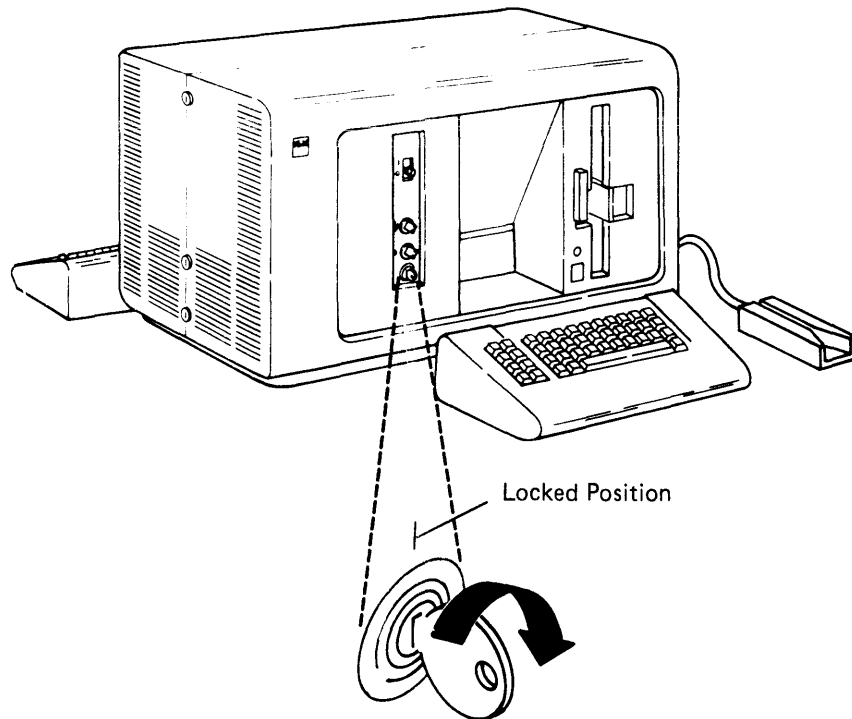
7. If your device has the Keylock feature, read and do the following:

a. The keys for the Keylock feature are packaged in the customer setup envelope. The envelope looks like this:

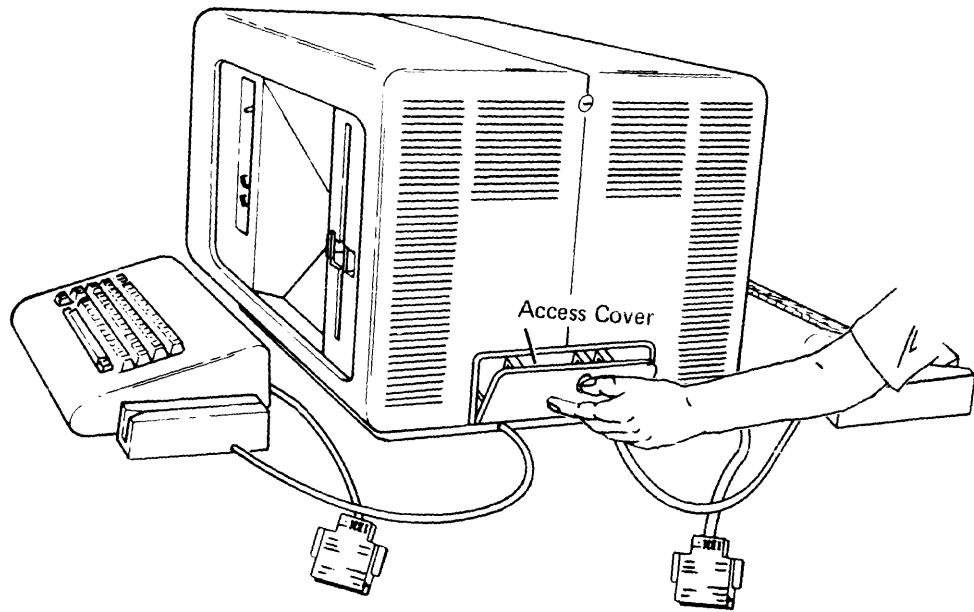


b. Record the identification number of the keys.

c. Insert the key and turn it to the right. If the key does not turn to the right, try the other key.

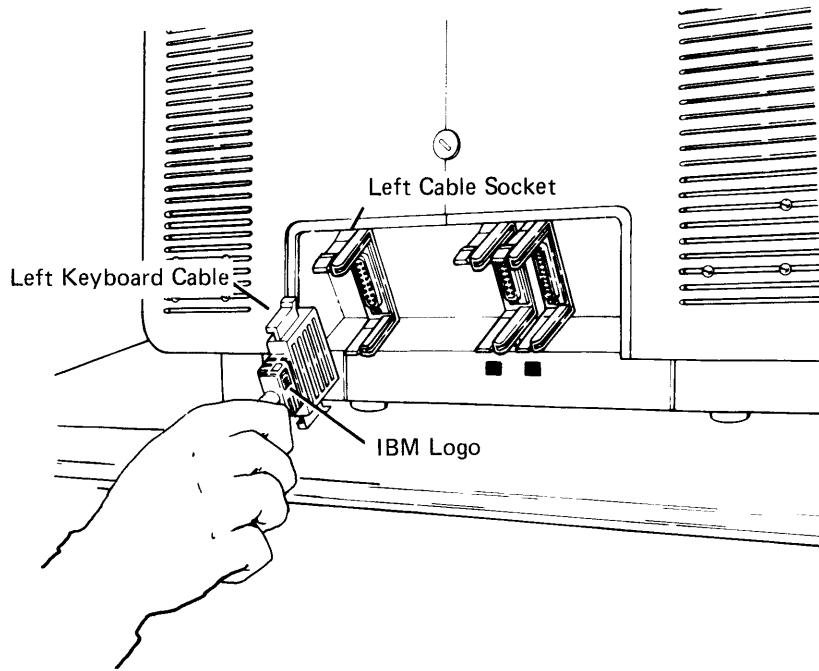


8. Remove the access cover by pressing down (with your thumb) and pulling out.

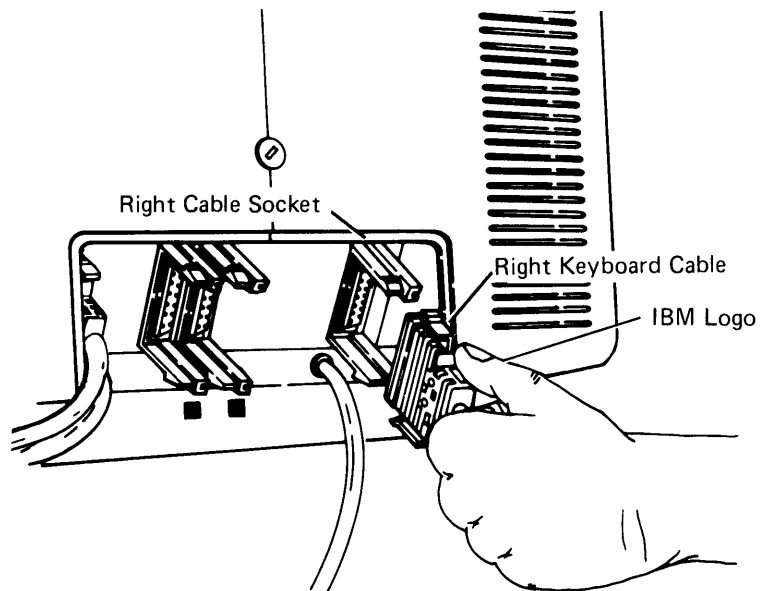


9. Connect the keyboard cables to the cable socket.

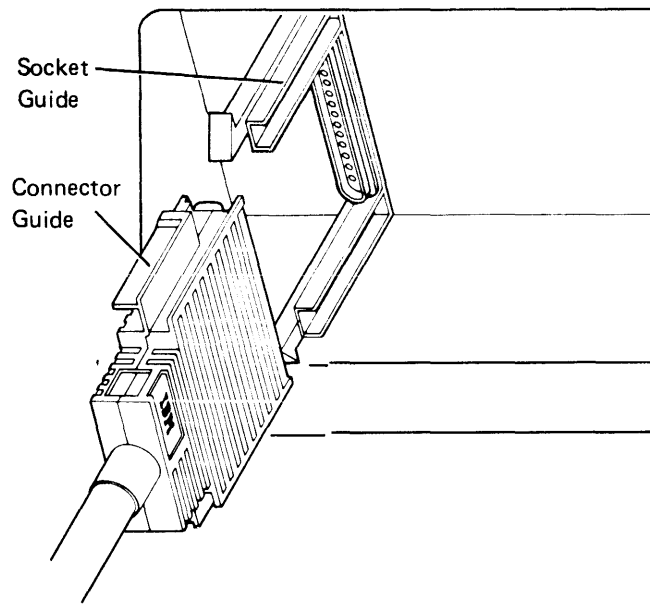
- a. Push in the left keyboard cable, with the IBM logo facing to the right.**



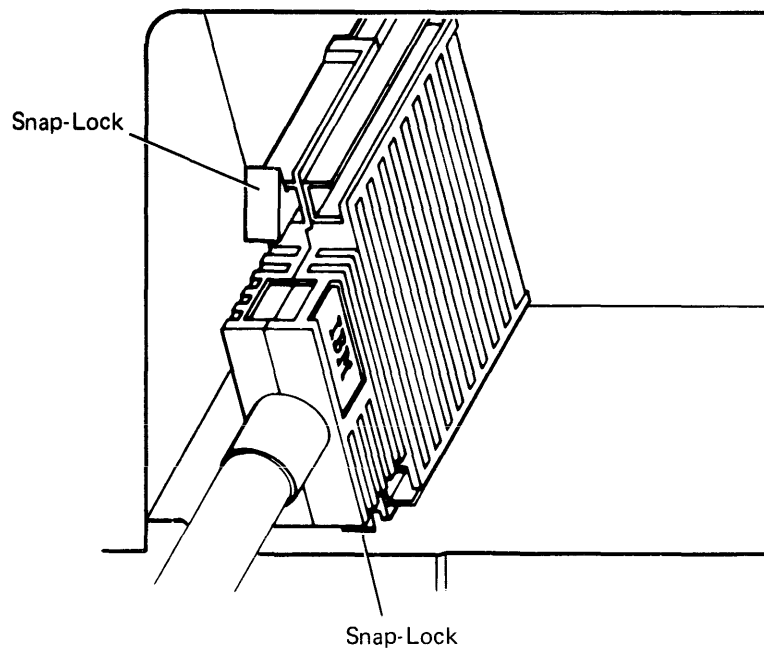
- b. Push in the right keyboard cable, with the IBM logo facing to the right.**



Note: If the cable does not fit easily into the socket, be sure that the connector guides line up with the socket guides.



10. Make sure that the snap-locks lock into position.

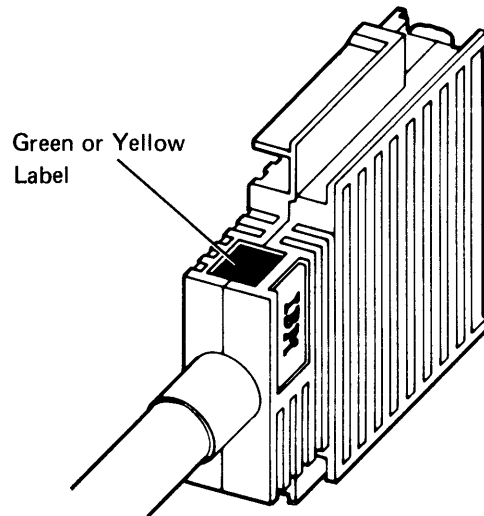


If you are not attaching an auxiliary data station to the 5286, go to step 13. If you are, you will be connecting up to two more cables. The cables are:

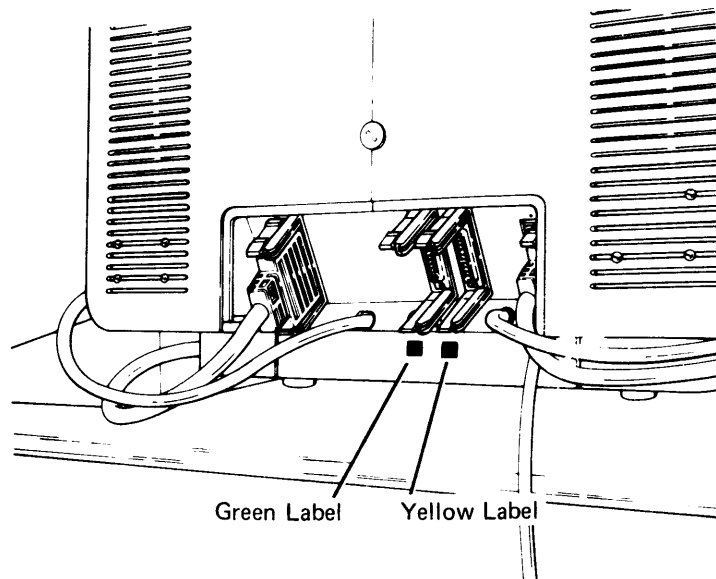
- The data station cable
- The diskette drive cable (optional)

Note: The cables do not carry high voltage. There is no danger of electrical shock.

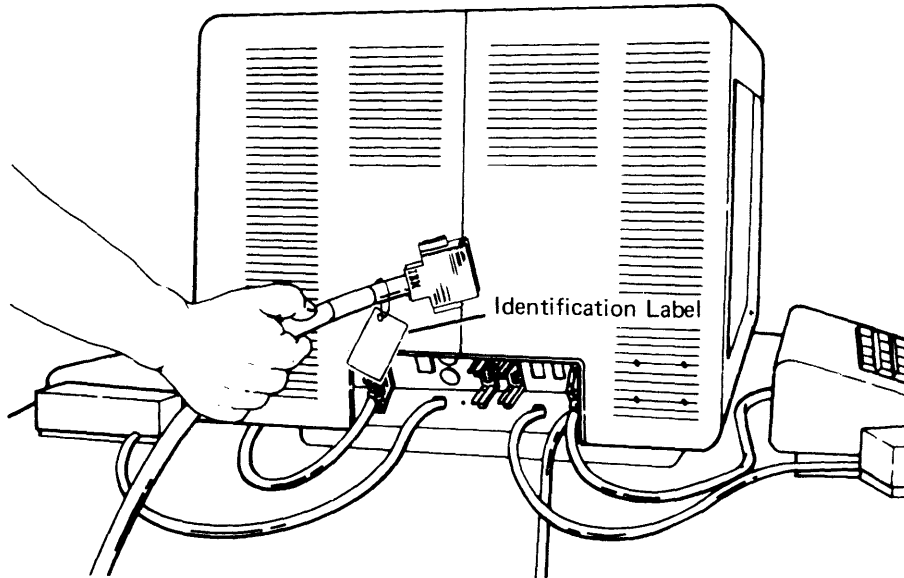
Each cable connector is color coded. The data station cable connector is color coded green. The diskette drive cable is color coded yellow.



Each socket is also color coded. The data station socket is color coded green. The diskette drive socket is color coded yellow.

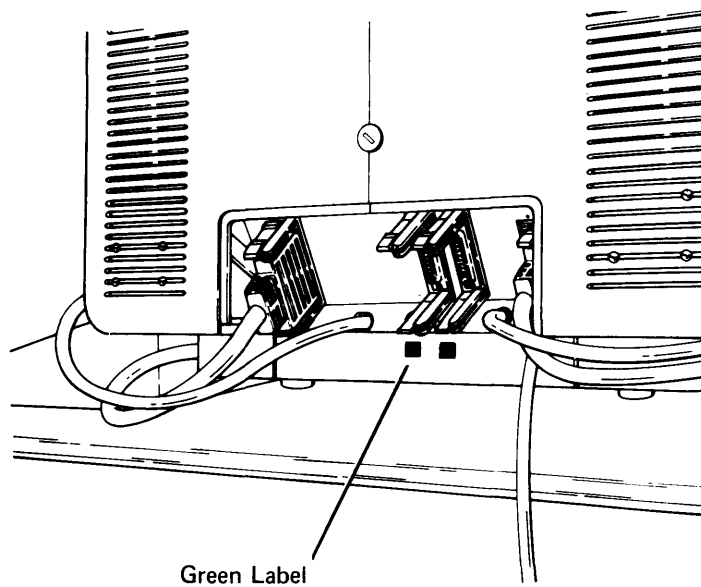


In addition to the color-coded connectors and sockets, there should be identification labels. If not, see the *Planning and Site Preparation Guide*. The label identifies which device the cable connects to.



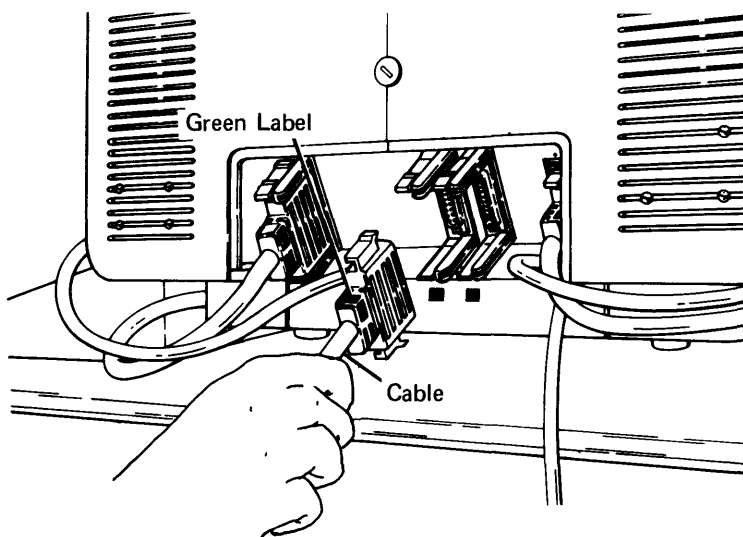
11. Read the following four steps (a, b, c, and d) before connecting the data station cable.

a. Look at the data station socket with the green label. This is where you will connect the data station cable from an auxiliary device.



b. Find a cable connector with a green label.

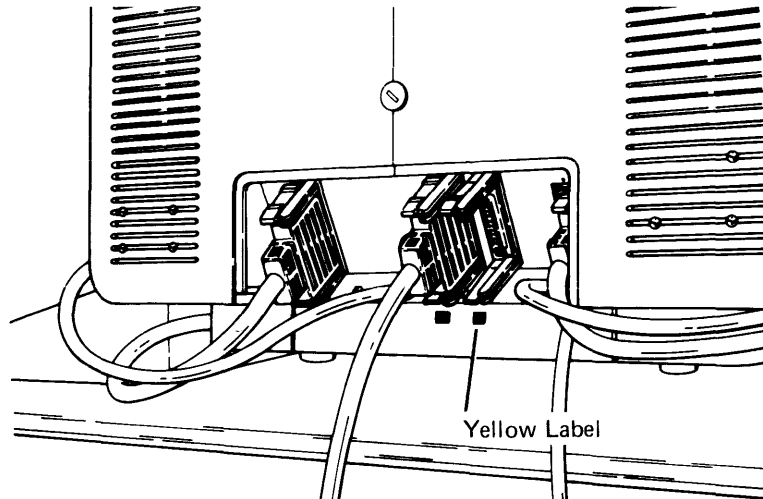
c. Position the cable so that the green label is on top; then push the cable end into the socket (make sure that the colors match).



d. Make sure that the snap-locks lock into position.

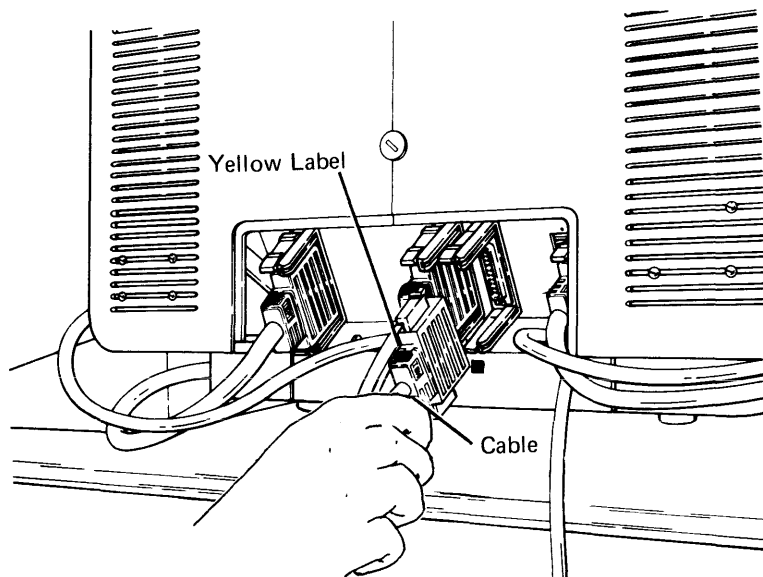
12. If you are not attaching a diskette drive cable, go to step 13. If you are, read the following four steps (a, b, c, and d) before connecting the diskette drive cable.

a. Look at the diskette drive socket with the yellow label. This is where you will connect the diskette drive cable.



b. Find a cable connector with a yellow label.

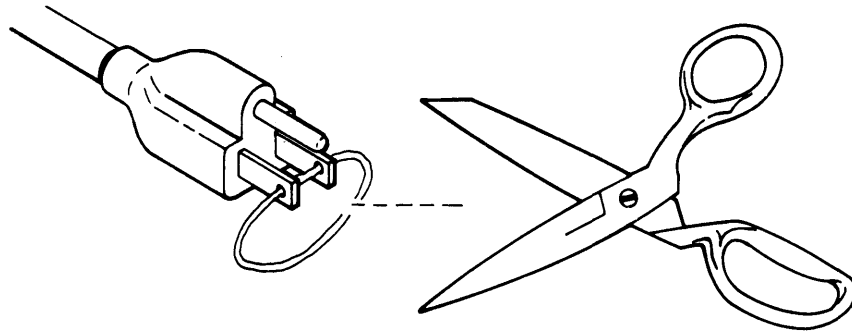
c. Position the cable so that the yellow label is on top; then push the cable end into the socket.



d. Make sure that the snap-locks lock into position.

13. Replace the cable access cover.

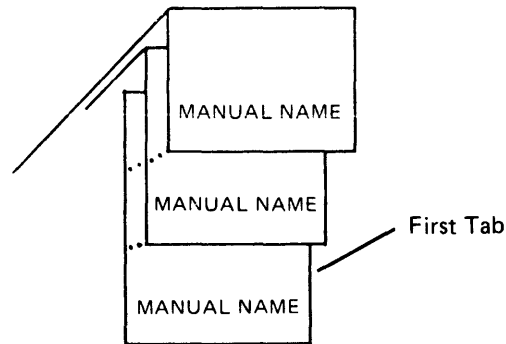
14. Cut and remove the string from the power cord plug.



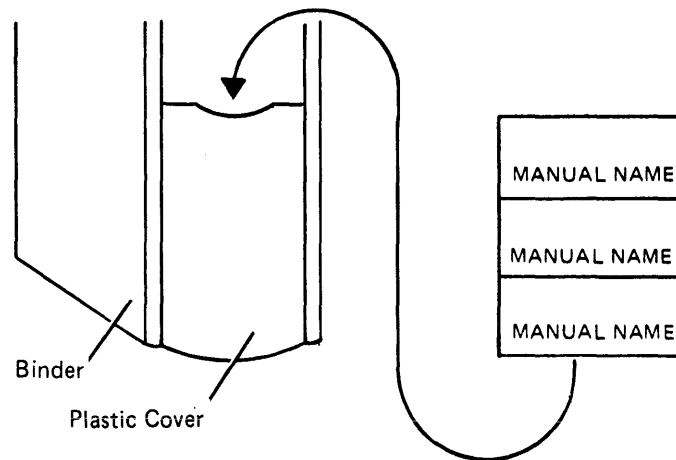
15. Insert the power cord plug into a grounded receptacle.

16. Label the IBM binder(s) that came with your device (if they have not been labeled) by doing the following:
- Open an IBM binder and cut out the identification tab printed on the back cover of each manual.
 - Fold the identification tabs (except for the first tab) in the following manner:

Note: Depending on the binder, you may only have two tabs to insert.



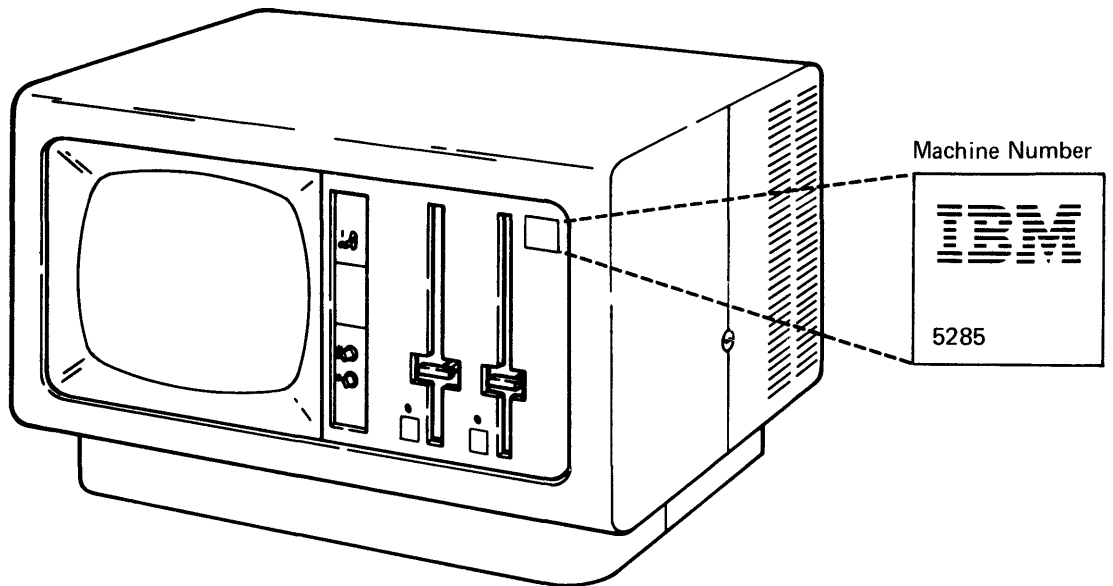
- Insert the tabs into the plastic cover found on the binder, as shown below:



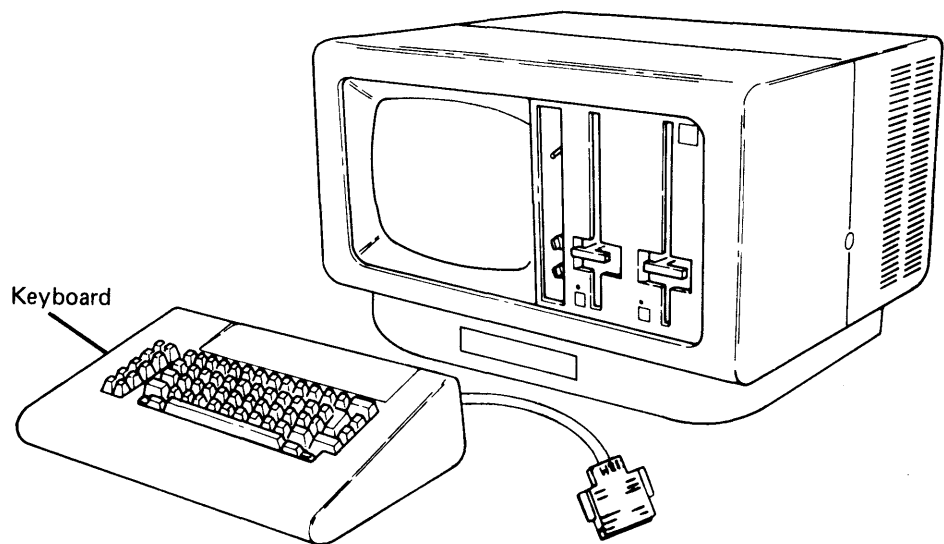
You have completed the setup procedure for the 5286. Go to Section 7, *Labeling Your System*. After you have completed the labeling procedures, you will be sent to Section 8, *Verification Procedure*.

Section 5. 5285 Setup Procedure

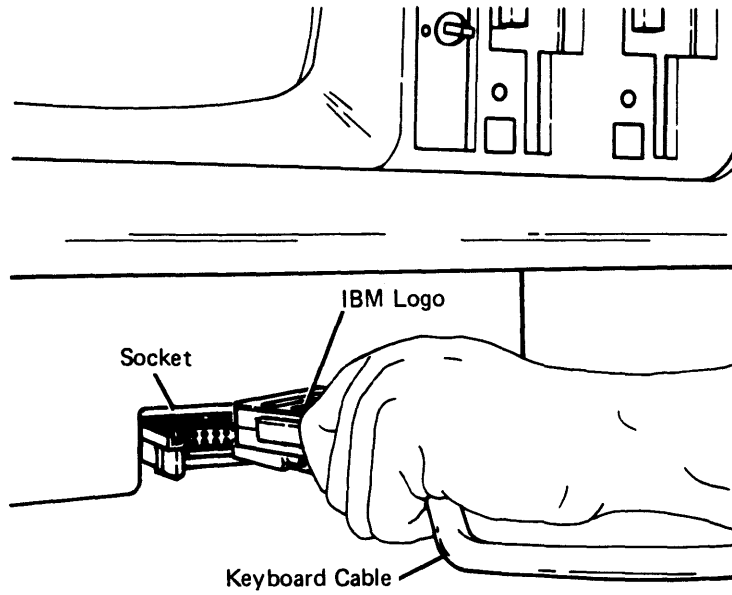
Safety Precaution: This device weighs approximately 68 kilograms (150 pounds). NEVER LIFT IT BY YOURSELF.



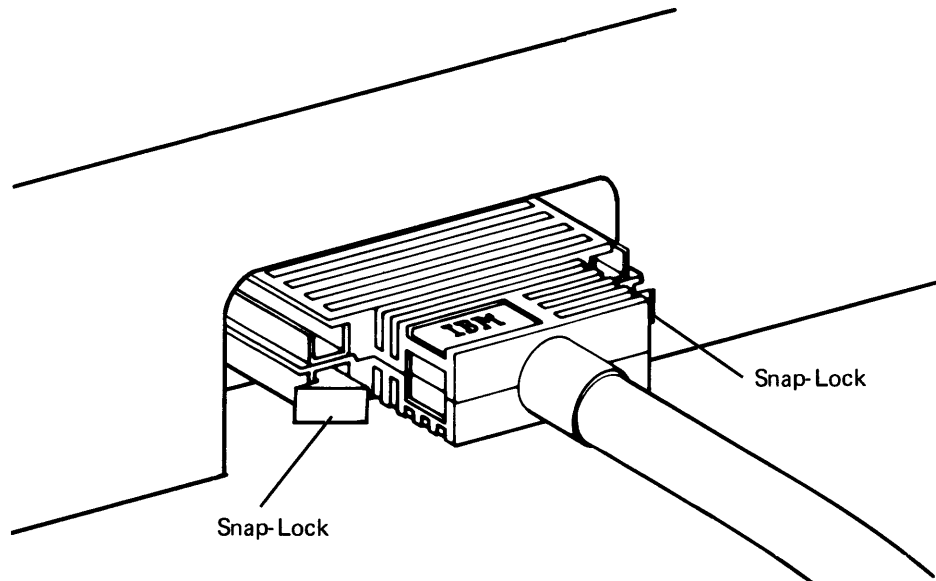
1. Place the keyboard to the left of the display screen.



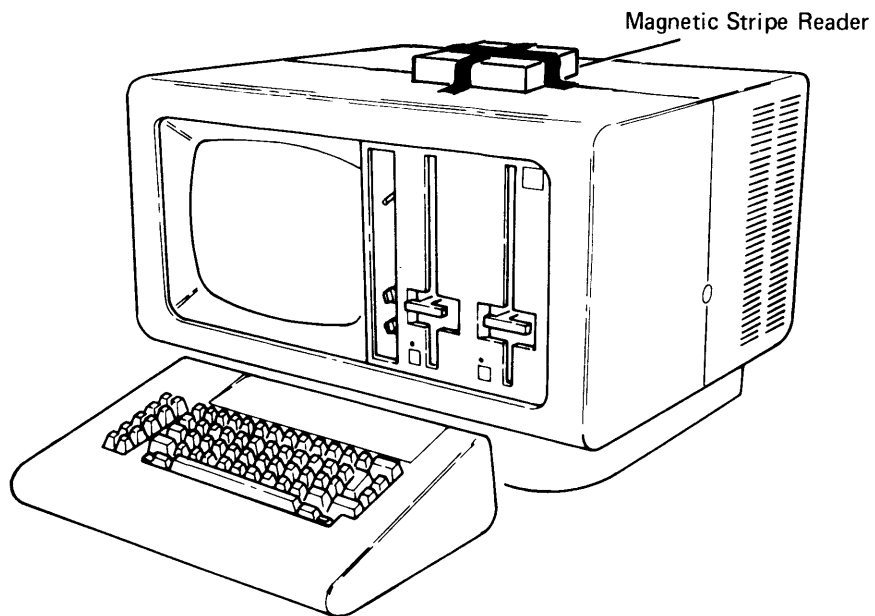
2. **Connect the keyboard cable by positioning the connector so that the IBM logo is up; and then push the connector into the socket.**



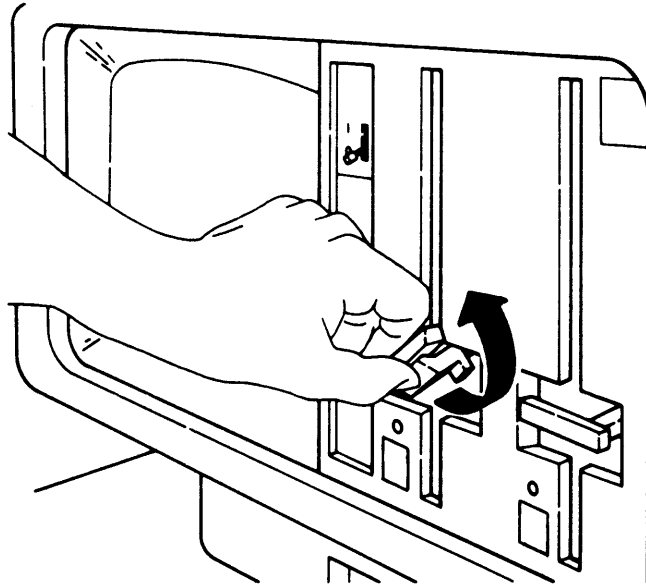
3. **Make sure that the snap-locks lock into position.**



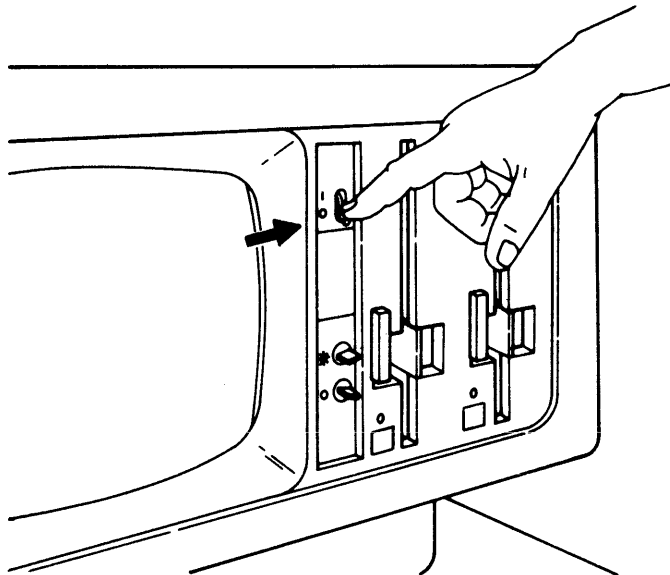
4. **Check to see if you have a magnetic stripe reader taped to the top of your data station. If you have a magnetic stripe reader, remove, unwrap, and place the reader beside the keyboard.**



5. If you have a diskette drive(s), open the diskette locking lever(s).

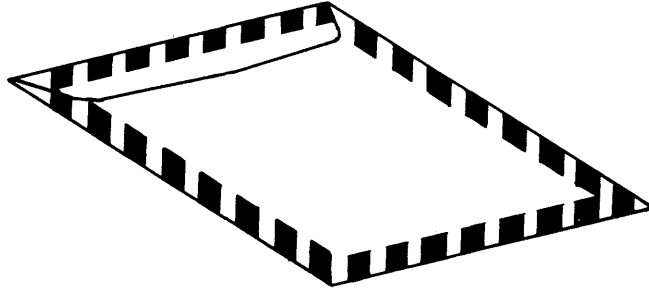


6. Make sure that the Power switch is set to the O (Off) position.



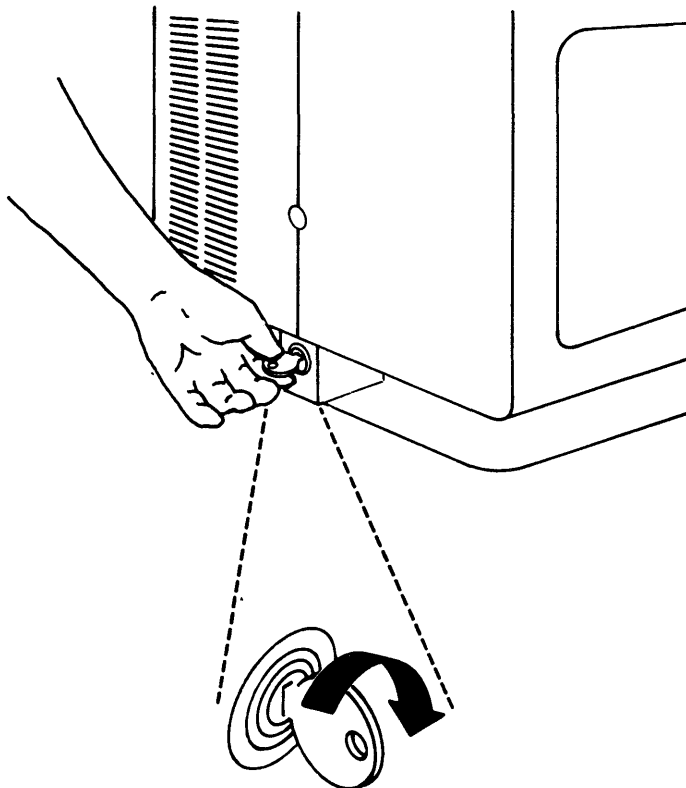
7. If your device has the Keylock feature, read and do the following. If not, go to step 8.

a. The keys for the Keylock feature are packaged in the customer setup envelope. The envelope looks like this:



b. Record the identification number of the keys.

c. Insert a key and turn it to the right. If the key does not turn to the right, use the other key.



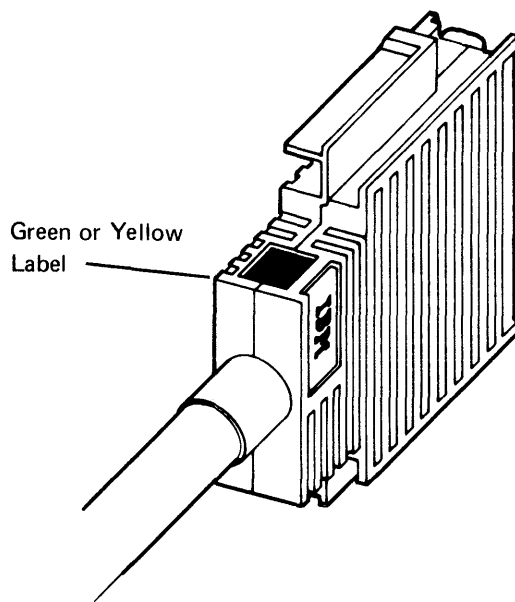
8. If you are not attaching an auxiliary data station to 5285, go to step 12.

If you are, you will be connecting up to two more cables. The cables are:

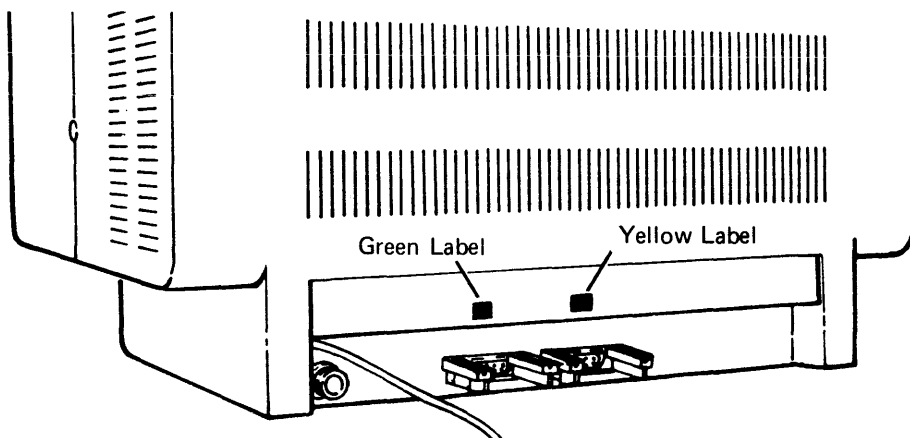
- The data station cable
- The diskette drive cable (optional)

Note: The cables do not carry high voltage. There is no danger of electrical shock.

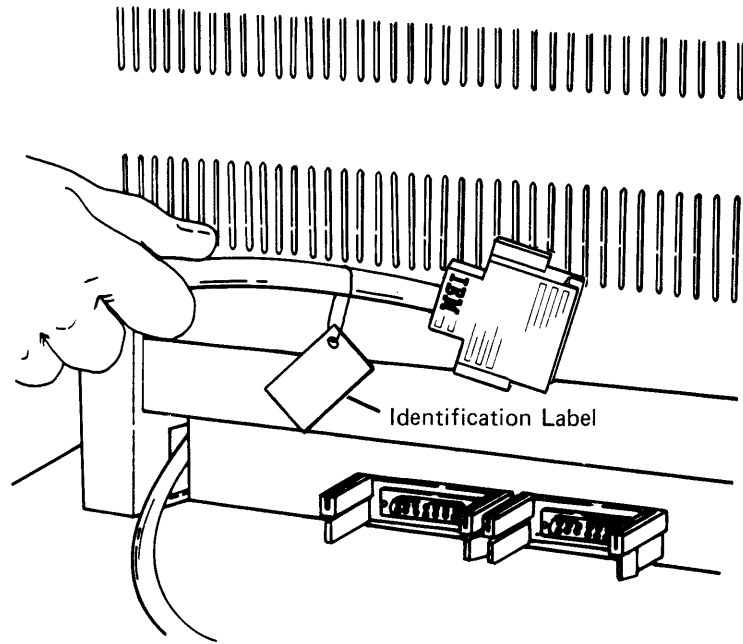
Each cable connector is color coded. The data station cable connector is color coded green. The diskette drive cable is color coded yellow.



Each socket is also color coded. The data station socket is color coded green. The diskette drive socket is color coded yellow. When you plug in a cable connector, make sure that the colors match.

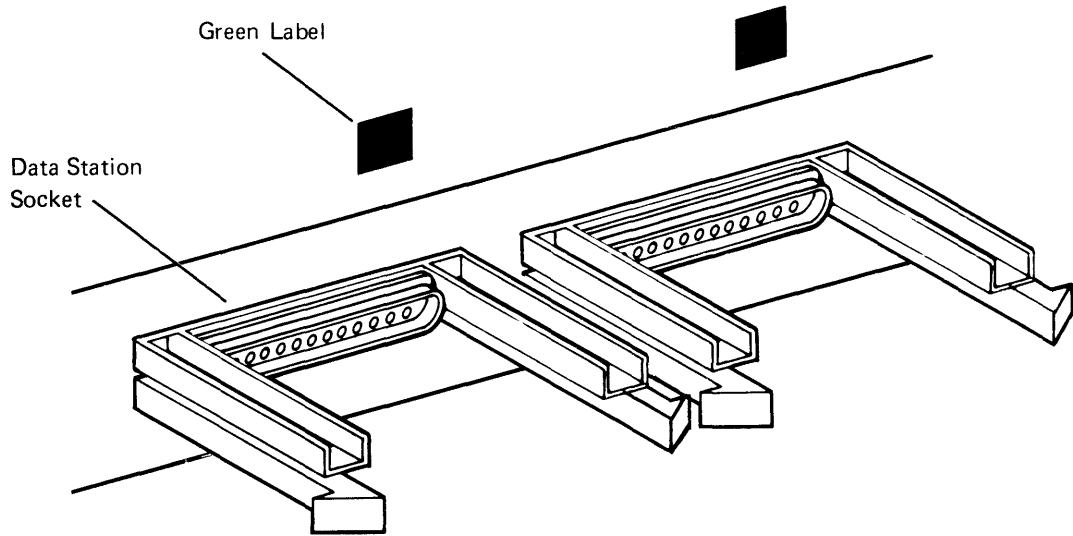


In addition to the color-coded connectors and sockets, there are identification labels. The label identifies which device the cable connects to.



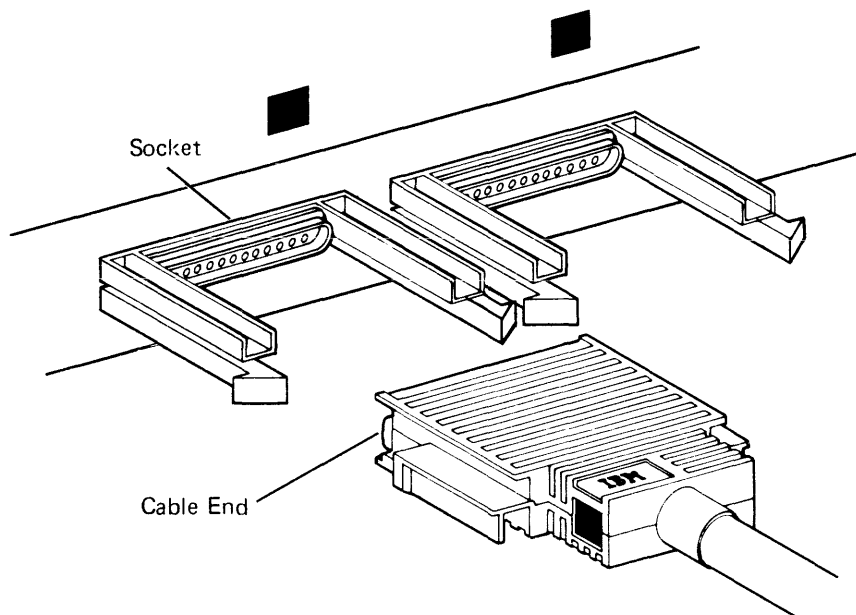
9. Read the following four steps (a, b, c, and d) before connecting the data station cable.

- a. Look at the data station socket with the green label. This is where you will connect the data station cable from an auxiliary device.**

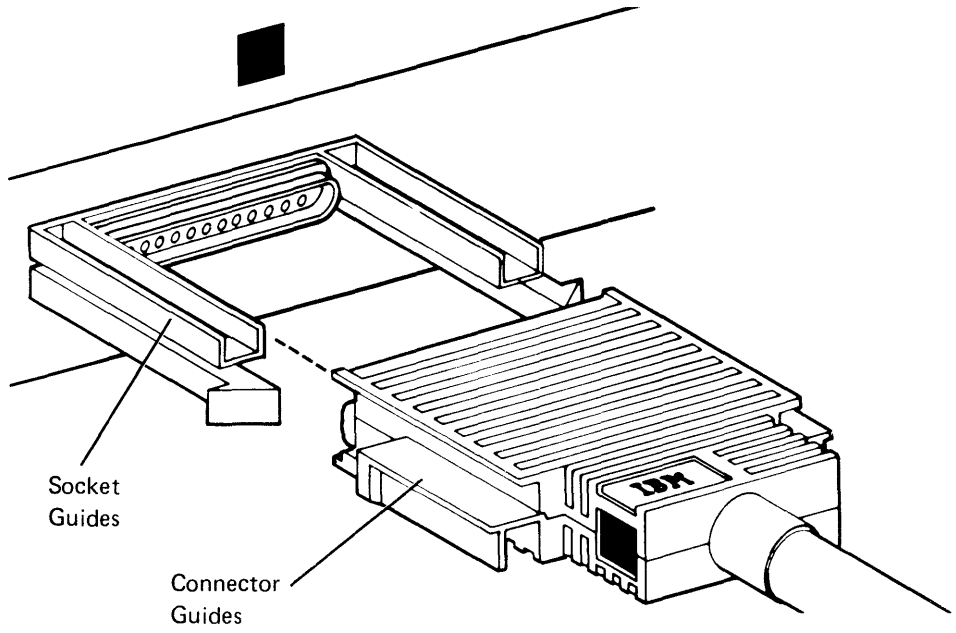


- b. Find a cable connector with a green label.**

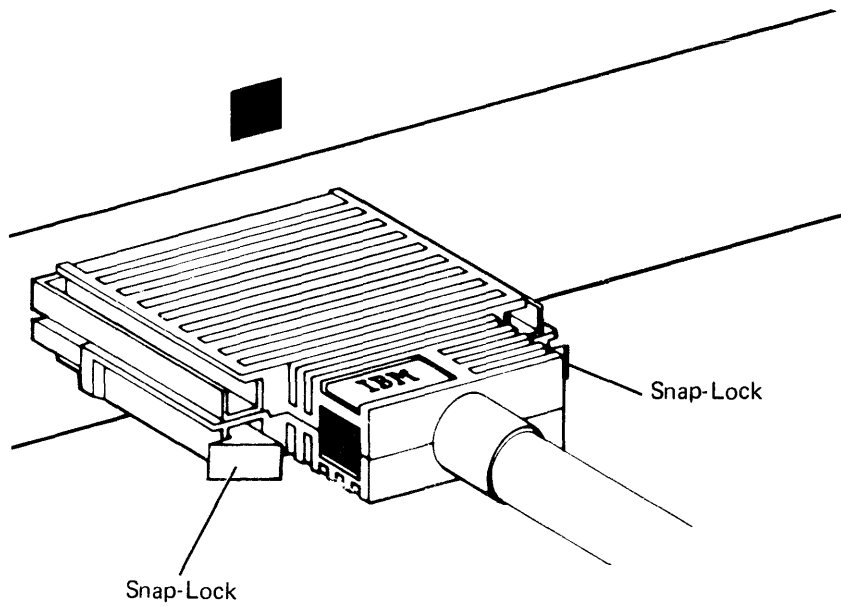
- c. Position the cable so that the green label is to your left; then push the cable end into the socket.**



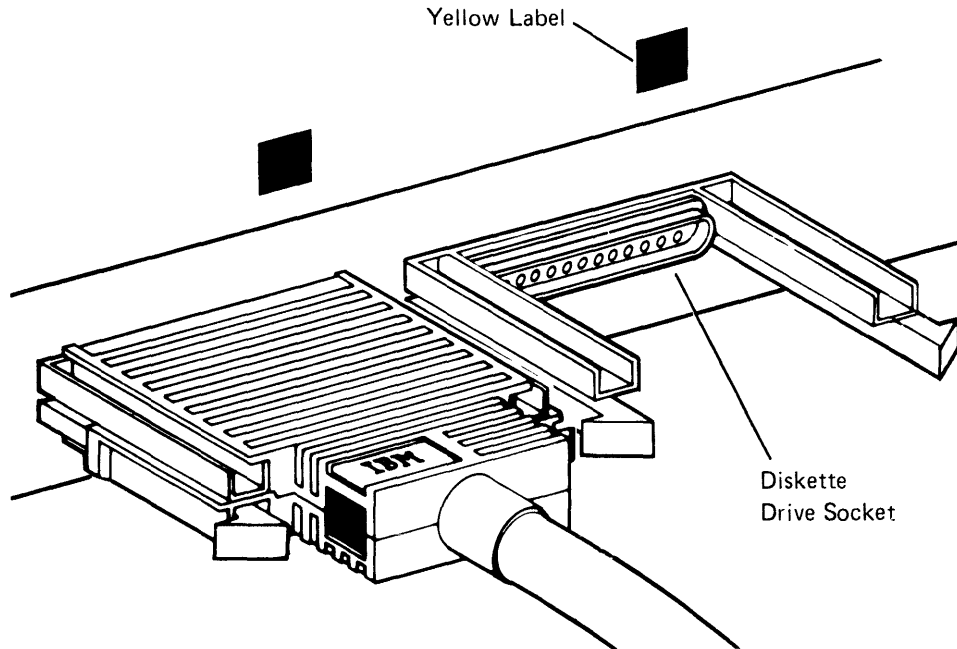
Note: If you have trouble pushing in the cable, make sure that the connector guides line up with the socket guides.



d. Make sure that the snap-locks lock into position.

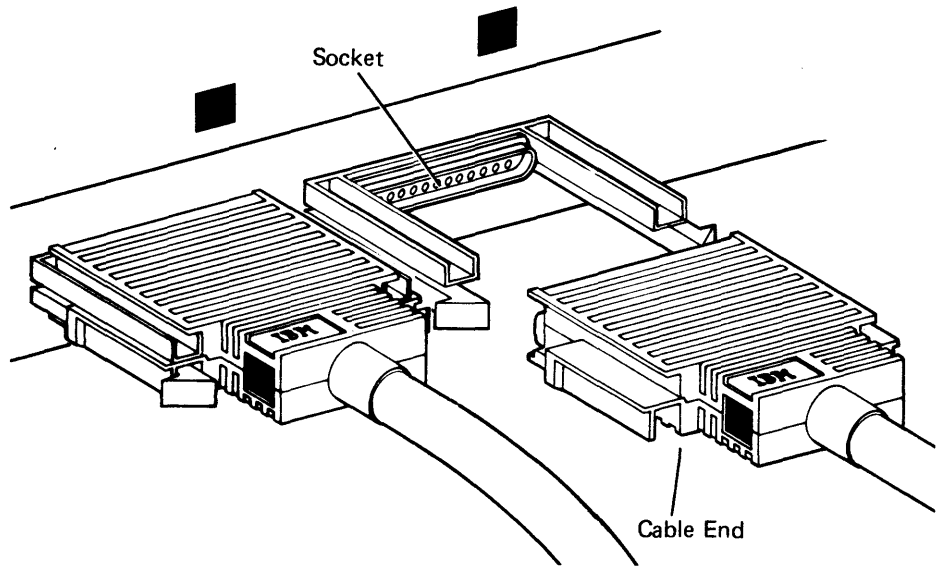


10. If the 5285 has a diskette drive(s), go to step 11. If not, go to step 12.
11. Read the following four steps (a, b, c, and d) before connecting the diskette drive cable.
 - a. Look at the diskette drive socket with the yellow label. This is where you will connect the diskette drive cable from an auxiliary device.



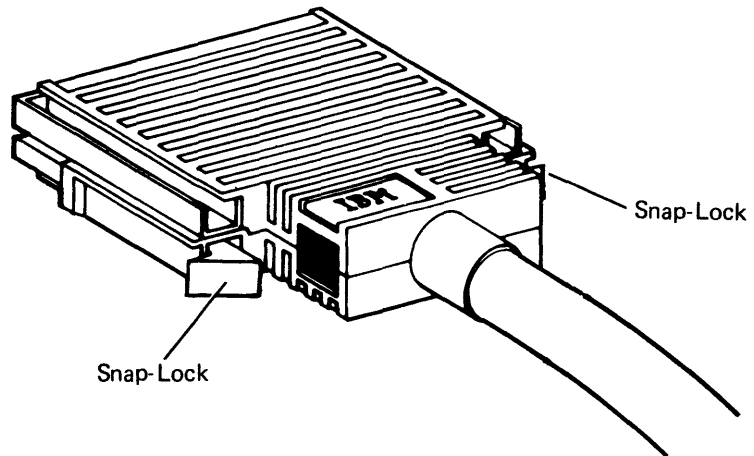
- b. Find a cable connector with a yellow label.

c. Position the cable so that the yellow label is to your left; then push the cable end into the socket.



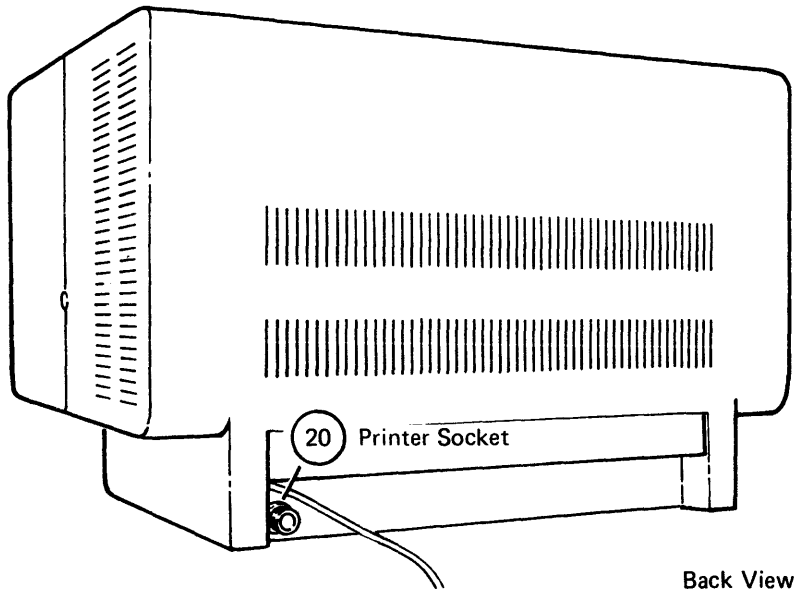
Note: If you have trouble pushing the connector into the socket, make sure that the connector guides line up with the socket guides.

d. Make sure that the snap-locks lock into position.



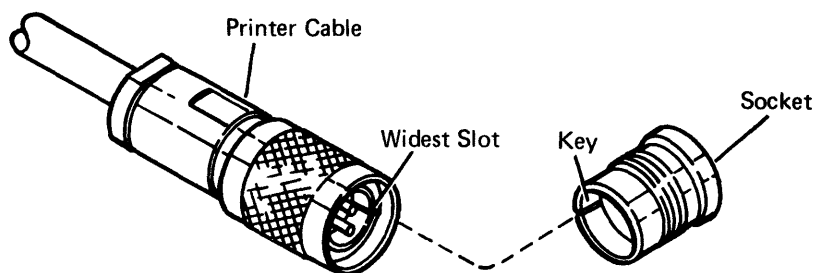
12. If you have a printer, connect the printer cable as follows. If not, go to step 13.

a. Look at the printer socket (Number 20).

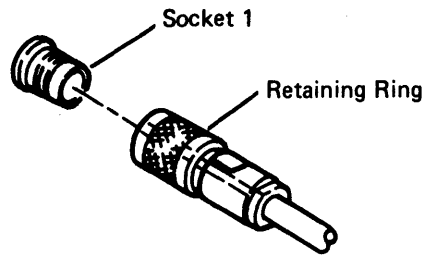


b. Find the printer cable.

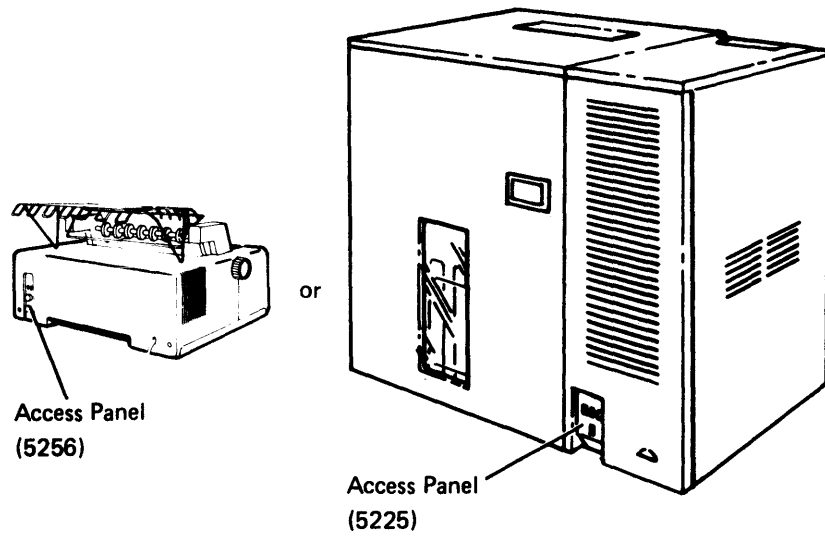
c. Line up the widest slot in the cable connector with the key in the device socket.



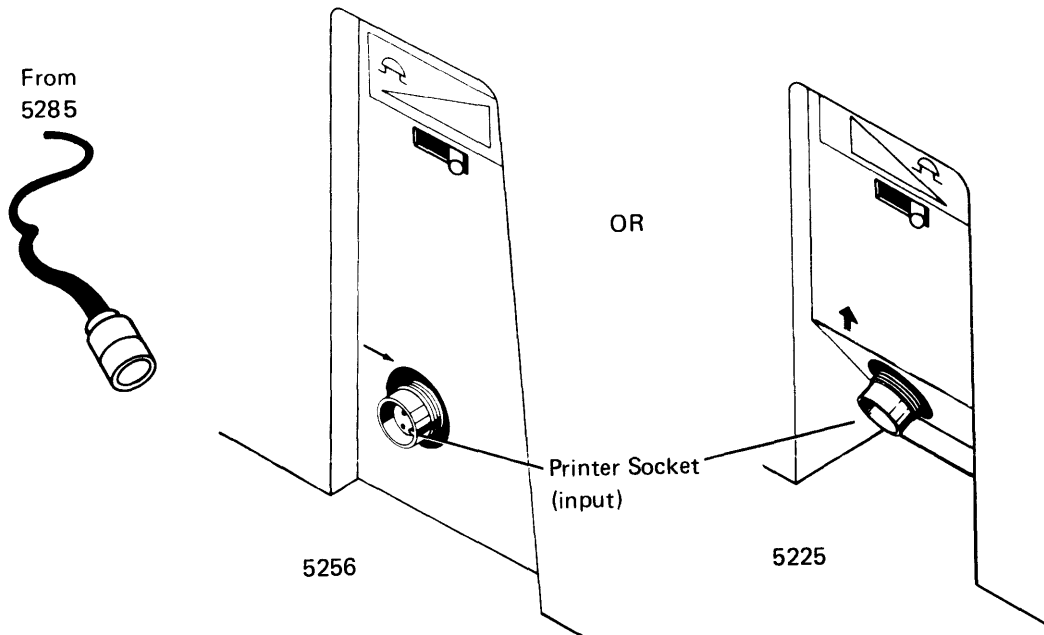
- d. Insert the connector into the socket and turn the retaining ring clockwise until the ring is tight.



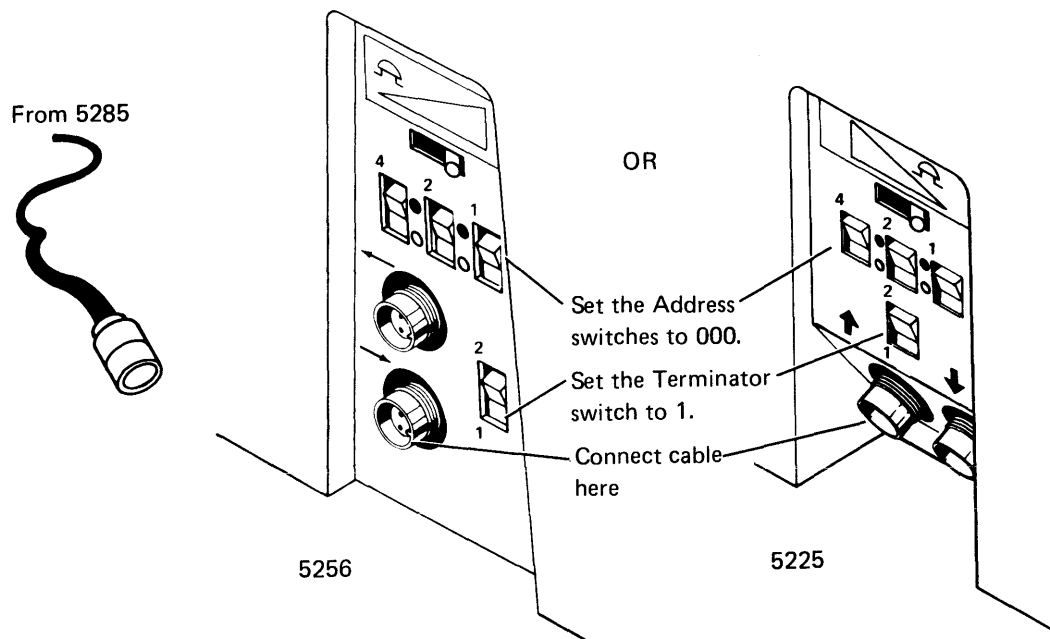
- e. Go to the printer and look at the access panel (on the back of the printer).



f. Connect the printer cable from the 5285 to the printer socket.



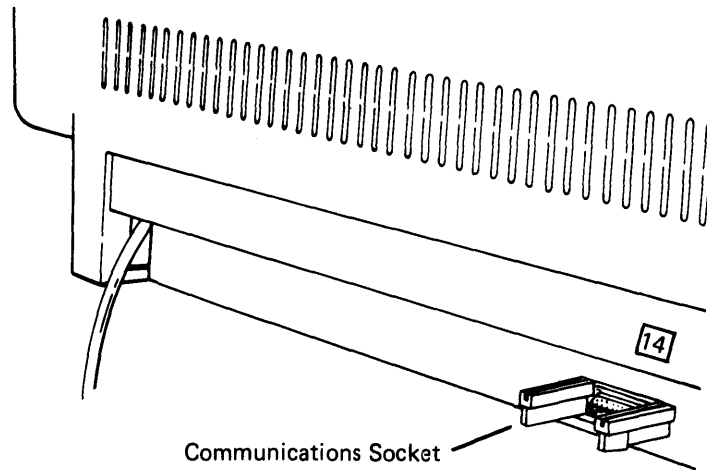
Note: If the printer access panel has the Terminator and Address switches, connect the cable and set the switches as shown in the following example:



13. If you have communications, go to step 14. If you do not have communications, go to step 15.

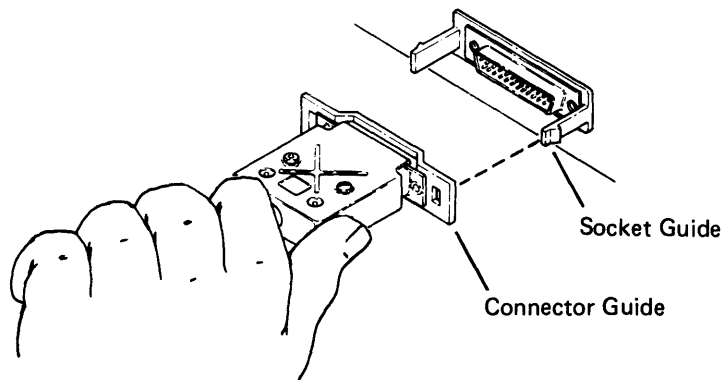
14. Connect the communications cable as follows.

a. Look at the communications socket (Number 14).



b. Locate the communications cable.

c. Push the cable into the socket.



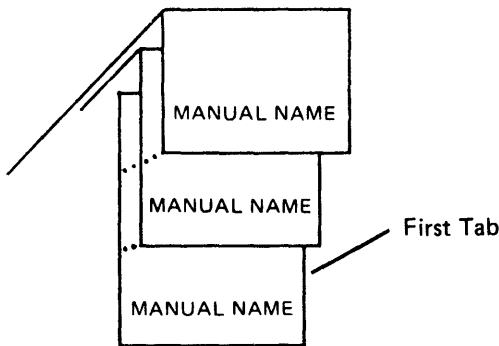
Note: If the cable does not fit easily into the socket, make sure that the connector guides line up with the socket guides.

d. Make sure that the snap-locks lock into position. The other end of the communications cable will be connected later, in Section 9.

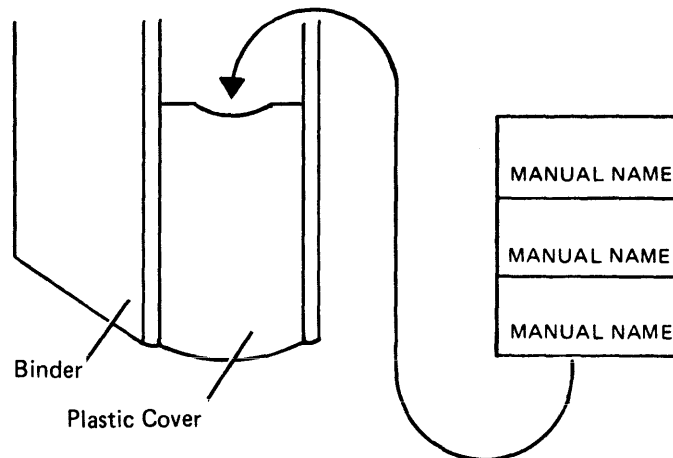
15. Cut the string from the power cord plug and insert the plug into a grounded outlet.

16. Label the IBM binder(s) that came with your device (if they have not been labeled) by doing the following:
 - a. Open an IBM binder and cut out the identification tab printed on the back cover of each manual.
 - b. Fold the identification tabs (except for the first tab) in the following manner:

Note: Depending on the binder, you may only have two tabs to insert.



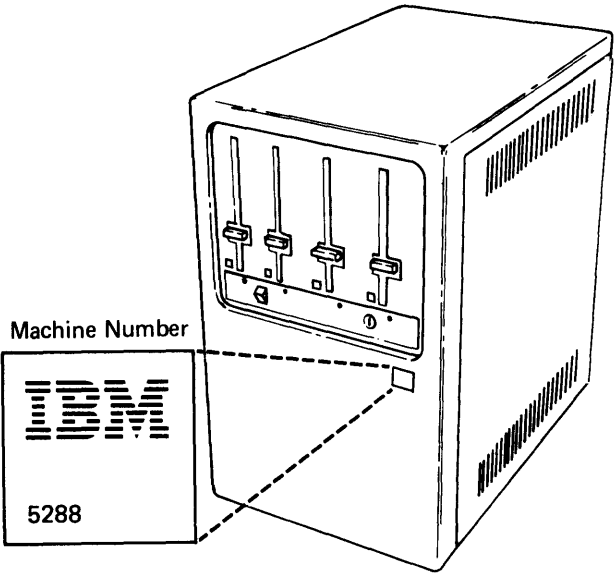
- c. Insert the tabs into the plastic cover found on the binder, as shown below:



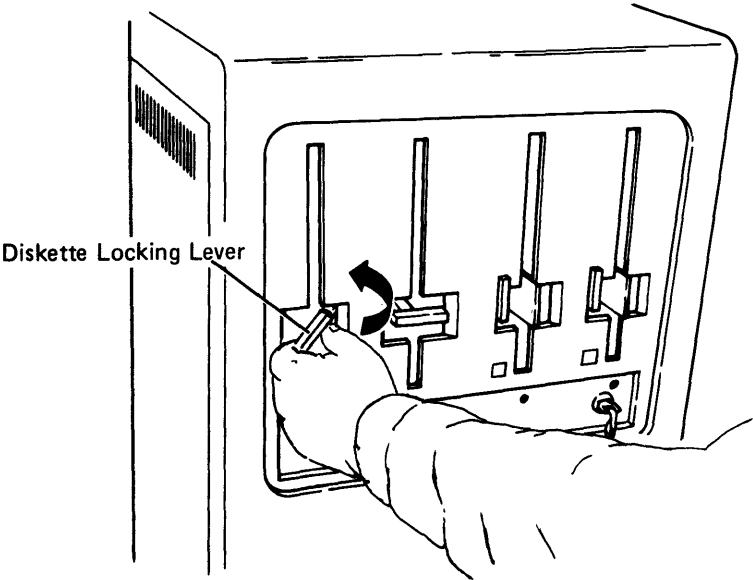
Go to Section 7, *Labeling Your System*. After you complete the labeling procedures, you will be sent to Section 8, *Verification Procedure*.

Section 6. 5288 Setup Procedure

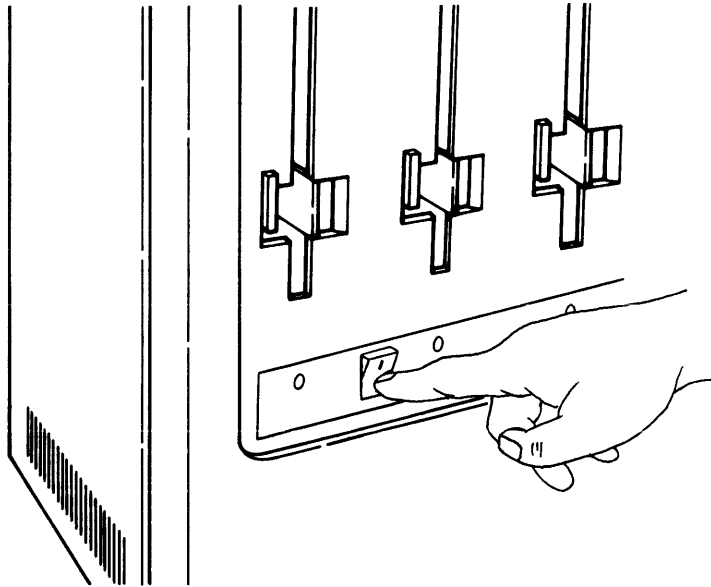
Safety Precaution: This device weighs approximately 90 kilograms (200 pounds). NEVER ATTEMPT TO LIFT IT BY YOURSELF.



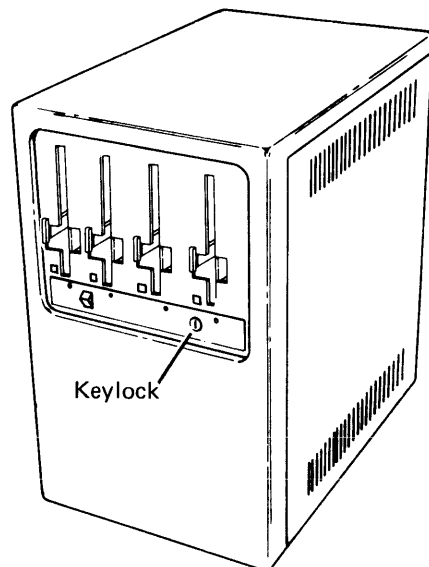
- 1. Do the following:
 - a. Open the diskette locking levers.



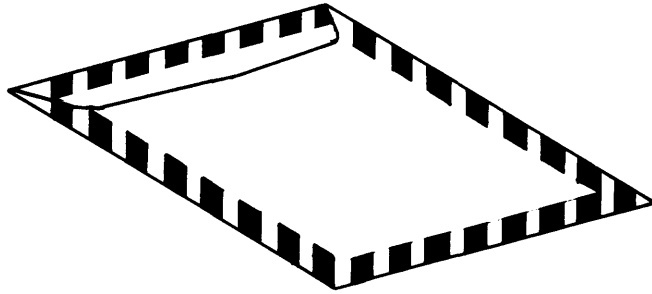
b. Make sure that the Power switch is set to the O (Off) position.



2. If your device has the Keylock feature, read and do the following. If not, go to step 4.

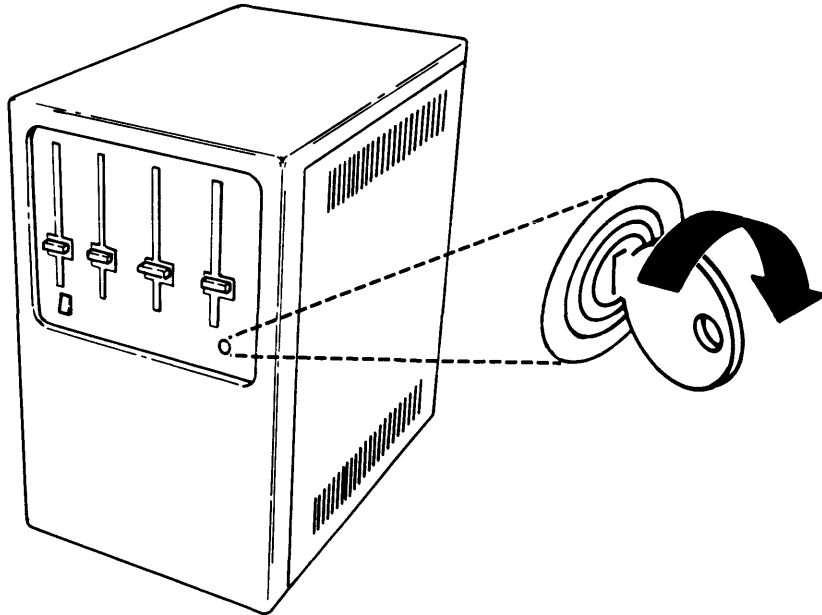


- a. The keys for the Keylock feature are packaged in the customer setup envelope. The envelope looks like this:

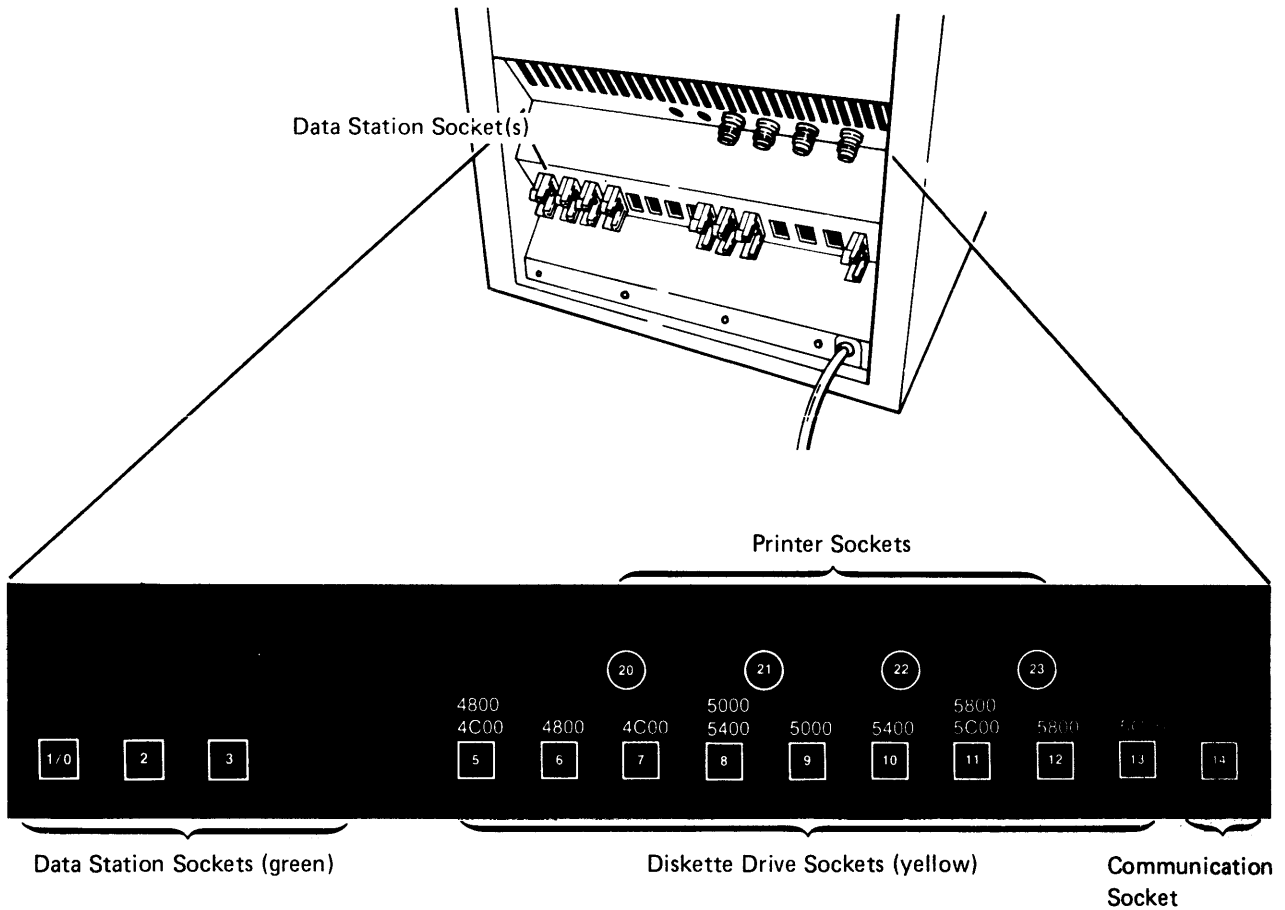


- b. Record the identification number of the keys.

3. Insert a key and turn it to the right. If it does not turn to the right, use the other key.



4. The auxiliary data station cables attach to 5288. The 5288 data station sockets are color coded green and numbered.



If you see a green number 0/1, this means that you are connecting a 5282 data station cable (with two keyboards) to socket 0/1.

In this procedure you will be connecting several cables. The cables are:

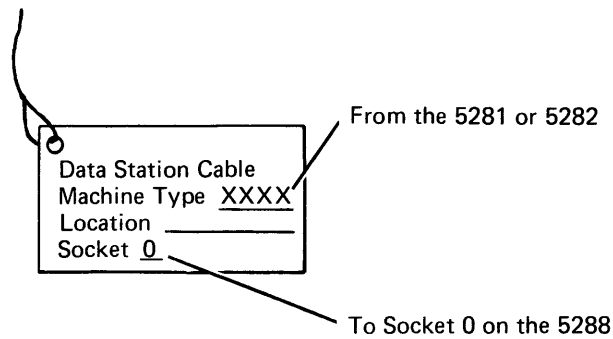
- Up to four data station cables (colored coded green)
- Up to four diskette drive cables (colored coded yellow)
- Up to four printer cables (optional)
- One communications cable (optional)

Note: The cables do not carry high voltage. There is no danger of electrical shock.

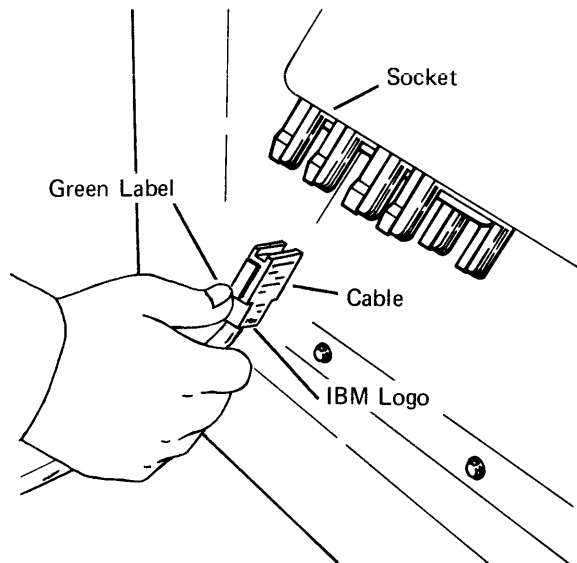
5. Read the following four steps (a, b, c, and d) before connecting the data station cable.

- a. Find a cable connector with a green label. Read the identification label.

For example, if you find a cable with the following label, this cable connects to socket 0 on the 5288.



- b. Position the cable so that the green label is on top; then push the cable into the socket.

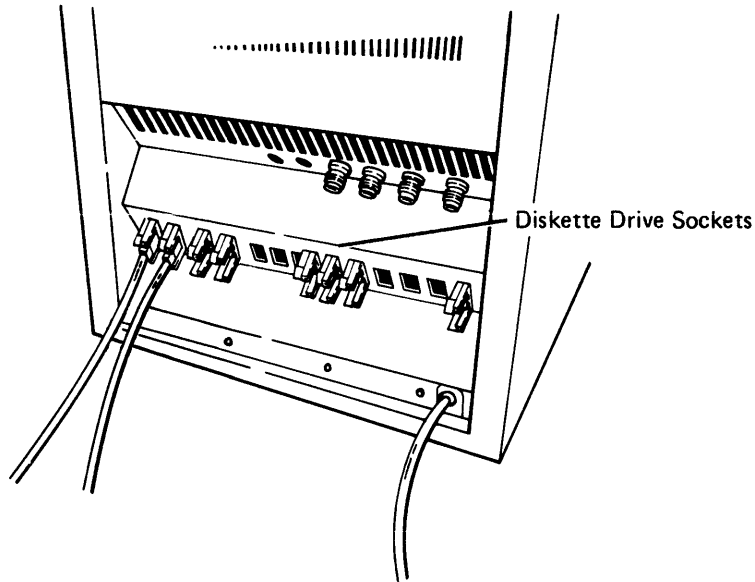


Note: If the cable end does not fit easily into the socket, be sure that the connector guides line up with the socket guides.

- c. Make sure that the snap-locks lock into position.

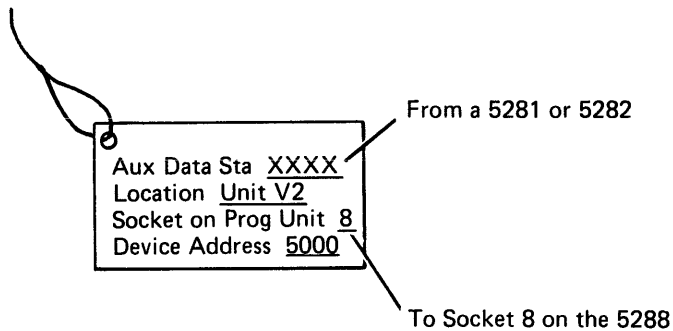
d. Repeat this procedure for the remaining data station cables. The remaining socket numbers may be combinations of 1, 1/2, 2, 2/3, or 3.

6. The auxiliary diskette drive cables attach to the 5288. The 5288 diskette drive sockets are colored coded yellow and numbered 5 through 13.

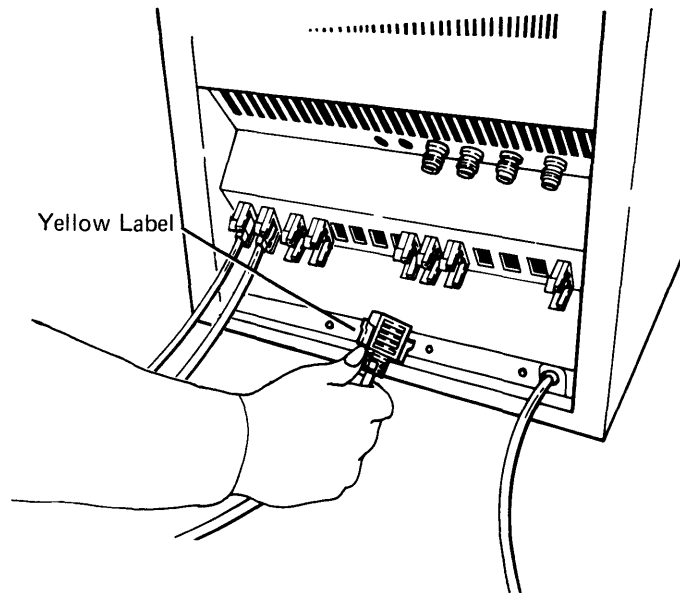


7. If you do not have a diskette drive cable(s) to attach to the 5288, go to step 9. If you do, read and do the following four steps before connecting the cable.

a. Find a cable with a yellow label. Read the identification label. For example, if you find a cable with the following label, this cable connects to socket 8 on the 5288.



- b. Position the cable so that the yellow label is on top; then push the cable end into the socket.

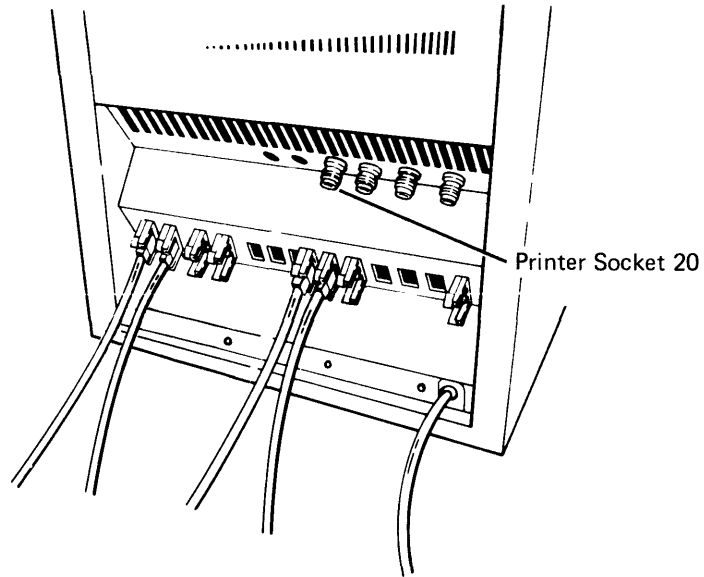


Note: If the cable end does not fit easily into the socket, be sure that the connector guides line up with the socket guides.

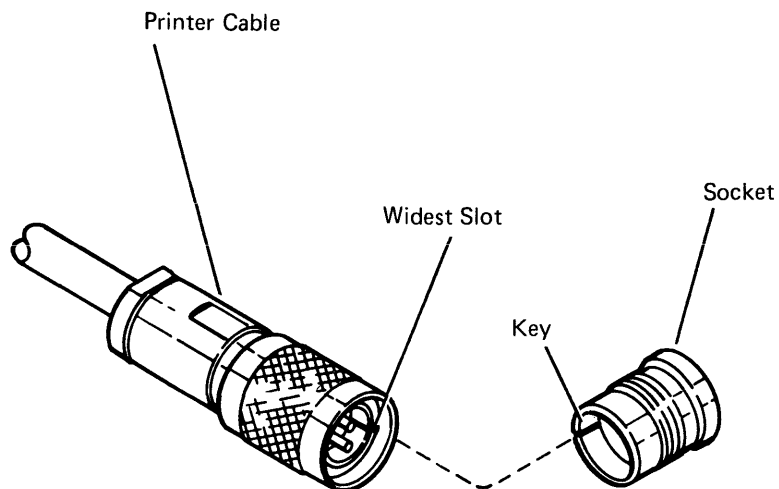
- c. Make sure that the snap-locks lock into position.
- d. Repeat this procedure for the remaining diskette drive cables.

Note: Not all sockets (both data station and diskette drives) will be used.

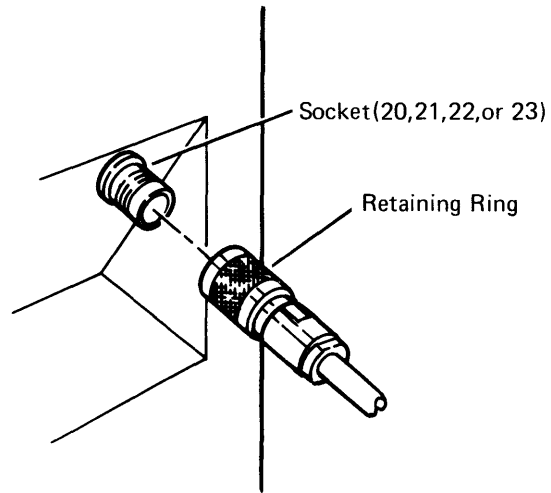
8. If you have a printer(s), connect the printer cable(s) as follows. If not, go to step 12.
- a. Look at the number on the printer socket (socket number 20, 21, 22, and 23). This is where you will connect the printer cable(s).



- b. Find the printer cable and look at the label. Read the label to determine which socket to connect the cable to.
- c. Line up the widest slot in the cable connector with the key in the device socket.

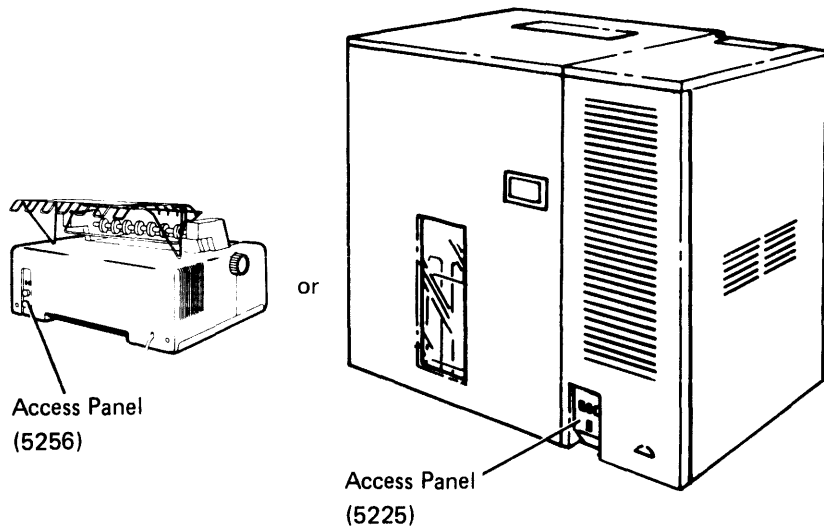


- d. Insert the connector into the socket and turn the retaining ring clockwise until the ring is tight.**

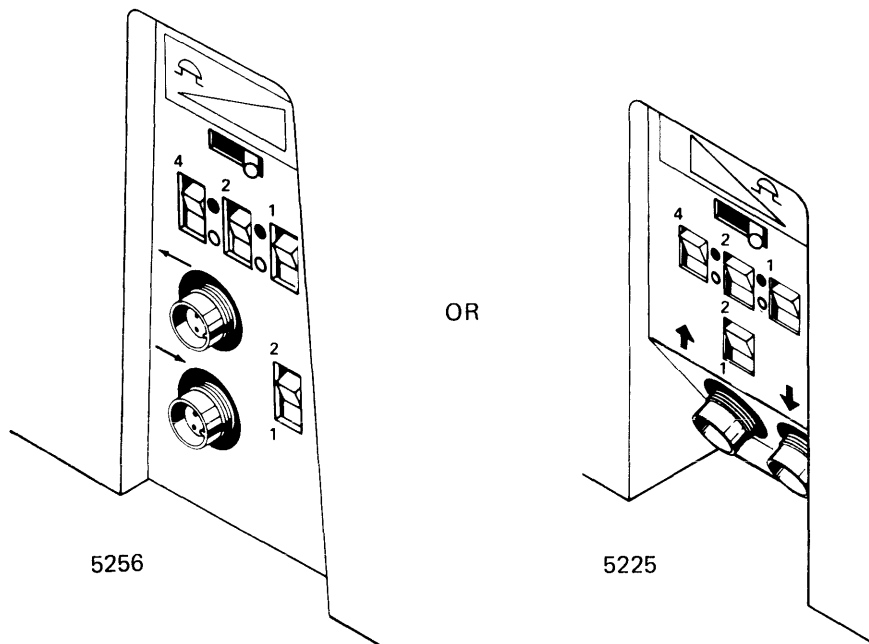


- e. If you have more than one printer to attach, repeat this procedure.**

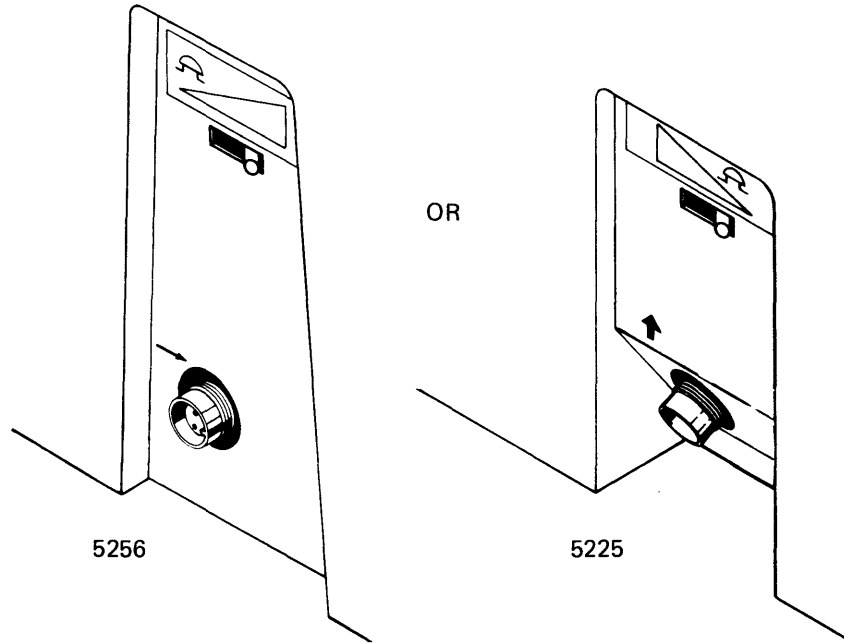
9. Go to the printer and look at the access panel (on the back of the printer).



10. If your printer has two sockets and several switches, as shown below, go to step 13.



11. If your printer has one socket, as shown below, connect the printer cable from the 5288 to that socket. Then go to step 12.



12. If there are more printer cables to attach, go back to step 9. If not, answer the following:

Do you have communications?

Yes No

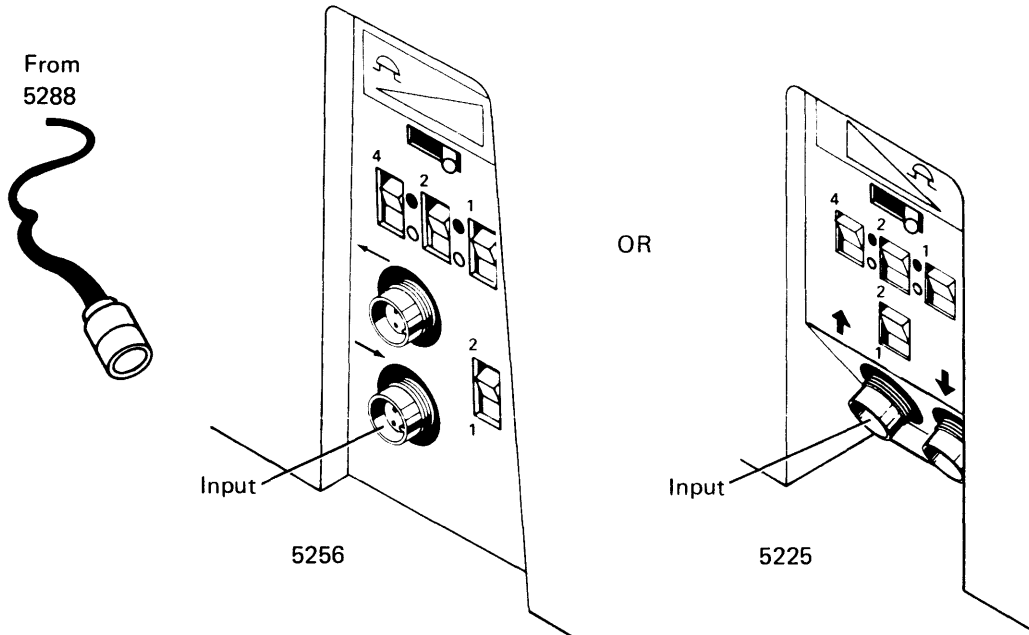
|

| Go to step 22.

| Go to step 21.

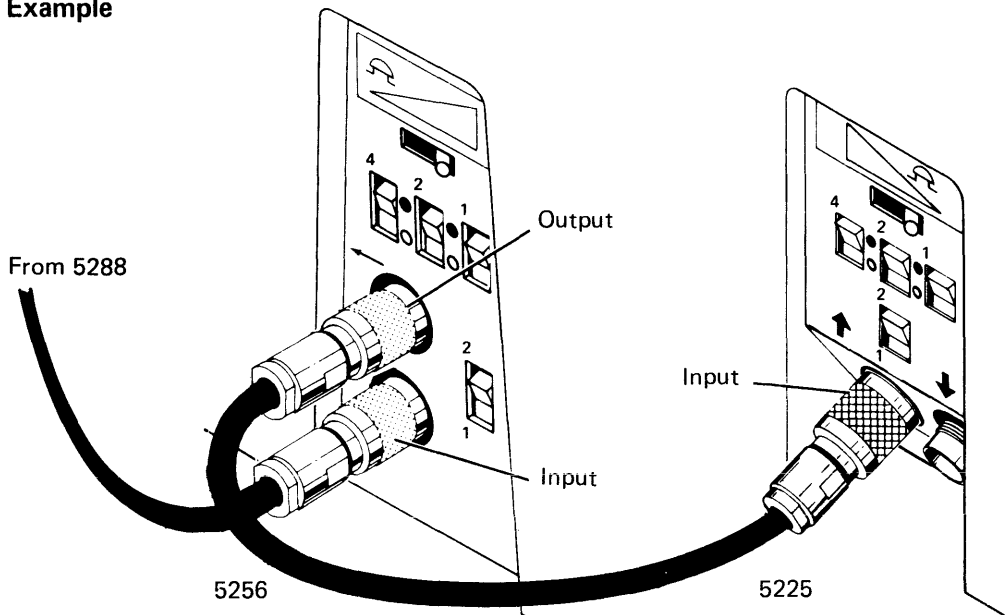
13. The two sockets and switches on your printer support the Cable Thru feature. Look at your floor plan or check with your supervisor to determine which printer connects to the 5288 first, which connects second, and so on.

14. Connect the printer cable from the 5288 to the input socket on your printer (lower socket for the 5256 or the left socket for the 5225).



15. Connect the cable from the first printer (output socket) to the second printer (input socket).

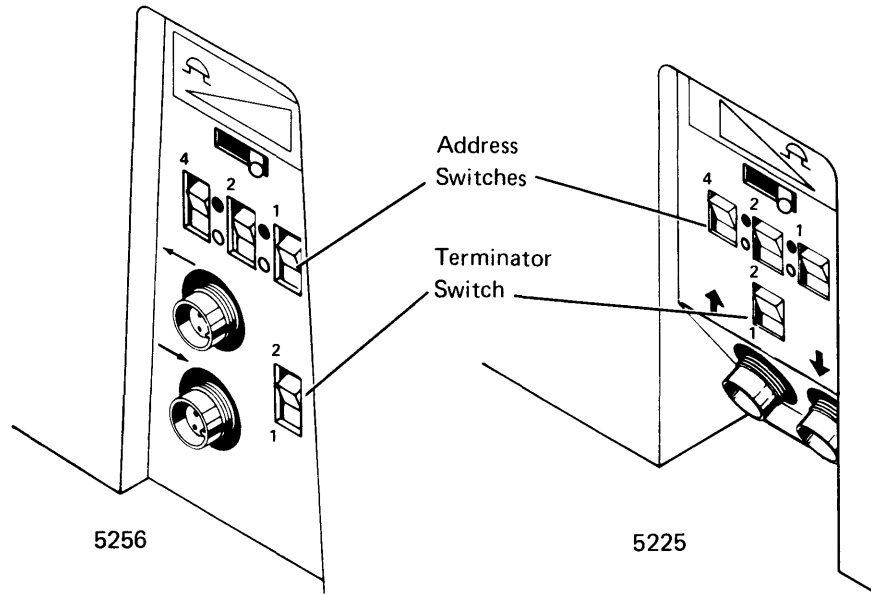
Example



16. Continue connecting cables until all of the printers are connected. See the *Cable Thru Example* that follows step 20.

17. Set the printer address switches only after you have connected the cables to all of the printers.

There are two types of printer address switches: address and terminator.



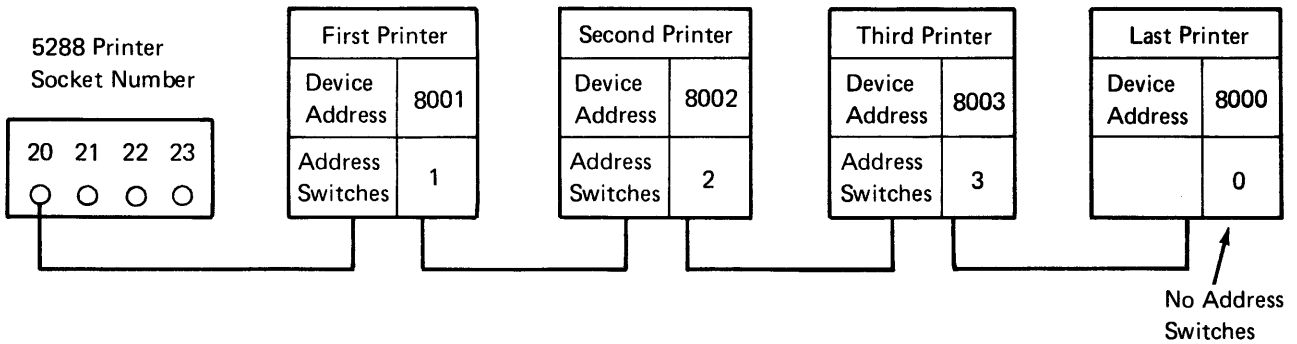
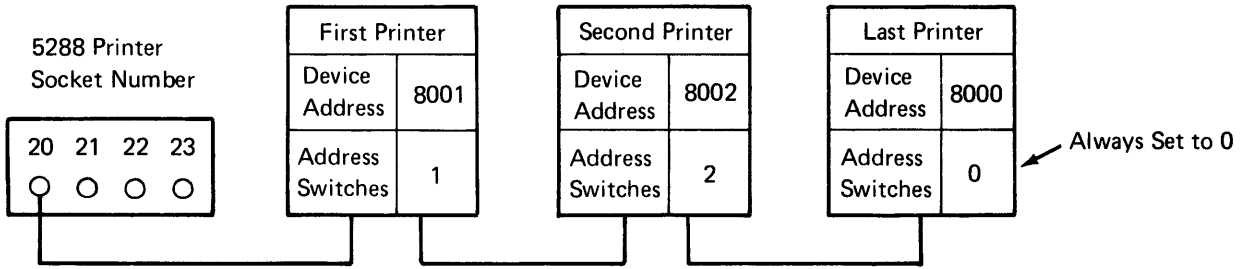
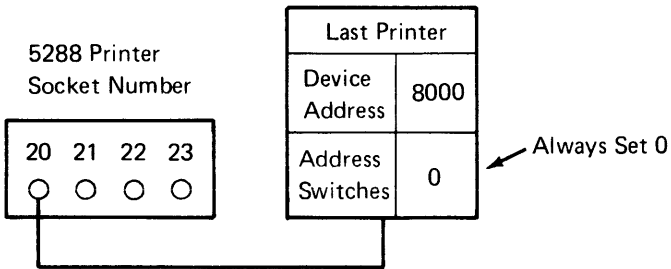
18. Set the address switches.

Before you can set the address switches, you must determine the device address of the printer and the switch setting. There are five possible switch settings, as shown in the following chart. The switch setting and the device address are determined by the 5288 socket number and the placement of the printer in the cabling sequence (first, second, third, fourth, or last).

5288 Printer Socket Number	Device Address				
	First Printer	Second Printer	Third Printer	Fourth Printer	Last Printer
20	8001	8002	8003	8004	8000
21	8009	800A	800B	800C	8008
22	8011	8012	8013	8014	8010
23	8019	801A	801B	801C	8018
Address Switches	1 	2 	3 	4 	0
Address Switch Setting					

The following examples show the device addresses and switch settings on different Cable Thru configurations.

Note: The address switches on the last printer are always set to 0. If the printer does not have address switches, the device address remains the same.

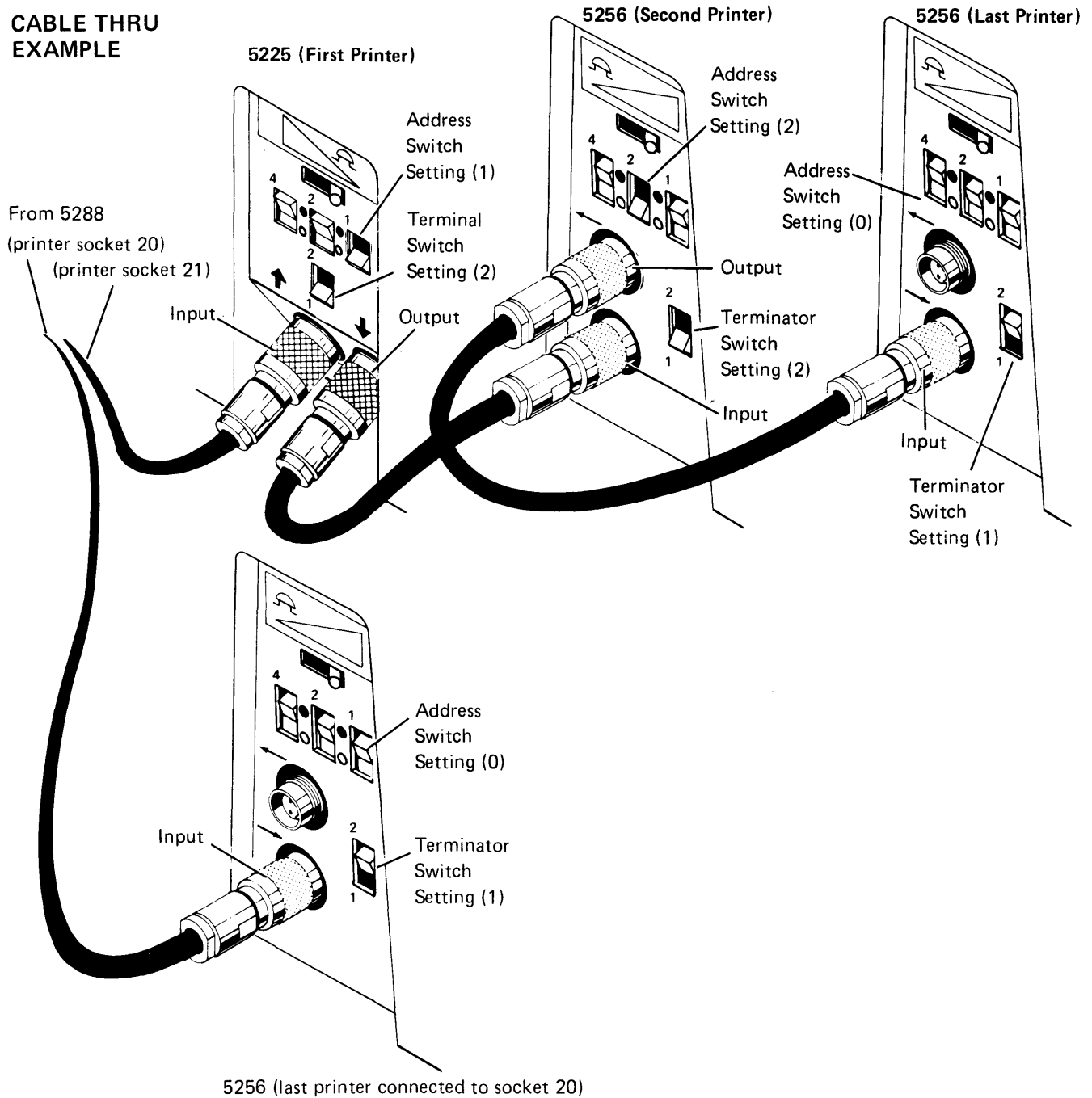


19. Set the Terminator switch to 2 on all printers, except for the last printer; set that switch to 1 (see the following *Cable Thru Example*).

Note: The last printer might not have switches because they are not required for the Cable Thru feature.

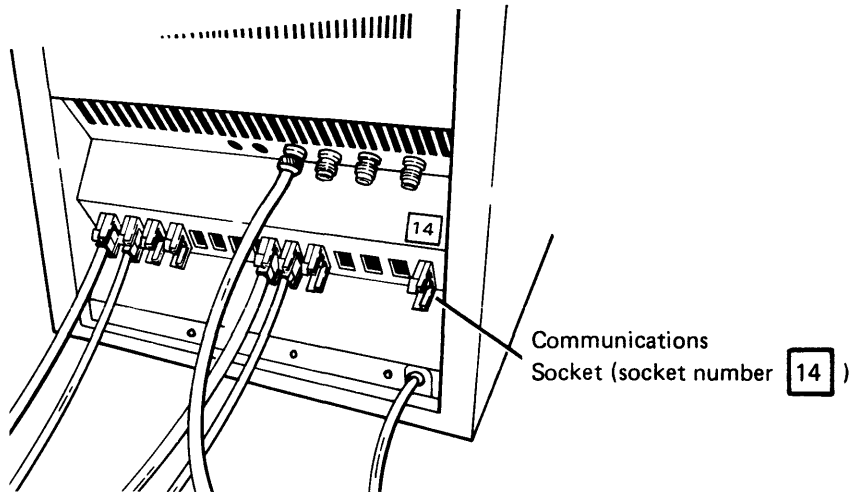
20. If you have communications, go to step 21. If not, go to step 22.

CABLE THRU EXAMPLE



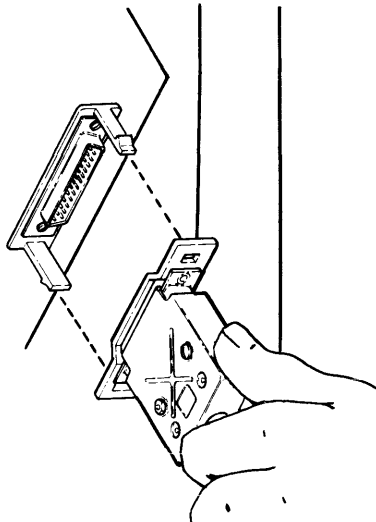
21. Read the following four steps before connecting the communications cable.

a. Look at the communications socket. This is where you will connect the communications cable.



b. Find the communications cable.

c. Position the cable ; then push the cable into the socket.



Note: If the cable does not fit easily into the socket, be sure that the connector guides line up with the socket.

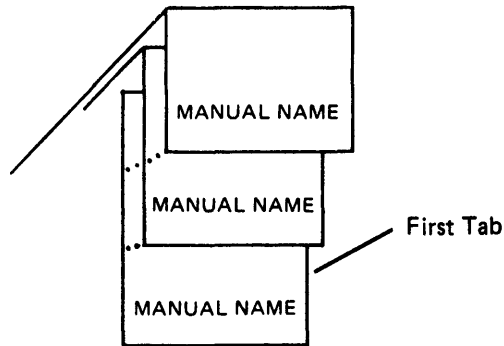
d. Make sure that the snap-locks lock into position. The other end of the communications cable will be connected later, in Section 9.

22. Cut the string from the power cord plug and insert the plug into a grounded receptacle.

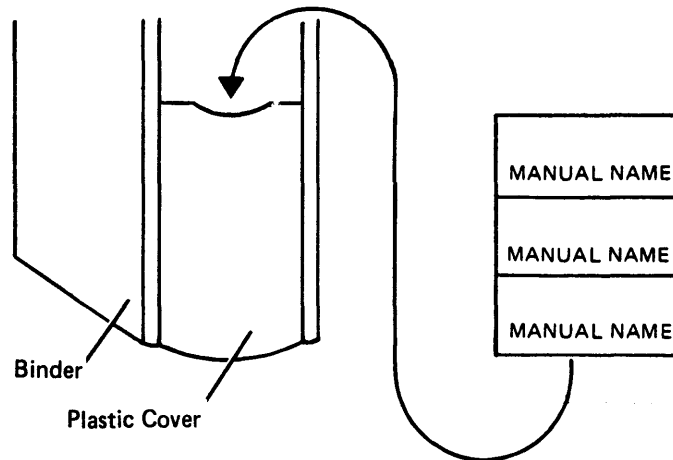
23. Label the IBM binder(s) that came with your device (if they have not been labeled) by doing the following:

- a. Open an IBM binder and cut out the identification tab printed on the back cover of each manual.**
- b. Fold the identification tabs (except for the first tab) in the following manner:**

Note: Depending on the binder, you may only have two tabs to insert.



c. Insert the tabs into the plastic cover found on the binder, as shown below:



24. Go to Section 7, *Labeling Your System*, and perform the labeling procedures for each device. After you have completed labeling your system, you will be sent to Section 8, *Verification Procedures*.

Section 7. Labeling Your System

Some labels are placed on the system devices during manufacturing. Other labels must be placed on the devices by you. The following procedures are for labeling the keyboard(s), diskette drive(s), and/or printer(s).

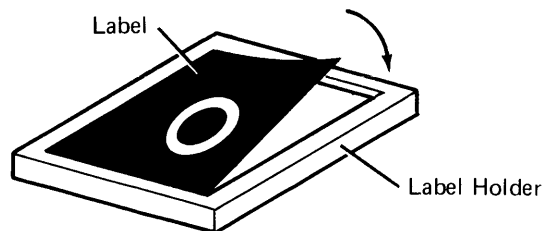
LABELING THE KEYBOARDS

Label the keyboard by doing the following:

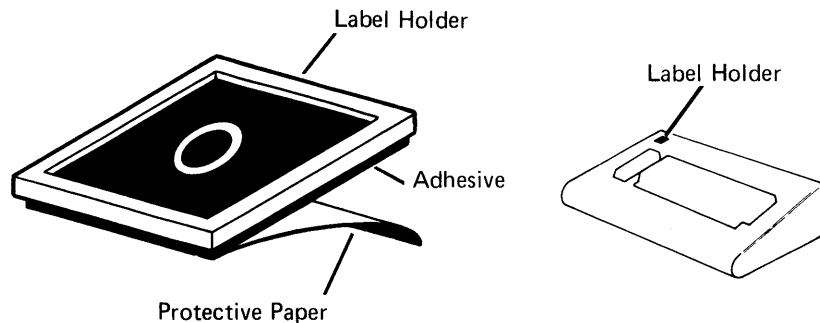
1. **Look at your floor plan. The keyboard number(s) on the floor plan are written on or beside each data station.**

These numbers can be 0, 1, 2, or 3.

2. **Find the appropriate number on the label sheet (the label sheet is in the customer setup envelope).**
3. **Remove the label and stick it within the recess of the label holder. (The label holder(s) is in the customer setup envelope.)**



4. **Remove the protective paper from the label holder; stick the label holder onto the keyboard, as shown:**



5. **Repeat steps 1, 2, 3, and 4 until all of the keyboards on every data station are numbered.**

LABELING THE DISKETTE DRIVES

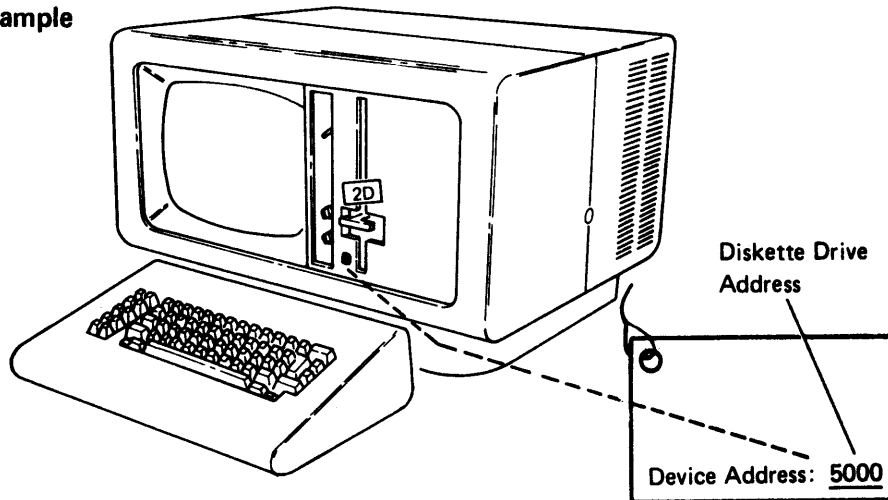
Your controller (5285, 5286, or 5288) is prelabeled during manufacturing. The following procedure applies only to the 5281 and/or 5282 with diskette drives.

If you do not have a 5281 or 5282 to label, but you do have a printer, go to *Labeling the Printer* later in this section. If you do not have a printer, go to Section 8 and verify your system.

1. Look at the diskette drive cable.

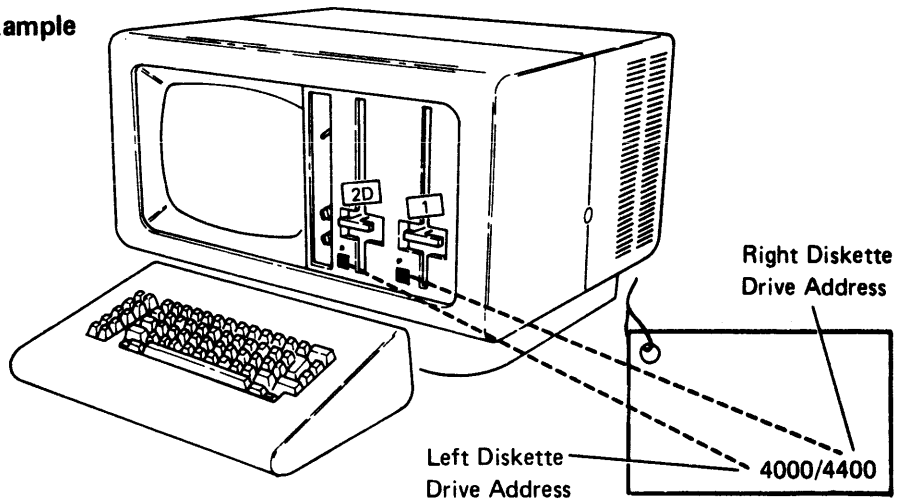
On the cable is a label with the diskette drive address. If you see one address, you have one diskette drive.

Example

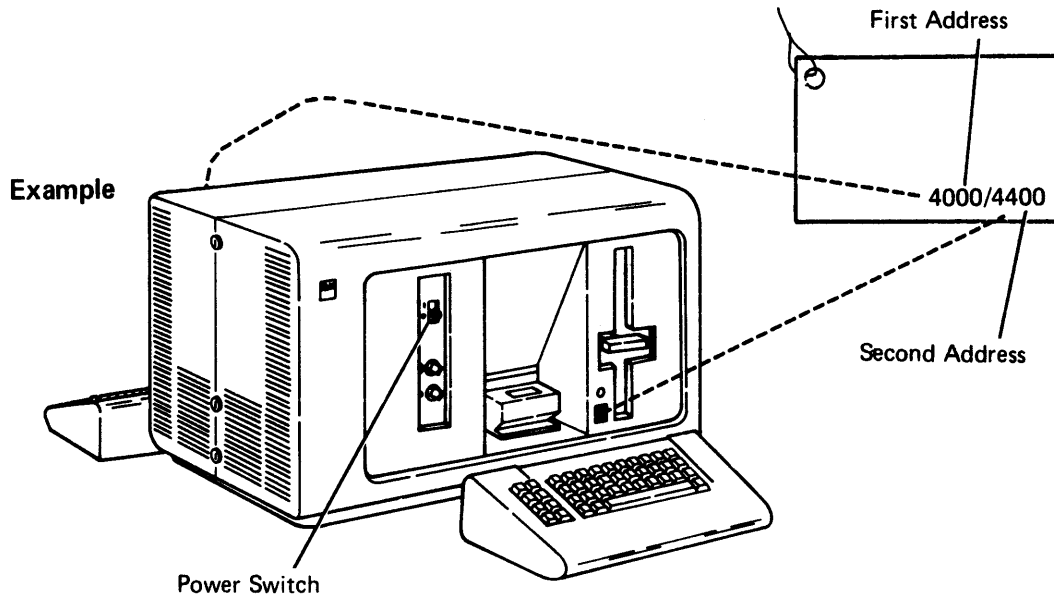


If you see two addresses, you have two diskette drives. For the 5281, the first address represents the left diskette drive and the second address represents the right diskette drive.

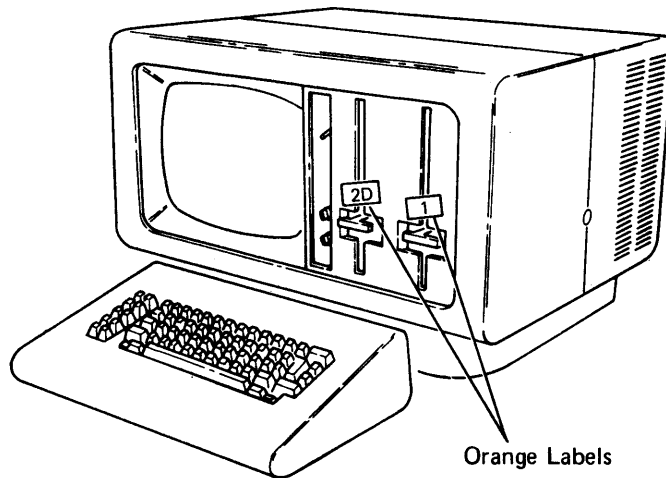
Example



For the 5282, the first address on the cable label represents the diskette drive located on the same side as the Power switch. The second address represents the diskette drive on the opposite side from the Power switch.

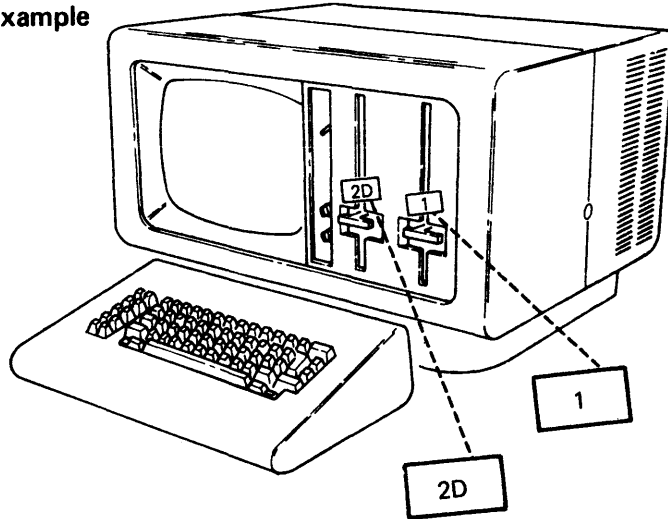


2. Look at the orange label on the diskette drive. The label identifies the diskette drive type (1 or 2D).



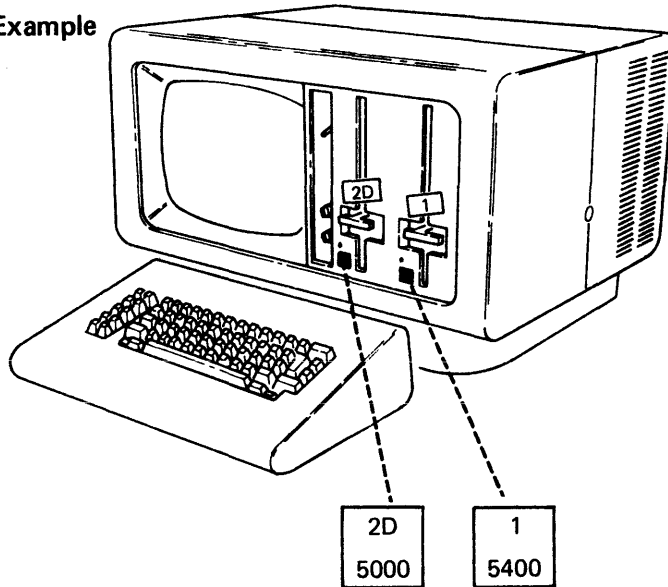
3. Now, find the appropriate address and diskette drive type on the label sheet. The address and drive type are both on the same label.
4. Remove the orange label(s).

Example



5. Stick the label into the recess area near the diskette drive.

Example

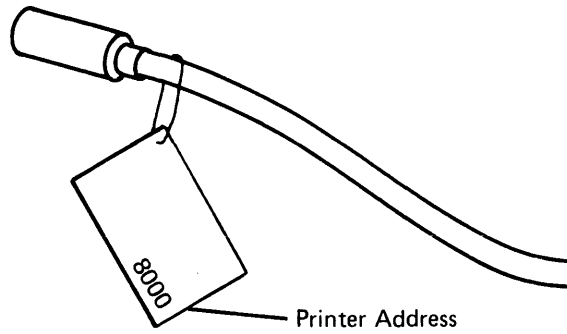


6. Repeat steps 1 through 5 until all the diskette drives on every data station are labeled.

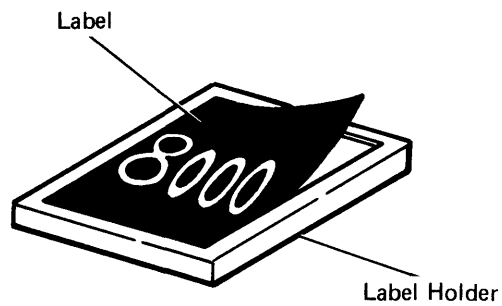
7. **If you have a printer, go to the *Labeling the Printer* procedure in this section.**
8. **If you do not have a printer, go to **Section 8, *Verification Procedure*** and perform the verification procedure.**

LABELING THE PRINTER

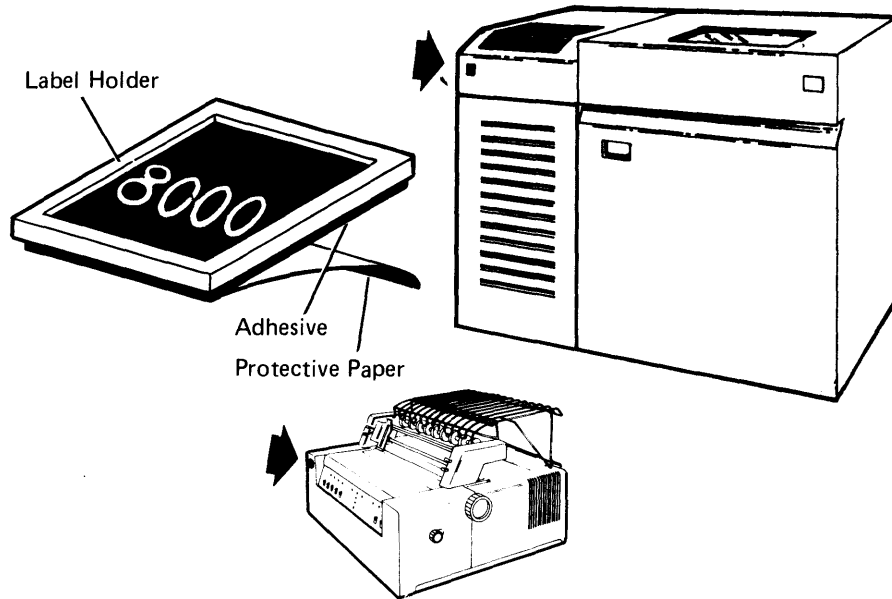
1. Look at the printer cable. On the cable is a label with the printer address.



2. Find the appropriate number on the label sheet.
3. Remove the label and stick it within the recess of the label holder.



4. Remove the protective paper from the label holder; stick the label onto the printer as shown:



5. Repeat steps 1, 2, 3, and 4 until all of the printers have been labeled.
6. Go to Section 8, *Verification Procedure* and perform the verification procedure.

Section 8. Verification Procedure

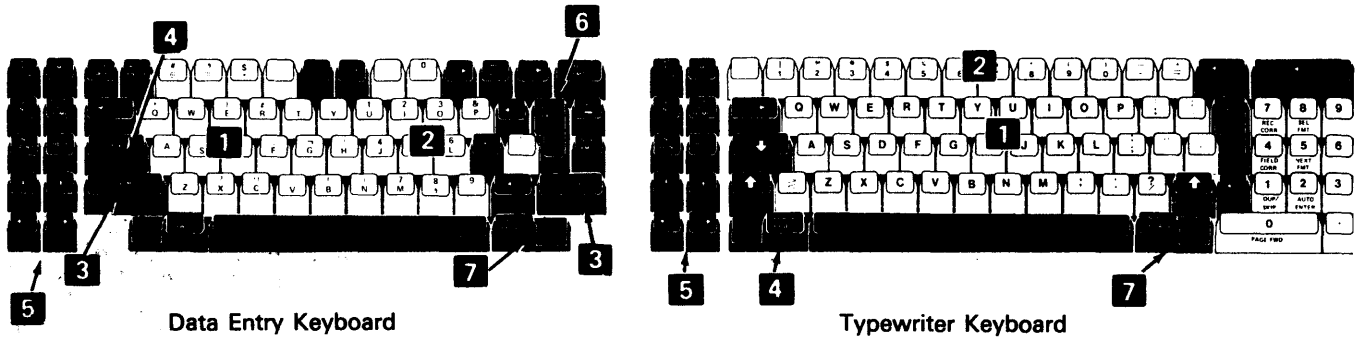
This section will lead you through a series of steps that will verify correct operation of each of the machines and devices you have installed. The series of steps will also tell you what to do if a machine or device fails to operate correctly.

The first few pages of this section contain some basic operational information that you will need to know as you continue through the system checkout procedure. Read the section, *Basic Operational Information* before starting the section, *System Checkout Procedure*.

BASIC OPERATIONAL INFORMATION

Keyboards

The data stations on your IBM 5280 Distributed Data System will have one of two basic types of keyboards. Both keyboard types have the same function, but look different. Some of the more important keys that you will use are illustrated and described below.

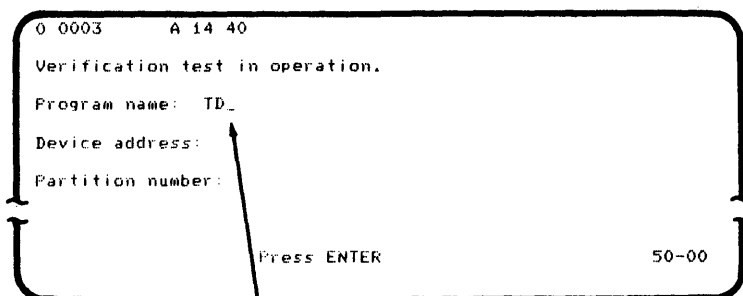


- 1** Alphabetic keys (A-Z) are repeating keys; that is, they continue to repeat the same character as long as the key is pressed.
- 2** Numeric keys (0-9) are also repeating keys. Either set of number keys on the typewriter keyboard can be used during the system checkout procedure.
- 3** NUM and ALPHA keys on the data entry keyboard control which type of character will be displayed on the screen when the numeric keys are used.
- 4** RESET or ERROR RESET key will be used to reset (stop) a blinking error message displayed on the screen. Throughout the system checkout procedure, these keys will be referred to as the Reset or Error Reset keys.
- 5** ◀ and ▶ keys will allow you to move the cursor (position indicator) left or right on the display screen. These keys will also allow the cursor to change lines.
- 6** FIELD+ or FIELD EXIT is the key you will be instructed to press after you have pressed some alphabetic or numeric keys. Throughout the system checkout procedure, these keys will be referred to as the Field+ or Field Exit keys.
- 7** ENTER/REC ADV is the key you will be instructed to press after you have pressed alphabetic or numeric keys or when you change displayed screens. Throughout the system checkout procedure, this key will be referred to as the Enter key.

Displays

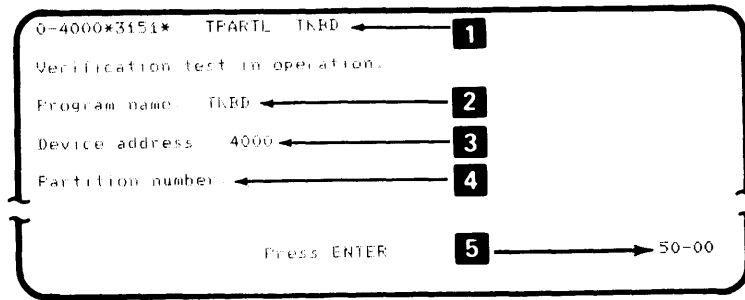
Each machine that has a keyboard also has a display screen. The display screen looks like a television screen. Sometimes the display screen allows you to give instructions to the system by filling in blanks on the display. The system checkout procedure will instruct you to observe and to key onto these display screens.

You will observe a position indicator (similar to a dash) on the display screen. This is called a cursor. It indicates where the next character or number that you key will be displayed.



Cursor Indicates Where
Next Keyed Character Will
Be Displayed

One display screen that you will see and use often is the *program load screen*.



1 This display line is called a status line. When it blinks, it is indicating to you that the system checkout procedure has found a machine failure, or it is indicating that you have done something wrong. An error code number is displayed in the blinking status line. The error code number is enclosed within asterisks or dashes. For example, the error code number shown in the status line of the illustration above is *3151*.

You will find a description of every error code number in the *IBM 5280 Message Manual* that came with your system. The error code description in the *Message Manual* will describe the machine failure or will indicate what you may have done wrong to cause the error. When the error code description indicates a machine failure, record the error code number for your service representative.

While the status line is blinking, you are unable to use any of the alphabetic keys or the numeric keys. Pressing the Reset or Error Reset key makes the error code disappear, stops the status line blinking, and makes the keyboard usable. You will have to correct the problem that caused the blinking error code or call your service representative if the error code indicates a machine failure.

2 This is the display line where you will be instructed to key TKBD, TDSK, TPRNT, or TCOM. Keying these names will indicate which part of the system checkout procedure is to be started.

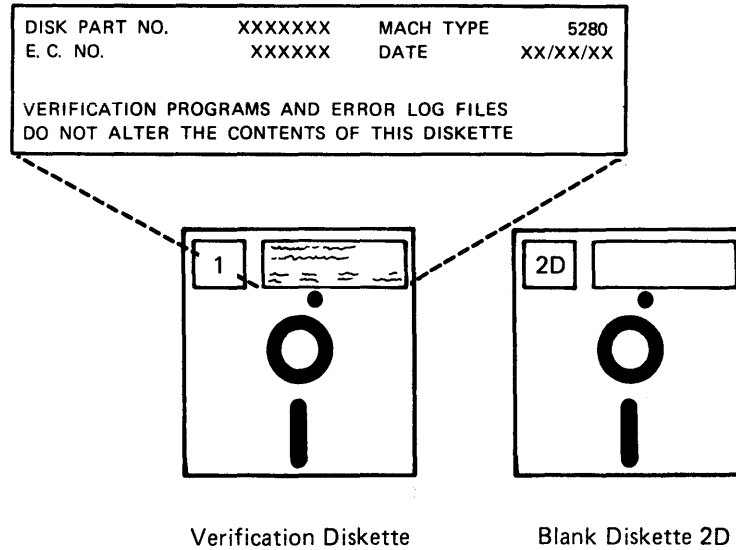
3 This is the display line where you will be instructed to key a four-digit number. The number identifies a diskette drive. The diskette drive numbers are 4000, 4400, 4800, 4C00, 5000, 5400, 5800, or 5C00. Notice that 4C00 and 5C00 have the letter C in them that will require you to press and hold the Alpha key on some keyboards.

4 You will not be instructed to key anything on the Partition number line during the system checkout procedure.

5 Each display screen has a four-digit number in the lower-right corner. This four-digit number can help you identify and compare the display screens to the illustrations in this section.

Diskettes

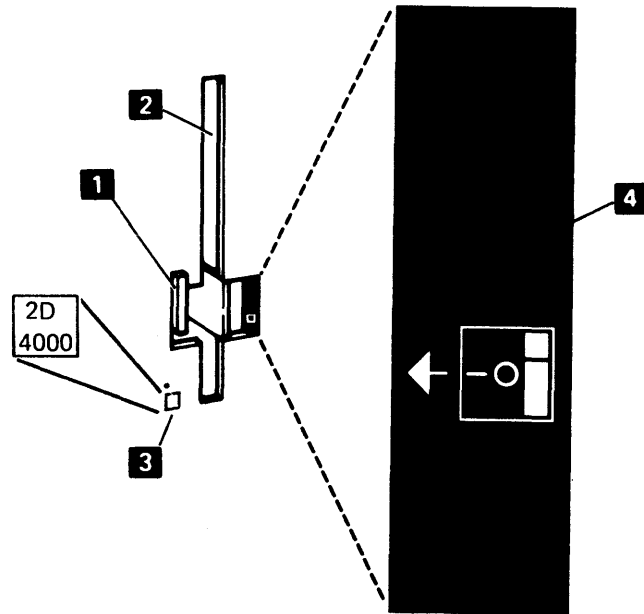
At certain times during the system checkout procedure, you will be asked to insert a verification diskette or a blank diskette 2D into a diskette drive, usually diskette drive 4000. You will find these diskettes in the envelope in which you found this manual. These diskettes look like the following illustrations.



Although these diskettes are not fragile, exercise caution when handling them. Handle them only by the label edge and try to keep them clean. Do not write on them or fold them.

Diskette Drives

Your system may have up to eight diskette drives. The diskette drives look like the following illustration.

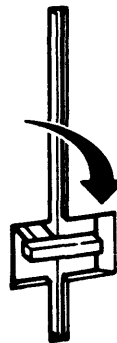


Four things about the diskette drive are important to you during the system checkout procedure.

- 1 The diskette locking lever has to be turned to a vertical position to allow you to insert a diskette. The diskette locking lever has to be turned to a horizontal position after a diskette has been inserted.



Locking Lever Vertical
To Insert Diskette



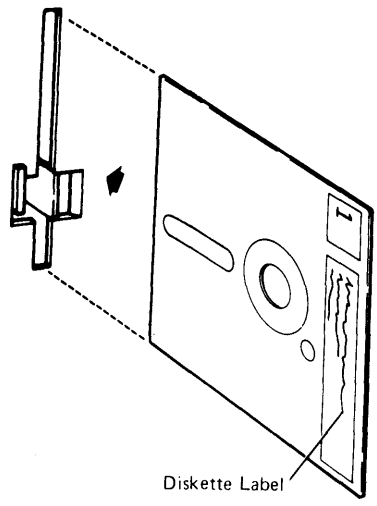
Locking Lever Horizontal
After Diskette Is Inserted

2 The diskette drive slot is where you insert the diskette when instructed by the system checkout procedure. Slide the diskette all the way into the slot, with the label on the left.

3 The diskette drive label contains information that you will need during the system checkout procedure. The top two digits indicate the type of diskette drive. The IBM 5280 Distributed Data System may have either a compact diskette drive supporting diskette 1, a compact diskette drive supporting diskette 2D, or a combination of the two types of diskette drives. The two types look and function the same. The system checkout procedure will ask you which type you have. Throughout the system checkout procedure, these diskette drives will be referred to as a diskette 1 drive or a diskette 2D drive.

The bottom four digits indicate the device address. There are eight possible device addresses: 4000, 4400, 4800, 4C00, 5000, 5400, 5800, or 5C00. The system checkout procedure will instruct you to find and use each diskette drive on your system. The system checkout procedure will ask you to key these device address numbers on some display screens.

4 The diskette insertion decal is a reminder to you that the diskettes are to be inserted in the slot with the diskette label on the locking lever side (your left) and the diskette label going into the slot last.

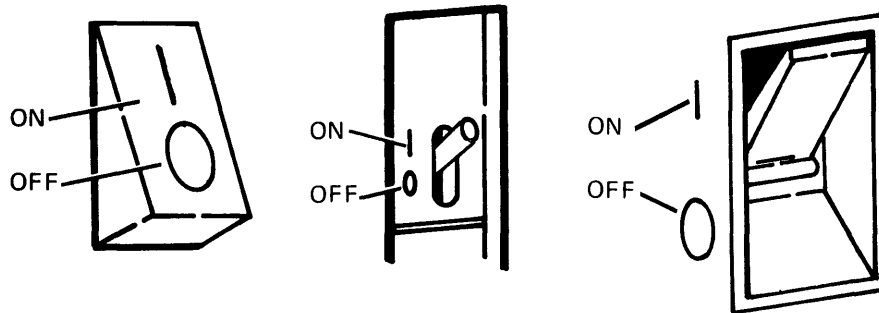


SYSTEM CHECKOUT PROCEDURE

This procedure is designed to verify correct operation of your IBM 5280 Distributed Data System. If you have a problem or think you have done something wrong that would prevent successful completion of the procedure, feel free to set the Power switches to 0 (Off) position, wait a few seconds, set the Power switches to 1 (On) position, and return to step 1.

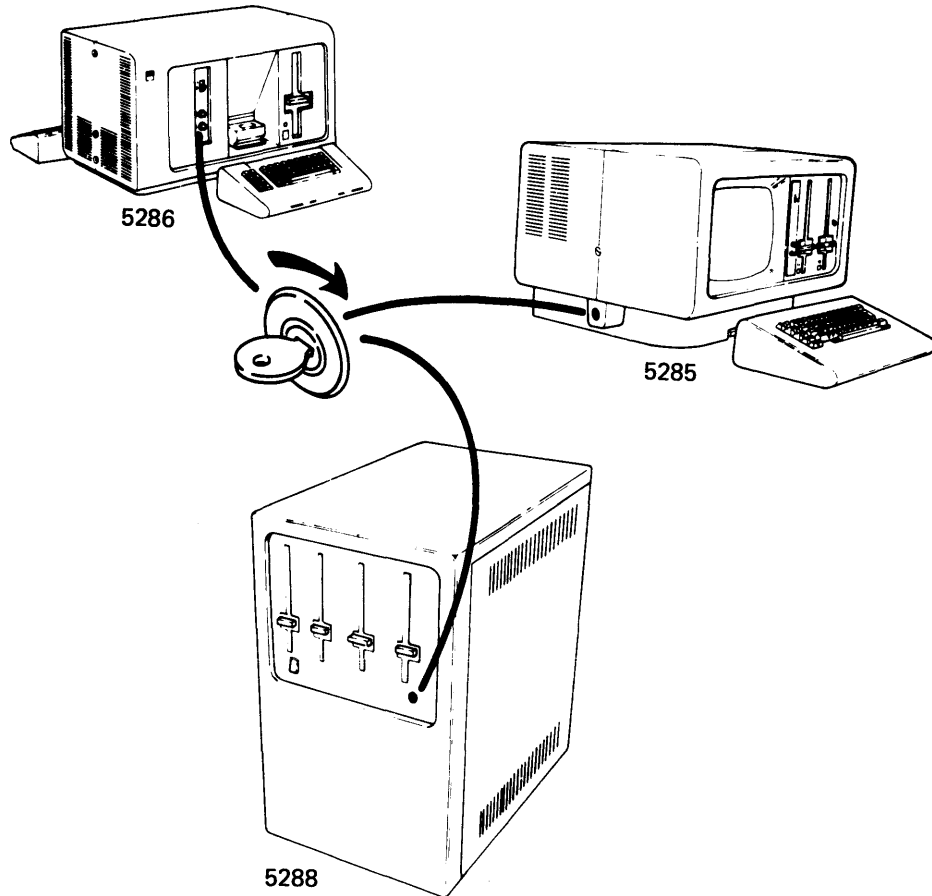
1. **Set the Power switches of all machines in your system to 1 (On) position.**

After power has been turned on, all machines in your system will make noise, and various test patterns will appear on the display screens.



2. If you have a Keylock feature, turn the keylock to the right (clockwise).

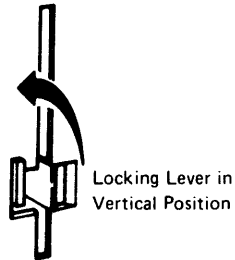
The keylock is a feature that may be on machines 5285, 5286, or 5288. Two keys are shipped with each machine that has the Keylock feature. You will find these keys in the envelope in which you found this manual. Use the key that permits you to turn the lock to the right.



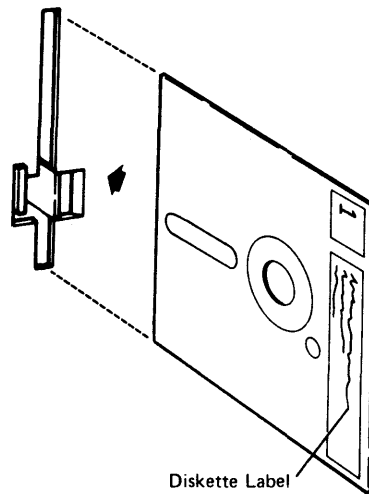
3. Locate the verification diskette.

The verification diskette will be found in the envelope in which you found this manual. Take the diskette out of the protective envelope.

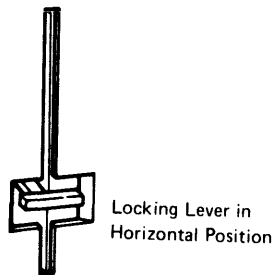
4. **Insert the verification diskette in the diskette drive having the device address 4000.**
- a. **Move the diskette locking lever of diskette drive 4000 to the vertical position.**



- b. **Insert the verification diskette in the diskette drive slot as shown. Push the diskette all the way to the back of the slot.**

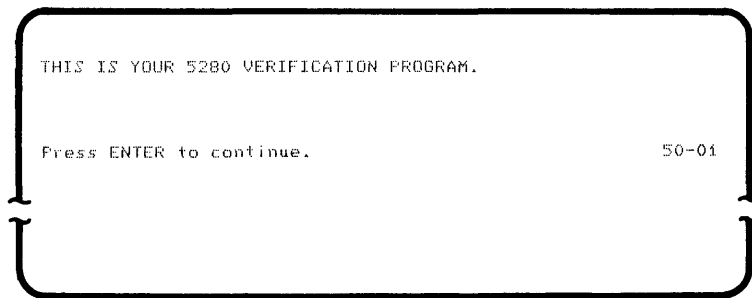


- c. **Move the diskette locking lever to the horizontal position.**



5. Locate keyboard 0 and observe this display.

It may take a few seconds for this display to appear.



6. Do the following:

If the display in step 5 appears, go to step 7.

If the display in step 5 does not appear, go to step A1.

A1. If the machines do not buzz when you set the Power switches to 1 (On) position, check for the following:

- Power is available at each outlet.
- All power cord plugs are plugged into receptacles.
- The power switches of all data stations and printers are set to 1 (On) position.

If all these checks appear OK, go back to step 1 and repeat the procedure. If after repeating step 1 through step 5, the display shown in step 5 does not appear, call your service representative.

A2. If the machines buzz when you set the Power switches to 1 (On) position, check for the following:

- The brightness and contrast control may have to be adjusted.
- The verification diskette is in diskette drive 4000.
- The verification diskette is inserted properly.
- The diskette locking lever is horizontal.
- Display and diskette drive cables are connected properly. If the expected display appears on a different data station, or if the display appears upside down or backward, check your cabling with the setup sheet and floor plan.
- The keylock is turned to the right (clockwise).

If all these checks appear OK, go back to step 1 and repeat the procedure. If after repeating step 1 through step 5, the display shown in step 5 does not appear, call your service representative.

7. Press the Enter key and observe this display.

This display is for your information. The Xs shown in this display will be numbers supplied by your system.

```
Keyboard information for this system
  0X      Total number of keyboards connected to this system

  XXXX   Display storage size

Press ENTER to continue                               50-02
```

8. Press the Enter key and observe this display.

```
Press the number 2

                                                                 51-01
```

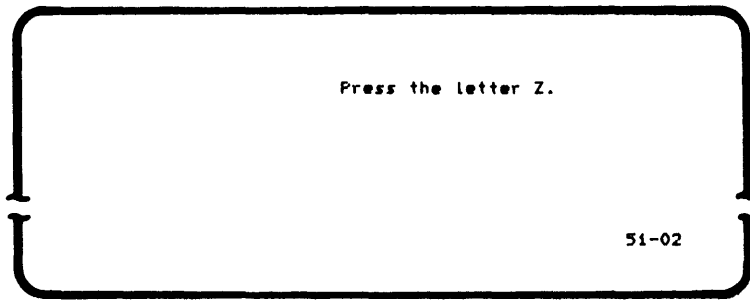
9. Press the number 2.

Do not press the Enter key. If your keyboard has two keys with the number 2 on the keytops, you can use either key.

B1. If you pressed a key other than the number 2, observe this display and press the Enter key. Then rekey the number 2.

```
The number 2 was not pressed.
Press ENTER to reshaw prompt.                               51-03
```

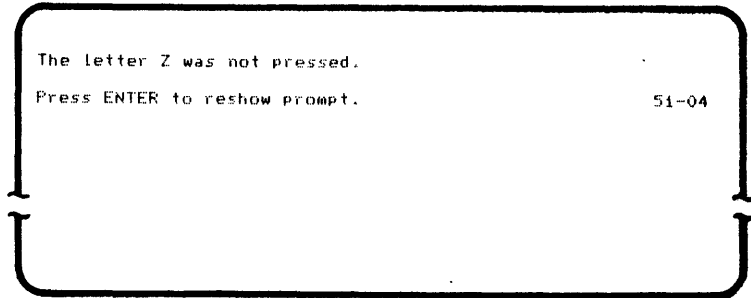
10. **Observe this display.**



11. **Press the letter Z.**

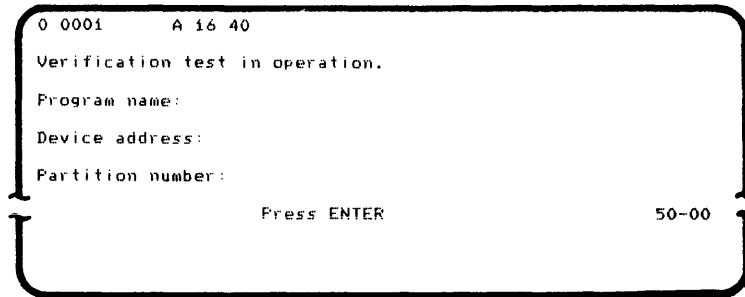
Do not press the Enter key.

C1. If you pressed a key other than the letter Z, observe this display and press the Enter key. Then rekey the letter Z.



12. **Observe this display. Do Not press the Enter key at this time.**

This is the program load screen.



13. Make a check mark in the box below indicating completion of step 9 through step 12 for this keyboard.

Keyboard Number	Steps 9–12 Completed
0	<input type="checkbox"/>
1	<input type="checkbox"/>
2	<input type="checkbox"/>
3	<input type="checkbox"/>

Repeat step 9 through step 12 for each keyboard (maximum of four keyboards) on your system.

When you have completed steps 9 through 13 for each keyboard on your system, read the progress check block and continue to the next step.

PROGRESS CHECK

1. You should have keyed a 2 and a Z at each keyboard on your system.

14. Move to keyboard 0, and do the following:
- a. Ensure that the verification diskette is in diskette drive 4000.
 - b. Key TKBD after the words Program name.
 - c. Press the Field+ or Field Exit key.
 - d. Key 4000 after the words Device address.
 - e. Press the Enter key.
15. If this display appears, key the number 1 and press the Enter key.

This display will appear only if your system has a Magnetic Stripe Reader feature.

```
Workstation test.  
Options are  
  1. Keyboard  
  2. Magnetic stripe reader  
Select option: 1 Press ENTER 52-01
```

16. Observe this display.


```
Enter characters on keyboard and observe display. If  
these do not correspond refer to manual.  
Press ENTER to terminate. 52-03
```

17. Press all the alphabetic keys (ABC...XYZ) and numeric keys (012...789) and observe this display.

If you have a data entry keyboard, you will have to press and hold the Num key when keying the numbers.

For this test, use only the A through Z and 0 through 9 keys. Do not press special character keys because they may not function correctly in this system checkout procedure.

```
Enter characters on keyboard and observe display. If
these do not correspond refer to manual.
ABCDEFGHIJKLMNOPQRSTUVWXYZ0123456789
Press ENTER to terminate.                               52-03
```

D1. If some of the keys that you pressed do not display the characters that you expected, press the  key and repeat step 17. If the characters that you press still do not display correctly, call your service representative.

18. Press the Enter key when you are satisfied that the keys you pressed displayed the correct characters.

19. Observe this display.

```
Test complete.
Options are
  1. Restart
  2. Exit
Select option: _ Press ENTER                               52-78
```

20. Press the number 2, then press the Enter key.

The program load screen will be displayed.

21. Make a check mark in the box below indicating completion of step 15 through step 20 for this keyboard.

Keyboard Number	Steps 15–20 Completed
0	<input type="checkbox"/>
1	<input type="checkbox"/>
2	<input type="checkbox"/>
3	<input type="checkbox"/>

You can have a maximum of four keyboards on your system.

If you have not completed step 15 through 21 for each keyboard, go to step 22.

If you have completed step 15 through step 21 for each keyboard, go to the progress check block and continue to the next step.

22. Move to the next higher numbered keyboard and do the following:

- a. Ensure that the verification diskette is in diskette drive 4000.
- b. Key TKBD after the words Program name.
- c. Press the Field+ or Field Exit key.
- d. Key 4000 after the words Device address.
- e. Press the Enter key. Go to step 15.

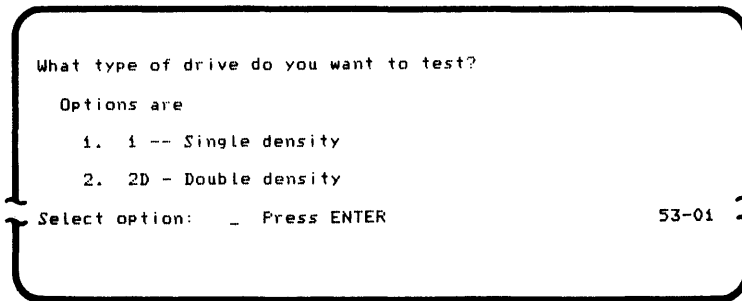
PROGRESS CHECK

1. You should have keyed a 2 and a Z at each keyboard on your system.
2. You should have keyed the characters ABC...XYZ and 012...789 at each keyboard on your system.

23. Move to keyboard 0 and do the following:

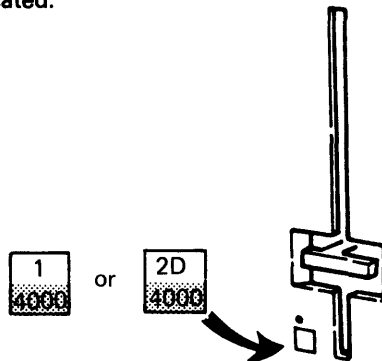
- a. Ensure that the verification diskette is in diskette drive 4000.
- b. Key TDSK after the words Program name.
- c. Press the Field+ or Field Exit key.
- d. Key 4000 after the words Device address.
- e. Press the Enter key.

24. Observe this display.



25. Determine the type of diskette drive.

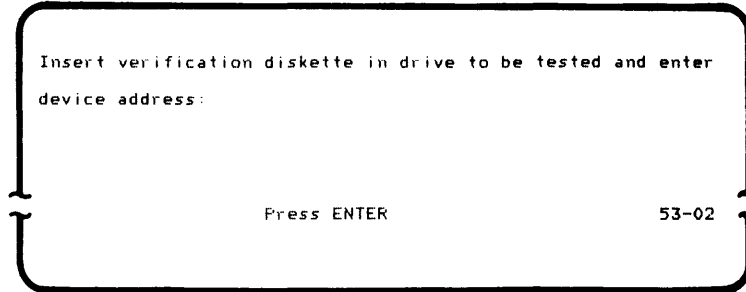
Look at the label next to the diskette drive where the verification diskette is located.



**26. If the label is a type 1, go to step 27.
If the label is a type 2D, go to step 36.**

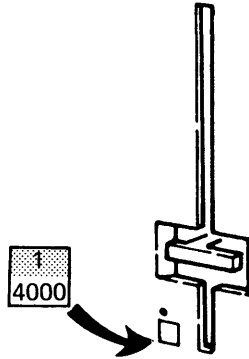
Diskette 1 Drive System Checkout Procedure

27. Press the number 1, then press the Enter key.
28. Observe this display.



29. Determine the device address of the diskette drive where the verification diskette is located.

The device address is the four-digit number on the label next to the diskette drive.

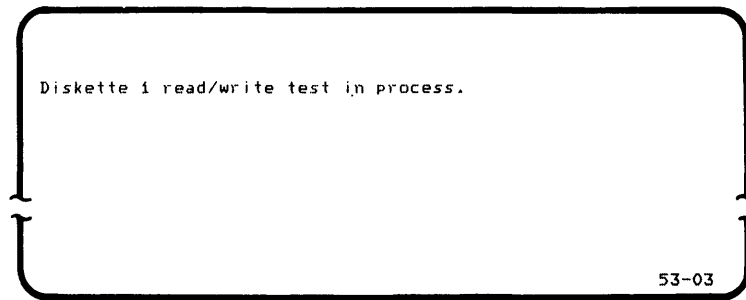


30. Key the device address and press the Enter key.

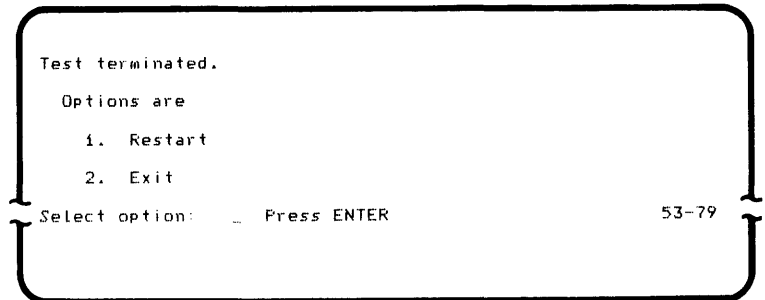
You may have to press and hold the Alpha key while pressing the letter C in some four-digit numbers of the diskette drive.

31. Observe this display.

This display will appear for approximately 30 seconds.

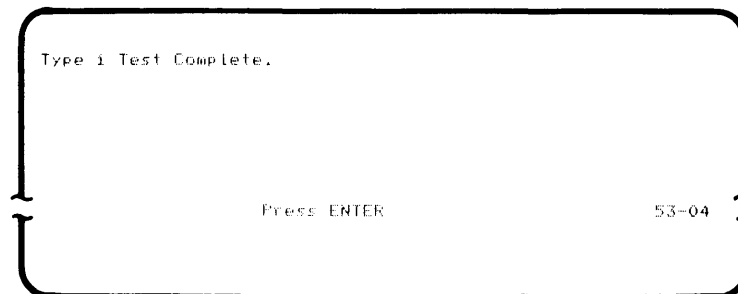


- E1. If the top line of the display starts blinking, press the Reset or Error Reset key. The following display will appear.



- E2. Press the number 1, then press the Enter key. Repeat step 24 through step 31. If the top line of the display starts blinking again, record the four-digit error code number for reference and call your service representative.

32. Observe this display. Press the Enter key.



33. Make a check mark in the box below indicating completion of step 24 through step 32 for this diskette drive.

Diskette Drive	Steps 24-32 Completed
4000	<input type="checkbox"/>
4400	<input type="checkbox"/>
4800	<input type="checkbox"/>
4C00	<input type="checkbox"/>
5000	<input type="checkbox"/>
5400	<input type="checkbox"/>
5800	<input type="checkbox"/>
5C00	<input type="checkbox"/>

You can have a maximum of eight diskette drives on your system.

34. Observe this display.
- Press the number 1 if you have more diskette drives to check out.
 - Press the number 2 if this is the last diskette drive to check out.
 - Press the Enter key.

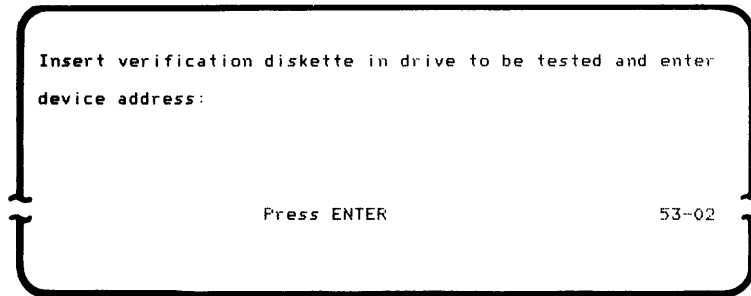
```
Test complete.
Options are
  1. Restart
  2. Exit
Select option:  _ Press ENTER                    53-78
```

35. Move the verification diskette to the next higher number diskette drive indicated in the table of step 33 and go to step 24.

When you have completed step 24 through step 35 for each diskette 1 drive, go to step 48.

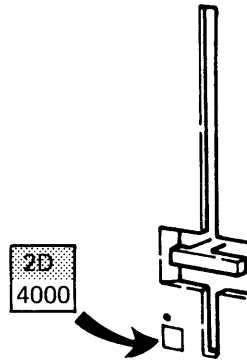
Diskette 2D Drive System Checkout Procedure

36. Press the number 2 to select the 2D–double density test, then press the Enter key.
37. Observe this display.



38. Determine the device address of the diskette drive where the verification diskette is located.

The device address is the four-digit number on the label next to the diskette drive.

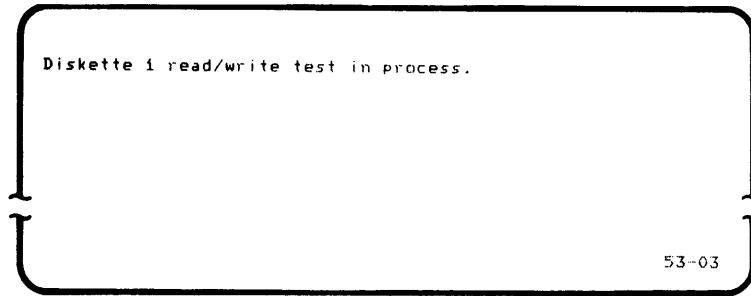


39. Key the device address and press the Enter key.

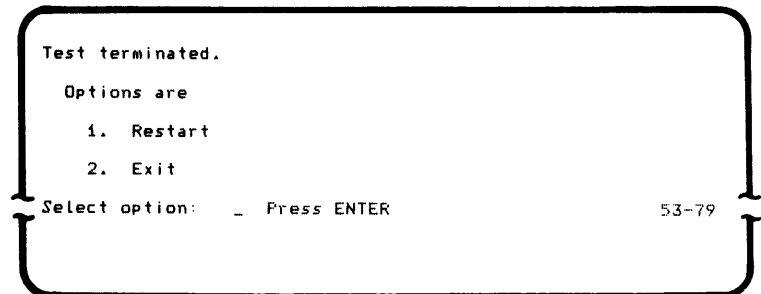
You may have to press and hold the Alpha key while pressing the letter C in some four-digit numbers of the diskette drive.

40. Observe this display.

This display will appear for approximately 30 seconds. (The diskette 1 checkout procedure is a part of the diskette 2D checkout procedure.)

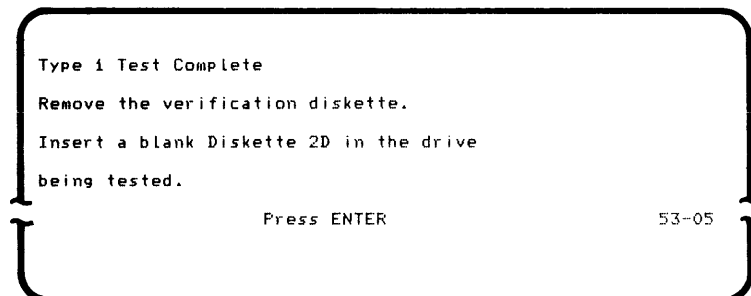


F1. If the top line of the display starts blinking, press the Reset or Error Reset key. The following display will appear:



F2. Press the number 1, then press the Enter key. Repeat step 24 through step 40. If the top line of the display starts blinking again, record the four-digit error code number for reference and call your service representative.

41. Observe this display.



42. Do the following:

- a. Remove the verification diskette from the diskette drive where it is located.
- b. Insert a blank diskette 2D in the same drive. You will find a blank diskette 2D in the envelope shipped with each machine that has a diskette 2D drive.
- c. Press the Enter key.

G1. If the top line of the display starts blinking, press the Reset or Error Reset key. The following display will appear:

```

Test terminated.
Options are
  1. Restart
  2. Exit
Select option:  _ Press ENTER
                                                    53-79
    
```

G2. Press the number 1, then press the Enter key. Repeat step 24 through step 42. If the top line of the display starts blinking again, record the four-digit error code number for reference and call your service representative.

43. Observe this display.

This display will appear for approximately one minutes.

```

Diskette 2D read/write test in process.
                                                    53-06
    
```

44. Observe this display. Press the Enter key.

```

Type 2D Test Complete
Press ENTER
                                                    53-07
    
```

45. Make a check mark in the box below indicating completion of step 36 through step 44 for this diskette drive.

Diskette Drive	Steps 36-44 Completed
4000	<input type="checkbox"/>
4400	<input type="checkbox"/>
4800	<input type="checkbox"/>
4C00	<input type="checkbox"/>
5000	<input type="checkbox"/>
5400	<input type="checkbox"/>
5800	<input type="checkbox"/>
5C00	<input type="checkbox"/>

You can have a maximum of eight diskette drives on your system.

46. Observe this display.

Press the number 1 if you have more diskette drives to check out.
Press the number 2 if this is the last diskette drive to check out.
Press the Enter key.

```
Test complete.
Options are
  1. Restart
  2. Exit
Select option:  _ Press ENTER
```

53-78

47. Insert the verification diskette in the next higher number diskette drive indicated in the table of step 45 and go to step 36.

When you have completed step 36 through step 47 for each diskette 2D drive, go to step 48.

48. Make sure all diskette 1 and 2D drives have been checked.

If your system has a mix of diskette 1 and 2D drives, be sure you used one of the system checkout procedures (starting at step 23) for each diskette drive.

Read the progress check block and continue to the next step.

PROGRESS CHECK

1. You should have keyed a 2 and a Z at each keyboard on your system.
2. You should have keyed the characters ABC...XYZ and 012...789 at each keyboard on your system.
3. **You should have moved the verification diskette into and out of every diskette drive, and moved the blank diskette 2D into and out of every diskette 2D drive on your system.**

49. Continue with the following steps if you have one or more printers on your system. If you have no printers on your system, go to step 56.
50. Go to each printer and do the following:
 - a. Make sure the Power switch is turned on.
 - b. Make sure paper or forms are inserted.
 - c. Press the Stop switch, then the Start switch.
 - d. Make sure the Ready light is on.
51. Move to keyboard 0 and do the following:
 - a. Insert the verification diskette into diskette drive 4000.
 - b. Key TPRNT after the words Program name.
 - c. Press the Field+ or Field Exit key.
 - d. Key 4000 after the words Device address.
 - e. Press the Enter key.
52. Observe this display and do the following:
 - a. Key the printer machine number after the words Model number.

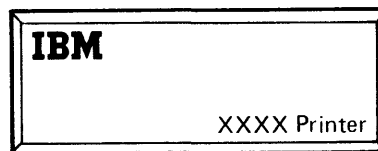
You will find the printer model number on the machine name plate and the printer address number on the four-digit label on the front cover of the printer.

Four Digit Label



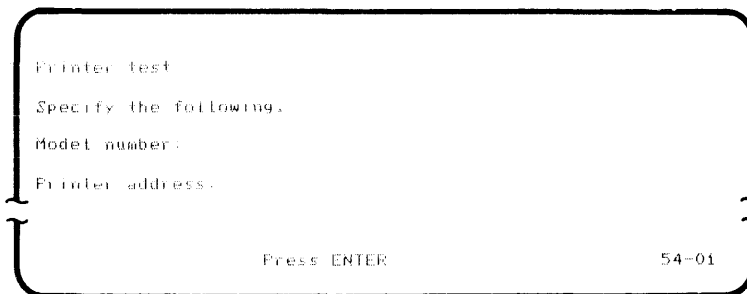
Printer Address

Machine Name Plate



Model Number

- b. Press the Field+ or Field Exit key.
- c. Key the four-digit label number after the words Printer Address.
- d. Press the Enter key.



53. Observe this display. Press the Enter key.

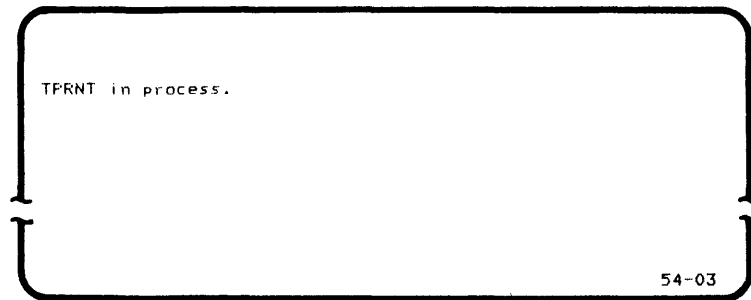
For this system checkout procedure, use the automatically selected option of 2.

```
Do you want continuous operation?  
Options are  
1. Yes  
2. No  
Select option: 2 Press ENTER
```

54-02

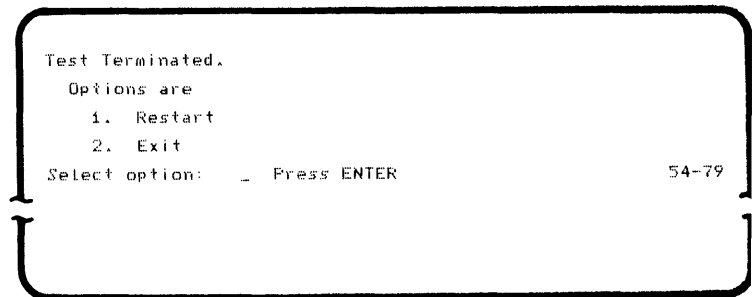
54. Observe the following:

This display will appear for approximately two minutes.



The printer will start printing a test pattern that you should compare to the illustration of the printer test pattern that follows.

H1. If the top line of the display starts blinking, press the Reset or Error Reset key. The following display will appear:



H2. Press the number 1, then press the Enter key. Repeat step 52 through step 54. If the top line of the display starts blinking again, record the four-digit error code number for reference and call your service representative.

H3. If the printed test pattern does not compare to the illustration that follows, call your service representative.

55. Observe this display.

If you have more than one printer (maximum of five) on your system, press the number 1, then press the Enter key. Go to step 52 and check out each printer by repeating step 52 through step 54. If you have checked out all the printers on your system, press the number 2, press the Enter key, read the progress check block, and continue to the next step.

```
Test complete.  
Options are  
  1. Restart  
  2. Exit  
Select option:  _ Press ENTER                    54-78
```

PROGRESS CHECK

1. You should have keyed a 2 and a Z at each keyboard on your system.
2. You should have keyed the characters ABC...XYZ and 012...789 at each keyboard on your system
3. You should have moved the verification diskette into and out of every diskette drive, and moved the blank diskette 2D into and out of every diskette 2D drive on your system.
4. **If your system has (a) printer(s), you should have observed each printer print a test pattern.**

Printer Test Pattern

ABCDEF	GHIJKL	MNOPQR	STUVWXY	Z	0123456789	abcdefghijklmnop	qrstuvwxyz	€.(+ &!\$%);^-/;,X_)?':@0'="■-()\	
BCDEF	GHIJK	LMNOP	QRSTU	VWXYZ	0123456789	abcdefghijklmnop	qrstuvwxyz	€.(+ &!\$%);^-/;,X_)?':@0'="■-()\	
DEFGH	IJKLM	NOPQR	STUVW	XYZ	0123456789	abcdefghijklmnop	qrstuvwxyz	€.(+ &!\$%);^-/;,X_)?':@0'="■-()\	A
EFGHI	JKLMN	OPQRS	TUVWX	YZ	0123456789	abcdefghijklmnop	qrstuvwxyz	€.(+ &!\$%);^-/;,X_)?':@0'="■-()\	AB
FGHIJ	KLMNO	PQRST	UVWXY	Z	0123456789	abcdefghijklmnop	qrstuvwxyz	€.(+ &!\$%);^-/;,X_)?':@0'="■-()\	ABC
GHIJK	LMNOP	QRSTU	VWXYZ		0123456789	abcdefghijklmnop	qrstuvwxyz	€.(+ &!\$%);^-/;,X_)?':@0'="■-()\	ABCD
HJKLM	MNOPQ	RSTUV	WXYZ		0123456789	abcdefghijklmnop	qrstuvwxyz	€.(+ &!\$%);^-/;,X_)?':@0'="■-()\	ABCDE
HIJKL	MNOPQ	RSTUV	WXYZ		0123456789	abcdefghijklmnop	qrstuvwxyz	€.(+ &!\$%);^-/;,X_)?':@0'="■-()\	ABCDEF
IJKLM	NOPQR	STUVW	XYZ		0123456789	abcdefghijklmnop	qrstuvwxyz	€.(+ &!\$%);^-/;,X_)?':@0'="■-()\	ABCDEFG
JKLMN	OPQRS	TUVWX	YZ		0123456789	abcdefghijklmnop	qrstuvwxyz	€.(+ &!\$%);^-/;,X_)?':@0'="■-()\	ABCDEFGH
KLMNO	PQRST	UVWXY	Z		0123456789	abcdefghijklmnop	qrstuvwxyz	€.(+ &!\$%);^-/;,X_)?':@0'="■-()\	ABCDEFGHI
LMNOP	QRSTU	VWXYZ			0123456789	abcdefghijklmnop	qrstuvwxyz	€.(+ &!\$%);^-/;,X_)?':@0'="■-()\	ABCDEFGHIJ
MNOPQ	RSTUV	WXYZ			0123456789	abcdefghijklmnop	qrstuvwxyz	€.(+ &!\$%);^-/;,X_)?':@0'="■-()\	ABCDEFGHIJK
NOPQR	STUVW	XYZ			0123456789	abcdefghijklmnop	qrstuvwxyz	€.(+ &!\$%);^-/;,X_)?':@0'="■-()\	ABCDEFGHIJKL
OPQRS	TUVWX	YZ			0123456789	abcdefghijklmnop	qrstuvwxyz	€.(+ &!\$%);^-/;,X_)?':@0'="■-()\	ABCDEFGHIJKLM
PQRST	UVWXY	Z			0123456789	abcdefghijklmnop	qrstuvwxyz	€.(+ &!\$%);^-/;,X_)?':@0'="■-()\	ABCDEFGHIJKLMN
QRSTU	VWXYZ				0123456789	abcdefghijklmnop	qrstuvwxyz	€.(+ &!\$%);^-/;,X_)?':@0'="■-()\	ABCDEFGHIJKLMNO
RSTUV	WXYZ				0123456789	abcdefghijklmnop	qrstuvwxyz	€.(+ &!\$%);^-/;,X_)?':@0'="■-()\	ABCDEFGHIJKLMNOP
STUVW	XYZ				0123456789	abcdefghijklmnop	qrstuvwxyz	€.(+ &!\$%);^-/;,X_)?':@0'="■-()\	ABCDEFGHIJKLMNOPQ
TUVWX	YZ				0123456789	abcdefghijklmnop	qrstuvwxyz	€.(+ &!\$%);^-/;,X_)?':@0'="■-()\	ABCDEFGHIJKLMNOPQR
UVWXY	Z				0123456789	abcdefghijklmnop	qrstuvwxyz	€.(+ &!\$%);^-/;,X_)?':@0'="■-()\	ABCDEFGHIJKLMNOPQRS
VWXYZ					0123456789	abcdefghijklmnop	qrstuvwxyz	€.(+ &!\$%);^-/;,X_)?':@0'="■-()\	ABCDEFGHIJKLMNOPQRST
WXYZ					0123456789	abcdefghijklmnop	qrstuvwxyz	€.(+ &!\$%);^-/;,X_)?':@0'="■-()\	ABCDEFGHIJKLMNOPQRSTU
XYZ					0123456789	abcdefghijklmnop	qrstuvwxyz	€.(+ &!\$%);^-/;,X_)?':@0'="■-()\	ABCDEFGHIJKLMNOPQRSTUV
YZ					0123456789	abcdefghijklmnop	qrstuvwxyz	€.(+ &!\$%);^-/;,X_)?':@0'="■-()\	ABCDEFGHIJKLMNOPQRSTUVA
Z					0123456789	abcdefghijklmnop	qrstuvwxyz	€.(+ &!\$%);^-/;,X_)?':@0'="■-()\	ABCDEFGHIJKLMNOPQRSTUVAW

1	2	3	4	5	6	7	8	9	0	1	1	1	1	1	1	1	1	1	1	1	
1234567890	1234567890	1234567890	1234567890	1234567890	1234567890	1234567890	1234567890	1234567890	1234567890	1234567890	1234567890	1234567890	1234567890	1234567890	1234567890	1234567890	1234567890	1234567890	1234567890	1234567890	
33						XXXXXXX															3
34						XXXX		XXXX													2
35						XXXX		XXXX													
38						XXXX				XXXX											3
39						XXXX				XXXX											3
40						XXXX				XXXX											4
41						XXXX	IIIIIIIII	BBBBBBBBB	MM	MM	XXXX										4
42						XXXX	II	BB	BB	MMM											4
43						XXXX	II	BB	BB	MMMM											4
44						XXXX	II	BB	BB	MM MM											4
45						XXXX	II	BB	BB	MM MM											4
46						XXXX	II	BB	BB	MM MM											4
47						XXXX	II	BB	BB	MM MM											4
48						XXXX	II	BB	BB	MM MM											4
49						XXXX	II	BB	BB	MM MM											4
50						XXXX	II	BB	BB	MM MM											4
51						XXXX	II	BB	BB	MM MM											4
52						XXXX	II	BB	BB	MM MM											4
53						XXXX	II	BB	BB	MM MM											4
54						XXXX	II	BB	BB	MM MM											4
55						XXXX	IIIIIIIII	BBBBBBBBB	MM	MM	AAAA	XXXX									5
56						XXXX															5
57						XXXX															5
58						XXXX															5
61									UUUU												1
62									UUUU												1
63	5	0	5	0	5	0	5	0	5	XXXX	XXXX									3	
64																					1

- 56. Continue with the following steps if you have a communications adapter on your system.**

If you do not have the communications adapter, go to step 78.

- 57. Turn the keylock to the left (counterclockwise).**

The keylock is a feature that may be on machines 5285 or 5288. Two keys are shipped with the machine that has the Keylock feature. You will find these keys in the envelope in which you found this manual. Use the key that permits you to turn the lock to the left.



- 58. Move to keyboard 0 and do the following:**
- Ensure that the verification diskette in diskette drive 4000.**
 - Key TCOM after the words Program name.**
 - Press the Field+ or Field Exit key.**
 - Key 4000 after the words Device address.**
 - Press the Enter key.**

- 59. Observe this display.**

```
Select Feature type
Options are:
  1. EIA          3. Integrated Modem
  2. DDSA
Select option:   _ Press ENTER                    57-01
```

- 60. Determine the type of communications adapter that you have on your system.**

If you do not know what type of communications adapter you have, contact the person who did the planning for your system or the manager of the area where your system is located.

- 61. Press the number corresponding to the feature type, then press the Enter key.**

If you pressed the number 1 for the EIA feature type, go to the next step. If you pressed the number 2 for the DDSA feature type, go to step 70. If you pressed the number 3 for the integrated modem feature type, go to step 74.

- 62. Observe this display, then press the Enter key.**

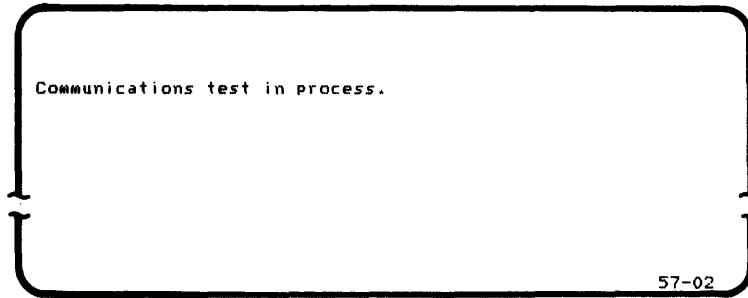
For this system checkout procedure, use the automatically selected option of 2. This cable should not be connected to anything other than the 5285 or 5288. Connection of this cable to a modem is discussed in Section 9.

```
Is the Communications Cable attached to
an IBM modem?
Options are:
    1. YES      2. NO
Select option: 2 Press ENTER
```

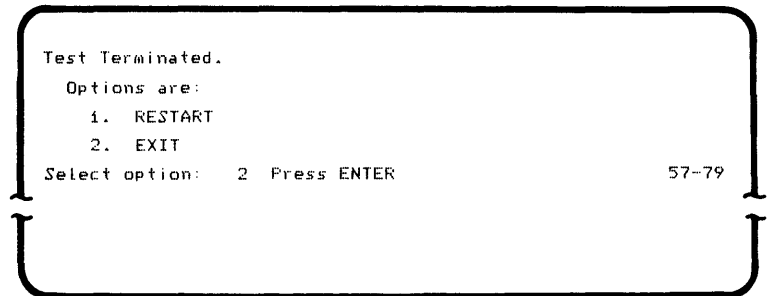
57-06

63. Observe this display.

This display will appear for approximately 20 seconds.



11. If the top line of the display starts blinking, press the Reset or Error Reset key. The following display will appear:



12. Press the number 1, then press the Enter key. Repeat step 59 through step 63. If the top line of the display starts blinking again, record the four-digit error code number for reference and call your service representative.

64. Observe this display.

For this system checkout procedure, *always* use the automatically selected option of 2.

```
Does the Communications Cable have
a 'TEST/OPERATE' switch? (See manual)
Options are:
    1. YES          2. NO
Select option: 2 Press ENTER                    57-03
```

65. Press the Enter key.

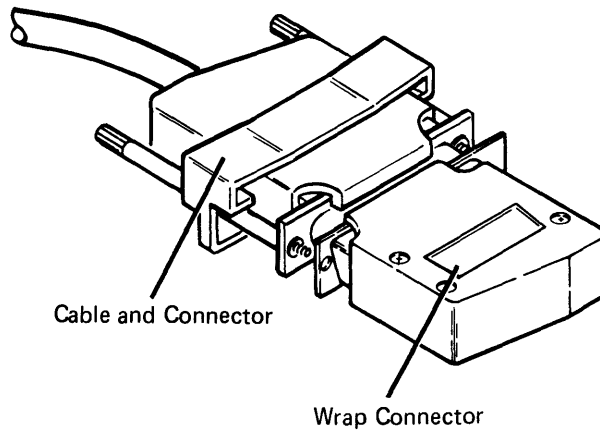
66. Observe this display. Do not press the Enter key.

```
Prepare the Wrap Connector. (see Manual.)

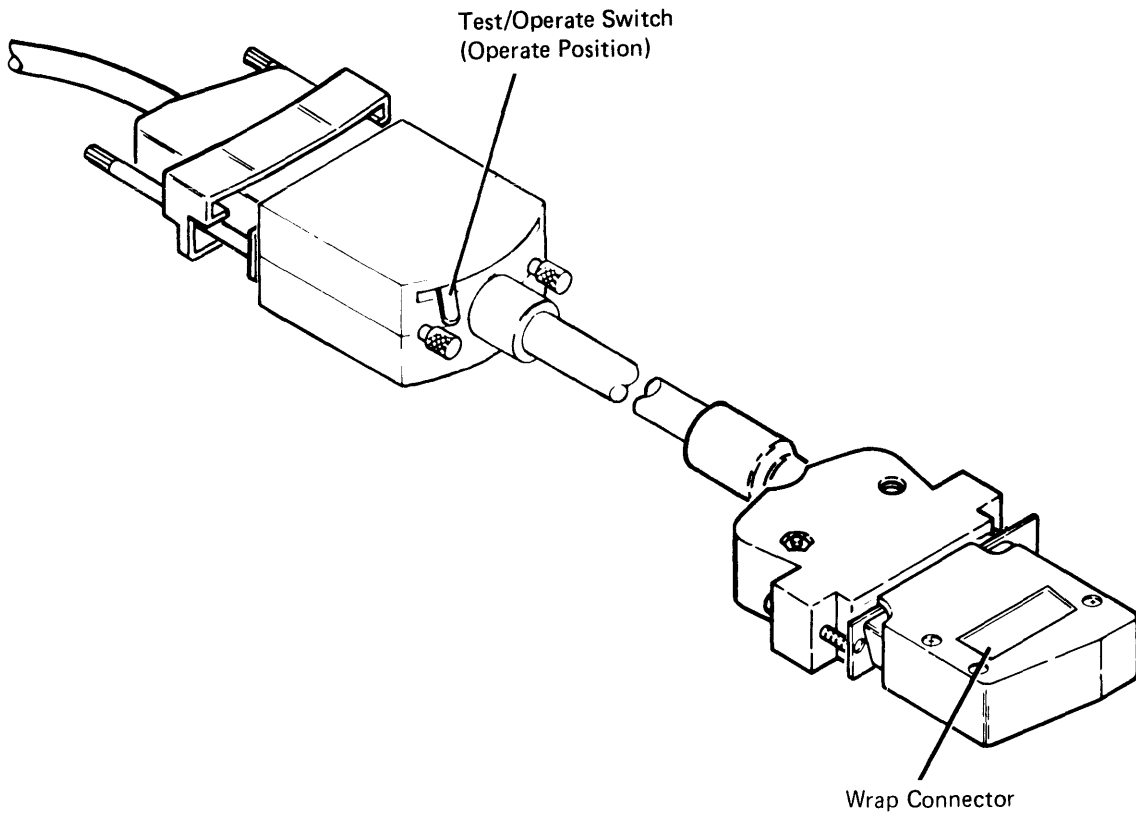
Press ENTER to continue.                        57-09
```


67. Do the following:

- a. Make sure the wrap connector is on the end of the communications cable.**



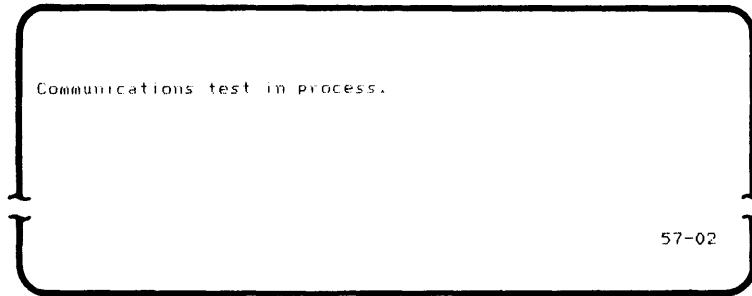
- b. If the end of the cable has a Test/Operate switch, set it to the operate position.**



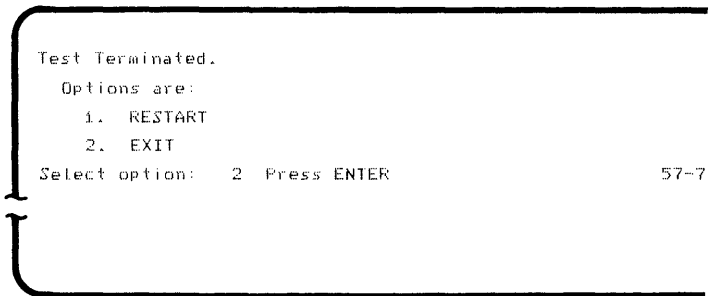
- c. Press the Enter key.**

68. Observe this display.

This display will appear for approximately 10 seconds.



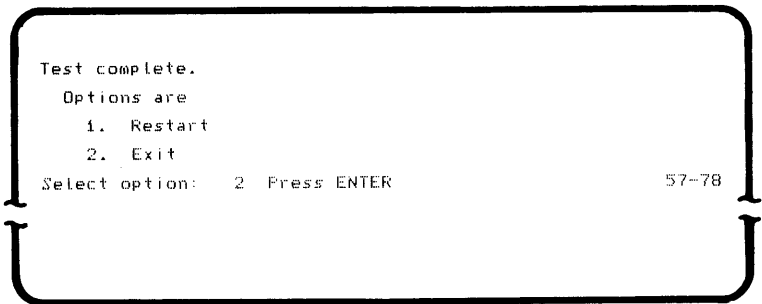
J1. If the top line of the display starts blinking, press the Reset or Error Reset key. The following display will appear:



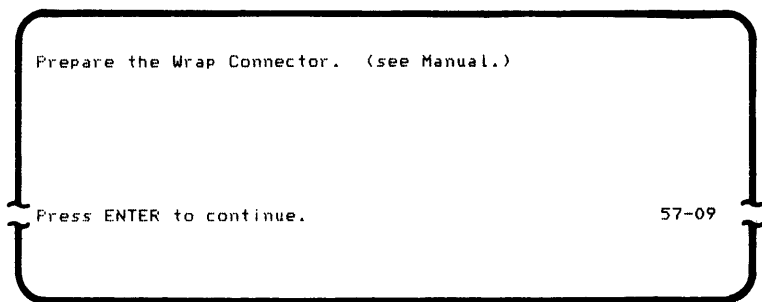
J2. Press the number 1, then press the Enter key. Repeat step 59 through 68. If the top line of the display starts blinking again, record the four-digit error code number for reference and call your service representative.

69. Observe this display, then press the Enter key.

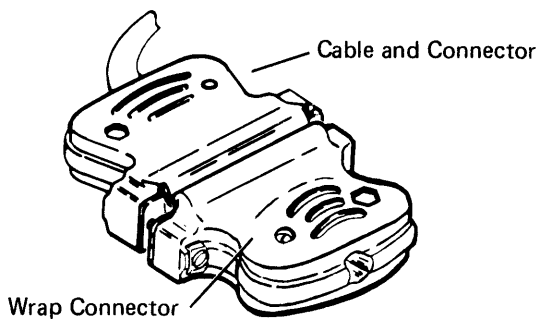
For this system checkout procedure, use the automatically selected option of 2. Go to step 77.



70. Observe this display. Do not press the Enter key.



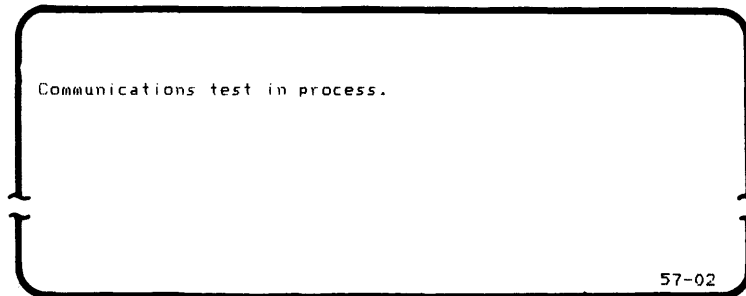
- 71. Do the following:**
- a. Make sure the wrap connector is on the end of the communications cable.**



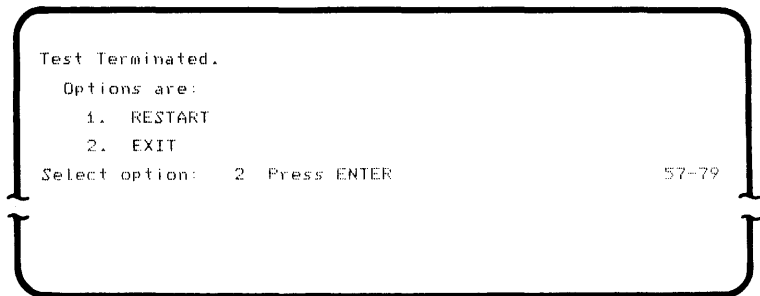
- b. Press the Enter key.**

72. Observe this display.

This display will appear for approximately 20 seconds.



K1. If the top line of the display starts blinking, press the Reset or Error Reset key. The following display will appear:



K2. Press the number 1, then press the Enter key. Repeat step 59 through 73. If the top line of the display starts blinking again, record the four-digit error code number for reference and call your service representative.

73. Observe this display, then press the Enter key.

For this system checkout procedure, use the automatically selected option of 2. Go to step 77.

```

Test complete.
Options are
  1. Restart
  2. Exit
Select option:  2 Press ENTER
                                                    57-78
    
```

74. Observe this display.

This display will appear for approximately 20 seconds.

```

Communications test in process.
                                                    57-02
    
```

- L1. If the top line of the display starts blinking, press the Reset or Error Reset key. The following display will appear:

```

Test Terminated.
Options are:
  1. RESTART
  2. EXIT
Select option:  2 Press ENTER
                                                    57-79
    
```

- L2. Press the number 1, then press the Enter key. Repeat steps 59 through 74. If the top line of the display starts blinking again, record the four-digit error code number for reference and call your service representative.

75. Observe this display, then press the Enter key.

For this system checkout procedure, *always* use the automatically selected option of 2.

```
Does your communications have
switched network backup?

Options are
  1. Yes      2. No
Select option: 2 Press ENTER                               57-07
```

76. Observe this display, then press the Enter key.

For this system checkout procedure, use the automatically selected option of 2.

```
Test complete.
Options are
  1. Restart
  2. Exit
Select option: 2 Press ENTER                               57-78
```

77. Read the progress check block and go to the next step.

PROGRESS CHECK

1. You should have keyed a 2 and a Z at each keyboard on your system.
2. You should have keyed the characters ABC...XYZ and 012...789 at each keyboard on your system.
3. You should have moved the verification diskette into and out of every diskette drive, and moved the blank diskette 2D into and out of every diskette 2D drive on your system.
4. If your system has (a) printer(s), you should have observed each printer print a test pattern.
5. **If your system has a communications adapter, you should have observed the test completed display for the communications adapter.**

78. Continue with the following steps if you have magnetic stripe readers on your system.

If you do not have magnetic stripe readers, go to step 90.

79. Ensure that the verification diskette is in diskette drive 4000.

80. Move to a data station that has a Magnetic Stripe Reader attached and do the following:

- a. Key TKBD after the words Program name.
- b. Press the Field+ or Field Exit key.
- c. Key 4000 after the words Device address.
- d. Press the Enter key.

81. Observe this display.

```
Workstation test.  
Options are  
  1. Keyboard  
  2. Magnetic stripe reader  
Select option:  _ Press ENTER
```

52-01

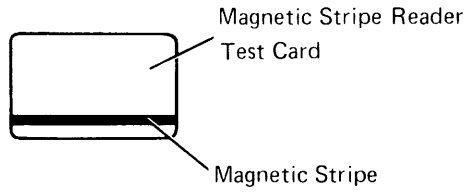
82. Press the number 2, then press the Enter key.

Observe this display.

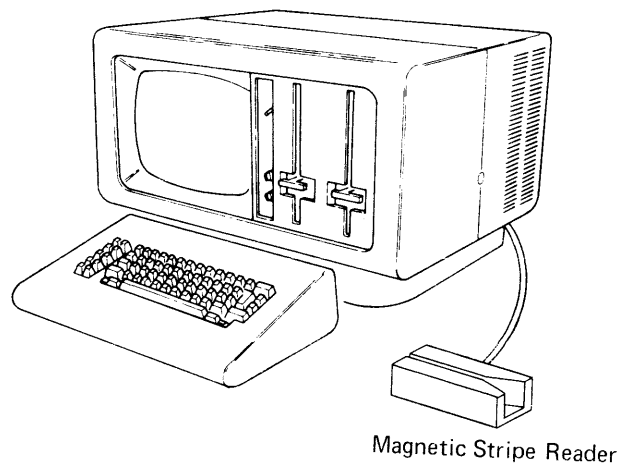
```
Magnetic stripe reader test  
  
Run card through reader
```

52-04

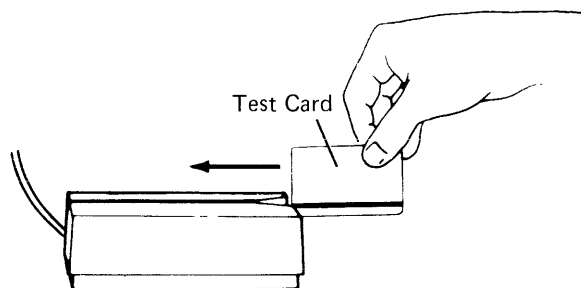
- 83. Test the magnetic stripe reader by doing the following:**
- a. Obtain the magnetic stripe reader test card (part 8331402) from the envelope in which you found this manual.**



- b. Position the magnetic stripe reader so that the wide end of the slot is to your right.**

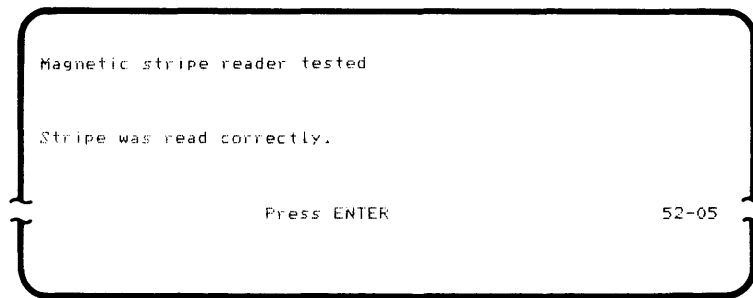


- c. Place the test card so that the magnetic stripe is at the bottom and facing you.**



- d. Run the card through the reader from right to left, with the bottom of the card at the bottom of the slot.**

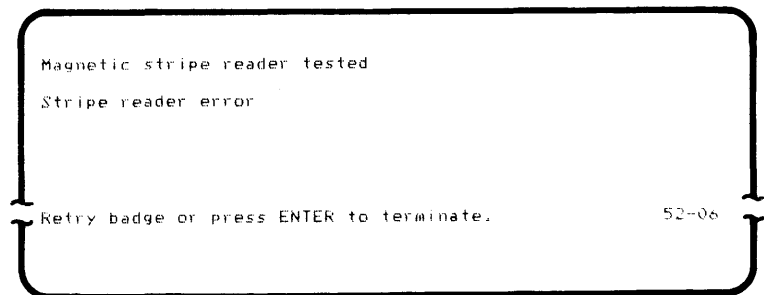
84. Observe this display.



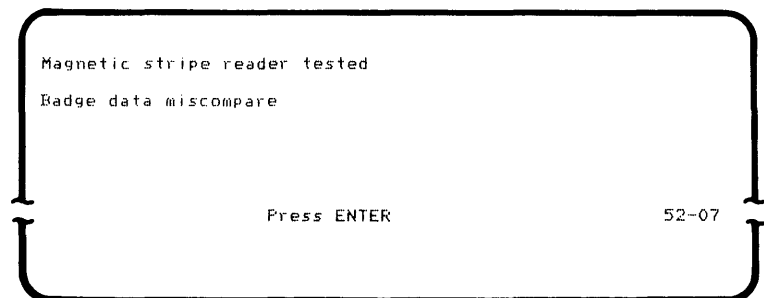
85. If the display in step 84 appears, go to step 86.

If the display in step 84 does not appear, go to step M1.

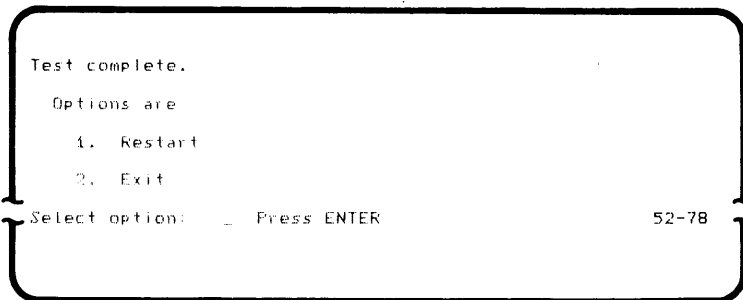
- M1.** If the following display appears, repeat the test by running the test card through the magnetic stripe reader and checking for the display in step 84. If the display in step 84 does not appear, call your service representative.



- M2.** If the following display appears, press the Enter key and repeat the test by running the test card through the magnetic stripe reader and checking for the display in step 84. If the display in step 84 does not appear, call your service representative.



86. Press the Enter key and observe this display.



87. Press the number 2, then press the Enter key.

The program load screen will be displayed.

88. Make a check mark in the box below indicating completion of step 81 through step 87 for this magnetic stripe reader.

Magnetic Stripe Reader (Keyboard)	Steps 81-87 Completed
0	<input type="checkbox"/>
1	<input type="checkbox"/>
2	<input type="checkbox"/>
3	<input type="checkbox"/>

You can have a maximum of four magnetic stripe readers on your system.

89. Move to the next higher numbered keyboard/ data station that has a magnetic stripe reader attached and do the following:

- Ensure that the verification diskette is in diskette drive 4000.
- Key TKBD after the words Program name.
- Press the Field+ or Field Exit key.
- Key 4000 after the words Device address.
- Press the Enter key.
- Go to step 81.

When you have completed step 81 through step 89 for each magnetic stripe reader on your system, read the progress check block and continue to the next step.

PROGRESS CHECK

1. You should have keyed a 2 and a Z at each keyboard on your system.
2. You should have keyed the characters ABC...XYZ and 012...789 at each keyboard on your system.
3. You should have moved the verification diskette into and out of every diskette drive, and moved the blank diskette 2D into and out of every diskette 2D drive on your system.
4. If your system has (a) printer(s), you should have observed each printer print a test pattern.
5. If your system has a communications adapter, you should have observed the test completed display for the communications adapter.
6. **If your system has (a) magnetic stripe reader(s), you should have run the magnetic stripe test card through each magnetic stripe reader.**

90. You have completed the system checkout procedure for your IBM 5280 Distributed Data System.

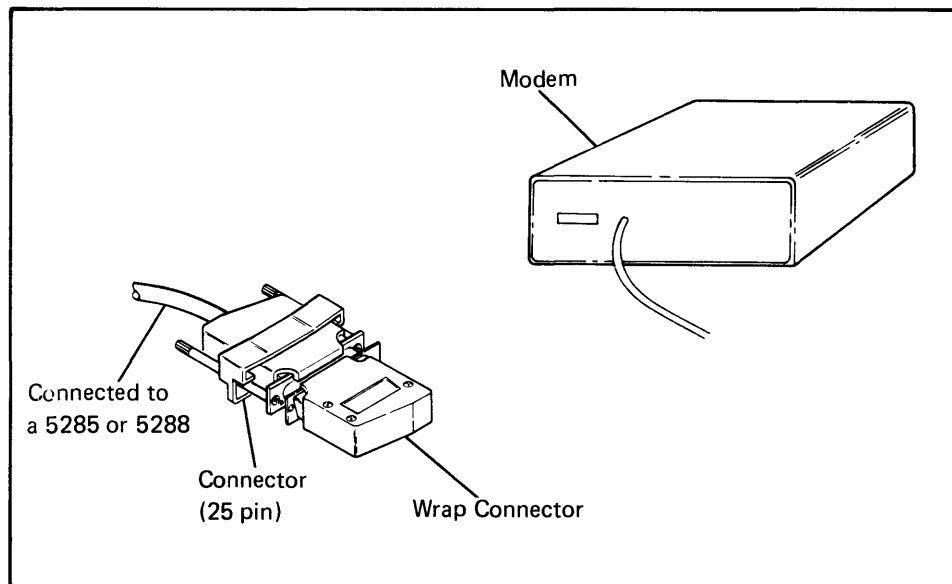
Place the verification diskette and blank diskette 2D (if used) in their protective envelopes and insert them in the holders provided in the IBM binder containing the *IBM 5280 Machine Verification Manual*. Place the magnetic stripe reader test card (if used) in the same holder with the verification diskette. If you have a communications adapter on your system, go to Section 9 of this manual. If you do not plan to use the system for any other programs, set the Power switches of all machines in your system to O (OFF).

Section 9. Communications Line Connection

Before you begin this section, the *Verification Procedure* in Section 8 of this manual should have been completed.

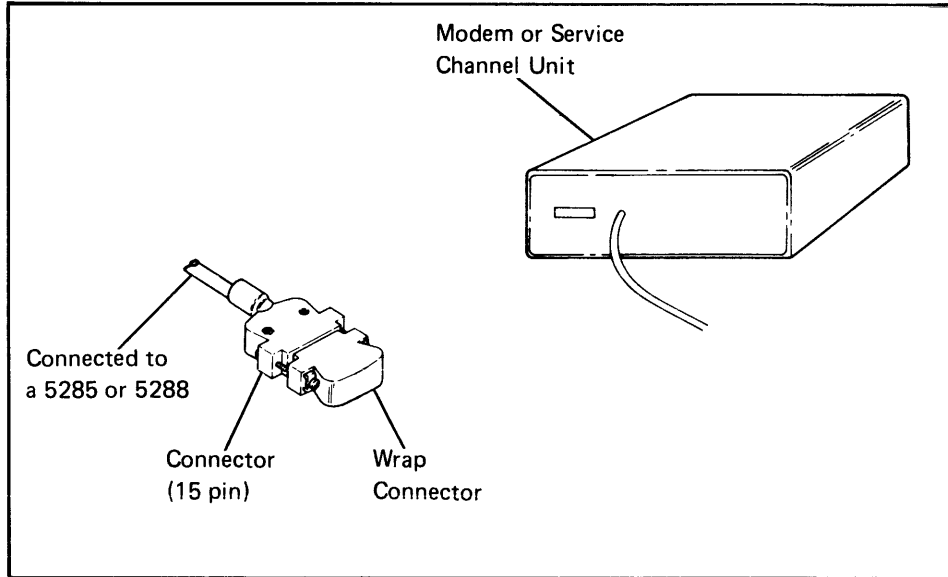
1. **Set the Power switch on the 5288 or 5285 to the O (Off) position.**
2. **Connect the communications cable that extends from the back of the controller (5288 or 5285) as follows:**
 - a. Determine the communications type (first) by looking at the end of the communications cable and (second) by looking at the following illustrations, as illustrated on pages 135 through 138.
 - b. Once you have determined the communications type, go to the appropriate step.

EIA Communications Line



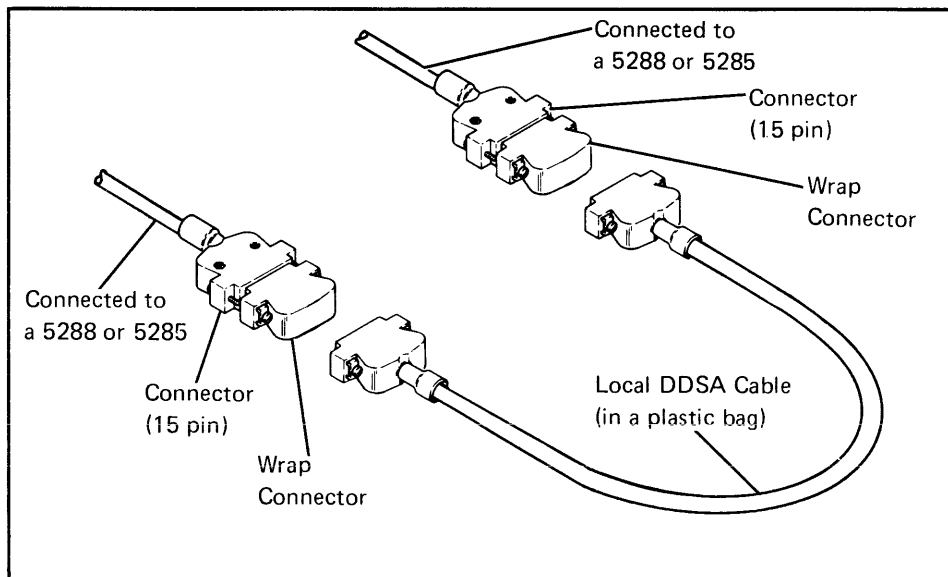
If you have the above communications type, go to step 3.

DDSA Communications line



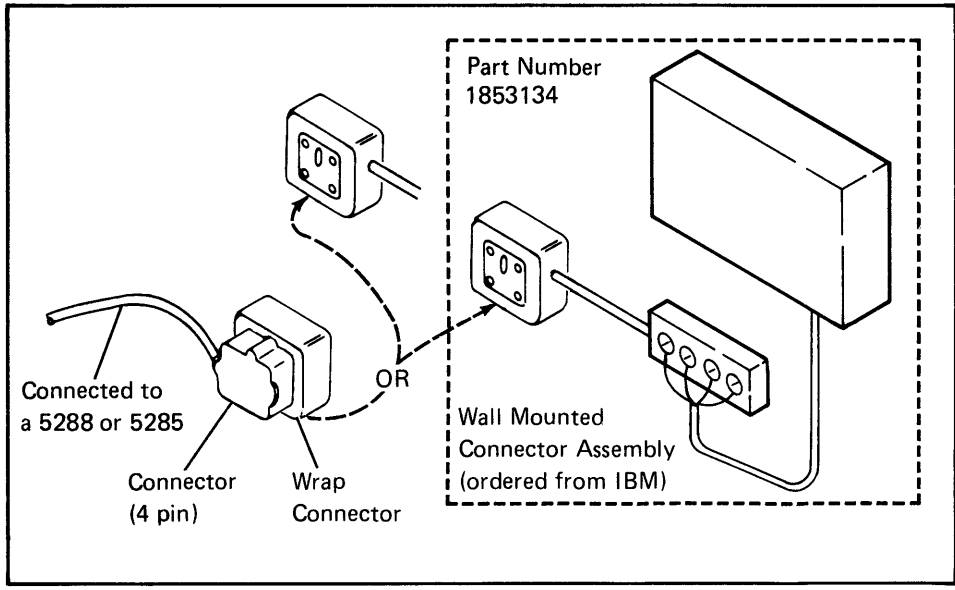
If you have the above communications type, go to step 3.

Local DDSA Communications Line



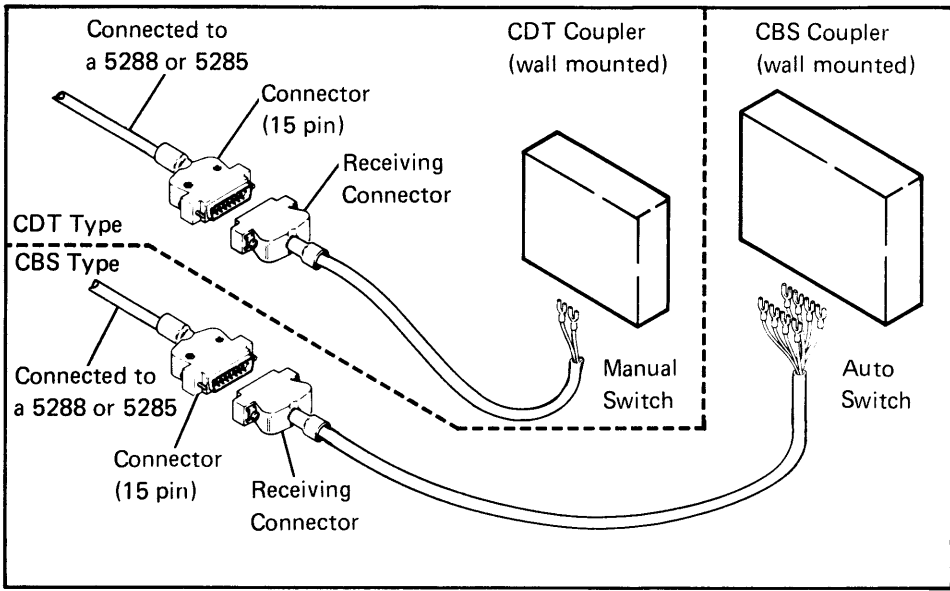
If you have the above communications type, go to step 4.

1200 BPS Integrated Nonswitched (38LS) Communications Line



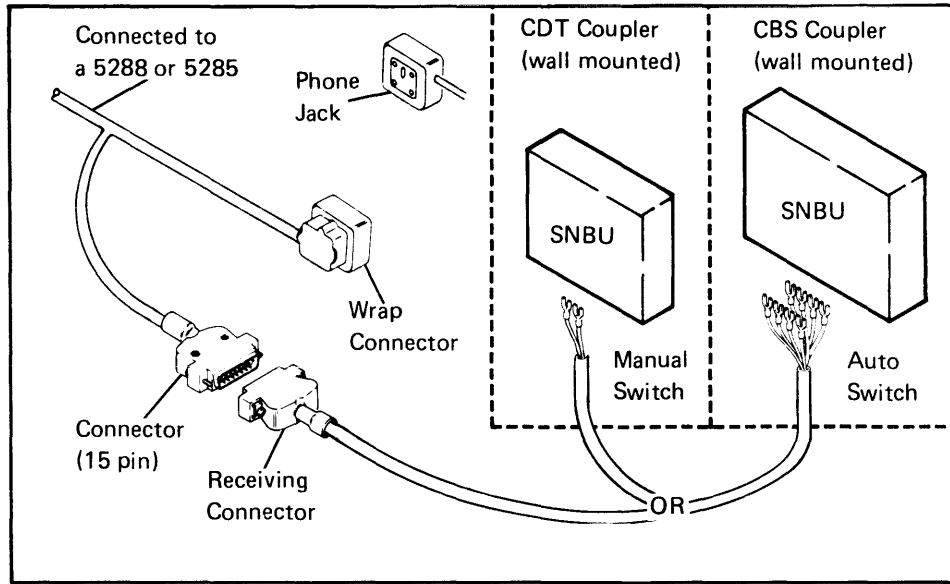
If you have the above communications type, go to step 5.

1200 BPS Integrated Switched Communications Line



If you have the above communications type, go to step 6.

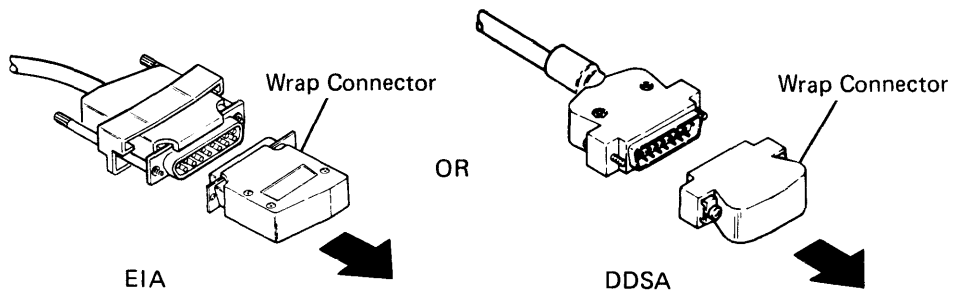
1200 BPS Integrated Nonswitched/Switched Communications line



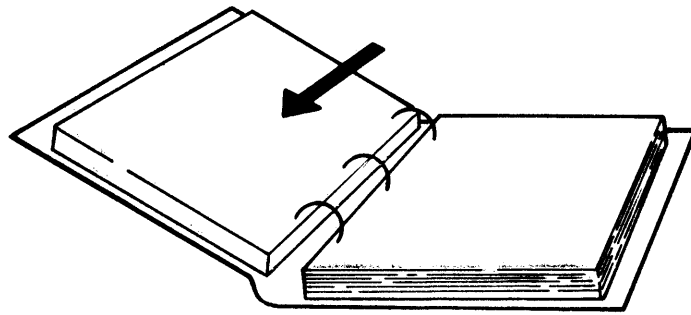
If you have the above communications type, go to step 7.

3. You have the EIA or DDSA communications line. Do the following:

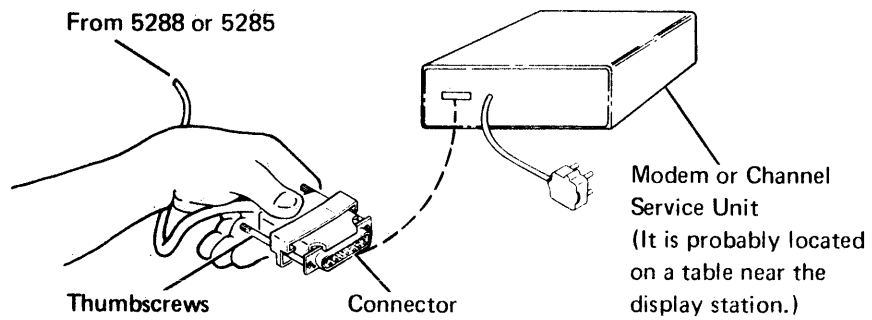
- a. Remove the wrap connector by pulling straight out.



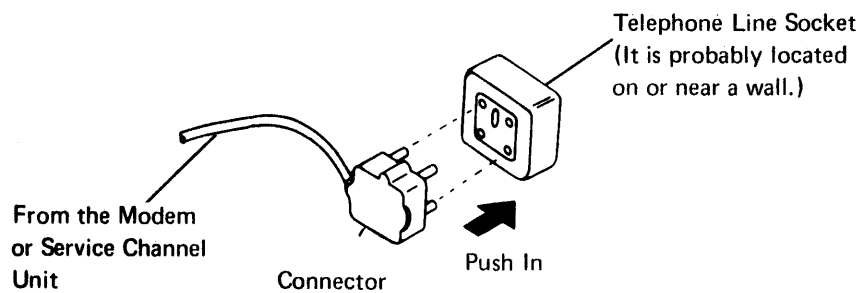
b. Put the wrap connector in the protective recess area of the machine verification binder.



c. Push the EIA or DDSA connector into the socket on the modem or channel service unit and turn the thumbscrews until tight.



d. Push the connector into the telephone line socket.

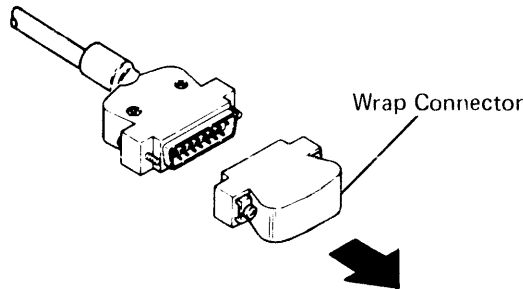


Note: The telephone line socket should have been connected prior to setup. If it has not been contact your supervisor who will notify the person familiar with the local electrical codes and responsible for telephone line connection.

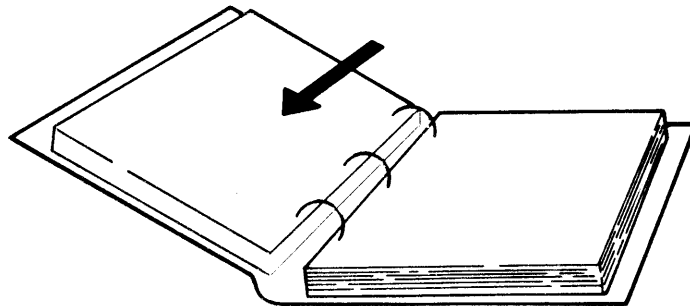
e. Notify your supervisor that you have completed setup.

4. You have the local DDSA communications line. Do the following:

a. Remove the wrap connector by pulling straight out.

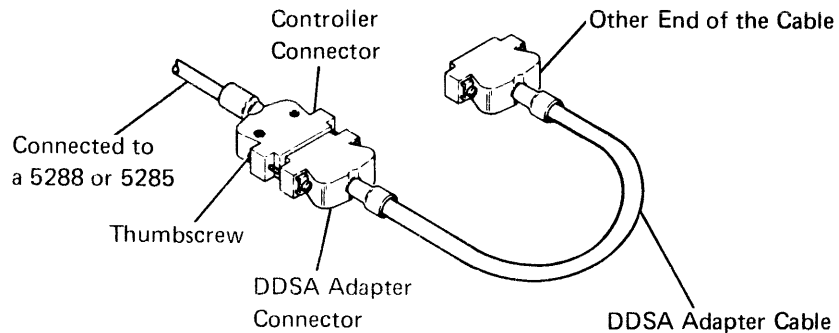


b. Put the wrap connector in the protective recess area of the machine verification binder.



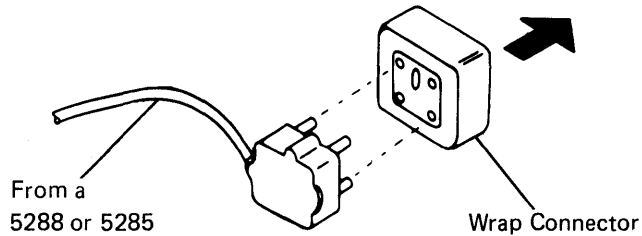
c. Push the controller connector into the DDSA adapter connector and turn the thumbscrews until tight.

The other end of the DDSA adapter cable has been or will be connected using another 5280 customer setup manual.

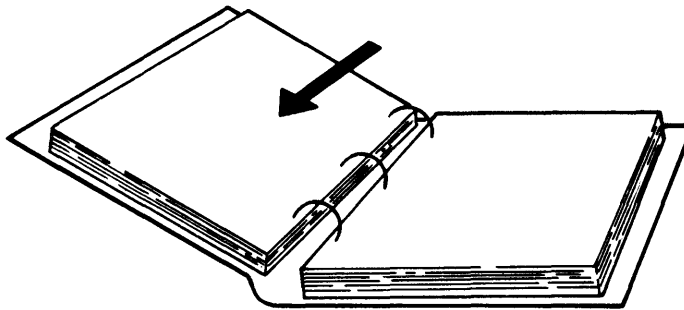


- d. Notify your supervisor that you have completed setup.
5. You have the 1200 BPS integrated nonswitched (38LS) communications line. Do the following:

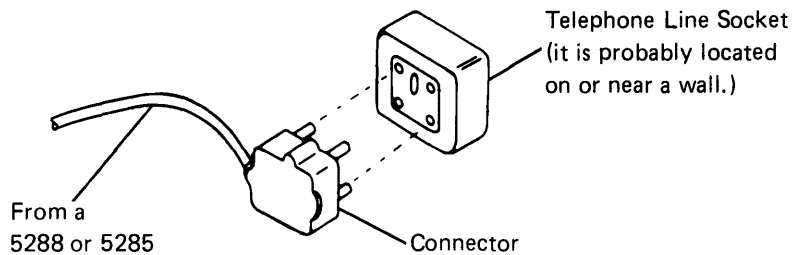
- a. Remove the wrap connector by pulling straight out.



- b. Put the wrap connector in the protective recess area of the machine verification binder.



- c. Push the connector into the telephone line socket.

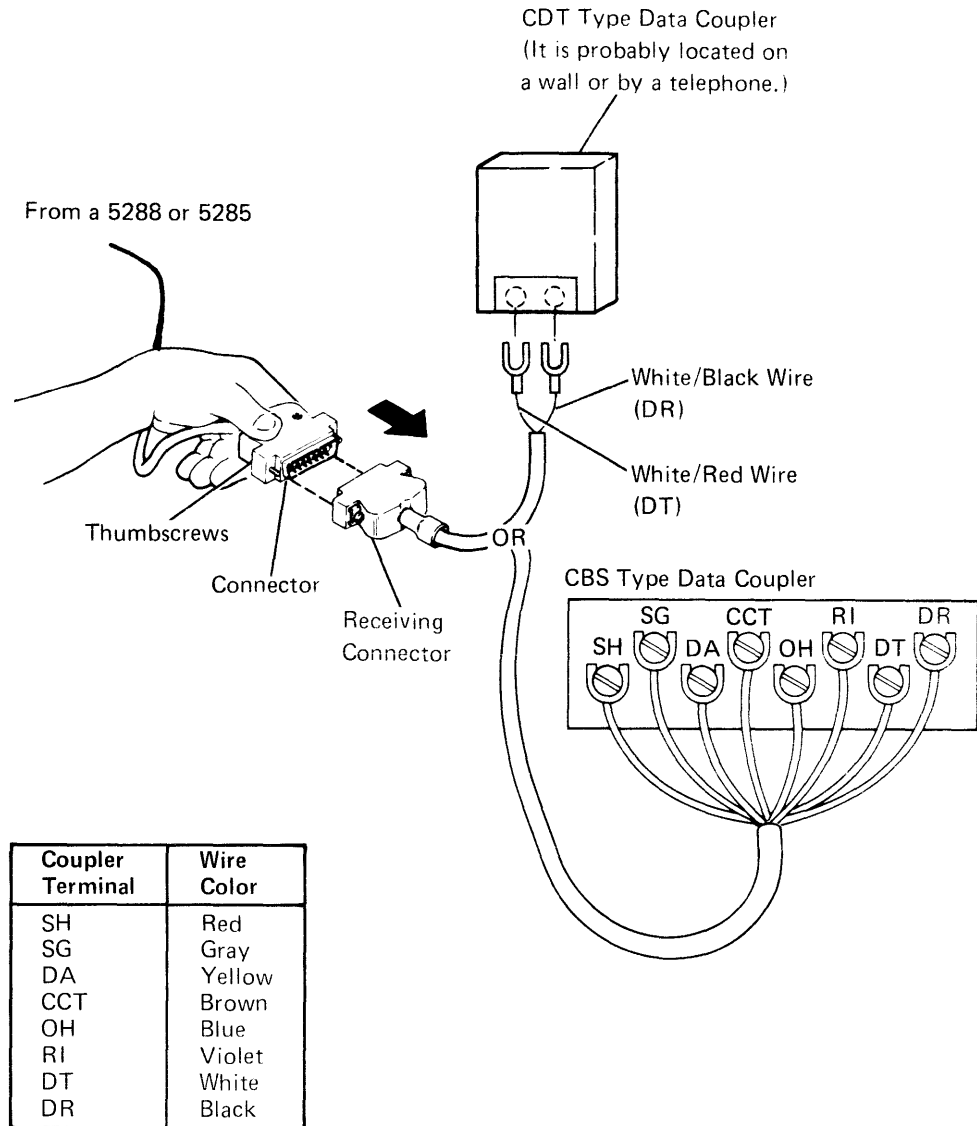


Note: The telephone line socket should have been connected prior to setup. If it has not been, contact your supervisor who will notify the person familiar with the local electrical codes and responsible for telephone line connection.

- d. Notify your supervisor that you have completed setup.

6. You have the 1200 BPS integrated switched CDT or CBS type communications line. Do the following:

- a. Push the connector into the receiving connector and turn the thumbscrews until tight.

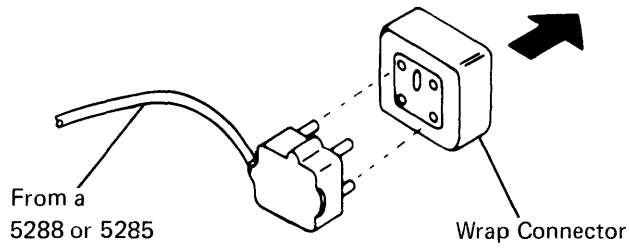


Note: The data coupler (two or eight wires) should have been connected prior to setup. If it has not been, contact your supervisor who will notify the person familiar with the local electrical codes and responsible for telephone line connection.

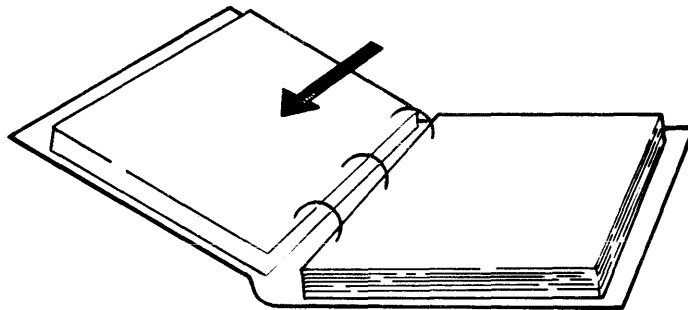
- b. Notify your supervisor that you have completed setup.

7. You have the 1200 BPS integrated nonswitched/switched communications line. Do the following:

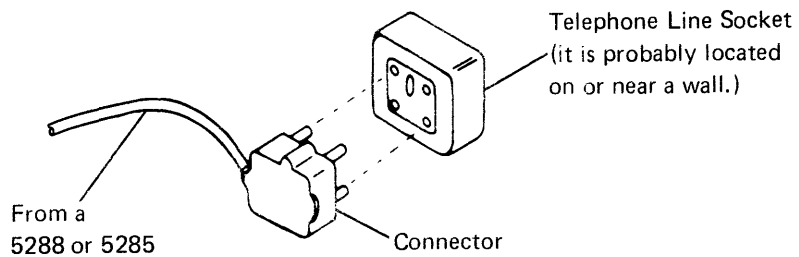
a. Remove the wrap connector by pulling straight out.



b. Put the wrap connector in the protective recess area of the machine verification binder.

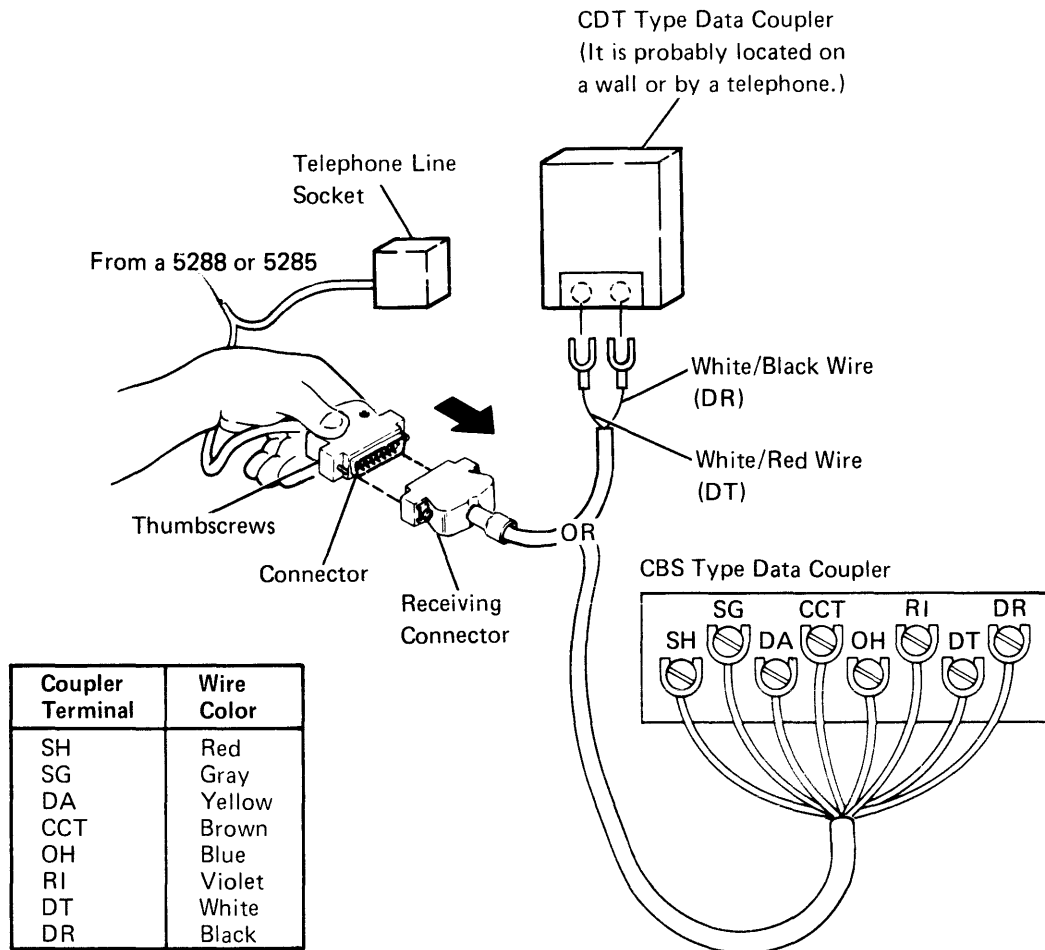


c. Push the connector into the telephone line socket.



Note: The telephone line socket should have been connected prior to setup. If it has not been, contact your supervisor who will notify the person familiar with the local electrical codes and responsible for telephone line connection.

d. Push the connector into the receiving connector and turn the thumbscrews until tight.



Note: The CDT type or CBS data coupler should have been connected prior to setup. If it has not been, contact your supervisor who will notify the person familiar with the local electrical codes and responsible for telephone line connection.

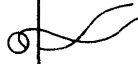
e. Notify your supervisor that you have completed setup.

Section 10. Disconnecting and Relocating Your System

As your installation grows, it may become necessary to disconnect and relocate your system. Many of the planning and site preparation activities planned for the setup of your system should be reviewed in the *IBM Planning and Site Preparation Guide, GA21-9351*. If relocating your system requires packing materials, contact your marketing representative.

Use the following procedure for each device:

1. **Set the Power switch to the Off (O) position.**
2. **Unplug the power cord plug.**
3. **Remove all diskettes and leave the diskette locking lever open.**
4. **If you have the Keylock feature, position the key to the locked position and remove the keys.**
5. **On the 5282 and the 5286, remove the mirrors from each side of the data station and carefully wrap each one; then tape the mirrors to the top of the data station.**
6. **If you have magnetic stripe readers, wrap and tape them to the data station.**
7. **Identify each cable:**
 - a. **Look at the cable to be sure that the label is still attached to it. If not, make a label and include the following information for each cable:**

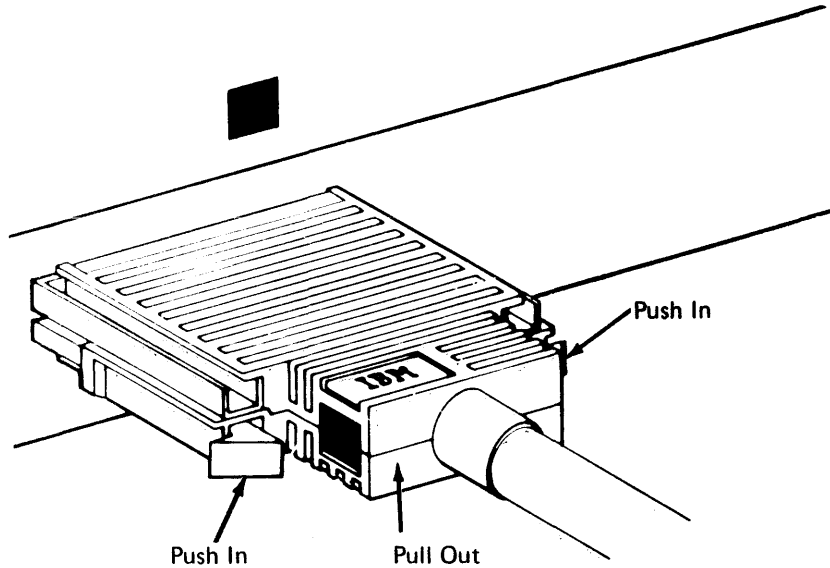
Aux Data Station _____	
Location _____	
Socket or Prog Unit _____	
Device Address _____	

- b. **Coil each cable and wrap with tape.**

Caution: The cables and cable connectors are durable, but can be damaged if stepped on or thrown.

8. Disconnect each cable.

- a. To disconnect the keyboard , data station, communications, and diskette drive cables, push the plastic retainers in while pulling on the cable connector.**



Note: Make sure that each keyboard is properly labeled or relabeled with the correct keyboard number.

- b. To disconnect the printer cable, turn the retaining ring counter clockwise until it's loose; then pull the cable out.**
- c. If you have communications, disconnect the communications line.**

READER'S COMMENT FORM

Please use this form only to identify publication errors or request changes to publications. Technical questions about IBM systems, changes in IBM programming support, requests for additional publications, etc, should be directed to your IBM representative or to the IBM branch office nearest your location.

Error in publication (typographical, illustration, and so on). **No reply.**

Page Number Error

Inaccurate or misleading information in this publication. Please tell us about it by using this postage-paid form. We will correct or clarify the publication, or tell you why a change is not being made, provided you include your name and address.

Page Number Comment

IBM may use and distribute any of the information you supply in any way it believes appropriate without incurring any obligation whatever. You may, of course, continue to use the information you supply.

● No postage necessary if mailed in the U.S.A.

Name _____
Company or
Organization _____
Address _____

Cut Along Line

Fold and tape

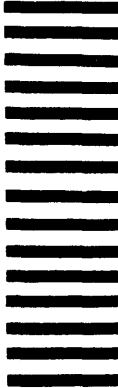
Please do not staple

Fold and tape



NO POSTAGE
NECESSARY IF
MAILED IN THE
UNITED STATES

BUSINESS REPLY MAIL
FIRST CLASS PERMIT NO. 40 ARMONK, N. Y.



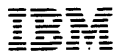
POSTAGE WILL BE PAID BY ADDRESSEE

IBM CORPORATION
Product Information Development
Department 997
11400 Burnet Road
Austin, Texas 78758

Fold and tape

Please do not staple

Fold and tape



International Business Machines Corporation

General Systems Division
4111 Northside Parkway N.W.
P.O. Box 2150
Atlanta, Georgia 30301
(U.S.A. only)

General Business Group/International
44 South Broadway
White Plains, New York 10601
U.S.A.
(International)



International Business Machines Corporation

**General Systems Division
4111 Northside Parkway N.W.
P.O. Box 2150
Atlanta, Georgia 30301
(U.S.A. only)**

**General Business Group/International
44 South Broadway
White Plains, New York 10601
U.S.A.
(International)**

IBM 6270 User & Setup Procedures
File No. 6270-UV
Printed in U.S.A.
GA21-9365-0