

2311 Models 1, 11, and 12
Disk Storage Drive

**2311 Models 1, 11, and 12
Disk Storage Drive**

PREFACE

This Illustrated Parts Catalog (IPC) contains listings and illustrations of all replaceable assemblies, subassemblies and detail parts released to Production Control on or before March 21, 1967 for the 2311 Models 1, 11, and 12 Disk Storage Drive.

Requests for copies of IBM publications should be made to your IBM representative or to the IBM branch office serving your locality.

This manual has been prepared by the IBM Systems Development Division, Product Publications, Dept. B97 - Parts Catalog Center, P.O. Box 390, Poughkeepsie, New York 12602

A form is provided at the back of this publication for reader's comments. If the form has been removed, comments may be sent to the above address.

GLOSSARY	I
HOW TO USE	II - III
VISUAL INDEX	IV through IX
GROUP ASSEMBLY PARTS LIST	1 through 63
NUMERICAL INDEX	1 through 8

GLOSSARY

AR

As Required (AR) in the units per assembly column denotes that the quantity is used as required.

*ASTERISK

An asterisk in the left margin of the list indicates a part changed in the latest revision of the catalog.

INDENTURE

The relationship of a part to its next higher assembly is indicated by indenture. For example:

1	2	3	4
Unit			
.	Assemblies and Detail Parts of Unit		
.	Subassemblies		
.	Detail Parts for Subassemblies, etc.		

II LOZENGE

The lozenge in the description column indicates parts not recommended for field replacement.

NP

The entry NP in the Units Per Asm column denotes the part is non-procurable and that the next higher assembly should be ordered.

NO NO.

When this indication appears in the part number column, it denotes a group of parts for which no part number has been assigned.

REF

This entry in the units per assembly column denotes an assembly which is completely assembled on a preceding illustration. Quantities for such items are found in its next higher assembly.

SIMILAR ASSEMBLIES

If two assemblies contain a majority of identical parts, they are broken down on the same list. Common parts are shown by one index number. Parts peculiar to one or the other of the assemblies are listed separately and identified by Usable On Code.

USABLE ON CODE

Part application and interchangeability is indicated by the usable on code. If this column is blank, the parts pertain to all equipment(s) covered. Two types of codes are used. The alphabetic code denotes similar assemblies and/or features; the numeric code denotes level. Refer to the beginning of each list for the explanation of the code(s).

VISUAL INDEX

This index is a pictorial index to catalog figures. The visual index directs the user to the proper figure, assisting him in locating the part number.

HOW TO USE AN IPC

IPC ORGANIZATION

To find parts quickly, you should understand the structure of a parts catalog. First, the complete machine is drawn with major assemblies and sub-assemblies in place (Visual Index Section). Then the machine is "disassembled" into drawings of assemblies and subassemblies (Group Assembly Parts List "GAPL" Section). Thus, the sequence of figures in the catalog is the reverse of the manufacturing assembly sequence. This means that parts are not grouped according to machine functions.

One result of structuring a catalog in this manner is that some parts -- filters, brackets, belts, spring clips -- may not be where you would "logically" expect to find them in a catalog. Because of the assembly sequence, you may find these kinds of parts on a higher-level assembly. This is an important point and is why every GAPL List is cross-referenced to any higher-level or lower-level figures.

Some detailed parts are unavailable, either because they are part of an inseparable assembly (two parts welded together), or because they are part of an assembly purchased as a unit. In either case, you will need to obtain the assembly rather than the detailed part. Here again, you need to locate the part number of the next higher assembly.

Catalog Sections

A parts catalog has three sections:

1. Visual Index -- At front of catalog; shows major assemblies
2. GAPL -- A pictorial breakdown of assemblies and subassemblies
3. Numerical Index -- At back of catalog; lists all part numbers numerically

Visual Index

The Visual Index is the starting point for locating a part. Illustrations in the visual index show overall views of the machine and its major assemblies. Callouts on the illustrations lead you to detailed figures in the GAPL Section.

Group Assembly Parts List (GAPL)

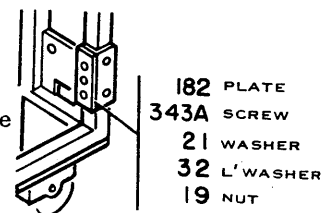
The GAPL Section consists of related Figures and Lists. The GAPL Figures break down the assemblies and subassemblies into detailed parts. The GAPL Lists describe the parts and give part numbers. Each Figure in the GAPL Section is referenced from the Visual Index Section. The relation of assemblies to subassemblies is indicated by indentation.

Numerical Index

The Numerical Index at the back of the catalog lists all parts in numeric order. Each part number is cross-referenced to related Lists and Figures in the GAPL Section. The Numerical Index permits you to locate and identify a part when only the part number is known.

Stacked Index Numbers

Index numbers are stacked only to indicate a part and its attaching hardware. The sequence of a typical stack is shown at right.



HOW TO FIND A PART

Steps 1 through 8 in the flow chart take you through the route for finding most parts. Because some parts may not be on the first GAPL Figure, you may be required to go to a lower-level or higher-level GAPL Figure to find a part.

Lower-Level Assembly

If the first GAPL Figure shows an assembly containing the required part, a figure reference in the GAPL List will indicate the proper, lower-level GAPL Figure. You should find your part in the breakdown of the assembly.

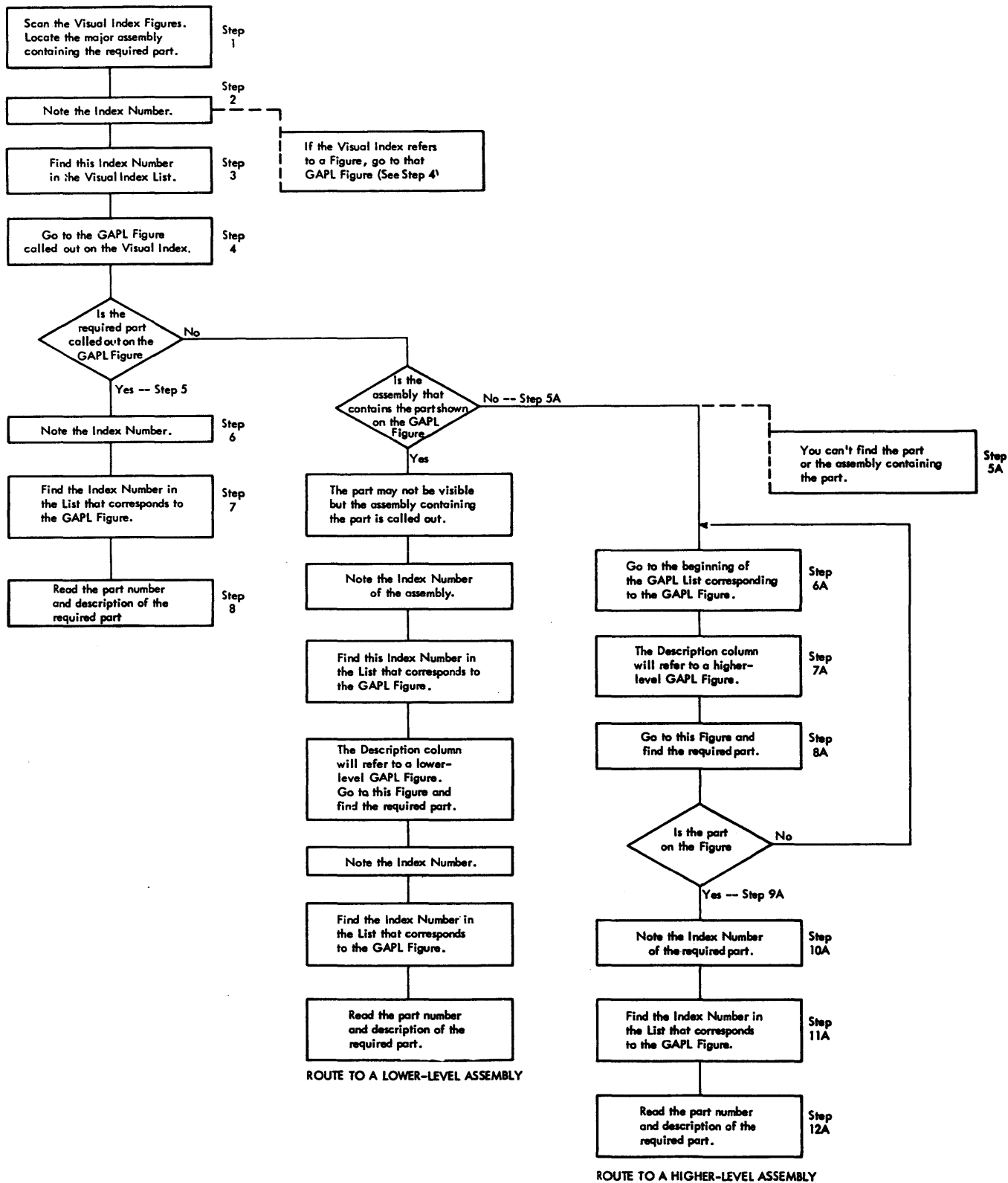
Higher-Level Assembly

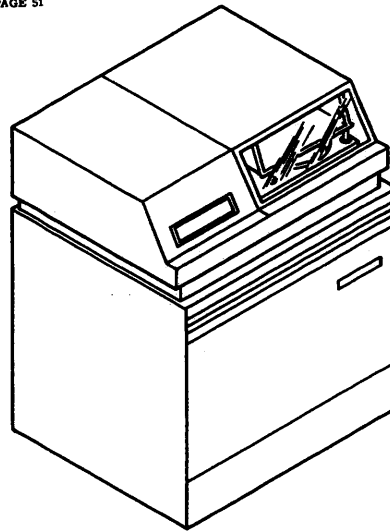
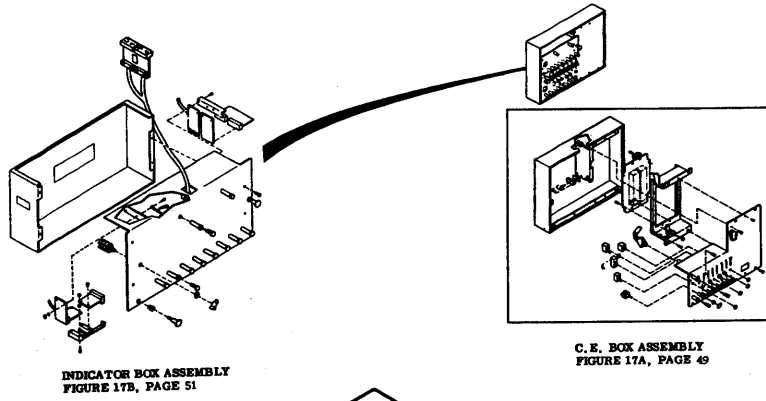
The most puzzling instance is when neither the part you are looking for, nor its assembly, is found on the first GAPL Figure. Steps 5A through 12A in the flow chart show the method. Note the loop after Step 8A of the flow chart provides for more than one level of "backing up" to find a part. If you do not find your part, go to the next higher-level, as indicated in Step 7A.

New Catalogs

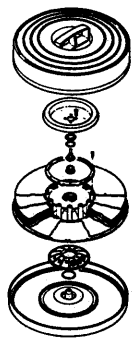
Catalogs issued after 1966 will contain improved methods of cross-referencing. New Visual Indexes will reference detailed figures directly, rather than through a list. Also, references to higher- or lower-level assemblies will be direct from figure to figure.

HOW TO FIND A PART

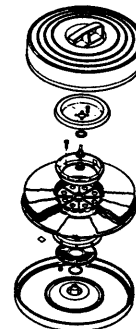




FINAL ASSEMBLY PARTS
SEE VISUAL II

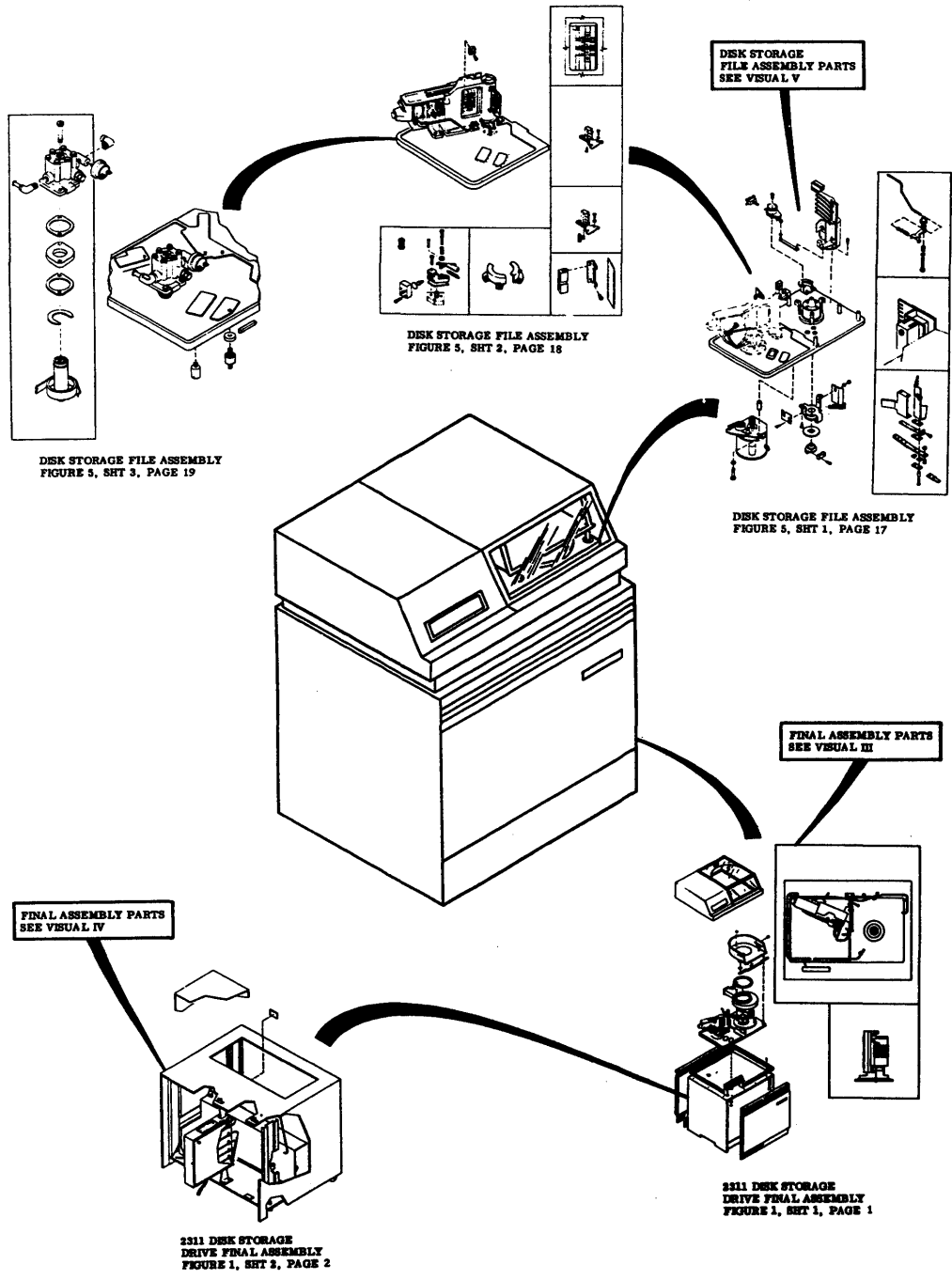


DISK PACK ASSEMBLY
FIGURE 18A, PAGE 57

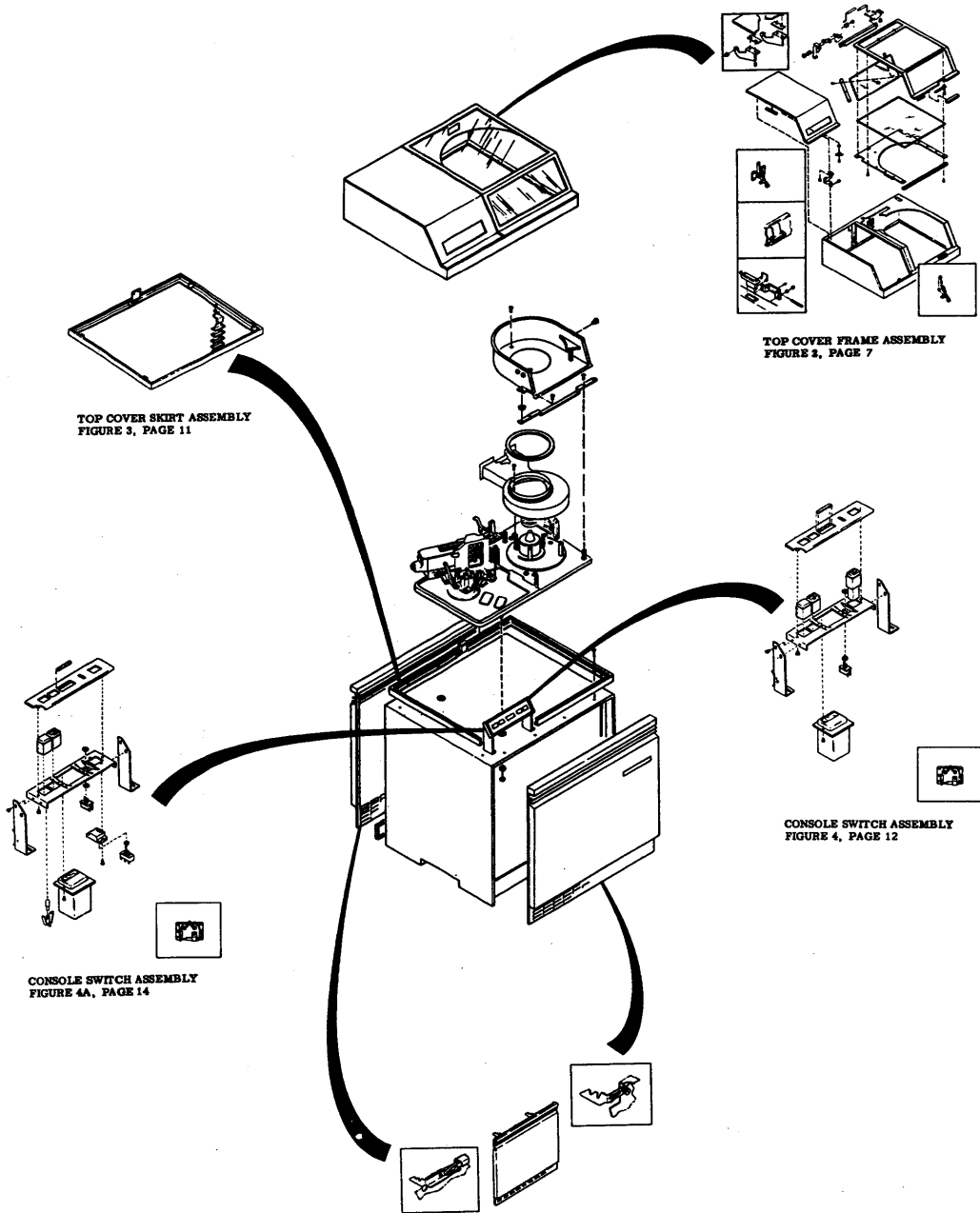


DISK PACK ASSEMBLY
FIGURE 18, PAGE 55

VISUAL I



VISUAL II



TOP COVER SKIRT ASSEMBLY
FIGURE 3, PAGE 11

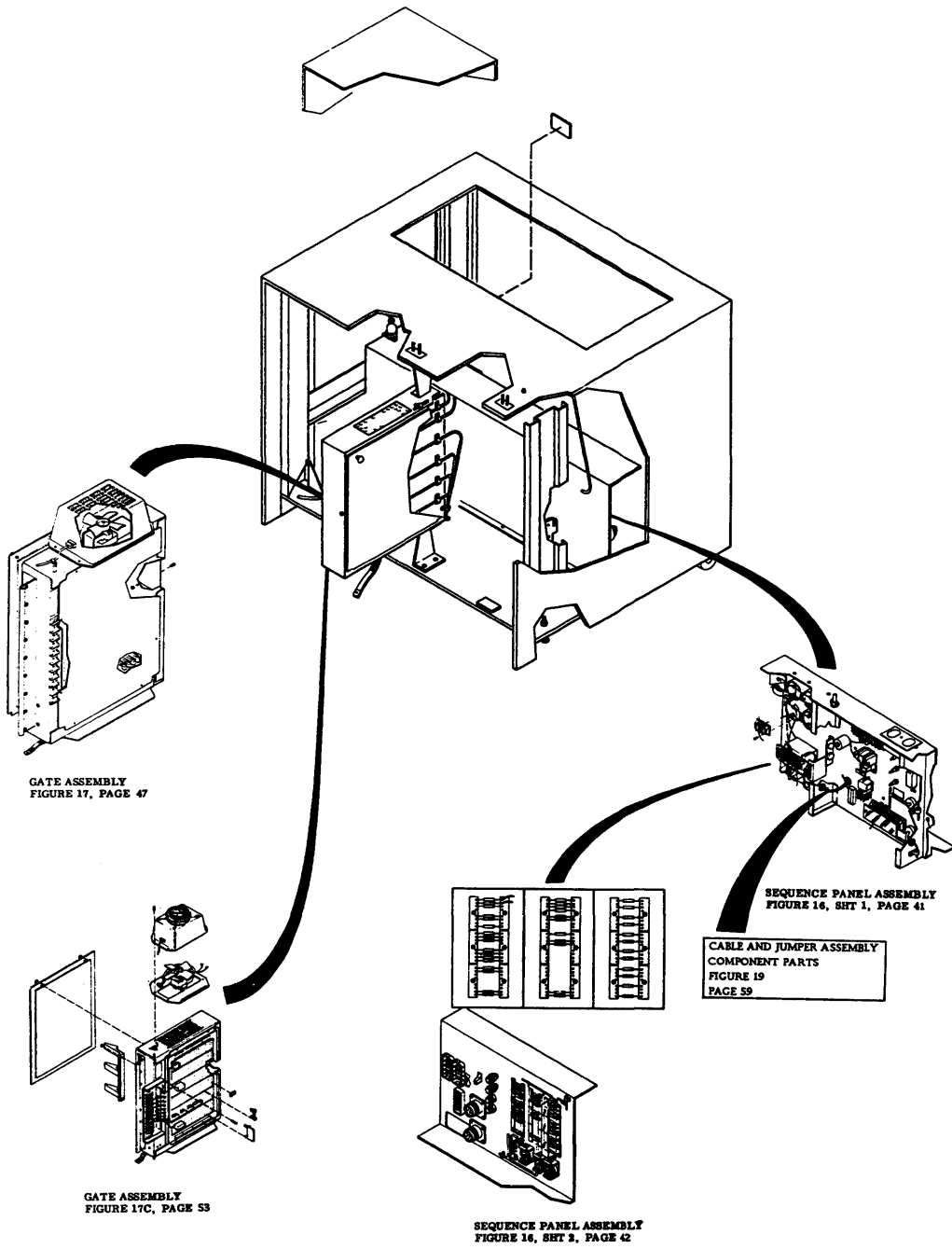
TOP COVER FRAME ASSEMBLY
FIGURE 2, PAGE 7

CONSOLE SWITCH ASSEMBLY
FIGURE 4A, PAGE 14

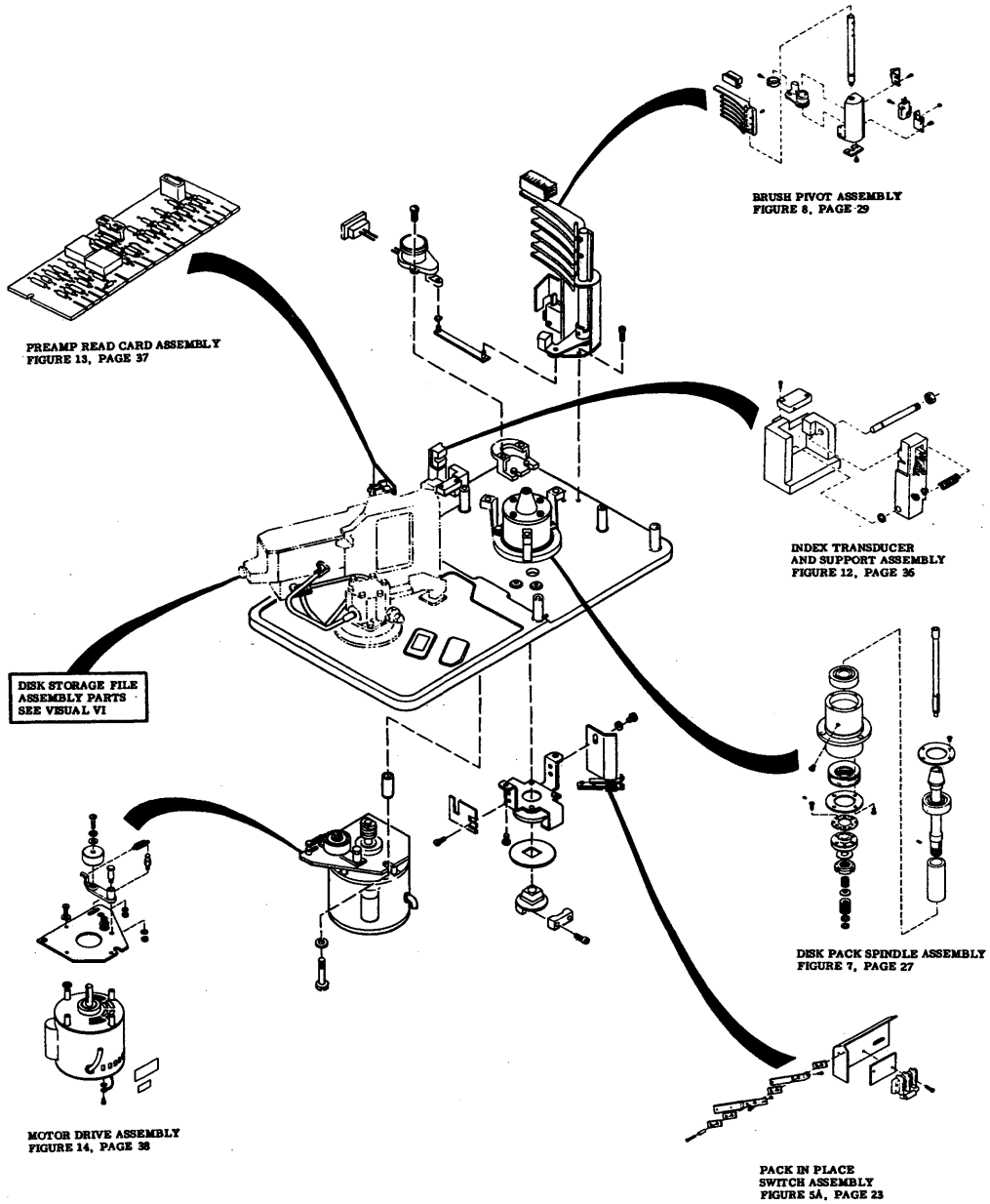
CONSOLE SWITCH ASSEMBLY
FIGURE 4, PAGE 12

FRONT AND
REAR COVER ASSEMBLIES
FIGURE 2A, PAGE 10

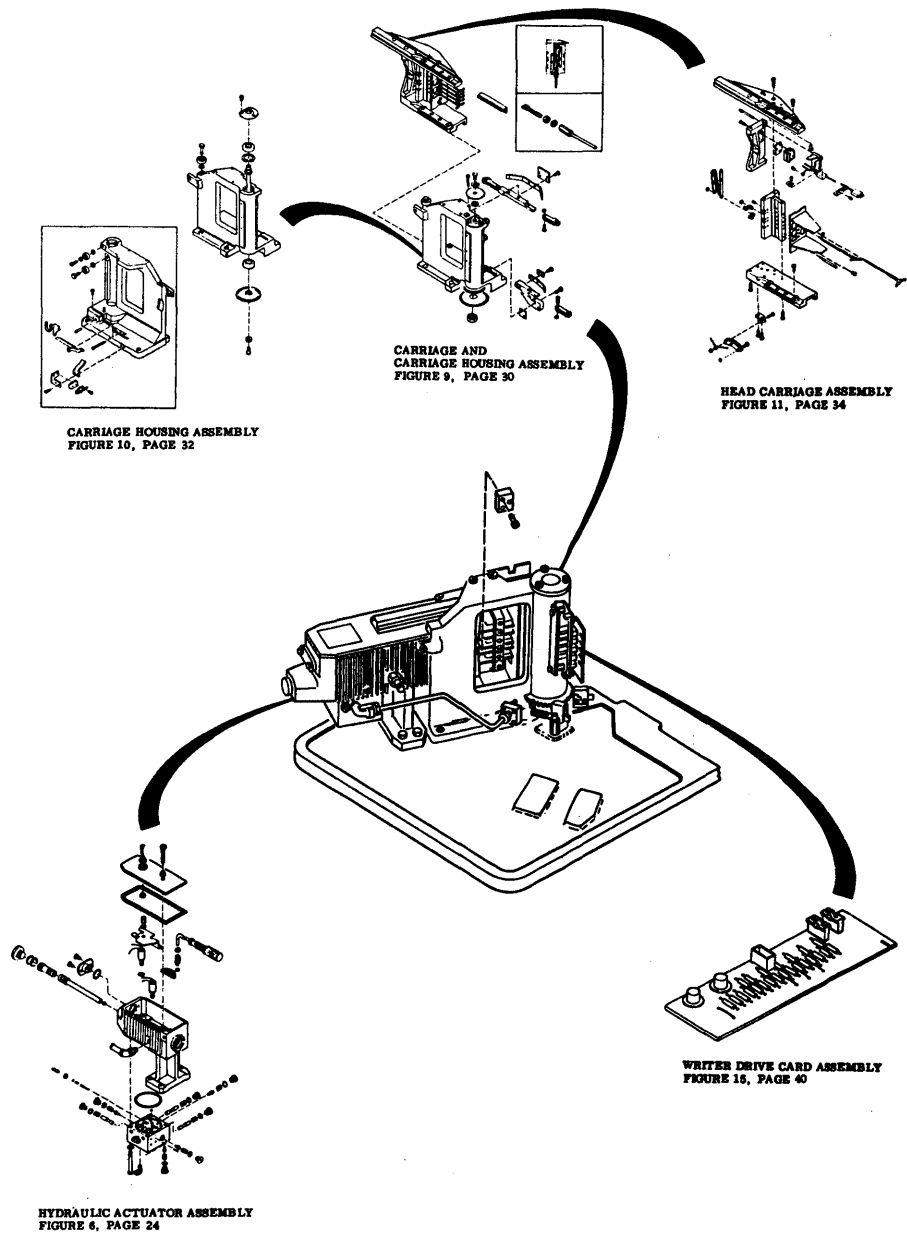
VISUAL III



VISUAL IV



VISUAL V



VISUAL VI

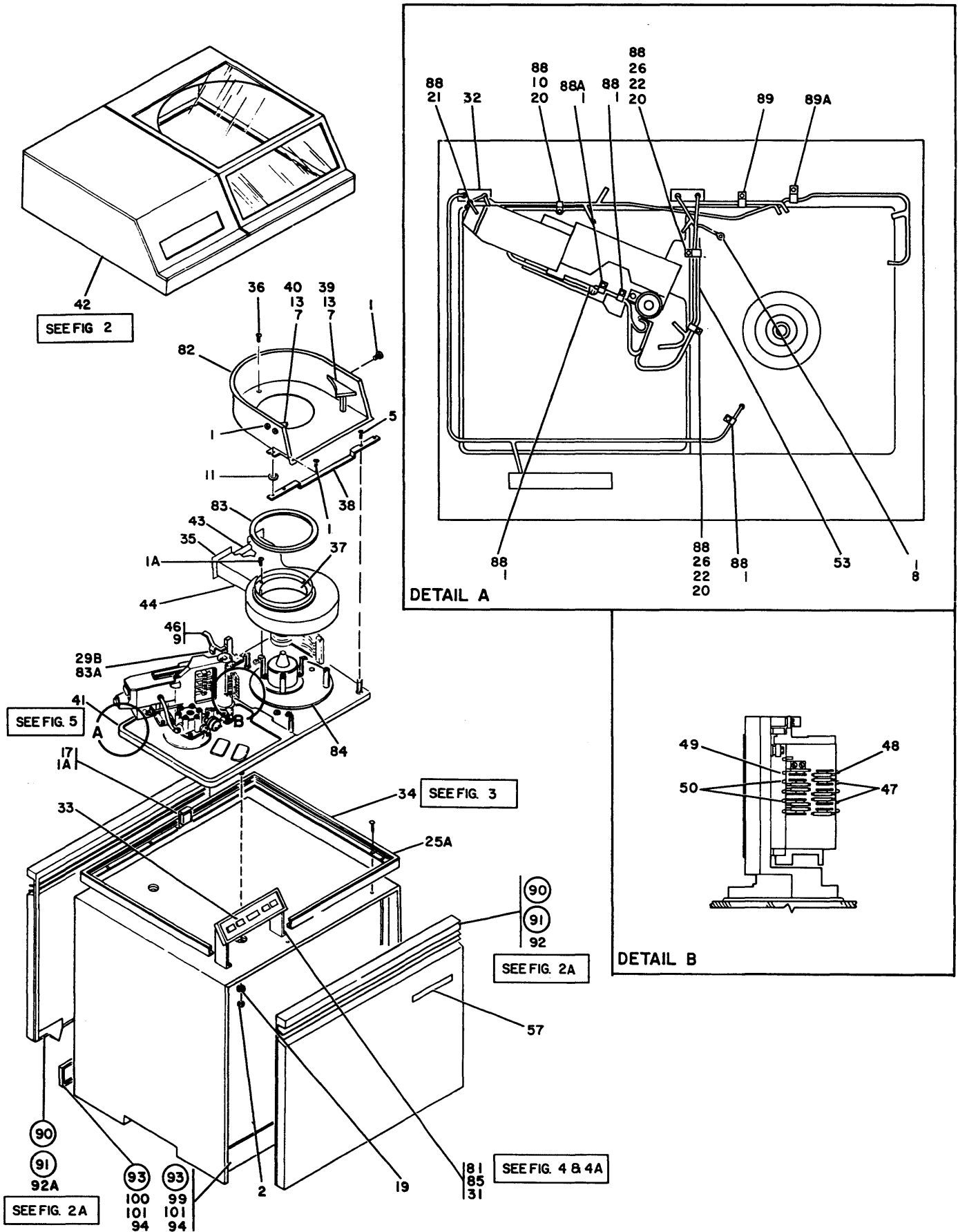


FIGURE 1. 2311 DISK STORAGE DRIVE FINAL ASSEMBLY. SHEET 1 OF 2. SEE LIST 1.

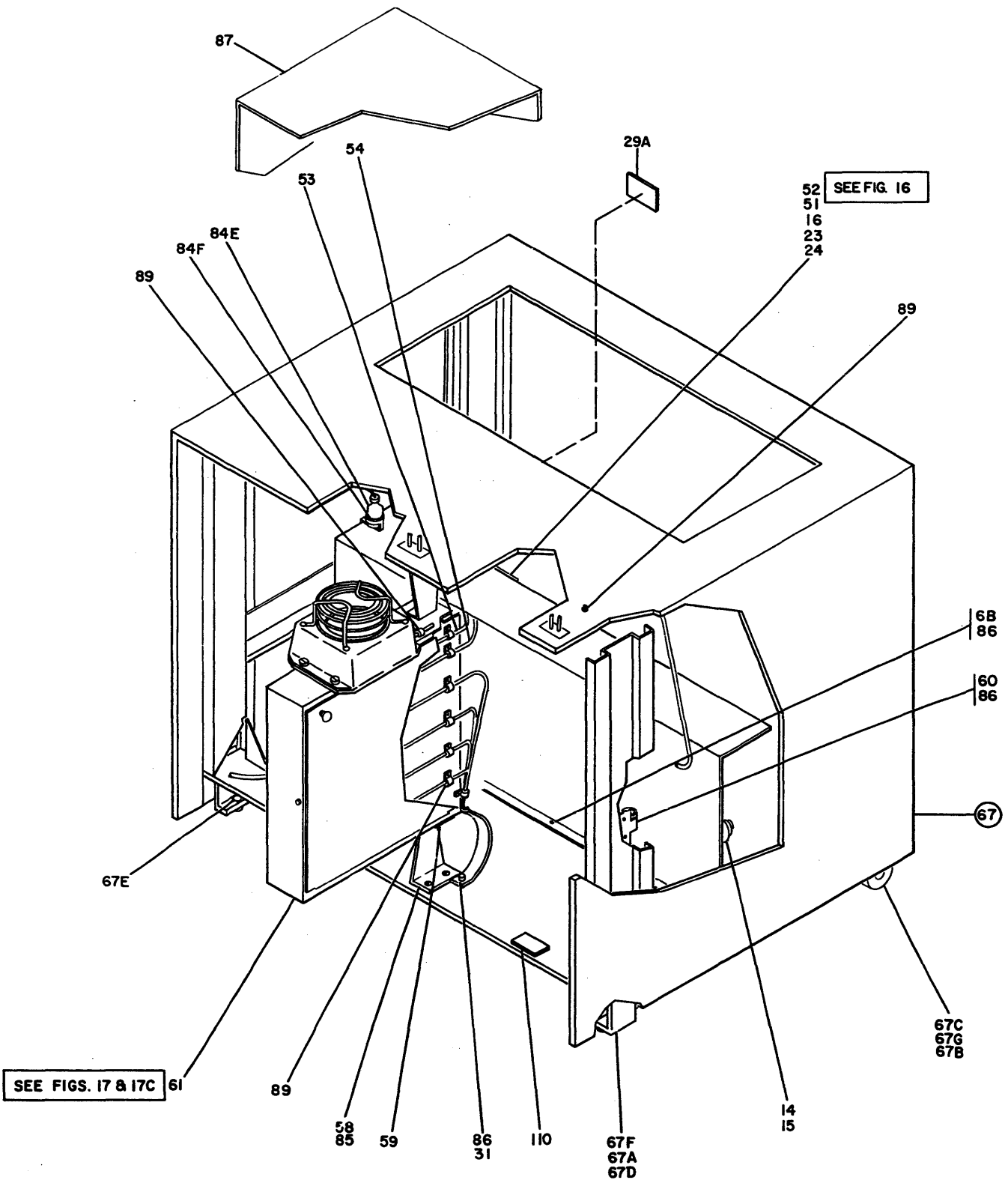


FIGURE 1. 2311 DISK STORAGE DRIVE FINAL ASSEMBLY. SHEET 2 OF 2. SEE LIST 1.

LIST AND INDEX NO.	PART NO.	DESCRIPTION	UNITS PER ASM.	USABLE ON CODE
		1 2 3 4		
		2311 DISK STORAGE DRIVE FINAL ASSEMBLY		
* 1 -		- CODE A USED ON 60 CYCLE MACHINES CODE B USED ON 50 CYCLE MACHINES CODE C USED ON BLUE COVER DOMESTIC MACH. CODE D USED ON RED COVER DOMESTIC MACH. CODE E USED ON YELLOW COVER DOMESTIC CODE F USED ON GREY COVER DOMESTIC MACH. CODE G USED ON BLUE COVER WTC MACHINES CODE H USED ON RED COVER WTC MACHINES CODE J USED ON YELLOW COVER WTC MACHINES CODE K USED ON GRAY COVER WTC MACHINES CODE L USED ON 360 IBM INSTALLATIONS CODE M USED ON 360 NON-IBM INSTALLATIONS CODE 1 USED ON ASM PRIOR TO L5 SUFFIX CODE 2 USED ON ASM FROM L5 TO CURRENT CODE 3 USED ON ASM PRIOR TO P5 SUFFIX CODE 4 USED ON ASM FROM P5 TO CURRENT CODE 5 USED ON ASM PRIOR TO A6 SUFFIX CODE 6 USED ON ASM FROM A6 TO CURRENT CODE 7 USED ON ASM PRIOR TO D6 SUFFIX CODE 8 USED ON ASM PRIOR TO G6 SUFFIX CODE 9 USED ON ASM FROM G6 TO CURRENT		
-	2180500	FINAL ASSEMBLY, 60 CYCLE SEE FIGURE 1 FOR ILLUSTRATION	REF	A
-	2180850	FINAL ASSEMBLY, 50 CYCLE SEE FIGURE 1 FOR ILLUSTRATION	REF	B
* - 1	10170	. SCREW-MACH,BIND HD NO. 6-32 X .250 LG	10	8
* - 1	10170	. SCREW-MACH,BIND HD NO. 6-32 X .250 LG	6	9
* - 1A	10170	. SCREW-MACH,BIND HD NO. 6-32 X .250 LG	5	5
* - 1A	2181005	. SCREW, SELF TAPPING, 6-32 X .375 LG.	5	6
* - 1B	10170	. SCREW-MACH,BIND HD NO. 6-32 X .250 LG SEE FIGURE 16- 1 FOR ILLUSTRATION	2	
- 2	25793	. NUT,PLAIN,HEX- 5/16-18 X 1/2 FL W	3	
* - 2A	25627	. SCREW,MACH-BIND HD 8-32 X 1/2 LG SEE FIGURE 16- 3A FOR ILLUSTRATION	4	2
* - 2B	34512	. SCREW,BIND.HD 8-32 X .375 LG SEE FIGURE 16- 6A FOR ILLUSTRATION	1	2
- 3	38235	. SCREW,MACH-FIL H 6-32 X 5/16 LG	1	
* - 4	38264	. SCREW,MACH-FIL H 4-40 X 3/8 LG	4	1
* - 4	2181207	. SCREW,THD FORMING-FIL H 6-32 X 1/4 LG SEE FIGURE 16- 4A FOR ILLUSTRATION	8	2
* - 4A	38354	. SCREW,MACH-FIL H 6-32 X 1/2 LG SEE FIGURE 16- 8A FOR ILLUSTRATION	4	
- 5	38443	. SCREW, FLAT HEAD, 6-32 X 5/16 LG	2	
- 6	55726	. SCREW, MACH-BIND HD NO. 6-32 X 3/16 LG SEE FIGURE 16- 11 FOR ILLUSTRATION	2	
* - 6A	55901	. LOCKWASHER, EXTERNAL TOOTH SEE FIGURE 16- 12B FOR ILLUSTRATION	5	2
* - 6B	56079	. WASHER,LOCK-EXT T .195 ID .410 OD	1	2
* - 7	56722	. WASHER,LOCK-EXT T .141 ID	2	8
* - 8	62031	. WASHER,LOCK-INT TEETH NO. 6 X 0.295 OD	2	
* - 9	80651	. SCREW,SELF-TAPPING BIND HD 3/8 LG	2	
* - 10	81693	. SCREW, MACH-BIND HD NO 6-32 X 3/8 LG	1	
* - 11	111229	. WASHER INDEX 12 DELETED	2	8
* - 13	186927	. SCREW,CAP,SOC HD- 6-32 X 1/4 LG	2	8
* - 14	187491	. SHIELD,10 POSITION 15AMP	1	A
* - 14	187491	. SHIELD,10 POSITION 15AMP	1	7B
* - 15	210984	. SCREW, RD HD MACH-6-32 X .250 LG	1	A
* - 15	210984	. SCREW, RD HD MACH-6-32 X .250 LG	1	7B

LIST AND INDEX NO.	PART NO.	DESCRIPTION	UNITS				USABLE ON CODE
			1	2	3	4	
2311 DISK STORAGE DRIVE FINAL ASSEMBLY -CONT							
* 1 - 16	221790-	. SCREW, MACH-BIND HD 8-32 X 3/16 LG				4	1
* - 16	2181004	. SCREW, THREAD FORMING-HEX WASHER HD				4	2
* - 17	231658-	. SWITCH, INTERLOCK				1	
* - 18	257958-	. SETSCREW, HEADLESS				5	
		SEE FIGURE 8- 2A FOR ILLUSTRATION					
* - 19	257983-	. WASHER, LOCK SPLIT 0.591 OD X 0.078 THK				3	
* - 20	257986-	. WASHER, FL- NO. 6 X 0.312 OD				6	
* - 21	322550-	. SCREW, MACH-BIND HD NO. 6-32 X 1/2 LG				4	
* - 22	322552-	. SCREW, MACH-BIND HD NO. 6-32 X 7/8 LG				2	
* - 22A	359044	. TUBING				AR	
		SEE FIGURE 5- 23A FOR ILLUSTRATION					
* - 23	362915	. LABEL, IBM, BLACK LETTERS ON WHITE				1	
		SEE FIGURE 16- 56A FOR ILLUSTRATION					
* - 24	369207	. LABEL, VOLTAGE				1	
* - 25	372688-	. CARD ASSEMBLY				1	
		SEE FIGURE 16- 58 FOR ILLUSTRATION					
* - 25A	601093	. SCREW, MACH-BIND HD 8-32 X 3/8 LG				6	
* - 26	601365	. SPACER, 1/2 LG X 1/4 OD X 0.152 ID				2	
* - 26A	734879-	. SWITCH, TOGGLE, DPDT, NOT ILLUSTRATED				1	3B
* - 27	740490	. DECAL				1	
		SEE FIGURE 4- 25 AND 4A- 24 FOR ILLUSTRATION					
* - 28	740493	. BRACKET, CARD MOUNTING				1	
		SEE FIGURE 16- 83 FOR ILLUSTRATION					
* - 29	740550	. JUMPER ASSEMBLY, 2-1/2 INCH				2	
		SEE FIGURE 16- 84 FOR ILLUSTRATION					
* - 29A	845762	. DECAL-VOLTAGE				1	9
* - 29B	1073418-	. RING-RETAINING				1	
* - 30	2125765	. LOCKWASHER, DISHED				2	
		SEE FIGURE 16- 99E FOR ILLUSTRATION					
* - 31	2125974	. WASHER, INT TOOTH, .200 ID X .562 OD				3	
* - 32	2154009	. GROMMET, RUBBER				2	
* - 33	2154534	. BUTTON, NUMBER 0				AR	1
* - 33	2154540	. BUTTON, NUMBER 1				AR	1
* - 33	2154541	. BUTTON, NUMBER 2				AR	1
* - 33	2154542	. BUTTON, NUMBER 3				AR	1
* - 33	2154542	. BUTTON, NUMBER 3				AR	1
* - 33	2162847	. BUTTON, NUMBER 6				AR	1
* - 33	2162848	. BUTTON, NUMBER 8				AR	1
* - 33	2180781	. BUTTON, NUMBER 5				AR	1
* - 33	2180782	. BUTTON, NUMBER 7				AR	1
		SEE FIGURE 4- 26 FOR ILLUSTRATION					
* - 34	2157620	. SKIRT ASSEMBLY, TOP COVER				1	
		SEE LIST 3 FOR DETAIL BREAKDOWN					
* - 35	2157649	. GASKET, SKIRT ASSEMBLY				AR	3
* - 35	2157643	. SEAL, TOP COVER				AR	4
* - 36	2157666	. SCREW, MACHINE-BIND HD, 6-32 X 0.437 LG				1	
* - 37	2160715	. FILTER, AIR				1	
* - 38	2160719	. BRACKET, SHROUD MOUNT				1	8
* - 38	2181291	. BRACKET, SHROUD MOUNT				1	9
* - 39	2162564	. GUIDE, DISK PACK RH				1	8
* - 40	2162565	. GUIDE, DISK PACK LH				1	8
* - 41	2180400	. FILE ASSEMBLY, 60 CYCLE				1	A
		SEE LIST 5 FOR DETAIL BREAKDOWN					
* - 41	2180860	. FILE ASSEMBLY, 50 CYCLE				1	B
		SEE LIST 5 FOR DETAIL BREAKDOWN					
* - 42	2180470	. FRAME ASSEMBLY, TOP COVER				1	
		SEE LIST 2 FOR DETAIL BREAKDOWN					
* - 43	2180475	. HOUSING, FILTER				1	
* - 44	2180476	. AIR DUCT				1	
* - 45	2180499	. BRUSH ASSEMBLY, DISK PACK				5	
		SEE FIGURE 8- 17 FOR ILLUSTRATION					
* - 46	2180519	. PADDLE, INDEX TRANSDUCER				1	3
* - 46	2181039	. PADDLE, INDEX TRANSDUCER				1	4
* - 47	2180560-	. HEAD ASSEMBLY, A-UP				2	

LIST AND INDEX NO.	PART NO.	DESCRIPTION				UNITS PER ASM.	USABLE ON CODE
		1	2	3	4		
2311 DISK STORAGE DRIVE FINAL ASSEMBLY -CONT							
1 - 48	2180561	. HEAD ASSEMBLY, A-DOWN				3	
- 49	2180562	. HEAD ASSEMBLY, B-UP				3	
- 50	2180563	. HEAD ASSEMBLY, B-DOWN				2	
- 51	2180679	. COVER, SEQUENCE PANEL				1	
- 52	2180680	. PANEL ASSEMBLY, SEQUENCE, 60 CYCLE SEE LIST 16 FOR DETAIL BREAKDOWN				1	A
- 52	2180852	. PANEL ASSEMBLY, SEQUENCE, 50 CYCLE SEE LIST 16 FOR DETAIL BREAKDOWN				1	B
- 53	2180687	. CABLE ASSEMBLY, HEAD CARDS TO GATE SEE LIST 19-3, 3A, 12, 13D, 14, 21D, 36, 36A, 55 AND 62, FOR COMPONENT PARTS				1	
- 54	2180690	. CABLE ASSEMBLY, GATE TO TRANSDUCER SEE LIST 19-13B, 20, 53, 55, 59, 60, 61, AND 62, FOR COMPONENT PARTS				1	
- 55	2180691	. CABLE ASSEMBLY, DC TO GATE SEE FIGURE 16- 132 FOR ILLUSTRATION				1	
- 56	2180692	. CABLE ASSEMBLY, SIGNAL PLUG TO GATE				1	1
- 56	2181189	. CABLE ASSEMBLY-SIGNAL PLUG TO GATE SEE FIGURE 16- 133 FOR ILLUSTRATION				1	2
- 57	2180714	. NAME PLATE, 2311 DISK STORAGE DRIVE				1	A
- 57	2180714	. NAME PLATE, 2311 DISK STORAGE DRIVE USED ON LANGUAGE GROUP ENGLISH FEATURE ONLY P/N 2180861				1	B
- 57	4207403	. PLATE, NAME, GERMAN USED ON LANGUAGE GROUP FRENCH FEATURE ONLY P/N 2180862				1	B
- 57	4207404	. PLATE, NAME, FRENCH USED ON LANGUAGE GROUP GERMAN FEATURE ONLY P/N 2180863				1	B
- 58	2180723	. BRACKET, GATE				2	
- 59	2180735	. BRACKET, GATE STOP				1	
- 60	2180737	. LATCH, GATE				1	
- 61	2180740	. GATE ASSEMBLY SEE LIST 17 FOR DETAIL BREAKDOWN				1	5
- 61	2180740	. GATE ASSEMBLY SEE LIST 17C FOR DETAIL BREAKDOWN INDEXES 62 THRU 66 DELETED				1	6
- 67	2180873	. MODULE ASSEMBLY, LOWER STRUCTURE				1	
- 67A	38686	. . SCREW, MACH-HEX HD 1/4-20 X 1/2 LG				2	
- 67B	186950	. . NUT, HEX				4	
- 67C	2180845	. . CASTER				4	
- 67D	2180846	. . LOCKWASHER, SHAKEPROOF				2	
- 67E	2180847	. . PAD, STAND				2	
- 67F	2180848	. . STAND, STEEL, 6 INCHES LONG				2	
- 67G	2180968	. . NUT, GRIP, 1/2-13 UNC INDEXES 68 THRU 80 DELETED				4	
- 81	2180918	. SWITCH ASSEMBLY, CONSOLE, 60 CYCLE SEE LIST 4 FOR DETAIL BREAKDOWN				1	1A
- 81	2180919	. SWITCH ASSEMBLY, CONSOLE, 50 CYCLE SEE LIST 4 FOR DETAIL BREAKDOWN				1	1B
- 81	2180918	. SWITCH ASSEMBLY, CONSOLE, 60 CYCLE SEE LIST 4A FOR DETAIL BREAKDOWN				1	2A
- 81	2180919	. SWITCH ASSEMBLY, CONSOLE, 50 CYCLE SEE LIST 4A FOR DETAIL BREAKDOWN				1	2B
- 82	2181022	. SHROUD, DISK TOP COVER-STEEL				1	8
- 82	2181290	. SHROUD, DISK TOP COVER-PLASTIC				1	9
- 83	2181023	. SEAL, 7.50 ID X 8.50 OD X .187 THICK				1	
- 83A	2181043	. STUD, ADJUSTABLE PIVOT				1	4
- 84	2181070	. SEAL, FILTER HOUSING				1	
- 84A	2181199	. CLIP-STRAIN RELIEF SEE FIGURE 16- 145 FOR ILLUSTRATION				4	2
- 84B	2181204	. JUMPER ASSEMBLY SEE FIGURE 16- 146 FOR ILLUSTRATION				1	2
- 84C	2181205	. JUMPER ASM-GRN/YEL 1 LUG 2 SOCK CONTACTS SEE FIGURE 16- 147 FOR ILLUSTRATION				1	2
- 84D	2181206	. BAR, ADAPTER SEE FIGURE 16- 148 FOR ILLUSTRATION				2	2
- 84E	2181271	. BOTTLE, PLASTIC- 8 OUNCE				1	9
- 84F	2181272	. CLIP-BOTTLE				1	9
- 85	5319888	. SCREW, SELF TAPPING, 10-32 X .625 LONG				6	
- 86	5348495	. SCREW				9	1
- 86	2181004	. SCREW, THREAD FORMING-HEX WASHER HD				9	2
- 87	7350362	. COVER, SHIPPING				1	8
- 87	4061725	. SHROUD-SUBSTITUTE PART				1	9

LIST AND INDEX NO.	PART NO.	DESCRIPTION	UNITS PER ASM.	USABLE ON CODE
2311 DISK STORAGE DRIVE FINAL ASSEMBLY -CONT				
* 1 - 88	NO NO.	. CABLE CLAMP, SEE LIST 19-1	AR	
* - 88A	NO NO.	. CABLE CLAMP, SEE LIST 19-1	AR	1
* - 89	NO NO.	. CABLE CLAMP, SEE LIST 19-2	AR	
* - 89A	NO NO.	. CABLE CLAMP, SEE LIST 19-2	AR	1
- 90	2180910	COVER GROUP FEATURE-BLUE 60 CY DOMESTIC	REF	C
- 90	2180911	COVER GROUP FEATURE-RED 60 CY DOMESTIC	REF	D
- 90	2180912	COVER GROUP FEATURE-YELLOW 60 CY DOM.	REF	E
- 90	2180913	COVER GROUP FEATURE-GREY 60 CY DOMESTIC	REF	F
* - 90	2181034	COVER GROUP FEATURE-BLUE 50 CYC WTC	REF	G
* - 90	2181035	COVER GROUP FEATURE-RED 50 CYC WTC	REF	H
* - 90	2181036	COVER GROUP FEATURE-YELLOW 50 CYC WTC	REF	J
* - 90	2181037	COVER GROUP FEATURE-GREY 50 CYC WTC	REF	K
* - 90A	2154286	. PLATE, IDENTIFICATION NOT ILLUSTRATED USED ON CODES G THRU K ONLY	1	
- 91	2173540	. COVER GROUP-BLUE	1	C
- 91	2178541	. COVER GROUP-RED	1	D
- 91	2178542	. COVER GROUP-YELLOW	1	E
- 91	2173543	. COVER GROUP-GREY	1	F
- 91	2181030	. COVER GROUP-BLUE	1	G
- 91	2181031	. COVER GROUP-RED	1	H
- 91	2181032	. COVER GROUP-YELLOW	1	J
- 91	2181033	. COVER GROUP-GREY	1	K
- 92	2180894	. . FRONT COVER ASSEMBLY-DOMESTIC USED ON CODES C THRU F ONLY SEE LIST 2A FOR DETAIL BREAKDOWN	1	
- 92	2181024	. . FRONT COVER ASSEMBLY-WORLD TRADE USED ON CODES G THRU K ONLY SEE LIST 2A FOR DETAIL BREAKDOWN	1	
- 92A	2180895	. . REAR COVER ASSEMBLY-DOMESTIC USED ON CODES C THRU F ONLY SEE LIST 2A FOR DETAIL BREAKDOWN	1	
- 92A	2161027	. . REAR COVER ASSEMBLY-WORLD TRADE USED ON CODES G THRU K ONLY SEE LIST 2A FOR DETAIL BREAKDOWN	1	
- 93	2180900	SHIPPING GROUP-IBM 360 INSTALLATION	REF	L
* - 93	2181225	SHIPPING GROUP-NON IBM 360 INSTALLATION	REF	M
* - 94	28413	. SCREW, MACH-BIND HD 10-32 X 5/16 LG	6	5
* - 94	509772	. SCREW	6	6
- 95	2108474	. PADDLE-HEAD CLEANING NOT ILLUSTRATED	55	M
- 96	2108626	. KEY-HEAD ARM ADJUSTMENT NOT ILLUSTRATED	1	M
- 97	2108913	. ADAPTER ASSEMBLY NOT ILLUSTRATED	1	M
- 98	2162567	. WIPER, DISK NOT ILLUSTRATED	55	M
- 99	2180901	. KICKSTRIP, FRONT	1	
-100	2180902	. KICKSTRIP, REAR	1	
-101	2180915	. CLIP, KICKSTRIP MOUNTING INDEX 102 DELETED	6	
* -103	2133908	R AND S 60 CYCLE METER FEATURE NOT ILLUSTRATED	REF	A
-103	2133909	R AND S 50 CYCLE METER FEATURE NOT ILLUSTRATED	REF	B
-104	11598	. NUT PLAIN HEX 10/32 NOT ILLUSTRATED	1	
-105	32617	. SCREW, MACH BD HD 10-32 NF X .4375 LG NOT ILLUSTRATED	1	
-106	56121~	. WASHER, LOCK-INT TEETH NO. 10 X 0.381 OD NOT ILLUSTRATED	1	
-107	813197	. HOUSING-TERMINAL NOT ILLUSTRATED	1	
-108	2180890	. METER ASSEMBLY-R AND S NOT ILLUSTRATED	1	
-109	5804271~	. CARD ASSEMBLY, SLT NOT ILLUSTRATED	1	
* -110	122639	PLATE, IDENTIFICATION-SALE SERIAL NUMBER	1	B
* -110	180528	PLATE, IDENTIFICATION-SERIAL NUMBER	1	B
* -110	124631	PLATE, IDENTIFICATION-LEASE W/SALE OPTION SEE LIST 4A- 26 FOR NEXT HIGHER ASM.	1	B

FOR PARTS
NOT SHOWN
SEE FIG. 1

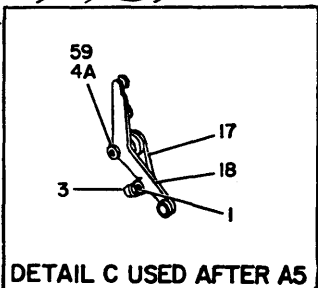
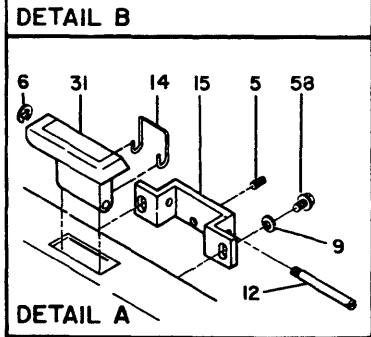
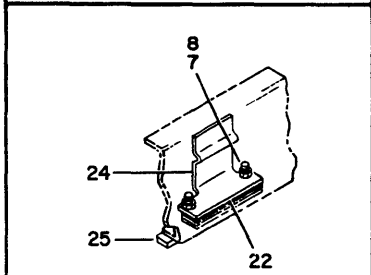
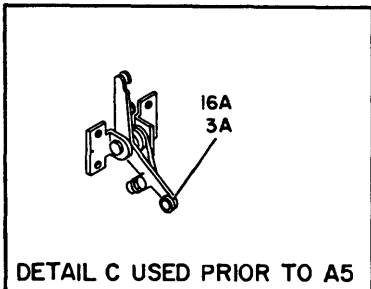
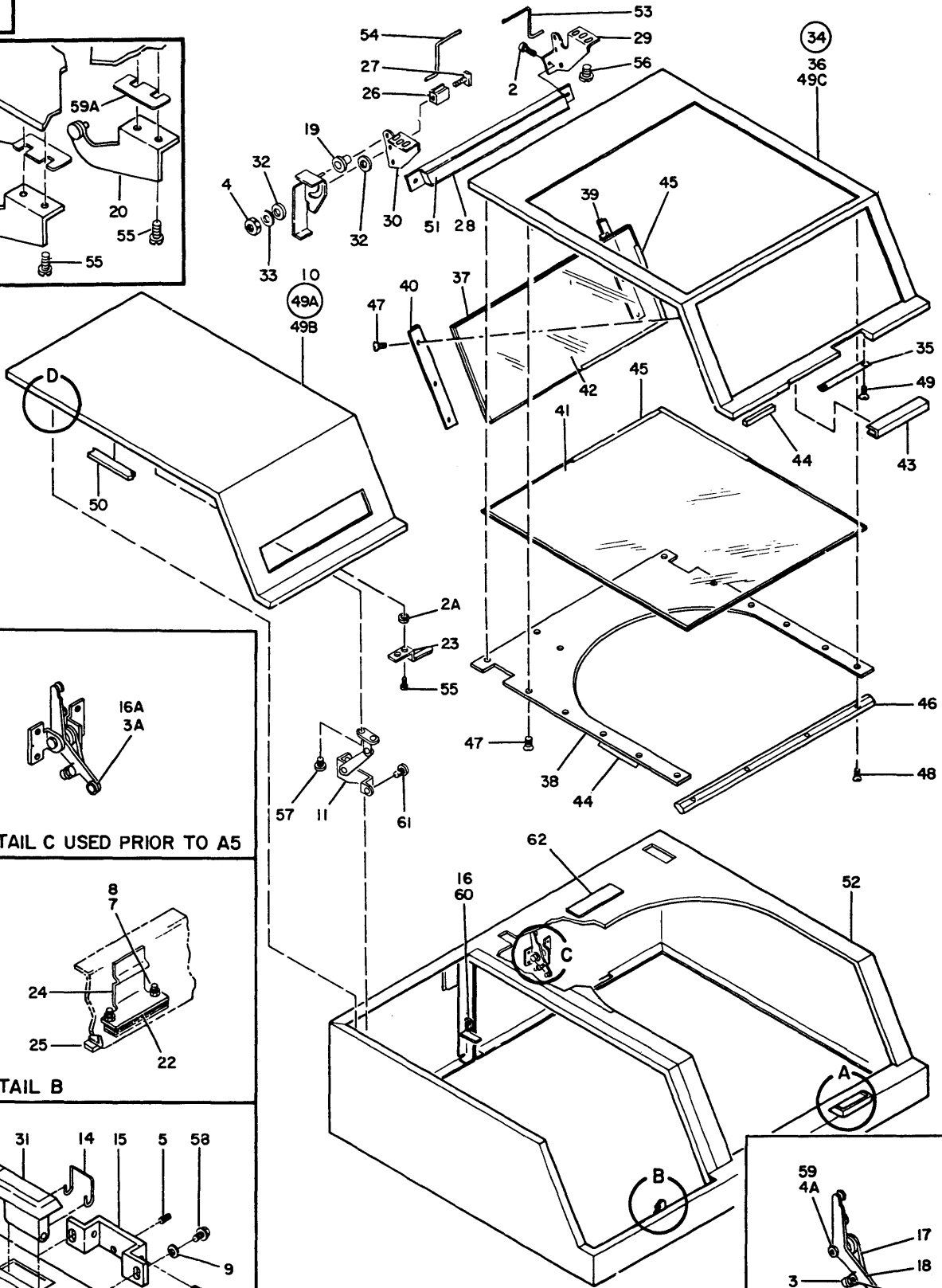
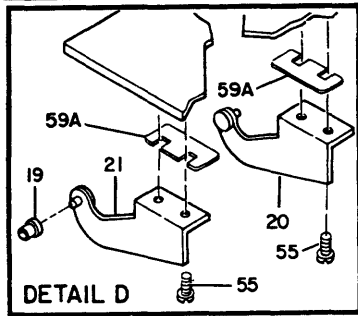


FIGURE 2. TOP COVER FRAME ASSEMBLY. SEE LIST 2.

LIST AND INDEX NO.	PART NO.	DESCRIPTION	UNITS PER ASM.	USABLE ON CODE
		1 2 3 4		
		TOP COVER FRAME ASSEMBLY		
* 2 -		CODE 1 USED ON ASM PRIOR TO A5 SUFFIX CODE 2 USED ON ASM FROM A5 TO CURRENT CODE 3 USED ON ASM PRIOR TO G5 SUFFIX CODE 4 USED ON ASM FROM G5 TO CURRENT CODE 5 USED ON ASM PRIOR TO B6 SUFFIX CODE 6 USED ON ASM FROM B6 TO CURRENT CODE 7 USED ON ASM PRIOR TO E6 SUFFIX CODE 8 USED ON ASM FROM E6 TO CURRENT CODE 9 USED ON ASM FROM G6 TO CURRENT		
-	2180470	FRAME ASSEMBLY, TOP COVER SEE LIST 1- 42 FOR NEXT HIGHER ASM. AND FIGURE 2 FOR ILLUSTRATION	REF	
* - 1	3960	. NUT,PLAIN,HEX- 1/4-20 X 7/16 FL W	1	2
* - 2	10170	. SCREW,MACH-BIND HD 6-32 X 1/4 LG	2	
* - 2A	22478	. WASHER,FL- 0.170 ID 0.375 OD 0.032 THK	AR	9
* - 3	59647	. SCREW,MACH-HEX HD 1/4-20 X 1 LG	1	2
* - 3A	72828	. NUT,SELF LKG,HEX- 8-32 X 0.334 FL W	4	1
* - 4	125930	. NUT,PLAIN HEX 10/32	2	2
* - 4A	344015	. NUT,SELF LKG,HEX- 6-32 X 5/16 FL W	1	6
* - 5	251446	. SCREW, HEADLESS SET, 6-32 X 5/16 LG	55	
* - 6	257982	. CLIP,RETAINING	1	
* - 7	344015	. NUT,SELF LKG,HEX- 6-32 X 5/16 FL W	2	
* - 8	438573	. SCREW,MACHINE FLAT HEAD	2	
* - 9	2125974	. WASHER, INT TOOTH, .200 ID X .562 OD	2	
* - 10	2157628	. COVER, LEFT HAND TOP	1	7
* - 11	2157632	. STAY BRACE, LEFT HAND TOP COVER	1	
* - 12	2157639	. SHAFT, LATCH PIVOT, RIGHT HAND COVER	1	
* - 13	2157647	. SCREW, MACHINE-BIND. HEAD, 6-32 X 1/4 LG NOT ILLUSTRATED	2	7
- 14	2157665	. SPRING, R.H. COVER, TOP MACHINE	1	
- 15	2157693	. BRACKET, LATCH MOUNTING, R.H. COVER	1	
- 16	2160849	. BRACKET, ACTUATOR, C.E. SWITCH	1	
* - 16A	2162500	. LEVER ASSEMBLY, SECTOR BLOCK	1	1
* - 17	2162507	. TORSION SPRING, RETRACT MECHANISM	1	2
* - 18	2162543	. CRANK ASSEMBLY, RETRACT MECHANISM	1	2
* - 19	2162720	. BUSHING, HINGE	4	
* - 20	2162721	. HINGE, LH, CE COVER	1	
* - 21	2162723	. HINGE, RH, CE COVER	1	
* - 22	2162793	. CLAMP PLATE, SPRING	2	
* - 23	2162843	. STRIKER, LH COVER	1	3
* - 23	2181072	. STRIKE-LEFT HAND COVER	1	4
* - 24	2162844	. LATCH, LH COVER	1	3
* - 24	2181073	. LATCH-L.H. COVER	1	4
* - 25	2162959	. FELT, .062 X .375 WIDE, BULK	AR	
* - 26	2162961	. GUIDE, TORSION BAR	2	
* - 27	2162962	. SCREW, TEE, 10-32 X 0.97 LG.	2	
* - 28	2162963	. BAR, SWITCH	1	
* - 29	2162964	. BRACKET, COVER RIGHT	1	
* - 30	2162965	. BRACKET, COVER LEFT	1	
* - 31	2162966	. LATCH, RH TOP COVER	1	
* - 32	2162969	. RING, 0.625 OD, 0.195 ID, 0.125 THICK	4	
* - 33	2162972	. WASHER, SPRING, 0.562 OD, 0.208 ID	2	
* - 34	2162974	. COVER ASM, TOP	1	
* - 35	2157616	. . STRIKE, RIGHT HAND TOP COVER	1	
* - 36	2162951	. . COVER, RH	1	7
* - 37	2162953	. . CHANNEL, WINDOW	1	3
* - 38	2162954	. . UNDERCOVER, RH TOP COVER	1	
* - 39	2162955	. . CLAMP, RH	1	
* - 40	2162956	. . CLAMP, LH	1	
* - 41	2162957	. . GLASS, COVER	1	
* - 42	2162958	. . GLASS, FRONT, COVER	1	
* - 43	2162967	. . HANDLE, RH TOP COVER	1	
* - 44	2162977	. . SEAL, TOP COVER	AR	
* - 45	2180976	. . PACKING, WINDOW	AR	
* - 46	2180991	. . SUPPORT, GLASS INTERMEDIATE	1	
* - 47	2181000	. . SCREW, FLATHEAD UNDERCUT, 8-32 X .297 LG	24	
* - 48	2181009	. . SCREW, FLATHEAD UNDERCUT, 6-32 X .50 LG.	4	
* - 49	2181010	. . SCREW, FLATHEAD UNDERCUT, 6-32 X .437	2	
* - 49A	2181245	. . COVER ASSEMBLY-TOP DOOR	1	8
* - 49B	2157628	. . . COVER, LEFT HAND TOP	1	8
* - 49C	2162951	. . . COVER, RH	1	8
* - 50	2162977	. SEAL, TOP COVER	AR	
* - 51	2162978	. BUMPER, 1.00 X 0.75 X 12.50 LG	1	
* - 52	2180471	. FRAME, MAIN	1	

LIST AND INDEX NO.	PART NO.	DESCRIPTION	UNITS PER ASM.	USABLE ON CODE
		TOP COVER FRAME ASSEMBLY -CONT		
* - 53	2180966	. BAR ASSEMBLY,TORSION-RIGHT HAND	1	3
* - 53	2181086	. BAR,TORSION-RIGHT HAND	1	4
* - 54	2180967	. BAR ASSEMBLY,TORSION-LEFT HAND	1	3
* 2 - 54	2181087	. BAR,TORSION-LEFT HAND	1	4
* - 55	2181005	. SCREW, SELF TAPPING, 6-32 X .375 LG.	6	
* - 56	2181008	. SCREW, SELF TAPPING, 8-32 X .375 LG.	6	
* - 57	2181011	. SCREW, SELF TAPPING, 6-32 X .50 LG.	2	
* - 58	2181012	. SCREW, SELF TAPPING, 8-32 X .437 LG.	2	
* - 59	2181021	. SCREW, SECTOR BLOCK LEVER	1	2
* - 59A	2181314	. SHIM,CE COVER HINGE	AR	9
* - 60	5350006	. SCREW, SELF TAPPING, 6-32 X .250 LONG	2	
* - 61	5350012	. SCREW, SELF TAPPING, 8-32 X .250 LONG	2	
* - 62	2162679	. LABEL,INSTRUCTION,PACK LOADING-ENGLISH USED ON 60 CYCLE FINAL ASSEMBLY FEATURE ONLY P/N 2180500		5
* - 62	2162679	. LABEL,INSTRUCTION,PACK LOADING-ENGLISH USED ON LANGUAGE GROUP ENGLISH FEATURE ONLY P/N 2180861	1	5
* - 62	4061678	. LABEL,INSTRUCTION,PACK LOADING-FRENCH USED ON LANGUAGE GROUP FRENCH FEAT'URE ONLY P/N 2180862	1	5
* - 62	4061679	. LABEL,INSTRUCTION,PACK LOADING-GERMAN USED ON LANGUAGE GROUP GERMAN FEATURE ONLY P/N 2180863	1	5

FOR PARTS
NOT SHOWN
SEE FIG. 1

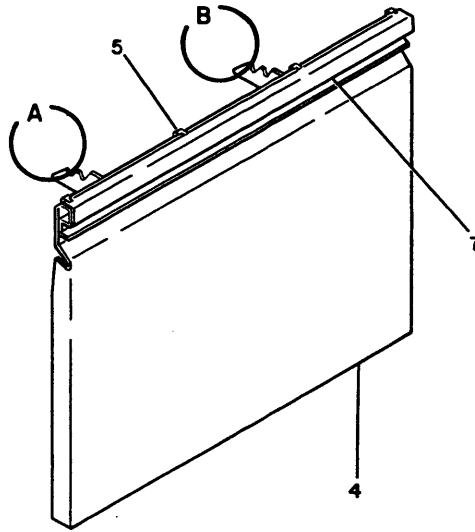
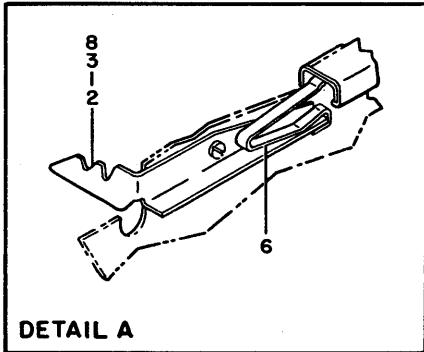
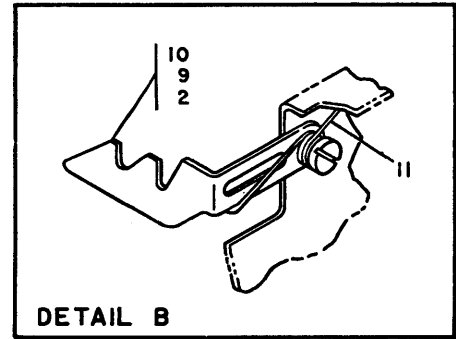


FIGURE 2A. FRONT AND REAR COVER ASSEMBLIES. SEE LIST 2A.

2A-		FRONT AND REAR COVER ASSEMBLIES			
		CODE A USED ON DOMESTIC FRONT COVERS			
		CODE B USED ON DOMESTIC REAR COVERS			
		CODE C USED ON WORLD TRADE FRONT COVERS			
		CODE D USED ON WORLD TRADE REAR COVERS			
-	2180894	FRONT COVER ASSEMBLY-DOMESTIC	REF	A	
		SEE LIST 1- 92 FOR NEXT HIGHER ASM.			
		AND FIGURE 2A FOR ILLUSTRATION			
-	2180895	REAR COVER ASSEMBLY-DOMESTIC	REF	B	
		SEE LIST 1- 92A FOR NEXT HIGHER ASM.			
		AND FIGURE 2A FOR ILLUSTRATION			
-	2181024	FRONT COVER ASSEMBLY-WORLD TRADE	REF	C	
		SEE LIST 1- 92 FOR NEXT HIGHER ASM.			
		AND FIGURE 2A FOR ILLUSTRATION			
-	2181027	REAR COVER ASSEMBLY-WORLD TRADE	REF	D	
		SEE LIST 1- 92A FOR NEXT HIGHER ASM.			
		AND FIGURE 2A FOR ILLUSTRATION			
-	1 45690	. WASHER, FL - NO.10 X 7/16 OD X 1/32 THK	2		
-	2 125930	. NUT,PLAIN HEX 10/32	2		
-	3 332620	. SCREW,MACH-BIND HD 10-32 X 1/2 LG	2	A	
-	3 332620	. SCREW,MACH-BIND HD 10-32 X 1/2 LG	2	B	
-	3 332620	. SCREW,MACH-BIND HD 10-32 X 1/2 LG	1	C	
-	3 332620	. SCREW,MACH-BIND HD 10-32 X 1/2 LG	1	D	
-	4 2180896	. COVER, FRONT	1	A	
-	4 2180897	. COVER, REAR	1	B	
-	4 2180896	. COVER, FRONT	1	C	
-	4 2180897	. COVER, REAR	1	D	
-	5 2180962	. CLIP, COVER TRIM	4		
-	6 2180963	. SPRING, LATCH	2	A	
-	6 2180963	. SPRING, LATCH	2	B	
-	6 2180963	. SPRING, LATCH	1	C	
-	6 2180963	. SPRING, LATCH	1	D	
-	7 2180964	. TRIM, COVER	1		
-	8 2180965	. LEVER, COVER	2	A	
-	8 2180965	. LEVER, COVER	2	B	
-	8 2180965	. LEVER, COVER	1	C	
-	8 2180965	. LEVER, COVER	1	D	
-	9 55918	. SCREW,MACH-BIND HD 10-32 X 5/8 LG	1	C	
-	9 55918	. SCREW,MACH-BIND HD 10-32 X 5/8 LG	1	D	
* -	10 2181028	. LATCH,COVER-TOOL OPERATED	1	C	
* -	10 2181028	. LATCH,COVER-TOOL OPERATED	1	D	
* -	11 2181029	. SPRING,TORSION-COVER LATCH	1	C	
* -	11 2181029	. SPRING,TORSION-COVER LATCH	1	D	

FOR PARTS
NOT SHOWN
SEE FIG. 1

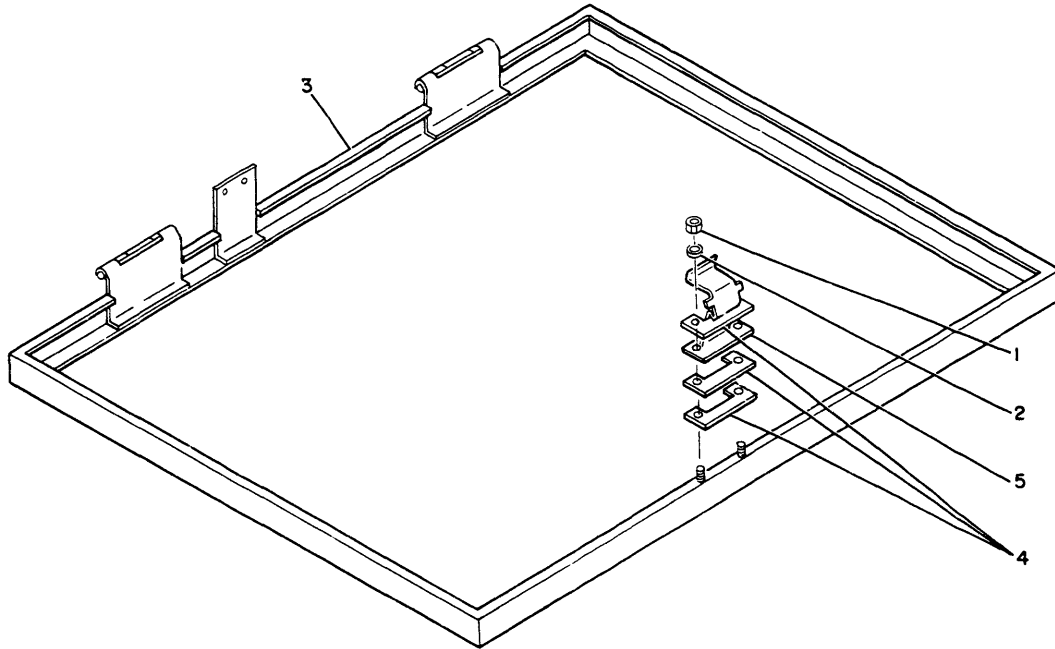


FIGURE 3. TOP COVER SKIRT ASSEMBLY. SEE LIST 3.

LIST AND INDEX NO.	PART NO.	DESCRIPTION	UNITS PER ASM.	USABLE ON CODE
		1 2 3 4		
		TOP. COVER SKIRT ASSEMBLY		
* 3 -		CODE 1 USED ON ASM PRIOR TO B6 SUFFIX		
* -	2157620	SKIRT ASSEMBLY, TOP COVER SEE LIST 1- 34 FOR NEXT HIGHER ASM. AND FIGURE 3 FOR ILLUSTRATION	REF	
* - 1	257189	. NUT, HEX., 8-32 X 0.3438 W	2	
* - 2	1090873	. WASHER, LOCK, 0.168 ID X 0.296 OD	2	
* - 3	2157615	. SKIRT, TOP COVER	1	
* - 3A	216472	. RESISTOR	2	
* - 4	2162793	. CLAMP PLATE, SPRING	2	
* - 4A	2162793	. CLAMP PLATE, SPRING	1	1
* - 5	2162807	. LATCH CENTER COVER	1	

FOR PARTS
NOT SHOWN
SEE FIG. 1

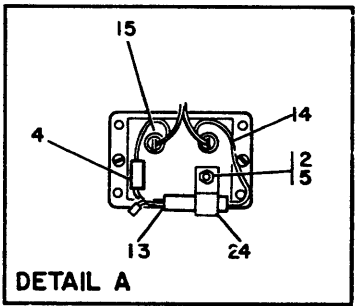
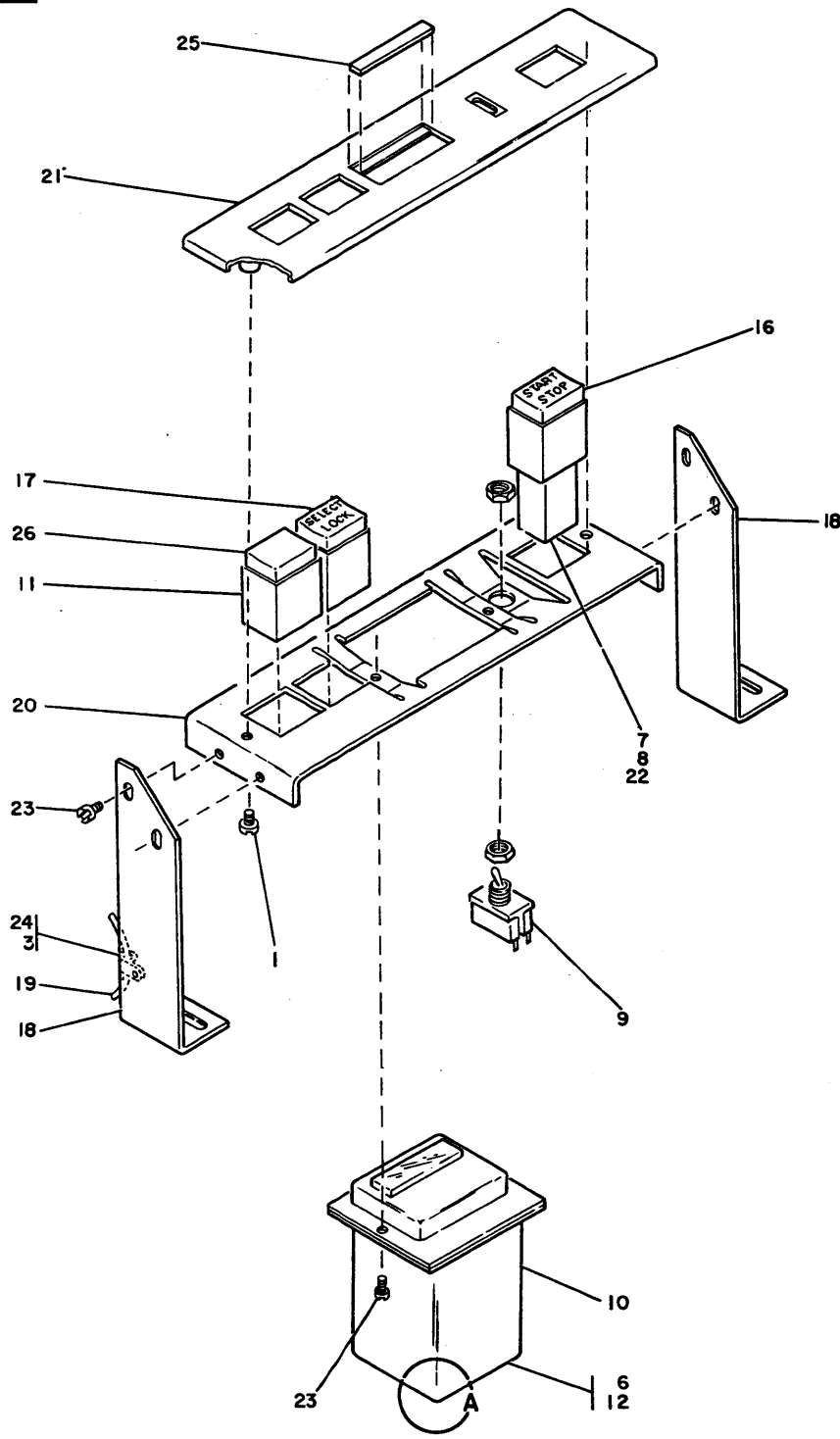


FIGURE 4. CONSOLE SWITCH ASSEMBLY. SEE LIST 4.

LIST AND INDEX NO.	PART NO.	DESCRIPTION	UNITS	USABLE
			PER ASM.	ON CODE
		1 2 3 4		
		CONSOLE SWITCH ASSEMBLY		
* 4 -		CODE A USED ON 60 CYCLE MACHINES - PRIOR TO L5 SUFFIX		
* -		CODE B USED ON 50 CYCLE MACHINES - PRIOR TO L5 SUFFIX		
* -		CODE I USED ON ASM PRIOR TO G5 SUFFIX		
* -	2180918	SWITCH ASSEMBLY, CONSOLE, 60 CYCLE SEE LIST 1- 81 FOR NEXT HIGHER ASM. AND FIGURE 4 FOR ILLUSTRATION	REF	A
* -	2180919	SWITCH ASSEMBLY, CONSOLE, 50 CYCLE SEE LIST 1- 81 FOR NEXT HIGHER ASM. AND FIGURE 4 FOR ILLUSTRATION	REF	B
- 1	38235	. SCREW, MACH-FIL H 6-32 X 5/16 LG	2	
- 2	55901	. LOCKWASHER, EXTERNAL TOOTH	1	1
- 3	58207	. SCREW, MACH BNDG HD 8-32 X 1/4 L5	1	
- 4	213536	. RESISTOR, FXD, COMP- 100 OHMS P/M 5% 1/2W	1	
- 5	257187	. NUT, HEX DOUBLE CHAMFERED 6-36 X 5/16	1	
- 6	320610	. RESISTOR, FXD, COMP, 180 OHM P/M 5% 2W	3	
- 7	473629	. HOUSING, LAMP	1	
- 8	719552	. SWITCH, ALTERNATE ACTION	1	
- 9	738826	. SWITCH, TOGGLE	1	
- 10	740503	. CLOCK, 60 CYCLE	1	A
- 10	740608	. CLOCK, 50 CYCLE	1	B
- 11	760521	. HOUSING, LIGHT, MICROSWITCH	2	
- 12	2101569	. TUBING, INSULATING-BULK	AR	
- 13	2102374	. CAPACITOR, PAPER, 1.0 MFD P30/M20% 200V	1	
- 14	2103416	. TUBING, INSULATING	AR	
- 15	2119605	. TUBING	AR	
- 16	2154545	. LENS, START STOP, ENGLISH	1	
- 16	4061423	. LENS, START STOP, FRENCH	1	B
- 17	2157359	. BUTTON, SELECT LOCK, ENGLISH	1	
- 17	4061426	. BUTTON, SELECT LOCK, GERMAN	1	B
- 17	4061427	. BUTTON, SELECT LOCK, FRENCH	1	B
- 18	2157602	. BRACKET, SWITCH MOUNTING	2	
- 19	2180684	. CABLE ASSEMBLY, PANEL TO SWITCHES SEE LIST 19-5, 6D, 7A, 8, 17B, 37, 37A, 57 AND 78 FOR COMPONENT PARTS	1	
- 20	2130920	. BRACKET, SWITCH AND METER	1	
- 21	2180921	. FACE PLATE, SWITCH PANEL	1	
- 22	2414924	. LAMP, INDICATOR, INCANDESCENT	6	
- 23	5319854	. SCREW, SELF TAPPING, 8-32 X .375 LONG	6	
- 24	NO NO.	. CABLE CLAMP, SEE LIST 19-1	AR	
- 25	740490	DECAL SEE LIST 1- 27 FOR NEXT HIGHER ASM.	REF	
- 26	2154534	BUTTON, NUMBER 0	REF	
- 26	2154540	BUTTON, NUMBER 1	REF	
- 26	2154541	BUTTON, NUMBER 2	REF	
- 26	2154542	BUTTON, NUMBER 3	REF	
- 26	2154543	BUTTON, NUMBER 4	REF	
- 26	2162847	BUTTON, NUMBER 6	REF	
- 26	2162848	BUTTON, NUMBER 8	REF	
- 26	2180781	BUTTON, NUMBER 5	REF	
- 26	2180782	BUTTON, NUMBER 7 SEE LIST 1- 33 FOR NEXT HIGHER ASM.	REF	

FOR PARTS
NOT SHOWN
SEE FIG. 1

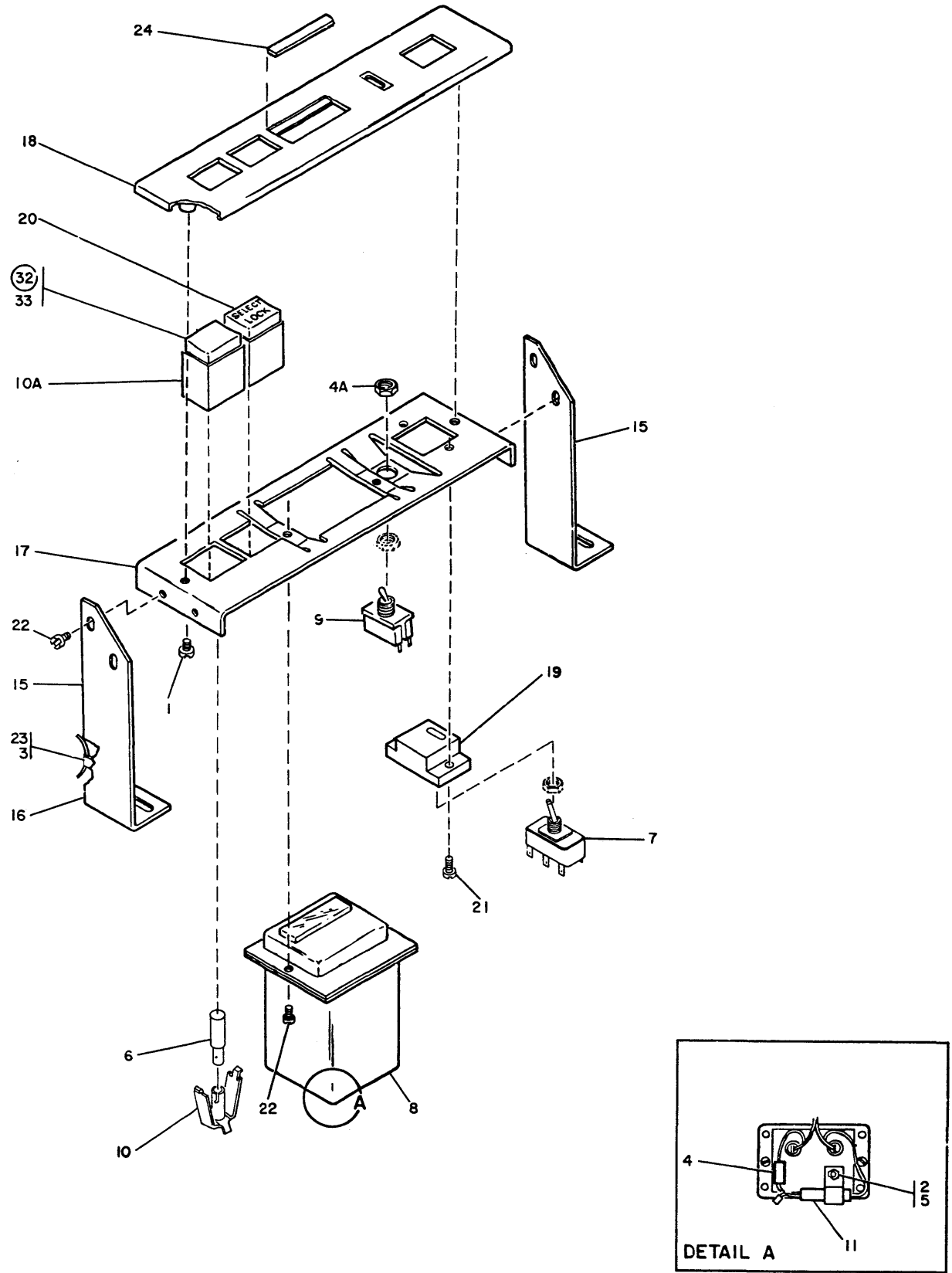


FIGURE 4A. CONSOLE SWITCH ASSEMBLY. SEE LIST 4A.

LIST AND INDEX NO.	PART NO.	DESCRIPTION	UNITS PER ASM.	USABLE ON CODE
		1 2 3 4		
		CONSOLE SWITCH ASSEMBLY		
* 4A-		CODE A USED ON 60 CYCLE MACHINES - FROM L5 SUFFIX TO CURRENT		
*		CODE B USED ON 50 CYCLE MACHINES - FROM L5 SUFFIX TO CURRENT		
*		CODE C USED ON 50 CYCLE LANGUAGE GROUP - ENGLISH FEATURE ONLY P/N 2180861		
*		CODE D USED ON 50 CYCLE LANGUAGE GROUP - FRENCH FEATURE ONLY P/N 218062		
*		CODE E USED ON 50 CYCLE LANGUAGE GROUP - GERMAN FEATURE ONLY P/N 2180863		
*		CODE 1 USED ON ASM FROM L5 TO P5 SUFFIX		
*		CODE 2 USED ON ASM FROM L5 TO S5 SUFFIX		
*		CODE 3 USED ON ASM FROM P5 TO C6 SUFFIX		
*		CODE 4 USED ON ASM FROM S5 TO CURRENT		
*		CODE 5 USED ON ASM FROM C6 TO CURRENT		
*		CODE 6 USED ON ASM PRIOR TO P6 SUFFIX		
*		CODE 7 USED ON ASM FROM P6 TO CURRENT		
*		-		
* -	2180918	SWITCH ASSEMBLY, CONSOLE, 60 CYCLE SEE LIST 1- 81 FOR NEXT HIGHER ASM. AND FIGURE 4A FOR ILLUSTRATION	REF	A
* -	2180919	SWITCH ASSEMBLY, CONSOLE, 50 CYCLE SEE LIST 1- 81 FOR NEXT HIGHER ASM. AND FIGURE 4A FOR ILLUSTRATION	REF	B
	1 38235	. SCREW, MACH-FIL H 6-32 X 5/16 LG	2	
-	2 55901	. LOCKWASHER, EXTERNAL TOOTH	1	1
-	3 58207	. SCREW, MACH BNDG HD 8-32 X 1/4 LG	1	
-	4 213536	. RESISTOR, FXD, COMP- 100 OHMS P/M 5% 1/2W	1	
* -	4A 220546	. NUT, PLAIN, HEX- 15/32-32 X 5/8 FL W	1	5
* -	5 257189	. NUT - HEX-8-32UNC THD	1	3
* -	6 316455	. LAMP, BAYONET BASE, 35V, .05 AMP	1	6
* -	6 5362163	. LAMP, INDICATOR -48VDC-.060 AMPS-BAYONET	1	7
* -	7 734879	. SWITCH, TOGGLE, DPDT,	1	2A
* -	7 725347	. SWITCH, TOGGLE-SPDT	1	4A
* -	7 734879	. SWITCH, TOGGLE, DPDT,	REF	1
* -	7 725347	. SWITCH, TOGGLE-SPDT USED ON 50 CYCLE FINAL ASSEMBLY FEATURE ONLY P/N 2180850 SEE LIST 1- 26A FOR NEXT HIGHER ASM.	REF	3
* -	7 725347	. SWITCH, TOGGLE-SPDT	1	5B
-	8 740503	. CLOCK, 60 CYCLE	1	A
-	8 740608	. CLOCK, 50 CYCLE	1	B
-	9 741349	. SWITCH, TOGGLE	1	
-	10 827840	. SOCKET, SINGLE CONTACT, BAYONET BASE	2	
* -	10A 827841	. HOUSING-SWITCH AND LIGHT	2	2
-	11 2102374	. CAPACITOR, PAPER, 1.0 MFD P30/M20% 200V INDEXES 12 THRU 14 DELETED	1	
-	15 2157602	. BRACKET, SWITCH MOUNTING	2	
-	16 2180684	. CABLE ASSEMBLY, PANEL TO SWITCHES SEE LIST 19-5, 6D, 7A, 8, 17B, 37, 37A, 57 AND 78 FOR COMPONENT PARTS	1	
-	17 2180920	. BRACKET, SWITCH AND METER	1	
* -	18 2180921	. FACE PLATE, SWITCH PANEL	1	A
* -	18 2180921	. FACE PLATE, SWITCH PANEL	1	C
* -	18 2181249	. FACE PLATE, SWITCH PANEL-FRENCH	1	D
* -	18 2181250	. FACE PLATE, SWITCH PANEL-GERMAN	1	E
* -	19 2180938	. HOUSING, SWITCH, START-STOP, ENGLISH	1	A
* -	19 2180938	. HOUSING, SWITCH, START-STOP, ENGLISH	1	C
* -	19 2180939	. HOUSING, SWITCH, START-STOP, FRENCH	1	D
* -	19 2180938	. HOUSING, SWITCH, START-STOP, GERMAN	1	E
* -	20 2180948	. LENS, SELECT LOCK, ENGLISH	1	A
* -	20 2180948	. LENS, SELECT LOCK, ENGLISH	1	C
* -	20 2180950	. LENS, SELECT LOCK, FRENCH	1	D
* -	20 2180949	. LENS, SELECT LOCK, GERMAN	1	E
-	21 2181012	. SCREW, SELF TAPPING, 8-32 X .437 LG.	2	A
-	22 5319854	. SCREW, SELF TAPPING, 8-32 X .375 LONG	6	
-	23 NO NO.	. CABLE CLAMP, SEE LIST 19-1	AR	
* -	24 740490	DECAL SEE LIST 1- 27 FOR NEXT HIGHER ASM. INDEXES 25 THRU 31 DELETED	REF	

LIST AND INDEX NO.	PART NO.	DESCRIPTION 1 2 3 4	UNITS PER ASM.	USABLE ON CODE
CONSOLE SWITCH ASSEMBLY -CONT				
4A- 32	2133900	BUTTON, IDENTIFICATION-DRIVE NO. 0	REF	
- 32	2133901	BUTTON, IDENTIFICATION-DRIVE NO. 1	REF	
- 32	2133902	BUTTON, IDENTIFICATION-DRIVE NO. 2	REF	
- 32	2133903	BUTTON, IDENTIFICATION-DRIVE NO. 3	REF	
- 32	2133904	BUTTON, IDENTIFICATION-DRIVE NO. 4	REF	
- 32	2133905	BUTTON, IDENTIFICATION-DRIVE NO. 5	REF	
- 32	2133906	BUTTON, IDENTIFICATION-DRIVE NO. 6	REF	
- 32	2133907	BUTTON, IDENTIFICATION-DRIVE NO. 7	REF	
- 33	2180940	. LENS, NUMBER 0 USED ON SELECTIVE BUTTON FEATURE 2133900	1	
- 33	2180941	. LENS, NUMBER 1 USED ON SELECTIVE BUTTON FEATURE 2133901	1	
- 33	2180942	. LENS, NUMBER 2 USED ON SELECTIVE BUTTON FEATURE 2133902	1	
- 33	2180943	. LENS, NUMBER 3 USED ON SELECTIVE BUTTON FEATURE 2133903	1	
- 33	2180944	. LENS, NUMBER 4 USED ON SELECTIVE BUTTON FEATURE 2133904	1	
- 33	2180945	. LENS, NUMBER 5 USED ON SELECTIVE BUTTON FEATURE 2133905	1	
- 33	2180946	. LENS, NUMBER 6 USED ON SELECTIVE BUTTON FEATURE 2133906	1	
- 33	2180947	. LENS, NUMBER 7 USED ON SELECTIVE BUTTON FEATURE 2133907	1	

FOR PARTS
NOT SHOWN
SEE FIG. 1

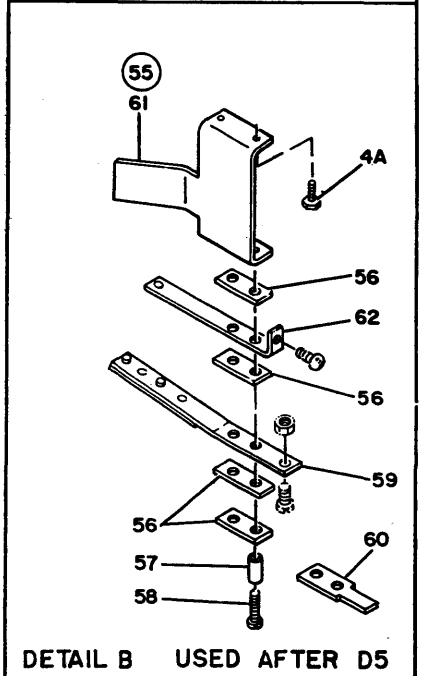
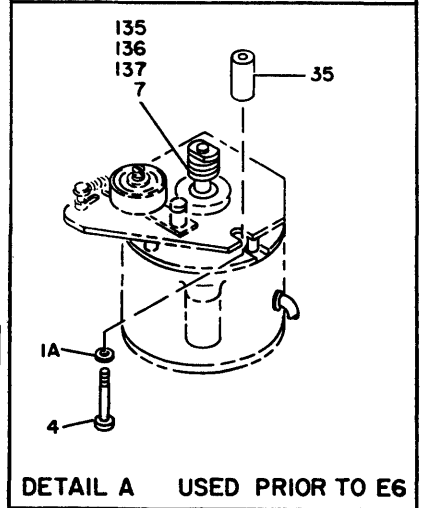
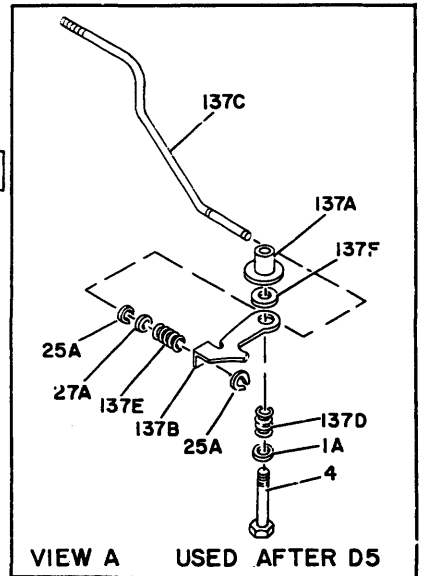
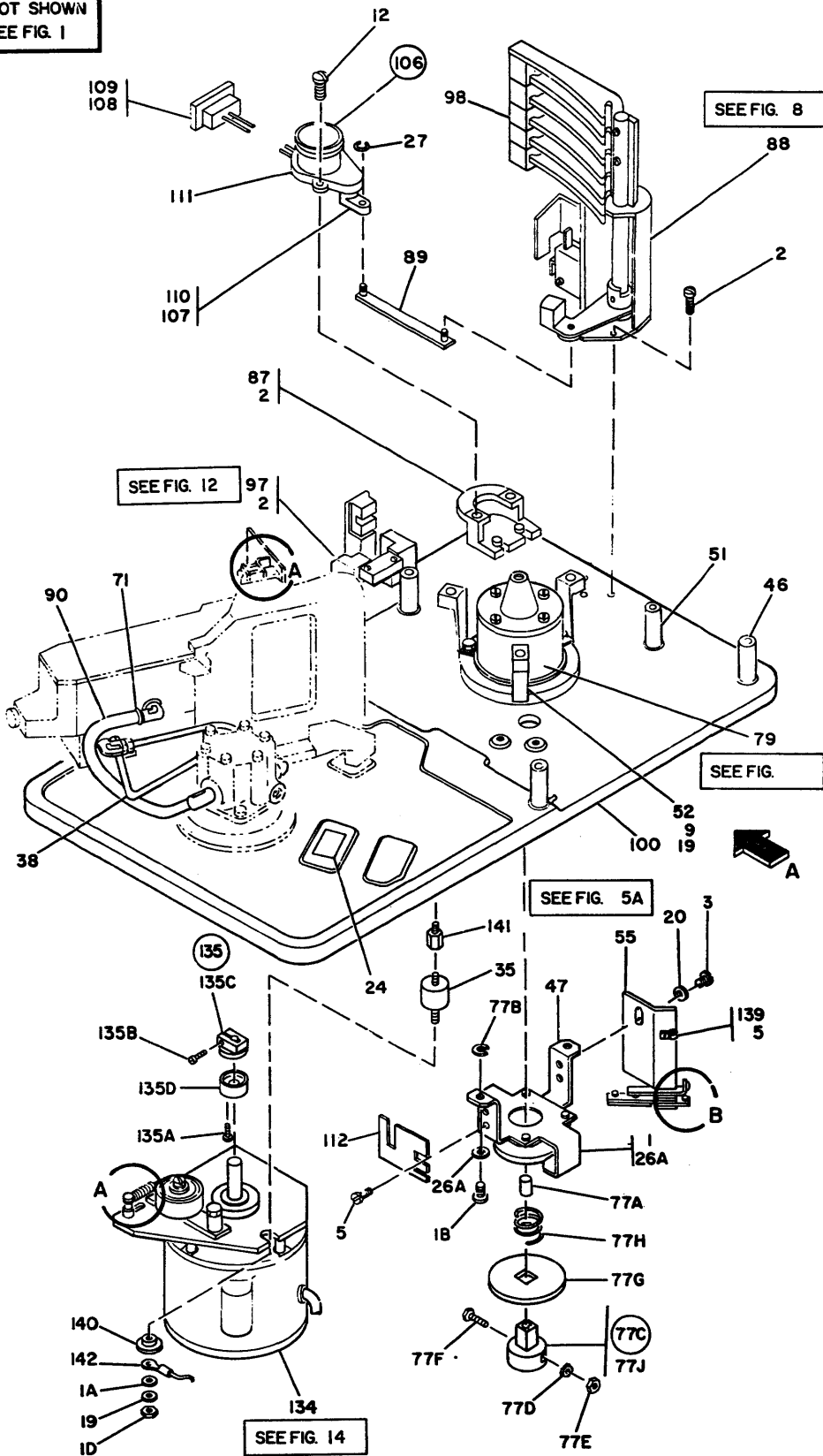


FIGURE 5. DISK STORAGE FILE ASSEMBLY. SHEET 1 OF 3. SEE LIST 5.

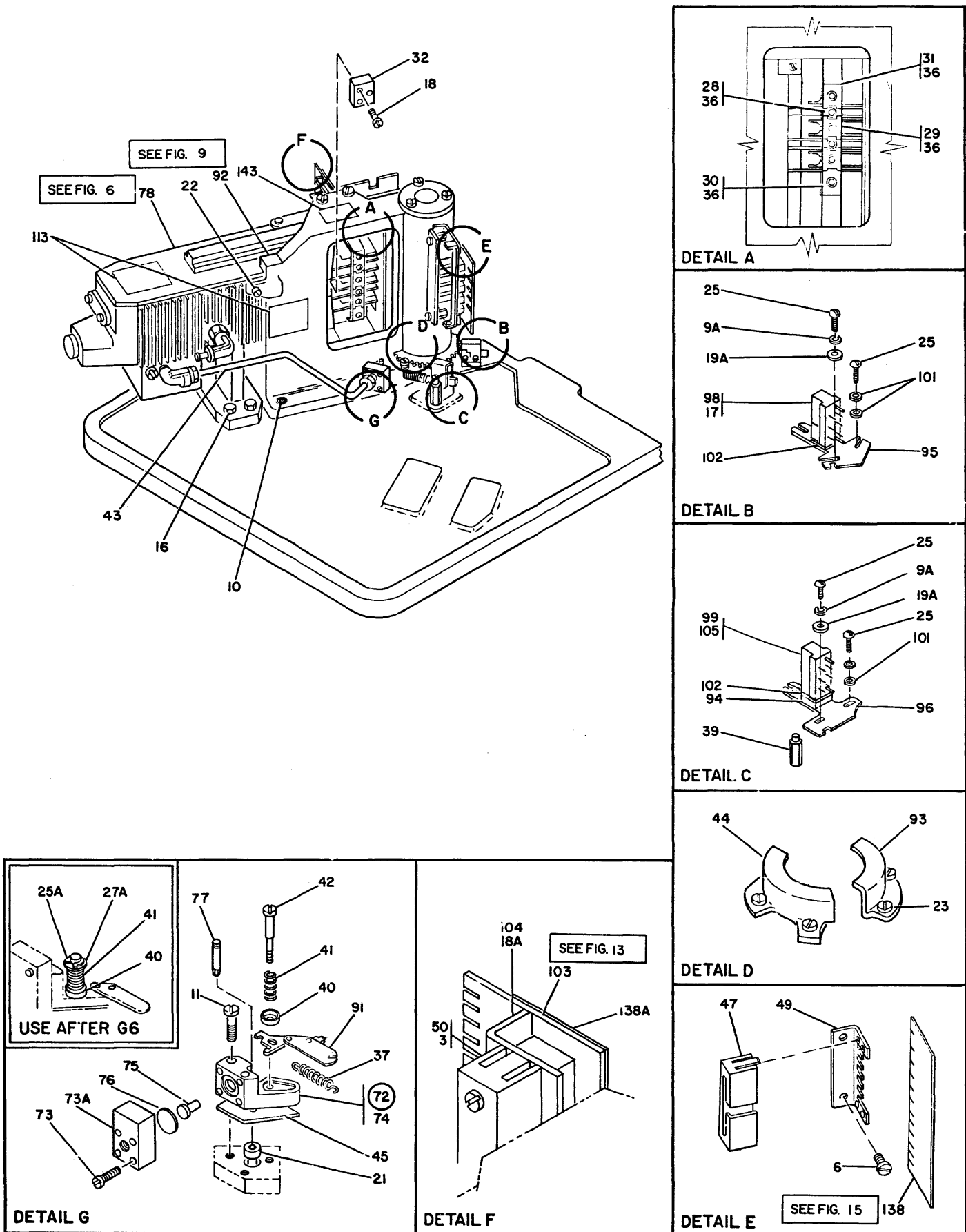


FIGURE 5. DISK STORAGE FILE ASSEMBLY. SHEET 2 OF 3. SEE LIST 5.

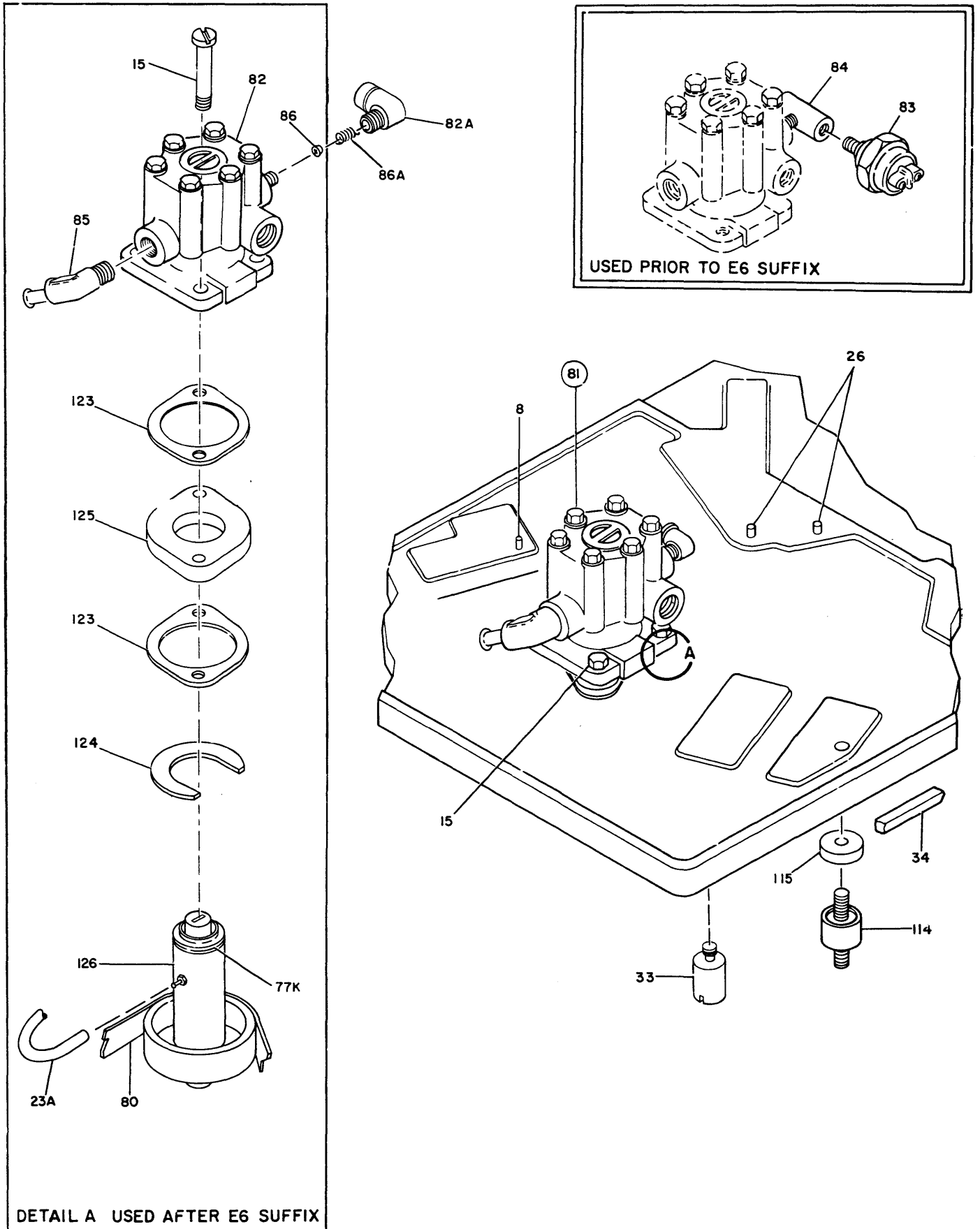


FIGURE 5. DISK STORAGE FILE ASSEMBLY. SHEET 3 OF 3. SEE LIST 5.

		DISK STORAGE DRIVE FILE ASSEMBLY			
* 5 -		CODE A USED ON 60 CYCLE MACHINES			
* -		CODE B USED ON 50 CYCLE MACHINES			
* -		CODE 1 USED ON ASM PRIOR TO G5 SUFFIX			
* -		CODE 2 USED ON ASM FROM G5 TO CURRENT			
* -		CODE 3 USED ON ASM FROM G5 TO E6 SUFFIX			
* -		CODE 4 USED ON ASM PRIOR TO E6 SUFFIX			
* -		CODE 5 USED ON ASM FROM E6 TO CURRENT			
* -		CODE 6 USED ON ASM FROM E6 TO B7 SUFFIX			
* -		CODE 7 USED ON ASM PRIOR TO B7 SUFFIX			
* -		CODE 8 USED ON ASM FROM B7 TO CURRENT			
* -	2180400	FILE ASSEMBLY, 60 CYCLE	REF	A	
		SEE LIST 1- 41 FOR NEXT HIGHER ASM.			
		AND FIGURE 5 FOR ILLUSTRATION			
* -	2180860	FILE ASSEMBLY, 50 CYCLE	REF	B	
		SEE LIST 1- 41 FOR NEXT HIGHER ASM.			
		AND FIGURE 5 FOR ILLUSTRATION			
- 1	337	. SCREW,MACH-FIL H 8-32 X 3/8 LG	4	1	
- 1A	453	. WASHER,FL- 3/8 X 13/16 OD X 1/16 THK	3	2	
- 18	845	. SCREW,MACH-FIL H 8-32 X 1/2 LG	2	1	
- 1C	3550	. WASHER,FL- 1/4 X 9/16 OD X 0.050 THK	1	2	
- 1D	4564	. NUT-AIR INTAKE	3	5	
- 2	5528	. SCREW,MACH-BIND. HD 8-32 X 5/8 LG	8		
- 3	10170	. SCREW-MACH,BIND HD NO. 6-32 X .250 LG	4	1	
- 3	10170	. SCREW-MACH,BIND HD NO. 6-32 X .250 LG	2	2	
- 4	15544	. SCREW,MACH HEX HD 3/8-16 X 2-1/4 LG	3	4	
- 4A	19852	. SCREW,MACH-HEX HD 1/4-20 X 1 1/4 LG	1	2	
- 5	38235	. SCREW MACH 6/32 X .310 LG	3	1	
- 6	55726	. SCREW, MACH-BIND HD NO. 6-32 X 3/16 LG	2		
- 7	101706	. SCREW,MACH-HEX HD 10-32 X 3/4 LG	1	1	
- 7	129654	. SCREW,CAP,SOC HD- 10-32 X 3/4 LG	1	3	
- 8	104706	. PIN, DOWEL, 1/4 OD X 1/2 LG	1		
- 9	122740	. SCREW,CAP,SOC HD- 5/16-18 X 1 LG	3		
- 9A	150209	. WASHER,STAR- 0.115, 0.270 M	2	1	
- 10	169733	. SCREW,CAP,SOC HD- 1/4-20 X 0.650 LG	3		
- 11	2121358	. SCREW,CAP,SOC HD- 4-40 X 1 LG	2	1	
- 11	170185	. SCREW AND LOCKWASHER, 4-40 X 1 LG	2	2	
- 12	170215	. SCREW AND LOCKWASHER, 6-32 X 3/8 LG	2		
		INDEXES 13 AND 14 DELETED			
- 14	234319	. SCREW,ASMD WASHER-FIL H 8-32 X 7/16 LG	2	2	
- 15	234345	. SCREW,ASMD WASHER-FIL HD 1/4-20 X 1-1/4	2	7	
- 15	170530	. SCREW,MACH-SLOT HEX HD 1/4-20 X 1 3/4 LG	2	8	
- 16	234349	. SCREW,ASSEM WASH-HEX HD 5/16-18 X 1 LG	2		
- 17	236529	. SCREW,TAP,THD CTG-FLAT CSK HD 3/8 LG	3		
- 18	236550	. SCREW,MACH BINDING HD 4-40 X 0.375 LG	3		
- 18A	251970	. SCREW-MACH BD. HD. 4-40 X 1/4 LG	1	5	
- 19	257983	. WASHER,LOCK-SPLIT 0.319 ID X 0.591 OD	3	4	
- 19	257983	. WASHER,LOCK-SPLIT 0.319 ID X 0.591 OD	6	5	
- 19A	257985	. WASHER,FLAT-NO. 4 X 0.250 OD X 0.028 THK	2	1	
- 20	257986	. WASHER,FLAT NO. 6	2	1	
- 21	317464	. SCREW,CAP,SOC HD- 1/4-20 X 5/8 LG	1		
- 22	332620	. SCREW, MACH-BIND HD NO. 10-32 X 1/2 LG	1		
- 23	338238	. SCREW, MACHINE-BIND HD, 4-40 X 5/16 LG	4		
- 23A	359044	. TUBING	REF		
		SEE LIST 1- 22A FOR NEXT HIGHER ASM.			
- 24	369207	. LABEL, VOLTAGE	1		
- 25	438550	. SCREW,MACH-BIND HD 4-40 X 0.5 LG	4		
- 25A	1073418	. RING-RETAINING	3	2	
- 26	1077739	. PIN,SPRING	3		
- 26A	1090873	. WASHER-SPLIT LOCK-NO.8	6	1	
- 27	1092125	. RING,LOCKING	2		
- 27A	2154149	. WASHER, SOLENOID SPRING	2	2	
- 28	2154201	. CLAMP, CENTER ARM, SMALL	4		
- 29	2154202	. CLAMP, CENTER ARM, LARGE	4		
- 30	2154238	. CLAMP ARM	2		
- 31	2154239	. CLAMP ARM	2		
- 32	2154244	. CLAMP, CARRIAGE DRIVE ROD	1		
- 33	2154251	. POST, BELT GUARD, 1.625 LG X 3/4 DIA	2	1	
- 33	2154251	. POST, BELT GUARD, 1.625 LG X 3/4 DIA	1	2	
- 34	2154358	. SEAL, BASE PLATE	8		
- 35	2154360	. SPACER, MOTOR PLATE, 1.687 LG X 3/4 DIA	3	4	
- 35	2180916	. MOUNT, SHOCK	3	5	
- 36	2154374	. SCREW,SOCKET HEAD CAP- 4-40 X 0.938 LG	12		
- 37	2154418	. SPRING, EXTENSION, DETENT ARM, 1.200 LG	1	1	
- 37	2181186	. SPRING-DETENT ARM	1	2	
- 38	2154451	. TUBE, PRESSURE LINE	1		
- 39	2154453	. STUD, DETENT ARM SPRING, 8-32 X 1.03 LG	1	1	
- 39	2181209	. STOP-SPRING	1	2	
- 40	2154457	. WASHER, FLAT, 0.312 DIA	1		
- 41	2154459	. SPRING, COMPRESSION, 0.543 LG X 0.218DIA	1		
- 42	2154461	. PIVOT, DETENT ARM, 4-40 X 1.26 LG	1	1	
- 43	2157307	. TUBE, DETENT	1		
- 44	2157340	. COVER, SLOTTED WHEEL REAR	1		
- 45	2157354	. SHIM, DETENT ACTUATOR	1		
- 46	2160717	. SUPPORT, DISK SHROUD	3		
- 47	2160863	. BRACKET,SPINDLE BRAKE MOUNTING	1	1	
- 48	2160867	. BRAKE, MAGNETIC	1	1	
- 49	2160961	. BRACKET, HEAD CABLE	1		

LIST AND INDEX NO.	PART NO.	DESCRIPTION	UNITS PER ASM.	USABLE ON CODE
		DISK STORAGE DRIVE FILE ASSEMBLY -CONT		
5 - 50	2160963	. RETAINER, HEAD CABLE SOCKET	2	
- 51	2162533	. SUPPORT, PLENUM	1	
- 52	2162535	. SUPPORT, PLENUM FILTER	3	
* - 55	2162669	. SWITCH ASM, PACK-IN-PLACE INDEXES 53 AND 54 DELETED	1	1
* - 55	2181059	. SWITCH ASSEMBLY, PACK-IN-PLACE SEE LIST 5A FOR DETAIL BREAKDOWN	1	2
- 56	1974	. . INSULATOR-STOP KEY CONT SPRING SUPPORT	2	
* - 57	186842	. . INSULATOR-SCR 0.128 ID 0.186 OD 0.520 LG	2	3
* - 58	438552	. . SCREW,MACH-BIND HD 4-40 X 3/4 LG	2	3
* - 59	2181044	. . CONTACT ASSEMBLY, SPRING	1	3
* - 60	2181046	. . TERMINAL, SWITCH	2	
* - 61	2181051	. . BRACKET, SWITCH	1	3
* - 62	2181055	. . STRAP ASSEMBLY, CONTACT INDEXES 63 THRU 70 DELETED	1	
- 71	2162802	. CLAMP, HOSE	2	
* - 71	4061518	. CLAMP,HOSE SUBSTITUTE FOR P/N 2162802	2	
- 72	2162872	. DETENT ASSEMBLY, ACTUATOR	1	
- 73	170176	. . SCREW	4	
- 73A	2157308	. . HEAD, DETENT ACTUATOR	1	
- 74	2154316	. . HOUSING, ACTUATOR DETENT	1	
- 75	2154317	. . PLUNGER, DETENT ACTUATOR	1	
- 76	2154318	. . DIAPHRAGM, DETENT ACTUATOR	1	
- 77	2162774	. . PIVOT, DETENT ARM	1	
* - 77A	2162883	. SPACER , BRAKE	1	1
* - 77B	2162884	. SHIM	2	1
* - 77C	2162886	. HUB ASM.-BRAKE	1	1
* - 77D	62031	. . WASHER,LOCK-INT TEETH NO. 6 X 0.295 OD	1	1
* - 77E	257187	. . MACHINE SCREW HEXAGON	1	1
* - 77F	322552	. . SCREW,MACH-BIND HD 6-32 X 7/8 LG	1	1
* - 77G	2162728	. . ARMATURE - BRAKE	1	1
* - 77H	2162878	. . SPRING , HELICAL COMPRESSION	1	
* - 77J	2162885	. . HUB - BRAKE	1	
* - 77K	2173758	. O-RING- 1.109 ID X 0.139IN. DIA CRS SECT	1	8
* - 78	2180410	. ACTUATOR ASSEMBLY, HYDRAULIC	1	4
* - 78	2181274	. ACTUATOR ASSEMBLY-HYDRAULIC	1	5
* - 78	2181274	. ACTUATOR ASSEMBLY-HYDRAULIC SEE LIST 6 FOR DETAIL BREAKDOWN	1	6
- 79	2180420	. SPINDLE ASM,DISK PACK SEE LIST 7 FOR DETAIL BREAKDOWN	1	1
* - 79	2181062	. SPINDLE ASM, DISK PACK SEE LIST 7 FOR DETAIL BREAKDOWN	1	3
* - 79	2218674	. SPINDLE ASSEMBLY SEE LIST 7 FOR DETAIL BREAKDOWN	1	5
- 80	2180439	. BELT, FLAT DRIVE, 60 CYCLE	1	A
- 80	2180889	. BELT, FLAT DRIVE, 50 CYCLE	1	B
* - 81	2180472	. PUMP ASSEMBLY, HYDRAULIC	1	
- 82	2154448	. . PUMP, HYDRAULIC	1	
* - 82A	2154456	. . ELBCW, BRASS, .438-24 FEMALE, 250-18 MAL	1	5
* - 83	2160864	. . PRESSURE SWITCH ASSEMBLY, N/C	1	1
* - 83	2181146	. . SWITCH,PRESSURE,N/C	1	3
* - 84	2160866	. . TEE, MALE, 1-1/8 LG	1	1
* - 85	2180492	. . ELBCW, BRASS, .25 NPT X 1.38 LONG	1	4
* - 85	2181239	. . FITTING,ELBOW- 90 DEGREE PIPE TO TUBE	1	5
* - 86	2181288	. . VALVE	1	5
* - 86A	2181289	. . SPRING,HELICAL COMPRESSION	1	5
- 87	2180478	. MOUNT, BRUSH MOTOR	1	
- 88	2180480	. PIVOT ASSEMBLY, BRUSH SEE LIST 8 FOR DETAIL BREAKDOWN	1	
- 89	2180486	. LINK ASSEMBLY, BRUSH ACTUATOR	1	
* - 90	2180491	. TUBE, .375 ID X 4.125 LONG	1	4
* - 90	2181273	. TUBE-HYDRAULIC	1	5
- 91	2180511	. ARM ASSEMBLY, DETENT	1	
- 92	2180520	. CARRIAGE AND CARRIAGE HOUSING ASSEMBLY SEE LIST 9 FOR DETAIL BREAKDOWN	1	
- 93	2180521	. COVER, SLOTTED WHEEL FRONT	1	
- 94	2180522	. SPACER, DETENT TRANSDUCER	1	
* - 95	2180524	. PLATE,DETENT TRANSDUCER	1	
* - 96	2180526	. PLATE,CYLINDER TRANSDUCER	1	
* - 97	2180531	. SUPPORT-TRANSDUCER ASSEMBLY,INDEX SEE LIST 12 FOR DETAIL BREAKDOWN	1	

LIST AND INDEX NO.	PART NO.	DESCRIPTION	UNITS PER ASM.	USABLE ON CODE
		1 2 3 4		
		DISK STORAGE DRIVE FILE ASSEMBLY -CONT		
* 5 - 98	2180611	. TRANSDUCER ASSEMBLY,CYLINDER	1	
* - 99	2180612	. TRANSDUCER ASSEMBLY,DETENT	1	
* -1C0	2180624	. BASEPLATE, FILE	1	
* -1C1	2180702	. WASHER, SPRING, .126 ID X .394 OD	4	1
* -101	2180702	. WASHER, SPRING, .126 ID X .394 OD	8	2
* -102	2180709	. SHIM, TRANSDUCER	AR	
* -103	2180749	. CARD ASSEMBLY, READ PREAMP	1	1
		SEE LIST 13 FOR DETAIL BREAKDOWN		
* -103	2181149	. CARD ASSEMBLY,READ PREAMP	1	3
		SEE LIST 13 FOR DETAIL BREAKDOWN		
* -103	2244049	. CARD ASSEMBLY,READ PREAMP	1	5
		SEE LIST 13 FOR DETAIL BREAKDOWN		
-104	2180752	. POST, HEAD CABLE TERMINAL	1	
-105	2180761	. SCREW, SELF TAPPING, 4-40 X .625 LONG	2	
* -106	2180762	. MOTOR ASSEMBLY, BRUSH PIVOT, 60 CYCLE	1	A
* -106	2180868	. MOTOR ASSEMBLY, BRUSH PIVOT, 50 CYCLE	1	B
-107	257971	. . SETSCREW,HEADLESS	1	
-108	609687	. . CONTACT	2	
-109	725558	. . CONNECTOR	1	
-110	2180487	. . CRANK, BRUSH MOTOR	1	
* -111	2180497	. . MOTOR, 1 RPM, 220V, 60 CYCLE	1	A
* -111	5102917	. . MOTOR ASSEMBLY, 1 RPM, 220V, 50 CYCLE	1	4B
* -111	2181236	. . MOTOR-BRUSH ACTUATOR	1	5B
* -112	2180799	. GUARD, BELT SPINDLE PULLEY	1	1
* -113	2180835	. LABEL, SOLENOID AND HEAD DESIGNATION	2	
-114	2180916	. MOUNT, SHOCK	3	
-115	2180917	. SPACER, SHOCK MOUNT	3	
-123	2180923	. GASKET, PUMP MOUNTING SPACER	2	
-124	2180924	. RETAINER, PUMP DRIVE	1	
* -125	2180928	. SPACER, PUMP MOUNTING	1	7
* -125	4100328	. SPACER,PUMP MOUNTING	1	8
* -126	2180930	. DRIVE ASSEMBLY, HYDRAULIC PUMP	1	4
* -126	2181270	. DRIVE ASSEMBLY,HYDRAULIC PUMP	1	6
* -126	2181276	. DRIVE ASSEMBLY,HYDRAULIC PUMP	1	8
		PARTS OF THIS ASM ARE NOT REPLACEABLE		
		INDEXES 127 THRU 133 DELETED		
-134	2180986	. DRIVE ASSEMBLY, MOTOR	1	
		SEE LIST 14 FOR DETAIL BREAKDOWN		
* -135	2180988	. PULLEY, MOTOR DRIVE, 60 CYCLE	1	4A
* -135	2181296	. PULLEY ASSEMBLY,MOTOR DRIVE,60 CYCLE	1	5A
* -135	2180864	. PULLEY, MOTOR DRIVE, 50 CYCLE	1	4B
* -135	2181295	. PULLEY ASSEMBLY,MOTOR DRIVE,50 CYCLE	1	5B
* -135A	5528	. . SCREW,MACH BIND HD 8-32 X .625 LG	3	5
* -135B	129654	. . SCREW,CAP,SOC HD- 10-32 X 3/4 LG	1	5
* -135C	2181283	. . CLAMP,HUB-MOTOR	1	5
* -135D	2181286	. . PULLEY,MOTOR DRIVE,50 CYCLE	1	5A
* -135D	2181285	. . PULLEY,MOTOR DRIVE,60 CYCLE	1	5B
* -136	2180989	. SHIM, PULLEY INSULATOR	1	4
* -137	2180990	. KEY, DRIVE MOTOR	1	4
* -137A	2181038	. BUSHING, LATCH BRAKE	1	2
* -137B	2181040	. LATCH, SPINDLE	1	2
* -137C	2181042	. LINK, CONNECTING	1	2
* -137D	2181052	. SPRING, COMPRESSION, .482 X 1.21 LG.	1	2
* -137E	2181053	. SPRING, COMPRESSION, .165 X 1.75 LG.	1	2
* -137F	2181054	. WASHER, TEFLON, .391 ID X 1.00 OD	1	2
* -138	2181067	. CARD ASSEMBLY, WRITE DRIVER	1	1
		SEE LIST 15 FOR DETAIL BREAKDOWN		
* -138	2181213	. CARD ASSEMBLY,WRITE DRIVER	1	3
		SEE LIST 15 FOR DETAIL BREAKDOWN		
* -138	2181240	. CARD ASSEMBLY,WRITE DRIVER	1	5
		SEE LIST 15 FOR DETAIL BREAKDOWN		
* -139	2181233	. SHIELD,READ PREAMP	1	5
* -140	2244042	. SPACER,SHOCK MOUNT	3	5
* -141	2244043	. SPACER,SHOCK MOUNT ADAPTER	3	5
* -142	2244046	. JUMPER ASSEMBLY,GROUNDING	1	5
		SEE LIST 19- 3E AND - 3F		
		FOR COMPONENT PARTS		
* -143	2244205	. DECAL,CYLINDER TRANSDUCER	1	8
* -144	NO NO.	. CABLE CLAMP, SEE LIST 19-1	1	1

FOR PARTS
NOT SHOWN
SEE FIG. 5

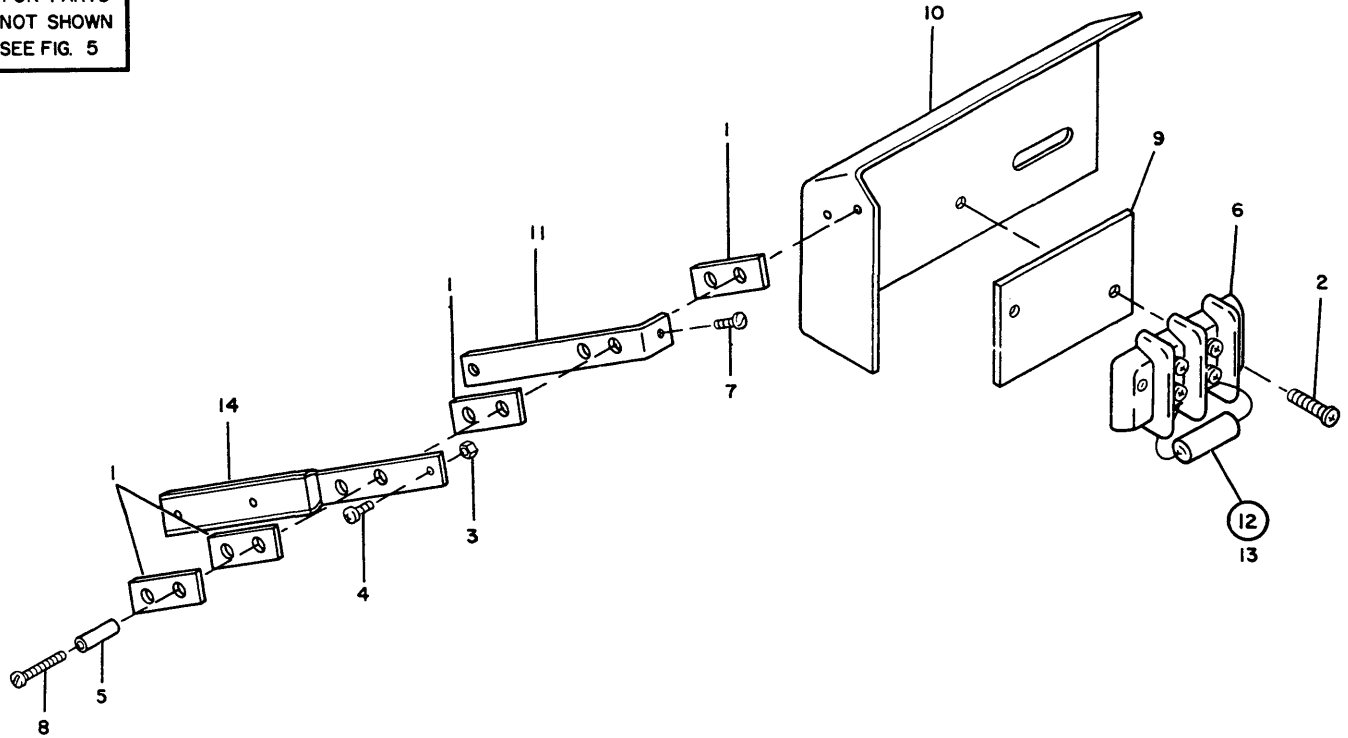


FIGURE 5A. PACK-IN-PLACE SWITCH ASSEMBLY. SEE LIST 5A.

LIST AND INDEX NO.	PART NO.	DESCRIPTION	UNITS PER ASM.	USABLE ON CODE
		1 2 3 4		
		PACK-IN-PLACE SWITCH ASSEMBLY		
5A-	2162669	SWITCH ASM, PACK-IN-PLACE USED ON MACHINES PRIOR TO D5 SUFFIX SEE LIST 5- 55 FOR NEXT HIGHER ASM. AND FIGURE 5A FOR ILLUSTRATION	REF	
- 1	1974	• INSULATOR-STOP KEY CONT SPRING SUPPORT	4	
- 2	35739	• SCREW,MACH-BIND HD 6-32 X 15/16 LG	2	
- 3	37913	• NUT, HEX 4-40 NC	1	
- 4	170150	• SCREW,ASSEM WASH-FIL H 4-40 X 1/4 LG	1	
- 5	186842	• INSULATOR-SCR 0.128 ID 0.186 OD 0.520 LG	2	
- 6	323840	• TERMINAL BOARD- 2 DBL SCREW TERMINALS	1	
- 7	438548	• SCREW,MACH-BIND HD 4-40 X 3/16 LG	1	
- 8	438551	• SCREW,MACH-BIND HD 4-40 X 5/8 LG	2	
- 9	512426	• INSULATOR,PLATE-TERMINAL STRIP	1	
- 10	2160865	• BRACKET, SWITCH MOUNTING	1	
- 11	2160901	• TERMINAL ASSEMBLY, COMMON	1	
- 12	2160917	• DIODE ASM, SILICON, TYPE AM	1	
- 13	2111232	• SEMICONDUCTOR DEVICE-DIODE	1	
- 14	2162600	• CONTACT ASSEMBLY,SPRING	1	

FOR PARTS
NOT SHOWN
SEE FIG. 5

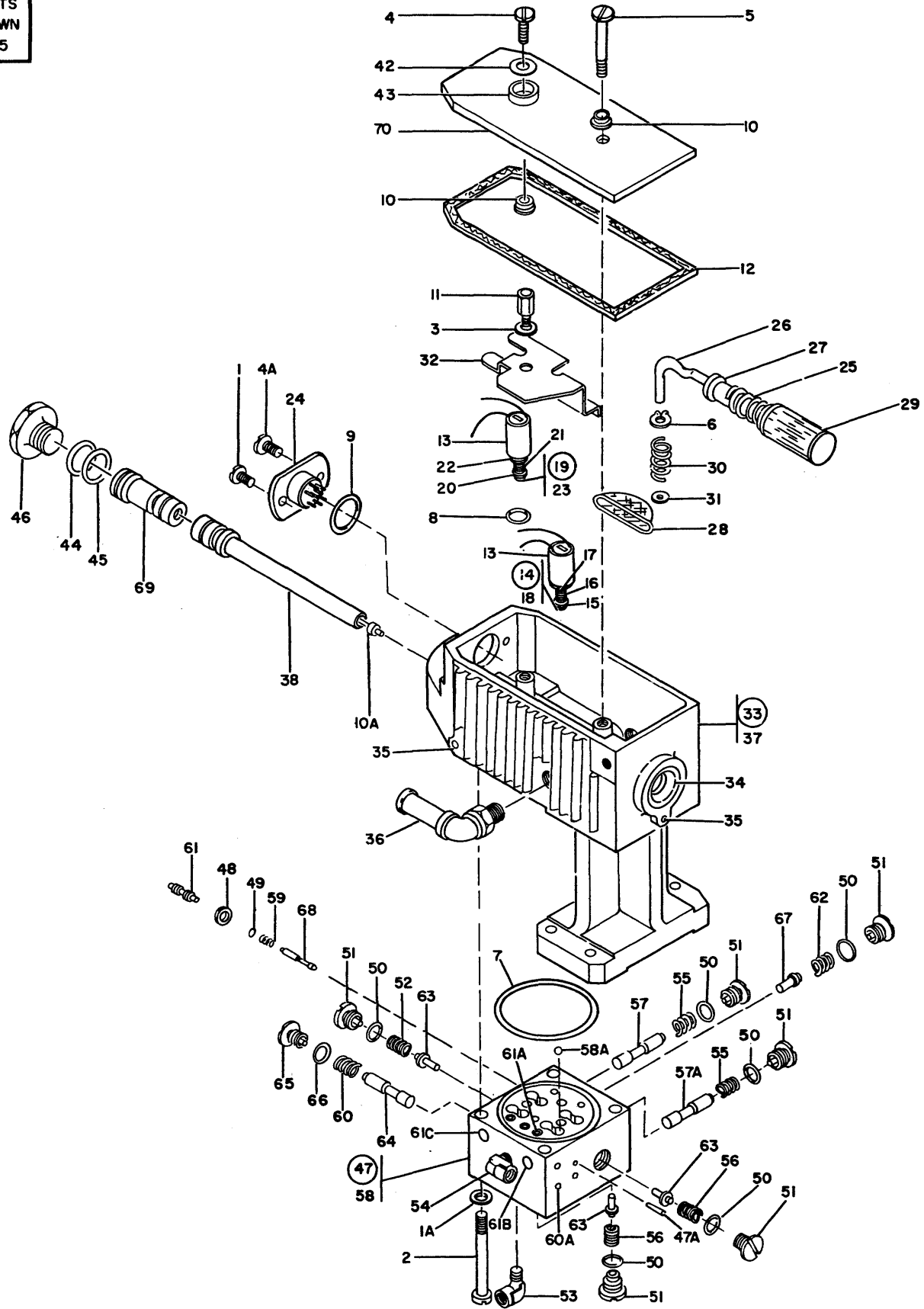


FIGURE 6. HYDRAULIC ACTUATOR ASSEMBLY. SEE LIST 6.

LIST AND INDEX NO.	PART NO.	DESCRIPTION	UNITS	USABLE
			PER ASM.	ON CODE
		HYDRAULIC ACTUATOR ASSEMBLY		
* 6 -		CODE 1 USED ON ASM PRIOR TO E5 SUFFIX CODE 2 USED ON ASM FROM E5 TO H5 SUFFIX CODE 3 USED ON ASM FROM E5 TO E6 SUFFIX CODE 4 USED ON ASM FROM E5 TO CURRENT CODE 5 USED ON ASM PRIOR TO H5 SUFFIX CODE 6 USED ON ASM FROM H5 TO CURRENT CODE 7 USED ON ASM FROM E6 TO CURRENT		
* -	2180410	ACTUATOR ASSEMBLY, HYDRAULIC USED ON MACHINES PRIOR TO E6 SUFFIX SEE LIST 5- 78 FOR NEXT HIGHER ASM. AND FIGURE 6 FOR ILLUSTRATION	REF	
* -	2181274	ACTUATOR ASSEMBLY-HYDRAULIC USED ON MACHINES FROM E6 TO CURRENT SEE LIST 5- 78 FOR NEXT HIGHER ASM. AND FIGURE 6 FOR ILLUSTRATION	REF	
* - 1	81693	. SCREW, MACH-BIND HD NO 6-32 X 3/8 LG	1	
* - 1A	9092	. WASHER-LOCK, SPLIT RING, .194 ID .337OD	4	2
* - 1A	45690	. WASHER, FL - NO.10 X 7/16 OD X 1/32 THK	4	6
* - 2	322562	. SCREW, BINDING HEAD 10-32 X 2 IN LONG	4	1
* - 2	186934	. SCREW, CAP-HEX SOCKET, 10-32 X 2.00 IN. LG	4	4
* - 3	257986	. WASHER, FL- NO. 6 X 0.312 OD	1	
* - 4	322065	. SCREW, MACH-BIND HD 6-32 X 5/8 LG	1	
* - 4A	322550	. SCREW, MACH-BIND HD NO. 6-32 X 1/2 LG	1	
* - 5	438568	. SCREW, MACHINE BINDING HEAD	1	
* - 6	1115633	. RING, RETAINING	1	
* - 7	2121754	. O RING, 2.309 OD	1	
* - 8	2154120	. O-RING, 0.301 ID	1	
* - 9	2154132	. O-RING, 0.750 ID	1	
* - 10	2154138	. DYNA-SEAL, SUMP COVER	2	
* - 10A	2154140	. BALL CLAMP, CARRIAGE COUPLER	1	
* - 11	2154143	. SCREW, SUMP DEFLECTOR MOUNTING	1	
* - 12	2154145	. GASKET, HYDRAULIC ACTUATOR SUMP COVER	1	
* - 13	2154153	. SOLENOID ASSEMBLY	5	
* - 14	2157356	. PLUNGER ASSEMBLY, FWD, SLOW, DETENT SOL	4	1
* - 14	2181076	. PLUNGER ASM. FWD S/O DETENT SOLENOID	1	2
* - 14	2181173	. PLUNGER ASSEMBLY-SOLENOID	1	6
* - 15	1073418	. . RING, RET- 0.094 ID X 0.230 OD	1	
* - 16	2154148	. . SPRING, COMPRESSION, 0.838 LG X 0.160DIA USED ON ASM 2157376 ONLY	1	
* - 16	2181075	. . SPRING USED ON ASM 2181076 ONLY	1	
* - 16	2181171	. . SPRING-COMPRESSION, SOLENOID PLUNGER USED ON ASM 2181173 ONLY	1	
* - 17	2154149	. . WASHER, SOLENOID SPRING	1	
* - 18	2154150	. . PLUNGER, FORWARD, SLOW, DETENT SOLENOID USED ON ASM 2157376 AND 2181076 ONLY	1	
* - 18	2181172	. . PLUNGER-SOLENOID USED ON ASM 2181173 ONLY	1	
* - 19	2157361	. PLUNGER ASSEMBLY, EXTEND SOLENOID	1	5
* - 19	2181216	. PLUNGER ASSEMBLY-EXTENDER SOLENOID	1	6
* - 20	1073418	. . RING, RET- 0.094 ID X 0.230 OD	1	
* - 21	2154147	. . SPRING, COMPRESSION, 0.350 LG X 0.170DIA USED ON ASM 2157361 ONLY	1	3
* - 21	2181217	. . PLUNGER ASSEMBLY-EXTENDER SOLENOID USED ON ASM 2181216 ONLY	1	4
* - 22	2154149	. . WASHER, SOLENOID SPRING	1	
* - 23	2154151	. . PLUNGER, EXTEND SOLENOID	1	
* - 24	2180414	. BLOCK ASSEMBLY, SOLENOID TERMINAL	1	5
* - 24	2154124	. BLOCK ASSEMBLY, SOLENOID TERMINAL	1	6
* - 25	2180419	. SPRING, COMPRESSION, .457 X .700 LONG	1	
* - 26	2180424	. TUBING, HYDRAULIC	1	
* - 27	2180429	. BUSHING, ALUMINUM, .363 X .87 LONG	1	
* - 28	2180430	. SCREEN, SUMP	1	
* - 29	2180432	. ELEMENT, HYDRAULIC OIL FILTER	1	
* - 30	2180465	. SPRING, COMPRESSION, .225 X 1.3 LONG	1	
* - 31	2180468	. VALVE, FILTER PRESSURE RELIEF	1	
* - 32	2180763	. DEFLECTOR, SUMP	1	
* - 33	2180765	. HOUSING ASSEMBLY, HYDRAULIC ACTUATOR	1	
* - 34	2121517	. . SEAL, WIPER, .335 ID X .883 OD	1	
* - 35	2180423	. . BALL, .19685 SPHERICAL DIA.	4	
* - 36	2180431	. . CONNECTOR, TUBING, .250-18 X 1.81 LONG	1	1
* - 36	2154127	. . CONNECTOR, SUCTION LINE SUMP	1	3
* - 36	2181239	. . FITTING, ELBOW- 90 DEGREE PIPE TO TUBE	1	7
* - 37	2180764	. . HOUSING, HYDRAULIC ACTUATOR	1	

LIST AND INDEX NO.	PART NO.	DESCRIPTION				UNITS PER ASM.	USABLE ON CODE
		1	2	3	4		
		HYDRAULIC ACTUATOR ASSEMBLY -CONT					
6 - 38	2180768	. ROD ASSEMBLY, CARRIAGE DRIVE PARTS OF THIS ASM ARE NOT REPLACEABLE INDEXES 39 THRU 41 DELETED				1	
- 42	2180769	. WASHER, SUMP RELIEF				1	
- 43	2180771	. BREATHER, SUMP RELIEF				1	
- 44	2180772	. O RING, RUBBER, .644 ID				1	
- 45	2180773	. PACKING, U-CUP				1	
- 46	2180774	. CAP, REAR				1	
- 47	2180776	. BLOCK AND PLUG ASSEMBLY, ACTUATOR				1	5
- 47	2181185	. MANIFOLD ASM-HYDRAULIC ACTUATOR				1	6
- 47A	4327	. . PIN, TAPER NO. 5-0 X .562 LG				1	
- 48	257187	. . NUT, HEX DOUBLE CHAMFERED 6-36 X 5/16				1	
- 49	357419	. . O-RING				1	
- 50	2154120	. . O-RING, 0.301 ID				6	
- 51	2154121	. . STOP, VALVE SPOOL, LOWER				6	
- 52	2154130	. . SPRING, COMPRESSION, 0.913 LG X 0.210DIA				1	
- 53	2154133	. . ELBOW, BRASS, 0.438-24 X 0.55 OD				1	
- 54	2154134	. . ELBOW, BRASS, 0.375-24 X 0.50 OD				1	
- 55	2154136	. . SPRING, COMPRESSION, 0.710 LG X 0.218DIA USED ON ASM 2180776 ONLY				2	
- 55	2181182	. . SPRING-FORWARD USED ON ASM 2181185 ONLY				2	
- 56	2154141	. . SPRING, COMPRESSION, 0.934 LG X 0.210DIA USED ON ASM 2180776 ONLY				2	
- 56	2154130	. . SPRING, COMPRESSION, 0.913 LG X 0.210DIA USED ON ASM 2180776 ONLY				2	
- 57	2154146	. . SPOOL, SLOW, FORWARD VALVE USED ON ASM 2180776 ONLY				1	
- 57	2181177	. . SPOOL, INTERMEDIATE SPEED USED ON ASM 2181185 ONLY				1	
- 57A	2154146	. . SPOOL, SLOW, FORWARD VALVE USED ON ASM 2180776 ONLY				1	1
- 57A	2181074	. . SPOOL, VALVE-FWD REV USED ON ASM 2180776 ONLY				1	4
- 57A	2181178	. . SPOOL, VALVE-FWD REV USED ON ASM 2181185 ONLY				1	
- 58	2180413	. . BLOCK, VALVE				1	
- 58A	2180416	. . BALL-CHECK				1	
- 59	2180417	. . SPRING, COMPRESSION, .097 X .450 LONG USED ON ASM 2180776 ONLY				1	
- 59	2181184	. . SPRING-SPOOL USED ON ASM 2181185 ONLY				1	
- 60	2180421	. . SPRING, COMPRESSION, .178 X 1.00 LONG				1	
- 60A	2180423	. . BALL, .19685 SPHERICAL DIA.				6	
- 61	2180425	. . SCREW, ADJUSTING				1	
- 61A	2180426	. . INSERT-VALVE				4	
- 61B	2180427	. . SPOOL-VALVE USED ON ASM 2180776 ONLY				1	
- 61B	2181175	. . STOP, VALVE-FORWARD USED ON ASM 2181185 ONLY				1	
- 61C	2180427	. . SPOOL-VALVE USED ON ASM 2180776 ONLY				1	
- 61C	2181174	. . STOP, VALVE-INTRMOTE USED ON ASM 2181185 ONLY				1	
- 62	2180467	. . SPRING, COMPRESSION, .225 X 1.06 LONG USED ON ASM 2180776 ONLY				1	
- 62	2181183	. . SPRING-VALVE USED ON ASM 2181185 ONLY				1	
- 63	2180760	. . VALVE, CHECK				3	
- 64	2180785	. . VALVE, DUMP SPOOL USED ON ASM 2180776 ONLY				1	
- 64	2181181	. . VALVE ASSEMBLY-DUMP USED ON ASM 2181185 ONLY				1	
- 65	2180786	. . STOP, DUMP VALVE SCREW				1	
- 66	2180793	. . SEAL, RUBBER, .280 ID, .52 OD				1	
- 67	2180925	. . VALVE, PRESSURE RELIEF USED ON ASM 2180776 ONLY				1	
- 67	2180760	. . VALVE-CHECK USED ON ASM 2181185 ONLY				1	
- 68	2180932	. . SPOOL, ORIFICE SIZE-.0102 AND .0210				1	
- 69	2180777	. PISTON, HOME AND EXTENDED				1	
- 70	2180778	. COVER, HYDRAULIC ACTUATOR				1	

FOR PARTS
NOT SHOWN
SEE FIG. 5

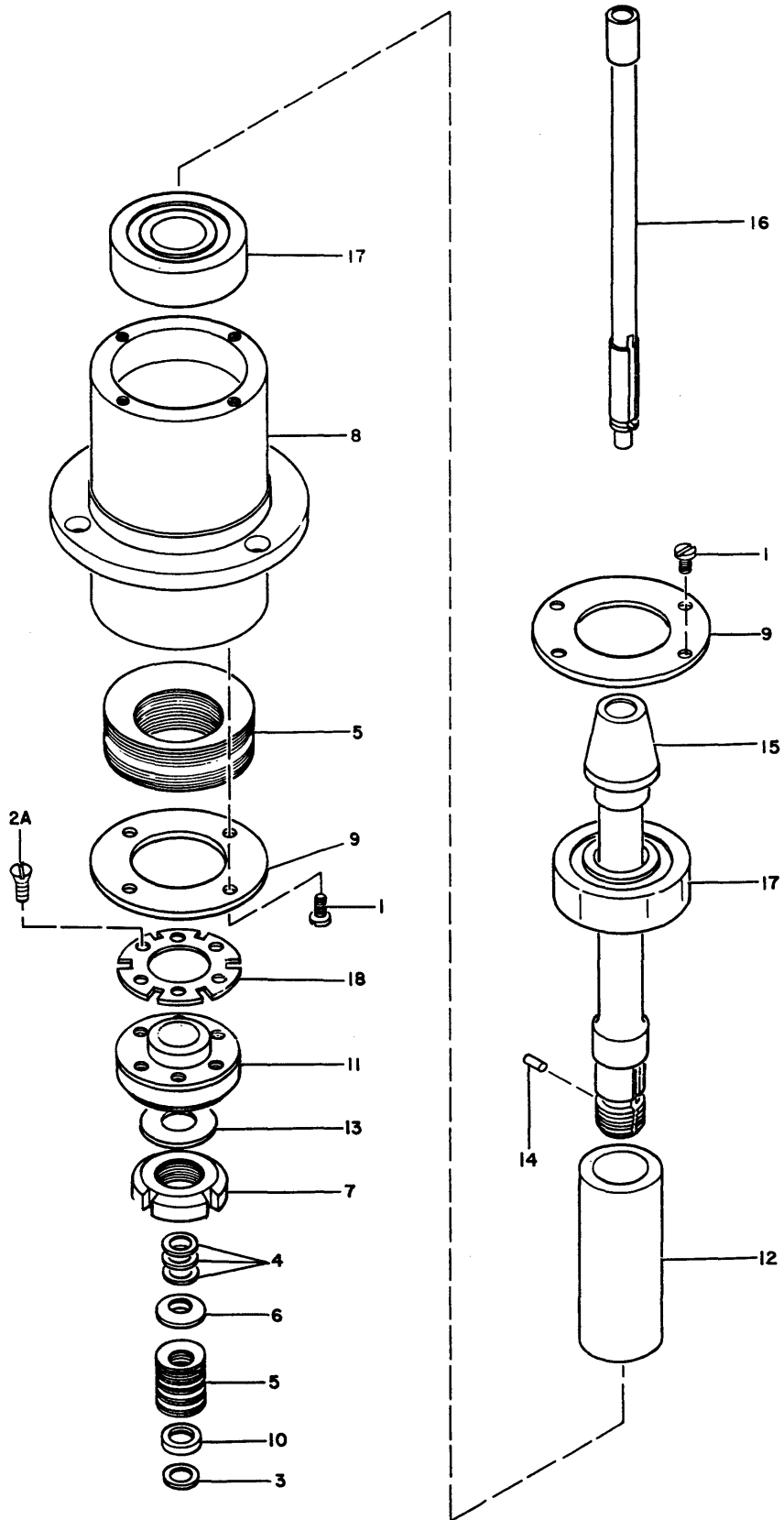


FIGURE 7. DISK PACK SPINDLE ASSEMBLY. SEE LIST 7.

LIST AND INDEX NO.	PART NO.	DESCRIPTION 1 2 3 4	UNITS PER ASM.	USABLE ON CODE
DISK PACK SPINDLE ASSEMBLY				
* 7 -		CODE A USED ON MACH. PRIOR TO D5 SUFFIX CODE B USED ON MACH. FROM D5 TO E6 CODE C USED ON MACH. FROM E6 TO CURRENT		
-	2180420	SPINDLE ASM, DISK PACK SEE LIST 5- 79 FOR NEXT HIGHER ASM. AND FIGURE 7 FOR ILLUSTRATION	REF	A
-	2181062	SPINDLE ASM, DISK PACK SEE LIST 5- 79 FOR NEXT HIGHER ASM. AND FIGURE 7 FOR ILLUSTRATION	REF	B
-	2218674	SPINDLE ASSEMBLY SEE LIST 5- 79 FOR NEXT HIGHER ASM. AND FIGURE 7 FOR ILLUSTRATION	REF	C
- 1	34512	. SCREW, MACH-BIND. HD 8-32 X 3/8 LG INDEX 2 DELETED	8	
- 2A	316807	. SCREW, MACH FL HD 6-32 X 3/8 LG	6	B
- 2A	2181010	. SCREW, FLATHEAD UNDERCUT, 6-32 X .437	6	C
- 3	2154355	. RING, RETAINING	1	
- 4	2154419	. SHIM, DISK PACK SPINDLE	9	
- 5	2154423	. SPRING, DISK SPINDLE BEARING	6	
- 6	2154424	. SPRING, DISK PACK LOCKING SHAFT	10	
- 7	2154426	. LOCKNUT, DISK PACK SPINDLE	1	
- 8	2154429	. HOUSING, DISK PACK SPINDLE	1	
- 9	2154430	. PLATE, SPINDLE BEARING	2	
- 10	2154469	. RETAINER, STEEL, 3/4 OD X 1/2 ID	1	
- 11	2180408	. PULLEY, DISK PACK	1	A
- 11	2181056	. PULLEY, DISK PACK	1	B
- 11	2218673	. CORR. OUTLET- 50 CY REAR QUAD DR. FEAT.	1	C
- 12	2180548	. SPACER, BEARING, 1.50 OD X 3.755 LONG	1	
- 13	2180779	. WASHER, FIBER, 1.175 ID X 1.80 OD	1	
- 14	2180787	. PIN, SPINDLE DRIVE	1	
- 15	2180789	. SPINDLE, DISK PACK	1	
- 16	2180792	. LOCKING SHAFT ASSEMBLY	1	A
- 16	2181058	. SHAFT ASSEMBLY, LOCKING	1	B
- 16	2181058	. SHAFT ASSEMBLY, LOCKING	1	C
- 17	2180798	. BEARING, BALL, 1.18 ID, 2.44 OD	2	
- 18	2181041	. WHEEL, LOCK	1	B
- 18	2181041	. WHEEL, LOCK	1	C

FOR PARTS
NOT SHOWN
SEE FIG. 5

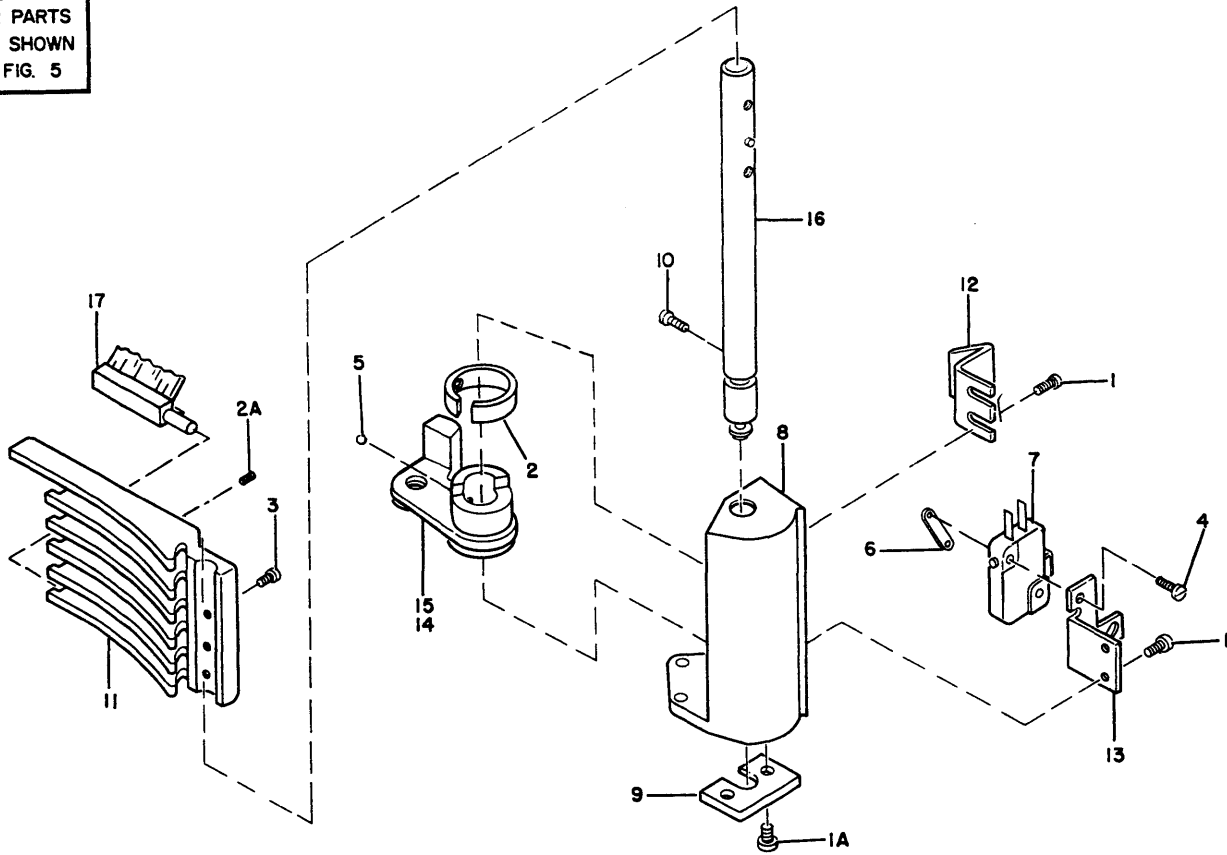


FIGURE 8. BRUSH PIVOT ASSEMBLY. SEE LIST 8.

LIST AND INDEX NO.	PART NO.	DESCRIPTION				UNITS PER ASM.	USABLE ON CODE
		1	2	3	4		
8 -		BRUSH PIVOT ASSEMBLY					
		- CODE 1 USED ON ASM PRIOR TO P5 SUFFIX - CODE 2 USED ON ASM FROM P5 TO CURRENT - CODE 3 USED ON ASM PRIOR TO P6 SUFFIX - CODE 4 USED ON ASM FROM P6 TO CURRENT -					
*	-	2180480	PIVOT ASSEMBLY, BRUSH SEE LIST 5- 88 FOR NEXT HIGHER ASM. AND FIGURE 8 FOR ILLUSTRATION			REF	
*	-	1	10170	• SCREW-MACH,BIND HD NO. 6-32 X .250 LG		6	1
*	-	1	10170	• SCREW-MACH,BIND HD NO. 6-32 X .250 LG		4	2
*	-	1A	81693	• SCREW,MACH-BIND HD 6-32 X 3/8 LG		2	2
*	-	2	237245	• CLIP-RET		1	
*	-	2A	257958	• SETSCREW-SPLINE DR FP 4-40 X 3/16 LG SEE LIST 1- 18 FOR NEXT HIGHER ASM.		REF	
*	-	3	322065	• SCREW,MACH-BIND HD 6-32 X 5/8 LG		2	
*	-	4	438551	• SCREW,MACH-BIND HD 4-40 X 5/8 LG		2	
*	-	5	1124682	• BALL, COMPENSATOR, S ST, 0.18750 DIA		1	
*	-	6	2157349	• PLATE, SECTOR PULSE SWITCH		1	3
*	-	6	2244026	• PLATE,NUT, SECTOR SWITCH		1	4
*	-	7	2162551	• SWITCH, SECTOR BLOCK		1	
*	-	8	2180479	• SUPPORT, BRUSH PIVOT SHAFT		1	
*	-	9	2180484	• RETAINER, BRUSH PIVOT SHAFT		1	
*	-	10	2180898	• SCREW, BRUSH ARM STOP		1	
*	-	11	2180903	• HOLDER, BRUSH		1	
*	-	12	2180904	• BRACKET, BRUSH HOLDER STOP		1	
*	-	13	2180905	• BRACKET, SWITCH		1	
*	-	14	2180906	• ARM, BRUSH PIVOT		1	
*	-	15	2180907	• SPRING, DETENT		1	
*	-	16	2180909	• SHAFT ASSEMBLY, BRUSH PIVOT		1	
*	-	17	2180499	• BRUSH ASSEMBLY, DISK PACK SEE LIST I- 45 FOR NEXT HIGHER ASM.		REF	

FOR PARTS
NOT SHOWN
SEE FIG. 9

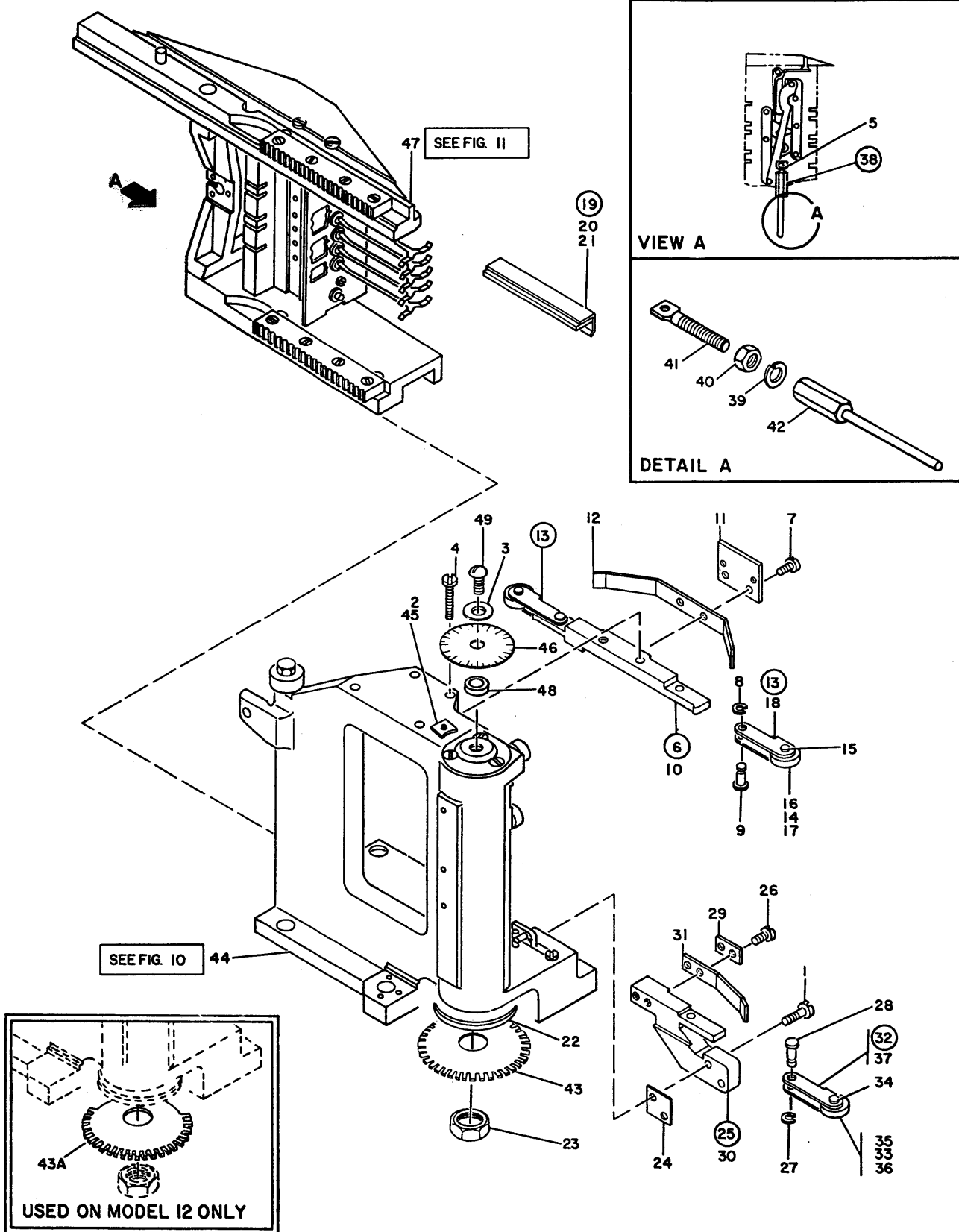


FIGURE 9. CARRIAGE AND CARRIAGE HOUSING ASSEMBLY. SEE LIST 9.

LIST AND INDEX NO.	PART NO.	DESCRIPTION	UNITS PER ASM.	USABLE ON CODE
		1 2 3 4		
		CARRIAGE AND CARRIAGE HOUSING ASSEMBLY.		
* 9 -		CODE A USED ON MODELS 1 AND 11 CODE B USED ON MODEL 12 CODE 1 USED ON ASM PRIOR TO B6 SUFFIX		
* *		CODE 2 USED ON ASM FROM B6 TO CURRENT CODE 3 USED ON ASM PRIOR TO B7 SUFFIX CODE 4 USED ON ASM FROM B7 TO CURRENT		
* *		-		
* -	2180520	CARRIAGE AND CARRIAGE HOUSING ASSEMBLY SEE LIST 5- 92 FOR NEXT HIGHER ASM. AND FIGURE 9 FOR ILLUSTRATION	REF	
* - 1	5528	. SCREW, MACH-BIND. HD 8-32 X 5/8 LG	2	
* - 2	38235	. SCREW, MACH-FIL H 6-32 X 5/16 LG	1	
* - 3	120789	. WASHER, FL-NO. 10 X 3/4 OD X 0.046 THK	1	1
* - 3	3550	. WASHER, FL- 1/4 X 9/16 OD X 0.050 THK	1	2
* - 4	322065	. SCREW, MACH-BIND HD 6-32 X 5/8 LG	2	
* - 5	1073418	. RING, RET- 0.094 ID X 0.230 OD	1	
* - 6	2154304	. ROLLER ASSEMBLY, CARRIAGE UPPER	1	
* - 7	35739	. . SCREW, MACH-BIND HD NO. 6-32 X 15/16 LG	2	
* - 8	1073418	. . RING, RET- 0.094 ID X 0.230 OD	2	
* - 9	2154339	. . PIVOT, ROLLER YOKE	2	
* - 10	2154342	. . ARM, UPPER RAIL ROLLER	1	
* - 11	2157330	. . PLATE, ROLLER YOKE	1	
* - 12	2160894	. . SPRING, UPPER ROLLER YOKE	2	
* - 13	2160893	. . YOKE ASSEMBLY, CARRIAGE RAIL ROLLER	1	
* - 14	233355	. . . BEARING, BALL, PLAIN 3/16 ID X 1/2 OD	2	
* - 15	2154337	. . . PIN, CARRIAGE RAIL ROLLER	2	
* - 16	2154338	. . . SHIM, CARRIAGE RAIL ROLLER	2	
* - 17	2157327	. . . ROLLER, SPRING CONTACT	2	
* - 18	2160918	. . . YOKE, CARRIAGE RAIL ROLLER	2	
* - 19	2157302	. RETAINER ASSEMBLY, RACK LUBRICATOR	2	
* - 20	2157303	. . FELT, RACK LUBRICATOR	1	
* - 21	2157304	. . RETAINER, RACK LUBRICATOR	1	
* - 22	2157343	. SPACER, TRACK POSITION DISK	1	
* - 23	2157344	. LOCKNUT, TRACK POSITION DISK	1	
* - 24	2160764	. SHIM, LOWER ROLLER	2	
* - 25	2160890	. ROLLER ASSEMBLY, CARRIAGE LOWER	1	
* - 26	35739	. . SCREW, MACH-BIND HD NO. 6-32 X 15/16 LG	2	
* - 27	1073418	. . RING, RET- 0.094 ID X 0.230 OD	1	
* - 28	2154339	. . PIVOT, ROLLER YOKE	1	
* - 29	2154344	. . CAP, ROLLER SPRING	1	
* - 30	2160891	. . ARM, LOWER RAIL ROLLER	1	
* - 31	2160892	. . SPRING, LOWER ROLLER YOKE	1	
* - 32	2160893	. . YOKE ASSEMBLY, CARRIAGE RAIL ROLLER	1	
* - 33	233355	. . . BEARING, BALL, PLAIN 3/16 ID X 1/2 OD	1	
* - 34	2154337	. . . PIN, CARRIAGE RAIL ROLLER	1	
* - 35	2154338	. . . SHIM, CARRIAGE RAIL ROLLER	2	
* - 36	2157327	. . . ROLLER, SPRING CONTACT	1	
* - 37	2160918	. . . YOKE, CARRIAGE RAIL ROLLER	2	
* - 38	2162747	. ROD ASSEMBLY, ADJ HEAD LOAD LATCH PUSH	1	3
* - 38	2181347	. ROD ASSEMBLY, ADJ HEAD LOAD LATCH PUSH	1	4
* - 39	6364	. . WASHER, LOCK-SPLIT NO. 6 X 1/4 OD USED ON ASM 2162747 ONLY	1	3
* - 40	38051	. . NUT, PLAIN, HEX- 6-32 X 1/4 FL W	1	
* - 41	2162748	. . SCREW, 6-32 ADJUSTING	1	
* - 42	2162749	. . NUT, ROD ADJUSTABLE USED ON ASM 2162747 ONLY	1	3
* - 42	2218636	. . NUT, ROD ADJUSTABLE USED ON ASM 2181347 ONLY	1	4
* - 43	2180464	. DISK, TRACK POSITION	1	A
* - 43 A	2181257	. DISK, TRACK POSITION-MOD 12	1	B
* - 44	2180501	. HOUSING ASSEMBLY, CARRIAGE SEE LIST 10 FOR DETAIL BREAKDOWN	1	
* - 45	2180503	. PLATE, TRACK INDICATOR	1	
* - 46	2180505	. COUNTER, TRACK	1	
* - 47	2180510	. CARRIAGE ASSEMBLY, 10 HEAD SEE LIST 11 FOR DETAIL BREAKDOWN	1	
* - 48	2180528	. SPACER, STEEL, .1910D X .5000D X .105 TH	1	
* - 49	2180701	. SCREW, BUTTON HEAD, 10/32 X 1/2 LONG	1	

FOR PARTS
NOT SHOWN
SEE FIG. 9

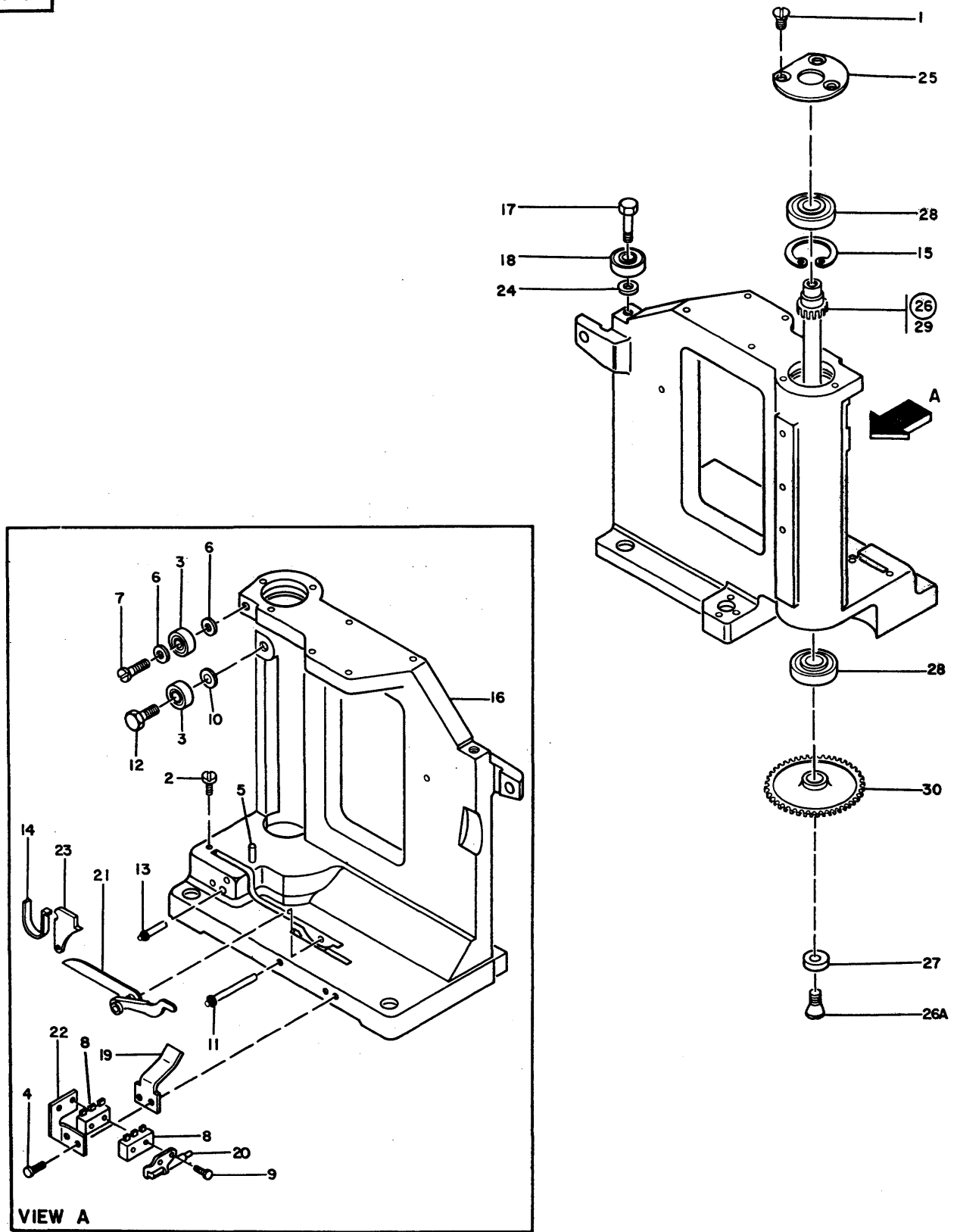
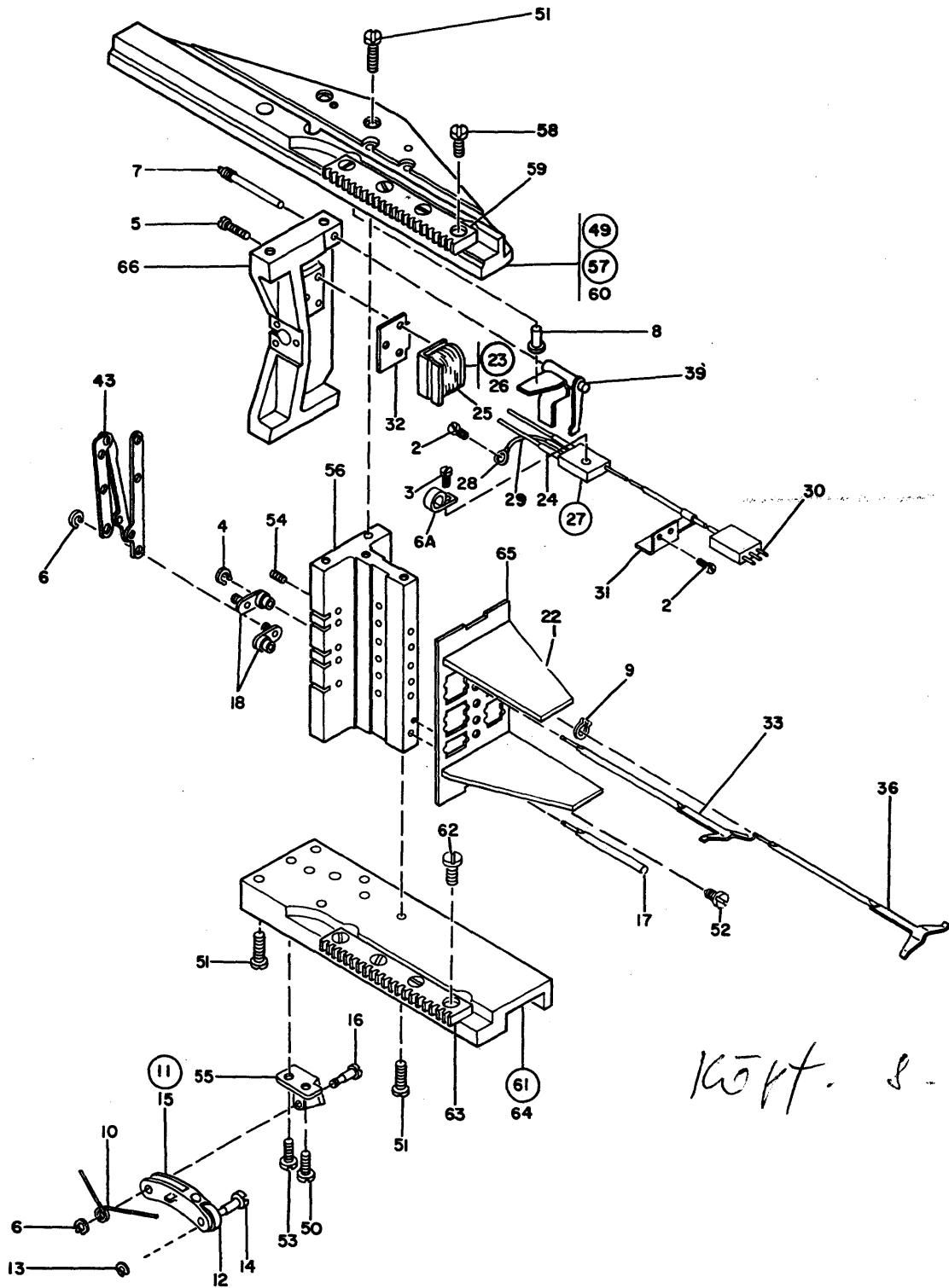


FIGURE 10. CARRIAGE HOUSING ASSEMBLY. SEE LIST 10.

LIST AND INDEX NO.	PART NO.	DESCRIPTION	UNITS	USABLE
			PER ASM.	ON CODE
		CARRIAGE HOUSING ASSEMBLY.		
10 -		CODE 1 USED ON ASM PRIOR TO B7 SUFFIX CODE 2 USED ON ASM FROM B7 TO CURRENT		
-	2180501	HOUSING ASSEMBLY, CARRIAGE SEE LIST 9- 44 FOR NEXT HIGHER ASM. AND FIGURE 10 FOR ILLUSTRATION	REF	
- 1	38442	. SCREW, MACH-FL CSK HD 6-32 X 1/4 LG	3	
- 2	48594	. SCREW, MACH-BIND HD NO. 4-40 X 0.175 LG	1	
- 3	233355	. BEARING, BALL, PLAIN 3/16 ID X 1/2 OD	2	
- 4	251970	. SCREW, MACH, BIND HD-NO. 4-40 X 1/4 LG	2	
- 5	255886	. ROLL PIN	1	
- 6	257986	. WASHER, FL- NO. 6 X 0.312 OD	2	
- 7	322550	. SCREW, MACH-BIND HD NO. 6-32 X 1/2 LG	1	
- 8	355343	. SWITCH, PRECISION	2	
- 9	438543	. SCREW, MACH, BIND. HD 2-56 X 5/8 LG	2	
- 10	597044	. COLLAR, MTG- GATE SUPPORT	1	
- 11	2154204	. PIVOT, ARMATURE, PAWL, 1.66 LG	1	
- 12	2154301	. STUD, CARRIAGE GUIDE ROLLER	1	
- 13	2154303	. PIVOT, CAM LATCH	1	
- 14	2154306	. SPRING, CAM LATCH	1	
- 15	2154307	. RING, RETAINING	1	
- 16	2154326	. HOUSING, CARRIAGE	1	
- 17	2154327	. STUD, CARRIAGE GUIDE ROLLER	1	
- 18	2154328	. BEARING, CARRIAGE GUIDE ROLLER	1	
- 19	2154329	. SPRING, HEAD LOAD CAM SWITCH	1	
- 20	2154330	. ACTUATOR, HEAD LOAD SWITCH	2	
- 21	2154331	. CAM, HEAD LOAD	1	1
- 21	2181324	. CAM, HEAD LOAD	1	2
- 22	2154332	. BRACKET, HEAD LOAD CAM CONTACT	1	
- 23	2154356	. LATCH, HEAD LOAD CAM	1	
- 24	2160765	. SPACER, 0.203 ID X 0.438 OD	1	
- 25	2180529	. RETAINER, BEARING	1	
- 26	2180443	. SHAFT ASSEMBLY, DETENT AND TRACT POS.	1	
- 26A	99	. . SCREW, MACH-FL CSK HD 10-32 X 3/8 LG	1	
- 27	2154348	. . WASHER, 1/2 OD X 1/4 ID	1	
- 28	2154349	. . BEARING, TRACK POSITION SHAFT	2	
- 29	2154352	. . SHAFT, DETENT AND TRACK POSITION	1	
- 30	2180444	. . GEAR, DETENT	1	

FOR PARTS
NOT SHOWN
SEE FIG. 9



100 ft. s.p. 4

FIGURE 11. 10 HEAD CARRIAGE ASSEMBLY. SEE LIST 11.

		10 HEAD CARRIAGE ASSEMBLY.		
* 11 -		CODE 1 USED ON ASM FROM E5 TO CURRENT CODE 2 USED ON ASM PRIOR TO H5 SUFFIX CODE 3 USED ON ASM FROM H5 TO CURRENT CODE 4 USED ON ASM PRIOR TO A6 SUFFIX CODE 5 USED ON ASM FROM A6 TO CURRENT CODE 6 USED ON ASM PRIOR TO B7 SUFFIX CODE 7 USED ON ASM FROM B7 TO CURRENT		
-	2180510	CARRIAGE ASSEMBLY, 10 HEAD SEE LIST 9- 47 FOR NEXT HIGHER ASM. AND FIGURE 11 FOR ILLUSTRATION		REF
- 1	10170	. SCREW,MACH-BIND HD 6-32 X 1/4 LG	4	
- 2	48594	. SCREW, MACH-BIND HD NO. 4-40 X 0.175 LG	3	
- 3	251970	. SCREW-MACH BD. HD. 4-40 X 1/4 LG	1	4
- 3	438548	. SCREW,MACH-BIND HD 4-40 X 3/16 LG	1	5
- 3	438548	. SCREW,MACH-BIND HD 4-40 X 3/16 LG	1	2
- 4	251989	. RING, RETAINING	6	
- 5	438549	. SCREW,MACH-BIND HD 4-40 X 7/16 LG	3	
- 6	1073418	. RING,RET- 0.094 ID X 0.230 OD	7	
- 6A	2122639	. CLAMP-CABLE	1	1
- 7	2154204	. PIVOT, ARMATURE, PAWL, 1.66 LG	1	
- 8	2154207	. PLUNGER, HEAD LOAD	1	
- 9	2154208	. RING, RETAINING, HEAD LOAD BAR	12	
- 10	2154212	. SPRING, TORSION	1	
- 11	2154255	. FOLLOWER ASSEMBLY, HEAD LOAD CAM	1	6
- 11	2181329	. FOLLOWER ASSEMBLY,HEAD LOAD CAM	1	7
- 12	437131	. . ROLLER, TRAVERSE CARRIAGE SUPPORT	1	6
- 12	2181326	. . ROLLER,HEAD LOAD	1	7
- 13	1073418	. . RING,RET- 0.094 ID X 0.230 OD	1	
- 14	2154203	. . PIN, HEAD LOAD CAM FOLLOWER ROLLER	1	
- 15	2154256	. . FOLLOWER, HEAD LOAD CAM	1	6
- 15	2181325	. . FOLLOWER HEAD LOAD CAM	1	7
- 16	2154268	. PIN, HEAD LOAD CAM FOLLOWER, 0.125 DIA	1	
- 17	2154393	. ROD, HEAD LOAD-DUMMY	1	
- 18	2154659	. LEVER ASSEMBLY, HEAD LOADING PARTS OF THIS ASM ARE NOT REPLACEABLE INDEXES 19 THRU 21 DELETED	6	
- 22	2162532	. PAD, HEAD LOAD	2	
- 23	2180445	. MAGNET ASSEMBLY, HEAD LOAD LATCH	1	
- 24	441218	. . TUBING	2	
- 25	620093	. . COIL ASSEMBLY, 646 OHM - 790 OHM RES.	1	
- 26	2180446	. . CORE AND MOUNT ASSEMBLY	1	
- 27	2162569	. . CABLE ASSEMBLY, HEAD LATCH SOLENOID	1	1
- 28	124440	. . . CLIP	1	
- 29	2103416	. . . TUBING, INSULATING	1	
- 30	2154243	. . . CONTACT, SINGLE WIRE	3	
- 31	2162539	. . . CLIP, HEAD LATCH SOLENOID CABLE	1	
- 32	2180447	. PLATE,MAGNET	1	
- 33	2180451	. ROD ASSEMBLY, TORSION, A-UP B-DOWN	2	2
- 33	2181194	. ROD ASSEMBLY,TORSION,A-UP B-DOWN PARTS OF THIS ASM ARE NOT REPLACEABLE INDEXES 34 AND 35 DELETED	3	
- 36	2180452	. ROD ASSEMBLY, TORSION, A-DOWN B-UP	3	2
- 36	2181195	. ROD ASSEMBLY,TORSION,A-DOWN B-UP PARTS OF THIS ASM ARE NOT REPLACEABLE INDEXES 37 AND 38 DELETED	3	3
- 39	2180455	. PAWL ASSEMBLY, HEAD LOAD PARTS OF THIS ASM ARE NOT REPLACEABLE INDEXES 40 THRU 42 DELETED	1	
- 43	2180462	. LINK ASSEMBLY, HEAD LOAD LATCH PARTS OF THIS ASM ARE NOT REPLACEABLE INDEXES 44 THRU 48 DELETED	1	
- 49	2180675	. RECEIVER ASSEMBLY, CARRIAGE	1	
- 50	81693	. . SCREW, MACH-BIND HD NO 6-32 X 3/8 LG	1	
- 51	186758	. . SCREW,MACH-BIND HD 8-32 X 7/16 LG	12	
- 52	186923	. . SCREW,MACH SOCKET HD 4-40 X 0.250 LG	3	
- 53	322065	. . SCREW,MACH-BIND HD 6-32 X 5/8 LG	1	
- 54	2154209	. . SCREW, HEADLESS SET, NO. 8-32 X 3/8 LG	10	
- 55	2154236	. . MOUNT, HEAD LOAD CAM FOLLOWER	1	
- 56	2154237	. . RECEIVER, CARRIAGE ASSEMBLY	1	
- 57	2154258	. . RAIL ASSEMBLY, TOP	1	
- 58	81693	. . . SCREW, MACH-BIND HD NO 6-32 X 3/8 LG	4	
- 59	2154231	. . . RACK, CARRIAGE DRIVE GEAR	1	
- 60	2154233	. . . RAIL, CARRIAGE TOP	1	
- 61	2154259	. . RAIL ASSEMBLY, BOTTOM	1	
- 62	81693	. . . SCREW, MACH-BIND HD NO 6-32 X 3/8 LG	4	
- 63	2154231	. . . RACK, CARRIAGE DRIVE GEAR	1	
- 64	2154234	. . . RAIL, CARRIAGE BOTTOM	1	
- 65	2162556	. . COMB, ARM FRONT	1	
- 66	2180502	. . COUPLER, CARRIAGE DRIVE	1	

FOR PARTS
NOT SHOWN
SEE FIG. 5

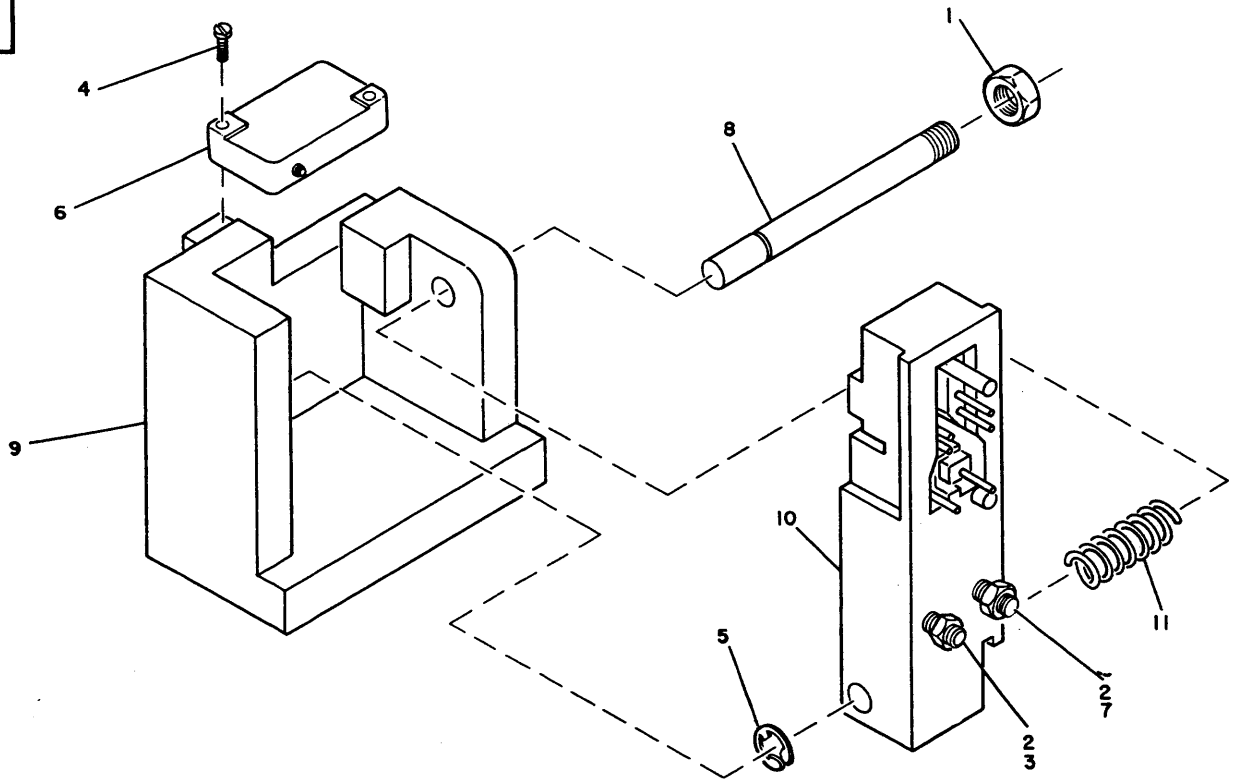


FIGURE 12. INDEX TRANSDUCER AND SUPPORT ASSEMBLY. SEE LIST 12.

INDEX TRANSDUCER AND SUPPORT ASSEMBLY			REF
* 12 -	2180531	SUPPORT-TRANSDUCER ASSEMBLY, INDEX SEE LIST 5- 97 FOR NEXT HIGHER ASM. AND FIGURE 12 FOR ILLUSTRATION	
- 1	11598	. NUT, PLAIN, HEX- 10-32 X 3/8 FL W	1
- 2	257189	. NUT, HEX., 8-32 X 0.3438 W	2
- 3	314372	. SCREW, HEADLESS SET, 8-32 NC X 1.// LG.	1
- 4	438551	. SCREW, MACH-BIND HD 4-40 X 5/8 LG	2
- 5	1092125	. RING, LOCKING	1
- 6	2162551	. SWITCH, SECTOR BLOCK	1
- 7	2162699	. PLUNGER, SWITCH	1
- 8	2180525	. PIN, INDEX PULSE PIVOT	1
- 9	2180527	. SUPPORT, INDEX TRANSDUCER	1
- 10	2180613	. TRANSDUCER ASSEMBLY, INDEX	1
- 11	2180625	. SPRING, DOUBLE ACTING	1

FOR PARTS
NOT SHOWN
SEE FIG. 5

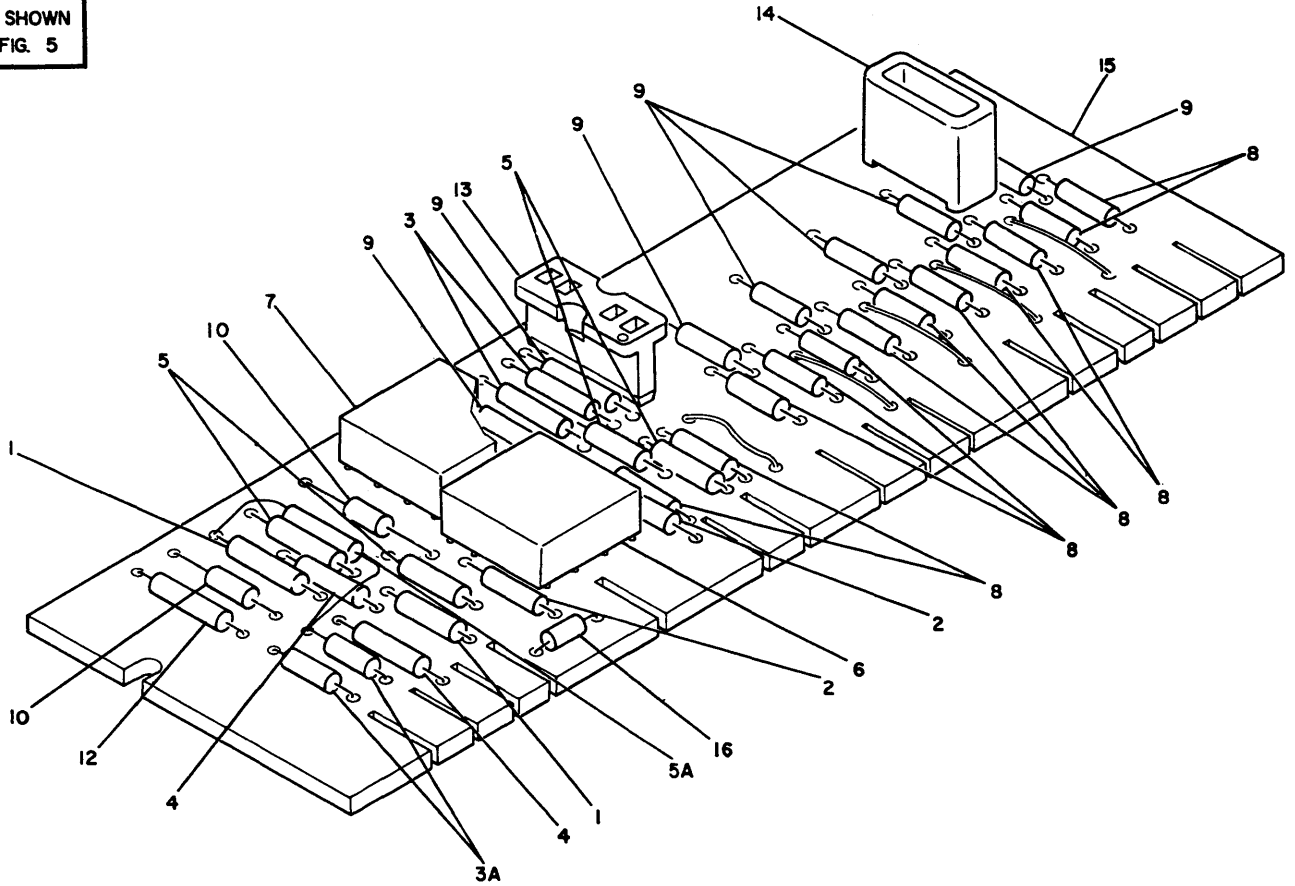


FIGURE 13. PREAMP READ CARD ASSEMBLY. SEE LIST 13.

		PREAMP READ CARD ASSEMBLY		
* 13 -		CODE A USED ON ASM PRIOR TO H5 SUFFIX CODE B USED ON ASM FROM H5 TO P5 SUFFIX CODE C USED ON ASM FROM P5 TO CURRENT		
-	2180749	CARD ASSEMBLY, READ PREAMP. SEE LIST 5- 103 FOR NEXT HIGHER ASM. AND FIGURE 13 FOR ILLUSTRATION	REF	A
* -	2181149-	CARD ASSEMBLY, READ PREAMP SEE LIST 5- 103 FOR NEXT HIGHER ASM. AND FIGURE 13 FOR ILLUSTRATION	REF	B
* -	2244049 -	CARD ASSEMBLY, READ PREAMP SEE LIST 5- 103 FOR NEXT HIGHER ASM. AND FIGURE 13 FOR ILLUSTRATION	REF	C
-	1 216442	. RESISTOR, FXD CARB, 680 OHM, 1/4W, 5%	2	
-	2 216452	. RESISTOR, FXD CARB, 2K OHM, 1/4W, 5%	2	
-	3 216466	. RESISTOR, FXD, CARBON, 8.2K P/M 5% 1/4W	2	
-	3A 216472	. RESISTOR	2	B
-	4 216474	. RESISTOR, FXD CARB, 18K OHM, 1/4W, 5%	2	
-	5 216481	. RESISTOR, FXD CARB, 36K OHM, 1/4W, 5%	4	
* -	5A 350428	. CAPACITOR - 100 UF	1	C
-	6 361479	. SLT MODULE, MEDIUM SPEED CIRCUIT	1	
-	7 361497	. SLT MODULE, LOW SPEED CIRCUIT	1	
* -	8 369203	. SEMICONDUCTOR DEVICE, DIO-TYPE DD	12	A
* -	8 369203	. SEMICONDUCTOR DEVICE, DIO-TYPE DD	12	B
* -	8 2414895	. SEMICONDUCTOR DEVICE, DIODE	12	C
* -	9 369599	. DIODE ASM, SEMICONDUCTOR- 75V 150 MA	7	A
* -	9 369599	. DIODE ASM, SEMICONDUCTOR- 75V 150 MA	7	B
* -	9 2414895	. SEMICONDUCTOR DEVICE, DIODE	7	C
-	10 491228	. CAPACITOR, FILM, .01 MFD P/M 10% 100 V INDEX 11-DELETED	2	
-	12 550050	. RESISTOR, CARBON, 240 OHM, 1/4W, 5%	1	
-	13 2160951	. SOCKET, PHENOLIC, 4 PINS	5	
-	14 2160959	. SPACER, SOCKET	5	
-	15 2180748	. CARD, ETCHED, READ PREAMP	1	A
-	15 2181148	. CARD, ETCHED-READ PREAMP	1	B
-	16 2414920	. MODULE, CAPACITOR TANTALUM-POLAR, 6.8 UF	1	

FOR PARTS
NOT SHOWN
SEE FIG. 5

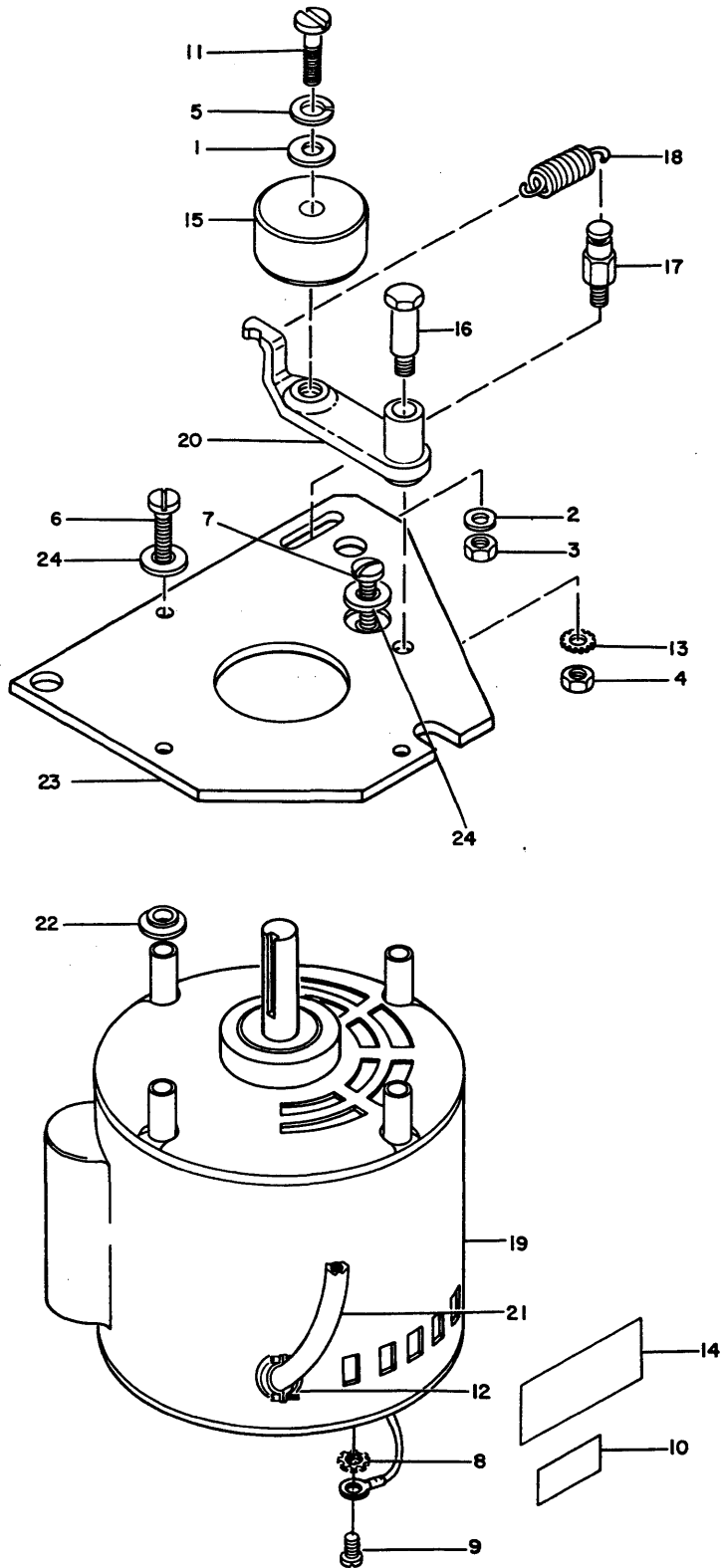


FIGURE 14. MOTOR DRIVE ASSEMBLY. SEE LIST 14.

LIST AND INDEX NO.	PART NO.	DESCRIPTION				UNITS PER ASM.	USABLE ON CODE
		1	2	3	4		
		MOTOR DRIVE ASSEMBLY					
14 -	2180986	DRIVE ASSEMBLY, MOTOR SEE LIST 5- 134 FOR NEXT HIGHER ASM. AND FIGURE 14 FOR ILLUSTRATION				REF	
- 1	453	. WASHER, FL- 3/8 X 13/16 OD X 1/16 THK				1	
- 2	3550	. WASHER, FL 0.265 ID X 9/16 OD				1	
- 3	3960	. NUT, PLAIN, HEX- 1/4-20 X 7/16 FL W				1	
- 4	4564	. NUT, PLAIN, HEX- 5/16-18 X 1/2 FL W				1	
- 5	10309	. WASHER, LOCK-SPLIT 3/8 ID X 0.688 OD				1	
- 6	25627	. SCREW, MACH-BIND HD 8-32 X 1/2 LG				3	
- 7	34512	. SCREW, MACH-BIND. HD 8-32 X 3/8 LG				1	
- 8	56722	. WASHER, LOCK-EXT TEETH NO. 6 X 5/16 OD				1	
- 9	79778	. SCREW - BINDING HEAD - SELF TAPPING				1	
- 10	138755	. LABEL				1	
- 11	139395	. SCREW, MACH, HEX HD 3/8-16 X 1/2 LG				1	
- 12	151598	. CLAMP, CABLE				1	
- 13	179966	. WASHER, LOCK-EXT TEETH 5/16 ID X 0.610 OD				1	
- 14	369207	. LABEL, VOLTAGE				1	
- 15	2154408	. BEARING, 1.850 OD X 0.669 ID X 7/8 THK				1	
- 16	2154411	. PIVOT, IDLER PULLEY BAR				1	
- 17	2154412	. STUD, SPRING, 1/4-20 X 1-1/2 LG				1	
- 18	2162620	. SPRING, EXTENSION, 1.37 LG X 0.50 DIA				1	
- 19	2162623	. MOTOR, 1/2 HP, 50/60 CYCLE				1	
- 20	2162833	. ARM ASSEMBLY, IDLER DRIVE MOTOR				1	
- 21	2178554	. CABLE ASSEMBLY, MOTOR SEE LIST 19-3B, 3E, 5C, 34 AND 34A FOR COMPONENT PARTS				1	
- 22	2180983	. INSULATOR, NYLON, .186 ID, .44 OD				4	
- 23	2180984	. PLATE, MOTOR MOUNT				1	
- 24	2180985	. WASHER, FIBER, .172 ID, .44 OD				8	

FOR PARTS
NOT SHOWN
SEE FIG. 5

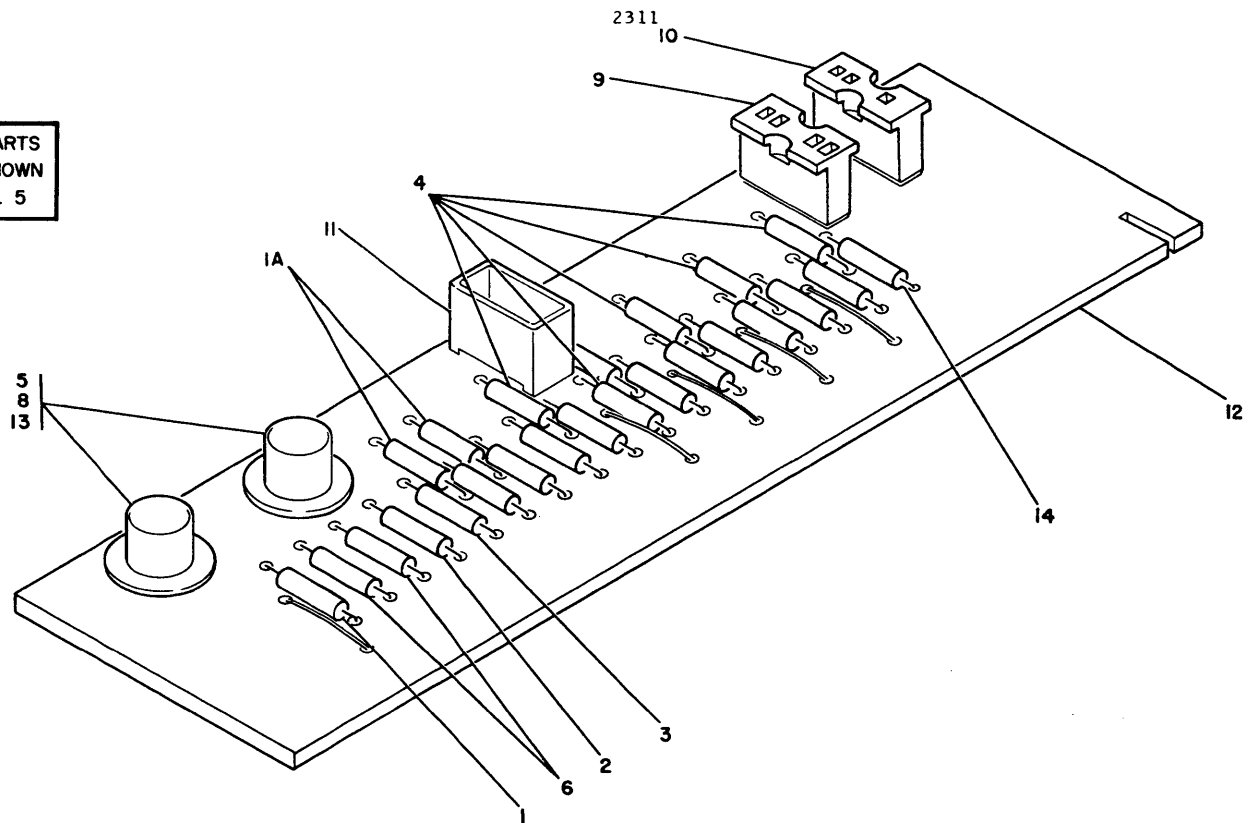


FIGURE 15. WRITE DRIVER CARD ASSEMBLY. SEE LIST 15.

WRITE DRIVER CARD ASSEMBLY

			REF	
* 15 -		CODE A USED ON ASM PRIOR TO H5 SUFFIX CODE B USED ON ASM FROM H5 TO M5 SUFFIX CODE C USED ON ASM FROM M5 TO CURRENT CODE 1 USED ON ASM PRIOR TO D5 SUFFIX CODE 2 USED ON ASM FROM D5 TO H5 SUFFIX CODE 3 USED ON ASM FROM M5 TO F6 SUFFIX CODE 4 USED ON ASM FROM F6 TO CURRENT		
* -	2181067	CARD ASSEMBLY, WRITE DRIVER SEE LIST 5- 138 FOR NEXT HIGHER ASM. AND FIGURE 15 FOR ILLUSTRATION	REF	A
* -	2181213	CARD ASSEMBLY,WRITE DRIVER SEE LIST 5- 138 FOR NEXT HIGHER ASM. AND FIGURE 15 FOR ILLUSTRATION	REF	B
* -	2181240	CARD ASSEMBLY,WRITE DRIVER SEE LIST 5- 138 FOR NEXT HIGHER ASM. AND FIGURE 15 FOR ILLUSTRATION	REF	C
* -	1 216432	. RESISTOR	1	1A
* -	1 216468	. RESISTOR,FXD-COMP- 10K OHMS P/M 5% 1/4W	2	B
* -	1A 216455	. RESISTOR,FXD,COMP- 2.7K P/M 5% 1/4W	2	1A
* -	1A 216460	. RESISTOR, 4.7K OHM, 1/4W, 5%	2	2A
* -	1A 216455	. RESISTOR,FXD,COMP- 2.7K P/M 5% 1/4W	2	B
* -	1A 216468	. RESISTOR,FXD-COMP- 10K OHMS P/M 5% 1/4W	2	C
* -	2 216461	. RESISTOR, FXD CARB, 5.1K OHM, 1/4W, 5%	1	
* -	3 216480	. RESISTOR, FXD CARB, 33K OHM, 1/4W, 5%	1	
* -	4 369599	. DIODE ASM, SEMICONDUCTOR- 75V 150 MA	5	3C
* -	4 2414895	. SEMICONDUCTOR DEVICE,DIODE	5	4C
* -	5 483070	. SPACER, TRANSISTOR USED WITH TRANSISTOR 2414877 ONLY	2	
* -	6 492551	. COIL	2	1A
* -	6 483224	. RESISTOR, 36K OHM, 1/4W, 5% INDEX 7 DELETED	2	2A
* -	6 483224	. RESISTOR, 36K OHM, 1/4W, 5%	2	B
* -	6 483224	. RESISTOR, 36K OHM, 1/4W, 5%	2	C
* -	8 811839	. SINK, HEAT	2	
* -	9 2160951	. SOCKET, PHENOLIC, 4 PINS	5	
* -	10 2160953	. SOCKET, PHENOLIC, 3 PINS	1	
* -	11 2160959	. SPACER, SOCKET	6	
* -	12 2180750	. CARD, ETCHED, WRITE	1	
* -	13 2414877	. TRANSISTOR, SILICON TYPE 136, PNP	2	
* -	13 369113	. TRANSISTOR SUBSTITUTE FOR TRANSISTOR 2414877 USED WITH HEAT SINK 811839 ONLY	2	2A
* -	14 2414895	. DIODE, TYPE HA	12	

FOR PARTS
NOT SHOWN
SEE FIG. 1

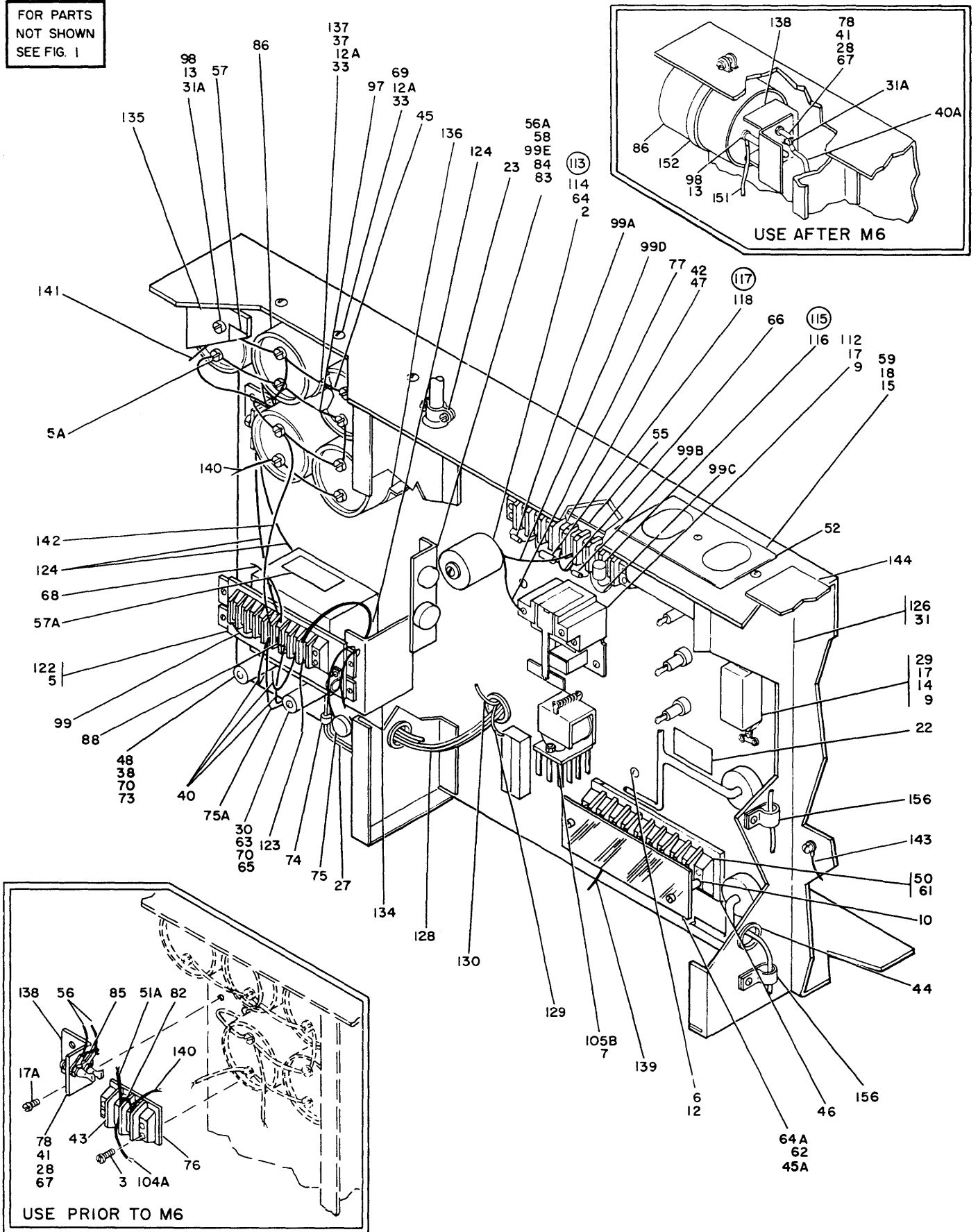


FIGURE 16. SEQUENCE PANEL ASSEMBLY. SHEET 1 OF 2. SEE LIST 16.

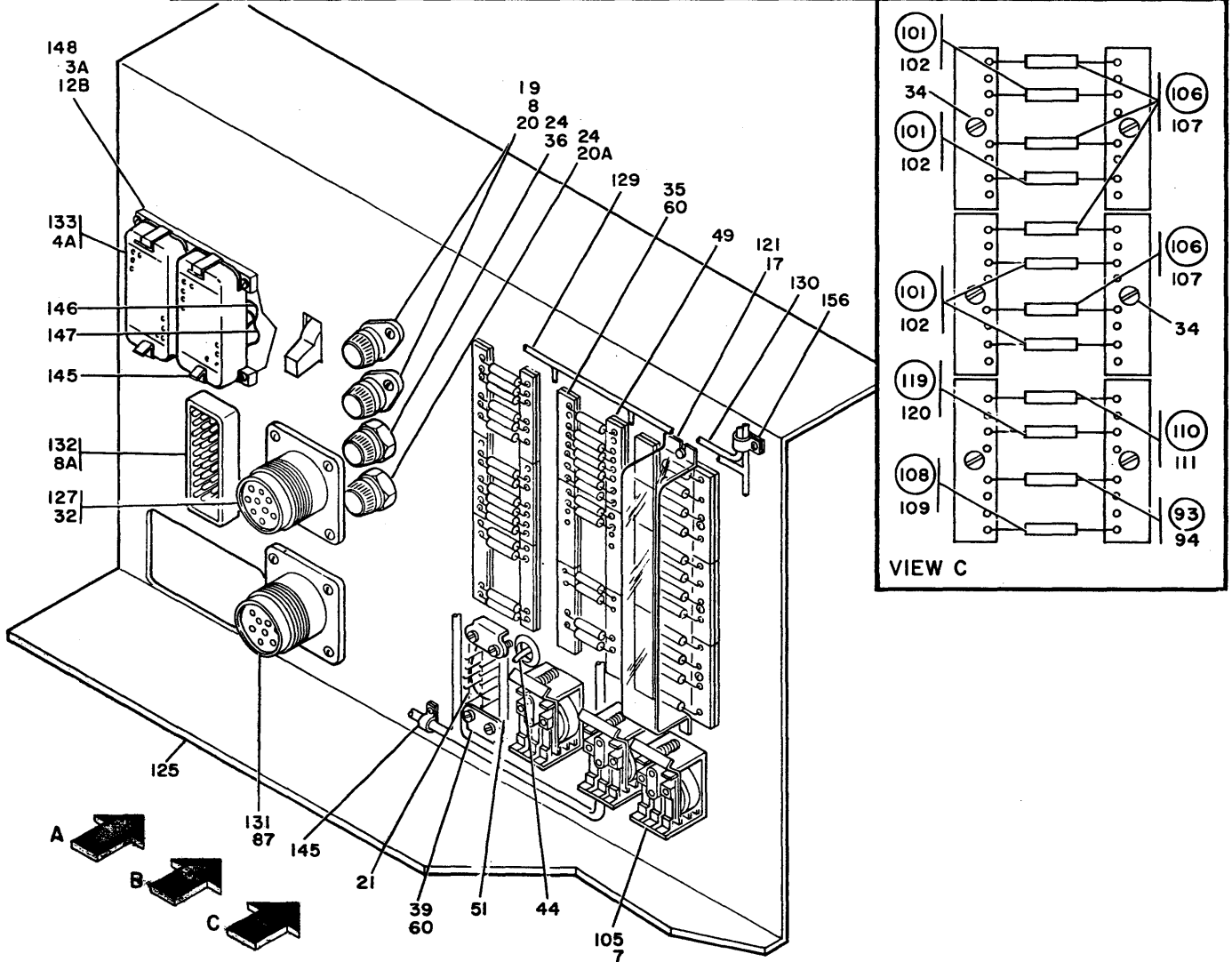
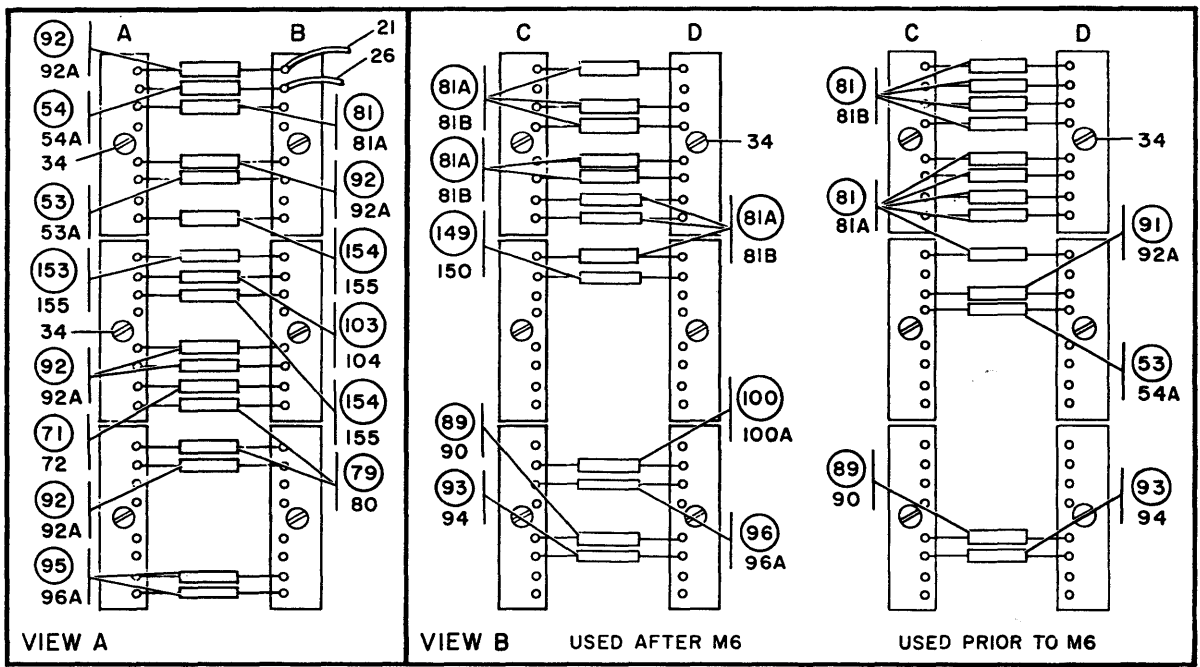


FIGURE 16. SEQUENCE PANEL ASSEMBLY. SHEET 2 OF 2. SEE LIST 16.

LIST AND INDEX NO.	PART NO.	DESCRIPTION	UNITS PER ASM.	USABLE ON CODE
		SEQUENCE PANEL ASSEMBLY		
* 16 -		CODE A USED ON 60 CYCLE MACHINES CODE B USED ON 50 CYCLE MACHINES CODE 1 USED ON ASM PRIOR TO F5 SUFFIX CODE 2 USED ON ASM FROM F5 TO S5 SUFFIX CODE 3 USED ON ASM FROM F5 TO CURRENT CODE 4 USED ON ASM PRIOR TO S5 SUFFIX CODE 5 USED ON ASM FROM S5 TO M6 SUFFIX CODE 6 USED ON ASM FROM S5 TO CURRENT CODE 7 USED ON ASM PRIOR TO M6 SUFFIX CODE 8 USED ON ASM M6 TO CURRENT		
-	2180680	PANEL ASSEMBLY, SEQUENCE, 60 CYCLE SEE LIST 1- 52 FOR NEXT HIGHER ASM. AND FIGURE 16 FOR ILLUSTRATION	REF	A
-	2180852	PANEL ASSEMBLY, SEQUENCE, 50 CYCLE SEE LIST 1- 52 FOR NEXT HIGHER ASM. AND FIGURE 16 FOR ILLUSTRATION	REF	B
* - 1	10170	. SCREW-MACH,BIND HD NO. 6-32 X .250 LG SEE LIST 1- 1B FOR NEXT HIGHER ASM.	REF	
* - 2	22478	. WASHER, FLAT	1	
* - 3	25627	. SCREW,MACH-BIND HD 8-32 X 1/2 LG	2	7
* - 3A	25627	. SCREW,MACH-BIND HD 8-32 X 1/2 LG SEE LIST 1- 2A FOR NEXT HIGHER ASM.	REF	6
- 4	25627	. SCREW,MACH-BIND HD 8-32 X 1/2 LG	2	A
- 4	58207	. SCREW,MACH BNDG HD 8-32 X 1/4 LG	2	B
* - 4A	38264	. SCREW,MACH-FIL H 4-40 X 3/8 LG	REF	4
* - 4A	2181207	. SCREW,THD FORMING-FIL H 6-32 X 1/4 LG SEE LIST 1- 4 FOR NEXT HIGHER ASM.	REF	6
- 5	28413	. SCREW,MACH BINDING HD 10-32 X 5/16 LG	4	
* - 5A	28413	. SCREW,MACH-BIND HD 10-32 X 5/16 LG	8	4
* - 5A	236849	. SCREW,BINDING HEAD MACHINE	8	5
* - 6	34512	. SCREW,BIND.HD 8-32 X .375 LG	5	
* - 6A	34512	. SCREW,BIND.HD 8-32 X .375 LG SEE LIST 1- 2B FOR NEXT HIGHER ASM.	REF	6
- 7	35739	. SCREW, MACH-BIND HD NO. 6-32 X 15/16 LG	4	
- 8	38235	. SCREW,MACH-FIL H 6-32 X 5/16 LG	4	
* - 8A	38354	. SCREW,MACH-FIL H 6-32 X 1/2 LG SEE LIST 1- 4A FOR NEXT HIGHER ASM.	REF	
- 9	45690	. WASHER, FLAT, 0.203 ID X 0.438 OD	4	
- 10	54291	. SPACER	2	
- 11	55726	. SCREW, MACH-BIND HD NO. 6-32 X 3/16 LG SEE LIST 1- 6 FOR NEXT HIGHER ASM.	REF	
* - 12	55901	. LOCKWASHER, EXTERNAL TOOTH	5	
* - 12A	55901	. LOCKWASHER, EXTERNAL TOOTH	2	7
* - 12B	55901	. LOCKWASHER, EXTERNAL TOOTH SEE LIST 1- 6A FOR NEXT HIGHER ASM.	REF	6
- 13	56079	. WASHER,LOCK-EXT TEETH NO. 10 X 0.410 OD	2	
- 14	56121	. WASHER,LOCK-INT TEETH NO. 10 X 0.381 OD	2	
- 15	56722	. WASHER,LOCK-EXT TEETH NO. 6 X 5/16 OD	2	
* - 17	58207	. SCREW,MACH-UNDRCT BIND HD 8-32 X 1/4 LG	6	
* - 17A	58207	. SCREW,MACH-UNDRCT BIND HD 8-32 X 1/4 LG	2	7
- 18	91610	. SCREW,BINDING HD SELF TAPPING	2	
- 19	104615	. MOUNT-FUSE	2	
- 20	107668	. FUSE,CTG-SLOW BLOW 8 AMP 250V	2	
- 20A	111257	. FUSE,CARTRIDGE- 4 AMP 250V	1	5
* - 21	129243	. JUMPER ASM-BLU 3-1/2 20AWG 1 LUG EA END	23	7
* - 21	129243	. JUMPER ASM-BLU 3-1/2 20AWG 1 LUG EA END SEE LIST 19-7, FOR COMPONENT PARTS	24	8
- 22	138755	. LABEL	1	
- 23	151598	. CLAMP, CABLE	1	
- 24	179946	. HOLDER-FUSE INDEX 25 DELETED	1	1
* - 26	205331	. JUMPER-RELAY GATES UNIT 1/8 BRASS	21	1
* - 26	205331	. JUMPER-RELAY GATES UNIT 1/8 BRASS	20	2
* - 26	205331	. JUMPER-RELAY GATES UNIT 1/8 BRASS	18	5
* - 26	205331	. JUMPER-RELAY GATES UNIT 1/8 BRASS	17	8
- 27	207353	. CAPACITOR, ELECTROLYTIC, 8 MFD 330VAC	1	A
- 27	8010761	. CAPACITOR, 18 MF	1	B
- 28	217019	. WASHER, INSULATING, 1 IN. DIA X 0.004THK	4	
- 29	220278	. SWITCH, ON-OFF, 115V-230V, 5AMP	1	
- 30	221110	. RESISTOR,200 OHM,P/M 5 PERCENT,25W	1	

LIST AND INDEX NO.	PART NO.	DESCRIPTION	UNITS PER ASM.	USABLE ON CODE
		SEQUENCE PANEL ASSEMBLY -CONT		
* 16 - 31	236849	• SCREW,BINDING HEAD MACHINE	6	7
* - 31	2181004	• SCREW,THREAD FORMING-HEX WASHER HD	6	8
* - 31A	28413	• SCREW,MACH-BIND HD 10-32 X 5/16 LG	2	7
* - 31A	236849	• SCREW,BINDING HEAD MACHINE	2	8
* - 32	251970	• SCREW-MACH BD. HD. 4-40 X 1/4 LG	2	1
* - 33	257189	• NUT - HEX-8-32UNC THD	2	7
* - 34	257985	• WASHER,FLAT-NO. 4 X 0.250 OD X 0.028 THK	5	1
* - 35	302090	• TERMINAL BLOCK ASSY	18	
* - 36	303549	• FUSE, SLOW BLOW, 1.0 AMP, 250 VOLT	1	
* - 37	304477	• SCREW,MACH-RH 8-32 X 2-1/4 LG	1	7
* - 38	304479	• SCREW,MACH-RH 8-32 X 4-3/4 LG	1	1
* - 39	308704	• CLIP, MOLDING	2	
* - 40	311540	• JUMPER ASM-BLK 8 IN. 16AWG 1 LUG EA END SEE LIST-19-3B, FOR COMPONENT PARTS	3	
* - 40A	311540	• JUMPER ASM-BLK 8 IN. 16AWG 1 LUG EA END SEE LIST 19- 3B FOR COMPONENT PARTS	2	8
- 41	316996	• LUG	2	
- 42	317145	• BLOCK, BARRIER TERMINAL	1	
* - 43	317193	• TERMINAL BLOCK	1	7
- 44	317279	• GROMMET,RUB-FOR 1 HOLE X 1/16 PNL	3	
* - 45	319985	• JUMPER ASSEMBLY SEE LIST 19-18A, FOR COMPONENT PARTS	3	7
- 45A	322065	• SCREW,MACH-BIND HD 6-32 X 5/8 LG	2	3
- 46	322289	• STRIP, MARKER, 1-4	1	
- 47	322550	• SCREW, MACH-BIND HD NO. 6-32 X 1/2 LG	2	
- 48	322739	• RESISTOR, FXD 50 OHMS P/M 5% 50W	1	
- 49	322792	• INSULATOR, TERMINAL BLOCK	18	
- 50	323845	• TERMINAL BOARD- 4 DBL SCREW TERMINALS	1	3
- 51	328602	• UNIT, RC	2	
* - 51A	350559	• JUMPER ASSEMBLY	1	7
- 52	359018	• COVER,OUTLET BOX	1	
* - 53	359511	• CAPACITOR ASSEMBLY	1	4
- 54	359511	• CAPACITOR ASSEMBLY	2	
* - 54A	2102160	• CAPACITOR, PAPER, 0.1 MFD P/M 20% 400V	1	
- 55	360339	• MARKER, TERMINAL	1	
- 56	360831	• CABLE SEE LIST 19-18, FOR COMPONENT PARTS	2	7
* - 56A	362915	• LABEL, IBM, BLACK LETTERS ON WHITE SEE LIST 1- 23 FOR NEXT HIGHER ASM.	REF	
* - 57	369207	• LABEL-ENGLISH	1	7
* - 57A	369207	• LABEL-ENGLISH	1	8
- 58	372688	• CARD ASSEMBLY SEE LIST 1- 25 FOR NEXT HIGHER ASM.	REF	
* - 59	418835	• OUTLET-CONVENIENCE,220V-50 CY	1	1A
* - 59	357995	• OUTLET-CONVENIENCE,125V-60 CY	1	2A
* - 59	418835	• OUTLET-CONVENIENCE,220V-50 CY	1	5A
* - 59	357995	• OUTLET-CONVENIENCE,125V-60 CY	1	8A
* - 59	418835	• OUTLET-CONVENIENCE,220V-50 CY	1	8
- 60	438550	• SCREW,MACH-BIND HD 4-40 X 0.5 LG	20	
- 61	438567	• SCREW,MACH-UNDRCT BIND HD 6-32 X 1 LG	2	1
- 61	438568	• SCREW,MACH-UNDRCT BIND HD 6-32 X 1-1/8	2	3
- 62	438571	• SCREW, BINDING HEAD, 6-32 NC X 1-3/4 LG.	2	
- 63	438582	• SCREW	1	
- 64	438588	• SCREW,MACH-UNDRCT BIND HD 8-32 X 1-1/4	1	1
- 64	438589	• SCREW,MACH-BIND HD 8-32 X 1-1/2 LG	1	3
- 64A	438891	• SHIELD, CLEAR SAFETY, 4 POSITION	1	
- 65	442958	• WASHER,MICA	2	
* - 65A	472179	• JUMPER ASSEMBLY NOT ILLUSTRATED	1	2
- 66	472187	• JUMPER	1	
- 67	473582	• INSULATOR	2	1
- 67	419131	• SLEEVE,.195 I.D.,.275 O.D.X .050 THICK	2	3
- 68	480612	• JUMPER ASSEMBLY, 2-3/4 IN. LONG	1	1
* - 69	504698	• SCREW,MACH-RH 8-32 X 4-1/4 LG	1	7
- 70	507144	• WASHER,CENTERING	4	
- 71	509968	• RESISTOR ASSEMBLY, 200 OHM 1/2W	1	
- 72	317006	• RESISTOR,FXD,COMP- 200 OHMS P/M 5% 1/2W	1	
- 73	521695	• WASHER,MICA	2	
- 74	524928	• BRACKET,CAPACITOR MTG	2	A
- 74	4121202	• CLAMP, CAPACITOR	2	B
- 75	526378	• INSULATOR,CAPACITOR	2	A

LIST AND INDEX NO.	PART NO.	DESCRIPTION	UNITS PER ASM.	USABLE ON CODE
		1 2 3 4		
		SEQUENCE PANEL ASSEMBLY -CONT		
16 - 75A	561509	. JUMPER ASSEMBLY	1	
* - 75A	2181090	. JUMPER ASSEMBLY	1	5
* - 76	589768	. INSULATOR, TERMINAL BOARD	1	7
- 77	597215	. JUMPER ASSY, GROUND 4-1/2 IN LG SEE LIST 19-18, FOR COMPONENT PARTS	1	
- 78	598479	. RECTIFIER, SILICON	2	
- 79	603541	. CAPACITOR ASSEMBLY	2	
- 80	535299	. . CAPACITOR, 0.1 MFD P/M 10 PERCENT, 100VDCW	1	
* - 81	615354	. DIODE ASSEMBLY	1	1
* - 81	2162849	. DIODE ASM	1	5
* - 81	2162849	. DIODE ASM	9	5
* - 81A	615354	. DIODE ASSEMBLY	9	1
* - 81A	2162849	. DIODE ASM	9	3
* - 81B	2111232	. . SEMICONDUCTOR DEVICE-DIODE USED ON ASM 615354 ONLY	1	
* - 81B	241927	. . SEMICONDUCTOR DEVICE-DIODE TYPE HF USED ON ASM 2162849 ONLY	1	
* - 82	730468	. JUMPER-TERMINAL STRIP	1	7
- 83	740493	. BRACKET, CARD MOUNTING SEE LIST 1- 28 FOR NEXT HIGHER ASM.	REF	
- 84	740550	. JUMPER ASSEMBLY, 2-1/2 INCH SEE LIST 1- 29 FOR NEXT HIGHER ASM.	REF	
* - 85	801620	. JUMPER-BLK 2.50 IN. 18AWG	1	7
* - 86	801645	. CAPACITOR, ELECTROLYTIC, 5500 MFD 45VDC	5	7
* - 86	2181284	. CAPACITOR, FXD, ELECTROLYTIC, 22000 MFD	1	8
- 87	803278	. SCREW, MACH, RH 10-24 X 5/16 LG	4	
* - 88	1143227	. BARRIER, JUMPER,	1	A
* - 88	1143227	. BARRIER, JUMPER,	1	4B
* - 88	472187	. JUMPER-BRASS	1	6B
- 89	2102710	. RESISTOR ASSEMBLY, 10 OHM 1/2W	1	
- 90	321271	. . RESISTOR, FXD, COMP- 10 OHMS P/M 5% 1/2W	1	
* - 91	2103070	. RESISTOR ASSEMBLY, 330 OHM 1/2W	1	4
* - 92	2103070	. RESISTOR ASSEMBLY, 330 OHM 1/2W	5	
* - 92A	317248	. . CONNECTOR, PLUG, ELEC- 2 FEMALE CONTACTS	1	
* - 93	2103102	. CAPACITOR ASSEMBLY, 1MFD 200VDC	2	
- 94	2102374	. . CAPACITOR, PAPER, 1.0 MFD P30/M20% 200V	1	
- 95	2103552	. RESISTOR ASSEMBLY, 1K OHM, 2W	2	
* - 96	2103552	. RESISTOR ASSEMBLY, 1K OHM, 2W	1	8
* - 96A	317082	. . RESISTOR, FXD, COMP- 1K P/M 5% 2W	1	
* - 97	2114054	. JUMPER ASSEMBLY, 2-5/8 INCHES LONG SEE LIST 19-4B, FOR COMPONENT PARTS	4	7
- 98	2114312	. STUD, MALE - FEMALE, 10-32 X .94 LONG	2	
- 99	2114480	. JUMPER ASM SEE LIST 19-3D, FOR COMPONENT PARTS	1	
* - 99A	2124546	. RESISTOR ASSEMBLY- 6.8 K 1/2 W	1	4B
- 99B	338320	. CAPACITOR ASSEMBLY- 1 MFD 600 VDC	3	
- 99C	2114481	. JUMPER ASSEMBLY	1	
* - 99D	2114490	. JUMPER ASSEMBLY, 5-1/2 INCHES LONG SEE LIST 19- 3D FOR COMPONENT PARTS	1	
* - 99E	2125765	. LOCKWASHER, DISHED SEE LIST 1- 30 FOR NEXT HIGHER ASM.	REF	
* -100	2129359	. RESISTOR ASSEMBLY, 300 OHMS 1/2 WATT	1	8
* -100A	317008	. . RESISTOR, FXD- 300 OHMS 1/2 WATT	1	
-101	2129362	. RESISTOR ASSEMBLY, 150 OHM 10 W	4	
-102	2102625	. . RESISTOR, FXD, W/W 150 OHM P/M 5% 10W	1	
-103	2130557	. RESISTOR ASSEMBLY, 5.6K OHM, 1/2W	1	
-104	317430	. . RESISTOR	1	
* -104A	2152818	. JUMPER ASSEMBLY	1	7
* -105	2154687	. RELAY, ARMATURE, 3PDT, 36VDC	2	
* -105A	2154687	. RELAY, ARMATURE, 3PDT, 36VDC	1	7
* -105B	2154687	. RELAY, ARMATURE, 3PDT, 36VDC	1	7
* -105B	2218668	. RELAY, ARMATURE, 3PDT 36VDC	1	8
-106	2154914	. RESISTOR ASM	4	
-107	595261	. . RESISTOR, FXD, WW- 20 OHMS P/M 5% 10W	1	
-108	2154915	. CAPACITOR ASSEMBLY	1	
-109	2109462	. . CAPACITOR, ELECT., 250 MFD P/M 10% 50 V	1	
-110	2157392	. RESISTOR ASSEMBLY, 100 OHM 20W	1	
-111	285955	. . RESISTOR, FXD, WW- 100 OHMS 20W	1	
-112	2160789	. RELAY, MOTOR, 36 VOLT 25 AMP	1	
-113	2160790	. CHOKE ASSEMBLY, TOROID	1	
-114	2160804	. . CHOKE, RF FILTER	1	
-115	2160805	. CAPACITOR ASSEMBLY, 0.1UF 600VDC	3	
-116	286531	. . CAPACITOR, PAPER, 0.01 MFD P/M 20% 600V	1	
* -117	2160808	. RESISTOR ASSEMBLY, 47 OHM 2W	1	4
* -117	2160808	. RESISTOR ASSEMBLY, 47 OHM 2W	2	6

SEQUENCE PANEL ASSEMBLY -CONT

16	-118	335329	. . RESISTOR, FIXED 47 OHM 2 W	1	
	-119	2160826	. RESISTOR ASSEMBLY, 10 OHM 50VDC 2W	1	
	-120	317077	. . RESISTOR, FXD, COMP, 10 OHM P/M 5% 2W	1	
	-121	2160847	. COVER, SAFETY	1	
*	-122	2178420	. TRANSFORMER ASM	1	7A
*	-122	2181332	. TRANSFORMER ASSEMBLY, 36V 60 CYCLE	1	8A
*	-122	4117458	. TRANSFORMER ASSEMBLY	1	7B
*	-122	2181258	. TRANSFORMER ASSEMBLY, 36V 50 CYCLE	1	8B
	-123	2178516	. JUMPER ASSEMBLY, 8-1/2 INCHES LONG SEE LIST 19-3C, FOR COMPONENT PARTS	1	
	-124	2178523	. JUMPER ASSEMBLY, 12-1/2 INCHES LONG	2	7
	-125	2180677	. PANEL, SEQUENCE	1	
	-126	2180678	. HOUSING, SIDE PANEL	1	
	-127	2180681	. CABLE ASSEMBLY, AC JUMPER SEE LIST 19-3, 3B, 3C, 4B, 5B, 17A, 18, 40 AND 75 FOR COMPONENT PARTS	1	A
	-127	2180854	. CABLE ASSY., AC JUMPER, 50 CYCLE SEE LIST 19-3, 3B, 3C, 3E, 4B, 5, 5B, 5C, 17A, 18, 40 AND 75 FOR COMPONENT PARTS	1	B
	-128	2180682	. CABLE ASSEMBLY, SEQUENCE PANEL TO GATE SEE LIST 19-6B, 6D, 7A, 20, 55 AND 62 FOR COMPONENT PARTS	1	
	-129	2180685	. CABLE ASSEMBLY, SEQUENCE PANEL JUMPER SEE LIST 19-6B, 6D, 7A, 7C, 8A, 10, 10A, 11, 11A, 57 AND 75 FOR COMPONENT PARTS	1	
	-130	2180686	. CABLE ASSEMBLY, SOLENOID AND INTERLOCK SEE LIST 19-3C, 4, 6B, 6D, 7A, 21, 22, 23, 32, 35A, 56 AND 56A FOR COMPONENT PARTS	1	
	-131	2180688	. CABLE ASSEMBLY, AC INPUT JUMPER SEE LIST 19-3, 4B, 5B AND 41 FOR COMPONENT PARTS	1	A
	-131	2180853	. CABLE ASSY., AC INPUT JUMPER, 50 CYCLE SEE LIST 19-3, 4B, 5B AND 41 FOR COMPONENT PARTS	1	B
	-132	2180691	. CABLE ASSEMBLY, DC TO GATE SEE LIST 1- 55 FOR NEXT HIGHER ASM. AND LIST 19-3, 3B, 3E, 10A, 20, 43, 43A, 43B, 44, 46, 49, 52, 55 AND 62 FOR COMPONENT PARTS	REF	
	-133	2180692	. CABLE ASSEMBLY, SIGNAL PLUG TO GATE SEE LIST 1- 56 FOR NEXT HIGHER ASM. AND LIST 19-9A, 9B, 10, 20, 25, 26, 55 AND 62 FOR COMPONENT PARTS	REF	4
*	-133	2181189	. CABLE ASSEMBLY-SIGNAL PLUG TO GATE SEE LIST 1- 56 FOR NEXT HIGHER ASM. AND LIST 19-10A, 10B, 11B, 20, 55, 62, 63 AND 63A FOR COMPONENT PARTS	REF	6
*	-134	2180753	. SHIELD, TRANSFORMER	1	7A
*	-135	2180755	. SHIELD, 4.250 X 7.00	1	7
*	-136	2180841	. CLAMP, CAPACITOR	1	7
*	-137	2180842	. CLAMP, CAPACITOR	1	7
*	-138	2180843	. BRACKET, DIODE MOUNTING	1	7
*	-138	2181388	. HEAT SINK, DIODE	1	8
	-139	2180969	. JUMPER ASSEMBLY, 12 INCHES LONG SEE LIST 19-3, FOR COMPONENT PARTS	1	
*	-140	2180970	. JUMPER ASSEMBLY, 7-1/4 INCHES LONG SEE LIST 19-4B, FOR COMPONENT PARTS	1	7
*	-141	2180977	. JUMPER ASSEMBLY, 8 INCHES LONG SEE LIST 19-4B, FOR COMPONENT PARTS	1	7B
*	-142	2180978	. JUMPER ASSEMBLY, 5 INCHES LONG SEE LIST 19-3C AND 3D FOR COMPONENT PARTS	1	7A
*	-143	2181013	. JUMPER ASSEMBLY	1	3
*	-143	5308492	. RESISTOR ASSEMBLY- 750 OHMS 1/2 WATT	2	7
*	-144	2181092	. LABEL	1	2
*	-144	2181092	. LABEL	1	8
*	-145	2181199	. CLIP-STRAIN RELIEF	REF	6
*	-146	2181204	. JUMPER ASSEMBLY	REF	6
*	-147	2181205	. JUMPER ASM-GRN/YEL 1 LUG 2 SOCK CONTACTS	REF	6
*	-148	2181206	. BAR, ADAPTER	REF	6
*	-149	2181277	. INDUCTOR ASSEMBLY, 100 UH	1	8
*	-150	491292	. . INDUCTOR, FXD- 100 UH	1	
*	-151	2181334	. JUMPER ASSEMBLY	2	8
*	-152	5212727	. CLAMP, CAPACITOR	1	8
*	-153	5308492	. RESISTOR ASSEMBLY- 750 OHMS 1/2 WATT	1	7
*	-154	5308492	. RESISTOR ASSEMBLY- 750 OHMS 1/2 WATT	2	
*	-155	317015	. . RESISTOR, FXD, COMP- 750 OHMS P/M 5% 1/2W	1	
*	-156	NO NO.	. CABLE CLAMP, SEE LIST 19-2	AR	

FOR PARTS
NOT SHOWN
SEE FIG. 1

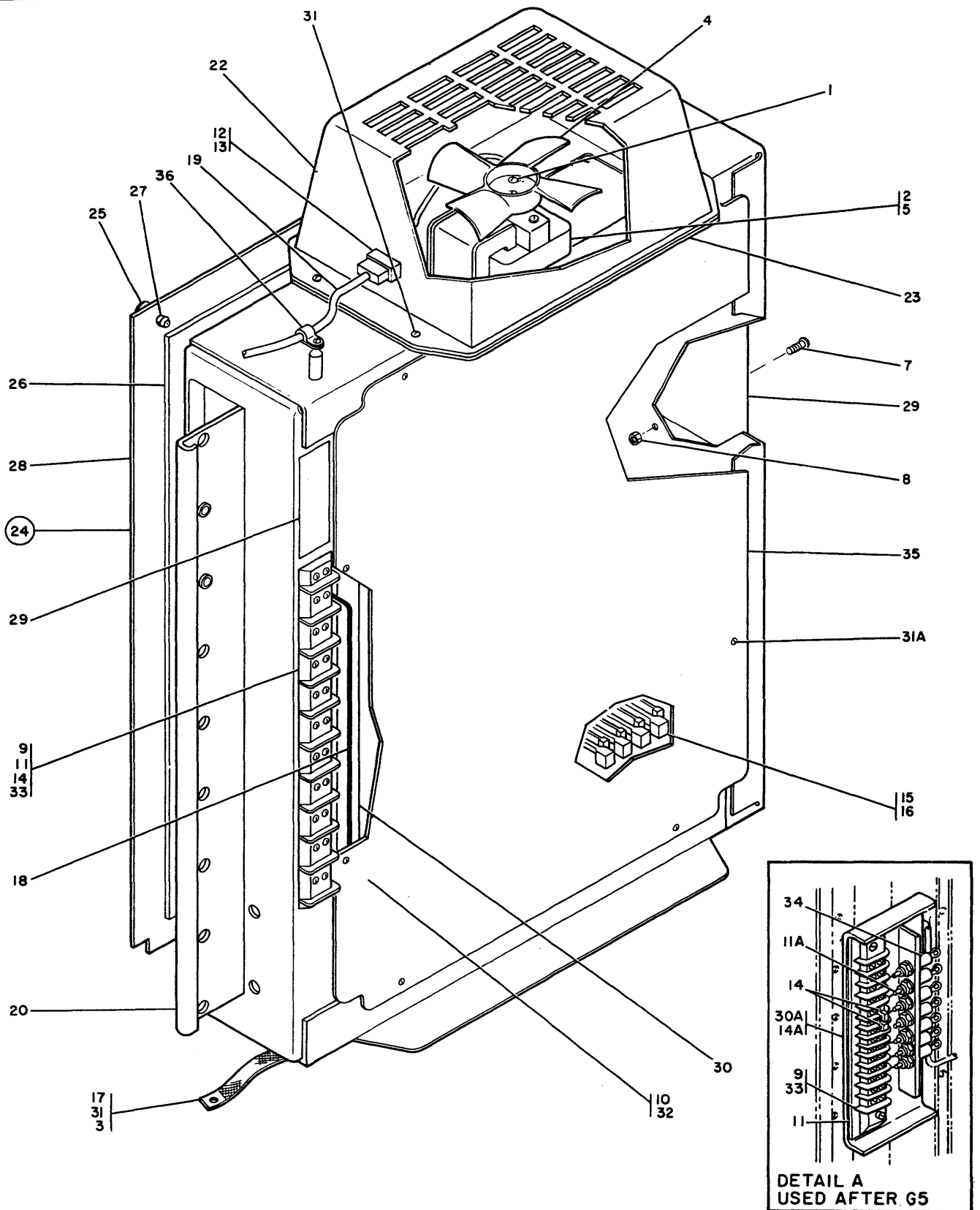


FIGURE 17. GATE ASSEMBLY. SEE LIST 17.

LIST AND INDEX NO.	PART NO.	DESCRIPTION	UNITS	USABLE
			PER ASM.	ON CODE
		1 2 3 4		
		GATE ASSEMBLY		
* 17 -		CODE 1 USED ON ASM PRIOR TO G5 SUFFIX CODE 2 USED ON ASM FROM G5 TO A6 SUFFIX		
* -	2180740	GATE ASSEMBLY USED ON MACHINES PRIOR TO A6 SUFFIX SEE LIST 1- 61 FOR NEXT HIGHER ASM AND FIGURE 17 FOR ILLUSTRATION	REF	
* - 1	2863	. SCREW, MACH-RH 3-48 X 0.250 LG	2	1
* - 2	32042	. SCREW, MACH BIND. HD 10-32 X 3/8 LG.	1	1
* - 3	56722	. WASHER, LOCK-EXT T .141 ID	2	1
* - 3	2125765	. LOCKWASHER, DISHED	1	2
* - 4	171485	. BLADE, FAN	1	1
* - 5	172999	. MOTOR- 230V AC INDEX 6 DELETED	1	1
- 7	234318	. SCREW, ASSEM WASH-FIL H 8-32 X 3/8 LG	1	
- 8	257189	. NUT, HEX., 8-32 X 0.3438 W	1	
- 9	320451	. STRIP, BARRIER TERMINAL	1	
- 10	344015	. NUT, STOP 6-32 X 5/16 FL W	2	
- 11	550578	. STRIP, MARKER	1	
* - 11A	596481	. JUMPER ASSEMBLY	7	2
* - 12	609687	. CONTACT	2	1
* - 13	725558	. COVER-CONNECTOR	1	1
* - 14	730468	. JUMPER-TERMINAL STRIP	2	2
* - 14A	81693	. SCREW, MACH-BIND HD 6-32 X 3/8 LG USED ON FIELD MODIFIED MACHINE ONLY	4	2
* - 14A	2181005	. SCREW, SELF TAPPING, 6-32 X .375 LG.	4	2
- 15	811804	. GUIDE, CARD	16	
- 16	813621	. POST, GUIDE	19	
- 17	2101089	. STRAP, GROUND, 518 X 7 IN.	1	
- 18	2180683	. CABLE ASSEMBLY, GATE DC JUMPER SEE LIST 19-4, 29, 30, 65, 66 AND 66A FOR COMPONENT PARTS	1	
* - 19	2180689	. CABLE ASSEMBLY-GATE FAN SEE LIST 19-5, 22, 23, 56 AND 56A FOR COMPONENT PARTS	1	1
- 20	2180720	. GATE WELDMENT ASSEMBLY INDEX 21 DELETED	1	
* - 22	2180721	. ENCLOSURE, FAN	1	1
* - 23	2180722	. PLATE, FAN ENCLOSURE	1	1
- 24	2180744	. COVER ASSEMBLY, GATE	1	
- 25	2178597	. . PLUNGER, NYLATCH	2	
- 26	2180727	. . FOAM, 9 X 12, .13 THICK	1	
- 27	2180733	. . GROMMET, COVER LATCH	2	
- 28	2180974	. . COVER, SLT GATE	1	
- 29	2180797	. DECAL, DC TB AND TEST POINTS	1	
- 30	2180972	. CLAMP, PADDLE CONNECTOR, SLT	1	
- 30A	2180933	. BALL-SPOOL PLUG	1	2
* - 31	2181005	. SCREW, SELF TAPPING, 6-32 X .375 LG.	5	1
* - 31	2181005	. SCREW, SELF TAPPING, 6-32 X .375 LG.	1	2
* - 31A	2181005	. SCREW, SELF TAPPING, 6-32 X .375 LG.	6	1
* - 31A	811417	. SCREW, HEX SOCKET H- 6-32 X 1/2 LG	6	2
* - 32	2181006	. SCREW, SELF TAPPING, 6-32 X 1.00 LG.	2	1
* - 32	2181088	. SCREW	2	2
* - 33	2181007	. SCREW, SELF TAPPING, 6-32 X .625 LG.	4	1
* - 33	2181007	. SCREW, SELF TAPPING, 6-32 X .625 LG.	2	2
* - 34	2192509	. CAPACITOR, FXD-0.1 UF100V	7	2
* - 35	5811144	. BOARD, SLT-01A-B1	1	
* - 36	NO NO.	. CABLE CLAMP, SEE LIST 19-2	AR	1

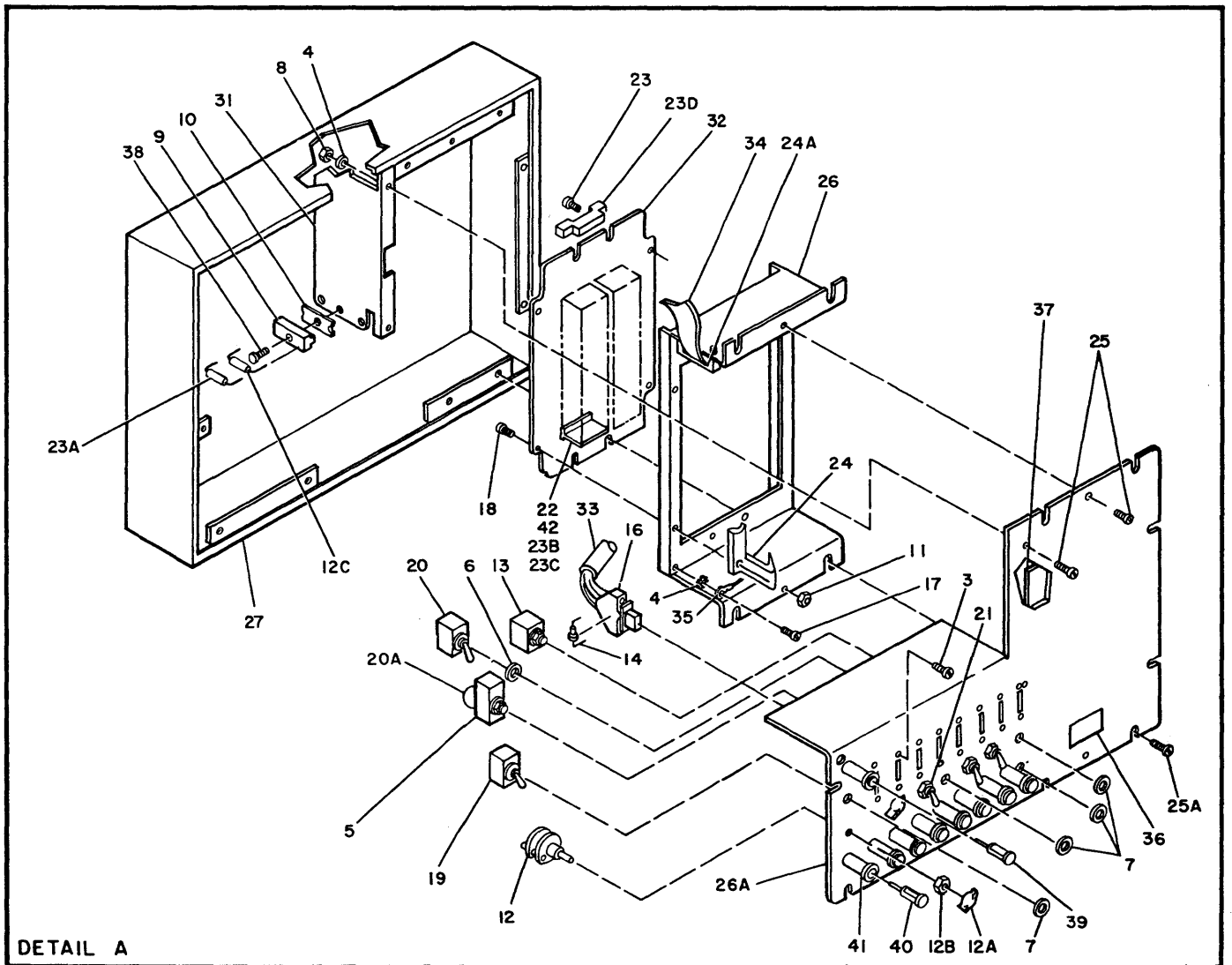
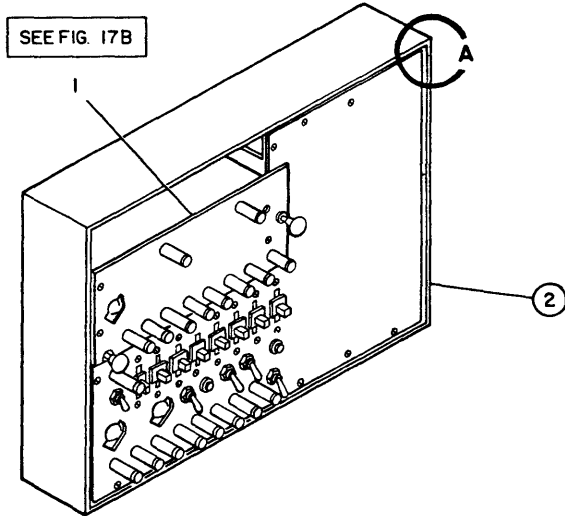


FIGURE 17A. C.E. BOX ASSEMBLY. SEE LIST 17A.

		C.E. BOX ASSEMBLY.		
17A-		CODE 1 USED ON ASM PRIOR TO M5 SUFFIX CODE 2 USED ON ASM FROM M5 TO P5 SUFFIX CODE 3 USED ON ASM FROM M5 TO CURRENT CODE 4 USED ON ASM PRIOR TO P5 SUFFIX CODE 5 USED ON ASM FROM P5 TO CURRENT CODE 6 USED ON ASM PRIOR TO E6 SUFFIX CODE 7 USED ON ASM FROM E6 TO CURRENT CODE 8 USED ON ASM PRIOR TO H6 SUFFIX CODE 9 USED ON ASM FROM H6 TO CURRENT		
	2200012	CE BOX ASSEMBLY SEE FIGURE 17A FOR ILLUSTRATION	REF	
	- 1 2200014	. INDICATOR BOX ASSEMBLY SEE LIST 17B FOR DETAIL BREAKDOWN	1	
	- 2 2200013	. CE BOX ASSEMBLY, CONTROL UNIT	1	
	- 3 10170	. . SCREW-MACH,BIND HD NO. 6-32 X .250 LG	16	
	- 4 56722	. . WASHER,LOCK-EXT T .141 ID	3	
	- 5 117184	. . SWITCH,PUSH-NC 125V AC 1 AMP	1	4
	- 5 725570	. . SWITCH,PUSHBUTTON-SPDT 0.2 AMPS 30 VDC	1	5
	- 6 159373	. . WASHER,LOCK-EXT TEETH 15/32 ID X 3/4 OD	5	
	- 7 216323	. . NUT, STEEL, CHROMIUM,	7	1
	- 7 179744	. . NUT,PLAIN,RD- 15/32-32 X 39/64 DIA	7	3
	- 8 257187	. . MACHINE SCREW HEXAGON	1	
	- 9 302090	. . CONNECTOR,RECP,ELEC- 24 FEMALE CONTACTS	1	
	- 10 302131	. . STRIP-TERMINAL BLOCK INSULATOR	1	
	- 11 344015	. . NUT,SELF LKG,HEX- 6-32 X 5/16 FL W	2	1
	- 12 354167	. . SWITCH, ROTARY, 1 DECK, 1 POLE, 7 POS.	2	6
	- 12 2181235	. . SWITCH,ROTARY, 1 DECK, 1 POLE, 7 POS.	2	7
	- 12A 317173	. . KNOB-BAR TYPE WITH POINTER	2	3
	- 12B 179743	. . NUT,PLAIN,HEX- 15/32-32 X 9/16 FL W	2	3
	- 12C 358789	. . RESISTOR ASSEMBLY	2	3
	- 13 358844	. . SWITCH,PUSH	1	
	- 14 369218	. . SEMICONDUCTOR DEVICE, DIODE INDEX 15 DELETED	5	
	- 16 555049	. . SWITCH,LEVER-SHCRTING 2P 3 POS	8	
	- 17 731626	. . SCREW, PAN HEAD, 6-32 X .25 LONG	1	
	- 18 731627	. . SCREW, PAN HEAD, 6-32 X .75 LONG	2	1
	- 18 811426	. . SCREW,MACH-PAN HD 6-32 X 3/8 IN. LG	2	2
	- 18 811417	. . SCREW,HEX SOCKET H- 6-32 X 1/2 LG	2	5
	- 19 734878	. . SWITCH, TOGGLE, SPDT, CENTER OFF	1	
	- 20 738826	. . SWITCH, TOGGLE	3	
	- 20A 740550	. . JUMPER ASSEMBLY	1	2
	- 21 765748	. . SWITCH, TOGGLE	1	6
	- 21 734879	. . SWITCH, TOGGLE, DPDT,	1	7
	- 22 811363	. . EXTENDER, CARD, 6 PAC	10	6
	- 22 811363	. . EXTENDER, CARD, 6 PAC	18	7
	- 23 811426	. . SCREW,MACH-PAN HD 6-32 X 3/8 IN. LG	2	1
	- 23 811417	. . SCREW,HEX SOCKET H- 6-32 X 1/2 LG	2	5
	- 23A 2100873	. . RESISTOR ASM	1	2
	- 23B 811802	. . GUIDE-CARD	1	3
	- 23C 811802	. . GUIDE-CARD	1	2
	- 23D 813179	. . CLAMP-BOARD	4	5
	- 24 2180972	. . CLAMP, PADDLE CONNECTOR, SLT	1	1
	- 24A 2180973	. . CLAMP, SLT CARD	1	
	- 25 2181005	. . SCREW, SELF TAPPING, 6-32 X .375 LG.	4	6
	- 25A 2181005	. . SCREW, SELF TAPPING, 6-32 X .375 LG.	7	6
	- 25A 81693	. . SCREW,MACH-BIND HD 6-32 X 3/8 LG	9	7
	- 26 2181101	. . BRACKET, BOARD MOUNTING	1	
	- 26A 2181102	. . PANEL, CE BOX	1	
	- 27 2181104	. . CASE ASSEMBLY, CE BOX	1	6
	- 27 2181141	. . CASE ASSEMBLY-CE BOX INDEXES 28 THRU 30 DELETED	1	7
	- 31 2181106	. . PARTITION, CABLE	1	
	- 32 2181110	. . BOARD ASSEMBLY	1	
	- 33 2181112	. . CABLE ASSEMBLY, CE TEST BOX SEE LIST 19-3C, 4D, 7A, 7C, 17, 20, 58, 62 AND 73 FOR COMPONENT PARTS	1	
	- 34 2181113	. . CABLE ASSEMBLY, CE BOX TO FILE SEE LIST 19-20, 55, 73, 74, 76 AND 77 FOR COMPONENT PARTS	1	8
	- 34 2244951	. . CABLE ASSEMBLY,CE BOX TO FILE	1	9
	- 35 2181117	. . JUMPER ASSEMBLY, 3-1/4 INCHES LONG	1	
	- 36 2181119	. . SERIAL TAG, FILE TEST BOX	1	
	- 37 2181133	. . FOAM, 9 X 6, .13 THICK	1	
	- 38 2191846	. . SCREW-EDGE CONNECTOR MOUNTING	1	
	- 39 5353883	. . INDICATOR ASSEMBLY,AMBER- 3 VOLT	1	
	- 40 5353887	. . HOUSING, LAMP	9	
	- 41 5353889	. . INDICATOR ASSEMBLY-3 VOLT	8	
	- 42 5700484	. . SCREW, SELF TAPPING, 4-40 X .375 LG.	2	

LIST AND INDEX NO.	PART NO.	DESCRIPTION 1 2 3 4	UNITS PER ASM.	USABLE ON CODE
		INDICATOR BOX ASSEMBLY.		
* 17B-		CODE 1 USED ON ASM PRIOR TO B6 SUFFIX CODE 2 USED ON ASM FROM B6 TO CURRENT CODE 3 USED ON ASM PRIOR TO E6 SUFFIX CODE 4 USED ON ASM FROM E6 TO CURRENT		
* -	2200014	INDICATOR BOX ASSEMBLY SEE LIST 17- 1 FOR NEXT HIGHER ASM. AND FIGURE 17B FOR ILLUSTRATION	REF	
* - 1	37913	. NUT, HEX., 4-40 X 1/4 W	1	
* - 1A	55901	. LOCKWASHER, EXTERNAL TOOTH	1	4
* - 2	257189	. NUT, HEX., 8-32 X 0.3438 W	1	
* - 3	338169	. WASHER, LOCK-EXT TEETH NO. 4 X 9/32 OD	1	
* - 4	317173	. KNOB-BAR TYPE WITH POINTER	1	2
* - 5	2181234	. SWITCH, ROTARY	1	2
* - 5	539691	. SWITCH, 4 DECK, 16 POLE, 4 POSITION	1	1
* - 5A	220032	. NUT, PLAIN, HEX- 3/8-32 X 1/2 FL W	1	1
* - 5B	300793	. KNOB, SWITCH	1	1
* - 6	2178596	. GROMMET, NYLATCH	2	
* - 7	2178597	. PLUNGER, NYLATCH	2	
* - 8	2181005	. SCREW, SELF TAPPING, 6-32 X .375 LG.	4	
* - 9	2181100	. CHASSIS, INDICATOR BOX	1	
* - 10	2181103	. PANEL, INDICATOR BOX	1	
* - 11	2181107	. PLATE, SUPPORT	2	
* - 12	2244948	. CABLE ASM.-CE BOX TO FILE BREAKDOWN NOT AVAILABLE	1	4
* - 12	2181114	. CABLE ASSEMBLY, INDICATOR BOX TO FILE	1	3
* - 13	37913	. NUT, HEX., 4-40 X 1/4 W	2	
* - 14	150209	. LOCKWASHER	2	
* - 15	438552	. SCREW, MACH BINDING HD 4-40 X 3/4 LG	2	
* - 16	595720	. RIVET, ROLLED FLANGE	6	
* - 16A	811804	. GUIDE, CARD	1	
* - 17	2180973	. CLAMP, SLT CARD	2	
* - 18	2181109	. SUPPORT, CARD	1	
* - 19	5800634	. CARD ASSEMBLY, SLT	2	
* - 20	5801246	. CARD ASSEMBLY, SLT	1	
* - 20A	2181094	. LABEL, IDENTIFICATION	1	
* - 21	2181115	. CABLE ASSY. SELECT SWITCH TO FILE CONN	1	
* - 21A	812193	. BOARD, ETCHED, RT. ANGLE CONNECTOR	1	
* - 22	2181116	. CABLE ASSY. IND. BOX CARD TO LAMPS. SW.	1	
* - 22A	253453	. TERMINAL-RING, 22-26 AWG, #6 HOLE, INS	1	
* - 22B	812193	. BOARD, ETCHED, RT. ANGLE CONNECTOR	2	
* - 22C	5362301	. TERMINAL	20	
* - 23	2181129	. LABEL, INDICATOR BOX LOGIC	1	
* - 24	2181132	. SERIAL TAG, INDICATOR BOX	1	
* - 25	5319854	. SCREW, SELF TAPPING, 8-32 X .375 LONG	1	
* - 26	5353883	. INDICATOR ASSEMBLY, AMBER, 3 VOLT	2	
* - 27	5353887	. HOUSING, LAMP	10	
* - 28	5353889	. LAMP, CLEAR	8	
* - 29	5700484	. SCREW, SELF TAPPING, 4-40 X .375 LG.	6	
* - 30	5801245	. CARD ASSEMBLY, SLT	1	

FOR PARTS
NOT SHOWN
SEE FIG. 1

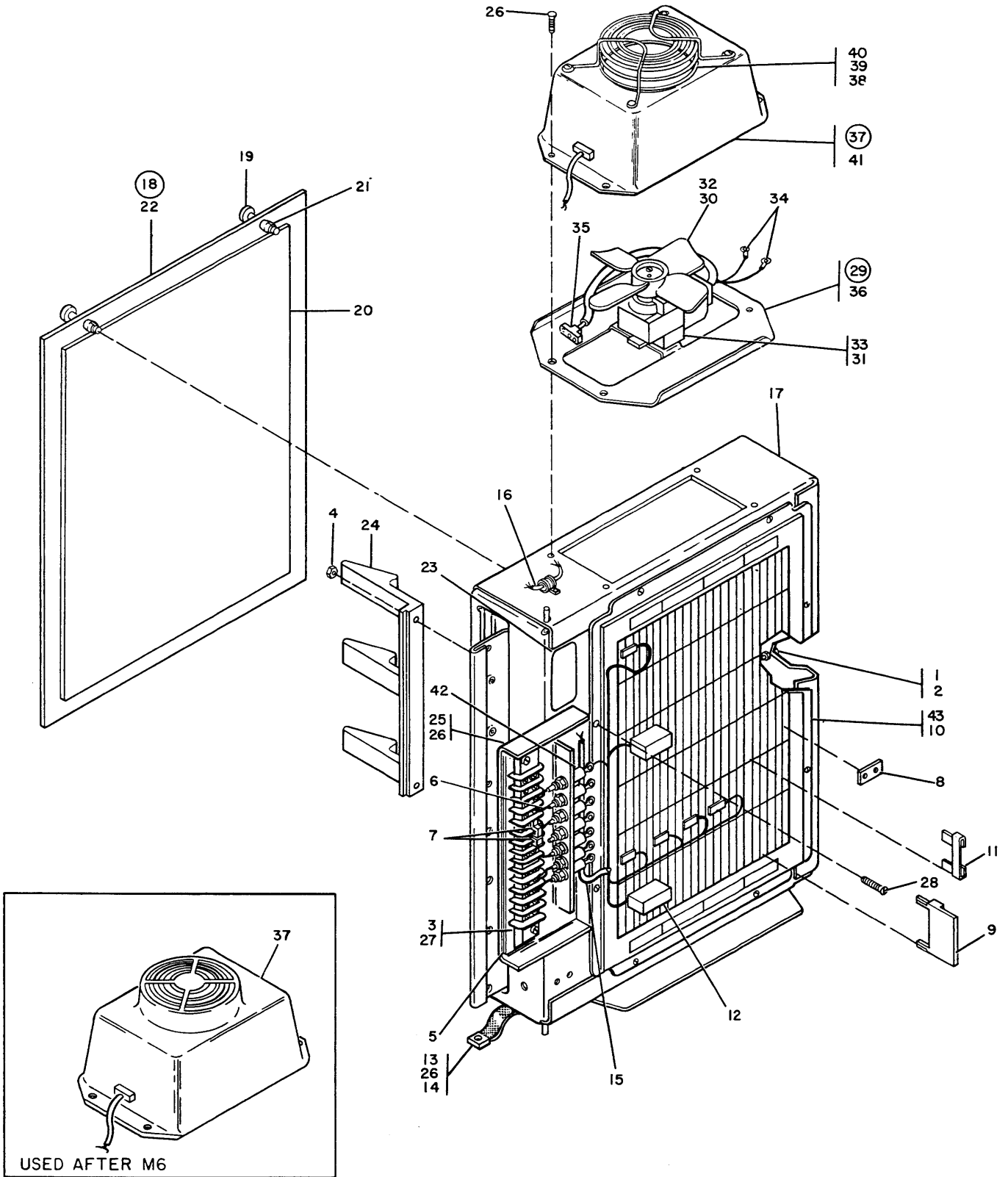


FIGURE 17C. GATE ASSEMBLY. SEE LIST 17C.

LIST AND INDEX NO.	PART NO.	DESCRIPTION	UNITS PER ASM.	USABLE ON CODE
		1 2 3 4		
		GATE ASSEMBLY		
* 17C-		CODE 1 USED ON ASM PRIOR TO S6 SUFFIX CODE 2 USED ON ASM FROM S6 TO CURRENT		
* -	2180740	GATE ASSEMBLY USED ON MACHINES FROM A6 TO CURRENT SEE LIST 1- 61 FOR NEXT HIGHER ASM. AND FIGURE 17C FOR ILLUSTRATION	REF	
* - 1	234318	. SCREW,ASMD WASHER-FIL H 8-32 X 3/8 LG	1	
* - 2	257189	. NUT - HEX-8-32UNC THD	1	
* - 3	320451	. TERMINAL BOARD- 10 DBL SCREW TERMINALS	1	
* - 4	344015	. NUT,SELF LKG,HEX- 6-32 X 5/16 FL W	2	
* - 5	550578	. MARKER STRIP- 10 POS NOS. 1 THRU 10	1	
* - 6	596481	. JUMPER ASSEMBLY	7	
* - 7	730468	. JUMPER-TERMINAL STRIP	2	
* - 8	811090	. LOCATOR-OVAL	19	
* - 9	811363	. EXTENDER, CARD, 6 PAC	1	
* - 10	811417	. SCREW,HEX SOCKET H- 6-32 X 1/2 LG	6	
* - 11	811804	. GUIDE, CARD	16	
* - 12	813197	. HOUSING-TERMINAL	7	
* - 13	2101089	. STRAP,GROUND,518 X 7 IN.	1	
* - 14	2125765	. LOCKWASHER, DISHED	1	
* - 15	2180683	. CABLE ASSEMBLY, GATE DC JUMPER SEE LIST 19- 4, -29, -30, -65, -66 AND -66A FOR COMPONENT PARTS	1	
* - 16	2180689	. CABLE ASSEMBLY-GATE FAN SEE LIST 19- 5, -22, -29, -56 -56 FOR COMPONENT PARTS	1	
* - 17	2180720	. GATE WELDMENT ASSEMBLY	1	
* - 18	2180744	. COVER ASSEMBLY, GATE	1	
* - 19	2178597	. PLUNGER, NYLATCH	2	
* - 20	2180727	. FOAM, 9 X 12, .13 THICK	1	
* - 21	2180733	. GROMMET, COVER LATCH	2	
* - 22	2180974	. COVER, SLT GATE	1	
* - 23	2180797	. DECAL, DC TB AND TEST POINTS	1	
* - 24	2180972	. CLAMP, PADDLE CONNECTOR, SLT	1	
* - 25	2180993	. BRACKET	1	
* - 26	2181005	. SCREW, SELF TAPPING, 6-32 X .375 LG.	9	
* - 27	2181007	. SCREW, SELF TAPPING, 6-32 X .625 LG.	2	
* - 28	2181088	. SCREW	2	
* - 29	2181385	. FAN ASSEMBLY-GATE	1	
* - 30	2863	. SCREW, MACH-RH 3-48 X 0.250 LG	2	
* - 31	32042	. SCREW, MACH BIND. HD 10-32 X 3/8 LG.	2	
* - 32	171485	. BLADE,FAN	1	
* - 33	172999	. MOTOR- 230V AC	1	
* - 34	609687	. CONTACT	2	
* - 35	725558	. COVER-CONNECTOR	1	
* - 36	2181398	. PLATE-FAN	1	
* - 37	2244018	. HOUSING,FAN	1	2
* - 37	2181399	. HOUSING ASSEMBLY, FAN FOLLOWING BREAKDOWN FOR ASM 2181399 ONLY	1	1
* - 38	72828	. NUT,SELF LKG,HEX- 8-32 X 0.334 FL W	4	1
* - 38	45690	. WASHER, FL - NO.10 X 7/16 OD X 1/32 THK	4	2
* - 39	186758	. SCREW,MACH-BIND HD 8-32 X 7/16 LG	4	1
* - 39	2244021	. FASTENER,PUSH	4	2
* - 40	597347	. GUARD	1	
* - 41	2181331	. HOUSING,FAN	1	
* - 42	2192509	. CAPACATOR,FXD-0.1 UF100V	7	
* - 43	5811144	. BOARD, SLT-01A-B1	1	

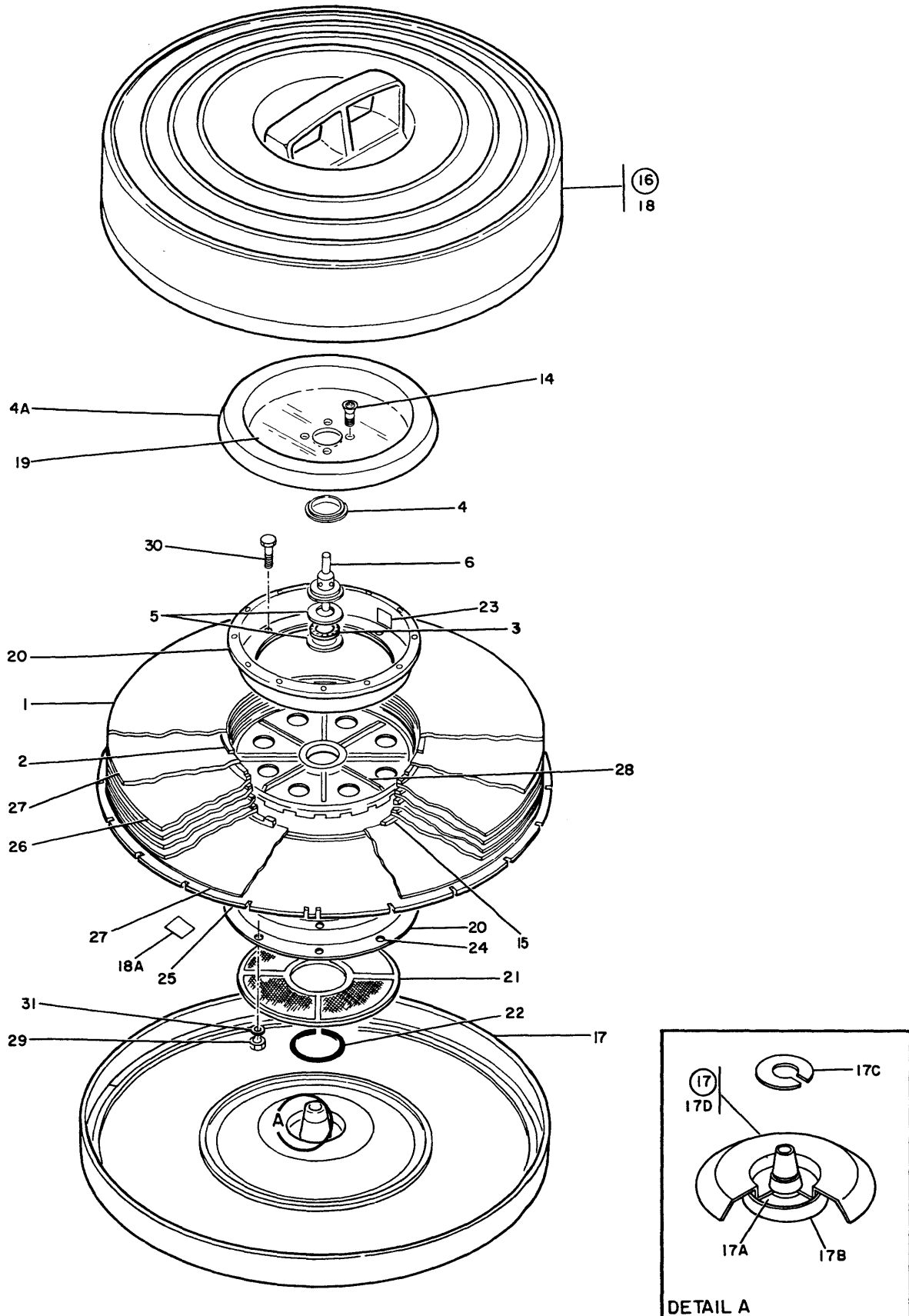


FIGURE 18. DISK PACK ASSEMBLY. SEE LIST 18.

LIST AND INDEX NO.	PART NO.	DESCRIPTION	UNITS PER ASM.	USABLE ON CODE
		1 2 3 4		
		DISK PACK ASM		
* 18 -		CODE A USED ON RED DISK PACK ASM - FROM F5 TO CURRENT		
* -	2162852	PACK ASM, DISK SEE FIGURE 18 FOR ILLUSTRATION	REF	A
* -	2200018	PACK ASSEMBLY-DISK SEE FIGURE 18 FOR ILLUSTRATION	REF	B
* - 1	2154061	. DISK, TOP COVER	1	
* - 2	2154069	. SHIM, DISK PACK	2	
* - 3	2154096	. BALL RETAINER	1	
* - 4	2154252	. BUSHING, DISK PACK SCREW	1	
* - 4A	2157651	. SHIELD, CE DISK PACK TRIM	1	1A
* - 4A	2218103	. SHIELD, DISK PACK TRIM-RED	1	2A
* - 4A	2162871	. SHIELD, DISK PACK TRIM-YELLOW	1	B
* - 5	2160837	. WASHER, THRUST, 1.180 OD	1	1
* - 5	2218117	. WASHER, THRUST	2	2
* - 6	2160846	. SCREW ASSEMBLY, DISK PACK LOCKING PARTS OF THIS ASM ARE NOT REPLACEABLE	1	
* - 14	2160861	. SCREW, FLAT HD, 4-40 X 1/4 LG	4	1
* - 14	251970	. SCREW-MACH BD. HD. 4-40 X 1/4 LG	4	2
* - 15	2162559	. SPACER, DISK PACK	4	
* - 16	2162663	. COVER ASSEMBLY, DISK PACK	1	
* - 17	2157683	. COVER ASSEMBLY, DISK PACK BOTTOM	1	3
* - 17	2244031	. COVER ASSEMBLY, DISK PACK TOP	1	4
* - 17A	2157682	. . . WASHER, BEARING	1	4
* - 17B	2244027	. . . KNOB	1	4
* - 17C	2244028	. . . WASHER, RETAINING	1	4
* - 17D	2244038	. . . COVER, DISK PACK, BOTTOM	1	4
* - 18	2157684	. . . COVER ASSEMBLY, DISK PACK TOP	1	
* - 18A	2162691	. SERIAL PLATE, SALE	AR	A
* - 18A	2162692	. SERIAL PLATE, LEASE	AR	A
* - 18A	2162891	. SERIAL TAG, DISK PACK	AR	2A
* - 18A	2157673	. SERIAL TAG, DISK PACK-CE SERIAL PLATES ARE NOT PART OF THIS ASSY. ORDER SEPARATELY, AS REQUIRED	AR	B
* - 19	2162772	. DECAL, DISK PACK	1	B
* - 20	2162836	. CLAMP, RING DRUM	2	
* - 21	2162837	. FILTER, DISK PACK	1	
* - 22	2162840	. O RING	1	
* - 23	2162841	. WEIGHT, BALANCE, DISK PACK	1	
* - 24	2162842	. TRIM BUTTON, DISK PACK	6	
* - 25	2162854	. DISK, SECTOR	1	
* - 26	2162857	. DISK, COATED, CENTER	4	
* - 27	2162858	. DISK, COATED, END	2	
* - 28	2162873	. HUB, DISK PACK	1	
* - 29	2180870	. NUT, SEMI-FINISHED HEXAGON, .25-20 LNC	6	
* - 30	2180871	. SCREW, HEX CAP. 25-20 X 1.125 LONG	6	
* - 31	2180872	. WASHER, .250 ID X .500 OD .400 THICK	6	

LIST AND INDEX NO.	PART NO.	DESCRIPTION 1 2 3 4	UNITS PER ASM.	USABLE ON CODE
		DISK PACK ASSEMBLY		
* 18A-		CODE 1 USED ON ASM PRIOR TO B7 SUFFIX CODE 2 USED ON ASM FROM B7 TO CURRENT		
* -	2162601	PACK ASSEMBLY, DISK SEE FIGURE 18A FOR ILLUSTRATION	REF	
* - 1	38575	. SCREW, MACH-RH 6-32 X 7/16 LG	12	
* - 2	2154061	. DISK, TOP COVER □	1	
* - 3	2154063	. DISK, COATED END □	2	
* - 4	2154064	. DISK, COATED CENTER □	4	
* - 5	2154069	. SHIM, DISK PACK □	2	
* - 6	2154096	. BALL RETAINER	1	
* - 7	2154252	. BUSHING, DISK PACK SCREW	1	
* - 8	2157651	. SHIELD, DISK PACK TRIM-RED	1	
* - 9	2160837	. WASHER, THRUST, 1.180 OD	1	
* - 10	2160846	. SCREW ASSEMBLY, DISK PACK LOCKING PARTS OF THIS ASM ARE NOT REPLACEABLE	1	
* - 18	2160861	. SCREW, FLAT HD, 4-40 X 1/4 LG	4	
* - 19	2162529	. RING, RETAINING	1	
* - 20	2162552	. ELEMENT, FILTER	1	
* - 21	2162555	. RETAINER, FILTER	1	
* - 22	2162558	. DISK, SECTOR □	1	
* - 23	2162559	. SPACER, DISK PACK □	5	
* - 24	2162560	. DRUM, DISK PACK □	1	
* - 25	2162563	. RING, DISK PACK □	1	
* - 26	2162597	. CLIP, DISK BALANCER □	1	
* - 27	2162663	. COVER ASSEMBLY, DISK PACK	1	
* - 28	2157683	. . COVER ASSEMBLY, DISK PACK BOTTOM	1	1
* - 28	2244031	. . COVER ASSEMBLY, DISK PACK TOP	1	2
* - 28A	2157682	. . . WASHER, BEARING	1	2
* - 28B	2244027	. . . KNOB	1	2
* - 28C	2244028	. . . WASHER, RETAINING	1	2
* - 28D	2244038	. . . COVER, DISK PACK, BOTTOM	1	2
* - 29	2157684	. . COVER ASSEMBLY, DISK PACK TOP	1	

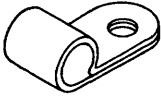

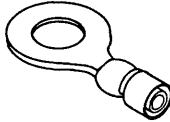
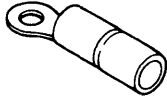
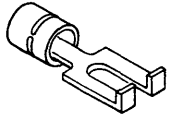
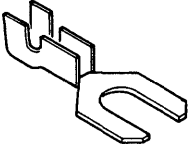
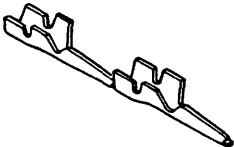
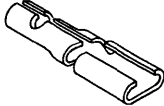
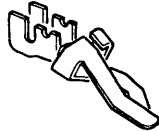
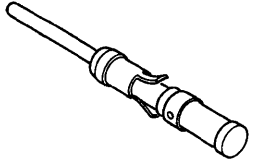
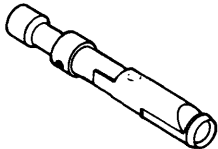
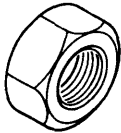
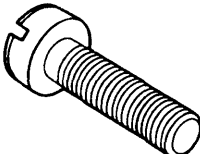

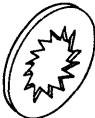
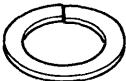
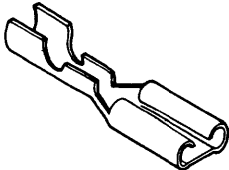

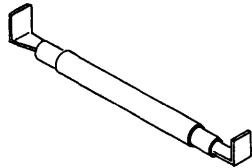
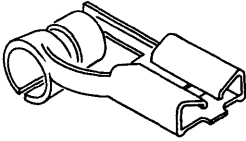
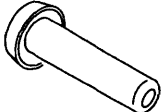
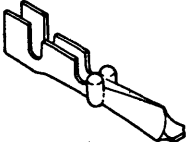
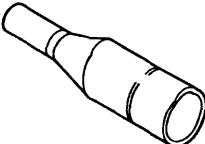

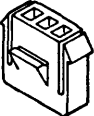
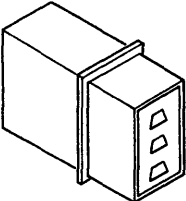
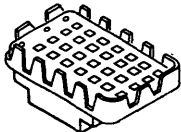
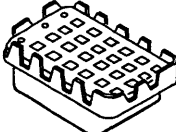
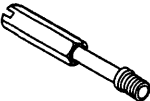
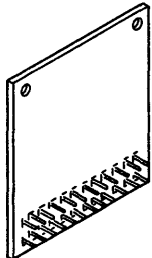
 <p>1</p>	 <p>2</p>	 <p>3, 3A THRU 3F</p>	 <p>4, 4A THRU 4D</p>	 <p>5, 5A THRU 5D</p>
 <p>6, 6A THRU 6D</p>	 <p>7, 7A THRU 7D</p>	 <p>8 AND 8A</p>	 <p>9, 9A AND 9B</p>	 <p>10, 10A AND 10B</p>
 <p>11, 11A AND 11B</p>	 <p>12</p>	 <p>13, 13A THRU 13D</p>	 <p>14</p>	 <p>15 AND 15A</p>
 <p>16 AND 16A</p>	 <p>17, 17A AND 17B</p>	 <p>18</p>	 <p>18A</p>	 <p>19</p>
 <p>20</p>	 <p>21</p>	 <p>21A</p>	 <p>22</p>	 <p>23</p>
 <p>24</p>	 <p>25</p>	 <p>26</p>	 <p>27</p>	 <p>28</p>

FIGURE 19. CABLE AND JUMPER ASSEMBLY COMPONENT PARTS. SHEET 1 OF 3. SEE LIST 19.

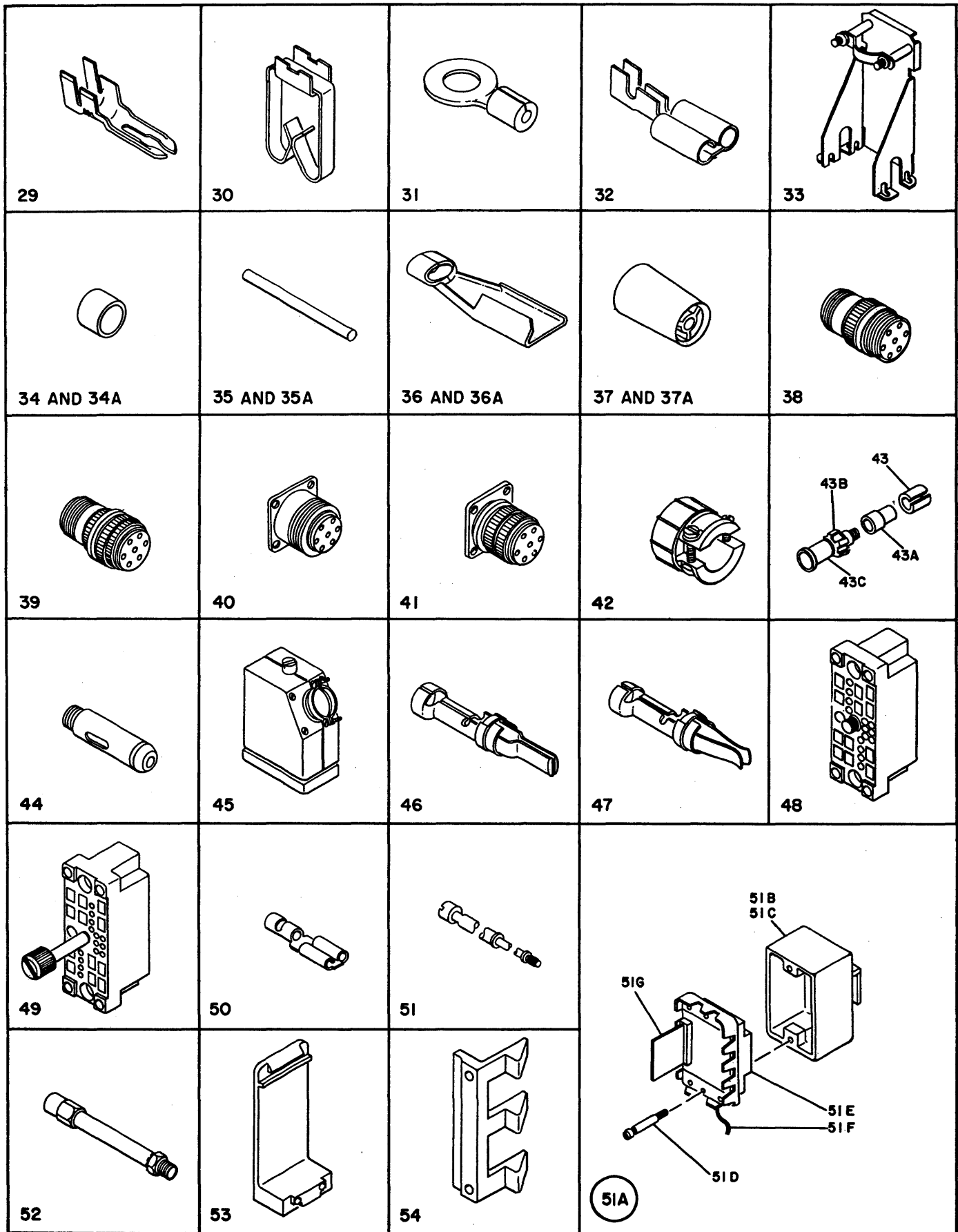


FIGURE 19. CABLE AND JUMPER ASSEMBLY COMPONENT PARTS. SHEET 2 OF 3. SEE LIST 19.

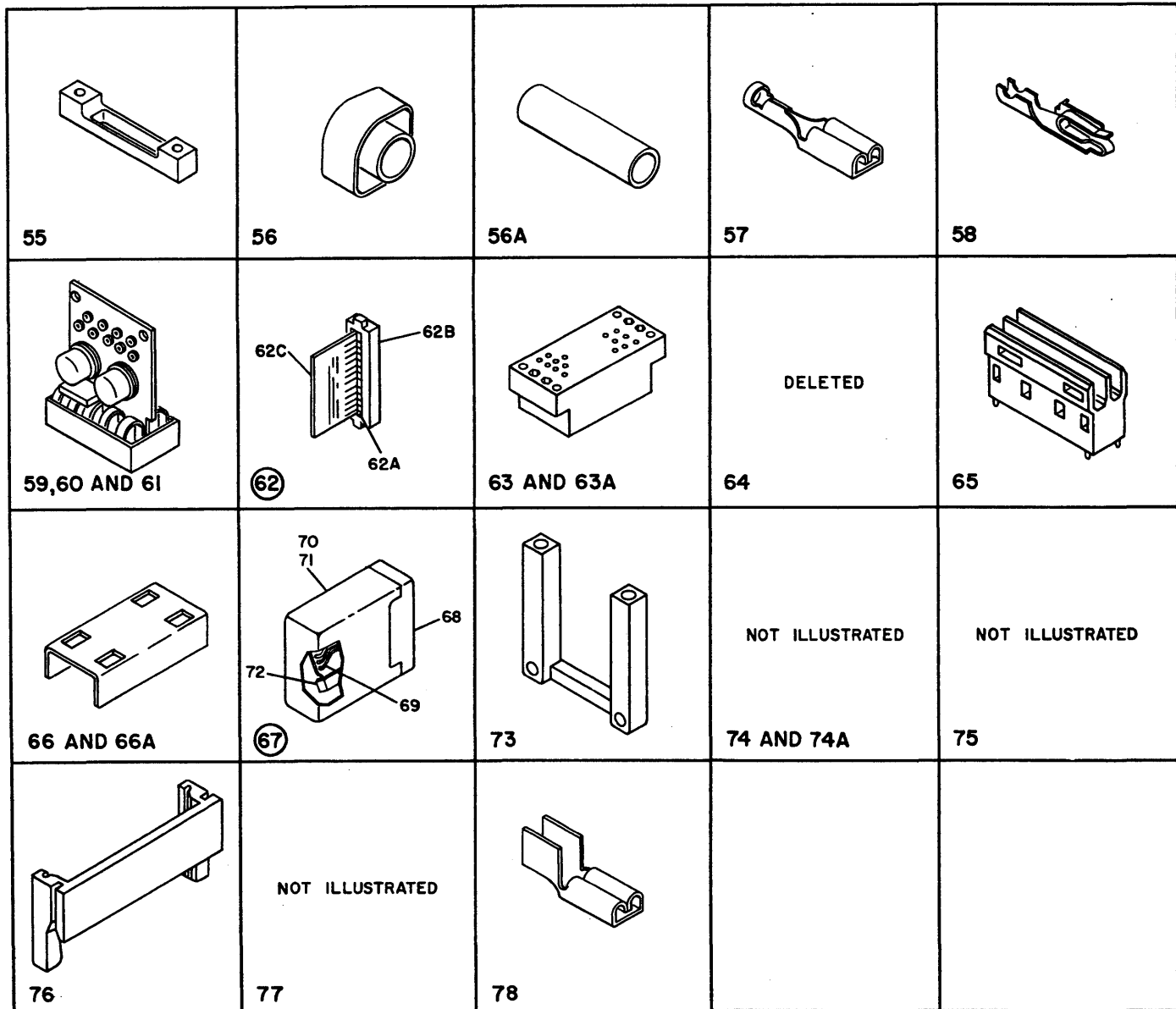


FIGURE 19. CABLE AND JUMPER ASSEMBLY COMPONENT PARTS. SHEET 3 OF 3. SEE LIST 19.

LIST AND INDEX NO.	PART NO.	DESCRIPTION				UNITS PER ASM.	USABLE ON CODE
		1	2	3	4		
		CABLE AND JUMPER ASSEMBLY COMPONENT PARTS					
* 19 -	NO NO.	COMPONENT PARTS, CABLE AND JUMPER ASM. SEE FIGURE 19 FOR ILLUSTRATION				REF	
- 1	357433	. CLAMP, CABLE-.187 DIAMETER				AR	
- 1	356742	. CLAMP, CABLE-.250 DIAMETER				AR	
- 1	2102364	. CLAMP, CABLE-.220 TO .270 DIA.				AR	
- 1	2102365	. CLAMP, CABLE-.330 TO .420 DIA.				AR	
- 1	350663	. CLAMP, CABLE-.440 DIAMETER				AR	
- 1	2102366	. CLAMP, CABLE-.470 TO .520 DIA.				AR	
- 1	350664	. CLAMP, CABLE-.560 DIAMETER				AR	
- 1	2114108	. CABLE, .0562 DIAMETER				AR	
- 1	327922	. CLAMP, CABLE				AR	
- 1	2114056	. CLAMP, CABLE-.688 DIAMETER				AR	
- 1	2102367	. CLAMP, CABLE-.700 TO .780 DIA.				AR	
- 1	327923	. CLAMP, CABLE-.875 DIAMETER				AR	
- 1	2102368	. CLAMP, CABLE-.880 TO 1.060 DIA.				AR	
- 1	2102370	. CLAMP, CABLE-2.050 DIAMETER				AR	
- 1	2102369	. CLAMP, CABLE-1.230 TO 1.550 DIA.				AR	

LIST AND INDEX NO.	PART NO.	DESCRIPTION	UNITS PER ASM.	USABLE ON CODE
		1 2 3 4		
		CABLE AND JUMPER ASSEMBLY COMPONENT PARTS -CONT		
19 - 2	2162901	. CLAMP, BLACK, BLACK-FASTENER, 1/4 DIA.	AR	
- 2	2162902	. CLAMP, BLACK, BLACK-FASTENER, 5/16 DIA.	AR	
- 2	2162903	. CLAMP, BLACK, BLACK-FASTENER, 3/8 DIA.	AR	
- 2	2162904	. CLAMP, BLACK, BLACK-FASTENER, 7/16 DIA.	AR	
- 2	2162905	. CLAMP, BLACK, BLACK-FASTENER, 1/2 DIA.	AR	
- 2	2162906	. CLAMP, BLACK, BLACK-FASTENER, 9/16 DIA.	AR	
- 2	2162907	. CLAMP, BLACK, BLACK-FASTENER, 5/8 DIA.	AR	
- 2	2162908	. CLAMP, BLACK, BLACK-FASTENER, 11/16 DIA.	AR	
- 2	2162909	. CLAMP, BLACK, BLACK-FASTENER, 3/4 DIA.	AR	
- 2	2162910	. CLAMP, BLACK, BLACK-FASTENER, 13/16 DIA.	AR	
- 2	2162911	. CLAMP, BLACK, BLACK-FASTENER, 7/8 DIA.	AR	
- 2	2162912	. CLAMP, BLACK, BLACK-FASTENER, 1.00 DIA.	AR	
- 2	2162913	. CLAMP, BLACK, BLACK-FASTENER, 1-1/8 DIA.	AR	
- 2	2162914	. CLAMP, BLACK, BLACK-FASTENER, 1-3/16 DIA	AR	
- 2	2162915	. CLAMP, BLACK, BLACK-FASTENER, 1-1/4 DIA.	AR	
- 2	2162916	. CLAMP, BLACK, BLACK-FASTENER, 1-3/8 DIA.	AR	
- 2	2162917	. CLAMP, BLACK, BLACK-FASTENER, 1-1/2 DIA.	AR	
- 2	2162918	. CLAMP, BLACK, WHITE-FASTENER, 1/4 DIA.	AR	
- 2	2162919	. CLAMP, BLACK, WHITE-FASTENER, 5/16 DIA.	AR	
- 2	2162920	. CLAMP, BLACK, WHITE-FASTENER, 3/8 DIA.	AR	
- 2	2162921	. CLAMP, BLACK, WHITE-FASTENER, 7/16 DIA.	AR	
- 2	2162922	. CLAMP, BLACK, WHITE-FASTENER, 1/2 DIA.	AR	
- 2	2162923	. CLAMP, BLACK, WHITE-FASTENER, 9/16 DIA.	AR	
- 2	2162924	. CLAMP, BLACK, WHITE-FASTENER, 5/8 DIA.	AR	
- 2	2162925	. CLAMP, BLACK, WHITE-FASTENER, 11/16 DIA.	AR	
- 2	2162926	. CLAMP, BLACK, WHITE-FASTENER, 3/4 DIA.	AR	
- 2	2162927	. CLAMP, BLACK, WHITE-FASTENER, 13/16 DIA.	AR	
- 2	2162928	. CLAMP, BLACK, WHITE-FASTENER, 7/8 DIA.	AR	
- 2	2162929	. CLAMP, BLACK, WHITE-FASTENER, 1.00 DIA.	AR	
- 2	2162930	. CLAMP, BLACK, WHITE-FASTENER, 1-1/8 DIA.	AR	
- 2	2162931	. CLAMP, BLACK, WHITE-FASTENER, 1-3/16 DIA	AR	
- 2	2162932	. CLAMP, BLACK, WHITE-FASTENER, 1-1/4 DIA.	AR	
- 2	2162933	. CLAMP, BLACK, WHITE-FASTENER, 1-3/8 DIA.	AR	
- 2	2162934	. CLAMP, BLACK, WHITE FASTENER, 1-1/2 DIA.	AR	
- 3	186968	. TERMINAL,LUG	AR	
- 3A	253453	. TERMINAL,RING TONGUE	AR	
- 3B	334910	. TERMINAL,LUG-14-16 AWG NO. 6 MTG HOLE	AR	
- 3C	334921	. TERMINAL,LUG-16-22 AWG NO. 6 MTG HOLE	AR	
- 3D	334932	. TERMINAL,LUG 16-22 AWG NO. 10	AR	
- 3E	360370	. TERMINAL,LUG-14-16 AWG NO. 8 MTG HOLE	AR	
- 4	92784	. TERMINAL, LUG	AR	
- 4A	253740	. TERMINAL,LUG-INSULATED NO. 6 MTG HOLE	AR	
- 4B	2101326	. TERMINAL,LUG- 10-12 AWG NO. 10 MTG HOLE	AR	
- 4C	2101327	. TERMINAL,INSULATED	AR	
- 4D	236915	. TERMINAL-CONTACT FEMALE 20-18 AWG	AR	
- 5	92786	. TERMINAL,LUG	AR	
- 5A	255994	. TERMINAL-SPADE 16-20 AWG	AR	
- 5B	368222	. TERMINAL,NO. 8 STUD 16-14 WIRE	AR	
- 5C	603152	. TERMINAL	AR	
- 5D	1119009	. LUG, TERMINAL	AR	
- 6	186963	. TERMINAL,	AR	
- 6A	186965	. TERMINAL, LUG-SPADE	AR	
- 6B	186967	. TERMINAL,LUG- 20-26 AWG NO. 6 MTG SLOT	AR	
- 6C	187460	. TERMINAL, LUG, 20,22,24 AWG-NO.8 HOLE	AR	
- 6D	313361	. TERMINAL,LUG- 20-24 AWG NO. 4 MTG SLOT	AR	
- 7	135052	. TERMINAL, TAPERED	AR	
- 7A	187243	. CONNECTOR, TAPERED, 20 AWG WIRE	AR	
- 7B	320167	. CONNECTOR, TAPERED	AR	
- 7C	360433	. CONNECTOR, TAPERED, 16 OR 18 AWG WIRE	AR	
- 7D	600844	. TERMINAL, SMALL TAPER, 55-24 AWG	AR	
- 8	1142155	. TERMINAL, CRIMP, 22-24 AWG	AR	
- 8A	2114531	. TERMINAL	AR	
- 9	598041	. CONTACT	AR	
- 9A	631644	. CONTACT, DUAL MINIATURE, 24-26 AWG	AR	
- 9B	736547	. CONTACT, MINIATURE DUAL, 20-22 AWG	AR	
- 10	2122258	. PIN, CONTACT	AR	
- 10A	2122260	. PIN, CONTACT LONG	AR	
- 10B	2127867	. PIN-CONTACT	AR	
- 11	2122259	. SOCKET, CONTACT, 20 OR 22 AWG WIRE	AR	
- 11A	2122261	. SOCKET, CONTACT, 16 OR 18 AWG WIRE	AR	
- 11B	2127890	. SOCKET, CONTACT, 24-26 AWG	AR	
- 12	37913	. NUT, HEX., 4-40 X 1/4 W	AR	
- 13	38264	. SCREW,MACH-FIL H 4-40 X 3/8 LG	AR	
- 13A	38354	. SCREW,MACH-FIL H 6-32 X 1/2 LG	AR	
- 13B	205652	. SCREW,MACH-FIL H 2-56 X 5/8 LG	AR	
- 13C	438552	. SCREW,MACH BINDING HD 4-40 X 3/4 LG	AR	
- 13D	438549	. SCREW,MACH-BIND HD 4-40 X 7/16 LG	AR	

		CABLE AND JUMPER ASSEMBLY COMPONENT PARTS -CONT	
19 - 14	138281	. WASHER,.125 I.D.-5/16 O.D.X .062 THICK	AR
- 15	150209	. LOCKWASHER	AR
- 15A	257985	. WASHER, FLAT, 1/8 ID X 1/4 OD	AR
- 16	55901	. WASHER,LOCK-EXT TEETH NO. 8 X 0.381 OD	AR
- 16A	338169	. WASHER,LOCK-EXT TEETH NO. 4 X 9/32 OD	AR
- 17	236916	. TERMINAL, 22-24 AWG	AR
- 17A	339156	. CLIP,TERMINAL	AR
- 17B	523181	. TERMINAL,QUICK DISCONNECT- 18/22AWG	AR
- 18	359695	. TERMINAL,LUG-14-16 AWG NO. 10 MTG HOLE	AR
- 18A	317399	. LUG, TERMINAL, 90 DEGREE ANGLE	AR
- 19	517913	. CLIP	AR
- 20	595720	. RIVET,ROLLED FLANGE	AR
- 21	550501	. RECEPTACLE-TAPER PIN	AR
- 21A	591649	. TERMINATION,COAXIAL	AR
- 22	609687	. CONTACT	AR
- 23	725557	. PLUG, CONNECTOR, 3 CIRCUIT	AR
- 24	725558	. CONNECTOR	AR
- 25	738843	. HOUSING, CONNECTOR, 132 POSITION, MALE	AR
- 26	738844	. HOUSING, CONNECTOR, 132 POSITION, FEMALE	AR
- 27	744606	. JACKSCREW, 6-32 X 1.333 LONG	AR
- 28	812193	. BOARD, ETCHED, RT. ANGLE CONNECTOR	AR
- 29	813195	. TERMINAL, DISCRETE WIRE, 22-26 AWG	AR
- 30	813681	. CONTACT, MINIATURE BUS	AR
- 31	1092019	. TERMINAL,RING .145 MOUNTING HOLE	AR
- 32	2123393	. TERMINAL	AR
- 33	2127857	. CLAMP, STRAIN RELIEF, 104 POSITION	AR
- 34	2152788	. FERRULE,.453 OUTSIDE AND .400 INSIDE DIA	AR
- 34A	2152789	. FERRULE,.337 OUTSIDE AND .297 INSIDE DIA	AR
- 35	2154243	. CONTACT, SINGLE WIRE	AR
- 35A	2154357	. CONNECTOR, MINIATURE, 5-PIN FEMALE	AR
- 36	2154868	. CONNECTOR, GOLD,W/O DIMPLES,20-22 WIRE	AR
- 36A	2154888	. CONNECTOR, GOLD,WITH DIMPLES,20-22 WIRE	AR
- 37	2178469	. FERRULE, SHIELDED WIRE, .150 ID	AR
- 37A	2178470	. SLEEVE, INSULATING	AR
- 38	2180659	. CONNECTOR, CABLE, 7 POSITION, FEMALE	AR
- 39	2180660	. PLUG, STRAIGHT, 7 POSITION, MALE	AR
- 40	2180661	. RECEPTACLE, CABLE, 7 POSITION, FEMALE	AR
- 41	2180662	. PLUG, BOX TYPE, 7 POSITION, MALE	AR
- 42	2180663	. CLAMP, CABLE	AR
- 43	2180664	. BUSHING, ALIGNMENT, COAX CONNECTOR	AR
- 43A	2180665	. FERRULE, COAX CONNECTOR	AR
- 43B	2180666	. SPRING, RETENTION, COAX CONNECTOR	AR
- 43C	2180667	. SOCKET, COAX CONNECTOR	AR
- 44	2180668	. PIN, COAX CONNECTOR	AR
- 45	2180669	. CONNECTOR, 30 POSITION, POWER	AR
- 46	2180670	. TERMINAL, MALE	AR
- 47	2180671	. TERMINAL, FEMALE	AR
- 48	2180672	. BLOCK, RECEPTACLE, 29 POSITION	AR
- 49	2180673	. BLOCK, PLUG, 29 POSITIONS	AR
- 51	2180716	. JACKSCREW, MALE, 8-32	AR
- 51A	2180746	. PLUG ASSEMBLY, TERMINATOR	AR
- 51B	170225	. . SCREW, LOCKWASHER AND, 6-32 X .438 LG	4
- 51C	2122627	. . SHIELD ASSY	1
- 51D	738842	. . JACKSCREW, LONG	2
- 51E	738843	. . HOUSING, CONNECTOR, 132 POSITION, MALE	1
- 51F	2180747	. . JUMPER ASSEMBLY, 1.50 LONG	25
- 51G	5800736	. . TERMINATOR, LINE	1
- 52	2180796	. JACKSCREW, FIXED	AR
- 53	2180914	. RETAINER,	AR
- 54	2180972	. CLAMP, PADDLE CONNECTOR, SLT	AR
- 55	2180973	. CLAMP, SLT CARD	AR
- 56	2184182	. FERRULE, SHIELDED WIRE	AR
- 56A	2184183	. SLEEVE, INSULATING	AR
- 57	5213274	. TERMINAL, QUICK DISCONNECT, 18-22 AWG	AR
- 58	5362301	. CONTACT, LARGE SERPENT, 20-24 AWG	AR
- 59	5805007	. CARD ASSEMBLY, INDEX PREAMP	AR
- 60	5805008	. CONNECTOR, CYLINDER PREAMP	AR
- 61	5805009	. CONNECTOR, DETENT PREAMP	AR
- 62	5800610	. CARD ASSEMBLY, SIGNAL TERMINATOR	AR
- 62A	811300	. . CONTACT, SIGNAL TERMINATOR CARD	21
- 62B	811304	. . HOUSING, CONTACT	1
- 62C	811715	. . CARD, SIGNAL TERMINATOR	1
- 63	2127854	. CONNECTOR,PLUG,ELEC-75 MALE CONTACTS	AR
- 63A	2127855	. CONNECTOR,RECP,ELEC-MINI 75 FEMALE CONT INDEX 64 DELETED	AR
- 65	813801	. HOUSING	AR
- 66	813802	. COVER	AR
- 66A	811494	. COVER- 4 PIN BLK FOR HOUSING P/N 811486	AR
- 67	2181201	. PLUG ASSEMBLY-TERMINATOR	AR
- 68	2127854	. . CONNECTOR,PLUG,ELEC-75 MALE CONTACTS	1
- 69	2181202	. . JUMPER ASSEMBLY	21
- 70	2181203	. . HOUSING-TERMINAL PLUG	1
- 71	2181211	. . SCREW	3
- 72	5800736	. . TERMINATOR, LINE	1
- 73	5352960	. STRAIN RELIEF COAX FOR TWO-HI APPLICATION	AR
- 74	2181266	. LABEL	AR
- 74A	5393130	. LABEL	AR
- 75	2178526	. TERMINAL	AR
- 76	811804	. GUIDE, CARD	AR
- 77	5819436	. CARD, CONNECTOR	AR
- 78	430799	. TERMINAL,QUICK DISCONNECT	AR

NUMERICAL INDEX

PART NO.	LIST AND INDEX NO.
33	10 - 26A
337	5 - 1
453	5 - 1A
	14 - 1
845	5 - 1B
1974	5 - 56
	5A- 1
2863	17 - 1
	17C- 30
3550	5 - 1C
	9 - 3
	14 - 2
3960	2 - 1
	14 - 3
4327	6 - 47A
4564	5 - 1D
	14 - 4
5528	5 - 2
	5 - 135A
	9 - 1
6364	9 - 39
9092	6 - 1A
10170	1 - 1
	1 - 1
	1 - 1A
	1 - 1B
	2 - 2
	5 - 3
	5 - 3
	8 - 1
	8 - 1
	11 - 1
	16 - 1
	17A- 3
10309	14 - 5
11598	1 - 104
	12 - 1
15544	5 - 4
19852	5 - 4A
22478	2 - 2A
	16 - 2
25627	1 - 2A
	14 - 6
	16 - 3
	16 - 3A
	16 - 4
25793	1 - 2
28413	1 - 94
	16 - 5
	16 - 5A
	16 - 31A
32042	17 - 2
	17C- 31
32617	1 - 105
34512	1 - 2B
	7 - 1
	14 - 7
	16 - 6
	16 - 6A
35739	5A- 2

PART NO.	LIST AND INDEX NO.
35739-CONT	9 - 7
	9 - 26
	16 - 7
37913	5A- 3
	17B- 1
	17B- 13
	19 - 12
38051	9 - 40
38235	1 - 3
	4 - 1
	4A- 1
	5 - 5
	9 - 2
	16 - 8
38264	1 - 4
	16 - 4A
	19 - 13
38354	1 - 4A
	16 - 8A
	19 - 13A
38442	10 - 1
38443	1 - 5
38575	18A- 1
38686	1 - 67A
45690	2A- 1
	6 - 1A
	16 - 9
	17C- 38
48594	10 - 2
	11 - 2
54291	16 - 10
55726	1 - 6
	5 - 6
	16 - 11
55901	1 - 6A
	4 - 2
	4A- 2
	16 - 12
	16 - 12A
	16 - 12B
	17B- 1A
	19 - 16
55918	2A- 9
	2A- 9
56079	1 - 6B
	16 - 13
56121	1 - 106
	16 - 14
56722	1 - 7
	14 - 8
	16 - 15
	17 - 3
	17A- 4
58207	4 - 3
	4A- 3
	16 - 4
	16 - 17
	16 - 17A
59647	2 - 3
62031	1 - 8

PART NO.	LIST AND INDEX NO.
62031-CONT	5 - 77D
72828	2 - 3A
	17C- 38
79778	14 - 9
80651	1 - 9
81693	1 - 10
	6 - 1
	8 - 1A
	11 - 50
	11 - 58
	11 - 62
	17 - 14A
	17A- 25A
	16 - 18
91610	19 - 4
92784	19 - 5
92786	5 - 7
101706	16 - 19
104615	5 - 8
104706	16 - 20
107668	1 - 11
111229	16 - 20A
111257	17A- 5
117184	9 - 3
120789	1 - 110
122639	- 1
	5 - 9
122740	11 - 28
124440	1 - 110
124631	- 1
	2 - 4
125930	2A- 2
	16 - 21
129243	16 - 21
	5 - 7
129654	5 - 135B
	19 - 7
135052	19 - 14
138281	14 - 10
138755	16 - 22
	14 - 11
139395	5 - 9A
150209	17B- 14
	19 - 15
151598	14 - 12
	16 - 23
	17A- 6
159373	5 - 10
169733	5A- 4
170150	5 - 73
170176	5 - 11
170185	5 - 12
170215	19 - 51B
170225	5 - 15
170530	17 - 4
171485	17C- 32
	17 - 5
172999	17C- 33
	17A- 12B
179743	17A- 7
179744	

PART NO.	LIST AND INDEX NO.
179946	16 - 24
179966	14 - 13
180528	1 - 110
	0 - 1
186758	11 - 51
	17C- 39
186842	5 - 57
	5A- 5
186923	11 - 52
186927	1 - 13
186934	6 - 2
186950	1 - 67B
186963	19 - 6
186965	19 - 6A
186967	19 - 6B
186968	19 - 3
187243	19 - 7A
187460	19 - 6C
187491	1 - 14
	1 - 14
205331	16 - 26
	16 - 26
	16 - 26
	16 - 26
205652	19 - 13B
207353	16 - 27
210984	1 - 15
	1 - 15
213536	4 - 4
	4A- 4
216184	0 - 1
216323	17A- 7
216432	15 - 1
216442	13 - 1
216452	13 - 2
216455	15 - 1A
	15 - 1A
216460	15 - 1A
216461	15 - 2
216466	13 - 3
216468	15 - 1
	15 - 1A
216472	3 - 3A
	13 - 3A
216474	13 - 4
216480	15 - 3
216481	13 - 5
217019	16 - 28
220032	17B- 5A
220278	16 - 29
220546	4A- 4A
221110	16 - 30
221790	1 - 16
231658	1 - 17
233355	9 - 14
	9 - 33
	10 - 3
234318	17 - 7
	17C- 1
234319	5 - 14
234345	5 - 15
234349	5 - 16
236529	5 - 17
236550	5 - 18
236849	16 - 5A
	16 - 31
	16 - 31A
236915	19 - 4D
236916	19 - 17
237245	8 - 2
241927	16 - 81B
251446	2 - 5
251970	5 - 18A
	10 - 4
	11 - 3
	16 - 32
	18 - 14
251989	11 - 4
253453	17B- 22A
	19 - 3A

PART NO.	LIST AND INDEX NO.
253740	19 - 4A
255886	10 - 5
255994	19 - 5A
257187	4 - 5
	5 - 77E
	6 - 48
	17A- 8
257189	3 - 1
	4A- 5
	12 - 2
	16 - 33
	17 - 8
	17B- 2
	17C- 2
257958	1 - 18
	8 - 2A
257971	5 - 107
257982	2 - 6
257983	1 - 19
	5 - 19
	5 - 19
257985	5 - 19A
	16 - 34
	19 - 15A
257986	1 - 20
	5 - 20
	6 - 3
	10 - 6
285955	16 - 111
286531	16 - 116
300793	17B- 5B
302090	16 - 35
	17A- 9
302131	17A- 10
303549	16 - 36
304477	16 - 37
304479	16 - 38
308704	16 - 39
311540	16 - 40
	16 - 40A
313361	19 - 6D
314372	12 - 3
316455	4A- 6
316807	7 - 2A
316996	16 - 41
317006	16 - 72
317008	16 - 100A
317015	16 - 155
317077	16 - 120
317082	16 - 96A
317145	16 - 42
317173	17A- 12A
	17B- 4
317193	16 - 43
317248	16 - 92A
317279	16 - 44
317399	19 - 18A
317430	16 - 104
317464	5 - 21
319985	16 - 45
320167	19 - 7B
320451	17 - 9
	17C- 3
320610	4 - 6
321271	16 - 90
322065	6 - 4
	8 - 3
	9 - 4
	11 - 53
	16 - 45A
322289	16 - 46
322550	1 - 21
	6 - 4A
	10 - 7
	16 - 47
322552	1 - 22
	5 - 77F
322562	6 - 2
322739	16 - 48
322792	16 - 49

PART NO.	LIST AND INDEX NO.
323840	5A- 6
323845	16 - 50
327922	19 - 1
327923	19 - 1
328602	16 - 51
332620	2A- 3
	2A- 3
	2A- 3
	2A- 3
	5 - 22
334910	19 - 3B
334921	19 - 3C
334932	19 - 3D
335329	16 - 118
338169	17B- 3
	19 - 16A
338238	5 - 23
338320	16 - 99B
339156	19 - 17A
344015	2 - 4A
	2 - 7
	17 - 10
	17A- 11
	17C- 4
350428	13 - 5A
350559	16 - 51A
350663	19 - 1
350664	19 - 1
354167	17A- 12
355343	10 - 8
356742	19 - 1
357419	6 - 49
357433	19 - 1
357995	16 - 59
	16 - 59
358789	17A- 12C
358844	17A- 13
359018	16 - 52
359044	1 - 22A
	5 - 23A
359511	16 - 53
	16 - 54
359695	19 - 18
360339	16 - 55
360370	19 - 3E
360433	19 - 7C
360831	16 - 56
361479	13 - 6
361497	13 - 7
362915	1 - 23
	16 - 56A
368222	19 - 5B
369113	15 - 13
369203	13 - 8
	13 - 8
369207	1 - 24
	5 - 24
	14 - 14
	16 - 57
	16 - 57A
369218	17A- 14
369599	13 - 9
	13 - 9
	15 - 4
372688	1 - 25
	16 - 58
418835	16 - 59
	16 - 59
	16 - 59
	16 - 59
419131	16 - 67
430799	19 - 78
437131	11 - 12
438543	10 - 9
438548	5A- 7
	11 - 3
	11 - 3
438549	11 - 5
	19 - 13D
438550	5 - 25
	16 - 60

PART NO.	LIST AND INDEX NO.
438551	5A- 8
	8 - 4
	12 - 4
438552	5 - 58
	17B- 15
	19 - 13C
438567	16 - 61
438568	6 - 5
	16 - 61
438571	16 - 62
438573	2 - 8
438582	16 - 63
438588	16 - 64
438589	16 - 64
438891	16 - 64A
441218	11 - 24
442958	16 - 65
472179	16 - 65A
472187	16 - 66
	16 - 88
473582	16 - 67
473629	4 - 7
480612	16 - 68
483070	15 - 5
483224	15 - 6
	15 - 6
491228	13 - 10
491292	16 -150
492551	15 - 6
504698	16 - 69
507144	16 - 70
509772	1 - 94
509968	16 - 71
512426	5A- 9
517913	19 - 19
521695	16 - 73
523181	19 - 17B
524928	16 - 74
526378	16 - 75
535299	16 - 80
539691	17B- 5
550050	13 - 12
550501	19 - 21
550578	17 - 11
	17C- 5
555049	17A- 16
561509	16 - 75A
589768	16 - 76
591649	19 - 21A
595261	16 -107
595720	17B- 16
	19 - 20
596481	17 - 11A
	17C- 6
597044	10 - 10
597215	16 - 77
597347	17C- 40
598041	19 - 9
598479	16 - 78
600844	19 - 7D
601093	1 - 25A
601365	1 - 26
602857	19 - 3F
603152	19 - 5C
603541	16 - 79
609687	5 -108
	17 - 12
	17C- 34
615354	19 - 22
	16 - 81
	16 - 81A
620093	11 - 25
631644	19 - 9A
719552	4 - 8
725347	4A- 7
	4A- 7
	4A- 7
725557	19 - 23
725558	5 -109

PART NO.	LIST AND INDEX NO.
725558-CONT	17 - 13
	17C- 35
	19 - 24
725570	17A- 5
730468	16 - 82
	17 - 14
	17C- 7
731626	17A- 17
731627	17A- 18
734878	17A- 19
734879	1 - 26A
	4A- 7
	4A- 7
	17A- 21
736547	19 - 9B
738826	4 - 9
	17A- 20
738842	19 - 51D
738843	19 - 25
	19 - 51E
738844	19 - 26
740490	1 - 27
	4 - 25
	4A- 24
740493	1 - 28
	16 - 83
740503	4 - 10
	4A- 8
740550	1 - 29
	16 - 84
	17A- 20A
740608	4 - 10
	4A- 8
741349	4A- 9
744606	19 - 27
760521	4 - 11
765748	17A- 21
801620	16 - 85
801645	16 - 86
803278	16 - 87
811090	17C- 8
811300	19 - 62A
811304	19 - 62B
811363	17A- 22
	17A- 22
	17C- 9
811417	17 - 31A
	17A- 18
	17A- 23
	17C- 10
811426	17A- 18
	17A- 23
811494	19 - 66A
811715	19 - 62C
811802	17A- 23B
	17A- 23C
811804	17 - 15
	17B- 16A
	17C- 11
	19 - 76
811839	15 - 8
812193	17B- 21A
	17B- 22B
	19 - 28
813179	17A- 23D
813195	19 - 29
813197	1 -107
	17C- 12
813621	17 - 16
813681	19 - 30
813801	19 - 65
813802	19 - 66
827840	4A- 10
827841	4A- 10A
845762	1 - 29A
1073418	1 - 29B
	5 - 25A
	6 - 15
	6 - 20
	9 - 5

PART NO.	LIST AND INDEX NO.
1073418-CONT	9 - 8
	9 - 27
	11 - 6
	11 - 13
1077739	5 - 26
1090873	3 - 2
	5 - 26A
1092019	19 - 31
1092125	5 - 27
	12 - 5
1115633	6 - 6
1119009	19 - 5D
1124682	8 - 5
1142155	19 - 8
1143227	16 - 88
	16 - 88
2100873	17A- 23A
2101089	17 - 17
	17C- 13
2101326	19 - 4B
2101327	19 - 4C
2101569	4 - 12
2102160	16 - 54A
2102364	19 - 1
2102365	19 - 1
2102366	19 - 1
2102367	19 - 1
2102368	19 - 1
2102369	19 - 1
2102370	19 - 1
2102374	4 - 13
	4A- 11
	16 - 94
2102625	16 -102
2102710	16 - 89
2103070	16 - 91
	16 - 92
2103102	16 - 93
2103416	4 - 14
	11 - 29
2103552	16 - 95
	16 - 96
2108474	1 - 95
2108626	1 - 96
2108913	1 - 97
2109462	16 -109
2111232	5A- 13
	16 - 81B
2114054	16 - 97
2114056	19 - 1
2114108	19 - 1
2114312	16 - 98
2114480	16 - 99
2114481	16 - 99C
2114490	16 - 99D
2114531	19 - 8A
2119605	4 - 15
2121358	5 - 11
2121517	6 - 34
2121754	6 - 7
2122258	19 - 10
2122259	19 - 11
2122260	19 - 10A
2122261	19 - 11A
2122627	19 - 51C
2122639	11 - 6A
2123393	19 - 32
2124546	16 - 99A
2125765	1 - 30
	16 - 99E
	17 - 3
	17C- 14
2125974	1 - 31
	2 - 9
2127854	19 - 63
	19 - 68
2127855	19 - 63A
2127857	19 - 33
2127867	19 - 10B
2127890	19 - 11B

PART NO.	LIST AND INDEX NO.
2129359	16 -100
2129362	16 -101
2130557	16 -103
2133900	4A- 32 0 - 3
2133901	4A- 32 0 - 3
2133902	4A- 32 0 - 3
2133903	4A- 32 0 - 3
2133904	4A- 32 0 - 3
2133905	4A- 32 0 - 3
2133906	4A- 32 0 - 3
2133907	4A- 32 0 - 3
2133908	1 -103 0 - 1
2133909	1 -103 0 - 1
2152788	19 - 34
2152789	19 - 34A
2152818	16 -104A
2154009	1 - 32
2154061	18 - 1 18A- 2
2154063	18A- 3
2154064	18A- 4
2154069	18 - 2 18A- 5
2154096	18 - 3 18A- 6
2154120	6 - 8 6 - 50
2154121	6 - 51
2154124	6 - 24
2154127	6 - 36
2154130	6 - 52 6 - 56
2154132	6 - 9
2154133	6 - 53
2154134	6 - 54
2154136	6 - 55
2154138	6 - 10
2154140	6 - 10A
2154141	6 - 56
2154143	6 - 11
2154145	6 - 12
2154146	6 - 57 6 - 57A
2154147	6 - 21
2154148	6 - 16
2154149	5 - 27A 6 - 17 6 - 22 6 - 18
2154150	6 - 23
2154151	6 - 13
2154153	5 - 28
2154201	5 - 29
2154202	11 - 14
2154203	10 - 11
2154204	11 - 7
2154207	11 - 8
2154208	11 - 9
2154209	11 - 54
2154212	11 - 10
2154231	11 - 59 11 - 63
2154233	11 - 60
2154234	11 - 64
2154236	11 - 55
2154237	11 - 56
2154238	5 - 30
2154239	5 - 31
2154243	11 - 30 19 - 35

PART NO.	LIST AND INDEX NO.
2154244	5 - 32
2154251	5 - 33 5 - 33
2154252	18 - 4 18A- 7
2154255	11 - 11
2154256	11 - 15
2154258	11 - 57
2154259	11 - 61
2154268	11 - 16
2154286	1 - 90A
2154301	10 - 12
2154303	10 - 13
2154304	9 - 6
2154306	10 - 14
2154307	10 - 15
2154316	5 - 74
2154317	5 - 75
2154318	5 - 76
2154326	10 - 16
2154327	10 - 17
2154328	10 - 18
2154329	10 - 19
2154330	10 - 20
2154331	10 - 21
2154332	10 - 22
2154337	9 - 15 9 - 34 9 - 16 9 - 35
2154338	9 - 9 9 - 28 9 - 10 9 - 29
2154339	10 - 27 10 - 28 10 - 29
2154342	7 - 3
2154344	10 - 23
2154348	19 - 35A
2154349	5 - 34
2154352	5 - 35
2154355	5 - 36
2154356	11 - 17
2154357	14 - 15
2154358	14 - 16
2154360	14 - 17
2154374	5 - 37
2154393	7 - 4
2154408	7 - 5
2154411	7 - 6
2154412	7 - 7
2154418	7 - 8
2154419	7 - 9
2154423	5 - 82
2154424	5 - 38
2154426	5 - 39
2154429	5 - 82A
2154430	5 - 40
2154448	5 - 41
2154451	5 - 42
2154453	7 - 10
2154456	1 - 33
2154457	4 - 26
2154459	4 - 26
2154461	1 - 33
2154469	4 - 26
2154534	4 - 26 4 - 26
2154540	1 - 33 4 - 26
2154541	1 - 33 4 - 26
2154542	1 - 33 1 - 33
2154543	4 - 26
2154545	4 - 16
2154659	11 - 18
2154687	16 -105 16 -105A 16 -105B
2154868	19 - 36
2154888	19 - 36A
2154914	16 -106

PART NO.	LIST AND INDEX NO.
2154915	16 -108
2157302	9 - 19
2157303	9 - 20
2157304	9 - 21
2157307	5 - 43
2157308	5 - 73A
2157327	9 - 17 9 - 36 9 - 11 5 - 44
2157330	9 - 22
2157340	9 - 23
2157343	8 - 6
2157344	5 - 45
2157349	6 - 14
2157354	4 - 17
2157356	6 - 19
2157359	16 -110
2157361	4 - 18
2157392	4A- 15
2157602	3 - 3
2157615	2 - 35
2157616	1 - 34
2157620	3 -REF
2157628	2 - 10 2 - 49B
2157632	2 - 11
2157639	2 - 12
2157643	1 - 35
2157647	2 - 13
2157649	1 - 35
2157651	18 - 4A 18A- 8
2157665	2 - 14
2157666	1 - 36
2157673	18 - 18A
2157682	18 - 17A 18A- 28A
2157683	18 - 17 18A- 28
2157684	18 - 18 18A- 29
2157693	2 - 15
2160715	1 - 37
2160717	5 - 46
2160719	1 - 38
2160764	9 - 24
2160765	10 - 24
2160789	16 -112
2160790	16 -113
2160804	16 -114
2160805	16 -115
2160808	16 -117 16 -117
2160826	16 -119
2160837	18 - 5 18A- 9
2160846	18 - 6 18A- 10
2160847	16 -121
2160849	2 - 16
2160861	18 - 14 18A- 18
2160863	5 - 47
2160864	5 - 83
2160865	5A- 10
2160866	5 - 84
2160867	5 - 48
2160890	9 - 25
2160891	9 - 30
2160892	9 - 31
2160893	9 - 13 9 - 32
2160894	9 - 12
2160901	5A- 11
2160917	5A- 12
2160918	9 - 18 9 - 37
2160951	13 - 13 15 - 9

PART NO.	LIST AND INDEX NO.
2160953	15 - 10
2160959	13 - 14
	15 - 11
2160961	5 - 49
2160963	5 - 50
2162500	2 - 16A
2162507	2 - 17
2162529	18A- 19
2162532	11 - 22
2162533	5 - 51
2162535	5 - 52
2162539	11 - 31
2162543	2 - 18
2162551	8 - 7
	12 - 6
2162552	18A- 20
2162555	18A- 21
2162556	11 - 65
2162558	18A- 22
2162559	18 - 15
	18A- 23
2162560	18A- 24
2162563	18A- 25
2162564	1 - 39
2162565	1 - 40
2162567	1 - 98
2162569	11 - 27
2162597	18A- 26
2162600	5A- 14
2162601	18A-REF
	0 - 5
2162620	14 - 18
2162623	14 - 19
2162663	18 - 16
	18A- 27
2162669	5 - 55
	5A-REF
2162679	2 - 62
	2 - 62
2162691	18 - 18A
2162692	18 - 18A
2162699	12 - 7
2162720	2 - 19
2162721	2 - 20
2162723	2 - 21
2162728	5 - 77G
2162747	9 - 38
2162748	9 - 41
2162749	9 - 42
2162772	18 - 19
2162774	5 - 77
2162793	2 - 22
	3 - 4
	3 - 4A
2162802	5 - 71
2162807	3 - 5
2162833	14 - 20
2162836	18 - 20
2162837	18 - 21
2162840	18 - 22
2162841	18 - 23
2162842	18 - 24
2162843	2 - 23
2162844	2 - 24
2162847	1 - 33
	4 - 26
2162848	1 - 33
	4 - 26
2162849	16 - 81
	16 - 81
	16 - 81A
2162852	18 -REF
	0 - 5
2162854	18 - 25
2162857	18 - 26
2162858	18 - 27
2162871	18 - 4A
2162872	5 - 72
2162873	18 - 28
2162878	5 - 77H

PART NO.	LIST AND INDEX NO.
2162883	5 - 77A
2162884	5 - 77B
2162885	5 - 77J
2162886	5 - 77C
2162891	18 - 18A
2162901	19 - 2
2162902	19 - 2
2162903	19 - 2
2162904	19 - 2
2162905	19 - 2
2162906	19 - 2
2162907	19 - 2
2162908	19 - 2
2162909	19 - 2
2162910	19 - 2
2162911	19 - 2
2162912	19 - 2
2162913	19 - 2
2162914	19 - 2
2162915	19 - 2
2162916	19 - 2
2162917	19 - 2
2162918	19 - 2
2162919	19 - 2
2162920	19 - 2
2162921	19 - 2
2162922	19 - 2
2162923	19 - 2
2162924	19 - 2
2162925	19 - 2
2162926	19 - 2
2162927	19 - 2
2162928	19 - 2
2162929	19 - 2
2162930	19 - 2
2162931	19 - 2
2162932	19 - 2
2162933	19 - 2
2162934	19 - 2
2162951	2 - 36
	2 - 49C
2162953	2 - 37
2162954	2 - 38
2162955	2 - 39
2162956	2 - 40
2162957	2 - 41
2162958	2 - 42
2162959	2 - 25
2162961	2 - 26
2162962	2 - 27
2162963	2 - 28
2162964	2 - 29
2162965	2 - 30
2162966	2 - 31
2162967	2 - 43
2162969	2 - 32
2162972	2 - 33
2162974	2 - 34
2162977	2 - 44
	2 - 50
	2 - 51
2162978	5 - 77K
2173758	16 -122
2178420	19 - 37
2178469	19 - 37A
2178470	16 -123
2178516	16 -124
2178523	19 - 75
2178526	1 - 91
2178540	1 - 91
2178541	1 - 91
2178542	1 - 91
2178543	1 - 91
2178554	14 - 21
2178596	178- 6
2178597	17 - 25
	178- 7
	17C- 19
2180400	1 - 41
	5 -REF
2180408	7 - 11

PART NO.	LIST AND INDEX NO.
2180410	5 - 78
	6 -REF
2180413	6 - 58
2180414	6 - 24
2180416	6 - 58A
2180417	6 - 59
2180419	6 - 25
2180420	5 - 79
	7 -REF
2180421	6 - 60
2180423	6 - 35
	6 - 60A
2180424	6 - 26
2180425	6 - 61
2180426	6 - 61A
2180427	6 - 61B
	6 - 61C
2180429	6 - 27
2180430	6 - 28
2180431	6 - 36
2180432	6 - 29
2180439	5 - 80
2180443	10 - 26
2180444	10 - 30
2180445	11 - 23
2180446	11 - 26
2180447	11 - 32
2180451	11 - 33
2180452	11 - 36
2180455	11 - 39
2180462	11 - 43
2180464	9 - 43
2180465	6 - 30
2180467	6 - 62
2180468	6 - 31
2180470	1 - 42
	2 -REF
2180471	2 - 52
2180472	5 - 81
2180475	1 - 43
2180476	1 - 44
2180478	5 - 87
2180479	8 - 8
2180480	5 - 88
	8 -REF
2180484	8 - 9
2180486	5 - 89
2180487	5 -110
2180491	5 - 90
2180492	5 - 85
2180497	5 -111
2180499	1 - 45
	8 - 17
2180500	1 -REF
	- 1
2180501	9 - 44
	10 -REF
2180502	11 - 66
2180503	9 - 45
2180505	9 - 46
2180510	9 - 47
	11 -REF
2180511	5 - 91
2180519	1 - 46
2180520	5 - 92
	9 -REF
2180521	5 - 93
2180522	5 - 94
2180524	5 - 95
2180525	12 - 8
2180526	5 - 96
2180527	12 - 9
2180528	9 - 48
2180529	10 - 25
2180531	5 - 97
	12 -REF
2180548	7 - 12
2180560	1 - 47
2180561	1 - 48
2180562	I - 49

PART NO.	LIST AND INDEX NO.
2180563	1- 1 - 50
2180611	1- 5 - 98
2180612	1- 5 - 99
2180613	1- 12 - 10
2180624	1- 5 -100
2180625	1- 12 - 11
2180659	1- 19 - 38
2180660	1- 19 - 39
2180661	1- 19 - 40
2180662	1- 19 - 41
2180663	1- 19 - 42
2180664	1- 19 - 43
2180665	1- 19 - 43A
2180666	19 - 43B
2180667	19 - 43C
2180668	19 - 44
2180669	19 - 45
2180670	19 - 46
2180671	19 - 47
2180672	19 - 48
2180673	19 - 49
2180675	11 - 49
2180677	16 -125
2180678	16 -126
2180679	1 - 51
2180680	1 - 52
2180681	16 -REF
2180682	16 -127
2180683	16 -128
	17 - 18
	17C- 15
2180684	4 - 19
	4A- 16
2180685	16 -129
2180686	16 -130
2180687	1 - 53
2180688	16 -131
2180689	17 - 19
	17C- 16
2180690	1 - 54
2180691	1 - 55
	16 -132
2180692	1 - 56
	16 -133
2180693	0 - 7
	0 - 7
2180701	9 - 49
2180702	5 -101
	5 -101
2180709	5 -102
2180714	1 - 57
	1 - 57
2180716	19 - 51
2180720	17 - 20
	17C- 17
2180721	17 - 22
2180722	17 - 23
2180723	1 - 58
2180727	17 - 26
	17C- 20
2180733	17 - 27
	17C- 21
2180735	1 - 59
2180737	1 - 60
2180740	1 - 61
	1 - 61
	17 -REF
	1- 17C-REF
2180744	1- 17 - 24
	1- 17C- 18
2180746	1- 19 - 51A
	33- 0 - 6
2180747	1- 19 - 51F
2180748	1- 13 - 15
2180749	1- 5 -103
	1- 13 -REF
2180750	1- 15 - 12
2180752	1- 5 -104
2180753	1- 16 -134
2180755	1- 16 -135

PART NO.	LIST AND INDEX NO.
2180760	6 - 63
	6 - 67
2180761	5 -105
2180762	5 -106
2180763	6 - 32
2180764	6 - 37
2180765	6 - 33
2180768	6 - 38
2180769	6 - 42
2180771	6 - 43
2180772	6 - 44
2180773	6 - 45
2180774	6 - 46
2180776	6 - 47
2180777	6 - 69
2180778	6 - 70
2180779	7 - 13
2180781	1 - 33
	4 - 26
	1 - 33
2180782	4 - 26
	6 - 64
2180785	6 - 65
2180786	7 - 14
2180787	7 - 15
2180789	7 - 16
2180792	7 - 16
2180793	6 - 66
2180796	19 - 52
2180797	17 - 29
	17C- 23
	7 - 17
2180798	5 -112
2180799	5 -113
2180835	5 -113
2180841	16 -136
2180842	16 -137
2180843	16 -138
2180845	1 - 67C
2180846	1 - 67D
2180847	1 - 67E
2180848	1 - 67F
2180850	1 -REF
	0 - 1
2180852	1 - 52
	16 -REF
2180853	16 -131
2180854	16 -127
2180855	0 - 7
	0 - 7
2180860	1 - 41
	5 -REF
	0 - 2
2180861	0 - 2
2180862	0 - 2
2180863	0 - 2
2180864	5 -135
2180868	5 -106
2180870	18 - 29
2180871	18 - 30
2180872	18 - 31
2180873	1 - 67
2180889	5 - 80
2180890	1 -108
2180894	1 - 92
	2A-REF
2180895	1 - 92A
	2A-REF
2180896	2A- 4
	2A- 4
2180897	2A- 4
	2A- 4
2180898	8 - 10
2180900	1 - 93
	0 - 1
	1 - 99
2180901	1 -100
2180902	8 - 11
2180903	8 - 12
2180904	8 - 12
2180905	8 - 13
2180906	8 - 14
2180907	8 - 15
2180909	8 - 16

PART NO.	LIST AND INDEX NO.
2180910	1 - 90
	- 1
2180911	1 - 90
	- 1
2180912	1 - 90
	- 1
2180913	1 - 90
	- 1
2180914	19 - 53
2180915	1 -101
2180916	5 - 35
	5 -114
2180917	5 -115
2180918	1 - 81
	1 - 81
	4 -REF
	4A-REF
2180919	1 - 81
	1 - 81
	4 -REF
	4A-REF
2180920	4 - 20
	4A- 17
2180921	4 - 21
	4A- 18
	4A- 18
2180923	5 -123
2180924	5 -124
2180925	6 - 67
2180928	5 -125
2180930	5 -126
2180932	6 - 68
2180933	17 - 30A
2180938	4A- 19
	4A- 19
	4A- 19
2180939	4A- 19
2180940	4A- 33
2180941	4A- 33
2180942	4A- 33
2180943	4A- 33
2180944	4A- 33
2180945	4A- 33
2180946	4A- 33
2180947	4A- 33
2180948	4A- 20
	4A- 20
2180949	4A- 20
2180950	4A- 20
2180962	2A- 5
2180963	2A- 6
	2A- 6
	2A- 6
	2A- 6
	2A- 6
2180964	2A- 7
2180965	2A- 8
	2A- 8
	2A- 8
	2A- 8
2180966	2 - 53
2180967	2 - 54
2180968	1 - 67G
2180969	16 -139
2180970	16 -140
2180972	17 - 30
	17A- 24
	17C- 24
	19 - 54
2180973	17A- 24A
	17B- 17
	19 - 55
2180974	17 - 28
	17C- 22
	2 - 45
2180976	16 -141
2180977	16 -142
2180978	14 - 22
2180983	14 - 22
2180984	14 - 23
2180985	14 - 24
2180986	5 -134

PART NO.	LIST AND INDEX NO.
2180986-CONT	14 -REF
2180988	5 -135
2180989	5 -136
2180990	5 -137
2180991	2 - 46
2180993	17C- 25
2181000	2 - 47
2181004	1 - 16
	1 - 86
	16 - 31
2181005	1 - 1A
	2 - 55
	17 - 14A
	17 - 31
	17 - 31
	17 - 31A
	17A- 25
	17A- 25A
	17B- 8
	17C- 26
2181006	17 - 32
2181007	17 - 33
	17 - 33
	17C- 27
2181008	2 - 56
2181009	2 - 48
2181010	2 - 49
	7 - 2A
2181011	2 - 57
2181012	2 - 58
	4A- 21
2181013	16 -143
2181021	2 - 59
2181022	1 - 82
2181023	1 - 83
2181024	1 - 92
	2A-REF
2181025	0 - 7
2181027	1 - 92A
	2A-REF
2181028	2A- 10
	2A- 10
2181029	2A- 11
	2A- 11
2181030	1 - 91
2181031	1 - 91
2181032	1 - 91
2181033	1 - 91
2181034	1 - 90
	0 - 1
2181035	1 - 90
	0 - 1
2181036	1 - 90
	0 - 1
2181037	1 - 90
	0 - 1
2181038	5 -137A
2181039	1 - 46
2181040	5 -137B
2181041	7 - 18
	7 - 18
2181042	5 -137C
2181043	1 - 83A
2181044	5 - 59
2181046	5 - 60
2181051	5 - 61
2181052	5 -137D
2181053	5 -137E
2181054	5 -137F
2181055	5 - 62
2181056	7 - 11
2181058	7 - 16
	7 - 16
2181059	5 - 55
2181062	5 - 79
	7 -REF
2181067	5 -138
	15 -REF
2181070	1 - 84
2181072	2 - 23

PART NO.	LIST AND INDEX NO.
2181073	2 - 24
2181074	6 - 57A
2181075	6 - 16
2181076	6 - 14
2181086	2 - 53
2181087	2 - 54
2181088	17 - 32
	17C- 28
2181090	16 - 75A
2181092	16 -144
	16 -144
2181094	17B- 20A
2181100	17B- 9
2181101	17A- 26
2181102	17A- 26A
2181103	17B- 10
2181104	17A- 27
2181106	17A- 31
2181107	17B- 11
2181109	17B- 18
2181110	17A- 32
2181112	17A- 33
2181113	17A- 34
2181114	17B- 12
2181115	17B- 21
2181116	17B- 22
2181117	17A- 35
2181119	17A- 36
2181129	17B- 23
2181132	17B- 24
2181133	17A- 37
2181141	17A- 27
2181146	5 - 83
2181148	13 - 15
2181149	5 -103
	13 -REF
2181171	6 - 16
2181172	6 - 18
2181173	6 - 14
2181174	6 - 61C
2181175	6 - 61B
2181177	6 - 57
2181178	6 - 57A
2181181	6 - 64
2181182	6 - 55
2181183	6 - 62
2181184	6 - 59
2181185	6 - 47
2181186	5 - 37
2181189	1 - 56
	16 -133
2181190	0 - 7
	0 - 7
	0 - 7
	0 - 7
	0 - 7
2181194	11 - 33
2181195	11 - 36
2181199	1 - 84A
	16 -145
2181201	19 - 67
	0 - 7
	0 - 7
2181202	19 - 69
2181203	19 - 70
2181204	1 - 84B
	16 -146
2181205	1 - 84C
	16 -147
2181206	1 - 84D
	16 -148
2181207	1 - 4
	16 - 4A
2181209	5 - 39
2181211	19 - 71
2181213	5 -138
	15 -REF
2181216	6 - 19
2181217	6 - 21
2181225	1 - 93
	0 - 1

PART NO.	LIST AND INDEX NO.
2181233	5 -139
2181234	17B- 5
2181235	17A- 12
2181236	5 -111
2181239	5 - 85
	6 - 36
2181240	5 -138
	15 -REF
2181245	2 - 49A
2181249	4A- 18
2181250	4A- 18
2181257	9 - 43
2181258	16 -122
2181261	- 7
2181262	- 7
2181263	- 7
2181264	- 7
2181265	- 7
2181266	19 - 74
2181270	5 -126
2181271	1 - 84E
2181272	1 - 84F
2181273	5 - 90
2181274	5 - 78
	5 - 78
	6 -REF
2181276	5 -126
2181277	16 -149
2181283	5 -135C
2181284	16 - 86
2181285	5 -135D
2181286	5 -135D
2181288	5 - 86
2181289	5 - 86A
2181290	1 - 82
2181291	1 - 38
2181295	5 -135
2181296	5 -135
2181314	2 - 59A
2181324	10 - 21
2181325	11 - 15
2181326	11 - 12
2181329	11 - 11
2181331	17C- 41
2181332	16 -122
2181334	16 -151
2181347	9 - 38
2181385	17C- 29
2181388	16 -138
2181398	17C- 36
2181399	17C- 37
2184182	19 - 56
2184183	19 - 56A
2191846	17A- 38
2192509	17 - 34
	17C- 42
2194011	- 8
2200012	17A-REF
	- 4
2200013	17A- 2
2200014	17A- 1
	17B-REF
2200018	18 -REF
	- 5
2218103	18 - 4A
2218117	18 - 5
2218636	9 - 42
2218668	16 -105B
2218673	7 - 11
2218674	5 - 79
	7 -REF
2244018	17C- 37
2244021	17C- 39
2244026	8 - 6
2244027	18 - 17B
	18A- 28B
2244028	18 - 17C
	18A- 28C
2244031	18 - 17
	18A- 28

PART NO.	LIST AND INDEX NO.
2244038	18 - 17D 18A- 28D
2244042	5 -140
2244043	5 -141
2244046	5 -142
2244049	5 -103 13 -REF
2244205	5 -143
2244948	17B- 12
2244951	17A- 34
2414877	15 - 13
2414895	13 - 8 13 - 9 15 - 4 15 - 14
2414920	13 - 16
2414924	4 - 22
4061423	4 - 16
4061426	4 - 17
4061427	4 - 17
4061518	5 - 71
4061678	2 - 62
4061679	2 - 62
4061725	1 - 87

PART NO.	LIST AND INDEX NO.
4100328	5 -125
4117458	16 -122
4121202	16 - 74
4207403	1 - 57
4207404	1 - 57
4251623	0 - 1
5102917	5 -111
5212727	16 -152
5213274	19 - 57
5308492	16 -143 16 -153 16 -154
5319854	4 - 23 4A- 22 17B- 25
5319888	1 - 85
5348495	1 - 86
5350006	2 - 60
5350012	2 - 61
5352960	19 - 73
5353883	17A- 39 17B- 26
5353887	17A- 40 17B- 27

PART NO.	LIST AND INDEX NO.
5353889	17A- 41 17B- 28
5362163	4A- 6
5362301	17B- 22C 19 - 58
5393130	19 - 74A
5700484	17A- 42 17B- 29
5800610	19 - 62
5800634	17B- 19
5800736	19 - 51G 19 - 72
5801245	17B- 30
5801246	17B- 20
5804271	1 -109
5805007	19 - 59
5805008	19 - 60
5805009	19 - 61
5811144	17 - 35 17C- 43
5819436	19 - 77
7350362	1 - 87
8010761	16 - 27

2311

2311

FAB INSERT FOR FRONT COVER

127-0792-3

IBM 2311 PRINTED IN U.S.A. 127-0792-3



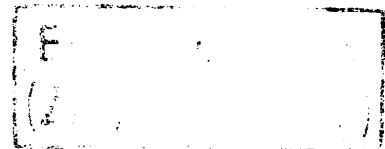
International Business Machines Corporation
Field Engineering Division
112 East Post Road, White Plains, N. Y. 10601

RELEASED MAINZ

INDEX

UNPACKING & MACHINE LOCATION	PAGE 2
BASEPLATE GROUNDING CHECK	2
CABLING TO FILE CONTROL UNIT	2
MECHANICAL CHECKS	3
POWER CHECK (DISK PACK OFF)	3
HEAD - DISK CHECK (POWER OFF)	4
FILE MOTOR & HEAD LOADING CHECK	5
HEAD UNLOADING CHECK	6
POWER - ON MOTOR SEQUENCE CHECK	6
HEAD ALIGNMENT CHECK	6
GENERAL CHECKS	6
HYDRAULIC SUMP RELIEF INSTALLATION (WTC)	8

PUNCH 23 HOLES ON THIS SIDE



APPROVAL	CHECK	MAT. LAB.	COMP. LAB.
<i>Gen.</i>			
17.5.68			

ENO. DATE	21JUN66	26JUN67	13MAR68		
CHANGE NO.	411125	4080818	411309	411355	



**FIELD ENGINEERING
INSTALLATION INSTRUCTIONS**

P/N 2181069
SHEET 2 OF 8

MACHINE TYPE 2311

RELEASED MAINZ

NOTE: DO THE FOLLOWING STEPS IN THE SEQUENCE GIVEN UNLESS OTHERWISE NOTED.

A - UNPACKING AND MACHINE LOCATION

1. REMOVE PACKING. CHECK MACHINES FOR POSSIBLE SHIPPING DAMAGE.
2. INVENTORY THE PARTS IN THE SHIPPING GROUP.
3. POSITION THE FILES IN THEIR APPROXIMATE FINAL LOCATIONS (REFER TO FIGURE 1).
4. REMOVE FRONT AND REAR COVERS. LEAVE TOP COVERS IN PLACE.
5. REMOVE SHIPPING BRACES, ETC.

B - BASEPLATE GROUNDING CHECK

1. MEASURE RESISTANCE BETWEEN GATE DC TERMINAL #1 AND FRAME GROUND ON FILES WHICH HAVE FEED-THRU FILTER CAPACITORS MOUNTED ON THE GATE ASSEMBLY. MEASURE RESISTANCE BETWEEN GATE DC TERMINAL #7 AND FRAME GROUND ON FILES WHICH DO NOT HAVE FEED-THRU CAPACITORS. IN BOTH CASES THE READING SHOULD BE 2 MEGOHMS OR HIGHER. ANY LOWER READING INDICATES AN ERRONEOUS GROUND BETWEEN BASEPLATE AND MACHINE FRAME, WHICH MUST BE ELIMINATED BEFORE PROCEEDING.
(THE BASEPLATE IS THE LARGE ALUMINUM PLATE ON WHICH THE ACCESS IS MOUNTED. IT IS NORMALLY GROUNDED AT ONE POINT ONLY BY MEANS OF A LEAD CONNECTED TO THE GATE DC TERMINAL #1).
IF NO EXTRA GROUNDS EXIST, CONTINUE.
2. REPEAT ITEM B1 FOR EACH FILE.

C - CABLING TO FCU (REFER TO FIG. 1)

1. REMOVE ALL AC POWER TO THE "SOURCE" UNIT SUPPLYING POWER TO THE 2311 FILES (2020-2841 ETC.)
2. INSTALL ONE AC CABLE BETWEEN FCU AND FILE MODULE 0, PLUGGING ONE END INTO THE SOURCE UNIT AC PLUG PROVIDED, AND PLUGGING THE OTHER END INTO "AC IN" FILE MODULE 0.
3. IF ADDITIONAL FILES ARE BEING INSTALLED, CONNECT THE NEXT AC CABLE BETWEEN "AC OUT" MODULE 0 AND "AC IN" MODULE 1. CONTINUE INSTALLING FILE AC CABLES IN ASCENDING ORDER OF MODULE NUMBERS.
NOTE: THE HIGH ORDER MODULE WILL NOT HAVE ANY CONNECTION IN THE "AC OUT" RECEPTACLE.
4. INSTALL ONE SEQUENCE/SIGNAL CABLE BETWEEN SOURCE UNIT AND FILE MODULE 0, PLUGGING ONE END INTO THE SOURCE UNIT SEQUENCE/SIGNAL PLUG PROVIDED, AND PLUGGING THE OTHER END INTO "SIGNAL IN" FILE MODULE 0.
5. IF ADDITIONAL FILES ARE BEING INSTALLED, CONNECT THE REMAINING SEQUENCE/SIGNAL CABLES BETWEEN MODULES IN ASCENDING ORDER. A 2311 SIGNAL TERMINATOR MUST BE PLUGGED INTO THE "SIGNAL OUT" RECEPTACLE OF THE HIGH ORDER MODULE. (TERMINATOR IS SUPPLIED IN THE SHIPPING GROUP OF THE SOURCE UNIT TO WHICH THE FILES ARE ATTACHED).

ENG. DATE		21JUN66	26JUN67	13MAR68		
CHANGE NO.	411125	408081B	411309	411355		



**FIELD ENGINEERING
INSTALLATION INSTRUCTIONS**

P/N 2181069
SHEET 3 OF 8

MACHINE TYPE 2311

RELEASED MAINZ

6. INSTALL ONE DC/DATA CONTROL CABLE BETWEEN SOURCE UNIT AND EACH OF THE FILES. THE DC PLUGS IN SOURCE UNIT ARE LABELLED TO INDICATE THE MODULE TO BE CONNECTED; THE OTHER END (OF EACH CABLE) PLUGS INTO THE DC RECEPTACLE ON THE SEQUENCE PANEL OF EACH FILE.

D - MECHANICAL CHECKS

1. LEVEL MACHINE

- a. LOOSEN LOCKNUTS ON REAR CASTORS.
 - b. ADJUST ONE OR BOTH REAR CASTORS UNTIL MACHINE IS LEVEL AND RESTING ON ALL FOUR CASTORS. (NOTE: IN LEVELLING, IT MAY BE NECESSARY TO SLIGHTLY ADJUST ONE OF THE FRONT CASTORS IF THE FLOOR IS UNEVEN).
 - c. AFTER LEVELLING MACHINE, LOWER EACH REAR CASTOR ONE FULL TURN. (THIS WILL RAISE THE MACHINE APPROXIMATELY 1/8").
 - d. LOWER THE TWO STABILIZING JACKS (REAR OF MACHINE) UNTIL THEY CONTACT THE FLOOR. LOCK IN PLACE.
 - e. RAISE THE REAR CASTORS UNTIL THEY CLEAR THE FLOOR, THEN LOCK IN PLACE.
2. CHECK THAT THE INDEX TRANSDUCER RETRACTS FULLY WHEN THE CUSTOMER COVER IS RAISED. CLOSE CUSTOMER COVER AND REMOVE ENTIRE TOP COVER FROM THE MACHINE.
 3. CHECK OIL LINES AND FITTINGS FOR LEAKS AND BASE CASTING FOR SIGNS OF OIL.
 4. WTC MACHINES ONLY: INSTALL CUP P/N 2180771 AND WASHER P/N 2180769 TO HYDRAULIC SUMP. REF. PAGE 8 OF THESE INSTRUCTIONS.
 5. CHECK TORSION RODS FOR PROPER SEATING AGAINST R/W HEADS: CHECK THAT ARMS ARE SEATED AGAINST ADJUSTING SCREWS AND THAT ARM CLAMPS ARE SNUG.
 6. CHECK THE R/W HEAD PLUGS FOR LOOSE CONNECTIONS.
 7. CHECK TRANSDUCERS FOR LOOSE CONNECTORS.
 8. CHECK TERMINAL BLOCK AT BACK END OF ACTUATOR FOR LOOSE TERMINALS AND SHORTS.
 9. CHECK MOTOR DRIVE BELT AND PUMP PULLEY FOR SIGNS OF OIL INDICATING A POSSIBLE DEFECTIVE OIL SEAL IN THE PUMP.
 10. CHECK THAT SLT CARDS AND PADDLE CARDS ARE SECURELY PLUGGED IN THE GATE.
 11. REPEAT STEPS D1 - D9 FOR ALL FILES BEING INSTALLED.

E. POWER CHECK (DISK PACK OFF)

- 1. a. 60 CYCLE MACHINES SER. NO. 19477 AND LOWER CONNECT JUMPER ON FILE +36 VOLT POWER SUPPLY TB-1 TO MATCH THE AC INPUT VOLTAGE (SEE LOGIC FD111).

ENG. DATE		21JUN66	26JUN67	13MAR68		
CHANGE NO.	411125	408081B	411309	411355		



**FIELD ENGINEERING
INSTALLATION INSTRUCTIONS**

P/N 2181069
SHEET 4 OF 8

MACHINE TYPE 2311

RELEASED MAINZ

b. 50 CYCLE

- (1) CONNECT TRANSFORMER TAPS AT PSTB-1 TO MATCH THE AC INPUT VOLTAGE (SEE LOGIC FD111).
- (2) CONNECT JUMPER AT TS-2 FOR THE CONFIGURATION OF AC INPUT (i.e. Δ OR Y) (SEE LOGIC FD110).

- 2. TURN OFF ALL FILE AC DISCONNECT SWITCHES.
- 3. REPEAT STEP E1 a. OR b. ON ALL FILES BEING INSTALLED.
- 4. TURN OFF ALL FILE START/STOP SWITCHES. TURN ON FCU POWER. TURN ON FILE AC DISCONNECT SWITCHES.
- 5. CHECK THE FOLLOWING VOLTAGES AT THE GATE DC TERMINAL STRIP USING GATE DC GROUND TERMINALS 5, 6, AND 7 (JUMPERED) AS A REFERENCE: ADJUST AS NEEDED.
NOTE: VOLTAGES SUPPLIED BY "SOURCE" UNIT 2020-2841 ETC. MUST BE MEASURED AT SUPPLY BUSS IN "SOURCE" UNIT WHILE ADJUSTING. USE THE "SOURCE" UNIT INSTALLATION INSTRUCTIONS FOR ADJUSTING VOLTAGES SUPPLIED BY THE "SOURCE" UNIT.

<u>VOLTAGE</u>	<u>TERMINAL NO.</u>	<u>TOLERANCE</u>	<u>SOURCE</u>
+36	2	+8% (33.1 to 38.9)	2311
+ 6	3	+4% (5.75 to 6.25)	"SOURCE" UNIT 2020-2841 ETC
+ 3	4	+4% (2.9 to 3.1)	"SOURCE" UNIT 2020-2941 ETC
- 3	8	+4% (2.9 to 3.1)	"SOURCE" UNIT 2020-2941 ETC
-36	9	+4% (34.6 to 37.4)	"SOURCE" UNIT 2020-2941 ETC

- 6. REPEAT STEP E5 ON ALL FILES BEING INSTALLED.
- 7. TURN OFF 2311 AC DISCONNECT SWITCHES. TURN OFF ALL FCU POWER.

F - HEAD-DISK CHECK (POWER OFF)

- 1. INSPECT CE DISK PACK FOR SHIPPING DAMAGE.
- 2. VACUUM ENTIRE BASE PLATE AND CLEAN INSIDE OF SHROUD; SEE F.E. MAINTENANCE MANUAL.
- 3. CLEAN R/W HEADS; SEE F.E. MAINTENANCE MANUAL.
- 4. CHECK ADJUSTMENT OF THE HEAD UNLOAD KNOCKOFF; SEE 2311 F.E. MAINTENANCE MANUAL P/N Y26-5923.
- 5. BEFORE MOUNTING CE PACK, INSURE THAT THE DISK PACK BRUSHES ARE NOT EXTENDED INTO THE SHROUD AREA SO AS TO INTERFERE WITH THE DISK PACK. THE BRUSHES CAN BE MANUALLY PUSHED FROM WITHIN THE SHROUD AREA. ALSO INSURE THAT THE INDEX TRANSDUCER CLEARS THE PACK AS THE PACK IS LOWERED INTO PLACE.

ENG. DATE		21 JUN 66	26 JUN 67	13 MAR 68		
CHANGE NO.	411125	08081B	411309	411355		



FIELD ENGINEERING
INSTALLATION INSTRUCTIONS

P/N 2181069
SHEET 5 OF 8

MACHINE TYPE 2311

RELEASED MAINZ

6. MOUNT CE PACK.
NOTE: TO ENERGIZE THE ELECTRICAL BRAKE ON EARLY MODELS, TURN ON FCU POWER AND TURN ON THE FILE DISCONNECT SWITCH. ON LATER MODELS THE BRAKE IS MECHANICAL AND IS ACTIVATED BY MECHANICAL LINKAGE WHEN THE TOP COVER IS OPENED.
7. WARNING: DO NOT LET HEADS LOAD DURING THIS STEP - MANUALLY TRIP THE HEAD LOADING CAM LATCH TO AVOID LOADING HEADS, CAREFULLY MOVE CARRIAGE FORWARD INTO DISK PACK. (REF FIG 4-13; IN THE 2311 MAINTENANCE MANUAL.).
8. CHECK CLOSELY FOR INTERFERENCE BETWEEN HEADS, HEAD CABLES, AND DISKS. MOVE THE CARRIAGE ALL THE WAY TO POSITIVE STOP.
9. RESTORE THE CARRIAGE TO THE FULLY RETRACTED POSITION.
10. CHECK FOR PROPER CLEARANCE OF THE INDEX TRANSDUCER TO THE SLOTTED BOTTOM DISK.
11. CLEAN AND REPLACE TOP COVER. OPEN CE COVER (LEFT SIDE OF TOP COVER).
12. REPEAT STPS F2 - F10 ON ALL FILES BEING INSTALLED.

G - FILE MOTOR AND HEAD LOADING CHECK

1. TURN ON FILE AC DISCONNECT SWITCH ONLY ON THE FILE BEING CHECKED ("SOURCE" UNIT POWER IS ON AND FILE START/STOP SWITCH IS OFF).
2. MOUNT CE DISK PACK AND TURN ON THE FILE START/STOP SWITCH.
3. CHECK THE FOLLOWING ITEMS:
 - a. PACK MOTOR STARTS
 - b. BRUSHES START INTO PACK
 - c. AS DISKS COME UP: TO SPEED DETECT PULLS OUT AND CARRIAGE EXTENDS TO HYDRAULIC HOME.
 - d. AFTER BRUSHES WITHDRAW FROM PACK, CARRIAGE GOES FORWARD FAST LOADING THE HEADS, THEN RETURNS TO CYL. 000.
 - e. WHEN HEADS ARE LOADED USE FLASHLIGHT TO CHECK THAT HEAD CABLES, ETC., ARE CLEAR OF DISKS.

ENG. DATE		21 JUN 66	26 JUN 67	13 MAR 68		
CHANGE NO.	411125	408081B	411309	411355		

- f. CARRIAGE IS DETENTED AT CYLINDER 000.
- g. READY LIGHT IS ON.
- h. NO OIL LEAKS PRESENT WITH POWER ON.

RELEASED MAINZ

H - HEAD UNLOADING CHECK

(NOTE: THIS PROCEDURE REQUIRES THE ASSISTANCE OF ANOTHER PERSON.)

CAUTION: KEEP FINGERS OUT OF AREA BETWEEN CARRIAGE AND HYDRAULIC UNIT AND BETWEEN CARRIAGE AND CARRIAGE HOUSING.

1. STANDING IN FRONT OF MACHINE, FIRMLY RESTRAIN THE CARRIAGE ASSEMBLY FROM MOVING TOWARD HOME. (THIS CAN BE DONE BY GRASPING THE TOP RAIL WITH THE LEFT HAND.)
2. (NOTE: READ STEP 3 BEFORE EXECUTING STEP 2.) WHILE WATCHING THE HEADS IN THE 2311, POWER DOWN THE "SOURCE" UNIT SUPPLYING POWER TO THE 2311. (2020-POWER DOWN THE CPU. 2841-PLACE IN CE MODE AND PLACE POWER SWITCH ON CE PANEL TO "OFF"). THE HEADS SHOULD UNLOAD IMMEDIATELY.
3. IF THE HEADS DO NOT UNLOAD AT ONCE, BEFORE THE DISKS SLOW DOWN APPRECIABLY, RELEASE THE CARRIAGE ALLOWING IT TO RETRACT FULLY. THIS WILL "KNOCK OFF" THE HEAD LATCH, CAUSING THE HEADS TO UNLOAD. DETERMINE AND ELIMINATE THE CAUSE OF THIS FAILURE BEFORE PROCEEDING, THEN POWER BACK UP AND REPEAT STEP 2 ABOVE.
4. IF THE HEADS DO UNLOAD, CHECK THAT POWER IS PRESENT ON 2311 AS LONG AS THE CARRIAGE IS RESTRAINED FROM MOVING; HOWEVER, WHEN THE CARRIAGE IS ALLOWED TO RETRACT TO HOME, THE HEADS EXTENDED SWITCH SHOULD TRANSFER PERMITTING THE "SOURCE" TO DROP FILE POWER.
5. CLOSE TOP COVERS.
6. REPEAT SECTIONS G AND H ABOVE ON ALL FILES BEING INSTALLED.
7. WITH ALL FILE MOTORS ON, TURN SYSTEM POWER OFF. ALL MOTORS SHOULD TURN OFF, ALL HEADS SHOULD UNLOAD AND ALL CARRIAGES SHOULD RETRACT. (NOTE: IT IS NORMAL FOR SELECT LOCK LAMPS TO FLASH AS POWER GOES OFF.)

I - POWER-ON MOTOR SEQUENCE CHECK

(NOTE: APPLIES TO MULTIPLE FILES ONLY.)

1. TURN ON SYSTEM POWER (FILE START/STOP SWITCHES WERE LEFT ON FROM PREVIOUS STEP).
2. MODULE 0 MOTOR SHOULD START IMMEDIATELY. WHEN CARRIAGE REACHES APPROX. 70% OF RATED SPEED THE CARRIAGE SHOULD EXTEND SLOWLY, THEN STOP AT HYDRAULIC HOME.
3. WHEN MODULE 0 CARRIAGE EXTENDS, MODULE 1 MOTOR SHOULD START, ETC. THIS SHOULD CONTINUE IN SEQUENCE (ONE FILE MOTOR STARTING AT A TIME) UNTIL ALL FILE MOTORS ARE ON.

J - HEAD ALIGNMENT CHECK

NOTICE: ALL HEADS MUST BE ALIGNED AT INSTALLATION TO INSURE INTERCHANGABILITY OF DISK PACKS. REFER TO F.E. MAINTENANCE MANUAL FOR PROCEDURE. (NOTE: TO SAVE TIME, DO ITEM "K" BELOW DURING FILE WARMUP PERIOD.)

AFTER COMPLETING HEAD ALIGNMENT ON ONE FILE, MOVE THE C.E. DISK PACK TO THE NEXT FILE TO BE TESTED AND REPEAT THE ABOVE PROCEDURE.

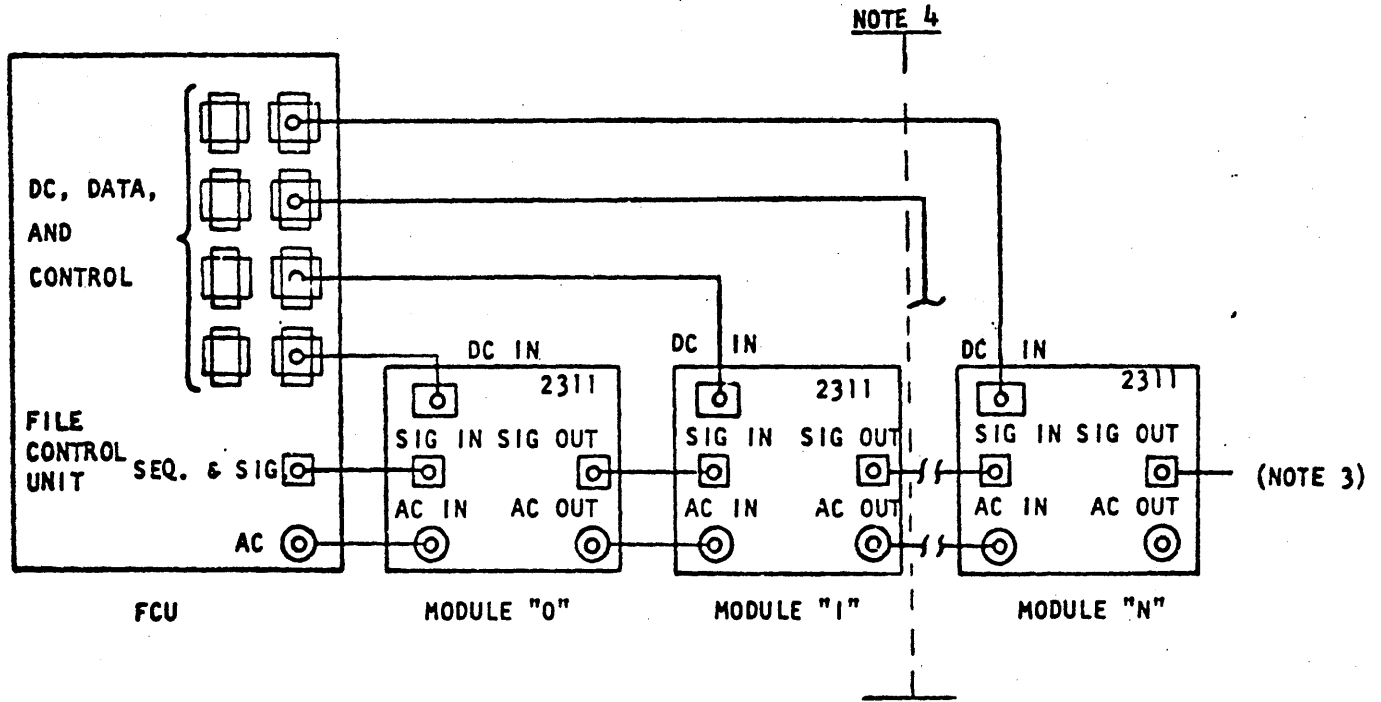
K - GENERAL CHECKS:

RUN DIAGNOSTICS TO CHECK THE OPERATION OF FILES, FCU AND METERS.

ENG. DATE		21JUN66	26JUN67	13MAR68		
CHANGE NO.	411125	408081B	411309	411355		

RELEASED MAINZ

FIG. 1 2311 CABLING



NOTE:

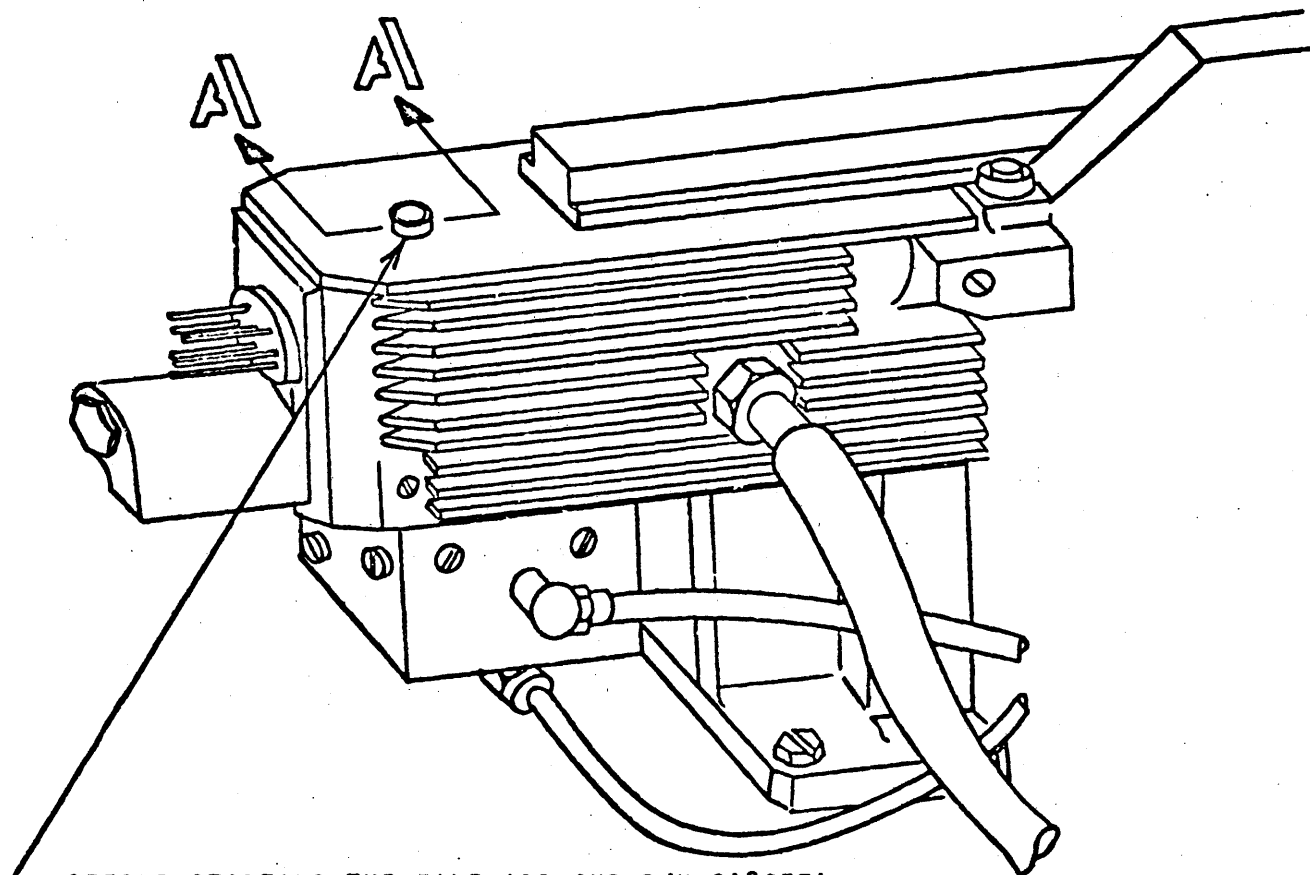
1. WHEN LAYING CABLES, SPACE 2311 CABLES AT LEAST 1 FOOT AWAY FROM ANY NON 2311 CABLES WHICH MIGHT INTRODUCE NOISE INTO THE 2311 (EG: UNSHIELDED POWER CABLES)
2. 2311 AC AND DC IN RECEPTACLES TAKE FEMALE END OF CABLES: THE SIG. IN RECEPTACLE TAKES SIGNAL CABLE PLUG MARKED "IN".
3. A 2311 SIGNAL TERMINATOR MUST BE PLUGGED INTO THE SIGNAL OUT RECEPTACLE OF THE LAST (HIGH ORDER) MODULE. REGARDLESS OF THE NUMBER OF FILES ATTACHED.
4. THE 2020 SYSTEM PROVIDES 2 DC PLUGS TO ACCOMMODATE A MAXIMUM OF 2-2311^s. OTHER FILE CONTROL UNITS PROVIDE 8 DC PLUGS TO ACCOMMODATE UP TO 8-2311^s.

ENG. DATE		26JUN67	13MAR68			
CHANGE NO.	411125	411309	411355			

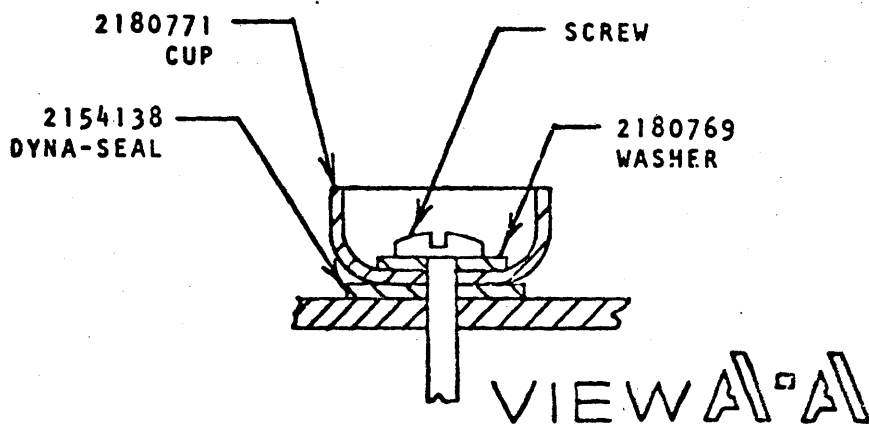
RELEASED MAINZ

HYDRAULIC SUMP RELIEF INSTALLATION

2181069 - WORLD TRADE CORP. MACHINES ONLY



BEFORE STARTING THE FILE ADD CUP P/N 2180771
 AND WASHER P/N 2180769 TO THE HYDRAULIC SUMP.
 BOTH PARTS ARE PROVIDED IN A PAPER-BAG ATTACHED
 TO THE HYDRAULIC UNIT.



ENG. DATE	411125	21JUN66	26JUN67	13MAR68		
CHANGE NO.		408081B	411309	411355		