

PAGE NO.	SH	TITLE	PART NO	EC NO.	FEATURE B/M OR B/MS
**	LOGIC TYPE	SLT BOARDS			
					6
	01A-A1	CUSTOM BOARD	2218200	424000	
	01A-A2	CUSTOM BOARD	2218202	420927	

PAGE NO.	SH	TITLE	PART NO	EC NO.	FEATURE B/M OR B/MS
** LOGIC TYPE		SYSTEM DIAGRAMS			0
A1001		SOCKET LIST	2218216	420928	
A1003		SOCKET LIST	2218212	420928	
A2001		SOCKET LIST	2218218	420927	
A2003		SOCKET LIST	2218214	420927	
FD101		FILE I/O CAR MAR	2267925	424000	
FD102		READ/WRITE CIRCUITS	2267926	422947	
FD103		SAFETY CIRCUITS	2267927	424000	
FD104		ACCESS TIMING SOLENOID	2267928	422947	
FL020		LINE RECEIVERS	2218220	416091	
FL021		LINE RECEIVERS	2218221	420928	
FL025		LINE DRIVERS	2218222	416097	
FL026		LINE DRIVERS	2218223	424000	
FL028		TERMINATOR 2X8 SWITCH	2218264	416091	
FL030		CYL ADDR+RESET	2218224	416044	
FL040		DIFF CNTR	2218225	416097	
FL050		SOLENOID DRIVERS	2218226	420928	
FL053		ACCESS TIMING	2218227	420928	
FL054		ON LINE AND GATED ATTENTION	2218262	420928	
FL056		XDUCER CRT	2218228	420928	
FL060		HEAD ADDRESS REG	2218229	416097	
FL066		HEAD ADD+DECODE	2218230	416080	
FL069		Y SELECT 0-9	2218231	416044	
FL073		WRITE READ+ERASE	2218232	420927	
FL076		WRITE DRIVER+MATRIX EVEN	2218233	416096	
FL077		WRITE DRIVER+MATRIX ODD	2218234	416096	
FL081		PRE-AMP+WRITE TRIGGER	2218235	420927	
FL090		SAFETY CIRCUIT	2218236	424000	
FL093		READ ERASE+Y SELECT SAFETY	2218237	420927	
FL099		CE INDICATOR	2218238	416080	
FL120		SERVICE VOLTAGE BOARD	2218239	416035	
FL122		SERVICE VOLTAGE BOARD D-A2	2218240	416080	
FU020		LINE RECEIVERS	2218241	416091	
FU021		LINE RECEIVERS	2218242	420928	
FU025		LINE DRIVERS	2218243	416097	
FU026		LINE DRIVERS	2218244	424000	
FU028		TERMINATOR 2X8 SWITCH	2218265	416091	
FU030		CYL ADDR REC	2218245	416044	
FU040		DIFF CNTR	2218246	416097	
FU050		SOLENOID DRIVERS	2218247	420928	
FU053		ACCESS TIMING	2218248	420928	
FU054		ON LINE AND GATED ATTENTION	2218263	420928	
FU056		XDUCER CRT+SPEED DET	2218249	420928	
FU060		HEAD ADDRESS REG	2218250	416097	
FU066		HEAD ADD+DECODE	2218251	416044	
FU069		Y SELECT 0-9	2218252	416044	
FU073		WRITE READ+ERASE	2218253	420927	
FU076		WRITE DRIVER+MATRIX EVEN	2218254	416096	
FU077		WRITE DRIVER+MATRIX ODD	2218255	416096	
FU081		PRE-AMP+WRITE TRIGGER	2218256	420927	
FU090		SAFETY CIRCUIT	2218257	424000	
FU093		READ ERASE+Y SELECT SAFETY	2218258	420927	
FU099		CE INDUCTOR	2218259	416044	
FU120		SERVICE VOLTAGE BOARD	2218260	416044	
FU122		SERVICE VOLTAGE BOARD C-A2	2218261	416080	

** LOGIC TYPE REFERENCE DATA 5

WF001		2314 FILE DRIVE + INTERFACE CABLE	2218331	416034	
WF002		2314 FILE - FCU INTERFACE	2218332	422947	
YA001		AC-POWER CONTROL	2218333	420926	
YB001		DC AND SIGNAL DIST	2218334	422947	
YB003		ENABLE/DISABLE,MULTI-TAG SWITCHES	2239071	422947	
ZL001		POWER ON/OFF SEQUENCE FILE LOWER	2218335	422947	
ZL003		SOLENOIDS FILE LOWER	2218336	422947	
ZU001		POWER ON/OFF SEQUENCE FILE UPPER	2218337	422947	
ZU003		SOLENOIDS FILE UPPER	2218338	422947	
ZZ001		COMPONENT LOCATIONS	2218339	422947	

A6 A7	DOUBLE CARD 5806264 6264
	FLO56 A1 B1 C1 E1 F1 G1 H1 H2 J1 K1
	UNUSED PORTIONS D
A8	CONNECTOR E04 FLO20AG4 E06 FLO56AY5
B8	CONNECTOR A06 FLO20AK4 B04 FLO56AB6 B06 FLO56AL4 C04 FLO56BB4 E06 FLO90BD4
C6	CONNECTOR B02 FLO40BP4 B04 FLO30AR4 B07 FLO30AN4 B09 FLO90AJ4 B10 FLO30AK4 B13 FLO30AJ4 D02 FLO90AK4 D04 FLO90AL4 D05 FLO30AL4 D06 FLO40BM4 D09 FLO30AM4 D10 FLO30AS4 D11 FLO25CG4 D12 FLO40BK4 D13 FLO30AP4
C7	CONNECTOR B02 FLO60AN4 B04 FLO40AT4 B07 FLO60BC4 B09 FLO40AL4 B10 FLO26EF4 B12 FLO54BB4 D02 FLO40AR4 D04 FLO60BA4 D05 FLO40AN4 D07 FLO60AL4 D09 FLO40BM4 D11 FLO50BD4 D12 FLO60BP4
C8	CONNECTOR A06 FLO93AG4 B04 FLO73AB4 B06 FLO90AB3 C04 FLO90AB5 C06 FLO90AB6 D04 FLO20AM4 E04 FLO93AB2
D6 D7	DOUBLE CARD 5807221 7221
	FLO90 AA AB AC AD AE AF AJ AK AL AM AN AP AR AS AT AU AV AX AY AZ BA BB BD BE BF BG
D8	CONNECTOR A04 FLO66AB4 A06 FLO66AF4 E04 FLO56AK4
E6 E7	DOUBLE CARD 5804273 4273
	FLO60 A1 A4 A5 A7 A8 AS AC AD AE AF AG AH AJ AK AL AM AN AP AQ AS AT AU AV AW AX AY AZ
E8	CONNECTOR B04 FLO56AY5 B06 FLO56AY7 C04 FLO56AY4 D04 FLO56AK4 E04 FLO56AW5 E06 FLO56AW2
F6 F7 0 1	DOUBLE CARD 5807325 7325
	FLO53 AA AB AD AE AF AG AH AJ AK AL AM AN AP AR AT AW AX AY

	AZ BA BC BH BJ BK
F8	CONNECTOR A04 FLO56AY2 B04 FLO56AX6 B06 FLO56AX4 C04 FLO56AX7 E04 FLO56BA4 E06 FLO56AX8
G5	SINGLE CARD 8340 01U
G6 G7	DOUBLE CARD 5806269 6269
	FLO56 AA FLO90 BA FLO53 CA FLO50 DA DB FLO90 FA FLO50 GA GB FLO21 HA HB JA JB FLO50 KA FLO54 LA FLO50 MA FLO20 PA PB FLO90 SA FLO26 TA
G8	CONNECTOR A04 FLO56AX4 A06 FLO56AK4
H4 H5	DOUBLE CARD 5808338 8338
	FLO50 A1 A2 B1 FLO56 C1 FLO54 D1 E1 FLO50 F1 FLO54 G1 H1 FLO50 I1 FLO56 J1 FLO50 K1 K2 FLO53 L1 M1
	UNUSED PORTIONS P
H6 H7	DOUBLE CARD 5806270 6270
	FLO40 01 02 03 04 05 06 07 08 09 10 11 12 13 14 15 16 17 18 19 21 22 23 24 25 26 27 28 29 30 31 32 33 34 35 36 37 38 39 40 41
J4 J5	DOUBLE CARD 5808338 8338
	FLO50 A1 A2 B1 C1 FLO54 D1 FLO90 E1 FLO53 F1 FLO54 G1 H1 FLO50 I1 K1 K2 FLO53 M1
	UNUSED PORTIONS P
J6 J7	DOUBLE CARD 5804268 4268
	FLO30 A3 AA AB AC AD AE AF AG AH AJ AK AL AM AN AP AQ AS AT AU AV AW AX AY AZ BA BC
	FLO50 CA UNUSED PORTIONS D
J8	CONNECTOR B06 FLO90CA4 D04 FLO93AG4 E04 FLO93AK4 E06 FLO73AB4

K4 K5	DOUBLE CARD 5808338 8338
	FLO50 A1 A2 B1 FLO90 C1 D1 FLO26 E1 F1 FLO54 G1 H1 J1 FLO50 K1 K2 FLO53 L1 FLO90 M1
	UNUSED PORTIONS P
K6 K7	DOUBLE CARD 5804270 4270
	FLO26 AA AB AC AD AE AF AH AJ AK AM AN AP AQ BA BB BC BD BE BF BG BH BJ BK BL BM BN FLO25 CB CC FLO20 DA DB DC DE DF FA HA FLO50 LA
	UNUSED PORTIONS J K M
K8	CONNECTOR A04 FLO93AB2 A06 FLO93AF4 E04 FLO66AP4 E06 FLO66AL4
L4 L5	DOUBLE CARD 5808338 8338
	FLO50 A1 A2 B1 FLO90 C1 FLO21 D1 FLO54 E1 FLO50 F1 FLO56 G1 FLO21 H1 FLO50 I1 K1 K2 L1 FLO90 M1
	UNUSED PORTIONS P
L6 L7	DOUBLE CARD 5804270 4270
	FLO25 AA AB AC AD AE AF AH AJ AK AM AN AP BA BB BC BD BE BF BG BH BJ BK BL BM BN BP CB CC FLO21 DA DB DC DE DF FA HA JA KA LA
	UNUSED PORTIONS M
L8	CONNECTOR A06 FLO30AJ4 B04 FLO66AK4 B06 FLO66AS4 C04 FLO66AJ4 C06 FLO66AN4 D04 FLO66AV4 E04 FLO66AM4 E06 FLO66AR4
M5 M7	SINGLE CARD 5800720 0720
	FLO28 AA AB AC AD AE AF AG AH AM AN AP AQ AR
	UNUSED PORTIONS B C D E F G H J K L M N P Q S
M6 M7	DOUBLE CARD 5806261 6261
	FLO66 AA AB AC AD AE AF AG AH AJ AK FLO60 AL AM AN AP AQ AR AS FLO66 C1 C2 C3 C4 C5 C6

	C7 C9 CB
	UNUSED PORTIONS B
M8	CONNECTOR A06 FLO66AA4 B04 FLO66AT4 B06 FLO66AQ4 C04 FLO66AH4 C06 FLO66AC4 E04 FLO66AE4 E06 FLO66AG4
N5	CONNECTOR B02 FLO90CG4 B02 FLO90CF4 B03 FLO50AJ4 B04 FLO50BA4 B05 FLO56AL4 B07 FLO50AY4 B08 FLO50AV4 B09 FLO50AZ4 B10 FLO50AW4 B12 FLO50AT4 B13 FLO50AX4 D02 FLO90AY4 D05 FLO54BL4 D06 FLO54BC4 D07 FLO53AS4 D09 FLO53BC4 D10 FLO50BZ4 D12 FLO56AV4 D13 FLO90BT4
N6	CONNECTOR B02 FLO26AN4 B03 FLO26AM4 B04 FLO26BC4 B05 FLO26BS4 B06 FLO20AM4 B07 FLO25BA4 B08 FLO25BB4 B09 FLO21BB4 B10 FLO25AZ4 D02 FLO26BD4 D04 FLO26AL4 D05 FLO26AK4 D06 FLO26BA4 D07 FLO66AV4 D11 FLO90BD4 D13 FLO66AW4
N7	CONNECTOR B02 FLO20AQ4 B03 FLO20AK4 B04 FLO20AS4 B05 FLO20AT4 B07 FLO21AJ4 B08 FLO21AV4 B09 FLO21AW4 B10 FLO21BA4 B12 FLO21AZ4 B13 FLO21AX4 D02 FLO25CH4 D05 FLO25CR4 D06 FLO25AL4 D07 FLO25AK4 D09 FLO25BD4 D10 FLO25AM4 D11 FLO25BC4 D12 FLO20AJ4 D13 FLO21AY4
N8	CONNECTOR A04 FLO66AF4 A06 FLO66AB4

PLUG LIST

PART NO	ACC	TYPE	SOCKETS	TOTAL
5800720	2X85	0720	R5	01
5804268		4268	J6	01
5804270		4270	K6 L6	02
5804273		4273	E1	01
5806261		6261	R6	01
5806264		6264	R6	01
5806269		6269	G6	01
5806270		6270	H6	01
5807221		7221	D6	01
5807325		7325	F6	01
5808338		8338	H4 J4 K4 L4	04
	CGNN		AB BB C6 C7	17
			C8 D8 E8 F8	
			G8 J8 K8 L8	
			M8 N5 N6 N7	
			N8	
	01U 8340 G5			01

SOCKET LISTING
DATE 07-31-67 MACH. 2314

LOG 212T BOARD 01A-A1
PREV. ENGR. - - 420925
PRES. ENGR. 07-31-67 420928
P.N. 2218216

IBM CORP. SDD BLK.

A1	CONNECTOR E09 FU020AG4 E11 FU056AY5
A2	DOUBLE CARD 5806264 6264
A3	FU056 A1 B1 C1 E1 F1 G1 H1 H2 J1 K1 UNUSED PORTIONS
B1	CONNECTOR A11 FU020AK4 B09 FU056AB6 B11 FU056AL4 C09 FU056BB4 E11 FU090BD4
C1	CONNECTOR A11 FU093AG4 B09 FU073AB4 B11 FU090AB3 C09 FU090AB5 C11 FU090AB6 D09 FU020AH4 E09 FU093AB2
C2	CONNECTOR B02 FU040BP4 B04 FU030AR4 B07 FU030AN4 B09 FU090AJ4 B10 FU030AK4 B13 FU030AJ4 D02 FU090AK4 D04 FU090AL4 D05 FU030AL4 D06 FU040BM4 D09 FU030AM4 D10 FU030AS4 D11 FU023CG4 D12 FU040BK4 D13 FU030AP4
C3	CONNECTOR B02 FU060AN4 B04 FU040AT4 B07 FU060BC4 B09 FU040AL4 B10 FU026BF4 B12 FU054BB4 D02 FU040AR4 D04 FU060BA4 D05 FU040AN4 D07 FU060AL4 D09 FU040BH4 D11 FU050BD4 D12 FU060BP4
C4	DOUBLE CARD 5808338 8338
C5	FU050 A1 A2 B1 FU056 C1 FU054 D1 E1 FU050 F1 FU054 G1 H1 FU053 J1 FU050 K1 K2 FU053 L1 M1 UNUSED PORTIONS
D1	CONNECTOR A09 FU066AB4 A11 FU066AF4 S09 FU056AK4
D2	DOUBLE CARD 5807221 7221
D3	FU090 AA AB AC AD AE AF AJ AK AL AM AN AP AR AS AT AU AV AX AY AZ BA BB BD BE BF BG
D4	DOUBLE CARD 5808338 8338
D5	FU050 A1 A2 B1 C1 FU054 D1 FU090 E1 FU053 F1 FU054 G1 H1

FU050 J1 K1 K2 FU054 L1 FU053 M1
UNUSED PORTIONS
P
E1 CONNECTOR B09 FU056AY5 B11 FU056AY7 C09 FU056AY4 D09 FU056AK4 E09 FU056AW5 E11 FU056AW2
E2 DOUBLE CARD 5804273 4273
E3 FU060 A1 A4 A5 A7 AA AB AC AD AE AF AG AH AJ AK AL AM AN AP AQ AS AT AU AV AW AX AY AZ FU025 BA
E4 DOUBLE CARD 5808338 8338
E5 FU050 A1 A2 B1 FU090 C1 D1 FU026 E1 F1 FU054 G1 H1 J1 FU050 K1 K2 FU053 L1 FU090 M1 UNUSED PORTIONS
P
F1 CONNECTOR A09 FU056AY2 B09 FU056AX6 B11 FU056AW4 C09 FU056AX7 E09 FU056BA4 E11 FU056AX8
F2 DOUBLE CARD 5807325 7325
F3 FU053 AA AB AD CE AF AG AH AJ AK AL AM AN AP AR AT AU AX AY AZ BA BB BJ BK BL FU050 BK
F4 DOUBLE CARD 5808338 8338
F5 FU050 A1 A2 B1 FU090 C1 FU021 D1 FU054 E1 FU050 F1 FU056 G1 FU021 H1 FU050 J1 K1 K2 L1 FU090 M1 UNUSED PORTIONS
P
G1 CONNECTOR A09 FU056AX4 A11 FU056AK4
G2 DOUBLE CARD 5806269 6269
G3 FU056 AA FU090 BA FU053 CA FU050 DA DB FU090 FA FU050 GA GB FU021 HA HB JA JB FU050 KA FU054 LA FU050 MA FU020 PA PB FU090 SA FU026 TA
G5 SINGLE CARD 8340 .01U
FU054 AA AB

H2 DOUBLE CARD 5806270 6270
H3 FU040 01 02 03 04 05 06 07 08 09 10 11 12 13 14 15 16 17 18 19 21 22 23 24 25 26 27 28 29 30 31 32 33 34 35 36 37 38 39 40 B1
J1 CONNECTOR B11 FU090CA4 D09 FU093AG4 E09 FU093AK4 E11 FU073AB4
J2 DOUBLE CARD 5804268 4268
J3 FU030 A3 AA AB AC AD AE AF AG AH AJ AK AL AM AN AP AQ AS AT AU AV AW AX AY AZ BA BC FU050 CA UNUSED PORTIONS
D
K1 CONNECTOR A09 FU093AB2 A11 FU093AF4 E09 FU066AF4 E11 FU066AL4
K2 DOUBLE CARD 5804270 4270
K3 FU026 AA AB AC AD AE AF AH AJ AK AL AM AN AP AQ BA BB BC BD BE BF BG BH BJ BK BL BN BN FU025 CB CC FU020 DA DB DC DE DF FA HA FU050 LA UNUSED PORTIONS
J K M
L1 CONNECTOR A11 FU030AJ4 B09 FU066AK4 B11 FU066AS4 C09 FU066AJ4 C11 FU066AN4 D09 FU066AV4 E09 FU066AM4 E11 FU066AR4
L2 DOUBLE CARD 5804270 4270
L3 FU025 AA AB AC AD AE AF AH AJ AK AL AM AN AP BA BB BC BD BE BF BG BH BJ BK BL BM BN BP CB CC FU021 DA DB DC DE DF FA HA JA KA LA UNUSED PORTIONS
M
M1 CONNECTOR A11 FU066AA4 B09 FU066AT4 B11 FU066AQ4 C09 FU066AH4 C11 FU066AC4 E09 FU066AE4 E11 FU066AG4
M2 DOUBLE CARD 5806261 6261
M3 FU066 AA AB AC AD AE AF AG AH AJ AK FU060 AL AM AN AP AQ AR AS FU066 C1 C2 C3 C4 C5 C6 C7 C9 CD UNUSED PORTIONS

B
M4 SINGLE CARD 5800720 0720 2X8S
FU028 AA AB AC AD AE AF AG AH AM AN AP AQ AR UNUSED PORTIONS
B C D E F G H J K L M N P Q S
N1 CONNECTOR A09 FU066AF4 A11 FU066AB4
N2 CONNECTOR B02 FU026AN4 B03 FU026AM4 B04 FU026BC4 B05 FU026BB4 B06 FU020AH4 B07 FU025BA4 B08 FU025BB4 B09 FU021BB4 B10 FU025AZ4 D02 FU026BD4 D04 FU026AL4 D05 FU026AK4 D06 FU026BA4 D07 FU066AV4 D11 FU090BD4 D13 FU066AW4
N3 CONNECTOR B02 FU020AQ4 B03 FU020AR4 B04 FU020AS4 B05 FU020AT4 B07 FU021AU4 B08 FU021AV4 B09 FU021AW4 B10 FU021BA4 B12 FU021AZ4 B13 FU021AX4 D02 FU025CH4 D05 FU025CM4 D06 FU025AL4 D07 FU025AK4 D09 FU025BD4 D10 FU025AM4 D11 FU025BC4 D12 FU020AV4 D13 FU021AY4
N4 CONNECTOR B02 FU090CG4 B03 FU050AU4 B04 FU050BA4 B05 FU056AL4 B07 FU050AV4 B08 FU050RV4 B09 FU050AZ4 B10 FU050AW4 B12 FU050AT4 B13 FU050AX4 D02 FU090AY4 D05 FU054BL4 D06 FU054BC4 D07 FU053RS4 D09 FU053BC4 D10 FU050BZ4 D12 FU056AV4 D13 FU090BT4

PLUG LIST				
PART NO	ACC	TYPE	SOCKETS	TOTAL
5800720	2X8S	0720	M4	01
5804268		4268	J2	01
5804270		4270	K2 L2	02
5804273		4273	E2	01
5806261		6261	M2	01
5806264		6264	A2	01
5806269		6269	G2	01
5806270		6270	H2	01
5807221		7221	D2	01
5807325		7325	F2	01
5808338		8338	C4 D4 E4 F4	04
	CONN		A1 B1 C1 C2	17
			C3 D1 E1 F1	
			G1 J1 K1 L1	
			M1 N1 N2 N3	
			N4	
.C1U	8340	G5		01

SOCKET LISTING

DATE 07-31-67 MACH. 2314

LOG 212U BOARD 01A-A1

PREV. ENGR. - 420925

PRES. ENGR. 07-31-67 420928

P.N. 2218212

IBM CORP. SDD BLK.

A1 CONNECTOR
 B02 FU081AK4
 B09 FU090CA4
 B12 FU073AB4
 B13 FU093AF4
 D11 FU093AG4
 D12 FU093AK4
 D13 FU093AB2

A2 CONNECTOR
 B02 FU066AL4
 B03 FU030AJ4
 B04 FU066AS4
 B05 FU066AN4
 B07 FU066AR4
 B08 FU066AQ4
 B09 FU066AQ4
 B10 FU066AC4
 B12 FU066AC4
 B13 FU066AB4
 D02 FU066AP4
 D04 FU066AK4
 D05 FU066AU4
 D06 FU066AV4
 D07 FU066AR4
 D09 FU066AT4
 D10 FU066AH4
 D12 FU066AE4
 D13 FU066AF4

B1 SINGLE CARD
 6846

FU081 AA AB
 FU093 BA
 FU073 CA DA

C1 DOUBLE CARD
 C2 5806268 6268

FU069 AA AB AC AD AE AF
 AG AH AJ AK
 FU093 AL AM BA

UNUSED PORTIONS

C

D1 SINGLE CARD
 6636

FU081 AE BA

E1 DOUBLE CARD
 E2 5806277 6277

FU073 AA AB AD AF AG BA
 BB
 FU093 BE BF

UNUSED PORTIONS

C

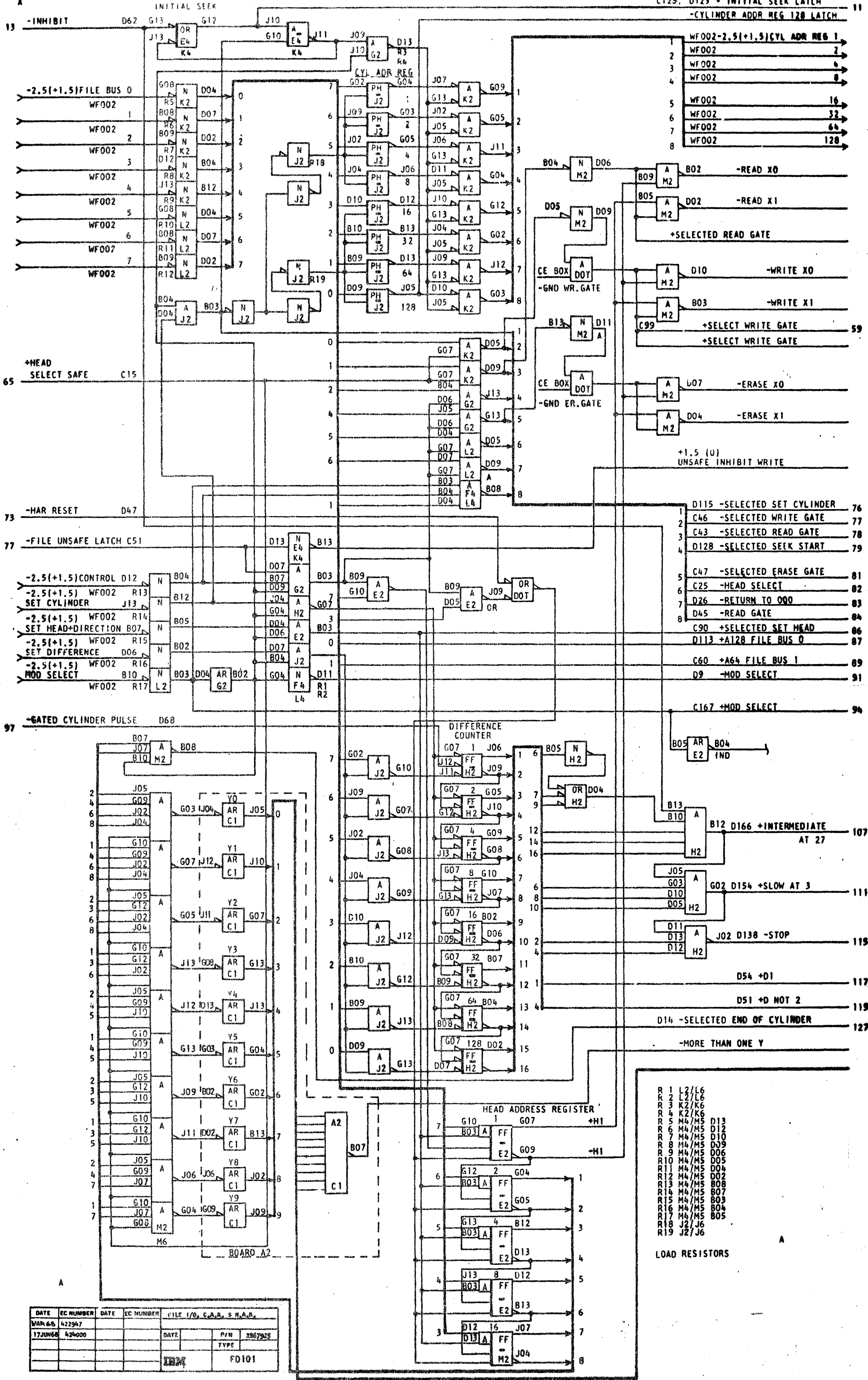
F1 DOUBLE CARD
 F2 5807332 7332

FU076 01
 FU077 01
 FU076 02
 FU077 02
 FU076 03
 FU077 03
 FU076 04
 FU077 04
 FU076 05
 FU077 13
 FU076 19 20 21 22 23
 FU077 27 28 29 30
 FU076 36
 FU077 37
 FU076 38
 FU077 41

PLUG LIST			
PART NO	ACC	TYPE SOCKETS	TOTAL
5806268	6268	C1	01
5806277	6277	E1	01
5807332	7332	F1	01
	6836	D1	01
	6846	B1	01
	CONN	A1 A2	02

SOCKET LISTING	
DATE 06-07-67	ARCH. 2314
LOG 158F	BOARD 010-A2
PREV. ENGR. 10-17-66	420832
PRES. ENGR. 07-06-67	420927
P.N. 2218218	SDD
IBM CORP.	SDD BLK.

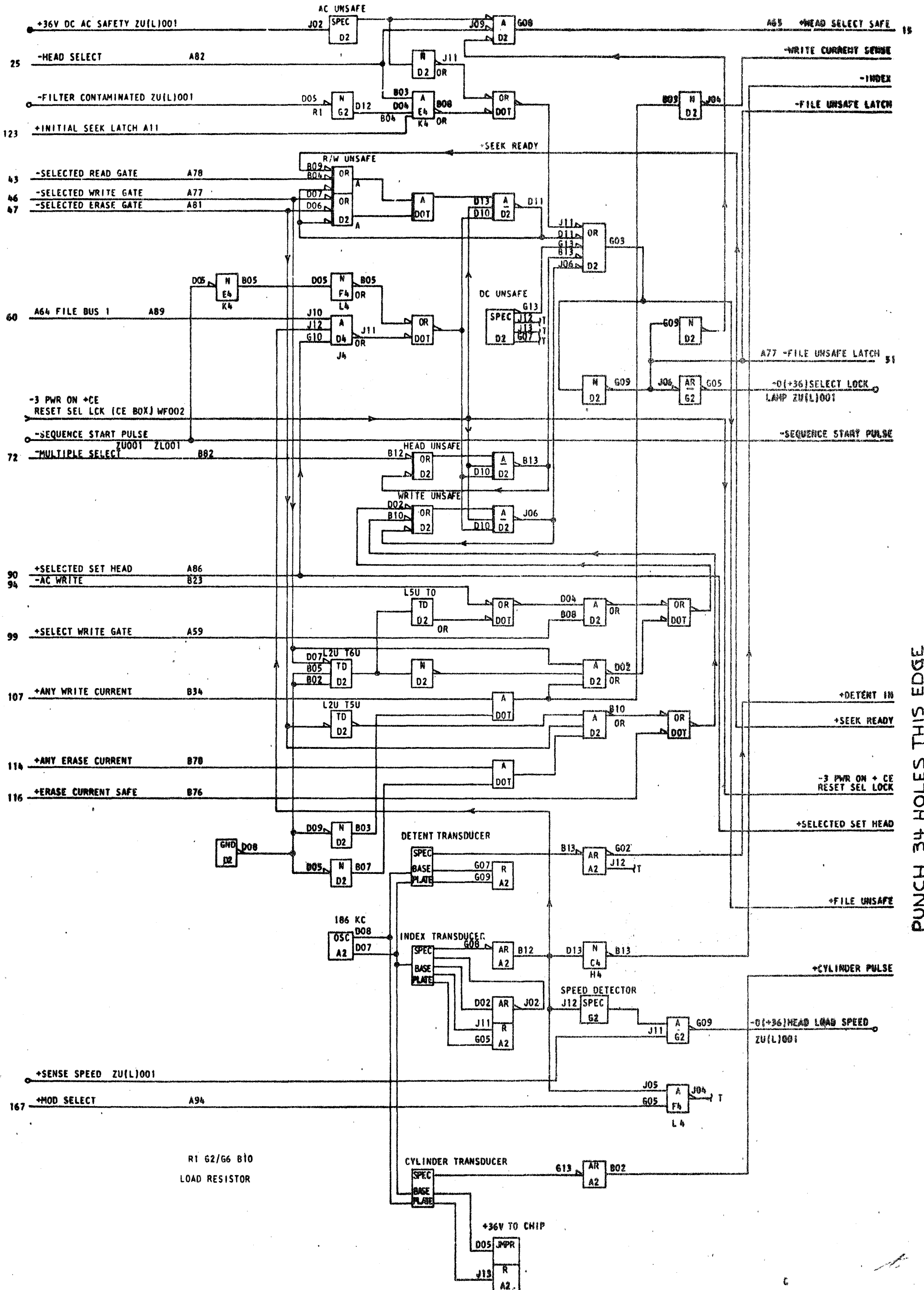
20
0
0
1
000
jo



PUNCH 34 HOLES THIS EDGE

- R 1 L2/L6
 - R 2 L2/L6
 - R 3 K2/K6
 - R 4 K2/K6
 - R 5 M4/M5 D13
 - R 6 M4/M5 D12
 - R 7 M4/M5 D10
 - R 8 M4/M5 D09
 - R 9 M4/M5 D06
 - R 10 M4/M5 D05
 - R 11 M4/M5 D04
 - R 12 M4/M5 D02
 - R 13 M4/M5 B08
 - R 14 M4/M5 B07
 - R 15 M4/M5 B03
 - R 16 M4/M5 B04
 - R 17 M4/M5 B05
 - R 18 J2/J6
 - R 19 J2/J6
- LOAD RESISTORS

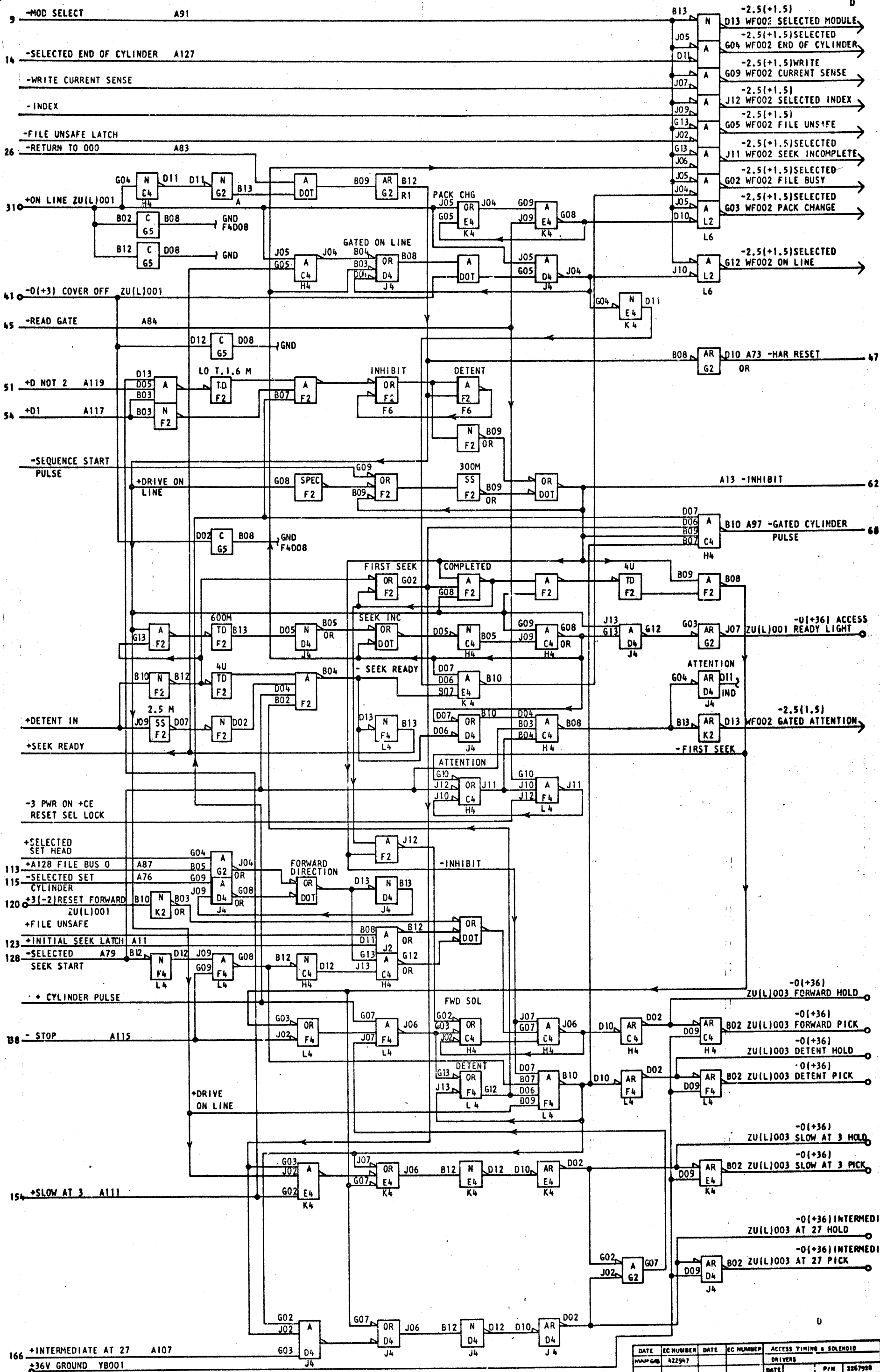
DATE	EC NUMBER	DATE	EC NUMBER	FILE I/O, C.A.R., S.N.A.D.
MAR 68	422947			
17 JUN 68	424000			
		DATE	P/N	3867325
			TYPE	
				FD101



PUNCH 34 HOLES THIS EDGE

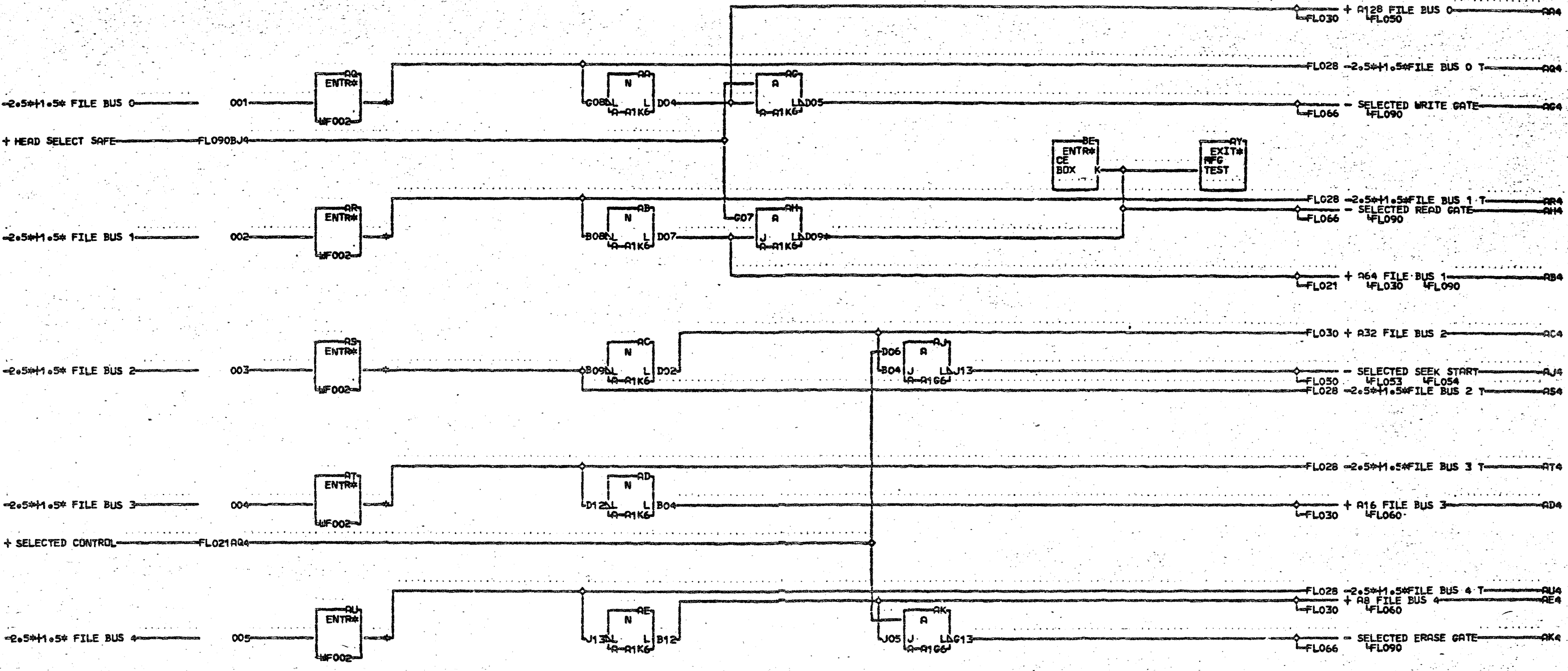
DATE	EC NUMBER	DATE	EC NUMBER	SAFETY CIRCUITS
MAR 68	422947			
17 JUN 68	424030			DATE P/N 2262947
				TYPE
				FD103

PUNCH 34 HOLES THIS EDGE



DATE	EC NUMBER	DATE	EC NUMBER	ACCESS TIMING & SOLENOID
	422947			DRIVERS
				DATE
				P/N 2267928
				TYPE
				IBM
				FD104

R1 F2/F6 J02
LOAD RESISTOR



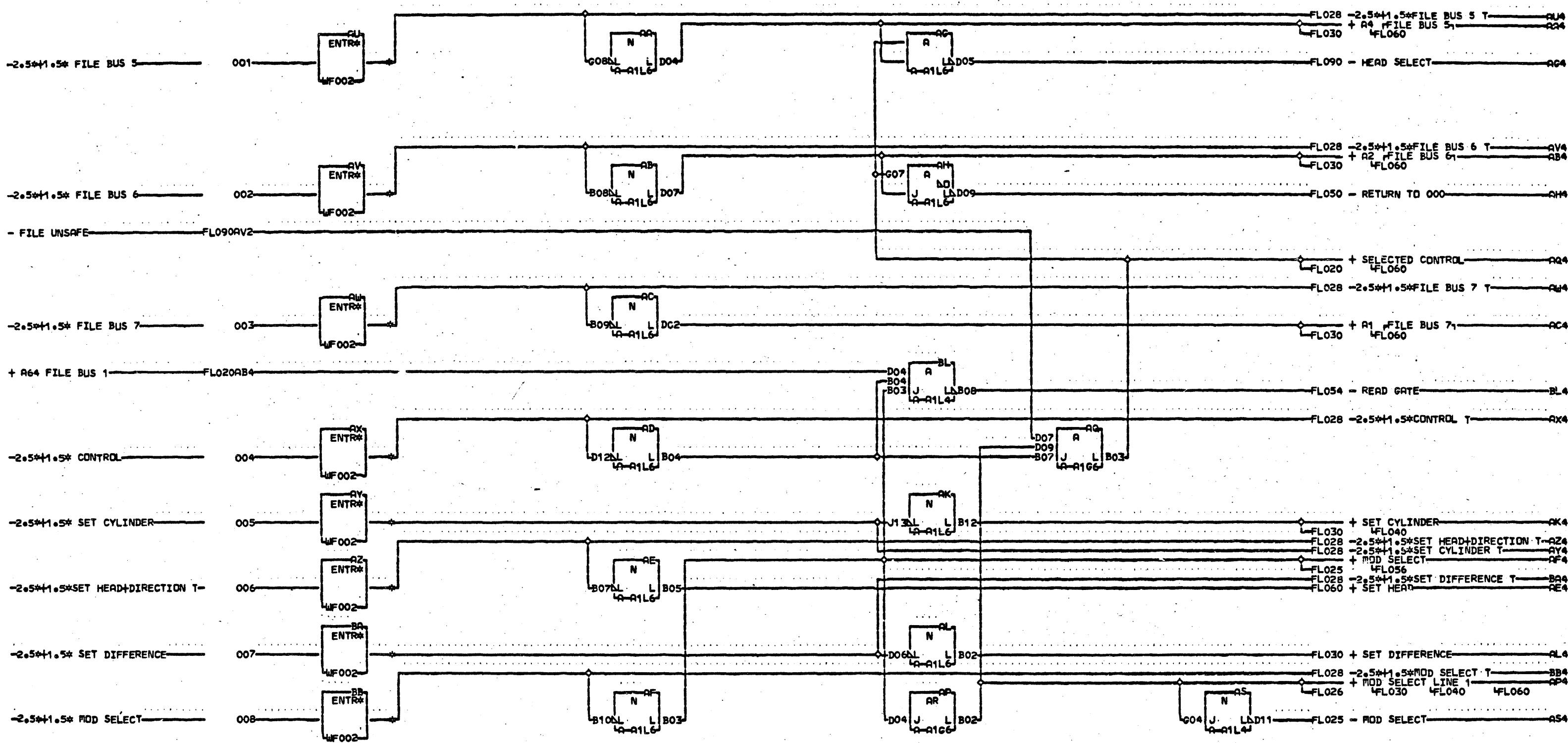
000

- AA A-A1C8D04
- QA A-A1N6B06
- AA A-A1N7B02
- AA A-A1N7B03
- AS A-A1N7B04
- AT A-A1N7B05
- AU A-A1N7D12

LOC. TYPE
 A-A1G6 6269
 A-A1K6 4270

LINE RECEIVERS	
E.C. HISTORY	PACH#2314
416035	FRAME 01
416044	IBR CORP. GPD
416080	Po# 2218220
DATE LAST EC	
06-08-66 416091	

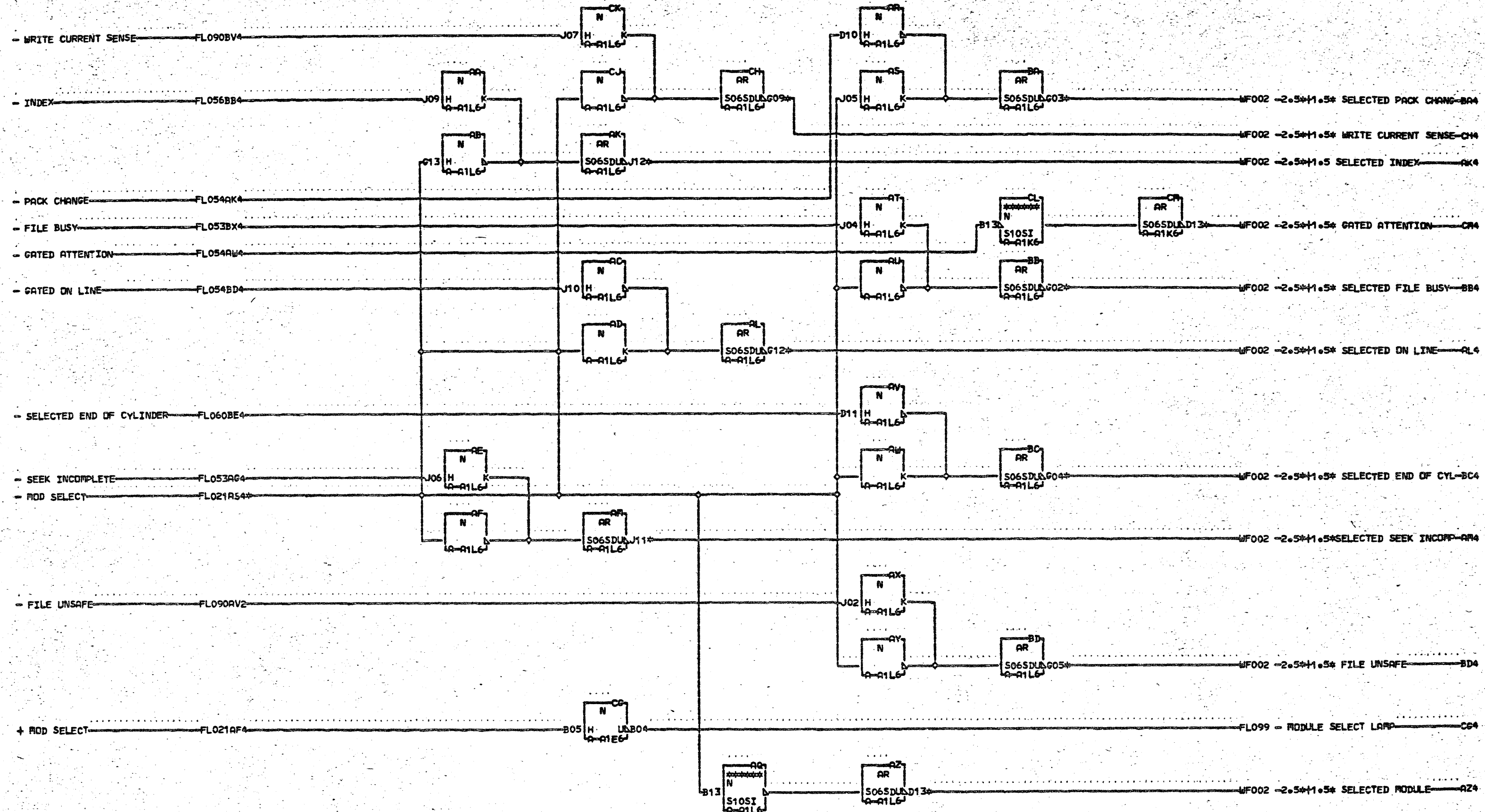
FLO20



QU4 A-A1N7B07
 QV4 A-A1N7B08
 QW4 A-A1N7B09
 QX4 A-A1N7B13
 QY4 A-A1N7D13
 QZ4 A-A1N7B12
 BA4 A-A1N7B10
 BB4 A-A1N6B09

LDC TYPE
 A-A1L6 6269
 A-A1L4 8338
 A-A1L6 4270

LINE RECEIVERS	
E.C. HISTORY	MACH-2314
416035	416097
416044	420852
416080	420841
416091	420925
DATE	LAST EC
07-10-67	420928
	P.N. 2218221



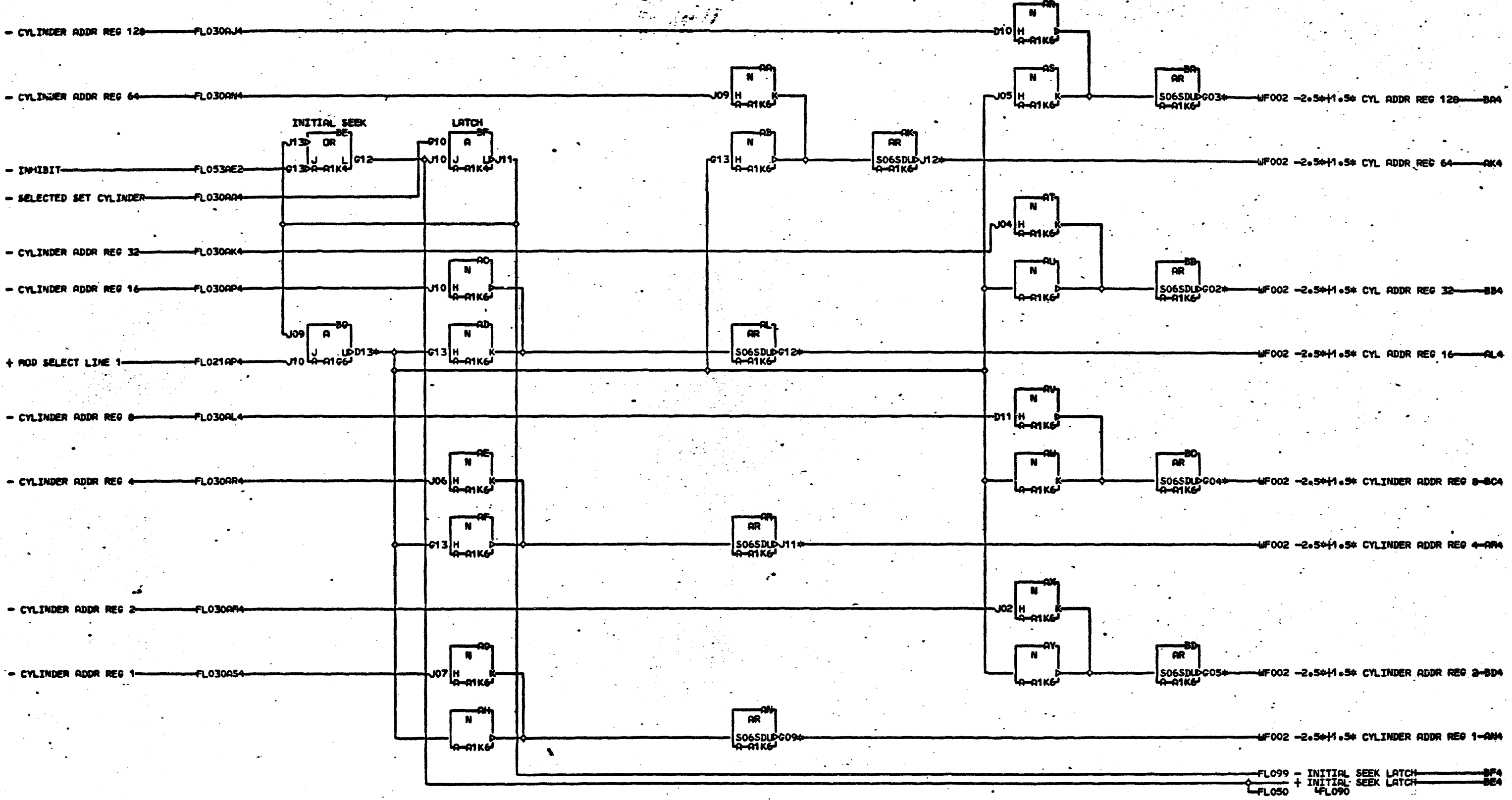
- FL021AS4 BB4 R-A1N6B08
- RESISTORS BC4 R-A1N7D11
- R-1L6 BD4 R-A1N7D09
- R-1L6 CH4 R-A1N7D02
- AK4 R-A1N7D07 CR4 R-A1N7D05
- AL4 R-A1N7D06
- AM4 R-A1N7D10
- AZ4 R-A1N6B10
- BA4 R-A1N6B07

LOC. TYPE
 R-A1E6 4273
 R-A1K6 4270
 R-A1L6 4270

LINE DRIVERS	
E.C. HISTORY	RACH-2314
416035	FRAME 01
416044	IBM CORP. GPD
416080	P.N. 2218222
416069	
DATE LAST EC	
07-05-66 416097	

201 F

201 F



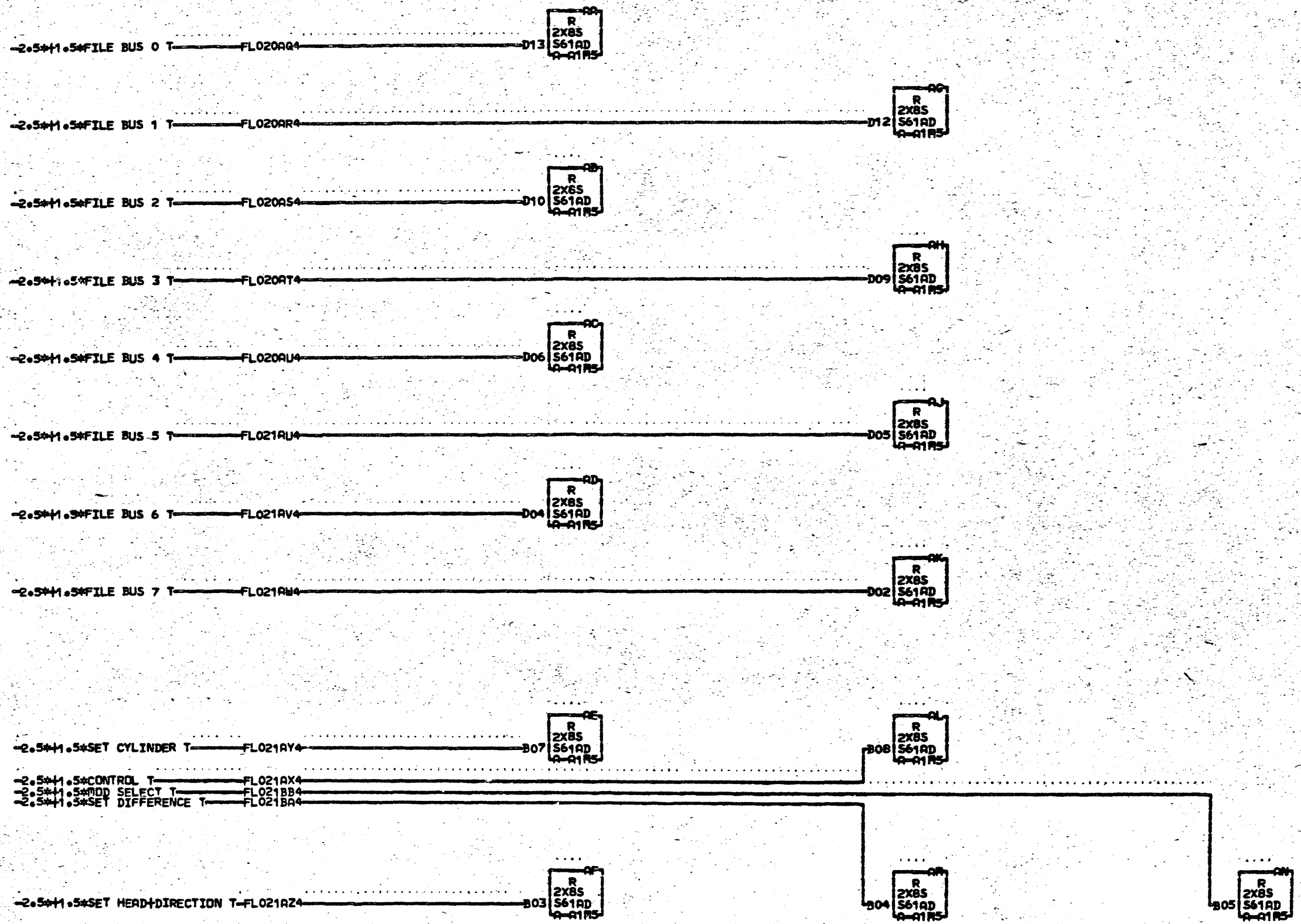
AK4 R-A1N6D05
 AL4 R-A1N6D04
 AR4 R-A1N6B03
 AS4 R-A1N6B02
 BA4 R-A1N6D06
 BB4 R-A1N6B03
 BC4 R-A1N6B04
 BD4 R-A1N6D02
 B4 RESISTORS

LOC. TYPE
 R-A1K6 6269
 R-A1K4 8338
 R-A1K6 4270

E.C. HISTORY		LINE DRIVERS	
416035	420852	RACH#2314	
416044	420925	FRAME	01
416097	420928		
420843		IBR CORP. OPD	
DATE	LAST EC	P.No. 2218223	
06-07-68	424000		

6 NOV 68

FLO26



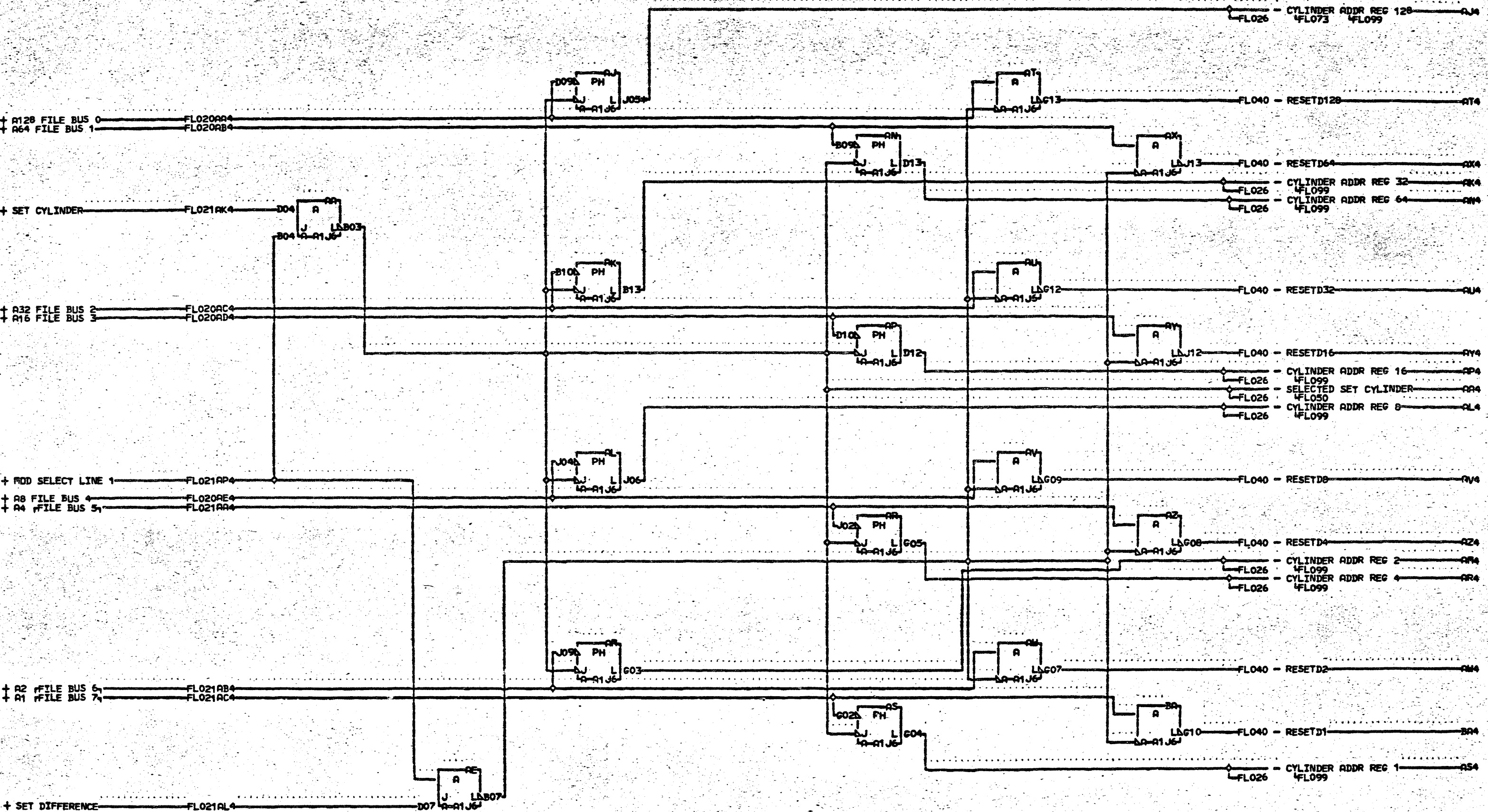
NOTE
THE 2X8 SWITCH IS
AN OPTIONAL FEATURE

000

LDC. TYPE
A-01R5 0720

TERMINATOR 2X8 SWITCH	
E.C. HISTORY 416080	PACH-2314
DATE LAST EC 06-04-66 416091	FRAME 01 IBM CORP. SDD P.No. 2218264

000 FLO28



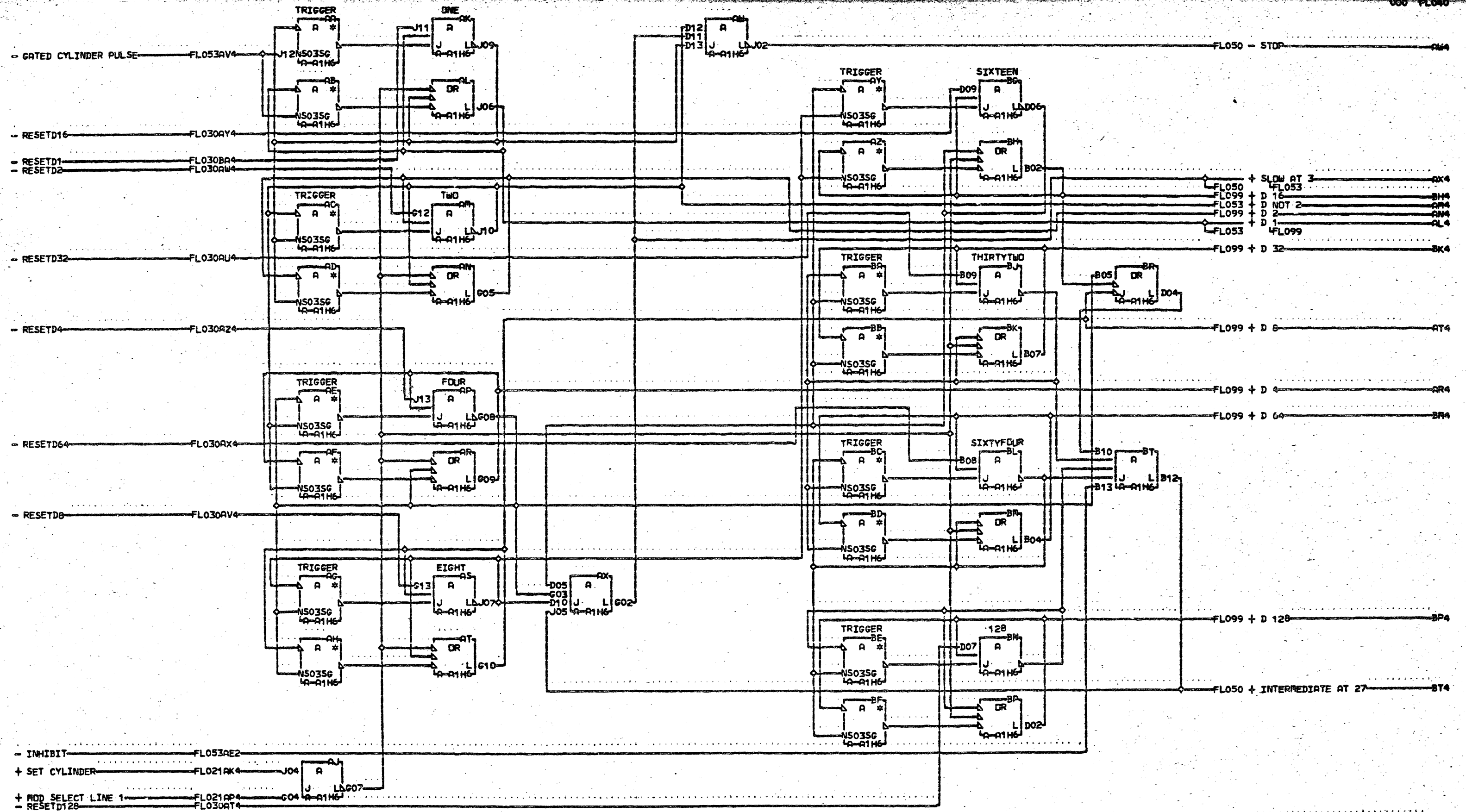
AJ4 A-01L8A06

LDC TYPE A-01J5 4268

CYL ADDR REG + DIFF RESET	
E-C-HISTORY 416035	MACH-2314
DATE 01-12-66	FRAME 01
LAST EC 416044	IBM CORP. GPD
	PN# 2218224

00000000

00000000

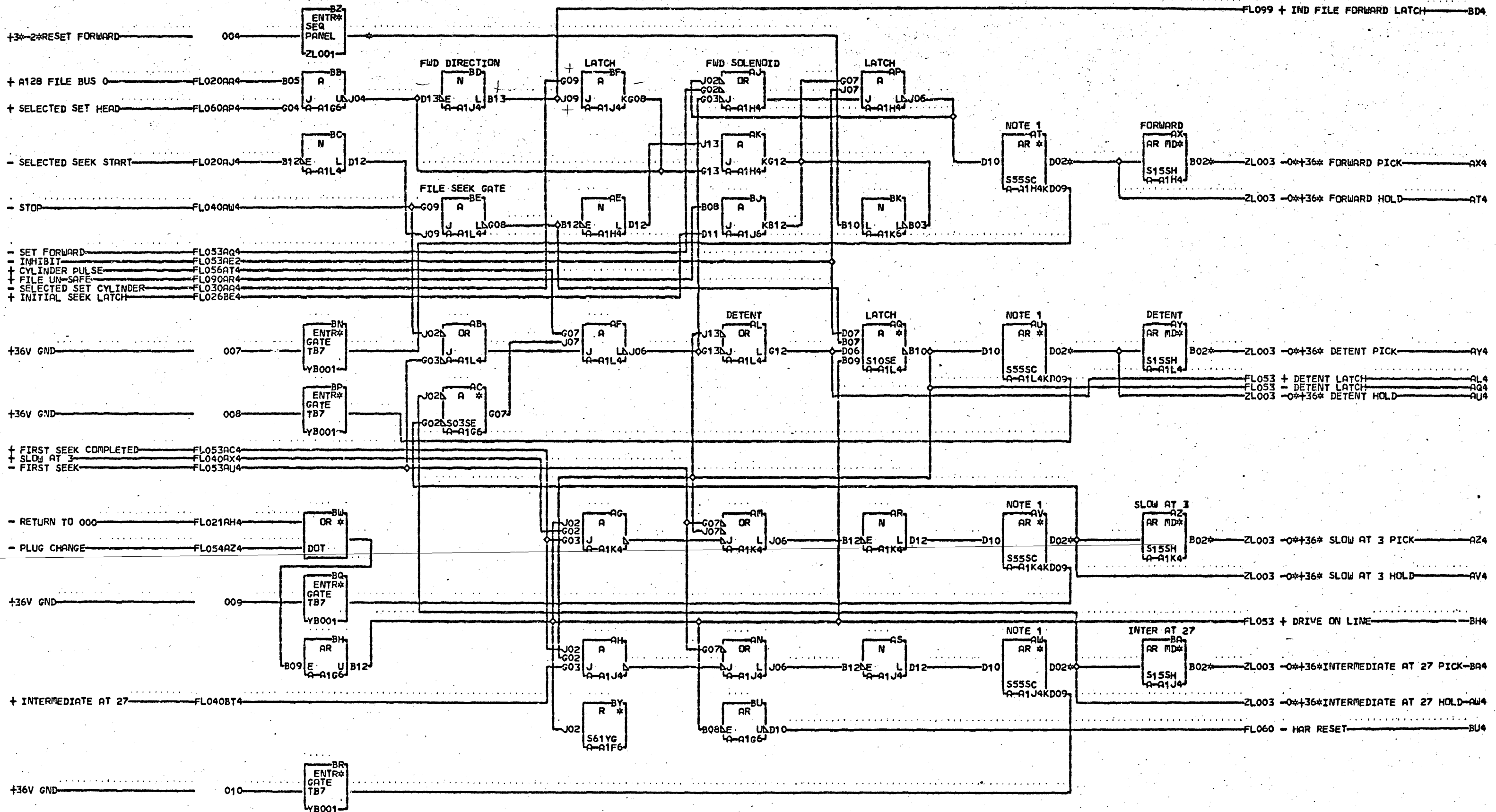


LDC TYPE
A-A1H6 6270

DIFFERENCE COUNTER WITH DECODES		
E.C. HISTORY	MACH. 2314	
416035		
416044	FRAME	01
416080	IBM CORP. GPD	
DATE	LAST EC	
07-05-66	416097	PaNo 2218225

FL040

04017
000

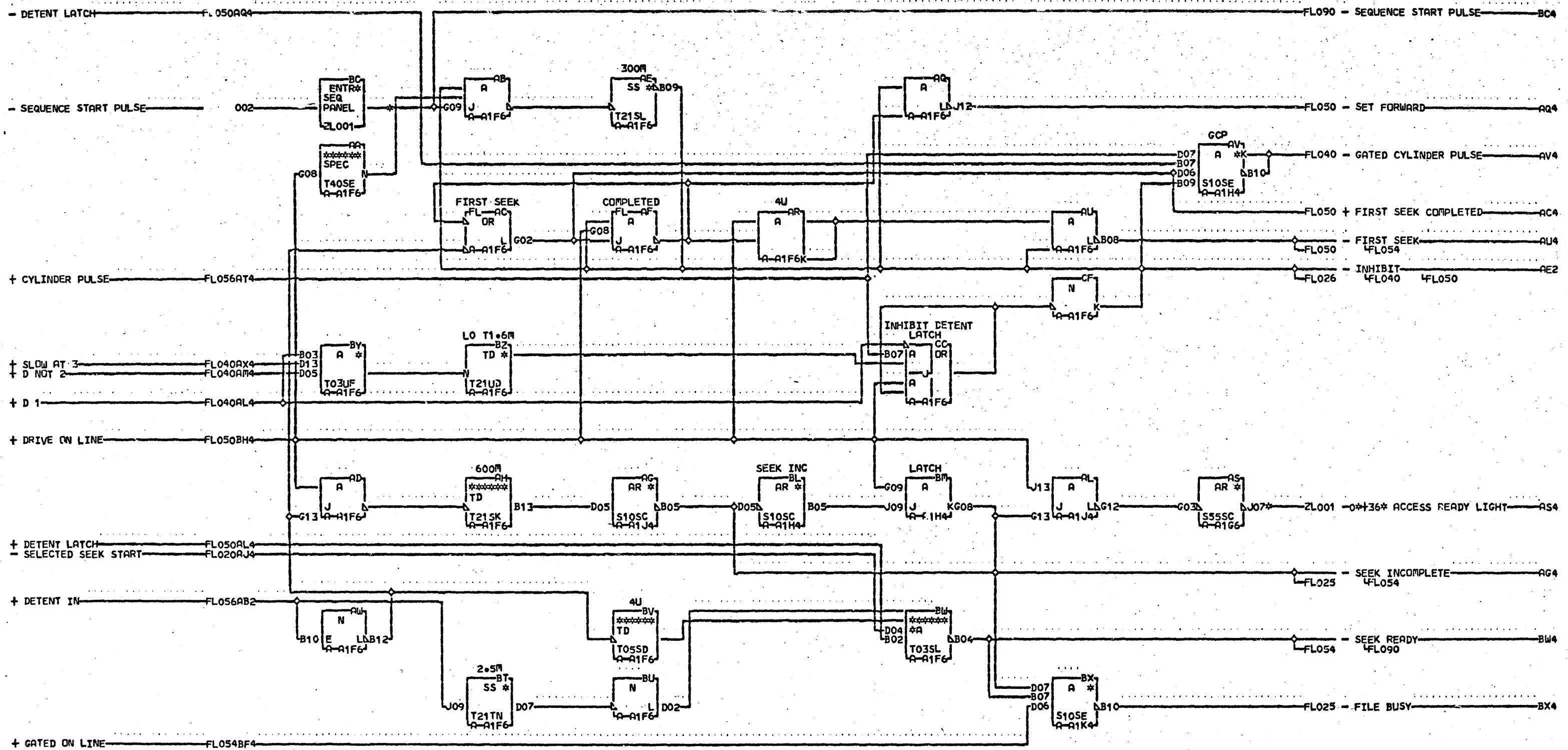


NOTE 1 EXTRA PICK PULSES MAY OCCUR ON DRIVERS WHO'S SOLENOID IS ALREADY PICKED. THIS IS NORMAL AND WILL NOT CAUSE A PROBLEM.

- AT4 A-A1N5B12
- AU4 A-A1N5B03
- AV4 A-A1N5B08
- AW4 A-A1N5B10
- AX4 A-A1N5B13
- AY4 A-A1N5B07
- AZ4 A-A1N5B09
- BA4 A-A1N5B04
- BZ4 A-A1N5D10

- LOC. TYPE
- A-A1F6 7325
- A-A1G6 6269
- A-A1H4 8338
- A-A1J4 8338
- A-A1K4 4268
- A-A1L4 8338
- A-A1M4 4270
- A-A1N4 8338

SOLENOID DRIVERS			
E.C. HISTORY		MACH. 2314	
416035	420832	FRAME	01
416044	420843	DATE	LAST EC
416080	420852	IBM CORP. GPD	
416097	420925	P.No	2218226
07-18-67	420928		



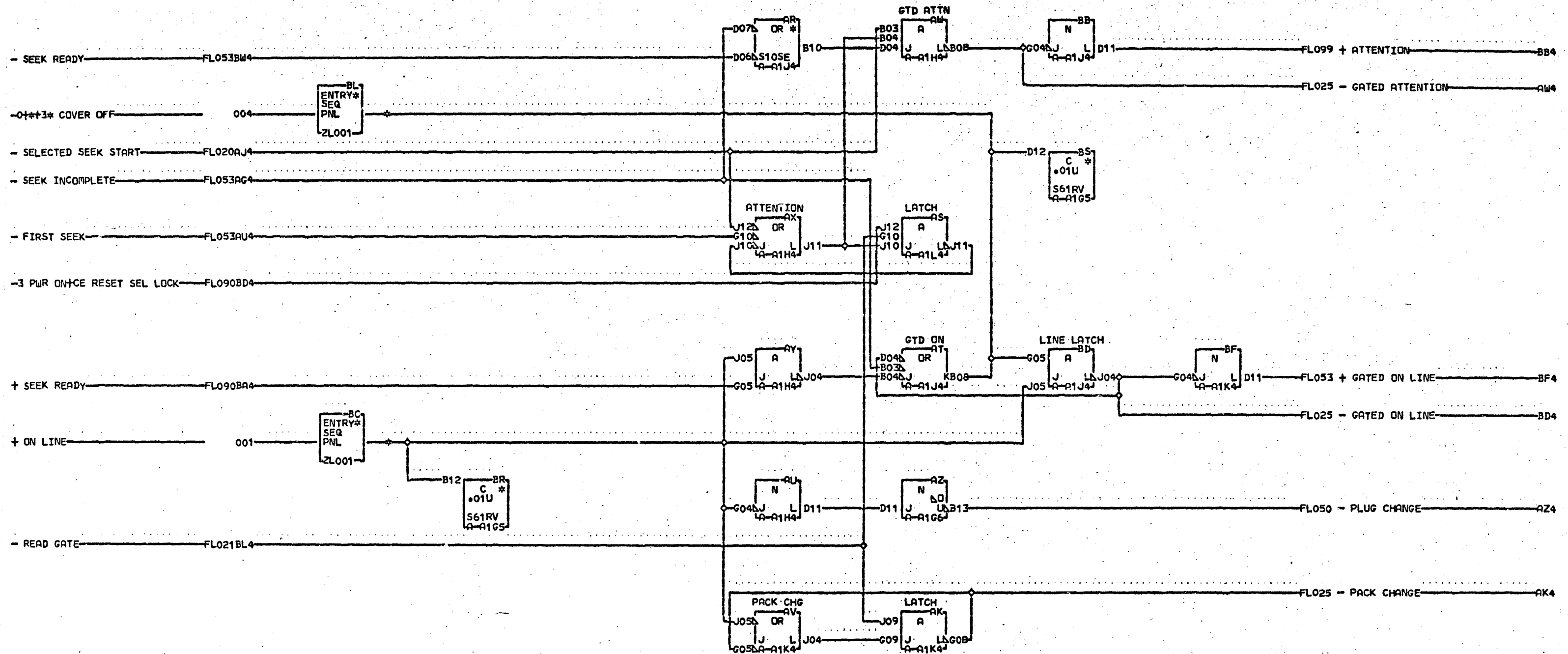
A54 A-A1N5D07
 BC4 A-A1N5D09

LOC. TYPE
 A-A1F6 7325
 A-A1C6 6269
 A-A1H4 8338
 A-A1J4 8338
 A-A1K4 8338

ACCESS TIMING			
E.C. HISTORY		MACH. 2314	
416035	416097	FRAME	01
416044	420832	IBM CORP. GPD	
416080	420852		
416091	420925		
DATE	LAST EC		
07-10-67	420928	P.No 2218227	

L 100mm

FLO53



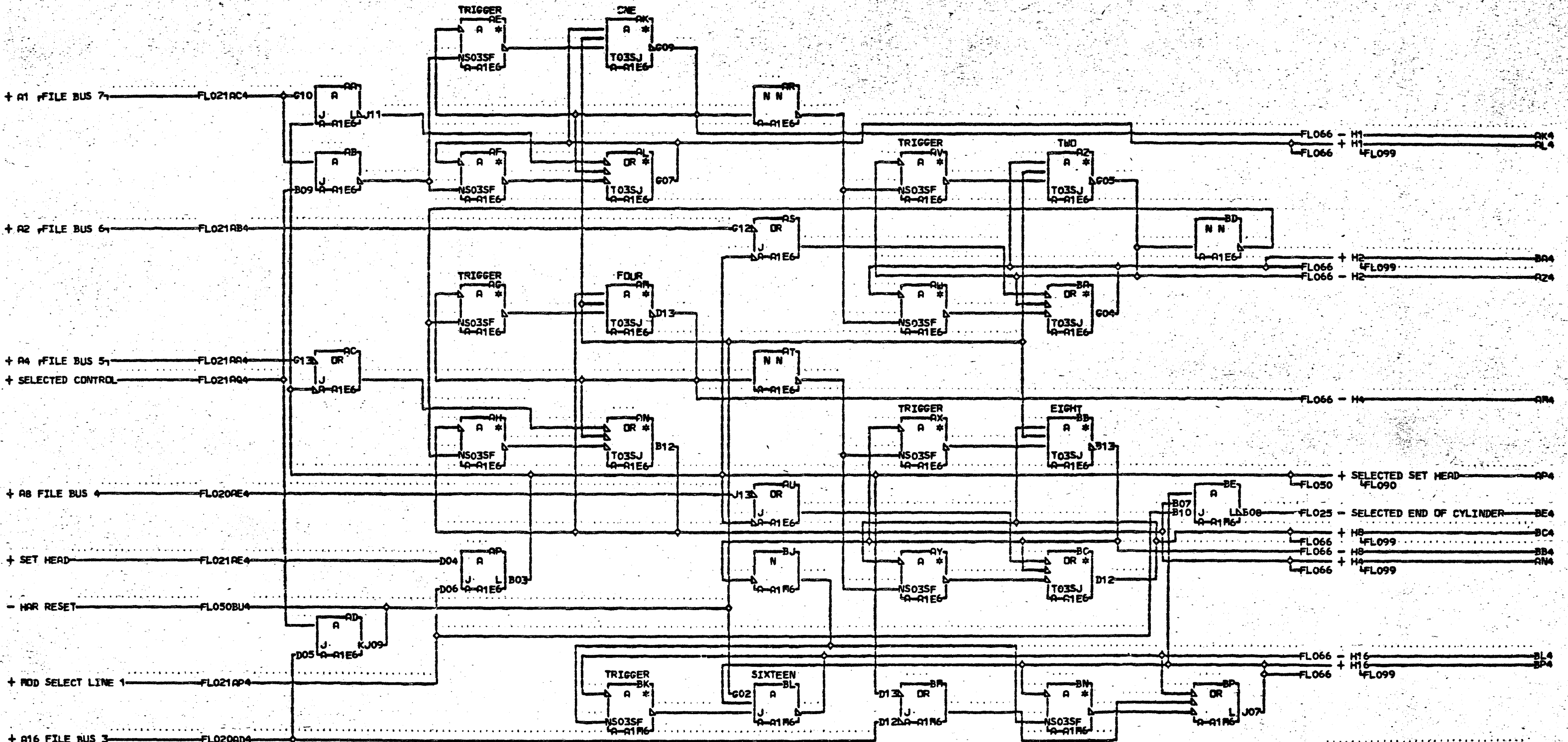
BC4 A-A1N5D06
BL4 A-A1N5D05

LOC. TYPE
A-A1G5 8340
A-A1G6 6269
A-A1H4 8338
A-A1J4 8338
A-A1K4 8338
A-A1L4 8338

ON LINE AND GATED ATTENTION		MACH#2314	
E.C. HISTORY	420843	FRAME	01
416044	420852	IBM CORP. GPD	
416080	420841		
416097	420925		
420832	420928		
DATE	LAST EC	P#N	2218262
07-31-67			

FL054
000

450FT
000

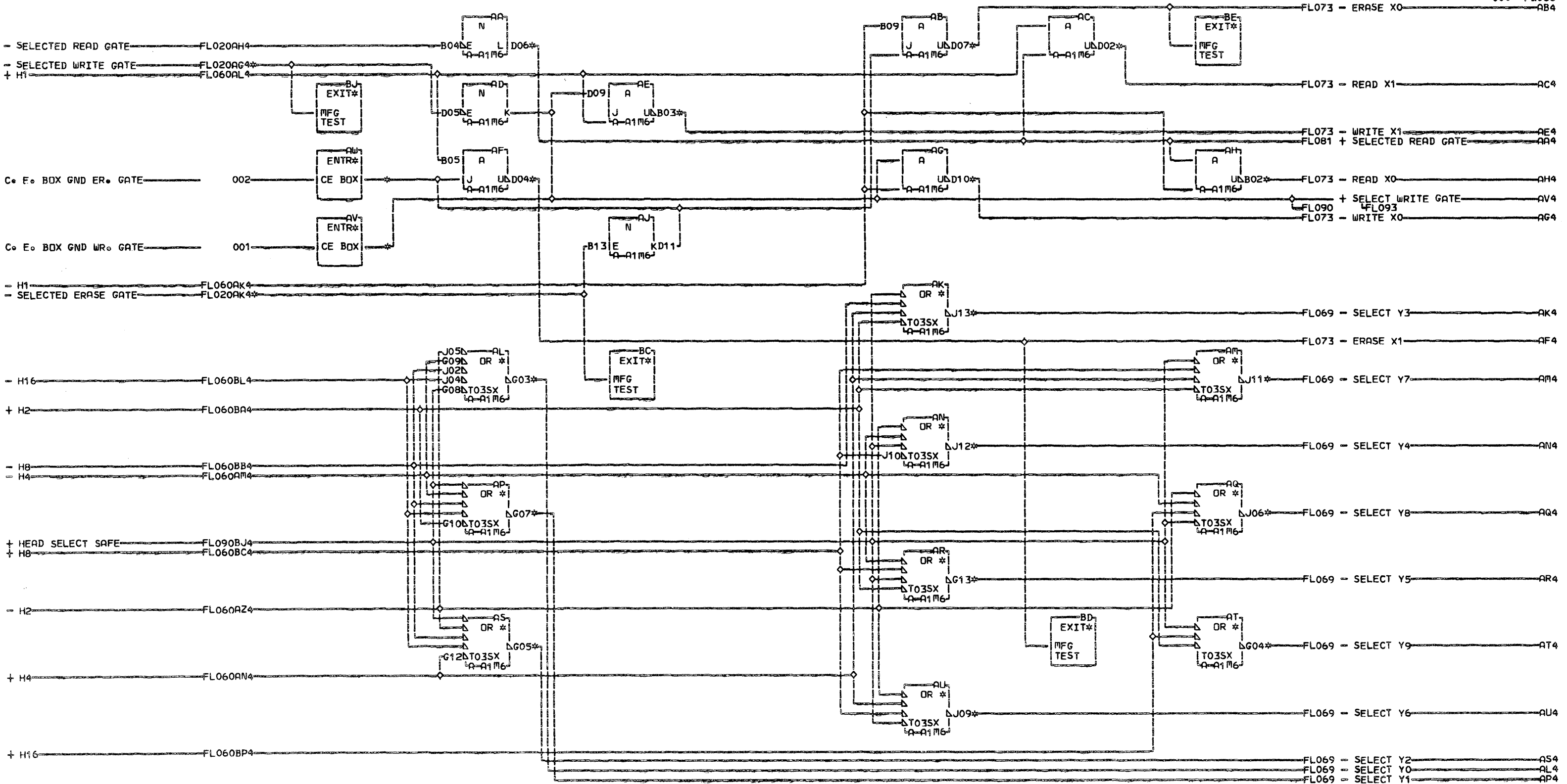


LOC. TYPE
 A-A1E6 4273
 A-A1R6 6261

HEAD ADDRESS REG.	
E.C. HISTORY	MAC#2314
416035	FRAME 01
416044	IBM CORP. GPD
416091	Po# 2218229
DATE LAST EC	
06-29-66 416097	

F
 0
 0
 000

F
 0
 0
 000



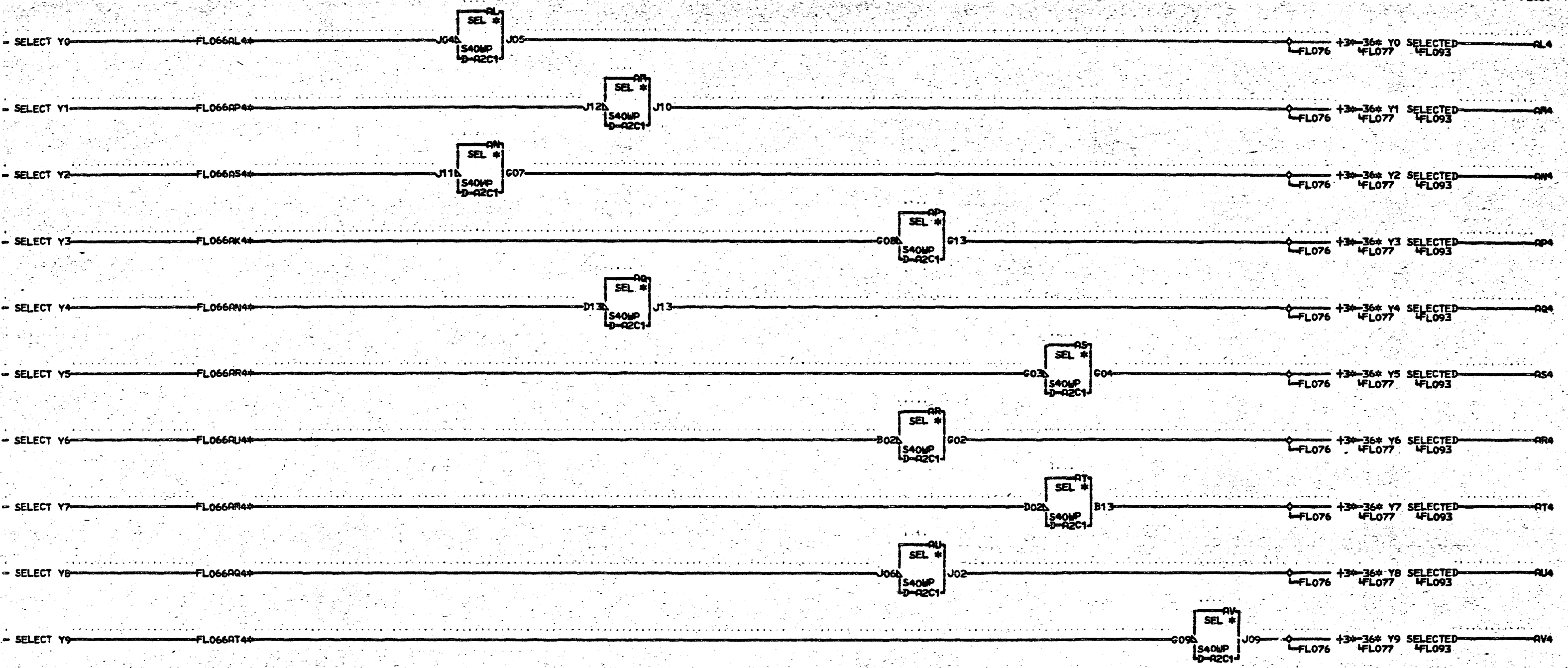
FL020AG4	AF4	A-A1N8A04	AQ4	A-A1M8B06	
01A-A1A8E04	01A	A-A1D8A06	AR4	A-A1L8E06	
FL020AK4	AG4	A-A1M8E06	AS4	A-A1L8R06	
01A-A1B8A06	AH4	A-A1M8C04	AT4	A-A1M8B04	
AA4	A-A1M8A06	AK4	A-A1L8B04	AU4	A-A1L8C04
AB4	A-A1N8A06	AL4	A-A1K8E06	AV4	A-A1N6D07
01A-A1D8A04	AM4	A-A1L8E04	01A	A-A1L8D04	
AC4	A-A1M8C06	AN4	A-A1L8C06	AW4	A-A1N6D13
AE4	A-A1M8E04	AP4	A-A1K8E04		

LOC. TYPE
A-A1M6 6261

HEAD ADD + DECODE	
E.C. HISTORY	MACH#2314
416035	
416044	FRAME 01
DATE LAST EC	IBM CORP. GPD
04-22-66 416080	P.No 2218230

FL066
000

FL066
000

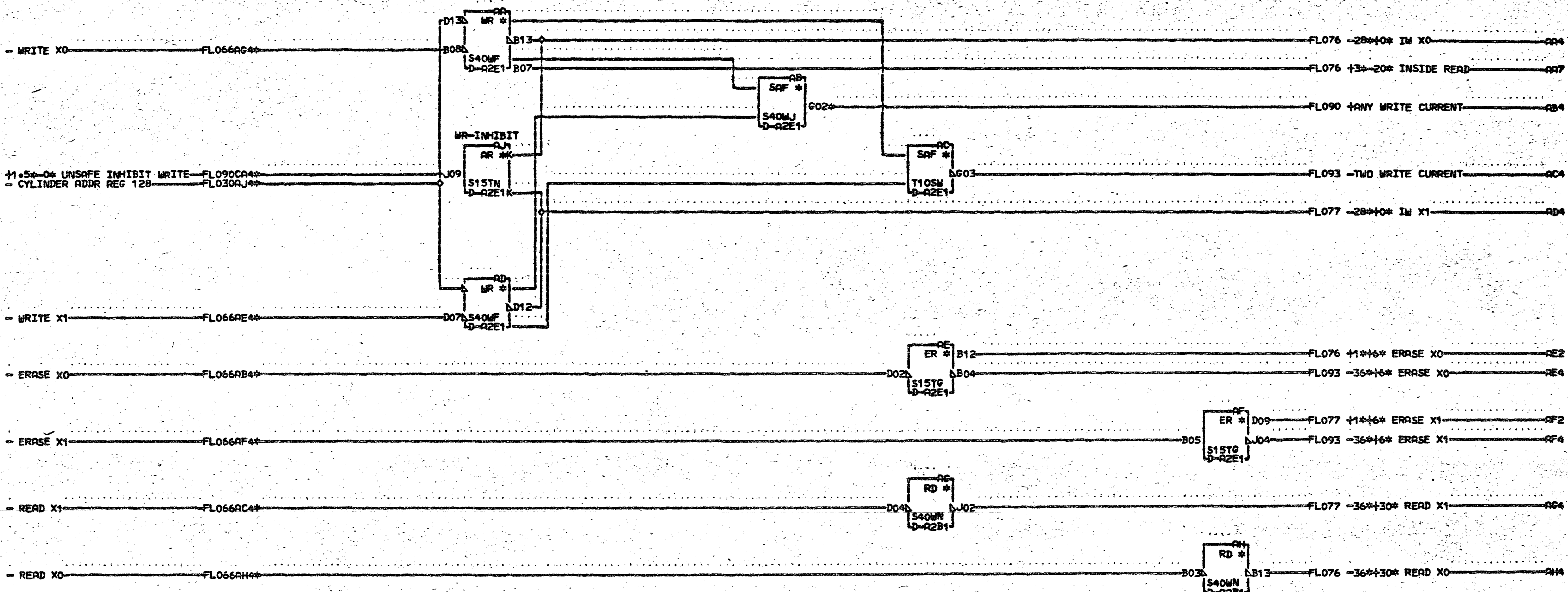


FL066AK4 01D-A2A2D02 FL066AJ4
 01D-A2A2D04 FL066AQ4 01D-A2A2D05
 FL066AL4 01D-A2A2B09
 01D-A2A2B02 FL066AR4
 FL066AM4 01D-A2A2B07
 01D-A2A2D07 FL066AS4
 FL066AN4 01D-A2A2B04
 01D-A2A2B05 FL066AT4
 FL066AP4 01D-A2A2D09

LOC. TYPE
D-A2C1 6268

Y SELECT 0-9	
E.C. HISTORY 416035A	FRAM# 2314
DATE 03-04-66	LAST EC 416044
IBM CORP. GPD	FRAME 01
Po# 2218231	

000
 FL069

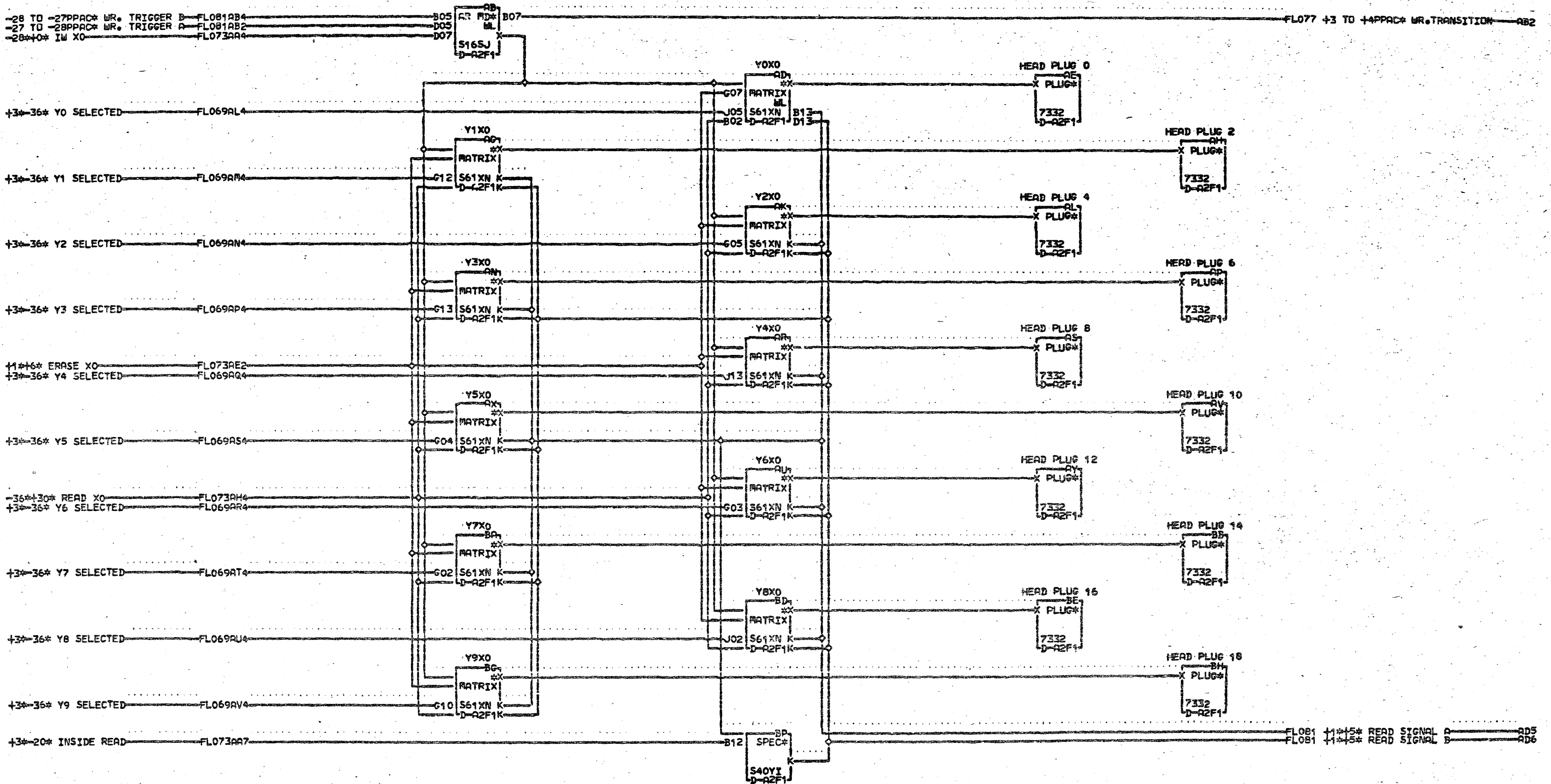


FL030AJ4 01D-A2A2D13
 01D-A2A2B03 FL066AG4
 FL066AB4 01D-A2A2B12
 01D-A2A2B13 FL066AH4
 FL066AC4 01D-A2A2D10
 01D-A2A2B10 FL090CA4
 FL066AE4 01D-A2A1B09
 01D-A2A2D12 AB4 D-A2A1B12
 FL066AF4

LOC. TYPE
 D-A2B1 6846
 D-AZE1 6277

WRITE READ + ERASE	
E-C-HISTORY	FRAM#2314
416035A 420832	FRAME 01
416044	IBM CORP. 6PD
416080	
416096	
DATE LAST EC	P.N. 2218232
06-06-67 420927	

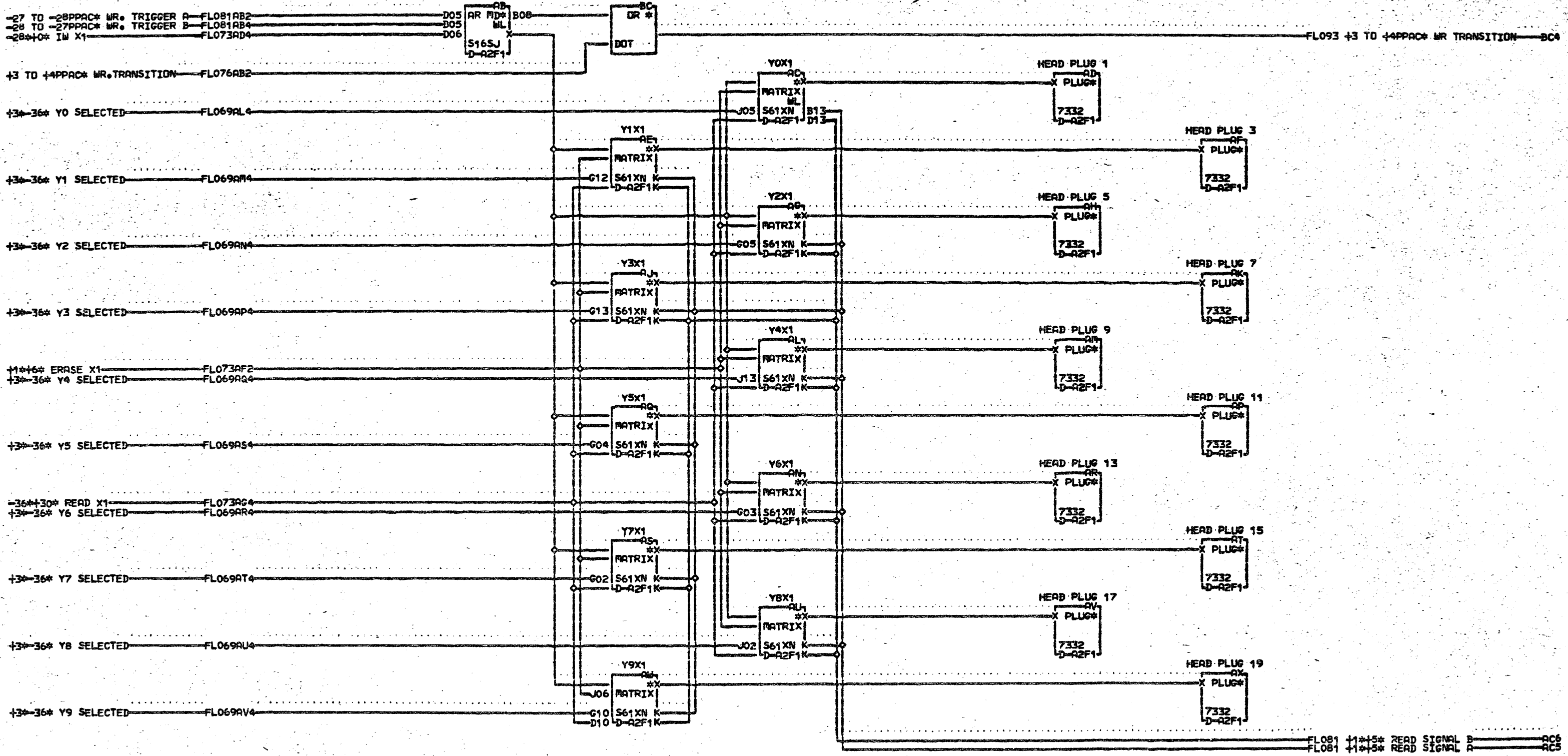
F
 0
 7
 3
 000



LOC. TYPE
D-22F1 7332

WRITE DRIVER + MATRIX EVEN	
EoC-HISTORY	RACH-2314
416035A	FRAME 01
416044	IBM CORP. GPD
DATE	LAST EC
08-10-66	416096
P.N.	2218233

FL076
000

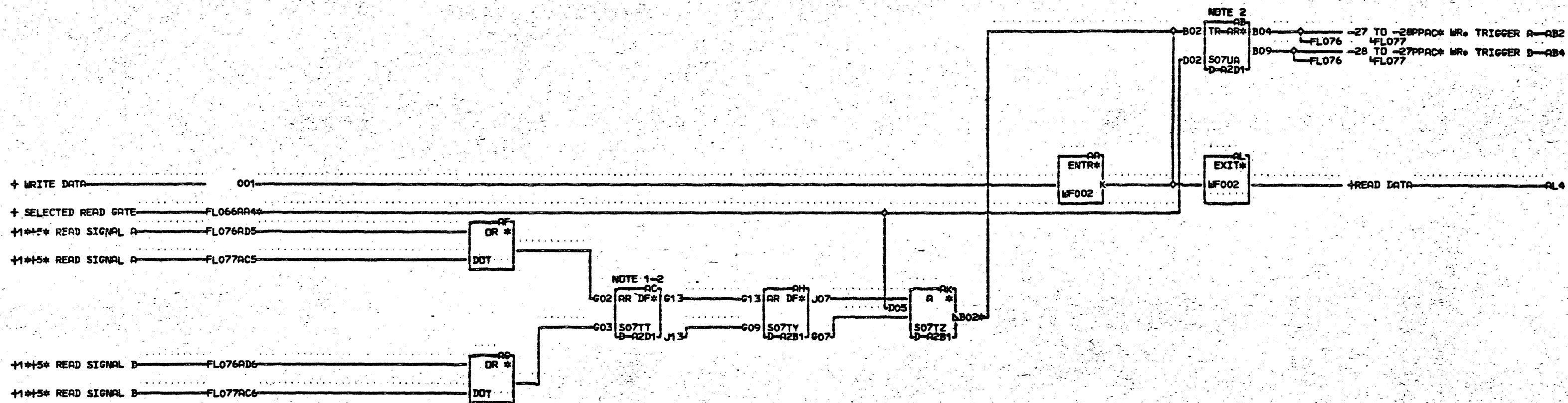


LDC. TYPE
D-A2F1 7332

WRITE DRIVER + MATRIX ODD	
E.C. HISTORY	PACH-2314
416035A	FRAME 01
416044	IBM CORP. GDD
DATE	LAST EC
08-10-66	416096
P.No.	2218234

7 VOL F

7 VOL F



NOTE 2
 B04 — FL076 — 27 TO -28PPAC* MR. TRIGGER A — AB2
 FL077
 B09 — FL076 — 28 TO -27PPAC* MR. TRIGGER B — AB4
 FL077

NOTE 1-2
 G02 AR DF* J13
 G03 S07TT D-A2D1
 G09 S07TY D-A2B1
 G07 S07TZ D-A2B1

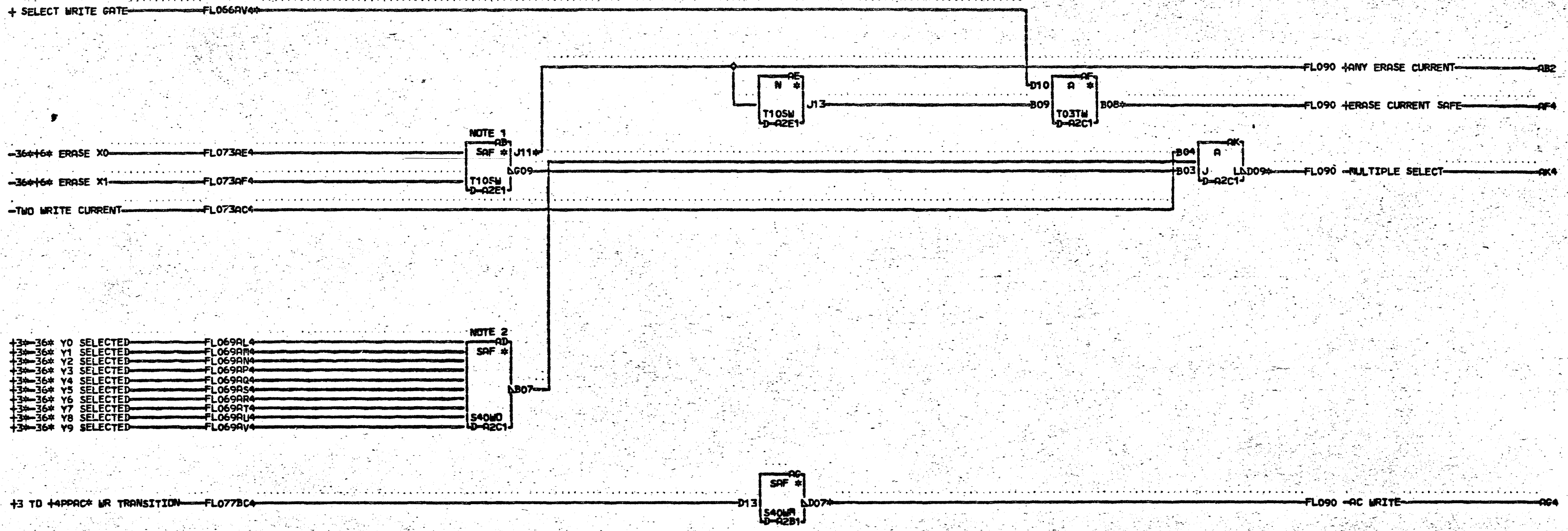
NOTE 1 JUMPER D1012 TO D1J12 WHEN MAKING RADIAL ALIGNMENT OF HEADS. THIS JUMPER MUST BE REMOVED WHEN ADJUSTMENT IS COMPLETED. NOTE 2 PN 5806387 MAY BE SUBSTITUTED FOR 5806836 IN LOCATION D1.

FL066AA4
 01D-A2A2B08
 AK4 D-A2A1B02

LOC. TYPE
 D-A2B1 6846
 D-A2D1 6836

PRE-AMP + WRITE TRIGGER	
E.C. HISTORY	RACH#2314
416035A	FRAME 01
416044	IBR CORP. GPD
416096	PN# 2218235
420832	
DATE LAST EC	
06-06-67 420927	

FL001



NOTE 2

+3-36* Y0 SELECTED	FL069AL4
+3-36* Y1 SELECTED	FL069AM4
+3-36* Y2 SELECTED	FL069AN4
+3-36* Y3 SELECTED	FL069AP4
+3-36* Y4 SELECTED	FL069AQ4
+3-36* Y5 SELECTED	FL069AS4
+3-36* Y6 SELECTED	FL069AR4
+3-36* Y7 SELECTED	FL069AT4
+3-36* Y8 SELECTED	FL069AU4
+3-36* Y9 SELECTED	FL069AV4

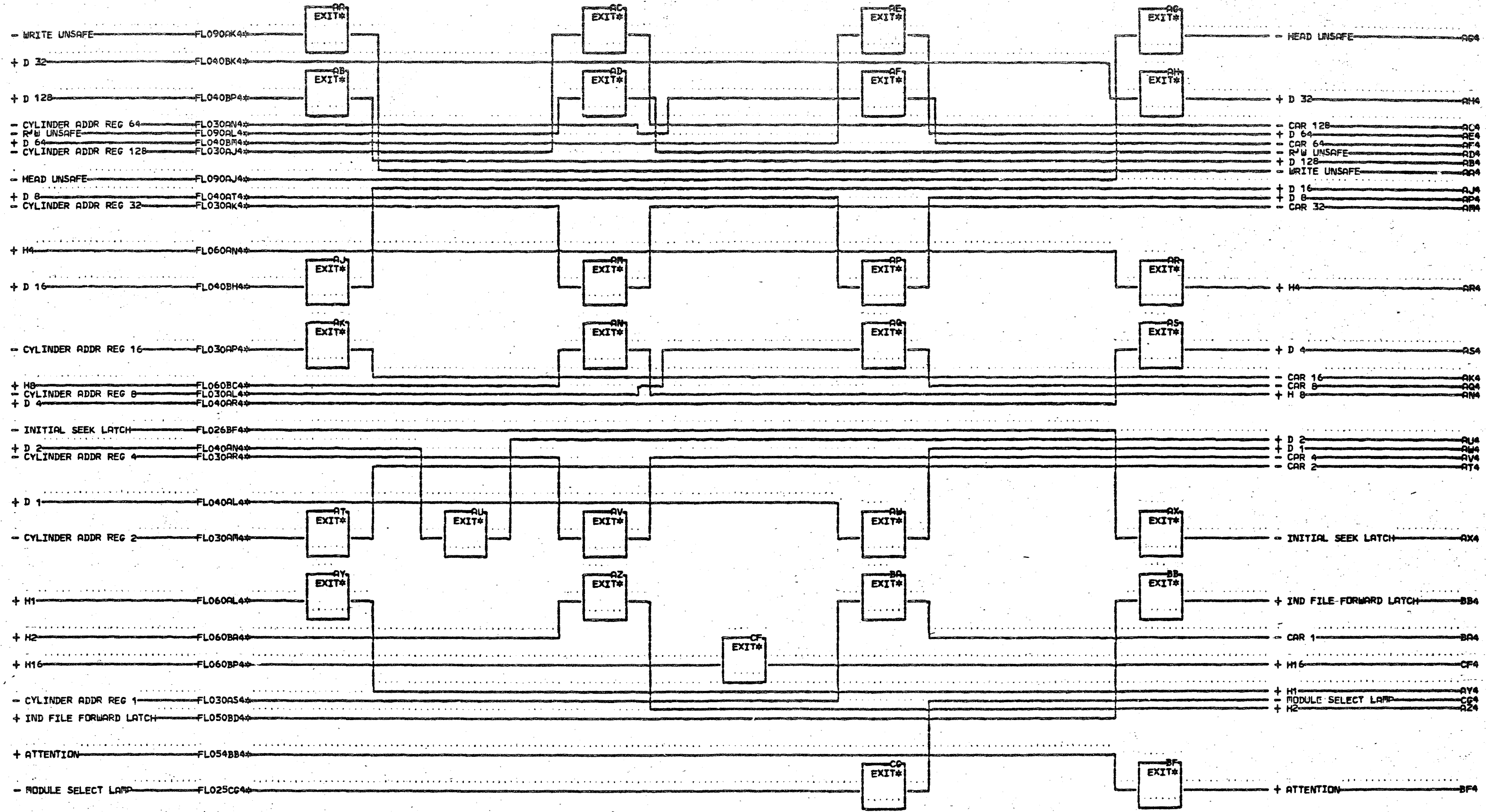
NOTE 1 TEST POINT
 E1G09 IS - TWO
 F ERASE CURRENTS
 L NOTE 2 TEST POINT
 O C1B07 IS - MORE THAN
 9 ONE Y SELECTED
 3

FL066AV4
 01D-A2A2D06
 AB2 D-A2A1D13
 AF4 D-A2A1B13
 AG4 D-A2A1D11
 AK4 D-A2A1D12

LOC. TYPE
 D-A2B1 6846
 D-A2C1 6268
 D-AZE1 6277

READ ERASE + Y SELECT SAFETY		
E.C. HISTORY		FRMCH#2314
416035A	420832	FRAME 01
416044		IBR CORP. GPD
416080		DATE LAST EC
416096		06-06-67 420927
P.No 2218237		

F
 L
 0
 9
 3
 000



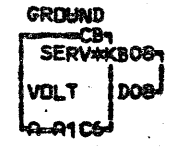
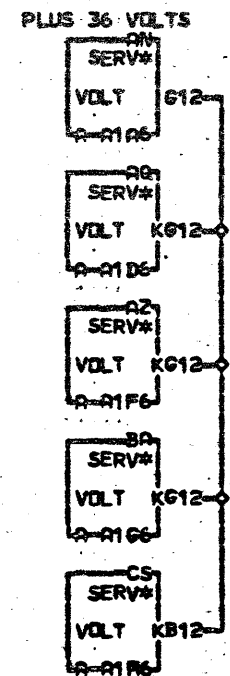
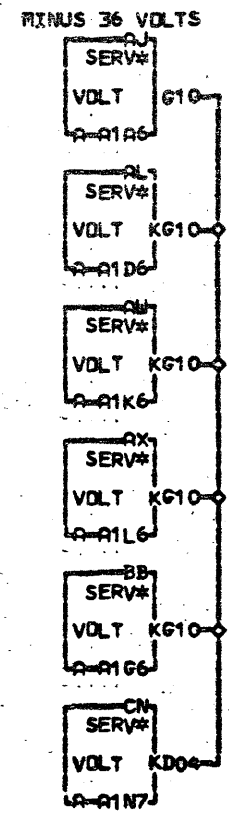
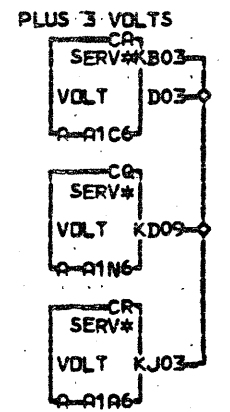
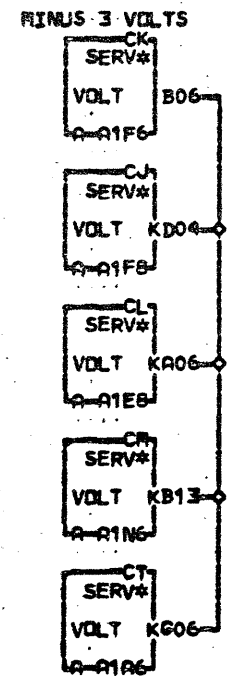
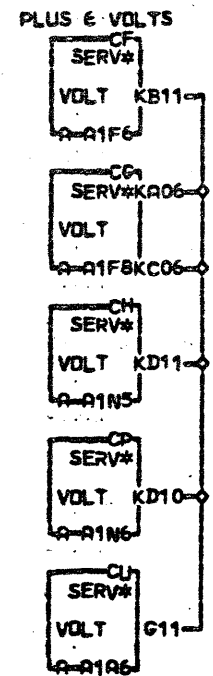
FL099
000

FLO25C64	01A-A1C6D11	FLO30A4	01A-A1C6D05	FLO30AS4	01A-A1C7B04	FLO50BD4	01A-A1C7D04	FLO90AL4
01A-A1C6D11	FLO30AM4	01A-A1C6D10	FLO40AL4	01A-A1C7D11	FLO60BC4	01A-A1C7D11	FLO60BC4	01A-A1C6D04
FLO26BF4	01A-A1C6D09	FLO40AL4	01A-A1C7B09	FLO40BK4	01A-A1C7B12	FLO60BP4	01A-A1C7B07	
01A-A1C7B10	FLO30AM4	01A-A1C6B07	FLO40AM4	01A-A1C6D12	FLO60AL4	01A-A1C7D12		
FLO30AJ4	01A-A1C6B13	FLO30AP4	01A-A1C7D05	FLO40BM4	01A-A1C7D07	FLO90AJ4		
01A-A1C6B13	FLO30AP4	01A-A1C6D13	FLO40AR4	01A-A1C6D06	FLO60AM4	01A-A1C6B09		
FLO30AK4	01A-A1C6B10	FLO30AR4	01A-A1C7D02	FLO40BP4	01A-A1C7B02	FLO90AK4		
01A-A1C6B10	FLO30AR4	01A-A1C6B04	FLO40AT4	01A-A1C6B02	FLO60BA4	01A-A1C6D02		
FLO30AL4	01A-A1C6B04	FLO40AT4						

Ce INDICATOR

E-C-HISTORY	RACH-2314
416035	FRAME 01
416044	IBR CORP. GPD
DATE	LAST EC
04-22-66	416080
	PoN: 2218238

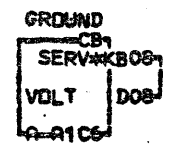
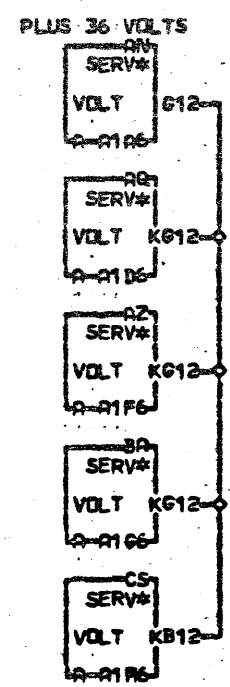
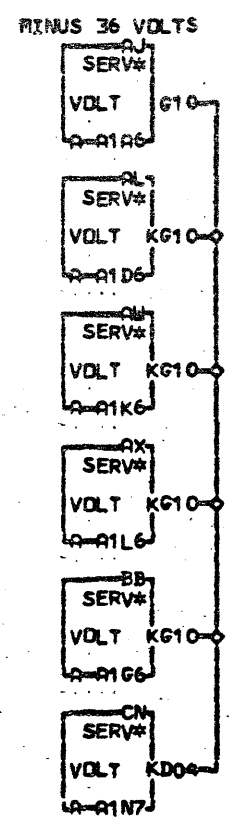
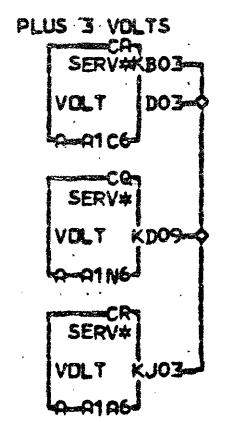
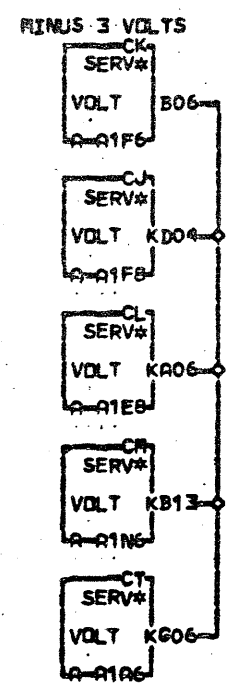
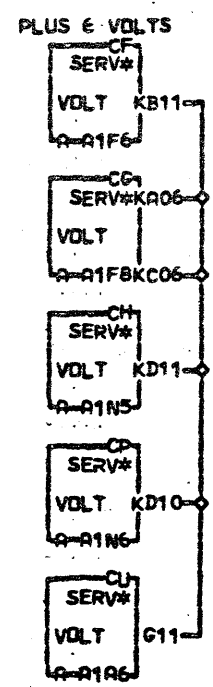
FL099
000



000

SERVICE VOLTAGE BOARD A-01	
E.C. HISTORY	FRAM. 2314
DATE	LAST EC
10-29-65	416035
FRAME	01
ISA CORP. GPD	
P.No. 2218239	

FL120

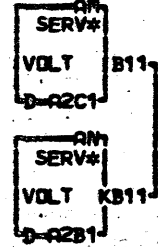


ALNO
000

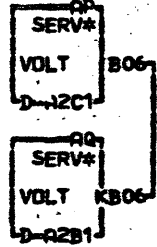
SERVICE VOLTAGE BOARD A-01	
E.C. HISTORY	RACH.2314
DATE	FRAME 01
LAST EC	IBA CORP. GPD
10-29-65 416035	PoNo 2218239

F
20
000

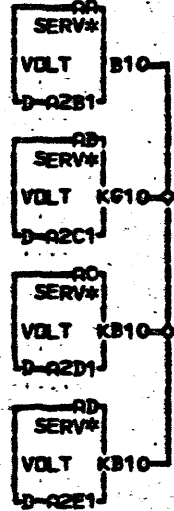
PLUS 6 VOLTS



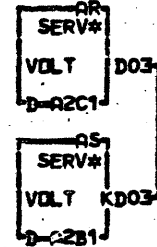
MINUS 3 VOLTS



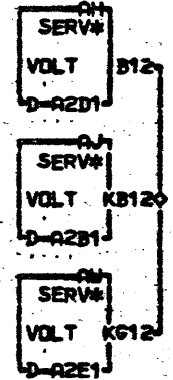
MINUS 36 VOLTS



PLUS 3 VOLTS

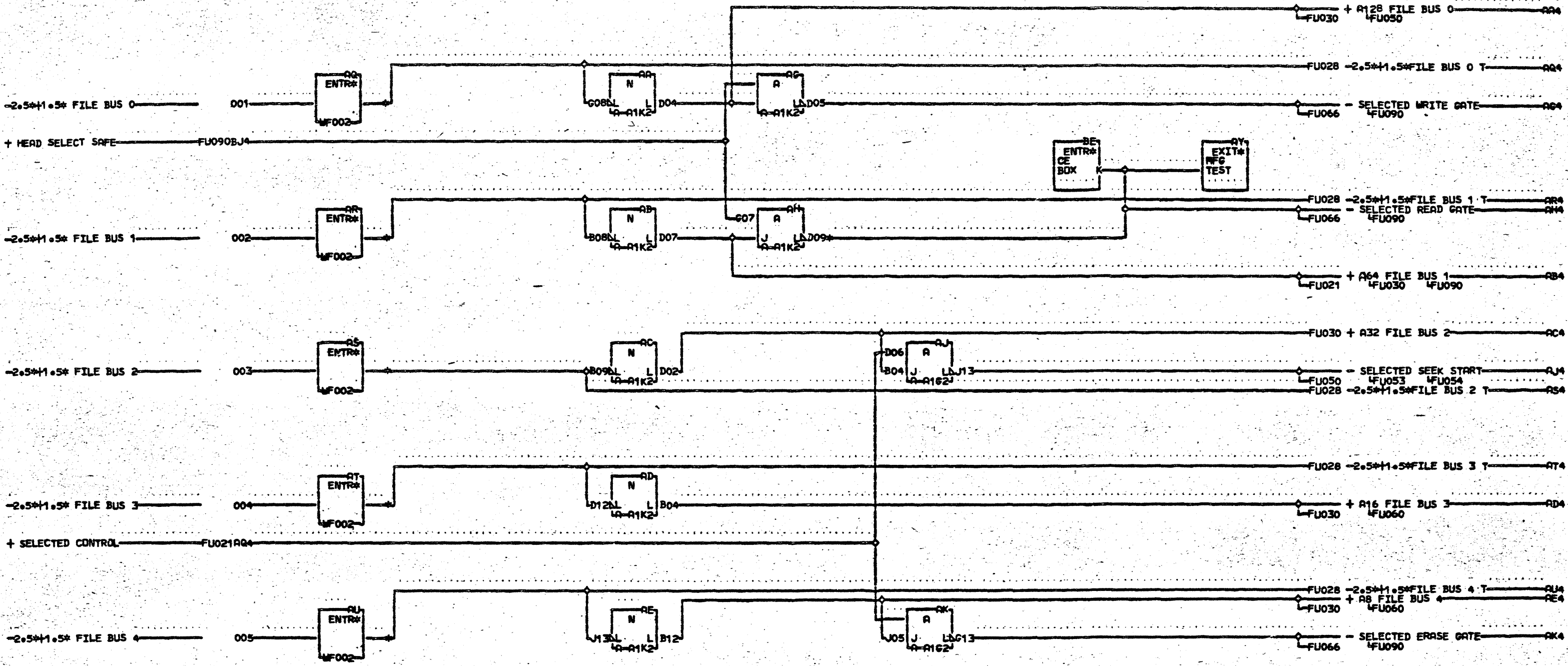


PLUS 36 VOLTS



SERVICE VOLTAGE BOARD D-A2	
EoCo-HISTORY 416035A	RACH#2314
DATE 04-22-66	LAST EC 416080
FRAME IBR CORP. GPD	01
PoNo 2218240	000

FL22
22



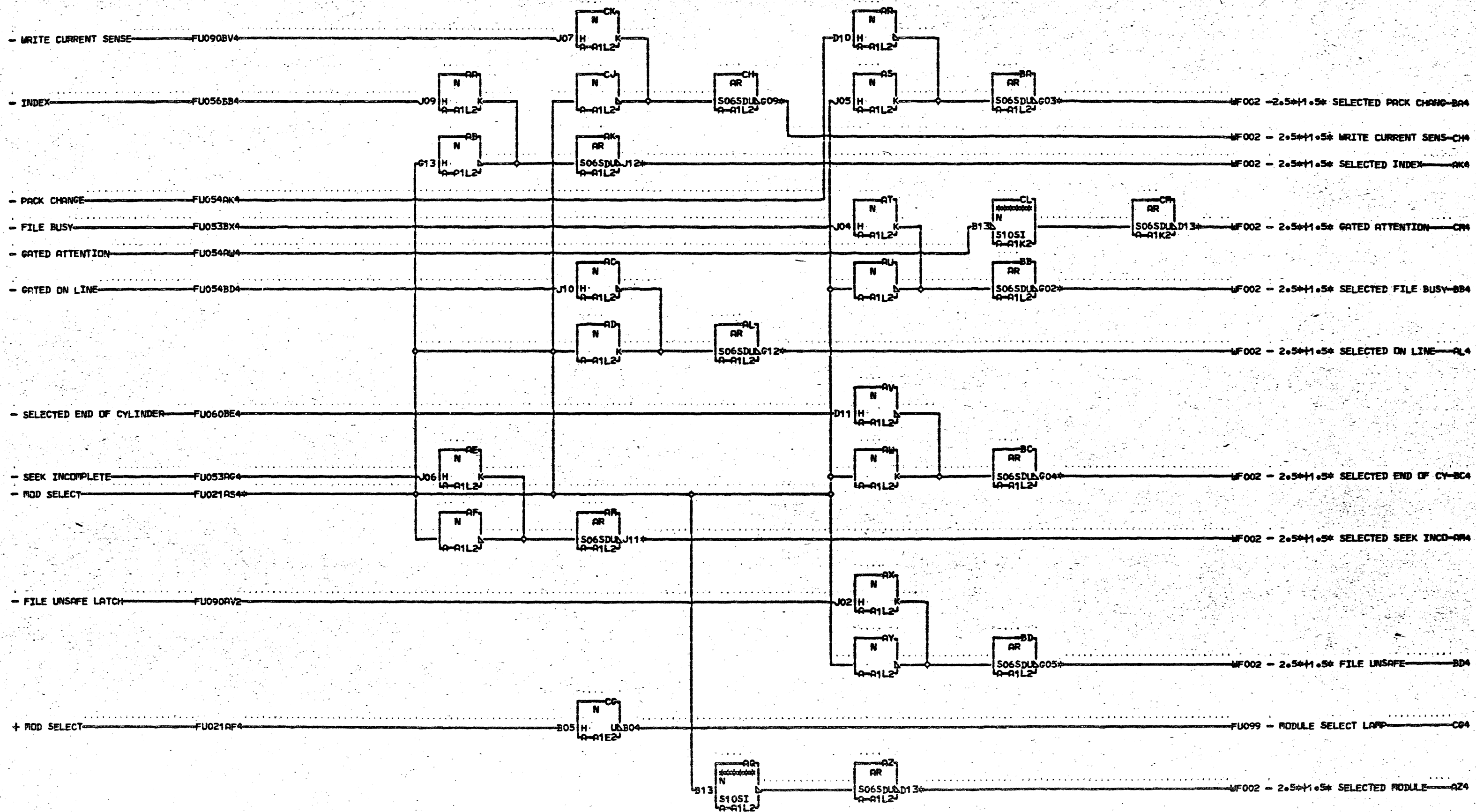
00000

- AH4 P-A1C1D09
- O1R P-A1N2B06
- D04 P-A1N3B02
- AR4 P-A1N3B03
- AS4 P-A1N3B04
- AT4 P-A1N3B05
- AU4 P-A1N3D12

LOC. TYPE
 A-A1G2 6269
 A-A1K2 4270

LINE RECEIVERS	
E.C. HISTORY	PACH#2314
416035	
416044	FRAME 01
416080	
DATE	IBR CORP. GPD
06-08-66	P.No. 2218241
LAST EC	
416091	

F U O 2 0



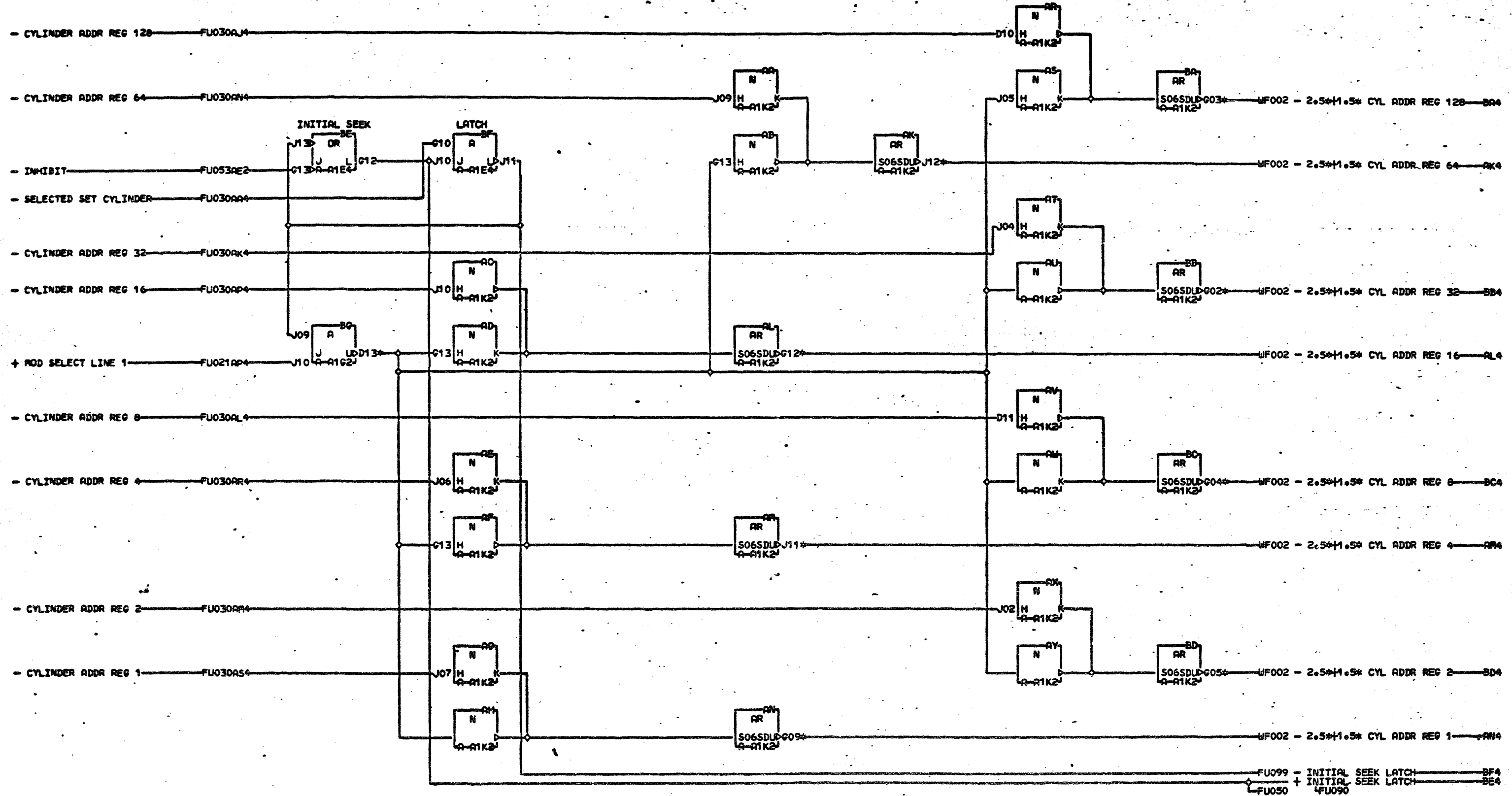
FU021AS4 BB4 A-A1N2B08
 RESISTORS BC4 A-A1N3D11
 A-A1L2 BD4 A-A1N3D09
 A-A1L2 CH4 A-A1N3D02
 AK4 A-A1N3D07 CR4 A-A1N3D05
 AL4 A-A1N3D06
 AR4 A-A1N3D10
 AZ4 A-A1N2B10
 BA4 A-A1N2B07

LOC. TYPE
 A-A1E2 4273
 A-A1K2 4270
 A-A1L2 4270

LINE DRIVERS
 E-C-HISTORY RACH-2314
 416035
 416044 FRAME 01
 416069
 DATE LAST EC IBM CORP. GPD
 07-05-66 416097 P.No 2218243

F U N O N

UNOCT
000

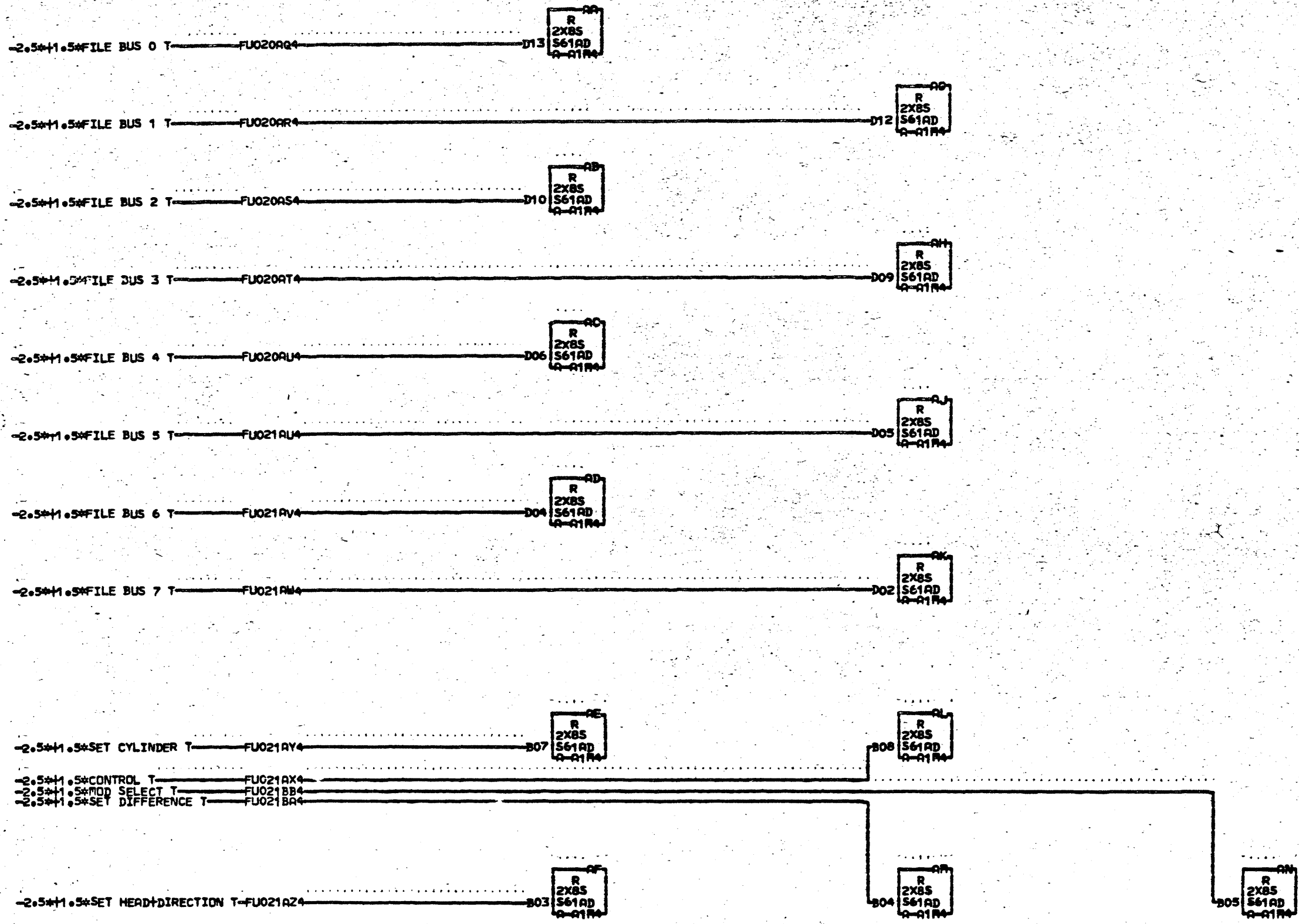


FU099 - INITIAL SEEK LATCH - BF4
 + INITIAL SEEK LATCH - BE4
 FU090

AK4 R-A1N2D05
 AL4 R-A1N2D04
 AN4 R-A1N2B03
 AP4 R-A1N2B02
 BA4 R-A1N2D06
 BB4 R-A1N2B05
 BC4 R-A1N2B04
 BD4 R-A1N2D02
 BE4 RESISTORS

LOC. TYPE
 R-A1E4 8339
 R-A1G2 6269
 R-A1K2 4270

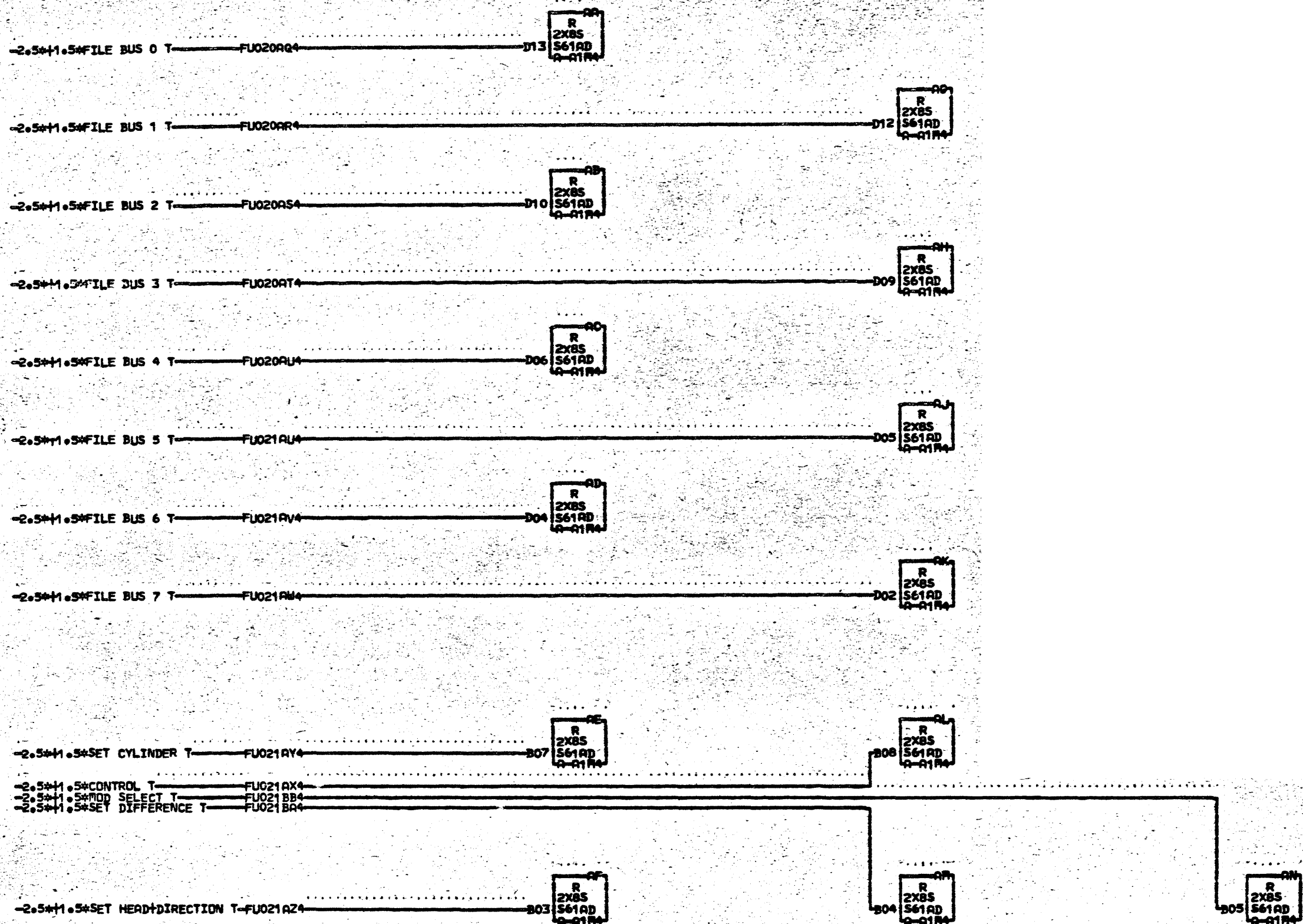
LINE DRIVERS			
-E.C.-HISTORY-		PACH#2314	
416035	420852	FRAME	01
416044	420925	IBR CORP.	GPD
416097	420928		
420843			
DATE	LAST EC	P.No	2218244
06-07-68	424000		



NOTE
 THE 2X8 SWITCH IS
 AN OPTIONAL FEATURE
 FU028
 000

LDC. TYPE
 A-A1R4 0720

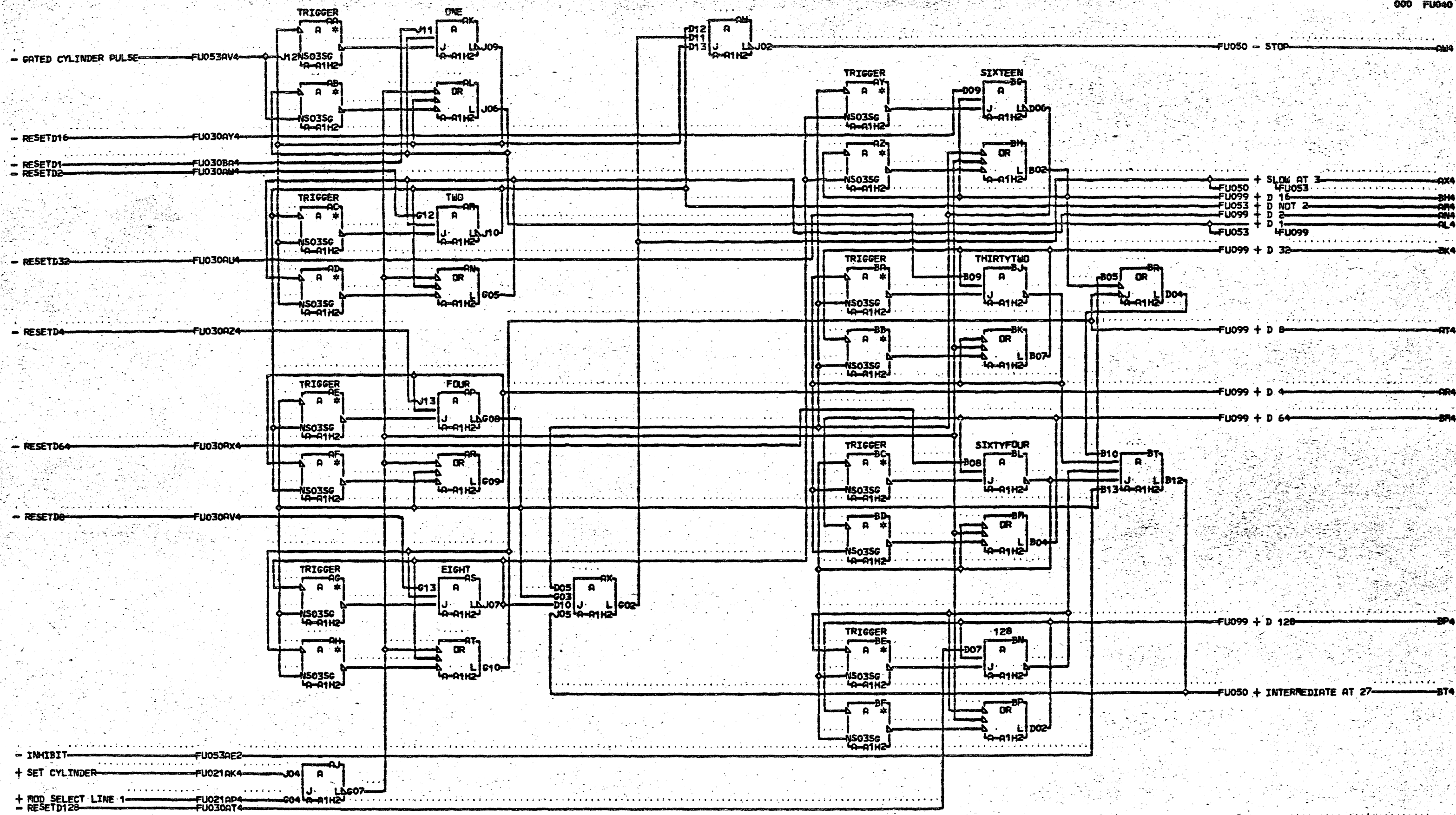
TERMINATOR 2X8 SWITCH	
E.C. HISTORY 416080	PACH. 2314
DATE 06-04-66	FRAME 01 IBM CORP. SDD P.No. 2218265
LAST EC 416091	



NOTE
 THE 2X8 SWITCH IS
 AN OPTIONAL FEATURE

LOC. TYPE
 A-11A4 0720

TERMINATOR 2X8 SWITCH	
E.C. HISTORY 416080	RACH#2314
	FRAME 01
	IBA CORP. SDD
DATE LAST EC 06-04-66 416091	P.N. 2218265

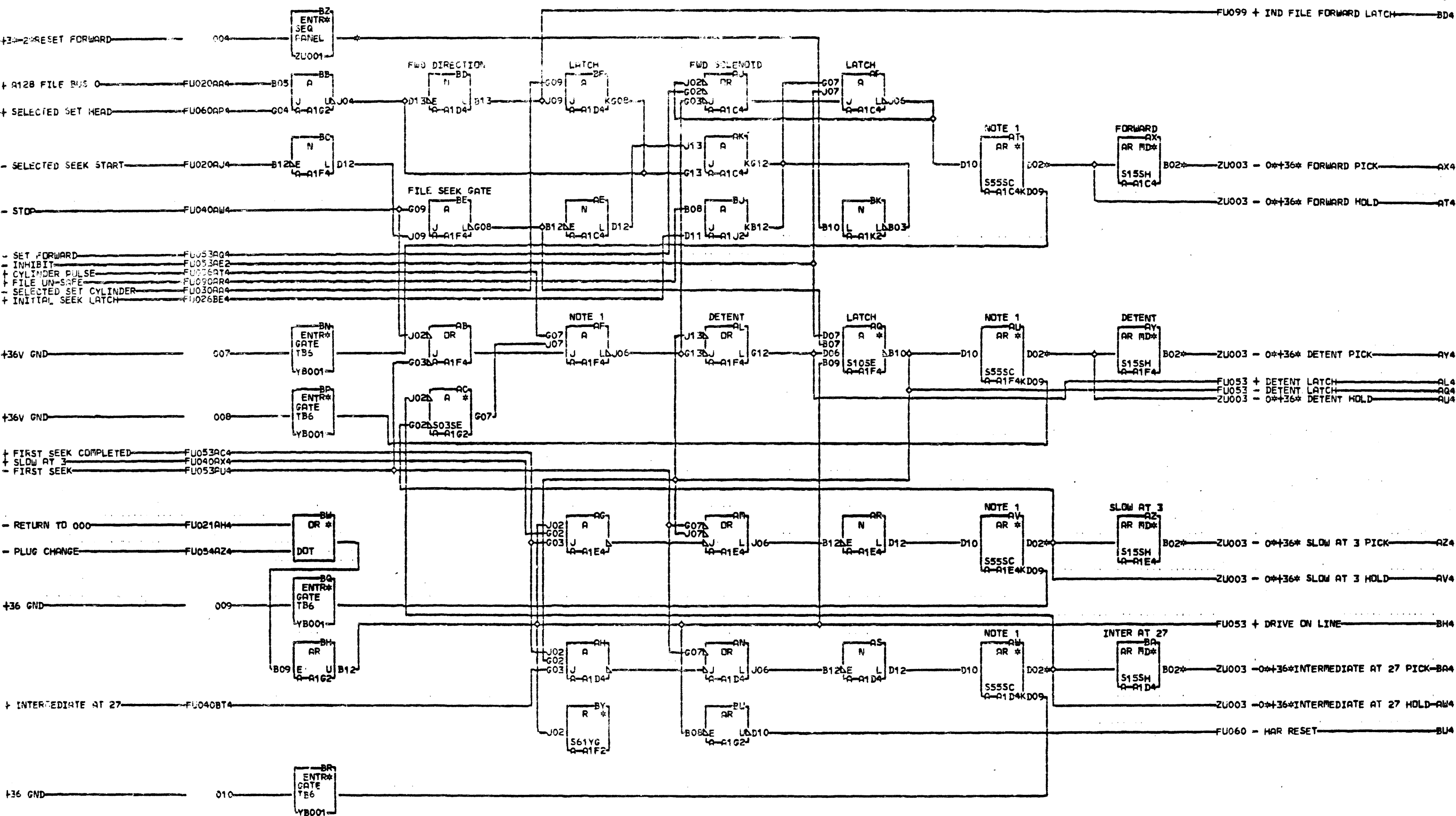


LDC. TYPE
A-1H2 6270

DIFFERENCE COUNTER WITH DECODES		
E.C. HISTORY	MACH#2314	
416035		
416044	FRAME	01
416080	IBM CORP. OPD	
DATE	LAST EC	
07-05-66	416097	PN# 2218246

FU040
000

000



NOTE 1 EXTRA PICK PULSES MAY OCCUR ON DRIVERS WHOOS SOLENOID IS ALREADY PICKED. THIS IS NORMAL AND WILL NOT CAUSE A PROBLEM.

5
0

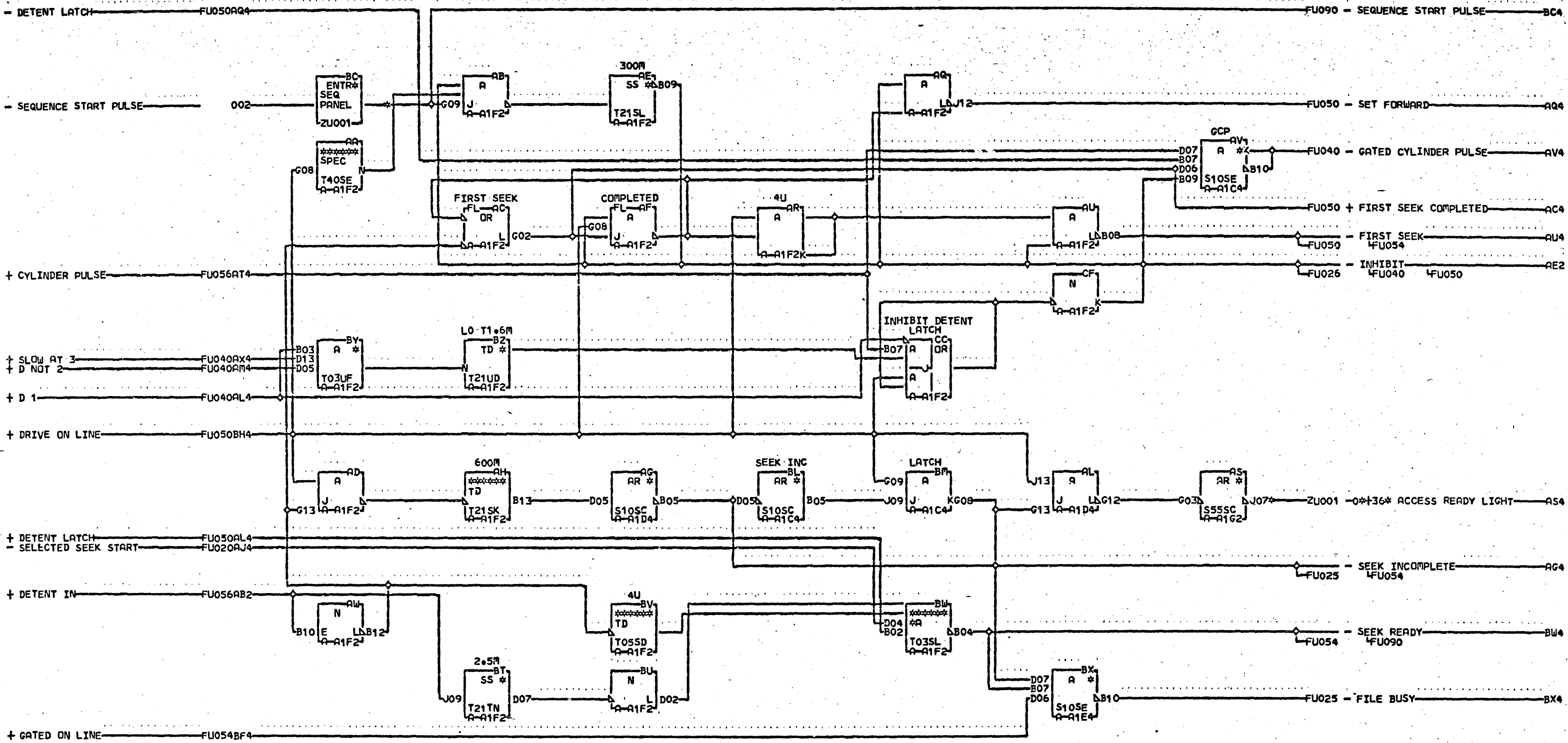
000

- AY4 A-A1N4B12
- AU4 A-A1N4B03
- AV4 A-A1N4B08
- AW4 A-A1N4B10
- AX4 A-A1N4B13
- AY4 A-A1N4B07
- AZ4 A-A1N4B09
- BA4 A-A1N4B04
- BZ4 A-A1N4D10

LOC.	TYPE
P-A1C4	8338
P-A1D4	8338
P-A1E4	8338
P-A1F2	7325
P-A1F4	8338
P-A1G2	6269
P-A1J2	4268
P-A1K2	4270

SOLENOID DRIVERS			
E.C.	HISTORY	MACH#2314	
416035	420843		
416044	420852	FRAME	01
416097	420925		
420832		IBR CORP. GPD	
DATE	LAST EC		
07-18-67	420928	P.N. 2218247	

F
U
0
5
0
0
000



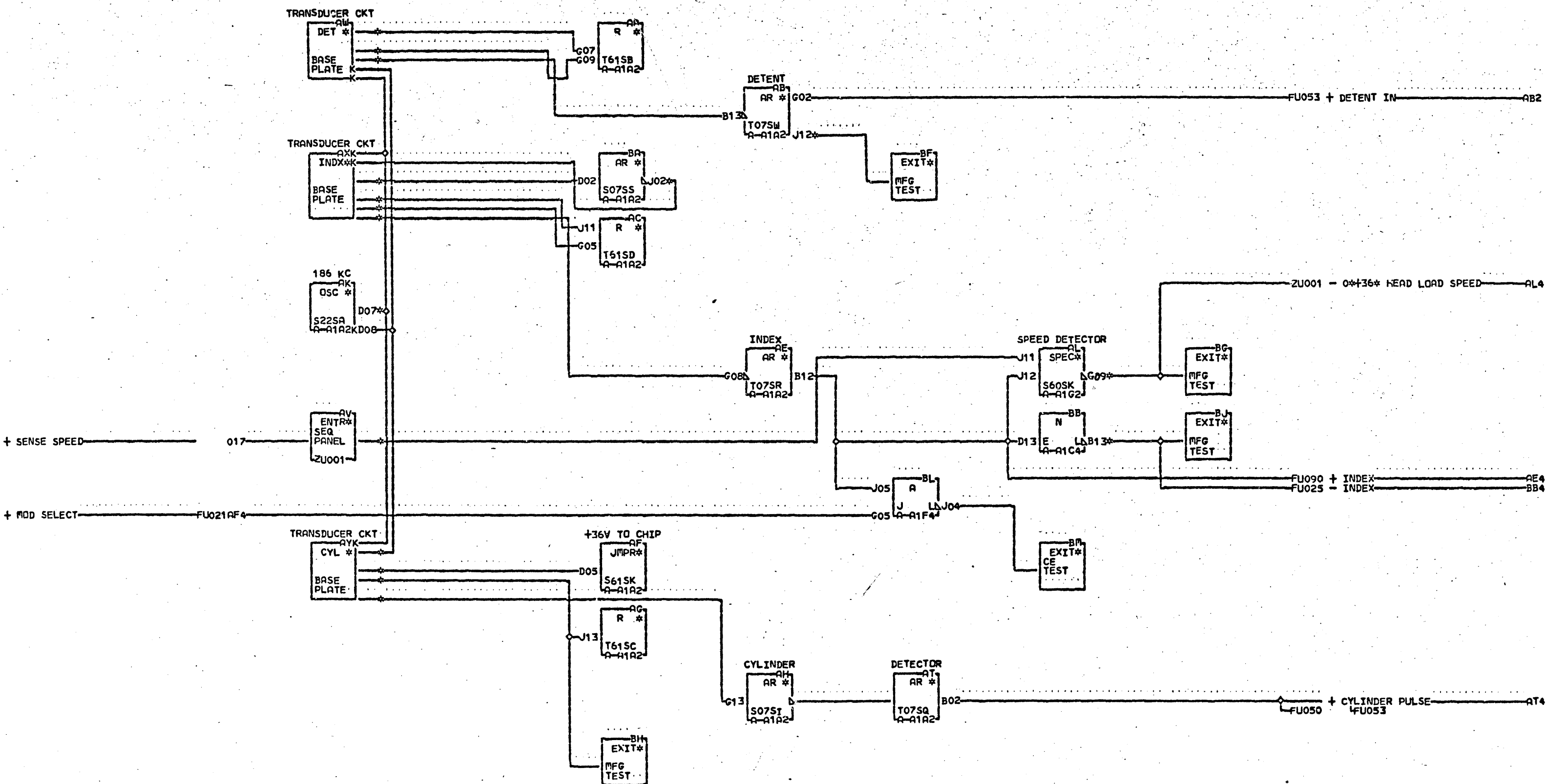
AS4 A-A1N4D07
 BC4 A-A1N4D09

LOC.	TYPE
A-A1C4	8338
A-A1D4	8338
A-A1E4	8338
A-A1F2	7325
A-A1G2	6269

ACCESS TIMING			
E.C. HISTORY		MACH. 2314	
416035	416097	FRAME	01
416044	420832		
416080	420852		
416091	420925	IBM CORP. GPD	
DATE	LAST EC		
07-10-67	420928	PoN. 2218248	

000

FU053



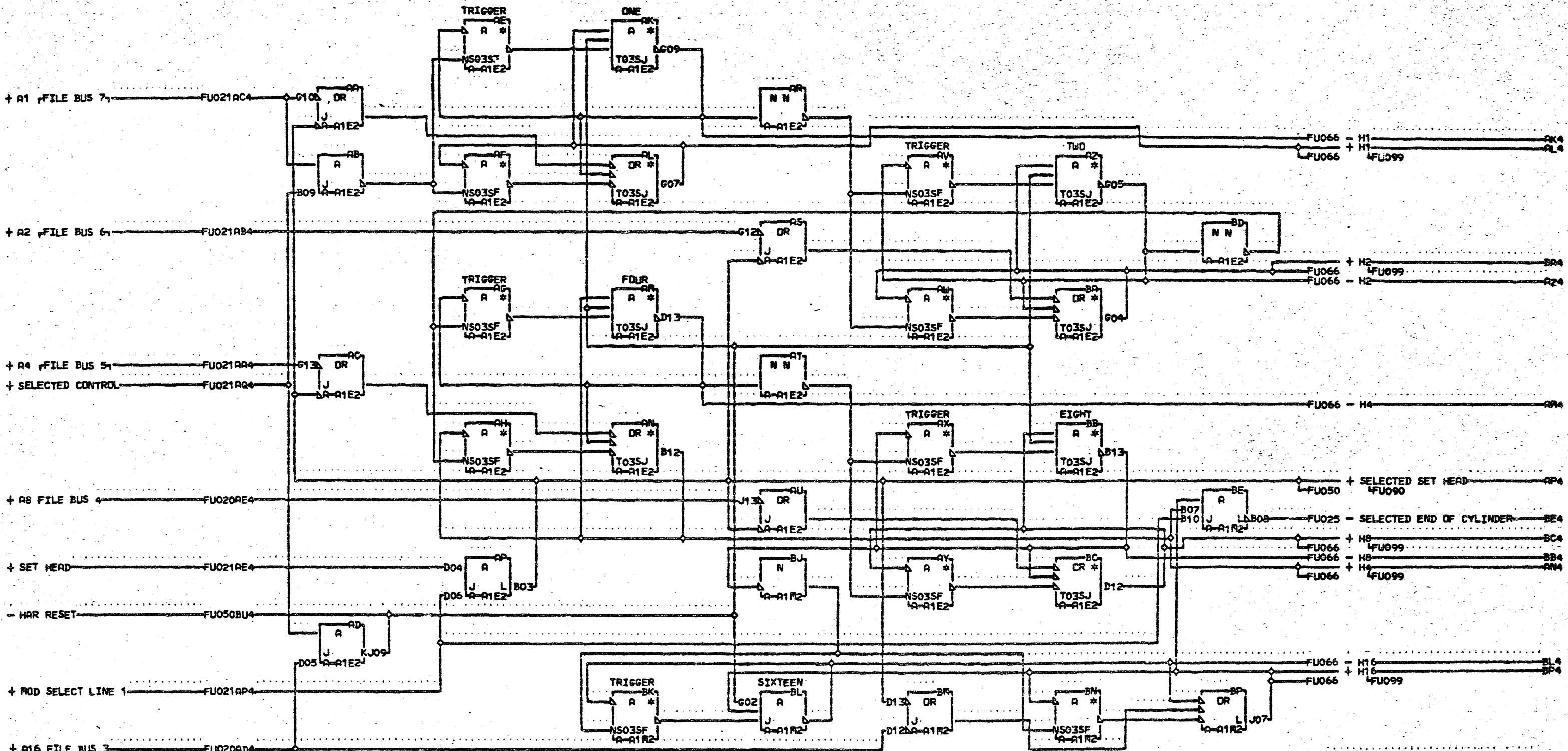
NOTE
 IF A TRANSISTOR CAN IS
 GROUND ON A TRANSDUCER
 U CHIP THE TRANSDUCER WILL
 BE BLOWN AND A +6 OR
 -3 VOLT LAND MAY BE
 OPENED ON THE LARGE
 CARD

AB6	A-1B1B09	AW5	A-1E1E09	AY7	A-1E1B11
AK4	A-1G1A11	AX4	A-1G1A09	BA4	A-1F1E09
01A	A-1D1E09	AX6	A-1F1B09	BB4	A-1B1C09
01A	A-1E1D09	AX7	A-1F1C09		
AL4	A-1N4B05	AX8	A-1F1E11		
01A	A-1B1B11	AY2	A-1F1A09		
AV4	A-1N4D12	AY4	A-1E1C09		
AW2	A-1E1E11	AY5	A-1E1B09		
AW4	A-1F1B11	01A	A-1A1E11		

LOC.	TYPE
A-1A2	6264
A-1C4	8338
A-1F4	8338
A-1G2	6269

TRANSDUCER CIRCUIT AND SPEED DETECTOR			
E.C. HISTORY		MACH. 2314	
416035	420843	FRAME	01
416044	420852		
416091	420841	IBM CORP. GPD	
416097			
DATE	LAST EC	P.N.	2218249
07-10-67	420928		

F U 0 5 6
000

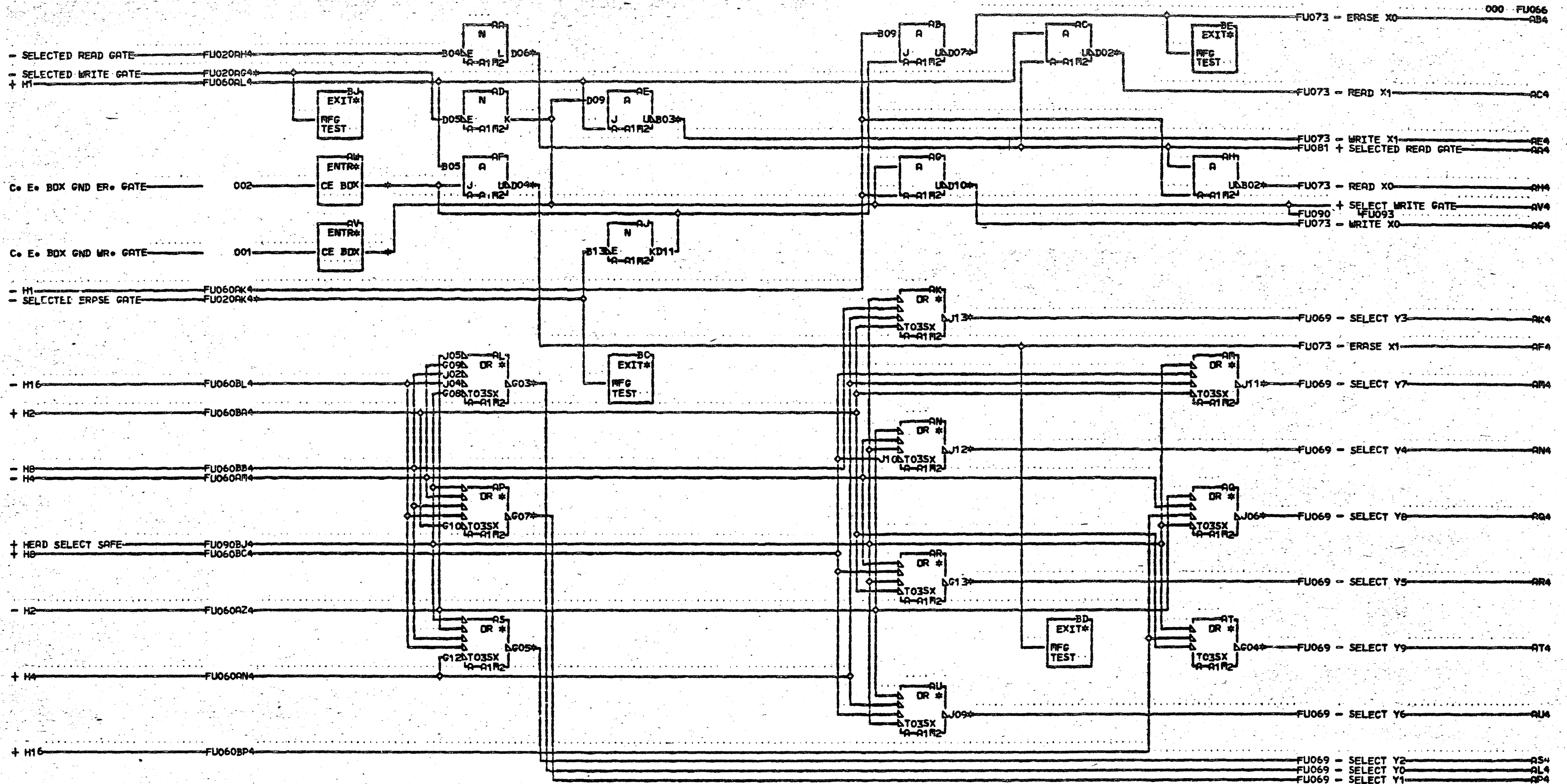


LOC. TYPE
 A-A1E2 4273
 A-A1R2 6261

HEAD ADDRESS REG.	
E.C. HISTORY	RACH#2314
416035	FRAME 01
416044	IBM CORP. GPD
416091	P.N. 2218250
DATE	LAST EC
06-29-66	416097

FU060
 000

FU060
 000



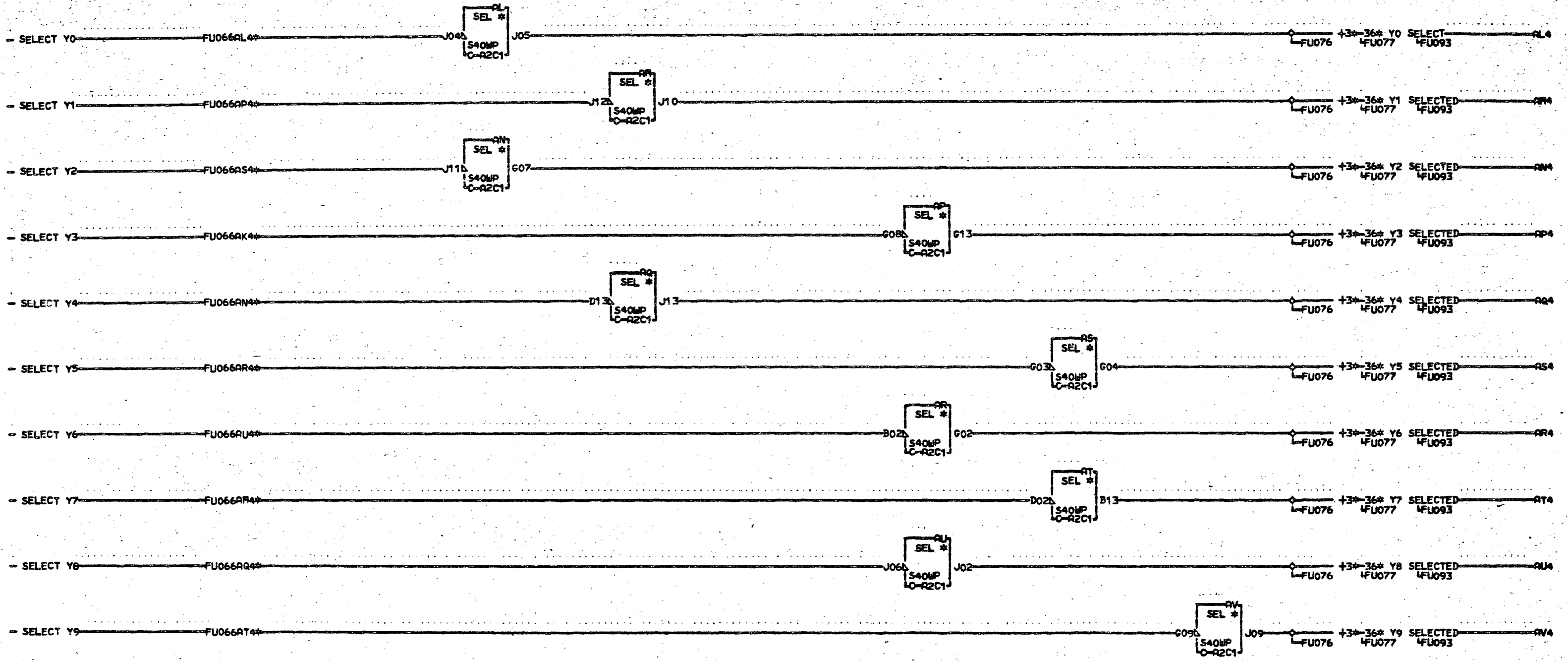
FU020A4 AF4 A-A1M1A09 AQ4 A-A1R1B11
 01A-A1A1E09 01A-A1D1A11 AR4 A-A1L1E11
 FU020A4 AG4 A-A1M1E11 AS4 A-A1L1B11
 01A-A1B1A11 AH4 A-A1M1C09 AT4 A-A1R1B09
 AA4 A-A1M1A11 AK4 A-A1L1B09 AU4 A-A1L1C09
 AB4 A-A1N1A11 AL4 A-A1K1E11 AV4 A-A1N2D07
 01A-A1D1A09 AM4 A-A1L1E09 01A-A1L1D09
 AC4 A-A1M1C11 AN4 A-A1L1C11 AW4 A-A1N2D13
 AE4 A-A1R1E09 AP4 A-A1K1E09

LOC. TYPE
A-A1R2 6261

HEAD ADD + DECODE	
E-C-HISTORY 416035	RACH#2314
DATE 03-01-66	FRAME 01
LAST EC 416044	IBR CORP. GPD
	PN# 2218251

F
U
O
6
000

F
U
O
6
000



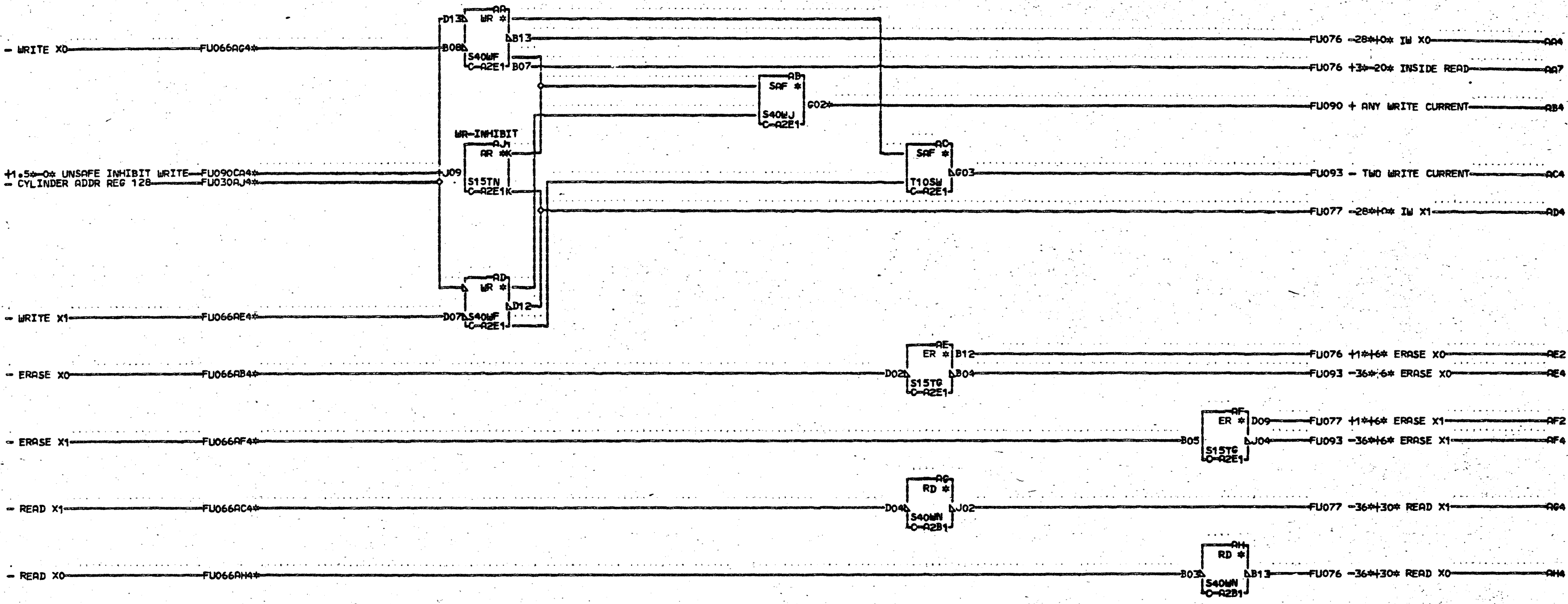
FU069

- FU066AK4 01C-A2A2D02 FU066AM
- 01C-A2A2D04 FU066AQ4 01C-A2A2D05
- FU066AL4 01C-A2A2B09
- 01C-A2A2B02 FU066AR4
- FU066AM4 01C-A2A2B07
- 01C-A2A2D07 FU066AS4
- FU066AM4 01C-A2A2B04
- 01C-A2A2B05 FU066AT4
- FU066AP4 01C-A2A2D09

LDC TYPE
O-A2C1 6268

Y SELECT 0-9	
E-C-HISTORY 416035A	FRAME 01
DATE LAST EC 03-04-66 416044	IBR CORP. GPD P. No 2218252

FU069



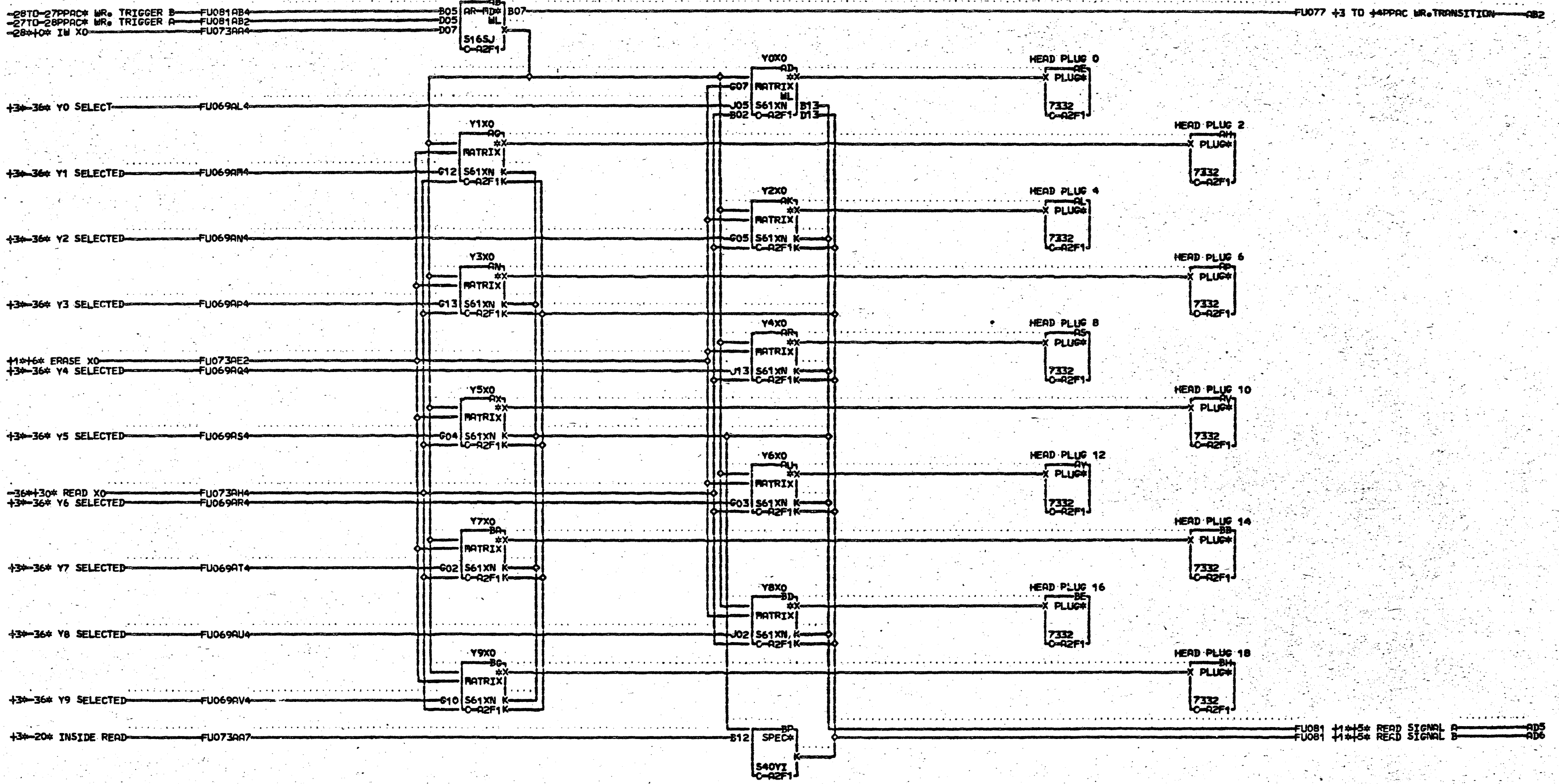
FU030AJ4 01C-A2A2D13
 01C-A2A2B03 FU066AG4
 FU066AB4 01C-A2A2B12
 01C-A2A2B13 FU066AH4
 FU066AC4 01C-A2A2D10
 01C-A2A2B10 FU090CA4
 FU066AE4 01C-A2A1B09
 01C-A2A2D12 AB4 C-A2A1B12
 FU066AF4

LDC TYPE
 C-A2B1 6846
 C-A2E1 6277

WRITE READ + ERASE	
E-C-HISTORY	FRAMES 2314
416035A	FRAME 01
416044	IBM CORP. GPD
416096	P.N. 2218253
420832	
DATE LAST EC	
06-06-67 420927	

FU073
 000

FU073
 000

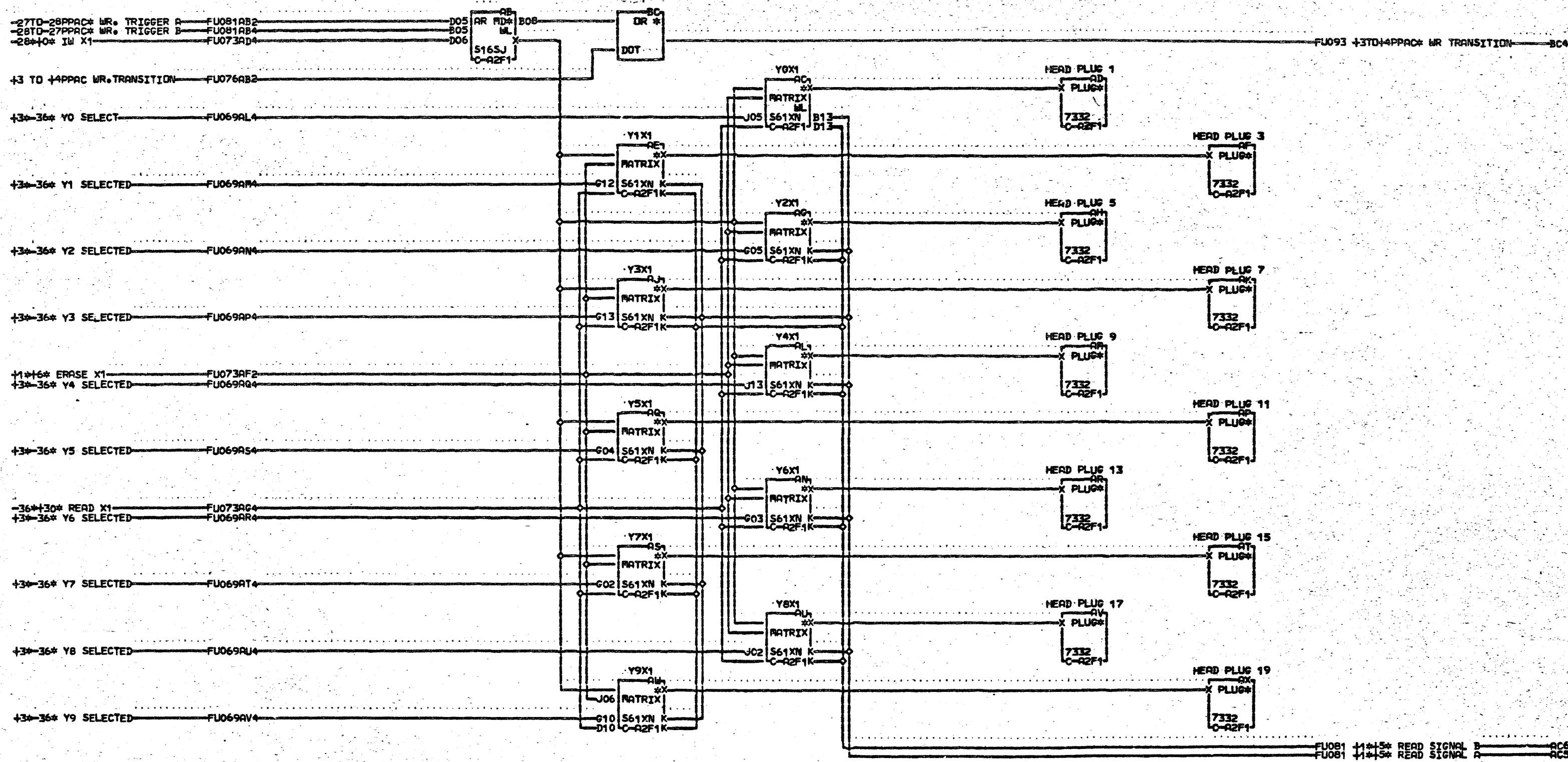


LDC. TYPE
C-22F1 7X32

WRITE DRIVER + MATRIX EVEN	
E.C. HISTORY	MACH. 2314
416035A	FRAME 01
416044	IBM CORP. GPD
DATE	LAST EC
08-10-66	416096
P.No. 2218254	

FU076
000

670UF
000

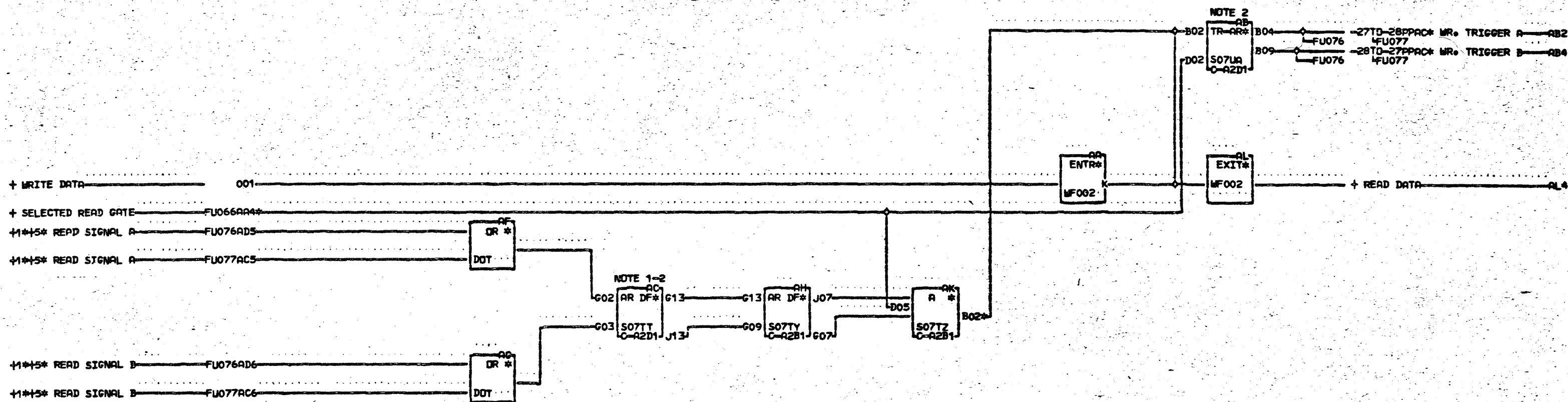


LOC. TYPE
C-A2F1 7332

WRITE DRIVER + MATRIX ODD	
E.C. HISTORY	PACH#2314
416035A	FRAME 01
416044	IBM CORP. GPD
DATE LAST EC	P.No 2218255
08-10-66 416096	

FU077
jo

000



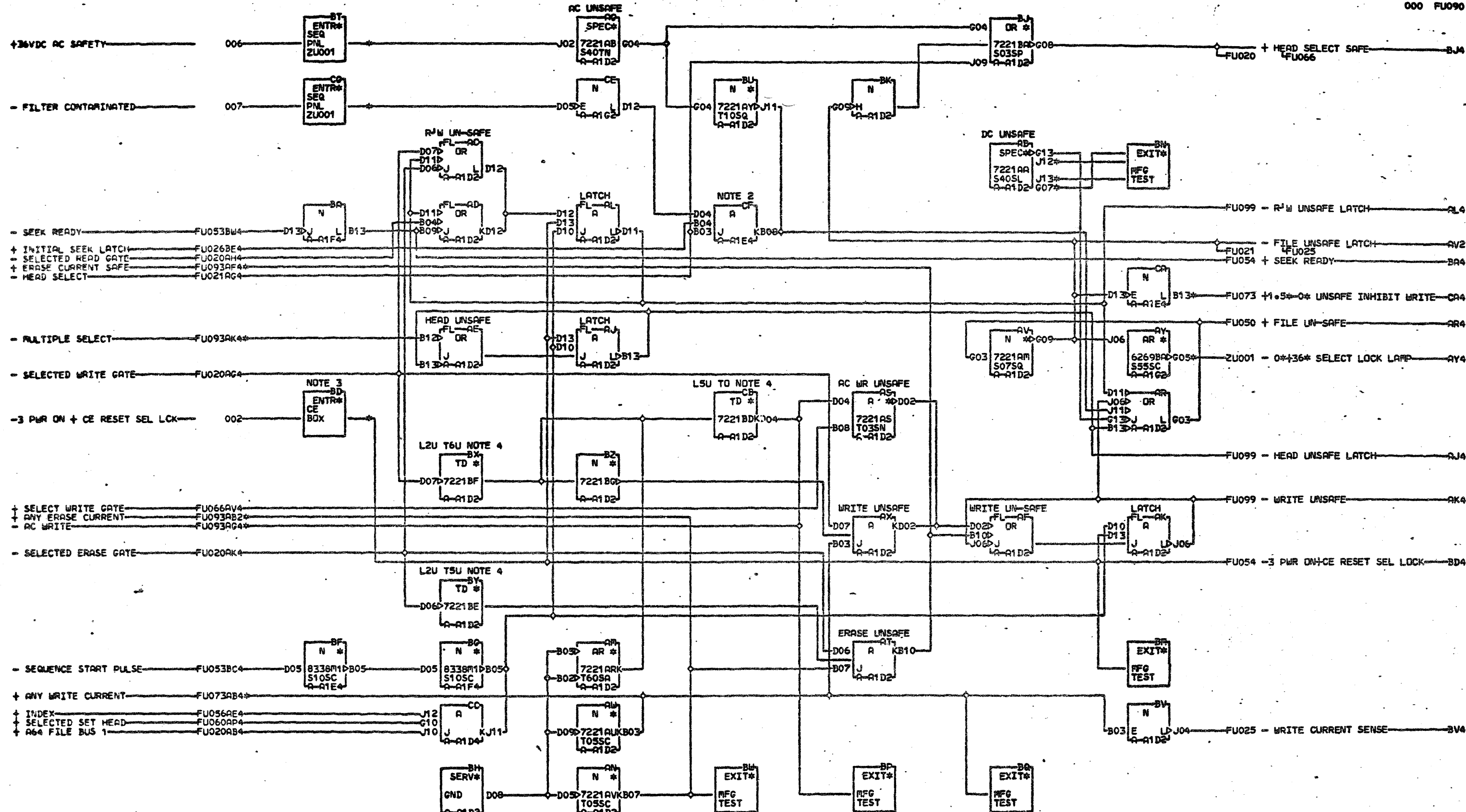
NOTE 1 JUMPER D1C12 TO D1J12
 WHEN MAKING RADIAL ALIGNMENT
 OF HEADS. THIS JUMPER MUST BE
 REMOVED WHEN ADJUSTMENT IS
 COMPLETED. NOTE 2 PN 5806387
 MAY BE SUBSTITUTED FOR 5806836
 IN LOCATION D1

FU066AA4
 01C-A2A2B08
 AK4 C-A2A1B02

LDC. TYPE
 C-A2B1 6846
 C-A2D1 6836

PRE-AMP + WRITE TRIGGER	
E.C. HISTORY	
416035A	RACH.2314
416044	FRAME 01
416096	IBM CORP. GPD
420832	DATE LAST EC
06-06-67	420927
PoNo 2218256	

FU001

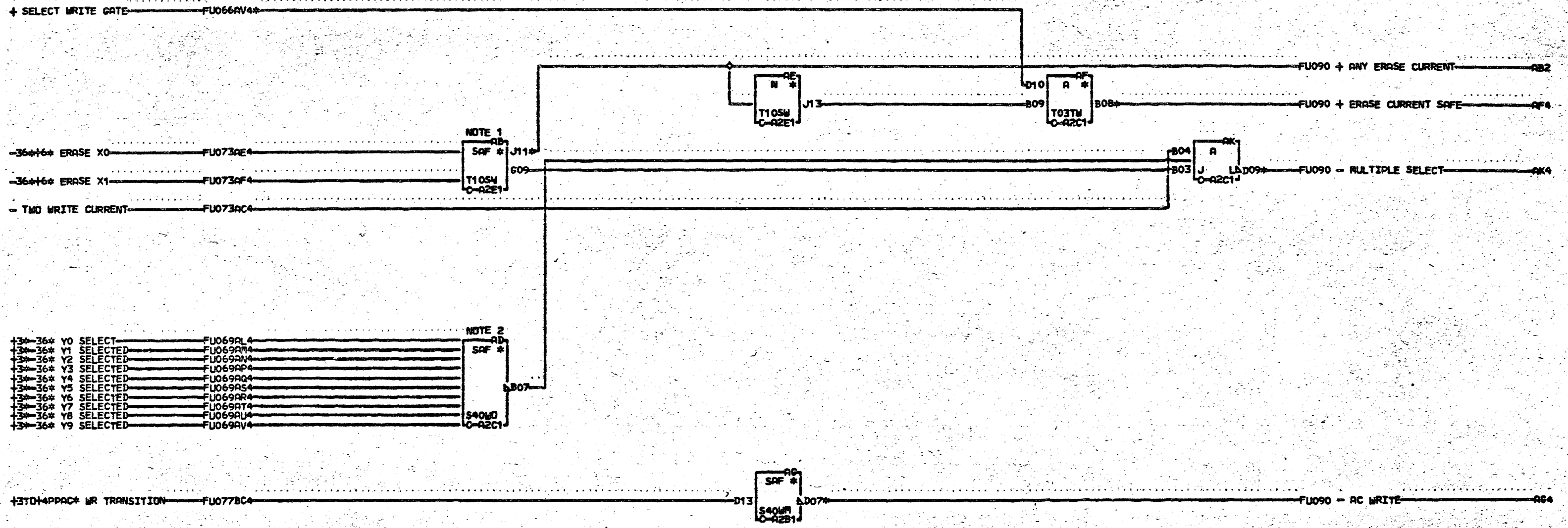


NOTE 1 TO TIE OFF SELECT LOCK LATCHES TO GROUND D2D10.
 F NOTE 2 WIRING FOR VACUUM SWITCH MACHINES ONLY.
 U NOTE 3. THIS LINE ALSO RESETS THE ATTENTION LATCH.
 O NOTE 4 TO BLOCK TITLE MEANS OUTPUT LEADING EDGE DELAYED X SECONDS - TRAILING EDGE

FU073AB4 01A-A1J1D09 01A-A1N2D11
 01A-A1J1E11 01A-A1C1A11 BT4 0-A1N4D13
 01A-A1C1B09 FU093AK4 CA4 A-A1J1B11
 FU093AB2 01A-A1J1E09 CC4 A-A1N4B02
 01A-A1K1A09 AB3 A-A1C1B11 RESISTOR
 01A-A1C1E09 AB5 A-A1C1C09 A-A1G2B10
 FU093AF4 AB6 A-A1C1C11
 01A-A1K1R11 AY4 A-A1N4D02

LOC. TYPE
 A-A1D2 7221
 A-A1D4 8338
 A-A1E4 8338
 A-A1F4 8338
 A-A1G2 6269

SAFETY CIRCUIT		
E-C-HISTORY	RACH-2314	
416080	420852	
416091	420841	FRAME 01
416097	420925	
416128	420928	IBM CORP. GPD
DATE	LAST EC	
06-10-68	424000	P-# 2218257



NOTE 2

36* Y0 SELECT	FU069AL4
36* Y1 SELECTED	FU069AM4
36* Y2 SELECTED	FU069AN4
36* Y3 SELECTED	FU069AP4
36* Y4 SELECTED	FU069AQ4
36* Y5 SELECTED	FU069AS4
36* Y6 SELECTED	FU069AR4
36* Y7 SELECTED	FU069AT4
36* Y8 SELECTED	FU069AU4
36* Y9 SELECTED	FU069AV4

NOTE 1 TEST POINT
 E1609 IS - TWO
 F ERASE CURRENTS
 U NOTE 2 TEST POINT
 O C1B07 IS - MORE THAN
 9 ONE Y SELECTED.
 3

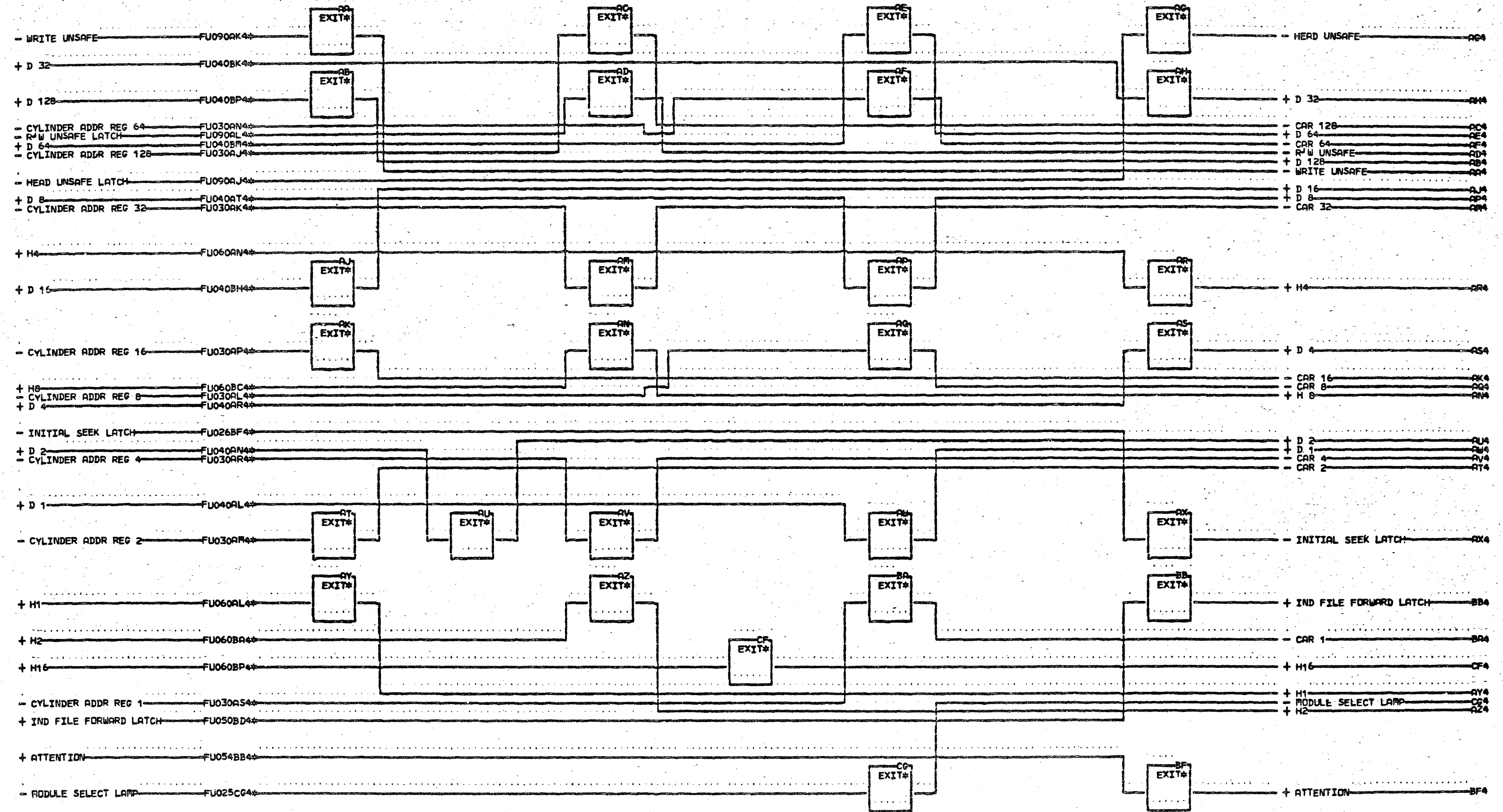
FU066AV4
 01C-A2A2D06
 AB2 C-A2A1D13
 AF4 C-A2A1B13
 AG4 C-A2A1D11
 AK4 C-A2A1D12

LDC. TYPE
 C-AZB1 6846
 C-AZC1 6268
 C-AZE1 6277

READ ERASE + Y SELECT SAFETY	
E.C. HISTORY CKT	
416035A	RACH-2314
416044	FRAME 01
416096	IBR CORP. GPD
420832	DATE LAST EC
06-06-67	420927
PoNo 2218258	

FU093

jo



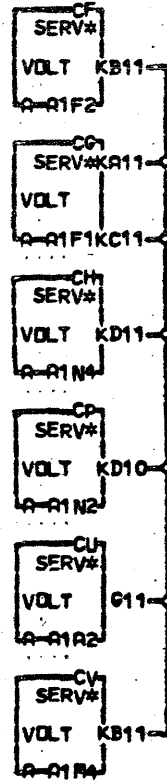
F
U
0
9
9
000

FU025CG4	01A-A1C2D05	FU030AS4	01A-A1C3B04	FU050BD4	01A-A1C3D04	FU090AL4
01A-A1C2D11	FU030AM4	01A-A1C2D10	FU040BH4	01A-A1C3D11	FU060BC4	01A-A1C2D04
FU026BF4	01A-A1C2D09	FU040AL4	01A-A1C3D09	FU054BB4	01A-A1C3B07	
01A-A1C3B10	FU030AN4	01A-A1C3B09	FU040BK4	01A-A1C3B12	FU060BP4	
FU030AJ4	01A-A1C2B07	FU040AN4	01A-A1C2D12	FU060AL4	01A-A1C3D12	
01A-A1C2B13	FU030AP4	01A-A1C3D05	FU040BM4	01A-A1C3D07	FU090AJ4	
FU030AK4	01A-A1C2D13	FU040AR4	01A-A1C2D06	FU060AN4	01A-A1C2B09	
01A-A1C2B10	FU030AR4	01A-A1C3D02	FU040BP4	01A-A1C3B02	FU090AK4	
FU030AL4	01A-A1C2B04	FU040AT4	01A-A1C2B02	FU060BA4	01A-A1C2D02	

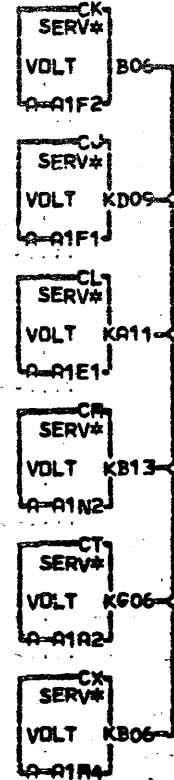
CoE INDICATOR	
---EoC---HISTORY 416035	FRAC#2314 FRAME 01 IBM CORP. GPD P#No 2218259
DATE LAST EC 03-01-66 416044	

F
U
0
9
9
000

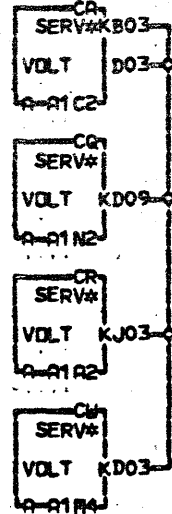
PLUS 6 VOLTS



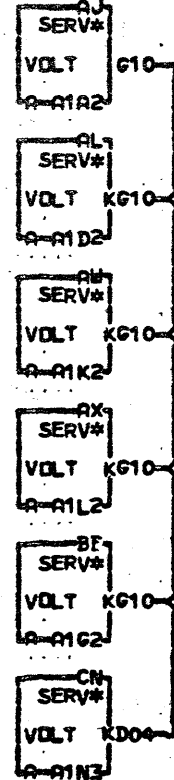
MINUS 3 VOLTS



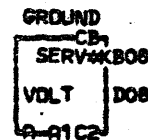
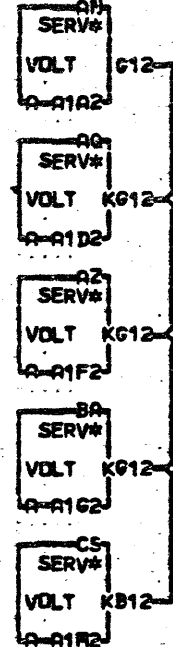
PLUS 3 VOLTS



MINUS 36 VOLTS



PLUS 36 VOLTS

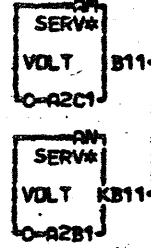


000

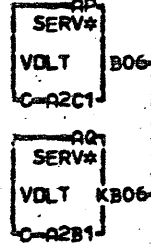
SERVICE VOLTAGE BOARD A-A1	
E.C. HISTORY 416035	ARCH.2314
DATE 01-12-66	LAST EC 416044
FRAME IBN CORP. GPD	01
P.N. 2218260	

F U T 2 0

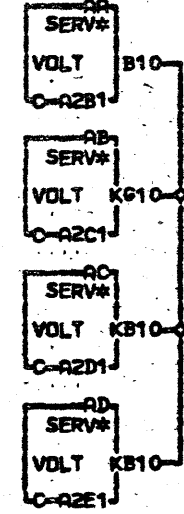
PLUS 6 VOLTS



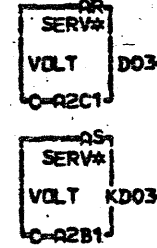
PLUS 3 VOLTS



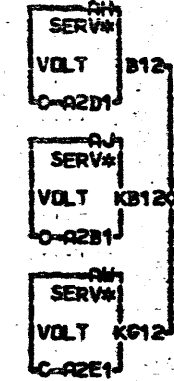
PLUS 36 VOLTS



PLUS 3 VOLTS



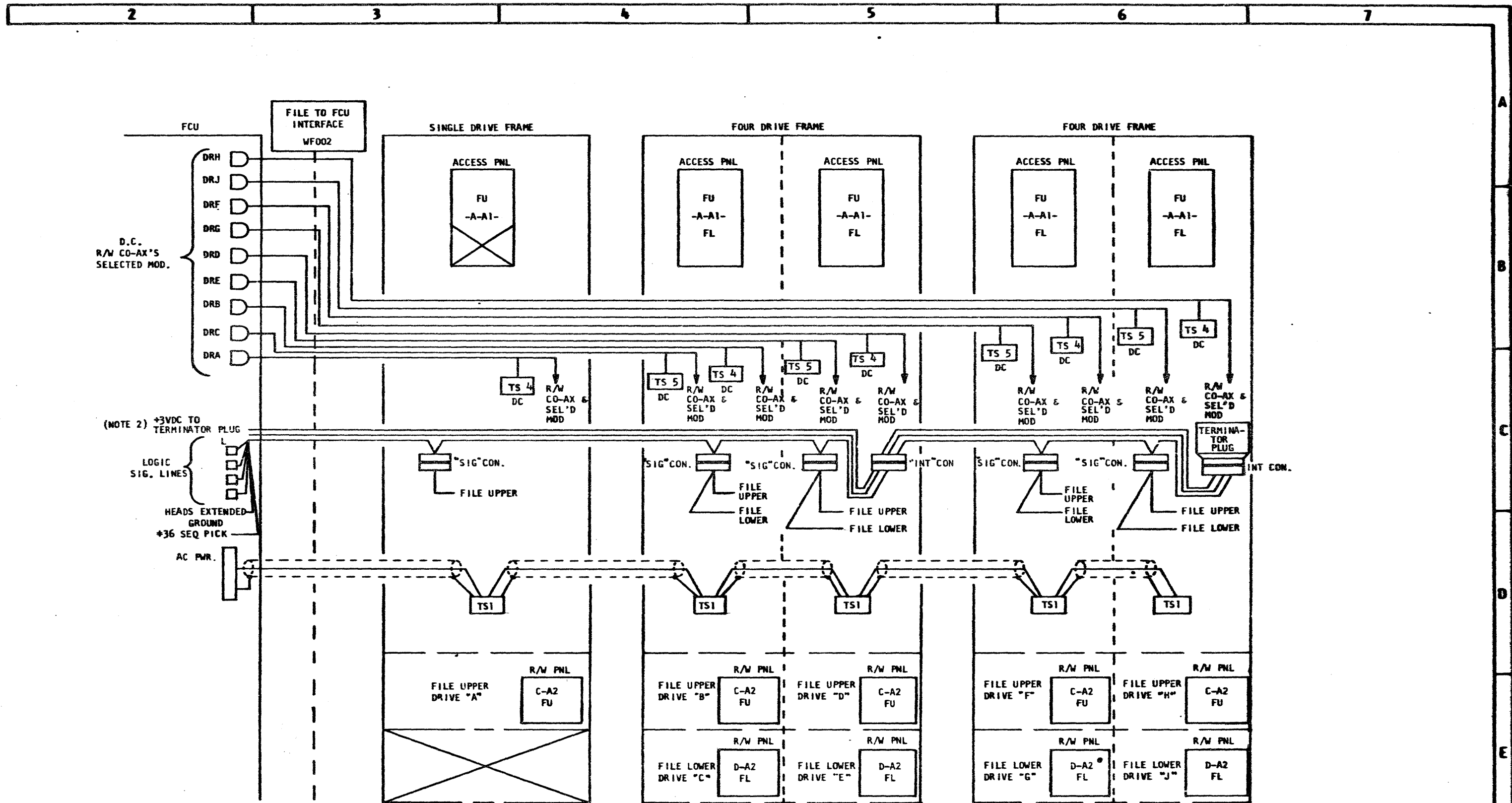
PLUS 36 VOLTS



000

SERVICE VOLTAGE BOARD C-A2	
E.C. HISTORY 416035A	FRAM# 2314
DATE 04-22-66	LAST EC 416080
	FRAME 01
	IBM CORP. GPD
	PoNo 2218261

F U 1 2 2



- NOTES:
- ONE SET OF LOGICS ARE PROVIDED FOR ONE FILE UPPER AND ONE FILE LOWER BUT ARE APPLICABLE TO THE ENTIRE FILE.
 - +3VDC IS CARRIED IN THE SIGNAL CABLE THRU THE "INT" CONNECTORS TO THE TERMINATOR PLUG ONLY.

DATE	EC NUMBER	DATE	EC NUMBER	2314 FILE DRIVE & INTERFACE	
APR66	416034			CABLE LAYOUT	
				DATE	P/N 221833J
					TYPE
				IBM	
				WF001	

FCU TO FILE TO FILE

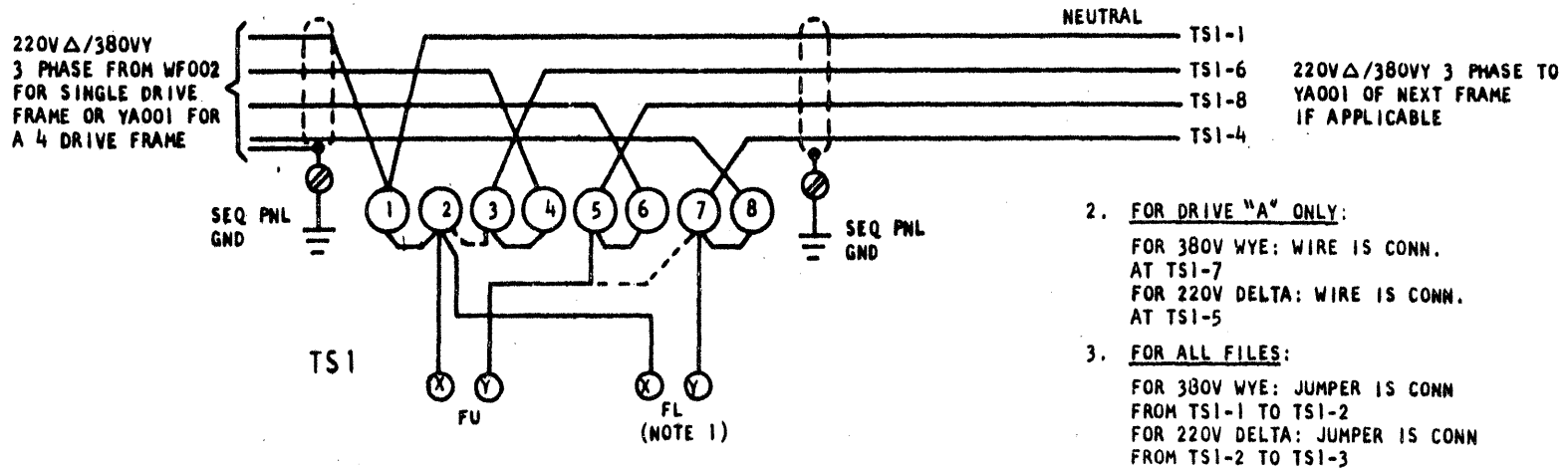
FROM WF011 LINE TITLE	FCU LOGIC PAGE	SIG. CONNECTOR		FILE LOGIC PAGES	FILE FD'S	FILE LINE TITLE	
		PIN	TWISTED WIRE				
FILE BUS 0	WF011	SIG - A	SIG - B	FL/FU020	FD101	-2.5* +1.5* FILE BUS 0	
FILE BUS 1	WF011	SIG - C	SIG - D	FL/FU020	FD101	-2.5* +1.5* FILE BUS 1	
FILE BUS 2	WF011	SIG - E	SIG - F	FL/FU020	FD101	-2.5* +1.5* FILE BUS 2	
FILE BUS 3	WF011	SIG - H	SIG - J	FL/FU020	FD101	-2.5* +1.5* FILE BUS 3	
FILE BUS 4	WF011	SIG - K	SIG - L	FL/FU020	FD101	-2.5* +1.5* FILE BUS 4	
FILE BUS 5	WF011	SIG - M	SIG - N	FL/FU021	FD101	-2.5* +1.5* FILE BUS 5	
FILE BUS 6	WF011	SIG - P	SIG - R	FL/FU021	FD101	-2.5* +1.5* FILE BUS 6	
FILE BUS 7	WF011	SIG - S	SIG - T	FL/FU021	FD101	-2.5* +1.5* FILE BUS 7	
SET DIFFERENCE	WF011	SIG - U	SIG - V	FU/FL021	FD101	-2.5* +1.5* SET DIFFERENCE	
SET CYLINDER	WF011	SIG - W	SIG - X	FU/FL021	FD101	-2.5* +1.5* SET CYLINDER	
SET HEAD	WF011	SIG - Y	SIG - Z	FU/FL021	FD101	-2.5* +1.5* SET HD + DIRECTION	
CONTROL	WF011	SIG - a	SIG - b	FU/FL021	FD101	-2.5* +1.5* CONTROL	
MOD 0 SELECT	WF011	SIG - c	SIG - d	YB001		MOD 0 SELECT	
MOD 1 SELECT	WF011	SIG - f	SIG - g	YB001		MOD 1 SELECT	
MOD 2 SELECT	WF011	SIG - h	SIG - i	YB001		MOD 2 SELECT	
MOD 3 SELECT	WF011	SIG - j	SIG - k	YB001		MOD 3 SELECT	
MOD 4 SELECT	WF011	SIG - m	SIG - n	YB001		MOD 4 SELECT	
MOD 5 SELECT	WF011	SIG - p	SIG - q	YB001		MOD 5 SELECT	
MOD 6 SELECT	WF011	SIG - r	SIG - s	YB001		MOD 6 SELECT	
MOD 7 SELECT	WF011	SIG - t	SIG - u	YB001		MOD 7 SELECT	
SPARE MOD SELECT	WF011	SIG - v	SIG - w	YB001		SPARE MOD SELECT	
CONTROLLED GND FROM FCU	WF011	SIG - CK	-	YB001		CONTROLLED GND FROM FCU	
SEQUENCE PICK IN	WF011	NOTE 3	SIG - CL	-	YB001	SEQ. PICK (INCOMING) NOTE 3	
+3 FILE TERMINATOR	WF011		INT - AT	-	WF001	+3V DC	
			INT - AU	-		+3V DC } NOTE 2	
AC POWER	WF011		TS 1	-	YA001	208V AC - 3 PHASE	
+36	WF011	NOTE 4	TS 4/5	-	YB001	+36	
-36	WF011	NOTE 4	TS 4/5	-	YB001	-36	
+6	WF011	NOTE 4	TS 4/5	-	YB001	+6	
+3	WF011	NOTE 4	TS 4/5	-	YB001	+3	
-3	WF011	NOTE 4	TS 4/5	-	YB001	-3	
GND	WF011	NOTE 4	TS 4/5	-	YB001	GND	
-3 PWR ON RESET	WF011		SIG - BP		FU/FL090	FD103	-3 PWR ON RESET + C.E. RESET SELECT LOCK
READ/WRITE COAX	WF011	NOTE 4	R/W BOARD		YB001	FD102	READ/WRITE COAX
SELECTED MODULE	WF011	NOTE 4	EDGE CONN		YB001	FD101	SELECTED MODULE
FILE TO FILE TO FCU							
GATED ATTENTION 0	WF011		SIG - x	SIG - y	YB001		GATED ATTENTION 0
GATED ATTENTION 1	WF011		SIG - z	SIG - AA	YB001		GATED ATTENTION 1
GATED ATTENTION 2	WF011		SIG - AB	SIG - AC	YB001		GATED ATTENTION 2
GATED ATTENTION 3	WF011		SIG - AD	SIG - AE	YB001		GATED ATTENTION 3
GATED ATTENTION 4	WF011		SIG - AF	SIG - AH	YB001		GATED ATTENTION 4
GATED ATTENTION 5	WF011		SIG - AJ	SIG - AK	YB001		GATED ATTENTION 5
GATED ATTENTION 6	WF011		SIG - AL	SIG - AM	YB001		GATED ATTENTION 6
GATED ATTENTION 7	WF011		SIG - AN	SIG - AP	YB001		GATED ATTENTION 7
GATED ATTENTION SPARE MOD	WF011		SIG - AR	SIG - AS	YB001		GATED ATTENTION SPARE MOD
NOTE 6				SIG - AW			
CYLINDER ADDR REG 1	WF011		SIG - AR	SIG - AY	FU/FL026	FD101	-2.5* +1.5* CYL ADDR REG 1
CYLINDER ADDR REG 2	WF011		SIG - AZ	SIG - BA	FU/FL026	FD101	-2.5* +1.5* CYL ADDR REG 2
CYLINDER ADDR REG 4	WF011		SIG - BB	SIG - BC	FU/FL026	FD101	-2.5* +1.5* CYL ADDR REG 4
CYLINDER ADDR REG 8	WF011		SIG - BD	SIG - BE	FU/FL026	FD101	-2.5* +1.5* CYL ADDR REG 8
CYLINDER ADDR REG 16	WF011		SIG - BF	SIG - BH	FU/FL026	FD101	-2.5* +1.5* CYL ADDR REG 16
CYLINDER ADDR REG 32	WF011		SIG - BJ	SIG - BK	FU/FL026	FD101	-2.5* +1.5* CYL ADDR REG 32
CYLINDER ADDR REG 64	WF011		SIG - BL	SIG - BM	FU/FL026	FD101	-2.5* +1.5* CYL ADDR REG 64
CYLINDER ADDR REG 128	WF011		SIG - BN		FU/FL026	FD101	-2.5* +1.5* CYL ADDR REG 128
SELECTED FILE BUSY	WF011		SIG - BR	SIG - BS	FU/FL025	FD104	-2.5* +1.5* SEL FILE BUSY
SELECTED ON LINE	WF011		SIG - BT	SIG - BU	FU/FL025	FD104	-2.5* +1.5* SEL ON LINE
SELECTED INDEX	WF011		SIG - BV	SIG - BW	FU/FL025	FD104	-2.5* +1.5* SEL INDEX
FILE UNSAFE	WF011		SIG - BX	SIG - BY	FU/FL025	FD104	-2.5* +1.5* FILE UNSAFE
SELECTED SEEK INCOMP	WF011		SIG - BZ	SIG - CA	FU/FL025	FD104	-2.5* +1.5* SEL SK INCOMP
SELECTED END OF CYL	WF011		SIG - CB	SIG - CC	FU/FL025	FD104	-2.5* +1.5* SEL END OF CYL
SELECTED PACK CHANGE	WF011		SIG - CD	SIG - CE	FU/FL025	FD104	-2.5* +1.5* SEL PACK CHG
WRITE CURRENT SENSE	WF011		SIG - CF	SIG - CH	FU/FL025		-2.5* +1.5* WR CURRENT SNS
HEADS EXTENDED	WF011		SIG - CJ	-	YB001		HEADS EXTENDED
			SIG - CM	-	YB001		SEQUENCE PICK (OUTGOING)
							(TO NEXT FILE FRAME)
NOTE 6			SIG - CS	-			
* -3V	WF011				YB003		-3V
* +6V	WF011				YB003		+6V
* -3V	WF011	NOT USED			YB003		-3V
* -ENABLE A	WF011	WITH REMOTE			YB003		-ENABLE A
* -DISABLE A	WF011	ATTACHMENT			YB003		-DISABLE A
* -ENABLE B	WF011	SWITCH			YB003		-ENABLE B
* -DISABLE B	WF011	FEATURE			YB003		-DISABLE B
* +6 TO -3 MULTI-TAG SW	WF011				YB003		+6 TO -3 MULTI-TAG SW

DATE	EC NUMBER	DATE	EC NUMBER	P/N	TYPE	WF002
APR 66	416034	AUG 68	420946			
JUN 66	416124			2218332		
AUG 66	416128	REDRAWN				
DEC 66	420637					
1APR68	422947					

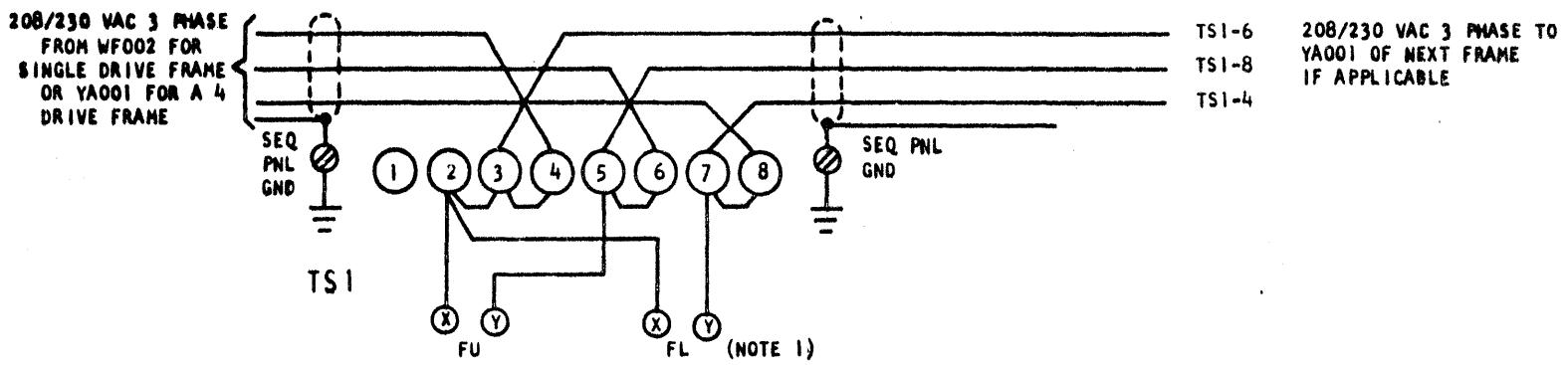
- NOTES:
- FOR CABLE INTERFACE LAYOUT SEE LOGIC PAGE WF001
 - THE "INT" CONNECTOR CARRIES ALL THE SIGNALS THAT THE "SIG" CONNECTORS CARRY PLUS TWO +3V DC LINES FOR THE FILE TERMINATOR PLUG.
 - SEQUENCE PICK (INCOMING) MAY BE FROM THE FCU OR FROM "SIG-CH" - SEQUENCE PICK OUTGOING OF THE PRECEDING FILE FRAME.
 - THESE LINES OCCUR NINE (9) TIMES, ONCE TO EACH FILE DRIVE.
 - OPTIONAL FEATURE TWO CHANNEL SWITCH
 - JUMPERS WITH MALE PINS BETWEEN AW AND CS IN FEMALE CONNECTORS ARE NON-FUNCTIONAL - TO ENSURE CORRECT PLUGGING ONLY

7
6
5
4
3
2

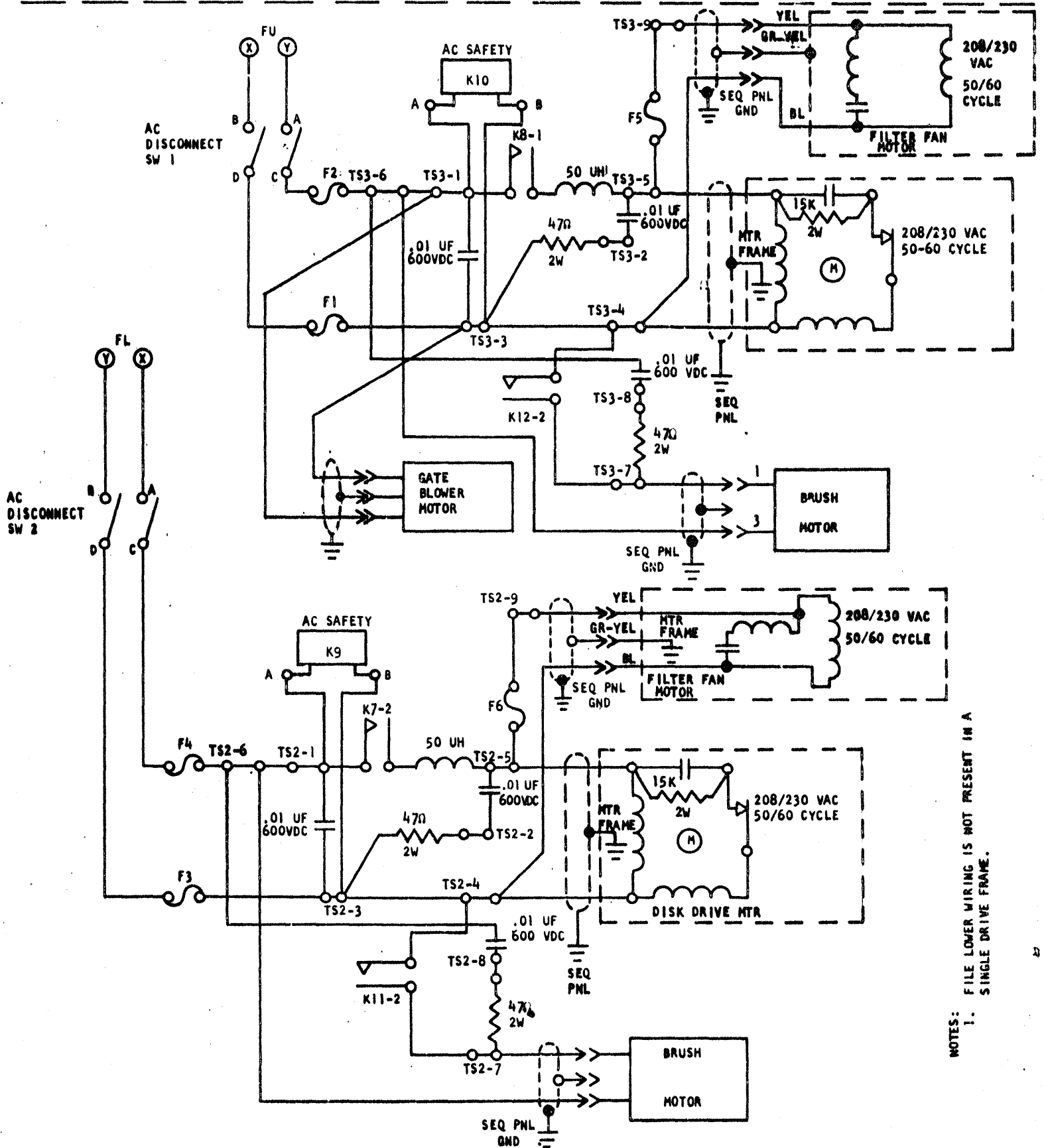
50 CYCLE AC PWR DISTRIBUTION



60 CYCLE AC PWR DISTRIBUTION



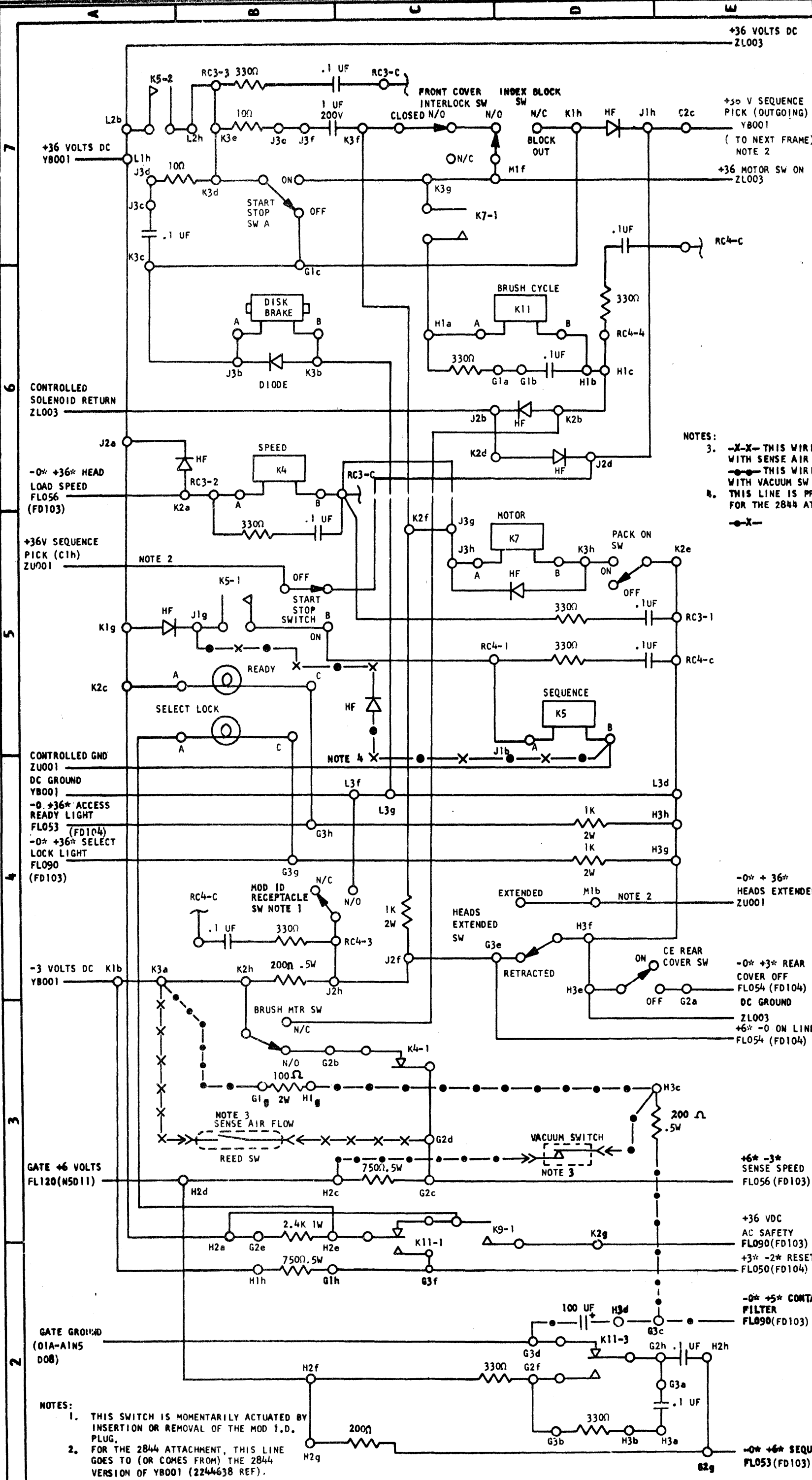
FILE UPPER



FILE LOWER
NOTE 1

NOTES:
1. FILE LOWER WIRING IS NOT PRESENT IN A SINGLE DRIVE FRAME.

AC POWER CONTROL		P/N		TYPE		YA001	
FC NUMBER	DATE	DATE					
416034	APR 66	2218333					
420834	SEP 66						
420926	MAY 67						



POWER ON/OFF SEQUENCING FILE		LOWER		DATE		P/N		TYPE		ZL001	
DATE	EC NUMBER	DATE	EC NUMBER	DATE	EC NUMBER	DATE	EC NUMBER	DATE	EC NUMBER	DATE	EC NUMBER
JUN66	416091	DEC66	420852	JUL66	416097	FEB 67	420841	AUG66	416097A	MAR 67	420925
OCT66	420832	NOV66	420843								

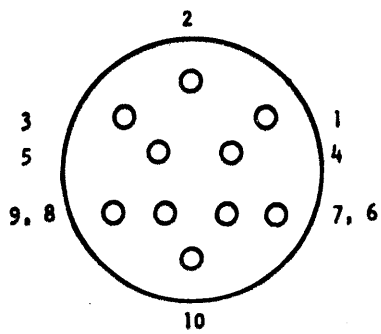
NOTES:
 3. -X-X- THIS WIRING ON MACH. WITH SENSE AIR FLOW SW ONLY.
 -●- THIS WIRING ON MACH. WITH VACUUM SW ONLY.
 4. THIS LINE IS PRESENT ONLY FOR THE 2844 ATTACHMENT
 -X-

NOTES:
 1. THIS SWITCH IS MOMENTARILY ACTUATED BY INSERTION OR REMOVAL OF THE MOD I.D. PLUG.
 2. FOR THE 2844 ATTACHMENT, THIS LINE GOES TO (OR COMES FROM) THE 2844 VERSION OF YB001 (2244638 REF).

-0* +6* SEQUENCE START PULSE FLO53 (FD103)

A B C D E

7
6
5
4
3
2

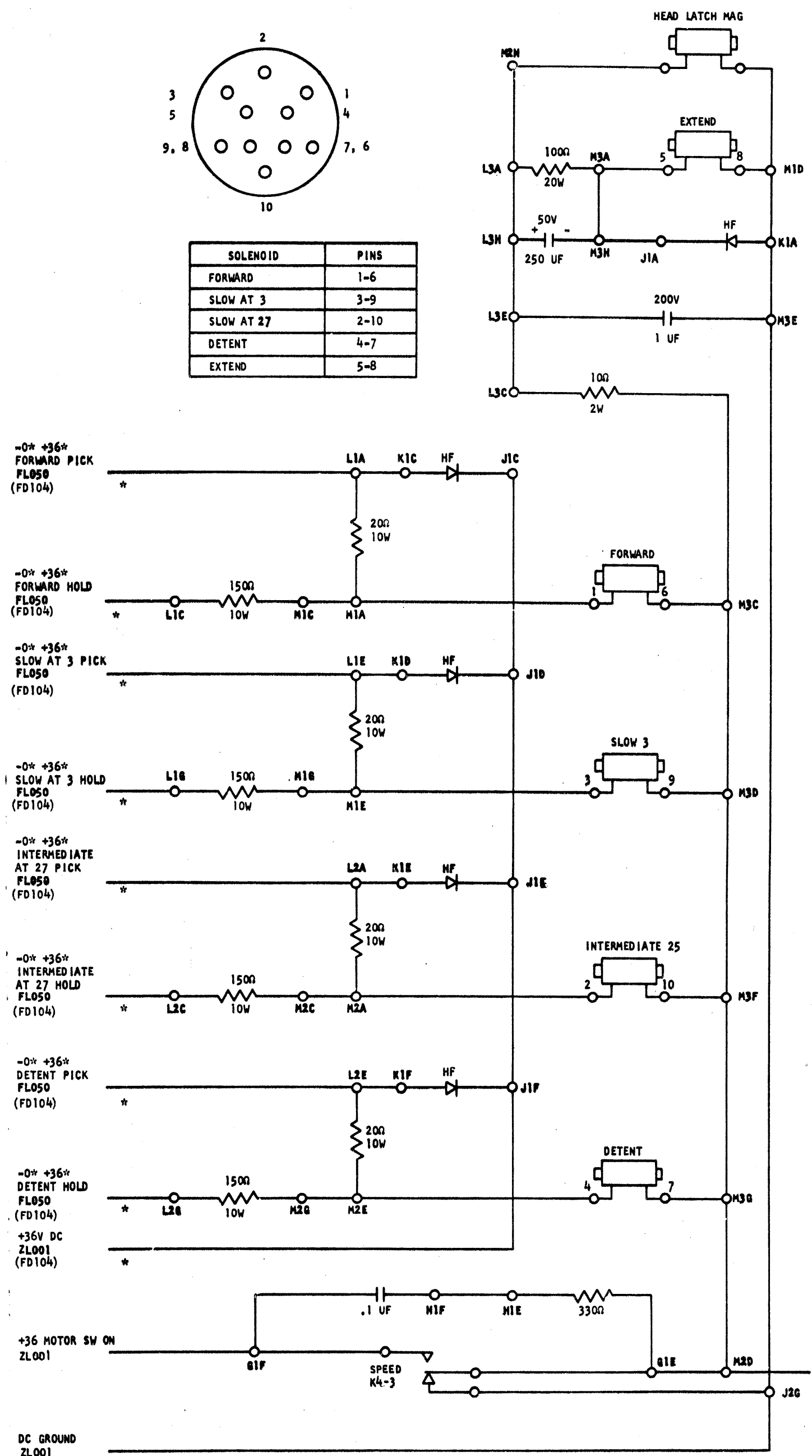


SOLENOID	PINS
FORWARD	1-6
SLOW AT 3	3-9
SLOW AT 27	2-10
DETENT	4-7
EXTEND	5-8

SOLENOIDS-FILE LOWER		DATE		P/N		TYPE	
EC NUMBER	DATE	DATE	MAR 67	2218336			
APR 66	416034	MAR 67	420925				
		MAY 67	420926				
		MAR 68	422947				

IBM

RED



-0* +36*
FORWARD PICK
FL050
(FD104)

-0* +36*
FORWARD HOLD
FL050
(FD104)

-0* +36*
SLOW AT 3 PICK
FL050
(FD104)

-0* +36*
SLOW AT 3 HOLD
FL050
(FD104)

-0* +36*
INTERMEDIATE
AT 27 PICK
FL050
(FD104)

-0* +36*
INTERMEDIATE
AT 27 HOLD
FL050
(FD104)

-0* +36*
DETENT PICK
FL050
(FD104)

-0* +36*
DETENT HOLD
FL050
(FD104)

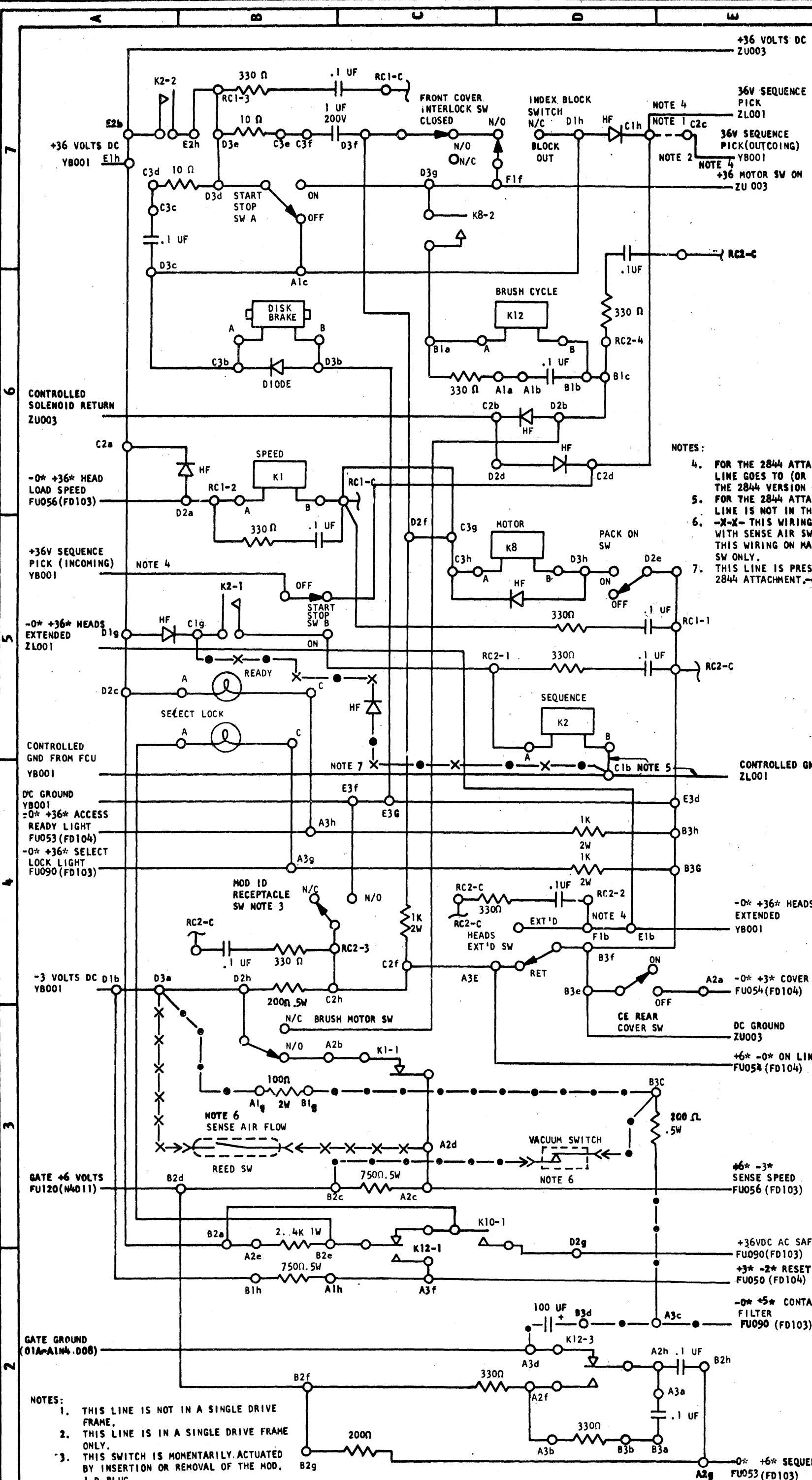
+36V DC
ZL001
(FD104)

+36 MOTOR SW ON
ZL001

DC GROUND
ZL001

CONTROLLED
SOLENOID RETURN
ZL001

* TWISTED PAIR - GROUNDED WIRE CONNECTED ONLY AT GATE END ON CONNECTOR GROUND STRIP.



POWER ON/OFF SEQUENCING FILE		DATE		P/N		TYPE	
DATE	EC NUMBER	DATE	EC NUMBER	DATE	EC NUMBER	DATE	EC NUMBER
JUN 66	416091	DEC 66	420852				
JUL 66	416097	FEB 67	420841				
AUG 66	416098A	MAR 67	420925				
OCT 66	420832	MAY 67	420926				
NOV 66	420843	MAR 68	42947				

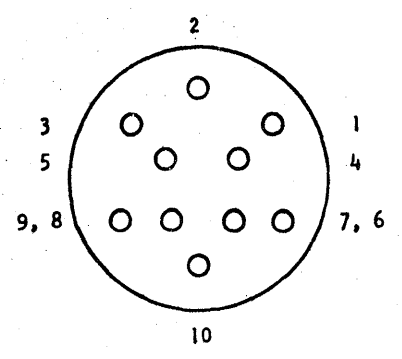
- NOTES:
- FOR THE 2844 ATTACHMENT, THIS LINE GOES TO (OR COMES FROM) THE 2844 VERSION OF YB001.
 - FOR THE 2844 ATTACHMENT, THIS LINE IS NOT IN THE MACHINE.
 - X- THIS WIRING ON MACH. WITH SENSE AIR SW ONLY, -X- THIS WIRING ON MACH. WITH VACUUM SW ONLY.
 - THIS LINE IS PRESENT ONLY FOR THE 2844 ATTACHMENT. -X-

- NOTES:
- THIS LINE IS NOT IN A SINGLE DRIVE FRAME.
 - THIS LINE IS IN A SINGLE DRIVE FRAME ONLY.
 - THIS SWITCH IS MOMENTARILY ACTUATED BY INSERTION OR REMOVAL OF THE MOD. 1.D PLUG.

ZU001

IBM

7
6
5
4
3
2



SOLENOID	PINS
FORWARD	1-6
SLOW AT 3	3-9
SLOW AT 27	2-10
DETENT	4-7
EXTEND	5-8

-0* +36*
FORWARD PICK
FU050
(FD104)

-0* +36*
FORWARD HOLD
FU050
(FD104)

-0* +36*
SLOW AT 3 PICK
FU050
(FD104)

-0* +36*
SLOW AT 3 HOLD
FU050
(FD104)

-0 +36*
INTERMEDIATE AT
27 PICK
FU056
(FD104)

-0* +36*
INTERMEDIATE AT
27 HOLD
FU050
(FD104)

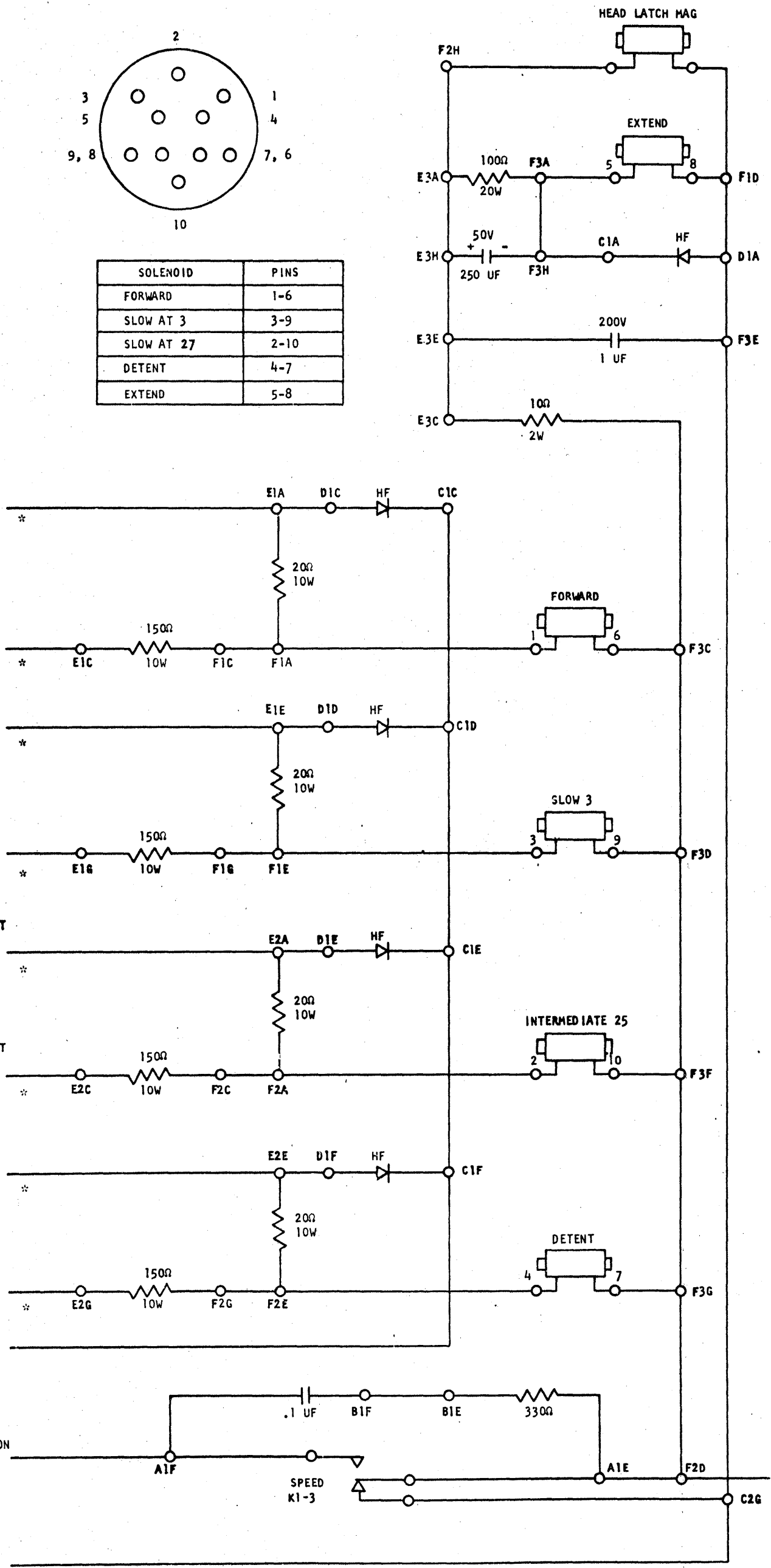
-0* +36*
DETENT PICK
FU050
(FD104)

-0* +36*
DETENT HOLD
FU050
(FD104)

+36V DC
ZU001

+36 MOTOR SW ON
ZU001

DC GROUND
ZU001



SOLENOIDS-FILE UPPER		P/N		ZU003	
DATE	EC NUMBER	DATE	TYPE		
APR 66	416034	MAR 67	2218338		
MAR 67	420925	MAY 67	420926		
MAR 68	422947				

RED

* TWISTED PAIR - GROUNDED WIRE CONNECTED ONLY AT GATE END ON CONNECTOR GROUND STRIP.

FILE SEQUENCE PANEL LOCATION CHARTS

EDGE CONNECTOR LOCATIONS

	ZU00X - UPPER DRIVE						ZL00X - LOWER DRIVE						N
	A	B	C	D	E	F	G	H	J	K	L	M	
1a	001/D6	001/C6	003/E6	003/E6	003/C6	003/C5	001/D6	001/C6	003/E6	003/E6	003/C6	003/C5	YB001/A6
b	001/D6	001/D6	001/D5	001/A4	001/D4	001/D4	001/D6	001/D6	001/D5	001/A4	003/C6	003/C5	YB001/A6
c	001/B7	001/D6	003/D6	003/C6	003/B5	003/C5	001/B7	001/D6	003/D6	003/C6	003/B5	003/C5	
d			003/D5	003/C5		003/E7			003/D5	003/C5		003/E7	
e	003/E2	003/D3	003/D4	003/C4	003/C5	003/C4	003/E2	003/D3	003/D4	003/C4	003/C5	003/C4	YB001/A3
f	003/B2	003/D3	003/D3	003/C3	003/C3	001/D7	003/B2	003/D3	003/D3	003/C3	003/C3	001	YB001/A3
g	001/B3	001/B3	001/B5	001/A5	003/B4	003/C4	001/B3	001/B3	001/B5	001/A5	003/B4	003/C4	
h	001/B2	001/B2	001/D7	001/D7	001/A7		001/B2	001/B2	001/D7	001/D7	001/A7		
2a	001/E4	001/B3	001/A6	001/B6	003/C4	003/C4	001/E4	001/B3	001/A6	001/A6	003/C4	003/C4	
b	001/C3	001/D6	001/D6	001/D6	001/A7	003/C4	001/C3	001/B3	001/D6	001/D6	001/A7	003/C4	
c	001/C3	001/B3	NOTE 1	001/A5	003/B4	003/C4	001/C3	001/B3	001/D6	001/A5	003/B4	003/C4	
d	001/C3	001/A3	001/D6	001/D6	003/E2	003/E2	001/C3	001/A3	001/D6	001/D6	003/E2	003/E2	
e	001/B3	001/B3	001/E5	003/C3	003/C3	003/C3	001/B3	001/B3	001/E5	003/C3	003/C3	003/C3	
f	001/D2	001/B2	001/C4	001/C5			001/D2	001/B2	001/C4	001/C5			
g	001/E2	001/B2	003/E2	001/D3	003/B3	003/C3	001/E2	001/B2	003/E2	001/D3	003/B3	003/C3	
h	001/E2	001/E2	001/B4	001/B4	001/B7	003/D7	001/E2	001/E2	001/B4	001/B4	001/B7	003/D7	
3a	001/D2	001/D2		001/A4	003/D7	003/D7	001/D2	001/D2		001/A4	003/D7	003/D7	
b	001/D2	001/D2	001/B6	001/B6			001/D2	001/D2	001/B6	001/B6			
c	001/D2	001/E3	001/A7	001/A7	003/D6	003/E5	001/D2	001/E3	001/A7	001/A7	003/D6	003/E5	
d	001/D2	001/C2	001/A7	001/B7	001/E4	003/E4	001/D2	001/D2	001/A7	001/B7	001/E4	003/E4	
e	001/D4	001/D4	001/B7	001/B7	003/D6	003/E6	001/D4	001	001/B7	001/B7	003/D6	003/E6	
f	001/C2	001/D4	001/B7	001/B7	001/C4	003/E4	001/C2	001/D4	001/C5	001/C7	001/C4	003/E4	
g	001/B4	001/E4	001/C5	001/C7	001/C4	003/E3	001/B4	001/D4	001/C5	001/C7	001/C4	003/E3	
h	001/B4	001/E4	001/C5	001/C5	003/D6	003/D6	001/B4	001/E4	001/C5	001/C7	001/C4	003/E3	

NOTE 1: EDGE CONNECTOR C2c IS ON LP ZU001 FOR SINGLE DRIVE FRAME OR ZL001 ON A FOUR DRIVE FRAME.

COMPONENT LOCATIONS			
DATE	EC NUMBER	DATE	EC NUMBER
APR 66	416034	MAY 67	420926
JUL 66	416097A	MAR 68	422947
SEP 66	420832		
OCT 66	420843		
MAR 67	420925		

DATE	P/N	TYPE	ITEM
2218339			Z7001

RELAY LOCATIONS

RELAY	NAME	COIL	CONTACT		
			1	2	3
K1	SPEED	ZU001/B6	ZU001/C3	YB001/D6	ZU003/D2
K2	SEQUENCE	ZU001/D5	ZU001/B5	ZU001/A7	
K4	SPEED	ZL001/B6	ZL001/C3	YB001/D2	ZL003/D2
K5	SEQUENCE	ZL001/D5	ZL001/B5	ZL001/A7	
K11	BRUSH CYC	ZL001/D6	ZL001/C2	YA001/C2	ZL001/D2
K7	MOTOR	ZL001/D5	ZL001/C7	YA001/C3	-
K8	MOTOR	ZU001/D5	YA001/D5	ZU001/C7	-
K10	AC SAFETY	YA001/C5	ZU001/D2	-	-
K12	BRUSH CYC	ZU001/D6	ZU001/C2	YA001/D4	ZU001/D2
K9	AC SAFETY	YA001/C3	ZL001/D2	-	-

SWITCH LOCATIONS

SWITCH	PAGE NO	
	UPPER FILE	LOWER FILE
START/STOP SW (SIDE A)	ZU001/B7	ZL001/B7
START/STOP SW (SIDE B)	ZU001/B5	ZL001/B5
INDEX BLOCK SW	ZU001/D7	ZL001/D7
BRUSH MOTOR	ZU001/B3	ZL001/B3
PACK ON SW	ZU001/D5	ZL001/D5
HEADS EXTENDED SW	ZU001/D4	ZL001/D4
MODULE I.D. SW.	ZU001/C4	ZL001/C4
CE REAR COVER SW	ZU001/E3	ZL001/E3
AC DISCONNECT SW 1	YA001/B5	-
AC DISCONNECT SW 2	-	YA001/B4
FRONT COVER INTERLOCK	ZU001/C7	ZL001/C7

FUSE LOCATIONS

FUSE	RATING	CIRCUIT	PAGE NO	PART NUMBER	TYPE
F1	8 AMP SLO BLO	208 AC	YA001/C4	107668	FNM 8
F2	8 AMP SLO BLO	208 AC	YA001/C5	107668	FNM 8
F3	8 AMP SLO BLO	208 AC	YA001/B2	107668	FNM 8
F4	8 AMP SLO BLO	208 AC	YA001/B3	107668	FNM 8
F5	1.5A SLO BLO	208 AC	YA001/D5	505077	313 3AG
F6	1.5A SLO BLO	208 AC	YA001/D3	505077	313 3AG
F7	4A FAST FLO	+36 DC	YB001/D7	111257	MTH 4
F8	4A FAST BLO	+36 DC	YB001/D2	111257	MTH 4

RC BLOCK LOCATIONS

	RC1	RC2	RC3	RC4
1	ZU001/E5	ZU001/D5	ZL001/E5	ZL001/D5
2	ZU001/B6	ZU001/D4	ZL001/B6	
3	ZU001/B7	ZU001/C4	ZL001/B7	ZL001/C4
4		ZU001/D6		ZL001/D6
C	ZU001/C7	ZU001/E7	ZL001/C7	ZL001/E7

TERMINAL STRIP LOCATIONS

	TS1	TS2	TS3	TS4	TS5	TS6	TS7	TS8	TS9
1	YA001/B6	YA001/C3	YA001/C5	YB001/B7	YB001/B2	YB001/E7	YB001/E3	YB001/E6	YB001/E2
2	YA001/B6	YA001/D3	YA001/D5	YB001/B7	YB001/B2	YB001/E7	YB001/E3	YB001/E6	YB001/E2
3	YA001/B6	YA001/C3	YA001/C4	YB001/B7	YB001/B2	YB001/E7	YB001/E3	YB001/E6	YB001/E2
4	YA001/B6	YA001/C2	YA001/D4	YB001/B7	YB001/B2	YB001/E7	YB001/E3	YB001/E6	YB001/E2
5	YA001/B6	YA001/C3	YA001/D5	YB001/B7	YB001/B2	YB001/E7	YB001/E3	YB001/E6	YB001/E2
6	YA001/C6	YA001/C3	YA001/C5	YB001/C7	YB001/C2	YB001/E7	YB001/E3	YB001/E6	YB001/E2
7	YA001/C6	YA001/C2	YA001/D4	YB001/C7	YB001/C2	YB001/E7	YB001/E3	-	-
8	YA001/C6	YA001/C2	YA001/D4	YB001/C7	YB001/C2	YB001/E7	YB001/E3	-	-
9	-	YA001/D3	YA001/D5	YB001/C7	YB001/C2	-	-	-	-
10	-	-	-	YB001/D7	YB001/D2	-	-	-	-
11	-	-	-	YB001/D7	YB001/D2	-	-	-	-
12	-	-	-	YB001/D7	YB001/D2	-	-	-	-
13	-	-	-	YB001/D7	YB001/D2	-	-	-	-
14	-	-	-	YB001/D7	YB001/D2	-	-	-	-