

CHANGES

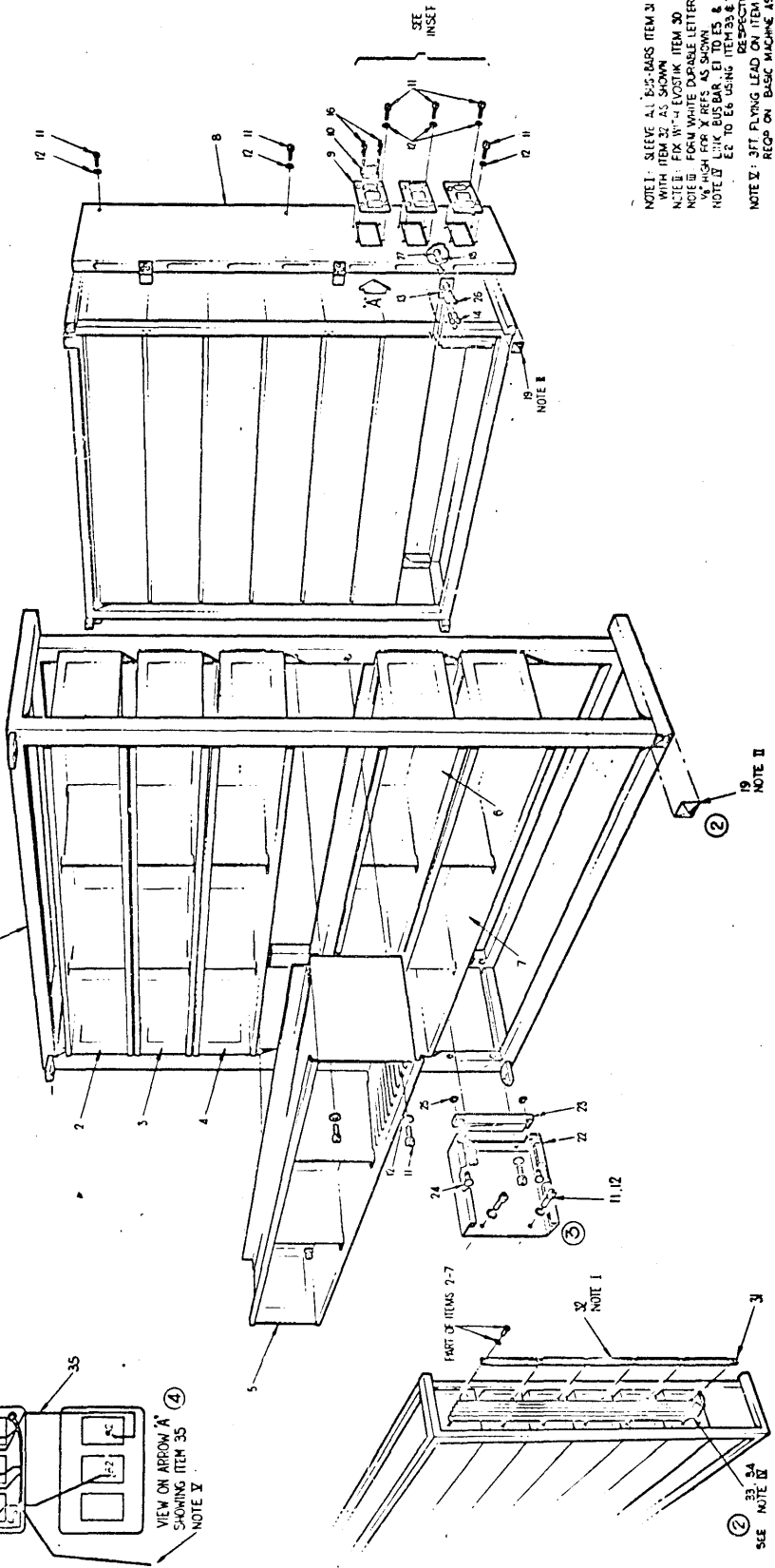
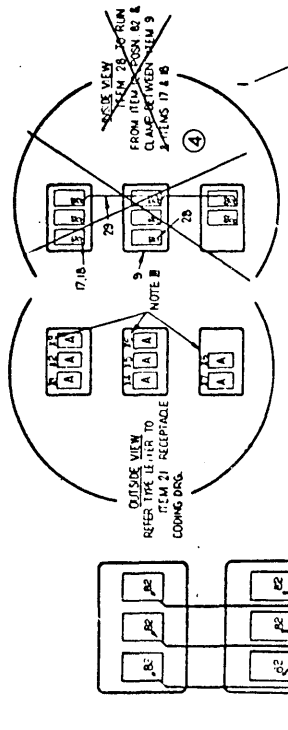
SR/359/10 PDI
 6828
 7355
 7490

9-64
 19365
 6-65

Amick
Clark
Kent

ISS

1
 2
 3
 4



NOTE I: SLEEVE AT BUS-BARS ITEM 31 WITH ITEM 22 AS SHOWN WITH ITEM 30
 NOTE II: FROM WHITE COPIABLE LETTERS WE HIGH FOR X BEFS AS SHOWN
 NOTE III: LINK BUS BAR, E1 TO E5 & E2 TO E6 USING ITEM 33 & 34
 NOTE IV: SET FLYING LEAD ON ITEM 35 RECP ON BASIC MACHINE ASSY.

VIEW SHOWING DISPOSITION OF BUS-BARS

888905 / 4 ISSUE

DOOR 01

DRAWN TO PROV. STD 700110

ISSUE SHEET 4

1	2	3	4	5	6	7	8	9	10	11	12	13	14	15	16	17	18	19	20
---	---	---	---	---	---	---	---	---	----	----	----	----	----	----	----	----	----	----	----

ISSUE NUMBERS OF OTHER SHEETS AT THE TIME OF ISSUING THIS SHEET

ITEM No.	ISSUE No. IN/OUT	PART No.	QTY	DESCRIPTION	ITEM No.	ISSUE No. IN/OUT	PART No.	QTY	DESCRIPTION
1	1	887586	F	WELD FRAME	31	1	5000351	P	BUS BAR
2	1	5000288	A	CARD BOX	32	1	DA85155	O	SLEEVE
3	1	5000289	A	CARD BOX	33	2	5008074	A	B B LINK
4	1	5000290	A	CARD BOX	34	2	5008075	A	B B LINK
5	1	5000291	A	CARD BOX	35	4	5010899	A	EARTH CONN
6	1	5000292	A	CARD BOX					
7	1	5000293	A	CARD BOX					
8	1	887608	A	SIDE COVER					
9	1	887612	P	MTG PANEL					
10	1	889568	O	CONNECTOR	28	1	CHANGES	A	
11	3	232	P	SCREW	29	1	5000331	A	7490
12	3	879070	P	WASHER	11	4	958429	R	7490
13	1	889700	O	HINGE	12	1	232	P	7355
14	1	769265	O	S T SCR	13	1	879070	P	7355
15	1	889567	O	GUIDE PIN	22	1	888909	P	7355
16	1	860899	P	NUT	19	1	880876	O	6828
17	1	872675	O	WASHER					
18	1	880876	O	CAP					
19	2	889565	D	CONN CODE					
20	1	5006490	A	BRACKET					
21	3	888012	O	CONNECTOR					
22	1	DA85819	P	PIN					
23	1	759510	O	CIRCLIP					
24	1	880801	P	SCREW					
25	1	880779	P	NUT					
26	1	702831	S	EOVSTIK					
27	1								
28	1								
29	1								
30	1								

I.C.T.	DOOR	888905	4	ISSUE	DRW. TO	ISSUE	4																
	01				ASSEMBLY	PROV. STA	SHEET	2															
				ISSUE NUMBERS OF OTHER SHEETS AT THE TIME OF ISS. THIS SH.																			
				1	2	3	4	5	6	7	8	9	10	11	12	13	14	15	16	17	18	19	20