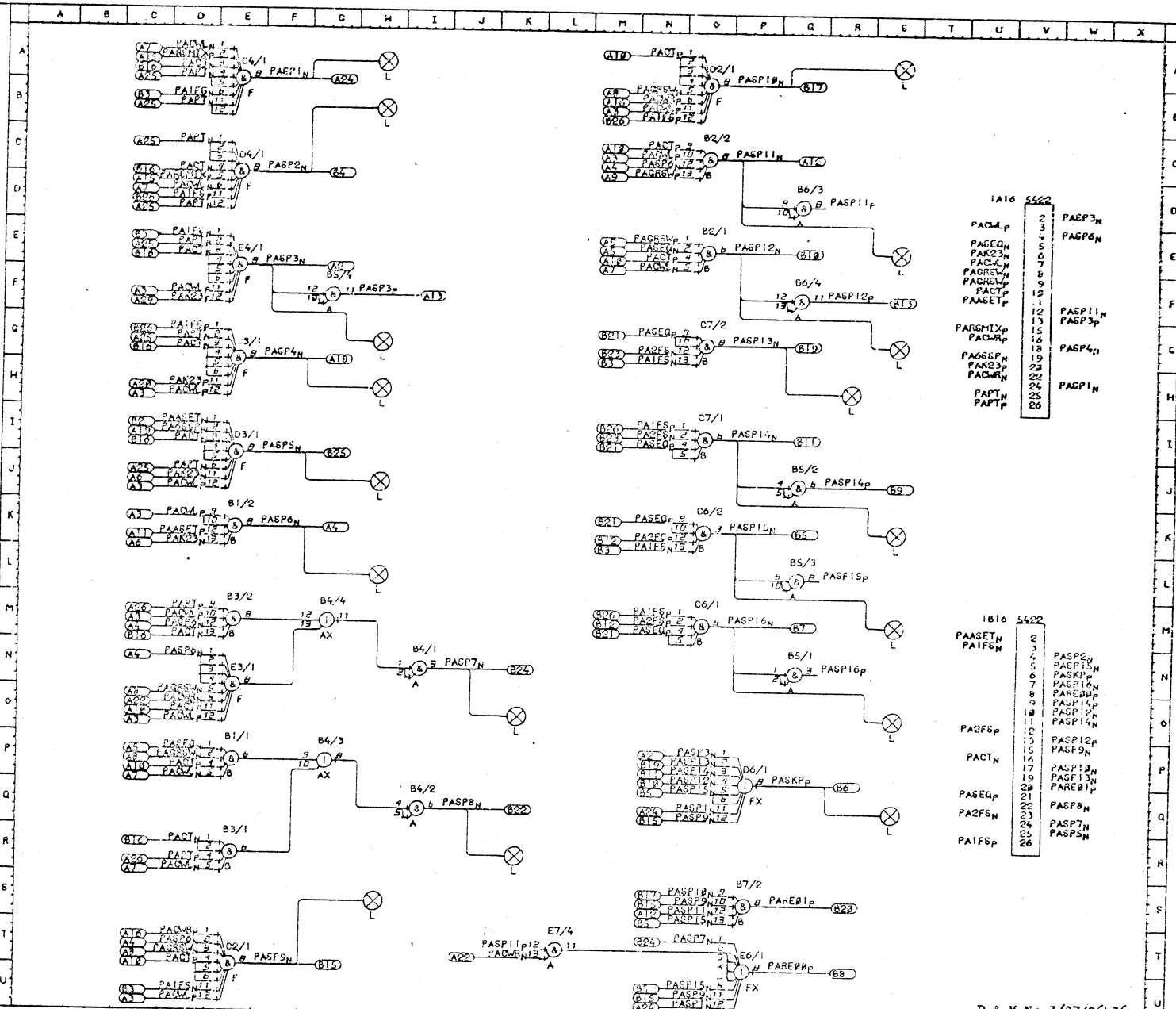


PAIFSp 2 EC EG OA  
 01 OM VM  
 PAIFSp 2 CA EE ET  
 0C OK VM  
 PAQFSp 2 OK OM VM  
 PAQFSp 2 OC OT VM  
 PAFSp 03 ET VO  
 PAASETSp 01 EK VO  
 PAASETSp 01 ET VM  
 PACTSp 18 EN EP ET  
 0A OC VO  
 PACTSp 10 EA EC EE  
 03 E1 EM ER VM  
 PACMSp 18 ZE EG ET  
 EA EN ET OA  
 0C VO  
 PACMSp 18 EA EC EP  
 ER CE VM  
 PACMSp 18 ET OA VO  
 PACMSp 18 EN LT VO  
 PACMSp 18 OC VE VO  
 PACMSp 18 EN EP ET  
 OA VO  
 PAI1Sp 84 EE EG VO  
 PAI2Sp 81 ET EK VO  
 PAI3Sp 18 EA EC EE  
 EG ET VO  
 PAREM1Sp 20 VM  
 PAREM2Sp 25 EA EC VO  
 PAREM3Sp 02 OK VO  
 PAREM4Sp 01 OK VO  
 PAREM5Sp 01 OK VM  
 PAREM6Sp 13 OK VM  
 PAREM7Sp 2 HA PP  
 PT VM  
 PASP10Sp 2 63 64  
 65 PS SA VM  
 PASP11Sp 2 PS QD  
 SE VO  
 PASP12Sp 2 VM  
 PASP13Sp 2 63 64  
 65 PF QF 60 VM  
 PASP14Sp 2 11 PP  
 RR VM  
 PASP15Sp 2 11 PP  
 SK VM  
 PASP16Sp 2 11 PP  
 PS PT QL SM VM  
 PASP17Sp 2 11 GN  
 60 VM  
 PASP18Sp 2 63 64  
 65 HB VM  
 PASP19Sp 2 63 64 65  
 VO  
 PASP20Sp 2 GF HG  
 PP VO  
 PASP21Sp 2 14 15  
 16 EN FT HL VO  
 VM  
 PASP22Sp 2 11 KO  
 ET VM  
 PASP23Sp 2 1 63  
 64 65 KR VM  
 PASP24Sp 2 HS PP  
 PS PT VM

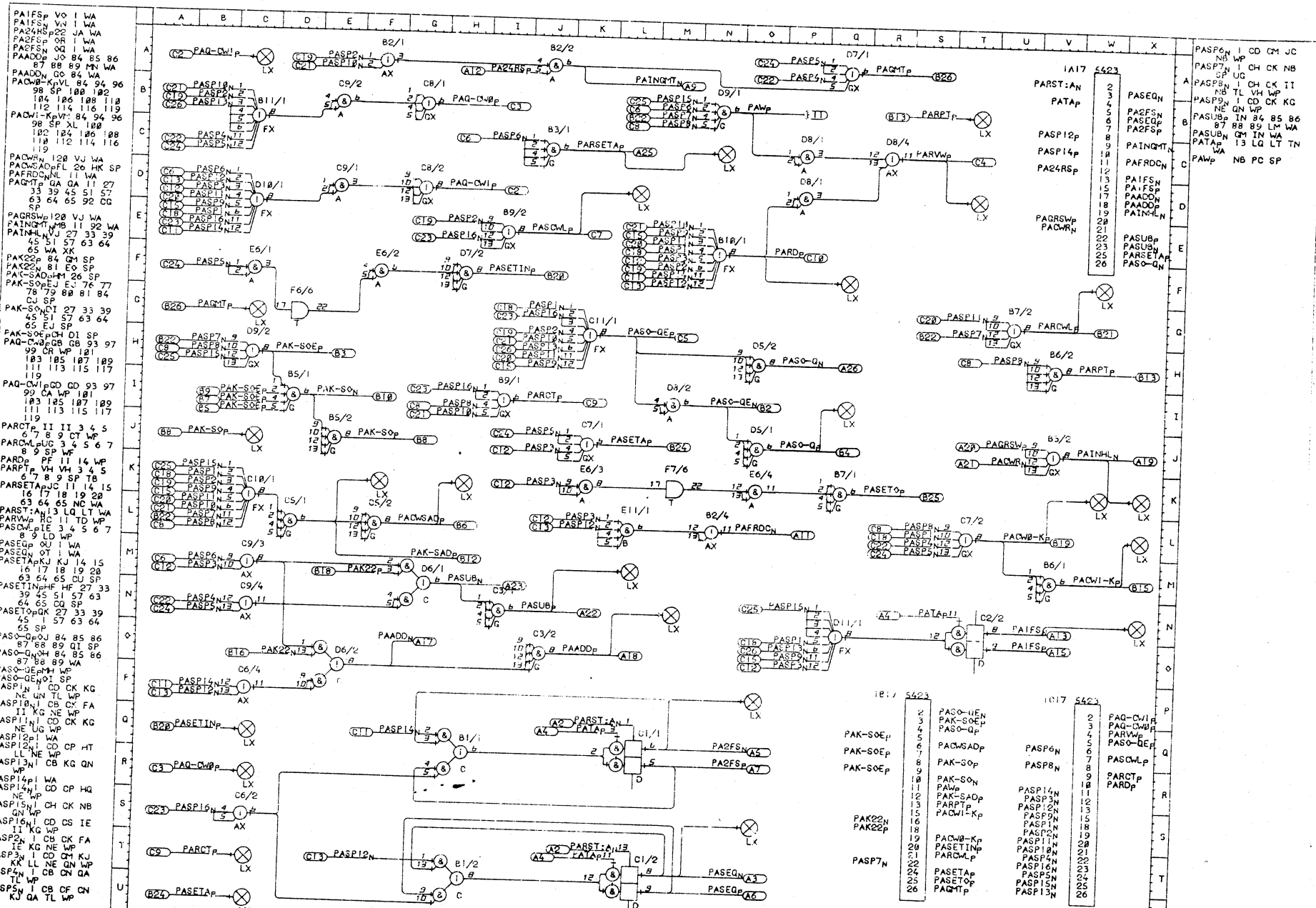


1A16 5422

PACM.p	2	PASP3N
PAGEQp	3	PASP6N
PAK3N	4	
PAC4N	5	
PADRM	6	
PAGSWp	7	
PACTp	8	
PAAGETp	9	
	10	
	11	PASP11N
	12	PASP3p
	13	
PAREM1p	14	
PACM.p	15	
	16	PASP4N
PAGGSp	17	
PAK2Sp	18	
PACM.p	19	
PAP1p	20	PASP1N
PAPTp	21	
	22	
	23	
	24	
	25	
	26	

1B10 5422

PAASETSp	2	PASP2N
PAIFSp	3	PASP15N
	4	PASKp
	5	PASP16N
	6	PAREM1p
	7	PASP14p
	8	PASP14N
	9	PASP12p
	10	PASP12N
	11	PASP14N
PASP2Sp	12	PASP12p
	13	PASP3N
PACTN	14	PASP12N
	15	PASP13N
	16	PASP13N
PAGEQp	17	PASP8N
PASP2N	18	PASP8N
	19	PASP7N
	20	PASP5N
PAIFSp	21	
	22	
	23	
	24	
	25	
	26	



PAIFSP VO I WA  
 PAIFSN VN I WA  
 PA24RS P22 JA WA  
 PA24SP OR I WA  
 PA24SQ OD WA  
 PAADOD JO 84 85 86  
 87 88 89 MN WA  
 PAADON OO 84 WA  
 PAADWB KVL 84 94 96  
 98 SP 100 102  
 104 106 108 110  
 112 114 116 118  
 PAOWI-KVNI 84 94 96  
 98 SP XL 100  
 102 104 106 108  
 110 112 114 116  
 118  
 PAOWN 120 VJ WA  
 PAOWAD PFL 20 HK SP  
 PAORODUNL 11 WA  
 PAOMTP QA QA 11 27  
 33 39 45 51 57  
 63 64 65 92 CQ  
 SP  
 PAGRSW 120 VJ WA  
 PAINGM MB 11 92 WA  
 PAINH L VJ 27 33 39  
 45 51 57 63 64  
 65 WA XK  
 PAK22P 84 QM SP  
 PAK22N 81 EJ SP  
 PAK-SADP M 26 SP  
 PAK-SOEP E J 76 77  
 78 79 80 81 84  
 CQ SP  
 PAK-SODI 27 33 39  
 45 51 57 63 64  
 65 EJ SP  
 PAK-SOEH OI SP  
 PAQ-CWGB CB CB 93 97  
 99 CR WP 101  
 103 105 107 109  
 111 113 115 117  
 119  
 PAQ-CWICD QD 93 97  
 99 CR WP 101  
 103 105 107 109  
 111 113 115 117  
 119  
 PAROT II II 3 4 5  
 6 7 8 9 CQ WA  
 PARCWLUC 3 4 5 6 7  
 8 9 SP WF  
 PARDF PF 14 16  
 PARPT VH V4 3 4 5  
 6 7 8 9 SP TB  
 PARSETAJC II 14 15  
 16 17 18 19 20  
 63 64 65 NC WA  
 PARST-AN 13 LQ LT WA  
 PARVW RC 11 TD WP  
 PASOM-TE 3 5 6 7  
 8 9 LD WP  
 PASEUP OU I WA  
 PASEUN OT WA  
 PASETAKU KU 14 15  
 16 17 18 19 20  
 63 64 65 DU SP  
 PASETINH F HF 27 33  
 39 45 51 57 63  
 64 65 CQ SP  
 PASETOPK 27 33 39  
 45 SP  
 PASO-QE OJ 84 85 86  
 87 88 89 QI SP  
 PASO-QM 84 85 86  
 87 88 89 WA  
 PASO-QEPM WP  
 PASO-QE OI SP  
 PASFIN I CD CK KG  
 NE UN TD  
 PASPIB I CB CX FA  
 II KG NE WP  
 PASPIH I CD CK KG  
 NE UN WP  
 PASPII WA  
 PASPIH I CD CK HT  
 LL NE WP  
 PASPIH I CB KG QN  
 WP  
 PASPII WA  
 PASPII CD CP HQ  
 NE WP  
 PASPIH I CH CK NB  
 QN WP  
 PASPIH I CD CS IE  
 II KG WP  
 PASP2N I CB CK FA  
 IE KG NE WP  
 PASP3N I CD CK KJ  
 KK LL NE QN WP  
 PASP4N I CB CN QA  
 TI WP  
 PASP5N I CB CF CN  
 KJ QA TL WP

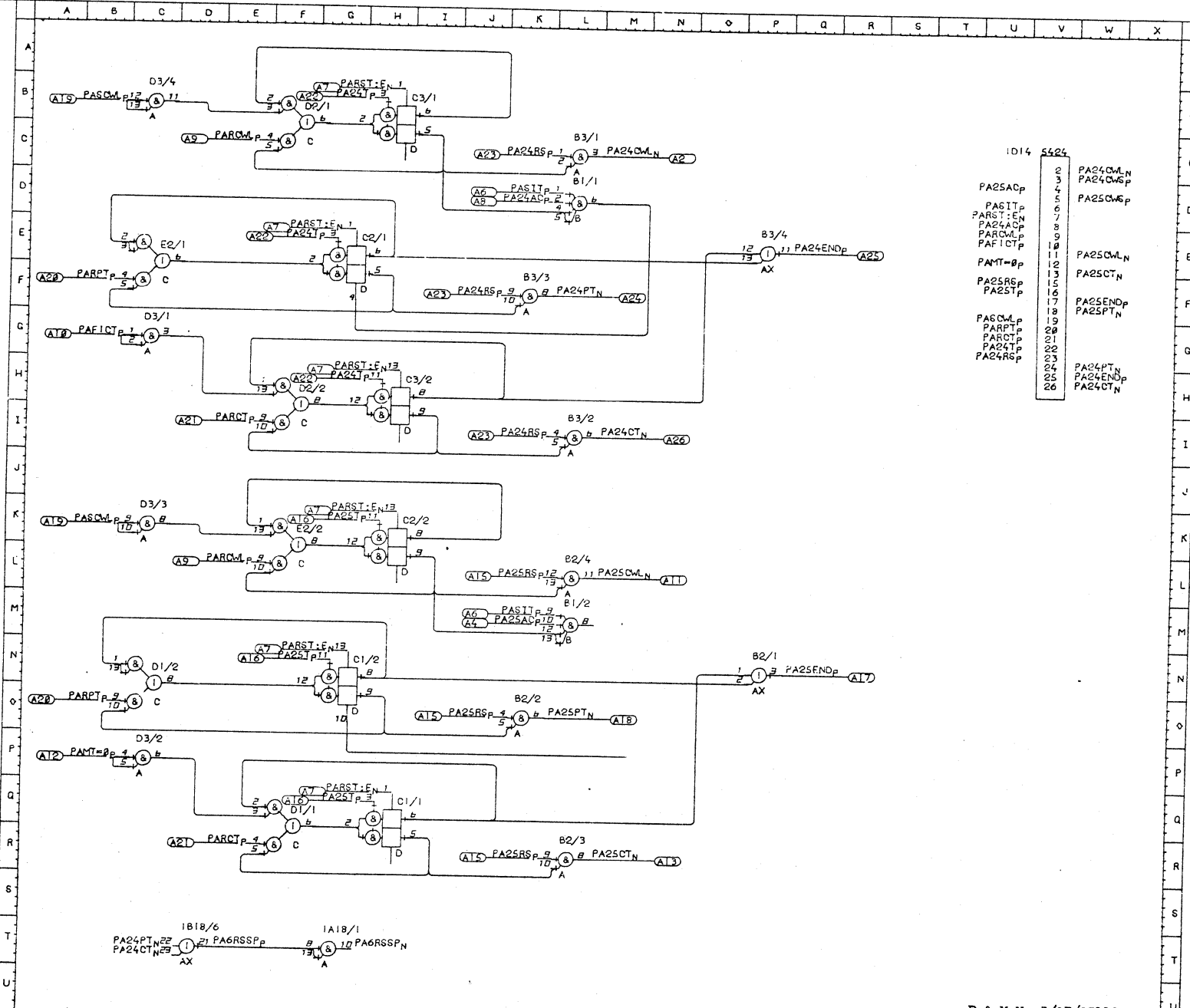
CCW: 0136 07/05/70

MICROPROGRAM B

P & M No. 3/07/06437

ISSUE: 133	TYPE MOD: 5	TYPE MOD:	TYPE MOD:	TYPE MOD:	WGHO 3FN*/0002	DATA COM 141
ACC: 3088	ECC: 3673	ECC:	ECC:	ECC:		

PA24ACP14 LD VC  
 PA24CTN10 DT VC  
 PA24CMLN10 VC  
 PA24CWSVC  
 PA24ENDPPE 22 VC  
 PA24PTNKF 10 DT VC  
 PA24RSP22 KF LC LI VC  
 PA24T 94 GE H6 HH VC  
 PA25ACP14 LM VC  
 PA25CTNLR 10 VC  
 PA25CMLN10 VC  
 PA25CWSVC  
 PA25ENDPFN 22 VC  
 PA25PTNKO 10 VC  
 PA25RSP22 KO LL LR VC  
 PA25T 96 GN HK HQ VC  
 PA6RSSPDT CT  
 PA6RSSPDT 63 64 65  
 PAFICTP63 CG VC  
 PAMT=PP92 CP VC  
 PARCTP 2 FH FG VC  
 PARCMLP 2 FB FK VC  
 PARPTP 2 DE GN VC  
 PARST:EN13 GE GN HB  
 HH HK HQ VC  
 PASCMLP 2 OB OK VC  
 PASITP 11 LO LM VC



1014 5424

2	PA24CMLN
3	PA24CWSp
4	PA25CWSp
5	
6	PASITp
7	PARST:EN
8	PA24ACP
9	PARCMLP
10	PAFICTP
11	PA25CMLN
12	PA25CTN
13	
14	PA25RSP
15	PA25T
16	PA25ENDP
17	PA25PTN
18	
19	PASCMLP
20	PARPTP
21	PARCTP
22	PA24T
23	PA24RSP
24	
25	PA24PTN
26	PA24ENDP
	PA24CTN

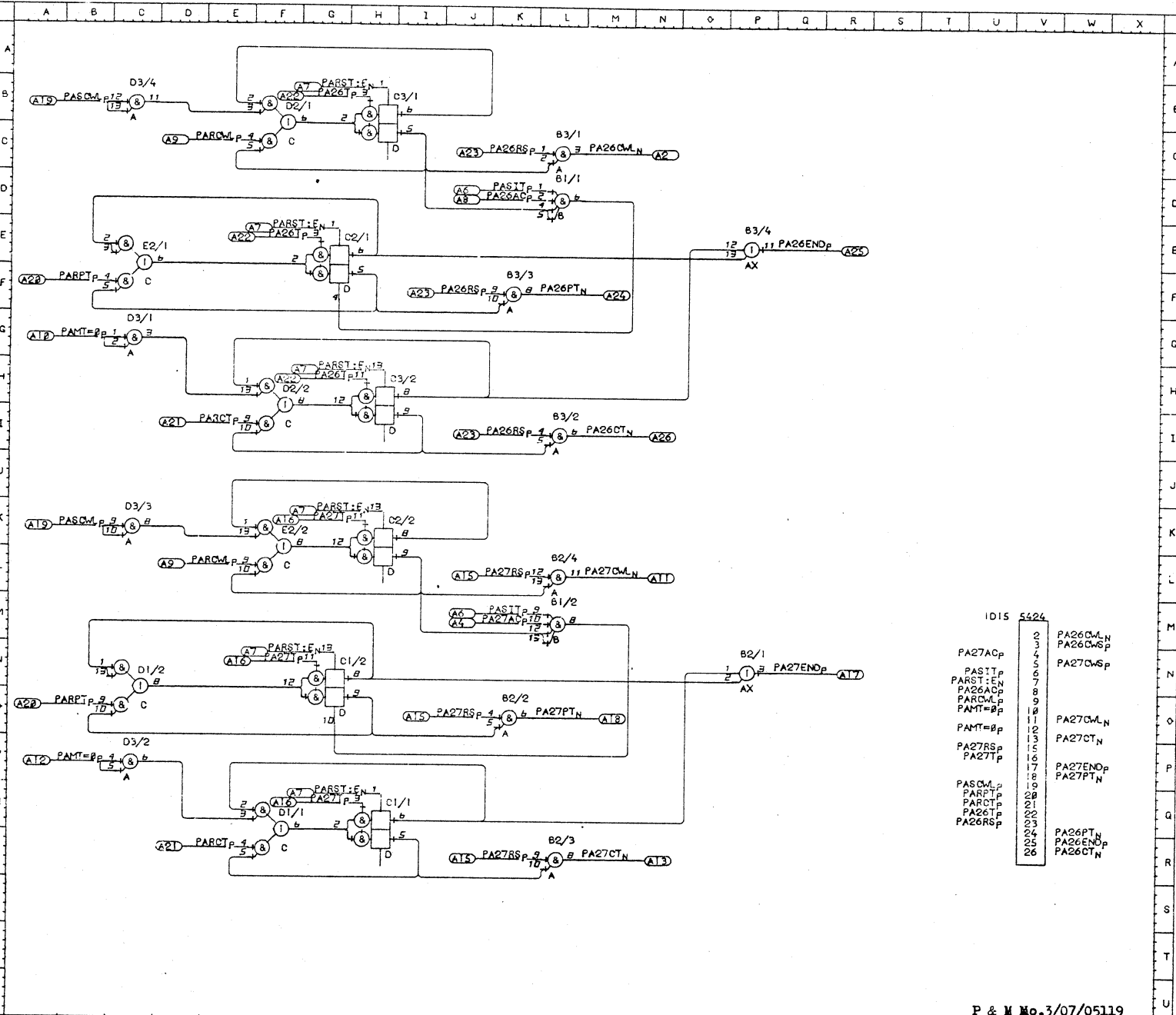
CCW:0141 07/05/70 CWL: PT: CT STATS

P & M No.3/07/05119

ISSUE: Iss	TYPE MOD: 2	TYPE MOD:	TYPE MOD:	TYPE MOD:	TYPE MOD:	TYPE MOD:
ACC: 3088	ECC: 3668	ECC:	ECC:	ECC:	ECC:	ECC:

WGH03FN\*/0003 DATA C000141

PA26ACp15 LD VM  
 PA26CTN1 10 VM  
 PA26CMLN 10 VM  
 PA26CWSp VM  
 PA26CWSp 22 VM  
 PA26PTNF 10 VM  
 PA26RSP22 KF LC LI VM  
 PA26Tp 98 GE HB HH VM  
 PA27ACp15 LM VM  
 PA27CTN 10 VM  
 PA27CMLN 10 VM  
 PA27CWSp VM  
 PA27ENDp 22 VM  
 PA27PTNF 10 VM  
 PA27RSP22 KO LL LR VM  
 PA27Tp 100 GN HK HQ VM  
 PAMT=BP92 CG CP VM  
 PARCTP 2 FH FQ VM  
 PARCWp 2 FB FK VM  
 PARCTP 2 CE GN VM  
 PARSTIP 13 GE GN HB VM  
 HH HK HQ VM  
 PASCWp 2 CB CK VM  
 PASITP 11 LD LM VM



1015 5424

2	PA26CMLN
3	PA26CWSp
4	
5	PA27CWSp
6	
7	
8	
9	
10	
11	PA27CMLN
12	PA27CTN
13	
14	
15	
16	PA27ENDp
17	PA27PTN
18	
19	
20	
21	
22	
23	
24	PA26PTN
25	PA26ENDp
26	PA26CTN

P & M No.3/07/05119

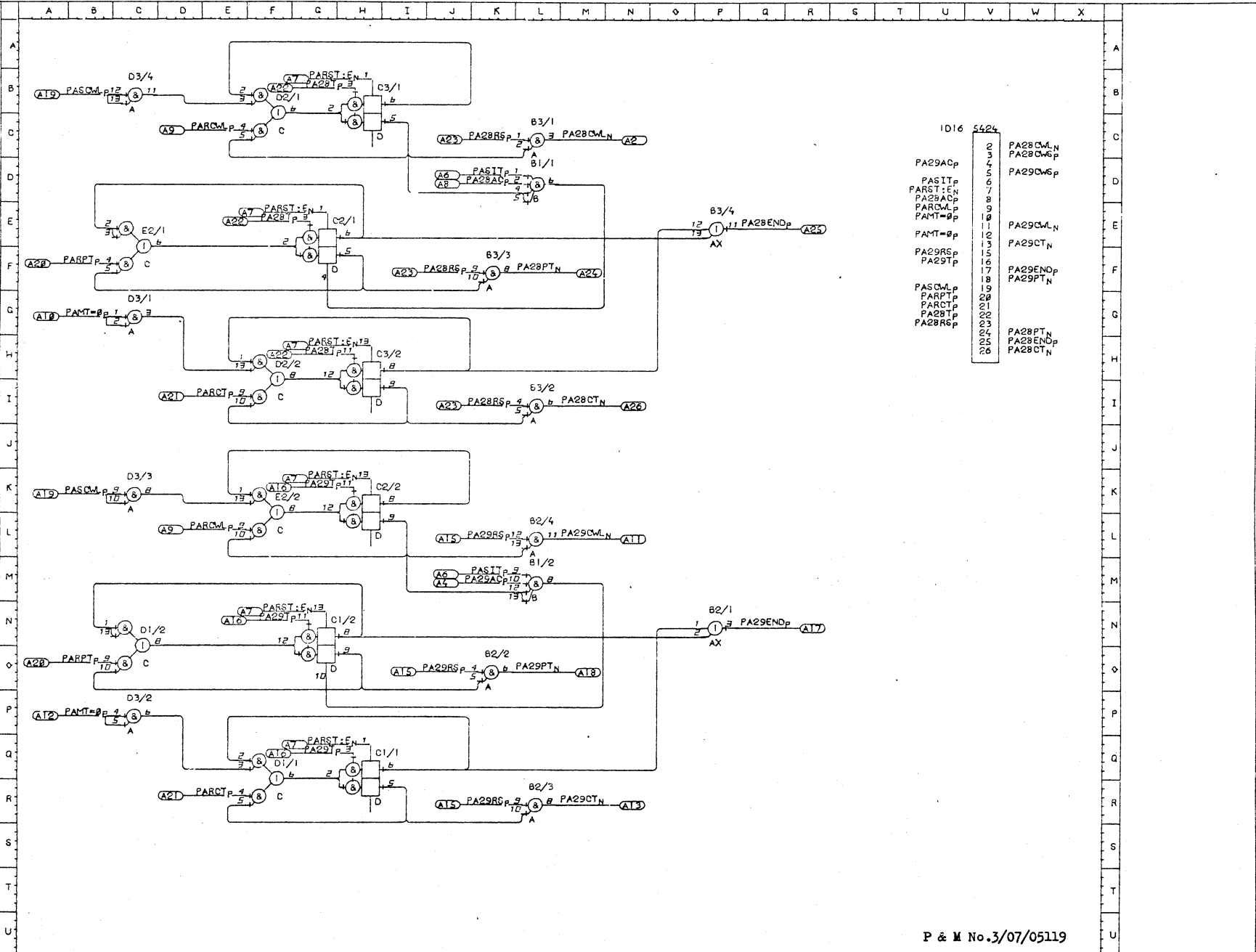
CCW:0129 07/05/70 CWL: PT: CT STATS

WGH03FN\*/0004 DATA CCW#141

ISSUE: Iss	TYPE MOD: 2	TYPE MOD:	TYPE MOD:	TYPE MOD:	TYPE MOD:	TYPE MOD:
ACC: 3088	ECC: 3668	ECC:	ECC:	ECC:	ECC:	ECC:



PA28ACp 16 LO VC  
 PA28CTN 18 VC  
 PA28CWL 18 VC  
 PA28CWSV 18 VC  
 PA28ENDPE 23 VC  
 PA28PTNK 18 VC  
 PA28RS 23 FF LC LI VC  
 PA28Tp 102 GE HB H4 VC  
 PA28ACp 16 LM VC  
 PA28CTN 18 VC  
 PA28CWL 18 VC  
 PA28CWSV 18 VC  
 PA28ENDPN 23 VC  
 PA28PTNK 18 VC  
 PA28RS 23 KQ LL LR VC  
 PA28Tp 104 GN HK HQ VC  
 PAMT=0P 92 CG CP VC  
 PARCTP 2 FH FG VC  
 PARCWP 2 FB FK VC  
 PARPTP 2 DE DN VC  
 PARST:EN 13 GE GN HB VC  
 PASCWP 2 CB CK VC  
 PASITP 11 LO LM VC



ID16 5424

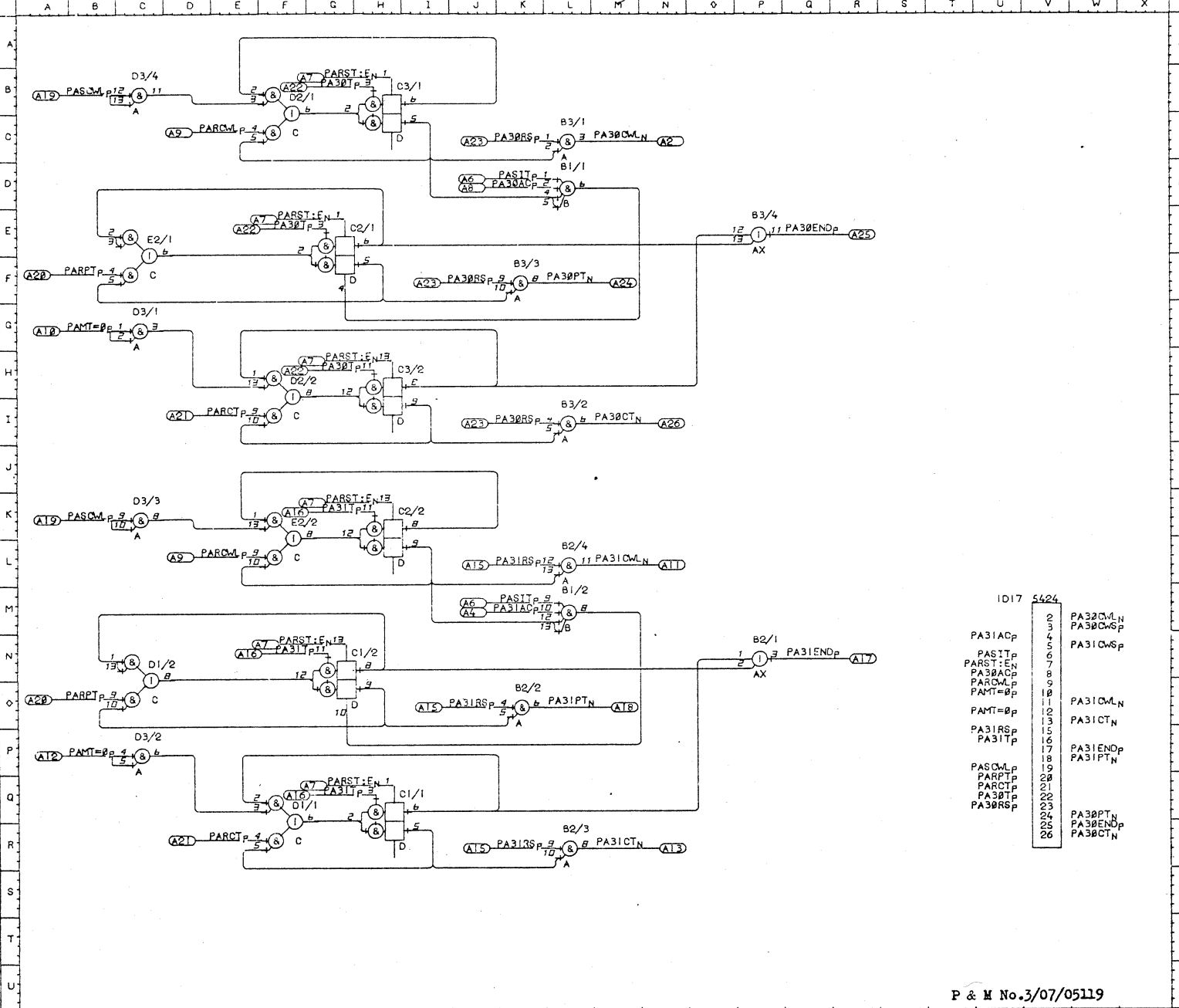
2	PA28CWL_N
3	PA28CWS_P
4	PA29CWL_P
5	PA29CWS_P
6	PASIT_P
7	PARST:EN
8	PA29AC_P
9	PARCWL_P
10	PAMT=0_P
11	PA29CWL_N
12	PA29CT_N
13	PA29END_P
14	PA29TP
15	PA29RS_P
16	PA29TP_N
17	PA29RS_P
18	PA29CT_N
19	PA28PT_N
20	PA28CWL_P
21	PARCT_P
22	PA28TP
23	PA28RS_P
24	PA28PT_N
25	PA28END_P
26	PA28CT_N

P & M No.3/07/05119

CCW: 0129 07/05/70 CWL: PT: CT STATS WGH03FN\*/0005 DATA CCW0141

ISSUE:	TYPE	MOD:	TYPE	MOD:	TYPE	MOD:	TYPE	MOD:	TYPE	MOD:
3088	ECC:	3668	ECC:		ECC:		ECC:		ECC:	

PA3ACp17 LO VM  
 PA3ACp18 LM VM  
 PA3ACp19 LC LM VM  
 PA3ACp20 VM  
 PA3ACp21 23 VM  
 PA3ACp22 KF LM VM  
 PA3ACp23 KF LC LM VM  
 PA3ACp 106 GE HB HH VM  
 PA3ACp17 LM VM  
 PA3ACp18 LM VM  
 PA3ACp19 LL LM VM  
 PA3ACp20 VM  
 PA3ACp21 23 VM  
 PA3ACp22 KF LM VM  
 PA3ACp23 KF LC LM VM  
 PA3ITp 188 GN HK HH VM  
 PAMT=2p90 CG CF VM  
 PARCTP 2 FH FG VM  
 PARCTP 2 FB FK VM  
 PARCTP 2 GE GN VM  
 PARCTP 2 HE HK VM  
 PARCTP 2 HE HK VM  
 PASQLP 2 CB CK VM  
 PASITP 11 LD LM VM



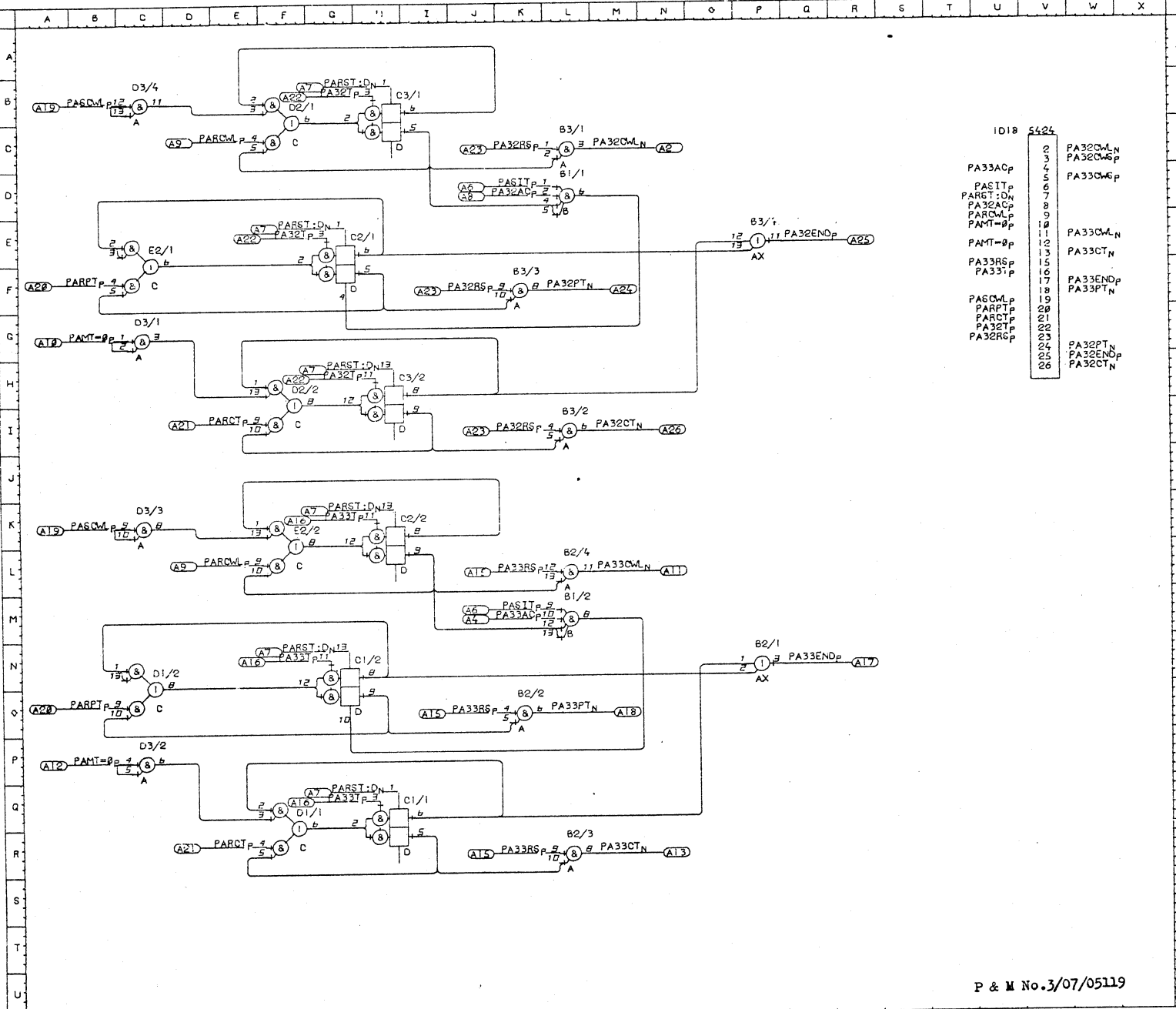
Component	Grid	Component	Grid
PA31ACp	23	PA31OVLN	23
PASITp	4	PA31CWSp	4
PARST:EN	6	PA31OVLN	11
PARCTp	7	PA31RSP	12
PARCTp	8	PA31RSP	13
PAMT=0p	9	PA31RSP	14
PASQLP	10	PA31RSP	15
PARCTP	11	PA31RSP	16
PARCTP	12	PA31RSP	17
PARCTP	13	PA31RSP	18
PARCTP	14	PA31RSP	19
PARCTP	15	PA31RSP	20
PARCTP	16	PA31RSP	21
PARCTP	17	PA31RSP	22
PARCTP	18	PA31RSP	23
PARCTP	19	PA31RSP	24
PARCTP	20	PA31RSP	25
PARCTP	21	PA31RSP	26

P & M No.3/07/05119

CCW:0129 07/05/70 CWL:PT:CT STATS WGH03FN\*/0006 DATA COW0141

ISSUE:	Iss	TYPE	MOD: 2	TYPE	MOD:	TYPE	MOD:	TYPE	MOD:	TYPE	MOD:	TYPE	MOD:
ACC:	3088	ECC:	3668	ECC:		ECC:		ECC:		ECC:		ECC:	

PA32ADP18 LD VC  
 PA32CTN11 10 VC  
 PA32CMLN10 VC  
 PA32CMLP VC  
 PA32ENDPPE 24 VC  
 PA32PNSF 10 VC  
 PA32RS24 KF LO LI VC  
 PA32T 110 GE HB HH VC  
 PA33AC18 LM VC  
 PA33CTLR 10 VC  
 PA33CMLN10 VC  
 PA33CMLP VC  
 PA33ENDP 24 VC  
 PA33T KO 10 VC  
 PA33RS24 KO LL LR VC  
 PA33T 112 GN HK HQ VC  
 PAMT=0P92 CG DP VC  
 PARCT=2 FH FG VC  
 PARCMLP FB FK VC  
 PARPT=2 GE GN VC  
 PARST=0N13 GE QN HB HH HK HQ VC  
 PASCMLP2 CB OK VC  
 PASITP 11 LO LM VC



IOB 5424

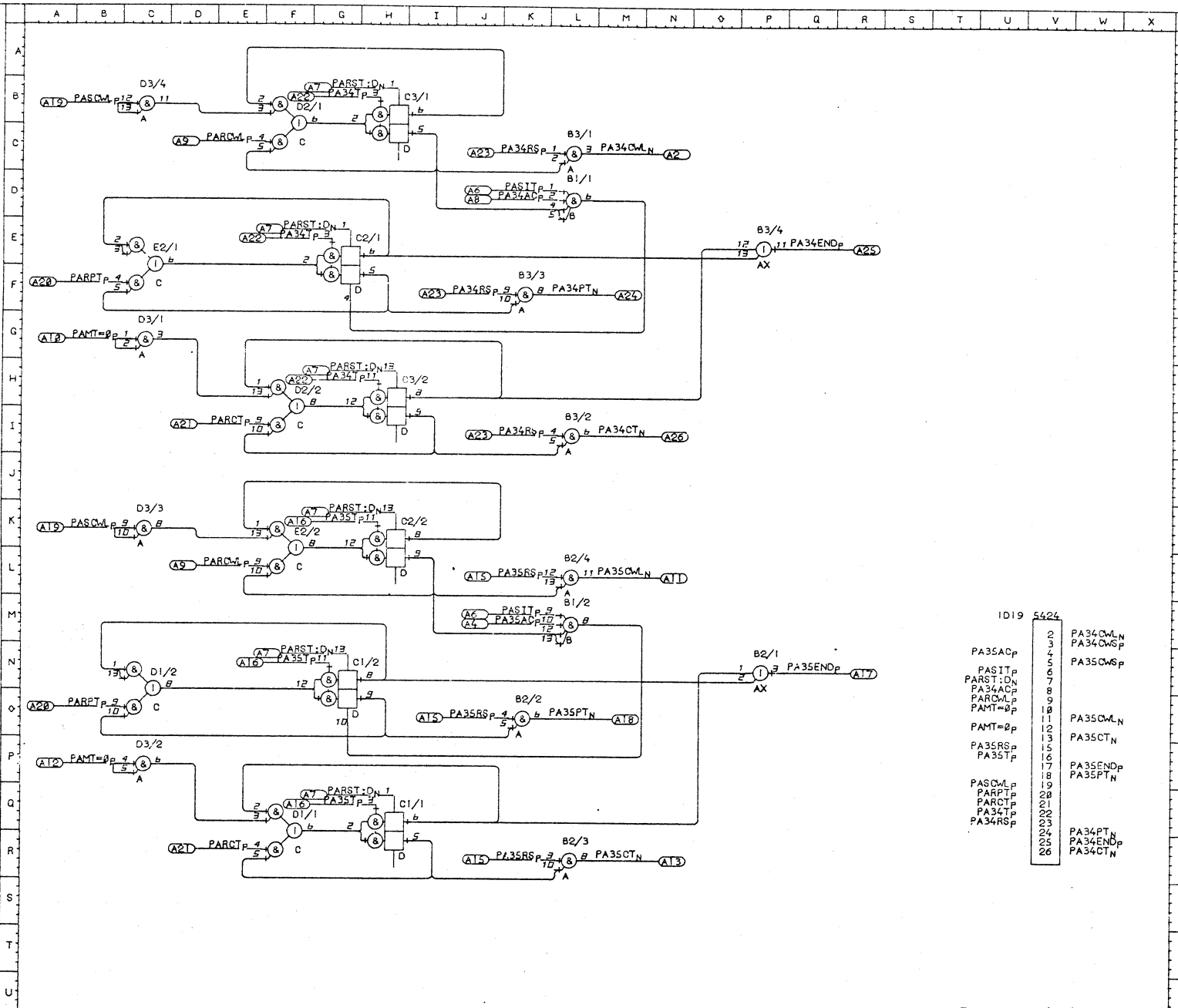
2	PA32CMLN
3	PA32CMLP
4	PA33CMLP
5	
6	PASITP
7	PARCT=0P
8	PA32ACp
9	PARCMLP
10	PA33CMLN
11	PA33CTN
12	
13	PA33ENDP
14	PA33PTN
15	
16	PA32PTN
17	PA32ENDP
18	PA32CTN
19	
20	
21	
22	
23	
24	
25	
26	

P & M No.3/07/05119

CCW:0129 07/05/70 CWL: PT: CT STATS WGH03FN\*/0007 DATA CCWB141

ISSUE:	Iss	TYPE	MOD:	2	TYPE	MOD:	TYPE	MOD:	TYPE	MOD:	TYPE	MOD:	TYPE	MOD:
ACC:	3088	ECC:	3668		ECC:		ECC:		ECC:		ECC:		ECC:	

PA34ACp 19 LD VM  
 PA34CTN LI 18 VM  
 PA34CWL 18 VM  
 PA34CWSp VM  
 PA34ENDp 24 VM  
 PA34PTNKF 18 VM  
 PA34RS 24 KF LC LI  
 VM  
 PA34Tp 114 GE HC HH  
 VM  
 PA35ACp 19 LM VM  
 PA35CTN LR 18 VM  
 PA35CWL 18 VM  
 PA35CWSp VM  
 PA35ENDp 24 VM  
 PA35PTN KO 18 VM  
 PA35RS 24 KO LL LR  
 VM  
 PA35Tp 116 GN HK HQ  
 VM  
 PAMT=0p 22 CG CP VM  
 PARCTP 2 FH FQ VM  
 PARCWLp 2 FB FK VM  
 PARPT 2 GE GN VM  
 PARST:DN 13 GE GN HB  
 HH HK HQ VM  
 PASCWLp 2 CB CK VM  
 PASITP 11 LD LM VM



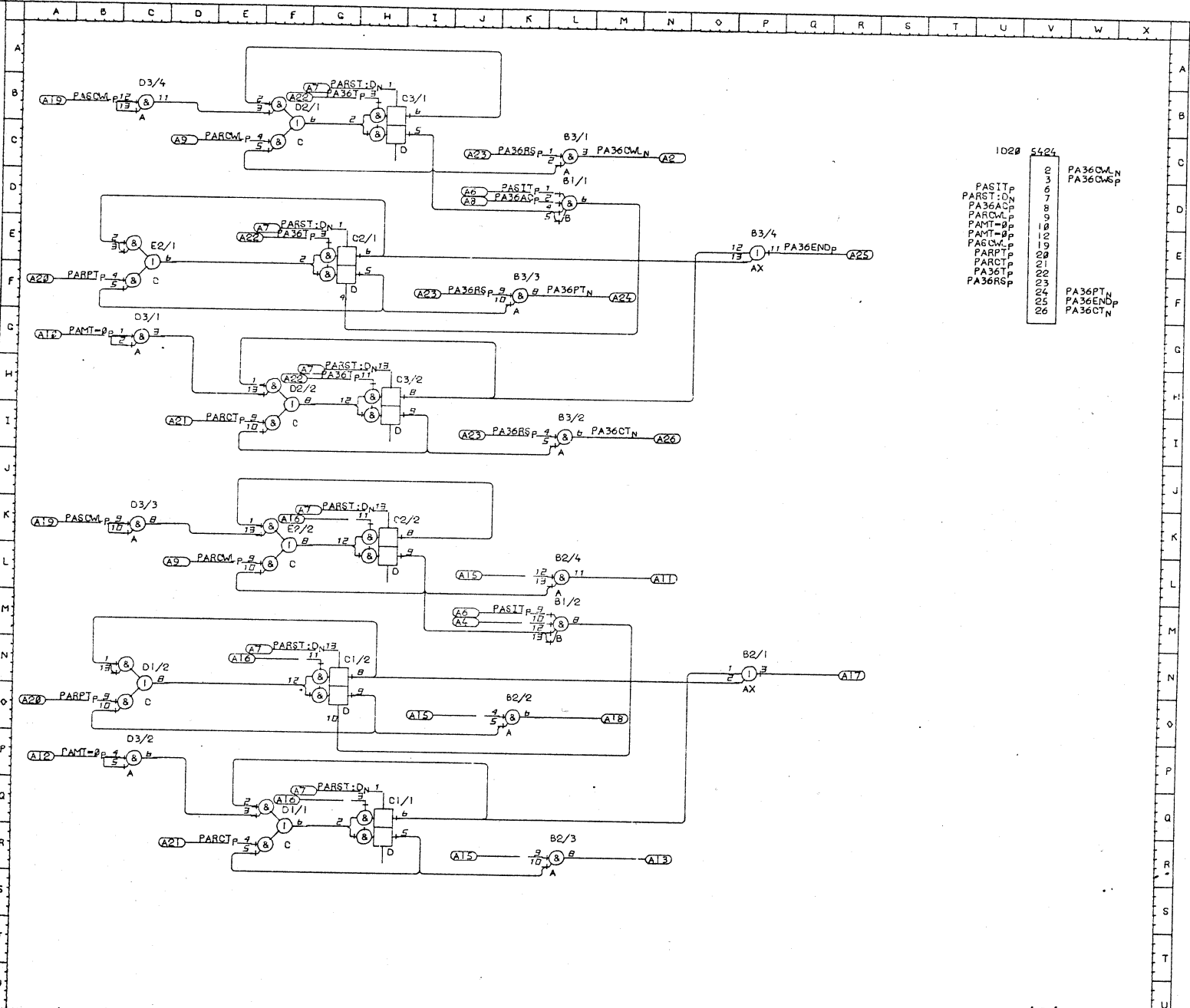
1019	5424	2	PA34CWL
		3	PA34CWSp
		4	
		5	PA35CWSp
		6	
		7	
		8	
		9	
		10	
		11	PA35CWL
		12	PA35CTN
		13	
		14	
		15	PA35ENDp
		16	PA35PTN
		17	
		18	
		19	PASCWLp
		20	PARCTP
		21	PARCTP
		22	PA34Tp
		23	PA34RSp
		24	
		25	PA34PTN
		26	PA34CTN

P & M No. 3/07/05119

CCW: 0129 07/05/70 CWL: PT: CT STATS WGH03FN\*/0008 DATA CCW0141

ISSUE:	Iss	TYPE	MOD: 2	TYPE	MOD:	TYPE	MOD:	TYPE	MOD:	TYPE	MOD:	TYPE	MOD:
ACC:	3088	ECC:	3668	ECC:		ECC:		ECC:		ECC:		ECC:	

PA36AC P 2 LD VC  
 PA36CT N LI 10 VC  
 PA36CM N LC 10 VC  
 PA36CM S VC  
 PA36END P 25 VC  
 PA36PT N KF 10 VC  
 PA36RS P 25 KF LC LI VC  
 PA36T P 119 GE HB 4H VC  
 PAMT P 2 CG CP VC  
 PARCT P 2 FH FQ VC  
 PARCM P 2 FB FK VC  
 PARPT P 2 CE CN VC  
 PARST D N 13 GE GN HB 4H HK HQ VC  
 PASOM P 2 CB CK VC  
 PASIT P 11 LO LM VC

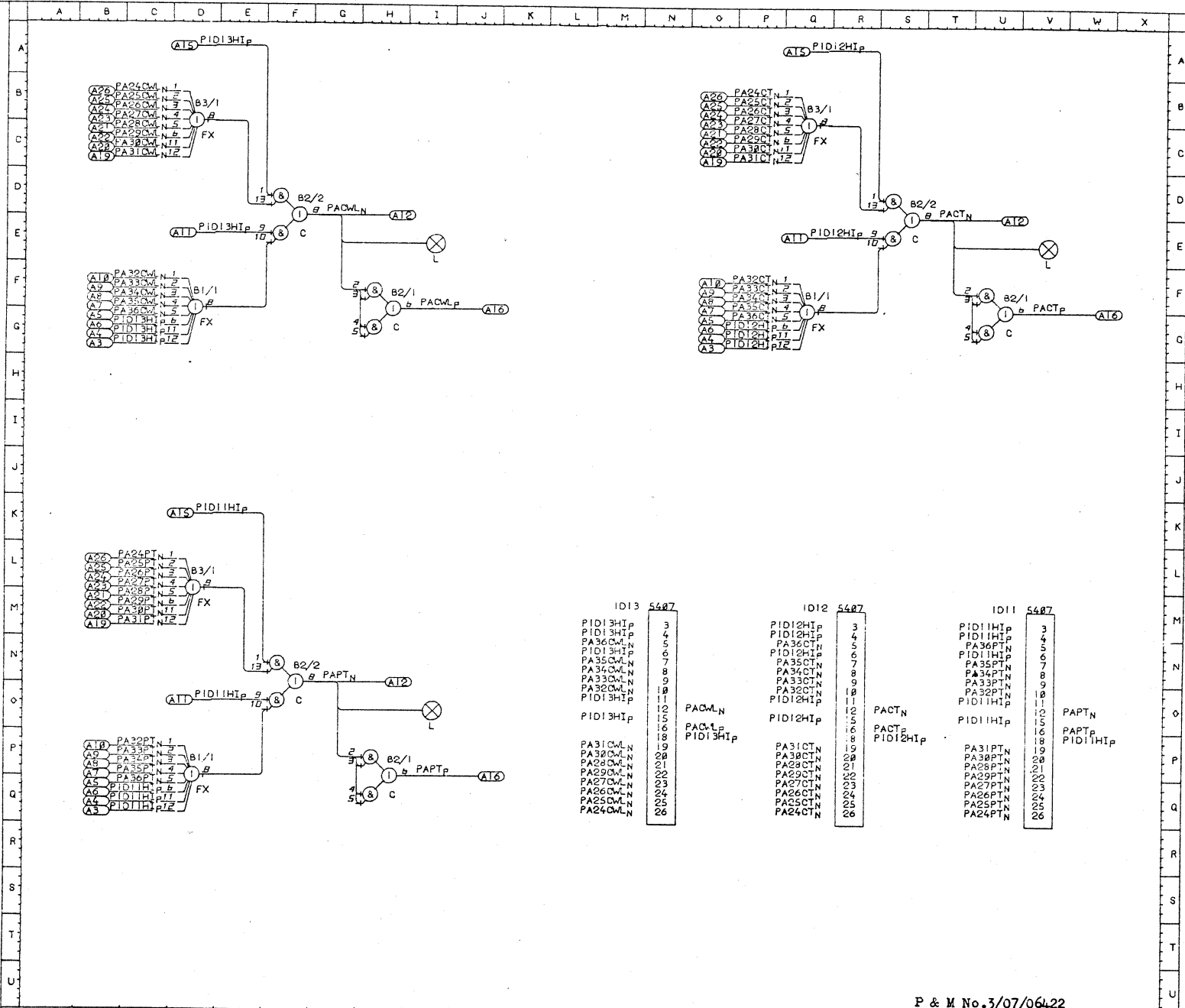


CCW: 0129 07/05/70 CWL: PT: CT STATS P & M No. 3/07/05119

ISSUE: Iss	TYPE MOD: 2	TYPE MOD:	TYPE MOD:	TYPE MOD:	TYPE MOD:	TYPE MOD:
ACC: 3068	ECC: 3668	ACC:	ECC:	ECC:	ECC:	ECC:

WGHO3FN\*/0009 DATA CCW 141

PID1IH1PVM DP FN  
 PID13H1PRM1 GF SD  
 PID13H1PRM1 GF FD  
 PA24CT1P QB RM  
 PA24CT1N3 DB NM  
 PA24FTN3 DL VM  
 PA25CTN3 QS RM  
 PA25CTN3 QB NM  
 PA25PTN4 DL VM  
 PA26CTN4 QB RM  
 PA26CTN4 DB NM  
 PA26PTN4 DL VM  
 PA27CTN4 QB RM  
 PA27CTN4 DB NM  
 PA27PTN4 DL VM  
 PA28CTN5 QB RM  
 PA28CTN5 DB NM  
 PA28PTN5 DL VM  
 PA29CTN5 QB RM  
 PA29PTN5 DL VM  
 PA32CTN6 QB RM  
 PA32CTN6 DB NM  
 PA33PTN6 DL VM  
 PA33PTN6 DB NM  
 PA31CTN6 QB RM  
 PA31CTN6 DB NM  
 PA31PTN6 DL VM  
 PA32CTN7 DL VM  
 PA32CTN7 OF NM  
 PA32PTN7 OF NM  
 PA33CTN7 OF NM  
 PA33PTN7 OF NM  
 PA34CTN8 GF VM  
 PA34CTN8 OF NM  
 PA34PTN8 OF VM  
 PA35CTN8 GF VM  
 PA35CTN8 OF NM  
 PA35PTN8 OF VM  
 PA35PTN8 OF NM  
 PA36CTN9 OF NM  
 PA36PTN9 OF VM  
 PACT1P HF RM  
 PACT1P SD I RM UF  
 PACT1P VE  
 PACMLP HF I NM  
 PACMLP FD I HF IE  
 PAPT1P HF I VM  
 PAPT1P FN I HP I0  
 PAPT1P VM



ID13 5487

PID13HIp	3
PID13HIp	4
PA36CTN	5
PID13HIp	6
PA35CTN	7
PA34CTN	8
PA33CTN	9
PA32CTN	10
PID13HIp	11
PID13HIp	12
PID13HIp	13
PID13HIp	14
PID13HIp	15
PID13HIp	16
PID13HIp	17
PID13HIp	18
PID13HIp	19
PA31CTN	20
PA30CTN	21
PA29CTN	22
PA28CTN	23
PA27CTN	24
PA26CTN	25
PA25CTN	26

ID12 5487

PID12HIp	3
PID12HIp	4
PA36CTN	5
PID12HIp	6
PA35CTN	7
PA34CTN	8
PA33CTN	9
PA32CTN	10
PID12HIp	11
PID12HIp	12
PID12HIp	13
PID12HIp	14
PID12HIp	15
PID12HIp	16
PID12HIp	17
PID12HIp	18
PID12HIp	19
PA31CTN	20
PA30CTN	21
PA29CTN	22
PA28CTN	23
PA27CTN	24
PA26CTN	25
PA25CTN	26

ID11 5487

PID11HIp	3
PID11HIp	4
PA36PTN	5
PID11HIp	6
PA35PTN	7
PA34PTN	8
PA33PTN	9
PA32PTN	10
PID11HIp	11
PID11HIp	12
PID11HIp	13
PID11HIp	14
PID11HIp	15
PID11HIp	16
PID11HIp	17
PID11HIp	18
PID11HIp	19
PA31PTN	20
PA30PTN	21
PA29PTN	22
PA28PTN	23
PA27PTN	24
PA26PTN	25
PA25PTN	26

CCW: 0135 07/05/70    OR OF CWL: OR OF CT: OR OF PT    P & M No. 3/07/06422    WGH03FN\*/0010    DATA CCW0141

ISSUE: Iss	TYPE MOD: 1	TYPE MOD:	TYPE MOD:	TYPE MOD:	TYPE MOD:	TYPE MOD:
ACC: 3088	ECC: 1337	ECC:	ECC:	ECC:	ECC:	ECC:

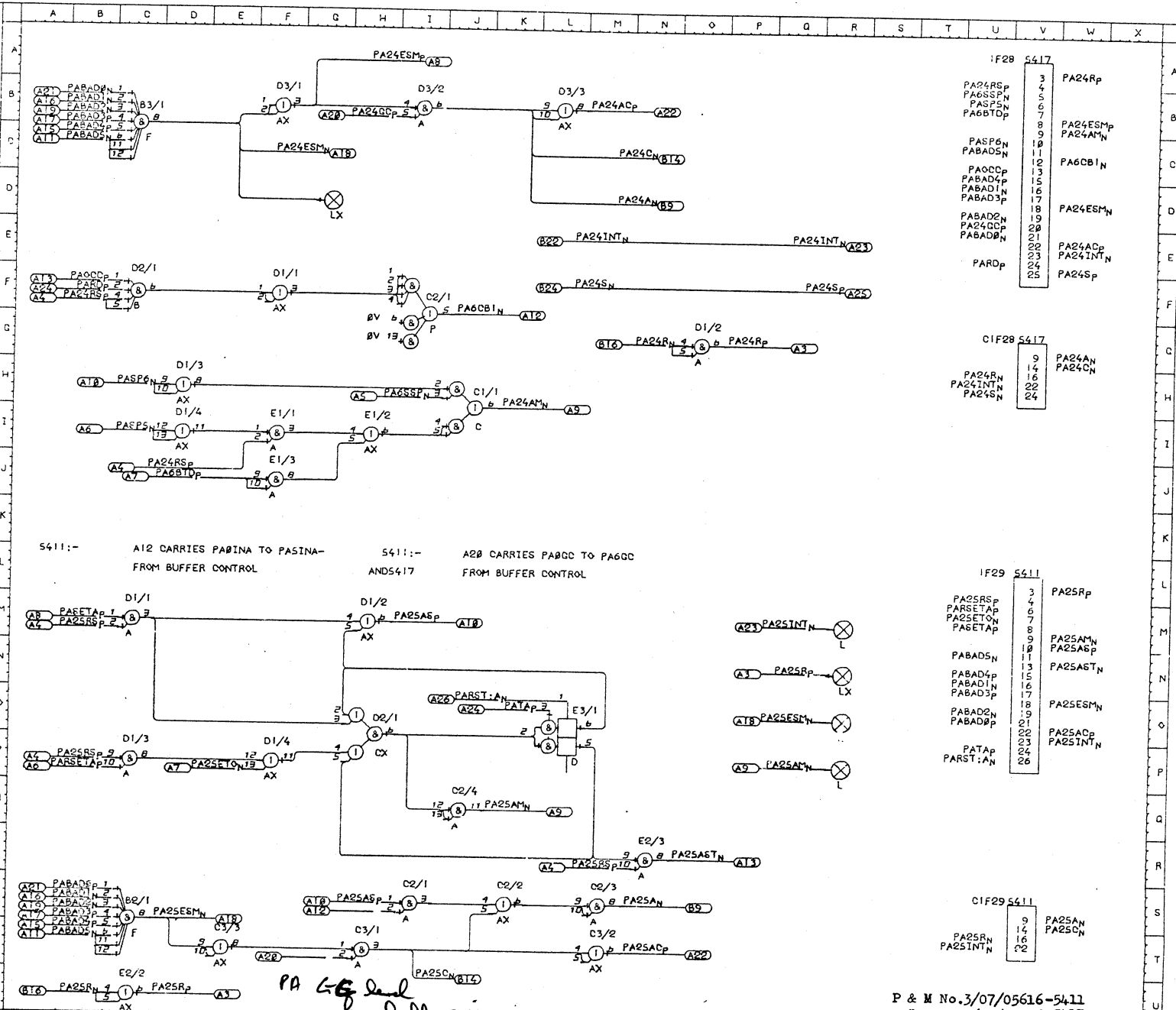








PA24AN ND VG  
 PA24ASLB 3 VA  
 PA24ASLH 63 64 65  
 VA  
 PA24CN ND VG  
 PA24ESMIA 63 64 65  
 VA  
 PA24ESMJC VA  
 PA24GCP I 10 VA  
 PA24INTNRE RE 21 LE  
 VA VB  
 PA24Rp 00 22 63 64  
 65 VA  
 PA24RN CJ 00 VG  
 PA24RSR 22 00 CU VA  
 PA24RF VA  
 PA24SN CJ LF VG  
 PA2SAN MS VS  
 PA2SACP MT 3 VL  
 PA2SAMJQ RP VL  
 PA2SASPM 20 18 VL  
 PA2SASTNNA 21 VL  
 PA2SCN JU VS  
 PA2SESNCS ET RO VL  
 PA2SETONC 3 CP VL  
 PA2SINTNVL 21 RM VS  
 121  
 PA2SRP 00 22 RN VL  
 PA2SRP CJ 00 VS  
 PA2SRSP 22 00 CP NR  
 VL  
 PA6BTD 63 FJ VA  
 PA6CS 11 66 67 68  
 69 VA  
 PA6SSP 63 JH VA  
 PABAD 124 CS VL  
 PABAD 124 CS VA  
 PABAD 124 CB CS VA  
 VL  
 PABAD 124 CB CS VA  
 VL  
 PABAD 124 CB CS VA  
 VL  
 PABAD 124 CB CS VA  
 VL  
 PABAD 124 CB CS VA  
 VL  
 PA00CP 11 00 VA  
 PAR 2 00 VA  
 PARSETA 2 00 VL  
 PARSETA 13 00 VL  
 PASETAP 2 00 VL  
 PASPSN 1 00 VA  
 PASP 1 00 VA  
 PASP 1 00 VA  
 PATAP 13 00 VL



S411:- A12 CARRIES PABINA TO PASINA-  
 FROM BUFFER CONTROL  
 S411:- A20 CARRIES PABGC TO PA6GC  
 FROM BUFFER CONTROL

IF28 S417

3	PA24Rp
4	PA24RSp
5	PA6SSP
6	PASPSN
7	PA6BTDp
8	PA24ESMp
9	PA24AMN
10	PASP6N
11	PABAD5N
12	PA6CB1N
13	PA00CP
14	PABAD4p
15	PABAD1N
16	PABAD3p
17	PA24ESMn
18	PABAD2N
19	PA24GCP
20	PABAD0N
21	PARDP
22	PA24ACp
23	PA24INTN
24	PA24Sp
25	

CIF28 S417

9	PA24AN
14	PA24CN
16	
22	
24	

IF29 S411

3	PA25Rp
4	PA25RSp
6	PARSETAP
7	PA25TON
8	PA25TAP
9	PA25AMN
10	PA25ASp
11	PA25ASTN
13	PABAD5N
14	PABAD4p
15	PABAD1N
16	PABAD3p
17	PA25ESMn
18	PABAD2N
19	PABAD0p
21	PA25ACp
22	PA25INTN
23	PATAP
24	PARST:AN
26	

CIF29 S411

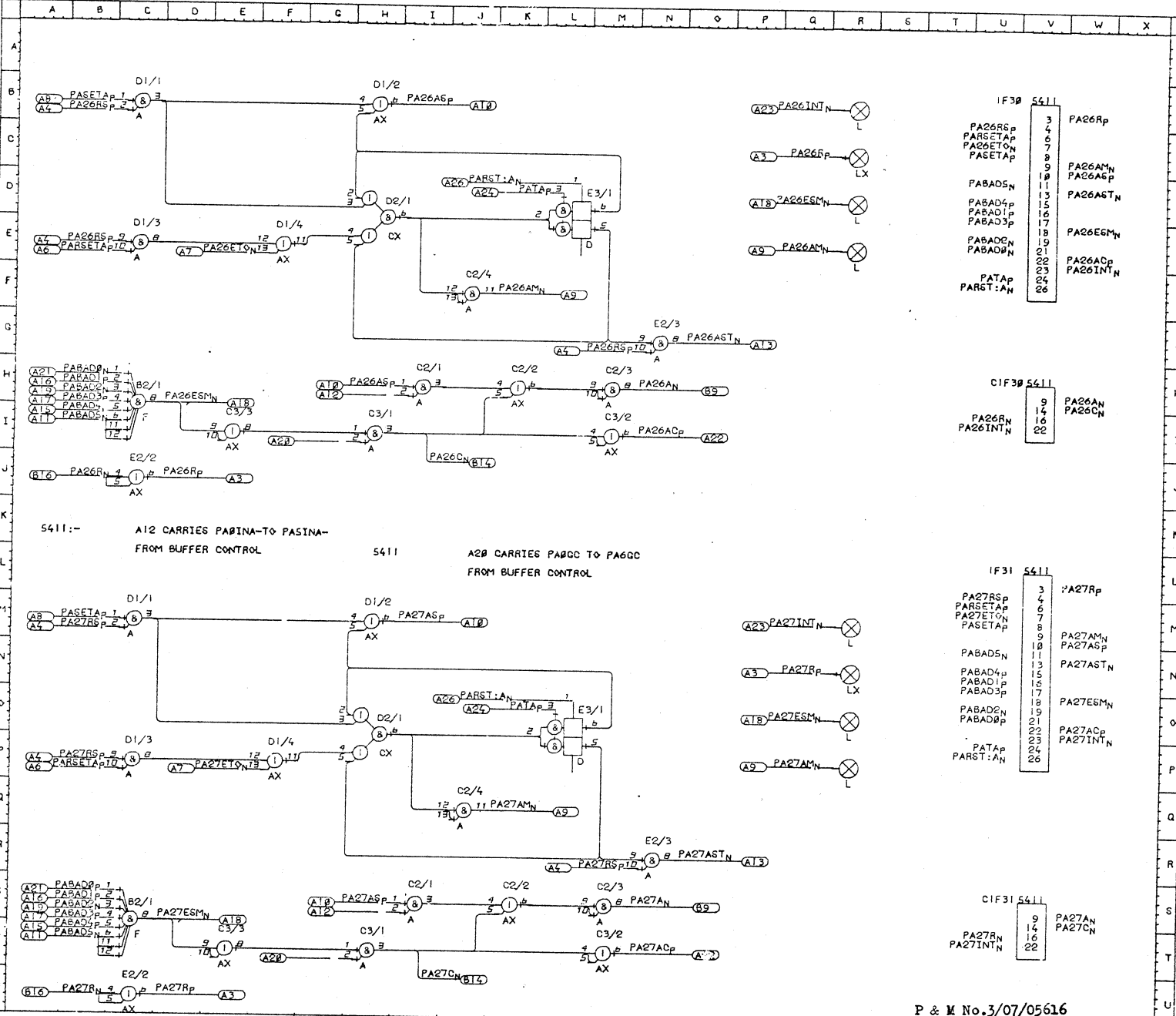
9	PA25AN
14	PA25CN
16	
22	

CCW: 0141 22/05/70 PERIPHERAL INTERFACE LOGIC 24+25 WGH03FN\*/0014 DATA CCW0141

ISSUE: I33	TYPE MOD: 1/5411	TYPE MOD: 00/5417	TYPE MOD:	TYPE MOD:	TYPE MOD:	TYPE MOD:
ACC: 3088	ECC: 4047	ECC:	ECC:	ECC:	ECC:	ECC:

P & M No.3/07/05616-5411  
 " No.3/07/04546-5417

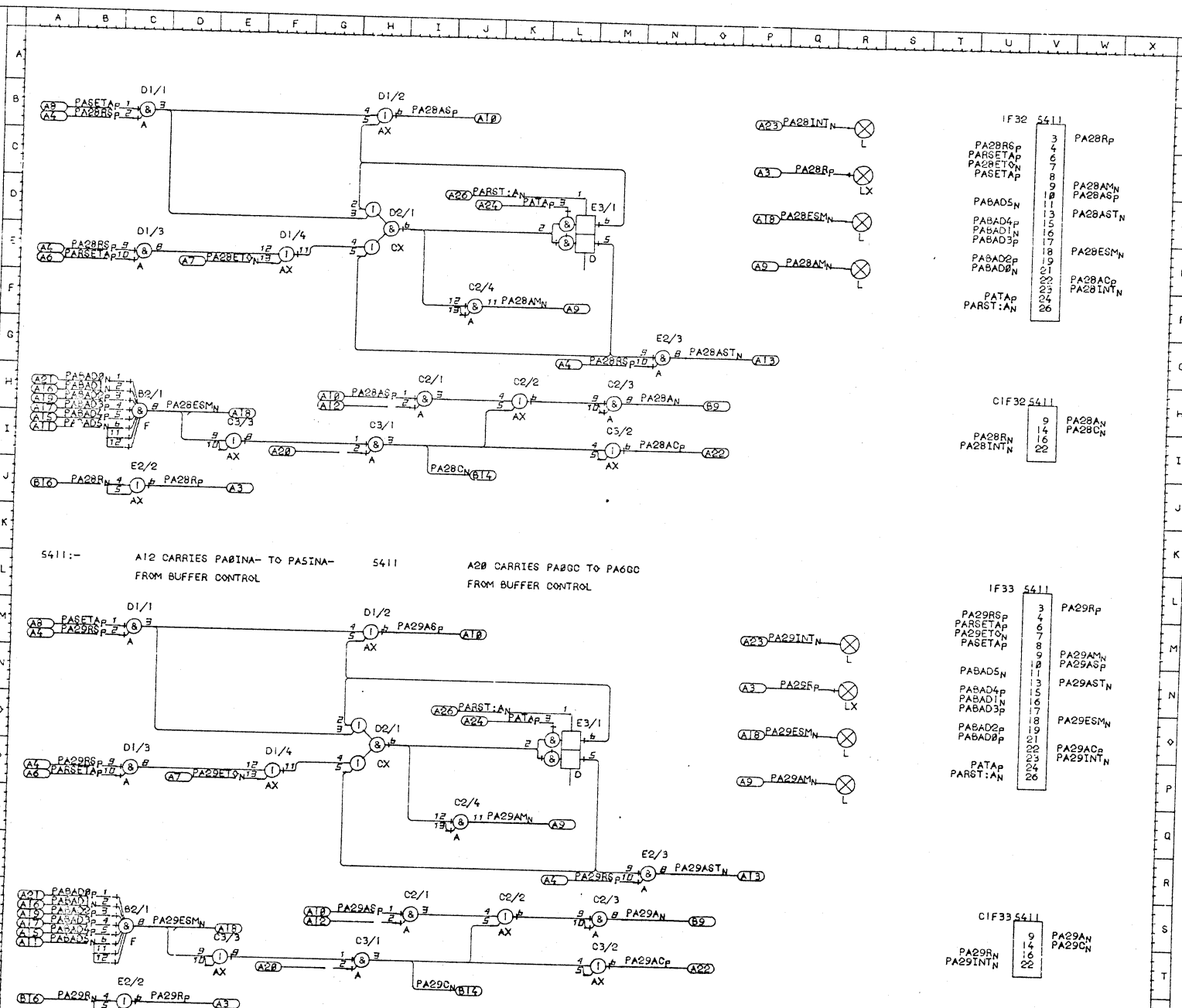
PA26AN M4 VH  
 PA26AM1 4 VB  
 PA26AMNF RE VB  
 PA26ASB6 C2 IH VB  
 PA26AS NG 21 VB  
 PA26AS NU VH  
 PA26ESG CH EI RD VB  
 PA26ETONCJ FE VB  
 PA26INTNVB 21 RB VH  
 121  
 PA26RP C2 RC VB  
 PA26RN C3 CU VH  
 PA26RS22 CB CE NQ  
 VB  
 PA27AN MS VS  
 PA27AMT 4 VL  
 PA27ANUJ RP VL  
 PA27ASM 22 IS VL  
 PA27AST NR 21 VL  
 PA27ON JU VS  
 PA27ESMS ET RD VL  
 PA27ETONCJ FP VL  
 PA27INTNVL 21 RM VS  
 121  
 PA27RP C2 RN VL  
 PA27RN C3 CU VS  
 PA27RS22 CM DP NR  
 VL  
 PABAD2P124 CS VL  
 PABAD0N124 CH VB  
 PABAD1P124 CH CS VB  
 VL  
 PABAD2N124 CH CS VB  
 VL  
 PABAD3P124 CH CS VB  
 VL  
 PABAD4P124 CH CS VB  
 VL  
 PABAD5N124 CH CS VB  
 VL  
 PARSTAP2 CE CP VB  
 VL  
 PARSTAN13 LD LO VB  
 VL  
 PASETAP2 CB CM VB  
 VL  
 PATAP 13 LD LO VB  
 VL



CCW: 0134 07/05/70 PERIPHERAL INTERFACE LOGIC 26+27 P & M No.3/07/05616 WGH03FN\*/0015 DATA CCW0141

ISSUE: ISS	TYPE MOD: 1	TYPE MOD:	TYPE MOD:	TYPE MOD:	TYPE MOD:	TYPE MOD:
ACC: 3088	ECC: 4047	ECC:	ECC:	ECC:	ECC:	ECC:

PA28AN MH VH  
 PA28AMH 5 VB  
 PA28AHF RE VB  
 PA28AGHB 23 IH VB  
 PA28AST NG 21 VB  
 PA28AJU VH  
 PA28ESM CH ET RD VB  
 PA28ETONC J FE VB  
 PA28INT NVB 21 RB VH  
 PA28P CU 23 RO VB  
 PA28RN CJ CU VH  
 PA28RS 23 CB CE NG  
 PA28V  
 PA29AM MS VS  
 PA29AMT 5 VL  
 PA29AMNG RP VL  
 PA29AS 23 IS VL  
 PA29AST NR 21 VL  
 PA29AJU VS  
 PA29ESM OS ET RO VL  
 PA29ETONC J FP VL  
 PA29INT NVL 21 RM VS  
 PA29P CU 23 RN VL  
 PA29RN CJ CU VS  
 PA29RS 23 JM CP NR  
 PA29V  
 PABAD2 124 CS VL  
 PABAD3 124 CH VB  
 PABAD1 124 CH CS VB  
 PABAD2 124 CH CS VB  
 PABAD3 124 CH CS B  
 PABAD4 124 CH CS B  
 PABAD5 124 CH CS VB  
 PARSETAP 2 CE CP VB  
 PARST:AN 13 LD LO VB  
 PASETAP 2 CB CM VB  
 PATAP 13 LD LO VB



5411:- A12 CARRIES PABINA- TO PASINA- FROM BUFFER CONTROL  
 5411 A28 CARRIES PA8GC TO PA6GC FROM BUFFER CONTROL

IF 32 5411

PA28R6P	3	PA28Rp
PARSETAP	4	
PA28ETON	6	
PASETAP	7	
	8	
	9	PA28AMN
	10	PA28ASp
PABAD5N	11	PA28ASTN
	13	
PABAD4P	15	
PABAD1N	16	
PABAD3P	17	
	18	PA28ESMN
PABAD2P	19	
PABAD2N	21	
	22	PA28ACp
PATAP	23	PA28INTN
PARST:AN	24	
	26	

CIF 32 5411

PA28RN	9	PA28AN
PA28INTN	14	PA28CN
	16	
	22	

IF 33 5411

PA29R6P	3	PA29Rp
PARSETAP	4	
PA29ETON	6	
PASETAP	7	
	8	
	9	PA29AMN
	10	PA29ASp
PABAD5N	11	PA29ASTN
	13	
PABAD4P	15	
PABAD1N	16	
PABAD3P	17	
	18	PA29ESMN
PABAD2P	19	
PABAD2N	21	
	22	PA29ACp
PATAP	23	PA29INTN
PARST:AN	24	
	26	

CIF 33 5411

PA29RN	9	PA29AN
PA29INTN	14	PA29CN
	16	
	22	

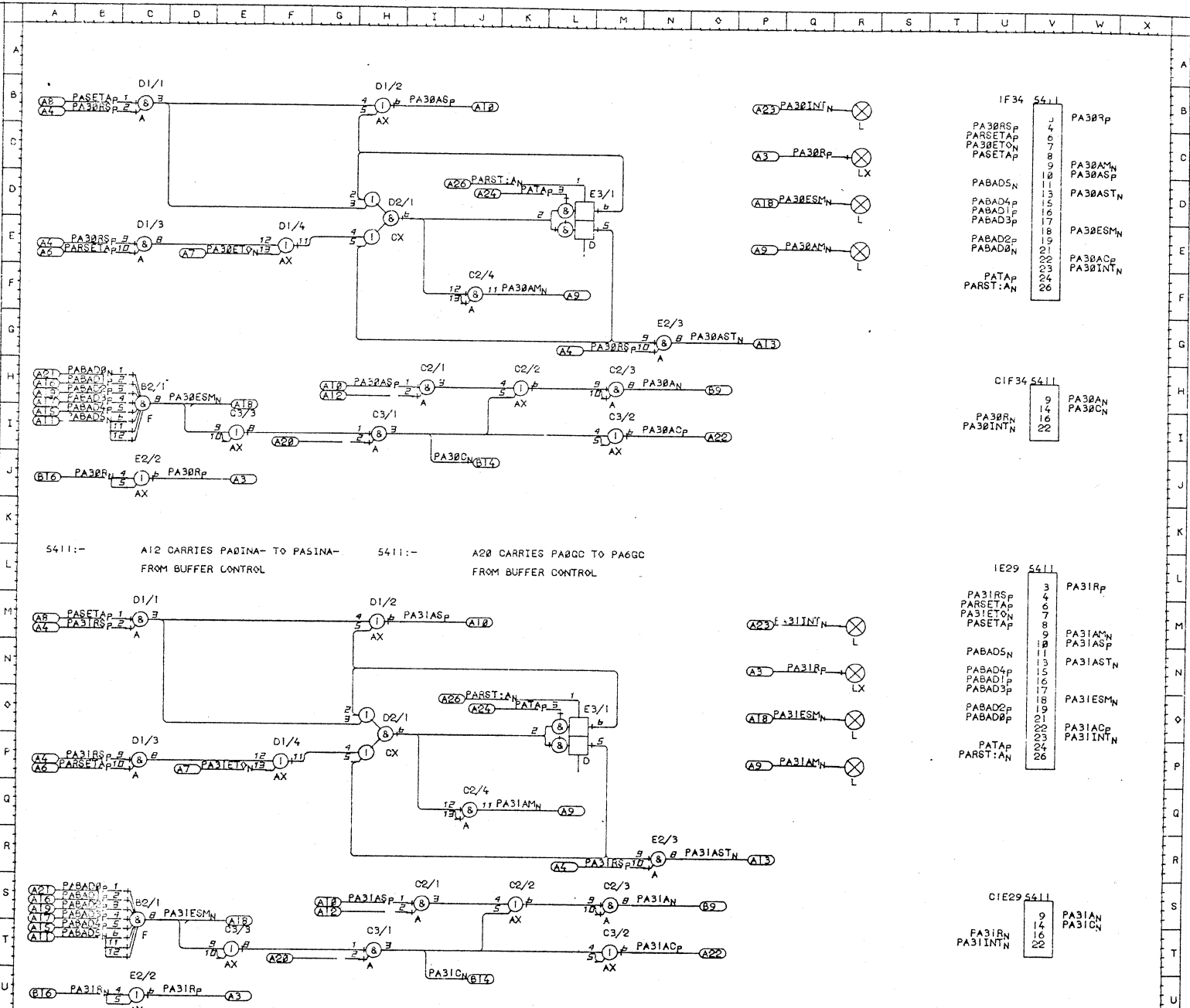
CCW: 0134 07/05/70

PERIPHERAL INTERFACE LOGIC 28+29

P & M No.3/07/05616

ISSUE: Iss	TYPE MOD: 1	TYPE MOD:	TYPE MOD:	TYPE MOD:	DATA CCW0141
ACD: 3058	ECC: 4047	ECC:	ECC:	ECC:	

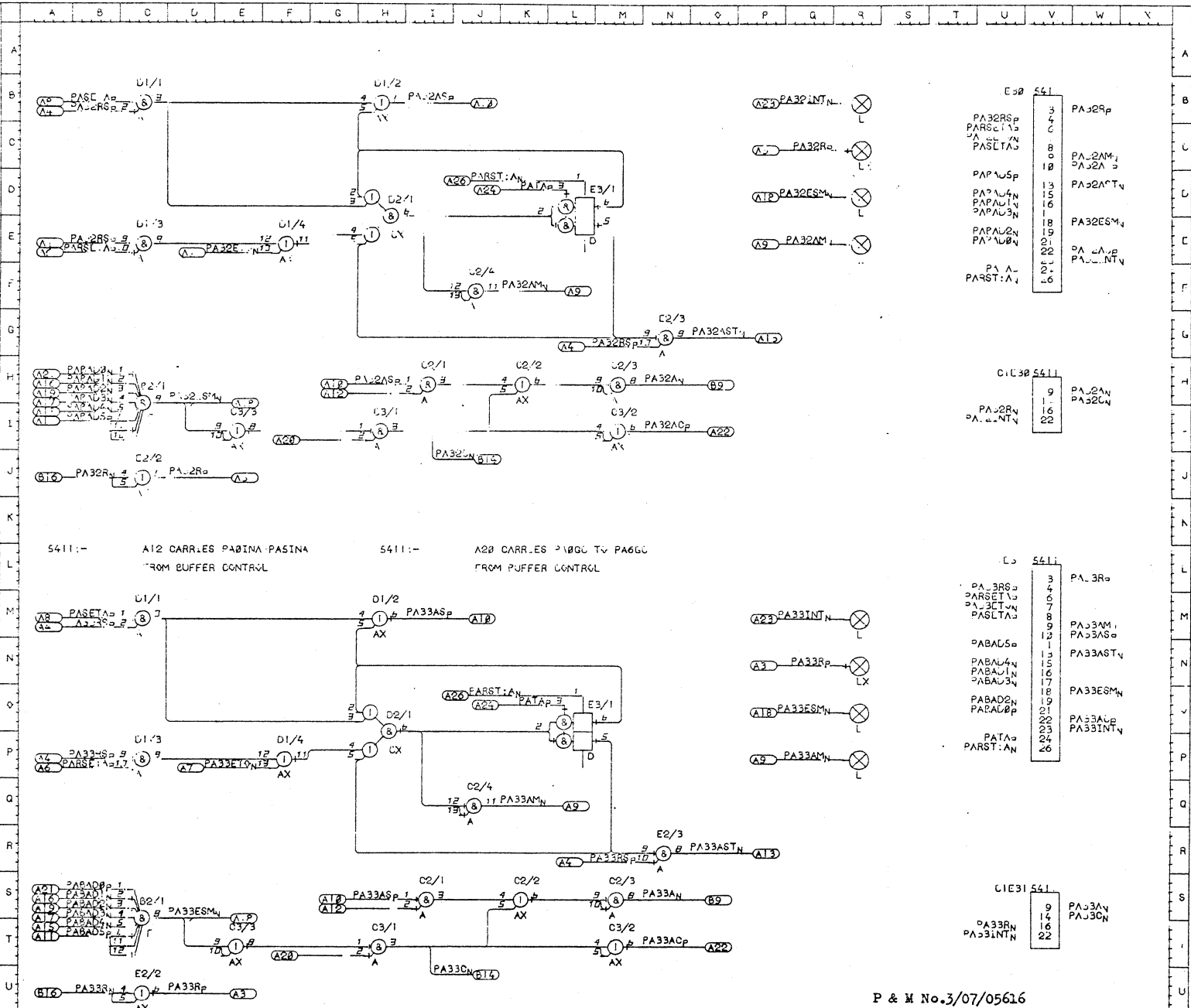
PA42A, M4 VH  
 PA32A, P1 6 VB  
 PA32AM, U 6 VB  
 PA245, P1 23 VH VB  
 PA32AS, NQ 21 VP  
 PA32ON, UJ VH  
 PA32P, SH, CH, ET, RD, VE  
 PA32T, C, J, FE, VF  
 PA32IN, TV, QI, RB, VH  
 I21  
 PA32RP, CU 23 RC VB  
 PA32RN, C, J, CU, VS  
 PA32RP, 23 CB, CE, NG  
 VB  
 PA31A, M, G, VS  
 PA31AC, HT, G, VL  
 PA31AC, N, U, G, RP, VL  
 PA31AG, P, M, 23 IS, VL  
 PA31AS, T, N, R, 21 VL  
 PA31C, CU, VS  
 PA31ES, M, G, S, ET, R, VL  
 PA31ET, O, N, C, J, FF, VL  
 PA31INT, N, V, L, 21, RM, VS  
 I21  
 PA31RP, CU 23 RN, VL  
 PA31RN, C, J, CU, VS  
 PA31RS, P, 23 CM, CP, NR  
 VL  
 PABAD, 124 OS, VL  
 PABAD, 124 CH, VB  
 PABAD, 124 CH, CS, VB  
 VL  
 PABAD, 124 CH, CS, VB  
 VL  
 PABAD, 124 CH, CS, VB  
 VL  
 PABAD, 124 CH, CS, VB  
 VL  
 PABAD, 124 CH, CS, VB  
 VL  
 PARSET, P, 2 CE, CP, VB  
 VL  
 PARST, A, 13 LD, L, VB  
 VL  
 PASET, P, 2 CS, CM, VB  
 VL  
 PATAP, 13 LD, L, VB  
 VL



CCW: 0134 07/05/70 PERIPHERAL INTERFACE LOGIC 30+31 P & M No. 3/07/05616 WGH03FN\*/0017 DATA CCW314

ISSUE: 133	TYPE MOD: 1	TYPE MOD:	TYPE MOD:	TYPE MOD:	TYPE MOD:	TYPE MOD:
ACC: 3088	ECC: 4047	ECC:	ECC:	ECC:	ECC:	ECC:

PA32A NH VH  
 PA32B NH 7 VB  
 PA32C NH 21 VB  
 PA32D NH 21 VB  
 PA32E NH 21 VB  
 PA32F NH 21 VB  
 PA32G NH 21 VB  
 PA32H NH 21 VB  
 PA32I NH 21 VB  
 PA32J NH 21 VB  
 PA32K NH 21 VB  
 PA32L NH 21 VB  
 PA32M NH 21 VB  
 PA32N NH 21 VB  
 PA32O NH 21 VB  
 PA32P NH 21 VB  
 PA32Q NH 21 VB  
 PA32R NH 21 VB  
 PA32S NH 21 VB  
 PA32T NH 21 VB  
 PA32U NH 21 VB  
 PA32V NH 21 VB  
 PA32W NH 21 VB  
 PA32X NH 21 VB  
 PA32Y NH 21 VB  
 PA32Z NH 21 VB  
 PA33A NH VH  
 PA33B NH 7 VB  
 PA33C NH 21 VB  
 PA33D NH 21 VB  
 PA33E NH 21 VB  
 PA33F NH 21 VB  
 PA33G NH 21 VB  
 PA33H NH 21 VB  
 PA33I NH 21 VB  
 PA33J NH 21 VB  
 PA33K NH 21 VB  
 PA33L NH 21 VB  
 PA33M NH 21 VB  
 PA33N NH 21 VB  
 PA33O NH 21 VB  
 PA33P NH 21 VB  
 PA33Q NH 21 VB  
 PA33R NH 21 VB  
 PA33S NH 21 VB  
 PA33T NH 21 VB  
 PA33U NH 21 VB  
 PA33V NH 21 VB  
 PA33W NH 21 VB  
 PA33X NH 21 VB  
 PA33Y NH 21 VB  
 PA33Z NH 21 VB



5411:- A12 CARRIES PABINA PASINA FROM BUFFER CONTROL  
 5411:- A28 CARRIES PABGC TO PABGC FROM BUFFER CONTROL

- E30 541
- 3 PA32Rp
  - 4 PARSE135
  - 5 PASLTA3
  - 8 PA32AM4
  - 9 PA32AM5
  - 10 PA32ACTN
  - 13 PA32ESM4
  - 15 PAPA4N
  - 16 PAPA1N
  - 17 PAPA3N
  - 18 PABAD2N
  - 19 PABADp
  - 20 PA32AM4
  - 21 PA32AM5
  - 22 PA32ACTN

- C1E30 5411
- 9 PA32RN
  - 16 PA32CN
  - 22 PA32ACTN

- L3 5411
- 3 PA33Rp
  - 4 PARSET13
  - 5 PA33CTN
  - 7 PASLTA3
  - 8 PA33AM1
  - 9 PA33AM3
  - 12 PA33ASTN
  - 13 PABAL50
  - 15 PABAL4N
  - 16 PABAL1N
  - 17 PABAL3N
  - 18 PAB3ESM4
  - 19 PABAD2N
  - 21 PABADp
  - 22 PAB3ALp
  - 23 PAB3INTN
  - 24 PATA
  - 26 PARST:AN

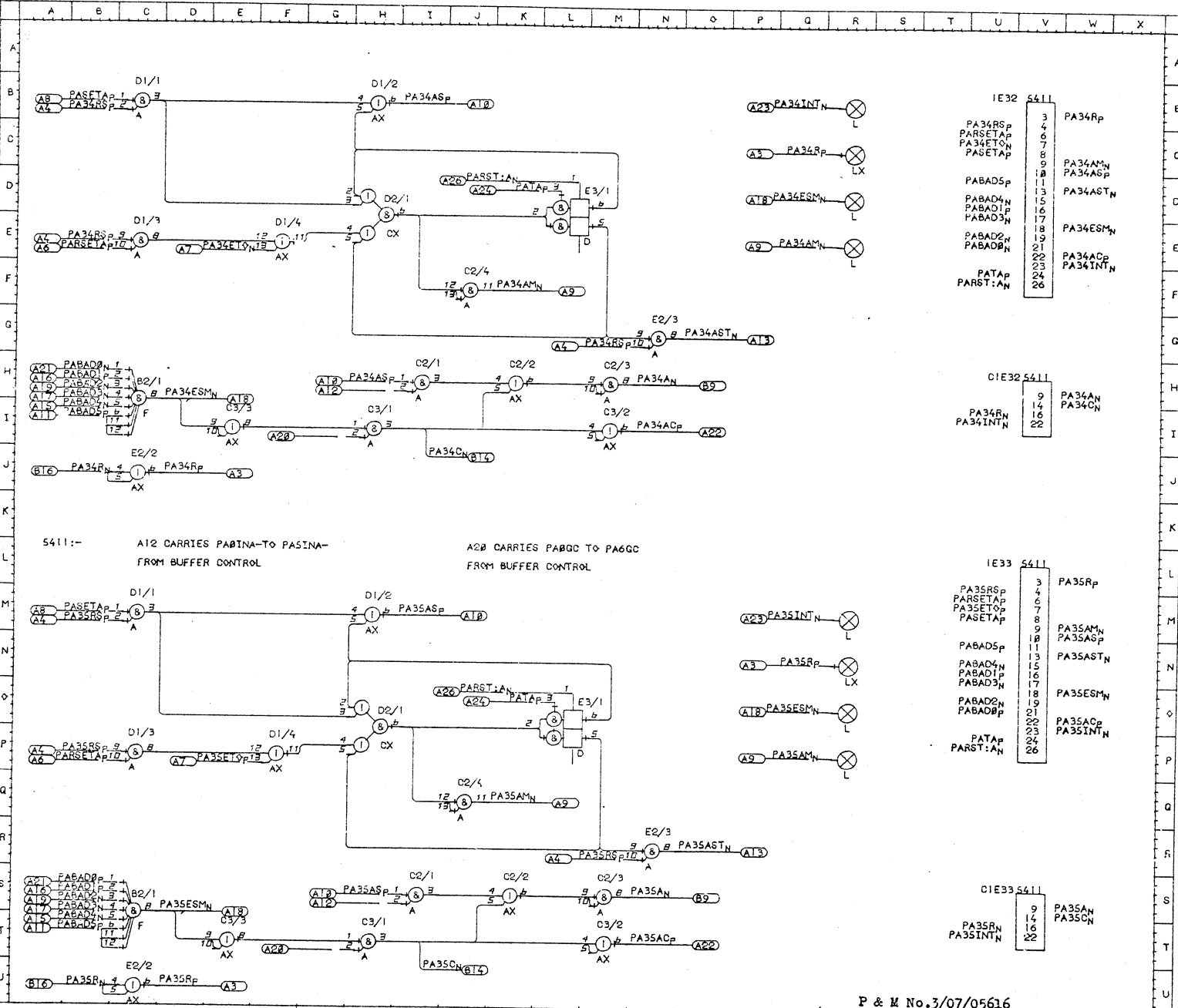
- C1E31 541
- 9 PA33RN
  - 14 PA33CN
  - 16 PA33AM
  - 22 PA33INTN

P & M No.3/07/05616

CCW:0134 07/05/70 PERIPHERAL INTERFACE LOGIC 32+33 WGH03FN\*/0018 DATA CCW0141

ISSUE	ISS	TYPE	MOD:	TYPE	MOD:	TYPE	MOD:	TYPE	MOD:
AJD:	3088	ECC:	4047	ECC:		ECC:		ECC:	

PA34A, M4 VH  
 PA34ASp1 8 VS  
 PA34AN, JF RE VB  
 PA34ASpH 24 1H VB  
 PA34AST, H 21 VB  
 PA34C, J U VH  
 PA34ES, M 1 ET RO VB  
 PA34ET, N C J FE VB  
 PA34INT, V 21 RB VH  
 PA34R, P Q 24 RC VB  
 PA34RN, C J CU VH  
 PA34RS, P 24 CB CE NG  
 VS  
 PA35A, M 5 VS  
 PA35AC, P 12 8 VL  
 PA35AM, N G RP VL  
 PA35ASp, M 24 1S VL  
 PA35ASp, M 21 VL  
 PA35C, J U VS  
 PA35ES, M C S ET RO VL  
 PA35ET, N C J FP VL  
 PA35INT, N V 21 RM VS  
 PA35R, P Q 24 RN VL  
 PA35RN, C J CU VS  
 PA35RS, P 24 CM CP NR  
 VL  
 PABAD, P 124 CS VL  
 PABAD, N 124 CH VB  
 PABAD, P 124 CH CS VB  
 VL  
 FABAD, C, N 124 CH CS VB  
 VL  
 PABAD, C, N 124 CH CS VB  
 VL  
 FABAD, C, N 124 CH CS VB  
 VL  
 PABAD, S, P 124 CH CS VB  
 VL  
 PARSETA, P 2 CE CP VB  
 VL  
 PARST, A, N 13 LD LO VB  
 VL  
 PASETAP, 2 CB CM VB  
 VL  
 PATAP, 13 LD LO VB  
 VL



5411:- A12 CARRIES PABINA-TO PASINA- FROM BUFFER CONTROL  
 A20 CARRIES PAB0C TO PA6GC FROM BUFFER CONTROL

IE32 5411

3	PA34Rp
4	PA34RSp
6	PARSETAP
7	PA34ETON
8	PASETAP
9	PA34AMN
10	PA34ASp
11	PA34ASTN
15	PA34ESM
16	PA34AMN
17	PA34AMN
18	PA34ESM
19	PA34AMN
21	PA34ACp
22	PA34INT
23	PA34AMN
24	PA34AMN
26	PA34AMN

CIE32 5411

9	PA34AN
14	PA34AN
16	PA34AN
22	PA34AN

IE33 5411

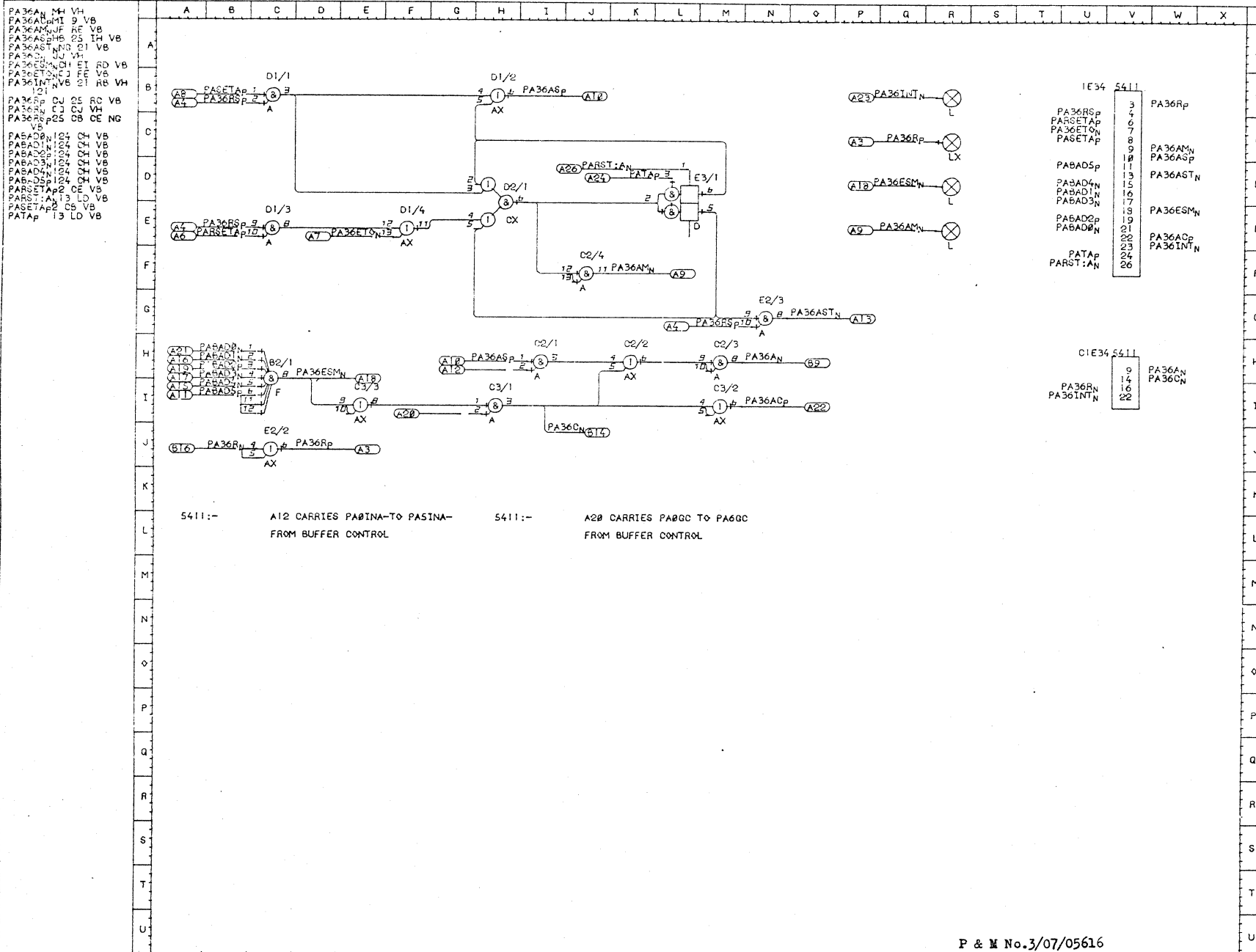
3	PA35Rp
4	PA35RSp
6	PARSETAP
7	PA35ETON
8	PASETAP
9	PA35AMN
10	PA35ASp
11	PA35ASTN
15	PA35ESM
16	PA35AMN
17	PA35AMN
18	PA35ESM
19	PA35AMN
21	PA35ACp
22	PA35INT
23	PA35AMN
24	PA35AMN
26	PA35AMN

CIE33 5411

9	PA35AN
14	PA35AN
16	PA35AN
22	PA35AN

CCW: 0134 07/05/70 PERIPHERAL INTERFACE LOGIC 34+35 P & M No.3/07/05616 WGH03FN\*/0019 DATA CCW8141

ISSUE: I 99	TYPE MOD: 1	TYPE MOD:	TYPE MOD:	TYPE MOD:	TYPE MOD:	TYPE MOD:
ACC: 3088	ECC: 4047	ECC:	ECC:	ECC:	ECC:	ECC:



5411:- A12 CARRIES PA0INA-TO PASINA-  
FROM BUFFER CONTROL

5411:- A20 CARRIES PA0GC TO PA6GC  
FROM BUFFER CONTROL

P & M No.3/07/05616

CCW:0134 07/05/70

PERIPHERAL INTERFACE LOGIC 36

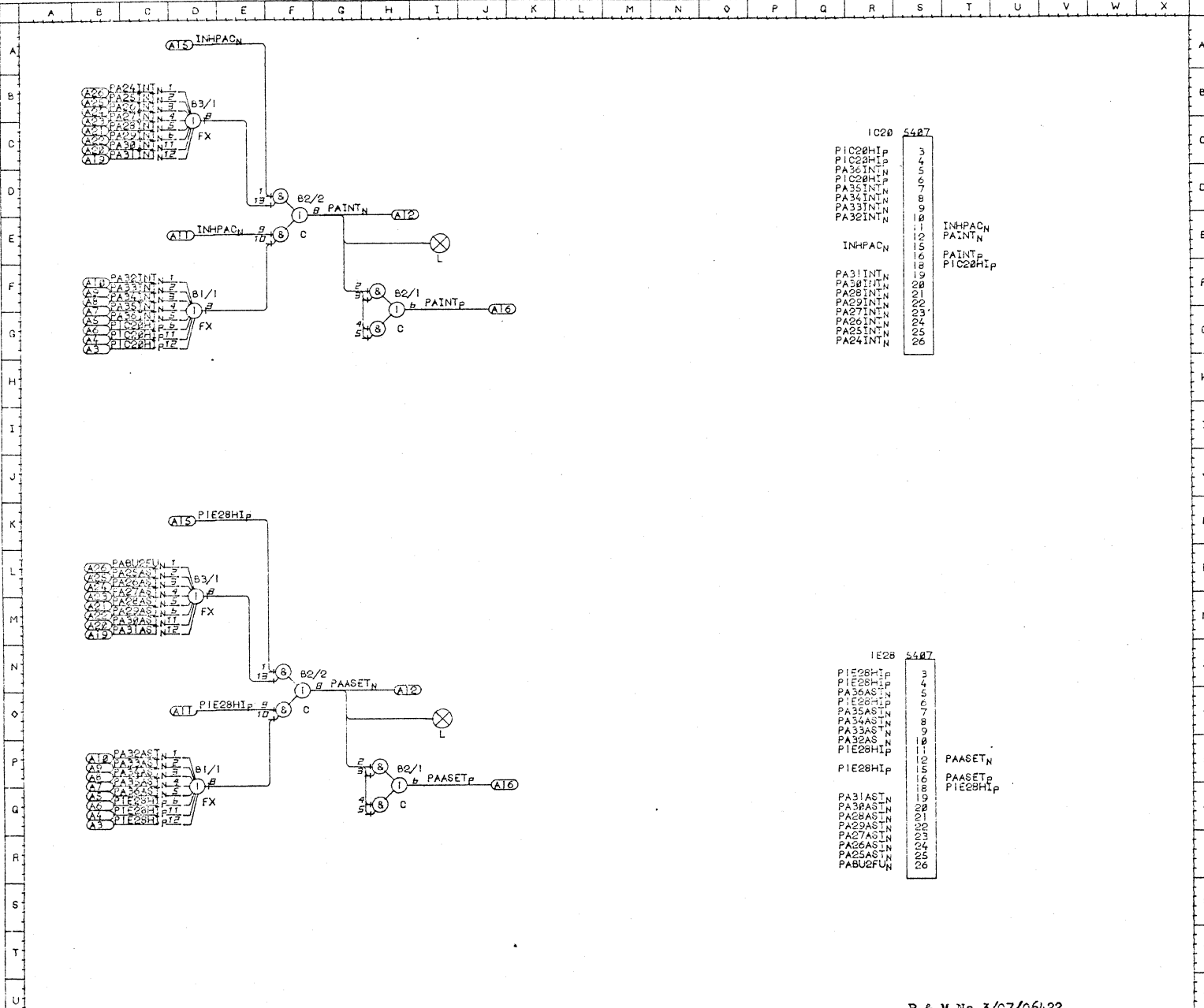
WGH03FN\*/0020

DATA CCW0141

ISSUE: 185	TYPE MOD: 1	TYPE MOD:	TYPE MOD:	TYPE MOD:	TYPE MOD:	TYPE MOD:
ACD: 3088	ECC: 4047	LCC:	ECC:	ECC:	ECC:	ECC:



INHPACN SC FD  
 PIC20HIP SC DF  
 PA20INTN SN DP FN  
 PA21INTN SN DP FN  
 PA22INTN SN DP FN  
 PA23INTN SN DP FN  
 PA24INTN SN DP FN  
 PA25INTN SN DP FN  
 PA26ASTN SN DP FN  
 PA26INTN SN DP FN  
 PA27ASTN SN DP FN  
 PA27INTN SN DP FN  
 PA28ASTN SN DP FN  
 PA28INTN SN DP FN  
 PA29ASTN SN DP FN  
 PA29INTN SN DP FN  
 PA30ASTN SN DP FN  
 PA30INTN SN DP FN  
 PA31INTN SN DP FN  
 PA31ASTN SN DP FN  
 PA32ASTN SN DP FN  
 PA32INTN SN DP FN  
 PA33ASTN SN DP FN  
 PA33INTN SN DP FN  
 PA34ASTN SN DP FN  
 PA34INTN SN DP FN  
 PA35ASTN SN DP FN  
 PA35INTN SN DP FN  
 PA36ASTN SN DP FN  
 PA36INTN SN DP FN  
 PAASELHPN SN DP FN  
 PAASELHPN SN DP FN  
 PABU2FUN SN DP FN  
 PAINTP SC 121  
 PAINTP HF IE SC 121



1C20 5487

PIC20HIP	3
PIC20HIP	4
PA32INTN	5
PIC20HIP	6
PA35INTN	7
PA34INTN	8
PA33INTN	9
PA32INTN	10
INHPACN	11
PAINTN	12
INHPACN	13
PAINTN	14
PIC20HIP	15
PA31INTN	16
PA30INTN	17
PA29INTN	18
PA27INTN	19
PA26INTN	20
PA25INTN	21
PA24INTN	22
PA23INTN	23
PA22INTN	24
PA21INTN	25
PA20INTN	26

1E28 5487

PIE28HIP	3
PIE28HIP	4
PA36ASTN	5
PIE28HIP	6
PA35ASTN	7
PA34ASTN	8
PA33ASTN	9
PA32ASTN	10
PIE28HIP	11
PAASELHPN	12
PIE28HIP	13
PAASELHP	14
PIE28HIP	15
PA31ASTN	16
PA30ASTN	17
PA28ASTN	18
PA29ASTN	19
PA27ASTN	20
PA26ASTN	21
PA25ASTN	22
PA24ASTN	23
PA23ASTN	24
PA22ASTN	25
PABU2FUN	26

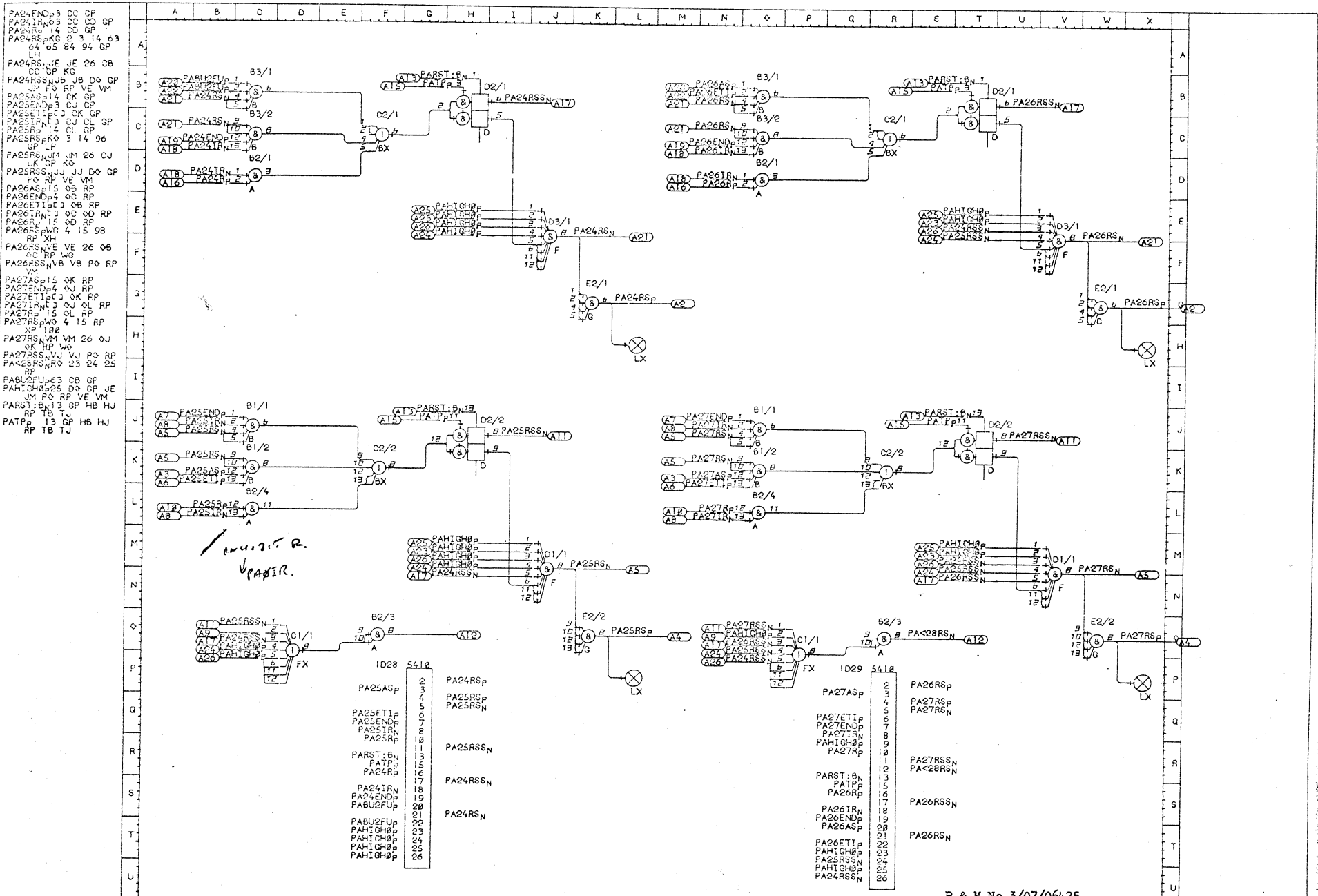
P & M No. 3/07/06422

CCW:0135 07/05/70 OR OF AST: OR OF INT

WGH03FN\*/0021

DATA CCW0141

ISSUE: 133	TYPE MOD: 1	TYPE MOD:	TYPE MOD:	TYPE MOD:	TYPE MOD:	TYPE MOD:
ACD: 3088	ECC: 1337	ECC:	ECC:	ECC:	ECC:	ECC:

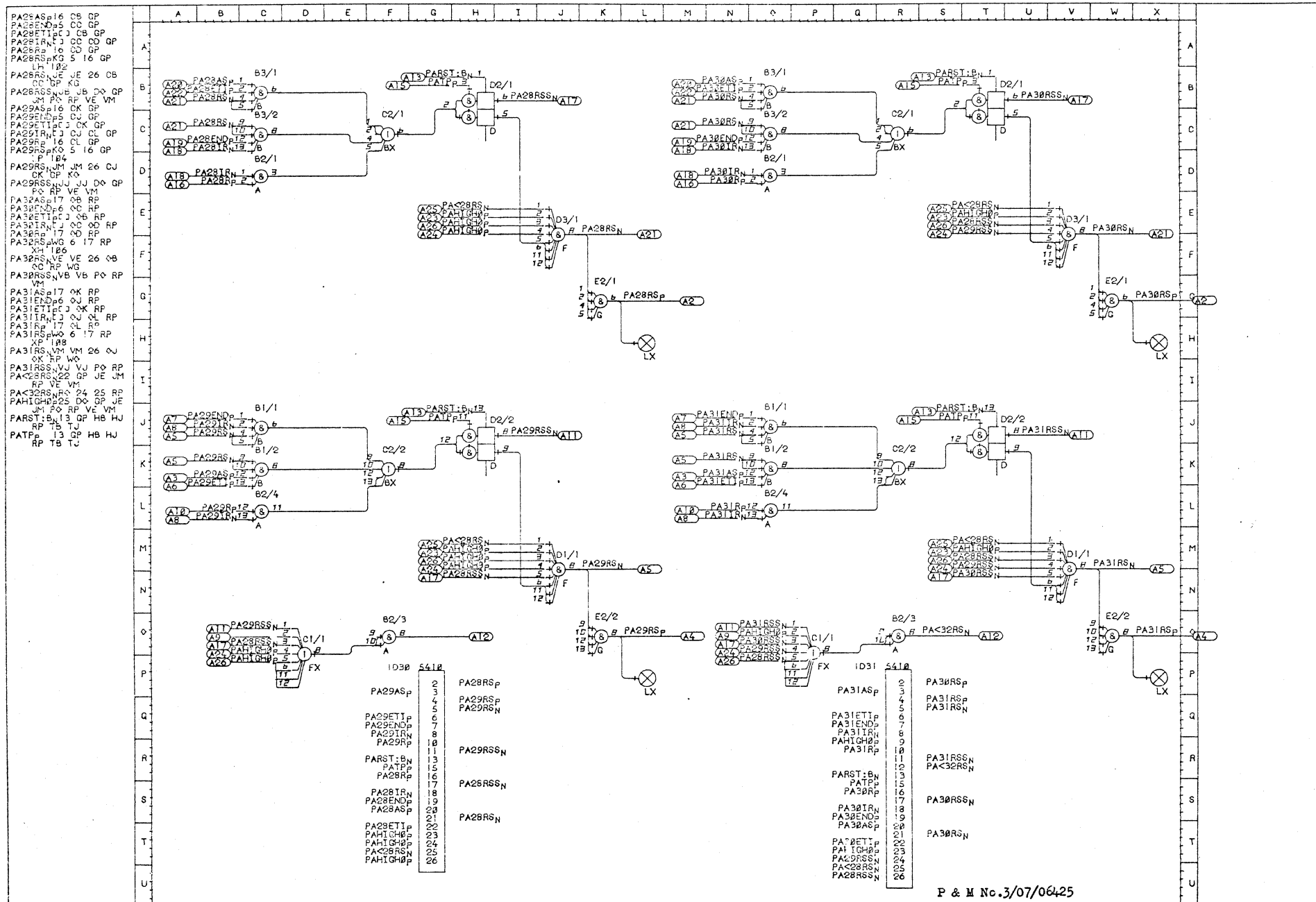


14425 R.  
↓ PAPER.

P & M No.3/07/06425

CCW:0134 07/05/70 PRIORITY (DEVICE 24-27) WGH03FN\*/0022 DATA COW2141

ISSUE: 188	TYPE MOD: 2	TYPE MOD:	TYPE MOD:	TYPE MOD:	TYPE MOD:
ACC: 3088	ECC: 3321	ECC:	ECC:	ECC:	ECC:



P & M No. 3/07/06425

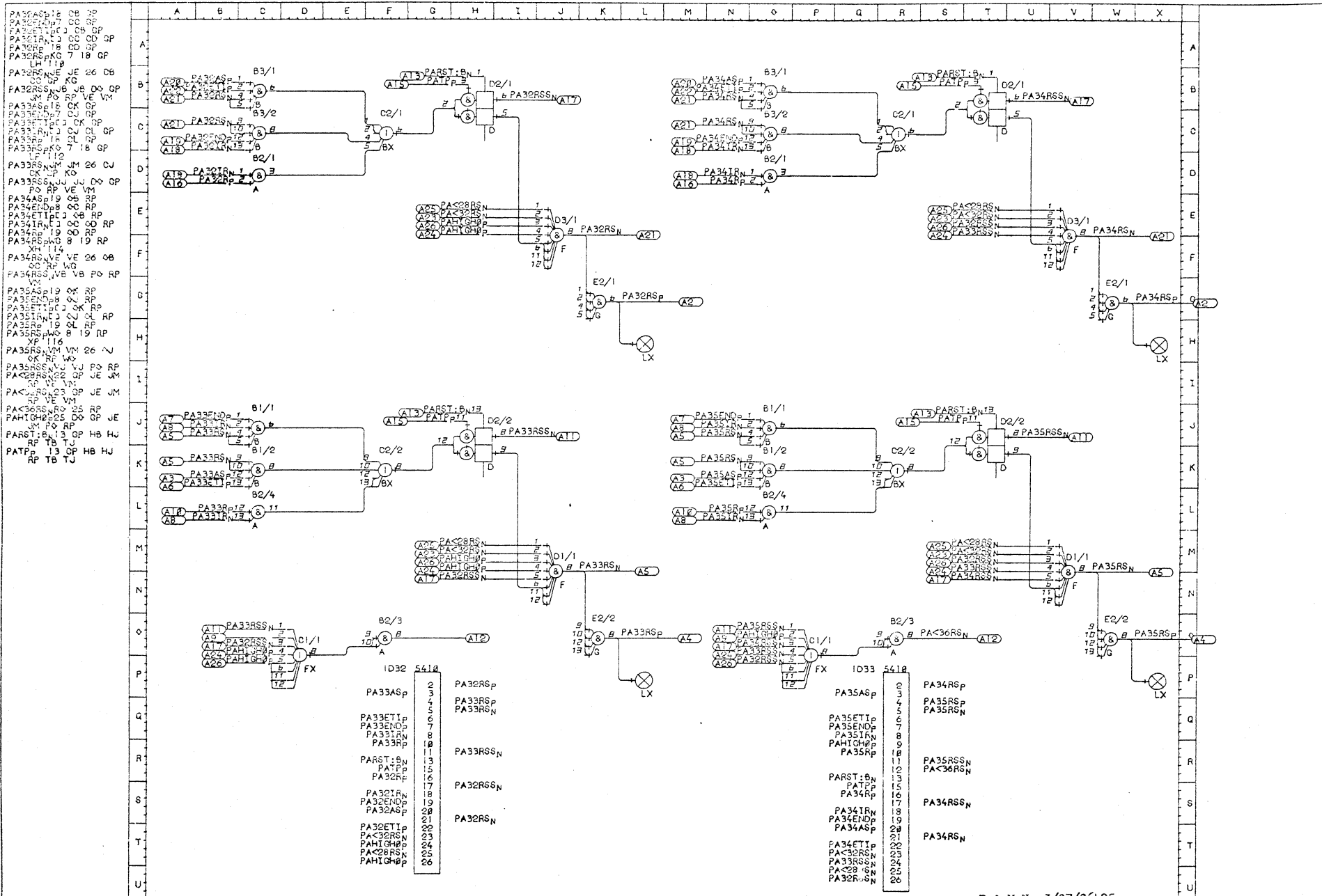
CCW:0010 07/05/70

PRIORITY (DEVICE 28-31)

WGH03FN\*/0023

DATA CCW0141

ISSUE: Iss	TYPE MOD: 2	TYPE MOD:	TYPE MOD:	TYPE MOD:	TYPE MOD:
ACC: 3088	ECC: 3321	ECC:	ECC:	ECC:	ECC:



CCW:0010 07/05/70

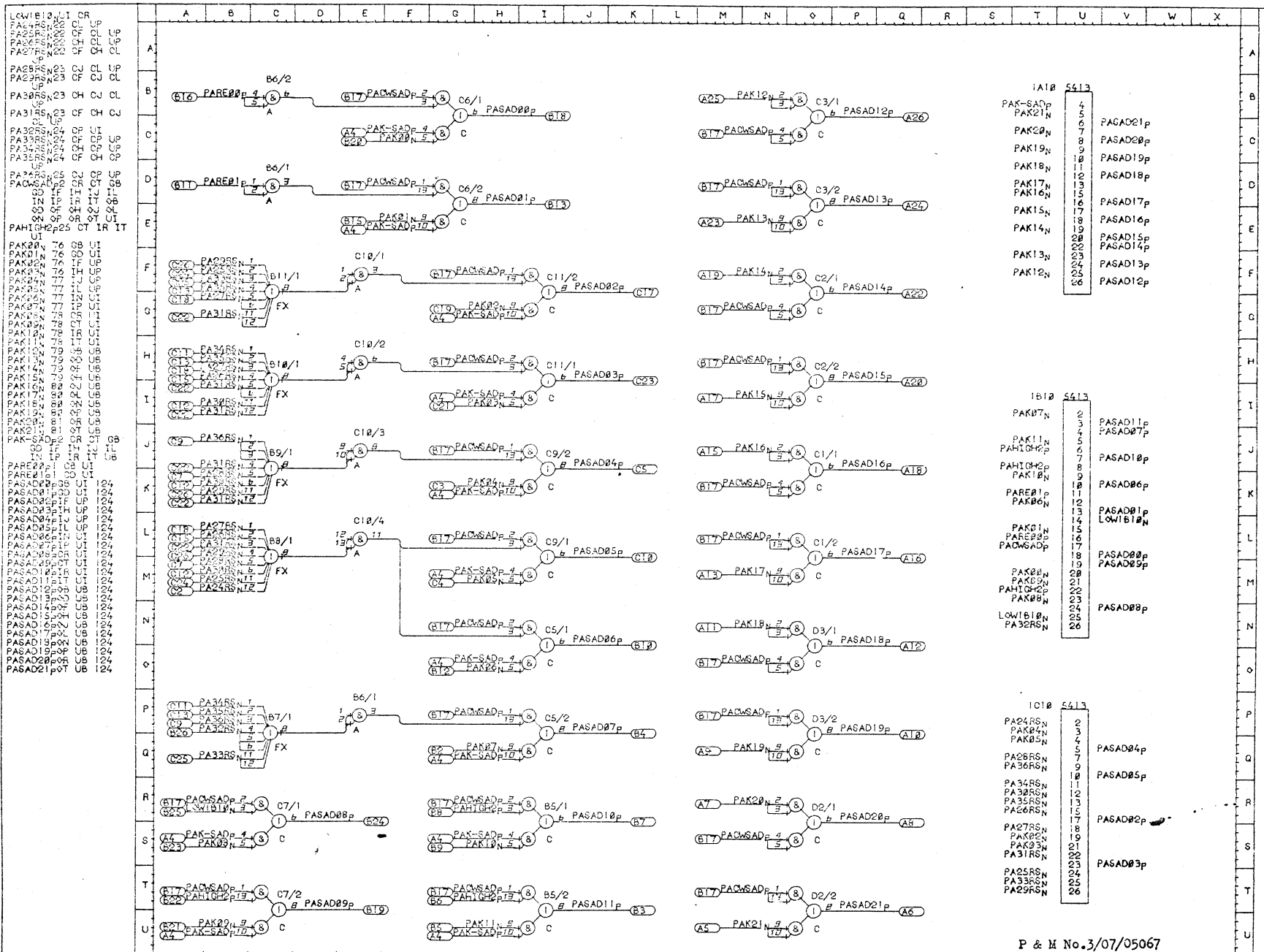
PRIORITY (DEVICE 32-35)

P & M No.3/07/06425

DATA CCW141

ISSUE: I55	TYPE MOD: 2	TYPE MOD:	TYPE MOD:	TYPE MOD:	TYPE MOD:	TYPE MOD:
ACC: 3088	ECC: 3321	ECC:	ECC:	ECC:	ECC:	ECC:





IA10 5413

PAK-SADP	4
PAK21N	5
PAK20N	7
PAK19N	8
PAK18N	9
PAK17N	10
PAK16N	11
PAK15N	12
PAK14N	13
PAK13N	14
PAK12N	15
PAK11N	16
PAK10N	17
PAK9N	18
PAK8N	19
PAK7N	20
PAK6N	21
PAK5N	22
PAK4N	23
PAK3N	24
PAK2N	25
PAK1N	26

1B10 5413

PAK7N	0
PAK6N	1
PAK5N	2
PAK4N	3
PAK3N	4
PAK2N	5
PAK1N	6
PAK0N	7
PAK9N	8
PAK8N	9
PAK7N	10
PAK6N	11
PAK5N	12
PAK4N	13
PAK3N	14
PAK2N	15
PAK1N	16
PAK0N	17
PAK9N	18
PAK8N	19
PAK7N	20
PAK6N	21
PAK5N	22
PAK4N	23
PAK3N	24
PAK2N	25
PAK1N	26

1C10 5413

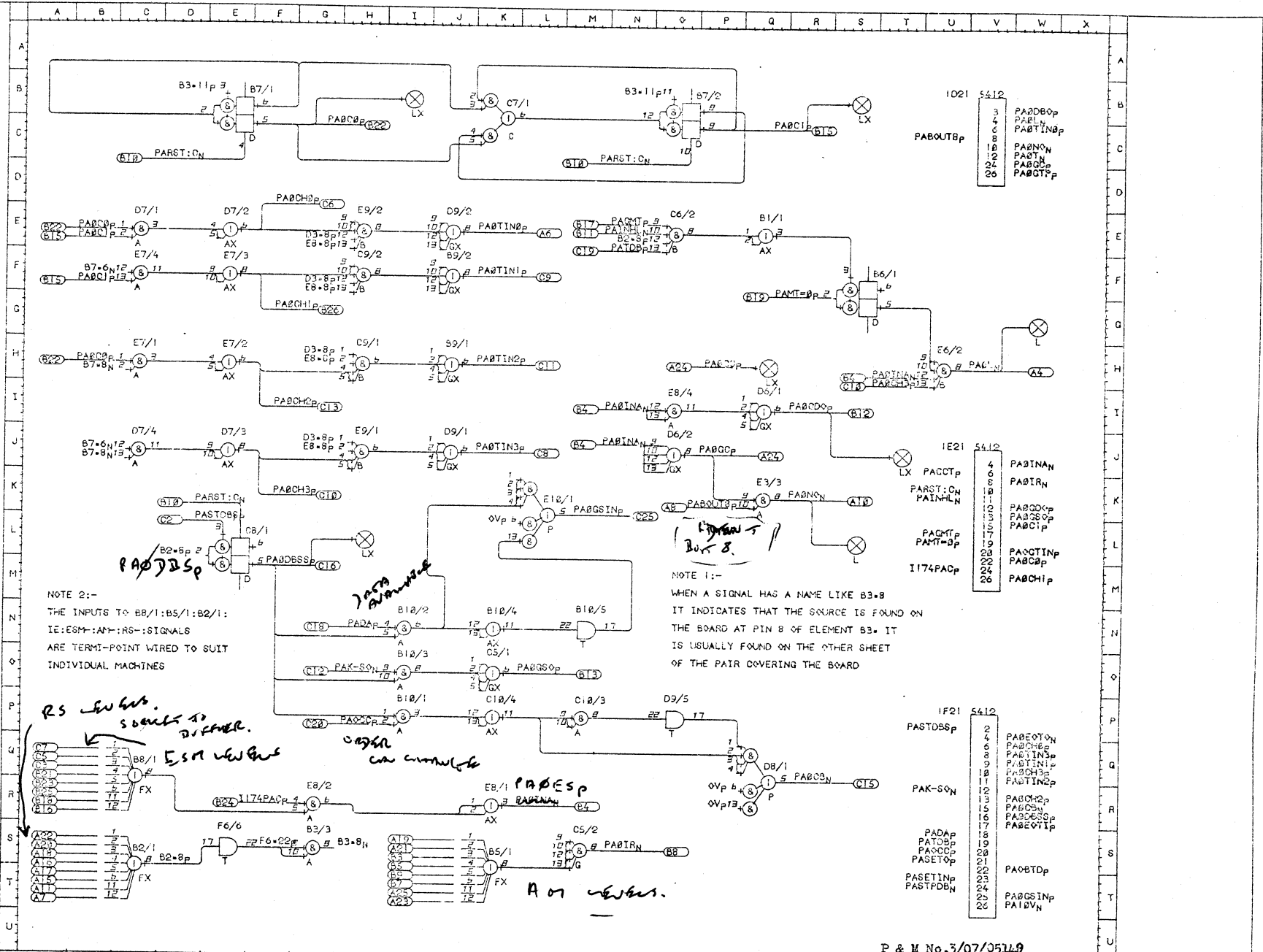
PA24RSN	2
PA23RSN	3
PA22RSN	4
PA21RSN	5
PA20RSN	6
PA19RSN	7
PA18RSN	8
PA17RSN	9
PA16RSN	10
PA15RSN	11
PA14RSN	12
PA13RSN	13
PA12RSN	14
PA11RSN	15
PA10RSN	16
PA9RSN	17
PA8RSN	18
PA7RSN	19
PA6RSN	20
PA5RSN	21
PA4RSN	22
PA3RSN	23
PA2RSN	24
PA1RSN	25
PA0RSN	26

P & M No.3/07/05067

CCW:0010 07/05/70 R-ENCODE AND K-SAD WGH03FN\*/0026 DATA CCW0141

ISSUE: Iss	TYPE MOD: 00	TYPE MOD:	TYPE MOD:	TYPE MOD:	TYPE MOD:	TYPE MOD:
ACC: 3088	ECC:	ECC:	ECC:	ECC:	ECC:	ECC:

I174PAC 123 CR VJ  
 PAB30p HC HC CE CH  
 VJ  
 PAB31p RC RC CE CF  
 VJ  
 PAB32p QD 29 31 VP  
 PAB33p PF 29 31 VP  
 PAB34p QG 29 31 VP  
 PAB35p PG 29 31 VP  
 PAB36p QK 29 31 VP  
 PAB37p QN 29 31 VP  
 PAB38p QM 29 31 VP  
 PAB39p QN 29 31 VP  
 PAB40p QM 29 31 VP  
 PAB41p QN 29 31 VP  
 PAB42p QM 29 31 VP  
 PAB43p QN 29 31 VP  
 PAB44p QM 29 31 VP  
 PAB45p QN 29 31 VP  
 PAB46p QM 29 31 VP  
 PAB47p QN 29 31 VP  
 PAB48p QM 29 31 VP  
 PAB49p QN 29 31 VP  
 PAB50p QM 29 31 VP  
 PAB51p QN 29 31 VP  
 PAB52p QM 29 31 VP  
 PAB53p QN 29 31 VP  
 PAB54p QM 29 31 VP  
 PAB55p QN 29 31 VP  
 PAB56p QM 29 31 VP  
 PAB57p QN 29 31 VP  
 PAB58p QM 29 31 VP  
 PAB59p QN 29 31 VP  
 PAB60p QM 29 31 VP  
 PAB61p QN 29 31 VP  
 PAB62p QM 29 31 VP  
 PAB63p QN 29 31 VP  
 PAB64p QM 29 31 VP  
 PAB65p QN 29 31 VP  
 PAB66p QM 29 31 VP  
 PAB67p QN 29 31 VP  
 PAB68p QM 29 31 VP  
 PAB69p QN 29 31 VP  
 PAB70p QM 29 31 VP  
 PAB71p QN 29 31 VP  
 PAB72p QM 29 31 VP  
 PAB73p QN 29 31 VP  
 PAB74p QM 29 31 VP  
 PAB75p QN 29 31 VP  
 PAB76p QM 29 31 VP  
 PAB77p QN 29 31 VP  
 PAB78p QM 29 31 VP  
 PAB79p QN 29 31 VP  
 PAB80p QM 29 31 VP  
 PAB81p QN 29 31 VP  
 PAB82p QM 29 31 VP  
 PAB83p QN 29 31 VP  
 PAB84p QM 29 31 VP  
 PAB85p QN 29 31 VP  
 PAB86p QM 29 31 VP  
 PAB87p QN 29 31 VP  
 PAB88p QM 29 31 VP  
 PAB89p QN 29 31 VP  
 PAB90p QM 29 31 VP  
 PAB91p QN 29 31 VP  
 PAB92p QM 29 31 VP  
 PAB93p QN 29 31 VP  
 PAB94p QM 29 31 VP  
 PAB95p QN 29 31 VP  
 PAB96p QM 29 31 VP  
 PAB97p QN 29 31 VP  
 PAB98p QM 29 31 VP  
 PAB99p QN 29 31 VP  
 PAB00p QM 29 31 VP  
 PAB01p QN 29 31 VP  
 PAB02p QM 29 31 VP  
 PAB03p QN 29 31 VP  
 PAB04p QM 29 31 VP  
 PAB05p QN 29 31 VP  
 PAB06p QM 29 31 VP  
 PAB07p QN 29 31 VP  
 PAB08p QM 29 31 VP  
 PAB09p QN 29 31 VP  
 PAB10p QM 29 31 VP  
 PAB11p QN 29 31 VP  
 PAB12p QM 29 31 VP  
 PAB13p QN 29 31 VP  
 PAB14p QM 29 31 VP  
 PAB15p QN 29 31 VP  
 PAB16p QM 29 31 VP  
 PAB17p QN 29 31 VP  
 PAB18p QM 29 31 VP  
 PAB19p QN 29 31 VP  
 PAB20p QM 29 31 VP  
 PAB21p QN 29 31 VP  
 PAB22p QM 29 31 VP  
 PAB23p QN 29 31 VP  
 PAB24p QM 29 31 VP  
 PAB25p QN 29 31 VP  
 PAB26p QM 29 31 VP  
 PAB27p QN 29 31 VP  
 PAB28p QM 29 31 VP  
 PAB29p QN 29 31 VP  
 PAB30p QM 29 31 VP  
 PAB31p QN 29 31 VP  
 PAB32p QM 29 31 VP  
 PAB33p QN 29 31 VP  
 PAB34p QM 29 31 VP  
 PAB35p QN 29 31 VP  
 PAB36p QM 29 31 VP  
 PAB37p QN 29 31 VP  
 PAB38p QM 29 31 VP  
 PAB39p QN 29 31 VP  
 PAB40p QM 29 31 VP  
 PAB41p QN 29 31 VP  
 PAB42p QM 29 31 VP  
 PAB43p QN 29 31 VP  
 PAB44p QM 29 31 VP  
 PAB45p QN 29 31 VP  
 PAB46p QM 29 31 VP  
 PAB47p QN 29 31 VP  
 PAB48p QM 29 31 VP  
 PAB49p QN 29 31 VP  
 PAB50p QM 29 31 VP  
 PAB51p QN 29 31 VP  
 PAB52p QM 29 31 VP  
 PAB53p QN 29 31 VP  
 PAB54p QM 29 31 VP  
 PAB55p QN 29 31 VP  
 PAB56p QM 29 31 VP  
 PAB57p QN 29 31 VP  
 PAB58p QM 29 31 VP  
 PAB59p QN 29 31 VP  
 PAB60p QM 29 31 VP  
 PAB61p QN 29 31 VP  
 PAB62p QM 29 31 VP  
 PAB63p QN 29 31 VP  
 PAB64p QM 29 31 VP  
 PAB65p QN 29 31 VP  
 PAB66p QM 29 31 VP  
 PAB67p QN 29 31 VP  
 PAB68p QM 29 31 VP  
 PAB69p QN 29 31 VP  
 PAB70p QM 29 31 VP  
 PAB71p QN 29 31 VP  
 PAB72p QM 29 31 VP  
 PAB73p QN 29 31 VP  
 PAB74p QM 29 31 VP  
 PAB75p QN 29 31 VP  
 PAB76p QM 29 31 VP  
 PAB77p QN 29 31 VP  
 PAB78p QM 29 31 VP  
 PAB79p QN 29 31 VP  
 PAB80p QM 29 31 VP  
 PAB81p QN 29 31 VP  
 PAB82p QM 29 31 VP  
 PAB83p QN 29 31 VP  
 PAB84p QM 29 31 VP  
 PAB85p QN 29 31 VP  
 PAB86p QM 29 31 VP  
 PAB87p QN 29 31 VP  
 PAB88p QM 29 31 VP  
 PAB89p QN 29 31 VP  
 PAB90p QM 29 31 VP  
 PAB91p QN 29 31 VP  
 PAB92p QM 29 31 VP  
 PAB93p QN 29 31 VP  
 PAB94p QM 29 31 VP  
 PAB95p QN 29 31 VP  
 PAB96p QM 29 31 VP  
 PAB97p QN 29 31 VP  
 PAB98p QM 29 31 VP  
 PAB99p QN 29 31 VP  
 PAB00p QM 29 31 VP



NOTE 2:-  
 THE INPUTS TO B8/1; B5/1; B2/1:  
 IE: ESM-ANT-RG-SIGNALS  
 ARE TERM-POINT WIRED TO SUIT  
 INDIVIDUAL MACHINES

RS switches  
 connect to  
 DIFFER.  
 ESM switches

DATA BUFFER  
 can connect

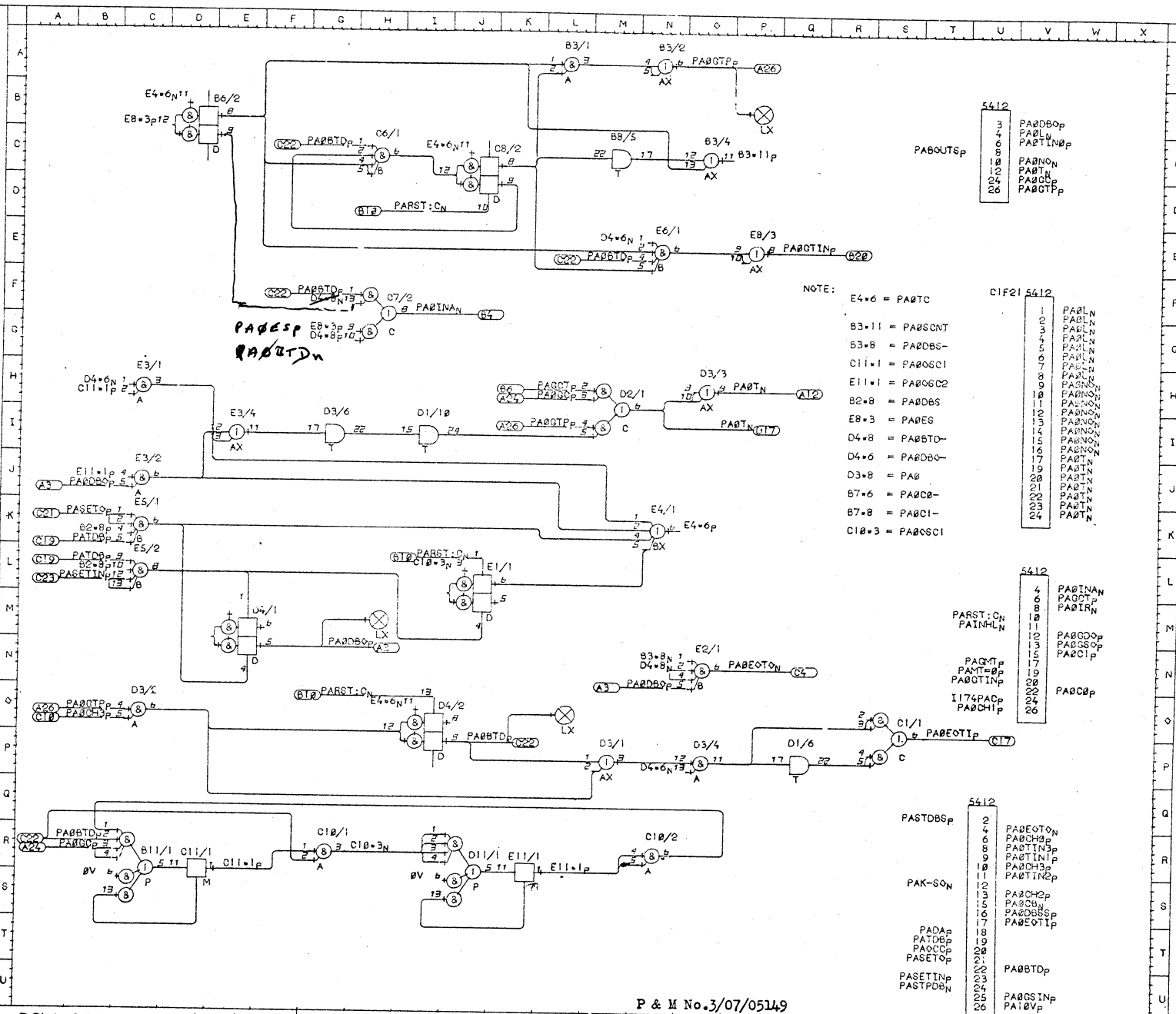
NOTE 1:-  
 WHEN A SIGNAL HAS A NAME LIKE B3-8  
 IT INDICATES THAT THE SOURCE IS FOUND ON  
 THE BOARD AT PIN 8 OF ELEMENT B3- IT  
 IS USUALLY FOUND ON THE OTHER SHEET  
 OF THE PAIR COVERING THE BOARD

Ant switches.

CCW: 0134 07/05/70 DATA BUFFER 0 CONTROL P & M No. 3/07/05149

16SUE: Iss	TYPE MOD: 5	TYPE MOD: 5	TYPE MOD: 5	TYPE MOD: 5	TYPE MOD: 5	TYPE MOD: 5
ACD: 3088	ECC: 4047	ECC: 4047	ECC: 4047	ECC: 4047	ECC: 4047	ECC: 4047

PA083P27 C0  
 PA083P27 C1  
 PA083P27 C2  
 PA083P27 C3  
 PA083P27 C4  
 PA083P27 C5  
 PA083P27 C6  
 PA083P27 C7  
 PA083P27 C8  
 PA083P27 C9  
 PA083P27 C10  
 PA083P27 C11  
 PA083P27 C12  
 PA083P27 C13  
 PA083P27 C14  
 PA083P27 C15  
 PA083P27 C16  
 PA083P27 C17  
 PA083P27 C18  
 PA083P27 C19  
 PA083P27 C20  
 PA083P27 C21  
 PA083P27 C22  
 PA083P27 C23  
 PA083P27 C24  
 PA083P27 C25  
 PA083P27 C26



- E4\*6 = PA0TC
- B3\*11 = PA0SCNT
- B3\*8 = PA0DBS-
- C11\*1 = PA0SCC1
- E11\*1 = PA0GOC2
- B2\*8 = PA0DBS
- E8\*3 = PA0ES
- D4\*8 = PA0BTD-
- D4\*6 = PA0DBO-
- D3\*8 = PA0
- B7\*6 = PA0CB-
- B7\*8 = PA0C1-
- C10\*3 = PA0SCC1

5412	1	PA0DBOp
3	2	PA0L
6	3	PA0TINOp
9	4	PA0TINOp
12	5	PA0TINOp
15	6	PA0TINOp
18	7	PA0TINOp
21	8	PA0TINOp
24	9	PA0TINOp
26	10	PA0TINOp

CIF21 5412	1	PA0L
2	2	PA0L
3	3	PA0L
4	4	PA0L
5	5	PA0L
6	6	PA0L
7	7	PA0L
8	8	PA0L
9	9	PA0L
10	10	PA0L
11	11	PA0L
12	12	PA0L
13	13	PA0L
14	14	PA0L
15	15	PA0L
16	16	PA0L
17	17	PA0L
18	18	PA0L
19	19	PA0L
20	20	PA0L
21	21	PA0L
22	22	PA0L
23	23	PA0L
24	24	PA0L

5412	4	PA0TIN
6	5	PA0TIN
8	6	PA0TIN
10	7	PA0TIN
11	8	PA0TIN
12	9	PA0TIN
13	10	PA0TIN
14	11	PA0TIN
15	12	PA0TIN
16	13	PA0TIN
17	14	PA0TIN
18	15	PA0TIN
19	16	PA0TIN
20	17	PA0TIN
21	18	PA0TIN
22	19	PA0TIN
23	20	PA0TIN
24	21	PA0TIN
26	22	PA0TIN

PASTDBSp	5412	2	PA0EOTN
6	3	PA0CHOp	
8	4	PA0TINOp	
9	5	PA0TINOp	
10	6	PA0TINOp	
11	7	PA0TINOp	
12	8	PA0TINOp	
13	9	PA0TINOp	
14	10	PA0TINOp	
15	11	PA0TINOp	
16	12	PA0TINOp	
17	13	PA0TINOp	
18	14	PA0TINOp	
19	15	PA0TINOp	
20	16	PA0TINOp	
21	17	PA0TINOp	
22	18	PA0TINOp	
23	19	PA0TINOp	
24	20	PA0TINOp	
25	21	PA0TINOp	
26	22	PA0TINOp	

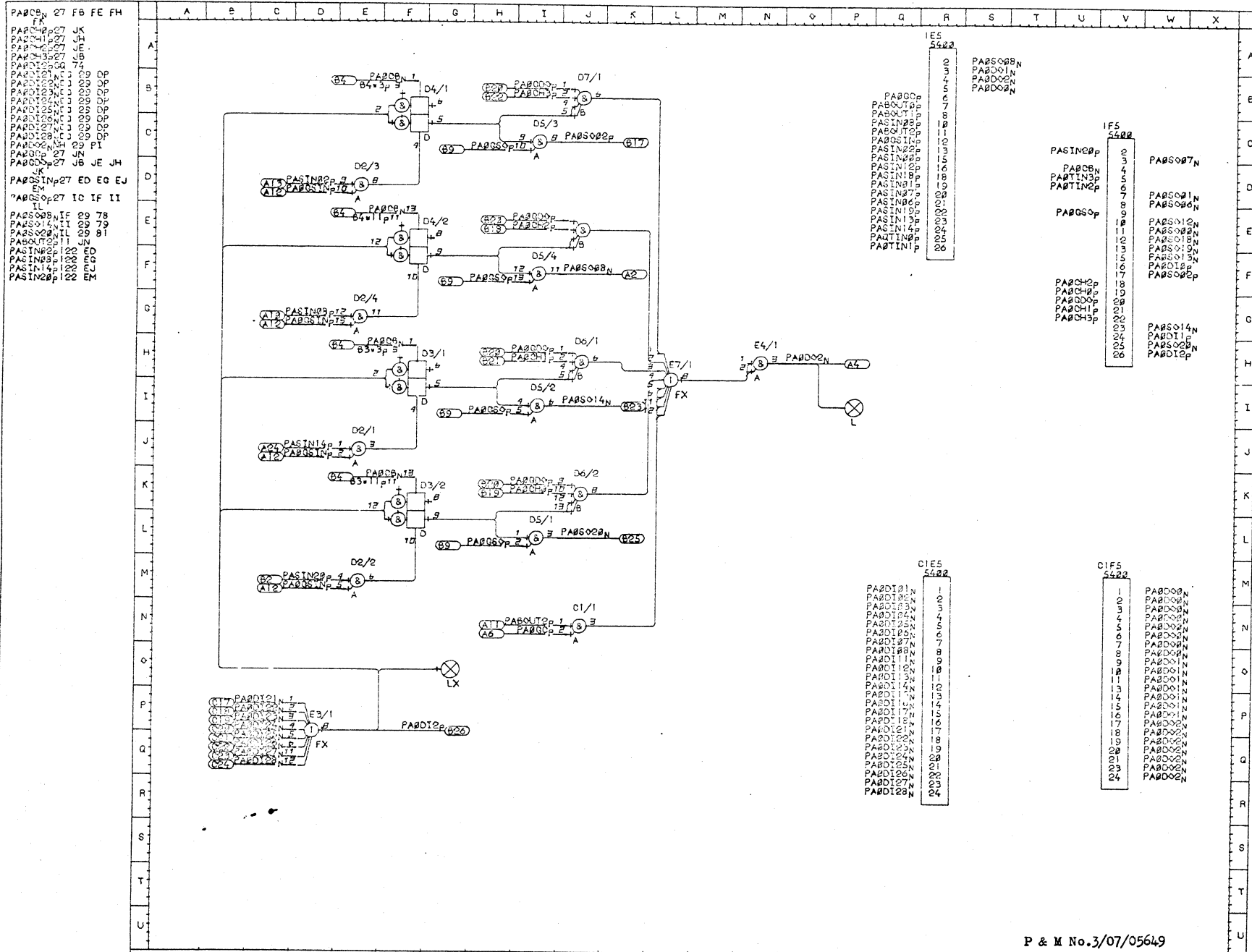
CCW:0009 07/05/70 DATA BUFFER 0 CONTROL WGH03FN\*/0028 DATA C00141

P & M No.3/07/05149

ISSUE: 155	TYPE MOD: 5	TYPE MOD:	TYPE MOD:	TYPE MOD:	TYPE MOD:	TYPE MOD:
ACC: 3088	ECC: 4047	ECC:	ECC:	ECC:	ECC:	ECC:







- IES  
5422
- 2
  - 3
  - 4
  - 5
  - 6
  - 7
  - 8
  - 9
  - 10
  - 11
  - 12
  - 13
  - 14
  - 15
  - 16
  - 17
  - 18
  - 19
  - 20
  - 21
  - 22
  - 23
  - 24
  - 25
  - 26

- IF5  
5402
- 2
  - 3
  - 4
  - 5
  - 6
  - 7
  - 8
  - 9
  - 10
  - 11
  - 12
  - 13
  - 14
  - 15
  - 16
  - 17
  - 18
  - 19
  - 20
  - 21
  - 22
  - 23
  - 24
  - 25
  - 26

- CI5  
5422
- 1
  - 2
  - 3
  - 4
  - 5
  - 6
  - 7
  - 8
  - 9
  - 10
  - 11
  - 12
  - 13
  - 14
  - 15
  - 16
  - 17
  - 18
  - 19
  - 20
  - 21
  - 22
  - 23
  - 24

- CI5  
5422
- 1
  - 2
  - 3
  - 4
  - 5
  - 6
  - 7
  - 8
  - 9
  - 10
  - 11
  - 12
  - 13
  - 14
  - 15
  - 16
  - 17
  - 18
  - 19
  - 20
  - 21
  - 22
  - 23
  - 24

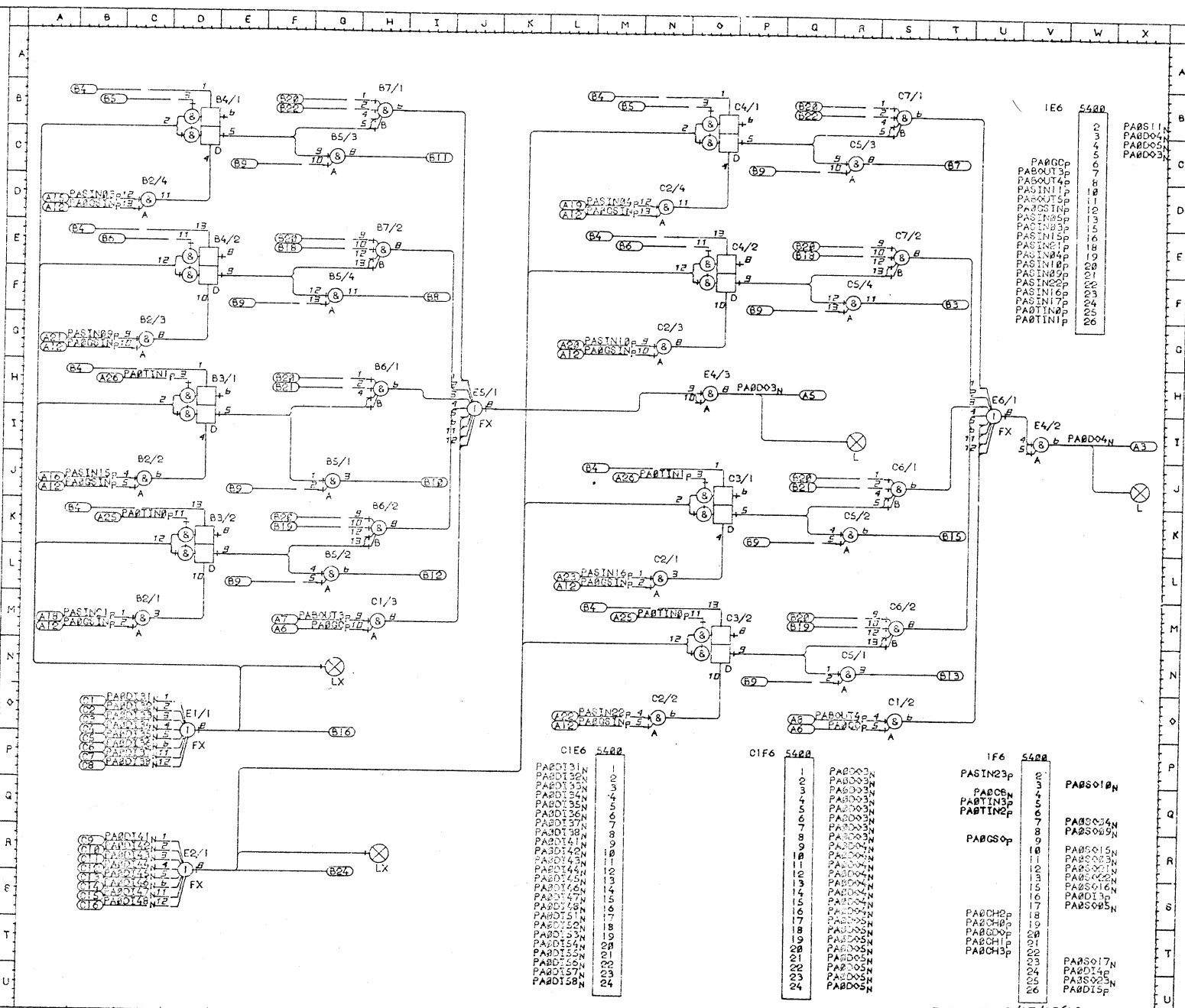
CCW:0008 07/05/70 DATA BUFFER 0 SLICE D02

WGHO3FN\*/0030 DATA CCW0141

P & M No.3/07/05649

ISSUE:	TYPE MOD:	TYPE MOD:	TYPE MOD:	TYPE MOD:	TYPE MOD:	TYPE MOD:
1ss	2					
ACD: 3088	ECC: 4047	ECC:	ECC:	ECC:	ECC:	ECC:

PA806 07 VP  
 PA807 07 VP  
 PA808 07 VP  
 PA809 07 VP  
 PA810 07 VP  
 PA811 07 VP  
 PA812 07 VP  
 PA813 07 VP  
 PA814 07 VP  
 PA815 07 VP  
 PA816 07 VP  
 PA817 07 VP  
 PA818 07 VP  
 PA819 07 VP  
 PA820 07 VP  
 PA821 07 VP  
 PA822 07 VP  
 PA823 07 VP  
 PA824 07 VP  
 PA825 07 VP  
 PA826 07 VP  
 PA827 07 VP  
 PA828 07 VP  
 PA829 07 VP  
 PA830 07 VP  
 PA831 07 VP  
 PA832 07 VP  
 PA833 07 VP  
 PA834 07 VP  
 PA835 07 VP  
 PA836 07 VP  
 PA837 07 VP  
 PA838 07 VP  
 PA839 07 VP  
 PA840 07 VP  
 PA841 07 VP  
 PA842 07 VP  
 PA843 07 VP  
 PA844 07 VP  
 PA845 07 VP  
 PA846 07 VP  
 PA847 07 VP  
 PA848 07 VP  
 PA849 07 VP  
 PA850 07 VP  
 PA851 07 VP  
 PA852 07 VP  
 PA853 07 VP  
 PA854 07 VP  
 PA855 07 VP  
 PA856 07 VP  
 PA857 07 VP  
 PA858 07 VP  
 PA859 07 VP  
 PA860 07 VP  
 PA861 07 VP  
 PA862 07 VP  
 PA863 07 VP  
 PA864 07 VP  
 PA865 07 VP  
 PA866 07 VP  
 PA867 07 VP  
 PA868 07 VP  
 PA869 07 VP  
 PA870 07 VP  
 PA871 07 VP  
 PA872 07 VP  
 PA873 07 VP  
 PA874 07 VP  
 PA875 07 VP  
 PA876 07 VP  
 PA877 07 VP  
 PA878 07 VP  
 PA879 07 VP  
 PA880 07 VP  
 PA881 07 VP  
 PA882 07 VP  
 PA883 07 VP  
 PA884 07 VP  
 PA885 07 VP  
 PA886 07 VP  
 PA887 07 VP  
 PA888 07 VP  
 PA889 07 VP  
 PA890 07 VP  
 PA891 07 VP  
 PA892 07 VP  
 PA893 07 VP  
 PA894 07 VP  
 PA895 07 VP  
 PA896 07 VP  
 PA897 07 VP  
 PA898 07 VP  
 PA899 07 VP  
 PA900 07 VP  
 PA901 07 VP  
 PA902 07 VP  
 PA903 07 VP  
 PA904 07 VP  
 PA905 07 VP  
 PA906 07 VP  
 PA907 07 VP  
 PA908 07 VP  
 PA909 07 VP  
 PA910 07 VP  
 PA911 07 VP  
 PA912 07 VP  
 PA913 07 VP  
 PA914 07 VP  
 PA915 07 VP  
 PA916 07 VP  
 PA917 07 VP  
 PA918 07 VP  
 PA919 07 VP  
 PA920 07 VP  
 PA921 07 VP  
 PA922 07 VP  
 PA923 07 VP  
 PA924 07 VP  
 PA925 07 VP  
 PA926 07 VP  
 PA927 07 VP  
 PA928 07 VP  
 PA929 07 VP  
 PA930 07 VP  
 PA931 07 VP  
 PA932 07 VP  
 PA933 07 VP  
 PA934 07 VP  
 PA935 07 VP  
 PA936 07 VP  
 PA937 07 VP  
 PA938 07 VP  
 PA939 07 VP  
 PA940 07 VP  
 PA941 07 VP  
 PA942 07 VP  
 PA943 07 VP  
 PA944 07 VP  
 PA945 07 VP  
 PA946 07 VP  
 PA947 07 VP  
 PA948 07 VP  
 PA949 07 VP  
 PA950 07 VP  
 PA951 07 VP  
 PA952 07 VP  
 PA953 07 VP  
 PA954 07 VP  
 PA955 07 VP  
 PA956 07 VP  
 PA957 07 VP  
 PA958 07 VP  
 PA959 07 VP  
 PA960 07 VP  
 PA961 07 VP  
 PA962 07 VP  
 PA963 07 VP  
 PA964 07 VP  
 PA965 07 VP  
 PA966 07 VP  
 PA967 07 VP  
 PA968 07 VP  
 PA969 07 VP  
 PA970 07 VP  
 PA971 07 VP  
 PA972 07 VP  
 PA973 07 VP  
 PA974 07 VP  
 PA975 07 VP  
 PA976 07 VP  
 PA977 07 VP  
 PA978 07 VP  
 PA979 07 VP  
 PA980 07 VP  
 PA981 07 VP  
 PA982 07 VP  
 PA983 07 VP  
 PA984 07 VP  
 PA985 07 VP  
 PA986 07 VP  
 PA987 07 VP  
 PA988 07 VP  
 PA989 07 VP  
 PA990 07 VP  
 PA991 07 VP  
 PA992 07 VP  
 PA993 07 VP  
 PA994 07 VP  
 PA995 07 VP  
 PA996 07 VP  
 PA997 07 VP  
 PA998 07 VP  
 PA999 07 VP  
 PA1000 07 VP



IE6 5400

2	PA803Cp
3	PAB04T3p
4	PAB04T4p
5	PASIN11p
6	PAB04T5p
7	PAB03INp
8	PASIN05p
9	PASIN03p
10	PASIN01p
11	PASIN04p
12	PASIN10p
13	PASIN09p
14	PASIN02p
15	PASIN16p
16	PASIN17p
17	PABTIN0p
18	PABTIN1p
19	
20	
21	
22	
23	
24	
25	
26	

DIE6 5400

1	PA8013N
2	PA8013N
3	PA8013N
4	PA8013N
5	PA8013N
6	PA8013N
7	PA8013N
8	PA8013N
9	PA8013N
10	PA8013N
11	PA8013N
12	PA8013N
13	PA8013N
14	PA8013N
15	PA8013N
16	PA8013N
17	PA8013N
18	PA8013N
19	PA8013N
20	PA8013N
21	PA8013N
22	PA8013N
23	PA8013N
24	PA8013N

CIF6 5400

1	PA8003N
2	PA8003N
3	PA8003N
4	PA8003N
5	PA8003N
6	PA8003N
7	PA8003N
8	PA8003N
9	PA8003N
10	PA8003N
11	PA8003N
12	PA8003N
13	PA8003N
14	PA8003N
15	PA8003N
16	PA8003N
17	PA8003N
18	PA8003N
19	PA8003N
20	PA8003N
21	PA8003N
22	PA8003N
23	PA8003N
24	PA8003N

IF6 5400

2	PASIN23p
3	PAB03Cp
4	PABTIN3p
5	PABTIN2p
6	
7	PAB03Op
8	
9	
10	PA80015N
11	PA80023N
12	PA80021N
13	PA80022N
14	PA80016N
15	PA8013p
16	PA80055N
17	
18	
19	PA8002p
20	PA8000p
21	PA8005p
22	PA8005p
23	
24	PA80017N
25	PA8014p
26	PA80023N
27	PA8019p

PA8031N  
 PA8032N  
 PA8033N  
 PA8034N  
 PA8035N  
 PA8036N  
 PA8037N  
 PA8038N  
 PA8039N  
 PA8040N  
 PA8041N  
 PA8042N  
 PA8043N  
 PA8044N  
 PA8045N  
 PA8046N  
 PA8047N  
 PA8048N  
 PA8049N  
 PA8050N  
 PA8051N  
 PA8052N  
 PA8053N  
 PA8054N  
 PA8055N  
 PA8056N  
 PA8057N  
 PA8058N  
 PA8059N  
 PA8060N  
 PA8061N  
 PA8062N  
 PA8063N  
 PA8064N  
 PA8065N  
 PA8066N  
 PA8067N  
 PA8068N  
 PA8069N  
 PA8070N  
 PA8071N  
 PA8072N  
 PA8073N  
 PA8074N  
 PA8075N  
 PA8076N  
 PA8077N  
 PA8078N  
 PA8079N  
 PA8080N  
 PA8081N  
 PA8082N  
 PA8083N  
 PA8084N  
 PA8085N  
 PA8086N  
 PA8087N  
 PA8088N  
 PA8089N  
 PA8090N  
 PA8091N  
 PA8092N  
 PA8093N  
 PA8094N  
 PA8095N  
 PA8096N  
 PA8097N  
 PA8098N  
 PA8099N  
 PA8100N

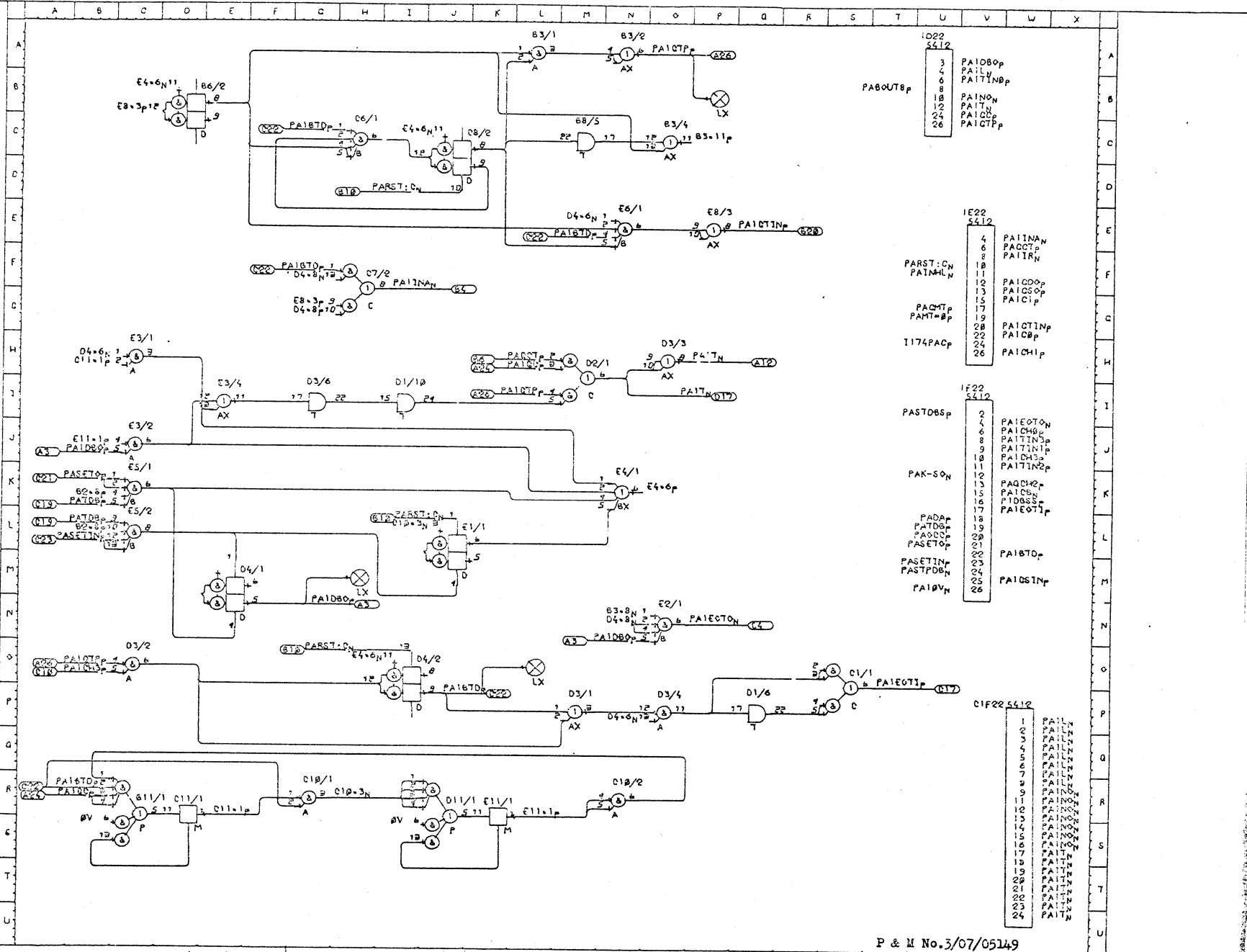
CCW:0008 07/05/70 DATA BUFFER 0 SLICE D03 D04 P & M No.3/07/05649

ISSUE: 138	TYPE MOD: 2	TYPE MOD:	TYPE MOD:	TYPE MOD:	TYPE MOD:	TYPE MOD:
ACC: 3088	ECC: 4047	ECC:	ECC:	ECC:	ECC:	ECC:





PA16TD<sub>1</sub> KP 33 AR  
 PA16TD<sub>2</sub> KP 33 AR  
 PA16TD<sub>3</sub> KP 33 AR  
 PA16TD<sub>4</sub> KP 33 AR  
 PA16TD<sub>5</sub> KP 33 AR  
 PA16TD<sub>6</sub> KP 33 AR  
 PA16TD<sub>7</sub> KP 33 AR  
 PA16TD<sub>8</sub> KP 33 AR  
 PA16TD<sub>9</sub> KP 33 AR  
 PA16TD<sub>10</sub> KP 33 AR  
 PA16TD<sub>11</sub> KP 33 AR  
 PA16TD<sub>12</sub> KP 33 AR  
 PA16TD<sub>13</sub> KP 33 AR  
 PA16TD<sub>14</sub> KP 33 AR  
 PA16TD<sub>15</sub> KP 33 AR  
 PA16TD<sub>16</sub> KP 33 AR  
 PA16TD<sub>17</sub> KP 33 AR  
 PA16TD<sub>18</sub> KP 33 AR  
 PA16TD<sub>19</sub> KP 33 AR  
 PA16TD<sub>20</sub> KP 33 AR  
 PA16TD<sub>21</sub> KP 33 AR  
 PA16TD<sub>22</sub> KP 33 AR  
 PA16TD<sub>23</sub> KP 33 AR  
 PA16TD<sub>24</sub> KP 33 AR  
 PA16TD<sub>25</sub> KP 33 AR  
 PA16TD<sub>26</sub> KP 33 AR  
 PA16TD<sub>27</sub> KP 33 AR  
 PA16TD<sub>28</sub> KP 33 AR  
 PA16TD<sub>29</sub> KP 33 AR  
 PA16TD<sub>30</sub> KP 33 AR  
 PA16TD<sub>31</sub> KP 33 AR  
 PA16TD<sub>32</sub> KP 33 AR  
 PA16TD<sub>33</sub> KP 33 AR  
 PA16TD<sub>34</sub> KP 33 AR  
 PA16TD<sub>35</sub> KP 33 AR  
 PA16TD<sub>36</sub> KP 33 AR  
 PA16TD<sub>37</sub> KP 33 AR  
 PA16TD<sub>38</sub> KP 33 AR  
 PA16TD<sub>39</sub> KP 33 AR  
 PA16TD<sub>40</sub> KP 33 AR  
 PA16TD<sub>41</sub> KP 33 AR  
 PA16TD<sub>42</sub> KP 33 AR  
 PA16TD<sub>43</sub> KP 33 AR  
 PA16TD<sub>44</sub> KP 33 AR  
 PA16TD<sub>45</sub> KP 33 AR  
 PA16TD<sub>46</sub> KP 33 AR  
 PA16TD<sub>47</sub> KP 33 AR  
 PA16TD<sub>48</sub> KP 33 AR  
 PA16TD<sub>49</sub> KP 33 AR  
 PA16TD<sub>50</sub> KP 33 AR  
 PA16TD<sub>51</sub> KP 33 AR  
 PA16TD<sub>52</sub> KP 33 AR  
 PA16TD<sub>53</sub> KP 33 AR  
 PA16TD<sub>54</sub> KP 33 AR  
 PA16TD<sub>55</sub> KP 33 AR  
 PA16TD<sub>56</sub> KP 33 AR  
 PA16TD<sub>57</sub> KP 33 AR  
 PA16TD<sub>58</sub> KP 33 AR  
 PA16TD<sub>59</sub> KP 33 AR  
 PA16TD<sub>60</sub> KP 33 AR  
 PA16TD<sub>61</sub> KP 33 AR  
 PA16TD<sub>62</sub> KP 33 AR  
 PA16TD<sub>63</sub> KP 33 AR  
 PA16TD<sub>64</sub> KP 33 AR  
 PA16TD<sub>65</sub> KP 33 AR  
 PA16TD<sub>66</sub> KP 33 AR  
 PA16TD<sub>67</sub> KP 33 AR  
 PA16TD<sub>68</sub> KP 33 AR  
 PA16TD<sub>69</sub> KP 33 AR  
 PA16TD<sub>70</sub> KP 33 AR  
 PA16TD<sub>71</sub> KP 33 AR  
 PA16TD<sub>72</sub> KP 33 AR  
 PA16TD<sub>73</sub> KP 33 AR  
 PA16TD<sub>74</sub> KP 33 AR  
 PA16TD<sub>75</sub> KP 33 AR  
 PA16TD<sub>76</sub> KP 33 AR  
 PA16TD<sub>77</sub> KP 33 AR  
 PA16TD<sub>78</sub> KP 33 AR  
 PA16TD<sub>79</sub> KP 33 AR  
 PA16TD<sub>80</sub> KP 33 AR  
 PA16TD<sub>81</sub> KP 33 AR  
 PA16TD<sub>82</sub> KP 33 AR  
 PA16TD<sub>83</sub> KP 33 AR  
 PA16TD<sub>84</sub> KP 33 AR  
 PA16TD<sub>85</sub> KP 33 AR  
 PA16TD<sub>86</sub> KP 33 AR  
 PA16TD<sub>87</sub> KP 33 AR  
 PA16TD<sub>88</sub> KP 33 AR  
 PA16TD<sub>89</sub> KP 33 AR  
 PA16TD<sub>90</sub> KP 33 AR  
 PA16TD<sub>91</sub> KP 33 AR  
 PA16TD<sub>92</sub> KP 33 AR  
 PA16TD<sub>93</sub> KP 33 AR  
 PA16TD<sub>94</sub> KP 33 AR  
 PA16TD<sub>95</sub> KP 33 AR  
 PA16TD<sub>96</sub> KP 33 AR  
 PA16TD<sub>97</sub> KP 33 AR  
 PA16TD<sub>98</sub> KP 33 AR  
 PA16TD<sub>99</sub> KP 33 AR  
 PA16TD<sub>100</sub> KP 33 AR



D22 5412		3 PA16O <sub>B</sub> p
		4 PA16I <sub>1</sub> p
		5 PA16I <sub>2</sub> p
		6 PA16I <sub>3</sub> p
		7 PA16I <sub>4</sub> p
		8 PA16I <sub>5</sub> p
		9 PA16I <sub>6</sub> p
		10 PA16I <sub>7</sub> p
		11 PA16I <sub>8</sub> p
		12 PA16I <sub>9</sub> p
		13 PA16I <sub>10</sub> p
		14 PA16I <sub>11</sub> p
		15 PA16I <sub>12</sub> p
		16 PA16I <sub>13</sub> p
		17 PA16I <sub>14</sub> p
		18 PA16I <sub>15</sub> p
		19 PA16I <sub>16</sub> p
		20 PA16I <sub>17</sub> p
		21 PA16I <sub>18</sub> p
		22 PA16I <sub>19</sub> p
		23 PA16I <sub>20</sub> p
		24 PA16I <sub>21</sub> p
		25 PA16I <sub>22</sub> p
		26 PA16I <sub>23</sub> p
		27 PA16I <sub>24</sub> p
		28 PA16I <sub>25</sub> p
		29 PA16I <sub>26</sub> p
		30 PA16I <sub>27</sub> p
		31 PA16I <sub>28</sub> p
		32 PA16I <sub>29</sub> p
		33 PA16I <sub>30</sub> p
		34 PA16I <sub>31</sub> p
		35 PA16I <sub>32</sub> p
		36 PA16I <sub>33</sub> p
		37 PA16I <sub>34</sub> p
		38 PA16I <sub>35</sub> p
		39 PA16I <sub>36</sub> p
		40 PA16I <sub>37</sub> p
		41 PA16I <sub>38</sub> p
		42 PA16I <sub>39</sub> p
		43 PA16I <sub>40</sub> p
		44 PA16I <sub>41</sub> p
		45 PA16I <sub>42</sub> p
		46 PA16I <sub>43</sub> p
		47 PA16I <sub>44</sub> p
		48 PA16I <sub>45</sub> p
		49 PA16I <sub>46</sub> p
		50 PA16I <sub>47</sub> p
		51 PA16I <sub>48</sub> p
		52 PA16I <sub>49</sub> p
		53 PA16I <sub>50</sub> p
		54 PA16I <sub>51</sub> p
		55 PA16I <sub>52</sub> p
		56 PA16I <sub>53</sub> p
		57 PA16I <sub>54</sub> p
		58 PA16I <sub>55</sub> p
		59 PA16I <sub>56</sub> p
		60 PA16I <sub>57</sub> p
		61 PA16I <sub>58</sub> p
		62 PA16I <sub>59</sub> p
		63 PA16I <sub>60</sub> p
		64 PA16I <sub>61</sub> p
		65 PA16I <sub>62</sub> p
		66 PA16I <sub>63</sub> p
		67 PA16I <sub>64</sub> p
		68 PA16I <sub>65</sub> p
		69 PA16I <sub>66</sub> p
		70 PA16I <sub>67</sub> p
		71 PA16I <sub>68</sub> p
		72 PA16I <sub>69</sub> p
		73 PA16I <sub>70</sub> p
		74 PA16I <sub>71</sub> p
		75 PA16I <sub>72</sub> p
		76 PA16I <sub>73</sub> p
		77 PA16I <sub>74</sub> p
		78 PA16I <sub>75</sub> p
		79 PA16I <sub>76</sub> p
		80 PA16I <sub>77</sub> p
		81 PA16I <sub>78</sub> p
		82 PA16I <sub>79</sub> p
		83 PA16I <sub>80</sub> p
		84 PA16I <sub>81</sub> p
		85 PA16I <sub>82</sub> p
		86 PA16I <sub>83</sub> p
		87 PA16I <sub>84</sub> p
		88 PA16I <sub>85</sub> p
		89 PA16I <sub>86</sub> p
		90 PA16I <sub>87</sub> p
		91 PA16I <sub>88</sub> p
		92 PA16I <sub>89</sub> p
		93 PA16I <sub>90</sub> p
		94 PA16I <sub>91</sub> p
		95 PA16I <sub>92</sub> p
		96 PA16I <sub>93</sub> p
		97 PA16I <sub>94</sub> p
		98 PA16I <sub>95</sub> p
		99 PA16I <sub>96</sub> p
		100 PA16I <sub>97</sub> p

CCW:0009 15/05/70

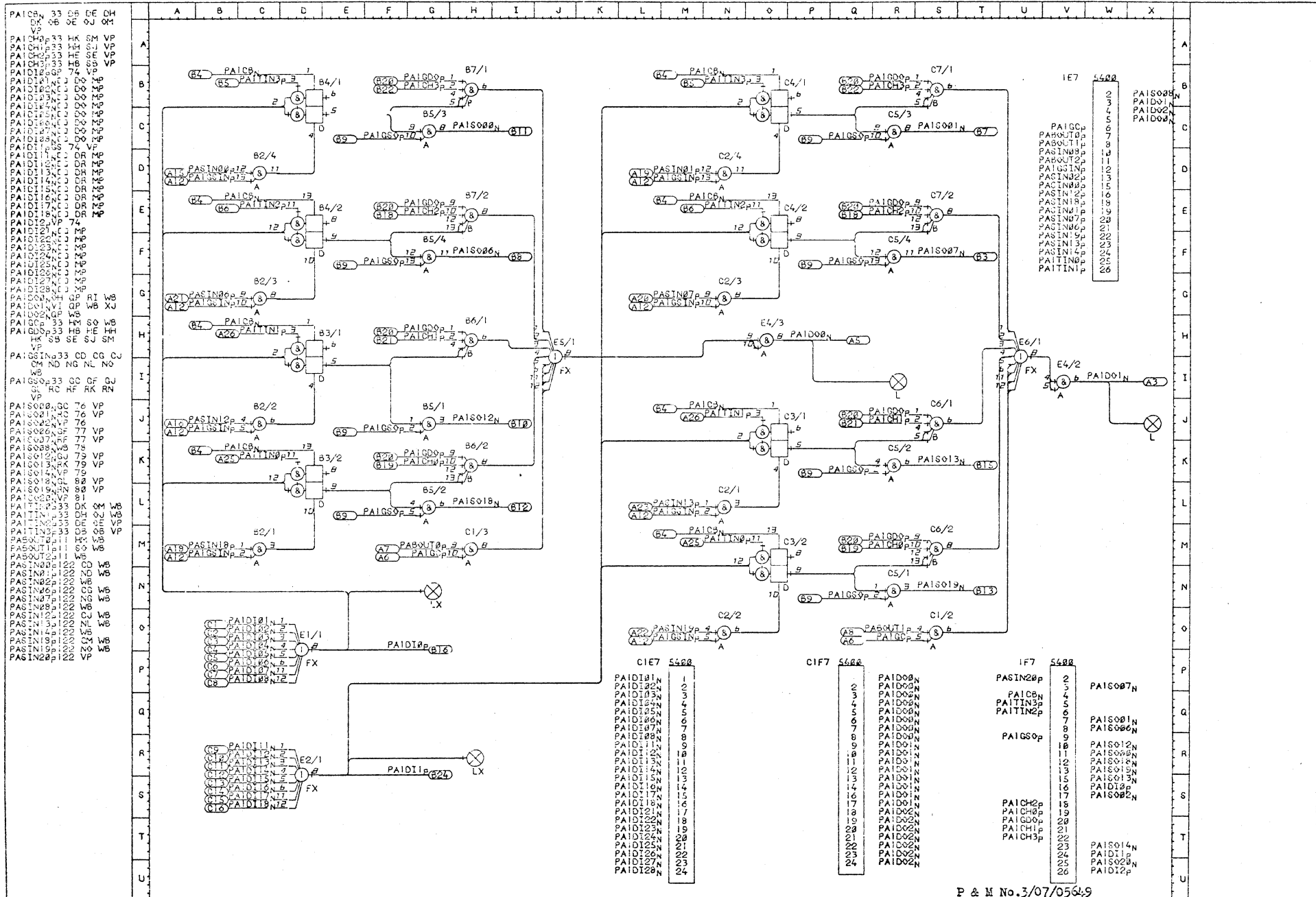
DATA BUFFER CONTROL

P & M No.3/07/05149

WGH03FN\*/0034

DATA CCM141

ISSUE:	ISS	TYPE MOD:	5	TYPE MOD:		TYPE MOD:		TYPE MOD:		TYPE MOD:		TYPE MOD:	
ACC:	3088	ECC:	4047	ECC:		ECC:		ECC:		ECC:		ECC:	



IE7 5400

2	PAIS008N
3	PAID01N
4	PAID02N
5	PAID00N
6	PAIGS00N
7	PAIS007N
8	PAIS001N
9	PAIS002N
10	PAIS003N
11	PAIS004N
12	PAIS005N
13	PAIS006N
14	PAIS009N
15	PAIS010N
16	PAIS011N
17	PAIS012N
18	PAIS013N
19	PAIS014N
20	PAIS015N
21	PAIS016N
22	PAIS017N
23	PAIS018N
24	PAIS019N
25	PAIS020N
26	PAIS021N

CIE7 5400

1	PAID00N
2	PAID00N
3	PAID00N
4	PAID00N
5	PAID00N
6	PAID00N
7	PAID00N
8	PAID00N
9	PAID00N
10	PAID00N
11	PAID00N
12	PAID00N
13	PAID00N
14	PAID00N
15	PAID00N
16	PAID00N
17	PAID00N
18	PAID00N
19	PAID00N
20	PAID00N
21	PAID00N
22	PAID00N
23	PAID00N
24	PAID00N

CIF7 5400

2	PAID00N
3	PAID00N
4	PAID00N
5	PAID00N
6	PAID00N
7	PAID00N
8	PAID00N
9	PAID00N
10	PAID00N
11	PAID00N
12	PAID00N
13	PAID00N
14	PAID00N
15	PAID00N
16	PAID00N
17	PAID00N
18	PAID00N
19	PAID00N
20	PAID00N
21	PAID00N
22	PAID00N
23	PAID00N
24	PAID00N

IF7 5400

2	PAISIN20P
3	PAIC00N
4	PAITIN3P
5	PAITIN2P
6	PAIS001N
7	PAIS006N
8	PAIS012N
9	PAIS009N
10	PAIS018N
11	PAIS019N
12	PAIS013N
13	PAIS015N
14	PAIS016N
15	PAIS017N
16	PAIS014N
17	PAIS020N
18	PAIS021N
19	PAIS022N
20	PAIS023N
21	PAIS024N
22	PAIS025N
23	PAIS026N
24	PAIS027N

P & M No.3/07/05649

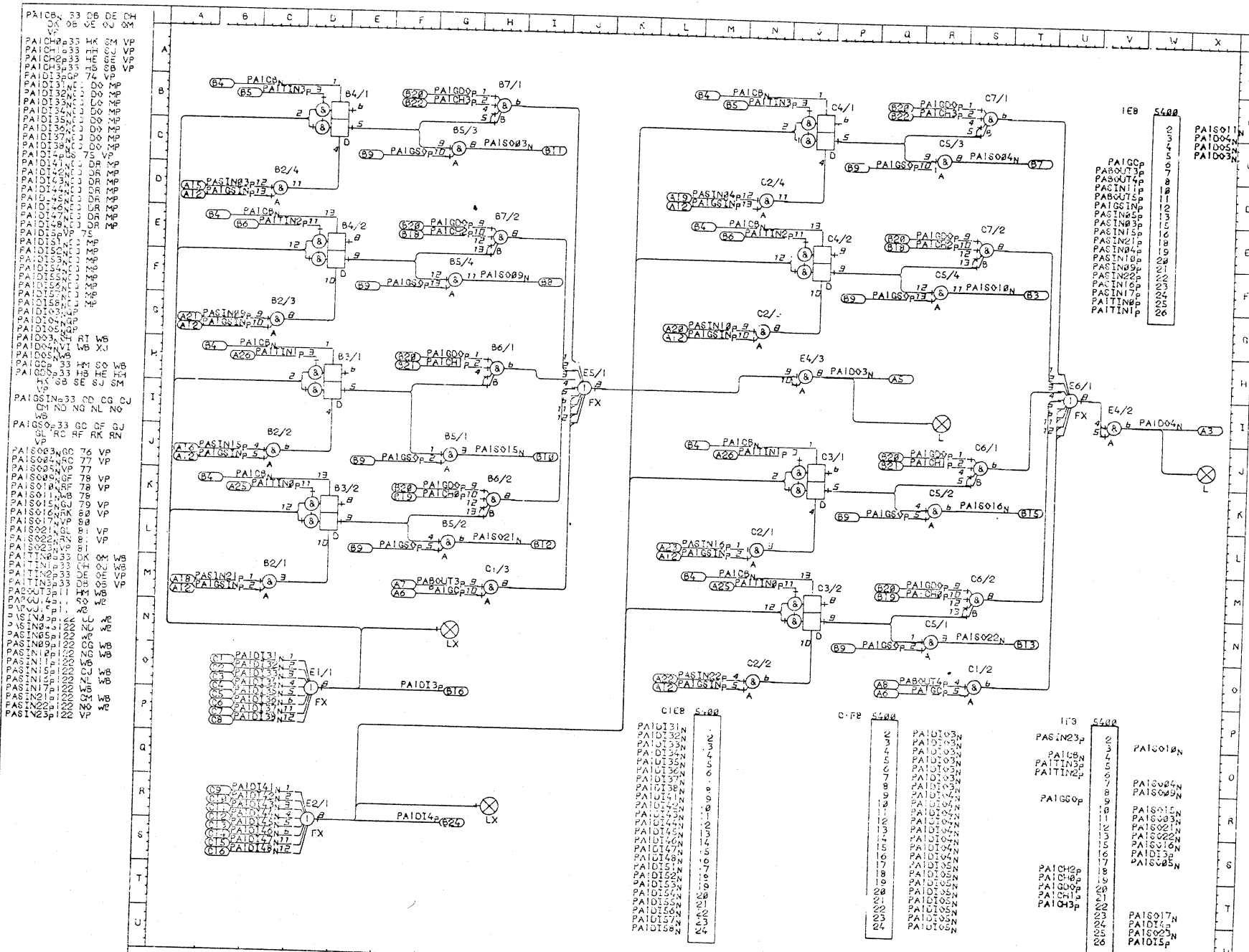
CCW:0008 07/05/70 DATA BUFFER I SLICE D00 D01

WGH03FN\*/0035 DATA CCW0141

ISSUE: ISd	TYPE MOD: 2	TYPE MOD:	TYPE MOD:	TYPE MOD:	TYPE MOD:	TYPE MOD:
ACC: 3088	ECC: 4047	ECC:	ECC:	ECC:	ECC:	ECC:







IEB 5400

2	PAISOB <sub>33</sub>
3	PAISOB <sub>34</sub>
4	PAISOB <sub>35</sub>
5	PAISOB <sub>36</sub>
6	PAISOB <sub>37</sub>
7	PAISOB <sub>38</sub>
8	PAISOB <sub>39</sub>
9	PAISOB <sub>40</sub>
10	PAISOB <sub>41</sub>
11	PAISOB <sub>42</sub>
12	PAISOB <sub>43</sub>
13	PAISOB <sub>44</sub>
14	PAISOB <sub>45</sub>
15	PAISOB <sub>46</sub>
16	PAISOB <sub>47</sub>
17	PAISOB <sub>48</sub>
18	PAISOB <sub>49</sub>
19	PAISOB <sub>50</sub>
20	PAISOB <sub>51</sub>
21	PAISOB <sub>52</sub>
22	PAISOB <sub>53</sub>
23	PAISOB <sub>54</sub>
24	PAISOB <sub>55</sub>
25	PAISOB <sub>56</sub>
26	PAISOB <sub>57</sub>

CIEB 5400

1	PAISIN <sub>33</sub>
2	PAISIN <sub>34</sub>
3	PAISIN <sub>35</sub>
4	PAISIN <sub>36</sub>
5	PAISIN <sub>37</sub>
6	PAISIN <sub>38</sub>
7	PAISIN <sub>39</sub>
8	PAISIN <sub>40</sub>
9	PAISIN <sub>41</sub>
10	PAISIN <sub>42</sub>
11	PAISIN <sub>43</sub>
12	PAISIN <sub>44</sub>
13	PAISIN <sub>45</sub>
14	PAISIN <sub>46</sub>
15	PAISIN <sub>47</sub>
16	PAISIN <sub>48</sub>
17	PAISIN <sub>49</sub>
18	PAISIN <sub>50</sub>
19	PAISIN <sub>51</sub>
20	PAISIN <sub>52</sub>
21	PAISIN <sub>53</sub>
22	PAISIN <sub>54</sub>
23	PAISIN <sub>55</sub>
24	PAISIN <sub>56</sub>

CIFB 5400

2	PAISIN <sub>33</sub>
3	PAISIN <sub>34</sub>
4	PAISIN <sub>35</sub>
5	PAISIN <sub>36</sub>
6	PAISIN <sub>37</sub>
7	PAISIN <sub>38</sub>
8	PAISIN <sub>39</sub>
9	PAISIN <sub>40</sub>
10	PAISIN <sub>41</sub>
11	PAISIN <sub>42</sub>
12	PAISIN <sub>43</sub>
13	PAISIN <sub>44</sub>
14	PAISIN <sub>45</sub>
15	PAISIN <sub>46</sub>
16	PAISIN <sub>47</sub>
17	PAISIN <sub>48</sub>
18	PAISIN <sub>49</sub>
19	PAISIN <sub>50</sub>
20	PAISIN <sub>51</sub>
21	PAISIN <sub>52</sub>
22	PAISIN <sub>53</sub>
23	PAISIN <sub>54</sub>
24	PAISIN <sub>55</sub>

IEB 5400

2	PAISIN <sub>33</sub>
3	PAISIN <sub>34</sub>
4	PAISIN <sub>35</sub>
5	PAISIN <sub>36</sub>
6	PAISIN <sub>37</sub>
7	PAISIN <sub>38</sub>
8	PAISIN <sub>39</sub>
9	PAISIN <sub>40</sub>
10	PAISIN <sub>41</sub>
11	PAISIN <sub>42</sub>
12	PAISIN <sub>43</sub>
13	PAISIN <sub>44</sub>
14	PAISIN <sub>45</sub>
15	PAISIN <sub>46</sub>
16	PAISIN <sub>47</sub>
17	PAISIN <sub>48</sub>
18	PAISIN <sub>49</sub>
19	PAISIN <sub>50</sub>
20	PAISIN <sub>51</sub>
21	PAISIN <sub>52</sub>
22	PAISIN <sub>53</sub>
23	PAISIN <sub>54</sub>
24	PAISIN <sub>55</sub>

IEB 5400

2	PAISIN <sub>33</sub>
3	PAISIN <sub>34</sub>
4	PAISIN <sub>35</sub>
5	PAISIN <sub>36</sub>
6	PAISIN <sub>37</sub>
7	PAISIN <sub>38</sub>
8	PAISIN <sub>39</sub>
9	PAISIN <sub>40</sub>
10	PAISIN <sub>41</sub>
11	PAISIN <sub>42</sub>
12	PAISIN <sub>43</sub>
13	PAISIN <sub>44</sub>
14	PAISIN <sub>45</sub>
15	PAISIN <sub>46</sub>
16	PAISIN <sub>47</sub>
17	PAISIN <sub>48</sub>
18	PAISIN <sub>49</sub>
19	PAISIN <sub>50</sub>
20	PAISIN <sub>51</sub>
21	PAISIN <sub>52</sub>
22	PAISIN <sub>53</sub>
23	PAISIN <sub>54</sub>
24	PAISIN <sub>55</sub>

CCW:0008 07/05/70

DATA BUFFER I SLICE D03 D04

P & M No.3/07/05649

DATA CCW:41

ISSUE: Isa	TYPE MOD: 2	TYPE MOD:	TYPE MOD:	TYPE MOD:	TYPE MOD:	TYPE MOD:
ACC: 3088	ECC: 4047	ECC:	ECC:	ECC:	ECC:	ECC:
WGHO3FN*/0037				DATA CCW:41		

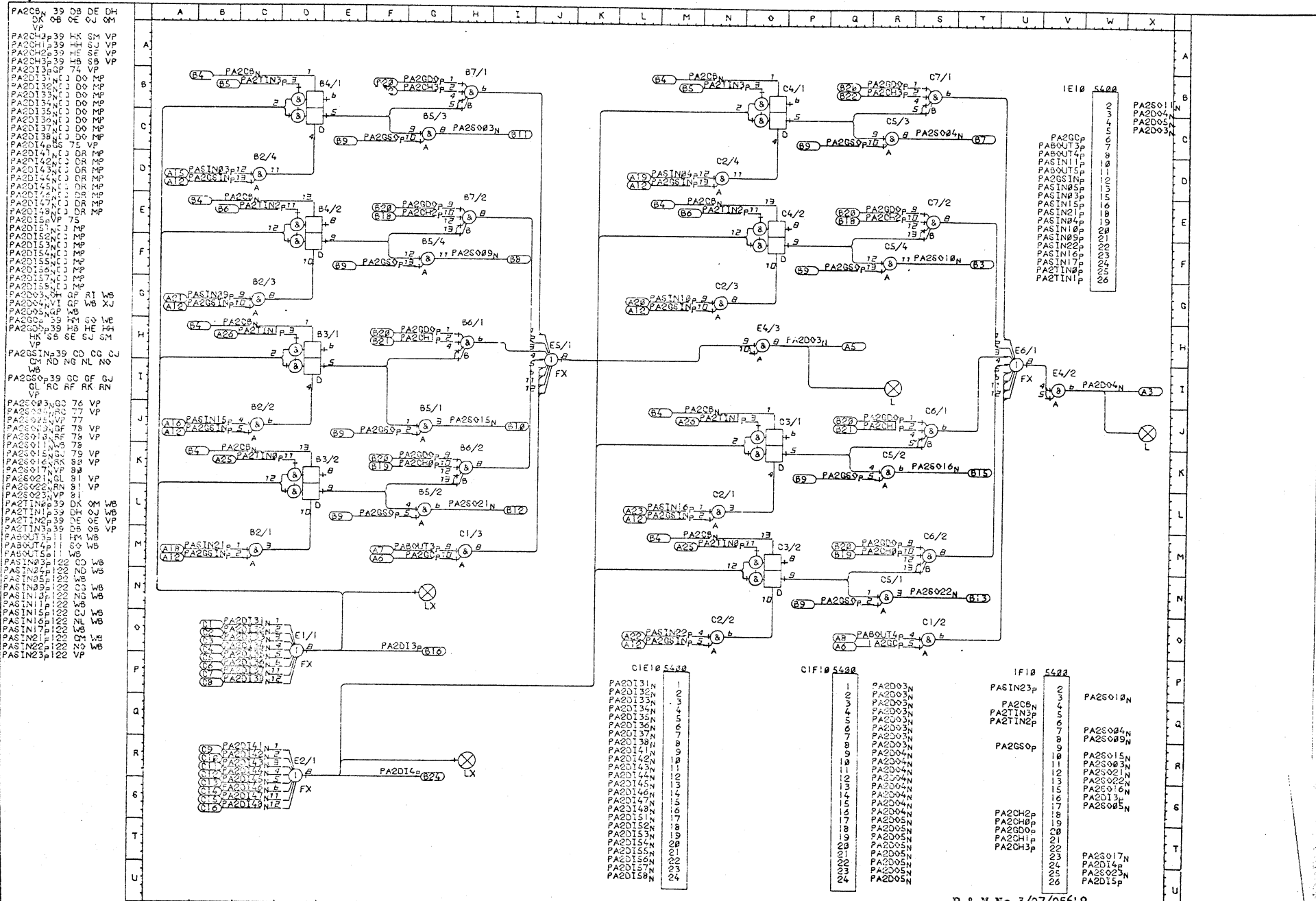












CCW:0008 07/05/70

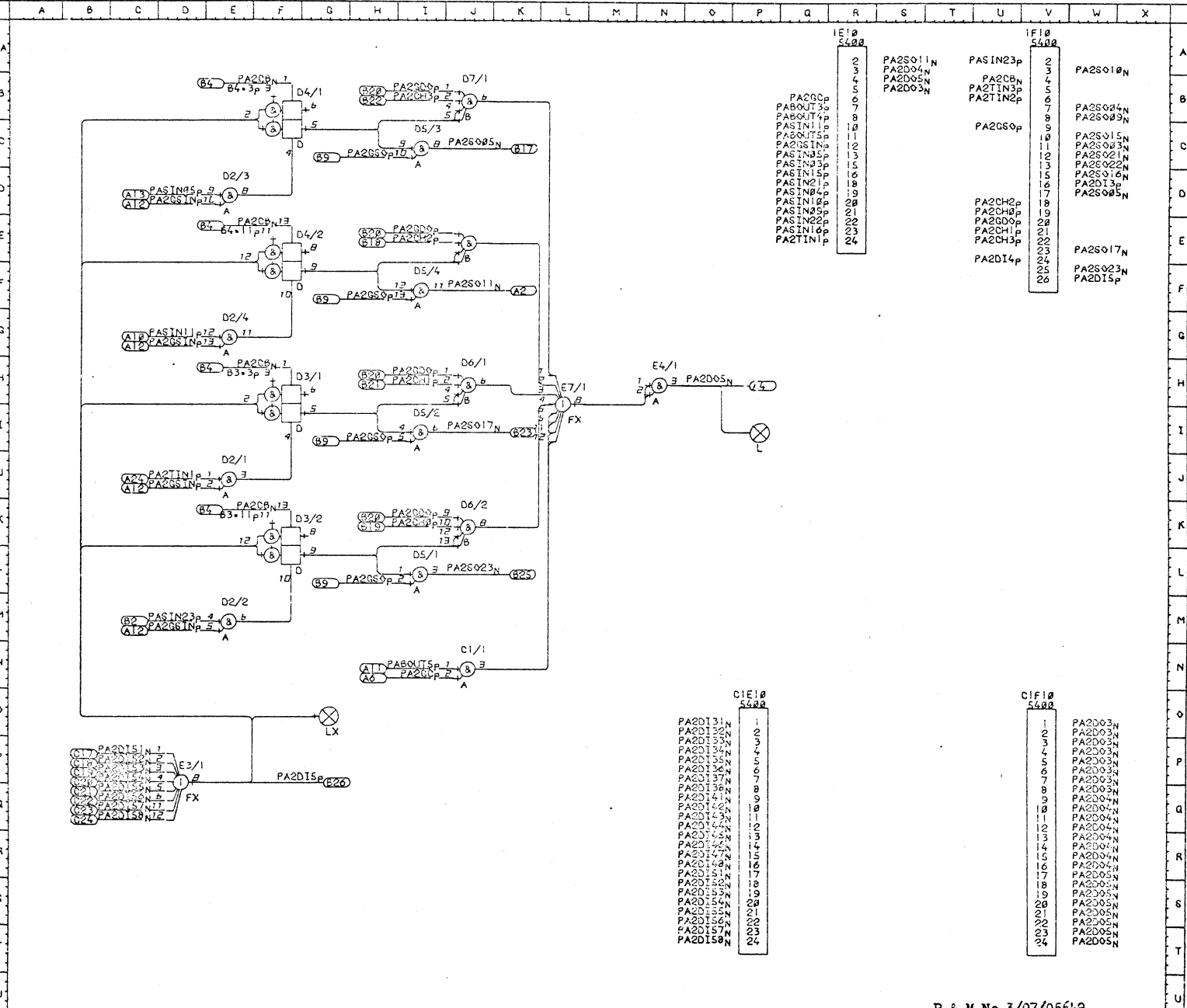
DATA BUFFER 2 SLICE D03 D04

P & M No. 3/07/05649

WGH03FN\*/0043 DATA C000141

16SUC: Iss	TYPE MOD: 2	TYPE MOD:	TYPE MOD:	TYPE MOD:	TYPE MOD:	TYPE MOD:
ACC: 3088	ECC: 4047	ECC:	ECC:	ECC:	ECC:	ECC:

PA2C6 39 FB FE FH  
 PA2C7 39 UK  
 PA2C8 39 JH  
 PA2C9 39 JE  
 PA2D0 39 U8  
 PA2D1 39 43-75  
 PA2D2 39 43 DP  
 PA2D3 39 43 DP  
 PA2D4 39 43 DP  
 PA2D5 39 43 DP  
 PA2D6 39 43 DP  
 PA2D7 39 43 DP  
 PA2D8 39 43 DP  
 PA2D9 39 43 DP  
 PA2E0 39 43 DP  
 PA2E1 39 43 DP  
 PA2E2 39 43 DP  
 PA2E3 39 43 DP  
 PA2E4 39 43 DP  
 PA2E5 39 43 DP  
 PA2E6 39 43 DP  
 PA2E7 39 43 DP  
 PA2E8 39 43 DP  
 PA2E9 39 43 DP  
 PA2F0 39 43 DP  
 PA2F1 39 43 DP  
 PA2F2 39 43 DP  
 PA2F3 39 43 DP  
 PA2F4 39 43 DP  
 PA2F5 39 43 DP  
 PA2F6 39 43 DP  
 PA2F7 39 43 DP  
 PA2F8 39 43 DP  
 PA2F9 39 43 DP  
 PA2G0 39 43 DP  
 PA2G1 39 43 DP  
 PA2G2 39 43 DP  
 PA2G3 39 43 DP  
 PA2G4 39 43 DP  
 PA2G5 39 43 DP  
 PA2G6 39 43 DP  
 PA2G7 39 43 DP  
 PA2G8 39 43 DP  
 PA2G9 39 43 DP  
 PA2H0 39 43 DP  
 PA2H1 39 43 DP  
 PA2H2 39 43 DP  
 PA2H3 39 43 DP  
 PA2H4 39 43 DP  
 PA2H5 39 43 DP  
 PA2H6 39 43 DP  
 PA2H7 39 43 DP  
 PA2H8 39 43 DP  
 PA2H9 39 43 DP  
 PA2I0 39 43 DP  
 PA2I1 39 43 DP  
 PA2I2 39 43 DP  
 PA2I3 39 43 DP  
 PA2I4 39 43 DP  
 PA2I5 39 43 DP  
 PA2I6 39 43 DP  
 PA2I7 39 43 DP  
 PA2I8 39 43 DP  
 PA2I9 39 43 DP  
 PA2J0 39 43 DP  
 PA2J1 39 43 DP  
 PA2J2 39 43 DP  
 PA2J3 39 43 DP  
 PA2J4 39 43 DP  
 PA2J5 39 43 DP  
 PA2J6 39 43 DP  
 PA2J7 39 43 DP  
 PA2J8 39 43 DP  
 PA2J9 39 43 DP  
 PA2K0 39 43 DP  
 PA2K1 39 43 DP  
 PA2K2 39 43 DP  
 PA2K3 39 43 DP  
 PA2K4 39 43 DP  
 PA2K5 39 43 DP  
 PA2K6 39 43 DP  
 PA2K7 39 43 DP  
 PA2K8 39 43 DP  
 PA2K9 39 43 DP  
 PA2L0 39 43 DP  
 PA2L1 39 43 DP  
 PA2L2 39 43 DP  
 PA2L3 39 43 DP  
 PA2L4 39 43 DP  
 PA2L5 39 43 DP  
 PA2L6 39 43 DP  
 PA2L7 39 43 DP  
 PA2L8 39 43 DP  
 PA2L9 39 43 DP  
 PA2M0 39 43 DP  
 PA2M1 39 43 DP  
 PA2M2 39 43 DP  
 PA2M3 39 43 DP  
 PA2M4 39 43 DP  
 PA2M5 39 43 DP  
 PA2M6 39 43 DP  
 PA2M7 39 43 DP  
 PA2M8 39 43 DP  
 PA2M9 39 43 DP  
 PA2N0 39 43 DP  
 PA2N1 39 43 DP  
 PA2N2 39 43 DP  
 PA2N3 39 43 DP  
 PA2N4 39 43 DP  
 PA2N5 39 43 DP  
 PA2N6 39 43 DP  
 PA2N7 39 43 DP  
 PA2N8 39 43 DP  
 PA2N9 39 43 DP  
 PA2O0 39 43 DP  
 PA2O1 39 43 DP  
 PA2O2 39 43 DP  
 PA2O3 39 43 DP  
 PA2O4 39 43 DP  
 PA2O5 39 43 DP  
 PA2O6 39 43 DP  
 PA2O7 39 43 DP  
 PA2O8 39 43 DP  
 PA2O9 39 43 DP  
 PA2P0 39 43 DP  
 PA2P1 39 43 DP  
 PA2P2 39 43 DP  
 PA2P3 39 43 DP  
 PA2P4 39 43 DP  
 PA2P5 39 43 DP  
 PA2P6 39 43 DP  
 PA2P7 39 43 DP  
 PA2P8 39 43 DP  
 PA2P9 39 43 DP  
 PA2Q0 39 43 DP  
 PA2Q1 39 43 DP  
 PA2Q2 39 43 DP  
 PA2Q3 39 43 DP  
 PA2Q4 39 43 DP  
 PA2Q5 39 43 DP  
 PA2Q6 39 43 DP  
 PA2Q7 39 43 DP  
 PA2Q8 39 43 DP  
 PA2Q9 39 43 DP  
 PA2R0 39 43 DP  
 PA2R1 39 43 DP  
 PA2R2 39 43 DP  
 PA2R3 39 43 DP  
 PA2R4 39 43 DP  
 PA2R5 39 43 DP  
 PA2R6 39 43 DP  
 PA2R7 39 43 DP  
 PA2R8 39 43 DP  
 PA2R9 39 43 DP  
 PA2S0 39 43 DP  
 PA2S1 39 43 DP  
 PA2S2 39 43 DP  
 PA2S3 39 43 DP  
 PA2S4 39 43 DP  
 PA2S5 39 43 DP  
 PA2S6 39 43 DP  
 PA2S7 39 43 DP  
 PA2S8 39 43 DP  
 PA2S9 39 43 DP  
 PA2T0 39 43 DP  
 PA2T1 39 43 DP  
 PA2T2 39 43 DP  
 PA2T3 39 43 DP  
 PA2T4 39 43 DP  
 PA2T5 39 43 DP  
 PA2T6 39 43 DP  
 PA2T7 39 43 DP  
 PA2T8 39 43 DP  
 PA2T9 39 43 DP  
 PA2U0 39 43 DP  
 PA2U1 39 43 DP  
 PA2U2 39 43 DP  
 PA2U3 39 43 DP  
 PA2U4 39 43 DP  
 PA2U5 39 43 DP  
 PA2U6 39 43 DP  
 PA2U7 39 43 DP  
 PA2U8 39 43 DP  
 PA2U9 39 43 DP  
 PA2V0 39 43 DP  
 PA2V1 39 43 DP  
 PA2V2 39 43 DP  
 PA2V3 39 43 DP  
 PA2V4 39 43 DP  
 PA2V5 39 43 DP  
 PA2V6 39 43 DP  
 PA2V7 39 43 DP  
 PA2V8 39 43 DP  
 PA2V9 39 43 DP  
 PA2W0 39 43 DP  
 PA2W1 39 43 DP  
 PA2W2 39 43 DP  
 PA2W3 39 43 DP  
 PA2W4 39 43 DP  
 PA2W5 39 43 DP  
 PA2W6 39 43 DP  
 PA2W7 39 43 DP  
 PA2W8 39 43 DP  
 PA2W9 39 43 DP  
 PA2X0 39 43 DP  
 PA2X1 39 43 DP  
 PA2X2 39 43 DP  
 PA2X3 39 43 DP  
 PA2X4 39 43 DP  
 PA2X5 39 43 DP  
 PA2X6 39 43 DP  
 PA2X7 39 43 DP  
 PA2X8 39 43 DP  
 PA2X9 39 43 DP  
 PA2Y0 39 43 DP  
 PA2Y1 39 43 DP  
 PA2Y2 39 43 DP  
 PA2Y3 39 43 DP  
 PA2Y4 39 43 DP  
 PA2Y5 39 43 DP  
 PA2Y6 39 43 DP  
 PA2Y7 39 43 DP  
 PA2Y8 39 43 DP  
 PA2Y9 39 43 DP  
 PA2Z0 39 43 DP  
 PA2Z1 39 43 DP  
 PA2Z2 39 43 DP  
 PA2Z3 39 43 DP  
 PA2Z4 39 43 DP  
 PA2Z5 39 43 DP  
 PA2Z6 39 43 DP  
 PA2Z7 39 43 DP  
 PA2Z8 39 43 DP  
 PA2Z9 39 43 DP



IE18  
5408

2	PA2S011N	PASIN23p	2
3	PA2D04N		3
4	PA2D05N		4
5	PA2D03N		5
6			6
7			7
8			8
9			9
10			10
11			11
12			12
13			13
14			14
15			15
16			16
17			17
18			18
19			19
20			20
21			21
22			22
23			23
24			24

IF18  
5408

2	PA2S011N	PASIN23p	2
3	PA2D04N	PA2C8N	3
4	PA2D05N	PA2TIN3p	4
5	PA2D03N	PA2TIN2p	5
6			6
7			7
8			8
9			9
10			10
11			11
12			12
13			13
14			14
15			15
16			16
17			17
18			18
19			19
20			20
21			21
22			22
23			23
24			24

CIE18  
5408

1	PA2D15N
2	PA2D15N
3	PA2D15N
4	PA2D15N
5	PA2D15N
6	PA2D15N
7	PA2D15N
8	PA2D15N
9	PA2D15N
10	PA2D15N
11	PA2D15N
12	PA2D15N
13	PA2D15N
14	PA2D15N
15	PA2D15N
16	PA2D15N
17	PA2D15N
18	PA2D15N
19	PA2D15N
20	PA2D15N
21	PA2D15N
22	PA2D15N
23	PA2D15N
24	PA2D15N

CIF18  
5408

1	PA2D03N
2	PA2D03N
3	PA2D03N
4	PA2D03N
5	PA2D03N
6	PA2D03N
7	PA2D03N
8	PA2D03N
9	PA2D03N
10	PA2D03N
11	PA2D03N
12	PA2D03N
13	PA2D03N
14	PA2D03N
15	PA2D03N
16	PA2D03N
17	PA2D03N
18	PA2D03N
19	PA2D03N
20	PA2D03N
21	PA2D03N
22	PA2D03N
23	PA2D03N
24	PA2D03N

CCW:0008 07/05/70 DATA BUFFER 2 SLICE D05 WGH03FN\*/0044 DATA CCW141

ISSUE: Iss	TYPE MOD: 2	TYPE MOD:	TYPE MOD:	TYPE MOD:	TYPE MOD:	TYPE MOD:
ACC: 3089	ECC: 4047	ECC:	ECC:	ECC:	ECC:	ECC:

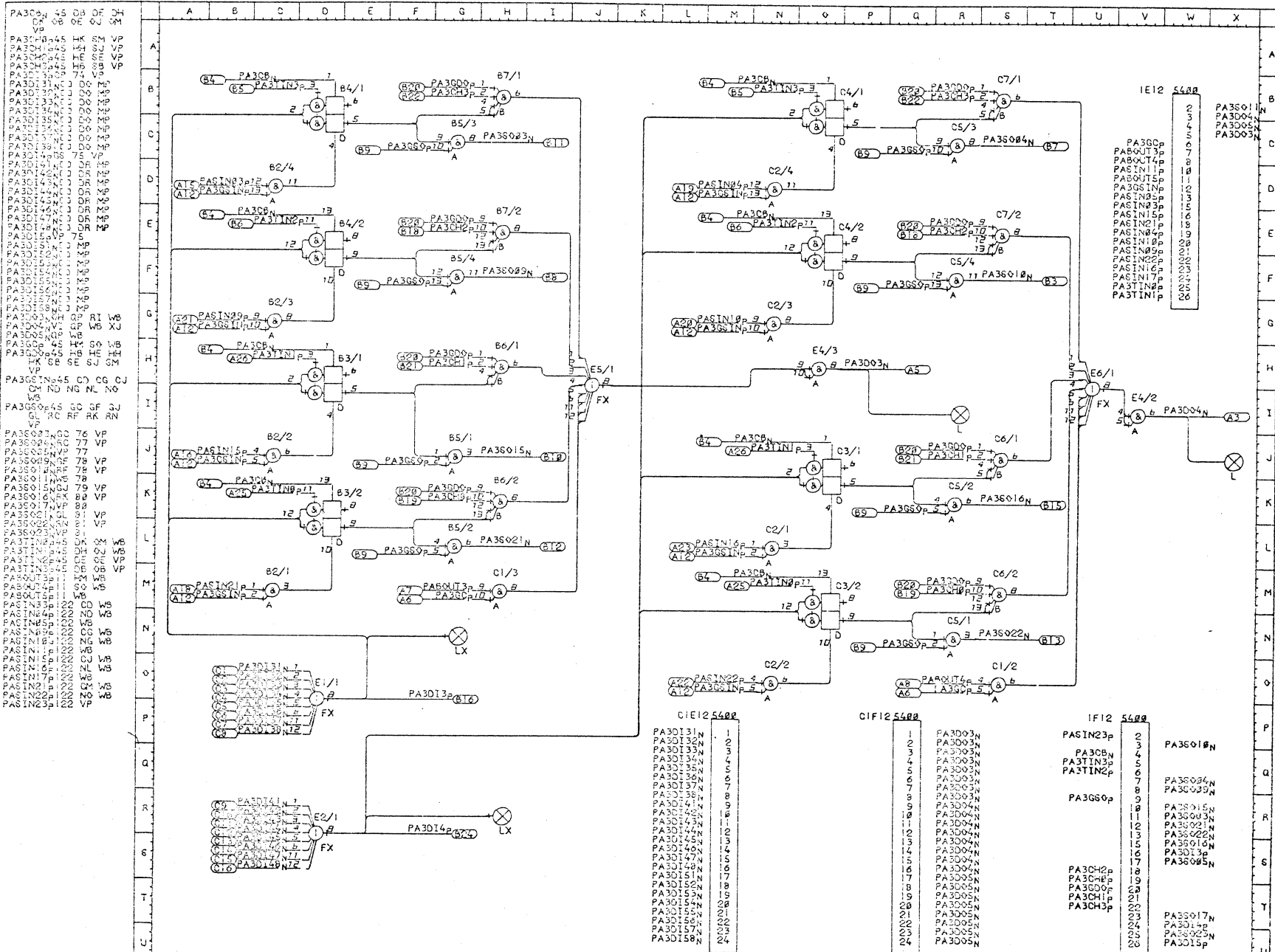












IE12 5400

1	PA3003N
2	PA3004N
3	PA3005N
4	PA3006N
5	PA3007N
6	PA3008N
7	PA3009N
8	PA3010N
9	PA3011N
10	PA3012N
11	PA3013N
12	PA3014N
13	PA3015N
14	PA3016N
15	PA3017N
16	PA3018N
17	PA3019N
18	PA3020N
19	PA3021N
20	PA3022N
21	PA3023N
22	PA3024N
23	PA3025N
24	PA3026N
25	PA3027N
26	PA3028N

IE12 5400

1	PA3013N
2	PA3013N
3	PA3013N
4	PA3013N
5	PA3013N
6	PA3013N
7	PA3013N
8	PA3013N
9	PA3013N
10	PA3013N
11	PA3013N
12	PA3013N
13	PA3013N
14	PA3013N
15	PA3013N
16	PA3013N
17	PA3013N
18	PA3013N
19	PA3013N
20	PA3013N
21	PA3013N
22	PA3013N
23	PA3013N
24	PA3013N

IE12 5400

1	PA3003N
2	PA3003N
3	PA3003N
4	PA3003N
5	PA3003N
6	PA3003N
7	PA3003N
8	PA3003N
9	PA3003N
10	PA3003N
11	PA3003N
12	PA3003N
13	PA3003N
14	PA3003N
15	PA3003N
16	PA3003N
17	PA3003N
18	PA3003N
19	PA3003N
20	PA3003N
21	PA3003N
22	PA3003N
23	PA3003N
24	PA3003N

IF12 5400

1	PASIN23p
2	PA3016N
3	PA3016N
4	PA3016N
5	PA3016N
6	PA3016N
7	PA3016N
8	PA3016N
9	PA3016N
10	PA3016N
11	PA3016N
12	PA3016N
13	PA3016N
14	PA3016N
15	PA3016N
16	PA3016N
17	PA3016N
18	PA3016N
19	PA3016N
20	PA3016N
21	PA3016N
22	PA3016N
23	PA3016N
24	PA3016N

CCW:0008 07/05/70 DATA BUFFER 3 SLICE D03 D04 WGH03FN\*/0049 DATA CCW0141

16GUE: 155	TYPE MOD: 2	TYPE MOD:	TYPE MOD:	TYPE MOD:	TYPE MOD:	TYPE MOD:
ACC: 3088	ECC: 4047	ECC:	ECC:	ECC:	ECC:	ECC:

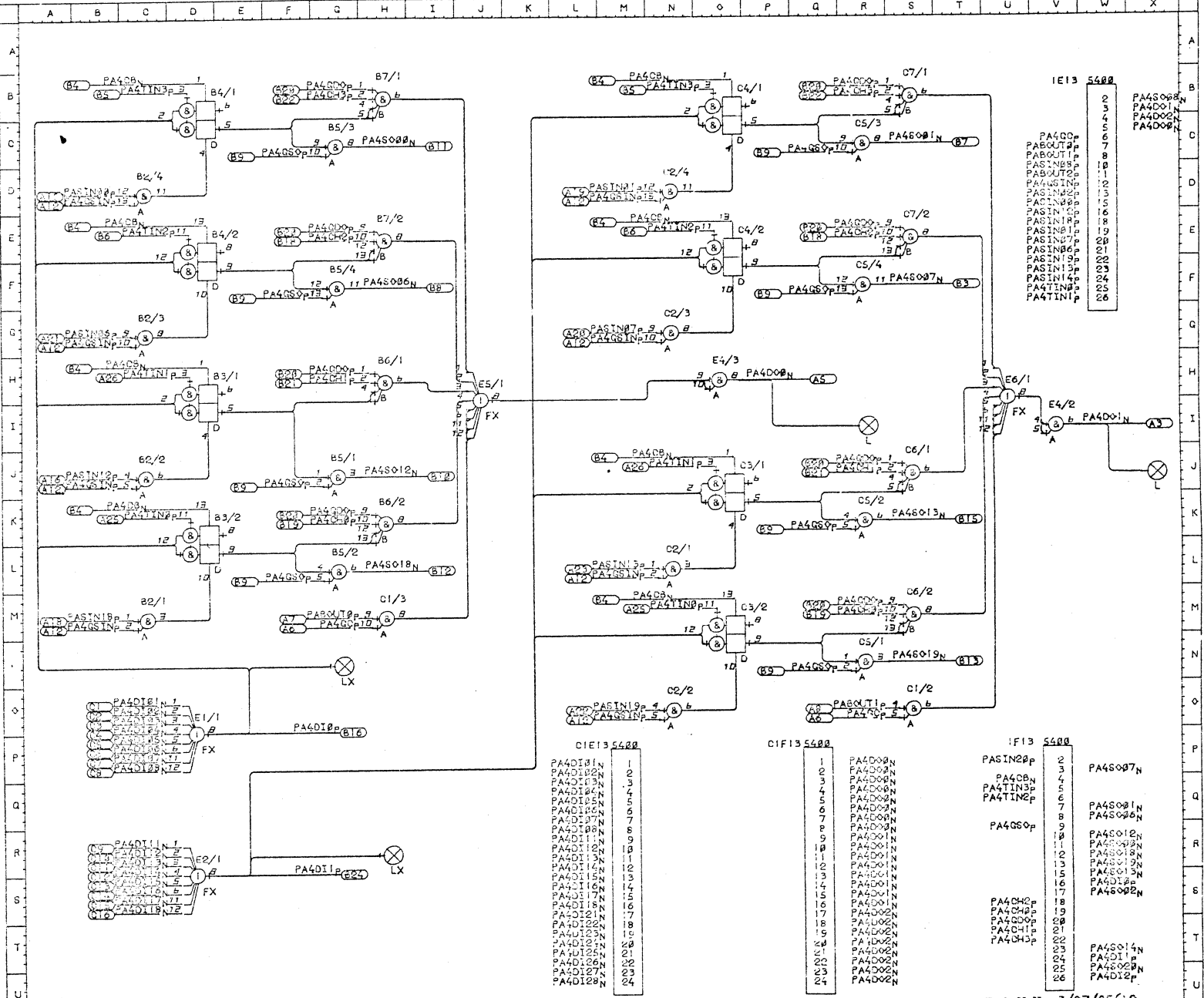








PA400 51 08 04  
 PA400 08 08 04  
 PA400 13 08 04  
 PA400 18 08 04  
 PA400 23 08 04  
 PA400 28 08 04  
 PA400 33 08 04  
 PA400 38 08 04  
 PA400 43 08 04  
 PA400 48 08 04  
 PA400 53 08 04  
 PA400 58 08 04  
 PA400 63 08 04  
 PA400 68 08 04  
 PA400 73 08 04  
 PA400 78 08 04  
 PA400 83 08 04  
 PA400 88 08 04  
 PA400 93 08 04  
 PA400 98 08 04  
 PA400 103 08 04  
 PA400 108 08 04  
 PA400 113 08 04  
 PA400 118 08 04  
 PA400 123 08 04  
 PA400 128 08 04  
 PA400 133 08 04  
 PA400 138 08 04  
 PA400 143 08 04  
 PA400 148 08 04  
 PA400 153 08 04  
 PA400 158 08 04  
 PA400 163 08 04  
 PA400 168 08 04  
 PA400 173 08 04  
 PA400 178 08 04  
 PA400 183 08 04  
 PA400 188 08 04  
 PA400 193 08 04  
 PA400 198 08 04  
 PA400 203 08 04  
 PA400 208 08 04  
 PA400 213 08 04  
 PA400 218 08 04  
 PA400 223 08 04  
 PA400 228 08 04  
 PA400 233 08 04  
 PA400 238 08 04  
 PA400 243 08 04  
 PA400 248 08 04  
 PA400 253 08 04  
 PA400 258 08 04  
 PA400 263 08 04  
 PA400 268 08 04  
 PA400 273 08 04  
 PA400 278 08 04  
 PA400 283 08 04  
 PA400 288 08 04  
 PA400 293 08 04  
 PA400 298 08 04  
 PA400 303 08 04  
 PA400 308 08 04  
 PA400 313 08 04  
 PA400 318 08 04  
 PA400 323 08 04  
 PA400 328 08 04  
 PA400 333 08 04  
 PA400 338 08 04  
 PA400 343 08 04  
 PA400 348 08 04  
 PA400 353 08 04  
 PA400 358 08 04  
 PA400 363 08 04  
 PA400 368 08 04  
 PA400 373 08 04  
 PA400 378 08 04  
 PA400 383 08 04  
 PA400 388 08 04  
 PA400 393 08 04  
 PA400 398 08 04  
 PA400 403 08 04  
 PA400 408 08 04  
 PA400 413 08 04  
 PA400 418 08 04  
 PA400 423 08 04  
 PA400 428 08 04  
 PA400 433 08 04  
 PA400 438 08 04  
 PA400 443 08 04  
 PA400 448 08 04  
 PA400 453 08 04  
 PA400 458 08 04  
 PA400 463 08 04  
 PA400 468 08 04  
 PA400 473 08 04  
 PA400 478 08 04  
 PA400 483 08 04  
 PA400 488 08 04  
 PA400 493 08 04  
 PA400 498 08 04  
 PA400 503 08 04  
 PA400 508 08 04  
 PA400 513 08 04  
 PA400 518 08 04  
 PA400 523 08 04  
 PA400 528 08 04  
 PA400 533 08 04  
 PA400 538 08 04  
 PA400 543 08 04  
 PA400 548 08 04  
 PA400 553 08 04  
 PA400 558 08 04  
 PA400 563 08 04  
 PA400 568 08 04  
 PA400 573 08 04  
 PA400 578 08 04  
 PA400 583 08 04  
 PA400 588 08 04  
 PA400 593 08 04  
 PA400 598 08 04  
 PA400 603 08 04  
 PA400 608 08 04  
 PA400 613 08 04  
 PA400 618 08 04  
 PA400 623 08 04  
 PA400 628 08 04  
 PA400 633 08 04  
 PA400 638 08 04  
 PA400 643 08 04  
 PA400 648 08 04  
 PA400 653 08 04  
 PA400 658 08 04  
 PA400 663 08 04  
 PA400 668 08 04  
 PA400 673 08 04  
 PA400 678 08 04  
 PA400 683 08 04  
 PA400 688 08 04  
 PA400 693 08 04  
 PA400 698 08 04  
 PA400 703 08 04  
 PA400 708 08 04  
 PA400 713 08 04  
 PA400 718 08 04  
 PA400 723 08 04  
 PA400 728 08 04  
 PA400 733 08 04  
 PA400 738 08 04  
 PA400 743 08 04  
 PA400 748 08 04  
 PA400 753 08 04  
 PA400 758 08 04  
 PA400 763 08 04  
 PA400 768 08 04  
 PA400 773 08 04  
 PA400 778 08 04  
 PA400 783 08 04  
 PA400 788 08 04  
 PA400 793 08 04  
 PA400 798 08 04  
 PA400 803 08 04  
 PA400 808 08 04  
 PA400 813 08 04  
 PA400 818 08 04  
 PA400 823 08 04  
 PA400 828 08 04  
 PA400 833 08 04  
 PA400 838 08 04  
 PA400 843 08 04  
 PA400 848 08 04  
 PA400 853 08 04  
 PA400 858 08 04  
 PA400 863 08 04  
 PA400 868 08 04  
 PA400 873 08 04  
 PA400 878 08 04  
 PA400 883 08 04  
 PA400 888 08 04  
 PA400 893 08 04  
 PA400 898 08 04  
 PA400 903 08 04  
 PA400 908 08 04  
 PA400 913 08 04  
 PA400 918 08 04  
 PA400 923 08 04  
 PA400 928 08 04  
 PA400 933 08 04  
 PA400 938 08 04  
 PA400 943 08 04  
 PA400 948 08 04  
 PA400 953 08 04  
 PA400 958 08 04  
 PA400 963 08 04  
 PA400 968 08 04  
 PA400 973 08 04  
 PA400 978 08 04  
 PA400 983 08 04  
 PA400 988 08 04  
 PA400 993 08 04  
 PA400 998 08 04



CIE13 5488

PA4DI8N	1
PA4DI02N	2
PA4DI13N	3
PA4DI04N	4
PA4DI05N	5
PA4DI06N	6
PA4DI08N	7
PA4DI09N	8
PA4DI11N	9
PA4DI12N	10
PA4DI13N	11
PA4DI14N	12
PA4DI15N	13
PA4DI16N	14
PA4DI17N	15
PA4DI18N	16
PA4DI21N	17
PA4DI22N	18
PA4DI23N	19
PA4DI24N	20
PA4DI25N	21
PA4DI26N	22
PA4DI27N	23
PA4DI28N	24

CIF13 5488

PA4D00N	1
PA4D01N	2
PA4D02N	3
PA4D03N	4
PA4D04N	5
PA4D05N	6
PA4D06N	7
PA4D07N	8
PA4D08N	9
PA4D09N	10
PA4D10N	11
PA4D11N	12
PA4D12N	13
PA4D13N	14
PA4D14N	15
PA4D15N	16
PA4D16N	17
PA4D17N	18
PA4D18N	19
PA4D19N	20
PA4D20N	21
PA4D21N	22
PA4D22N	23
PA4D23N	24

IF13 5488

PASIN2P	2
PASIN3P	3
PASIN4P	4
PASIN5P	5
PASIN6P	6
PASIN7P	7
PASIN8P	8
PASIN9P	9
PASIN10P	10
PASIN11P	11
PASIN12P	12
PASIN13P	13
PASIN14P	14
PASIN15P	15
PASIN16P	16
PASIN17P	17
PASIN18P	18
PASIN19P	19
PASIN20P	20
PASIN21P	21
PASIN22P	22
PASIN23P	23
PASIN24P	24

IE13 5488

PA4S00N	2
PA4S01N	3
PA4S02N	4
PA4S03N	5
PA4S04N	6
PA4S05N	7
PA4S06N	8
PA4S07N	9
PA4S08N	10
PA4S09N	11
PA4S10N	12
PA4S11N	13
PA4S12N	14
PA4S13N	15
PA4S14N	16
PA4S15N	17
PA4S16N	18
PA4S17N	19
PA4S18N	20
PA4S19N	21
PA4S20N	22
PA4S21N	23
PA4S22N	24
PA4S23N	25
PA4S24N	26

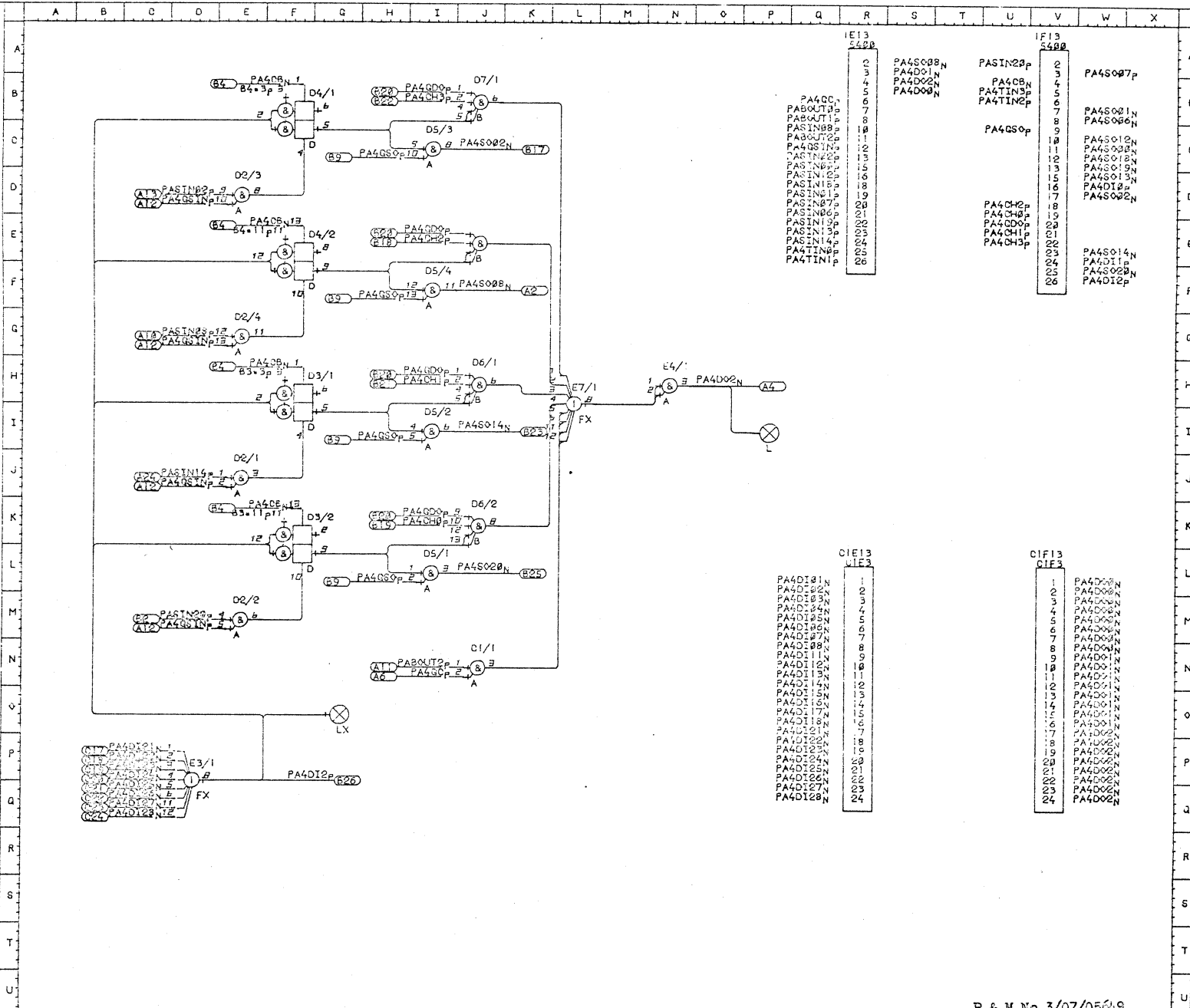
PA4S00N	2	PA4S07N
PA4S01N	3	PA4S08N
PA4S02N	4	PA4S09N
PA4S03N	5	PA4S10N
PA4S04N	6	PA4S11N
PA4S05N	7	PA4S12N
PA4S06N	8	PA4S13N
PA4S07N	9	PA4S14N
PA4S08N	10	PA4S15N
PA4S09N	11	PA4S16N
PA4S10N	12	PA4S17N
PA4S11N	13	PA4S18N
PA4S12N	14	PA4S19N
PA4S13N	15	PA4S20N
PA4S14N	16	PA4S21N
PA4S15N	17	PA4S22N
PA4S16N	18	PA4S23N
PA4S17N	19	PA4S24N
PA4S18N	20	PA4D00N
PA4S19N	21	PA4D01N
PA4S20N	22	PA4D02N
PA4S21N	23	PA4D03N
PA4S22N	24	PA4D04N
PA4S23N	25	PA4D05N
PA4S24N	26	PA4D06N

P & M No.3/07/05649

CCW:0008 07/05/70 DATA BUFFER 4 SLICE D00 D01 WGH03FN\*/0053 DATA COMM 141

ISSUE: Iss	TYPE MOD: 2	TYPE MOD:	TYPE MOD:	TYPE MOD:	TYPE MOD:	TYPE MOD:	TYPE MOD:
ADD: 3088	ECC: 4047	ECC:	ECC:	ECC:	ECC:	ECC:	ECC:

PA4C8 S1 FB FE FH  
 JK  
 PA4C1 51 5H  
 PA4C2 51 5J  
 PA4C3 51 5K  
 PA4D1 51 5L  
 PA4D2 51 5M  
 PA4D3 51 5N  
 PA4D4 51 5O  
 PA4D5 51 5P  
 PA4D6 51 5Q  
 PA4D7 51 5R  
 PA4D8 51 5S  
 PA4D9 51 5T  
 PA4D10 51 5U  
 PA4D11 51 5V  
 PA4D12 51 5W  
 PA4D13 51 5X  
 PA4D14 51 5Y  
 PA4D15 51 5Z  
 PA4D16 51 5A  
 PA4D17 51 5B  
 PA4D18 51 5C  
 PA4D19 51 5D  
 PA4D20 51 5E  
 PA4D21 51 5F  
 PA4D22 51 5G  
 PA4D23 51 5H  
 PA4D24 51 5I  
 PA4D25 51 5J  
 PA4D26 51 5K  
 PA4D27 51 5L  
 PA4D28 51 5M  
 PA4D29 51 5N  
 PA4D30 51 5O  
 PA4D31 51 5P  
 PA4D32 51 5Q  
 PA4D33 51 5R  
 PA4D34 51 5S  
 PA4D35 51 5T  
 PA4D36 51 5U  
 PA4D37 51 5V  
 PA4D38 51 5W  
 PA4D39 51 5X  
 PA4D40 51 5Y  
 PA4D41 51 5Z  
 PA4D42 51 5A  
 PA4D43 51 5B  
 PA4D44 51 5C  
 PA4D45 51 5D  
 PA4D46 51 5E  
 PA4D47 51 5F  
 PA4D48 51 5G  
 PA4D49 51 5H  
 PA4D50 51 5I  
 PA4D51 51 5J  
 PA4D52 51 5K  
 PA4D53 51 5L  
 PA4D54 51 5M  
 PA4D55 51 5N  
 PA4D56 51 5O  
 PA4D57 51 5P  
 PA4D58 51 5Q  
 PA4D59 51 5R  
 PA4D60 51 5S  
 PA4D61 51 5T  
 PA4D62 51 5U  
 PA4D63 51 5V  
 PA4D64 51 5W  
 PA4D65 51 5X  
 PA4D66 51 5Y  
 PA4D67 51 5Z  
 PA4D68 51 5A  
 PA4D69 51 5B  
 PA4D70 51 5C  
 PA4D71 51 5D  
 PA4D72 51 5E  
 PA4D73 51 5F  
 PA4D74 51 5G  
 PA4D75 51 5H  
 PA4D76 51 5I  
 PA4D77 51 5J  
 PA4D78 51 5K  
 PA4D79 51 5L  
 PA4D80 51 5M  
 PA4D81 51 5N  
 PA4D82 51 5O  
 PA4D83 51 5P  
 PA4D84 51 5Q  
 PA4D85 51 5R  
 PA4D86 51 5S  
 PA4D87 51 5T  
 PA4D88 51 5U  
 PA4D89 51 5V  
 PA4D90 51 5W  
 PA4D91 51 5X  
 PA4D92 51 5Y  
 PA4D93 51 5Z  
 PA4D94 51 5A  
 PA4D95 51 5B  
 PA4D96 51 5C  
 PA4D97 51 5D  
 PA4D98 51 5E  
 PA4D99 51 5F  
 PA4D100 51 5G



P & M No.3/07/05049

CCW:0008 07/05/70 DATA BUFFER 4 SLICE D02

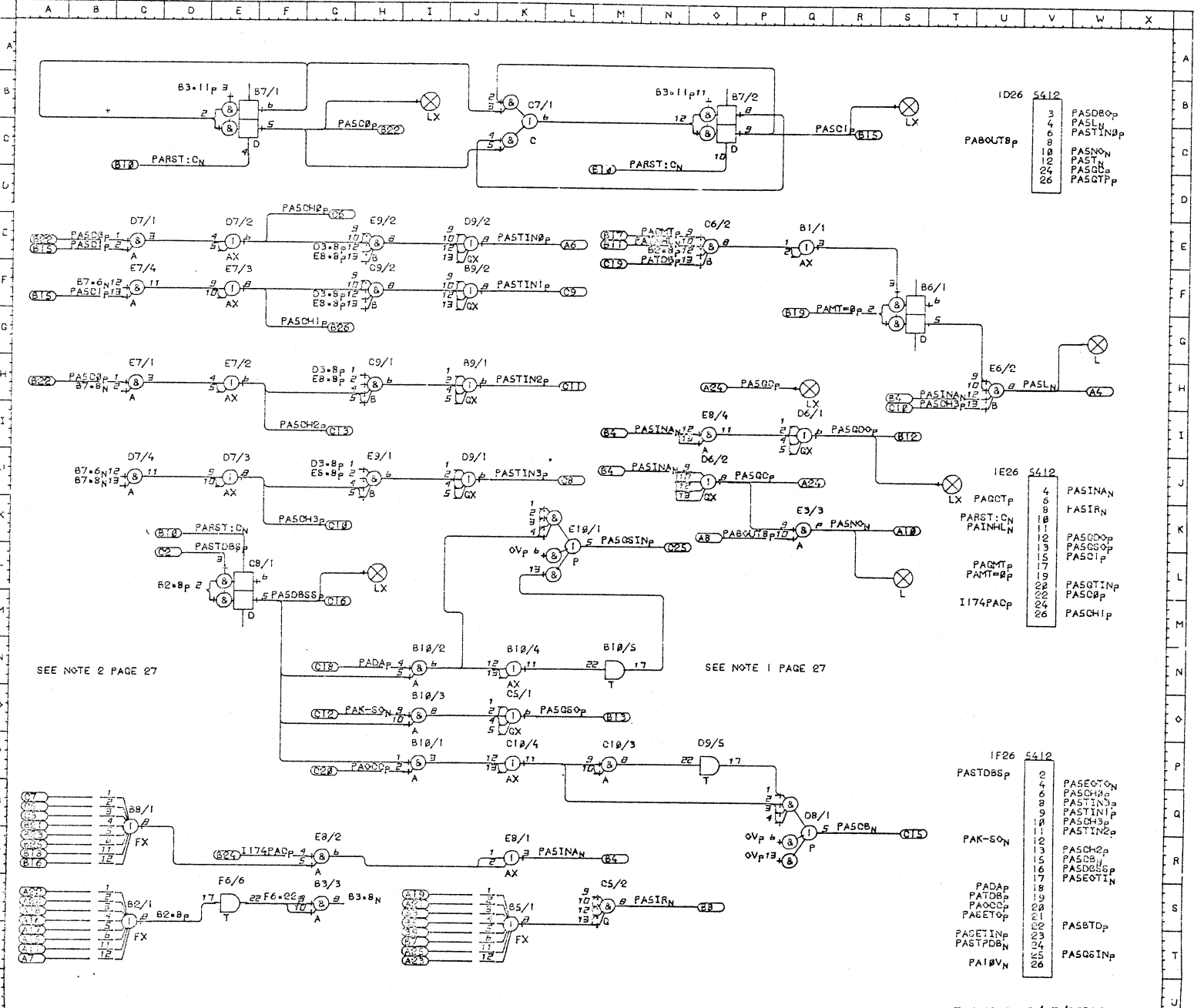
WGH03FN\*/0054 DATA COMB141

ISSUE:	ISS	TYPE	MOD:	2	TYPE	MOD:	2	TYPE	MOD:	2	TYPE	MOD:	2	TYPE	MOD:	2	TYPE	MOD:	2
ACC:	3088	EOC:	4047		EOC:			EOC:			EOC:			EOC:			EOC:		





I174PAD 123 QR VJ  
 PA18V 27 VP  
 PASBTOP VP  
 PASOCP HO HC CE CH  
 VJ  
 PASCP RC RC CE CF  
 VJ  
 PASQEN QQ 59 61 VP  
 PASCHPE 59 61 VP  
 PASCHPD 59 61 VJ  
 PASCHBU 59 61 VP  
 PASCHPK 59 61 UH  
 VJ  
 PASDQVB  
 PASDSSM VP  
 PASEOTIN VP  
 PASEOTIN VP  
 PASDQ VJ 59 61 74  
 PASDQ QH GK VB  
 PASDQ QI 59 61 TJ  
 VJ  
 PASQENLK 59 61 VP  
 PASQENKO 59 61 VJ  
 PASQENVU  
 PASQTPVB  
 PASQNAKR II OI OJ  
 OX VJ  
 PASIN MS VJ  
 PASLN UH 58 VB WQ  
 PASLN QK 58 SL VB  
 PASLN VB 58 SL VB  
 PASTN 58 58 61 VB  
 PASTIN 59 61 VP  
 PASTIN 59 61 VP  
 PASTIN 59 61 VP  
 PASTIN 59 61 VP  
 PADAP II IN VP  
 PADAP II VJ  
 PAMT 2 OE VJ  
 PAMT 2 OE VJ  
 PAK-SO 10 VP  
 PAMT-8P 2 SF VJ  
 PACOD II IP VP  
 PARST:CN 13 CD DK MO  
 VJ  
 PASETIN 2 VP  
 PASETOP 2 VP  
 PASDSS 11 DL VP  
 PASTOP 13 VP  
 PATDBP 13 OE VP



ID26 5412

3	PASDBOP
4	PASLN
6	PASTIN
8	PASTIN
10	PASTIN
12	PASDBP
24	PASDBP
26	PASGTPP

IE26 5412

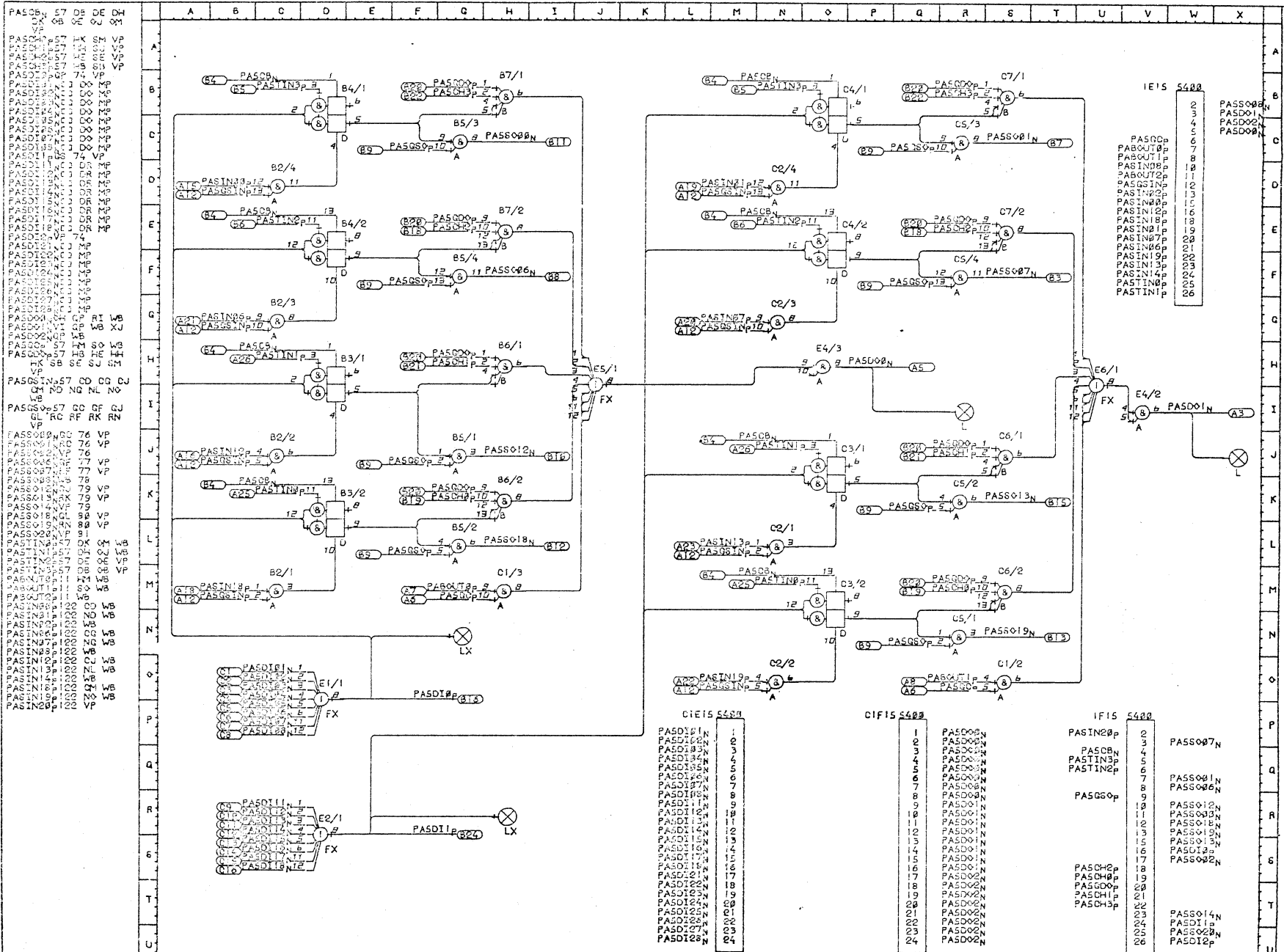
4	PASIN
6	PASLN
8	PASTIN
10	PARST:CN
11	PAINHLN
12	PASOCP
13	PASGCP
15	PASCP
17	PASGTP
19	PAMT-8P
26	PASDBP
24	PASDBP
26	PASCH1P

IF26 5412

2	PASTDBSP
4	PASEOTN
6	PASGCP
8	PASTIN
9	PASTIN
10	PASCH3P
11	PASTIN
12	PAK-SO
13	PASCH2P
15	PASDBP
16	PASDSSP
17	PASEOTIN
18	PADAP
19	PATDBP
20	PASOCP
21	PASEOT
23	PASBTP
24	PAGETIN
25	PASTPDBN
26	PASGINP

P & M No.3/07/05149





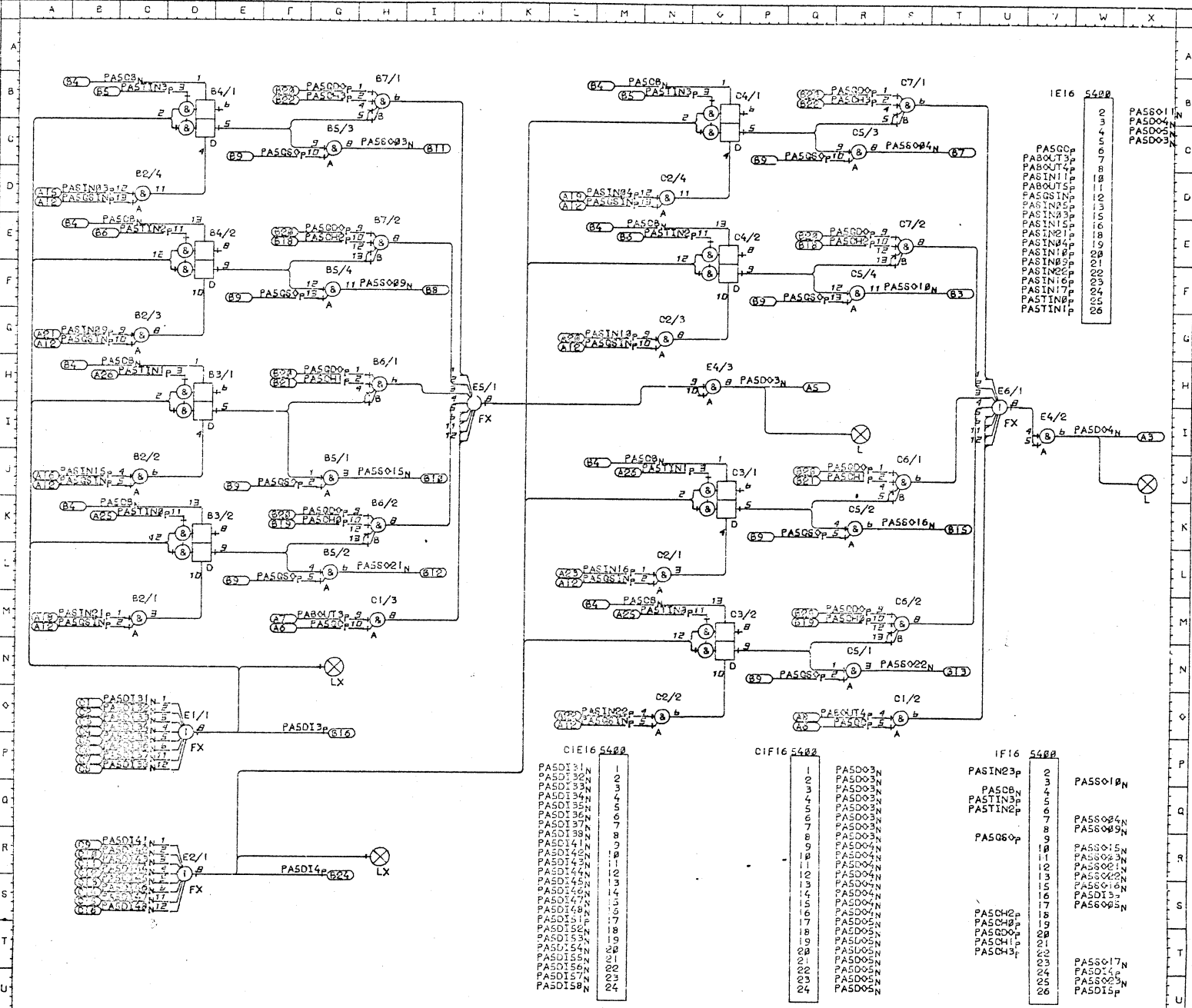
CCW:0008 07/05/70 DATA BUFFER 5 SLICE DO0 DO1 WGH03FN\*/0059 DATA COM#141

ISSUE: 1AS	TYPE MOD: 2	TYPE MOD:	TYPE MOD:	TYPE MOD:	TYPE MOD:	TYPE MOD:
ACC: 3088	ECC: 4047	ECC:	ECC:	ECC:	ECC:	ECC:





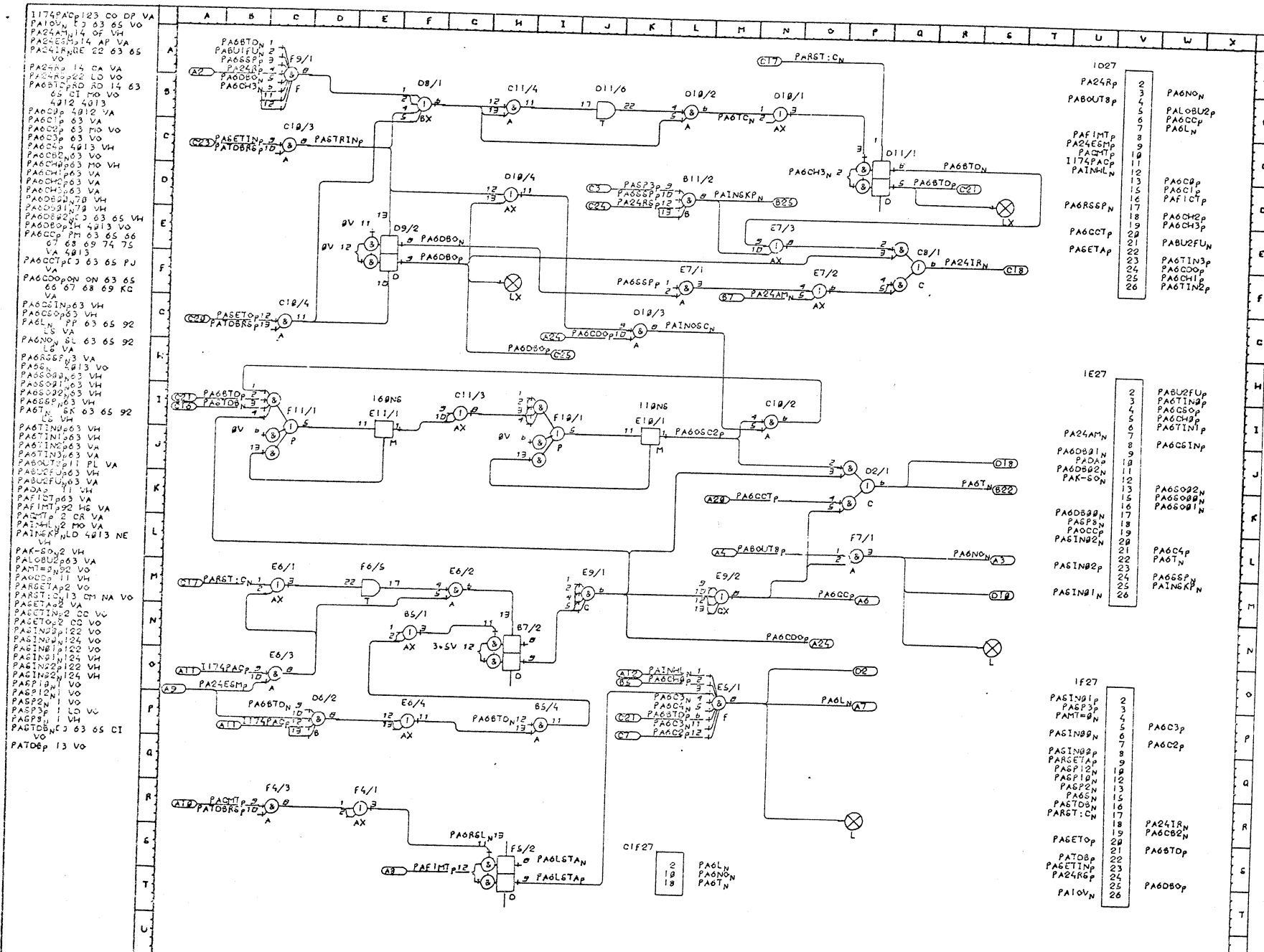
PAS03N 57 08 0E 0H  
 0X 0B 0E 0J 0M  
 PAS04P 57 08 0E 0H  
 PAS05P 57 08 0E 0H  
 PAS06P 57 08 0E 0H  
 PAS07P 57 08 0E 0H  
 PAS08P 57 08 0E 0H  
 PAS09P 57 08 0E 0H  
 PAS10P 57 08 0E 0H  
 PAS11P 57 08 0E 0H  
 PAS12P 57 08 0E 0H  
 PAS13P 57 08 0E 0H  
 PAS14P 57 08 0E 0H  
 PAS15P 57 08 0E 0H  
 PAS16P 57 08 0E 0H  
 PAS17P 57 08 0E 0H  
 PAS18P 57 08 0E 0H  
 PAS19P 57 08 0E 0H  
 PAS20P 57 08 0E 0H  
 PAS21P 57 08 0E 0H  
 PAS22P 57 08 0E 0H  
 PAS23P 57 08 0E 0H  
 PAS24P 57 08 0E 0H  
 PAS25P 57 08 0E 0H  
 PAS26P 57 08 0E 0H  
 PAS27P 57 08 0E 0H  
 PAS28P 57 08 0E 0H  
 PAS29P 57 08 0E 0H  
 PAS30P 57 08 0E 0H  
 PAS31P 57 08 0E 0H  
 PAS32P 57 08 0E 0H  
 PAS33P 57 08 0E 0H  
 PAS34P 57 08 0E 0H  
 PAS35P 57 08 0E 0H  
 PAS36P 57 08 0E 0H  
 PAS37P 57 08 0E 0H  
 PAS38P 57 08 0E 0H  
 PAS39P 57 08 0E 0H  
 PAS40P 57 08 0E 0H  
 PAS41P 57 08 0E 0H  
 PAS42P 57 08 0E 0H  
 PAS43P 57 08 0E 0H  
 PAS44P 57 08 0E 0H  
 PAS45P 57 08 0E 0H  
 PAS46P 57 08 0E 0H  
 PAS47P 57 08 0E 0H  
 PAS48P 57 08 0E 0H  
 PAS49P 57 08 0E 0H  
 PAS50P 57 08 0E 0H  
 PAS51P 57 08 0E 0H  
 PAS52P 57 08 0E 0H  
 PAS53P 57 08 0E 0H  
 PAS54P 57 08 0E 0H  
 PAS55P 57 08 0E 0H  
 PAS56P 57 08 0E 0H  
 PAS57P 57 08 0E 0H  
 PAS58P 57 08 0E 0H  
 PAS59P 57 08 0E 0H  
 PAS60P 57 08 0E 0H  
 PAS61P 57 08 0E 0H  
 PAS62P 57 08 0E 0H  
 PAS63P 57 08 0E 0H  
 PAS64P 57 08 0E 0H  
 PAS65P 57 08 0E 0H  
 PAS66P 57 08 0E 0H  
 PAS67P 57 08 0E 0H  
 PAS68P 57 08 0E 0H  
 PAS69P 57 08 0E 0H  
 PAS70P 57 08 0E 0H  
 PAS71P 57 08 0E 0H  
 PAS72P 57 08 0E 0H  
 PAS73P 57 08 0E 0H  
 PAS74P 57 08 0E 0H  
 PAS75P 57 08 0E 0H  
 PAS76P 57 08 0E 0H  
 PAS77P 57 08 0E 0H  
 PAS78P 57 08 0E 0H  
 PAS79P 57 08 0E 0H  
 PAS80P 57 08 0E 0H  
 PAS81P 57 08 0E 0H  
 PAS82P 57 08 0E 0H  
 PAS83P 57 08 0E 0H  
 PAS84P 57 08 0E 0H  
 PAS85P 57 08 0E 0H  
 PAS86P 57 08 0E 0H  
 PAS87P 57 08 0E 0H  
 PAS88P 57 08 0E 0H  
 PAS89P 57 08 0E 0H  
 PAS90P 57 08 0E 0H  
 PAS91P 57 08 0E 0H  
 PAS92P 57 08 0E 0H  
 PAS93P 57 08 0E 0H  
 PAS94P 57 08 0E 0H  
 PAS95P 57 08 0E 0H  
 PAS96P 57 08 0E 0H  
 PAS97P 57 08 0E 0H  
 PAS98P 57 08 0E 0H  
 PAS99P 57 08 0E 0H  
 PAS00P 57 08 0E 0H



ISSUC: I53	TYPE MOD: 2	TYPE MOD:	TYPE MOD:	TYPE MOD:	TYPE MOD:	TYPE MOD:
NO: 3088	ECC: 4047	ECC:	ECC:	ECC:	ECC:	ECC:







1027	PA24Rp	2	PA6N0N
	PABOUT8p	3	PA60B2p
		4	PA60Cp
		5	PA6LN
		6	
		7	
		8	
		9	
		10	
		11	
		12	
		13	
		14	
		15	
		16	
		17	
		18	
		19	
		20	
		21	
		22	
		23	
		24	
		25	
		26	

1E27	PA680N	2	PA680N
	PA680P	3	PA680P
	PA680B	4	PA680B
	PA680A	5	PA680A
	PA680C	6	PA680C
	PA680D	7	PA680D
	PA680E	8	PA680E
	PA680F	9	PA680F
	PA680G	10	PA680G
	PA680H	11	PA680H
	PA680I	12	PA680I
	PA680J	13	PA680J
	PA680K	14	PA680K
	PA680L	15	PA680L
	PA680M	16	PA680M
	PA680N	17	PA680N
	PA680P	18	PA680P
	PA680Q	19	PA680Q
	PA680R	20	PA680R
	PA680S	21	PA680S
	PA680T	22	PA680T
	PA680U	23	PA680U
	PA680V	24	PA680V
	PA680W	25	PA680W
	PA680X	26	PA680X

1F27	PA680N	2	PA680N
	PA680P	3	PA680P
	PA680B	4	PA680B
	PA680A	5	PA680A
	PA680C	6	PA680C
	PA680D	7	PA680D
	PA680E	8	PA680E
	PA680F	9	PA680F
	PA680G	10	PA680G
	PA680H	11	PA680H
	PA680I	12	PA680I
	PA680J	13	PA680J
	PA680K	14	PA680K
	PA680L	15	PA680L
	PA680M	16	PA680M
	PA680N	17	PA680N
	PA680P	18	PA680P
	PA680Q	19	PA680Q
	PA680R	20	PA680R
	PA680S	21	PA680S
	PA680T	22	PA680T
	PA680U	23	PA680U
	PA680V	24	PA680V
	PA680W	25	PA680W
	PA680X	26	PA680X

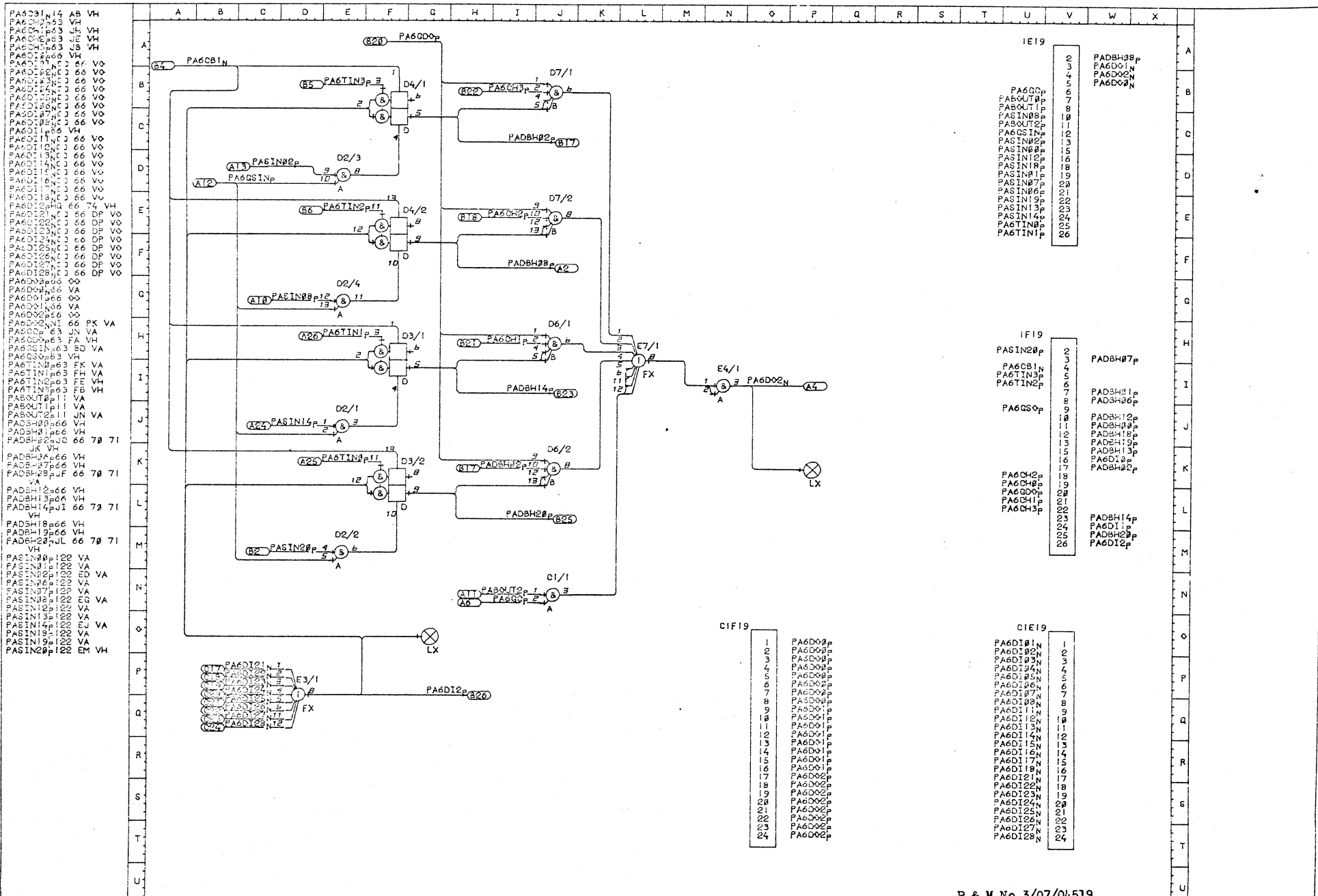
CCW:0141 15/05/70 FI DATA BUFFER CONTROL (SHT 2)

P & M No.3/07/04557

ISSUE: 188	TYPE MOD: 1	TYPE MOD:	TYPE MOD:	TYPE MOD:	TYPE MOD:	TYPE MOD:	TYPE MOD:
ACC: 3088	ECC: 2830	ECC:	ECC:	ECC:	ECC:	ECC:	ECC:





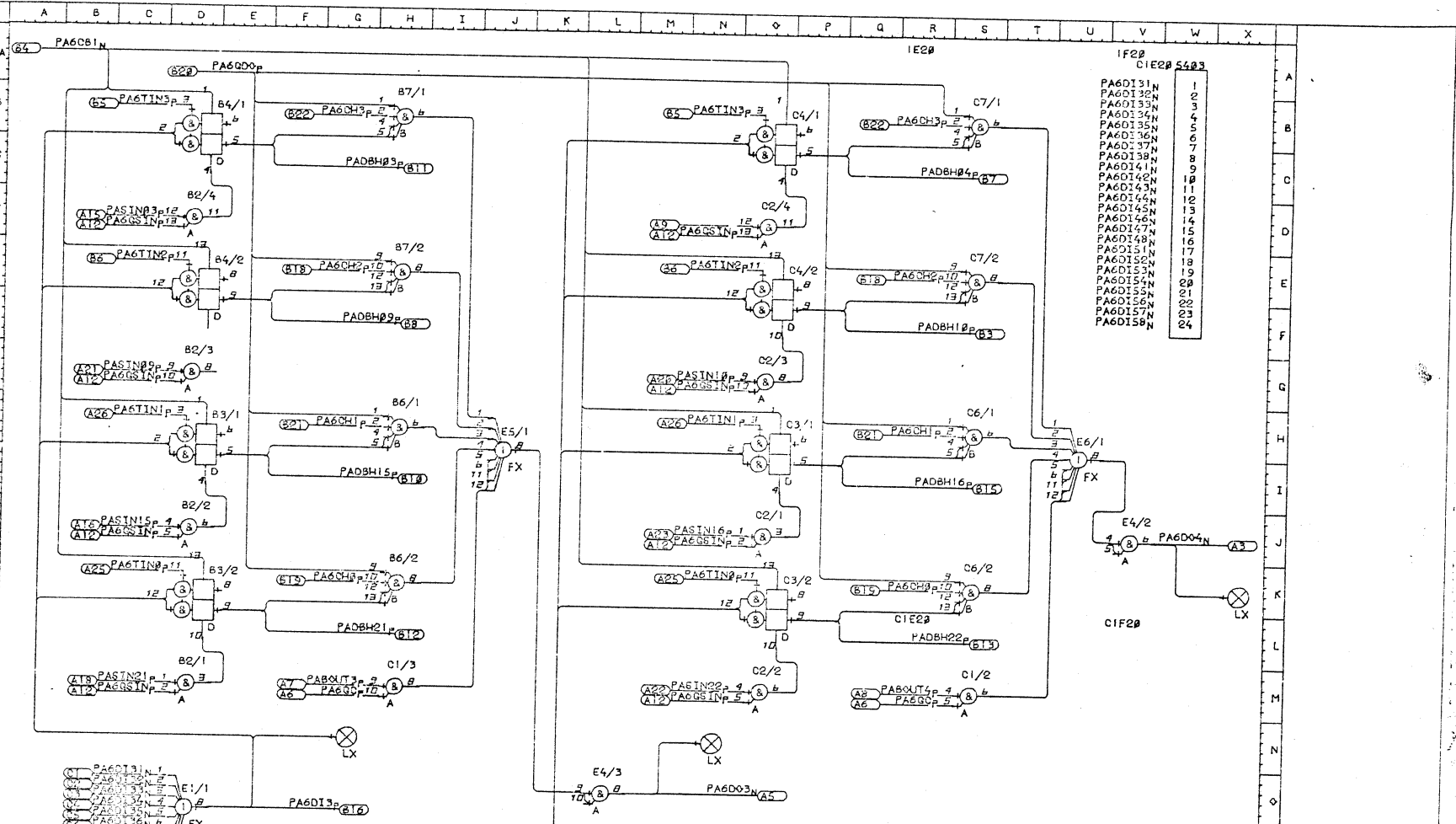


CCW:0127 07/05/70 FI DATA BUFFER I SLICE D02 WGH03FN\*/0067 DATA 00/0141

ISSUE: Iss	TYPE MOD:	TYPE MOD:	TYPE MOD:	TYPE MOD:	TYPE MOD:	TYPE MOD:
ACD: 3088	ECC:	ECC:	ECC:	ECC:	ECC:	ECC:

P & M No.3/07/04519

PA60B114 AA QP  
 PA60B115 AA QP  
 PA60C116 AA QP  
 PA60C117 AA QP  
 PA60C118 AA QP  
 PA60C119 AA QP  
 PA60C120 AA QP  
 PA60C121 AA QP  
 PA60C122 AA QP  
 PA60C123 AA QP  
 PA60C124 AA QP  
 PA60C125 AA QP  
 PA60C126 AA QP  
 PA60C127 AA QP  
 PA60C128 AA QP  
 PA60C129 AA QP  
 PA60C130 AA QP  
 PA60C131 AA QP  
 PA60C132 AA QP  
 PA60C133 AA QP  
 PA60C134 AA QP  
 PA60C135 AA QP  
 PA60C136 AA QP  
 PA60C137 AA QP  
 PA60C138 AA QP  
 PA60C139 AA QP  
 PA60C140 AA QP  
 PA60C141 AA QP  
 PA60C142 AA QP  
 PA60C143 AA QP  
 PA60C144 AA QP  
 PA60C145 AA QP  
 PA60C146 AA QP  
 PA60C147 AA QP  
 PA60C148 AA QP  
 PA60C149 AA QP  
 PA60C150 AA QP  
 PA60C151 AA QP  
 PA60C152 AA QP  
 PA60C153 AA QP  
 PA60C154 AA QP  
 PA60C155 AA QP  
 PA60C156 AA QP  
 PA60C157 AA QP  
 PA60C158 AA QP  
 PA60C159 AA QP  
 PA60C160 AA QP  
 PA60C161 AA QP  
 PA60C162 AA QP  
 PA60C163 AA QP  
 PA60C164 AA QP  
 PA60C165 AA QP  
 PA60C166 AA QP  
 PA60C167 AA QP  
 PA60C168 AA QP  
 PA60C169 AA QP  
 PA60C170 AA QP  
 PA60C171 AA QP  
 PA60C172 AA QP  
 PA60C173 AA QP  
 PA60C174 AA QP  
 PA60C175 AA QP  
 PA60C176 AA QP  
 PA60C177 AA QP  
 PA60C178 AA QP  
 PA60C179 AA QP  
 PA60C180 AA QP  
 PA60C181 AA QP  
 PA60C182 AA QP  
 PA60C183 AA QP  
 PA60C184 AA QP  
 PA60C185 AA QP  
 PA60C186 AA QP  
 PA60C187 AA QP  
 PA60C188 AA QP  
 PA60C189 AA QP  
 PA60C190 AA QP  
 PA60C191 AA QP  
 PA60C192 AA QP  
 PA60C193 AA QP  
 PA60C194 AA QP  
 PA60C195 AA QP  
 PA60C196 AA QP  
 PA60C197 AA QP  
 PA60C198 AA QP  
 PA60C199 AA QP  
 PA60C200 AA QP



1	PA6003p		1	PA6013p	
2	PA6003p		2	PA6013p	
3	PA6003p		3	PA6013p	
4	PA6003p		4	PA6013p	
5	PA6003p		5	PA6013p	
6	PA6003p		6	PA6013p	
7	PA6003p		7	PA6013p	
8	PA6003p		8	PA6013p	
9	PA6003p		9	PA6013p	
10	PA6003p		10	PA6013p	
11	PA6003p		11	PA6013p	
12	PA6003p		12	PA6013p	
13	PA6003p		13	PA6013p	
14	PA6003p		14	PA6013p	
15	PA6003p		15	PA6013p	
16	PA6003p		16	PA6013p	
17	PA6003p		17	PA6013p	
18	PA6003p		18	PA6013p	
19	PA6003p		19	PA6013p	
20	PA6003p		20	PA6013p	
21	PA6003p		21	PA6013p	
22	PA6003p		22	PA6013p	
23	PA6003p		23	PA6013p	
24	PA6003p		24	PA6013p	
25	PA6003p		25	PA6013p	
26	PA6003p		26	PA6013p	

CCW: 0127 07/05/70 FI DATA BUFFER I SLICE D03, D04 P & M No. 3/07/04519 WGH03FN\*/0068 DATA COW141

ISSUE: I03	TYPE MOD:	TYPE MOD:	TYPE MOD:	TYPE MOD:	TYPE MOD:
ACC: 3055	ECC:	ECC:	ECC:	ECC:	ECC:





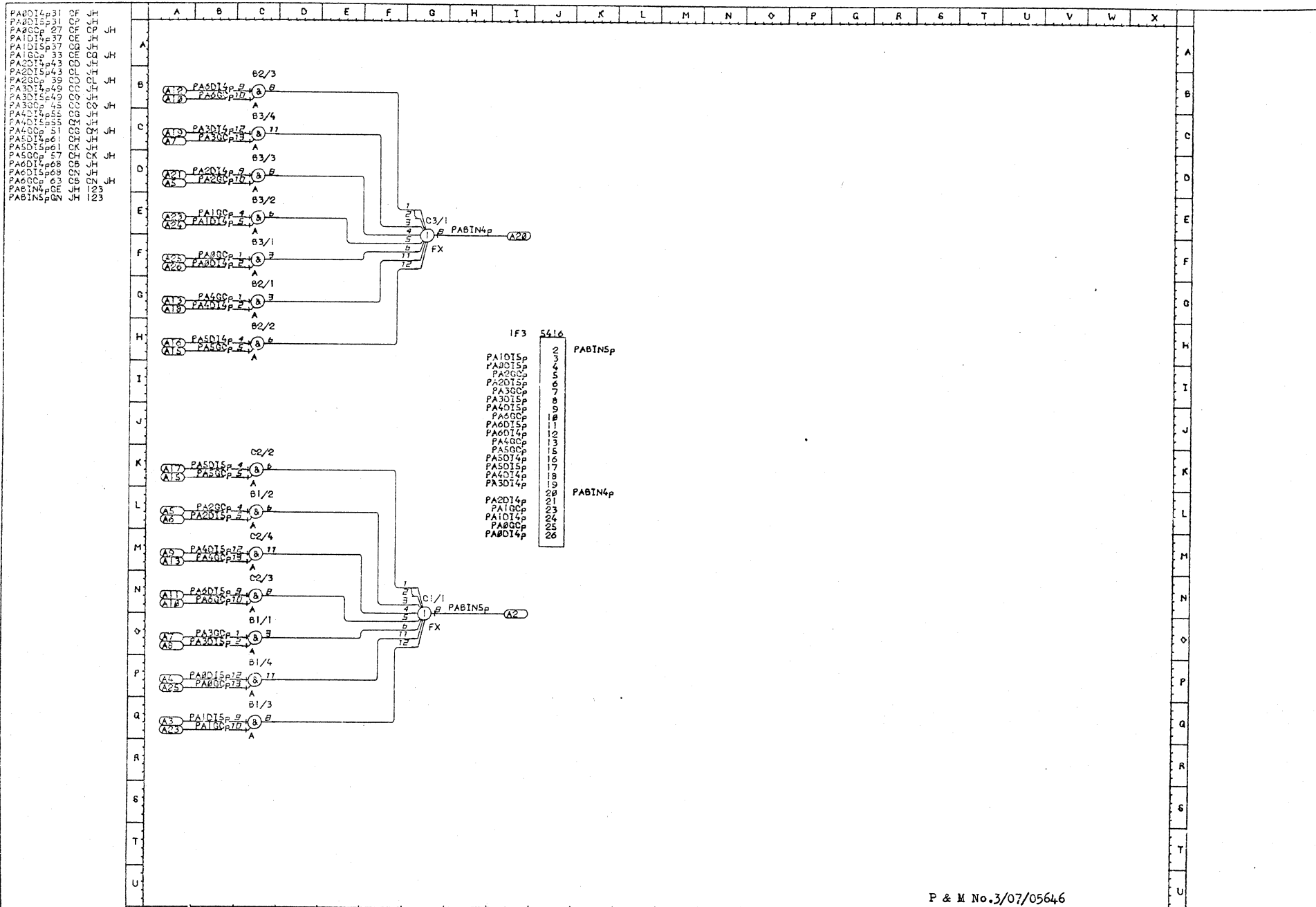












P & M No.3/07/05646

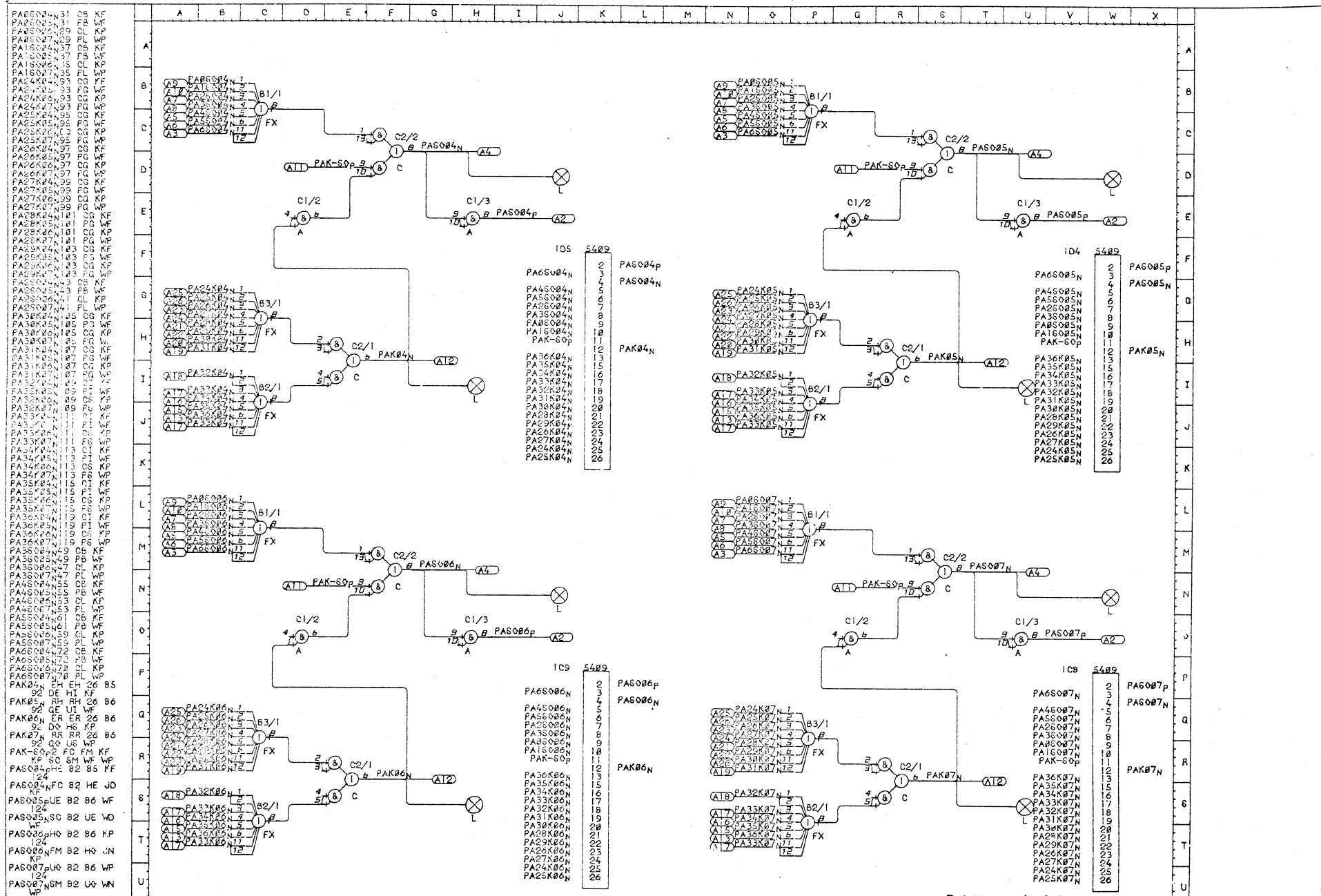
CCW:0129 07/05/70 OR OF BINS 4-5

WGH03FN\*/0075 DATA CCW#141

166UE: Iss	TYPE MOD: 00	TYPE MOD:	TYPE MOD:	TYPE MOD:	TYPE MOD:	TYPE MOD:
ACD: 3088	ECC:	ECC:	ECC:	ECC:	ECC:	ECC:

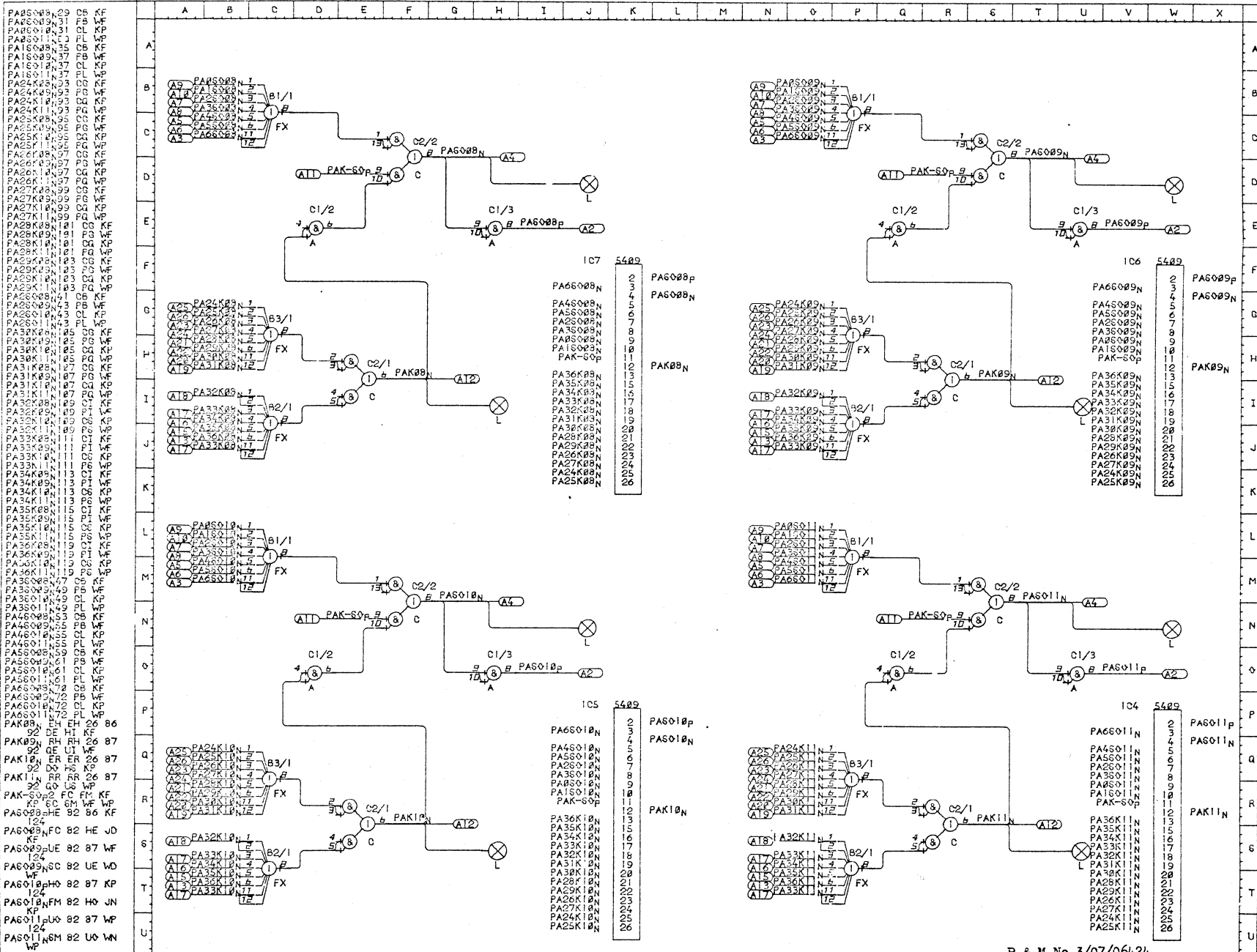






CCW:0129 07/05/70 OR OF SOS AND KS BITS 4-7 P & M No.3/07/06424 WGH03FN\*/0077 DATA CCW0141

ISSUE: Iss	TYPE MOD: 00	TYPE MOD:	TYPE MOD:	TYPE MOD:	TYPE MOD:	TYPE MOD:
ACC: 3088	ECC:	ECC:	ECC:	ECC:	ECC:	ECC:

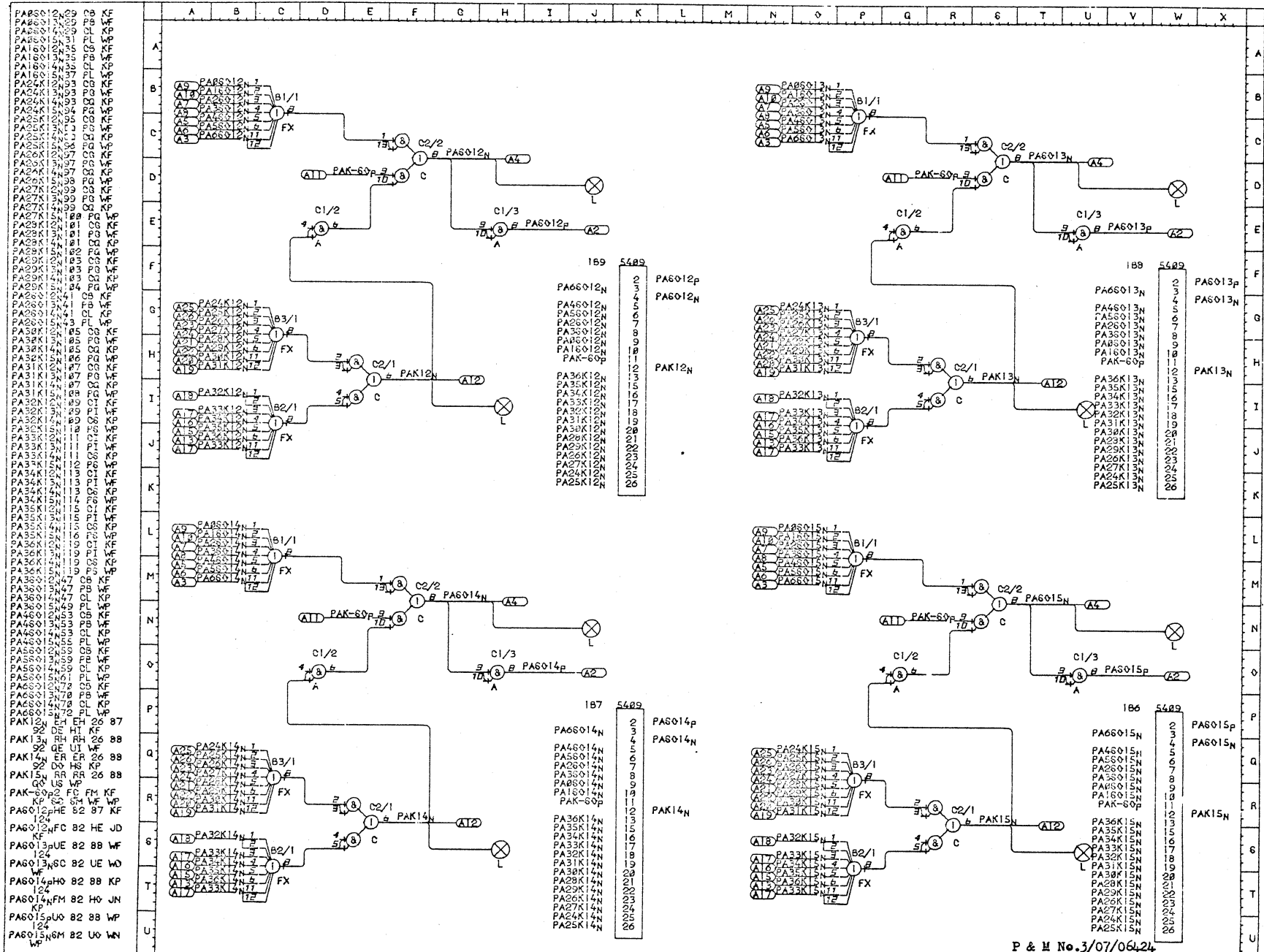


P & M No. 3/07/06424

CCW:0129 07/05/70 OR OF SOS AND KS BITS 8-11

WGH03FN\*/0078 DATA CCW0141

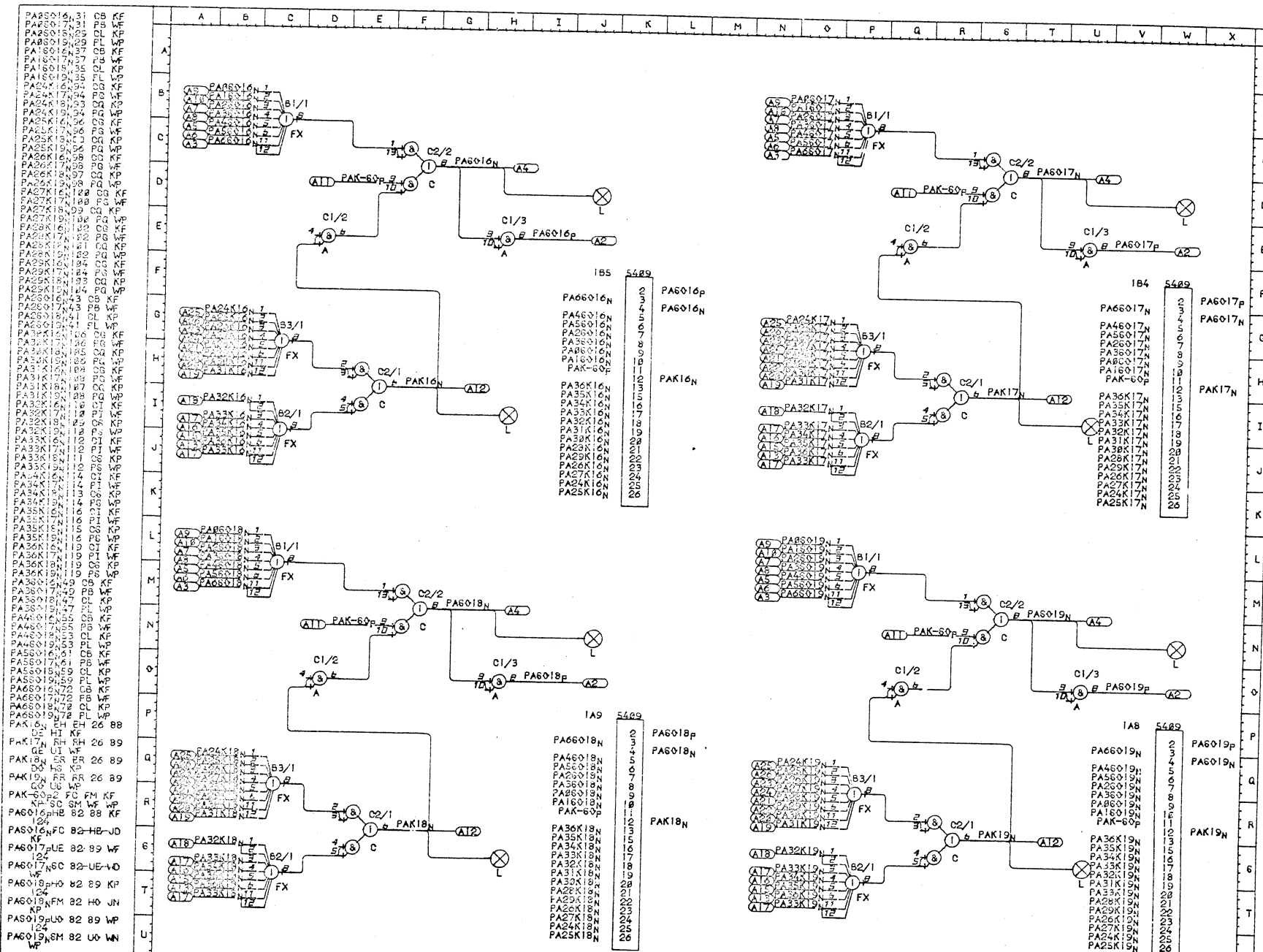
ISSUE: I33	TYPE MOD: 00	TYPE MOD:	TYPE MOD:	TYPE MOD:	TYPE MOD:	TYPE MOD:
ACC: 3088	ECC:	ECC:	ECC:	ECC:	ECC:	ECC:



P & H No. 3/07/0624

CCW: 0129 07/05/70 OR OF SOS AND KS BITS 12-15 WGH03FN\*/0079 DATA CCW141

I66UE: I88	TYPE MOD: 00	TYPE MOD: 00	TYPE MOD: 00	TYPE MOD: 00	TYPE MOD: 00
ACC: 3088	ECC:	ECC:	ECC:	ECC:	ECC:



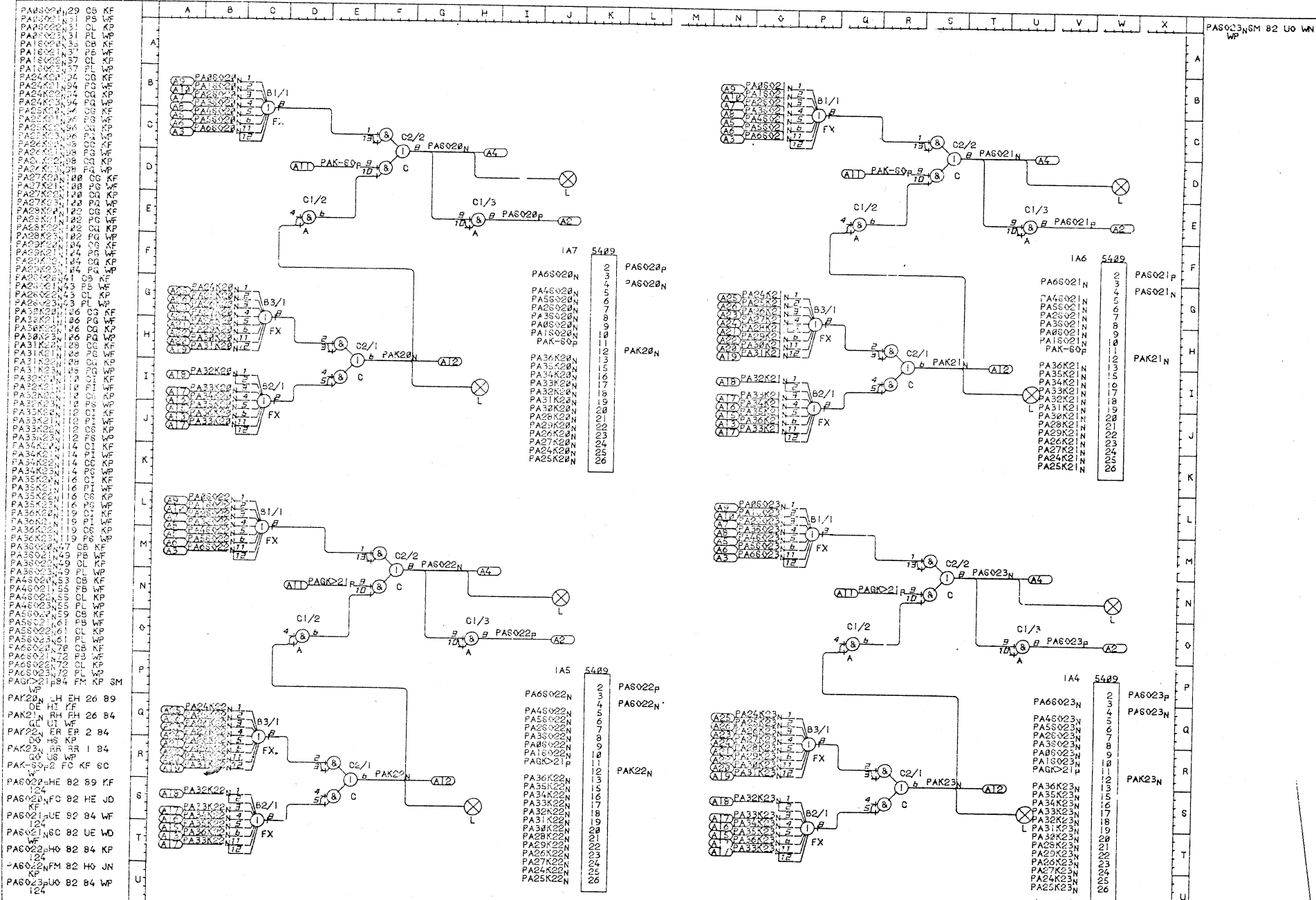
CCW:0123 07/05/70

OR OF SOS AND KS BITS 16-19

P & M No.3/07/06/24

I68UE: I 3 8		TYPE MOD: 00		TYPE MOD:		TYPE MOD:		TYPE MOD:		TYPE MOD:		TYPE MOD:		TYPE MOD:	
ACD: 3098		ECC:		ECC:		ECC:		ECC:		ECC:		ECC:		ECC:	

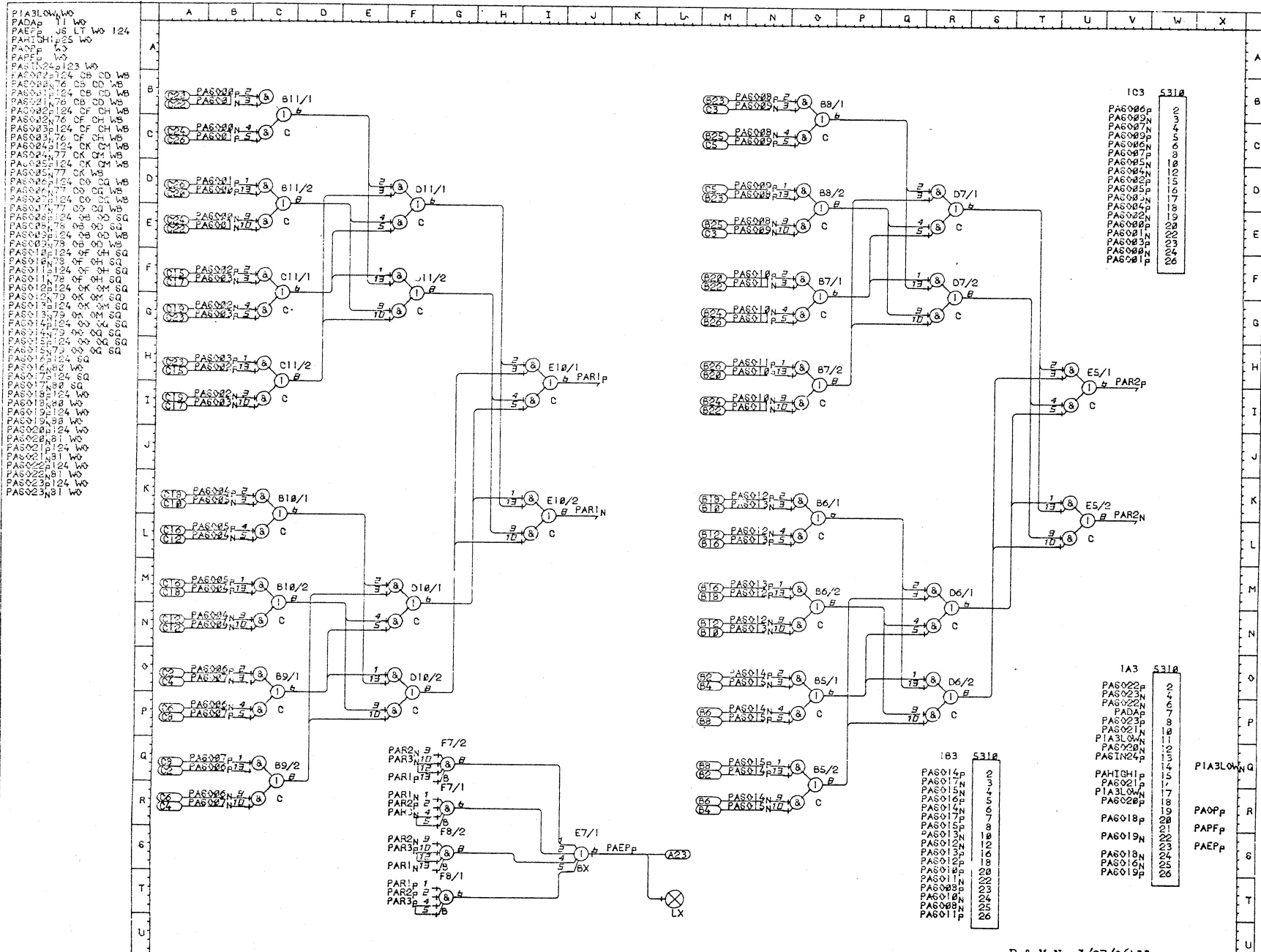
WGHO3FN\*/0080 DATA CCW0141



CCW:0123 12/05/70 OR OF SOS AND KS BITS 20-23

P & M No.3/07/06424 WGH03FN\*/0081 DATA CCW0141

ISSUE: 155	TYPE: MOD: 00	TYPE: MOD:	TYPE: MOD:	TYPE: MOD:	TYPE: MOD:
ACC: 3088	ECC:	ECC:	ECC:	ECC:	ECC:



IC3 5318

PAS006P	2
PAS009N	3
PAS007N	4
PAS009P	5
PAS006N	6
PAS007P	7
PAS005N	8
PAS004N	9
PAS002P	10
PAS005P	11
PAS008N	12
PAS008P	13
PAS001N	14
PAS001P	15
PAS002N	16
PAS002P	17
PAS003N	18
PAS003P	19
PAS004N	20
PAS004P	21
PAS005N	22
PAS005P	23
PAS006N	24
PAS006P	25
PAS007N	26
PAS007P	27

IA3 5318

PAS022P	2
PAS023N	3
PAS023P	4
PADP	5
PAS023P	6
PAS021N	7
PIA3LOWN	8
PAS020N	9
PAS020P	10
PIA3LOWN	11
PAS020N	12
PAS020P	13
PIA3LOWN	14
PAHIGHP	15
PA	16
PAS015N	17
PIA3LOWN	18
PAS020P	19
PAS018P	20
PAS013P	21
PAS013N	22
PAS012N	23
PAS013P	24
PAS012P	25
PAS010P	26
PAS011N	27
PAS008P	28
PAS010N	29
PAS008N	30
PAS011P	31

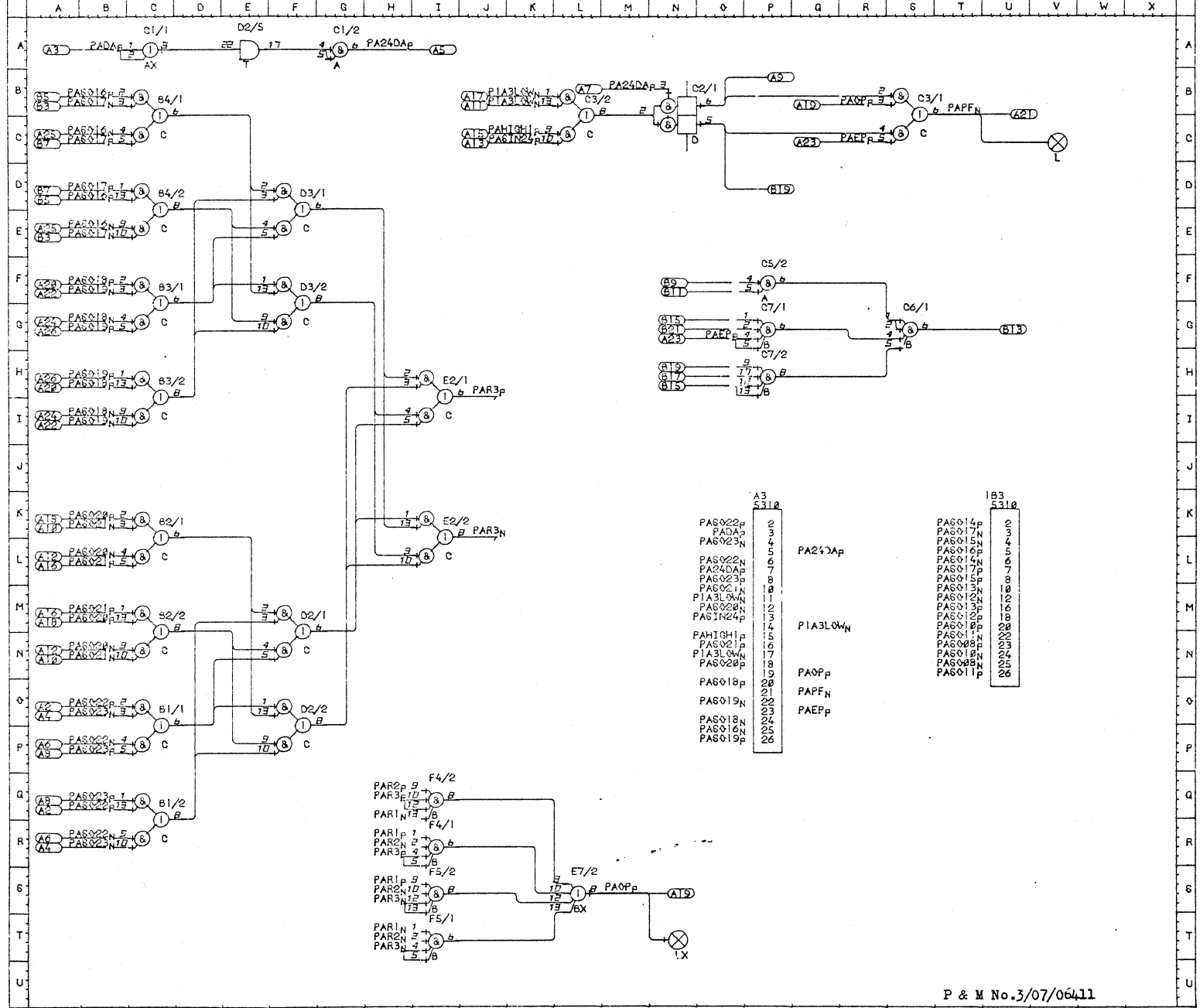
IB3 5318

PAS014P	2
PAS015N	3
PAS015N	4
PAS016P	5
PAS014N	6
PAS017P	7
PAS015P	8
PAS013P	9
PAS012N	10
PAS013P	11
PAS012P	12
PAS011N	13
PAS008P	14
PAS010N	15
PAS008N	16
PAS011P	17

CCW:0123 07/05/70 PARITY CHECKING WGH03FN\*/0082 DATA CCW8141

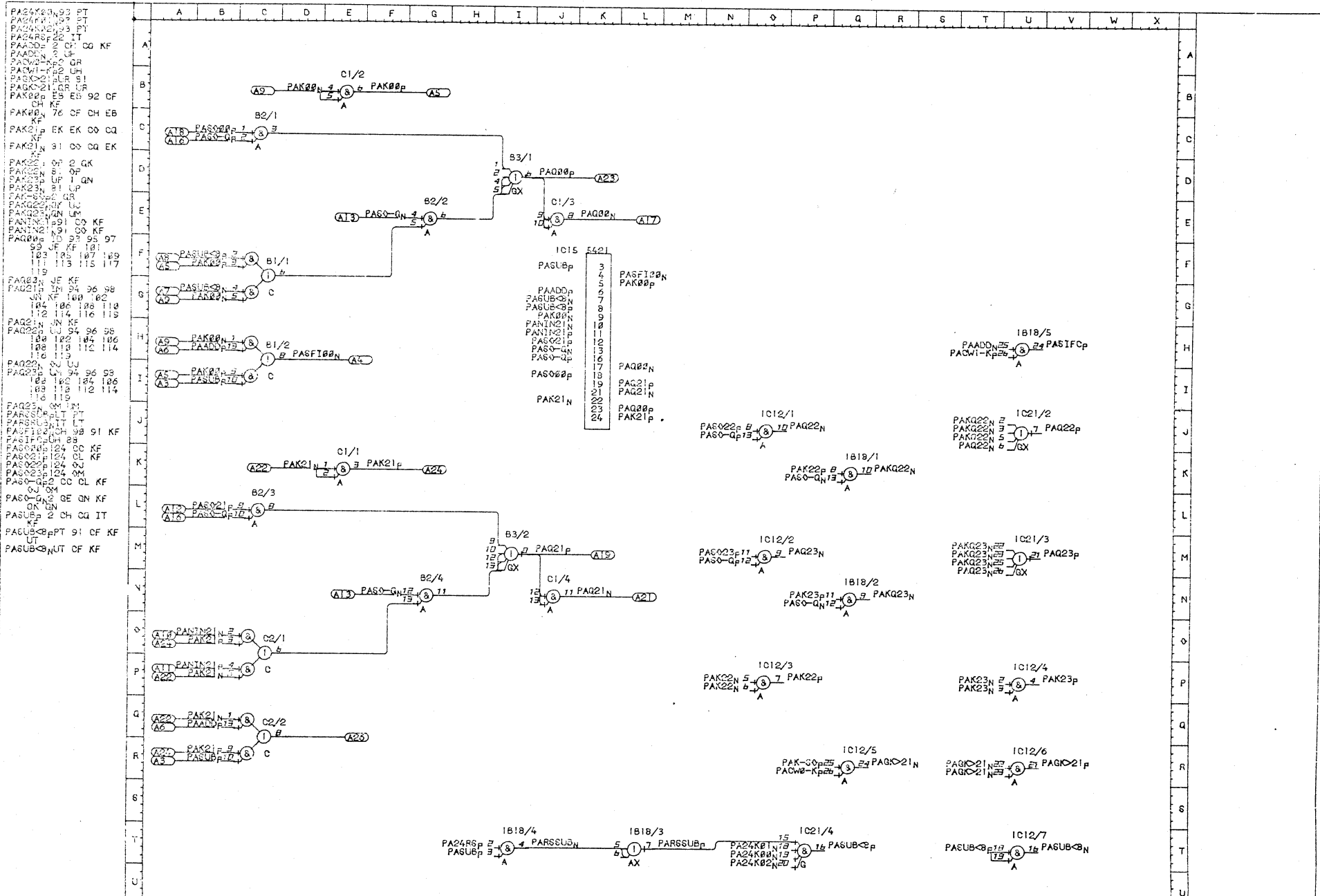
ISSUE: Iss	TYPE MOD: 1	TYPE MOD:	TYPE MOD:	TYPE MOD:	TYPE MOD:	TYPE MOD:	TYPE MOD:
ACD: 3038	ECC: 4033	ECC:	ECC:	ECC:	ECC:	ECC:	ECC:

PIA3LOW, 62 LB  
 PAF 11 CA  
 PAF 124 FG 6B  
 PAHI 125 LB  
 PAF 125 NT 6B  
 PAF 125 VC  
 PAF 125 L3  
 PAS 124 03 03  
 PAS 124 05 03  
 PAS 124 06 03  
 PAS 124 07 03  
 PAS 124 08 03  
 PAS 124 09 03  
 PAS 124 10 03  
 PAS 124 11 03  
 PAS 124 12 03  
 PAS 124 13 03  
 PAS 124 14 03  
 PAS 124 15 03  
 PAS 124 16 03  
 PAS 124 17 03  
 PAS 124 18 03  
 PAS 124 19 03  
 PAS 124 20 03  
 PAS 124 21 03  
 PAS 124 22 03  
 PAS 124 23 03  
 PAS 124 24 03  
 PAS 124 25 03  
 PAS 124 26 03  
 PAS 124 27 03  
 PAS 124 28 03  
 PAS 124 29 03  
 PAS 124 30 03  
 PAS 124 31 03  
 PAS 124 32 03  
 PAS 124 33 03  
 PAS 124 34 03  
 PAS 124 35 03  
 PAS 124 36 03  
 PAS 124 37 03  
 PAS 124 38 03  
 PAS 124 39 03  
 PAS 124 40 03  
 PAS 124 41 03  
 PAS 124 42 03  
 PAS 124 43 03  
 PAS 124 44 03  
 PAS 124 45 03  
 PAS 124 46 03  
 PAS 124 47 03  
 PAS 124 48 03  
 PAS 124 49 03  
 PAS 124 50 03  
 PAS 124 51 03  
 PAS 124 52 03  
 PAS 124 53 03  
 PAS 124 54 03  
 PAS 124 55 03  
 PAS 124 56 03  
 PAS 124 57 03  
 PAS 124 58 03  
 PAS 124 59 03  
 PAS 124 60 03  
 PAS 124 61 03  
 PAS 124 62 03  
 PAS 124 63 03  
 PAS 124 64 03  
 PAS 124 65 03  
 PAS 124 66 03  
 PAS 124 67 03  
 PAS 124 68 03  
 PAS 124 69 03  
 PAS 124 70 03  
 PAS 124 71 03  
 PAS 124 72 03  
 PAS 124 73 03  
 PAS 124 74 03  
 PAS 124 75 03  
 PAS 124 76 03  
 PAS 124 77 03  
 PAS 124 78 03  
 PAS 124 79 03  
 PAS 124 80 03  
 PAS 124 81 03  
 PAS 124 82 03  
 PAS 124 83 03  
 PAS 124 84 03  
 PAS 124 85 03  
 PAS 124 86 03  
 PAS 124 87 03  
 PAS 124 88 03  
 PAS 124 89 03  
 PAS 124 90 03  
 PAS 124 91 03  
 PAS 124 92 03  
 PAS 124 93 03  
 PAS 124 94 03  
 PAS 124 95 03  
 PAS 124 96 03  
 PAS 124 97 03  
 PAS 124 98 03  
 PAS 124 99 03  
 PAS 124 100 03



CCW: 0134 07/05/70 PARITY CHECKING WGH03FN\*/0083 DATA C00841

ISSUE: Ias	TYPE MOD: 1	TYPE MOD:	TYPE MOD:	TYPE MOD:	TYPE MOD:	TYPE MOD:
ACC: 3088	ECC: 4033	ECC:	ECC:	ECC:	ECC:	ECC:



CCW: 0134 07/05/70 MILL SLICE BITS 0:21:22:23

P & M No.3/07/06429

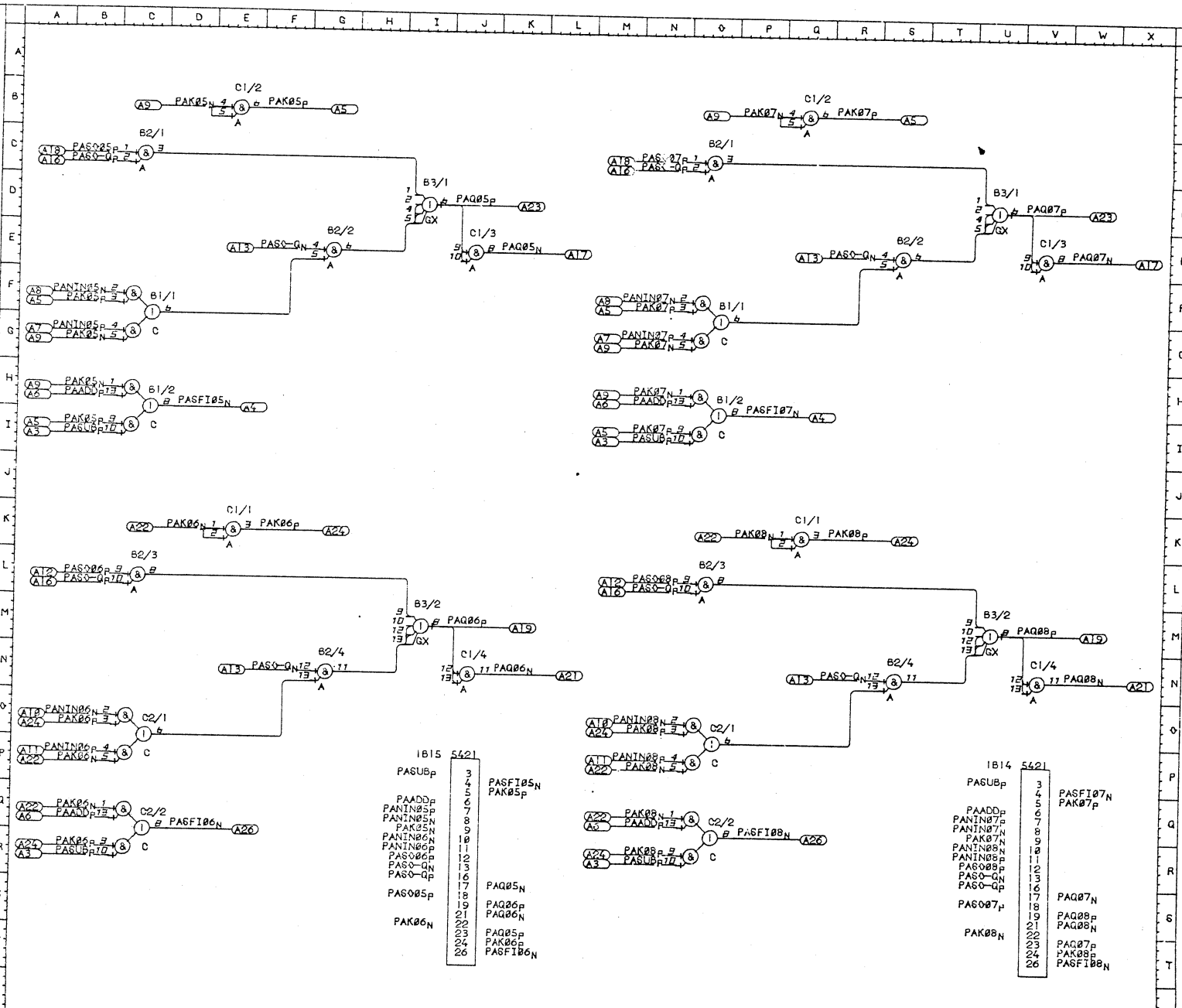
ISSUE:	TYPE:	MOD:	TYPE:	MOD:	TYPE:	MOD:	TYPE:	MOD:
185		1						
ADD: 3088	ECC:	3670	ECC:		ECC:		ECC:	

WGHO3FN\*/0084 DATA CCM141





PAADD 2 CH CQ JP  
 CH VP  
 PAK85P EB EB CF CH  
 PAK85N 77 CF CH EB  
 PAK86P EK EK CQ CQ  
 PAK86N 77 CQ CQ EK  
 PAK87P Q8 Q8 OF OH  
 PAK87N 77 OF OH Q8  
 PAK88P QK QK OQ OQ  
 PAK88N 78 OQ OQ QK  
 PANIN85P 98 CF JP  
 PANIN85N 98 CF JP  
 PANIN86P 98 CQ JP  
 PANIN86N 98 CQ JP  
 PANIN87P 98 CQ VP  
 PANIN87N 98 CQ VP  
 PANIN88P 98 CQ VP  
 PANIN88N 98 CQ VP  
 PASO 23 93 95 97  
 PASO-QN 99 JE JP 181  
 183 185 187 189  
 119 113 115 117  
 PAQ85N JE 92 JP  
 PAQ86P LM 93 95 97  
 99 VN VP 181  
 183 185 187 189  
 119 113 115 117  
 PAQ86N JN 92 JP  
 PAQ87P LM 93 95 97  
 99 VE VP 181  
 183 185 187 189  
 119 113 115 117  
 PAQ87N VE 92 VP  
 PAQ88P LM 93 95 97  
 99 VN VP 181  
 183 185 187 189  
 119 113 115 117  
 PAQ88N VN 92 VP  
 PASFI85N CH 98 VP  
 PASFI86P CH 98 VP  
 PASFI86N CH 98 VP  
 PASFI87N CH 98 VP  
 PASFI88P CH 98 VP  
 PASO85P 124 CQ JP  
 PASO85N 124 CQ JP  
 PASO86P 124 CQ VP  
 PASO86N 124 CQ VP  
 PASO-QN 99 JE JP 181  
 183 185 187 189  
 119 113 115 117  
 PASUB 2 CH CR JP  
 OH OQ VP



1815	5421		
PASUBp	3	PASFI85N	3
PAADDp	4	PAK85p	4
PANIN85p	5		5
PANIN85N	6		6
PAK85N	7		7
PANIN86N	8		8
PANIN86P	9		9
PANIN87N	10		10
PANIN87P	11		11
PANIN88N	12		12
PANIN88P	13		13
PASO-QN	14		14
PASO-QP	15		15
PASO85p	16	PAQ85N	16
PASO85N	17	PAQ86P	17
PAQ86P	18	PAQ86N	18
PAQ86N	19	PAQ87N	19
PAK86N	20	PAQ88P	20
	21	PAQ88N	21
	22	PAQ87P	22
	23	PAQ87N	23
	24	PAK88P	24
	25	PAK88N	25
	26	PASFI88N	26

1814	5421		
PASUBp	3	PASFI87N	3
PAADDp	4	PAK87P	4
PANIN87p	5		5
PANIN87N	6		6
PANIN88N	7		7
PANIN88P	8		8
PANIN89N	9		9
PANIN89P	10		10
PANIN90N	11		11
PANIN90P	12		12
PASO-QN	13		13
PASO-QP	14		14
PASO87p	15	PAQ87N	15
PASO87N	16	PAQ88P	16
PAQ88P	17	PAQ88N	17
PAQ88N	18	PAQ87P	18
PAK88P	19	PAQ87N	19
PAK88N	20	PAK88P	20
	21	PAK88N	21
	22	PASFI88P	22
	23	PASFI88N	23
	24		24
	25		25
	26		26

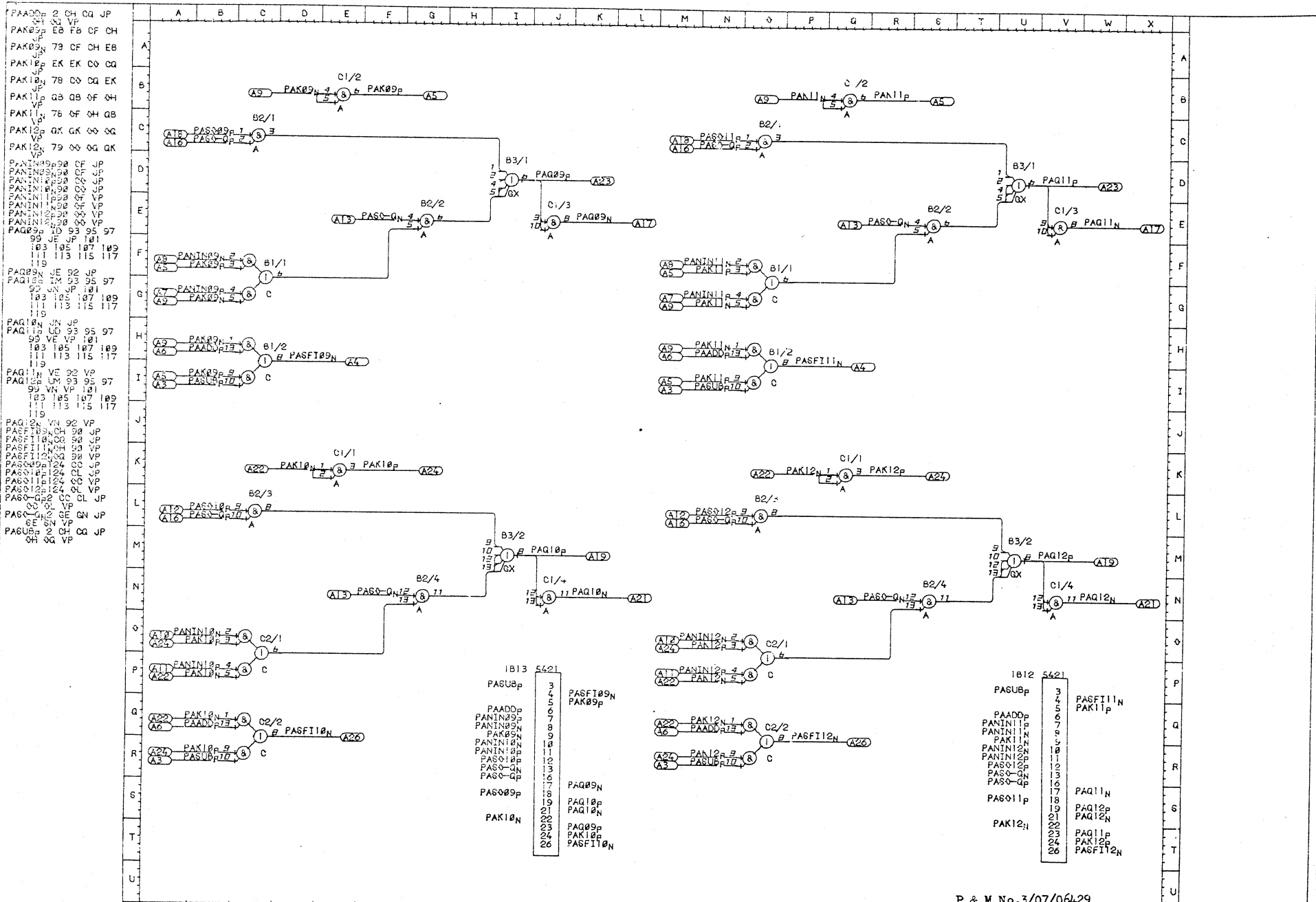
CCW:0134 07/05/70

MILL SLICE BITS 5-8

P & M No.3/07/06429

168UE: I88	TYPE MOD: 1	TYPE MOD:	TYPE MOD:	TYPE MOD:	TYPE MOD:	TYPE MOD:
ACD: 3088	ECC: 3670	ECC:	ECC:	ECC:	ECC:	ECC:

WGH03FN\*/0086 DATA CCW0141



P & M No.3/07/06429

CCW:0134 07/05/70 MILL SLICE BITS 9-12

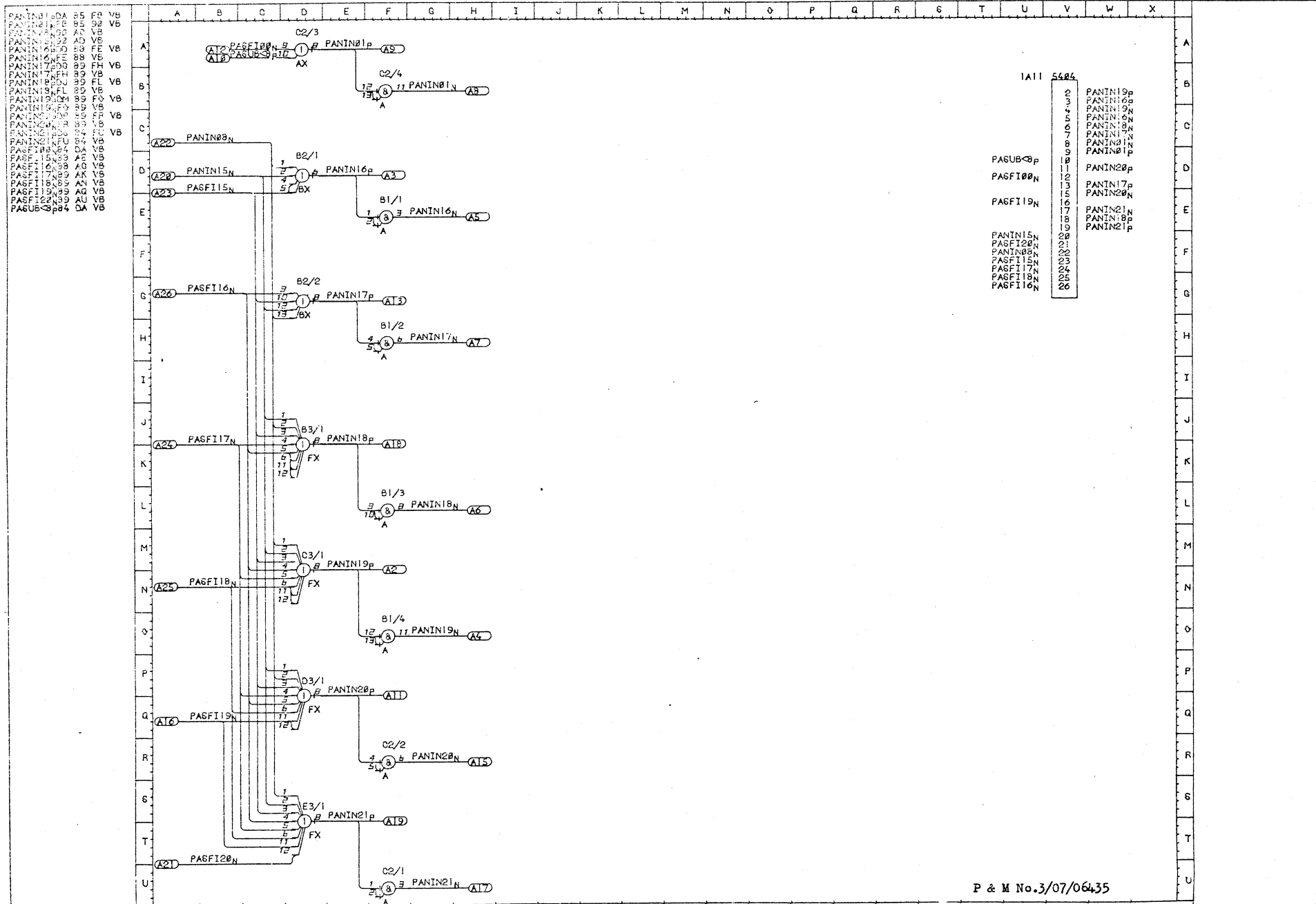
WGH03FN\*/0087 DATA C00141

ISSUE:	ISS	TYPE	MOD:	TYPE	MOD:	TYPE	MOD:	TYPE	MOD:	TYPE	MOD:
ACC:	3088	ECC:	3670	ECC:		ECC:		ECC:		ECC:	





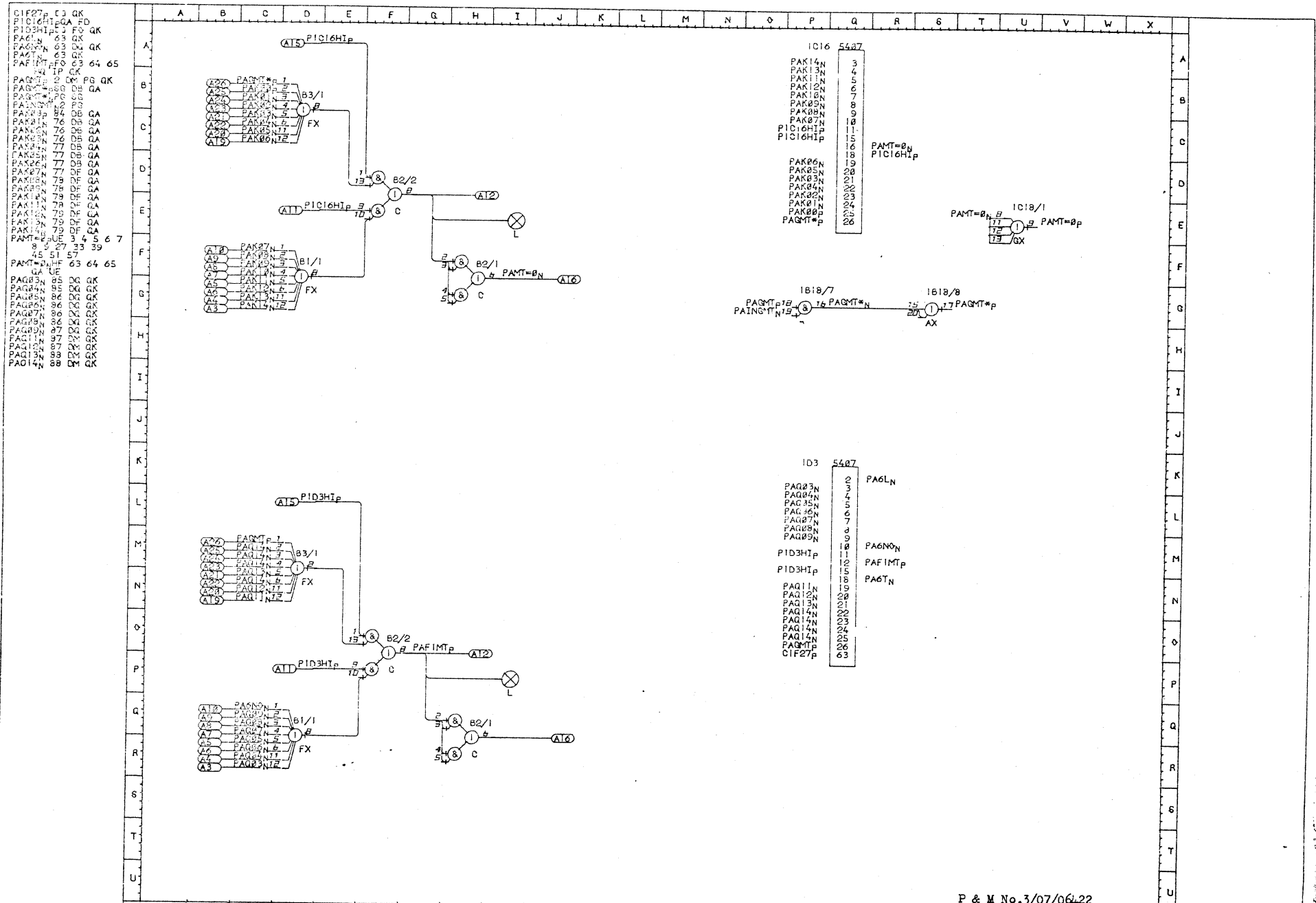




P & M No.3/07/06435

CCW:0127 07/05/70 MILL BLOCK-CARRY WGH03FN\*/0091 DATA CCW0141

ISSUE:	TYPE	MOD:	TYPE	MOD:	TYPE	MOD:	TYPE	MOD:	TYPE	MOD:
188		00								
ACC:	ECC:		ECC:		ECC:		ECC:		ECC:	

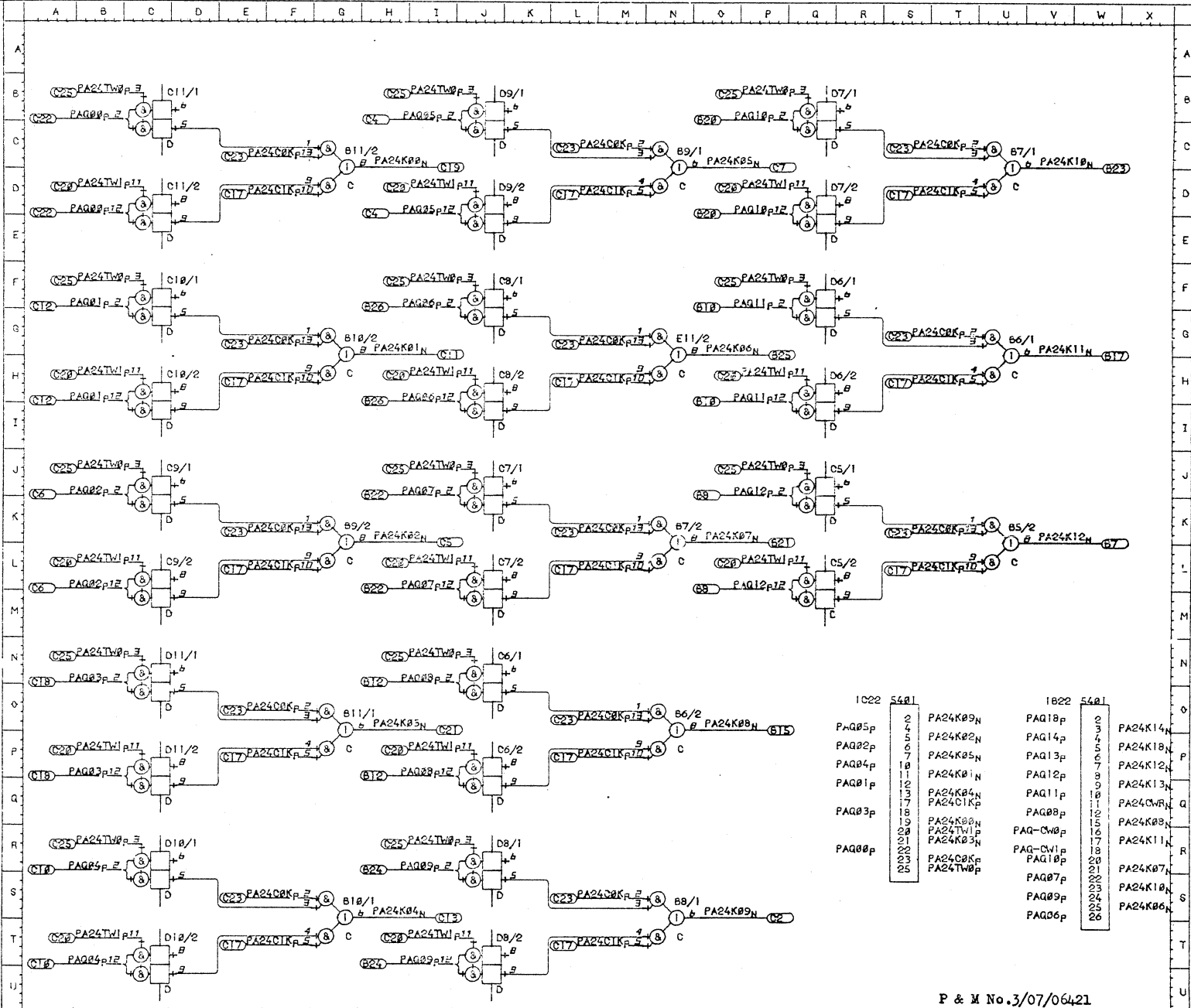


ISSUE: Iss		TYPE MOD: 1		TYPE MOD:		TYPE MOD:		TYPE MOD:		TYPE MOD:		TYPE MOD:	
ACC: 3083		ECC: 1337		ECC:		ECC:		ECC:		ECC:		ECC:	

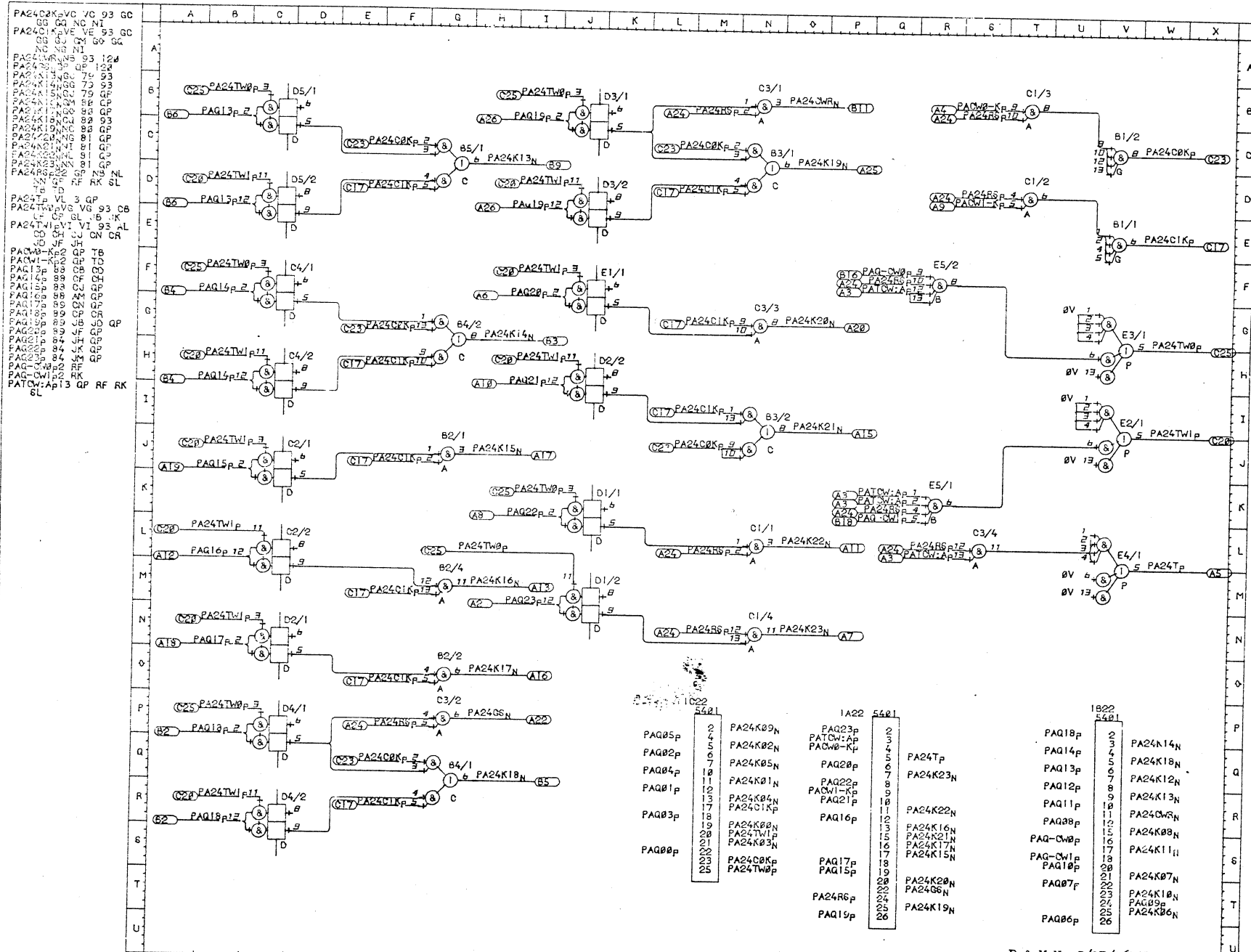
CCW: 0135 07/05/70 MILL TEST=0 FI MILL TEST WGH03FN\*/0092 DATA CCW0141



PA24C8K... GC 50 BK  
... NC NS UC UK  
... NC NS UC UK  
PA24C1K... GC 50 BK  
... NC NS UC UK  
... NC NS UC UK  
PA24K8... GC 76 84 50  
... 76 84 50  
... 76 84 50  
... 76 84 50  
... 77 85 50  
... 77 85 50  
... 77 85 50  
... 78 86 50  
... 78 86 50  
... 78 86 50  
... 79 87 50  
... 79 87 50  
... 79 87 50  
... 80 88 50  
... 80 88 50  
... 80 88 50  
PA24TW... GC 49 57 65 73 81 89  
... 49 57 65 73 81 89  
... 50 58 66 74 82 90  
... 51 59 67 75 83 91  
... 52 60 68 76 84 92  
... 53 61 69 77 85 93  
... 54 62 70 78 86 94  
... 55 63 71 79 87 95  
... 56 64 72 80 88 96  
... 57 65 73 81 89 97  
... 58 66 74 82 90 98  
... 59 67 75 83 91 99  
... 60 68 76 84 92 100  
PA24TW... GC 00 08 16 24 32 40  
... 00 08 16 24 32 40  
... 01 09 17 25 33 41  
... 02 10 18 26 34 42  
... 03 11 19 27 35 43  
... 04 12 20 28 36 44  
... 05 13 21 29 37 45  
... 06 14 22 30 38 46  
... 07 15 23 31 39 47  
... 08 16 24 32 40 48  
... 09 17 25 33 41 49  
... 10 18 26 34 42 50  
... 11 19 27 35 43 51  
... 12 20 28 36 44 52  
... 13 21 29 37 45 53  
... 14 22 30 38 46 54  
... 15 23 31 39 47 55  
... 16 24 32 40 48 56  
... 17 25 33 41 49 57  
... 18 26 34 42 50 58  
... 19 27 35 43 51 59  
... 20 28 36 44 52 60  
... 21 29 37 45 53 61  
... 22 30 38 46 54 62  
... 23 31 39 47 55 63  
... 24 32 40 48 56 64  
... 25 33 41 49 57 65  
... 26 34 42 50 58 66  
... 27 35 43 51 59 67  
... 28 36 44 52 60 68  
... 29 37 45 53 61 69  
... 30 38 46 54 62 70  
... 31 39 47 55 63 71  
... 32 40 48 56 64 72  
... 33 41 49 57 65 73  
... 34 42 50 58 66 74  
... 35 43 51 59 67 75  
... 36 44 52 60 68 76  
... 37 45 53 61 69 77  
... 38 46 54 62 70 78  
... 39 47 55 63 71 79  
... 40 48 56 64 72 80  
... 41 49 57 65 73 81  
... 42 50 58 66 74 82  
... 43 51 59 67 75 83  
... 44 52 60 68 76 84  
... 45 53 61 69 77 85  
... 46 54 62 70 78 86  
... 47 55 63 71 79 87  
... 48 56 64 72 80 88  
... 49 57 65 73 81 89  
... 50 58 66 74 82 90  
... 51 59 67 75 83 91  
... 52 60 68 76 84 92  
... 53 61 69 77 85 93  
... 54 62 70 78 86 94  
... 55 63 71 79 87 95  
... 56 64 72 80 88 96  
... 57 65 73 81 89 97  
... 58 66 74 82 90 98  
... 59 67 75 83 91 99  
... 60 68 76 84 92 100  
PA24TW... GC 00 08 16 24 32 40  
... 00 08 16 24 32 40  
... 01 09 17 25 33 41  
... 02 10 18 26 34 42  
... 03 11 19 27 35 43  
... 04 12 20 28 36 44  
... 05 13 21 29 37 45  
... 06 14 22 30 38 46  
... 07 15 23 31 39 47  
... 08 16 24 32 40 48  
... 09 17 25 33 41 49  
... 10 18 26 34 42 50  
... 11 19 27 35 43 51  
... 12 20 28 36 44 52  
... 13 21 29 37 45 53  
... 14 22 30 38 46 54  
... 15 23 31 39 47 55  
... 16 24 32 40 48 56  
... 17 25 33 41 49 57  
... 18 26 34 42 50 58  
... 19 27 35 43 51 59  
... 20 28 36 44 52 60  
... 21 29 37 45 53 61  
... 22 30 38 46 54 62  
... 23 31 39 47 55 63  
... 24 32 40 48 56 64  
... 25 33 41 49 57 65  
... 26 34 42 50 58 66  
... 27 35 43 51 59 67  
... 28 36 44 52 60 68  
... 29 37 45 53 61 69  
... 30 38 46 54 62 70  
... 31 39 47 55 63 71  
... 32 40 48 56 64 72  
... 33 41 49 57 65 73  
... 34 42 50 58 66 74  
... 35 43 51 59 67 75  
... 36 44 52 60 68 76  
... 37 45 53 61 69 77  
... 38 46 54 62 70 78  
... 39 47 55 63 71 79  
... 40 48 56 64 72 80  
... 41 49 57 65 73 81  
... 42 50 58 66 74 82  
... 43 51 59 67 75 83  
... 44 52 60 68 76 84  
... 45 53 61 69 77 85  
... 46 54 62 70 78 86  
... 47 55 63 71 79 87  
... 48 56 64 72 80 88  
... 49 57 65 73 81 89  
... 50 58 66 74 82 90  
... 51 59 67 75 83 91  
... 52 60 68 76 84 92  
... 53 61 69 77 85 93  
... 54 62 70 78 86 94  
... 55 63 71 79 87 95  
... 56 64 72 80 88 96  
... 57 65 73 81 89 97  
... 58 66 74 82 90 98  
... 59 67 75 83 91 99  
... 60 68 76 84 92 100



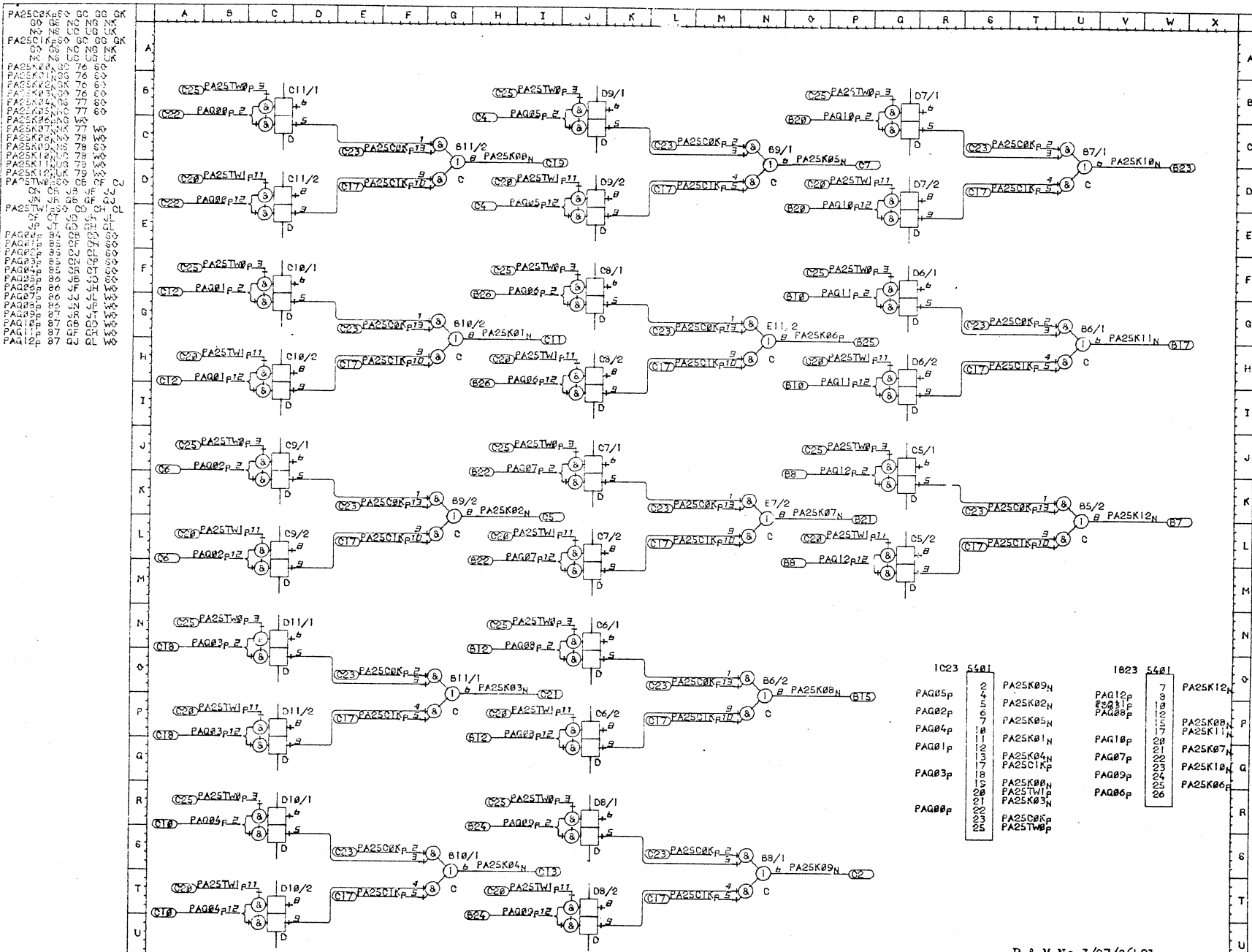
1022	5401	1822	5401
PAQ05p	2 PA24K09N	PAQ18p	2 PA24K14N
PAQ02p	4 PA24K02N	PAQ14p	3 PA24K18N
PAQ04p	5 PA24K05N	PAQ13p	4 PA24K12N
PAQ01p	6 PA24K01N	PAQ12p	5 PA24K13N
PAQ03p	7 PA24K04N	PAQ11p	6 PA24C08N
PAQ08p	8 PA24C1Kp	PAQ08p	7 PA24K08N
PAQ09p	9 PA24K09N	PAQ-CW0p	8 PA24K11N
PAQ00p	10 PA24K05N	PAQ-CW1p	9 PA24K11N
	11 PA24C8Kp	PAQ10p	10 PA24K07N
	12 PA24TW0p	PAQ07p	11 PA24K10N
		PAQ09p	12 PA24K06N
		PAQ06p	13
			14
			15
			16
			17
			18
			19
			20
			21
			22
			23
			24
			25
			26



PAQ05p	2	PA24K09N	1A22	5481	PAQ18p	2	PA24K14N
PAQ02p	4	PA24K02N	PAQ23p	5	PAQ14p	3	PA24K18N
PAQ04p	5	PA24K05N	PATOW4p	6	PAQ13p	4	PA24K12N
PAQ01p	10	PA24K01N	PACW0-Kp	7	PAQ12p	5	PA24K13N
PAQ03p	11	PA24K04N	PAQ20p	8	PAQ11p	6	PA24K08N
PAQ00p	12	PA24K03N	PAQ22p	9	PAQ08p	7	PA24K07N
	13	PA24K08p	PAQ21p	10	PAQ07p	8	PA24K10N
	14	PA24K08p	PAQ16p	11	PAQ06p	9	PA24K09p
	15	PA24K08p	PAQ17p	12	PAQ05p	10	PA24K08N
	16	PA24K08p	PAQ15p	13	PAQ04p	11	PA24K07N
	17	PA24K08p	PAQ19p	14	PAQ03p	12	PA24K06N
	18	PA24K08p		15	PAQ02p	13	PA24K05N
	19	PA24K08p		16	PAQ01p	14	PA24K04N
	20	PA24K08p		17		15	PA24K03N
	21	PA24K08p		18		16	PA24K02N
	22	PA24K08p		19		17	PA24K01N
	23	PA24K08p		20		18	PA24K00N
	24	PA24K08p		21		19	PA24K00N
	25	PA24K08p		22		20	PA24K00N
	26	PA24K08p		23		21	PA24K00N

P & M No.3/07/06421

IS6UE: I33		TYPE MOD: 3		TYPE MOD:		TYPE MOD:		TYPE MOD:		TYPE MOD:		TYPE MOD:			
A0D: 3080		ECC: 3058		ECC:		ECC:		ECC:		ECC:		ECC:			
CCW: 0140 07/05/70				CONTROL WORD BUFFER 24 BITS 13-23 + STRO				WGH03FN*/0094				DATA C000141			

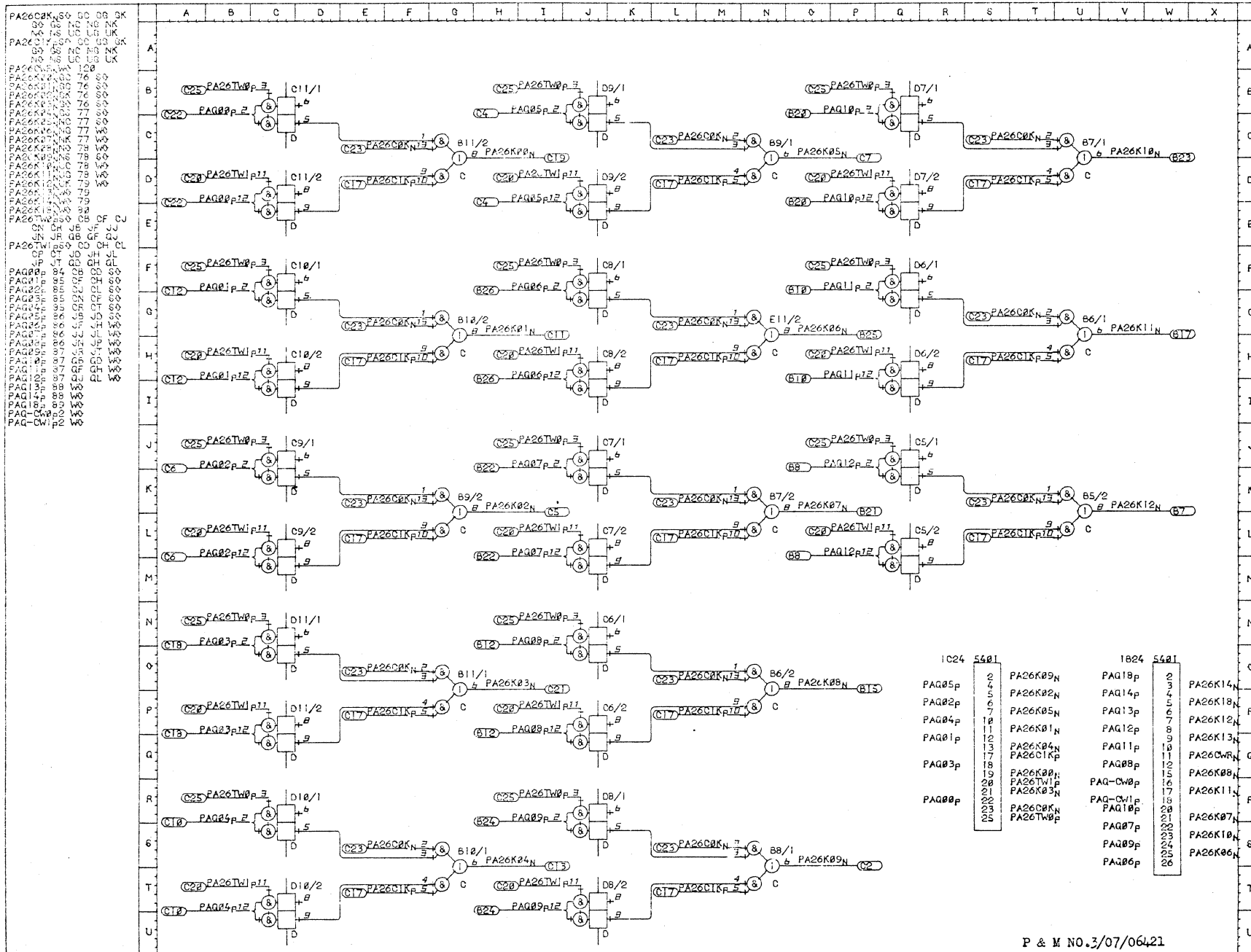


P & M No.3/07/06421

CCW: 0120 07/05/70 CONTROL WORD BUFFER 25 BITS 00-12 WGHO3FN\*/0095 DATA CCW0141

ISSUE: I 88	TYPE MOD: 3	TYPE MOD:	TYPE MOD:	TYPE MOD:	TYPE MOD:	TYPE MOD:
ACD: 3088	ECC: 3058	ECC:	ECC:	ECC:	ECC:	ECC:



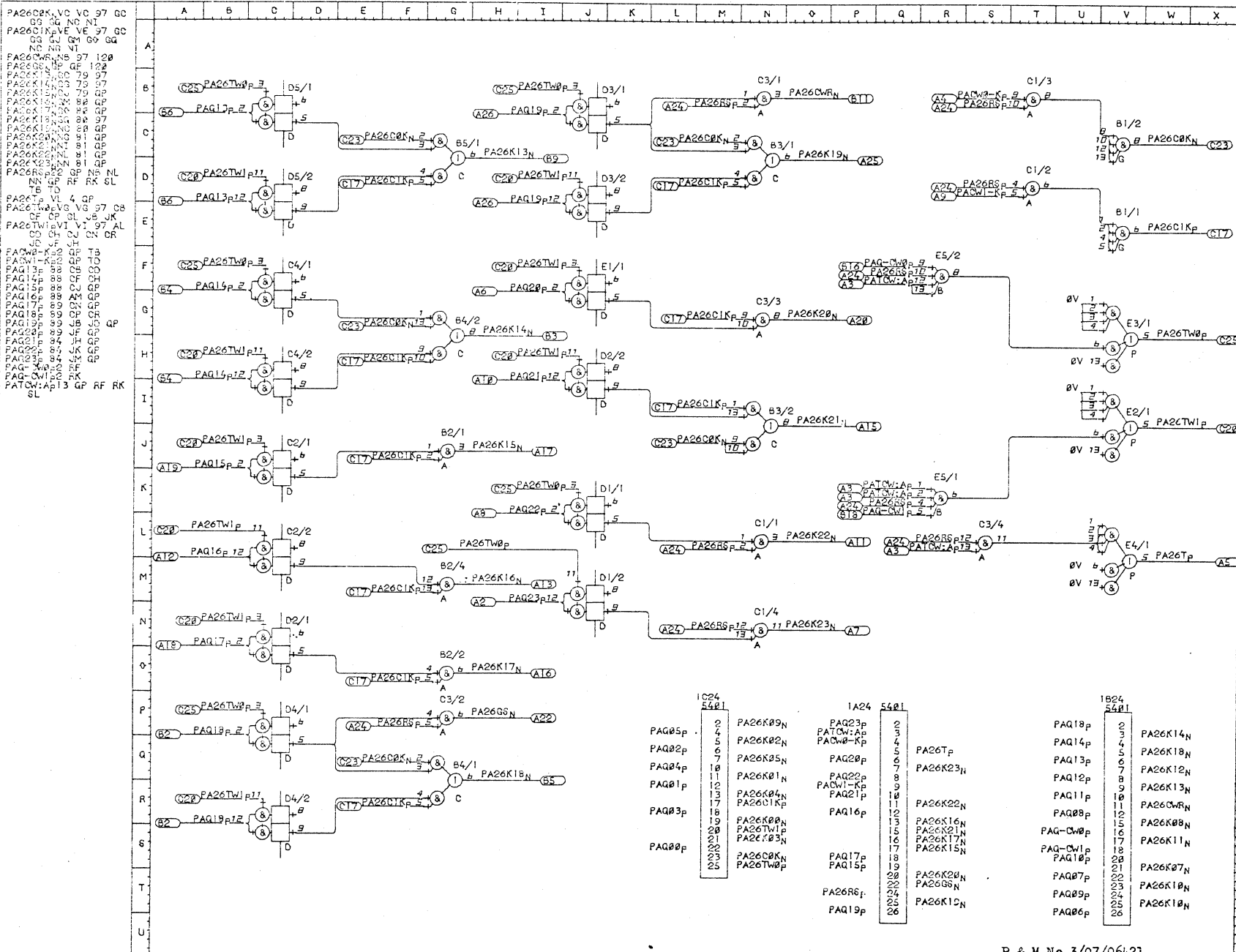


IC24	5401	1824	5401
PAQ05P	2	PA26K09N	2
PAQ02P	4	PA26K02N	3
PAQ04P	5	PA26K05N	4
PAQ01P	6	PA26K01N	5
PAQ03P	7	PA26K04N	6
PAQ00P	8	PA26C0K	7
	9	PA26C0L	8
	10	PA26C0K	9
	11	PA26C0L	10
	12	PA26C0K	11
	13	PA26C0L	12
	14	PA26C0K	13
	15	PA26C0L	14
	16	PA26C0K	15
	17	PA26C0L	16
	18	PA26C0K	17
	19	PA26C0L	18
	20	PA26C0K	19
	21	PA26C0L	20
	22	PA26C0K	21
	23	PA26C0L	22
	24	PA26C0K	23
	25	PA26C0L	24
		PA26C0K	25
		PA26C0L	26

P & M NO.3/07/06421

CCW:0140 07/05/70 CONTROL WORD BUFFER 26 BITS 00-12 WGH03FN\*/0097 DATA CCW0141

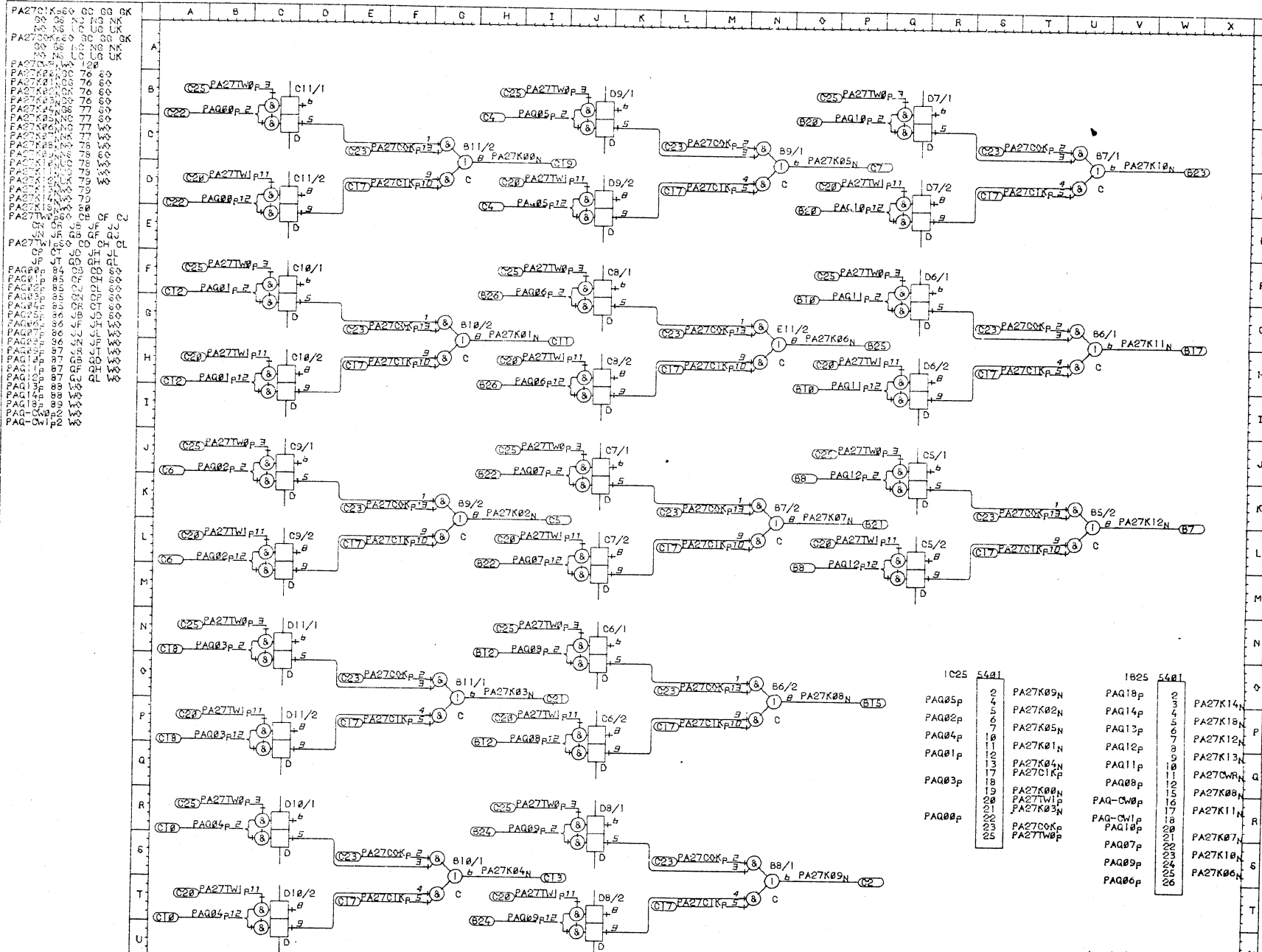
ISSUE:	ISS	TYPE	MOD:	TYPE	MOD:	TYPE	MOD:	TYPE	MOD:	TYPE	MOD:
ACC:	3038	ECC:	3058	ECC:		ECC:		ECC:		ECC:	



CCW:0140 07/05/70 CONTROL WORD BUFFER 26 BITS 13-23 +STROB WGH03FN\*/0098 DATA CCW0141

I68UE: I58		TYPE MOD: 3		TYPE MOD:		TYPE MOD:		TYPE MOD:		TYPE MOD:		TYPE MOD:	
ACC:	3058	ECC:	3058	ECC:		ECC:		ECC:		ECC:		ECC:	

1024 5401		1A24 5401		1B24 5401	
PAG05p	2	PA26K09N	2	PAQ18p	2
PAQ02p	4	PA26K02N	3	PAQ14p	3
PAQ04p	5	PA26K05N	5	PAQ13p	4
PAQ01p	6	PA26K01N	5	PAQ12p	5
PAQ03p	7	PA26K04N	6	PAQ11p	6
	8	PA26K05N	6	PAQ08p	7
	9	PA26K06N	7	PAQ00p	8
	10	PA26K07N	8	PAG-Cw0p	9
	11	PA26K08N	8	PAQ-Cw1p	10
	12	PA26K09N	9	PAQ10p	11
	13	PA26K10N	10	PAQ07p	12
	14	PA26K11N	11	PAQ09p	13
	15	PA26K12N	12	PAQ06p	14
	16	PA26K13N	13	PAQ05p	15
	17	PA26K14N	14		16
	18	PA26K15N	15		17
	19	PA26K16N	16		18
	20	PA26K17N	17		19
	21	PA26K18N	18		20
	22	PA26K19N	19		21
	23	PA26K20N	20		22
	24	PA26K21N	21		23
	25	PA26K22N	22		24
	26	PA26K23N	23		25
			24		26



PA2700K	00	GC	GG	BK
PA2700L	01	GD	GH	BL
PA2700M	02	GE	GI	BM
PA2700N	03	GF	GJ	BN
PA2700P	04	GG	GK	BO
PA2700Q	05	GH	GL	BP
PA2700R	06	GI	GM	BQ
PA2700S	07	GJ	GN	BR
PA2700T	08	GK	GO	BS
PA2700U	09	GL	GP	BT
PA2700V	10	GM	GQ	BU
PA2700W	11	GN	GR	BV
PA2700X	12	GO	GS	BW

IC25 5401	PA2700N	IC25 5401	PA2700N
2	PA27K09N	2	PA27K14N
4	PA27K02N	3	PA27K18N
5	PA27K05N	4	PA27K12N
6	PA27K01N	5	PA27K13N
7	PA27K04N	6	PA2700N
8	PA2700N	7	PA27K08N
9	PA2700N	8	PA27K11N
10	PA2700N	9	PA27K07N
11	PA2700N	10	PA27K10N
12	PA2700N	11	PA27K06N
13	PA2700N	12	
14	PA2700N	13	
15	PA2700N	14	
16	PA2700N	15	
17	PA2700N	16	
18	PA2700N	17	
19	PA2700N	18	
20	PA2700N	19	
21	PA2700N	20	
22	PA2700N	21	
23	PA2700N	22	
24	PA2700N	23	
25	PA2700N	24	
26	PA2700N	25	
27	PA2700N	26	

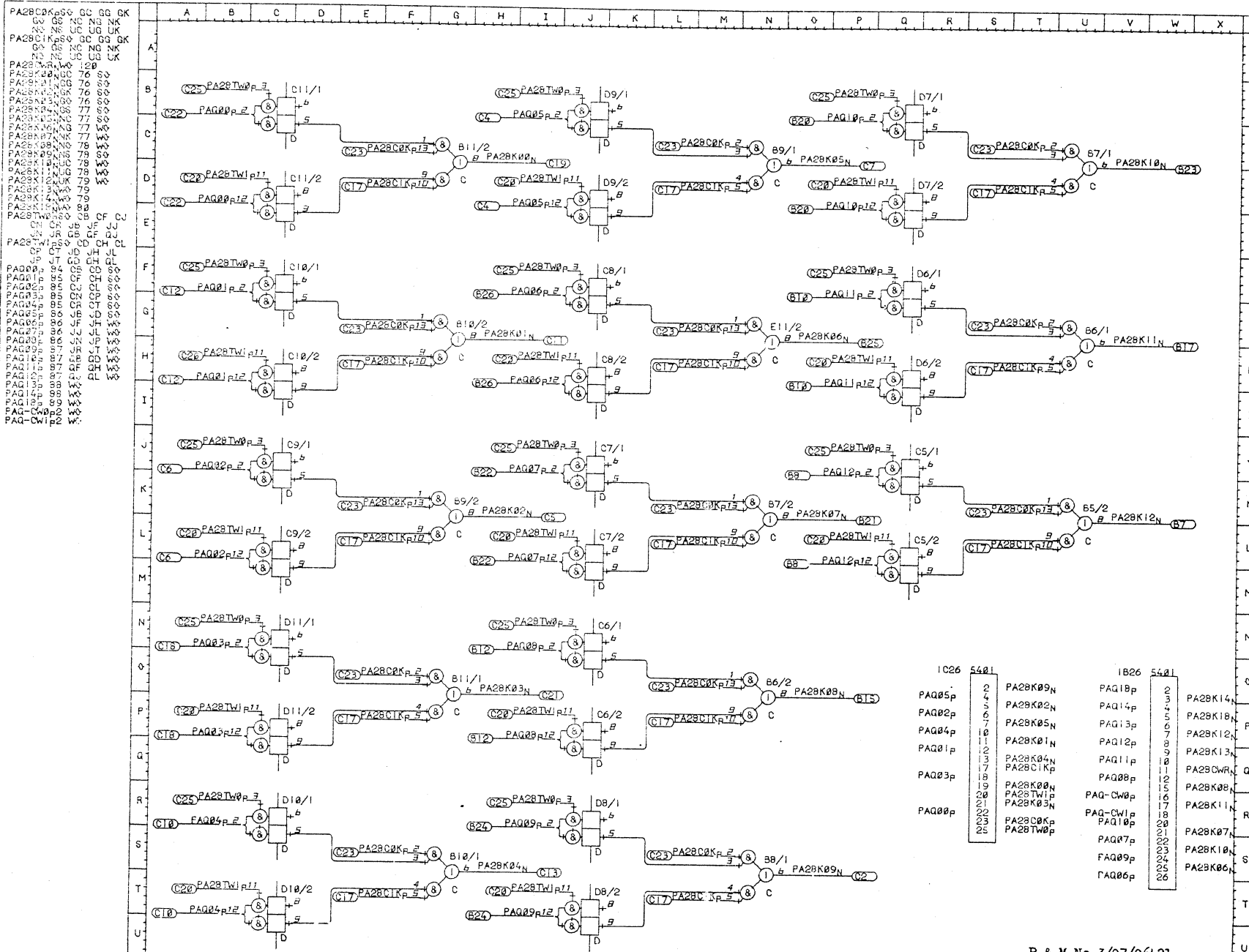
P & M No.3/07/064.21

ISSUE: 188		TYPE MOD: J		TYPE MOD:		TYPE MOD:		TYPE MOD:		TYPE MOD:		TYPE MOD:		TYPE MOD:	
ACD: 3088		ECC: 3058		ECC:		ECC:		ECC:		ECC:		ECC:		ECC:	

CCW:0119 07/05/70 CONTROL WORD BUFFER 27 BITS 00-12 WGH03FN\*/0099 DATA C0W0141







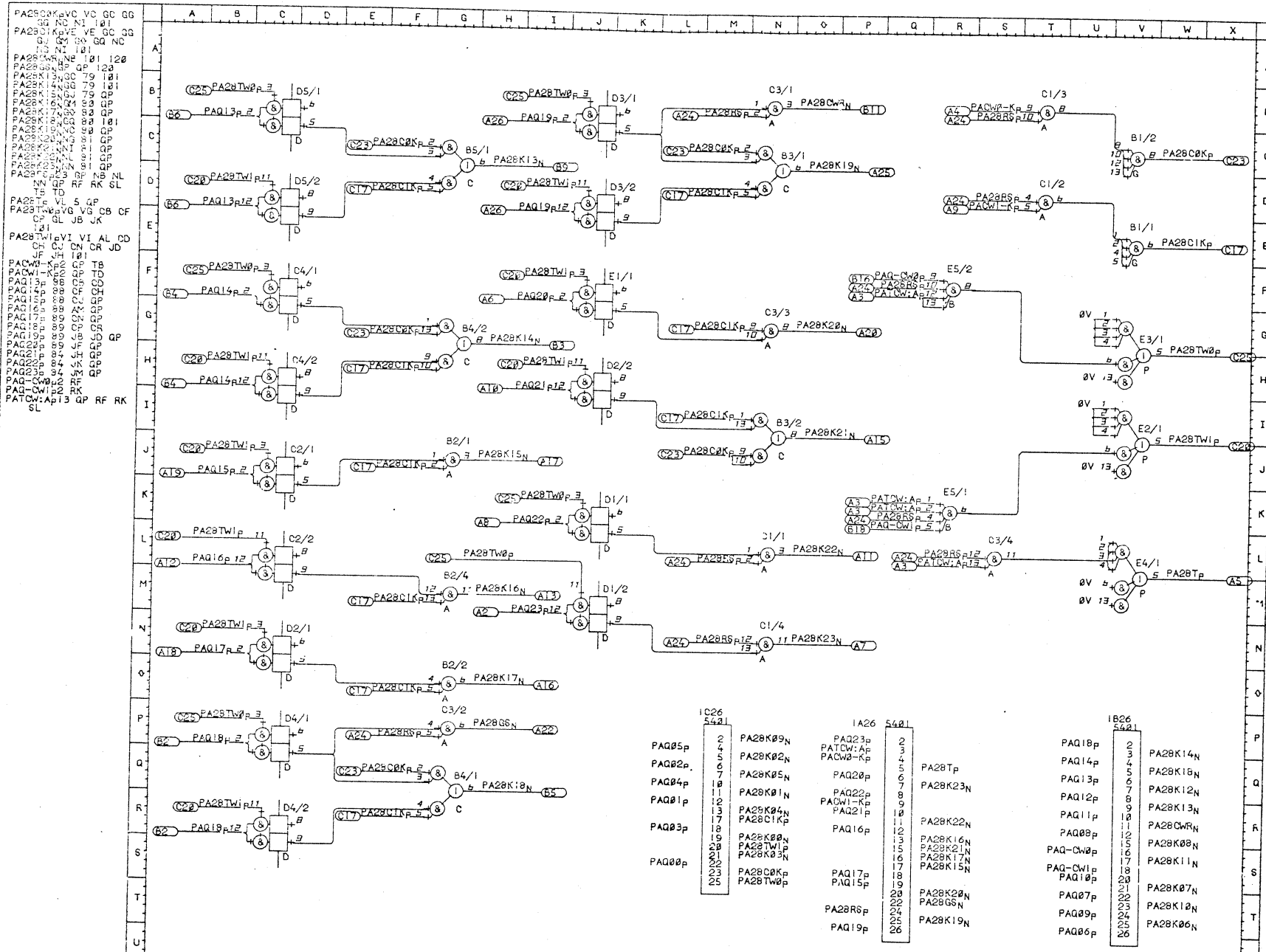
1C26 5401		1B26 5401	
PAQ05p	2	PA28K09N	PAQ18p
PAQ02p	4	PA28K02N	PAQ14p
PAQ04p	6	PA28K05N	PAQ13p
PAQ01p	7	PA28K01N	PAQ12p
PAQ03p	10	PA28K04N	PAQ11p
PAQ00p	11	PA28C1Kp	PAQ08p
	12	PA28K00N	PAQ00p
	13	PA28TW1p	PAQ-CW0p
	14	PA28K03N	PAQ10p
	15	PA28C0Kp	PAQ07p
	16	PA28TW0p	PAQ09p
	17		PAQ06p
	18		
	19		
	20		
	21		
	22		
	23		
	24		
	25		
	26		

CCW:0119 07/05/70 CONTROL WORD BUFFER 28 BITS 00-12

P & M No.3/07/06421

ISSUE:	ICs	TYPE	MOD:	3	TYPE	MOD:	3	TYPE	MOD:	3	TYPE	MOD:	3	TYPE	MOD:	3	TYPE	MOD:	3
ACD:	3038	ECC:	3058	ECC:	3058	ECC:	3058	ECC:	3058	ECC:	3058	ECC:	3058	ECC:	3058	ECC:	3058	ECC:	3058

WGH03FN\*/0101 DATA C000141



IC26 5421

PAQ05p	2
PAQ02p	4
PAQ04p	5
PAQ01p	6
PAQ03p	7
PAQ00p	8

1A26 5401

PA28K09N	2
PA28K02N	3
PA28K05N	4
PA28K01N	5
PA28K04N	6
PA28C1Kp	7
PA28K20N	8
PA28K22N	9
PA28K23N	10
PA28K16N	11
PA28K21N	12
PA28K17N	13
PA28K15N	14
PAQ17p	15
PAQ15p	16
PA28R0p	17
PA28R6p	18
PAQ19p	19
PA28K19N	20
PA28R8p	21
PA28R9p	22
PA28R0p	23
PA28R1p	24
PA28R2p	25
PA28R3p	26

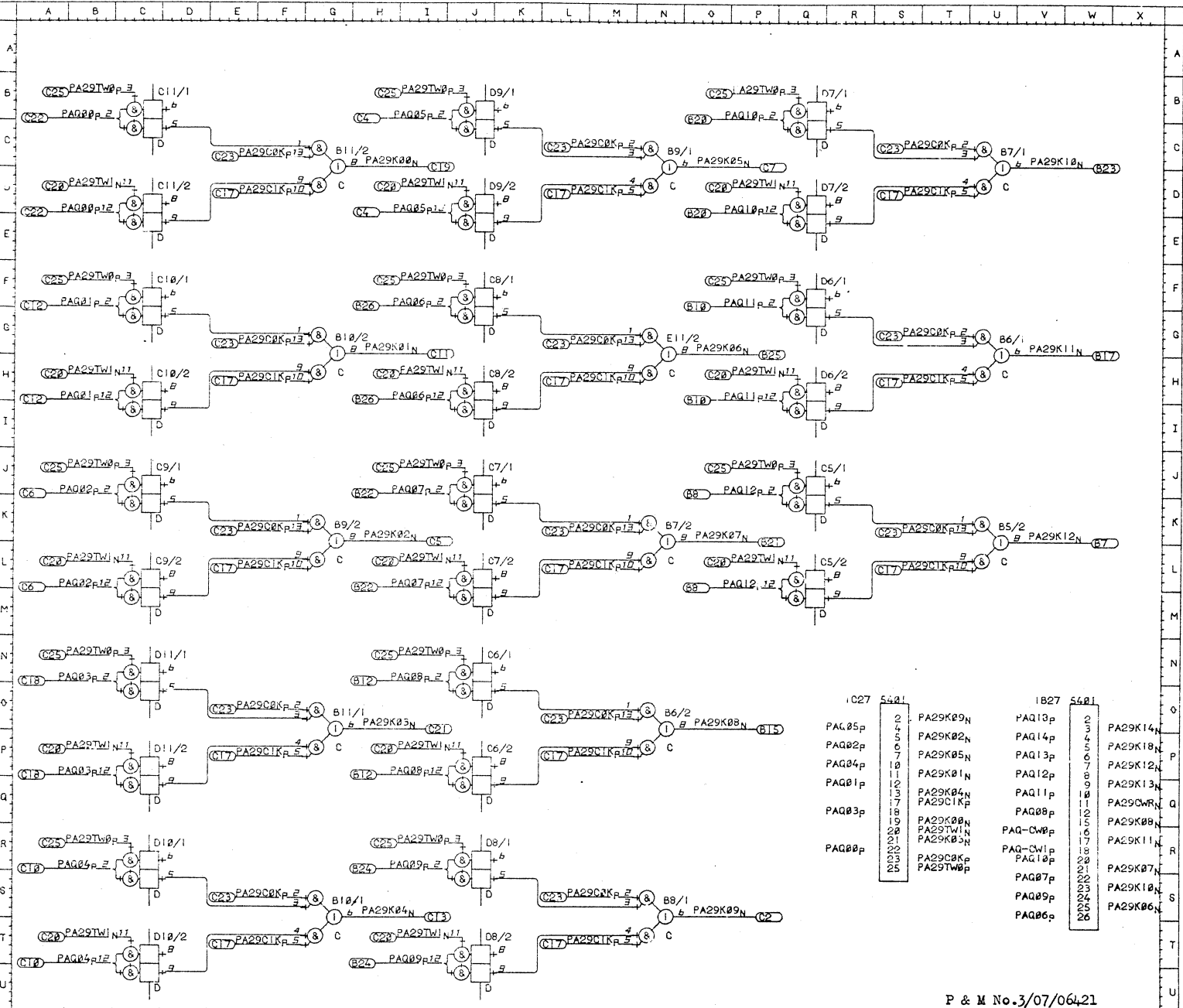
1B26 5401

PAQ18p	2
PAQ14p	3
PAQ13p	4
PAQ12p	5
PAQ11p	6
PAQ08p	7
PAQ-CW0p	8
PAQ-CW1p	9
PAQ10p	10
PAQ07p	11
PAQ09p	12
PAQ06p	13
PA28K14N	14
PA28K18N	15
PA28K12N	16
PA28K13N	17
PA28CWRN	18
PA28K08N	19
PA28K11N	20
PA28K07N	21
PA28K12N	22
PA28K08N	23
PA28K00N	24
PA28K00N	25
PA28K00N	26

CCW:0140 07/05/70 CONTROL WORD BUFFER 28 BITS 13-23 + STRO WGH03FN\*/0102 DATA CCW0141

ISSUE: Iss	TYPE MOD: 3	TYPE MOD: 3	TYPE MOD: 3	TYPE MOD: 3	TYPE MOD: 3	TYPE MOD: 3
ACD: 3088	ECC: 3058	ECC: 3058	ECC: 3058	ECC: 3058	ECC: 3058	ECC: 3058

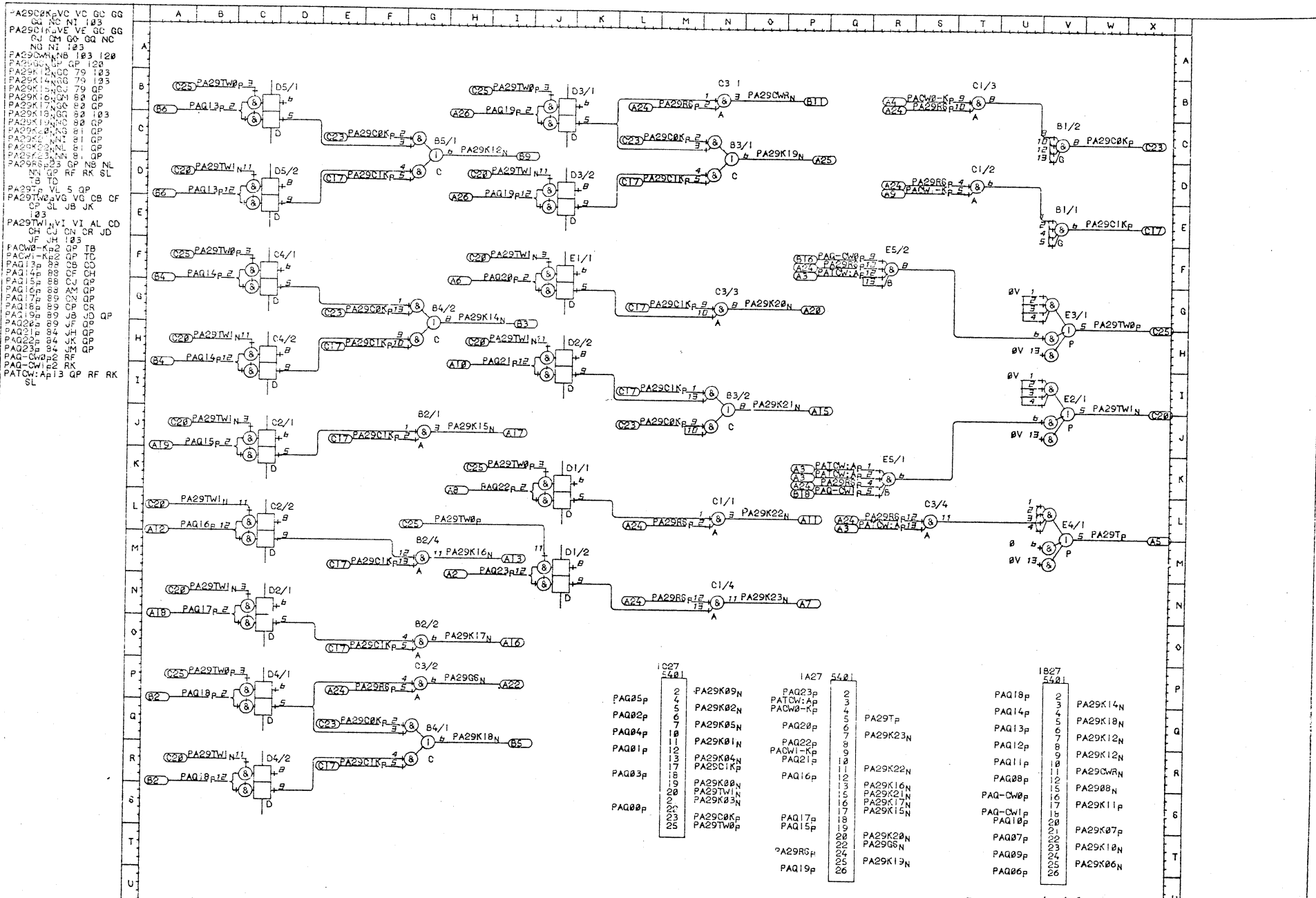
PA2902K50 60 60 60 60  
 PA2903K50 60 60 60 60  
 PA2904K50 60 60 60 60  
 PA2905K50 60 60 60 60  
 PA2906K50 60 60 60 60  
 PA2907K50 60 60 60 60  
 PA2908K50 60 60 60 60  
 PA2909K50 60 60 60 60  
 PA2910K50 60 60 60 60  
 PA2911K50 60 60 60 60  
 PA2912K50 60 60 60 60  
 PA2913K50 60 60 60 60  
 PA2914K50 60 60 60 60  
 PA2915K50 60 60 60 60  
 PA2916K50 60 60 60 60  
 PA2917K50 60 60 60 60  
 PA2918K50 60 60 60 60  
 PA2919K50 60 60 60 60  
 PA2920K50 60 60 60 60  
 PA2921K50 60 60 60 60  
 PA2922K50 60 60 60 60  
 PA2923K50 60 60 60 60  
 PA2924K50 60 60 60 60  
 PA2925K50 60 60 60 60  
 PA2926K50 60 60 60 60  
 PA2927K50 60 60 60 60  
 PA2928K50 60 60 60 60  
 PA2929K50 60 60 60 60  
 PA2930K50 60 60 60 60  
 PA2931K50 60 60 60 60  
 PA2932K50 60 60 60 60  
 PA2933K50 60 60 60 60  
 PA2934K50 60 60 60 60  
 PA2935K50 60 60 60 60  
 PA2936K50 60 60 60 60  
 PA2937K50 60 60 60 60  
 PA2938K50 60 60 60 60  
 PA2939K50 60 60 60 60  
 PA2940K50 60 60 60 60  
 PA2941K50 60 60 60 60  
 PA2942K50 60 60 60 60  
 PA2943K50 60 60 60 60  
 PA2944K50 60 60 60 60  
 PA2945K50 60 60 60 60  
 PA2946K50 60 60 60 60  
 PA2947K50 60 60 60 60  
 PA2948K50 60 60 60 60  
 PA2949K50 60 60 60 60  
 PA2950K50 60 60 60 60  
 PA2951K50 60 60 60 60  
 PA2952K50 60 60 60 60  
 PA2953K50 60 60 60 60  
 PA2954K50 60 60 60 60  
 PA2955K50 60 60 60 60  
 PA2956K50 60 60 60 60  
 PA2957K50 60 60 60 60  
 PA2958K50 60 60 60 60  
 PA2959K50 60 60 60 60  
 PA2960K50 60 60 60 60  
 PA2961K50 60 60 60 60  
 PA2962K50 60 60 60 60  
 PA2963K50 60 60 60 60  
 PA2964K50 60 60 60 60  
 PA2965K50 60 60 60 60  
 PA2966K50 60 60 60 60  
 PA2967K50 60 60 60 60  
 PA2968K50 60 60 60 60  
 PA2969K50 60 60 60 60  
 PA2970K50 60 60 60 60  
 PA2971K50 60 60 60 60  
 PA2972K50 60 60 60 60  
 PA2973K50 60 60 60 60  
 PA2974K50 60 60 60 60  
 PA2975K50 60 60 60 60  
 PA2976K50 60 60 60 60  
 PA2977K50 60 60 60 60  
 PA2978K50 60 60 60 60  
 PA2979K50 60 60 60 60  
 PA2980K50 60 60 60 60  
 PA2981K50 60 60 60 60  
 PA2982K50 60 60 60 60  
 PA2983K50 60 60 60 60  
 PA2984K50 60 60 60 60  
 PA2985K50 60 60 60 60  
 PA2986K50 60 60 60 60  
 PA2987K50 60 60 60 60  
 PA2988K50 60 60 60 60  
 PA2989K50 60 60 60 60  
 PA2990K50 60 60 60 60  
 PA2991K50 60 60 60 60  
 PA2992K50 60 60 60 60  
 PA2993K50 60 60 60 60  
 PA2994K50 60 60 60 60  
 PA2995K50 60 60 60 60  
 PA2996K50 60 60 60 60  
 PA2997K50 60 60 60 60  
 PA2998K50 60 60 60 60  
 PA2999K50 60 60 60 60  
 PA3000K50 60 60 60 60



IC27 5421	1827 5401
2 PA29K09N	2 PA29K14N
4 PA29K02N	4 PA29K18N
5 PA29K05N	5 PA29K12N
7 PA29K01N	6 PA29K13N
10 PA29K04N	8 PA29CWR
11 PA29C1K	9 PA29K00N
12 PA29K00N	10 PA29K11N
13 PA29TWIN	11 PAQ-CWR
14 PA29K03H	12 PA29K07N
17 PA29C08K	13 PAQ-CW1P
18 PA29TWP	14 PAQ10P
19 PA29K09N	15 PAQ07P
20 PA29K02N	16 PAQ09P
21 PA29K05N	17 PAQ06P
22 PA29K01N	18 PA29K14N
23 PA29K04N	19 PA29K18N
24 PA29C1K	20 PA29K12N
25 PA29K00N	21 PA29K13N
	22 PA29CWR
	23 PA29K00N
	24 PA29K11N
	25 PAQ-CWR
	26 PA29K07N
	27 PA29K10N
	28 PA29K00N
	29 PA29K00N

CCW:0118 07/05/70 CONTROL WORD BUFFER 29 BITS 00-12 WGH03FN\*/0103 DATA CCW0141

ISSUE:	ISS	TYPE	MOD:	TYPE	MOD:	TYPE	MOD:	TYPE	MOD:	TYPE	MOD:	TYPE	MOD:
ACC:	3086	ECC:	3058	ECC:		ECC:		ECC:		ECC:		ECC:	



CCW:0140 07/05/70

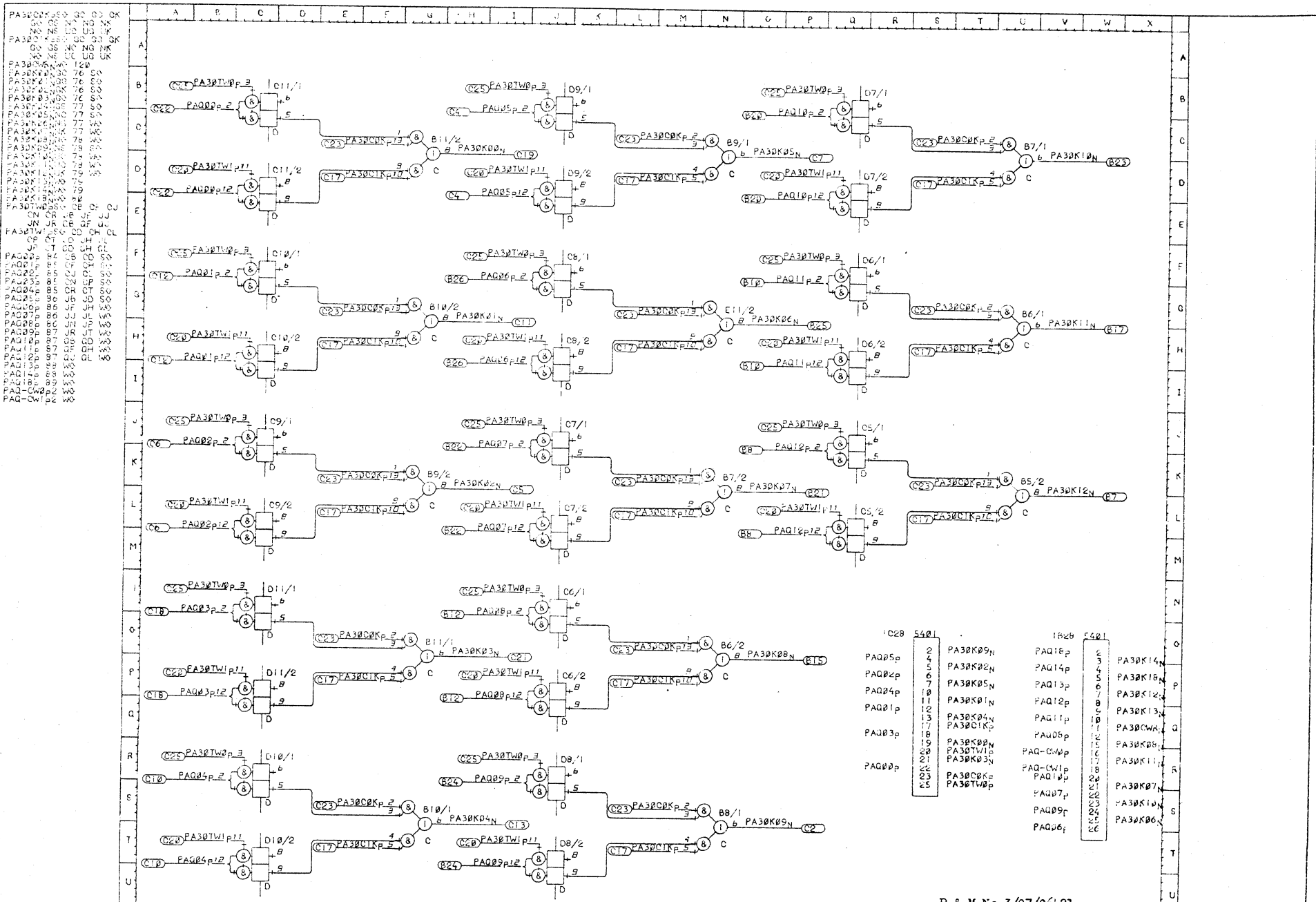
CONTROL WORD BUFFER 29 BITS 13-23 + STRO

WGH03FN\*/0104

DATA CCW0141

P & M No.3/07/06421

ISSUE: I35	TYPE	MOD: 3	TYPE	MOD:	TYPE	MOD:	TYPE	MOD:	TYPE	MOD:
ACD: 3088	ECC:	3058	ECC:		ECC:		ECC:		ECC:	



C28	540	1826	C40
PAQ05p	2 PA30K09N	PAQ18p	2 PA30K14N
PAQ02p	4 PA30K02N	PAQ14p	3 PA30K15N
PAQ04p	5 PA30K05N	PAQ13p	4 PA30K12N
PAQ01p	6 PA30K01N	PAQ12p	5 PA30K13N
PAQ03p	7 PA30K04N	PAQ11p	6 PA30C0W
PAQ00p	8 PA30C0K	PAQ09p	7 PA30K06N
	9 PA30TWP	PAQ07p	8 PA30K11N
	10 PA30K03N	PAQ06p	9 PA30K07N
	11 PA30C0S	PAQ05p	10 PA30K10N
	12 PA30C0Y	PAQ04p	11 PA30K08N
	13 PA30C0W	PAQ03p	12 PA30K09N
	14 PA30C0Y	PAQ02p	13 PA30K10N
	15 PA30C0Y	PAQ01p	14 PA30K11N
	16 PA30C0Y	PAQ00p	15 PA30K12N
	17 PA30C0Y		16 PA30K13N
	18 PA30C0Y		17 PA30K14N
	19 PA30C0Y		18 PA30K15N
	20 PA30C0Y		19 PA30K16N
	21 PA30C0Y		20 PA30K17N
	22 PA30C0Y		21 PA30K18N
	23 PA30C0Y		22 PA30K19N
	24 PA30C0Y		23 PA30K20N
	25 PA30C0Y		24 PA30K21N
	26 PA30C0Y		25 PA30K22N
	27 PA30C0Y		26 PA30K23N
	28 PA30C0Y		27 PA30K24N
	29 PA30C0Y		28 PA30K25N
	30 PA30C0Y		29 PA30K26N
	31 PA30C0Y		30 PA30K27N

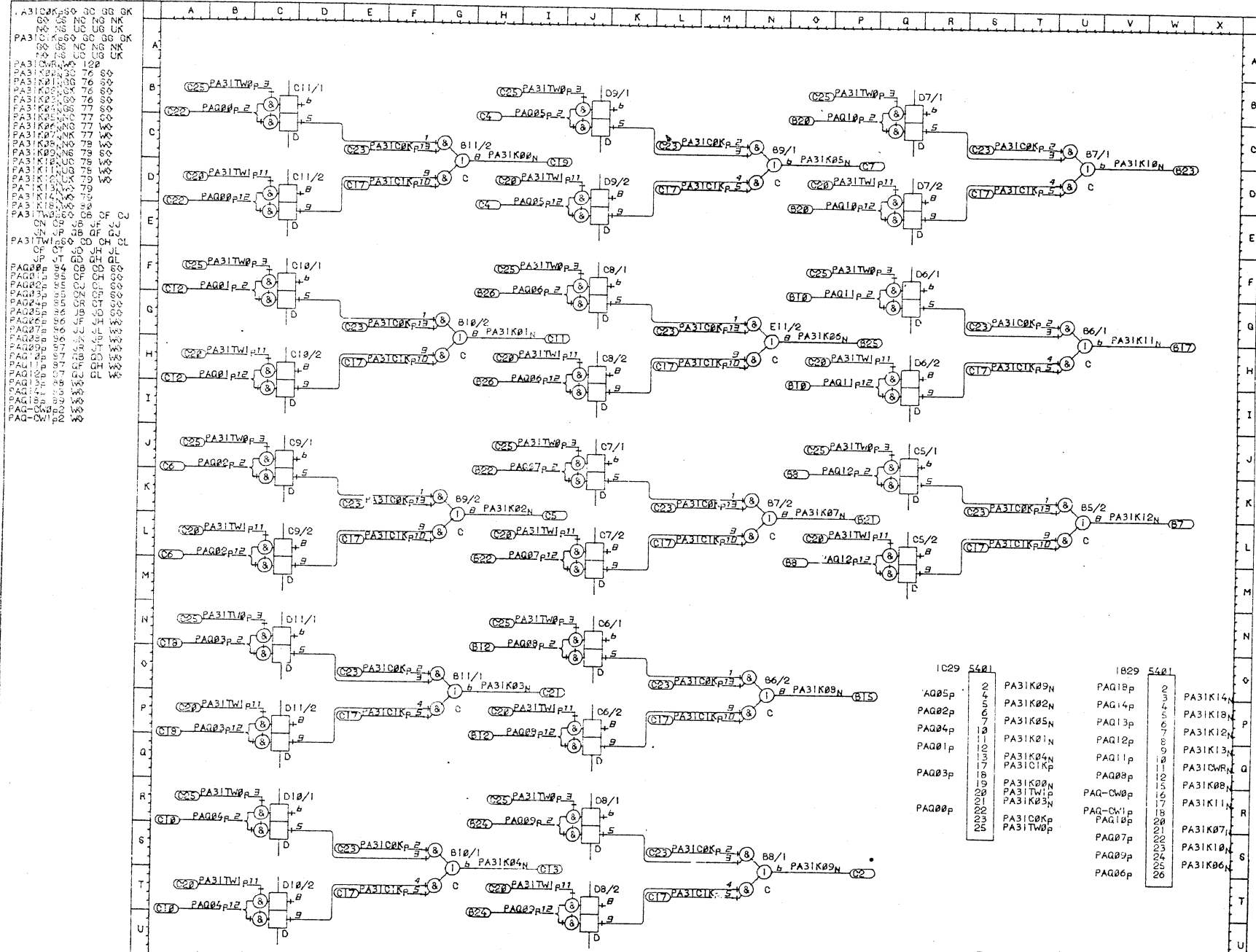
P & M No.3/07/06421

CCW:0118 15/05/70 CONTROL WORD BUFFER 30 BITS 00-12

WG103FN\*/0105 DATA CCW141

ISSUE: Iss	TYPE MOD: 3	TYPE MOD:	TYPE MOD:	TYPE MOD:	TYPE MOD:
ADD: 3088	ECC: 3058	ECC:	ECC:	ECC:	ECC:

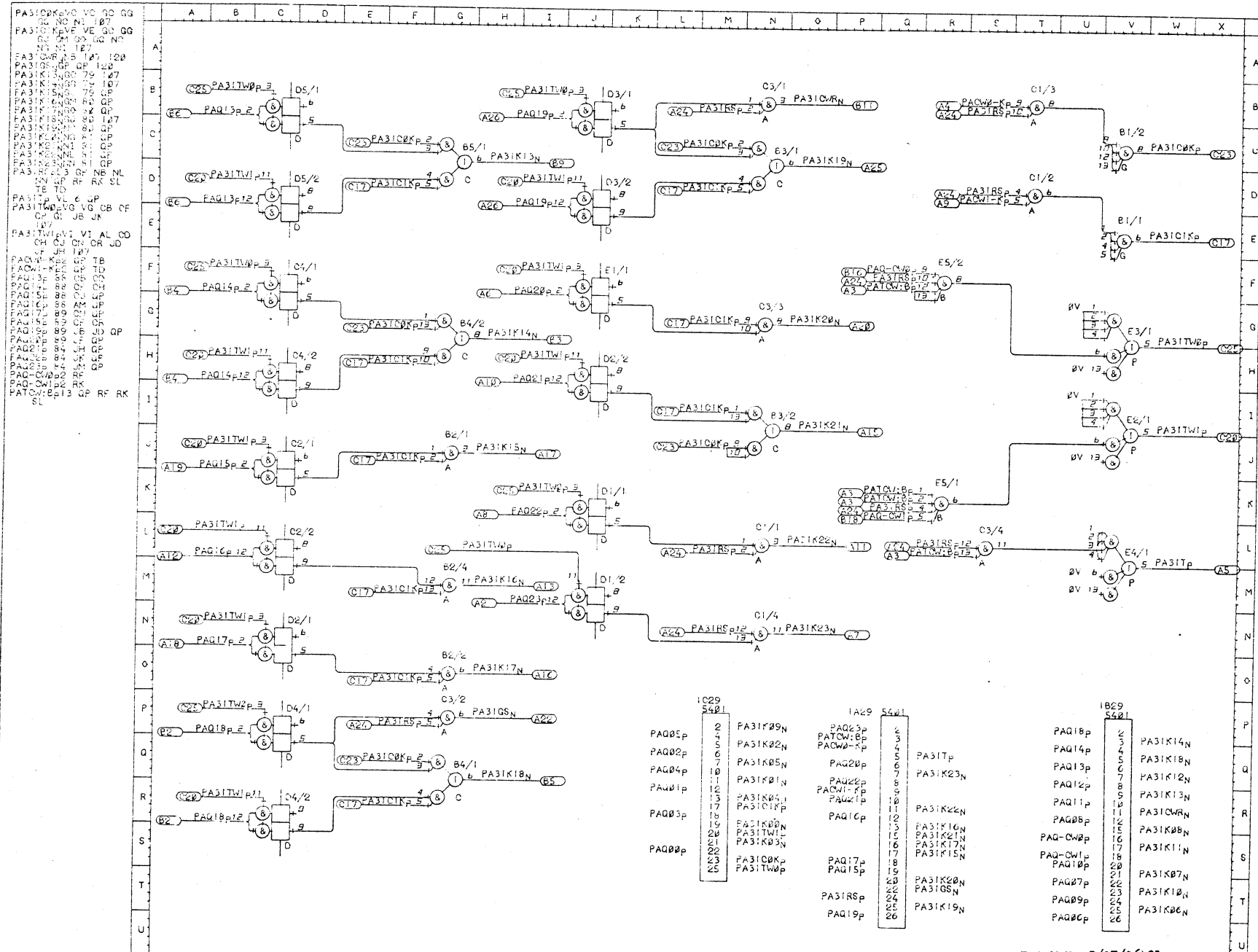




1029	5401		1829	5401
PAQ05p	PA31K09N	PAQ18p	PA31K14N	
PAQ02p	PA31K02N	PAQ14p	PA31K18N	
PAQ04p	PA31K05N	PAQ13p	PA31K12N	
PAQ01p	PA31K01N	PAQ12p	PA31K13N	
PAQ03p	PA31K04N	PAQ11p	PA31C09N	
	PA31C10N	PAQ08p	PA31K08N	
	PA31K00N	PAQ-CW0p	PA31K09N	
	PA31K01N	PAQ-CW1p	PA31K11N	
	PA31C0Kp	PAQ10p	PA31K07N	
	PA31TWP	PAQ07p	PA31K10N	
		PAQ09p	PA31K06N	
		PAQ06p		

CCW:0118 12/05/70 CONTROL WORD BUFFER 31 BITS 00-12 P & M No.3/07/0621 WGH03FN\*/0107 DATA C0W0141

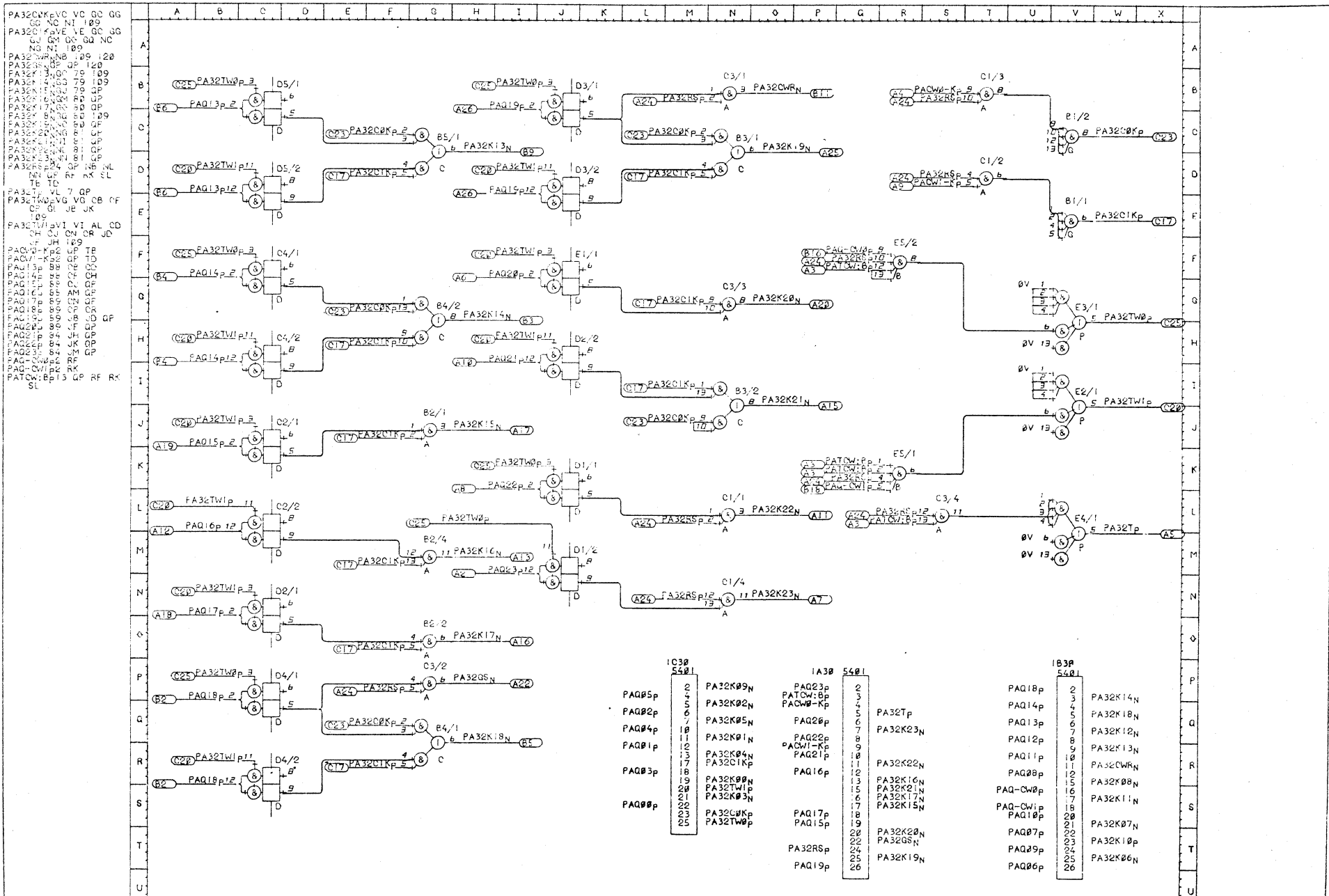
ISSUE: Iss	TYPE MOD: 3	TYPE MOD:	TYPE MOD:	TYPE MOD:	TYPE MOD:	TYPE MOD:
ACC: 3088	ECC: 3058	ECC:	ECC:	ECC:	ECC:	ECC:



1029	5401	1A29	5401	1B29	5401
2	PA31K09N	2	PAQ23p	2	PAQ18p
3	PA31K02N	3	PATCW:8p	3	PAQ14p
4	PA31K05N	4	PACW0-Kp	4	PAQ13p
5	PA31K01N	5	PAG20p	5	PAQ12p
6	PA31K05N	6	PAQ22p	6	PAQ11p
7	PA31K01N	7	PADW1:7p	7	PAQ08p
8	PA31K05N	8	PAQW1p	8	PAQ07p
9	PA31K01N	9	PAQ16p	9	PAQ06p
10	PA31K05N	10	PAQ17p	10	PAQ05p
11	PA31K01N	11	PAQ15p	11	PAQ04p
12	PA31K05N	12	PA31K09N	12	PAQ03p
13	PA31K01N	13	PA31K02N	13	PAQ02p
14	PA31K05N	14	PA31K05N	14	PAQ01p
15	PA31K01N	15	PA31K01N	15	PAQ00p
16	PA31K05N	16	PA31K02N	16	
17	PA31K01N	17	PA31K05N	17	
18	PA31K05N	18	PA31K01N	18	
19	PA31K01N	19	PA31K05N	19	
20	PA31K05N	20	PA31K01N	20	
21	PA31K01N	21	PA31K05N	21	
22	PA31K05N	22	PA31K01N	22	
23	PA31K01N	23	PA31K05N	23	
24	PA31K05N	24	PA31K01N	24	
25	PA31K01N	25	PA31K05N	25	
26	PA31K05N	26	PA31K01N	26	



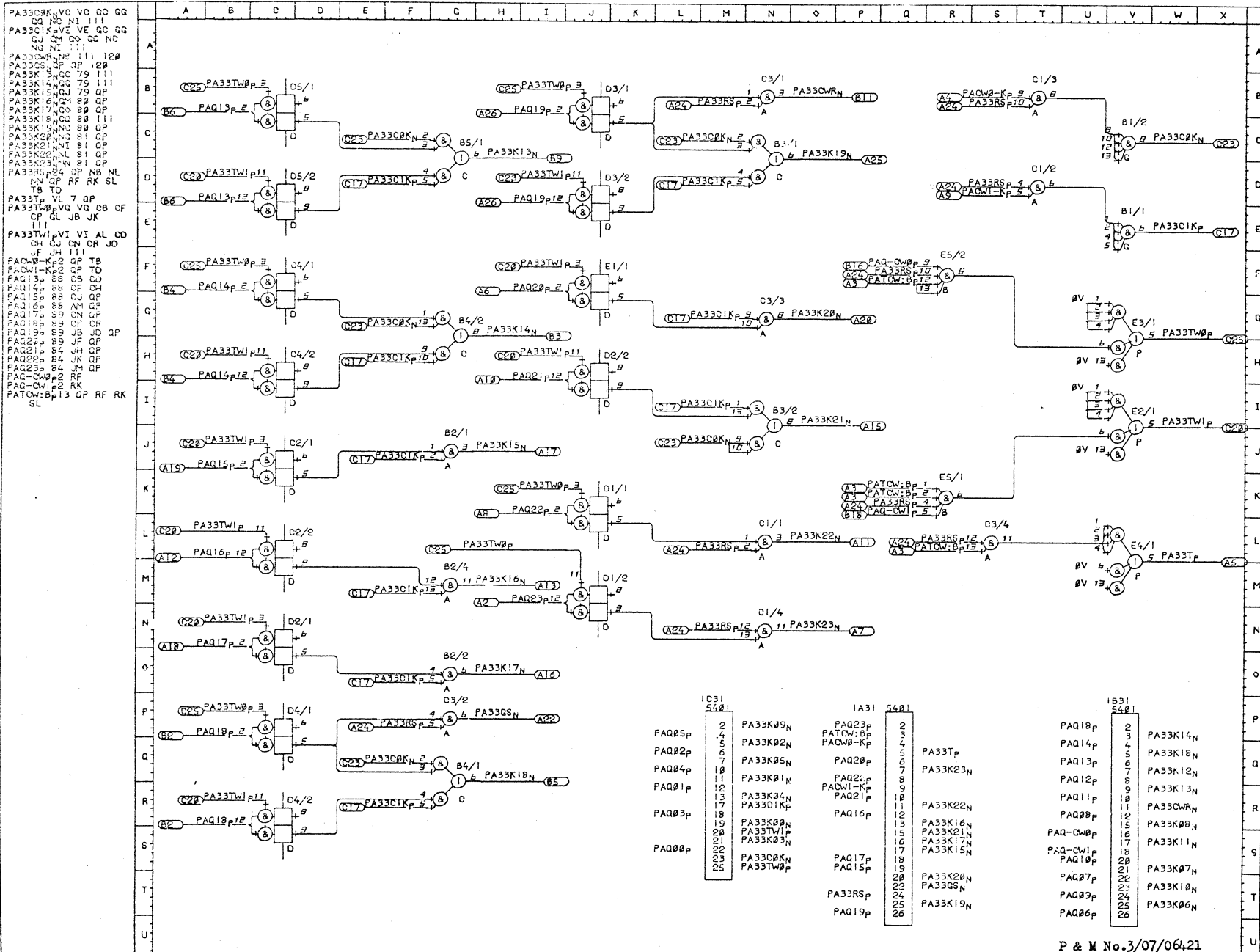




CCW:0140 15/05/70 CONTROL WORD BUFFER 32 BITS 13-23 + STRO WGH03FN\*/0110 DATA COW0141

ISSUE: Iss	TYPE MOD: 3	TYPE MOD:	TYPE MOD:	TYPE MOD:	TYPE MOD:	TYPE MOD:
ACC: 3088	ECC: 3058	ECC:	ECC:	ECC:	ECC:	ECC:

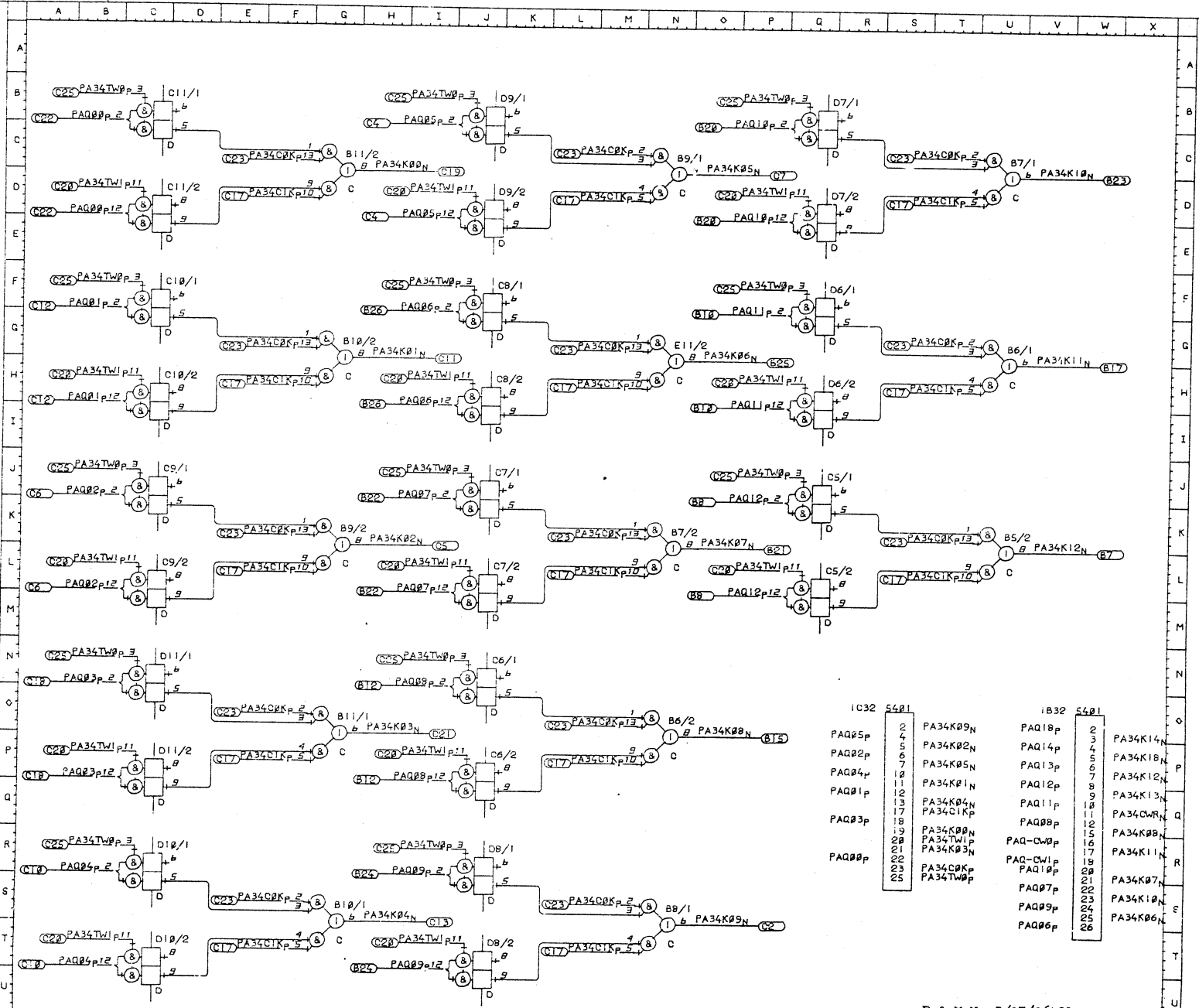




CCW:0140 12/05/70 CONTROL WORD BUFFER 33 BITS 13-23 + STRO WGH03FN\*/0112 DATA 00W141

ISSUE: 058	TYPE MOD: 3	TYPE MOD:	TYPE MOD:	TYPE MOD:	TYPE MOD:	TYPE MOD:
ACC: 3088	ECC: 3058	ECC:	ECC:	ECC:	ECC:	ECC:

PA34C0Kp50 GC GC UK  
 GO GS NC NG NK  
 NO NS UC UG UK  
 PA34C1Kp00 GC GC QK  
 GO GS NC NG NK  
 NO NS UC UG UK  
 PA34C0Kp120  
 PA34K00NCC 76 SO  
 PA34K01NCC 76 SO  
 PA34K02NCC 76 SO  
 PA34K03NCC 76 SO  
 PA34K04NCC 77 SO  
 PA34K05NCC 77 SO  
 PA34K06NCC 77 WO  
 PA34K07NCC 77 WO  
 PA34K08NCC 78 WO  
 PA34K09NCC 78 WO  
 PA34K10NCC 79 WO  
 PA34K11NCC 79 WO  
 PA34K12NCC 79 WO  
 PA34K13NCC 79 WO  
 PA34K14NCC 79 WO  
 PA34K15NCC 80 WO  
 PA34K16NCC 80 WO  
 PA34K17NCC 80 WO  
 PA34K18NCC 80 WO  
 PA34K19NCC 80 WO  
 PA34K20NCC 80 WO  
 PA34TWp30 CU CH CL  
 CP CT UD JH JE  
 JP JT UD QH QL  
 PAQ20p 84 CS CD SO  
 PAQ21p 85 CP CH SC  
 PAQ22p 85 CP CL SO  
 PAQ23p 85 CP SO  
 PAQ24p 85 DP CT SO  
 PAQ25p 86 JE JD SO  
 PAQ26p 86 JF JH WO  
 PAQ27p 86 JU JL WO  
 PAQ28p 86 JN JP WO  
 PAQ29p 87 JQ JT WO  
 PAQ30p 87 JB JD WO  
 PAQ31p 87 JF JH WO  
 PAQ32p 87 JQ JL WO  
 PAQ33p 88 JO JS WO  
 PAQ34p 88 JQ JL WO  
 PAQ35p 89 JU JL WO  
 PAQ36p 89 JN JP WO  
 PAQ37p 89 JQ JT WO  
 PAQ38p 89 JB JD WO  
 PAQ39p 89 JF JH WO  
 PAQ40p 89 JU JL WO  
 PAQ41p 89 JN JP WO  
 PAQ42p 89 JQ JT WO  
 PAQ43p 89 JB JD WO  
 PAQ44p 89 JF JH WO  
 PAQ45p 89 JU JL WO  
 PAQ46p 89 JN JP WO  
 PAQ47p 89 JQ JT WO  
 PAQ48p 89 JB JD WO  
 PAQ49p 89 JF JH WO  
 PAQ50p 89 JU JL WO  
 PAQ51p 89 JN JP WO  
 PAQ52p 89 JQ JT WO  
 PAQ53p 89 JB JD WO  
 PAQ54p 89 JF JH WO  
 PAQ55p 89 JU JL WO  
 PAQ56p 89 JN JP WO  
 PAQ57p 89 JQ JT WO  
 PAQ58p 89 JB JD WO  
 PAQ59p 89 JF JH WO  
 PAQ60p 89 JU JL WO  
 PAQ61p 89 JN JP WO  
 PAQ62p 89 JQ JT WO  
 PAQ63p 89 JB JD WO  
 PAQ64p 89 JF JH WO  
 PAQ65p 89 JU JL WO  
 PAQ66p 89 JN JP WO  
 PAQ67p 89 JQ JT WO  
 PAQ68p 89 JB JD WO  
 PAQ69p 89 JF JH WO  
 PAQ70p 89 JU JL WO  
 PAQ71p 89 JN JP WO  
 PAQ72p 89 JQ JT WO  
 PAQ73p 89 JB JD WO  
 PAQ74p 89 JF JH WO  
 PAQ75p 89 JU JL WO  
 PAQ76p 89 JN JP WO  
 PAQ77p 89 JQ JT WO  
 PAQ78p 89 JB JD WO  
 PAQ79p 89 JF JH WO  
 PAQ80p 89 JU JL WO  
 PAQ81p 89 JN JP WO  
 PAQ82p 89 JQ JT WO  
 PAQ83p 89 JB JD WO  
 PAQ84p 89 JF JH WO  
 PAQ85p 89 JU JL WO  
 PAQ86p 89 JN JP WO  
 PAQ87p 89 JQ JT WO  
 PAQ88p 89 JB JD WO  
 PAQ89p 89 JF JH WO  
 PAQ90p 89 JU JL WO  
 PAQ91p 89 JN JP WO  
 PAQ92p 89 JQ JT WO  
 PAQ93p 89 JB JD WO  
 PAQ94p 89 JF JH WO  
 PAQ95p 89 JU JL WO  
 PAQ96p 89 JN JP WO  
 PAQ97p 89 JQ JT WO  
 PAQ98p 89 JB JD WO  
 PAQ99p 89 JF JH WO  
 PAQ00p 89 JU JL WO

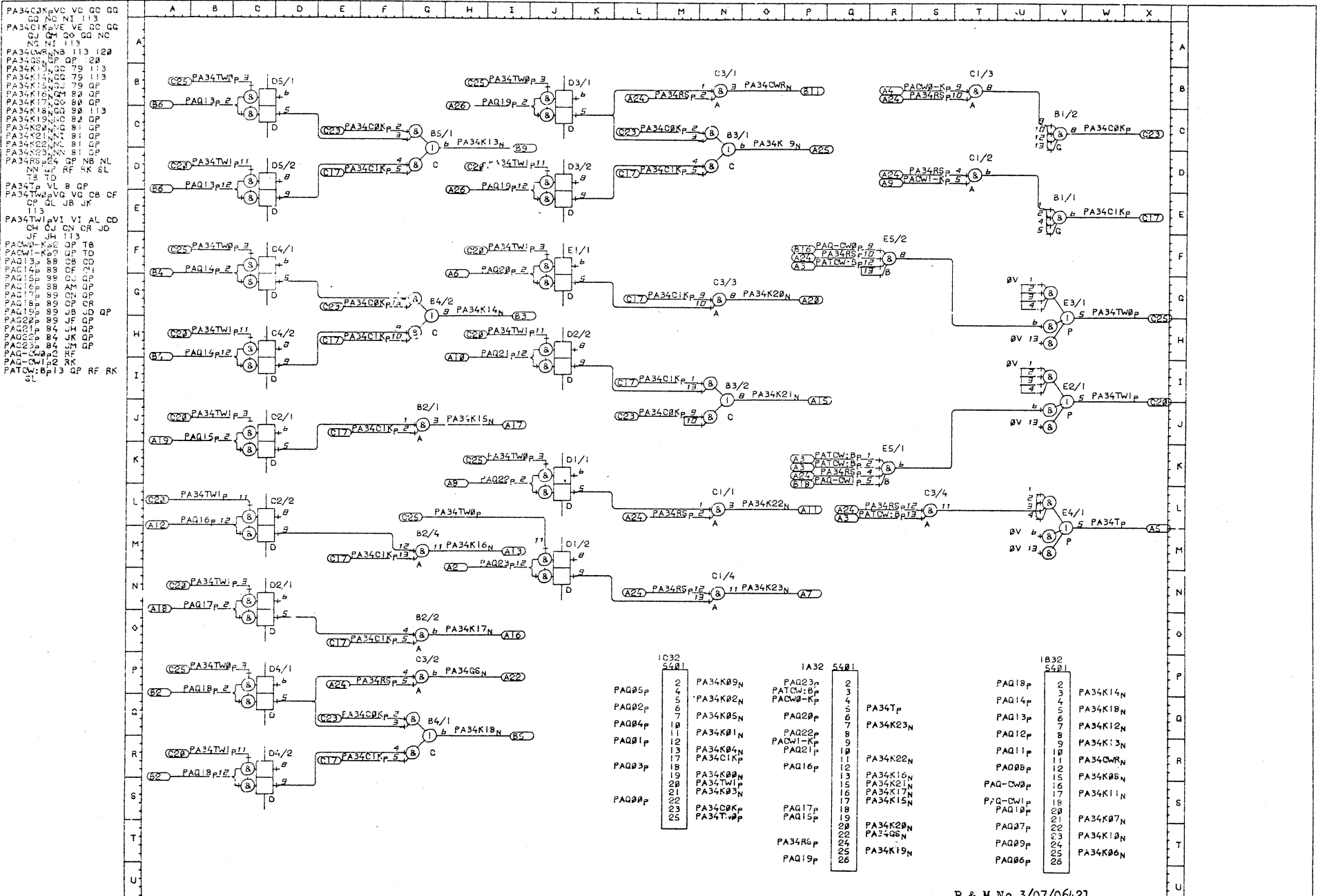


IC32 5401		IC32 5401		
PAQ05p	2	PA34K09N	PAQ10p	2
PAQ02p	4	PA34K02N	PAQ14p	3
PAQ04p	5	PA34K05N	PAQ13p	4
PAQ01p	6	PA34K01N	PAQ12p	5
PAQ03p	7	PA34K04N	PAQ11p	6
PAQ00p	8	PA34C1Kp	PAQ09p	7
	9	PA34K00N	PAQ08p	8
	10	PA34TWp	PAQ07p	9
	11	PA34K03N	PAQ06p	10
	12	PA34K06N	PAQ05p	11
	13	PA34K09N	PAQ04p	12
	14	PA34K12N	PAQ03p	13
	15	PA34K15N	PAQ02p	14
	16	PA34K18N	PAQ01p	15
	17	PA34K21N	PAQ00p	16
	18	PA34K24N	PAQ00p	17
	19	PA34K27N	PAQ00p	18
	20	PA34K30N	PAQ00p	19
	21	PA34K33N	PAQ00p	20
	22	PA34K36N	PAQ00p	21
	23	PA34K39N	PAQ00p	22
	24	PA34K42N	PAQ00p	23
	25	PA34K45N	PAQ00p	24
	26	PA34K48N	PAQ00p	25
	27	PA34K51N	PAQ00p	26
	28	PA34K54N	PAQ00p	27
	29	PA34K57N	PAQ00p	28
	30	PA34K60N	PAQ00p	29
	31	PA34K63N	PAQ00p	30
	32	PA34K66N	PAQ00p	31
	33	PA34K69N	PAQ00p	32
	34	PA34K72N	PAQ00p	33
	35	PA34K75N	PAQ00p	34
	36	PA34K78N	PAQ00p	35
	37	PA34K81N	PAQ00p	36
	38	PA34K84N	PAQ00p	37
	39	PA34K87N	PAQ00p	38
	40	PA34K90N	PAQ00p	39
	41	PA34K93N	PAQ00p	40
	42	PA34K96N	PAQ00p	41
	43	PA34K99N	PAQ00p	42
	44	PA34K02N	PAQ00p	43
	45	PA34K05N	PAQ00p	44
	46	PA34K08N	PAQ00p	45
	47	PA34K11N	PAQ00p	46
	48	PA34K14N	PAQ00p	47
	49	PA34K17N	PAQ00p	48
	50	PA34K20N	PAQ00p	49
	51	PA34K23N	PAQ00p	50
	52	PA34K26N	PAQ00p	51
	53	PA34K29N	PAQ00p	52
	54	PA34K32N	PAQ00p	53
	55	PA34K35N	PAQ00p	54
	56	PA34K38N	PAQ00p	55
	57	PA34K41N	PAQ00p	56
	58	PA34K44N	PAQ00p	57
	59	PA34K47N	PAQ00p	58
	60	PA34K50N	PAQ00p	59
	61	PA34K53N	PAQ00p	60
	62	PA34K56N	PAQ00p	61
	63	PA34K59N	PAQ00p	62
	64	PA34K62N	PAQ00p	63
	65	PA34K65N	PAQ00p	64
	66	PA34K68N	PAQ00p	65
	67	PA34K71N	PAQ00p	66
	68	PA34K74N	PAQ00p	67
	69	PA34K77N	PAQ00p	68
	70	PA34K80N	PAQ00p	69
	71	PA34K83N	PAQ00p	70
	72	PA34K86N	PAQ00p	71
	73	PA34K89N	PAQ00p	72
	74	PA34K92N	PAQ00p	73
	75	PA34K95N	PAQ00p	74
	76	PA34K98N	PAQ00p	75
	77	PA34K01N	PAQ00p	76
	78	PA34K04N	PAQ00p	77
	79	PA34K07N	PAQ00p	78
	80	PA34K10N	PAQ00p	79
	81	PA34K13N	PAQ00p	80
	82	PA34K16N	PAQ00p	81
	83	PA34K19N	PAQ00p	82
	84	PA34K22N	PAQ00p	83
	85	PA34K25N	PAQ00p	84
	86	PA34K28N	PAQ00p	85
	87	PA34K31N	PAQ00p	86
	88	PA34K34N	PAQ00p	87
	89	PA34K37N	PAQ00p	88
	90	PA34K40N	PAQ00p	89
	91	PA34K43N	PAQ00p	90
	92	PA34K46N	PAQ00p	91
	93	PA34K49N	PAQ00p	92
	94	PA34K52N	PAQ00p	93
	95	PA34K55N	PAQ00p	94
	96	PA34K58N	PAQ00p	95
	97	PA34K61N	PAQ00p	96
	98	PA34K64N	PAQ00p	97
	99	PA34K67N	PAQ00p	98
	100	PA34K70N	PAQ00p	99

P & M No.3/07/06421

CCW:0111 12/05/70 CONTROL WORD BUFFER 34 BITS 00-12 WGH03FN\*/0113 DATA CCW0141

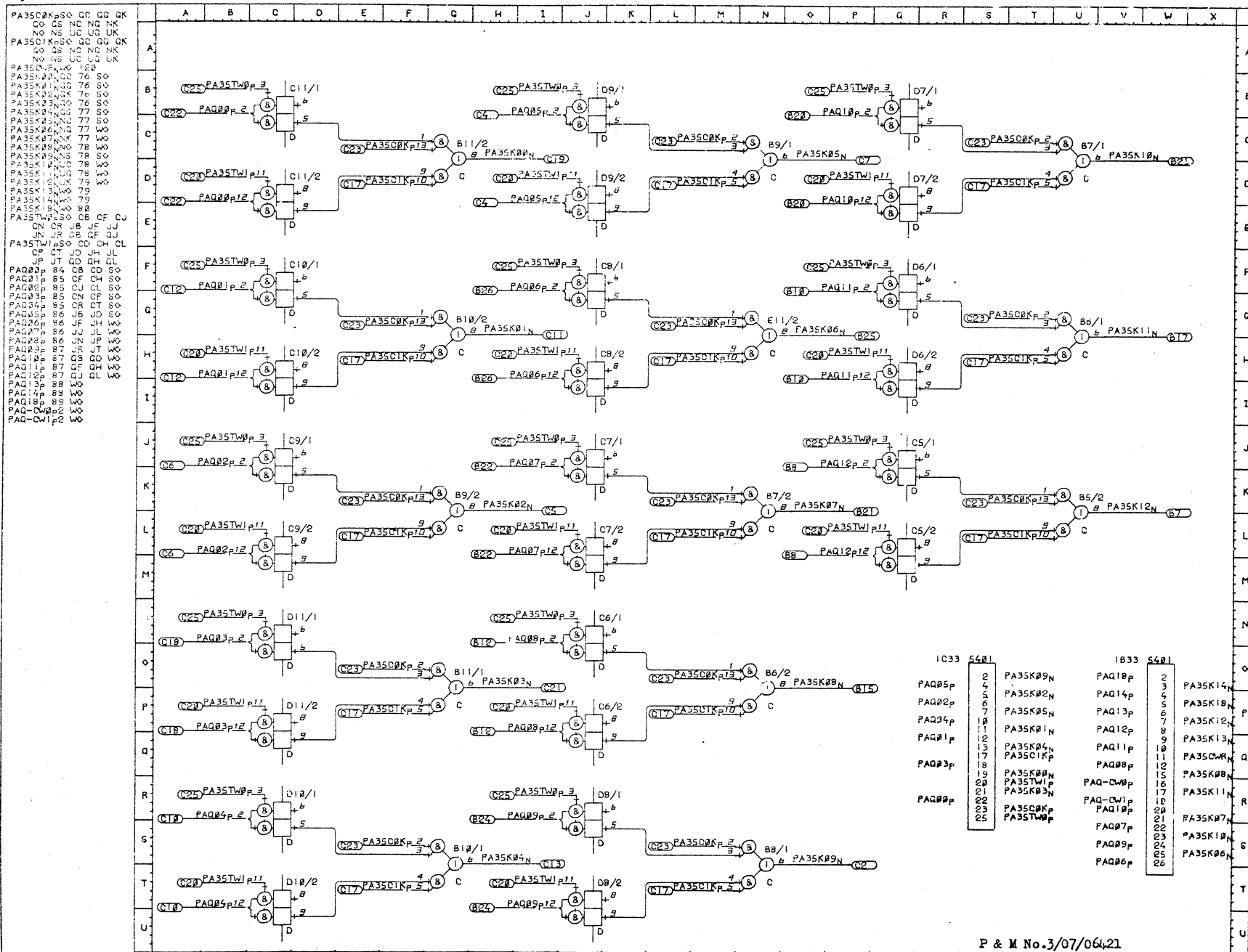
ISSUE: I88	TYPE MOD: 3	TYPE MOD:	TYPE MOD:	TYPE MOD:	TYPE MOD:	TYPE MOD:
ACC: 3088	ECC: 3058	ECC:	ECC:	ECC:	ECC:	ECC:



- PA34C3K VC VG GC GG
- PA34C1K VE VE GC GG
- PA34C1N NB 113 120
- PA34C1P 81 GP
- PA34C1Q 81 GP
- PA34C1R 81 GP
- PA34C1S 81 GP
- PA34C1T 81 GP
- PA34C1U 81 GP
- PA34C1V 81 GP
- PA34C1W 81 GP
- PA34C1X 81 GP
- PA34C1Y 81 GP
- PA34C1Z 81 GP
- PA34C2K VC VG GC GG
- PA34C2L VC VG GC GG
- PA34C2M VC VG GC GG
- PA34C2N VC VG GC GG
- PA34C2P VC VG GC GG
- PA34C2Q VC VG GC GG
- PA34C2R VC VG GC GG
- PA34C2S VC VG GC GG
- PA34C2T VC VG GC GG
- PA34C2U VC VG GC GG
- PA34C2V VC VG GC GG
- PA34C2W VC VG GC GG
- PA34C2X VC VG GC GG
- PA34C2Y VC VG GC GG
- PA34C2Z VC VG GC GG

1032 5481		1A32 5481		1B32 5481	
PAQ05P	2	PA34K09N	2	PAQ18P	2
PAQ06P	4	PA34K02N	3	PAQ14P	3
PAQ07P	5	PA34K05N	4	PAQ13P	4
PAQ08P	6	PA34K01N	5	PAQ12P	5
PAQ09P	7	PA34K04N	6	PAQ11P	6
PAQ10P	8	PA34C1K	7	PAQ08P	7
PAQ11P	9	PA34K00N	8	PAQ-CW0P	8
PAQ12P	10	PA34C1P	9	PAQ-CW1P	9
PAQ13P	11	PA34C1Q	10	PAQ10P	10
PAQ14P	12	PA34K08N	11	PAQ07P	11
PAQ15P	13	PA34C1R	12	PAQ06P	12
PAQ16P	14	PA34K03N	13	PAQ05P	13
PAQ17P	15	PA34C1S	14		
PAQ18P	16	PA34C1T	15		
PAQ19P	17	PA34C1U	16		
PAQ20P	18	PA34C1V	17		
	19	PA34C1W	18		
	20	PA34C1X	19		
	21	PA34C1Y	20		
	22	PA34C1Z	21		
	23	PA34C2K	22		
	24	PA34C2L	23		
	25	PA34C2M	24		
	26	PA34C2N	25		
		PA34C2P	26		

P & M No.3/07/06421

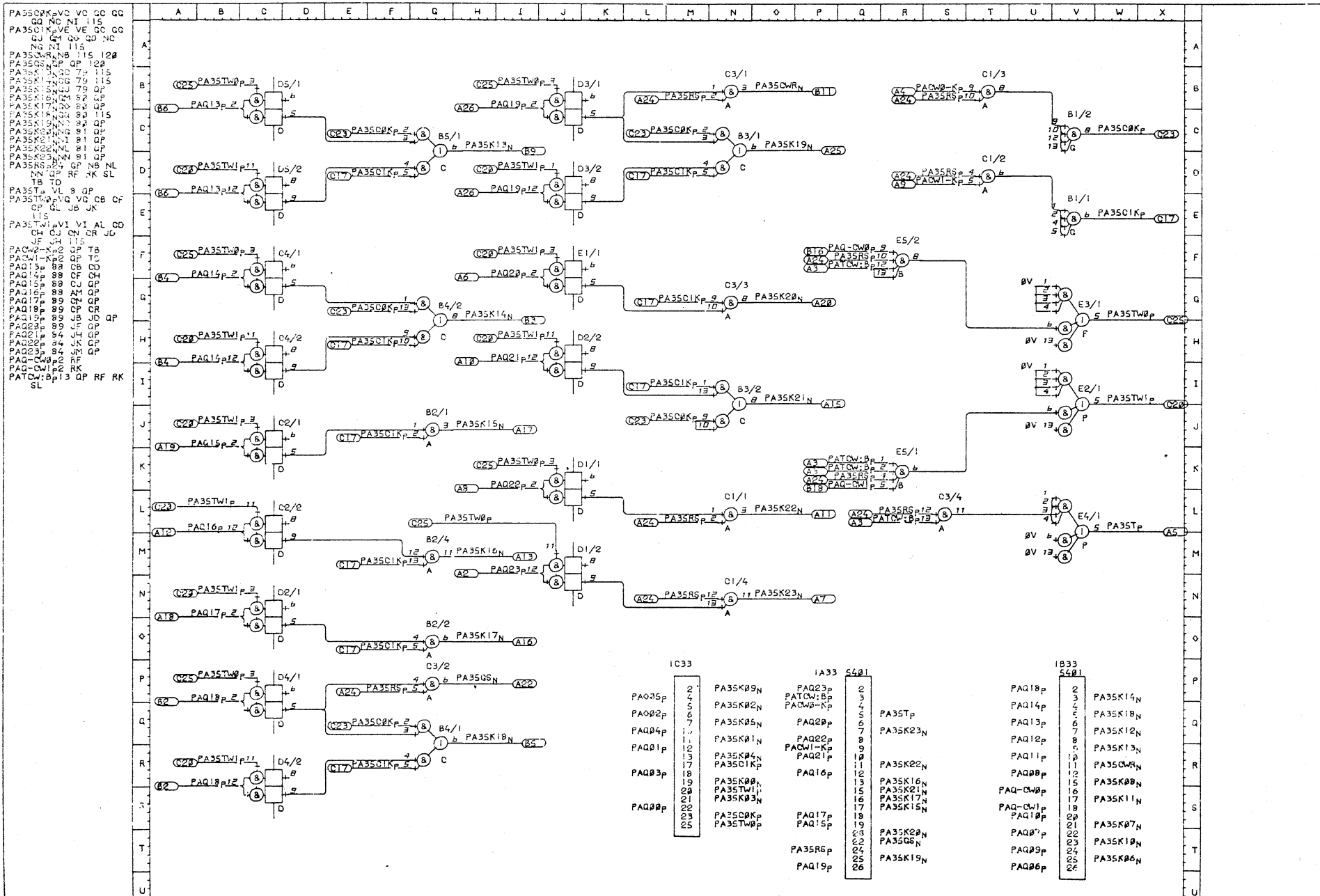


IC33 5401		IB33 5401	
2	PA35K09N	2	PA35K14N
4	PA35K02N	3	PA35K18N
5	PA35K05N	4	PA35K12N
6	PA35K01N	5	PA35K13N
7	PA35K04N	6	PA35K11N
8	PA35K03N	7	PA35K08N
9	PA35K06N	8	PA35K07N
10	PA35K07N	9	PA35K06N
11	PA35K08N	10	PA35K07N
12	PA35K09N	11	PA35K08N
13	PA35K10N	12	PA35K09N
14	PA35K11N	13	PA35K10N
15	PA35K12N	14	PA35K11N
16	PA35K13N	15	PA35K12N
17	PA35K14N	16	PA35K13N
18	PA35K15N	17	PA35K14N
19	PA35K16N	18	PA35K15N
20	PA35K17N	19	PA35K16N
21	PA35K18N	20	PA35K17N
22	PA35K19N	21	PA35K18N
23	PA35K20N	22	PA35K19N
24	PA35K21N	23	PA35K20N
25	PA35K22N	24	PA35K21N
		25	PA35K22N

P & M No.3/07/06/21

CCW:0111 12/05/70 CONTROL WORD BUFFER 35 BITS 00-12 WGH03FN\*/0115 DATA CCW0141

ISSUE:	155	TYPE MOD:	3	TYPE MOD:	3	TYPE MOD:	3	TYPE MOD:	3	TYPE MOD:	3
ACC:	3088	ECC:	3058	ECC:	3058	ECC:	3058	ECC:	3058	ECC:	3058



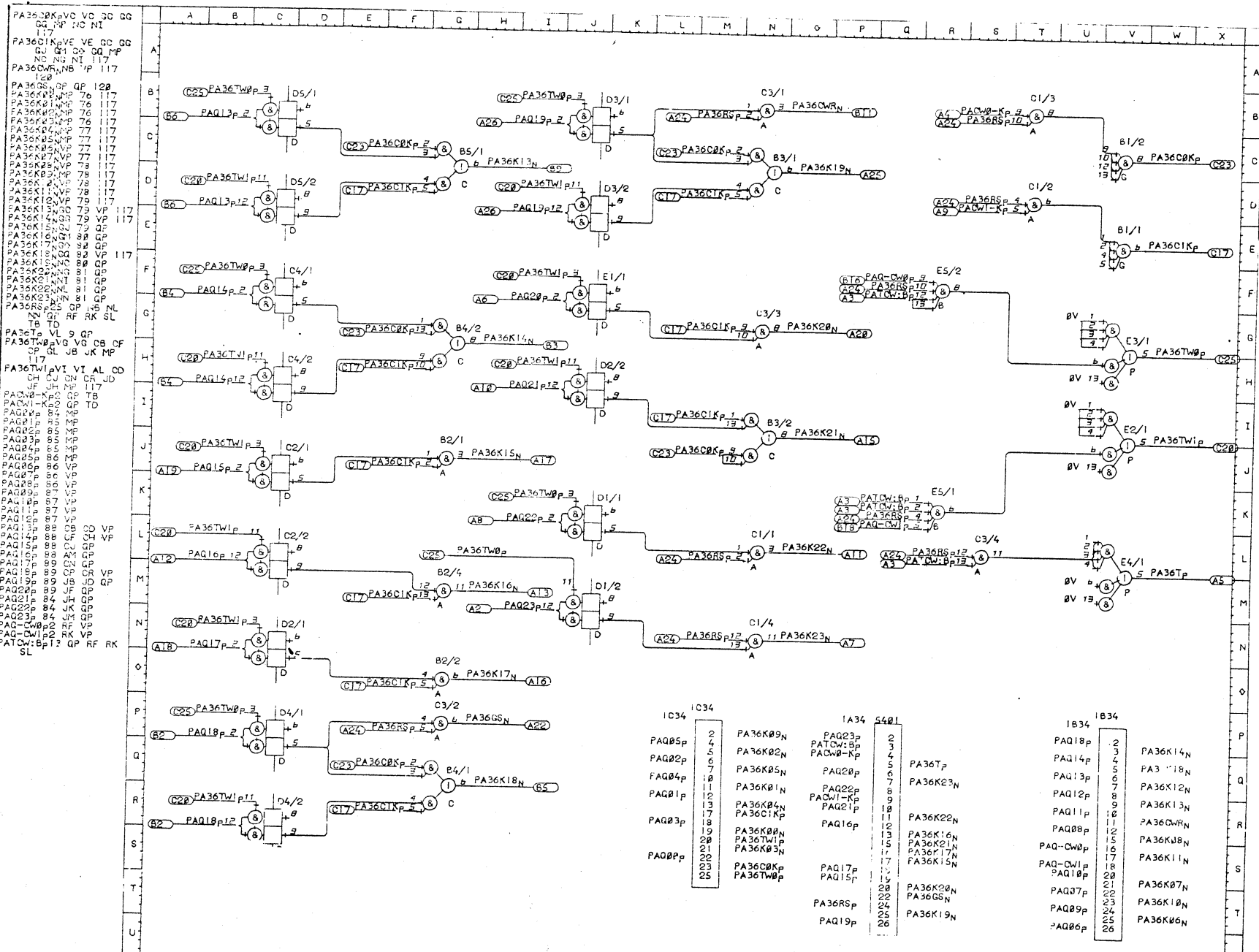
P & M No. 3/07/06.21

CCW: 0140 12/05/70 CONTROL WORD BUFFER 35 BITS 13-23 + STRO WGH03FN\*/0116 DATA CCW0141

ISSUE:	TYPE	MOD:	TYPE	MOD:	TYPE	MOD:	TYPE	MOD:	TYPE	MOD:
I 88		3								
ACC: 3088	ECC:	3058	ECC:		ECC:		ECC:		ECC:	





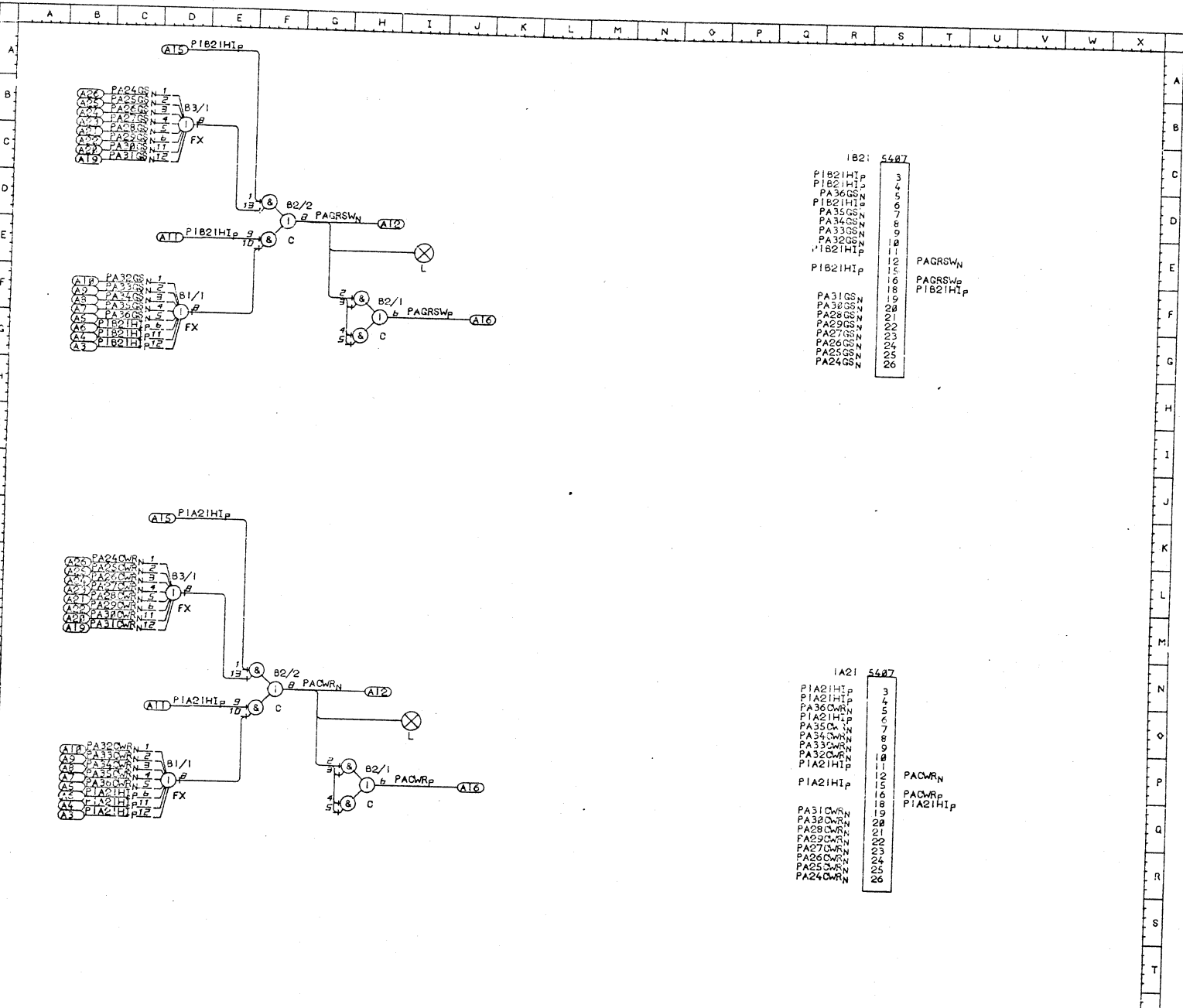


IC34		IC34		1A34 5401		1B34 1B34	
PAQ05P	2	PA36K09N	2	PAG23P	2	PAQ18P	2
PAQ02P	3	PA36K02N	3	PATCW:BP	3	PAQ14P	3
PAQ04P	4	PA36K05N	4	PACW:Kp	4	PAQ13P	4
PAQ01P	5	PA36K01N	5	PAG20P	5	PAQ12P	5
PAQ03P	6	PA36K04N	6	PAQ22P	6	PAQ11P	6
PAQ08P	7	PA36K03N	7	PAQ21P	7	PAQ08P	7
	8	PA36K00N	8	PAQ17P	8	PAQ07P	8
	9	PA36K07N	9	PAQ15P	9	PAQ06P	9
	10	PA36K10N	10	PA36K20N	10		
	11	PA36K11N	11	PA36K22N	11		
	12	PA36K12N	12	PA36K16N	12		
	13	PA36K13N	13	PA36K21N	13		
	14	PA36K14N	14	PA36K17N	14		
	15	PA36K15N	15	PA36K15N	15		
	16		16				
	17		17				
	18		18				
	19		19				
	20		20				
	21		21				
	22		22				
	23		23				
	24		24				
	25		25				
	26		26				

CCW:0140 07/05/70 CONTROL WORD BUFFER 36 BITS 13-23 +S STR P & M No.3/07/06421 WGH03FN\*/0119 DATA CCW0141

ISSUE:	Iss	TYPE MOD:	3	TYPE MOD:		TYPE MOD:		TYPE MOD:		TYPE MOD:	
ACC:	3088	ECC:	3058	ECC:		ECC:		ECC:		ECC:	

P1A21HI<sub>p</sub> SN DP FN  
 P1B21HI<sub>p</sub> SC DP FD  
 PA24CWR<sub>N</sub> 93 DL SN  
 PA24CWR<sub>N</sub> 94 DB SC  
 PA25CWR<sub>N</sub> 103 DL SN  
 PA25CWR<sub>N</sub> 96 DB SC  
 PA26CWR<sub>N</sub> 97 XL SN  
 PA26CWR<sub>N</sub> 98 DB SC  
 PA27CWR<sub>N</sub> 99 DL SN  
 PA27CWR<sub>N</sub> 102 DB SC  
 PA28CWR<sub>N</sub> 101 DL SN  
 PA28CWR<sub>N</sub> 102 DB SC  
 PA29CWR<sub>N</sub> 103 DL SN  
 PA29CWR<sub>N</sub> 104 DB SC  
 PA30CWR<sub>N</sub> 105 DL SN  
 PA30CWR<sub>N</sub> 106 DB SC  
 PA31CWR<sub>N</sub> 107 DL SN  
 PA31CWR<sub>N</sub> 108 DB SC  
 PA32CWR<sub>N</sub> 109 DP SN  
 PA32CWR<sub>N</sub> 110 DP SN  
 PA33CWR<sub>N</sub> 111 DP SN  
 PA33CWR<sub>N</sub> 112 DP SC  
 PA34CWR<sub>N</sub> 113 DP SN  
 PA34CWR<sub>N</sub> 114 DP SC  
 PA35CWR<sub>N</sub> 115 DP SN  
 PA35CWR<sub>N</sub> 116 DP SC  
 PA36CWR<sub>N</sub> 119 DP SN  
 PA36CWR<sub>N</sub> 119 DP SC  
 PACWR<sub>N</sub> HP 1 SN  
 PACWR<sub>N</sub> FN 1 2 HP 10  
 SN  
 PAGRSW<sub>N</sub> HF 1 2 SC  
 PAGRSW<sub>N</sub> FD 1 HF 1E  
 SC



IB2: 5487

P1B21HI <sub>p</sub>	3
P1B21HI <sub>p</sub>	4
PA36CWR <sub>N</sub>	5
P1B21HI <sub>p</sub>	6
PA35CWR <sub>N</sub>	7
PA34CWR <sub>N</sub>	8
PA33CWR <sub>N</sub>	9
PA32CWR <sub>N</sub>	10
P1B21HI <sub>p</sub>	11
P1B21HI <sub>p</sub>	12
PAGRSW <sub>N</sub>	16
PAGRSW <sub>N</sub>	18
P1B21HI <sub>p</sub>	19
PA31CWR <sub>N</sub>	20
PA30CWR <sub>N</sub>	21
PA29CWR <sub>N</sub>	22
PA27CWR <sub>N</sub>	23
PA26CWR <sub>N</sub>	24
PA25CWR <sub>N</sub>	25
PA24CWR <sub>N</sub>	26

IA21 5487

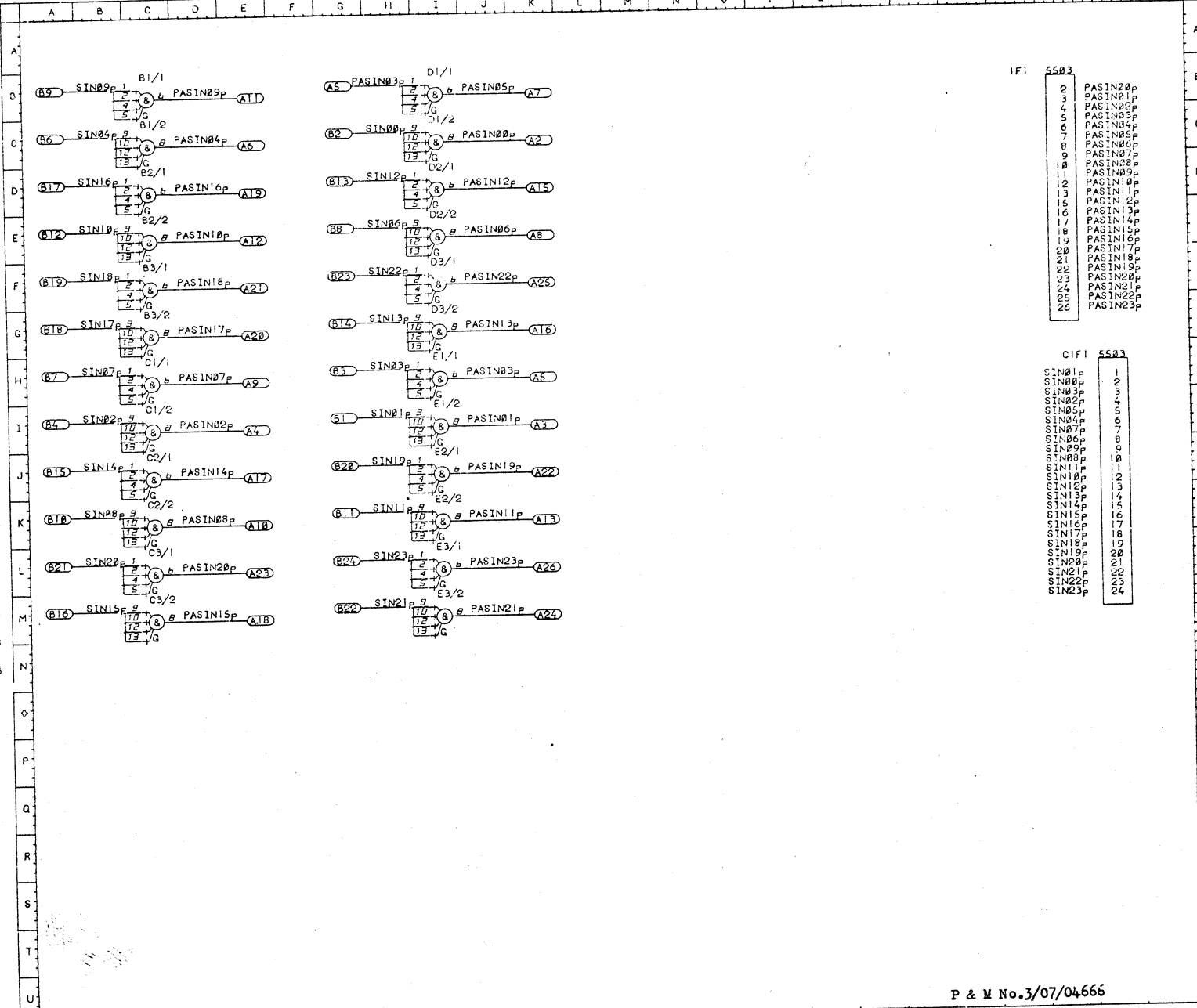
P1A21HI <sub>p</sub>	3
P1A21HI <sub>p</sub>	4
PA36CWR <sub>N</sub>	5
P1A21HI <sub>p</sub>	6
PA35CWR <sub>N</sub>	7
PA34CWR <sub>N</sub>	8
PA33CWR <sub>N</sub>	9
PA32CWR <sub>N</sub>	10
P1A21HI <sub>p</sub>	11
P1A21HI <sub>p</sub>	12
PACWR <sub>N</sub>	16
PACWR <sub>N</sub>	18
P1A21HI <sub>p</sub>	19
PA31CWR <sub>N</sub>	20
PA30CWR <sub>N</sub>	21
PA29CWR <sub>N</sub>	22
PA27CWR <sub>N</sub>	23
PA26CWR <sub>N</sub>	24
PA25CWR <sub>N</sub>	25
PA24CWR <sub>N</sub>	26

CCW: 0135 07/05/70 ◊ R ◊ GRSW: ◊ R ◊ CWR P & M No.3/07/06422 WGH03FN\*/0120 DATA CCW0141

ISSUE: Iss	TYPE MOD: 1	TYPE MOD:	TYPE MOD:	TYPE MOD:	TYPE MOD:	TYPE MOD:	TYPE MOD:
ACD: 3088	ECC: 1337	ECC:	ECC:	ECC:	ECC:	ECC:	ECC:



PASIN00IC 29 35 41  
 47 53 59 63 64  
 65 66 67 VB  
 PASIN01IH 29 35 41  
 47 53 59 63 64  
 65 66 67 VB  
 PASIN02CI 29 35 41  
 47 53 59 63 64  
 65 66 67 VB  
 PASIN03IH 31 37  
 43 49 55 61 68  
 69 18 VB  
 PASIN04OC 31 37 43  
 49 55 61 68 69  
 VB  
 PASIN05IR 31 37 43  
 49 55 61 68 69  
 VB  
 PASIN06IE 29 35 41  
 47 53 59 66 67  
 VB  
 PASIN07CH 29 35 41  
 47 53 59 66 67  
 VB  
 PASIN08PK 29 35 41  
 47 53 59 66 67  
 VB  
 PASIN09CB 31 37 43  
 49 55 61 68 69  
 VB  
 PASIN10PE 31 37 43  
 49 55 61 68 69  
 VB  
 PASIN11IK 31 37 43  
 49 55 61 68 69  
 VB  
 PASIN12PD 29 35 41  
 47 53 59 66 67  
 VB  
 PASIN13IQ 29 35 41  
 47 53 59 66 67  
 VB  
 PASIN14CJ 29 35 41  
 47 53 59 66 67  
 VB  
 PASIN15PM 31 37 43  
 49 55 61 68 69  
 VB  
 PASIN16CD 31 37 43  
 49 55 61 68 69  
 VB  
 PASIN17DC 31 37 43  
 49 55 61 68 69  
 VB  
 PASIN18PF 29 35 41  
 47 53 59 66 67  
 VB  
 PASIN19IJ 29 35 41  
 47 53 59 66 67  
 VB  
 PASIN20OL 29 35 41  
 47 53 59 66 67  
 VB  
 PASIN21IM 31 37 43  
 49 55 61 68 69  
 VB  
 PASIN22IF 31 37 43  
 49 55 61 68 69  
 VB  
 PASIN23IL 31 37 43  
 49 55 61 68 69  
 VB  
 SIN00 IC 31 37 43  
 SIN01 IH 31 37 43  
 SIN02 CI 31 37 43  
 SIN03 IH 31 37 43  
 SIN04 OC 31 37 43  
 SIN05 IR 31 37 43  
 SIN06 IE 29 35 41  
 SIN07 CH 29 35 41  
 SIN08 PK 29 35 41  
 SIN09 CB 31 37 43  
 SIN10 PE 31 37 43  
 SIN11 IK 31 37 43  
 SIN12 PD 29 35 41  
 SIN13 IQ 29 35 41  
 SIN14 CJ 29 35 41  
 SIN15 PM 31 37 43  
 SIN16 CD 31 37 43  
 SIN17 DC 31 37 43  
 SIN18 PF 29 35 41  
 SIN19 IJ 29 35 41  
 SIN20 OL 29 35 41  
 SIN21 IM 31 37 43  
 SIN22 IF 31 37 43  
 SIN23 IL 31 37 43



IF: 5503

2	PASIN00p
3	PASIN01p
4	PASIN02p
5	PASIN03p
6	PASIN04p
7	PASIN05p
8	PASIN06p
9	PASIN07p
10	PASIN08p
11	PASIN09p
12	PASIN10p
13	PASIN11p
14	PASIN12p
15	PASIN13p
16	PASIN14p
17	PASIN15p
18	PASIN16p
19	PASIN17p
20	PASIN18p
21	PASIN19p
22	PASIN20p
23	PASIN21p
24	PASIN22p
25	PASIN23p
26	PASIN23p

CIFI 5503

SIN01p	1
SIN00p	2
SIN03p	3
SIN02p	4
SIN05p	5
SIN04p	6
SIN07p	7
SIN06p	8
SIN09p	9
SIN08p	10
SIN11p	11
SIN10p	12
SIN12p	13
SIN13p	14
SIN14p	15
SIN15p	16
SIN16p	17
SIN17p	18
SIN18p	19
SIN19p	20
SIN20p	21
SIN21p	22
SIN22p	23
SIN23p	24

P & M No.3/07/04666

CCW:0110 07 05/70 COAX RECEIVER TERMINATOR WGH03FN\*/0122 DATA CCW0141

ISSUE: Iss	TYPE MOD: 00	TYPE MOD:	TYPE MOD:	TYPE MOD:	TYPE MOD:
AND: 3088	ECC:	ECC:	ECC:	ECC:	ECC:



