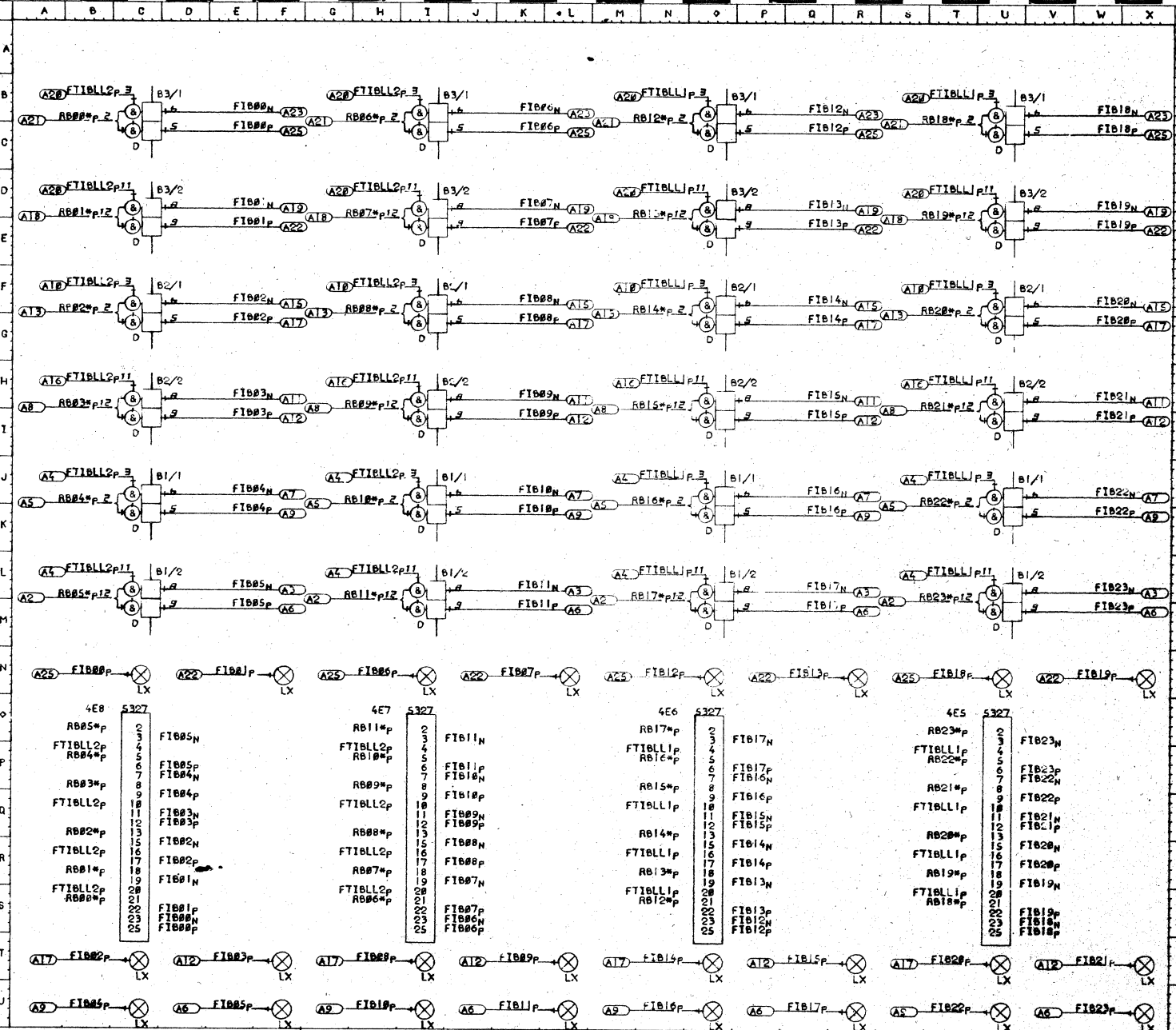
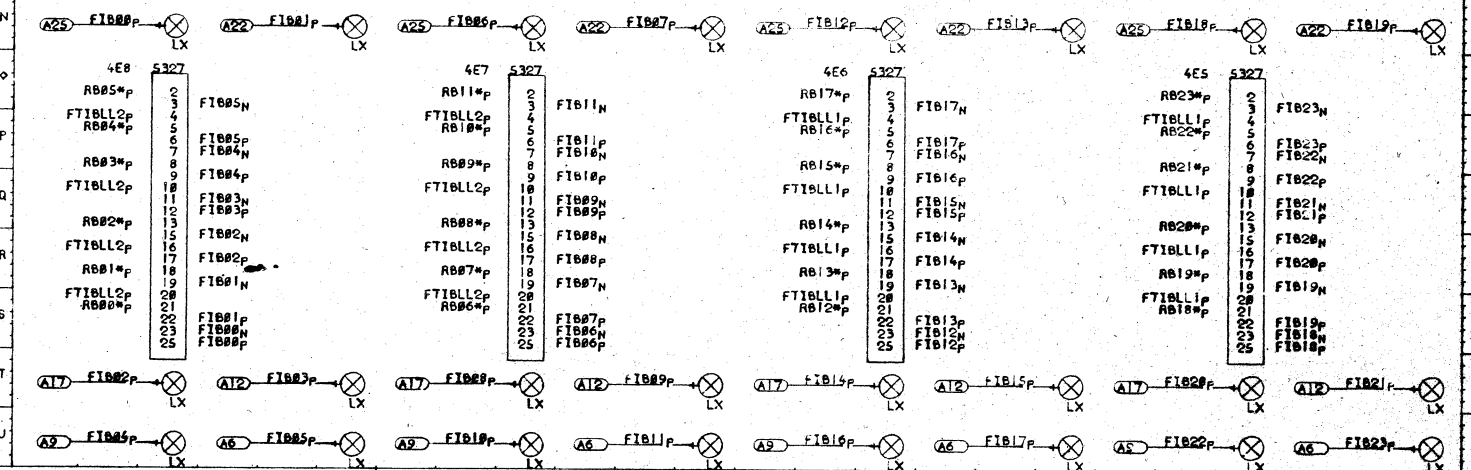


FIB00p FC 29 55 CN
 FIB00n FB C0
 FIB01p FE 29 55 C0
 FIB01n FD C0
 FIB02p FO 30 55 C0
 FIB02n FF C0
 FIB03p FI 30 56 C0
 FIB03n FK C0
 FIB04p FJ C0
 FIB04n FM 31 57 C0
 FIB05p FL C0
 FIB05n LC 31 57 IN
 FIB06p LB 10
 FIB06n LE 31 57 I0
 FIB07p LD 10
 FIB07n LG 32 I0 IT
 FIB08p LF 58 I0
 FIB08n LI 48 I0 LT
 FIB09p LK 48 I0 LU
 FIB09n LJ 48 I0 LU
 FIB10p RL 48 ON
 FIB10n RR 00 ON RN
 FIB11p RE 48 ON RN
 FIB11n RF 48 ON RT
 FIB12p RI 49 ON RU
 FIB12n RJ 49 ON RU
 FIB13p RL 49 ON RU
 FIB13n RM 49 ON RU
 FIB14p XG 49 UN UT
 FIB14n XH 49 UN UT
 FIB15p XI 50 UN XT
 FIB15n XJ 50 UN XT
 FIB16p XK 50 UN XU
 FIB16n XN 49 UN XU
 FIB17p XL 50 UN XU
 FIB17n XM 49 UN XU
 FTIBLL1p 70 08 OD OF
 FTIBLL1n 0J 0L 00 UB
 FTIBLL2p 70 08 OD OF
 FTIBLL2n 0H 0J 0L 00 UB
 RB00p 91 2 91 CB
 RB00n C0
 RB01p 91 2 91 CD
 RB01n C0
 RB02p 91 2 91 CF
 RB02n C0
 RB03p 91 2 91 CH
 RB03n C0
 RB04p 91 2 91 CJ
 RB04n C0
 RB05p 91 2 91 CL
 RB05n C0
 RB06p 91 2 91 IB
 RB06n I0
 RB07p 91 2 91 ID
 RB07n I0
 RB08p 91 2 91 IF
 RB08n I0
 RB09p 91 2 91 IH
 RB09n I0
 RB10p 91 2 91 IJ
 RB10n I0
 RB11p 91 2 91 IL
 RB11n I0
 RB12p 91 2 91 IB
 RB12n I0
 RB13p 91 2 91 OD
 RB13n 00
 RB14p 91 2 91 OF
 RB14n 00
 RB15p 91 2 91 OH
 RB15n 00
 RB16p 91 2 91 OJ
 RB16n 00
 RB17p 91 2 91 OL
 RB17n 00
 RB18p 91 2 91 UB
 RB18n U0
 RB19p 91 2 91 UD
 RB19n U0
 RB20p 91 2 91 UF
 RB20n U0



RB21p 91 2 91 UH
 RB21n U0
 RB22p 91 2 91 UJ
 RB22n U0
 RB23p 91 2 91 UL
 RB23n U0

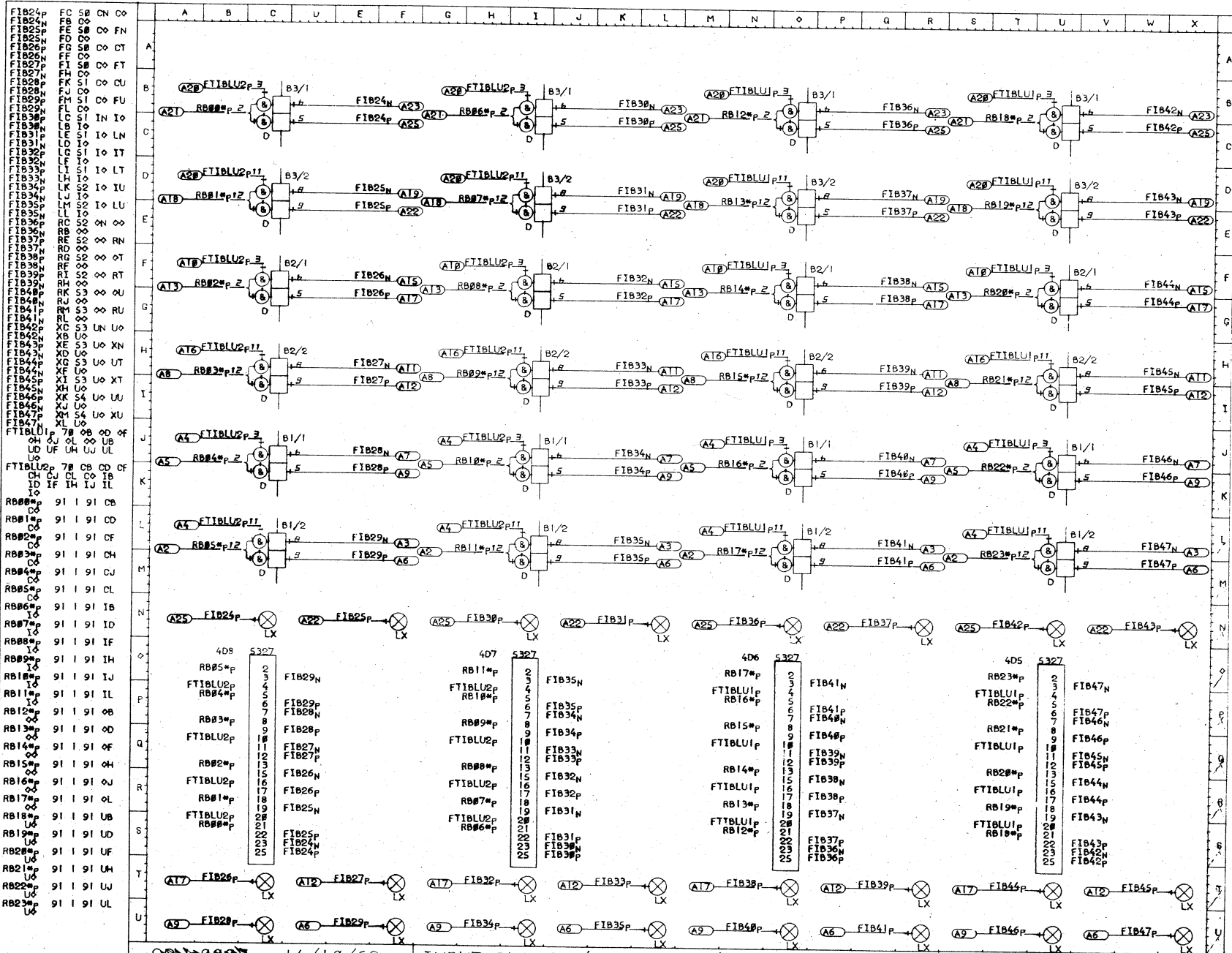


P & N No 3/07/06/34

P & N No 3/07/06/34

ISSUE: 155		TYPE 5327 MOD: 01		TYPE MOD:		TYPE MOD:		TYPE MOD:		TYPE MOD:	
ACC: 2366		ECC: 1157		ECC:		ECC:		ECC:		ECC:	

IN P. 30 FIBER



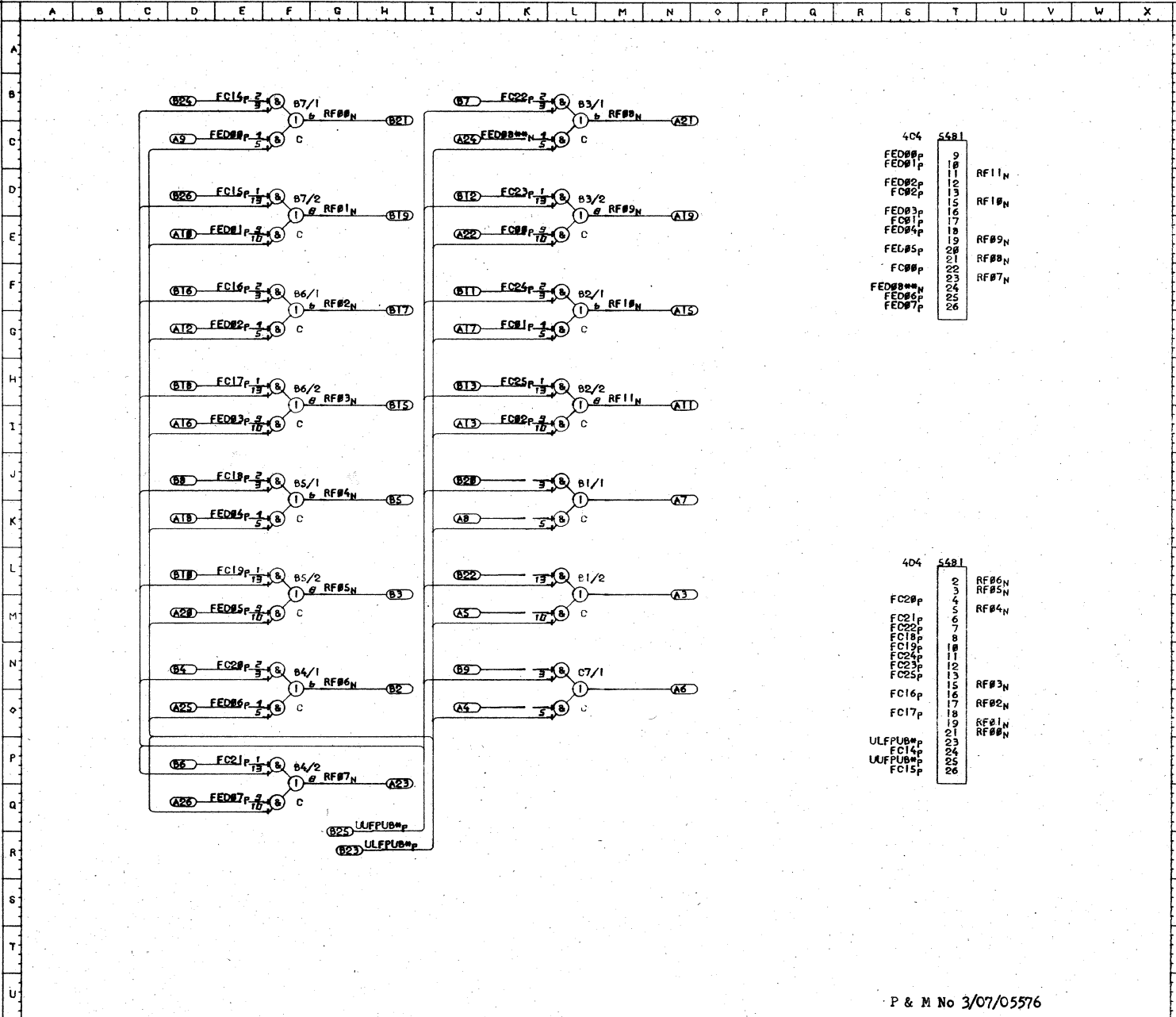
14/10/69 INPUT BUFFER (BITS 24-47) WGH04***/0002

ISSUE: 155
ACD: 2366

PKG MOD: 01
ECG: 1157

P & M No 3/07/06434

FC00P 20 79 88 87
 LD TC
 FC01P 20 79 87 LF
 LD TC
 FC02P 20 79 87 LH
 LD TC
 FC14P 24 FB TL
 FC15P 22 FD TL
 FC16P 25 FF TL
 FC17P 25 FH TL
 FC18P 26 FJ TL
 FC19P 26 FL TL
 FC20P 26 FS TL
 FC21P 27 FP TL
 FC22P 27 SS LB TL
 FC23P 27 LD TL
 FC24P 28 SS LF TL
 FC25P 28 LH TL
 FC26P 28 LB TL
 FC27P 28 LF TL
 FC28P 28 LH TL
 FC29P 28 LB TL
 FC30P 28 LF TL
 FC31P 28 LH TL
 FC32P 28 LB TL
 FC33P 28 LF TL
 FC34P 28 LH TL
 FC35P 28 LB TL
 FC36P 28 LF TL
 FC37P 28 LH TL
 FC38P 28 LB TL
 FC39P 28 LF TL
 FC40P 28 LH TL
 FC41P 28 LB TL
 FC42P 28 LF TL
 FC43P 28 LH TL
 FC44P 28 LB TL
 FC45P 28 LF TL
 FC46P 28 LH TL
 FC47P 28 LB TL
 FC48P 28 LF TL
 FC49P 28 LH TL
 FC50P 28 LB TL
 FC51P 28 LF TL
 FC52P 28 LH TL
 FC53P 28 LB TL
 FC54P 28 LF TL
 FC55P 28 LH TL
 FC56P 28 LB TL
 FC57P 28 LF TL
 FC58P 28 LH TL
 FC59P 28 LB TL
 FC60P 28 LF TL
 FC61P 28 LH TL
 FC62P 28 LB TL
 FC63P 28 LF TL
 FC64P 28 LH TL
 FC65P 28 LB TL
 FC66P 28 LF TL
 FC67P 28 LH TL
 FC68P 28 LB TL
 FC69P 28 LF TL
 FC70P 28 LH TL
 FC71P 28 LB TL
 FC72P 28 LF TL
 FC73P 28 LH TL
 FC74P 28 LB TL
 FC75P 28 LF TL
 FC76P 28 LH TL
 FC77P 28 LB TL
 FC78P 28 LF TL
 FC79P 28 LH TL
 FC80P 28 LB TL
 FC81P 28 LF TL
 FC82P 28 LH TL
 FC83P 28 LB TL
 FC84P 28 LF TL
 FC85P 28 LH TL
 FC86P 28 LB TL
 FC87P 28 LF TL
 FC88P 28 LH TL
 FC89P 28 LB TL
 FC90P 28 LF TL
 FC91P 28 LH TL
 FC92P 28 LB TL
 FC93P 28 LF TL
 FC94P 28 LH TL
 FC95P 28 LB TL
 FC96P 28 LF TL
 FC97P 28 LH TL
 FC98P 28 LB TL
 FC99P 28 LF TL
 FC00P 28 LH TL
 ULPUB*P 98 4 FB FD
 FF FH FL FN
 UFPUB*P 98 4 FB FD
 FF FH FL FN
 UL*P 98 4 FB FD
 FF FH FL FN
 LL LN TL



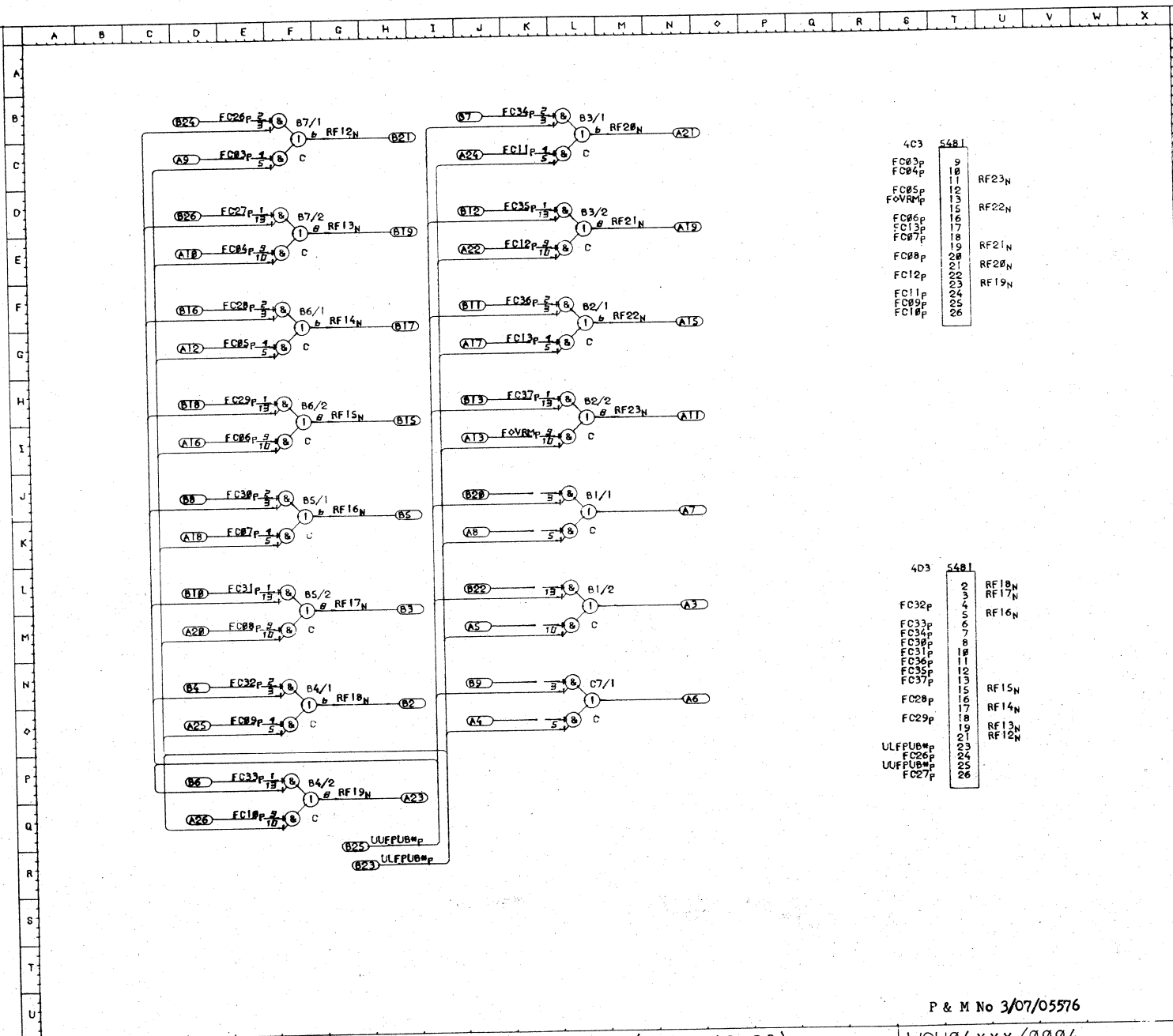
ALL CORRECT

FC03p 21 FB TC
 FC04p 21 FF TC
 FC05p 22 02 TC
 FC06p 22 03 TC
 FC07p 22 04 TC
 FC08p 22 05 TC
 FC09p 22 06 TC
 FC10p 22 07 TC
 FC11p 22 08 TC
 FC12p 22 09 TC
 FC13p 22 10 TC
 FC20p 28 56 FB TL
 FC21p 28 57 FB TL
 FC22p 29 58 FF TL
 FC23p 29 59 FF TL
 FC24p 29 60 FF TL
 FC25p 29 61 FF TL
 FC26p 30 57 FJ TL
 FC27p 30 58 FL TL
 FC28p 30 59 FN TL
 FC29p 30 60 FO TL
 FC30p 31 57 LB TL
 FC31p 31 58 LA TL
 FC32p 31 59 LB LD
 FC33p 31 83 84 LD
 FC34p TL
 FC35p TL

FC36p LF TL
 FC37p 32 87 LH TL
 FOVRMp 87 LH TC
 RF12N FB 5 TL
 RF13N FD 5 TL
 RF14N FF 5 TL
 RF15N FF 5 TL
 RF16N FJ 5 TL
 RF17N FL 5 TL
 RF18N FN 5 TL
 RF19N FO 5 TL
 RF20N LB 5 TL
 RF21N LD 5 TL
 RF22N LF 5 TL
 RF23N LH 5 TL

ULFPUBMp 98 3 FB FD
 FF FH FJ FL FN
 FP LB LD LF LH
 LU LL LN LT

ULFPUBMp 98 3 FB FD
 FF FH FJ FL FN
 FP LB LD LF LH
 LU LL LN LT



403	5481
FC03p	9
FC04p	10
FC05p	11
FOVRMp	12
FC06p	13
FC13p	14
FC07p	15
FC08p	16
FC09p	17
FC10p	18
FC11p	19
FC09p	20
FC12p	21
FC09p	22
FC11p	23
FC09p	24
FC12p	25
FC12p	26

403	5481
FC32p	2
FC33p	3
FC34p	4
FC35p	5
FC36p	6
FC37p	7
FC38p	8
FC39p	9
FC40p	10
FC41p	11
FC42p	12
FC43p	13
FC44p	14
FC45p	15
FC46p	16
FC47p	17
FC48p	18
FC49p	19
FC50p	20
ULFPUBMp	21
FC26p	22
ULFPUBMp	23
FC27p	24
FC27p	25
FC27p	26

14/10/69

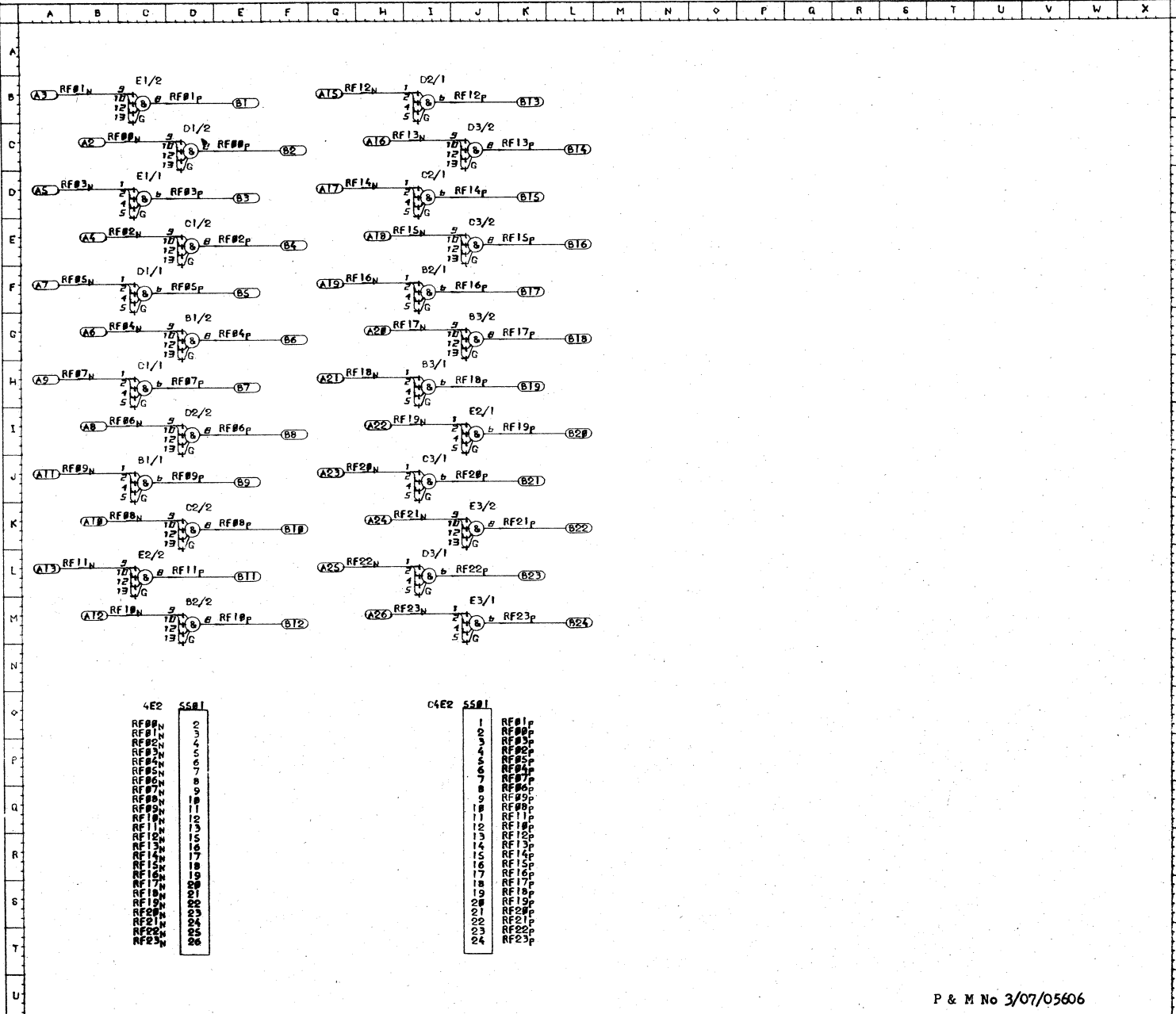
FPU TO CPU OR HIGHWAY (BITS 12-23)

WGH04***/0004

ISSUE: 155
ACD: 2366

PKG MOD: 00
ECC:

RF00P 3 DC JO
 RF01P 3 DC DO
 RF02P 3 DC DO
 RF03N 3 DE JO
 RF03P 3 DE DO
 RF04N 3 CD JO
 RF04P 3 CD DO
 RF05N 3 CF JO
 RF05P 3 CF DO
 RF06N 3 DI JO
 RF06P 3 DI DO
 RF07N 3 CH JO
 RF07P 3 CH DO
 RF08N 3 DK JO
 RF08P 3 DK DO
 RF09N 3 CJ JO
 RF09P 3 CJ DO
 RF10N 3 DM JO
 RF10P 3 DM DO
 RF11P 3 CL JO
 RF11N 3 CL DO
 RF12N 3 BL JO
 RF12P 3 BL DO
 RF13N 4 DO IB
 RF13P 4 DO IB
 RF14N 4 DO ID
 RF14P 4 DO ID
 RF15N 4 DO JE
 RF15P 4 DO JE
 RF16N 4 DO IF
 RF16P 4 DO IF
 RF17N 4 DO JG
 RF17P 4 DO JG
 RF18N 4 DO IH
 RF18P 4 DO IH
 RF19N 4 DO JI
 RF19P 4 DO JI
 RF20N 4 DO JU
 RF20P 4 DO JU
 RF21N 4 DO JK
 RF21P 4 DO JK
 RF22N 4 DO IL
 RF22P 4 DO IL
 RF23N 4 DO JM
 RF23P 4 DO JM



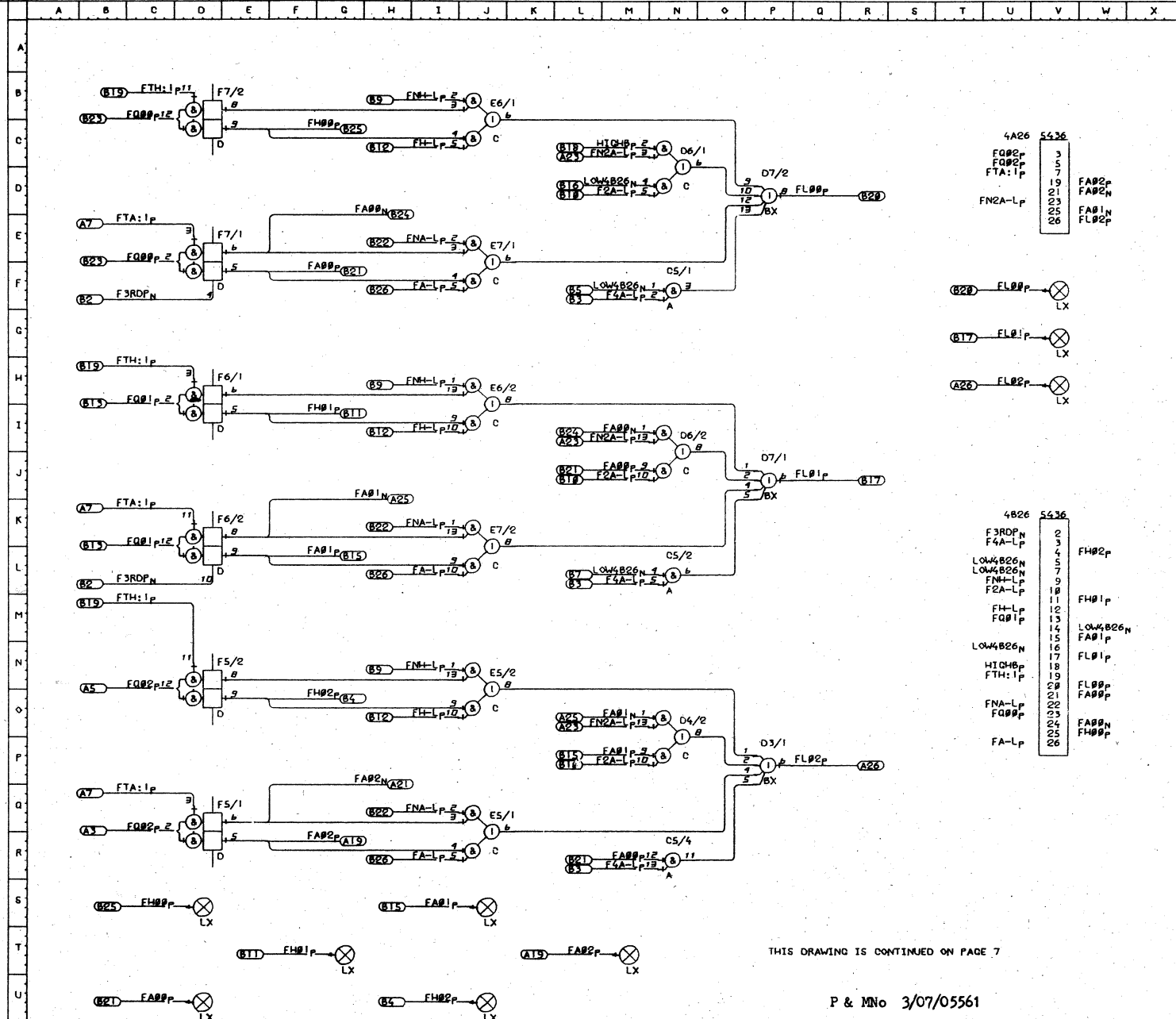
P & M No 3/07/05606

~~14/10/69~~ 14/10/69

FP TO CPU HIGHWAY (BITS 00-23)

WGH04***/0005

F2A-L	66	NC	NI	NO
F3RD	88	BF	BL	VK
F4A-L	66	MF	NL	NR
FA00	QF	QF	Q8	DU
FA00N	NI	NR	VK	VK
FA01	QL	Q8	JS	NO
FA01N	HK	NO	VC	VC
FA02	QR	QR	MT	VC
FA02N	HQ	VC		
FA-L	66	JE	JK	JK
FH00	CC	CC	D6	VK
FH01	QI	QT	VK	VK
FH02	CO	JU	VK	VK
FH-L	66	JB	JH	JN
FL00	PD	33	VF	VK
FL01	PJ	33	VC	VK
FL02	PP	33	VC	VH
FN2A-L	66	NO	NI	NO
FNA-L	66	JE	JK	JQ
FNA-L	66	JB	JH	JN
FQ00	48	D8	DE	VK
FQ01	48	DH	DK	VK
FQ02	48	DN	DQ	VC
FTA:1p	65	BE	BK	BQ
FTL:1p	89	BH	BH	DB
HIGH0	91	NC	VK	VK
LOW4B26	NVK	NC	NF	NL

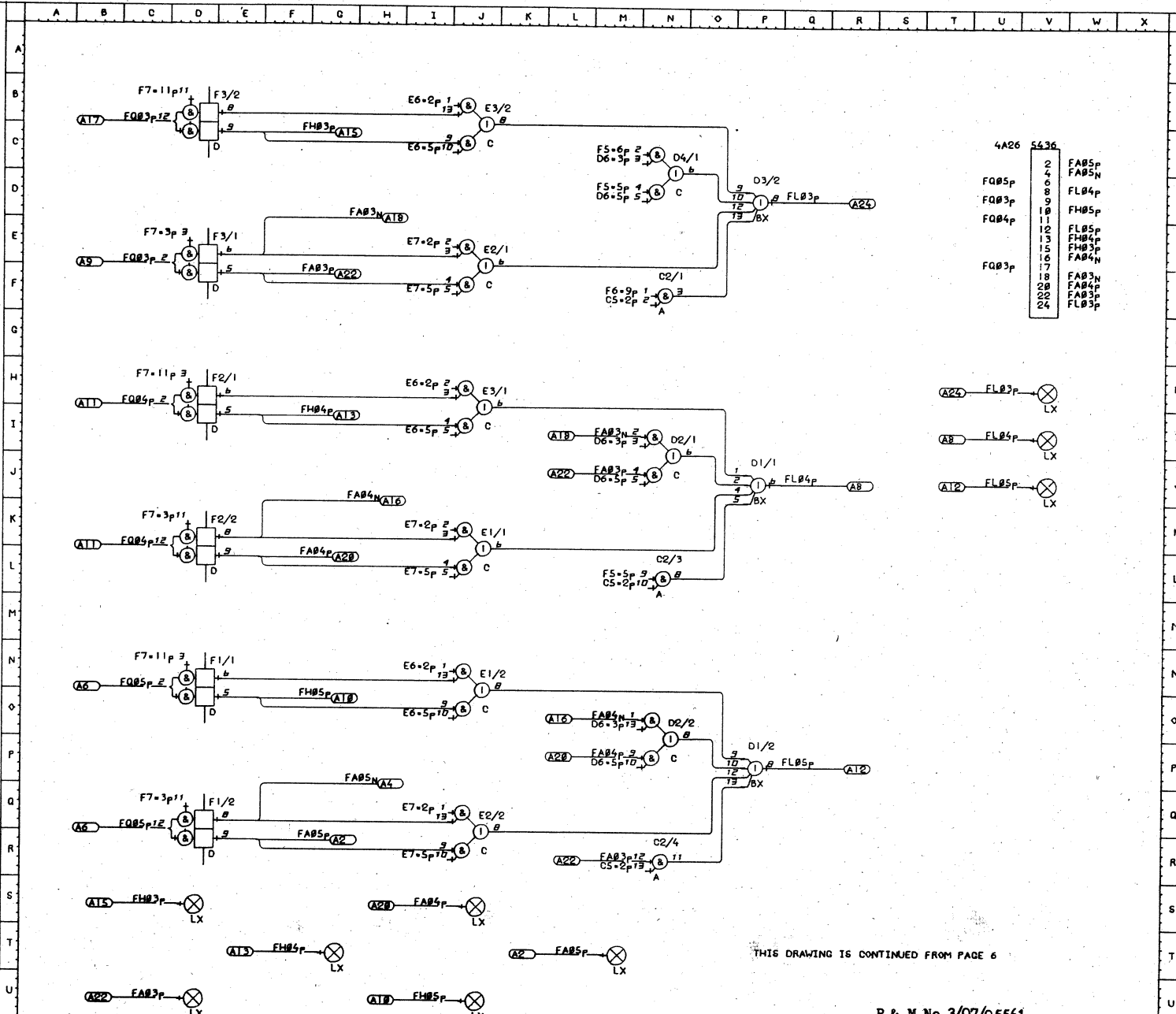


THIS DRAWING IS CONTINUED ON PAGE 7

P & MNo 3/07/05561

27/02/70 ISSUE: 1 ACC: 2767	H AND A REGS = L HIGHWAYS (BITS 00-02) TYPE MOD: 1 ECC: 1308	WGH04***/0006 TYPE MOD: ECC:	TYPE MOD: ECC:
-----------------------------------	--	------------------------------------	-------------------

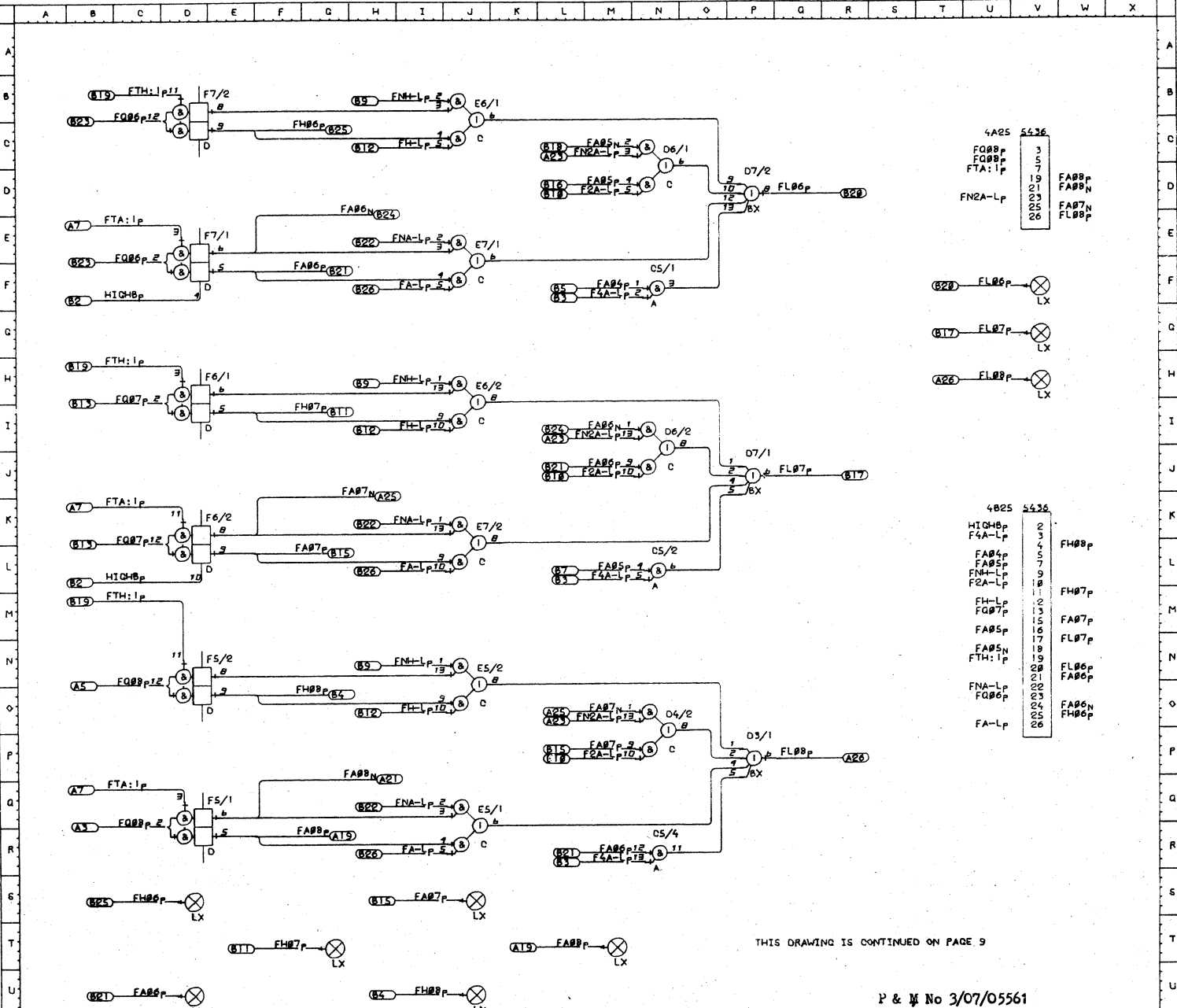
FAB3P QF QF 21 DU
 FAB3N NR VC VC VC
 FAB4P QL B 21 JS
 FAB4N VC VC VC VC
 FAB4P HR NO VC VC
 FAB5P GR B 21 MT
 FAB5N VC VC VC VC
 FAB5N HQ B VC VC
 FAB3P CC CC D6 VC VC
 FH04P CI CT VC VC
 FH05P CC JU VC VC
 FL03P PD 33 VC VC
 FL04P FJ 33 VC VC
 FL05P PF 33 VC VC
 FQ03P 49 DB DE VC VC
 FQ04P 48 DN DR VC VC
 FQ05P 48 DN DR VC VC



27/02/70 H & A REGS - L HIGHWAYS (BITS 03-05) P & M No 3/07/05561 WGH04***/0007

ISSUE: 1	TYPE MOD: 1	TYPE MOD:	TYPE MOD:	TYPE MOD:	TYPE MOD:	TYPE MOD:
ACC: 2767	ECC: 1308	ECC:	ECC:	ECC:	ECC:	ECC:

F2A-L	66	NC	NI	NO
F4A-L	66	NF	NL	NR
FA04p	7	NF	VK	
FA05p	7	NC	NL	VK
FA06p	7	NC	VK	
FA07p	7	NC	VK	
FA08p	7	NC	VK	
FA09p	7	NC	VK	
FA10p	7	NC	VK	
FA11p	7	NC	VK	
FA12p	7	NC	VK	
FA13p	7	NC	VK	
FA14p	7	NC	VK	
FA15p	7	NC	VK	
FA16p	7	NC	VK	
FA17p	7	NC	VK	
FA18p	7	NC	VK	
FA19p	7	NC	VK	
FA20p	7	NC	VK	
FA21p	7	NC	VK	
FA22p	7	NC	VK	
FA23p	7	NC	VK	
FA24p	7	NC	VK	
FA25p	7	NC	VK	
FA26p	7	NC	VK	
FA27p	7	NC	VK	
FA28p	7	NC	VK	
FA29p	7	NC	VK	
FA30p	7	NC	VK	
FA31p	7	NC	VK	
FA32p	7	NC	VK	
FA33p	7	NC	VK	
FA34p	7	NC	VK	
FA35p	7	NC	VK	
FA36p	7	NC	VK	
FA37p	7	NC	VK	
FA38p	7	NC	VK	
FA39p	7	NC	VK	
FA40p	7	NC	VK	
FA41p	7	NC	VK	
FA42p	7	NC	VK	
FA43p	7	NC	VK	
FA44p	7	NC	VK	
FA45p	7	NC	VK	
FA46p	7	NC	VK	
FA47p	7	NC	VK	
FA48p	7	NC	VK	
FA49p	7	NC	VK	
FA50p	7	NC	VK	
FA51p	7	NC	VK	
FA52p	7	NC	VK	
FA53p	7	NC	VK	
FA54p	7	NC	VK	
FA55p	7	NC	VK	
FA56p	7	NC	VK	
FA57p	7	NC	VK	
FA58p	7	NC	VK	
FA59p	7	NC	VK	
FA60p	7	NC	VK	
FA61p	7	NC	VK	
FA62p	7	NC	VK	
FA63p	7	NC	VK	
FA64p	7	NC	VK	
FA65p	7	NC	VK	
FA66p	7	NC	VK	
FA67p	7	NC	VK	
FA68p	7	NC	VK	
FA69p	7	NC	VK	
FA70p	7	NC	VK	
FA71p	7	NC	VK	
FA72p	7	NC	VK	
FA73p	7	NC	VK	
FA74p	7	NC	VK	
FA75p	7	NC	VK	
FA76p	7	NC	VK	
FA77p	7	NC	VK	
FA78p	7	NC	VK	
FA79p	7	NC	VK	
FA80p	7	NC	VK	
FA81p	7	NC	VK	
FA82p	7	NC	VK	
FA83p	7	NC	VK	
FA84p	7	NC	VK	
FA85p	7	NC	VK	
FA86p	7	NC	VK	
FA87p	7	NC	VK	
FA88p	7	NC	VK	
FA89p	7	NC	VK	
FA90p	7	NC	VK	
FA91p	7	NC	VK	
FA92p	7	NC	VK	
FA93p	7	NC	VK	
FA94p	7	NC	VK	
FA95p	7	NC	VK	
FA96p	7	NC	VK	
FA97p	7	NC	VK	
FA98p	7	NC	VK	
FA99p	7	NC	VK	
FA00p	7	NC	VK	



27/02/70

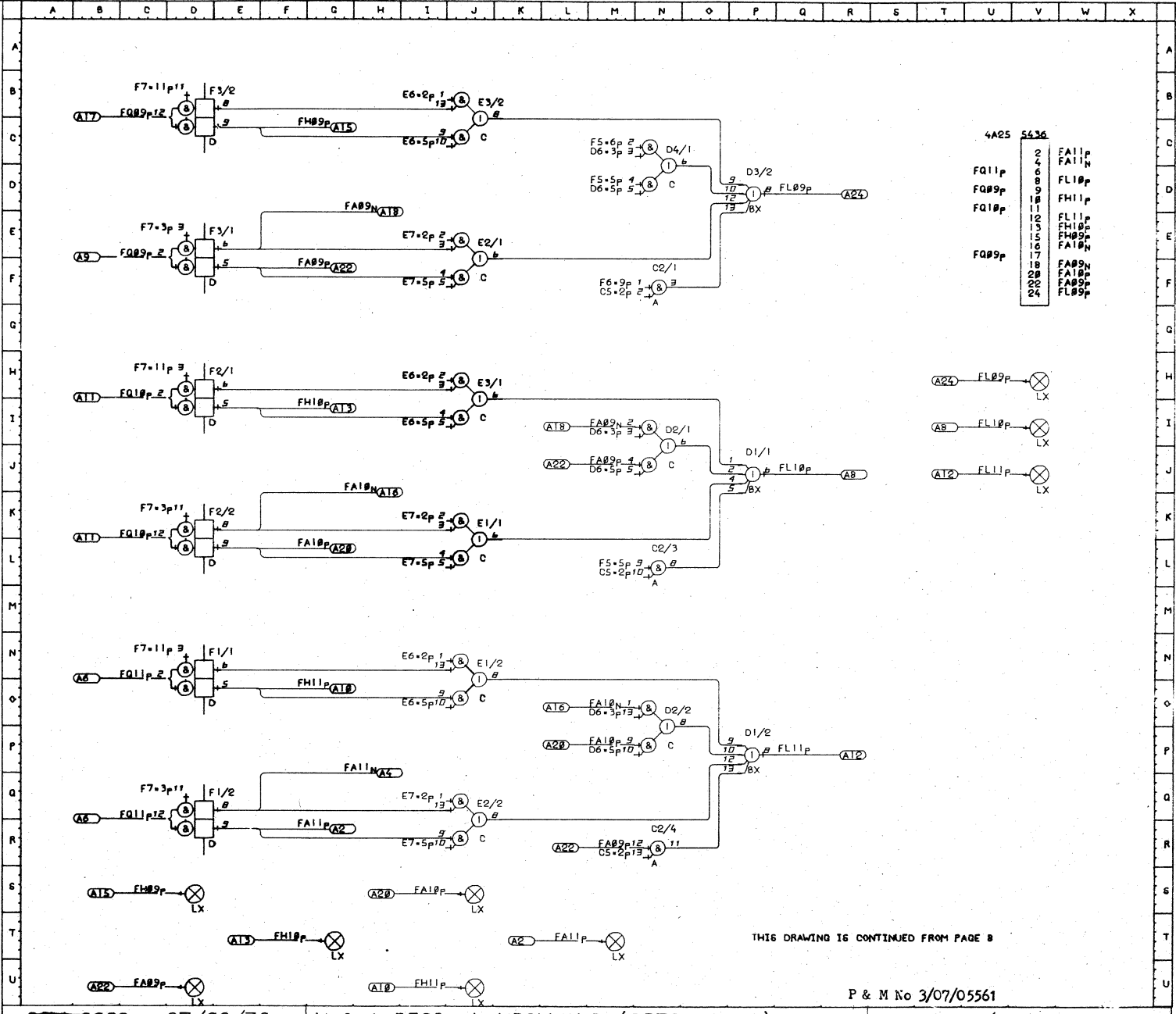
H & A REGS - L HIGHWAYS (BITS 06-08)

P & M No 3/07/05561

WGH04***/0008

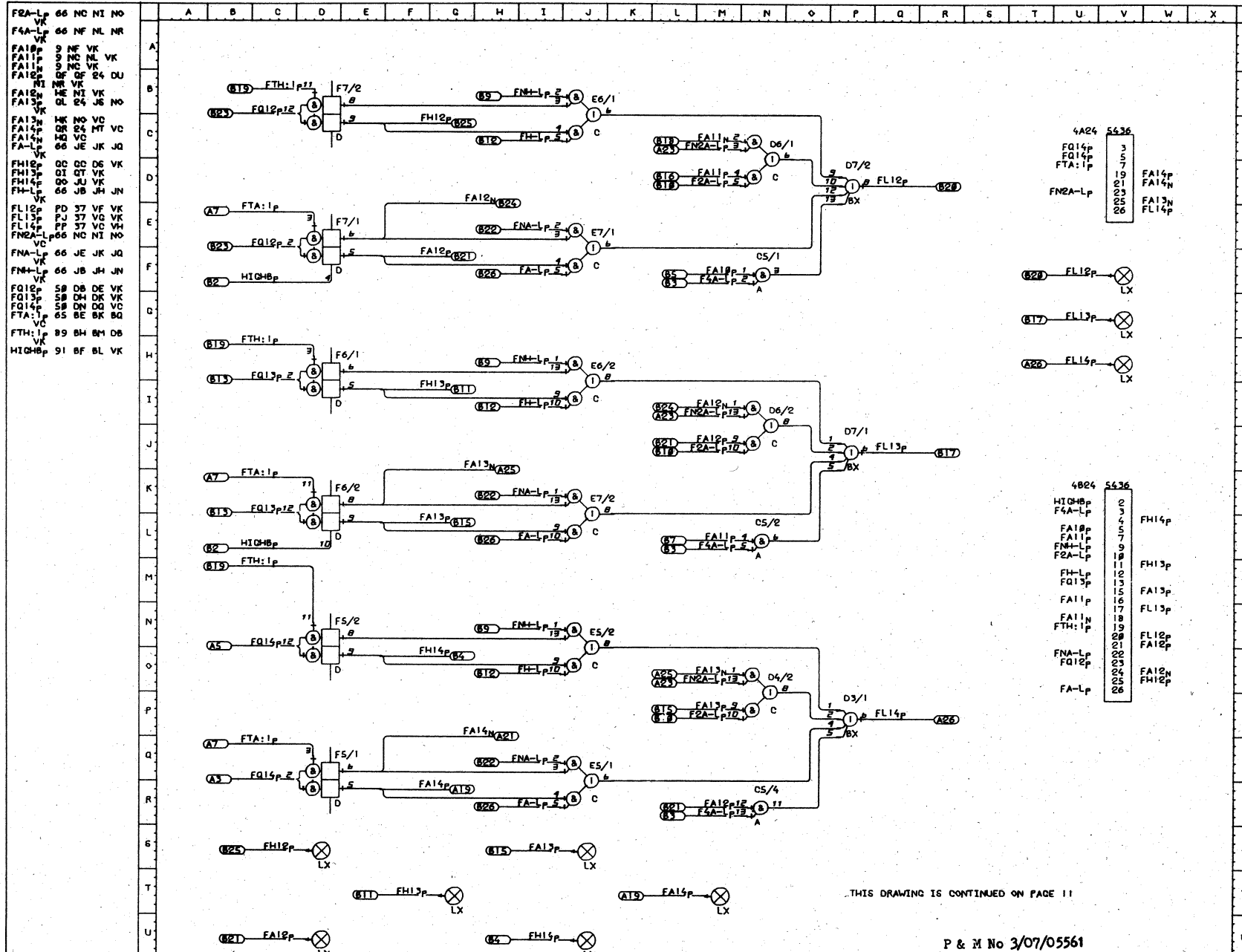
ISSUE:	TYPE	MOD:	TYPE	MOD:	TYPE	MOD:	TYPE	MOD:	TYPE	MOD:
ACC: 2767	ECC:	1308	ECC:		ECC:		ECC:		ECC:	

FA09p	GF	QF	23	DU
NI	NR	VC		
FA09N	HE	N1	VC	
FA10p	QL	1P	23	JS
NO	VC			
FA10N	HK	NO	VC	
FA11p	QR	1P	23	MT
VC				
FA11N	HQ	1P	VC	
FH09p	CC	CC	DS	VC
FH10p	QI	CT	VC	
FH11p	QQ	JU	VC	
FL09p	PD	35	VC	VH
FL10p	PJ	35	VC	VI
FL11p	PP	35	VC	VJ
FQ09p	49	DM	DE	VC
FQ10p	49	DM	DK	VC
FQ11p	49	DM	DD	VC



27/02/70 H & A REGS - L HIGHWAYS (BITS 09-11) WGH04***/0009

ISSUE: 1	TYPE MOD: I	TYPE MOD:	TYPE MOD:	TYPE MOD:	TYPE MOD:	TYPE MOD:
ACC: 2767	ECC: 1308	ECC:	ECC:	ECC:	ECC:	ECC:



4A24	5636
FQ14p	3
FQ14p	3
FTA:1p	3
	19
	20
	21
	22
	26

FL12p	LX
FL13p	LX
FL14p	LX

4824	5636
HIGHBp	2
F4A-Lp	3
FAI8p	5
FAI1p	7
FNA-Lp	10
F2A-Lp	11
	12
FH-Lp	13
FQ13p	15
FAI1p	16
FAI11p	17
FAI1N	18
FTH:1p	20
	21
FNA-Lp	22
FQ12p	23
	24
	25
	26

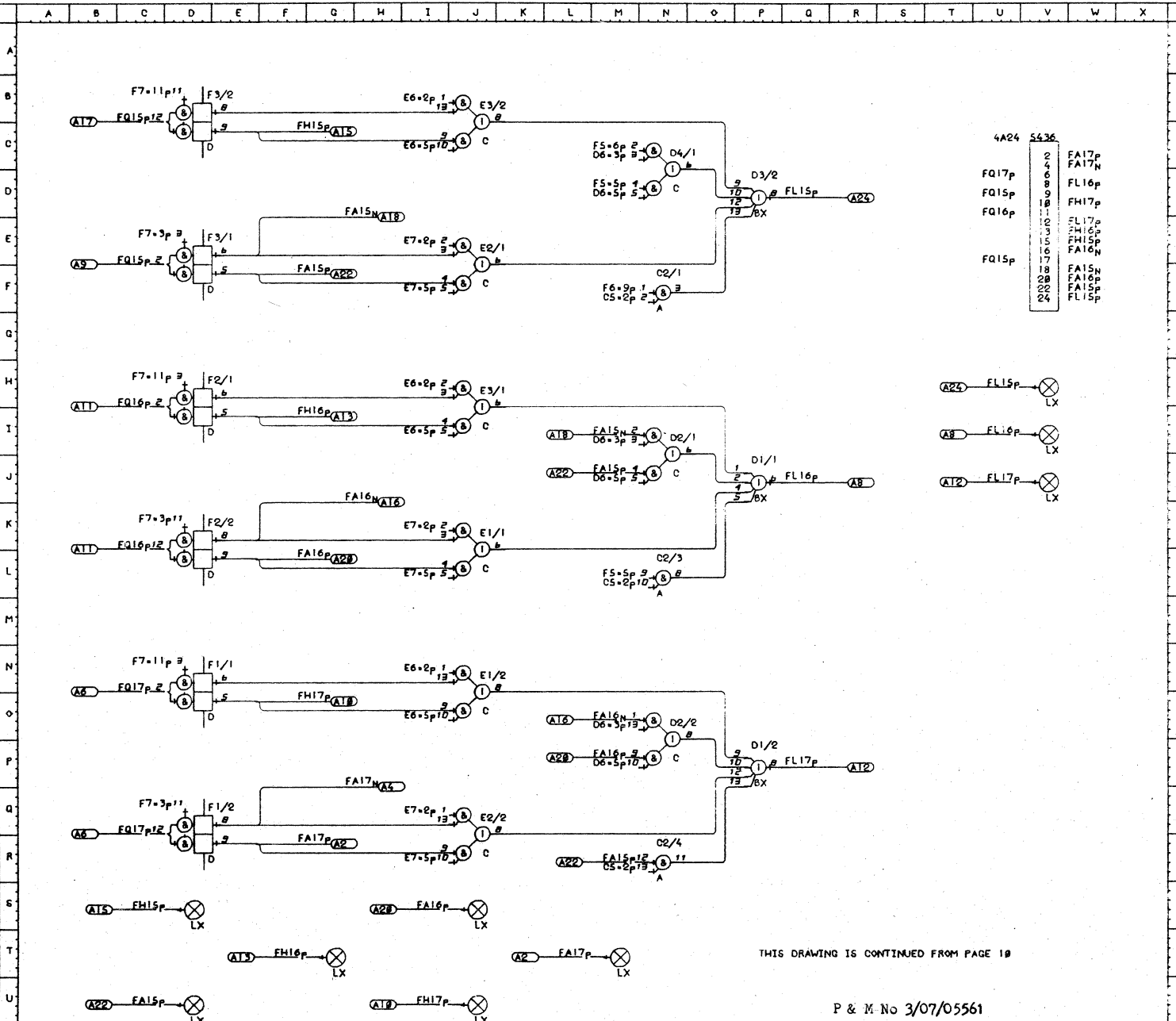
FL12p	LX
FL13p	LX
FL14p	LX

THIS DRAWING IS CONTINUED ON PAGE 11

P & M No 3/07/05561

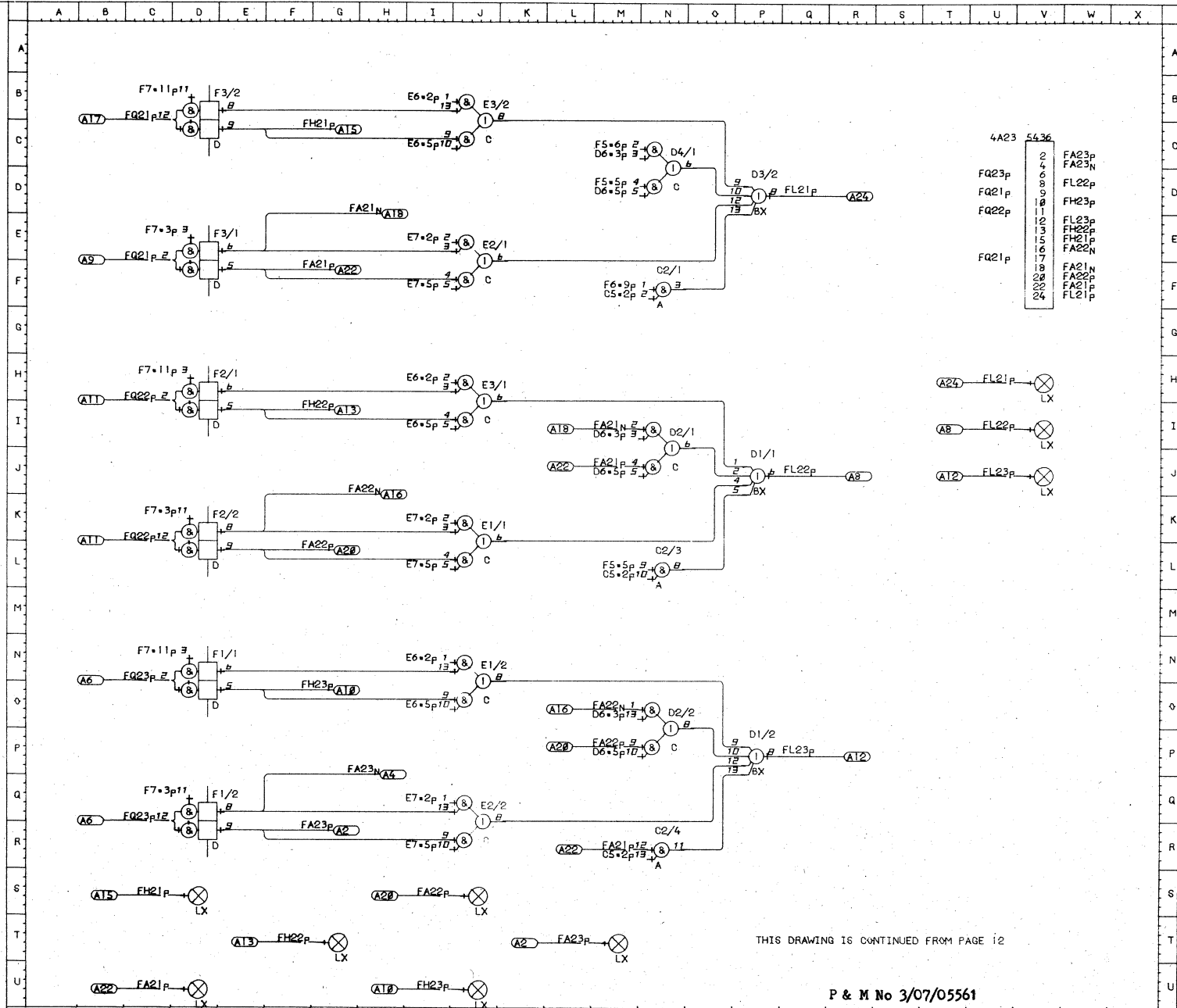
27/02/70		H & A REGS - L HIGHWAYS (BITS 12-14)		WGH04***/0010	
ISSUE: I	TYPE MOD: I	TYPE MOD:	TYPE MOD:	TYPE MOD:	TYPE MOD:
ACC: 2767	ECC: 1308	ECC:	ECC:	ECC:	ECC:

FA15P NI QF QF Q5 DU
 FA15N NR VC VC VC VC
 FA16P OL 12 25 J6
 FA16N OJ VC VC VC VC
 FA17P QK 12 25 MT
 VC VC VC VC VC VC
 FA17H H 12 VC VC VC
 FH15H OD OD OD OD VC
 FH16P OI OI OI OI VC
 FH17P OJ JU VC VC VC
 FL15P PD PD 37 VC VM
 FL16P PP PP 37 VC VI
 FL17P PQ PQ 37 VC VJ
 FQ15P SP DB DE VC VC
 FQ16P SB DA DK VC VC VC
 FQ17P VC VC VC VC VC VC



27/02/70		H & A REGS - L HIGHWAYS (BITS 15-17)		WGH04***/0011	
ISSUE: 1	TYPE MOD: 1	TYPE MOD:	TYPE MOD:	TYPE MOD:	TYPE MOD:
ACC: 2767	ECC: 1508	ECC:	ECC:	ECC:	ECC:

FA21p	GF	GF	27	DU
NI	NR	VC		
FA21N	HE	NI	VC	
FA22p	GL	14	27	JS
VC	NO			
FA22N	HK	NO	VC	
FA23p	GR	14	27	MT
VC				
FA23N	HQ	14	VC	
FH21p	GC	GC	DS	VC
FH22p	GI	GT	VC	
FH23p	GO	JU	VC	
FL21p	PO	39	VC	VH
FL22p	PJ	39	VC	VI
FL23p	PP	39	VC	VJ
FQ21p	S1	DB	DE	VC
FQ22p	S1	D4	DK	VC
FQ23p	DN	DN	DD	VC



ISSUE: 1	TYPE MOD: J	TYPE MOD:	TYPE MOD:	TYPE MOD:	TYPE MOD:	TYPE MOD:	TYPE MOD:
ACC: 2767	ECC: 1308	ECC:	ECC:	ECC:	ECC:	ECC:	ECC:

REV: 03/03/70

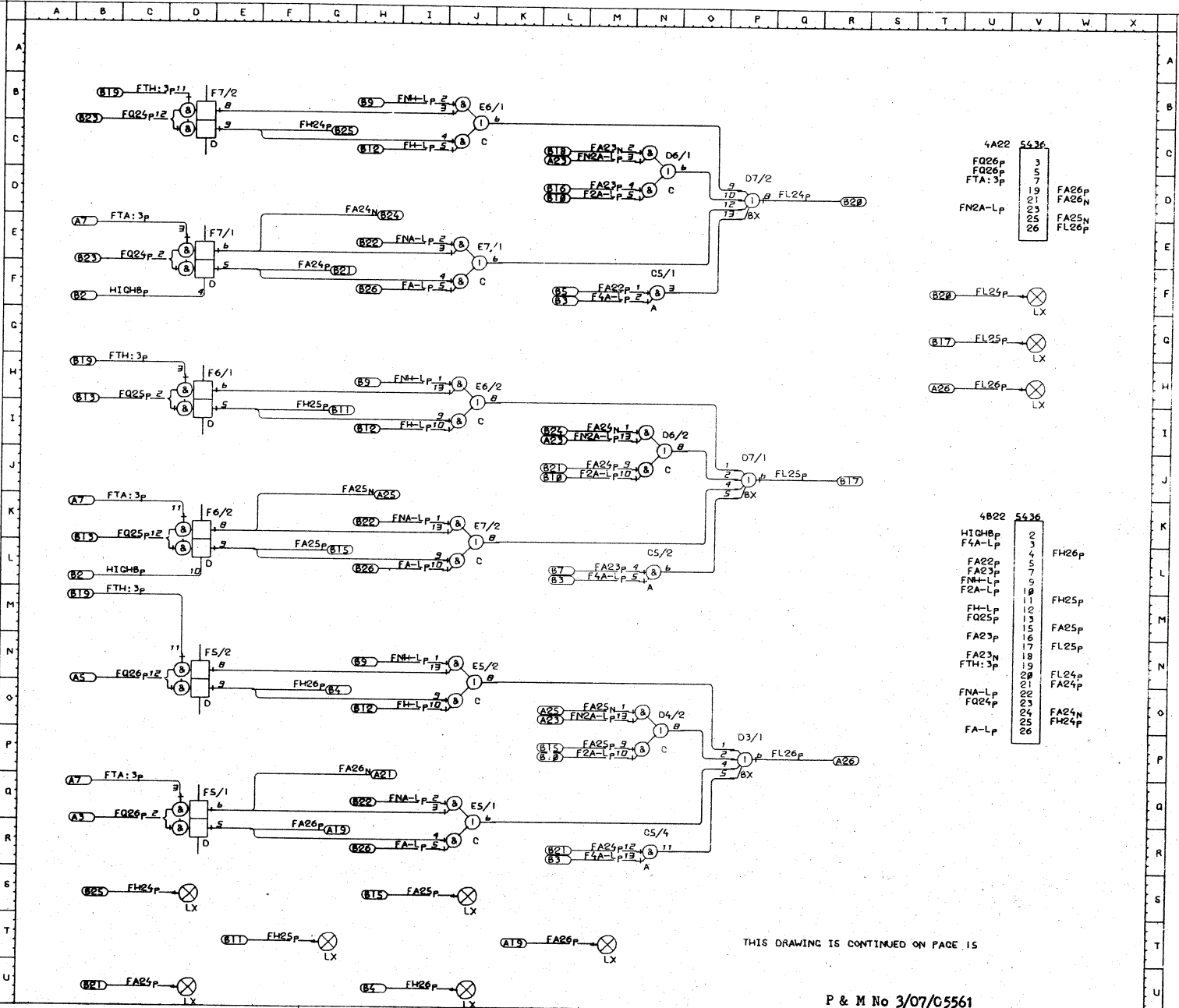
H & A REGS - L HIGHWAYS (BITS 21-23)

WGH04***/0013

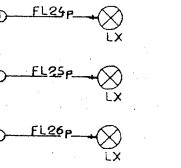
P & M No 3/07/05561

THIS DRAWING IS CONTINUED FROM PAGE 12

F2A-Lp	66	NC	NI	NO
F4A-Lp	66	NF	NL	NR
FA22p	13	NF	VK	
FA23p	13	NC	NL	VK
FA23N	13	NC	VK	
FA24p	GF	GF	28	DU
FA24N	HE	NI	VK	
FA25p	Q1	28	JS	NO
FA25N	HK	NO	VC	
FA26p	GR	28	MT	VC
FA26N	M4	VC		
FA-Lp	66	JE	JK	VK
FH24p	QC	QC	OS	VK
FH25p	Q1	GT	VK	
FH26p	Q3	JU	VK	
FH-Lp	66	JB	JH	JN
FL24p	PD	41	VF	VK
FL25p	PJ	41	VG	VK
FL26p	PF	41	VE	WH
FN2A-Lp	66	NC	NI	NO
FN2A-Lp	VC			
FNA-Lp	66	JE	JK	VK
FN-Lp	66	JH	JN	VK
FQ24p	52	DB	DE	VK
FQ25p	52	DH	DK	VK
FQ26p	52	DN	DQ	VC
FTA:3p	65	BE	BK	BQ
FTH:3p	89	BH	BM	DB
HIGHBp	91	BF	BL	VK



4A22	5436
FQ26p	3
FQ26p	5
FTA:3p	7
	19
	21
FN2A-Lp	23
	25
	26



4B22	5436
HIGHBp	2
F4A-Lp	3
	4
	5
FA22p	7
FA23p	9
FN-Lp	10
F2A-Lp	11
	12
	13
FH-Lp	15
FQ25p	16
FA23p	17
FA23N	18
FTH:3p	19
	20
	21
FNA-Lp	22
FQ24p	23
	24
	25
FA-Lp	26



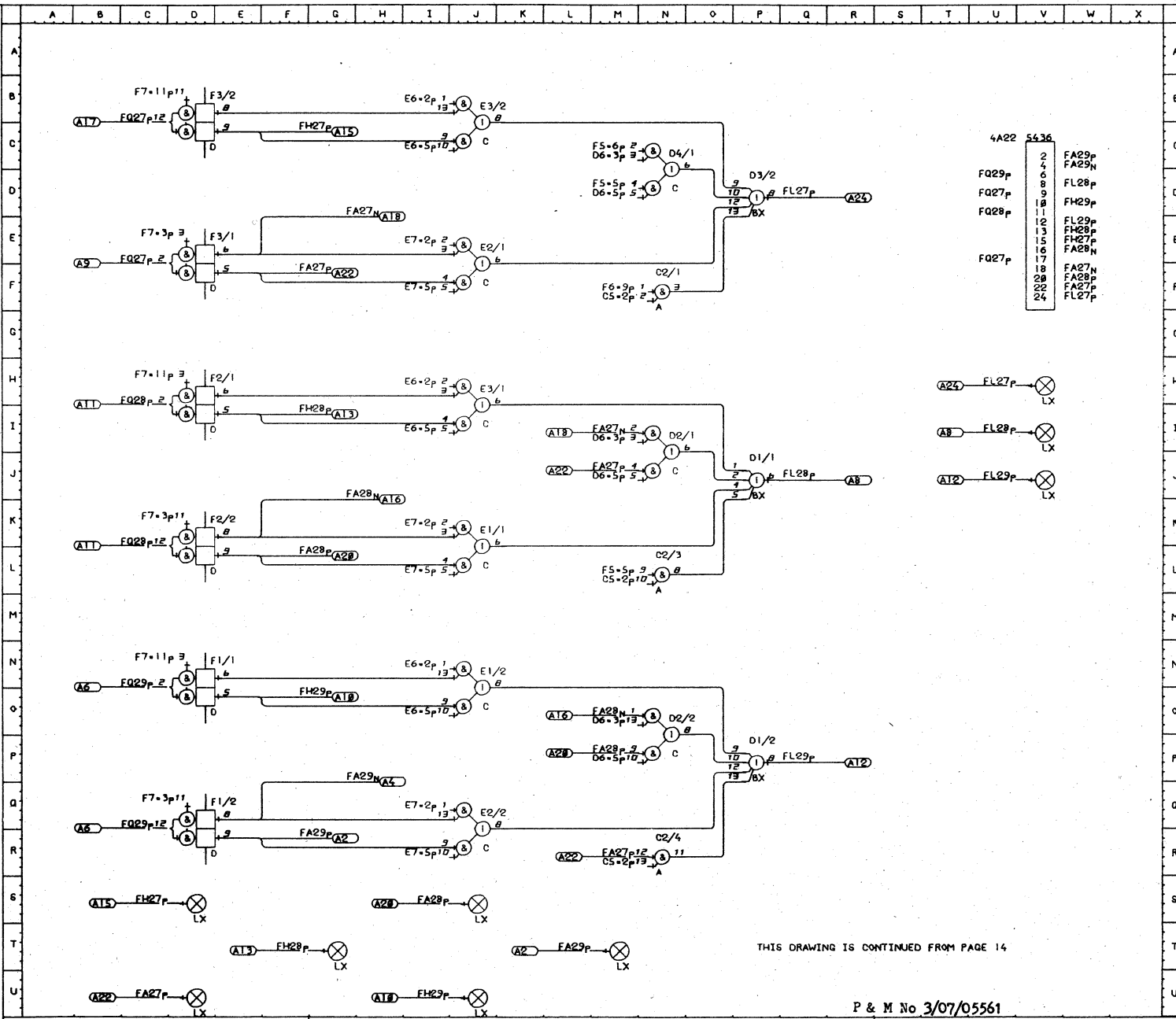
THIS DRAWING IS CONTINUED ON PAGE 15

P & M No 3/07/05561

WG#04***/0014

ISSUE: 1	TYPE MOD: I	TYPE MOD:	TYPE MOD:	TYPE MOD:	TYPE MOD:	TYPE MOD:
ACC: 2767	ECC: 1308	ECC:	ECC:	ECC:	ECC:	ECC:
REV: 0004 27/02/70 H & A REGS - L HIGHWAYS (BITS 24-26)						

FA27	NI	GF	29	DU
FA27	NI	VC		
FA29	CL	16	29	JS
FA29	VC			
FA29	VC	16	29	MT
FA29	VC			
FA29	VC	16	29	VC
FA27	GT	VC		
FA29	JU	VC		
FL27	41	VC	VH	
FL29	41	VC	VI	
FL29	41	VC	VJ	
FQ27	52	DB	VC	
FQ29	52	DB	VC	
FQ29	52	DB	VC	
FQ29	52	DB	VC	



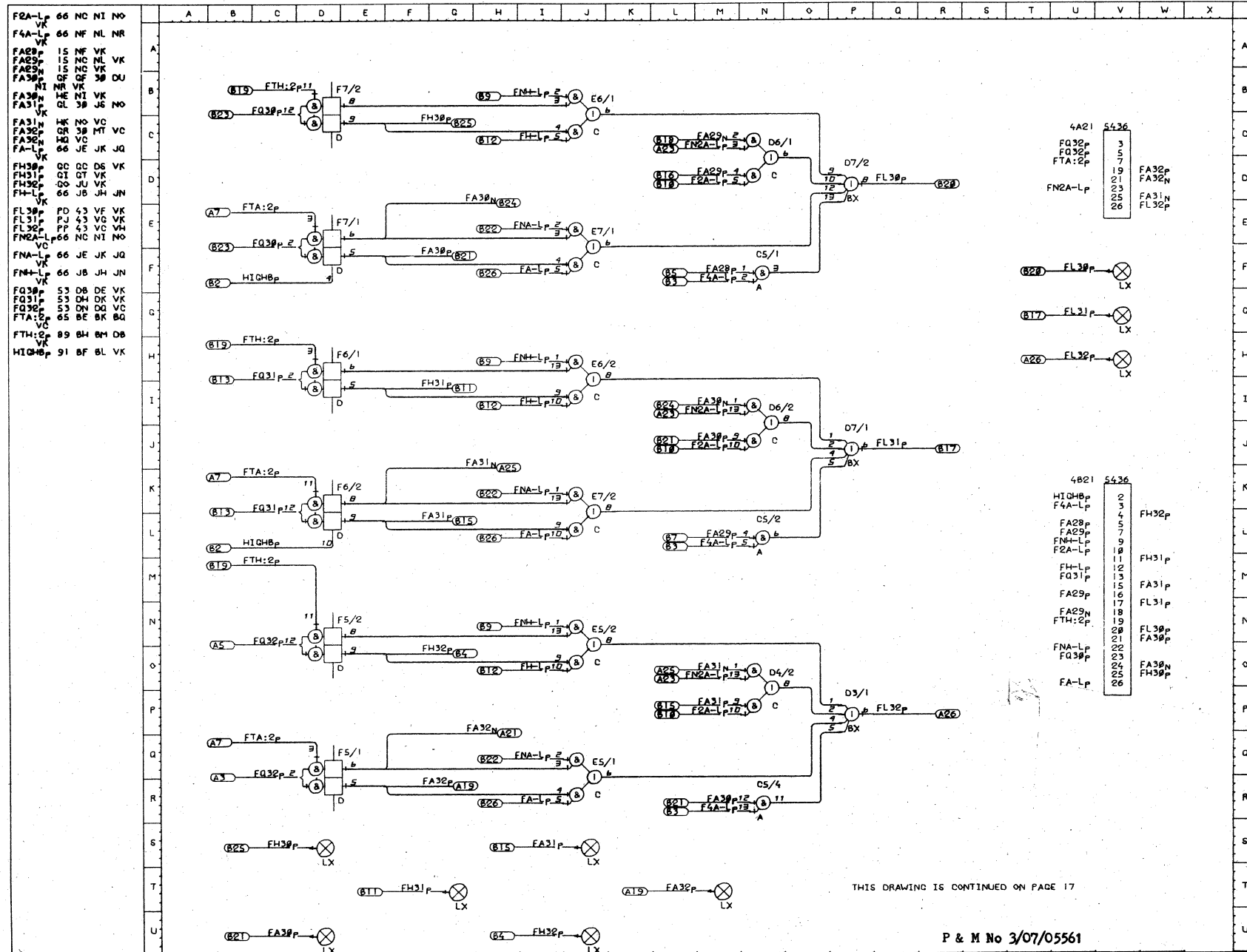
ISSUE: I	TYPE MOD: I	TYPE MOD:	TYPE MOD:	TYPE MOD:	TYPE MOD:	TYPE MOD:
ACC: 2767	ECC: 1308	ECC:	ECC:	ECC:	ECC:	ECC:

27/02/70

H&A REGS-LHIGHWAYS (BITS27-29)

WGH04***/0015

P & M No 3/07/05561



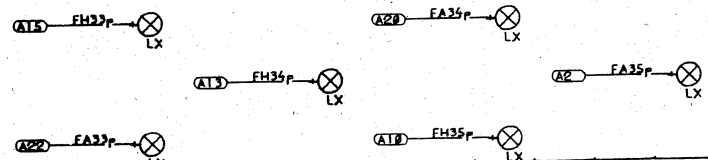
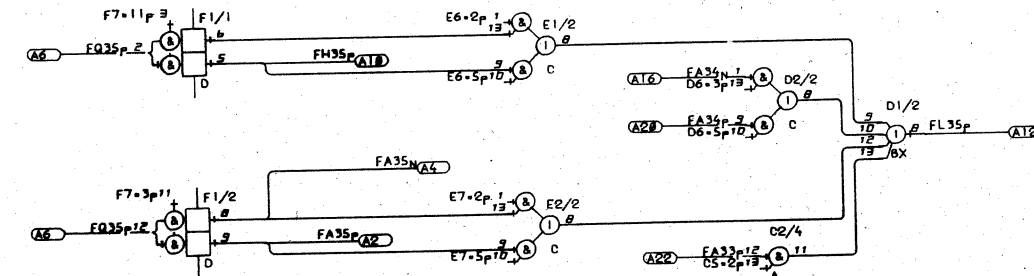
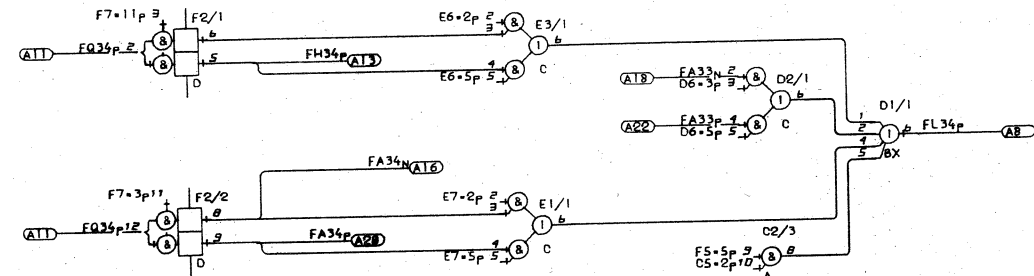
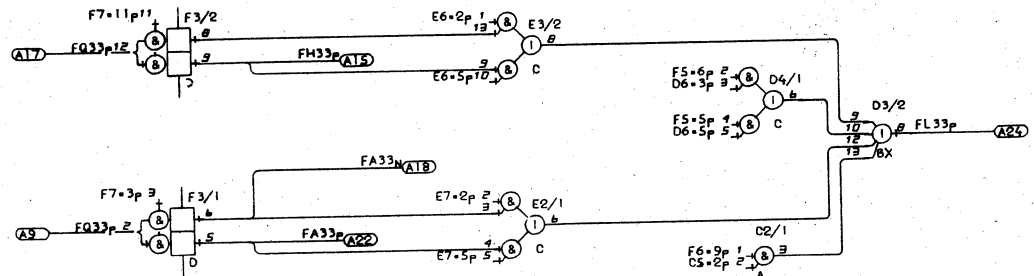
THIS DRAWING IS CONTINUED ON PAGE 17

P & M No 3/07/05561

ISSUE: 1	TYPE MOD: I	TYPE MOD:	TYPE MOD:	TYPE MOD:	TYPE MOD:	TYPE MOD:
ADD: 27/7	ECC: 1308	ECC:	ECC:	ECC:	ECC:	ECC:

27/02/70 H & A REGS - L HIGHWAYS (BITS 30-32) WGH04*** / 0016

FA33 NI OF 31 DU
 FA33 NI HE VC
 FA34 NI GL 18 31 J6
 FA34 NI VC
 FA34 NI CR NO VC
 FA34 NI 18 31 MT
 FA35 VC
 FA35 NI HD 18 VC
 FA35 NI GC OC OC VC
 FA35 NI GI CT VC
 FA35 NI GO JU VC
 FL33 NI PD 43 VC
 FL34 NI PJ 43 VC
 FL35 NI PF 43 VC
 FQ33 NI S3 DB DE VC
 FQ34 NI S3 DB DE VC
 FQ35 NI S3 DB DE VC



THIS DRAWING IS CONTINUED FROM PAGE 16

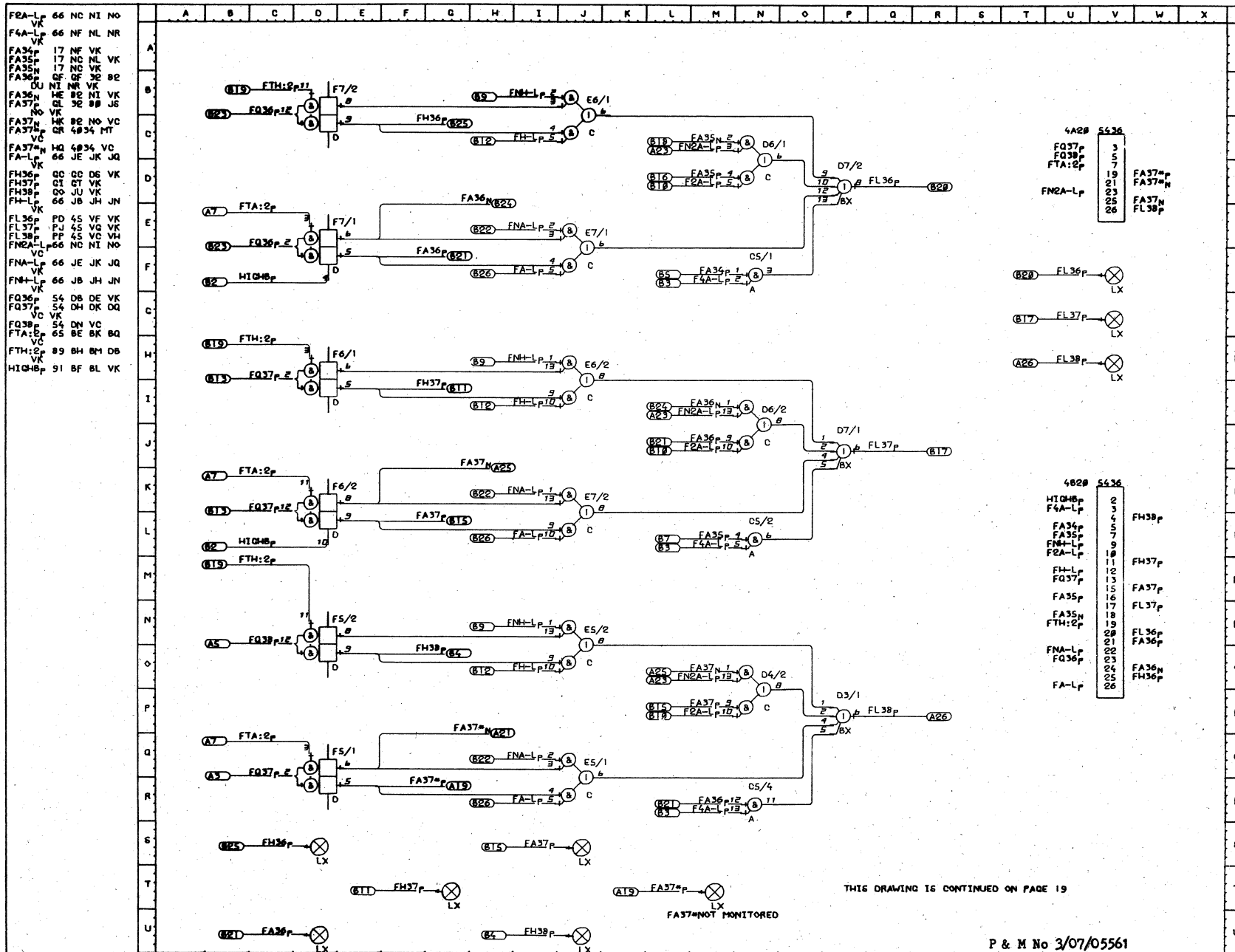
P & M No 3/07/05561

WGH04***/0017

27/02/70

H & A REGS - L HIGHWAYS (BITS 33-35)

ISSUE: 1	TYPE MOD: 1	TYPE MOD:	TYPE MOD:	TYPE MOD:	TYPE MOD:
ADD: 2767	ECC: 1308	ECC:	ECC:	ECC:	ECC:



4A28		5536	
FQ37P	3	FA37N	19
FQ38P	5	FA37N	21
FTA-LP	7	FA37N	23
		FA37N	25
		FL38P	26

(820)	FL36P	LX
(817)	FL37P	LX
(A26)	FL38P	LX

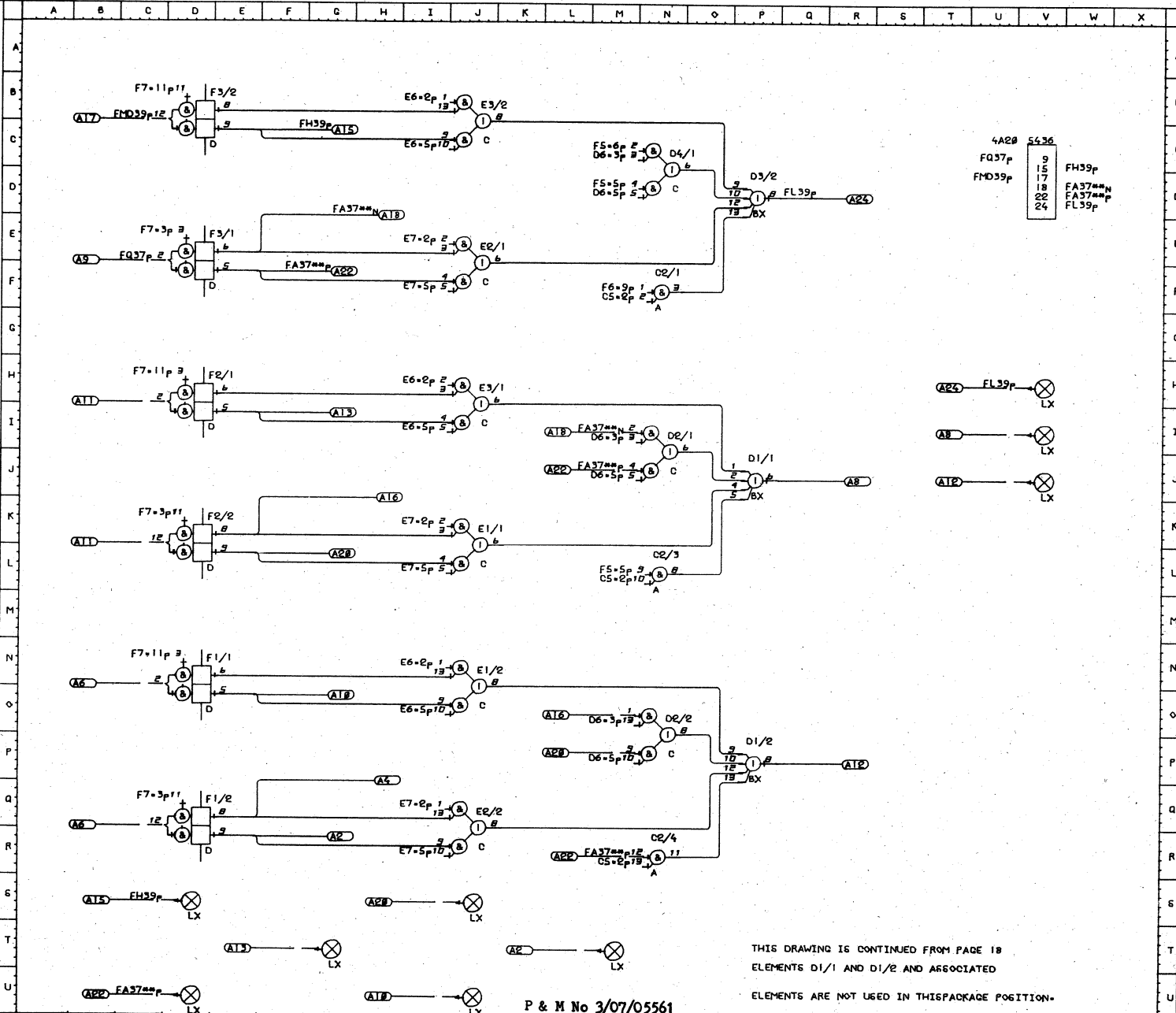
4828		5536	
H1048P	2	FA38P	11
F4A-LP	3	FA38P	12
	4	FA38P	13
	5	FA38P	14
FA34P	7	FA38P	15
FA35P	9	FA38P	16
FNA-LP	10	FA38P	17
FNA-LP	11	FA38P	18
FNA-LP	12	FA38P	19
FNA-LP	13	FA38P	20
FNA-LP	14	FA38P	21
FNA-LP	15	FA38P	22
FNA-LP	16	FA38P	23
FNA-LP	17	FA38P	24
FNA-LP	18	FA38P	25
FNA-LP	19	FA38P	26
FNA-LP	20	FA38P	27
FNA-LP	21	FA38P	28
FNA-LP	22	FA38P	29
FNA-LP	23	FA38P	30
FNA-LP	24	FA38P	31
FNA-LP	25	FA38P	32
FNA-LP	26	FA38P	33

THIS DRAWING IS CONTINUED ON PAGE 19

FA37 NOT MONITORED

P & M No 3/07/05561

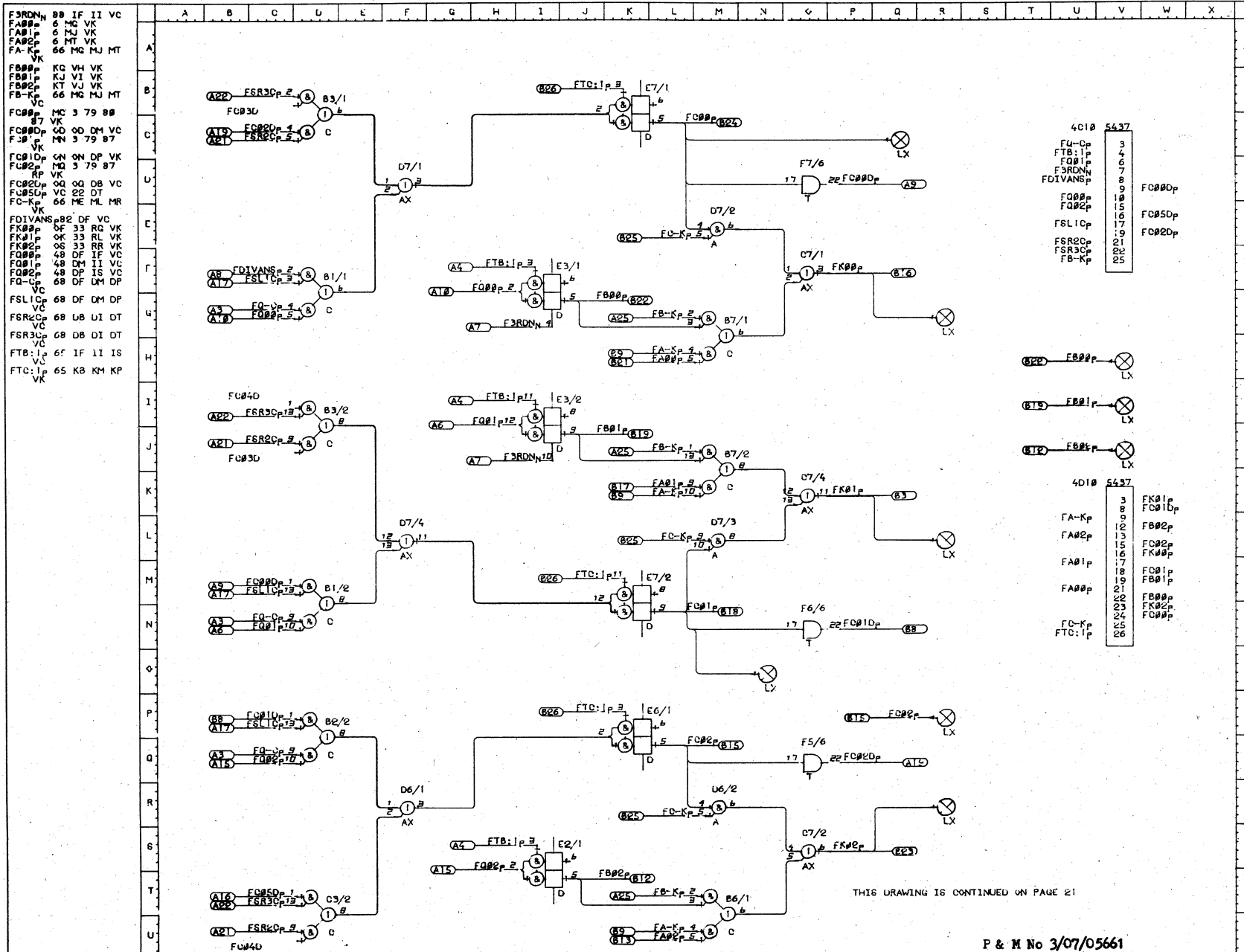
FA37**p GF QF DU NI
 NR VC
 FA37**p ME NI VC
 FH39**p QG GC DS VC
 FL39**p PD 4S VC VH
 FMD39**p 86 DB VC VJ
 FQ37**p 54 DE VC



THIS DRAWING IS CONTINUED FROM PAGE 18
 ELEMENTS D1/1 AND D1/2 AND ASSOCIATED
 ELEMENTS ARE NOT USED IN THIS PACKAGE POSITION.

P & M No 3/07/05561

REV: 27/02/70		H & A REGS - L HIGHWAYS (BIT 39)		WGH04***/0019	
ISSUE: 1	TYPE MOD: J	TYPE MOD:	TYPE MOD:	TYPE MOD:	TYPE MOD:
ADD: 2767	ECC: 1308	ECC:	ECC:	ECC:	ECC:



DATE: 28/02/70

B & C REGS - K HIGHWAYS (BITS 00-02)

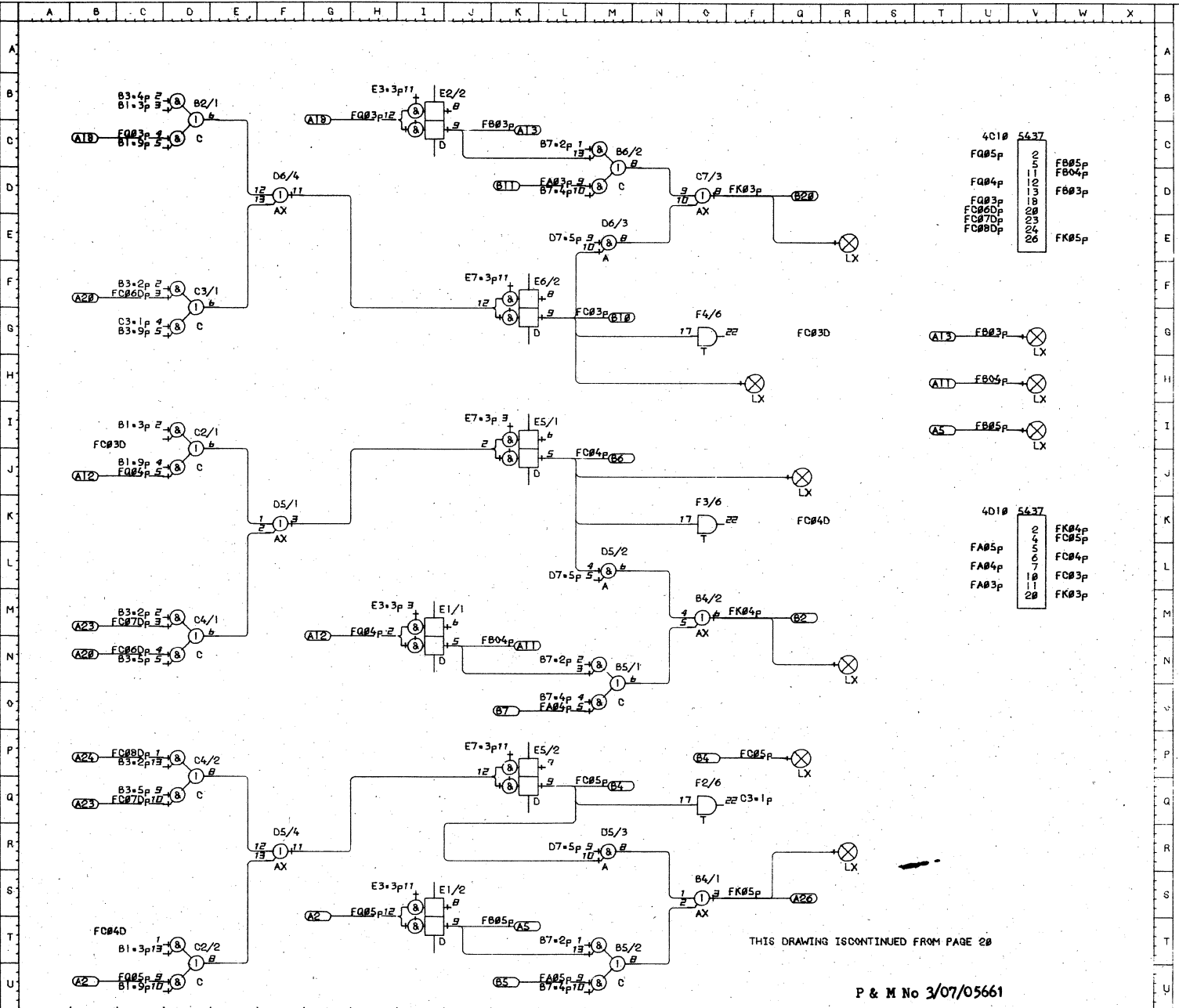
P & M No 3/07/05661

WGHO4***/0020

ISSUE:	TYPE MOD:	TYPE MOD:	TYPE MOD:	TYPE MOD:	TYPE MOD:	TYPE MOD:
1	2					
ADD: 2767	ECC: 2725	ECC:	ECC:	ECC:	ECC:	ECC:

THIS DRAWING IS CONTINUED ON PAGE 21

FA03p	7	MC	VK	
FA04p	7	MN	VK	
FA05p	7	MT	VK	
FB03p	KC	VC	VG	
FB05p	KT	VC	VI	
FB04p	KN	VC	VH	
FC03p	MG	4	VK	
FC04p	MJ	4	VK	
FC05p	MQ	4	QP	VK
FC06Dp	22	DF	DM	VC
FC07Dp	22	DM	DP	VC
FC08Dp	22	DF	VC	
FK03p	QD	33	RE	VK
FK04p	QM	33	RN	VK
FK05p	Q8	33	RR	VC
FQ03p	48	DB	IS	VC
FQ04p	48	DI	IM	VC
FQ05p	48	DT	IS	VC



4C10	5437
FQ05p	2
	5
	11
	13
	18
FQ03p	19
FC06Dp	20
FC07Dp	23
FC08Dp	24
	26
	FK05p

AT3	FB03p	LX
AT1	FB04p	LX
AS	FB05p	LX

4D10	5437
FA05p	2
	5
	5
	7
FA04p	10
FA03p	11
	20
	FK04p
	FC05p
	FC04p
	FC03p
	FK03p

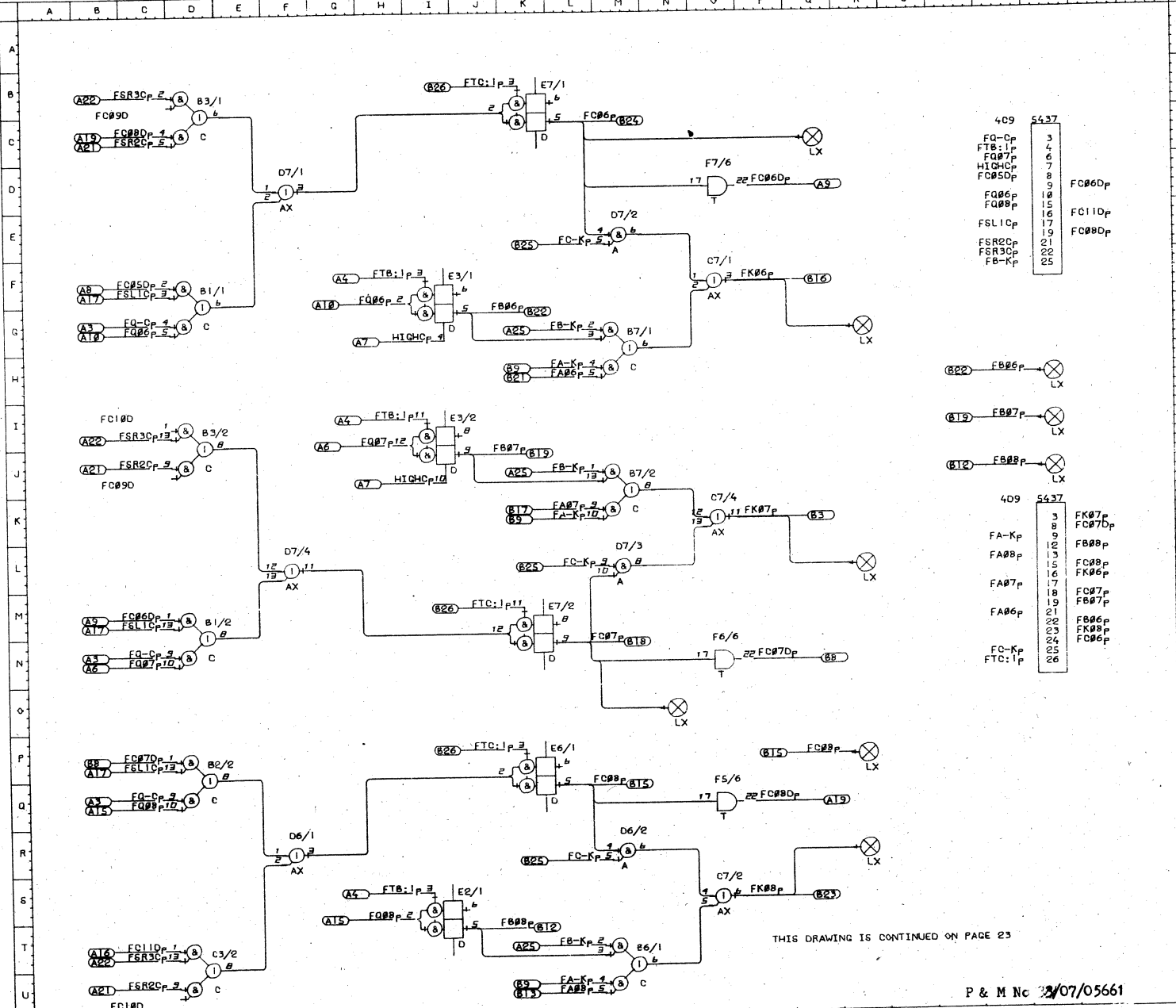
THIS DRAWING IS CONTINUED FROM PAGE 20

P & M No 3/07/05661

03/03/70 B & C REGS - K HIGHWAYS (BITS 03-05) WGH04***/0021

ISSUE: 1	TYPE MOD: 2	TYPE MOD:	TYPE MOD:	TYPE MOD:	TYPE MOD:	TYPE MOD:
ACD: 2767	ECC: 2725	ECC:	ECC:	ECC:	ECC:	ECC:

FABG	8	MG	VK
FAB7	8	NJ	VK
FAB8	8	MT	VK
FA-K	66	MG	NJ MT
FB86	KQ	VH	VK
FB87	KJ	VI	VK
FB88	KT	VJ	VK
FB-K	66	MG	NJ MT
FC95D	28	DF	VC
FC96	MC	4	VK
FC96D	00	00	21 DM
FC97	MC	4	VK
FC97D	0N	0N	21 DP
FC98	MC	4	RP VK
FC98D	0Q	0Q	21 DB
FC11D	VC	24	DT
FC-K	66	ME	ML MR
FK86	0F	35	RQ VK
FK87	0K	35	RL VK
FK88	0S	35	RR VK
FQ86	49	DF	IF VC
FQ87	49	DM	II VC
FQ88	49	DP	IS VC
FQ-C	68	DF	DM DP
FQ-VC	68	DF	DM DP
FSL1C	68	DF	DM DP
FSR2C	68	DB	DI DT
FSR3C	68	DB	DI DT
FTB:1P	65	IF	II IS
FTC:1P	65	KB	KM KP
HIGHC	91	IF	II VC



409	5437
FQ-C	3
FTB:1P	4
FQ87	6
HIGHC	7
FC95D	8
FQ86	9
FQ88	10
FSL1C	15
FSR2C	16
FSR3C	17
FB-K	19
FC96D	21
FC11D	22
FC98D	25

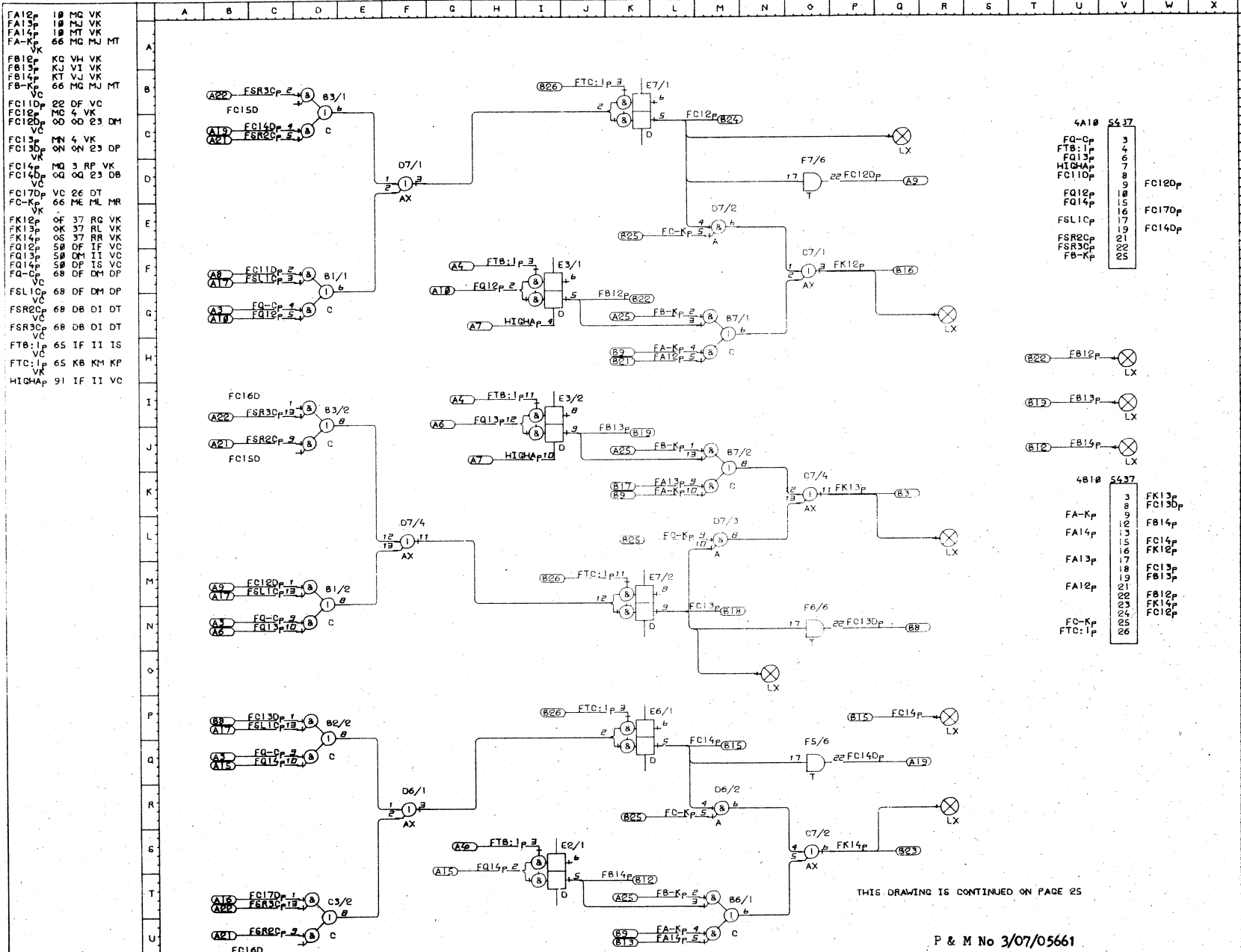
822	FB86	LX
819	FB87	LX
812	FB88	LX

409	5437
FK87	3
FC97D	8
FA-K	9
FB88	12
FC98	13
FK86	15
FA87	16
FA86	17
FC97	18
FB87	19
FA86	21
FB86	22
FK88	23
FC96	24
FC-K	25
FTC:1P	26

THIS DRAWING IS CONTINUED ON PAGE 23

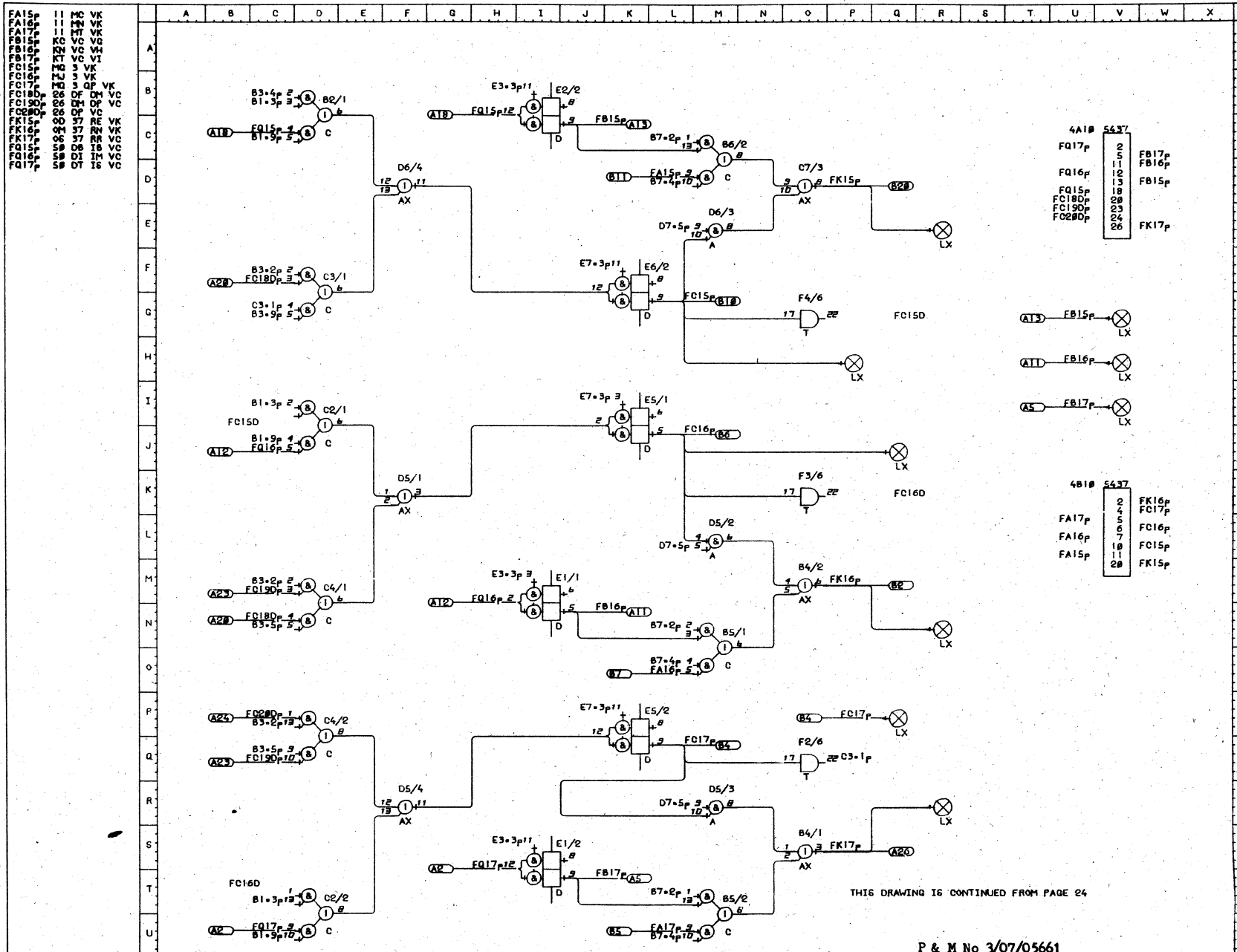
P & M No 2/07/05661

27/02/70		B & C REGS - K HIGHWAYS (BITS 06-08)		WGHO4***/0022	
ISSUE: I	TYPE MOD: I	TYPE MOD:	TYPE MOD:	TYPE MOD:	TYPE MOD:
ACC: 2767	ECC: 2725	ECC:	ECC:	ECC:	ECC:



27/02/70 B & C REGS - K HIGHWAYS (BITS 12-14) WGH04***/0024

ISSUE: 1	TYPE MOD: 2	TYPE MOD:	TYPE MOD:	TYPE MOD:	TYPE MOD:
ACC: 2767	ECC: 2725	ECC:	ECC:	ECC:	ECC:

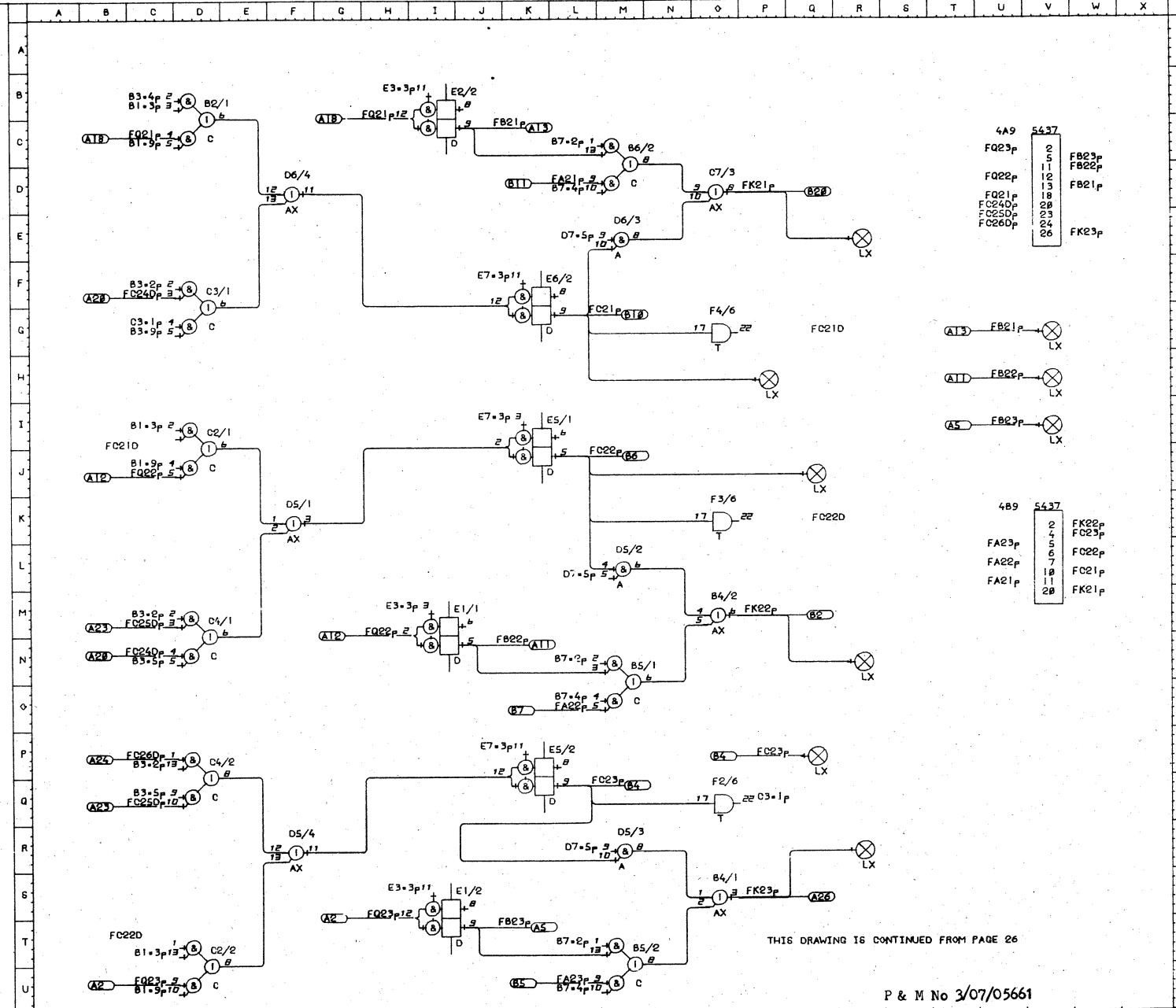


THIS DRAWING IS CONTINUED FROM PAGE 24

P & M No 3/07/05661

27/02/70		B & C REGS - K HIGHWAYS (BITS 15-17)		WGH04***/0025	
ISSUE: 1	TYPE MOD: 2	TYPE MOD:	TYPE MOD:	TYPE MOD:	TYPE MOD:
ADD: 2767	ECC: 2725	ECC:	ECC:	ECC:	ECC:

FA21	13	MC	VK	
FA22	13	MT	VK	
FA23	13	NU	VK	
FB21	KC	VC	VC	
FB22	KN	VC	VH	
FB23	KT	VC	VI	
FC21	MJ	3	VK	
FC22	MJ	3	SS	VK
FC23	MJ	3	QP	VK
FC24	08	OF	OM	VC
FC25	08	OF	OF	VC
FC26	08	OF	VC	VC
FK21	00	39	RE	VK
FK22	06	39	RN	VK
FK23	06	39	RR	VC
FK21	S1	DI	IS	VC
FK22	S1	DI	IM	VC
FK23	S1	DI	16	VC



4A9	5437
FQ23p	2
	5
	11
FQ22p	12
	13
FQ21p	18
FC24D	20
FC25D	23
FC26D	24
	26
	FK23p

A13	FB21p	LX
A11	FB22p	LX
A5	FB23p	LX

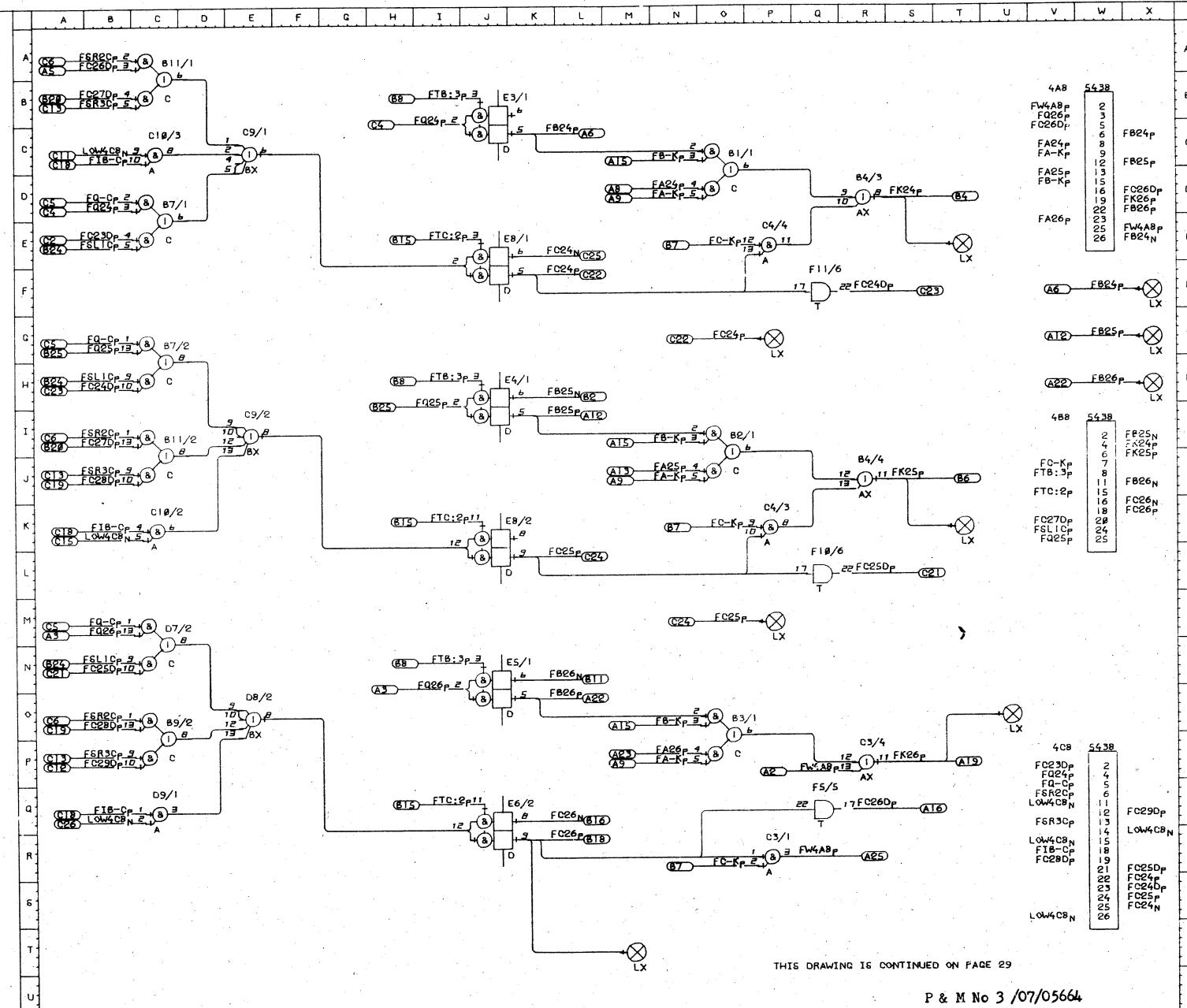
4B9	5437
FA23p	2
	4
FA22p	5
	6
FA21p	7
	10
	11
	20
	FK22p
	FC22p
	FC21p
	FK21p

P & M No 3/07/05661

THIS DRAWING IS CONTINUED FROM PAGE 26

27/02/70		B & C REGS - K HIGHWAYS (BITS 21-23)		WGH04***/0027	
ISSUE: 1	TYPE MOD: 2	TYPE MOD:	TYPE MOD:	TYPE MOD:	TYPE MOD:
ACC: 2767	ECC: 2725	ECC:	ECC:	ECC:	ECC:

FA24p 14 OC WB
 FA25p 14 OI WB
 FA26p 14 OO WB
 FA-Kp 06 OC OI OO
 FB24p LC WB XF
 FB25p LH WB XG
 FB26p LI WB XH
 FC24p LH WI
 FC25p LN WI
 FC26p LO WI
 FC-Kp 06 OC OI OO
 FC230p 26 OD WF
 FC24p LF 3 55 PG
 FC25p LE WF
 FC26p QF QF 27 CC
 FC25p LL 3 PM WF
 FC26p QL QL 27 QM
 FC26p LR 4 56 WI
 FC26p LQ WI
 FC26p QQ QQ 27 CA
 FC270p 29 CA CI WI
 FC280p 29 CI CO WF
 FC290p 38 CO CO PR
 FC-Kp 66 PE PK PR
 FI8-Cp 78 CC CK OQ
 FK24p RD 41 TE WI
 FK25p RJ 41 TK WI
 FK26p RF 41 UO WB
 FQ24p 52 OD JB WF
 FQ25p 52 OD JH WI
 FQ26p 52 QJ JN WB
 FQ-Cp 68 OD CO QM
 FSL1Cp 68 OD CO QM
 FSR2Cp 68 CA CI CO
 FSR3Cp 68 CA CI CO
 FTB:3p 65 JB JH JN
 FTC:2p 65 JE JK JQ
 FW4ABp PR RP WB
 Low4CB 29 CC CK



4A8	5438	
FW4ABp	2	
FQ26p	3	
FC26Dp	5	
FA24p	6	FB24p
FA-Kp	9	
FA25p	12	FB25p
FB-Kp	13	
	15	
	16	FC26Dp
	19	FK26p
	22	FB26p
FA26p	23	
	25	FW4ABp
	26	FB24N

4A8	5438	
FC24p		LX
FB25p		LX
FB26p		LX

4B8	5438	
FB25N	2	
FK25p	4	
FK25p	6	
FC-Kp	7	
FTB:3p	11	
	15	FB26N
FTC:2p	16	
	18	FC26N
FC270p	24	
FSL1Cp	28	
FQ25p	25	

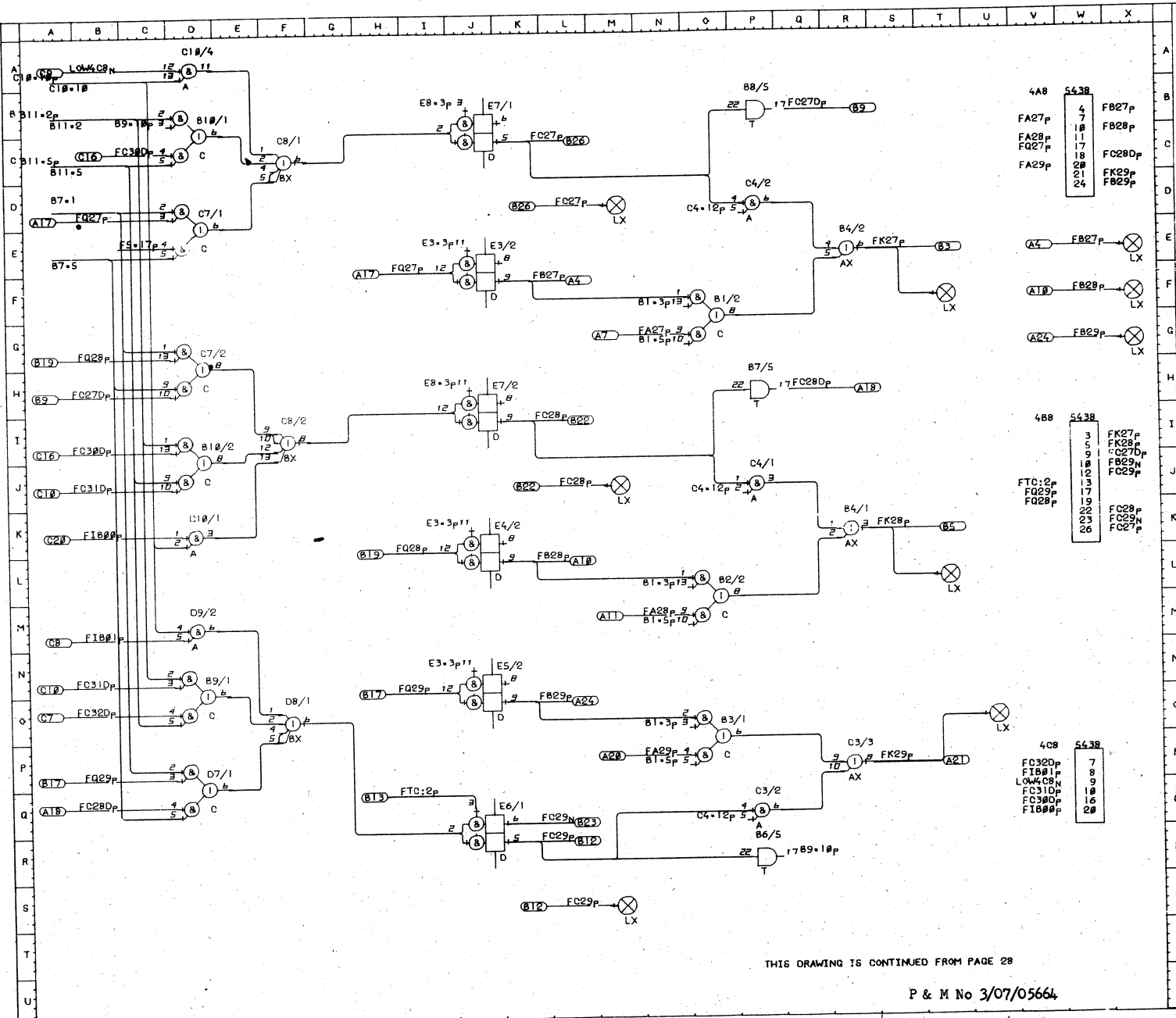
4C8	5438	
FC230p	2	
FQ24p	4	
FQ-Cp	4	
FSR2Cp	6	
Low4CBN	11	
FC290p	12	
F6R30p	13	
Low4CBN	14	
Low4CBN	15	
FI8-Cp	18	
FC280p	19	
FC25Dp	21	
FC24p	22	
FC24Dp	23	
FC25p	24	
FC24N	25	
Low4CBN	26	

THIS DRAWING IS CONTINUED ON PAGE 29

P & M No 3 /07/05664

27/02/70		B & C REGS - K HIGHWAYS (BITS 24-26)			WGH04***/0028		
ISSUE: 1	TYPE MOD: 2	TYPE MOD:	TYPE MOD:	TYPE MOD:	TYPE MOD:	TYPE MOD:	
ACC: 2767	ECC: 2725	ECC:	ECC:	ECC:	ECC:	ECC:	

FA27p	15	OF	WB		
FA28p	15	OL	WB		
FA29p	15	OO	WB		
FB27p	LF	WB	XF		
FB28p	LL	WB	XF		
FB29p	LO	WB	XF		
FC27p	LC	4	MO	WI	
FC27p	PC	PB	28	DQ	
FC28p	WI				
FC28p	LI	4	56	MJ	
FC28p	PH	PH	28	DP	
FC29p	LR	4	M6	WI	
FC29p	LQ	WI			
FC30p	38	DB	DI	WF	
FC31p	38	DI	DI	WF	
FC32p	38	DN	WF		
FC32p	38	DN	WF		
FI27p	1	OK	WF		
FI28p	1	OK	WF		
FK27p	RE	4	1	TF	WI
FK28p	RK	4	1	TL	WI
FK29p	RP	4	1	UO	WB
FQ27p	52	DO	HL	WB	
FQ28p	52	DO	HL	WB	
FQ29p	52	DO	HL	WB	
FTC:2p	65	MO	WI		
LOW4C8N	28	DA	WF		



4A8	5438
4	FB27p
7	FB28p
11	
17	FC280p
18	
28	FK29p
21	FB29p
24	

A4	FB27p	LX
A10	FB28p	LX
A24	FB29p	LX

4B8	5438
3	FK27p
5	FK28p
9	FC27Dp
12	FB29N
13	FC29p
17	
19	
20	
23	
26	

FTC:2p	
FQ29p	
FQ28p	
FC28p	
FC29N	
FC27p	

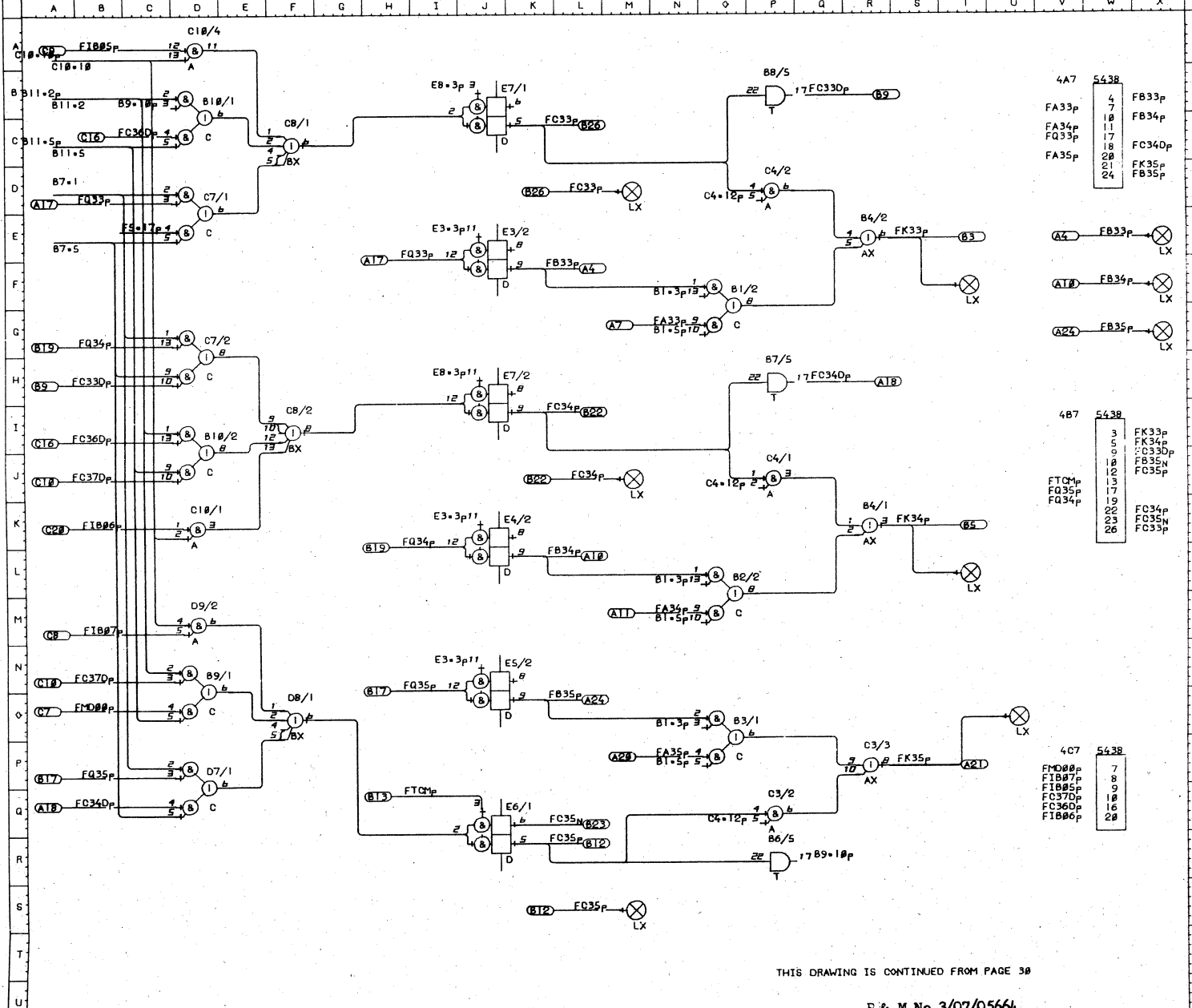
4C8	5438
7	FC320p
8	FI28p
9	LOW4C8N
10	FC310p
16	FC300p
20	FI280p

THIS DRAWING IS CONTINUED FROM PAGE 28

P & M No 3/07/05664

00110024 27/02/70		B & C REGS - K HIGHWAYS (BITS 27-29)			WGH04***/0029		
ISSUE: 1	TYPE MOD: 2	TYPE MOD:	TYPE MOD:	TYPE MOD:	TYPE MOD:	TYPE MOD:	TYPE MOD:
ACC: 2767	ECC: 2725	ECC:	ECC:	ECC:	ECC:	ECC:	ECC:

- FA33p 17 OF WB
- FA34p 17 OL WB
- FA35p 17 OO WB
- FB33p 17 WJ XE
- FB34p 17 WJ XF
- FB35p 17 WJ XC
- FC33p 17 WJ XD
- FC34p 17 WJ XE
- FC35p 17 WJ XF
- FD33p 17 WJ XG
- FD34p 17 WJ XH
- FD35p 17 WJ XI
- FE33p 17 WJ XJ
- FE34p 17 WJ XK
- FE35p 17 WJ XL
- FF33p 17 WJ XM
- FF34p 17 WJ XN
- FF35p 17 WJ XO
- FG33p 17 WJ XP
- FG34p 17 WJ XQ
- FG35p 17 WJ XR
- FH33p 17 WJ XS
- FH34p 17 WJ XT
- FH35p 17 WJ XU
- FI33p 17 WJ XV
- FI34p 17 WJ XW
- FI35p 17 WJ XW
- FJ33p 17 WJ XW
- FJ34p 17 WJ XW
- FJ35p 17 WJ XW
- FK33p 17 WJ XW
- FK34p 17 WJ XW
- FK35p 17 WJ XW
- FL33p 17 WJ XW
- FL34p 17 WJ XW
- FL35p 17 WJ XW
- FM33p 17 WJ XW
- FM34p 17 WJ XW
- FM35p 17 WJ XW
- FN33p 17 WJ XW
- FN34p 17 WJ XW
- FN35p 17 WJ XW
- FO33p 17 WJ XW
- FO34p 17 WJ XW
- FO35p 17 WJ XW
- FP33p 17 WJ XW
- FP34p 17 WJ XW
- FP35p 17 WJ XW
- FQ33p 17 WJ XW
- FQ34p 17 WJ XW
- FQ35p 17 WJ XW
- FR33p 17 WJ XW
- FR34p 17 WJ XW
- FR35p 17 WJ XW
- FS33p 17 WJ XW
- FS34p 17 WJ XW
- FS35p 17 WJ XW
- FT33p 17 WJ XW
- FT34p 17 WJ XW
- FT35p 17 WJ XW



4A7	5438
4	FB33p
7	FB34p
18	FC340p
17	FK35p
18	FB35p
28	
21	
24	

4A7	5438
3	FK33p
5	FK34p
6	FC330p
18	FB35p
13	FC35p
17	
19	
22	
23	FC34p
25	FC35p
26	FC33p

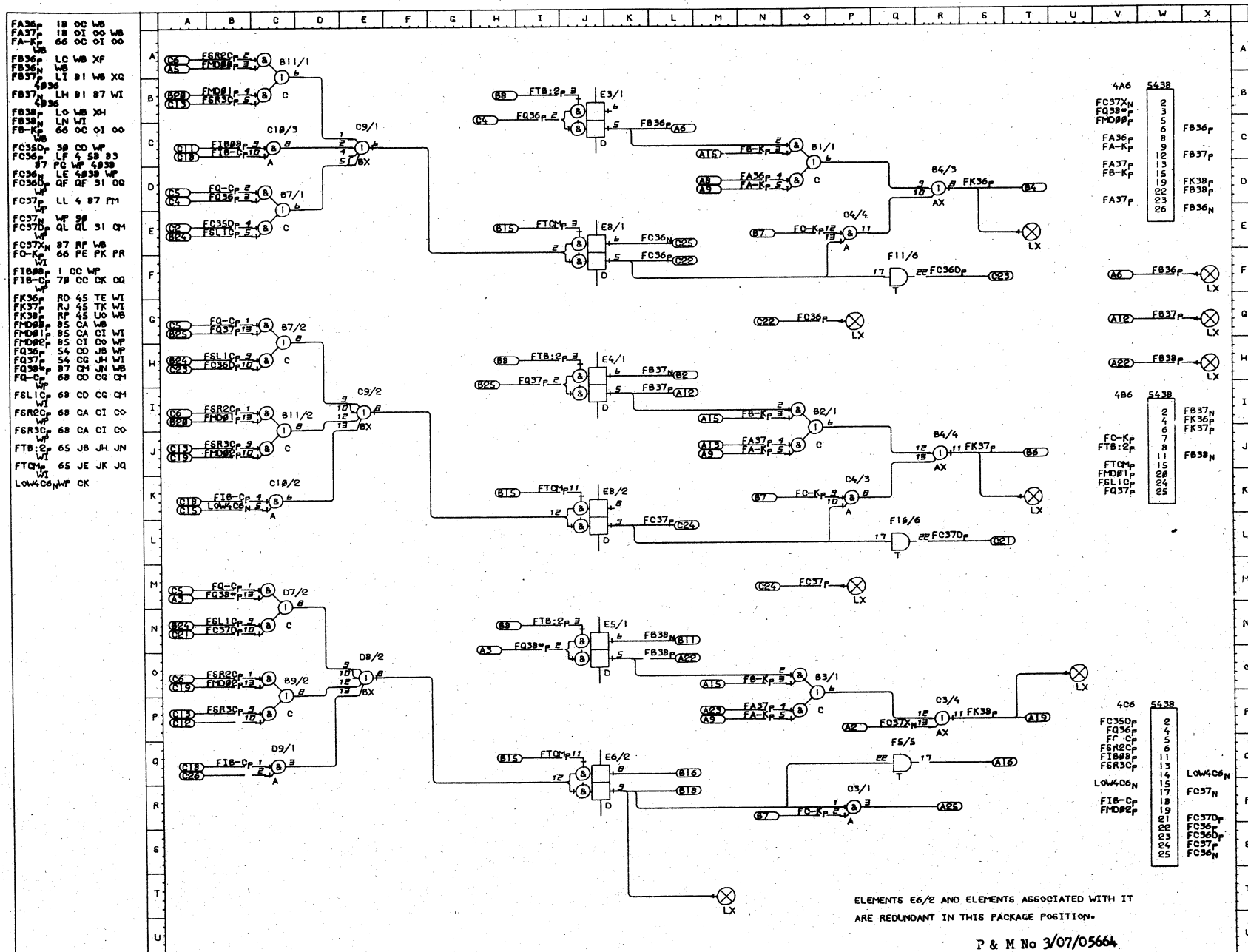
4B7	5438
3	FK33p
5	FK34p
6	FC330p
18	FB35p
13	FC35p
17	
19	
22	
23	FC34p
25	FC35p
26	FC33p

4C7	5438
7	FM00p
8	FIB07p
9	FIB05p
18	FC370p
16	FC360p
28	FIB06p

THIS DRAWING IS CONTINUED FROM PAGE 30

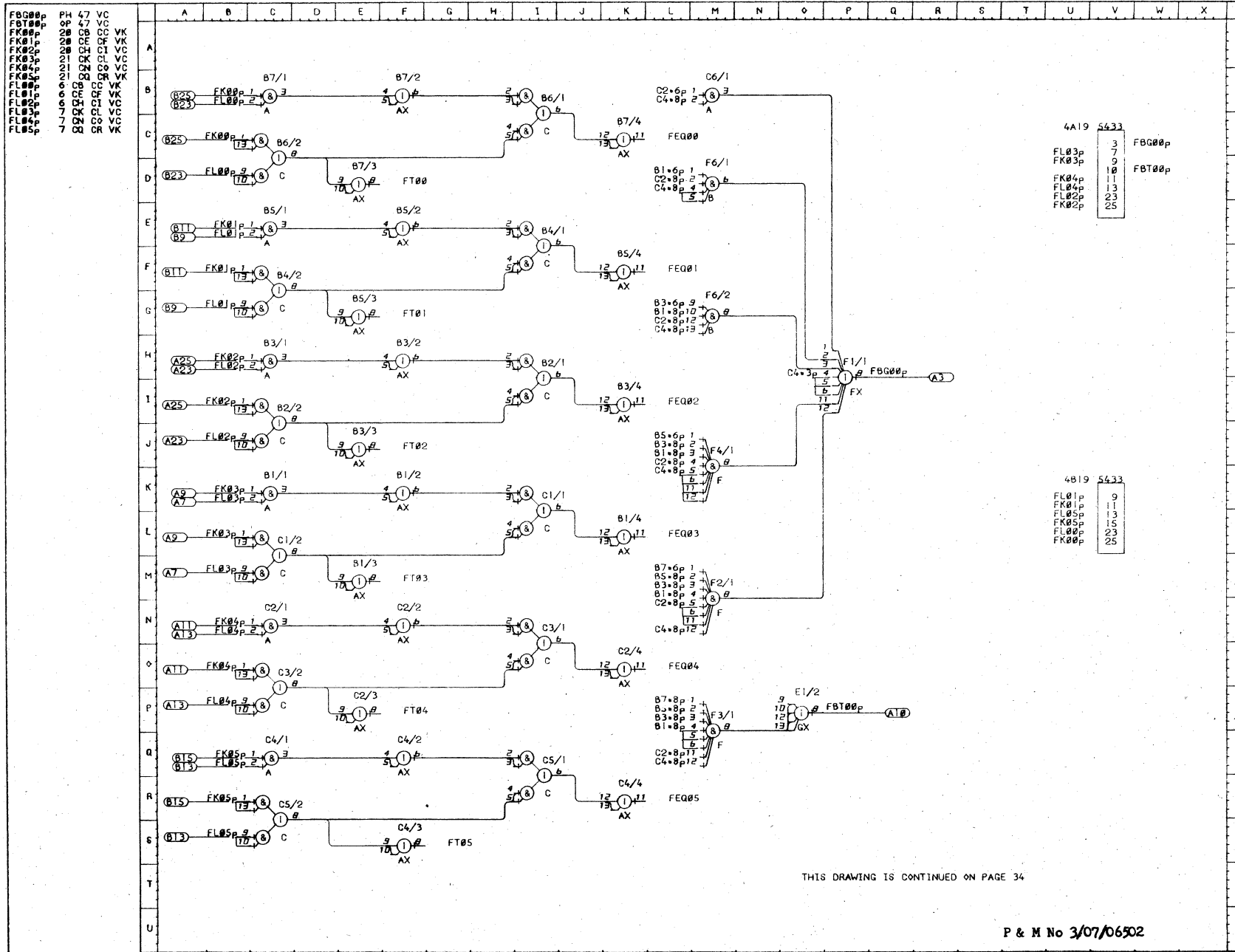
F & M No 3/07/05664

27/02/70		B & C REGS - K HIGHWAYS (BITS 33-35)			WGH04*** / 0031	
ISSUE: 1	TYPE MOD: 2	TYPE MOD:	TYPE MOD:	TYPE MOD:	TYPE MOD:	TYPE MOD:
ACC: 2767	ECC: 2725	ECC:	ECC:	ECC:	ECC:	ECC:



27/02/70		B & C REGS - K HIGHWAYS (BITS 36-38)		WGH04***/0032	
ISSUE: 1	TYPE MOD: 2	TYPE MOD:	TYPE MOD:	TYPE MOD:	TYPE MOD:
ADD: 2767	ECC: 2725	ECC:	ECC:	ECC:	ECC:

P & M No 3/07/05664



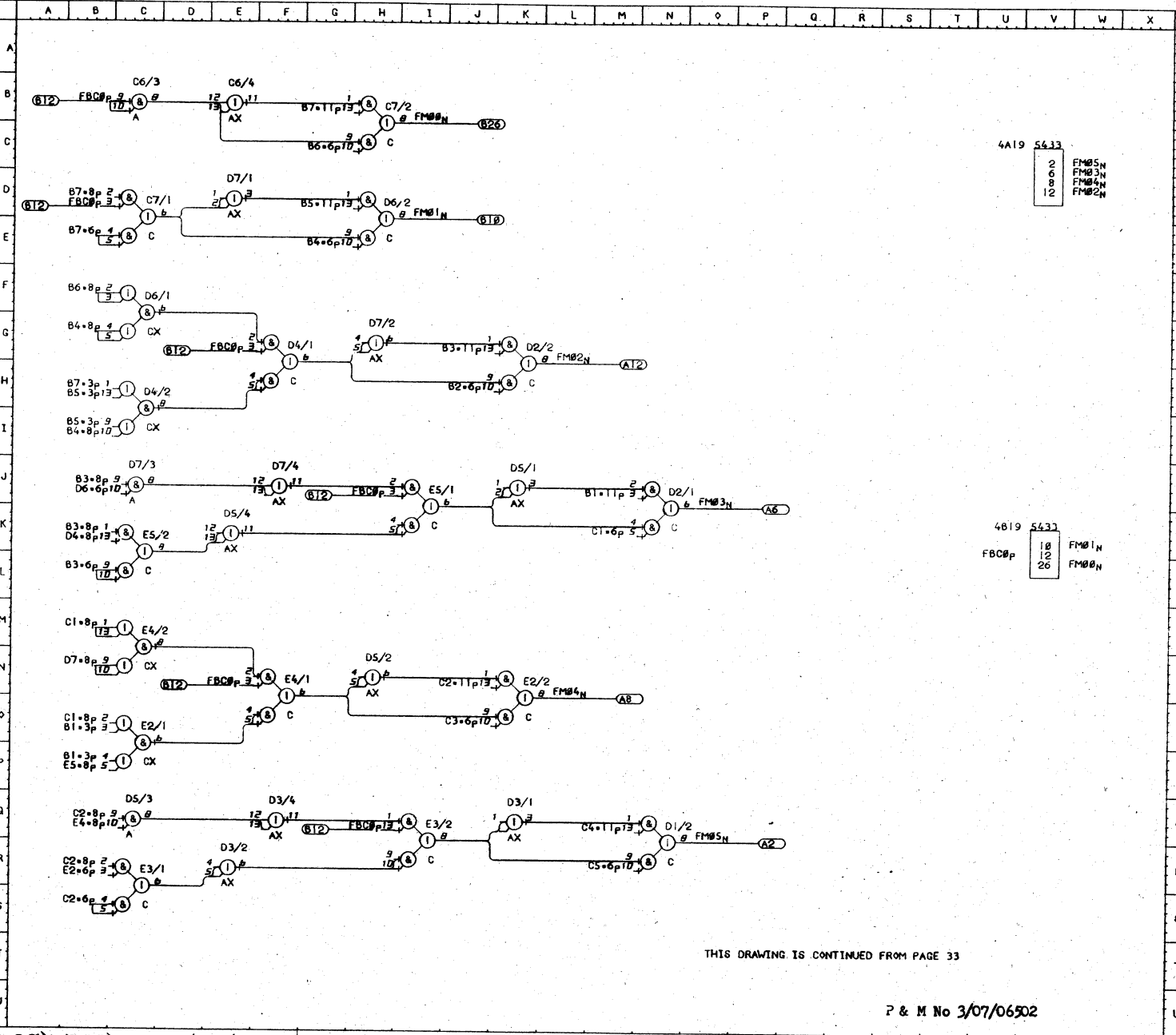
4A19	5433	
FL03p	3	FBG00p
FK03p	7	
	9	
FK04p	10	FBT00p
FL04p	11	
FL02p	13	
FL02p	23	
FK02p	25	

4B19	5433	
FL01p	9	
FK01p	11	
FL05p	13	
FK05p	15	
FL00p	23	
FK00p	25	

THIS DRAWING IS CONTINUED ON PAGE 34

P & M No 3/07/06502

FBC0P 47 C6 CD FG
 FN 1J 1Q VK
 FM01N HD 63 85 VK
 FM02N KG 63 85 VK
 FM03N NJ 63 85 VK
 FM04N KN 63 85 VK
 FM05N NQ 63 85 VK



THIS DRAWING IS CONTINUED FROM PAGE 33

P & M No 3/07/06502

~~SECRET~~

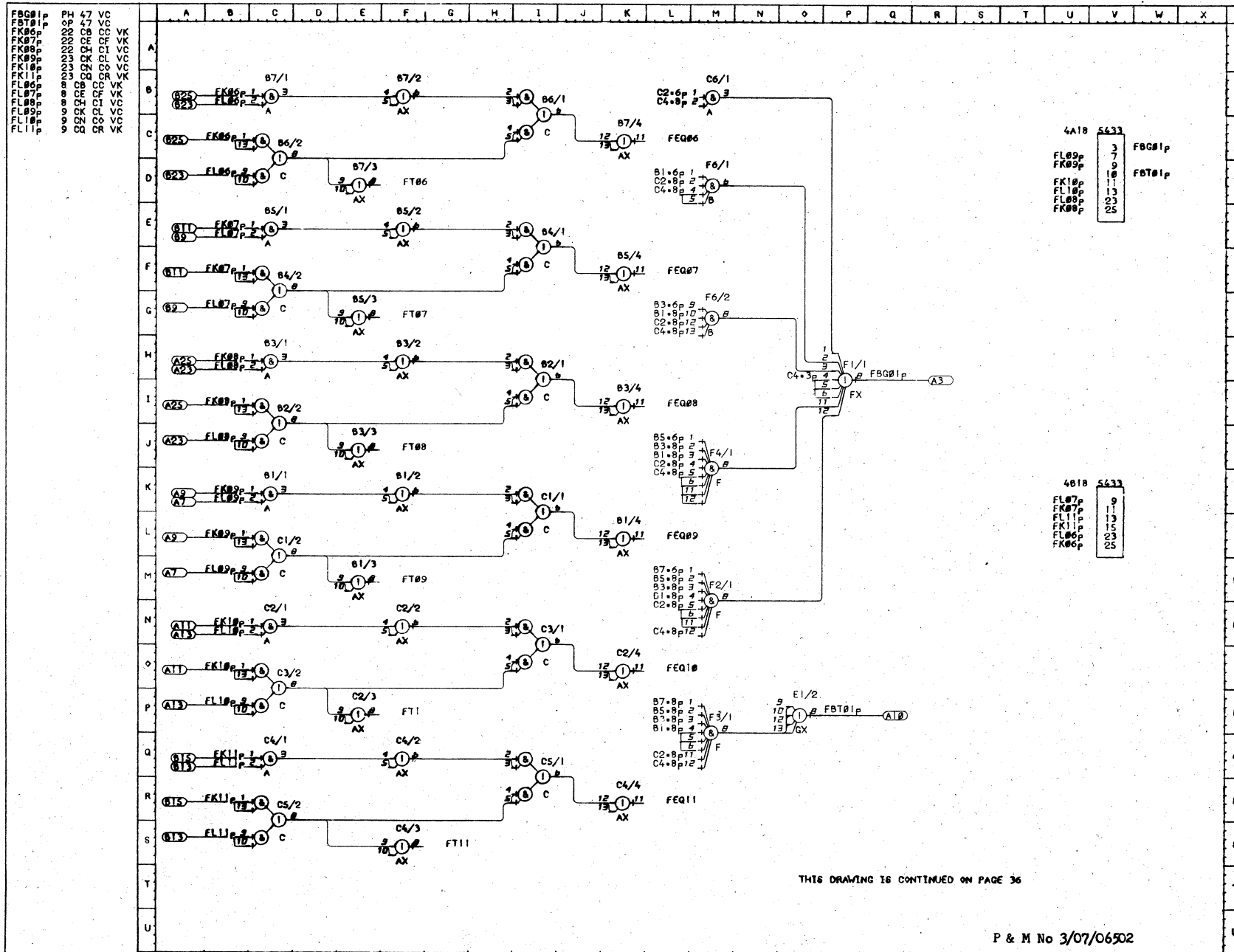
17/10/69

ARGUMENT MILL SUM (BITS 00-05)

WGH04***/0034

ISSUE: 155
 ACD: 2366

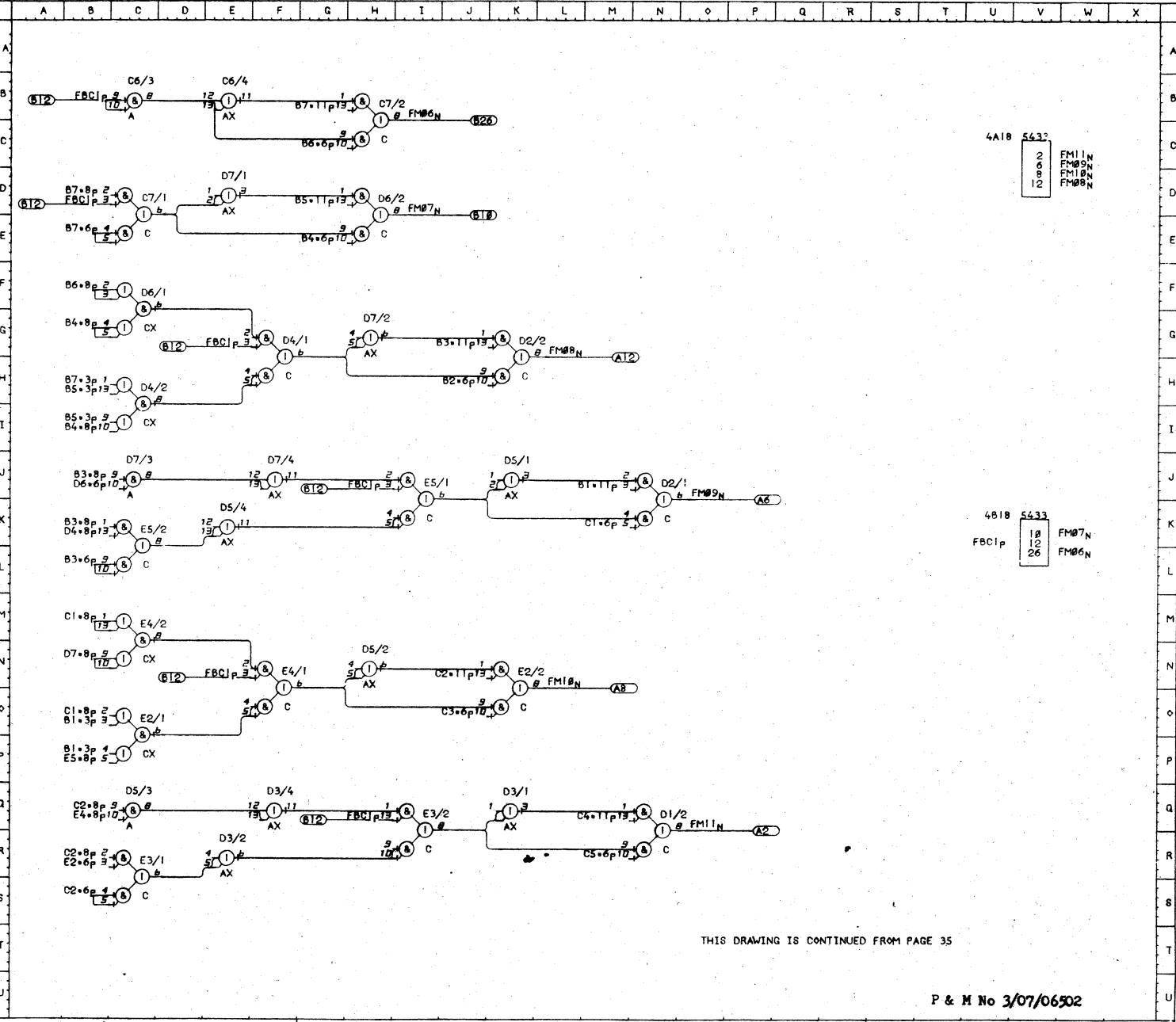
PKG MOD: 00
 ECC:



THIS DRAWING IS CONTINUED ON PAGE 36

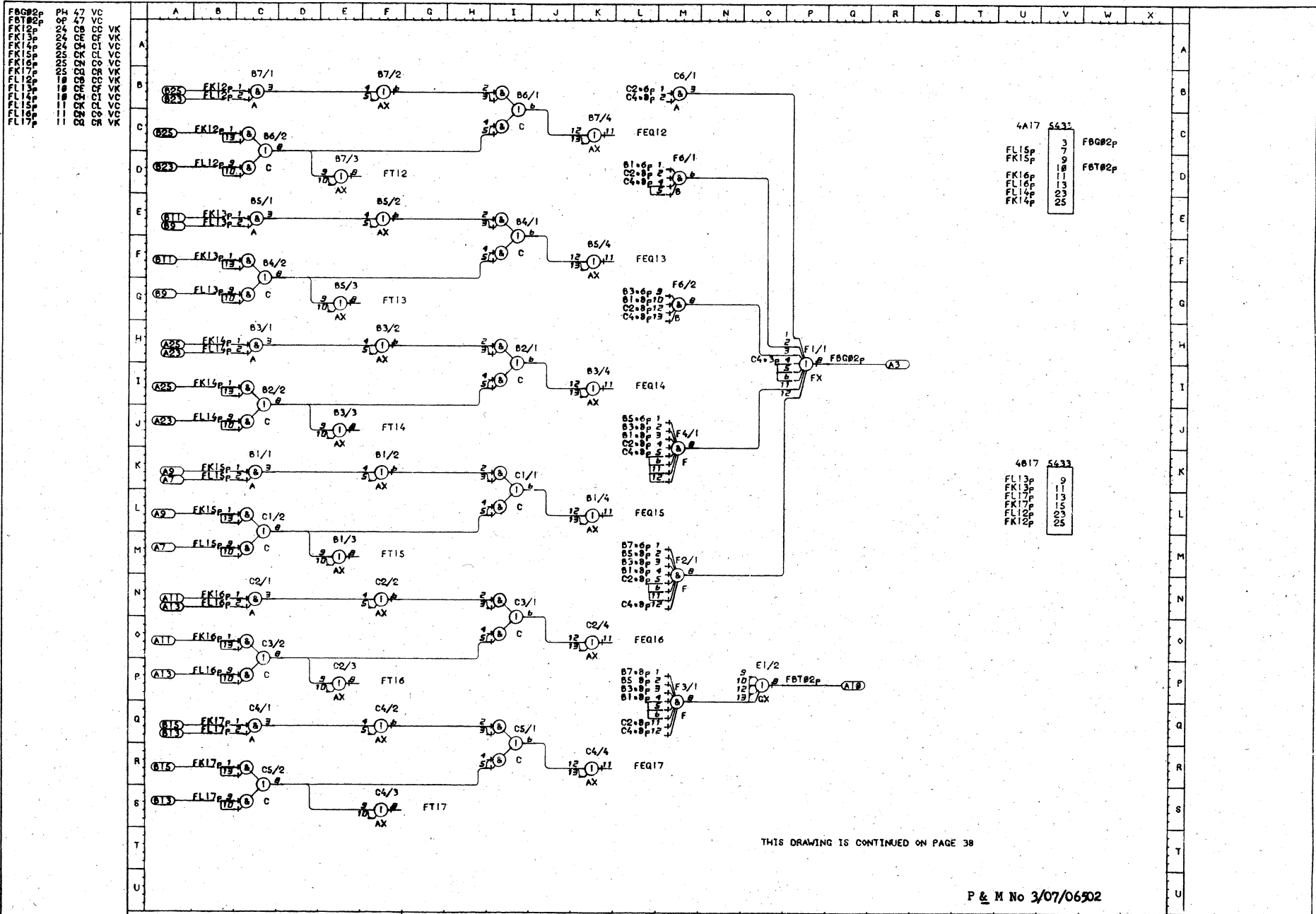
P & M No 3/07/06502

FBCI P 47 CB CD FG
 FN I J IQ VK
 FM06N HO 63 85 VK
 FM07N HO 63 85 VK
 FM08N KG 63 85 VC
 FM09N NJ 63 85 VC
 FM10N KN 63 85 VC
 FM11N NG 63 85 VC



THIS DRAWING IS CONTINUED FROM PAGE 35

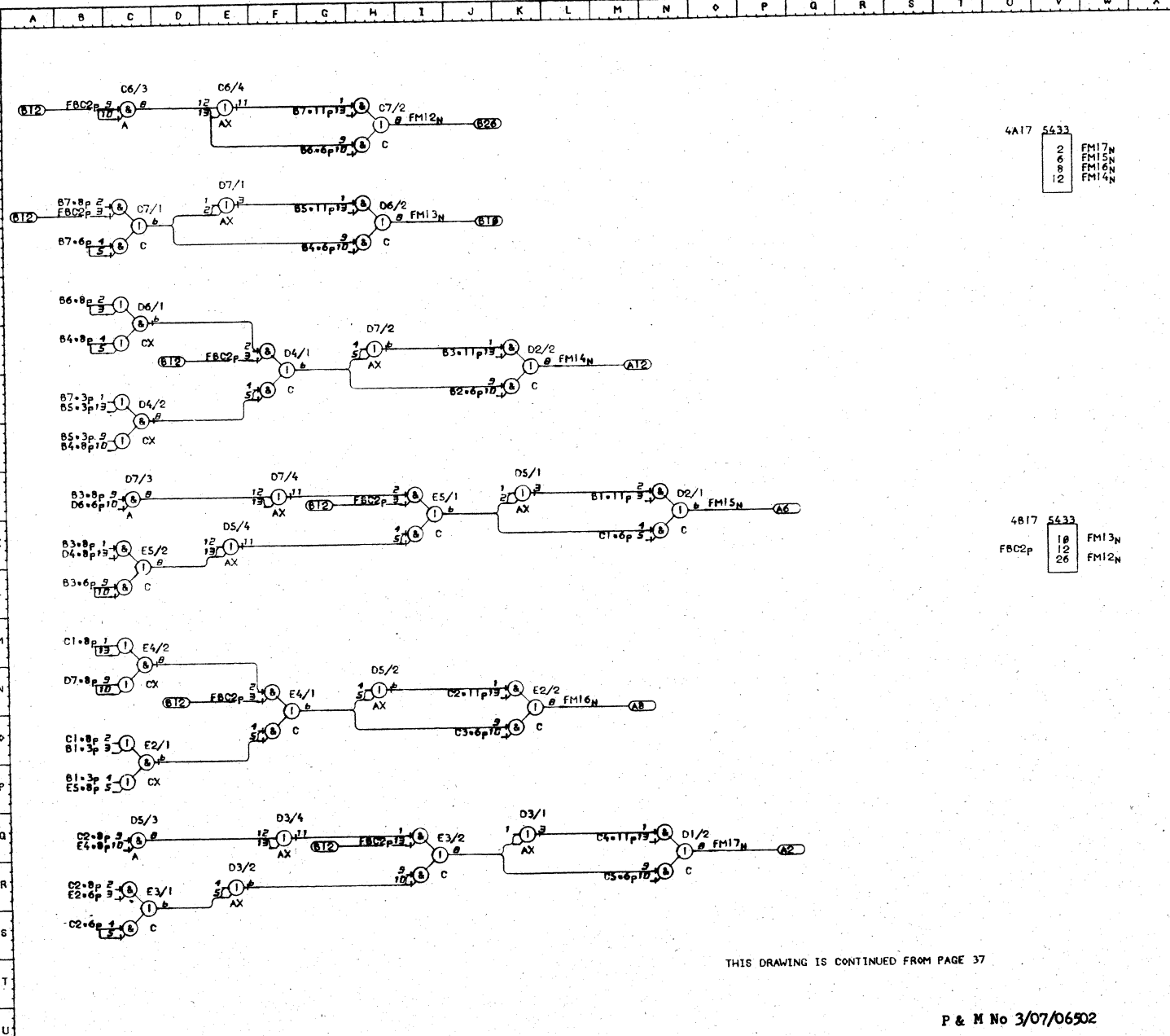
P & M No 3/07/06502



THIS DRAWING IS CONTINUED ON PAGE 38

P & M No 3/07/06502

FBC2P 47 C6 CD FG
 FM12N JI IQ VK
 FM13N HB 63 85 VK
 FM14N KG 63 85 VK
 FM15N NJ 63 85 VC
 FM16N 63 85 VC
 FM17N 63 85 VC



THIS DRAWING IS CONTINUED FROM PAGE 37

P & M No 3/07/06502

~~17/10/69~~ 17/10/69

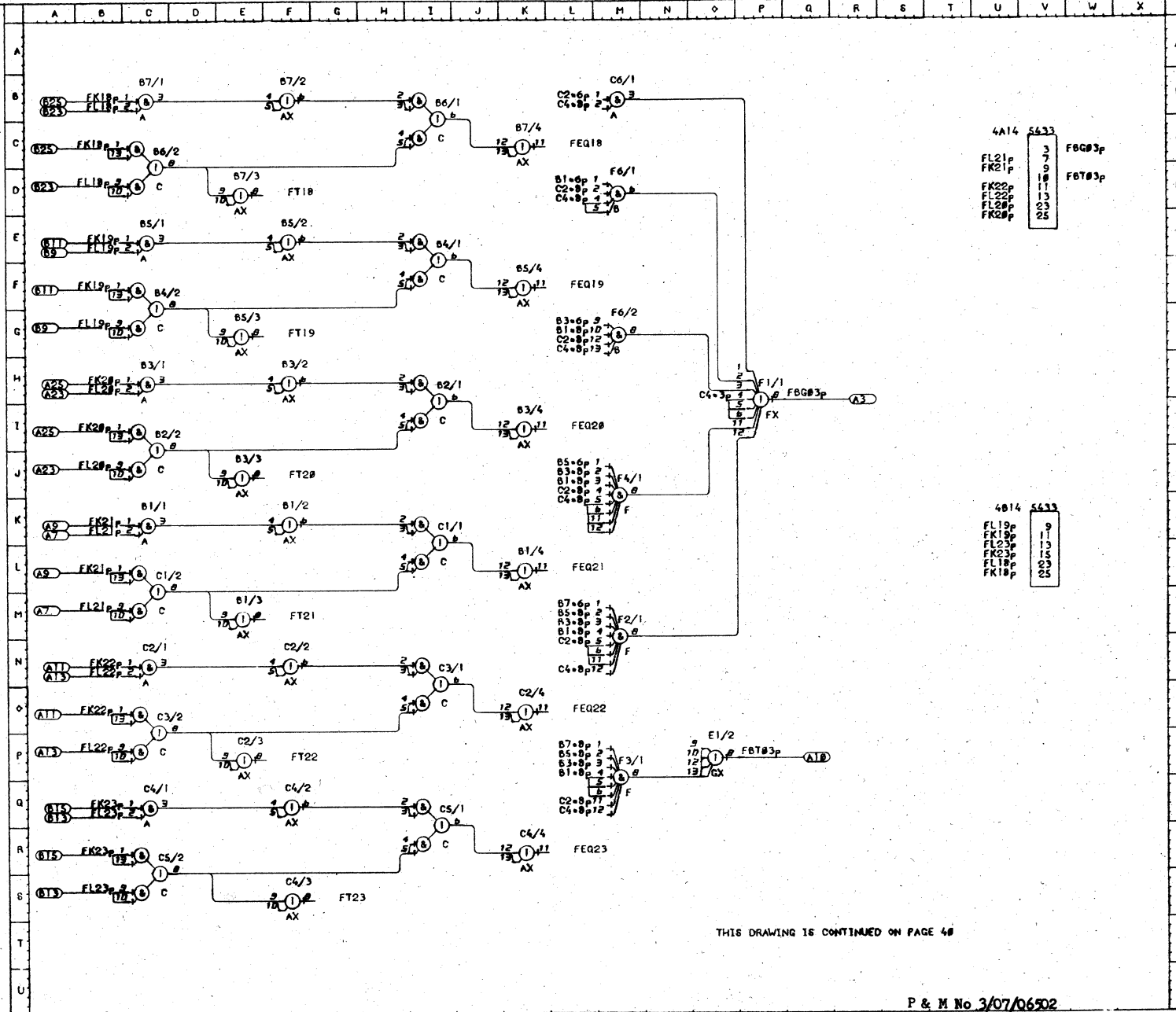
ARGUMENT MILL SUM (BITS 12-17)

WGH04***/0038

ISSUE: ISS
 ACD: 2366

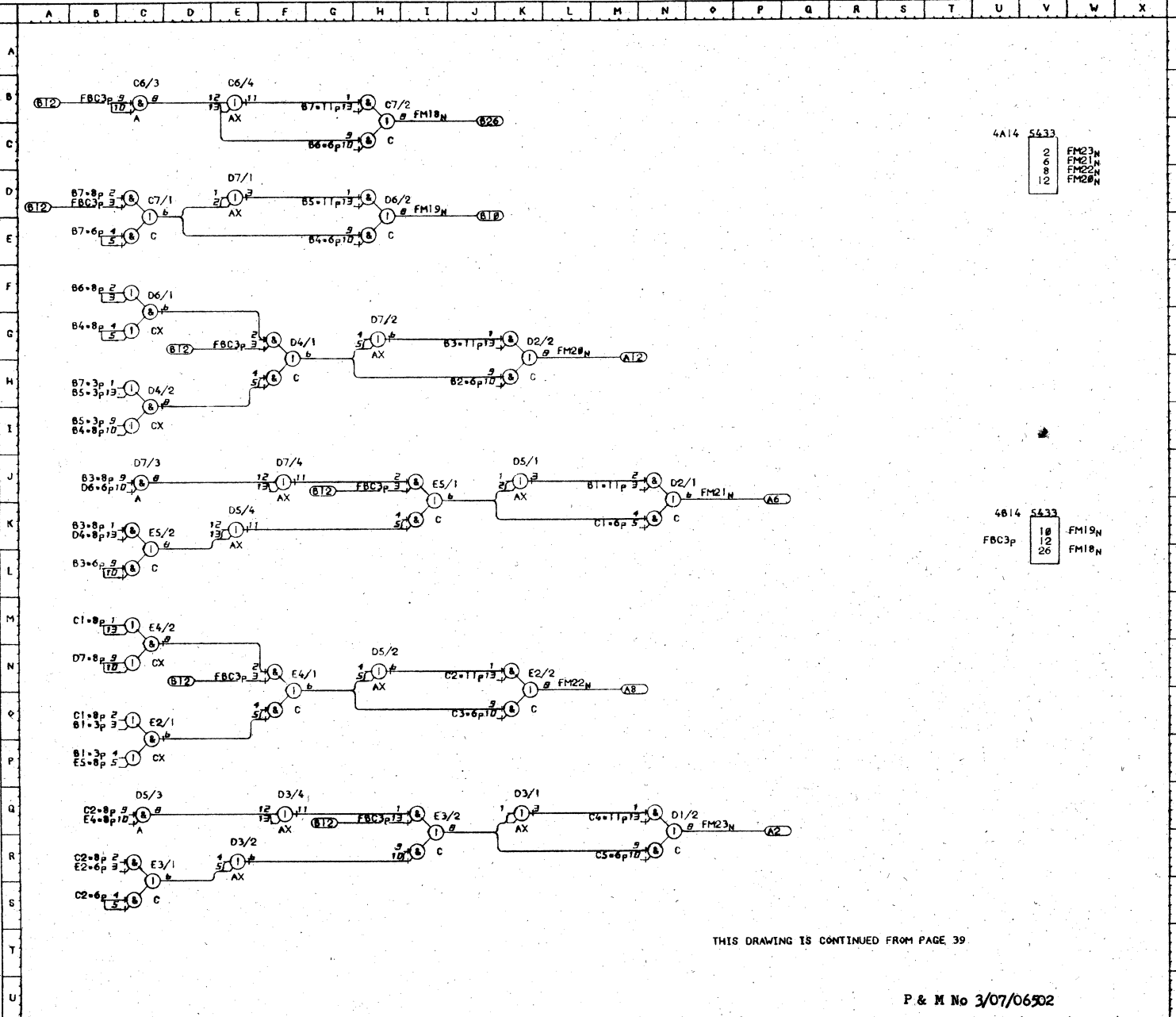
PKG MOD: 00
 ECC:

FBG03p	PH	47	VC
F0T03p	26	08	08
FK18p	26	08	08
FK19p	27	08	08
FK20p	27	08	08
FK21p	27	08	08
FK22p	27	08	08
FK23p	27	08	08
FL18p	13	08	08
FL19p	13	08	08
FL20p	13	08	08
FL21p	13	08	08
FL22p	13	08	08
FL23p	13	08	08



THIS DRAWING IS CONTINUED ON PAGE 48

FBC3p 47 08 CD FG
 FM19N 1B 63 85 VK
 FM19N 1B 63 85 VK
 FM20N 1C 63 85 VC
 FM21N 1D 63 85 VC
 FM22N 1E 63 85 VC
 FM23N 1F 63 85 VC



THIS DRAWING IS CONTINUED FROM PAGE 39

P & M No 3/07/06502

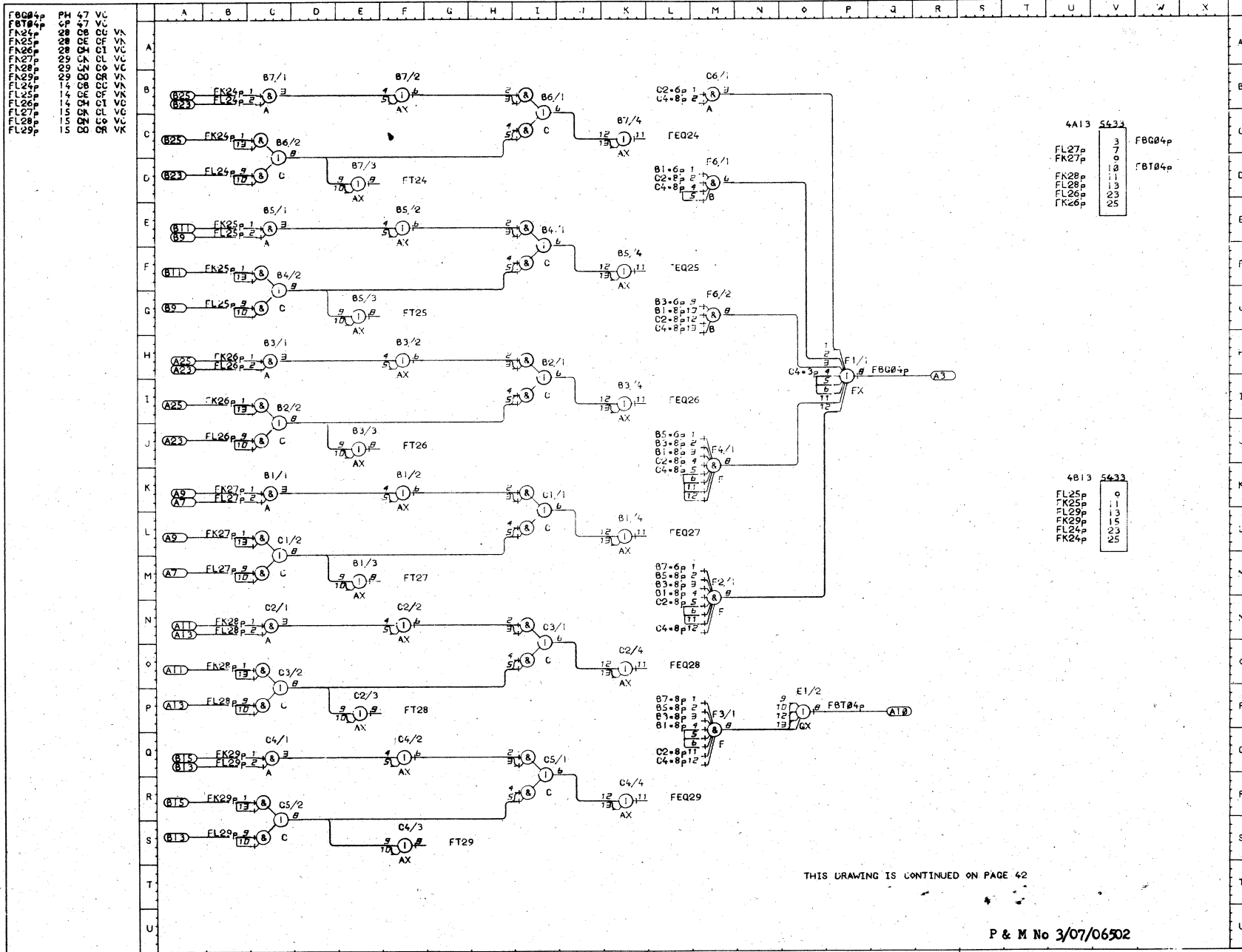
ISSUE: 155
 ACD: 2366

17/10/69

ARGUMENT MILL SUM (BITS 18-23)

WGH04***/0040

PKG MOD: 00
 ECC:

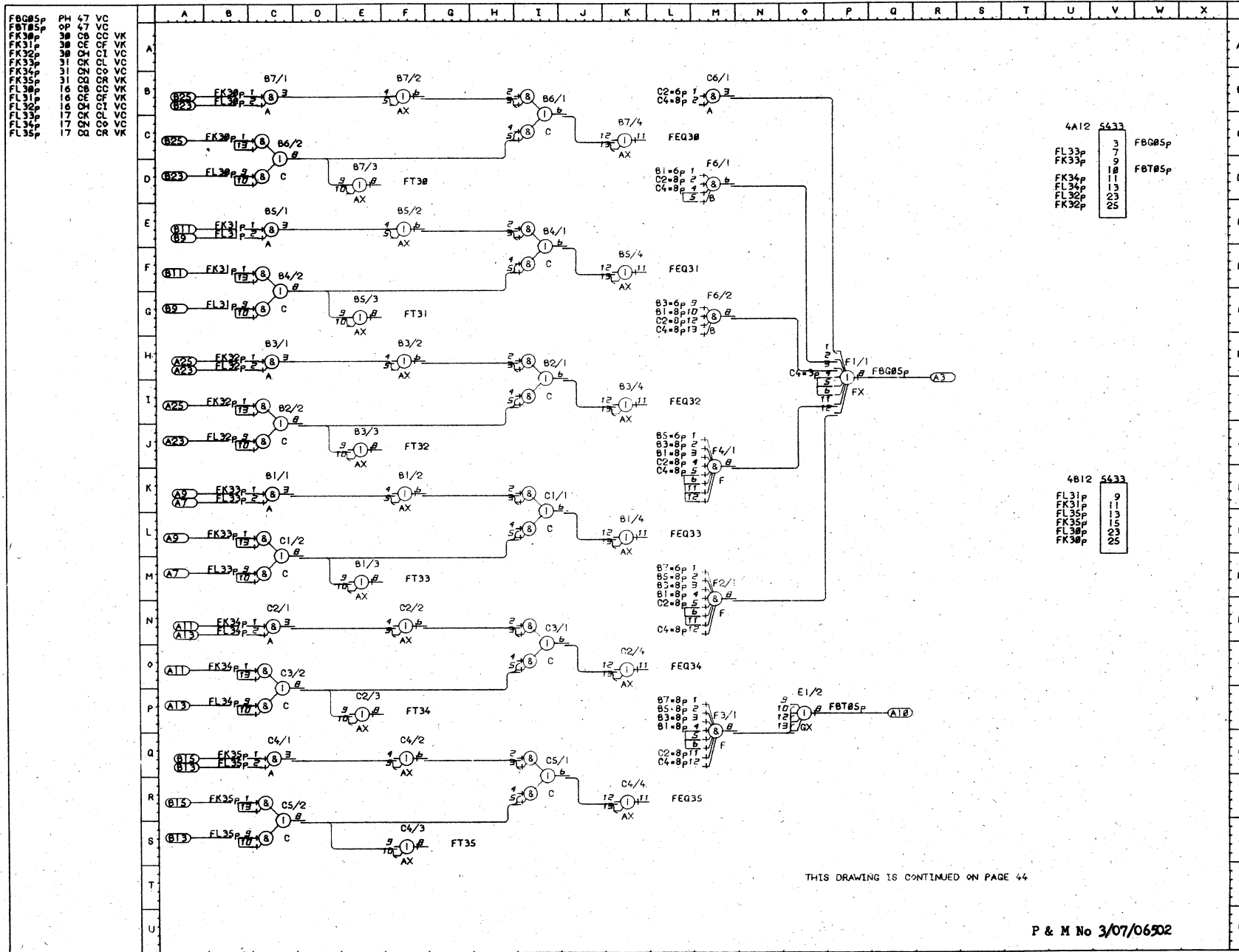


THIS DRAWING IS CONTINUED ON PAGE 42

P & M No 3/07/06502

06/11/69 ARGUMENT MILL CARRY (BITS 24-29) WGH04***/0041

ISSUE: 155	TYPE MOD: 00	TYPE MOD:	TYPE MOD:	TYPE MOD:	TYPE MOD:	TYPE MOD:
ACC: 2366	ECC:	ECC:	ECC:	ECC:	ECC:	ECC:



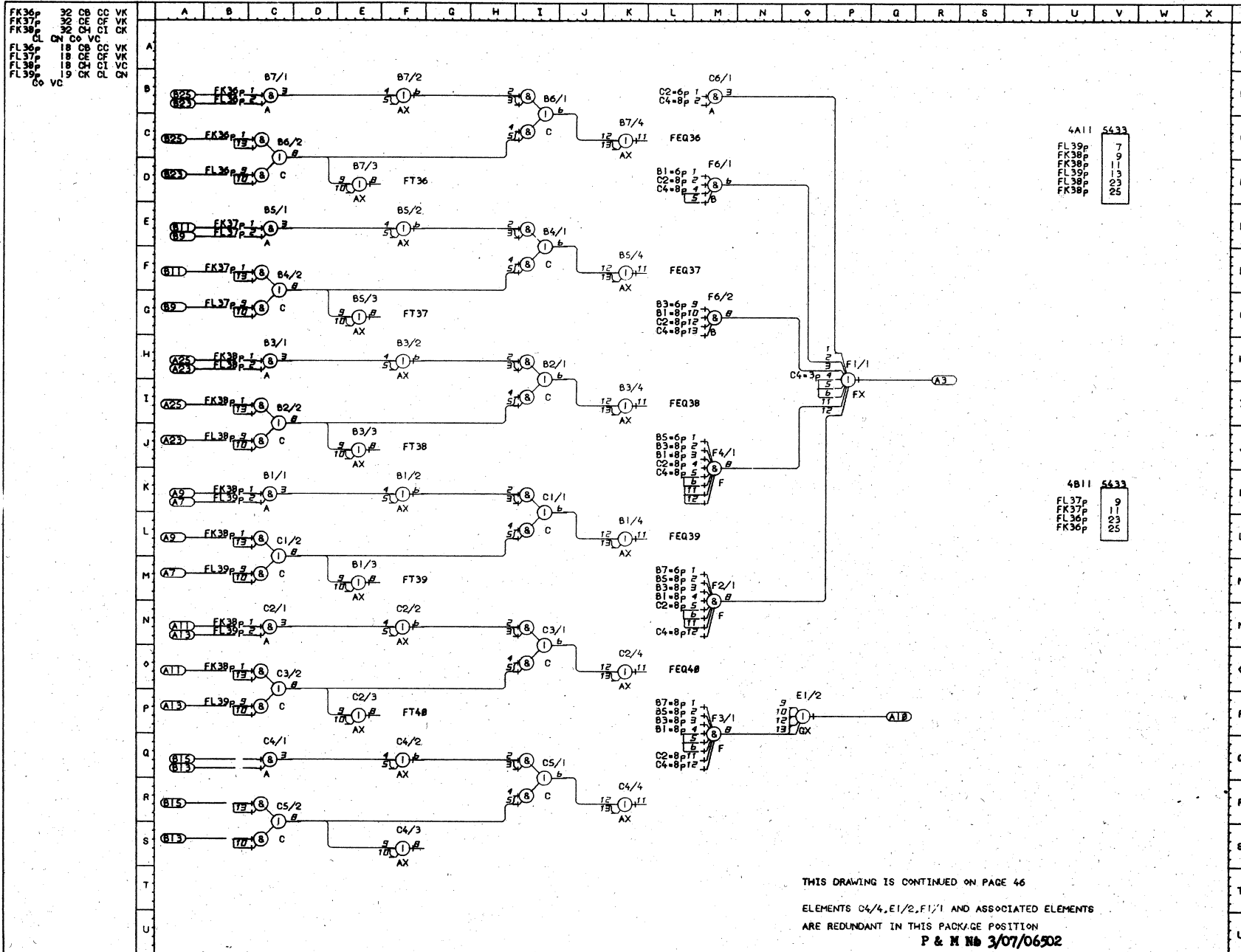
FBQ05p PH 47 VC
 FBT05p OP 47 VC
 FK30p 30 CR 08 VC
 FK31p 30 CR 08 VC
 FK32p 30 CR 08 VC
 FK33p 31 CR 09 VC
 FK34p 31 CR 09 VC
 FK35p 31 CR 09 VC
 FL30p 16 CR 08 VC
 FL31p 16 CR 08 VC
 FL32p 17 CR 09 VC
 FL33p 17 CR 09 VC
 FL34p 17 CR 09 VC
 FL35p 17 CR 09 VC

4A12	5433	
FL33p	3	FBQ05p
FK33p	7	
FK34p	10	FBT05p
FL34p	11	
FL32p	13	
FK32p	23	

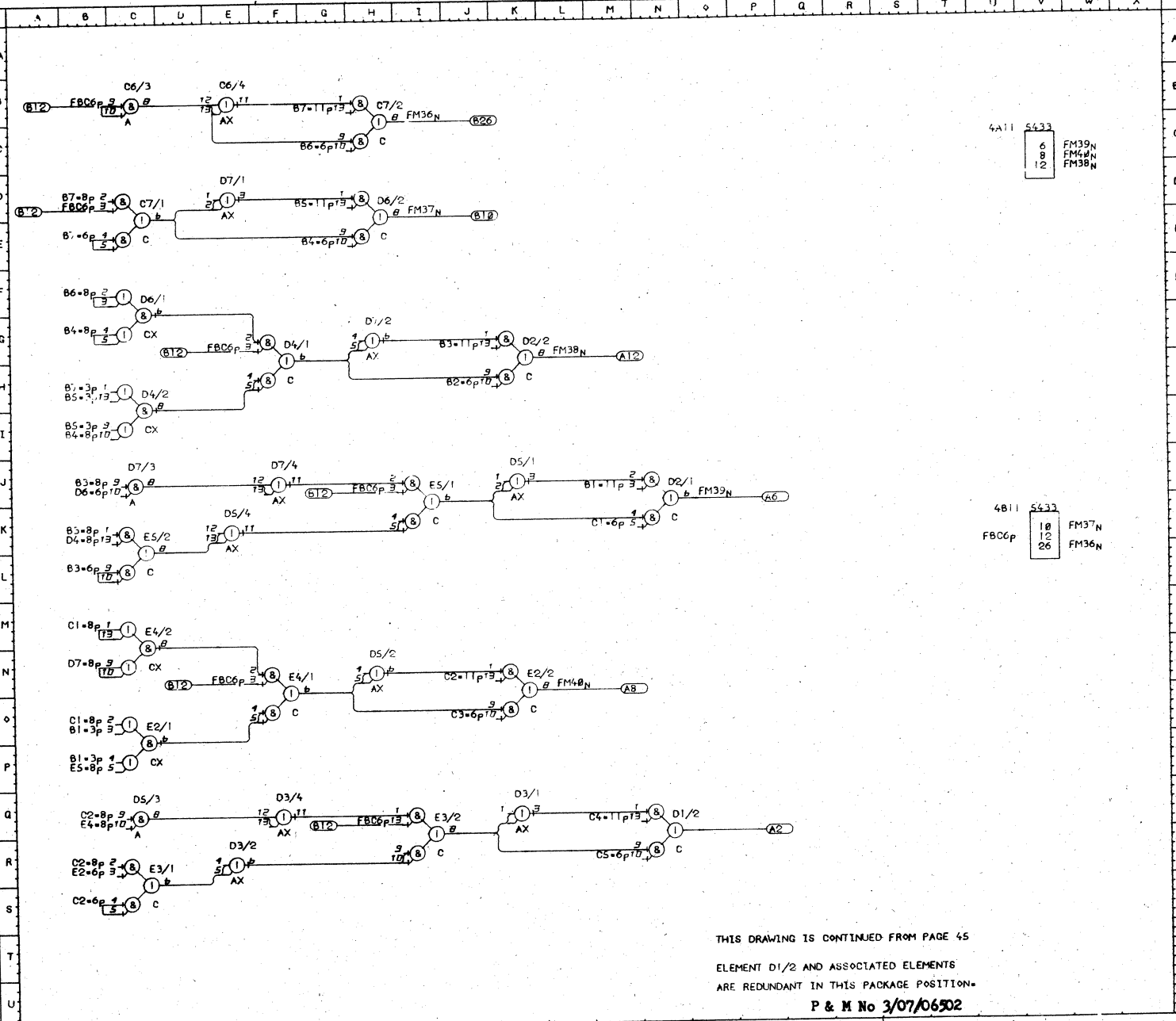
4B12	5433	
FL31p	9	
FK31p	11	
FL35p	13	
FK35p	15	
FL30p	23	
FK30p	25	

THIS DRAWING IS CONTINUED ON PAGE 44

P & M No 3/07/06502



FBC6P 47 08 0D FG
 FM36N FN IJ IQ VK
 FM37N 08 03 74 81
 FM38N 04 06 VK
 FM39N 04 03 84 86
 FM40N NJ 03 86 VC
 FM41N KN 03 86 VC



4A11 5433
 6
 8
 12
 FM39N
 FM40N
 FM38N

4B11 5433
 FBC6P 10
 12
 26
 FM37N
 FM36N

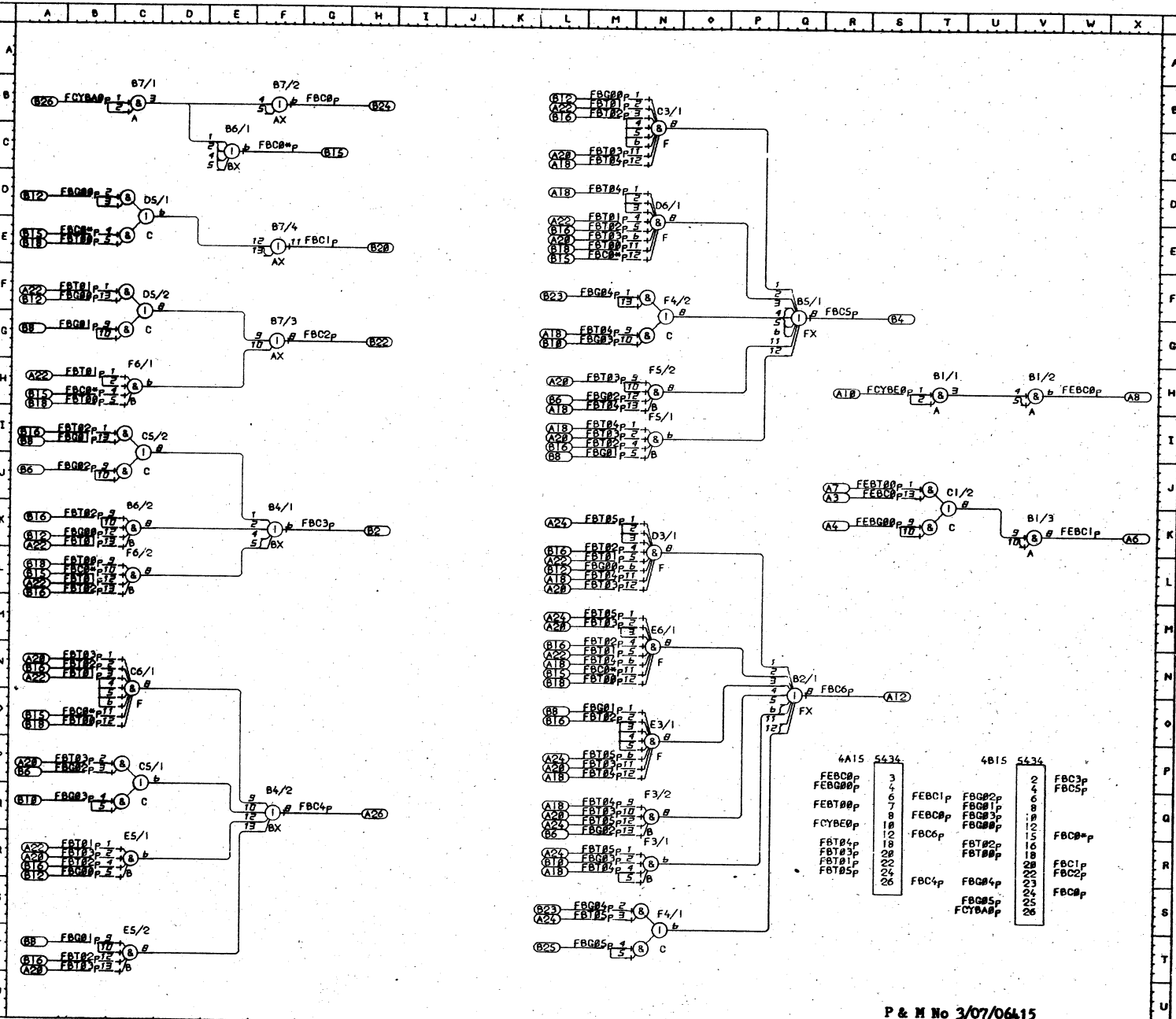
THIS DRAWING IS CONTINUED FROM PAGE 45
 ELEMENT D1/2 AND ASSOCIATED ELEMENTS
 ARE REDUNDANT IN THIS PACKAGE POSITION.
 P & M No 3/07/06502

~~SECRET~~ 22/10/69 ARGUMENT MILL SUM (BITS 36-40) WGH04***/0046

ISSUE: 155
 AOC: 2366

PKG MOD: 00
 ECC:

FBC₂p FB 34 VP
 FBC₂p EC CD CH CL
 CH ND NM VP
 FBC1p FE 34 VP
 FBC2p FG 38 VP
 FBC3p FK 44 VP
 FBC4p FL 48 VP
 FBC5p FM 52 VP
 FBC6p FN 56 VP
 FBC7p FO 60 VP
 FBC8p FP 64 VP
 FBC9p FQ 68 VP
 FBC0p FR 72 VP
 FBC1p FS 76 VP
 FBC2p FT 80 VP
 FBC3p FU 84 VP
 FBC4p FV 88 VP
 FBC5p FW 92 VP
 FBC6p FX 96 VP
 FBC7p FY 100 VP
 FBC8p FZ 104 VP
 FBC9p FA 108 VP
 FBC0p FB 112 VP
 FBC1p FC 116 VP
 FBC2p FD 120 VP
 FBC3p FE 124 VP
 FBC4p FF 128 VP
 FBC5p FG 132 VP
 FBC6p FH 136 VP
 FBC7p FI 140 VP
 FBC8p FJ 144 VP
 FBC9p FK 148 VP
 FBC0p FL 152 VP
 FBC1p FM 156 VP
 FBC2p FN 160 VP
 FBC3p FO 164 VP
 FBC4p FP 168 VP
 FBC5p FQ 172 VP
 FBC6p FR 176 VP
 FBC7p FS 180 VP
 FBC8p FT 184 VP
 FBC9p FU 188 VP
 FBC0p FV 192 VP
 FBC1p FW 196 VP
 FBC2p FX 200 VP
 FBC3p FY 204 VP
 FBC4p FZ 208 VP
 FBC5p FA 212 VP
 FBC6p FB 216 VP
 FBC7p FC 220 VP
 FBC8p FD 224 VP
 FBC9p FE 228 VP
 FBC0p FF 232 VP
 FBC1p FG 236 VP
 FBC2p FH 240 VP
 FBC3p FI 244 VP
 FBC4p FJ 248 VP
 FBC5p FK 252 VP
 FBC6p FL 256 VP
 FBC7p FM 260 VP
 FBC8p FN 264 VP
 FBC9p FO 268 VP
 FBC0p FP 272 VP
 FBC1p FQ 276 VP
 FBC2p FR 280 VP
 FBC3p FS 284 VP
 FBC4p FT 288 VP
 FBC5p FU 292 VP
 FBC6p FV 296 VP
 FBC7p FW 300 VP
 FBC8p FX 304 VP
 FBC9p FY 308 VP
 FBC0p FZ 312 VP
 FBC1p FA 316 VP
 FBC2p FB 320 VP
 FBC3p FC 324 VP
 FBC4p FD 328 VP
 FBC5p FE 332 VP
 FBC6p FF 336 VP
 FBC7p FG 340 VP
 FBC8p FH 344 VP
 FBC9p FI 348 VP
 FBC0p FJ 352 VP
 FBC1p FK 356 VP
 FBC2p FL 360 VP
 FBC3p FM 364 VP
 FBC4p FN 368 VP
 FBC5p FO 372 VP
 FBC6p FP 376 VP
 FBC7p FQ 380 VP
 FBC8p FR 384 VP
 FBC9p FS 388 VP
 FBC0p FT 392 VP
 FBC1p FU 396 VP
 FBC2p FV 400 VP
 FBC3p FW 404 VP
 FBC4p FX 408 VP
 FBC5p FY 412 VP
 FBC6p FZ 416 VP
 FBC7p FA 420 VP
 FBC8p FB 424 VP
 FBC9p FC 428 VP
 FBC0p FD 432 VP
 FBC1p FE 436 VP
 FBC2p FF 440 VP
 FBC3p FG 444 VP
 FBC4p FH 448 VP
 FBC5p FI 452 VP
 FBC6p FJ 456 VP
 FBC7p FK 460 VP
 FBC8p FL 464 VP
 FBC9p FM 468 VP
 FBC0p FN 472 VP
 FBC1p FO 476 VP
 FBC2p FP 480 VP
 FBC3p FQ 484 VP
 FBC4p FR 488 VP
 FBC5p FS 492 VP
 FBC6p FT 496 VP
 FBC7p FU 500 VP
 FBC8p FV 504 VP
 FBC9p FW 508 VP
 FBC0p FX 512 VP
 FBC1p FY 516 VP
 FBC2p FZ 520 VP
 FBC3p FA 524 VP
 FBC4p FB 528 VP
 FBC5p FC 532 VP
 FBC6p FD 536 VP
 FBC7p FE 540 VP
 FBC8p FF 544 VP
 FBC9p FG 548 VP
 FBC0p FH 552 VP
 FBC1p FI 556 VP
 FBC2p FJ 560 VP
 FBC3p FK 564 VP
 FBC4p FL 568 VP
 FBC5p FM 572 VP
 FBC6p FN 576 VP
 FBC7p FO 580 VP
 FBC8p FP 584 VP
 FBC9p FQ 588 VP
 FBC0p FR 592 VP
 FBC1p FS 596 VP
 FBC2p FT 600 VP
 FBC3p FU 604 VP
 FBC4p FV 608 VP
 FBC5p FW 612 VP
 FBC6p FX 616 VP
 FBC7p FY 620 VP
 FBC8p FZ 624 VP
 FBC9p FA 628 VP
 FBC0p FB 632 VP
 FBC1p FC 636 VP
 FBC2p FD 640 VP
 FBC3p FE 644 VP
 FBC4p FF 648 VP
 FBC5p FG 652 VP
 FBC6p FH 656 VP
 FBC7p FI 660 VP
 FBC8p FJ 664 VP
 FBC9p FK 668 VP
 FBC0p FL 672 VP
 FBC1p FM 676 VP
 FBC2p FN 680 VP
 FBC3p FO 684 VP
 FBC4p FP 688 VP
 FBC5p FQ 692 VP
 FBC6p FR 696 VP
 FBC7p FS 700 VP
 FBC8p FT 704 VP
 FBC9p FU 708 VP
 FBC0p FV 712 VP
 FBC1p FW 716 VP
 FBC2p FX 720 VP
 FBC3p FY 724 VP
 FBC4p FZ 728 VP
 FBC5p FA 732 VP
 FBC6p FB 736 VP
 FBC7p FC 740 VP
 FBC8p FD 744 VP
 FBC9p FE 748 VP
 FBC0p FF 752 VP
 FBC1p FG 756 VP
 FBC2p FH 760 VP
 FBC3p FI 764 VP
 FBC4p FJ 768 VP
 FBC5p FK 772 VP
 FBC6p FL 776 VP
 FBC7p FM 780 VP
 FBC8p FN 784 VP
 FBC9p FO 788 VP
 FBC0p FP 792 VP
 FBC1p FQ 796 VP
 FBC2p FR 800 VP
 FBC3p FS 804 VP
 FBC4p FT 808 VP
 FBC5p FU 812 VP
 FBC6p FV 816 VP
 FBC7p FW 820 VP
 FBC8p FX 824 VP
 FBC9p FY 828 VP
 FBC0p FZ 832 VP
 FBC1p FA 836 VP
 FBC2p FB 840 VP
 FBC3p FC 844 VP
 FBC4p FD 848 VP
 FBC5p FE 852 VP
 FBC6p FF 856 VP
 FBC7p FG 860 VP
 FBC8p FH 864 VP
 FBC9p FI 868 VP
 FBC0p FJ 872 VP
 FBC1p FK 876 VP
 FBC2p FL 880 VP
 FBC3p FM 884 VP
 FBC4p FN 888 VP
 FBC5p FO 892 VP
 FBC6p FP 896 VP
 FBC7p FQ 900 VP
 FBC8p FR 904 VP
 FBC9p FS 908 VP
 FBC0p FT 912 VP
 FBC1p FU 916 VP
 FBC2p FV 920 VP
 FBC3p FW 924 VP
 FBC4p FX 928 VP
 FBC5p FY 932 VP
 FBC6p FZ 936 VP
 FBC7p FA 940 VP
 FBC8p FB 944 VP
 FBC9p FC 948 VP
 FBC0p FD 952 VP
 FBC1p FE 956 VP
 FBC2p FF 960 VP
 FBC3p FG 964 VP
 FBC4p FH 968 VP
 FBC5p FI 972 VP
 FBC6p FJ 976 VP
 FBC7p FK 980 VP
 FBC8p FL 984 VP
 FBC9p FM 988 VP
 FBC0p FN 992 VP
 FBC1p FO 996 VP
 FBC2p FP 1000 VP



22/10/69

BLOCK CARRY ARGUMENT & EXPONENT

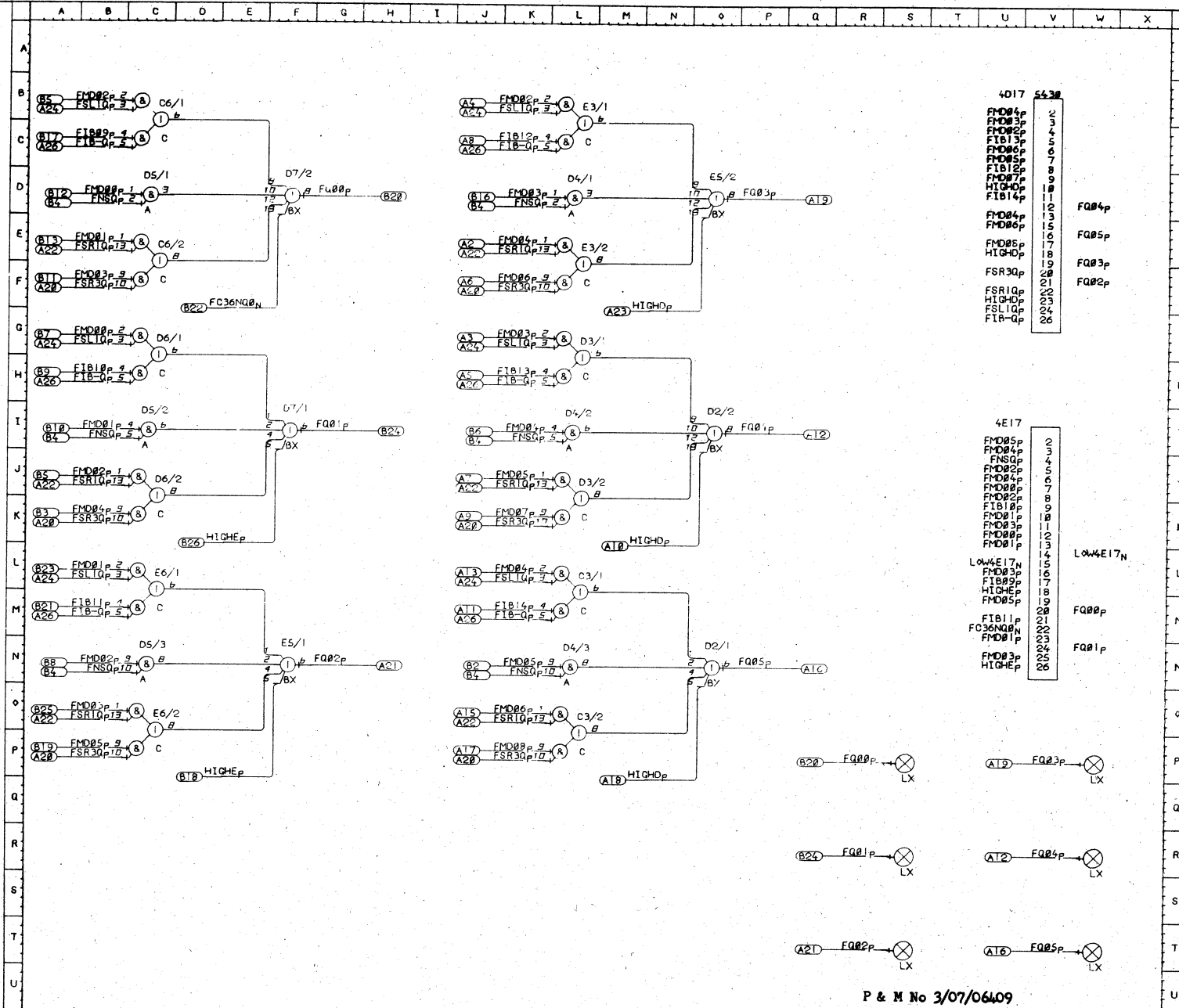
P & M No 3/07/06415

WGH04***/0047

ISSUE: 155
 ACC: 2366

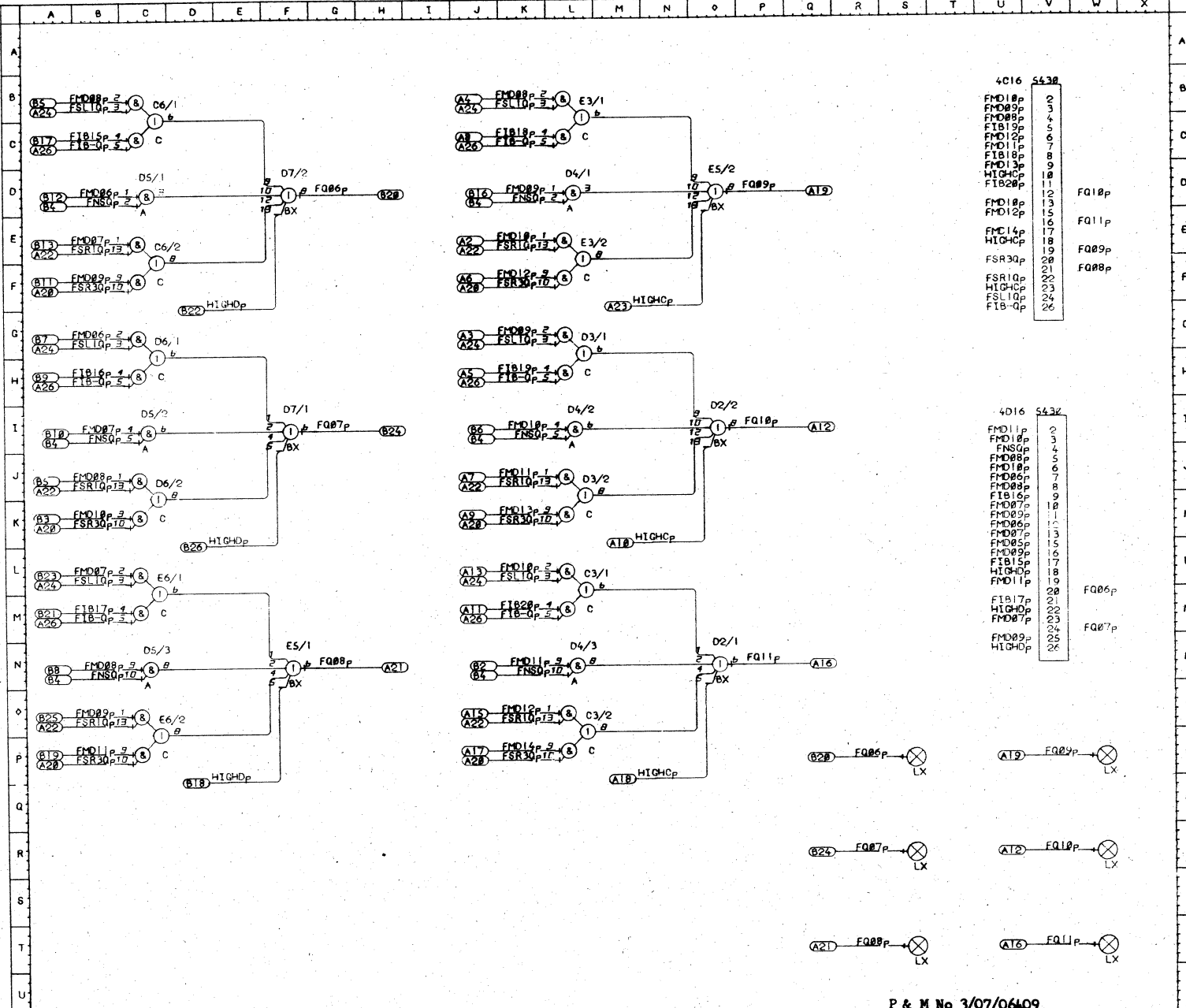
PKG MOD: 00
 ECC:

FC36N00N 87 FU VI
 FIB0P 1 CB VI
 FIB1P 1 CL VI
 FIB2P 1 LB VB
 FIB3P 1 LG VB
 FIB4P 1 LV VB
 FIB0P 70 49 50 51
 52 53 54 68 69
 DB CC CL LB LG
 1 VB
 FMD00P 85 31 32 00
 CO VI
 FMD01P 85 32 0E CI
 CL VI
 FMD02P 85 32 0B CJ
 C1 LB VB VI
 FMD03P 85 3E CO U
 LG VB VI
 FMD04P 85 0J LE LI
 LV VB VI
 FMD05P 85 49 00 LJ
 LN VB VI
 FMD06P 85 49 1E LO
 VP
 FMD07P 85 49 1U VB
 FMD08P 85 49 1O VB
 FNS00P 69 49 50 01
 52 53 51 00 CI
 C1 LB VB VI
 FNS01P FD 6 20 SP
 FQ01P FI 6 20 SR
 FQ02P FN 6 20 ST
 VB
 FQ03P 00 7 21 VP
 VP
 FQ04P 01 7 21 VB
 VP
 FQ05P 0N 7 21 VP
 WI
 FSL00P 68 49 50 51
 52 53 54 73 DB
 CC CL LB LG LL
 VB
 FSR10P 68 49 50 51
 52 53 54 73 DE
 CJ CO LE J LO
 VB
 FSR30P 69 49 50 51
 52 53 54 0E CJ
 CO LE LJ LO VB
 HIGH0P 91 49 50 51
 52 53 75 00 01
 ON VB
 HIGH0P 91 50 51 54
 88 FI FN I
 LOW4E17N VI I



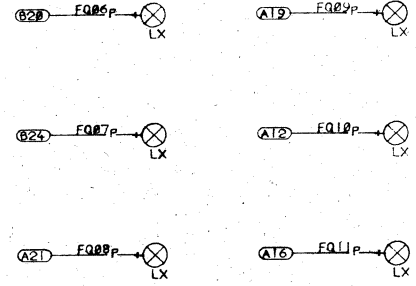
P & M No 3/07/06409

FBI15p I 08 VI
 FBI16p I 08 VI
 FBI17p I 08 VI
 FBI18p I 08 VI
 FBI19p I 08 VI
 FBI20p I 08 VI
 FBI21p I 08 VI
 FBI22p I 08 VI
 FBI23p I 08 VI
 FBI24p I 08 VI
 FBI25p I 08 VI
 FBI26p I 08 VI
 FBI27p I 08 VI
 FBI28p I 08 VI
 FBI29p I 08 VI
 FBI30p I 08 VI
 FBI31p I 08 VI
 FBI32p I 08 VI
 FBI33p I 08 VI
 FBI34p I 08 VI
 FBI35p I 08 VI
 FBI36p I 08 VI
 FBI37p I 08 VI
 FBI38p I 08 VI
 FBI39p I 08 VI
 FBI40p I 08 VI
 FBI41p I 08 VI
 FBI42p I 08 VI
 FBI43p I 08 VI
 FBI44p I 08 VI
 FBI45p I 08 VI
 FBI46p I 08 VI
 FBI47p I 08 VI
 FBI48p I 08 VI
 FBI49p I 08 VI
 FBI50p I 08 VI
 FBI51p I 08 VI
 FBI52p I 08 VI
 FBI53p I 08 VI
 FBI54p I 08 VI
 FBI55p I 08 VI
 FBI56p I 08 VI
 FBI57p I 08 VI
 FBI58p I 08 VI
 FBI59p I 08 VI
 FBI60p I 08 VI
 FBI61p I 08 VI
 FBI62p I 08 VI
 FBI63p I 08 VI
 FBI64p I 08 VI
 FBI65p I 08 VI
 FBI66p I 08 VI
 FBI67p I 08 VI
 FBI68p I 08 VI
 FBI69p I 08 VI
 FBI70p I 08 VI
 FBI71p I 08 VI
 FBI72p I 08 VI
 FBI73p I 08 VI
 FBI74p I 08 VI
 FBI75p I 08 VI
 FBI76p I 08 VI
 FBI77p I 08 VI
 FBI78p I 08 VI
 FBI79p I 08 VI
 FBI80p I 08 VI
 FBI81p I 08 VI
 FBI82p I 08 VI
 FBI83p I 08 VI
 FBI84p I 08 VI
 FBI85p I 08 VI
 FBI86p I 08 VI
 FBI87p I 08 VI
 FBI88p I 08 VI
 FBI89p I 08 VI
 FBI90p I 08 VI
 FBI91p I 08 VI
 FBI92p I 08 VI
 FBI93p I 08 VI
 FBI94p I 08 VI
 FBI95p I 08 VI
 FBI96p I 08 VI
 FBI97p I 08 VI
 FBI98p I 08 VI
 FBI99p I 08 VI
 FBI100p I 08 VI



4016	5438
FMD18p	2
FMD08p	3
FMD05p	4
FMD12p	5
FMD11p	6
FMD13p	7
FMD14p	8
FMD15p	9
FMD16p	10
FMD17p	11
FMD18p	12
FMD19p	13
FMD20p	14
FMD21p	15
FMD22p	16
FMD23p	17
FMD24p	18
FMD25p	19
FMD26p	20
FMD27p	21
FMD28p	22
FMD29p	23
FMD30p	24
FMD31p	25
FMD32p	26

4016	5438
FMD11p	2
FMD10p	3
FNS0p	4
FMD06p	5
FMD08p	6
FMD09p	7
FMD15p	8
FMD07p	9
FMD09p	10
FMD06p	11
FMD07p	12
FMD05p	13
FMD09p	14
FBI15p	15
FBI17p	16
FBI18p	17
FBI19p	18
FBI20p	19
FBI21p	20
FBI22p	21
FBI23p	22
FBI24p	23
FBI25p	24
FBI26p	25
FBI27p	26

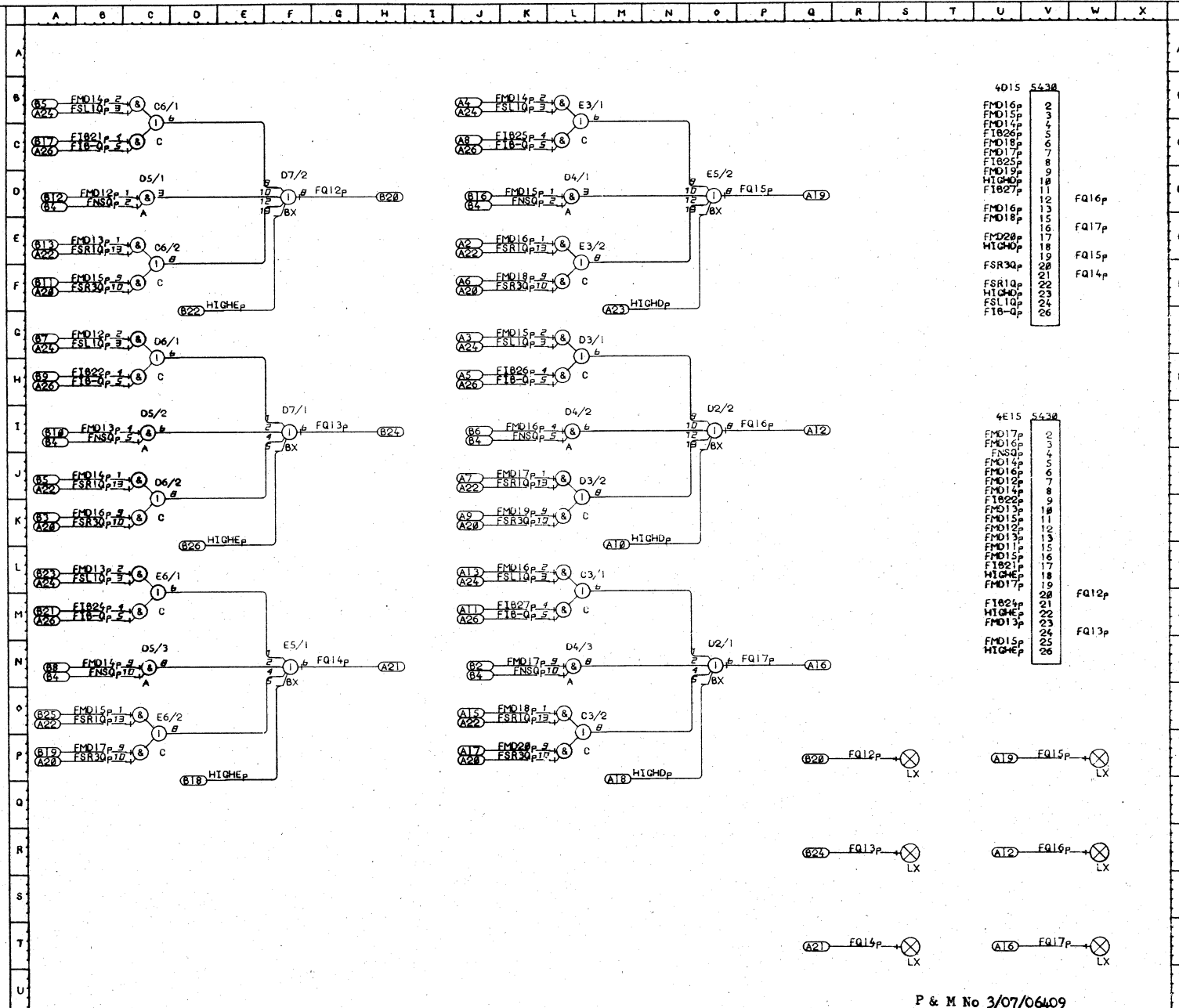


~~22/10/69~~ 22/10/69 Q HIGHWAYS (BITS 06-11) P & M No 3/07/06409 WGH04***/0049

ISSUE: ISS
 ACC: 2366

PKG MOD: 00
 ECC:

F1B21p 1 CB VI
 F1B22p 1 CC VI
 F1B24p 20 CL VI
 F1B25p 20 LB VB
 F1B26p 20 LO VB
 F1B27p 20 LL VB
 F1B-Qp 70 48 49 51
 S2 53 54 68 69
 CB CD CL LB LG
 LL VB
 FMD11p 85 49 VI
 FMD12p 85 49 CD CG
 VI
 FMD13p 85 49 CE CI
 CL VI
 FMD14p 85 49 CB CJ
 CN LB VB VI
 FMD15p 85 CE CO LD
 LG VB VI
 FMD16p 85 CJ LE LI
 LL VB VI
 FMD17p 85 51 CO LJ
 LN VB VI
 FMD18p 85 51 LE LO
 VB
 FMD19p 85 51 LJ VB
 FMD20p 85 51 LO VB
 FNSQp 52 53 54 00 CI
 CN LD LI LN VI
 FQ12p FD 10 24 SP
 VI
 FQ13p F1 10 24 SR
 VI
 FQ14p FN 10 24 ST
 VB
 FQ15p 0D 11 25 VB
 WF
 FQ16p 0I 11 25 VB
 WR
 FQ17p 0N 11 25 VB
 WT
 FSL10p 68 48 49 51
 52 53 54 73 CB
 CD CL LB LG LL
 VB
 FSR10p 68 48 49 51
 52 53 54 73 CE
 CJ CO LE LJ LO
 VB
 FSR30p 68 48 49 51
 52 53 54 CE CJ
 CO LE LJ LO VB
 HIGHP 91 48 49 51
 52 53 75 0D 0I
 ON VB
 HIGHP 91 48 52 54
 88 FD FI FN VI



4D15	5430
FMD16p	2
FMD15p	3
FMD14p	4
F1B26p	5
FMD18p	6
FMD17p	7
F1B25p	8
FMD19p	9
HIGHP	10
F1B27p	11
FMD16p	12
FMD18p	13
FMD18p	14
FMD20p	15
HIGHP	16
FMD20p	17
HIGHP	18
FSR30p	19
FSR30p	20
FSR10p	21
HIGHP	22
FSL10p	23
F1B-Qp	24
F1B-Qp	25
F1B-Qp	26

4E15	5430
FMD17p	2
FMD16p	3
FNSQp	4
FMD14p	5
FMD16p	6
FMD12p	7
FMD14p	8
F1B22p	9
FMD13p	10
FMD15p	11
FMD12p	12
FMD13p	13
FMD15p	14
F1B21p	15
HIGHP	16
HIGHP	17
FMD17p	18
F1B24p	19
F1B24p	20
HIGHP	21
HIGHP	22
FMD13p	23
FMD15p	24
HIGHP	25
HIGHP	26

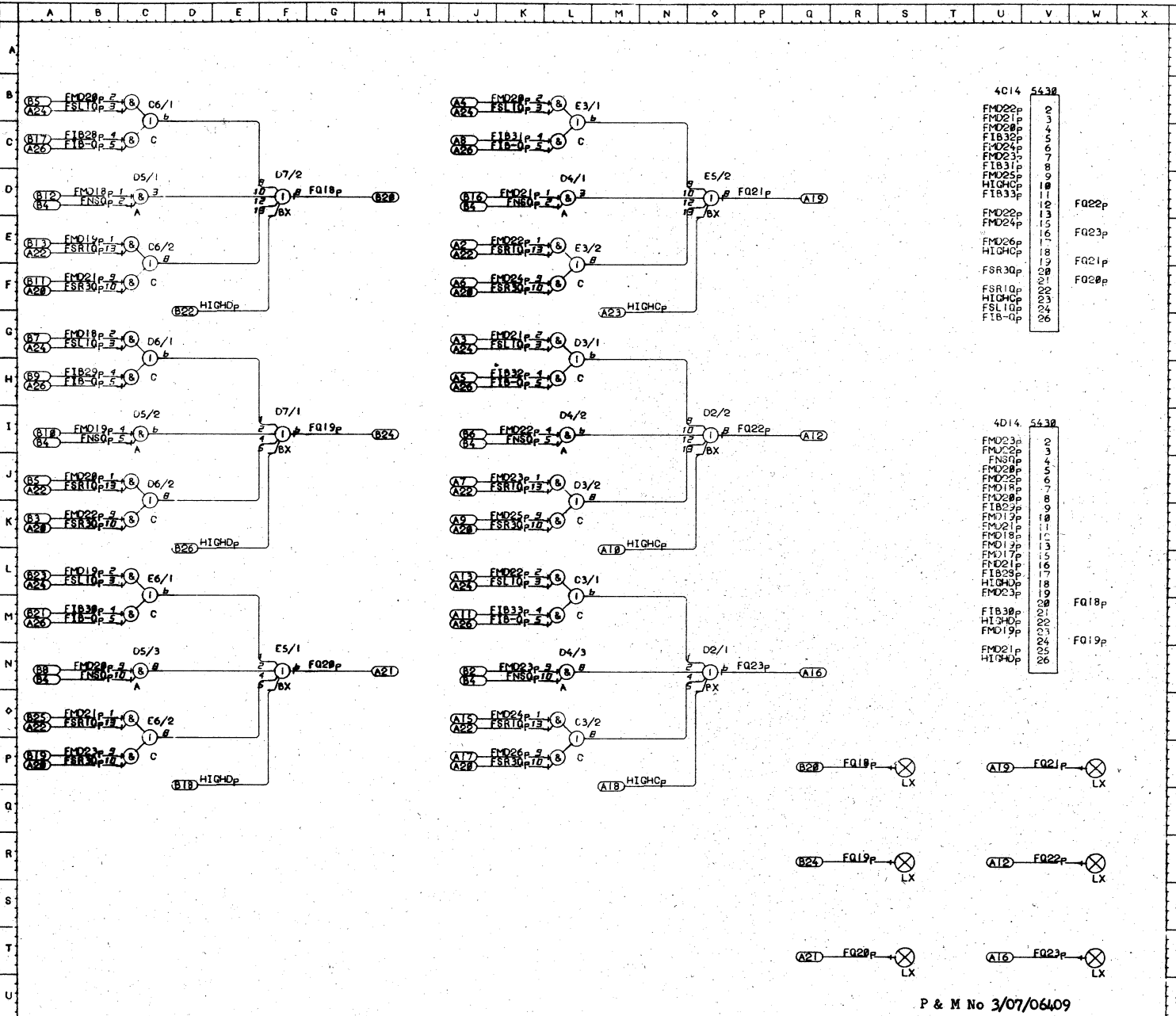
P & M No 3/07/06409

06/11/69 Q HIGHWAYS (BITS 12-17)

WGH04***/0050

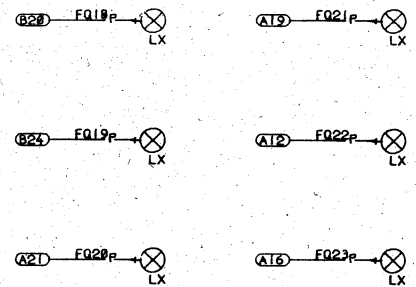
188UE: 155	TYPE 5150 MOD: 00	TYPE MOD:	TYPE MOD:	TYPE MOD:	TYPE MOD:	TYPE MOD:
ACC: 2346	ECC:	ECC:	ECC:	ECC:	ECC:	ECC:

F1828p 02 CB VI
 F1829p 02 CC VI
 F1830p 02 CL VI
 F1831p 02 LB VB
 F1832p 02 LC VB
 F1833p 02 LL VB
 F18-0p 78 48 49 50
 S2 53 54 68 69
 CB CC CL LB LG
 LL VB VI
 FMD17p 85 58 VI
 FMD18p 85 58 CD CG
 VI
 FMD19p 85 58 CE CI
 CL VI
 FMD20p 85 58 OB CJ
 CN LB VB VI
 FMD21p 85 58 CO LD
 LC VB VI
 FMD22p 85 58 LE LI
 LN LB VB VI
 FMD23p 85 52 CO LJ
 LN VB VI
 FMD24p 86 52 LE LO
 VB
 FMD25p 86 52 LJ VB
 FMD26p 86 52 LO VB
 FNS0p 68 48 49 50
 S2 53 54 68 69
 CN LD LI LN VI
 FQ18p FD 12 26 SP
 V1
 FQ19p FI 12 26 SR
 V1
 FQ20p FN 12 26 ST
 VB
 FQ21p OD 13 27 VB
 V1
 FQ22p OI 13 27 VB
 V1
 FQ23p ON 13 27 VB
 V1
 FSL10p 68 48 49 50
 S2 53 54 73 CB
 CC CL LB LG LL
 VB
 FSR10p 68 48 49 50
 S2 53 54 73 CE
 CJ CO LE LJ LO
 VB
 FSR30p 68 48 49 50
 S2 53 54 CE CJ
 CO LE LJ LO VB
 HIGHCp 91 22 49 53
 OD OI ON VB
 HIGHDp 91 48 49 50
 S2 53 75 FD F1
 FN VI



4014 5438	
FMD22p	2
FMD21p	3
FMD20p	4
F1832p	5
FMD24p	6
FMD23p	7
F1831p	8
FMD25p	9
HIGHCp	10
F1833p	11
FMD22p	12
FMD24p	13
FMD24p	15
FMD26p	16
HIGHCp	17
FSR30p	18
FSR10p	19
HIGHCp	20
FSL10p	21
F18-0p	22
F18-0p	23
F18-0p	24
F18-0p	26

4014 5430	
FMD23p	2
FMD22p	3
FNS0p	4
FMD20p	5
FMD22p	6
FMD18p	7
FMD20p	8
F1829p	9
FMD17p	10
FMD21p	11
FMD18p	12
FMD17p	13
FMD17p	14
FMD21p	16
F1829p	17
HIGHDp	18
FMD23p	19
F1830p	20
F1830p	21
H1340p	22
FMD19p	23
FMD21p	24
HIGHDp	25
HIGHDp	26



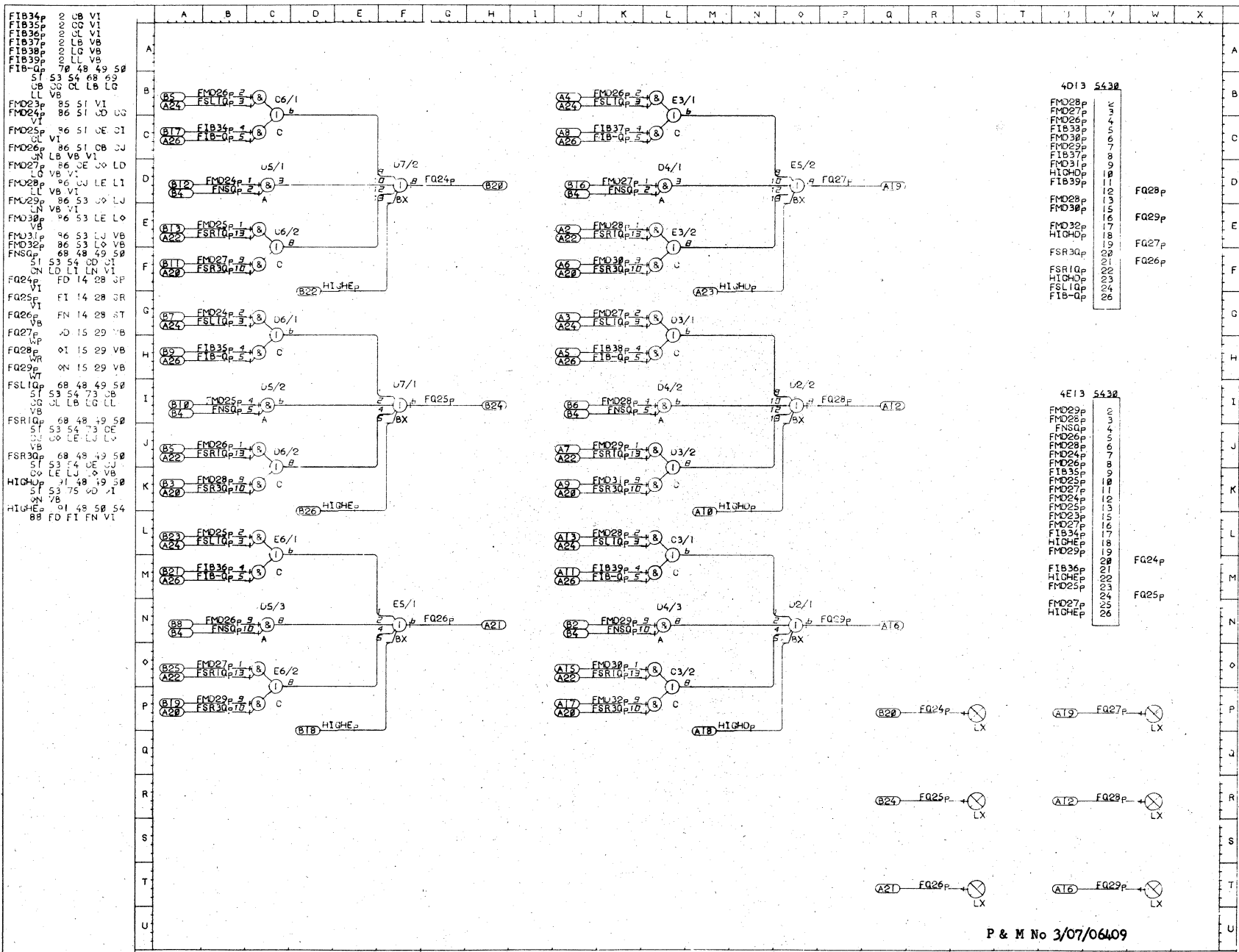
P & M No 3/07/06409

ISSUE: 155
ADD: 2366

22/10/69 Q HIGHWAYS (BITS 18-23)

PKG MOD: 00
ECC:

WGH04***/0051

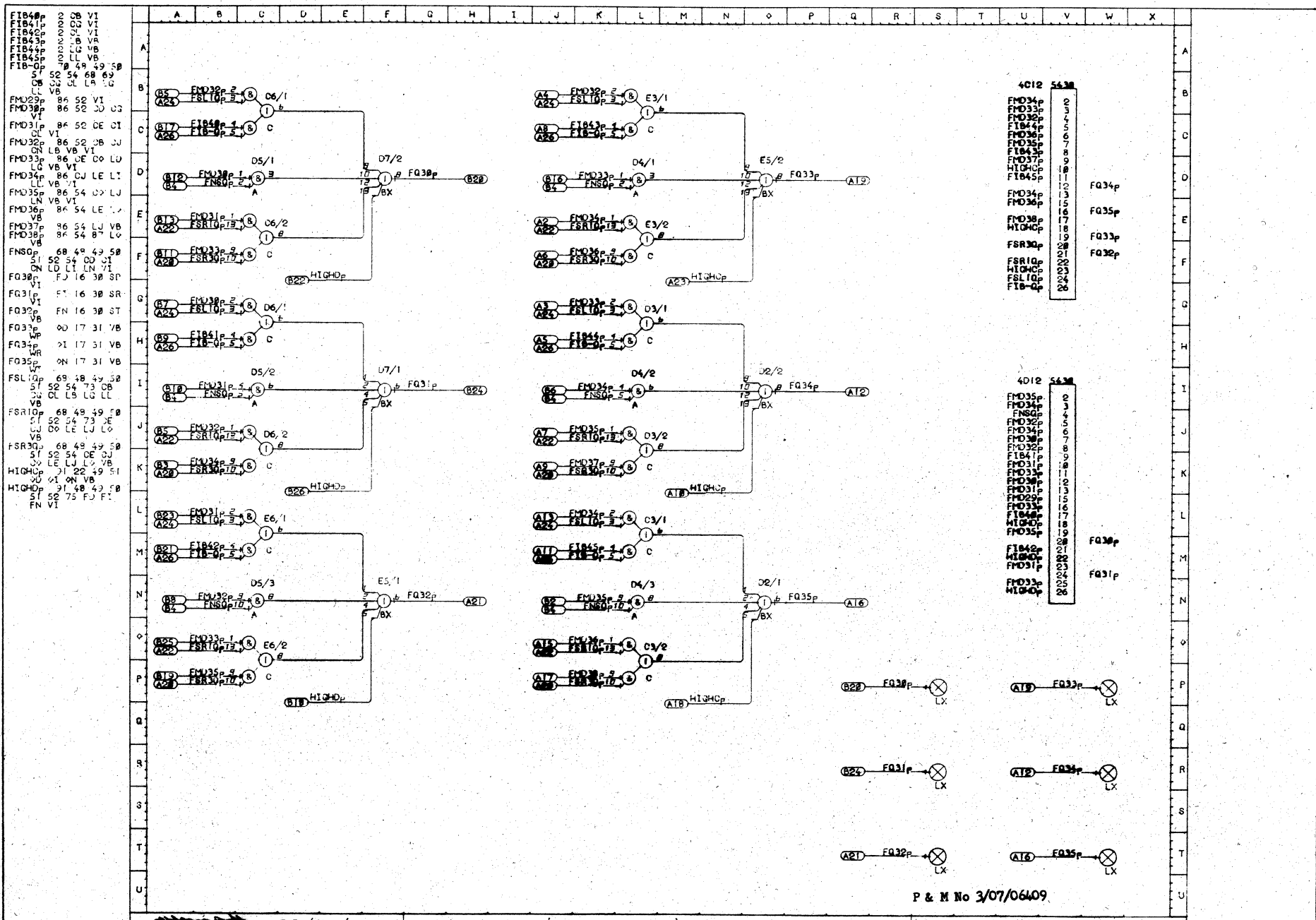


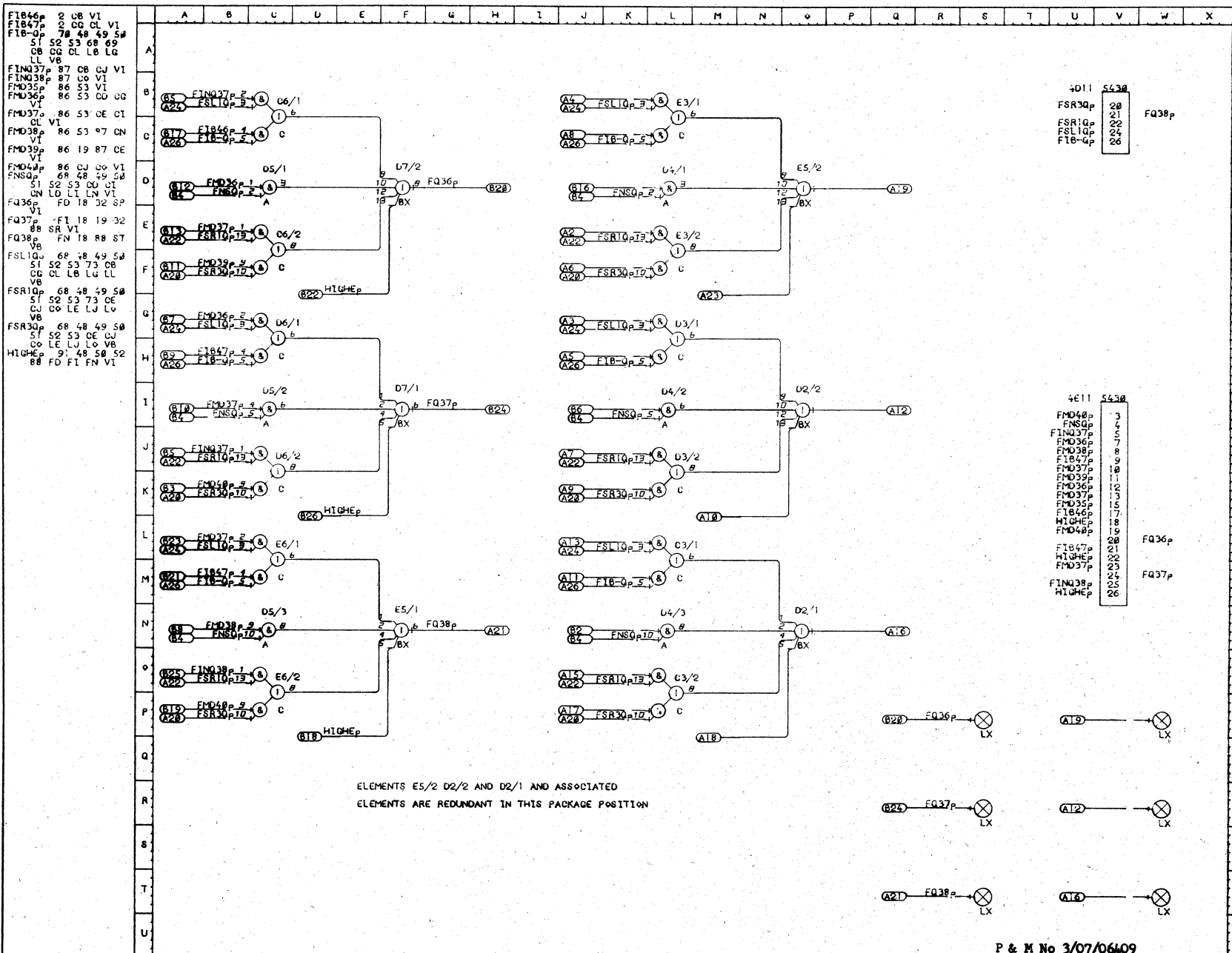
ISSUE: ISS
ACD: 2366

22/10/69 Q HIGHWAYS (BITS 24-29)

PKG MOD: 00
ECC:

P & M No 3/07/06409
WGH04***/0052



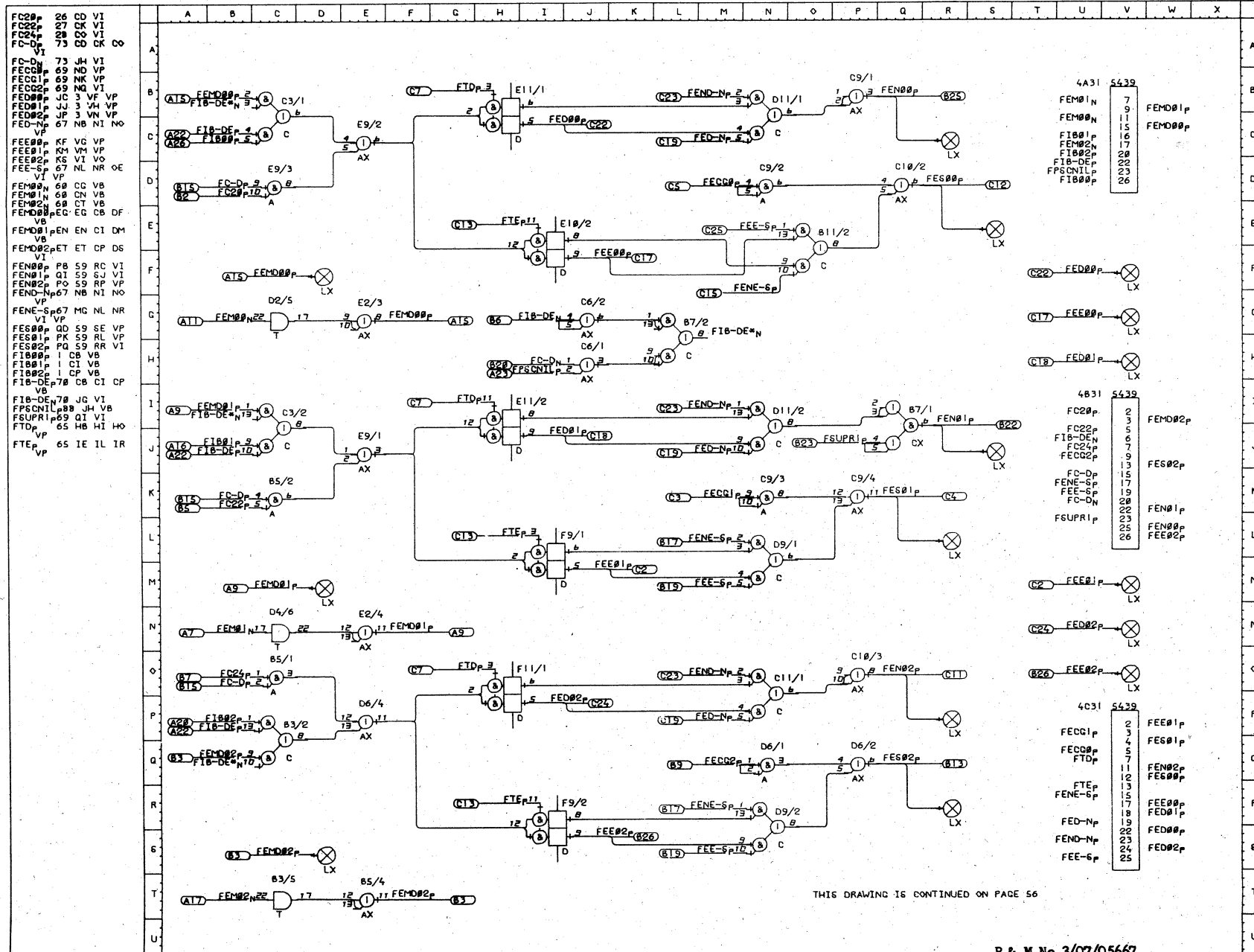


ELEMENTS E5/2 D2/2 AND D2/1 AND ASSOCIATED
ELEMENTS ARE REDUNDANT IN THIS PACKAGE POSITION

06/11/69 Q HIGHWAYS (BITS 36-38) WGH04****/0054

ISSUE:	TYPE MOD:	ECC:	TYPE MOD:	ECC:	TYPE MOD:	ECC:	TYPE MOD:	ECC:
155	430 MOD: 00							
2366								

P & M No 3/07/06409

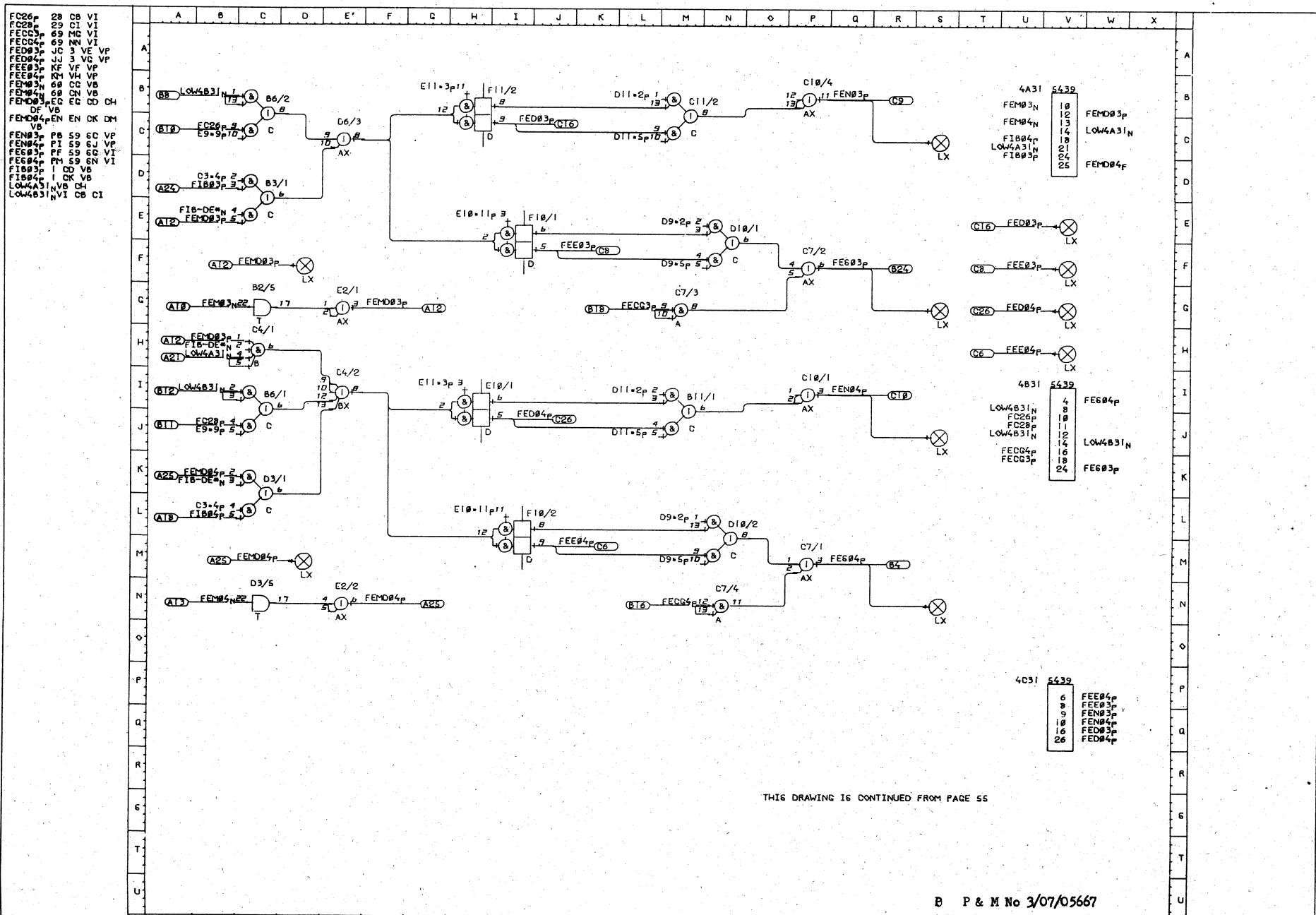


4A31	5439	
FEM01P	7	FEM01P
FEM02P	11	FEM02P
FIB01P	15	FIB01P
FIB02P	16	FIB02P
FIB03P	17	FIB03P
FIB-DEP	20	FIB-DEP
FIB04P	22	FIB04P
FIB05P	23	FIB05P
FIB06P	26	FIB06P

4B31	5439	
FC20P	2	FEM02P
FC22P	3	FEM02P
FIB-DEP	5	FEM02P
FC21P	6	FEM02P
FEC02P	7	FES02P
FEC01P	9	FES02P
FC-DP	13	FES02P
FENE-SP	17	FES02P
FEE-SP	19	FEN01P
FC-DN	20	FEN01P
FESUPR1P	22	FEN01P
FESUPR2P	23	FEN01P
FESUPR3P	25	FEN01P
FESUPR4P	26	FEN01P

4C31	5439	
FECG1P	2	FEE01P
FECG2P	3	FEE01P
FECG3P	4	FEE01P
FED01P	5	FEE01P
FED02P	7	FEE01P
FED03P	11	FEE01P
FED04P	12	FEE01P
FED05P	13	FEE01P
FED06P	15	FEE01P
FED07P	17	FEE01P
FED08P	18	FEE01P
FED09P	19	FEE01P
FED10P	22	FEE01P
FED11P	23	FEE01P
FED12P	24	FEE01P
FED13P	25	FEE01P

THIS DRAWING IS CONTINUED ON PAGE 56



4A31	5439
FEM03N	10
FEM04N	12
FEM03P	13
FEM04P	14
LOW4A31N	18
FEM03P	21
FEM04P	24
FEM03P	25

C16	FEE03p	LX
C8	FEE03p	LX
C26	FEE04p	LX
C6	FEE04p	LX

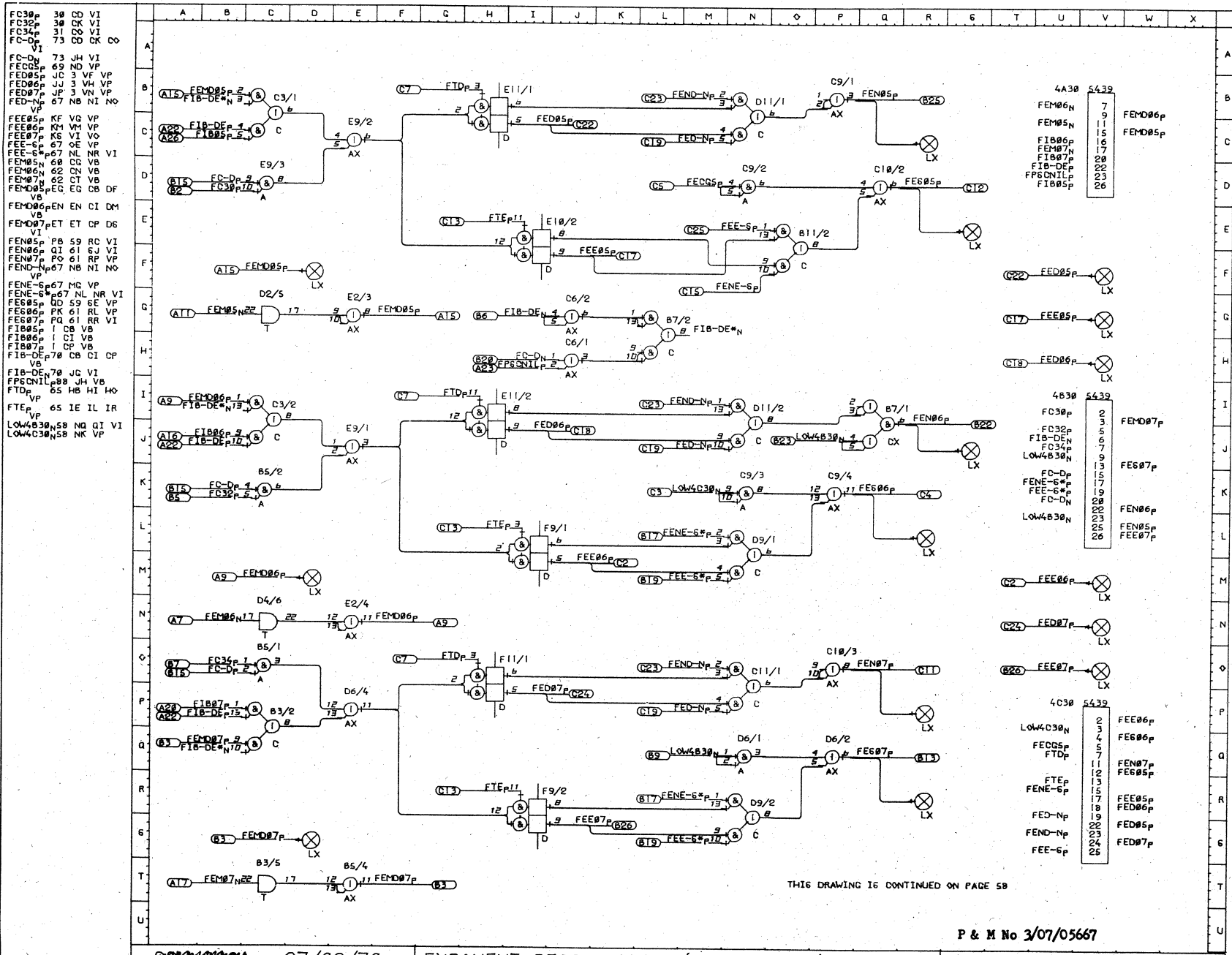
4B31	5439
LOW4B31N	4
FC26P	8
FC28P	10
LOW4B31N	11
LOW4B31N	12
FEE04p	14
FEE04p	16
FEE03p	18
FEE03p	24

4C31	5439
FEE04p	6
FEE03p	8
FEM03p	9
FEM04p	10
FEE04p	16
FEE04p	26

THIS DRAWING IS CONTINUED FROM PAGE 55

B P & M No 3/07/05667

27/02/70		EXPONENT REGS & HWYS (BITS 03-04)				WGH04***/0056	
ISSUE: I	TYPE MOD: 4	TYPE MOD:	TYPE MOD:	TYPE MOD:	TYPE MOD:	TYPE MOD:	TYPE MOD:
ACC: 2767	ECC: 2725	ECC:	ECC:	ECC:	ECC:	ECC:	ECC:



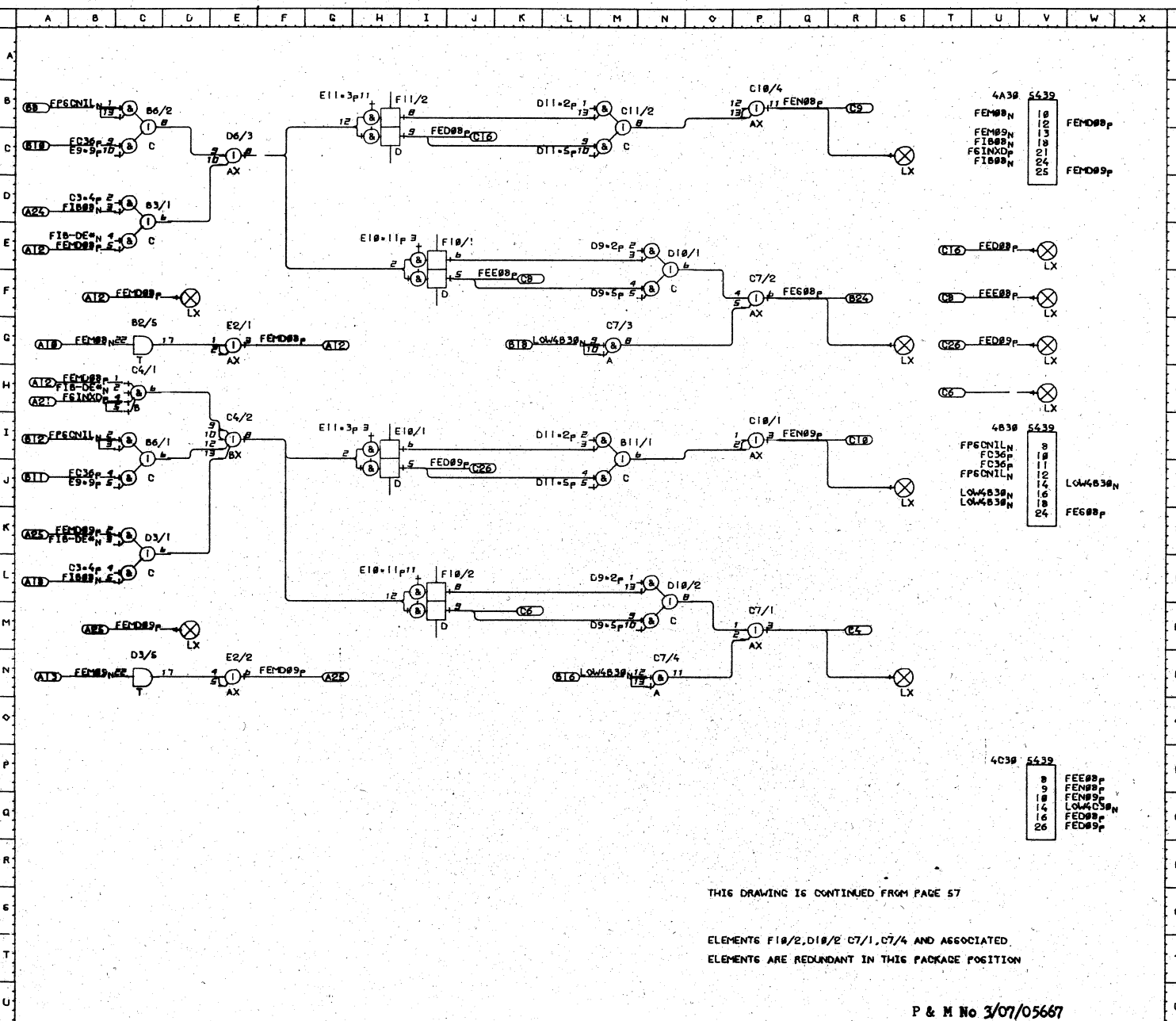
THIS DRAWING IS CONTINUED ON PAGE 59

P & M No 3/07/05667

ISSUE: 1	TYPE MOD: 4	TYPE MOD:	TYPE MOD:
ACC: 2767	ECC: 2725	ECC:	ECC:

EXPONENT REGS & HWYS (BITS 05-07) WGH04***/0057

FC36 3C 05 CI VI
 FED09 JC 09 09 VE
 VP
 FED09 JJ VG VP
 FEE09 KF VF VP
 FE09 02 CC V6
 FE09 02 CN V6
 FE09 EG EC CD CH
 DF V6
 FEM09 EN CK DM
 V6
 FEN09 PB 61 EC VP
 FEN09 PI 61 CJ VP
 FEG09 PF 61 SC VI
 FIB09 I 0D CK V6
 FPGNLL 09 CB CI VI
 FGINXD 04 CH V6
 LOW430 VI 57 MC NN
 LOW430 VP 57



4A39	5439
FEM09N	10
FEM09N	12
FIB09N	18
FGINXD	21
FIB09N	24
FEM09P	25

C10	FEE09P	LX
C8	FEE09P	LX
C26	FEE09P	LX
C6		LX

4B30	5439
FPGNLLN	8
FC36P	10
FC36P	11
FPGNLLN	12
LOW430N	14
LOW430N	18
LOW430N	24
FEG09P	

4C39	5439
FEE09P	9
FEN09P	10
FEN09P	14
LOW430N	16
FED09P	26

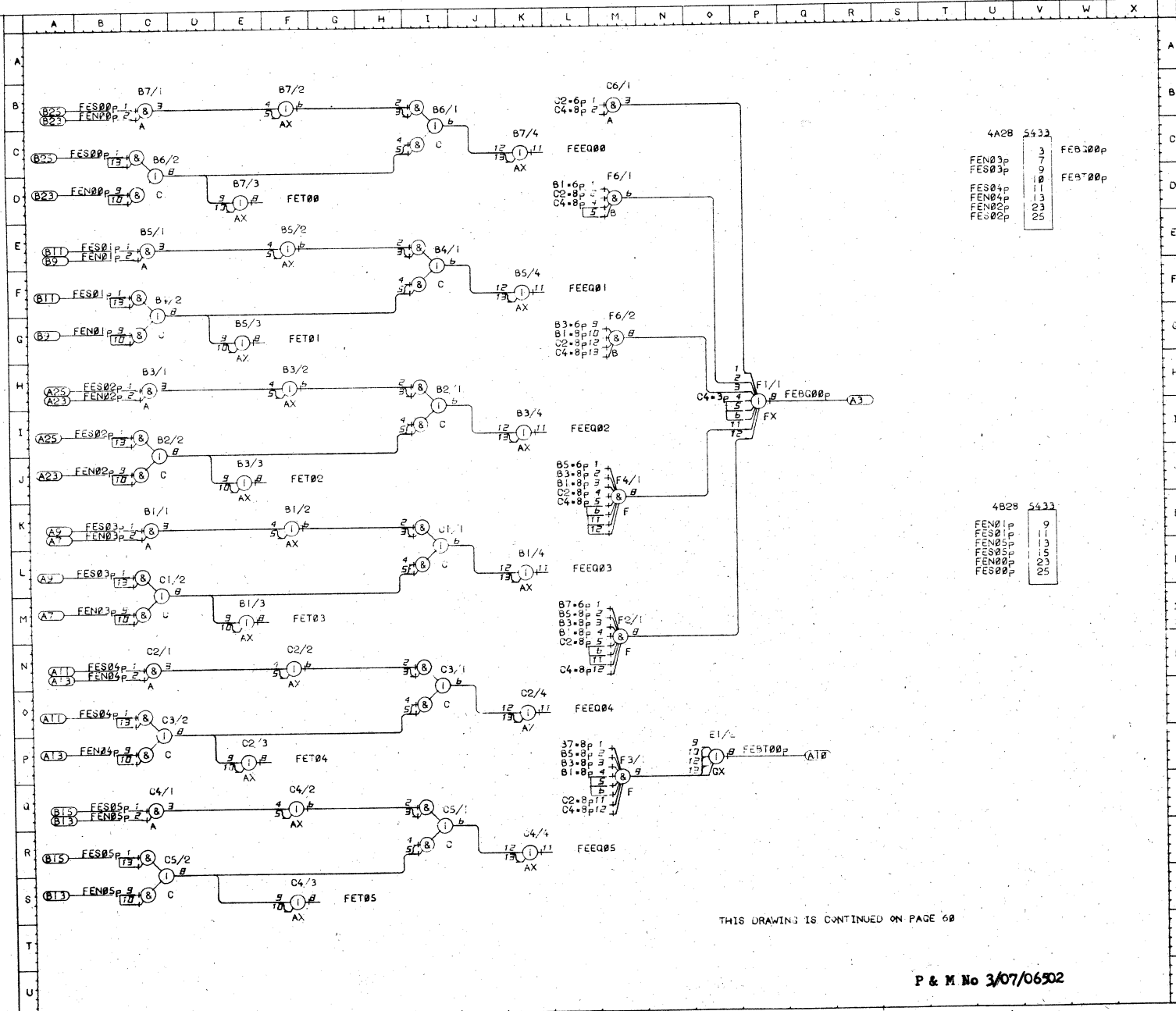
THIS DRAWING IS CONTINUED FROM PAGE 57

ELEMENTS F10/2, D10/2, C7/1, C7/4 AND ASSOCIATED ELEMENTS ARE REDUNDANT IN THIS PACKAGE POSITION

P & M No 3/07/05667

27/02/70		EXPONENT REGS & HWYS (BITS 08-09)				WGH04***/0058	
ISSUE: 1	TYPE MOD: 4	TYPE MOD:	TYPE MOD:	TYPE MOD:	TYPE MOD:	TYPE MOD:	TYPE MOD:
ACC: 2767	ECC: 2725	ECC:	ECC:	ECC:	ECC:	ECC:	ECC:

FEB00p P1 47 V.
 FET00p OP 47 V.
 FEN00p 55 08 COO V.
 FEN01p 55 08 COO V.
 FEN02p 56 09 COO V.
 FEN03p 56 09 COO V.
 FEN04p 56 09 COO V.
 FEN05p 57 10 COO V.
 FES00p 55 08 COO V.
 FES01p 55 08 COO V.
 FES02p 56 09 COO V.
 FES03p 56 09 COO V.
 FES04p 56 09 COO V.
 FES05p 56 09 COO V.



4A28 5433

FEN03p	3	FEB00p
FES03p	9	FEB00p
FES04p	11	FEB00p
FEN02p	23	FEB00p
FES02p	25	FEB00p

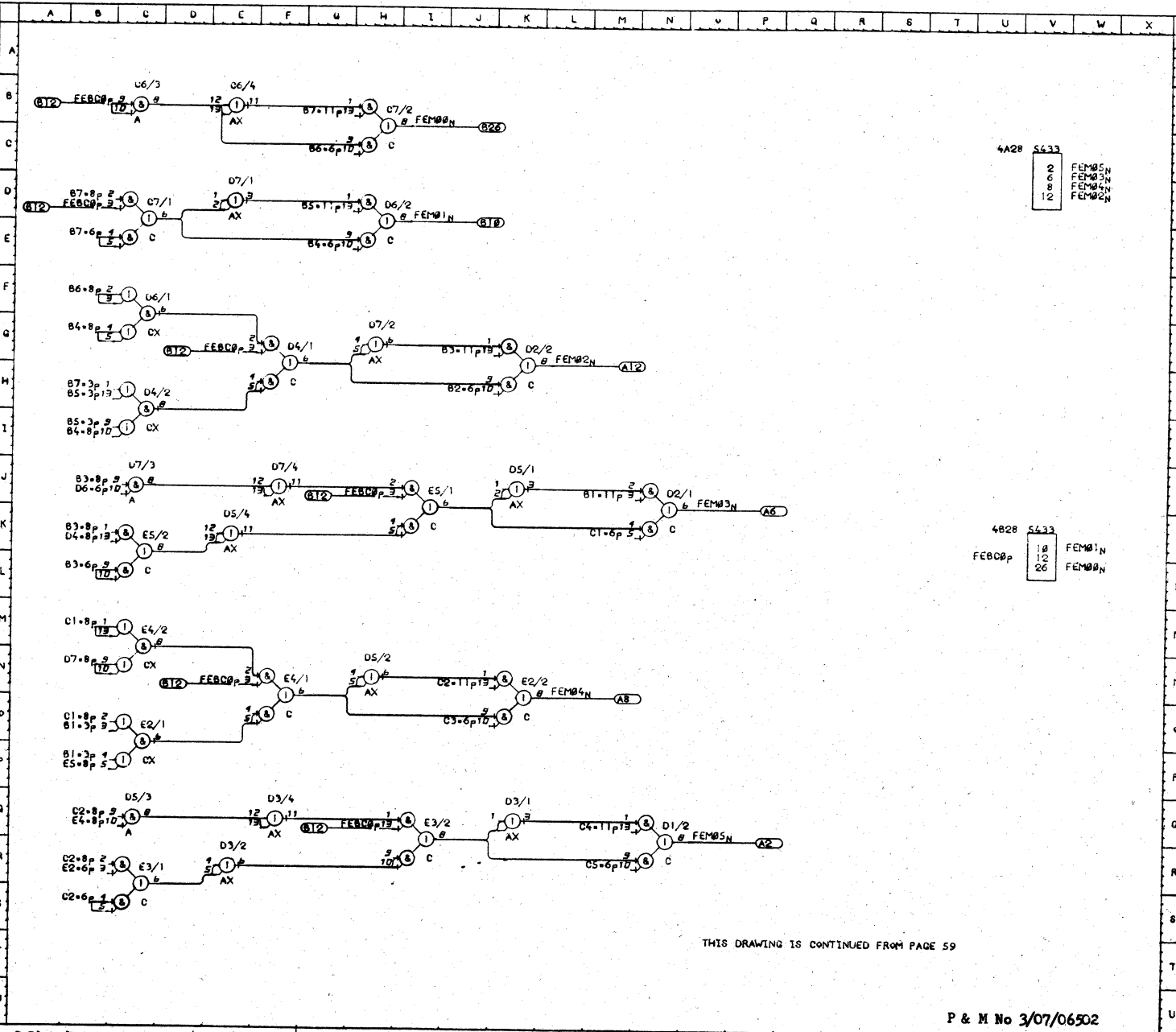
4B28 5433

FEN01p	9	FEB00p
FES01p	11	FEB00p
FEN05p	13	FEB00p
FES05p	15	FEB00p
FEN00p	20	FEB00p
FES00p	25	FEB00p

THIS DRAWING IS CONTINUED ON PAGE 60

P & M No 3/07/06502

FEB0P 47 47 08 CD
 FN IJ IQ VK
 FEM0N H8 55 64 VK
 FEM1N H0 55 64 VK
 FEM2N K0 55 64 VC
 FEM3N NJ 56 64 VC
 FEM4N KN 56 64 VC
 FEM5N ZN 57 64 VC



4A28 5433
 2 FEM05N
 6 FEM03N
 8 FEM04N
 12 FEM02N

4B28 5433
 FEB0P 10 FEM01N
 12 FEM00N
 26

THIS DRAWING IS CONTINUED FROM PAGE 59

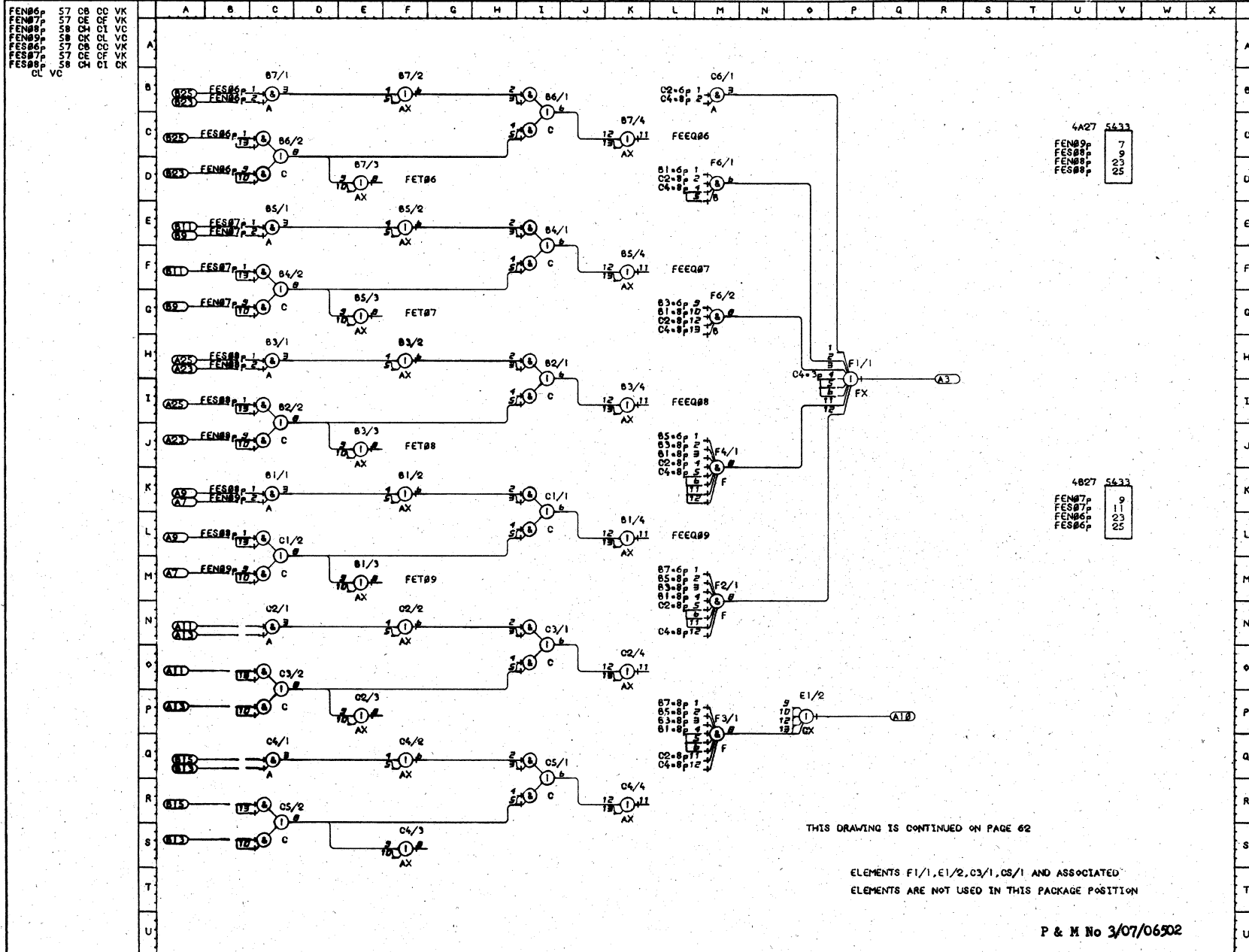
P & M No 3/07/06502

06/11/69

EXPONENT MILL SUM (BITS 00-05)

WGH04***/0060

ISSUE: 155	TYPE MOD: 00	TYPE MOD:	TYPE MOD:	TYPE MOD:	TYPE MOD:
ADD: 2344	ECC:	ECC:	ECC:	ECC:	ECC:



4A27 5633
 FEN09p 7
 FES09p 9
 FEN09p 23
 FES09p 25

4B27 5633
 FEN07p 9
 FES07p 11
 FEN06p 23
 FES06p 25

THIS DRAWING IS CONTINUED ON PAGE 62

ELEMENTS F1/1, E1/2, C3/1, C5/1 AND ASSOCIATED ELEMENTS ARE NOT USED IN THIS PACKAGE POSITION

P & M No 3/07/06502

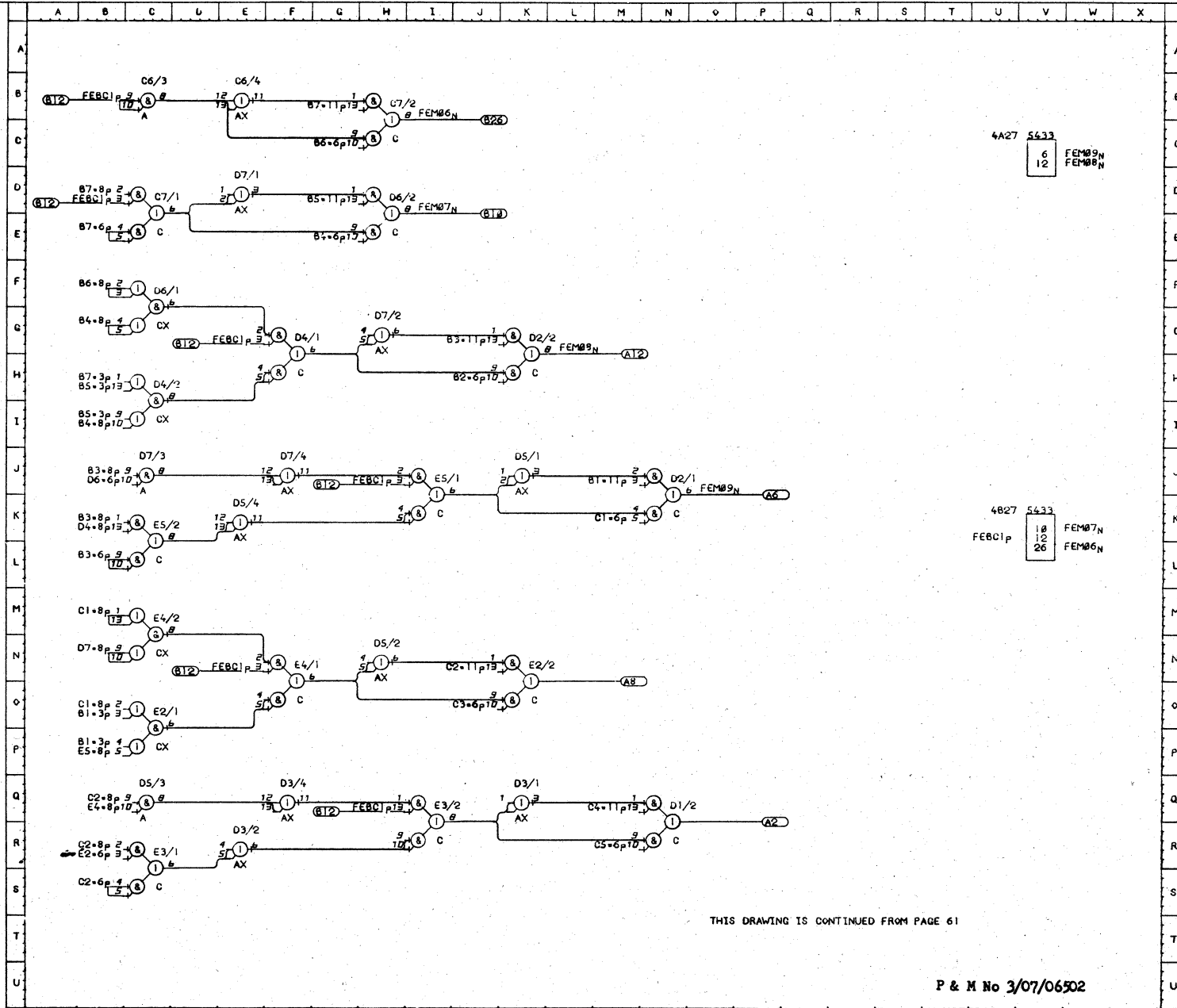
ISSUE: 155		TYPE 5433 MOD: 00		TYPE MOD:		TYPE MOD:		TYPE MOD:		TYPE MOD:	
ACC: 2366		ECC:		ECC:		ECC:		ECC:		ECC:	

06/11/69

EXPONENT MILL CARRY (BITS 06-09)

WGH04***/0061

FEB01P 47 08 0D FQ
 FN 1J 1Q VK
 FEM06N 48 57 64 VK
 FEM07N 48 57 64 VK
 FEM08N 48 58 64 VC
 FEM09N 48 58 64 VC
 VC

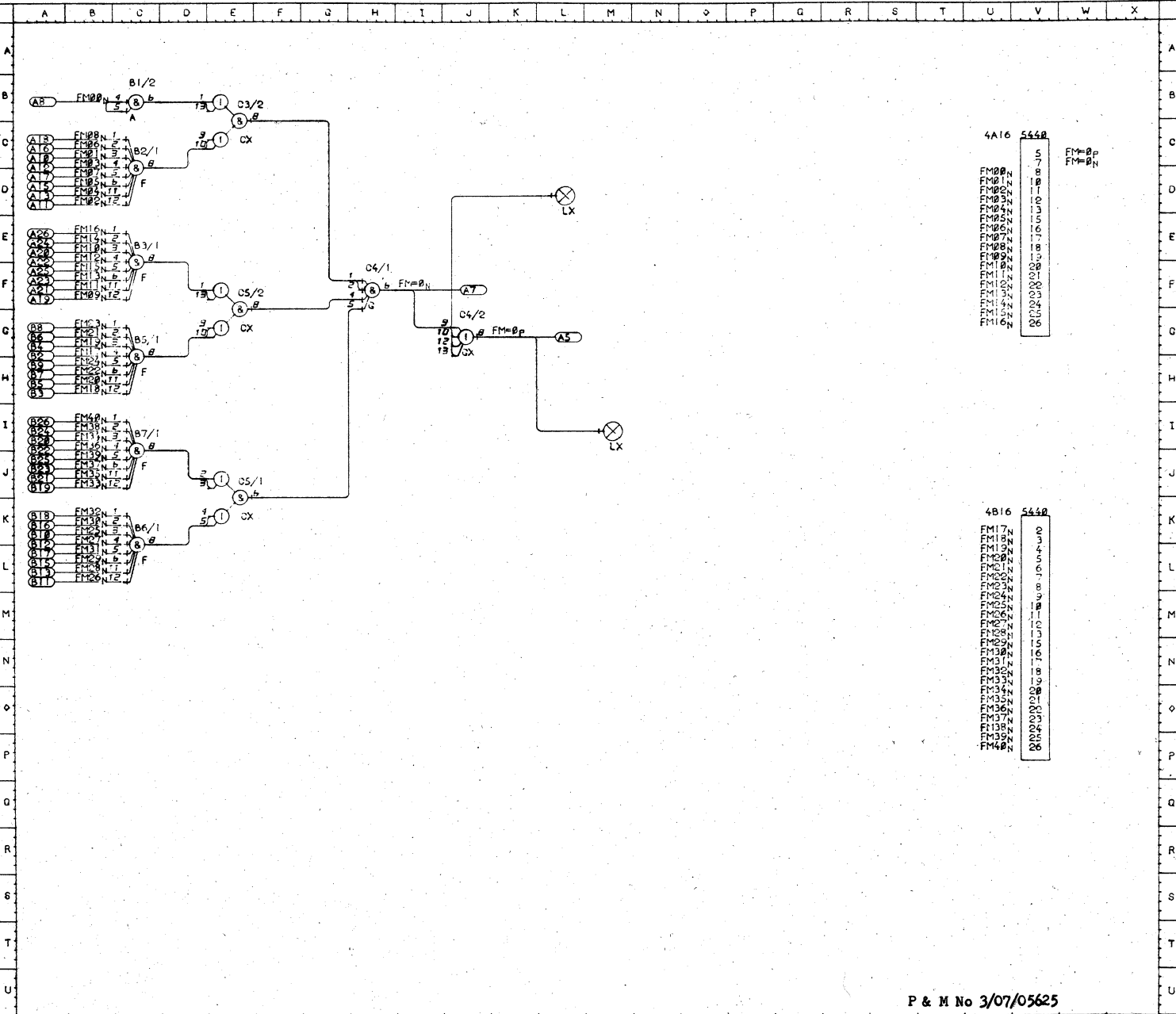


THIS DRAWING IS CONTINUED FROM PAGE 61

P & M No 3/07/06502

06/11/69		EXPONENT MILL SUM (BITS 06-09)		WGH04***/0062	
ISSUE: 155	TYPE 5433 MOD: 00	TYPE MOD:	TYPE MOD:	TYPE MOD:	TYPE MOD:
ACC: 2366	ECC:	ECC:	ECC:	ECC:	ECC:

FM00N 34 85 CB VC
 FM01N 34 85 CB VC
 FM02N 34 85 CB VC
 FM03N 34 85 CB VC
 FM04N 34 85 CB VC
 FM05N 34 85 CB VC
 FM06N 36 86 CB VC
 FM07N 36 86 CB VC
 FM08N 36 86 CB VC
 FM09N 36 86 CB VC
 FM10N 36 86 CB VC
 FM11N 36 86 CB VC
 FM12N 38 88 CB VC
 FM13N 38 88 CB VC
 FM14N 38 88 CB VC
 FM15N 38 88 CB VC
 FM16N 38 88 CB VC
 FM17N 39 89 CB VC
 FM18N 40 89 CB VC
 FM19N 40 89 CB VC
 FM20N 40 89 CB VC
 FM21N 40 89 CB VC
 FM22N 40 89 CB VC
 FM23N 40 89 CB VC
 FM24N 42 86 CB VC
 FM25N 42 86 CB VC
 FM26N 42 86 CB VC
 FM27N 42 86 CB VC
 FM28N 42 86 CB VC
 FM29N 42 86 CB VC
 FM30N 44 86 CB VC
 FM31N 44 86 CB VC
 FM32N 44 86 CB VC
 FM33N 44 86 CB VC
 FM34N 44 86 CB VC
 FM35N 44 86 CB VC
 FM36N 46 74 84 86
 FM37N 46 74 81 84
 FM38N 46 84 86 C:
 FM39N 46 86 C1 VK
 FM40N 46 86 C1 VK
 FM=BP 46 71 73 88
 FM=BP 84 ML VC 88 83
 FM=BP 84 LF 73 88 83
 FM=BP 84 LC VC

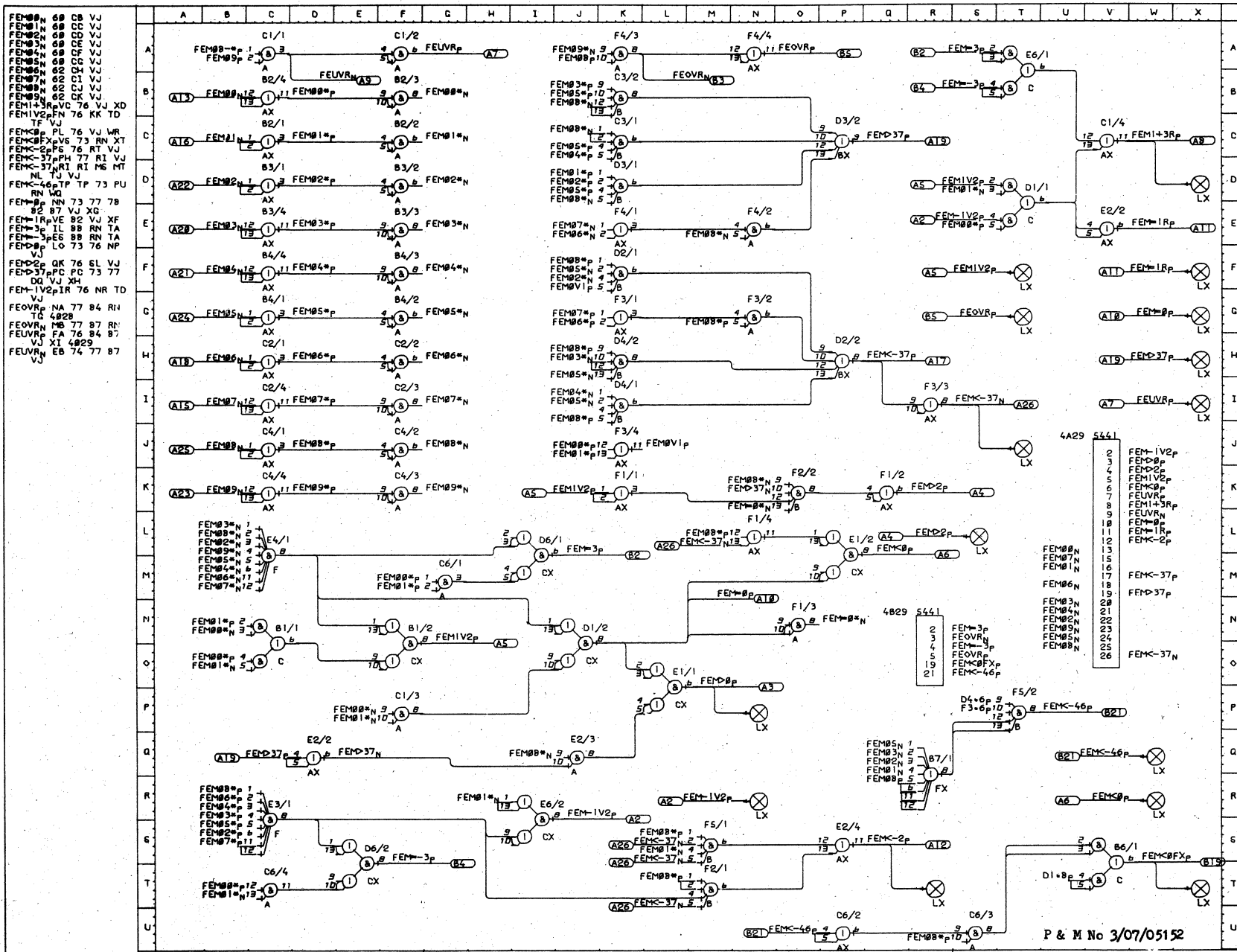


4A16 5448

FM00N	5
FM01N	7
FM02N	8
FM03N	10
FM04N	11
FM05N	12
FM06N	13
FM07N	14
FM08N	15
FM09N	16
FM10N	17
FM11N	18
FM12N	19
FM13N	20
FM14N	21
FM15N	22
FM16N	23
FM17N	24
FM18N	25
FM19N	26
FM20N	27
FM21N	28
FM22N	29
FM23N	30
FM24N	31
FM25N	32
FM26N	33
FM27N	34
FM28N	35
FM29N	36
FM30N	37
FM31N	38
FM32N	39
FM33N	40
FM34N	41
FM35N	42
FM36N	43
FM37N	44
FM38N	45
FM39N	46
FM40N	47
FM=BP	48
FM=BP	49
FM=BP	50
FM=BP	51
FM=BP	52
FM=BP	53
FM=BP	54
FM=BP	55
FM=BP	56
FM=BP	57
FM=BP	58
FM=BP	59
FM=BP	60
FM=BP	61
FM=BP	62
FM=BP	63
FM=BP	64
FM=BP	65
FM=BP	66
FM=BP	67
FM=BP	68
FM=BP	69
FM=BP	70
FM=BP	71
FM=BP	72
FM=BP	73
FM=BP	74
FM=BP	75
FM=BP	76
FM=BP	77
FM=BP	78
FM=BP	79
FM=BP	80
FM=BP	81
FM=BP	82
FM=BP	83
FM=BP	84
FM=BP	85
FM=BP	86
FM=BP	87
FM=BP	88
FM=BP	89
FM=BP	90
FM=BP	91
FM=BP	92
FM=BP	93
FM=BP	94
FM=BP	95
FM=BP	96
FM=BP	97
FM=BP	98
FM=BP	99
FM=BP	100

4B16 5448

FM17N	1
FM18N	2
FM19N	3
FM20N	4
FM21N	5
FM22N	6
FM23N	7
FM24N	8
FM25N	9
FM26N	10
FM27N	11
FM28N	12
FM29N	13
FM30N	14
FM31N	15
FM32N	16
FM33N	17
FM34N	18
FM35N	19
FM36N	20
FM37N	21
FM38N	22
FM39N	23
FM40N	24
FM=BP	25
FM=BP	26
FM=BP	27
FM=BP	28
FM=BP	29
FM=BP	30
FM=BP	31
FM=BP	32
FM=BP	33
FM=BP	34
FM=BP	35
FM=BP	36
FM=BP	37
FM=BP	38
FM=BP	39
FM=BP	40
FM=BP	41
FM=BP	42
FM=BP	43
FM=BP	44
FM=BP	45
FM=BP	46
FM=BP	47
FM=BP	48
FM=BP	49
FM=BP	50
FM=BP	51
FM=BP	52
FM=BP	53
FM=BP	54
FM=BP	55
FM=BP	56
FM=BP	57
FM=BP	58
FM=BP	59
FM=BP	60
FM=BP	61
FM=BP	62
FM=BP	63
FM=BP	64
FM=BP	65
FM=BP	66
FM=BP	67
FM=BP	68
FM=BP	69
FM=BP	70
FM=BP	71
FM=BP	72
FM=BP	73
FM=BP	74
FM=BP	75
FM=BP	76
FM=BP	77
FM=BP	78
FM=BP	79
FM=BP	80
FM=BP	81
FM=BP	82
FM=BP	83
FM=BP	84
FM=BP	85
FM=BP	86
FM=BP	87
FM=BP	88
FM=BP	89
FM=BP	90
FM=BP	91
FM=BP	92
FM=BP	93
FM=BP	94
FM=BP	95
FM=BP	96
FM=BP	97
FM=BP	98
FM=BP	99
FM=BP	100

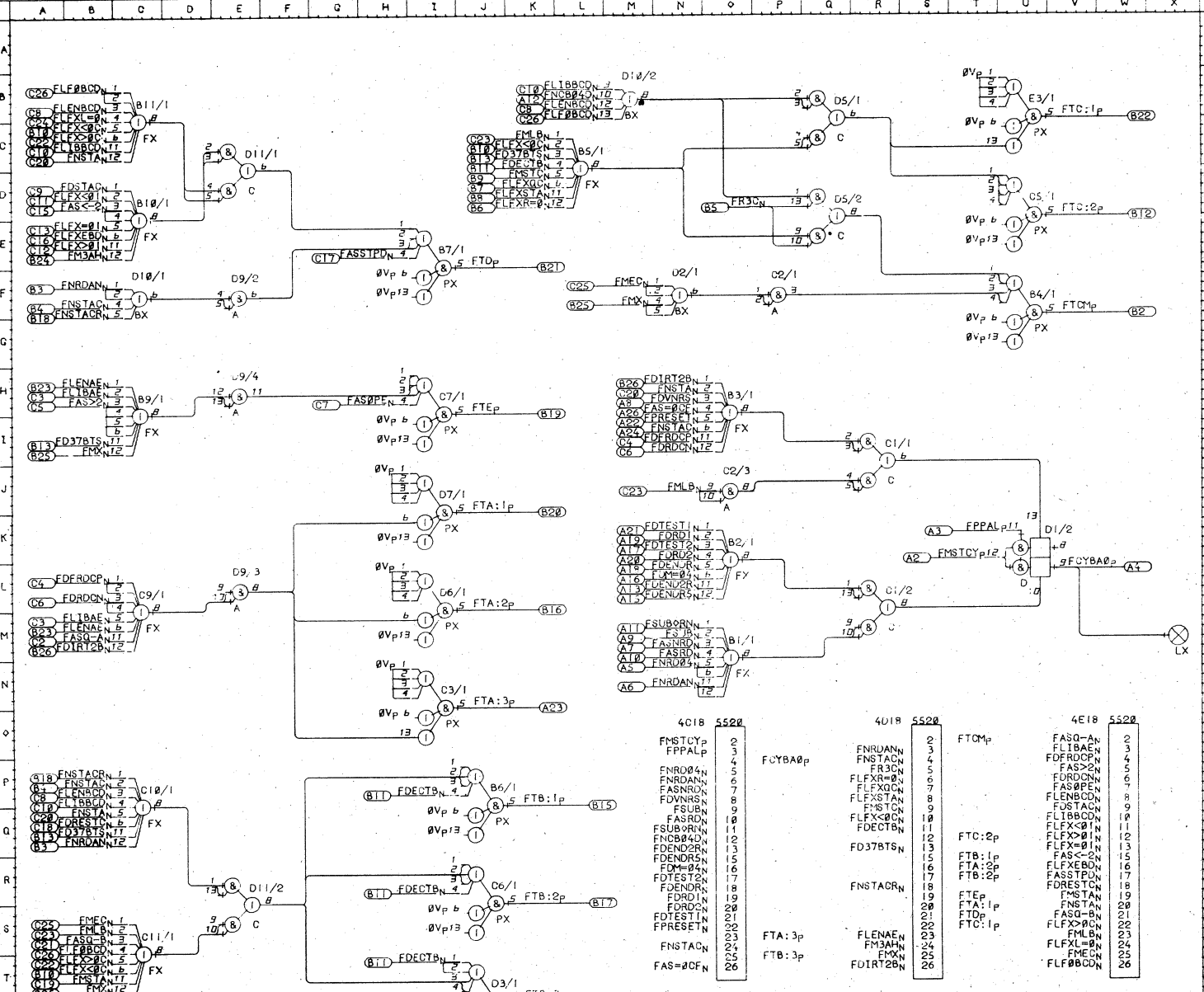


03/03/70 EXPONENT MILL TESTS WGH04***/0064

ISSUE: 1	TYPE MOD: 4	TYPE MOD:	TYPE MOD:	TYPE MOD:	TYPE MOD:	TYPE MOD:
ACC: 2767	ECC: 3182	ECC:	ECC:	ECC:	ECC:	ECC:

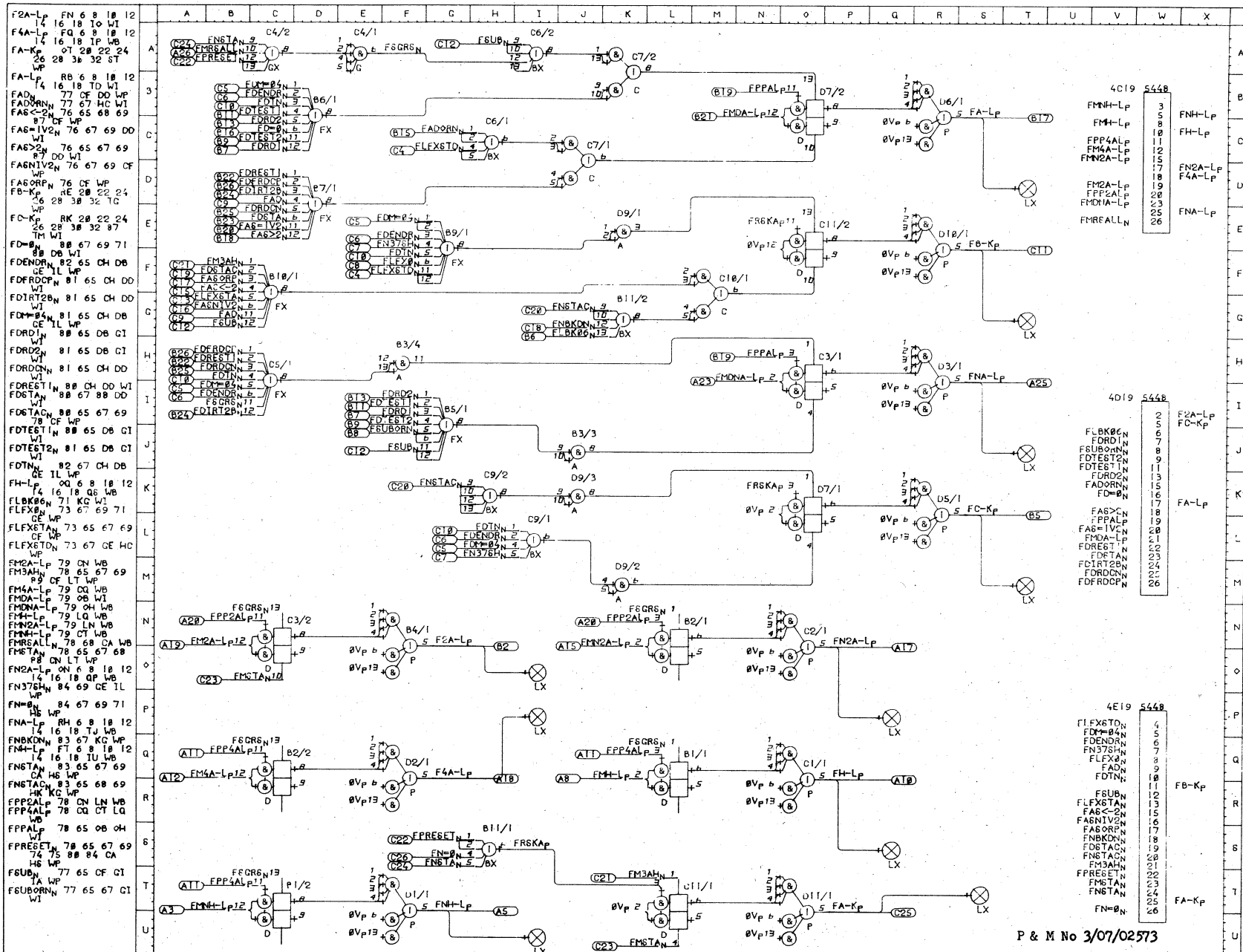
P & M No 3/07/05152

FASØPEN 76 1H WO
 FAS<C>N 76 66 68 69
 B7 DO WO
 FAS=ØCFN 76 67 69 0H
 00
 FAS>>N 76 66 67 69
 BØ CH WO
 FASNRDN 76 0M 00
 FASØ-AN 76 CL WO
 FASØ-DN 77 0M 00
 FASØRN 77 0M 00
 FASSTØN 76 1E WO
 FØYBAGE WL 47 86 00
 FØ37ØTSN 88 67 69 78
 82 C Ø LC SØ
 FØECTØN 8Ø JP JR JT
 LC SØ
 FØENDØRN 81 0K 00
 FØENØRN 82 66 0K 00
 FØENØRN 81 0K 00
 FØFRØCPN 81 66 CL 0H
 WO
 FØIRT2ØN 81 66 CL 0H
 SØ
 FØM=Ø4N 81 66 0K 00
 FØRDØN 8Ø 66 0K 00
 FØRDØN 81 66 0K 00
 FØRDØCN 81 66 CL 0H
 WO
 FØRESTCØN 81 0P WO
 FØSTACØN 8Ø 66 67 69
 78 DO WO
 FØTEST1N 8Ø 66 0K 00
 FØTEST2N 81 66 0K 00
 FØVNRØN 87 0M 00
 FØENAEØN 71 0H CL SØ
 FØENBØCN 71 0P Ø MB
 WO
 FØFØØØCN 7Ø 69 ØB ØS
 MB WO
 FØFX<Ø>N 73 67 ØD WO
 FØFX<Ø>N 74 ØB ØS LC
 SØ
 FØFX=Ø1N 73 ØD WO
 FØFX>Ø1N 73 67 ØD WO
 FØFX>Ø1N 73 ØB ØS WO
 FØFXEØDN 73 69 ØD WO
 FØFXL=ØN 73 ØB WO
 FØFXQØN 73 LC SØ
 FØFXØN 73 LC SØ
 FØFXSTØN 73 66 67 69
 LC SØ
 FØLIBAEØN 7Ø 0H ØL MB
 FØLIBØCN 7Ø ØB ØP MB
 WO
 FØM3AØN 78 66 67 69
 89 ØD SØ
 FØMEØN 78 ØS ØF WO
 FØMLB 78 ØS LC ØJ
 WO
 FØMSTAN 78 66 67 69
 FØMSTC 75 LC SØ
 FØMSTØP 79 00 SØ
 FØMN 78 67 69 0H
 ØS ØF SØ
 FØNCBØ4ØN 86 MB 00
 FØNRØØ4N 83 0M 00
 FØNRØØN 83 67 ØP ØP
 0M 00 SØ
 FØNSTAN 83 66 67 69
 ØB ØP 0H WO
 FØNSTACØN 83 66 68 69
 ØP ØH 00 SØ
 FØNSTACØN 83 67 ØF ØP
 SØ
 FØPPALP 78 66 00 ØK
 FØPRESET 75 88 84 0H
 00
 FØR3ØN 68 ØD SØ
 FØSUBN 77 66 0M 00
 FØSUBØRN 77 66 67 0M
 00
 FØTA:1Ø IJ 6 8 1Ø 87
 SØ
 FØTA:2Ø IL 16 18 SØ
 FØTA:3Ø IN 12 14 00
 FØTB:1Ø JP 2Ø 22 24
 87 SØ
 FØTB:2Ø JR 3Ø 32 SØ
 FØTB:3Ø JT 26 28 00
 FØTC:1Ø UB 2Ø 22 24
 SØ
 FØTC:2Ø UD 26 28 29
 3Ø SØ
 FØTONP ØF 31 32 SØ
 FØTØP IE 55 57 SØ
 FØTEP IH 55 57 SØ



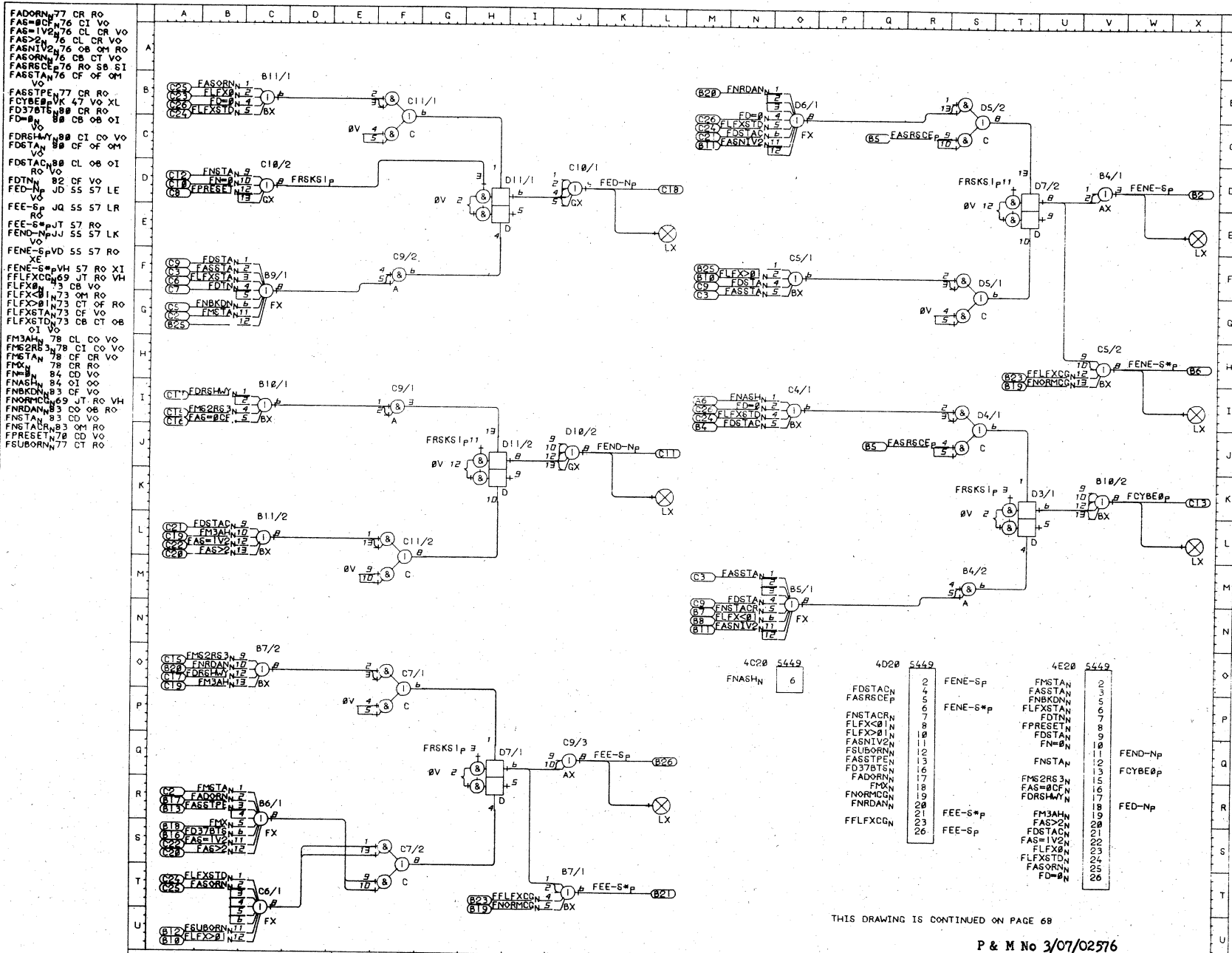
4C18	552Ø	4Ø18	552Ø	4E18	552Ø
FØMSTØP	2	FØMSTØP	2	FØMSTØP	2
FØPPALP	3	FØMSTØP	3	FØLIBAEØN	3
FØMSTØP	4	FØMSTØP	4	FØFRØCPN	4
FØNRØØ4N	5	FØMSTØP	5	FØASØRN	5
FØNRØØN	6	FØMSTØP	6	FØRDØCN	6
FØVNRØN	7	FØMSTØP	7	FØFØØØCN	7
FØASØRN	8	FØMSTØP	8	FØENBØCN	8
FØASØRN	9	FØMSTØP	9	FØSTACØN	9
FØSUBØRN	10	FØMSTØP	1Ø	FØLIBØCN	1Ø
FØNCBØ4ØN	11	FØMSTØP	11	FØFX<Ø>N	11
FØENDØRN	12	FØMSTØP	12	FØFX>Ø1N	12
FØENDØRN	13	FØMSTØP	13	FØFX>Ø1N	13
FØENDØRN	14	FØMSTØP	14	FØFX=Ø1N	14
FØM=Ø4N	15	FØMSTØP	15	FØAS<C>N	15
FØTEST1N	16	FØMSTØP	16	FØFXEØDN	16
FØENØRN	17	FØMSTØP	17	FØASØRN	17
FØRDØN	18	FØMSTØP	18	FØRESTCØN	18
FØRDØCN	19	FØMSTØP	19	FØNSTAN	19
FØRDØCN	2Ø	FØMSTØP	2Ø	FØNSTAN	2Ø
FØTEST1N	21	FØMSTØP	21	FØASØRN	21
FØPRESET	22	FØMSTØP	22	FØFX>ØCØN	22
FØNSTACØN	23	FØMSTØP	23	FØMLB	23
FØNSTACØN	24	FØMSTØP	24	FØFXL=ØN	24
FØASØCFN	25	FØMSTØP	25	FØMØN	25
	26	FØMSTØP	26	FØFØØØCN	26

22/10/69 TIGHT STROBE & CYBAØ WGHØ4***/ØØ65

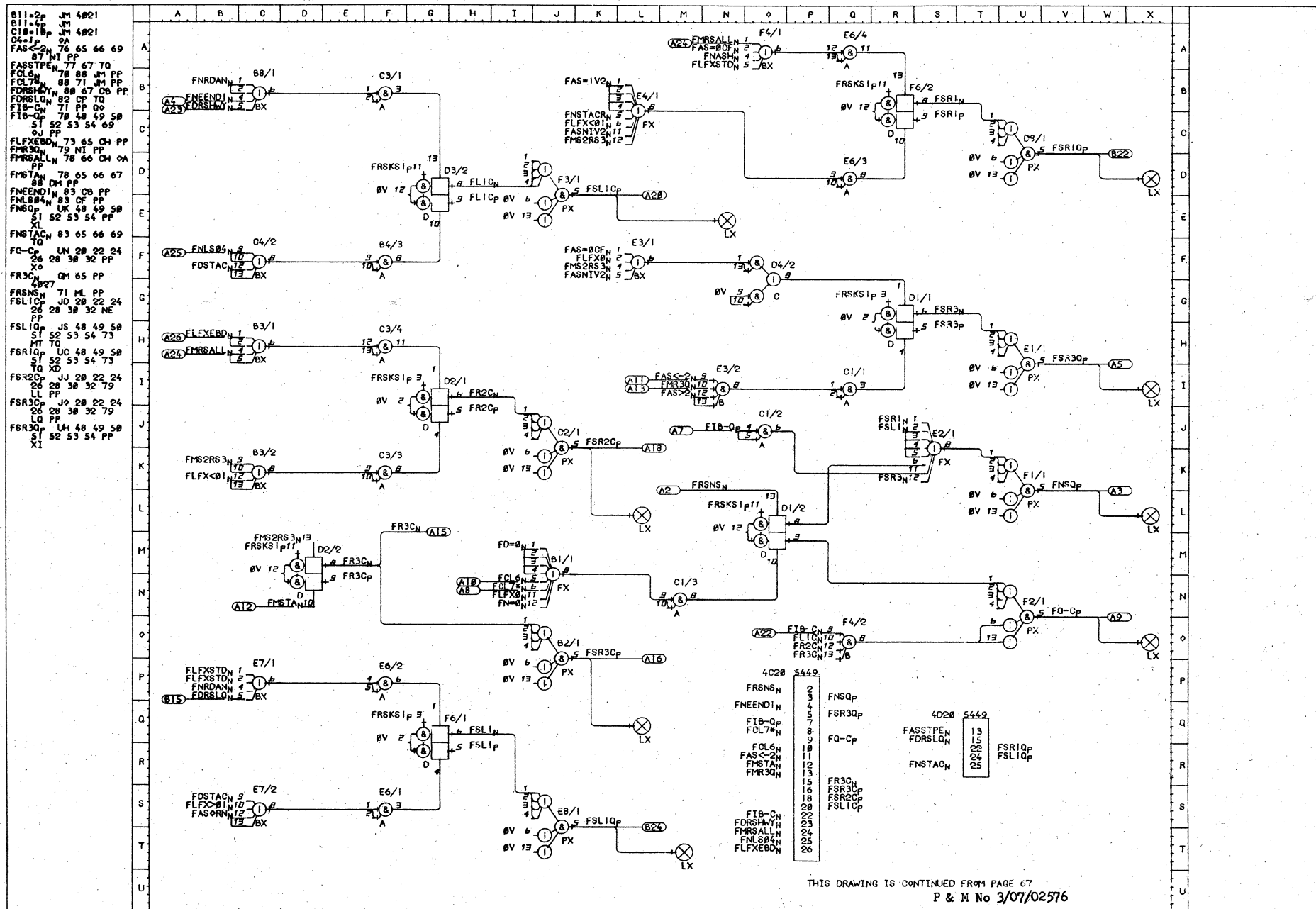


F2A-Lp FN 6 8 10 12
 F4A-Lp FQ 6 8 10 12
 FA-Kp QT 20 22 24
 WP 26 28 30 32 ST
 FA-Lp RB 6 8 10 12
 FAD-Lp 16 18 10 WI
 FADRN 77 67 DO WP
 FADRN 77 67 HC WI
 FAB<2N 76 65 68 69
 87 81 P
 FAB=LVN 76 67 69 DO
 WI
 FAB>2N 76 65 67 69
 DO WI
 FAGNIV2N 76 67 69 CF
 WP
 FAGORFN 76 67 WP
 FB-Kp RE 20 22 24
 26 28 30 32 1G
 WP
 FC-Kp RK 20 22 24
 26 28 30 32 87
 TM WI
 FD=0N 80 67 69 71
 80 DB WI
 FDN0N 81 65 CH DB
 WI
 FDRDFCN 81 65 CH DO
 WI
 FDIRT2BN 81 65 CH DO
 WI
 FDM=0N 81 65 CH DB
 GE 1L WP
 FORDIN 80 65 DB CI
 WI
 FORD2N 81 65 DB CI
 WI
 FORD0N 81 65 CH DO
 WI
 FORESTIN 88 CH DO WI
 FOSTAN 88 67 88 DO
 WI
 FOSTACN 80 65 67 69
 78 CF WP
 FOTESTIN 80 65 DB CI
 WI
 FOTEST2N 81 65 DB CI
 WI
 FDTN 82 67 CH DB
 GE 1L WP
 FH-Lp 00 6 8 10 12
 F4 16 18 08 WB
 FLBK0N 71 KG WI
 FLFXN 73 67 69 71
 GE WP
 FLFXETAN 73 65 67 69
 CF WP
 FLFXSTON 73 67 GE HC
 WP
 FM2A-Lp 79 ON WB
 FM3AHN 78 65 67 69
 89 CF LT WP
 FM4A-Lp 79 OQ WB
 FM4A-Lp 79 OB WI
 FM4A-Lp 79 OH WB
 FM4A-Lp 79 OI WB
 FM2A-Lp 79 LN WB
 FM4A-Lp 79 CT WB
 FM4A-Lp 78 68 CA WB
 FM4A-Lp 78 65 67 68
 89 ON LT WP
 FN2A-Lp 0N 6 8 10 12
 14 16 18 0P WB
 FN378N 84 69 GE 1L
 WP
 FN=0N 84 67 69 71
 HE WP
 FNA-Lp RH 6 8 10 12
 16 18 1J WB
 FNBK0N 83 67 KC WP
 FNA-Lp FT 6 8 10 12
 16 18 1U WB
 FNSTAN 83 65 67 69
 CA 48 WP
 FNSTACN 83 65 68 69
 HE KC WP
 FPP2ALp 78 ON LN WB
 FPP4ALp 78 OQ CT LQ
 WB
 FPPALp 78 65 0B OH
 WI
 FPRESETN 78 65 67 69
 74 75 80 84 CA
 HE WP
 FSUBN 77 65 CF CI
 JA WP
 FSUBORNN 77 65 67 CI
 WI

- 4C19 5448
 - 3 FM4-Lp FNH-Lp
 - 8 FM4-Lp FH-Lp
 - 11 FPP4ALp FM4-Lp
 - 12 FM4-Lp
 - 13 FM2A-Lp
 - 15 F4A-Lp
 - 18 FN2A-Lp
 - 19 F4A-Lp
 - 20 FNA-Lp
 - 23 FMDIA-Lp
 - 25 FMRALLN
 - 26
- 4D19 5448
 - 2 F2A-Lp
 - 5 FORDIN
 - 6 FSUBORNN
 - 7 FOTEST2N
 - 9 FOTESTIN
 - 11 FORD2N
 - 13 FADRN
 - 16 FD=0N
 - 17 FA-Lp
 - 19
 - 20 FAS>CN
 - 21 FPPALp
 - 22 FAS=IVCN
 - 23 FM4A-Lp
 - 24 FORESTIN
 - 25 FDIRT2BN
 - 26 FDRDFCN
- 4E19 5448
 - 4 FLFXSTON
 - 5 FD=0N
 - 6 FDN0N
 - 7 FN378N
 - 8 FLFX2N
 - 9 FADN
 - 10 FDTN
 - 11 FSUBN
 - 12 FLFXSTAN
 - 13 FAB<2N
 - 15 FASNIV2N
 - 16 FABORFN
 - 17 FNBK0N
 - 18 FOSTACN
 - 19 FNSTACN
 - 20 FM3AHN
 - 21 FPRESETN
 - 23 FM4A-Lp
 - 24 FNSTAN
 - 25 FN=0N
 - 26

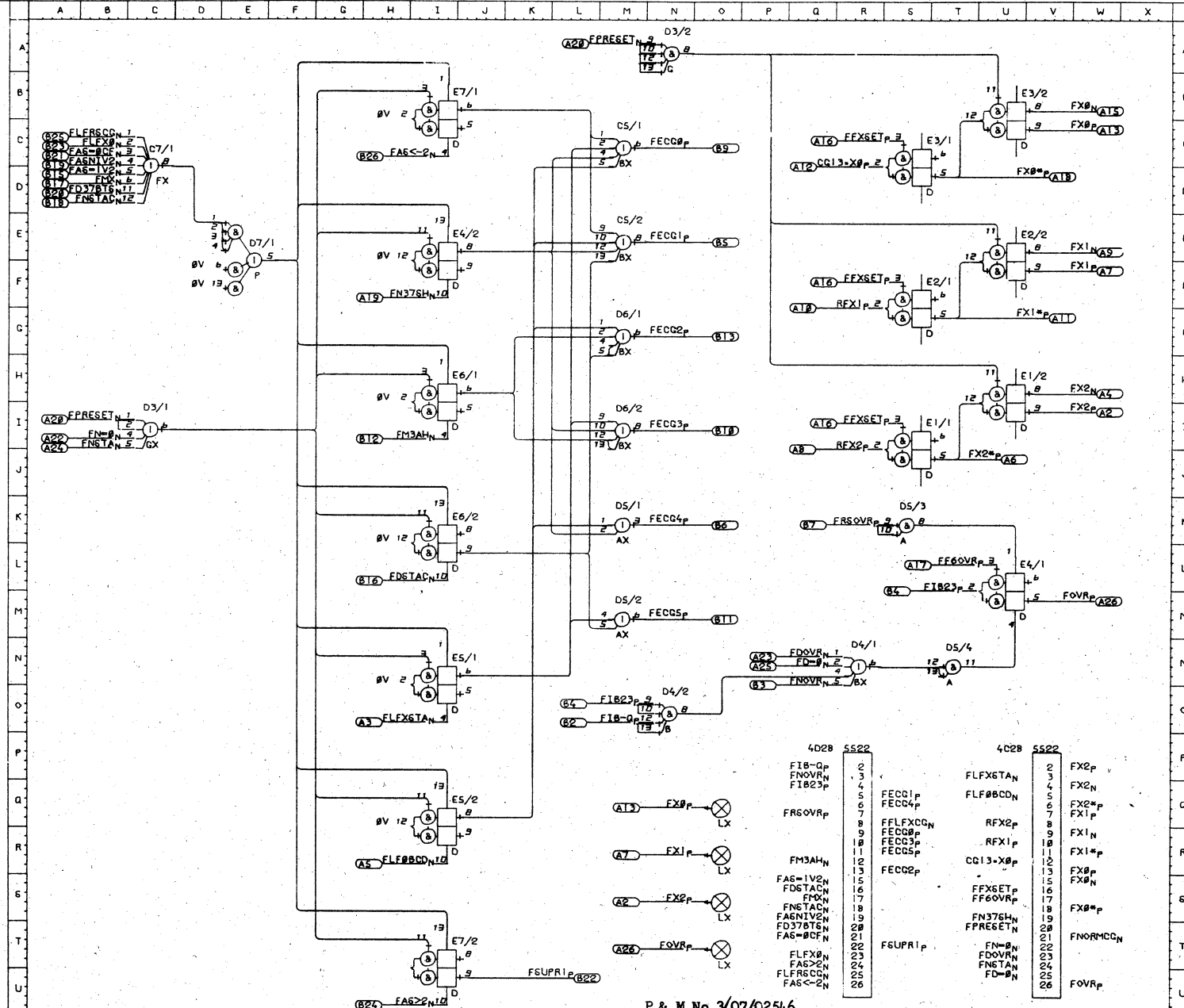


03/03/70		SLACK GATES D.S. & CYBE0		WGH04***/0067	
ISSUE: 1	TYPE MOD: 2	TYPE MOD:	TYPE MOD:	TYPE MOD:	TYPE MOD:
ADD: 2767	ECC: 1859	ECC:	ECC:	ECC:	ECC:



03/11/69		SLACK GATES (SHIFTS)			WGH04***/0068		
ISSUE: 156	TYPE MOD: 2	TYPE MOD:	TYPE MOD:	TYPE MOD:	TYPE MOD:	TYPE MOD:	
ACD: 2366	ECC: 1859	ECC:	ECC:	ECC:	ECC:	ECC:	

CG13-X0P 87 SC VP
 FAS-C-2N 76 IS RP
 FAS-0CF 76 CC RP
 FAS-1V2N 76 CC RP
 FAS-2N 76 IT RP
 FASN1V2N 76 CC RP
 FD378T6 88 CC RP
 FD-0N 88 RN VP
 FDOVRN 82 RN VP
 FDS1ALN 88 IK RP
 FECC0N 88 SC RP
 FECC1P 88 ME 55 RP
 FECC2P 88 MC 55 RP
 FECC3P 88 MI 56 RP
 FECC4P 88 MS 56 RP
 FECC5P 88 MM 57 RP
 FECC6P 88 UL VP
 FF60VR 78 UL VP
 FFLFXCCN 87 RP
 FFXSETP 78 SC SF 51 VP
 FIB23P 1 NO RP UL
 FIB-0P 78 NO RP
 FLFRSCDN 78 IQ VP
 FLFRSCCN 74 CC RP
 FLFXN 73 CC RP
 FLFXSTAN 73 IN VP
 FM3AHN 78 IH RP
 FMXN 78 CC RP
 FN378HN 84 IE VP
 FN-0 84 CI VP
 FNORMCCN 67 VP
 FN0VRN 83 RN RP
 FNSTAN 83 CI VP
 FNSTALN 83 CC RP
 FOVRN 84 W 83 88 VP
 FPRESET 78 CI NA VP
 FROVRP 88 RP SK
 FSUPRI 88 LU 55 RP
 FX0P 84 WC 71 74 VP
 FX0N 84 88 88 88 VP
 FX0P 84 84 VP
 FX0P 84 84 VP
 FX1P 84 WE 83 84 VP
 FX1P 84 VC VP
 FX2P 84 WI 71 85 VP
 FX2P 84 84 VP
 FX2P 84 84 VP
 FX2P 84 84 VP
 FX2P 84 84 VP
 FX2P 84 84 VP



4D28	5522	4C28	5522
FIB-0P	2	FLFXSTAN	2
FN0VRN	3	FLFXBCDN	2
FIB23P	4		5
	5	FECC1P	6
FROVRP	6	FECC4P	7
	7	FECC0N	8
	8	FECC0P	9
FM3AHN	9	FECC3P	10
	10	FECC5P	11
FAS-1V2N	11	FECC2P	12
FDS1ALN	12		13
FMXN	13		14
FNSTACN	14		15
FASN1V2N	15		16
FD378T6N	16		17
FAS-0CFN	17		18
	18		19
FLFX0N	19		20
FAS-2N	20		21
FLFRSCCN	21		22
FAS-C-2N	22		23
	23		24
	24		25
	25		26

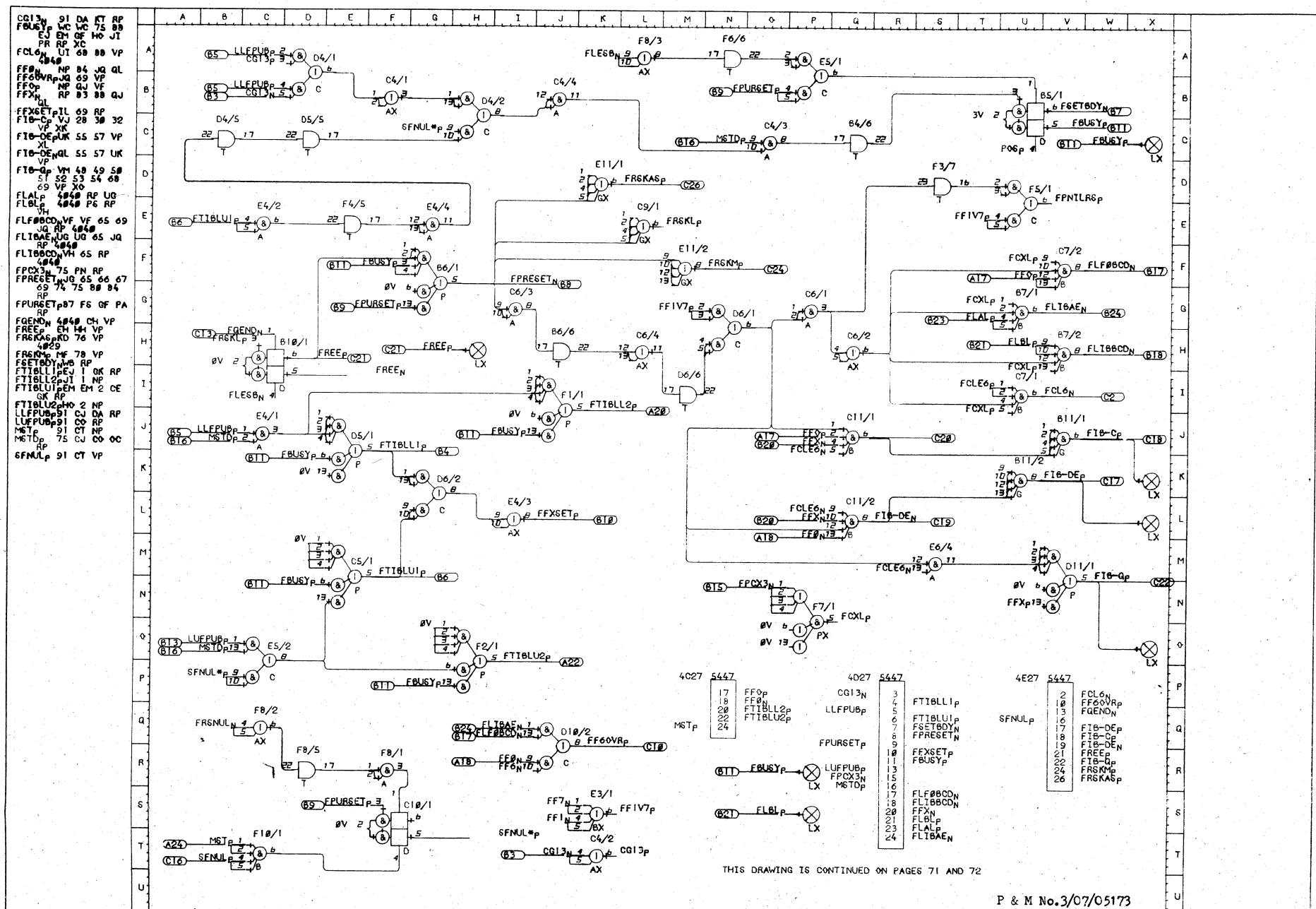
03/03/70

CONSTANT GENERATOR & FOVR

P & M No 3/07/02546

WGH04***/0069

ISSUE: 1	TYPE MOD: 1	TYPE MOD:	TYPE MOD:	TYPE MOD:	TYPE MOD:	TYPE MOD:
ACC: 2767	ECC: 1315	ECC:	ECC:	ECC:	ECC:	ECC:



CG13 91 DA AT RP
 F60V WC LW 75 80
 EJ EM OF HO JT
 PR RP XC
 FC6L UI 68 80 VP
 FF0N NP 84 JQ QL
 FF60VR JQ 09 VP
 FF0P NP 84 JQ
 FF7N RP 83 80 QU
 AL
 FFXSETP IL 09 RP
 F10-C VP JK 28 30 32
 VP XK
 F10-DE UK 55 57 VP
 XL
 F10-DE NL 55 57 UK
 VP
 F10-Q VM 49 49 50
 51 52 53 54 68
 69 VP XO
 FLALP 4040 RP UG
 FL8LP 4040 P6 RP
 VH
 FLF080D VF VF 65 69
 JQ RP 4040
 FL18AE UG UG 65 JQ
 RP 4040
 FL180C VH 65 RP
 4040
 FPX3N 75 PN RP
 FPRESETN JG 65 66 67
 69 74 75 80 84
 RP
 FPURSETP 07 F6 OF PA
 RP
 FQENON 4040 CH VP
 FREEP EM 14 VP
 FRKAS RD 76 VP
 4029
 FR80V NF 78 VP
 FSETBDY NM RP
 FTIBLLP E J OK RP
 FTIBLLP PJ I NP
 FTIBLLP EM 2 CE
 GK RP
 FTIBLU2P HO 2 NP
 LLFPUBP 91 CJ DA RP
 LLFPUBP 91 CJ NP
 MSTP 91 CT NP
 MSTP 75 CJ CO CC
 RP
 SFNULP 91 CT VP

THIS DRAWING IS CONTINUED ON PAGES 71 AND 72

P & M No.3/07/05173

168UE: 2	TYPE 5447 MOD: 08	TYPE MOD:	TYPE MOD:	TYPE MOD:	TYPE MOD:	TYPE MOD:
ACC: 3009	ECC: 3814	ECC:	ECC:	ECC:	ECC:	ECC:

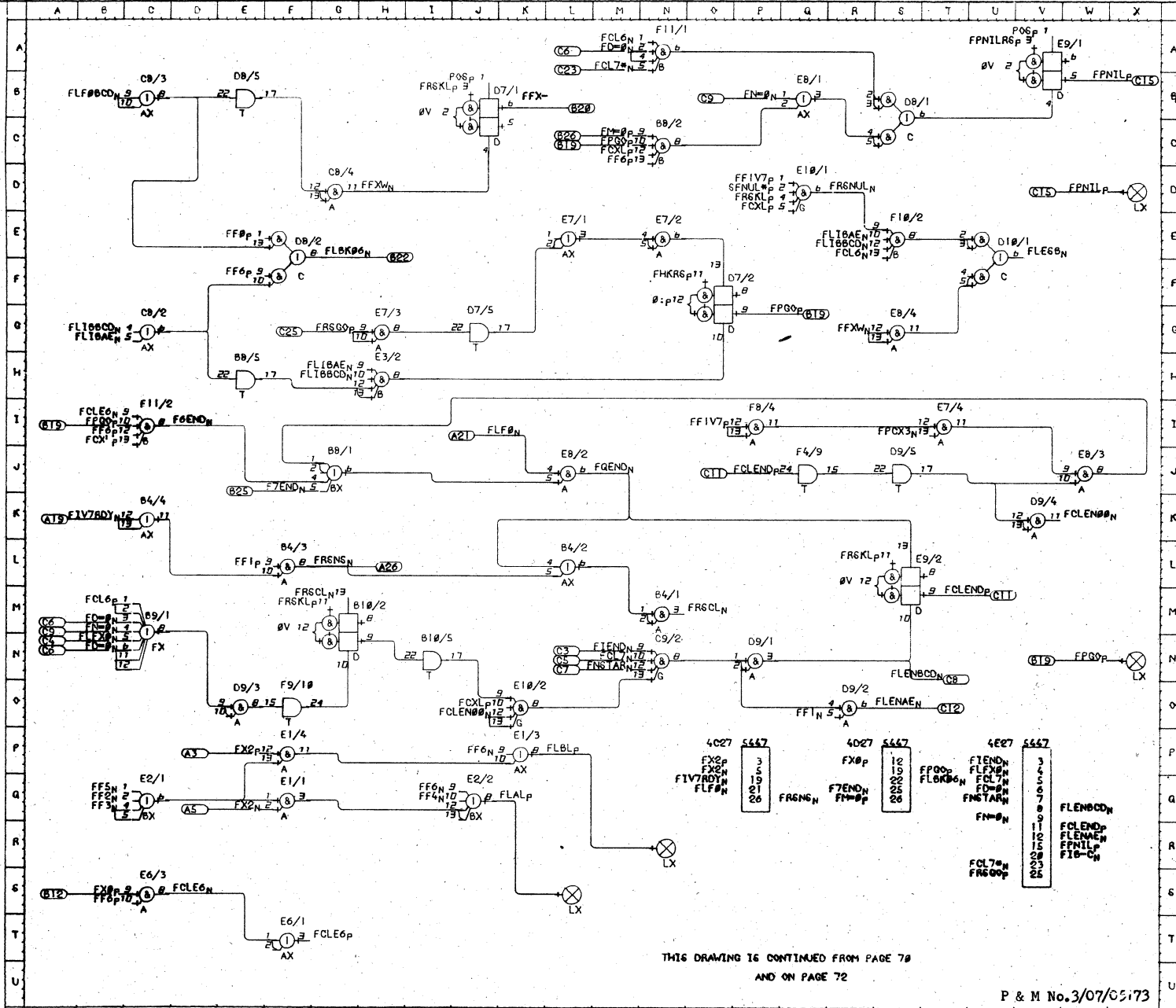
CCW: 0035 30/04/70

LOAD FX-FL & CLEAR SHT 1/3

WGH04***/0070

DATA CCM0035

FTEND	74	GJ	SP
FCL7N	74	NN	VP
FCL7N	88	NA	VP
FCL7N	99	LM	QJ
FD=CN	88	QM	NA
FTB=CN	VP	68	
FTEND	74	NN	VP
FIV7ADY	73	CK	PP
FLK96N	66	66	66
FLENAEN	65	65	65
FLENDN	65	65	65
FLFN	73	J1	PP
FLFXN	73	QM	VP
FM=CP	63	NC	6P
FM=CN	84	CM	6B
FM=CN	84	NN	VP
FNSTARN	84	NN	VP
FPGOP	66	66	66
FP	69	69	69
FPN1L	87	87	87
FX			
FRGCP	88	HC	VP
FRSNGN	68	LL	PP
FXP	69	CS	6P
FXP	69	FP	6P
FX2N	69	FQ	6P

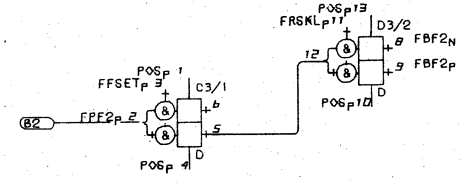
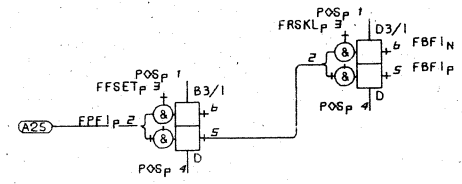
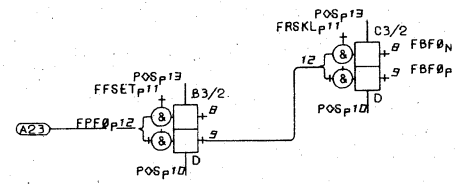


THIS DRAWING IS CONTINUED FROM PAGE 70 AND ON PAGE 72

P & M No. 3/07/05173

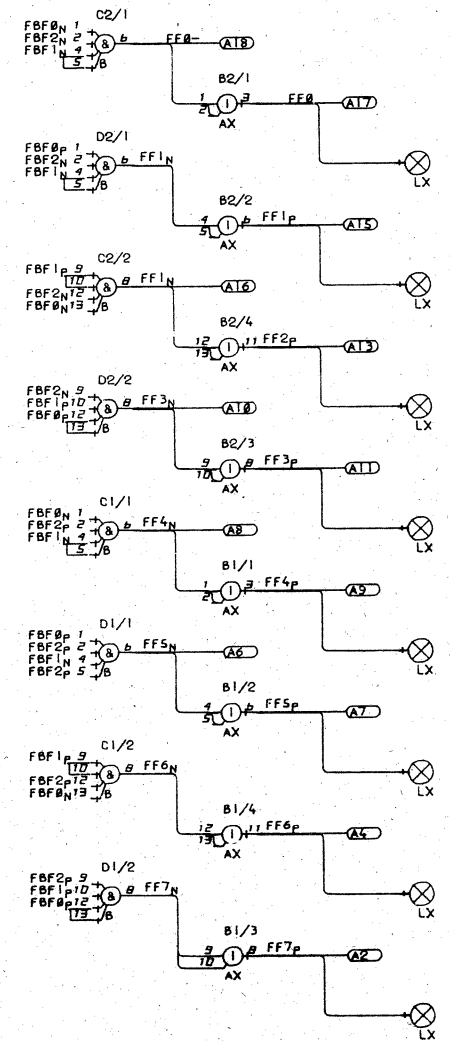
CCW:0035 30/04/70		LOAD FX-FL & CLEAR SHT 2/3		WGH04***/0071		DATA COM#35	
ISSUE: 2	TYPE MOD: 08	TYPE MOD:	TYPE MOD:	TYPE MOD:	TYPE MOD:	TYPE MOD:	TYPE MOD:
ACC: 3009	ECC: 3814	ECC:	ECC:	ECC:	ECC:	ECC:	ECC:

FF1P	SF	73	87	CO
FF1V	VG	4033	4040	CO
FF1N	SH	QC	4041	CO
FF2P	SH	77	84	CO
FF2V	VI	CO	76	4040
FF2N	SJ	77	84	CO
FF3P	QI	76	CO	SJ
FF4P	SL	78	CO	VM
FF4N	QK	79	84	CO
FF5P	SN	80	CO	VO
FF5N	QM	82	CO	SN
FF6P	SP	CO	VG	
FF7P	SR	73	88	CO
FF7V	VS	4033		
FF8P	87	CO	CG	
FF1P	87	CO	CG	
FF2P	87	FO	QK	



4027	5447	FF7P
2		FF6P
4		FF5N
6		FF5P
8		FF4N
9		FF4P
10		FF3P
11		FF3N
12		FF2N
13		FF2P
15		FF1P
16		FF1N
23		FFP0P
25		FFP1P

4027	5447	FFP2P
		2



HIS DRAWING IS CONTINUED FROM PAGES 71 AND 72

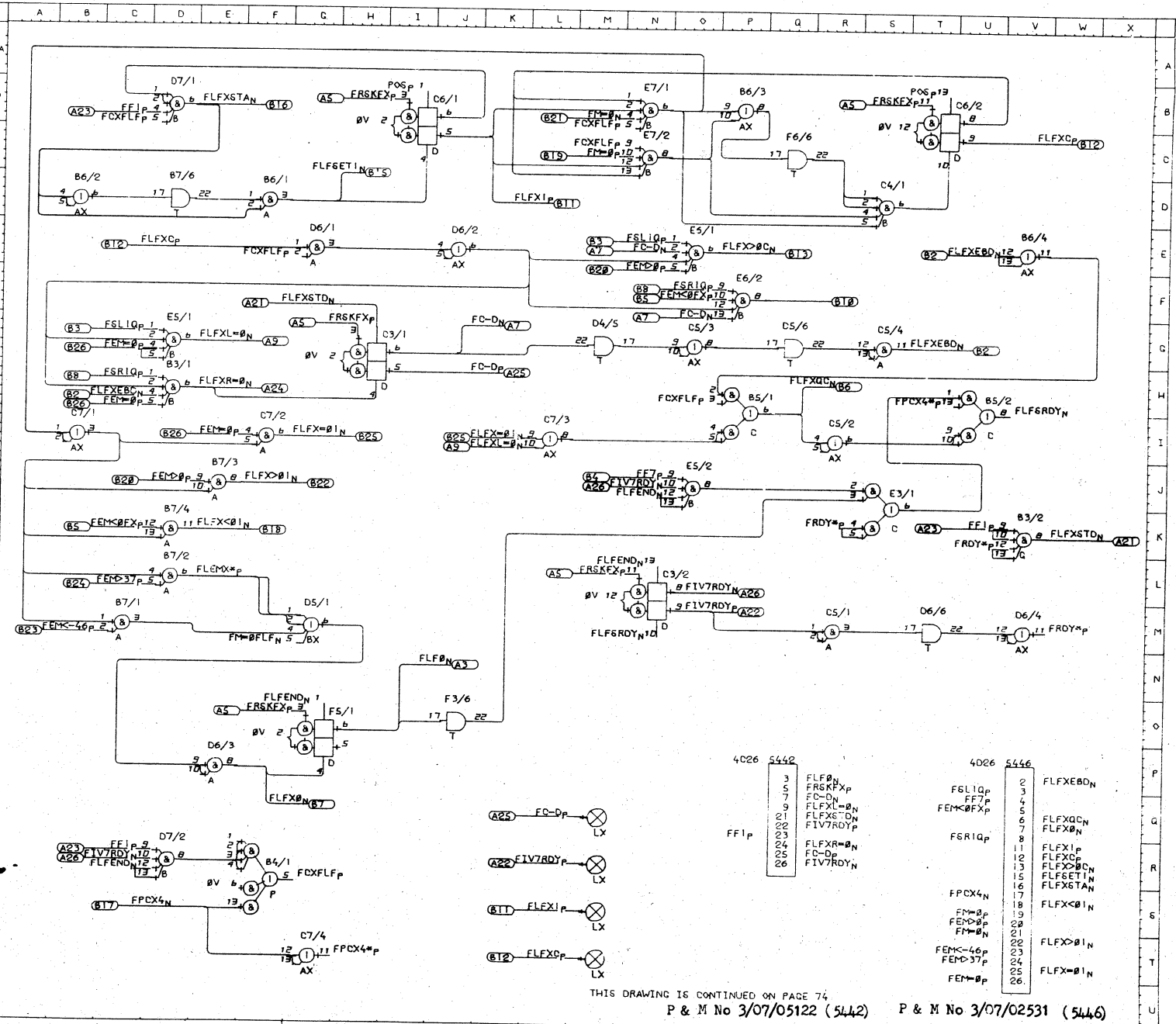
P & M No 3/07/05173

03/03/70 LOAD FX-FL & CLEAR SHT 3/3

WGH04***/0072

ISSUE: I	TYPE MOD: 7	TYPE MOD:	TYPE MOD:	TYPE MOD:	TYPE MOD:	TYPE MOD:
ADD: 2767	ECC: 3630	ECC:	ECC:	ECC:	ECC:	ECC:

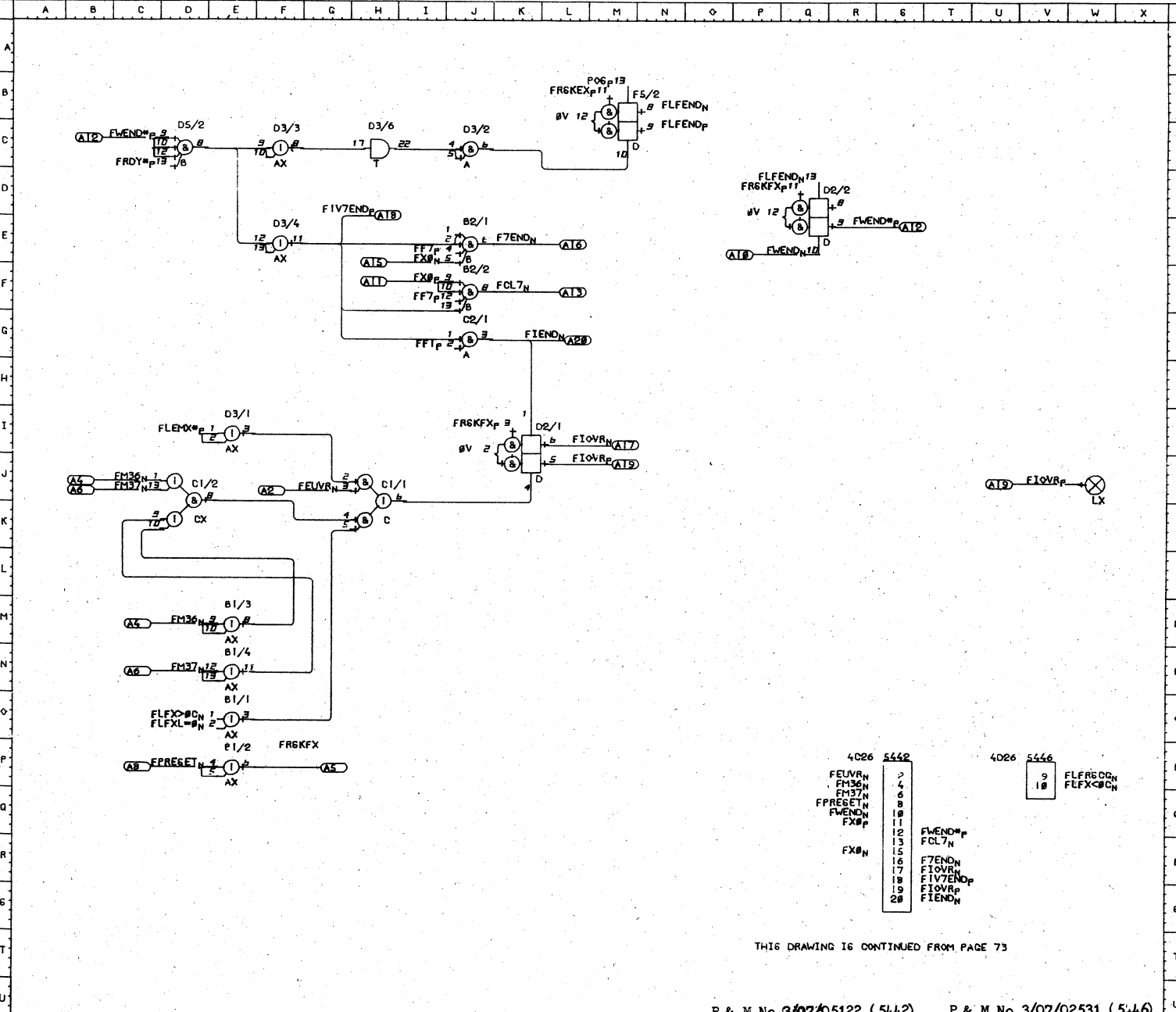
FC-Dp KH 55 57 MQ
 FC-Dp KG 55 57 OE
 PF QP
 FEM<BFX>P64 DK PF VP
 FEM<46>P64 QM VP
 FEMP 64 QH QH FI
 VP
 FEMP 64 EJ OE VP
 FEM<37>P64 DL VP
 FF1P 72 DB DR QP
 VK
 FF7P 72 OJ VP
 FIV7RDYPM PM 75 88
 HR QP
 FIV7RDYPL PL 71 DR
 OJ QP
 FLFN JUN 71 QP
 FLFSETI NHO VP
 FLFXN QG 65 67 69
 FLFXN VP 4827
 FLFX1P LD MS VP
 FLFXN DK 65 67 VP
 4827
 FLFXN FI 65 LI VP
 FLFXN EU 65 67 VP
 4827
 FLFXN OE 65 VP
 4827
 FLFXN WC WC CE MT
 VP
 FLFXN SQ SG 65 68
 OH VE VP
 FLFXLN DG 65 LI QP
 4833
 FLFXN RH 65 VP
 FLFXN OH 65 HQ QP
 FLFXSTANDB DB 65 66
 67 69 8D FD VP
 FLFXSTANVK VK 66 67
 FF QP 4827
 FMP 63 NC VP
 FMN 63 NB VP
 FPCXN 75 CS VP
 FRSKFXP QG GO IB
 NL TB 4833
 FSLIQP 68 DG OE VP
 FSR1QP 68 DH PF VP



THIS DRAWING IS CONTINUED ON PAGE 74
 P & M No 3/07/05122 (5442) P & M No 3/07/02531 (5446)

UNLOAD FL-FX & WRITE SHT 1/2		WGH04***/0073	
ISSUE: 1	TYPE MOD: 5442-6	TYPE MOD: 5446-5	TYPE MOD:
ACC: 2767	ECC: 3244	ECC: 2849	ECC:

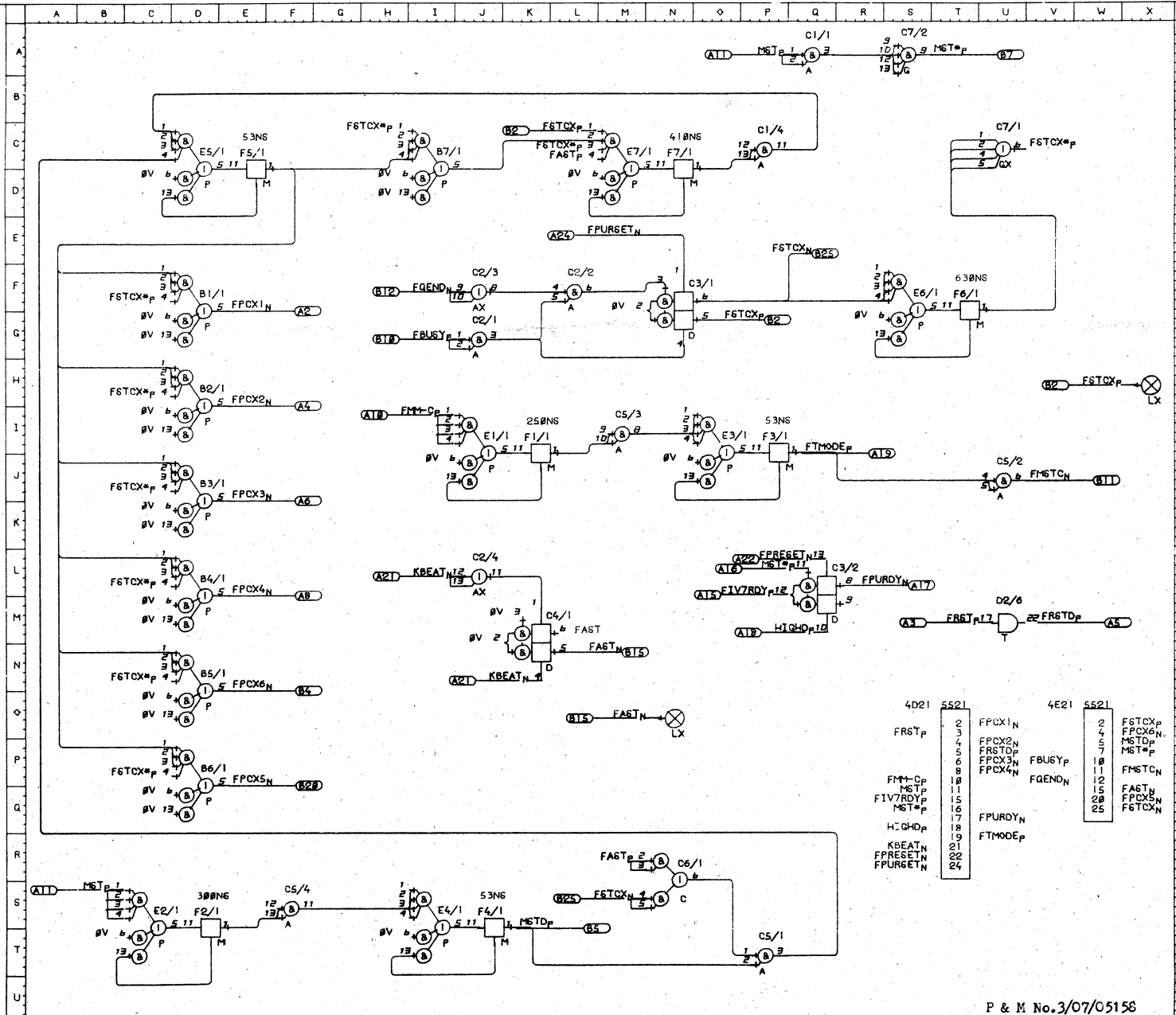
FIVEND _{pHE}	SP
FVEND _N	JE 71 SP
FCL7 _N	JF 71 88 SP
FEUVR _N	64 HJ SP
FIEND _N	LG 71 SP
FIOVR _p	MJ SP WJ
FIOVR _N	MI 87 SP
FLFRGDC _N	VP 69
FLFX _{DCN}	VP 65
FM36 _N	46 DJ EM SP
FM37 _N	46 DJ EN SP
FPRESET _N	79 EP SP
FWEND _N	87 QD SP
FWEND _{pSE}	SE DC SP
FX _p	69 JE SP
FX _N	69 JE SP



27/02/70 UNLOAD FL-FX & WRITE SHT 2/2 WGH04***/0074

ISSUE: 1	TYPE MOD: 5446-5	TYPE MOD: 5442-6	TYPE MOD:	TYPE MOD:	TYPE MOD:	TYPE MOD:
ADD: 2767	ECC: 2849	ECC: 3244	ECC:	ECC:	ECC:	ECC:

FAST_N M₁ N₀ W₀
 FBUS_Y 7₈ J₆ W₀
 FIV7RD_Y 7₃ Q₁ L₀
 FMM-C_P 7₈ J₁ L₀
 FMST_C U₁ 6₅ W₀
 FPCX₁ D₁ 8₃ L₀
 FPCX₂ D₁ 7₆ L₀
 FPCX₃ D₁ 7₆ L₀
 698
 FPCX₄ D₁ 7₃ L₀
 FPCX₅ D₁ 8₈ W₀
 FPCX₆ D₁ 7₈ W₀
 FPRES_E 7₈ Q₁ L₀
 FPURD_Y N₁ 8₆ L₀
 FURD_Y N₁ 8₇ L₀
 FGEN_D N₁ 4₈ J₁ W₀
 FRST_D 8₇ L₀ M₁
 FRST_D U₁ 8₇ L₀
 FSTC_X P₁ G₁ G₁ 8₇ M₁
 W₀ X₁
 FSTC_X Q₁ Q₁ 8₈ N₁
 W₀
 FTMO_D P₁ 7₈ L₀ U₁
 HIGH_D P₁ 9₁ Q₁ L₀
 KB_EA_T N₁ 9₁ J₁ K₁ L₀
 M₁ T₁ 9₁ D₁ Q₁ A₁
 M₁ T₁ 6₅ A₁ 8₈ Q₁ L₀
 W₀
 M₁ T₁ D₁ 7₈ P₁ T₁ W₀

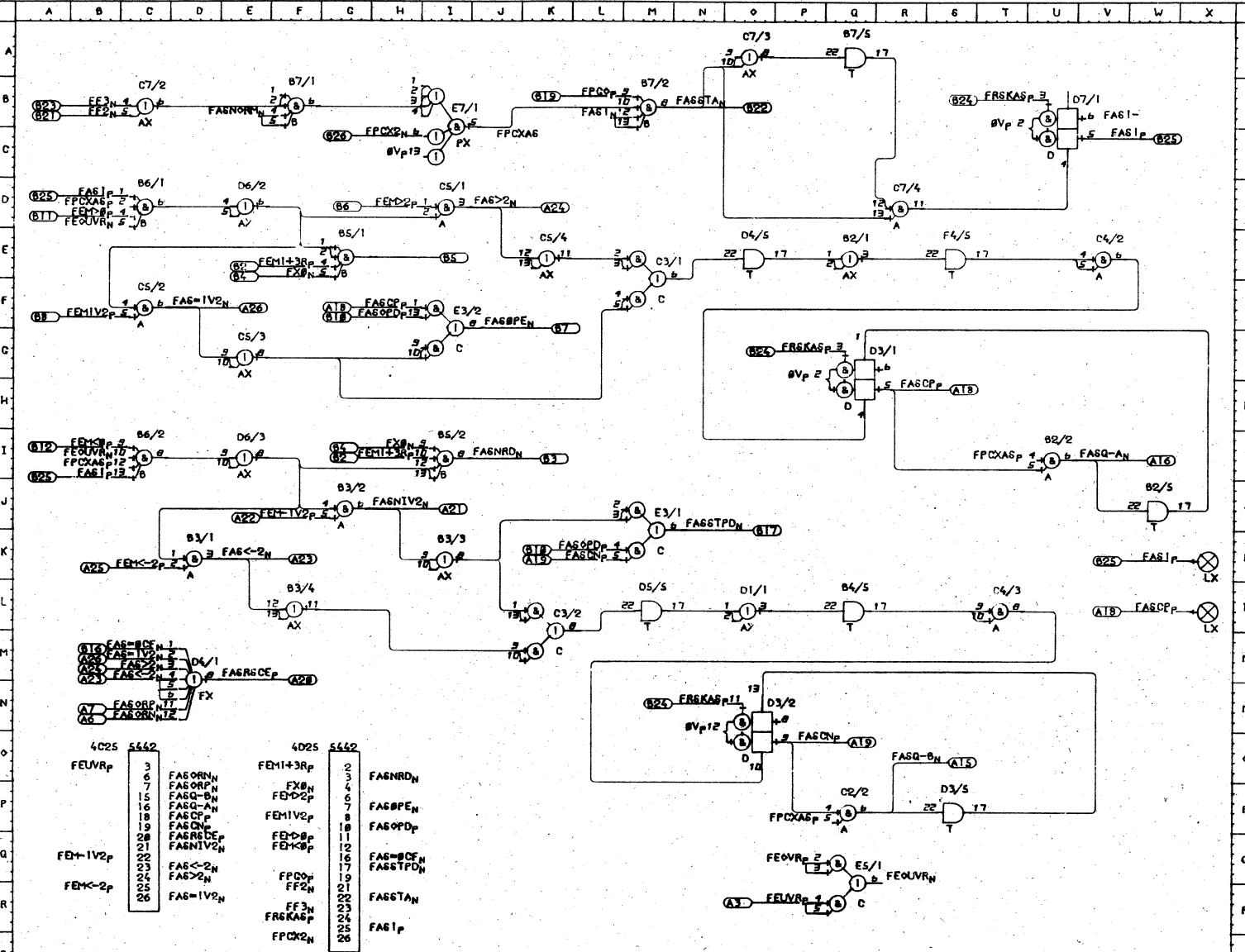


4021	5521	4E21	5521
FRST _P	FPCX ₁ _N	2	FSTC _X _P
FMM-C _P	FPCX ₂ _N	4	FPCX ₆ _N
M ₁ T ₁	FRST _D	5	M ₁ T ₁
FIV7RD _Y	FPCX ₃ _N	6	M ₁ T ₁ _P
M ₁ T ₁	FPCX ₄ _N	8	FGEN _D
10	FBUS _Y	10	FMODE _P
11	FGEN _D	11	FAST _N
12	FPURD _Y	12	FPCX ₅ _N
13	FURD _Y	13	FSTC _X _N
14	KB _E A _T _N	15	
15	FIV7RD _Y	16	
16	FPRES _E	17	
17	FRST _D	18	
18	FMST _C	19	
19	FMODE _P	20	
20		21	
21		22	
22		23	
23		24	

CCW: 0040 30/04/70 CLOCK GENERATOR WGH04***/0075 DATA C000040

ISSUE: 2	TYPE MOD: 3	TYPE MOD:	TYPE MOD:	TYPE MOD:	TYPE MOD:	TYPE MOD:
ADD: 3009 (ECC.368)	ECC: 3500	ECC:	ECC:	ECC:	ECC:	ECC:

FASBPEN IF 65 GQ
 FAS1 WC 88 CD CI
 60 XK
 FAG<2N DK 65 66 68
 69 87 CO DM FL
 FAS=BCFN 65 67 69
 DM
 FAG=IV2N CF 66 67 69
 CO DM EC
 FAG>2N ID 65 66 67
 69 87 CO DM KE
 FASCN 60 CO MU
 FASCP 6H CO IF XL
 FASNIV2N GJ 66 67 69
 CO IK
 FAGNRDN II 65 GQ
 FAGOPDP CO IF MJ
 FASORRN CO 67 DM
 FASORPN CO 66 DM
 FASQ-AN UI 65 CO WJ
 FASQ-BN 60 65 CO
 FASRCEP DM 67 CO
 FAS6TA MB 67 88 CO
 QA RD
 FASSTPDN MJ 65 GQ
 FEM1+3Rp 64 GE CO II
 FEMIV2P 64 OF CO
 FEMK-B 64 CI CO
 FEMK-2P 64 CO DK
 FEMD-B 64 73 CD CO
 FEMD-2P 64 CO ID
 FEM-IV2P 64 CO GJ
 FEUVRp 64 84 87 CO
 QD
 FF2N 72 OB CO
 FF3N 72 OB CO
 FPC2N 71 78 88 CO
 MB
 FRKASp 70 CO ON QC
 UB
 FX8N 69 74 82 83
 84 CE CO II

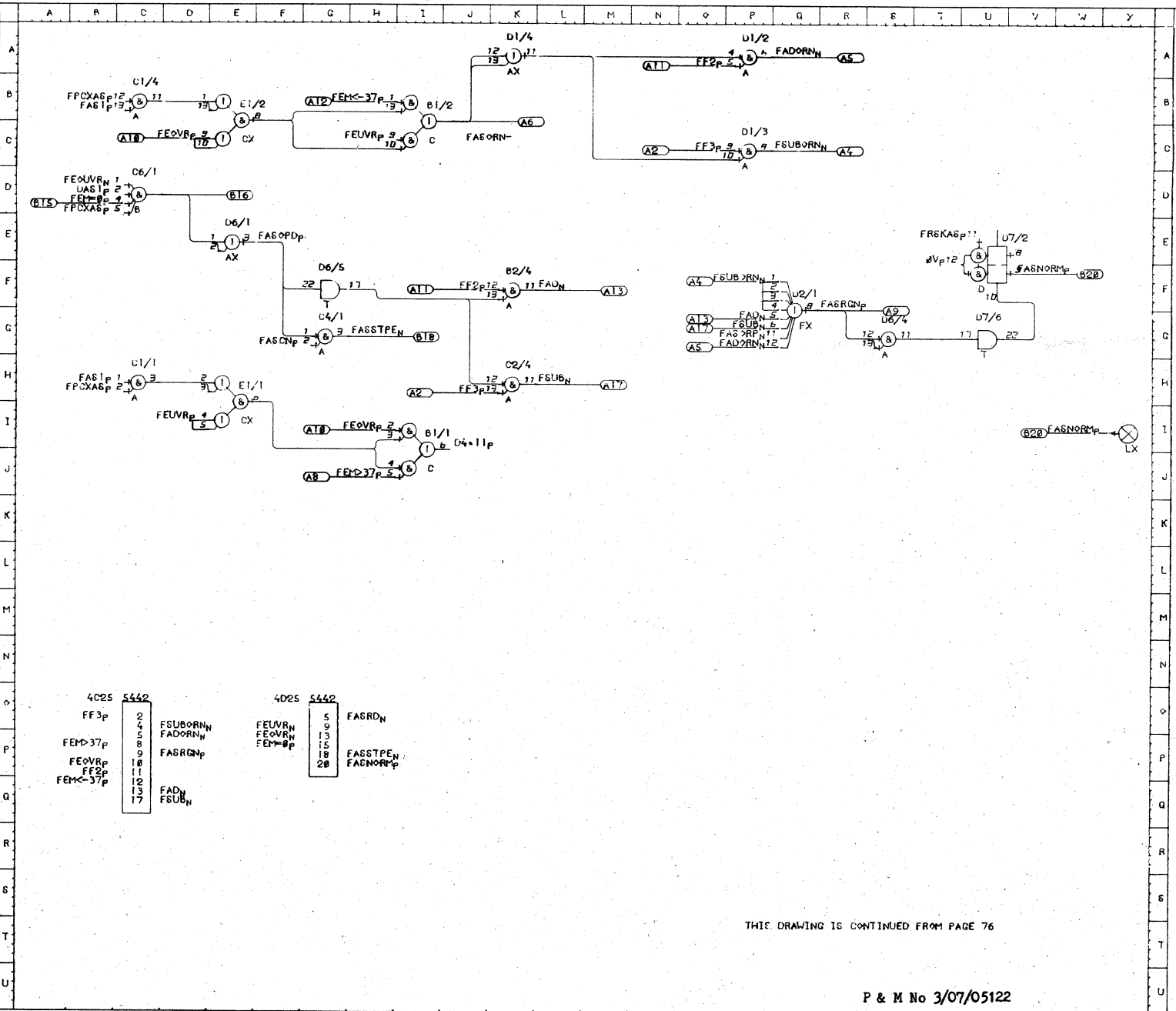


4025	5662	4025	5662
FEUVRp	3	FEM1+3Rp	2
	6	FX8N	3
	7	FEMD-2P	4
	15	FEMIV2P	6
	16	FEMK-B	7
	18	FEMK-2P	8
	19	FEMD-B	10
	21	FEMD-2P	11
	21	FEM-IV2P	12
FEM+IV2P	22	FEM-IV2P	16
	23	FAS<-2N	17
	24	FAS>2N	22
FEMK-2P	25	FPC2N	22
	26	FF2N	23
		FF3N	23
		FRKASp	24
		FPC2N	25
			26

THIS DRAWING IS CONTINUED ON PAGE 77

P & M No 3/07/05122

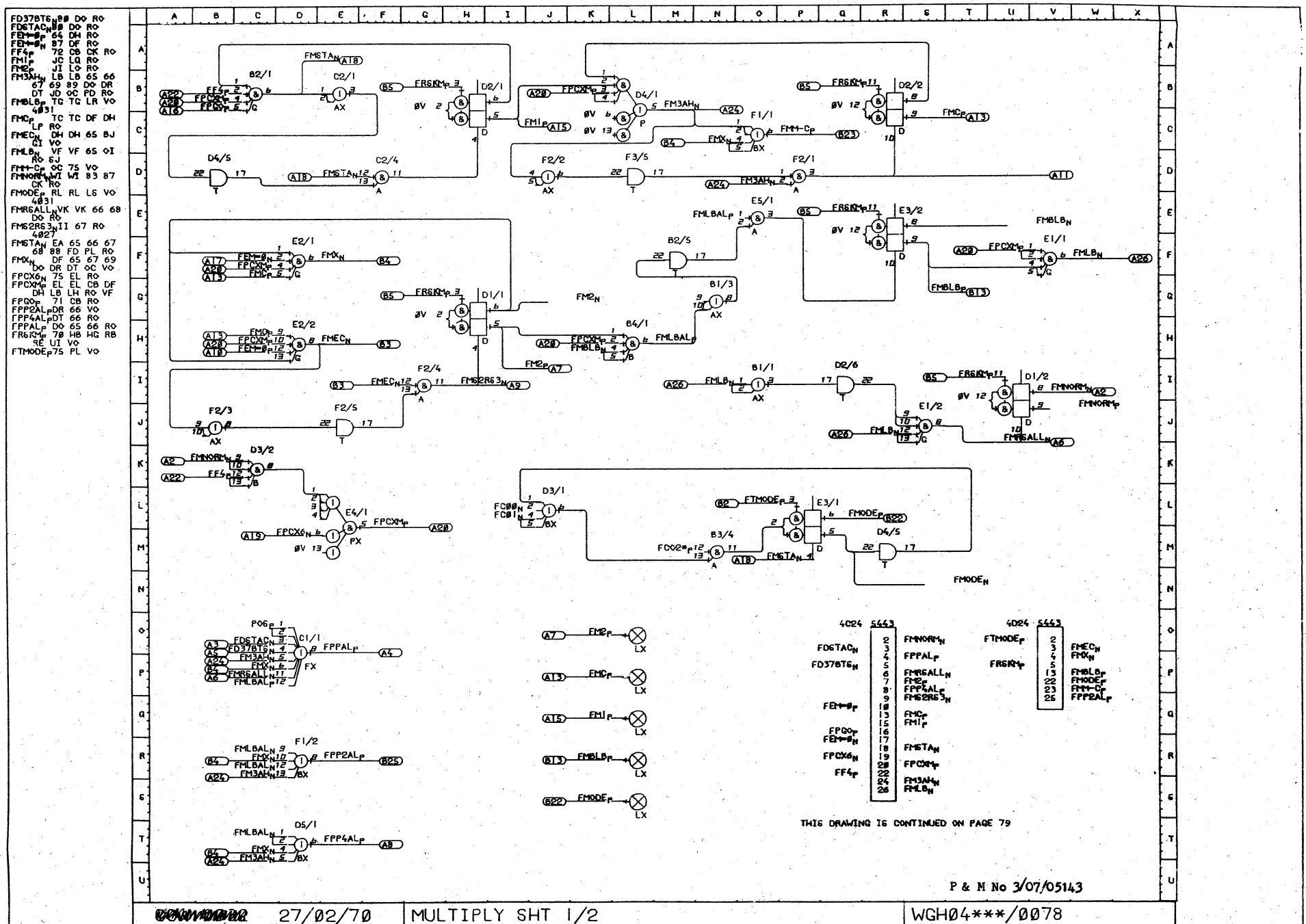
FAD_N KF 66 00 QF
 FADORN PA 66 67 00
 QF
 FASNORM WF 83 33 XI
 FASRD_N 00 65
 FASRGN_P QF 00 60
 FASSTPE_N 00 67 68 30
 FEM<37_P 64 00 18
 FEM<0_P 64 73 78 P2
 87 00 00
 FEM<37_P 64 73 00 11
 FE0VR_P 64 84 00 EB
 11
 FE0VR_N 64 33
 FE0VR_N 64 74 00
 FF2_P 72 84 00 KF
 FF2_P PA
 FF3_P 72 84 00 KH
 PC
 FSUB_N KH 65 66 33
 QF
 FSUBORN_N PC 65 66 67
 00 QF



4025	5442		4025	5442	
FF3 _P	2	FSUBORN _N	FELVR _N	5	FASRD _N
	4	FADORN	FE0VR _N	9	
FEM<37 _P	8	FASRGN _P	FEM<0 _P	13	FASSTPE _N
	9			15	FASNORM _P
FE0VR _P	18			18	
FF2 _P	11			20	
FEM<37 _P	12	FAD _N			
	13	FSUB _N			
	17				

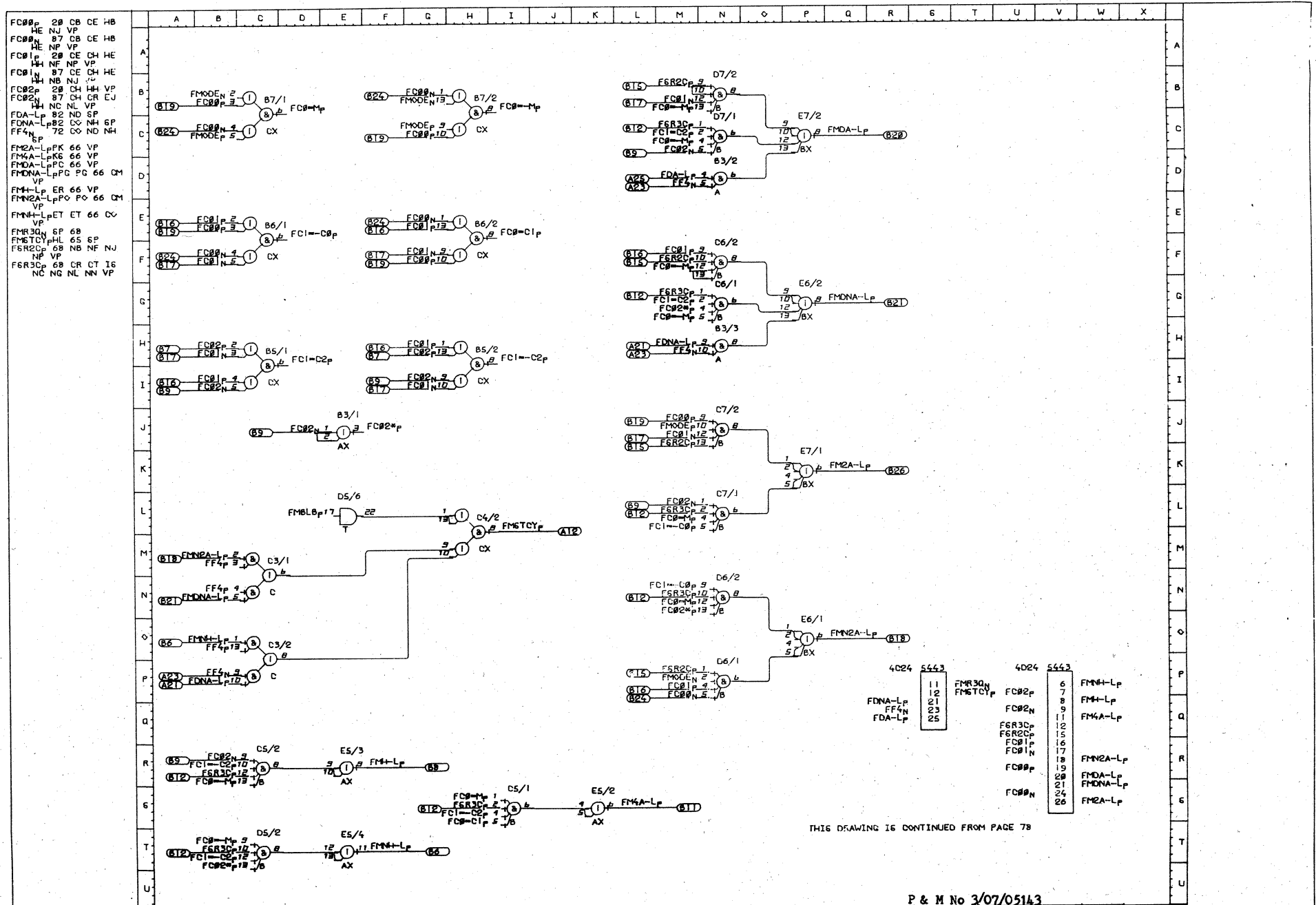
THIS DRAWING IS CONTINUED FROM PAGE 76

P & M No 3/07/05122



P & M No 3/07/05143

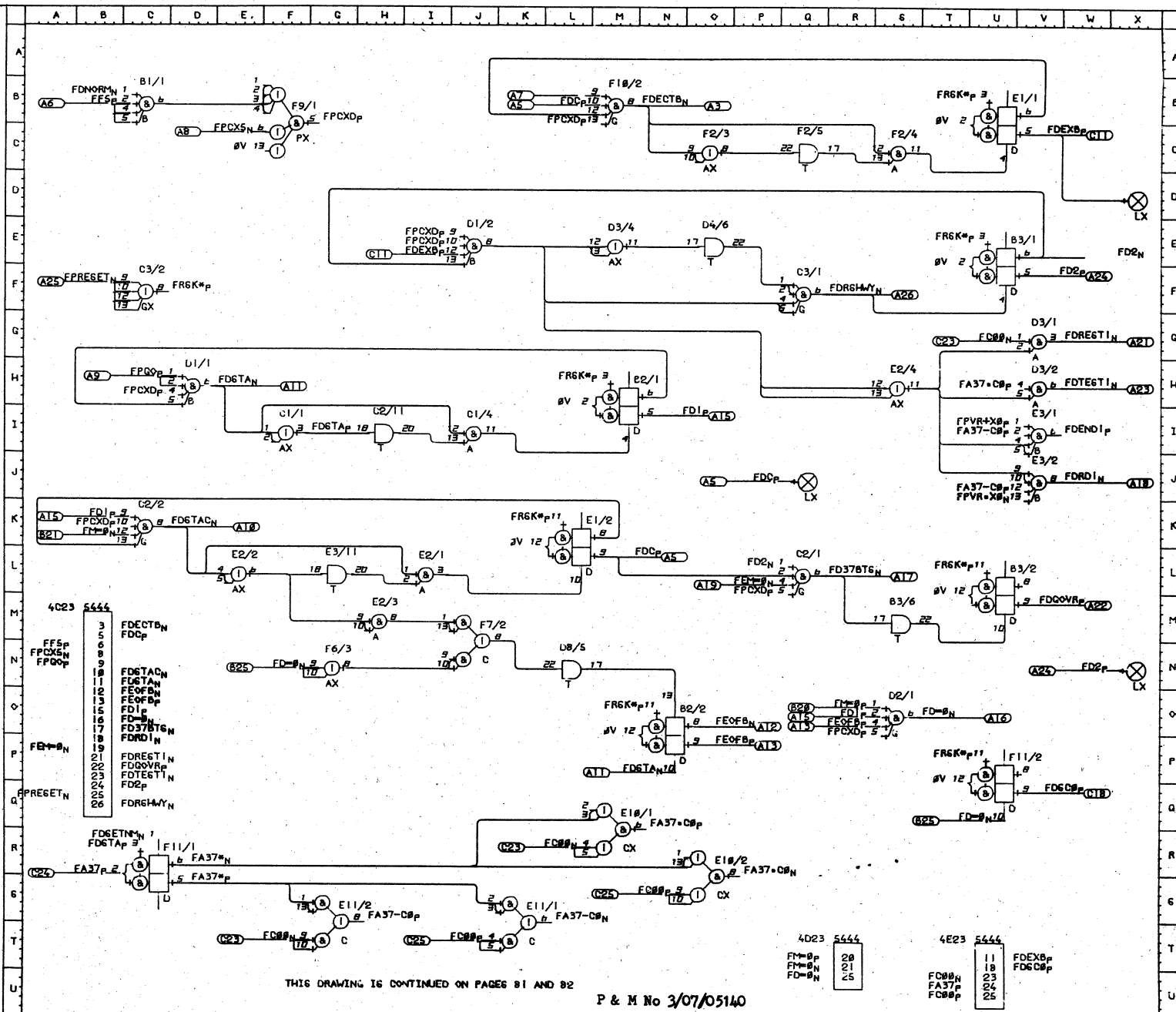
27/02/70		MULTIPLY SHT 1/2		WGH04***/0078	
ISSUE: 1	TYPE MOD: 4	TYPE MOD:	TYPE MOD:	TYPE MOD:	TYPE MOD:
ACC: 2767	ECC: 3252	ECC:	ECC:	ECC:	ECC:



P & M No 3/07/05143
 WGH04*** / 0079

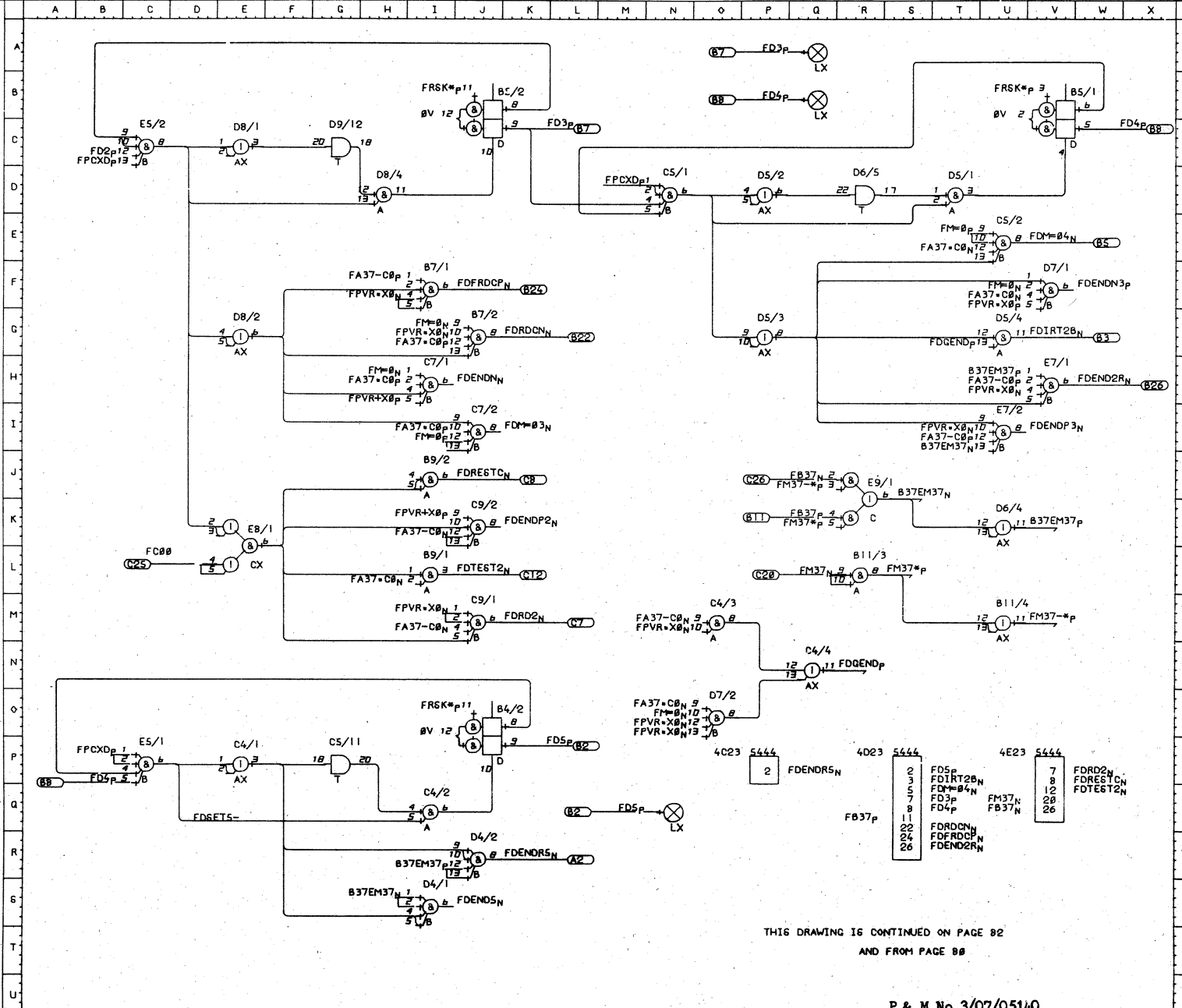
27/02/70		MULTIPLY SHT 2/2					
ISSUE: 1	TYPE MOD: 4	TYPE MOD:	TYPE MOD:	TYPE MOD:	TYPE MOD:	TYPE MOD:	TYPE MOD:
ACD: 2767	ECC: 3252	ECC:	ECC:	ECC:	ECC:	ECC:	ECC:

FA37- 18 OR UT
 FCBP- 28 65 OR UT
 FCBP- 87 86 MQ UT
 FD1- 01 01 BM CK
 FDEP- 48 35
 FD37B7G- NL 65 67 69
 FD- 78 82 BM GN
 FD- 80 80 66 67
 69 71 BM GN RT
 UP 4827
 FDC- 0J NL NL BM HB
 FDECTB- 65 65 BM OC
 6C
 FDEXB- WC WD JE UT
 FDGOV- 8M BM
 FDRDIN- VJ 65 66 BM
 FDRESTIN- VC 66 BM
 FDRSHMYN- 67 68 BM
 UE
 FDGCP- WQ 88 UT
 FDGAN- DH 66 67 88
 89 F1 J1 NO
 FDGTAC- CK 65 66 67
 69 78 BM EL IL
 4827
 FDTSTIN- VH 65 66 BM
 FDM- 87 BM QL
 FEOFB- PP 82 BM 60
 FEOFB- PO 82 BM
 FFS- 72 BM CS
 FM- 63 RT 60
 FM- 63 CK RT
 FPCXN- 75 BM FB
 FPO- 71 BM DH
 FPRESETN- 78 BM CF



27/02/70	DIVIDE SHT 1/3	WGHO4***/0080				
ISSUE: 1	TYPE MOD: 5	TYPE MOD:	TYPE MOD:	TYPE MOD:	TYPE MOD:	TYPE MOD:
ACD: 2767	ECC: 3398	ECC:	ECC:	ECC:	ECC:	ECC:

FB37P 32 RJ SP
 FB37N 32 RJ VP
 FD3P LC QA SP
 FD4P XC XC CP QB
 5P
 FDS LP NQ SP
 FDEND2R VH 6S 6P
 4836
 FDENDRS_NJR 6S 82 PP
 FDFRDCP_NIF 6S 66 6P
 FDIRT26NUG 6S 66 6P
 FDM#04N 6S 66 6P
 4836
 FDRD2N JM 6S 66 VP
 FORDON_NUG 6S 66 6P
 FORESTC_N TJ 6S VP
 FDTTEST2N JL 6S 66 VP
 FM37N 46 RL VP



THIS DRAWING IS CONTINUED ON PAGE 82
 AND FROM PAGE 88

P & M No 3/07/05140

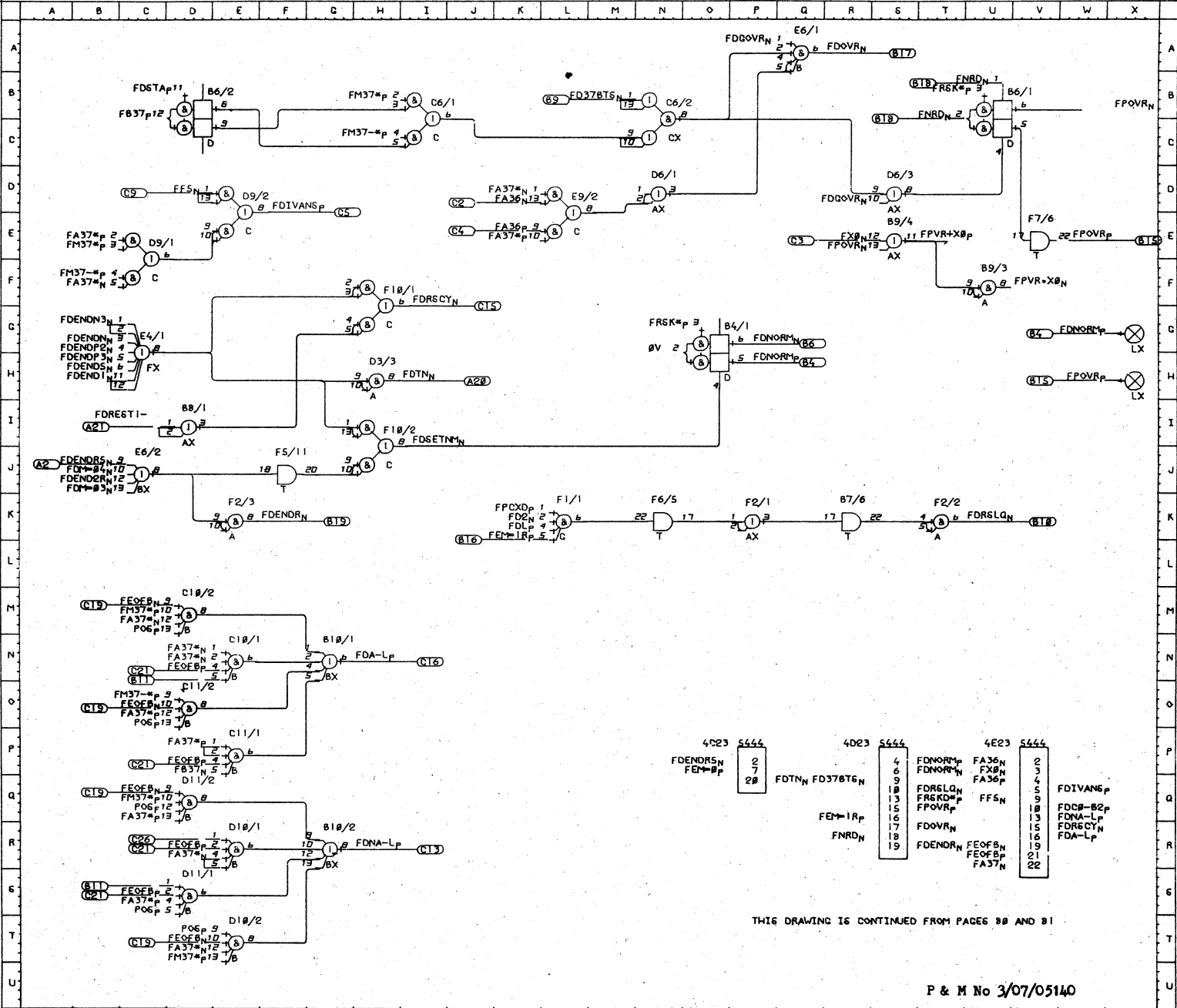
03/03/70

DIVIDE SHT 2/3

WGHO4***/0081

ISSUE: 1	TYPE MOD: 5	TYPE MOD:	TYPE MOD:	TYPE MOD:	TYPE MOD:	TYPE MOD:	TYPE MOD:
ACC: 2767	ECC: 3398	ECC:	ECC:	ECC:	ECC:	ECC:	ECC:

FA36P 18 LD VP
 FA36N 18 LD VP
 FA37N 18 VP
 FD378T6 88 NB SP
 FDA-LP 88 79 VP
 FDCB-B2-VP
 FDENDR-EK 65 66 SP
 FDENDR-N1 CJ PP
 FDIVANS-PED 28 VP
 FDNA-L-DR 79 VP
 FDNORM-QH SP XG
 FDNORM-QC 83 SP
 FDNORM-QC 83 SP
 FDOVRN-QA 69 SP
 FDRSLQ-NK 68 SP
 FDRSLQ-NK 68 SP
 FDTN 144 66 67 PP
 FEM-IR-P 64 PP
 FEM-IR-P 64 LK SP
 FEOFB-N 88 DG EN EP
 ER VP
 FFSN 72 ED VP
 FNRD 84 SP UB
 FPOVRN-VE 83 87 SP
 FXH
 FRSKD-N-SP
 FXSN 69 SE VP

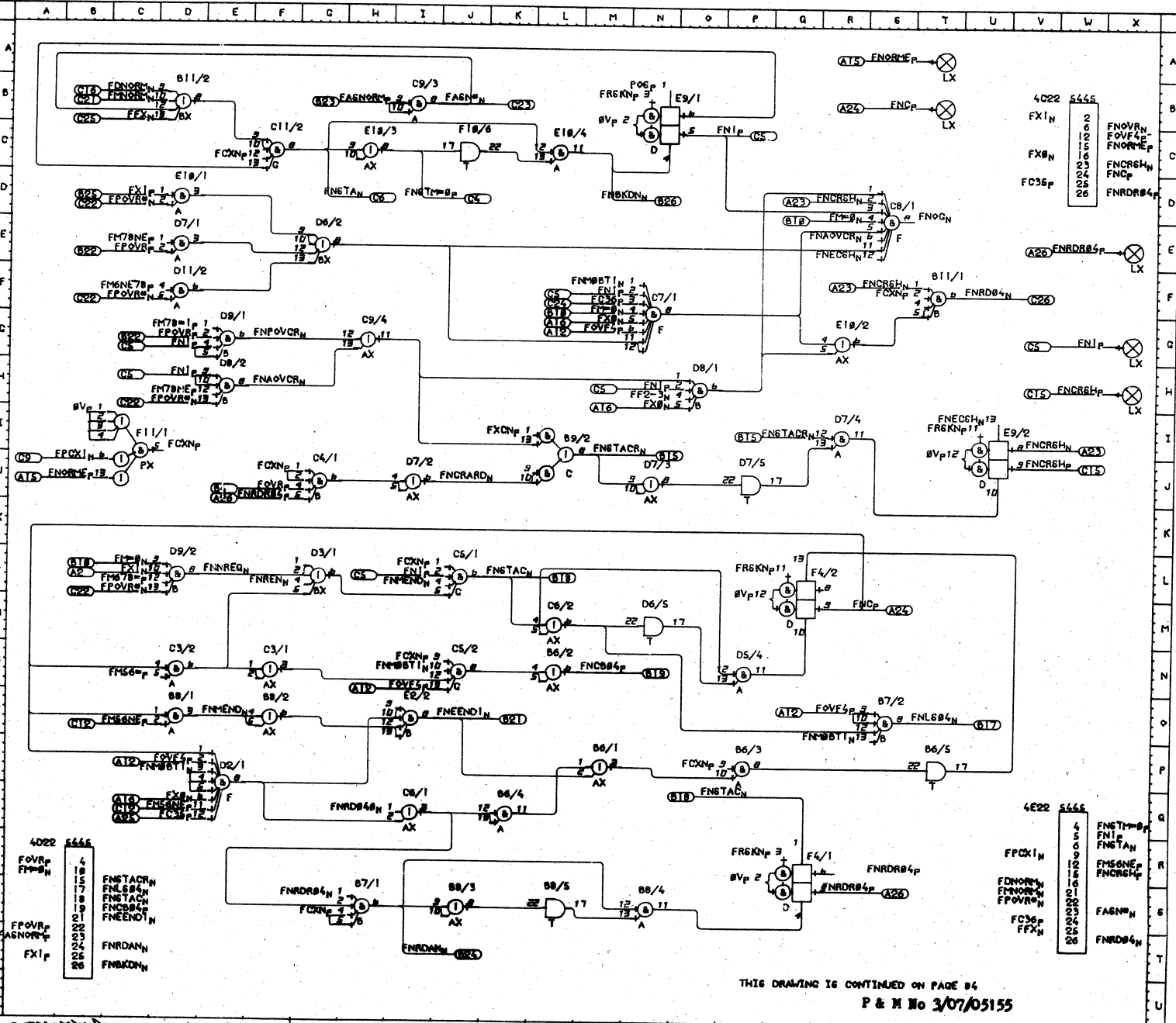


THIS DRAWING IS CONTINUED FROM PAGES 88 AND 81

P & M No 3/07/05140

03/03/70		DIVIDE SHT 3/3		WGH04***/0082	
IS6UE: J	TYPE MOD: 5	TYPE MOD:	TYPE MOD:	TYPE MOD:	TYPE MOD:
ACC: 2767	ECC: 3398	ECC:	ECC:	ECC:	ECC:

FASN_N 18 DB WQ
 FASNOR_N 37 8R 18
 FC36_N 32 4 84 EP
 NF WQ
 FC36_N 32 4 84 87
 NF WQ
 FDNOR_N 82 DB WQ
 FFX_N 78 88 DB WQ
 FMSNE_N WQ DO EP
 FMS_N 63 73 88 BR
 NF 6D
 FMSOR_N 78 87 DB WQ
 FNI_P PC EQ EH JL
 NF OH WQ XG
 48 38
 FNBKN_N ND 66 67 BR
 FNC_N SM 78 WQ
 FNCB84_N LN 86 BR
 FNCB8_N WJ 87 WQ XH
 FNCB8_N WJ 87 60 FT
 WQ
 FNEEND_N 10 68 BR MP
 FNL88_N 60 88 BR
 FNOB_N WQ CI TA
 FNOV_N WQ 69
 FNRD8_N TF 65 WQ
 FNRDAN_N JT 65 67 BR
 FNRD8_N 68 48 37 CJ
 WQ XG
 FNSTAN_N HD 65 66 67
 69 WQ
 FNSTAC_N JL 65 66 68
 69 BR LM OQ PN
 FNSTAC_N LI 65 67 BR
 NJ RI
 FNST_N WQ JD WQ
 FOV_N WQ EP UN NF
 60 48 38
 FOV_N 69 88 BR CJ
 FPCX_N 75 81 WQ
 FPOV_N 82 87 BR DE
 EC
 FPOV_N 87 80 DF DL
 EH WQ
 FX8_N 69 74 76 82
 EP NF OH WQ
 FX1_P 69 BR DD
 FX1_N 69 84 DL WQ



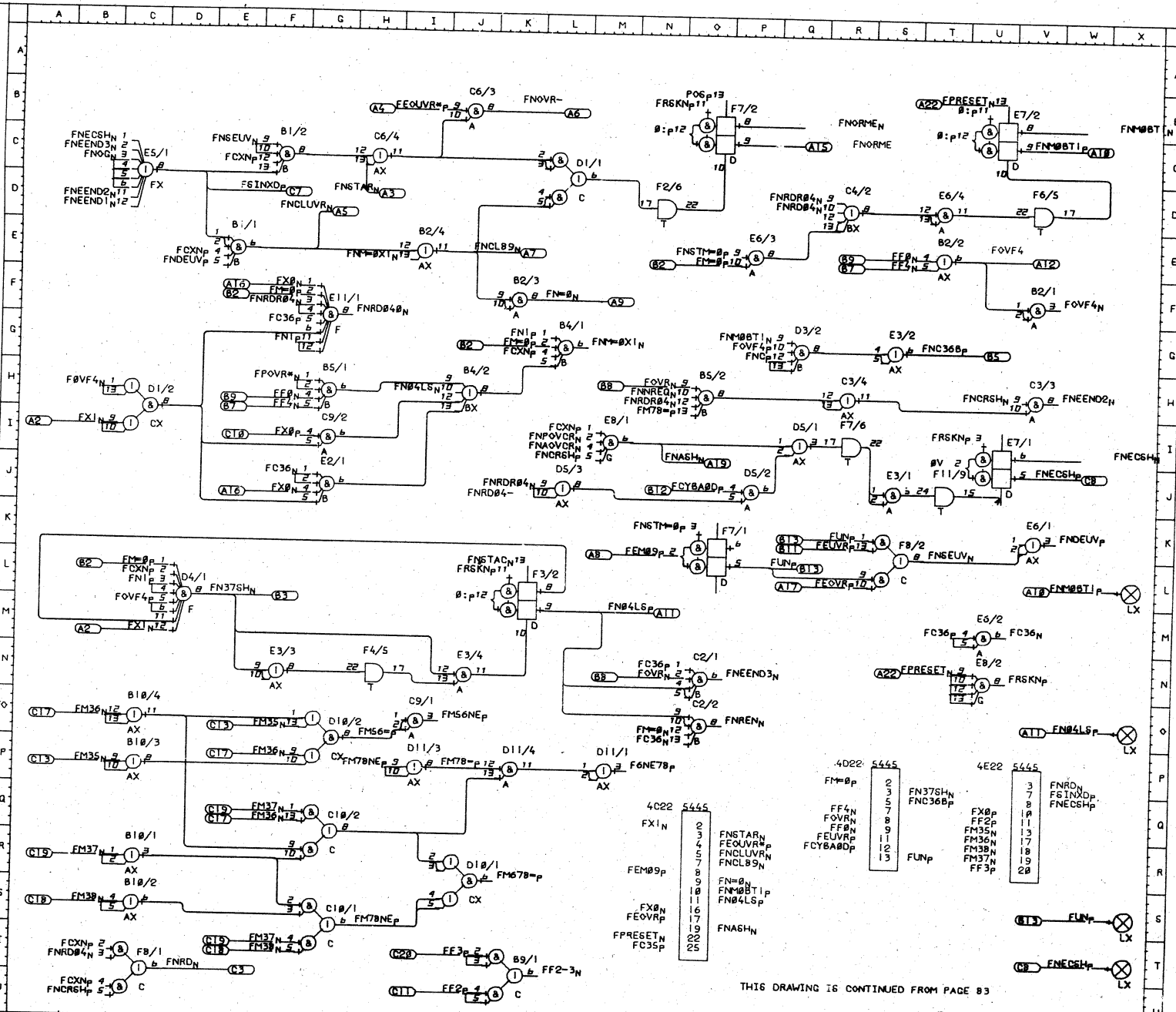
28/10/69 NORMALISE SHT 1/2 WGH04***/0083

ISSUE: 155
 ADD: 2366

PKG MOD: 06
 ECC: 3303

THIS DRAWING IS CONTINUED ON PAGE 04
 P & M No 3/07/05155

- FC35p 31 OQ
- FCYBAPDp 86 P J SP
- FEH89p 88 OK SP
- FEQVVRp 87 JB OQ
- FEQVVRp 84 OQ SK
- FEUVRp 84 SK SP
- FF8N 78 04 SP TE
- FF8p 72 KT VP
- FF3p 72 KT VP
- FF4N 72 04 SP TE
- FM35N 44 0P OQ
- FM36N 46 00 0Q OQ
- FM37N 46 CR OQ OS
- FM38N 46 CS OQ VP
- FM=8p 63 DL QF LG
- FE SP
- FM04LSp 11 OQ XO
- FM375HDL 66 69 FN
- FM=8N 66 67 69
- 71 OQ 4827
- FMASHN 0J 67 OQ
- 4827
- FNC36p 87 SP
- FNCLB9p 87 OQ
- FNCL89p 87 OQ
- FNCLUVRp 87 OQ
- FNEGSHp 11 VP XT
- FNM0BT1p 87 OQ XL
- FNRDN 82 87 VP
- FNSTARN 71 OQ
- FOVRN 88 OH ON SP
- FPRESET 78 OQ UB UN
- FSINXDP 58 8B VP
- FUNp 98 SK SP
- XS
- FX0p 69 CI VP
- FX8N 69 6F OQ
- FX1N 69 6H DL OQ



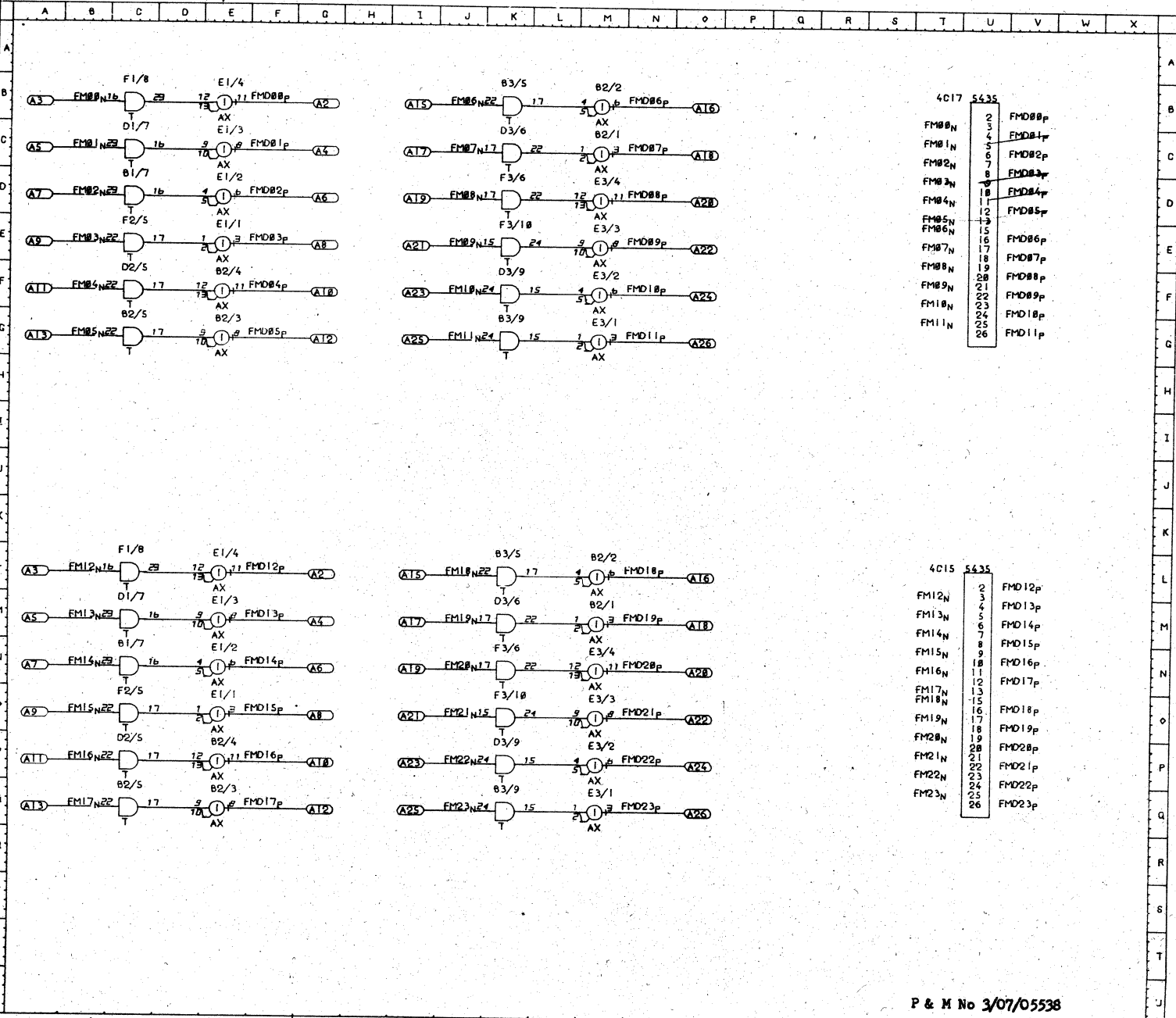
- 4022 5445
 - FM0p 2
 - 3
 - 4
 - 5
 - 7
 - 8
 - 9
 - 10
 - 11
 - 17
 - 19
 - 22
 - 25
- 4222 5445
 - FX1N 2
 - 3
 - 4
 - 5
 - 7
 - 8
 - 9
 - 10
 - 11
 - 17
 - 19
 - 22
 - 25
- 4022 5445
 - FNSTARp
 - FEQVVRp
 - FNCLUVRp
 - FNCLB9p
 - FN=8N
 - FNM0BT1p
 - FN04LSp
 - FNASHN
- 4E22 5445
 - FN375H
 - FNC36p
 - FX8p
 - FF2p
 - FM35N
 - FM36N
 - FM38N
 - FM37N
 - FF3p
 - 28
- 4022 5445
 - FN04LSp
 - FUNp
 - FNEGSHp

THIS DRAWING IS CONTINUED FROM PAGE 83

P & M No 307/05155

ISSUE: 1	TYPE MOD: 6	TYPE MOD:	TYPE MOD:	TYPE MOD:	WGH04***/0084
ACD: 2767	ECC: 3303	ECC:	ECC:	ECC:	TYPE MOD: ECC:

FM00N 34 63 CB UB
 FM01N 34 63 CC UB
 FM02N 34 63 CE UB
 FM03N 34 63 CF UB
 FM04N 34 63 CG UB
 FM05N 34 63 CH UB
 FM06N 34 63 CI UB
 FM07N 36 63 KC UB
 FM08N 36 63 KD UB
 FM09N 36 63 KE UB
 FM10N 36 63 KF UB
 FM11N 36 63 KG UB
 FM12N 38 63 CL UL
 FM13N 38 63 CM UL
 FM14N 38 63 CN UL
 FM15N 38 63 CO UL
 FM16N 38 63 CP UL
 FM17N 38 63 CQ UL
 FM18N 48 63 KL UL
 FM19N 48 63 KM UL
 FM20N 48 63 KN UL
 FM21N 48 63 KO UL
 FM22N 48 63 KP UL
 FM23N 48 63 KQ UL
 FM24N 48 31 32 48
 FM00P EC 32 48 UB
 FM01P ED 32 48 UB
 FM02P EE 48 UB
 FM03P EF 48 UB
 FM04P EG 48 49 UB
 FM05P EH 48 49 UB
 FM06P EI 48 49 UB
 FM07P ME 49 UB
 FM08P MF 49 UB
 FM09P EL 49 50 UB
 FM10P EM 49 50 UB
 FM11P EN 49 50 UB
 FM12P EO 50 UB
 FM13P EP 50 UB
 FM14P EQ 50 51 UL
 FM15P ER 50 51 UL
 FM16P ES 50 51 UL
 FM17P ET 50 51 UL
 FM18P EU 50 51 UL
 FM19P EV 50 51 UL
 FM20P EW 50 51 UL
 FM21P EX 51 UL
 FM22P EY 51 UL
 FM23P EZ 51 52 UL



4C17 5435

2	FMD00p
3	FMD01p
4	FMD02p
5	FMD03p
6	FMD04p
7	FMD05p
8	FMD06p
9	FMD07p
10	FMD08p
11	FMD09p
12	FMD10p
13	FMD11p
14	FMD12p
15	FMD13p
16	FMD14p
17	FMD15p
18	FMD16p
19	FMD17p
20	FMD18p
21	FMD19p
22	FMD20p
23	FMD21p
24	FMD22p
25	FMD23p
26	FMD24p

4C15 5435

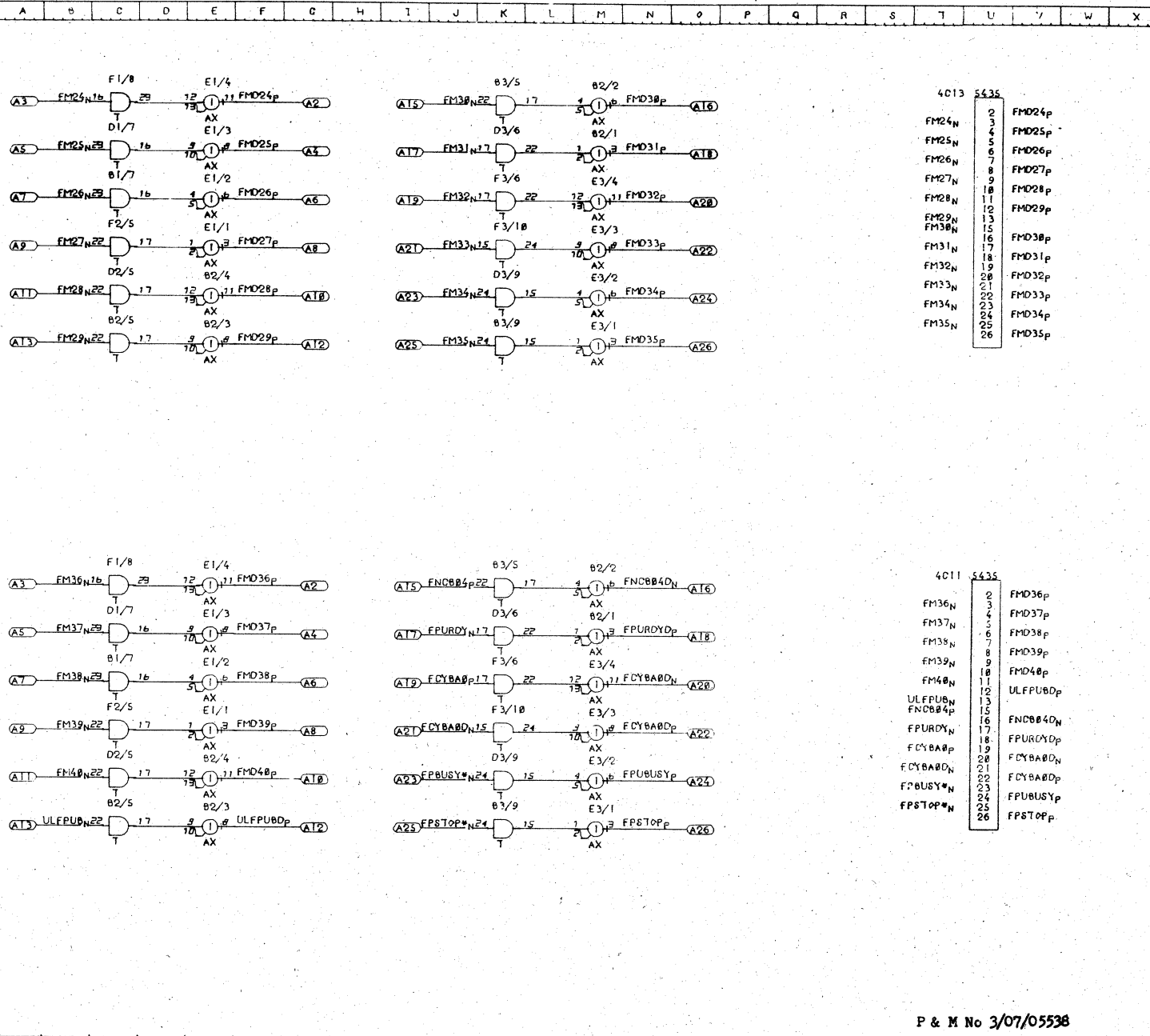
2	FMD12p
3	FMD13p
4	FMD14p
5	FMD15p
6	FMD16p
7	FMD17p
8	FMD18p
9	FMD19p
10	FMD20p
11	FMD21p
12	FMD22p
13	FMD23p
14	FMD24p
15	FMD25p
16	FMD26p
17	FMD27p
18	FMD28p
19	FMD29p
20	FMD30p
21	FMD31p
22	FMD32p
23	FMD33p
24	FMD34p
25	FMD35p
26	FMD36p

28/10/69 MILL DELAY 0/PS (BITS00-23) P & M No 3/07/05538 WGH04***/0085

ISSUE: 1SS
 ADD: 2366

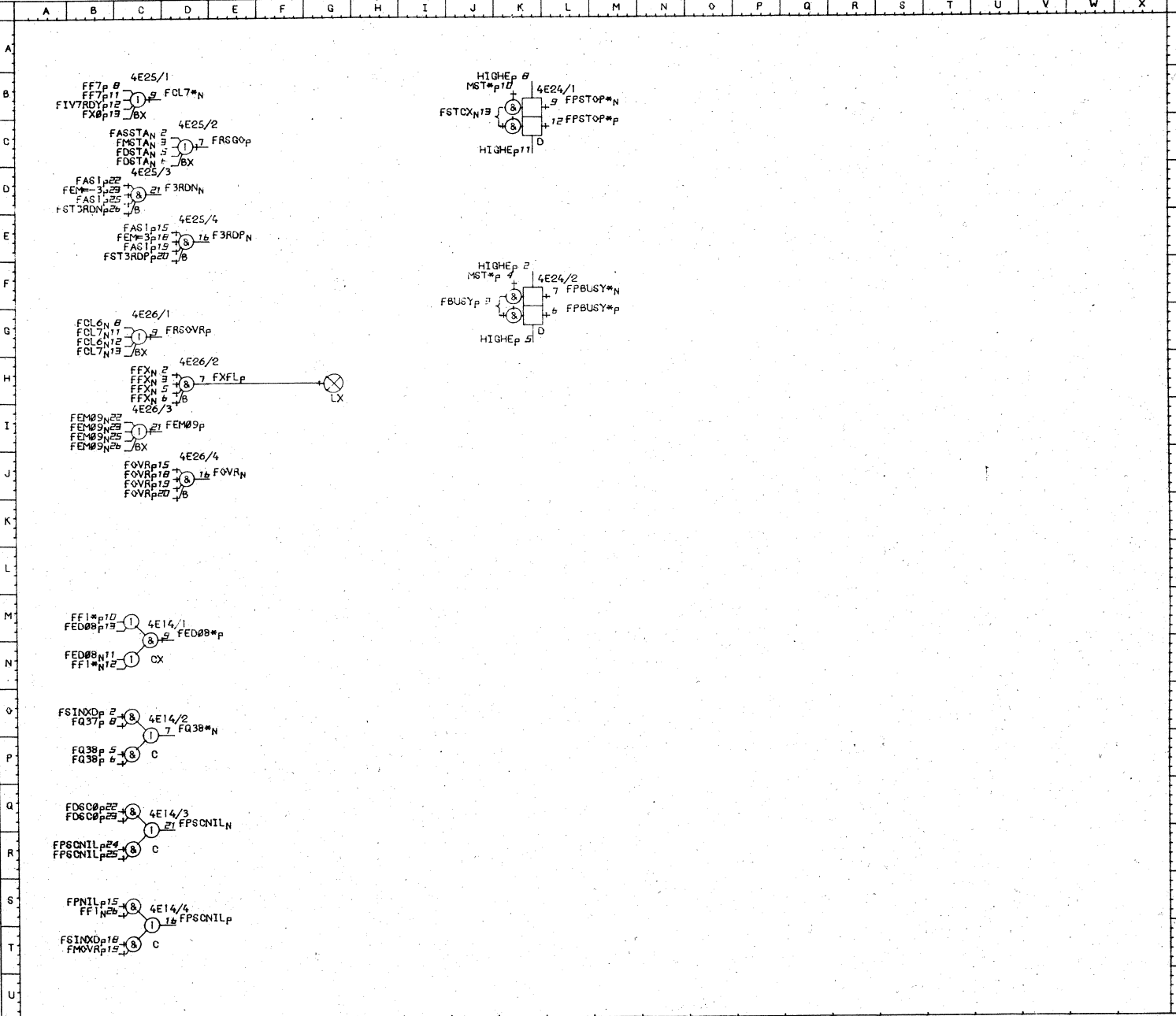
PKG MOD: 04
 ECC: 2725

FCYBA0P 65 47 KN UL
 FCYBA0D 60 84 UL
 FCYBA0N MN KO UL
 FM24N 42 63 DB UB
 FM25N 42 63 CC UB
 FM26N 42 63 OD UB
 FM27N 42 63 DE UB
 FM28N 42 63 DF UB
 FM29N 42 63 CD UB
 FM30N 44 63 KO UB
 FM31N 44 63 KC UB
 FM32N 44 63 KD UB
 FM33N 44 63 KE UB
 FM34N 44 63 KF UB
 FM35N 44 63 84 KC
 UB
 FM36N 46 63 74 84
 FM37N 46 63 74 81
 FM38N 46 63 84 CN
 UL
 FM39N 46 63 CO UL
 FM40N 46 63 DP UL
 FMD24P ED 51 52 UB
 FMD25P ED 51 52 UB
 FMD26P ED 51 52 UB
 FMD27P EE 52 UB
 FMD28P EF 52 UB
 FMD29P ED 52 53 UB
 FMD30P MB 52 53 UB
 FMD31P MD 52 53 UB
 FMD32P MD 52 53 UB
 FMD33P ME 53 UB
 FMD34P MF 53 UB
 FMD35P MD 53 54 UB
 FMD36P EL 53 54 UL
 FMD37P EH 53 54 UL
 FMD38P EN 53 54 87
 UL
 FMD39P E0 19 54 87
 UL
 FMD40P EP 54 UL
 FNCB04P 83 KL UL
 FNCB04D ML 65 UL
 FPBUSY* 88 KF UL
 FPSTOP* 91 UL
 FPSTOP* 88 KG UL
 FPBUSY* 91 UL
 FPURDY* 75 KM UL
 FPURDY* 91 UL
 ULFPUB* 90 87 90 CQ
 UL
 ULFPUB*P EQ 87 UL



P & M No 3/07/05538

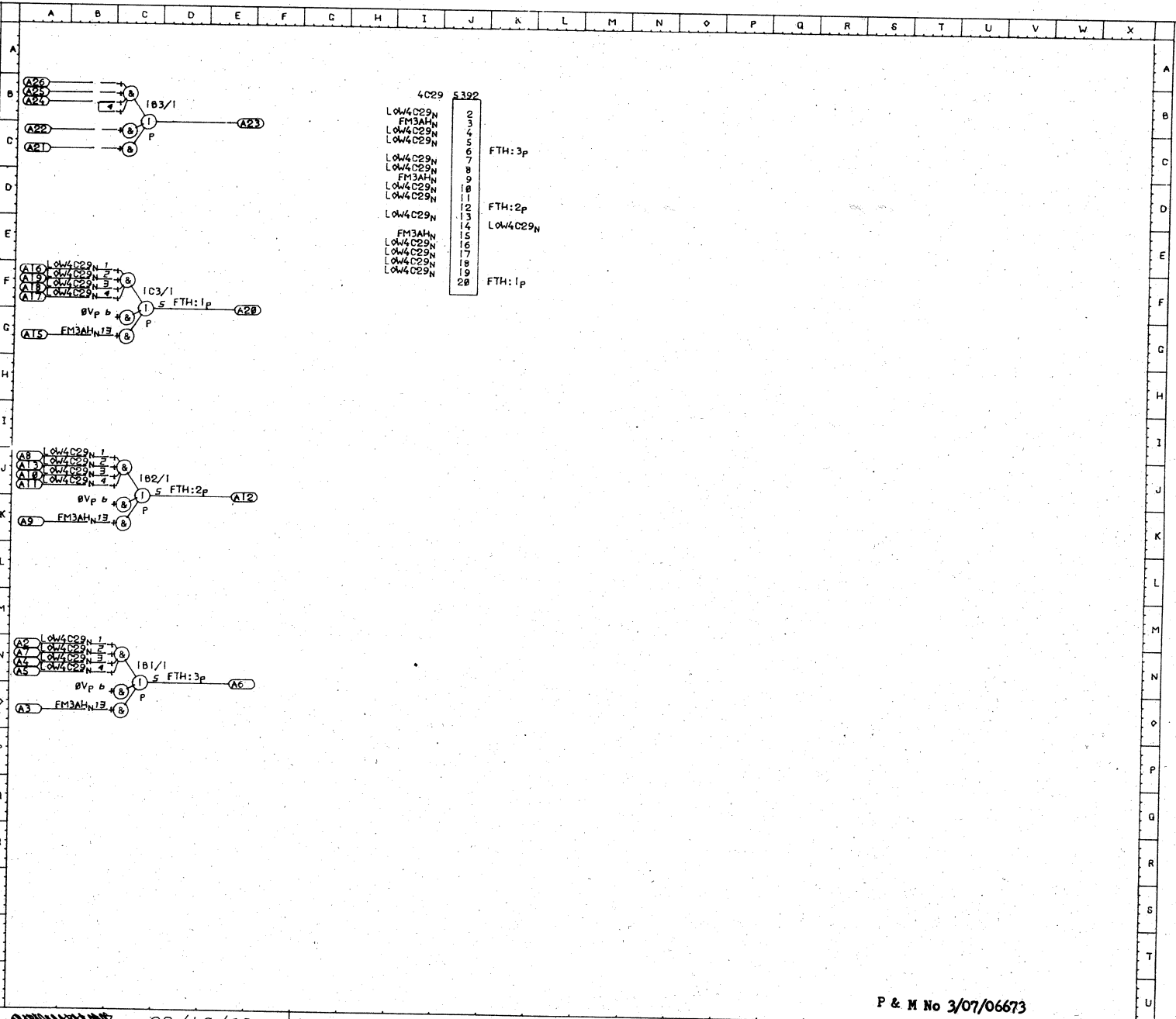
F3RDN CD 20
 F3RDN DE 6
 FAS1 76 DE
 FASSTAN 76 DC
 FBUSY 70 KF
 FCL6 70 CG
 FCL7 74 CG
 FCL7N CB 08 71
 FDSC 80 CQ
 FDSTAN 80 DC
 FED08 58 CQ
 FED08N 90 CQ
 FED08N 01 87
 FEM09 01 84 5441
 FEM09 62 C1
 FEM09 64 DE
 FEM09 64 CD
 FF1 4041 CS
 FF1 87 CQ
 FF1 87 CQ
 FF7 72 CB
 FF7 70 DH
 FIV7RDY 73 CB
 FM0VR 50 CS
 FMSTAN 78 DC
 FOVR 69 DJ
 FOVR 01 84 87 90
 FPBUSY KF
 FPBUSY KF 86
 FPNIL 71 CS
 FPNIL 06 55 57 CQ
 FPNIL 04 58
 FPSTOP PK8
 FPSTOP NK8 86
 FQ37 54 CQ
 FQ38 54 CQ
 FQ38N 00 87
 FRG00 DC 71
 FRG0VR 08 09
 FSINXD 84 CS
 FST3RDN 87 CD
 FST3RDN 87 DE
 FSTCXN 75 KB
 FX0 69 CS
 FX0 01 04
 HIGHE 91 KB KF
 MSTP 75 KB KF



~~XXXXXXXXXX~~ 03/03/70 B, C & D OMNIS WGH04*** / 0088

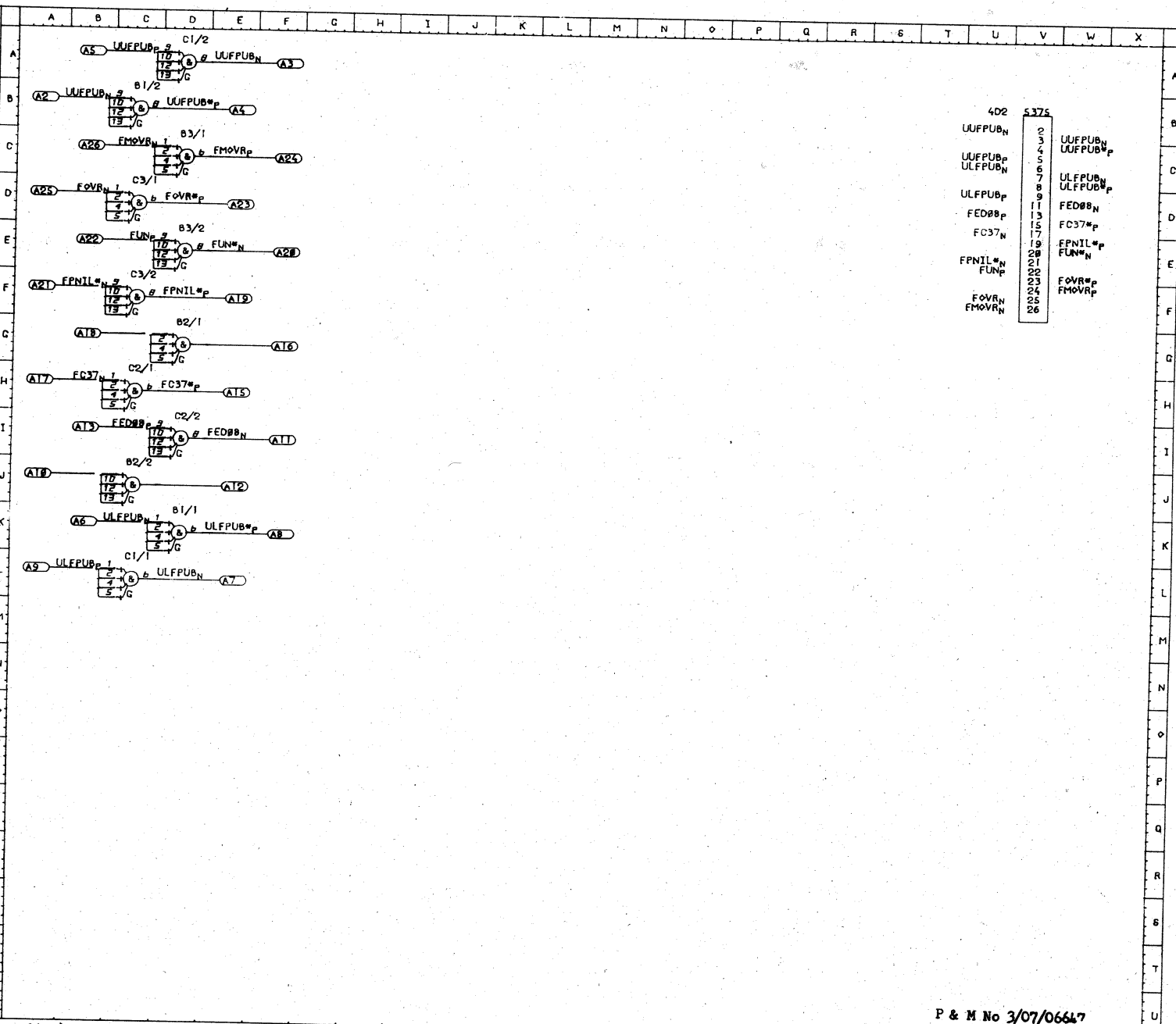
ISSUE:	TYPE	MOD:	TYPE	MOD:	TYPE	MOD:	TYPE	MOD:
ACD: 2767	ECC:		ECC:		ECC:		ECC:	

FM3AH_N 78 65 66 67
 69 CF CJ CN JB
 FTH:1_P CF 6 8 10 JB
 FTH:2_P CJ 16 18 JB
 FTH:3_P CN 12 14 JB
 LOW4C29_N JB CF CJ CN
 JB



P & M No 3/07/06673

FC37 32 04 VB
 FC37N 04 91 VB
 FED08 58 88 DI VB
 FED08N 01 88 VB
 FMOVR 0C 88 VB
 FMOVRN 87 DC VB
 FOVR 88 84 87 CD
 FOVRN 04 91 VB
 FPNIL 07 0F VB
 FPNILN 84 DE VB
 FUN 0E 87 VB
 FUNN 0E 87 VB
 ULFPUB 91 91 CL VB
 ULFPUBN 0L 86 87 DK
 VB
 ULFPUB 0K 3 4 VB
 ULFPUBN 91 91 DA VB
 ULFPUBN 0A 0B VB
 ULFPUBN 0C 3 4 VB



CC13N MC 70 87 QC
 F0P MC 87 00
 F1N MC 87 00
 FC37* 98 MC 00
 FOVR* 98 MC 00
 FPNIL* 98 MC 00
 FPSTOP* 86 MC 00
 FPU MC 00 00
 FPUBUSY* 86 MC 00
 FPUXDYD* 86 MC 00
 HIGSA* DK 24 00
 HIGSB* DK 6 8 18 12
 HIGSC* 14 16 18
 HIGSD* DK 22 49 51
 HIGSE* DK 48 49 50
 HIGSF* DK 52 53 75
 HIGSG* DK 48 50 52
 HIGSH* 54 88
 KBEAT* MC 75 QC
 LLFFUB* MC 70 QC TP
 LUFPUB* MC 70 QC TP
 M81* MC 70 75 QC
 RB00* DC 00 00 00 00
 RB01* DC 00 00 00 00
 RB02* DC 00 00 00 00
 RB03* DC 00 00 00 00
 RB04* DC 00 00 00 00
 RB05* DC 00 00 00 00
 RB06* DC 00 00 00 00
 RB07* DC 00 00 00 00
 RB08* DC 00 00 00 00
 RB09* DC 00 00 00 00
 RB10* DC 00 00 00 00
 RB11* DC 00 00 00 00
 RB12* DC 00 00 00 00
 RB13* DC 00 00 00 00
 RB14* DC 00 00 00 00
 RB15* DC 00 00 00 00
 RB16* DC 00 00 00 00
 RB17* DC 00 00 00 00
 RB18* DC 00 00 00 00
 RB19* DC 00 00 00 00
 RB20* DC 00 00 00 00
 RB21* DC 00 00 00 00
 RB22* DC 00 00 00 00
 RB23* DC 00 00 00 00
 RFX0* MC 87 QC
 RFX1* MC 89 QC
 RFX2* MC 89 QC
 RSETFPU* MC 87 QC
 SFNUL* MC 70 QC
 ULFFUB* MC 98 QC TN
 LUFPUB* MC 98 QC TN

	A	B	C	D	E	F	G	H	I	J	K	L	M	N	O	P	Q	R	S	T	U	V	W	X	
A																									
B																									
C																									
D																									
E																									
F																									
G																									
H																									
I																									
J																									
K																									
L																									
M																									
N																									
O																									
P																									
Q																									
R																									
S																									
T																									
U																									

4E1 5502
 2 RB00*
 3 RB01*
 4 RB02*
 5 RB03*
 6 RB04*
 7 RB05*
 8 RB06*
 9 RB07*
 10 RB08*
 11 RB09*
 12 RB10*
 13 RB11*
 14 RB12*
 15 RB13*
 16 RB14*
 17 RB15*
 18 RB16*
 19 RB17*
 20 RB18*
 21 RB19*
 22 RB20*
 23 RB21*
 24 RB22*
 25 RB23*
 26 RB23*

4E3 5502
 2 UJFPUB*
 3 ULFFUB*
 4 LUFPUB*
 5 LLFFUB*
 6 RFX0*
 7 RFX1*
 8 RFX2*
 9 CC13N
 10 F0P
 11 F1N
 12 FCN
 13 FPN
 14 MSTP
 15 KBEAT*
 16 RSETFPU*
 17 SFNUL*
 20 FPU
 21 FOVR*
 22 FPUXDYD*
 23 FPUBUSY*
 24 FPSTOP*
 25 FC37*
 26 FPNIL*

04E3 5502
 1 ULFFUB*
 2 UJFPUB*
 3 LLFFUB*
 4 LUFPUB*
 5 RFX1*
 6 RFX0*
 7 CC13N
 8 RFX2*
 9 F1N
 10 F0P
 11 F2N
 12 MSTP
 13 KBEAT*
 14 RSETFPU*
 15 SFNUL*
 16 FPU
 17 FOVR*
 18 FPUXDYD*
 19 FPUBUSY*
 20 FPSTOP*
 21 FC37*
 22 FPNIL*

4E16 5562
 3 HIGSA*
 6 HIGSB*
 7 HIGSC*
 10 HIGSD*
 11 HIGSE*

W/F NAME CHANGES IN CPU
 FOVR* FPV
 FC37* FPNEG
 FPNIL* FPZ

UJFPUB* ⊗ LX
 ULFFUB* ⊗ LX
 LUFPUB* ⊗ LX
 LLFFUB* ⊗ LX

P & M No 3/07/05607