

PF.228 FLOATING POINT (1906/7)

LOGICAL DRAWING INDEX

GROUP WGB.07

<u>WGB.07/00</u>	<u>WGB.07/180</u>	<u>WGB.07/360</u>	<u>WGB.07/510</u>
" 01	" 181	" 361	" 511
" 10	" 190	" 370	" 512
" 11	" 191	" 371	" 513
" 20	" 200	" 380	" 520
" 21	" 201	" 381	" 521
" 30	" 210	" 390	" 530
" 31	" 211	" 391	" 531
" 40	" 220	" 392	" 540
" 41	" 221	" 393	" 541
" 50	" 230	" 394	" 550
" 51	" 231	" 395	" 551
" 60	" 240	" 400	" 560
" 61	" 241	" 401	" 561
" 70	" 250	" 410	" 570
" 71	" 251	" 411	" 571
" 80	" 260	" 420	" 572
" 81	" 261	" 421	" 580
" 90	" 270	" 430	" 581
" 91	" 271	" 431	" 590
" 100	" 280	" 440	" 591
" 101	" 281	" 441	
" 110	" 290	" 450	
" 111	" 291	" 451	
" 120	" 300	" 460	
" 121	" 301	" 461	
" 130	" 310	" 470	
" 131	" 311	" 471	
" 140	" 320	" 480	
" 141	" 321	" 481	
" 150	" 330	" 490	
" 151	" 331	" 491	
" 160	" 340	" 500	
" 161	" 341	" 501	
" 170	" 350	" 502	
" 171	" 351	" 503	



















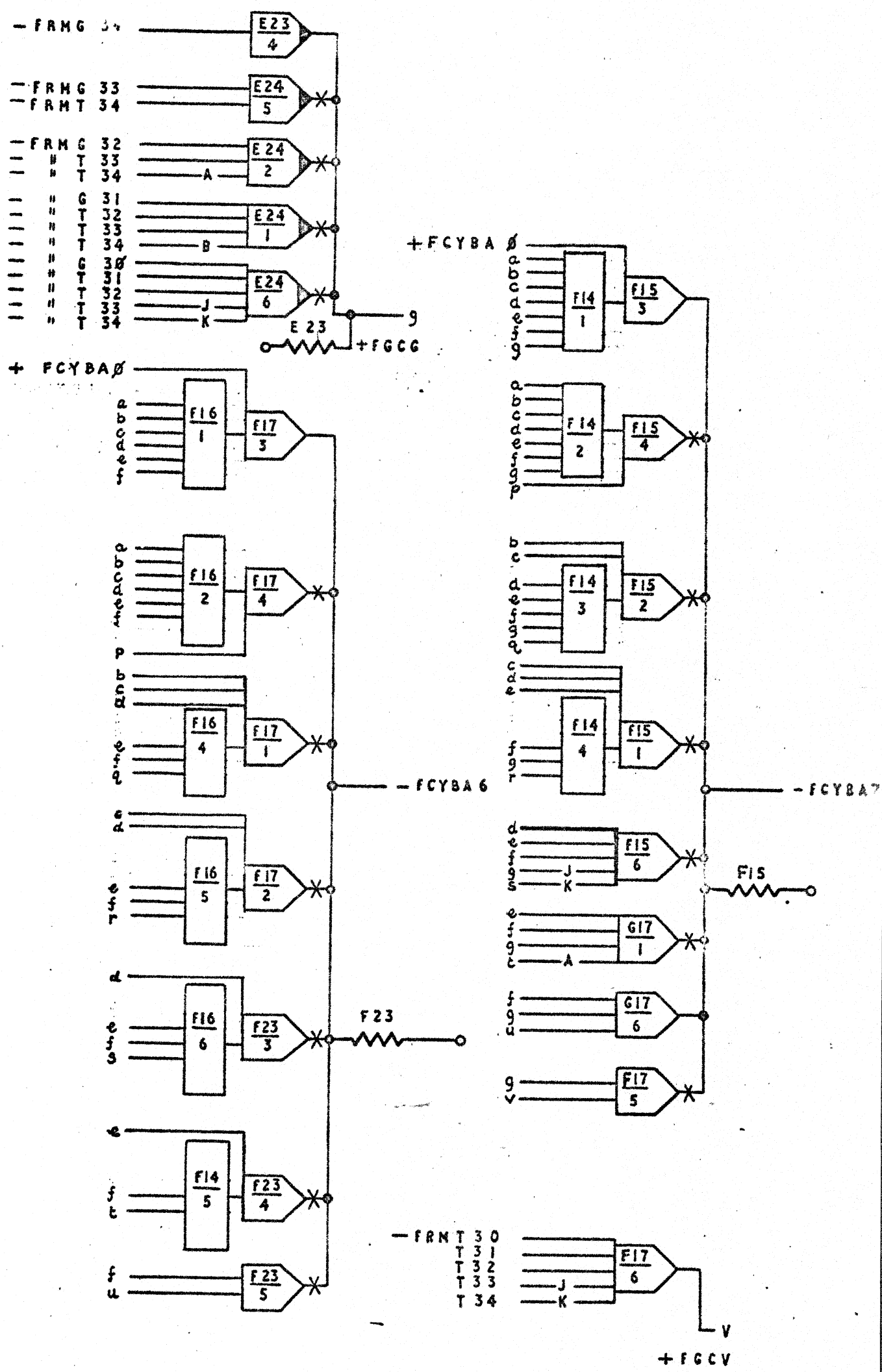












ARGUMENT SLICE FLOATING POINT (1907) BLOCK CARRY

WGB 07/39<sub>s</sub>

SUB	ISS	1							
ACW.	ACD 5061	0673							
DATE	4/1/66	8/3/67							















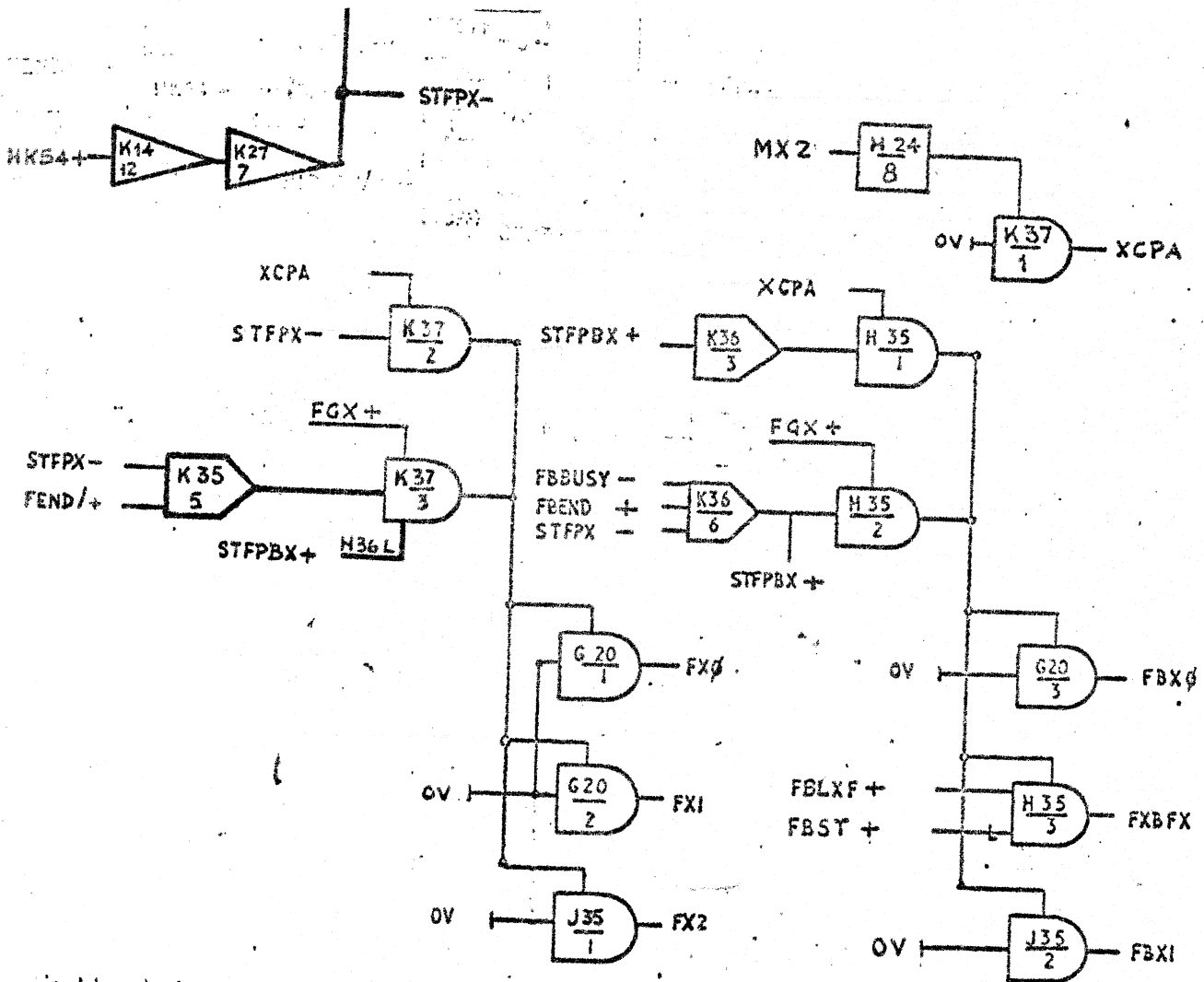
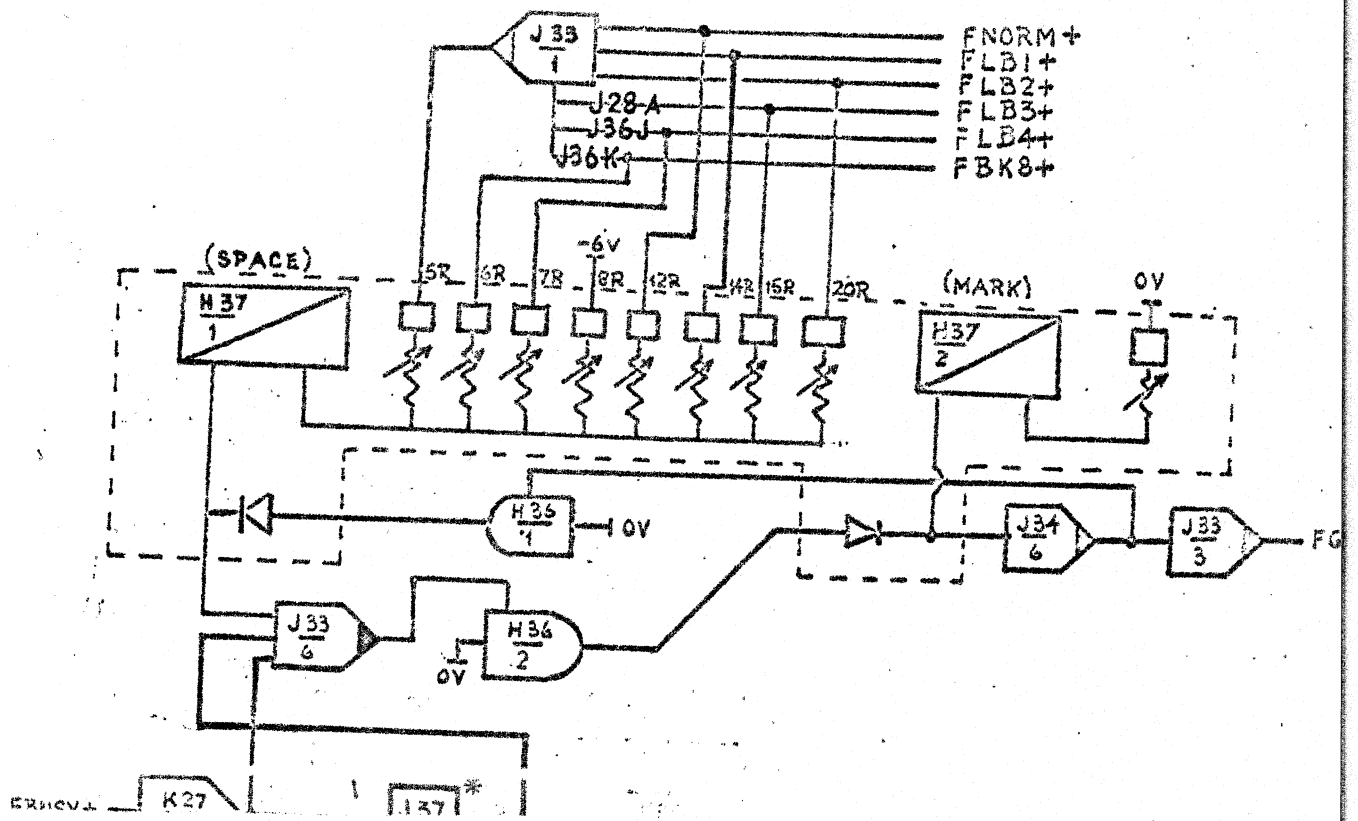










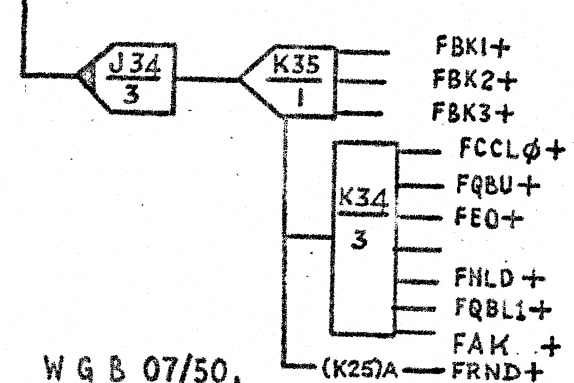
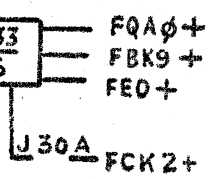
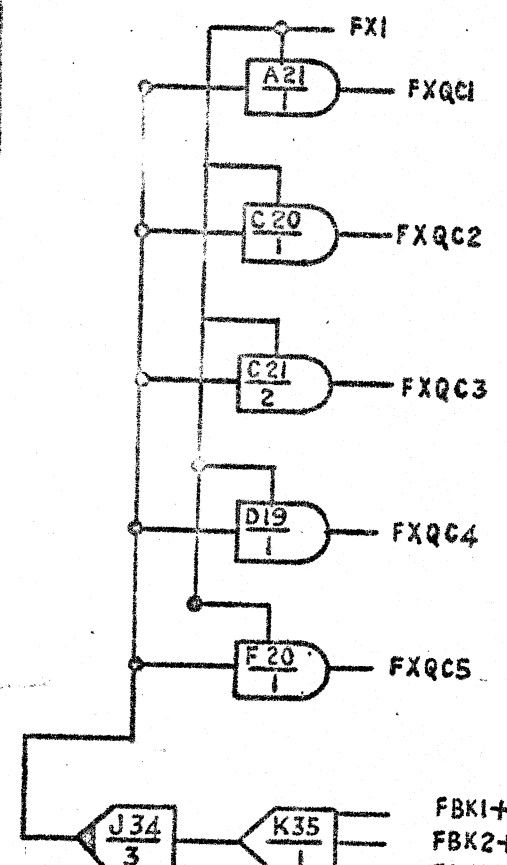
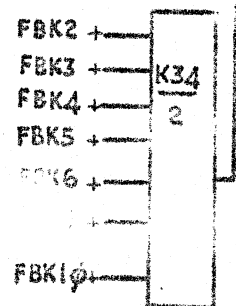
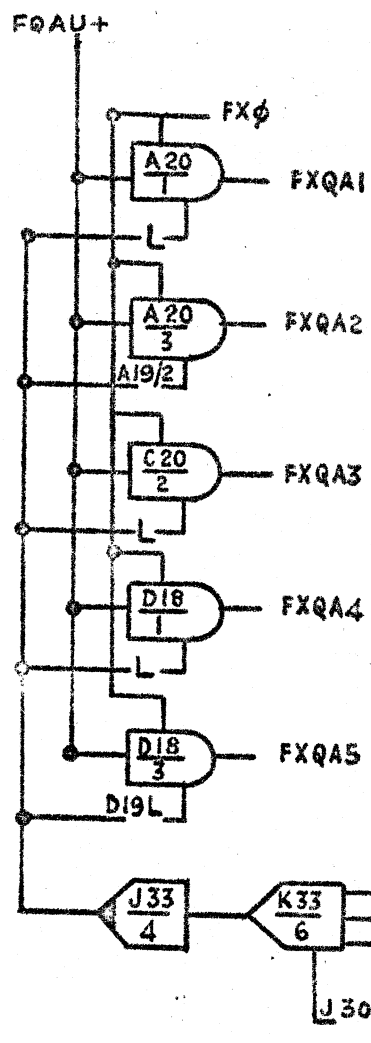
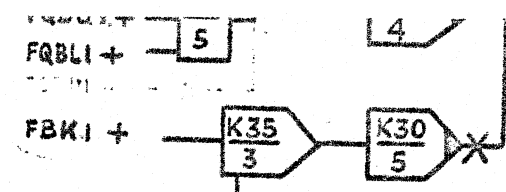
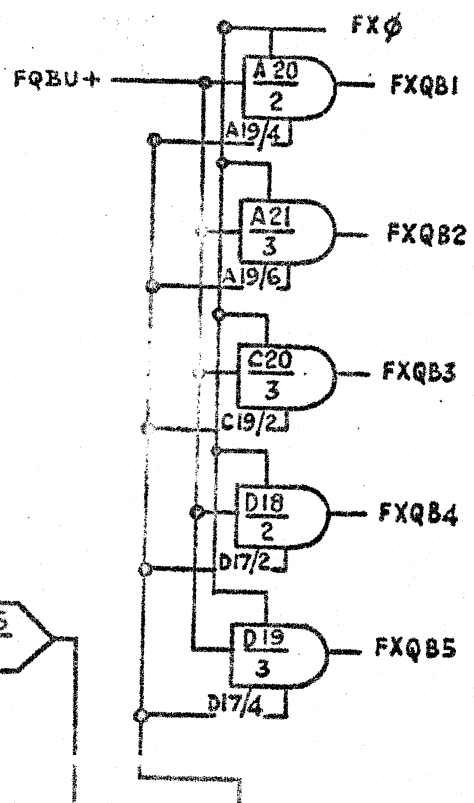
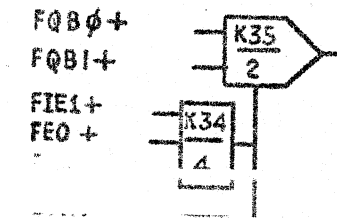
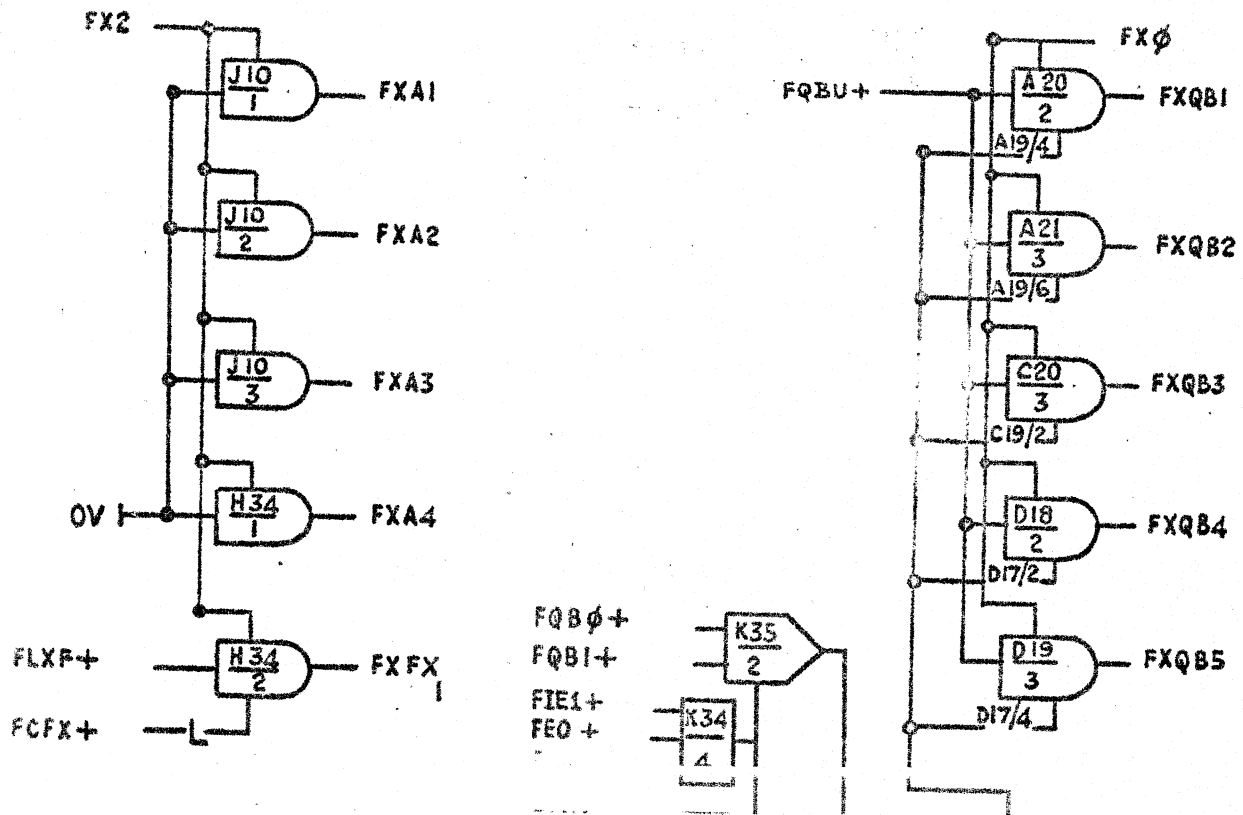


Delay should be set so that the 1st. beat  
 a 132 has time to complete its branch.  
 Corrected value 400-600 ns.

07/50b

FLOATING POINT CLOCK

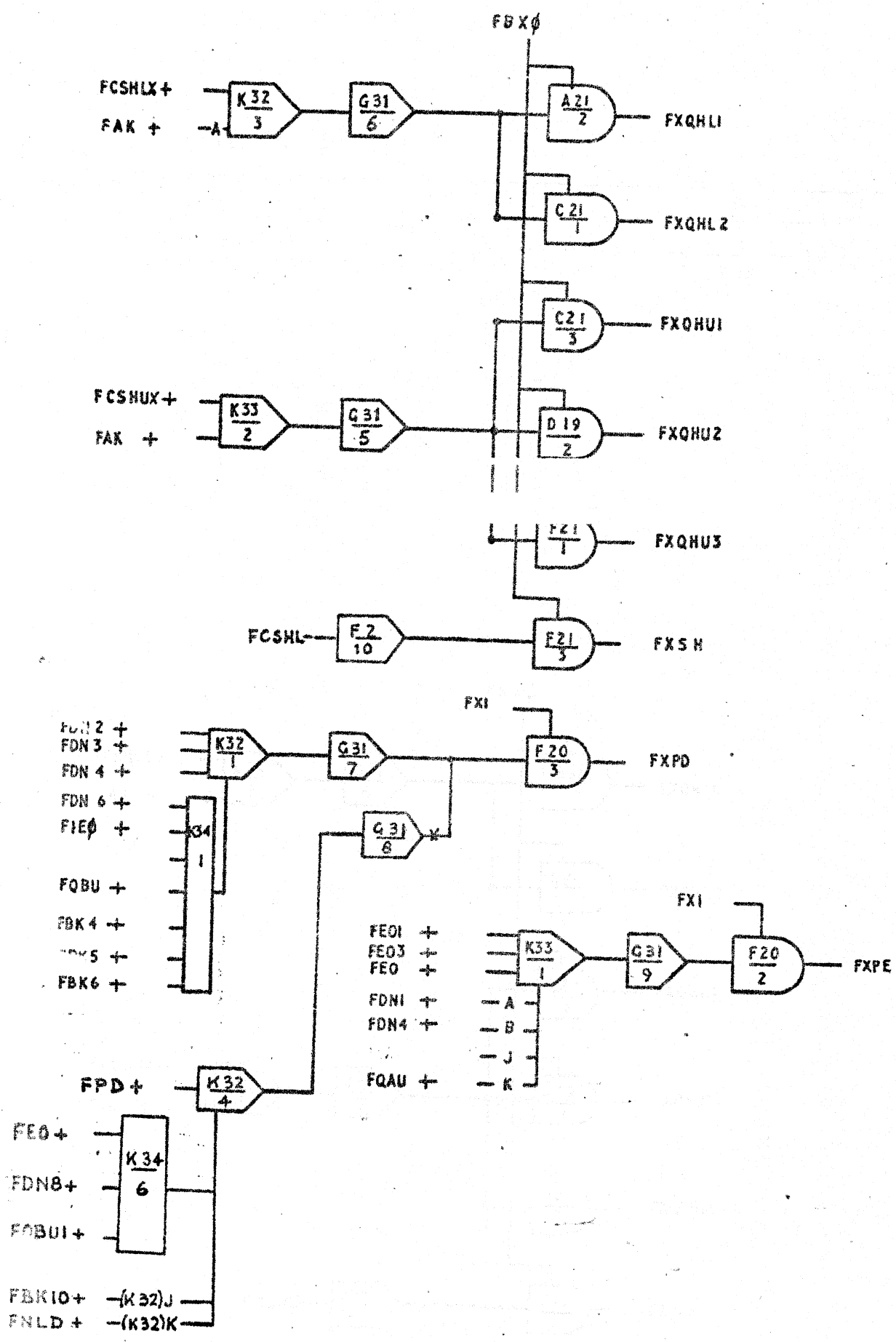
SUB	185	1	2	3	4	5	6	7	8	9	10	11	12	13
ACW	ACD 5071	ACD 5098	ACD 5146	ACD 5318	ACD 5925	ACD 6544	0600	0641	0673	0686	0738	0799	0854	098
DATE	4/1/66	15/1/66	21/1/66	24/2/66	8/7/66	23/7/66	7/12/66	23/1/67	8/3/67	5/4/67	15/5/67	17/7/67	15/9/67	24/3/68



STARTING POINT CLOCK

W G B 07/50,

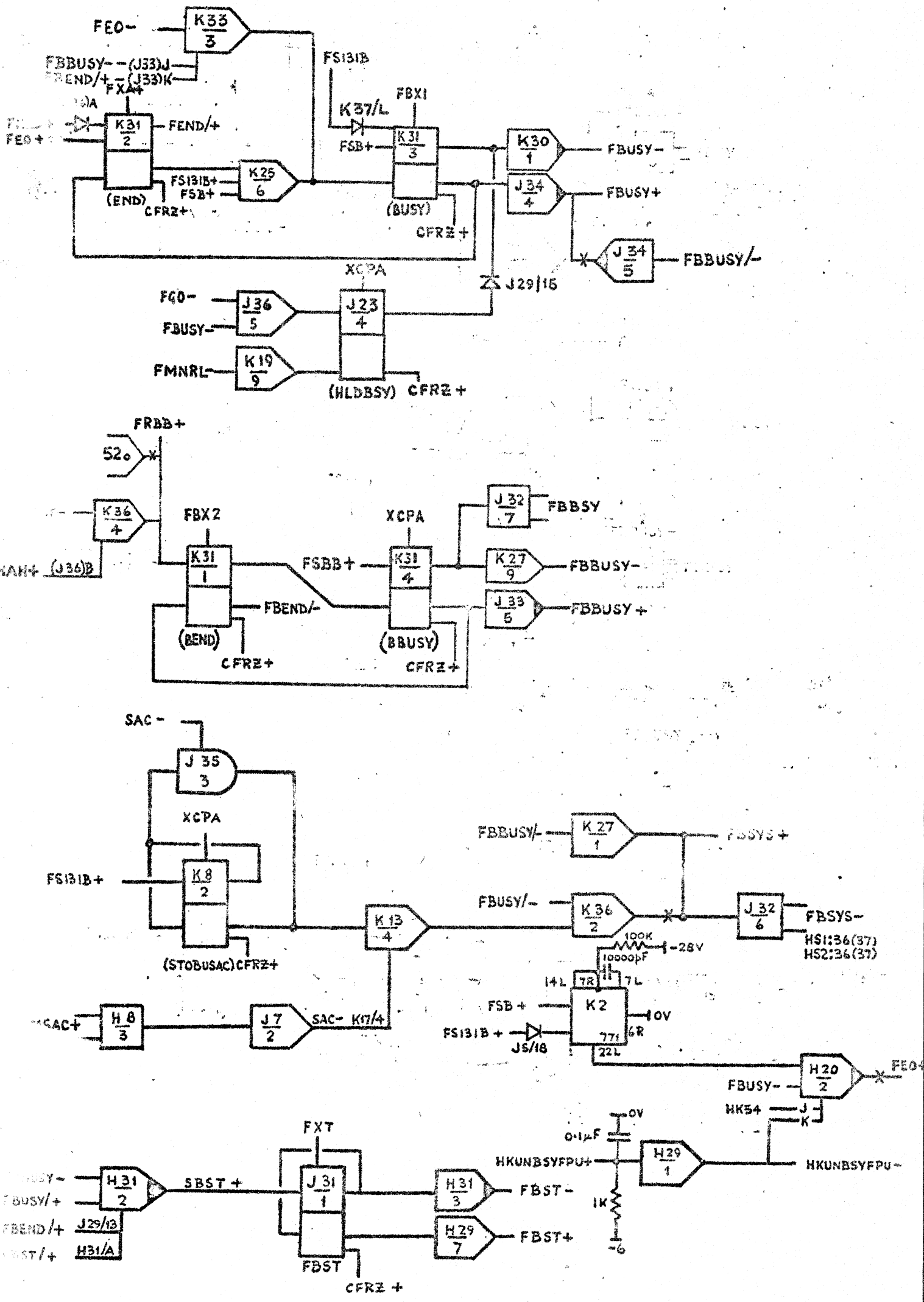
	ISS	1	2	3	4	5	6	7						
ACD.	ACD 5061	ACD 5098	ACD 5145	5767	5985	ACW 0673	ACW 0820	ACW 0854						
ATE	1/1/66	14/1/66	24/1/66	22/5/66	8/7/67	8/3/67	12/5/67	15/9/67						



WCB 07/502

FLOATING POINT CLOCK

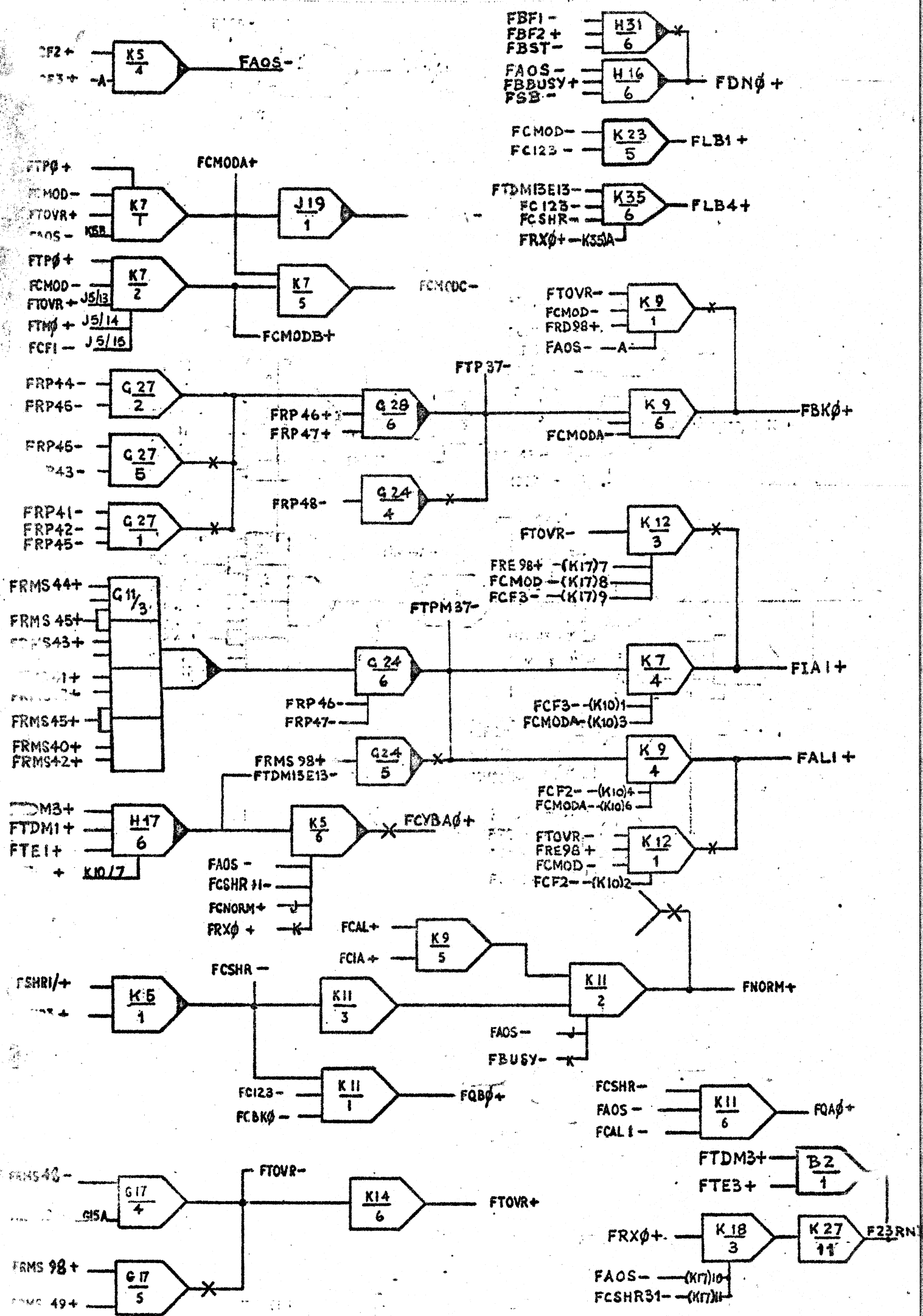
SUR	ISS	1	2	3	4	5	6							
ACD	ACD 5061	ACD 5098	ACD 5145	5767	5985	ACW 0673	ACW 0854							
	1/1/66	14/1/66	24/1/66	20/5/66	8/7/66	3/3/67	15/9/67							



FLOATING POINT BUSY

W Q B 07/50<sub>3</sub>

SUB	155	1	2	3	4	8	9	10	11	12	13	14	15	16
ACW.	5061	5098	5318	5975	6344	0600	0673	0686	0726	0738	0742	0765	0799	0858
DATE.	1/1/66	14/1/66	24/2/66	8/7/66	23/9/66	7/12/66	8/3/67	5/4/67	5/5/67	15/5/67	19/5/67	9/6/67	17/7/67	13/9/67



WGB 07/510

LOADING POINT ADD / SUBTRACT

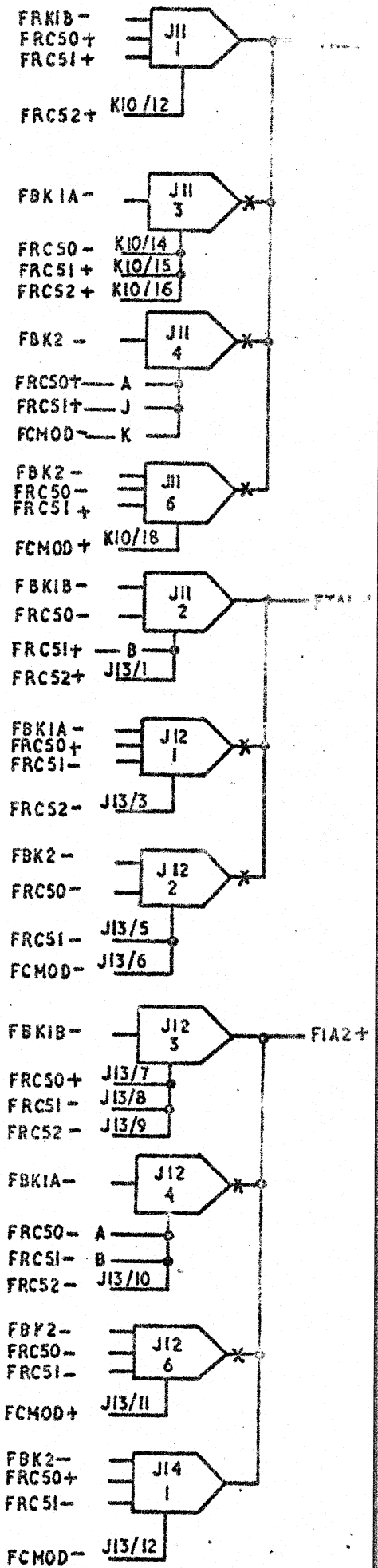
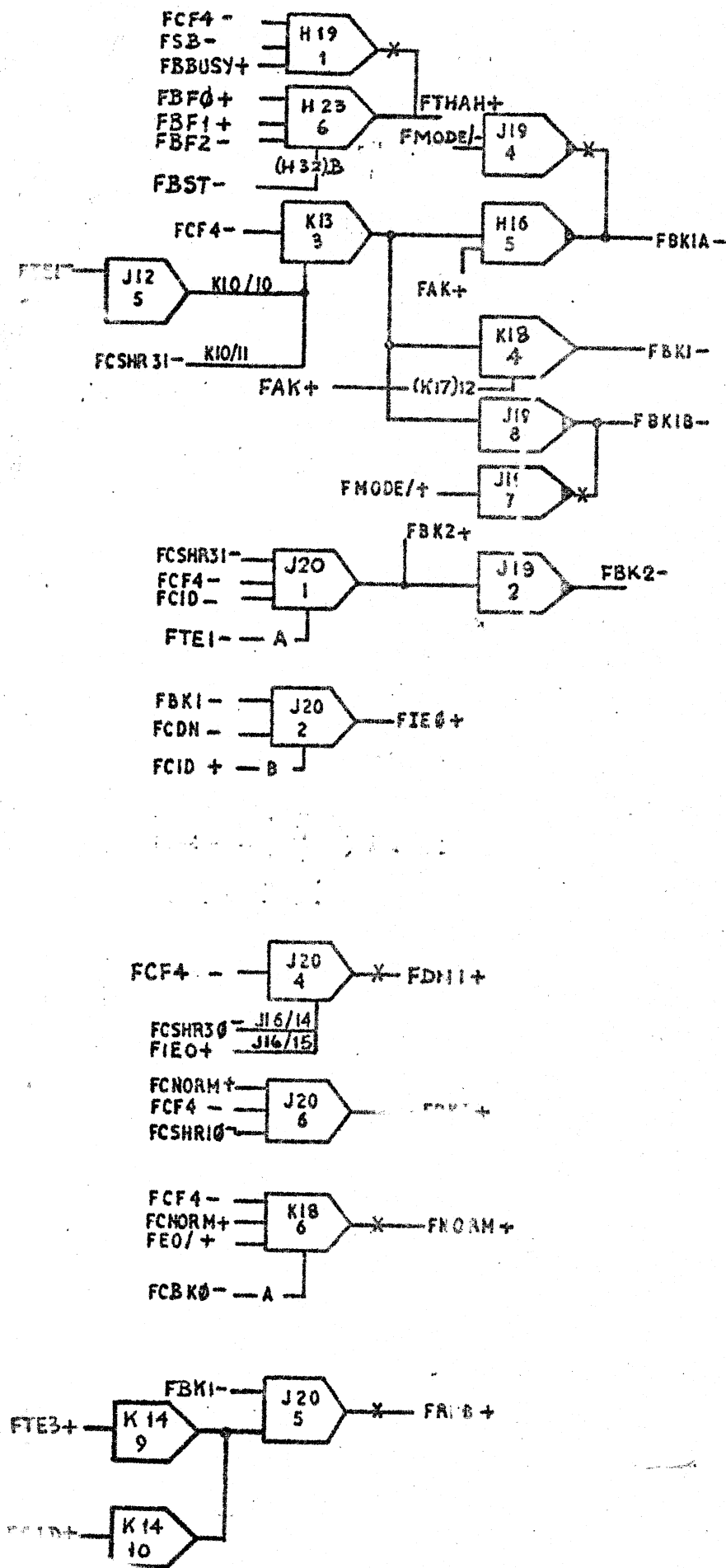
SUB	ISS	1	2	3	4	5	6	7	8	9			
A.C.D.	ACD 5061	ACD 5095	ACD 5145	ACD 5318	5767	5985	6000	0673	0686				
DATE	4/1/66	14/1/66	24/1/66	24/2/66	20/5/66	8/7/66	20/9/66	7/12/66	8/3/67	5/4/67			







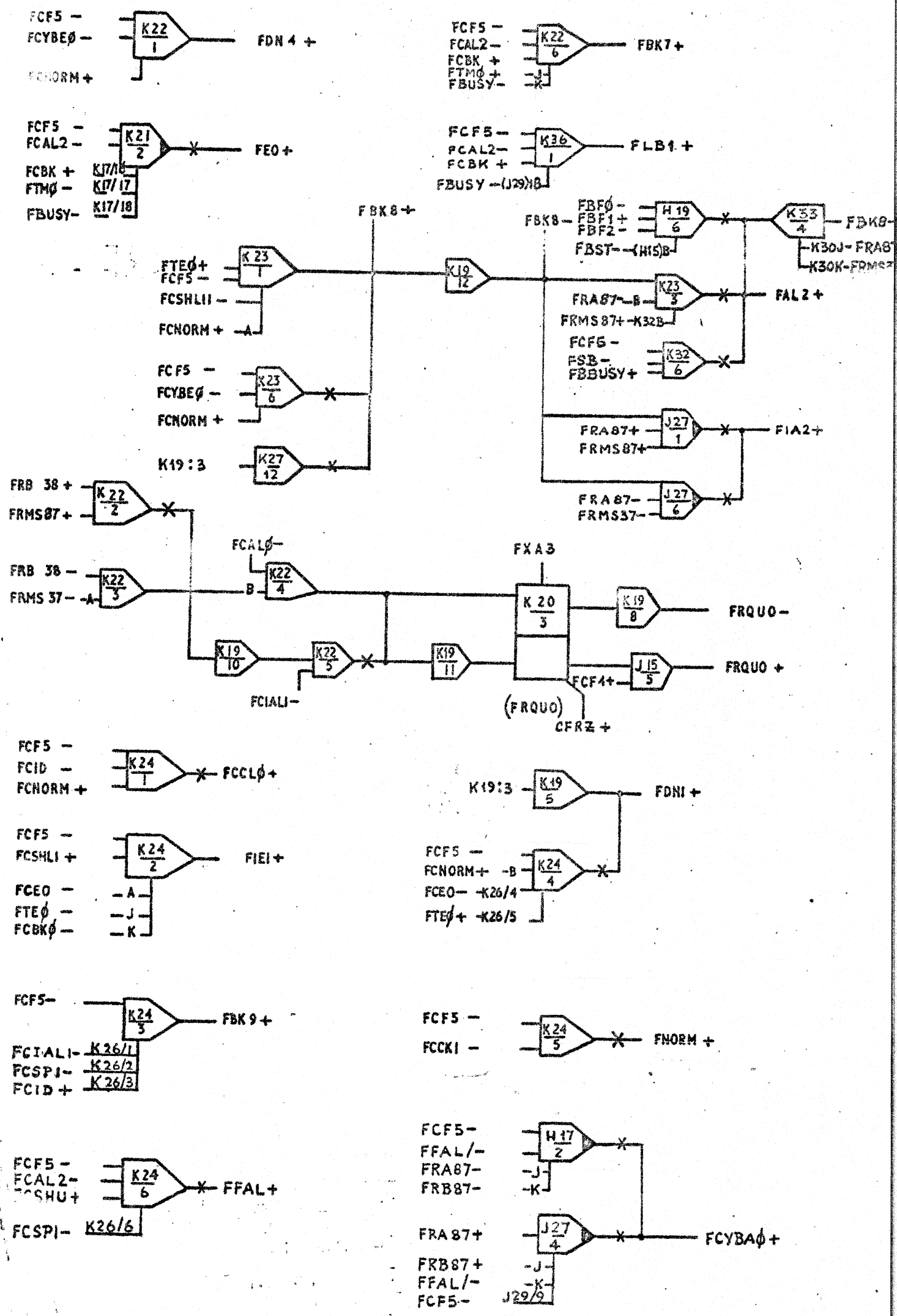




WG B 07/520 FLOATING POINT MULTIPLICATION

SUB.	ISS	1	2	3	4	5	6							
A.C.D.	5001	5145	5318	5767	5985	6344	6354							

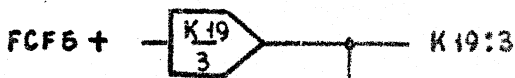
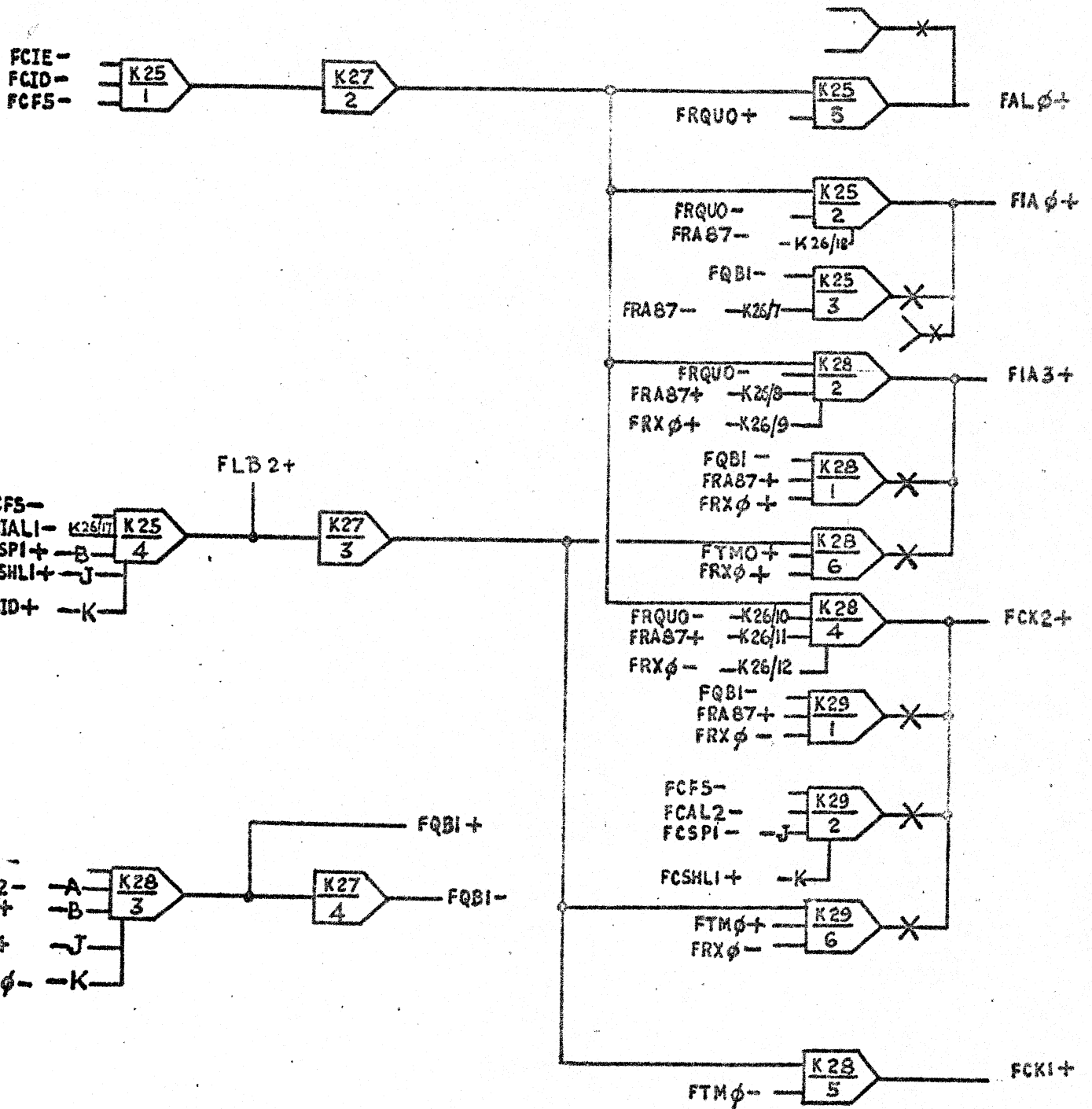




WGB 07/530

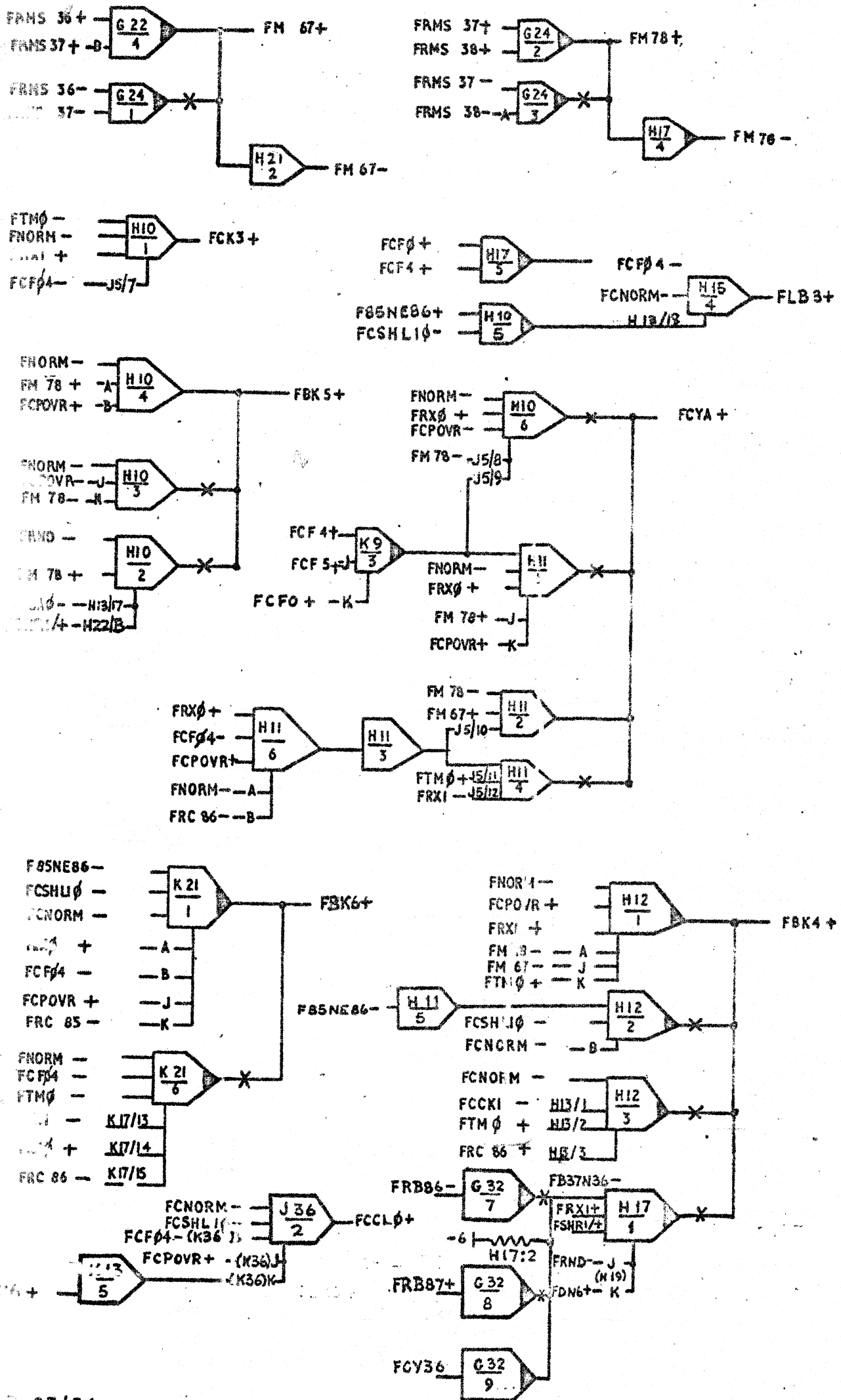
FLOATING POINT DIVISION

SUB.	ISS	1	2	3	4	5	6	7						
A.C.D	ACD 5061	ACD 5145	ACD 5318	5767	5985	6344	0673	0686						



**FLOATING POINT DIVISION** W G B 07/53,

SUB	ISS	1	2	3	4						
ACD	ACD 5061	ACD 5145	5767	6344	0673						
DATE	4/1/66	24/1/66	20/5/66	23/9/66	8/3/67						

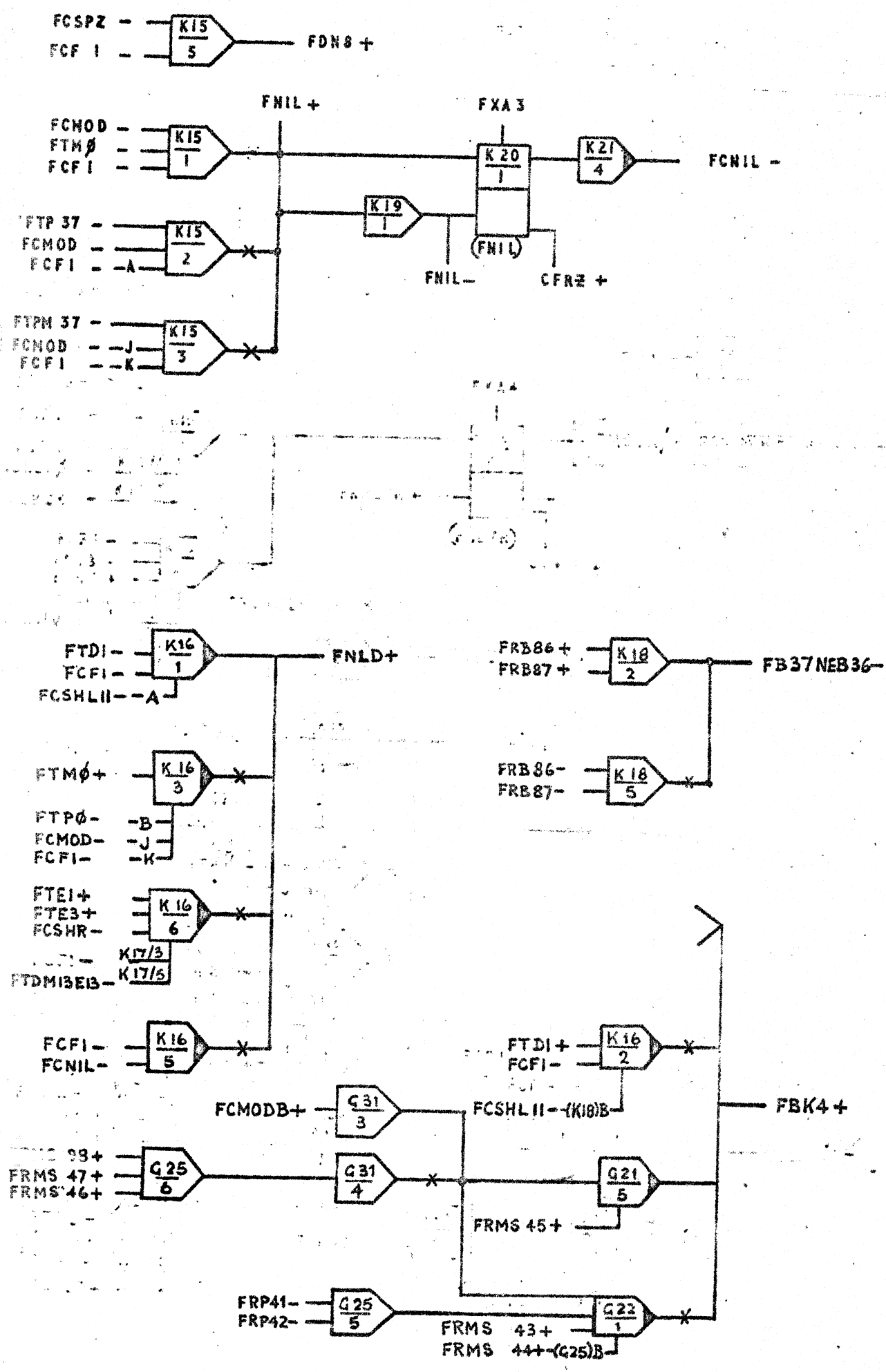


VCD 07/546

FLOATING POINT NORMALISE

	155	1	2	3	4	5	6				
ACD	ACD 5061	ACD 5318	5761	5985	6344	06'3	0820				
DATE	4/1/66	24/2/66	20/5/66	8/7/66	23/9/66	8/4/67	14/8/67				



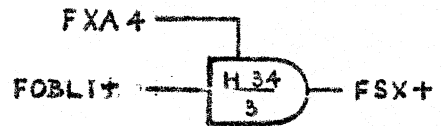
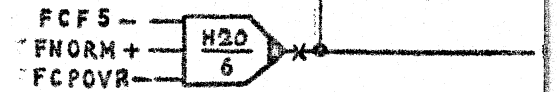
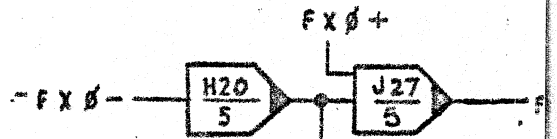
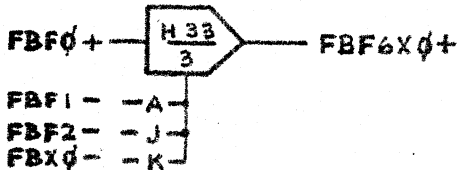
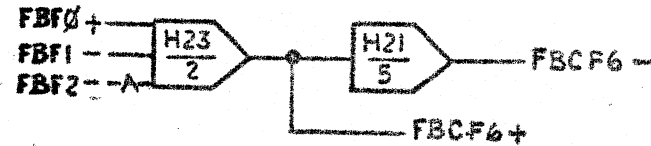
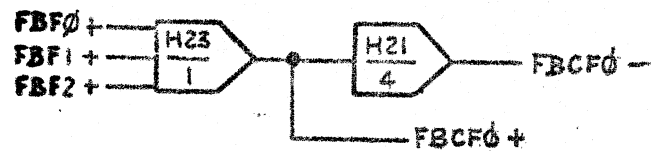
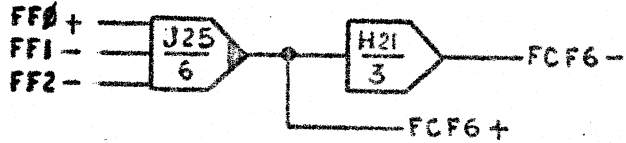
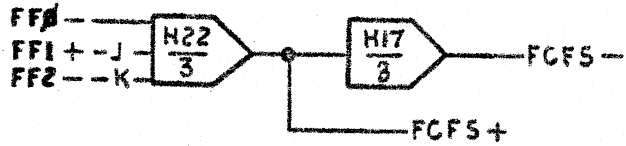
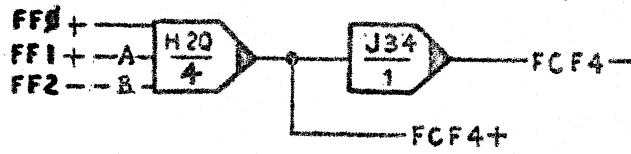
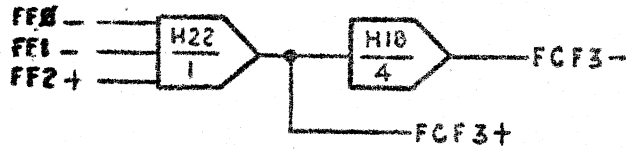
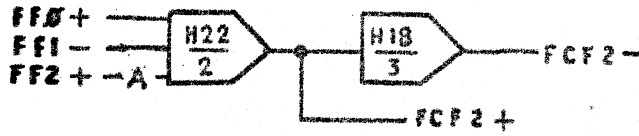
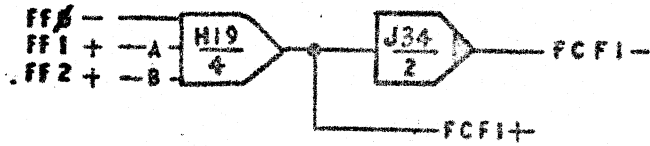
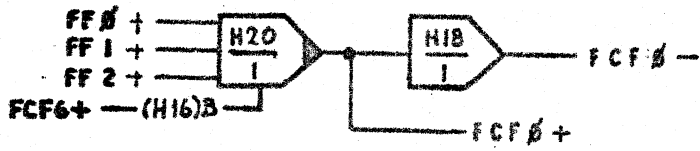


WGB 07/55.  
 CONVERT FLOATING TO FIXED

SUB	ISS	1	2	3	4	5	6	7						
	ACD	ACD	ACD	ACD	ACD	ACW	ACW							
	5061	5098	5145	5318	5767	5985	0673	0854						
DATE	4/1/66	14/1/66	24/1/66	24/2/66	20/5/66	8/7/66	8/3/67	15/9/67						





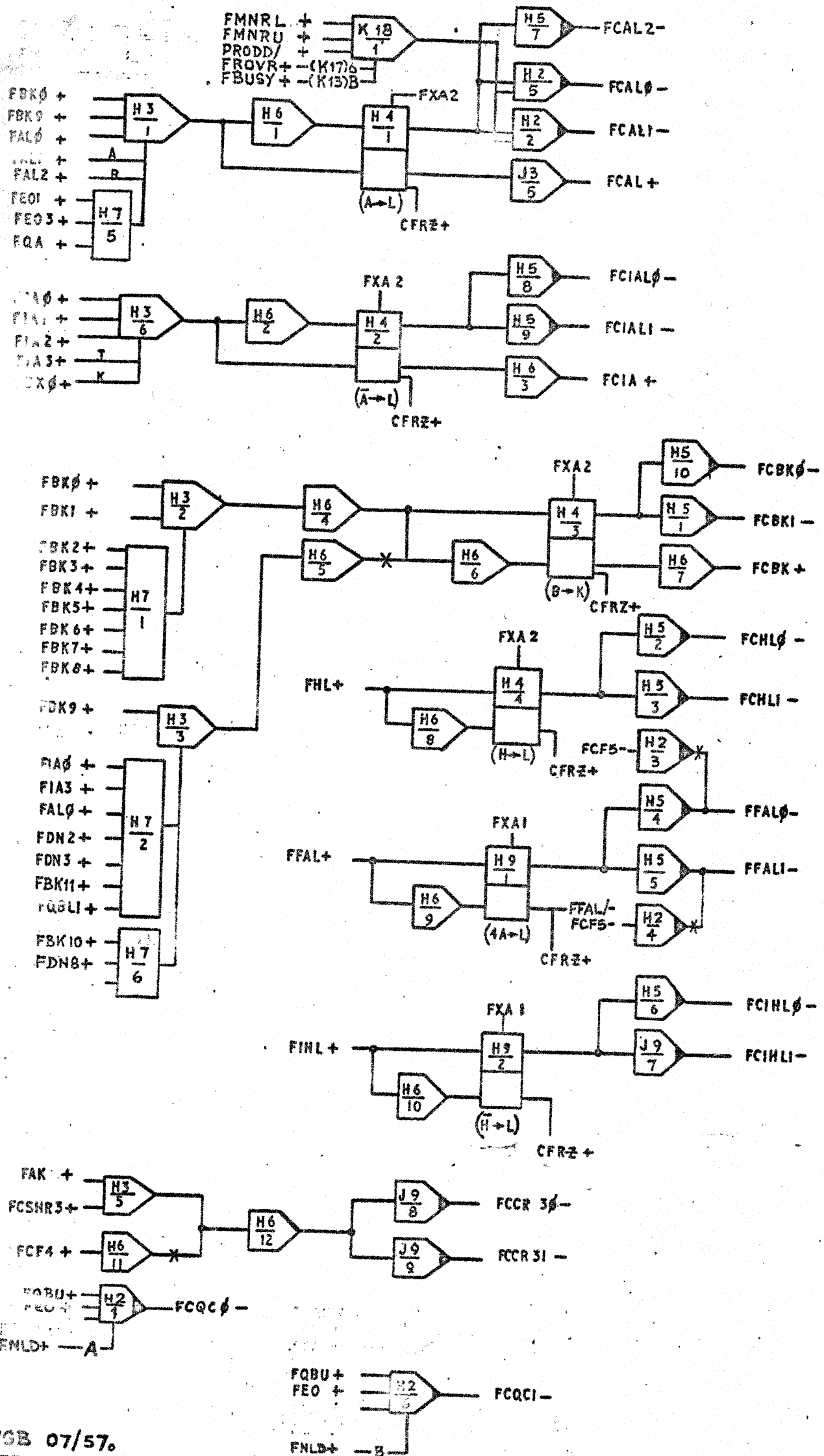


FLOATING POINT FUNCTION DECODING.

WGB 07/561

SUB	ISS	1	2	3	4	5	6	7						
ACD	ACD 5061	ACD 5098	ACD 5145	ACD 5318	5767	5985	6344	0600						
DATE	4/1/66	14/1/66	24/1/66	24/2/66	20/5/66	8/7/66	23/9/66	7/12/66						

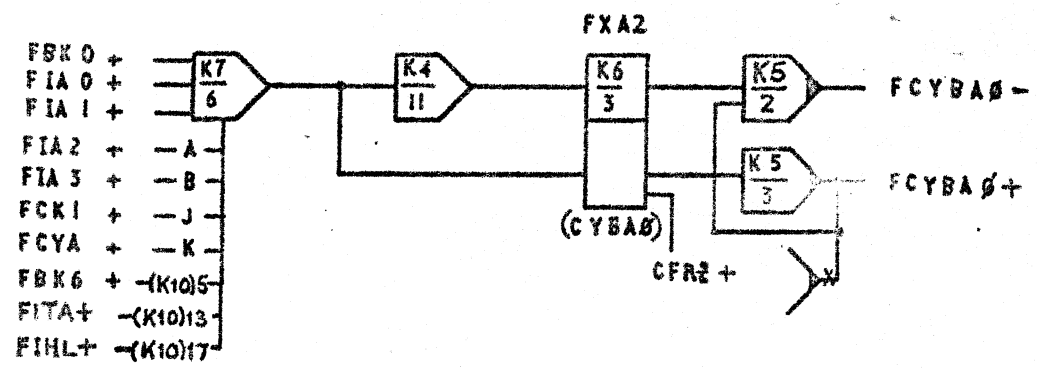
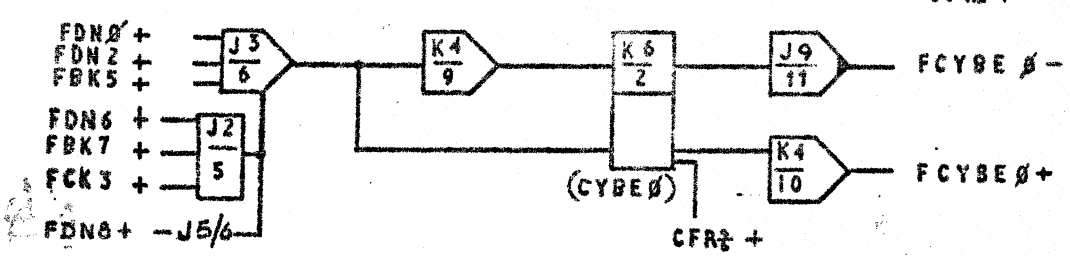
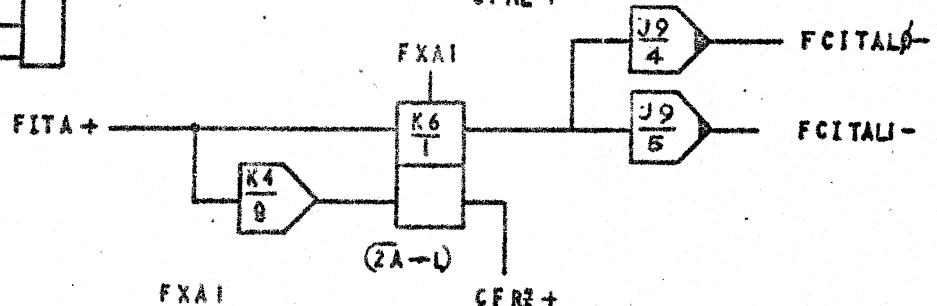
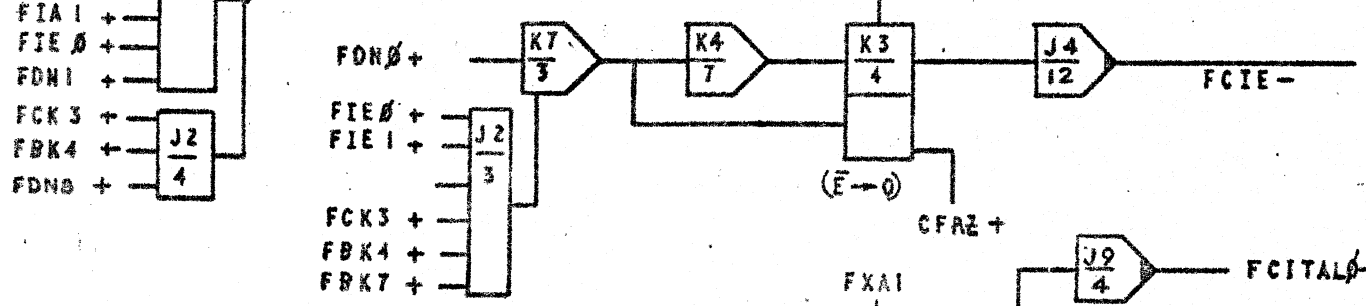
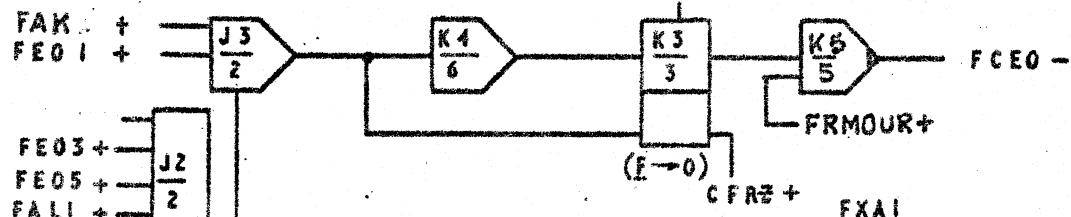
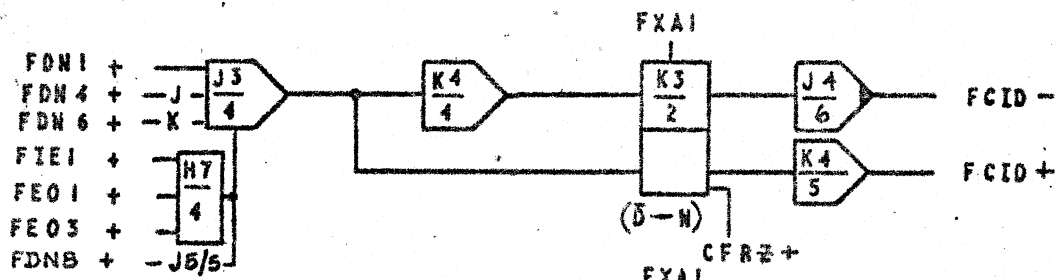
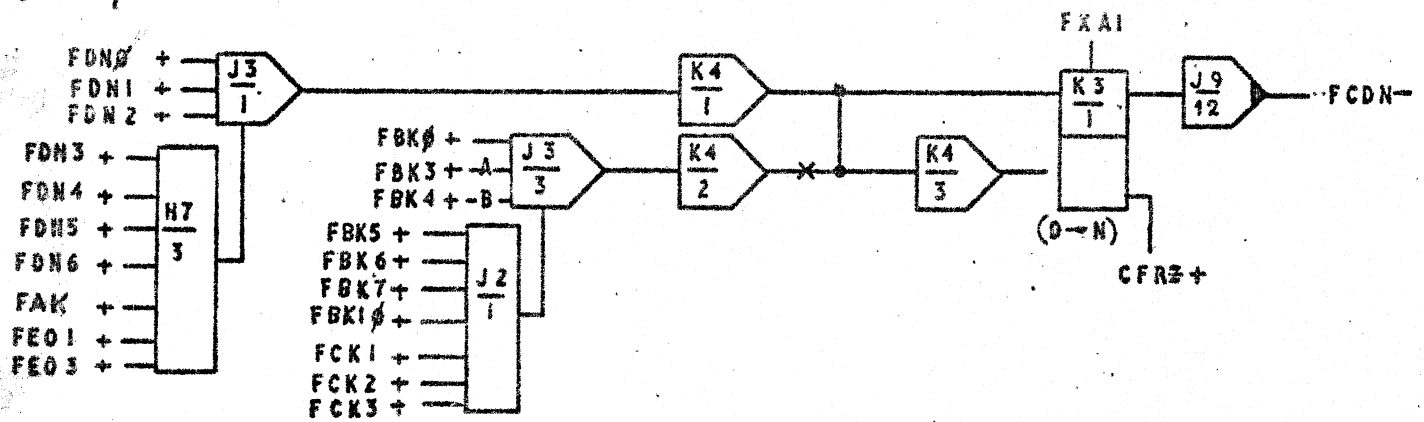




WGB 07/57.  
 WAVEFORMS

ISS	1	2	3	4	5	6	7	8	9	10
ACD 5061	ACD 5099	ACD 5146	ACD 5218	5767	5985	6344	ACW 0600	ACW 0673	ACW 0686	ACW 0851
14/11/77	14/11/77	24/11/77	24/11/77	24/11/77	28/11/77	23/12/77	7/12/77	8/12/77	11/12/77	15/12/77

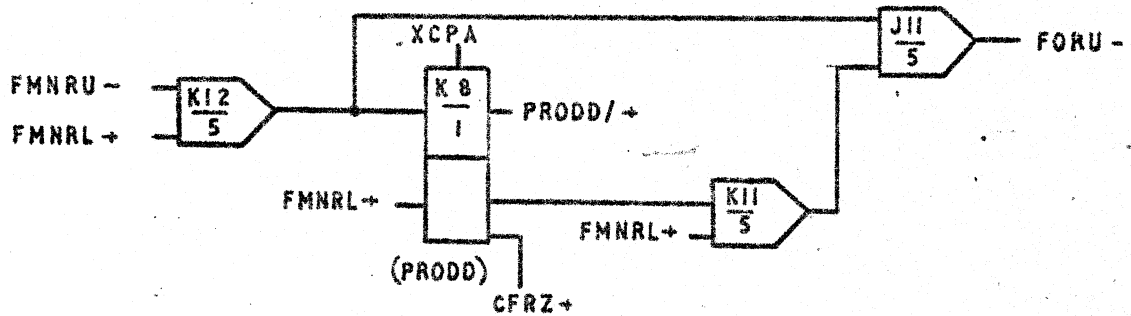
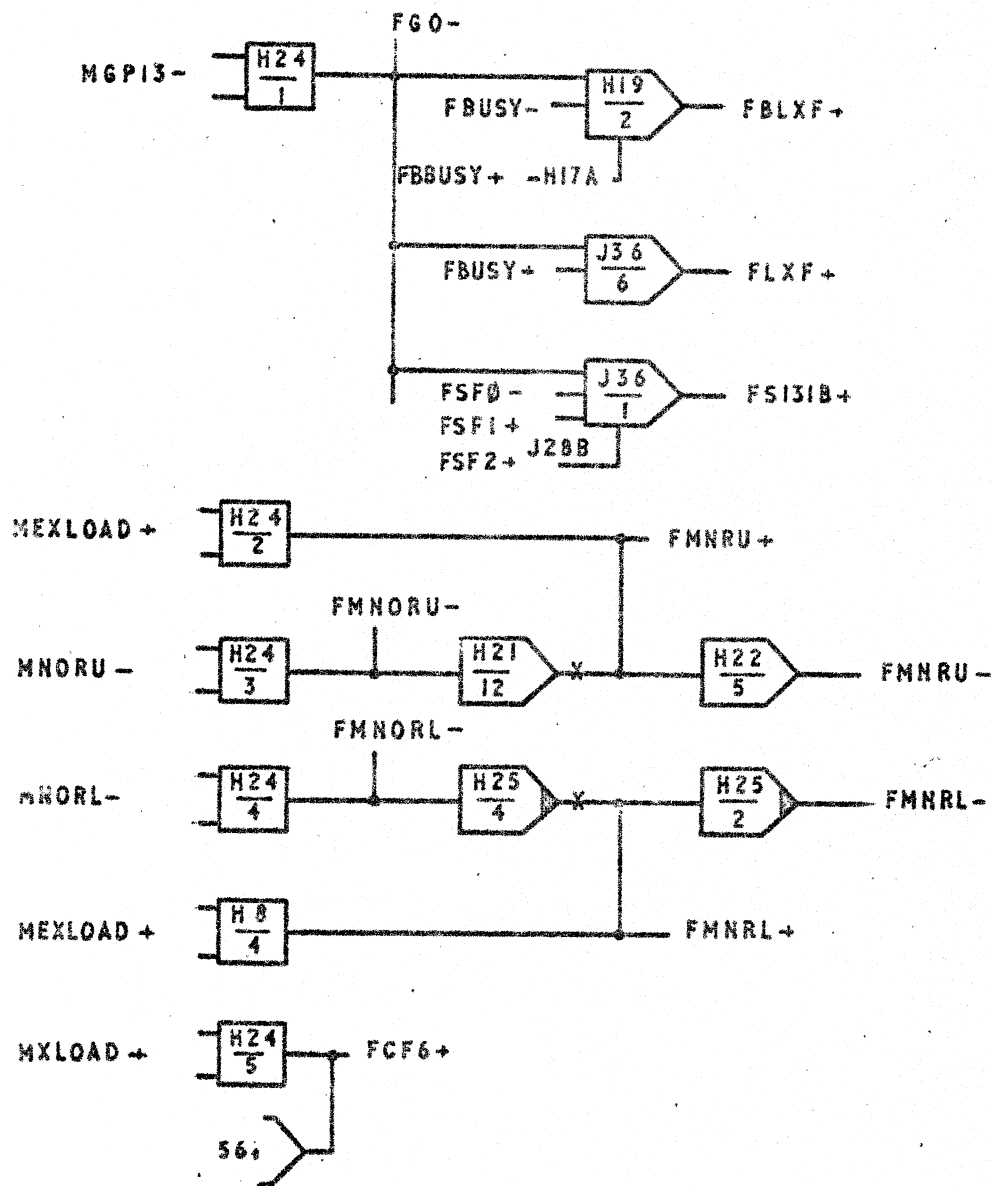




WGB 07/572

GATE WAVEFORMS

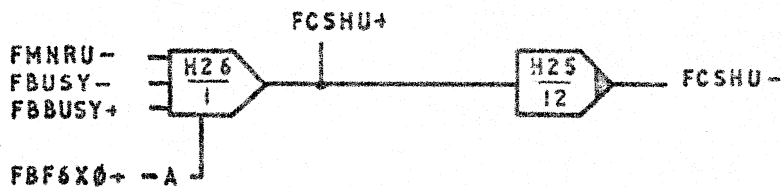
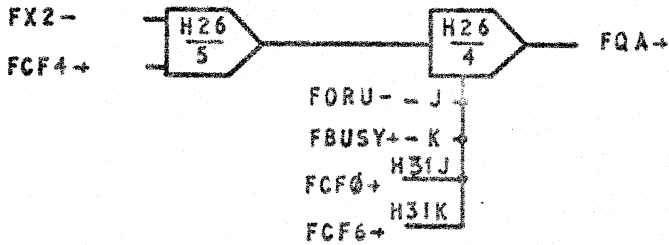
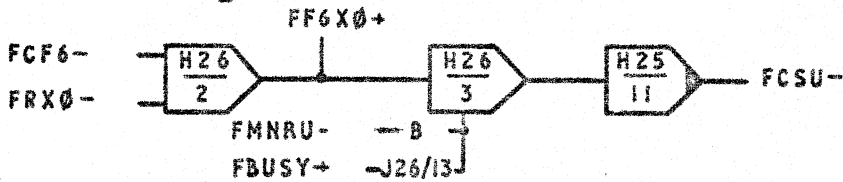
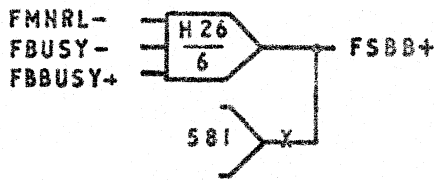
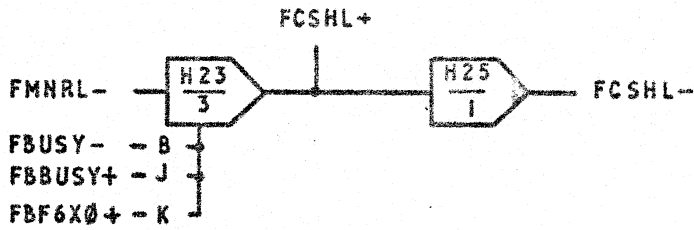
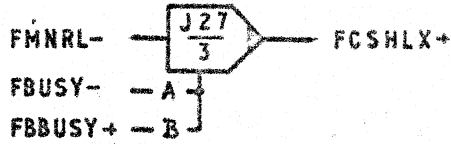
SUB	ISS	1	2	3							
ACD	ACD 5061	ACD 2318	5767	5985							
DATE	4/1/66	24/2/66	20/5/66	8/7/66							



WGB07/580

READ TO FLOATING PO

SUB	168	1	2	3	4	5	6	7	8	9	10	11		
ACD	5061	5098	5145	5318	5767	5985	6334	ACW 0600	ACW 0641	ACW 0673	ACW 0686	0726		
DATE	10.1	10.1	24.1	24.2	20.5	3.7	25.9	7-12 66	25.1 67	8-3 67	5.4 67	5/5/67		



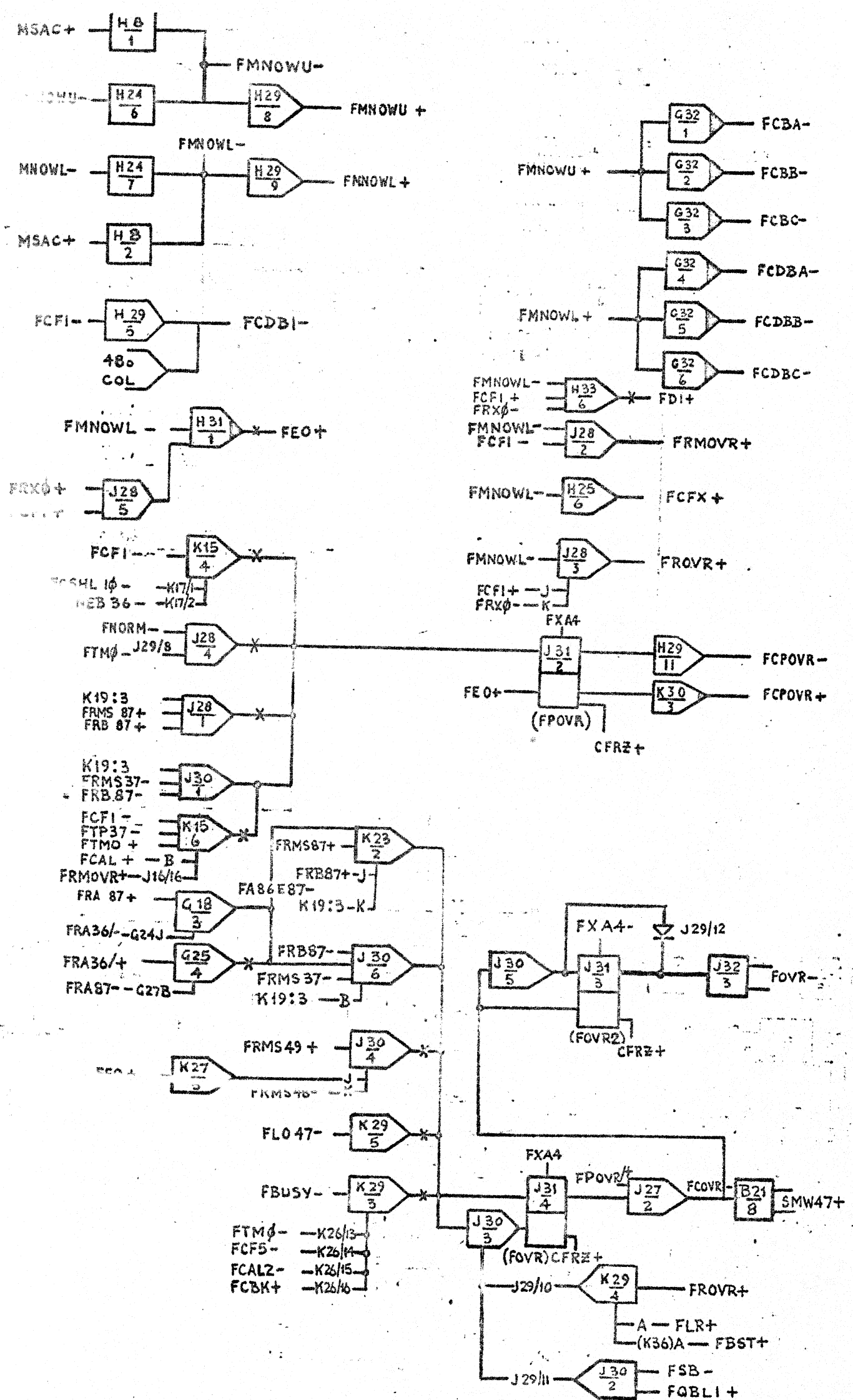
WGB07/59.

READ TO FLOATING POINT

SUB	165	1	2	3	4	5	6	7	8	9					
ACD	5061	5318	5767	5985	6344	AEW 0600	ACW 0641	ACW 0673	ACW 0686	ACW 6726					
DATE	4-1-66	2-2-66	2-5-66	3-7-66	5-9-66	7-12-66	8-31-67	8-3-67	3-4-67	5/5/67					







WRITE FROM FLOATING POINT

WGB 07/591

SUB	ISS	1	2	3						
ACD	ACW 0686	ACW 0726	ACW 0765	ACW 0854						