

PERKIN-ELMER

**MODEL 3205 SYSTEM
SCHEMATIC AND ASSEMBLY DRAWINGS MANUAL**

USE WITH 47-057 AND 47-058

47-068 R00

THE INFORMATION IN THIS DOCUMENT IS SUBJECT TO CHANGE WITHOUT NOTICE AND SHOULD NOT BE CONSTRUED AS A COMMITMENT BY THE PERKIN-ELMER CORPORATION. THE PERKIN-ELMER CORPORATION ASSUMES NO RESPONSIBILITY FOR ANY ERRORS THAT MAY APPEAR IN THIS DOCUMENT.

THE HARDWARE DESCRIPTION IN THIS DOCUMENT IS INTENDED FOR USE IN OPERATION, INSTALLATION, MAINTENANCE, OR REPAIR OF PERKIN-ELMER EQUIPMENT. USE OF THIS DOCUMENT FOR ALL OTHER PURPOSES WITHOUT PRIOR WRITTEN APPROVAL FROM PERKIN-ELMER IS PROHIBITED.

ANY APPROVED COPY OF THIS MANUAL MUST INCLUDE THE PERKIN-ELMER COPYRIGHT NOTICE.

Warning: This equipment generates, uses, and can radiate radio frequency energy and if not installed and used in accordance with the instructions manual, may cause interference to radio communications. It has been tested and found to comply with the limits for a Class A computing device pursuant to Subpart J of Part 15 of FCC Rules, which are designed to provide reasonable protection against such interference when operated in a commercial environment. Operation of this equipment in a residential area is likely to cause interference in which case the user at his own expense will be required to take whatever measures may be required to correct the interference.

THE PERKIN-ELMER CORPORATION, DATA SYSTEMS GROUP
2 CRESCENT PLACE, OCEANPORT, NEW JERSEY 07757

© 1984 BY THE PERKIN-ELMER CORPORATION

PRINTED IN THE UNITED STATES OF AMERICA

PREFACE

THIS MANUAL PROVIDES THE FUNCTIONAL SCHEMATIC, ASSEMBLY AND INFORMATION DRAWINGS FOR THE MODEL 3205 SYSTEM. THESE DRAWINGS ARE USED IN CONJUNCTION WITH THE INSTALLATION AND CONFIGURATION MANUAL, PUBLICATION NUMBER 47-057, AND THE THEORY OF OPERATION MANUAL, PUBLICATION NUMBER 47-058, WHEN INSTALLING, OPERATING AND MAINTAINING A MODEL 3205 SYSTEM. THE DRAWINGS ARE ARRANGED BY CHASSIS OR FUNCTIONS, THAT IS: CENTRAL PROCESSING UNIT (CPU), INPUT/OUTPUT (I/O), CABINET, CABLES AND TERMINATORS, MEMORY, CONSOLE/LETTER AND MISCELLANEOUS.

TABLE OF CONTENTS

CPU CHASSIS

Central Processing Unit Functional Schematic	35-864	D08
Central Processing Unit Assembly Drawing	35-864	E03
Central Processing Unit Information Drawing	35-864	D12
Processor Subsystem Information Drawing	02-843	D12

I/O CHASSIS

I/O Expansion With Low Speed Fans Information Drawing	02-865	D12
Chassis Mounting Kit Information Drawing	16-946	C12
I/O Chassis Field To Field Assembly Drawing	17-193	M02 B03

CABINET

Model 3205 Backpanel Schematic Drawing	01-262	D08
Model 3205 30" System Cabinet Assembly Drawing	01-262	D03
30" Cabinet Without Front Door And Filler Basic Model 3205 Cabinet Assembly Drawing	09-166	D03
Basic Model 3205 Cabinet Functional Schematic Drawing	09-166	C08

CABLES AND TERMINATORS

Transmission Cable Assembly Drawing	17-464	B03
A/B Shielded Cable (DISK) Assembly Drawing	17-663	C03
A Cable, Shielded (DISK) Assembly Drawing	17-664	C03
B Cable, Shielded (DISK) Assembly Drawing	17-665	C03
C/D Shielded Cable (DISK) Assembly Drawing	17-672	C03
I/O Power Interface Cable Assembly Drawing	17-678	D03
I/O Terminator Functional Schematic Drawing	35-813	M01 C08
I/O Terminator Assembly Drawing	35-813	M01 C03

MEMORY

Expansion Functional Schematic Drawing	35-865	D08
Expansion Assembly Drawing	35-865	E03

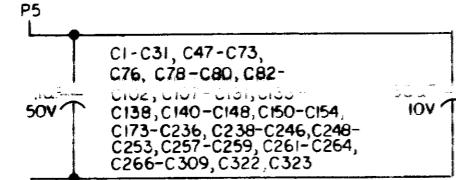
CONSOLETTTE

Functional Schematic Drawing	09-140	B08
Assembly Drawing	09-140	D03

MISCELLANEOUS

P5U Battery Back-up Expansion Information Drawing	02-745	M01 C12
Disk Mounting Kit Information Drawing	16-942	D12

CABLE CONNECTOR MAP		BACK PANEL MAP		REVISIONS	
TERM. NO.	ROW	ROW	TERM. NO.	TERM. NO.	CON. NO.
29	CCLKBI				
28	P5R				
27	P5RA				
26	P5RB				
25	P5RC				
24	CLKRST0				
23	DEVSYS0				
22	WCSEN0	EXTCLK0			
21					
20	GND				
19	ME081	ME091			
18	ME101	ME111			
17	ME121	ME131			
16	ME141	ME151			
15	GND				
14	ME001	ME011			
13	ME021	ME031			
12	ME041	ME051			
11	ME061	ME071			
10					
09	GND				
08	X081	X091			
07	X101	X111			
06	X121	X131			
05	X141	X151			
04	GND				
03	X001	X011			
02	X021	X031			
01	X041	X051			
00	X061	X071			
12		SQENI			
11	CSA111				
10	CSA101	GND			
09	CSA091	GND			
08	CSA081	FC0			
07	CSA071	GND			
06	CSA061	GND			
05	CSA051	GND			
04	CSA041	P5			
03	CSA031	GND			
02	CSA021	GND			
01	CSA011				
00	CSA001	GND			
24	GND	GND			
23	GND	CS631			
22	CS621	CS611			
21	CS601	CS591			
20	CS581	CS571			
19	CS561	GND			
18	GND	GND			
17	GND	CS551			
16	CS541	CS531			
15	CS521	CS511			
14	CS501	CS491			
13	CS481	GND			
12	GND	GND			
11	GND	CS471			
10	CS461	CS451			
09	CS441	CS431			
08	CS421	CS411			
07	CS401	GND			
06	GND	GND			
05	GND	CS391			
04	CS381	CS371			
03	CS361	CS351			
02	CS341	CS331			
01	CS321	WCSEN0			
00	GND	GND			
24	GND	GND			
23	GND	CS311			
22	CS301	CS291			
21	CS281	CS271			
20	CS261	CS251			
19	CS241	GND			
18	GND	GND			
17	GND	CS231			
16	CS221	CS211			
15	CS201	CS191			
14	CS181	CS171			
13	CS161	GND			
12	GND	GND			
11	GND	CS151			
10	CS141	CS131			
09	CS121	CS111			
08	CS101	CS091			
07	CS081	GND			
06	GND	GND			
05	GND	CS071			
04	CS061	CS051			
03	CS041	CS031			
02	CS021	CS011			
01	CS001	WCSEN0			
00	GND	GND			



C33-C35
C37-C46
C156-C171
C310-C321

FROM	TO	MNEMONIC	SHT
EI-3	NC	RI91	15
EI-1	EI-2	VIII	15

STRAPPING TABLE

REVISION	1	2	3	4	5	6	7	8	9	10	11	12	13	14	15	16	17	18	19	20	21	22	23	24	25	26	27	28	29	30	31	32	33	34
SHEET	1	2	3	4	5	6	7	8	9	10	11	12	13	14	15	16	17	18	19	20	21	22	23	24	25	26	27	28	29	30	31	32	33	34

USED IN MANUAL; 47-066

PART NO.	DESCRIPTION	TITLE
35-864 F00	AS SHOWN LESS COMPONENTS MARKED WITH AN ASTERISK "*" ON SHEET 6. ALSO SEE SHT 7.	0.5 MB
35-864 F01-F04	AS SHOWN. ALSO SEE SHT 7.	1.0 MB

THE REVISION LEVEL OF THIS SHEET IS CONSIDERED TO BE THE REVISION LEVEL OF THE DOCUMENT.

35-864 F04	RO1
35-864 F03	RO4
35-864 F02	RO3
35-864 F01	RO0
35-864 F00	RO0

BOARDS AGREEING WITH THIS SCHEMATIC MUST BE AT LEAST THE FOLLOWING REVISION LEVEL.

UNLESS OTHERWISE SPECIFIED
SCALE: DIMENSIONS ARE IN INCHES
TOLERANCE: .XXX ± .005 .X ± .03
.XX ± .02 ANGLES ± 1°

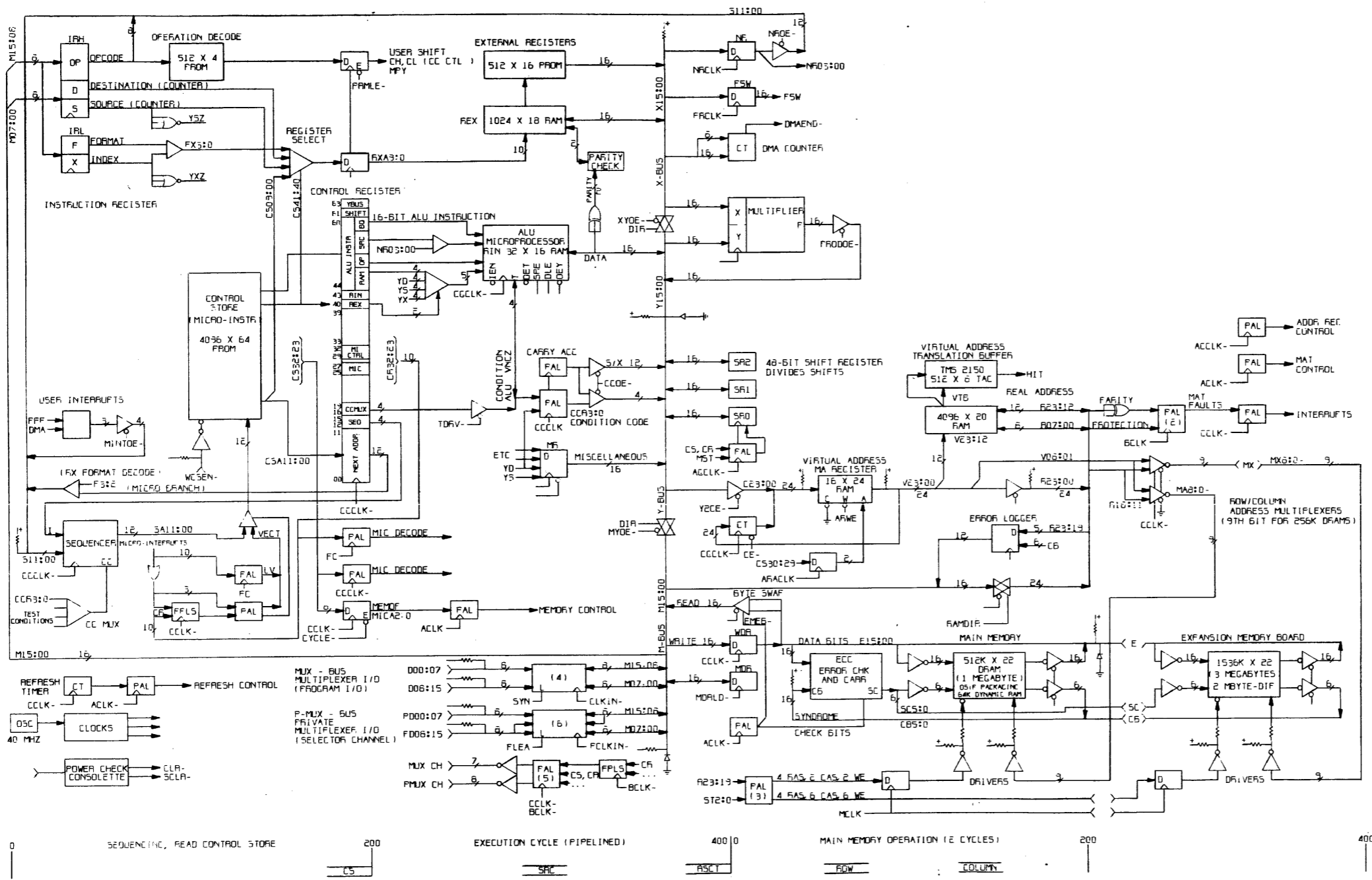
NAME	TITLE	DATE
B. LUSK	E. JOHNSON	DES/DFT 10-26-83
R. CERO		SUPV
		CHK
S. SHRIVER/J. HODGE		ENG
R. DELAHANTY		MGR
R. BARKER		QC

PERKIN-ELMER
Computer Systems Division
Oceanport, N.J. 07757

"INFORMATION DISCLOSED HEREIN IS THE PROPERTY OF THE PERKIN-ELMER CORPORATION, COMPUTER SYSTEMS DIVISION, AND SHALL NOT BE DISCLOSED OR USED FOR ANY OTHER PURPOSES EXCEPT AS SPECIFIED BY CONTRACT BETWEEN THE RECIPIENT AND THE PERKIN-ELMER CORPORATION. REPLICATION OF ANY PORTION OF THIS DATA SHALL INCLUDE THIS LEGEND."

TITLE	SHT
CPU BD	
TASK 03076	
DWG 35-864 RO1	D08
	1-34

REVISIONS



PERKIN-ELMER
 Computer Systems Division
 Oceanport, N.J. 07757

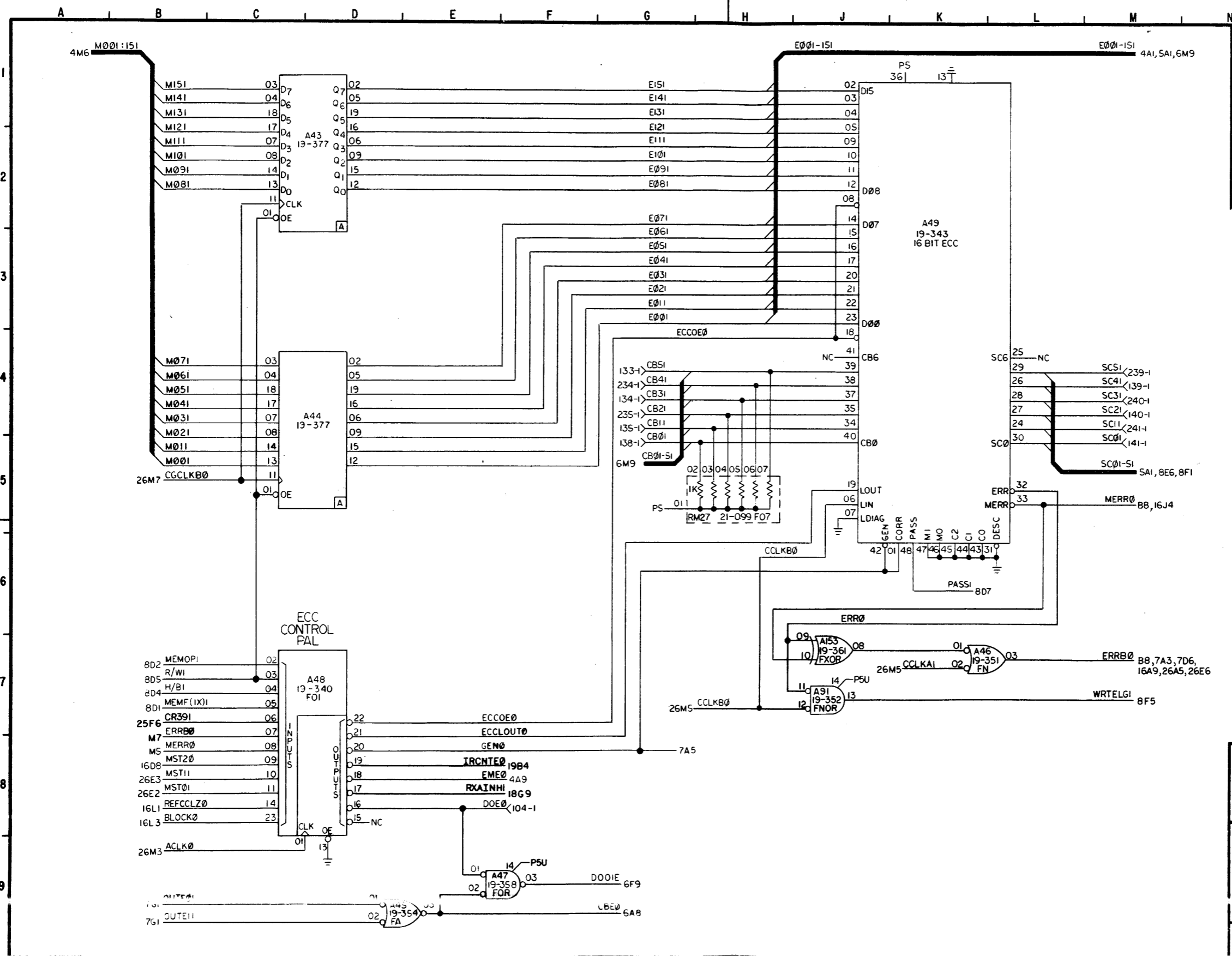
"INFORMATION DISCLOSED HEREIN IS THE PROPERTY OF THE PERKIN-ELMER CORPORATION, COMPUTER SYSTEMS DIVISION, AND SHALL NOT BE DISCLOSED OR USED FOR ANY OTHER PURPOSES EXCEPT AS SPECIFIED BY CONTRACT BETWEEN THE RECIPIENT AND THE PERKIN-ELMER CORPORATION. DUPLICATION OF ANY PORTION OF THIS DATA SHALL INCLUDE THIS LEGEND.

TITLE
 CPU
 BLOCK DIAGRAM

DRAFTER V. TAHAMONT	TASK 03076	SHT 2-34
DATE 1-12-84	DWG 35-864	D08

NOTES

BRUNING 44-131-40579-2



REVISIONS					
AREA NB, REMOVED CROSS REFS "11K5 & 16L2" FROM MNEMONIC ERRB0.					
KR	KR	5535	MS	11-14-83	RO1 X
AREA C7, A48 PIN 06 WAS "NC", PIN 07 SIGNAL WAS "ERR0" W/CROSS REF "MS". AREA K7, A47 06 WAS CONNECTED TO A46 01 & 02. A46 03 WAS CONNECTED TO "WRTELGI". ADDED GATE A53 09.					
KR	KR	5614	MS	1-26-84	RO2
AREA J7, A91 WAS A47 (19-358), WRTELGI WAS WRTELG0					
KR	J7	5630	MS	2-23-84	RO3 X

NOTES

761 OUTE0
761 OUTE1
761

PERKIN-ELMER
 Computer Systems Division
 Oceanport, N.J. 07757

"INFORMATION DISCLOSED HEREIN IS THE PROPERTY OF THE PERKIN-ELMER CORPORATION, COMPUTER SYSTEMS DIVISION, AND SHALL NOT BE DISCLOSED OR USED FOR ANY OTHER PURPOSES EXCEPT AS SPECIFIED BY CONTRACT BETWEEN THE RECIPIENT AND THE PERKIN-ELMER CORPORATION. DUPLICATION OF ANY PORTION OF THIS DATA SHALL INCLUDE THIS LEGEND.

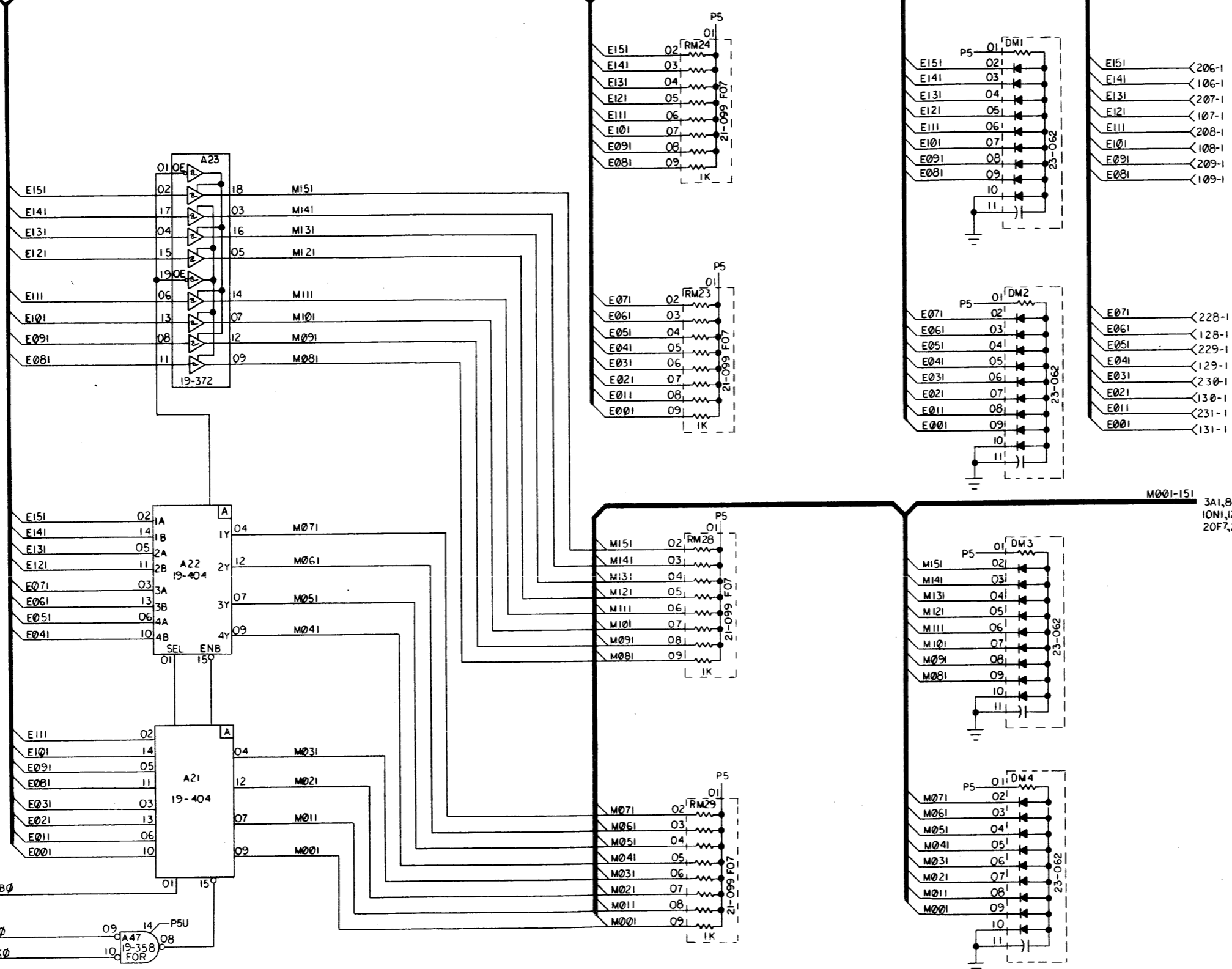
TITLE CPU
 M-BUS, E-BUS, ECC

DRAFTER	D. BOYD	
DATE	TASK 03076	SHT
10-22-83	DWG 35-864 R03	D08 3-34

DRAWING 44-131 40579-1

REVISIONS

3M1 E001-151



M001-151
3A1,8K1, 9M8,9H8,
10N1,12G9,19A1,19A7,
20F7,27A1

PERKIN-ELMER
Computer Systems Division
Oceanport, N.J. 07757

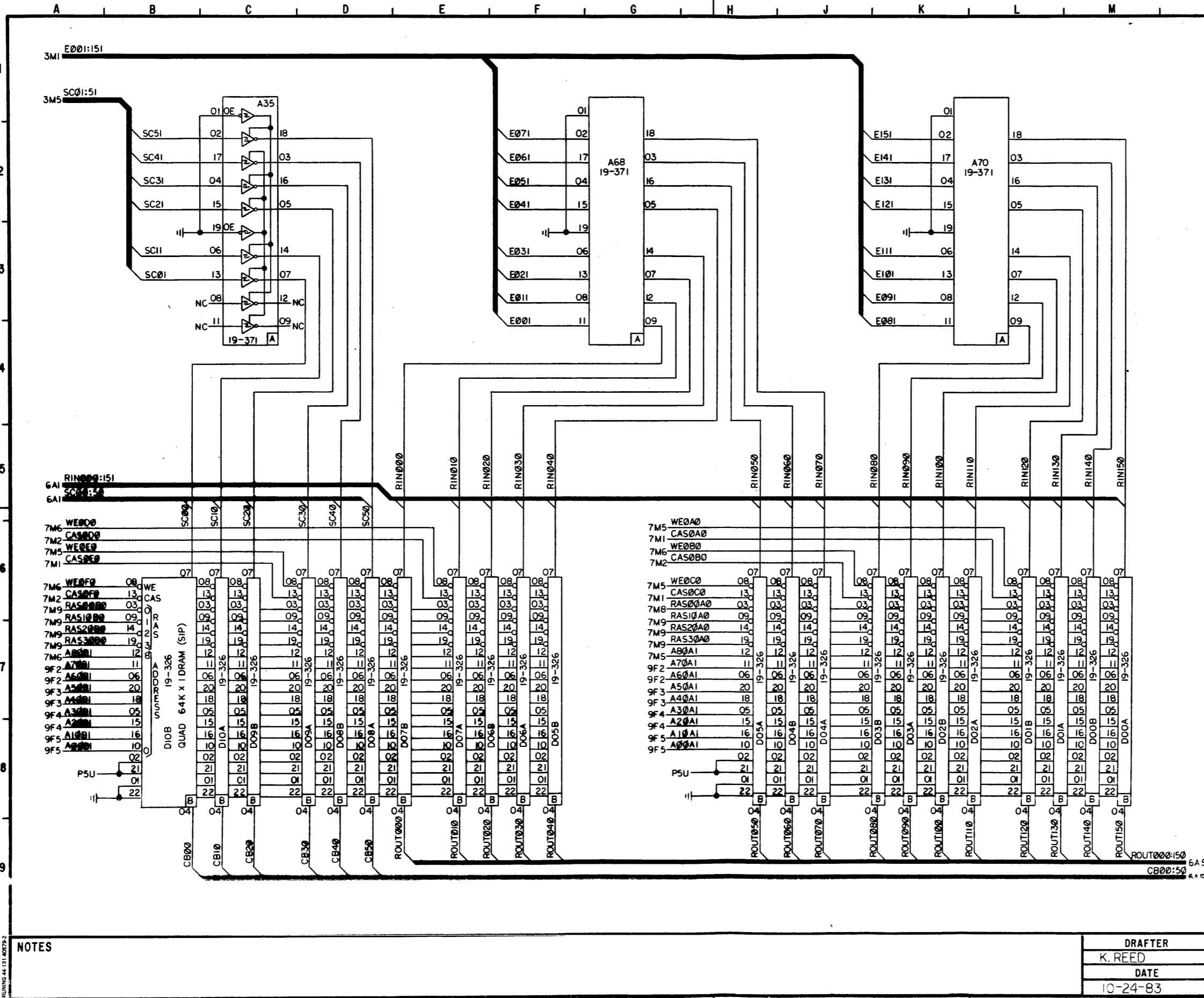
"INFORMATION DISCLOSED HEREIN IS THE PROP-
ERTY OF THE PERKIN-ELMER CORPORATION,
COMPUTER SYSTEMS DIVISION, AND SHALL NOT
BE DISCLOSED OR USED FOR ANY OTHER PUR-
POSES EXCEPT AS SPECIFIED BY CONTRACT BE-
TWEEN THE RECIPIENT AND THE PERKIN-ELMER
CORPORATION. DUPLICATION OF ANY PORTION OF
THIS DATA SHALL INCLUDE THIS LEGEND.

TITLE CPU
M-BUS, E-BUS, TERMINATION.

DRAFTER WM. KITZHOFFER	TASK 03076	SHT 4-34
DATE 10-20-83	DWG 35-864	D08

NOTES

DRAWING 44131 405782



REVISIONS

x

PERKIN-ELMER

Computer Systems Division
Oceanport, N.J. 07757

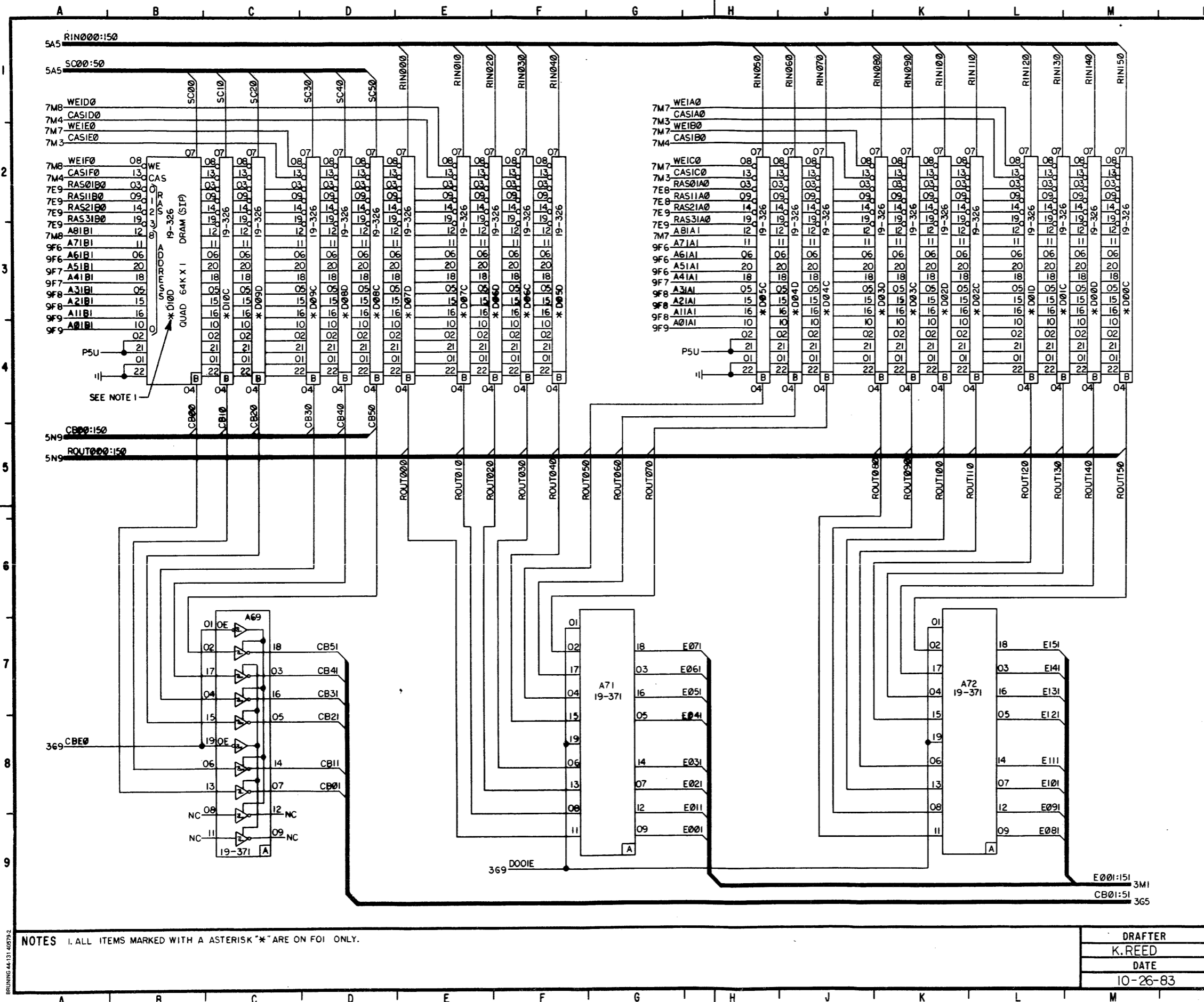
"INFORMATION DISCLOSED HEREIN IS THE PROPERTY OF THE PERKIN-ELMER CORPORATION, COMPUTER SYSTEMS DIVISION, AND SHALL NOT BE DISCLOSED OR USED FOR ANY OTHER PURPOSES EXCEPT AS SPECIFIED BY CONTRACT BETWEEN THE RECIPIENT AND THE PERKIN-ELMER CORPORATION. DUPLICATION OF ANY PORTION OF THIS DATA SHALL INCLUDE THIS LEGEND.

TITLE CPU
DRAM MEMORY ARRAY

DRAFTER		TASK 03076	SHT
K. REED			
DATE		DWG 35-864	DO8
10-24-83			

NOTES

BRUNING 44.131 40579-2



REVISIONS			
AREA D 9, "FOI ONLY" WAS "FOO ONLY"			
KR 811	5619	MS	1-26-84 RO1 X

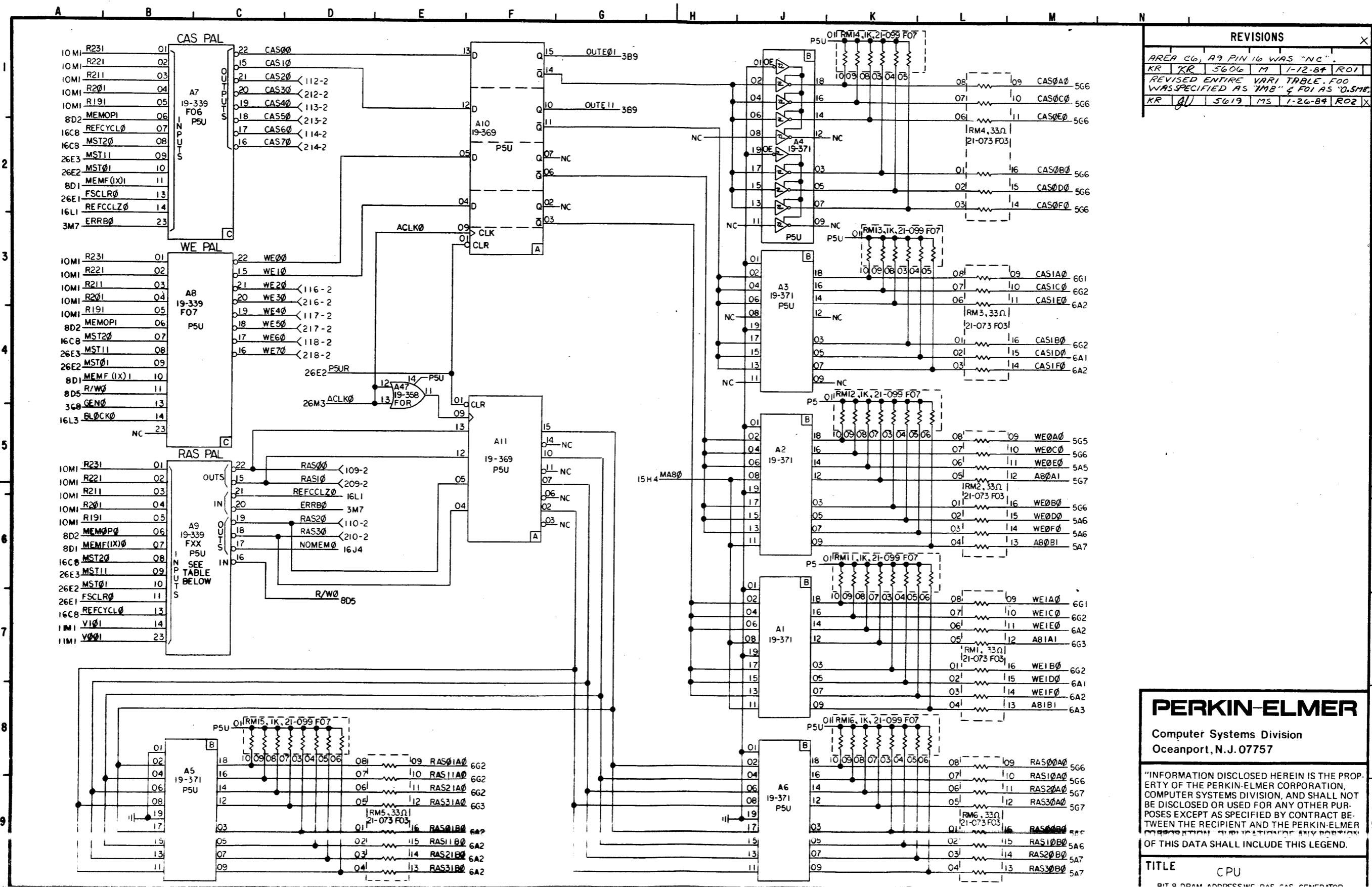
NOTES 1. ALL ITEMS MARKED WITH A ASTERISK "*" ARE ON FOI ONLY.

DRAFTER		K. REED	
DATE		10-26-83	
TITLE		CPU DRAM MEMORY ARRAY	
TASK		O3076	
DWG		35-864 RO1 DO8	
SHT		6-34	

PERKIN-ELMER
 Computer Systems Division
 Oceanport, N.J. 07757

"INFORMATION DISCLOSED HEREIN IS THE PROPERTY OF THE PERKIN-ELMER CORPORATION, COMPUTER SYSTEMS DIVISION, AND SHALL NOT BE DISCLOSED OR USED FOR ANY OTHER PURPOSES EXCEPT AS SPECIFIED BY CONTRACT BETWEEN THE RECIPIENT AND THE PERKIN-ELMER CORPORATION. DUPLICATION OF ANY PORTION OF THIS DATA SHALL INCLUDE THIS LEGEND.

BRUNING 44-131 40279-2



REVISIONS				
AREA C6, A9 PIN 16 WAS "NC".				
KR KR 5606 M 1-12-84 R01				
REVISED ENTIRE VARI TABLE, F00				
WAS SPECIFIED AS "1MB" & F01 AS "0.5MB."				
KR 01 5619 MS 1-26-84 R02 X				

NOTES

VARIATION TABLE	DESCRIPTION	0.5 MB	1.0 MB	1.0 MB (FOR 2 MB PROC)	1.0 MB (FOR 3 MB PROC)	1.0 MB (FOR 4 MB PROC)
		IC A9	19-339 F01	19-339 F02	19-339 F03	19-339 F04
PART NO.	35-864 F00	35-864 F01	35-864 F02	35-864 F03	35-864 F04	

DRAFTER		SHT	
WM KITZHOFFER		7-34	
DATE		TASK	
10-22-83		03076	
DWG		D08	
35-864 R02			

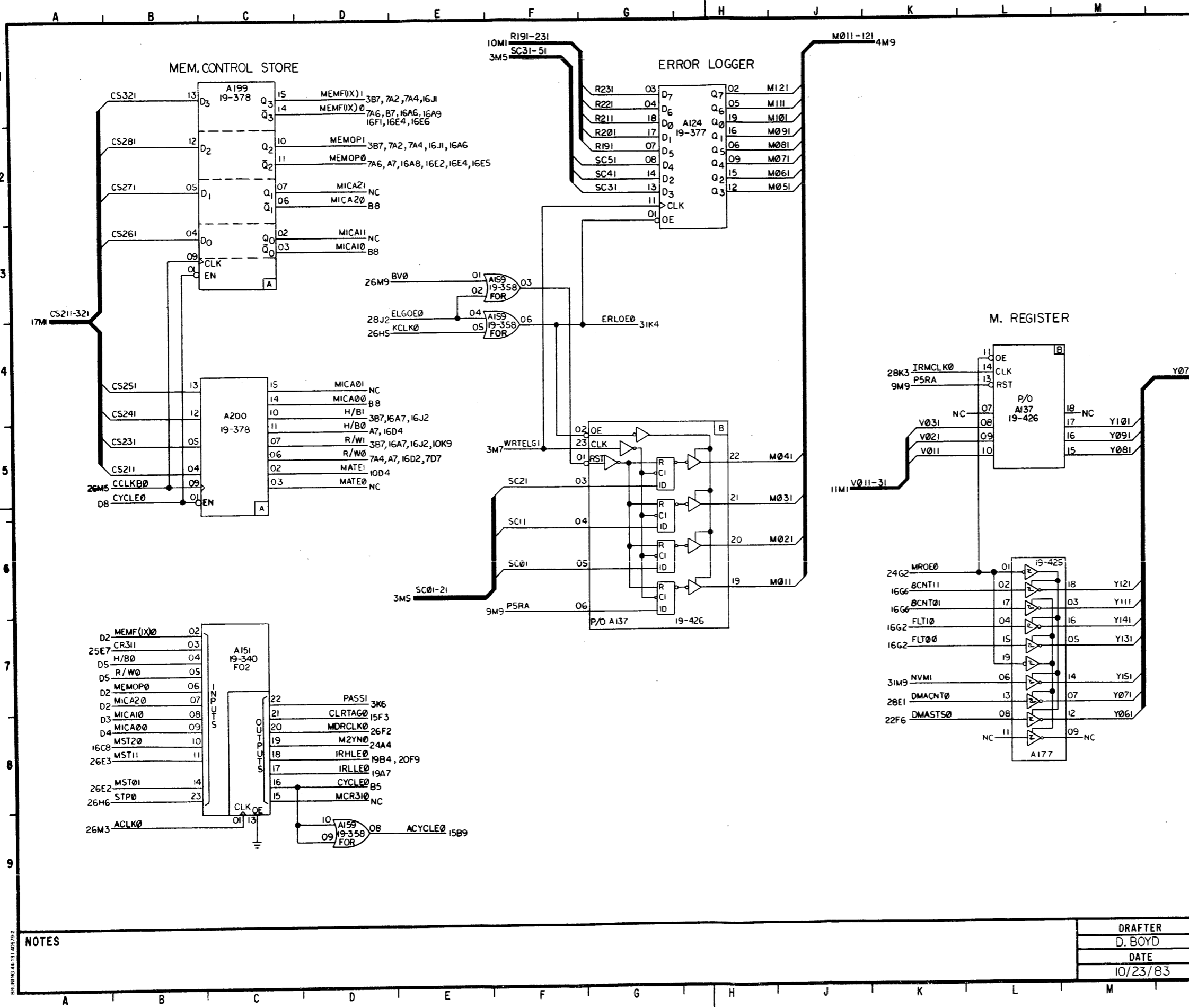
PERKIN-ELMER

Computer Systems Division
Oceanport, N.J. 07757

"INFORMATION DISCLOSED HEREIN IS THE PROPERTY OF THE PERKIN-ELMER CORPORATION, COMPUTER SYSTEMS DIVISION, AND SHALL NOT BE DISCLOSED OR USED FOR ANY OTHER PURPOSES EXCEPT AS SPECIFIED BY CONTRACT BETWEEN THE RECIPIENT AND THE PERKIN-ELMER CORPORATION. PUBLICATION OF ANY PORTION OF THIS DATA SHALL INCLUDE THIS LEGEND.

TITLE CPU
BIT 8 DRAM ADDRESS, WE, RAS, CAS GENERATOR

DRAWING 44-131 40079-2



REVISIONS					
AREA K4, A137 PIN 14, WAS "IRHLE0" WITH CROSS REF "DB". AREA DB, DELETED CROSS REF "J5" FROM IRHLE0. AREA E5, ADDED CROSS REF "10K9" TO RIWI. AREA L7, A177 PINS 08, 12 WERE N.C.					
KR	KP	5560	MS	11-23-83	RO1 X
AREA D5, ADDED CROSS REF "7D7" TO SIGNAL R/W0.					
KR	KR	5606	M	1-12-83	RO2
AREA D5, DELETED CROSS REF "9H4" FROM SIGNAL H/B1.					
KR		5614	MS	1-16-84	RO3 X
AREA K6 SIGNAL BCNT11 WAS ACNT11. CROSS REF WAS 1691, SIGNAL BCNT01 WAS ACNT01. CROSS REF WAS 1691					
HH	81	5657	MS	4-4-84	RO4 X

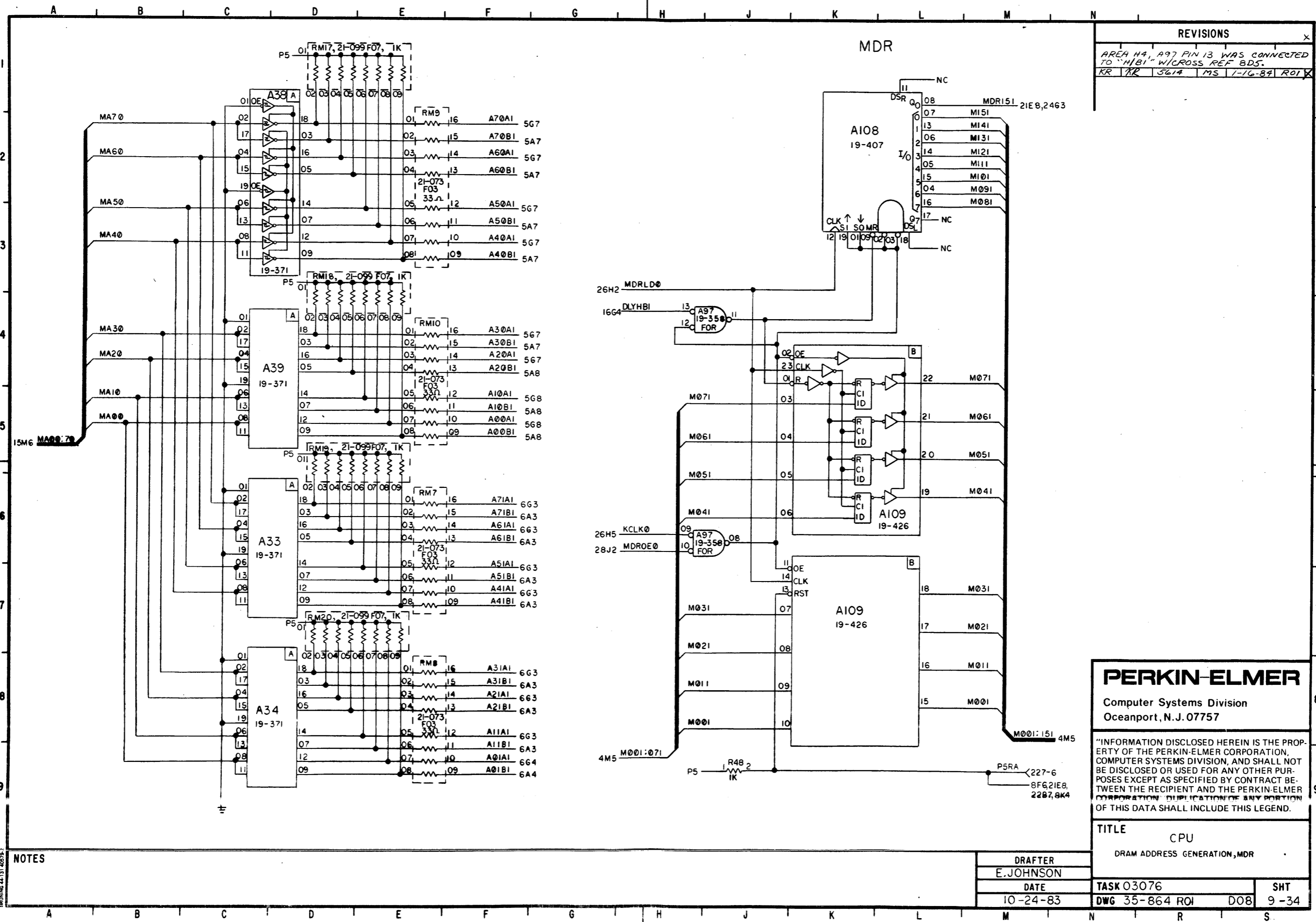
PERKIN-ELMER

Computer Systems Division
Oceanport, N.J. 07757

"INFORMATION DISCLOSED HEREIN IS THE PROPERTY OF THE PERKIN-ELMER CORPORATION, COMPUTER SYSTEMS DIVISION, AND SHALL NOT BE DISCLOSED OR USED FOR ANY OTHER PURPOSES EXCEPT AS SPECIFIED BY CONTRACT BETWEEN THE RECIPIENT AND THE PERKIN-ELMER CORPORATION. DUPLICATION OF ANY PORTION OF THIS DATA SHALL INCLUDE THIS LEGEND."

TITLE	CPU	
	MEM CONTROL STORE, ERROR LOGGER, M. REGISTER	
DRAFTER	D. BOYD	
DATE	10/23/83	
TASK	03076	SHT
DWG	35-864 RC1	8-34
	D08	

BRUNING 44 131 402752



REVISIONS				
AREA H4, A97 PIN 13 WAS CONNECTED TO "H1BI" W/CROSS REF BDS.				
KR	RR	3614	MS	1-16-84 RO1

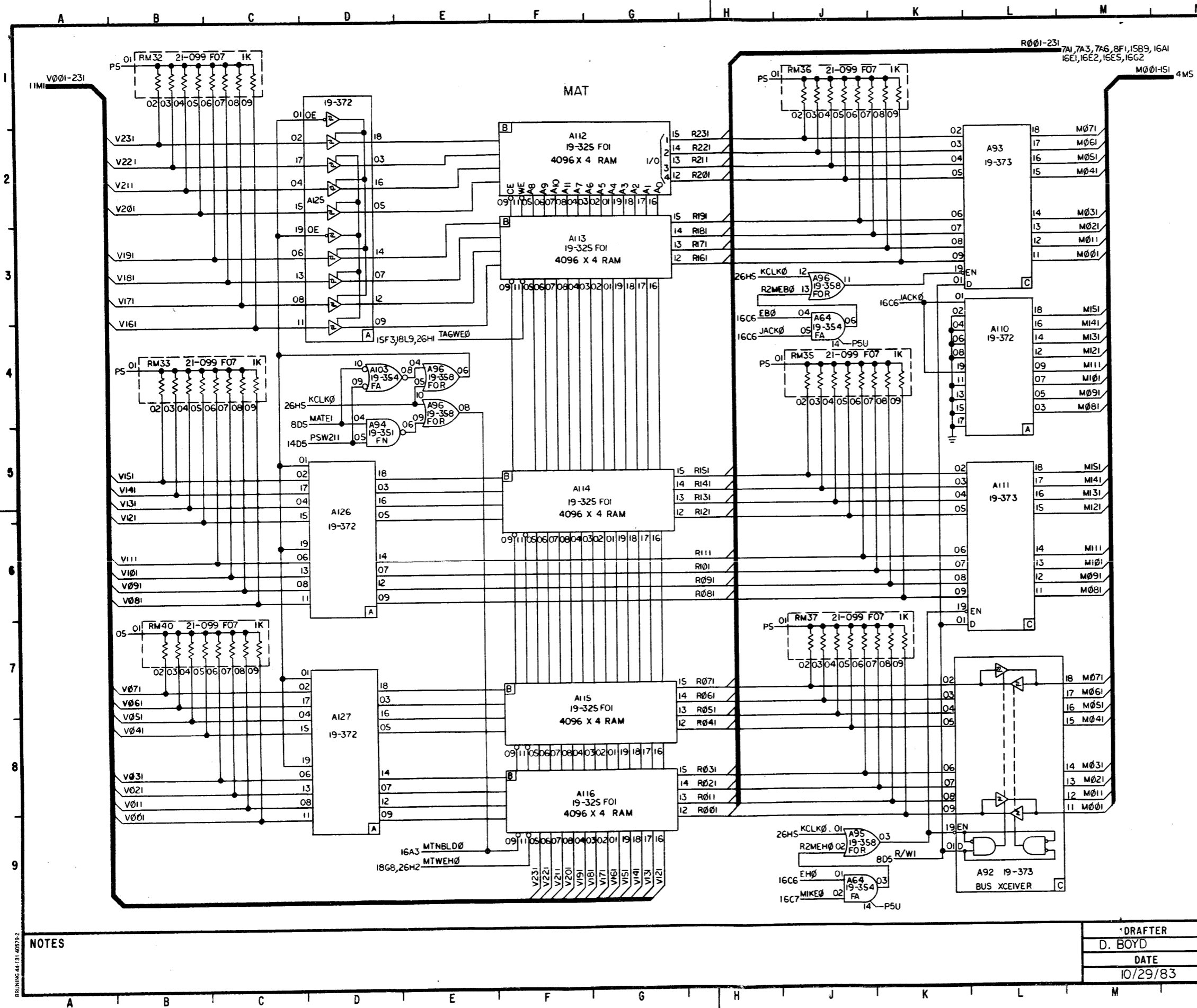
PERKIN-ELMER
 Computer Systems Division
 Oceanport, N.J. 07757

"INFORMATION DISCLOSED HEREIN IS THE PROPERTY OF THE PERKIN-ELMER CORPORATION, COMPUTER SYSTEMS DIVISION, AND SHALL NOT BE DISCLOSED OR USED FOR ANY OTHER PURPOSES EXCEPT AS SPECIFIED BY CONTRACT BETWEEN THE RECIPIENT AND THE PERKIN-ELMER CORPORATION. DUPLICATION OF ANY PORTION OF THIS DATA SHALL INCLUDE THIS LEGEND."

TITLE		CPU	
		DRAM ADDRESS GENERATION, MDR	
DRAFTER	E. JOHNSON	TASK 03076	SHT
DATE	10-24-83	DWG 35-864 RO1	D08 9-34

NOTES

IRVING 44-131-4079-2



REVISIONS

AREA K9, A92 PIN 01 WAS "R2MDIR0" WITH CROSS REF 16C6.			
KR	KR	MS	11-25-83 RO1 X

PERKIN-ELMER
 Computer Systems Division
 Oceanport, N.J. 07757

"INFORMATION DISCLOSED HEREIN IS THE PROPERTY OF THE PERKIN-ELMER CORPORATION, COMPUTER SYSTEMS DIVISION, AND SHALL NOT BE DISCLOSED OR USED FOR ANY OTHER PURPOSES EXCEPT AS SPECIFIED BY CONTRACT BETWEEN THE RECIPIENT AND THE PERKIN-ELMER CORPORATION. DUPLICATION OF ANY PORTION OF THIS DATA SHALL INCLUDE THIS LEGEND.

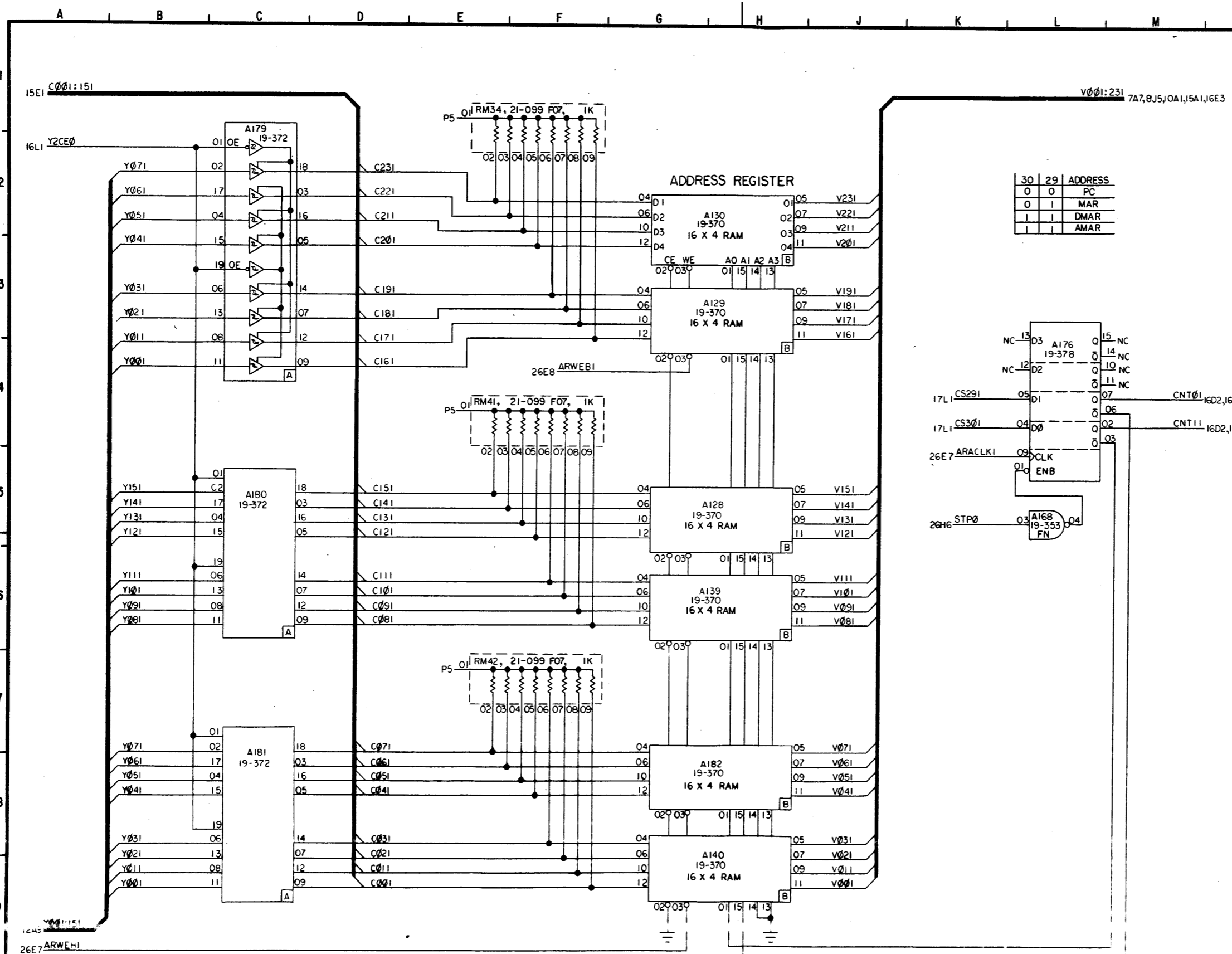
TITLE CPU
 MAT
 V-BUS, R-BUS, M-BUS, MAT

DRAFTER
 D. BOYD
DATE
 10/29/83

TASK 03076
DWG 35-864 RO1
SHT 10-34

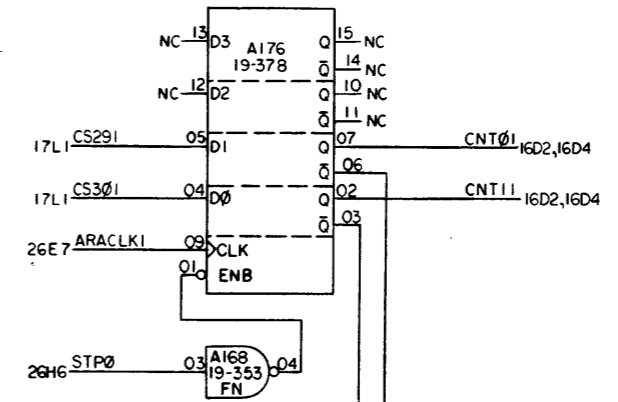
NOTES

BRUNING 44-131-40579-2



REVISIONS				
AREA K5, A168 PIN 03 WAS "ERRB0" WITH CROSS REF "3M7"				
KR	TK	SS55	MS	11-14-83 RO1 X

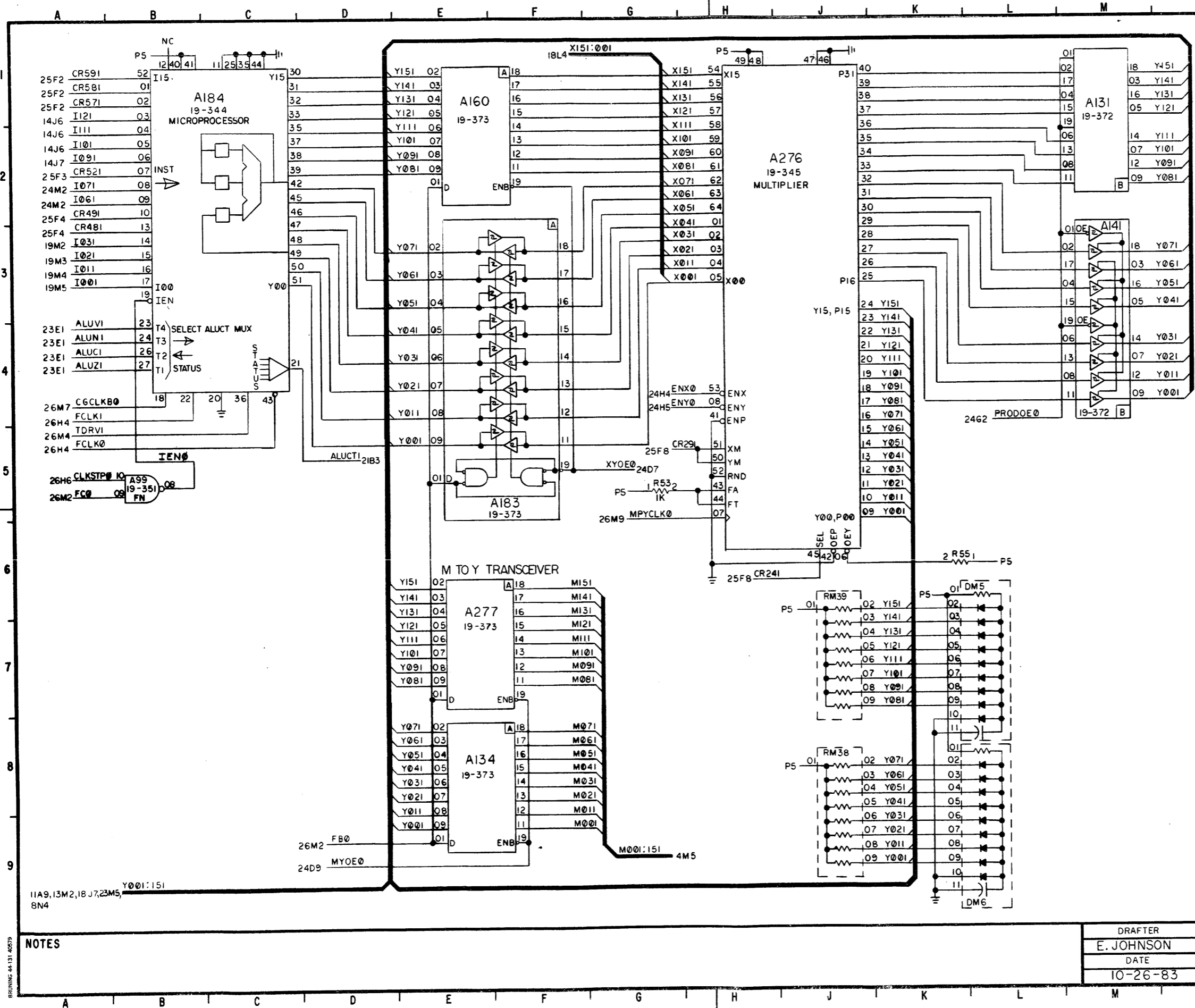
30	29	ADDRESS
0	0	PC
0	1	MAR
1	1	DMAR
1	1	AMAR



NOTES

INDUSTRY 44 131 40578 2

PERKIN-ELMER	
Computer Systems Division Oceanport, N.J. 07757	
"INFORMATION DISCLOSED HEREIN IS THE PROPERTY OF THE PERKIN-ELMER CORPORATION, COMPUTER SYSTEMS DIVISION, AND SHALL NOT BE DISCLOSED OR USED FOR ANY OTHER PURPOSES EXCEPT AS SPECIFIED BY CONTRACT BETWEEN THE RECIPIENT AND THE PERKIN-ELMER CORPORATION. DUPLICATION OF ANY PORTION OF THIS DATA SHALL INCLUDE THIS LEGEND."	
TITLE	CPU ADDRESS REGISTER MAR, AMAR, DMAR, PC
DRAFTER	WM. KITZHOFFER
DATE	10-25-83
TASK	03076
DWG	35-864 RO1
SHT	11-34



REVISIONS	
AREA B3 A184 PIN 19 WAS CONNECTED TO HCLK1 W/ CROSS REF 26H5. AREA B3 ADDED GATE A99-08.	X
KR 8) 5630 MS 2-23-84 ROI	X

PERKIN-ELMER
 Computer Systems Division
 Oceanport, N.J. 07757

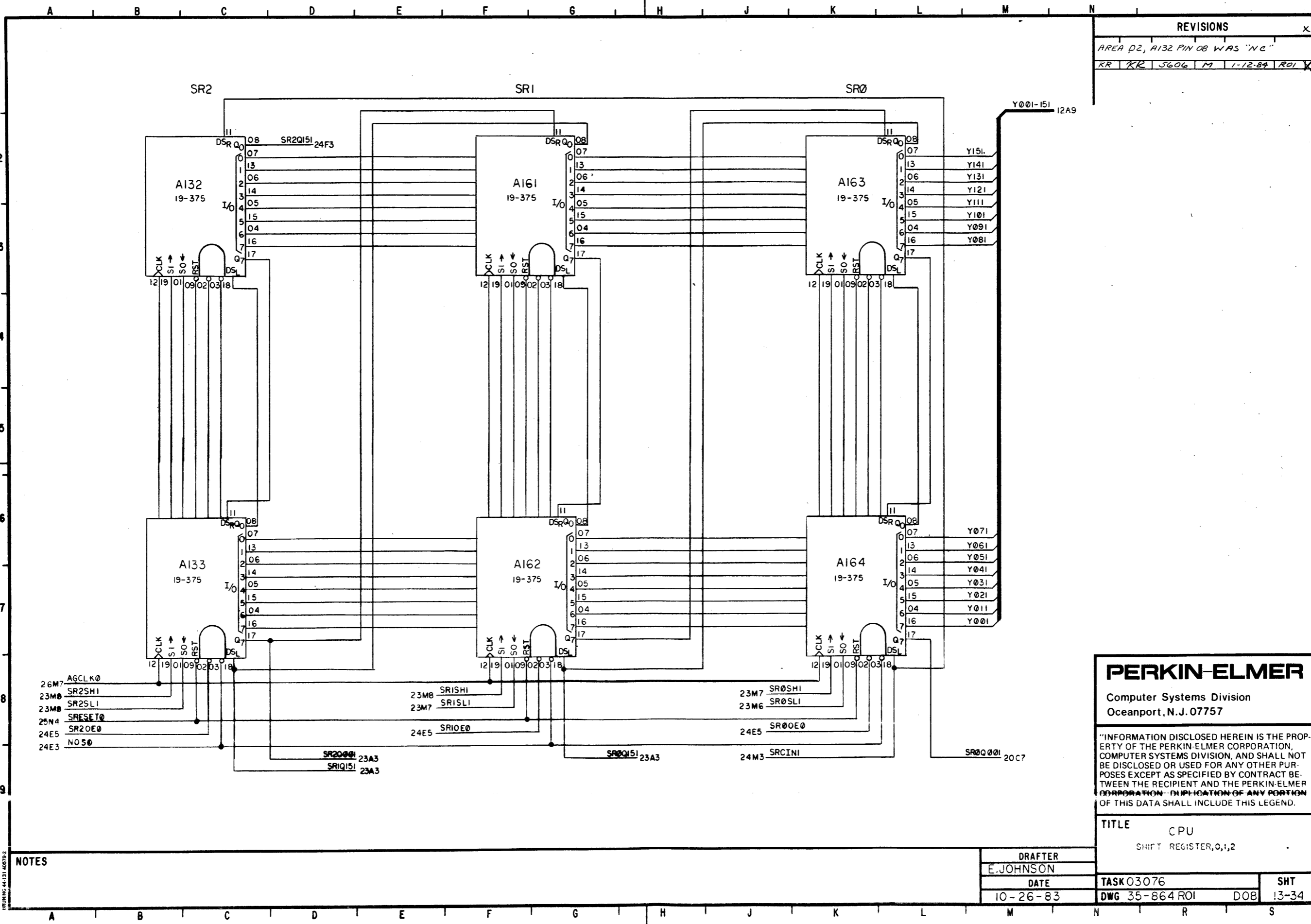
"INFORMATION DISCLOSED HEREIN IS THE PROPERTY OF THE PERKIN-ELMER CORPORATION, COMPUTER SYSTEMS DIVISION, AND SHALL NOT BE DISCLOSED OR USED FOR ANY OTHER PURPOSES EXCEPT AS SPECIFIED BY CONTRACT BETWEEN THE RECIPIENT AND THE PERKIN-ELMER CORPORATION. DUPLICATION OF ANY PORTION OF THIS DATA SHALL INCLUDE THIS LEGEND.

TITLE CPU
 ALU, MULTIPLIER
 MZY TRANSCEIVER

DRAFTER E. JOHNSON
 DATE 10-26-83
 TASK 03076
 DWG 35-864 ROI D08
 SHT 12-34

NOTES
 11A9, 13M2, 18J7, 23M5, 8N4
 Y001:151

BRUNING 44-131-40979



REVISIONS				
AREA D2, A132 PIN 08 WAS "NC"				
KR	KR	5606	M	1-12-84 ROI X

PERKIN-ELMER
 Computer Systems Division
 Oceanport, N.J. 07757

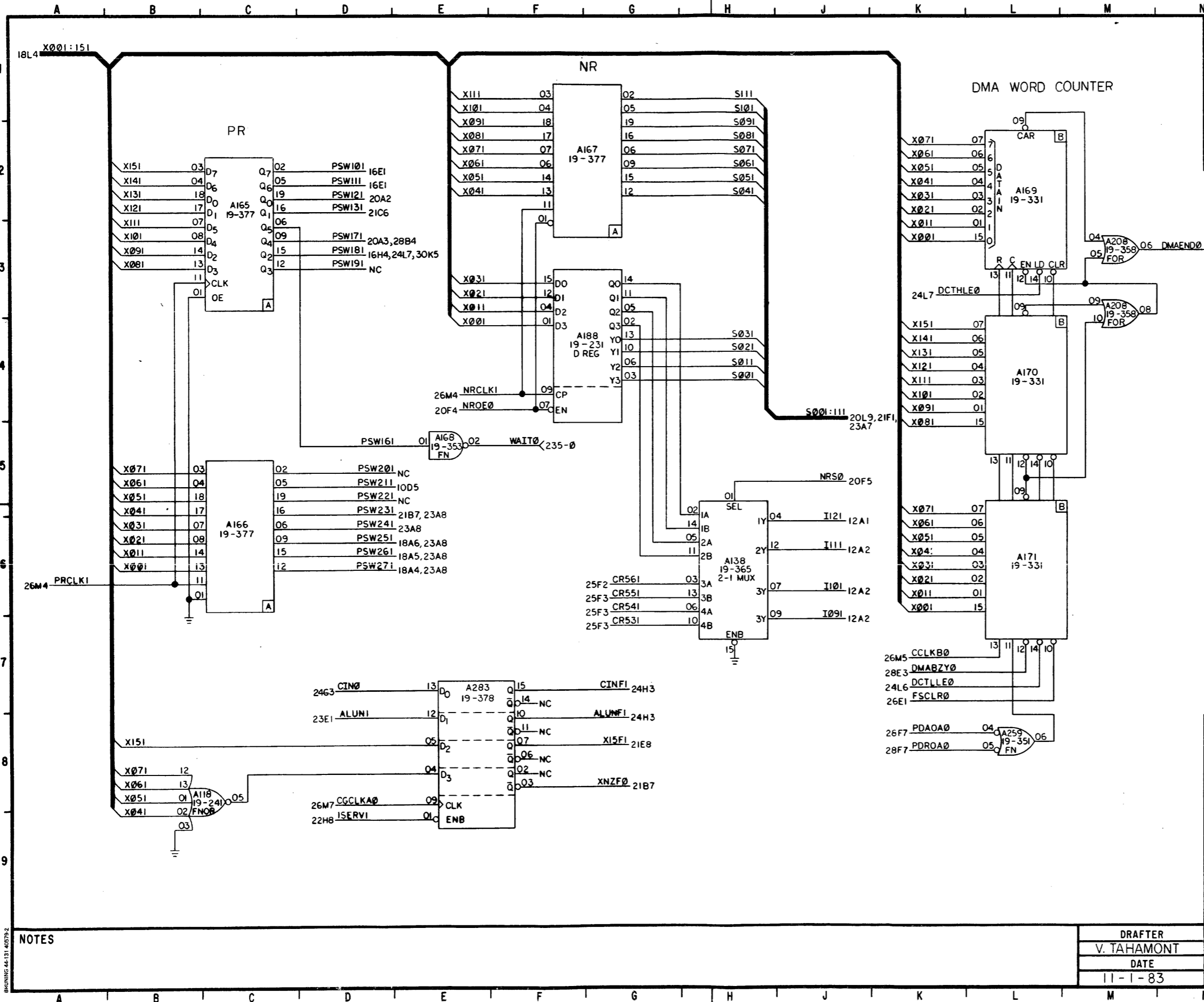
"INFORMATION DISCLOSED HEREIN IS THE PROPERTY OF THE PERKIN-ELMER CORPORATION, COMPUTER SYSTEMS DIVISION, AND SHALL NOT BE DISCLOSED OR USED FOR ANY OTHER PURPOSES EXCEPT AS SPECIFIED BY CONTRACT BETWEEN THE RECIPIENT AND THE PERKIN-ELMER CORPORATION. DUPLICATION OF ANY PORTION OF THIS DATA SHALL INCLUDE THIS LEGEND."

TITLE CPU
 SHIFT REGISTER, 0,1,2

DRAFTER E. JOHNSON	TASK 03076	SHT
DATE 10-26-83	DWG 35-864 ROI	DO8 13-34

NOTES

DRAWING 44-131-40792



REVISIONS					
AREA D3, ADDED CROSS REF "28B4" TO MNEMONIC PSW171.					
KR	KR	5555	MS	11-14-83	RO1
AREA D2, A165 PIN 19 WAS N.C.					
KR	KR	5560	MS	11-25-83	RO2
AREA N3, REMOVED CROSS REF "20C2" FROM MNEMONIC "DI 9END0".					
KR	KR	5573	M	12-14-83	RO3
AREA E7, A283 PINS 13 & 15 WERE "NC".					
KR	KR	5606	M	1-12-84	RO4

PERKIN-ELMER
 Computer Systems Division
 Oceanport, N.J. 07757

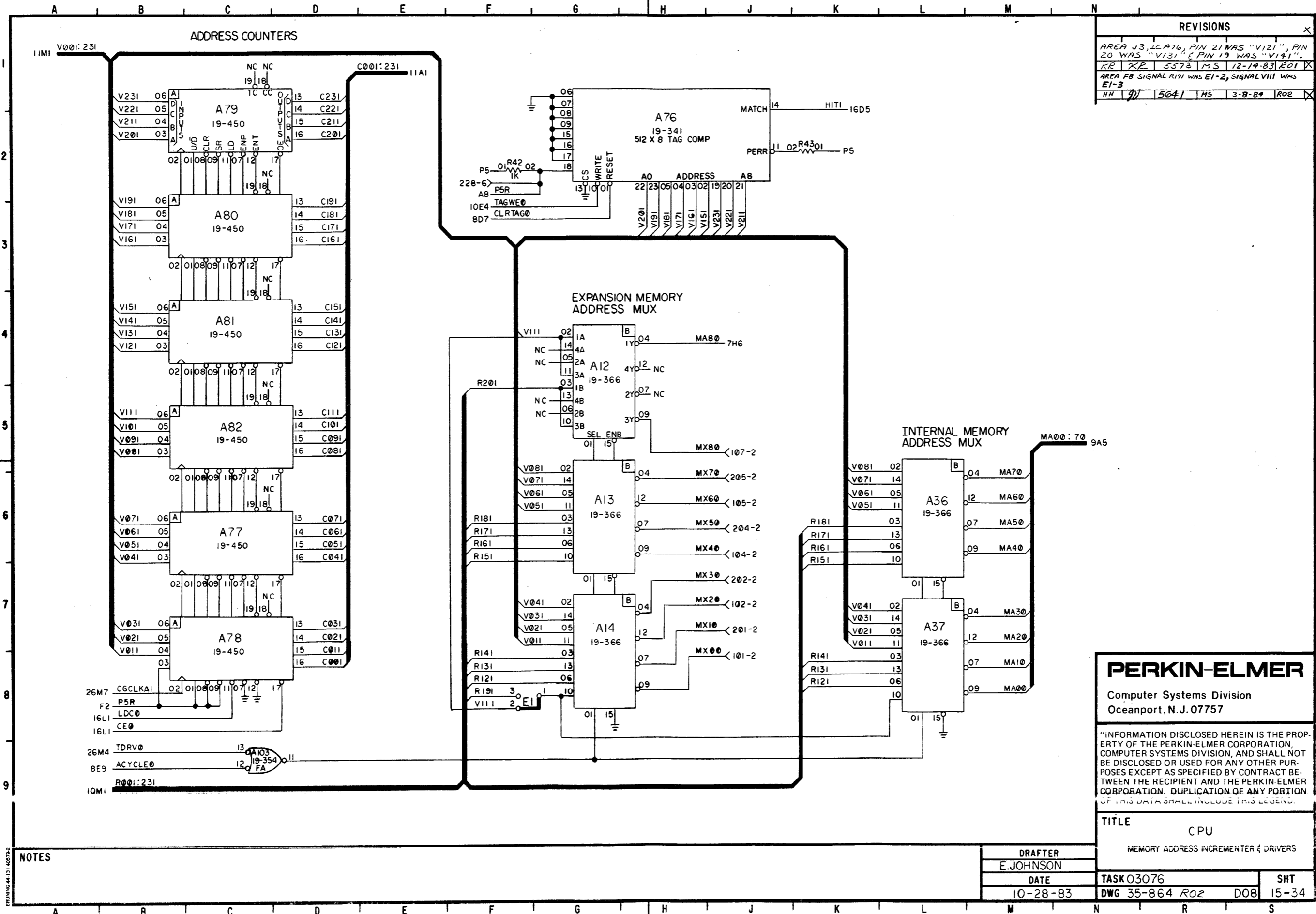
"INFORMATION DISCLOSED HEREIN IS THE PROPERTY OF THE PERKIN-ELMER CORPORATION, COMPUTER SYSTEMS DIVISION, AND SHALL NOT BE DISCLOSED OR USED FOR ANY OTHER PURPOSES EXCEPT AS SPECIFIED BY CONTRACT BETWEEN THE RECIPIENT AND THE PERKIN-ELMER CORPORATION. DUPLICATION OF ANY PORTION OF THIS DATA SHALL INCLUDE THIS LEGEND."

TITLE
 CPU
 X-BUSS REGISTERS

DRAFTER V. TAHAMONT	TASK 03076	SHT 14-34
DATE 11-1-83	DWG 35-864 R04	DO8

NOTES

BRUNING 44-131 405792



REVISIONS				
AREA J3, ICA76, PIN 21 WAS "V121", PIN 20 WAS "V131" & PIN 19 WAS "V141".				
RP RP 3573 MS 12-14-83 R01	X			
AREA FB SIGNAL R191 WAS E1-2, SIGNAL VIII WAS E1-3				
HH 41 5041 MS 3-8-84 R02	X			

PERKIN-ELMER
 Computer Systems Division
 Oceanport, N.J. 07757

"INFORMATION DISCLOSED HEREIN IS THE PROPERTY OF THE PERKIN-ELMER CORPORATION, COMPUTER SYSTEMS DIVISION, AND SHALL NOT BE DISCLOSED OR USED FOR ANY OTHER PURPOSES EXCEPT AS SPECIFIED BY CONTRACT BETWEEN THE RECIPIENT AND THE PERKIN-ELMER CORPORATION. DUPLICATION OF ANY PORTION OF THIS DATA SHALL INCLUDE THIS LEGEND.

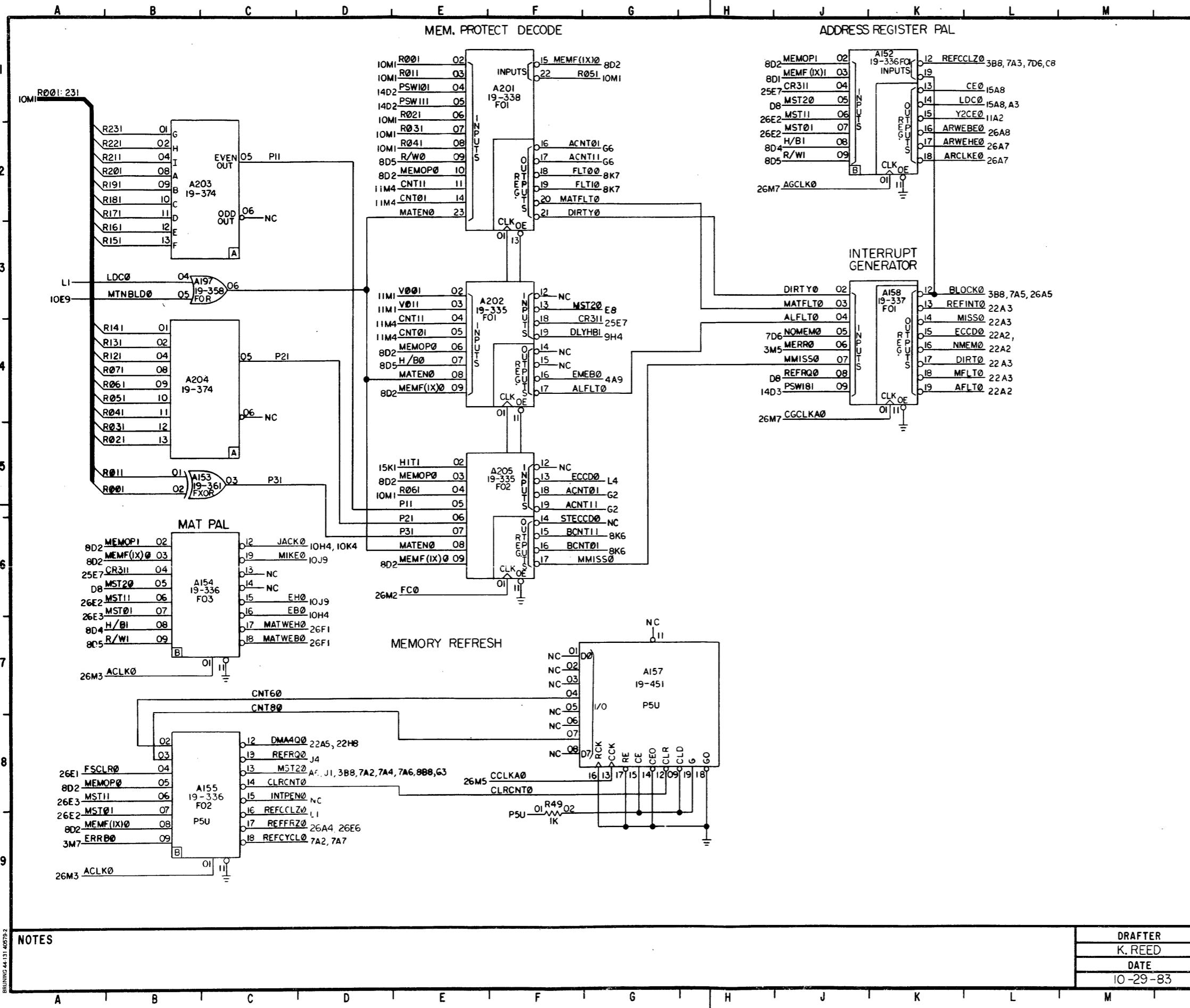
TITLE
 CPU
 MEMORY ADDRESS INCREMENTER & DRIVERS

DRAFTER E. JOHNSON	TASK 03076	SHT
DATE 10-28-83	DWG 35-864 R02	D08 15-34

NOTES

26M7 CGCLKAI 02 01 08 09 11 07 12 17
 F2 P5R
 16L1 LDC0
 16L1 CE0
 26M4 TDRV0 13 A103 19-354 11
 8E9 ACYCLE0 12 FA
 IQM1 R001:231

DRAWING 44-131-4029-2



REVISIONS				
AREA K1	A152 PIN 19 WAS CONNECTED TO "ERR00" WITH CROSS REF "3M7".			
AREA G3	A202 PIN 13 WAS "N.C."			
AREA DB	ADDED CROSS REF'S "22A8" TO MNEMONIC DMA400 & "G3" TO MST20.			
KR	KR	5555	MS	11-14-83
AREA C6	A154 PIN 1 WAS CONNECTED TO "R2MDIRD" WITH CROSS REF "10K9".			
KR	KR	5560	MS	11-25-83
AREA J5	A158 PIN 01 WAS CONNECTED TO "CCLKA0" WITH CROSS REF "26M5".			
KR	KR	5573	MS	12-14-83
AREA G4	A202 PIN 19 WAS A "N.C."			
AREA D9	DELETED CROSS REF "18G9" FROM SIGNAL REFFRZ0			
VT	KR	5614	MS	1-16-84
AREA F2	A201 PIN 16 & 17 CROSS REF WERE BK6, AREA F6 IC A205 PINS 13-16 ADDED SIGNALS & CROSS REF S.			
HH	HH	5657	MS	4-4-89

PERKIN-ELMER
 Computer Systems Division
 Oceanport, N.J. 07757

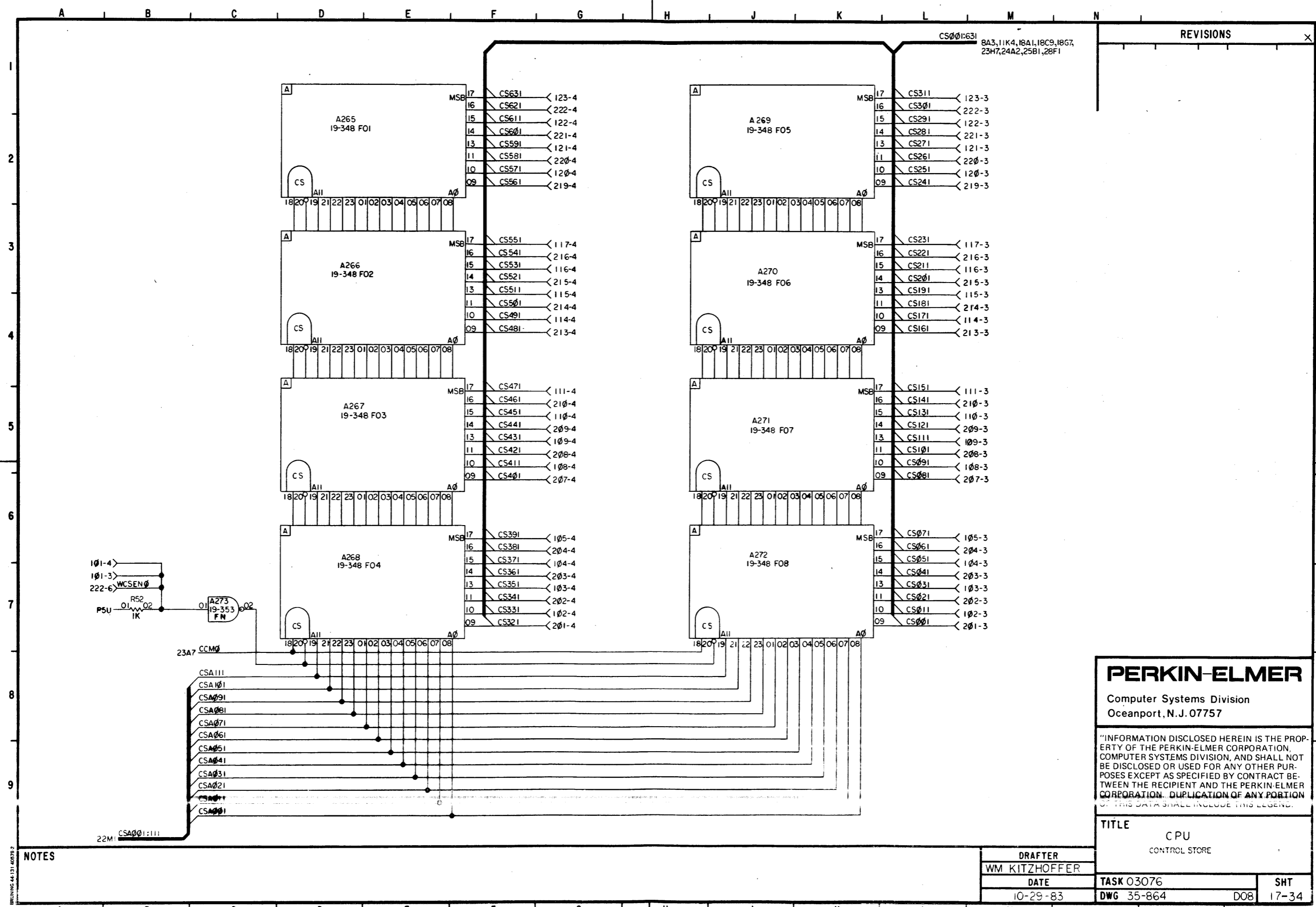
"INFORMATION DISCLOSED HEREIN IS THE PROPERTY OF THE PERKIN-ELMER CORPORATION, COMPUTER SYSTEMS DIVISION, AND SHALL NOT BE DISCLOSED OR USED FOR ANY OTHER PURPOSES EXCEPT AS SPECIFIED BY CONTRACT BETWEEN THE RECIPIENT AND THE PERKIN-ELMER CORPORATION. DUPLICATION OF ANY PORTION OF THIS DATA SHALL INCLUDE THIS LEGEND."

TITLE
 CPU
 CONTROL: ADDRESS REGISTER, MAT, MEMORY REFRESH

DRAFTER K. REED	TASK O3076	SHT 16-34
DATE 10-29-83	DWG 35-864 RO.5	DO8

NOTES

BRUNING 44-131 405762



REVISIONS	

PERKIN-ELMER
 Computer Systems Division
 Oceanport, N.J. 07757

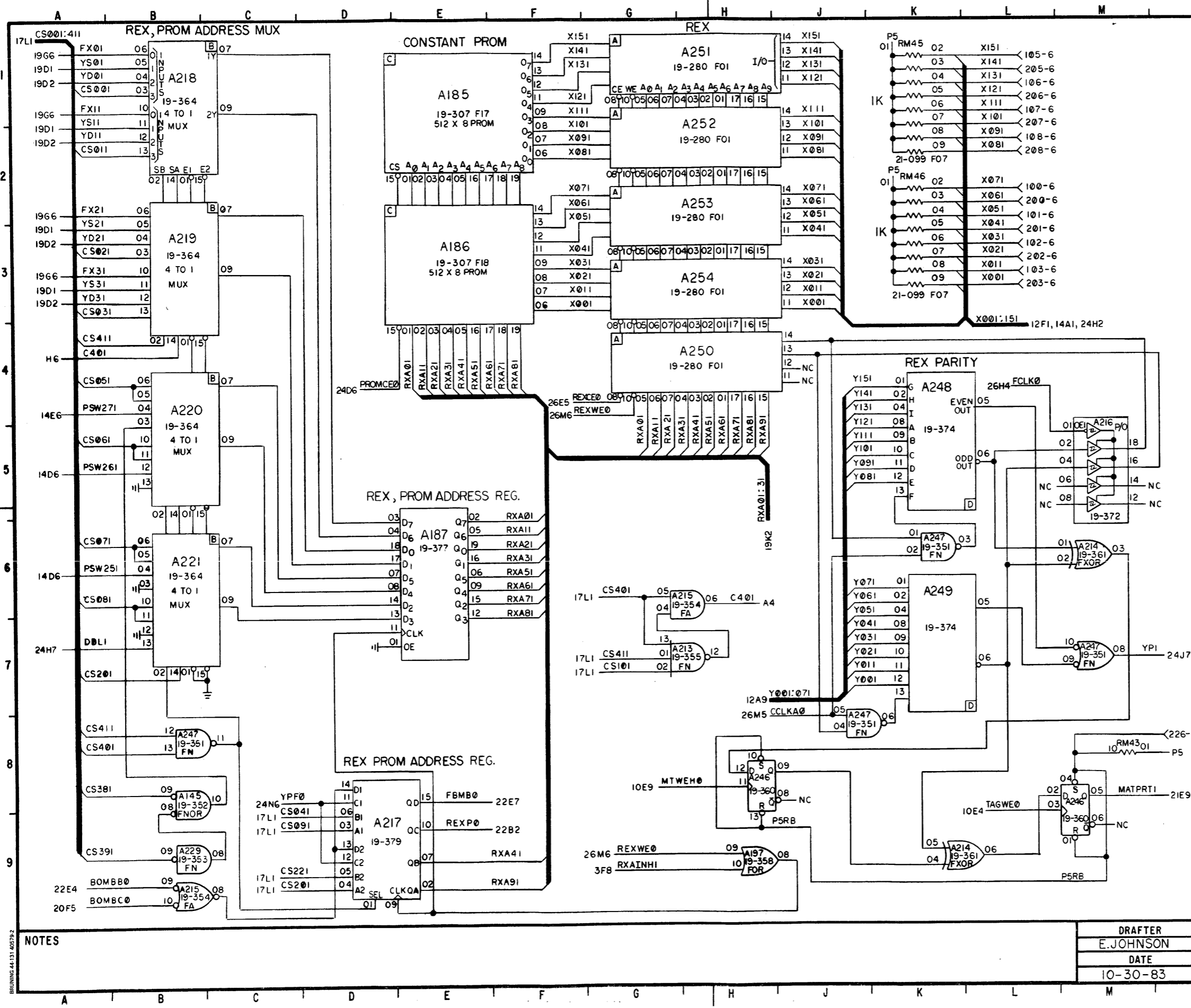
"INFORMATION DISCLOSED HEREIN IS THE PROPERTY OF THE PERKIN-ELMER CORPORATION, COMPUTER SYSTEMS DIVISION, AND SHALL NOT BE DISCLOSED OR USED FOR ANY OTHER PURPOSES EXCEPT AS SPECIFIED BY CONTRACT BETWEEN THE RECIPIENT AND THE PERKIN-ELMER CORPORATION. DUPLICATION OF ANY PORTION OF THIS DATA SHALL INCLUDE THIS LEGEND."

TITLE
 CPU
 CONTROL STORE

DRAFTER WM KITZHOFFER	TASK 03076	SHT
DATE 10-29-83	DWG 35-864	D08 17-34

NOTES

IRLING 44-131-402782



REVISIONS			
AREA AB E A 9, MNEMONIC "CS381" WAS "CS391", & "CS391" WAS "CS381".			
KR	RR	5555	MS 11-14-83 RO1 X
AREA L 9, A248 PIN 05 & AREA L 6, A249 PIN 05 WERE "NC". AREA M 7, A247 PIN 09 WAS CONNECTED TO A249 PIN 06 & A247 PIN 10 WAS CONNECTED TO A214 PIN 01.			
KR	RP	5606	M 1-12-84 RO2
AREA G 9, DELETED GATE A120 PINS 01 & 02, PIN 01 WAS CONNECTED TO "REFR20" W/CROSS REF "16C8" & PIN 02 WAS CONNECTED TO A197 PIN 10 IN AREA G 9.			
KR	RP	5614	MS 1-16-84 RO3 X
AREA J 8, A247-05, "CCLKA0" WAS "CCLKA0" WITH CROSS REF 26M6.			
KR	RP	5630	MS 2-23-84 RO4 X

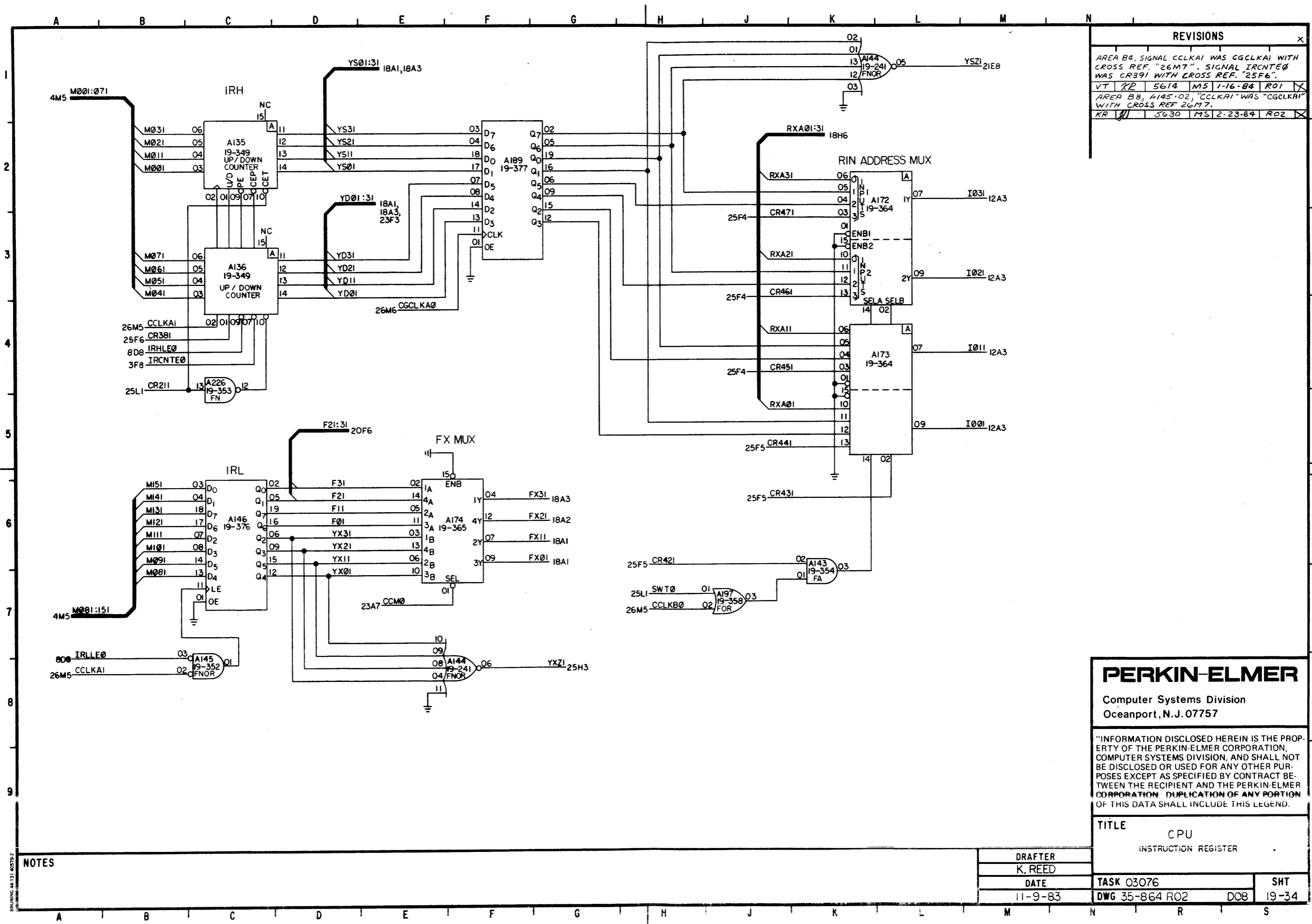
PERKIN-ELMER
 Computer Systems Division
 Oceanport, N.J. 07757

"INFORMATION DISCLOSED HEREIN IS THE PROPERTY OF THE PERKIN-ELMER CORPORATION, COMPUTER SYSTEMS DIVISION, AND SHALL NOT BE DISCLOSED OR USED FOR ANY OTHER PURPOSES EXCEPT AS SPECIFIED BY CONTRACT BETWEEN THE RECIPIENT AND THE PERKIN-ELMER CORPORATION. DUPLICATION OF ANY PORTION OF THIS DATA SHALL INCLUDE THIS LEGEND."

TITLE		CPU	
		REGISTER EXTERNAL (REX) CONSTANT PROM	
DRAFTER	E. JOHNSON	TASK	O3076
DATE	10-30-83	SHT	18-34
		DWG	35-864 RO4 DO8

NOTES

BRUNING 44-131 405792



REVISIONS

AREA B4, SIGNAL CCLKAI WAS CGCLKAI WITH CROSS REF. "26M7". SIGNAL IRCNTE0 WAS CR391 WITH CROSS REF. "25F6".					
VT	KP	5614	MS	1-16-84	R01
AREA B8, AI45-02, "CCLKAI" WAS "CGCLKAI" WITH CROSS REF 26M7.					
KR	11	5630	MS	2-23-84	R02

NOTES

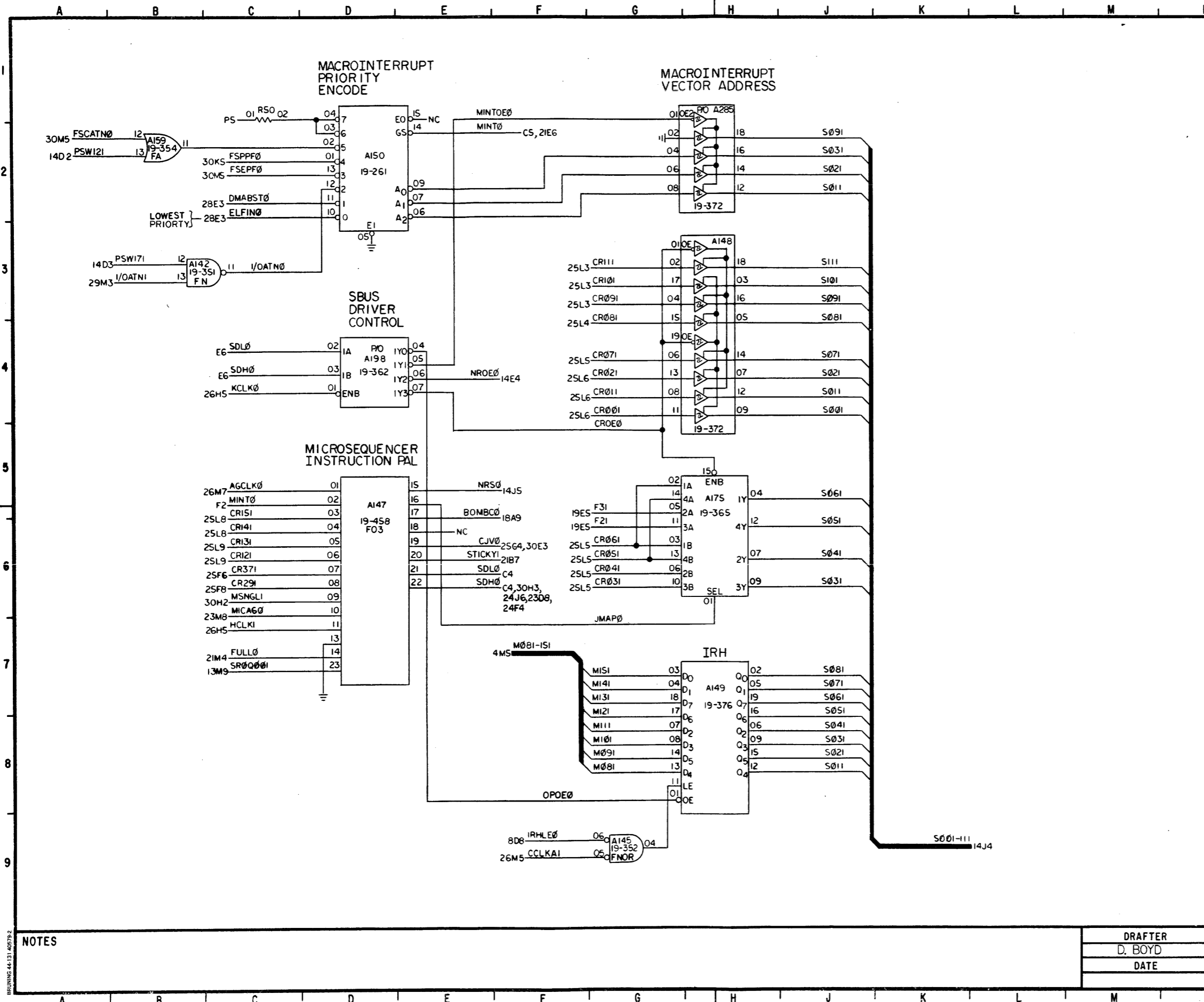
BRUNING 44-131-4079-2

PERKIN-ELMER
 Computer Systems Division
 Oceanport, N.J. 07757

"INFORMATION DISCLOSED HEREIN IS THE PROPERTY OF THE PERKIN-ELMER CORPORATION, COMPUTER SYSTEMS DIVISION, AND SHALL NOT BE DISCLOSED OR USED FOR ANY OTHER PURPOSES EXCEPT AS SPECIFIED BY CONTRACT BETWEEN THE RECIPIENT AND THE PERKIN-ELMER CORPORATION. DUPLICATION OF ANY PORTION OF THIS DATA SHALL INCLUDE THIS LEGEND."

TITLE
 CPU
 INSTRUCTION REGISTER

DRAFTER	K. REED		
DATE	11-9-83	TASK 03076	SHT
DWG	35-864 R02	DO8	19-34



REVISIONS				
AREA F6, ADDED CROSS REF "24J6" TO MNEMONIC SDH0. AREA F9, REMOVED CROSS REF "20H6" FROM MNEMONIC OPOE0.	KR	RR	5555	MS 11-14-83 R01
AREA B2, ADDED GATE A159 & PIN 02 OF A150 WAS CONNECTED TO "FSCATN0" WITH CROSS REF "30M5".	KR	RR	5560	MS 11-25-83 R02 X
AREA F6, ADDED CROSS REF "23D8" TO SDH0. AREA C2, "ELFIN0" WAS "DMPEND0" WITH CROSS REF "14M3". AREA G8, "OPOE0" WAS CROSS REF'ED TO 23D8.	KR	RR	5573	MS 12-14-83 R03 X
AREA F6, ADDED CROSS REF "24F4" TO SIGNAL SDH0.	KR	RR	5606	M 1-12-84 R04 X
AREA F9, A145-05, "CCLKA1" WAS "CBCLKA1" WITH CROSS REF 26M6.	KR	RR	5630	MS 2-23-84 R05 X

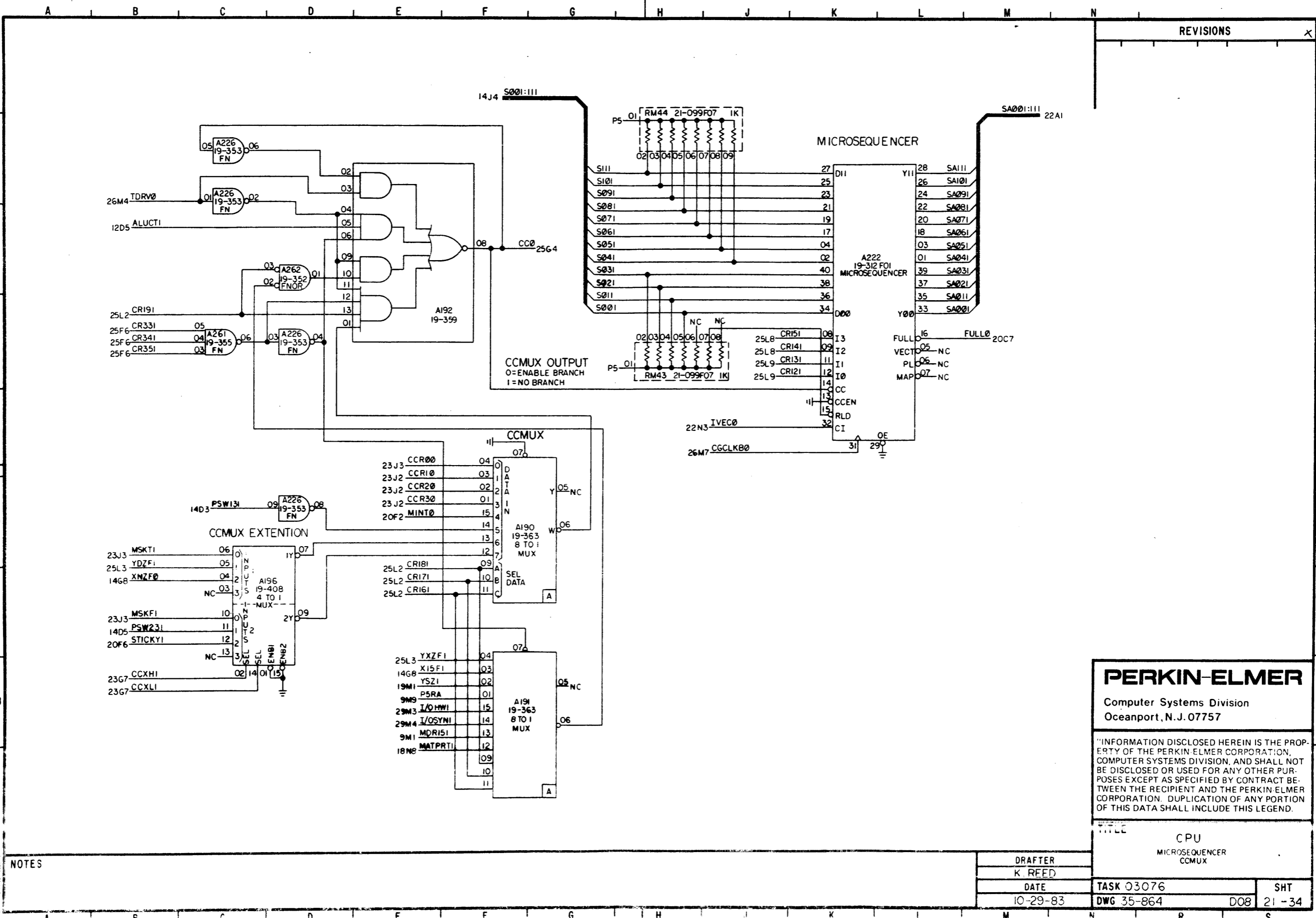
PERKIN-ELMER
 Computer Systems Division
 Oceanport, N.J. 07757

"INFORMATION DISCLOSED HEREIN IS THE PROPERTY OF THE PERKIN-ELMER CORPORATION, COMPUTER SYSTEMS DIVISION, AND SHALL NOT BE DISCLOSED OR USED FOR ANY OTHER PURPOSES EXCEPT AS SPECIFIED BY CONTRACT BETWEEN THE RECIPIENT AND THE PERKIN-ELMER CORPORATION. DUPLICATION OF ANY PORTION OF THIS DATA SHALL INCLUDE THIS LEGEND.

TITLE		CPU	
		S-BUS DRIVERS	
		MACROINTERRUPT CONTROL	
DRAFTER	D. BOYD	TASK 03076	SHT
DATE		DWG 35-864 R05	D08 20-34

NOTES

BRUNING 44-131-10579-2



REVISIONS	

PERKIN-ELMER
 Computer Systems Division
 Oceanport, N.J. 07757

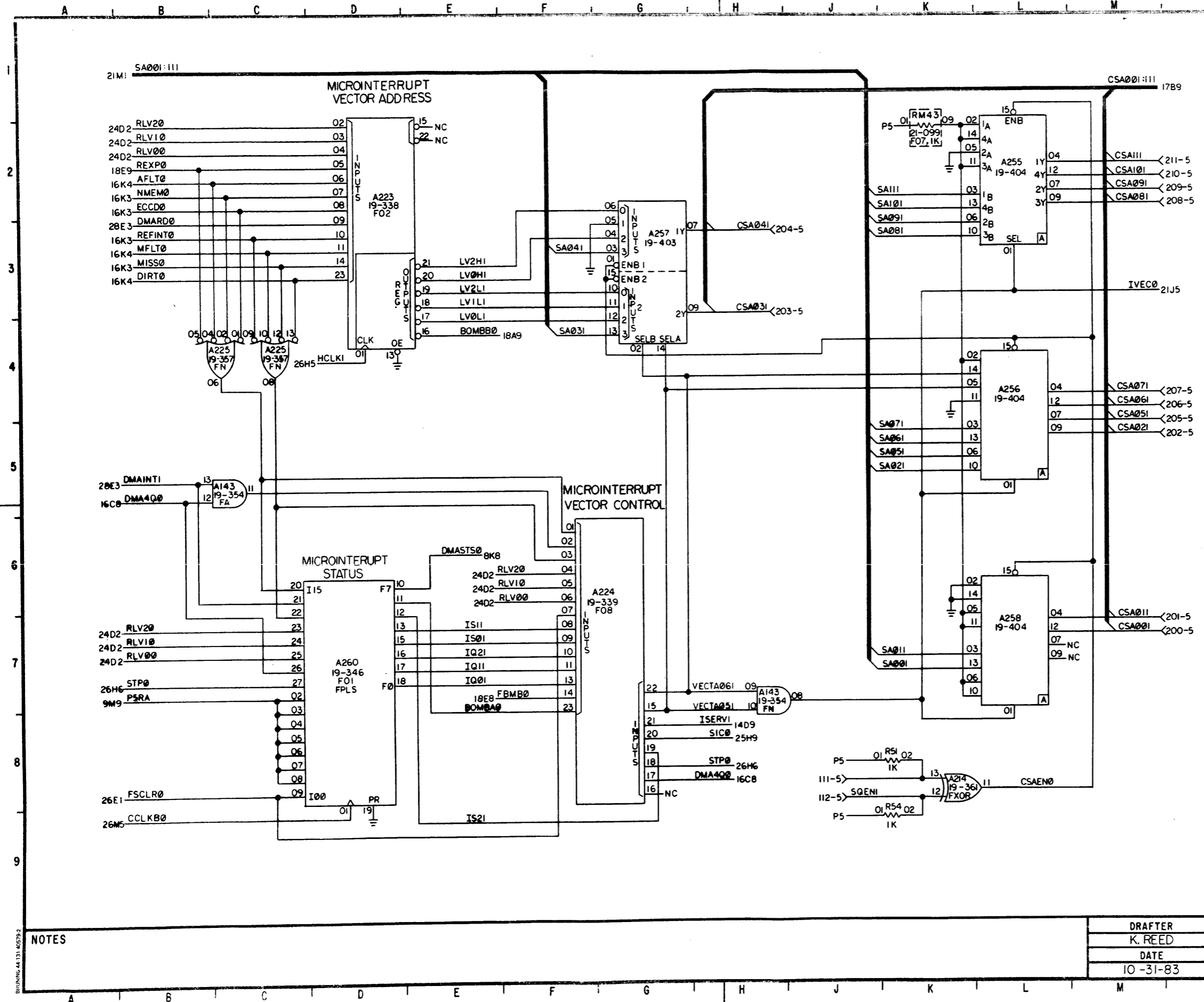
"INFORMATION DISCLOSED HEREIN IS THE PROPERTY OF THE PERKIN-ELMER CORPORATION, COMPUTER SYSTEMS DIVISION, AND SHALL NOT BE DISCLOSED OR USED FOR ANY OTHER PURPOSES EXCEPT AS SPECIFIED BY CONTRACT BETWEEN THE RECIPIENT AND THE PERKIN-ELMER CORPORATION. DUPLICATION OF ANY PORTION OF THIS DATA SHALL INCLUDE THIS LEGEND.

TITLE	
CPU MICROSEQUENCER CCMUX	
DRAFTER	K. REED
DATE	TASK 03076
10-29-83	DWG 35-864
SHT	21-34

NOTES

Rev. 10-29-83, 131, 627M

REVISIONS			
AREA E7 THUR GB, A260 PIN 12, A224 PINS 17, 18 & 19 WERE "N.C.". MNEMONIC "IS11" WAS "IS21" "IS01" WAS "IS11" & "IQ21" WAS "IS01".			
KR	XP	5555 MS	11-14-83 RO1
AREA E6, A260 PIN 10 WAS A.C.			
KR	XP	5560 M	11-2-83 RO2 K



PERKIN-ELMER
 Computer Systems Division
 Oceanport, N.J. 07757

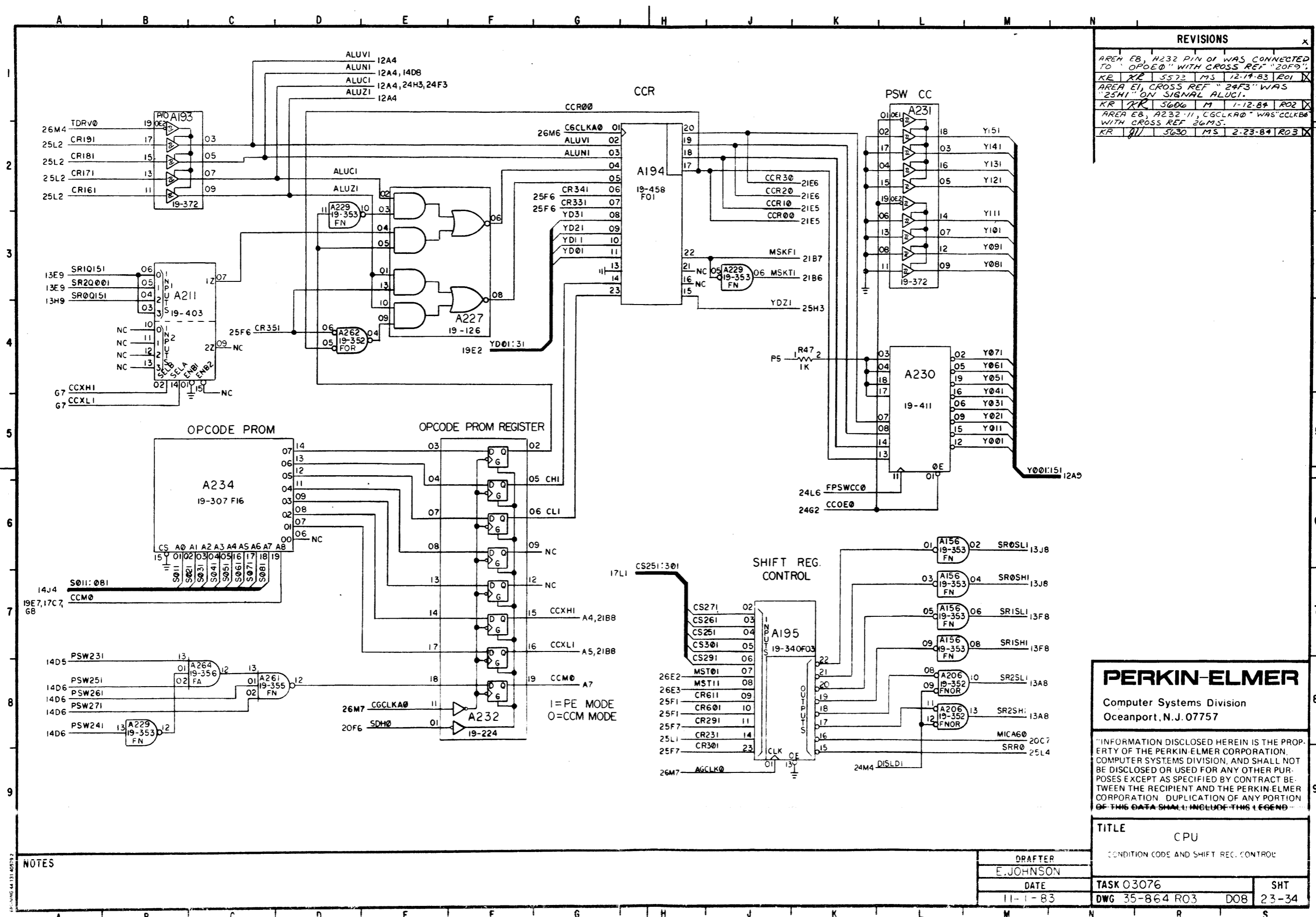
"INFORMATION DISCLOSED HEREIN IS THE PROPERTY OF THE PERKIN-ELMER CORPORATION, COMPUTER SYSTEMS DIVISION, AND SHALL NOT BE DISCLOSED OR USED FOR ANY OTHER PURPOSES EXCEPT AS SPECIFIED BY CONTRACT BETWEEN THE RECIPIENT AND THE PERKIN-ELMER CORPORATION. DUPLICATION OF ANY PORTION OF THIS DATA SHALL INCLUDE THIS LEGEND.

TITLE
 CPU
 INTERRUPT CONTROL
 CONTROL STORE ADDRESS MUX

DRAFTER	K. REED	
DATE	TASK 03076	SHT
10-31-83	DWG 35-864 R02	D08 22-34

NOTES

BRUNING 44 131 40579.2



REVISIONS		X
AREA EB, A232 PIN 01 WAS CONNECTED TO "OPOE0" WITH CROSS REF "20F9".		
KR	ZR	5572 MS 12-14-83 R01 X
AREA E1, CROSS REF "24F3" WAS "25H1" ON SIGNAL ALUCI.		
KR	ZR	5606 M 1-12-84 R02 X
AREA EB, A232 PIN 11, CGCLKA0 WAS "CLKB0" WITH CROSS REF 26M5.		
KR	ZR	5630 MS 2-23-84 R03 X

PERKIN-ELMER
 Computer Systems Division
 Oceanport, N.J. 07757

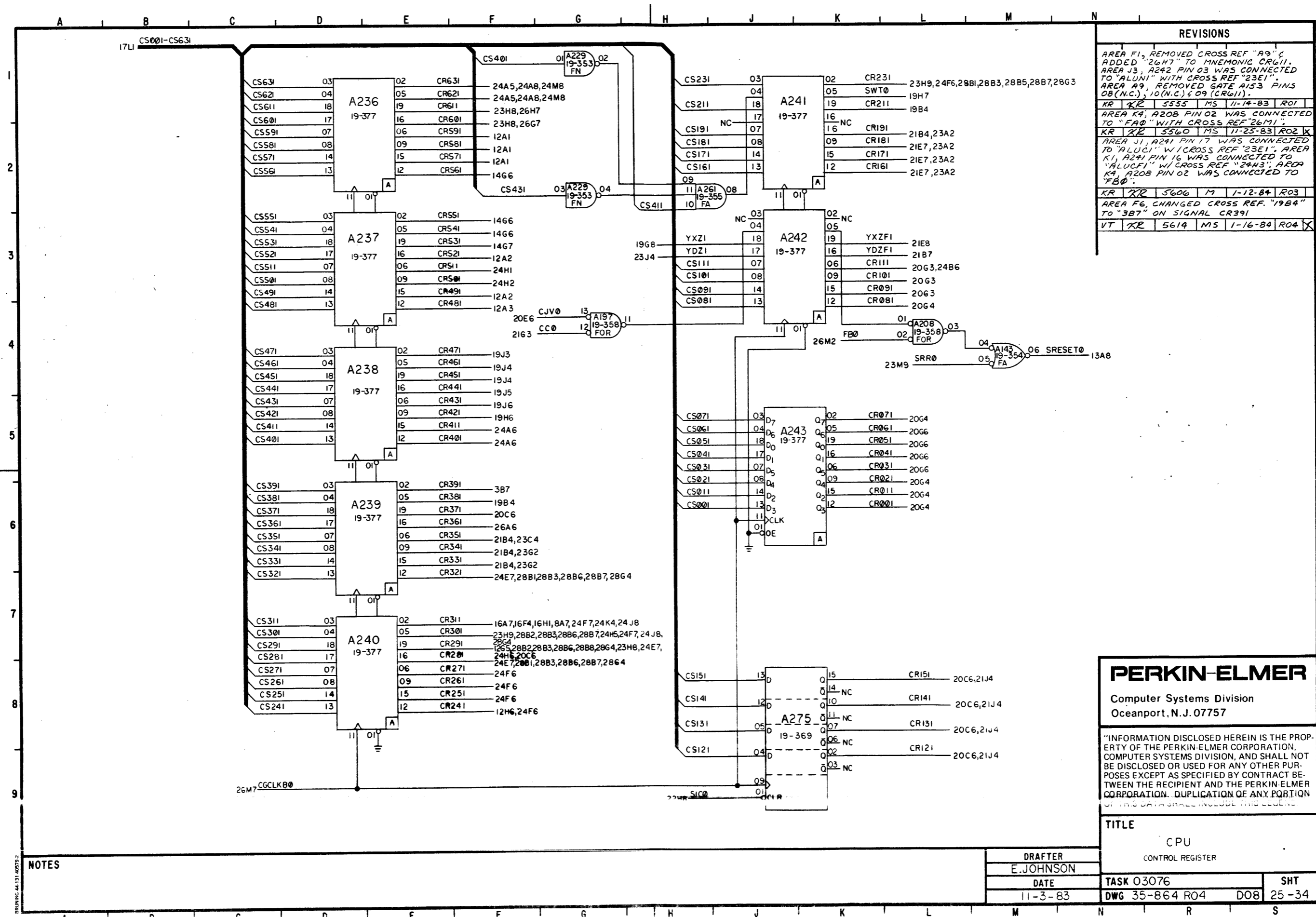
"INFORMATION DISCLOSED HEREIN IS THE PROPERTY OF THE PERKIN-ELMER CORPORATION, COMPUTER SYSTEMS DIVISION, AND SHALL NOT BE DISCLOSED OR USED FOR ANY OTHER PURPOSES EXCEPT AS SPECIFIED BY CONTRACT BETWEEN THE RECIPIENT AND THE PERKIN-ELMER CORPORATION. DUPLICATION OF ANY PORTION OF THIS DATA SHALL INCLUDE THIS LEGEND."

TITLE		CPU	
CONDITION CODE AND SHIFT REC. CONTROL			
DRAFTER	E. JOHNSON		
DATE	11-1-83		
TASK	03076	SHT	
DWG	35-864 R03	DO8	23-34

NOTES

I=PE MODE
 O=CCM MODE

DRAWING 44131-00573-2



REVISIONS			
AREA F1, REMOVED CROSS REF "A9" & ADDED "26H7" TO MNEMONIC CR611.			
AREA J3, A242 PIN 03 WAS CONNECTED TO "ALUN1" WITH CROSS REF "23E1".			
AREA A9, REMOVED GATE A153 PINS 08(N.C.), 10(N.C.), & 09 (CR611).			
KR	KR	5555	MS 11-14-83 R01
AREA K4, A208 PIN 02 WAS CONNECTED TO "FAB" WITH CROSS REF "26M1".			
KR	KR	5560	MS 11-25-83 R02 X
AREA J1, A241 PIN 17 WAS CONNECTED TO "ALUC1" W/ CROSS REF "23E1". AREA K1, A241 PIN 16 WAS CONNECTED TO "ALUCF1" W/ CROSS REF "24H3". AREA K4, A208 PIN 02 WAS CONNECTED TO "FAB".			
KR	KR	5606	M 1-12-84 R03
AREA F6, CHANGED CROSS REF. "19B4" TO "3B7" ON SIGNAL CR391			
VT	KR	5614	MS 1-16-84 R04 X

PERKIN-ELMER
 Computer Systems Division
 Oceanport, N.J. 07757

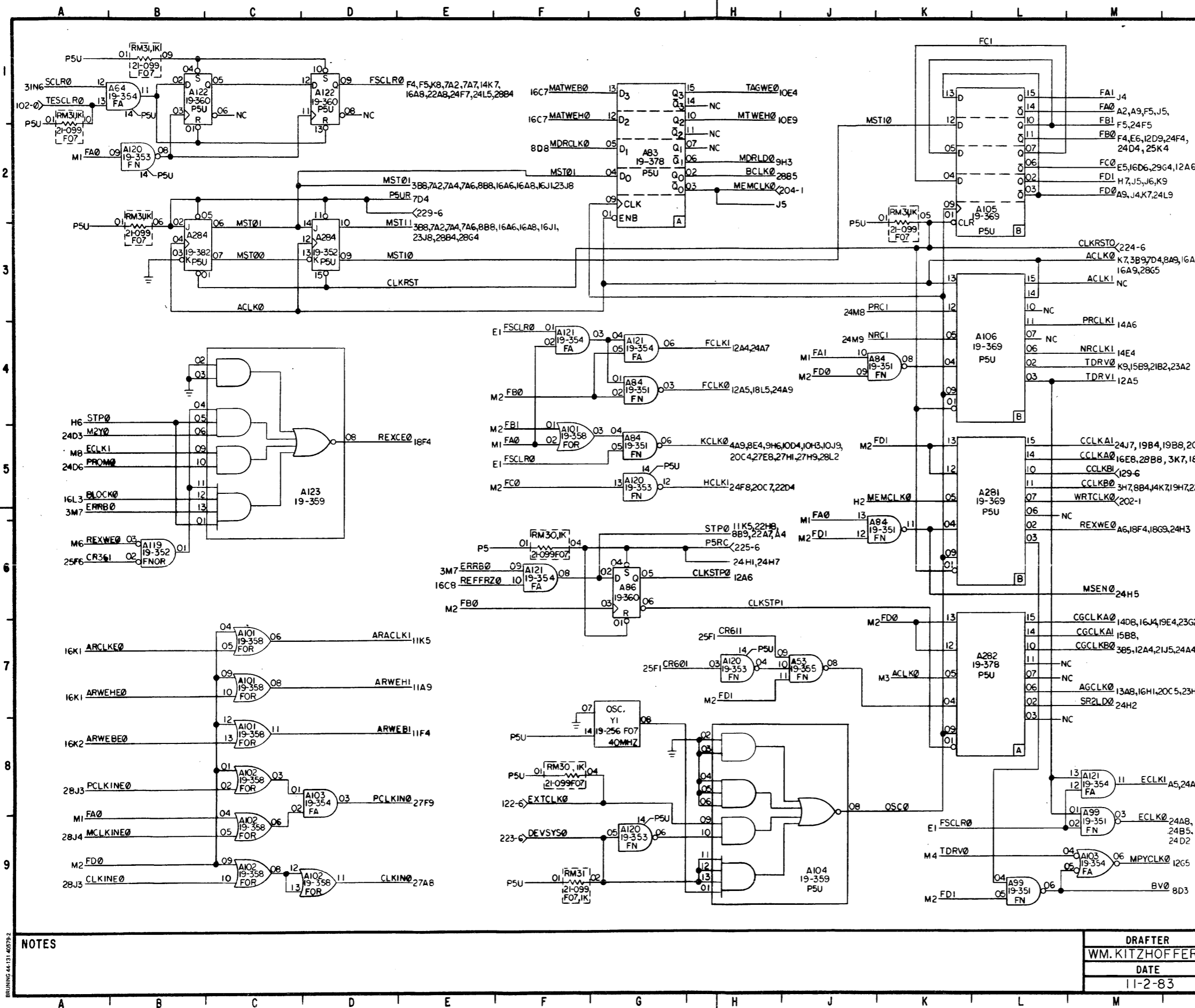
"INFORMATION DISCLOSED HEREIN IS THE PROPERTY OF THE PERKIN-ELMER CORPORATION, COMPUTER SYSTEMS DIVISION, AND SHALL NOT BE DISCLOSED OR USED FOR ANY OTHER PURPOSES EXCEPT AS SPECIFIED BY CONTRACT BETWEEN THE RECIPIENT AND THE PERKIN-ELMER CORPORATION. DUPLICATION OF ANY PORTION OF THIS DATA SHALL INCLUDE THIS LEGEND."

TITLE
 CPU
 CONTROL REGISTER

DRAFTER E. JOHNSON	TASK O3076	SHT
DATE 11-3-83	DWG 35-864 R04	D08 25-34

NOTES

DRAWING 44-131-40793-2



REVISIONS				
AREA H6, ADDED CROSS REFS "11K5 & 22H8" TO MNEMONIC STP0. AREA H7, A53 PIN 09 WAS "N.C.". AREA A5, A123 PIN 01 WAS CONNECTED TO "FA0" WITH CROSS REF "M1".	KR	KR	5555	MS 11-19-83 R01
AREA N1, DELETED CROSS REF "25K4" FROM FA0 & ADDED "1" TO "FC0" IN AREA N2.	KR	KR	5560	MS 11-25-83 R02 X
AREA M5, DELETED CROSS REF "16J9" FROM CCLKA0 & ADDED IT TO CGCLKA0 IN AREA M7.	KR	KR	5573	MS 12-19-83 R03 X
AREA M2, ADDED CROSS REFS "24DA & 25K4" TO SIGNAL FB0, DELETED CROSS REF "25K4" FROM SIGNAL "FC0".	KR	KR	5606	M 1-13-84 R04
AREA A5 & E6, SIGNAL ERB0 WAS ERROR WITH CROSS REF "3M5". AREA M5, ADDED CROSS REF "19B4" TO SIGNAL CCLKA1 & "3K7" TO SIGNAL CCLKA0. AREA M7, DELETED CROSS REF "19B4" FROM SIGNAL CGCLKA1.	VT	KR	5614	MS 1-16-84 R05 X
AREA A5, A123-05 & 01, "STP0" WAS "REFFRZ0" WITH CROSS REF 16CB. AREA H5, DELETED CROSS REF "12A3" FROM A120-12. AREA H6, ADDED CROSS REF "A4" TO "STP0". AREA G6, AB6-05 WAS "N.C.". AREA M2, ADDED CROSS REFS "12AC" TO "FC0". AREA M5, ADDED CROSS REFS "19B8 & 20F9" TO CCLKA1 & "18H7" TO CCLKA0. AREA M5, DELETED CROSS REF "23DB" FROM CCLKA0. AREA M7, DELETED CROSS REF "18H7" FROM CGCLKA0 & "19B8 & 20F9" FROM CGCLKA1. ADDED CROSS REF "23E8" TO CGCLKA0.	KR	VT	5630	MS 2-23-84 R06 X

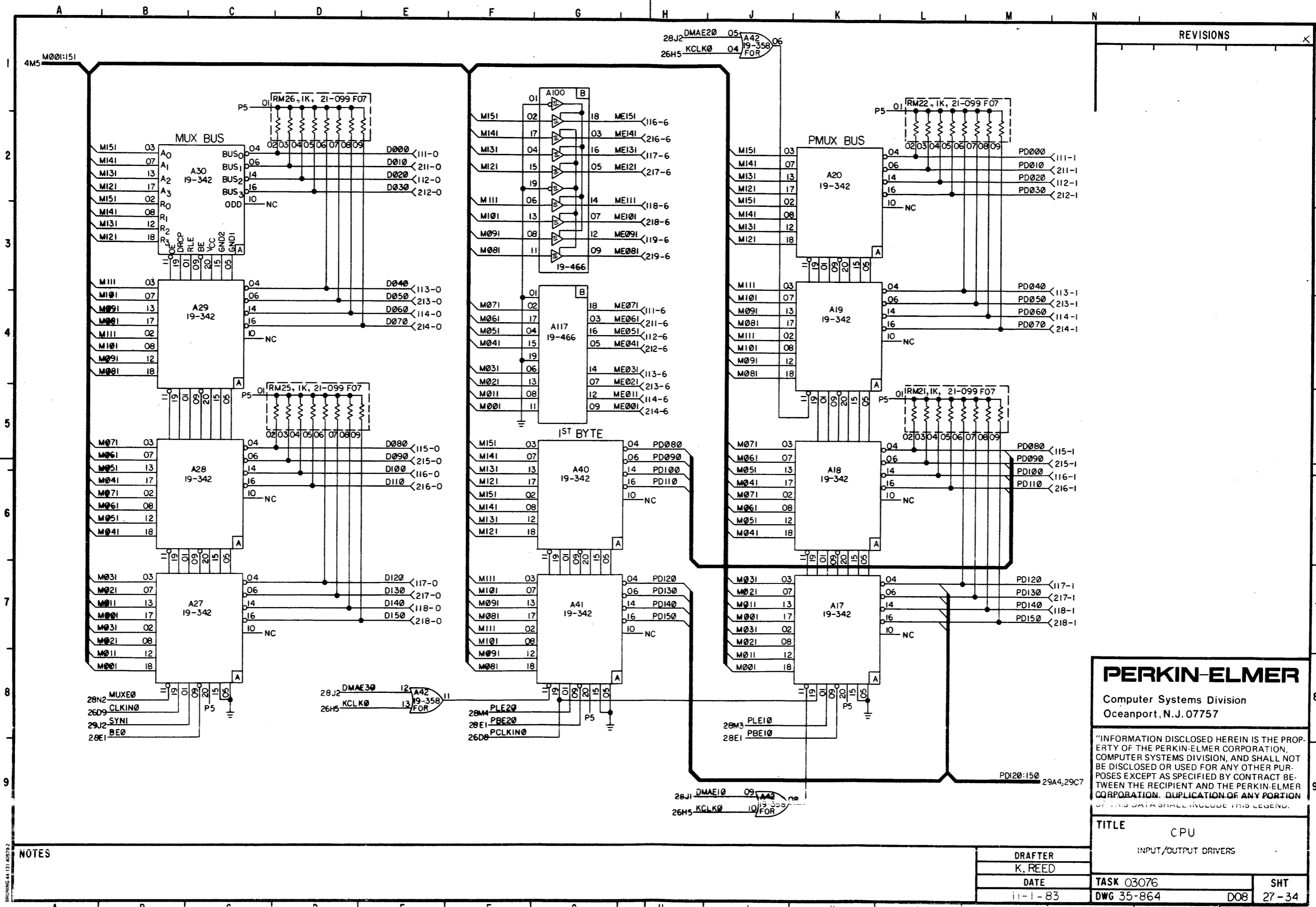
PERKIN-ELMER
 Computer Systems Division
 Oceanport, N.J. 07757

"INFORMATION DISCLOSED HEREIN IS THE PROPERTY OF THE PERKIN-ELMER CORPORATION, COMPUTER SYSTEMS DIVISION, AND SHALL NOT BE DISCLOSED OR USED FOR ANY OTHER PURPOSES EXCEPT AS SPECIFIED BY CONTRACT BETWEEN THE RECIPIENT AND THE PERKIN-ELMER CORPORATION. DUPLICATION OF ANY PORTION OF THIS DATA SHALL INCLUDE THIS LEGEND.

TITLE		CPU MASTER CLOCK	
DRAFTER	WM. KITZHOFFER	TASK	O3076
DATE	11-2-83	DWG	35-864 R06
SHT	26-34	D08	

NOTES

BRUNING 44.131.00792



REVISIONS

PERKIN-ELMER

Computer Systems Division
Oceanport, N.J. 07757

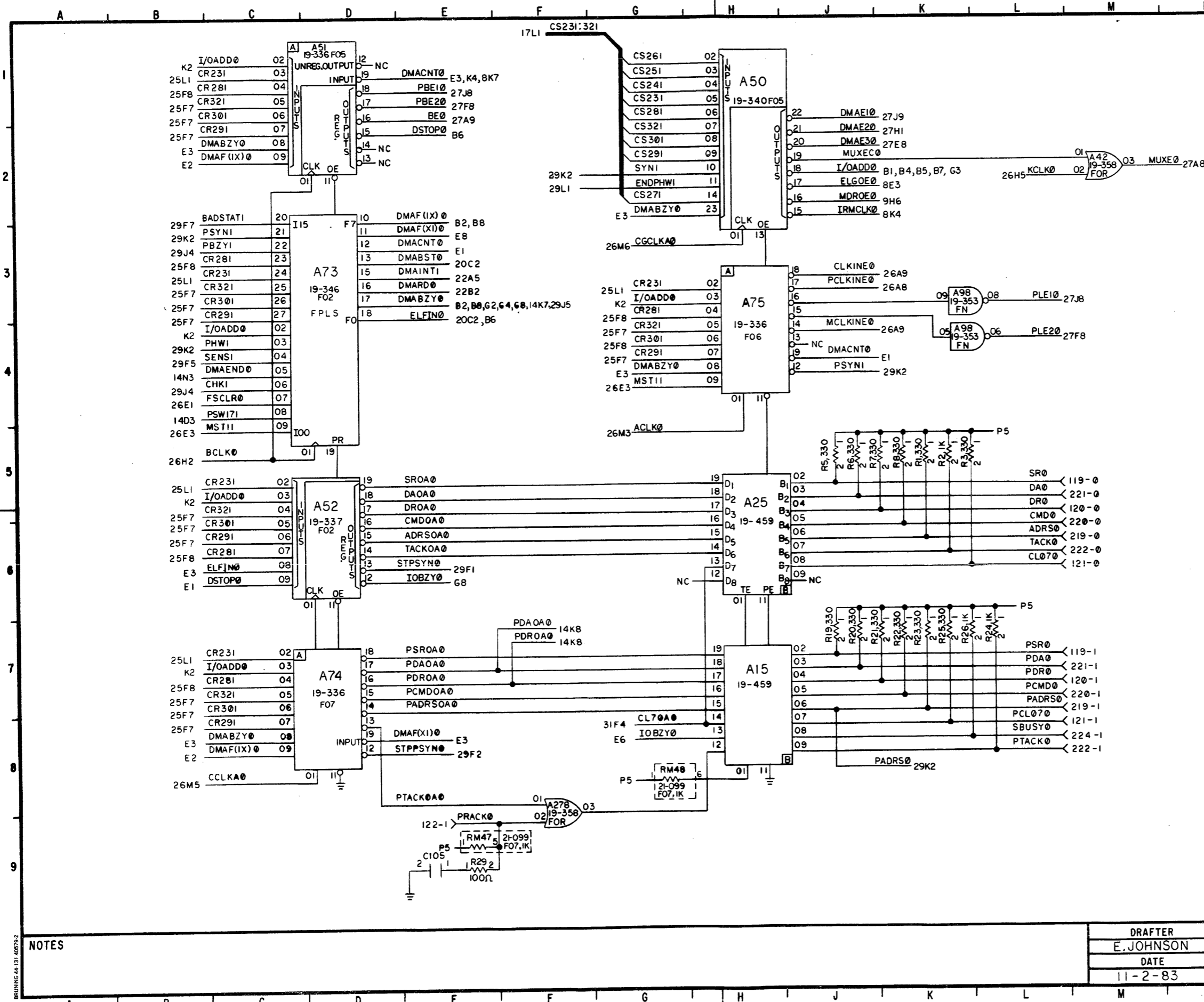
"INFORMATION DISCLOSED HEREIN IS THE PROPERTY OF THE PERKIN-ELMER CORPORATION, COMPUTER SYSTEMS DIVISION, AND SHALL NOT BE DISCLOSED OR USED FOR ANY OTHER PURPOSES EXCEPT AS SPECIFIED BY CONTRACT BETWEEN THE RECIPIENT AND THE PERKIN-ELMER CORPORATION. DUPLICATION OF ANY PORTION OF THIS DATA SHALL INCLUDE THIS LEGEND.

TITLE CPU
INPUT/OUTPUT DRIVERS

DRAFTER	K. REED
DATE	11-1-83
TASK	03076
DWG	35-864
SHT	27-34

NOTES

DRAWING 44-131-405792



REVISIONS			
AREA B4, A73 PIN 08 WAS CONNECTED TO "ECCD0" WITH CROSS REF "16L4".			
AREA J6, A25 PIN 09 WAS CONNECTED TO CONNECTOR POSITION 224-0 WITH MNEMONIC "BUSY0".			
KR	72	5555	M 5 11-14-83 RO1
AREA J2, A50 PIN 11 WAS NC.			
KR	72	5560	M 11-25-83 RO2
AREA D3, A73 PIN 11 WAS NC.			
KR	72	5573	M 5 12-14-83 RO3
AREA D2, A51 PIN 15 AREA D2, A52 PINS 08, 09 & 12 WERE "NC". AREA E3, ADDED CROSS REF "B6" TO SIGNAL ELFIN0. AREA G2, A50 PIN 11 WAS CONNECTED TO PHWI W/CROSS REF 29K2. AREA G8, A15 PIN 13 WAS CONNECTED TO DMABZY0 W/CROSS REF E3. AREA J8, ADDED "PADRS0" & "29K2".			
KR	72	5606	M 7 1-13-84 RO4

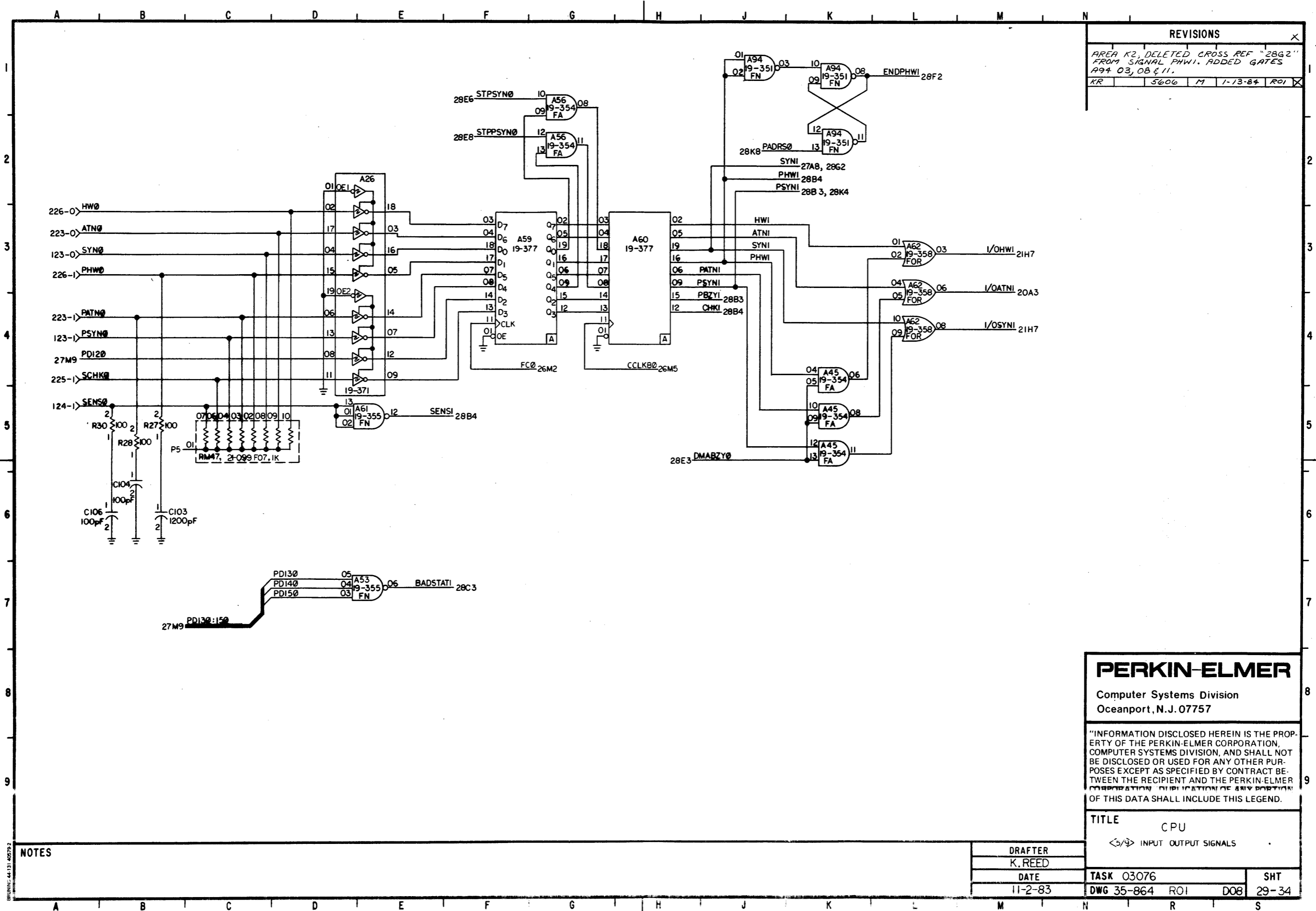
PERKIN-ELMER
 Computer Systems Division
 Oceanport, N.J. 07757

"INFORMATION DISCLOSED HEREIN IS THE PROPERTY OF THE PERKIN-ELMER CORPORATION, COMPUTER SYSTEMS DIVISION, AND SHALL NOT BE DISCLOSED OR USED FOR ANY OTHER PURPOSES EXCEPT AS SPECIFIED BY CONTRACT BETWEEN THE RECIPIENT AND THE PERKIN-ELMER CORPORATION. DUPLICATION OF ANY PORTION OF THIS DATA SHALL INCLUDE THIS LEGEND."

TITLE	
CPU INPUT/OUTPUT CONTROL	
DRAFTER	E. JOHNSON
DATE	11-2-83
TASK	TASK03076
DWG	DWG 35-864 R04
SHT	28-34

NOTES

BRUNING 44-131 40979-2



REVISIONS				
AREA K2, DELETED CROSS REF "28G2" FROM SIGNAL PHWI. ADDED GATES A94 03, 08 & 11.				
KR	5606	M	1-13-84	ROI

PERKIN-ELMER
 Computer Systems Division
 Oceanport, N.J. 07757

"INFORMATION DISCLOSED HEREIN IS THE PROPERTY OF THE PERKIN-ELMER CORPORATION, COMPUTER SYSTEMS DIVISION, AND SHALL NOT BE DISCLOSED OR USED FOR ANY OTHER PURPOSES EXCEPT AS SPECIFIED BY CONTRACT BETWEEN THE RECIPIENT AND THE PERKIN-ELMER CORPORATION. DUPLICATION OF ANY PORTION OF THIS DATA SHALL INCLUDE THIS LEGEND.

TITLE CPU
 <5/9> INPUT OUTPUT SIGNALS

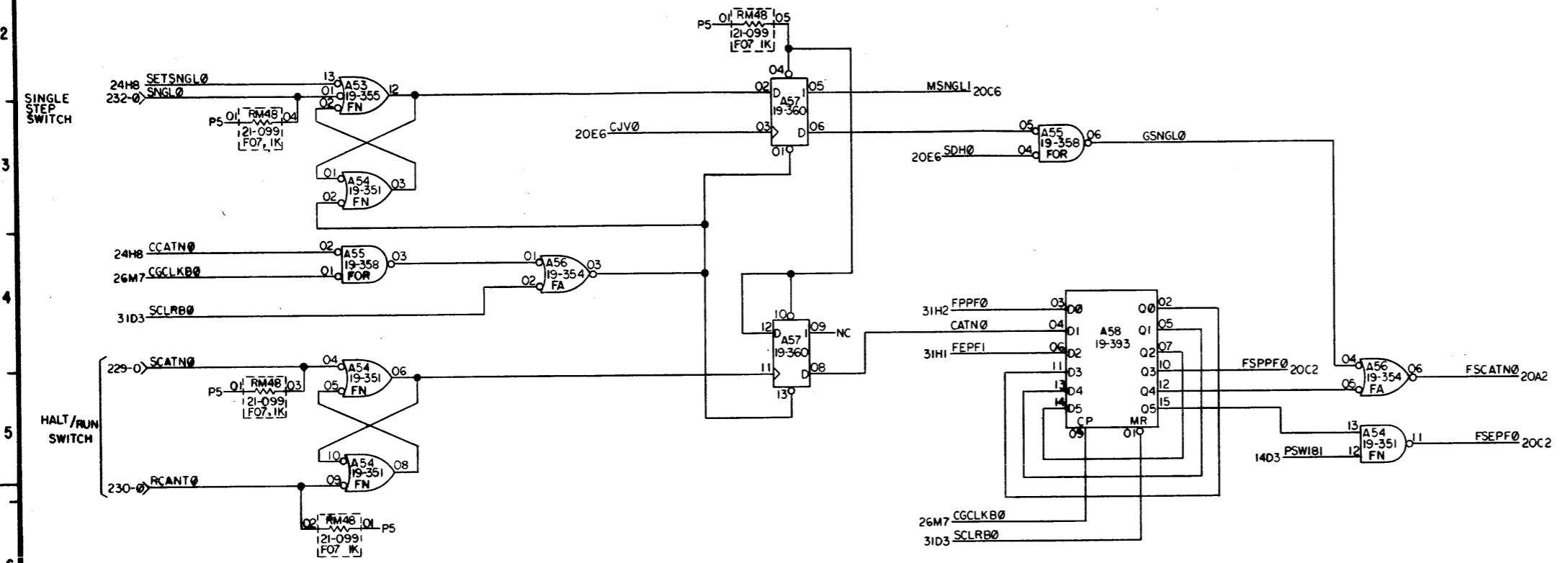
DRAFTER K. REED	TASK 03076	SHT
DATE 11-2-83	DWG 35-864 ROI DOB	29-34

NOTES

BRUNING 44-131 40575-2

REVISIONS

AREA 15, CROSS REF "20A2" WAS
"20C2" OF SIGNAL FSCATN0.
KR KR 3560 MS 11-25-83 RO1 X



NOTES

REVISIONS 44-131-40279-2

DRAFTER	WM. KITZHOFFER
DATE	11-3-83

PERKIN-ELMER
Computer Systems Division
Oceanport, N.J. 07757

"INFORMATION DISCLOSED HEREIN IS THE PROPERTY OF THE PERKIN-ELMER CORPORATION, COMPUTER SYSTEMS DIVISION, AND SHALL NOT BE DISCLOSED OR USED FOR ANY OTHER PURPOSES EXCEPT AS SPECIFIED BY CONTRACT BETWEEN THE RECIPIENT AND THE PERKIN-ELMER CORPORATION. DUPLICATION OF ANY PORTION OF THIS DATA SHALL INCLUDE THIS LEGEND.

TITLE CPU
CONSOLETTTE INTERFACE

TASK 03076	SHT
DWG 35-864 RO1	30-34

NET	MNEMONIC	SHT	NET	MNEMONIC	SHT	NET	MNEMONIC	SHT	NET	MNEMONIC	SHT	NET	MNEMONIC	SHT	NET	MNEMONIC	SHT	NET	MNEMONIC	SHT	NET	MNEMONIC	SHT	NET	MNEMONIC	SHT	REVISIONS
	CCLK80	26		CR261	25		CS171	17		CSAC91	22		E051	03		FX21	19		M121	04		M1550	16	AREA J6, MNEMONIC "IQ21" WAS "IS01" "IS01" WAS "IS11" & "IS11" WAS "IS21". KR KR 5555 MS 11-14-83 ROI K			
	CCLK81	26		CR271	25		CS181	17		CSA101	22		E061	03		FX31	19		M131	04		M1550	16				
	CCMO	23		CR281	25		CS191	17		CSA111	22		E071	03		GENC	03		M141	04		MPYCLK0	26				
	CCOEO	24		CR291	25		CS201	17		CSAENO	22		E081	03		GNDDM1	04		M151	04		MRDE0	24				
	CCROO	23		CR301	25		CS211	17		CYCLED	08		E091	03		GSNGLD	30		M2YC	24		MSENO	26				
	CCR10	23		CR311	25		CS221	17		0000	27		E101	03		H/BC	08		M2YNO	06		MSKF1	23				
	CCR20	23		CR321	25		CS231	17		0010	27		E11	15		H/B1	08		MA00	15		MSKT1	23				
	CCR30	23		CR331	25		CS241	17		0020	27		E111	03		HCLK1	26		MA10	15		MSNGL1	30				
	CCXH1	23		CR341	25		CS251	17		0030	27		E121	03		HIT1	15		MA20	15		MST00	26				
	CCXL1	23		CR351	25		CS261	17		0040	27		E131	03		HWO	29		MA30	15		MST01	26				
	CEO	16		CR361	25		CS271	17		0050	27		E141	03		HW1	29		MA40	15		MST10	26				
	CGCLKA0	26		CR371	25		CS281	17		0060	27		E151	03		I/OADDO	28		MA50	15		MST11	26				
	CGCLKA1	26		CR381	25		CS291	17		0070	27		EBO	16		I/OATNO	20		MA60	15		MST20	16				
	CGCLKB0	26		CR391	25		CS301	17		0080	27		ECCDO	16		I/OATH1	29		MA70	15		MTNBLOO	10				
	CH1	23		CR401	25		CS311	17		0090	27		ECCLOU70	03		I/OHM1	29		MA80	15		MTWEHO	10				
	CHK1	29		CR411	25		CS321	17		0100	27		ECCOEO	03		I/OSYN1	29		MATE1	08		MUXEO	28				
	CJVO	20		CR421	25		CS331	17		0110	27		ECLK0	26		ID01	19		MATENO	16		MUXECO	28				
	CL070	28		CR431	25		CS341	17		0120	27		ECLK1	26		ID11	19		MATFLTO	16		MX00	15				
	CL1	23		CR441	25		CS351	17		0130	27		EHO	16		ID21	19		MATPRT1	18		MX10	15				
	CL70A0	31		CR451	25		CS361	17		0140	27		ELGOEO	28		ID31	19		MATWEBO	16		MX20	15				
	CLKINO	26		CR461	25		CS371	17		0150	27		EMEO	03		ID61	24		MATWEHO	16		MX30	15				
	CLKINED	28		CR471	25		CS381	17		0161	31		EMEB0	16		ID71	24		MCLKINEO	28		MX4C	15				
	CLKRST	26		CR481	25		CS391	17		081	31		ENX0	24		ID91	14		MDR151	09		MX50	15				
	CLKSTP1	26		CR491	25		CS401	17		091	31		ENY0	24		ID101	14		MDRCLK0	08		MX60	15				
	CLRCNTO	16		CR501	25		CS411	17		0A0	28		ERL0EO	08		ID111	14		MDRLDO	26		MX70	15				
	CLRTAG0	08		CR511	25		CS421	17		0A0A0	28		ERRO	03		ID121	14		MDROEO	28		MX80	15				
	CMDC	28		CR521	25		CS431	17		0BL1	24		ERRB0	03		IQ01	22		ME001	27		MYOEO	24				
	CMDCA0	28		CR531	25		CS441	17		0CTHLEO	24		EXTCLK0	26		IQ11	22		ME011	27		NMEMO	16				
	CNT01	11		CR541	25		CS451	17		0CTLLEO	24		F01	19		IRHLEO	08		ME021	27		NOMEHO	07				
	CNT11	11		CR551	25		CS461	17		0EVSYSO	26		F11	19		IRLLEO	08		ME031	27		NOSC	24				
	CNT40	16		CR561	25		CS471	17		0DIRTO	16		F21	19		IQ21	22		ME041	27		NOST	24				
	CNT80	16		CR571	25		CS481	17		0DIRTY0	16		F31	19		IS01	22		ME051	27		NRCO	24				
	CRO01	25		CR581	25		CS491	17		0ISLD1	24		FA0	26		IS11	22		ME061	27		NRC1	24				
	CRO11	25		CR591	25		CS501	17		MALUO	24		FA1	26		ISERV1	22		ME071	27		NRCLK1	26				
	CRO21	25		CR601	25		CS511	17		0MA4Q0	16		FAULT0	24		IVECO	22		ME081	27		NROEO	20				
	CRO31	25		CR611	25		CS521	17		0MABSTO	28		F80	26		JACKO	16		ME091	27		NRSD	20				
	CRO41	25		CR621	25		CS531	17		0MABZY0	28		F91	26		JNAP0	20		ME101	27		NVM1	31				
	CRO51	25		CR631	25		CS541	17		0MACNTO	28		FBMBO	18		KCLK0	26		ME111	27		OPOEO	20				
	CRO61	25		CR6EO	20		CS551	17		0MAE10	28		FCO	26		LDCO	16		ME121	27		OSCO	26				
	CRO71	25		CS001	17		CS561	17		0MAE20	28		FC1	26		LVOH1	22		ME131	27		OUTEO1	07				
	CRO81	25		CS011	17		CS571	17		0MAE30	28		FCLK0	26		LVOL1	22		ME141	27		OUTE11	07				
	CRO91	25		CS021	17		CS581	17		0MAENDO	14		FCLK1	26		LV1L1	22		ME151	27		P11	16				
	CR1C1	25		CS031	17		CS591	17		0MAF(1X)0	28		FDO	26		LV2H1	22		MEMOPD	08		P21	16				
	CR111	25		CS041	17		CS601	17		0MAF(X1)0	28		F01	26		LV2L1	22		MEMOP1	08		P31	16				
	CR121	25		CS051	17		CS611	17		0MAINT1	28		FEPP1	31		M001	04		MENCLK0	26		P5R	15				
	CR131	25		CS061	17		CS621	17		0MARD0	28		FLYCO	16		M011	04		MEMF(1X)0	08		P5RA	09				
	CR141	25		CS071	17		CS631	17		0001E	03		FLT10	16		M021	04		MEMF(1X)0	08		P5RB	18				
	CR151	25		CS081	17		CSA001	22		00EO	03		FPPFO	31		M031	04		MERRO	03		P5RC	26				
	CR161	25		CS091	17		CSA011	22		0RO	28		FPSMCCO	24		M041	04		MFLTO	16		P5RM21	27				
	CR171	25		CS101	17		CSA021	22		0ROAO	28		FSCATNO	30		M051	04		MICA00	08		P5UR	26				
	CR181	25		CS111	17		CSA031	22		0YO	24		FSCLR0	26		M061	04		MICA10	08		PADR50	28				
	CR191	25		CS121	17		CSA041	22		0E01	03		FSEPPFO	30		M071	04		MICA20	08		PADR50AC	28				
	CR211	25		CS131	17		CSA051	22		0E011	03		FSPPPFO	30		M081	04		MICA60	23		PASS1	08				
	CR231	25		CS141	17		CSA061	22		0E021	03		FULL0	21		M091	04		MIREO	16		PATNO	29				
	CR241	25		CS151	17		CSA071	22		0E031	03		FX01	19		M101	04		MINTO	20		PATN1	29				
	CR251	25		CS161	17		CSA081	22		0E041	03		FX11	19		M111	04		MINTOEC	20		PBE10	28				

NOTES

PERKIN-ELMER
 Computer Systems Division
 Oceanport, N.J. 07757

INFORMATION DISCLOSED HEREIN IS THE PROPERTY OF THE PERKIN-ELMER CORPORATION, COMPUTER SYSTEMS DIVISION, AND SHALL NOT BE DISCLOSED OR USED FOR ANY OTHER PURPOSES EXCEPT AS SPECIFIED BY CONTRACT BETWEEN THE RECIPIENT AND THE PERKIN-ELMER CORPORATION. DUPLICATION OF ANY PORTION OF THIS DATA SHALL INCLUDE THIS LEGEND.

TITLE
 CPU

DRAFTER	K. REED
DATE	11-9-83
TASK	03076
DWG	35-864 ROI
SHT	33-34

44-131-40578-2
 44-131-40578-2

NET	MNEMONIC	SHT	NET	MNEMONIC	SHT	NET	MNEMONIC	SHT	NET	MNEMONIC	SHT	NET	MNEMONIC	SHT	NET	MNEMONIC	SHT	NET	MNEMONIC	SHT	NET	MNEMONIC	SHT
PBE20		28	PTACK0		28	RAS20		07	ROUT120		05	SDH0		20	V151		11	Y001		12	PROM1		24
PBY21		29	PTACK0AD		28	RAS20A0		07	ROUT130		05	SDL0		20	V161		11	Y011		12	A21308		24
PCL070		28	Q11		31	RAS20B0		07	ROUT140		05	SELCT1		21	V171		11	Y021		12	IEN0		12
PCLKIND		26	Q12		31	RAS21A0		07	ROUT150		05	SENS0		29	V181		11	Y031		12	CLKSTP0		26
PCLKINEC		28	Q23		31	RAS21B0		07	RXA01		18	SENS1		29	V191		11	Y041		12			
PCM00		28	Q33		31	RAS30		07	RXA11		18	SETSNGLO		24	V201		11	Y051		12	BCNT11		16
PCMD0A0		28	R/W0		08	RAS30A0		07	RXA21		18	SIC0		22	V211		11	Y061		12	BCNT01		16
PO000		27	R/W1		08	RAS30B0		07	RXA31		18	SNGLO		30	V221		11	Y071		12			
PO010		27	RO01		10	RAS31A0		07	RXA41		18	SQEN1		22	V231		11	Y081		12			
PO020		27	RO11		10	RAS31B0		07	RXA51		18	SRO		28	VECTA051		22	Y091		12			
PO030		27	RO21		10	RCANT0		30	RXA61		18	SROA0		28	VECTA061		22	Y101		12			
PO040		27	RO31		10	REFCCL20		16	RXA71		18	SROCE0		24	WA1T0		14	Y108		12			
PO050		27	RO41		10	REFCYCLO		16	RXA81		18	SROCO01		13	WCSENO		17	Y111		12			
PO060		27	RO51		10	REFFRZ0		16	RXA91		18	SROCL51		13	WE00		07	Y121		12			
PO070		27	RO61		10	REFINT0		16	S001		14	SROSH1		23	WE0A0		07	Y131		12			
PO080		27	RO71		10	REFRQ0		16	S011		14	SROSL1		23	WE0B0		07	Y141		12			
PO090		27	RO81		10	REFF0		24	S021		14	SR10E0		24	WE0C0		07	Y151		12			
PD100		27	RO91		10	REXCEO		26	S031		14	SR1Q151		13	WE0D0		07	Y2CE0		16			
PD110		27	R1001		31	REXPO		18	S041		14	SR1SH1		23	WE0E0		07	Y2MC		24			
PD120		27	R101		10	REXME0		26	S051		14	SR1SL1		23	WE0F0		07	Y001		19			
PD130		27	R111		10	RIN000		05	S061		14	SR2CE0		24	WE10		07	Y011		19			
PD140		27	R121		10	RIN010		05	S071		14	SR2LD0		26	WE1A0		07	Y021		19			
PD150		27	R131		10	RIN020		05	S081		14	SR2Q001		13	WE1B0		07	Y031		19			
PDA0		28	R141		10	RIN030		05	S091		14	SR2SH1		23	WE1C0		07	Y0Z1		23			
PDACAD		28	R151		10	RIN040		05	S101		14	SR2SL1		23	WE1D0		07	Y0ZF1		25			
PDR0		28	R161		10	RIN050		05	S111		14	SRCIN1		24	WE1E0		07	Y01		18			
PDRCAD		28	R17C1		31	RIN060		05	SA0C1		21	SRESETO		25	WE1F0		07	YPF0		24			
PDFDT0		31	R171		10	RIN070		05	SA011		21	SRRC		23	WE20		07	YR0		24			
PHW0		29	R181		10	RINC80		05	SA021		21	STICKY1		20	WE30		07	Y501		19			
PHW1		29	R191		10	RINC90		05	SA031		21	STPO		26	WE4C		07	Y511		19			
PLE10		28	R201		10	RIN100		05	SA041		21	STPPSYNO		28	WE50		07	Y521		19			
PLE20		28	R211		10	RIN110		05	SA051		21	STPSYNO		28	WE60		07	Y531		19			
PDW0		24	R221		10	RIN120		05	SA061		21	SWTC		25	WE7C		07	Y5Z1		19			
PRACK0		28	R231		10	RIN130		05	SA071		21	SYNO		29	WRTCLK0		26	YX01		19			
PRC0		24				RIN140		05	SA081		21	SYN1		29	WRTCLG1		03	YX11		19			
PRC1		24	R2MEB0		10	RIN150		05	SA091		21	TACK0		28	X001		18	YX21		19			
PRCLK1		26	R2MEH0		10	RLV00		24	SA101		21	TACK0AD		28	X011		18	YX31		19			
PRODOE0		24	R322		31	RLV10		24	SA111		21	TAGWEO		10	X021		18	YXZ1		19			
PROM0		24	R372		31	RLV20		24	SBUSY0		28	TDRVO		26	X031		18	YXZF1		25			
PROMCE0		18	R402		31	RM305		24	SC00		05	TDRV1		26	X041		18	IS21		22			
PSR0		28	R411		31	RM319		26	SC01		03	TESCLRD		26	X051		18	IRMCLK0		28			
PSRCA0		28	R4702		23	RM4309		22	SC10		05	V001		11	X061		18	DMASTS0		22			
PSW101		14	R512		22	RM486		28	SC11		03	V011		11	X071		18	PSW121		14			
PSW111		14	R532		12	RMVF1		31	SC20		05	V021		11	X081		18	A15911		20			
PSW131		14	R552		12	ROUT000		05	SC21		03	V031		11	X091		18	ELFIN0		28			
PSW161		14	R582		31	ROUT010		05	SC30		05	V041		11	X101		18	A11910		24			
PSW171		14	RAS00		07	ROUT020		05	SC31		03	V051		11	X111		18	A24805		18			
PSW181		14	RAS0A0		07	ROUT030		05	SC40		05	V061		11	X121		18	A24905		18			
PSW211		14	RAS0B0		07	ROUT040		05	SC41		03	V071		11	X131		18	A29004		24			
PSW231		14	RASC1A0		07	ROUT050		05	SC50		05	V081		11	X141		18	A29005		24			
PSW241		14	RAS01B0		07	ROUT060		05	SC51		03	V091		11	X151		18	A9403		29			
PSW251		14	RAS10		07	ROUT070		05	SCATNO		30	V101		11	X15F1		14	A9411		29			
PSW261		14	RAS10A0		07	ROUT080		05	SCHK0		29	V111		11	XN2F0		14	CIN0		24			
PSW271		14	RAS10B0		07	ROUT090		05	SCLRD		31	V121		11	XRO		24	CINF1		14			
PSYNO		29	RAS11A0		07	ROUT100		05	SCLRBD		31	V131		11	XRPJ1		31	DSTOP0		28			
PSYN1		29	RAS11B0		07	ROUT110		05	SCLRBD0		31	V141		11	XYOE0		24	ENDPHW1		29			

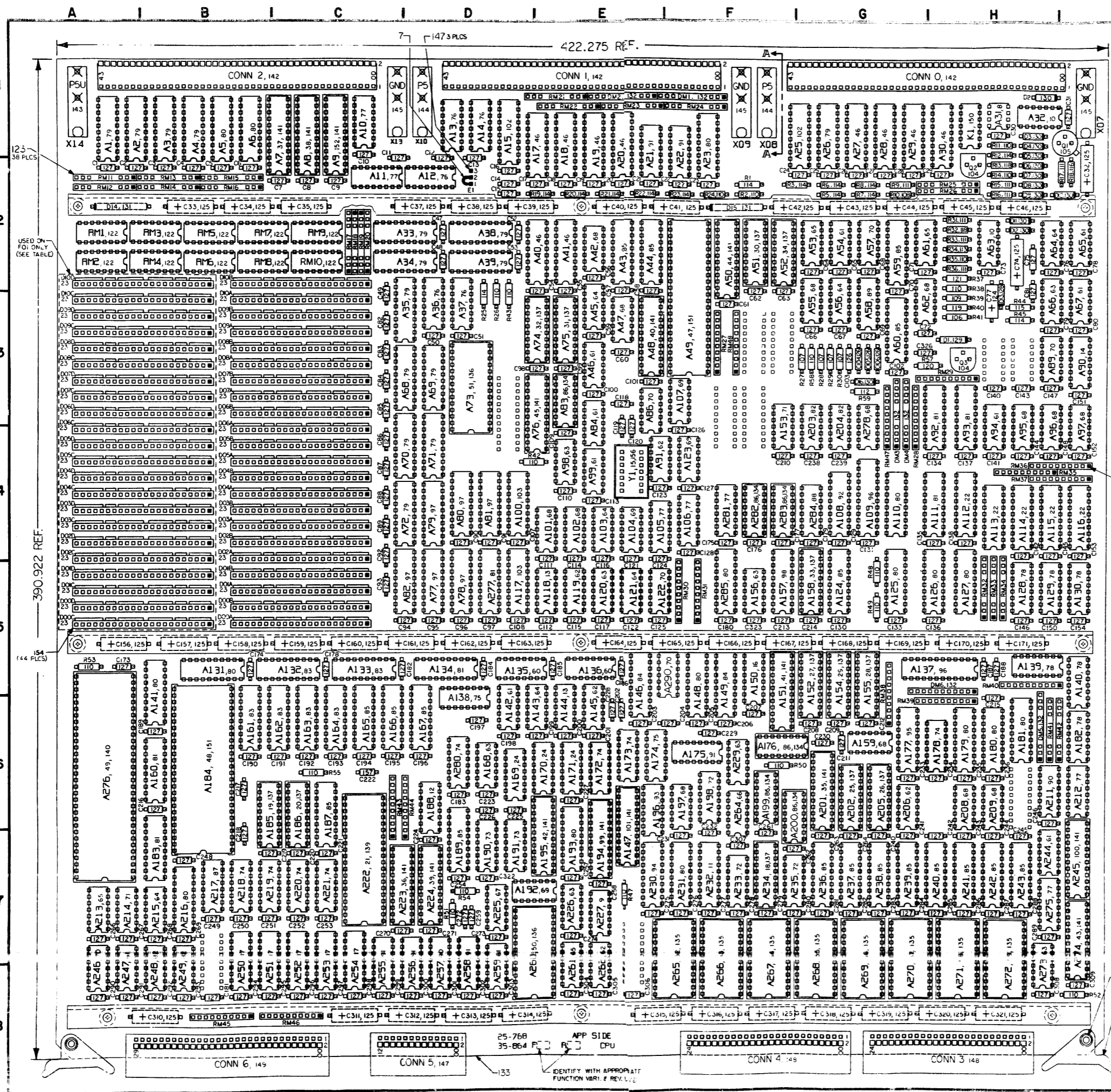
REVISIONS			
AREA L7, ADDED MNEMONIC "IS21" WITH SHT "22".	KR	KR	3335 MS 11-14-83 RO1
AREA C0, DELETE "R2MDIR0" SHT "16". AREA L7, ADDED NETS "IRMCLK0", "DMASTS0", "PSW121" & "15911".	KR	KR	5360 M 11-25-83 RO2 X
AREA L8, ADDED NET "LFIN0" SHT 28.	KE	KE	5575 MS 12-14-83 RO3 X
AREA L8, ADDED MNEMONICS A11910 THRU S620151 AND HT. #'S.	HH	KR	5606 M 1-12-84 RO4
AREA L9 & M1, ADDED MNEMONICS "IRCNT0" THRU "A21308" AND SHT. #'S.	VT	KR	5614 MS 1-16-84 RO5 X
AREA M1, ADDED MNEMONICS "IEN0", "CLKSTP0" AND SHT #'S.	KE	KE	5630 MS 2-23-84 RO6 X
AREA M1, ADDED MNEMONICS "BCNT11" & "BCNT01" & SHT #'S.	HH	QU	5657 MS 4-9-84 RO7 X

PERKIN-ELMER	
Computer Systems Division Oceanport, N.J. 07757	
"INFORMATION DISCLOSED HEREIN IS THE PROPERTY OF THE PERKIN-ELMER CORPORATION, COMPUTER SYSTEMS DIVISION, AND SHALL NOT BE DISCLOSED OR USED FOR ANY OTHER PURPOSES EXCEPT AS SPECIFIED BY CONTRACT BETWEEN THE RECIPIENT AND THE PERKIN-ELMER CORPORATION. DUPLICATION OF ANY PORTION OF THIS DATA SHALL INCLUDE THIS LEGEND."	
TITLE	CPU
DRAFTER	K. REED
DATE	TASK 03076
	DWG 35-864 RO 1
	SHT 34-34

BRUNING 44 131 405792

NOTES

A B C D E F G H J K L M N R S



REVISIONS

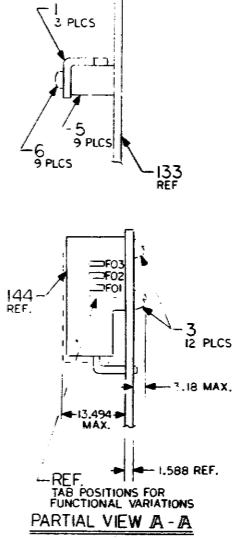
ADDED IC A290 TO AREA E5
IC A290 WAS A 20 PIN IC. CHG. TO A290
VT KZ 5606 MS 1-11-84 RGI

PRE PRODUCTION APPROVAL	DEV PROD	INIT DATE
		1/23/84

AREA A2 F01 ONLY WAS F00 ONLY. AREA A5 (HRI, TAB, L, F00) WAS SPECIFIED AS F01. F01 IS F00. ADDED F02-F04.

AREA D2 STRAP WAS CONNECTED TO ENTIRE AREA A5 ITEM 154 WITH 25K RES

MM 271 5641 24 2-2-80 RGI



FILLED IN PAD INDICATES PIN 1 OF ALL RESISTOR MODULES, DIODE MODULES AND MEMORY MODULES.

35-864 F02-F04	LO MB	SEE 35-864 D12
35-864 F01	I.OMB	AS SHOWN
35-864 F00	O.5 MB	AS SHOWN, LESS COMPONENTS IN DOTTED AREA

PART NO.	TITLE	DESCRIPTION
VARIATION TABLE		
	MILLIMETERS	INCHES
	1.588	.060
	3.18	.125
	13.499	.530
	390.922	15.405
	422.275	16.630

METRIC

USED IN MANUAL: 47-068

UNLESS OTHERWISE SPECIFIED

SCALE: 2:1	TOLERANCE:
DIMENSIONS ARE IN INCHES	.XXX ± .005 .X ± .03 .XX ± .02 ANGLES ± 1°

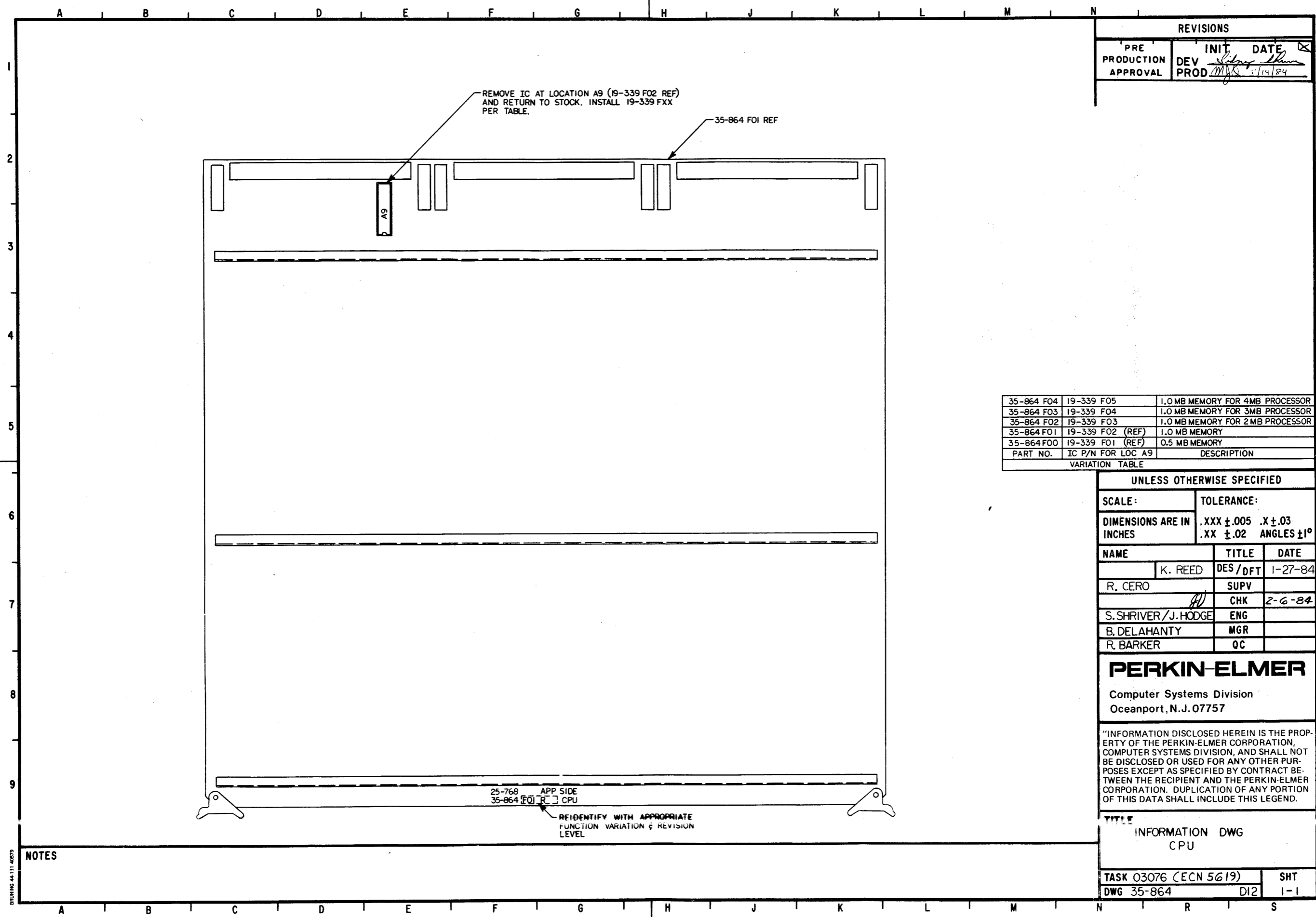
NAME	TITLE	DATE
M. TAHAMONT	DES / DFT	12-3-83
R. CERO	SUPV	12-20-83
	CHK	
S. SHRIVER/J. HODGE	ENG	
B. DELAHANTY	MGR	
R. BARKER	QC	

PERKIN-ELMER

Computer Systems Division
Oceanport, N.J. 07757

INFORMATION DISCLOSED HEREIN IS THE PROPERTY OF THE PERKIN-ELMER CORPORATION. IT IS TO BE KEPT CONFIDENTIAL AND NOT TO BE DISCLOSED OR USED FOR ANY OTHER PURPOSES EXCEPT AS SPECIFIED BY CONTRACT BETWEEN THE RECIPIENT AND THE PERKIN-ELMER CORPORATION. DUPLICATION OF ANY PORTION OF THIS DATA SHALL INCLUDE THIS LEGEND.

TITLE	ASSEMBLY DRAWING
CPU <td></td>	
TASK	03076
DWG	35-864 RC3 E03
SHT	1-1



REVISIONS		
PRE PRODUCTION APPROVAL	INIT DEV	DATE
		1/14/84

PART NO.	IC P/N FOR LOC A9	DESCRIPTION
35-864 FO4	19-339 FO5	1.0 MB MEMORY FOR 4MB PROCESSOR
35-864 FO3	19-339 FO4	1.0 MB MEMORY FOR 3MB PROCESSOR
35-864 FO2	19-339 FO3	1.0 MB MEMORY FOR 2MB PROCESSOR
35-864 FO1	19-339 FO2 (REF)	1.0 MB MEMORY
35-864 FO0	19-339 FO1 (REF)	0.5 MB MEMORY

UNLESS OTHERWISE SPECIFIED		
SCALE:	TOLERANCE:	
DIMENSIONS ARE IN INCHES	.XXX ± .005 .X ± .03 .XX ± .02 ANGLES ± 1°	
NAME	TITLE	DATE
K. REED	DES/DFT	1-27-84
R. CERO	SUPV	
	CHK	2-6-84
S. SHRIVER/J. HODGE	ENG	
B. DELAHANTY	MGR	
R. BARKER	QC	

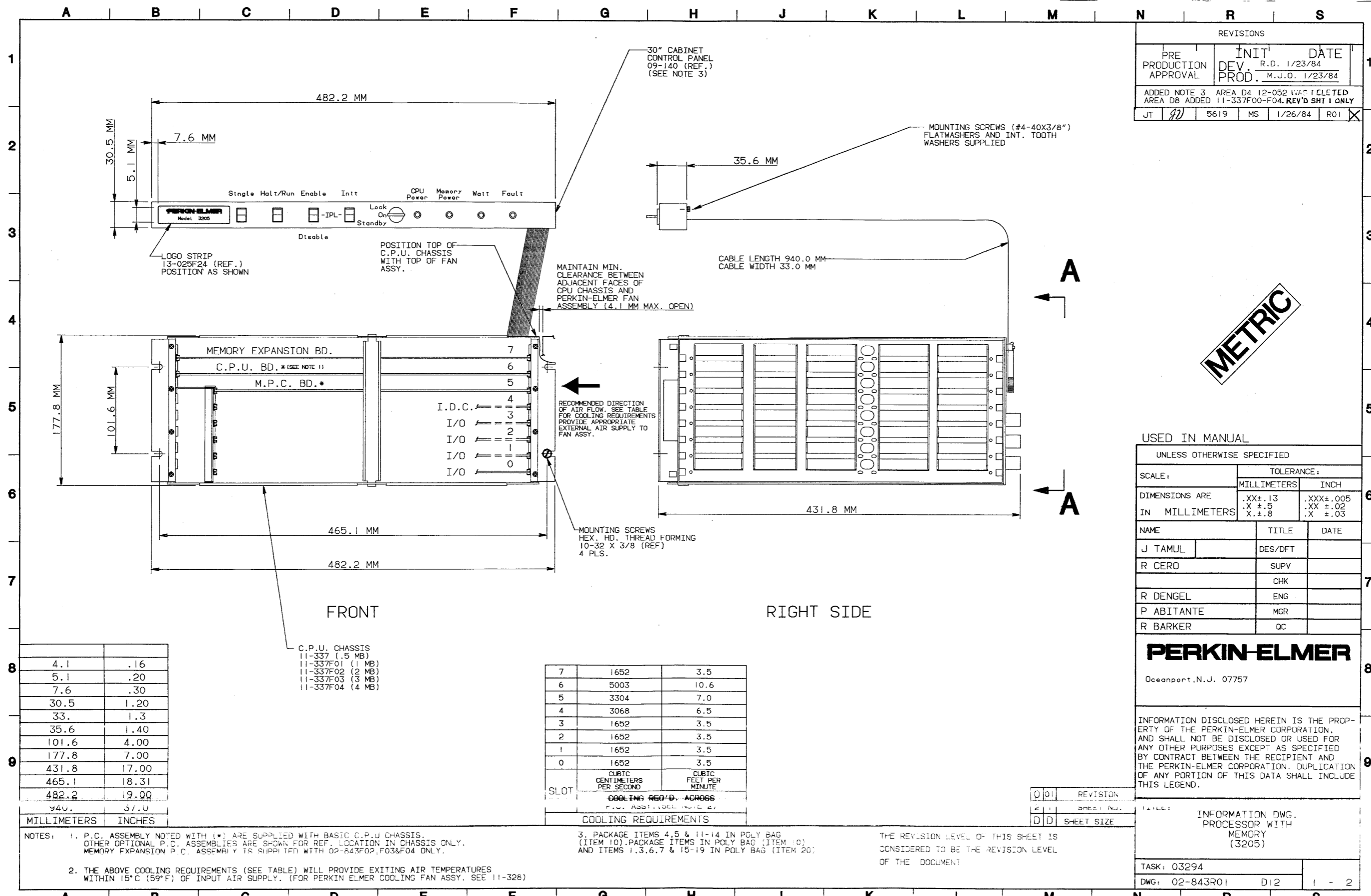
PERKIN-ELMER
 Computer Systems Division
 Oceanport, N.J. 07757

"INFORMATION DISCLOSED HEREIN IS THE PROPERTY OF THE PERKIN-ELMER CORPORATION, COMPUTER SYSTEMS DIVISION, AND SHALL NOT BE DISCLOSED OR USED FOR ANY OTHER PURPOSES EXCEPT AS SPECIFIED BY CONTRACT BETWEEN THE RECIPIENT AND THE PERKIN-ELMER CORPORATION. DUPLICATION OF ANY PORTION OF THIS DATA SHALL INCLUDE THIS LEGEND.

TITLE	
INFORMATION DWG CPU	
TASK 03076 (ECN 5619)	SHT
DWG 35-864	D12 1-1

NOTES

DRAWING 44-111 40279



REVISIONS			
PRE PRODUCTION APPROVAL	INIT DEV. PROD.	DATE R.D. 1/23/84 M.J.O. 1/23/84	1
ADDED NOTE 3 AREA D4 12-052 WAS DELETED AREA D8 ADDED 11-337F00-F04, REV'D SHT 1 ONLY			
JT	W	5619 MS	1/26/84 R01 X

METRIC

USED IN MANUAL

UNLESS OTHERWISE SPECIFIED		
SCALE:	TOLERANCE:	
	MILLIMETERS	INCH
DIMENSIONS ARE	.XX ± .13	.XXX ± .005
IN MILLIMETERS	.X ± .5	.XX ± .02
	X ± .8	.X ± .03
NAME	TITLE	DATE
J TAMUL	DES/DFT	
R CERO	SUPV	
	CHK	
R DENGEL	ENG	
P ABITANTE	MGR	
R BARKER	QC	

4.1	.16
5.1	.20
7.6	.30
30.5	1.20
33.	1.3
35.6	1.40
101.6	4.00
177.8	7.00
431.8	17.00
465.1	18.31
482.2	19.00
940.	37.0
MILLIMETERS	INCHES

7	1652	3.5
6	5003	10.6
5	3304	7.0
4	3068	6.5
3	1652	3.5
2	1652	3.5
1	1652	3.5
0	1652	3.5
SLOT	CUBIC CENTIMETERS PER SECOND	CUBIC FEET PER MINUTE
	COOLING REQ'D. ACROSS FAN ASSEMBLY (SEE NOTE 2)	
	COOLING REQUIREMENTS	

NOTES: 1. P.C. ASSEMBLY NOTED WITH (*) ARE SUPPLIED WITH BASIC C.P.U. CHASSIS. OTHER OPTIONAL P.C. ASSEMBLIES ARE SHOWN FOR REF. LOCATION IN CHASSIS ONLY. MEMORY EXPANSION P.C. ASSEMBLY IS SUPPLIED WITH 02-843F02, F03 & F04 ONLY.

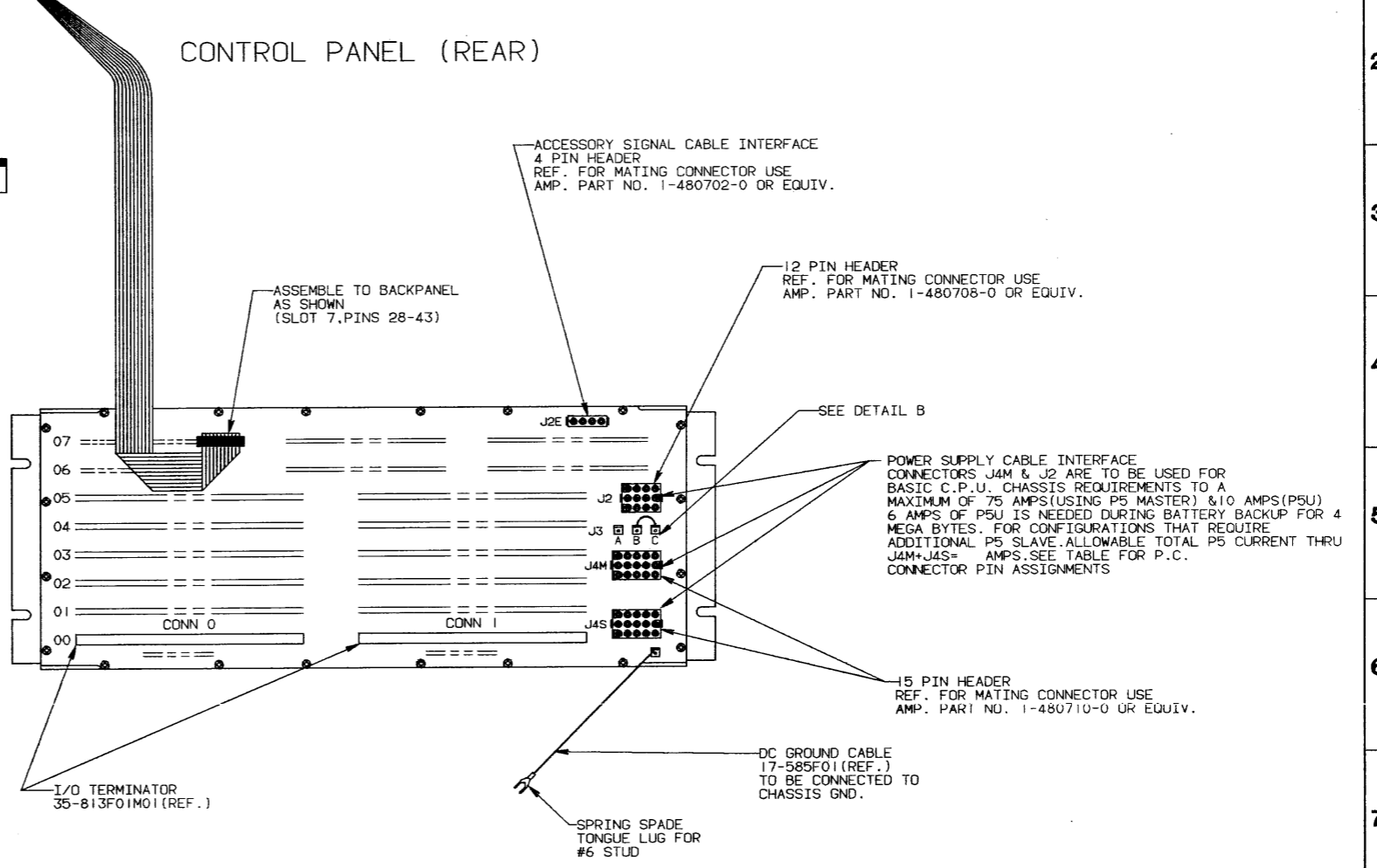
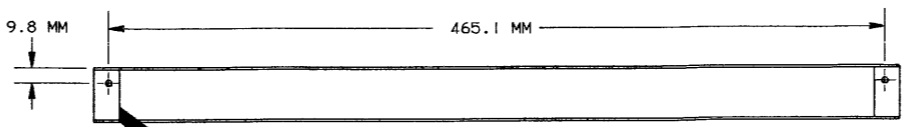
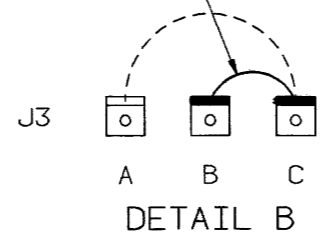
2. THE ABOVE COOLING REQUIREMENTS (SEE TABLE) WILL PROVIDE EXITING AIR TEMPERATURES WITHIN 15°C (59°F) OF INPUT AIR SUPPLY. (FOR PERKIN-ELMER COOLING FAN ASSY. SEE 11-328)

3. PACKAGE ITEMS 4, 5 & 11-14 IN POLY BAG (ITEM 10). PACKAGE ITEMS IN POLY BAG (ITEM 10) AND ITEMS 1, 3, 6, 7 & 15-19 IN POLY BAG (ITEM 20).

THE REVISION LEVEL OF THIS SHEET IS CONSIDERED TO BE THE REVISION LEVEL OF THE DOCUMENT

P.C. ASSY. POWER REQUIREMENTS (AMPS)							
SLOT NO.	P.C. ASSEMBLY	P5	PSU				
			512KB	1MB	2MB	3MB	4MB
07	MEM EXP	1.0	-	-	4.5	6.5	8.6
06	CPU	18.0	3.6	4.6	4.6	4.6	4.6
05	MPC	12.0					
04	I.D.C	11.0					
03	I/O	7.0					
02	I/O	7.0					
01	I/O	7.0					
00	I/O	7.0					

JUMPER 17-584 (REF.)
CONNECT JUMPER FROM POSITION B TO C WHEN POWER SUPPLY WITH P5 ONLY IS USED.
CONNECT JUMPER FROM POSITION A TO C WHEN POWER SUPPLY WITH P5/PSU IS USED.



VIEW A-A
(BACKPANEL APP. SIDE)

PIN NO.	J2 (12 PIN)	J4M (15 PIN)	J4S (15 PIN)
15	-	P5	P5
14	-	P5	P5
13	-	P5	P5
12	P5U	P5	P5
11	PSU SENSE	P5	P5
10	P5U	P5	P5
09	PSU GND	P5 SENSE GND	P5 SENSE GND
08	PSU SENSE GND	CHS GND	CHS GND
07	PSU GND	P5 SENSE	P5 SENSE
06	-	P5 GND	P5 GND
05	-	P5 GND	P5 GND
04	FFLTO	P5 GND	P5 GND
03	2XLF1	P5 GND	P5 GND
02	PFDT0	P5 GND	P5 GND
01	KSON0	P5 GND	P5 GND
BACKPANEL CONNECTOR (P.C. HEADER)			

CONN. PIN ASSIGNMENT

6	P5 CONTROL	ON/OFF CONTROL OF P5 THROUGH THE KEY SWITCH
6	OVERTEMPERATURE PROTECTION	P5 SHUT DOWN TEMPERATURE 105° C ± 5° (221° F ± 41° F) P5 RESET TEMPERATURE 80° C ± 6° (176° F ± 42.8° F)
7	OUTPUT SIGNALS TO THE BACKPANEL FROM DPSC	PFDT0 OUTPUT POWER FAIL DETECT LOGIC LEVELS: 1... OPEN CIRCUIT WITH PULL-UP TO PSU THROUGH 860 OHMS (ON CPU BOARD) ... 1.2 VOLTS MAXIMUM WITH A 10mA CURRENT SINK 2XLF1 TWICE LINE FREQUENCY CLOCK SIGNAL OUTPUT LOGIC LEVELS: 1... APPROXIMATELY 1 MILLISECOND WIDE PULSE EVERY 8.3 MILLISECONDS WITH A SOURCE RESISTANCE OF 1 KOHMS ... 1 VDC MAXIMUM MAXIMUM LOADING... NO MORE THAN 2 STANDARD LINE FREQUENCY CLOCK MODULES OR UNIVERSAL CLOCK MODULES ATTACHED TO THE CPU BACKPANEL
8	P5 & PSU OVERVOLTAGE LIMITING	6.0 VOLTS MAX. AT SENSE POINTS
8	P5 & PSU 120 Hz RIPPLE	60 MILLIVOLTS(DC TO 20 MHz) PEAK TO PEAK MAX. (0-50° C)(132-122° F) NO LOAD TO FULL LOAD MEASURED AT SENSE POINTS WITH DIFFERENTIAL PROBE
8	P5 & PSU LOAD, LINE, TEMPERATURE & DYNAMIC LOADING REGULATION	± 5% AT ANY POINT ON BOARD (LOAD)
8	PSU SENSE POINT LOCATION ON BACKPANEL	CONNECTOR J2
8	PS SENSE POINT LOCATION ON BACKPANEL	CENTER OF SLOT ON APP. SIDE
9	VOLTAGE AT SENSE POINTS	5.08 VOLTS ± 10 MILLIVOLTS
9	REMOTE SENSE POINTS	PROVIDE AT BACKPANEL TO OVERCOME VOLTAGE DROP FROM POWER SUPPLY TO BACKPANEL
REQUIREMENT		DESCRIPTION
CHASSIS POWER REQUIREMENTS		

NOTES:

PERKIN-ELMER
Oceanport, N.J. 07757

INFORMATION DISCLOSED HEREIN IS THE PROPERTY OF THE PERKIN-ELMER CORPORATION, AND SHALL NOT BE DISCLOSED OR USED FOR ANY OTHER PURPOSES EXCEPT AS SPECIFIED BY CONTRACT BETWEEN THE RECIPIENT AND THE PERKIN-ELMER CORPORATION. DUPLICATION OF ANY PORTION OF THIS DATA SHALL INCLUDE THIS LEGEND.

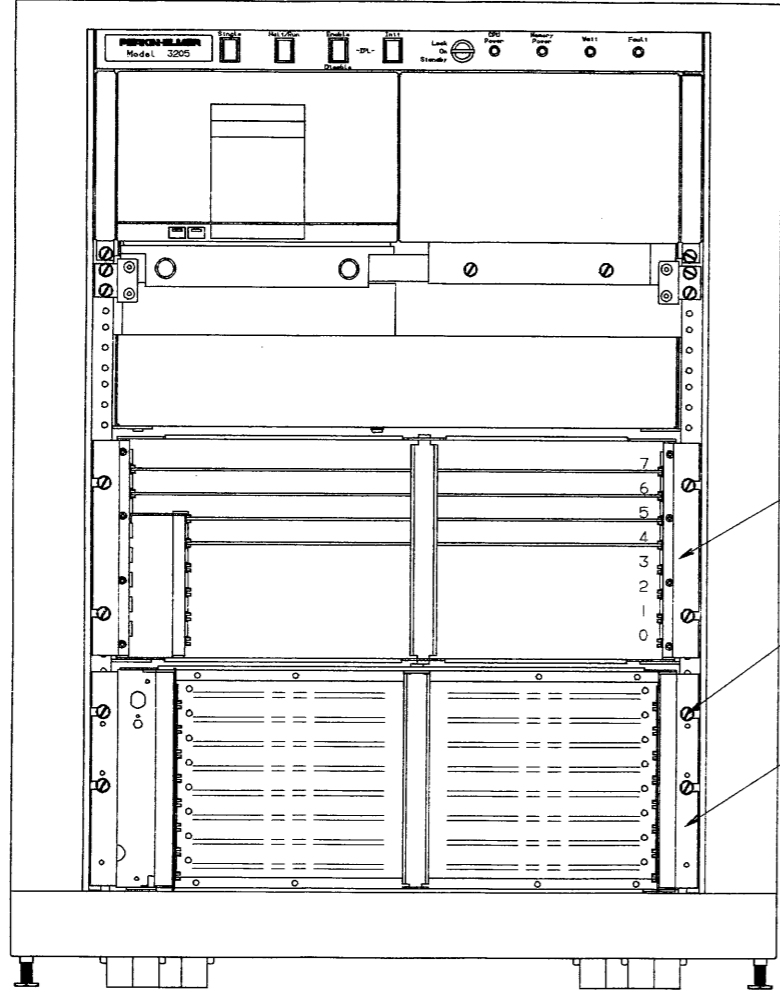
TITLE: INFORMATION DWG. PROCESSOR (3205)

DRAFTER	J TAMULEVICIUS
DATE	TASK: 03294
DWG: 02-843	D12 2 - 2

A B C D E F G H J K L M N R S

1
2
3
4
5
6
7
8
9

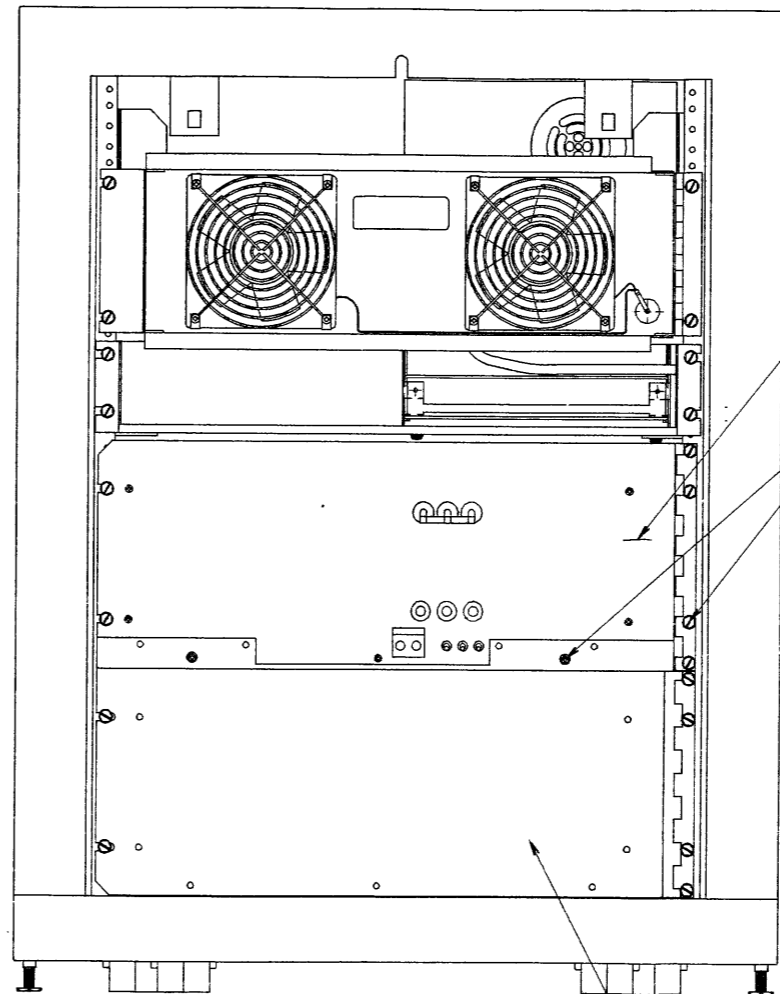
REVISIONS		
PRE PRODUCTION APPROVAL	INIT	DATE
	DEV. <i>[Signature]</i>	9/30/83
	PROD. <i>[Signature]</i>	10/2/83



CPU CHASSIS^{REF}

MOUNTING SCREW
THREAD FORMING
#10-32X3/8
(4 SUPPLIED)

I/O CHASSIS
12-053^{REF}



PWR. EXP. MASTER (P5)^{REF.1}

MOUNTING KIT. 16-871
FROM 02-744^{REF}

POWER EXP. SLAVE
02-744^{REF}

FRONT VIEW

REAR VIEW

DOMESTIC 208V & INTERNATIONAL 230V
ONLY

USED IN MANUAL

UNLESS OTHERWISE SPECIFIED			
SCALE:	TOLERANCE:		
3/8	MILLIMETERS	INCH	
DIMENSIONS ARE	.XX±.13	.XXX±.005	
IN MILLIMETERS	.X ±.5	.XX ±.02	
	X ±.8	.X ±.03	
NAME	TITLE	DATE	
J TAMUL	DES/DFT	6/20/83	
R CERO	SUPV		
	CHK		
R DENGEL	ENG.		
P ABITANTE	MGR		
R BARKER	QC		

PERKIN-ELMER

Oceanport, N.J. 07757

INFORMATION DISCLOSED HEREIN IS THE PROPERTY OF THE PERKIN-ELMER CORPORATION, AND SHALL NOT BE DISCLOSED OR USED FOR ANY OTHER PURPOSES EXCEPT AS SPECIFIED BY CONTRACT BETWEEN THE RECIPIENT AND THE PERKIN-ELMER CORPORATION. DUPLICATION OF ANY PORTION OF THIS DATA SHALL INCLUDE THIS LEGEND.

NOTES:

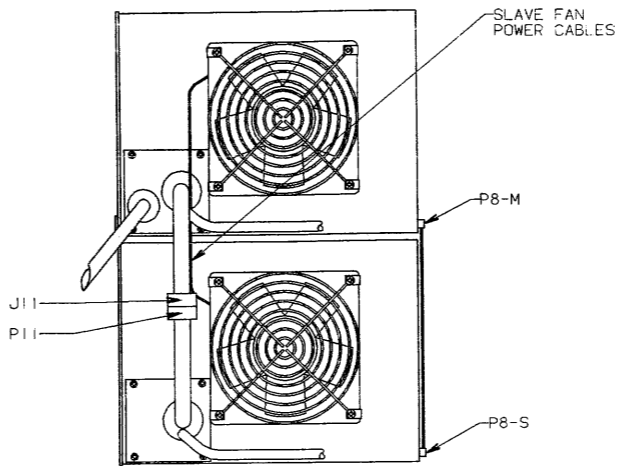
THE REVISION LEVEL OF THIS SHEET IS CONSIDERED TO BE THE REVISION LEVEL OF THE DOCUMENT

1010	REVISION
1010	SHEET SIZE

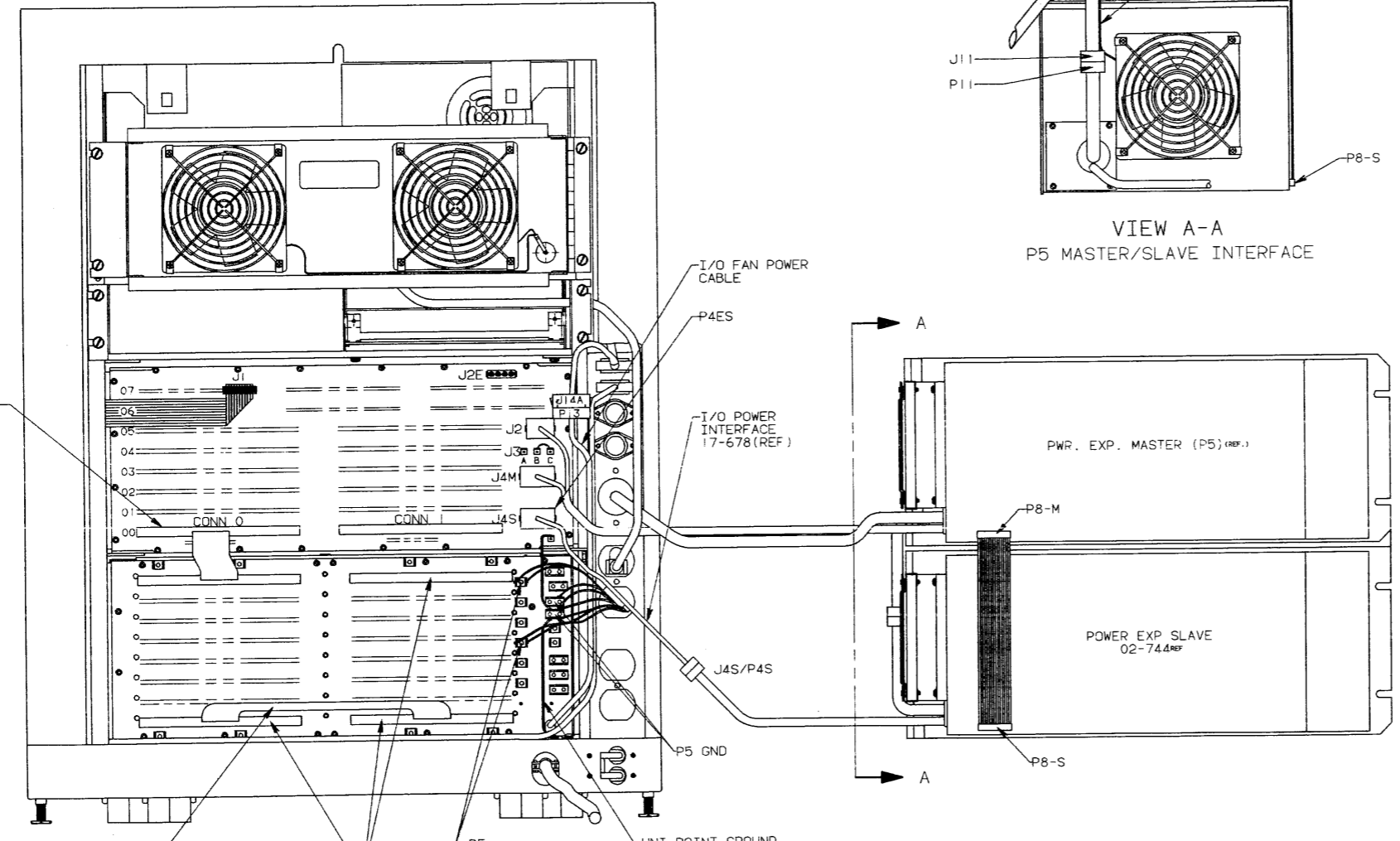
INFORMATION DWG	
I/O EXPANSION	
3205	
TASK: 03294	
DWG: 02-865	D12 1 - 2

A B C D E F G H J K L M N R S

REVISIONS



VIEW A-A
P5 MASTER/SLAVE INTERFACE



REAR VIEW

35-813F01M01
TERMINATOR
REPLACED WITH
17-193M02
FIELD 0 TO
FIELD 0 I/O
EXPANSION (REF.)

CABLE TRANSMISSION
17-464F02 (REF.)

I/O TERMINATOR
35-813F01M01 (REF.)

POWER SUPPLY & POWER EXP SLAVE
REMOVED FROM CABINET
TO CLARIFY DWG

PERKIN-ELMER
Oceanport, N.J. 07757

INFORMATION DISCLOSED HEREIN IS THE PROP-
ERTY OF THE PERKIN-ELMER CORPORATION,
AND SHALL NOT BE DISCLOSED OR USED FOR
ANY OTHER PURPOSES EXCEPT AS SPECIFIED
BY CONTRACT BETWEEN THE RECIPIENT AND
THE PERKIN-ELMER CORPORATION. DUPLICATION
OF ANY PORTION OF THIS DATA SHALL INCLUDE
THIS LEGEND.

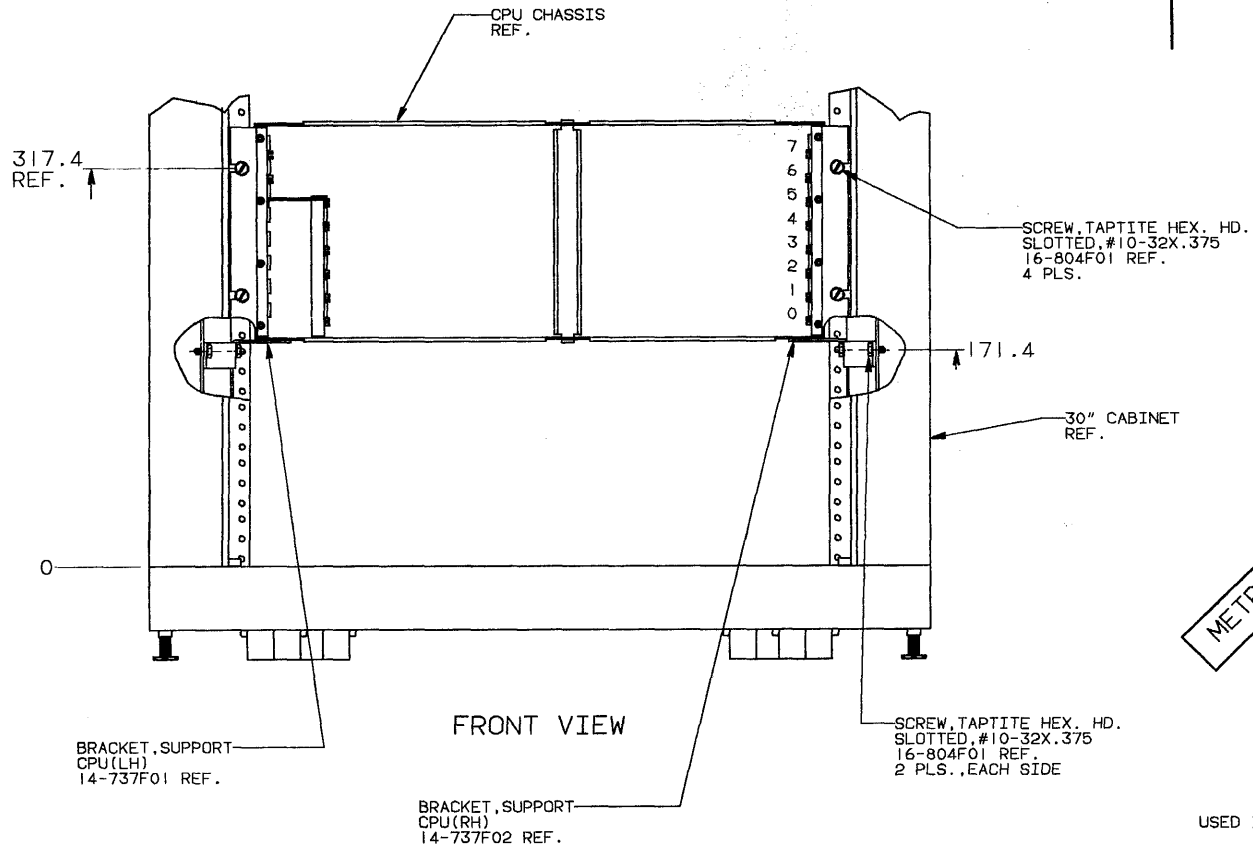
TITLE:
INFORMATION DWG
I/O EXPANSION
3205

NOTES:

DRAFTER	
Q STINE	
DATE	TASK: 03294
8-22-83	DWG: 02-865 D12 2 - 2

MILLIMETERS	INCHES
171.4	6.75
317.4	12.50

REVISIONS		
PRE-PRODUCTION APPROVAL	INITIALS	DATE
	DEV	7/13/83
	PROD	7/13/83



METRIC

USED IN MANUAL

PERKIN-ELMER

Deerport, N.J. 07757

INFORMATION DISCLOSED HERE IS THE PROPERTY OF THE PERKIN-ELMER CORPORATION, AND SHALL NOT BE DISCLOSED OR USED FOR ANY OTHER PURPOSES EXCEPT AS SPECIFIED BY CONTRACT BETWEEN THE RECIPIENT AND THE PERKIN-ELMER CORPORATION. DUPLICATION OF ANY PORTION OF THIS DATA SHALL INCLUDE THIS LEGEND.

NOTES:

UNLESS OTHERWISE SPECIFIED		TOLERANCE:	
SCALE:		MILLIMETERS	INCHES
DIMENSIONS ARE IN	MILLIMETERS	.XX ± .13 .X ± .5 .X ± .8	.XXX ± .005 .XX ± .02 .X ± .03
NAME	TITLE	DATE	
J TAMUL	DES/DFT	7/13/83	
R CERO	SUPV		
	CHK		
R DENGEL	ENG		
P ABITANTE	MGR		
R BARKER	QC		
TITLE:			KIT, CHASSIS MTG. 30" CABINET
TASK: 03294			
DWG: 16-946			C12 1-1

REVISIONS

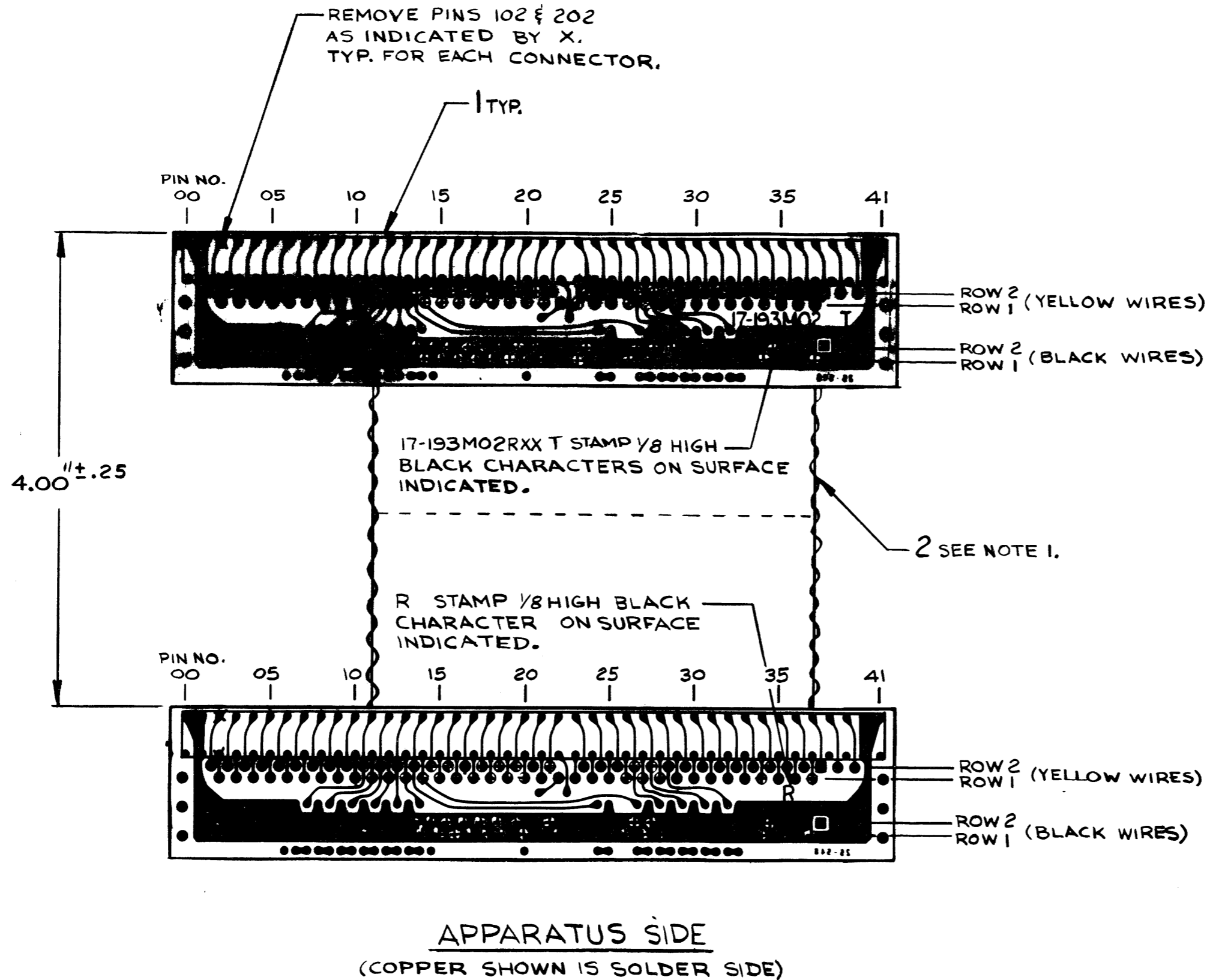
RELEASED FOR PRODUCTION
MFG. ENG. *R.L. Gandy* DATE *9/15/77*

CONNECTORS WERE ITEM 3.
W.W.S WERE ITEM 4.

GM *JV* 3538 1-23-78 RO1

ADDED WW STAKES AT
AREAS H3,4,7&8. (4 TOTAL)

JAT *JM* L19011-8 3-20-81 RO2



NOTES
1. MAINTAIN 3 TWISTS PER INCH (MIN.) ON ALL T/P WIRES.

SCALE - 1:1

TOLERANCE:	
.XXX	± .008
XX	± .02
X	± .03
ANGLES	± 1°
UNLESS OTHERWISE SPECIFIED	

NAME	TITLE	DATE	TITLE CABLE ASS'Y
P. EDWARDS	DRAFT	4-26-77	FIELD 0 TO FIELD 0
R. CERO	CHK	6-22-77	I/O 15" CHASSIS
J. BARRETT	ENGR	8-16-77	
R. BARKER	Q.C.	6-21-77	TASK NO. 03077
P. ABITANTE	MGR	5-16-77	DWG NO. 17-193M02R02B03

SHEET OF
1-1

A B C D E F G H J K L M N R S

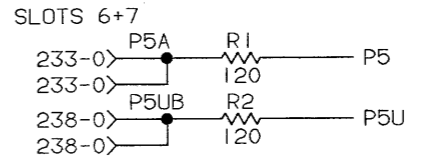
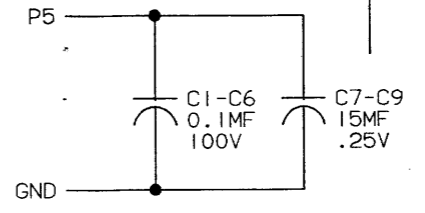
REVISIONS		
PRE PRODUCTION APPROVAL	INIT DEV. <i>[Signature]</i>	DATE 3/11/84

J2E	
PIN	FUNCTION
01	C4
02	PFDTO
03	2XLF
04	

J3		
A	B	C
SPARE	P5	PSU

J2	
PIN	FUNCTION
01	C4
02	PFDTO
03	2XLF
04	
05	
06	GND
07	GND SENSE
08	GND SENSE
09	GND
10	PSU
11	PSU SENSE
12	PSU

J4M, J4S	
PIN	FUNCTION
01	GND
02	GND
03	GND
04	GND
05	GND
06	GND
07	P5 SENSE
08	CHS. GND
09	GND SENSE
10	P5
11	P5
12	P5
13	P5
14	P5
15	P5



USED IN MANUAL 47-068

CONN 0				CONN 1				CONN 2							
PIN	ROW 1	FUNCTION	LOCATION	PIN	ROW 2	FUNCTION	LOCATION	PIN	ROW 1	FUNCTION	LOCATION	PIN	ROW 2	FUNCTION	LOCATION
43	GND			43	GND			43				43			
42	GND			42	GND			42				42			
41				41	SC01	S		41				41			
40	GND			40	SC21	S		40				40			
39	GND			39	SC41	S		39				39			
38	KEYED			38	PSUB			38				38			
37	GND			37	C4			37				37			
36	GND			36	P0FF0			36				36			
35	GND			35	WAIT0			35				35			
34	GND			34	FAULT0			34				34			
33	GND			33	P5A			33				33			
32	GND			32	SNGL0			32				32			
31	GND			31	PFDTO	S		31				31			
30	GND			30	RCATNO	R		30				30			
29	GND			29	SCATNO	R		29				29			
28	GND			28	LSU1	R		28				28			
27				27				27				27			
26	SCLRO	S		26	HWO	R		26				26			
25				25				25				25			
24				24				24				24			
23	SYNO	R		23	ATNO	R		23				23			
22				22	TACK0	S		22				22			
21	CLO70	S		21	DAO	S		21				21			
20	DRO	S		20	CMDO	S		20				20			
19	SRO	S		19	ADRS0	S		19				19			
18	D140	S/R		18	D150	S/R		18				18			
17	D120	S/R		17	D130	S/R		17				17			
16	D100	S/R		16	D110	S/R		16				16			
15	D080	S/R		15	D090	S/R		15				15			
14	D060	S/R		14	D070	S/R		14				14			
13	D040	S/R		13	D050	S/R		13				13			
12	D020	S/R		12	D030	S/R		12				12			
11	D000	S/R		11	D010	S/R		11				11			
10				10				10				10			
09				09				09				09			
08				08	GND			08				08			
07				07				07				07			
06				06				06				06			
05				05				05				05			
04				04				04				04			
03				03				03				03			
02				02				02				02			
01	GND			01	GND			01				01			
00	GND			00	GND			00				00			

NOTES: 1. S = SENDER
R = RECEIVER
S/R = SENDER RECEIVER

UNLESS OTHERWISE SPECIFIED		
SCALE:	TOLERANCE:	
	MILLIMETERS	INCH
DIMENSIONS ARE IN	.XX±.13 .X ±.5 .X ±.8	.XXX±.005 .XX ±.02 .X ±.03
NAME	TITLE	DATE
@ STINE @ STINE	DES/DFT	1/27/84
R CERO	SUPV	
	CHK	
S BASTIAN	ENG	
P BALAS	MGR	
R BARKER	QC	
PERKIN-ELMER		
Oceanport, N.J. 07757		
INFORMATION DISCLOSED HEREIN IS THE PROPERTY OF THE PERKIN-ELMER CORPORATION, AND SHALL NOT BE DISCLOSED OR USED FOR ANY OTHER PURPOSES EXCEPT AS SPECIFIED BY CONTRACT BETWEEN THE RECIPIENT AND THE PERKIN-ELMER CORPORATION. DUPLICATION OF ANY PORTION OF THIS DATA SHALL INCLUDE THIS LEGEND.		

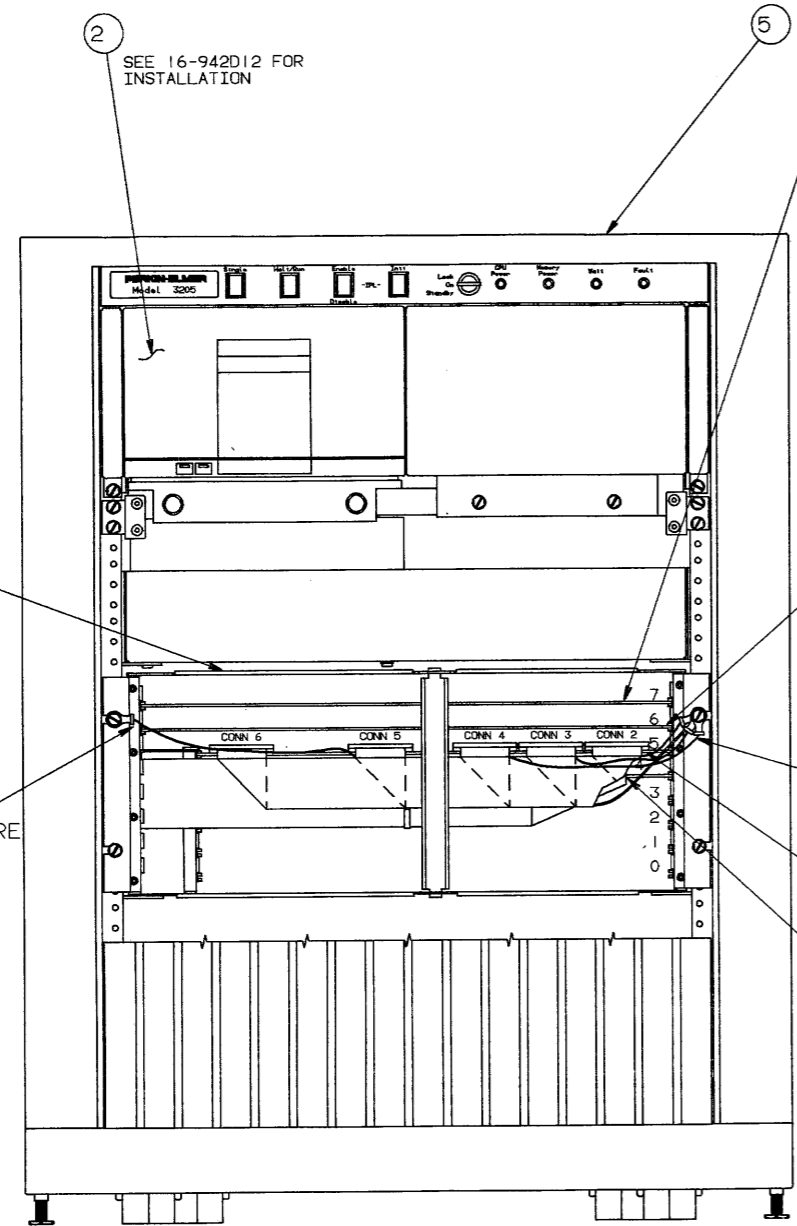
3205 BACKPANEL		
TASK 03076, ECR 5619		
DWG: 01-262	D08	1 - 2

A B C D E F G H J K L M N R S

	A	B	C	D	E	F	G	H	J	K	L	M	N	R	S	
	SLOT 0 CONN 1				SLOT 1 THRU 4 CONN 1				SLOT 5 CONN 1				REVISIONS			
1	PIN	ROW 1	FUNCTION	LOCATION	PIN	ROW 2	FUNCTION	LOCATION	PIN	ROW 1	FUNCTION	LOCATION	PIN	ROW 2	FUNCTION	LOCATION
	41	P5			41	GND			41	P5			41	GND		
	40	GND			40	GND			40	GND			40	GND		
	39				39				39				39			
	38				38				38				38			
	37				37	GND			37				37	GND		
	36				36				36				36			
	35				35				35				35			
	34				34				34				34			
	33				33				33				33			
	32				32				32				32			
	31				31				31				31			
	30				30				30				30			
	29				29				29				29			
	28				28				28				28			
	27	GND			27	GND			27	GND			27	GND		
	26	SCLRO	R		26	SCLRO	R		26	SCLRO	R		26	SCLRO	R	
	25				25				25				25			
	24	SENSO	S		24	SCHKO	S		24	SENSO	S		24	PHWO	S	
	23	SYNO	S		23	SCHKO	S		23	PSYNO	S		23	SCHKO	S	
	22	RACKO	R		22	SBUSYO	R		22	RACKO	R		22	SBUSYO	R	
	21	CL070	R		21	ATNO	S		21	PSYNO	S		21	PATNO	S	
	20	DRO	R		20	TACKO	S		20	RACKO	R		20	PTACKO	S	
	19	SRO	R		19	DAO	R		19	CL070	R		19	PDAO	R	
	18	D140	S/R		18	CMDO	R		18	DRO	R		18	PCMDO	R	
	17	D120	S/R		17	ADRSO	R		17	SRO	R		17	PADRSO	R	
	16	D100	S/R		16	D140	S/R		16	D140	S/R		16	PD140	S/R	
	15	D080	S/R		15	D120	S/R		15	D120	S/R		15	PD120	S/R	
	14	D060	S/R		14	D100	S/R		14	D100	S/R		14	PD100	S/R	
	13	D040	S/R		13	D080	S/R		13	D080	S/R		13	PD080	S/R	
	12	D020	S/R		12	D060	S/R		12	D060	S/R		12	PD060	S/R	
	11	D000	S/R		11	D040	S/R		11	D040	S/R		11	PD040	S/R	
	10				10	D020	S/R		10	D020	S/R		10	PD020	S/R	
	09				09	D000	S/R		09	D000	S/R		09	PD000	S/R	
	08				08				08				08			
	07				07	GND			07				07	GND		
	06				06				06				06			
	05				05				05				05			
	04				04				04				04			
	03				03				03				03			
	02				02				02				02			
	01	GND			01	GND			01	GND			01	GND		
	00	P5			00	P5			00	P5			00	P5		
	CONN 0				CONN 0				CONN 0				CONN 0			
6	PIN	ROW 1	FUNCTION	LOCATION	PIN	ROW 2	FUNCTION	LOCATION	PIN	ROW 1	FUNCTION	LOCATION	PIN	ROW 2	FUNCTION	LOCATION
	41	P5			41	GND			41	P5			41	GND		
	40	GND			40	GND			40	GND			40	GND		
	39				39				39				39			
	38				38				38				38			
	37				37				37				37			
	36	GND			36	GND			36	GND			36	GND		
	35				35				35				35			
	34				34				34				34			
	33				33				33				33			
	32				32				32				32			
	31				31				31				31			
	30				30				30				30			
	29	GND			29	GND			29	GND			29	GND		
	28				28				28				28			
	27				27				27				27			
	26	SCLRO	R		26	SCLRO	R		26	SCLRO	R		26	SCLRO	R	
	25				25				25				25			
	24				24				24				24			
	23	SYNO	S		23	ATNO	S		23	SYNO	S		23	ATNO	S	
	22	RACKO	R	SEE NOTE 2	22	TACKO	S		22	RACKO	R		22	TACKO	S	
	21	CL070	R		21	DAO	R		21	CL070	R		21	DAO	R	
	20	DRO	R		20	CMDO	R		20	DRO	R		20	CMDO	R	
	19	SRO	R		19	ADRSO	R		19	SRO	R		19	ADRSO	R	
	18	D140	S/R		18	D140	S/R		18	D140	S/R		18	D140	S/R	
	17	D120	S/R		17	D120	S/R		17	D120	S/R		17	D120	S/R	
	16	D100	S/R		16	D100	S/R		16	D100	S/R		16	D100	S/R	
	15	D080	S/R		15	D080	S/R		15	D080	S/R		15	D080	S/R	
	14	D060	S/R		14	D060	S/R		14	D060	S/R		14	D060	S/R	
	13	D040	S/R		13	D040	S/R		13	D040	S/R		13	D040	S/R	
	12	D020	S/R		12	D020	S/R		12	D020	S/R		12	D020	S/R	
	11	D000	S/R		11	D000	S/R		11	D000	S/R		11	D000	S/R	
	10				10				10				10			
	09				09				09				09			
	08				08				08				08			
	07				07				07				07			
	06				06				06				06			
	05				05				05				05			
	04				04				04				04			
	03				03				03				03			
	02				02				02				02			
	01	GND			01	GND			01	GND			01	GND		
	00	P5			00	P5			00	P5			00	P5		
	CONN 0				CONN 0				CONN 0				CONN 0			
9	PIN	ROW 1	FUNCTION	LOCATION	PIN	ROW 2	FUNCTION	LOCATION	PIN	ROW 1	FUNCTION	LOCATION	PIN	ROW 2	FUNCTION	LOCATION
	41	P5			41	GND			41	P5			41	GND		
	40	GND			40	GND			40	GND			40	GND		
	39				39				39				39			
	38				38				38				38			
	37				37				37				37			
	36	GND			36	GND			36	GND			36	GND		
	35				35				35				35			
	34				34				34				34			
	33				33				33				33			
	32				32				32				32			
	31				31				31				31			
	30				30				30				30			
	29	GND			29	GND			29	GND			29	GND		
	28				28				28				28			
	27				27				27				27			
	26	SCLRO	R		26	SCLRO	R		26	SCLRO	R		26	SCLRO	R	
	25				25				25				25			
	24				24				24				24			
	23	SYNO	S		23	ATNO	S		23	SYNO	S		23	ATNO	S	
	22	RACKO	R		22	TACKO	S		22	RACKO	R		22	TACKO	S	
</																

A B C D E F G H J K L M N R S

1
2
3
4
5
6
7
8
9



FRONT VIEW

② SEE 16-942D12 FOR INSTALLATION

⑤ 01-262F00, F01 USE ITEM 16
01-263F00, F01

MEMORY EXPANSION (REF.)
35-865F02 (1 MB) BD. FOR 2 MB PROC.
35-865F03 (2 MB) BD. FOR 3 MB PROC.
35-865F04 (3 MB) BD. FOR 4 MB PROC.

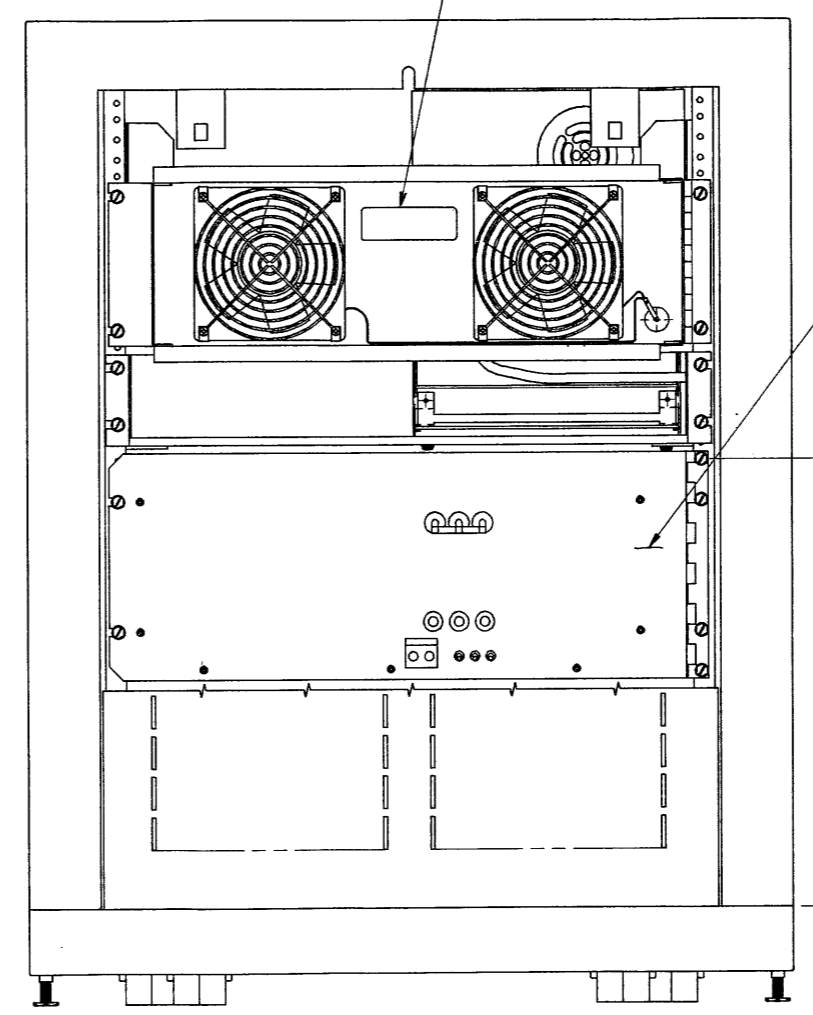
CPU BD. (REF.)
35-864 (.5 MB)
35-864F01 (1 MB)
35-864F02 (2 MB)
35-864F03 (3 MB)
35-864F04 (4 MB)

CABLE DRAIN WIRES

MPC BD. (REF.)
35-867

IDC BD. (REF.)
02-734
(SEE 16-942D12 FOR CABLING DETAILS)

FANS MUST BE OPERATING IN CLOSED POSITION WHEN DISCS ARE IN OPERATION



REAR VIEW

④ MTG. HDW. INCLUDED SEE SHT 2

13.75 IN
349.3 MM

REVISIONS				
PRE PRODUCTION APPROVAL	INIT DEV.	DATE		
	R DENGEL	2/14/84		
	J QUINN	2/14/84		
AREA F1 ADDED NOTE, 01-262F00, F01 & 01-263F00, F01 TO USE ITEM 16. REV'D SHT. 1 ONLY				
VT	JV	5690	M	4/17/84
				RO1

METRIC

USED IN MANUAL

UNLESS OTHERWISE SPECIFIED		
SCALE: 3/8	TOLERANCE:	
	MILLIMETERS	INCH
DIMENSIONS ARE IN MILLIMETERS	.XX±.13 .X±.5 .X±.8	.XXX±.005 .XX±.02 .X±.03
NAME	TITLE	DATE
J TAMUL	DES/DFT	1/26/84
R CERO	SUPV	
	CHK	
R DENGEL	ENG	
P ABITANTE	MGR	
R BARKER	QC	

PERKIN-ELMER
Oceanport, N.J. 07757

INFORMATION DISCLOSED HEREIN IS THE PROPERTY OF THE PERKIN-ELMER CORPORATION, AND SHALL NOT BE DISCLOSED OR USED FOR ANY OTHER PURPOSES EXCEPT AS SPECIFIED BY CONTRACT BETWEEN THE RECIPIENT AND THE PERKIN-ELMER CORPORATION. DUPLICATION OF ANY PORTION OF THIS DATA SHALL INCLUDE THIS LEGEND.

01	REVISION
2	SHEET
01	SHEET SIZE

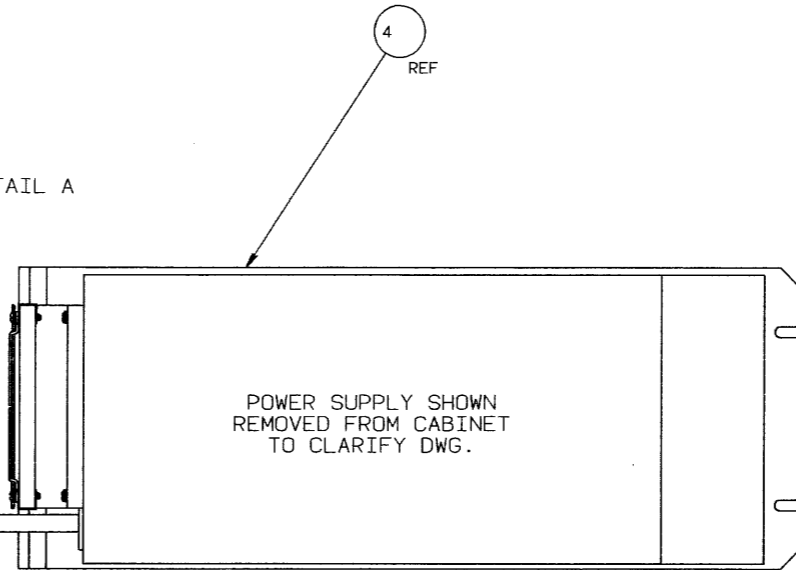
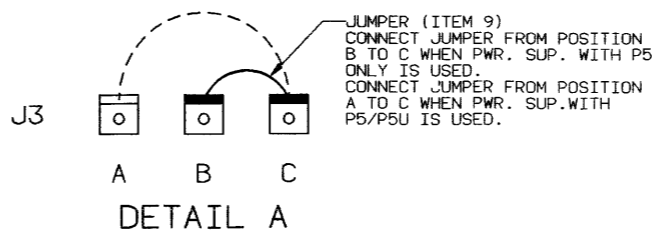
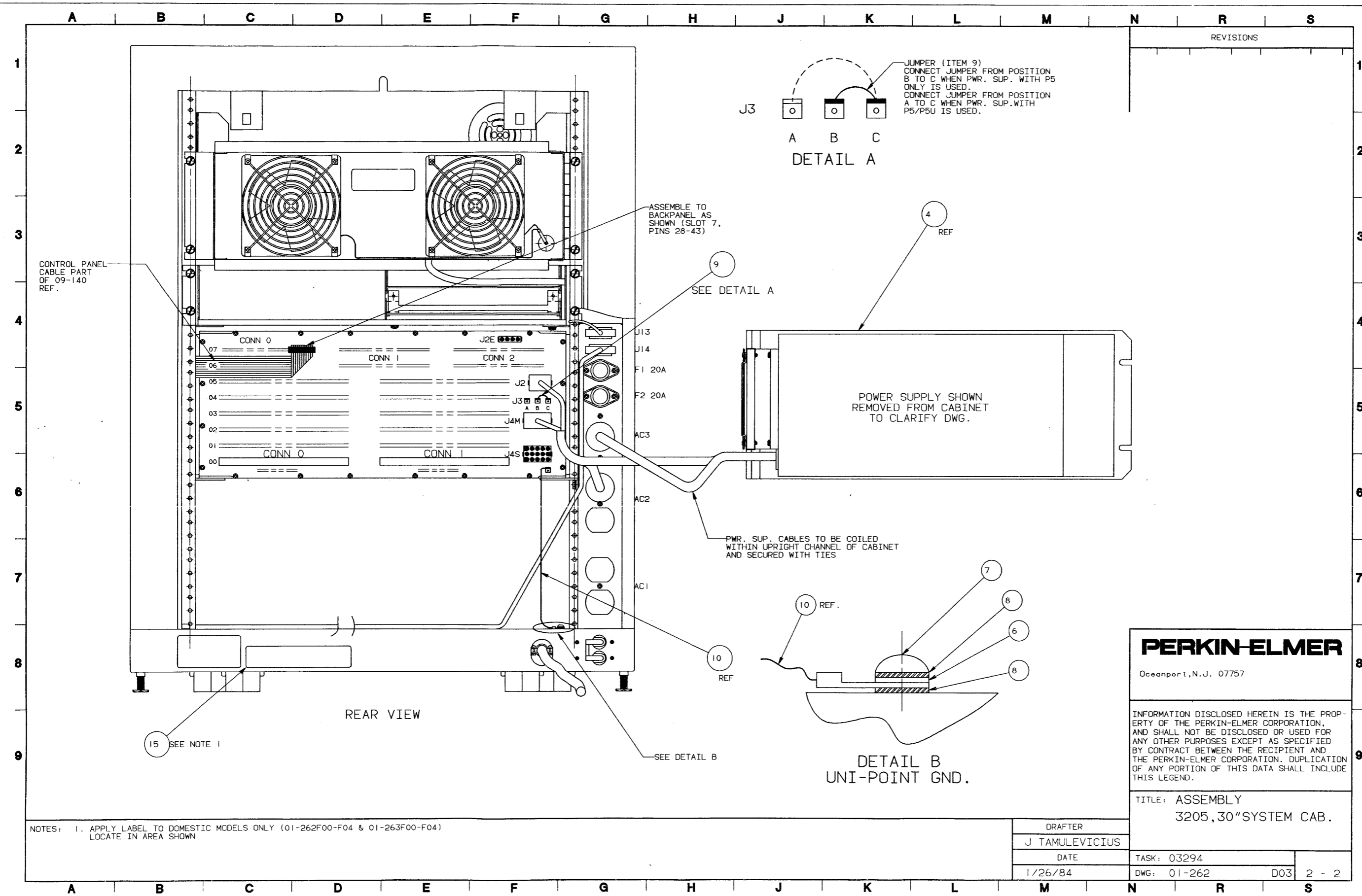
TITLE	ASSEMBLY
	3205, 30" SYSTEM CAB.
TASK: 03294, ECR 5619	
DWG: 01-262 R01	D03 1 - 2

NOTES:

THE REVISION LEVEL OF THIS SHEET IS CONSIDERED TO BE THE REVISION LEVEL OF THE DOCUMENT

A B C D E F G H J K L M N R S

REVISIONS



PERKIN-ELMER
Oceanport, N.J. 07757

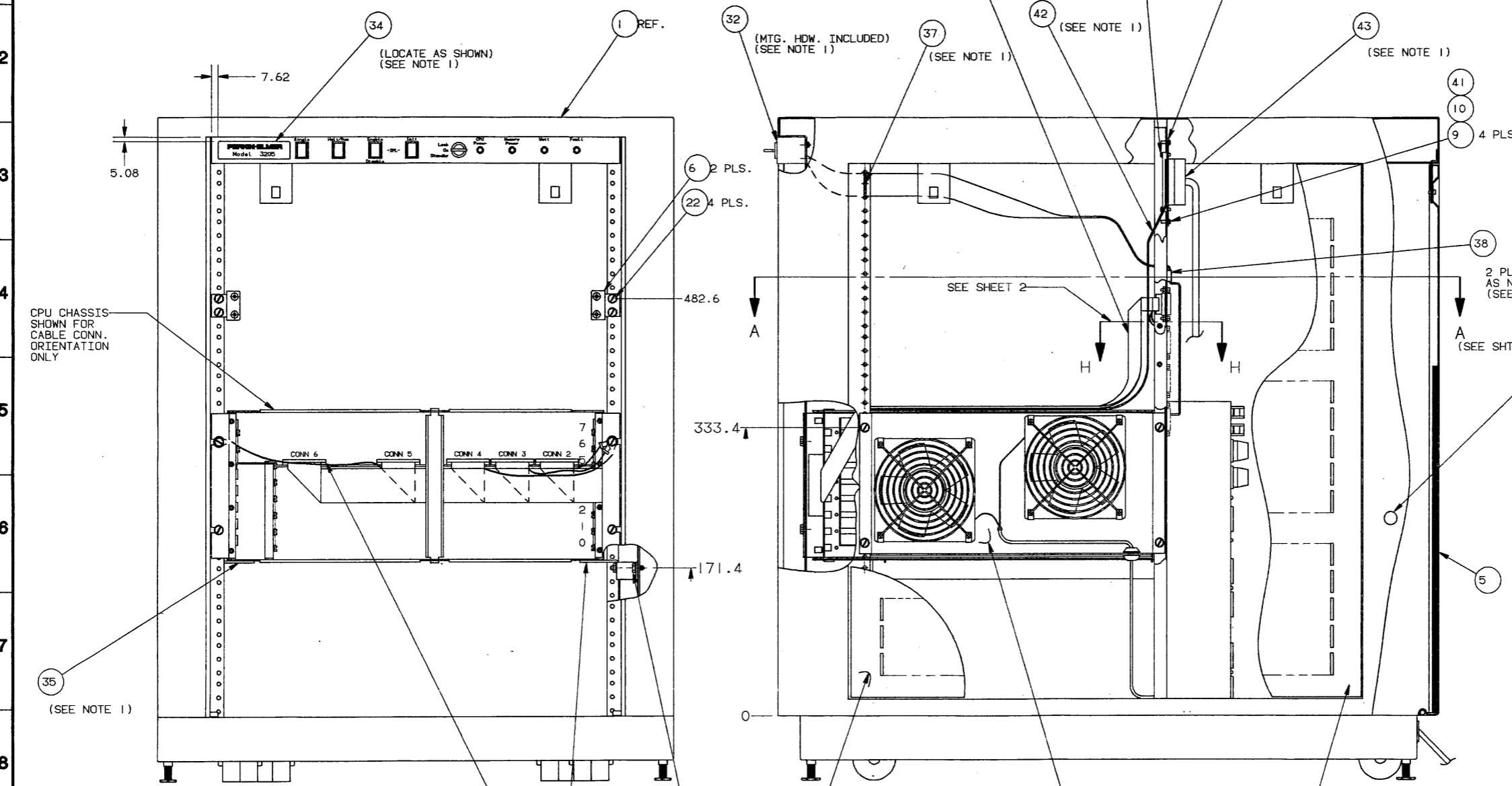
INFORMATION DISCLOSED HEREIN IS THE PROPERTY OF THE PERKIN-ELMER CORPORATION, AND SHALL NOT BE DISCLOSED OR USED FOR ANY OTHER PURPOSES EXCEPT AS SPECIFIED BY CONTRACT BETWEEN THE RECIPIENT AND THE PERKIN-ELMER CORPORATION. DUPLICATION OF ANY PORTION OF THIS DATA SHALL INCLUDE THIS LEGEND.

TITLE: ASSEMBLY
3205, 30" SYSTEM CAB.

DRAFTER	J TAMULEVICIUS
DATE	1/26/84
TASK: 03294	DWG: 01-262 003 2 - 2

NOTES: 1. APPLY LABEL TO DOMESTIC MODELS ONLY (01-262F00-F04 & 01-263F00-F04)
LOCATE IN AREA SHOWN

MILLIMETERS	INCHES
5.08	.200
7.62	.300
171.4	6.75
333.4	13.12
482.6	19.00



REVISIONS		
PRE PRODUCTION APPROVAL	INIT DEV. PROD.	DATE R.D. 8/17/83
EXTENSIVE CHANGES SEE R00 MICROFILM COPY REVISED SHT'S 2-6		
JT	5619 MS	1/26/84 R01
ADDED NEW SHT 7. AREA L9. ADDED NOTE "SEE GROUND...". CHANGED SHT TOTAL TO 7. REVISED ALL 7 SHTS.		
HH	KR	5495 R 3/6/84 R02

PART NO.	DESCRIPTION
09-166F06	AS SHOWN W/O STABILIZERS (230V INT'L) SHT'S 1,2,3,6&7
09-166F05	AS SHOWN W/O STABILIZERS (208V DOM) SHT'S 1,2,3,5&7
09-166F04	AS SHOWN W/O STABILIZERS (115V DOM) SHT'S 1,2,3,4&7
09-166F03	AS SHOWN W/O STABILIZERS (230V INT'L) SHT'S 1,2,3,6&7
09-166F02	AS SHOWN W/O STABILIZERS (208V DOM) SHT'S 1,2,3,5&7
09-166F01	AS SHOWN W/O STABILIZERS (115V DOM) SHT'S 1,2,3,4&7

PART NO.	DESCRIPTION
VARIATION TABLE	

NOTES: 1. ITEMS SPECIFIED ARE FOR 09-166F04, F05 & F06 ONLY.

UNLESS OTHERWISE SPECIFIED		
SCALE:	TOLERANCE:	
	MILLIMETERS	INCH
DIMENSIONS ARE	.XX±.13	.XXX±.005
IN MILLIMETERS	.X ±.5	.XX ±.02
	X ±.8	.X ±.03
NAME	TITLE	DATE
J TAMUL	DES/DFT	8/11/83
R CERO	SUPV	
	CHK	
R DENGEL	ENG	
P ABITANTE	MGR	
R BARKER	QC	

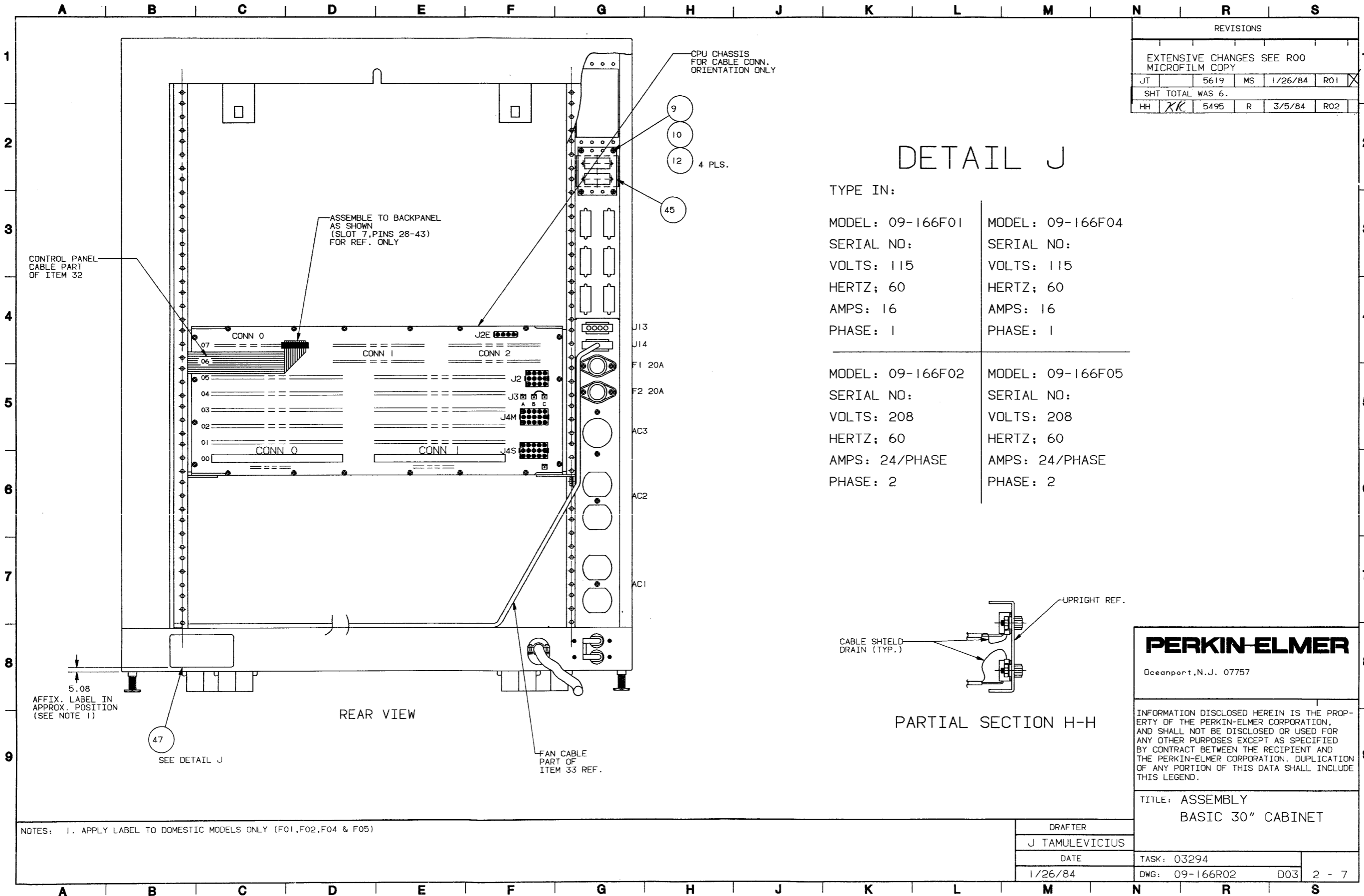
PERKIN-ELMER
Oceanport, N.J. 07757

INFORMATION DISCLOSED HEREIN IS THE PROPERTY OF THE PERKIN-ELMER CORPORATION, AND SHALL NOT BE DISCLOSED OR USED FOR ANY OTHER PURPOSES EXCEPT AS SPECIFIED BY CONTRACT BETWEEN THE RECIPIENT AND THE PERKIN-ELMER CORPORATION. DUPLICATION OF ANY PORTION OF THIS DATA SHALL INCLUDE THIS LEGEND.

ASSEMBLY BASIC 30" CABINET		
TASK:	03294	
DWG:	09-166R02	D03
		1 - 7

REVISION	DATE	BY	CHKD
02	22	22	22
01	01	01	01
00	00	00	00

THE REVISION LEVEL OF THIS SHEET IS CONSIDERED TO BE THE REVISION LEVEL OF THE DOCUMENT

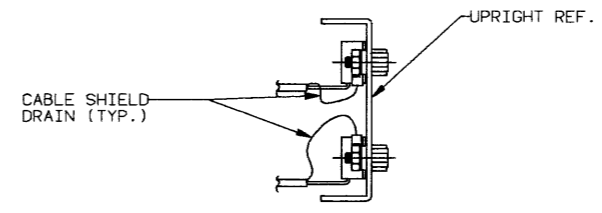


REVISIONS					
EXTENSIVE CHANGES SEE R00 MICROFILM COPY					
JT	5619	MS	1/26/84	R01	X
SHT TOTAL WAS 6.					
HH	XK	5495	R	3/5/84	R02

DETAIL J

TYPE IN:

MODEL: 09-166F01	MODEL: 09-166F04
SERIAL NO:	SERIAL NO:
VOLTS: 115	VOLTS: 115
HERTZ: 60	HERTZ: 60
AMPS: 16	AMPS: 16
PHASE: 1	PHASE: 1
<hr/>	
MODEL: 09-166F02	MODEL: 09-166F05
SERIAL NO:	SERIAL NO:
VOLTS: 208	VOLTS: 208
HERTZ: 60	HERTZ: 60
AMPS: 24/PHASE	AMPS: 24/PHASE
PHASE: 2	PHASE: 2



PARTIAL SECTION H-H

PERKIN-ELMER
Oceanport, N.J. 07757

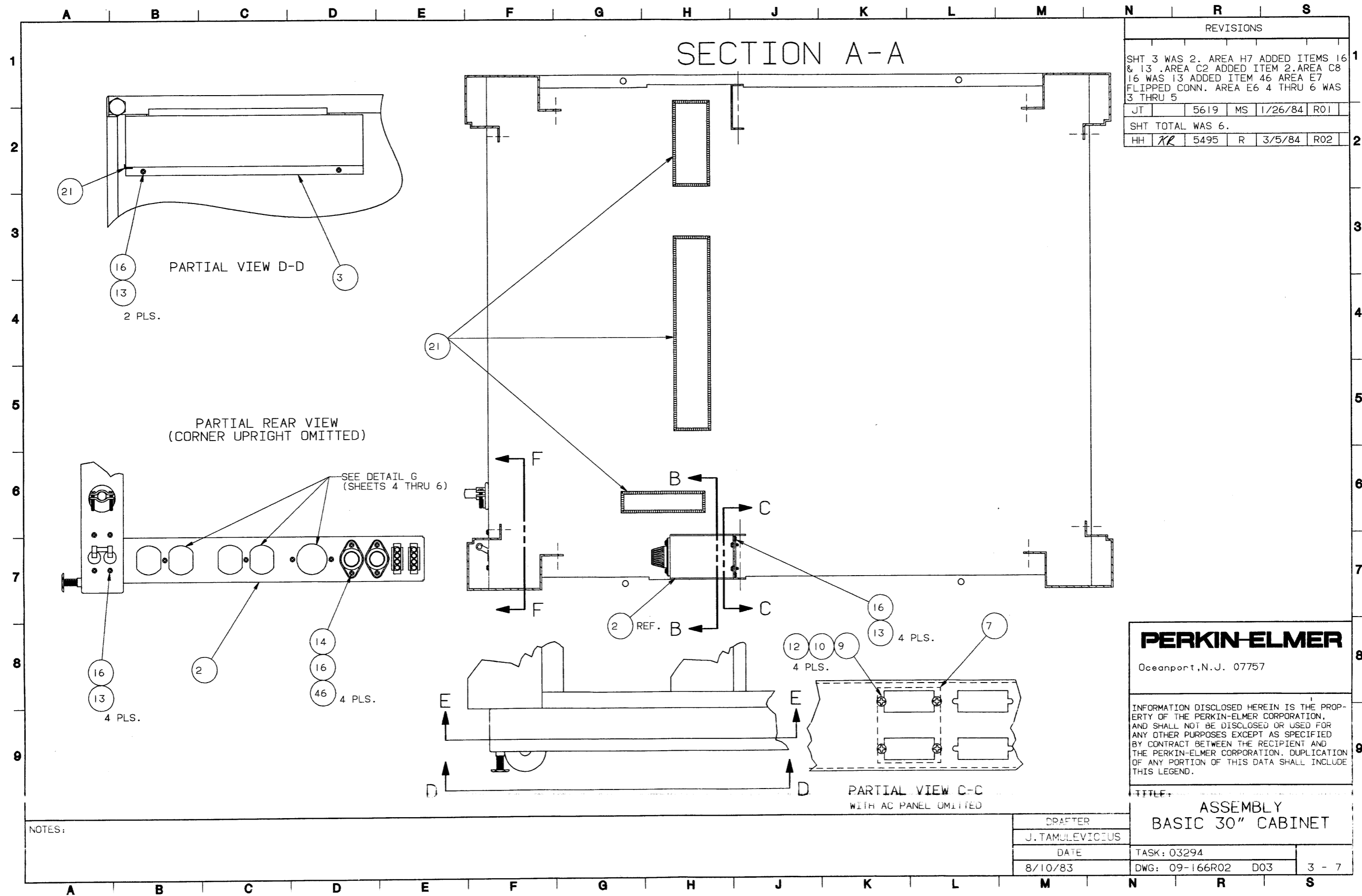
INFORMATION DISCLOSED HEREIN IS THE PROPERTY OF THE PERKIN-ELMER CORPORATION, AND SHALL NOT BE DISCLOSED OR USED FOR ANY OTHER PURPOSES EXCEPT AS SPECIFIED BY CONTRACT BETWEEN THE RECIPIENT AND THE PERKIN-ELMER CORPORATION. DUPLICATION OF ANY PORTION OF THIS DATA SHALL INCLUDE THIS LEGEND.

TITLE: ASSEMBLY
BASIC 30" CABINET

DRAFTER	J TAMULEVICIUS
DATE	1/26/84
TASK: 03294	DWG: 09-166R02 D03

2 - 7

NOTES: 1. APPLY LABEL TO DOMESTIC MODELS ONLY (F01, F02, F04 & F05)



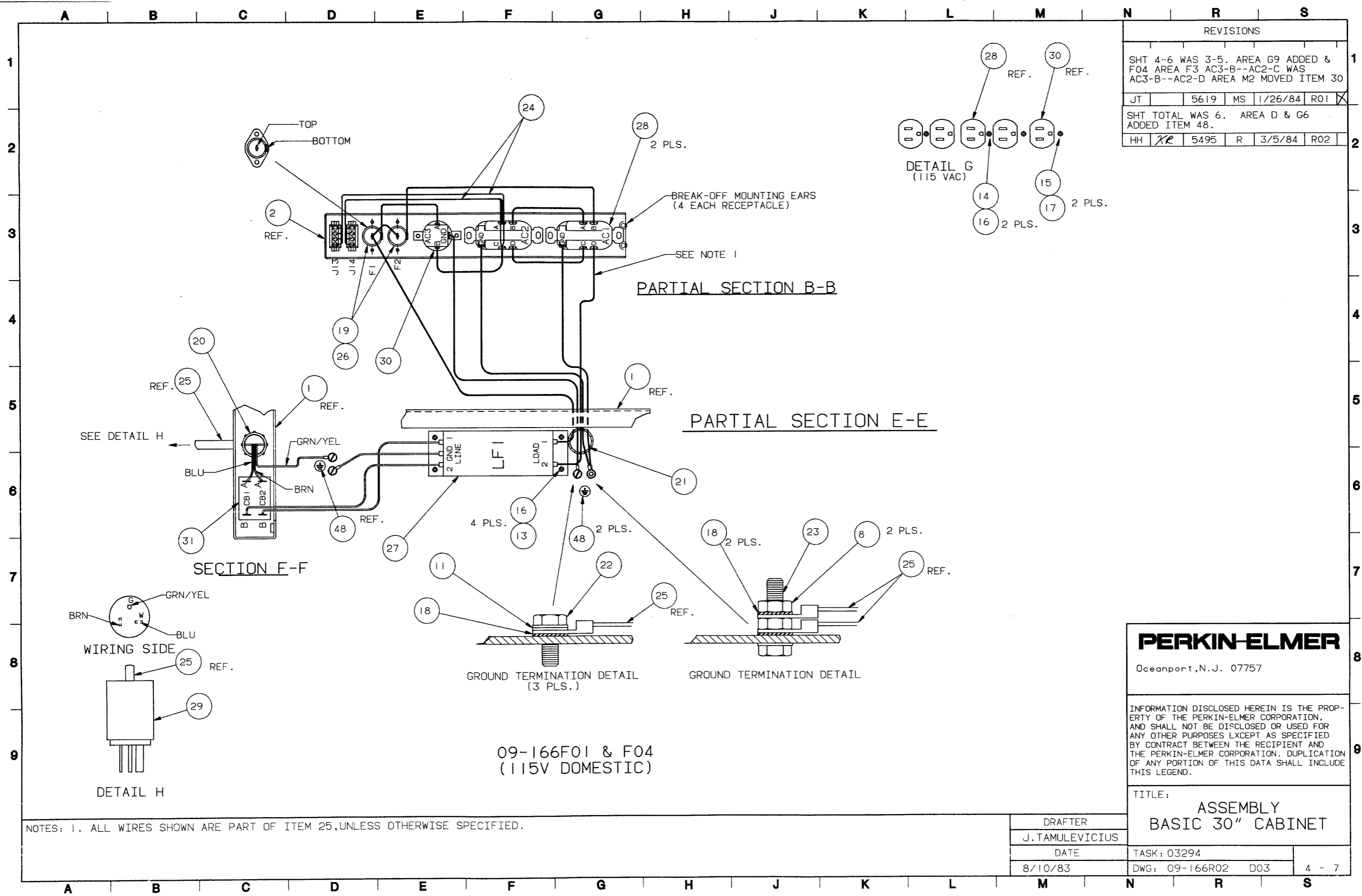
REVISIONS				
SHT 3 WAS 2. AREA H7 ADDED ITEMS 16 & 13 .AREA C2 ADDED ITEM 2.AREA C8 16 WAS 13 ADDED ITEM 46 AREA E7 FLIPPED CONN. AREA E6 4 THRU 6 WAS 3 THRU 5				
JT	5619	MS	1/26/84	R01
SHT TOTAL WAS 6.				
HH	RR	5495	R	3/5/84 R02

PERKIN-ELMER
 Oceanport, N.J. 07757

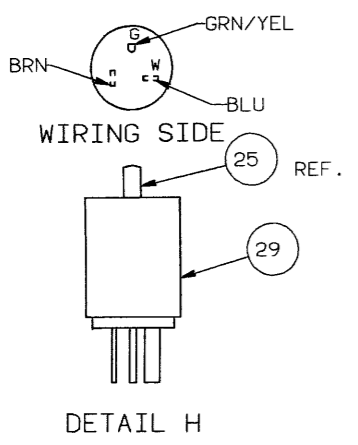
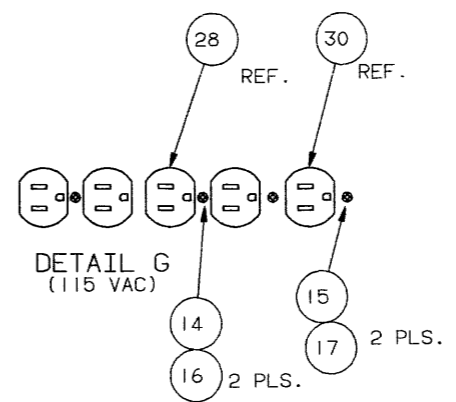
INFORMATION DISCLOSED HEREIN IS THE PROPERTY OF THE PERKIN-ELMER CORPORATION, AND SHALL NOT BE DISCLOSED OR USED FOR ANY OTHER PURPOSES EXCEPT AS SPECIFIED BY CONTRACT BETWEEN THE RECIPIENT AND THE PERKIN-ELMER CORPORATION. DUPLICATION OF ANY PORTION OF THIS DATA SHALL INCLUDE THIS LEGEND.

TITLE		ASSEMBLY BASIC 30" CABINET	
DRAFTER	J. TAMULEVICIUS	TASK:	03294
DATE	8/10/83	DWG:	09-166R02 D03
			3 - 7

NOTES:



REVISIONS				
SHT 4-6 WAS 3-5. AREA G9 ADDED & F04 AREA F3 AC3-B--AC2-C WAS AC3-B--AC2-D AREA M2 MOVED ITEM 30				
JT	5619	MS	1/26/84	R01
SHT TOTAL WAS 6. AREA D & G6 ADDED ITEM 48.				
HH	5495	R	3/5/84	R02



09-166F01 & F04
(115V DOMESTIC)

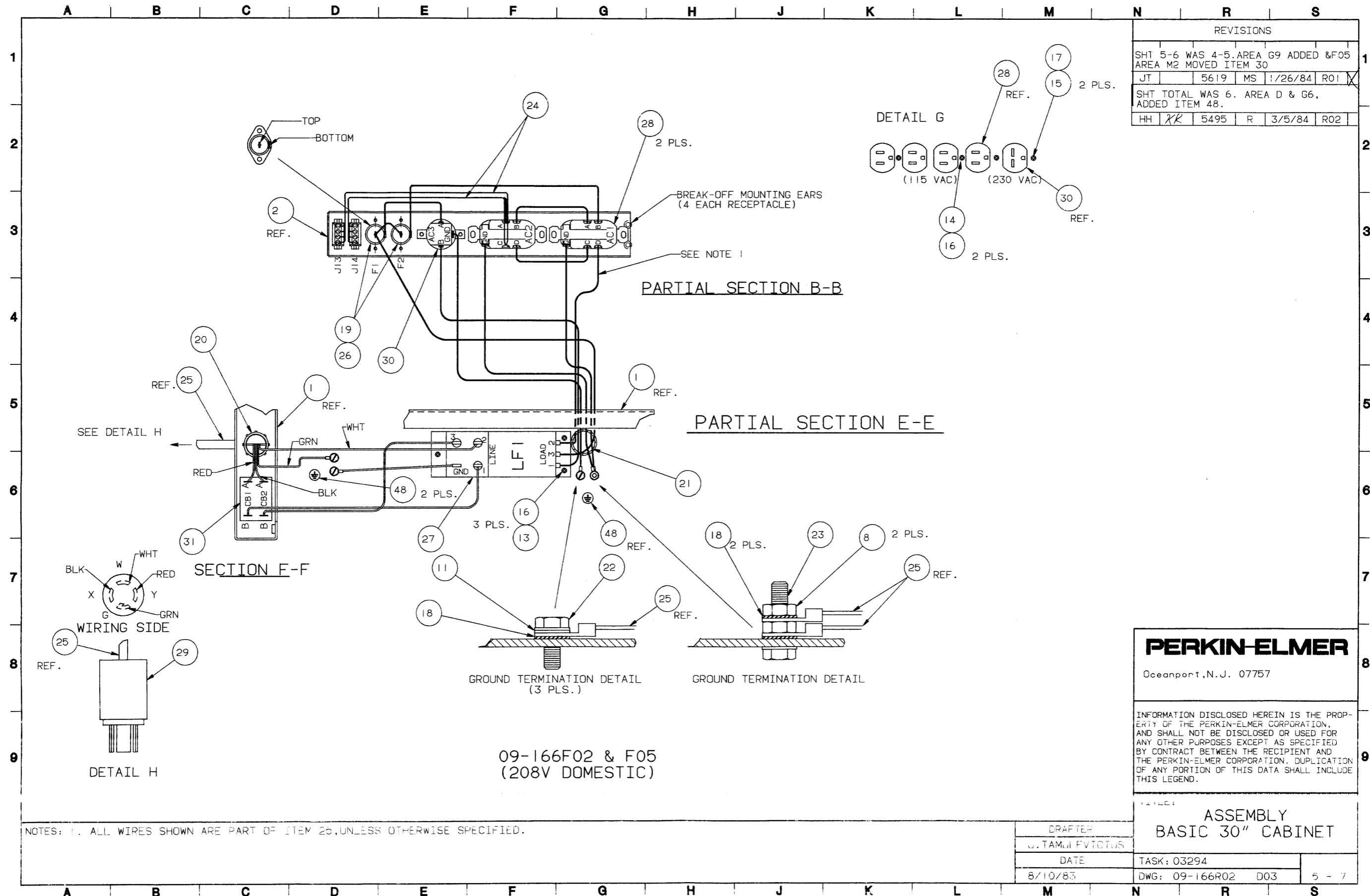
NOTES: 1. ALL WIRES SHOWN ARE PART OF ITEM 25, UNLESS OTHERWISE SPECIFIED.

PERKIN-ELMER
Oceanport, N.J. 07757

INFORMATION DISCLOSED HEREIN IS THE PROPERTY OF THE PERKIN-ELMER CORPORATION, AND SHALL NOT BE DISCLOSED OR USED FOR ANY OTHER PURPOSES EXCEPT AS SPECIFIED BY CONTRACT BETWEEN THE RECIPIENT AND THE PERKIN-ELMER CORPORATION. DUPLICATION OF ANY PORTION OF THIS DATA SHALL INCLUDE THIS LEGEND.

TITLE:
**ASSEMBLY
BASIC 30" CABINET**

DRAFTER	J. TAMULEVICIUS
DATE	8/10/83
TASK: 03294	DWG: 09-166R02 D03
	4 - 7



REVISIONS				
SHT 5-6 WAS 4-5. AREA G9 ADDED & F05 AREA M2 MOVED ITEM 30				
JT	5619	MS	1/26/84	R01
SHT TOTAL WAS 6. AREA D & G6, ADDED ITEM 48.				
HH	XK	5495	R	3/5/84 R02

09-166F02 & F05
(208V DOMESTIC)

NOTES: 1. ALL WIRES SHOWN ARE PART OF ITEM 26, UNLESS OTHERWISE SPECIFIED.

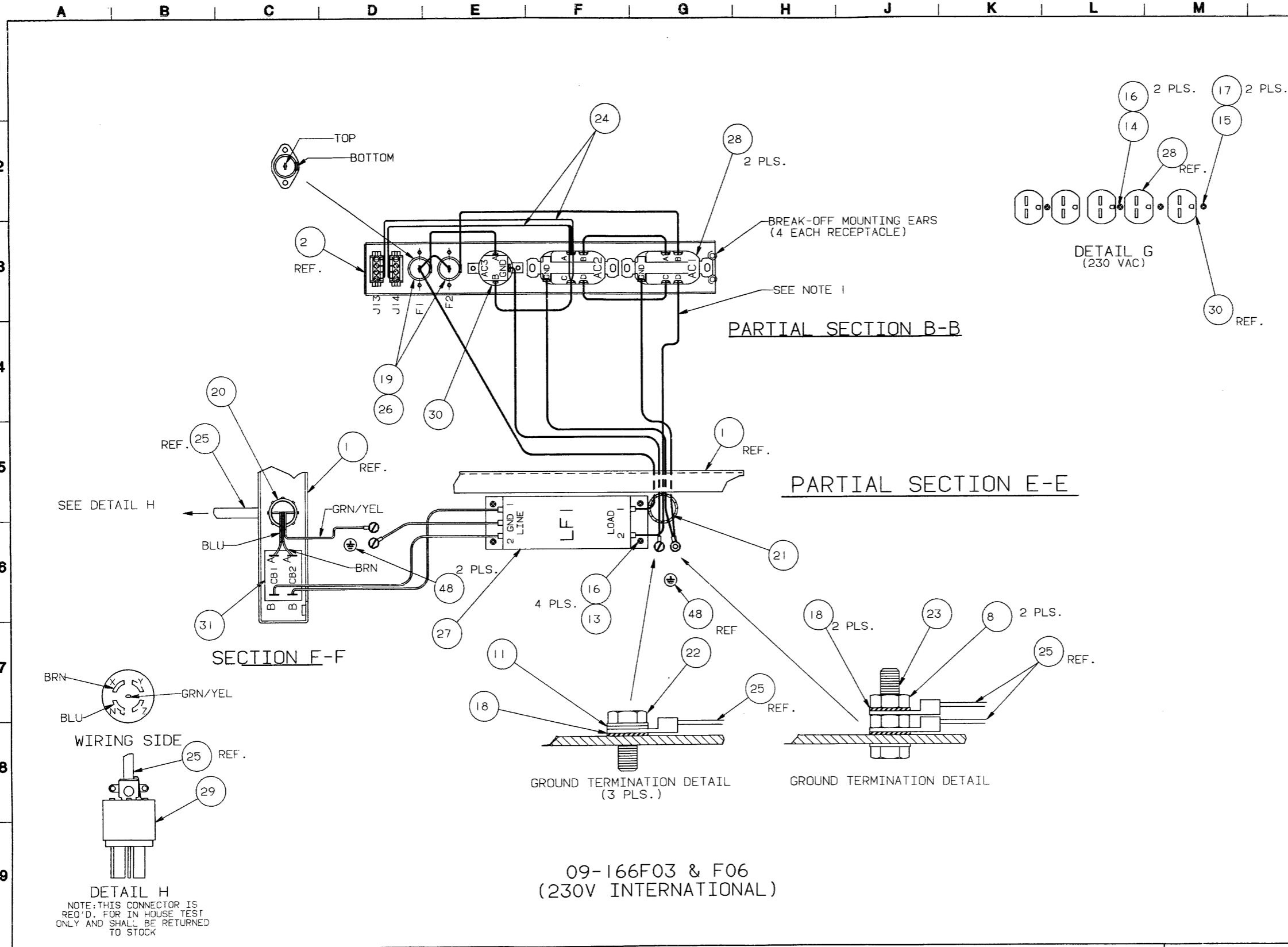
PERKIN-ELMER
Oceanport, N.J. 07757

INFORMATION DISCLOSED HEREIN IS THE PROPERTY OF THE PERKIN-ELMER CORPORATION, AND SHALL NOT BE DISCLOSED OR USED FOR ANY OTHER PURPOSES EXCEPT AS SPECIFIED BY CONTRACT BETWEEN THE RECIPIENT AND THE PERKIN-ELMER CORPORATION. DUPLICATION OF ANY PORTION OF THIS DATA SHALL INCLUDE THIS LEGEND.

TITLE: **ASSEMBLY BASIC 30" CABINET**

DRAFTER	J. TAMU EVICTUS	TASK: 03294
DATE	8/10/83	DWG: 09-166R02 D03
		5 - 7

REVISIONS				
				1
SHT 6-6 WAS 5-5. AREA G9 ADDED & F06 AREA F3 AC3-B--AC2-C WAS AC3-B--AC2-D AREA M2 MOVED ITEM 30				
JT	5619	MS	1/26/84	R01
SHT TOTAL WAS 6. AREA D & G6, ADDED ITEM 48.				
HH	RP	5495	R	3/5/84 R02



09-166F03 & F06
(230V INTERNATIONAL)

PERKIN-ELMER
Oceanport, N.J. 07757

INFORMATION DISCLOSED HEREIN IS THE PROPERTY OF THE PERKIN-ELMER CORPORATION, AND SHALL NOT BE DISCLOSED OR USED FOR ANY OTHER PURPOSES EXCEPT AS SPECIFIED BY CONTRACT BETWEEN THE RECIPIENT AND THE PERKIN-ELMER CORPORATION. DUPLICATION OF ANY PORTION OF THIS DATA SHALL INCLUDE THIS LEGEND.

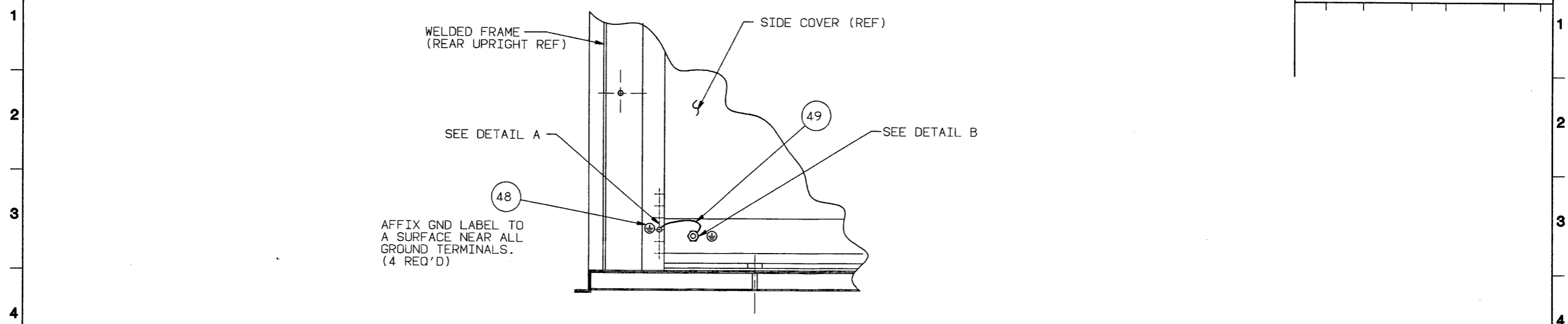
TITLE:
**ASSEMBLY
BASIC 30" CABINET**

NOTES: 1. ALL WIRES SHOWN ARE PART OF ITEM 25, UNLESS OTHERWISE SPECIFIED.

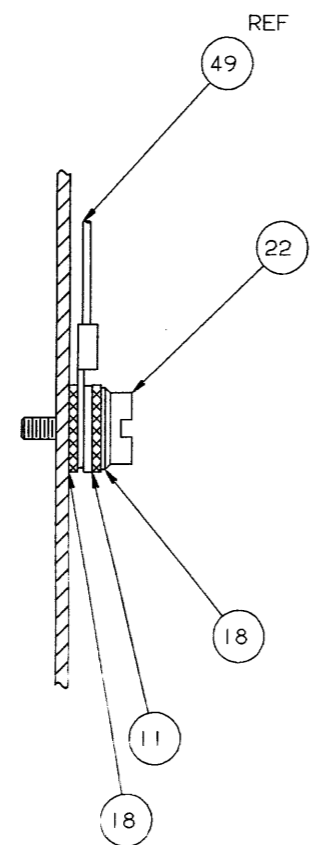
DRAFTER	J. TAMULEVICIUS	TASK: 03294	6 - 7
DATE	8/10/83	DWG: 09-166R02 D03	

A B C D E F G H J K L M N R S

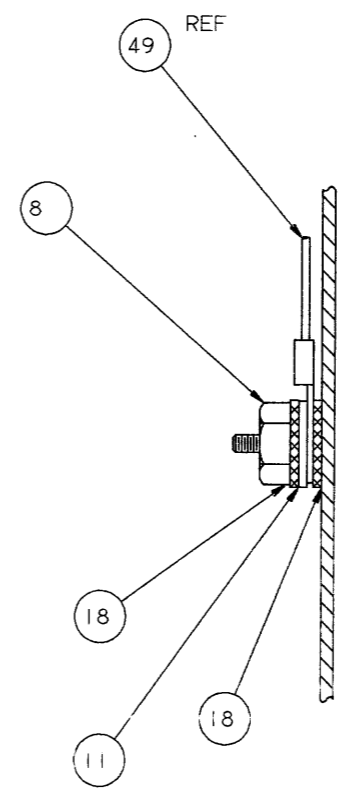
REVISIONS



DETAIL A



DETAIL B



NOTES:

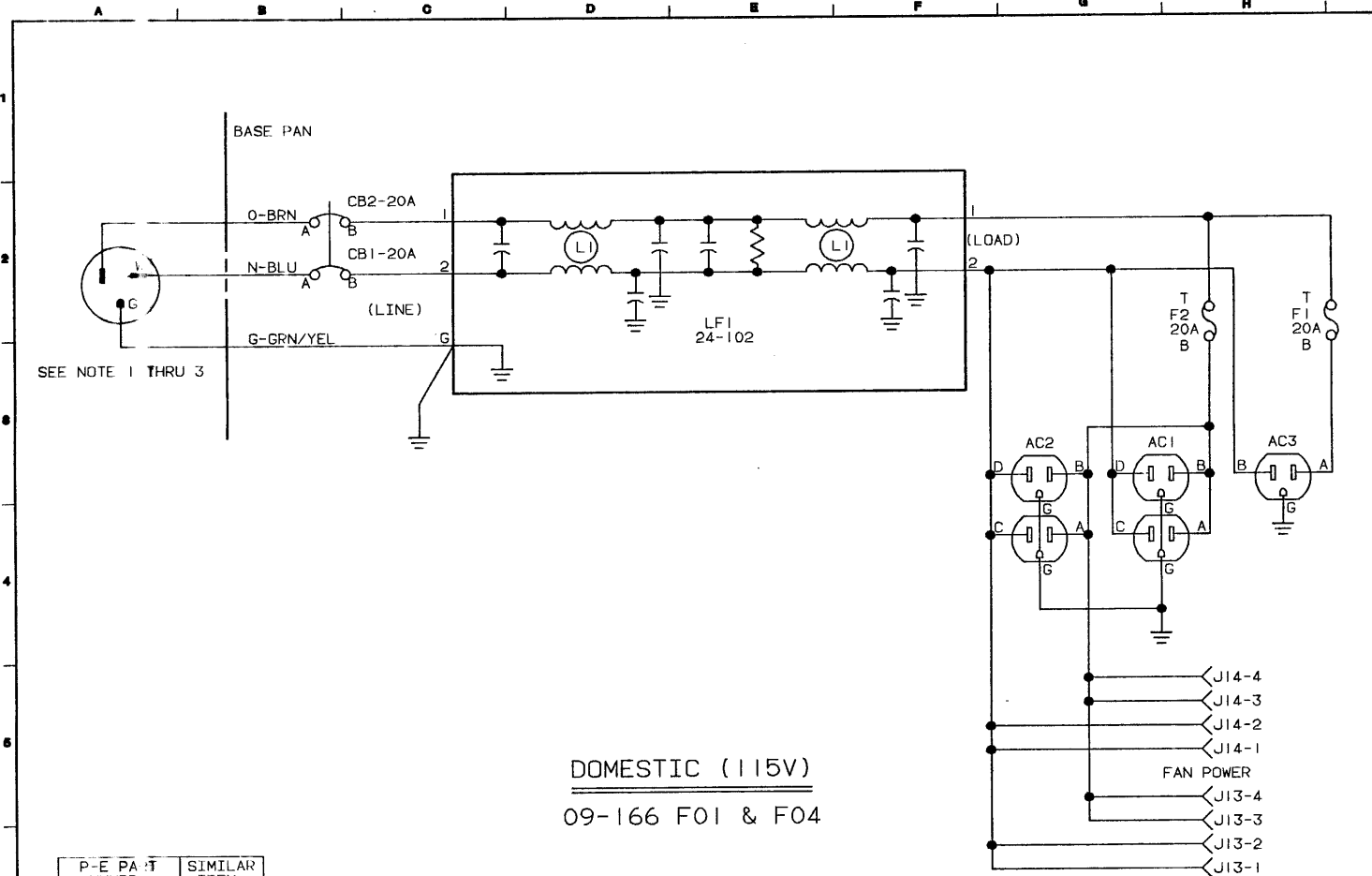
PERKIN-ELMER
Oceanport, N.J. 07757

INFORMATION DISCLOSED HEREIN IS THE PROPERTY OF THE PERKIN-ELMER CORPORATION, AND SHALL NOT BE DISCLOSED OR USED FOR ANY OTHER PURPOSES EXCEPT AS SPECIFIED BY CONTRACT BETWEEN THE RECIPIENT AND THE PERKIN-ELMER CORPORATION. DUPLICATION OF ANY PORTION OF THIS DATA SHALL INCLUDE THIS LEGEND.

TITLE: ASSEMBLY
BASIC 30" CABINET

DRAFTER	JOE HEITMAN/K.R.
DATE	3/6/84
TASK: 03982 (ECN 5495)	DWG: 09-166 003 7 - 7

A B C D E F G H J K L M N R S



DOMESTIC (115V)
09-166 F01 & F04

REVISIONS			
PRE PRODUCTION APPROVAL	INITIALS	DATE	
	DEV	E.C. 8/17/83	
REVISED SHEET 3			
	5611	M	1/20/84 R01
REVISED SHEETS 1-3			
ADDED F04-F06			
JT	5619	MS	1/27/84 R02 X

	P-E PART NUMBER		SIMILAR ITEM
F1	24-071	02	SC-20A
F2	24-071	02	SC-20A

09-166 F06	230V INTERNATIONAL	SHEET 3
09-166 F05	208V DOMESTIC	SHEET 2
09-166 F04	115V DOMESTIC	SHEET 1
09-166 F03	230V INTERNATIONAL	SHEET 3
09-166 F02	208V DOMESTIC	SHEET 2
09-166 F01	115V DOMESTIC	SHEET 1
PART NO	DESCRIPTION	SCHEMATIC ON

VARIATION TABLE

SHEET NO.	2	3
REV LEVEL	0	02
SHEET SIZE	C	C

NOTES: 1. PLU EQUIPPED IS NEMA TYPE 5-20P.
2. PLU EQUIPPED IS HUBBELL #5366-COR EQUIVALENT (FOR REF ONLY)
3. THIS PANEL IS INTENDED FOR APPLICATIONS POWERED BY A 115 VAC, 60HZ, 2 POLE, 3 WIRE GROUNDING SOURCE.

THE REVISION LEVEL OF THIS SHEET IS CONSIDERED TO BE THE REVISION LEVEL OF THE DOCUMENT.

UNLESS OTHERWISE SPECIFIED			
SCALE: NONE		TOLERANCE:	
DIMENSIONS ARE IN INCHES		.XXX ± .005	.X ± .03
		.XX ± .02	ANGLES ± 1°
NAME	TITLE	DATE	
J TAMIL	D STINE	DES/DFT	8-10-83
R CERO		SUPV	
E GREENSTIEN		CHK	
E CENTOFANTI		ENG	
P LIOTO		MGR	
R BARKER		QC	

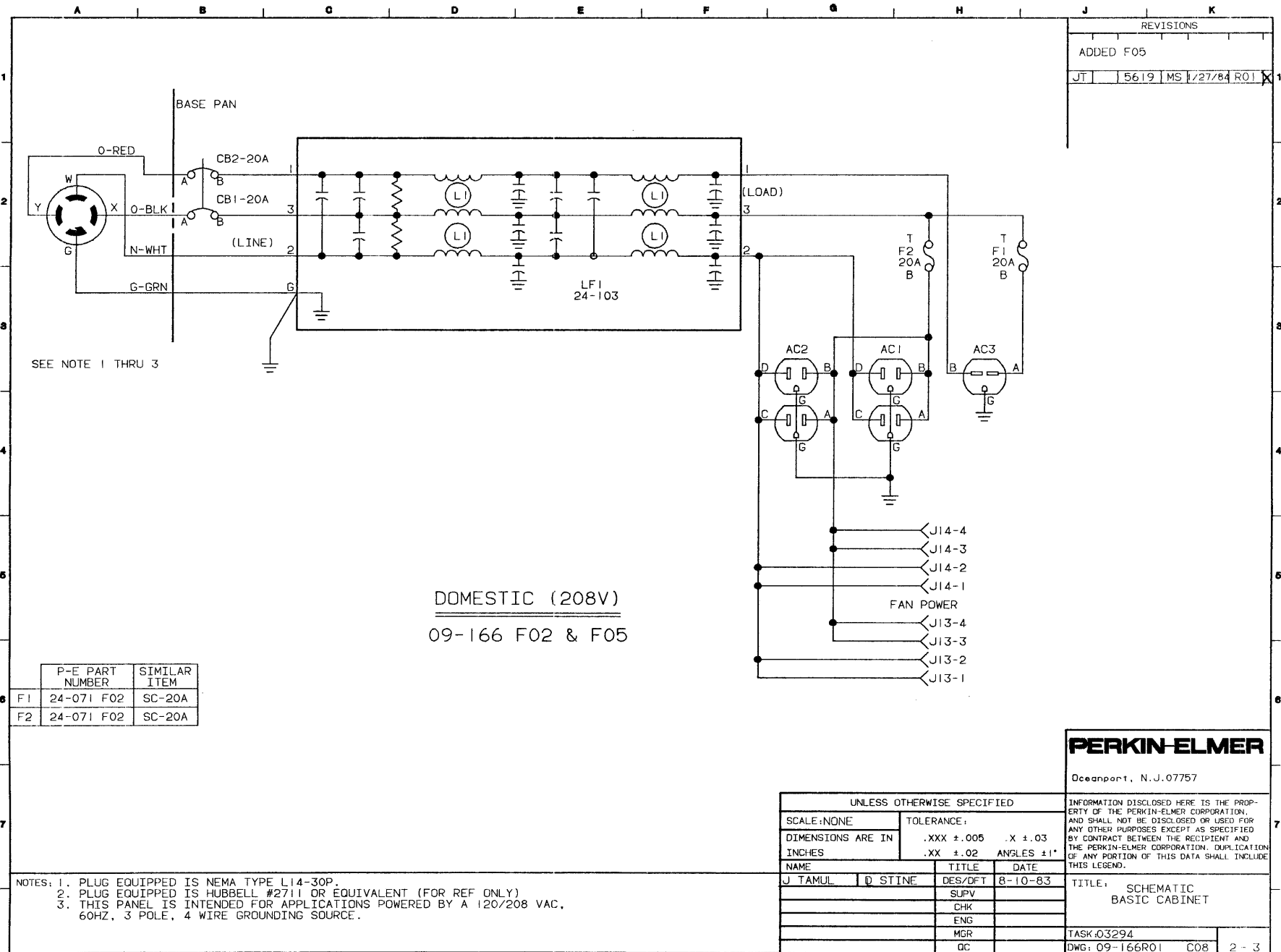
USED IN MANUAL

PERKIN-ELMER

Deerport, N.J. 07757

INFORMATION DISCLOSED HERE IS THE PROPERTY OF THE PERKIN-ELMER CORPORATION, AND SHALL NOT BE DISCLOSED OR USED FOR ANY OTHER PURPOSES EXCEPT AS SPECIFIED BY CONTRACT BETWEEN THE RECIPIENT AND THE PERKIN-ELMER CORPORATION. DUPLICATION OF ANY PORTION OF THIS DATA SHALL INCLUDE THIS LEGEND.

TITLE:	SCHMATIC BASIC CABINET
TASK:	03294
DWG:	09-166R02 C08
	1 - 3



REVISIONS			
ADDED F05			
JT	5619	MS	1/27/84 R01

SEE NOTE 1 THRU 3

	P-E PART NUMBER	SIMILAR ITEM
F1	24-071 F02	SC-20A
F2	24-071 F02	SC-20A

- NOTES: 1. PLUG EQUIPPED IS NEMA TYPE L14-30P.
 2. PLUG EQUIPPED IS HUBBELL #2711 OR EQUIVALENT (FOR REF ONLY)
 3. THIS PANEL IS INTENDED FOR APPLICATIONS POWERED BY A 120/208 VAC, 60HZ, 3 POLE, 4 WIRE GROUNDING SOURCE.

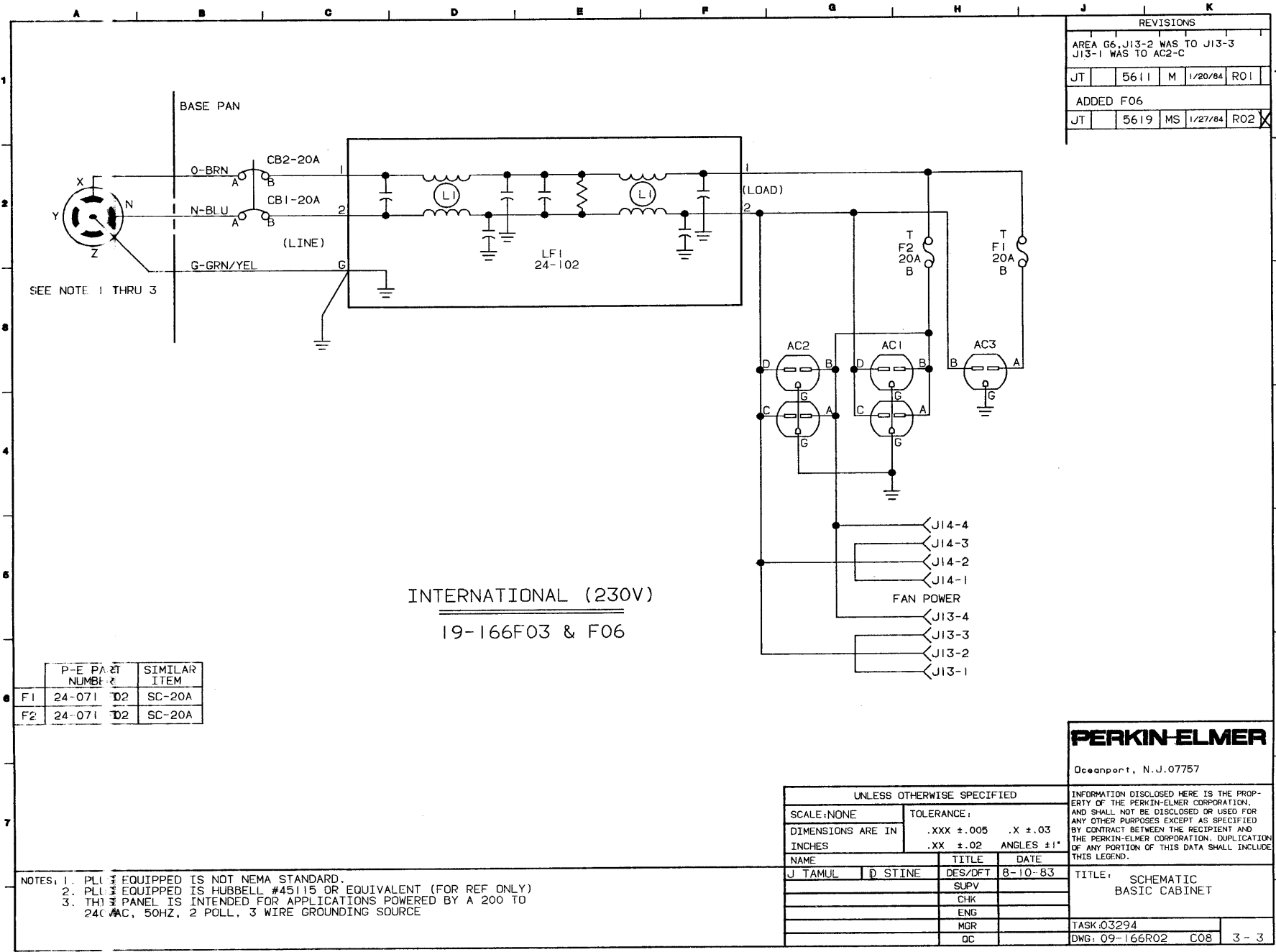
UNLESS OTHERWISE SPECIFIED			
SCALE: NONE	TOLERANCE:		
DIMENSIONS ARE IN	.XXX ± .005	.X ± .03	
INCHES	.XX ± .02	ANGLES ± 1°	
NAME	TITLE	DATE	
J TAMUL	D STINE	DES/OFT	8-10-83
		SUPV	
		CHK	
		ENG	
		MGR	
		QC	

PERKIN-ELMER
 Oceanport, N.J. 07757

INFORMATION DISCLOSED HERE IS THE PROPERTY OF THE PERKIN-ELMER CORPORATION, AND SHALL NOT BE DISCLOSED OR USED FOR ANY OTHER PURPOSES EXCEPT AS SPECIFIED BY CONTRACT BETWEEN THE RECIPIENT AND THE PERKIN-ELMER CORPORATION. DUPLICATION OF ANY PORTION OF THIS DATA SHALL INCLUDE THIS LEGEND.

TITLE: SCHEMATIC BASIC CABINET

TASK: 03294
 DWG: 09-166R01 C08 2 - 3



REVISIONS				
AREA G6, J13-2 WAS TO J13-3 J13-1 WAS TO AC2-C				
JT	5611	M	1/20/84	RO1
ADDED F06				
JT	5619	MS	1/27/84	RO2

INTERNATIONAL (230V)
19-166F03 & F06

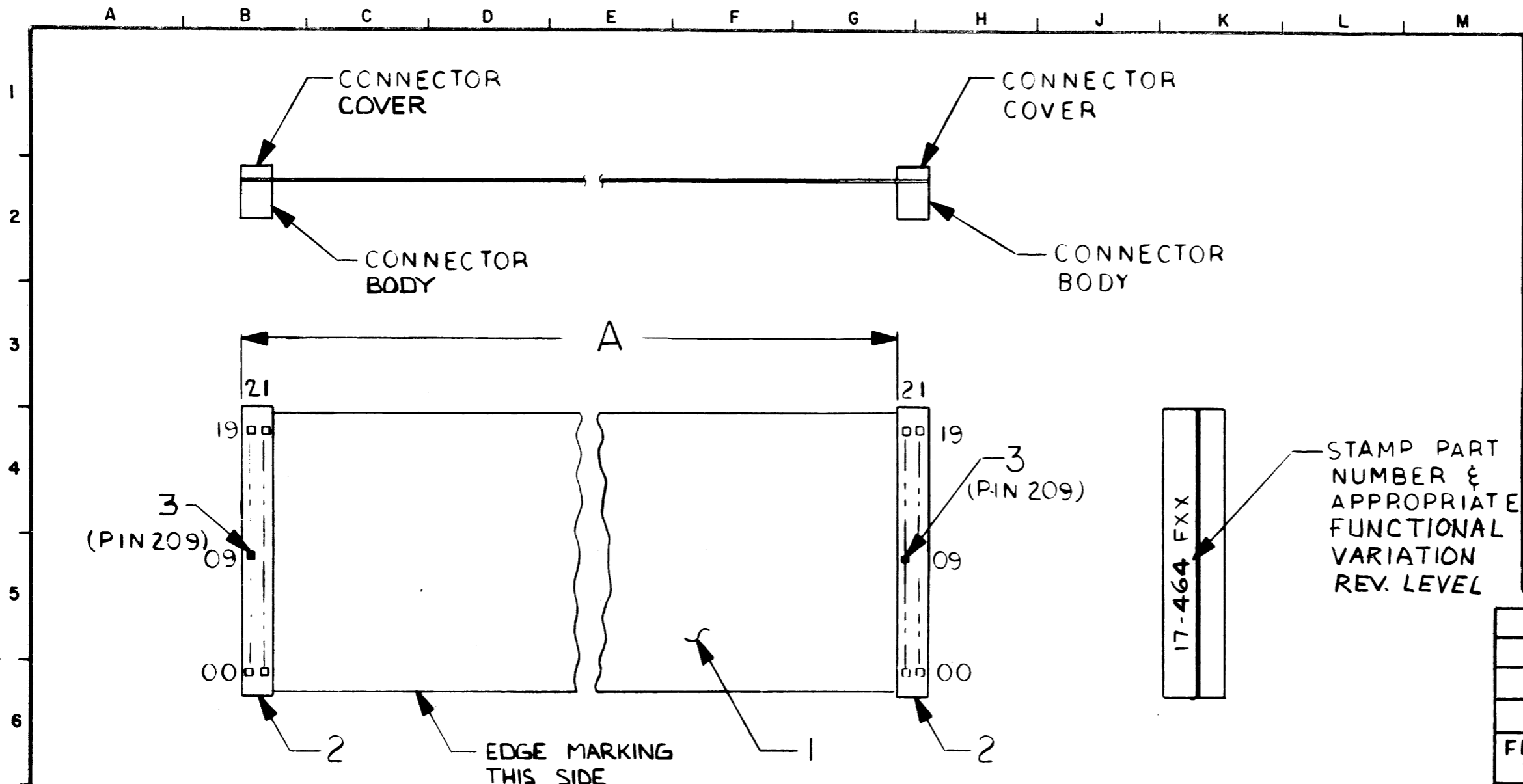
	P-E PART NUMBER	SIMILAR ITEM
F1	24-071 02	SC-20A
F2	24-071 02	SC-20A

NOTES: 1. PLL EQUIPPED IS NOT NEMA STANDARD.
2. PLL EQUIPPED IS HUBBELL #45115 OR EQUIVALENT (FOR REF ONLY)
3. THIS PANEL IS INTENDED FOR APPLICATIONS POWERED BY A 200 TO 240 VAC, 50HZ, 2 PHASE, 3 WIRE GROUNDING SOURCE

PERKIN-ELMER
Oceanport, N.J. 07757

UNLESS OTHERWISE SPECIFIED			
SCALE: NONE	TOLERANCE:		
DIMENSIONS ARE IN INCHES	.XXX ± .005	.X ± .03	ANGLES ± 1°
NAME	TITLE	DATE	
J TAMUL D STINE	DES/DFT	8-10-83	
	SUPV		
	CHK		
	ENG		
	MGR		
	QC		
TASK: 03294			TITLE: SCHEMATIC BASIC CABINET
DWG: 09-166R02 C08			3 - 3

INFORMATION DISCLOSED HERE IS THE PROPERTY OF THE PERKIN-ELMER CORPORATION, AND SHALL NOT BE DISCLOSED OR USED FOR ANY OTHER PURPOSES EXCEPT AS SPECIFIED BY CONTRACT BETWEEN THE RECIPIENT AND THE PERKIN-ELMER CORPORATION. DUPLICATION OF ANY PORTION OF THIS DATA SHALL INCLUDE THIS LEGEND.



NOTE :
 1. POSITIONS 100, 200, 109, 209, 110, 210, 119 & 219 ARE CONNECTED TO A COMMON BUS.

REVISIONS

PRE PRODUCTION APPROVAL	INIT DATE
DEV <i>[Signature]</i>	DATE <i>11/1/79</i>
PROD <i>[Signature]</i>	DATE <i>3/14/79</i>

RELEASED FOR PRODUCTION
 MFG. ENG. *[Signature]* DATE *11/1/79*

EXTENSIVE CHANGES FOR PREVIOUS REV'S SEE R02 VOIDED COPY IN FILE

IT 92 4324 R 3-19-80 R03

STAMP PART NUMBER & APPROPRIATE FUNCTIONAL VARIATION REV. LEVEL

F04	48.0 ± .25
F03	23.0 ± .25
F02	16.5 ± .25
F01	NOT QUALIFIED
FUNCTIONAL VARIATION	DIMENSION "A"

VARIATION TABLE

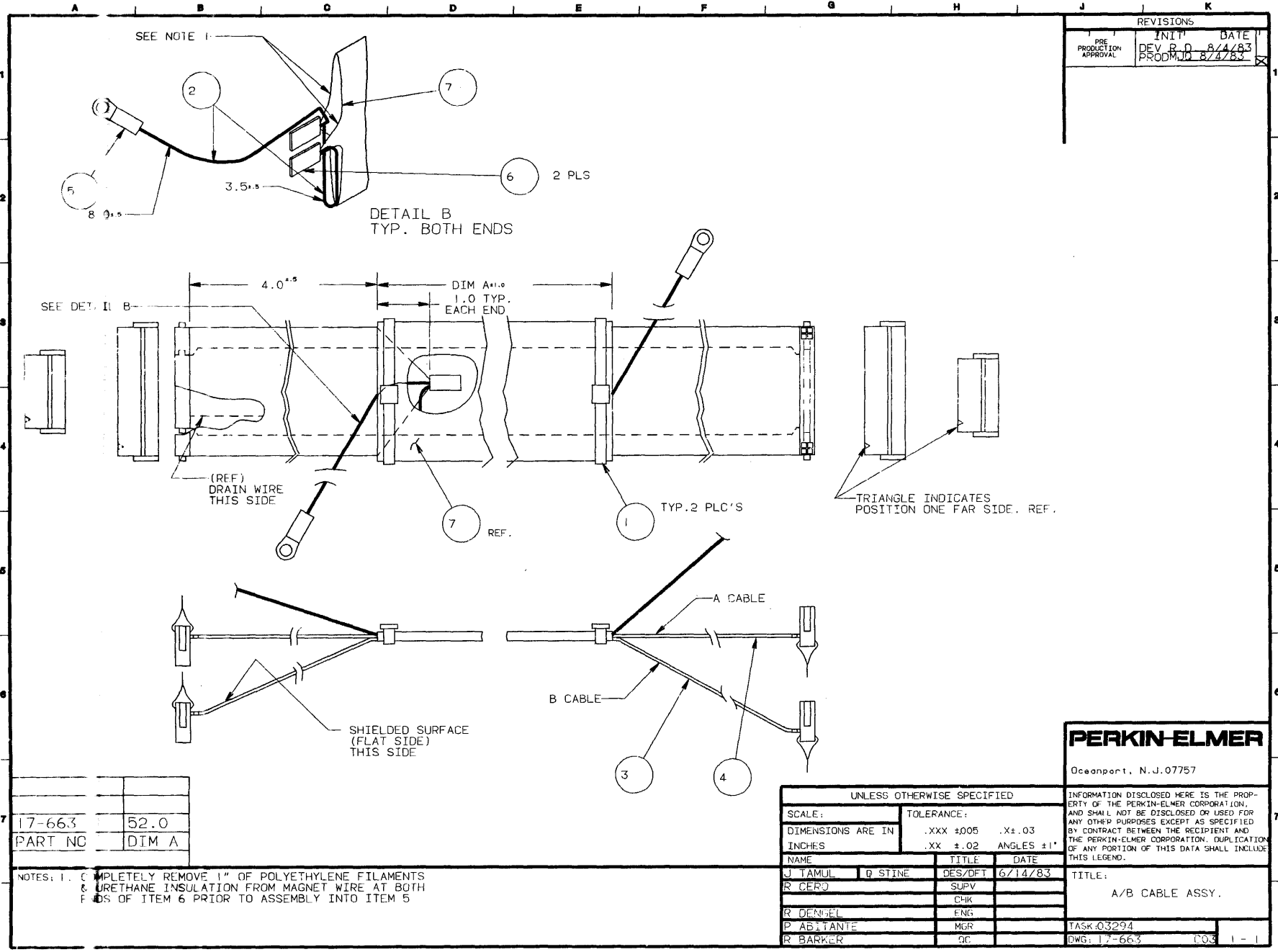
PERKIN-ELMER

Computer Systems Division
 Oceanport, N.J. 07757

UNLESS OTHERWISE SPECIFIED		
SCALE: NONE	TOLERANCE:	
DIMENSIONS ARE IN INCHES	.XXX ± .005	.X ± .03
	.XX ± .02	ANGLES ± 1°
NAME	TITLE	DATE
C. HOLT	DES / DFT	3- 8-79
R. CERO	SUPV	
	CHK	8-28-79
G. WELLY	ENG	8-28-79
P. ABITANTE	MGR	8-28-79
R. BARKER	QC	8-28-79

INFORMATION DISCLOSED HEREIN IS THE PROPERTY OF THE PERKIN-ELMER CORPORATION, COMPUTER SYSTEMS DIVISION, AND SHALL NOT BE DISCLOSED OR USED FOR ANY OTHER PURPOSES EXCEPT AS SPECIFIED BY CONTRACT BETWEEN THE RECIPIENT AND THE PERKIN-ELMER CORPORATION. DUPLICATION OF ANY PORTION OF THIS DATA SHALL INCLUDE THIS LEGEND

TITLE	SHT
TRANSMISSION CABLE (BERG)	1 - 1
TASK 03913	
DWG 17-464 R03 803	



REVISIONS	
INITIALS	DATE
PRE PRODUCTION APPROVAL	DEV R.D. 8/4/83
	PROD.M.D. 8/4/83

17-663	52.0
PART NO	DIM A

NOTES: 1. COMPLETELY REMOVE 1" OF POLYETHYLENE FILAMENTS & URETHANE INSULATION FROM MAGNET WIRE AT BOTH ENDS OF ITEM 6 PRIOR TO ASSEMBLY INTO ITEM 5

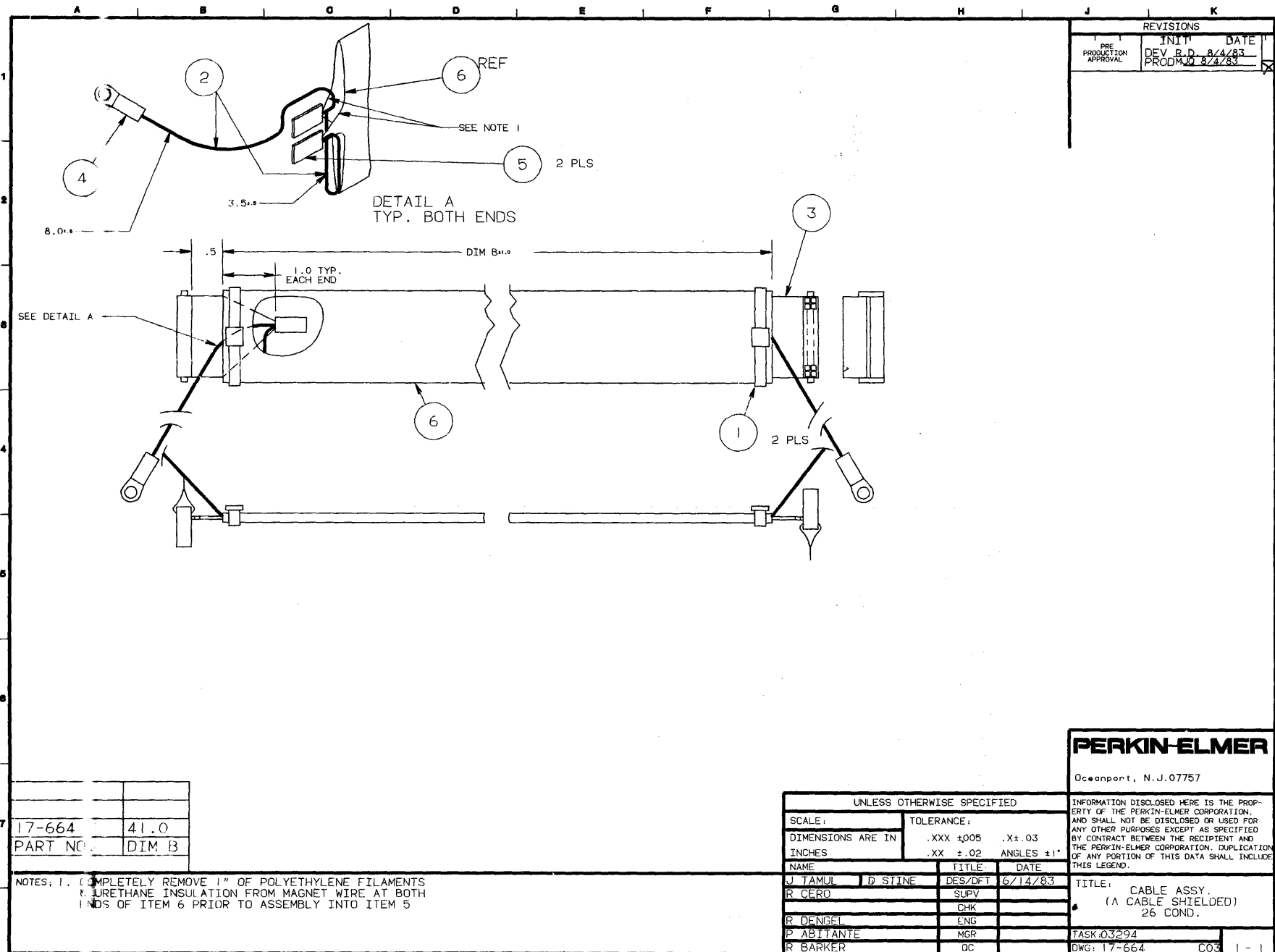
UNLESS OTHERWISE SPECIFIED			
SCALE:	TOLERANCE:		
DIMENSIONS ARE IN	.XXX ±.005	.X ±.03	
INCHES	.XX ±.02	ANGLES ±1'	
NAME	TITLE	DATE	
J TAMUL	D STINE	6/14/83	
R CERD	SUPV		
	CHK		
R DENDEL	ENG		
P ABITANTE	MGR		
R BARKER	QC		

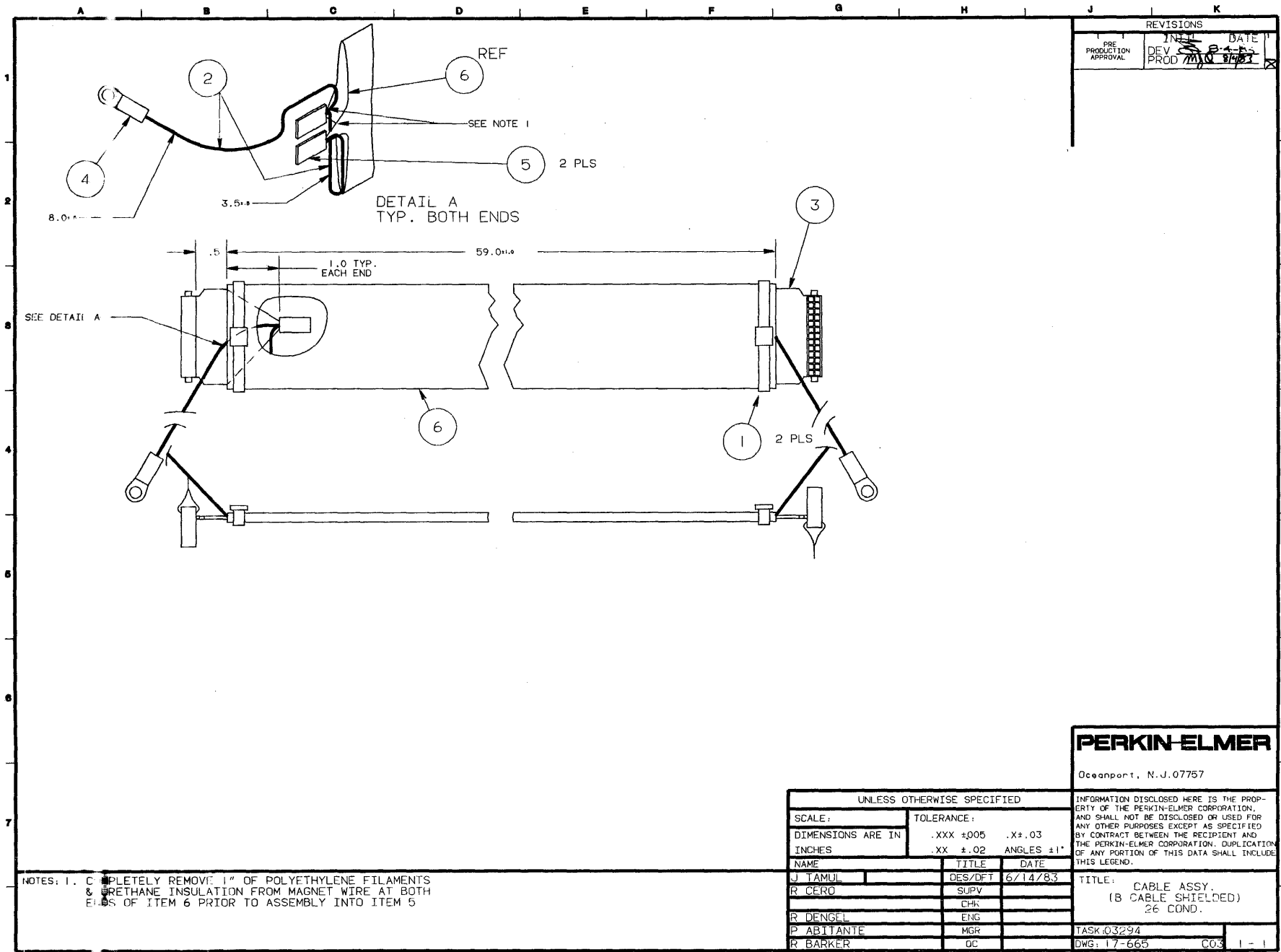
PERKIN-ELMER
Oceanport, N.J. 07757

INFORMATION DISCLOSED HERE IS THE PROPERTY OF THE PERKIN-ELMER CORPORATION, AND SHALL NOT BE DISCLOSED OR USED FOR ANY OTHER PURPOSES EXCEPT AS SPECIFIED BY CONTRACT BETWEEN THE RECIPIENT AND THE PERKIN-ELMER CORPORATION. DUPLICATION OF ANY PORTION OF THIS DATA SHALL INCLUDE THIS LEGEND.

TITLE:
A/B CABLE ASSY.

TASK: Q3294
DWG: 17-663 C03 1-1





REVISIONS		
PRE PRODUCTION APPROVAL	INCH	DATE
DEV	8-1-83	
PROD	7/10/83	

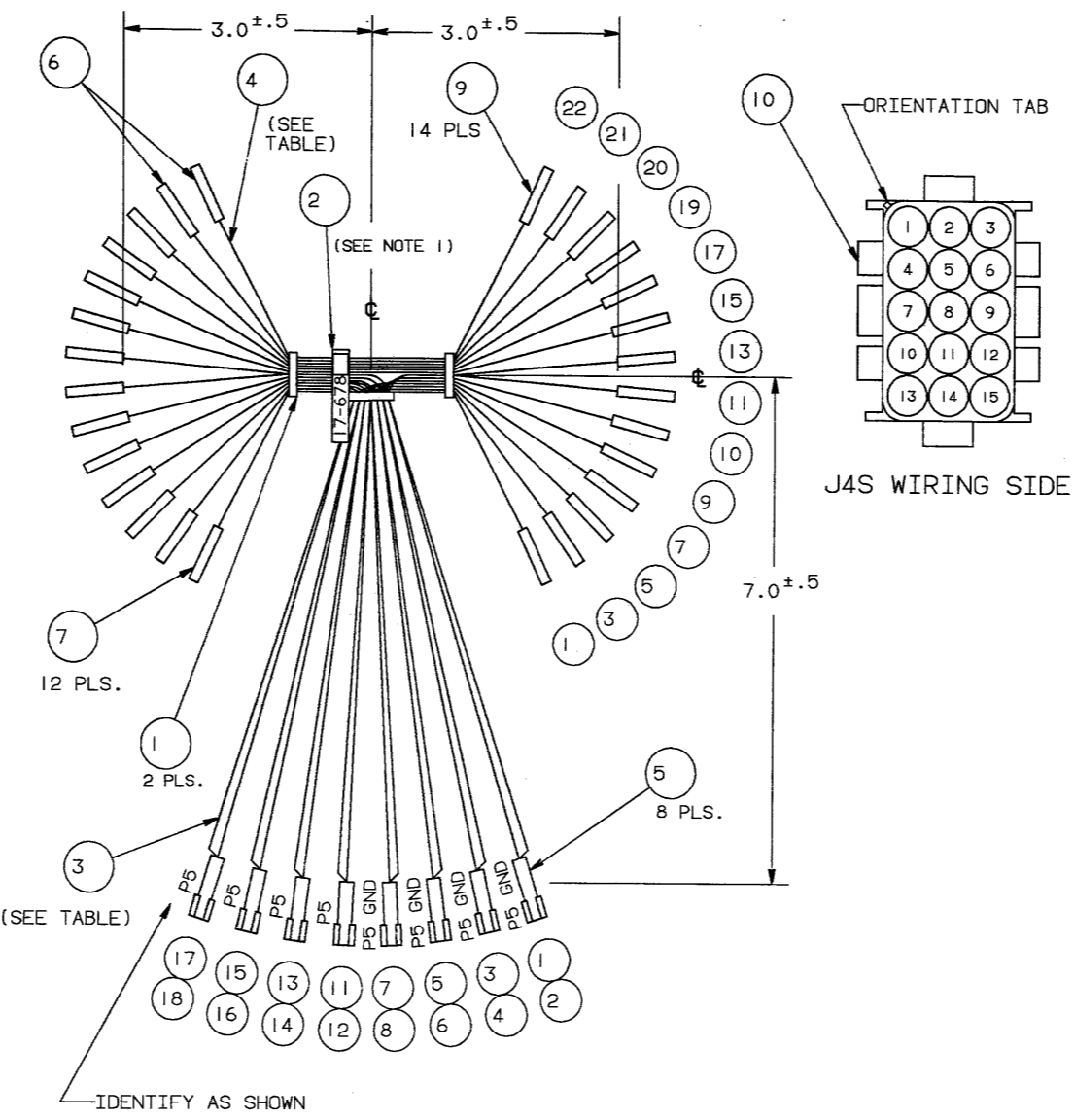
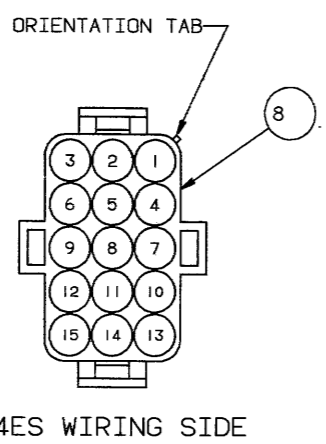
NOTES: 1. COMPLETELY REMOVE 1" OF POLYETHYLENE FILAMENTS & FRESHANE INSULATION FROM MAGNET WIRE AT BOTH ENDS OF ITEM 6 PRIOR TO ASSEMBLY INTO ITEM 5

PERKIN-ELMER
Oceanport, N.J. 07757

UNLESS OTHERWISE SPECIFIED			
SCALE:	TOLERANCE:		
DIMENSIONS ARE IN INCHES	.XXX ±.005	.X ±.03	
	.XX ±.02	ANGLES ±1°	
NAME	TITLE	DATE	
J TAMUL	DES/DFT	6/14/83	
R CERO	SUPV		
	CHK		
R DENGEL	ENG		
P ABITANTE	MGR		
R BARKER	QC		
TASK: 03294			TITLE: CABLE ASSY. (B CABLE SHIELDED) 26 COND.
DWG: 17-665			C.03 1-1

INFORMATION DISCLOSED HERE IS THE PROPERTY OF THE PERKIN-ELMER CORPORATION, AND SHALL NOT BE DISCLOSED OR USED FOR ANY OTHER PURPOSES EXCEPT AS SPECIFIED BY CONTRACT BETWEEN THE RECIPIENT AND THE PERKIN-ELMER CORPORATION. DUPLICATION OF ANY PORTION OF THIS DATA SHALL INCLUDE THIS LEGEND.

A B C D E F G H J K L M N R S



REVISIONS		
PRE PRODUCTION APPROVAL	INIT DEV. <i>MJK</i>	DATE 9-30-83
	PROD. <i>MJK</i>	DATE 9/30/83

22	P5 GND SNS	24		6.5	J4S-09	P4ES-09	
21	P5 SNS	24		6.5	J4S-07	P4ES-07	
20	P5			6.5	J4S-15	P4ES-15	
19	P5			6.5	J4S-11	P4ES-11	
18	P5			10.5	P5	P4ES-13	
17	P5			10.5	J4S-13	P5	
16	P5			10.5	P5	P4ES-12	
15	P5			10.5	J4S-12	P5	
14	P5			10.5	P5	P4ES-14	
13	P5			10.5	J4S-14	P5	
12	P5			10.5	P5	P4ES-10	
11	P5			10.5	J4S-10	P5	
10	P5 GND			6.5	J4S-06	P4ES-06	
9	P5 GND			6.5	J4S-05	P4ES-05	
8	P5 GND			10.5	P5 GND	P4ES-04	
7	P5 GND			10.5	J4S-04	P5 GND	
6	P5 GND			10.5	P5 GND	P4ES-03	
5	P5 GND			10.5	J4S-03	P5 GND	
4	P5 GND			10.5	P5 GND	P4ES-02	
3	P5 GND			10.5	J4S-02	P5 GND	
2	P5 GND			10.5	P5 GND	P4ES-01	
1	P5 GND	14	WHT	10.5	J4S-01	P5 GND	.16
WIRE NO.	SIGNAL	GA.	COLOR	LENGTH REF.	FROM STRIP	TO STRIP	

WIRING TABLE

NOTES: 1. IDENTIFY WITH APPROPRIATE PART NO. AND REV. LEVEL.

UNLESS OTHERWISE SPECIFIED		
SCALE:	TOLERANCE:	
	MILLIMETERS	INCH
DIMENSIONS ARE	.XX±.13	.XXX±.005
IN INCHES	X±.5	.XX±.02
	X±.8	.X±.03
NAME	TITLE	DATE
J TAMLEVICIUS	DES/DFT	8/23/83
R CERO	SUPV	
	CHK	
R DENGEL	ENG	
P ABITANTE	MGR	
R BARKER	QC	

PERKIN-ELMER

Oceanport, N.J. 07757

INFORMATION DISCLOSED HEREIN IS THE PROPERTY OF THE PERKIN-ELMER CORPORATION, AND SHALL NOT BE DISCLOSED OR USED FOR ANY OTHER PURPOSES EXCEPT AS SPECIFIED BY CONTRACT BETWEEN THE RECIPIENT AND THE PERKIN-ELMER CORPORATION. DUPLICATION OF ANY PORTION OF THIS DATA SHALL INCLUDE THIS LEGEND.

TITLE: CABLE ASSEMBLY
I/O POWER
INTERFACE CABLE

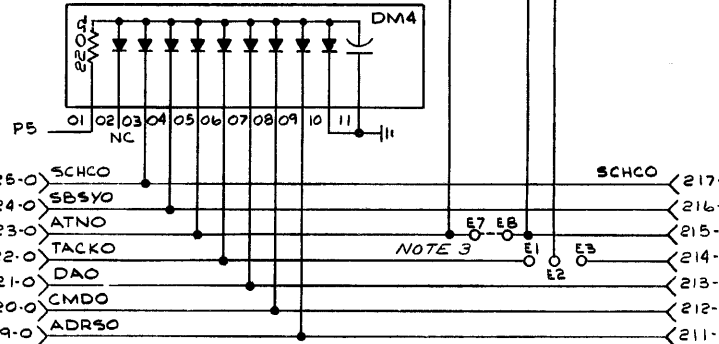
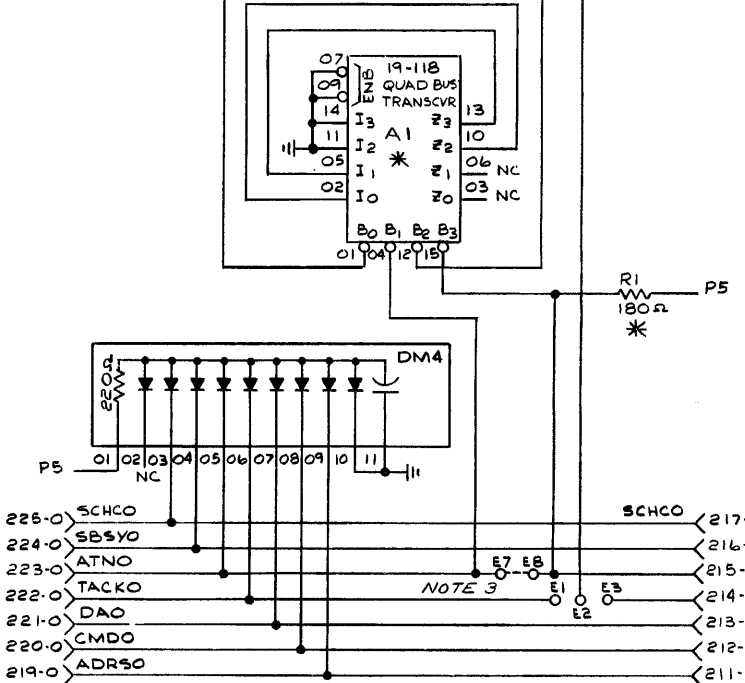
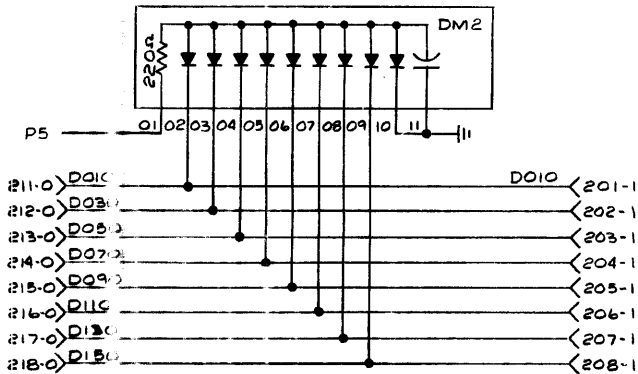
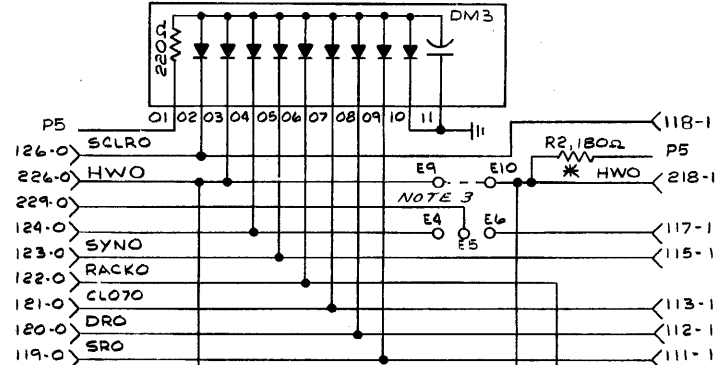
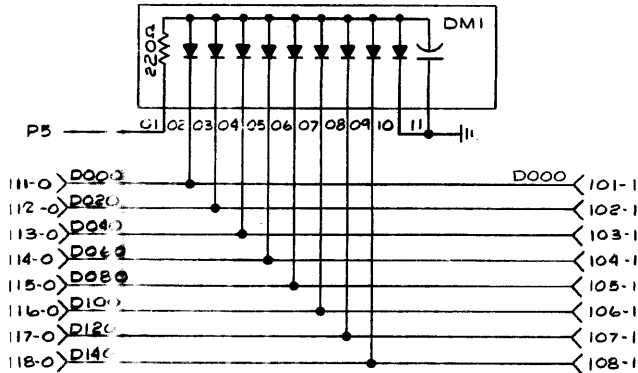
TASK: 03294
DWG: 17-678 D03 1 - 1

A B C D E F G H J K L M N R S

A B C D E F G H J K

REVISIONS

RELEASED FOR PRODUCTION
 ENG. *11/12* DATE *3-24-82*
 AREA A7 ADDED PINS
 127-0, 134-0, 204-0, 208-0
 5230-0 TO GND.
 KR 187 5111 P 6-18-82 RO1 X



BOARDS BUILT TO THIS SCHEMATIC MUST BE AT LEAST THE FOLLOWING REVISION LEVEL.

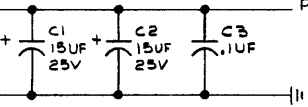
35-812	F02	M01	RO1
35-813	F01	M01	RO1
PART NO	FLTN	MFG	REV
VARIATION			

USED IN MANUAL: 47-022

PERKIN-ELMER
 Computer Systems Division
 Oceanport, N.J. 07757

"INFORMATION DISCLOSED HEREIN IS THE PROPERTY OF THE PERKIN-ELMER CORPORATION, COMPUTER SYSTEMS DIVISION, AND SHALL NOT BE DISCLOSED OR USED FOR ANY OTHER PURPOSES EXCEPT AS SPECIFIED BY CONTRACT BETWEEN THE RECIPIENT AND THE PERKIN-ELMER CORPORATION. DUPLICATION OF ANY PORTION OF THIS DATA SHALL INCLUDE THIS LEGEND."

- 127-0, 134-0, 204-0,
- 101-0, 140-0, 08-0, 230-0,
- 200-0, 201-0, 240-0, 241-0,
- 200-1, 209-1, 210-1, 219-1,
- 100-1, 109-1, 110-1, 119-1



NOTES

1. DIODE MODULES ARE 23-062 FO1
2. * DENOTES COMPONENTS USED ON F02 ONLY.
3. STRAPPING FOR FO1 ONLY

UNLESS OTHERWISE SPECIFIED	
F02	STRAP E1-E3 ONLY
F01	STRAP E7-E8, E9-E10 ONLY

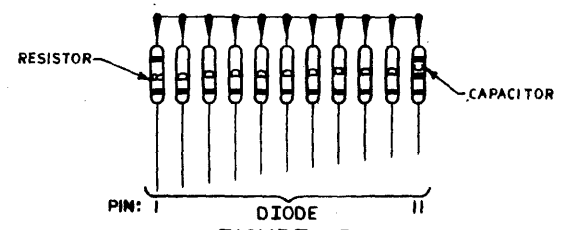
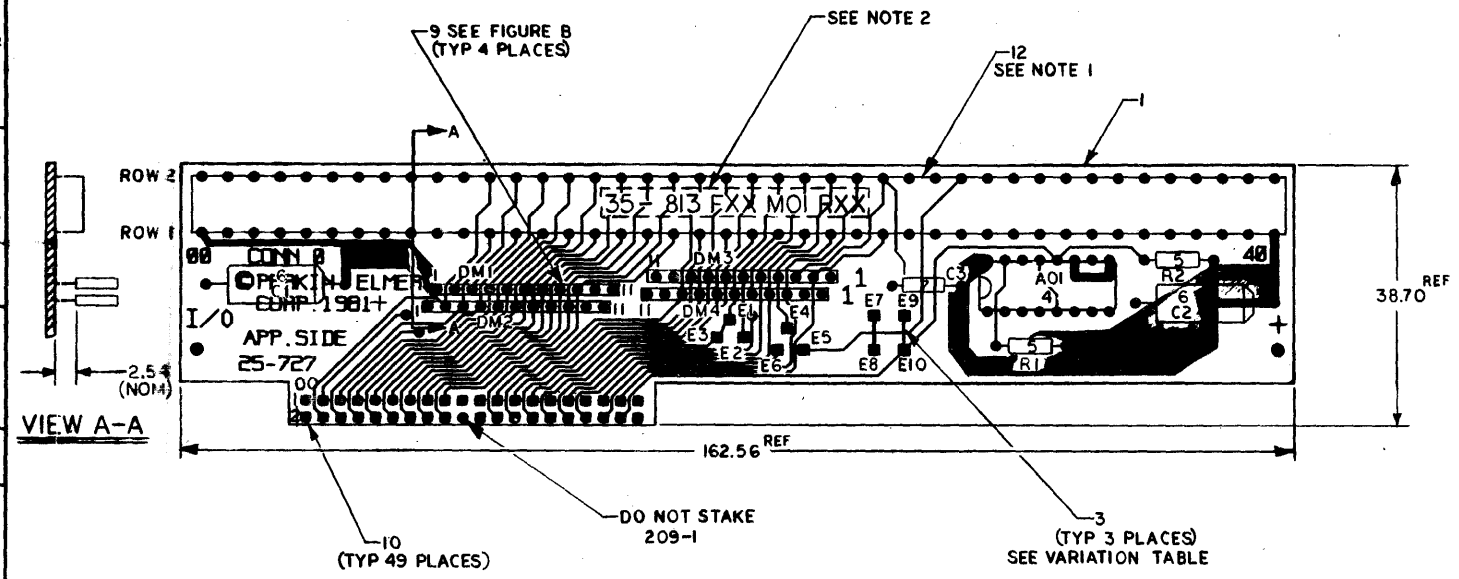
SCALE: —	TOLERANCE:
DIMENSIONS ARE IN INCHES	.XXX ± .003 .X ± .03
	.XX ± .02 ANGLES ± 1°

NAME	TITLE	DATE
B. GRAY	DES / DFT	3-24-82
R. LERO	SUPV	3-24-82
	CHK	
M. MANGIONE	ENG	3-24-82
P. OBRDA	MGR	3-24-82
R. BARKER	QC	3-24-82

TITLE SCHEMATIC	
I/O TERM BOARD	
TASK 03179	SHT
DWG 35-813 MCI RO1 COB 1-1	

MILLIMETER	INCHES
38.70	1.52
162.56	6.40
2.54	0.10

REVISIONS	
RELEASED FOR PRODUCTION	
MFG. ENG. <i>MJ</i>	DATE 3/24/82
REVISE TO REFLECT ROI COPPER, RELOCATED C3	
KR <i>8/11/11</i>	R 6-18-82/ROV



FO2	AS SHOWN, STRAP EI-E3 ONLY
FO1	AS SHOWN LESS ITEMS 4&5, STRAP E7-E8, E9-E10 ONLY
VARIATION TABLE	

NOTES: 1. BEND PINS CLOSEST TO EDGE OF BOARD INWARD PRIOR TO SOLDERING
 2. FOR BOARD IDENTIFICATION SEE SSP 002-0D

TOLERANCE IN MILLIMETERS	
X	± .8
.X	± .5
.XX	± .13

UNLESS OTHERWISE SPECIFIED

UNLESS OTHERWISE SPECIFIED		
SCALE: 2/1	TOLERANCE IN INCHES	
DIMENSIONS ARE IN MILLIMETERS	.XXX ± .005	.X ± .03
	.XX ± .02	ANGLES ± 1°

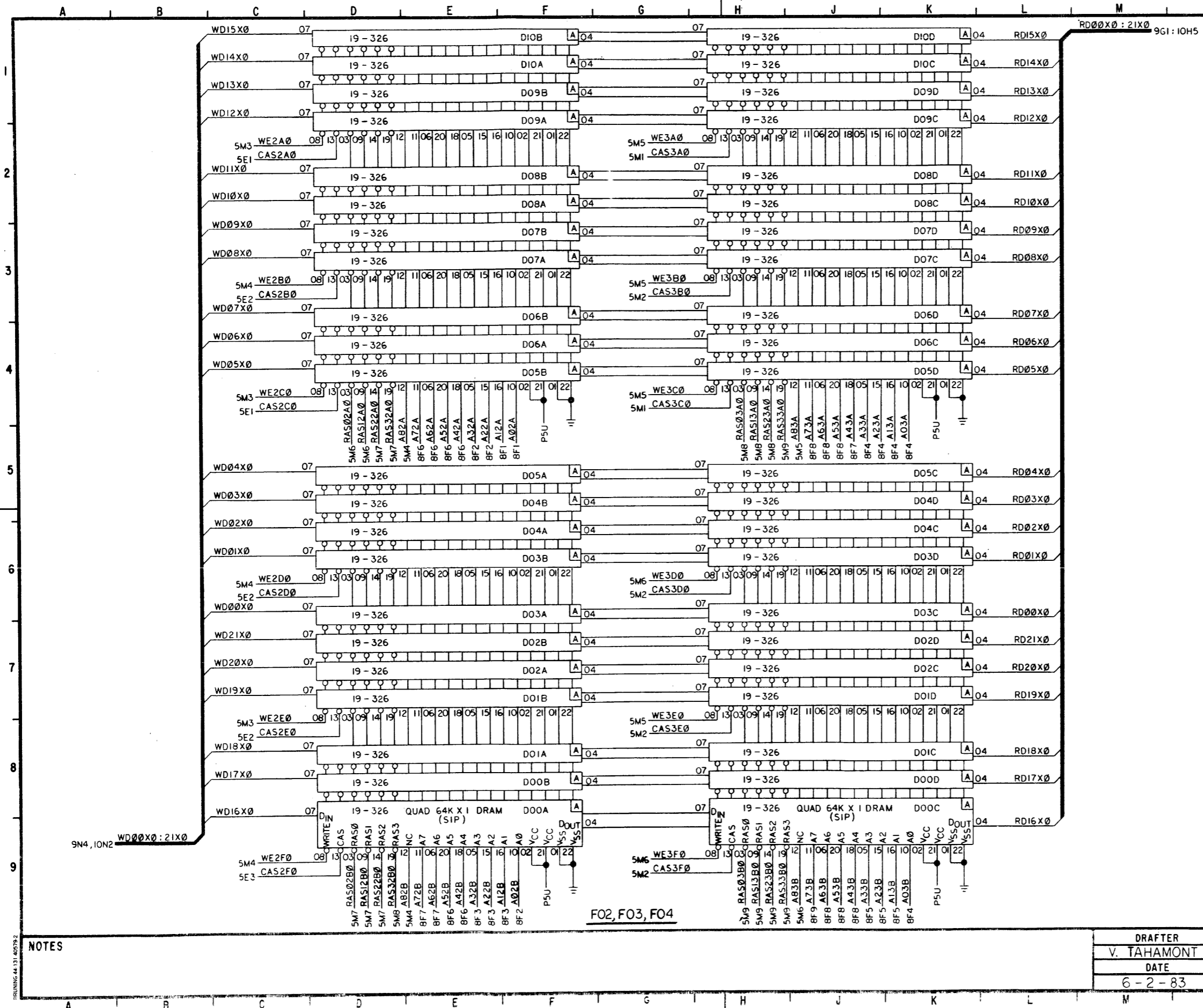
NAME	TITLE	DATE
B. GRAY	DES / DFT	3-24-82
R. CERO	SUPV	3-24-82
	CHK	
M. MANGIONE	ENG	3-24-82
P. OBRDA	MGR	3-24-82
R. BARKER	QC	3-24-82

USED IN MANUAL: 47-022

PERKIN-ELMER
 Computer Systems Division
 Oceanport, N.J. 07757

INFORMATION DISCLOSED HEREIN IS THE PROPERTY OF THE PERKIN-ELMER CORPORATION, COMPUTER SYSTEMS DIVISION, AND SHALL NOT BE DISCLOSED OR USED FOR ANY OTHER PURPOSES EXCEPT AS SPECIFIED BY CONTRACT BETWEEN THE RECIPIENT AND THE PERKIN-ELMER CORPORATION. DUPLICATION OF ANY PORTION OF THIS DATA SHALL INCLUDE THIS LEGEND.

TITLE	ASSEMBLY PRINTED CIRCUIT BOARD I/O TERM. BOARD	SMT	1-1
TASK	03179		
DWG	35-813 MOI/PCO3		



REVISIONS			
MINOR CHANGES			
BG	---	8-15-83	R01
AREA G9, "F02, F03, F04" WAS "F01, F02, F03".			
KR	JJ	5/6/79	M. 2-2-87 R02

PERKIN-ELMER
 Computer Systems Division
 Oceanport, N.J. 07757

"INFORMATION DISCLOSED HEREIN IS THE PROPERTY OF THE PERKIN-ELMER CORPORATION, COMPUTER SYSTEMS DIVISION, AND SHALL NOT BE DISCLOSED OR USED FOR ANY OTHER PURPOSES EXCEPT AS SPECIFIED BY CONTRACT BETWEEN THE RECIPIENT AND THE PERKIN-ELMER CORPORATION. DUPLICATION OF ANY PORTION OF THIS DATA SHALL INCLUDE THIS LEGEND.

TITLE SCHEMATIC
 MEMORY ARRAY
 MEMORY EXPANSION BD.

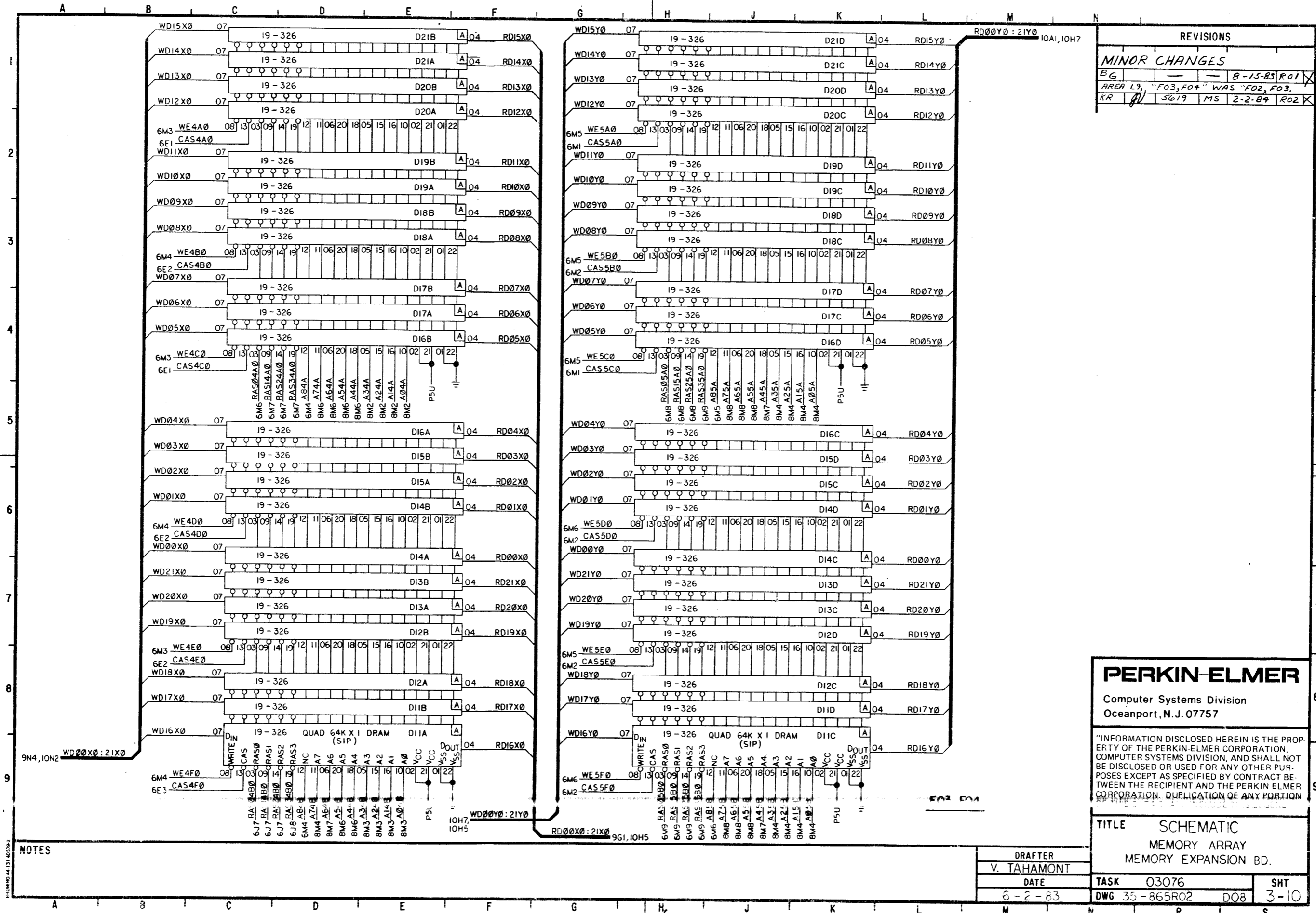
DRAFTER
 V. TAHAMONT
 DATE
 6-2-83

TASK 03076
 DWG 35-865R02 D08
 SHT 2-10

NOTES

F02, F03, F04

TRAINING 44 131 40792



REVISIONS			
MINOR CHANGES			
BG	—	—	8-15-83 R01
AREA L9, "F03,F04" WAS "F02,F03."			
KR	8/1	3619	MS 2-2-84 R02

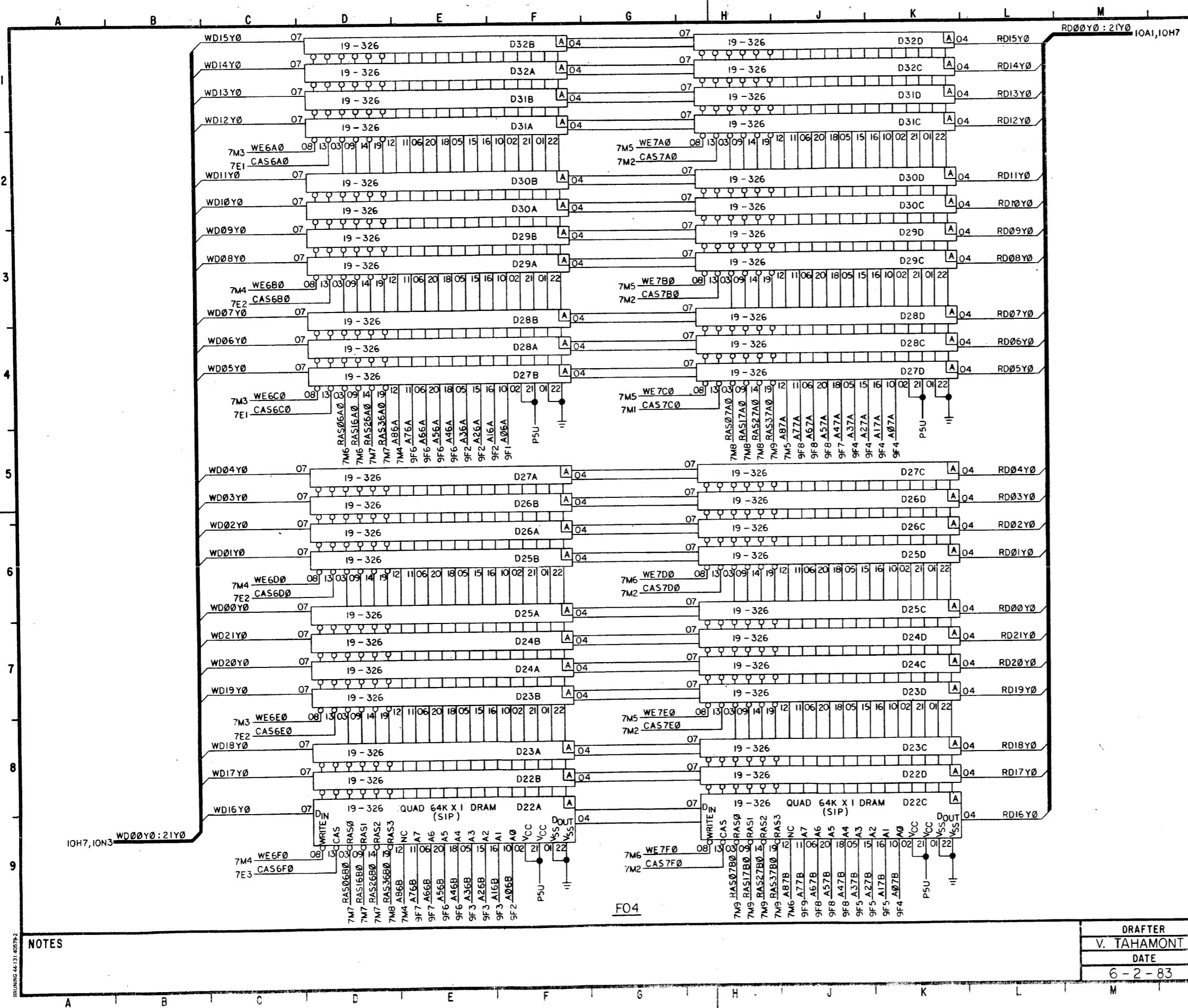
PERKIN-ELMER
 Computer Systems Division
 Oceanport, N.J. 07757

"INFORMATION DISCLOSED HEREIN IS THE PROPERTY OF THE PERKIN-ELMER CORPORATION, COMPUTER SYSTEMS DIVISION, AND SHALL NOT BE DISCLOSED OR USED FOR ANY OTHER PURPOSES EXCEPT AS SPECIFIED BY CONTRACT BETWEEN THE RECIPIENT AND THE PERKIN-ELMER CORPORATION. DUPLICATION OF ANY PORTION OF THIS DOCUMENT IS PROHIBITED."

TITLE		SCHEMATIC	
		MEMORY ARRAY	
		MEMORY EXPANSION BD.	
DRAFTER	V. TAHAMONT		
DATE	6-2-83		
TASK	O3076	SHT	3-10
DWG	35-865R02	D08	

NOTES

DRAWING 44-131-40792-2



REVISIONS			
MINOR CHANGES			
BG	—	8-15-83	R01
AREA G9, "F04" WAS "F03".			
KR	(1)	5619 M	2-2-84 R02

PERKIN-ELMER
 Computer Systems Division
 Oceanport, N.J. 07757

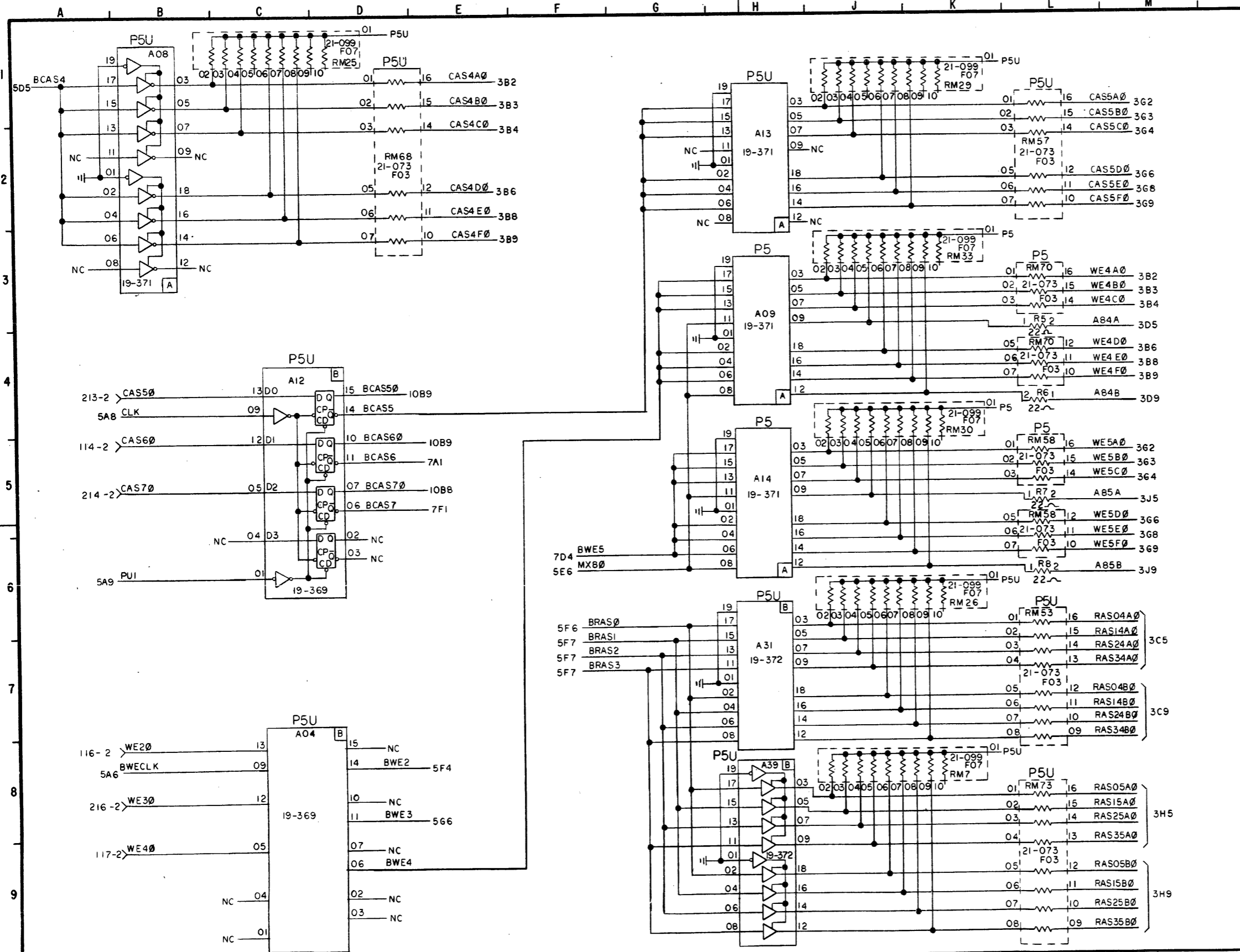
"INFORMATION DISCLOSED HEREIN IS THE PROPERTY OF THE PERKIN-ELMER CORPORATION, COMPUTER SYSTEMS DIVISION, AND SHALL NOT BE DISCLOSED OR USED FOR ANY OTHER PURPOSES EXCEPT AS SPECIFIED BY CONTRACT BETWEEN THE RECIPIENT AND THE PERKIN-ELMER CORPORATION. DUPLICATION OF ANY PORTION OF THIS DATA SHALL INCLUDE THIS LEGEND."

TITLE		SCHEMATIC	
		MEMORY ARRAY	
		MEMORY EXPANSION BD.	
DRAFTER	V. TAHAMONT	TASK	O3076
DATE	6-2-83	DWG	35-865R02
		D08	SHT 4-10

NOTES

BRUNING 44131 405792

REVISIONS			
MINOR CHANGES			
B6		8-15-83	R01



NOTES

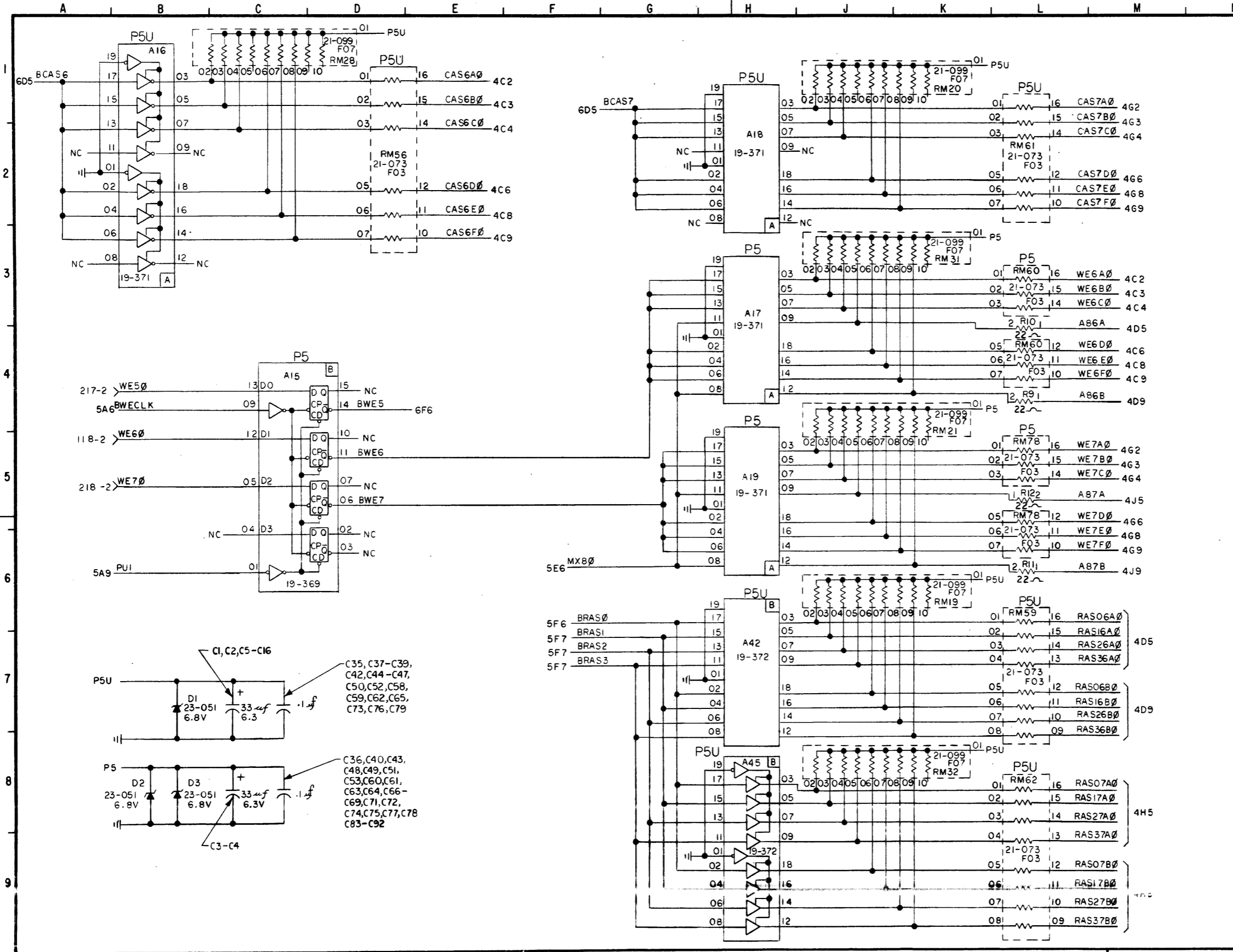
PERKIN-ELMER
 Computer Systems Division
 Oceanport, N.J. 07757

"INFORMATION DISCLOSED HEREIN IS THE PROPERTY OF THE PERKIN-ELMER CORPORATION, COMPUTER SYSTEMS DIVISION, AND SHALL NOT BE DISCLOSED OR USED FOR ANY OTHER PURPOSES EXCEPT AS SPECIFIED BY CONTRACT BETWEEN THE RECIPIENT AND THE PERKIN-ELMER CORPORATION. DUPLICATION OF ANY PORTION OF THIS DATA SHALL INCLUDE THIS LEGEND."

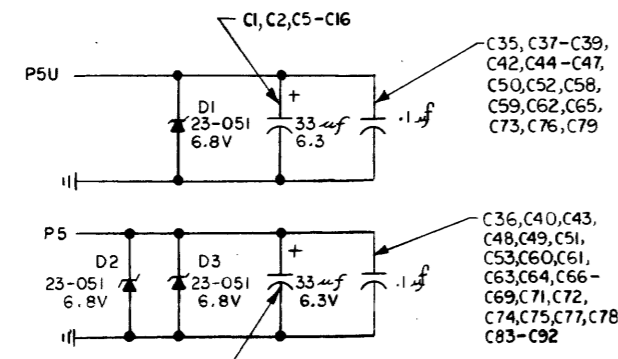
TITLE
 MEMORY BUFFER
 MEMORY EXPANSION BD

DRAFTER E. JOHNSON	TASK 03076	SHT
DATE 6-8-83	DWG 35-865 R01	D08 6-10

BRUNING 44-131 40579-2



REVISIONS			
MINOR CHANGES			
BG		8-15-83	R01



NOTES

PERKIN-ELMER
 Computer Systems Division
 Oceanport, N.J. 07757

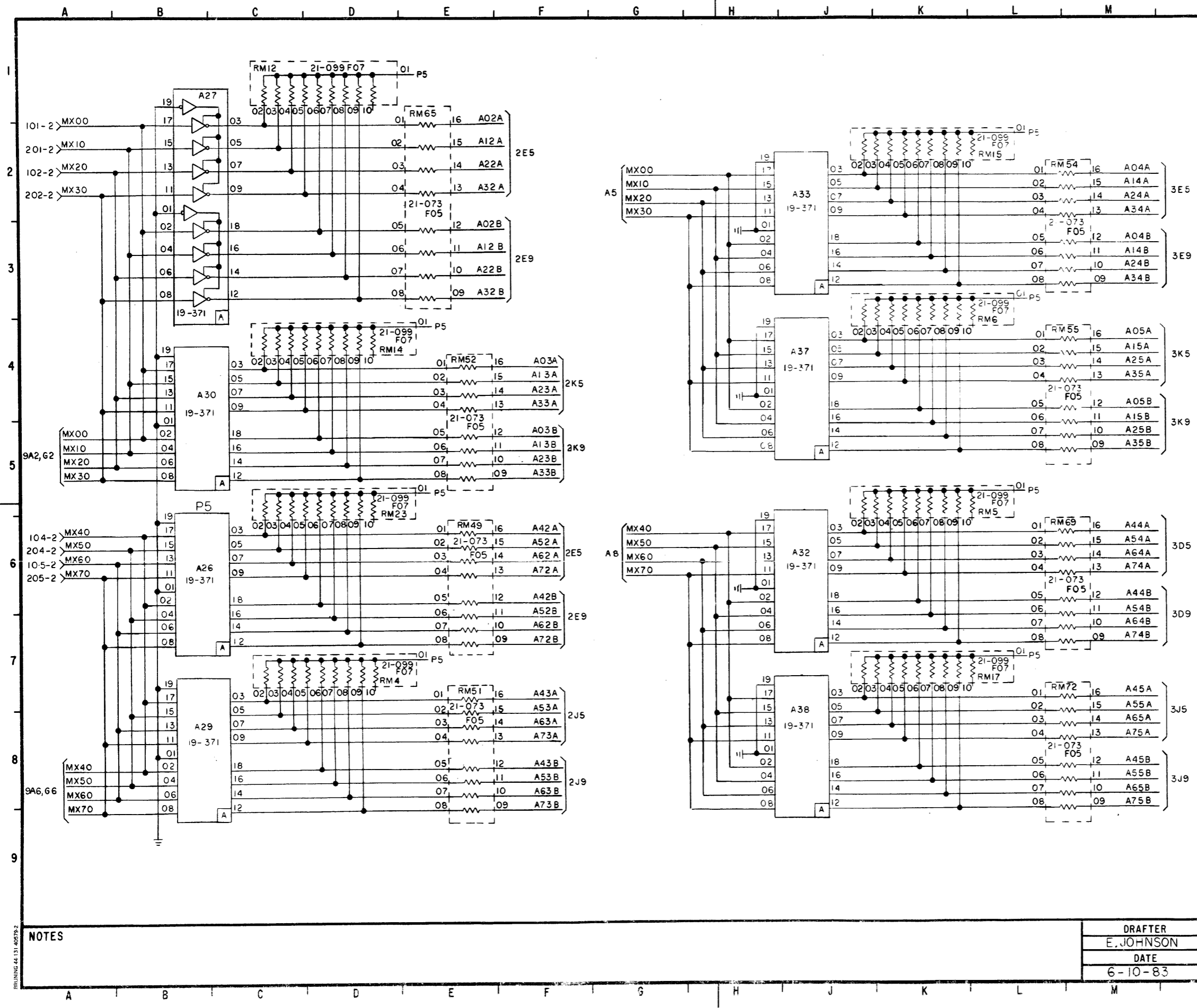
"INFORMATION DISCLOSED HEREIN IS THE PROPERTY OF THE PERKIN-ELMER CORPORATION, COMPUTER SYSTEMS DIVISION, AND SHALL NOT BE DISCLOSED OR USED FOR ANY OTHER PURPOSES EXCEPT AS SPECIFIED BY CONTRACT BETWEEN THE RECIPIENT AND THE PERKIN-ELMER CORPORATION. PUBLICATION OF ANY PORTION OF THIS DATA SHALL INCLUDE THIS LEGEND.

TITLE
 MEMORY BUFFER
 MEMORY EXPANSION BD

DRAFTER	E. JOHNSON	TASK 03076	SHT
DATE	6-8-83	DWG 35-865R01	D08 7-10

DRAWING 44 131 40279-2

REVISIONS			
MINOR CHANGES			
BG		8-15-83	ROI



NOTES

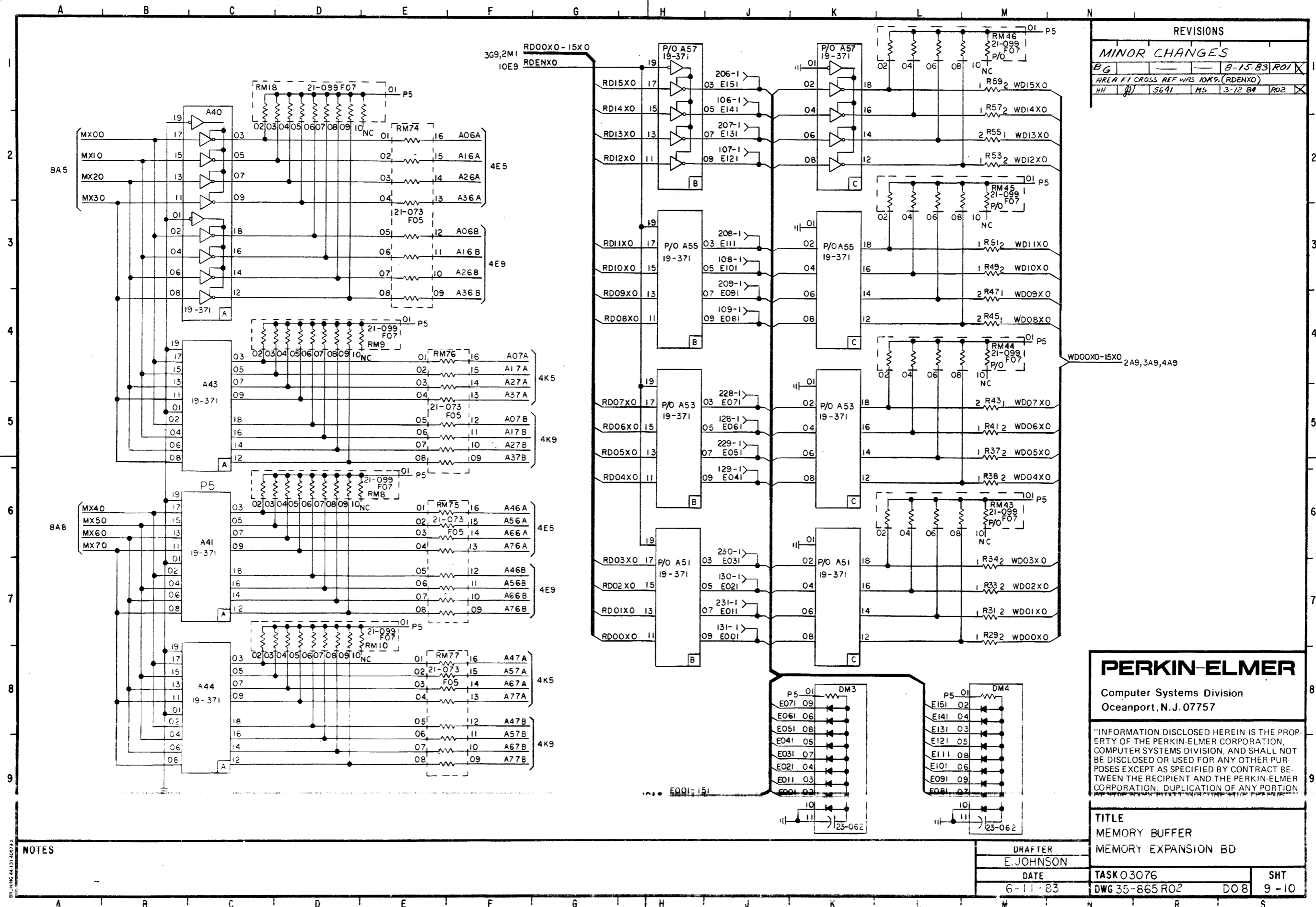
DRAFTER		TASK 03076		SHT	
E. JOHNSON		DWG 35-865 ROI		8-10	
DATE		D08			
6-10-83					

PERKIN-ELMER
 Computer Systems Division
 Oceanport, N.J. 07757

"INFORMATION DISCLOSED HEREIN IS THE PROPERTY OF THE PERKIN-ELMER CORPORATION, COMPUTER SYSTEMS DIVISION, AND SHALL NOT BE DISCLOSED OR USED FOR ANY OTHER PURPOSES EXCEPT AS SPECIFIED BY CONTRACT BETWEEN THE RECIPIENT AND THE PERKIN-ELMER CORPORATION. DUPLICATION OF ANY PORTION OF THIS DATA SHALL INCLUDE THIS LEGEND.

TITLE
 MEMORY BUFFER
 MEMORY EXPANSION BD

BRUNING 44 131 40579-2



REVISIONS				
MINOR CHANGES				
BG			8-15-83	RO1
AREA F1 CROSS REF WAS 10K9.(RDENXO)				
HH	01	5641	MS 3-12-84	RO2

PERKIN-ELMER
 Computer Systems Division
 Oceanport, N.J. 07757

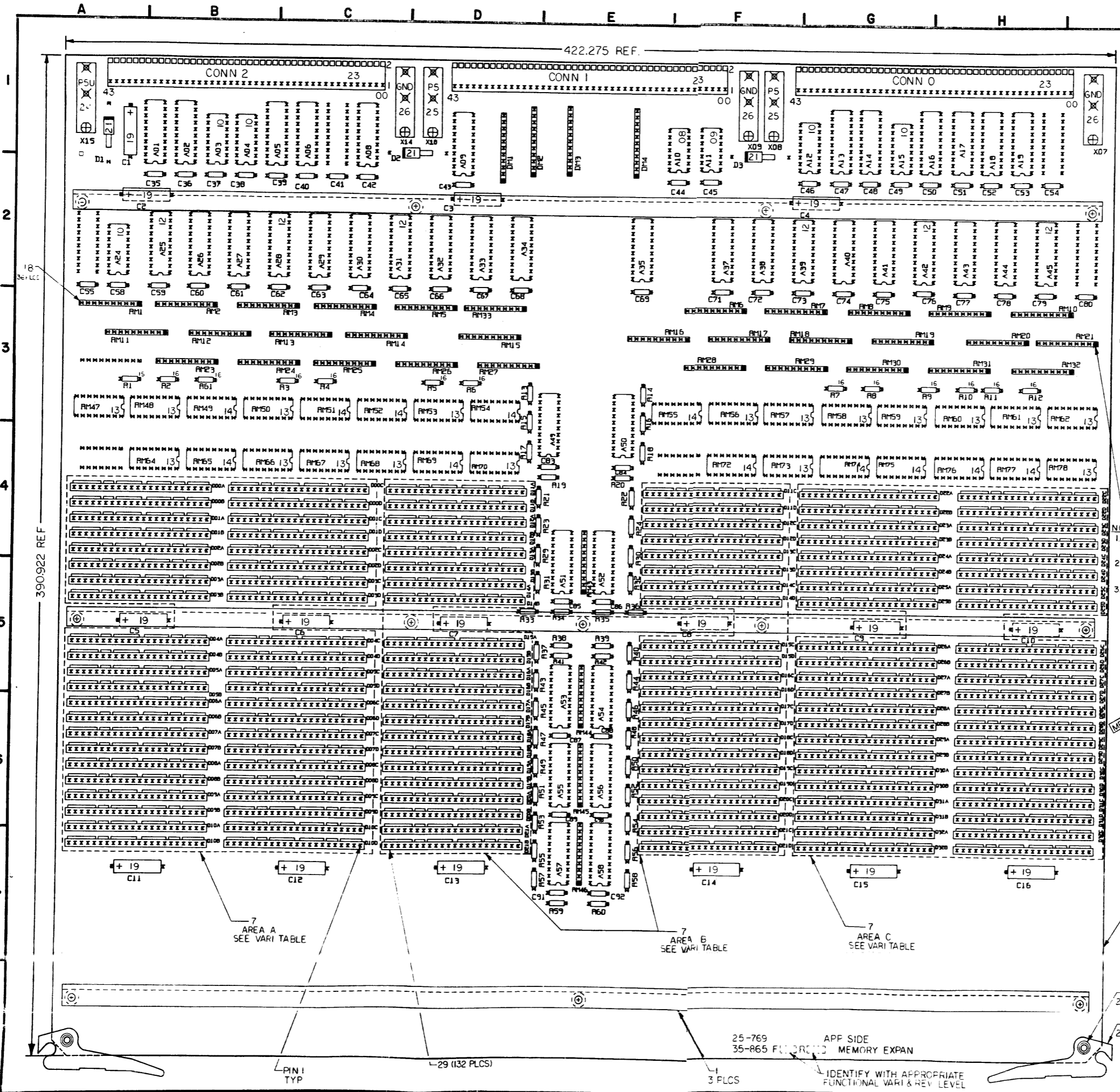
"INFORMATION DISCLOSED HEREIN IS THE PROPERTY OF THE PERKIN-ELMER CORPORATION, COMPUTER SYSTEMS DIVISION, AND SHALL NOT BE DISCLOSED OR USED FOR ANY OTHER PURPOSES EXCEPT AS SPECIFIED BY CONTRACT BETWEEN THE RECIPIENT AND THE PERKIN-ELMER CORPORATION. DUPLICATION OF ANY PORTION

TITLE
 MEMORY BUFFER
 MEMORY EXPANSION BD

DRAFTER	E. JOHNSON
DATE	6-11-83
TASK	TASK 03076
DWG	DWG 35-865 R02
DO	DO 8
SHT	9-10

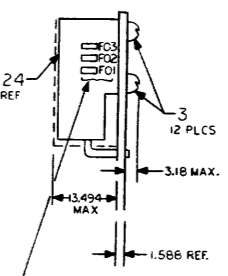
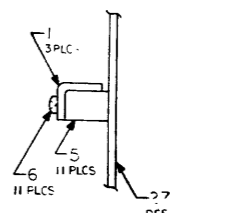
NOTES

BRUNING 44-131 40732



REVISIONS		
PRE PRODUCTION APPROVAL	DEV PROD	INIT DATE
		11/74

1. VARIATION TABLE, F02 (1MB), F03 (2MB), F04 (3MB) WERE 251 (1MB), 252 (2MB), 253 (3MB) RESPECTIVELY.
 2. AREA D REM 29 WAS 29/30 TYP.
 3. AREA D REM 29 WAS 29/30 TYP.
 4. AREA D REM 29 WAS 29/30 TYP.



PARTIAL VIEW A-A
 REF TAB POSITIONS FOR FUNCTIONAL VARIATIONS

FILLED IN PAD INDICATES PIN 1 OF ALL RESISTOR MODULES AND DIODE MODULES

- NOTES
- UNLESS OTHERWISE SPECIFIED ALL IC'S ARE 19-371 (ITEM 11)
 - UNLESS OTHERWISE SPECIFIED ALL RESISTORS ARE 33^Ω (ITEM 17)
 - UNLESS OTHERWISE SPECIFIED ALL CAPS ARE 0.1M (ITEM 20)

35-865 F04	3MB	AS SHOWN
35-865 F03	2MB	AS SHOWN LESS ITEM 7 IN AREA C
35-865 F02	1MB	AS SHOWN LESS ITEM 7 IN AREAS B&C

PART NO.	TITLE	DESCRIPTION
	VARIATION TABLE	

MILLIMETERS	INCHES
1.588	.060
3.18	.125
13.494	.530
390.922	15.405
422.275	16.630

USED IN MANUAL: 47-068

UNLESS OTHERWISE SPECIFIED		
SCALE: 2:1	TOLERANCE:	
DIMENSIONS ARE IN INCHES	.XXX ± .005 .X ± .03 .XX ± .02 ANGLES ± 1°	
NAME	TITLE	DATE
B. GRAY	DES/DFT	12-4-73
R. CERO	SUPV	
J. PILECKI	CHK	
P. OBRDA	ENG	
R. BARKER	MGR	
	QC	

PERKIN-ELMER
 Computer Systems Division
 Oceanport, N.J. 07757

INFORMATION DISCLOSED HEREIN IS THE PROPERTY OF PERKIN-ELMER CORPORATION, COMPUTER SYSTEMS DIVISION, AND SHALL NOT BE DISCLOSED OR USED FOR ANY OTHER PURPOSES EXCEPT AS SPECIFIED BY CONTRACT BETWEEN THE RECIPIENT AND THE PERKIN-ELMER CORPORATION. DUPLICATION OF ANY PORTION OF THIS DATA SHALL INCLUDE THIS LEGEND

TITLE ASSEMBLY DRAWING	
MEMORY EXPANSION	
TASK 03076	SHT
DWG 35-865 R02	E03 1-1

390922 REF

422.275 REF

18 36 LCC

390922 REF

7

8

7 AREA A SEE VARI TABLE

7 AREA B SEE VARI TABLE

7 AREA C SEE VARI TABLE

25-769 APP SIDE
 35-865 F02 R02 MEMORY EXPAN

IDENTIFY WITH APPROPRIATE FUNCTIONAL VARI & REV LEVEL

PIN 1 TYP

29 (132 PLCS)

3 PLCS

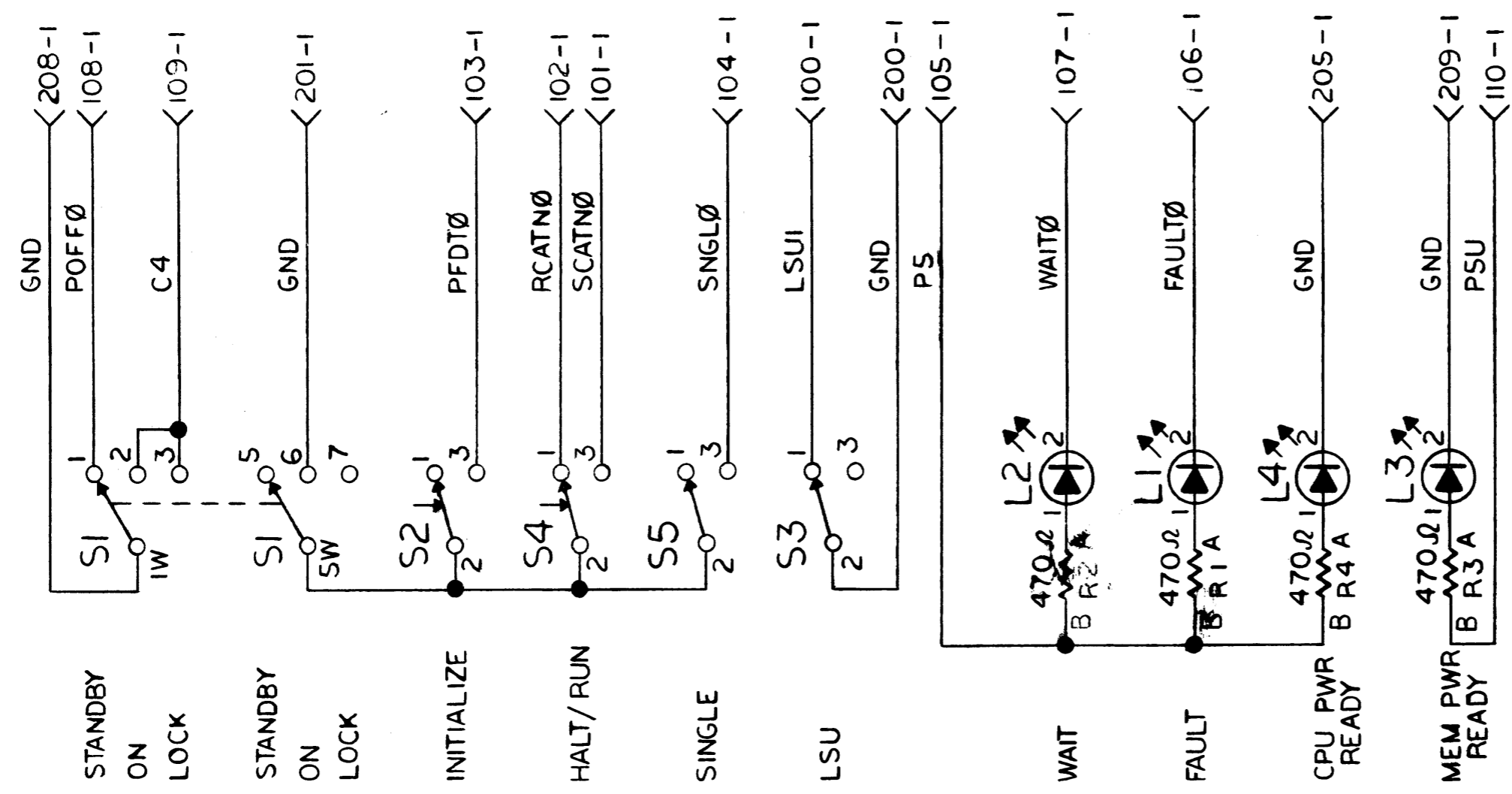
4 2 PLCS

2 PLCS

REVISIONS

PRE PRODUCTION APPROVAL	INIT DATE DEV <i>[Signature]</i> 4-15-81
-------------------------	---

RELEASED FOR PRODUCTION
DEV ENG. *[Signature]* DATE 2-17-81



USED IN MANUAL : 47-022

PERKIN-ELMER

Computer Systems Division
Oceanport, N.J. 07757

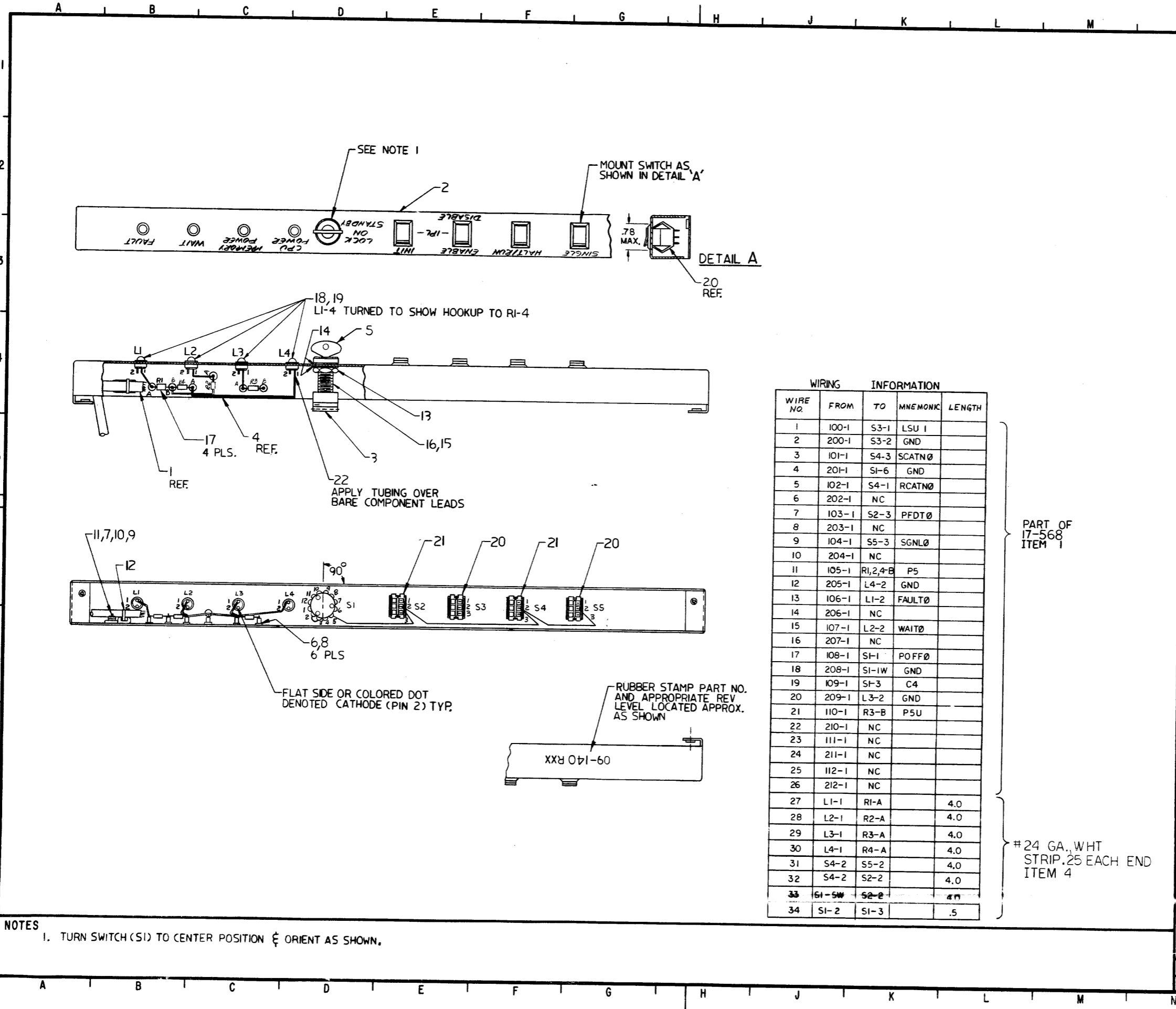
UNLESS OTHERWISE SPECIFIED		
SCALE:	TOLERANCE:	
DIMENSIONS ARE IN INCHES	.XXX ± .005	.X ± .03
	.XX ± .02	ANGLES ± 1°
NAME	TITLE	DATE
J. TAMUL	DES / DFT	1-21-81
R. CERD	SUPV	9-15-81
	CHK	
D. FOGGIA	ENG	9-15-81
P. ABITANTE	MGR	9-15-81
R. BARKER	QC	9-15-81

"INFORMATION DISCLOSED HEREIN IS THE PROPERTY OF THE PERKIN-ELMER CORPORATION, COMPUTER SYSTEMS DIVISION, AND SHALL NOT BE DISCLOSED OR USED FOR ANY OTHER PURPOSES EXCEPT AS SPECIFIED BY CONTRACT BETWEEN THE RECIPIENT AND THE PERKIN-ELMER CORPORATION. DUPLICATION OF ANY PORTION OF THIS DATA SHALL INCLUDE THIS LEGEND.

TITLE	SCHEMATIC CONTROL PANEL	
TASK	03175	SHT
DWG	09-140	B08
		1-1

NOTES

BRUNING 44-131 405 79



REVISIONS	
PRE PRODUCTION APPROVAL	INIT DATE DEV <u>MM</u> 4/15/81 PROD <u>MM</u> 4/15/81
REVISED AREAS C4 & C7	
OWN <u>J.P.L.</u> 4816	R 8-25-81 R01
RELEASED FOR PRODUCTION	
MFG. ENG. <u>J.Y.</u>	DATE 9/15/81
EXTENSIVE CHANGES TO WIRING TABLE, FOR PREVIOUS REV LEVEL SEE ROI MICRO-FILM.	
KR <u>J.H.</u> 4881	E 3-26-82 R02

USED IN MANUAL 47-022

UNLESS OTHERWISE SPECIFIED		
SCALE:	TOLERANCE:	
DIMENSIONS ARE IN INCHES	.XXX ± .005 .X ± .03 .XX ± .02 ANGLES ± 1°	
NAME	TITLE	DATE
J. TAMUL	DES/DFT	1-6-81
R. CERO	SUPV	9/15/81
	CHK	
D. FOGGIA	ENG	9/15/81
P. ABITANTE	MGR	9/15/81
R. BARKER	QC	9/15/81

PERKIN-ELMER

Computer Systems Division
Oceanport, N.J. 07757

"INFORMATION DISCLOSED HEREIN IS THE PROPERTY OF THE PERKIN-ELMER CORPORATION, COMPUTER SYSTEMS DIVISION, AND SHALL NOT BE DISCLOSED OR USED FOR ANY OTHER PURPOSES EXCEPT AS SPECIFIED BY CONTRACT BETWEEN THE RECIPIENT AND THE PERKIN-ELMER CORPORATION. DUPLICATION OF ANY PORTION OF THIS DATA SHALL INCLUDE THIS LEGEND.

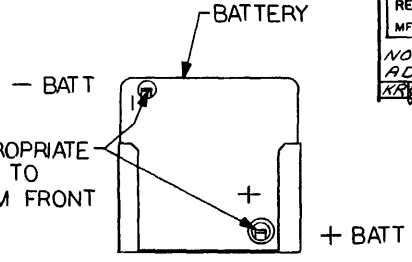
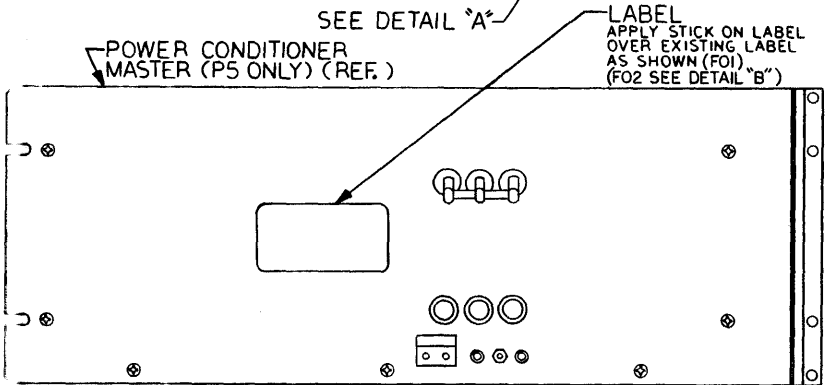
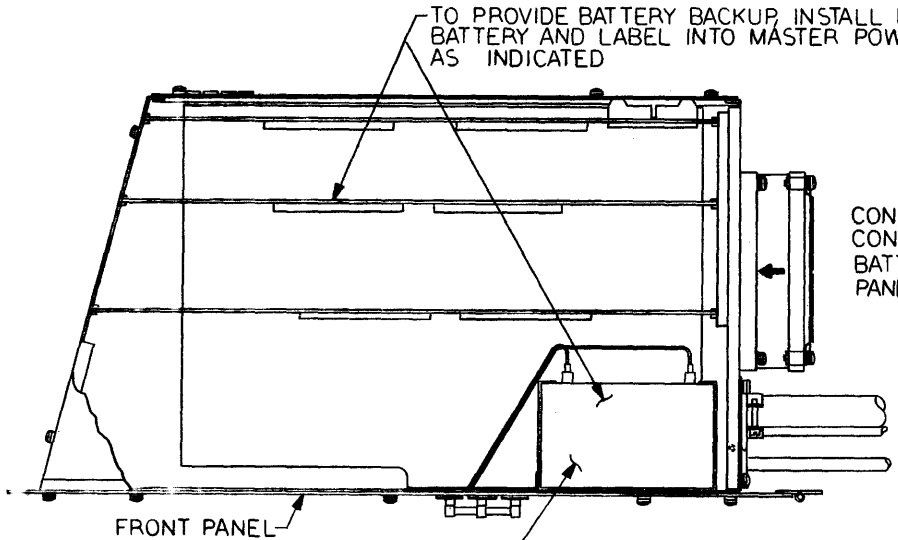
TITLE
ASSEMBLY - CONTROL PANEL CABINET

TASK 03175 SHT 1-1
DWG 09-140 R02 D03

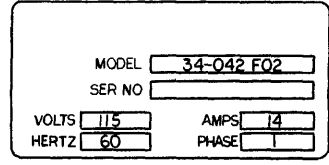
NOTES
1. TURN SWITCH (S1) TO CENTER POSITION & ORIENT AS SHOWN.

DRAWING 44-131-402/3

A B C D E F G H J K



DETAIL "A"
INSTALL BATTERY AS SHOWN



DETAIL "B"
(FO2 ONLY)

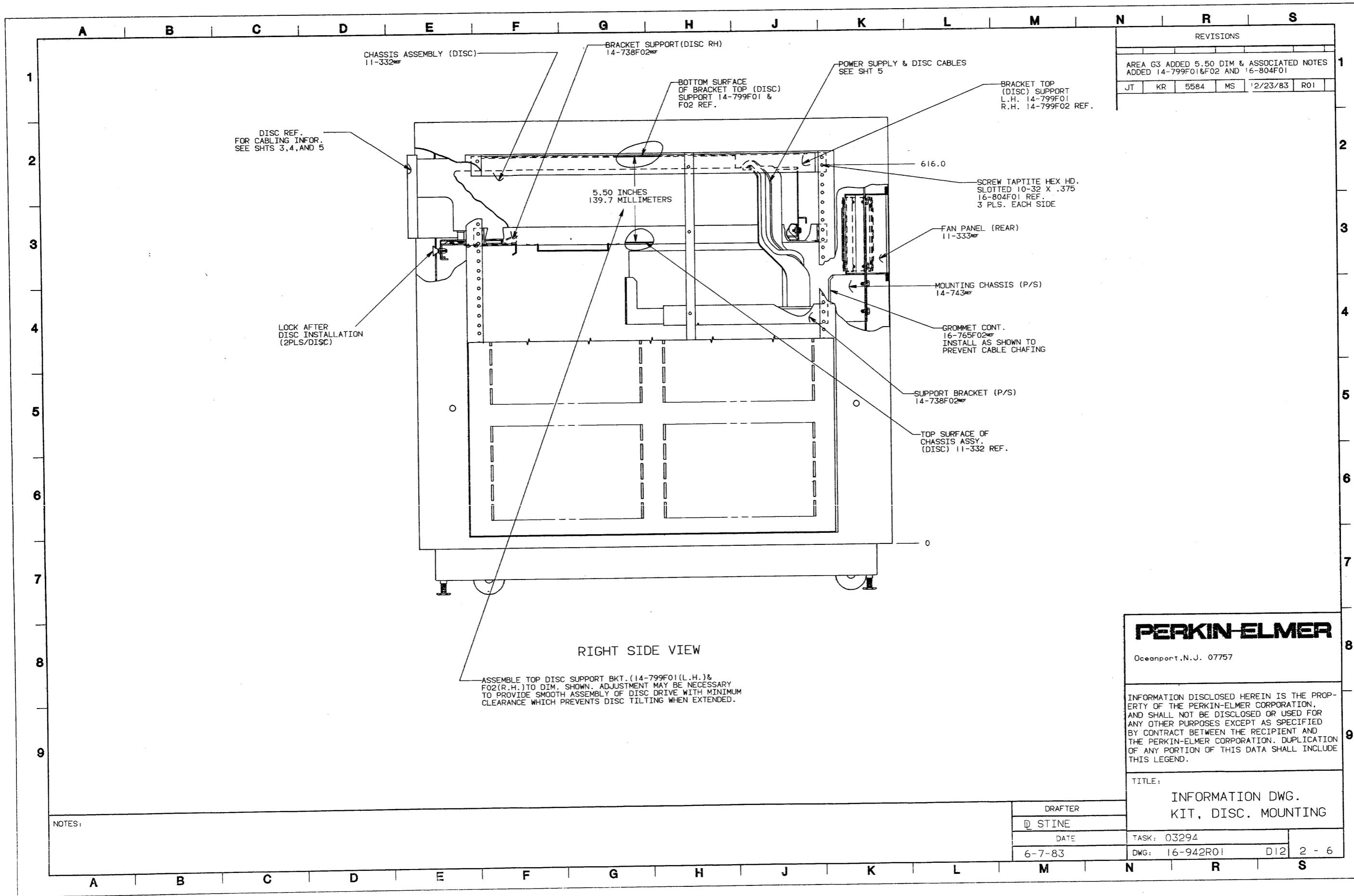
REVISIONS		
PRE PRODUCTION APPROVAL	DEV	DATE
	2/10	3/11/82
RELEASED FOR PRODUCTION		
MFG. ENG.	MJD	DATE
		2/2/82
NOTE 1, ADDED "(3210)"		
ADDED NOTE 2 & DETAIL B:		
KRYD 5398 R 5-17-83 ROJ		

47-042
USED IN MANUAL 47-020

PERKIN-ELMER
Computer Systems Division
Oceanport, N.J. 07757

UNLESS OTHERWISE SPECIFIED			
SCALE: 1/2	TOLERANCE:		
DIMENSIONS ARE IN INCHES	.XXX ± .005	.X ± .03	ANGLES ± 1°
	.XX ± .02		
NAME	TITLE	DATE	TITLE
J TAMUL	DES / DFT	10-21-81	INFORMATION DWG. PSU EXPANSION
R CERO	SUPV	8-17-82	
	CHK		
R DENGEL	ENG	8-17-82	
P ABITANTE	MGR	8-17-82	
R BARKER	QC	8-17-82	
			TASK 03131
			SHT 1-1
			DWG 02-745 MOIROIC12

NOTES
1. FOR MEMORY MODULE INFO SEE CPU CHASSIS DWG. 02-783D12 AND 02-784D12 (3210).
2. FOR MEMORY MODULE INFO SEE CPU CHASSIS DWG. 02-839D12 (3205).



REVISIONS					
AREA G3 ADDED 5.50 DIM & ASSOCIATED NOTES ADDED 14-799F01&F02 AND 16-804F01					
JT	KR	5584	MS	12/23/83	R01

PERKIN-ELMER
 Oceanport, N.J. 07757

INFORMATION DISCLOSED HEREIN IS THE PROPERTY OF THE PERKIN-ELMER CORPORATION, AND SHALL NOT BE DISCLOSED OR USED FOR ANY OTHER PURPOSES EXCEPT AS SPECIFIED BY CONTRACT BETWEEN THE RECIPIENT AND THE PERKIN-ELMER CORPORATION. DUPLICATION OF ANY PORTION OF THIS DATA SHALL INCLUDE THIS LEGEND.

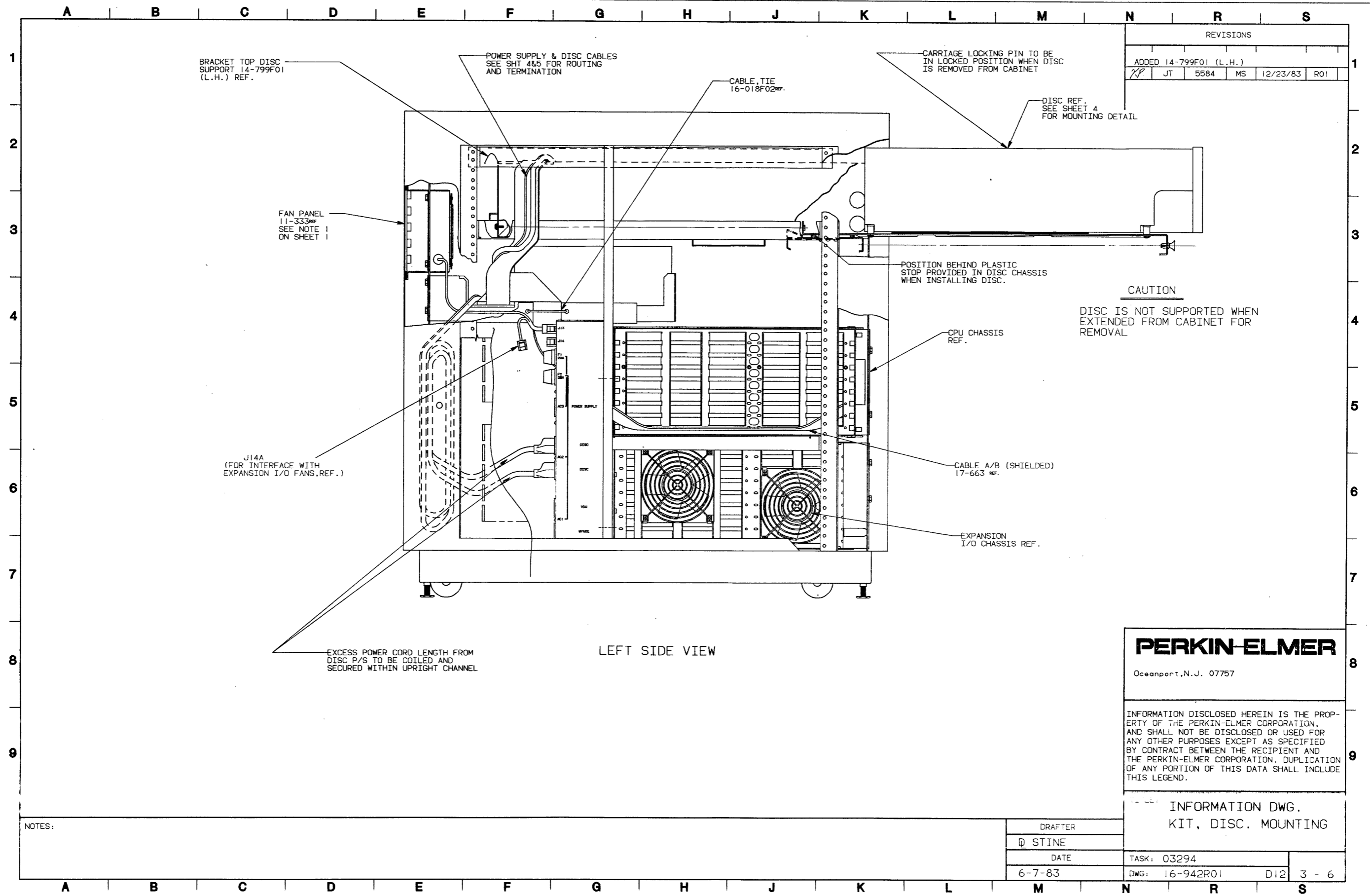
TITLE:
 INFORMATION DWG.
 KIT, DISC. MOUNTING

DRAFTER	D STINE		
DATE	6-7-83		
TASK:	03294	DWG:	16-942R01 D12 2-6

NOTES:

ASSEMBLE TOP DISC SUPPORT BKT. (14-799F01 (L.H.) & F02 (R.H.)) TO DIM. SHOWN. ADJUSTMENT MAY BE NECESSARY TO PROVIDE SMOOTH ASSEMBLY OF DISC DRIVE WITH MINIMUM CLEARANCE WHICH PREVENTS DISC TILTING WHEN EXTENDED.

RIGHT SIDE VIEW



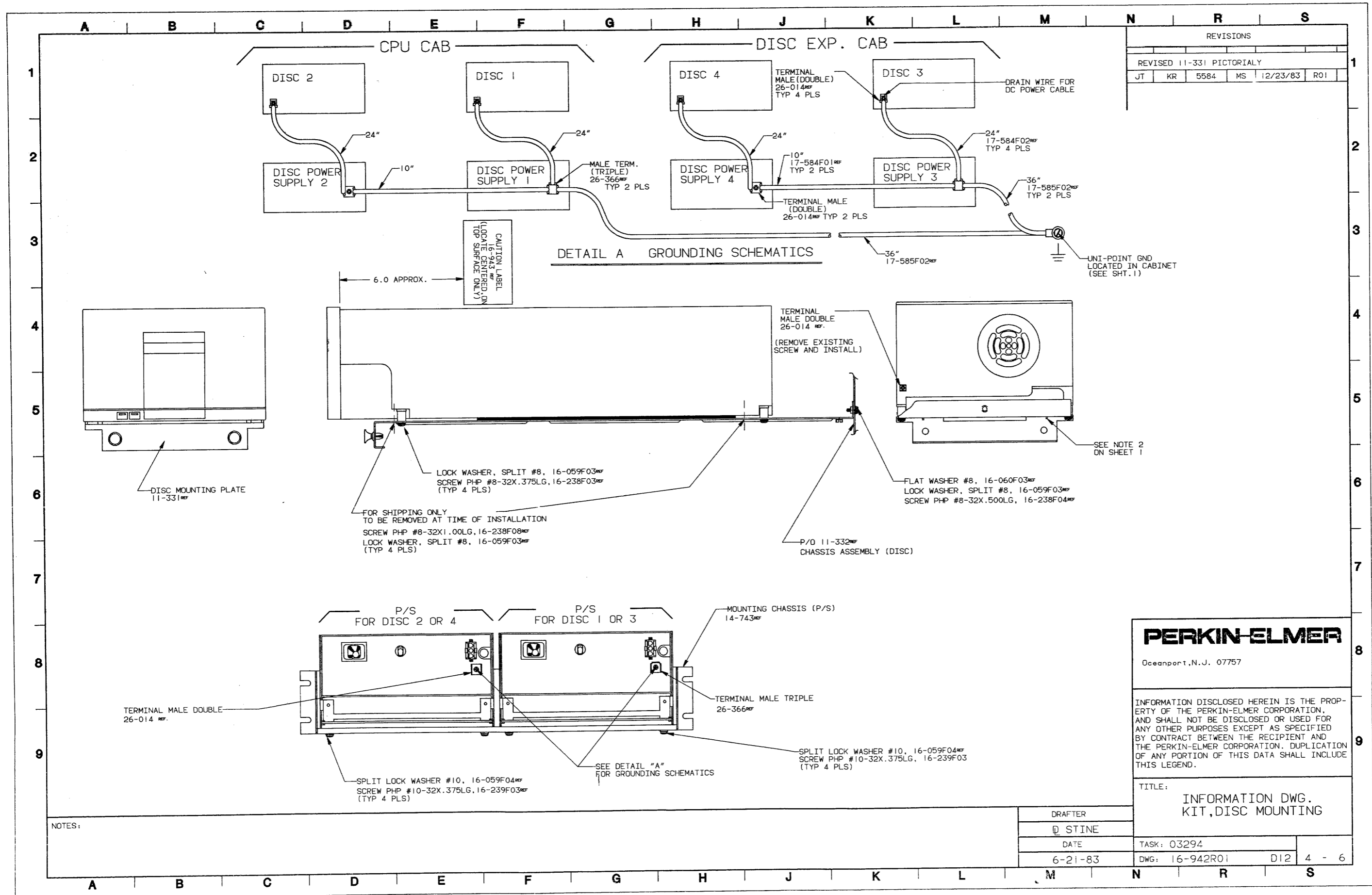
REVISIONS					
ADDED 14-799F01 (L.H.)					
J.P.	JT	5584	MS	12/23/83	RO1

PERKIN-ELMER
Oceanport, N.J. 07757

INFORMATION DISCLOSED HEREIN IS THE PROPERTY OF THE PERKIN-ELMER CORPORATION, AND SHALL NOT BE DISCLOSED OR USED FOR ANY OTHER PURPOSES EXCEPT AS SPECIFIED BY CONTRACT BETWEEN THE RECIPIENT AND THE PERKIN-ELMER CORPORATION. DUPLICATION OF ANY PORTION OF THIS DATA SHALL INCLUDE THIS LEGEND.

INFORMATION DWG.	
KIT, DISC. MOUNTING	
DRAFTER D STINE	TASK: 03294
DATE 6-7-83	DWG: 16-942R01 D12 3 - 6

NOTES:



NOTES:

PERKIN-ELMER
 Oceanport, N.J. 07757

INFORMATION DISCLOSED HEREIN IS THE PROPERTY OF THE PERKIN-ELMER CORPORATION, AND SHALL NOT BE DISCLOSED OR USED FOR ANY OTHER PURPOSES EXCEPT AS SPECIFIED BY CONTRACT BETWEEN THE RECIPIENT AND THE PERKIN-ELMER CORPORATION. DUPLICATION OF ANY PORTION OF THIS DATA SHALL INCLUDE THIS LEGEND.

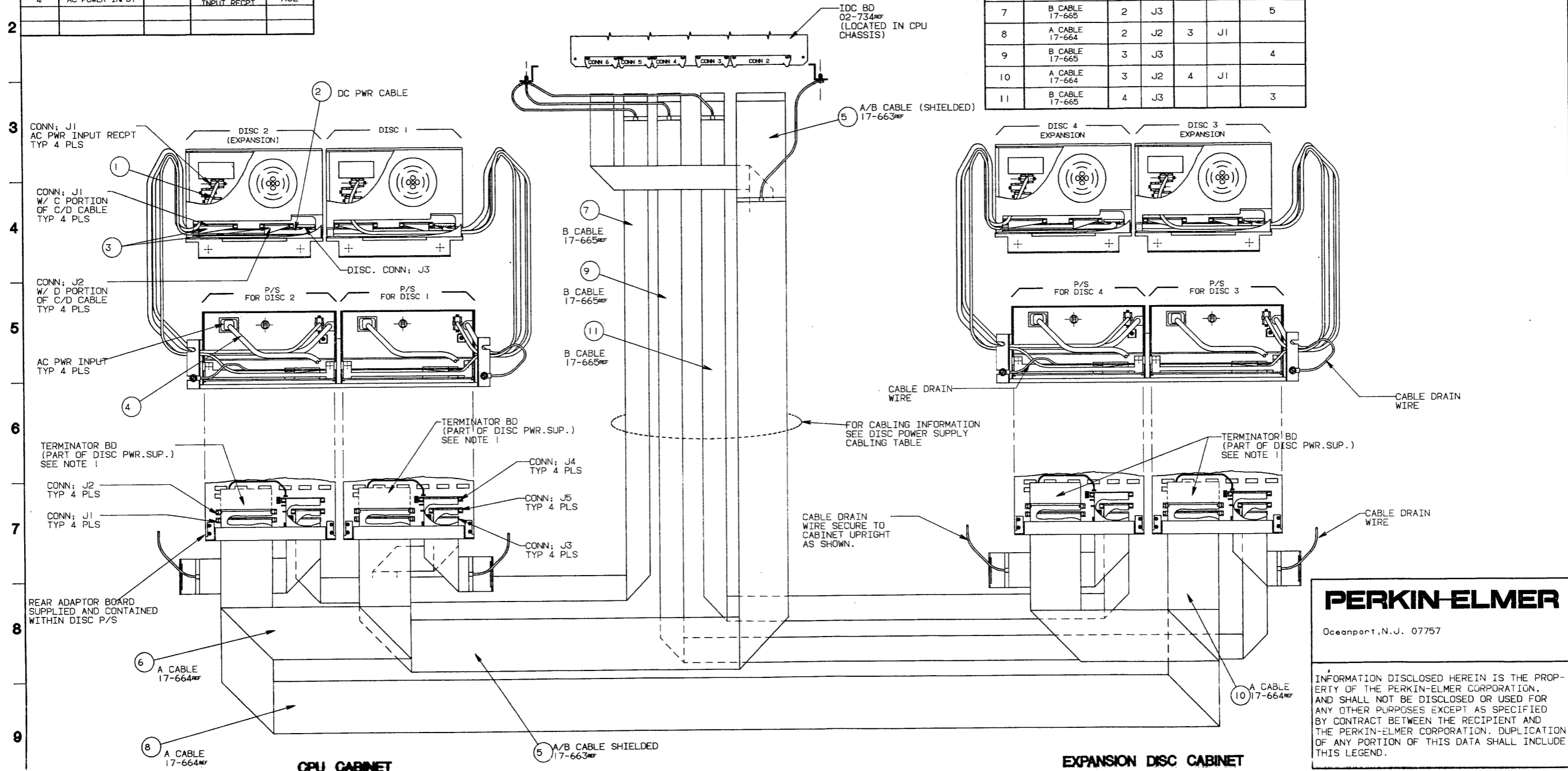
TITLE:
**INFORMATION DWG.
 KIT, DISC MOUNTING**

DRAFTER	D STINE		
DATE	6-21-83	TASK: 03294	DWG: 16-942R01
		D12	4 - 6

DISC TO DISC POWER SUPPLY CABLING (TYP)				
CABLE NO	CABLE DESCRIPTION	FROM: DISC	TO: DISC POWER/SUPPLY	TO: CAB AC PANEL
1	AC POWER (BLACK)	J1	J1	
2	DC POWER (GRAY)	J3	INTERNALLY CONNECTED	
3	17-672 (C) C/D CABLE SHIELDED (D)	J1	J4	
		J2	J5	
4	AC POWER INPUT		AC POWER INPUT RECPT	AC2

DISC POWER SUPPLY CABLING					
CABLE NO	CABLE DESCRIPTION	FROM: DISC POWER SUPPLY		TO: DISC POWER SUPPLY	
		P/S NO	CONN NO	P/S NO	CONN NO
5	A/B CABLE (A) (SHIELDED) (B)	1	J1		2
		1	J3		6
6	A CABLE 17-664	1	J2	2	J1
7	B CABLE 17-665	2	J3		5
8	A CABLE 17-664	2	J2	3	J1
9	B CABLE 17-665	3	J3		4
10	A CABLE 17-664	3	J2	4	J1
11	B CABLE 17-665	4	J3		3

REVISIONS	
1	
2	
3	
4	
5	
6	
7	
8	
9	



NOTES: 1. CONFIGURATION DEPENDENT CONNECTION (J2) FOR 'A' CABLE, OR TERMINATOR BD (LAST DISC IN SYSTEM)

PERKIN-ELMER
 Oceanport, N.J. 07757

INFORMATION DISCLOSED HEREIN IS THE PROPERTY OF THE PERKIN-ELMER CORPORATION, AND SHALL NOT BE DISCLOSED OR USED FOR ANY OTHER PURPOSES EXCEPT AS SPECIFIED BY CONTRACT BETWEEN THE RECIPIENT AND THE PERKIN-ELMER CORPORATION. DUPLICATION OF ANY PORTION OF THIS DATA SHALL INCLUDE THIS LEGEND.

TITLE: INFORMATION DWG
 KIT, DISC MOUNTING

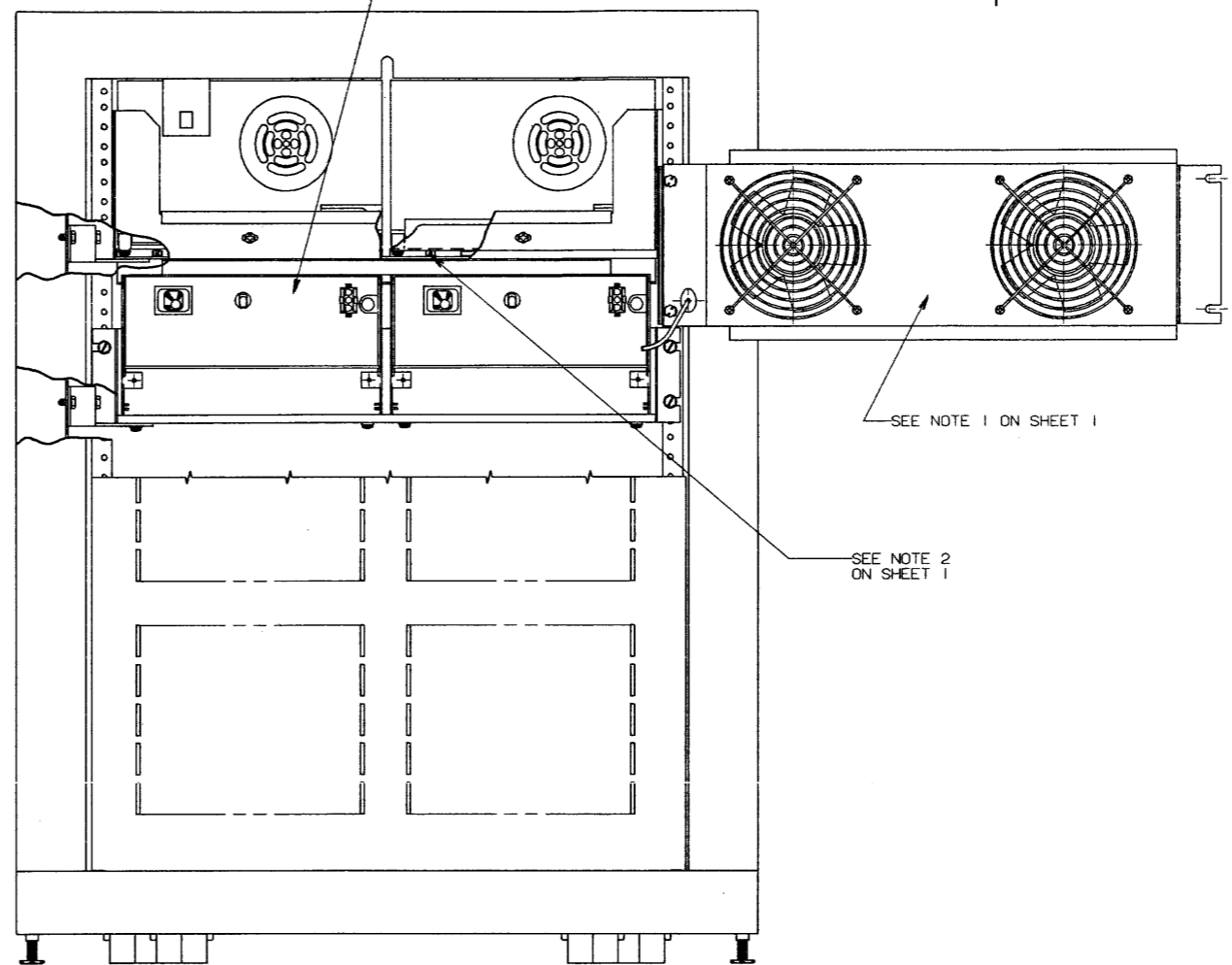
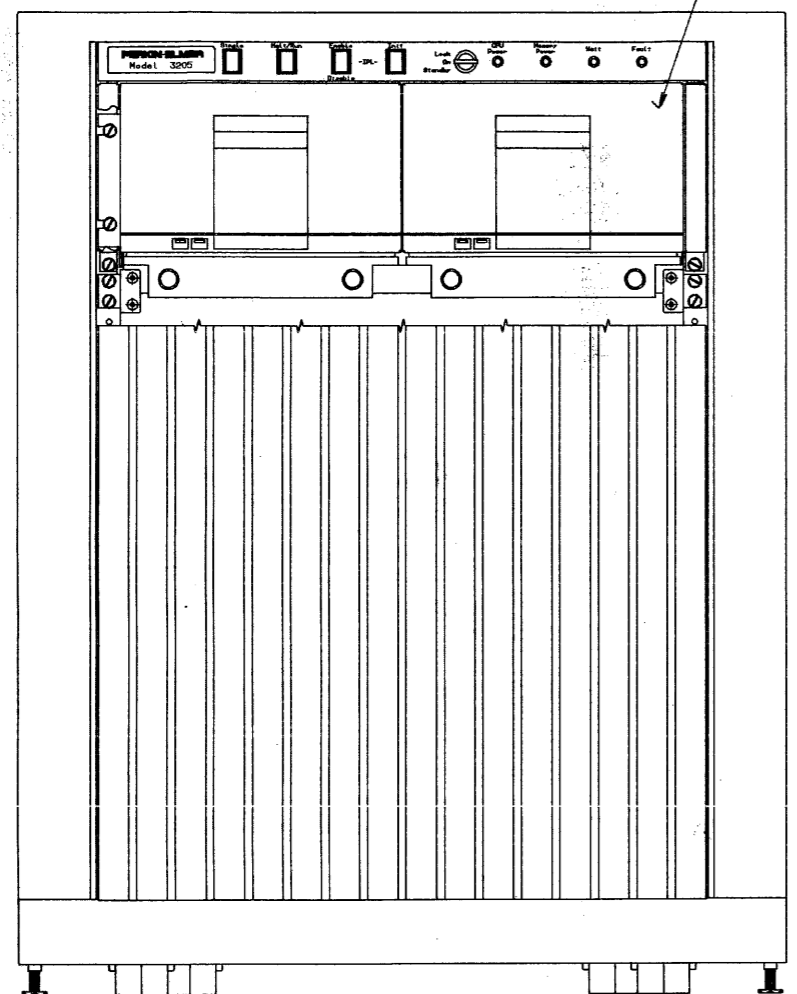
DRAFTER	STINE
DATE	7/1/83
TASK: 03294	DWG: 16-942
	D12 5 - 6

A B C D E F G H J K L M N R S

REVISIONS

EXP DISC (REF)
 27-149F01 (DOMESTIC) 115VAC, 60HZ
 27-149F02 (INTERNATIONAL) 230VAC, 50HZ

DISC PWR SUPPLY EXP. (REF)



RECOMMENDED LOCATION OF DISC EXPANSION CABINET.

SEE NOTE 1 ON SHEET 1

SEE NOTE 2 ON SHEET 1

FRONT VIEW

REAR VIEW

EXPANSION DISC (DUAL DISC) INSTALLATION

PERKIN-ELMER
 Oceanport, N.J. 07757

INFORMATION DISCLOSED HEREIN IS THE PROPERTY OF THE PERKIN-ELMER CORPORATION, AND SHALL NOT BE DISCLOSED OR USED FOR ANY OTHER PURPOSES EXCEPT AS SPECIFIED BY CONTRACT BETWEEN THE RECIPIENT AND THE PERKIN-ELMER CORPORATION. DUPLICATION OF ANY PORTION OF THIS DATA SHALL INCLUDE THIS LEGEND.

TITLE: INFORMATION DWG
 KIT, DISC. MOUNTING

NOTES:

DRAFTER	
D. STINE	
DATE	TASK: 03294
6-7-83	DWG: 16-942 D12 6 - 6

A B C D E F G H J K L M N R S